

aprilia[®]

ERSATZTEILKATALOG



MOTO' 6.5 650 1995-1999

Vorsatzcode Fahrgestell:
Vorsatzcode Motor:

MOTÒ

AP04900

Inhaltsverzeichnis

Fertige Produkte.....	3
Alphanumerisches Verzeichnis.....	4
Motor.....	9
Tafel 1 - Kurbelwelle - Zylinder.....	9
Tafel 10 - Schwungmagnetstarter.....	11
Tafel 2 - Spezialwerkzeug.....	13
Tafel 3 - Schaltgetriebe.....	15
Tafel 4 - Ölpumpe.....	17
Tafel 5 - Kupplungsdeckel.....	20
Tafel 6 - Kupplung.....	22
Tafel 7 - Startermotor.....	23
Tafel 8 - Zylinderkopf.....	24
Tafel 9 - Ventile.....	26
Rahmen.....	28
Tafel 11 - Aufbau.....	28
Tafel 12 - Vorderradgabel.....	30
Tafel 13 - Schwinge.....	31
Tafel 14 - Hinterradbremse.....	33
Tafel 15 - Filtergehäuse.....	34
Tafel 16 - Tabellen.....	36
Tafel 17 - Elektrische Anlage.....	38
Tafel 18 - Lenkstange - Schaltungen.....	40
Tafel 19 - Seitenständer - Fussrasten.....	42
Tafel 20 - Kühlanlage.....	43
Tafel 21 - Vorderrad.....	44
Tafel 22 - Hinterrad.....	45
Tafel 23 - Kraftstofftank.....	47
Tafel 24 - Rahmen.....	48



MOTÒ
AP04900 - MOTO' 6.5 650 1995-1999

Vorsatzcode Fahrgestell:
Vorsatzcode Motor:

Fertige Produkte

Code	Gültigkeit
------	------------

kein fertiges Produkt

Code	Nr. der Tafel	Pos.	Code	Nr. der Tafel	Pos.	Code	Nr. der Tafel	Pos.
AP	21	5	AP0233680	4	3	AP0242607	6	20
AP	21	6	AP0234560	4	33	AP0242785	7	8
AP	22	6	AP0234620	5	23	AP0242840	8	30
AP	22	7	AP0234655	10	3	AP0242851	1	26
AP0210378	5	1	AP0234670	3	9	AP0242851	8	19
AP0210388	10	20	AP0234700	3	16	AP0244020	6	29
AP0210411	4	48	AP0234712	3	2	AP0244100	3	19
AP0210640	4	29	AP0234720	3	8	AP0244217	8	43
AP0210674	8	38	AP0234756	10	4	AP0244950	6	17
AP0216201	1	22	AP0235272	6	1	AP0245325	6	19
AP0220220	3	10	AP0236081	8	25	AP0245330	4	25
AP0220222	3	10	AP0236100	8	23	AP0245431	1	23
AP0220232	3	1	AP0236115	9	24	AP0245650	3	24
AP0222214	5	31	AP0236126	9	30	AP0245710	8	48
AP0222226	8	11	AP0236130	8	39	AP0246570	1	5
AP0222270	5	19	AP0236336	3	25	AP0247320	4	7
AP0222280	1	32	AP0237022	5	7	AP0247785	10	6
AP0222282	1	32	AP0237040	5	18	AP0247790	4	39
AP0222290	5	29	AP0237060	4	41	AP0247900	3	31
AP0222300	5	15	AP0237095	9	13	AP0247955	8	18
AP0222317	5	13	AP0237105	9	14	AP0248305	5	34
AP0222420	8	12	AP0237927	3	28	AP0248345	3	27
AP0223519	1	17	AP0237997	1	9	AP0250025	8	10
AP0223529	8	1	AP0239015	1	4	AP0250130	7	13
AP0224090	1	24	AP0239060	6	26	AP0250140	7	15
AP0227400	6	2	AP0239075	3	29	AP0250450	5	10
AP0227430	3	22	AP0239082	3	30	AP0250540	7	6
AP0227430	3	32	AP0239095	3	26	AP0250890	10	27
AP0227445	3	6	AP0239130	9	15	AP0250890	6	16
AP0227450	9	22	AP0239140	5	12	AP0250910	4	17
AP0227455	9	23	AP0239150	9	7	AP0250920	10	19
AP0227542	1	10	AP0239162	6	28	AP0250992	5	9
AP0227680	5	21	AP0239180	8	28	AP0251010	8	31
AP0227825	3	3	AP0239280	4	19	AP0251020	1	31
AP0227982	9	5	AP0239310	8	24	AP0251880	10	25
AP0229280	5	20	AP0239810	4	44	AP0251920	8	33
AP0229301	4	5	AP0240036	6	30	AP0251990	10	29
AP0229320	8	29	AP0240182	8	14	AP0253520	9	27
AP0229330	8	27	AP0240195	10	26	AP0253522	9	27
AP0230195	5	17	AP0240205	9	19	AP0253530	9	21
AP0230330	5	30	AP0240232	6	12	AP0253540	9	11
AP0230395	4	9	AP0240232	8	40	AP0253550	9	12
AP0230415	5	24	AP0240362	8	16	AP0253551	9	12
AP0230510	9	6	AP0240372	5	33	AP0253552	9	12
AP0230540	8	42	AP0240531	4	23	AP0253553	9	12
AP0230581	5	26	AP0240541	4	53	AP0253554	9	12
AP0230592	1	25	AP0240545	1	29	AP0253555	9	12
AP0230602	8	17	AP0240545	4	52	AP0253556	9	12
AP0230920	4	47	AP0240650	9	29	AP0253557	9	12
AP0231020	9	16	AP0240705	1	28	AP0253558	9	12
AP0232210	9	26	AP0240780	2	24	AP0253559	9	12
AP0232260	7	11	AP0240912	5	25	AP0253560	9	12
AP0232262	6	24	AP0241135	7	19	AP0253561	9	12
AP0232275	5	2	AP0241262	4	24	AP0253562	9	12
AP0232420	5	22	AP0241262	5	28	AP0253563	9	12
AP0232430	4	32	AP0241370	1	35	AP0253564	9	12
AP0232480	5	3	AP0241370	8	36	AP0253565	9	12
AP0232501	4	11	AP0241801	10	28	AP0253566	9	12
AP0232520	3	11	AP0241810	10	24	AP0253567	9	12
AP0232530	3	12	AP0241810	4	22	AP0253568	9	12
AP0232730	4	26	AP0241822	4	21	AP0253569	9	12
AP0232742	3	20	AP0241932	4	49	AP0253570	9	9
AP0232764	4	12	AP0241932	5	16	AP0253581	8	47
AP0232805	3	7	AP0241932	5	32	AP0253591	8	45
AP0232910	9	17	AP0242031	10	15	AP0253596	8	46
AP0232990	8	22	AP0242211	7	21	AP0253605	9	18
AP0233675	4	2	AP0242591	9	20	AP0253610	9	2

Code	Nr. der Tafel	Pos.
AP0253615	9	1
AP0253620	9	3
AP0253630	9	4
AP0253640	9	10
AP0253910	9	12
AP0253947	9	28
AP0256150	4	43
AP0256170	4	20
AP0256170	4	45
AP0256185	4	46
AP0256321	4	14
AP0256330	4	34
AP0256347	4	28
AP0256430	4	15
AP0258013	3	36
AP0258023	3	35
AP0258034	3	34
AP0258275	3	33
AP0258782	3	37
AP0259115	6	18
AP0259122	6	23
AP0259192	10	14
AP0259202	6	25
AP0259210	6	22
AP0259260	6	21
AP0260141	8	32
AP0260146	8	32
AP0260300	5	4
AP0260305	10	21
AP0260310	1	33
AP0260310	8	34
AP0260570	4	42
AP0260700	10	34
AP0260805	7	7
AP0260815	7	5
AP0260961	8	37
AP0260990	7	2
AP0264035	7	16
AP0264145	7	9
AP0264154	7	22
AP0264157	7	12
AP0264177	7	17
AP0264184	7	4
AP0264577	10	11
AP0264580	7	3
AP0264861	10	33
AP0265155	10	10
AP0265355	10	32
AP0265365	10	31
AP0275030	5	5
AP0275035	10	22
AP0276280	2	17
AP0276357	2	21
AP0276477	2	18
AP0276770	2	7
AP0277090	2	14
AP0277205	2	19
AP0277210	2	13
AP0277222	2	6
AP0277230	2	9
AP0277235	2	8
AP0277242	2	25
AP0277250	2	16
AP0277265	2	27
AP0277270	2	15
AP0277280	2	22
AP0277292	2	30

Code	Nr. der Tafel	Pos.
AP0277295	2	29
AP0277300	2	10
AP0277302	2	11
AP0277304	2	5
AP0277510	2	12
AP0277520	2	1
AP0277525	2	2
AP0277861	2	3
AP0277881	2	26
AP0277919	2	28
AP0277970	2	4
AP0281192	3	40
AP0294285	1	20
AP0294351	10	1
AP0294351	7	1
AP0294476	1	3
AP0294761	2	40
AP0295166	4	1
AP0295170	10	9
AP0295184	1	19
AP0295191	1	1
AP0295440	1	14
AP0295440	6	15
AP0295441	1	13
AP0297385	2	36
AP0297385	8	51
AP0297433	1	38
AP0297433	2	38
AP0297433	4	56
AP0297433	8	49
AP0297433	9	31
AP0297434	1	36
AP0297434	2	37
AP0297434	3	38
AP0297434	6	31
AP0297542	10	35
AP0297760	9	25
AP0297900	10	38
AP0297900	2	35
AP0297900	6	33
AP0427460	6	13
AP0429150	1	2
AP0430460	3	23
AP0430550	4	8
AP0430590	5	14
AP0430622	8	41
AP0430782	1	34
AP0430782	8	35
AP0440193	4	38
AP0445300	3	4
AP0552280	4	35
AP0627030	1	7
AP0627030	1	8
AP0627031	1	8
AP0627032	1	8
AP0627033	1	8
AP0627051	3	14
AP0627061	3	17
AP0627070	1	11
AP0627071	1	11
AP0627072	1	11
AP0627080	10	5
AP0632010	4	4
AP0634290	3	21
AP0634300	3	13
AP0634317	10	8
AP0634330	3	5

Code	Nr. der Tafel	Pos.
AP0634340	3	15
AP0634350	3	18
AP0640190	4	51
AP0640190	4	51
AP0827590	10	7
AP0827590	4	31
AP0838140	9	8
AP0840277	4	36
AP0840402	8	26
AP0840445	5	11
AP0840861	8	9
AP0840862	5	35
AP0840882	1	27
AP0840882	10	2
AP0840882	10	30
AP0840882	5	27
AP0840882	8	20
AP0841680	10	23
AP0841680	5	6
AP0842230	1	16
AP0842230	10	17
AP0845390	5	8
AP0850500	7	14
AP0876557	2	23
AP0897161	2	39
AP0897161	5	36
AP0899784	1	39
AP0899784	2	32
AP0899784	4	55
AP0899784	5	37
AP0899784	8	50
AP0899785	1	37
AP0899785	10	37
AP0899785	2	33
AP0899785	4	54
AP0899785	6	32
AP0899788	10	36
AP0899788	2	34
AP0899788	9	32
AP0922245	8	15
AP0929650	1	30
AP0929650	4	6
AP0932096	1	12
AP0932775	7	18
AP0932815	4	13
AP0932826	4	10
AP0932830	4	18
AP0932930	6	14
AP0940516	4	30
AP0941122	8	44
AP0941500	4	40
AP0941925	10	18
AP0941925	4	16
AP0945650	6	27
AP0945650	6	3
AP0945750	8	13
AP0945751	7	20
AP0945751	8	8
AP0945759	1	15
AP0945759	10	16
AP0945840	7	10
AP0946015	1	6
AP0950141	4	37
AP0956169	4	50
AP0956277	4	27
AP0958857	10	13
AP0976235	2	20

Code	Nr. der Tafel	Pos.
AP8101106	12	27
AP8101108	15	40
AP8101425	24	30
AP8101630	24	11
AP8101928	19	8
AP8101944	23	14
AP8102218	16	31
AP8102349	15	10
AP8102349	15	34
AP8102375	11	4
AP8102375	20	14
AP8102376	15	14
AP8102376	20	18
AP8102392	15	7
AP8102408	23	17
AP8102439	23	20
AP8102443	24	14
AP8102447	24	28
AP8102449	11	9
AP8102452	20	4
AP8102453	20	6
AP8102500	21	1
AP8102503	23	8
AP8102504	23	9
AP8102514	15	20
AP8102523	24	36
AP8102525	23	10
AP8102535	23	6
AP8102541	15	8
AP8102542	15	9
AP8102546	19	19
AP8102554	23	13
AP8102557	18	13
AP8102559	18	14
AP8102564	18	12
AP8102565	15	29
AP8102566	15	30
AP8102583	23	15
AP8102583	24	35
AP8102601	24	26
AP8102639	24	31
AP8102647	20	13
AP8102692	23	18
AP8102693	23	19
AP8102880	24	32
AP8103235	12	20
AP8103456	12	7
AP8104353	14	19
AP8106297	15	1
AP8106298	15	2
AP8106369	15	12
AP8106409	15	1
AP8106442	15	2
AP8107101	22	1
AP8107102	22	29
AP8108630	21	18
AP8108631	21	22
AP8108632	22	10
AP8108634	22	8
AP8108635	22	11
AP8108658	22	12
AP8108672	21	23
AP8108678	21	2
AP8108679	22	2
AP8109004	22	3
AP8110024	12	26
AP8110045	21	19

Code	Nr. der Tafel	Pos.
AP8110050	22	20
AP8110066	13	18
AP8110067	13	25
AP8110068	13	17
AP8110069	13	26
AP8112176	17	13
AP8112244	17	14
AP8112413	16	1
AP8112506	17	15
AP8112599	11	21
AP8112599	16	27
AP8112600	16	26
AP8112602	16	28
AP8112603	16	29
AP8112677	20	1
AP8112927	17	18
AP8112941	17	8
AP8112942	17	16
AP8112945	17	5
AP8112946	17	6
AP8113003	14	11
AP8113003	21	14
AP8113004	14	12
AP8113004	21	12
AP8113058	18	18
AP8113063	18	21
AP8113070	14	8
AP8113070	21	17
AP8113241	14	16
AP8113288	14	2
AP8113522	18	10
AP8113533	21	15
AP8113549	14	7
AP8113549	21	16
AP8113556	18	16
AP8113557	21	9
AP8113558	21	10
AP8113559	14	1
AP8113560	14	5
AP8113561	14	10
AP8113563	14	15
AP8113595	14	6
AP8113599	18	19
AP8113600	18	20
AP8113618	21	11
AP8114309	18	22
AP8114310	18	26
AP8114311	18	25
AP8114312	18	24
AP8114313	18	23
AP8114348	18	24
AP8114349	18	22
AP8114350	18	23
AP8114351	18	26
AP8114352	18	25
AP8117101	20	9
AP8117103	20	12
AP8118242	18	3
AP8118348	18	5
AP8118386	18	9
AP8118388	18	6
AP8118392	18	1
AP8118422	18	15
AP8118426	18	8
AP8118432	18	2
AP8118433	18	4
AP8118434	18	17

Code	Nr. der Tafel	Pos.
AP8118450	18	9
AP8118453	18	8
AP8119218	15	26
AP8119366	15	25
AP8120030	11	25
AP8120030	24	7
AP8120218	17	29
AP8120240	13	29
AP8120275	20	17
AP8120280	24	9
AP8120311	11	2
AP8120354	20	7
AP8120355	20	11
AP8120363	13	28
AP8120376	12	25
AP8120459	23	7
AP8120531	11	26
AP8120541	17	30
AP8120593	11	12
AP8120593	15	4
AP8120675	15	16
AP8120754	17	17
AP8120831	19	6
AP8120869	23	5
AP8120874	24	8
AP8120876	15	24
AP8120893	23	3
AP8120894	23	4
AP8120898	13	4
AP8120900	20	2
AP8120901	20	3
AP8120918	15	5
AP8120942	16	12
AP8120943	15	19
AP8120944	15	41
AP8120972	15	37
AP8121014	19	21
AP8121091	15	15
AP8121121	13	30
AP8121217	15	33
AP8121717	19	7
AP8121766	15	17
AP8121826	18	11
AP8121856	17	24
AP8121862	24	10
AP8121920	13	19
AP8121928	19	10
AP8121943	24	5
AP8121944	22	27
AP8121945	22	28
AP8121946	14	13
AP8121977	15	13
AP8121982	11	18
AP8121983	15	36
AP8121991	11	8
AP8123206	12	24
AP8123216	12	3
AP8123354	12	8
AP8123360	12	21
AP8123409	13	3
AP8123547	16	17
AP8123625	12	1
AP8123626	12	13
AP8123627	12	15
AP8123628	12	23
AP8123630	12	12
AP8123631	12	6

Code	Nr. der Tafel	Pos.
AP8123653	12	19
AP8123655	12	11
AP8123657	12	10
AP8123658	12	14
AP8123659	12	2
AP8123660	12	5
AP8123661	12	9
AP8123664	12	22
AP8123665	12	17
AP8123668	12	28
AP8123670	12	16
AP8123777	12	18
AP8124054	17	19
AP8124055	17	3
AP8124057	16	13
AP8124060	17	21
AP8124061	17	20
AP8124064	18	7
AP8124066	16	24
AP8124067	20	5
AP8124069	17	22
AP8124077	16	23
AP8124085	16	8
AP8124170	17	9
AP8124178	16	21
AP8124182	16	2
AP8124187	17	12
AP8124206	17	11
AP8124213	17	28
AP8124214	17	7
AP8124235	17	4
AP8124245	16	3
AP8124327	16	22
AP8124328	16	4
AP8124329	16	5
AP8124375	18	7
AP8124376	16	14
AP8124377	16	7
AP8124378	16	6
AP8124380	16	21
AP8124388	16	32
AP8124390	16	21
AP8124392	16	14
AP8124479	17	2
AP8125387	13	7
AP8125423	22	24
AP8125425	22	22
AP8125427	22	19
AP8125442	22	13
AP8125462	22	25
AP8125617	22	14
AP8125679	22	15
AP8125691	21	4
AP8125692	21	21
AP8125693	22	16
AP8125695	22	17
AP8125697	22	9
AP8125713	21	20
AP8125716	21	26
AP8125716	22	21
AP8125717	22	26
AP8125736	21	3
AP8125743	21	24
AP8126115	11	27
AP8126465	11	16
AP8126506	11	20
AP8126519	11	15

Code	Nr. der Tafel	Pos.
AP8126520	11	19
AP8126521	11	15
AP8126522	11	19
AP8127183	17	25
AP8129149	11	1
AP8129165	11	1
AP8131838	17	26
AP8134186	13	21
AP8134239	20	10
AP8134248	14	3
AP8134318	11	23
AP8134331	19	15
AP8134346	17	27
AP8134349	21	7
AP8134351	24	27
AP8134358	24	16
AP8134359	24	17
AP8134366	24	19
AP8134368	18	27
AP8134430	14	9
AP8135486	19	4
AP8135487	19	5
AP8135635	24	1
AP8135637	24	2
AP8135638	24	3
AP8135639	24	4
AP8135640	13	9
AP8135640	24	6
AP8135643	19	2
AP8135644	19	3
AP8135649	13	1
AP8135652	13	6
AP8135653	13	5
AP8135654	13	24
AP8135657	14	14
AP8135670	11	14
AP8135685	15	6
AP8135686	16	10
AP8135727	13	11
AP8135776	16	9
AP8135777	16	11
AP8135840	24	24
AP8135841	24	25
AP8135859	19	11
AP8135862	19	12
AP8135863	19	13
AP8135873	19	20
AP8135886	24	18
AP8137528	11	13
AP8137812	11	13
AP8138208	15	31
AP8138215	15	27
AP8138217	23	1
AP8138224	13	2
AP8138227	20	8
AP8138336	15	32
AP8138337	15	22
AP8138338	15	21
AP8138339	15	23
AP8138340	15	18
AP8138371	11	17
AP8138434	16	25
AP8138476	23	1
AP8138480	23	1
AP8138527	23	16
AP8138528	11	6
AP8138529	11	7

Code	Nr. der Tafel	Pos.
AP8138530	11	10
AP8138531	11	11
AP8138532	20	19
AP8138533	23	16
AP8138534	23	16
AP8138535	11	6
AP8138536	11	7
AP8138739	11	10
AP8138751	23	1
AP8138774	23	1
AP8138775	23	1
AP8144016	15	35
AP8144028	15	8
AP8144029	16	12
AP8144031	16	18
AP8144151	14	17
AP8150017	19	9
AP8150020	13	13
AP8150092	13	20
AP8150208	13	23
AP8150208	24	13
AP8150290	13	31
AP8150290	24	23
AP8150292	13	14
AP8150297	13	27
AP8150297	24	22
AP8150304	13	15
AP8150334	15	39
AP8150338	13	8
AP8150431	22	5
AP8150433	22	18
AP8150436	13	12
AP8152018	13	16
AP8152147	13	10
AP8152244	13	22
AP8152244	19	1
AP8152246	16	30
AP8152246	24	15
AP8152272	23	12
AP8152277	23	11
AP8152278	14	22
AP8152278	21	13
AP8152279	14	21
AP8152279	24	20
AP8152280	14	20
AP8152281	16	15
AP8152281	20	16
AP8152288	22	4
AP8152288	24	21
AP8152292	15	38
AP8152298	20	15
AP8152299	11	24
AP8152299	20	21
AP8152299	24	34
AP8152301	19	14
AP8152301	24	12
AP8152302	11	5
AP8152308	19	18
AP8201124	23	2
AP8201734	24	29
AP8203074	22	23
AP8209032	21	8
AP8210007	14	4
AP8212382	17	10
AP8212469	17	1
AP8220205	15	11
AP8220228	16	16

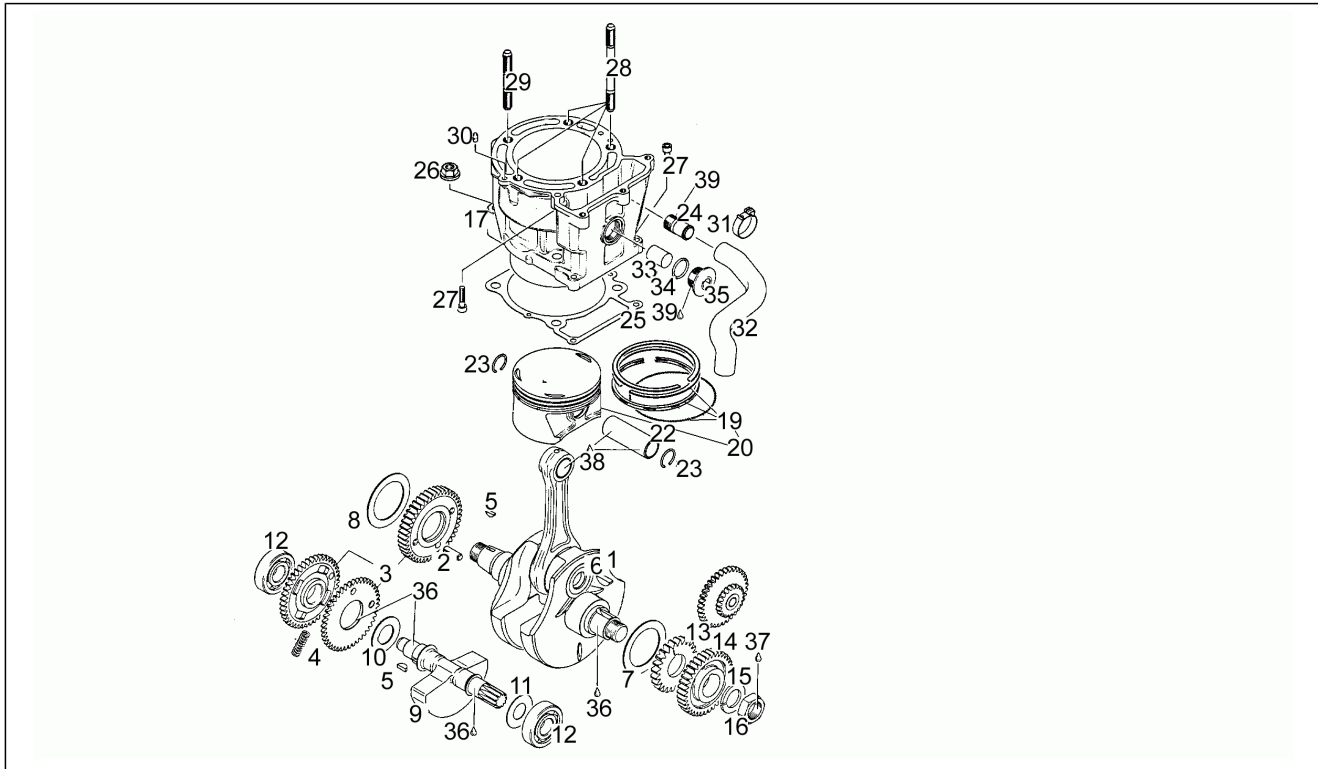


MOTÒ
AP04900 - MOTO' 6.5 650 1995-1999

Vorsatzcode Fahrgestell:
Vorsatzcode Motor:

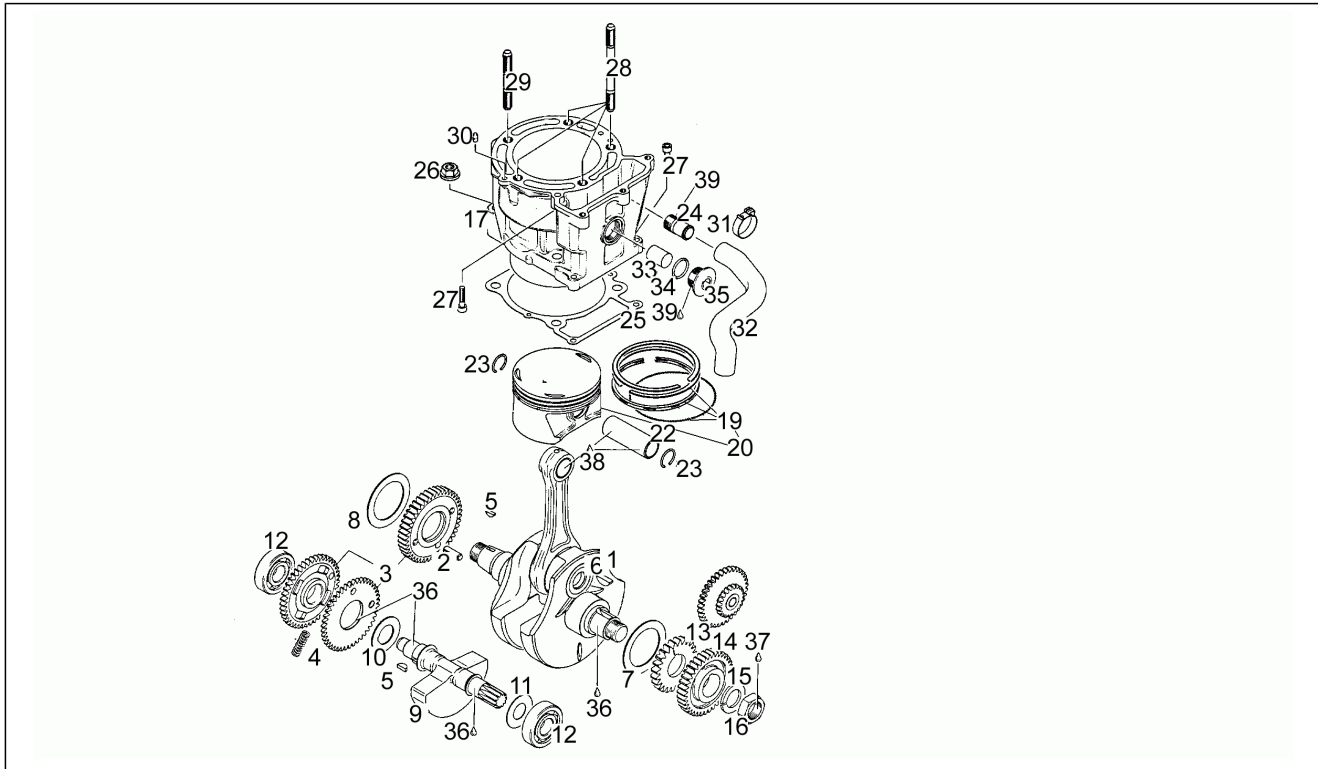
Code	Nr. der Tafel	Pos.
AP8220238	19	17
AP8220238	20	20
AP8220283	17	23
AP8221023	24	33
AP8221056	11	3
AP8221197	19	16
AP8234020	13	32

Einheit	Motor
Code	1
Beschreibung	Kurbelwelle - Zylinder
Inspektion	1



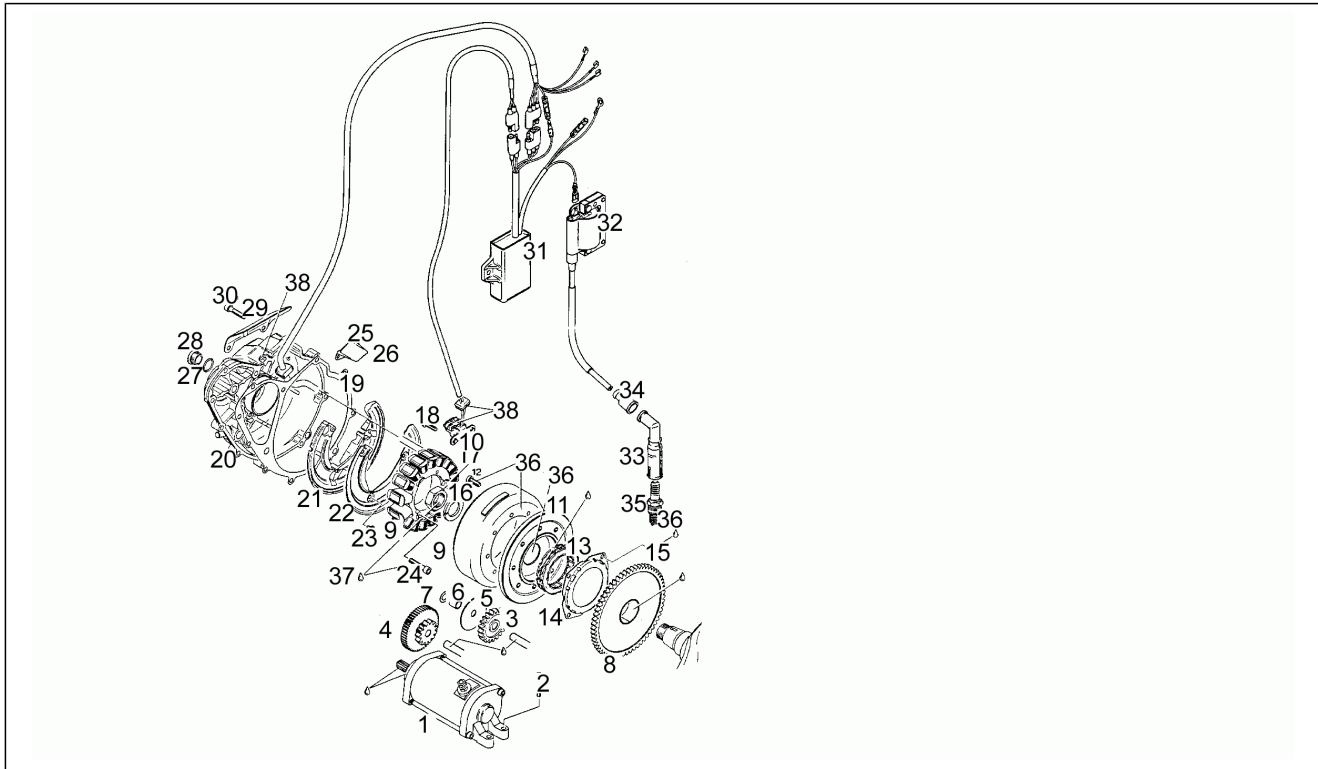
Pos.	Code	Beschreibung	Menge	Varianten
1	AP0295191	Kurbelwelle kpl.	1	
2	AP0429150	Bolzen 8x24	1	
3	AP0294476	Ausgleichsrad kpl.	1	
4	AP0239015	Feder 16,9	2	
5	AP0246570	Keil 4x5	2	
6	AP0946015	Keil 6x9	1	
7	AP0627030	Scheibe 48x67x1	1	
8	AP0627030	Scheibe 48x67x1	1	
8	AP0627031	Scheibe 48x67x1,25	1	
8	AP0627032	Scheibe 48x67x1,5	1	
8	AP0627033	Scheibe 48x67x1,75	1	
9	AP0237997	Gegenwelle Z=11	1	
10	AP0227542	Paßscheibe 24,3/41/1,5	1	
11	AP0627070	Scheibe 20x41x0,8	1	
11	AP0627071	Scheibe 20x41x1,0	1	
11	AP0627072	Scheibe 20x41x1,2	1	
12	AP0932096	Lager etn9/c3	2	
13	AP0295441	Primaertrieb kpl.	1	
14	AP0295440	Primaertrieb kpl.	1	
15	AP0945759	Federring Din a22	1	
16	AP0842230	Mutter m22x1,5	1	
17	AP0223519	Kolben + Zylinder	1	
19	AP0295184	Satz Kolbenringe	1	
20	AP0294285	Kolben kpl. 99,97/99,98 mm	1	
22	AP0216201	Bolzen 22x14,5/18x68,7	1	
23	AP0245431	Sperring 22	2	
24	AP0224090	Leitung	1	
25	AP0230592	Dichtung	1	

Einheit	Motor
Code	1
Beschreibung	Kurbelwelle - Zylinder
Inspektion	1



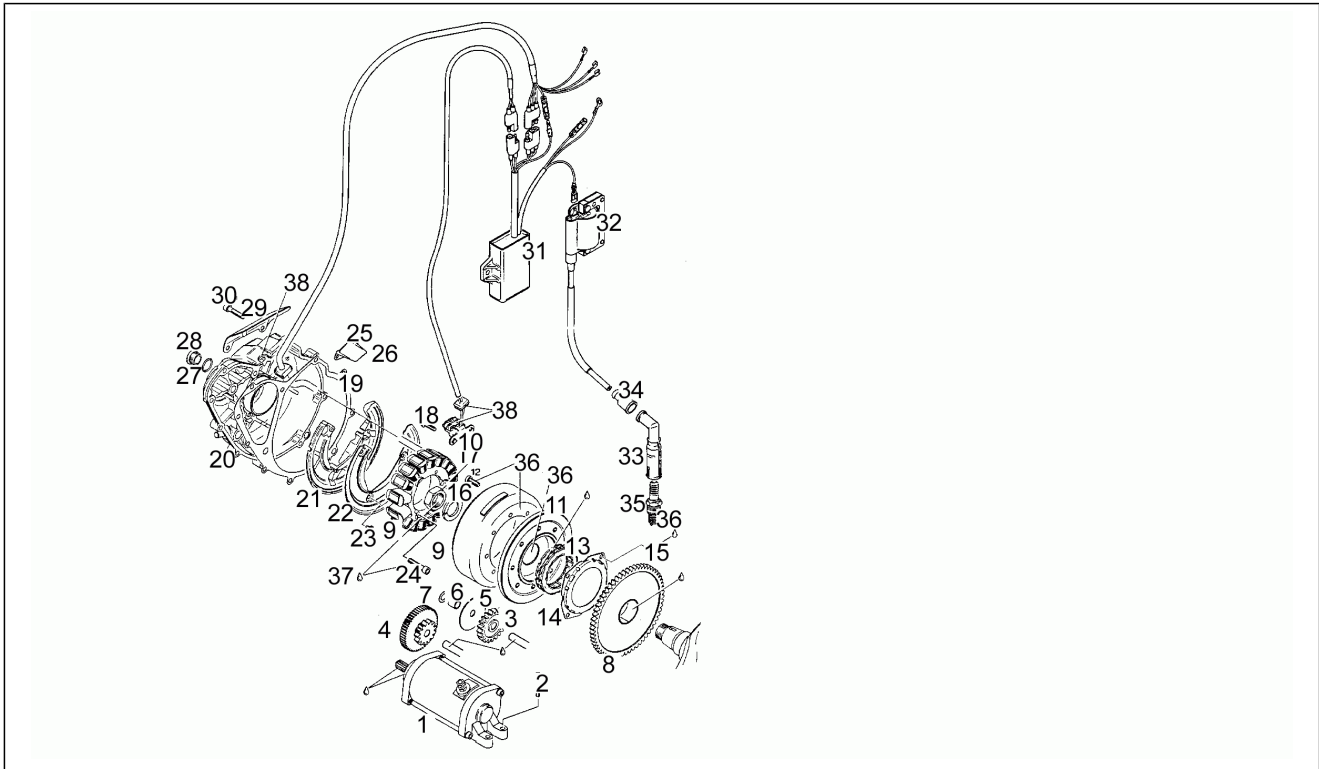
Pos.	Code	Beschreibung	Menge	Varianten
26	AP0242851	Mutter	4	
27	AP0840882	TCEI Schraube	3	
28	AP0240705	Stiftschraube m10x117	1	
29	AP0240545	Stiftschraube M10x78	1	
30	AP0929650	Stift 5x10	2	
31	AP0251020	Schlauchschelle 23,5	2	
32	AP0222280	Wasserschlauch	1	
32	AP0222282	Wasserschlauch	1	
33	AP0260310	Gummi	1	
34	AP0430782	O-Ring 23,3x2,4	1	
35	AP0241370	Deckel m24x1	1	
36	AP0297434	Loctite Anti Seize 50ml.15378	1	
37	AP0899785	Loctite, violett 221 10cc.	1	
38	AP0297433	Molykote G-N 50gr.	1	
39	AP0899784	Loctite, orange 574	1	

Einheit	Motor
Code	10
Beschreibung	Schwungmagnetstarter
Inspektion	1



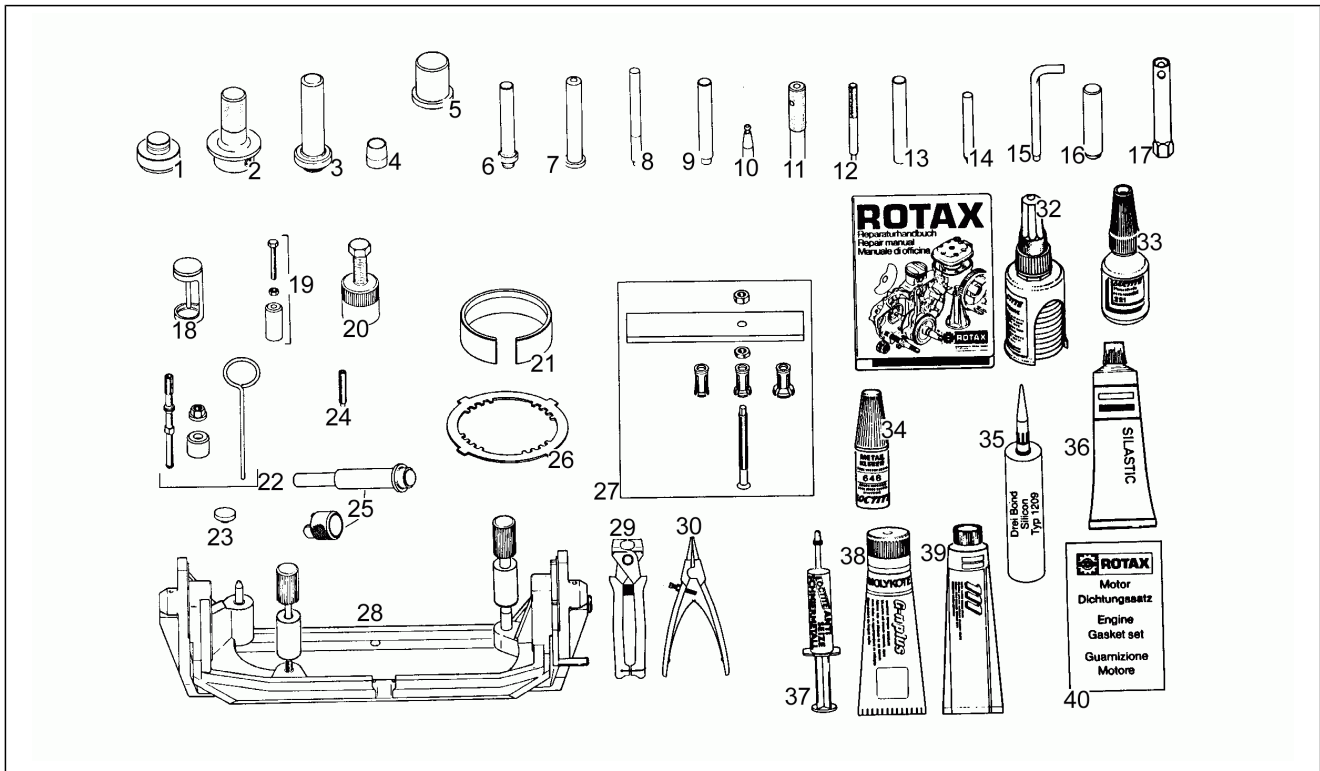
Pos.	Code	Beschreibung	Menge	Varianten
1	AP0294351	Anlasser komplett	1	
2	AP0840882	TCEI Schraube	2	
3	AP0234655	Freilaufzahn Z=24	1	
4	AP0234756	Freilaufzahn Z=11/52	1	
5	AP0627080	Paßscheibe 11/58/1,5	1	
6	AP0247785	Distanzscheibe 10/13/10,7	1	
7	AP0827590	Paßscheibe 10,1/17/1	1	
8	AP0634317	Zahnrad Freilaufzahn	1	
9	AP0295170	Zündung 12V-280W	1	
10	AP0265155	Aussengeber	1	
11	AP0264577	Schwungmagnetnabe	1	
13	AP0958857	Freilaufzahn	1	
14	AP0259192	Flansch Freilaufzahn	1	
15	AP0242031	Mutter unten	1	
16	AP0945759	Federring Din a22	1	
17	AP0842230	Mutter m22x1,5	1	
18	AP0941925	TE-Spezialschraube	2	
19	AP0250920	Dichtung	1	
20	AP0210388	Zünddeckel	1	
21	AP0260305	Schalldämmplatte	1	
22	AP0275035	Platthalter	1	
23	AP0841680	TE-Spezialschraube	3	
24	AP0241810	TCEI Schraube	3	
25	AP0251880	Externe Kabelschutzplatte	1	
26	AP0240195	TCB-Spezialschraube M4x8	2	
27	AP0250890	O-Ring 3771	2	
28	AP0241801	Verschlusschraube M18x1,5	2	
29	AP0251990	Interne Kabelschutzplatte	1	

Einheit	Motor
Code	10
Beschreibung	Schwungmagnetstarter
Inspektion	1



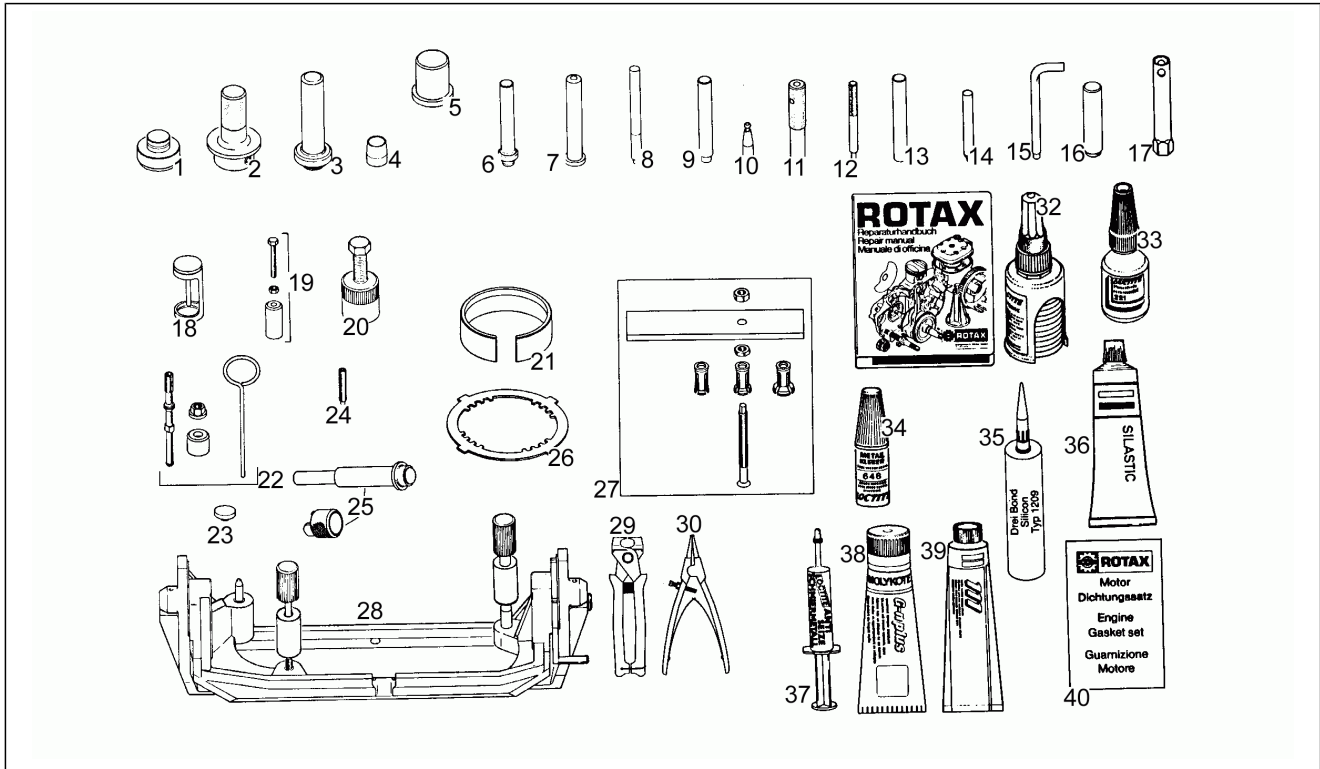
Pos.	Code	Beschreibung	Menge	Varianten
30	AP0840882	TCEI Schraube	10	
31	AP0265365	Steuergerät	1	
32	AP0265355	Zuendtransform.cpl.	1	
33	AP0264861	Zündkerzenkappe	1	
34	AP0260700	Gummi	1	
35	AP0297542	Zündkerze DR8EA	1	
36	AP0899788	Loctite, grün 648 5gr.	1	
37	AP0899785	Loctite, violett 221 10cc.	1	
38	AP0297900	Flachendichtmittel 310 ml	1	

Einheit	Motor
Code	2
Beschreibung	Spezialwerkzeug
Inspektion	1



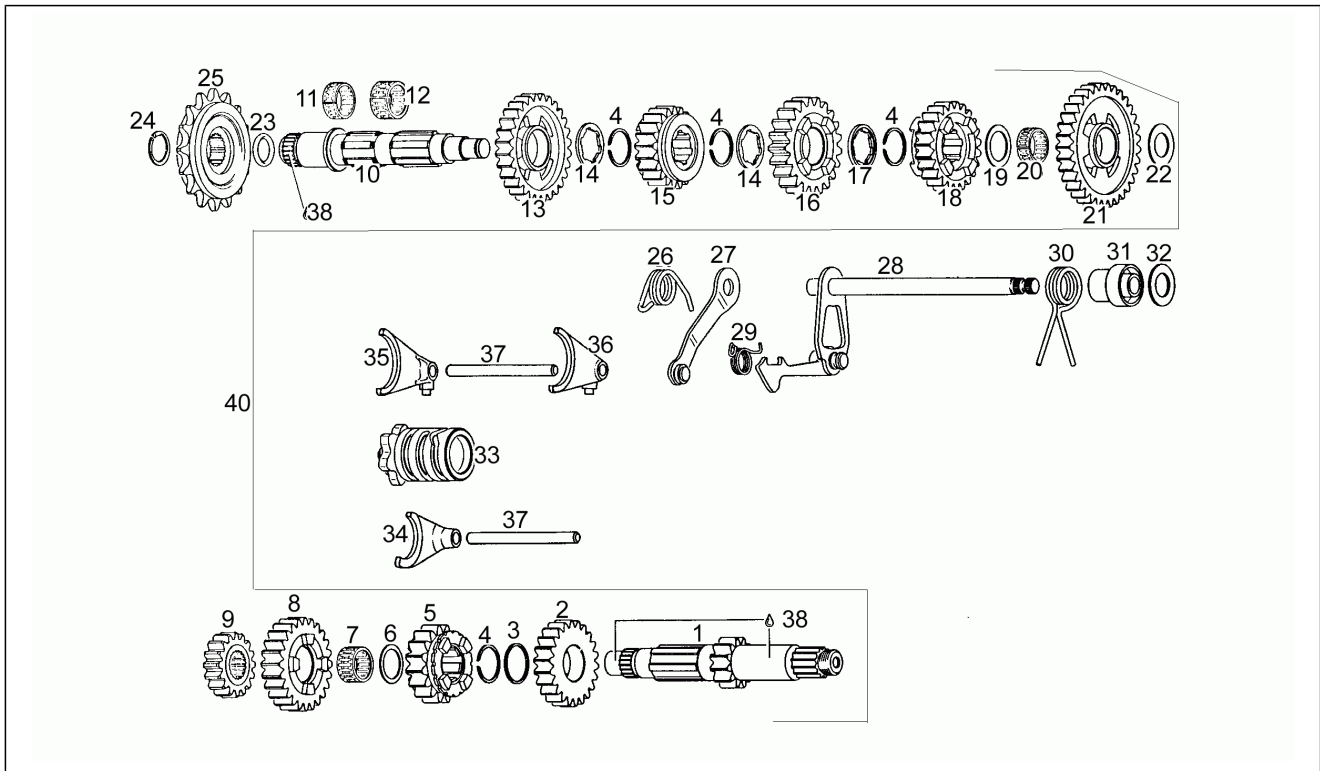
Pos.	Code	Beschreibung	Menge	Varianten
1	AP0277520	Puffer	1	
2	AP0277525	Puffer	1	
3	AP0277861	Puffer für Ölabbstreifer.	1	
4	AP0277970	Fuehrungshuelse	1	
5	AP0277304	Oil seal drift driven shaft	1	
6	AP0277222	Oil seal drift-balance shaft	1	
7	AP0276770	Einbaudorn kplt.	1	
8	AP0277235	Bearing drift-release shaft	1	
9	AP0277230	Bearing drift-release shaft	1	
10	AP0277300	Oil seal bush-release shaft	1	
11	AP0277302	Oil seal drift-release shaft	1	
12	AP0277510	Valve guide drift	1	
13	AP0277210	Valve guide oil seal drift	1	
14	AP0277090	Oil seal drift-tacho-shaft	1	
15	AP0277270	Bal-shaft gear centring pin	1	
16	AP0277250	Flywheel cover disassy tool	1	
17	AP0276280	Zündkerzenschlüssel 18 mm	1	
18	AP0276477	Valve spring compression tool	1	
19	AP0277205	Extractor for inter-gear axis	1	
20	AP0976235	Schwungradabzieher	1	
21	AP0276357	Kolbenringspanner	1	
22	AP0277280	Puller for clutch rod bearing	1	
23	AP0876557	Protec-capfor c/case bushings	1	
24	AP0240880	Threaded locking bolt TDC	1	
25	AP0277242	Circlip assy-bush drift 22mm	1	
26	AP0277881	Kupplungssperre	1	
27	AP0277265	Extractor-gear shaft bearings	1	
28	AP0277919	***STAFFATURA COMPLETA	1	

Einheit	Motor
Code	2
Beschreibung	Spezialwerkzeug
Inspektion	1



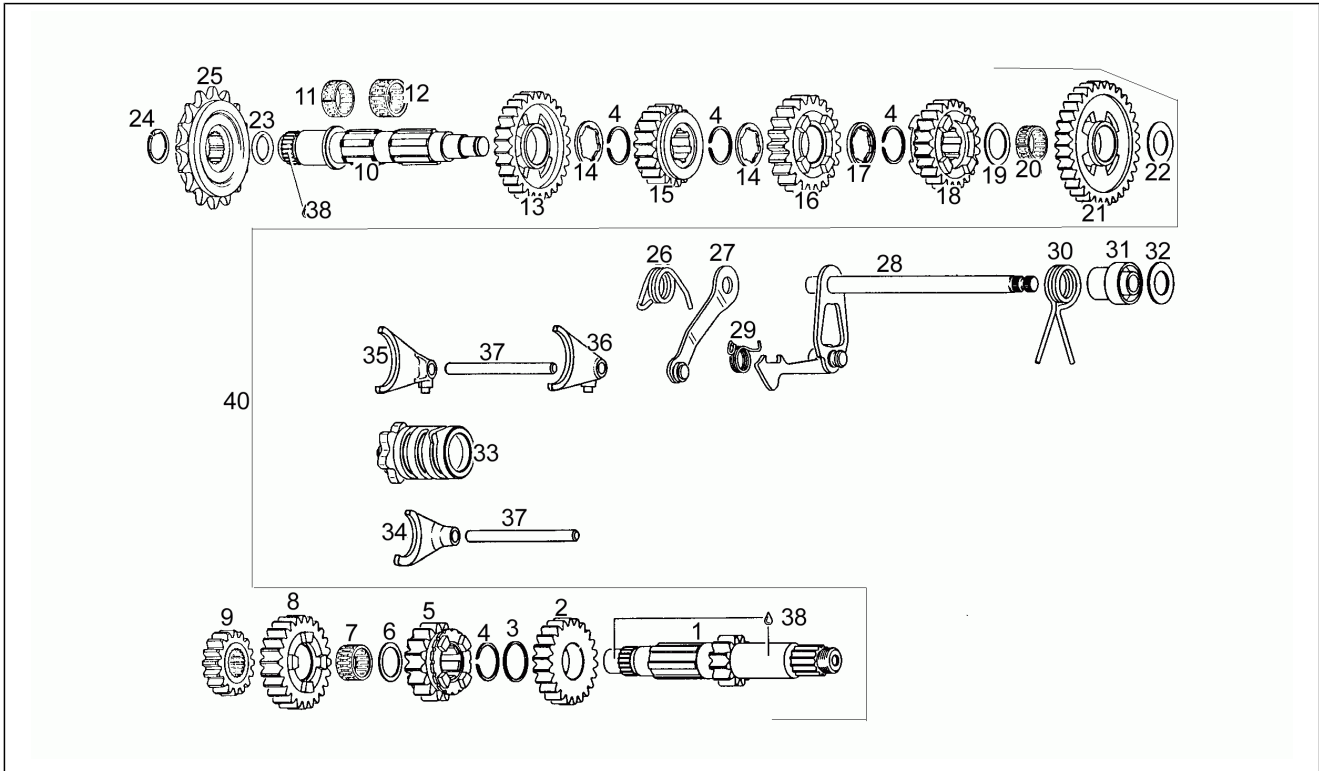
Pos.	Code	Beschreibung	Menge	Varianten
29	AP0277295	Zange für die Schellenmontage	1	
30	AP0277292	Circlip pliers engine-g-box	1	
32	AP0899784	Loctite, orange 574	1	
33	AP0899785	Loctite, violett 221 10cc.	1	
34	AP0899788	Loctite, grün 648 5gr.	1	
35	AP0297900	Flachendichtmittel 310 ml	1	
36	AP0297385	Silastic 732RTV 100gr.	1	
37	AP0297434	Loctite Anti Seize 50ml.15378	1	
38	AP0297433	Molykote G-N 50gr.	1	
39	AP0897161	Molykote 111 100gr.	1	
40	AP0294761	Dichtungen - Satz	1	

Einheit	Motor
Code	3
Beschreibung	Schaltgetriebe
Inspektion	1



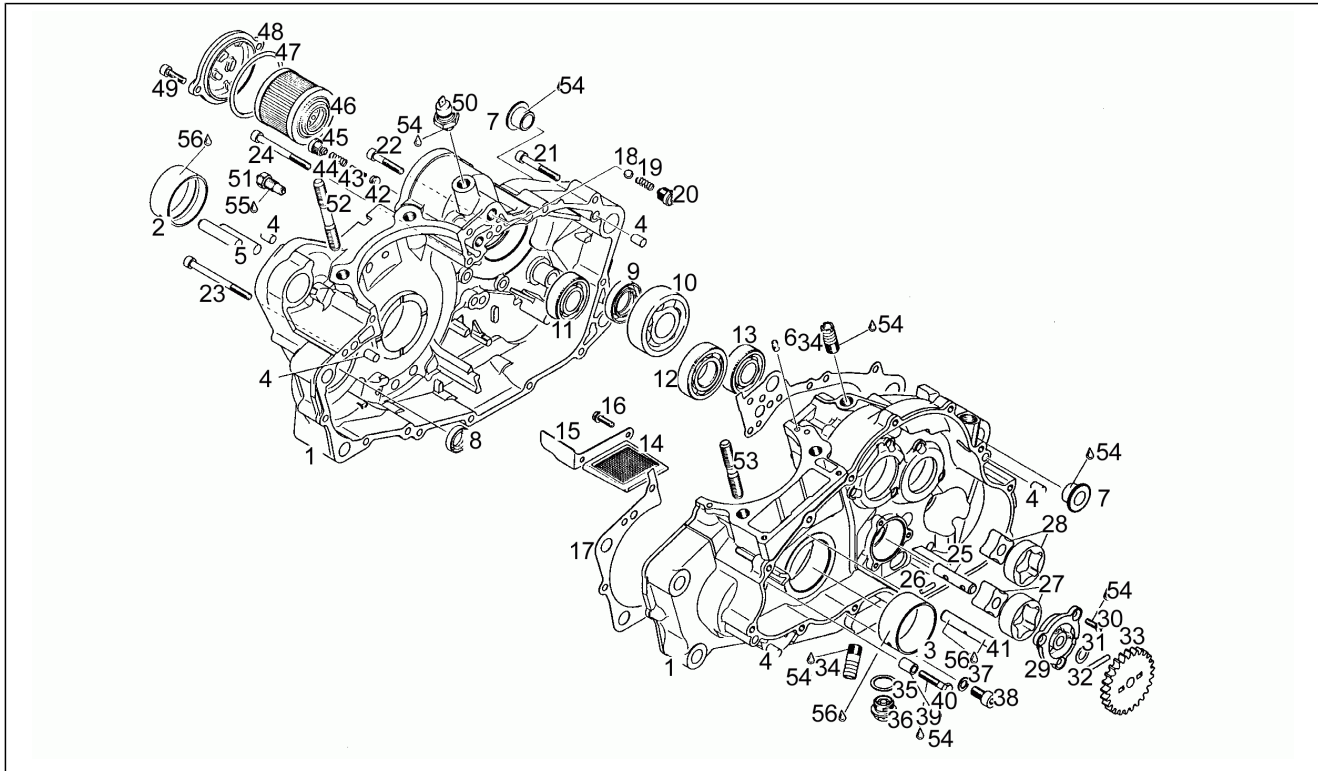
Pos.	Code	Beschreibung	Menge	Varianten
1	AP0220232	Vorgelegewelle Z=12	1	
2	AP0234712	Zahnrad 4.Hauptwelle Z=22	1	
3	AP0227825	Paßscheibe 25,6/28,5/1,5	1	
4	AP0445300	Seegerring d25	4	
5	AP0634330	Zahnrad 3.Hauptwelle Z=16	1	
6	AP0227445	Paßscheibe 21,2/27,5/1	1	
7	AP0232805	Nadelkaefig 21x25x13	1	
8	AP0234720	Zahnrad 5.Hauptwelle Z=24	1	
9	AP0234670	Zahnrad 2.Hauptwelle Z=16	1	
10	AP0220220	Festrاد	1	
10	AP0220222	Festrاد	1	
11	AP0232520	Nadelkaefig 22x26x10	1	
12	AP0232530	Nadelkaefig 22x26x13	1	
13	AP0634300	Zahnrad 2.Vorgelegewelle Z=28	1	
14	AP0627051	Paßscheibe	2	
15	AP0634340	Zahnrad 5.Vorgelegewelle Z=21	1	
16	AP0234700	Zahnrad 3.Vorgelegewelle Z=21	1	
17	AP0627061	Ring	1	
18	AP0634350	Zahnrad 4.Vorgelegewelle Z=23	1	
19	AP0244100	Paßscheibe 21,2/30/1	1	
20	AP0232742	Nadelkaefig 21x25x10	1	
21	AP0634290	Zahnrad 1.Vorgelegewelle Z=33	1	
22	AP0227430	Paßscheibe 17,2/30/1	1	
23	AP0430460	O-Ring 18x3,5	1	
24	AP0245650	Seegerring AV 20	1	
25	AP0236336	Ritzel Z=16	1	
26	AP0239095	Index feder	1	
27	AP0248345	Indexhebel kpl.	1	

Einheit	Motor
Code	3
Beschreibung	Schaltgetriebe
Inspektion	1



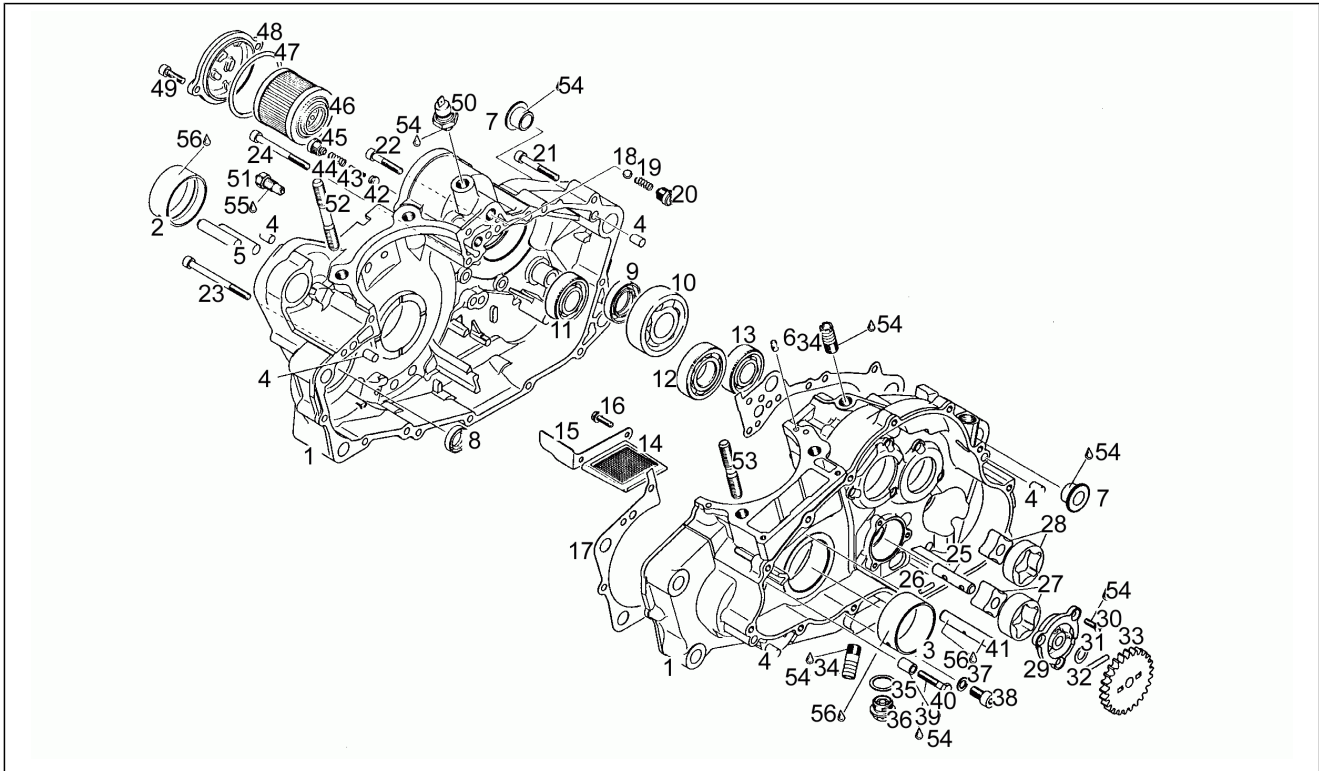
Pos.	Code	Beschreibung	Menge	Varianten
28	AP0237927	Getr.welle + Gesperre	1	
29	AP0239075	Feder	1	
30	AP0239082	Feder	1	
31	AP0247900	Distanzscheibe	1	
32	AP0227430	Paßscheibe 17,2/30/1	1	
33	AP0258275	Verschiebenocken	1	
34	AP0258034	Schaltgabel 4-5 Gang	1	
35	AP0258023	Schaltgabel 2 Gang	1	
36	AP0258013	Schaltgabel 1-3 Gang	1	
37	AP0258782	Schaltstange	2	
38	AP0297434	Loctite Anti Seize 50ml.15378	1	
40	AP0281192	Schaltgetriebe 5-Gang	1	

Einheit	Motor
Code	4
Beschreibung	Ölpumpe
Inspektion	1



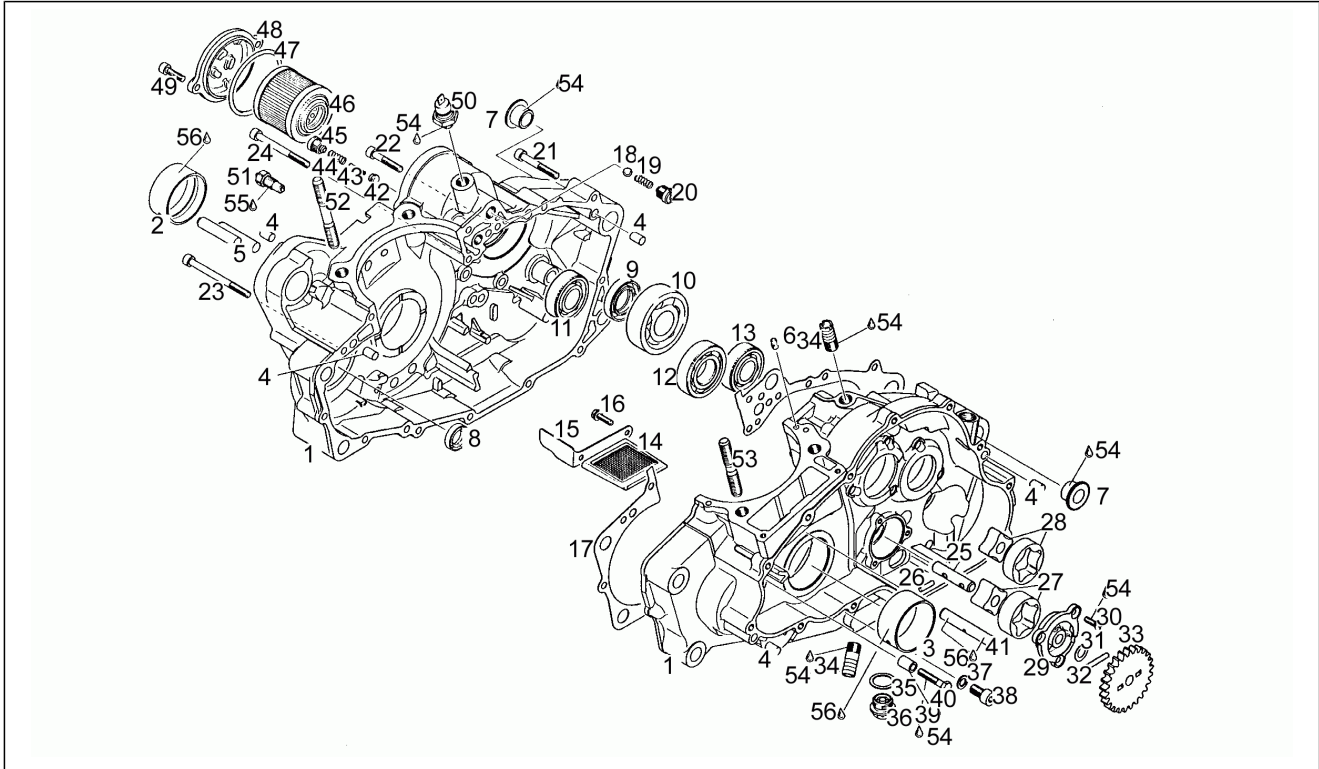
Pos.	Code	Beschreibung	Menge	Varianten
1	AP0295166	Kurbelgehäuse	1	
2	AP0233675	Buchse 48x52x22,8	1	
3	AP0233680	Buchse 48x52x22,8	1	
4	AP0632010	Stift M8x12	5	
5	AP0229301	Bolzen M6x50	2	
6	AP0929650	Stift 5x10	2	
7	AP0247320	Buchse	2	
8	AP0430550	Ölabstreifring 15x24x7	1	
9	AP0230395	Ölabstreifring 25x40x7	1	
10	AP0932826	Lager 6305	1	
11	AP0232501	Lager 6303 E-RS1	1	
12	AP0232764	Lager 6205	1	
13	AP0932815	Lager 6303 ETN9	1	
14	AP0256321	Ölnetz	1	
15	AP0256430	Platte	1	
16	AP0941925	TE-Spezialschraube	2	
17	AP0250910	Dichtung	1	
18	AP0932830	Kugel	1	
19	AP0239280	Spannfeder 13,5	1	
20	AP0256170	Ventilschließschraube	1	
21	AP0241822	TCEI Schraube	9	
22	AP0241810	TCEI Schraube	2	
23	AP0240531	TCEI Schraube	2	
24	AP0241262	TCEI Schraube	1	
25	AP0245330	Seegerring 10x1	2	
26	AP0232730	Stift 4x15,8	2	
27	AP0956277	Innen- und Außenrotor	1	
28	AP0256347	Innen- und Außenrotor	1	

Einheit	Motor
Code	4
Beschreibung	Ölpumpe
Inspektion	1



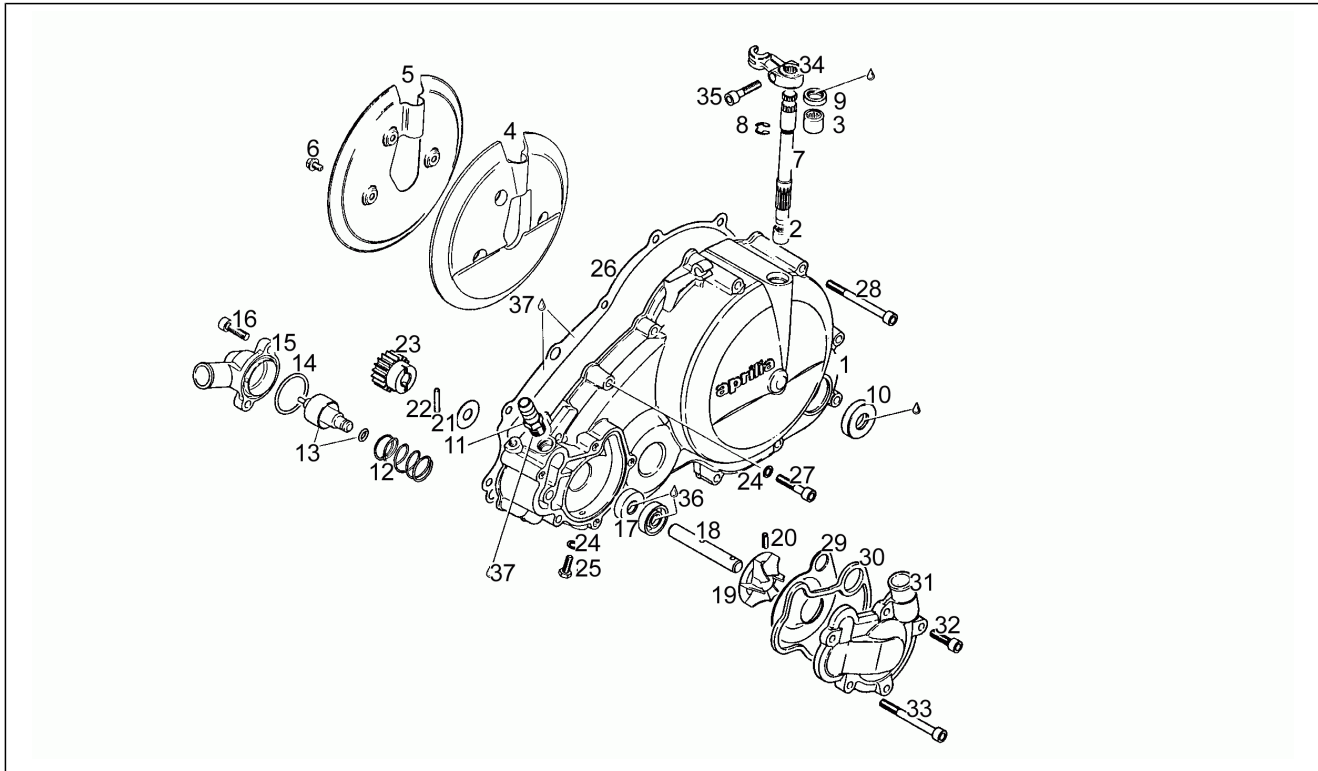
Pos.	Code	Beschreibung	Menge	Varianten
29	AP0210640	Ölpumpendeckel	2	
30	AP0940516	Schraube	6	
31	AP0827590	Paßscheibe 10,1/17/1	2	
32	AP0232430	Stift	2	
33	AP0234560	Ölpumpen-Zahn. Z=25	2	
34	AP0256330	Anschluss m12x1,5	2	
35	AP0552280	Dichtung	1	
36	AP0840277	Magnetschraube m18x1,5	1	
37	AP0950141	Gasket ring 8x13	1	
38	AP0440193	TCEI Schraube	1	
39	AP0247790	Distanzscheibe 6,2x10x14,5	1	
40	AP0941500	Sechskantschraube	1	
41	AP0237060	Losradwelle	1	
42	AP0260570	Öl-Rückstauventil	1	
43	AP0256150	Ventil Stift	1	
44	AP0239810	Feder	1	
45	AP0256170	Ventilschließschraube	1	
46	AP0256185	Ölfiltereinsatz	1	
47	AP0230920	O-Ring 60x2,5	1	
48	AP0210411	Ölfilterdeckel	1	
49	AP0241932	TCEI Schraube	2	
50	AP0956169	Öldruckschalter	1	
51	AP0640190	Sensor	1	
51	AP0640190	Sensor	1	
52	AP0240545	Stiftschraube M10x78	2	
53	AP0240541	Stiftschraube M10x62	2	
54	AP0899785	Loctite, violett 221 10cc.	1	
55	AP0899784	Loctite, orange 574	1	

Einheit	Motor
Code	4
Beschreibung	Ölpumpe
Inspektion	1



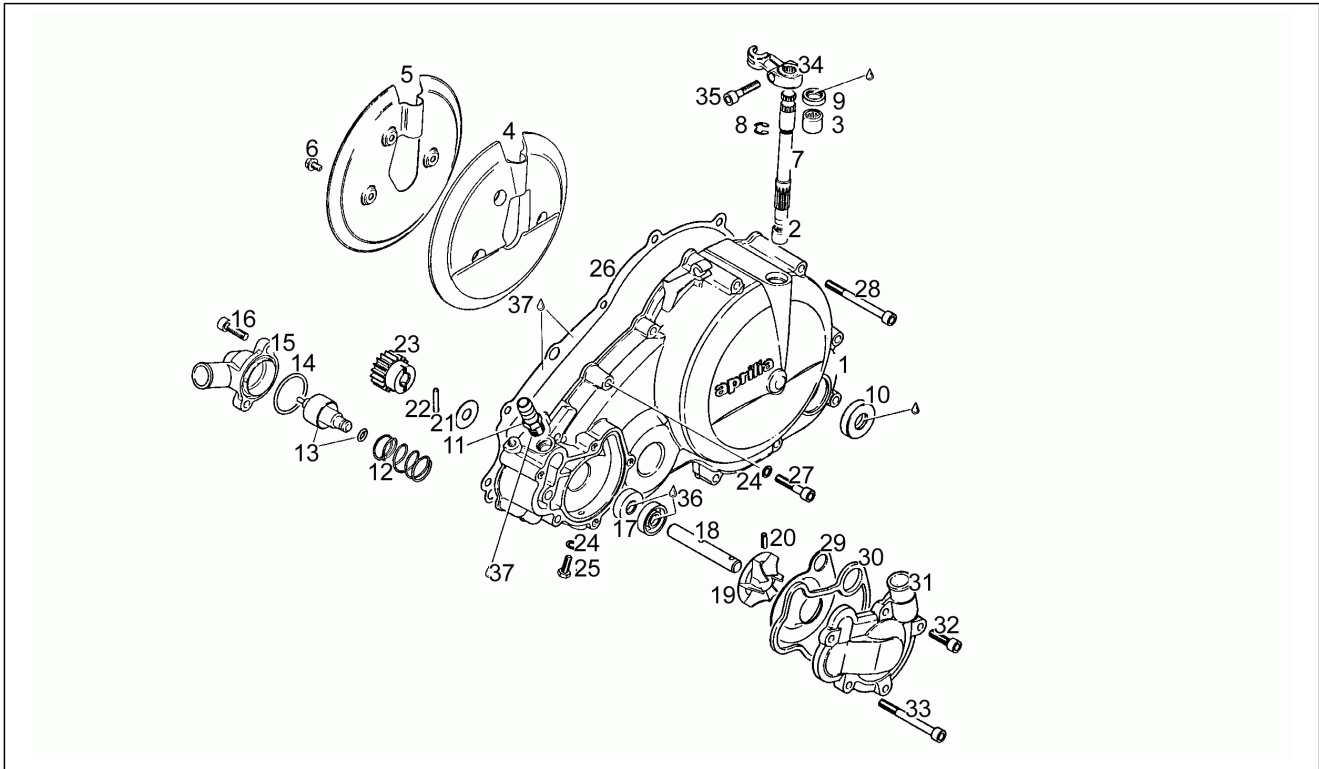
Pos.	Code	Beschreibung	Menge	Varianten
56	AP0297433	Molykote G-N 50gr.	1	

Einheit	Motor
Code	5
Beschreibung	Kupplungsdeckel
Inspektion	1



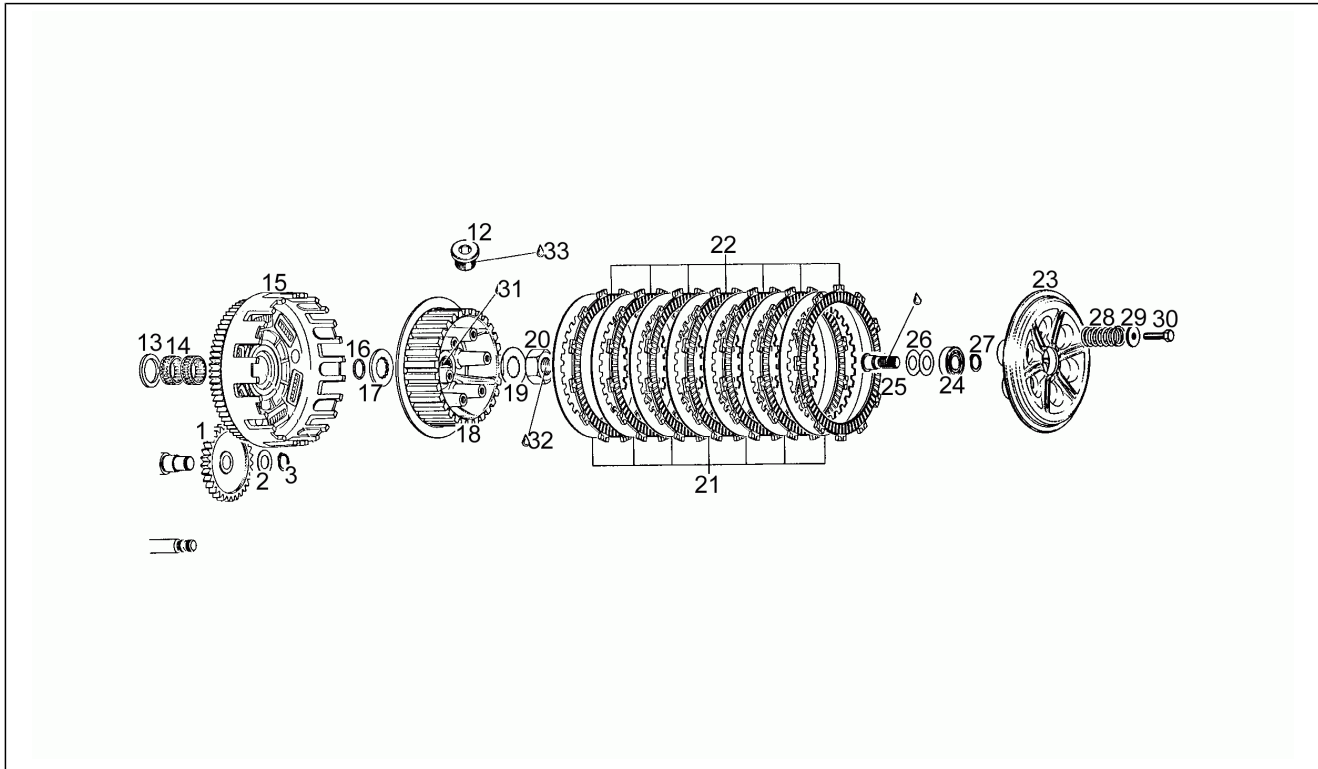
Pos.	Code	Beschreibung	Menge	Varianten
1	AP0210378	Kupplungsdeckel	1	
2	AP0232275	Nadelkaefig 8x12x8	1	
3	AP0232480	Nadelkaefig 12x16x10	1	
4	AP0260300	Schalldämmplatte	1	
5	AP0275030	Platthalter	1	
6	AP0841680	TE-Spezialschraube	3	
7	AP0237022	Kupplungswelle Z=11	1	
8	AP0845390	Seegerring	1	
9	AP0250992	Ölabstreifring 12x18x4,5	1	
10	AP0250450	Ölabstreifring 12x28x7	1	
11	AP0840445	Anschluss	1	
12	AP0239140	Feder	1	
13	AP0222317	Thermostat 70°	1	
14	AP0430590	O-Ring	1	
15	AP0222300	Thermostatgehäuse	1	
16	AP0241932	TCEI Schraube	2	
17	AP0230195	Ölabstreifring 10x26x7	2	
18	AP0237040	Welle Wasserpumpe	1	
19	AP0222270	Läufer	1	
20	AP0229280	Stift 4x16	1	
21	AP0227680	Paßscheibe 10,1/25/1	1	
22	AP0232420	Stift 4x19,8	1	
23	AP0234620	Wasserpump.-Zahn. Z=18	1	
24	AP0230415	Gasket ring 6x10	2	
25	AP0240912	Sechskantschraube	1	
26	AP0230581	Dichtung	1	
27	AP0840882	TCEI Schraube	10	
28	AP0241262	TCEI Schraube	2	

Einheit	Motor
Code	5
Beschreibung	Kupplungsdeckel
Inspektion	1



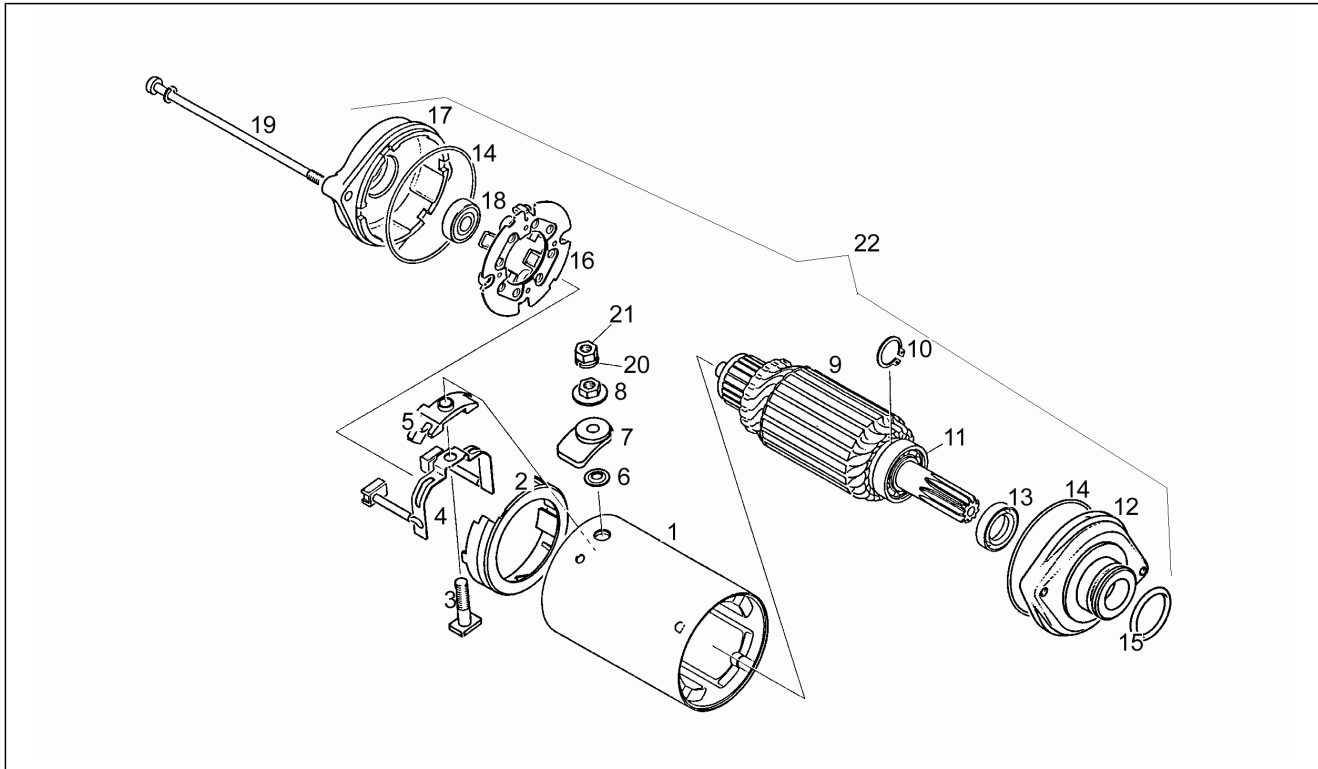
Pos.	Code	Beschreibung	Menge	Varianten
29	AP0222290	Wasserpumpenritzel Schirm	1	
30	AP0230330	Dichtung	1	
31	AP0222214	Wasserpumpenkörper	1	
32	AP0241932	TCEI Schraube	4	
33	AP0240372	TCEI Schraube	1	
34	AP0248305	Ausrueckwelle	1	
35	AP0840862	TCEI Schraube	1	
36	AP0897161	Molykote 111 100gr.	1	
37	AP0899784	Loctite, orange 574	1	

Einheit	Motor
Code	6
Beschreibung	Kupplung
Inspektion	1



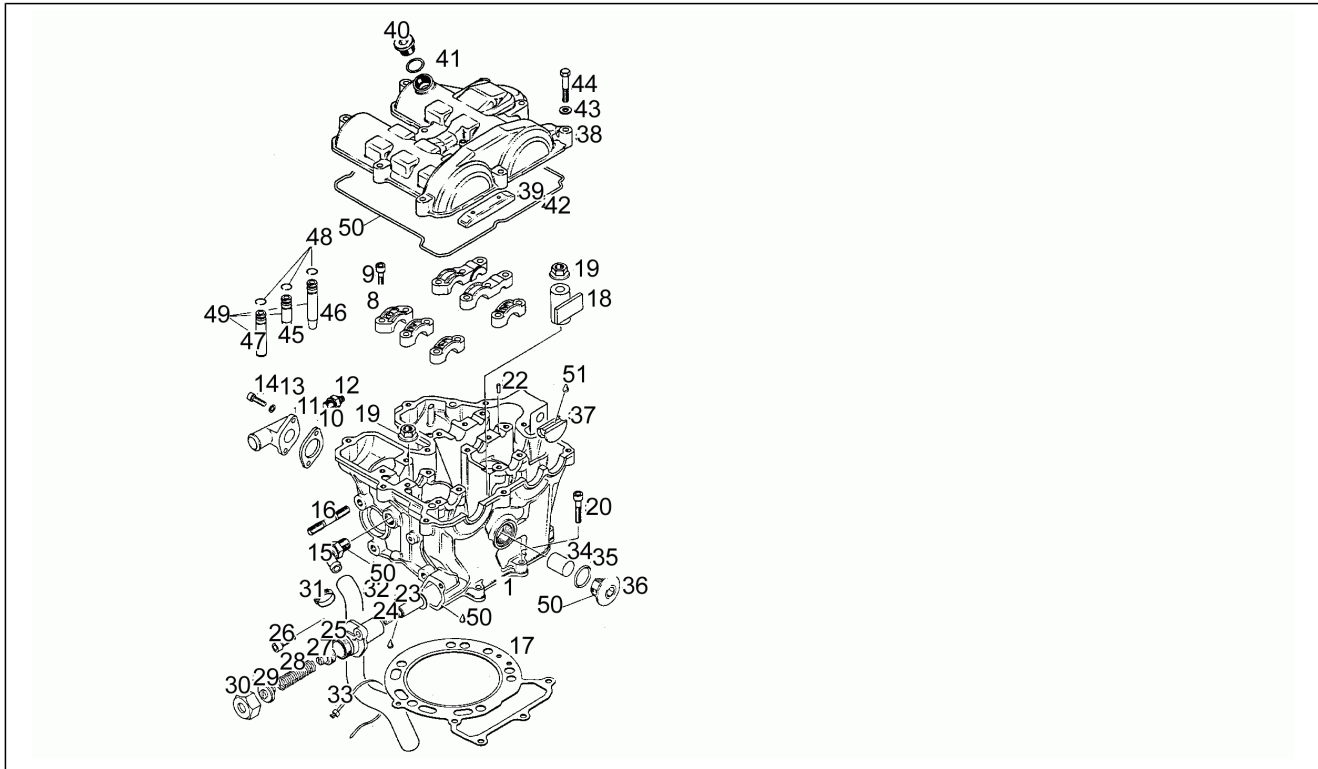
Pos.	Code	Beschreibung	Menge	Varianten
1	AP0235272	Freilaufgrad Z=31	1	
2	AP0227400	Paßscheibe	1	
3	AP0945650	Seegerring d14	1	
12	AP0240232	Deckel m16x1,5	1	
13	AP0427460	Paßscheibe 25/35/2	1	
14	AP0932930	Nadelkaefig 25x29x13	2	
15	AP0295440	Primaertrieb kpl.	1	
16	AP0250890	O-Ring 3771	1	
17	AP0244950	Paßscheibe 20/38/3	1	
18	AP0259115	Mitnehmer	1	
19	AP0245325	Ausgleichscheibe	1	
20	AP0242607	Mutter m18x1,25	1	
21	AP0259260	Kupplungsscheibe St. 1,5 mm	7	
22	AP0259210	Belaglamelle 3,5mm	7	
23	AP0259122	Stuetzteller	1	
24	AP0232262	Lager 15x32x9	1	
25	AP0259202	Zahnwelle	1	
26	AP0239060	Tellerfeder	2	
27	AP0945650	Seegerring d14	1	
28	AP0239162	Kupplungsfeder	6	
29	AP0244020	Ausgleichscheibe d6,5	6	
30	AP0240036	Sechskantschraube	6	
31	AP0297434	Loctite Anti Seize 50ml.15378	1	
32	AP0899785	Loctite, violett 221 10cc.	1	
33	AP0297900	Flachendichtmittel 310 ml	1	

Einheit	Motor
Code	7
Beschreibung	Startermotor
Inspektion	1



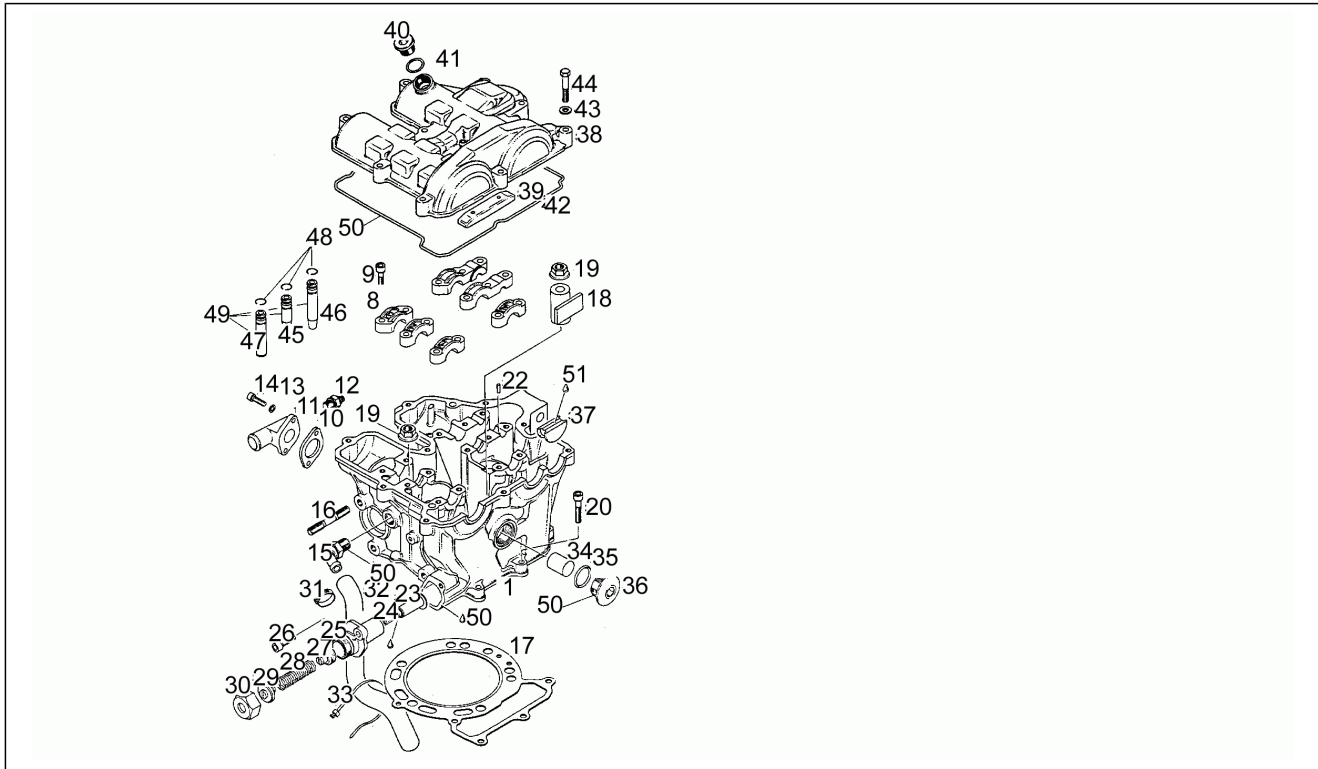
Pos.	Code	Beschreibung	Menge	Varianten
1	AP0294351	Anlasser komplett	1	
2	AP0260990	Platte	1	
3	AP0264580	Schraube	1	
4	AP0264184	Kohlebürste	1	
5	AP0260815	Isolierbuchse	1	
6	AP0250540	Dichtung	1	
7	AP0260805	Isolierbuchse	1	
8	AP0242785	Mutter M6	1	
9	AP0264145	Rotor kpl.	1	
10	AP0945840	Seegerring 15 mm	1	
11	AP0232260	Kugellager 6002Z	1	
12	AP0264157	Halter	1	
13	AP0250130	Ölabstreifring 15x24x5	1	
14	AP0850500	O-Ring 62x1,5	2	
15	AP0250140	O-Ring 24,4x3,1	1	
16	AP0264035	Bürstenhalter komplett	1	
17	AP0264177	Halter	1	
18	AP0932775	Kugellager 608RS	1	
19	AP0241135	Spezialschraube	2	
20	AP0945751	Federring Din a6	1	
21	AP0242211	Mutter M6	1	
22	AP0264154	Stator kpl	1	

Einheit	Motor
Code	8
Beschreibung	Zylinderkopf
Inspektion	1



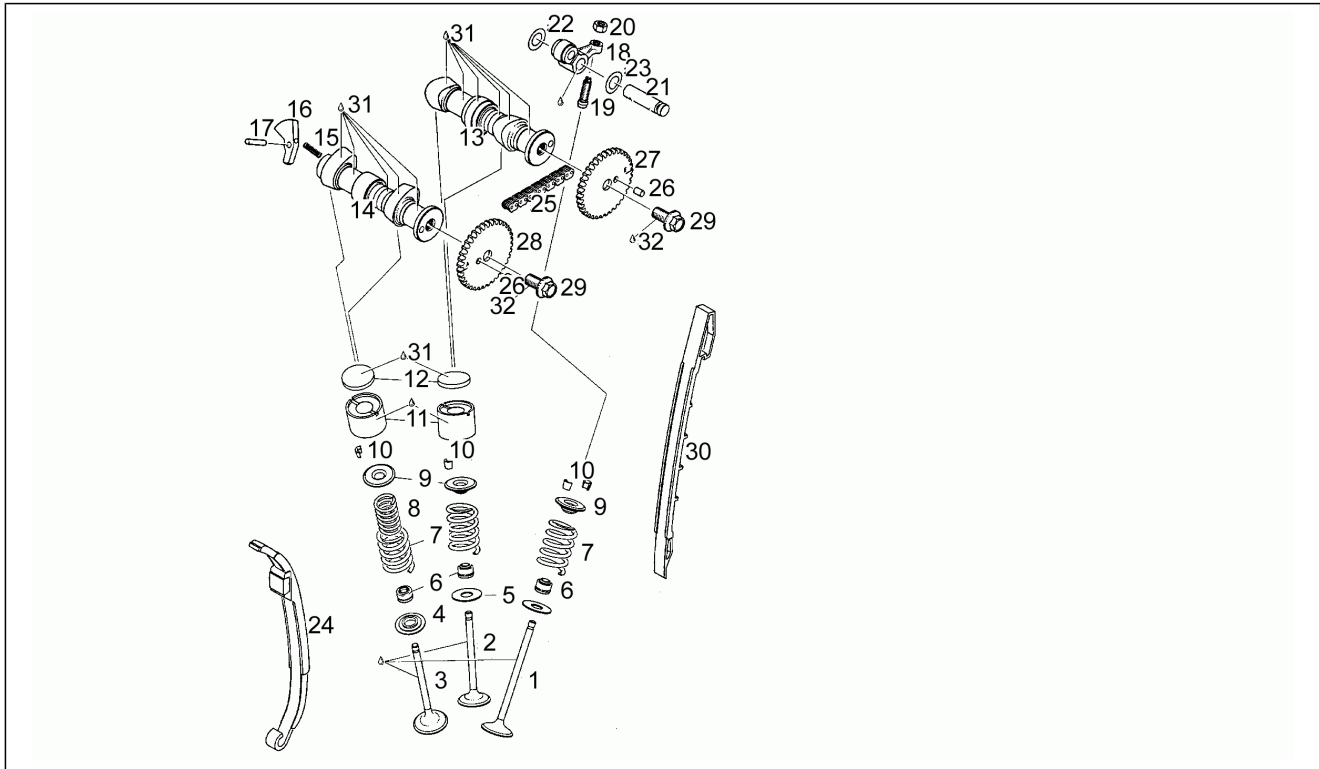
Pos.	Code	Beschreibung	Menge	Varianten
1	AP0223529	Zylinderkopf	1	
8	AP0945751	Federring Din a6	14	
9	AP0840861	TCEI Schraube M6x25	14	
10	AP0250025	Dichtung	1	
11	AP0222226	Winkelverbinder	1	
12	AP0222420	Temperaturfühler	1	
13	AP0945750	Federring Din a5	2	
14	AP0240182	Schraube	2	
15	AP0922245	Winkelverbinder	1	
16	AP0240362	Stiftschraube m8x58	4	
17	AP0230602	Dichtung	1	
18	AP0247955	Gummi	1	
19	AP0242851	Mutter	5	
20	AP0840882	TCEI Schraube	3	
22	AP0232990	Stift 3x9,8	1	
23	AP0236100	Buchse	1	
24	AP0239310	Feder	1	
25	AP0236081	Kettenspannerhäuse	1	
26	AP0840402	TCEI Schraube	2	
27	AP0229330	Int.Einstellschraube m18x2,5	1	
28	AP0239180	Feder	1	
29	AP0229320	Est.Einstellschraube	1	
30	AP0242840	Mutter m24x1	1	
31	AP0251010	Schelle d16,5	2	
32	AP0260141	Leitung 240 mm	1	
32	AP0260146	Leitung 240 mm	1	
33	AP0251920	Schelle	1	
34	AP0260310	Gummi	1	

Einheit	Motor
Code	8
Beschreibung	Zylinderkopf
Inspektion	1



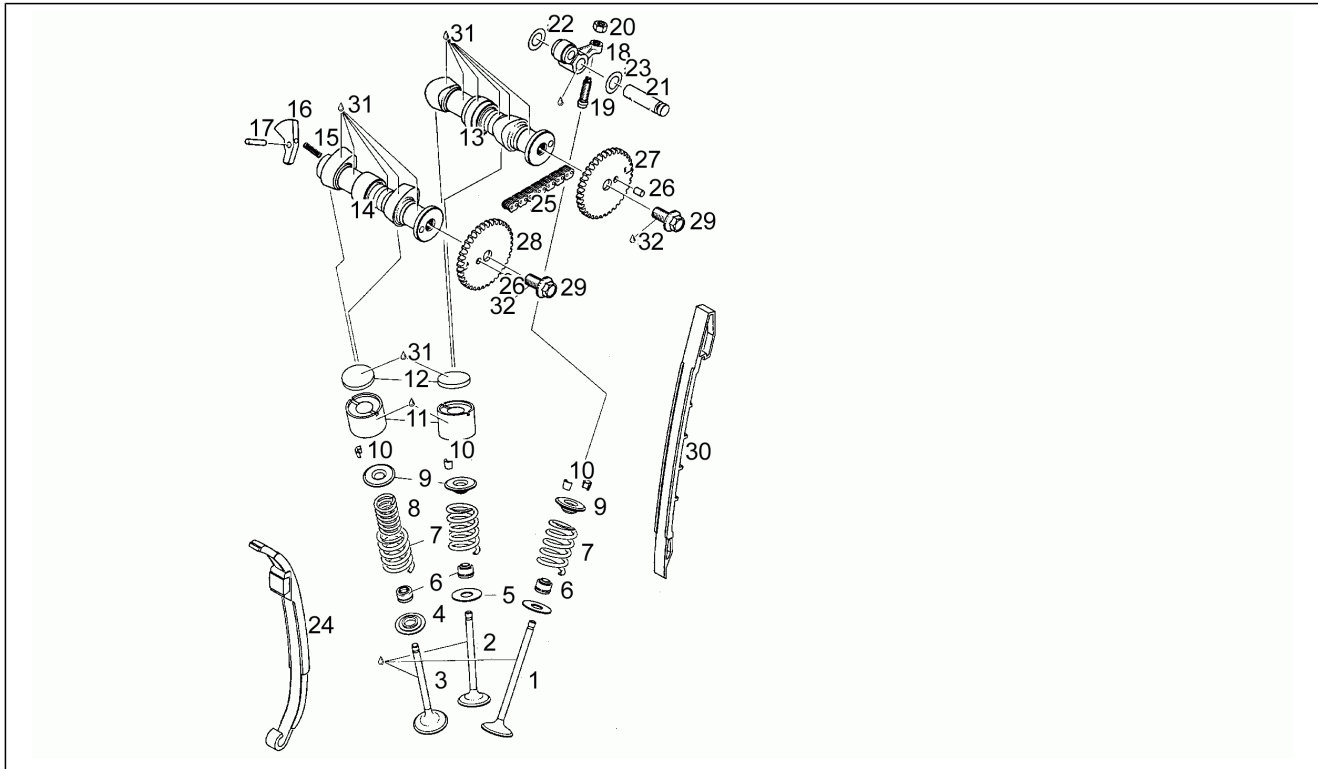
Pos.	Code	Beschreibung	Menge	Varianten
35	AP0430782	O-Ring 23,3x2,4	1	
36	AP0241370	Deckel m24x1	1	
37	AP0260961	Deckel	3	
38	AP0210674	Ventildeckel	1	
39	AP0236130	Ob. Kettengleitführung	1	
40	AP0240232	Deckel m16x1,5	1	
41	AP0430622	Gasket ring 16x22	1	
42	AP0230540	O-Ring	1	
43	AP0244217	Ausgleichscheibe 6,4	9	
44	AP0941122	Sechskantschraube	9	
45	AP0253591	Ventilführung Einlaß	2	
46	AP0253596	Ventilführung Einlaß	1	
47	AP0253581	Ventilführung Auslaß	2	
48	AP0245710	Seegerring 11x1	5	
49	AP0297433	Molykote G-N 50gr.	1	
50	AP0899784	Loctite, orange 574	1	
51	AP0297385	Silastic 732RTV 100gr.	1	

Einheit	Motor
Code	9
Beschreibung	Ventile
Inspektion	1



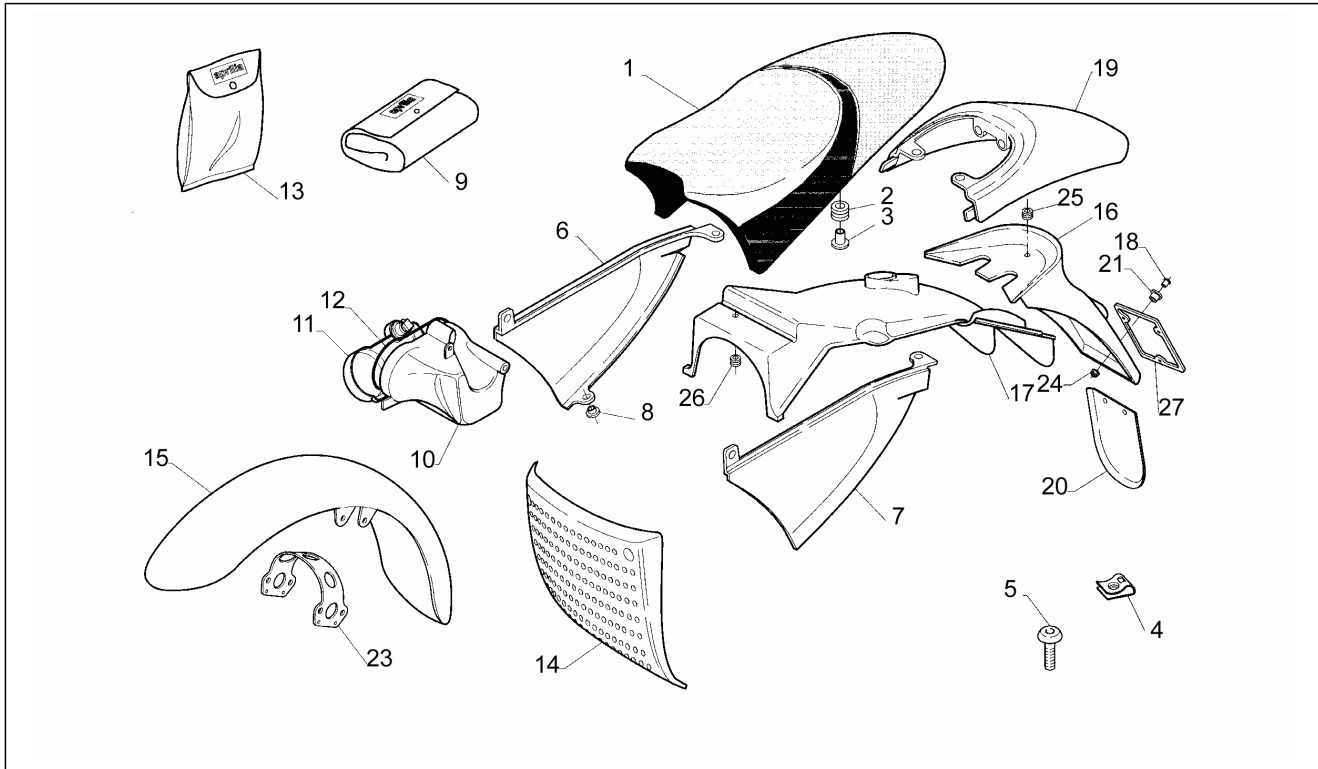
Pos.	Code	Beschreibung	Menge	Varianten
1	AP0253615	Einlaßventil 30 mm	1	
2	AP0253610	Einlaßventil 30 mm	2	
3	AP0253620	Auslaßventil 32 mm	2	
4	AP0253630	Platte	2	
5	AP0227982	Paßscheibe 11,2/28/1	3	
6	AP0230510	Ölabstreifring Ventilführung	5	
7	AP0239150	Ventilfeder außen	5	
8	AP0838140	Ventilfeder innen	2	
9	AP0253570	Ventilfederplatte	5	
10	AP0253640	Ventilhalbkegel	10	
11	AP0253540	Ventilbecher	4	
12	AP0253550	Belag 3,00	1	
12	AP0253551	Belag 3,1	1	
12	AP0253552	Belag 3,2	1	
12	AP0253553	Belag 3,3	1	
12	AP0253554	Belag 3,4	1	
12	AP0253555	Belag 3,5	1	
12	AP0253556	Belag 3,6	1	
12	AP0253557	Belag 3,7	1	
12	AP0253558	Belag 3,8	1	
12	AP0253559	Belag 3,9	1	
12	AP0253560	Belag 4,00	1	
12	AP0253561	Belag 2,9	1	
12	AP0253562	Belag 2,8	1	
12	AP0253563	Belag 2,7	1	
12	AP0253564	Belag 3,05	1	
12	AP0253565	Belag 3,15	1	
12	AP0253566	Belag 3,25	1	

Einheit	Motor
Code	9
Beschreibung	Ventile
Inspektion	1



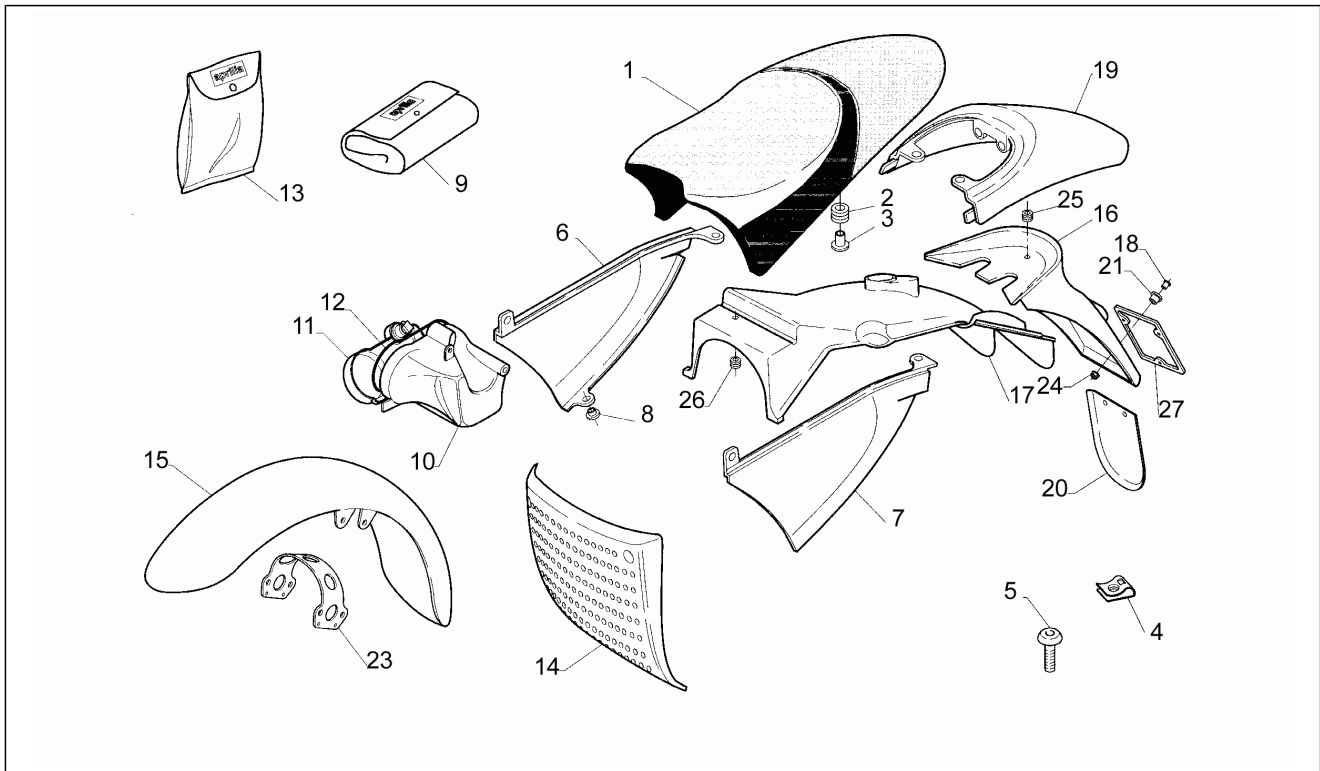
Pos.	Code	Beschreibung	Menge	Varianten
12	AP0253567	Belag 3,35	1	
12	AP0253568	Belag 3,45	1	
12	AP0253569	Belag 3,55	1	
12	AP0253910	Belag 3,65	1	
13	AP0237095	Nockenwelle Einlaß	1	
14	AP0237105	Nockenwelle Auslaß	1	
15	AP0239130	Feder	1	
16	AP0231020	Gegengewicht	1	
17	AP0232910	Stift 5x23,8	1	
18	AP0253605	Kipphebel Einlaß Klp.	1	
19	AP0240205	Schraube	1	
20	AP0242591	Mutter	1	
21	AP0253530	Kipphebelstange	1	
22	AP0227450	Paßscheibe 12,5/21,5/0,5	1	
23	AP0227455	Sprengscheibe 12,5x21,5x0,5	1	
24	AP0236115	Kettenführung links	1	
25	AP0297760	Steuerkette	1	
26	AP0232210	Bolzen 6x8	2	
27	AP0253520	Einlaß Zahnr.Ventilsteuerung	1	
27	AP0253522	Einlaß Zahnr.Ventilsteuerung Z=36	1	
28	AP0253947	Auslaß Zahnr.Ventilsteuerung Z=36	1	
29	AP0240650	Schraube durlok	2	
30	AP0236126	Kettenführung rechts	1	
31	AP0297433	Molykote G-N 50gr.	1	
32	AP0899788	Loctite, grün 648 5gr.	1	

Einheit	Rahmen
Code	11
Beschreibung	Aufbau
Inspektion	1



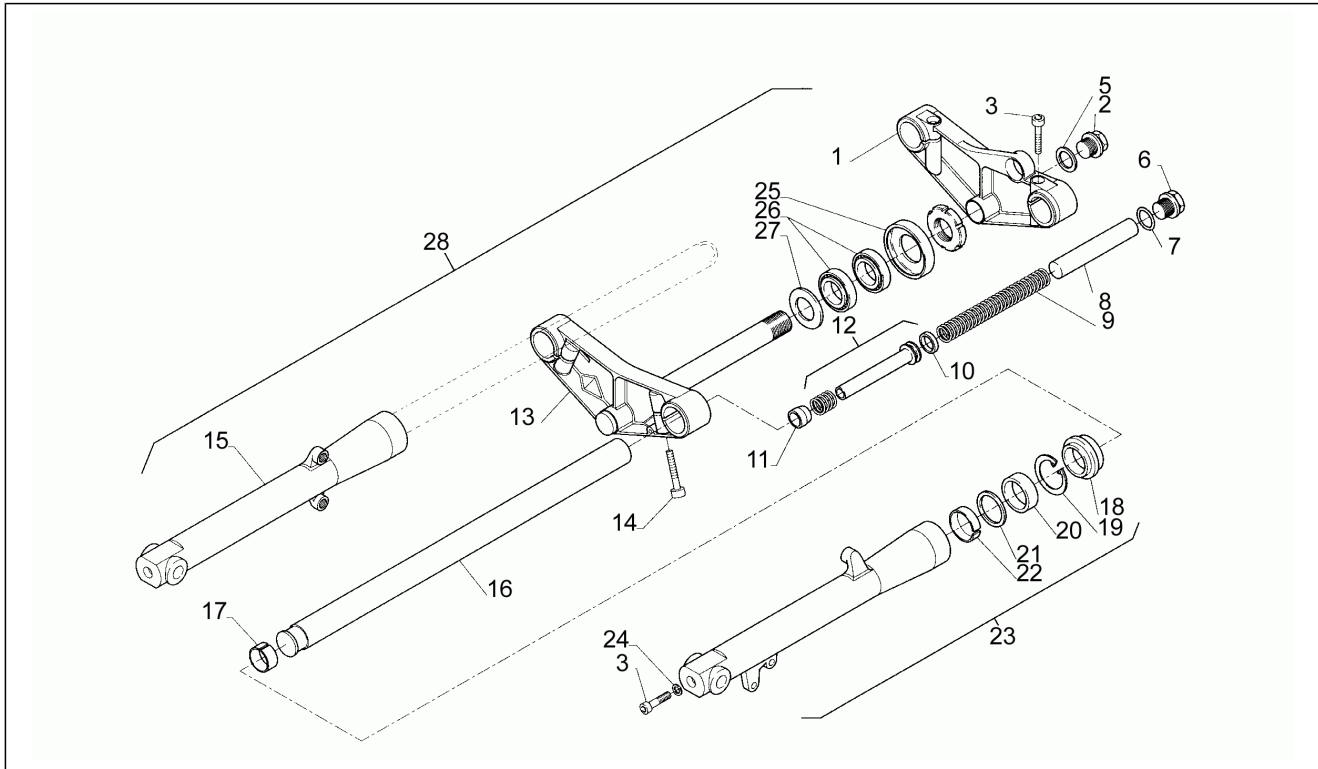
Pos.	Code	Beschreibung	Menge	Varianten
1	AP8129149	Sitz silber/gelb	1	
1	AP8129165	Sitz, schwarz	1	
2	AP8120311	Gummi	2	
3	AP8221056	T-Buchse *	2	
4	AP8102375	Klammer M5	5	
5	AP8152302	TBEI Schraube m.Flansch M5x12	10	
6	AP8138528	R. kl. Seitenteil, grau	1	
6	AP8138535	R. kl. Seitenteil, grau	1	
7	AP8138529	L. kl. Seitenteil, grau	1	
7	AP8138536	L. kl. Seitenteil, grau	1	
8	AP8121991	Buchse	1	
9	AP8102449	Werkzeugtasche	1	
10	AP8138530	Werkzeugkasten grau lack.	1	
10	AP8138739	Werkzeugkasten lack.	1	
11	AP8138531	Werkzeugkasten deckel	1	
12	AP8120593	Dichtung D4	1	
13	AP8137528	Deko Serie	1	
13	AP8137812	Deko Serie	1	
14	AP8135670	Wannenschutz, alum.	1	
15	AP8126519	V. Schutzblech, grau	1	
15	AP8126521	V. Schutzblech, grau	1	
16	AP8126465	Kennzeichenplatte	1	
17	AP8138371	Schutzplatte Filtergehäuse	1	
18	AP8121982	Distanzscheibe	3	
19	AP8126520	H. Schutzblech, grau	1	
19	AP8126522	H. Schutzblech, grau	1	
20	AP8126506	Verl. Nummernsch.bef.	1	
21	AP8112599	Gummi *	3	

Einheit	Rahmen
Code	11
Beschreibung	Aufbau
Inspektion	1



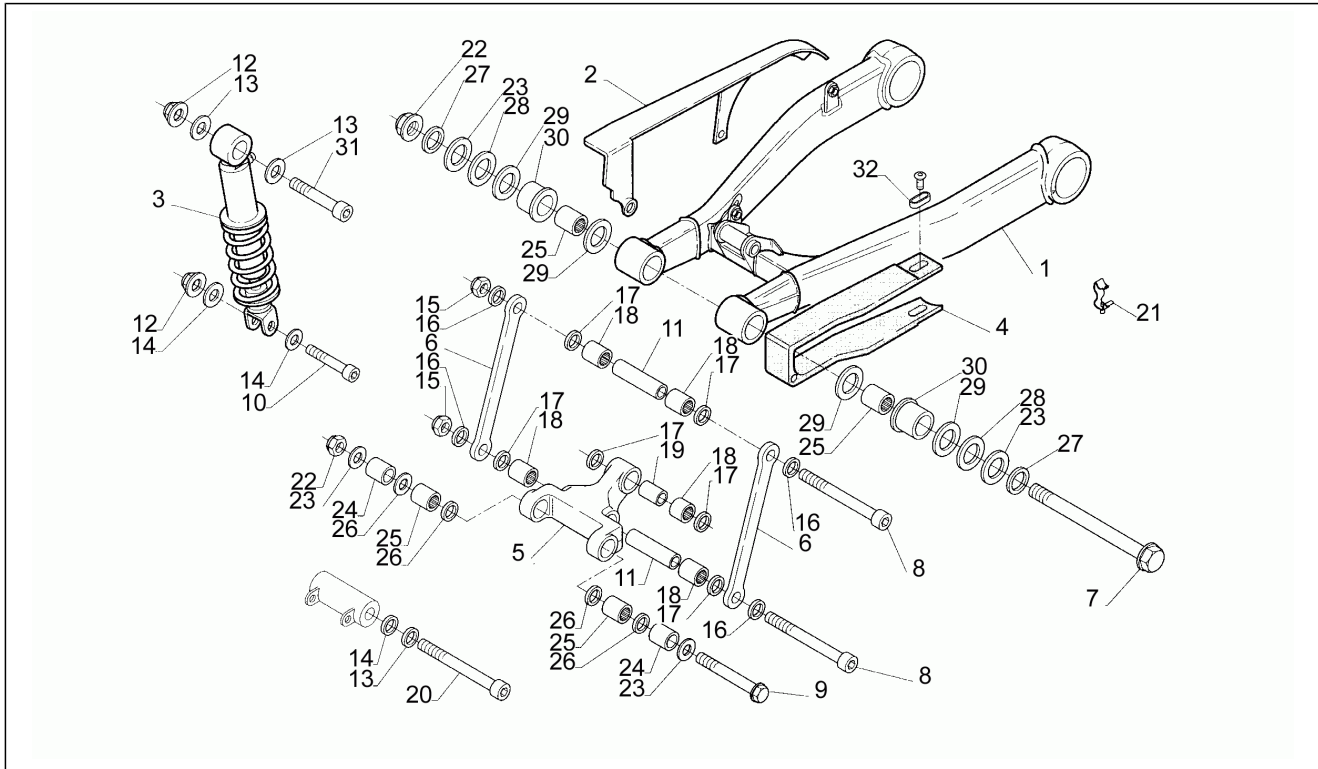
Pos.	Code	Beschreibung	Menge	Varianten
23	AP8134318	Halterung Schutzblech vorn	1	
24	AP8152299	Selbstsperrende Mutter M6	1	
25	AP8120030	Gummi	1	
26	AP8120531	Gummi mit Einsatz	1	
27	AP8126115	Kennzeichenplatte	1	

Einheit	Rahmen
Code	12
Beschreibung	Vorderradgabel
Inspektion	1



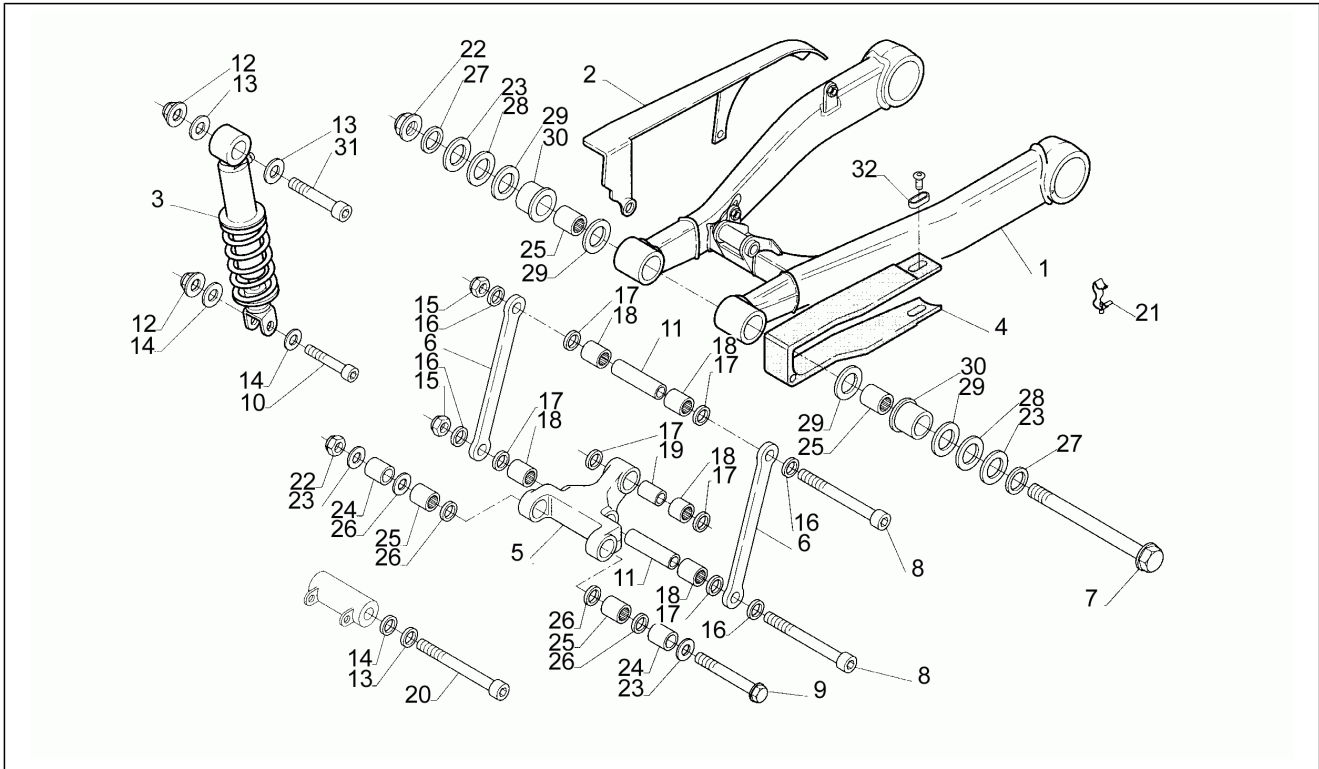
Pos.	Code	Beschreibung	Menge	Varianten
1	AP8123625	Ob. Gabelplatte 195/40/45	1	
2	AP8123659	Deckel	1	
3	AP8123216	Zylinderschraube M10x30	2	
5	AP8123660	Ausgleichscheibe	1	
6	AP8123631	Deckel d.40	2	
7	AP8103456	O-Ring	2	
8	AP8123354	Vorspannrohr	2	
9	AP8123661	Feder	2	
10	AP8123657	Kolbenring	2	
11	AP8123655	Bodenstopfen	2	
12	AP8123630	Stange d.40	1	
13	AP8123626	Fuß mit Rohr	1	
14	AP8123658	Schraube	2	
15	AP8123627	Rechte Hülse d.40	1	
16	AP8123670	Schaft d.40	2	
17	AP8123665	Buchse	2	
18	AP8123777	Staubschutzhfeder	2	
19	AP8123653	Sperring	2	
20	AP8103235	Gasket ring	2	
21	AP8123360	Führungsbecher	2	
22	AP8123664	Ob.führungsbuchse	2	
23	AP8123628	Linke Hülse d.40	1	
24	AP8123206	Dichtscheibe	1	
25	AP8120376	Staubschutzhäube	1	
26	AP8110024	Rollenlager	1	
27	AP8101106	Gasket ring	1	
28	AP8123668	Baugruppe vordere Gabel	1	

Einheit	Rahmen
Code	13
Beschreibung	Schwinge
Inspektion	1



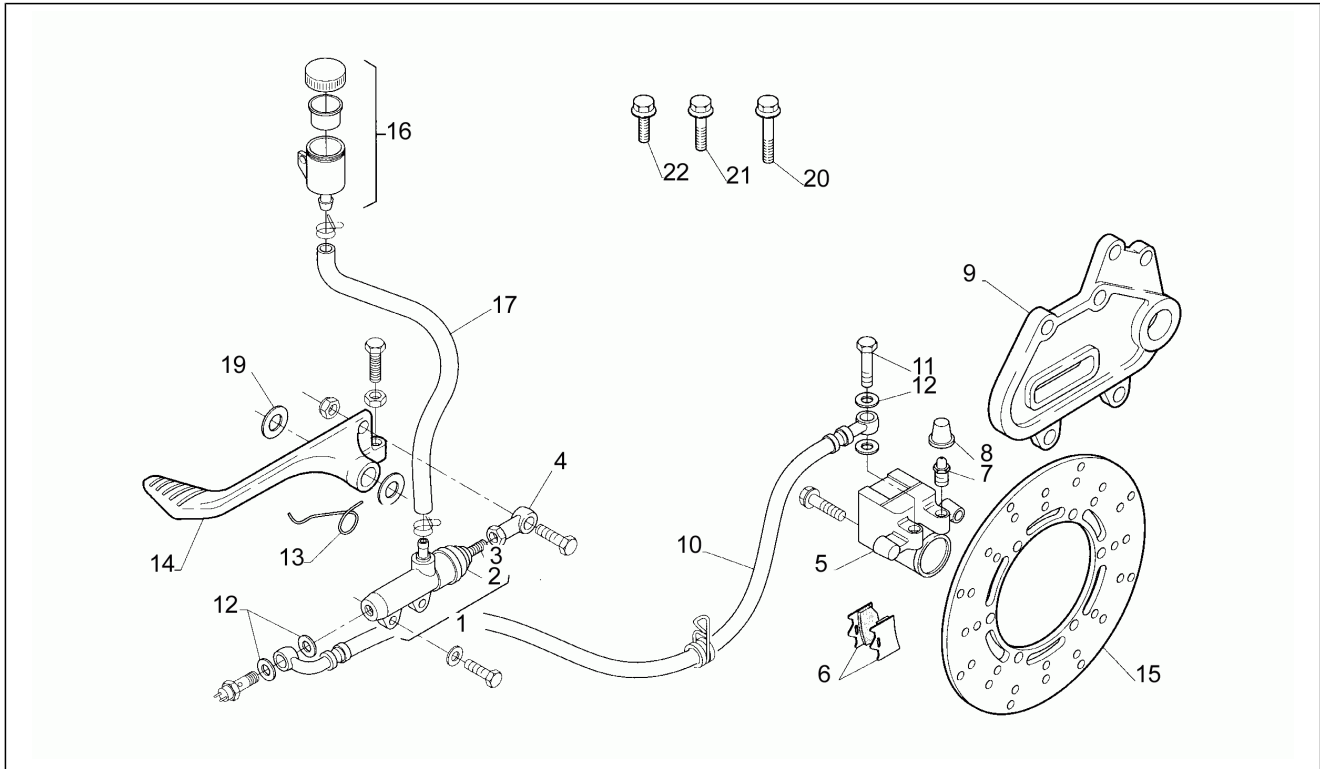
Pos.	Code	Beschreibung	Menge	Varianten
1	AP8135649	Schwinge lack.	1	
2	AP8138224	Kettenkasten	1	
3	AP8123409	Stoßdämpfer	1	
4	AP8120898	Kettengleitführung	1	
5	AP8135653	Doppelte Pleuelstange	1	
6	AP8135652	Einfache Pleuelstange	2	
7	AP8125387	Schwingenbolzen	1	
8	AP8150338	TCEI Schraube M12 X 108	2	
9	AP8135640	Bolzen	1	
10	AP8152147	Sechskantschraube M10x47	1	
11	AP8135727	Bolzen	2	
12	AP8150436	Selbstsperr.mut Unt.	2	
13	AP8150020	Ausgleichscheibe 10,5x21x2*	2	
14	AP8150292	Gebogene Sprengscheibe *	2	
15	AP8150304	Selbstsperr.mut Unt. M12	2	
16	AP8152018	Scheibe 12,2x22x2	2	
17	AP8110068	Ölabstreifring D18x24x3	6	
18	AP8110066	Nadellager	5	
19	AP8121920	Pleuelbolzen	1	
20	AP8150092	TCEI Schraube M10x115*	1	
21	AP8134186	Kabelführungs	1	
22	AP8152244	Mutter DAX geflanscht M14x1,5	1	
23	AP8150208	Ausgleichscheibe 15x28x2,5*	3	
24	AP8135654	Pleuelbolzen	2	
25	AP8110067	Nadellager 22x28x16	4	
26	AP8110069	Ölabstreifring D22x28x4	4	
27	AP8150297	Gebogene Sprengscheibe *	2	
28	AP8120363	Bundunterl.scheibe	2	

Einheit	Rahmen
Code	13
Beschreibung	Schwinge
Inspektion	1



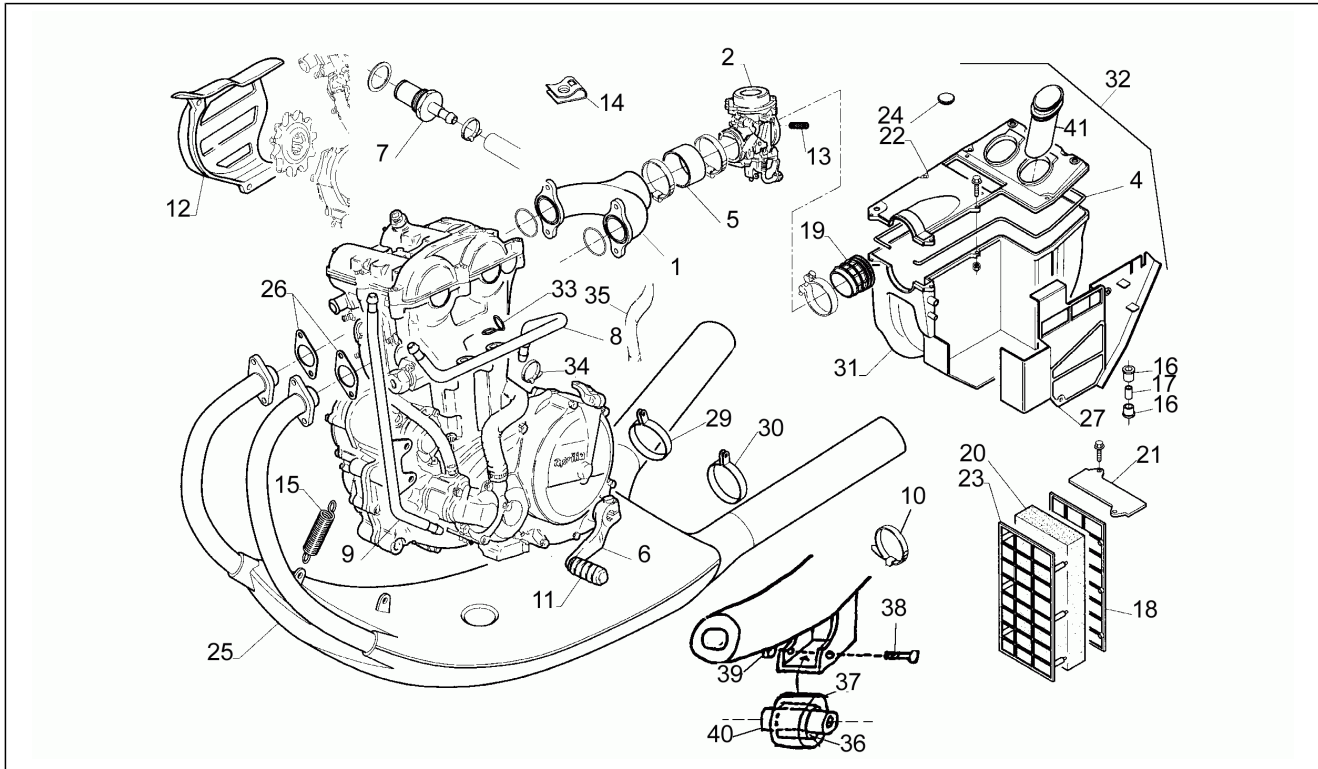
Pos.	Code	Beschreibung	Menge	Varianten
29	AP8120240	Gasket ring	2	
30	AP8121121	Buc.für Schwingenzp.	2	
31	AP8150290	TCEI Schraube	1	
32	AP8234020	Becher	1	

Einheit	Rahmen
Code	14
Beschreibung	Hinterradbremse
Inspektion	1



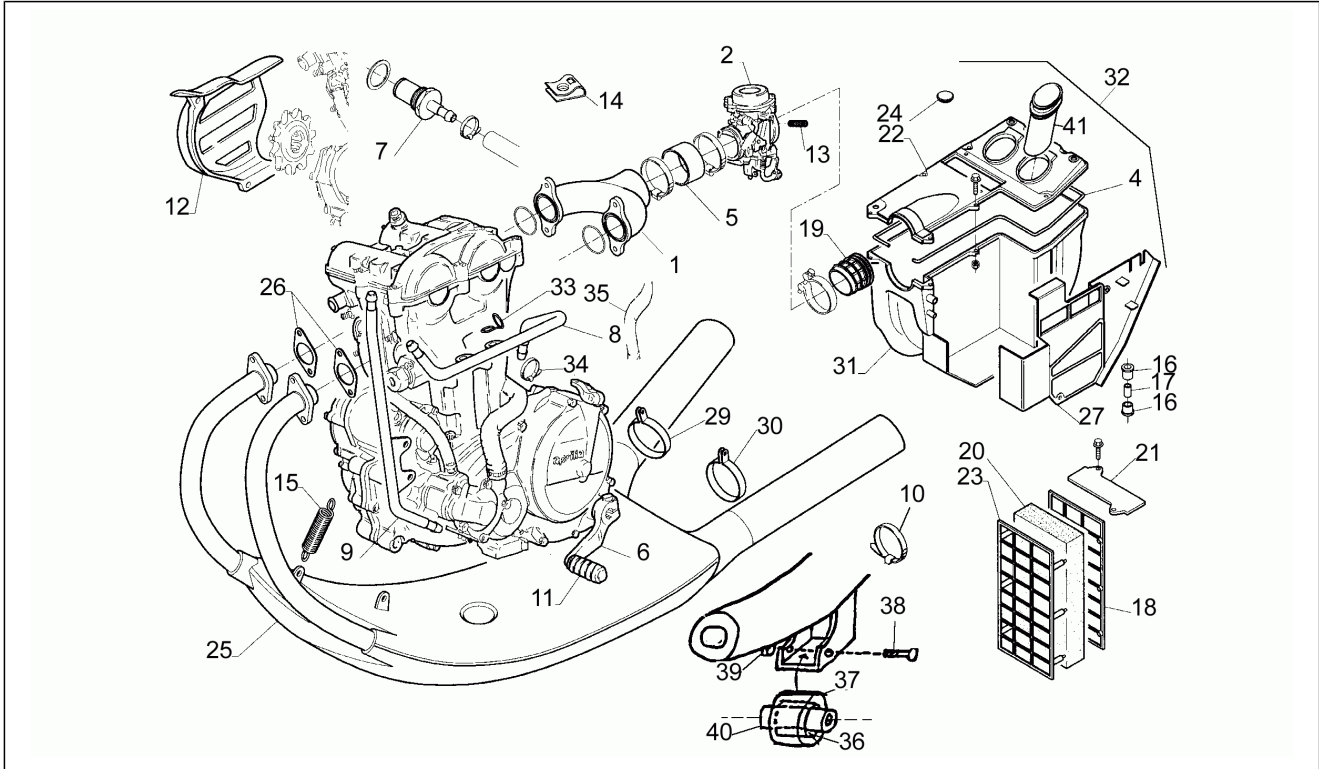
Pos.	Code	Beschreibung	Menge	Varianten
1	AP8113559	Hinterradbremspumpe	1	
2	AP8113288	Gummibalg	1	
3	AP8134248	Pumpenstange brems	1	
4	AP8210007	Kugelgelenk rechts M6	1	
5	AP8113560	Hinterradbremzange	1	
6	AP8113595	Beläge (Paar)	1	
7	AP8113549	Entlüftungsanschluß	1	
8	AP8113070	Entlüftungskappe	1	
9	AP8134430	Fixierplatte	1	
10	AP8113561	Hinterradbremslleitung	1	
11	AP8113003	Fixierschraube Ölschlauch	1	
12	AP8113004	Ausgleichscheibe 10x14x1,6*	4	
13	AP8121946	Bremshebelfeder	1	
14	AP8135657	H.bremshebel	1	
15	AP8113563	Vorderradbremsscheibe	1	
16	AP8113241	Bremsöltank	1	
17	AP8144151	Gummischlauch	1	
19	AP8104353	Seegerring	1	
20	AP8152280	TE Schr. m. Flansch M6x25	5	
21	AP8152279	TE Schr. m. Flansch M6x20	5	
22	AP8152278	TE Schr. m. Flansch M6x16	5	

Einheit	Rahmen
Code	15
Beschreibung	Filtergehäuse
Inspektion	1



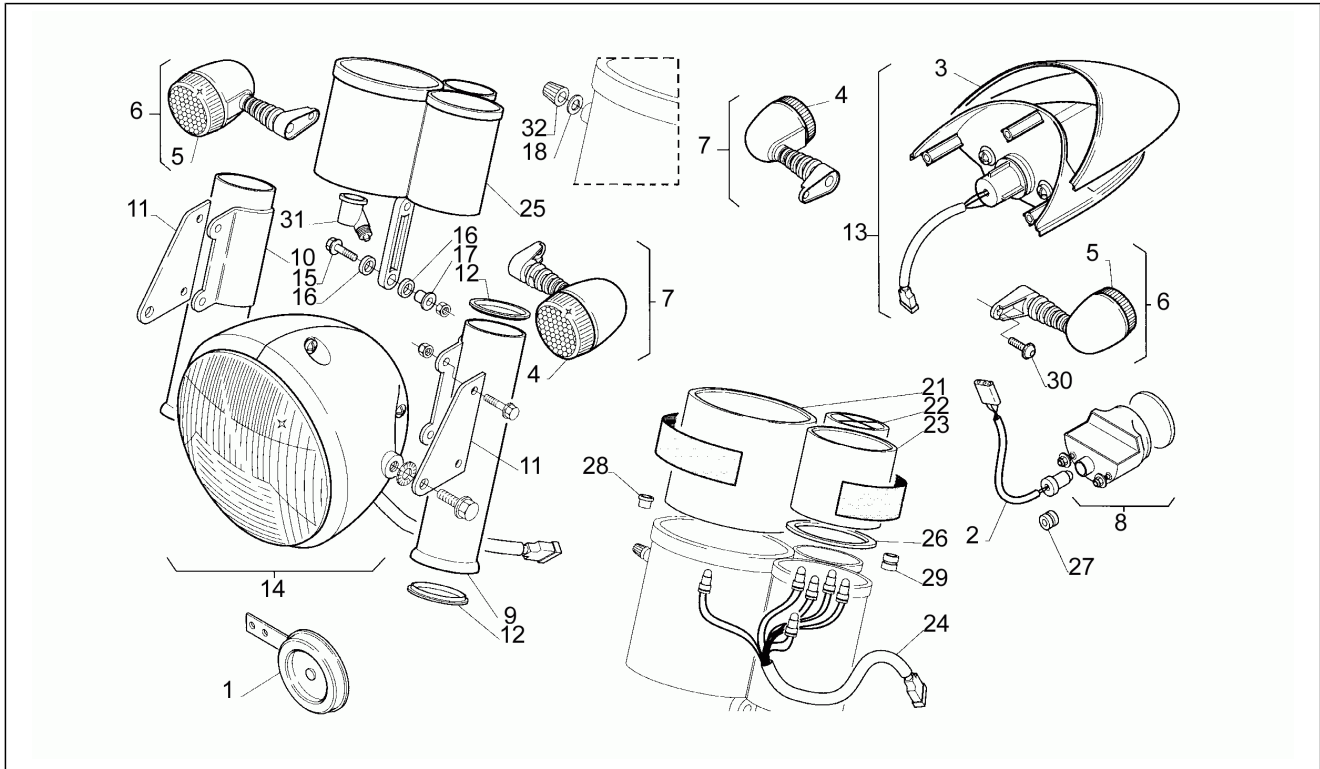
Pos.	Code	Beschreibung	Menge	Varianten
1	AP8106297	Ansaugkrümmer	1	
1	AP8106409	Ansaugkrümmer	1	
2	AP8106298	Vergaser	1	
2	AP8106442	Vergaser	1	
4	AP8120593	Dichtung D4	1	
5	AP8120918	Vergasermuffe	1	
6	AP8135685	Schalthebel	1	
7	AP8102392	Einlaß Ölfilter	1	
8	AP8102541	Ölschlauch	1	
8	AP8144028	Ölschlauch	1	
9	AP8102542	Rohr	1	
10	AP8102349	Schlauchschele weiß D17,5x8	1	
11	AP8220205	Gummi	1	
12	AP8106369	Ritzelkasten, grau	1	
13	AP8121977	Innenfeder Motorölschlauch	1	
14	AP8102376	Klammer M6	1	
15	AP8121091	Schraubenfeder *	2	
16	AP8120675	Gummi *	1	
17	AP8121766	Buchse	1	
18	AP8138340	Filternetz hinten	1	
19	AP8120943	Ansaugmuffe	1	
20	AP8102514	Luftfilter	1	
21	AP8138338	Filterdeckel	1	
22	AP8138337	Deckel Filtergehäuse	1	
23	AP8138339	Vorderes Filternetz	1	
24	AP8120876	Verschlußschraube	1	
25	AP8119366	Inox-Schalldämpfer	1	
26	AP8119218	Dichtung Auspuffrohr	1	

Einheit	Rahmen
Code	15
Beschreibung	Filtergehäuse
Inspektion	1



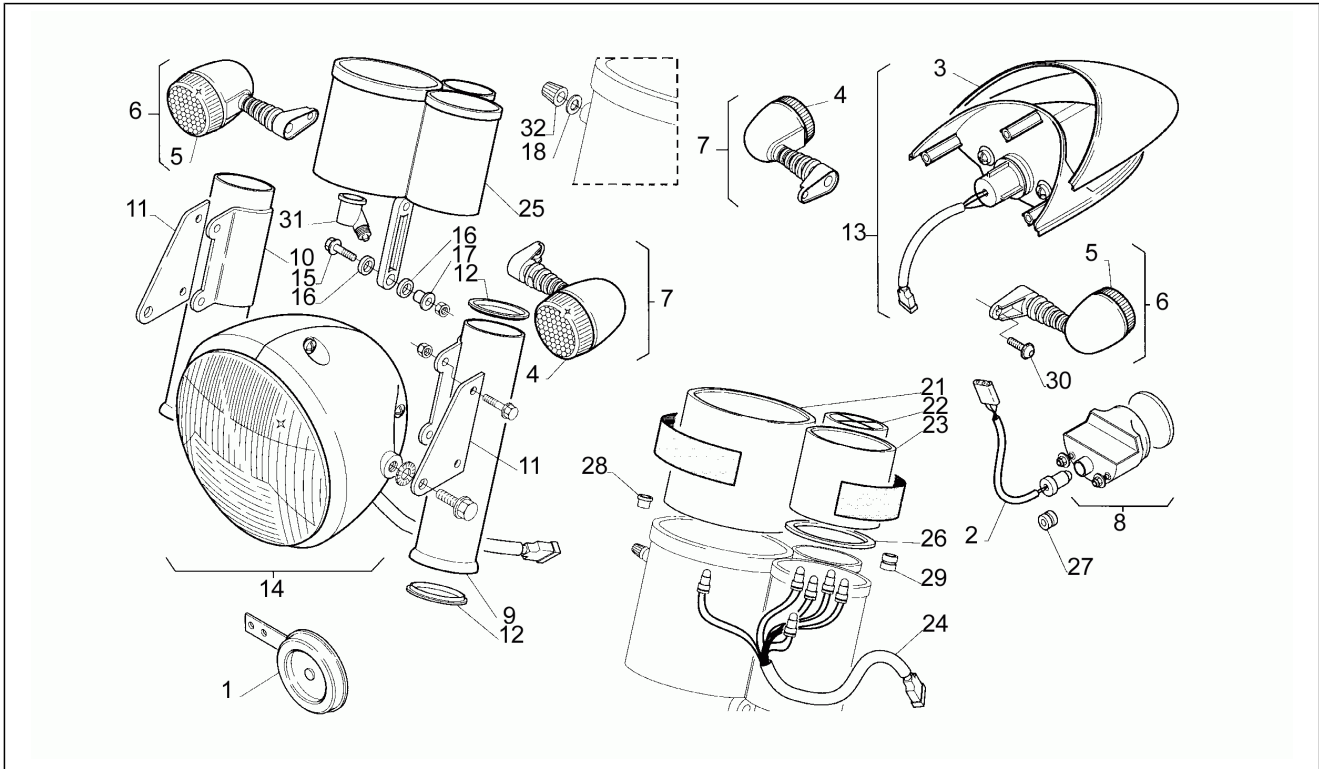
Pos.	Code	Beschreibung	Menge	Varianten
27	AP8138215	Bügel	1	
29	AP8102565	Schalldämpferschelle re.	1	
30	AP8102566	Schalldämpferschelle li.	1	
31	AP8138208	Boden Filtergehäuse	1	
32	AP8138336	Boden Filtergehäuse	1	
33	AP8121217	Kabelführungs	1	
34	AP8102349	Schlauchschele weiß D17,5x8	4	
35	AP8144016	Leitung D10x18	1	
36	AP8121983	Buchse	1	
37	AP8120972	Kettenspannrolle	1	
38	AP8152292	TE Schr. m. Flansch	1	
39	AP8150334	Mutter M8	1	
40	AP8101108	Distanzscheibe *	1	
41	AP8120944	Ansaugmuffe	2	

Einheit	Rahmen
Code	16
Beschreibung	Tabellen
Inspektion	1



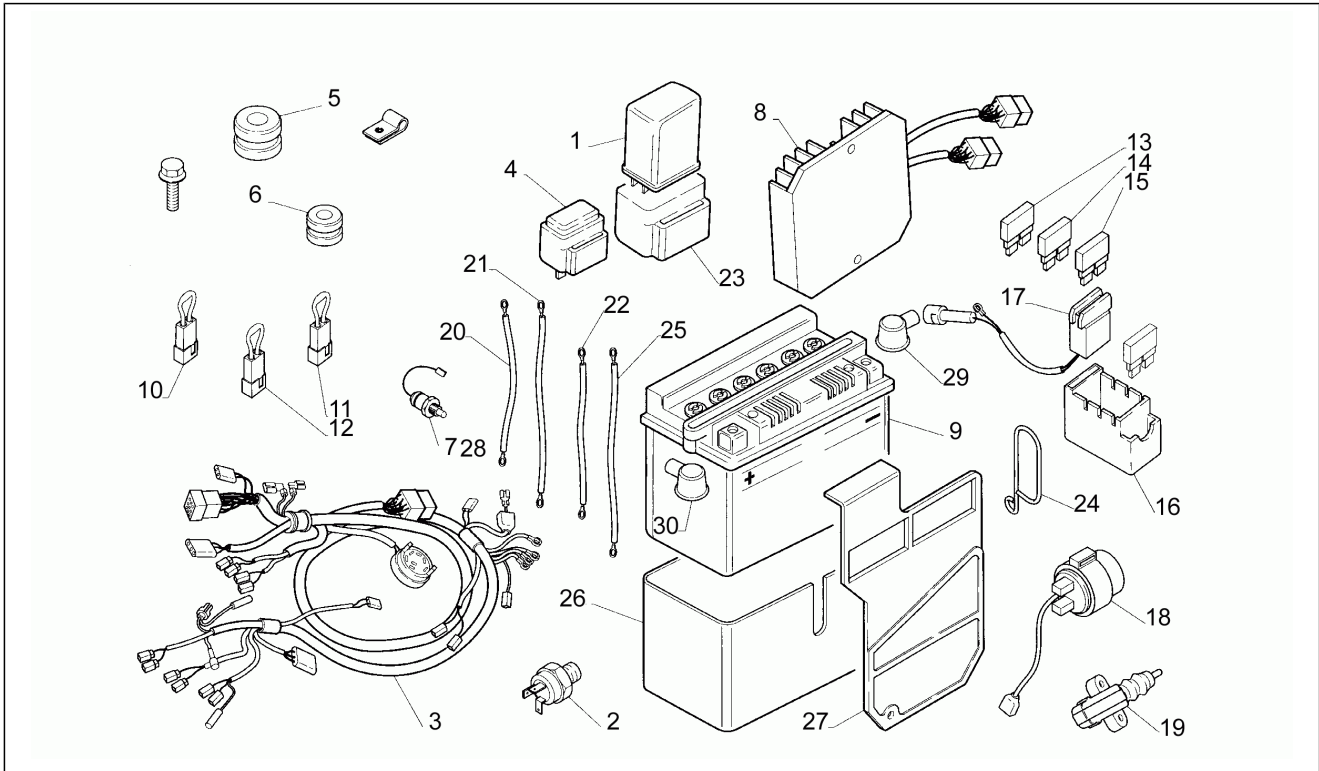
Pos.	Code	Beschreibung	Menge	Varianten
1	AP8112413	Hupe	1	
2	AP8124182	Kennzeich.leuch.Kabel	1	
3	AP8124245	Rücklichtblende	1	
4	AP8124328	Blinkerblende	2	
5	AP8124329	Blinkerblende	2	
6	AP8124378	Vorderblinker rechts / Hinterblinker links	2	
7	AP8124377	Vorderblinker links/ Hinterblinker rechts	2	
8	AP8124085	Kennzeichenleuchte	1	
9	AP8135776	Halter li.grau lack.	1	
10	AP8135686	Halter re.grau lack.	1	
11	AP8135777	Scheinwerferhtr.	1	
12	AP8120942	Dichtung	4	
12	AP8144029	Dichtung	4	
13	AP8124057	Rücklicht	1	
14	AP8124376	Scheinwerfer	1	
14	AP8124392	Scheinwerfer	1	
15	AP8152281	TE Schr. m. Flansch M6x30	2	
16	AP8220228	Gummi *	4	
17	AP8123547	Distanzscheibe	2	
18	AP8144031	Gummi Nullstellknopf	1	
21	AP8124178	Tachometer MPH	1	
21	AP8124380	Tachometer	1	
21	AP8124390	Tachometer	1	
22	AP8124327	Obere Einheit Leuchtenblock	1	
23	AP8124077	Wassertemperaturanzeiger	1	
24	AP8124066	Instrumentenkabel + Leuchten	1	
25	AP8138434	Grundplatte Instrumente	1	
26	AP8112600	Gummi	2	

Einheit	Rahmen
Code	16
Beschreibung	Tabellen
Inspektion	1



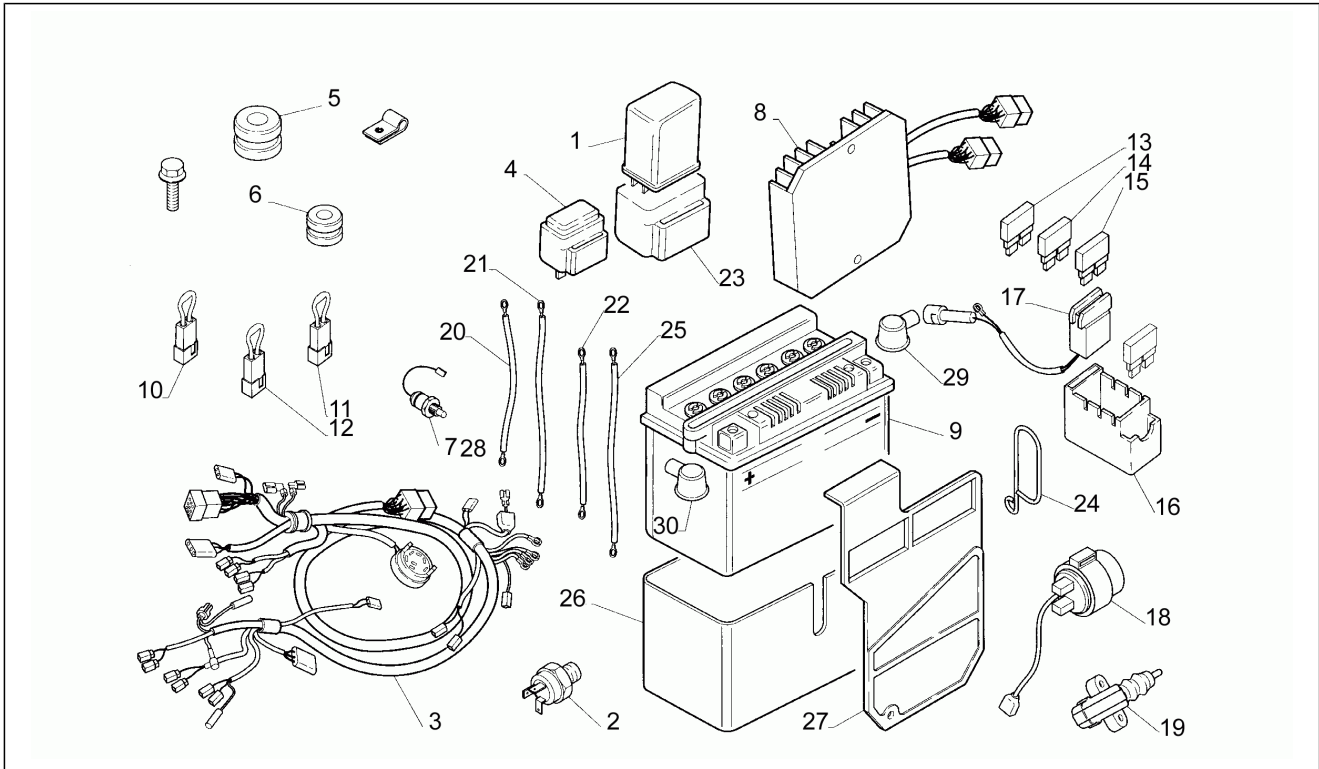
Pos.	Code	Beschreibung	Menge	Varianten
27	AP8112599	Gummi *	4	
28	AP8112602	Buchse Instrumentenbrett	2	
29	AP8112603	Montageb. Thermom.	1	
30	AP8152246	TBEI Schraube m.Flansch M6x16	1	
31	AP8102218	Vorgelegte Instrum.tafel	1	
32	AP8124388	Griff	1	

Einheit	Rahmen
Code	17
Beschreibung	Elektrische Anlage
Inspektion	1



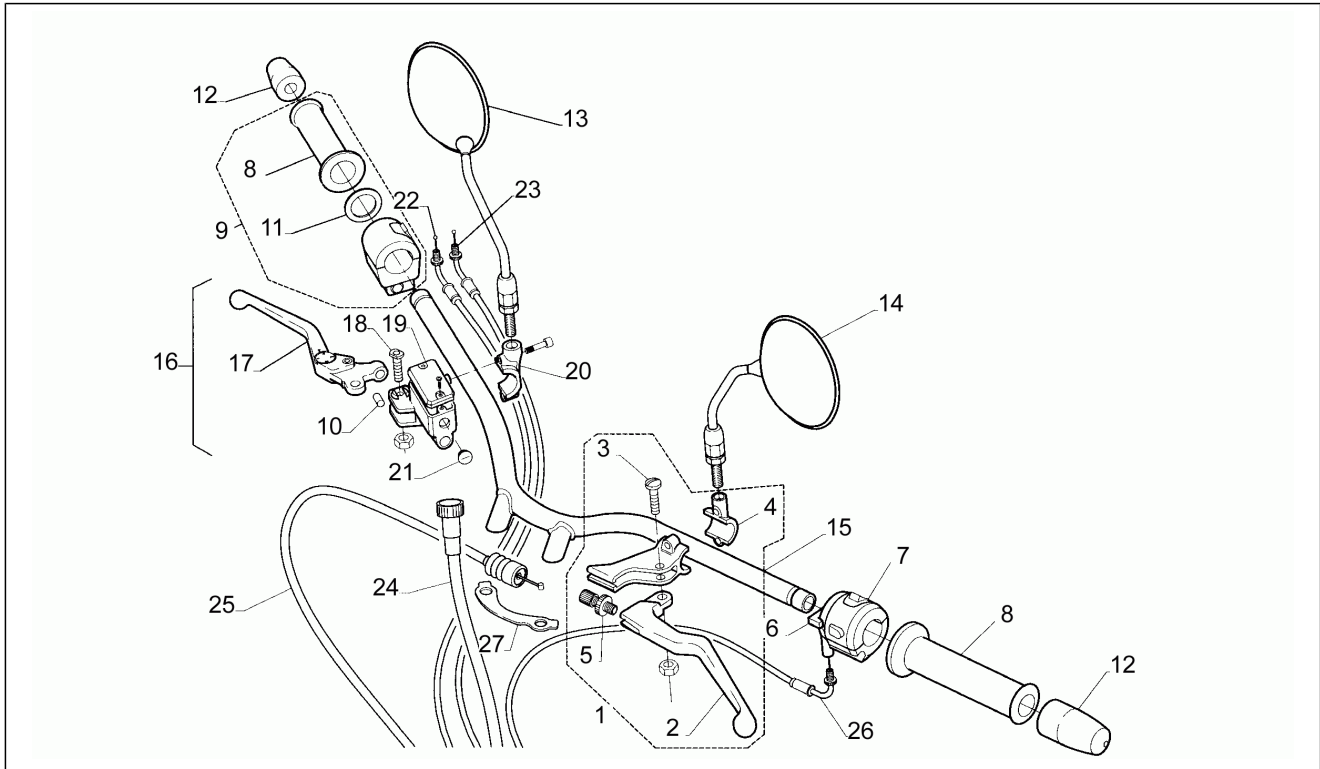
Pos.	Code	Beschreibung	Menge	Varianten
1	AP8212469	Zündrelais 12V-20A	1	
2	AP8124479	Bremslichtschalter	1	
3	AP8124055	Hauptverkabelung	1	
4	AP8124235	Blinken	1	
5	AP8112945	Kabelgummi	1	
6	AP8112946	Gummi	1	
7	AP8124214	Kuppl.schalter+Verkab.	1	
8	AP8112941	Spannungsregler	1	
9	AP8124170	Batterie	1	
10	AP8212382	Diode	1	
11	AP8124206	Verstellwiderstand 10K	1	
12	AP8124187	Verstellwiderstand 4,7K	1	
13	AP8112176	Sicherung 15A	1	
14	AP8112244	Sicherung 7,5A	1	
15	AP8112506	Sicherung 20A	1	
16	AP8112942	Sicherungsblockgummi	1	
17	AP8120754	Sicherungsblockgummi	1	
18	AP8112927	Zündrelais 12V-150A	1	
19	AP8124054	Ständer lichtschalter	1	
20	AP8124061	Masse-Batteriekabel	1	
21	AP8124060	Anlasserkabel	1	
22	AP8124069	Verkabelung Batterie-Relais	1	
23	AP8220283	Gummi *	1	
24	AP8121856	Kabelführungs	1	
25	AP8127183	Verkab. Bremssch.	1	
26	AP8131838	Batteriehalter	1	
27	AP8134346	Platte	1	
28	AP8124213	Stoppschalter+Kabeln	1	

Einheit	Rahmen
Code	17
Beschreibung	Elektrische Anlage
Inspektion	1



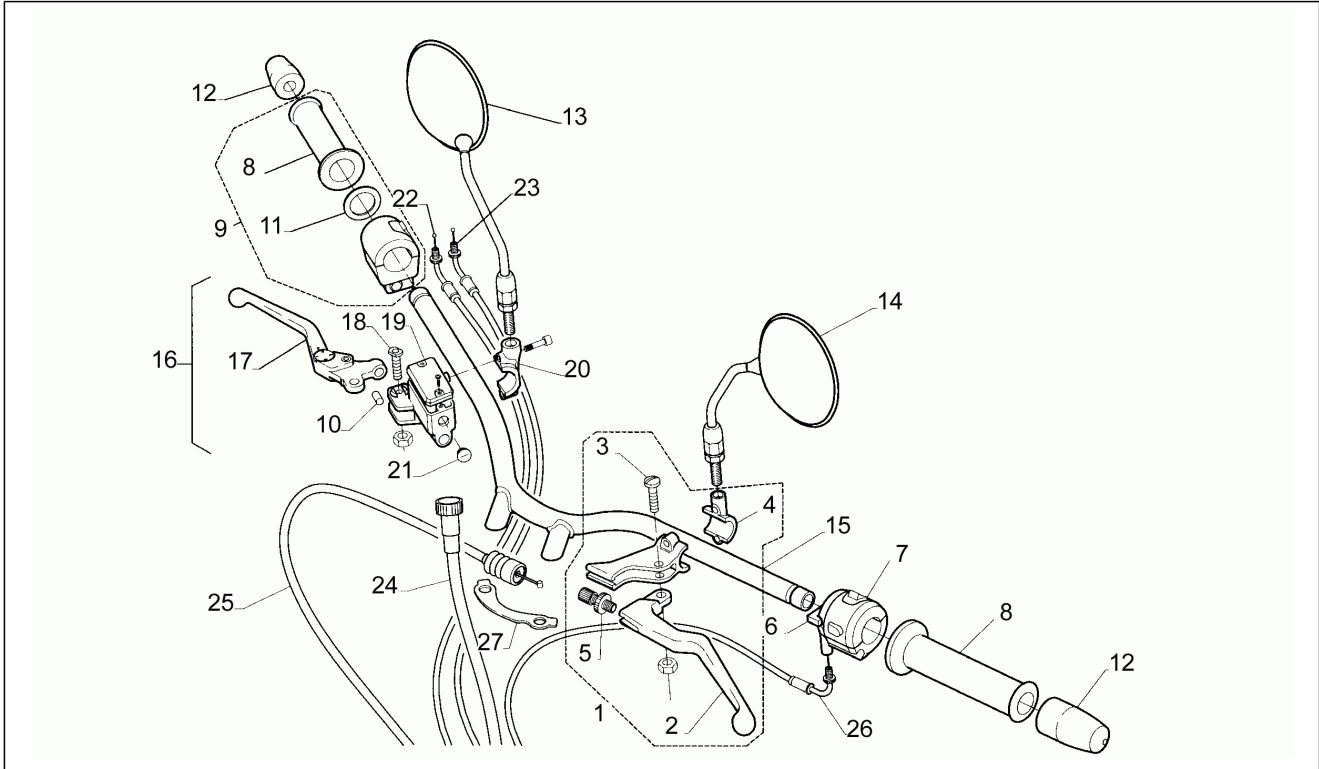
Pos.	Code	Beschreibung	Menge	Varianten
29	AP8120218	Klemmenkappe	1	
30	AP8120541	Kappe Pluspol	1	

Einheit	Rahmen
Code	18
Beschreibung	Lenkstange - Schaltungen
Inspektion	1



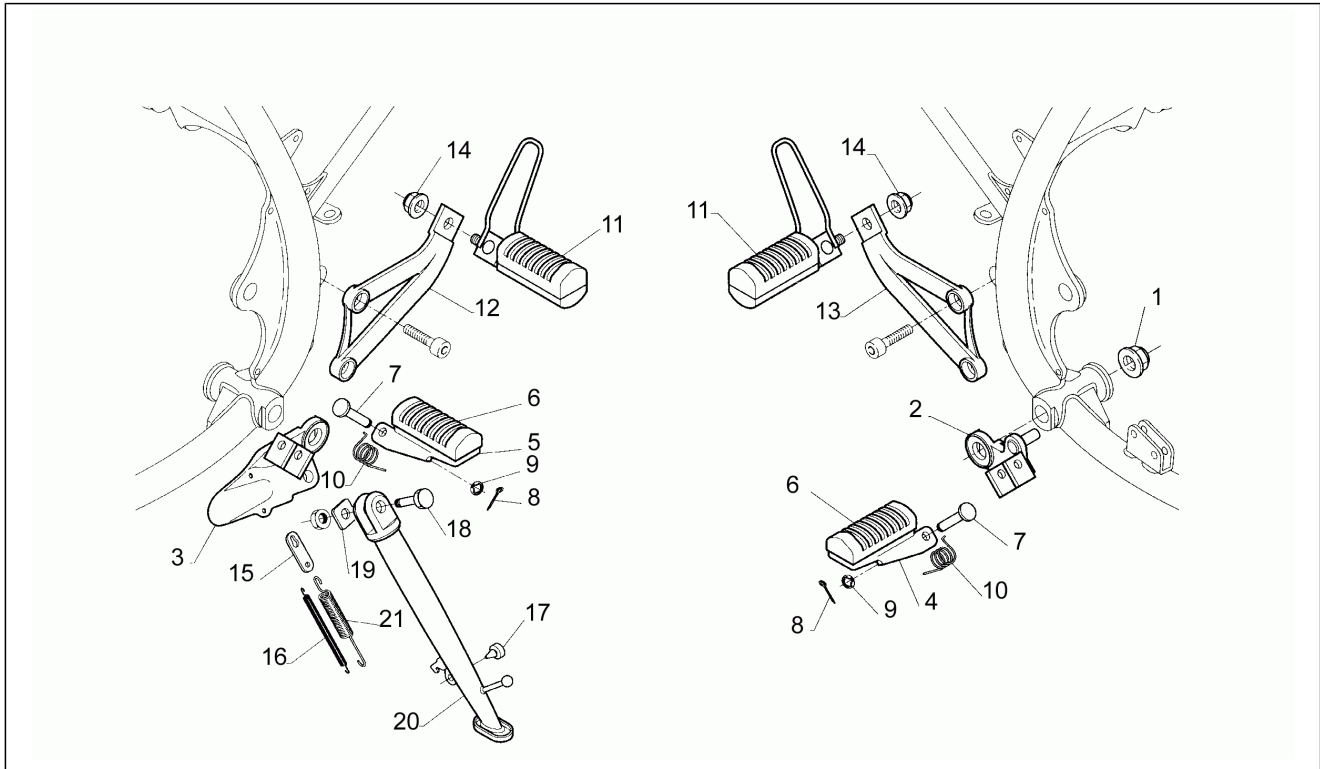
Pos.	Code	Beschreibung	Menge	Varianten
1	AP8118392	Kupplung schalt. kpl	1	
2	AP8118432	Kupplungshebel	1	
3	AP8118242	Kupplungschaltung Schraube	1	
4	AP8118433	Bügelbolzen	1	
5	AP8118348	Einstl.schr. Kpplg.	1	
6	AP8118388	Starterhebel	1	
7	AP8124064	L. Lichtumsch. m. K.	1	
7	AP8124375	Linker Lichtschalter	1	
8	AP8118426	Handgriffe paar	1	
8	AP8118453	Handgriffe paar, grau	1	
9	AP8118386	Gassteuerung+Enginestop	1	
9	AP8118450	Gassteuerung+Enginestop	1	
10	AP8113522	Stopfen Voderradbremshel	1	
11	AP8121826	Scheibe rechter Griff	1	
12	AP8102564	Schwingschutzgewicht grau	2	
13	AP8102557	Rückspiegel rechts	1	
14	AP8102559	Rückspiegel links	1	
15	AP8118422	Lenkstange grau	1	
16	AP8113556	Vorderradbremspumpe	1	
17	AP8118434	Vorderradbremshel	1	
18	AP8113058	Bremshelbolzen	1	
19	AP8113599	Tankdeckel	1	
20	AP8113600	Bremshel-Bügelbolzen	1	
21	AP8113063	Schauglas Bremspumpe	1	
22	AP8114309	Gas trasmission delivery	1	
22	AP8114349	Gas trasmission delivery	1	
23	AP8114313	Gas trasmission return	1	
23	AP8114350	Gas trasmission return	1	

Einheit	Rahmen
Code	18
Beschreibung	Lenkstange - Schaltungen
Inspektion	1



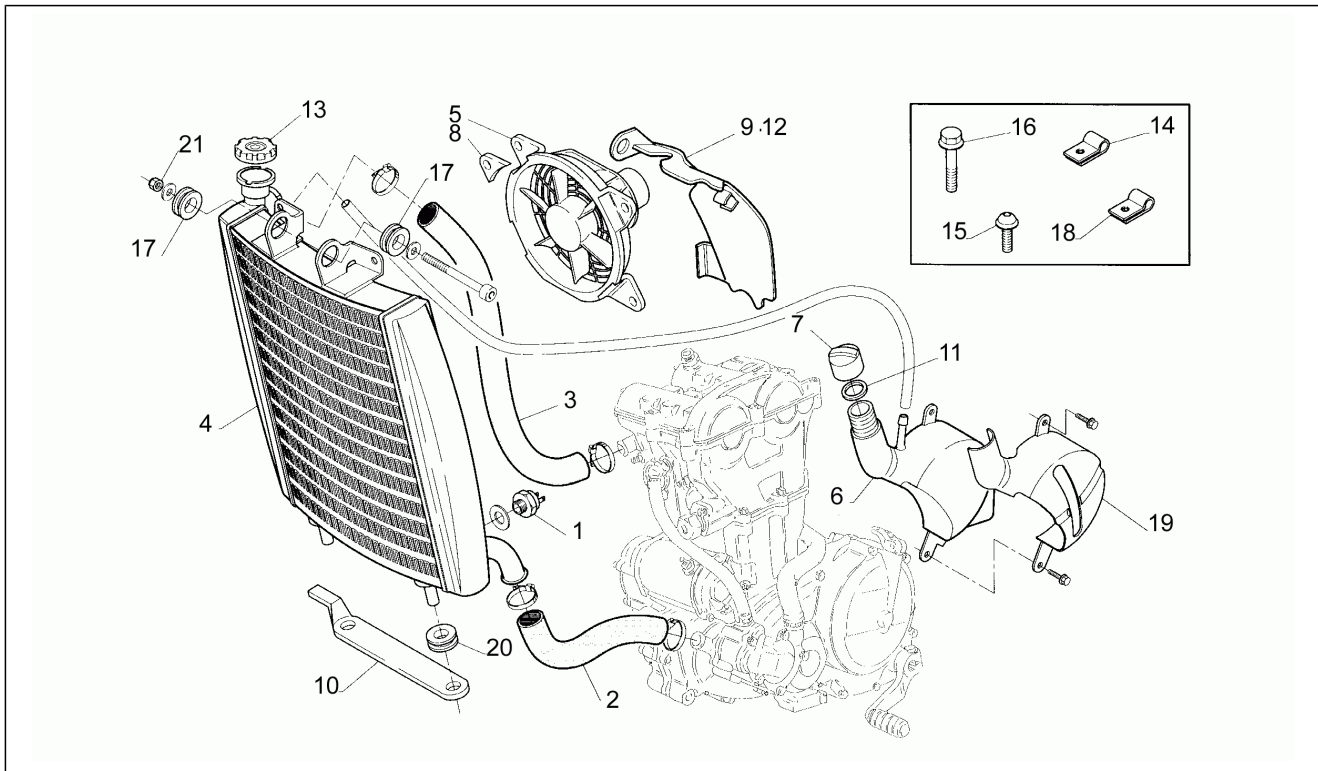
Pos.	Code	Beschreibung	Menge	Varianten
24	AP8114312	Tachometerkabel	1	
24	AP8114348	Tachometerkabel	1	
25	AP8114311	Kupplungskabel	1	
25	AP8114352	Kupplungskabel	1	
26	AP8114310	Starterzugkabel	1	
26	AP8114351	Starterzugkabel	1	
27	AP8134368	Platte	1	

Einheit	Rahmen
Code	19
Beschreibung	Seitenständer - Fussrasten
Inspektion	1



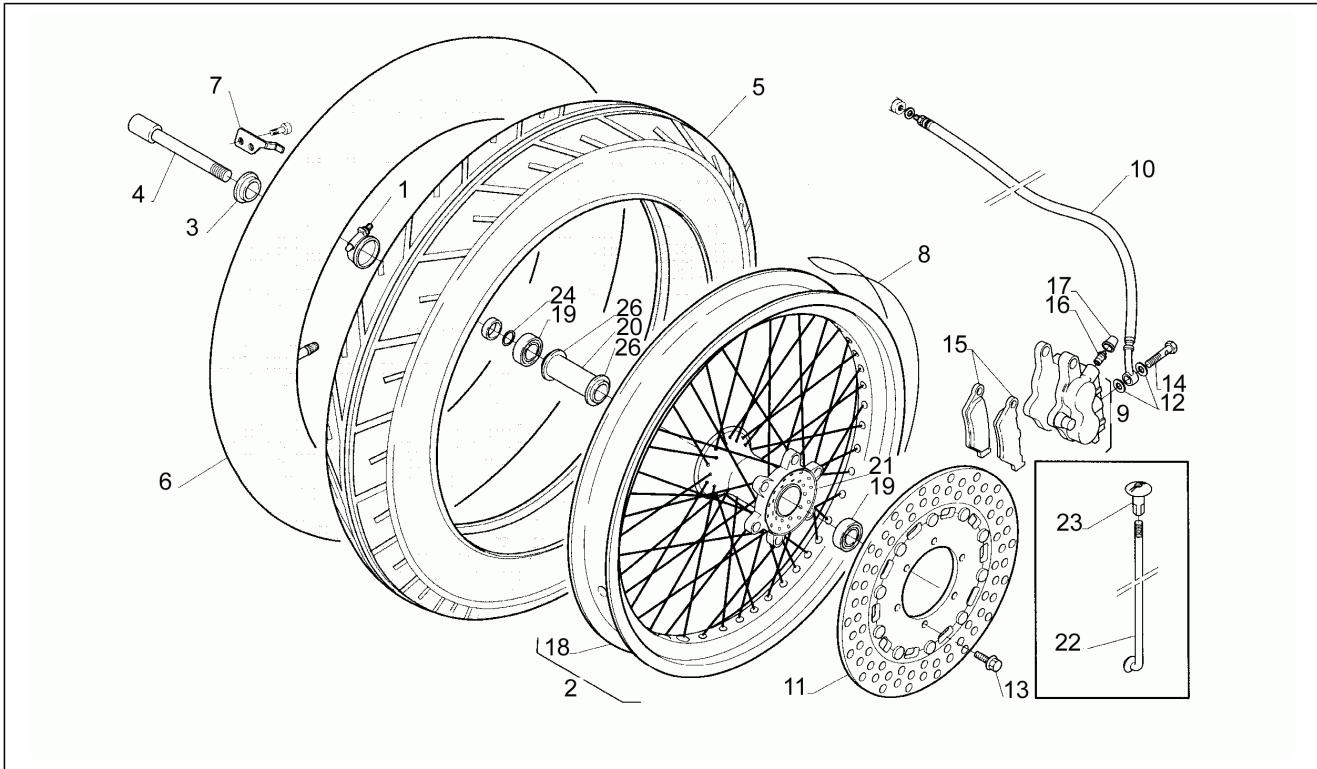
Pos.	Code	Beschreibung	Menge	Varianten
1	AP8152244	Mutter DAX geflanscht M14x1,5	1	
2	AP8135643	Fußrastenhalter Fahrer rechts	1	
3	AP8135644	Fußrastenhalter Fahrer links	1	
4	AP8135486	Soziusraste rechts	1	
5	AP8135487	Soziusraste links	1	
6	AP8120831	Gummi Trittbrett	2	
7	AP8121717	Rastenbolzen	2	
8	AP8101928	Splint	2	
9	AP8150017	Ausgleichscheibe 8,4x16x1,6	2	
10	AP8121928	Rückholfeder	2	
11	AP8135859	Soziusrasten (Paar)	1	
12	AP8135862	Halter rechte Soziusfußraste	1	
13	AP8135863	Halter linke Soziusfußraste	1	
14	AP8152301	Selbstsperrende Mutter	2	
15	AP8134331	Platte	1	
16	AP8221197	Hauptständer Schraubenfeder	1	
17	AP8220238	Gummi	1	
18	AP8152308	Ständerbolzen	1	
19	AP8102546	Nocken	1	
20	AP8135873	Seitenständer, grau	1	
21	AP8121014	Schraubenfeder	1	

Einheit	Rahmen
Code	20
Beschreibung	Kühlanlage
Inspektion	1



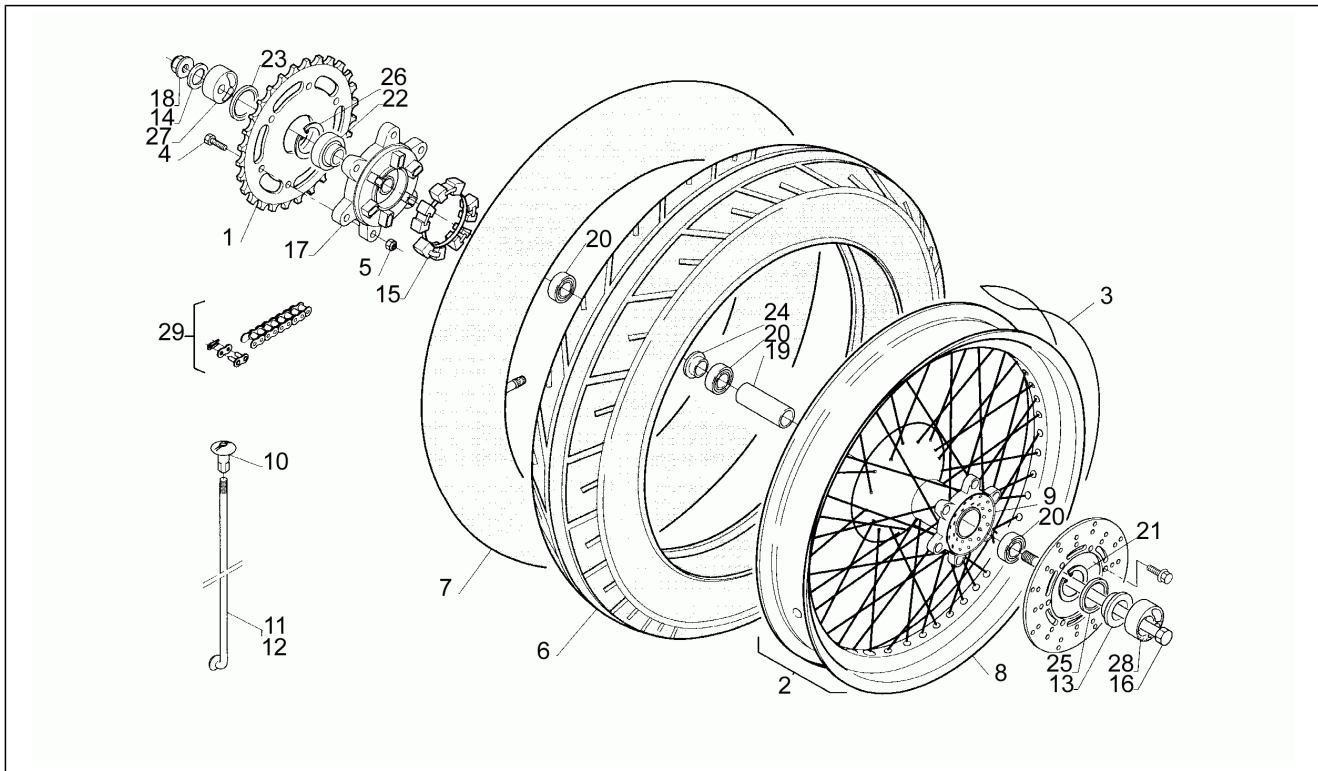
Pos.	Code	Beschreibung	Menge	Varianten
1	AP8112677	Thermoschalter	1	
2	AP8120900	Wasserschlauch	1	
3	AP8120901	Rücklaufschlauch Wasser	1	
4	AP8102452	Kühler	1	
5	AP8124067	El.Lüfter	1	
6	AP8102453	Ausdehngefäß	1	
7	AP8120354	Deckel	1	
8	AP8138227	Halterbügel	1	
9	AP8117101	Rechte Wärmeschutzplatte	1	
10	AP8134239	Unt. Kühlerhalter	1	
11	AP8120355	Ölschraubelochstaldichtung	1	
12	AP8117103	Linke Wärmeschutzplatte	1	
13	AP8102647	Kühlerschraube	1	
14	AP8102375	Klammer M5	10	
15	AP8152298	TBEI Schraube m.Flansch M5x16	10	
16	AP8152281	TE Schr. m. Flansch M6x30	10	
17	AP8120275	Silent-Block *	2	
18	AP8102376	Klammer M6	10	
19	AP8138532	Expansionsgefäßschutz	1	
20	AP8220238	Gummi	2	
21	AP8152299	Selbstsperrende Mutter M6	1	

Einheit	Rahmen
Code	21
Beschreibung	Vorderrad
Inspektion	1



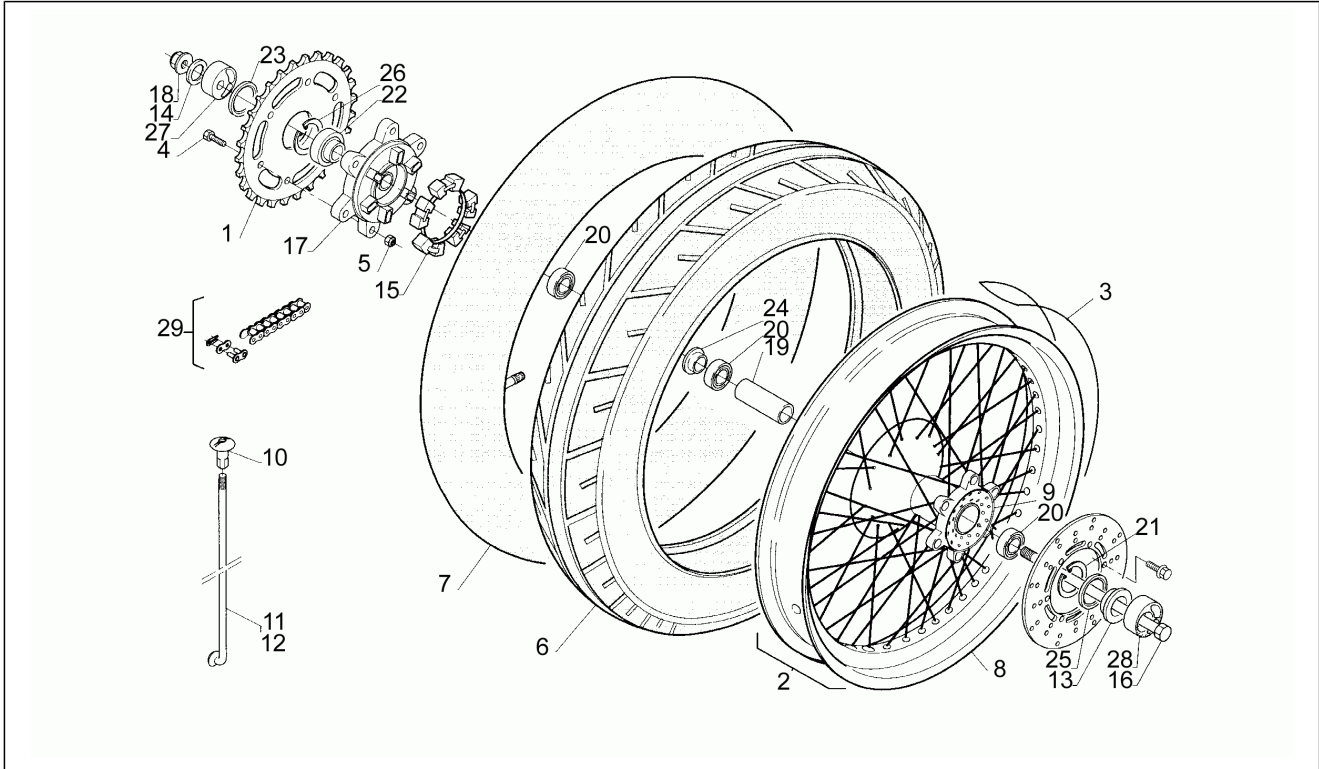
Pos.	Code	Beschreibung	Menge	Varianten
1	AP8102500	Vorgelegte Kilometerzähler	1	
2	AP8108678	Vorderrad	1	
3	AP8125736	Paßscheibe	1	
4	AP8125691	Vorderradbolzen	1	
5	AP	[...]	1	
6	AP	[...]	1	
7	AP8134349	Platte	1	
8	AP8209032	Radband 18"	1	
9	AP8113557	Vorderradbremsszange	1	
10	AP8113558	Vorderradbremseleitung	1	
11	AP8113618	Vorderradbremsscheibe sp.4	1	
12	AP8113004	Ausgleichscheibe 10x14x1,6*	2	
13	AP8152278	TE Schr. m. Flansch M6x16	6	
14	AP8113003	Fixierschraube Ölschlauch	1	
15	AP8113533	Vord. Beläge (Paar)	1	
16	AP8113549	Entlüftungsanschluß	1	
17	AP8113070	Entlüftungskappe	1	
18	AP8108630	H.Felge 18"	1	
19	AP8110045	Nabenlager D17x40x12	2	
20	AP8125713	Interne Distanzscheibe	1	
21	AP8125692	Nabe vorne	1	
22	AP8108631	Speiche d.3,5	36	
23	AP8108672	Nippel D3,5	36	
24	AP8125743	Gasket ring D40x50x4	1	
26	AP8125716	Seegerring	2	

Einheit	Rahmen
Code	22
Beschreibung	Hinterrad
Inspektion	1



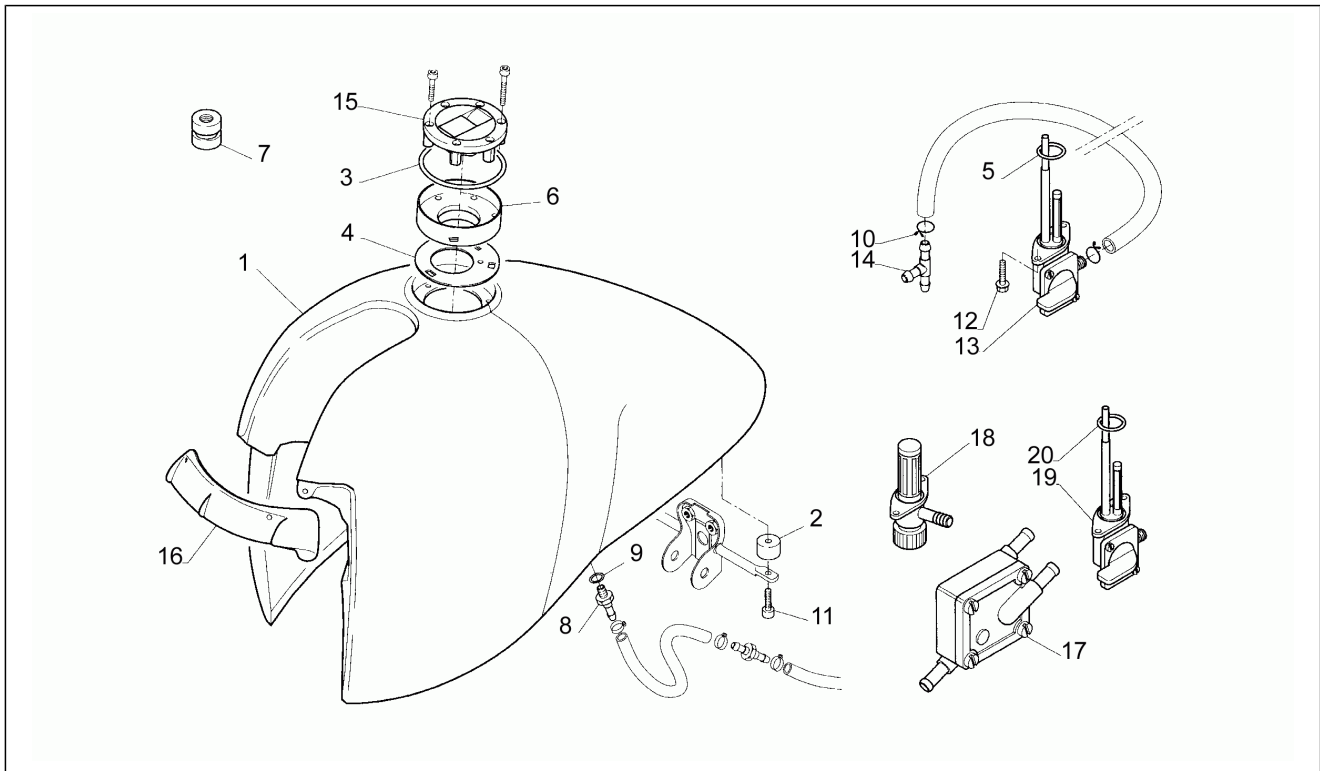
Pos.	Code	Beschreibung	Menge	Varianten
1	AP8107101	Zahnkranz Z=49	1	
2	AP8108679	Hinterrad ohne Scheibe	1	
3	AP8109004	Hinterradband	1	
4	AP8152288	TE Schr. m. Flansch	6	
5	AP8150431	Mutter unten M8	6	
6	AP	[...]	1	
7	AP	[...]	1	
8	AP8108634	H.Felge 17"	1	
9	AP8125697	Nabe hinten	1	
10	AP8108632	Nippel d.4	36	
11	AP8108635	Hinterradspeiche d.4	18	
12	AP8108658	Hinterradspeiche d.4	18	
13	AP8125442	Hinterrad Distanzscheibe	1	
14	AP8125617	U-scheibe Hint.radbolz	1	
15	AP8125679	Stoßschutzgummi	1	
16	AP8125693	Hinterradbolzen	1	
17	AP8125695	Zahnkranzhalter	1	
18	AP8150433	Selbstsperr.mut Unt. M16x1,5*	1	
19	AP8125427	Interne Distanzscheibe	1	
20	AP8110050	Reißschutzlager	2	
21	AP8125716	Seegerring	1	
22	AP8125425	Distanzscheibe	1	
23	AP8203074	Gasket ring	1	
24	AP8125423	Externe Distanzscheibe	1	
25	AP8125462	Ölabstreifring 30x40x7	1	
26	AP8125717	Seegerring 471	1	
27	AP8121944	Exzenter re.	1	
28	AP8121945	Exzenter li.	1	

Einheit	Rahmen
Code	22
Beschreibung	Hinterrad
Inspektion	1



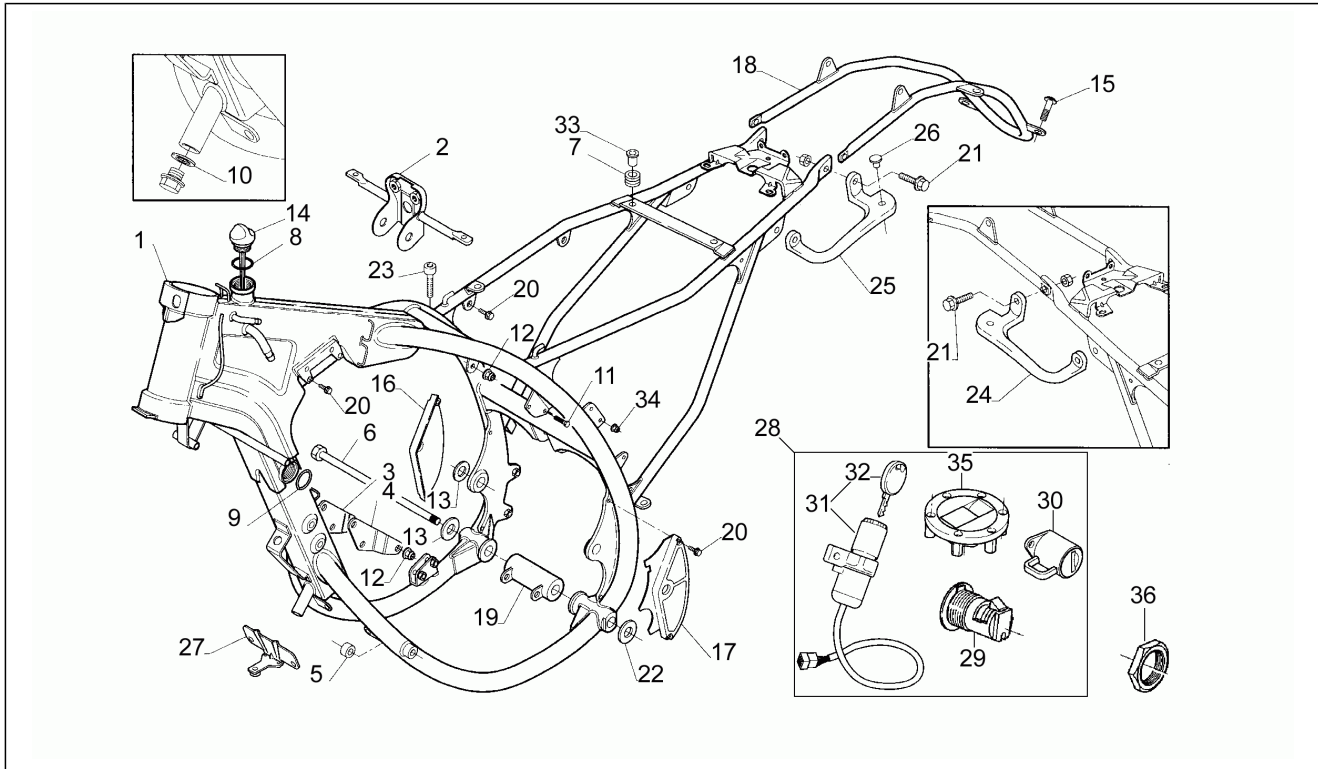
Pos.	Code	Beschreibung	Menge	Varianten
29	AP8107102	Kette	1	

Einheit	Rahmen
Code	23
Beschreibung	Kraftstofftank
Inspektion	1



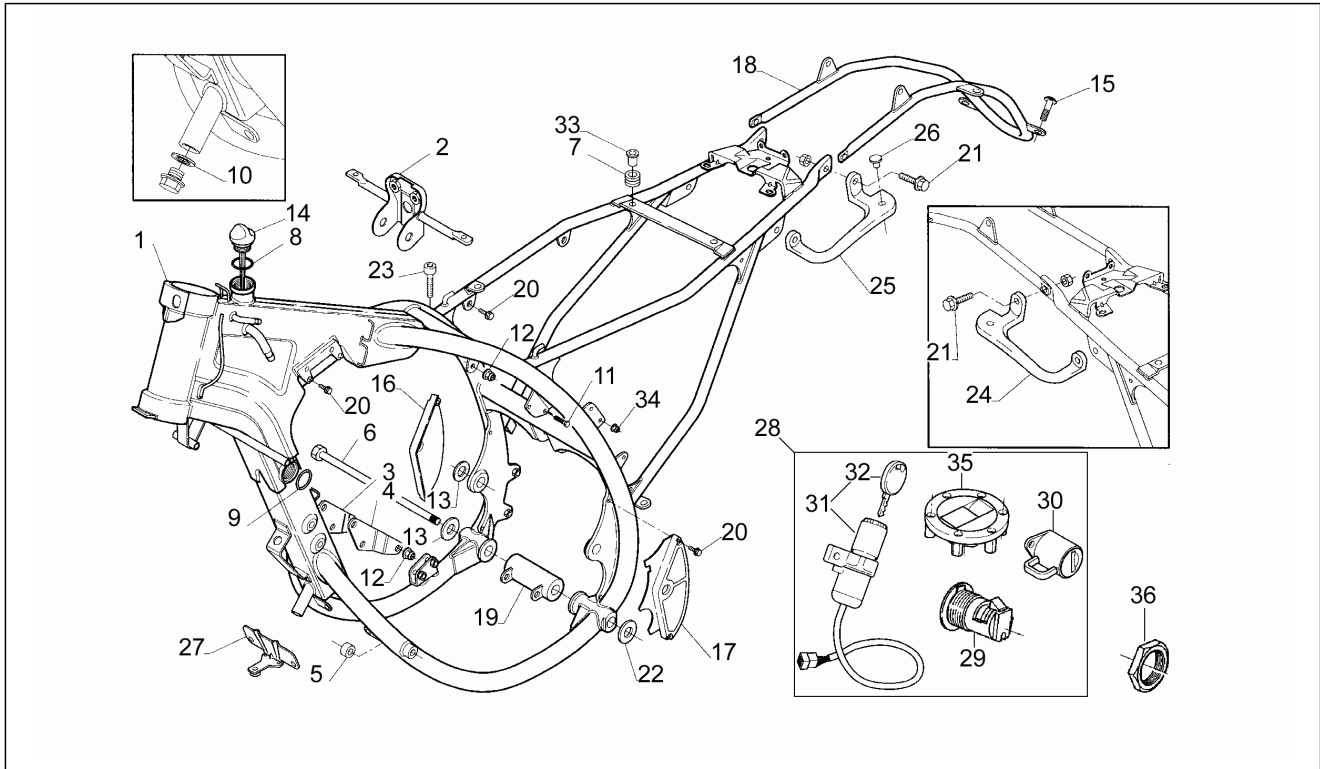
Pos.	Code	Beschreibung	Menge	Varianten
1	AP8138217	Kraftstofftank lack.	1	
1	AP8138476	Kraftstofftank, grau/schw.	1	
1	AP8138480	Kraftstofftank, grau	1	
1	AP8138751	Kraftstofftank grau/oran.lack.	1	
1	AP8138774	Kraftstofftank, grau	1	
1	AP8138775	Kraftstofftank, schwarz	1	
2	AP8201124	Gummi *	1	
3	AP8120893	Dichtung	1	
4	AP8120894	Dichtung Kraftstofftank	1	
5	AP8120869	O-Ring 4093	1	
6	AP8102535	Schwimmergehäuse	1	
7	AP8120459	Gommino antivibrante M6 maschio/femmina	1	
8	AP8102503	Anschluß Gummihalter	1	
9	AP8102504	Gummi	1	
10	AP8102525	Hahnschelle	1	
11	AP8152277	TE Schr. m. Flansch M6x12	2	
12	AP8152272	TE Schr. m. Flansch M5x12	2	
13	AP8102554	Kraftstoffhahn	1	
14	AP8101944	2-Wege Anschluß	1	
15	AP8102583	Tankfüllschraube	1	
16	AP8138527	Deckel lack.	1	
16	AP8138533	Deckel grün lack.	1	
16	AP8138534	Deckel, schwarz	1	
17	AP8102408	Kraftstoffpumpe	1	
18	AP8102692	Kraftstoffhahn rechts	1	
19	AP8102693	Kraftstoffhahn links	1	
20	AP8102439	O-Ring 2106	1	

Einheit	Rahmen
Code	24
Beschreibung	Rahmen
Inspektion	1



Pos.	Code	Beschreibung	Menge	Varianten
1	AP8135635	Rahmen	1	
2	AP8135637	Rahmen-Pleuelstange	1	
3	AP8135638	Motorhalterung re.	1	
4	AP8135639	Motorhalterung li.	1	
5	AP8121943	Distanzscheibe	1	
6	AP8135640	Bolzen	1	
7	AP8120030	Gummi	2	
8	AP8120874	O-Ring 4106	1	
9	AP8120280	O-Ring 4087	1	
10	AP8121862	Ausgleichscheibe D8x16x1,5	1	
11	AP8101630	Reißschraube	2	
12	AP8152301	Selbstsperrende Mutter	1	
13	AP8150208	Ausgleichscheibe 15x28x2,5*	1	
14	AP8102443	Öltankschraube mit Meßstab	1	
15	AP8152246	TBEI Schraube m.Flansch M6x16	2	
16	AP8134358	Deckel re.lack.	1	
17	AP8134359	Deckel li.lack.	1	
18	AP8135886	Sattelstütze	1	
19	AP8134366	Motorhalterung hi.	1	
20	AP8152279	TE Schr. m. Flansch M6x20	4	
21	AP8152288	TE Schr. m. Flansch	4	
22	AP8150297	Gebogene Sprengscheibe *	1	
23	AP8150290	TCEI Schraube	2	
24	AP8135840	R. Griff, grau	1	
25	AP8135841	Griff li.grau lack.	1	
26	AP8102601	Schraube, grau	2	
27	AP8134351	Haltebügel	1	
28	AP8102447	Kit Schließvorrichtungen	1	

Einheit	Rahmen
Code	24
Beschreibung	Rahmen
Inspektion	1



Pos.	Code	Beschreibung	Menge	Varianten
29	AP8201734	Schloß Handsch.f. vorn	1	
30	AP8101425	Sturzhelmschloß	1	
31	AP8102639	Lenkschloß	1	
32	AP8102880	Schl. gefr. Aprilia	1	
33	AP8221023	T-Buchse	2	
34	AP8152299	Selbstsperrende Mutter M6	4	
35	AP8102583	Tankfüllschraube	1	
36	AP8102523	Schloß mutter M22x1,5	1	