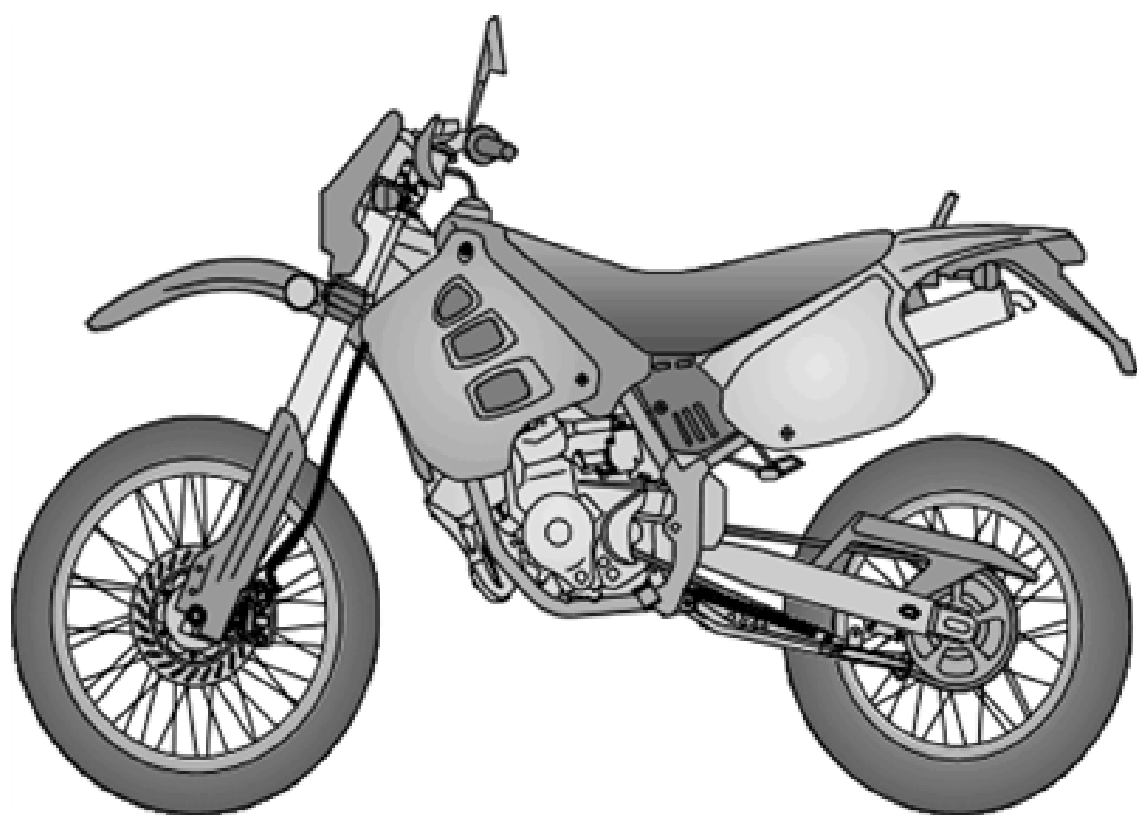


aprilia

ERSATZTEILKATALOG



RX 50 95-02 + MX 50 02-03

Vorsatzcode Fahrgestell: ZD4MU, ZD4ST0, ZD4STA00, ZD4TTA
Vorsatzcode Motor:

Inhaltsverzeichnis

Fertige Produkte.....	4
Alphanumerisches Verzeichnis.....	5
RAHMEN.....	11
Tafel 28.01 - Rahmen.....	11
Tafel 28.02 - Hauptständer ENDURO.....	15
Tafel 28.03 - Hauptständer SUPERMOTARD.....	16
Tafel 28.04 - Vorderradgabel.....	17
Tafel 28.05 - Schwinge.....	21
Tafel 28.06 - Hinterradaufhängung.....	22
Tafel 28.07 - Frontaufbau I.....	23
Tafel 28.08 - Frontaufbau II - ENDURO.....	26
Tafel 28.09 - Frontaufbau II - SUPERMOTARD.....	30
Tafel 28.10 - Kraftstofftank.....	31
Tafel 28.11 - Mittlerer aufbau - ENDURO.....	33
Tafel 28.12 - Mittlerer aufbau - SUPERMOTARD.....	36
Tafel 28.13 - Sitz.....	37
Tafel 28.14 - Heckaufbau.....	39
Tafel 28.15 - Instrumententafel.....	42
Tafel 28.16 - Schaltungen I.....	43
Tafel 28.17 - Schaltungen II.....	46
Tafel 28.18 - Schaltungen III.....	47
Tafel 28.19 - Kühler.....	50
Tafel 28.20 - Filtergehäuse.....	51
Tafel 28.21 - Ölbehälter.....	52
Tafel 28.23 - Auspuffrohr.....	53
Tafel 28.24 - Vorderrad - ENDURO.....	55
Tafel 28.25 - Vorderrad - SUPERMOTARD.....	56
Tafel 28.26 - Vorderradbremzange.....	57
Tafel 28.27 - Hinterrad - ENDURO.....	58
Tafel 28.28 - Hinterrad - SUPERMOTARD.....	60
Tafel 28.29 - Hinterradbremspumpe.....	61
Tafel 28.30 - Hinterradbremzange.....	62
Tafel 28.31 - Lichter.....	63
Tafel 28.32 - Elektrische Anlage.....	64
Tafel 28.33 - Schilden.....	66
Tafel 28.34 - Deko und bed./wart.- Anleitungen.....	68
MOTOR.....	71
Tafel 29.22 - Motor.....	71
Tafel 29.35 - Rechtes gehäuse.....	73
Tafel 29.36 - Linkes gehäuse.....	74
Tafel 29.37 - Ölpumpe.....	75
Tafel 29.38 - Kurbelwelle.....	77
Tafel 29.39 - Kolben.....	78

Tafel 29.40 - Zylinderkopf.....	80
Tafel 29.41 - Schaltgabel.....	82
Tafel 29.42 - Hauptwelle.....	83
Tafel 29.43 - Vorgelegewelle I.....	84
Tafel 29.44 - Vorgelegewelle II.....	86
Tafel 29.45 - Kupplung.....	87
Tafel 29.46 - Kupplungsdeckel.....	88
Tafel 29.47 - Starterwelle.....	90
Tafel 29.48 - Vergaser I.....	91
Tafel 29.49 - Vergaser II.....	92
Tafel 29.50 - Vergaser III.....	94
Tafel 29.51 - Vergaser IV.....	95

Fertige Produkte

Code	Gültigkeit
AP61004AT01	
AP61004AT02	
AP61004BE01	
AP61004BE02	
AP61004DK01	
AP61004DK02	
AP61004ES01	
AP61004ES02	
AP61004FR01	
AP61004FR02	
AP61004FR03	
AP61004GB01	
AP61004GB02	
AP61004GB03	
AP61004II02	
AP61004IT01	
AP61004IT02	
AP61004NL01	
AP61004NL02	
AP61004UK03	

Code	Nr. der Tafel	Pos.
0000000	28.24	15
0000000	28.24	16
0000000	28.25	15
0000000	28.25	16
0000000	28.27	21
0000000	28.27	22
0000000	28.28	21
0000000	28.28	22
AP8101259	28.23	10
AP8101271	28.04	25
AP8101272	28.04	21
AP8101284	28.23	8
AP8101285	28.23	5
AP8101317	28.01	4
AP8101375	28.05	16
AP8101397	28.19	4
AP8101425	28.01	11
AP8101722	28.19	15
AP8101927	28.19	13
AP8101944	28.21	9
AP8102042	28.01	9
AP8102213	28.23	19
AP8102223	28.21	8
AP8102224	28.21	7
AP8102376	28.08	5
AP8102376	28.14	6
AP8102596	28.01	14
AP8102596	28.01	14
AP8102765	29.22	11
AP8102825	28.17	10
AP8102825	28.18	11
AP8102880	28.01	15
AP8102888	28.19	14
AP8103391	28.04	15
AP8103391	28.04	15
AP8103392	28.04	16
AP8104060	28.26	10
AP8105153	28.17	11
AP8106820	29.51	11
AP8110024	28.04	24
AP8110025	28.04	23
AP8110063	28.06	6
AP8112244	28.32	16
AP8112458	28.32	17
AP8112531	28.31	5
AP8112560	28.14	4
AP8112573	28.32	9
AP8112633	28.31	10
AP8112662	28.31	1
AP8112686	28.21	5
AP8112687	28.31	4
AP8112710	28.01	12
AP8112710	28.01	12
AP8112710	28.32	4
AP8112710	28.32	4
AP8112713	28.31	3
AP8112756	28.31	8
AP8113003	28.26	2
AP8113003	28.30	2
AP8113004	28.26	3
AP8113004	28.29	7
AP8113004	28.30	3
AP8113081	28.29	5
AP8113082	28.29	6
AP8113157	28.29	17
AP8113248	28.29	4
AP8113374	28.26	8

Code	Nr. der Tafel	Pos.
AP8113414	28.17	6
AP8113460	28.26	4
AP8113478	28.26	6
AP8115656	28.23	17
AP8118104	28.18	6
AP8118162	28.16	7
AP8118173	28.18	13
AP8119271	28.23	4
AP8120025	28.02	10
AP8120030	28.19	6
AP8120177	28.08	6
AP8120177	28.09	5
AP8120211	28.04	22
AP8120253	28.19	9
AP8120253	28.29	18
AP8120275	28.19	5
AP8120276	28.14	7
AP8120311	28.13	8
AP8120338	28.02	4
AP8120354	28.21	1
AP8120405	28.15	12
AP8120428	28.26	9
AP8120592	28.20	7
AP8120593	28.20	4
AP8120651	28.05	22
AP8120663	28.10	5
AP8120675	28.10	6
AP8120678	28.31	7
AP8120678	28.31	7
AP8120683	28.10	3
AP8120798	28.10	8
AP8120912	29.22	12
AP8121012	28.02	6
AP8121014	28.02	3
AP8121015	28.02	2
AP8121020	28.14	8
AP8121035	28.05	14
AP8121058	28.23	6
AP8121075	28.14	14
AP8121080	28.16	10
AP8121241	28.01	16
AP8121309	28.32	22
AP8121482	28.03	2
AP8121678	28.02	5
AP8121728	28.14	13
AP8121773	28.10	7
AP8121795	28.31	6
AP8121826	28.16	8
AP8121857	28.05	17
AP8123210	28.04	7
AP8123210	28.04	7
AP8123441	28.04	9
AP8123574	28.04	12
AP8123704	28.04	17
AP8123704	28.04	17
AP8123705	28.04	15
AP8123705	28.04	15
AP8123757	28.27	15
AP8123843	28.04	2
AP8124079	28.32	11
AP8124235	28.32	13
AP8124479	28.29	2
AP8125344	28.24	14
AP8125344	28.25	14
AP8125913	29.45	20
AP8130135	28.13	2
AP8130136	28.13	3

Code	Nr. der Tafel	Pos.
AP8130979	28.10	2
AP8134186	28.05	21
AP8134266	28.03	4
AP8135431	28.01	2
AP8135432	28.01	3
AP8135590	28.01	7
AP8135591	28.01	8
AP8144063	28.09	8
AP8146072	28.01	7
AP8146073	28.01	8
AP8150015	28.23	23
AP8150017	28.26	12
AP8150018	28.05	18
AP8150018	28.13	6
AP8150020	28.06	7
AP8150027	28.05	9
AP8150049	28.06	9
AP8150053	28.31	11
AP8150093	29.22	6
AP8150154	28.05	8
AP8150158	28.14	23
AP8150160	28.31	9
AP8150165	28.14	5
AP8150169	28.30	5
AP8150176	28.31	12
AP8150178	28.07	11
AP8150179	28.07	10
AP8150179	28.08	7
AP8150179	28.09	6
AP8150179	28.11	8
AP8150179	28.12	7
AP8150179	28.23	22
AP8150182	28.07	2
AP8150192	28.06	11
AP8150202	28.15	13
AP8150204	28.14	25
AP8150227	28.06	5
AP8150236	28.26	5
AP8150238	28.32	23
AP8150255	28.15	11
AP8150280	28.11	9
AP8150280	28.12	8
AP8150323	28.06	8
AP8150329	28.06	10
AP8150338	29.22	7
AP8150349	28.01	13
AP8150376	28.26	11
AP8150376	28.30	4
AP8150382	28.14	19
AP8150429	28.14	10
AP8150430	28.07	9
AP8150430	28.14	16
AP8150430	28.15	14
AP8150431	28.05	20
AP8150450	28.14	11
AP8150451	28.31	13
AP8152001	28.03	6
AP8152030	28.27	10
AP8152030	28.28	10
AP8152043	28.14	22
AP8152087	28.05	7
AP8152090	28.04	4
AP8152103	28.05	6
AP8152108	28.07	12
AP8152108	28.08	8
AP8152108	28.09	7
AP8152108	28.11	7

Code	Nr. der Tafel	Pos.
AP8152108	28.12	6
AP8152154	28.27	16
AP8152154	28.28	16
AP8152156	28.24	10
AP8152156	28.25	10
AP8152156	28.28	15
AP8152179	28.11	3
AP8152181	28.20	10
AP8152226	28.23	20
AP8152246	28.21	4
AP8152267	28.07	5
AP8152267	28.14	27
AP8152268	28.14	21
AP8152270	28.14	20
AP8152277	28.23	21
AP8152278	28.05	15
AP8152278	28.14	9
AP8152279	28.07	6
AP8152279	28.19	10
AP8152279	28.29	12
AP8152280	28.20	9
AP8152280	28.32	20
AP8152280	29.22	5
AP8152281	28.02	7
AP8152281	28.14	5
AP8152281	28.20	8
AP8152282	28.32	18
AP8152286	28.01	6
AP8152287	28.27	24
AP8152287	28.28	24
AP8152289	28.02	9
AP8152290	28.10	13
AP8152291	28.01	5
AP8152291	28.23	7
AP8152291	28.29	11
AP8152292	28.05	19
AP8152294	28.29	11
AP8152299	28.32	19
AP8152300	28.01	10
AP8152300	28.02	8
AP8152300	28.10	14
AP8152300	28.13	9
AP8152300	28.23	9
AP8152300	28.29	14
AP8152300	29.22	8
AP8152301	28.06	4
AP8152306	28.14	24
AP8152306	28.14	28
AP8152342	28.10	10
AP8152342	28.13	5
AP8152342	28.23	11
AP8201121	28.23	12
AP8201152	28.13	4
AP8201326	28.32	2
AP8201338	28.24	7
AP8201353	28.15	8
AP8201391	28.17	9
AP8201391	28.18	2
AP8201429	28.20	3
AP8201445	28.23	18
AP8201463	28.19	7
AP8201666	28.19	1
AP8201799	28.20	5
AP8201810	28.34	2
AP8201841	28.23	3
AP8201873	28.01	14
AP8201873	28.01	14

Code	Nr. der Tafel	Pos.
AP8201956	28.34	2
AP8201957	28.34	2
AP8201984	28.17	12
AP8201984	28.18	12
AP8202047	28.34	2
AP8202086	28.10	4
AP8202157	28.34	2
AP8202309	28.34	2
AP8202310	28.34	2
AP8202322	28.25	7
AP8202323	28.34	2
AP8202325	28.34	2
AP8202348	28.01	14
AP8202348	28.01	14
AP8202348	28.01	14
AP8202349	28.34	2
AP8203251	28.04	1
AP8203258	28.04	18
AP8203258	28.04	18
AP8203424	28.04	6
AP8203424	28.04	6
AP8203425	28.04	5
AP8203427	28.04	28
AP8203444	28.04	18
AP8203444	28.04	18
AP8203445	28.04	17
AP8203445	28.04	17
AP8203447	28.04	14
AP8203447	28.04	14
AP8203447	28.04	14
AP8203447	28.04	14
AP8203448	28.04	13
AP8203451	28.04	11
AP8203451	28.04	11
AP8203487	28.04	26
AP8203588	28.04	10
AP8203590	28.04	3
AP8203668	28.06	1
AP8203810	28.04	20
AP8203811	28.04	19
AP8203884	28.04	26
AP8203884	28.04	26
AP8203924	28.04	8
AP8203924	28.04	8
AP8203925	28.04	13
AP8203925	28.04	13
AP8206019	29.39	9
AP8206202	29.36	1
AP8206202	29.46	12
AP8206231	29.42	4
AP8206235	29.46	10
AP8206240	29.36	13
AP8206242	29.48	4
AP8206245	29.46	7
AP8206247	29.45	5
AP8206248	29.45	7
AP8206250	29.39	10
AP8206250	29.39	10
AP8206251	29.36	3
AP8206252	29.36	8
AP8206253	29.45	15
AP8206256	29.45	3
AP8206257	29.35	1
AP8206258	29.45	9
AP8206259	29.35	2
AP8206260	29.42	13
AP8206261	29.44	5

Code	Nr. der Tafel	Pos.
AP8206262	29.36	2
AP8206262	29.46	11
AP8206263	29.42	5
AP8206264	29.38	8
AP8206265	29.45	13
AP8206266	29.45	17
AP8206267	29.45	2
AP8206268	29.38	5
AP8206269	29.41	7
AP8206269	29.44	9
AP8206270	29.41	13
AP8206271	29.45	4
AP8206272	29.45	10
AP8206276	29.35	8
AP8206277	29.36	9
AP8206277	29.37	6
AP8206277	29.46	2
AP8206279	29.45	11
AP8206280	29.37	13
AP8206281	29.42	1
AP8206281	29.43	7
AP8206282	29.38	2
AP8206283	29.44	7
AP8206285	29.40	5
AP8206285	29.40	5
AP8206286	29.40	6
AP8206286	29.40	6
AP8206287	29.45	14
AP8206288	29.35	7
AP8206290	29.38	6
AP8206292	29.39	11
AP8206295	29.35	9
AP8206296	29.35	6
AP8206298	29.44	3
AP8206299	29.36	7
AP8206299	29.41	9
AP8206300	29.48	5
AP8206303	29.48	6
AP8206304	29.47	16
AP8206305	29.47	15
AP8206308	29.45	19
AP8206309	29.46	6
AP8206310	29.45	1
AP8206311	29.38	4
AP8206320	29.46	13
AP8206322	29.45	6
AP8206327	29.46	5
AP8206328	29.46	4
AP8206331	29.41	3
AP8206332	29.41	8
AP8206334	29.46	19
AP8206335	29.46	21
AP8206336	29.44	6
AP8206338	29.46	20
AP8206342	29.37	16
AP8206343	29.45	18
AP8206344	29.41	12
AP8206344	29.45	16
AP8206345	29.46	1
AP8206349	29.38	9
AP8206357	29.47	6
AP8206358	29.41	2
AP8206358	29.47	2
AP8206361	29.47	1
AP8206362	29.47	8
AP8206363	29.47	3
AP8206366	29.38	7

Code	Nr. der Tafel	Pos.	Code	Nr. der Tafel	Pos.	Code	Nr. der Tafel	Pos.
AP8206366	29.47	5	AP8206876	29.35	5	AP8208410	28.28	2
AP8206374	29.40	9	AP8206886	29.50	3	AP8208417	28.24	8
AP8206375	29.39	1	AP8206886	29.51	1	AP8208418	28.27	13
AP8206383	29.40	8	AP8206887	29.51	8	AP8208419	28.27	1
AP8206404	29.39	1	AP8206889	29.51	7	AP8208420	28.24	1
AP8206427	29.40	2	AP8206890	29.51	2	AP8208787	28.25	3
AP8206429	29.35	6	AP8206891	29.50	6	AP8208788	28.25	4
AP8206508	29.46	14	AP8206892	29.50	7	AP8208789	28.25	8
AP8206598	29.44	8	AP8206893	29.50	8	AP8208791	28.28	13
AP8206599	29.44	11	AP8206894	29.51	9	AP8208793	28.28	3
AP8206600	29.44	12	AP8206899	29.50	1	AP8208794	28.28	1
AP8206601	29.44	4	AP8206907	29.51	10	AP8208795	28.25	1
AP8206604	29.42	14	AP8206908	29.50	5	AP8209032	28.27	8
AP8206605	29.43	14	AP8206915	29.39	7	AP8209033	28.24	11
AP8206606	29.41	5	AP8206915	29.39	7	AP8209159	28.25	11
AP8206607	29.42	18	AP8206935	29.40	9	AP8209159	28.28	8
AP8206608	29.42	8	AP8206938	29.49	3	AP8212060	28.07	7
AP8206609	29.42	16	AP8206940	29.50	10	AP8212060	28.14	18
AP8206610	29.42	7	AP8206944	29.49	3	AP8212110	28.32	12
AP8206611	29.43	9	AP8206945	29.49	12	AP8212121	28.32	11
AP8206612	29.43	15	AP8206946	29.49	7	AP8212143	28.32	15
AP8206612	29.43	15	AP8206947	29.40	6	AP8212165	28.32	14
AP8206613	29.43	10	AP8206947	29.40	6	AP8212196	28.32	3
AP8206614	29.43	12	AP8206948	29.40	11	AP8212212	28.32	8
AP8206615	29.43	5	AP8206948	29.40	11	AP8212219	28.32	10
AP8206616	29.43	13	AP8206949	29.40	9	AP8212219	28.32	10
AP8206616	29.43	13	AP8206949	29.40	9	AP8212272	28.15	3
AP8206617	29.42	9	AP8206950	29.39	1	AP8212273	28.15	4
AP8206618	29.40	1	AP8206950	29.39	1	AP8212342	28.01	12
AP8206619	29.44	10	AP8206951	29.47	15	AP8212342	28.01	12
AP8206622	29.42	19	AP8206951	29.47	15	AP8212342	28.32	4
AP8206623	29.43	17	AP8206952	29.39	6	AP8212342	28.32	4
AP8206624	29.42	20	AP8206953	29.39	6	AP8212397	28.31	1
AP8206626	29.43	16	AP8206954	29.39	6	AP8212425	28.32	6
AP8206627	29.48	1	AP8206955	29.39	10	AP8212434	28.32	1
AP8206628	29.48	3	AP8206956	29.39	10	AP8212465	28.31	3
AP8206629	29.35	10	AP8206957	29.39	10	AP8212474	28.32	7
AP8206629	29.35	10	AP8206968	29.48	2	AP8212564	29.47	12
AP8206629	29.36	12	AP8206970	29.40	9	AP8212742	28.15	1
AP8206629	29.36	12	AP8206970	29.40	9	AP8212743	28.15	2
AP8206630	29.47	9	AP8206971	29.43	1	AP8212752	28.18	8
AP8206631	29.37	15	AP8206976	29.39	4	AP8212753	28.32	5
AP8206632	29.37	7	AP8206979	29.39	1	AP8212763	28.18	8
AP8206633	29.43	6	AP8206982	29.51	6	AP8212871	28.15	2
AP8206645	29.37	12	AP8206983	29.50	4	AP8212980	28.15	1
AP8206646	29.47	13	AP8206984	29.49	3	AP8213078	28.17	3
AP8206648	29.46	16	AP8206985	29.48	1	AP8213081	28.30	1
AP8206648	29.46	16	AP8206987	29.35	10	AP8213086	28.29	1
AP8206649	29.46	18	AP8206987	29.36	12	AP8213100	28.24	6
AP8206654	29.37	10	AP8206999	29.46	16	AP8213100	28.25	6
AP8206657	29.43	1	AP8206999	29.46	16	AP8213102	28.30	7
AP8206657	29.43	1	AP8207073	28.27	23	AP8213104	28.30	6
AP8206709	29.48	1	AP8207073	28.27	23	AP8213108	28.26	7
AP8206710	29.37	1	AP8207074	28.27	5	AP8213108	28.30	8
AP8206711	29.37	2	AP8207074	28.27	5	AP8213117	28.29	3
AP8206715	29.47	4	AP8207078	28.27	5	AP8213154	28.26	1
AP8206716	29.47	11	AP8207078	28.27	5	AP8213155	28.17	1
AP8206721	29.40	3	AP8207079	28.27	23	AP8213233	28.29	15
AP8206753	29.46	16	AP8207079	28.27	23	AP8213233	28.30	11
AP8206760	29.39	1	AP8207079	28.28	23	AP8213266	28.17	1
AP8206769	29.43	18	AP8207088	28.28	5	AP8213266	28.17	1
AP8206798	29.46	26	AP8208150	28.24	3	AP8213267	28.24	9
AP8206869	29.43	1	AP8208151	28.24	4	AP8213267	28.25	9
AP8206869	29.43	1	AP8208250	28.27	3	AP8213268	28.27	7
AP8206869	29.43	1	AP8208410	28.24	2	AP8213268	28.28	7
AP8206873	29.39	7	AP8208410	28.25	2	AP8213281	28.17	7
AP8206875	29.35	3	AP8208410	28.27	2	AP8213343	28.17	8

Code	Nr. der Tafel	Pos.	Code	Nr. der Tafel	Pos.	Code	Nr. der Tafel	Pos.
AP8213345	28.17	5	AP8219338	28.23	1	AP8222650	29.49	6
AP8213361	28.30	10	AP8219342	28.23	1	AP8222652	29.49	8
AP8213364	28.17	1	AP8219368	28.23	1	AP8222653	29.49	18
AP8213364	28.17	1	AP8219547	28.23	2	AP8222654	29.49	2
AP8213415	28.30	9	AP8219548	28.23	1	AP8222654	29.49	2
AP8214054	28.15	7	AP8219552	28.23	16	AP8222656	29.49	13
AP8214079	28.16	5	AP8219555	28.23	2	AP8222658	29.49	4
AP8214081	28.15	6	AP8219559	28.23	1	AP8222659	29.49	14
AP8214151	28.18	9	AP8219592	28.23	1	AP8222660	29.49	10
AP8214228	28.16	5	AP8220135	28.16	11	AP8222662	29.49	19
AP8214229	28.18	15	AP8220143	28.16	6	AP8222663	29.49	1
AP8215970	28.34	1	AP8220154	28.21	3	AP8222678	29.49	2
AP8217030	28.10	11	AP8220179	28.32	10	AP8222679	29.49	21
AP8217031	28.10	12	AP8220191	28.21	2	AP8222685	29.51	5
AP8217038	28.12	9	AP8220196	28.05	3	AP8222769	29.22	1
AP8217039	28.12	10	AP8220197	28.05	5	AP8222792	29.22	1
AP8218060	28.18	7	AP8220198	28.05	4	AP8223061	28.04	6
AP8218061	28.18	5	AP8220205	29.22	9	AP8223061	28.04	6
AP8218074	28.17	2	AP8220228	28.15	10	AP8223063	28.04	26
AP8218085	28.18	4	AP8220230	28.15	9	AP8223063	28.04	26
AP8218147	28.16	1	AP8220259	28.05	11	AP8224017	28.32	21
AP8218198	28.16	3	AP8220262	28.31	2	AP8224412	28.15	1
AP8218198	28.16	3	AP8220271	28.19	11	AP8224515	28.15	1
AP8218213	28.16	4	AP8220305	28.10	8	AP8224516	28.15	2
AP8218213	28.16	4	AP8220402	28.29	16	AP8224517	28.14	26
AP8218213	28.18	1	AP8220405	28.19	2	AP8224548	28.01	12
AP8218213	28.18	1	AP8220409	28.20	6	AP8224548	28.01	12
AP8218278	28.16	3	AP8220410	28.19	3	AP8224548	28.01	12
AP8218280	28.18	5	AP8220415	28.19	8	AP8224548	28.32	4
AP8218280	28.18	5	AP8220425	28.11	6	AP8224548	28.32	4
AP8218290	28.16	4	AP8220450	28.19	12	AP8224548	28.32	4
AP8218290	28.18	1	AP8220450	29.22	10	AP8225070	28.05	2
AP8218334	28.18	4	AP8220620	28.10	2	AP8225118	28.27	19
AP8218334	28.18	4	AP8220626	28.12	5	AP8225118	28.28	19
AP8218339	28.17	2	AP8220640	28.31	7	AP8225123	28.24	13
AP8218346	28.16	9	AP8220640	28.31	7	AP8225123	28.25	13
AP8218358	28.18	10	AP8220642	28.20	6	AP8225140	28.24	12
AP8218376	28.16	3	AP8220643	28.19	16	AP8225140	28.25	12
AP8218376	28.16	3	AP8221001	28.06	12	AP8225200	28.27	14
AP8218376	28.16	3	AP8221056	28.13	7	AP8225200	28.28	14
AP8218376	28.16	3	AP8221100	28.29	8	AP8225209	28.27	11
AP8218386	28.16	3	AP8221103	28.05	10	AP8225209	28.28	11
AP8218386	28.16	3	AP8221118	28.10	9	AP8225231	28.24	5
AP8218405	28.16	4	AP8221197	28.03	3	AP8225231	28.25	5
AP8218405	28.16	4	AP8221232	28.07	8	AP8225233	28.27	6
AP8218405	28.18	1	AP8221232	28.14	17	AP8225233	28.28	6
AP8218405	28.18	1	AP8221234	28.29	13	AP8225235	28.27	17
AP8218408	28.16	4	AP8221297	28.23	13	AP8225235	28.28	17
AP8218408	28.16	4	AP8221343	28.03	1	AP8225262	28.27	4
AP8218408	28.16	4	AP8222015	29.22	3	AP8225262	28.28	4
AP8218408	28.16	4	AP8222438	29.22	1	AP8225280	28.27	18
AP8218408	28.18	1	AP8222444	29.22	2	AP8225280	28.28	18
AP8218408	28.18	1	AP8222481	29.22	1	AP8225313	28.27	20
AP8218408	28.18	1	AP8222481	29.22	1	AP8225313	28.28	20
AP8218408	28.18	1	AP8222513	29.22	1	AP8226085	28.14	3
AP8218591	28.18	4	AP8222513	29.22	1	AP8226168	28.14	1
AP8218592	28.16	1	AP8222573	29.22	1	AP8226293	28.07	1
AP8218594	28.18	5	AP8222573	29.22	1	AP8226306	28.07	1
AP8218623	28.18	4	AP8222574	29.22	1	AP8226381	28.07	1
AP8218626	28.18	14	AP8222574	29.22	1	AP8226390	28.07	1
AP8219228	28.23	2	AP8222632	29.49	15	AP8226423	28.07	1
AP8219230	28.23	1	AP8222634	29.49	16	AP8226429	28.07	3
AP8219270	28.23	1	AP8222635	29.49	20	AP8226430	28.07	4
AP8219276	28.23	1	AP8222642	29.49	9	AP8226477	28.07	1
AP8219321	28.23	16	AP8222643	29.49	5	AP8226477	28.07	1
AP8219323	28.23	14	AP8222644	29.49	11	AP8226481	28.14	3
AP8219324	28.23	15	AP8222645	29.49	17	AP8226481	28.14	3

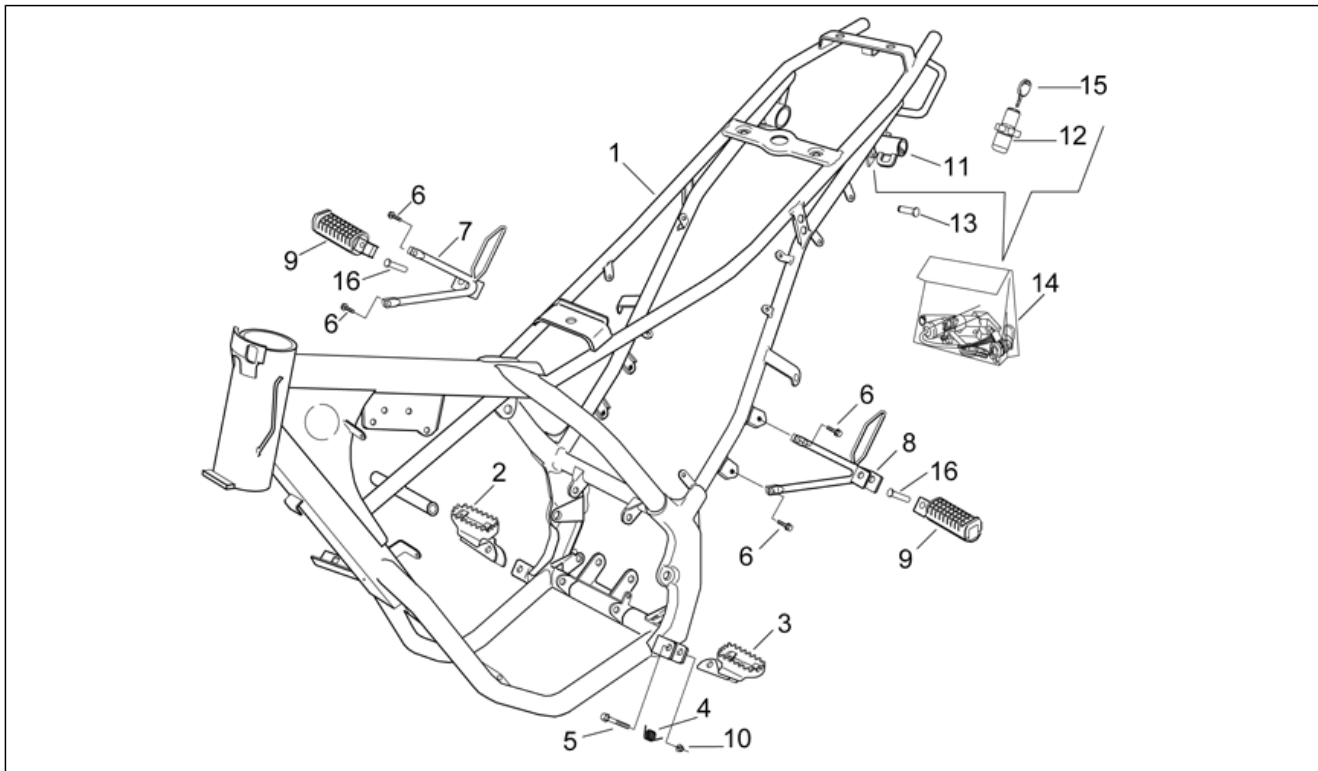
Code	Nr. der Tafel	Pos.	Code	Nr. der Tafel	Pos.	Code	Nr. der Tafel	Pos.
AP8226491	28.07	1	AP8232901	28.29	9	AP8239311	28.11	1
AP8226491	28.07	1	AP8232955	28.14	12	AP8239312	28.11	2
AP8226679	28.14	3	AP8234020	28.05	12	AP8239937	28.08	1
AP8226679	28.14	3	AP8234064	28.27	9	AP8239937	28.08	1
AP8226679	28.14	3	AP8234064	28.28	9	AP8239938	28.08	2
AP8226680	28.07	1	AP8235030	28.01	1	AP8239938	28.08	2
AP8226680	28.07	1	AP8235030	28.01	1	AP8239959	28.11	4
AP8226747	28.07	1	AP8235111	28.01	1	AP8239959	28.11	4
AP8226747	28.07	1	AP8235111	28.01	1	AP8239968	28.10	1
AP8226800	28.07	1	AP8235133	28.01	1	AP8239968	28.10	1
AP8229155	28.13	1	AP8235135	28.03	5	AP8239969	28.10	1
AP8229167	28.13	1	AP8235136	28.05	1	AP8239969	28.10	1
AP8229183	28.13	1	AP8237253	28.34	1	AP8239976	28.16	2
AP8229239	28.13	1	AP8237261	28.33	3	AP8239976	28.16	2
AP8229241	28.13	1	AP8237388	28.33	1	AP8239976	28.18	3
AP8229274	28.13	1	AP8237389	28.33	4	AP8239976	28.18	3
AP8229276	28.13	1	AP8237405	28.33	2	AP8239977	28.08	4
AP8229323	28.13	1	AP8237406	28.33	2	AP8239977	28.08	4
AP8229330	28.13	1	AP8237436	28.33	2	AP8239978	28.08	1
AP8229335	28.13	1	AP8237436	28.33	2	AP8239978	28.08	1
AP8229336	28.13	1	AP8237540	28.34	1	AP8239979	28.08	2
AP8229350	28.13	1	AP8237634	28.33	1	AP8239979	28.08	2
AP8229352	28.13	1	AP8237820	28.34	1	AP8239980	28.11	1
AP8229375	28.13	1	AP8237836	28.33	1	AP8239980	28.11	1
AP8230240	28.17	4	AP8237950	28.34	1	AP8239981	28.11	2
AP8230440	28.05	13	AP8237975	28.33	1	AP8239981	28.11	2
AP8230575	28.29	10	AP8238085	28.10	1	AP8239982	28.14	2
AP8230644	28.20	2	AP8238088	28.11	1	AP8239982	28.14	2
AP8230645	28.20	1	AP8238090	28.11	2	AP8247089	28.33	2
AP8230659	28.08	3	AP8238093	28.08	4	AP8247118	28.33	1
AP8230659	28.09	3	AP8238095	28.08	1	AP8247121	28.33	2
AP8230667	28.15	5	AP8238097	28.08	2	AP8247186	28.33	3
AP8230668	28.11	4	AP8238099	28.14	2	AP8247210	28.34	1
AP8230668	28.11	4	AP8238266	28.16	2	AP8247733	28.34	1
AP8230668	28.11	4	AP8238266	28.18	3	AP8247733	28.34	1
AP8230670	28.21	6	AP8238371	28.10	1	AP8247848	28.34	1
AP8230755	28.11	5	AP8238371	28.10	1	AP8247848	28.34	1
AP8230755	28.12	4	AP8238372	28.08	1	AP8248299	28.08	4
AP8231813	28.16	2	AP8238373	28.08	2	AP8248299	28.08	4
AP8231813	28.16	2	AP8238374	28.11	1	AP8248300	28.11	1
AP8231813	28.16	2	AP8238375	28.11	2	AP8248300	28.11	1
AP8231813	28.16	2	AP8238376	28.14	2	AP8248301	28.11	2
AP8231813	28.16	2	AP8238376	28.14	2	AP8248301	28.11	2
AP8231813	28.16	2	AP8238781	28.16	2	AP8248302	28.14	2
AP8231813	28.18	3	AP8238781	28.18	3	AP8248302	28.14	2
AP8231813	28.18	3	AP8238782	28.10	1	AP8249558	28.14	15
AP8231813	28.18	3	AP8238785	28.08	1	AP8257060	28.33	4
AP8231813	28.18	3	AP8238785	28.08	1	AP8257132	28.33	1
AP8231813	28.18	3	AP8238786	28.08	2	AP8258093	28.07	3
AP8231813	28.18	3	AP8238786	28.08	2	AP8258093	28.07	3
AP8231817	28.08	4	AP8238787	28.11	1	AP8258093	28.07	3
AP8231887	28.07	3	AP8238789	28.11	2	AP8258093	28.07	3
AP8231887	28.07	3	AP8238791	28.14	2	AP8258094	28.07	4
AP8231887	28.07	3	AP8238835	28.16	2	AP8258094	28.07	4
AP8231888	28.07	4	AP8238835	28.18	3	AP8258094	28.07	4
AP8231888	28.07	4	AP8238836	28.10	1	AP8258094	28.07	4
AP8231888	28.07	4	AP8238837	28.08	1	AP8258094	28.07	4
AP8231888	28.07	4	AP8238837	28.08	1	AP8258095	28.10	1
AP8231928	28.08	4	AP8238838	28.08	2	AP8258095	28.10	1
AP8231998	28.16	2	AP8238839	28.11	1	AP8258095	28.10	1
AP8231998	28.18	3	AP8238841	28.11	2	AP8258103	28.08	4
AP8232497	28.06	2	AP8238843	28.14	2	AP8258103	28.08	4
AP8232498	28.06	3	AP8238887	28.08	4	AP8258104	28.08	1
AP8232512	28.27	12	AP8239267	28.07	3	AP8258104	28.08	1
AP8232512	28.28	12	AP8239268	28.07	4	AP8258105	28.08	2
AP8232662	29.22	4	AP8239307	28.08	1	AP8258105	28.08	2
AP8232682	28.05	1	AP8239308	28.08	2	AP8258106	28.11	1
AP8232895	28.02	1	AP8239310	28.08	4	AP8258106	28.11	1

Code	Nr. der Tafel	Pos.
AP8258107	28.11	2
AP8258107	28.11	2
AP8258108	28.14	2
AP8258108	28.14	2
AP8258649	28.10	1
AP8258655	28.12	3
AP8258683	28.09	4
AP8258683	28.09	4
AP8258684	28.09	1
AP8258685	28.09	2
AP8258686	28.12	1
AP8258686	28.12	1
AP8258687	28.12	2
AP8258687	28.12	2
AP8258688	28.14	2
AP8258723	28.09	1
AP8258724	28.09	2
AP8267168	28.34	1
AP8267168	28.34	1
AP8267446	28.33	4
AP8267449	28.33	1
AP8267611	28.33	1
AP8267612	28.34	1
AP8267622	28.33	4
AP8267664	28.34	1
AP8267975	28.33	4
AP8267976	28.33	1
AP8268028	28.09	4
AP8268029	28.09	1
AP8268030	28.09	2
AP8268031	28.12	1
AP8268032	28.12	2
AP8268033	28.07	3
AP8268034	28.07	4
AP8276002	29.47	13
AP8276002	29.47	13
AP8276004	29.46	26
AP8276004	29.46	26
AP8276012	28.04	7
AP8276012	28.04	7
AP8276013	28.04	8
AP8276013	28.04	8
AP8276014	28.04	11
AP8276014	28.04	11
AP8276015	28.04	13
AP8276015	28.04	13
AP8276016	28.04	27
AP8276016	28.04	27
AP8276017	28.04	29
AP8276017	28.04	29
AP8276025	29.37	14
AP8276025	29.37	14
AP8276026	29.37	11
AP8276026	29.37	11
AP8276027	29.46	8
AP8276027	29.46	8
AP8276028	29.37	10
AP8276028	29.37	10
AP8276029	29.37	12
AP8276029	29.37	12
AP8276030	29.48	1
AP8276030	29.50	9
AP8276031	29.51	3
AP8276032	29.48	3
AP8276033	29.50	2
AP8276034	29.51	4
AP8277112	28.34	1

Code	Nr. der Tafel	Pos.
AP8501467	29.37	4
AP8501467	29.46	3
AP8501471	29.42	17
AP8501477	29.43	2
AP8501478	29.42	2
AP8501478	29.43	8
AP8501972	29.41	10
AP8502353	29.41	3
AP8502356	29.41	6
AP8502372	29.47	7
AP8502414	29.44	2
AP8502432	29.45	8
AP8502448	29.41	11
AP8502473	29.44	1
AP8502498	29.42	12
AP8502501	29.43	11
AP8502520	29.41	4
AP8502533	29.45	12
AP8502554	29.47	11
AP8502555	29.46	25
AP8502559	29.40	7
AP8502562	29.37	9
AP8502564	29.48	2
AP8502566	29.46	24
AP8502571	29.46	15
AP8502586	29.36	10
AP8502589	29.36	4
AP8502624	29.42	3
AP8502626	29.42	15
AP8502652	29.42	11
AP8502655	29.40	12
AP8502655	29.40	12
AP8502665	29.37	8
AP8502668	29.39	4
AP8502668	29.39	4
AP8502757	29.36	5
AP8502758	29.46	17
AP8502759	29.36	11
AP8502759	29.40	10
AP8502759	29.46	9
AP8502836	29.42	10
AP8502846	29.39	8
AP8507839	29.39	3
AP8507866	29.43	4
AP8508551	29.38	3
AP8508553	29.39	5
AP8508560	29.40	4
AP8508667	29.37	11
AP8508668	29.37	14
AP8508669	29.37	3
AP8508669	29.46	22
AP8508863	29.37	10
AP8508863	29.37	10
AP8508872	29.37	5
AP8508882	29.39	2
AP8509135	29.43	3
AP8509177	29.46	23
AP8509178	29.41	1
AP8509179	29.35	4
AP8509182	29.38	1
AP8509209	29.36	6
AP8509211	29.47	10
AP8509334	29.46	8
AP8509497	29.37	2
AP8509769	29.38	11
AP8509891	29.38	10
AP8509891	29.47	14

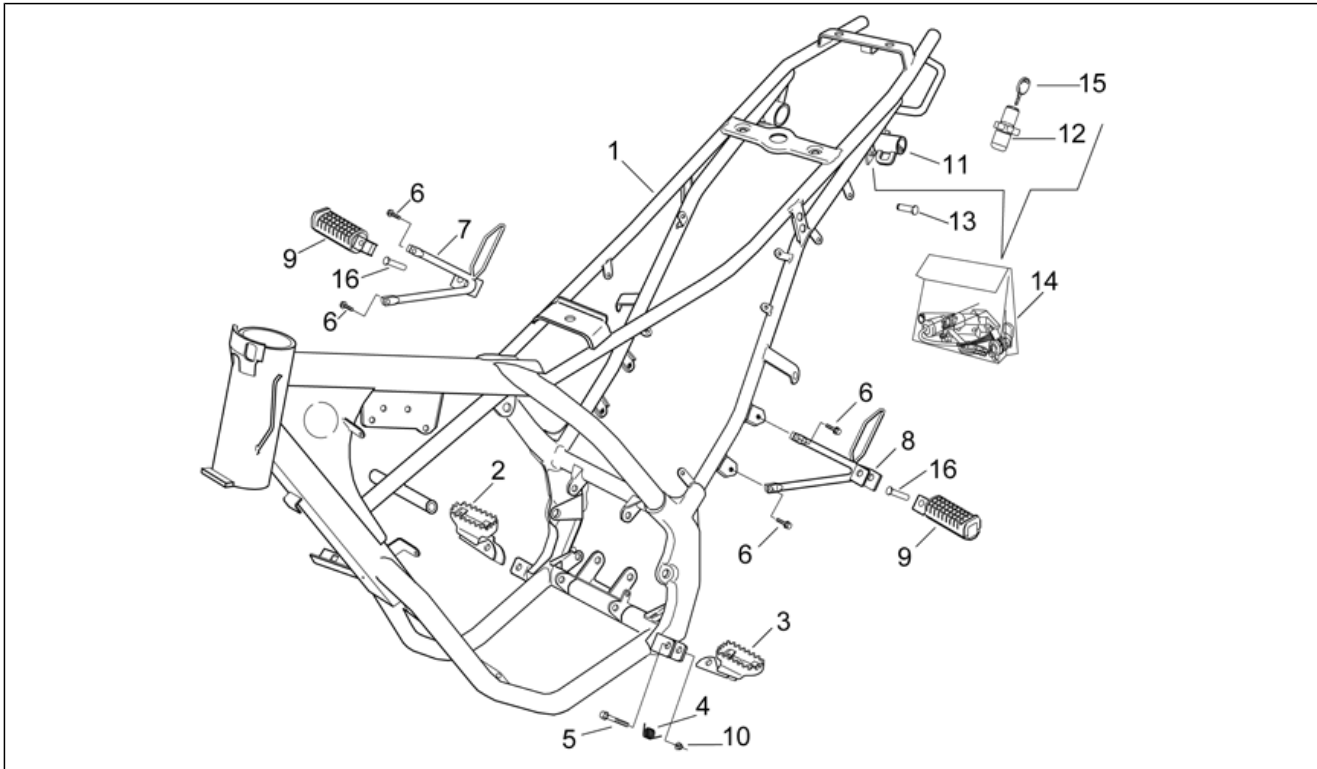
Code	Nr. der Tafel	Pos.
AP8510039	29.42	6
AP8510838	29.48	7

Einheit	RAHMEN
Code	28.01
Beschreibung	Rahmen
Inspektion	1



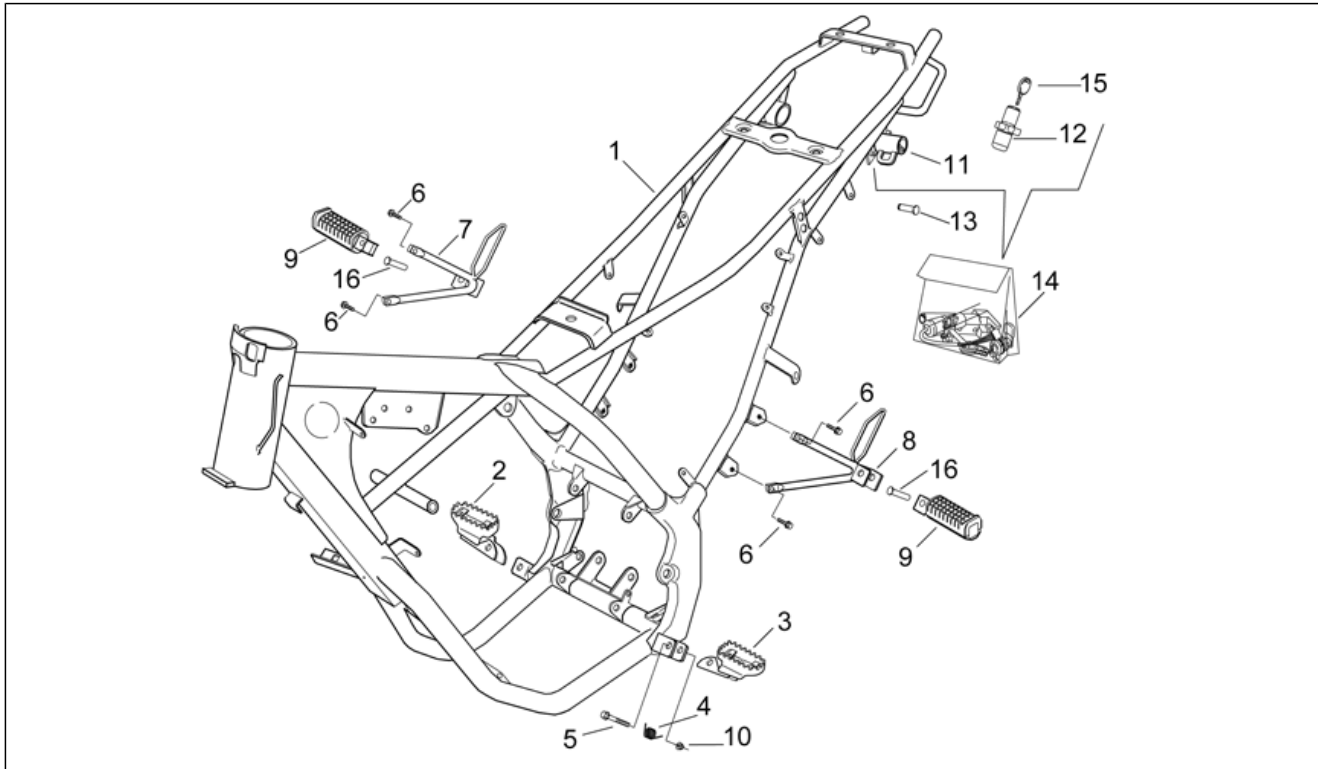
Pos.	Code	Beschreibung	Menge	Varianten
1	AP8235030	Rahmen, l.blau	1	Baujahr: 1998[W] Fahrzeugfarbe: Blau/Hellblau '98-2002[Bi/Cy]
1	AP8235030	Rahmen, l.blau	1	Baujahr: 2002[2] Fahrzeugfarbe: Blau/Hellblau '98-2002[Bi/Cy] Technische Daten: Version RX 50 ENDURO[BAS]
1	AP8235111	Rahmen, grau	1	Baujahr: 2002[2] Fahrzeugfarbe: Schwarz / Rot 2000-2002[Bi/Re] Technische Daten: Version RX 50 ENDURO[BAS]
1	AP8235111	Rahmen, grau	1	Baujahr: 2000[Y] Fahrzeugfarbe: Schwarz / Rot 2000-2002[Bi/Re]
1	AP8235133	Rahmen, schwarz	1	Baujahr: 2002[2], 2003[3] Technische Daten: Version MX 50 SUPERMOTARD[MOT]
2	AP8135431	Fussrasten r.	1	
3	AP8135432	Fussrasten l.	1	
4	AP8101317	Fussrastenfeder	2	
5	AP8152291	TE Schr. m. Flansch	2	
6	AP8152286	TE Schr. m. Flansch M8x20	4	
7	AP8135590	Halter rechte Sozsiusfußraste	1	Baujahr: 1995[S], 1996[T], 1997[V] Land: Österreich[A], Belgien[B], Brasilien[BR], Dänemark[DK], Spanien[E], Frankreich[F], Griechenland[GR], Israel[IL], Japan[J], Portugal[P], Großbritannien[UK]
7	AP8146072	Halter rechte Sozsiusfußraste	1	Baujahr: 2002[2], 2003[3], 1998[W], 2000[Y] Land: Österreich[A], Belgien[B], Brasilien[BR], Dänemark[DK], Spanien[E], CH,DK,GR,E,F[EU], Frankreich[F], Griechenland[GR], Israel[IL], Japan[J], Portugal[P], Großbritannien[UK]
8	AP8135591	Halter linke Sozsiusfußraste	1	Baujahr: 1995[S], 1996[T], 1997[V] Land: Österreich[A], Belgien[B], Brasilien[BR], Dänemark[DK], Spanien[E], Frankreich[F], Griechenland[GR], Israel[IL], Japan[J], Portugal[P], Großbritannien[UK]
8	AP8146073	Halter linke Sozsiusfußraste	1	Baujahr: 2002[2], 2003[3], 1998[W], 2000[Y]

Einheit	RAHMEN
Code	28.01
Beschreibung	Rahmen
Inspektion	1



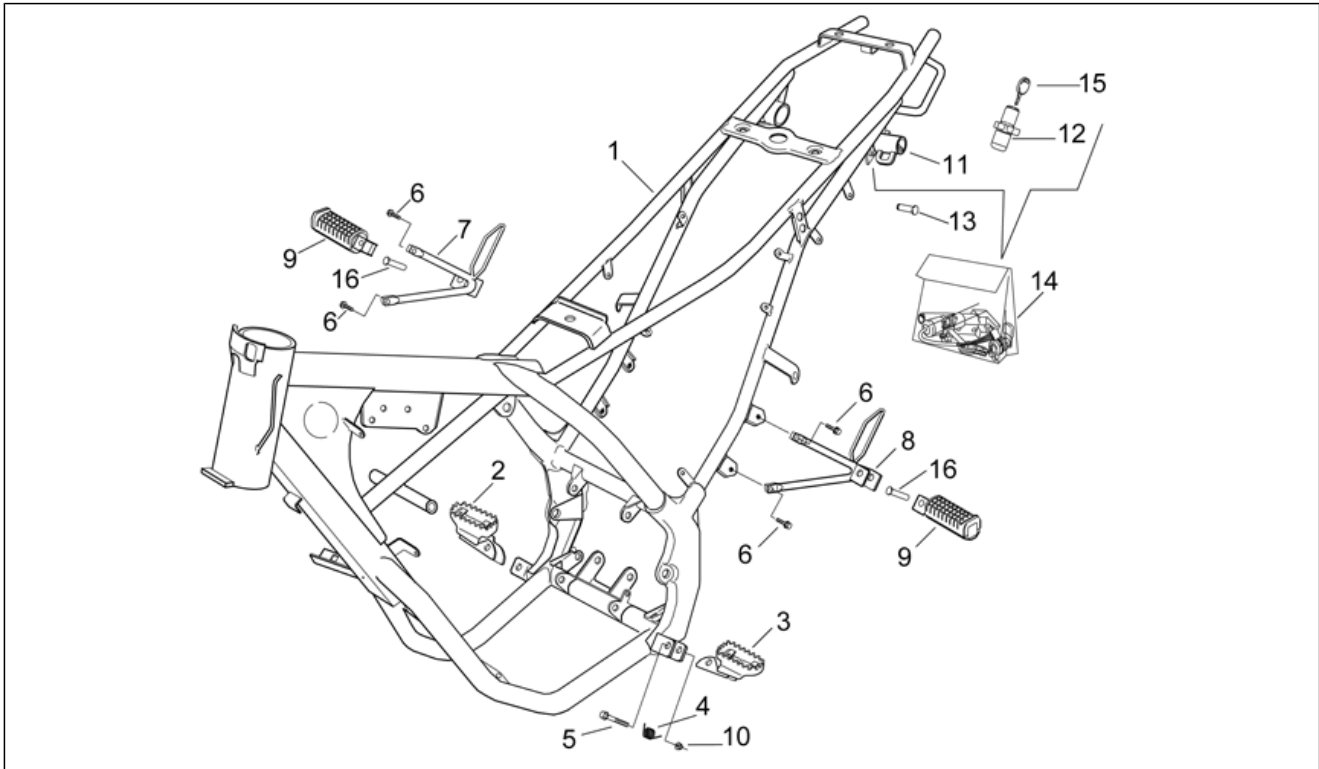
Pos.	Code	Beschreibung	Menge	Varianten
				Land:Österreich[A], Belgien[B], Brasilien[BR], Dänemark[DK], Spanien[E], CH,DK,GR,E,F[EU], Frankreich[F], Griechenland[GR], Israel[IL], Japan[J], Portugal[P], Großbritannien[UK]
9	AP8102042	Soziusrasten (Paar)	1	Land:Österreich[A], Belgien[B], Brasilien[BR], Dänemark[DK], Spanien[E], CH,DK,GR,E,F[EU], Frankreich[F], Griechenland[GR], Israel[IL], Japan[J], Portugal[P], Großbritannien[UK]
10	AP8152300	Selbstsperrende Mutter M8	3	
11	AP8101425	Sturzhelmschloß	1	
12	AP8112710	Lenkschloß	1	Baujahr:2003[3] Land:Japan[J] Technische Daten:Lichtausschalter[SD]
12	AP8112710	Lenkschloß	1	Baujahr:2002[2], 1998[W], 2000[Y] Land:Japan[J] Technische Daten:Lichtausschalter[SD]
12	AP8212342	Lenkschloß	1	Baujahr:1995[S], 1996[T], 1997[V] Land:Japan[J] Technische Daten:Lichtausschalter[SD]
12	AP8212342	Lenkschloß	1	Land:Österreich[A], Belgien[B], Brasilien[BR], Dänemark[DK], Spanien[E], CH,DK,GR,E,F[EU], Frankreich[F], Griechenland[GR], Italien[I], Israel[IL], Holland[NL], Portugal[P], Großbritannien[UK] Technische Daten:Lichtausschalter[SD]
12	AP8224548	Lenkschloß	1	Baujahr:2003[3] Land:Schweiz[CH], CH,DK,GR,E,F[EU] Technische Daten:Lichter immer eingeschaltet[ASD], Zulassung Volle Leistung[TT]
12	AP8224548	Lenkschloß	1	Baujahr:2003[3] Land:Japan[J] Technische Daten:Lichter immer eingeschaltet[ASD]
12	AP8224548	Lenkschloß	1	Land:Österreich[A], Belgien[B], Brasilien[BR], Dänemark[DK], Spanien[E], CH,DK,GR,E,F[EU],

Einheit	RAHMEN
Code	28.01
Beschreibung	Rahmen
Inspektion	1



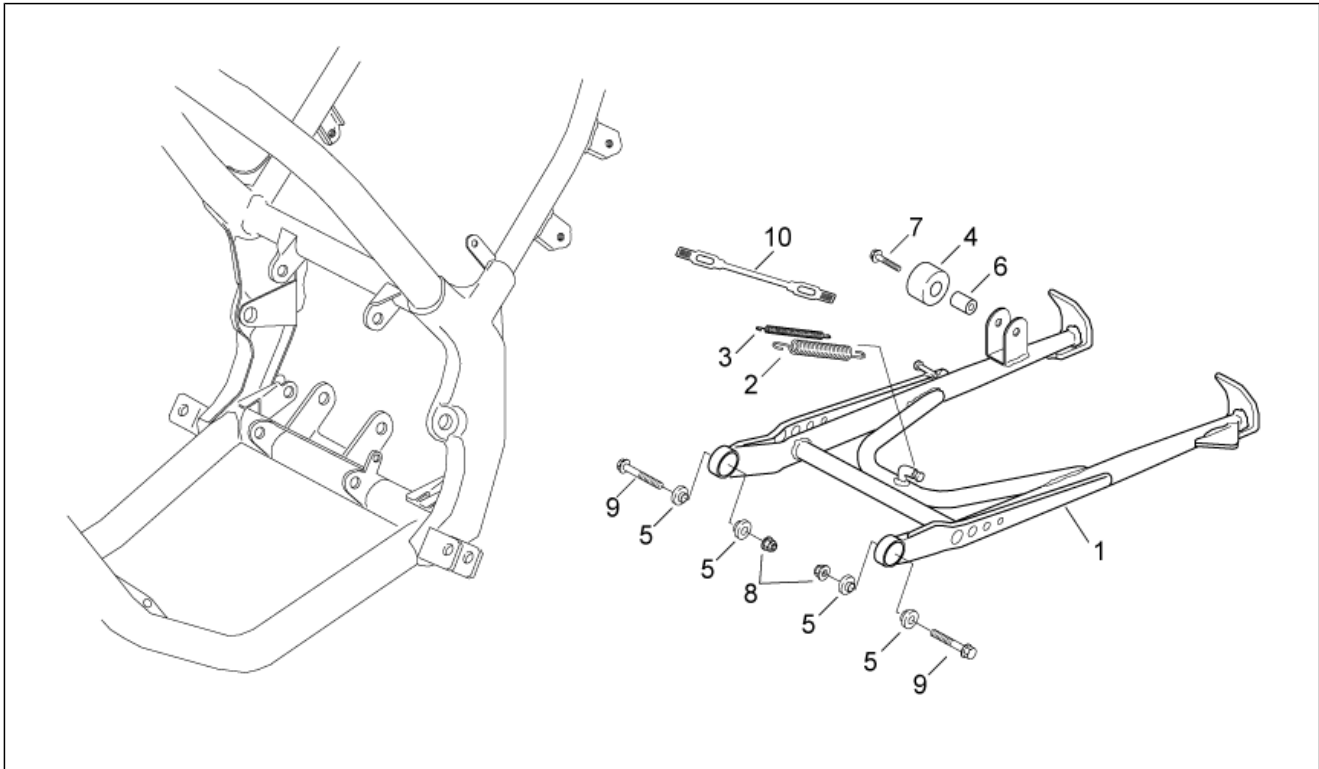
Pos.	Code	Beschreibung	Menge	Varianten
				Frankreich[F], Griechenland[GR], Italien[I], Israel[IL], Holland[NL], Portugal[P], Großbritannien[UK] Technische Daten: Lichter immer eingeschaltet[ASD]
13	AP8150349	Spezialschraube M8x15	1	
14	AP8102596	Kit Schließvorrichtungen	1	Baujahr: 2002[2], 1998[W], 2000[Y] Land: Japan[J] Technische Daten: Lichtauschalter[SD]
14	AP8102596	Kit Schließvorrichtungen	1	Baujahr: 2003[3] Land: Japan[J] Technische Daten: Lichtauschalter[SD]
14	AP8201873	Kit Schließvorrichtungen	1	Land: Österreich[A], Belgien[B], Brasilien[BR], Dänemark[DK], Spanien[E], CH,DK,GR,E,F[EU], Frankreich[F], Griechenland[GR], Italien[I], Israel[IL], Holland[NL], Portugal[P], Großbritannien[UK] Technische Daten: Lichtauschalter[SD]
14	AP8201873	Kit Schließvorrichtungen	1	Baujahr: 1995[S], 1996[T], 1997[V] Land: Japan[J] Technische Daten: Lichtauschalter[SD]
14	AP8202348	Kit Schließvorrichtungen	1	Land: Österreich[A], Belgien[B], Brasilien[BR], Dänemark[DK], Spanien[E], CH,DK,GR,E,F[EU], Frankreich[F], Griechenland[GR], Italien[I], Israel[IL], Holland[NL], Portugal[P], Großbritannien[UK] Technische Daten: Lichter immer eingeschaltet[ASD]
14	AP8202348	Kit Schließvorrichtungen	1	Baujahr: 2003[3] Land: Schweiz[CH], CH,DK,GR,E,F[EU] Technische Daten: Lichter immer eingeschaltet[ASD], Zulassung Volle Leistung[TT]
14	AP8202348	Kit Schließvorrichtungen	1	Baujahr: 2003[3] Land: Japan[J] Technische Daten: Lichter immer eingeschaltet[ASD]
15	AP8102880	Schl. gefr. Aprilia	1	
16	AP8121241	Soziusrastenbolzen	2	Land: Österreich[A], Belgien[B], Brasilien[BR], Dänemark[DK], Spanien[E], CH,DK,GR,E,F[EU],

Einheit	RAHMEN
Code	28.01
Beschreibung	Rahmen
Inspektion	1



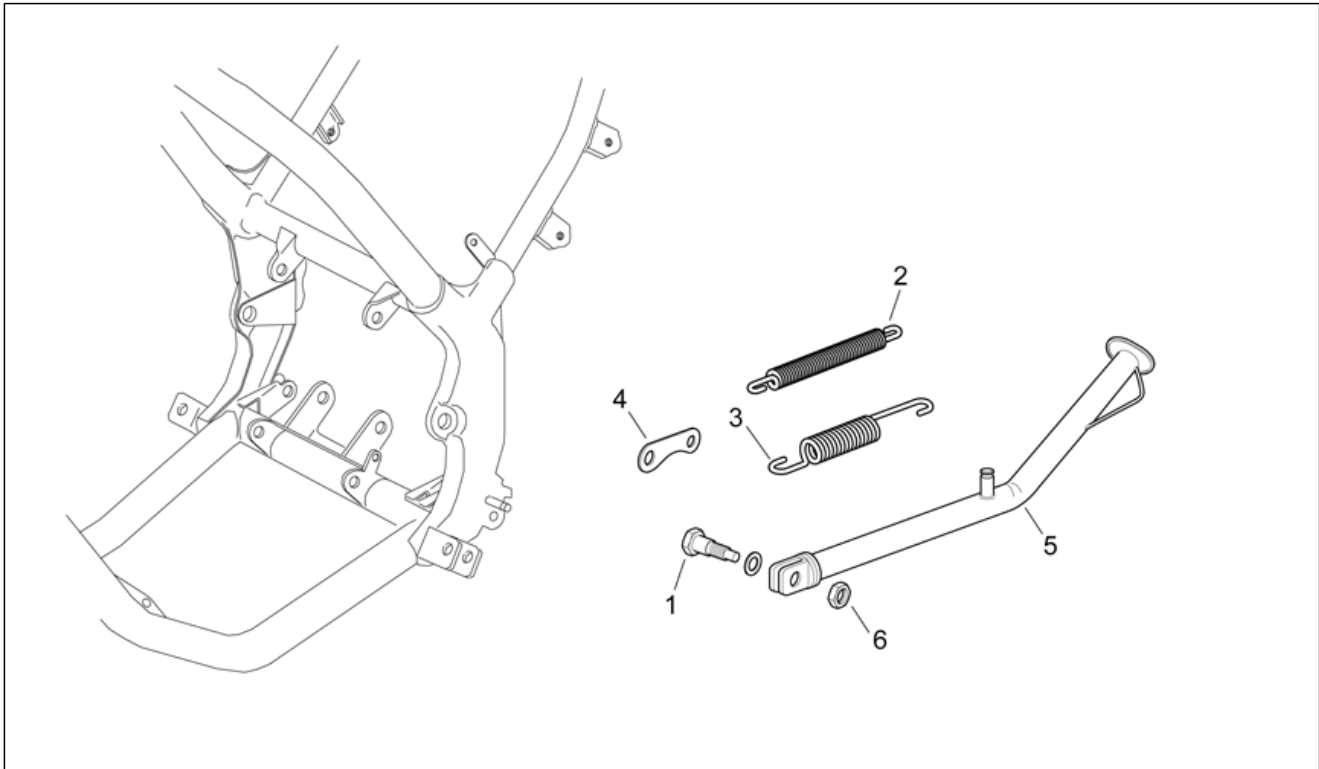
Pos.	Code	Beschreibung	Menge	Varianten
				Frankreich[F], Griechenland[GR], Israel[IL], Japan[J], Portugal[P], Großbritannien[UK]

Einheit	RAHMEN
Code	28.02
Beschreibung	Hauptständer ENDURO
Inspektion	1



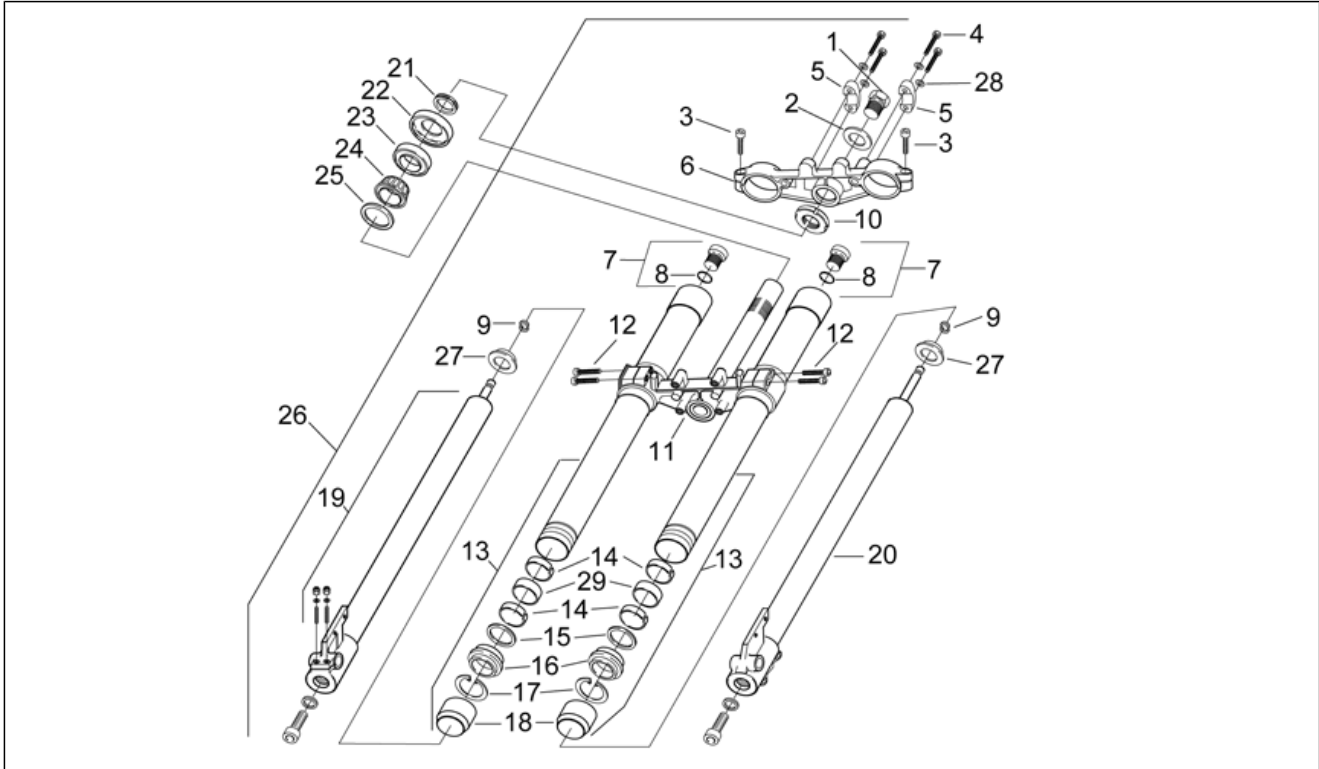
Pos.	Code	Beschreibung	Menge	Varianten
1	AP8232895	Hauptständer	1	Technische Daten:Version RX 50 ENDURO[BAS]
2	AP8121015	Externe Rückholfeder Ständer	1	Technische Daten:Version RX 50 ENDURO[BAS]
3	AP8121014	Schraubenfeder	1	Technische Daten:Version RX 50 ENDURO[BAS]
4	AP8120338	Ständerrolle	1	Technische Daten:Version RX 50 ENDURO[BAS]
5	AP8121678	Buchse	4	Technische Daten:Version RX 50 ENDURO[BAS]
6	AP8121012	Distanzscheibe	1	Technische Daten:Version RX 50 ENDURO[BAS]
7	AP8152281	TE Schr. m. Flansch M6x30	1	Technische Daten:Version RX 50 ENDURO[BAS]
8	AP8152300	Selbstsperrende Mutter M8	2	Technische Daten:Version RX 50 ENDURO[BAS]
9	AP8152289	TE Schr. m. Flansch	2	Technische Daten:Version RX 50 ENDURO[BAS]
10	AP8120025	Kippständerhalter Elastik	1	Technische Daten:Version RX 50 ENDURO[BAS]

Einheit	RAHMEN
Code	28.03
Beschreibung	Hauptständer SUPERMOTARD
Inspektion	1



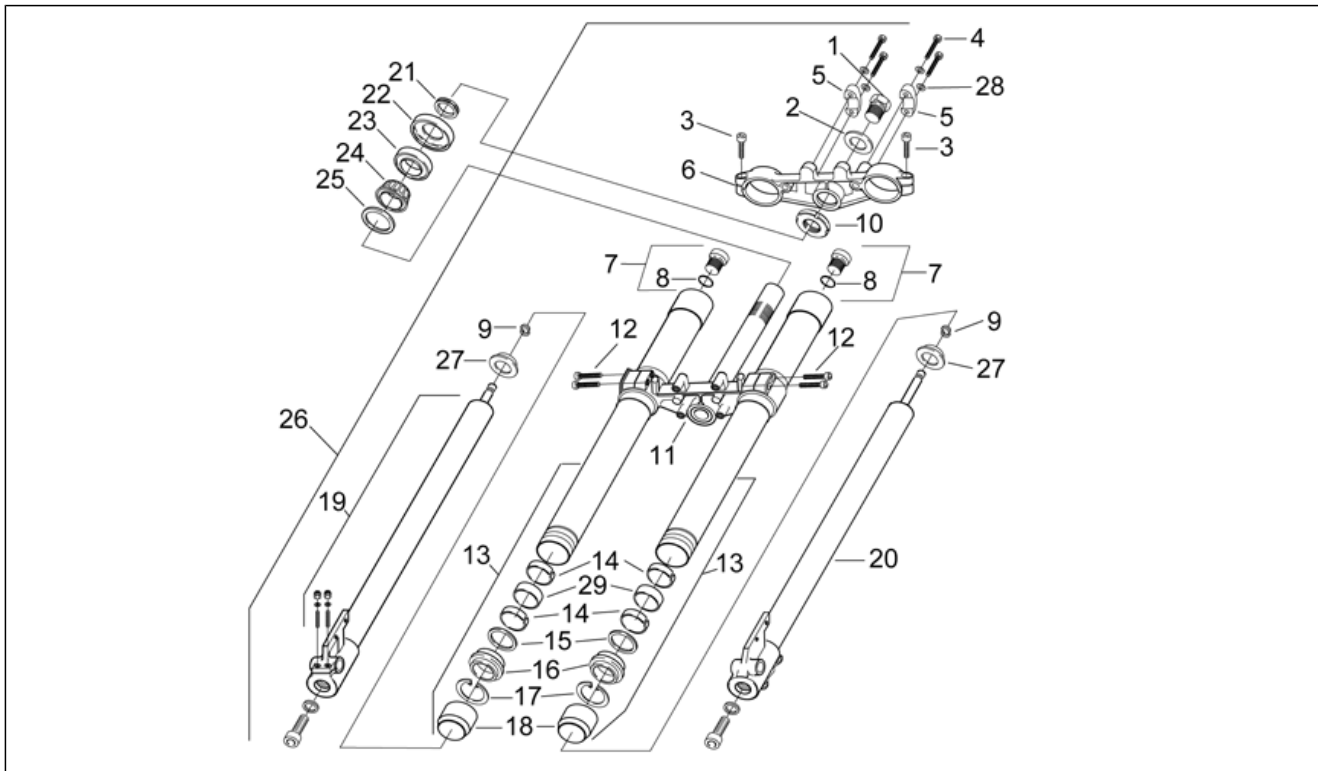
Pos.	Code	Beschreibung	Menge	Varianten
1	AP8221343	Ständerschraube	1	Technische Daten:Version MX 50 SUPERMOTARD[MOT]
2	AP8121482	Rückholfeder Ständer	1	Technische Daten:Version MX 50 SUPERMOTARD[MOT]
3	AP8221197	Hauptständer Schraubenfeder	1	Technische Daten:Version MX 50 SUPERMOTARD[MOT]
4	AP8134266	Rückholplatte Ständer	1	Technische Daten:Version MX 50 SUPERMOTARD[MOT]
5	AP8235135	Seitenständer	1	Technische Daten:Version MX 50 SUPERMOTARD[MOT]
6	AP8152001	Mutter unten M10x1,25	1	Technische Daten:Version MX 50 SUPERMOTARD[MOT]

Einheit	RAHMEN
Code	28.04
Beschreibung	Vorderradgabel
Inspektion	1



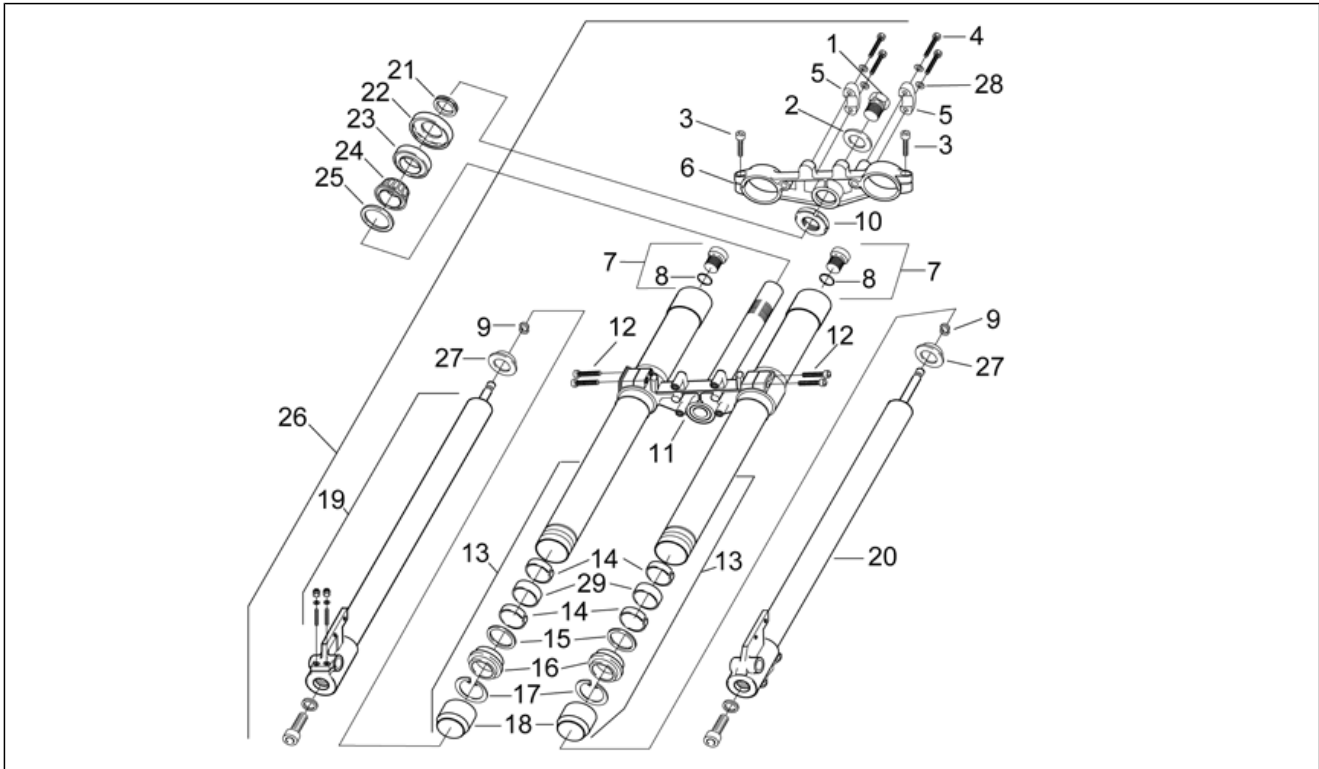
Pos.	Code	Beschreibung	Menge	Varianten
1	AP8203251	Schraube Rohr	1	
2	AP8123843	Ausgleichscheibe	1	
3	AP8203590	Schraube M8x35	2	
4	AP8152090	Sechskantschraube	4	
5	AP8203425	Bügelbolzen	2	
6	AP8203424	Ob. Gabelplatte	1	Baujahr: 2002[2], 2003[3] Technische Daten: Nationale Zulassung[MU], EU-Zulassung (Grenzen EURO 1)[ST]
6	AP8203424	Ob. Gabelplatte	1	Baujahr: 1995[S], 1996[T], 1997[V], 1998[W], 2000[Y]
6	AP8223061	Ob. Gabelplatte	1	Baujahr: 2002[2], 2003[3] Technische Daten: Nationale Zulassung[MU], EU-Zulassung (Grenzen EURO 1)[ST]
6	AP8223061	Ob. Gabelplatte	1	Baujahr: 2003[3] Technische Daten: Zulassung Volle Leistung[TT]
7	AP8123210	Zylinderschraube M20x1,5	2	Baujahr: 2002[2], 2003[3] Technische Daten: Nationale Zulassung[MU], EU-Zulassung (Grenzen EURO 1)[ST]
7	AP8123210	Zylinderschraube M20x1,5	2	Baujahr: 1995[S], 1996[T], 1997[V], 1998[W], 2000[Y]
7	AP8276012	Verschlußschraube kplt. D.35	2	Baujahr: 2002[2], 2003[3] Technische Daten: Nationale Zulassung[MU], EU-Zulassung (Grenzen EURO 1)[ST]
7	AP8276012	Verschlußschraube kplt. D.35	2	Baujahr: 2003[3] Technische Daten: Zulassung Volle Leistung[TT]
8	AP8203924	O-Ring	2	Baujahr: 2002[2], 2003[3] Technische Daten: Nationale Zulassung[MU], EU-Zulassung (Grenzen EURO 1)[ST]
8	AP8203924	O-Ring	2	Baujahr: 1995[S], 1996[T], 1997[V], 1998[W], 2000[Y]
8	AP8276013	O-Ring	2	Baujahr: 2002[2], 2003[3] Technische Daten: Nationale Zulassung[MU], EU-Zulassung (Grenzen EURO 1)[ST]
8	AP8276013	O-Ring	2	Baujahr: 2003[3] Technische Daten: Zulassung Volle Leistung[TT]

Einheit	RAHMEN
Code	28.04
Beschreibung	Vorderradgabel
Inspektion	1



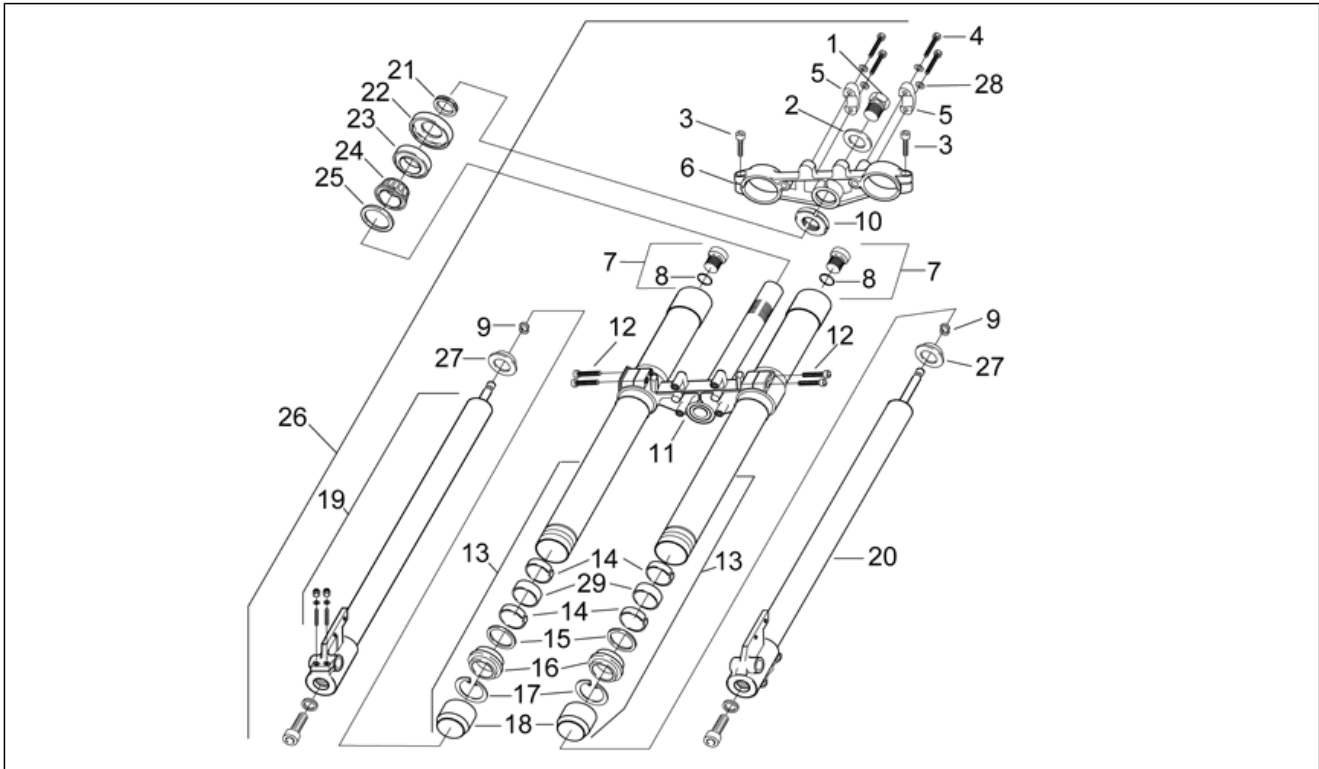
Pos.	Code	Beschreibung	Menge	Varianten
9	AP8123441	Halbring	4	
10	AP8203588	Untere Nutmutter Gabel	1	
11	AP8203451	Untere Platte	1	Baujahr: 2002[2], 2003[3] Technische Daten: Nationale Zulassung[MU], EU-Zulassung (Grenzen EURO 1)[ST]
11	AP8203451	Untere Platte	1	Baujahr: 1995[S], 1996[T], 1997[V], 1998[W], 2000[Y]
11	AP8276014	Untere Platte	1	Baujahr: 2002[2], 2003[3] Technische Daten: Nationale Zulassung[MU], EU-Zulassung (Grenzen EURO 1)[ST]
11	AP8276014	Untere Platte	1	Baujahr: 2003[3] Technische Daten: Zulassung Volle Leistung[TT]
12	AP8123574	TCEI Schraube M6x30	4	
13	AP8203448	Hülse kplt.	2	Baujahr: 1995[S], 1996[T], 1997[V]
13	AP8203925	Hülse kplt. schwarz	2	Baujahr: 1998[W], 2000[Y]
13	AP8203925	Hülse kplt. schwarz	2	Baujahr: 2002[2], 2003[3] Technische Daten: Nationale Zulassung[MU], EU-Zulassung (Grenzen EURO 1)[ST]
13	AP8276015	Hülse kplt. schwarz	2	Baujahr: 2002[2], 2003[3] Technische Daten: Nationale Zulassung[MU], EU-Zulassung (Grenzen EURO 1)[ST]
13	AP8276015	Hülse kplt. schwarz	2	Baujahr: 2003[3] Technische Daten: Zulassung Volle Leistung[TT]
14	AP8203447	Gleitbuchse	2	Baujahr: 1995[S], 1996[T], 1997[V], 1998[W], 2000[Y]
14	AP8203447	Gleitbuchse	4	Baujahr: 2002[2], 2003[3] Technische Daten: Nationale Zulassung[MU], EU-Zulassung (Grenzen EURO 1)[ST]
14	AP8203447	Gleitbuchse	4	Baujahr: 2003[3] Technische Daten: Zulassung Volle Leistung[TT]
14	AP8203447	Gleitbuchse	2	Baujahr: 2002[2], 2003[3] Technische Daten: Nationale Zulassung[MU], EU-Zulassung (Grenzen EURO 1)[ST]
15	AP8103391	Führungsbecher	2	Baujahr: 1995[S], 1996[T], 1997[V], 1998[W], 2000[Y]

Einheit	RAHMEN
Code	28.04
Beschreibung	Vorderradgabel
Inspektion	1



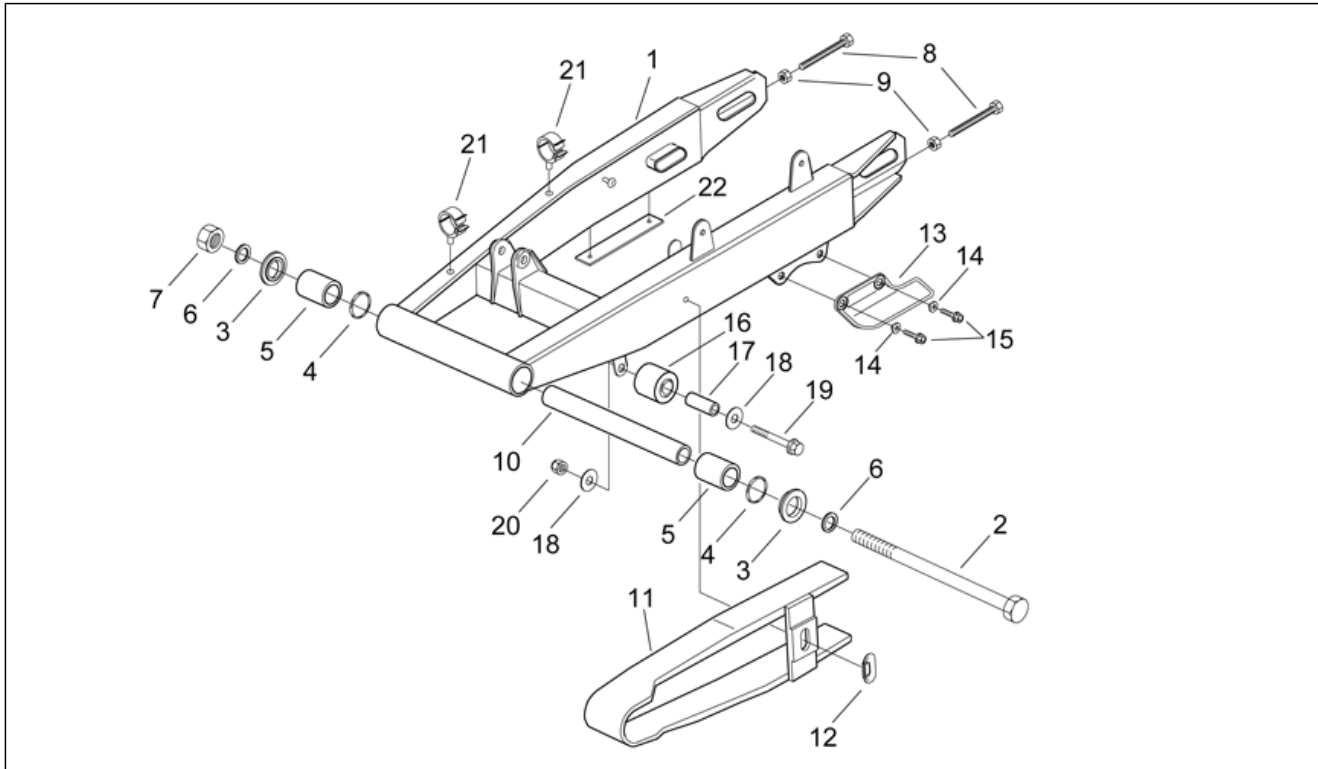
Pos.	Code	Beschreibung	Menge	Varianten
15	AP8103391	Führungsbecher	2	Baujahr: 2002[2], 2003[3] Technische Daten: Nationale Zulassung[MU], EU-Zulassung (Grenzen EURO 1)[ST]
15	AP8123705	Becher	2	Baujahr: 2003[3] Technische Daten: Zulassung Volle Leistung[TT]
15	AP8123705	Becher	2	Baujahr: 2002[2], 2003[3] Technische Daten: Nationale Zulassung[MU], EU-Zulassung (Grenzen EURO 1)[ST]
16	AP8103392	Gasket ring	2	
17	AP8123704	Sperring	2	Baujahr: 2003[3] Technische Daten: Zulassung Volle Leistung[TT]
17	AP8123704	Sperring	2	Baujahr: 2002[2], 2003[3] Technische Daten: Nationale Zulassung[MU], EU-Zulassung (Grenzen EURO 1)[ST]
17	AP8203445	Sperring	2	Baujahr: 2002[2], 2003[3] Technische Daten: Nationale Zulassung[MU], EU-Zulassung (Grenzen EURO 1)[ST]
17	AP8203445	Sperring	2	Baujahr: 1995[S], 1996[T], 1997[V], 1998[W], 2000[Y]
18	AP8203258	Staubschutz	2	Baujahr: 2002[2], 2003[3] Technische Daten: Nationale Zulassung[MU], EU-Zulassung (Grenzen EURO 1)[ST]
18	AP8203258	Staubschutz	2	Baujahr: 2003[3] Technische Daten: Zulassung Volle Leistung[TT]
18	AP8203444	Staubschutz	2	Baujahr: 1995[S], 1996[T], 1997[V], 1998[W], 2000[Y]
18	AP8203444	Staubschutz	2	Baujahr: 2002[2], 2003[3] Technische Daten: Nationale Zulassung[MU], EU-Zulassung (Grenzen EURO 1)[ST]
19	AP8203811	Klb.st.+ Radhltr. rch.	1	
20	AP8203810	Klb.st.+ Radhltr. lks.	1	
21	AP8101272	Distanzscheibe	1	
22	AP8120211	Staubschutz	1	
23	AP8110025	Kugellager	1	

Einheit	RAHMEN
Code	28.04
Beschreibung	Vorderradgabel
Inspektion	1



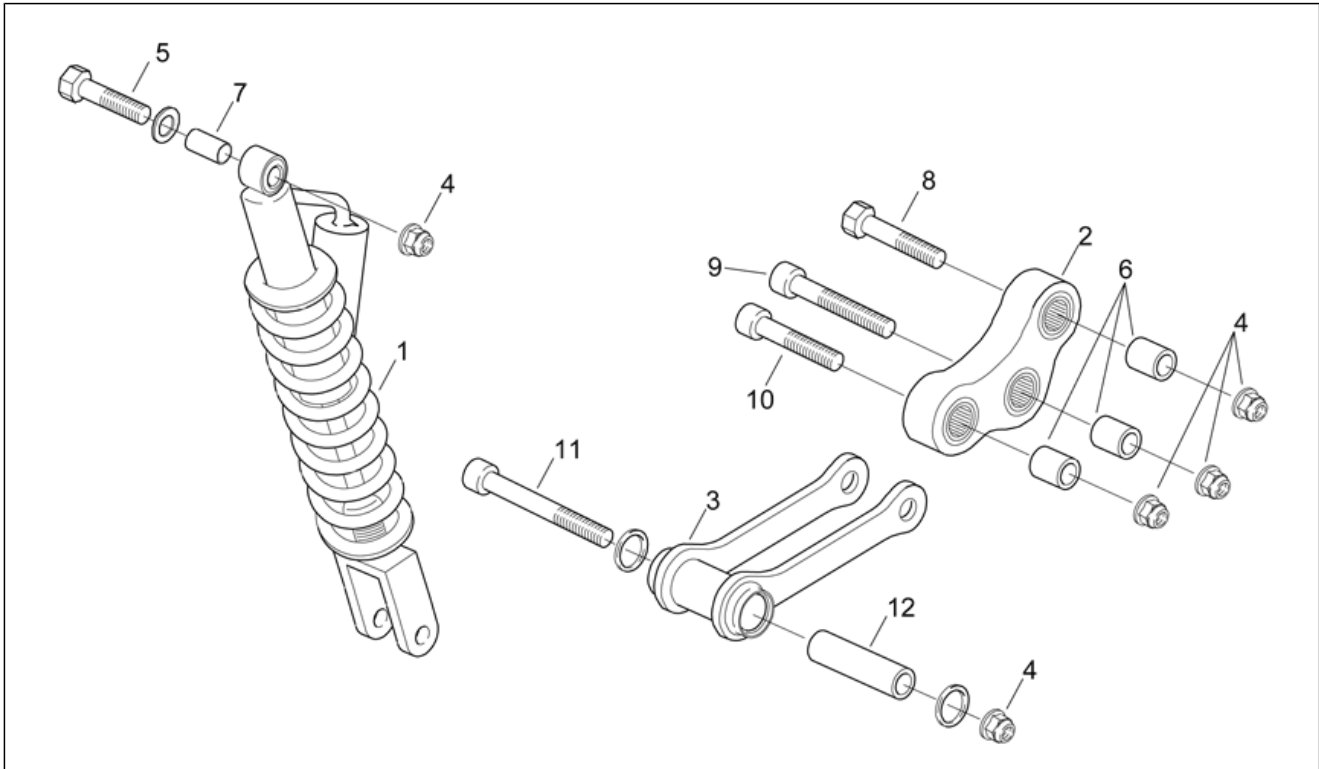
Pos.	Code	Beschreibung	Menge	Varianten
24	AP8110024	Rollenlager	1	
25	AP8101271	Staubschutzring unten	1	
26	AP8203487	Baugruppe vordere Gabel	1	Baujahr: 1995[S], 1996[T], 1997[V]
26	AP8203884	Baugruppe vordere Gabel	1	Baujahr: 2002[2], 2003[3] Technische Daten: Nationale Zulassung[MU], EU-Zulassung (Grenzen EURO 1)[ST]
26	AP8203884	Baugruppe vordere Gabel	1	Baujahr: 1998[W], 2000[Y]
26	AP8223063	Baugruppe vordere Gabel	1	Baujahr: 2003[3] Technische Daten: Zulassung Volle Leistung[TT]
26	AP8223063	Baugruppe vordere Gabel	1	Baujahr: 2002[2], 2003[3] Technische Daten: Nationale Zulassung[MU], EU-Zulassung (Grenzen EURO 1)[ST]
27	AP8276016	Ring	2	Baujahr: 2003[3] Technische Daten: Zulassung Volle Leistung[TT]
27	AP8276016	Ring	2	Baujahr: 2003[3] Technische Daten: Nationale Zulassung[MU], EU-Zulassung (Grenzen EURO 1)[ST]
28	AP8203427	Ausgleichscheibe D7	4	
29	AP8276017	Distanzscheibe	2	Baujahr: 2003[3] Technische Daten: Zulassung Volle Leistung[TT]
29	AP8276017	Distanzscheibe	2	Baujahr: 2003[3] Technische Daten: Nationale Zulassung[MU], EU-Zulassung (Grenzen EURO 1)[ST]

Einheit	RAHMEN
Code	28.05
Beschreibung	Schwinge
Inspektion	1



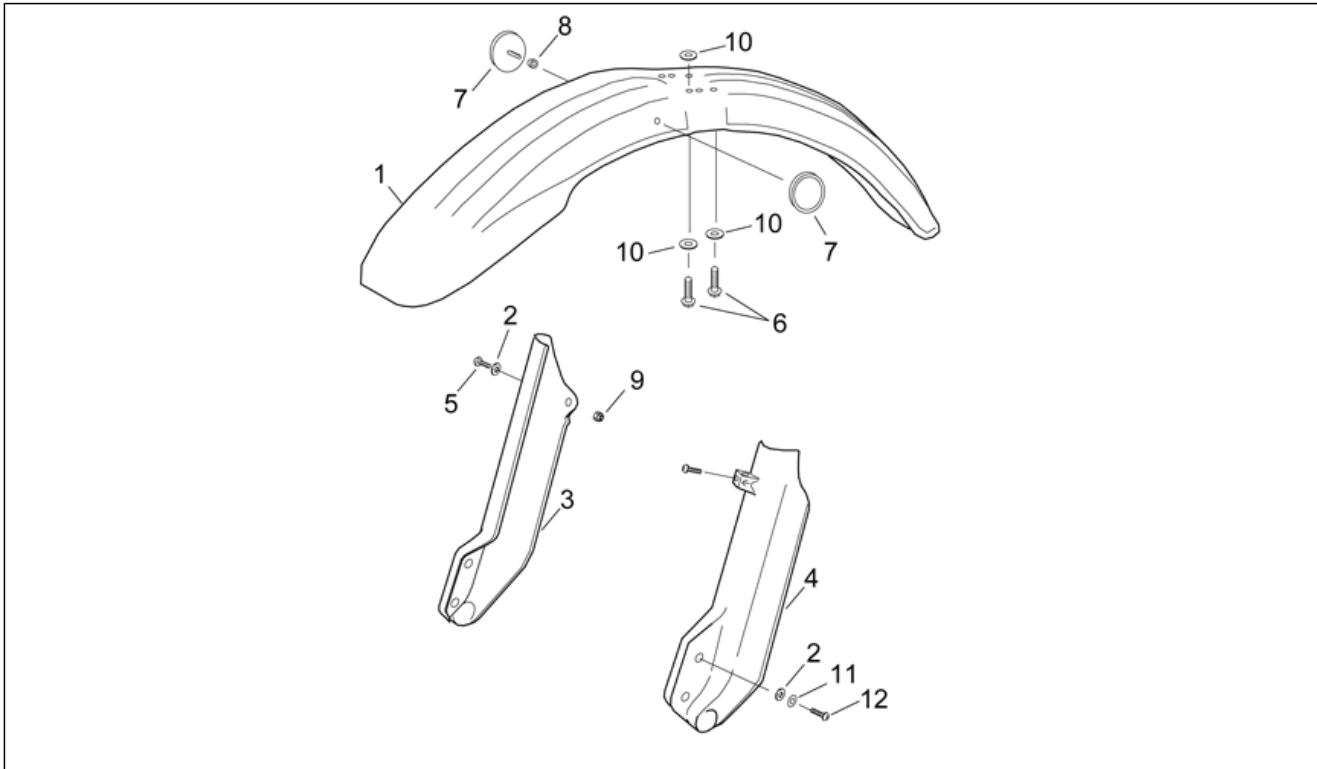
Pos.	Code	Beschreibung	Menge	Varianten
1	AP8232682	Schwinge, grau	1	Technische Daten: Version RX 50 ENDURO[BAS]
1	AP8235136	Schwinge, grau	1	Technische Daten: Version MX 50 SUPERMOTARD[MOT]
2	AP8225070	Schwingenbolzen+Mutter	1	
3	AP8220196	Buchse	2	
4	AP8220198	O-Ring	2	
5	AP8220197	Buchse	2	
6	AP8152103	Scheibe D15x22x1	2	
7	AP8152087	Mutter M14x1,5	1	
8	AP8150154	Sechskantschraube M8x60	2	
9	AP8150027	Mutter M8	2	
10	AP8221103	Distanzscheibe	1	
11	AP8220259	Kettengleitführung	1	
12	AP8234020	Becher	1	
13	AP8230440	Kettenplatte	1	
14	AP8121035	T-Buchse *	2	
15	AP8152278	TE Schr. m. Flansch M6x16	2	
16	AP8101375	Kettenspannrolle	1	
17	AP8121857	Buchse	1	
18	AP8150018	Ausgleichscheibe	2	
19	AP8152292	TE Schr. m. Flansch	1	
20	AP8150431	Mutter unten M8	1	
21	AP8134186	Kabelführungs	2	
22	AP8120651	Rückholplatte Ständer	1	

Einheit	RAHMEN
Code	28.06
Beschreibung	Hinterradaufhängung
Inspektion	1



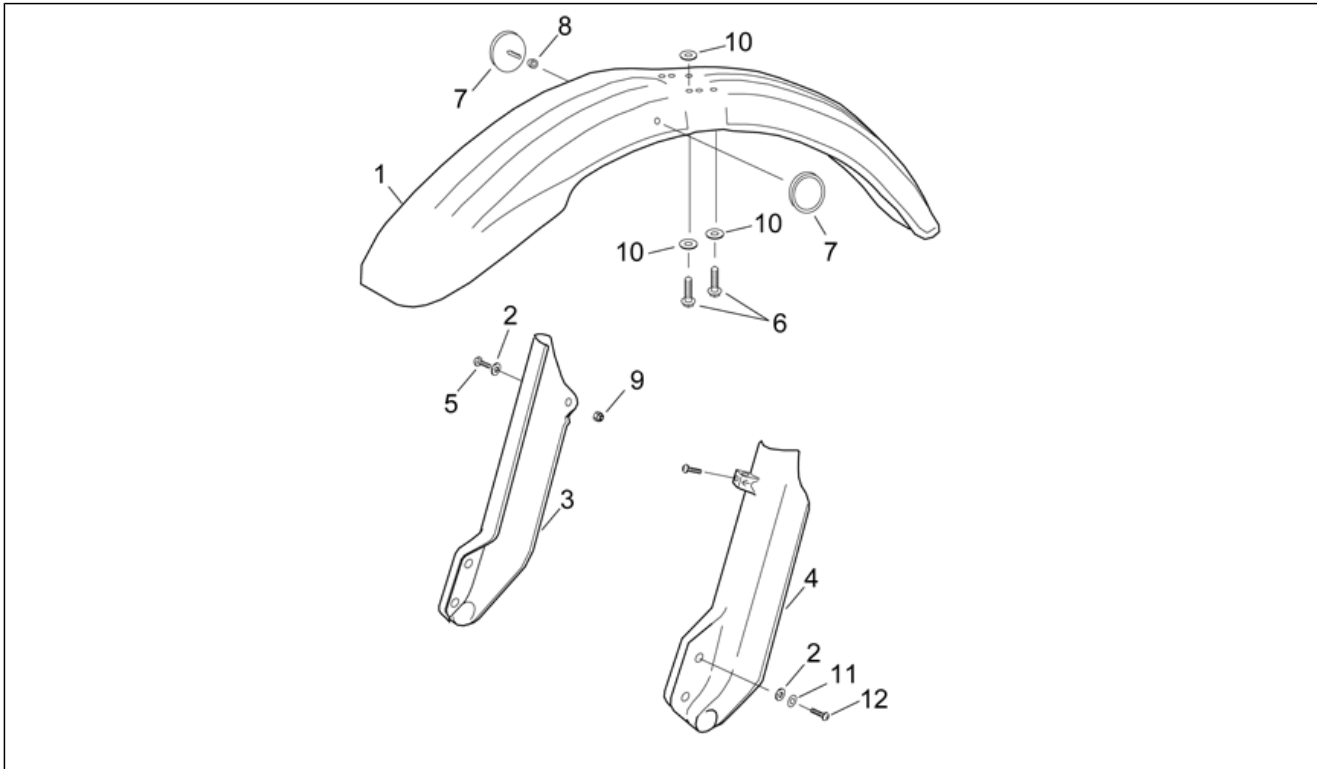
Pos.	Code	Beschreibung	Menge	Varianten
1	AP8203668	Stoßdämpfer	1	
2	AP8232497	Doppelte Pleuelstange	1	
3	AP8232498	Einfache Pleuelstange, schw.	1	
4	AP8152301	Selbstsperrende Mutter	5	
5	AP8150227	Sechskantschraube	1	
6	AP8110063	Nadelkaefig	3	
7	AP8150020	Ausgleichscheibe 10,5x21x2*	1	
8	AP8150323	Sechskantschraube	1	
9	AP8150049	Schraube M10x60	1	
10	AP8150329	TCEI Schraube	1	
11	AP8150192	TCEI Schraube M10x80	1	
12	AP8221001	Distanzscheibe 18x21x18	1	

Einheit	RAHMEN
Code	28.07
Beschreibung	Frontaufbau I
Inspektion	1



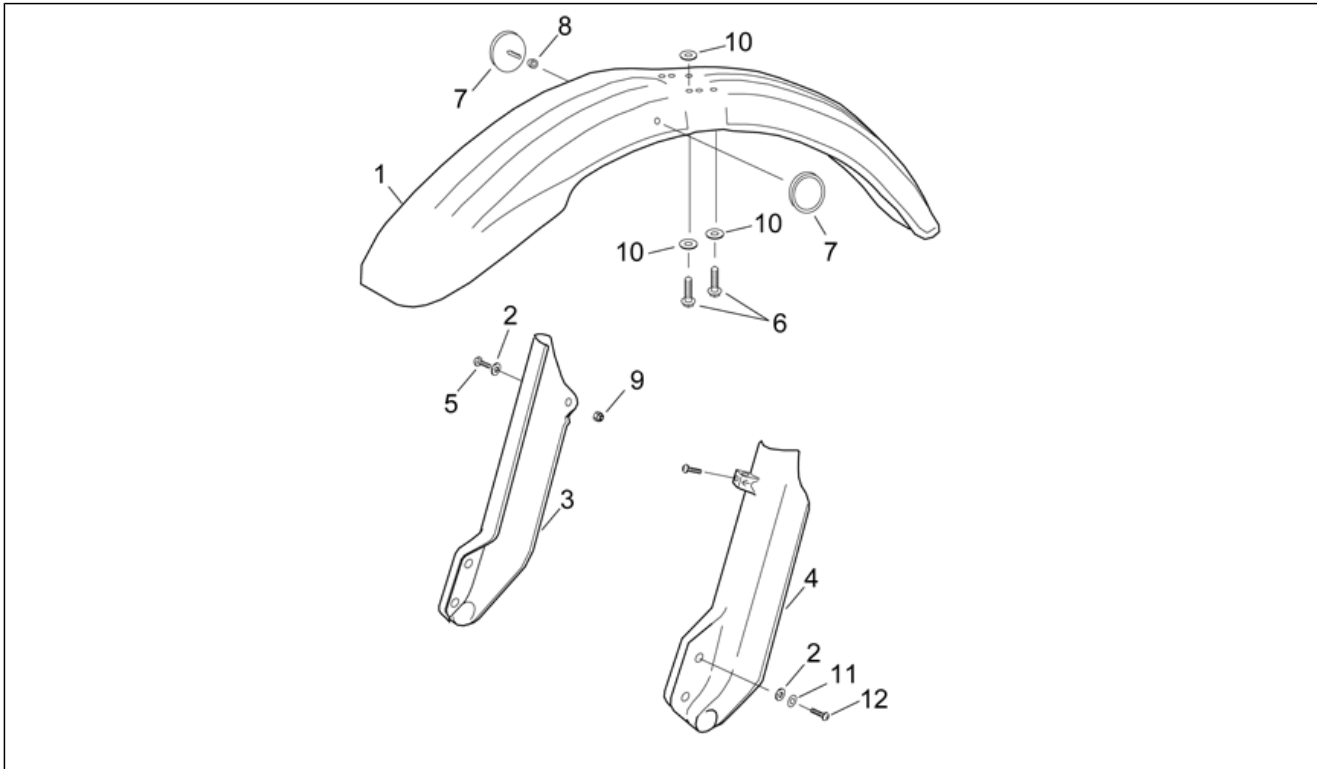
Pos.	Code	Beschreibung	Menge	Varianten
1	AP8226293	V. Schutzblech, blau	1	Baujahr:1995[S] Fahrzeugfarbe:Blau / Grau '95-'96[B/G]
1	AP8226306	V. Schutzblech, schwarz	1	Baujahr:1995[S] Fahrzeugfarbe:Schwarz '95[Black]
1	AP8226381	V. Schutzblech, orange	1	Baujahr:1996[T] Fahrzeugfarbe:Orange / Grau '96[O/G]
1	AP8226390	V. Schutzblech, blau	1	Baujahr:1996[T] Fahrzeugfarbe:Blau / Grau '95-'96[B/G]
1	AP8226423	V. Schutzblech, alum.	1	Baujahr:1997[V]
1	AP8226477	V. Schutzblech, l.blau	1	Baujahr:2002[2] Fahrzeugfarbe:Blau/Hellblau '98-2002[Bi/Cy] Technische Daten:Version RX 50 ENDURO[BAS]
1	AP8226477	V. Schutzblech, l.blau	1	Baujahr:1998[W] Fahrzeugfarbe:Blau/Hellblau '98-2002[Bi/Cy]
1	AP8226491	Schutzblech v.gelb	1	Baujahr:1998[W] Fahrzeugfarbe:Schwarz / Gelb '98-2002[Bi/Ye]
1	AP8226491	Schutzblech v.gelb	1	Baujahr:2002[2] Fahrzeugfarbe:Schwarz / Gelb '98-2002[Bi/Ye] Technische Daten:Version RX 50 ENDURO[BAS]
1	AP8226680	Schutzbl.vorn V.hellrot	1	Baujahr:2000[Y] Fahrzeugfarbe:Schwarz / Rot 2000-2002[Bi/Re]
1	AP8226680	Schutzbl.vorn V.hellrot	1	Baujahr:2002[2] Fahrzeugfarbe:Schwarz / Rot 2000-2002[Bi/Re] Technische Daten:Version RX 50 ENDURO[BAS]
1	AP8226747	Kotflügel v. schwarz	1	Baujahr:2003[3] Fahrzeugfarbe:Rot 2003[Red] Technische Daten:Version MX 50 SUPERMOTARD[MOT]
1	AP8226747	Kotflügel v. schwarz	1	Baujahr:2002[2] Technische Daten:Version MX 50 SUPERMOTARD[MOT]
1	AP8226800	Vorderes Schutzblech blau	1	Baujahr:2003[3] Fahrzeugfarbe:Blau 2003[Blue] Technische Daten:Version MX 50 SUPERMOTARD[MOT]
2	AP8150182	Gebogene Sprengscheibe *	5	

Einheit	RAHMEN
Code	28.07
Beschreibung	Frontaufbau I
Inspektion	1



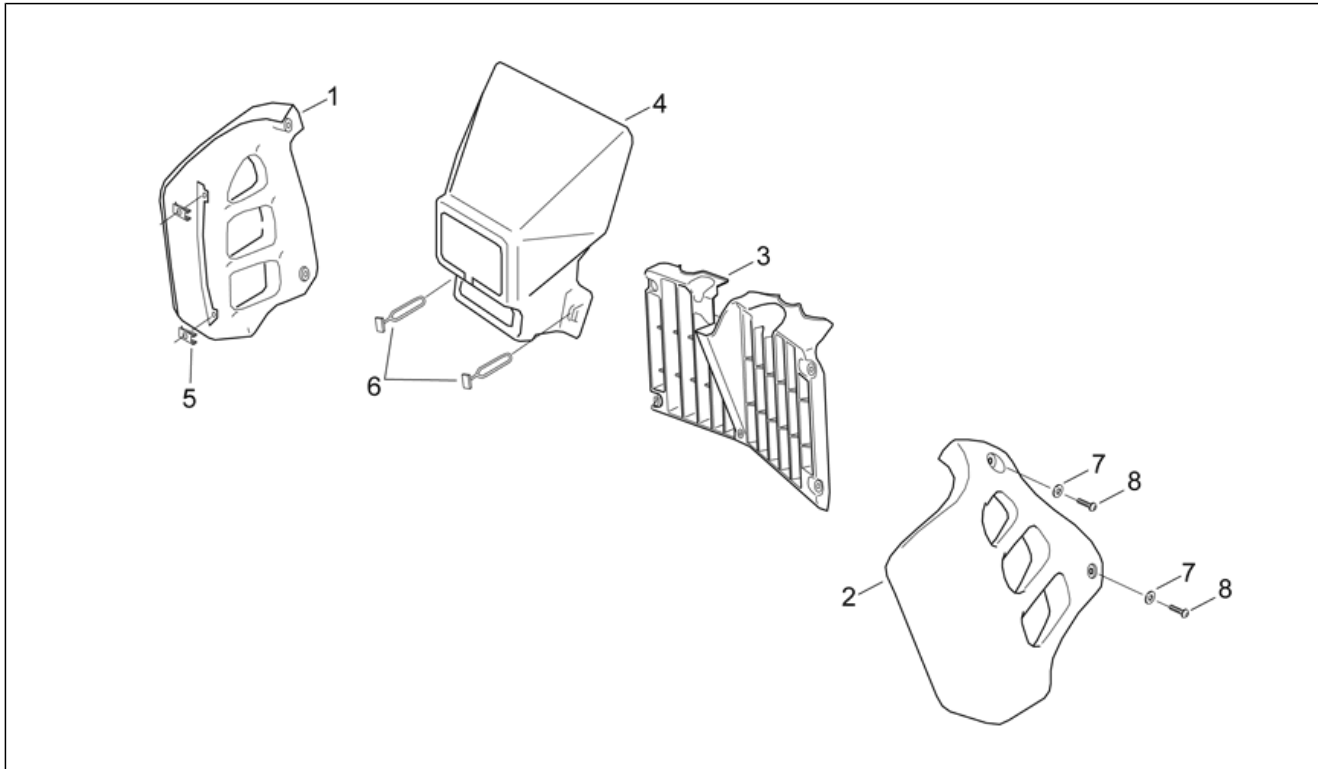
Pos.	Code	Beschreibung	Menge	Varianten
3	AP8226429	R. Stangenschutz, blau	1	Baujahr: 1997[V] Fahrzeugfarbe: Blau/Aluminium '97[B/A]
3	AP8231887	R. Stangenschutz	1	Baujahr: 1995[S], 1996[T]
3	AP8231887	R. Stangenschutz	1	Baujahr: 2002[2] Fahrzeugfarbe: Blau/Hellblau '98-2002[Bi/Cy], Schwarz / Gelb '98-2002[Bi/Ye] Technische Daten: Version RX 50 ENDURO[BAS]
3	AP8231887	R. Stangenschutz	1	Baujahr: 1998[W]
3	AP8239267	R. Stangenschutz, orange	1	Baujahr: 1997[V] Fahrzeugfarbe: Orange / Aluminium '97[O/A]
3	AP8258093	R. Stangenschutz, schwarz	1	Baujahr: 2003[3] Fahrzeugfarbe: Rot 2003[Red] Technische Daten: Version MX 50 SUPERMOTARD[MOT]
3	AP8258093	R. Stangenschutz, schwarz	1	Baujahr: 2002[2] Fahrzeugfarbe: Schwarz / Rot 2000-2002[Bi/Re] Technische Daten: Version RX 50 ENDURO[BAS]
3	AP8258093	R. Stangenschutz, schwarz	1	Baujahr: 2000[Y] Fahrzeugfarbe: Schwarz / Rot 2000-2002[Bi/Re]
3	AP8258093	R. Stangenschutz, schwarz	1	Baujahr: 2002[2] Technische Daten: Version MX 50 SUPERMOTARD[MOT]
3	AP8268033	R. Stangenschutz, platin	1	Baujahr: 2003[3] Fahrzeugfarbe: Blau 2003[Blue] Technische Daten: Version MX 50 SUPERMOTARD[MOT]
4	AP8226430	L. Stangenschutz, blau	1	Baujahr: 1997[V] Fahrzeugfarbe: Blau/Aluminium '97[B/A]
4	AP8231888	L. Stangenschutz	1	Baujahr: 1995[S], 1996[T]
4	AP8231888	L. Stangenschutz	1	Baujahr: 1998[W]
4	AP8231888	L. Stangenschutz	1	Baujahr: 2002[2] Fahrzeugfarbe: Blau/Hellblau '98-2002[Bi/Cy], Schwarz / Gelb '98-2002[Bi/Ye] Technische Daten: Version RX 50 ENDURO[BAS]
4	AP8239268	L. Stangenschutz, orange	1	Baujahr: 1997[V] Fahrzeugfarbe: Orange / Aluminium '97[O/A]

Einheit	RAHMEN
Code	28.07
Beschreibung	Frontaufbau I
Inspektion	1



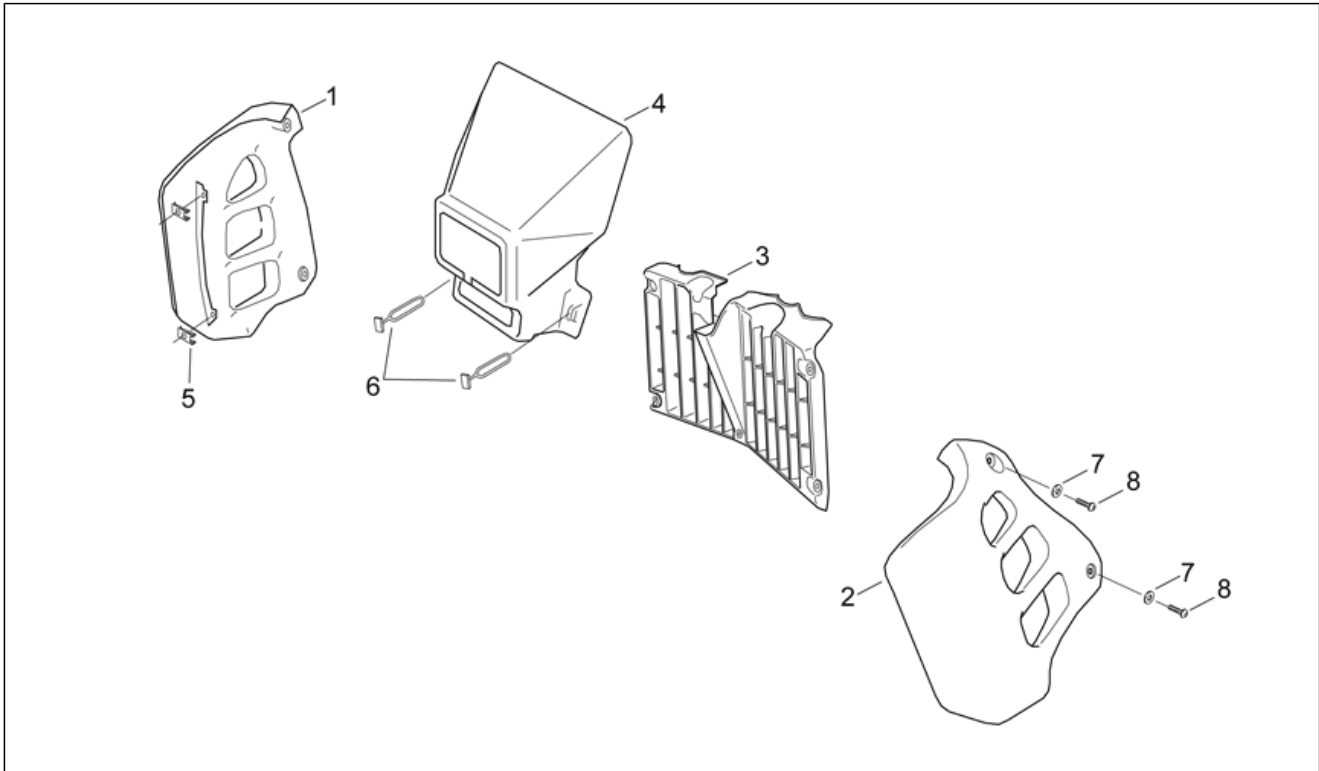
Pos.	Code	Beschreibung	Menge	Varianten
4	AP8258094	L. Stangenschutz, schwarz	1	Baujahr: 2002[2] Technische Daten: Version MX 50 SUPERMOTARD[MOT]
4	AP8258094	L. Stangenschutz, schwarz	1	Baujahr: 2000[Y] Fahrzeugfarbe: Schwarz / Rot 2000-2002[Bi/Re]
4	AP8258094	L. Stangenschutz, schwarz	1	Baujahr: 2002[2] Fahrzeugfarbe: Schwarz / Rot 2000-2002[Bi/Re] Technische Daten: Version RX 50 ENDURO[BAS]
4	AP8258094	L. Stangenschutz, schwarz	1	Baujahr: 2003[3] Fahrzeugfarbe: Rot 2003[Red] Technische Daten: Version MX 50 SUPERMOTARD[MOT]
4	AP8268034	L. Stangenschutz, platin	1	Baujahr: 2003[3] Fahrzeugfarbe: Blau 2003[Blue] Technische Daten: Version MX 50 SUPERMOTARD[MOT]
5	AP8152267	TBEI Spez.schr. M5x12	1	
6	AP8152279	TE Schr. m. Flansch M6x20	4	
7	AP8212060	Rückstrahler, orange	2	
8	AP8221232	Buchse	2	
9	AP8150430	Selbstsperr.mut Unt.	1	
10	AP8150179	Ausgleichscheibe 6,6x18*	6	
11	AP8150178	Ausgleichscheibe 6,4x12,5*	4	
12	AP8152108	TBEI Schraube	4	

Einheit	RAHMEN
Code	28.08
Beschreibung	Frontaufbau II - ENDURO
Inspektion	1



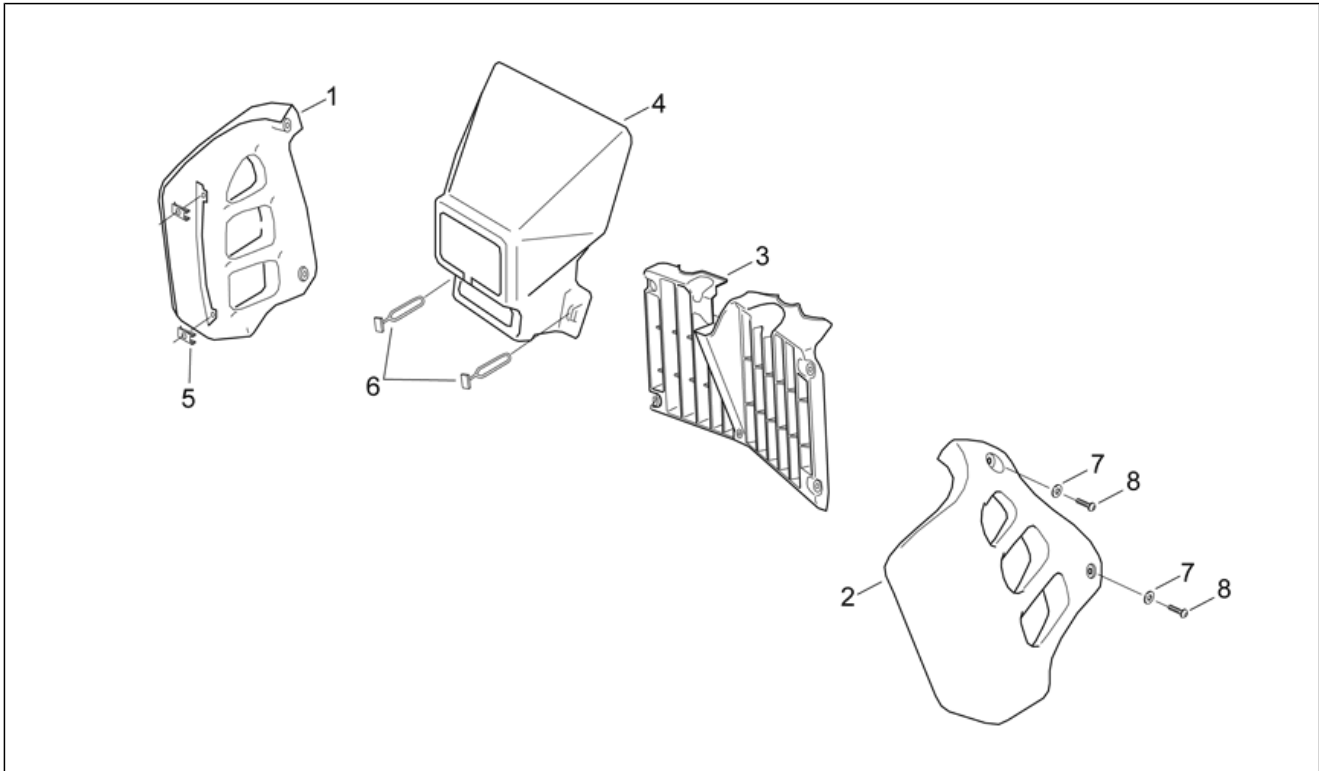
Pos.	Code	Beschreibung	Menge	Varianten
1	AP8238095	R. Leitblech, schw./grau	1	Baujahr: 1995[S] Fahrzeugfarbe: Schwarz '95[Black] Technische Daten: Version RX 50 ENDURO[BAS]
1	AP8238372	R. Leitblech, blau/al	1	Baujahr: 1995[S] Fahrzeugfarbe: Blau / Grau '95-'96[B/G] Technische Daten: Version RX 50 ENDURO[BAS]
1	AP8238785	R. Leitblech, orange	1	Baujahr: 1997[V] Fahrzeugfarbe: Orange / Aluminium '97[O/A] Technische Daten: Version RX 50 ENDURO[BAS]
1	AP8238785	R. Leitblech, orange	1	Baujahr: 1996[T] Fahrzeugfarbe: Orange / Grau '96[O/G] Technische Daten: Version RX 50 ENDURO[BAS]
1	AP8238837	R. Leitblech, blau	1	Baujahr: 1996[T] Fahrzeugfarbe: Blau / Grau '95-'96[B/G] Technische Daten: Version RX 50 ENDURO[BAS]
1	AP8239307	R. Leitblech, blau	1	Baujahr: 1997[V] Fahrzeugfarbe: Blau/Aluminium '97[B/A] Technische Daten: Version RX 50 ENDURO[BAS]
1	AP8239937	R. Leitblech, schwarz	1	Baujahr: 2002[2] Fahrzeugfarbe: Schwarz / Gelb '98-2002[Bi/Ye] Technische Daten: Version RX 50 ENDURO[BAS]
1	AP8239937	R. Leitblech, schwarz	1	Baujahr: 1998[W] Fahrzeugfarbe: Schwarz / Gelb '98-2002[Bi/Ye] Technische Daten: Version RX 50 ENDURO[BAS]
1	AP8239978	R. Leitblech, blau	1	Baujahr: 2002[2] Fahrzeugfarbe: Blau/Hellblau '98-2002[Bi/Cy] Technische Daten: Version RX 50 ENDURO[BAS]
1	AP8239978	R. Leitblech, blau	1	Baujahr: 1998[W] Fahrzeugfarbe: Blau/Hellblau '98-2002[Bi/Cy] Technische Daten: Version RX 50 ENDURO[BAS]
1	AP8258104	R. Leitblech, matt schw.	1	Baujahr: 2002[2] Fahrzeugfarbe: Schwarz / Rot 2000-2002[Bi/Re] Technische Daten: Version RX 50 ENDURO[BAS]
1	AP8258104	R. Leitblech, matt schw.	1	Baujahr: 2000[Y]

Einheit	RAHMEN
Code	28.08
Beschreibung	Frontaufbau II - ENDURO
Inspektion	1



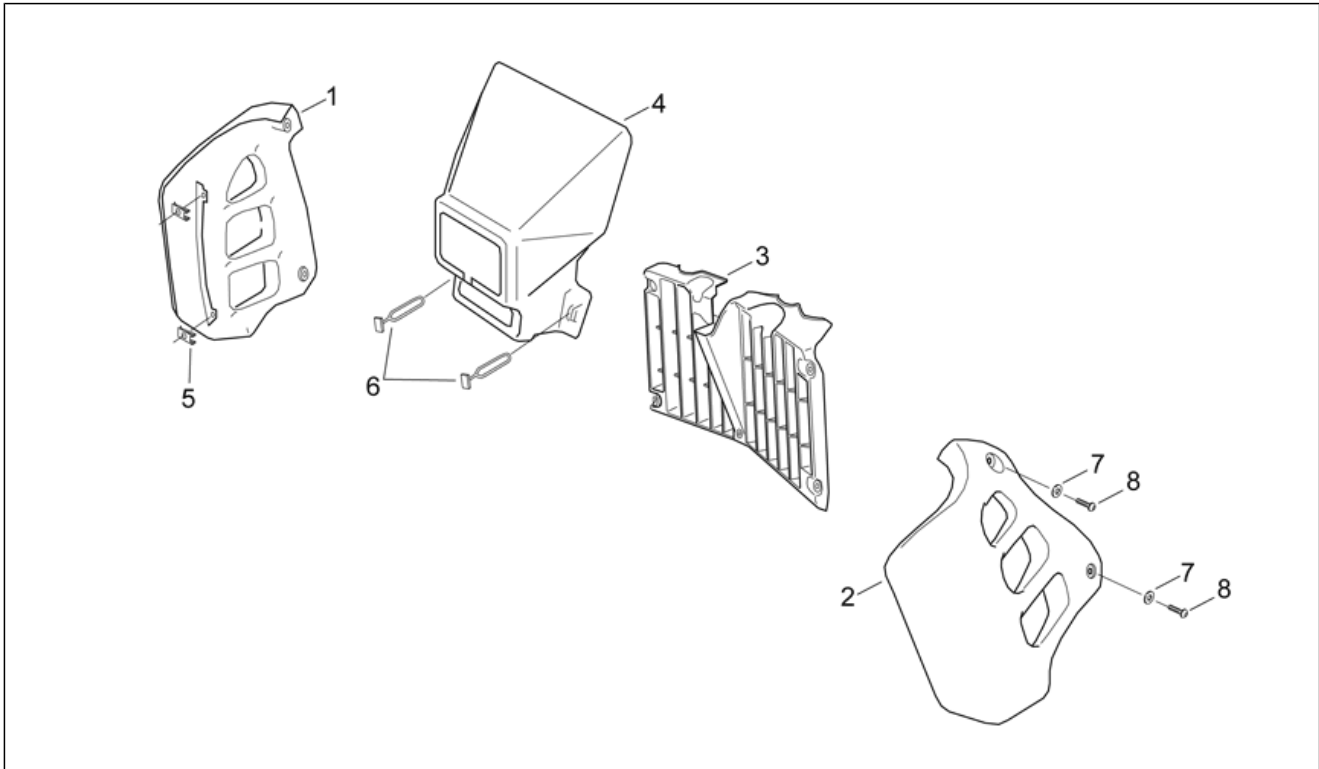
Pos.	Code	Beschreibung	Menge	Varianten
				Fahrzeugfarbe: Schwarz / Rot 2000-2002[B/Re] Technische Daten: Version RX 50 ENDURO[BAS]
2	AP8238097	L. Leitblech, schw./grau	1	Baujahr: 1995[S] Fahrzeugfarbe: Schwarz '95[Black] Technische Daten: Version RX 50 ENDURO[BAS]
2	AP8238373	L. Leitblech, blau/al	1	Baujahr: 1995[S] Fahrzeugfarbe: Blau / Grau '95-'96[B/G] Technische Daten: Version RX 50 ENDURO[BAS]
2	AP8238786	L. Leitblech, orange	1	Baujahr: 1997[V] Fahrzeugfarbe: Orange / Aluminium '97[O/A] Technische Daten: Version RX 50 ENDURO[BAS]
2	AP8238786	L. Leitblech, orange	1	Baujahr: 1996[T] Fahrzeugfarbe: Orange / Grau '96[O/G] Technische Daten: Version RX 50 ENDURO[BAS]
2	AP8238838	L. Leitblech, blau	1	Baujahr: 1996[T] Fahrzeugfarbe: Blau / Grau '95-'96[B/G] Technische Daten: Version RX 50 ENDURO[BAS]
2	AP8239308	L. Leitblech, blau	1	Baujahr: 1997[V] Fahrzeugfarbe: Blau/Aluminium '97[B/A] Technische Daten: Version RX 50 ENDURO[BAS]
2	AP8239938	L. Leitblech, schwarz	1	Baujahr: 2002[2] Fahrzeugfarbe: Schwarz / Gelb '98-2002[B/Ye] Technische Daten: Version RX 50 ENDURO[BAS]
2	AP8239938	L. Leitblech, schwarz	1	Baujahr: 1998[W] Fahrzeugfarbe: Schwarz / Gelb '98-2002[B/Ye] Technische Daten: Version RX 50 ENDURO[BAS]
2	AP8239979	L. Leitblech, blau	1	Baujahr: 1998[W] Fahrzeugfarbe: Blau/Hellblau '98-2002[B/Cy] Technische Daten: Version RX 50 ENDURO[BAS]
2	AP8239979	L. Leitblech, blau	1	Baujahr: 2002[2] Fahrzeugfarbe: Blau/Hellblau '98-2002[B/Cy] Technische Daten: Version RX 50 ENDURO[BAS]
2	AP8258105	L. Leitblech, matt schw.	1	Baujahr: 2000[Y] Fahrzeugfarbe: Schwarz / Rot 2000-2002[B/Re]

Einheit	RAHMEN
Code	28.08
Beschreibung	Frontaufbau II - ENDURO
Inspektion	1



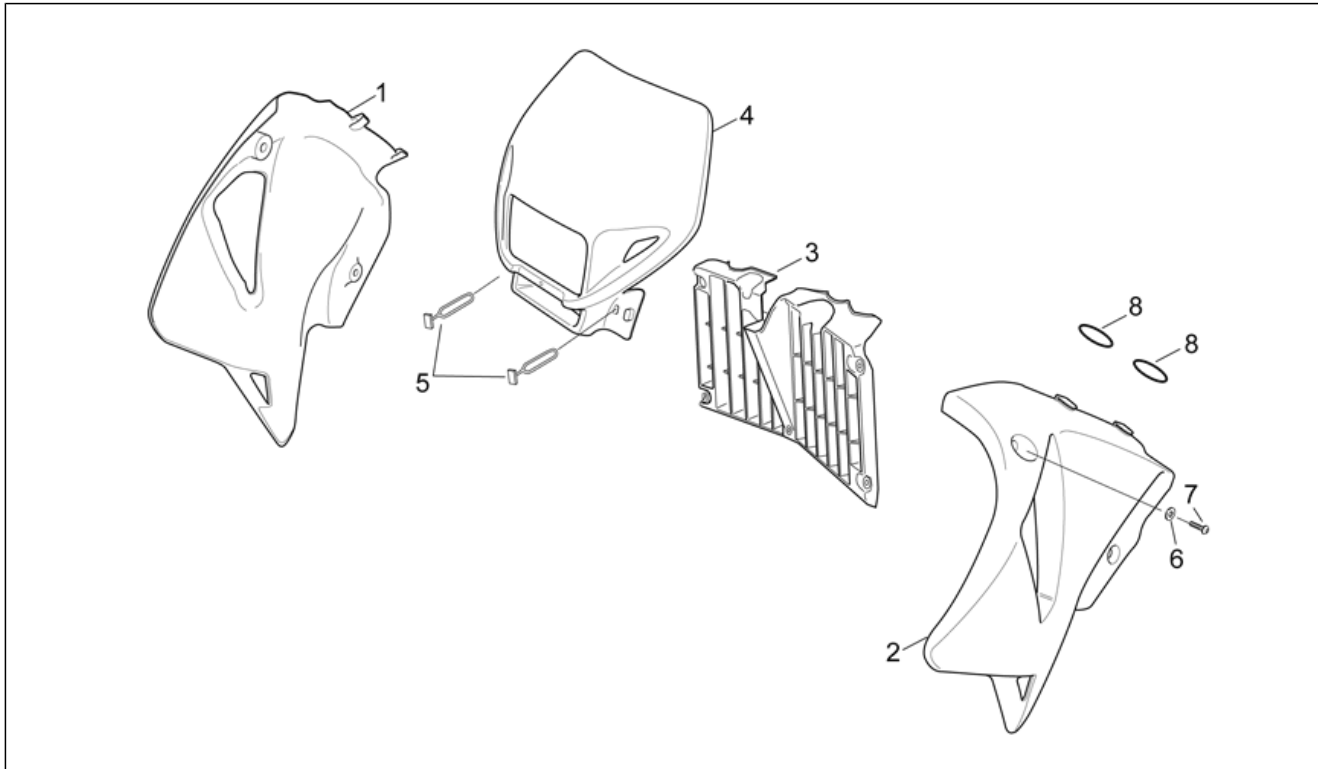
Pos.	Code	Beschreibung	Menge	Varianten
				Technische Daten: Version RX 50 ENDURO[BAS]
2	AP8258105	L. Leitblech, matt schw.	1	Baujahr: 2002[2] Fahrzeugfarbe: Schwarz / Rot 2000-2002[Bi/Re] Technische Daten: Version RX 50 ENDURO[BAS]
3	AP8230659	Kühlernetz, schwarz	1	Technische Daten: Version RX 50 ENDURO[BAS]
4	AP8231817	Scheinwerferbügel, grau	1	Baujahr: 1996[T] Fahrzeugfarbe: Blau / Grau '95-'96[B/G] Technische Daten: Version RX 50 ENDURO[BAS]
4	AP8231928	Scheinwerferbügel, blau	1	Baujahr: 1995[S] Fahrzeugfarbe: Blau / Grau '95-'96[B/G] Technische Daten: Version RX 50 ENDURO[BAS]
4	AP8238093	Scheinwerferbügel, schwarz	1	Baujahr: 1995[S] Fahrzeugfarbe: Schwarz '95[Black] Technische Daten: Version RX 50 ENDURO[BAS]
4	AP8238887	Scheinwerferbügel, grau	1	Baujahr: 1996[T] Fahrzeugfarbe: Orange / Grau '96[O/G] Technische Daten: Version RX 50 ENDURO[BAS]
4	AP8239310	Scheinwerferbügel, Alum.	1	Baujahr: 1997[V] Technische Daten: Version RX 50 ENDURO[BAS]
4	AP8239977	Scheinwerferbügel, blau	1	Baujahr: 2002[2] Fahrzeugfarbe: Blau/Hellblau '98-2002[Bi/Cy] Technische Daten: Version RX 50 ENDURO[BAS]
4	AP8239977	Scheinwerferbügel, blau	1	Baujahr: 1998[W] Fahrzeugfarbe: Blau/Hellblau '98-2002[Bi/Cy] Technische Daten: Version RX 50 ENDURO[BAS]
4	AP8248299	Scheinwerferbügel, schw. tra.	1	Baujahr: 1998[W] Fahrzeugfarbe: Schwarz / Gelb '98-2002[Bi/Ye] Technische Daten: Version RX 50 ENDURO[BAS]
4	AP8248299	Scheinwerferbügel, schw. tra.	1	Baujahr: 2002[2] Fahrzeugfarbe: Schwarz / Gelb '98-2002[Bi/Ye] Technische Daten: Version RX 50 ENDURO[BAS]
4	AP8258103	Scheinwerferbügel, matt schw.	1	Baujahr: 2002[2] Fahrzeugfarbe: Schwarz / Rot 2000-2002[Bi/Re] Technische Daten: Version RX 50 ENDURO[BAS]

Einheit	RAHMEN
Code	28.08
Beschreibung	Frontaufbau II - ENDURO
Inspektion	1



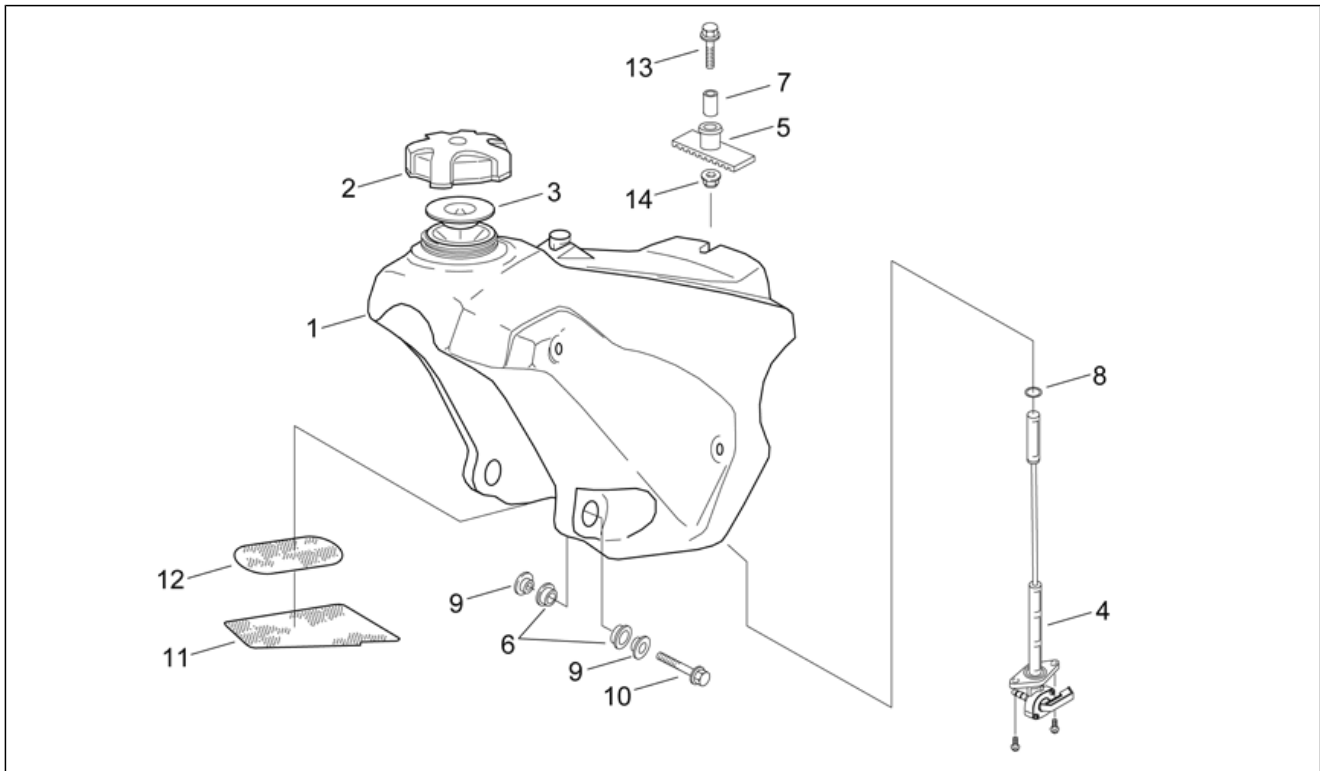
Pos.	Code	Beschreibung	Menge	Varianten
4	AP8258103	Scheinwerferbügel, matt schw.	1	Baujahr: 2000[Y] Fahrzeugfarbe: Schwarz / Rot 2000-2002[Bi/Re] Technische Daten: Version RX 50 ENDURO[BAS]
5	AP8102376	Klammer M6	4	Technische Daten: Version RX 50 ENDURO[BAS]
6	AP8120177	Elastic	2	Technische Daten: Version RX 50 ENDURO[BAS]
7	AP8150179	Ausgleichscheibe 6,6x18*	4	Technische Daten: Version RX 50 ENDURO[BAS]
8	AP8152108	TBEI Schraube	4	Technische Daten: Version RX 50 ENDURO[BAS]

Einheit	RAHMEN
Code	28.09
Beschreibung	Frontaufbau II - SUPERMOTARD
Inspektion	1



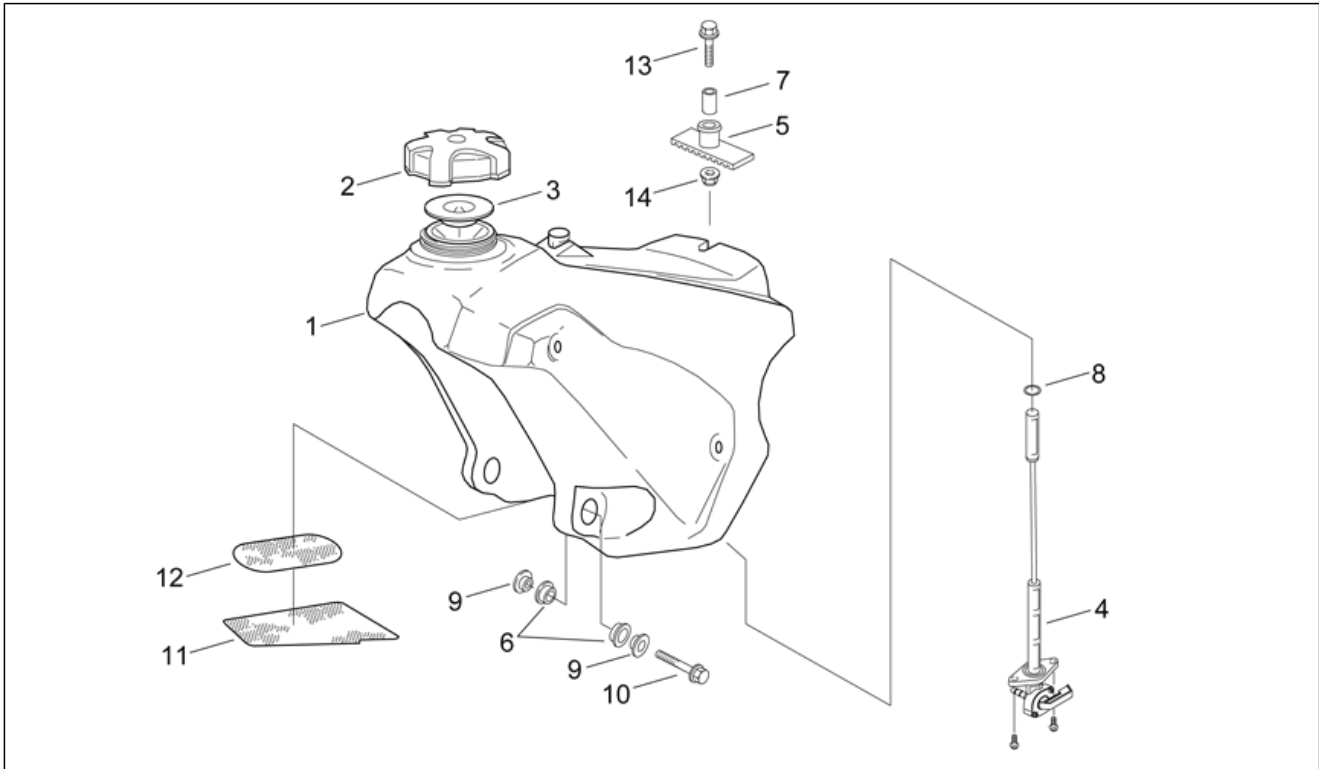
Pos.	Code	Beschreibung	Menge	Varianten
1	AP8258684	R. Leitblech, schwarz	1	Baujahr: 2002[2] Fahrzeugfarbe: Schwarz 2002-03[Bk] Technische Daten: Version MX 50 SUPERMOTARD[MOT]
1	AP8258723	R. Leitblech, rot	1	Baujahr: 2003[3] Fahrzeugfarbe: Rot 2003[Red] Technische Daten: Version MX 50 SUPERMOTARD[MOT]
1	AP8268029	R. Leitblech, blau	1	Baujahr: 2003[3] Fahrzeugfarbe: Blau 2003[Blue] Technische Daten: Version MX 50 SUPERMOTARD[MOT]
2	AP8258685	L. Leitblech, schwarz	1	Baujahr: 2002[2] Fahrzeugfarbe: Schwarz 2002-03[Bk] Technische Daten: Version MX 50 SUPERMOTARD[MOT]
2	AP8258724	Linkes Leitblech, rot	1	Baujahr: 2003[3] Fahrzeugfarbe: Rot 2003[Red] Technische Daten: Version MX 50 SUPERMOTARD[MOT]
2	AP8268030	L. Leitblech, blau	1	Baujahr: 2003[3] Fahrzeugfarbe: Blau 2003[Blue] Technische Daten: Version MX 50 SUPERMOTARD[MOT]
3	AP8230659	Kühlernetz, schwarz	1	Baujahr: 2002[2], 2003[3] Technische Daten: Version MX 50 SUPERMOTARD[MOT]
4	AP8258683	Scheinwerferbügel, schwarz	1	Baujahr: 2002[2] Technische Daten: Version MX 50 SUPERMOTARD[MOT]
4	AP8258683	Scheinwerferbügel, schwarz	1	Baujahr: 2003[3] Fahrzeugfarbe: Rot 2003[Red] Technische Daten: Version MX 50 SUPERMOTARD[MOT]
4	AP8268028	Scheinwerferbügel, blau	1	Baujahr: 2003[3] Fahrzeugfarbe: Blau 2003[Blue] Technische Daten: Version MX 50 SUPERMOTARD[MOT]
5	AP8120177	Elastic	2	Technische Daten: Version MX 50 SUPERMOTARD[MOT]
6	AP8150179	Ausgleichscheibe 6,6x18*	4	Technische Daten: Version MX 50 SUPERMOTARD[MOT]
7	AP8152108	TBEI Schraube	4	Technische Daten: Version MX 50 SUPERMOTARD[MOT]
8	AP8144063	O-Ring 159	2	Technische Daten: Version MX 50 SUPERMOTARD[MOT]

Einheit	RAHMEN
Code	28.10
Beschreibung	Kraftstofftank
Inspektion	1



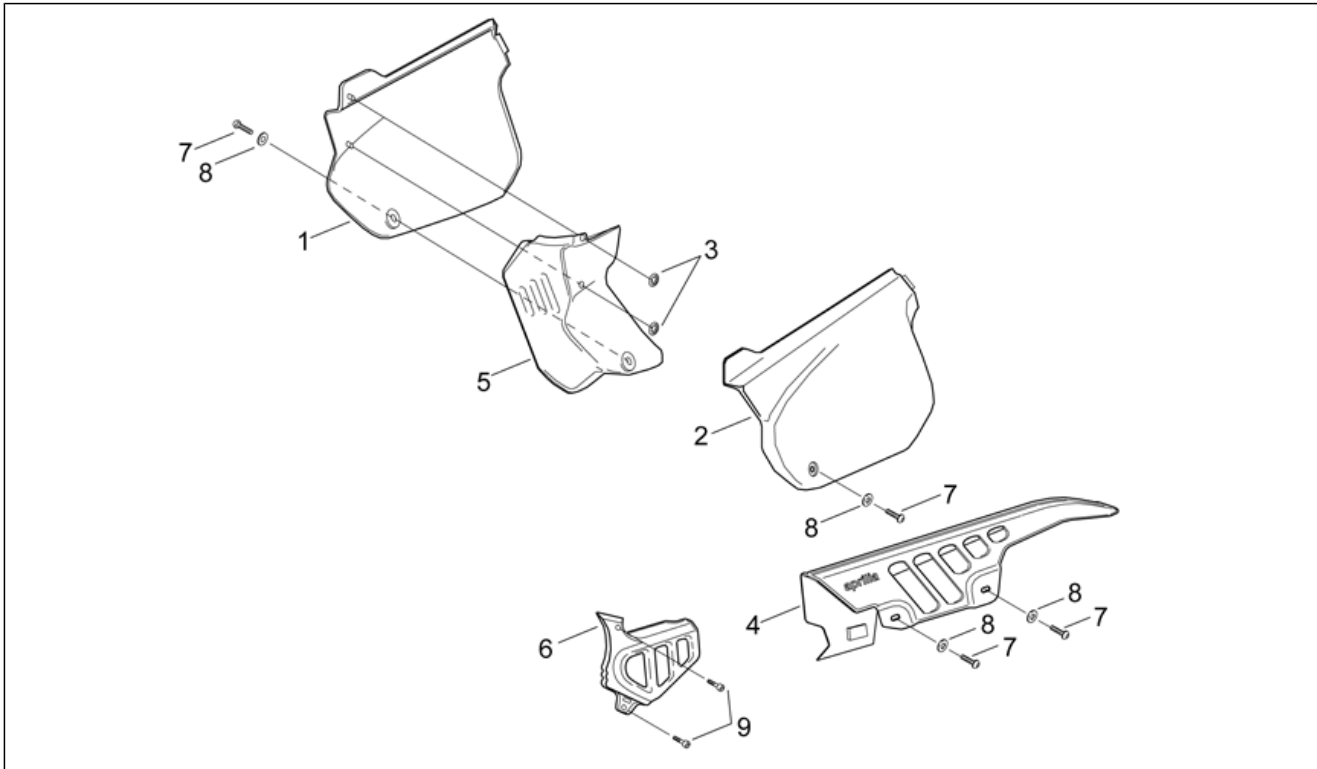
Pos.	Code	Beschreibung	Menge	Varianten
1	AP8238085	Kraftstofftank, schwarz	1	Baujahr: 1995[S] Fahrzeugfarbe: Schwarz '95[Black]
1	AP8238371	Kraftstofftank, alu	1	Baujahr: 1997[V]
1	AP8238371	Kraftstofftank, alu	1	Baujahr: 1995[S] Fahrzeugfarbe: Blau / Grau '95-'96[B/G]
1	AP8238782	Kraftstofftank, orange	1	Baujahr: 1996[T] Fahrzeugfarbe: Orange / Grau '96[O/G]
1	AP8238836	Kraftstofftank, blau	1	Baujahr: 1996[T] Fahrzeugfarbe: Blau / Grau '95-'96[B/G]
1	AP8239968	Kraftstofftank, schwarz	1	Baujahr: 2002[2] Fahrzeugfarbe: Schwarz / Gelb '98-2002[Bi/Ye] Technische Daten: Version RX 50 ENDURO[BAS]
1	AP8239968	Kraftstofftank, schwarz	1	Baujahr: 1998[W] Fahrzeugfarbe: Schwarz / Gelb '98-2002[Bi/Ye]
1	AP8239969	Kraftstofftank, blau	1	Baujahr: 1998[W] Fahrzeugfarbe: Blau/Hellblau '98-2002[Bi/Cy]
1	AP8239969	Kraftstofftank, blau	1	Baujahr: 2002[2] Fahrzeugfarbe: Blau/Hellblau '98-2002[Bi/Cy] Technische Daten: Version RX 50 ENDURO[BAS]
1	AP8258095	Kraftstofftank, matt schw.	1	Baujahr: 2002[2], 2003[3] Technische Daten: Version MX 50 SUPERMOTARD[MOT]
1	AP8258095	Kraftstofftank, matt schw.	1	Baujahr: 2002[2] Fahrzeugfarbe: Schwarz / Rot 2000-2002[Bi/Re] Technische Daten: Version RX 50 ENDURO[BAS]
1	AP8258095	Kraftstofftank, matt schw.	1	Baujahr: 2000[Y] Fahrzeugfarbe: Schwarz / Rot 2000-2002[Bi/Re]
1	AP8258649	Kraftstofftank, schwarz	1	Baujahr: 2002[2], 2003[3] Technische Daten: Version MX 50 SUPERMOTARD[MOT]
2	AP8130979	Deckel	1	Baujahr: 1995[S], 1996[T], 1997[V], 1998[W], 2000[Y] Technische Daten: Nationale Zulassung[MU]
2	AP8220620	Deckel	1	Baujahr: 2002[2], 2003[3] Technische Daten: EU-Zulassung (Grenzen EURO 1)[ST]

Einheit	RAHMEN
Code	28.10
Beschreibung	Kraftstofftank
Inspektion	1



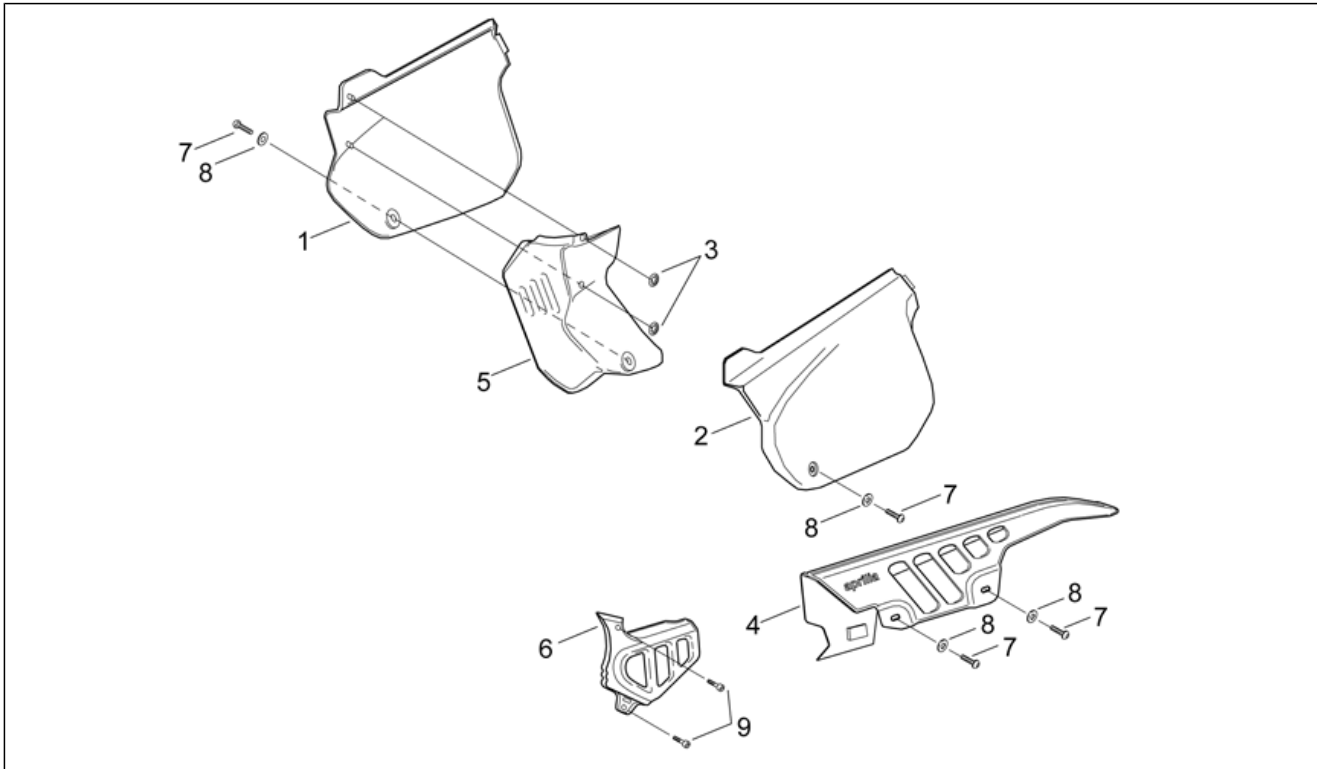
Pos.	Code	Beschreibung	Menge	Varianten
3	AP8120683	Dichtung	1	
4	AP8202086	Kraftstoffhahn	1	
5	AP8120663	Gummi *	1	
6	AP8120675	Gummi *	4	
7	AP8121773	Distanzscheibe *	1	
8	AP8120798	O-Ring	1	Baujahr:2002[2], 2003[3], 1998[W], 2000[Y]
8	AP8220305	O-Ring	1	Baujahr:1995[S], 1996[T], 1997[V]
9	AP8221118	Distanzscheibe	4	
10	AP8152342	TE Schr. m. Flansch M6x12	2	
11	AP8217030	Wärmeschutz	1	
12	AP8217031	Wärmeschutz	1	
13	AP8152290	TE Schr. m. Flansch M8x40	1	
14	AP8152300	Selbstsperrende Mutter M8	1	

Einheit	RAHMEN
Code	28.11
Beschreibung	Mittlerer aufbau - ENDURO
Inspektion	1



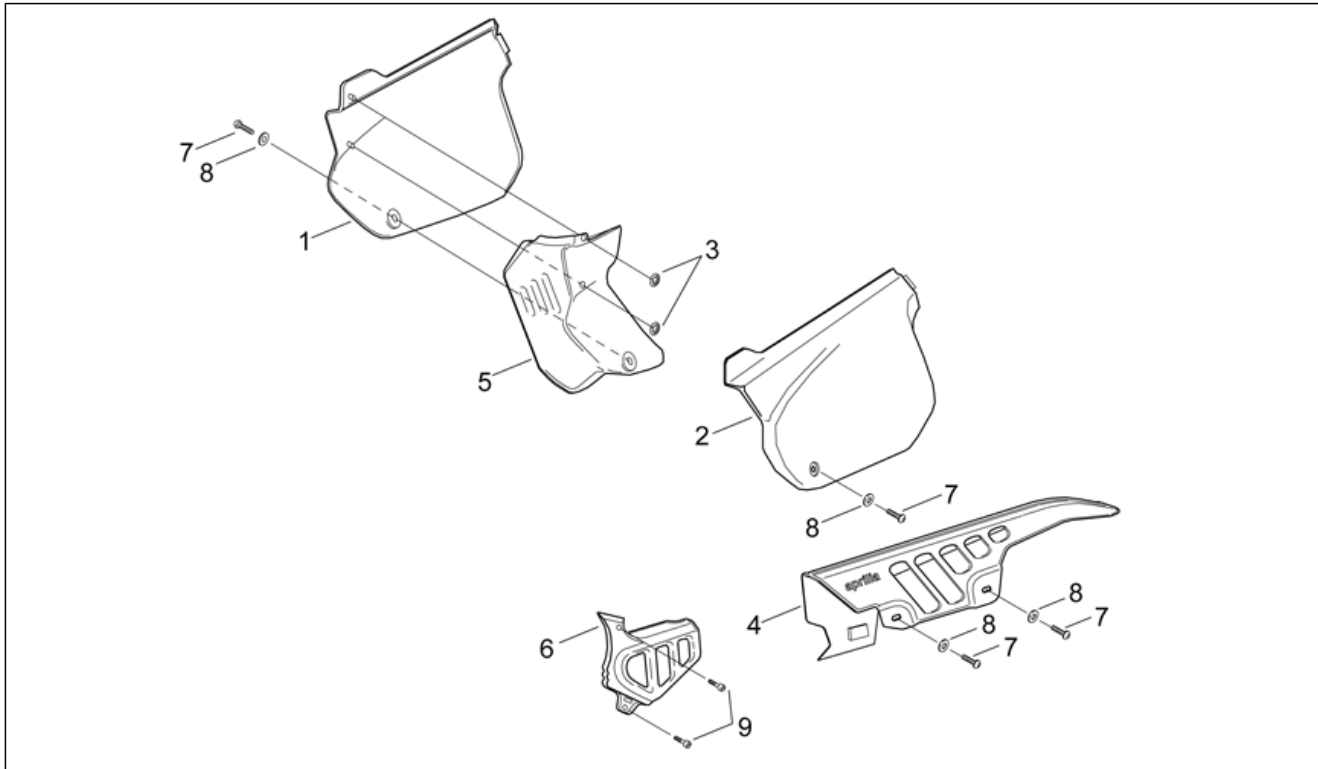
Pos.	Code	Beschreibung	Menge	Varianten
1	AP8238088	R. kl. Seitenteil, schw.	1	Baujahr: 1995[S] Fahrzeugfarbe: Schwarz '95[Black] Technische Daten: Version RX 50 ENDURO[BAS]
1	AP8238374	R. kl. Seitenteil, al.	1	Baujahr: 1995[S] Fahrzeugfarbe: Blau / Grau '95-'96[B/G] Technische Daten: Version RX 50 ENDURO[BAS]
1	AP8238787	R. kl. Seitenteil, orange	1	Baujahr: 1996[T] Fahrzeugfarbe: Orange / Grau '96[O/G] Technische Daten: Version RX 50 ENDURO[BAS]
1	AP8238839	R. kl. Seitenteil, blau	1	Baujahr: 1996[T] Fahrzeugfarbe: Blau / Grau '95-'96[B/G] Technische Daten: Version RX 50 ENDURO[BAS]
1	AP8239311	R. kl. Seitenteil, al.	1	Baujahr: 1997[V] Technische Daten: Version RX 50 ENDURO[BAS]
1	AP8239980	R. kl. Seitenteil, blau	1	Baujahr: 2002[2] Fahrzeugfarbe: Blau/Hellblau '98-2002[Bi/Cy] Technische Daten: Version RX 50 ENDURO[BAS]
1	AP8239980	R. kl. Seitenteil, blau	1	Baujahr: 1998[W] Fahrzeugfarbe: Blau/Hellblau '98-2002[Bi/Cy] Technische Daten: Version RX 50 ENDURO[BAS]
1	AP8248300	R. kl. Seitenteil, schw. tr.	1	Baujahr: 1998[W] Fahrzeugfarbe: Schwarz / Gelb '98-2002[Bi/Ye] Technische Daten: Version RX 50 ENDURO[BAS]
1	AP8248300	R. kl. Seitenteil, schw. tr.	1	Baujahr: 2002[2] Fahrzeugfarbe: Schwarz / Gelb '98-2002[Bi/Ye] Technische Daten: Version RX 50 ENDURO[BAS]
1	AP8258106	R. kl. Seitenteil, matt schw.	1	Baujahr: 2002[2] Fahrzeugfarbe: Schwarz / Rot 2000-2002[Bi/Re] Technische Daten: Version RX 50 ENDURO[BAS]
1	AP8258106	R. kl. Seitenteil, matt schw.	1	Baujahr: 2000[Y] Fahrzeugfarbe: Schwarz / Rot 2000-2002[Bi/Re] Technische Daten: Version RX 50 ENDURO[BAS]
2	AP8238090	L. kl. Seitenteil, schwarz	1	Baujahr: 1995[S] Fahrzeugfarbe: Schwarz '95[Black]

Einheit	RAHMEN
Code	28.11
Beschreibung	Mittlerer aufbau - ENDURO
Inspektion	1



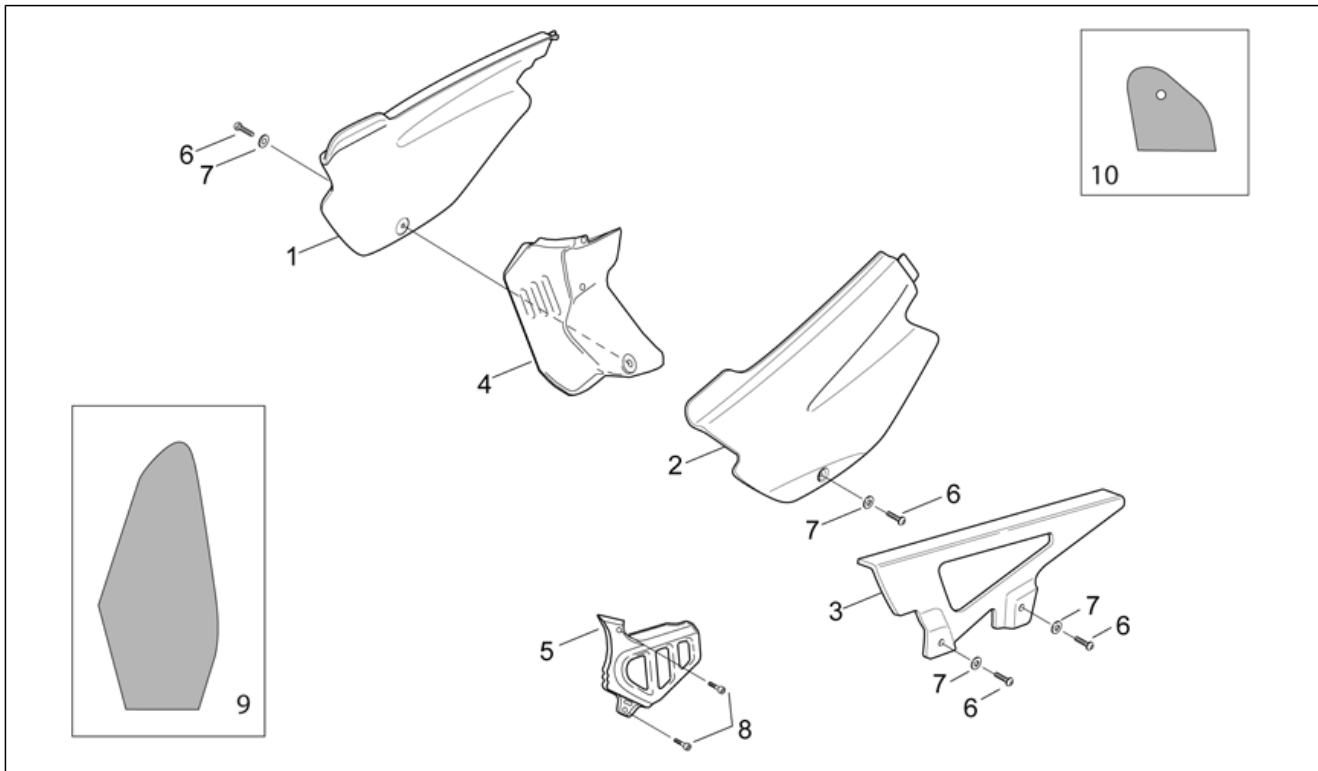
Pos.	Code	Beschreibung	Menge	Varianten
				Technische Daten: Version RX 50 ENDURO[BAS]
2	AP8238375	L. kl. Seitenteil, al.	1	Baujahr: 1995[S] Fahrzeugfarbe: Blau / Grau '95-'96[B/G] Technische Daten: Version RX 50 ENDURO[BAS]
2	AP8238789	L. kl. Seitenteil, orange	1	Baujahr: 1996[T] Fahrzeugfarbe: Orange / Grau '96[O/G] Technische Daten: Version RX 50 ENDURO[BAS]
2	AP8238841	L. kl. Seitenteil, blau	1	Baujahr: 1996[T] Fahrzeugfarbe: Blau / Grau '95-'96[B/G] Technische Daten: Version RX 50 ENDURO[BAS]
2	AP8239312	L. kl. Seitenteil, al.	1	Baujahr: 1997[V] Technische Daten: Version RX 50 ENDURO[BAS]
2	AP8239981	L. kl. Seitenteil, blau	1	Baujahr: 1998[W] Fahrzeugfarbe: Blau/Hellblau '98-2002[Bi/Cy] Technische Daten: Version RX 50 ENDURO[BAS]
2	AP8239981	L. kl. Seitenteil, blau	1	Baujahr: 2002[2] Fahrzeugfarbe: Blau/Hellblau '98-2002[Bi/Cy] Technische Daten: Version RX 50 ENDURO[BAS]
2	AP8248301	L. kl. Seitenteil, schw. tra.	1	Baujahr: 1998[W] Fahrzeugfarbe: Schwarz / Gelb '98-2002[Bi/Ye] Technische Daten: Version RX 50 ENDURO[BAS]
2	AP8248301	L. kl. Seitenteil, schw. tra.	1	Baujahr: 2002[2] Fahrzeugfarbe: Schwarz / Gelb '98-2002[Bi/Ye] Technische Daten: Version RX 50 ENDURO[BAS]
2	AP8258107	L. kl. Seitenteil, matt schw	1	Baujahr: 2002[2] Fahrzeugfarbe: Schwarz / Rot 2000-2002[Bi/Re] Technische Daten: Version RX 50 ENDURO[BAS]
2	AP8258107	L. kl. Seitenteil, matt schw	1	Baujahr: 2000[Y] Fahrzeugfarbe: Schwarz / Rot 2000-2002[Bi/Re] Technische Daten: Version RX 50 ENDURO[BAS]
3	AP8152179	Sprengscheibe 6,5x12,5	2	Technische Daten: Version RX 50 ENDURO[BAS]
4	AP8230668	Kettenkasten	1	Baujahr: 2000[Y] Technische Daten: Version RX 50 ENDURO[BAS]

Einheit	RAHMEN
Code	28.11
Beschreibung	Mittlerer aufbau - ENDURO
Inspektion	1



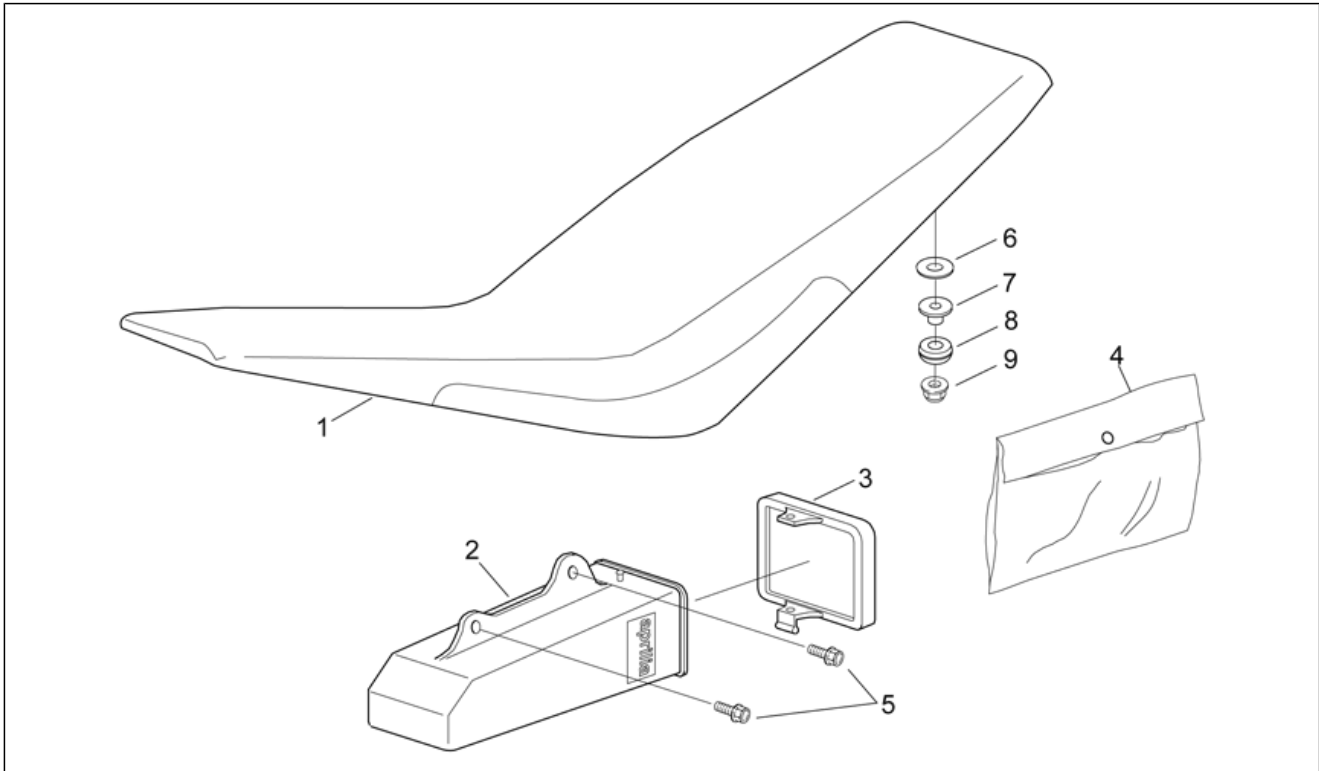
Pos.	Code	Beschreibung	Menge	Varianten
4	AP8230668	Kettenkasten	1	Baujahr: 1995[S], 1996[T], 1997[V] Technische Daten: Version RX 50 ENDURO[BAS]
4	AP8230668	Kettenkasten	1	Baujahr: 2002[2] Fahrzeugfarbe: Schwarz / Rot 2000-2002[Bi/Re] Technische Daten: Version RX 50 ENDURO[BAS]
4	AP8239959	Kettenkasten	1	Baujahr: 2002[2] Fahrzeugfarbe: Blau/Hellblau '98-2002[Bi/Cy], Schwarz / Gelb '98-2002[Bi/Ye] Technische Daten: Version RX 50 ENDURO[BAS]
4	AP8239959	Kettenkasten	1	Baujahr: 1998[W] Technische Daten: Version RX 50 ENDURO[BAS]
5	AP8230755	R. Seitenteil Verlängerung	1	Technische Daten: Version RX 50 ENDURO[BAS]
6	AP8220425	Ritzelkasten, grau	1	Technische Daten: Version RX 50 ENDURO[BAS]
7	AP8152108	TBEI Schraube	4	Technische Daten: Version RX 50 ENDURO[BAS]
8	AP8150179	Ausgleichscheibe 6,6x18*	4	Technische Daten: Version RX 50 ENDURO[BAS]
9	AP8150280	TCEI Schraube	2	Technische Daten: Version RX 50 ENDURO[BAS]

Einheit	RAHMEN
Code	28.12
Beschreibung	Mittlerer aufbau - SUPERMOTARD
Inspektion	1



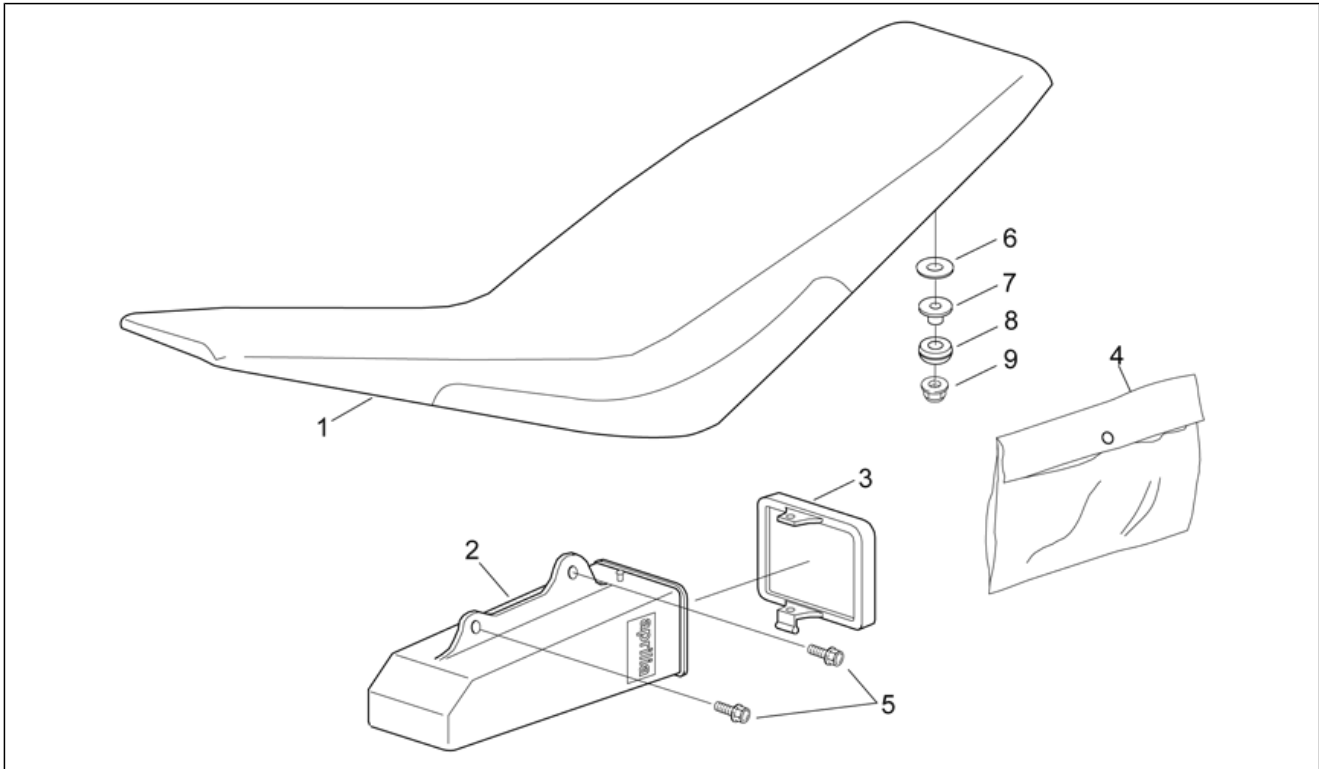
Pos.	Code	Beschreibung	Menge	Varianten
1	AP8258686	R. kl. Seitenteil, schw.	1	Baujahr:2002[2] Technische Daten:Version MX 50 SUPERMOTARD[MOT]
1	AP8258686	R. kl. Seitenteil, schw.	1	Baujahr:2003[3] Fahrzeugfarbe:Rot 2003[Red] Technische Daten:Version MX 50 SUPERMOTARD[MOT]
1	AP8268031	R. kl. Seitenteil, weiß	1	Baujahr:2003[3] Fahrzeugfarbe:Blau 2003[Blue] Technische Daten:Version MX 50 SUPERMOTARD[MOT]
2	AP8258687	L. kl. Seitenteil, schw.	1	Baujahr:2003[3] Fahrzeugfarbe:Rot 2003[Red] Technische Daten:Version MX 50 SUPERMOTARD[MOT]
2	AP8258687	L. kl. Seitenteil, schw.	1	Baujahr:2002[2] Technische Daten:Version MX 50 SUPERMOTARD[MOT]
2	AP8268032	L. kl. Seitenteil, weiß	1	Baujahr:2003[3] Fahrzeugfarbe:Blau 2003[Blue] Technische Daten:Version MX 50 SUPERMOTARD[MOT]
3	AP8258655	Kettenkasten	1	Baujahr:2002[2], 2003[3] Technische Daten:Version MX 50 SUPERMOTARD[MOT]
4	AP8230755	R. Seitenteil Verlängerung	1	Baujahr:2002[2], 2003[3] Technische Daten:Version MX 50 SUPERMOTARD[MOT]
5	AP8220626	Ritzelkasten, grau	1	Baujahr:2002[2], 2003[3] Technische Daten:Version MX 50 SUPERMOTARD[MOT]
6	AP8152108	TBEI Schraube	4	Technische Daten:Version MX 50 SUPERMOTARD[MOT]
7	AP8150179	Ausgleichscheibe 6,6x18*	4	Technische Daten:Version MX 50 SUPERMOTARD[MOT]
8	AP8150280	TCEI Schraube	2	Technische Daten:Version MX 50 SUPERMOTARD[MOT]
9	AP8217038	Wärmeschutzplatte	1	Technische Daten:Version MX 50 SUPERMOTARD[MOT]
10	AP8217039	Wärmeschutzplatte	1	Technische Daten:Version MX 50 SUPERMOTARD[MOT]

Einheit	RAHMEN
Code	28.13
Beschreibung	Sitz
Inspektion	1



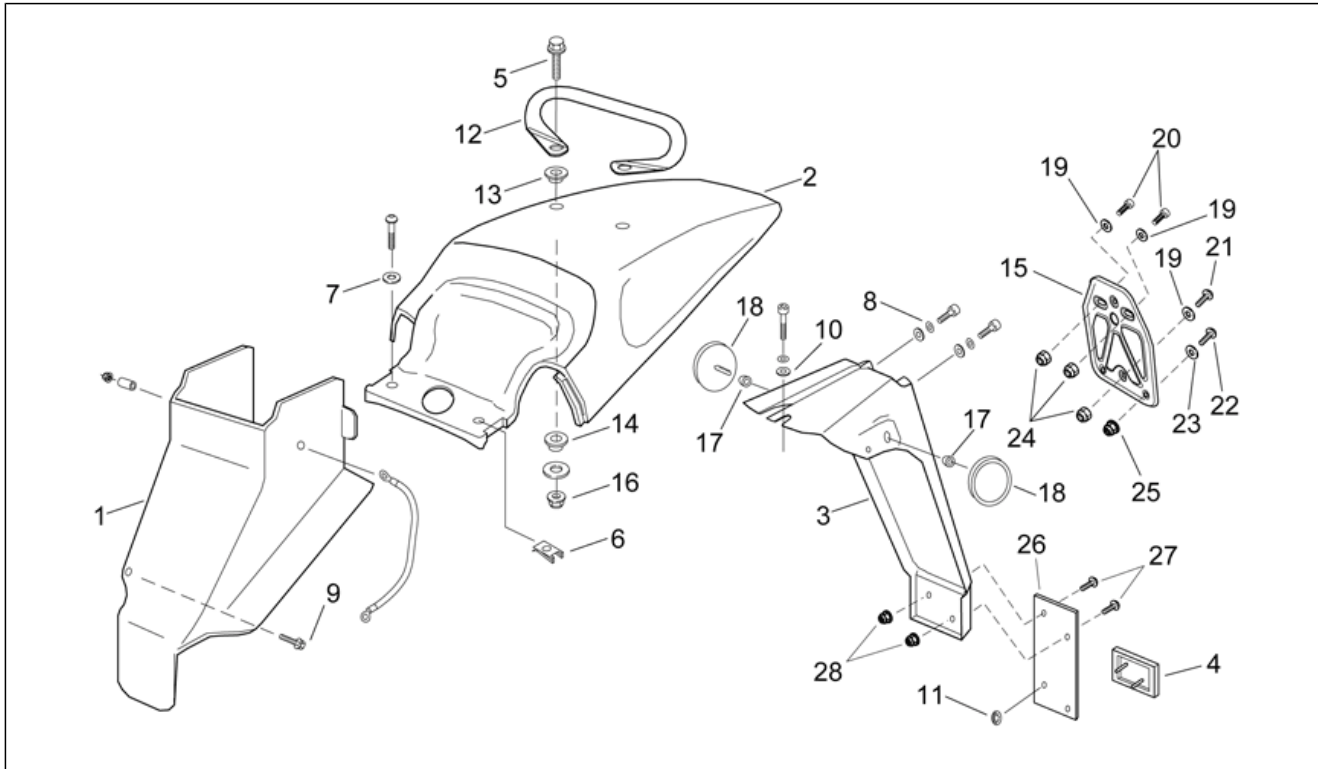
Pos.	Code	Beschreibung	Menge	Varianten
1	AP8229155	Sitz, rot	1	Baujahr: 1995[S] Fahrzeugfarbe: Schwarz '95[Black]
1	AP8229167	Sitz, blau	1	Baujahr: 1995[S] Fahrzeugfarbe: Blau / Grau '95-'96[B/G]
1	AP8229183	Sitz, grau	1	Baujahr: 1996[T]
1	AP8229239	Sitz, orange	1	Baujahr: 1997[V] Fahrzeugfarbe: Orange / Aluminium '97[O/A]
1	AP8229241	Sitz, blau	1	Baujahr: 1997[V] Fahrzeugfarbe: Blau/Aluminium '97[B/A]
1	AP8229274	Sitz, gelb	1	Baujahr: 1998[W] Fahrzeugfarbe: Schwarz / Gelb '98-2002[Bi/Ye]
1	AP8229276	Sitz, blau	1	Baujahr: 1998[W] Fahrzeugfarbe: Blau/Hellblau '98-2002[Bi/Cy]
1	AP8229323	Sitz, schwarz	1	Baujahr: 2000[Y] Fahrzeugfarbe: Schwarz / Rot 2000-2002[Bi/Re]
1	AP8229330	Sitz, schwarz	1	Baujahr: 2002[2] Fahrzeugfarbe: Schwarz / Rot 2000-2002[Bi/Re] Technische Daten: Version RX 50 ENDURO[BAS]
1	AP8229335	Sitz, blau	1	Baujahr: 2002[2] Fahrzeugfarbe: Blau/Hellblau '98-2002[Bi/Cy] Technische Daten: Version RX 50 ENDURO[BAS]
1	AP8229336	Sitz, schwarz	1	Baujahr: 2002[2] Fahrzeugfarbe: Schwarz / Gelb '98-2002[Bi/Ye] Technische Daten: Version RX 50 ENDURO[BAS]
1	AP8229350	Sitz, schwarz	1	Baujahr: 2002[2] Fahrzeugfarbe: Schwarz 2002-03[Bk] Technische Daten: Version MX 50 SUPERMOTARD[MOT]
1	AP8229352	Sitz, rot	1	Baujahr: 2003[3] Fahrzeugfarbe: Rot 2003[Red] Technische Daten: Version MX 50 SUPERMOTARD[MOT]
1	AP8229375	Sitz, blau	1	Baujahr: 2003[3] Fahrzeugfarbe: Blau 2003[Blue] Technische Daten: Version MX 50 SUPERMOTARD[MOT]

Einheit	RAHMEN
Code	28.13
Beschreibung	Sitz
Inspektion	1



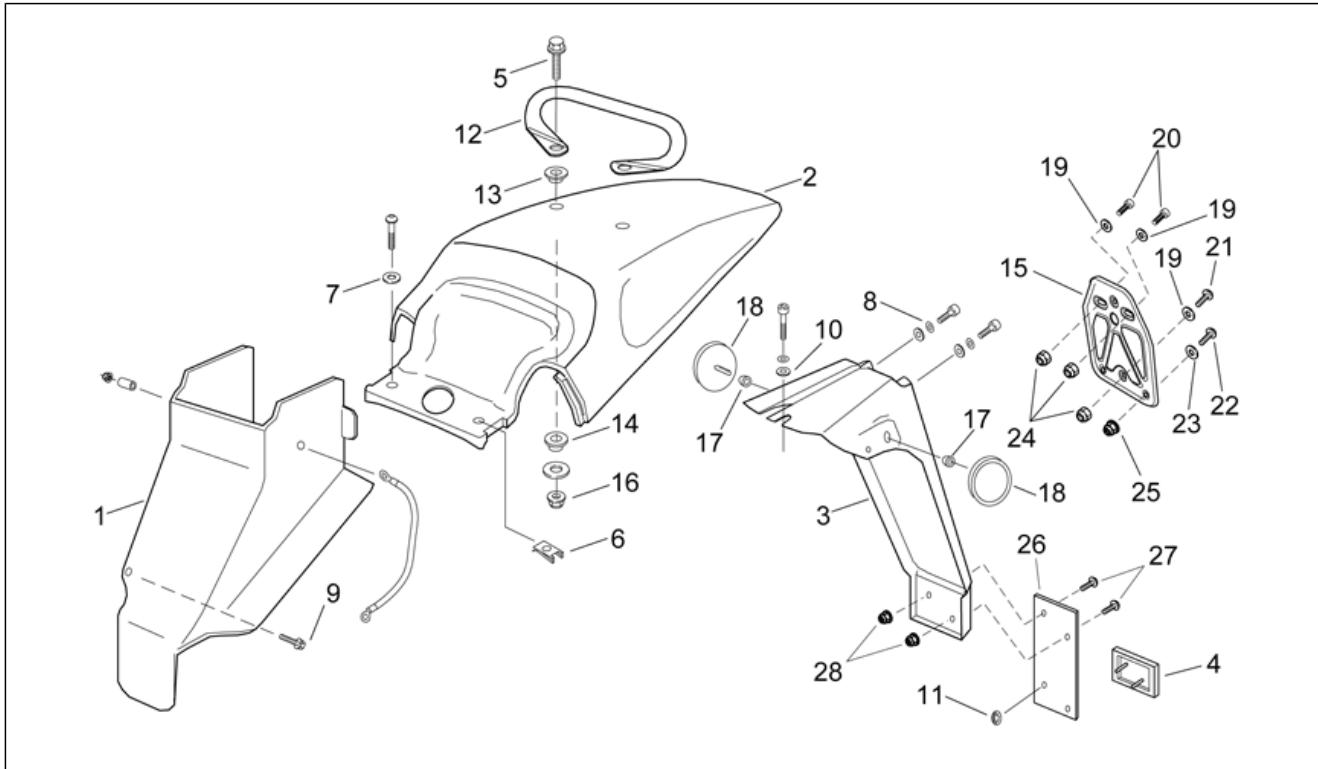
Pos.	Code	Beschreibung	Menge	Varianten
2	AP8130135	Konsole	1	
3	AP8130136	Deckel	1	
4	AP8201152	Werkzeugtasche	1	
5	AP8152342	TE Schr. m. Flansch M6x12	2	
6	AP8150018	Ausgleichscheibe	1	
7	AP8221056	T-Buchse *	1	
8	AP8120311	Gummi	1	
9	AP8152300	Selbstsperrende Mutter M8	1	

Einheit	RAHMEN
Code	28.14
Beschreibung	Heckaufbau
Inspektion	1



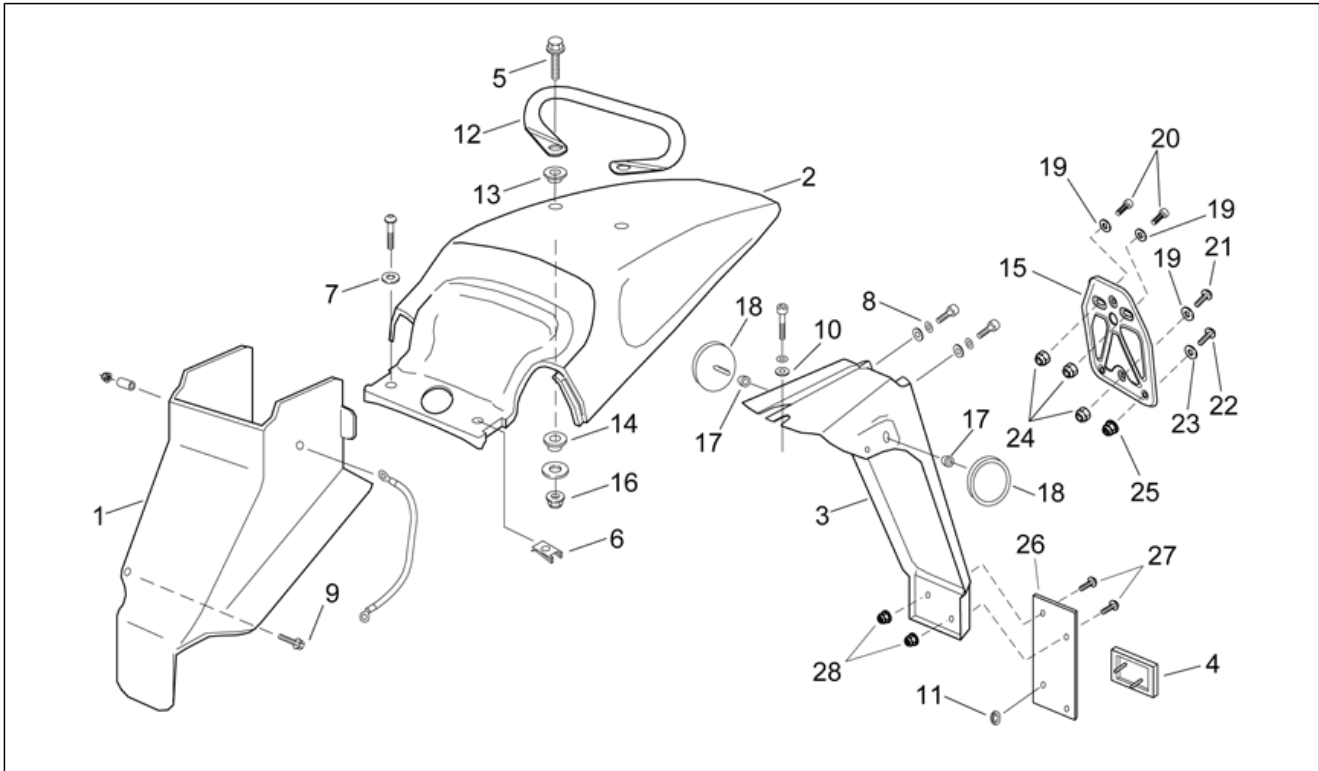
Pos.	Code	Beschreibung	Menge	Varianten
1	AP8226168	Stoßdämpferschutz	1	
2	AP8238099	Heck, schwarz	1	Baujahr:1995[S] Fahrzeugfarbe:Schwarz '95[Black]
2	AP8238376	Heck, alum.	1	Baujahr:1997[V]
2	AP8238376	Heck, alum.	1	Baujahr:1995[S] Fahrzeugfarbe:Blau / Grau '95-'96[B/G]
2	AP8238791	Heck, orange	1	Baujahr:1996[T] Fahrzeugfarbe:Orange / Grau '96[O/G]
2	AP8238843	Heck, blau	1	Baujahr:1996[T] Fahrzeugfarbe:Blau / Grau '95-'96[B/G]
2	AP8239982	Heck, blau	1	Baujahr:2002[2] Fahrzeugfarbe:Blau/Hellblau '98-2002[Bi/Cy] Technische Daten:Version RX 50 ENDURO[BAS]
2	AP8239982	Heck, blau	1	Baujahr:1998[W] Fahrzeugfarbe:Blau/Hellblau '98-2002[Bi/Cy]
2	AP8248302	Heck, schw. durch.lack.	1	Baujahr:1998[W] Fahrzeugfarbe:Schwarz / Gelb '98-2002[Bi/Ye]
2	AP8248302	Heck, schw. durch.lack.	1	Baujahr:2002[2] Fahrzeugfarbe:Schwarz / Gelb '98-2002[Bi/Ye] Technische Daten:Version RX 50 ENDURO[BAS]
2	AP8258108	Heck, matt schwarz	1	Baujahr:2000[Y] Fahrzeugfarbe:Schwarz / Rot 2000-2002[Bi/Re]
2	AP8258108	Heck, matt schwarz	1	Baujahr:2002[2] Fahrzeugfarbe:Schwarz / Rot 2000-2002[Bi/Re] Technische Daten:Version RX 50 ENDURO[BAS]
2	AP8258688	Heck, schwarz	1	Baujahr:2002[2], 2003[3] Technische Daten:Version MX 50 SUPERMOTARD[MOT]
3	AP8226085	Kennzeichenplatte, schwarz	1	Baujahr:1995[S], 1996[T], 1997[V]
3	AP8226481	Kennzeichenplatte, grau	1	Baujahr:1998[W]
3	AP8226481	Kennzeichenplatte, grau	1	Baujahr:2002[2] Fahrzeugfarbe:Blau/Hellblau '98-2002[Bi/Cy], Schwarz / Gelb '98-2002[Bi/Ye]

Einheit	RAHMEN
Code	28.14
Beschreibung	Heckaufbau
Inspektion	1



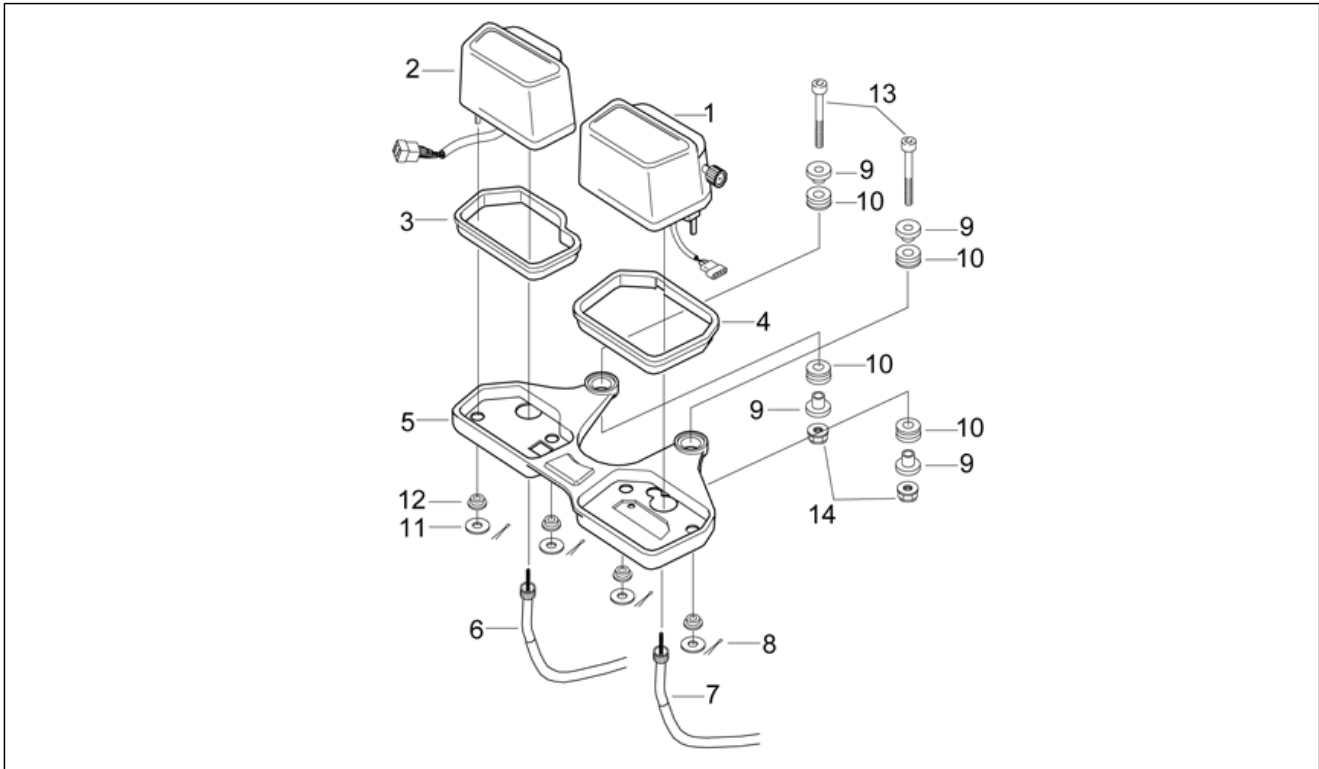
Pos.	Code	Beschreibung	Menge	Varianten
				Technische Daten: Version RX 50 ENDURO[BAS]
3	AP8226679	Kennzeichenplatte, schwarz	1	Baujahr: 2002[2] Fahrzeugfarbe: Schwarz / Rot 2000-2002[Bi/Re] Technische Daten: Version RX 50 ENDURO[BAS]
3	AP8226679	Kennzeichenplatte, schwarz	1	Baujahr: 2000[Y]
3	AP8226679	Kennzeichenplatte, schwarz	1	Baujahr: 2002[2], 2003[3] Technische Daten: Version MX 50 SUPERMOTARD[MOT]
4	AP8112560	Rückstrahler	1	
5	AP8150165	TCEI Schraube M6x25	2	Technische Daten: Version MX 50 SUPERMOTARD[MOT]
5	AP8152281	TE Schr. m. Flansch M6x30	2	Technische Daten: Version RX 50 ENDURO[BAS]
6	AP8102376	Klammer M6	5	
7	AP8120276	Ausgleichscheibe 6x20x3*	2	
8	AP8121020	Distanzscheibe 6,5x10x19*	2	
9	AP8152278	TE Schr. m. Flansch M6x16	2	
10	AP8150429	Sprengscheibe 6,4x11x0,5*	3	
11	AP8150450	Wellenscheibe D5	2	
12	AP8232955	Soziusgriff schwarz	1	
13	AP8121728	T-Buchse	2	Technische Daten: Version RX 50 ENDURO[BAS]
14	AP8121075	T-Buchse *	2	
15	AP8249558	Kennzeichenhalter	1	Land: Italien[I]
16	AP8150430	Selbstsperr.mut Unt.	2	
17	AP8221232	Buchse	2	Land: Österreich[A]
18	AP8212060	Rückstrahler, orange	2	Land: Österreich[A]
19	AP8150382	Ausgleichscheibe 15x5,5X1,2	3	Land: Italien[I]
20	AP8152270	TBEI Schraube M5x25	2	Land: Italien[I]
21	AP8152268	TBEI Spez.schr. M5x16	1	Land: Italien[I]
22	AP8152043	TCEI Schraube M4x10	3	Land: Italien[I]
23	AP8150158	Ausgleichscheibe 4,3X9X0,8	3	Land: Italien[I]
24	AP8152306	Selbstsperrende Mutter M5	3	Land: Italien[I]

Einheit	RAHMEN
Code	28.14
Beschreibung	Heckaufbau
Inspektion	1



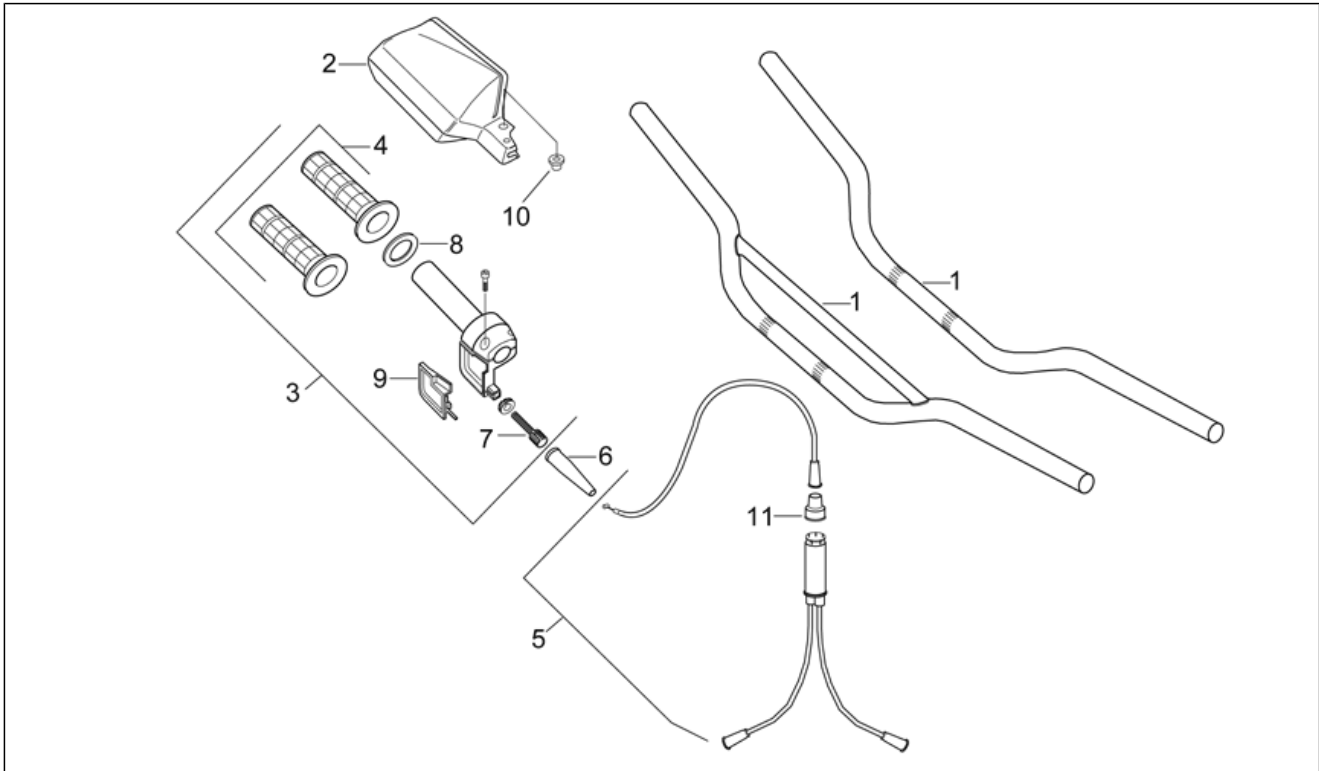
Pos.	Code	Beschreibung	Menge	Varianten
25	AP8150204	Mutter M4	3	Land:Italien[I]
26	AP8224517	H.rückstrahler Support	1	Technische Daten:Zulassung Volle Leistung[TT]
27	AP8152267	TBEI Spez.schr. M5x12	2	Technische Daten:Zulassung Volle Leistung[TT]
28	AP8152306	Selbstsperrende Mutter M5	2	Technische Daten:Zulassung Volle Leistung[TT]

Einheit	RAHMEN
Code	28.15
Beschreibung	Instrumententafel
Inspektion	1



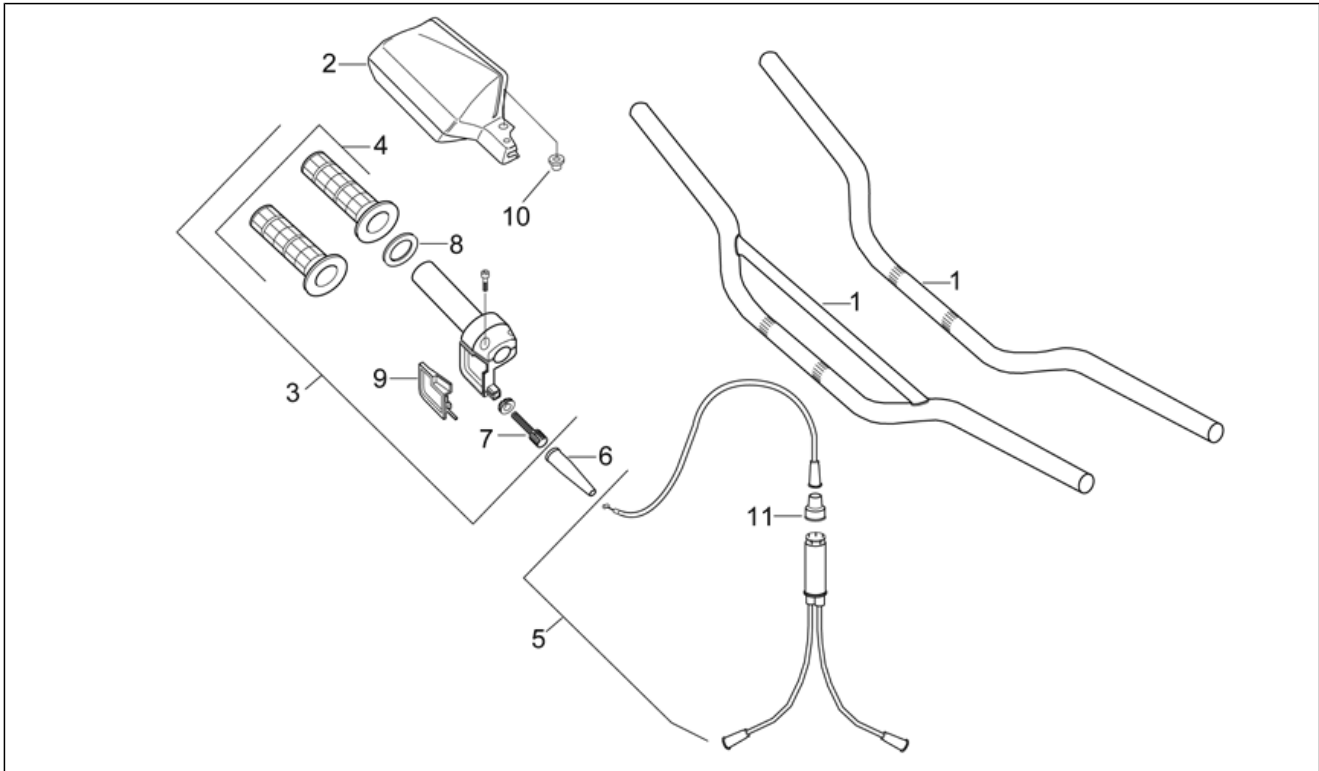
Pos.	Code	Beschreibung	Menge	Varianten
1	AP8212742	Tachometer	1	Baujahr: 1995[S], 1996[T] Technische Daten: Nationale Zulassung[MU]
1	AP8212980	Tachometer	1	Baujahr: 1997[V], 1998[W], 2000[Y] Technische Daten: Nationale Zulassung[MU]
1	AP8224412	Tachometer	1	Baujahr: 2002[2], 2003[3] Technische Daten: EU-Zulassung (Grenzen EURO 1)[ST]
1	AP8224515	Tachometer	1	Baujahr: 2003[3] Technische Daten: Zulassung Volle Leistung[TT]
2	AP8212743	Drehzahlm.	1	Land: Österreich[A], Belgien[B], Brasilien[BR], Dänemark[DK], Spanien[E], CH,DK,GR,E,F[EU], Frankreich[F], Griechenland[GR], Italien[I], Holland[NL], Portugal[P], Großbritannien[UK]
2	AP8212871	Drehzahlm.	1	Land: Israel[IL], Japan[J]
2	AP8224516	Drehzahlm.	1	Land: Schweiz[CH] Technische Daten: Zulassung Volle Leistung[TT]
3	AP8212272	Dichtung drehzahlm.	1	
4	AP8212273	Tachometerdichtung	1	
5	AP8230667	Instrumententafel, schwarz	1	
6	AP8214081	Drehzahlmesserkabel	1	
7	AP8214054	Tachometerkabel	1	
8	AP8201353	Splint	4	
9	AP8220230	Buchse	4	
10	AP8220228	Gummi *	4	
11	AP8150255	Ausgleichscheibe 5x20x1,5	4	
12	AP8120405	Gummi	4	
13	AP8150202	TCEI Schraube M6x50	2	
14	AP8150430	Selbstsperr.mut Unt.	2	

Einheit	RAHMEN
Code	28.16
Beschreibung	Schaltungen I
Inspektion	1



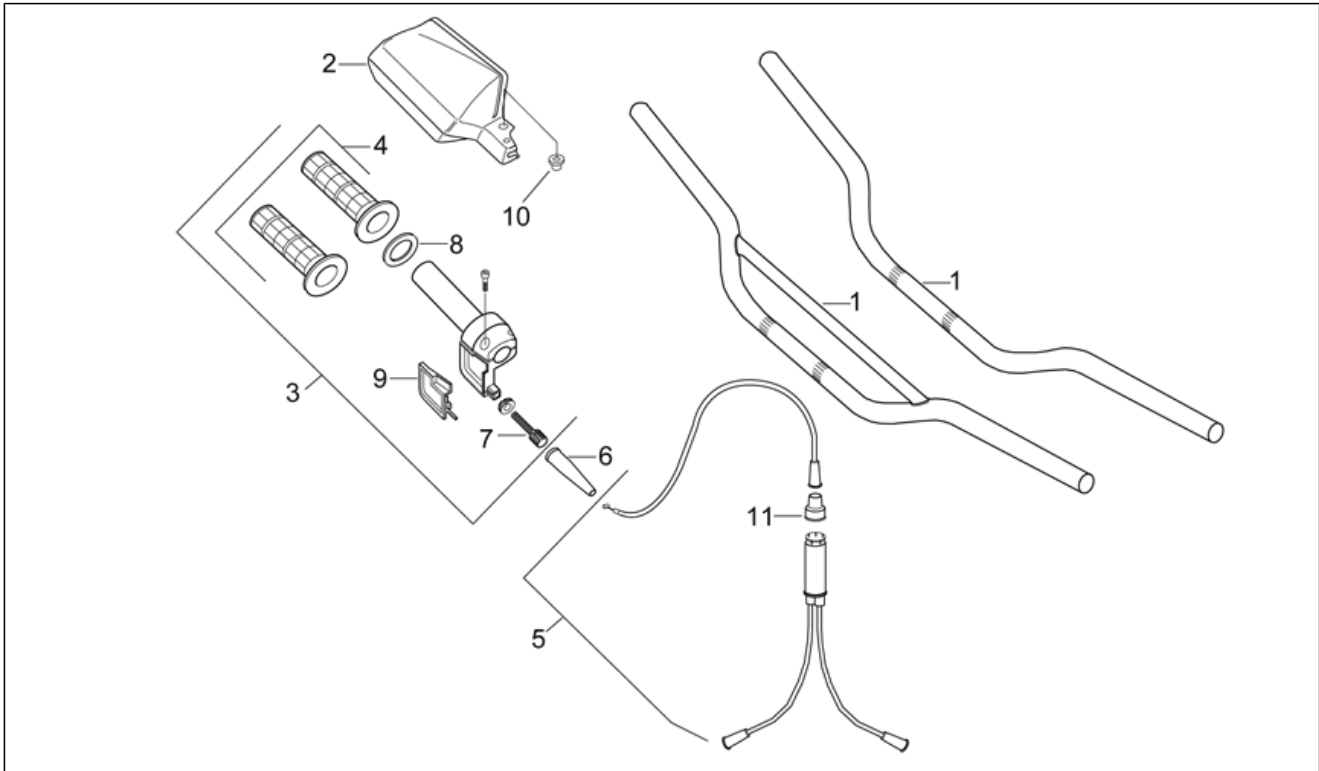
Pos.	Code	Beschreibung	Menge	Varianten
1	AP8218147	Lenkstange grau	1	Technische Daten: Version RX 50 ENDURO[BAS]
1	AP8218592	Lenkstange grau	1	Technische Daten: Version MX 50 SUPERMOTARD[MOT]
2	AP8231813	Handschutzpaar, schwarz	1	Baujahr: 1995[S] Fahrzeugfarbe: Schwarz '95[Black]
2	AP8231813	Handschutzpaar, schwarz	1	Baujahr: 2002[2], 2003[3] Technische Daten: Version MX 50 SUPERMOTARD[MOT]
2	AP8231813	Handschutzpaar, schwarz	1	Baujahr: 1998[W] Fahrzeugfarbe: Schwarz / Gelb '98-2002[Bi/Ye]
2	AP8231813	Handschutzpaar, schwarz	1	Baujahr: 2000[Y] Fahrzeugfarbe: Schwarz / Rot 2000-2002[Bi/Re]
2	AP8231813	Handschutzpaar, schwarz	1	Baujahr: 2002[2] Fahrzeugfarbe: Schwarz / Rot 2000-2002[Bi/Re] Technische Daten: Version RX 50 ENDURO[BAS]
2	AP8231813	Handschutzpaar, schwarz	1	Baujahr: 2002[2] Fahrzeugfarbe: Schwarz / Gelb '98-2002[Bi/Ye] Technische Daten: Version RX 50 ENDURO[BAS]
2	AP8231998	Handschutzpaar, blau	1	Baujahr: 1995[S] Fahrzeugfarbe: Blau / Grau '95-'96[B/G]
2	AP8238266	Handschutzpaar, grau	1	Baujahr: 1997[V]
2	AP8238781	Handschutzpaar, grau	1	Baujahr: 1996[T] Fahrzeugfarbe: Orange / Grau '96[O/G]
2	AP8238835	Handschutzpaar, blau	1	Baujahr: 1996[T] Fahrzeugfarbe: Blau / Grau '95-'96[B/G]
2	AP8239976	Handschutzpaar, blau	1	Baujahr: 1998[W] Fahrzeugfarbe: Blau/Hellblau '98-2002[Bi/Cy]
2	AP8239976	Handschutzpaar, blau	1	Baujahr: 2002[2] Fahrzeugfarbe: Blau/Hellblau '98-2002[Bi/Cy] Technische Daten: Version RX 50 ENDURO[BAS]
3	AP8218198	Gasschalt.+griffpaar ,schwarz	1	Baujahr: 2002[2], 2003[3] Technische Daten: Version MX 50 SUPERMOTARD[MOT]
3	AP8218198	Gasschalt.+griffpaar ,schwarz	1	Baujahr: 1995[S]
3	AP8218278	Gasschalt.+griffpaar, grau	1	Baujahr: 1996[T], 1997[V]

Einheit	RAHMEN
Code	28.16
Beschreibung	Schaltungen I
Inspektion	1



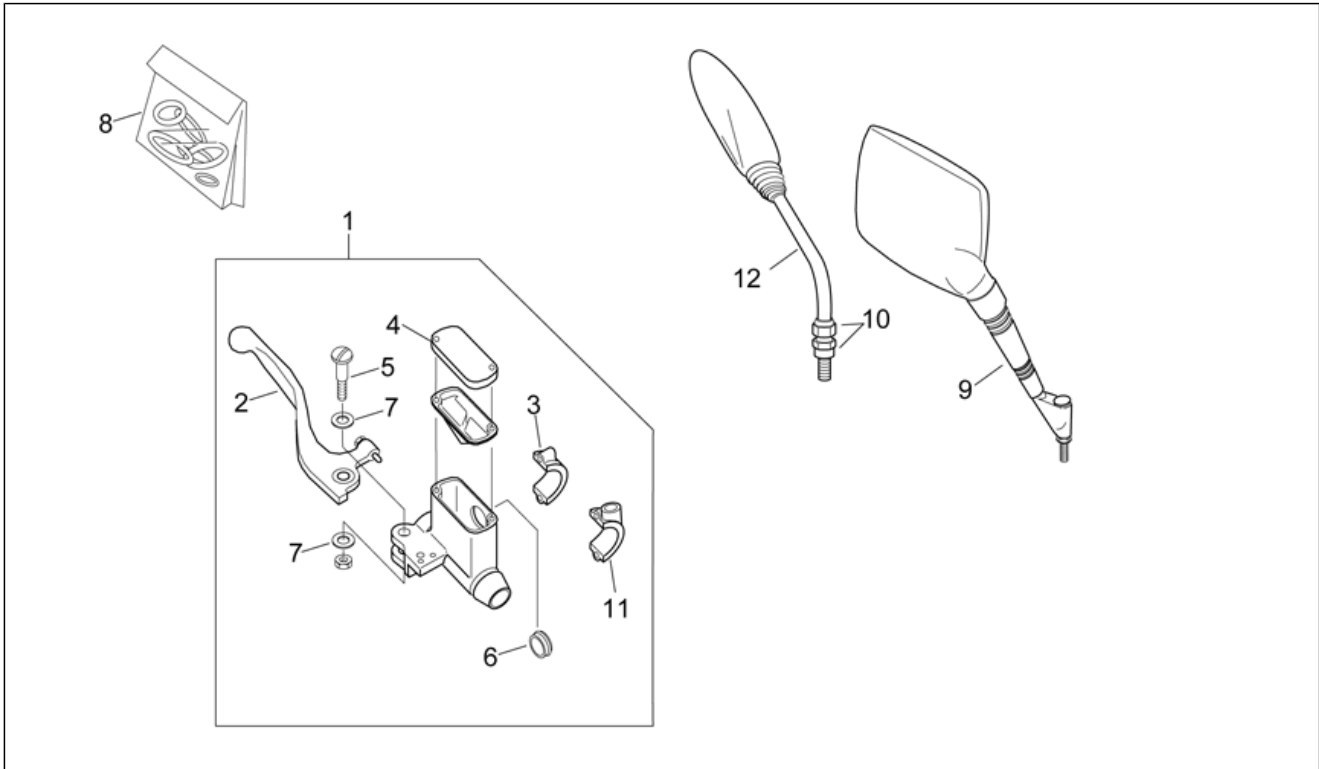
Pos.	Code	Beschreibung	Menge	Varianten
3	AP8218376	Gasschalt.+griffpaar, rot	1	Baujahr:2000[Y] Fahrzeugfarbe:Schwarz / Rot 2000-2002[Bi/Re]
3	AP8218376	Gasschalt.+griffpaar, rot	1	Baujahr:2002[2] Fahrzeugfarbe:Schwarz / Rot 2000-2002[Bi/Re] Technische Daten:Version RX 50 ENDURO[BAS]
3	AP8218376	Gasschalt.+griffpaar, rot	1	Baujahr:1998[W] Fahrzeugfarbe:Schwarz / Gelb '98-2002[Bi/Ye]
3	AP8218376	Gasschalt.+griffpaar, rot	1	Baujahr:2002[2] Fahrzeugfarbe:Schwarz / Gelb '98-2002[Bi/Ye] Technische Daten:Version RX 50 ENDURO[BAS]
3	AP8218386	Gasschalt.+griffpaar, orange	1	Baujahr:1998[W] Fahrzeugfarbe:Blau/Hellblau '98-2002[Bi/Cy]
3	AP8218386	Gasschalt.+griffpaar, orange	1	Baujahr:2002[2] Fahrzeugfarbe:Blau/Hellblau '98-2002[Bi/Cy] Technische Daten:Version RX 50 ENDURO[BAS]
4	AP8218213	Handgriffe paar, schwarz	1	Baujahr:1995[S]
4	AP8218213	Handgriffe paar, schwarz	1	Baujahr:2002[2], 2003[3] Technische Daten:Version MX 50 SUPERMOTARD[MOT]
4	AP8218290	Handgriffe paar, grau	1	Baujahr:1996[T], 1997[V]
4	AP8218405	Handgriffe paar, orange	1	Baujahr:1998[W] Fahrzeugfarbe:Blau/Hellblau '98-2002[Bi/Cy]
4	AP8218405	Handgriffe paar, orange	1	Baujahr:2002[2] Fahrzeugfarbe:Blau/Hellblau '98-2002[Bi/Cy] Technische Daten:Version RX 50 ENDURO[BAS]
4	AP8218408	Handgriffe paar, rot	1	Baujahr:2002[2] Fahrzeugfarbe:Schwarz / Rot 2000-2002[Bi/Re] Technische Daten:Version RX 50 ENDURO[BAS]
4	AP8218408	Handgriffe paar, rot	1	Baujahr:1998[W] Fahrzeugfarbe:Schwarz / Gelb '98-2002[Bi/Ye]
4	AP8218408	Handgriffe paar, rot	1	Baujahr:2000[Y] Fahrzeugfarbe:Schwarz / Rot 2000-2002[Bi/Re]
4	AP8218408	Handgriffe paar, rot	1	Baujahr:2002[2] Fahrzeugfarbe:Schwarz / Gelb '98-2002[Bi/Ye]

Einheit	RAHMEN
Code	28.16
Beschreibung	Schaltungen I
Inspektion	1



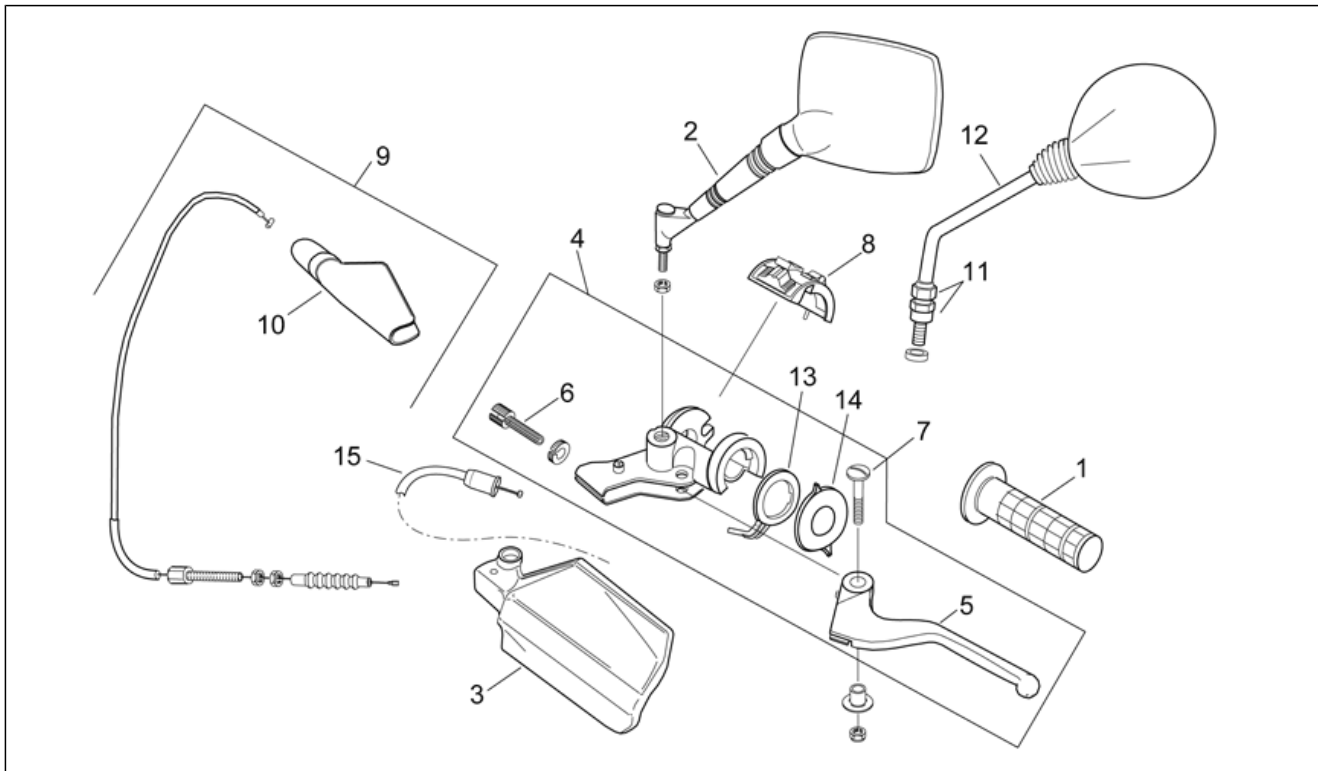
Pos.	Code	Beschreibung	Menge	Varianten
				Technische Daten: Version RX 50 ENDURO[BAS]
5	AP8214079	Gaszugkabel	1	Technische Daten: Nationale Zulassung[MU], EU-Zulassung (Grenzen EURO 1)[ST]
5	AP8214228	Gaszugkabel	1	Technische Daten: Zulassung Volle Leistung[TT]
6	AP8220143	Abd. Gas-Einst.schr.	1	
7	AP8118162	Einstil. Gaskabel	1	
8	AP8121826	Scheibe rechter Griff	1	
9	AP8218346	Deckel	1	
10	AP8121080	Distanzscheibe	2	
11	AP8220135	Gummi *	1	

Einheit	RAHMEN
Code	28.17
Beschreibung	Schaltungen II
Inspektion	1



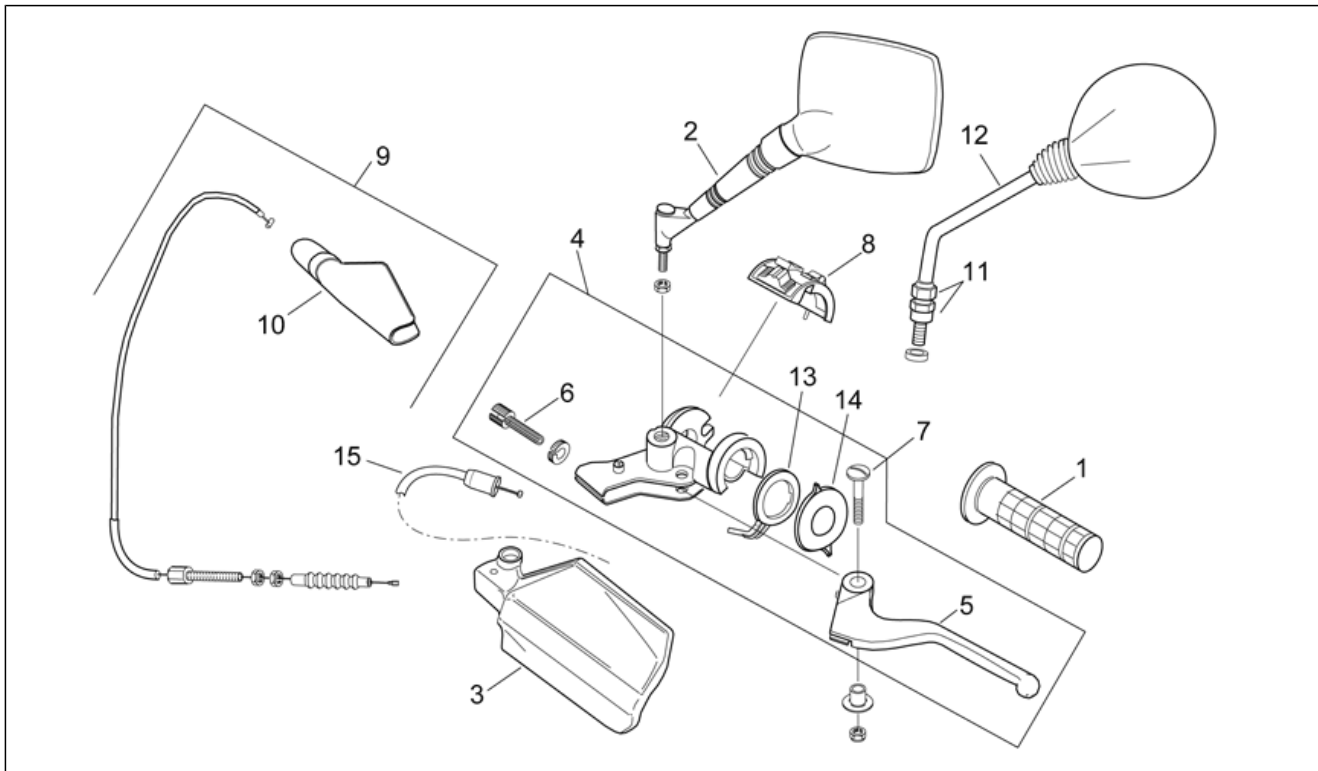
Pos.	Code	Beschreibung	Menge	Varianten
1	AP8213155	Vorderradbremspumpe D12	1	Baujahr: 1995[S], 1996[T]
1	AP8213266	Vorderradbremspumpe D12	1	Baujahr: 2002[2], 2003[3], 1997[V], 1998[W], 2000[Y] Land: Österreich[A], Belgien[B], Dänemark[DK], Spanien[E], CH,DK,GR,E,F[EU], Frankreich[F], Griechenland[GR], Italien[I], Israel[IL], Holland[NL], Portugal[P] Technische Daten: Nationale Zulassung[MU], EU-Zulassung (Grenzen EURO 1)[ST]
1	AP8213266	Vorderradbremspumpe D12	1	Baujahr: 1997[V] Land: Japan[J], Großbritannien[UK]
1	AP8213364	Vorderradbremspumpe D12	1	Baujahr: 2003[3] Land: Schweiz[CH], CH,DK,GR,E,F[EU] Technische Daten: Zulassung Volle Leistung[TT]
1	AP8213364	Vorderradbremspumpe D12	1	Baujahr: 2002[2], 2003[3], 1998[W], 2000[Y] Land: Brasilien[BR], Japan[J], Großbritannien[UK]
2	AP8218074	Vorderradbremshebel	1	Baujahr: 1995[S], 1996[T]
2	AP8218339	Vorderradbremshebel	1	Baujahr: 2002[2], 2003[3], 1997[V], 1998[W], 2000[Y]
3	AP8213078	Bügelbolzen	1	Land: Österreich[A], Belgien[B], Dänemark[DK], Spanien[E], CH,DK,GR,E,F[EU], Frankreich[F], Griechenland[GR], Italien[I], Israel[IL], Holland[NL], Portugal[P]
4	AP8230240	Tankdeckel	1	
5	AP8213345	Bremshebelbolzen	1	
6	AP8113414	Schauglas Bremspumpe	1	
7	AP8213281	Ausgleichscheibe	2	
8	AP8213343	Dichtungen - Satz	1	
9	AP8201391	Rückspiegel	1	Baujahr: 1995[S], 1996[T], 1997[V]
10	AP8102825	Rückspiegelhalter	1	Baujahr: 2002[2], 2003[3], 1998[W], 2000[Y]
11	AP8105153	Bügelbolzen	1	Land: Brasilien[BR], Schweiz[CH], CH,DK,GR,E,F[EU], Japan[J], Großbritannien[UK]
12	AP8201984	Rückspiegel	1	Baujahr: 2002[2], 2003[3], 1998[W], 2000[Y]

Einheit	RAHMEN
Code	28.18
Beschreibung	Schaltungen III
Inspektion	1



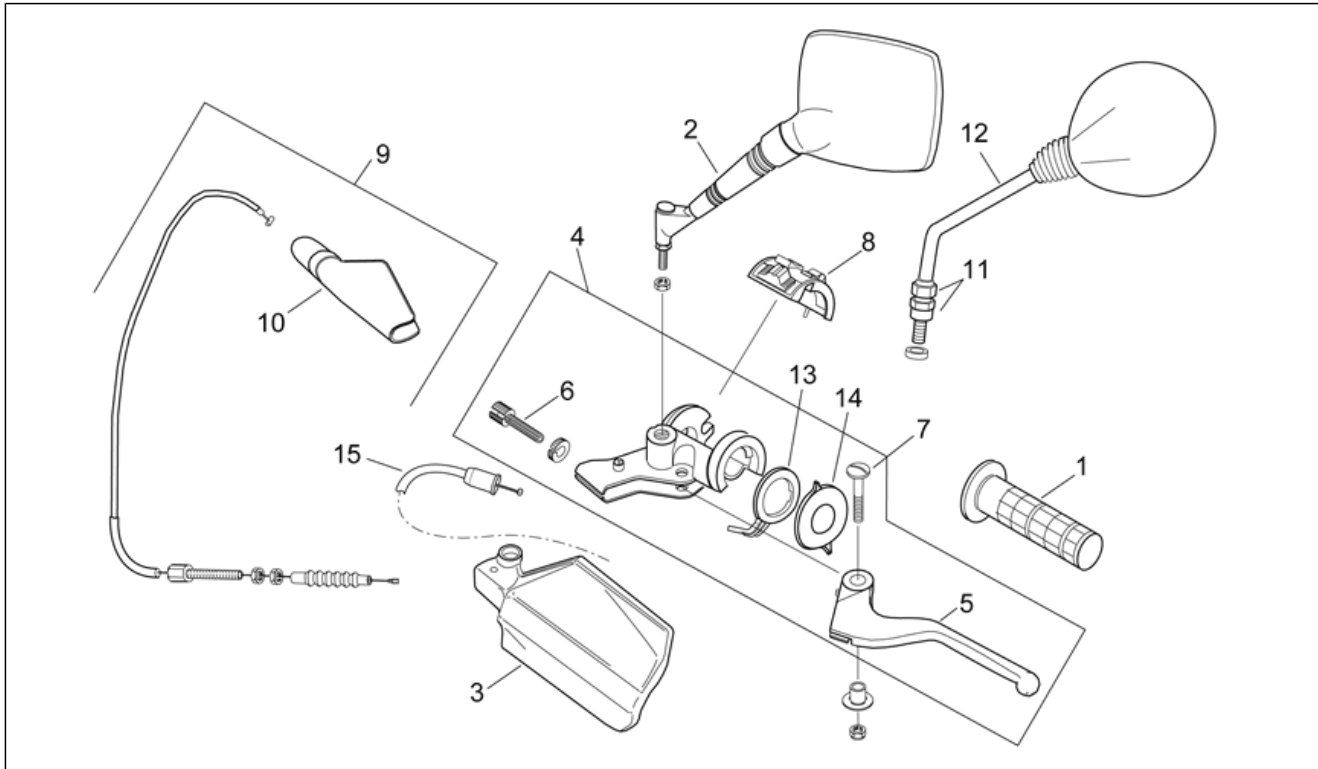
Pos.	Code	Beschreibung	Menge	Varianten
1	AP8218213	Handgriffe paar, schwarz	1	Baujahr:2002[2], 2003[3] Technische Daten:Version MX 50 SUPERMOTARD[MOT]
1	AP8218213	Handgriffe paar, schwarz	1	Baujahr:1995[S]
1	AP8218290	Handgriffe paar, grau	1	Baujahr:1996[T], 1997[V]
1	AP8218405	Handgriffe paar, orange	1	Baujahr:2002[2] Fahrzeugfarbe:Blau/Hellblau '98-2002[Bi/Cy] Technische Daten:Version RX 50 ENDURO[BAS]
1	AP8218405	Handgriffe paar, orange	1	Baujahr:1998[W] Fahrzeugfarbe:Blau/Hellblau '98-2002[Bi/Cy]
1	AP8218408	Handgriffe paar, rot	1	Baujahr:2002[2] Fahrzeugfarbe:Schwarz / Rot 2000-2002[Bi/Re] Technische Daten:Version RX 50 ENDURO[BAS]
1	AP8218408	Handgriffe paar, rot	1	Baujahr:2002[2] Fahrzeugfarbe:Schwarz / Gelb '98-2002[Bi/Ye] Technische Daten:Version RX 50 ENDURO[BAS]
1	AP8218408	Handgriffe paar, rot	1	Baujahr:1998[W] Fahrzeugfarbe:Schwarz / Gelb '98-2002[Bi/Ye]
1	AP8218408	Handgriffe paar, rot	1	Baujahr:2000[Y] Fahrzeugfarbe:Schwarz / Rot 2000-2002[Bi/Re]
2	AP8201391	Rückspiegel	1	Baujahr:1995[S], 1996[T], 1997[V]
3	AP8231813	Handschutzpaar, schwarz	1	Baujahr:1998[W] Fahrzeugfarbe:Schwarz / Gelb '98-2002[Bi/Ye]
3	AP8231813	Handschutzpaar, schwarz	1	Baujahr:2002[2] Fahrzeugfarbe:Schwarz / Rot 2000-2002[Bi/Re] Technische Daten:Version RX 50 ENDURO[BAS]
3	AP8231813	Handschutzpaar, schwarz	1	Baujahr:1995[S] Fahrzeugfarbe:Schwarz '95[Black]
3	AP8231813	Handschutzpaar, schwarz	1	Baujahr:2002[2], 2003[3] Technische Daten:Version MX 50 SUPERMOTARD[MOT]
3	AP8231813	Handschutzpaar, schwarz	1	Baujahr:2002[2] Fahrzeugfarbe:Schwarz / Gelb '98-2002[Bi/Ye] Technische Daten:Version RX 50 ENDURO[BAS]

Einheit	RAHMEN
Code	28.18
Beschreibung	Schaltungen III
Inspektion	1



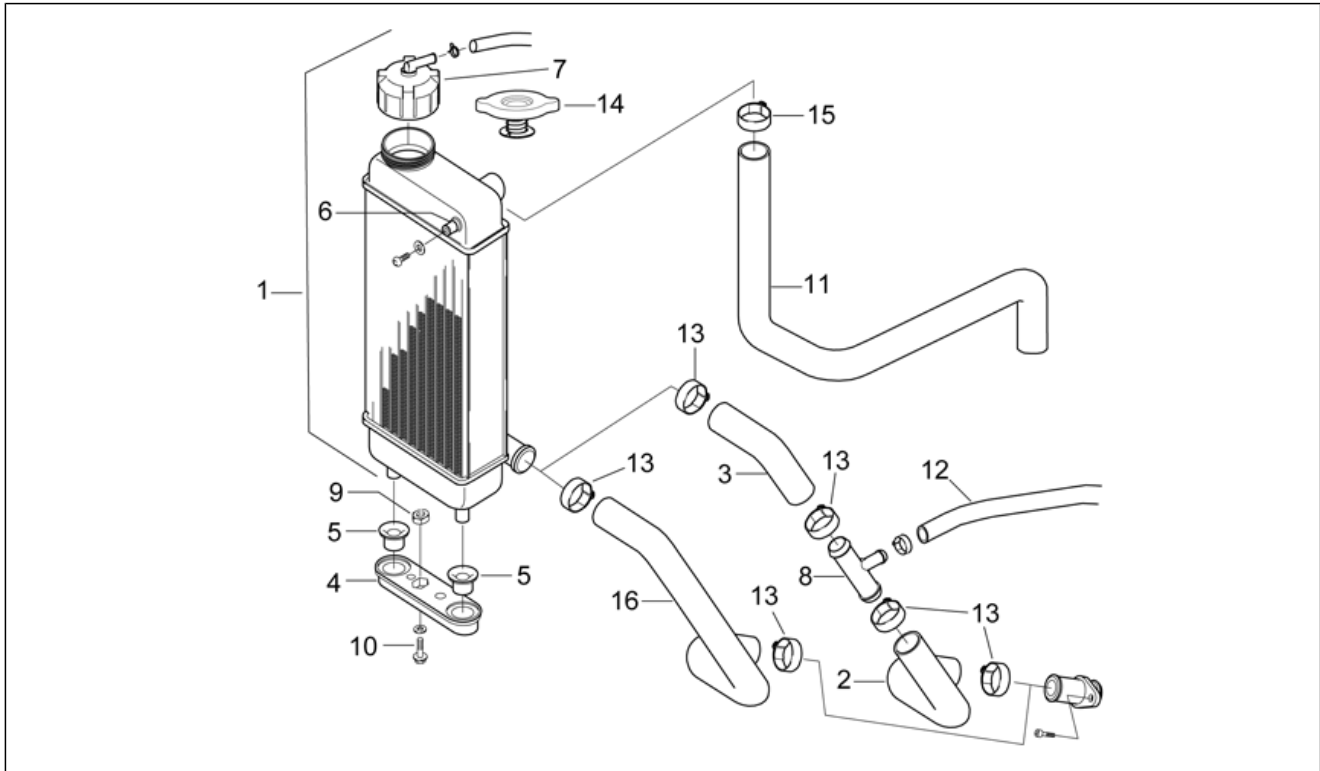
Pos.	Code	Beschreibung	Menge	Varianten
3	AP8231813	Handschutzpaar, schwarz	1	Baujahr: 2000[Y] Fahrzeugfarbe: Schwarz / Rot 2000-2002[Bi/Re]
3	AP8231998	Handschutzpaar, blau	1	Baujahr: 1995[S] Fahrzeugfarbe: Blau / Grau '95-'96[B/G]
3	AP8238266	Handschutzpaar, grau	1	Baujahr: 1997[V]
3	AP8238781	Handschutzpaar, grau	1	Baujahr: 1996[T] Fahrzeugfarbe: Orange / Grau '96[O/G]
3	AP8238835	Handschutzpaar, blau	1	Baujahr: 1996[T] Fahrzeugfarbe: Blau / Grau '95-'96[B/G]
3	AP8239976	Handschutzpaar, blau	1	Baujahr: 1998[W] Fahrzeugfarbe: Blau/Hellblau '98-2002[Bi/Cy]
3	AP8239976	Handschutzpaar, blau	1	Baujahr: 2002[2] Fahrzeugfarbe: Blau/Hellblau '98-2002[Bi/Cy] Technische Daten: Version RX 50 ENDURO[BAS]
4	AP8218085	Kupplung schalt. kpl	1	Baujahr: 1995[S], 1996[T] Technische Daten: Version RX 50 ENDURO[BAS]
4	AP8218334	Kupplung schalt. kpl	1	Baujahr: 2002[2] Technische Daten: Version RX 50 ENDURO[BAS]
4	AP8218334	Kupplung schalt. kpl	1	Baujahr: 1997[V], 1998[W], 2000[Y] Technische Daten: Version RX 50 ENDURO[BAS]
4	AP8218591	Kupplung schalt. kpl	1	Baujahr: 2002[2], 2003[3] Technische Daten: Version MX 50 SUPERMOTARD[MOT], EU-Zulassung (Grenzen EURO 1)[ST]
4	AP8218623	Kupplung schalt. kpl	1	Baujahr: 2003[3] Technische Daten: Version MX 50 SUPERMOTARD[MOT], Zulassung Volle Leistung[TT]
5	AP8218061	Kupplungshebel	1	Baujahr: 1995[S], 1996[T] Technische Daten: Version RX 50 ENDURO[BAS]
5	AP8218280	Kupplungshebel	1	Baujahr: 2002[2] Technische Daten: Version RX 50 ENDURO[BAS]
5	AP8218280	Kupplungshebel	1	Baujahr: 1997[V], 1998[W], 2000[Y] Technische Daten: Version RX 50 ENDURO[BAS]

Einheit	RAHMEN
Code	28.18
Beschreibung	Schaltungen III
Inspektion	1



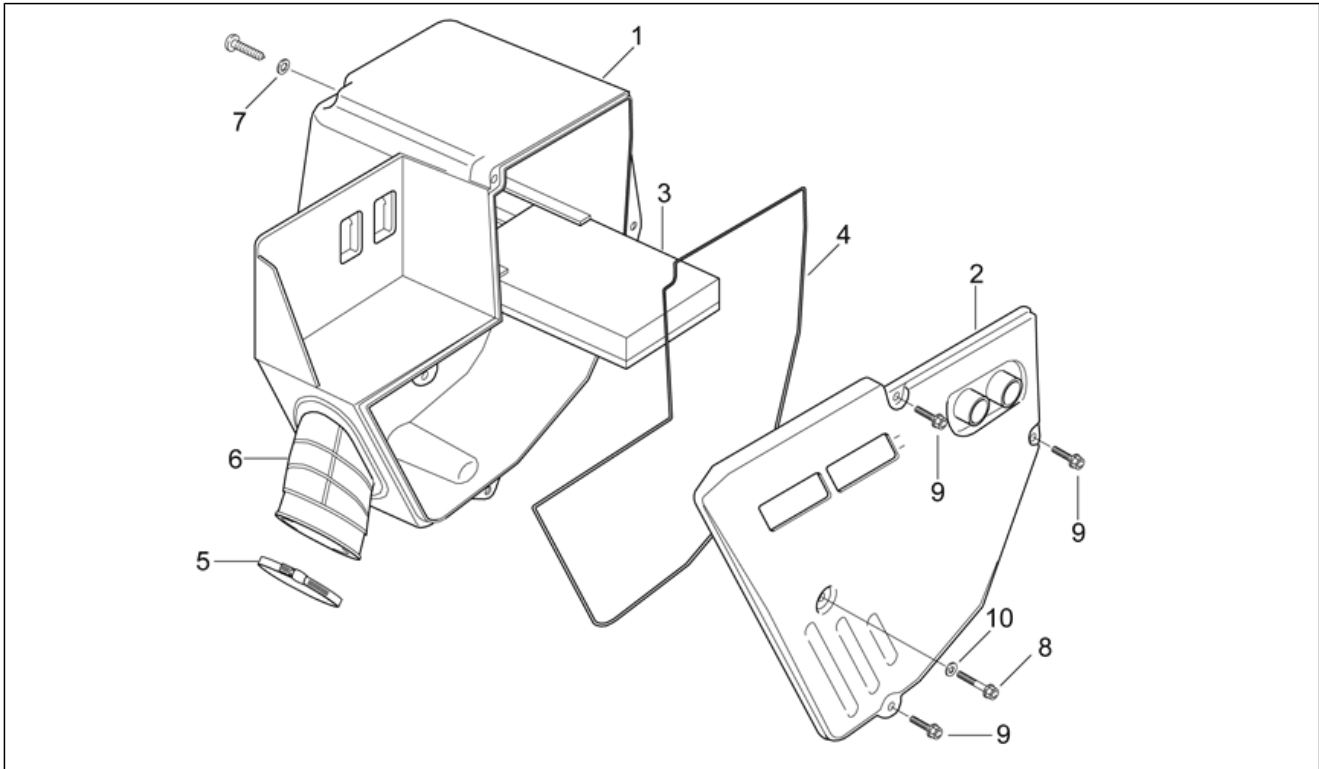
Pos.	Code	Beschreibung	Menge	Varianten
5	AP8218594	Kupplungshebel	1	Baujahr: 2002[2], 2003[3] Technische Daten: Version MX 50 SUPERMOTARD[MOT], EU-Zulassung (Grenzen EURO 1)[ST], Zulassung Volle Leistung[TT]
6	AP8118104	Einstll.schr. Kpplg.	1	
7	AP8218060	Kupplungshebel+Mutter	1	
8	AP8212752	L. Lichtumsch. m. K.	1	Land: Österreich[A], Belgien[B], Brasilien[BR], Dänemark[DK], Spanien[E], CH,DK,GR,E,F[EU], Frankreich[F], Griechenland[GR], Italien[I], Holland[NL], Portugal[P], Großbritannien[UK]
8	AP8212763	L. Lichtumsch. m. K.	1	Land: Schweiz[CH], CH,DK,GR,E,F[EU], Israel[IL], Japan[J]
9	AP8214151	Kupplungskabel	1	
10	AP8218358	Abdeckg. Kuppl.einst.	1	
11	AP8102825	Rückspiegelhalter	1	Baujahr: 2002[2], 2003[3], 1998[W], 2000[Y]
12	AP8201984	Rückspiegel	1	Baujahr: 2002[2], 2003[3], 1998[W], 2000[Y]
13	AP8118173	Starterschaltung fest	1	Technische Daten: Zulassung Volle Leistung[TT]
14	AP8218626	Starterschaltung beweglich	1	Technische Daten: Zulassung Volle Leistung[TT]
15	AP8214229	Starterzugkabel	1	Technische Daten: Zulassung Volle Leistung[TT]

Einheit	RAHMEN
Code	28.19
Beschreibung	Kühler
Inspektion	1



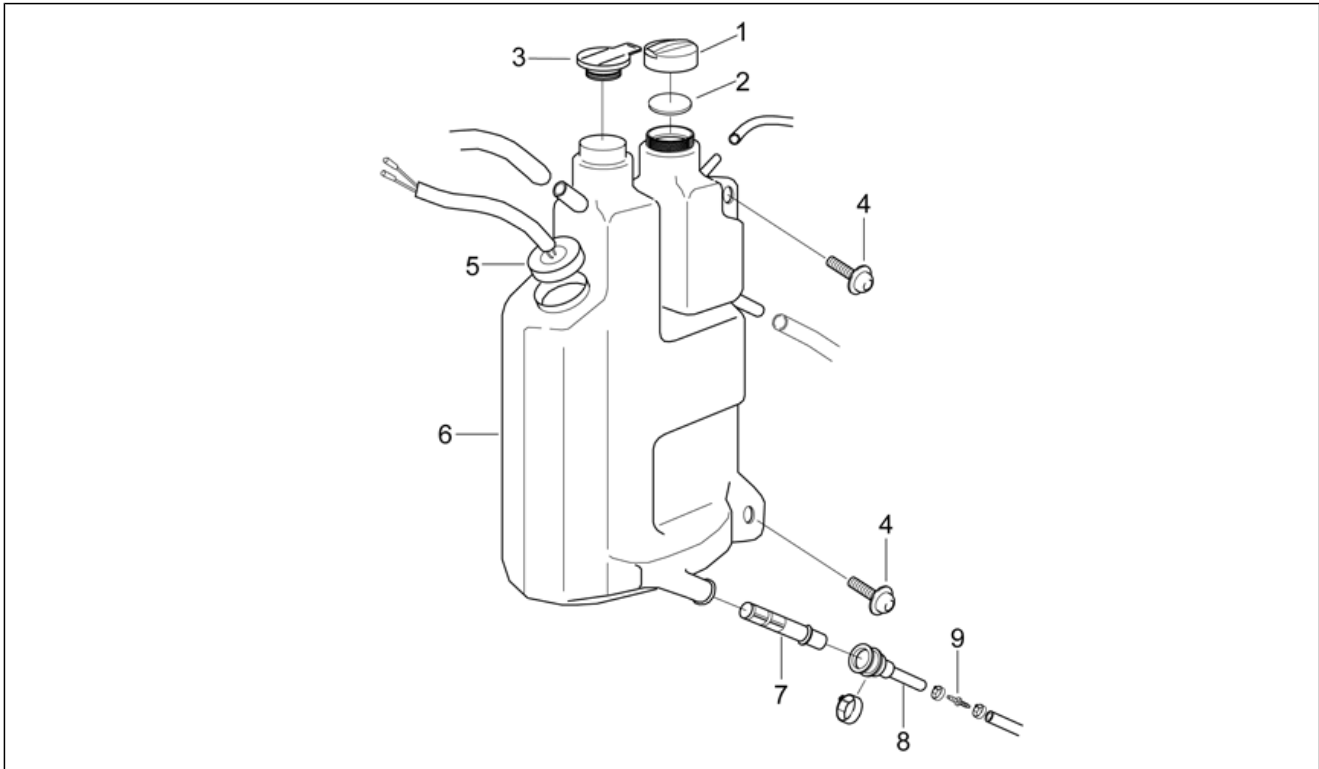
Pos.	Code	Beschreibung	Menge	Varianten
1	AP8201666	Kühler	1	
2	AP8220405	Pumpen-Bolzenschlauch	1	Technische Daten: Nationale Zulassung[MU], EU-Zulassung (Grenzen EURO 1)[ST]
3	AP8220410	T-förmiger Anschluß	1	Technische Daten: Nationale Zulassung[MU], EU-Zulassung (Grenzen EURO 1)[ST]
4	AP8101397	Schalldämpfer platte	1	
5	AP8120275	Silent-Block *	2	
6	AP8120030	Gummi	1	
7	AP8201463	Kühlerschraube belüftet	1	
8	AP8220415	T-förmiger Anschluß	1	Technische Daten: Nationale Zulassung[MU], EU-Zulassung (Grenzen EURO 1)[ST]
9	AP8120253	Distanzscheibe	1	
10	AP8152279	TE Schr. m. Flansch M6x20	1	
11	AP8220271	Zylinderkopf-Kühlerschlauch	1	
12	AP8220450	Gewebeschlauch Gummit	1	
13	AP8101927	Schlauchschelle D23,5x8*	4	
14	AP8102888	Kühlerschraube unbelüftet	1	
15	AP8101722	Schlauchschelle D25x8,6	1	
16	AP8220643	Cooler-pump pipe	1	Technische Daten: Zulassung Volle Leistung[TT]

Einheit	RAHMEN
Code	28.20
Beschreibung	Filtergehäuse
Inspektion	1



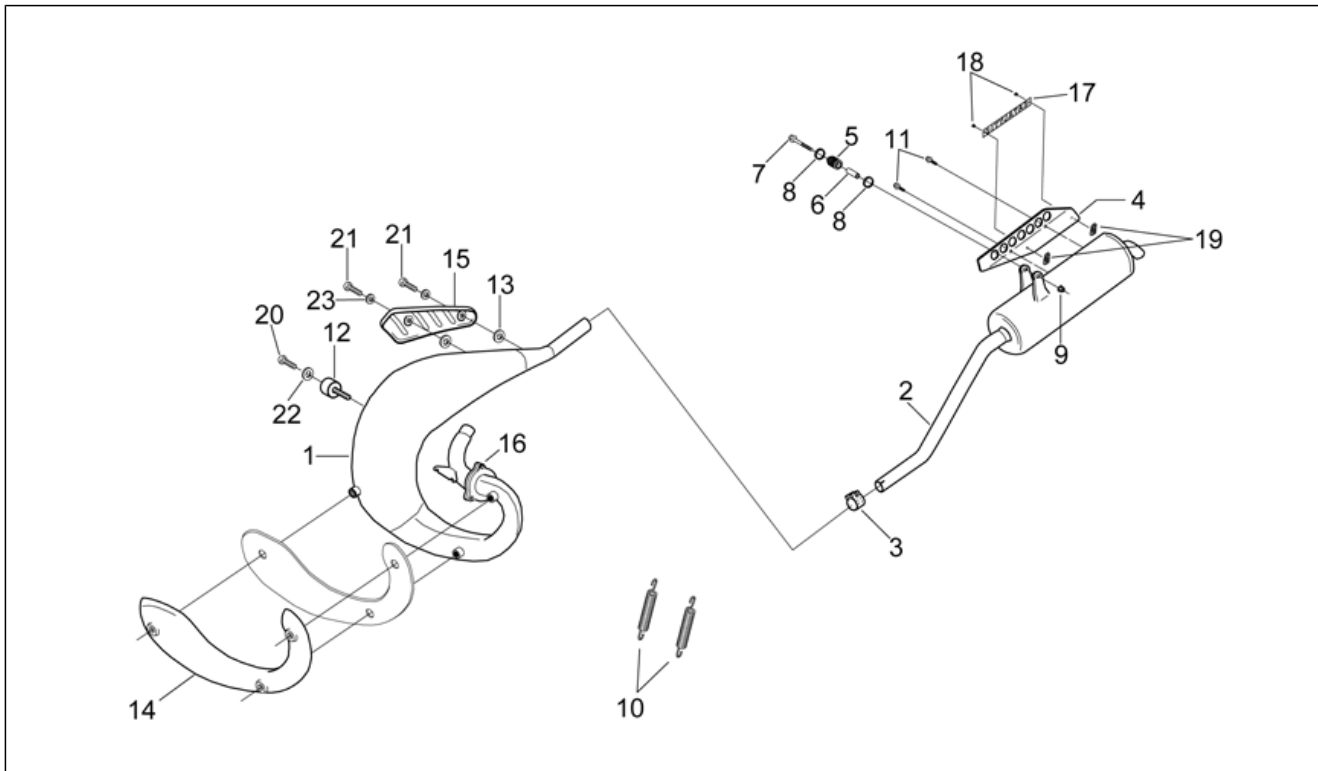
Pos.	Code	Beschreibung	Menge	Varianten
1	AP8230645	Boden Filtergehäuse	1	
2	AP8230644	Deckel Filtergehäuse	1	
3	AP8201429	Filter m. netz	1	
4	AP8120593	Dichtung D4	1	
5	AP8201799	Muffenschelle	1	
6	AP8220409	Ansaugmuffe	1	Technische Daten: Nationale Zulassung[MU], EU-Zulassung (Grenzen EURO 1)[ST]
6	AP8220642	Ansaugmuffe	1	Technische Daten: Zulassung Volle Leistung[TT]
7	AP8120592	Ausgleichscheibe	1	
8	AP8152281	TE Schr. m. Flansch M6x30	1	
9	AP8152280	TE Schr. m. Flansch M6x25	3	
10	AP8152181	Scheibe 6,4x15x1	1	

Einheit	RAHMEN
Code	28.21
Beschreibung	Ölbehälter
Inspektion	1



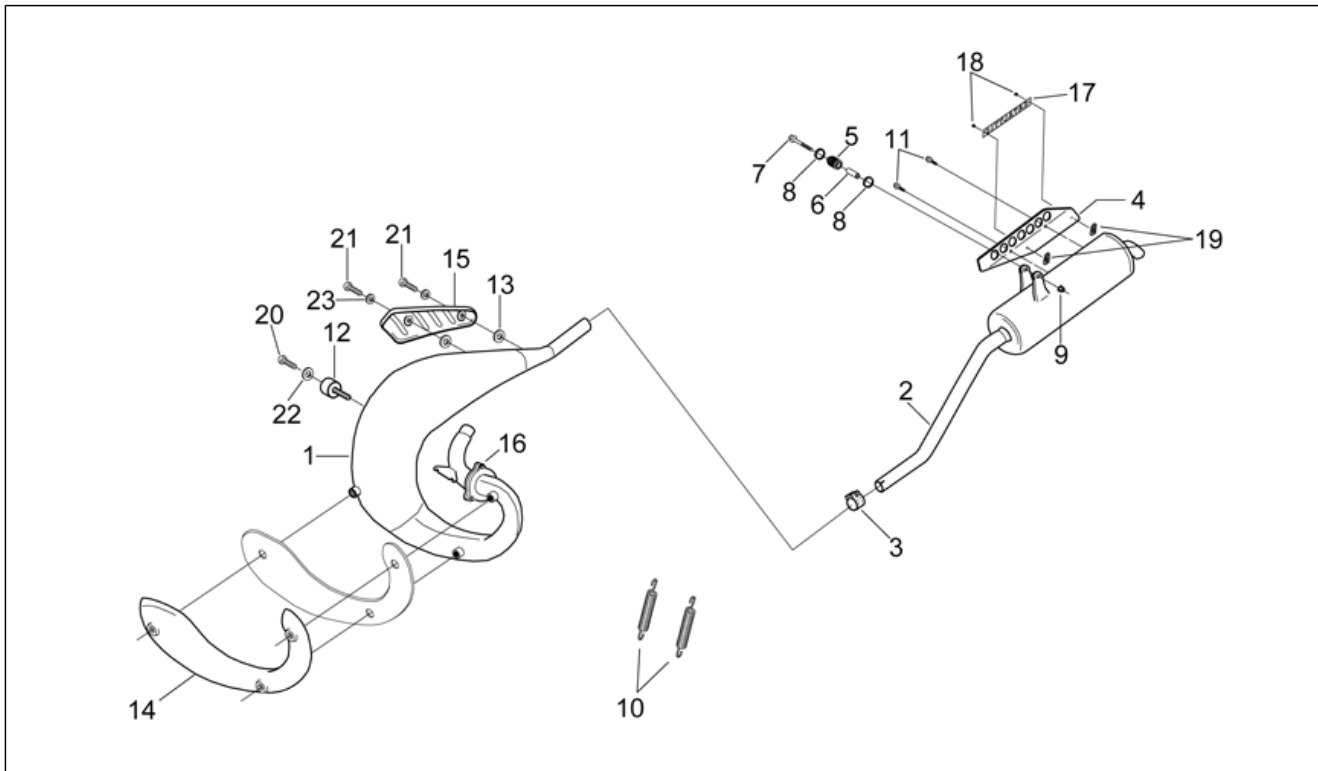
Pos.	Code	Beschreibung	Menge	Varianten
1	AP8120354	Deckel	1	
2	AP8220191	Dichtung	1	
3	AP8220154	Öltankschraube	1	
4	AP8152246	TBEI Schraube m.Flansch M6x16	2	
5	AP8112686	Anzeige Ölreserve	1	
6	AP8230670	Öltank kpl	1	
7	AP8102224	Gemisch-Ölfilter	1	
8	AP8102223	Gummi *	1	
9	AP8101944	2-Wege Anschluß	1	

Einheit	RAHMEN
Code	28.23
Beschreibung	Auspuffrohr
Inspektion	1



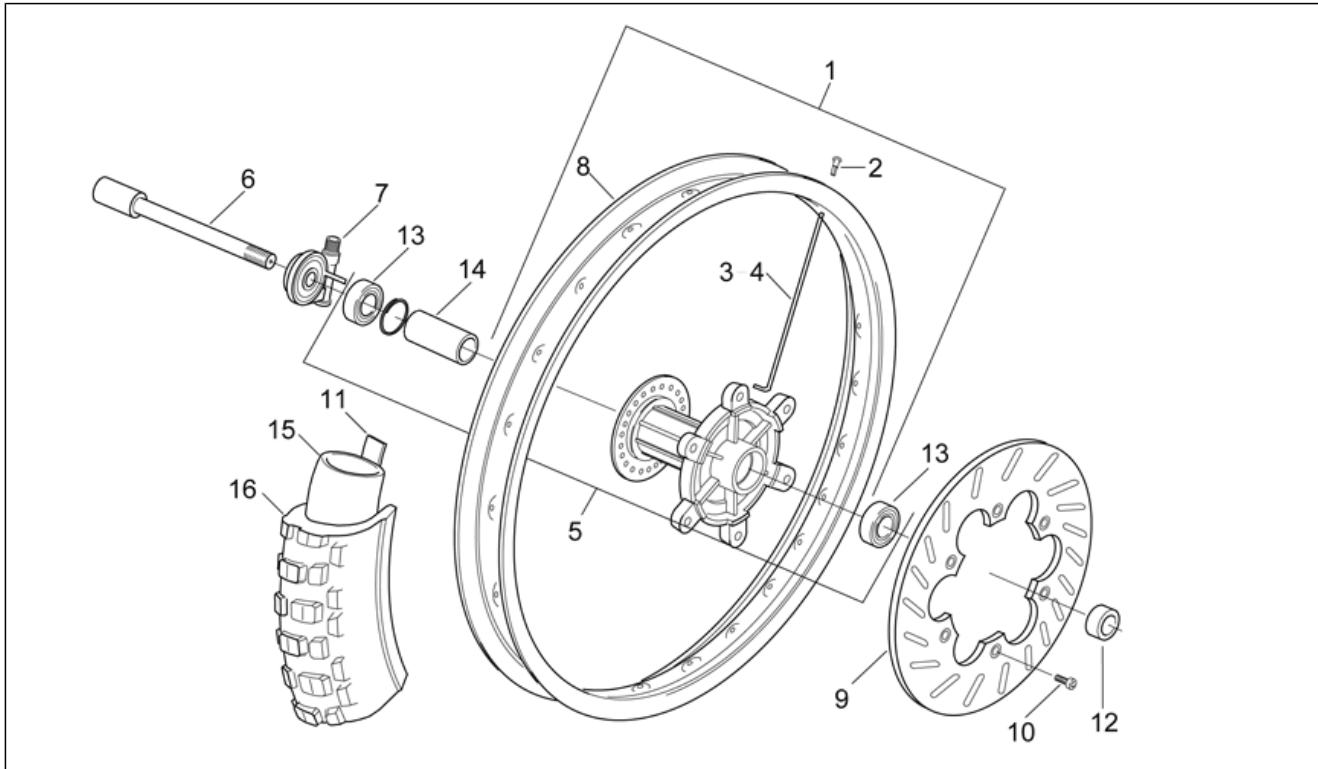
Pos.	Code	Beschreibung	Menge	Varianten
1	AP8219230	Kat.Auspuffrohr	1	Baujahr: 1995[S], 1996[T] Land: Spanien[E], Italien[I], Israel[IL], Portugal[P], Großbritannien[UK] Technische Daten: Nationale Zulassung[MU]
1	AP8219270	Kat.Auspuffrohr	1	Baujahr: 1995[S], 1996[T], 1997[V], 1998[W], 2000[Y] Land: Österreich[A] Technische Daten: Nationale Zulassung[MU]
1	AP8219276	Kat.Auspuffrohr	1	Baujahr: 1996[T] Land: Frankreich[F] Technische Daten: Nationale Zulassung[MU]
1	AP8219338	Kat.Auspuffrohr	1	Baujahr: 1997[V], 1998[W], 2000[Y] Land: Brasilien[BR], Spanien[E], Griechenland[GR], Italien[I], Israel[IL], Portugal[P], Großbritannien[UK] Technische Daten: Nationale Zulassung[MU]
1	AP8219342	Kat.Auspuffrohr	1	Baujahr: 1997[V], 1998[W], 2000[Y] Land: Belgien[B], Dänemark[DK], Frankreich[F] Technische Daten: Nationale Zulassung[MU]
1	AP8219368	Kat.Auspuffrohr	1	Baujahr: 1995[S], 1996[T], 1997[V], 1998[W], 2000[Y] Land: Japan[J] Technische Daten: Nationale Zulassung[MU]
1	AP8219548	Kat.Auspuffrohr	1	Baujahr: 2002[2] Technische Daten: Version RX 50 ENDURO[BAS], EU-Zulassung (Grenzen EURO 1)[ST]
1	AP8219559	Kat.Auspuffrohr	1	Baujahr: 2002[2], 2003[3] Technische Daten: Version MX 50 SUPERMOTARD[MOT], EU-Zulassung (Grenzen EURO 1)[ST]
1	AP8219592	Kat.Auspuffrohr	1	Baujahr: 2003[3] Technische Daten: Version MX 50 SUPERMOTARD[MOT], Zulassung Volle Leistung[TT]
2	AP8219228	Schalldämpfer	1	Baujahr: 1995[S], 1996[T], 1997[V], 1998[W], 2000[Y] Technische Daten: Nationale Zulassung[MU]
2	AP8219547	Schalldämpfer	1	Baujahr: 2002[2] Technische Daten: Version RX 50 ENDURO[BAS], EU-Zulassung (Grenzen EURO 1)[ST]

Einheit	RAHMEN
Code	28.23
Beschreibung	Auspuffrohr
Inspektion	1



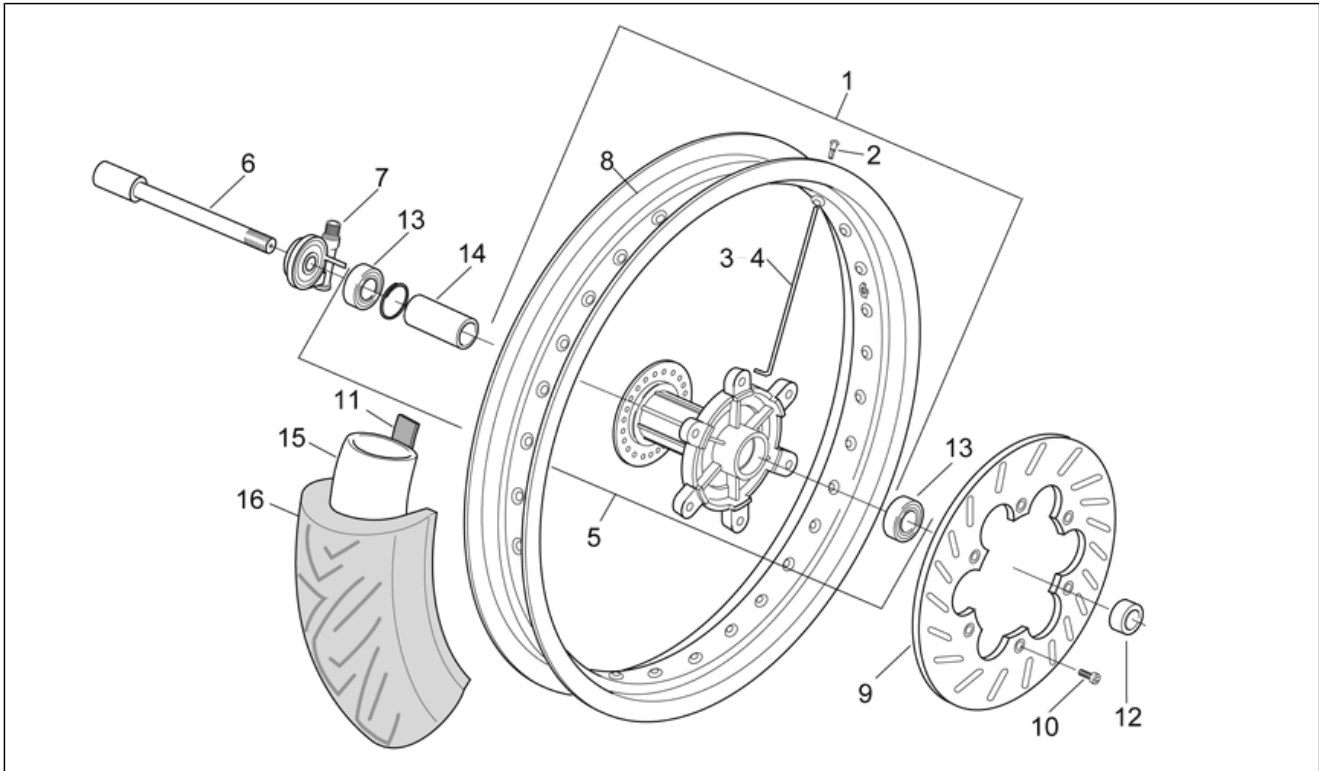
Pos.	Code	Beschreibung	Menge	Varianten
2	AP8219555	Schalldämpfer	1	Baujahr: 2002[2], 2003[3] Technische Daten: Version MX 50 SUPERMOTARD[MOT], EU-Zulassung (Grenzen EURO 1)[ST], Zulassung Volle Leistung[TT]
3	AP8201841	Auspuffrohr Schelle	1	
4	AP8119271	Schalldämpferschutz	1	Technische Daten: Version RX 50 ENDURO[BAS]
5	AP8101285	Silent-Block *	1	
6	AP8121058	Distanzscheibe *	1	
7	AP8152291	TE Schr. m. Flansch	1	
8	AP8101284	Ausgleichscheibe 22x30*	2	
9	AP8152300	Selbstsperrende Mutter M8	1	
10	AP8101259	Schraubenfeder *	2	
11	AP8152342	TE Schr. m. Flansch M6x12	2	
12	AP8201121	Silent-Block *	1	
13	AP8221297	Isolierscheibe	2	
14	AP8219323	V. Auspuffrohrschutz	1	
15	AP8219324	H. Auspuffrohrschutz	1	
16	AP8219321	Dichtung Auspuffrohrflansch	1	Baujahr: 1995[S], 1996[T], 1997[V], 1998[W], 2000[Y] Technische Daten: Nationale Zulassung[MU]
16	AP8219552	Dichtung Auspuffrohrflansch	1	Baujahr: 2002[2], 2003[3] Technische Daten: EU-Zulassung (Grenzen EURO 1)[ST]
17	AP8115656	Catalytic Schild	1	Technische Daten: Version RX 50 ENDURO[BAS]
18	AP8201445	Kunststoffniet	2	Technische Daten: Version RX 50 ENDURO[BAS]
19	AP8102213	Klammer	2	
20	AP8152226	TBEI Schraube	1	
21	AP8152277	TE Schr. m. Flansch M6x12	2	Technische Daten: Version RX 50 ENDURO[BAS]
22	AP8150179	Ausgleichscheibe 6,6x18*	1	
23	AP8150015	Ausgleichscheibe 6,6x18x1,6*	2	

Einheit	RAHMEN
Code	28.24
Beschreibung	Vorderrad - ENDURO
Inspektion	1



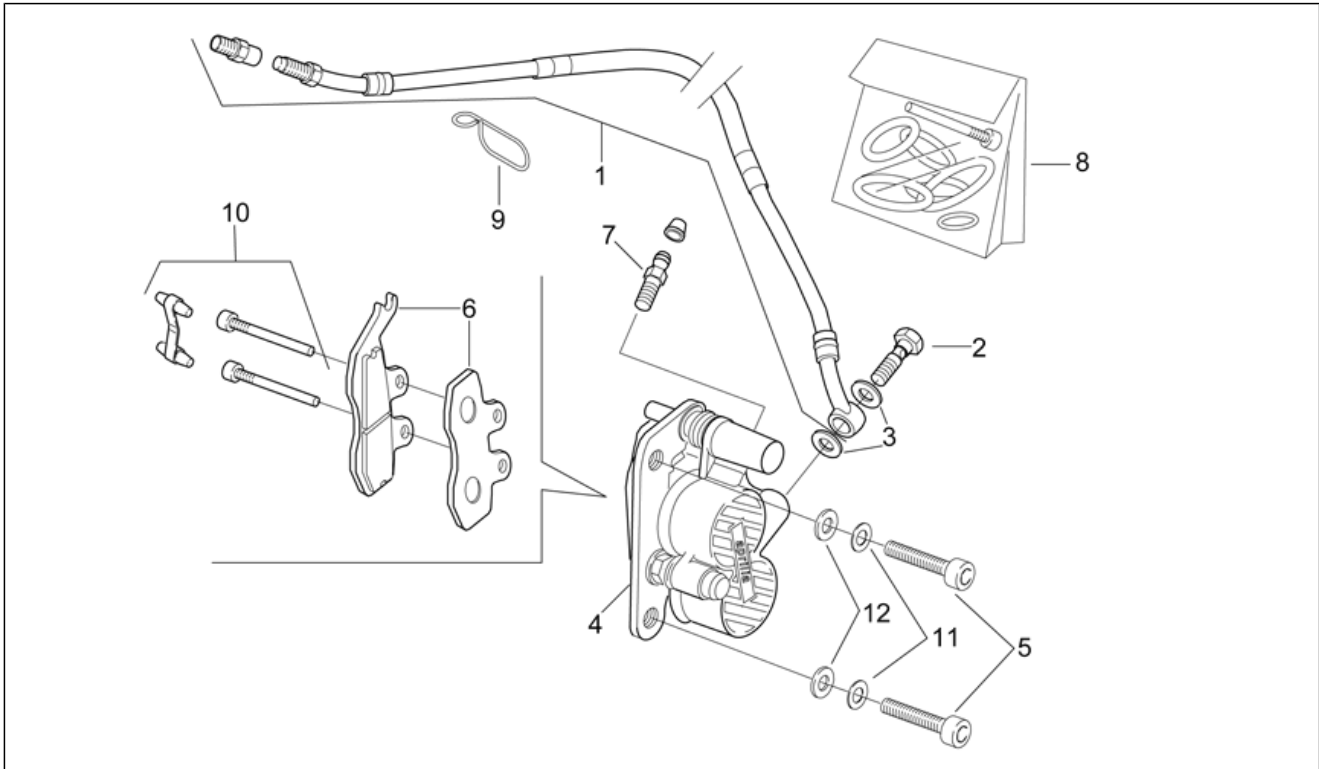
Pos.	Code	Beschreibung	Menge	Varianten
1	AP8208420	Vorderrad, Edelstahl	1	Technische Daten:Version RX 50 ENDURO[BAS]
2	AP8208410	Nippel D3	36	Technische Daten:Version RX 50 ENDURO[BAS]
3	AP8208150	Speiche 3x240-90°	18	Technische Daten:Version RX 50 ENDURO[BAS]
4	AP8208151	Speiche 3x240-95°	18	Technische Daten:Version RX 50 ENDURO[BAS]
5	AP8225231	Vorderradnabe	1	Technische Daten:Version RX 50 ENDURO[BAS]
6	AP8213100	Vorderradnabe bolzen	1	Technische Daten:Version RX 50 ENDURO[BAS]
7	AP8201338	Vorgelegte Kilometerzähler	1	Technische Daten:Version RX 50 ENDURO[BAS]
8	AP8208417	Rostfr.Stahl V.radfelg.	1	Technische Daten:Version RX 50 ENDURO[BAS]
9	AP8213267	Vord. Inox-Bremssch. D230	1	Technische Daten:Version RX 50 ENDURO[BAS]
10	AP8152156	TCEI Schraube M6x14	6	Technische Daten:Version RX 50 ENDURO[BAS]
11	AP8209033	Radband 21"	1	Technische Daten:Version RX 50 ENDURO[BAS]
12	AP8225140	Distanzscheibe	1	Technische Daten:Version RX 50 ENDURO[BAS]
13	AP8225123	Lager	2	Technische Daten:Version RX 50 ENDURO[BAS]
14	AP8125344	Distanzscheibe	1	Technische Daten:Version RX 50 ENDURO[BAS]
15	0000000	Reifen	1	Technische Daten:Version RX 50 ENDURO[BAS]
16	0000000	Reifen	1	Technische Daten:Version RX 50 ENDURO[BAS]

Einheit	RAHMEN
Code	28.25
Beschreibung	Vorderrad - SUPERMOTARD
Inspektion	1



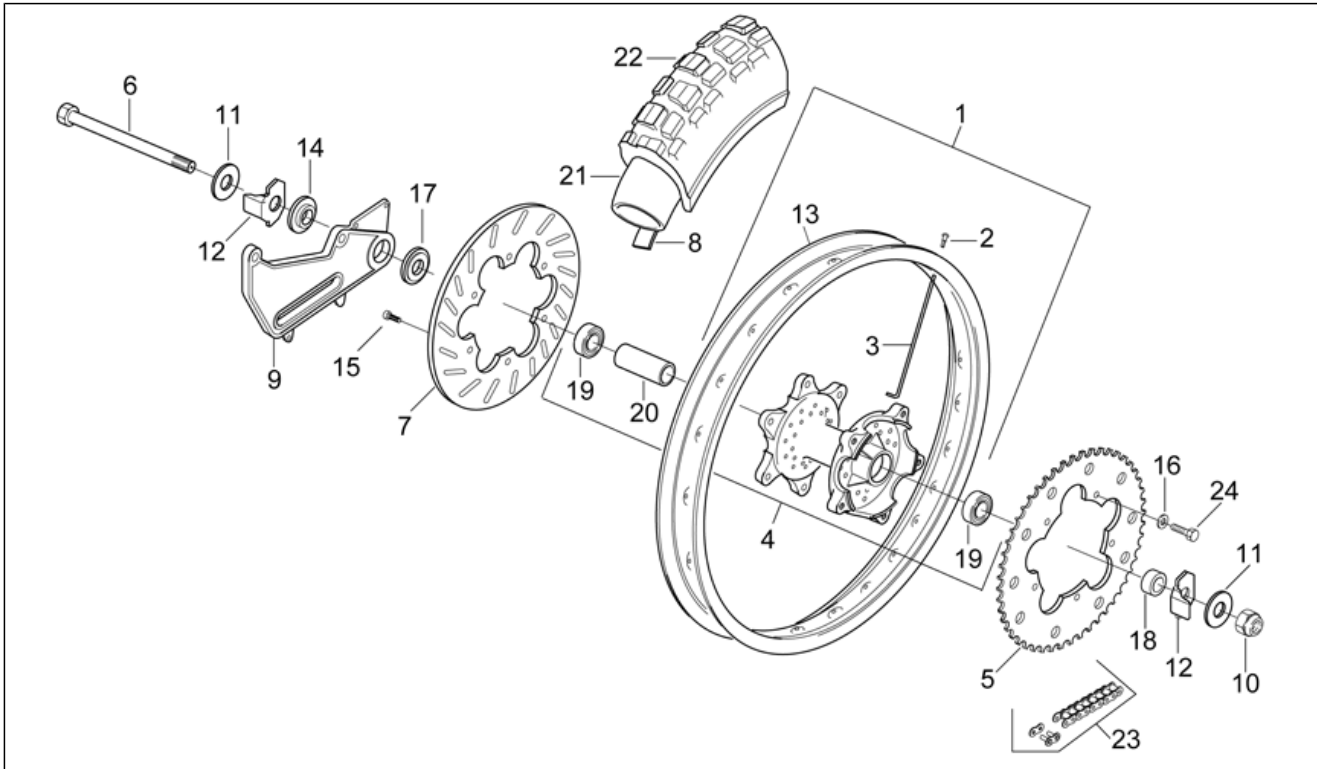
Pos.	Code	Beschreibung	Menge	Varianten
1	AP8208795	Vorderrad, Edelstahl	1	Technische Daten:Version MX 50 SUPERMOTARD[MOT]
2	AP8208410	Nippel D3	36	Technische Daten:Version MX 50 SUPERMOTARD[MOT]
3	AP8208787	Speiche D3-183/4,5/90	18	Technische Daten:Version MX 50 SUPERMOTARD[MOT]
4	AP8208788	Speiche D3-183/4,5/95	18	Technische Daten:Version MX 50 SUPERMOTARD[MOT]
5	AP8225231	Vorderradnabe	1	Technische Daten:Version MX 50 SUPERMOTARD[MOT]
6	AP8213100	Vorderradnabe bolzen	1	Technische Daten:Version MX 50 SUPERMOTARD[MOT]
7	AP8202322	Vorgelegte Kilometerzähler	1	Technische Daten:Version MX 50 SUPERMOTARD[MOT]
8	AP8208789	Rostfr.Stahl V.radfelg.	1	Technische Daten:Version MX 50 SUPERMOTARD[MOT]
9	AP8213267	Vord. Inox-Bremssch. D230	1	Technische Daten:Version MX 50 SUPERMOTARD[MOT]
10	AP8152156	TCEI Schraube M6x14	6	Technische Daten:Version MX 50 SUPERMOTARD[MOT]
11	AP8209159	Radband 17"	1	Technische Daten:Version MX 50 SUPERMOTARD[MOT]
12	AP8225140	Distanzscheibe	1	Technische Daten:Version MX 50 SUPERMOTARD[MOT]
13	AP8225123	Lager	2	Technische Daten:Version MX 50 SUPERMOTARD[MOT]
14	AP8125344	Distanzscheibe	1	Technische Daten:Version MX 50 SUPERMOTARD[MOT]
15	0000000	Reifen	1	Technische Daten:Version MX 50 SUPERMOTARD[MOT]
16	0000000	Reifen	1	Technische Daten:Version MX 50 SUPERMOTARD[MOT]

Einheit	RAHMEN
Code	28.26
Beschreibung	Vorderradbremzange
Inspektion	1



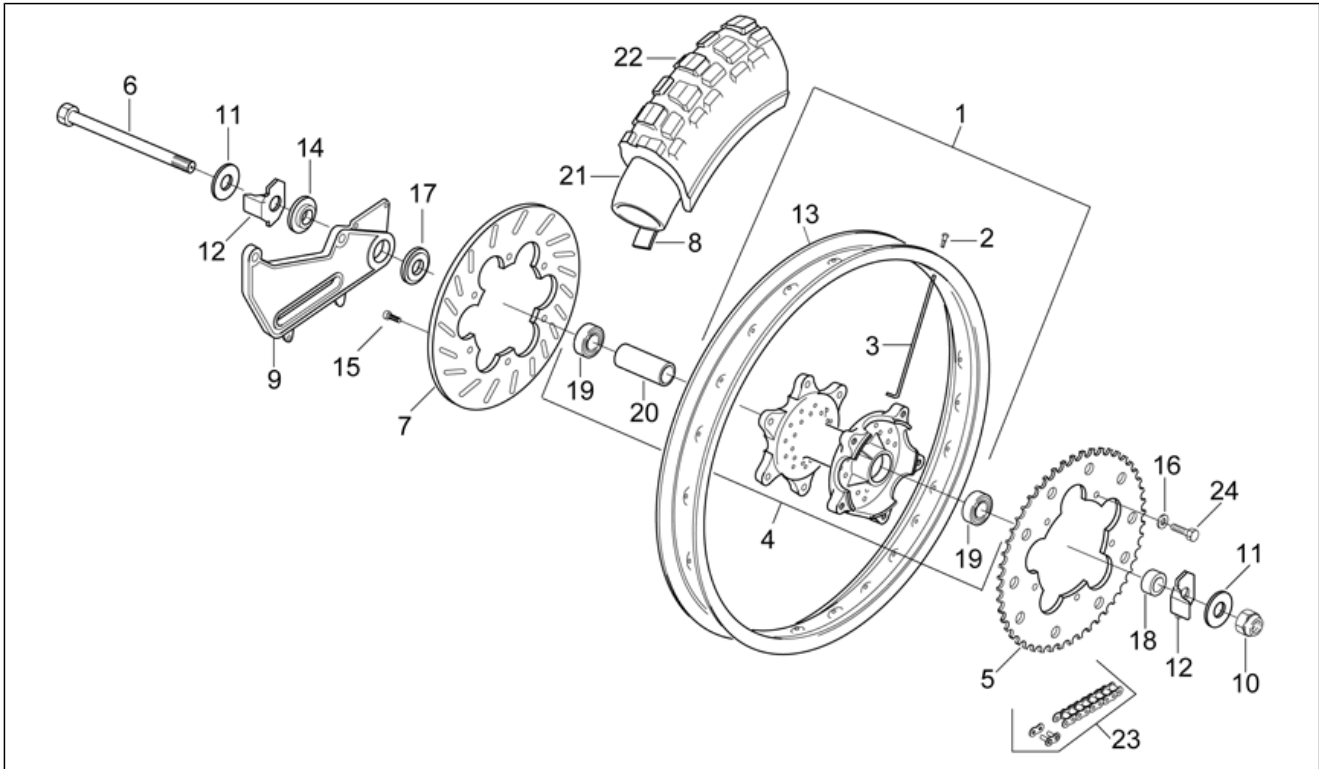
Pos.	Code	Beschreibung	Menge	Varianten
1	AP8213154	Vorderradbremseleitung	1	
2	AP8113003	Fixierschraube Ölschlauch	1	
3	AP8113004	Ausgleichscheibe 10x14x1,6*	2	
4	AP8113460	Vorderradbremzange	1	
5	AP8150236	TCEI Schraube M8x35	2	
6	AP8113478	Beläge (Paar)	1	
7	AP8213108	Entlüftungsanschluß	1	
8	AP8113374	Bausatz Bremszangenüberholung	1	
9	AP8120428	Kabelführungs	1	
10	AP8104060	Stifte+Feder	1	
11	AP8150376	Ausgleichscheibe 8,5x15x0,8	2	
12	AP8150017	Ausgleichscheibe 8,4x16x1,6	2	

Einheit	RAHMEN
Code	28.27
Beschreibung	Hinterrad - ENDURO
Inspektion	1



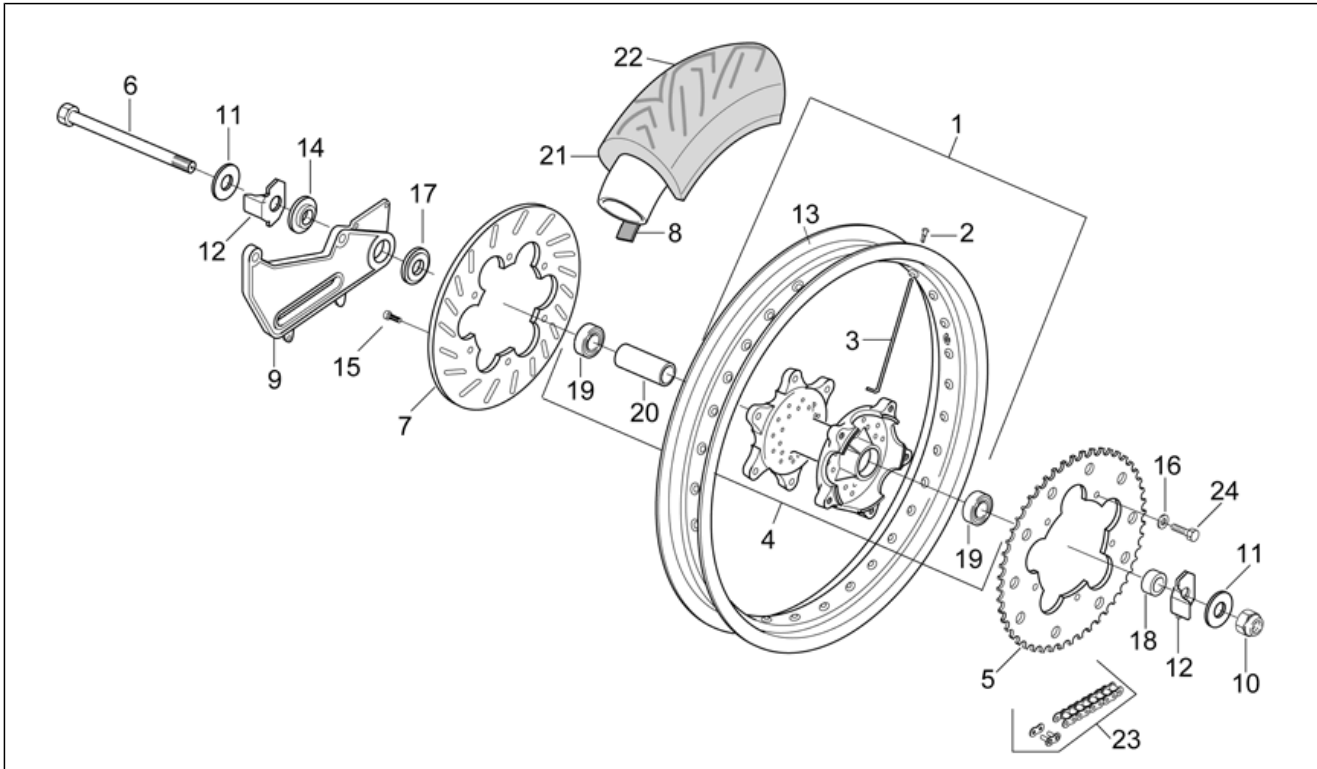
Pos.	Code	Beschreibung	Menge	Varianten
1	AP8208419	Hinterrad, Edelstahl	1	Technische Daten: Version RX 50 ENDURO[BAS]
2	AP8208410	Nippel D3	36	Technische Daten: Version RX 50 ENDURO[BAS]
3	AP8208250	Speiche 3x205	36	Technische Daten: Version RX 50 ENDURO[BAS]
4	AP8225262	Hinterradnabe	1	Technische Daten: Version RX 50 ENDURO[BAS]
5	AP8207074	Zahnkranz Z=51	1	Baujahr: 1998[W] Technische Daten: Version RX 50 ENDURO[BAS]
5	AP8207074	Zahnkranz Z=51	1	Baujahr: 1995[S], 1996[T], 1997[V] Technische Daten: Version RX 50 ENDURO[BAS]
5	AP8207078	Zahnkranz Z=51	1	Baujahr: 1998[W] Technische Daten: Version RX 50 ENDURO[BAS]
5	AP8207078	Zahnkranz Z=51	1	Baujahr: 2002[2], 2000[Y] Technische Daten: Version RX 50 ENDURO[BAS]
6	AP8225233	Hinterradbolzen	1	Technische Daten: Version RX 50 ENDURO[BAS]
7	AP8213268	Hinterradbremsscheibe D220	1	Technische Daten: Version RX 50 ENDURO[BAS]
8	AP8209032	Radband 18"	1	Technische Daten: Version RX 50 ENDURO[BAS]
9	AP8234064	Fixierplatte	1	Technische Daten: Version RX 50 ENDURO[BAS]
10	AP8152030	Selbstsperr.mut Unt. M14x1,5*	1	Technische Daten: Version RX 50 ENDURO[BAS]
11	AP8225209	Flachscheibe	2	Technische Daten: Version RX 50 ENDURO[BAS]
12	AP8232512	Kettenspannplatte	2	Technische Daten: Version RX 50 ENDURO[BAS]
13	AP8208418	Rostfr.Stahl H.Felge 1,85x18"	1	Technische Daten: Version RX 50 ENDURO[BAS]
14	AP8225200	Distanzscheibe	1	Technische Daten: Version RX 50 ENDURO[BAS]
15	AP8123757	Schraube M8x30	6	Technische Daten: Version RX 50 ENDURO[BAS]
16	AP8152154	Ausgleichscheibe 8,4x13*	5	Technische Daten: Version RX 50 ENDURO[BAS]
17	AP8225235	Distanzscheibe	1	Technische Daten: Version RX 50 ENDURO[BAS]
18	AP8225280	Distanzscheibe	1	Technische Daten: Version RX 50 ENDURO[BAS]
19	AP8225118	Lager	2	Technische Daten: Version RX 50 ENDURO[BAS]
20	AP8225313	Distanzscheibe	1	Technische Daten: Version RX 50 ENDURO[BAS]
21	0000000	Reifen	1	Technische Daten: Version RX 50 ENDURO[BAS]
22	0000000	Reifen	1	Technische Daten: Version RX 50 ENDURO[BAS]

Einheit	RAHMEN
Code	28.27
Beschreibung	Hinterrad - ENDURO
Inspektion	1



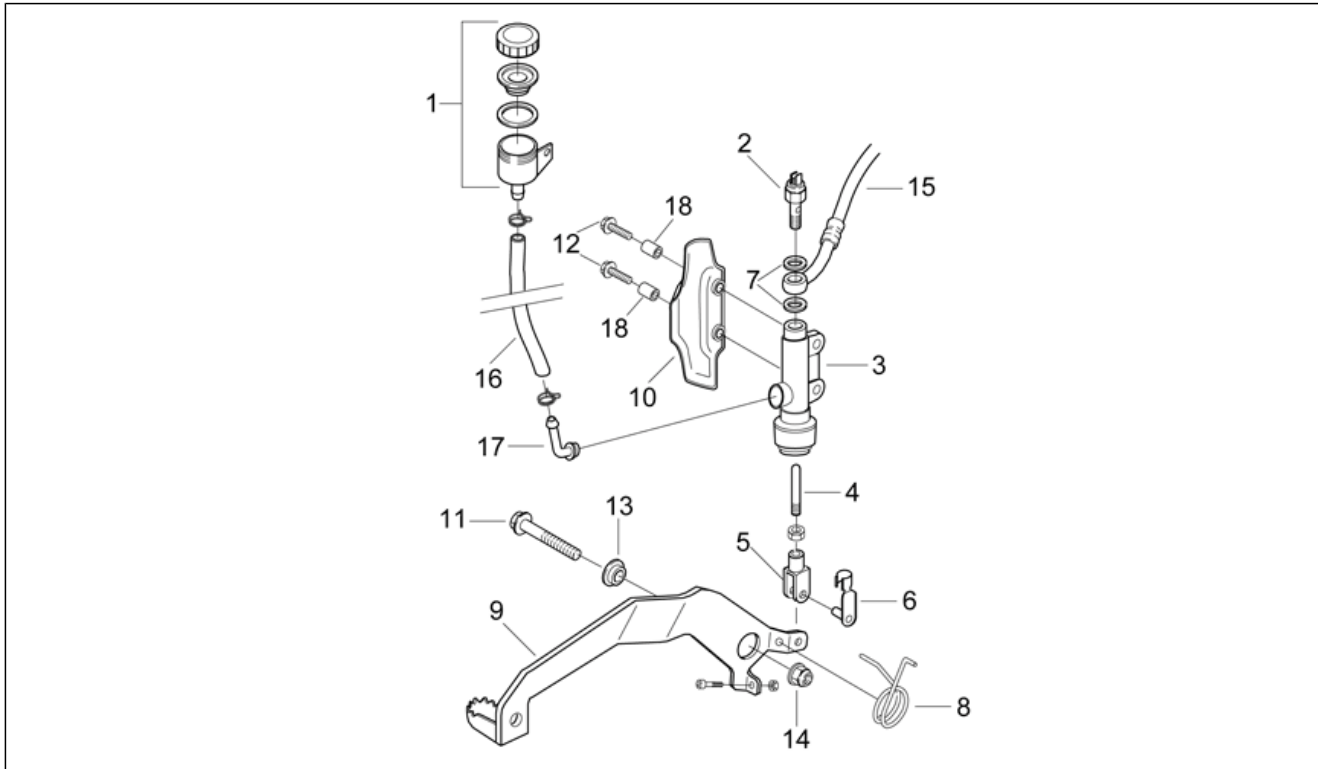
Pos.	Code	Beschreibung	Menge	Varianten
23	AP8207073	Kette Verbindungsgl.	1	Baujahr: 1995[S], 1996[T], 1997[V] Technische Daten: Version RX 50 ENDURO[BAS]
23	AP8207073	Kette Verbindungsgl.	1	Baujahr: 1998[W] Technische Daten: Version RX 50 ENDURO[BAS]
23	AP8207079	Kette Verbindungsgl.	1	Baujahr: 1998[W] Technische Daten: Version RX 50 ENDURO[BAS]
23	AP8207079	Kette Verbindungsgl.	1	Baujahr: 2002[Z], 2000[Y] Technische Daten: Version RX 50 ENDURO[BAS]
24	AP8152287	TE Schr. m. Flansch M8x25	5	Technische Daten: Version RX 50 ENDURO[BAS]

Einheit	RAHMEN
Code	28.28
Beschreibung	Hinterrad - SUPERMOTARD
Inspektion	1



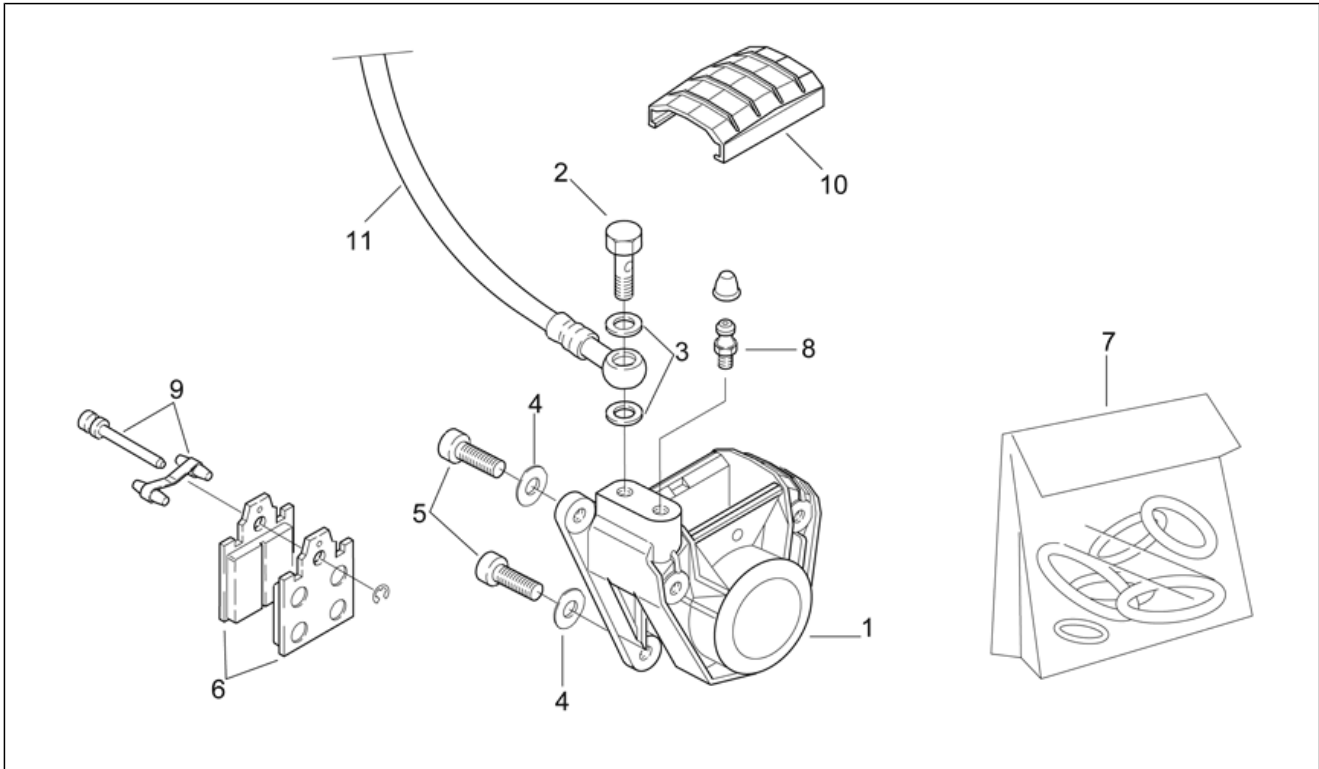
Pos.	Code	Beschreibung	Menge	Varianten
1	AP8208794	Hinterrad, Edelstahl	1	Technische Daten:Version MX 50 SUPERMOTARD[MOT]
2	AP8208410	Nippel D3	36	Technische Daten:Version MX 50 SUPERMOTARD[MOT]
3	AP8208793	Speiche D3-185/6/110	36	Technische Daten:Version MX 50 SUPERMOTARD[MOT]
4	AP8225262	Hinterradnabe	1	Technische Daten:Version MX 50 SUPERMOTARD[MOT]
5	AP8207088	Zahnkranz Z=51	1	Technische Daten:Version MX 50 SUPERMOTARD[MOT]
6	AP8225233	Hinterradbolzen	1	Technische Daten:Version MX 50 SUPERMOTARD[MOT]
7	AP8213268	Hinterradbremsscheibe D220	1	Technische Daten:Version MX 50 SUPERMOTARD[MOT]
8	AP8209159	Radband 17"	1	Technische Daten:Version MX 50 SUPERMOTARD[MOT]
9	AP8234064	Fixierplatte	1	Technische Daten:Version MX 50 SUPERMOTARD[MOT]
10	AP8152030	Selbstsperr.mut Unt. M14x1,5*	1	Technische Daten:Version MX 50 SUPERMOTARD[MOT]
11	AP8225209	Flachscheibe	2	Technische Daten:Version MX 50 SUPERMOTARD[MOT]
12	AP8232512	Kettenspannplatte	2	Technische Daten:Version MX 50 SUPERMOTARD[MOT]
13	AP8208791	H.Felge	1	Technische Daten:Version MX 50 SUPERMOTARD[MOT]
14	AP8225200	Distanzscheibe	1	Technische Daten:Version MX 50 SUPERMOTARD[MOT]
15	AP8152156	TCEI Schraube M6x14	6	Technische Daten:Version MX 50 SUPERMOTARD[MOT]
16	AP8152154	Ausgleichscheibe 8,4x13*	5	Technische Daten:Version MX 50 SUPERMOTARD[MOT]
17	AP8225235	Distanzscheibe	1	Technische Daten:Version MX 50 SUPERMOTARD[MOT]
18	AP8225280	Distanzscheibe	1	Technische Daten:Version MX 50 SUPERMOTARD[MOT]
19	AP8225118	Lager	2	Technische Daten:Version MX 50 SUPERMOTARD[MOT]
20	AP8225313	Distanzscheibe	1	Technische Daten:Version MX 50 SUPERMOTARD[MOT]
21	0000000	Reifen	1	Technische Daten:Version MX 50 SUPERMOTARD[MOT]
22	0000000	Reifen	1	Technische Daten:Version MX 50 SUPERMOTARD[MOT]
23	AP8207079	Kette Verbindungsgl.	1	Technische Daten:Version MX 50 SUPERMOTARD[MOT]
24	AP8152287	TE Schr. m. Flansch M8x25	5	Technische Daten:Version MX 50 SUPERMOTARD[MOT]

Einheit	RAHMEN
Code	28.29
Beschreibung	Hinterradbremspumpe
Inspektion	1



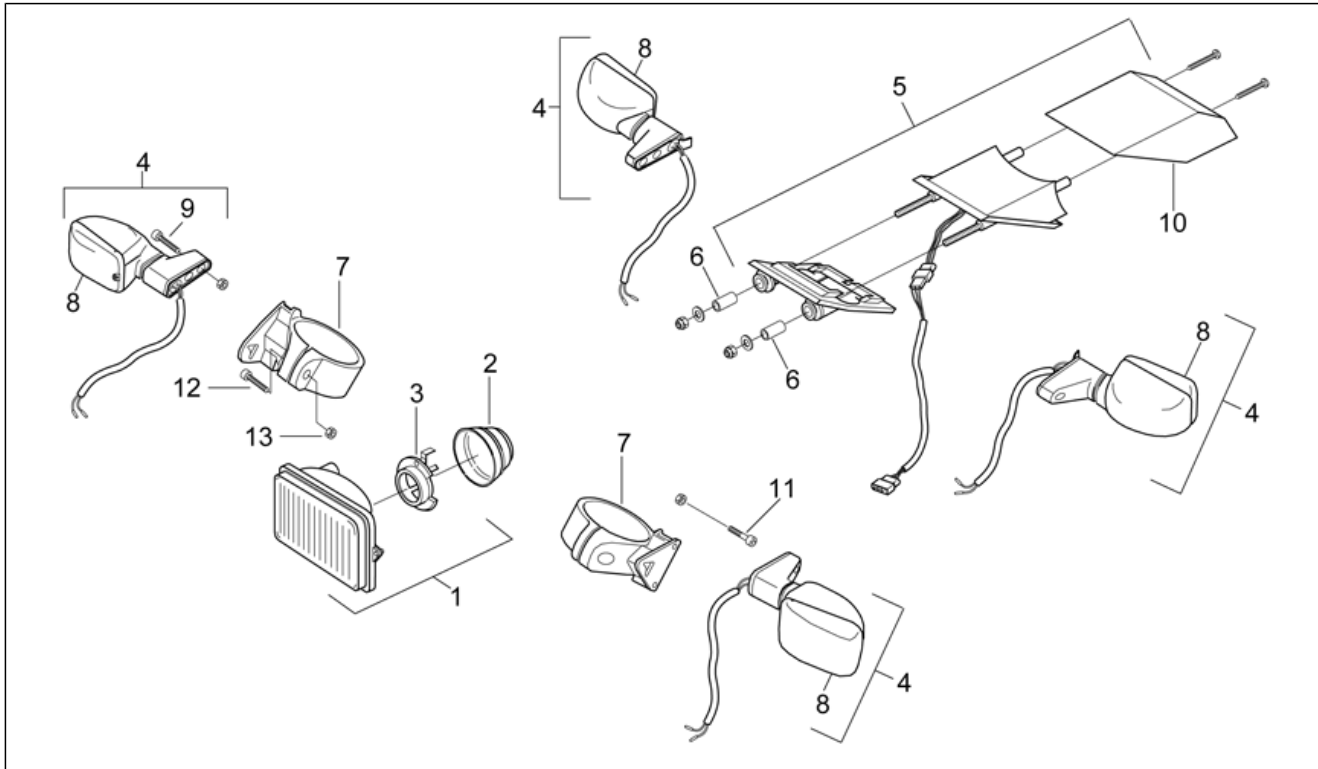
Pos.	Code	Beschreibung	Menge	Varianten
1	AP8213086	Öltank kpl	1	
2	AP8124479	Bremslichtschalter	1	
3	AP8213117	Hinterradbremspumpe	1	
4	AP8113248	Pumpenstange H. Bremse	1	
5	AP8113081	Schaltgabel	1	
6	AP8113082	Klemmen für Schaltgabel	1	
7	AP8113004	Ausgleichscheibe 10x14x1,6*	2	
8	AP8221100	Schraubenfederdrehung *	1	
9	AP8232901	H.bremshebel	1	
10	AP8230575	Bremse pumpenschutz	1	
11	AP8152291	TE Schr. m. Flansch	1	Technische Daten:Version MX 50 SUPERMOTARD[MOT]
11	AP8152294	TE Schr. m. Flansch	1	Technische Daten:Version RX 50 ENDURO[BAS]
12	AP8152279	TE Schr. m. Flansch M6x20	2	
13	AP8221234	Distanzscheibe	1	
14	AP8152300	Selbstsperrende Mutter M8	1	
15	AP8213233	Hinterradbremseleitung	1	
16	AP8220402	Leitung 5x9	1	
17	AP8113157	Anschluss	1	
18	AP8120253	Distanzscheibe	2	

Einheit	RAHMEN
Code	28.30
Beschreibung	Hinterradbremsszange
Inspektion	1



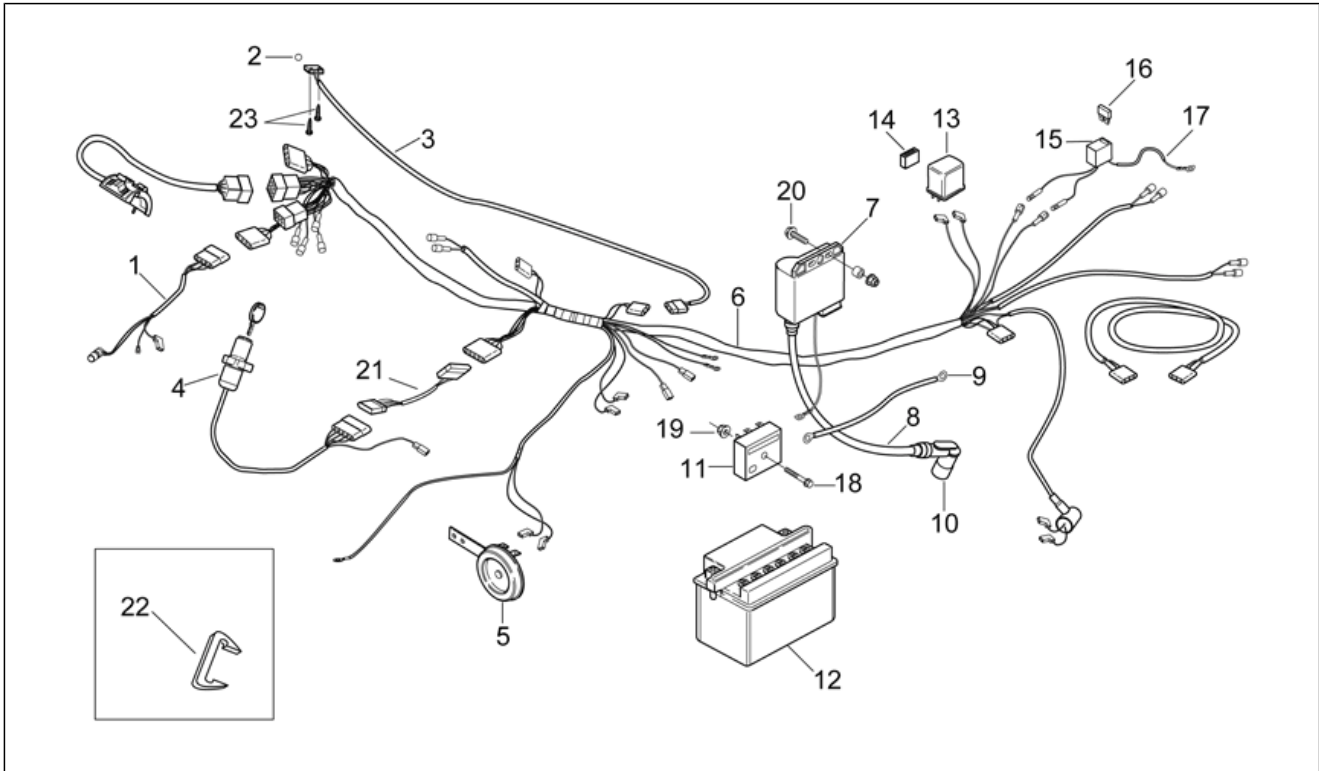
Pos.	Code	Beschreibung	Menge	Varianten
1	AP8213081	Hinterradbremsszange	1	
2	AP8113003	Fixierschraube Ölschlauch	1	
3	AP8113004	Ausgleichscheibe 10x14x1,6*	2	
4	AP8150376	Ausgleichscheibe 8,5x15x0,8	2	
5	AP8150169	TCEI Schraube M8x20	2	
6	AP8213104	Beläge (Paar)	1	
7	AP8213102	Bausatz Bremszangenüberholung	1	
8	AP8213108	Entlüftungsanschluß	1	
9	AP8213415	Bolzen+Bremse Felder	1	
10	AP8213361	H.Bremsszangedeckel	1	
11	AP8213233	Hinterradbremssleitung	1	

Einheit	RAHMEN
Code	28.31
Beschreibung	Lichter
Inspektion	1



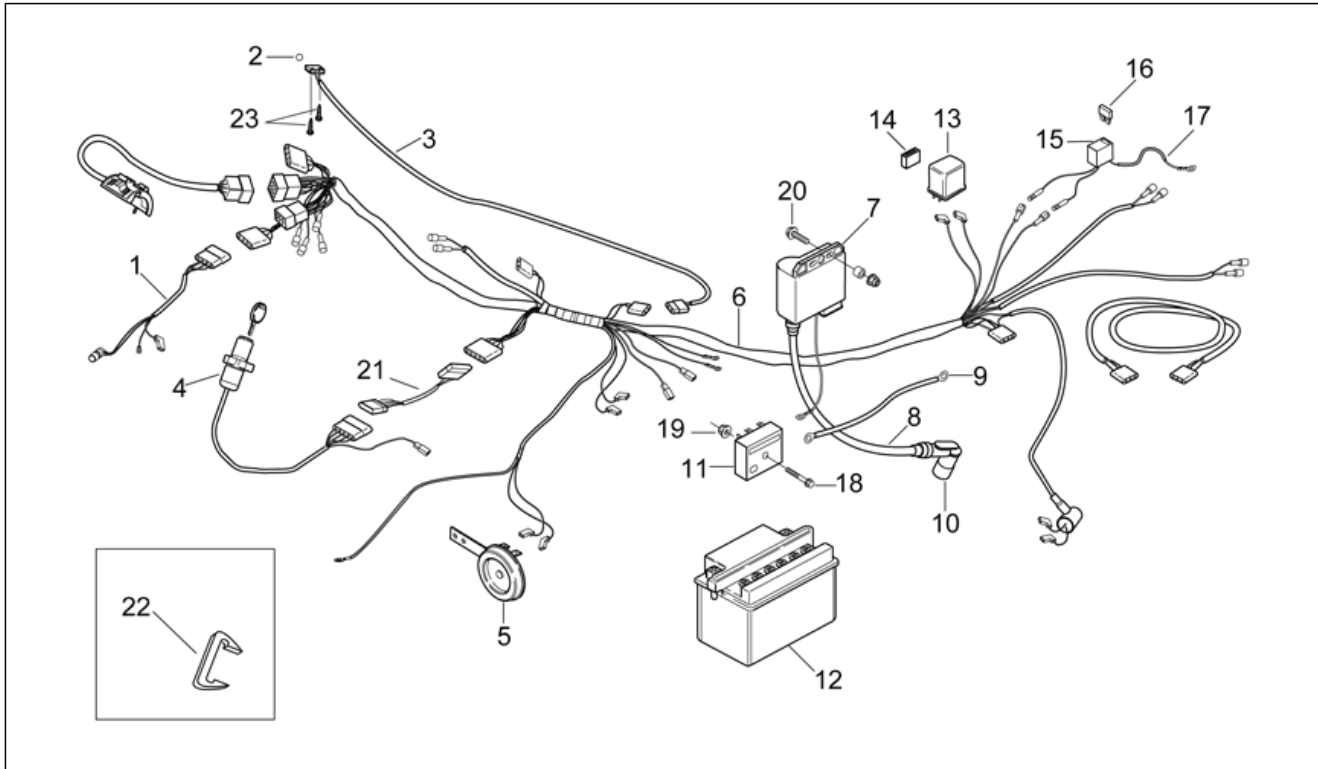
Pos.	Code	Beschreibung	Menge	Varianten
1	AP8112662	Scheinwerfer	1	Land: Schweiz[CH], CH,DK,GR,E,F[EU], Israel[IL], Japan[J]
1	AP8212397	Scheinwerfer	1	Land: Österreich[A], Belgien[B], Brasilien[BR], Dänemark[DK], Spanien[E], CH,DK,GR,E,F[EU], Frankreich[F], Griechenland[GR], Italien[I], Holland[NL], Portugal[P], Großbritannien[UK]
2	AP8220262	Scheinwerferhaube	1	Technische Daten: Nationale Zulassung[MU], EU-Zulassung (Grenzen EURO 1)[ST]
3	AP8112713	Lampenhalter	1	Land: Schweiz[CH], CH,DK,GR,E,F[EU], Israel[IL], Japan[J]
3	AP8212465	Lampenhalter	1	Land: Österreich[A], Belgien[B], Brasilien[BR], Dänemark[DK], Spanien[E], CH,DK,GR,E,F[EU], Frankreich[F], Griechenland[GR], Italien[I], Holland[NL], Portugal[P], Großbritannien[UK]
4	AP8112687	Blinker	4	
5	AP8112531	Rücklicht	1	
6	AP8121795	T-Buchse	4	
7	AP8120678	Blinkerhalterung	2	Baujahr: 2002[2], 2003[3] Technische Daten: Nationale Zulassung[MU], EU-Zulassung (Grenzen EURO 1)[ST]
7	AP8120678	Blinkerhalterung	2	Baujahr: 1995[S], 1996[T], 1997[V], 1998[W], 2000[Y]
7	AP8220640	Blinkerhalterung	2	Baujahr: 2002[2], 2003[3] Technische Daten: Nationale Zulassung[MU], EU-Zulassung (Grenzen EURO 1)[ST]
7	AP8220640	Blinkerhalterung	2	Baujahr: 2003[3] Technische Daten: Zulassung Volle Leistung[TT]
8	AP8112756	Blinkerblende	4	
9	AP8150160	TCEI Schraube M6x20	1	
10	AP8112633	Rücklichtblende	1	
11	AP8150053	TCEI Schraube M6x25	1	
12	AP8150176	TCEI Schraube	2	
13	AP8150451	Selbstsperr.mut Unt.	2	

Einheit	RAHMEN
Code	28.32
Beschreibung	Elektrische Anlage
Inspektion	1



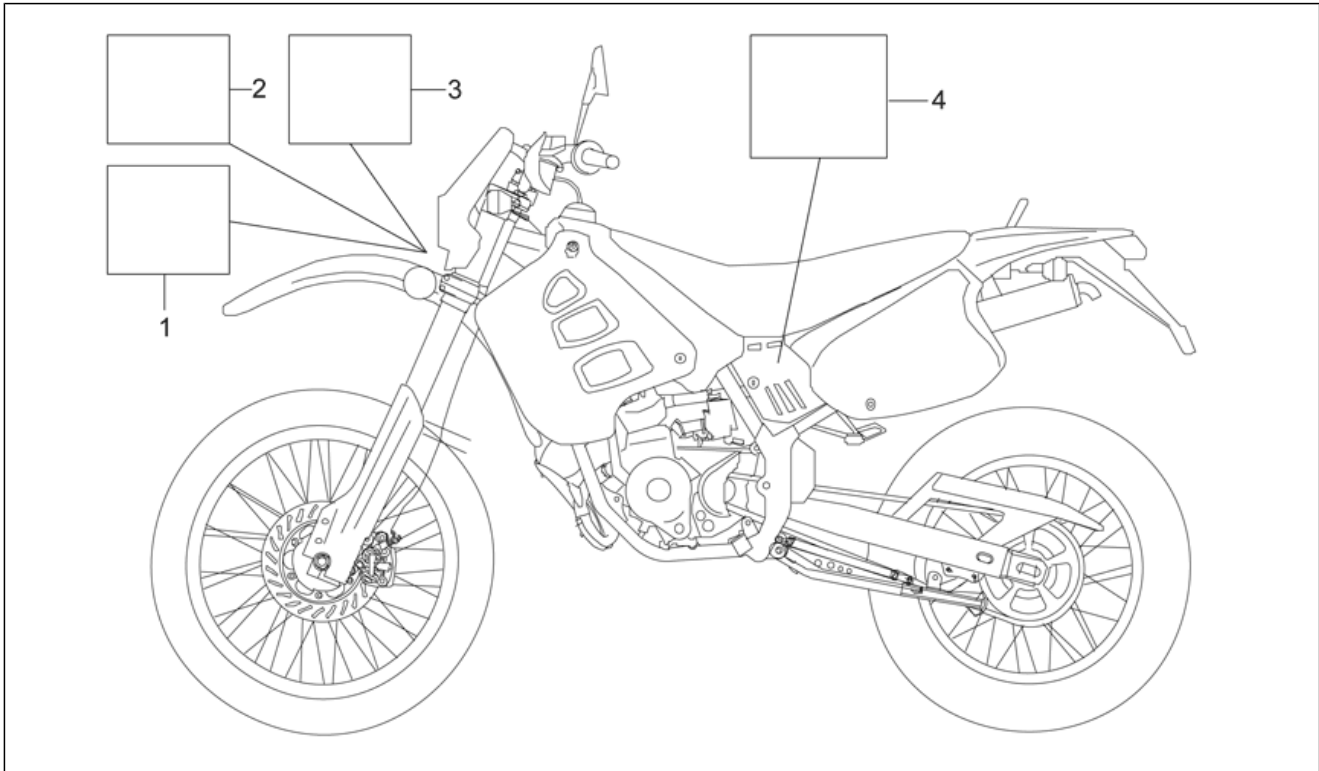
Pos.	Code	Beschreibung	Menge	Varianten
1	AP8212434	Verkabel.Scheinwerf.	1	Technische Daten: Nationale Zulassung[MU], EU-Zulassung (Grenzen EURO 1)[ST]
2	AP8201326	Kugel 7,1	1	
3	AP8212196	Stoppschalter+Kabeln	1	
4	AP8112710	Lenkschloß	1	Baujahr: 2002[2], 1998[W], 2000[Y] Land: Japan[J] Technische Daten: Lichtauschalter[SD]
4	AP8112710	Lenkschloß	1	Baujahr: 2003[3] Land: Japan[J] Technische Daten: Lichtauschalter[SD]
4	AP8212342	Lenkschloß	1	Baujahr: 1995[S], 1996[T], 1997[V] Land: Japan[J] Technische Daten: Lichtauschalter[SD]
4	AP8212342	Lenkschloß	1	Land: Österreich[A], Belgien[B], Brasilien[BR], Dänemark[DK], Spanien[E], CH,DK,GR,E,F[EU], Frankreich[F], Griechenland[GR], Italien[I], Israel[IL], Holland[NL], Portugal[P], Großbritannien[UK] Technische Daten: Lichtauschalter[SD]
4	AP8224548	Lenkschloß	1	Baujahr: 2003[3] Land: Schweiz[CH], CH,DK,GR,E,F[EU] Technische Daten: Lichter immer eingeschaltet[ASD], Zulassung Volle Leistung[TT]
4	AP8224548	Lenkschloß	1	Land: Österreich[A], Belgien[B], Brasilien[BR], Dänemark[DK], Spanien[E], CH,DK,GR,E,F[EU], Frankreich[F], Griechenland[GR], Italien[I], Israel[IL], Holland[NL], Portugal[P], Großbritannien[UK] Technische Daten: Lichter immer eingeschaltet[ASD]
4	AP8224548	Lenkschloß	1	Baujahr: 2003[3] Land: Japan[J] Technische Daten: Lichter immer eingeschaltet[ASD]
5	AP8212753	Hupe	1	
6	AP8212425	Hauptverkabelung	1	
7	AP8212474	Geber	1	

Einheit	RAHMEN
Code	28.32
Beschreibung	Elektrische Anlage
Inspektion	1



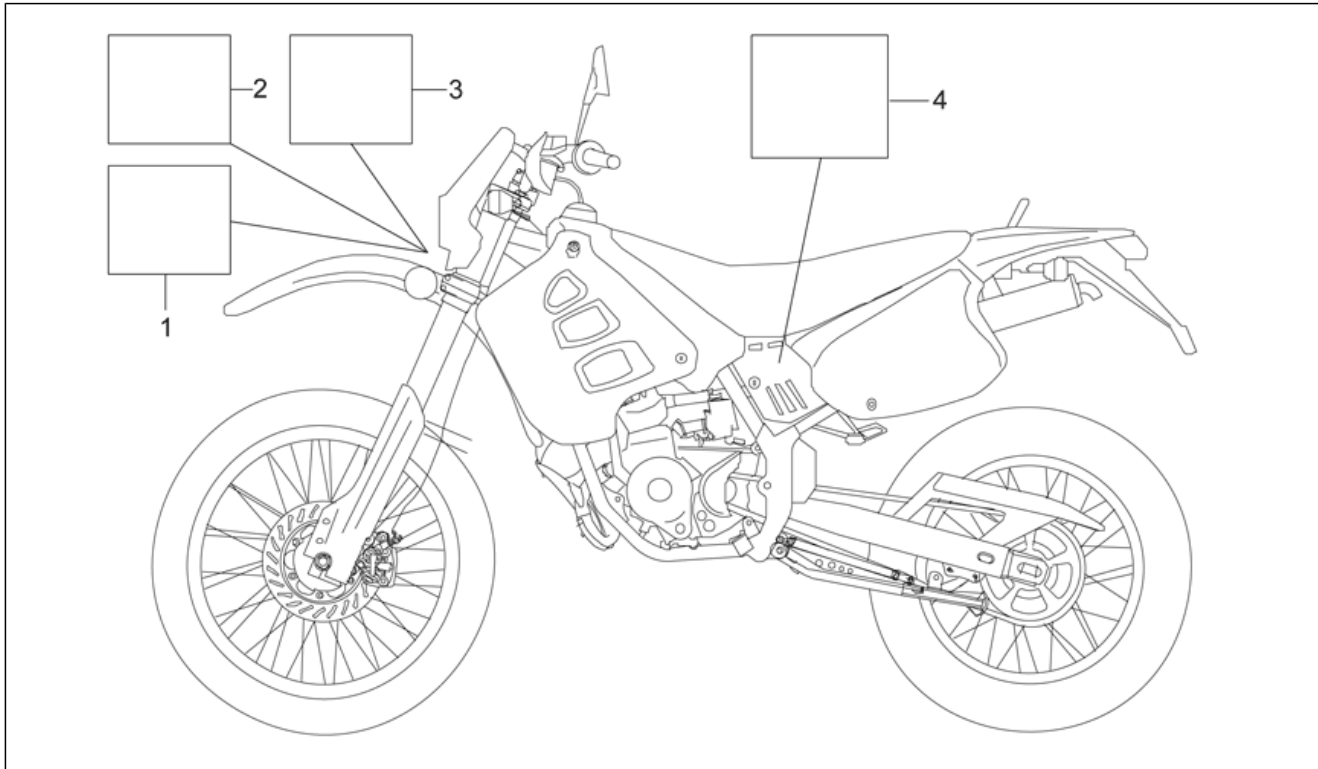
Pos.	Code	Beschreibung	Menge	Varianten
8	AP8212212	HS-Verkabelung	1	
9	AP8112573	Batter.kbel negativ	1	
10	AP8212219	Widerstandsstecker	1	Baujahr: 1995[S], 1996[T] Land: Österreich[A], Spanien[E], Frankreich[F], Israel[IL], Japan[J], Portugal[P]
10	AP8212219	Widerstandsstecker	1	Baujahr: 2002[2], 2003[3], 1997[V], 1998[W], 2000[Y]
10	AP8220179	Zündkerzenkappe	1	Baujahr: 1995[S], 1996[T] Land: Italien[I]
11	AP8124079	Spannungsregler	1	Baujahr: 1995[S], 1996[T], 1997[V]
11	AP8212121	Spannungsregler	1	Baujahr: 2002[2], 2003[3], 1998[W], 2000[Y]
12	AP8212110	Batterie 12V-4Ah	1	
13	AP8124235	Blinken	1	
14	AP8212165	Summerhalterung	1	
15	AP8212143	Sicherungs-/Diodenblock	1	
16	AP8112244	Sicherung 7,5A	1	
17	AP8112458	Batter.kbel negativ	1	
18	AP8152282	TE Schr. m. Flansch M6x35	1	
19	AP8152299	Selbstsperrende Mutter M6	7	
20	AP8152280	TE Schr. m. Flansch M6x25	2	
21	AP8224017	Lichtkabel	1	Baujahr: 1998[W], 2000[Y] Land: Japan[J]
22	AP8121309	Steckverbinder kl.Feder	1	
23	AP8150238	Linsenschraube 2,2x12,7	2	

Einheit	RAHMEN
Code	28.33
Beschreibung	Schilden
Inspektion	1



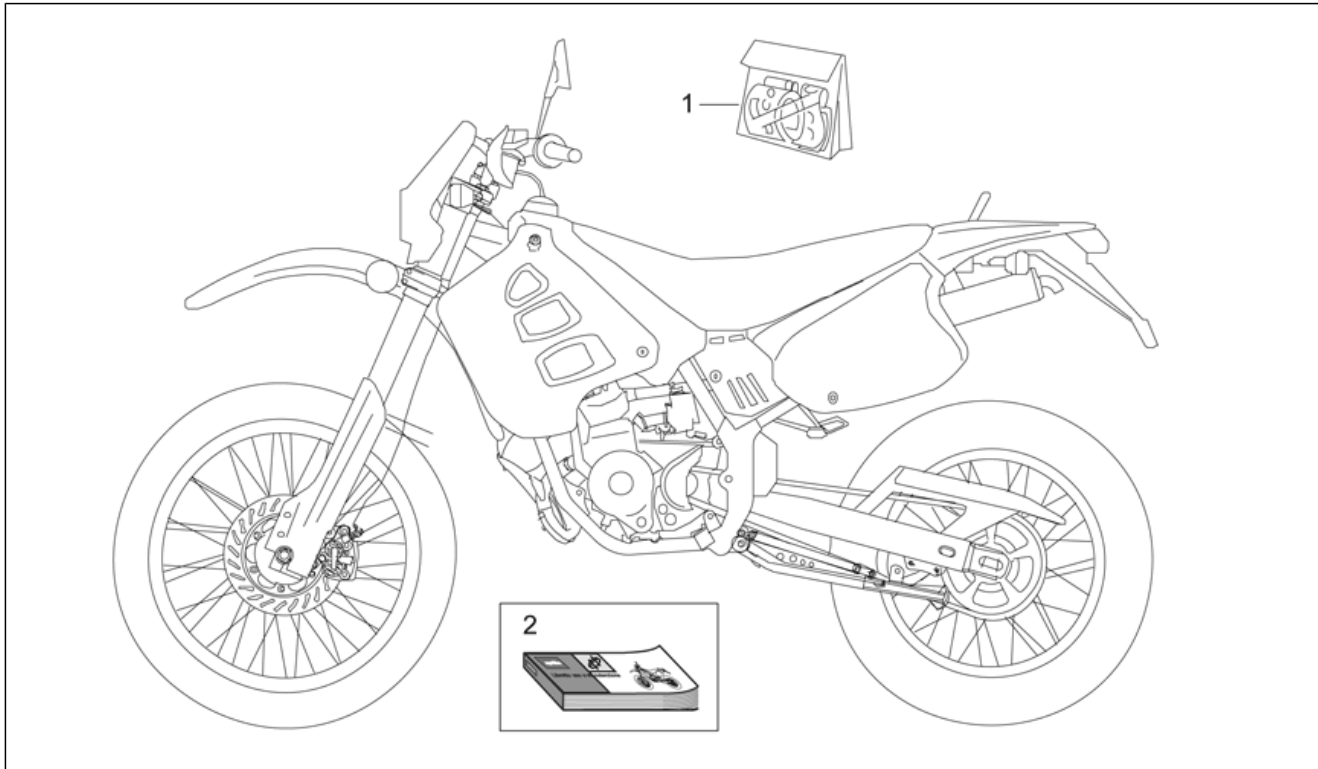
Pos.	Code	Beschreibung	Menge	Varianten
1	AP8237388	Herstellerschild	1	Baujahr: 1996[T], 1997[V], 1998[W], 2000[Y] Land: Österreich[A] Technische Daten: Nationale Zulassung[MU]
1	AP8237634	Herstellerschild	1	Baujahr: 1996[T] Land: Spanien[E], Israel[IL] Technische Daten: Nationale Zulassung[MU]
1	AP8237836	Herstellerschild	1	Baujahr: 1996[T] Land: Frankreich[F] Technische Daten: Nationale Zulassung[MU]
1	AP8237975	Herstellerschild	1	Baujahr: 1997[V], 1998[W], 2000[Y] Land: Spanien[E], Griechenland[GR], Italien[I], Israel[IL], Portugal[P], Großbritannien[UK] Technische Daten: Nationale Zulassung[MU]
1	AP8247118	Herstellerschild	1	Baujahr: 1997[V], 1998[W], 2000[Y] Land: Dänemark[DK], Frankreich[F] Technische Daten: Nationale Zulassung[MU]
1	AP8257132	Herstellerschild	1	Baujahr: 1998[W], 2000[Y] Land: Belgien[B] Technische Daten: Nationale Zulassung[MU]
1	AP8267449	Herstellerschild	1	Baujahr: 2002[2] Technische Daten: EU-Zulassung (Grenzen EURO 1)[ST]
1	AP8267611	Herstellerschild	1	Baujahr: 2002[2], 2003[3] Technische Daten: Version MX 50 SUPERMOTARD[MOT], EU-Zulassung (Grenzen EURO 1)[ST]
1	AP8267976	Herstellerschild	1	Baujahr: 2003[3] Technische Daten: Version MX 50 SUPERMOTARD[MOT], Zulassung Volle Leistung[TT]
2	AP8237405	ECE Schild	1	Baujahr: 1996[T] Land: Portugal[P] Technische Daten: Nationale Zulassung[MU]
2	AP8237406	ECE Schild	1	Baujahr: 1996[T] Land: Frankreich[F] Technische Daten: Nationale Zulassung[MU]
2	AP8237436	ECE Schild	1	Baujahr: 1996[T], 1997[V], 1998[W], 2000[Y]

Einheit	RAHMEN
Code	28.33
Beschreibung	Schilden
Inspektion	1



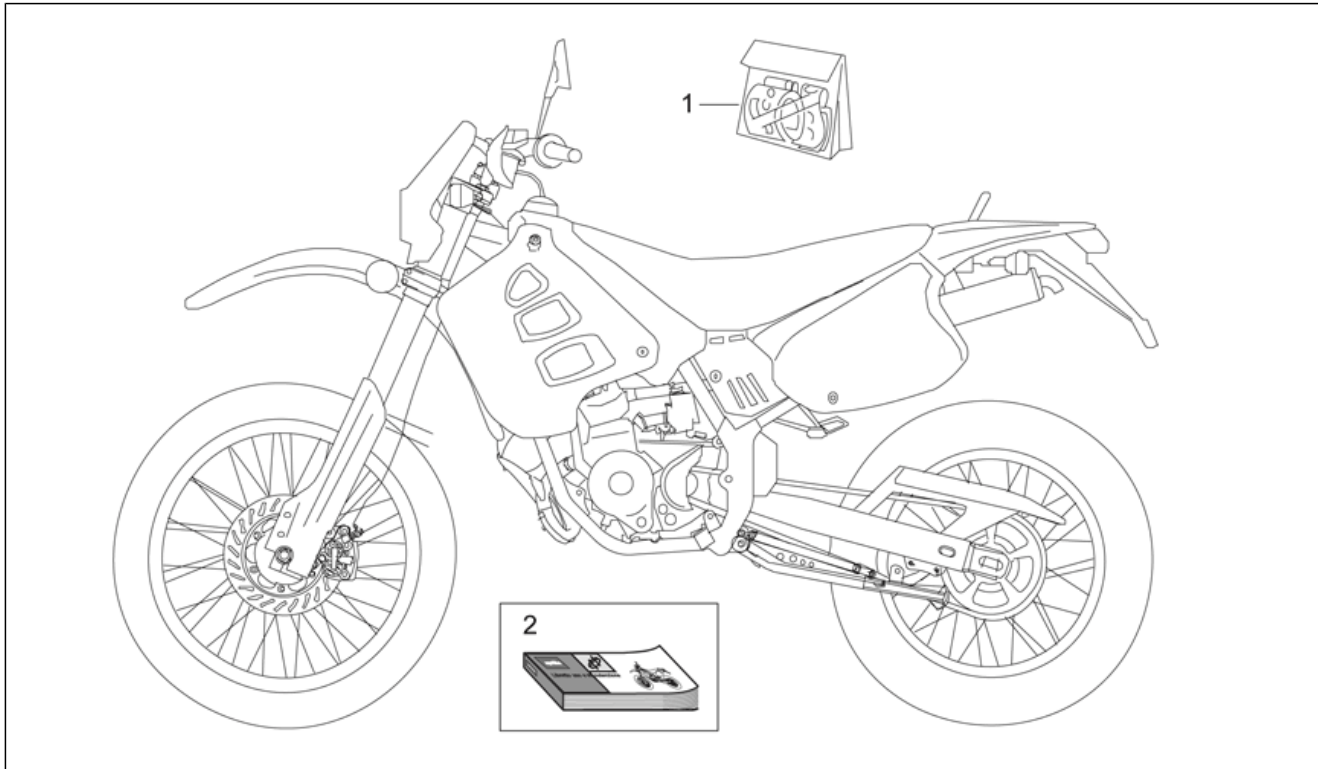
Pos.	Code	Beschreibung	Menge	Varianten
				Land:Österreich[A] Technische Daten:Nationale Zulassung[MU]
2	AP8237436	ECE Schild	1	Baujahr:1996[T] Land:Spanien[E], Israel[IL] Technische Daten:Nationale Zulassung[MU]
2	AP8247089	ECE Schild	1	Baujahr:1997[V], 1998[W], 2000[Y] Land:Spanien[E], Griechenland[GR], Italien[I], Israel[IL], Portugal[P], Großbritannien[UK] Technische Daten:Nationale Zulassung[MU]
2	AP8247121	ECE Schild	1	Baujahr:1997[V], 1998[W], 2000[Y] Land:Belgien[B], Dänemark[DK], Frankreich[F] Technische Daten:Nationale Zulassung[MU]
3	AP8237261	DGM Schild	1	Baujahr:1995[S], 1996[T] Land:Italien[I] Technische Daten:Nationale Zulassung[MU]
3	AP8247186	DGM Schild	1	Baujahr:1997[V], 1998[W], 2000[Y] Land:Griechenland[GR], Italien[I] Technische Daten:Nationale Zulassung[MU]
4	AP8237389	Fälschungssicheres Schild	1	Baujahr:1996[T], 1997[V], 1998[W], 2000[Y] Land:Österreich[A] Technische Daten:Nationale Zulassung[MU]
4	AP8257060	Fälschungssicheres Schild	1	Baujahr:1998[W], 2000[Y] Land:Dänemark[DK] Technische Daten:Nationale Zulassung[MU]
4	AP8267446	Fälschungssicheres Schild	1	Baujahr:2002[2] Technische Daten:Version RX 50 ENDURO[BAS], EU-Zulassung (Grenzen EURO 1)[ST]
4	AP8267622	Fälschungssicheres Schild	1	Baujahr:2002[2], 2003[3] Technische Daten:Version MX 50 SUPERMOTARD[MOT], EU-Zulassung (Grenzen EURO 1)[ST]
4	AP8267975	Fälschungssicheres Schild	1	Baujahr:2003[3] Technische Daten:Version MX 50 SUPERMOTARD[MOT], Zulassung Volle Leistung[TT]

Einheit	RAHMEN
Code	28.34
Beschreibung	Deko und bed./wart.- Anleitungen
Inspektion	1



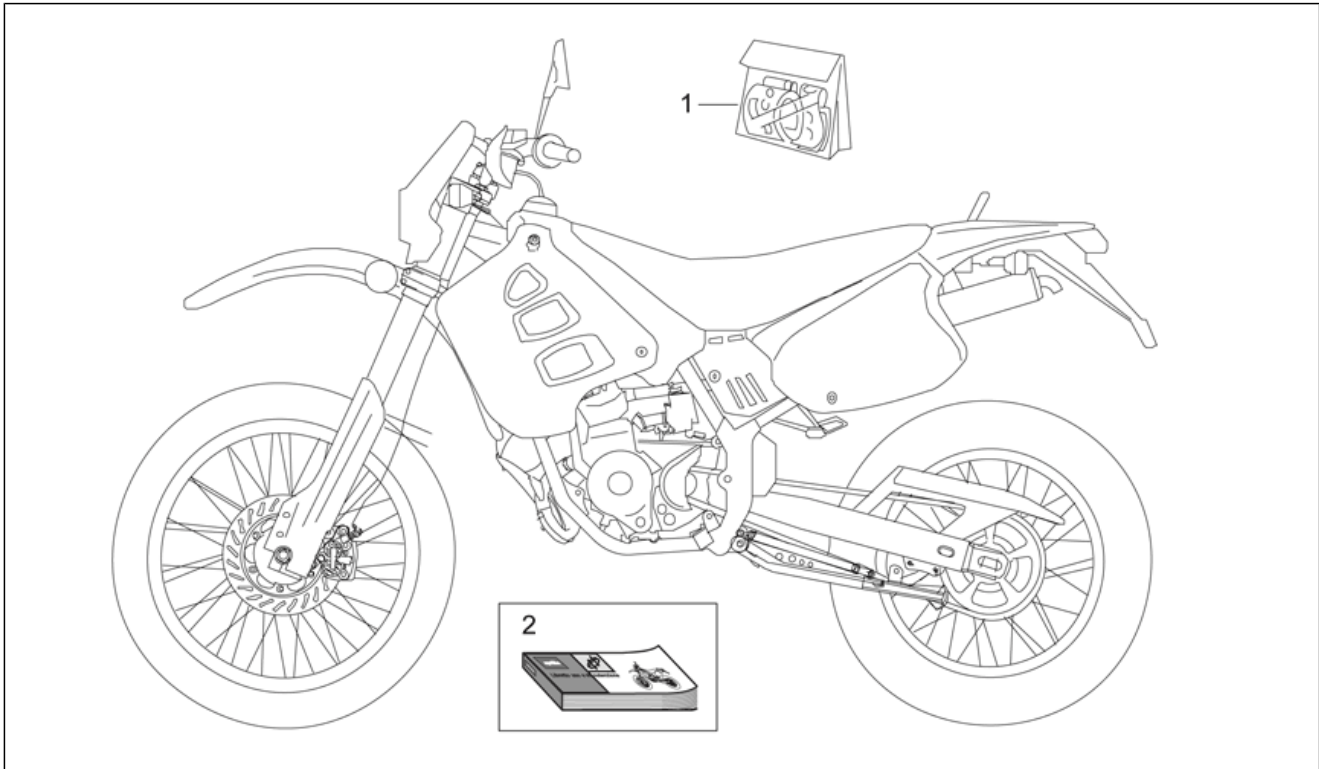
Pos.	Code	Beschreibung	Menge	Varianten
1	AP8215970	Deko Serie	1	Baujahr: 1995[S] Fahrzeugfarbe: Schwarz '95[Black]
1	AP8237253	Deko Serie	1	Baujahr: 1995[S] Fahrzeugfarbe: Blau / Grau '95-'96[B/G]
1	AP8237540	Deko Serie	1	Baujahr: 1996[T] Fahrzeugfarbe: Orange / Grau '96[O/G]
1	AP8237820	Deko Serie	1	Baujahr: 1996[T] Fahrzeugfarbe: Blau / Grau '95-'96[B/G]
1	AP8237950	Deko Serie	1	Baujahr: 1997[V] Fahrzeugfarbe: Orange / Aluminium '97[O/A]
1	AP8247210	Deko Serie	1	Baujahr: 1997[V] Fahrzeugfarbe: Blau/Aluminium '97[B/A]
1	AP8247733	Deko Serie	1	Baujahr: 1998[W] Fahrzeugfarbe: Schwarz / Gelb '98-2002[Bi/Ye]
1	AP8247733	Deko Serie	1	Baujahr: 2002[2] Fahrzeugfarbe: Schwarz / Gelb '98-2002[Bi/Ye] Technische Daten: Version RX 50 ENDURO[BAS]
1	AP8247848	Deko Serie	1	Baujahr: 2002[2] Fahrzeugfarbe: Blau/Hellblau '98-2002[Bi/Cy] Technische Daten: Version RX 50 ENDURO[BAS]
1	AP8247848	Deko Serie	1	Baujahr: 1998[W] Fahrzeugfarbe: Blau/Hellblau '98-2002[Bi/Cy]
1	AP8267168	Deko Serie	1	Baujahr: 2000[Y] Fahrzeugfarbe: Schwarz / Rot 2000-2002[Bi/Re]
1	AP8267168	Deko Serie	1	Baujahr: 2002[2] Fahrzeugfarbe: Schwarz / Rot 2000-2002[Bi/Re] Technische Daten: Version RX 50 ENDURO[BAS]
1	AP8267612	Deko Serie	1	Baujahr: 2002[2], 2003[3] Fahrzeugfarbe: Schwarz 2002-03[Bk] Technische Daten: Version MX 50 SUPERMOTARD[MOT], EU-Zulassung (Grenzen EURO 1)[ST], Zulassung Volle Leistung[TT]
1	AP8267664	Deko Serie	1	Baujahr: 2003[3]

Einheit	RAHMEN
Code	28.34
Beschreibung	Deko und bed./wart.- Anleitungen
Inspektion	1



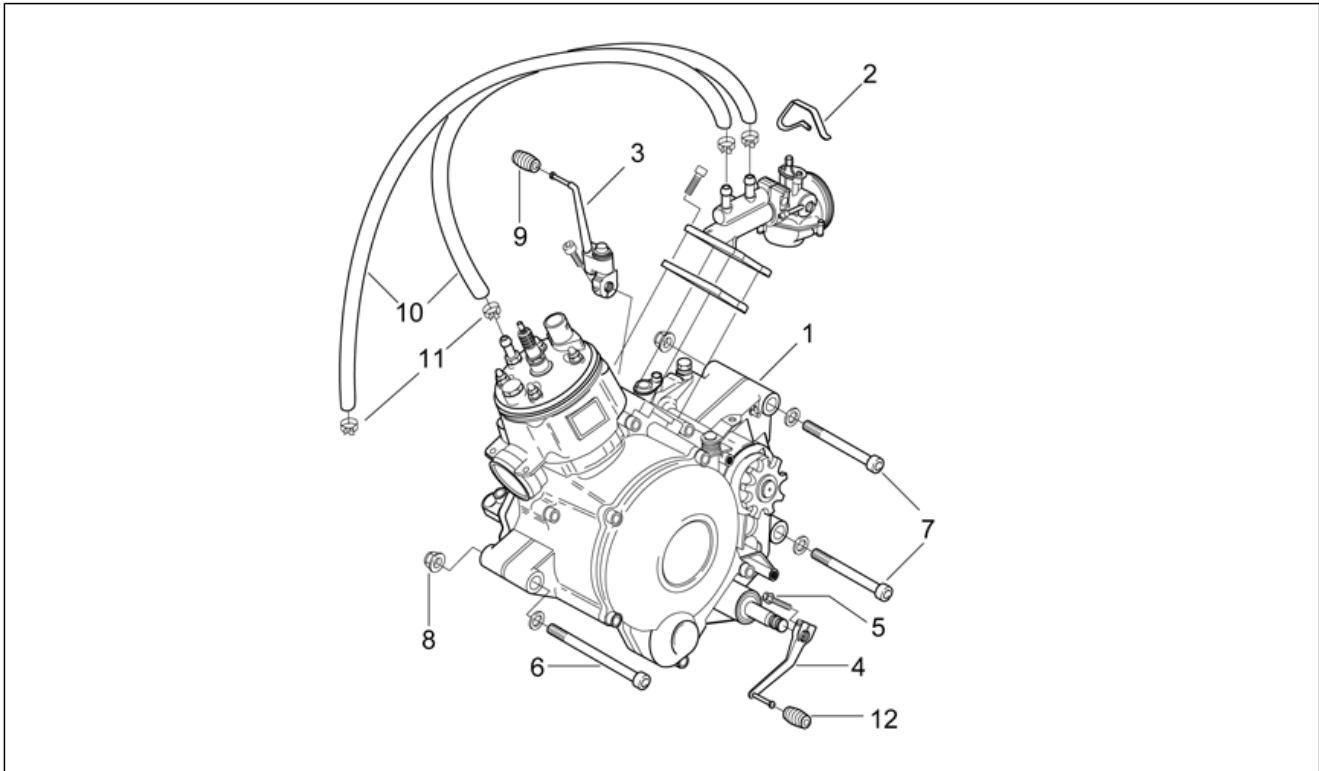
Pos.	Code	Beschreibung	Menge	Varianten
				Fahrzeugfarbe: Rot 2003[Red] Technische Daten: Version MX 50 SUPERMOTARD[MOT], EU-Zulassung (Grenzen EURO 1)[ST], Zulassung Volle Leistung[TT]
1	AP8277112	Deko Serie	1	Baujahr: 2003[3] Fahrzeugfarbe: Blau 2003[Blue] Technische Daten: Version MX 50 SUPERMOTARD[MOT]
2	AP8201810	Bed./Wart.-Anleit. -I-	1	Baujahr: 1995[S] Land: Italien[I] Technische Daten: Nationale Zulassung[MU]
2	AP8201956	Bed./Wart.-Anleit. -I-F-D-	1	Baujahr: 1996[T] Land: Österreich[A], Frankreich[F], Italien[I] Technische Daten: Nationale Zulassung[MU]
2	AP8201957	Bed./Wart.-Anleit. -P-E-UK-	1	Baujahr: 1996[T] Land: Spanien[E], Israel[IL], Portugal[P] Technische Daten: Nationale Zulassung[MU]
2	AP8202047	Bed./Wart.-Anleit. -P-E-UK-	1	Baujahr: 1997[V], 1998[W], 2000[Y] Land: Brasilien[BR], Dänemark[DK], Spanien[E], Griechenland[GR], Israel[IL], Japan[J], Portugal[P], Großbritannien[UK] Technische Daten: Nationale Zulassung[MU]
2	AP8202157	Bed./Wart.-Anl. I-F-D	1	Baujahr: 1997[V], 1998[W], 2000[Y] Land: Österreich[A], Belgien[B], Frankreich[F], Italien[I] Technische Daten: Nationale Zulassung[MU]
2	AP8202309	Bed./Wart.-Anl. I-F-D	1	Baujahr: 2002[2] Land: Frankreich[F], Italien[I] Technische Daten: Version RX 50 ENDURO[BAS], EU-Zulassung (Grenzen EURO 1)[ST]
2	AP8202310	Bed./Wart.-Anl. P-E-UK	1	Baujahr: 2002[2] Land: Dänemark[DK], Spanien[E], Griechenland[GR], Großbritannien[UK] Technische Daten: Version RX 50 ENDURO[BAS], EU-Zulassung (Grenzen EURO 1)[ST]
2	AP8202323	Bed./Wart.-Anl. I-F-D	1	Baujahr: 2002[2], 2003[3] Land: Österreich[A], Schweiz[CH], Frankreich[F], Italien[I]

Einheit	RAHMEN
Code	28.34
Beschreibung	Deko und bed./wart.- Anleitungen
Inspektion	1



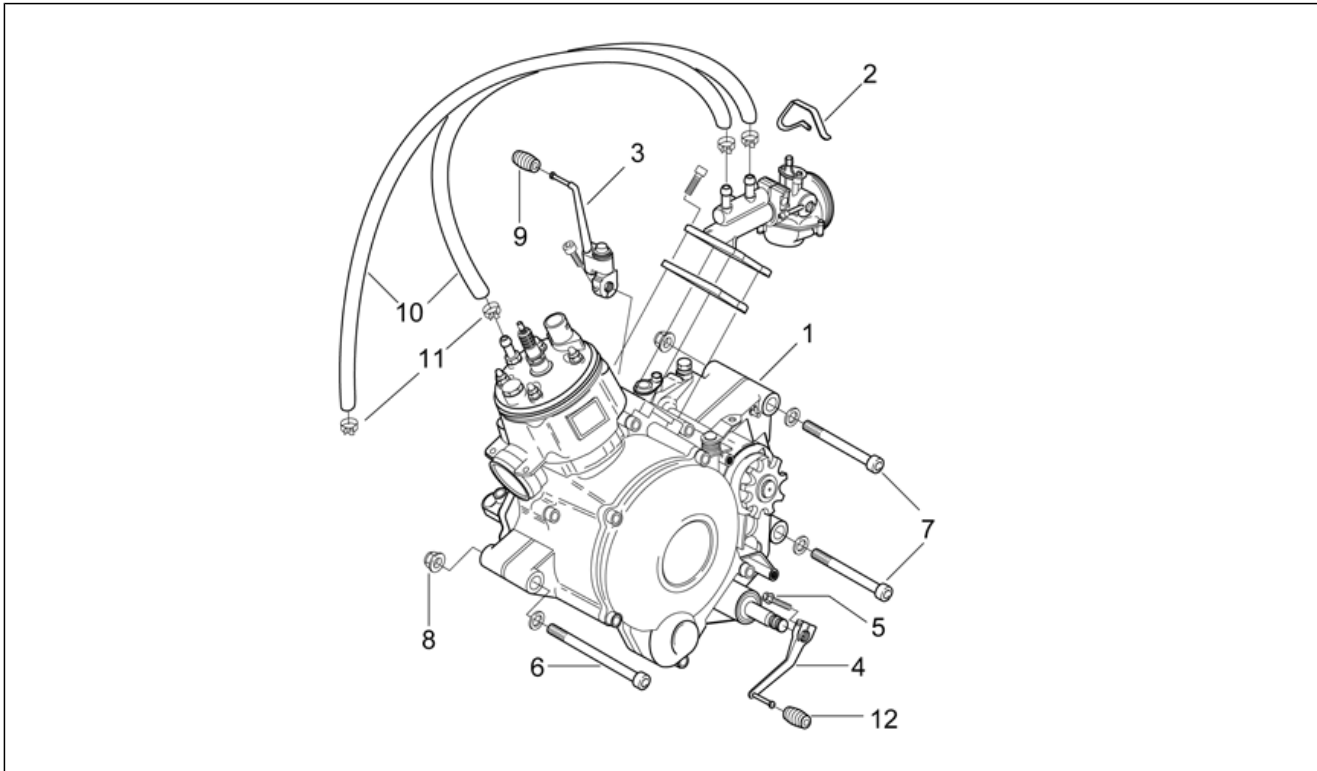
Pos.	Code	Beschreibung	Menge	Varianten
				Technische Daten: Version MX 50 SUPERMOTARD[MOT], EU-Zulassung (Grenzen EURO 1)[ST], Zulassung Volle Leistung[TT]
2	AP8202325	Bed./Wart.-Anl. P-E-UK	1	Baujahr: 2002[2], 2003[3] Land: Spanien[E], Holland[NL], Großbritannien[UK] Technische Daten: EU-Zulassung (Grenzen EURO 1)[ST]
2	AP8202349	Bed./Wart.-Anl. NL-DK-SF	1	Baujahr: 2003[3] Land: Spanien[E], Holland[NL], Großbritannien[UK] Technische Daten: Version MX 50 SUPERMOTARD[MOT]

Einheit	MOTOR
Code	29.22
Beschreibung	Motor
Inspektion	1



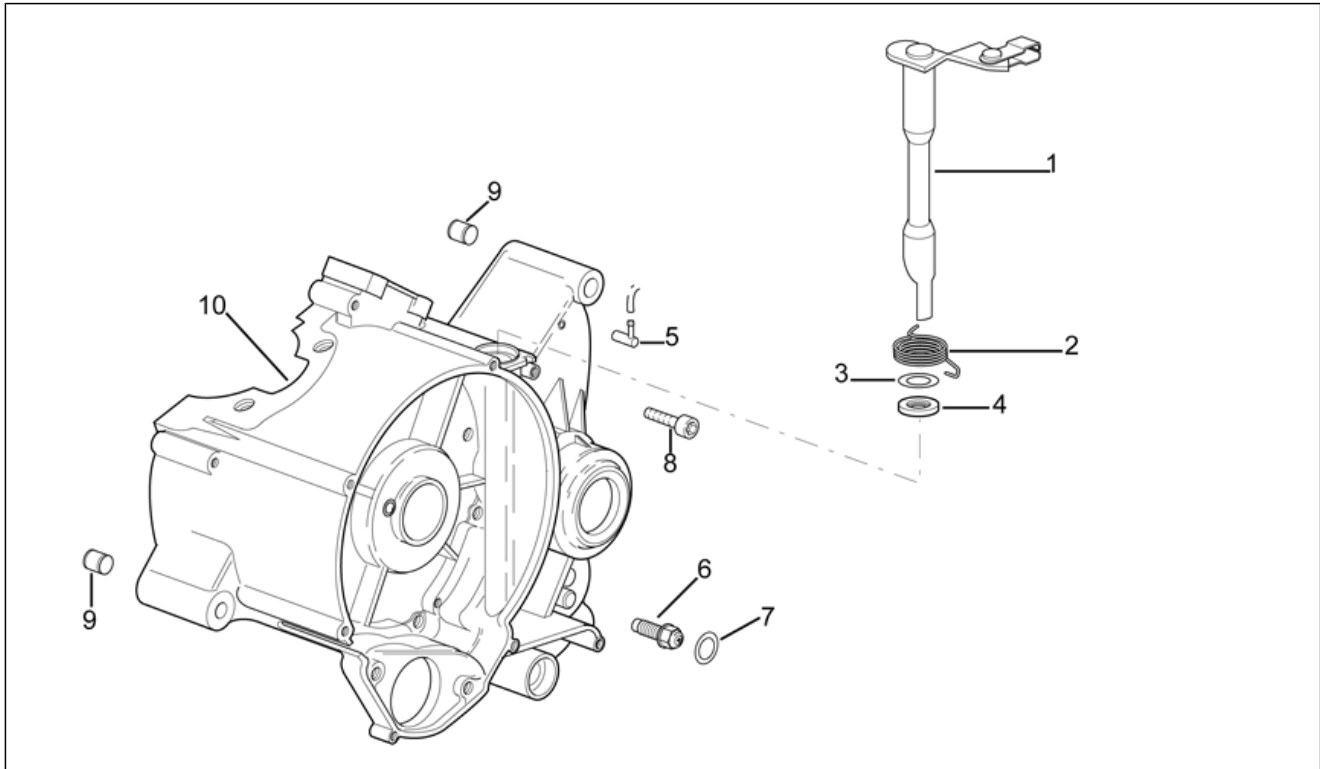
Pos.	Code	Beschreibung	Menge	Varianten
1	AP8222438	Motor AM6	1	Baujahr: 1995[S], 1996[T] Land: Spanien[E], Frankreich[F], Italien[I], Israel[IL], Portugal[P] Technische Daten: Nationale Zulassung[MU]
1	AP8222481	Motor AM6	1	Baujahr: 1995[S], 1996[T], 1997[V] Land: Österreich[A] Technische Daten: Nationale Zulassung[MU]
1	AP8222481	Motor AM6	1	Baujahr: 1998[W] Land: Österreich[A] Technische Daten: Nationale Zulassung[MU]
1	AP8222513	Motor AM6	1	Baujahr: 1998[W] Land: Belgien[B], Dänemark[DK], Spanien[E], Frankreich[F], Italien[I], Israel[IL], Japan[J], Portugal[P], Großbritannien[UK] Technische Daten: Nationale Zulassung[MU]
1	AP8222513	Motor AM6	1	Baujahr: 1997[V] Land: Spanien[E], Frankreich[F], Italien[I], Israel[IL], Japan[J], Portugal[P], Großbritannien[UK] Technische Daten: Nationale Zulassung[MU]
1	AP8222573	Motor AM6	1	Baujahr: 1998[W] Land: Belgien[B], Brasilien[BR], Dänemark[DK], Spanien[E], Frankreich[F], Griechenland[GR], Italien[I], Israel[IL], Japan[J], Portugal[P], Großbritannien[UK] Technische Daten: Nationale Zulassung[MU]
1	AP8222573	Motor AM6	1	Baujahr: 2000[Y] Land: Belgien[B], Brasilien[BR], Dänemark[DK], Spanien[E], Frankreich[F], Griechenland[GR], Italien[I], Israel[IL], Japan[J], Portugal[P], Großbritannien[UK] Technische Daten: Nationale Zulassung[MU]
1	AP8222574	Motor AM6	1	Baujahr: 2000[Y] Land: Österreich[A] Technische Daten: Nationale Zulassung[MU]
1	AP8222574	Motor AM6	1	Baujahr: 1998[W] Land: Österreich[A] Technische Daten: Nationale Zulassung[MU]

Einheit	MOTOR
Code	29.22
Beschreibung	Motor
Inspektion	1



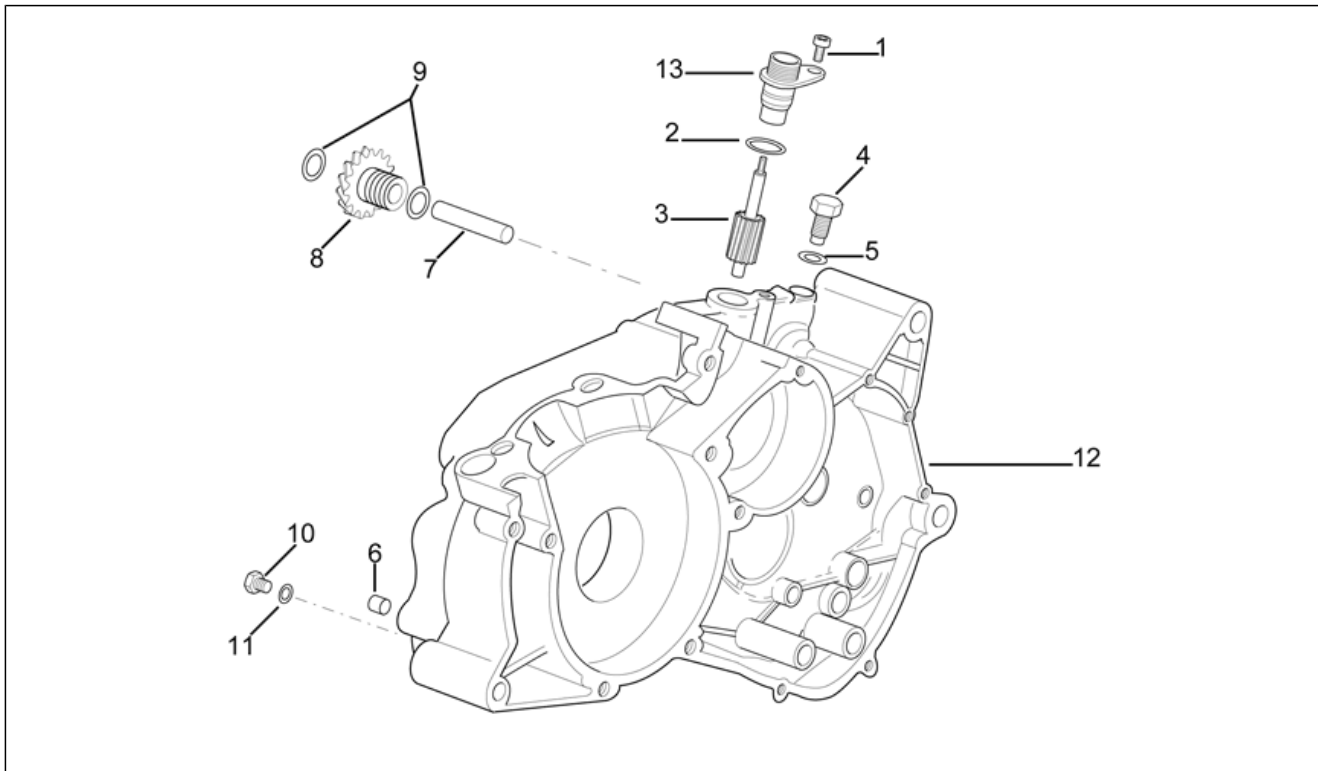
Pos.	Code	Beschreibung	Menge	Varianten
1	AP8222769	Motor AM6-EU-1	1	Baujahr: 2002[2], 2003[3] Technische Daten: EU-Zulassung (Grenzen EURO 1)[ST]
1	AP8222792	Motor AM6-FP	1	Technische Daten: Zulassung Volle Leistung[TT]
2	AP8222444	Starterhebel	1	Technische Daten: Nationale Zulassung[MU], EU-Zulassung (Grenzen EURO 1)[ST]
3	AP8222015	Kickstarterhebel	1	
4	AP8232662	Schalthebel	1	
5	AP8152280	TE Schr. m. Flansch M6x25	1	
6	AP8150093	TCEI Schraube M8x120	1	
7	AP8150338	TCEI Schraube M12 X 108	2	
8	AP8152300	Selbstsperrende Mutter M8	3	
9	AP8220205	Gummi	1	
10	AP8220450	Gewebeschlauch Gummit	1	
11	AP8102765	Schlauchschelle weiß D.13,5x6	4	
12	AP8120912	Gummi für Hebel	1	

Einheit	MOTOR
Code	29.35
Beschreibung	Rechtes gehäuse
Inspektion	1



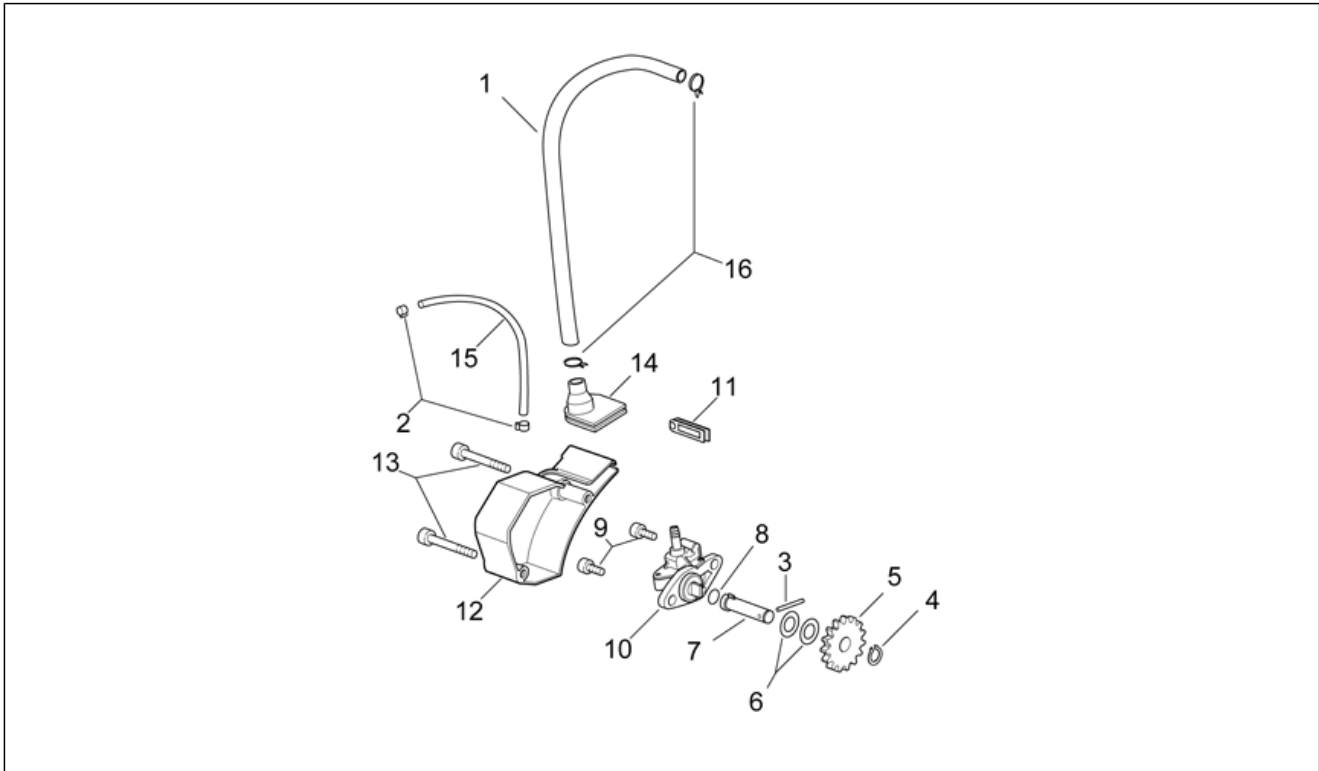
Pos.	Code	Beschreibung	Menge	Varianten
1	AP8206257	Kupplungshebel	1	
2	AP8206259	Rückholfeder Kupplungsfeder	1	
3	AP8206875	Ausgleichscheibe D14x26x0,5	1	
4	AP8509179	Ölabstreifring D15x24x5	1	
5	AP8206876	Anschluß für Ölablaß	1	
6	AP8206296	Schalter Lerrlctr. + Dchtg.	1	Baujahr: 2002[2], 2003[3], 1996[T], 1997[V], 1998[W], 2000[Y]
6	AP8206429	Schalter Lerrlctr. + Dchtg.	1	Baujahr: 1995[S]
7	AP8206288	Dichtung 9,9x16x1	1	
8	AP8206276	TCCE Schraube M6x40	13	
9	AP8206295	Stift Gehäuse D11,5x12	2	
10	AP8206629	Kurbelgehäuse o. Elektrostarter	1	Baujahr: 2003[3] Technische Daten: Zulassung Volle Leistung[TT]
10	AP8206629	Kurbelgehäuse o. Elektrostarter	1	Baujahr: 1995[S], 1996[T], 1997[V], 1998[W], 2000[Y] Technische Daten: Nationale Zulassung[MU]
10	AP8206987	Kurbelgehäuse o. Elektrostarter	1	Baujahr: 2002[2], 2003[3] Technische Daten: EU-Zulassung (Grenzen EURO 1)[ST]

Einheit	MOTOR
Code	29.36
Beschreibung	Linkes gehäuse
Inspektion	1



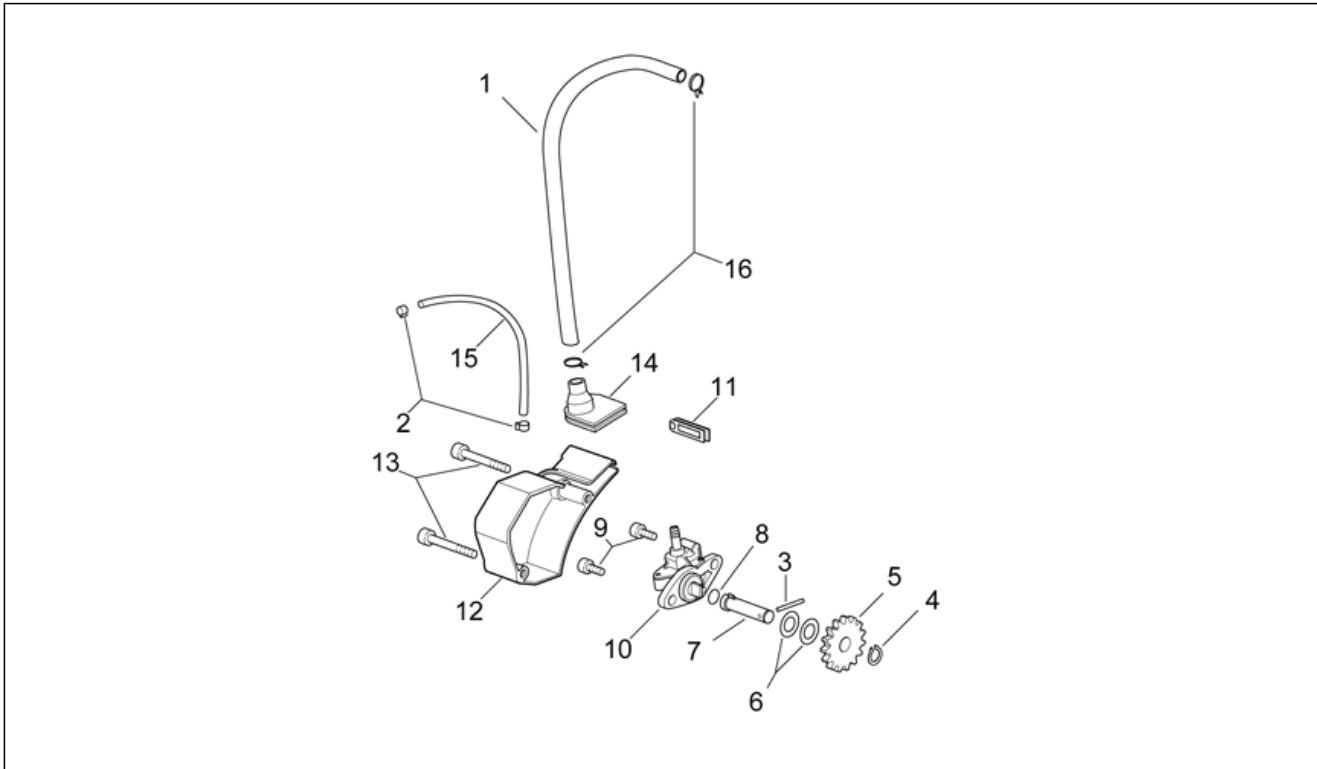
Pos.	Code	Beschreibung	Menge	Varianten
1	AP8206202	TCCE Schraube M6x12	1	
2	AP8206262	O-Ring D11,8x2,4	1	
3	AP8206251	Ritzel Tachowelle	1	
4	AP8502589	Arretierschraube M12x1,25	1	
5	AP8502757	Schraubendichtung D12x17x1	1	
6	AP8509209	Stift D8,51x7,6	2	
7	AP8206299	Führzpf. Drehz.messr.	1	
8	AP8206252	Ritzel Tachowelle	1	
9	AP8206277	Stahlscheibe blau D8,4x16	2	
10	AP8502586	Ölablaßschraube M8x10	1	
11	AP8502759	Dichtung D8x14	1	
12	AP8206629	Kurbelgehäuse o.Elektrostarter	1	Baujahr: 1995[S], 1996[T], 1997[V], 1998[W], 2000[Y] Technische Daten: Nationale Zulassung[MU]
12	AP8206629	Kurbelgehäuse o.Elektrostarter	1	Baujahr: 2003[3] Technische Daten: Zulassung Volle Leistung[TT]
12	AP8206987	Kurbelgehäuse o.Elektrostarter	1	Baujahr: 2002[2], 2003[3] Technische Daten: EU-Zulassung (Grenzen EURO 1)[ST]
13	AP8206240	Flansch Drehzahlmesser	1	

Einheit	MOTOR
Code	29.37
Beschreibung	Ölpumpe
Inspektion	1



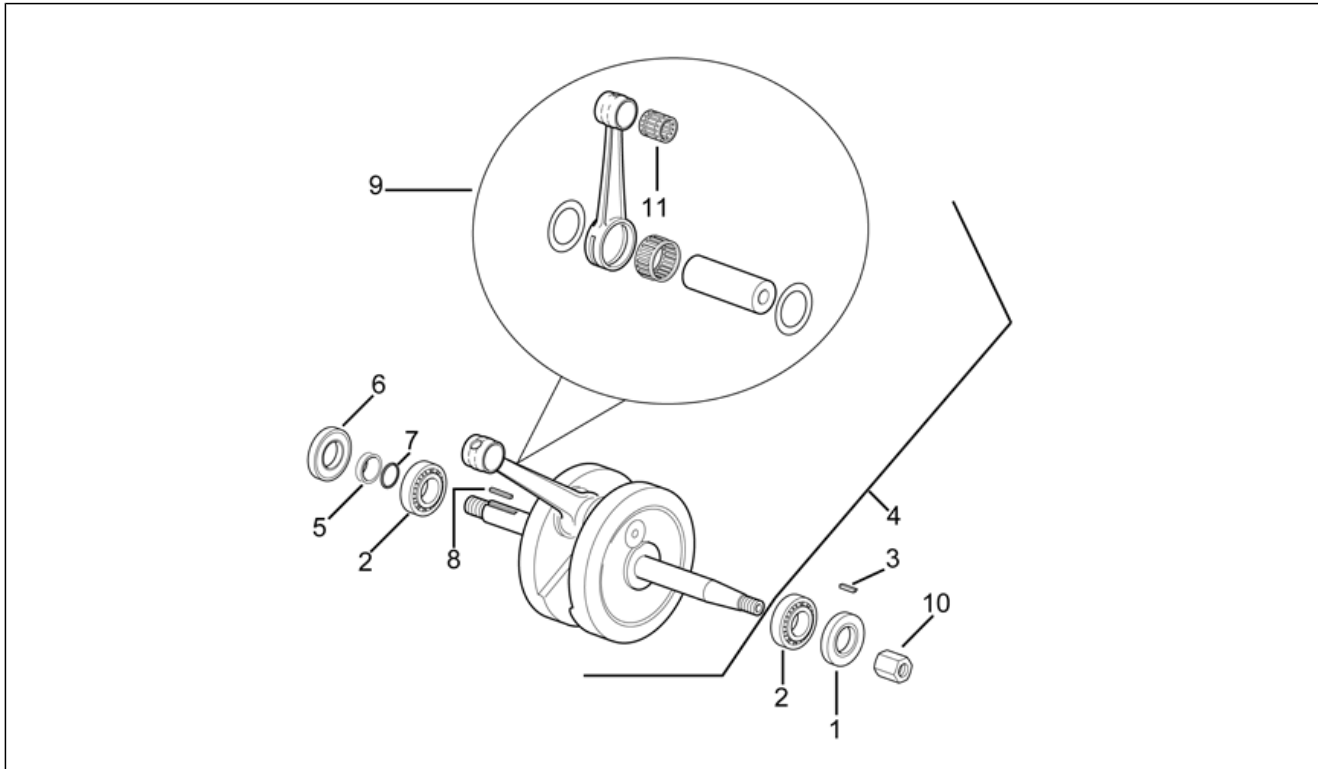
Pos.	Code	Beschreibung	Menge	Varianten
1	AP8206710	Leitung 345 mm	1	
2	AP8206711	Schelle	2	Baujahr: 2002[2], 2003[3], 1996[T], 1997[V], 1998[W], 2000[Y]
2	AP8509497	Schelle 4,1x5,1x4	2	Baujahr: 1995[S]
3	AP8508669	Rolle D3x21,8	1	
4	AP8501467	Seegerring für Welle D8	1	
5	AP8508872	Zahnrad pumpe Z=22	1	
6	AP8206277	Stahlscheibe blau D8,4x16	2	
7	AP8206632	Bolzen Wasserpumpe	1	
8	AP8502665	O-Ring D19x1,2	1	
9	AP8502562	TCCE Schraube	2	
10	AP8206654	Ölpumpe	1	Baujahr: 1995[S], 1996[T], 1997[V], 1998[W], 2000[Y] Land: Österreich[A]
10	AP8276028	Ölpumpe Mikuni	1	Baujahr: 2002[2], 2003[3] Technische Daten: Für Motor N>M3600101[M2], Nationale Zulassung[MU], EU-Zulassung (Grenzen EURO 1)[ST]
10	AP8276028	Ölpumpe Mikuni	1	Baujahr: 2003[3] Technische Daten: Zulassung Volle Leistung[TT]
10	AP8508863	Ölpumpe	1	Baujahr: 2002[2], 2003[3] Technische Daten: Für Motor N<M3600100[M1], Nationale Zulassung[MU], EU-Zulassung (Grenzen EURO 1)[ST]
10	AP8508863	Ölpumpe	1	Baujahr: 1995[S], 1996[T], 1997[V], 1998[W], 2000[Y] Land: Belgien[B], Brasilien[BR], Dänemark[DK], Spanien[E], Frankreich[F], Griechenland[GR], Italien[I], Israel[IL], Japan[J], Portugal[P], Großbritannien[UK]
11	AP8276026	Gummi für Kabelspanner Pumpe	1	Technische Daten: Zulassung Volle Leistung[TT]
11	AP8276026	Gummi für Kabelspanner Pumpe	1	Technische Daten: Für Motor N>M3600101[M2], Nationale Zulassung[MU], EU-Zulassung (Grenzen EURO 1)[ST]
11	AP8508667	Gummi für Kabelspanner Pumpe	1	Technische Daten: Für Motor N<M3600100[M1], Nationale Zulassung[MU], EU-Zulassung (Grenzen EURO 1)[ST]

Einheit	MOTOR
Code	29.37
Beschreibung	Ölpumpe
Inspektion	1



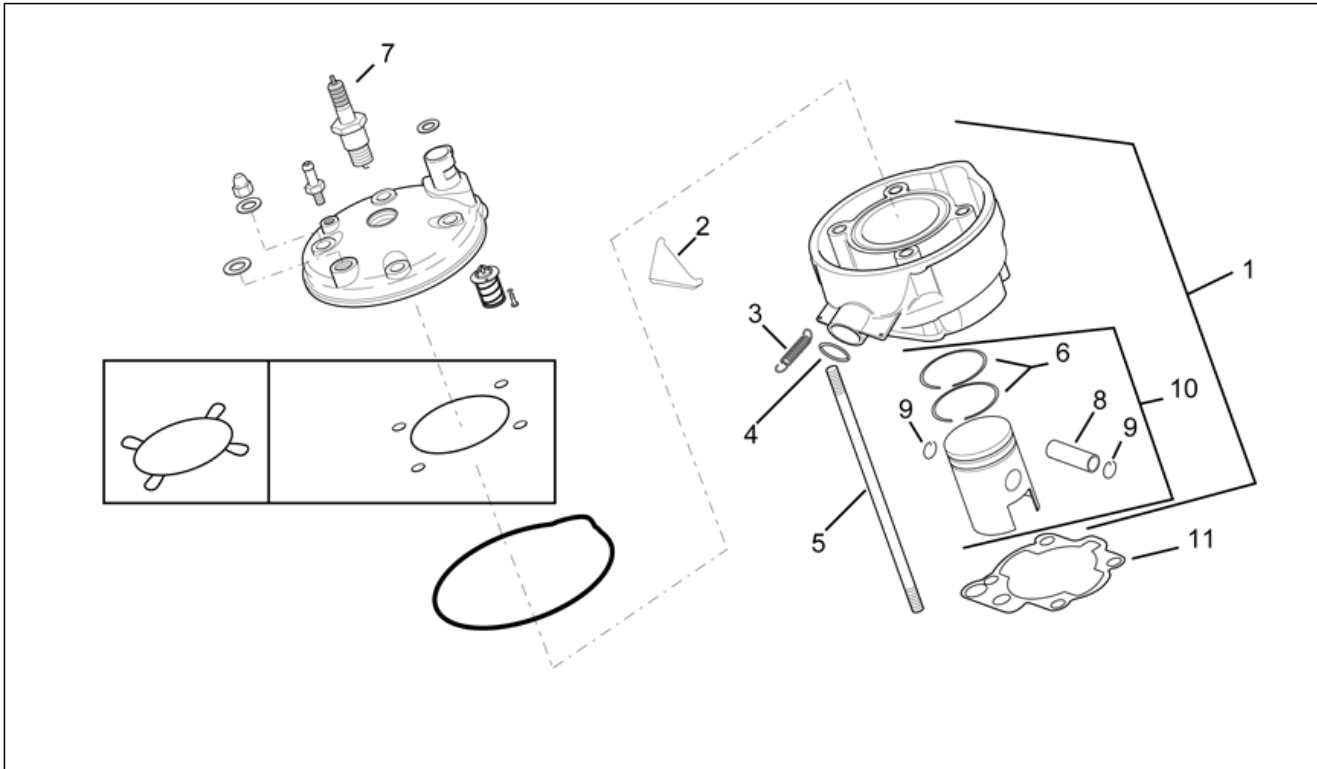
Pos.	Code	Beschreibung	Menge	Varianten
12	AP8206645	Ölpumpendeckel	1	Technische Daten: Für Motor N<M3600100[M1], Nationale Zulassung[MU], EU-Zulassung (Grenzen EURO 1)[ST]
12	AP8276029	Ölpumpendeckel	1	Technische Daten: Für Motor N>M3600101[M2], Nationale Zulassung[MU], EU-Zulassung (Grenzen EURO 1)[ST]
12	AP8276029	Ölpumpendeckel	1	Technische Daten: Zulassung Volle Leistung[TT]
13	AP8206280	TCCE Schraube	2	
14	AP8276025	Gummi für Ölschläuche	1	Technische Daten: Für Motor N>M3600101[M2], Nationale Zulassung[MU], EU-Zulassung (Grenzen EURO 1)[ST]
14	AP8276025	Gummi für Ölschläuche	1	Technische Daten: Zulassung Volle Leistung[TT]
14	AP8508668	Gummi für Ölschläuche	1	Technische Daten: Für Motor N<M3600100[M1], Nationale Zulassung[MU], EU-Zulassung (Grenzen EURO 1)[ST]
15	AP8206631	Leitung 190 mm	1	
16	AP8206342	Schelle	2	

Einheit	MOTOR
Code	29.38
Beschreibung	Kurbelwelle
Inspektion	1



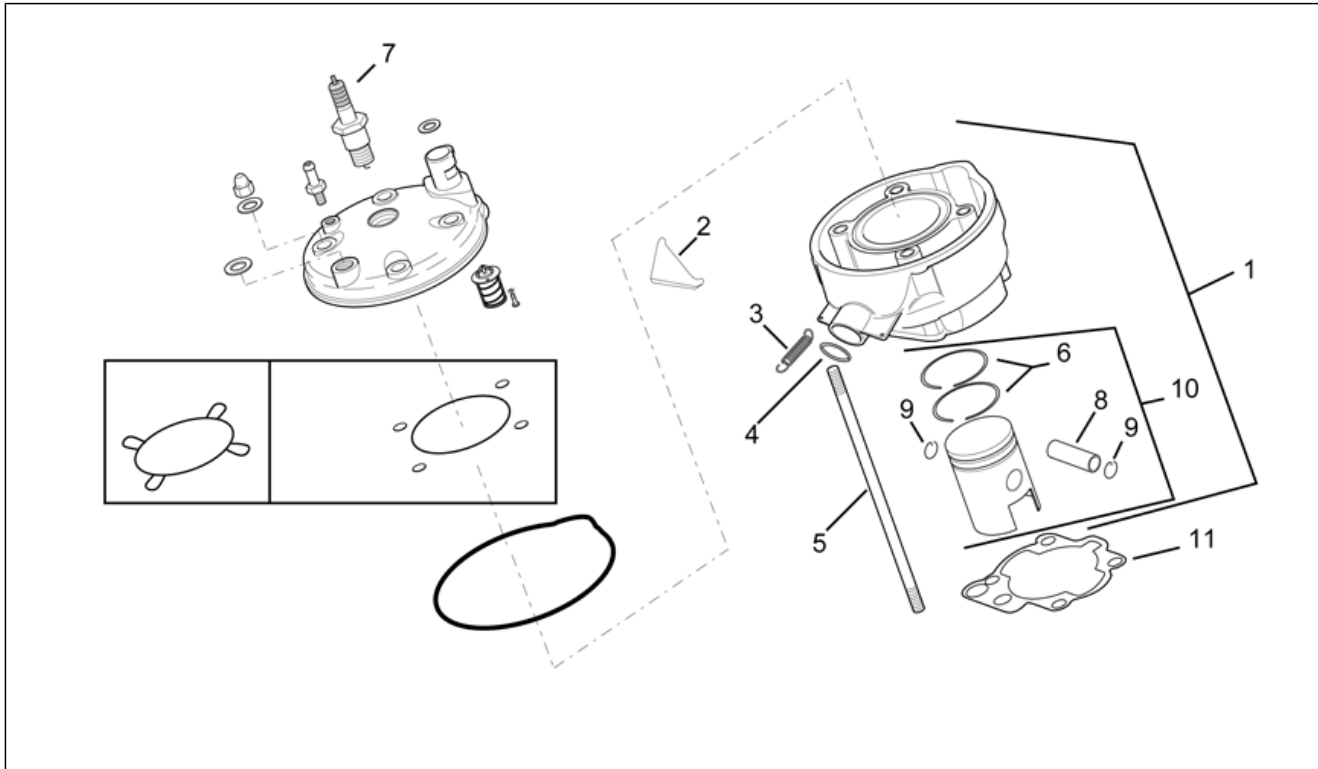
Pos.	Code	Beschreibung	Menge	Varianten
1	AP8509182	Ölabstreifring D17x35x8	1	
2	AP8206282	Lager D17x47x14	2	
3	AP8508551	Keil Schwungmagnet	1	
4	AP8206311	Baugruppe Kurbelwelle	1	
5	AP8206268	Distanzscheibe D16,9x24x8	1	
6	AP8206290	Ölabstreifring D24x35x7	1	
7	AP8206366	O-Ring D12,5x1,5	1	
8	AP8206264	Keil 4x4x20	1	
9	AP8206349	Baugruppe Pleuelstange kplt.	1	
10	AP8509891	Mutter M10x1,2x15	1	
11	AP8509769	Käfig D12x15x15	1	

Einheit	MOTOR
Code	29.39
Beschreibung	Kolben
Inspektion	1



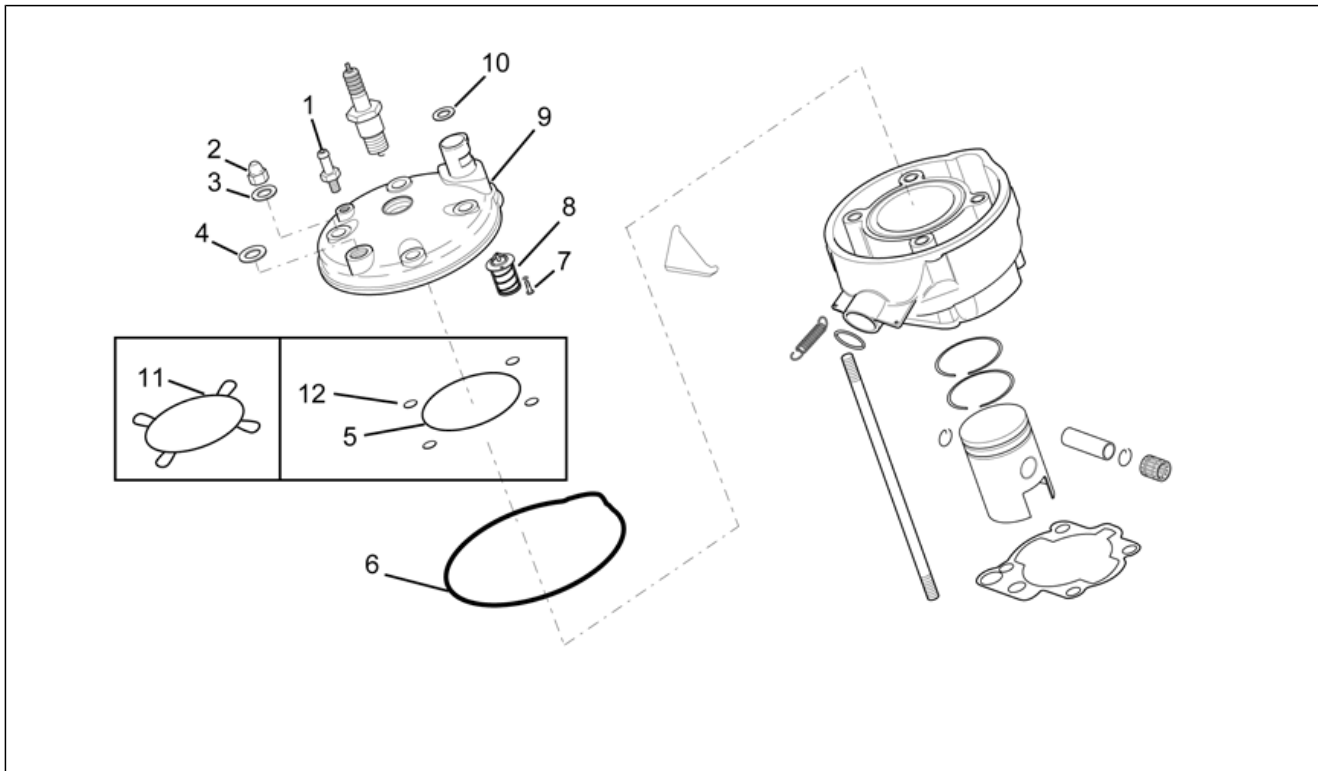
Pos.	Code	Beschreibung	Menge	Varianten
1	AP8206375	Kolben + Zylinder D40,3	1	Baujahr: 1995[S], 1996[T] Land: Spanien[E], Frankreich[F], Italien[I], Israel[IL], Japan[J], Portugal[P], Großbritannien[UK] Technische Daten: Nationale Zulassung[MU]
1	AP8206404	Kolben + Zylinder -NL-D40,3	1	Baujahr: 1996[T], 1997[V], 1998[W], 2000[Y] Land: Österreich[A] Technische Daten: Nationale Zulassung[MU]
1	AP8206760	Gußeisenzylinder mit Kolben	1	Baujahr: 1997[V], 1998[W], 2000[Y] Land: Belgien[B], Brasilien[BR], Dänemark[DK], Spanien[E], Frankreich[F], Griechenland[GR], Italien[I], Israel[IL], Japan[J], Portugal[P], Großbritannien[UK] Technische Daten: Verbaut bis Motor Nr. MY500618[<500618], Nationale Zulassung[MU]
1	AP8206950	Gußeisenzylinder mit Kolben	1	Baujahr: 2003[3] Technische Daten: Zulassung Volle Leistung[TT]
1	AP8206950	Gußeisenzylinder mit Kolben	1	Baujahr: 2000[Y] Land: Belgien[B], Brasilien[BR], Dänemark[DK], Spanien[E], Frankreich[F], Griechenland[GR], Italien[I], Israel[IL], Japan[J], Portugal[P], Großbritannien[UK] Technische Daten: Verbaut ab Motor Nr. MY500619[>500619], Nationale Zulassung[MU]
1	AP8206979	Kolben + Zylinder	1	Baujahr: 2002[2], 2003[3] Technische Daten: EU-Zulassung (Grenzen EURO 1)[ST]
2	AP8508882	Fixierplatte Federn	1	
3	AP8507839	Einhafter Auspuffrohr	1	
4	AP8206976	O-Ring D25x2,6	1	Baujahr: 2002[2], 2003[3] Technische Daten: EU-Zulassung (Grenzen EURO 1)[ST]
4	AP8502668	O-Ring D28,2x2,6	1	Baujahr: 2003[3] Technische Daten: Zulassung Volle Leistung[TT]
4	AP8502668	O-Ring D28,2x2,6	1	Baujahr: 1995[S], 1996[T], 1997[V], 1998[W], 2000[Y] Technische Daten: Nationale Zulassung[MU]
5	AP8508553	Stiftschraube M7x115	4	
6	AP8206952	Satz Kolbenringe D40,3x1,2	1	

Einheit	MOTOR
Code	29.39
Beschreibung	Kolben
Inspektion	1



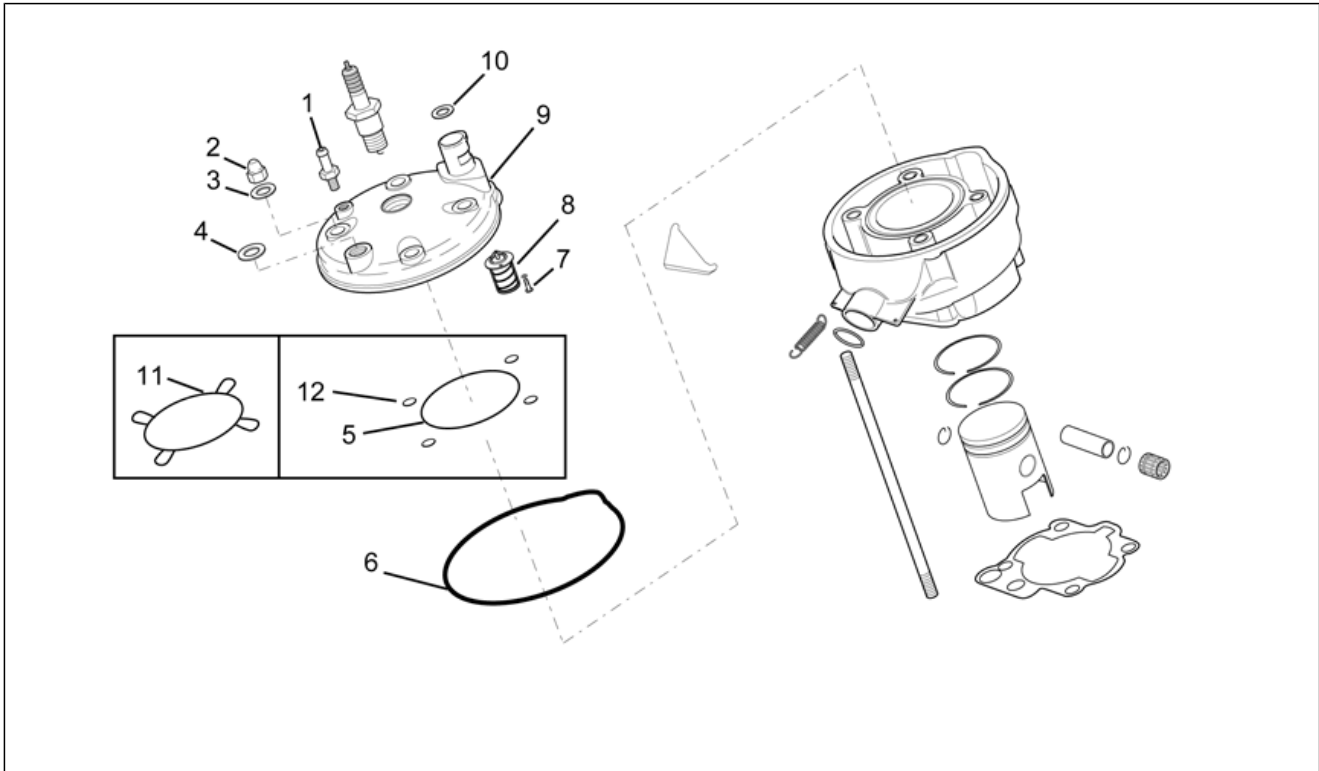
Pos.	Code	Beschreibung	Menge	Varianten
6	AP8206953	Kolbenring Vergr. D40,6	1	
6	AP8206954	Kolbenring Vergr. D40,8	1	
7	AP8206873	Zündkerze BR8ES	1	Baujahr: 1995[S], 1996[T], 1997[V], 1998[W], 2000[Y] Technische Daten: Nationale Zulassung[MU]
7	AP8206915	Zündkerze BR9ES	1	Baujahr: 2003[3] Technische Daten: Zulassung Volle Leistung[TT]
7	AP8206915	Zündkerze BR9ES	1	Baujahr: 2002[2], 2003[3] Technische Daten: EU-Zulassung (Grenzen EURO 1)[ST]
8	AP8502846	Bolzen D12x34,5	1	
9	AP8206019	Sperring D12	2	
10	AP8206250	Kolben kpl. D40,3	1	Baujahr: 1995[S], 1996[T] Land: Spanien[E], Frankreich[F], Italien[I], Israel[IL], Portugal[P]
10	AP8206250	Kolben kpl. D40,3	1	Baujahr: 1996[T], 1997[V], 1998[W], 2000[Y] Land: Österreich[A]
10	AP8206955	Kolben kpl. D40,3	1	Baujahr: 2002[2], 2003[3], 1997[V], 1998[W], 2000[Y]
10	AP8206956	Kolben kpl. D40,6	1	Baujahr: 2002[2], 2003[3], 1997[V], 1998[W], 2000[Y]
10	AP8206957	Kolben kpl. D40,8	1	Baujahr: 2002[2], 2003[3], 1997[V], 1998[W], 2000[Y]
11	AP8206292	ZYLINDERFUSSDICHTUNG	1	

Einheit	MOTOR
Code	29.40
Beschreibung	Zylinderkopf
Inspektion	1



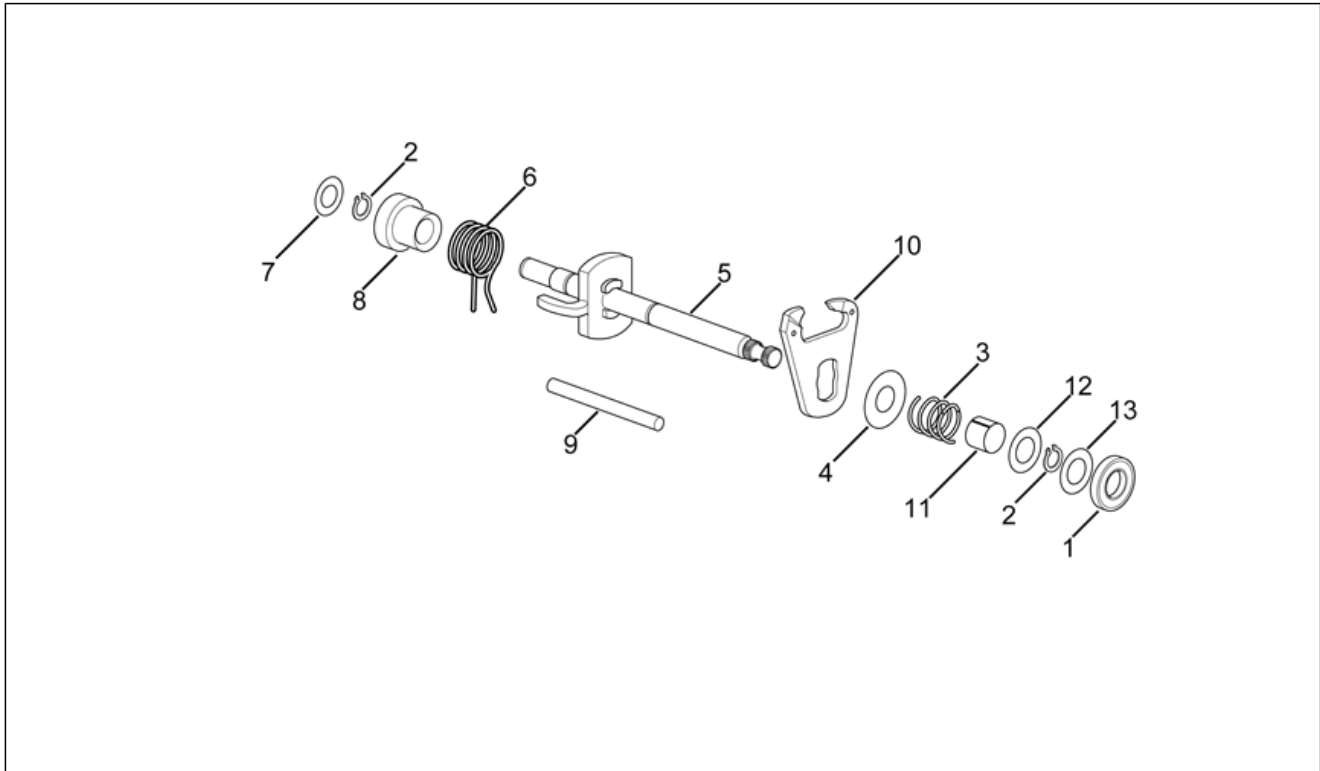
Pos.	Code	Beschreibung	Menge	Varianten
1	AP8206618	Anschluß Wasserschlauch	1	
2	AP8206427	selbstsp. Mutter M7x1	4	
3	AP8206721	Sprengscheibe	4	
4	AP8508560	Schraubendichtung 14,1x22x1	1	
5	AP8206285	O-Ring D51,5x1,78	1	Baujahr: 1995[S], 1996[T], 1997[V], 1998[W], 2000[Y] Land: Österreich[A]
5	AP8206285	O-Ring D51,5x1,78	1	Baujahr: 1995[S], 1996[T], 1997[V], 1998[W], 2000[Y] Land: Belgien[B], Brasilien[BR], Dänemark[DK], Spanien[E], Frankreich[F], Griechenland[GR], Italien[I], Israel[IL], Japan[J], Portugal[P], Großbritannien[UK] Technische Daten: Verbaut bis Motor Nr. MY500618[<500618]
6	AP8206286	O-Ring 104,3x3,5	1	Baujahr: 1995[S], 1996[T], 1997[V], 1998[W], 2000[Y] Land: Österreich[A]
6	AP8206286	O-Ring 104,3x3,5	1	Baujahr: 1995[S], 1996[T], 1997[V], 1998[W], 2000[Y] Land: Belgien[B], Brasilien[BR], Dänemark[DK], Spanien[E], Frankreich[F], Griechenland[GR], Italien[I], Israel[IL], Japan[J], Portugal[P], Großbritannien[UK] Technische Daten: Verbaut bis Motor Nr. MY500618[<500618]
6	AP8206947	Aussen O-Ring D2,62	1	Baujahr: 2002[2], 2003[3]
6	AP8206947	Aussen O-Ring D2,62	1	Baujahr: 2000[Y] Land: Belgien[B], Brasilien[BR], Dänemark[DK], Spanien[E], Frankreich[F], Griechenland[GR], Italien[I], Israel[IL], Japan[J], Portugal[P], Großbritannien[UK] Technische Daten: Verbaut ab Motor Nr. MY500619[>500619]
7	AP8502559	Schraube+Zahnscheibe M4x10	2	
8	AP8206383	Thermostat	1	
9	AP8206374	Zylinderkopf grau	1	Baujahr: 1995[S], 1996[T], 1997[V], 1998[W], 2000[Y] Land: Belgien[B], Brasilien[BR], Dänemark[DK], Spanien[E], Frankreich[F], Griechenland[GR], Italien[I], Israel[IL], Japan[J], Portugal[P], Großbritannien[UK]

Einheit	MOTOR
Code	29.40
Beschreibung	Zylinderkopf
Inspektion	1



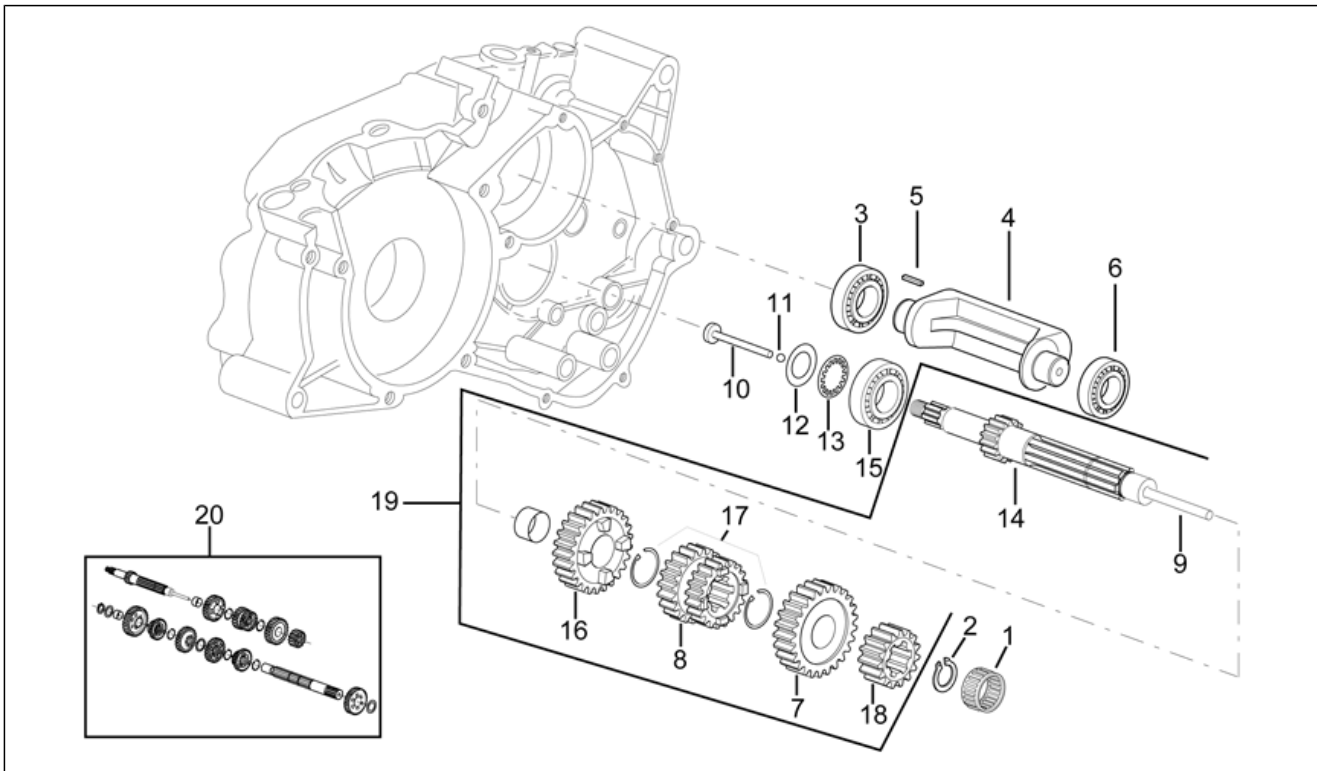
Pos.	Code	Beschreibung	Menge	Varianten
				Technische Daten: Verbaut bis Motor Nr. MY500618[<500618]
9	AP8206935	Zylinderkopf grau	1	Baujahr: 1995[S], 1996[T], 1997[V], 1998[W], 2000[Y] Land: Österreich[A]
9	AP8206949	Zylinderkopf	1	Baujahr: 2002[2], 2003[3] Technische Daten: Für Motor N<M3600100[M1], Nationale Zulassung[MU], EU-Zulassung (Grenzen EURO 1)[ST]
9	AP8206949	Zylinderkopf	1	Baujahr: 2000[Y] Land: Belgien[B], Brasilien[BR], Dänemark[DK], Spanien[E], Frankreich[F], Griechenland[GR], Italien[I], Israel[IL], Japan[J], Portugal[P], Großbritannien[UK] Technische Daten: Verbaut ab Motor Nr. MY500619[>500619]
9	AP8206970	Zylinderkopf	1	Baujahr: 2003[3] Technische Daten: Zulassung Volle Leistung[TT]
9	AP8206970	Zylinderkopf	1	Baujahr: 2002[2], 2003[3] Technische Daten: Für Motor N>M3600101[M2], Nationale Zulassung[MU], EU-Zulassung (Grenzen EURO 1)[ST]
10	AP8502759	Dichtung D8x14	1	
11	AP8206948	Innen O-Ring D2,62	1	Baujahr: 2000[Y] Land: Belgien[B], Brasilien[BR], Dänemark[DK], Spanien[E], Frankreich[F], Griechenland[GR], Italien[I], Israel[IL], Japan[J], Portugal[P], Großbritannien[UK] Technische Daten: Verbaut ab Motor Nr. MY500619[>500619]
11	AP8206948	Innen O-Ring D2,62	1	Baujahr: 2002[2], 2003[3]
12	AP8502655	O-Ring D7,65x1,78	4	Baujahr: 1995[S], 1996[T], 1997[V], 1998[W], 2000[Y] Land: Österreich[A]
12	AP8502655	O-Ring D7,65x1,78	4	Baujahr: 1995[S], 1996[T], 1997[V], 1998[W], 2000[Y] Land: Belgien[B], Brasilien[BR], Dänemark[DK], Spanien[E], Frankreich[F], Griechenland[GR], Italien[I], Israel[IL], Japan[J], Portugal[P], Großbritannien[UK] Technische Daten: Verbaut bis Motor Nr. MY500618[<500618]

Einheit	MOTOR
Code	29.41
Beschreibung	Schaltgabel
Inspektion	1



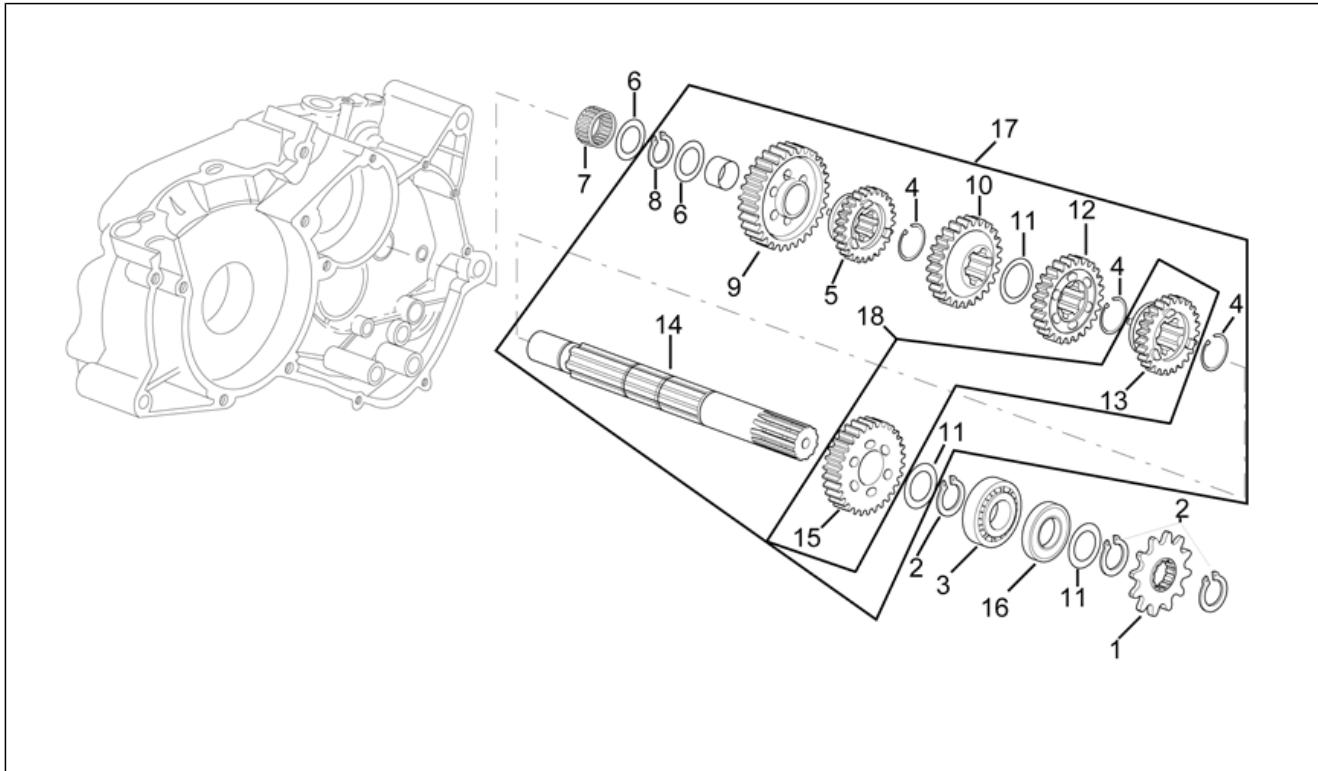
Pos.	Code	Beschreibung	Menge	Varianten
1	AP8509178	Ölabstreifring D12x22x7	1	
2	AP8206358	Seegerring	2	
3	AP8206331	Rückholfeder Schaltgabel	1	Baujahr: 2002[2], 2003[3], 1996[T], 1997[V], 1998[W], 2000[Y]
3	AP8502353	Rückholfeder Schaltgabel	1	Baujahr: 1995[S]
4	AP8502520	Ausgleichscheibe D12,75x28	1	
5	AP8206606	Schaltwelle	1	
6	AP8502356	Schalthebelfeder	1	
7	AP8206269	Stahlscheibe blau D10x16	1	
8	AP8206332	Führungsbuchse Schaltwelle	1	
9	AP8206299	Führzopf. Drehz.messr.	1	
10	AP8501972	Schaltgabel + Stiften	1	
11	AP8502448	Distanzscheibe D12,4x14,4	1	
12	AP8206344	Stahlscheibe blau D12,3x22	1	
13	AP8206270	Stahlscheibe blau D12x17	1	

Einheit	MOTOR
Code	29.42
Beschreibung	Hauptwelle
Inspektion	1



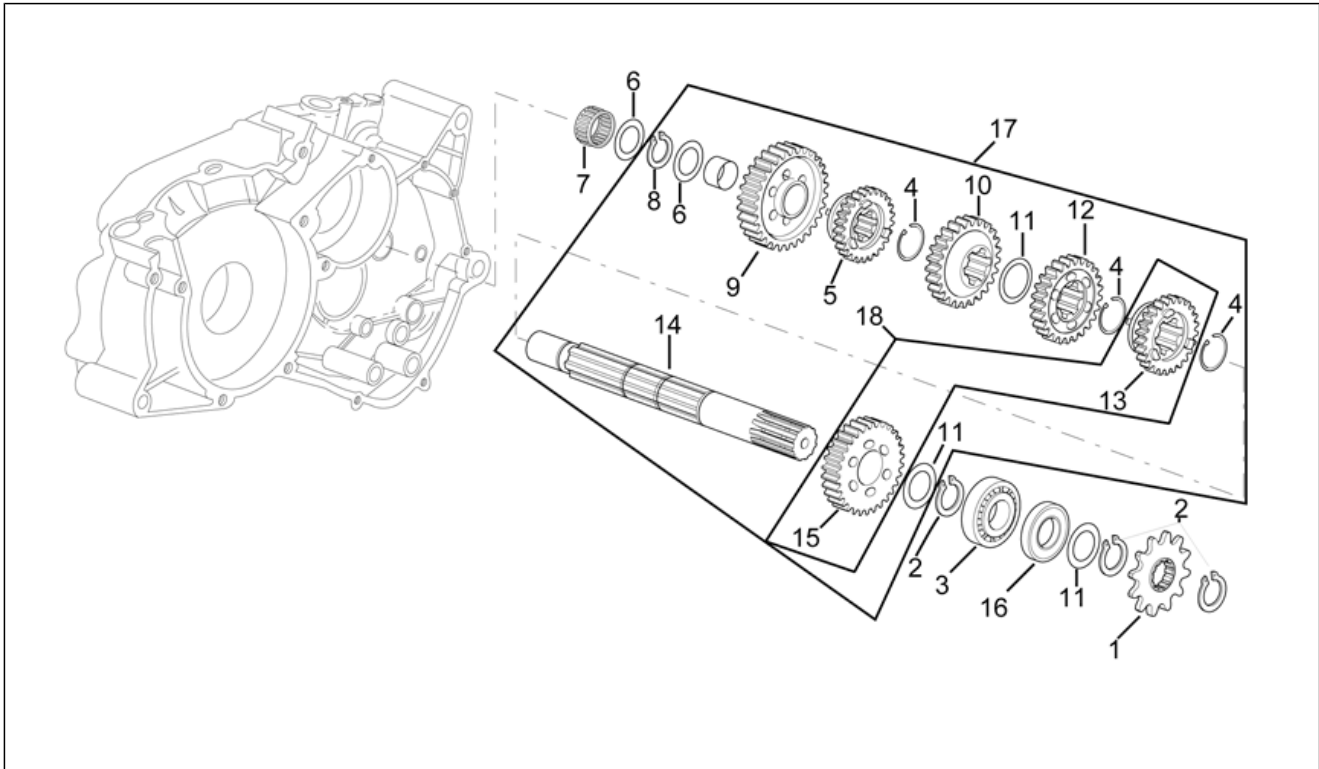
Pos.	Code	Beschreibung	Menge	Varianten
1	AP8206281	Nadellager DB14-12	1	
2	AP8501478	Seegerring für Welle D14	1	
3	AP8502624	Lager D15x35x11	1	
4	AP8206231	Gegenwelle	1	
5	AP8206263	Gegenwellenkeil 4x4x8	1	
6	AP8510039	Lager D17x40x12	1	
7	AP8206610	Zahnrad 6.Hauptwelle Z=25	1	
8	AP8206608	Zahnrad 3-4.Hauptwelle Z=19/22	1	
9	AP8206617	Kupplungsgestänge D5x116,6	1	
10	AP8502836	Kupplungsgestänge D13	1	
11	AP8502652	Kugel 3/16"	1	
12	AP8502498	Stahlscheibe blau D17,2x30	1	
13	AP8206260	Geschlitzte Tellerfeder	1	
14	AP8206604	Hauptwelle	1	
15	AP8502626	Lager D17x40x12	1	
16	AP8206609	Zahnrad 5.Hauptwelle Z=24	1	
17	AP8501471	Seegerring für Welle D18	2	
18	AP8206607	Zahnrad 2.Hauptwelle Z=16	1	
19	AP8206622	Hauptwelle 6 v.ta'	1	
20	AP8206624	Schaltgetriebe kpl. 6 v.ta'	1	

Einheit	MOTOR
Code	29.43
Beschreibung	Vorgelegewelle I
Inspektion	1



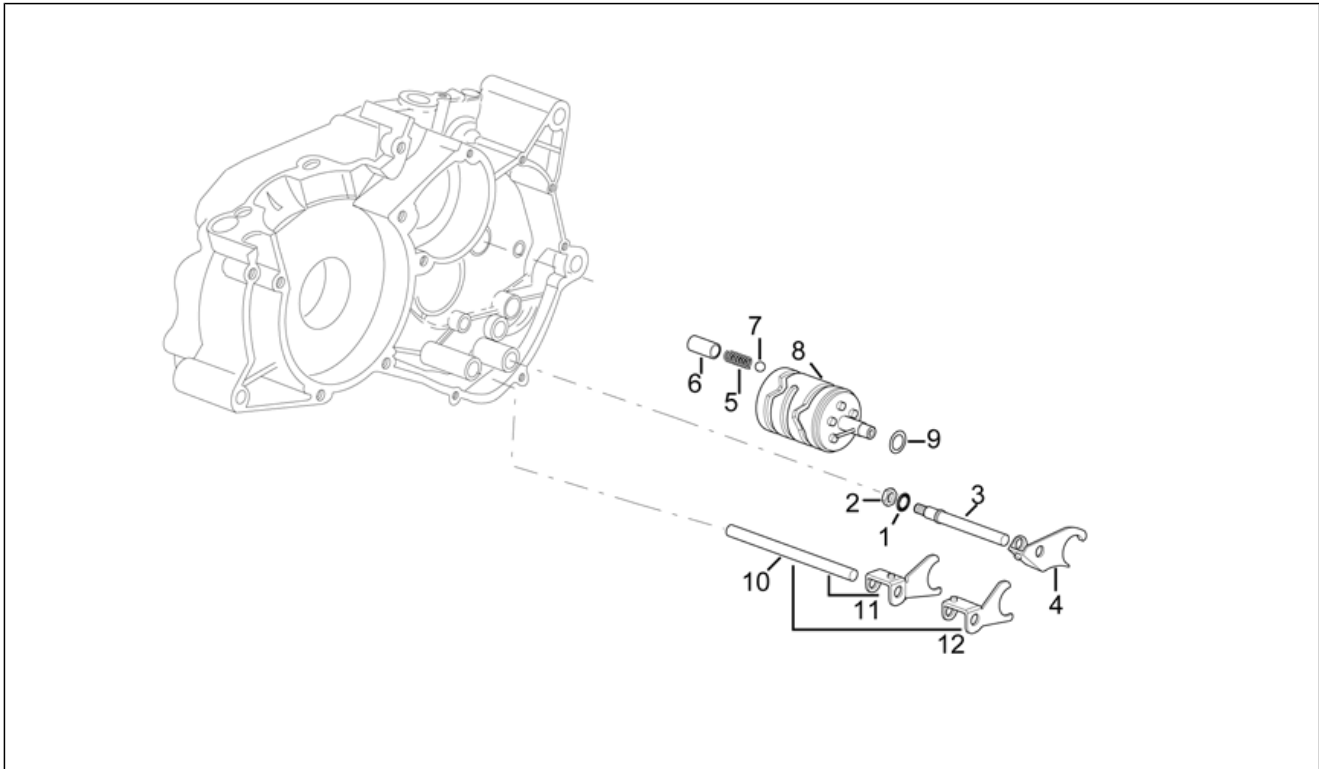
Pos.	Code	Beschreibung	Menge	Varianten
1	AP8206657	Umlenkritzel Z=12	1	Baujahr: 1998[W] Technische Daten: Nationale Zulassung[MU]
1	AP8206657	Umlenkritzel Z=12	1	Baujahr: 1995[S], 1996[T], 1997[V] Technische Daten: Nationale Zulassung[MU]
1	AP8206869	Umlenkritzel Z=12	1	Baujahr: 1998[W] Technische Daten: Nationale Zulassung[MU]
1	AP8206869	Umlenkritzel Z=12	1	Baujahr: 2000[Y] Technische Daten: Nationale Zulassung[MU]
1	AP8206869	Umlenkritzel Z=12	1	Baujahr: 2003[3] Technische Daten: Zulassung Volle Leistung[TT]
1	AP8206971	Umlenkritzel Z=11	1	Baujahr: 2002[2], 2003[3] Technische Daten: EU-Zulassung (Grenzen EURO 1)[ST]
2	AP8501477	Seegerring für Welle D20	3	
3	AP8509135	Lager D20x47x14	1	
4	AP8507866	Seegerring für Welle D20	3	
5	AP8206615	Zahnrad 5.Vorgelegewelle Z=25	1	
6	AP8206633	Ausgleichscheibe 14,5X27X0,4	1	
7	AP8206281	Nadellager DB14-12	1	
8	AP8501478	Seegerring für Welle D14	1	
9	AP8206611	Zahnrad 1.Vorgelegewelle Z=36	1	
10	AP8206613	Zahnrad 3.Vorgelegewelle Z=29	1	
11	AP8502501	Stahlscheibe blau D20,45x28	1	
12	AP8206614	Zahnrad 4.Vorgelegewelle Z=27	1	
13	AP8206616	Zahnrad 6.Vorgelegewelle Z=24	1	Baujahr: 1995[S] Technische Daten: Motoren mit Stanzung am Gehäuse ZH[B]
13	AP8206616	Zahnrad 6.Vorgelegewelle Z=24	1	Baujahr: 2002[2], 2003[3], 1996[T], 1997[V], 1998[W], 2000[Y]
14	AP8206605	Vorgelegewelle	1	
15	AP8206612	Zahnrad 2.Vorgelegewelle Z=33	1	Baujahr: 2002[2], 2003[3], 1996[T], 1997[V], 1998[W], 2000[Y]

Einheit	MOTOR
Code	29.43
Beschreibung	Vorgelegewelle I
Inspektion	1



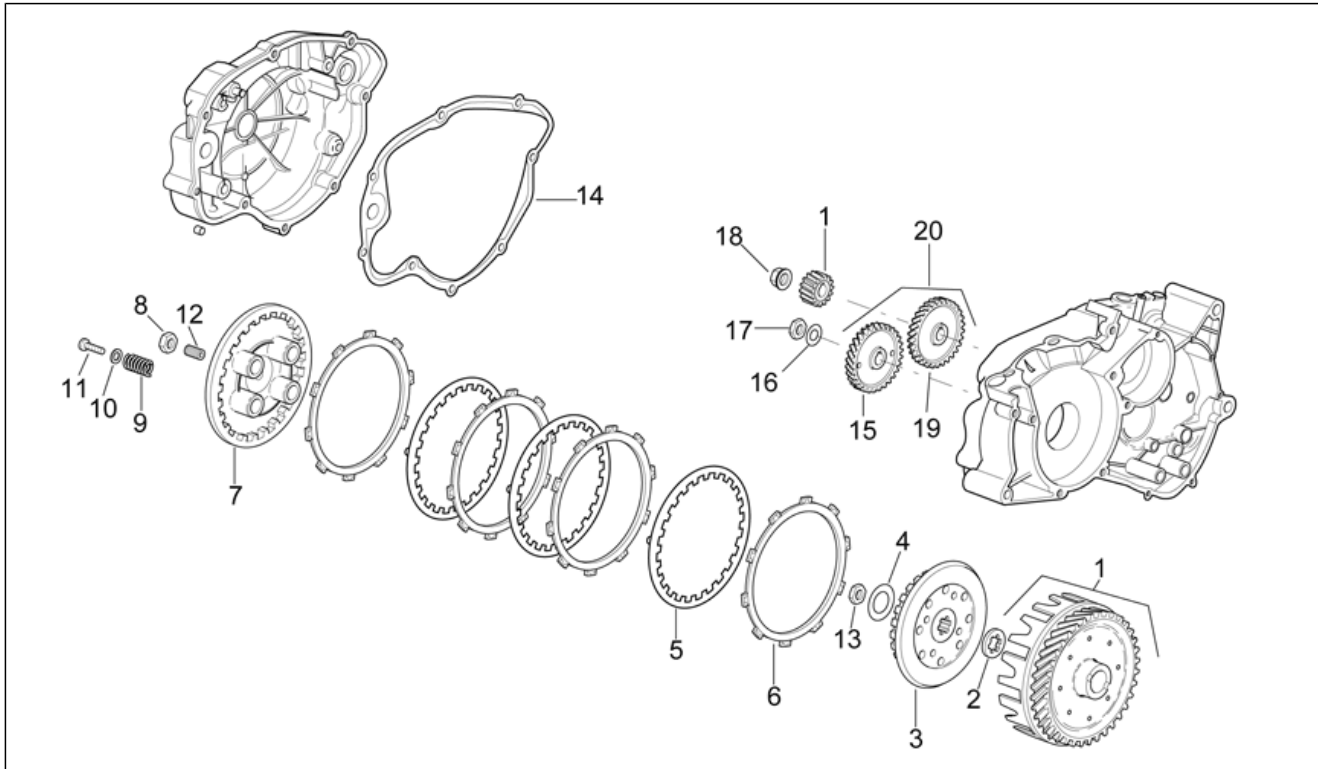
Pos.	Code	Beschreibung	Menge	Varianten
15	AP8206612	Zahnrad 2.Vorgelegewelle Z=33	1	Baujahr: 1995[S] Technische Daten: Motoren mit Stanzung am Gehäuse ZH[B]
16	AP8206626	Ölabstreifring	1	
17	AP8206623	Vorgelegewelle 6 v.ta'	1	
18	AP8206769	Zahnrad 2-6.Vorgelegewelle	1	Baujahr: 1995[S] Technische Daten: Motoren mit Stanzung am Gehäuse ZC - ZD - ZE[A]

Einheit	MOTOR
Code	29.44
Beschreibung	Vorgelegewelle II
Inspektion	1



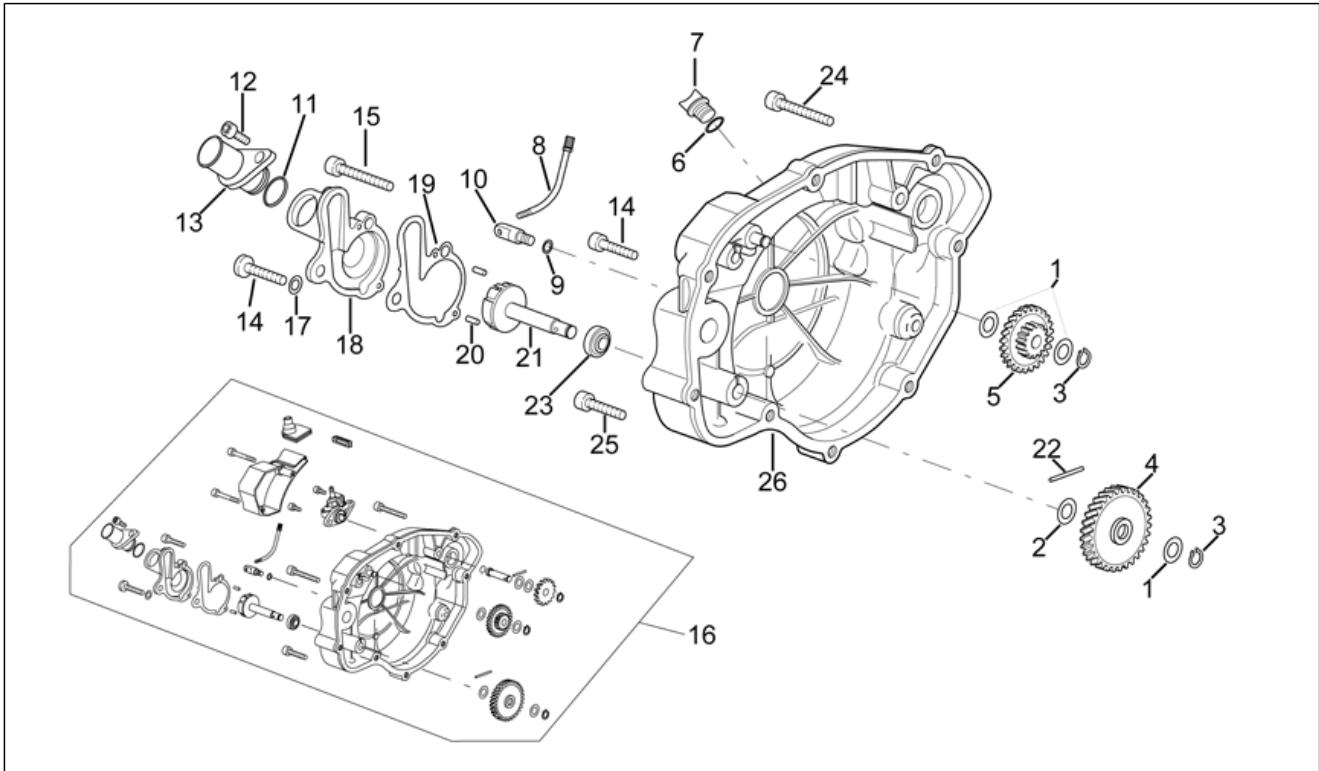
Pos.	Code	Beschreibung	Menge	Varianten
1	AP8502473	Interne Zahnscheibe D7	1	
2	AP8502414	Mutter M7x5,5	1	
3	AP8206298	Führgszapf. Gabel	1	
4	AP8206601	Schaltgabel + Stift 5-6 v.ta'	1	
5	AP8206261	Gangstiftfeder	1	
6	AP8206336	Gangstift	1	
7	AP8206283	Kugel D9	1	
8	AP8206598	Verschiebenocken	1	
9	AP8206269	Stahlscheibe blau D10x16	1	
10	AP8206619	Führungsstift Schaltgabel	1	
11	AP8206599	Schaltgabel + Stift 1-3 v.ta'	1	
12	AP8206600	Schaltgabel + Stift 2-4 v.ta'	1	

Einheit	MOTOR
Code	29.45
Beschreibung	Kupplung
Inspektion	1



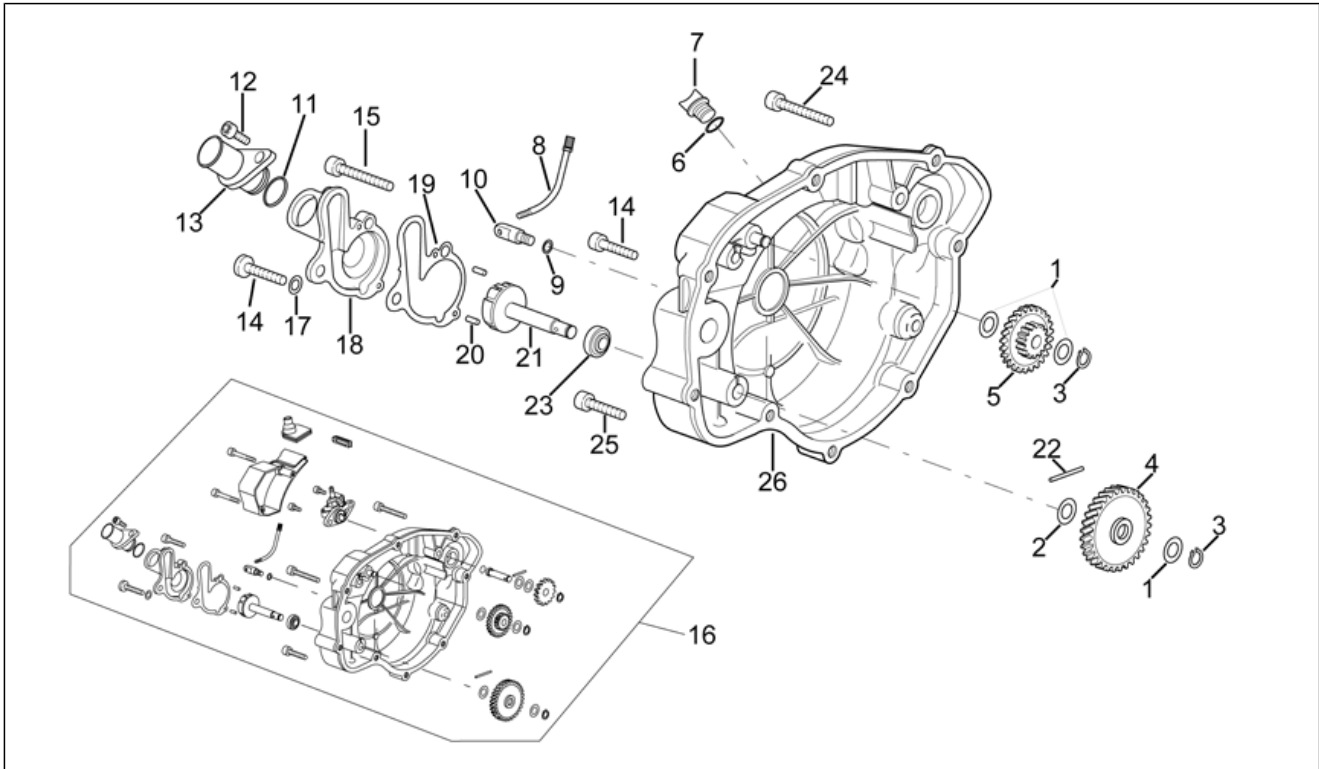
Pos.	Code	Beschreibung	Menge	Varianten
1	AP8206310	Kupplung Z=20/71	1	
2	AP8206267	Distanzscheibe D13x30x4	1	
3	AP8206256	Kupplungstrommel Aluminium	1	
4	AP8206271	Ausgleichscheibe D12	1	
5	AP8206247	Getriebene Kuppl.scheibe	3	
6	AP8206322	Treibende Kupplungsscheibe	4	
7	AP8206248	Andrückfeder Kupplungsscheibe	1	
8	AP8502432	Mutter M14x1,25x6	1	
9	AP8206258	Kupplungsfeder	4	
10	AP8206272	Ausgleichscheibe D5x15x2	4	
11	AP8206279	Linsenschraube	4	
12	AP8502533	Regelschraube M14x1,25	1	
13	AP8206265	Mutter M12x1,25x7	1	
14	AP8206287	Deckeldichtung Kupplungsseite	1	
15	AP8206253	Ritzel Vorgelegew. Z=34	1	
16	AP8206344	Stahlscheibe blau D12,3x22	1	
17	AP8206266	Mutter M12x1 H=5	1	
18	AP8206343	Geflanschte Mutter M12x1,25	1	
19	AP8206308	Ritzel Gegenwelle Z=34	1	
20	AP8125913	Ausgleichsrad kpl.	1	

Einheit	MOTOR
Code	29.46
Beschreibung	Kupplungsdeckel
Inspektion	1



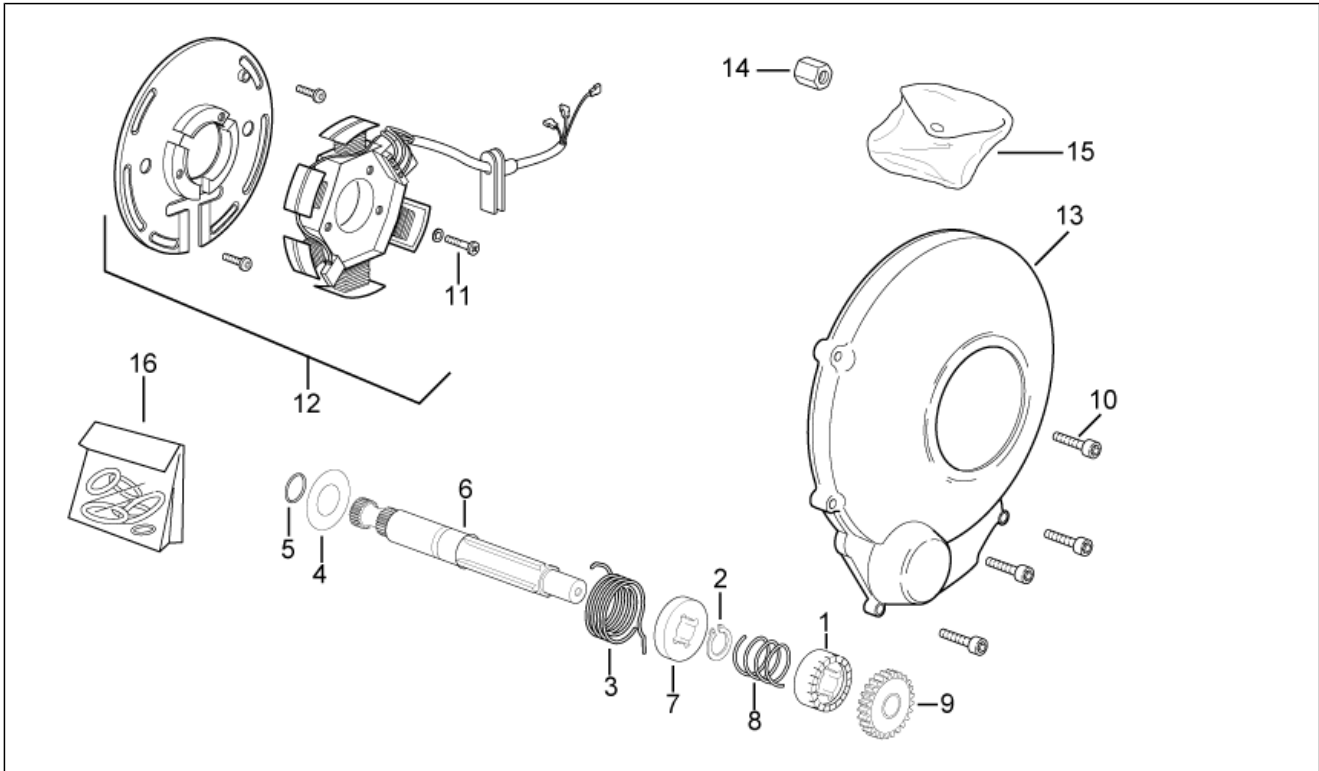
Pos.	Code	Beschreibung	Menge	Varianten
1	AP8206345	Stahlscheibe blau D8,2x15x1	3	
2	AP8206277	Stahlscheibe blau D8,4x16	1	
3	AP8501467	Seegerring für Welle D8	2	
4	AP8206328	Ritzel Wasserpumpe Z=30	1	
5	AP8206327	Doppeltes Freilaufgrad Z=13/24	1	
6	AP8206309	O-Ring D12,3x2,6	1	
7	AP8206245	Ölschraube	1	
8	AP8276027	Bypass-Leitung+Schraube+Mutter	1	Technische Daten: Für Motor N>M3600101[M2], Nationale Zulassung[MU], EU-Zulassung (Grenzen EURO 1)[ST]
8	AP8276027	Bypass-Leitung+Schraube+Mutter	1	Technische Daten: Zulassung Volle Leistung[TT]
8	AP8509334	Bypass-Leitung+Schraube+Mutter	1	Technische Daten: Für Motor N<M3600100[M1], Nationale Zulassung[MU], EU-Zulassung (Grenzen EURO 1)[ST]
9	AP8502759	Dichtung D8x14	1	
10	AP8206235	Brücke	1	
11	AP8206262	O-Ring D11,8x2,4	1	
12	AP8206202	TCCE Schraube M6x12	1	
13	AP8206320	Einlaßmuffe Pumpe	1	
14	AP8206508	TCCE Schraube M6x25	2	
15	AP8502571	TCCE Schraube M6x55	1	
16	AP8206648	Kupplungsdeckel, orange	1	Baujahr: 2002[2], 2003[3] Technische Daten: Für Motor N<M3600100[M1], Nationale Zulassung[MU], EU-Zulassung (Grenzen EURO 1)[ST]
16	AP8206648	Kupplungsdeckel, orange	1	Baujahr: 1995[S], 1996[T], 1997[V], 1998[W], 2000[Y] Land: Belgien[B], Brasilien[BR], Dänemark[DK], Spanien[E], Frankreich[F], Griechenland[GR], Italien[I], Israel[IL], Japan[J], Portugal[P], Großbritannien[UK]
16	AP8206753	Kupplungsdeckel, weiss	1	Baujahr: 1995[S], 1996[T], 1997[V], 1998[W], 2000[Y] Land: Österreich[A]
16	AP8206999	Kupplungsdeckel, hellbl.	1	Baujahr: 2003[3] Technische Daten: Zulassung Volle Leistung[TT]

Einheit	MOTOR
Code	29.46
Beschreibung	Kupplungsdeckel
Inspektion	1



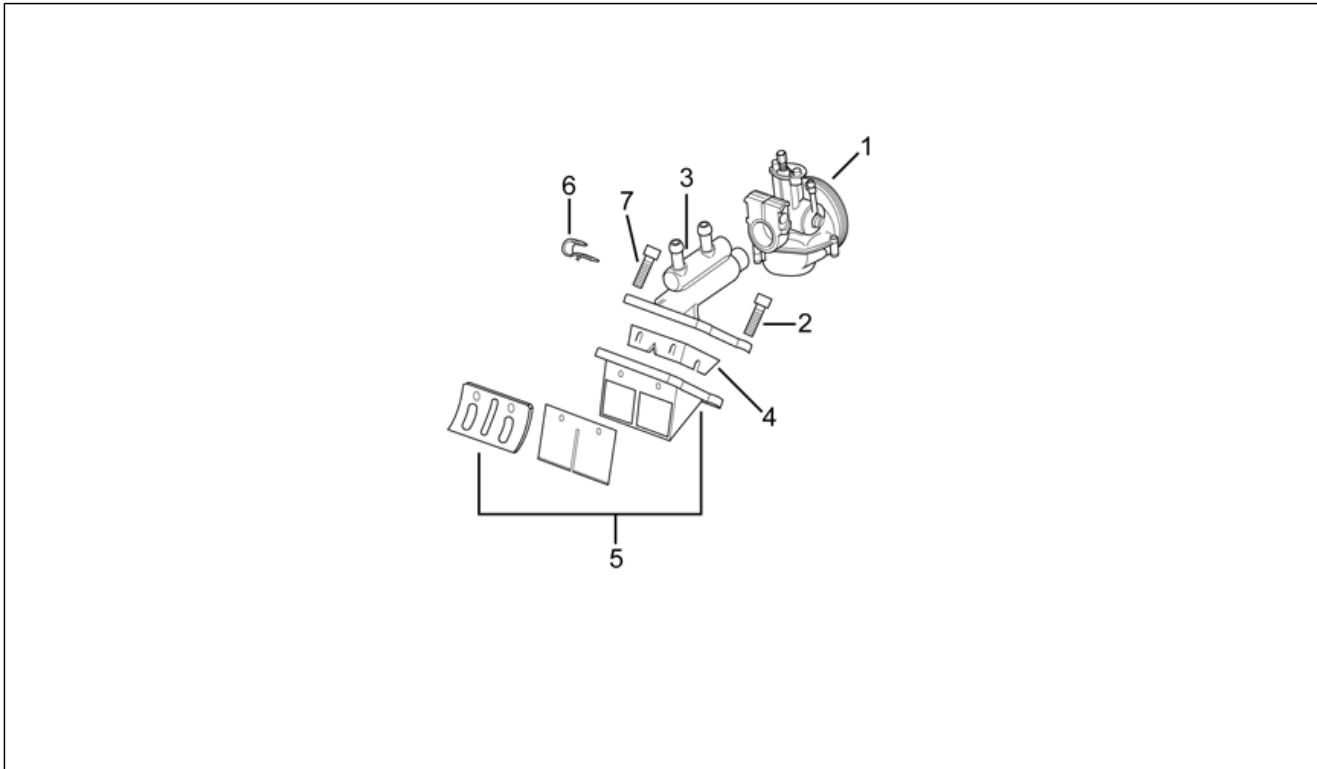
Pos.	Code	Beschreibung	Menge	Varianten
16	AP8206999	Kupplungsdeckel, hellbl.	1	Baujahr: 2002[2], 2003[3] Technische Daten: Für Motor N>M3600101[M2], Nationale Zulassung[MU], EU-Zulassung (Grenzen EURO 1)[ST]
17	AP8502758	Dichtung D6x12	1	
18	AP8206649	Wasserpumpenkörper, grau	1	
19	AP8206334	Dichtung Wasserpumpenkörper	1	
20	AP8206338	Rolle D4x10	2	
21	AP8206335	Bolzen Wasserpumpe+Läufer	1	
22	AP8508669	Rolle D3x21,8	1	
23	AP8509177	Ölabstreifring D10x18x8	1	
24	AP8502566	TCCE Schraube M6x30	7	
25	AP8502555	Linsenschraube+Schaft M6x6	1	
26	AP8206798	Kupplungsdeckel + Stift	1	Technische Daten: Für Motor N<M3600100[M1], Nationale Zulassung[MU], EU-Zulassung (Grenzen EURO 1)[ST]
26	AP8276004	Kupplungsdeckel + Stift	1	Technische Daten: Für Motor N>M3600101[M2], Nationale Zulassung[MU], EU-Zulassung (Grenzen EURO 1)[ST]
26	AP8276004	Kupplungsdeckel + Stift	1	Technische Daten: Zulassung Volle Leistung[TT]

Einheit	MOTOR
Code	29.47
Beschreibung	Starterwelle
Inspektion	1



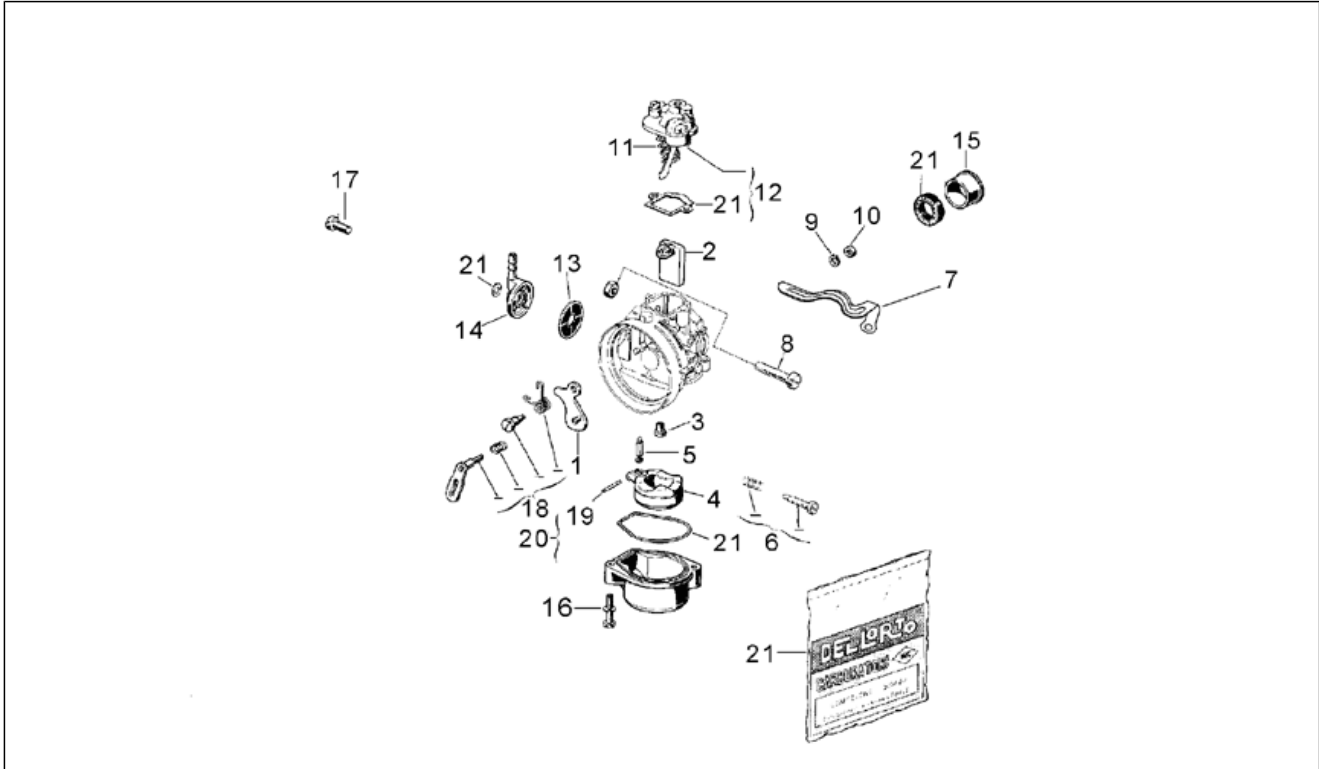
Pos.	Code	Beschreibung	Menge	Varianten
1	AP8206361	Sperrrad	1	
2	AP8206358	Seegerring	1	
3	AP8206363	Rückholfeder	1	
4	AP8206715	Stahlscheibe blau D16x25	1	
5	AP8206366	O-Ring D12,5x1,5	1	
6	AP8206357	Starterwelle	1	
7	AP8502372	Rückholfeder	1	
8	AP8206362	Feder Schubkupplung	1	
9	AP8206630	Starterrad Z=21	1	
10	AP8509211	TCCE Schraube	5	
11	AP8206716	TBEI Schraube M4x10	3	Baujahr:2002[2], 2003[3], 1996[T], 1997[V], 1998[W], 2000[Y]
11	AP8502554	Linsenschraube M4x10	3	Baujahr:1995[S]
12	AP8212564	Magnetrad	1	
13	AP8206646	Schwungraddeckel, grau	1	Technische Daten:Für Motor N<M3600100[M1], Nationale Zulassung[MU], EU-Zulassung (Grenzen EURO 1)[ST]
13	AP8276002	Schwungraddeckel, grau	1	Technische Daten:Zulassung Volle Leistung[TT]
13	AP8276002	Schwungraddeckel, grau	1	Technische Daten:Für Motor N>M3600101[M2], Nationale Zulassung[MU], EU-Zulassung (Grenzen EURO 1)[ST]
14	AP8509891	Mutter M10x1,2x15	1	
15	AP8206305	Dichtungen - Satz	1	Baujahr:1995[S], 1996[T], 1997[V], 1998[W], 2000[Y] Technische Daten:Verbaut bis Motor Nr. MY500618[<500618]
15	AP8206951	Dichtungen - Satz	1	Baujahr:2002[2], 2003[3]
15	AP8206951	Dichtungen - Satz	1	Baujahr:2000[Y] Technische Daten:Verbaut ab Motor Nr. MY500619[>500619]
16	AP8206304	Dichtungssatz	1	

Einheit	MOTOR
Code	29.48
Beschreibung	Vergaser I
Inspektion	1



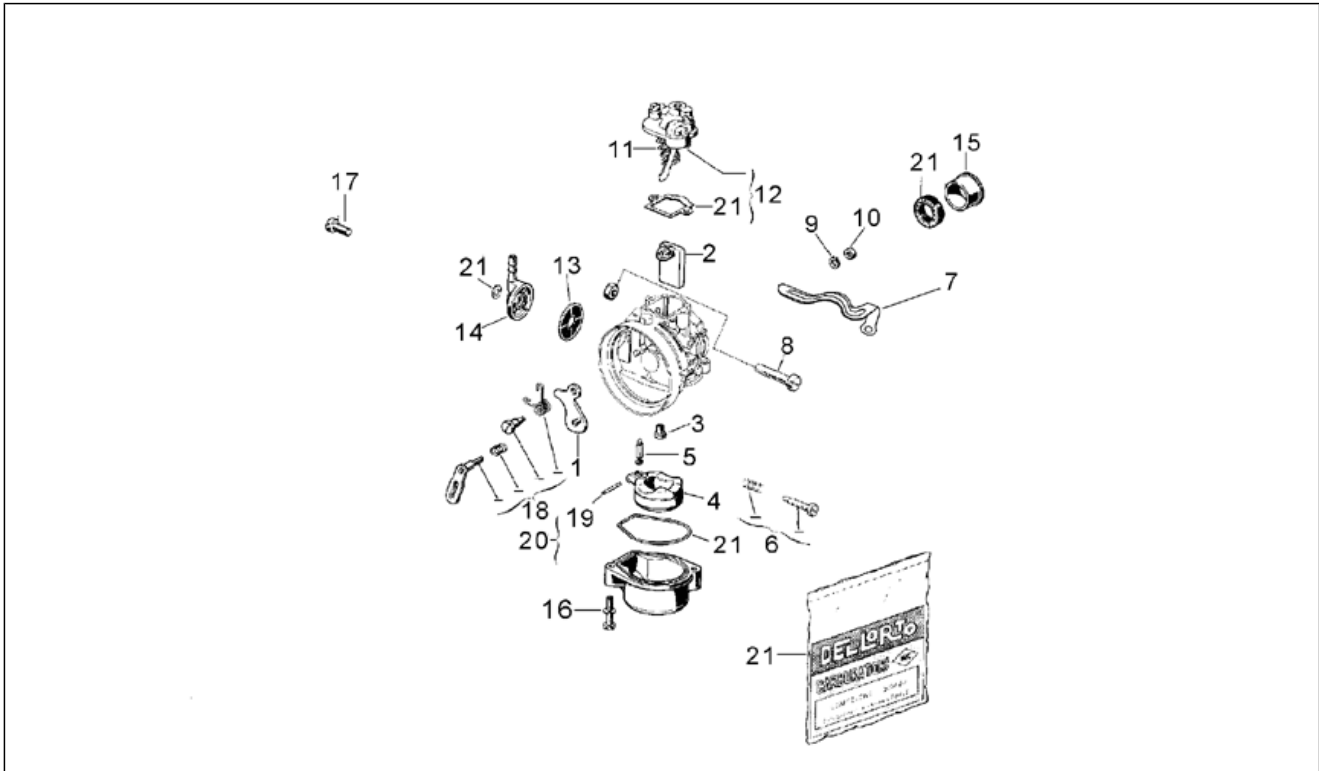
Pos.	Code	Beschreibung	Menge	Varianten
1	AP8206627	Vergaser sha 14-12	1	Baujahr: 1995[S], 1996[T], 1997[V], 1998[W], 2000[Y] Land: Belgien[B], Brasilien[BR], Dänemark[DK], Spanien[E], Frankreich[F], Griechenland[GR], Italien[I], Israel[IL], Japan[J], Portugal[P], Großbritannien[UK] Technische Daten: Nationale Zulassung[MU]
1	AP8206709	Vergaser sha 14-9	1	Baujahr: 1995[S], 1996[T], 1997[V], 1998[W], 2000[Y] Land: Österreich[A] Technische Daten: Nationale Zulassung[MU]
1	AP8206985	Vergaser sha 14-12	1	Baujahr: 2002[2], 2003[3] Technische Daten: EU-Zulassung (Grenzen EURO 1)[ST]
1	AP8276030	Vergaser PHBN 16-NS/R	1	Baujahr: 2003[3] Technische Daten: Zulassung Volle Leistung[TT]
2	AP8206968	TCCE Schraube M6x22	2	Baujahr: 2002[2], 2003[3] Technische Daten: EU-Zulassung (Grenzen EURO 1)[ST], Zulassung Volle Leistung[TT]
2	AP8502564	TCCE Schraube M6x20	4	Baujahr: 1995[S], 1996[T], 1997[V], 1998[W], 2000[Y] Technische Daten: Nationale Zulassung[MU]
3	AP8206628	Ansaugkrümmer D14	1	Technische Daten: Nationale Zulassung[MU], EU-Zulassung (Grenzen EURO 1)[ST]
3	AP8276032	Ansaugkrümmer D20	1	Technische Daten: Zulassung Volle Leistung[TT]
4	AP8206242	Lamellenventil Fixierp.	1	
5	AP8206300	Lamellenventil	1	
6	AP8206303	Kupplungskabelbrücke	1	
7	AP8510838	Linsenschraube M6x20	2	Baujahr: 2002[2], 2003[3] Technische Daten: EU-Zulassung (Grenzen EURO 1)[ST]

Einheit	MOTOR
Code	29.49
Beschreibung	Vergaser II
Inspektion	1



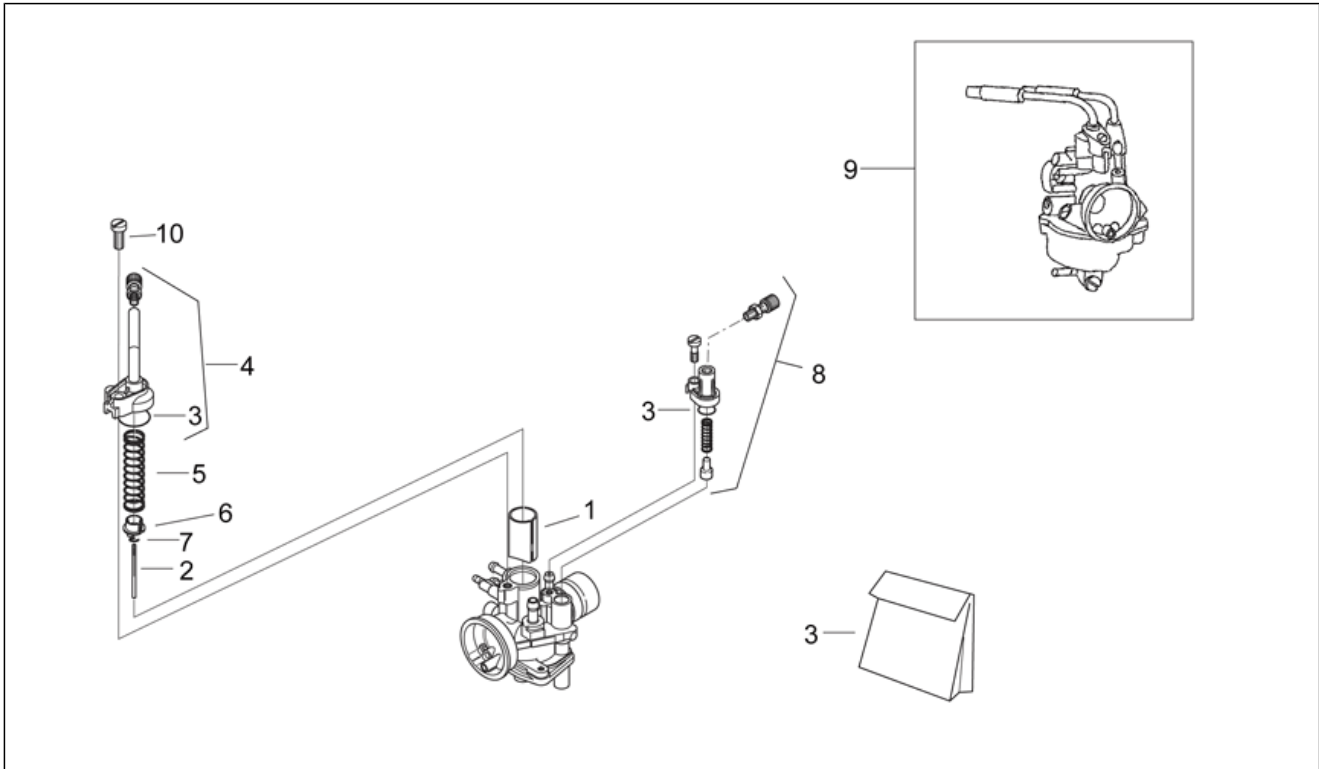
Pos.	Code	Beschreibung	Menge	Varianten
1	AP8222663	Luftventil	1	Technische Daten: Nationale Zulassung[MU], EU-Zulassung (Grenzen EURO 1)[ST]
2	AP8222654	Gasventil	1	Baujahr: 2002[2], 2003[3] Technische Daten: Nationale Zulassung[MU], EU-Zulassung (Grenzen EURO 1)[ST]
2	AP8222654	Gasventil	1	Baujahr: 1995[S], 1996[T], 1997[V], 1998[W], 2000[Y] Land: Belgien[B], Brasilien[BR], Dänemark[DK], Spanien[E], Frankreich[F], Griechenland[GR], Italien[I], Israel[IL], Japan[J], Portugal[P], Großbritannien[UK] Technische Daten: Nationale Zulassung[MU], EU-Zulassung (Grenzen EURO 1)[ST]
2	AP8222678	Gasventil	1	Baujahr: 1995[S], 1996[T], 1997[V], 1998[W], 2000[Y] Land: Österreich[A] Technische Daten: Nationale Zulassung[MU], EU-Zulassung (Grenzen EURO 1)[ST]
3	AP8206938	Maximaldüse 63	1	Baujahr: 1995[S], 1996[T], 1997[V], 1998[W], 2000[Y] Land: Belgien[B], Brasilien[BR], Dänemark[DK], Spanien[E], Frankreich[F], Griechenland[GR], Italien[I], Israel[IL], Japan[J], Portugal[P], Großbritannien[UK] Technische Daten: Nationale Zulassung[MU]
3	AP8206944	Maximaldüse 48	1	Baujahr: 1995[S], 1996[T], 1997[V], 1998[W], 2000[Y] Land: Österreich[A] Technische Daten: Nationale Zulassung[MU]
3	AP8206984	Maximaldüse 55	1	Baujahr: 2002[2], 2003[3] Technische Daten: EU-Zulassung (Grenzen EURO 1)[ST]
4	AP8222658	Schwimmer gr.3,5	1	Technische Daten: Nationale Zulassung[MU], EU-Zulassung (Grenzen EURO 1)[ST]
5	AP8222643	Verschlussnadel Benz.	1	Technische Daten: Nationale Zulassung[MU], EU-Zulassung (Grenzen EURO 1)[ST]
6	AP8222650	Einstellschr. Gasventil	1	Technische Daten: Nationale Zulassung[MU], EU-Zulassung (Grenzen EURO 1)[ST]
7	AP8206946	Hebel	1	Baujahr: 1995[S], 1996[T], 1997[V], 1998[W], 2000[Y]

Einheit	MOTOR
Code	29.49
Beschreibung	Vergaser II
Inspektion	1



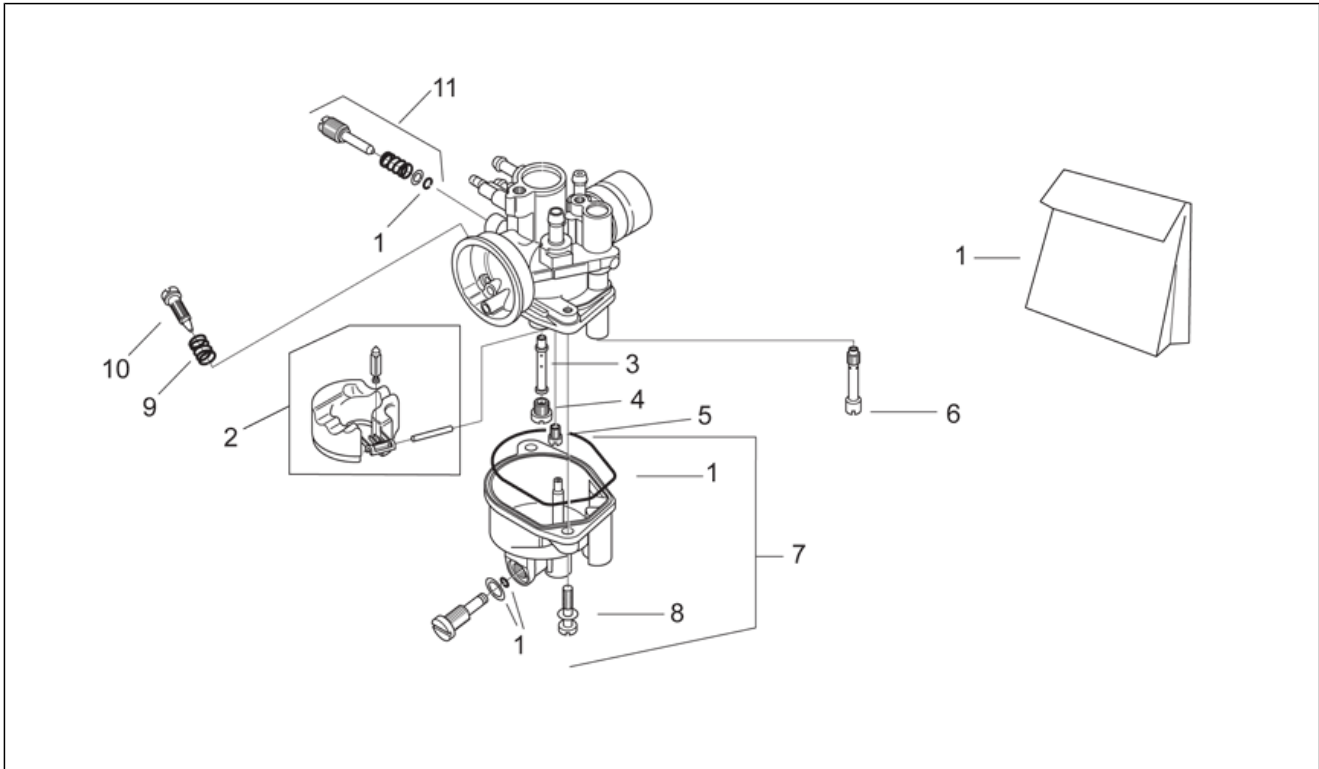
Pos.	Code	Beschreibung	Menge	Varianten
				Land:Belgien[B], Brasilien[BR], Dänemark[DK], Spanien[E], Frankreich[F], Griechenland[GR], Italien[I], Israel[IL], Japan[J], Portugal[P], Großbritannien[UK] Technische Daten: Nationale Zulassung[MU]
8	AP8222652	Fixierschraube Hülse	1	Technische Daten: Nationale Zulassung[MU], EU-Zulassung (Grenzen EURO 1)[ST]
9	AP8222642	Scheibe Luftwell.mutter	1	Baujahr: 1995[S], 1996[T], 1997[V], 1998[W], 2000[Y] Technische Daten: Nationale Zulassung[MU]
10	AP8222660	Mutter Luftwelle	1	Baujahr: 1995[S], 1996[T], 1997[V], 1998[W], 2000[Y] Technische Daten: Nationale Zulassung[MU]
11	AP8222644	Rückhofeder Gasven.	1	Technische Daten: Nationale Zulassung[MU], EU-Zulassung (Grenzen EURO 1)[ST]
12	AP8206945	Ventildeckel	1	Technische Daten: Nationale Zulassung[MU], EU-Zulassung (Grenzen EURO 1)[ST]
13	AP8222656	Kraftstofffilter	1	Technische Daten: Nationale Zulassung[MU], EU-Zulassung (Grenzen EURO 1)[ST]
14	AP8222659	Verb.röhrch. Benz.schl.	1	Technische Daten: Nationale Zulassung[MU], EU-Zulassung (Grenzen EURO 1)[ST]
15	AP8222632	Isolieradapter 21-18	1	Technische Daten: Nationale Zulassung[MU], EU-Zulassung (Grenzen EURO 1)[ST]
16	AP8222634	Fixierschraube Schel.	1	Technische Daten: Nationale Zulassung[MU], EU-Zulassung (Grenzen EURO 1)[ST]
17	AP8222645	Fixierschraube Röhr.	1	Technische Daten: Nationale Zulassung[MU], EU-Zulassung (Grenzen EURO 1)[ST]
18	AP8222653	Steuerwelle Luftventil	1	Technische Daten: Nationale Zulassung[MU], EU-Zulassung (Grenzen EURO 1)[ST]
19	AP8222662	Schwimmerstift	1	Technische Daten: Nationale Zulassung[MU], EU-Zulassung (Grenzen EURO 1)[ST]
20	AP8222635	Schwimmergehäuse	1	Technische Daten: Nationale Zulassung[MU], EU-Zulassung (Grenzen EURO 1)[ST]
21	AP8222679	Dichtungsbeutel	1	Technische Daten: Nationale Zulassung[MU], EU-Zulassung (Grenzen EURO 1)[ST]

Einheit	MOTOR
Code	29.50
Beschreibung	Vergaser III
Inspektion	1



Pos.	Code	Beschreibung	Menge	Varianten
1	AP8206899	Gasventil 40	1	Technische Daten:Zulassung Volle Leistung[TT]
2	AP8276033	Vergasernadel A13	1	Technische Daten:Zulassung Volle Leistung[TT]
3	AP8206886	Dichtungsbeutel	1	Technische Daten:Zulassung Volle Leistung[TT]
4	AP8206983	Deckel Gemischkam.	1	Technische Daten:Zulassung Volle Leistung[TT]
5	AP8206908	Rückholfeder Gasven.	1	Technische Daten:Zulassung Volle Leistung[TT]
6	AP8206891	Sicherung Kegelnadel	1	Technische Daten:Zulassung Volle Leistung[TT]
7	AP8206892	Sicherung Kegelnadel	1	Technische Daten:Zulassung Volle Leistung[TT]
8	AP8206893	Kabelzugstarter	1	Technische Daten:Zulassung Volle Leistung[TT]
9	AP8276030	Vergaser PHBN 16-NS/R	1	Technische Daten:Zulassung Volle Leistung[TT]
10	AP8206940	Gemischkam.Deckel Schraube	1	Technische Daten:Zulassung Volle Leistung[TT]

Einheit	MOTOR
Code	29.51
Beschreibung	Vergaser IV
Inspektion	1



Pos.	Code	Beschreibung	Menge	Varianten
1	AP8206886	Dichtungsbeutel	1	Technische Daten: Zulassung Volle Leistung[TT]
2	AP8206890	Schwimmer	1	Technische Daten: Zulassung Volle Leistung[TT]
3	AP8276031	Nadelventil GA212	1	Technische Daten: Zulassung Volle Leistung[TT]
4	AP8276034	Maximaldüse 102	1	Technische Daten: Zulassung Volle Leistung[TT]
5	AP8222685	Leerlaufstrahl 34	1	Technische Daten: Zulassung Volle Leistung[TT]
6	AP8206982	Startdüse 45	1	Technische Daten: Zulassung Volle Leistung[TT]
7	AP8206889	Schwimmergehäuse	1	Technische Daten: Zulassung Volle Leistung[TT]
8	AP8206887	Fixierschraube Schel.	1	Technische Daten: Zulassung Volle Leistung[TT]
9	AP8206894	Fed. Einst.schr. Leerl.	1	Technische Daten: Zulassung Volle Leistung[TT]
10	AP8206907	Lufteinst.schr. Leerl.	1	Technische Daten: Zulassung Volle Leistung[TT]
11	AP8106820	Einstellschr. Gasventil	1	Technische Daten: Zulassung Volle Leistung[TT]