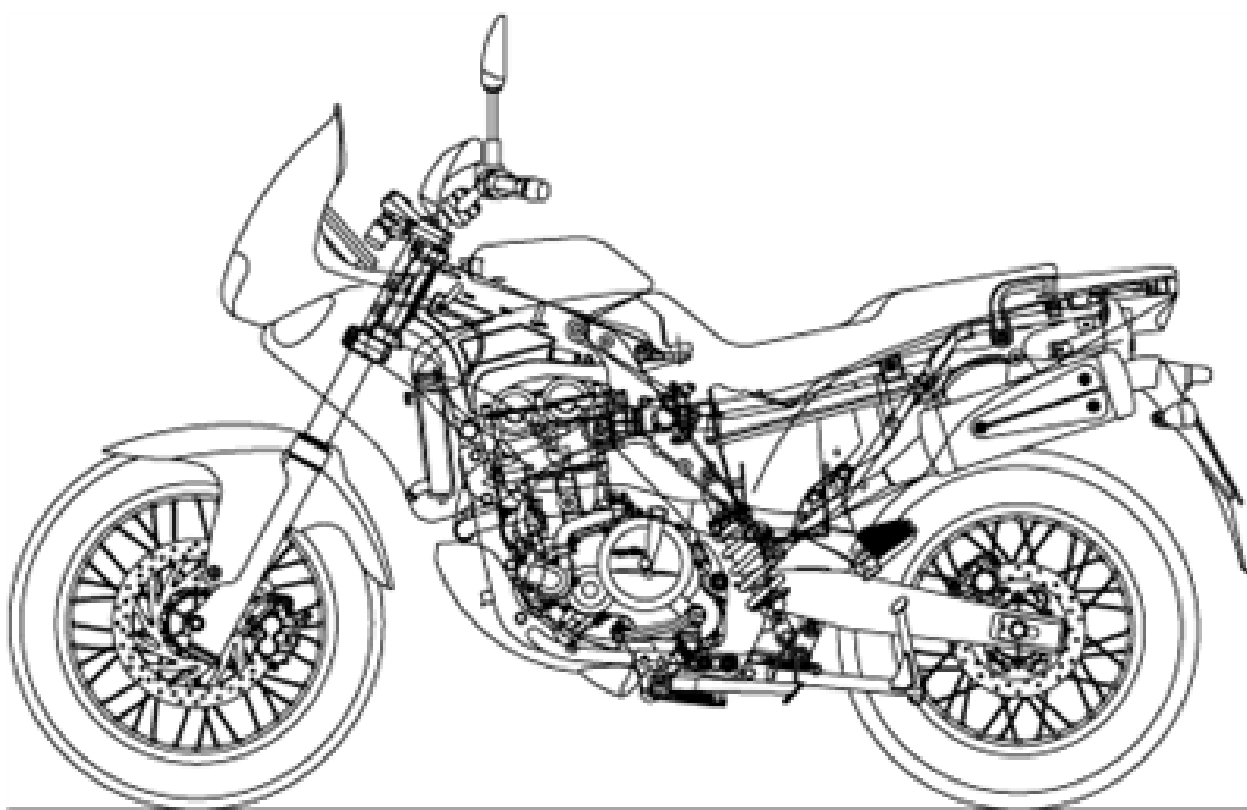


aprilia[®]

ERSATZTEILKATALOG



Pegaso 650 IE 2001-2004

Vorsatzcode Fahrgestell: ZD4RW

Vorsatzcode Motor:

Inhaltsverzeichnis

Fertige Produkte.....	4
Alphanumerisches Verzeichnis.....	7
RAHMEN.....	14
Tafel 28.01 - Rahmen I.....	14
Tafel 28.02 - Rahmen II.....	16
Tafel 28.03 - Sirens - Headlights.....	18
Tafel 28.04 - Fussrasten.....	19
Tafel 28.05 - Hauptständer.....	20
Tafel 28.06 - Lenkung.....	22
Tafel 28.07 - Vorderradgabel.....	23
Tafel 28.08 - Schwinge.....	24
Tafel 28.09 - Hinterradaufhängung.....	25
Tafel 28.10 - Frontaufbau I.....	27
Tafel 28.11 - Frontaufbau II.....	29
Tafel 28.12 - Frontaufbau III.....	31
Tafel 28.13 - Kraftstofftank.....	32
Tafel 28.14 - Sitz.....	34
Tafel 28.15 - Mittlerer Aufbau.....	36
Tafel 28.16 - Heckaufbau.....	38
Tafel 28.17 - Aluminium staukoffer.....	39
Tafel 28.18 - Staukoffer Polizei.....	40
Tafel 28.19 - Additional battery kit.....	41
Tafel 28.20 - Side cases.....	42
Tafel 28.21 - Instrumententafel.....	44
Tafel 28.22 - Lenkstange - Rückspiegel.....	46
Tafel 28.23 - Schaltungen I.....	47
Tafel 28.24 - Schaltungen II.....	49
Tafel 28.25 - Kühlanlage.....	50
Tafel 28.26 - Ausdehngefäß.....	51
Tafel 28.27 - Filtergehäuse.....	52
Tafel 28.28 - Secondary air.....	54
Tafel 28.29 - Kraftstoffpumpe kplt.....	55
Tafel 28.30 - Klappenkörper.....	56
Tafel 28.32 - Auslassgruppe.....	57
Tafel 28.33 - Vorderrad.....	58
Tafel 28.34 - Hinterrad.....	60
Tafel 28.35 - Hinterradbremspumpe.....	61
Tafel 28.36 - Hinterradbremzange.....	63
Tafel 28.37 - Scheinwerfer.....	64
Tafel 28.38 - Rücklicht.....	66
Tafel 28.39 - Strobo rod.....	68
Tafel 28.40 - Vorder Elektrische Anlage.....	69
Tafel 28.41 - Hint.Elektrische Anlage.....	70

Tafel 28.42 - Police electrical system.....	71
Tafel 28.43 - Bausatz Schlösser.....	72
Tafel 28.44 - Schild.....	73
Tafel 28.45 - Deko und bed./wart.- Anleitungen.....	74
MOTOR.....	75
Tafel 29.31 - Motor.....	75
Tafel 29.46 - Kurbelwellengehäuse I.....	76
Tafel 29.47 - Kurbelwellengehäuse II.....	77
Tafel 29.48 - Ölfiltereinsatz.....	78
Tafel 29.49 - Ölpumpe.....	79
Tafel 29.50 - Kurbelwelle.....	80
Tafel 29.51 - Zylinder.....	81
Tafel 29.52 - Zylinderkopf.....	82
Tafel 29.53 - Ventildeckel.....	83
Tafel 29.54 - Ventile.....	84
Tafel 29.55 - Ventilesbeläge.....	85
Tafel 29.56 - Kettenspanner.....	86
Tafel 29.57 - Schaltgabel.....	87
Tafel 29.58 - Schaltgetriebe.....	88
Tafel 29.59 - Kupplung.....	90
Tafel 29.60 - Wasserpumpenritzel.....	91
Tafel 29.61 - Kühlschlauch.....	92
Tafel 29.62 - Startermotor.....	93
Tafel 29.63 - Zündung.....	94
Tafel 29.64 - Verbrauchsmaterial.....	95
ZUBEHÖR.....	96
Tafel 30.65 - Acc. - Koffer, Taschen Son.....	96
Tafel 30.66 - Acc. - Diebstahl.....	97

Fertige Produkte

Code	Gültigkeit
AP6135000AU406	
AP6135000AU407	
AP6135000DK406	
AP6135000DK407	
AP6135000EL406	
AP6135000EL407	
AP6135000ES406	
AP6135000ES407	
AP6135000IT406	
AP6135000IT407	
AP6135000MX406	
AP6135000MX407	
AP68115AT01	
AP68115AT02	
AP68115AT03	
AP68115AU01	
AP68115AU02	
AP68115AU03	
AP68115AU06	
AP68115AU07	
AP68115BE01	
AP68115BE02	
AP68115BE03	
AP68115CH02	
AP68115CH06	
AP68115CH07	
AP68115DE01	
AP68115DE02	
AP68115DE03	
AP68115DE06	
AP68115DE07	
AP68115DE08	
AP68115DE11	
AP68115DK01	
AP68115DK02	
AP68115DK03	
AP68115DK06	
AP68115EL01	
AP68115EL02	
AP68115EL03	
AP68115EL06	
AP68115ES01	

Code	Gültigkeit
AP68115ES02	
AP68115ES03	
AP68115ES06	
AP68115ES07	
AP68115ES08	
AP68115EU06	
AP68115EU08	
AP68115FR01	
AP68115FR02	
AP68115FR07	
AP68115FR08	
AP68115GB01	
AP68115GB02	
AP68115GB03	
AP68115GB06	
AP68115GB07	
AP68115GB08	
AP68115IT01	
AP68115IT02	
AP68115IT03	
AP68115IT06	
AP68115IT07	
AP68115IT08	
AP68115JP01	
AP68115JP02	
AP68115MX02	
AP68115MX03	
AP68115MX06	
AP68115MX07	
AP68115NL01	
AP68115NL02	
AP68115NL03	
AP68115NL06	
AP68115NL07	
AP68115NL08	
AP68115PT01	
AP68115PT02	
AP68115PT03	
AP68115PT06	
AP68115PT07	
AP68116IT02	
AP68116IT03	
AP68117IT04	
AP68117IT05	
AP68117IT09	

Code	Gültigkeit
AP68117IT10	
AP68118ES01	
AP68118EU01	
AP68118GB01	
AP68118IT01	
AP68118NL01	

Code	Nr. der Tafel	Pos.	Code	Nr. der Tafel	Pos.	Code	Nr. der Tafel	Pos.
0000000	28.33	4	AP0234720	29.58	8	AP0247320	29.46	15
0000000	28.33	5	AP0234756	29.62	4	AP0247785	29.62	7
0000000	28.34	2	AP0235272	29.49	1	AP0247790	29.47	13
0000000	28.34	3	AP0236087	29.56	3	AP0247900	29.57	6
2R000111	29.63	4	AP0236115	29.53	8	AP0247955	29.52	6
AP0210379	29.46	1	AP0236126	29.53	4	AP0248305	29.57	18
AP0210414	29.48	6	AP0236130	29.53	2	AP0248346	29.57	2
AP0210640	29.49	14	AP0236250	29.56	1	AP0250025	29.61	6
AP0210678	29.53	1	AP0236336	29.58	25	AP0250450	29.46	5
AP0216201	29.51	4	AP0237022	29.57	13	AP0250640	29.61	9
AP0220220	29.58	10	AP0237040	29.60	7	AP0250890	29.59	4
AP0220225	29.58	27	AP0237051	29.49	10	AP0250890	29.63	16
AP0220232	29.58	23	AP0237060	29.47	15	AP0250910	29.46	16
AP0220250	29.49	3	AP0237098	29.54	13	AP0250922	29.63	8
AP0222215	29.60	17	AP0237105	29.54	14	AP0250992	29.57	15
AP0222272	29.60	8	AP0237929	29.57	3	AP0251020	29.61	12
AP0222284	29.61	13	AP0237999	29.50	8	AP0251170	29.61	2
AP0222290	29.60	15	AP0239060	29.59	14	AP0251880	29.63	14
AP0222300	29.60	4	AP0239075	29.57	4	AP0251920	29.61	4
AP0222317	29.60	2	AP0239082	29.57	5	AP0253530	29.54	21
AP0222640	29.61	7	AP0239095	29.57	1	AP0253540	29.54	11
AP0224090	29.61	11	AP0239130	29.54	15	AP0253550	29.55	1
AP0227430	29.57	7	AP0239140	29.60	1	AP0253551	29.55	1
AP0227430	29.58	22	AP0239150	29.54	7	AP0253552	29.55	1
AP0227445	29.58	6	AP0239162	29.59	16	AP0253553	29.55	1
AP0227450	29.54	22	AP0239280	29.47	8	AP0253554	29.55	1
AP0227455	29.54	23	AP0239810	29.47	20	AP0253555	29.55	1
AP0227542	29.50	9	AP0240036	29.59	18	AP0253556	29.55	1
AP0227680	29.60	10	AP0240195	29.63	15	AP0253557	29.55	1
AP0227825	29.58	3	AP0240205	29.54	19	AP0253558	29.55	1
AP0227982	29.54	5	AP0240362	29.52	5	AP0253559	29.55	1
AP0229280	29.60	9	AP0240372	29.60	18	AP0253560	29.55	1
AP0229301	29.46	24	AP0240531	29.46	19	AP0253561	29.55	1
AP0229301	29.62	6	AP0240541	29.46	6	AP0253562	29.55	1
AP0230196	29.60	6	AP0240545	29.46	23	AP0253563	29.55	1
AP0230330	29.60	16	AP0240545	29.51	11	AP0253564	29.55	1
AP0230395	29.47	2	AP0240705	29.51	10	AP0253565	29.55	1
AP0230415	29.60	13	AP0240912	29.60	14	AP0253566	29.55	1
AP0230510	29.54	6	AP0241070	29.49	8	AP0253567	29.55	1
AP0230540	29.53	5	AP0241262	29.46	20	AP0253568	29.55	1
AP0230581	29.46	7	AP0241262	29.46	9	AP0253569	29.55	1
AP0230592	29.51	7	AP0241375	29.51	13	AP0253570	29.54	9
AP0230604	29.51	6	AP0241375	29.52	15	AP0253581	29.52	10
AP0230920	29.48	5	AP0241803	29.63	17	AP0253591	29.52	11
AP0231020	29.54	16	AP0241810	29.46	18	AP0253596	29.52	12
AP0232262	29.59	12	AP0241810	29.63	13	AP0253605	29.54	18
AP0232275	29.57	16	AP0241822	29.46	17	AP0253610	29.54	2
AP0232420	29.60	11	AP0241852	29.47	17	AP0253615	29.54	1
AP0232430	29.49	17	AP0241932	29.48	7	AP0253620	29.54	3
AP0232480	29.57	17	AP0241932	29.56	4	AP0253630	29.54	4
AP0232501	29.47	4	AP0241932	29.60	5	AP0253640	29.54	10
AP0232520	29.58	11	AP0242591	29.54	20	AP0253910	29.55	1
AP0232530	29.58	12	AP0242607	29.59	8	AP0253945	29.54	24
AP0232730	29.49	11	AP0242651	29.58	29	AP0253947	29.54	25
AP0232742	29.58	20	AP0242851	29.51	8	AP0256150	29.47	19
AP0232764	29.47	5	AP0242851	29.52	7	AP0256170	29.47	21
AP0232805	29.58	7	AP0244020	29.59	17	AP0256170	29.47	9
AP0232910	29.54	17	AP0244100	29.58	19	AP0256185	29.48	4
AP0232990	29.52	9	AP0244217	29.53	6	AP0256321	29.48	1
AP0233675	29.46	11	AP0244950	29.59	5	AP0256330	29.47	10
AP0233680	29.46	12	AP0245325	29.59	7	AP0256347	29.49	13
AP0234561	29.49	18	AP0245330	29.49	19	AP0256430	29.48	2
AP0234620	29.60	12	AP0245391	29.58	28	AP0256530	29.56	7
AP0234655	29.62	3	AP0245436	29.51	5	AP0258017	29.57	11
AP0234670	29.58	9	AP0245650	29.58	26	AP0258027	29.57	10
AP0234700	29.58	16	AP0245710	29.52	4	AP0258037	29.57	9
AP0234712	29.58	2	AP0246570	29.50	4	AP0258275	29.57	8

Code	Nr. der Tafel	Pos.	Code	Nr. der Tafel	Pos.	Code	Nr. der Tafel	Pos.
AP0258782	29.57	12	AP0634340	29.58	15	AP8101861	28.29	12
AP0259115	29.59	6	AP0634350	29.58	18	AP8101890	28.27	27
AP0259122	29.59	11	AP0640280	29.56	5	AP8101928	28.04	19
AP0259202	29.59	13	AP0640821	29.49	15	AP8102060	28.27	29
AP0260300	29.46	2	AP0641590	29.63	5	AP8102060	29.31	18
AP0260310	29.51	15	AP0659117	29.63	3	AP8102324	28.22	3
AP0260310	29.52	13	AP0827590	29.49	16	AP8102325	28.22	4
AP0260570	29.47	18	AP0827590	29.62	8	AP8102348	28.14	11
AP0260760	29.47	22	AP0838140	29.54	8	AP8102349	28.01	23
AP0260955	29.61	3	AP0840277	29.46	22	AP8102375	28.02	12
AP0260960	29.52	16	AP0840445	29.61	1	AP8102375	28.12	3
AP0275030	29.46	3	AP0840512	29.61	10	AP8102375	28.15	5
AP0281192	29.58	1	AP0840861	29.52	2	AP8102376	28.02	11
AP0281193	29.58	1	AP0840862	29.57	19	AP8102376	28.10	8
AP0294285	29.51	2	AP0840882	29.46	8	AP8102376	28.14	3
AP0294351	29.62	1	AP0840882	29.51	9	AP8102376	28.16	5
AP0294352	29.62	9	AP0840882	29.52	8	AP8102376	28.25	20
AP0294478	29.50	3	AP0840882	29.62	2	AP8102376	28.32	16
AP0294762	29.64	9	AP0840882	29.63	18	AP8102376	29.31	8
AP0295184	29.51	3	AP0841331	29.63	12	AP8102377	28.28	10
AP0295191	29.50	1	AP0841680	29.46	4	AP8102378	28.27	25
AP0295442	29.59	3	AP0841690	29.54	12	AP8102392	28.01	11
AP0295984	29.51	3	AP0842230	29.50	13	AP8102393	28.01	6
AP0295986	29.51	2	AP0842230	29.63	7	AP8102495	28.44	1
AP0295987	29.51	2	AP0845240	29.49	6	AP8102498	28.01	29
AP0296341	29.46	10	AP0845390	29.57	14	AP8102503	28.13	2
AP0296410	29.63	2	AP0897161	29.64	8	AP8102504	28.11	5
AP0297386	29.64	5	AP0897651	29.64	6	AP8102504	28.23	17
AP0297547	28.40	19	AP0898011	29.64	7	AP8102504	28.24	8
AP0297616	29.64	10	AP0899784	29.64	1	AP8102535	28.13	11
AP0297760	29.53	3	AP0899785	29.64	2	AP8102600	28.14	20
AP0297900	29.64	4	AP0899788	29.64	3	AP8102715	28.27	12
AP0427460	29.59	1	AP0922245	29.61	5	AP8102747	28.32	15
AP0429150	29.50	2	AP0927945	29.49	7	AP8102811	28.35	25
AP0430460	29.58	24	AP0929650	29.46	14	AP8102880	28.43	7
AP0430550	29.47	1	AP0929650	29.51	12	AP8102902	28.41	25
AP0430590	29.60	3	AP0930500	29.49	9	AP8103504	28.06	7
AP0430782	29.51	14	AP0932096	29.50	11	AP8104144	28.14	14
AP0430782	29.52	14	AP0932740	29.49	4	AP8104144	28.43	3
AP0440193	29.47	12	AP0932815	29.47	6	AP8104181	28.29	21
AP0445300	29.58	4	AP0932826	29.47	3	AP8104192	28.29	18
AP0445441	29.54	26	AP0932830	29.47	7	AP8104197	28.18	16
AP0552280	29.46	21	AP0932930	29.59	2	AP8104212	28.25	1
AP0610161	29.63	9	AP0941122	29.53	7	AP8104217	28.43	1
AP0613158	29.52	1	AP0941500	29.47	14	AP8104311	28.45	2
AP0613305	29.51	1	AP0941925	29.48	3	AP8104311	28.45	2
AP0627030	29.50	6	AP0945650	29.59	15	AP8104312	28.45	2
AP0627030	29.50	7	AP0945751	29.52	3	AP8104313	28.45	2
AP0627031	29.50	7	AP0945759	29.50	12	AP8104317	28.33	2
AP0627032	29.50	7	AP0945759	29.63	6	AP8104328	28.25	2
AP0627033	29.50	7	AP0946015	29.50	5	AP8104377	28.29	17
AP0627035	29.50	7	AP0950141	29.47	11	AP8104469	28.33	2
AP0627051	29.58	14	AP0950145	29.56	6	AP8104469	28.33	2
AP0627061	29.58	17	AP0956169	29.47	16	AP8104496	28.45	2
AP0627070	29.50	10	AP0956277	29.49	12	AP8104572	28.23	13
AP0627071	29.50	10	AP8101108	28.02	10	AP8104572	28.24	13
AP0627072	29.50	10	AP8101108	28.17	9	AP8104672	28.26	13
AP0627073	29.50	10	AP8101372	28.25	14	AP8104686	28.17	17
AP0627080	29.62	5	AP8101513	28.06	12	AP8104687	28.17	16
AP0627330	29.56	2	AP8101573	28.28	9	AP8104688	28.17	15
AP0632010	29.46	13	AP8101586	28.28	8	AP8104689	28.17	10
AP0634260	29.49	5	AP8101588	28.25	19	AP8104858	28.28	11
AP0634270	29.49	2	AP8101595	28.13	3	AP8106706	29.59	10
AP0634290	29.58	21	AP8101595	28.27	34	AP8106730	28.30	4
AP0634300	29.58	13	AP8101606	28.04	18	AP8106731	28.29	7
AP0634317	29.63	1	AP8101743	28.25	7	AP8106733	28.30	1
AP0634330	29.58	5	AP8101856	28.44	1	AP8106761	29.31	10

Code	Nr. der Tafel	Pos.	Code	Nr. der Tafel	Pos.	Code	Nr. der Tafel	Pos.
AP8106762	29.31	5	AP8113538	28.36	5	AP8120285	28.29	16
AP8106763	29.31	1	AP8113548	28.33	27	AP8120317	28.10	1
AP8106769	28.29	1	AP8113548	28.36	9	AP8120317	28.14	12
AP8106770	28.29	8	AP8113549	28.36	4	AP8120354	28.26	2
AP8106886	29.59	9	AP8113552	28.23	10	AP8120363	28.08	11
AP8106893	28.30	6	AP8113553	28.35	2	AP8120428	28.01	31
AP8106899	28.30	7	AP8113620	28.23	14	AP8120446	28.01	22
AP8106900	28.30	8	AP8113627	28.33	19	AP8120446	28.26	8
AP8107103	28.34	4	AP8113930	28.33	15	AP8120447	28.01	18
AP8107123	28.34	25	AP8113931	28.35	32	AP8120459	28.27	18
AP8108469	28.33	9	AP8113931	28.36	10	AP8120512	28.25	4
AP8108471	28.34	7	AP8113967	28.33	14	AP8120531	28.10	3
AP8108576	28.33	6	AP8113999	28.33	26	AP8120531	28.11	14
AP8108672	28.33	10	AP8114358	28.24	9	AP8120531	28.12	9
AP8108672	28.34	16	AP8114412	28.23	16	AP8120531	28.13	16
AP8108757	28.33	7	AP8114413	28.24	17	AP8120594	28.25	13
AP8108758	28.33	8	AP8114421	28.21	27	AP8120615	28.27	2
AP8108759	28.34	6	AP8114422	28.21	28	AP8120663	28.13	5
AP8108935	28.34	5	AP8114435	28.24	16	AP8120673	28.25	16
AP8109004	28.34	1	AP8114455	28.21	29	AP8120712	28.15	8
AP8109096	28.33	3	AP8117033	28.08	28	AP8120754	28.41	5
AP8110045	28.34	17	AP8117033	28.38	11	AP8120771	28.06	19
AP8110050	28.34	20	AP8117041	28.08	27	AP8120772	28.27	33
AP8110065	28.09	8	AP8117095	28.15	10	AP8120823	28.32	10
AP8110066	28.09	12	AP8117096	28.15	11	AP8120850	28.35	18
AP8110067	28.08	10	AP8117116	28.36	8	AP8120855	28.05	13
AP8110067	28.09	14	AP8117117	28.12	7	AP8120855	28.05	13
AP8110068	28.09	7	AP8117118	28.27	22	AP8120863	28.08	6
AP8110069	28.09	15	AP8117119	29.31	12	AP8120864	28.33	18
AP8110084	28.06	16	AP8117187	28.27	24	AP8120865	28.33	24
AP8112176	28.41	10	AP8117198	28.21	14	AP8120876	28.27	20
AP8112176	28.42	8	AP8118201	28.24	12	AP8120893	28.13	12
AP8112244	28.41	9	AP8118316	28.23	2	AP8120912	29.31	4
AP8112254	28.41	21	AP8118317	28.23	19	AP8120952	28.13	9
AP8112506	28.41	11	AP8118317	28.23	19	AP8120955	28.27	30
AP8112600	28.14	5	AP8118317	28.24	15	AP8120965	28.13	4
AP8112756	28.38	24	AP8118317	28.24	15	AP8120972	28.02	8
AP8112830	28.40	14	AP8118349	28.24	10	AP8120972	28.35	15
AP8112857	28.40	17	AP8118355	28.24	11	AP8120993	28.27	23
AP8112920	28.40	1	AP8118376	28.24	4	AP8121014	28.05	11
AP8112922	28.38	23	AP8118416	28.23	7	AP8121014	28.05	11
AP8112939	28.25	6	AP8118432	28.24	14	AP8121015	28.05	10
AP8112941	28.41	13	AP8118441	28.24	1	AP8121015	28.05	10
AP8112942	28.41	8	AP8118490	28.24	2	AP8121041	28.09	23
AP8112959	28.41	23	AP8118605	28.22	1	AP8121041	28.09	23
AP8112996	28.24	18	AP8118621	28.24	3	AP8121075	28.08	17
AP8112996	28.35	34	AP8118669	28.22	9	AP8121075	28.26	5
AP8112996	28.41	14	AP8119425	28.32	11	AP8121092	28.02	23
AP8113003	28.33	16	AP8119427	28.32	9	AP8121121	28.08	9
AP8113003	28.35	31	AP8119463	28.32	3	AP8121156	28.08	20
AP8113003	28.36	1	AP8119464	28.32	4	AP8121250	28.10	11
AP8113004	28.33	17	AP8119587	28.32	7	AP8121250	28.11	12
AP8113004	28.35	33	AP8119602	28.32	18	AP8121252	28.04	16
AP8113004	28.36	2	AP8119603	28.32	19	AP8121257	28.08	2
AP8113058	28.23	9	AP8119610	28.32	1	AP8121259	28.16	14
AP8113070	28.33	21	AP8119611	28.32	2	AP8121260	28.16	15
AP8113070	28.36	3	AP8119835	28.32	7	AP8121297	28.11	20
AP8113203	28.23	11	AP8119836	28.32	9	AP8121307	28.06	18
AP8113241	28.35	1	AP8120001	28.11	8	AP8121310	28.05	3
AP8113276	28.35	8	AP8120030	28.14	8	AP8121469	28.29	13
AP8113288	28.35	4	AP8120030	29.31	14	AP8121541	28.21	10
AP8113485	28.33	1	AP8120178	28.11	11	AP8121542	28.21	22
AP8113486	28.36	7	AP8120178	28.27	19	AP8121543	28.21	23
AP8113487	28.36	6	AP8120196	28.35	16	AP8121544	28.21	24
AP8113502	28.35	3	AP8120218	28.40	11	AP8121546	28.33	30
AP8113522	28.23	21	AP8120240	28.08	8	AP8121547	28.33	31
AP8113537	28.23	8	AP8120280	28.01	7	AP8121717	28.04	12

Code	Nr. der Tafel	Pos.
AP8121718	28.27	10
AP8121728	28.06	14
AP8121773	28.13	6
AP8121795	28.14	4
AP8121795	28.38	15
AP8121795	28.38	25
AP8121805	28.35	17
AP8121808	28.35	14
AP8121811	28.11	16
AP8121811	28.35	23
AP8121826	28.23	4
AP8121837	28.25	15
AP8121862	28.01	12
AP8121887	28.04	4
AP8121888	28.04	5
AP8121889	28.01	30
AP8121897	28.05	16
AP8121897	28.05	16
AP8121922	28.25	12
AP8121928	28.04	11
AP8121977	28.01	21
AP8121994	28.05	2
AP8123243	28.06	20
AP8123510	28.06	6
AP8123511	28.06	5
AP8123512	28.06	4
AP8123513	28.06	10
AP8123560	28.07	1
AP8123604	28.06	9
AP8123605	28.06	8
AP8123655	28.07	17
AP8123920	28.07	3
AP8123960	28.06	3
AP8123962	28.09	1
AP8124098	28.37	1
AP8124098	28.37	1
AP8124100	28.40	5
AP8124215	28.38	1
AP8124217	28.38	8
AP8124217	28.41	18
AP8124235	28.40	4
AP8124266	28.41	16
AP8124400	28.37	2
AP8124401	28.37	3
AP8124444	28.37	1
AP8124451	28.38	4
AP8124472	28.37	19
AP8124593	28.43	4
AP8124597	28.23	20
AP8124625	28.37	4
AP8124636	28.40	3
AP8124640	28.19	1
AP8124777	28.37	15
AP8124864	28.40	8
AP8124865	29.63	10
AP8124866	28.30	5
AP8124867	28.27	26
AP8124868	29.61	8
AP8124869	28.41	12
AP8124870	28.40	20
AP8124880	28.38	13
AP8124897	28.38	2
AP8124898	28.38	3
AP8124913	28.23	5
AP8124913	28.23	5
AP8124914	28.23	5
AP8124915	28.24	6

Code	Nr. der Tafel	Pos.
AP8124919	28.23	5
AP8124940	28.40	13
AP8124940	28.41	3
AP8124941	28.29	4
AP8124942	28.21	1
AP8124942	28.21	1
AP8124950	28.29	2
AP8124977	28.41	22
AP8125387	28.08	7
AP8125423	28.34	8
AP8125425	28.34	21
AP8125427	28.34	9
AP8125442	28.34	19
AP8125462	28.34	18
AP8125542	28.33	11
AP8125649	28.34	12
AP8125650	28.34	13
AP8125720	28.33	13
AP8125755	28.33	12
AP8125805	28.34	27
AP8125859	28.34	10
AP8125860	28.34	11
AP8125861	28.34	14
AP8126702	28.17	13
AP8126911	28.16	3
AP8126912	28.16	4
AP8126913	28.11	13
AP8126938	28.11	13
AP8126943	28.11	13
AP8126972	28.11	13
AP8126972	28.11	13
AP8126974	28.11	13
AP8127021	28.25	8
AP8127080	28.21	6
AP8127085	28.21	17
AP8127086	28.21	16
AP8127088	28.21	11
AP8127089	28.21	12
AP8127090	28.21	13
AP8127094	28.21	15
AP8127095	28.21	20
AP8127096	28.21	21
AP8127097	28.21	25
AP8127098	28.38	9
AP8127121	28.37	22
AP8127178	28.37	20
AP8127206	28.21	2
AP8127207	28.21	3
AP8127207	28.21	3
AP8127209	28.21	4
AP8127210	28.21	9
AP8127211	28.41	1
AP8127231	28.21	26
AP8127236	28.21	3
AP8127237	28.21	1
AP8129290	28.14	1
AP8129290	28.14	1
AP8129290	28.14	1
AP8129329	28.14	1
AP8129400	28.14	1
AP8131740	28.26	11
AP8131838	28.40	2
AP8132927	28.05	9
AP8132927	28.05	9
AP8133500	28.33	23
AP8133502	28.33	20
AP8133629	28.33	14

Code	Nr. der Tafel	Pos.
AP8134111	28.08	4
AP8134186	28.02	24
AP8134186	28.08	26
AP8134186	28.36	11
AP8134186	29.31	9
AP8134190	28.02	5
AP8134234	28.02	6
AP8134239	28.25	5
AP8134274	28.02	14
AP8134280	28.04	6
AP8134441	28.01	10
AP8134653	28.40	21
AP8134661	28.29	9
AP8134662	28.11	17
AP8134756	28.04	13
AP8134757	28.04	14
AP8134995	28.28	2
AP8135304	28.32	8
AP8135607	28.09	20
AP8135608	28.09	13
AP8135609	28.09	11
AP8135610	28.09	9
AP8135683	28.02	4
AP8135765	28.02	2
AP8135767	28.02	1
AP8135978	28.32	6
AP8138264	28.26	1
AP8138721	28.06	13
AP8138747	28.15	3
AP8138753	28.27	17
AP8138768	28.12	1
AP8138772	28.01	8
AP8138829	28.15	4
AP8138918	28.08	21
AP8144016	28.01	20
AP8144039	28.27	4
AP8144046	28.41	17
AP8144081	28.15	9
AP8144082	28.16	2
AP8144087	28.14	15
AP8144088	28.14	16
AP8144089	28.14	17
AP8144146	28.06	17
AP8144151	28.35	26
AP8144159	28.13	10
AP8144281	28.35	24
AP8144325	28.25	11
AP8144326	28.27	8
AP8144330	28.29	19
AP8144332	28.29	20
AP8144333	28.29	14
AP8144366	28.30	3
AP8144367	28.30	2
AP8144425	28.27	3
AP8144428	28.27	3
AP8144479	28.05	14
AP8144622	28.26	10
AP8144675	28.28	4
AP8144676	28.28	5
AP8144677	28.28	3
AP8144678	28.28	6
AP8146045	28.04	3
AP8146160	28.09	6
AP8146161	28.09	10
AP8146386	28.05	1
AP8146393	28.01	2
AP8146400	28.35	13

Code	Nr. der Tafel	Pos.
AP8146413	29.31	2
AP8146456	28.35	35
AP8146456	28.43	12
AP8146464	28.05	6
AP8146464	28.05	6
AP8146485	28.04	10
AP8146522	28.01	1
AP8146525	28.41	24
AP8146532	28.02	3
AP8146581	28.02	3
AP8146581	28.02	3
AP8146581	28.02	3
AP8146583	28.08	1
AP8146750	28.04	1
AP8146751	28.04	2
AP8146785	28.02	3
AP8146786	28.01	2
AP8146790	28.05	1
AP8147125	28.37	10
AP8147126	28.37	9
AP8148268	28.38	10
AP8148271	28.10	5
AP8148734	29.31	11
AP8148735	29.31	3
AP8149056	29.63	19
AP8149058	28.13	1
AP8149120	28.18	2
AP8149305	28.14	2
AP8149306	28.27	5
AP8149319	28.10	2
AP8149320	28.11	4
AP8149321	28.12	5
AP8149323	28.27	13
AP8149422	28.12	4
AP8149782	28.35	22
AP8149783	28.08	3
AP8149784	28.08	5
AP8149785	28.10	5
AP8149785	28.10	5
AP8149785	28.10	5
AP8149786	28.15	2
AP8149787	28.15	1
AP8149857	28.10	7
AP8149858	28.16	1
AP8149860	28.13	1
AP8149866	28.15	2
AP8149867	28.15	1
AP8149868	28.13	1
AP8149874	28.15	2
AP8149875	28.15	1
AP8149878	28.10	7
AP8150011	28.27	28
AP8150011	28.29	6
AP8150011	28.37	18
AP8150012	28.29	11
AP8150015	28.01	27
AP8150015	28.01	27
AP8150015	28.16	17
AP8150015	28.25	10
AP8150015	28.26	7
AP8150015	28.38	14
AP8150017	28.02	25
AP8150017	28.04	15
AP8150017	28.08	23
AP8150017	28.32	20
AP8150017	28.35	20
AP8150018	28.02	9

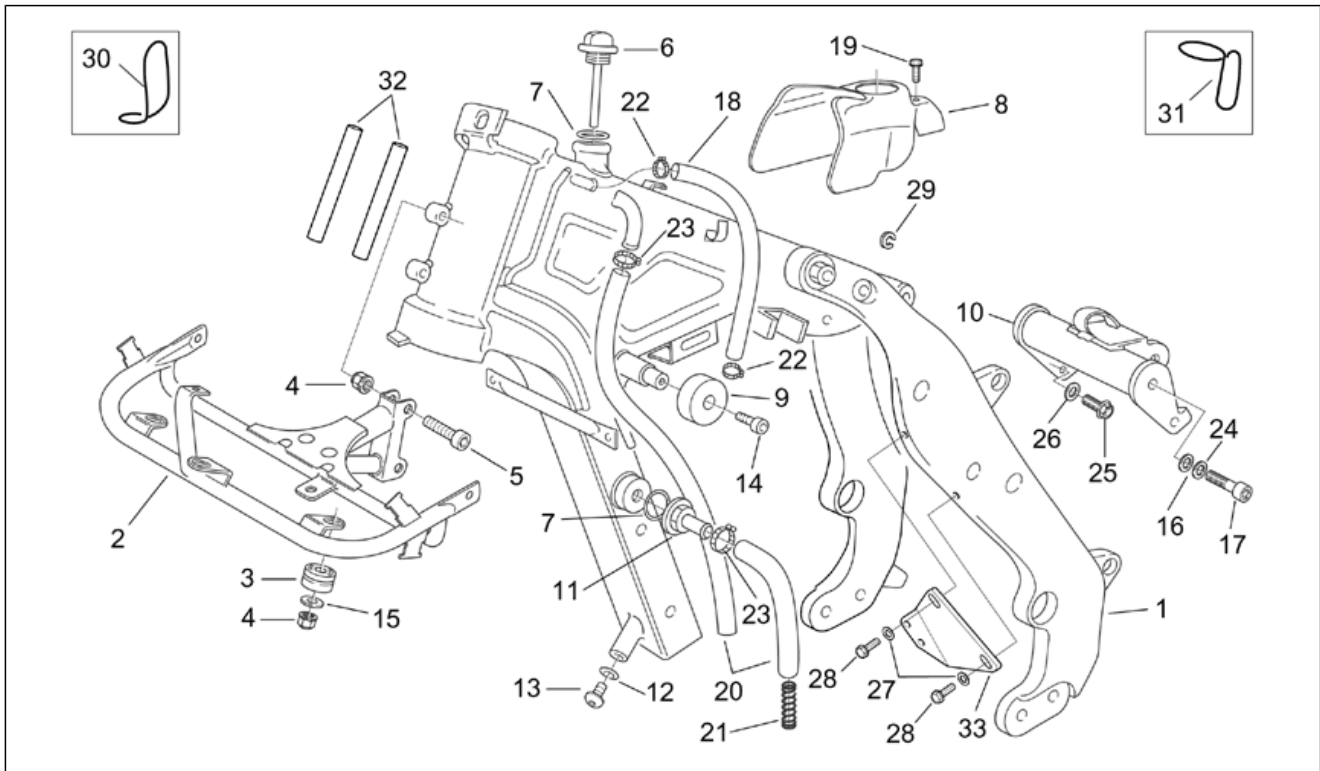
Code	Nr. der Tafel	Pos.
AP8150018	28.13	7
AP8150018	28.35	19
AP8150020	28.01	24
AP8150020	28.02	28
AP8150020	28.09	21
AP8150021	28.35	6
AP8150026	28.35	7
AP8150026	28.40	15
AP8150027	28.02	31
AP8150027	28.02	31
AP8150038	28.01	17
AP8150040	28.02	20
AP8150044	28.22	10
AP8150044	29.31	20
AP8150046	28.17	8
AP8150073	28.35	30
AP8150079	28.02	22
AP8150079	28.02	22
AP8150087	28.35	27
AP8150092	28.02	21
AP8150157	28.23	18
AP8150157	28.24	5
AP8150165	28.38	26
AP8150165	29.31	19
AP8150179	28.12	11
AP8150179	28.16	6
AP8150179	28.27	1
AP8150179	29.31	17
AP8150182	28.35	28
AP8150182	28.40	16
AP8150182	28.41	7
AP8150182	29.31	6
AP8150210	28.09	3
AP8150211	28.43	11
AP8150220	28.01	5
AP8150246	28.08	24
AP8150250	28.04	9
AP8150252	28.38	22
AP8150270	28.37	8
AP8150285	28.09	24
AP8150285	28.09	24
AP8150285	28.09	24
AP8150290	28.09	5
AP8150292	28.01	16
AP8150292	28.02	30
AP8150292	28.05	5
AP8150292	28.33	29
AP8150297	28.08	15
AP8150299	28.08	13
AP8150323	28.05	8
AP8150323	28.05	8
AP8150334	28.32	5
AP8150338	28.09	16
AP8150349	28.43	5
AP8150354	28.02	26
AP8150376	28.01	26
AP8150376	28.02	15
AP8150376	28.17	6
AP8150376	28.20	3
AP8150376	28.32	21
AP8150378	28.32	22
AP8150382	28.26	15
AP8150382	28.37	7
AP8150392	28.02	18
AP8150400	28.02	19
AP8150413	28.27	21
AP8150413	28.37	17

Code	Nr. der Tafel	Pos.
AP8150428	28.29	3
AP8150430	28.09	25
AP8150430	28.14	18
AP8150430	28.17	11
AP8150430	28.25	17
AP8150430	28.27	14
AP8150430	28.35	29
AP8150430	28.43	10
AP8150431	28.08	22
AP8150432	28.09	22
AP8150433	28.34	15
AP8150436	28.05	7
AP8150436	28.05	7
AP8150450	28.15	7
AP8150453	28.13	15
AP8150453	28.43	8
AP8150454	28.13	14
AP8150454	28.43	9
AP8150467	28.04	17
AP8150495	28.34	26
AP8152001	28.05	12
AP8152013	28.02	19
AP8152018	28.09	19
AP8152019	28.11	3
AP8152019	28.24	7
AP8152037	28.01	15
AP8152037	28.21	18
AP8152040	28.29	5
AP8152055	28.01	13
AP8152073	28.08	14
AP8152078	28.11	2
AP8152078	28.23	15
AP8152108	28.16	19
AP8152112	28.01	14
AP8152112	28.02	27
AP8152144	28.09	18
AP8152146	28.09	17
AP8152147	28.09	2
AP8152156	28.33	28
AP8152156	28.36	12
AP8152169	28.08	25
AP8152176	28.05	15
AP8152176	28.05	15
AP8152223	28.23	1
AP8152224	28.23	3
AP8152226	28.27	15
AP8152246	28.08	19
AP8152246	28.10	13
AP8152246	28.12	8
AP8152246	28.32	14
AP8152246	28.32	17
AP8152270	28.41	2
AP8152272	28.01	19
AP8152273	28.29	15
AP8152275	28.27	6
AP8152277	28.08	18
AP8152277	28.11	18
AP8152277	28.28	15
AP8152277	28.35	12
AP8152277	28.41	26
AP8152278	28.01	28
AP8152278	28.01	28
AP8152278	28.06	15
AP8152278	28.14	13
AP8152278	28.16	7
AP8152278	28.25	9
AP8152278	28.26	9

Code	Nr. der Tafel	Pos.	Code	Nr. der Tafel	Pos.	Code	Nr. der Tafel	Pos.
AP8152278	28.29	10	AP8152338	28.26	16	AP8168278	28.15	2
AP8152278	29.63	11	AP8152339	28.10	10	AP8168279	28.15	1
AP8152279	28.14	6	AP8152339	28.11	9	AP8168291	28.13	1
AP8152279	28.26	4	AP8156030	28.11	13	AP8168296	28.10	7
AP8152279	28.28	12	AP8156032	28.11	13	AP8168297	28.15	2
AP8152279	28.41	6	AP8156033	28.11	13	AP8168298	28.15	1
AP8152279	29.31	7	AP8156077	28.11	13	AP8168299	28.13	1
AP8152280	28.14	9	AP8156098	28.11	13	AP8168304	28.15	2
AP8152280	29.31	16	AP8157858	28.44	4	AP8168305	28.15	1
AP8152280	29.31	7	AP8158162	28.11	6	AP8168306	28.10	7
AP8152281	28.14	19	AP8158162	28.11	6	AP8168884	28.13	1
AP8152281	28.25	3	AP8158164	28.13	13	AP8168885	28.10	7
AP8152281	28.27	9	AP8158164	28.43	2	AP8168886	28.15	2
AP8152282	28.16	13	AP8158229	28.21	5	AP8168887	28.15	1
AP8152282	28.35	10	AP8158230	28.21	7	AP8168936	28.12	12
AP8152282	28.43	6	AP8158231	28.21	8	AP8168937	28.10	5
AP8152284	28.16	12	AP8158497	28.13	1	AP8168990	28.11	6
AP8152284	28.28	14	AP8158498	28.10	7	AP8176114	28.28	1
AP8152285	28.32	12	AP8158499	28.15	2	AP8176118	28.30	1
AP8152286	28.01	25	AP8158500	28.15	1	AP8177185	28.45	1
AP8152286	28.02	16	AP8158504	28.13	1	AP8177223	28.45	1
AP8152286	28.16	11	AP8158505	28.10	7	AP8177224	28.45	1
AP8152286	28.17	12	AP8158506	28.15	2	AP8177746	28.45	1
AP8152286	28.20	4	AP8158507	28.15	1	AP8177882	28.44	4
AP8152286	28.40	6	AP8163044	28.09	27	AP8178023	28.17	1
AP8152287	28.02	17	AP8163076	28.07	16	AP8178033	28.13	1
AP8152287	28.04	8	AP8163088	28.07	22	AP8178034	28.10	7
AP8152287	28.17	3	AP8163089	28.06	2	AP8178035	28.15	2
AP8152288	28.17	7	AP8163090	28.06	11	AP8178036	28.15	1
AP8152288	28.34	24	AP8163091	28.07	2	AP8178058	28.13	1
AP8152290	28.13	8	AP8163092	28.07	4	AP8178059	28.10	7
AP8152292	28.02	7	AP8163093	28.07	5	AP8178060	28.15	2
AP8152298	28.10	4	AP8163094	28.07	6	AP8178061	28.15	1
AP8152298	28.10	9	AP8163095	28.07	7	AP8178766	28.27	13
AP8152298	28.11	10	AP8163096	28.07	8	AP8201124	28.01	9
AP8152298	28.12	6	AP8163097	28.07	9	AP8201170	28.26	17
AP8152299	28.01	4	AP8163098	28.07	10	AP8201417	28.25	18
AP8152299	28.11	1	AP8163099	28.07	11	AP8201463	28.26	12
AP8152299	28.14	10	AP8163100	28.07	12	AP8201727	28.16	18
AP8152299	28.16	10	AP8163101	28.07	13	AP8201727	28.40	12
AP8152299	28.21	19	AP8163102	28.07	14	AP8201727	28.41	20
AP8152299	28.23	6	AP8163103	28.07	15	AP8201755	28.11	19
AP8152299	28.26	14	AP8163104	28.07	18	AP8201842	28.22	2
AP8152299	28.35	11	AP8163105	28.07	19	AP8201843	28.22	6
AP8152299	28.38	7	AP8163106	28.07	20	AP8201856	28.22	5
AP8152300	28.02	13	AP8163107	28.07	21	AP8203074	28.34	22
AP8152300	28.17	5	AP8163113	28.09	26	AP8203570	28.06	1
AP8152300	28.34	23	AP8163258	28.07	21	AP8210007	28.35	9
AP8152300	28.35	21	AP8163272	28.22	11	AP8212469	28.40	9
AP8152300	28.40	7	AP8163273	28.22	12	AP8212588	28.40	18
AP8152301	28.02	29	AP8163274	28.22	8	AP8212818	28.37	11
AP8152301	28.04	7	AP8163275	28.07	11	AP8212819	28.37	13
AP8152301	28.09	4	AP8163276	28.07	12	AP8212829	28.37	12
AP8152302	28.10	12	AP8163277	28.09	26	AP8212830	28.37	14
AP8152302	28.11	7	AP8166373	28.44	4	AP8213057	28.35	5
AP8152302	28.15	6	AP8167319	28.45	1	AP8213243	28.23	12
AP8152306	28.10	6	AP8167320	28.45	1	AP8220150	28.01	3
AP8152306	28.27	7	AP8167321	28.45	1	AP8220150	28.38	5
AP8152306	28.38	21	AP8167338	28.45	1	AP8220191	28.26	3
AP8152306	28.41	4	AP8167490	28.44	4	AP8220192	28.16	9
AP8152313	28.12	2	AP8167490	28.44	4	AP8220192	28.27	11
AP8152318	28.33	25	AP8167490	28.44	4	AP8220238	28.16	16
AP8152329	28.16	8	AP8167543	28.44	2	AP8220263	28.01	32
AP8152329	28.27	16	AP8167562	28.44	4	AP8220263	28.27	31
AP8152329	28.37	6	AP8167655	28.44	3	AP8220263	28.28	7
AP8152338	28.11	15	AP8168270	28.13	1	AP8220283	28.40	10
AP8152338	28.12	10	AP8168277	28.10	7	AP8220323	28.08	16

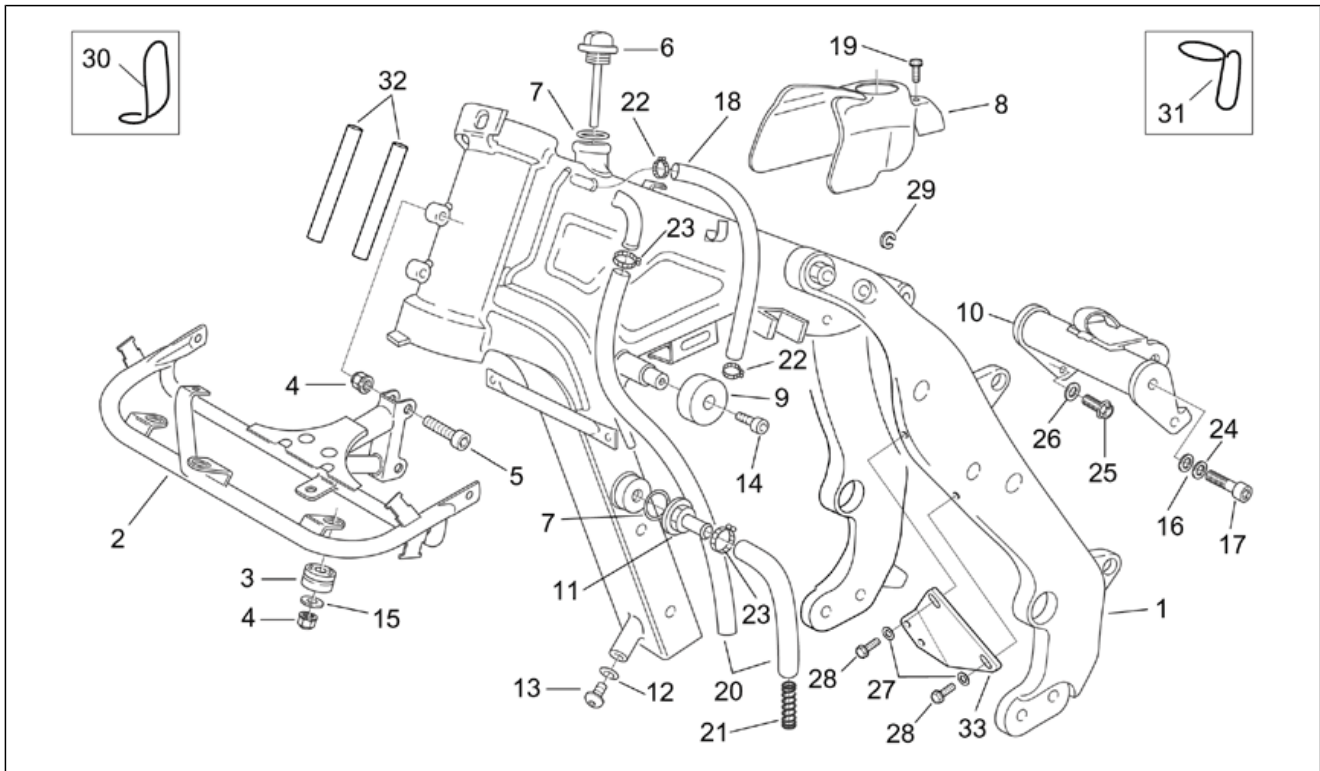
Code	Nr. der Tafel	Pos.	Code	Nr. der Tafel	Pos.	Code	Nr. der Tafel	Pos.
AP8220325	28.26	6	GU17751200	28.42	6	GU80756415	28.24	21
AP8220325	28.27	32	GU28530526	28.39	14	GU80766210	28.11	4
AP8220546	28.41	15	GU28530529	28.39	13	GU80785610	28.39	2
AP8221017	28.38	6	GU28530580	28.39	15	GU80789810	28.39	3
AP8221023	29.31	15	GU28584845	28.20	21	GU80923310	28.45	1
AP8221097	28.28	13	GU28737680	28.42	3	GU80923315	28.45	1
AP8221145	28.14	7	GU28745761	28.42	7	GU80978215	28.23	25
AP8221211	28.05	4	GU28999580	28.39	9	GU80978215	28.24	22
AP8221297	28.32	13	GU30576100	28.19	6	GU80978415	28.39	10
AP8221297	29.31	13	GU30707301	28.19	3	GU80978515	28.39	11
AP8224173	28.38	16	GU30732500	28.42	12	GU80999510	28.39	5
AP8224174	28.38	17	GU30787310	28.21	30	GU91180832	28.39	4
AP8224209	28.37	5	GU80438610	28.39	1	GU91551010	28.19	5
AP8224216	28.37	16	GU80450310	28.03	5	GU92630106	28.03	13
AP8224258	28.38	12	GU80450410	28.03	4	GU92630110	28.20	18
AP8224389	28.38	19	GU80451710	28.03	3	GU92630206	28.19	7
AP8224390	28.37	21	GU80458310	28.20	5	GU92650005	28.20	11
AP8224390	28.38	18	GU80458610	28.20	6	GU95008206	28.03	12
AP8224393	28.37	23	GU80471310	28.18	14	GU95008206	28.39	8
AP8224393	28.38	20	GU80471510	28.18	12	GU95008208	28.03	7
AP8224393	28.41	19	GU80480015	28.20	13	GU95008208	28.20	20
AP8225346	28.33	22	GU80482612	28.20	9	GU95008306	28.18	6
AP8234020	28.08	12	GU80482615	28.20	9	GU95008310	28.20	17
AP8700792	30.65	13	GU80482617	28.20	9	GU98084416	28.20	19
AP8700793	30.65	13	GU80482618	28.20	9	GU98084420	28.03	6
AP8700794	30.65	13	GU80485010	28.20	14	GU98350312	28.03	11
AP8700814	28.01	33	GU80485712	28.20	22	GU98370515	28.20	10
AP8700814	28.01	33	GU80485715	28.20	22	GU98680330	28.18	4
AP8700823	28.17	4	GU80485717	28.20	22	GU98680345	28.18	5
AP8700823	28.20	2	GU80485718	28.20	22	GU98680460	28.39	6
AP8700840	28.20	8	GU80486510	28.20	15	GU98680581	28.03	14
AP8700846	28.20	1	GU80487515	28.18	10	GU98682435	28.39	7
AP8700847	28.20	12	GU80487516	28.18	11	GU98682525	28.20	16
AP8700855	30.65	6	GU80487610	28.18	3			
AP8700856	30.65	7	GU80487910	28.19	8			
AP8705015	28.09	27	GU80487911	28.20	25			
AP8706087	28.18	7	GU80489110	28.19	4			
AP8720115	30.66	1	GU80489810	28.20	7			
AP8720116	30.66	2	GU80502810	28.18	15			
AP8720117	30.66	3	GU80502910	28.18	13			
AP8720118	30.66	4	GU80503510	28.24	23			
AP8790114	28.17	14	GU80503810	28.22	7			
AP8790114	28.20	27	GU80503910	28.42	11			
AP8790114	30.65	8	GU80503911	28.42	11			
AP8790147	30.65	11	GU80596810	28.20	24			
AP8790188	28.17	2	GU80603215	28.23	20			
AP8790188	28.18	8	GU80603215	28.23	23			
AP8790188	30.65	2	GU80603215	28.24	20			
AP8792008	30.65	10	GU80603315	28.23	19			
AP8792117	28.20	26	GU80603315	28.23	22			
AP8792142	28.18	1	GU80603315	28.24	19			
AP8792172	30.65	1	GU80704515	28.19	9			
AP8792228	28.18	3	GU80704810	28.19	2			
AP8792286	30.65	1	GU80741000	28.18	9			
AP8792289	30.65	3	GU80742811	28.42	1			
AP8792290	30.65	4	GU80743510	28.03	8			
AP8792291	30.65	5	GU80743511	28.03	9			
AP8795034	30.65	12	GU80743515	28.03	8			
AP8796241	28.20	9	GU80743516	28.03	9			
AP8796242	28.20	22	GU80743610	28.03	1			
AP8796361	28.18	17	GU80743611	28.03	2			
AP8796361	30.65	9	GU80743910	28.42	10			
GU03743380	28.03	10	GU80748010	28.41	27			
GU03785980	28.20	23	GU80750226	28.42	4			
GU03785980	28.39	12	GU80756320	28.42	2			
GU03785980	28.42	9	GU80756415	28.23	21			
GU17750520	28.42	5	GU80756415	28.23	24			

Einheit	RAHMEN
Code	28.01
Beschreibung	Rahmen I
Inspektion	1



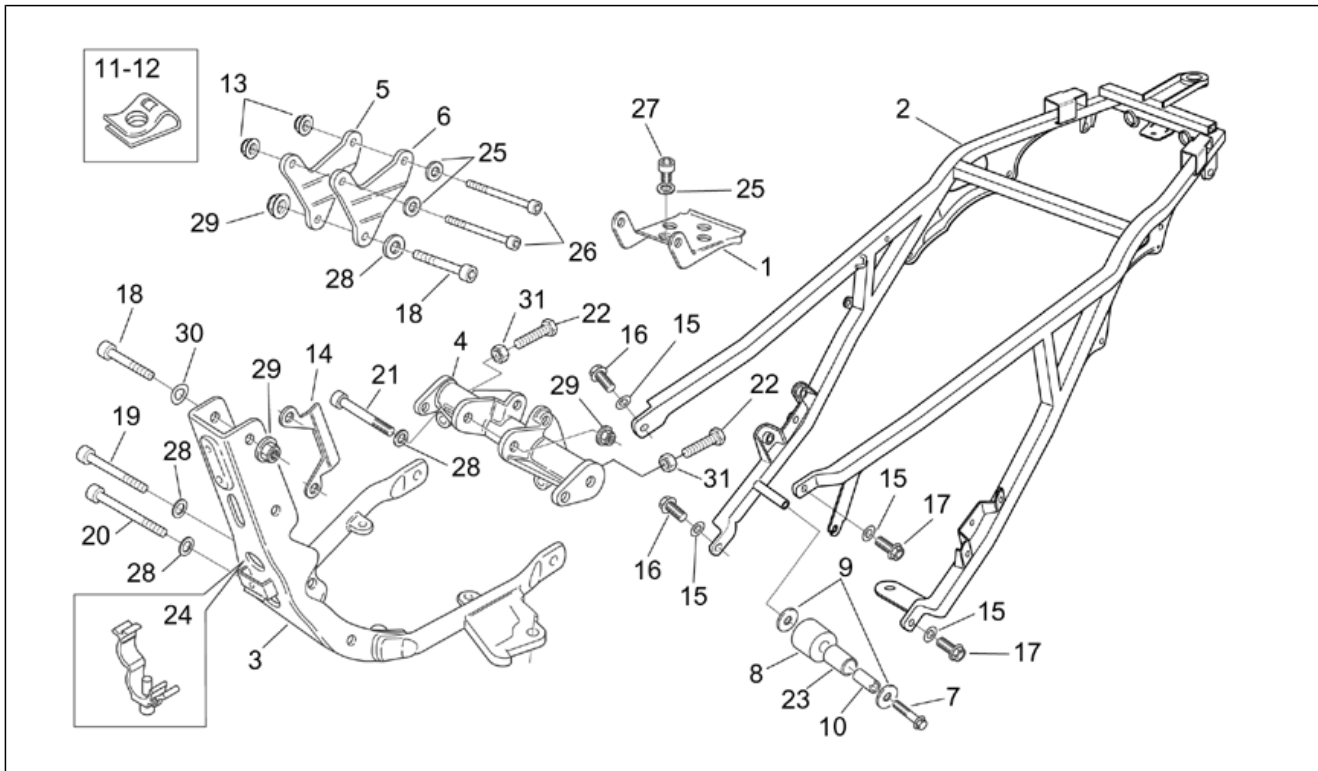
Pos.	Code	Beschreibung	Menge	Varianten
1	AP8146522	Rahmen	1	
2	AP8146393	Sandgestrahlter Rahmen	1	
2	AP8146786	Sandgestrahlter Rahmen	1	Fahrzeugfarbe:Tuscany Tibet 2003[Tibet]
3	AP8220150	Gummi	3	
4	AP8152299	Selbstsperrende Mutter M6	5	
5	AP8150220	TCEI Schraube M6x30	2	
6	AP8102393	Öltankschraube mit Meßstab	1	
7	AP8120280	O-Ring 4087	2	
8	AP8138772	Rahmenschutz schwarz	1	
9	AP8201124	Gummi *	2	
10	AP8134441	Stoßd.hltr.	1	
11	AP8102392	Einlaß Ölfilter	1	
12	AP8121862	Ausgleichscheibe D8x16x1,5	1	
13	AP8152055	TBEI Schraube M8x12	1	
14	AP8152112	TCEI Schraube	2	
15	AP8152037	Scheibe	3	
16	AP8150292	Gebogene Sprengscheibe *	2	
17	AP8150038	TCEI Schraube M10x45	2	
18	AP8120447	Entlüftungsschlauch öl D6x11	1	
19	AP8152272	TE Schr. m. Flansch M5x12	1	
20	AP8144016	Leitung D10x18	2	
21	AP8121977	Innenfeder Motorölschlauch	1	
22	AP8120446	Schlauchschele, grün D11x6,6x1	2	
23	AP8102349	Schlauchschele weiß D17,5x8	2	
24	AP8150020	Ausgleichscheibe 10,5x21x2*	2	
25	AP8152286	TE Schr. m. Flansch M8x20	2	
26	AP8150376	Ausgleichscheibe 8,5x15x0,8	2	
27	AP8150015	Ausgleichscheibe 6,6x18x1,6*	2	Fahrzeugfarbe:Tuscany Tibet 2003[Tibet]

Einheit	RAHMEN
Code	28.01
Beschreibung	Rahmen I
Inspektion	1



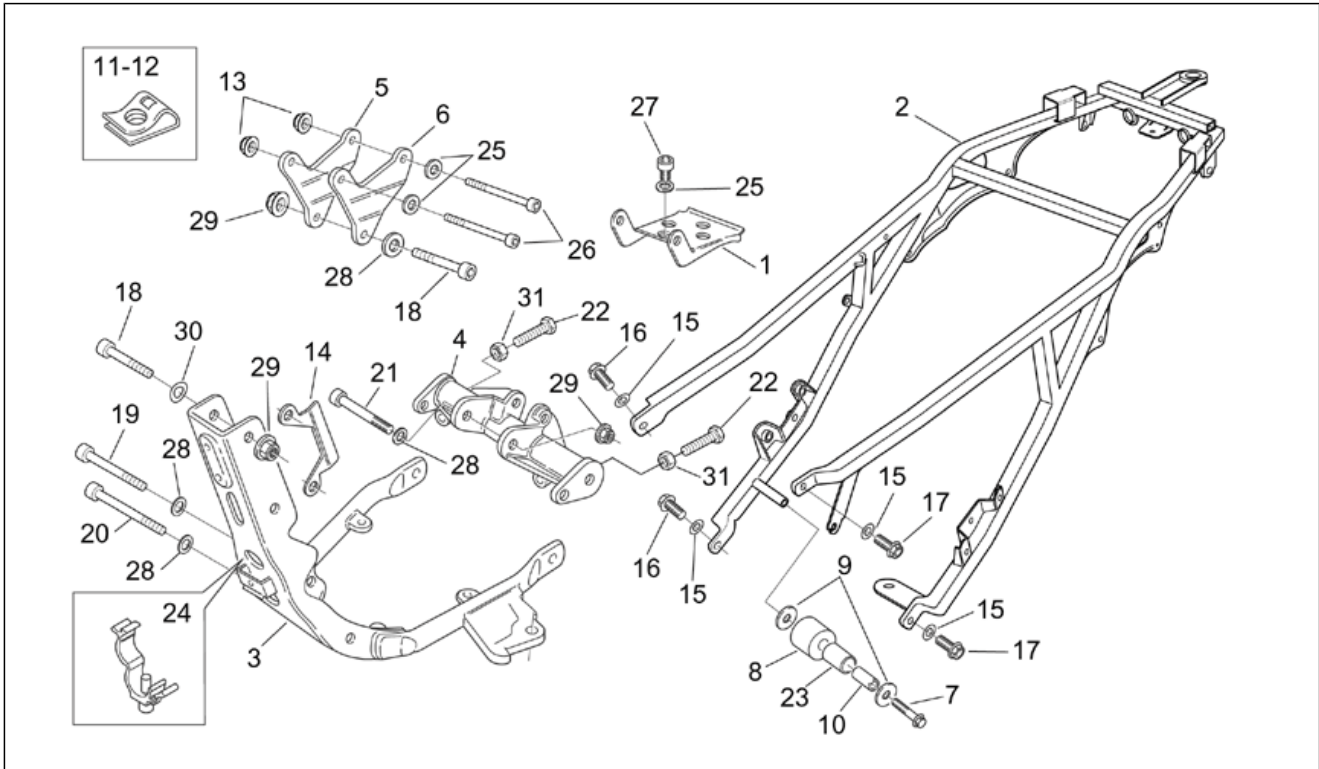
Pos.	Code	Beschreibung	Menge	Varianten
27	AP8150015	Ausgleichscheibe 6,6x18x1,6*	2	Fahrzeugfarbe: "Bluevert 2001 ""GARDA"" [garda] Land: Deutschland[D], A, B, CH, D, DK, GR, E, F, I, NL, P, J, UK[EU]
28	AP8152278	TE Schr. m. Flansch M6x16	2	Fahrzeugfarbe: Tuscany Tibet 2003[Tibet]
28	AP8152278	TE Schr. m. Flansch M6x16	2	Fahrzeugfarbe: "Bluevert 2001 ""GARDA"" [garda] Land: Deutschland[D], A, B, CH, D, DK, GR, E, F, I, NL, P, J, UK[EU]
29	AP8102498	Sprengring	1	
30	AP8121889	Kabelführungs	1	
31	AP8120428	Kabelführungs	1	
32	AP8220263	Entlüftungsschlauch Kühler 4x8	2	
33	AP8700814	Platte Stoßdämpfer	1	Fahrzeugfarbe: Tuscany Tibet 2003[Tibet]
33	AP8700814	Platte Stoßdämpfer	1	Fahrzeugfarbe: "Bluevert 2001 ""GARDA"" [garda] Land: Deutschland[D], A, B, CH, D, DK, GR, E, F, I, NL, P, J, UK[EU]

Einheit	RAHMEN
Code	28.02
Beschreibung	Rahmen II
Inspektion	1



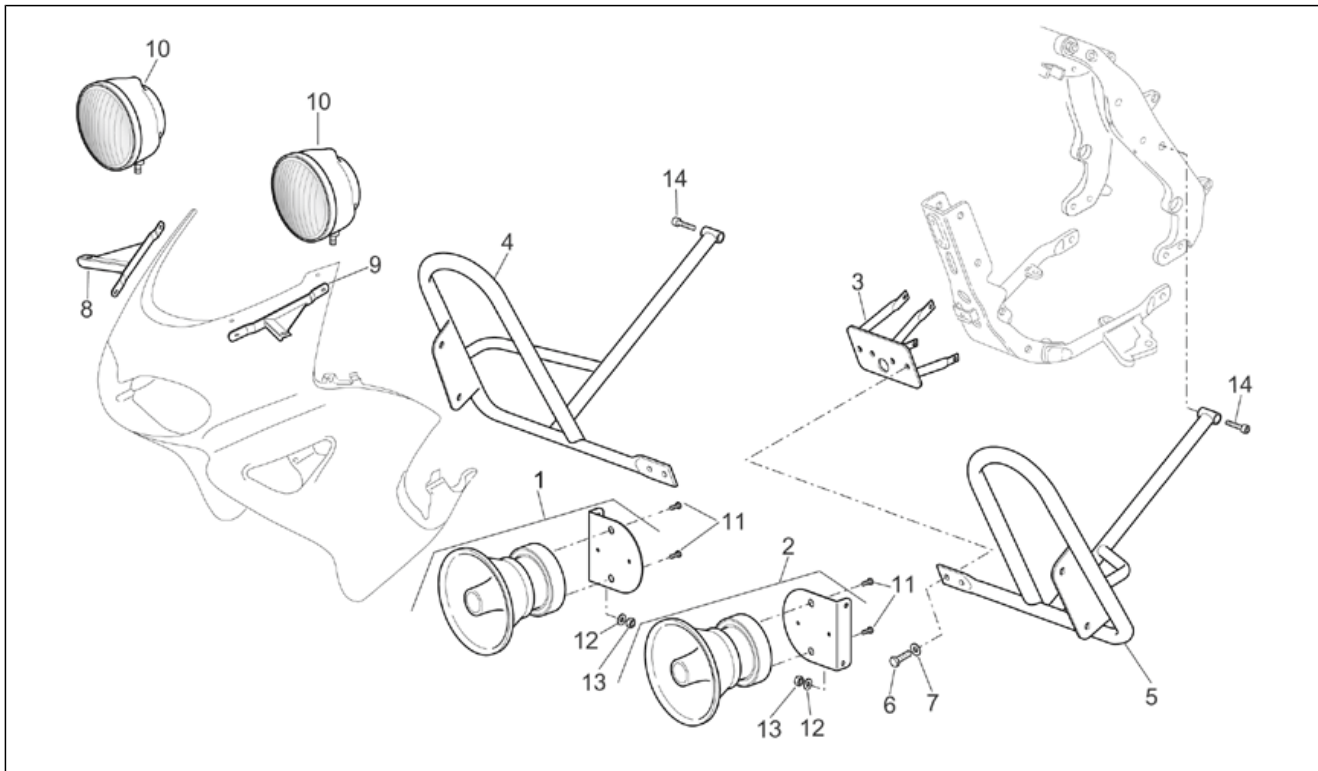
Pos.	Code	Beschreibung	Menge	Varianten
1	AP8135767	Hintere Tankbefestigung	1	
2	AP8135765	Sndb. Sttlh. m. Rckstr.	1	
3	AP8146532	Wiege	1	Land: Australien[AA], Australien[AUS]
3	AP8146581	Wiege	1	Technische Daten: Zulassung Euro 2[E2]
3	AP8146581	Wiege	1	Land: Österreich[A], Belgien[B], Schweiz[CH], Deutschland[D], Dänemark[DK], Spanien[E], A, B, CH, D, DK, GR, E, F, I, NL, P, J, UK[EU], Frankreich[F], Griechenland[GR], Italien[I], Japan[J], Japan[J], Holland[NL], Portugal[P], Großbritannien[UK] Technische Daten: Zulassung Euro1[E1]
3	AP8146581	Wiege	1	Technische Daten: Strafpolizei[PEN], Stadtpolizei[PM], Staatspolizei[POL]
3	AP8146785	Wiege	1	Fahrzeugfarbe: Tuscany Tibet 2003[Tibet]
4	AP8135683	Pleuelstangenlager galv.	1	
5	AP8134190	Rechte Motoranschlußplatte	1	
6	AP8134234	Linke Motoranschlußplatte	1	
7	AP8152292	TE Schr. m. Flansch	1	
8	AP8120972	Kettenspannrolle	1	
9	AP8150018	Ausgleichscheibe	2	
10	AP8101108	Distanzscheibe *	1	
11	AP8102376	Klammer M6	10	
12	AP8102375	Klammer M5	3	
13	AP8152300	Selbstsperrende Mutter M8	2	
14	AP8134274	Führungsplatte	2	
15	AP8150376	Ausgleichscheibe 8,5x15x0,8	4	
16	AP8152286	TE Schr. m. Flansch M8x20	2	
17	AP8152287	TE Schr. m. Flansch M8x25	2	
18	AP8150392	TCEI Schraube M10x65	3	
19	AP8150400	TCEI Schraube	1	

Einheit	RAHMEN
Code	28.02
Beschreibung	Rahmen II
Inspektion	1



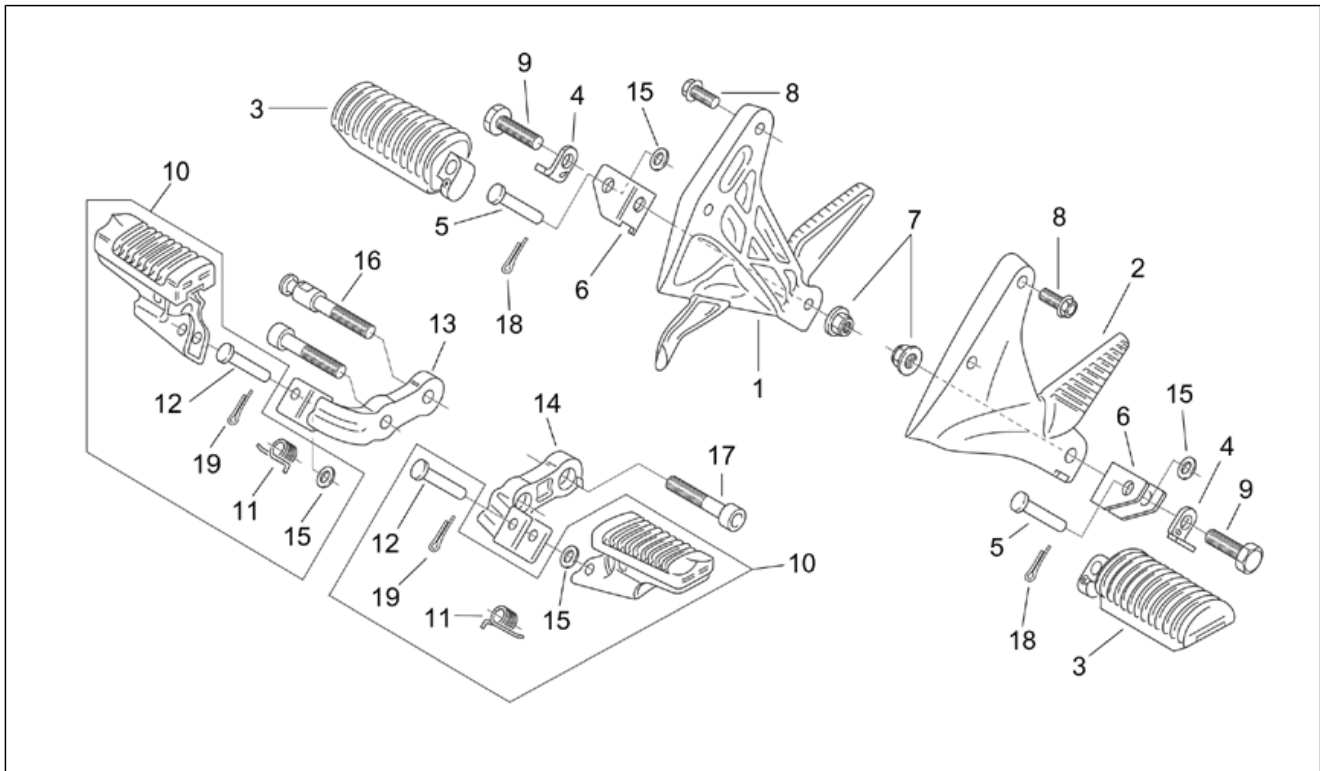
Pos.	Code	Beschreibung	Menge	Varianten
19	AP8152013	TCEI Schraube M10x105	1	
20	AP8150040	TCEI Schraube M10x110*	1	
21	AP8150092	TCEI Schraube M10x115*	1	
22	AP8150079	Sechskantschraube M8x25	2	Technische Daten: Stadtpolizei[PM], Staatspolizei[POL]
22	AP8150079	Sechskantschraube M8x25	2	Fahrzeugfarbe: "Bluevert 2001 ""GARDA""[garda] Land: Deutschland[D], A, B, CH, D, DK, GR, E, F, I, NL, P, J, UK[EU]
23	AP8121092	Distanzscheibe *	1	
24	AP8134186	Kabelführungs	1	
25	AP8150017	Ausgleichscheibe 8,4x16x1,6	3	
26	AP8150354	TCEI Schraube M8x85*	2	
27	AP8152112	TCEI Schraube	1	
28	AP8150020	Ausgleichscheibe 10,5x21x2*	4	
29	AP8152301	Selbstsperrende Mutter	4	
30	AP8150292	Gebogene Sprengscheibe *	2	
31	AP8150027	Mutter M8	2	Technische Daten: Stadtpolizei[PM], Staatspolizei[POL]
31	AP8150027	Mutter M8	2	Fahrzeugfarbe: "Bluevert 2001 ""GARDA""[garda] Land: Deutschland[D], A, B, CH, D, DK, GR, E, F, I, NL, P, J, UK[EU]

Einheit	RAHMEN
Code	28.03
Beschreibung	Sirens - Headlights
Inspektion	1



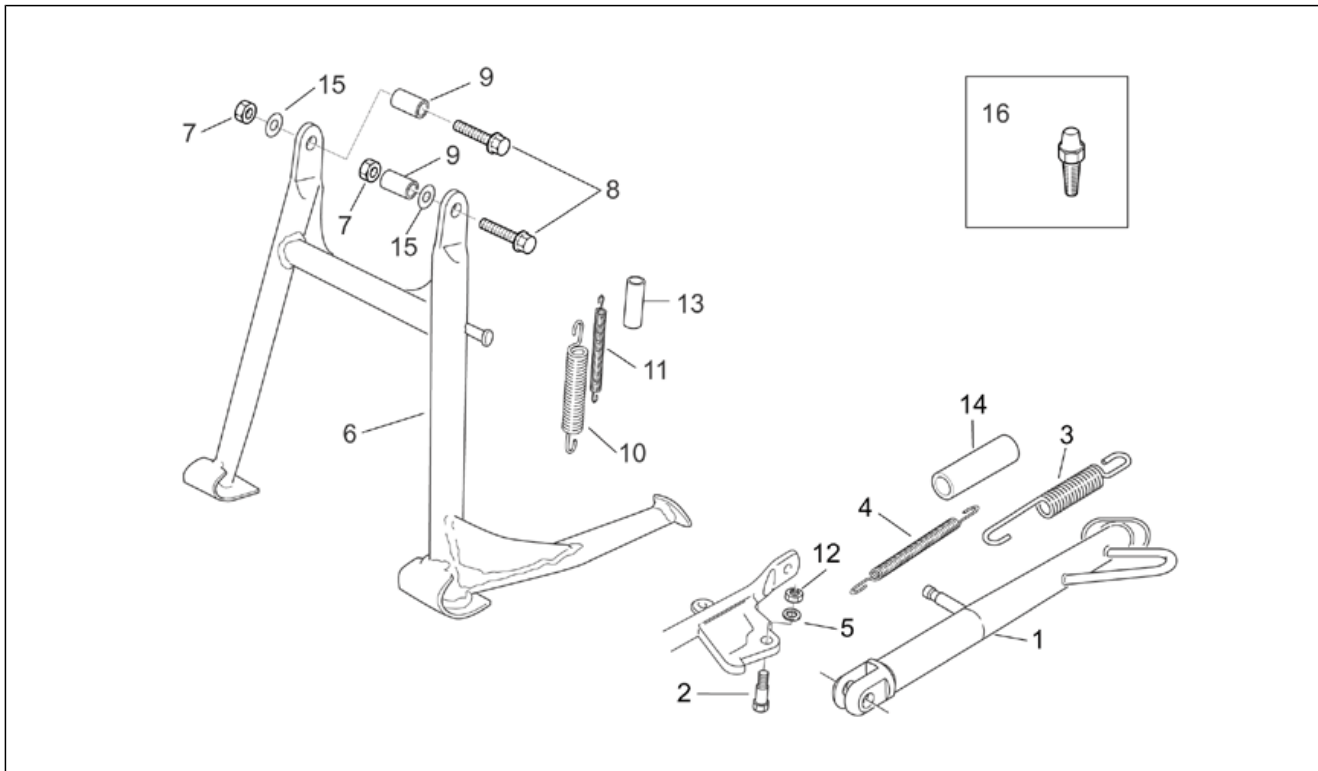
Pos.	Code	Beschreibung	Menge	Varianten
1	GU80743610	RH siren cpl.	1	Technische Daten:Stadtpolizei[PM], Staatspolizei[POL]
2	GU80743611	LH siren cpl.	1	Technische Daten:Stadtpolizei[PM], Staatspolizei[POL]
3	GU80451710	Halter	1	Technische Daten:Stadtpolizei[PM], Staatspolizei[POL]
4	GU80450410	Rechter schutz	1	Technische Daten:Stadtpolizei[PM], Staatspolizei[POL]
5	GU80450310	Linker schutz	1	Technische Daten:Stadtpolizei[PM], Staatspolizei[POL]
6	GU98084420	Schraube M8x20	4	Technische Daten:Stadtpolizei[PM], Staatspolizei[POL]
7	GU95008208	Ausgleichscheibe 8,4X15X1,5	4	Technische Daten:Stadtpolizei[PM], Staatspolizei[POL]
8	GU80743510	Rechtes bügel	1	Technische Daten:Staatspolizei[POL]
8	GU80743515	Rechtes bügel	1	Technische Daten:Stadtpolizei[PM]
9	GU80743511	Linkes bügel	1	Technische Daten:Staatspolizei[POL]
9	GU80743516	Linkes bügel	1	Technische Daten:Stadtpolizei[PM]
10	GU03743380	Strobo Scheinwerfer blau	2	Technische Daten:Stadtpolizei[PM], Staatspolizei[POL]
11	GU98350312	TBEI Schraube M6x12	4	Technische Daten:Stadtpolizei[PM], Staatspolizei[POL]
12	GU95008206	Ausgleichscheibe 6,15x11x0,8	4	Technische Daten:Stadtpolizei[PM], Staatspolizei[POL]
13	GU92630106	Mutter M6x1	4	Technische Daten:Stadtpolizei[PM], Staatspolizei[POL]
14	GU98680581	TCEI Schraube M10x8	2	Technische Daten:Stadtpolizei[PM], Staatspolizei[POL]

Einheit	RAHMEN
Code	28.04
Beschreibung	Fussrasten
Inspektion	1



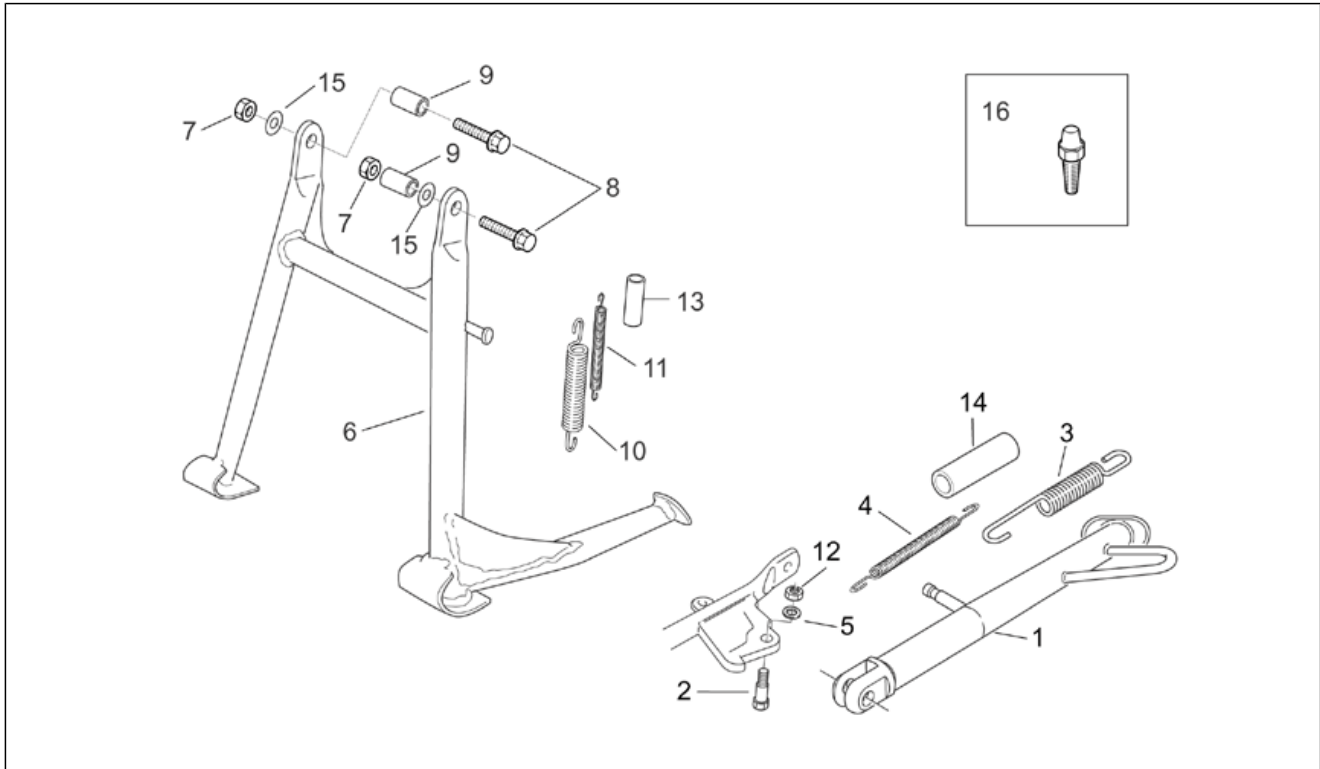
Pos.	Code	Beschreibung	Menge	Varianten
1	AP8146750	Halter rechte Soziusfußr. alu.	1	
2	AP8146751	Halter linke Soziusfußr., alu.	1	
3	AP8146045	Soziusrasten (Paar)	1	
4	AP8121887	Soziusrasten platte	2	
5	AP8121888	Soziusrastenbolzen	2	
6	AP8134280	Soziusraste Bügelbolzen	2	
7	AP8152301	Selbstsperrende Mutter	2	
8	AP8152287	TE Schr. m. Flansch M8x25	4	
9	AP8150250	Sechskantschraube	2	
10	AP8146485	Fußrasten Fahrer (Paar)	1	
11	AP8121928	Rückholfeder	2	
12	AP8121717	Rastenbolzen	2	
13	AP8134756	Fußrastenhalter Fahrer rechts	1	
14	AP8134757	Fußrastenhalter Fahrer links	1	
15	AP8150017	Ausgleichscheibe 8,4x16x1,6	4	
16	AP8121252	Schloßbolzen	1	
17	AP8150467	TCEI Schraube M10x55	3	
18	AP8101606	Splint	2	
19	AP8101928	Splint	2	

Einheit	RAHMEN
Code	28.05
Beschreibung	Hauptständer
Inspektion	1



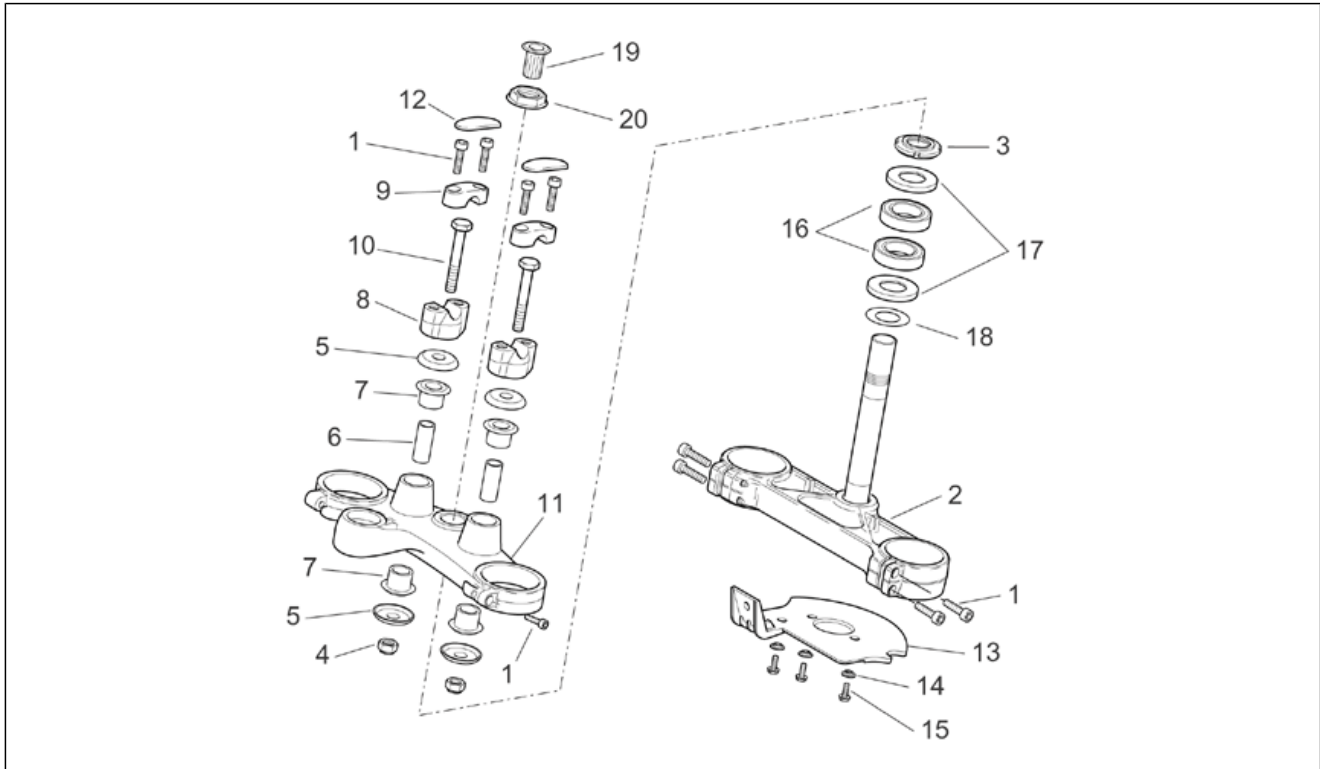
Pos.	Code	Beschreibung	Menge	Varianten
1	AP8146386	Seitenständer	1	
1	AP8146790	Seitenständer	1	Fahrzeugfarbe:Tuscany Tibet 2003[Tibet]
2	AP8121994	Ständerschraube	1	
3	AP8121310	Kabelführungs	1	
4	AP8221211	Rückholfeder Ständer	1	
5	AP8150292	Gebogene Sprengscheibe *	1	
6	AP8146464	Hauptständer	1	Fahrzeugfarbe:"Bluevert 2001 ""GARDA"" [garda] Land:Deutschland[D], A, B, CH, D, DK, GR, E, F, I, NL, P, J, UK[EU]
6	AP8146464	Hauptständer	1	Technische Daten:Stadtpolizei[PM], Staatspolizei[POL]
7	AP8150436	Selbstsperr.mut Unt.	2	Fahrzeugfarbe:"Bluevert 2001 ""GARDA"" [garda] Land:Deutschland[D], A, B, CH, D, DK, GR, E, F, I, NL, P, J, UK[EU]
7	AP8150436	Selbstsperr.mut Unt.	2	Technische Daten:Stadtpolizei[PM], Staatspolizei[POL]
8	AP8150323	Sechskantschraube	2	Fahrzeugfarbe:"Bluevert 2001 ""GARDA"" [garda] Land:Deutschland[D], A, B, CH, D, DK, GR, E, F, I, NL, P, J, UK[EU]
8	AP8150323	Sechskantschraube	2	Technische Daten:Stadtpolizei[PM], Staatspolizei[POL]
9	AP8132927	Pleuelbolzen	2	Technische Daten:Stadtpolizei[PM], Staatspolizei[POL]
9	AP8132927	Pleuelbolzen	2	Fahrzeugfarbe:"Bluevert 2001 ""GARDA"" [garda] Land:Deutschland[D], A, B, CH, D, DK, GR, E, F, I, NL, P, J, UK[EU]
10	AP8121015	Externe Rückholfeder Ständer	1	Fahrzeugfarbe:"Bluevert 2001 ""GARDA"" [garda] Land:Deutschland[D], A, B, CH, D, DK, GR, E, F, I, NL, P, J, UK[EU]
10	AP8121015	Externe Rückholfeder Ständer	1	Technische Daten:Stadtpolizei[PM], Staatspolizei[POL]
11	AP8121014	Schraubenfeder	1	Fahrzeugfarbe:"Bluevert 2001 ""GARDA"" [garda] Land:Deutschland[D], A, B, CH, D, DK, GR, E, F, I, NL, P, J, UK[EU]
11	AP8121014	Schraubenfeder	1	Technische Daten:Stadtpolizei[PM], Staatspolizei[POL]
12	AP8152001	Mutter unten M10x1,25	1	

Einheit	RAHMEN
Code	28.05
Beschreibung	Hauptständer
Inspektion	1



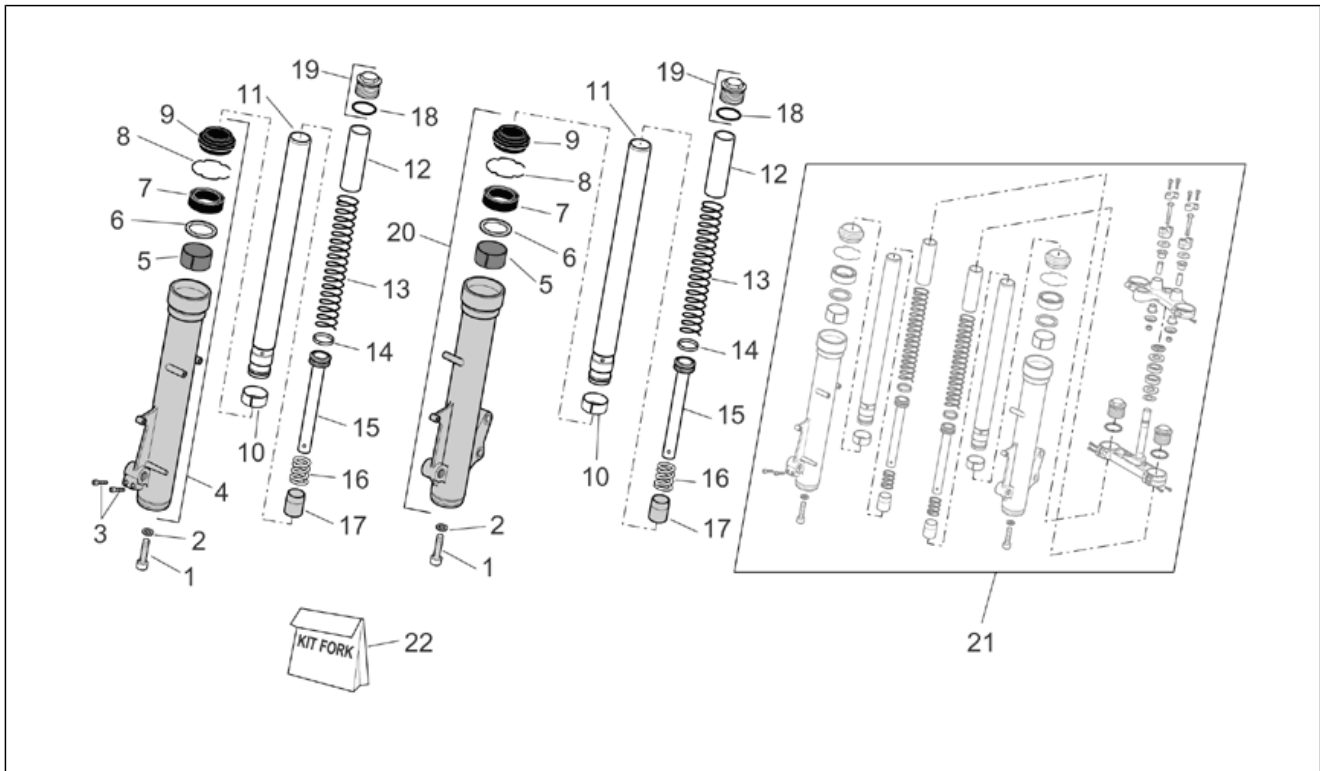
Pos.	Code	Beschreibung	Menge	Varianten
13	AP8120855	Schutz zentr. Kabelf.	1	Fahrzeugfarbe: "Bluevert 2001 ""GARDA"" [garda] Land: Deutschland[D], A, B, CH, D, DK, GR, E, F, I, NL, P, J, UK[EU]
13	AP8120855	Schutz zentr. Kabelf.	1	Technische Daten: Stadtpolizei[PM], Staatspolizei[POL]
14	AP8144479	Schutz f. Ständerfeder	1	
15	AP8152176	Ausgleichscheibe 10,5X18X2*	2	Technische Daten: Stadtpolizei[PM], Staatspolizei[POL]
15	AP8152176	Ausgleichscheibe 10,5X18X2*	2	Fahrzeugfarbe: "Bluevert 2001 ""GARDA"" [garda] Land: Deutschland[D], A, B, CH, D, DK, GR, E, F, I, NL, P, J, UK[EU]
16	AP8121897	Fettbüchse	2	Technische Daten: Stadtpolizei[PM], Staatspolizei[POL]
16	AP8121897	Fettbüchse	2	Fahrzeugfarbe: "Bluevert 2001 ""GARDA"" [garda] Land: Deutschland[D], A, B, CH, D, DK, GR, E, F, I, NL, P, J, UK[EU]

Einheit	RAHMEN
Code	28.06
Beschreibung	Lenkung
Inspektion	1



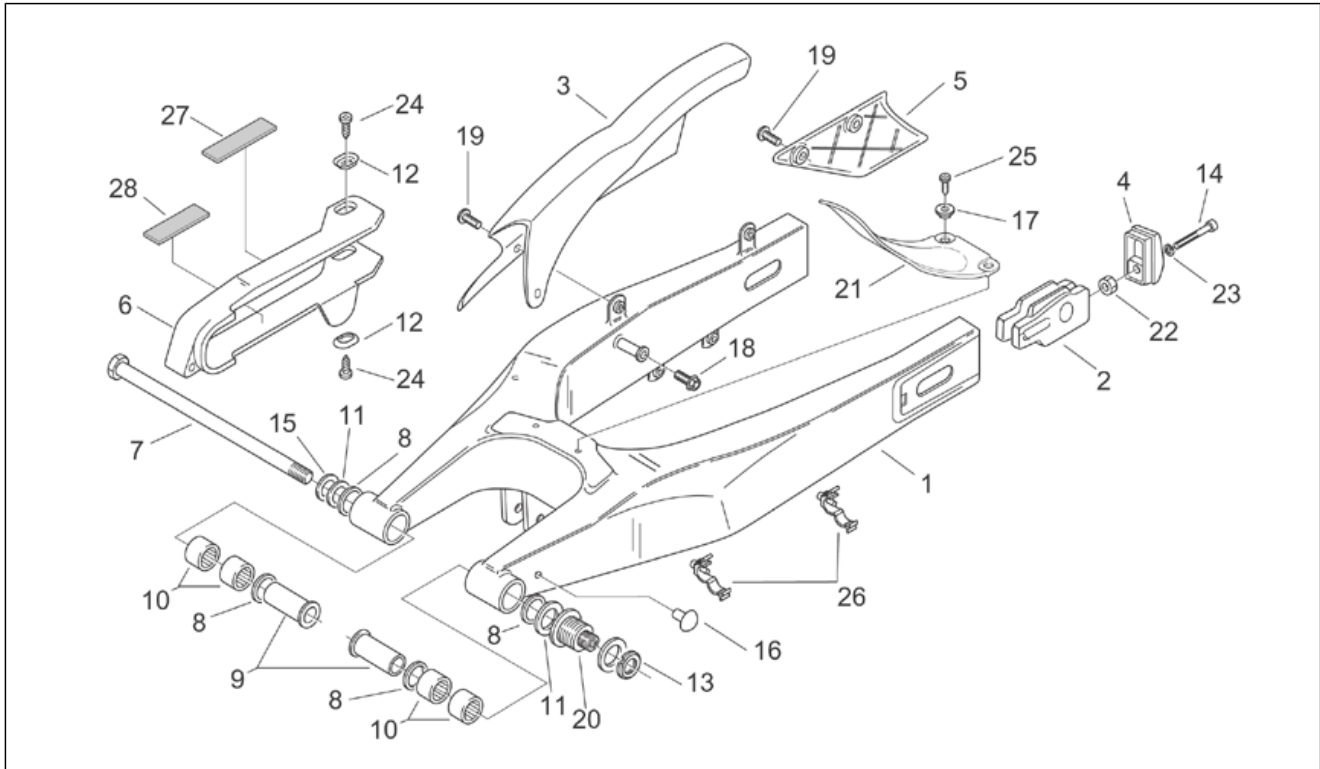
Pos.	Code	Beschreibung	Menge	Varianten
1	AP8203570	Zylinderschraube M8x30	10	
2	AP8163089	Fuß mit Rohr	1	
3	AP8123960	Nutmutter	1	
4	AP8123512	Mutter	2	
5	AP8123511	Becher	4	
6	AP8123510	Röhrchen	2	
7	AP8103504	Silent-Block	4	
8	AP8123605	Unter.Bügelbolzen	2	
9	AP8123604	Bügelbolzen	2	
10	AP8123513	Schraube	2	
11	AP8163090	Ob. Gabelplatte	1	
12	AP8101513	Schraube Lenkstangenbolzen	2	
13	AP8138721	Wasserschutz Rohr	1	
14	AP8121728	T-Buchse	3	
15	AP8152278	TE Schr. m. Flansch M6x16	3	
16	AP8110084	Rollenlager	2	
17	AP8144146	Gasket ring	2	
18	AP8121307	Ausgleichscheibe	1	
19	AP8120771	Gummi *	1	
20	AP8123243	Geflanschte Mutter	1	

Einheit	RAHMEN
Code	28.07
Beschreibung	Vorderradgabel
Inspektion	1



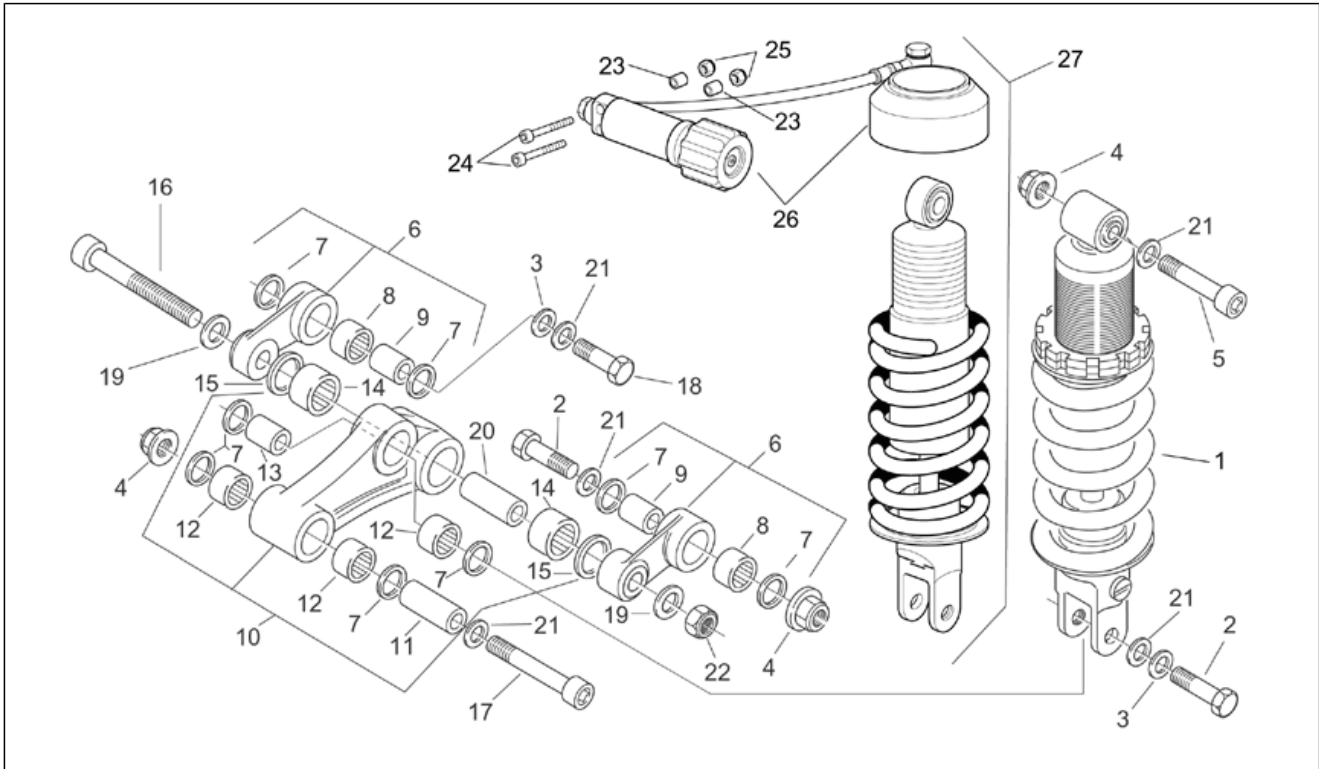
Pos.	Code	Beschreibung	Menge	Varianten
1	AP8123560	Schraube	2	
2	AP8163091	Ausgleichscheibe 14x10,5x1,5	2	
3	AP8123920	Schraube	2	
4	AP8163092	Rechte Hülse	1	
5	AP8163093	Buchse	2	
6	AP8163094	Becher 58x46x3	2	
7	AP8163095	Gasket ring 45x58x11	2	
8	AP8163096	Sperring D.63	2	
9	AP8163097	Staubschutz D.45	2	
10	AP8163098	Buchse	2	
11	AP8163099	Schaft	2	
11	AP8163275	Schaft	2	Fahrzeugfarbe:Tuscany Tibet 2003[Tibet]
12	AP8163100	Vorspannrohr	2	
12	AP8163276	Vorspannrohr	2	Fahrzeugfarbe:Tuscany Tibet 2003[Tibet]
13	AP8163101	Feder	2	
14	AP8163102	Kolbenring D39,5	2	
15	AP8163103	Stoßdämpfer	2	
16	AP8163076	Gegenfeder	2	
17	AP8123655	Bodenstopfen	2	
18	AP8163104	O-Ring	2	
19	AP8163105	Verschlussschraube kplt.	2	
20	AP8163106	Linke Hülse	1	
21	AP8163107	Baugruppe vordere Gabel	1	
21	AP8163258	Baugruppe vordere Gabel	1	Fahrzeugfarbe:Tuscany Tibet 2003[Tibet]
22	AP8163088	Gabelsatz	1	

Einheit	RAHMEN
Code	28.08
Beschreibung	Schwinge
Inspektion	1



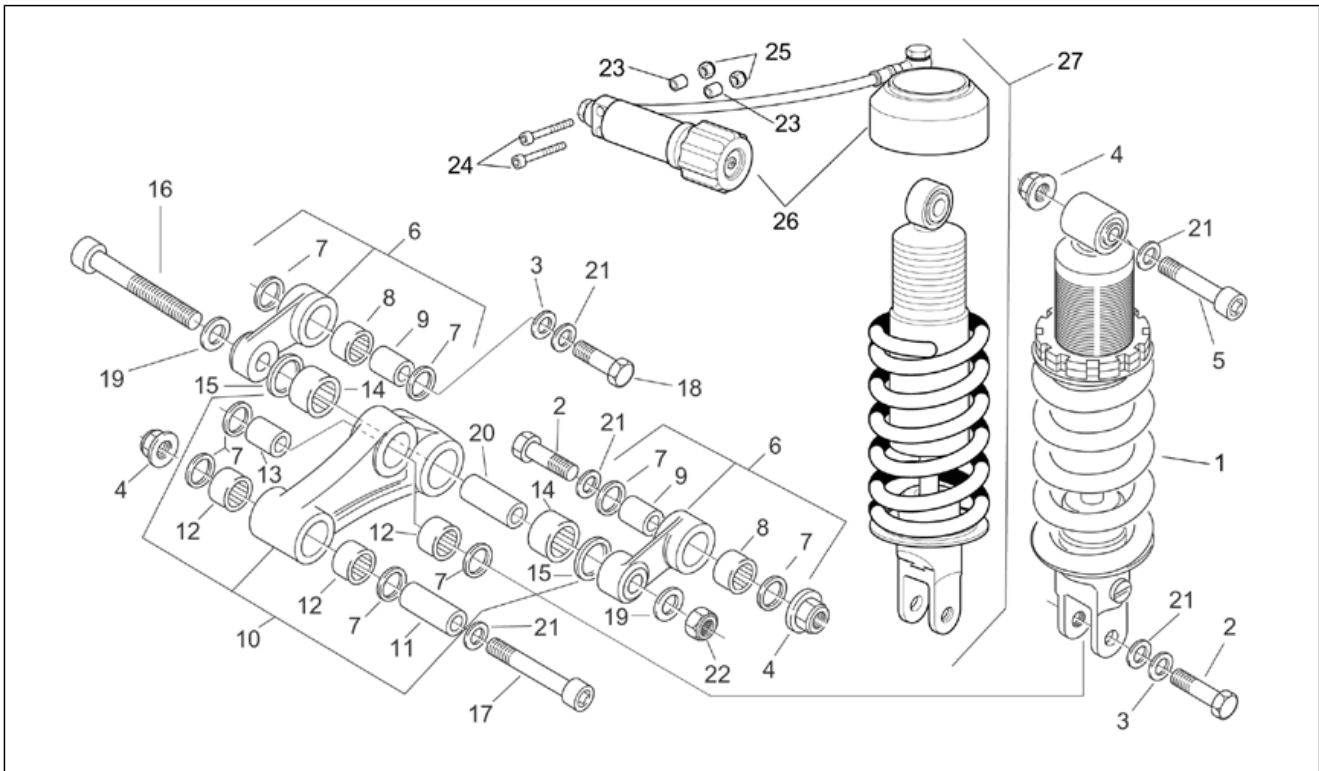
Pos.	Code	Beschreibung	Menge	Varianten
1	AP8146583	Hintere Schwinge Aluminium	1	
2	AP8121257	Paar Kettenspannplatte	2	
3	AP8149783	Ob. Kettenkasten, schwarz	1	
4	AP8134111	Schwingenplatte	2	
5	AP8149784	Unt. Kettenkasten, schwarz	1	
6	AP8120863	Kettengleitführung	1	
7	AP8125387	Schwingenbolzen	1	
8	AP8120240	Gasket ring	4	
9	AP8121121	Buc.für Schwingenzp.	2	
10	AP8110067	Nadellager 22x28x16	4	
11	AP8120363	Bundunterl.scheibe	6	
12	AP8234020	Becher	2	
13	AP8150299	Nutmutter M17x1	1	
14	AP8152073	TCEI Schraube	2	
15	AP8150297	Gebogene Sprengscheibe *	1	
16	AP8220323	Deckel	2	
17	AP8121075	T-Buchse *	2	
18	AP8152277	TE Schr. m. Flansch M6x12	1	
19	AP8152246	TBEI Schraube m.Flansch M6x16	4	
20	AP8121156	Buchse	1	
21	AP8138918	Stoßdämpferschutz	1	
22	AP8150431	Mutter unten M8	2	
23	AP8150017	Ausgleichscheibe 8,4x16x1,6	2	
24	AP8150246	Linsenschraube	2	
25	AP8152169	Linsenschraube 4,8x19*	2	
26	AP8134186	Kabelführungs	2	
27	AP8117041	Klebschwamm 6x30	1	
28	AP8117033	Klebschwamm	1	

Einheit	RAHMEN
Code	28.09
Beschreibung	Hinterradaufhängung
Inspektion	1



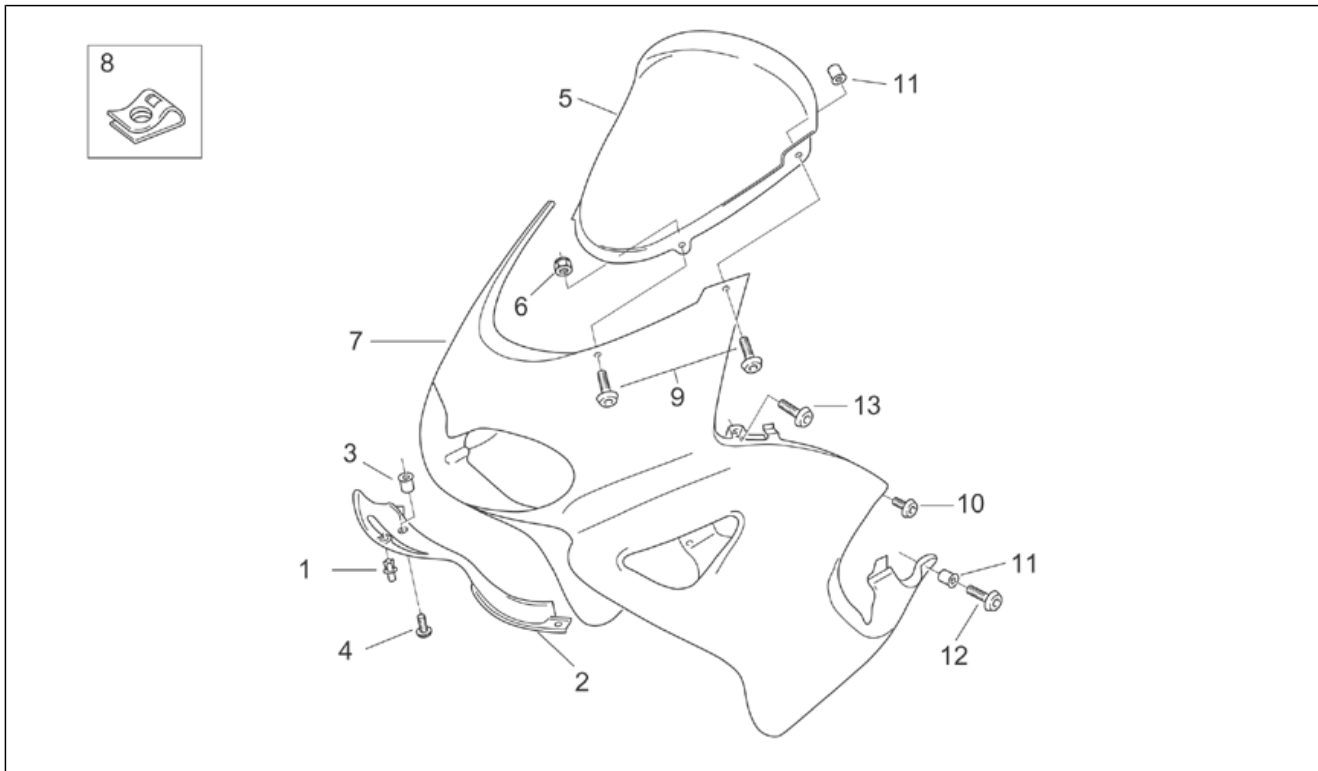
Pos.	Code	Beschreibung	Menge	Varianten
1	AP8123962	Stoßdämpfer	1	Fahrzeugfarbe: Bluevert 2001[blue], Hellblau Egeo 2001[e.cya], Grau Pearly 2003-2004[grey], Bleigrau 2003-2004[lead], Hellblau Polizei 2001[p.cya], Rot Mirò 2001[r.mirò], Weiß Stadtpolizei 2002[white], Gelb Lime 2003[yell]
2	AP8152147	Sechskantschraube M10x47	2	
3	AP8150210	Gebogene Sprengscheibe *	2	
4	AP8152301	Selbstsperrende Mutter	3	
5	AP8150290	TCEI Schraube	1	
6	AP8146160	Einfache Pleuelstange	2	
7	AP8110068	Ölabstreifring D18x24x3	8	
8	AP8110065	Nadellager	2	
9	AP8135610	Pleuelbolzen	2	
10	AP8146161	Doppelte Pleuelstange	1	
11	AP8135609	Pleuelbolzen	1	
12	AP8110066	Nadellager	3	
13	AP8135608	Pleuelbolzen L25	1	
14	AP8110067	Nadellager 22x28x16	2	
15	AP8110069	Ölabstreifring D22x28x4	2	
16	AP8150338	TCEI Schraube M12 X 108	1	
17	AP8152146	TCEI Schraube	1	
18	AP8152144	Sechskantschraube	1	
19	AP8152018	Scheibe 12,2x22x2	2	
20	AP8135607	Pleuelbolzen	1	
21	AP8150020	Ausgleichscheibe 10,5x21x2*	5	
22	AP8150432	Selbstsperr.mut Unt. M12*	1	
23	AP8121041	Distanzscheibe *	2	Fahrzeugfarbe: Tuscany Tibet 2003[Tibet]
23	AP8121041	Distanzscheibe *	2	Fahrzeugfarbe: "Bluevert 2001 ""GARDA""[garda] Land: Deutschland[D], A, B, CH, D, DK, GR, E, F, I, NL, P, J, UK[EU]

Einheit	RAHMEN
Code	28.09
Beschreibung	Hinterradaufhängung
Inspektion	1



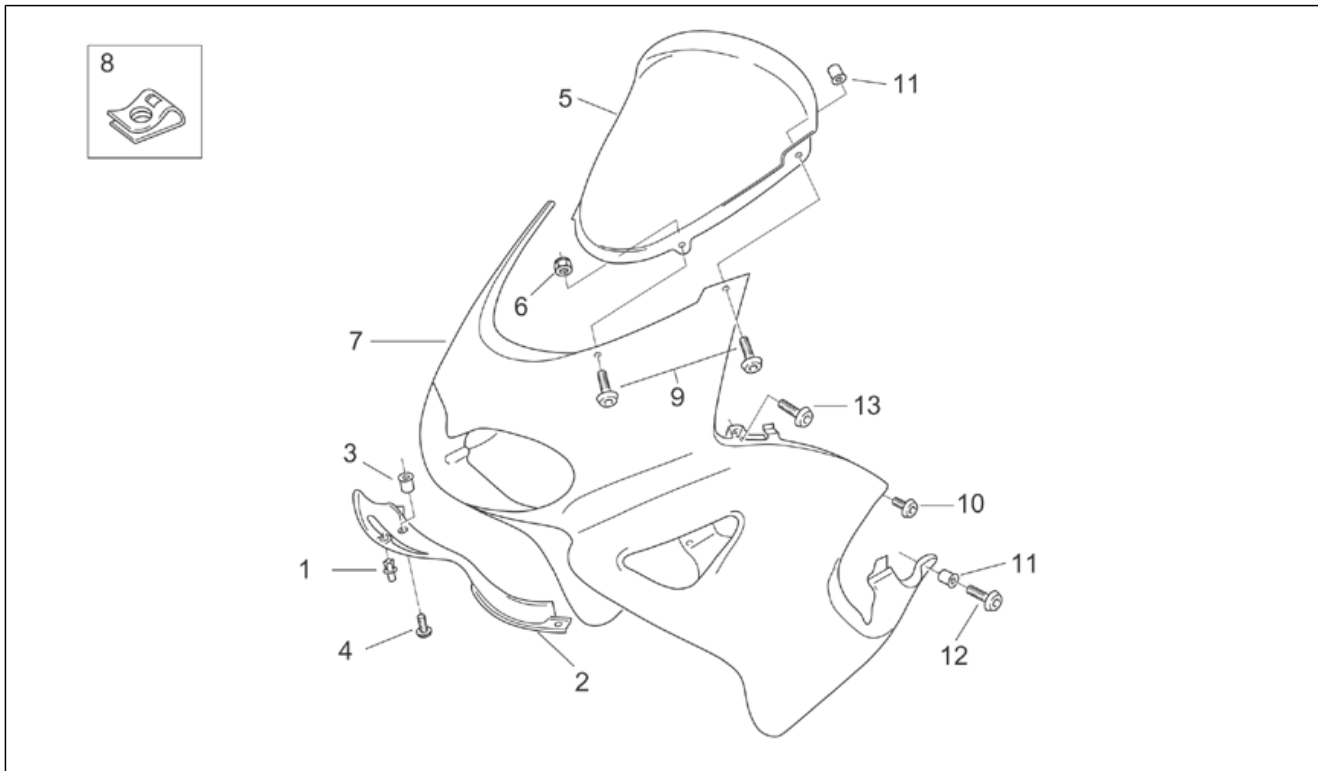
Pos.	Code	Beschreibung	Menge	Varianten
24	AP8150285	TCEI Schraube M6x35	2	Fahrzeugfarbe: Tuscany Tibet 2003[Tibet]
24	AP8150285	TCEI Schraube M6x35	2	Technische Daten: Stadtpolizei[PM], Staatspolizei[POL]
24	AP8150285	TCEI Schraube M6x35	2	Fahrzeugfarbe: "Bluevert 2001 ""GARDA"" [garda] Land: Deutschland[D], A, B, CH, D, DK, GR, E, F, I, NL, P, J, UK[EU]
25	AP8150430	Selbstsperr.mut Unt.	2	Fahrzeugfarbe: "Bluevert 2001 ""GARDA"" [garda] Land: Deutschland[D], A, B, CH, D, DK, GR, E, F, I, NL, P, J, UK[EU]
26	AP8163113	Vorspannung	1	Fahrzeugfarbe: "Bluevert 2001 ""GARDA"" [garda] Land: Deutschland[D], A, B, CH, D, DK, GR, E, F, I, NL, P, J, UK[EU]
26	AP8163277	Vorspannung	1	Fahrzeugfarbe: Tuscany Tibet 2003[Tibet]
27	AP8163044	Stoßdämpfer	1	Fahrzeugfarbe: "Bluevert 2001 ""GARDA"" [garda] Land: Deutschland[D], A, B, CH, D, DK, GR, E, F, I, NL, P, J, UK[EU]
27	AP8705015	Stoßdämpfer kplt.	1	Fahrzeugfarbe: Tuscany Tibet 2003[Tibet]

Einheit	RAHMEN
Code	28.10
Beschreibung	Frontaufbau I
Inspektion	1



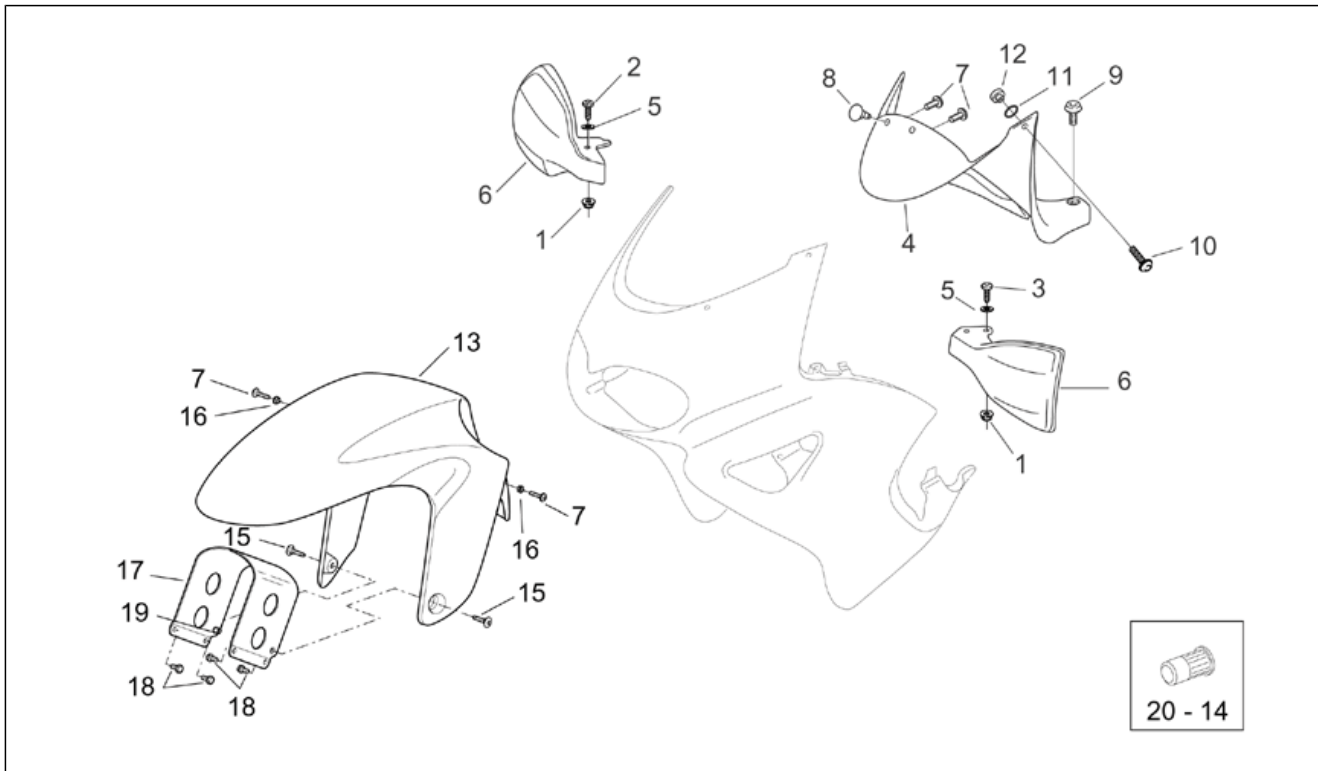
Pos.	Code	Beschreibung	Menge	Varianten
1	AP8120317	Schwarzer Kunststoffniet	1	
2	AP8149319	Lufteinlass Verkl., grau	1	
3	AP8120531	Gummi mit Einsatz	2	
4	AP8152298	TBEI Schraube m.Flansch M5x16	7	
5	AP8148271	Kuppel, transparent	1	Land:Australien[AA], Australien[AUS]
5	AP8149785	Windschild	1	Technische Daten:Strafpolizei[PEN], Stadtpolizei[PM], Staatspolizei[POL]
5	AP8149785	Windschild	1	Land:Österreich[A], Belgien[B], Schweiz[CH], Deutschland[D], Dänemark[DK], Spanien[E], A, B, CH, D, DK, GR, E, F, I, NL, P, J, UK[EU], Frankreich[F], Griechenland[GR], Italien[I], Japan[J], Japan[JJ], Holland[NL], Portugal[P], Großbritannien[UK] Technische Daten:Zulassung Euro1[E1]
5	AP8149785	Windschild	1	Technische Daten:Zulassung Euro 2[E2]
5	AP8168937	Windschild	1	Fahrzeugfarbe:Tuscany Tibet 2003[Tibet]
6	AP8152306	Selbstsperrende Mutter M5	2	
7	AP8149857	V.verkl., grau	1	Baujahr:2001[1] Fahrzeugfarbe:Bluevert 2001[blue], Hellblau Egeo 2001[e.cya], Rot Mirò 2001[r.mirò]
7	AP8149878	V.verkl., grau	1	Baujahr:2001[1] Fahrzeugfarbe:"Bluevert 2001 ""GARDA""[garda] Land:Deutschland[D], A, B, CH, D, DK, GR, E, F, I, NL, P, J, UK[EU]
7	AP8158498	V.verkl., weiß	1	Baujahr:2002[2] Fahrzeugfarbe:Weiß Stadtpolizei 2002[white]
7	AP8158505	V.verkl., h.blau	1	Baujahr:2001[1] Fahrzeugfarbe:Hellblau Polizei 2001[p.cya]
7	AP8168277	V.verkl., schwarz	1	Baujahr:2003[3], 2004[4] Fahrzeugfarbe:Grau Pearly 2003-2004[grey]
7	AP8168296	V.verkl., rot	1	Baujahr:2003[3], 2004[4] Fahrzeugfarbe:Bleigrau 2003-2004[lead]
7	AP8168306	V.verkl., schwarz	1	Baujahr:2003[3]

Einheit	RAHMEN
Code	28.10
Beschreibung	Frontaufbau I
Inspektion	1



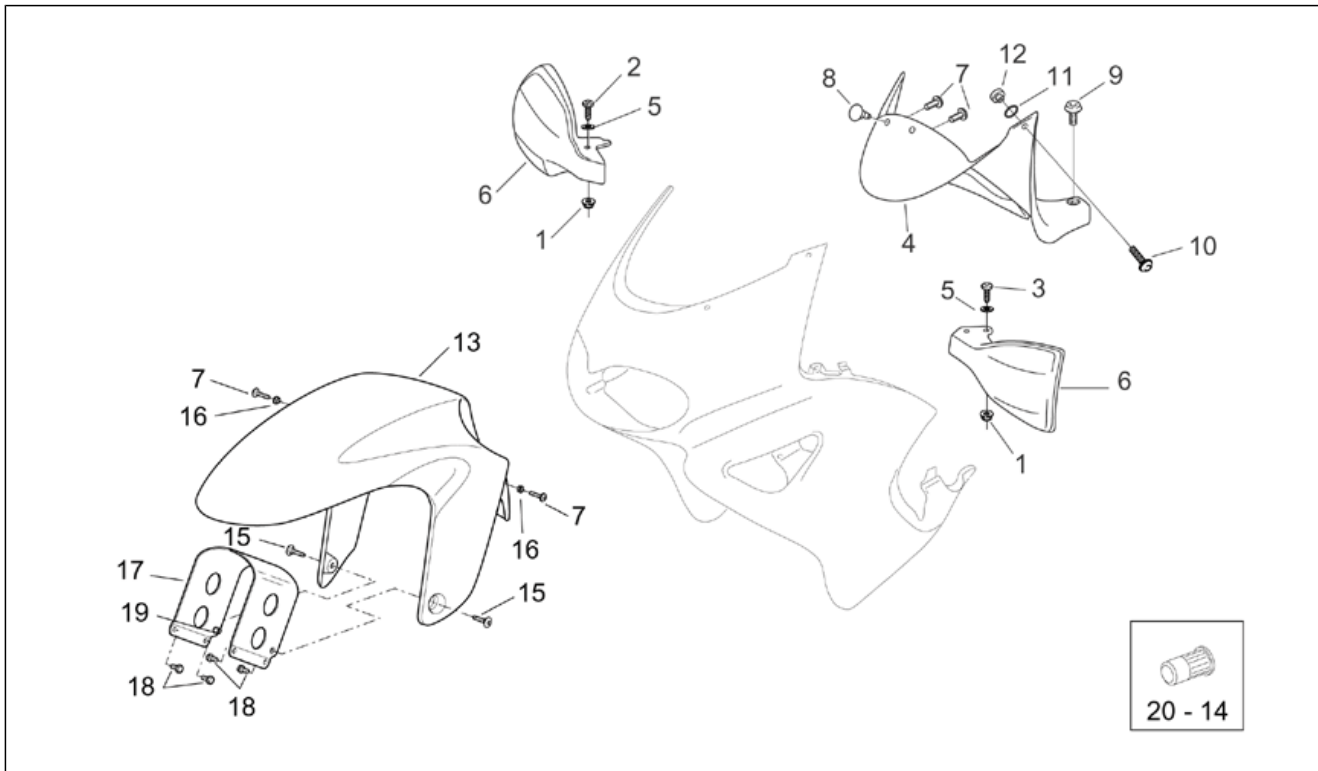
Pos.	Code	Beschreibung	Menge	Varianten
				Fahrzeugfarbe: Gelb Lime 2003[yell]
7	AP8168885	V.verkl., rot	1	Baujahr: 2003[3] Fahrzeugfarbe: Tuscany Tibet 2003[Tibet]
7	AP8178034	V.verkl., blau	1	Baujahr: 2003[3] Fahrzeugfarbe: Blau Roma 2003[r.blu]
7	AP8178059	V.verkl., blau	1	Baujahr: 2003[3] Fahrzeugfarbe: Blau Lord Strafpolizei 2003[l.blu]
8	AP8102376	Klammer M6	2	
9	AP8152298	TBEI Schraube m.Flansch M5x16	7	
10	AP8152339	TBEI Schraube m.Flansch M5x9	4	
11	AP8121250	Buchse	2	
12	AP8152302	TBEI Schraube m.Flansch M5x12	2	
13	AP8152246	TBEI Schraube m.Flansch M6x16	2	

Einheit	RAHMEN
Code	28.11
Beschreibung	Frontaufbau II
Inspektion	1



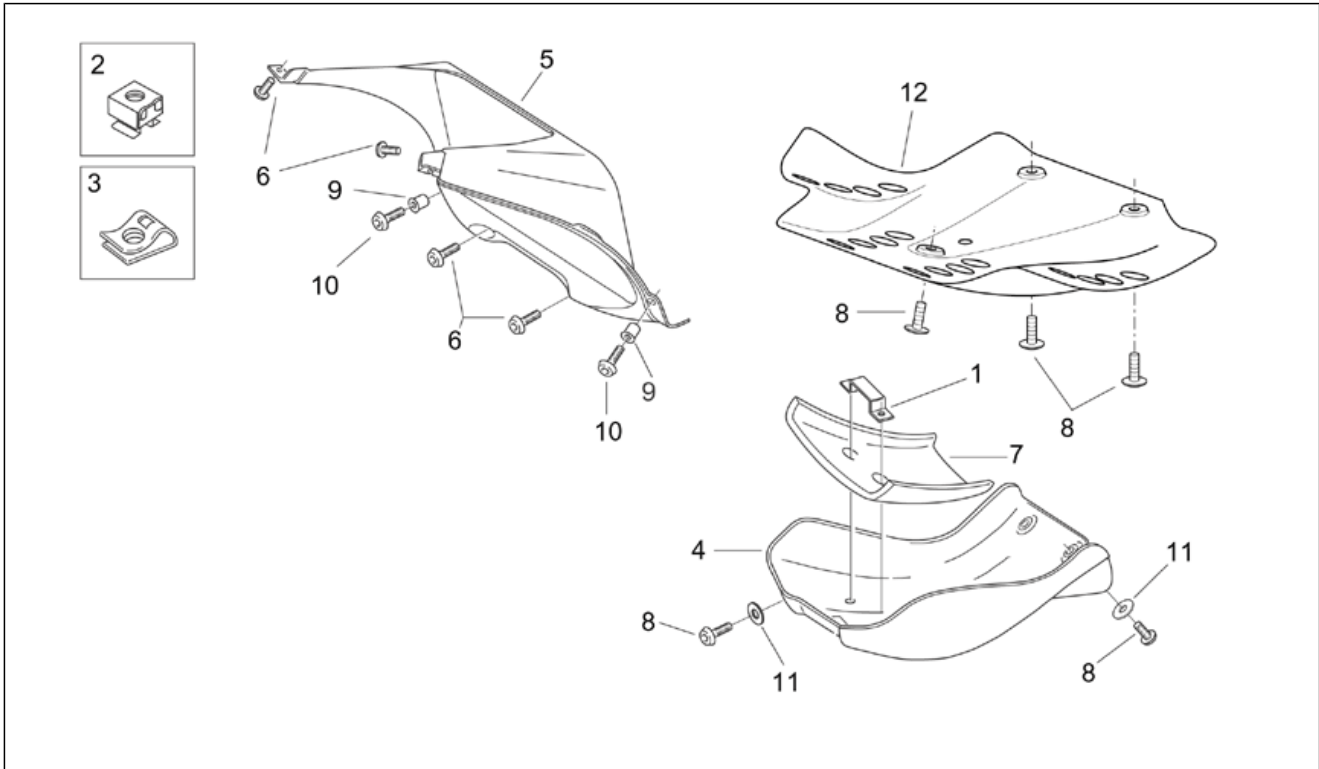
Pos.	Code	Beschreibung	Menge	Varianten
1	AP8152299	Selbstsperrende Mutter M6	2	
2	AP8152078	TB-Spezialschraube M6	1	
3	AP8152019	TCB-Spezialschraube M6x12	1	
4	AP8149320	Abschlussblende Verkl., grau	1	Fahrzeugfarbe: Bluevert 2001[blue], Hellblau Egeo 2001[e.cya], "Bluevert 2001 ""GARDA""[garda], Grau Pearly 2003-2004[grey], Bleigrau 2003-2004[lead], Blau Roma 2003[r.blu], Rot Mirò 2001[r.mirò], Tuscany Tibet 2003[Tibet], Gelb Lime 2003[yell]
4	GU80766210	Bored fairing	1	Fahrzeugfarbe: Hellblau Polizei 2001[p.cya], Weiß Stadtpolizei 2002[white]
5	AP8102504	Gummi	2	
6	AP8158162	Handschutzpaar, grau	1	Fahrzeugfarbe: Blau Lord Strafpolizei 2003[l.blu], Blau Roma 2003[r.blu]
6	AP8158162	Handschutzpaar, grau	1	Fahrzeugfarbe: Bluevert 2001[blue], Hellblau Egeo 2001[e.cya], "Bluevert 2001 ""GARDA""[garda], Grau Pearly 2003-2004[grey], Bleigrau 2003-2004[lead], Hellblau Polizei 2001[p.cya], Rot Mirò 2001[r.mirò], Weiß Stadtpolizei 2002[white], Gelb Lime 2003[yell]
6	AP8168990	Handschutzpaar, rot	1	Fahrzeugfarbe: Tuscany Tibet 2003[Tibet]
7	AP8152302	TBEI Schraube m.Flansch M5x12	4	
8	AP8120001	Gummi	2	
9	AP8152339	TBEI Schraube m.Flansch M5x9	2	
10	AP8152298	TBEI Schraube m.Flansch M5x16	2	
11	AP8120178	O-Ring OR112	2	
12	AP8121250	Buchse	2	
13	AP8126913	V. Schutzblech, blau	1	Baujahr: 2001[1] Fahrzeugfarbe: Bluevert 2001[blue], "Bluevert 2001 ""GARDA""[garda]
13	AP8126938	V. Schutzblech, h.bl.	1	Baujahr: 2001[1] Fahrzeugfarbe: Hellblau Egeo 2001[e.cya]
13	AP8126943	V. Schutzblech, rot	1	Baujahr: 2001[1] Fahrzeugfarbe: Rot Mirò 2001[r.mirò]

Einheit	RAHMEN
Code	28.11
Beschreibung	Frontaufbau II
Inspektion	1



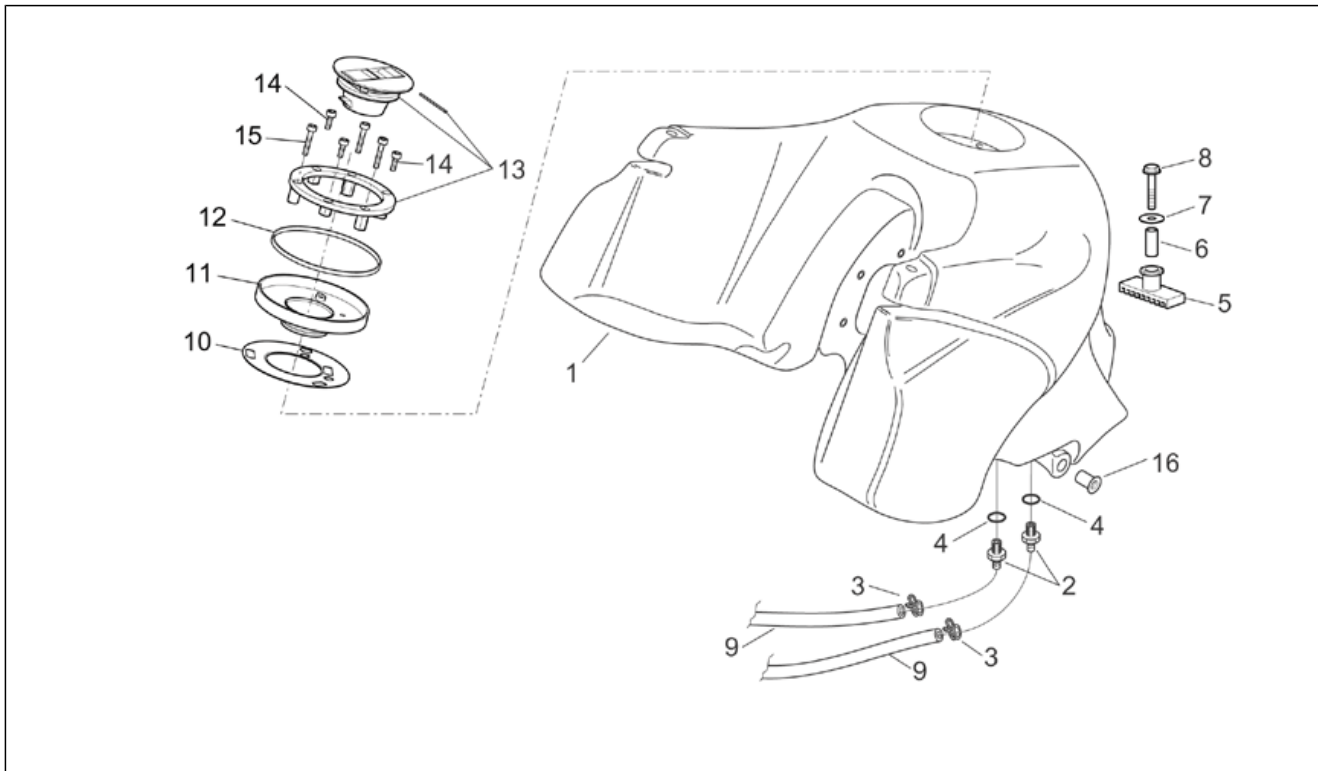
Pos.	Code	Beschreibung	Menge	Varianten
13	AP8126972	V. Schutzblech, weiß	1	Baujahr: 2002[2] Fahrzeugfarbe: Weiß Stadtpolizei 2002[white]
13	AP8126972	V. Schutzblech, weiß	1	Baujahr: 2003[3] Fahrzeugfarbe: Blau Roma 2003[r.blu]
13	AP8126974	V. Schutzblech, h.bl.	1	Baujahr: 2001[1] Fahrzeugfarbe: Hellblau Polizei 2001[p.cya]
13	AP8156030	V. Schutzblech, grau	1	Baujahr: 2003[3], 2004[4] Fahrzeugfarbe: Grau Pearly 2003-2004[grey]
13	AP8156032	V. Schutzblech, grau	1	Baujahr: 2003[3], 2004[4] Fahrzeugfarbe: Bleigrau 2003-2004[lead]
13	AP8156033	Schutzblech v.gelb	1	Baujahr: 2003[3] Fahrzeugfarbe: Gelb Lime 2003[yell]
13	AP8156077	Schutzblech v.gelb	1	Baujahr: 2003[3] Fahrzeugfarbe: Tuscany Tibet 2003[Tibet]
13	AP8156098	V. Schutzblech, blau	1	Baujahr: 2003[3] Fahrzeugfarbe: Blau Lord Strafpolizei 2003[l.blu]
14	AP8120531	Gummi mit Einsatz	1	
15	AP8152338	TBEI Schraube m.Flansch	2	
16	AP8121811	T-Buchse	2	
17	AP8134662	Versteifungsplatte	1	
18	AP8152277	TE Schr. m. Flansch M6x12	4	
19	AP8201755	Geschnitten Kunststoffniet	2	
20	AP8121297	Dehneinsatz M5	1	

Einheit	RAHMEN
Code	28.12
Beschreibung	Frontaufbau III
Inspektion	1



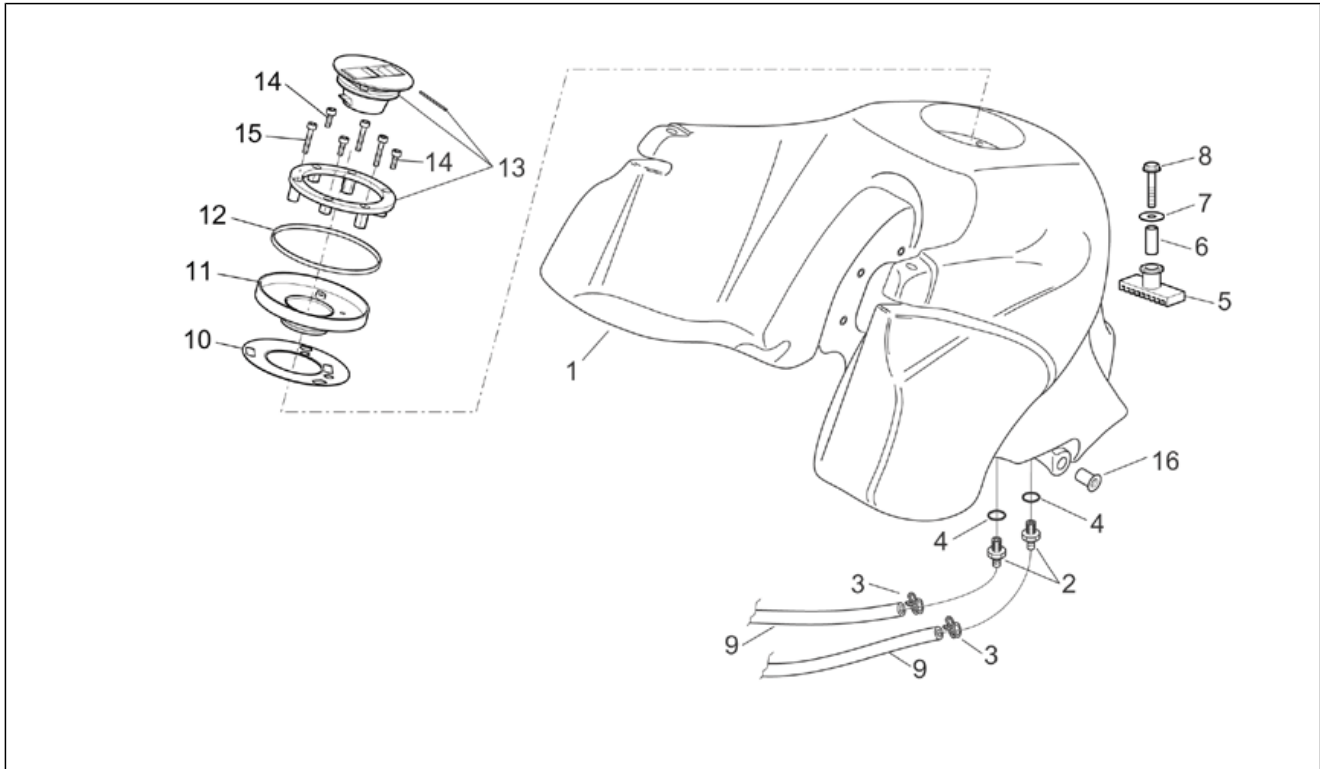
Pos.	Code	Beschreibung	Menge	Varianten
1	AP8138768	Wannenschutzhalter	1	
2	AP8152313	Käfigmutter M6	2	
3	AP8102375	Klammer M5	2	
4	AP8149422	Wannenschutz, grau	1	
5	AP8149321	Kühlernetz grau	1	
6	AP8152298	TBEI Schraube m.Flansch M5x16	4	
7	AP8117117	Schalldämmplatte	1	
8	AP8152246	TBEI Schraube m.Flansch M6x16	7	
9	AP8120531	Gummi mit Einsatz	2	
10	AP8152338	TBEI Schraube m.Flansch	2	
11	AP8150179	Ausgleichscheibe 6,6x18*	4	
12	AP8168936	Wannenschutz, grau	1	Fahrzeugfarbe: Tuscany Tibet 2003[Tibet]

Einheit	RAHMEN
Code	28.13
Beschreibung	Kraftstofftank
Inspektion	1



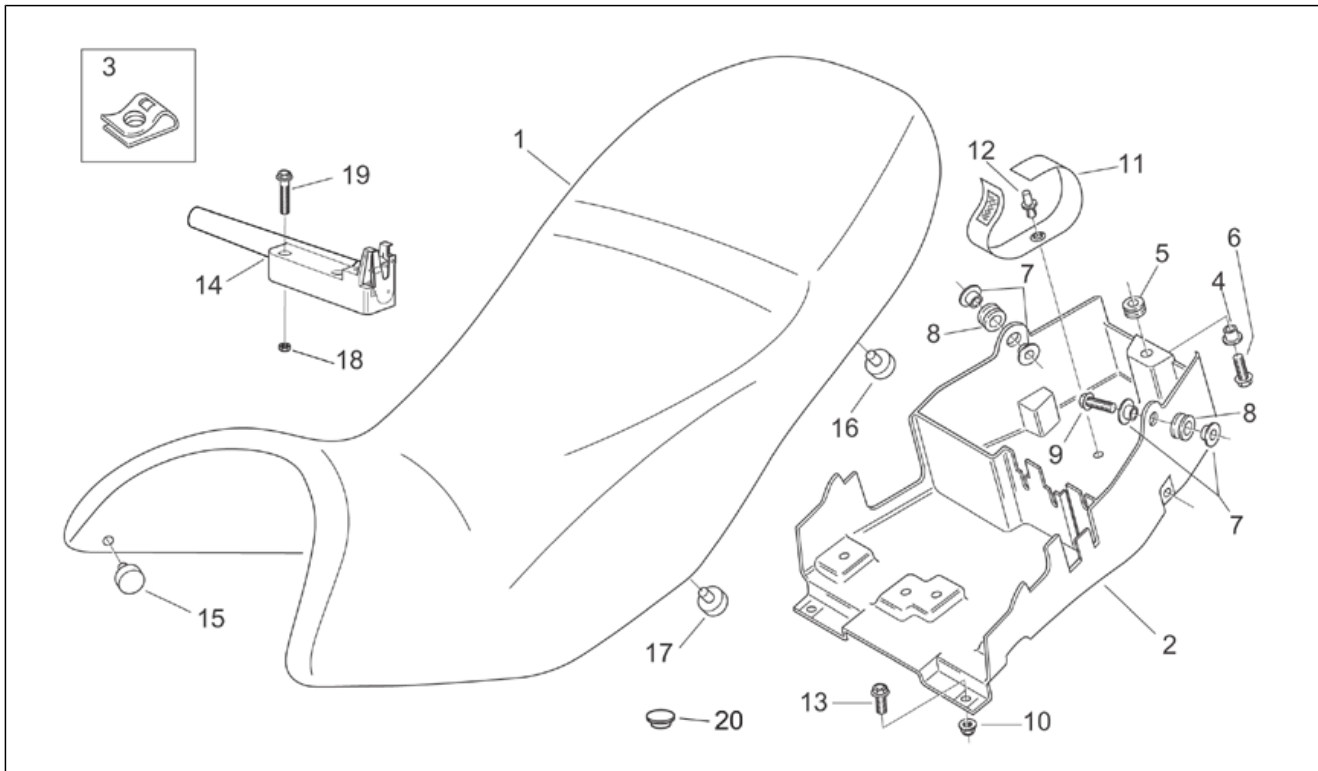
Pos.	Code	Beschreibung	Menge	Varianten
1	AP8149058	Kraftstofftank, blau/grau	1	Baujahr: 2001[1] Fahrzeugfarbe: Bluevert 2001[blue], "Bluevert 2001" "GARDA""[garda]
1	AP8149860	Kraftstofftank, rot/grau	1	Baujahr: 2001[1] Fahrzeugfarbe: Rot Mirò 2001[r.mirò]
1	AP8149868	Kraftstofftank, h.blau/grau	1	Baujahr: 2001[1] Fahrzeugfarbe: Hellblau Egeo 2001[e.cya]
1	AP8158497	Kraftstofftank, weiß	1	Baujahr: 2002[2] Fahrzeugfarbe: Weiß Stadtpolizei 2002[white]
1	AP8158504	Kraftstofftank, h.blau	1	Baujahr: 2001[1] Fahrzeugfarbe: Hellblau Polizei 2001[p.cya]
1	AP8168270	Kraftstofftank, grau/schw.	1	Baujahr: 2003[3], 2004[4] Fahrzeugfarbe: Grau Pearly 2003-2004[grey]
1	AP8168291	Kraftstofftank, grau	1	Baujahr: 2003[3], 2004[4] Fahrzeugfarbe: Bleigrau 2003-2004[lead]
1	AP8168299	Tank V.gelb/grau	1	Baujahr: 2003[3] Fahrzeugfarbe: Gelb Lime 2003[yell]
1	AP8168884	Tank V.gelb/grau	1	Baujahr: 2003[3] Fahrzeugfarbe: Tuscany Tibet 2003[Tibet]
1	AP8178033	Kraftstofftank, blau	1	Baujahr: 2003[3] Fahrzeugfarbe: Blau Roma 2003[r.blü]
1	AP8178058	Kraftstofftank, blau	1	Baujahr: 2003[3] Fahrzeugfarbe: Blau Lord Strafpolizei 2003[l.blü]
2	AP8102503	Anschluß Gummihalter	2	
3	AP8101595	Schelle D10,1	2	
4	AP8120965	O-Ring 2018	2	
5	AP8120663	Gummi *	1	
6	AP8121773	Distanzscheibe *	1	
7	AP8150018	Ausgleichscheibe	1	
8	AP8152290	TE Schr. m. Flansch M8x40	1	
9	AP8120952	Kraftstoffleitung 5,5x10	2	

Einheit	RAHMEN
Code	28.13
Beschreibung	Kraftstofftank
Inspektion	1



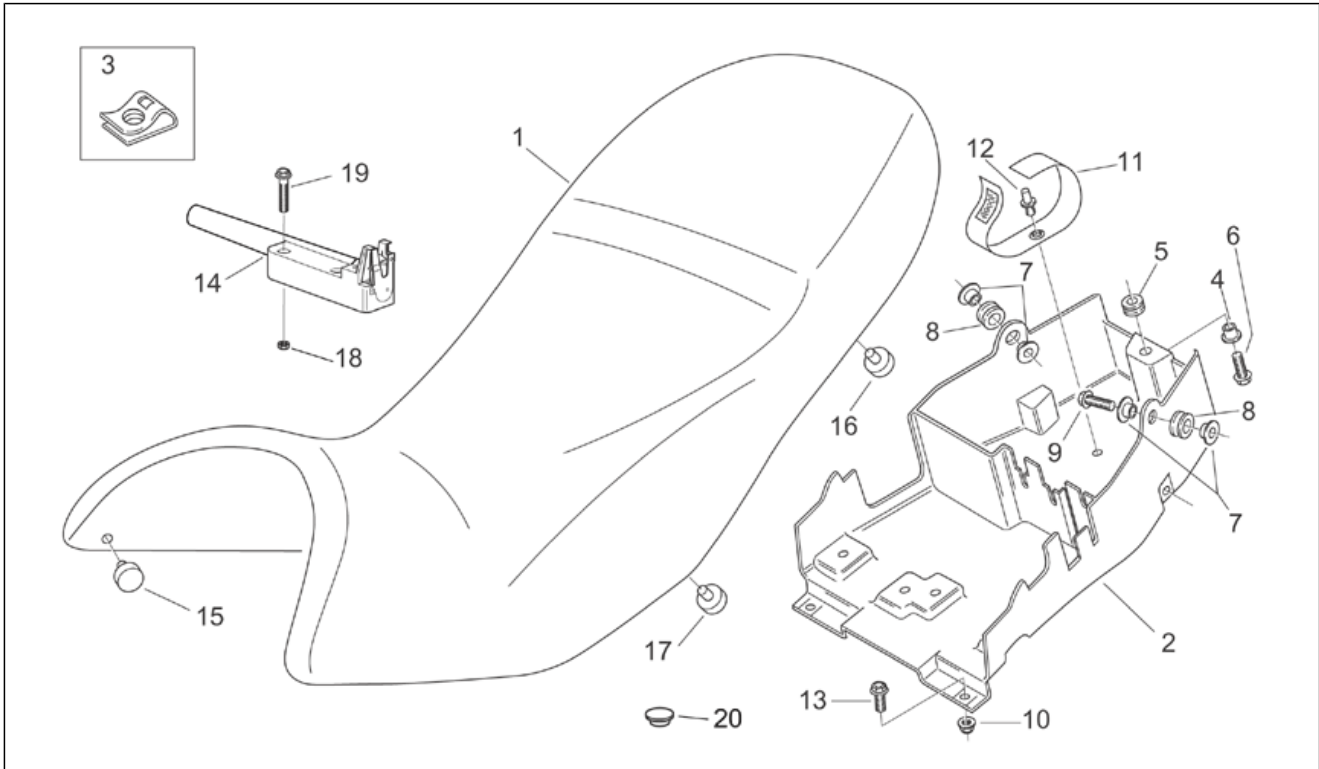
Pos.	Code	Beschreibung	Menge	Varianten
10	AP8144159	Dichtung Kraftstofftank	1	
11	AP8102535	Schwimmergehäuse	1	
12	AP8120893	Dichtung	1	
13	AP8158164	Tankfüllschraube	1	
14	AP8150454	TCEI Schraube M5x16	4	
15	AP8150453	TCEI Schraube M5x30	3	
16	AP8120531	Gummi mit Einsatz	1	

Einheit	RAHMEN
Code	28.14
Beschreibung	Sitz
Inspektion	1



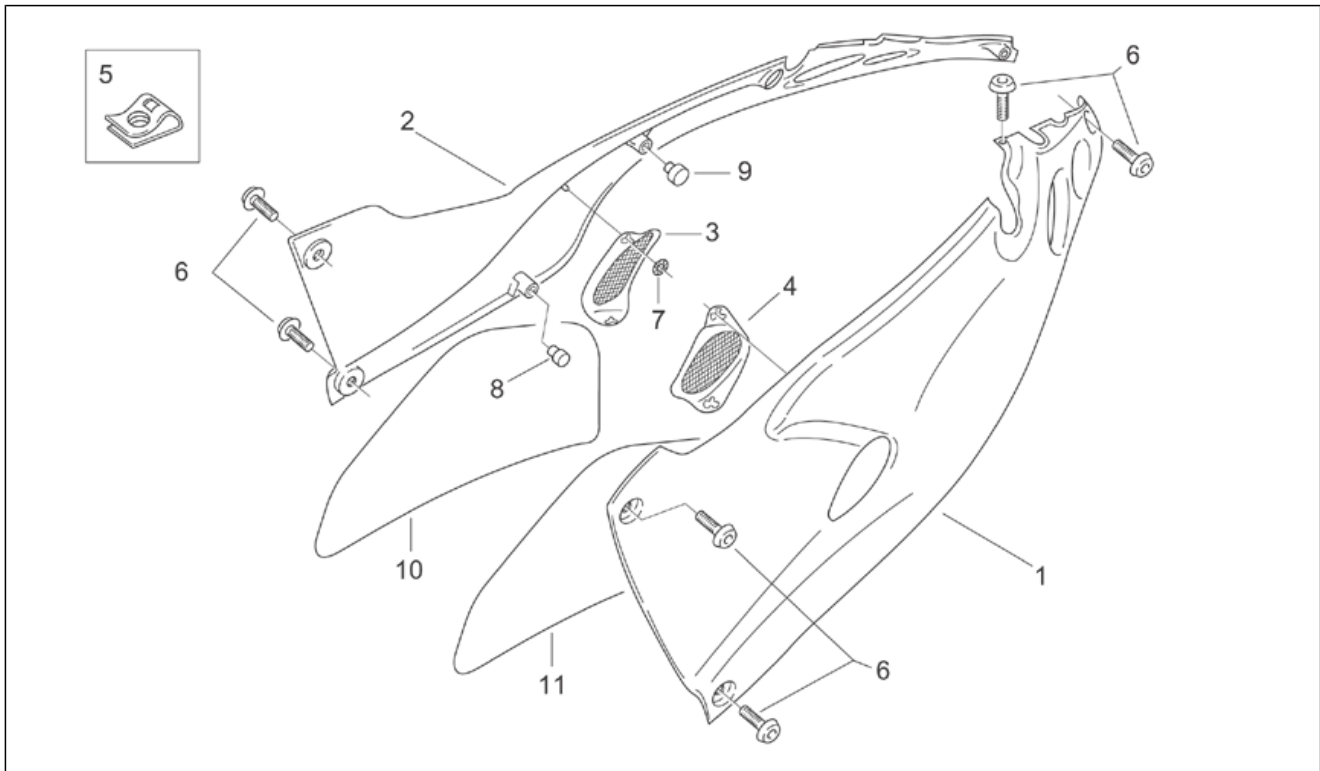
Pos.	Code	Beschreibung	Menge	Varianten
1	AP8129290	Sitz	1	Baujahr: 2002[2] Fahrzeugfarbe: Weiß Stadtpolizei 2002[white]
1	AP8129290	Sitz	1	Baujahr: 2003[3], 2004[4] Fahrzeugfarbe: Blau Lord Strafpolizei 2003[l.blu], Bleigrau 2003-2004[lead], Blau Roma 2003[r.blu], Gelb Lime 2003[yell]
1	AP8129290	Sitz	1	Baujahr: 2001[1] Fahrzeugfarbe: Bluevert 2001[blue], Hellblau Egeo 2001[e.cya], "Bluevert 2001 ""GARDA""[garda], Hellblau Polizei 2001[p.cya], Rot Mirò 2001[r.mirò]
1	AP8129329	Sitz, schwarz	1	Baujahr: 2003[3], 2004[4] Fahrzeugfarbe: Grau Pearly 2003-2004[grey]
1	AP8129400	Sitz	1	Baujahr: 2003[3] Fahrzeugfarbe: Tuscany Tibet 2003[Tibet]
2	AP8149305	Ablagefach	1	
3	AP8102376	Klammer M6	2	
4	AP8121795	T-Buchse	1	
5	AP8112600	Gummi	1	
6	AP8152279	TE Schr. m. Flansch M6x20	1	
7	AP8221145	T-Buchse *	4	
8	AP8120030	Gummi	2	
9	AP8152280	TE Schr. m. Flansch M6x25	2	
10	AP8152299	Selbstsperrende Mutter M6	2	
11	AP8102348	Fixierschelle Tasche	1	
12	AP8120317	Schwarzer Kunststoffniet	1	
13	AP8152278	TE Schr. m. Flansch M6x16	2	
14	AP8104144	Sitzschloß	1	
15	AP8144087	Gummi	2	
16	AP8144088	Sitz-Auflagegummi hinten	4	
17	AP8144089	Sitz-Auflagegummi vorn	4	

Einheit	RAHMEN
Code	28.14
Beschreibung	Sitz
Inspektion	1



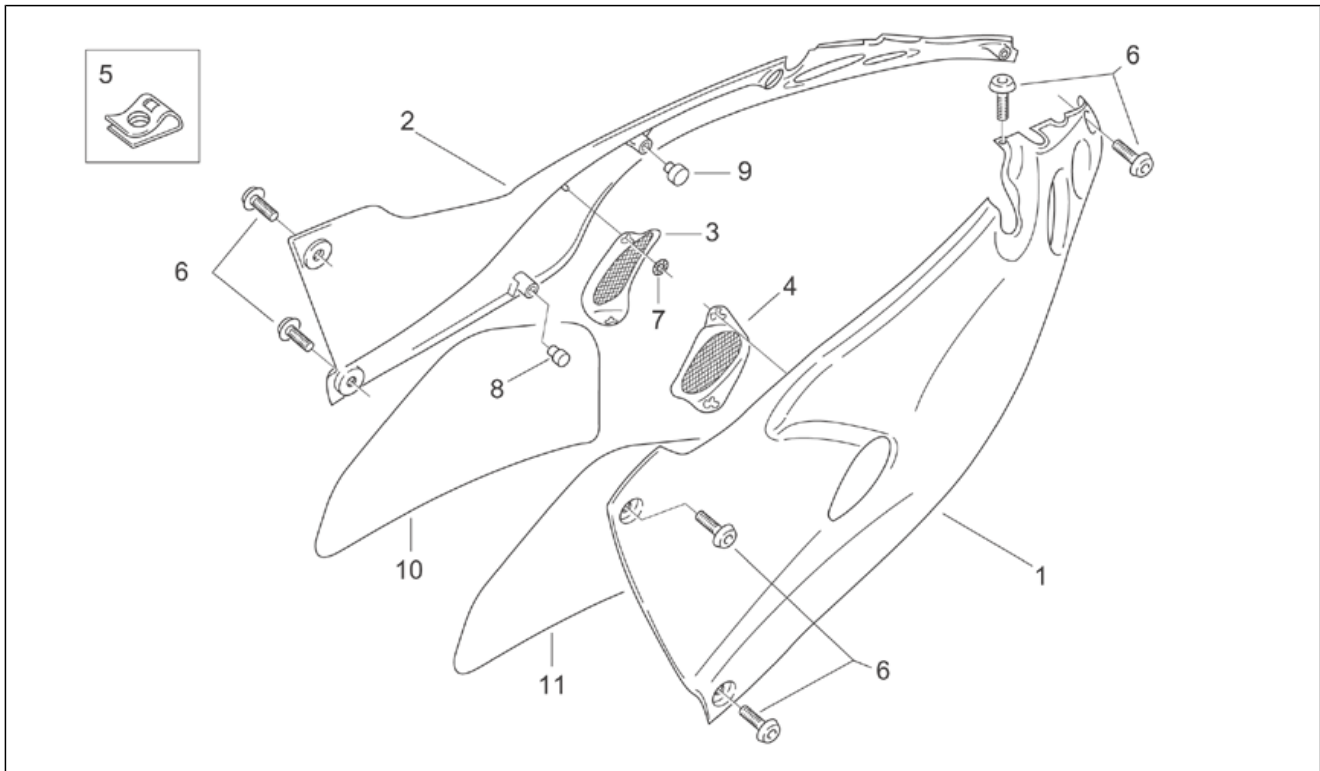
Pos.	Code	Beschreibung	Menge	Varianten
18	AP8150430	Selbstsperr.mut Unt.	2	
19	AP8152281	TE Schr. m. Flansch M6x30	2	
20	AP8102600	Deckel	2	

Einheit	RAHMEN
Code	28.15
Beschreibung	Mittlerer Aufbau
Inspektion	1



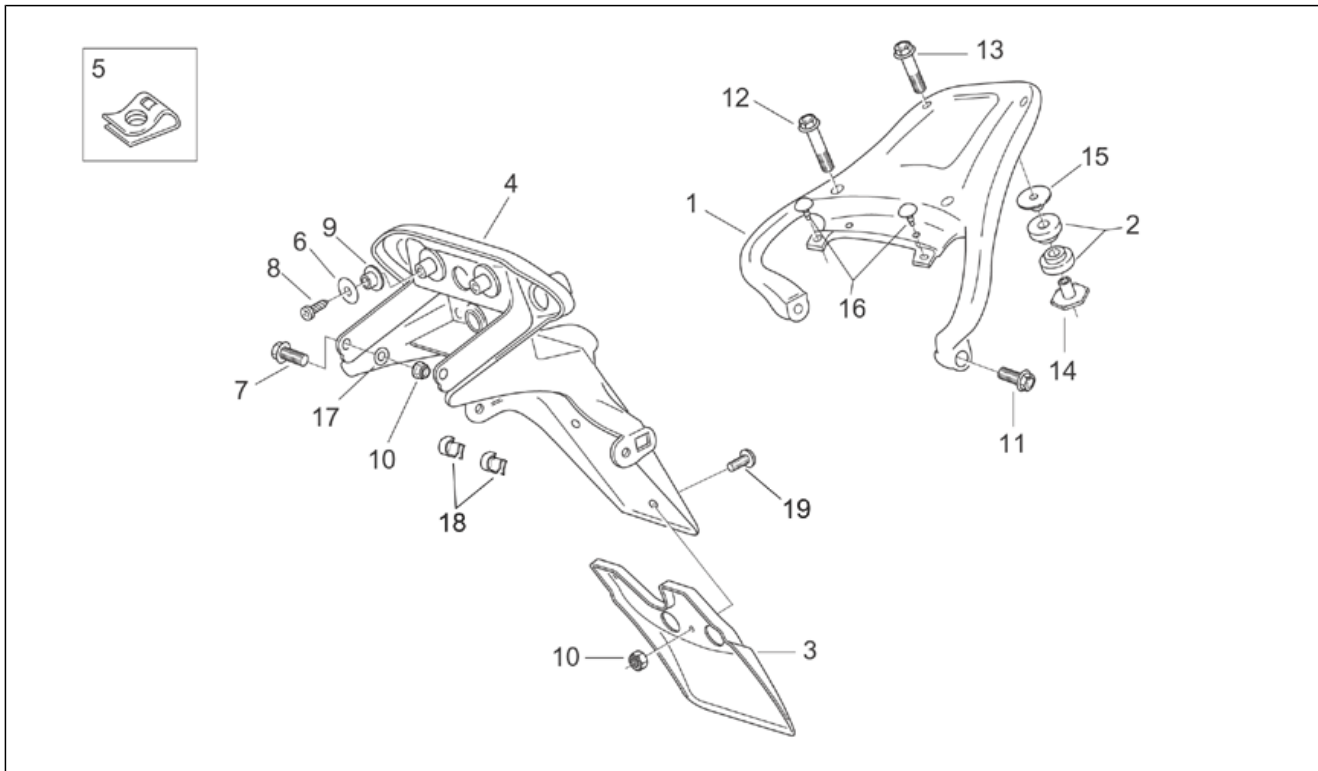
Pos.	Code	Beschreibung	Menge	Varianten
1	AP8149787	L. kl. Seitenteil, blau	1	Baujahr:2001[1] Fahrzeugfarbe:Bluevert 2001[blue], "Bluevert 2001" "GARDA""[garda]
1	AP8149867	L. kl. Seitenteil, rot	1	Baujahr:2001[1] Fahrzeugfarbe:Rot Mirò 2001[r.mirò]
1	AP8149875	L. Seitenteil, hellblau	1	Baujahr:2001[1] Fahrzeugfarbe:Hellblau Egeo 2001[e.cya]
1	AP8158500	L. Seitenteil, hellblau	1	Baujahr:2002[2] Fahrzeugfarbe:Weiß Stadtpolizei 2002[white]
1	AP8158507	L. Seitenteil, hellblau	1	Baujahr:2001[1] Fahrzeugfarbe:Hellblau Polizei 2001[p.cya]
1	AP8168279	L. kl. Seitenteil, grau	1	Baujahr:2003[3], 2004[4] Fahrzeugfarbe:Grau Pearly 2003-2004[grey]
1	AP8168298	L. kl. Seitenteil, grau	1	Baujahr:2003[3], 2004[4] Fahrzeugfarbe:Bleigrau 2003-2004[lead]
1	AP8168305	L. kl. Seitenteil, gelb	1	Baujahr:2003[3] Fahrzeugfarbe:Gelb Lime 2003[yell]
1	AP8168887	L. kl. Seitenteil, gelb	1	Baujahr:2003[3] Fahrzeugfarbe:Tuscany Tibet 2003[Tibet]
1	AP8178036	L. kl. Seitenteil, blau	1	Baujahr:2003[3] Fahrzeugfarbe:Blau Roma 2003[r.blu]
1	AP8178061	L. kl. Seitenteil, blau	1	Baujahr:2003[3] Fahrzeugfarbe:Blau Lord Strafpolizei 2003[l.blu]
2	AP8149786	R. kl. Seitenteil, blau	1	Baujahr:2001[1] Fahrzeugfarbe:Bluevert 2001[blue], "Bluevert 2001" "GARDA""[garda]
2	AP8149866	R. kl. Seitenteil, rot	1	Baujahr:2001[1] Fahrzeugfarbe:Rot Mirò 2001[r.mirò]
2	AP8149874	R. Seitenteil, hellblau	1	Baujahr:2001[1] Fahrzeugfarbe:Hellblau Egeo 2001[e.cya]
2	AP8158499	R. Seitenteil, hellblau	1	Baujahr:2002[2] Fahrzeugfarbe:Weiß Stadtpolizei 2002[white]

Einheit	RAHMEN
Code	28.15
Beschreibung	Mittlerer Aufbau
Inspektion	1



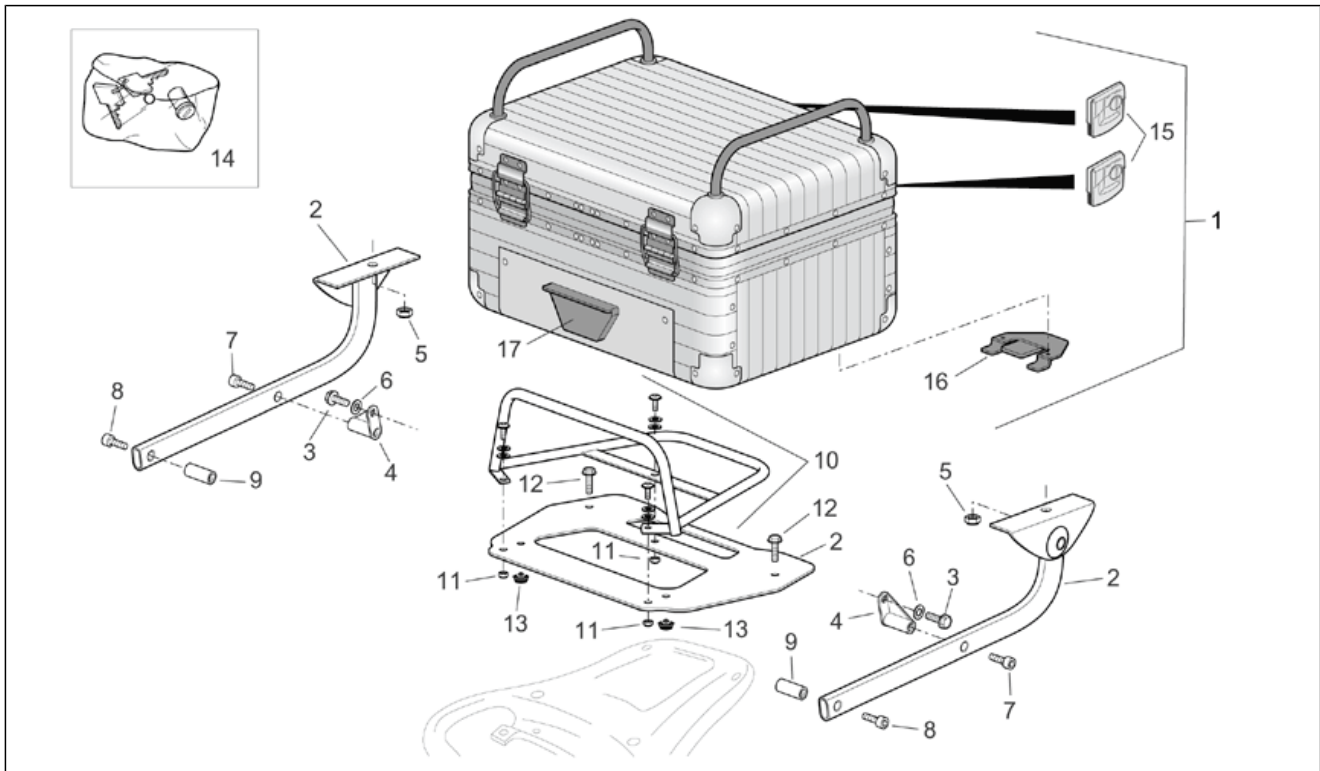
Pos.	Code	Beschreibung	Menge	Varianten
2	AP8158506	R. Seitenteil, hellblau	1	Baujahr: 2001[1] Fahrzeugfarbe: Hellblau Polizei 2001[p.cya]
2	AP8168278	R. kl. Seitenteil, grau	1	Baujahr: 2003[3], 2004[4] Fahrzeugfarbe: Grau Pearly 2003-2004[grey]
2	AP8168297	R. kl. Seitenteil, grau	1	Baujahr: 2003[3], 2004[4] Fahrzeugfarbe: Bleigrau 2003-2004[lead]
2	AP8168304	R. kl. Seitenteil, gelb	1	Baujahr: 2003[3] Fahrzeugfarbe: Gelb Lime 2003[yell]
2	AP8168886	R. kl. Seitenteil, gelb	1	Baujahr: 2003[3] Fahrzeugfarbe: Tuscany Tibet 2003[Tibet]
2	AP8178035	R. kl. Seitenteil, blau	1	Baujahr: 2003[3] Fahrzeugfarbe: Blau Roma 2003[r.blu]
2	AP8178060	R. kl. Seitenteil, blau	1	Baujahr: 2003[3] Fahrzeugfarbe: Blau Lord Strafpolizei 2003[l.blu]
3	AP8138747	Netz rechtes Seitenteil	1	
4	AP8138829	Netz linkes Seitenteil	1	
5	AP8102375	Klammer M5	2	
6	AP8152302	TBEI Schraube m.Flansch M5x12	8	
7	AP8150450	Wellenscheibe D5	4	
8	AP8120712	Gummi	2	
9	AP8144081	Gummi	2	
10	AP8117095	Rechte Wärmeschutzplatte	1	
11	AP8117096	Linke Wärmeschutzplatte	1	

Einheit	RAHMEN
Code	28.16
Beschreibung	Heckaufbau
Inspektion	1



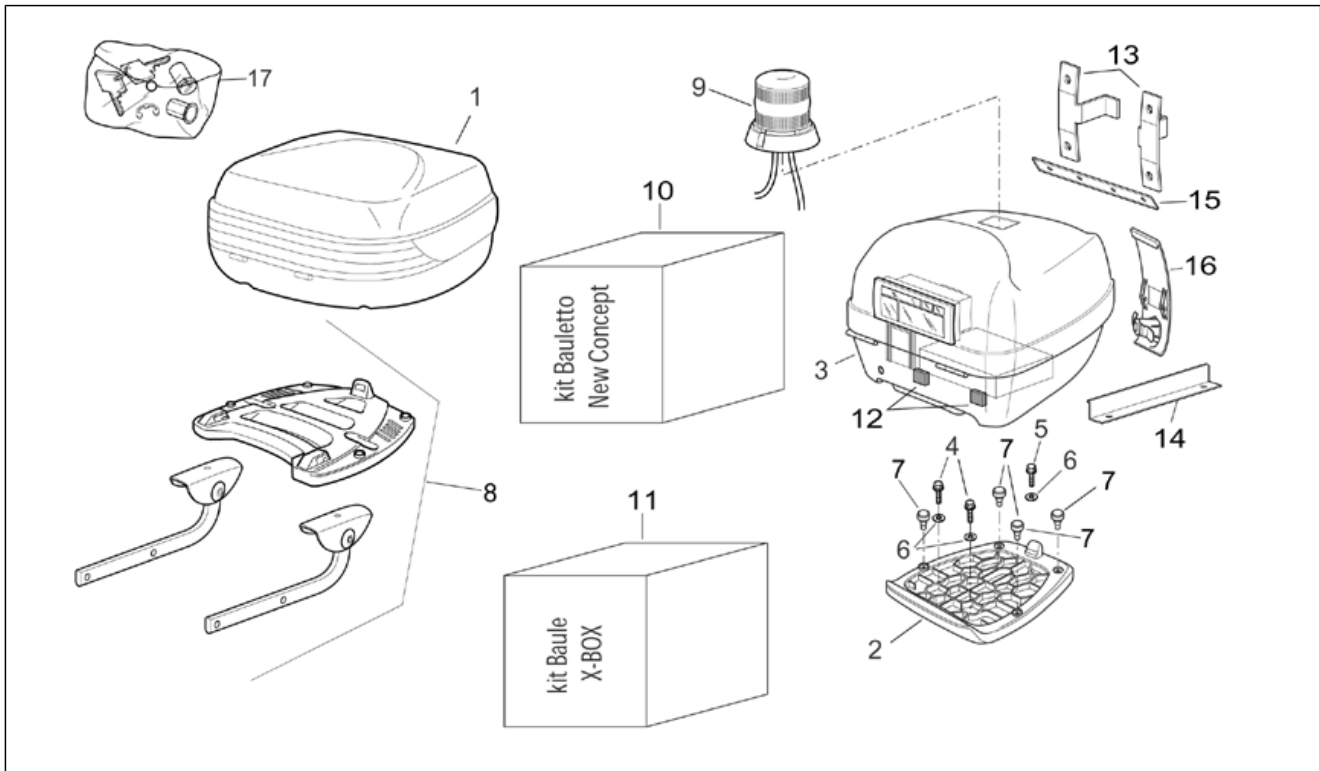
Pos.	Code	Beschreibung	Menge	Varianten
1	AP8149858	Gepäckträger, grau	1	
2	AP8144082	Gummi	2	
3	AP8126911	Verl. Nummernsch.bef.	1	
4	AP8126912	Kennzeichenplatte, schwarz	1	
5	AP8102376	Klammer M6	2	
6	AP8150179	Ausgleichscheibe 6,6x18*	2	
7	AP8152278	TE Schr. m. Flansch M6x16	2	
8	AP8152329	Kreuz.schl.flnschschr. M5x20	2	
9	AP8220192	Gummi *	2	
10	AP8152299	Selbstsperrende Mutter M6	5	
11	AP8152286	TE Schr. m. Flansch M8x20	2	
12	AP8152284	TE Schr. m. Flansch	2	
13	AP8152282	TE Schr. m. Flansch M6x35	1	
14	AP8121259	Gewindebuchse	1	
15	AP8121260	Buchse	1	
16	AP8220238	Gummi	2	
17	AP8150015	Ausgleichscheibe 6,6x18x1,6*	2	
18	AP8201727	Kabelführungs schw.	2	
19	AP8152108	TBEI Schraube	3	

Einheit	RAHMEN
Code	28.17
Beschreibung	Aluminium staukoffer
Inspektion	1



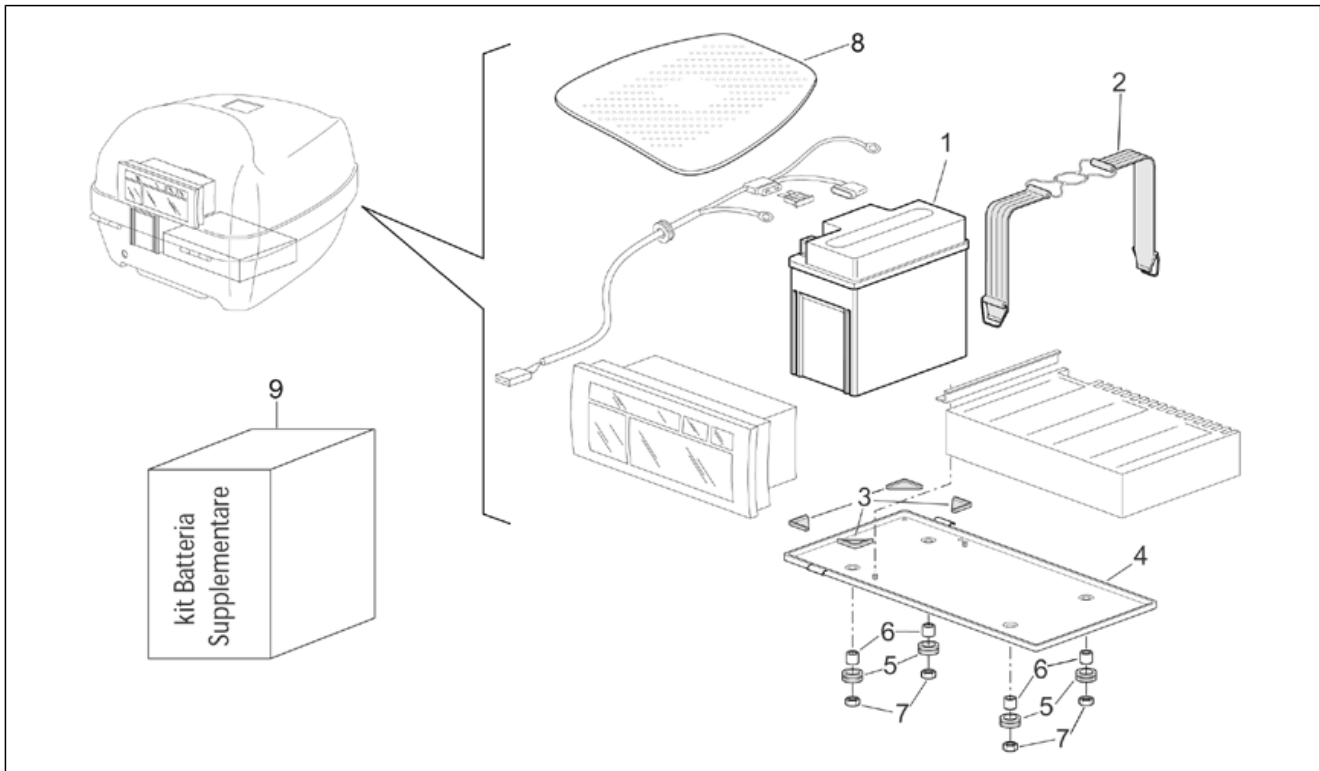
Pos.	Code	Beschreibung	Menge	Varianten
1	AP8178023	Aluminium staukoffer	1	Fahrzeugfarbe:Tuscany Tibet 2003[Tibet]
2	AP8790188	Kofferhalter 50L	1	Fahrzeugfarbe:Tuscany Tibet 2003[Tibet]
3	AP8152287	TE Schr. m. Flansch M8x25	2	Fahrzeugfarbe:Tuscany Tibet 2003[Tibet]
4	AP8700823	Distanzscheibe	2	Fahrzeugfarbe:Tuscany Tibet 2003[Tibet]
5	AP8152300	Selbstsperrende Mutter M8	2	Fahrzeugfarbe:Tuscany Tibet 2003[Tibet]
6	AP8150376	Ausgleichscheibe 8,5x15x0,8	2	Fahrzeugfarbe:Tuscany Tibet 2003[Tibet]
7	AP8152288	TE Schr. m. Flansch	2	Fahrzeugfarbe:Tuscany Tibet 2003[Tibet]
8	AP8150046	TCEI Schraube M8x55	2	Fahrzeugfarbe:Tuscany Tibet 2003[Tibet]
9	AP8101108	Distanzscheibe *	2	Fahrzeugfarbe:Tuscany Tibet 2003[Tibet]
10	AP8104689	Halter	1	Fahrzeugfarbe:Tuscany Tibet 2003[Tibet]
11	AP8150430	Selbstsperr.mut Unt.	3	Fahrzeugfarbe:Tuscany Tibet 2003[Tibet]
12	AP8152286	TE Schr. m. Flansch M8x20	2	Fahrzeugfarbe:Tuscany Tibet 2003[Tibet]
13	AP8126702	Gummi	2	Fahrzeugfarbe:Tuscany Tibet 2003[Tibet]
14	AP8790114	Rotor kit with key	1	Fahrzeugfarbe:Tuscany Tibet 2003[Tibet]
15	AP8104688	Schloss	2	Fahrzeugfarbe:Tuscany Tibet 2003[Tibet]
16	AP8104687	Schloss	1	Fahrzeugfarbe:Tuscany Tibet 2003[Tibet]
17	AP8104686	Bügel	1	Fahrzeugfarbe:Tuscany Tibet 2003[Tibet]

Einheit	RAHMEN
Code	28.18
Beschreibung	Staukoffer Polizei
Inspektion	1



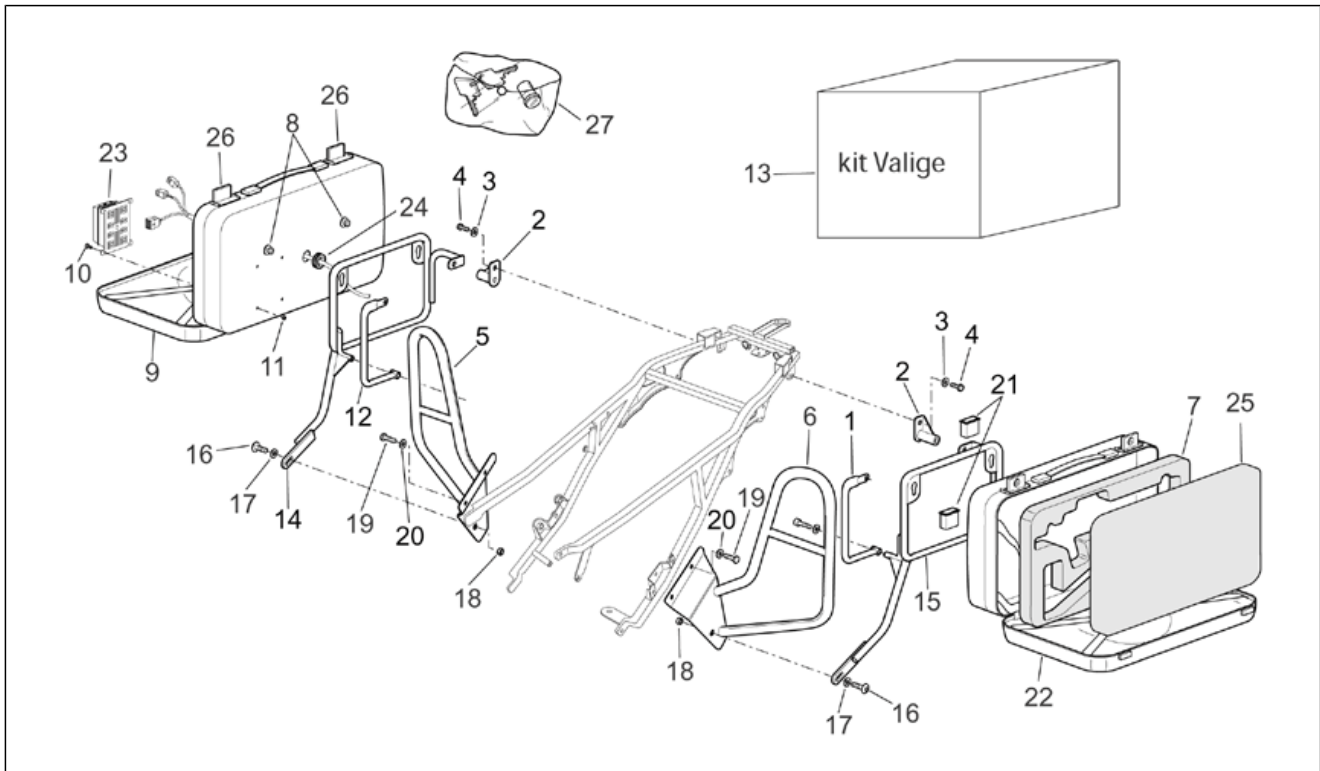
Pos.	Code	Beschreibung	Menge	Varianten
1	AP8792142	X-BOX staukoffer	1	Technische Daten:Stadtpolizei[PM]
2	AP8149120	Staukoffer Haken Platte	1	Technische Daten:Stadtpolizei[PM], Staatspolizei[POL]
3	AP8792228	"New Concept" Staukoffer	1	Technische Daten:Stadtpolizei[PM]
3	GU80487610	"New Concept" Staukoffer	1	Technische Daten:Staatspolizei[POL]
4	GU98680330	TCEI Schraube M6x30	2	Technische Daten:Staatspolizei[POL]
5	GU98680345	TCEI Schraube	1	Technische Daten:Stadtpolizei[PM], Staatspolizei[POL]
6	GU95008306	Ausgleichscheibe 6,4x12x1,2	3	Technische Daten:Stadtpolizei[PM], Staatspolizei[POL]
7	AP8706087	Gummi	4	Technische Daten:Staatspolizei[POL]
8	AP8790188	Kofferhalter 50L	1	Technische Daten:Stadtpolizei[PM]
9	GU80741000	Rear headlight	1	Technische Daten:Stadtpolizei[PM]
10	GU80487515	"New Concept" staukoffer kit	1	Technische Daten:Stadtpolizei[PM]
11	GU80487516	X-BOX staukoffer kit	1	Technische Daten:Stadtpolizei[PM]
12	GU80471510	Gummi	2	Technische Daten:Stadtpolizei[PM]
13	GU80502910	Bügel	2	Technische Daten:Stadtpolizei[PM]
14	GU80471310	Bügel	1	Technische Daten:Stadtpolizei[PM]
15	GU80502810	Bügel	2	Technische Daten:Stadtpolizei[PM]
16	AP8104197	Kofferschloß kpl.	1	Technische Daten:Stadtpolizei[PM], Staatspolizei[POL]
17	AP8796361	Kit Staukoffergriff 50L	1	Technische Daten:Stadtpolizei[PM]

Einheit	RAHMEN
Code	28.19
Beschreibung	Additional battery kit
Inspektion	1



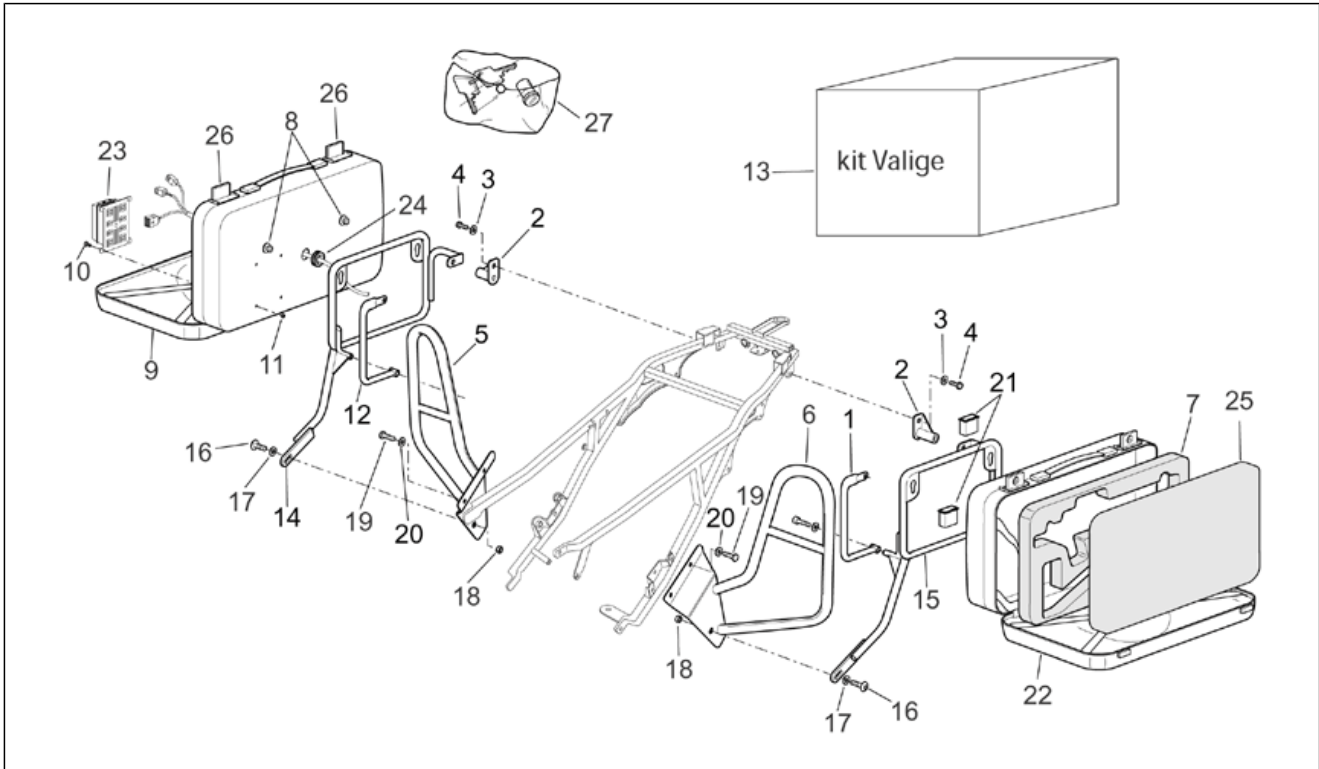
Pos.	Code	Beschreibung	Menge	Varianten
1	AP8124640	Batterie	1	Technische Daten: Stadtpolizei[PM], Staatspolizei[POL]
2	GU80704810	Batterie Haken	1	Technische Daten: Stadtpolizei[PM], Staatspolizei[POL]
3	GU30707301	Winkelstück	4	Technische Daten: Stadtpolizei[PM], Staatspolizei[POL]
4	GU80489110	Batterienplatte	1	Technische Daten: Stadtpolizei[PM], Staatspolizei[POL]
5	GU91551010	Gommino 10X20X10	4	Technische Daten: Stadtpolizei[PM], Staatspolizei[POL]
6	GU30576100	Distanzscheibe D.6,5	4	Technische Daten: Stadtpolizei[PM], Staatspolizei[POL]
7	GU92630206	Mutter M6x1	4	Technische Daten: Stadtpolizei[PM], Staatspolizei[POL]
8	GU80487910	Partition plane	1	Technische Daten: Staatspolizei[POL]
9	GU80704515	Additional battery kit	1	Technische Daten: Stadtpolizei[PM]

Einheit	RAHMEN
Code	28.20
Beschreibung	Side cases
Inspektion	1



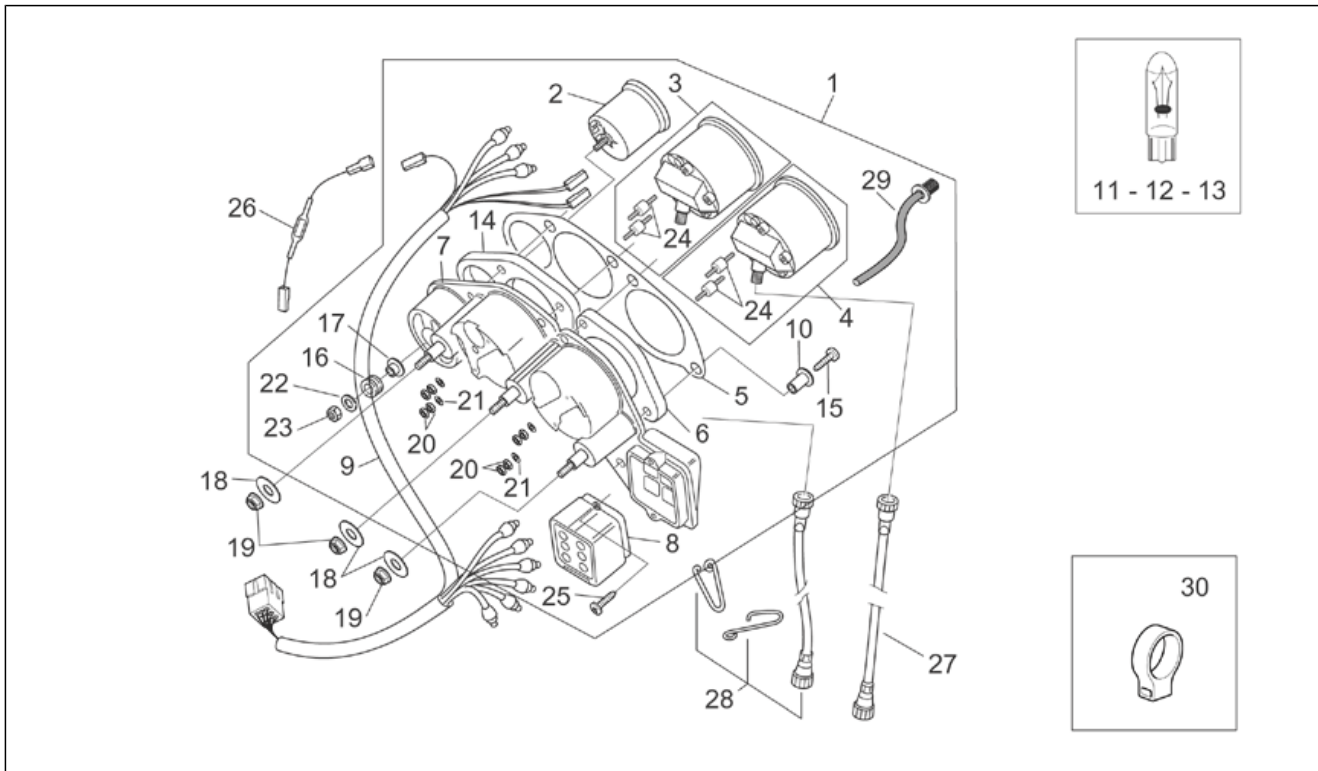
Pos.	Code	Beschreibung	Menge	Varianten
1	AP8700846	LH connecting	1	
2	AP8700823	Distanzscheibe	2	
3	AP8150376	Ausgleichscheibe 8,5x15x0,8	2	
4	AP8152286	TE Schr. m. Flansch M8x20	2	
5	GU80458310	Rechter schutz	1	
6	GU80458610	Linker schutz	1	
7	GU80489810	Rubber seal weapon	2	
8	AP8700840	Fixing pin	4	
9	AP8796241	RH suitcase	1	Technische Daten: Staatpolizei[POL]
9	GU80482612	RH suitcase	1	Technische Daten: Finanzpolizei[FIN]
9	GU80482615	RH suitcase	1	Technische Daten: Stadtpolizei[PM]
9	GU80482617	RH suitcase	1	Technische Daten: Strafpolizei[PEN]
9	GU80482618	RH suitcase	1	Technische Daten: Carabinieri[CC]
10	GU98370515	Schraube	4	
11	GU92650005	Mutter	4	
12	AP8700847	RH connecting	1	
13	GU80480015	Suitcase kit	1	
14	GU80485010	Halter rechts	1	
15	GU80486510	Halter links	1	
16	GU98682525	Schraube	2	
17	GU95008310	Ausgleichscheibe 10,5x22x2,5	2	
18	GU92630110	Mutter M10X1,5	2	
19	GU98084416	Schraube	4	
20	GU95008208	Ausgleichscheibe 8,4X15X1,5	4	
21	GU28584845	Gummi	2	
22	AP8796242	LH suitcase	1	Technische Daten: Staatpolizei[POL]
22	GU80485712	LH suitcase	1	Technische Daten: Finanzpolizei[FIN]
22	GU80485715	LH suitcase	1	Technische Daten: Stadtpolizei[PM]

Einheit	RAHMEN
Code	28.20
Beschreibung	Side cases
Inspektion	1



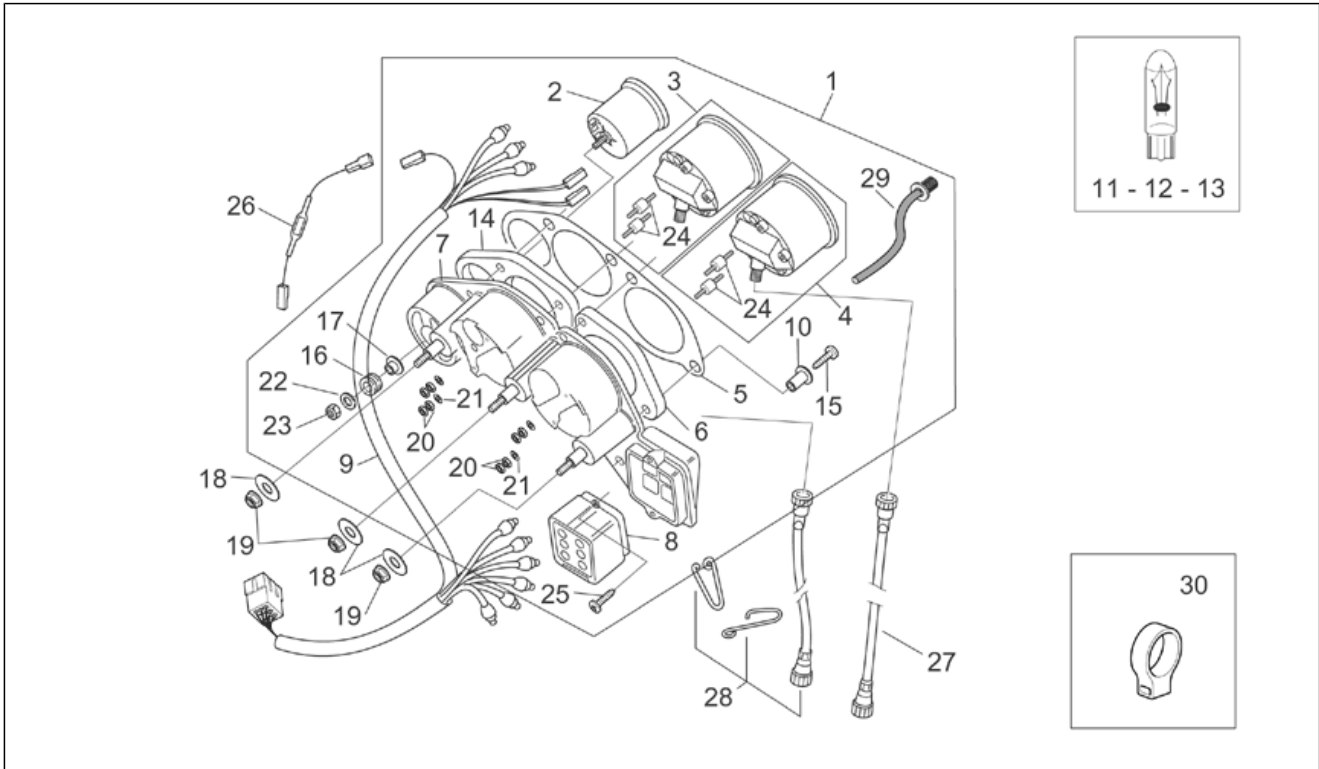
Pos.	Code	Beschreibung	Menge	Varianten
22	GU80485717	LH suitcase	1	Technische Daten: Strafpolizei[PEN]
22	GU80485718	LH suitcase	1	Technische Daten: Carabinieri[CC]
23	GU03785980	Elektronische Steuereinheit	1	
24	GU80596810	Kabelführung	1	
25	GU80487911	Partition plane	1	
26	AP8792117	Lock no rotor+Key	1	
27	AP8790114	Rotor kit with key	1	

Einheit	RAHMEN
Code	28.21
Beschreibung	Instrumententafel
Inspektion	1



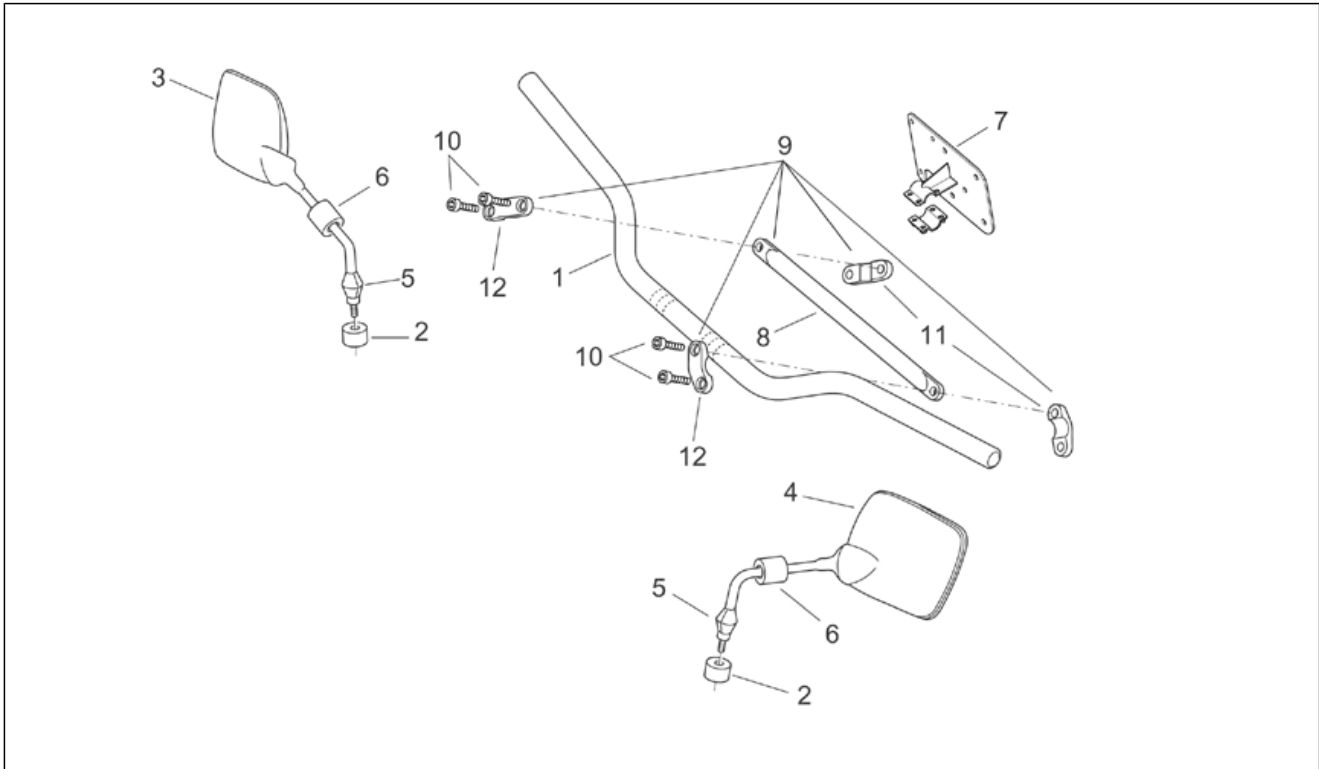
Pos.	Code	Beschreibung	Menge	Varianten
1	AP8124942	Instrum.tafel kplt.	1	Technische Daten: Strafpolizei[PEN], Stadtpolizei[PM], Staatspolizei[POL]
1	AP8124942	Instrum.tafel kplt.	1	Land: Österreich[A], Australien[AA], Australien[AUS], Belgien[B], Schweiz[CH], Deutschland[D], Dänemark[DK], Spanien[E], A, B, CH, D, DK, GR, E, F, I, NL, P, J, UK[EU], Frankreich[F], Griechenland[GR], Italien[I], Japan[J], Japan[J], Holland[NL], Portugal[P]
1	AP8127237	Instrum.tafel kplt.	1	Land: Großbritannien[UK]
2	AP8127206	Wassertemperaturanzeiger	1	
3	AP8127207	Tachometer kpl.	1	Land: Österreich[A], Australien[AA], Australien[AUS], Belgien[B], Schweiz[CH], Deutschland[D], Dänemark[DK], Spanien[E], A, B, CH, D, DK, GR, E, F, I, NL, P, J, UK[EU], Frankreich[F], Griechenland[GR], Italien[I], Japan[J], Japan[J], Holland[NL], Portugal[P]
3	AP8127207	Tachometer kpl.	1	Technische Daten: Strafpolizei[PEN], Stadtpolizei[PM], Staatspolizei[POL]
3	AP8127236	Tachometer kpl.	1	Land: Großbritannien[UK]
4	AP8127209	Drehzahlm.kpl.	1	
5	AP8158229	Instrumententafel	1	
6	AP8127080	Schwamm für Drehzahlmesser	1	
7	AP8158230	Grundplatte Instrumente	1	
8	AP8158231	Schachtel Kontrolleuchten	1	
9	AP8127210	Verkabelung Instrumentenbrett	1	
10	AP8121541	Buchse Instrumentenbrett	5	
11	AP8127088	Lampe 12V-2W	1	
12	AP8127089	Lampe	6	
13	AP8127090	Lampe	2	
14	AP8117198	Schwamm für Tachometer	1	
15	AP8127094	Gew.schr. 3x13 inox	5	
16	AP8127086	Gummi *	1	
17	AP8127085	Montageb. Thermom.	1	

Einheit	RAHMEN
Code	28.21
Beschreibung	Instrumententafel
Inspektion	1



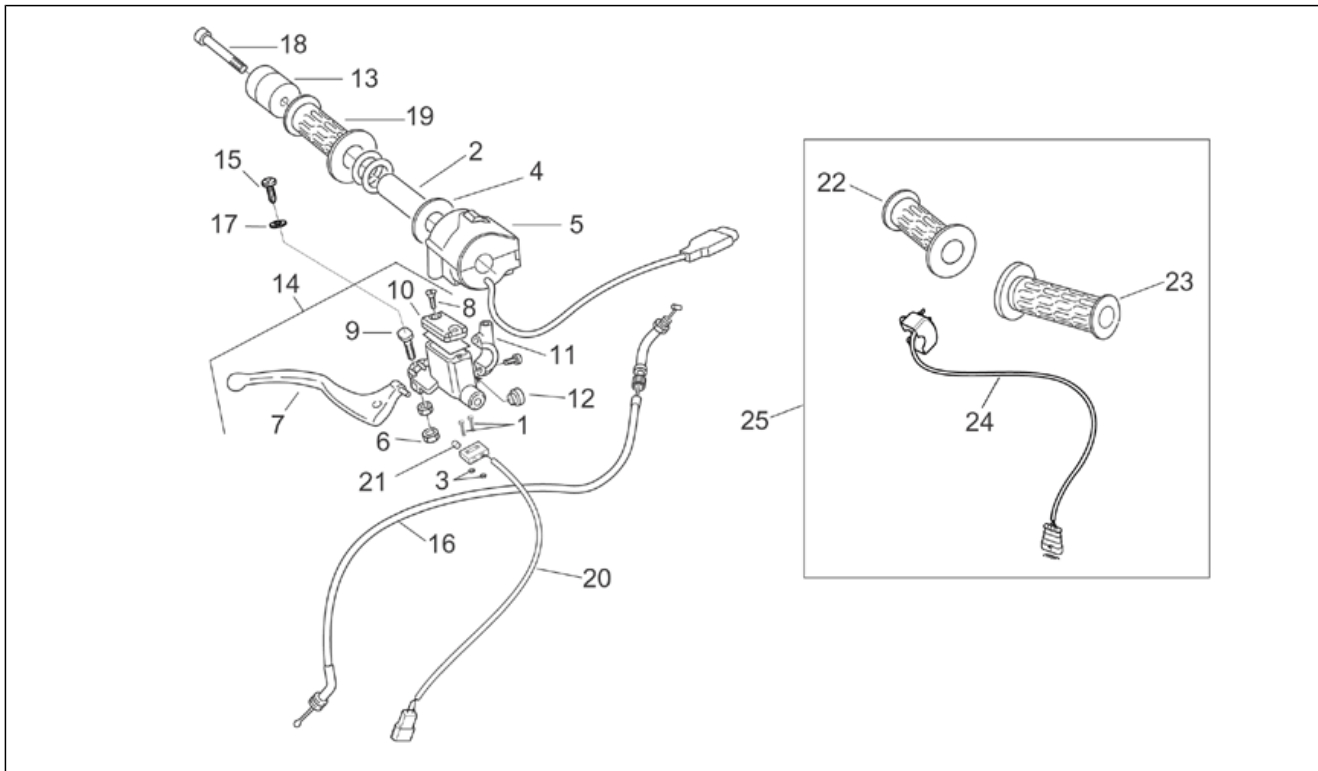
Pos.	Code	Beschreibung	Menge	Varianten
18	AP8152037	Scheibe	3	
19	AP8152299	Selbstsperrende Mutter M6	3	
20	AP8127095	Mutter M4	8	
21	AP8127096	Ausgleichscheibe	4	
22	AP8121542	Flachscheibe	1	
23	AP8121543	Mutter	1	
24	AP8121544	Silent-Block	4	
25	AP8127097	Gew.schr. 3x13	2	
26	AP8127231	Widerstand mit Verkabelung	1	
27	AP8114421	Drehzahlmesserkabel	1	
28	AP8114422	Tachometerkabel	1	
29	AP8114455	Reset ring nut+wire	1	
30	GU30787310	Block	1	Technische Daten: Staatspolizei[POL]

Einheit	RAHMEN
Code	28.22
Beschreibung	Lenkstange - Rückspiegel
Inspektion	1



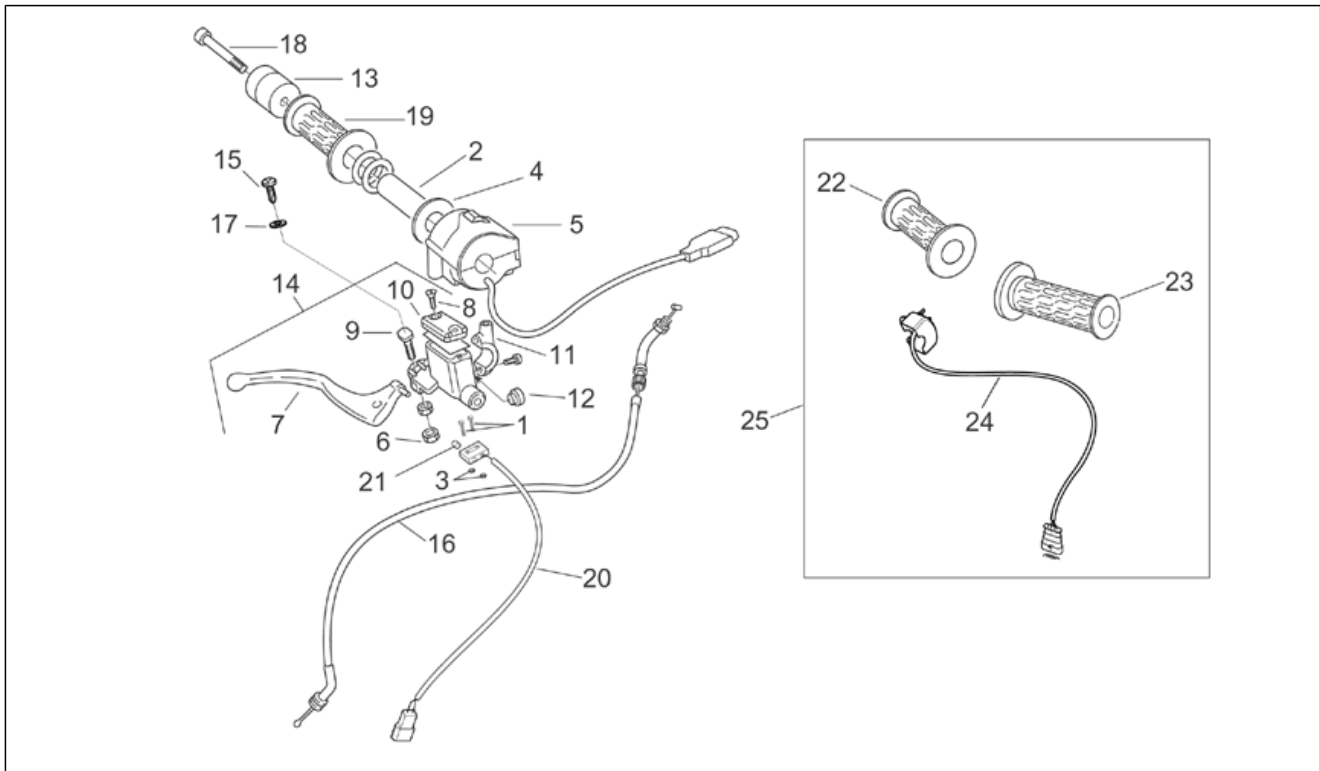
Pos.	Code	Beschreibung	Menge	Varianten
1	AP8118605	Lenkstange grau	1	
2	AP8201842	Spiegelbefestigung Feder	2	
3	AP8102324	Rückspiegel rechts	1	
4	AP8102325	Rückspiegel links	1	
5	AP8201856	Nutmutter für Klemme	2	
6	AP8201843	Klemmenschutz	2	
7	GU80503810	Loudspeaker support	1	Technische Daten: Staatspolizei[POL]
8	AP8163274	Quertrager	1	Fahrzeugfarbe: Tuscany Tibet 2003[Tibet]
9	AP8118669	Quertrager kplt.	1	Fahrzeugfarbe: Tuscany Tibet 2003[Tibet]
10	AP8150044	TCEI Schraube M6x20	4	Fahrzeugfarbe: Tuscany Tibet 2003[Tibet]
11	AP8163272	Unter.Bügelbolzen	2	Fahrzeugfarbe: Tuscany Tibet 2003[Tibet]
12	AP8163273	Bügelbolzen oben	2	Fahrzeugfarbe: Tuscany Tibet 2003[Tibet]

Einheit	RAHMEN
Code	28.23
Beschreibung	Schaltungen I
Inspektion	1



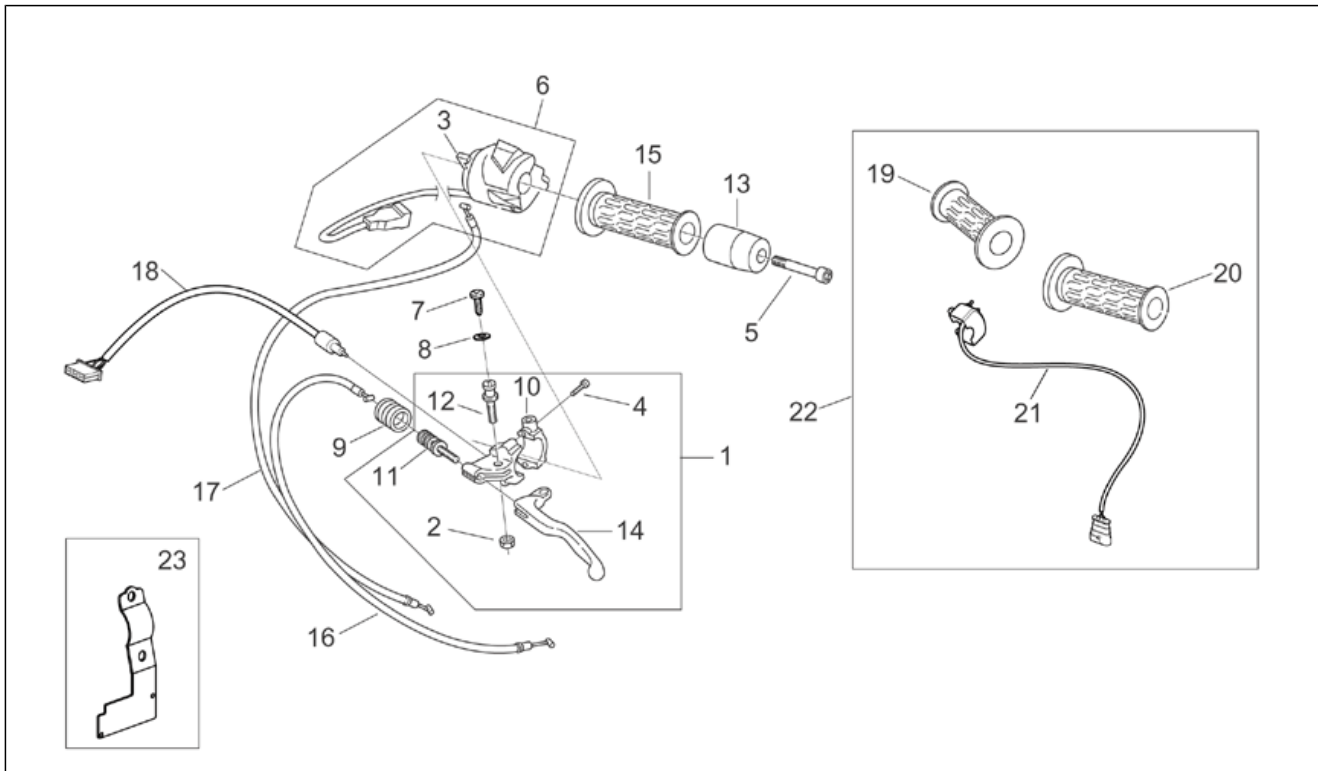
Pos.	Code	Beschreibung	Menge	Varianten
1	AP8152223	TC Schraube M2x12*	2	
2	AP8118316	Gasschaltung ohne Griff	1	
3	AP8152224	Mutter M2*	2	
4	AP8121826	Scheibe rechter Griff	2	
5	AP8124913	R. Lichtumsch. m. K.	1	Technische Daten: Stadtpolizei[PM], Staatspolizei[POL]
5	AP8124913	R. Lichtumsch. m. K.	1	Land: Österreich[A], Australien[AA], Australien[AUS], Belgien[B], Schweiz[CH], Deutschland[D], Dänemark[DK], Spanien[E], A, B, CH, D, DK, GR, E, F, I, NL, P, J, UK[EU], Frankreich[F], Griechenland[GR], Italien[I], Holland[NL], Portugal[P], Großbritannien[UK]
5	AP8124914	R. Lichtumsch. m. K.	1	Fahrzeugfarbe: Tuscany Tibet 2003[Tibet]
5	AP8124919	R. Lichtumsch. m. K.	1	Land: Japan[J], Japan[JJ]
6	AP8152299	Selbstsperrende Mutter M6	1	
7	AP8118416	Vorderradbremshebel	1	
8	AP8113537	Schraube	2	
9	AP8113058	Bremshebelbolzen	1	
10	AP8113552	Schraube Vorderradbremspumpe	1	
11	AP8113203	Bremshebel-Bügelbolzen	1	
12	AP8213243	Schauglas Bremspumpe	1	
13	AP8104572	Schwingschutzgewicht schwarz	1	
14	AP8113620	Vorderradbremspumpe	1	
15	AP8152078	TB-Spezialschraube M6	1	
16	AP8114412	Gaszugkabel	1	
17	AP8102504	Gummi	1	
18	AP8150157	TCEI Schraube M6x60	1	
19	AP8118317	Handgriffe paar, schwarz	1	Technische Daten: Stadtpolizei[PM], Staatspolizei[POL]
19	AP8118317	Handgriffe paar, schwarz	1	Land: Österreich[A], Australien[AA], Australien[AUS], Belgien[B], Schweiz[CH], Deutschland[D], Dänemark[DK], Spanien[E], A, B, CH, D, DK, GR, E, F, I, NL, P, J, UK[EU],

Einheit	RAHMEN
Code	28.23
Beschreibung	Schaltungen I
Inspektion	1



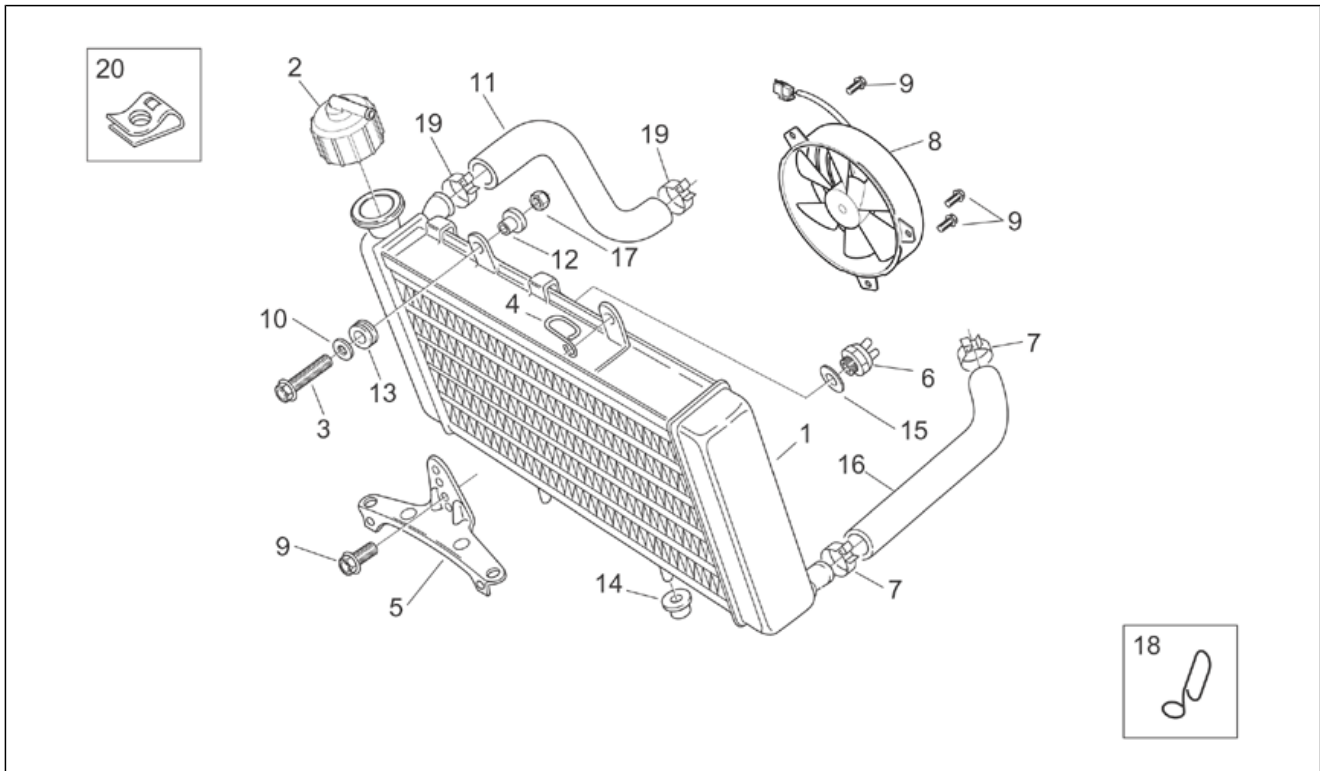
Pos.	Code	Beschreibung	Menge	Varianten
				Frankreich[F], Griechenland[GR], Italien[I], Japan[J], Japan[JJ], Holland[NL], Portugal[P], Großbritannien[UK]
19	GU80603315	Rechts griff	1	Technische Daten: Stadtpolizei[PM]
20	AP8124597	Stoppschalter+Kabeln	1	
20	GU80603215	Links griff	1	Technische Daten: Stadtpolizei[PM]
21	AP8113522	Stopfen Voderradbremshebel	1	
21	GU80756415	Electric control hand grip	1	Technische Daten: Stadtpolizei[PM]
22	GU80603315	Rechts griff	1	Technische Daten: Stadtpolizei[PM]
23	GU80603215	Links griff	1	Technische Daten: Stadtpolizei[PM]
24	GU80756415	Electric control hand grip	1	Technische Daten: Stadtpolizei[PM]
25	GU80978215	Heated hand grip kit	1	Technische Daten: Stadtpolizei[PM]

Einheit	RAHMEN
Code	28.24
Beschreibung	Schaltungen II
Inspektion	1



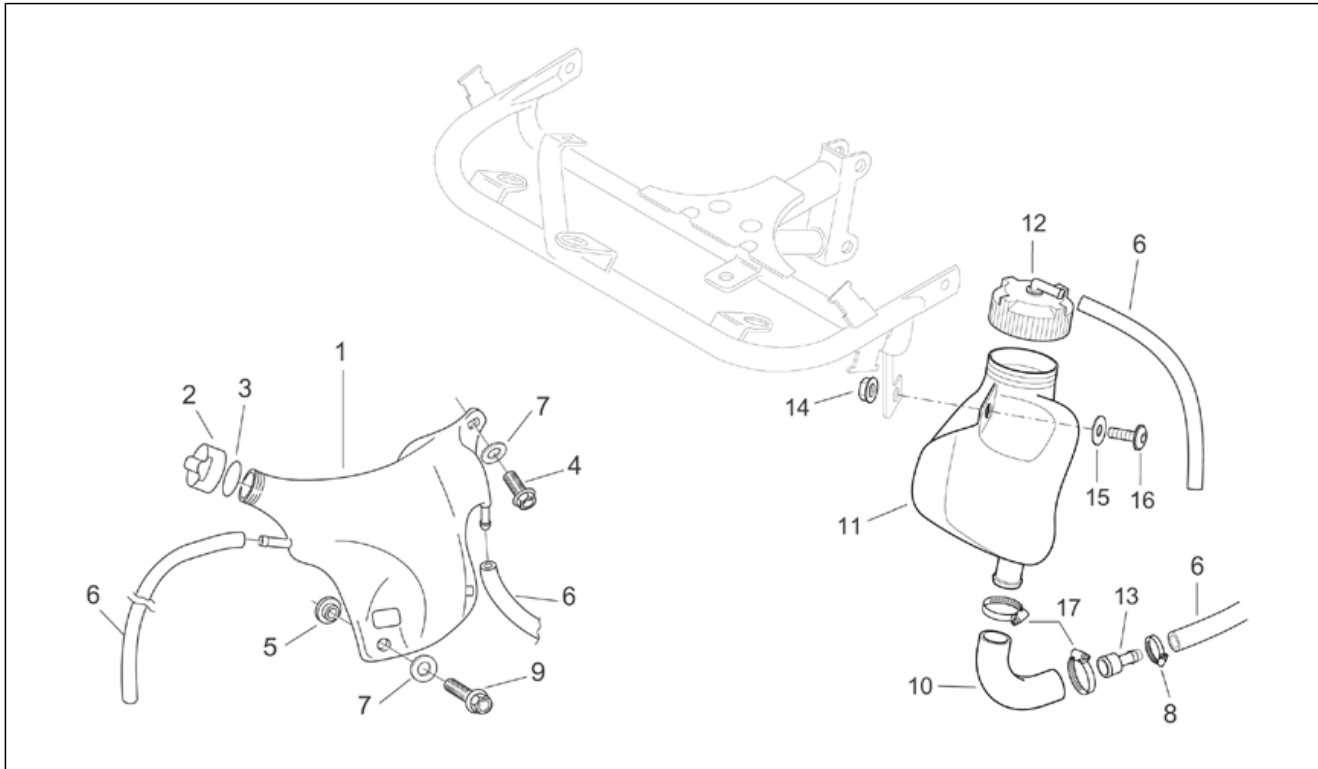
Pos.	Code	Beschreibung	Menge	Varianten
1	AP8118441	Kupplungshebel	1	
2	AP8118490	Mutter	1	
3	AP8118621	Starterhebel	1	
4	AP8118376	Schraube	2	
5	AP8150157	TCEI Schraube M6x60	1	
6	AP8124915	L. Lichtumsch. m. K.	1	
7	AP8152019	TCB-Spezialschraube M6x12	1	
8	AP8102504	Gummi	1	
9	AP8114358	Kupplungskabel Balg	1	
10	AP8118349	Bügelbolzen	1	
11	AP8118355	Einstellschraube	1	
12	AP8118201	Schraube Kupplungshebel	1	
13	AP8104572	Schwingschutzgewicht schwarz	1	
14	AP8118432	Kupplungshebel	1	
15	AP8118317	Handgriffe paar, schwarz	1	Technische Daten: Stadtpolizei[PM], Staatspolizei[POL]
15	AP8118317	Handgriffe paar, schwarz	1	Land: Österreich[A], Australien[AA], Australien[AUS], Belgien[B], Schweiz[CH], Deutschland[D], Dänemark[DK], Spanien[E], A, B, CH, D, DK, GR, E, F, I, NL, P, J, UK[EU], Frankreich[F], Griechenland[GR], Italien[I], Japan[J], Japan[J], Holland[NL], Portugal[P], Großbritannien[UK]
16	AP8114435	Kupplungskabel	1	
17	AP8114413	Starterzugkabel	1	
18	AP8112996	Mikroschalter	1	
19	GU80603315	Rechts griff	1	Technische Daten: Stadtpolizei[PM]
20	GU80603215	Links griff	1	Technische Daten: Stadtpolizei[PM]
21	GU80756415	Electric control hand grip	1	Technische Daten: Stadtpolizei[PM]
22	GU80978215	Heated hand grip kit	1	Technische Daten: Stadtpolizei[PM]
23	GU80503510	PTT halter	1	Technische Daten: Staatspolizei[POL]

Einheit	RAHMEN
Code	28.25
Beschreibung	Kühlanlage
Inspektion	1



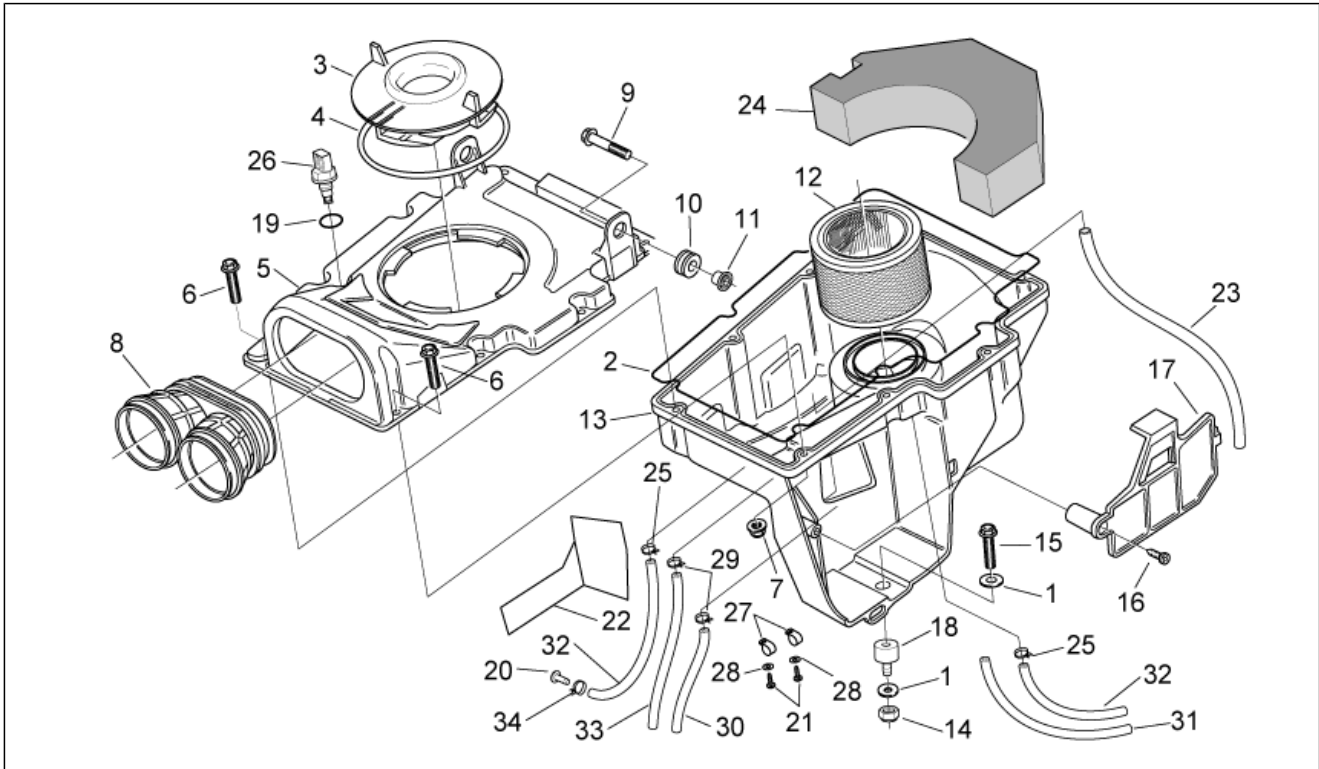
Pos.	Code	Beschreibung	Menge	Varianten
1	AP8104212	Kühler mit Verschlussschraube	1	
2	AP8104328	Kühlerschraube	1	
3	AP8152281	TE Schr. m. Flansch M6x30	2	
4	AP8120512	Kabelführungs	1	
5	AP8134239	Unt. Kühlerhalter	1	
6	AP8112939	Thermoschalter	1	
7	AP8101743	Schlauschelle D23,5x8*	2	
8	AP8127021	Ventilator komplett	1	
9	AP8152278	TE Schr. m. Flansch M6x16	5	
10	AP8150015	Ausgleichscheibe 6,6x18x1,6*	2	
11	AP8144325	Zylinderkopf-Kühlerschlauch	1	
12	AP8121922	Kühlerbuchse	2	
13	AP8120594	Gummi	2	
14	AP8101372	Silent-Block	2	
15	AP8121837	Alu-Scheibe	1	
16	AP8120673	Rücklaufschlauch Wasser	1	
17	AP8150430	Selbstsperr.mut Unt.	2	
18	AP8201417	Kabelführungs	1	
19	AP8101588	Schlauschelle D.24,5x8,6	2	
20	AP8102376	Klammer M6	3	

Einheit	RAHMEN
Code	28.26
Beschreibung	Ausdehngefäß
Inspektion	1



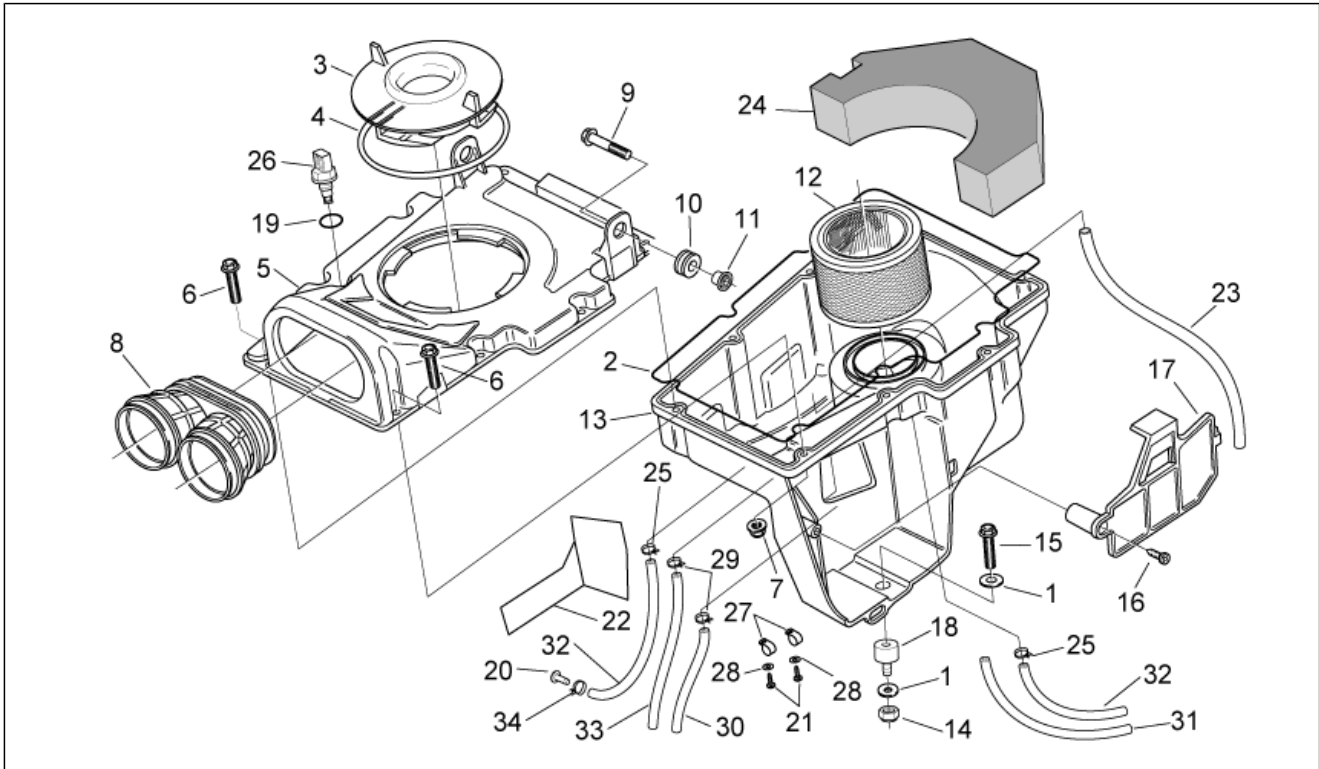
Pos.	Code	Beschreibung	Menge	Varianten
1	AP8138264	Ausdehngefäß	1	
2	AP8120354	Deckel	1	
3	AP8220191	Dichtung	1	
4	AP8152279	TE Schr. m. Flansch M6x20	1	
5	AP8121075	T-Buchse *	1	
6	AP8220325	Kraftstoffleitung 5,5x10	1	
7	AP8150015	Ausgleichscheibe 6,6x18x1,6*	2	
8	AP8120446	Schlauchschelle, grün D11x6,6x1	1	
9	AP8152278	TE Schr. m. Flansch M6x16	1	
10	AP8144622	Hülse	1	Fahrzeugfarbe:Tuscany Tibet 2003[Tibet]
11	AP8131740	Ausdehngefäß	1	Fahrzeugfarbe:Tuscany Tibet 2003[Tibet]
12	AP8201463	Kühlerschraube belüftet	1	Fahrzeugfarbe:Tuscany Tibet 2003[Tibet]
13	AP8104672	Anschluss	1	Fahrzeugfarbe:Tuscany Tibet 2003[Tibet]
14	AP8152299	Selbstsperrende Mutter M6	1	Fahrzeugfarbe:Tuscany Tibet 2003[Tibet]
15	AP8150382	Ausgleichscheibe 15x5,5X1,2	1	Fahrzeugfarbe:Tuscany Tibet 2003[Tibet]
16	AP8152338	TBEI Schraube m.Flansch	1	Fahrzeugfarbe:Tuscany Tibet 2003[Tibet]
17	AP8201170	Schlauchschelle D26	2	Fahrzeugfarbe:Tuscany Tibet 2003[Tibet]

Einheit	RAHMEN
Code	28.27
Beschreibung	Filtergehäuse
Inspektion	1



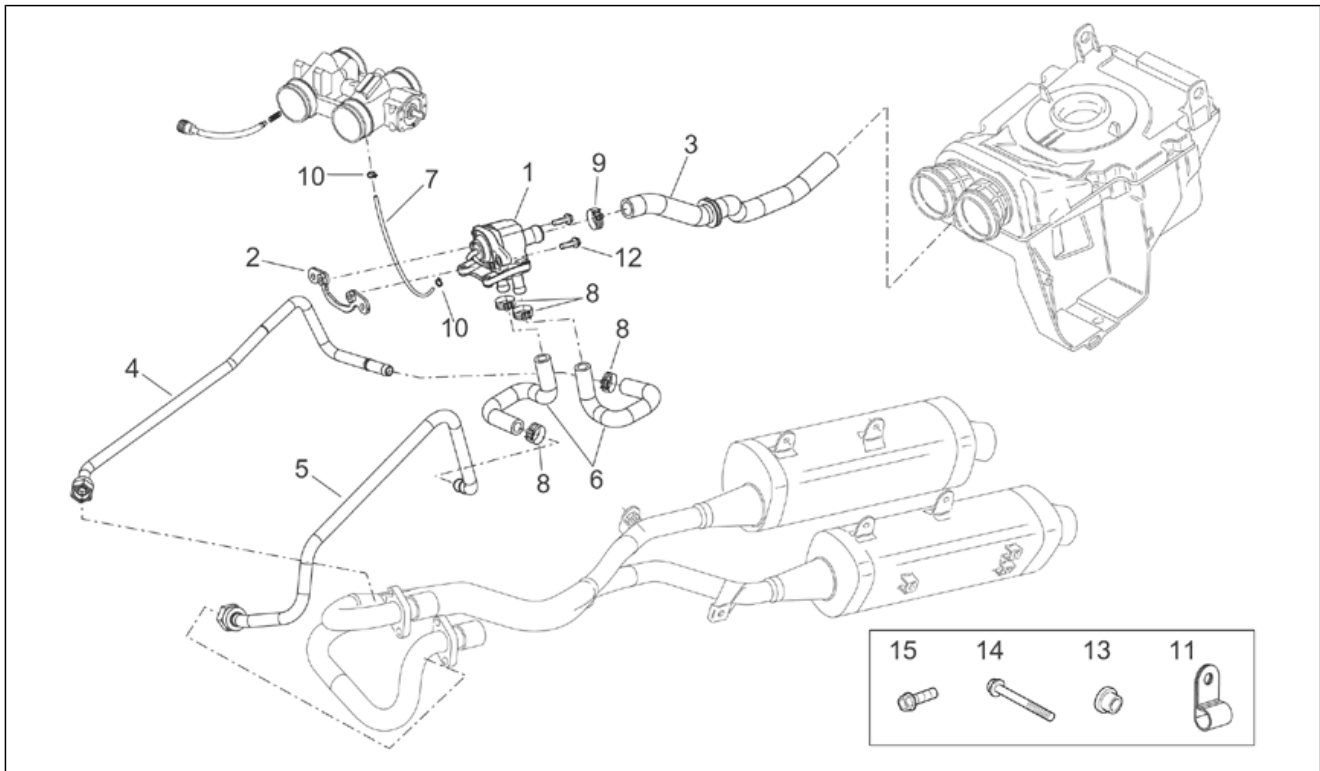
Pos.	Code	Beschreibung	Menge	Varianten
1	AP8150179	Ausgleichscheibe 6,6x18*	2	
2	AP8120615	Dichtung D3	1	
3	AP8144425	Schraube Filtergehäuse	1	Technische Daten: Version mit Leistungsminderung 25 Kw[25kw]
3	AP8144428	Schraube Filtergehäuse	1	Technische Daten: Version mit voller Leistung[F.P.]
4	AP8144039	Dichtung Verschlusschraube	1	
5	AP8149306	Deckel Filtergehäuse	1	
6	AP8152275	TE Schr. m. Flansch M5x25	8	
7	AP8152306	Selbstsperrende Mutter M5	8	
8	AP8144326	Ansaugmuffe	1	
9	AP8152281	TE Schr. m. Flansch M6x30	2	
10	AP8121718	Buchse	2	
11	AP8220192	Gummi *	2	
12	AP8102715	Luftfilter	1	
13	AP8149323	Boden Filtergehäuse	1	Technische Daten: Zulassung Euro1[E1]
13	AP8178766	Boden Filtergehäuse	1	Technische Daten: Zulassung Euro 2[E2]
14	AP8150430	Selbstsperr.mut Unt.	1	
15	AP8152226	TBEI Schraube	1	
16	AP8152329	Kreuz.schl.flnschschr. M5x20	1	
17	AP8138753	Batterie Verschlussplatte	1	
18	AP8120459	Gommino antivibrante M6 maschio/femmina	1	
19	AP8120178	O-Ring OR112	1	
20	AP8120876	Verschlusschraube	1	
21	AP8150413	Gew.schr. 3,9x14	2	
22	AP8117118	Wärmeschutzplatte	1	
23	AP8120993	Entlüftungsschlauch Kühler 7,5x12,5	1	
24	AP8117187	Schalldämmplatte	1	
25	AP8102378	Schelle D11,3	2	

Einheit	RAHMEN
Code	28.27
Beschreibung	Filtergehäuse
Inspektion	1



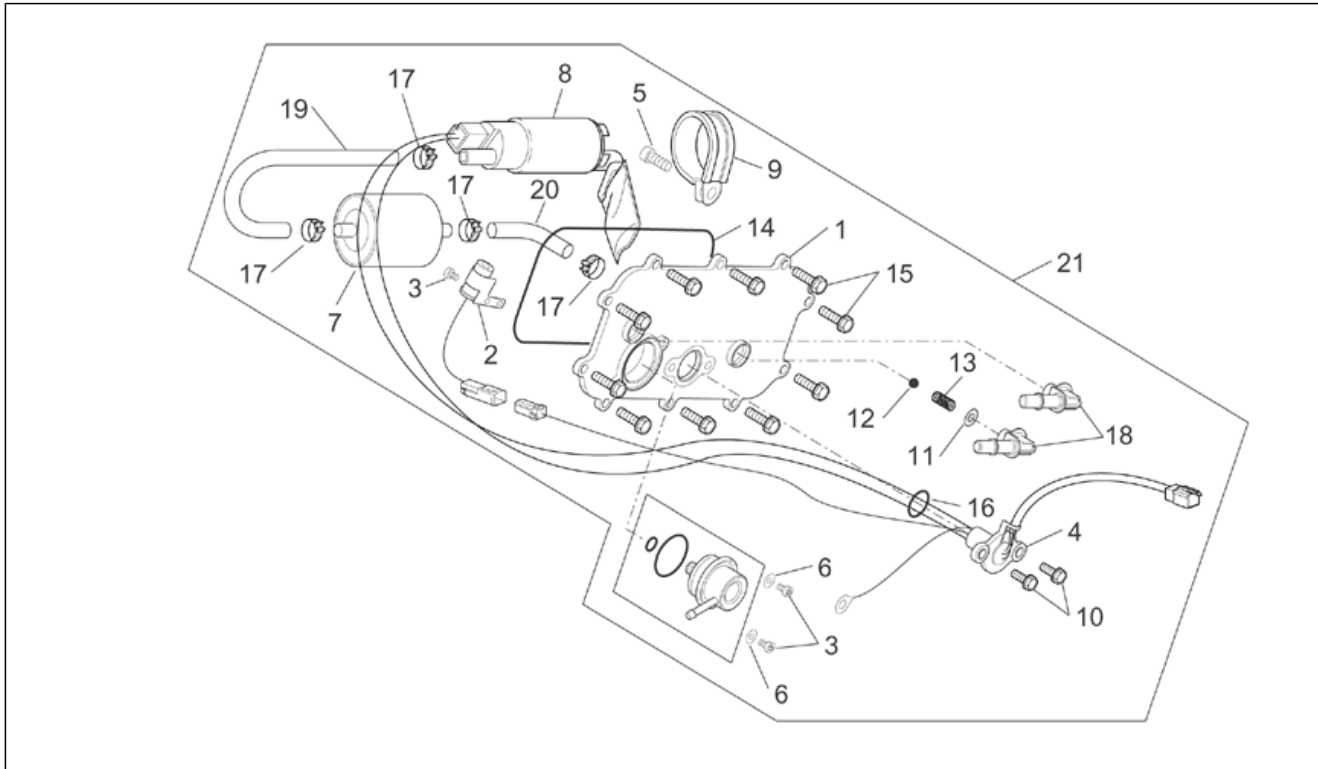
Pos.	Code	Beschreibung	Menge	Varianten
26	AP8124867	Lufttemperaturfühler	1	
27	AP8101890	Schelle schwarz D8	2	
28	AP8150011	Ausgleichscheibe 4,3x12x1	2	
29	AP8102060	Schlauchschelle	2	
30	AP8120955	Leitung grau 3x8	1	
31	AP8220263	Entlüftungsschlauch Kühler 4x8	1	
32	AP8220325	Kraftstoffleitung 5,5x10	2	
33	AP8120772	Entlüftungsschlauch Kühler	1	
34	AP8101595	Schelle D10,1	1	

Einheit	RAHMEN
Code	28.28
Beschreibung	Secondary air
Inspektion	1



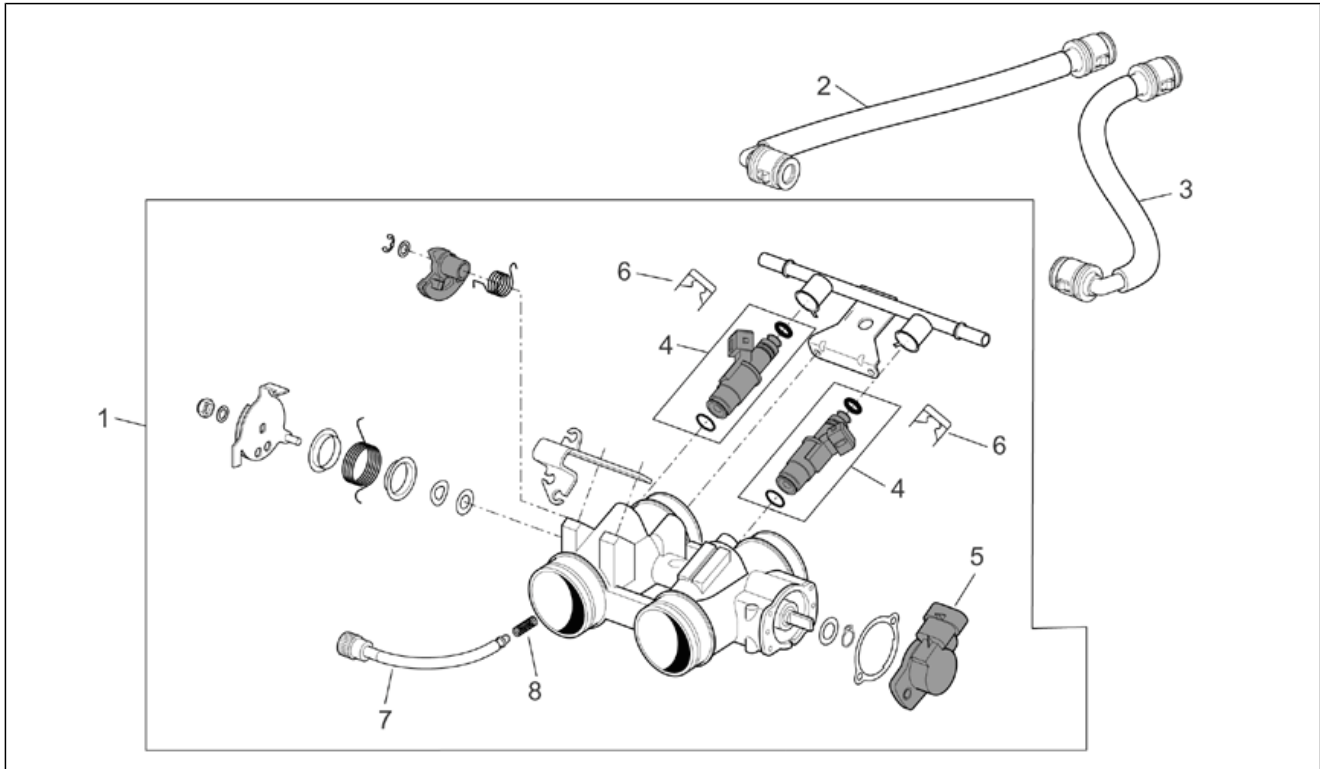
Pos.	Code	Beschreibung	Menge	Varianten
1	AP8176114	SAS ventil	1	Technische Daten:Zulassung Euro 2[E2]
2	AP8134995	Ventilhaltebügel	1	Technische Daten:Zulassung Euro 2[E2]
3	AP8144677	Ansaugleitung sas	1	Technische Daten:Zulassung Euro 2[E2]
4	AP8144675	Luftschlauch re. sas	1	Technische Daten:Zulassung Euro 2[E2]
5	AP8144676	Luftschlauch li. sas	1	Technische Daten:Zulassung Euro 2[E2]
6	AP8144678	Luftschlauch sas sas	2	Technische Daten:Zulassung Euro 2[E2]
7	AP8220263	Entlüftungsschlauch Kühler 4x8	1	Technische Daten:Zulassung Euro 2[E2]
8	AP8101586	Schlauchschelle D.15,5x6,6	4	Technische Daten:Zulassung Euro 2[E2]
9	AP8101573	Schelle D16-24x8*	1	Technische Daten:Zulassung Euro 2[E2]
10	AP8102377	Schelle D9,1*	2	Technische Daten:Zulassung Euro 2[E2]
11	AP8104858	Schelle	2	Technische Daten:Zulassung Euro 2[E2]
12	AP8152279	TE Schr. m. Flansch M6x20	2	Technische Daten:Zulassung Euro 2[E2]
13	AP8221097	T-Buchse *	1	Technische Daten:Zulassung Euro 2[E2]
14	AP8152284	TE Schr. m. Flansch	1	Technische Daten:Zulassung Euro 2[E2]
15	AP8152277	TE Schr. m. Flansch M6x12	1	Technische Daten:Zulassung Euro 2[E2]

Einheit	RAHMEN
Code	28.29
Beschreibung	Kraftstoffpumpe kplt.
Inspektion	1



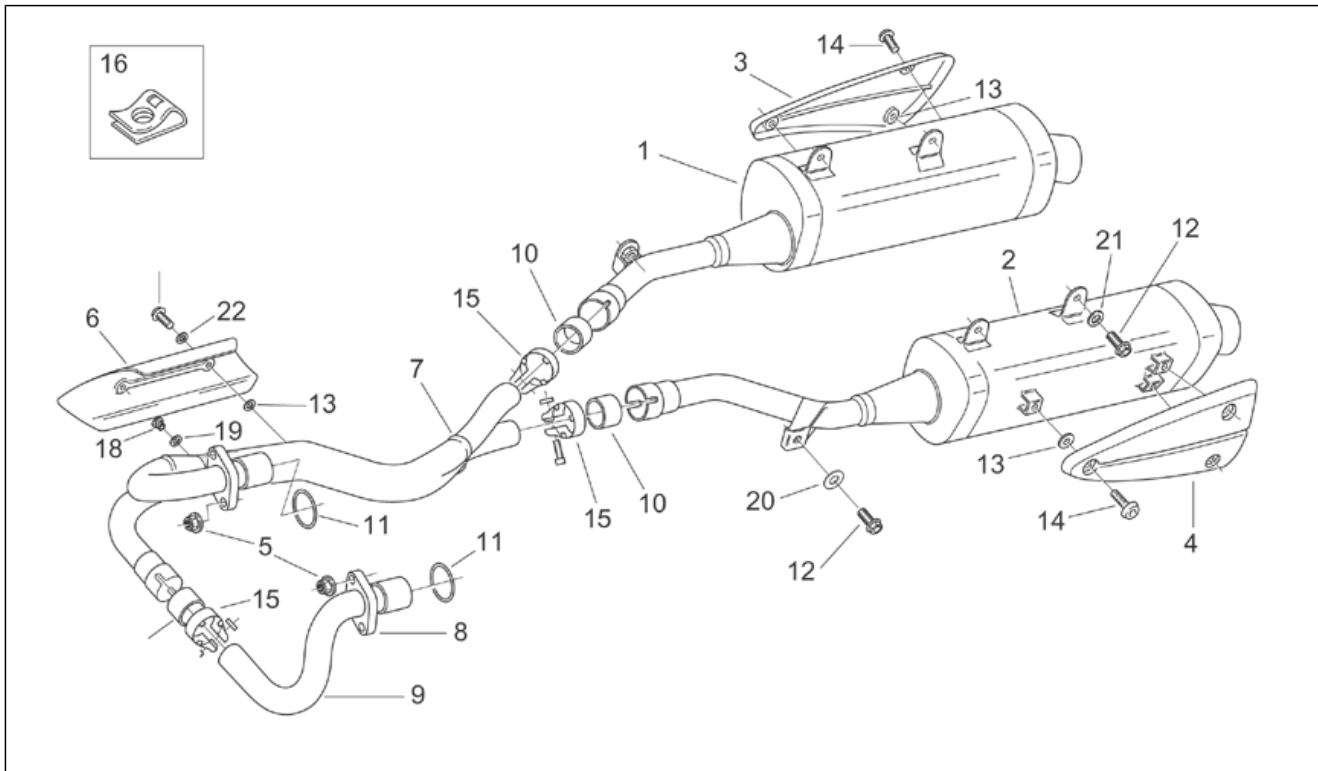
Pos.	Code	Beschreibung	Menge	Varianten
1	AP8106769	Kraftst.pumpen-Verschl.	1	
2	AP8124950	Kraftstoffmeßsonde	1	
3	AP8150428	TCEI Schraube M4x6*	3	
4	AP8124941	Kraftstoffpumpe kabel	1	
5	AP8152040	TCEI Schraube	1	
6	AP8150011	Ausgleichscheibe 4,3x12x1	2	
7	AP8106731	Kraftstofffilter	1	
8	AP8106770	Kraftstoffpumpe	1	
9	AP8134661	Schelle D.37	1	
10	AP8152278	TE Schr. m. Flansch M6x16	2	
11	AP8150012	Ausgleichscheibe 5,3x10x1*	1	
12	AP8101861	Kugel D6,35	1	
13	AP8121469	Feder	1	
14	AP8144333	O-Ring	1	
15	AP8152273	Flanschschraube M5x15	10	
16	AP8120285	O-Ring 123	1	
17	AP8104377	Schelle	4	
18	AP8104192	Einspurvorrichtung	2	
19	AP8144330	Leitung Filter-Pumpe	1	
20	AP8144332	Leitung Filter Benzinleitung	1	
21	AP8104181	Kraftstoffpumpe kplt.	1	

Einheit	RAHMEN
Code	28.30
Beschreibung	Klappenkörper
Inspektion	1



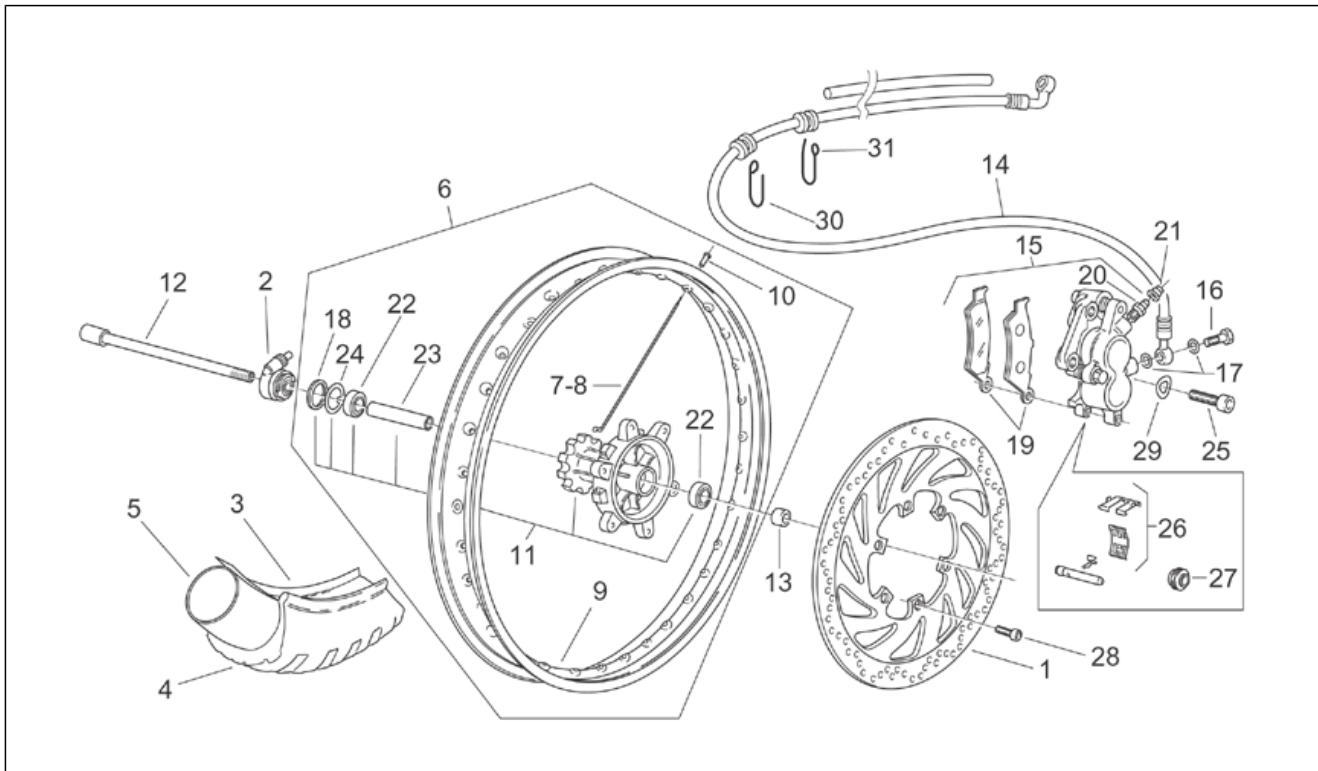
Pos.	Code	Beschreibung	Menge	Varianten
1	AP8106733	Klappenkörper kpl.	1	Technische Daten: Zulassung Euro1[E1]
1	AP8176118	Klappenkörper kpl.	1	Technische Daten: Zulassung Euro 2[E2]
2	AP8144367	Rückflussleitung	1	
3	AP8144366	Benzinleitung	1	
4	AP8106730	Injektor	2	
5	AP8124866	Fühler Drosselklappe	1	
6	AP8106893	Klammer	2	
7	AP8106899	Kabel LeerlaufEinstellung	1	
8	AP8106900	Feder	1	

Einheit	RAHMEN
Code	28.32
Beschreibung	Auslassgruppe
Inspektion	1



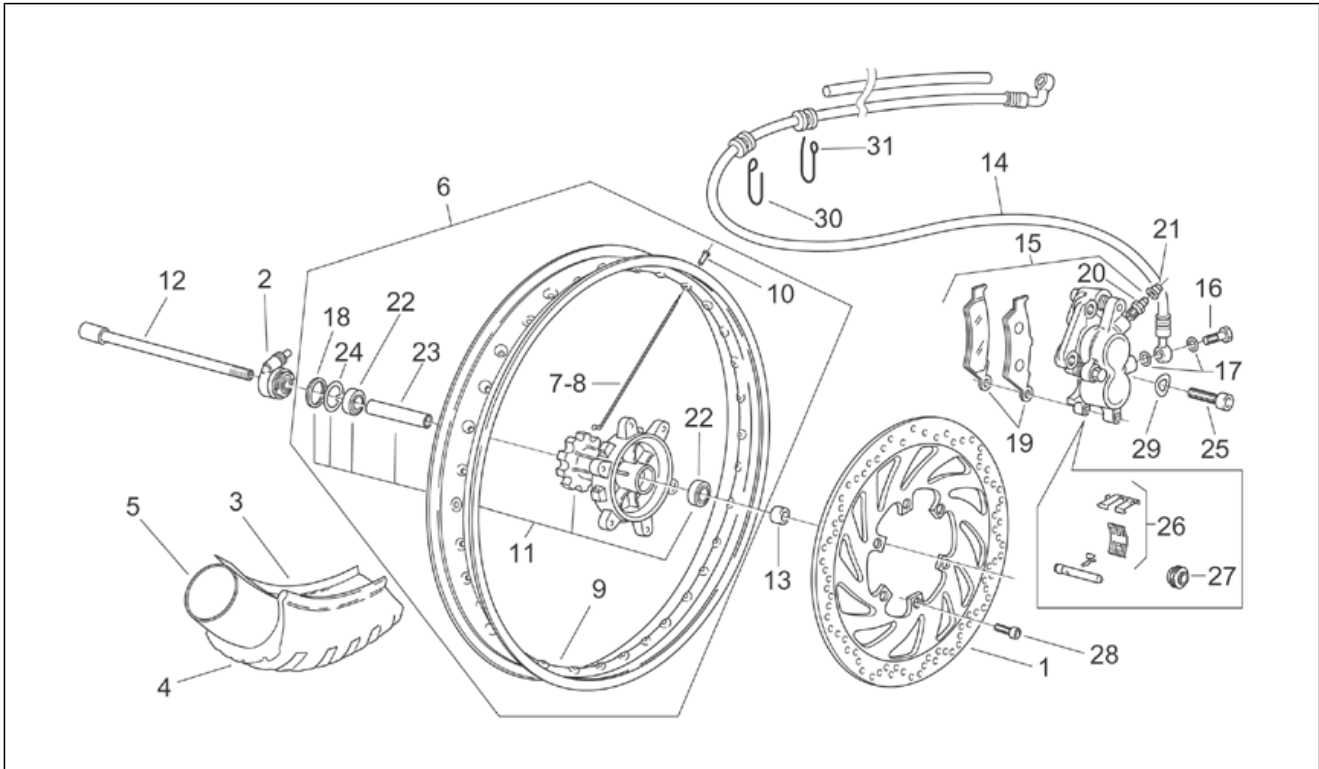
Pos.	Code	Beschreibung	Menge	Varianten
1	AP8119610	Schalldämpfer rechts mit Kat	1	
2	AP8119611	Schalldämpfer links mit Kat	1	
3	AP8119463	R.Schalld.schutz sch.	1	
4	AP8119464	L.Schalld.schutz sch.	1	
5	AP8150334	Mutter M8	4	
6	AP8135978	Auspuffrohrschutz	1	
7	AP8119587	R. Auspuffrohr	1	Technische Daten:Zulassung Euro1[E1]
7	AP8119835	R. Auspuffrohr	1	Technische Daten:Zulassung Euro 2[E2]
8	AP8135304	Leitungsf. chr. schw.	1	
9	AP8119427	Linkes Auspuffrohr	1	Technische Daten:Zulassung Euro1[E1]
9	AP8119836	Linkes Auspuffrohr	1	Technische Daten:Zulassung Euro 2[E2]
10	AP8120823	Gasket ring D30x35x20	3	
11	AP8119425	Dichtung Auspuffendrohre	2	
12	AP8152285	TE Schr. m. Flansch	6	
13	AP8221297	Isolierscheibe	8	
14	AP8152246	TBEI Schraube m.Flansch M6x16	6	
15	AP8102747	Fixierschelle Schalldämpfer	3	
16	AP8102376	Klammer M6	8	
17	AP8152246	TBEI Schraube m.Flansch M6x16	2	
18	AP8119602	CO-Anschlußschraube	1	
19	AP8119603	Ausgleichscheibe 10x14x1	1	
20	AP8150017	Ausgleichscheibe 8,4x16x1,6	2	
21	AP8150376	Ausgleichscheibe 8,5x15x0,8	4	
22	AP8150378	Ausgleichscheibe 6,4x18x2	2	

Einheit	RAHMEN
Code	28.33
Beschreibung	Vorderrad
Inspektion	1



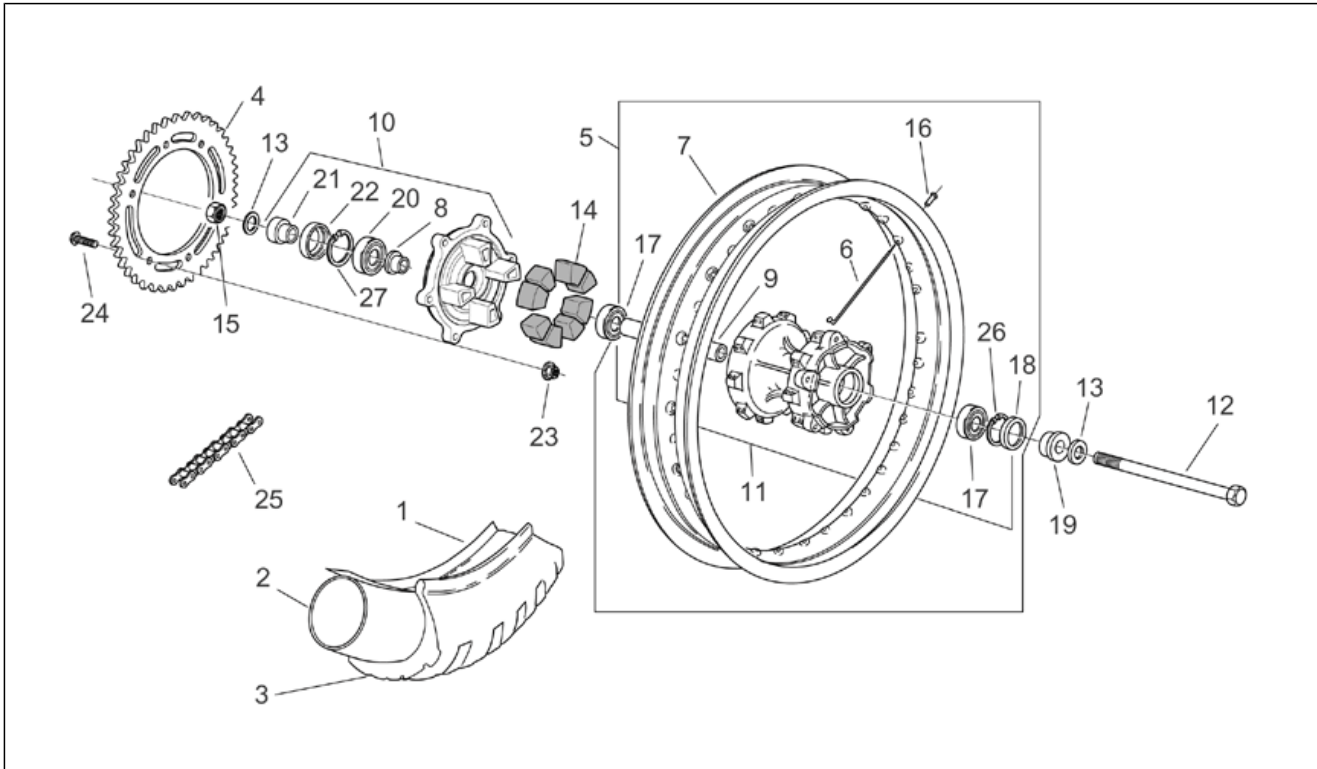
Pos.	Code	Beschreibung	Menge	Varianten
1	AP8113485	Vord. Inox-Bremssch. D300	1	
2	AP8104317	Vorgelegte Kilometerzähler	1	Land:Großbritannien[UK]
2	AP8104469	Vorgelegte Kilometerzähler	1	Land:Österreich[A], Australien[AA], Australien[AUS], Belgien[B], Schweiz[CH], Deutschland[D], Dänemark[DK], Spanien[E], A, B, CH, D, DK, GR, E, F, I, NL, P, J, UK[EU], Frankreich[F], Griechenland[GR], Italien[I], Japan[J], Japan[J], Holland[NL], Portugal[P]
2	AP8104469	Vorgelegte Kilometerzähler	1	Technische Daten:Stadtpolizei[PM], Staatspolizei[POL]
3	AP8109096	Vorderrandband 19"	1	
4	0000000	Reifen	1	
5	0000000	Reifen	1	
6	AP8108576	Vorderrad kpl	1	
7	AP8108757	Vordere Speiche links	18	
8	AP8108758	Vordere Speiche rechts	18	
9	AP8108469	Felge D19"	1	
10	AP8108672	Nippel D3,5	36	
11	AP8125542	Vorderradnabe	1	
12	AP8125755	Vorderradbolzen	1	
13	AP8125720	Vorderrad Distanzscheibe	1	
14	AP8113967	Vorderradbremseleitung	1	
14	AP8133629	Vorderradbremseleitung	1	Fahrzeugfarbe:Tuscany Tibet 2003[Tibet]
15	AP8113930	Vorderradbremselektro	1	
16	AP8113003	Fixierschraube Ölschlauch	2	
17	AP8113004	Ausgleichscheibe 10x14x1,6*	4	
18	AP8120864	O-Ring Vorgelege	1	
19	AP8113627	Beläge (Paar)	1	
20	AP8133502	Entlüftungsanschluß	1	
21	AP8113070	Entlüftungskappe	1	
22	AP8225346	Lager 6203-2RS	2	

Einheit	RAHMEN
Code	28.33
Beschreibung	Vorderrad
Inspektion	1



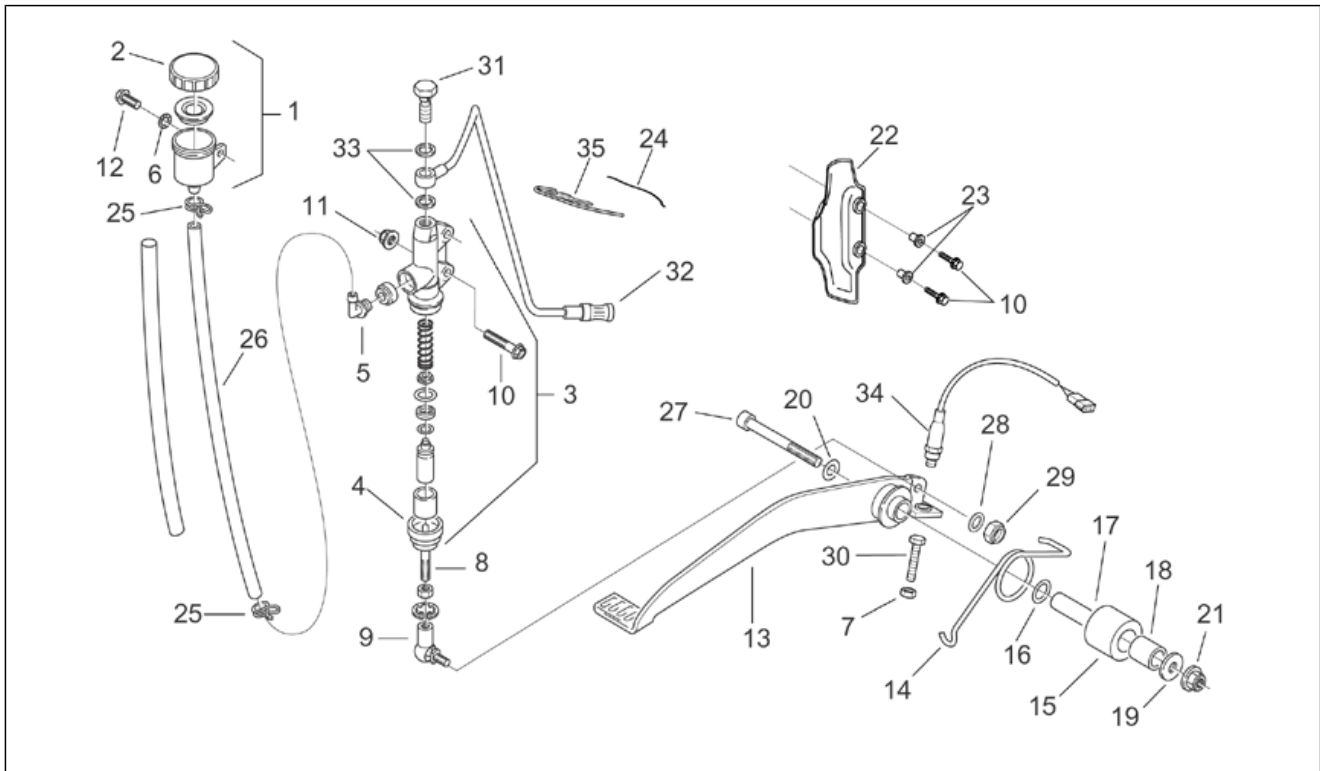
Pos.	Code	Beschreibung	Menge	Varianten
23	AP8133500	Vorderradnabe Distanzscheibe	1	
24	AP8120865	Mitnehmer	1	
25	AP8152318	TE Schr. m. Flansch M10x35	2	
26	AP8113999	Stifte-Federn Bremszange	1	
27	AP8113548	Haube	1	
28	AP8152156	TCEI Schraube M6x14	6	
29	AP8150292	Gebogene Sprengscheibe *	2	
30	AP8121546	Kabelführung	1	
31	AP8121547	Kabelführung	1	

Einheit	RAHMEN
Code	28.34
Beschreibung	Hinterrad
Inspektion	1



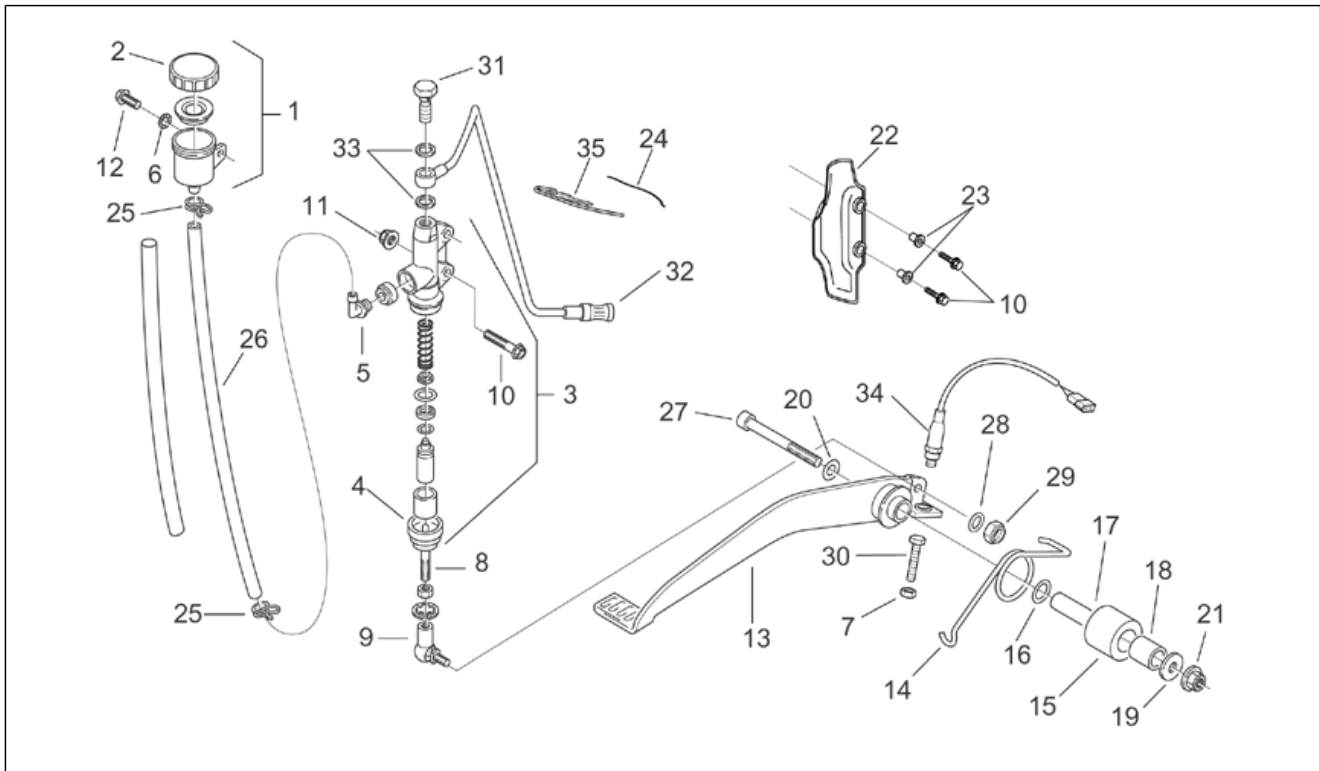
Pos.	Code	Beschreibung	Menge	Varianten
1	AP8109004	Hinterradband	1	
2	0000000	Reifen	1	
3	0000000	Reifen	1	
4	AP8107103	Zahnkranz Z=46	1	
5	AP8108935	Hinterrad ohne Scheibe	1	
6	AP8108759	Speiche 3,5	36	
7	AP8108471	Felge D17"	1	
8	AP8125423	Externe Distanzscheibe	1	
9	AP8125427	Interne Distanzscheibe	1	
10	AP8125859	Zahnkranzhalter	1	
11	AP8125860	Hinterradnabe	1	
12	AP8125649	Hinterradbolzen	1	
13	AP8125650	U-scheibe Hint.radbolz	2	
14	AP8125861	Stoßschutzgummi	4	
15	AP8150433	Selbstsperr.mut Unt. M16x1,5*	1	
16	AP8108672	Nippel D3,5	36	
17	AP8110045	Nabenlager D17x40x12	2	
18	AP8125462	Ölabstreifring 30x40x7	1	
19	AP8125442	Hinterrad Distanzscheibe	1	
20	AP8110050	Reißschutzlager	1	
21	AP8125425	Distanzscheibe	1	
22	AP8203074	Gasket ring	1	
23	AP8152300	Selbstsperrende Mutter M8	6	
24	AP8152288	TE Schr. m. Flansch	6	
25	AP8107123	Kette	1	
26	AP8150495	Seegerring d40	1	
27	AP8125805	Seegerring d47	1	

Einheit	RAHMEN
Code	28.35
Beschreibung	Hinterradbremspumpe
Inspektion	1



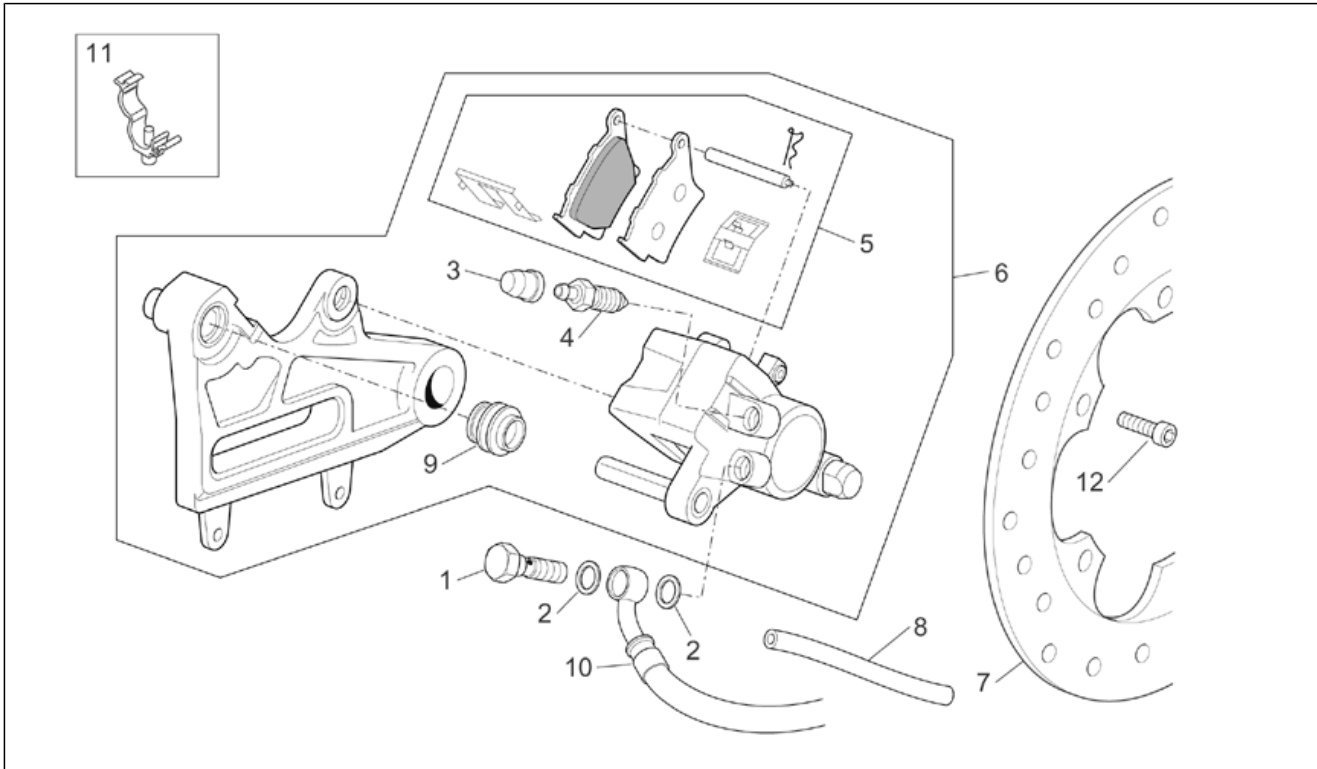
Pos.	Code	Beschreibung	Menge	Varianten
1	AP8113241	Bremsöltank	1	
2	AP8113553	Tankverschluß	1	
3	AP8113502	Hinterradbremspumpe	1	
4	AP8113288	Gummibalg	1	
5	AP8213057	Hinterer Pumpenanschluß	1	
6	AP8150021	Externe Zahnscheibe	1	
7	AP8150026	Mutter M6	1	
8	AP8113276	Pumpenstange	1	
9	AP8210007	Kugelgelenk rechts M6	1	
10	AP8152282	TE Schr. m. Flansch M6x35	4	
11	AP8152299	Selbstsperrende Mutter M6	2	
12	AP8152277	TE Schr. m. Flansch M6x12	1	
13	AP8146400	Hinterradbremshebel galv.	1	
14	AP8121808	Schraubenfeder *	1	
15	AP8120972	Kettenspannrolle	1	
16	AP8120196	O-Ring 3056	2	
17	AP8121805	Distanzscheibe 8,2x14x49,5	1	
18	AP8120850	Kettenspannrolle Buchse	1	
19	AP8150018	Ausgleichscheibe	1	
20	AP8150017	Ausgleichscheibe 8,4x16x1,6	1	
21	AP8152300	Selbstsperrende Mutter M8	1	
22	AP8149782	H. Pumpenschutz	1	
23	AP8121811	T-Buchse	2	
24	AP8144281	Dichtung Sportsch.	1	
25	AP8102811	Schelle D9,6	2	
26	AP8144151	Gummischlauch	1	
27	AP8150087	TCEI Schraube	1	
28	AP8150182	Gebogene Sprengscheibe *	1	

Einheit	RAHMEN
Code	28.35
Beschreibung	Hinterradbremspumpe
Inspektion	1



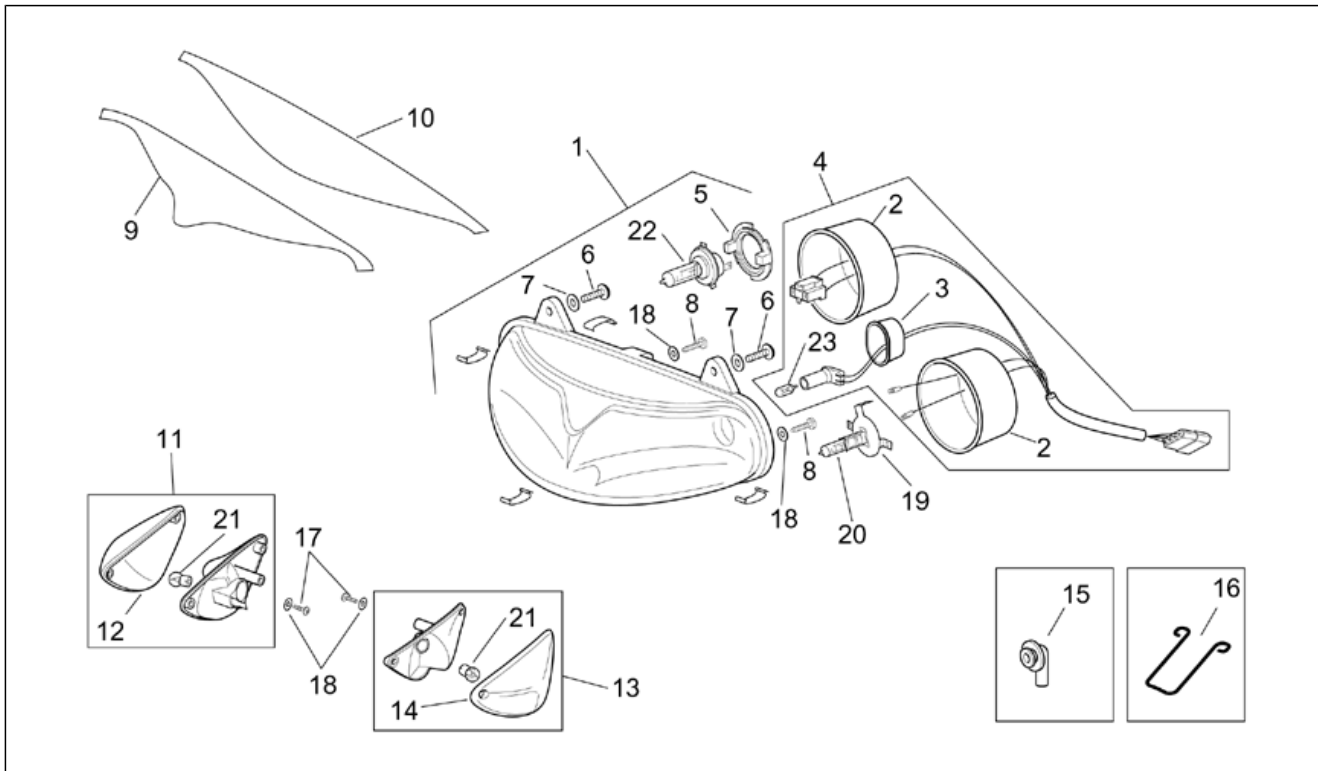
Pos.	Code	Beschreibung	Menge	Varianten
29	AP8150430	Selbstperr.mut Unt.	1	
30	AP8150073	Sechskantschraube M6x30	1	
31	AP8113003	Fixierschraube Ölschlauch	2	
32	AP8113931	Hinterradbremseleitung	1	
33	AP8113004	Ausgleichscheibe 10x14x1,6*	4	
34	AP8112996	Mikroschalter	1	
35	AP8146456	Kabelführung	1	

Einheit	RAHMEN
Code	28.36
Beschreibung	Hinterradbremsszange
Inspektion	1



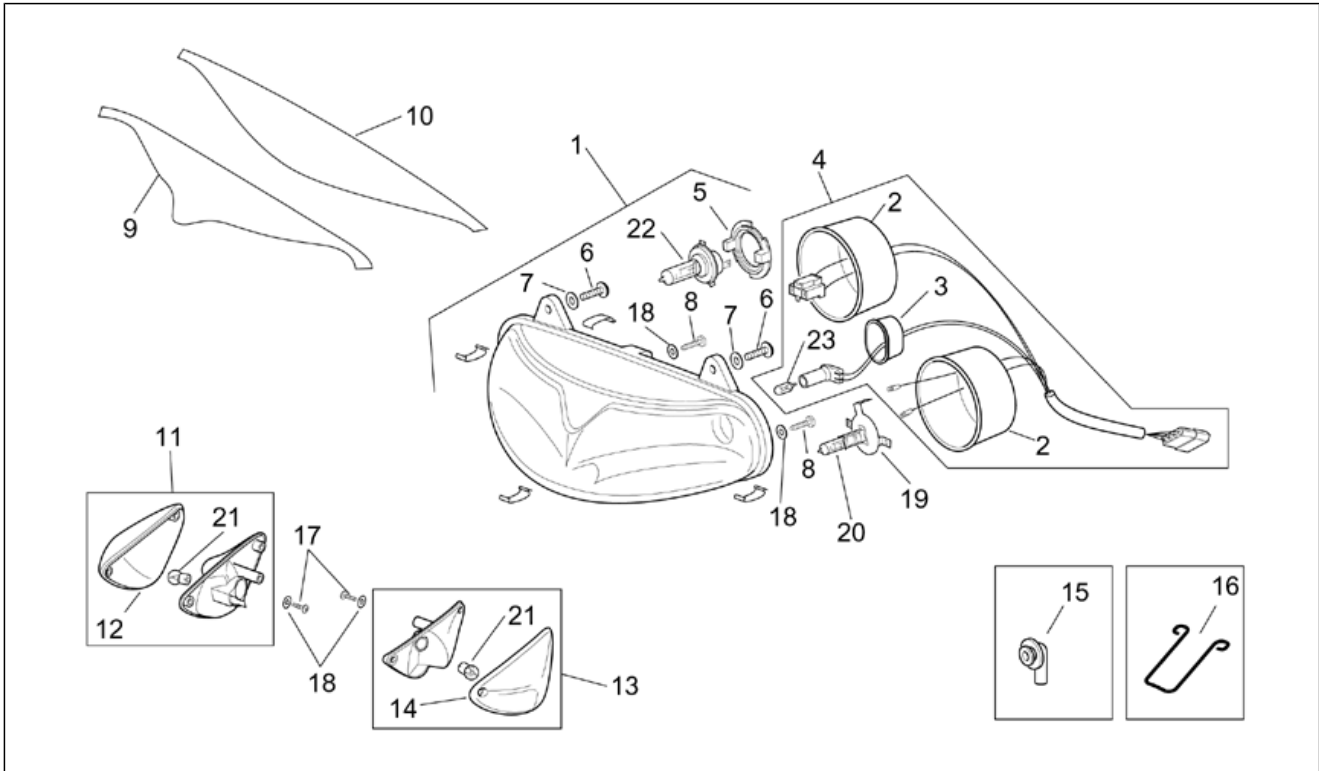
Pos.	Code	Beschreibung	Menge	Varianten
1	AP8113003	Fixierschraube Ölschlauch	2	
2	AP8113004	Ausgleichscheibe 10x14x1,6*	4	
3	AP8113070	Entlüftungskappe	1	
4	AP8113549	Entlüftungsanschluß	1	
5	AP8113538	Bausatz beläge	1	
6	AP8113487	Hinterradbremsszange	1	
7	AP8113486	Vorderradbremsscheibe	1	
8	AP8117116	Schlauchschutz	1	
9	AP8113548	Haube	1	
10	AP8113931	Hinterradbremssleitung	1	
11	AP8134186	Kabelführungs	2	
12	AP8152156	TCEI Schraube M6x14	6	

Einheit	RAHMEN
Code	28.37
Beschreibung	Scheinwerfer
Inspektion	1



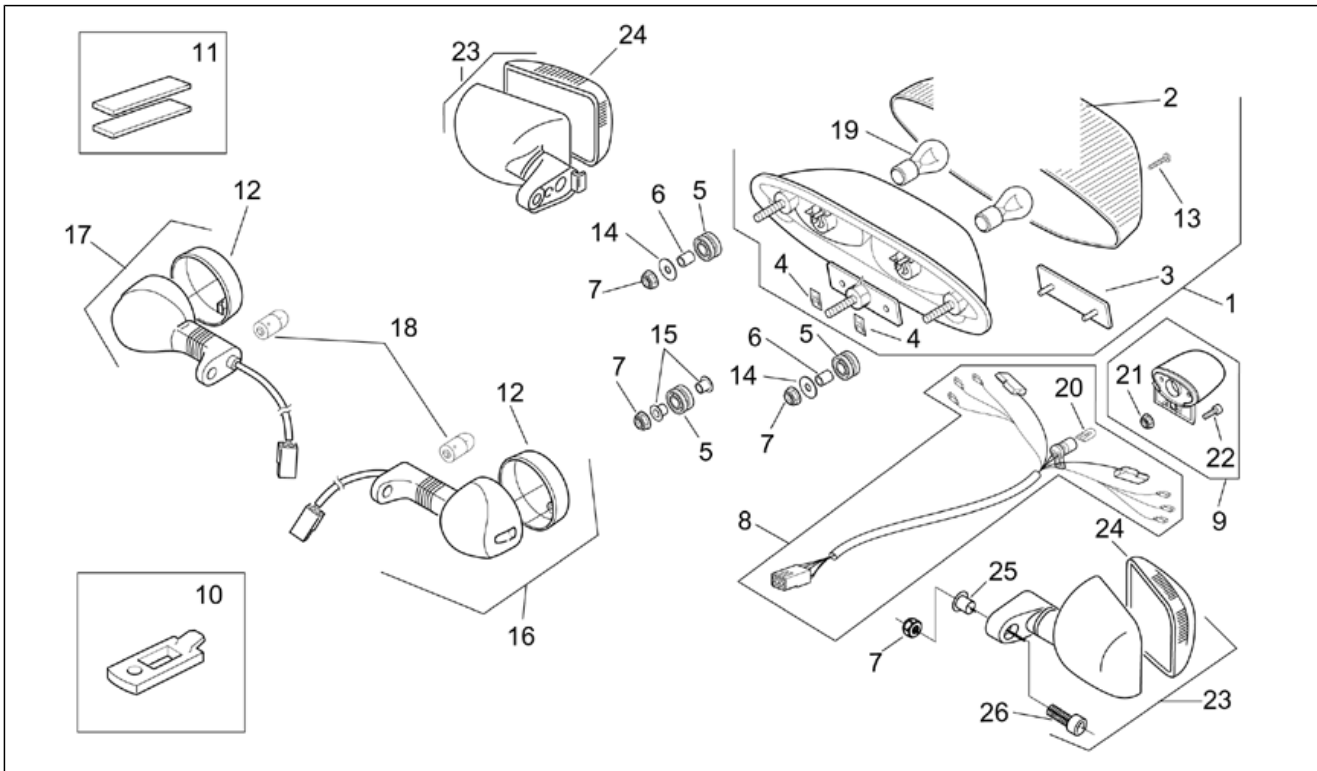
Pos.	Code	Beschreibung	Menge	Varianten
1	AP8124098	Scheinwerfer	1	Land:Österreich[A], Belgien[B], Schweiz[CH], Deutschland[D], Dänemark[DK], Spanien[E], A, B, CH, D, DK, GR, E, F, I, NL, P, J, UK[EU], Frankreich[F], Griechenland[GR], Italien[I], Holland[NL], Portugal[P]
1	AP8124098	Scheinwerfer	1	Technische Daten: Stadtpolizei[PM], Staatspolizei[POL]
1	AP8124444	Scheinwerfer -UK-	1	Land:Australien[AA], Australien[AUS], A, B, CH, D, DK, GR, E, F, I, NL, P, J, UK[EU], Japan[J], Japan[JJ], Großbritannien[UK]
2	AP8124400	Scheinwerferhaube	2	
3	AP8124401	Scheinwerferhaube	1	
4	AP8124625	Verkabel.Scheinwerf.	1	
5	AP8224209	Lampenhalter	1	
6	AP8152329	Kreuz.schl.flnschschr. M5x20	2	
7	AP8150382	Ausgleichscheibe 15x5,5X1,2	2	
8	AP8150270	Linsenschraube 4,2x20*	2	
9	AP8147126	Unt.Scheinw.schutz Deko	1	
10	AP8147125	Ob.Scheinw.schutz Deko	1	
11	AP8212818	Vorderblinker rechts	1	
12	AP8212829	V. Blinkerblende rechts	1	
13	AP8212819	Vorderblinker links	1	
14	AP8212830	V. Blinkerblende links	1	
15	AP8124777	Kondensschutzgummi	1	
16	AP8224216	Kleine Feder	1	
17	AP8150413	Gew.schr. 3,9x14	2	
18	AP8150011	Ausgleichscheibe 4,3x12x1	4	
19	AP8124472	Lampenhalter	1	
20	AP8127178	Lampen H1 12V-55W	1	
21	AP8224390	Lampen R10W 12v	2	
22	AP8127121	Lampen H4 12V-60/55W	1	

Einheit	RAHMEN
Code	28.37
Beschreibung	Scheinwerfer
Inspektion	1



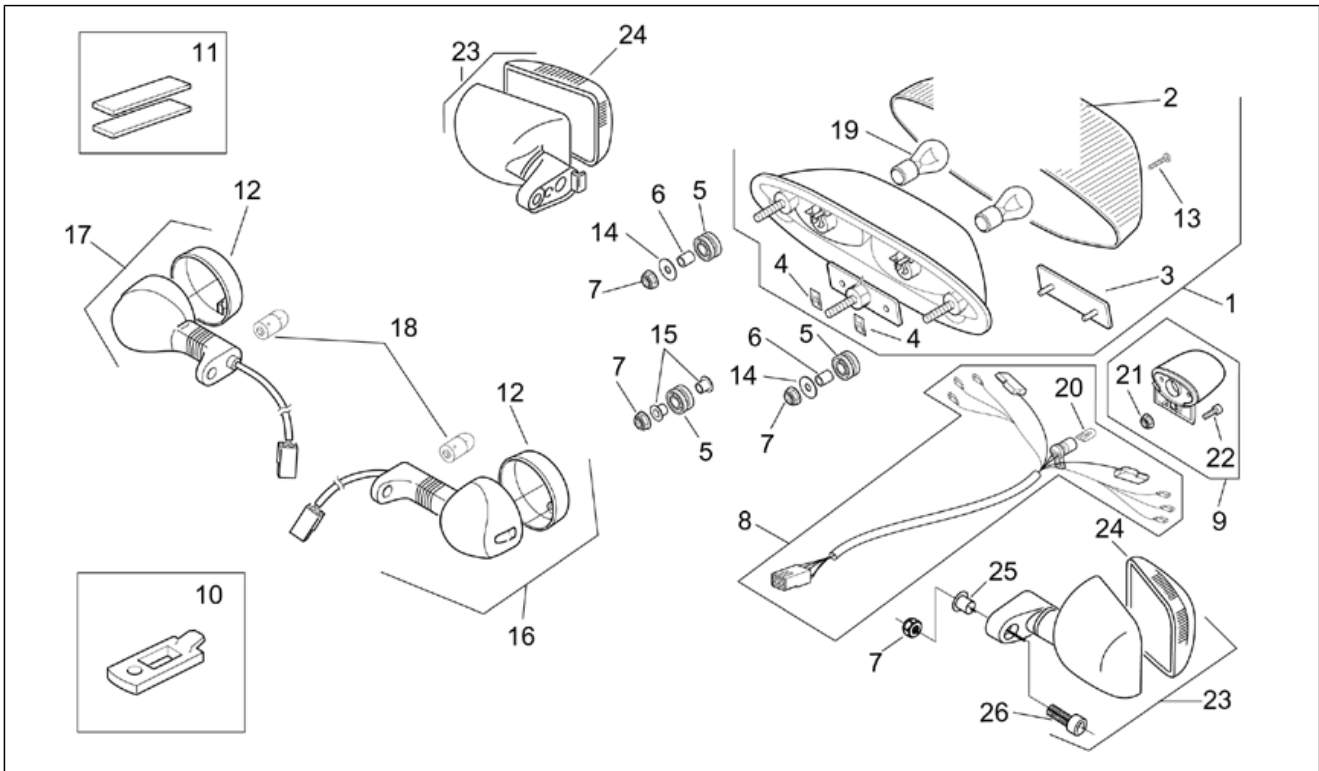
Pos.	Code	Beschreibung	Menge	Varianten
23	AP8224393	Lampen WY5W 12V	1	

Einheit	RAHMEN
Code	28.38
Beschreibung	Rücklicht
Inspektion	1



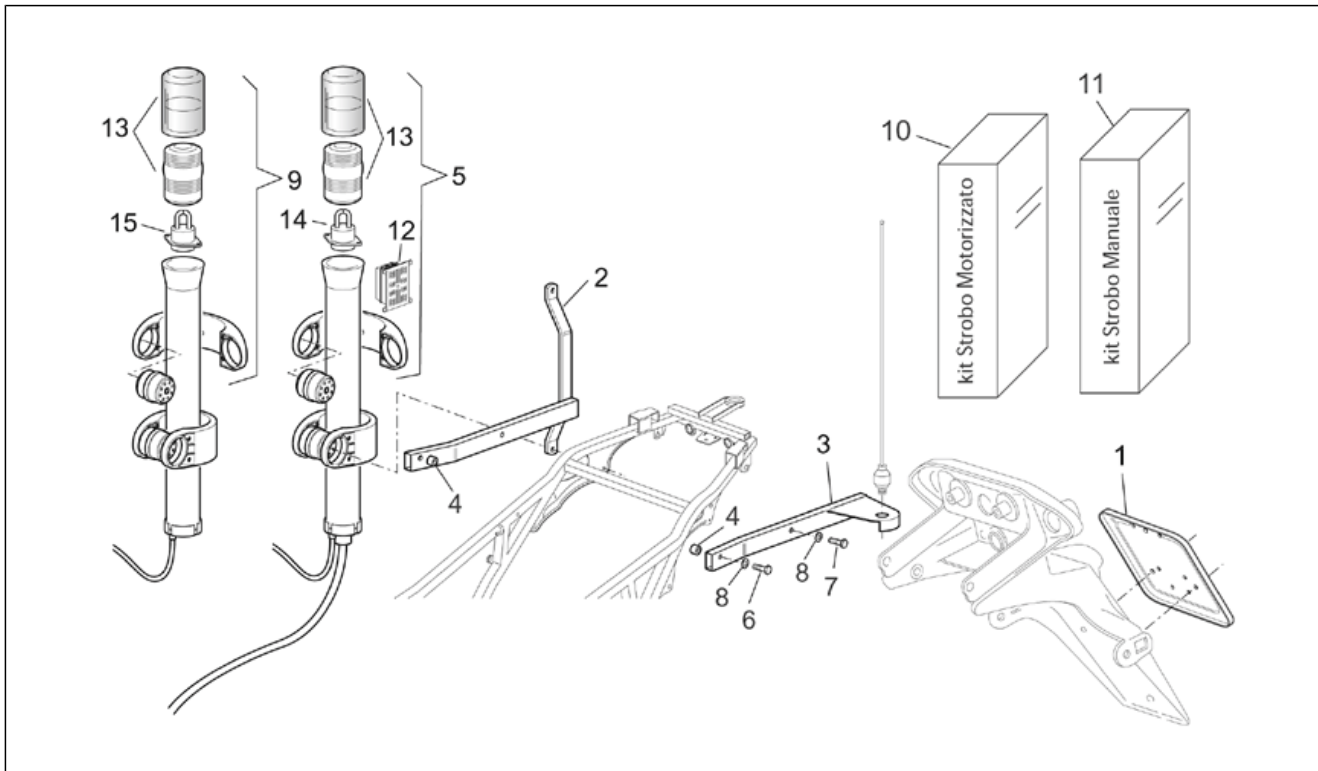
Pos.	Code	Beschreibung	Menge	Varianten
1	AP8124215	Rücklicht	1	
2	AP8124897	Rücklichtblende-usa-	1	
3	AP8124898	Rückstrahler Rücklicht-usa-	1	
4	AP8124451	Federplatte	2	
5	AP8220150	Gummi	3	
6	AP8221017	Distanzscheibe	2	
7	AP8152299	Selbstsperrende Mutter M6	5	
8	AP8124217	Verkabelung Rücklicht	1	
9	AP8127098	Kennzeichenleuchte	1	
10	AP8148268	Blinker Adapter	2	Land:Österreich[A], Australien[AA], Australien[AUS], Belgien[B], Schweiz[CH], Deutschland[D], Dänemark[DK], Spanien[E], A, B, CH, D, DK, GR, E, F, I, NL, P, J, UK[EU], Frankreich[F], Griechenland[GR], Italien[I], Japan[J], Japan[J], Holland[NL], Portugal[P], Großbritannien[UK]
11	AP8117033	Klebeschwamm	2	
12	AP8224258	Blinkerblende	2	Land:Österreich[A], Australien[AA], Australien[AUS], Belgien[B], Schweiz[CH], Deutschland[D], Dänemark[DK], Spanien[E], A, B, CH, D, DK, GR, E, F, I, NL, P, J, UK[EU], Frankreich[F], Griechenland[GR], Italien[I], Japan[J], Japan[J], Holland[NL], Portugal[P], Großbritannien[UK]
13	AP8124880	Schraube 4,2x19	2	
14	AP8150015	Ausgleichscheibe 6,6x18x1,6*	2	
15	AP8121795	T-Buchse	2	
16	AP8224173	Vorderblinker rechts / Hinterblinker links	1	Land:Österreich[A], Australien[AA], Australien[AUS], Belgien[B], Schweiz[CH], Deutschland[D], Dänemark[DK], Spanien[E], A, B, CH, D, DK, GR, E, F, I, NL, P, J, UK[EU], Frankreich[F], Griechenland[GR], Italien[I], Japan[J], Japan[J], Holland[NL], Portugal[P], Großbritannien[UK]
17	AP8224174	Vorderblinker links/ Hinterblinker rechts	1	Land:Österreich[A], Australien[AA], Australien[AUS], Belgien[B], Schweiz[CH], Deutschland[D], Dänemark[DK], Spanien[E], A, B, CH, D, DK, GR, E, F, I, NL, P, J, UK[EU],

Einheit	RAHMEN
Code	28.38
Beschreibung	Rücklicht
Inspektion	1



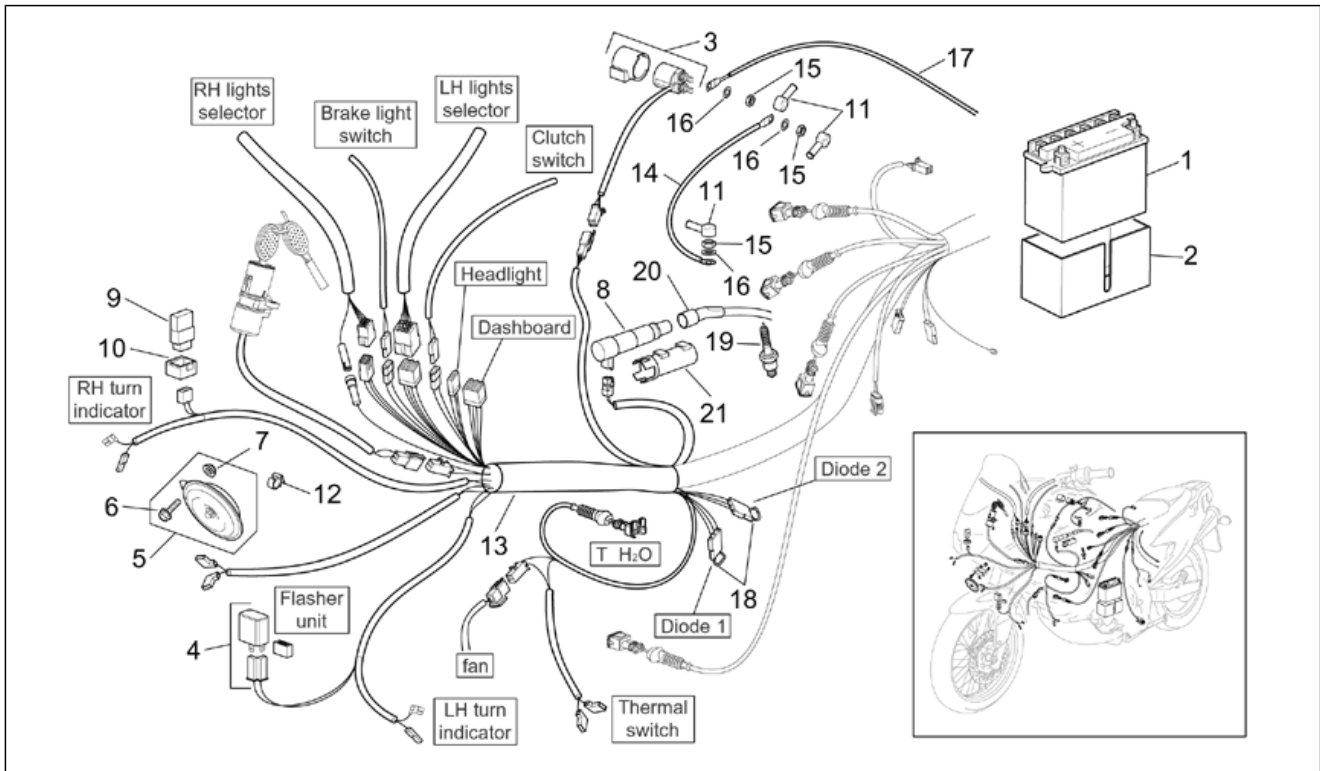
Pos.	Code	Beschreibung	Menge	Varianten
				Frankreich[F], Griechenland[GR], Italien[I], Japan[J], Japan[JJ], Holland[NL], Portugal[P], Großbritannien[UK]
18	AP8224390	Lampen R10W 12v	2	Land:Österreich[A], Australien[AA], Australien[AUS], Belgien[B], Schweiz[CH], Deutschland[D], Dänemark[DK], Spanien[E], A, B, CH, D, DK, GR, E, F, I, NL, P, J, UK[EU], Frankreich[F], Griechenland[GR], Italien[I], Japan[J], Japan[JJ], Holland[NL], Portugal[P], Großbritannien[UK]
19	AP8224389	Lampen P21/5W 12V	2	
20	AP8224393	Lampen WY5W 12V	1	
21	AP8152306	Selbstsperrende Mutter M5	1	
22	AP8150252	TCEI Schraube M5x20	1	
23	AP8112922	Rückblinker	2	Technische Daten: Stadtpolizei[PM], Staatspolizei[POL]
24	AP8112756	Blinkerblende	2	Technische Daten: Stadtpolizei[PM], Staatspolizei[POL]
25	AP8121795	T-Buchse	2	Technische Daten: Stadtpolizei[PM], Staatspolizei[POL]
26	AP8150165	TCEI Schraube M6x25	2	Technische Daten: Stadtpolizei[PM], Staatspolizei[POL]

Einheit	RAHMEN
Code	28.39
Beschreibung	Strobo rod
Inspektion	1



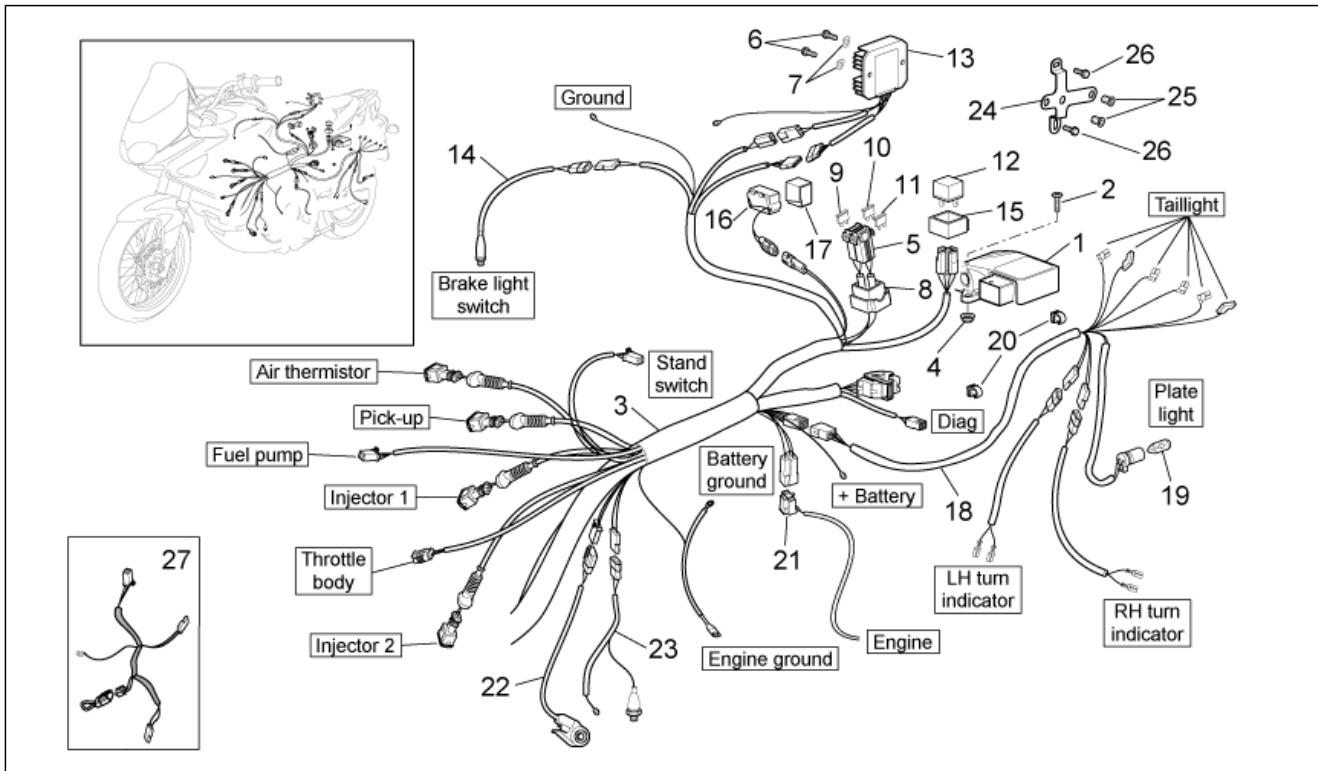
Pos.	Code	Beschreibung	Menge	Varianten
1	GU80438610	Kennzeichenplatte	1	Technische Daten:Stadtpolizei[PM], Staatspolizei[POL]
2	GU80785610	Strobo halter	1	Technische Daten:Stadtpolizei[PM], Staatspolizei[POL]
3	GU80789810	Antenna support	1	Technische Daten:Staatspolizei[POL]
4	GU91180832	Distanzscheibe	2	Technische Daten:Stadtpolizei[PM], Staatspolizei[POL]
5	GU80999510	Motorized column kit	1	Technische Daten:Stadtpolizei[PM], Staatspolizei[POL]
6	GU98680460	TCEI Schraube M8x60	1	Technische Daten:Stadtpolizei[PM], Staatspolizei[POL]
7	GU98682435	TCEI Schraube	1	Technische Daten:Stadtpolizei[PM], Staatspolizei[POL]
8	GU95008206	Ausgleichscheibe 6,15x11x0,8	2	Technische Daten:Stadtpolizei[PM], Staatspolizei[POL]
9	GU28999580	Manual strobo kit SONORA	1	Technische Daten:Stadtpolizei[PM]
10	GU80978415	Motorized strobo kit	1	Technische Daten:Stadtpolizei[PM], Staatspolizei[POL]
11	GU80978515	Manual strobo kit	1	Technische Daten:Stadtpolizei[PM]
12	GU03785980	Elektronische Steuereinheit	1	Technische Daten:Stadtpolizei[PM], Staatspolizei[POL]
13	GU28530529	Glas Strobo	1	Technische Daten:Stadtpolizei[PM], Staatspolizei[POL]
14	GU28530526	Motorisiertes Strobokit	1	Technische Daten:Stadtpolizei[PM], Staatspolizei[POL]
15	GU28530580	Strobo Leuchte "manual"	1	Technische Daten:Stadtpolizei[PM]

Einheit	RAHMEN
Code	28.40
Beschreibung	Vorder Elektrische Anlage
Inspektion	1



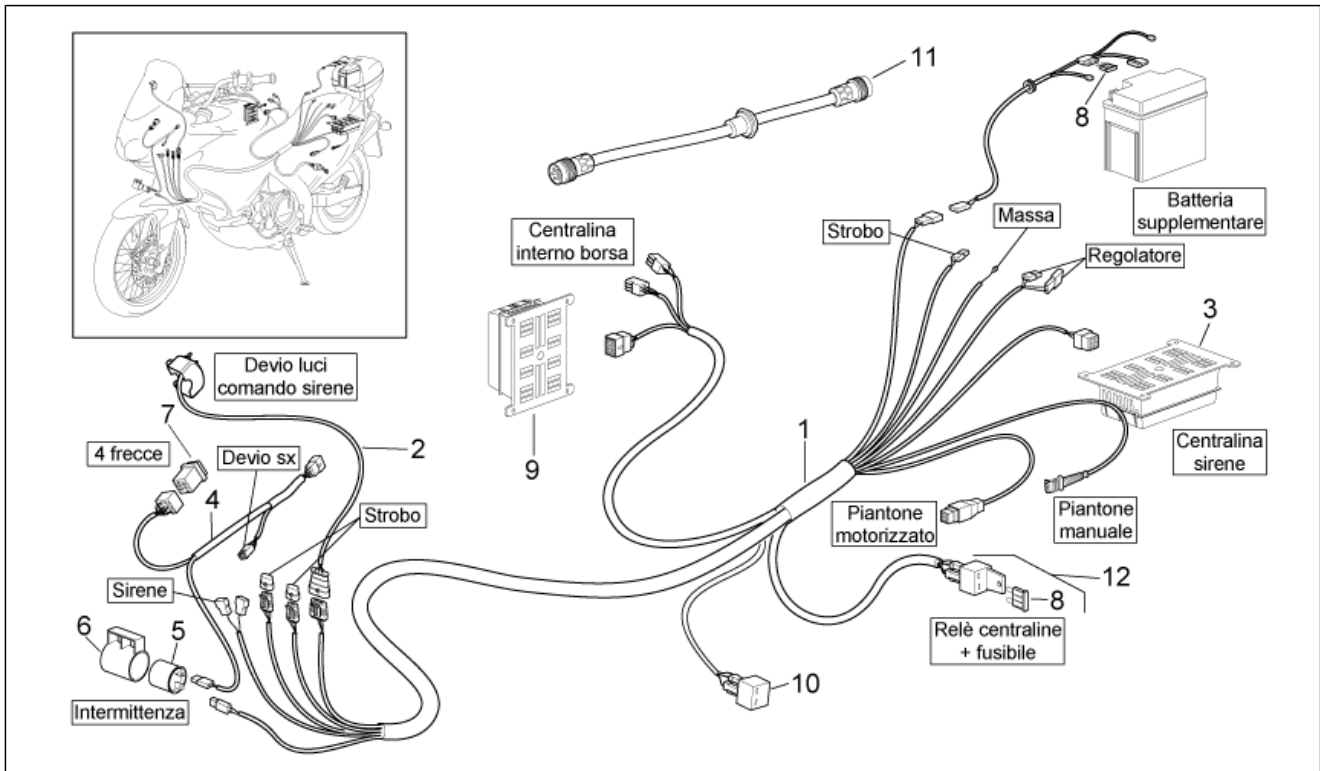
Pos.	Code	Beschreibung	Menge	Varianten
1	AP8112920	Batterie	1	
2	AP8131838	Batteriehalter	1	
3	AP8124636	Zündrelais 12V-150A	1	
4	AP8124235	Blinken	1	
5	AP8124100	Hupe	1	
6	AP8152286	TE Schr. m. Flansch M8x20	1	
7	AP8152300	Selbstsperrende Mutter M8	1	
8	AP8124864	Spule	1	
9	AP8212469	Zündrelais 12V-20A	1	
10	AP8220283	Gummi *	1	
11	AP8120218	Klemmenkappe	3	
12	AP8201727	Kabelführungs schw.	1	
13	AP8124940	Hauptverkabelung	1	
14	AP8112830	Anlasserkabel	1	
15	AP8150026	Mutter M6	3	
16	AP8150182	Gebogene Sprengscheibe *	3	
17	AP8112857	Verkabelung Batterie-Relais	1	
18	AP8212588	Sicherheitsdiode	2	
19	AP0297547	Zündkerze DR8EB	1	
20	AP8124870	Zuendkabel	1	
21	AP8134653	Halter Steuergerät	1	

Einheit	RAHMEN
Code	28.41
Beschreibung	Hint.Elektrische Anlage
Inspektion	1



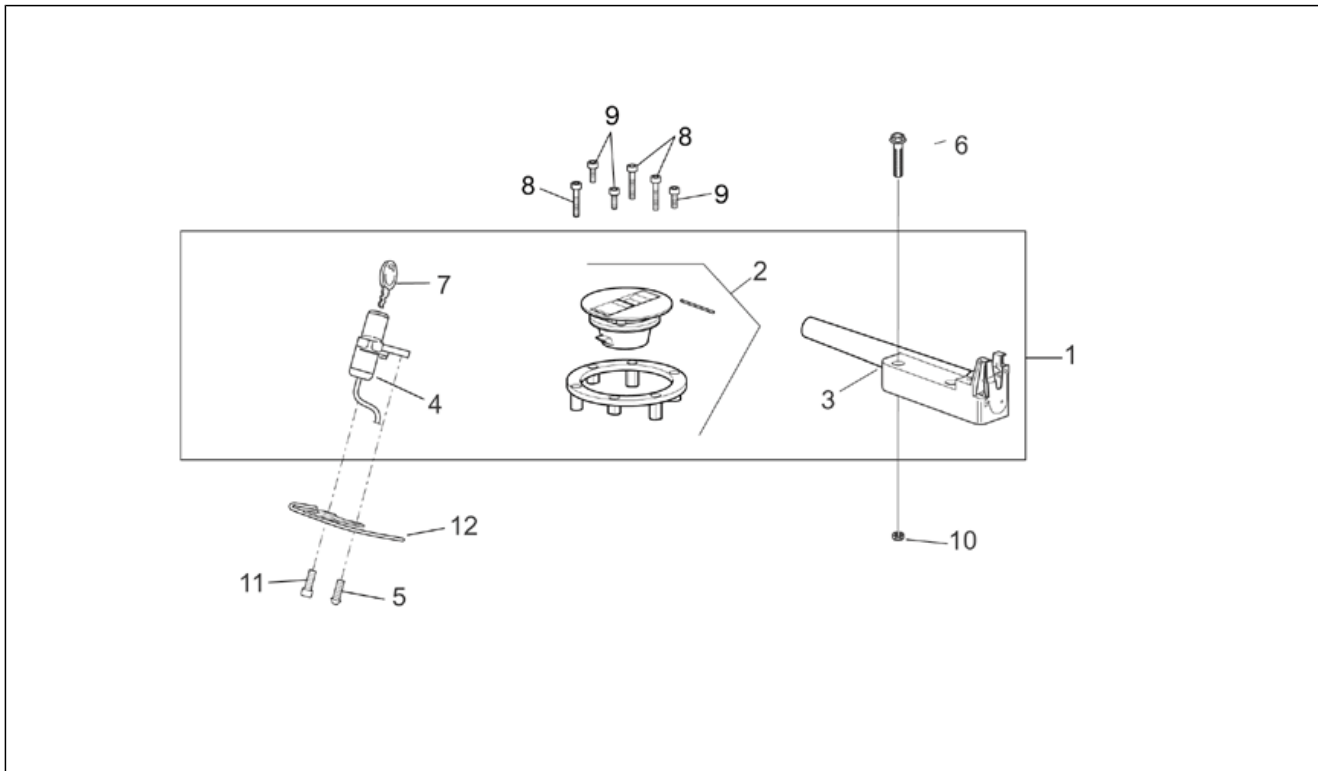
Pos.	Code	Beschreibung	Menge	Varianten
1	AP8127211	Steuergerät	1	
2	AP8152270	TBEI Schraube M5x25	1	
3	AP8124940	Hauptverkabelung	1	
4	AP8152306	Selbstsperrende Mutter M5	1	
5	AP8120754	Sicherungsblockgummi	3	
6	AP8152279	TE Schr. m. Flansch M6x20	2	
7	AP8150182	Gebogene Sprengscheibe *	2	
8	AP8112942	Sicherungsblockgummi	1	
9	AP8112244	Sicherung 7,5A	2	
10	AP8112176	Sicherung 15A	2	
11	AP8112506	Sicherung 20A	2	
12	AP8124869	Relais Einspritzung	1	
13	AP8112941	Spannungsregler	1	
14	AP8112996	Mikroschalter	1	
15	AP8220546	Auflagegummi Relais	1	
16	AP8124266	Neigungsfühler	1	
17	AP8144046	Sensor halter gummi	1	
18	AP8124217	Verkabelung Rücklicht	1	
19	AP8224393	Lampen WY5W 12V	1	
20	AP8201727	Kabelführungs schw.	2	
21	AP8112254	Steckverbindung 3 vie	1	
22	AP8124977	Schalter	1	
23	AP8112959	Verkabelung Leerlauf-Öl	1	
24	AP8146525	Halter Spannungsregler	1	
25	AP8102902	Sechss. Geschn. Einsatz	2	
26	AP8152277	TE Schr. m. Flansch M6x12	2	
27	GU80748010	Auxiliary wiring harness	1	

Einheit	RAHMEN
Code	28.42
Beschreibung	Police electrical system
Inspektion	1



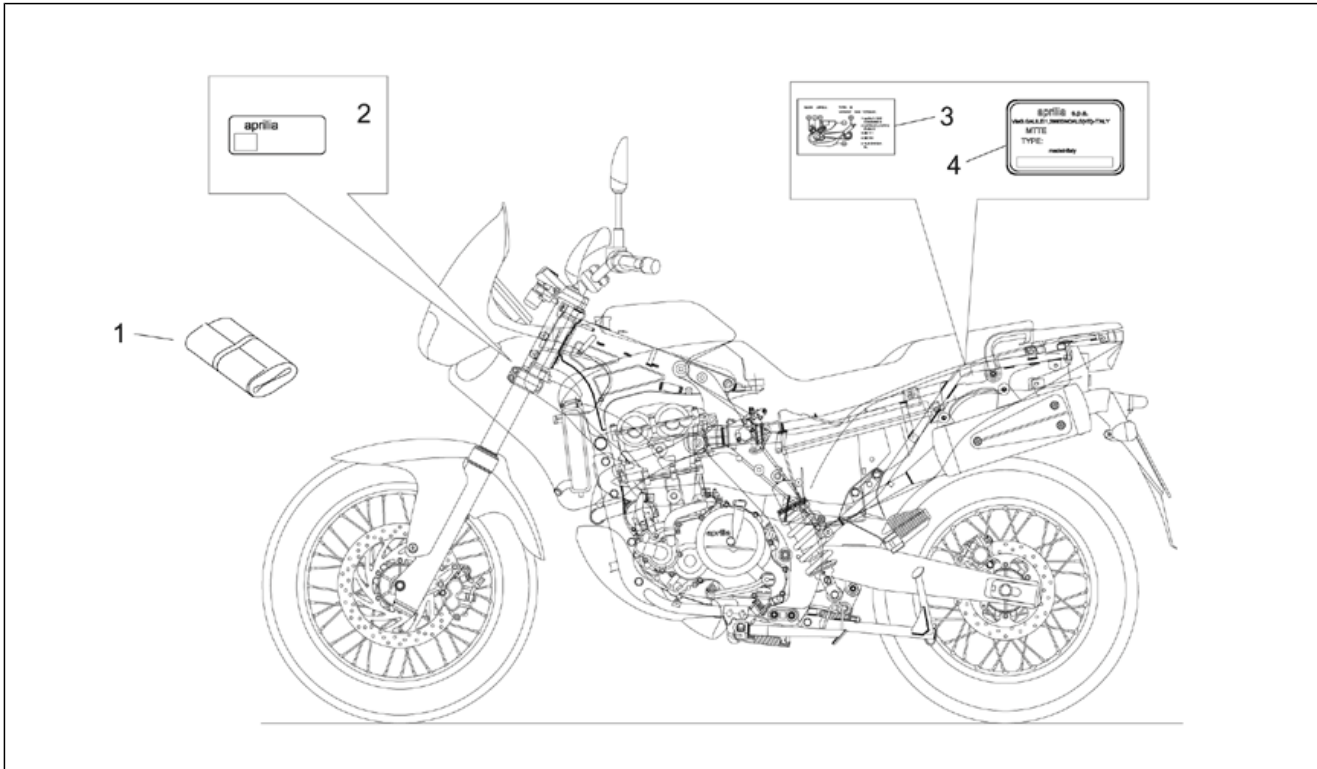
Pos.	Code	Beschreibung	Menge	Varianten
1	GU80742811	Hauptverkabelung	1	Technische Daten:Stadtpolizei[PM], Staatspolizei[POL]
2	GU80756320	Lichtschalter	1	Technische Daten:Stadtpolizei[PM], Staatspolizei[POL]
3	GU28737680	Elektronische Steuereinheit	1	Technische Daten:Stadtpolizei[PM], Staatspolizei[POL]
4	GU80750226	Turn indicator wiring	1	Technische Daten:Stadtpolizei[PM], Staatspolizei[POL]
5	GU17750520	Blinken	1	Technische Daten:Stadtpolizei[PM], Staatspolizei[POL]
6	GU17751200	Block	1	Technische Daten:Stadtpolizei[PM], Staatspolizei[POL]
7	GU28745761	Turn indicator switch	1	Technische Daten:Stadtpolizei[PM], Staatspolizei[POL]
8	AP8112176	Sicherung 15A	2	Technische Daten:Stadtpolizei[PM], Staatspolizei[POL]
9	GU03785980	Elektronische Steuereinheit	1	Technische Daten:Stadtpolizei[PM], Staatspolizei[POL]
10	GU80743910	Batterie zündrelais	1	Technische Daten:Stadtpolizei[PM], Staatspolizei[POL]
11	GU80503910	Verlängerung PTT	1	Technische Daten:Staatspolizei[POL]
11	GU80503911	Deviation extension	1	Technische Daten:Staatspolizei[POL]
12	GU30732500	Zündrelais	1	Technische Daten:Stadtpolizei[PM], Staatspolizei[POL]

Einheit	RAHMEN
Code	28.43
Beschreibung	Bausatz Schlösser
Inspektion	1



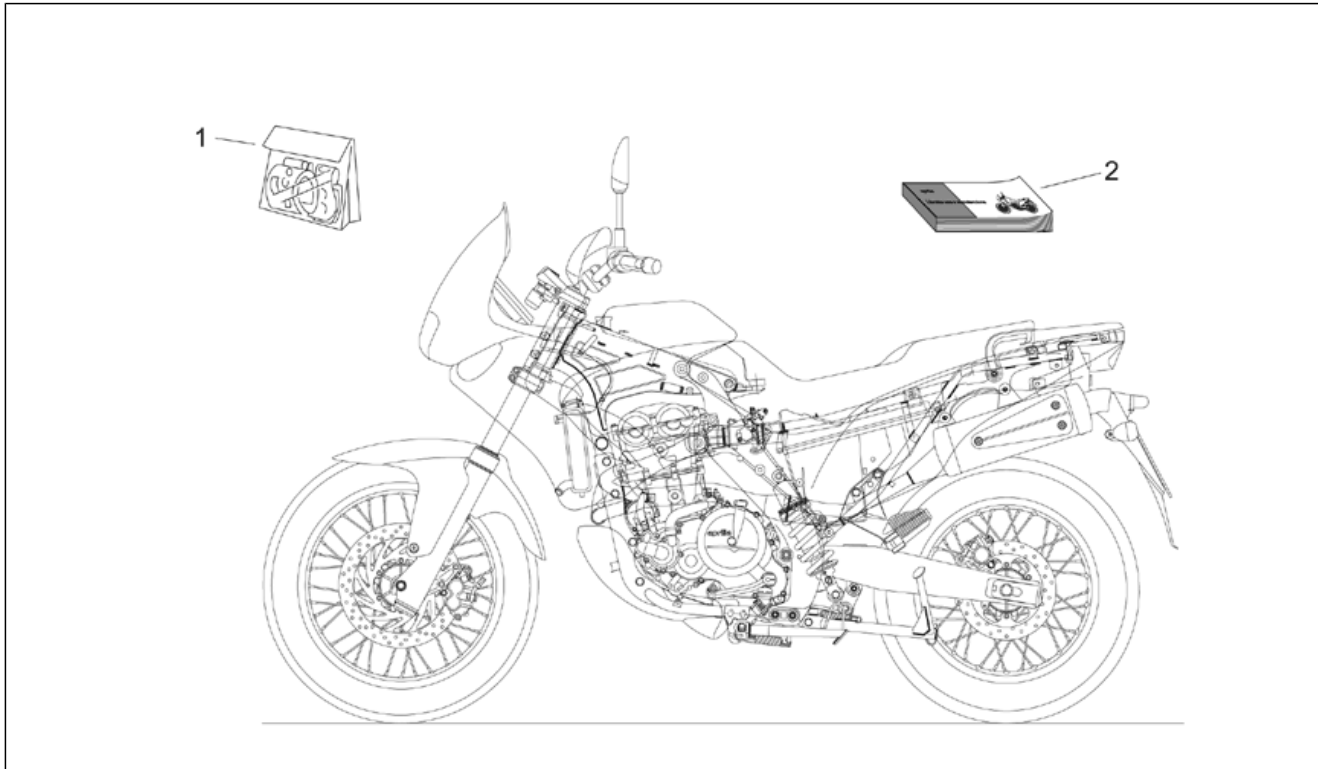
Pos.	Code	Beschreibung	Menge	Varianten
1	AP8104217	Kit Schließvorrichtungen	1	
2	AP8158164	Tankfüllschraube	1	
3	AP8104144	Sitzschloß	1	
4	AP8124593	Lenkschloß	1	
5	AP8150349	Spezialschraube M8x15	1	
6	AP8152282	TE Schr. m. Flansch M6x35	2	
7	AP8102880	Schl. gefr. Aprilia	1	
8	AP8150453	TCEI Schraube M5x30	3	
9	AP8150454	TCEI Schraube M5x16	4	
10	AP8150430	Selbstsperr.mut Unt.	2	
11	AP8150211	TCEI Schraube M8x16	1	
12	AP8146456	Kabelführung	1	

Einheit	RAHMEN
Code	28.44
Beschreibung	Schild
Inspektion	1



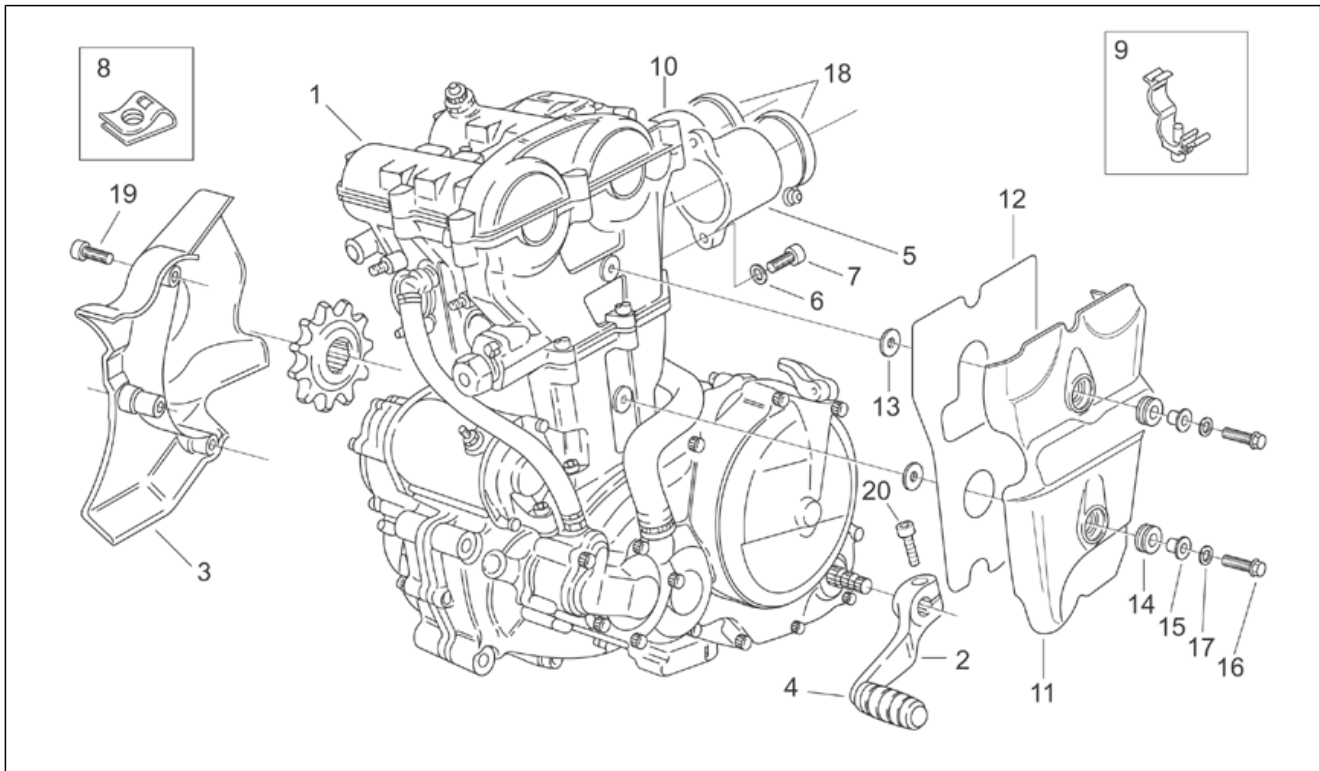
Pos.	Code	Beschreibung	Menge	Varianten
1	AP8101856	Werkzeugtasche	1	Technische Daten: Zulassung Euro 2[E2]
1	AP8102495	Werkzeugtasche	1	Technische Daten: Zulassung Euro1[E1]
2	AP8167543	ECE Schild	1	Land: Australien[AA], Australien[AUS], Japan[J], Japan[JJ]
3	AP8167655	Lautherausgabe selbstkleber	1	Land: Australien[AA], Australien[AUS]
4	AP8157858	Herstellerschild	1	Land: Deutschland[D], A, B, CH, D, DK, GR, E, F, I, NL, P, J, UK[EU], Italien[I] Technische Daten: Version mit Leistungsminderung 25 Kw[25kw], Zulassung Euro1[E1]
4	AP8166373	Herstellerschild	1	Technische Daten: Zulassung Euro 2[E2]
4	AP8167490	Herstellerschild	1	Land: Österreich[A], Belgien[B], Schweiz[CH], Dänemark[DK], Spanien[E], A, B, CH, D, DK, GR, E, F, I, NL, P, J, UK[EU], Frankreich[F], Griechenland[GR], Japan[J], Japan[JJ], Holland[NL], Portugal[P], Großbritannien[UK] Technische Daten: Zulassung Euro1[E1]
4	AP8167490	Herstellerschild	1	Land: Deutschland[D], A, B, CH, D, DK, GR, E, F, I, NL, P, J, UK[EU], Italien[I] Technische Daten: Zulassung Euro1[E1], Version mit voller Leistung[F.P.]
4	AP8167490	Herstellerschild	1	Technische Daten: Zulassung Euro1[E1], Stadtpolizei[PM], Staatspolizei[POL]
4	AP8167562	Herstellerschild	1	Land: Australien[AA], Australien[AUS] Technische Daten: Zulassung Euro1[E1]
4	AP8177882	Herstellerschild	1	Fahrzeugfarbe: Tuscany Tibet 2003[Tibet] Technische Daten: Zulassung Euro1[E1]

Einheit	RAHMEN
Code	28.45
Beschreibung	Deko und bed./wart.- Anleitungen
Inspektion	1



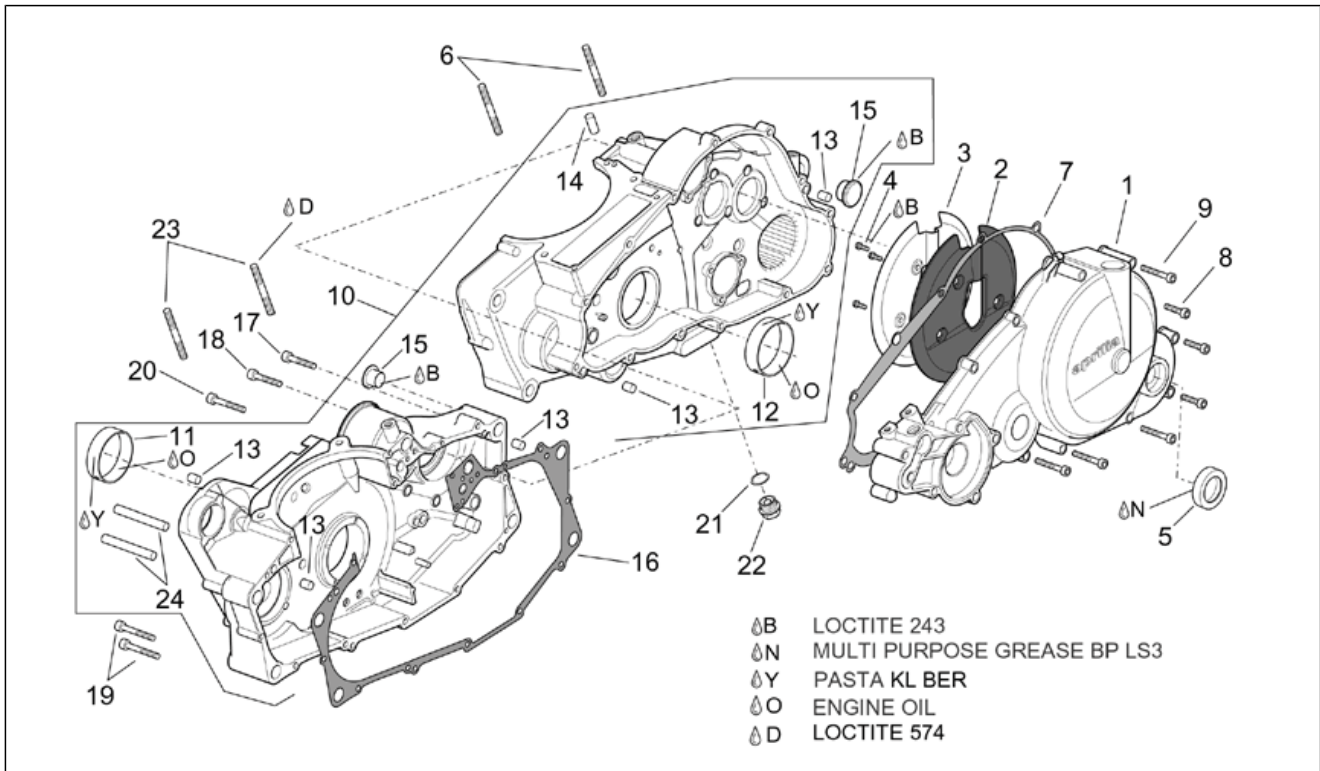
Pos.	Code	Beschreibung	Menge	Varianten
1	AP8167319	Deko Serie	1	Baujahr: 2001[1] Fahrzeugfarbe: Bluevert 2001[blue]
1	AP8167320	Deko Serie	1	Baujahr: 2001[1] Fahrzeugfarbe: Rot Mirò 2001[r.mirò]
1	AP8167321	Deko Serie	1	Baujahr: 2001[1] Fahrzeugfarbe: Hellblau Egeo 2001[e.cya]
1	AP8167338	Deko Serie	1	Baujahr: 2001[1] Fahrzeugfarbe: "Bluevert 2001 ""GARDA""[garda]
1	AP8177185	Deko Serie	1	Baujahr: 2003[3], 2004[4] Fahrzeugfarbe: Grau Pearly 2003-2004[grey]
1	AP8177223	Deko Serie	1	Baujahr: 2003[3], 2004[4] Fahrzeugfarbe: Bleigrau 2003-2004[lead]
1	AP8177224	Deko Serie	1	Baujahr: 2003[3] Fahrzeugfarbe: Gelb Lime 2003[yell]
1	AP8177746	Deko Serie	1	Baujahr: 2003[3] Fahrzeugfarbe: Tuscany Tibet 2003[Tibet]
1	GU80923310	Deko Serie	1	Baujahr: 2001[1] Fahrzeugfarbe: Hellblau Polizei 2001[p.cya]
1	GU80923315	Deko Serie	1	Baujahr: 2002[2] Fahrzeugfarbe: Weiß Stadtpolizei 2002[white]
2	AP8104311	Bed./Wart.-Anl. -I-F-D-	1	Technische Daten: Stadtpolizei[PM], Staatspolizei[POL]
2	AP8104311	Bed./Wart.-Anl. -I-F-D-	1	Land: Österreich[A], Belgien[B], Schweiz[CH], Deutschland[D], A, B, CH, D, DK, GR, E, F, I, NL, P, J, UK[EU], Frankreich[F], Italien[I]
2	AP8104312	Bed./Wart.-Anl. -P-E-UK-	1	Land: Australien[AA], Australien[AUS], Spanien[E], A, B, CH, D, DK, GR, E, F, I, NL, P, J, UK[EU], Portugal[P], Großbritannien[UK]
2	AP8104313	Bed./Wart.-Anleit. -NL-DK-GR-	1	Land: Belgien[B], Dänemark[DK], A, B, CH, D, DK, GR, E, F, I, NL, P, J, UK[EU], Griechenland[GR], Holland[NL]
2	AP8104496	Betr./Wart,anl. gr-j-uk	1	Land: Japan[J], Japan[JJ]

Einheit	MOTOR
Code	29.31
Beschreibung	Motor
Inspektion	1



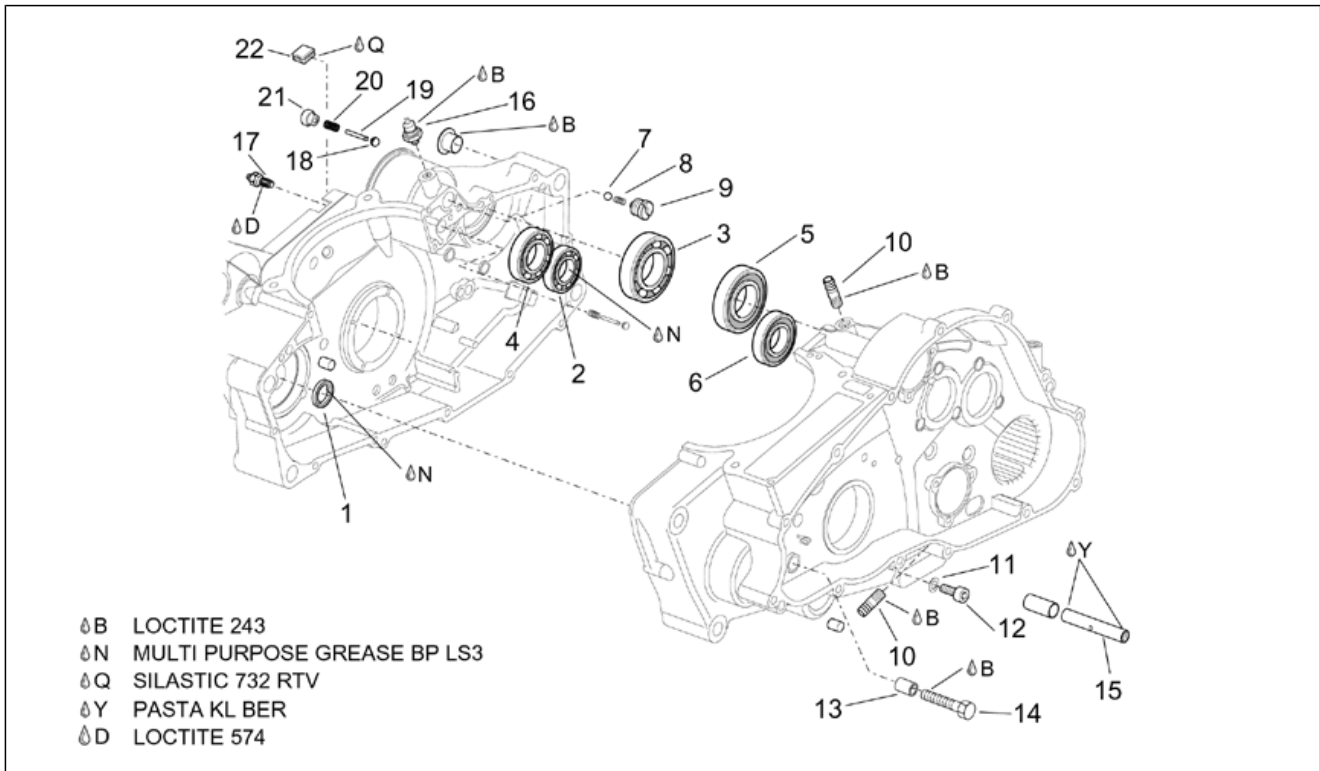
Pos.	Code	Beschreibung	Menge	Varianten
1	AP8106763	655 Enduro Motor	1	
2	AP8146413	Schalthebel	1	
3	AP8148735	Ritzelkasten, grau	1	
4	AP8120912	Gummi für Hebel	1	
5	AP8106762	Linker Ansaugkrümmer	1	
6	AP8150182	Gebogene Sprengscheibe *	4	
7	AP8152279	TE Schr. m. Flansch M6x20	4	Technische Daten: Zulassung Euro1[E1]
7	AP8152280	TE Schr. m. Flansch M6x25	4	Technische Daten: Zulassung Euro 2[E2]
8	AP8102376	Klammer M6	3	
9	AP8134186	Kabelführungs	1	
10	AP8106761	Rechter Ansaugkrümmer	1	
11	AP8148734	Zylinderdeckel grau	1	
12	AP8117119	Schalldämmplatte	1	
13	AP8221297	Isolierscheibe	2	
14	AP8120030	Gummi	2	
15	AP8221023	T-Buchse	2	
16	AP8152280	TE Schr. m. Flansch M6x25	2	
17	AP8150179	Ausgleichscheibe 6,6x18*	2	
18	AP8102060	Schlauchschele	2	
19	AP8150165	TCEI Schraube M6x25	3	
20	AP8150044	TCEI Schraube M6x20	1	

Einheit	MOTOR
Code	29.46
Beschreibung	Kurbelwellengehäuse I
Inspektion	1



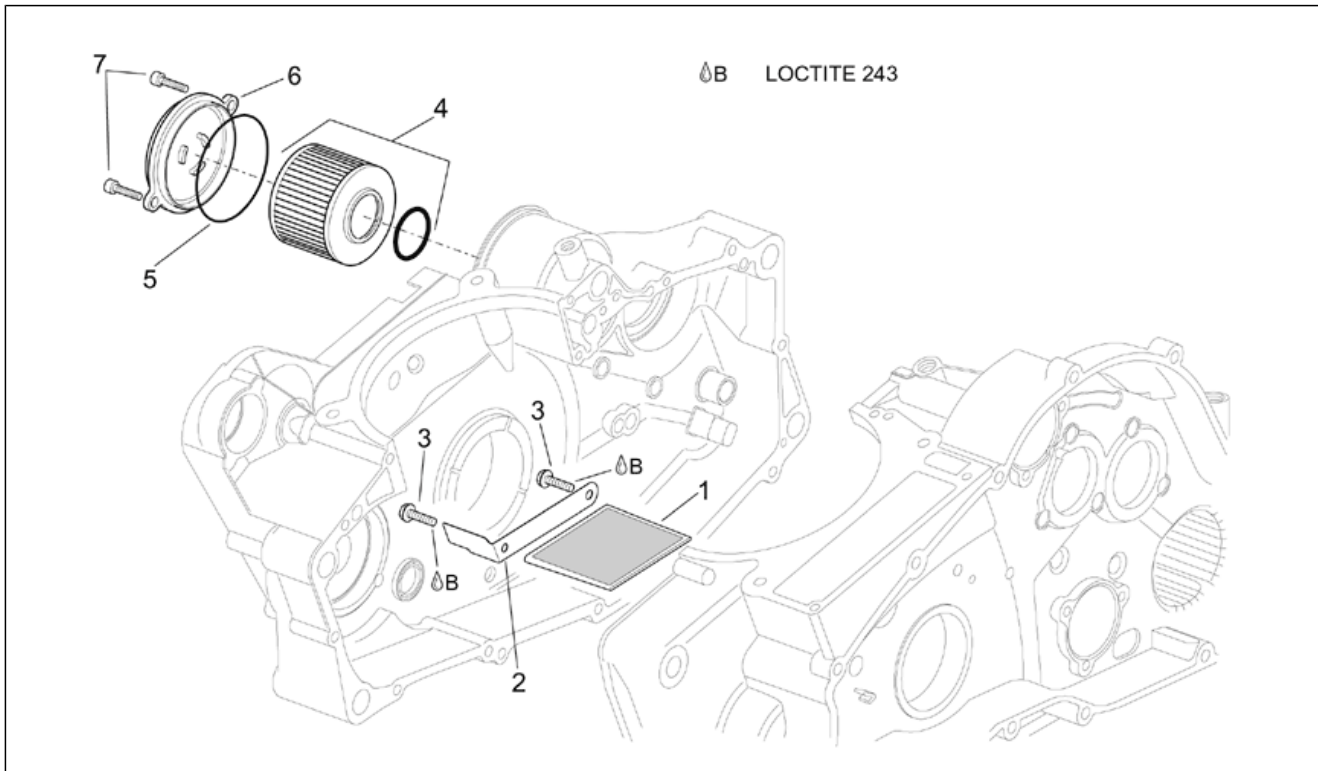
Pos.	Code	Beschreibung	Menge	Varianten
1	AP0210379	Kupplungsdeckel	1	
2	AP0260300	Schalldämmplatte	1	
3	AP0275030	Plattehalter	1	
4	AP0841680	TE-Spezialschraube	3	
5	AP0250450	Ölabstreifring 12x28x7	1	
6	AP0240541	Stiftschraube M10x62	2	
7	AP0230581	Dichtung	1	
8	AP0840882	TCEI Schraube	10	
9	AP0241262	TCEI Schraube	2	
10	AP0296341	Kurbelgehäuse	1	
11	AP0233675	Buchse 48x52x22,8	1	
12	AP0233680	Buchse 48x52x22,8	1	
13	AP0632010	Stift M8x12	5	
14	AP0929650	Stift 5x10	2	
15	AP0247320	Buchse	2	
16	AP0250910	Dichtung	1	
17	AP0241822	TCEI Schraube	9	
18	AP0241810	TCEI Schraube	2	
19	AP0240531	TCEI Schraube	2	
20	AP0241262	TCEI Schraube	1	
21	AP0552280	Dichtung	1	
22	AP0840277	Magnetschraube m18x1,5	1	
23	AP0240545	Stiftschraube M10x78	2	
24	AP0229301	Bolzen M6x50	2	

Einheit	MOTOR
Code	29.47
Beschreibung	Kurbelwellengehäuse II
Inspektion	1



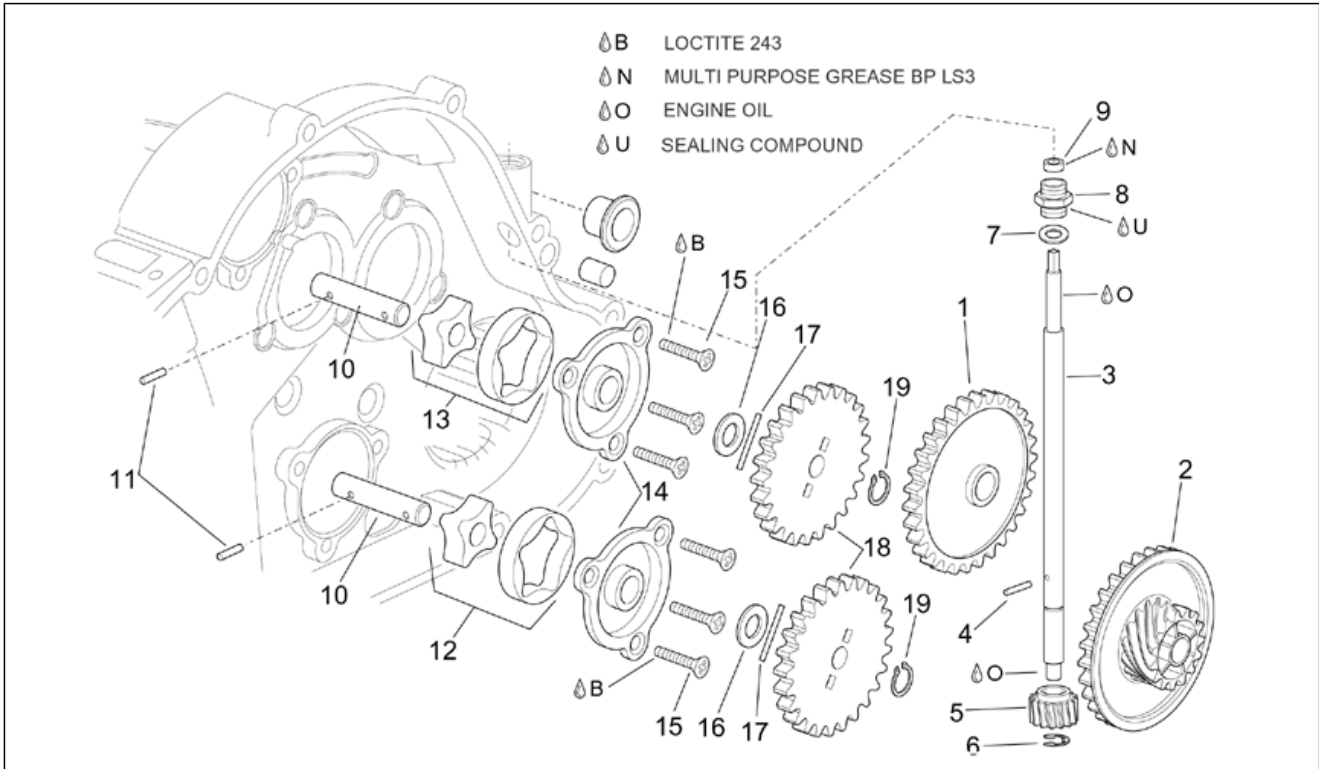
Pos.	Code	Beschreibung	Menge	Varianten
1	AP0430550	Ölabstreifring 15x24x7	1	
2	AP0230395	Ölabstreifring 25x40x7	1	
3	AP0932826	Lager 6305	1	
4	AP0232501	Lager 6303 E-RS1	1	
5	AP0232764	Lager 6205	1	
6	AP0932815	Lager 6303 ETN9	1	
7	AP0932830	Kugel	1	
8	AP0239280	Spannfeder 13,5	1	
9	AP0256170	Ventilschließschraube	1	
10	AP0256330	Anschluss m12x1,5	2	
11	AP0950141	Gasket ring 8x13	1	
12	AP0440193	TCEI Schraube	1	
13	AP0247790	Distanzscheibe 6,2x10x14,5	1	
14	AP0941500	Sechskantschraube	1	
15	AP0237060	Losradwelle	1	
16	AP0956169	Öldruckschalter	1	
17	AP0241852	Kontaktschraube	1	
18	AP0260570	Öl-Rückstauventil	1	
19	AP0256150	Ventil Stift	1	
20	AP0239810	Feder	1	
21	AP0256170	Ventilschließschraube	1	
22	AP0260760	Deckel	1	

Einheit	MOTOR
Code	29.48
Beschreibung	Ölfiltereinsatz
Inspektion	1



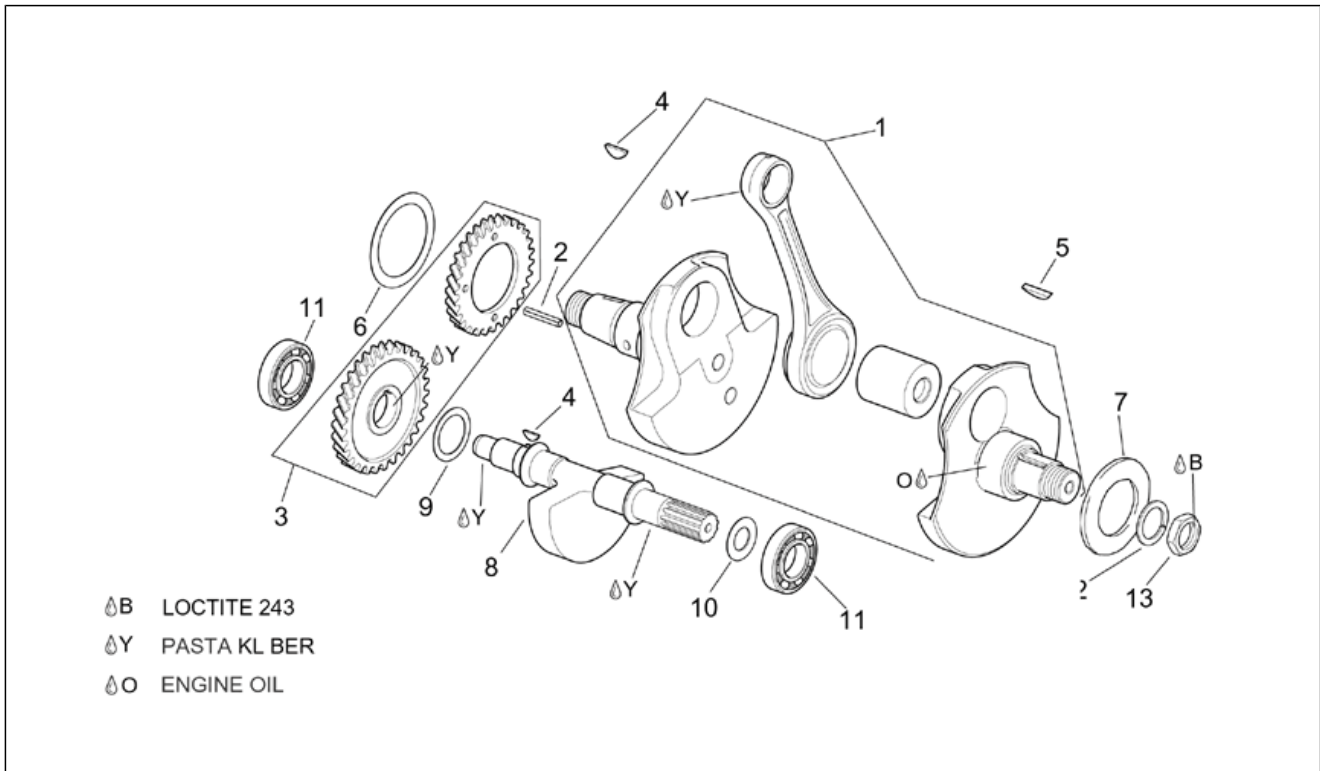
Pos.	Code	Beschreibung	Menge	Varianten
1	AP0256321	Ölnetz	1	
2	AP0256430	Platte	1	
3	AP0941925	TE-Spezialschraube	2	
4	AP0256185	Ölfiltereinsatz	1	
5	AP0230920	O-Ring 60x2,5	1	
6	AP0210414	ÖlfILTERdeckel	1	
7	AP0241932	TCEI Schraube	2	

Einheit	MOTOR
Code	29.49
Beschreibung	Ölpumpe
Inspektion	1



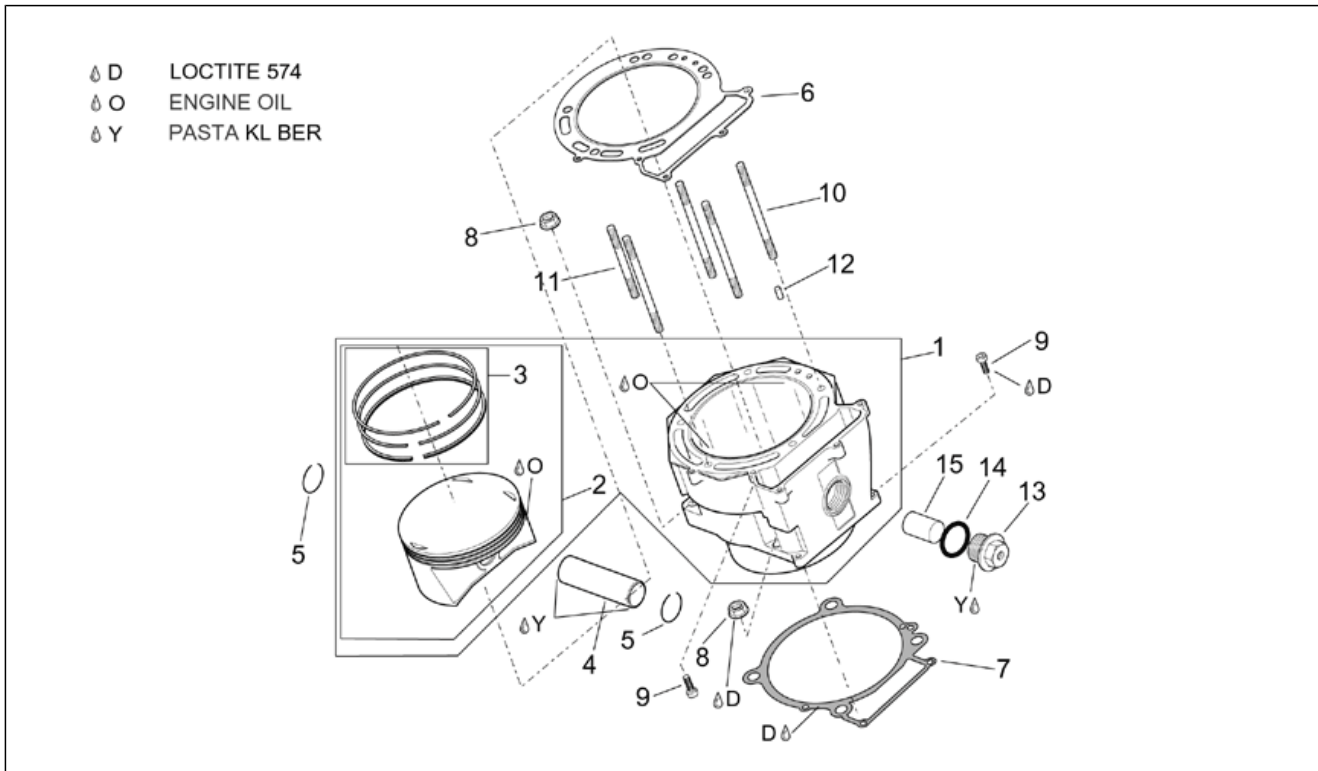
Pos.	Code	Beschreibung	Menge	Varianten
1	AP0235272	Freilaufzahnrad Z=31	1	
2	AP0634270	Freilaufzahnrad Z=15/31	1	
3	AP0220250	Drehzahlmesserwelle	1	
4	AP0932740	Stift 2x11,8	1	
5	AP0634260	Zahnrad Z=16	1	
6	AP0845240	Seegerring	1	
7	AP0927945	Ausgleichscheibe 6,2x12x1	1	
8	AP0241070	Anschluss m16x1/m16x1,5	1	
9	AP0930500	Ölabstreifring 6x11x3/4,5	1	
10	AP0237051	Ölpumpenwelle	2	
11	AP0232730	Stift 4x15,8	2	
12	AP0956277	Innen- und Außenrotor	1	
13	AP0256347	Innen- und Außenrotor	1	
14	AP0210640	Ölpumpendeckel	2	
15	AP0640821	Schraube	6	
16	AP0827590	Paßscheibe 10,1/17/1	2	
17	AP0232430	Stift	2	
18	AP0234561	Ölpumpen-Zahnrad Z=25	2	
19	AP0245330	Seegerring 10x1	2	

Einheit	MOTOR
Code	29.50
Beschreibung	Kurbelwelle
Inspektion	1



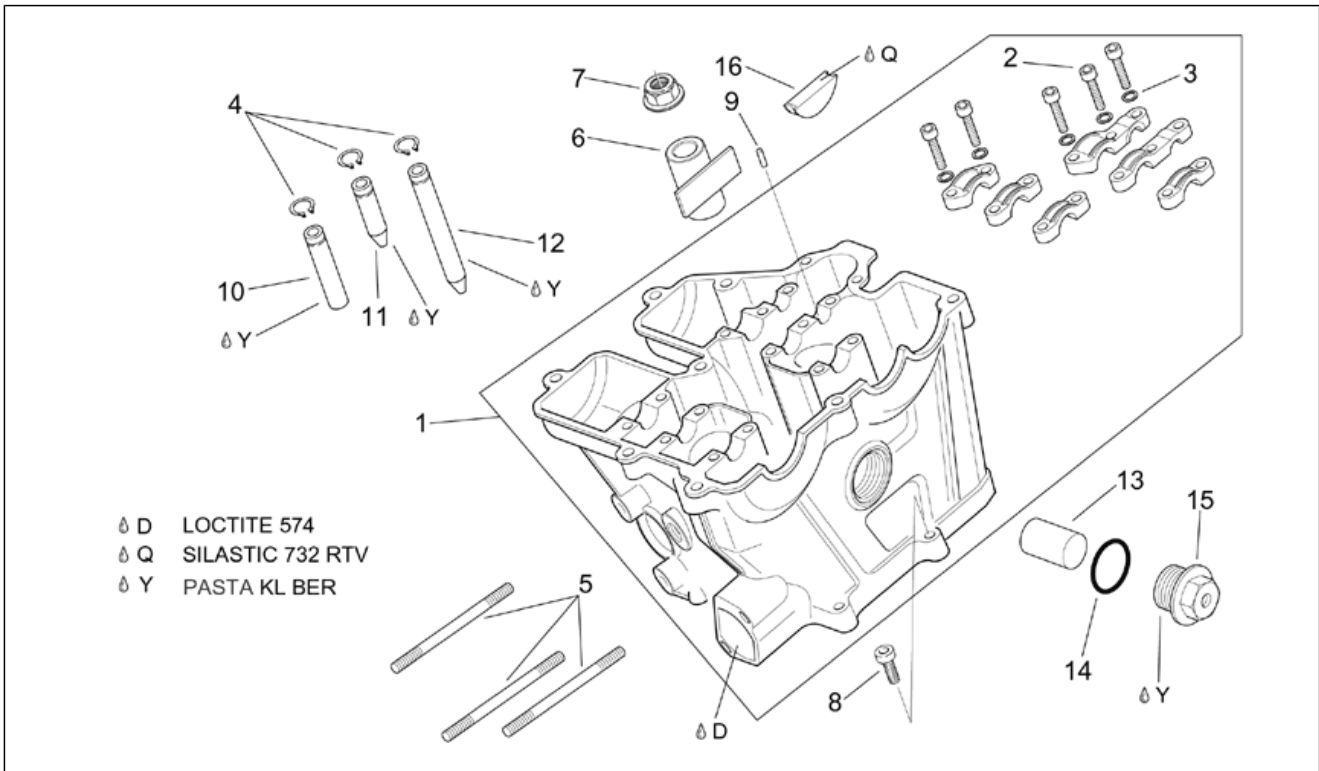
Pos.	Code	Beschreibung	Menge	Varianten
1	AP0295191	Kurbelwelle kpl.	1	
2	AP0429150	Bolzen 8x24	1	
3	AP0294478	Ausgleichsrad kpl.	1	
4	AP0246570	Keil 4x5	2	
5	AP0946015	Keil 6x9	1	
6	AP0627030	Scheibe 48x67x1	1	
7	AP0627030	Scheibe 48x67x1	1	
7	AP0627031	Scheibe 48x67x1,25	1	
7	AP0627032	Scheibe 48x67x1,5	1	
7	AP0627033	Scheibe 48x67x1,75	1	
7	AP0627035	Scheibe 48x67x1,4	1	
8	AP0237999	Gegenwelle Z=11	1	
9	AP0227542	Paßscheibe 24,3/41/1,5	1	
10	AP0627070	Scheibe 20x41x0,8	1	
10	AP0627071	Scheibe 20x41x1,0	1	
10	AP0627072	Scheibe 20x41x1,2	1	
10	AP0627073	Scheibe 20x41x1,4	1	
11	AP0932096	Lager etn9/c3	2	
12	AP0945759	Federring Din a22	1	
13	AP0842230	Mutter m22x1,5	1	

Einheit	MOTOR
Code	29.51
Beschreibung	Zylinder
Inspektion	1



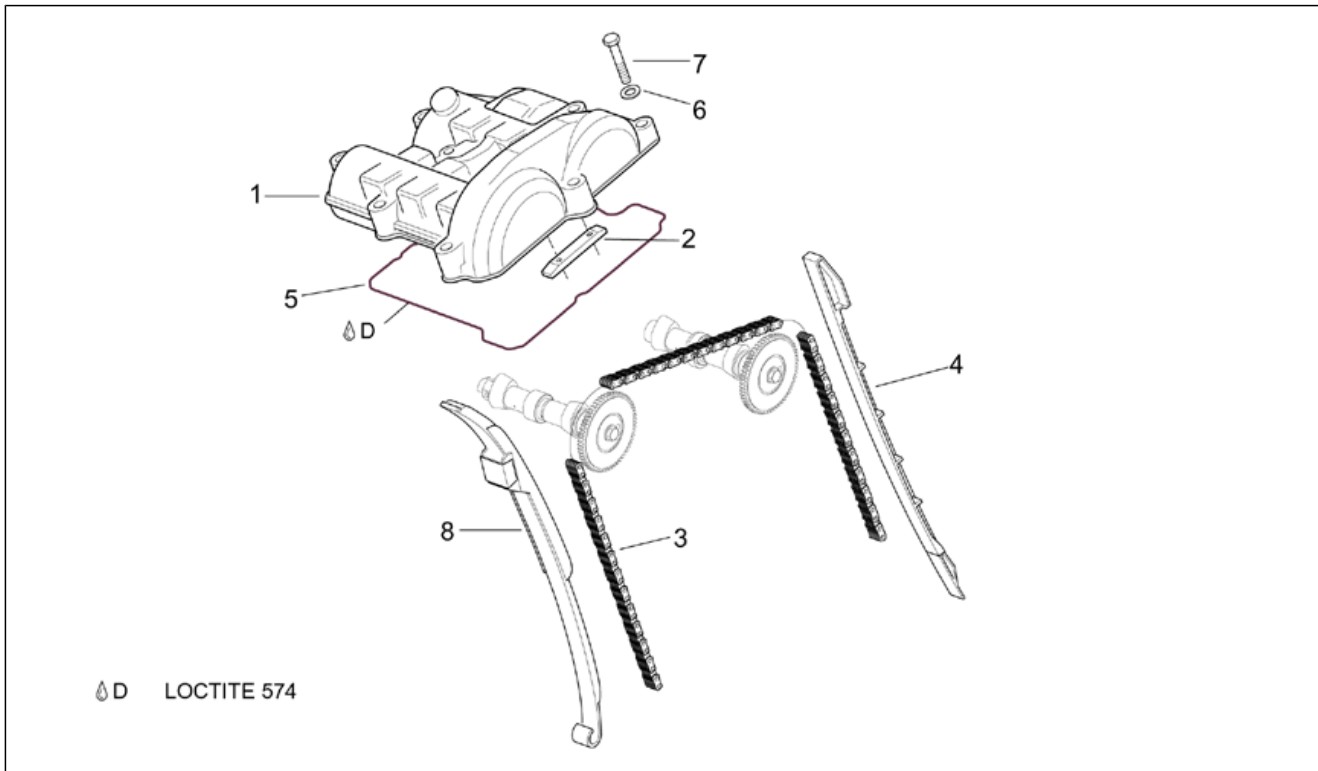
Pos.	Code	Beschreibung	Menge	Varianten
1	AP0613305	Kolben + Zylinder	1	
2	AP0294285	Kolben kpl. 99,97/99,98 mm	1	Technische Daten: Bis Motor Nr. 635618[OLD]
2	AP0295986	Kolben kpl. 99,97 A+B	1	Technische Daten: Ab Motor Nr. 635618[NEW]
2	AP0295987	Kolben kpl. 99,98 B+C	1	Technische Daten: Ab Motor Nr. 635618[NEW]
3	AP0295184	Satz Kolbenringe	1	Technische Daten: Bis Motor Nr. 635618[OLD]
3	AP0295984	Satz Kolbenringe	1	Technische Daten: Ab Motor Nr. 635618[NEW]
4	AP0216201	Bolzen 22x14,5/18x68,7	1	
5	AP0245436	Sperring 22	2	
6	AP0230604	Dichtung	1	
7	AP0230592	Dichtung	1	
8	AP0242851	Mutter	4	
9	AP0840882	TCEI Schraube	3	
10	AP0240705	Stiftschraube m10x117	4	
11	AP0240545	Stiftschraube M10x78	1	
12	AP0929650	Stift 5x10	2	
13	AP0241375	Deckel m24x1	1	
14	AP0430782	O-Ring 23,3x2,4	1	
15	AP0260310	Gummi	1	

Einheit	MOTOR
Code	29.52
Beschreibung	Zylinderkopf
Inspektion	1



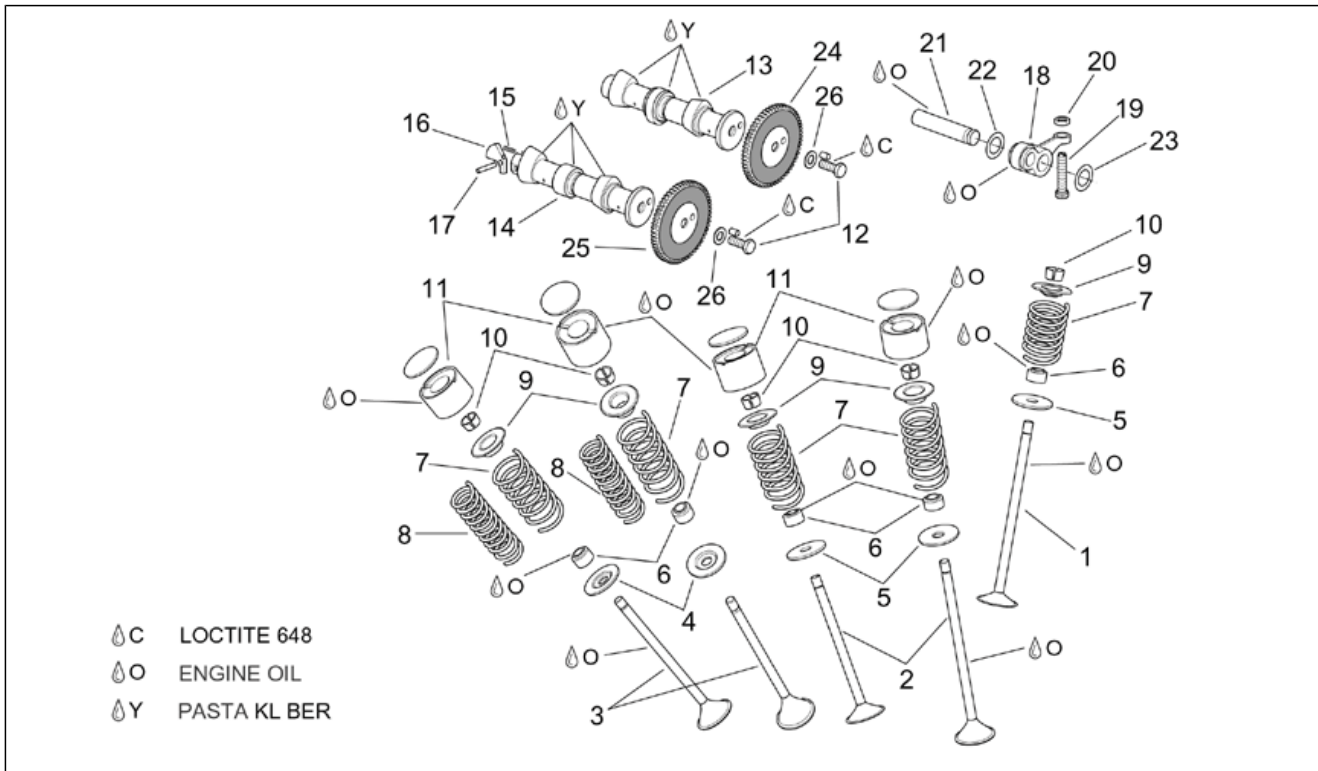
Pos.	Code	Beschreibung	Menge	Varianten
1	AP0613158	Zylinderkopf kpl.	1	
2	AP0840861	TCEI Schraube M6x25	14	
3	AP0945751	Federring Din a6	14	
4	AP0245710	Seegerring 11x1	5	
5	AP0240362	Stiftschraube m8x58	4	
6	AP0247955	Gummi	1	
7	AP0242851	Mutter	5	
8	AP0840882	TCEI Schraube	3	
9	AP0232990	Stift 3x9,8	1	
10	AP0253581	Ventilführung Auslaß	2	
11	AP0253591	Ventilführung Einlaß	2	
12	AP0253596	Ventilführung Einlaß	1	
13	AP0260310	Gummi	1	
14	AP0430782	O-Ring 23,3x2,4	1	
15	AP0241375	Deckel m24x1	1	
16	AP0260960	Deckel	3	

Einheit	MOTOR
Code	29.53
Beschreibung	Ventildeckel
Inspektion	1



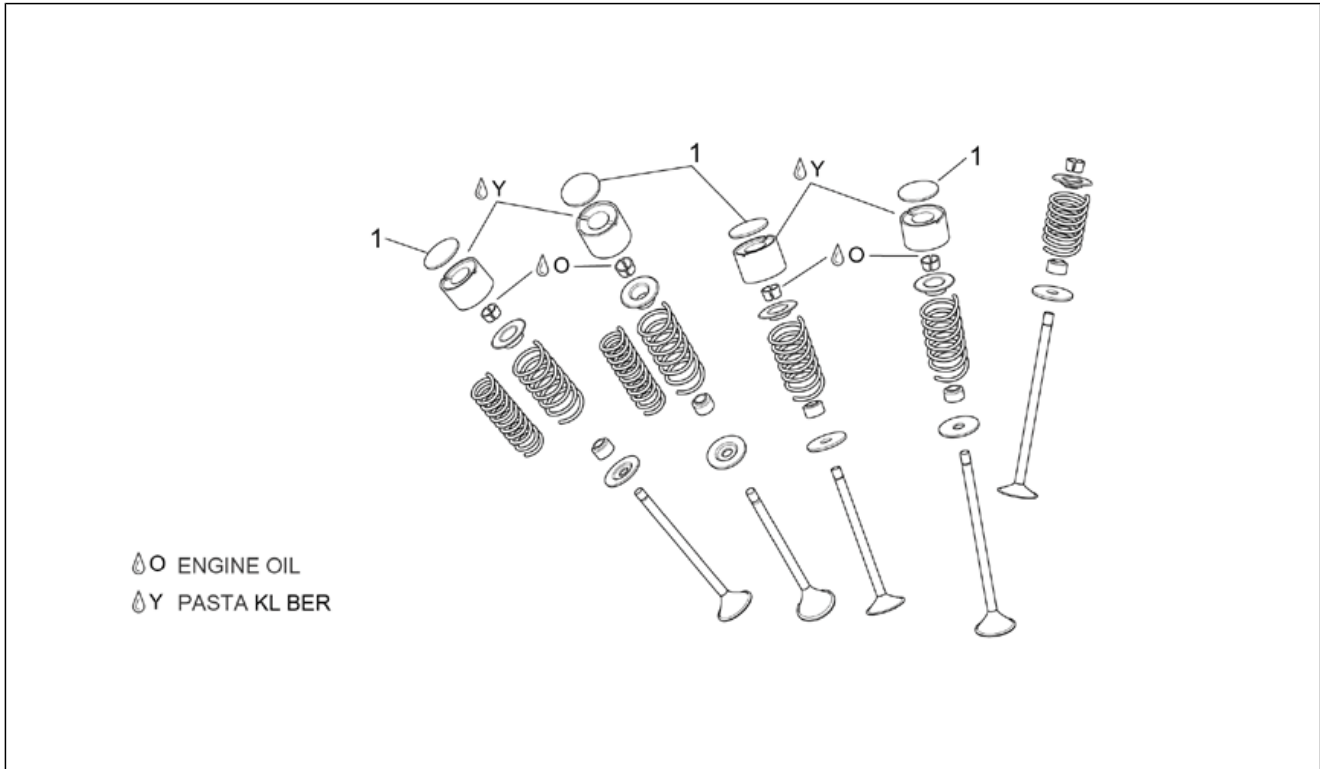
Pos.	Code	Beschreibung	Menge	Varianten
1	AP0210678	Ventildeckel	1	
2	AP0236130	Ob. Kettengleitführung	1	
3	AP0297760	Steuerkette	1	
4	AP0236126	Kettenführung rechts	1	
5	AP0230540	O-Ring	1	
6	AP0244217	Ausgleichscheibe 6,4	9	
7	AP0941122	Sechskantschraube	9	
8	AP0236115	Kettenführung links	1	

Einheit	MOTOR
Code	29.54
Beschreibung	Ventile
Inspektion	1



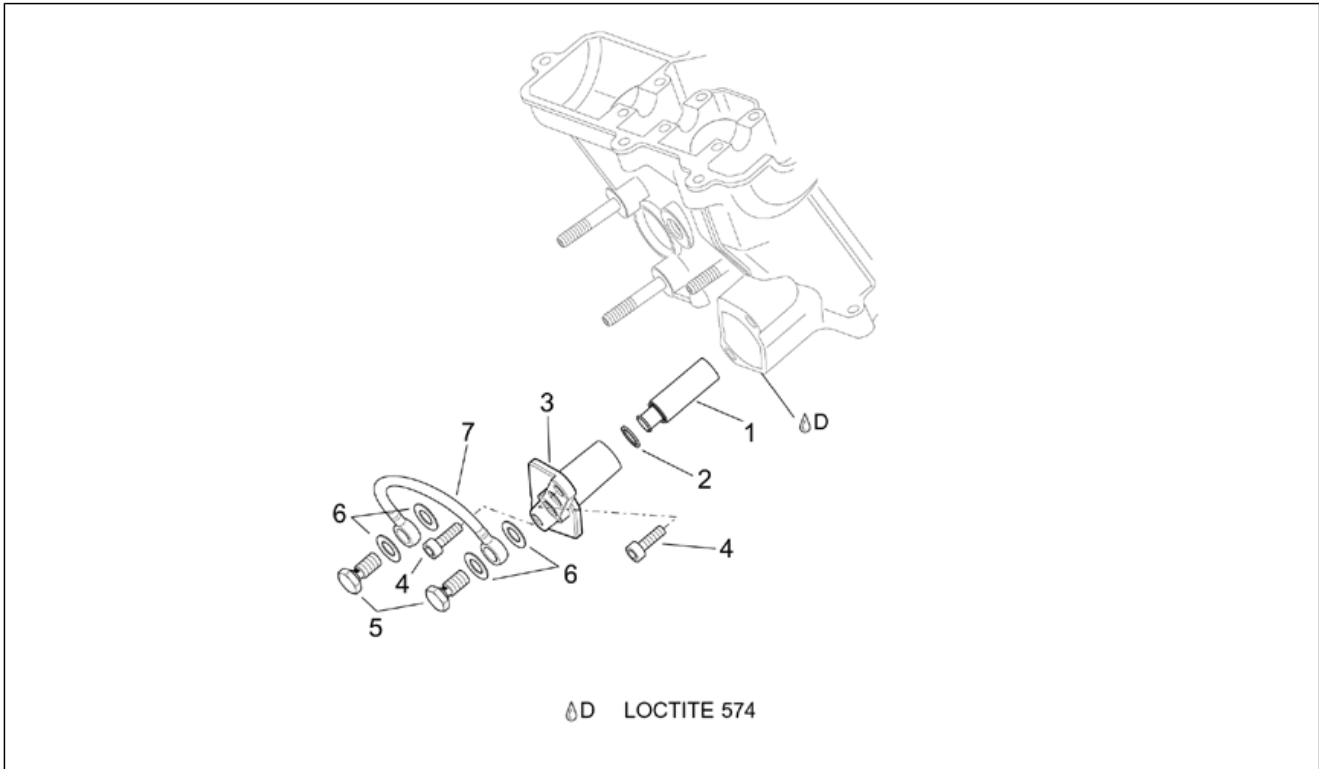
Pos.	Code	Beschreibung	Menge	Varianten
1	AP0253615	Einlaßventil 30 mm	1	
2	AP0253610	Einlaßventil 30 mm	2	
3	AP0253620	Auslaßventil 32 mm	2	
4	AP0253630	Platte	2	
5	AP0227982	Paßscheibe 11,2/28/1	3	
6	AP0230510	Ölabstreifring Ventilführung	5	
7	AP0239150	Ventilfeder außen	5	
8	AP0838140	Ventilfeder innen	2	
9	AP0253570	Ventilfederplatte	5	
10	AP0253640	Ventilhalbkegel	10	
11	AP0253540	Ventilbecher	4	
12	AP0841690	Sechskantschraube	2	
13	AP0237098	Nockenwelle Einlaß	1	
14	AP0237105	Nockenwelle Auslaß	1	
15	AP0239130	Feder	1	
16	AP0231020	Gegengewicht	1	
17	AP0232910	Stift 5x23,8	1	
18	AP0253605	Kipphebel Einlaß Kl.	1	
19	AP0240205	Schraube	1	
20	AP0242591	Mutter	1	
21	AP0253530	Kipphebelstange	1	
22	AP0227450	Paßscheibe 12,5/21,5/0,5	1	
23	AP0227455	Sprengscheibe 12,5x21,5x0,5	1	
24	AP0253945	Einlaß Zahn.Ventilsteuerung Z=36	1	
25	AP0253947	Auslaß Zahn.Ventilsteuerung Z=36	1	
26	AP0445441	Sprengscheibe	2	

Einheit	MOTOR
Code	29.55
Beschreibung	Ventilesbeläge
Inspektion	1



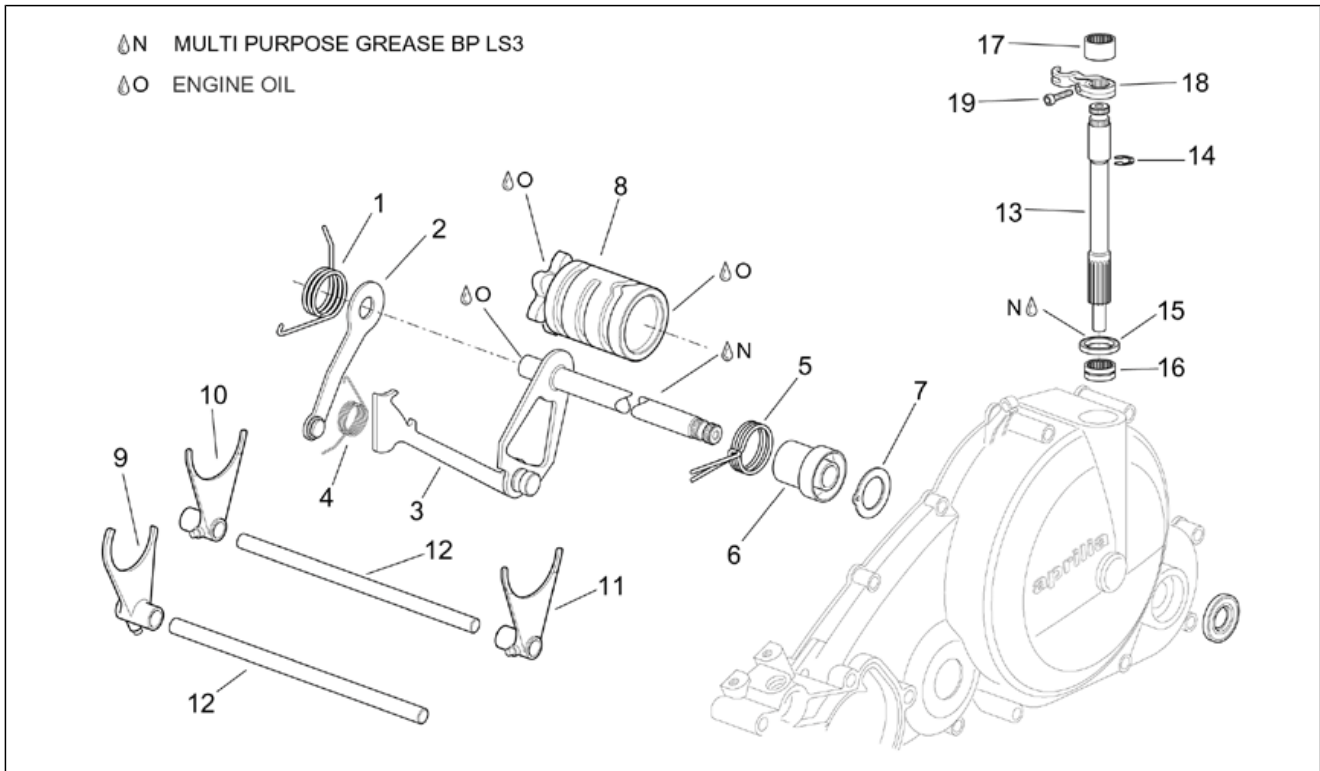
Pos.	Code	Beschreibung	Menge	Varianten
1	AP0253550	Belag 3,00	1	
1	AP0253551	Belag 3,1	1	
1	AP0253552	Belag 3,2	1	
1	AP0253553	Belag 3,3	1	
1	AP0253554	Belag 3,4	1	
1	AP0253555	Belag 3,5	1	
1	AP0253556	Belag 3,6	1	
1	AP0253557	Belag 3,7	1	
1	AP0253558	Belag 3,8	1	
1	AP0253559	Belag 3,9	1	
1	AP0253560	Belag 4,00	1	
1	AP0253561	Belag 2,9	1	
1	AP0253562	Belag 2,8	1	
1	AP0253563	Belag 2,7	1	
1	AP0253564	Belag 3,05	1	
1	AP0253565	Belag 3,15	1	
1	AP0253566	Belag 3,25	1	
1	AP0253567	Belag 3,35	1	
1	AP0253568	Belag 3,45	1	
1	AP0253569	Belag 3,55	1	
1	AP0253910	Belag 3,65	1	

Einheit	MOTOR
Code	29.56
Beschreibung	Kettenspanner
Inspektion	1



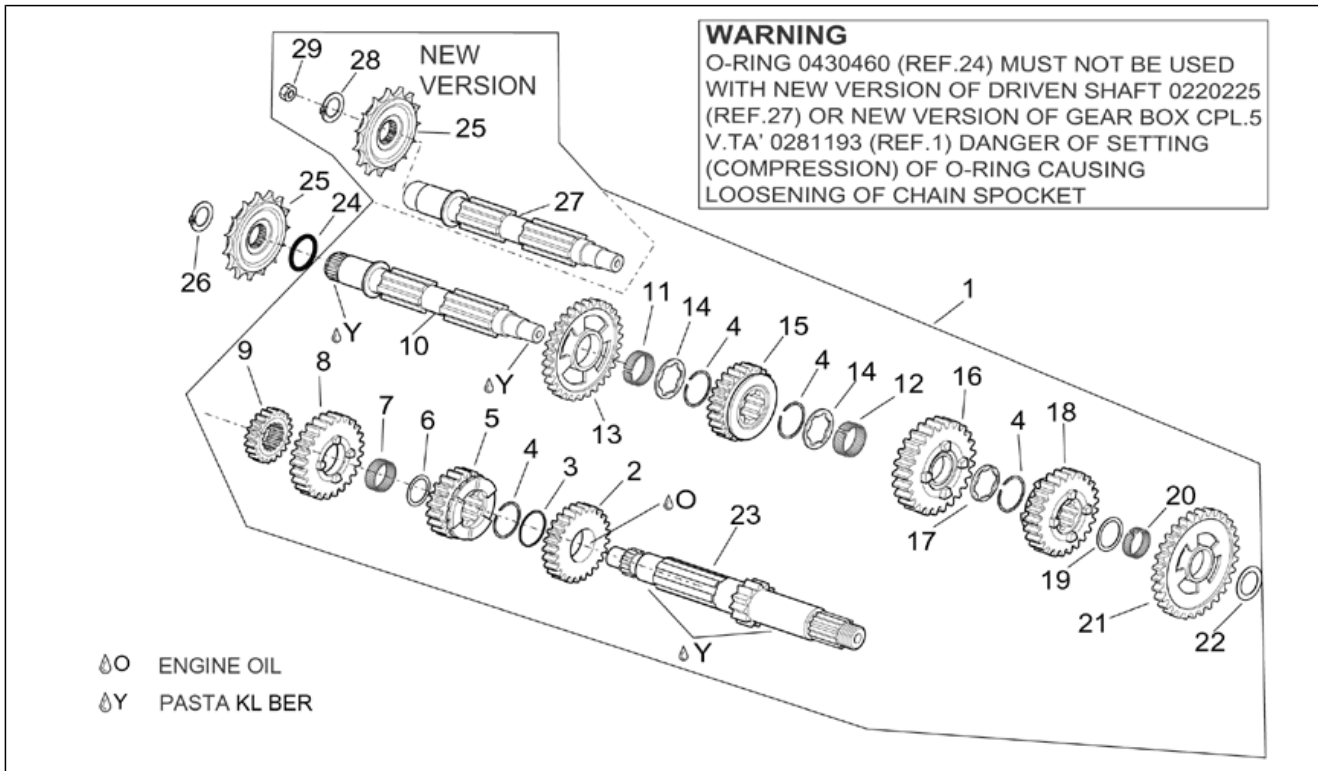
Pos.	Code	Beschreibung	Menge	Varianten
1	AP0236250	Kettenspanner	1	
2	AP0627330	Paßscheibe 7,8/13,5/1	1	
3	AP0236087	Kettenspannerhäuse	1	
4	AP0241932	TCEI Schraube	2	
5	AP0640280	Anschluss	2	
6	AP0950145	Dichtung	4	
7	AP0256530	Leitung	1	

Einheit	MOTOR
Code	29.57
Beschreibung	Schaltgabel
Inspektion	1



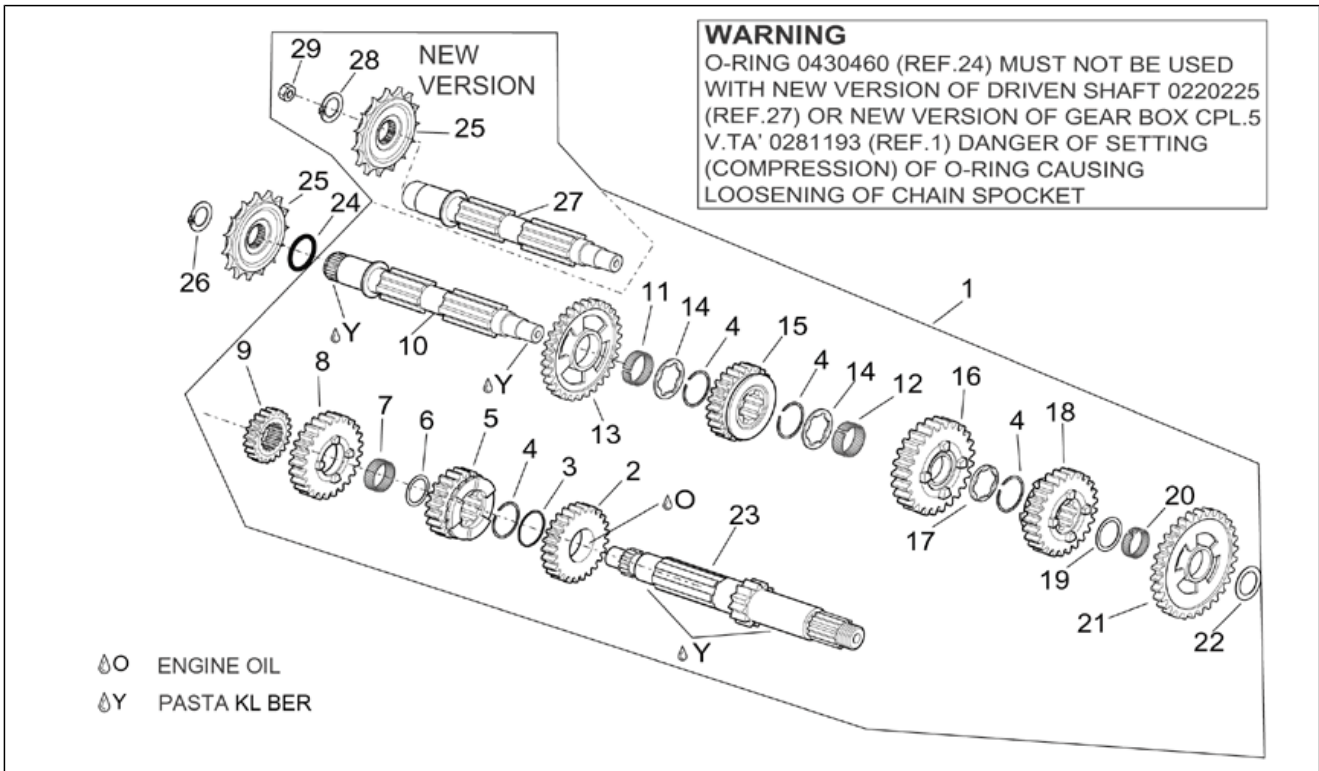
Pos.	Code	Beschreibung	Menge	Varianten
1	AP0239095	Index feder	1	
2	AP0248346	Indexhebel kpl.	1	
3	AP0237929	Getr.welle + Gesperre	1	
4	AP0239075	Feder	1	
5	AP0239082	Feder	1	
6	AP0247900	Distanzscheibe	1	
7	AP0227430	Paßscheibe 17,2/30/1	1	
8	AP0258275	Verschiebenocken	1	
9	AP0258037	Schaltgabel 4-5 Gang	1	
10	AP0258027	Schaltgabel 2 Gang	1	
11	AP0258017	Schaltgabel 1-3 Gang	1	
12	AP0258782	Schaltstange	2	
13	AP0237022	Kupplungswelle Z=11	1	
14	AP0845390	Seegerring	1	
15	AP0250992	Ölabstreifring 12x18x4,5	1	
16	AP0232275	Nadelkaefig 8x12x8	1	
17	AP0232480	Nadelkaefig 12x16x10	1	
18	AP0248305	Ausrueckwelle	1	
19	AP0840862	TCEI Schraube	1	

Einheit	MOTOR
Code	29.58
Beschreibung	Schaltgetriebe
Inspektion	1



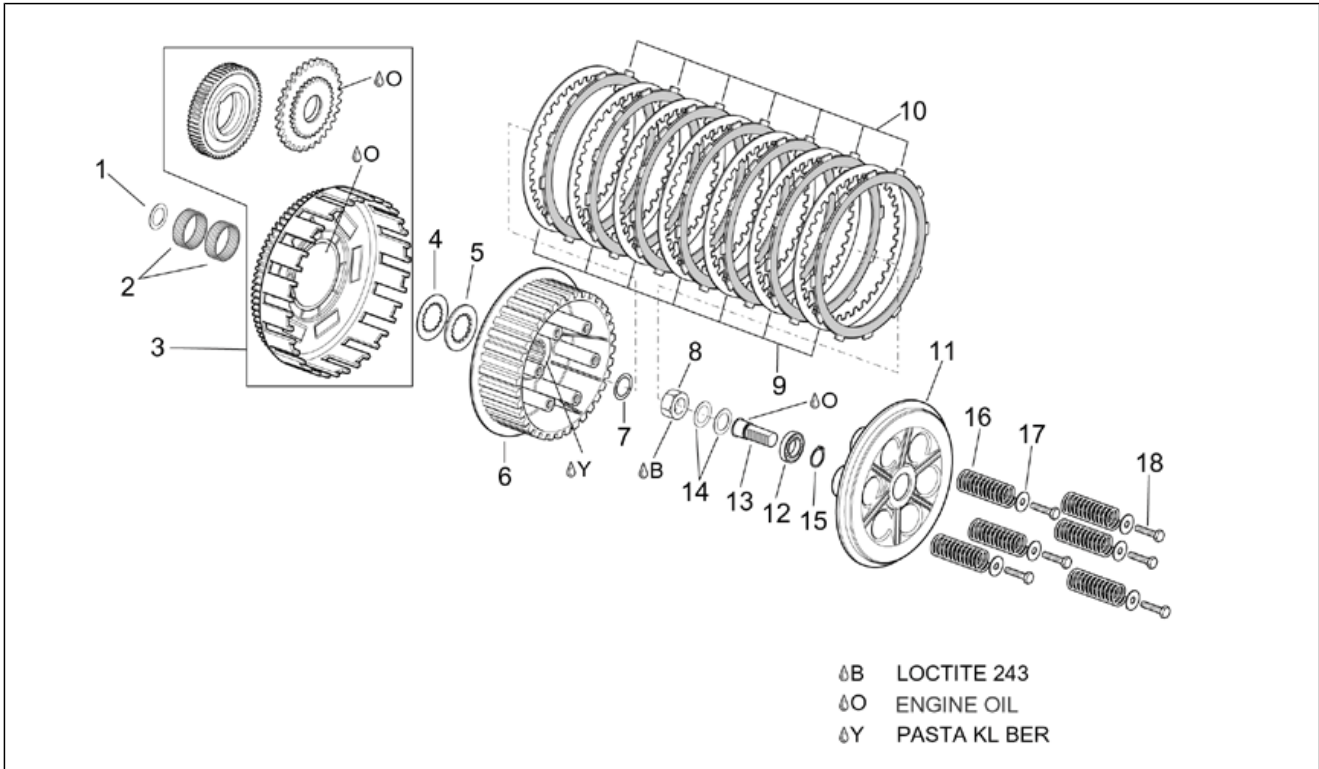
Pos.	Code	Beschreibung	Menge	Varianten
1	AP0281192	Schaltgetriebe 5-Gang	1	Technische Daten: Bis Motor Nr. 635618[OLD]
1	AP0281193	Schaltgetriebe 5-Gang	1	Technische Daten: Ab Motor Nr. 635618[NEW]
2	AP0234712	Zahnrad 4.Hauptwelle Z=22	1	
3	AP0227825	Paßscheibe 25,6/28,5/1,5	1	
4	AP0445300	Seegerring d25	4	
5	AP0634330	Zahnrad 3.Hauptwelle Z=16	1	
6	AP0227445	Paßscheibe 21,2/27,5/1	1	
7	AP0232805	Nadelkaefig 21x25x13	1	
8	AP0234720	Zahnrad 5.Hauptwelle Z=24	1	
9	AP0234670	Zahnrad 2.Hauptwelle Z=16	1	
10	AP0220220	Festrad	1	Technische Daten: Bis Motor Nr. 635618[OLD]
11	AP0232520	Nadelkaefig 22x26x10	1	
12	AP0232530	Nadelkaefig 22x26x13	1	
13	AP0634300	Zahnrad 2.Vorgelegewelle Z=28	1	
14	AP0627051	Paßscheibe	2	
15	AP0634340	Zahnrad 5.Vorgelegewelle Z=21	1	
16	AP0234700	Zahnrad 3.Vorgelegewelle Z=21	1	
17	AP0627061	Ring	1	
18	AP0634350	Zahnrad 4.Vorgelegewelle Z=23	1	
19	AP0244100	Paßscheibe 21,2/30/1	1	
20	AP0232742	Nadelkaefig 21x25x10	1	
21	AP0634290	Zahnrad 1.Vorgelegewelle Z=33	1	
22	AP0227430	Paßscheibe 17,2/30/1	1	
23	AP0220232	Vorgelegewelle Z=12	1	
24	AP0430460	O-Ring 18x3,5	1	
25	AP0236336	Ritzel Z=16	1	
26	AP0245650	Seegerring AV 20	1	
27	AP0220225	Festrad	1	Technische Daten: Ab Motor Nr. 635618[NEW]

Einheit	MOTOR
Code	29.58
Beschreibung	Schaltgetriebe
Inspektion	1



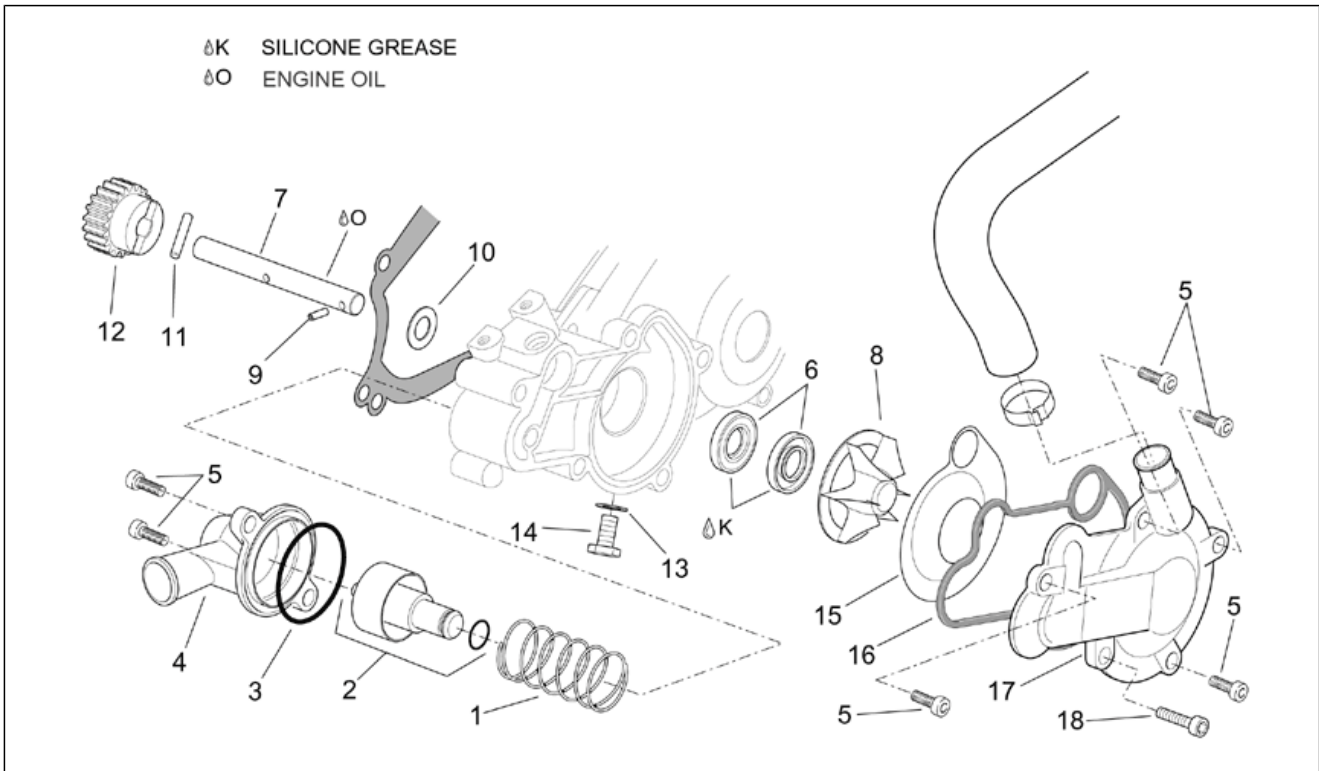
Pos.	Code	Beschreibung	Menge	Varianten
28	AP0245391	Sperring	1	Technische Daten:Ab Motor Nr. 635618[NEW]
29	AP0242651	Mutter m20x1,5	1	Technische Daten:Ab Motor Nr. 635618[NEW]

Einheit	MOTOR
Code	29.59
Beschreibung	Kupplung
Inspektion	1



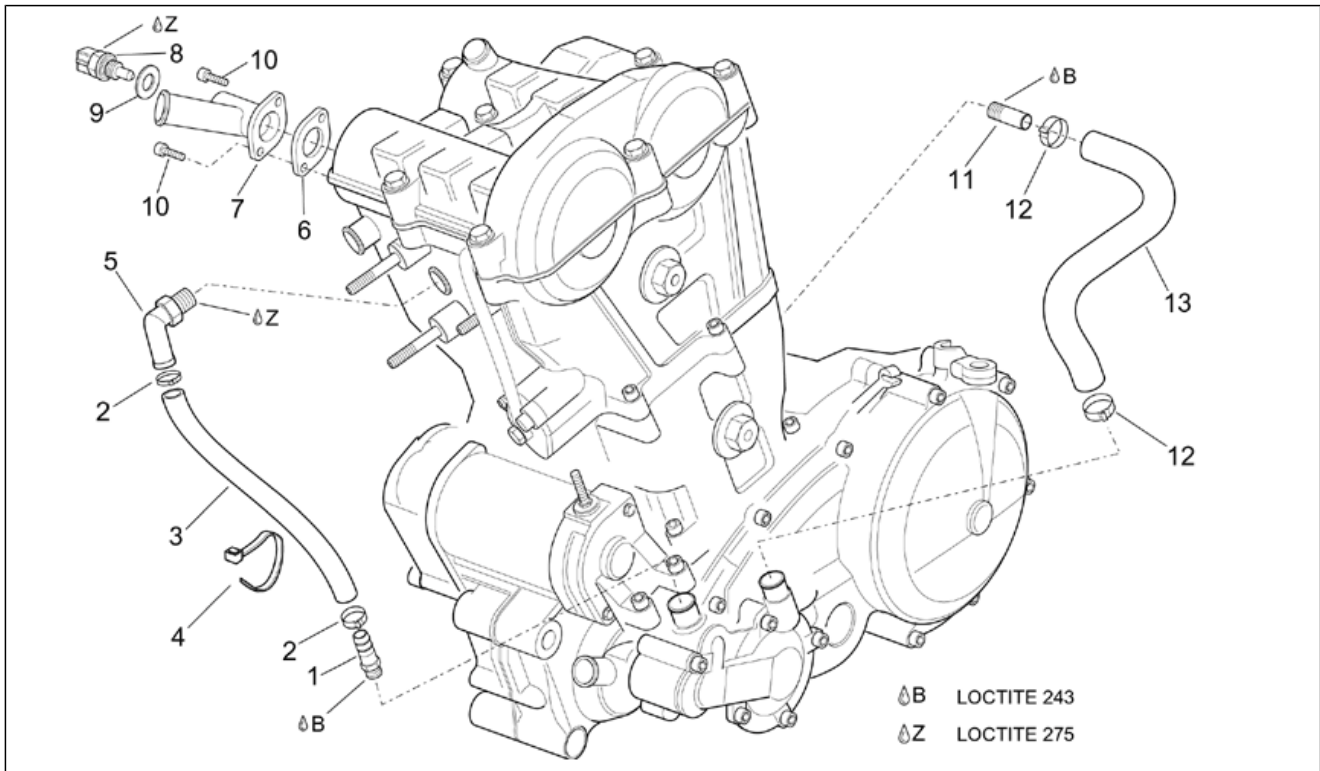
Pos.	Code	Beschreibung	Menge	Varianten
1	AP0427460	Paßscheibe 25/35/2	1	
2	AP0932930	Nadelkaefig 25x29x13	2	
3	AP0295442	Primaertrieb kpl.	1	
4	AP0250890	O-Ring 3771	1	
5	AP0244950	Paßscheibe 20/38/3	1	
6	AP0259115	Mitnehmer	1	
7	AP0245325	Ausgleichscheibe	1	
8	AP0242607	Mutter m18x1,25	1	
9	AP8106886	Kupplungsscheibe St. 7 pz.	1	
10	AP8106706	Belaglamelle 7 st.	1	
11	AP0259122	Stuetzteller	1	
12	AP0232262	Lager 15x32x9	1	
13	AP0259202	Zahnwelle	1	
14	AP0239060	Tellerfeder	2	
15	AP0945650	Seegerring d14	1	
16	AP0239162	Kupplungsfeder	6	
17	AP0244020	Ausgleichscheibe d6,5	6	
18	AP0240036	Sechskantschraube	6	

Einheit	MOTOR
Code	29.60
Beschreibung	Wasserpumpenritzel
Inspektion	1



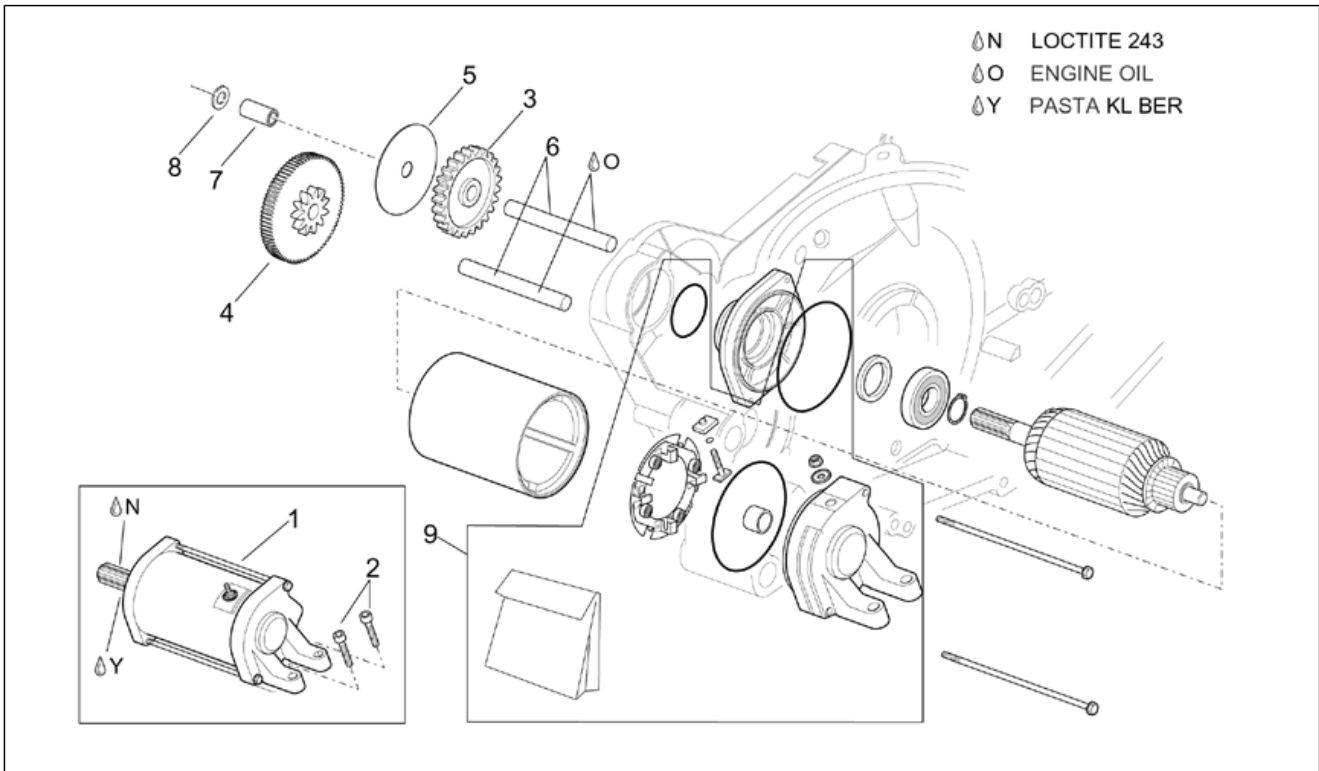
Pos.	Code	Beschreibung	Menge	Varianten
1	AP0239140	Feder	1	
2	AP0222317	Thermostat 70°	1	
3	AP0430590	O-Ring	1	
4	AP0222300	Thermostatgehäuse	1	
5	AP0241932	TCEI Schraube	6	
6	AP0230196	Ölabstreifring 10x26x7	2	
7	AP0237040	Welle Wasserpumpe	1	
8	AP0222272	Läufer	1	
9	AP0229280	Stift 4x16	1	
10	AP0227680	Paßscheibe 10,1/25/1	1	
11	AP0232420	Stift 4x19,8	1	
12	AP0234620	Wasserpump.-Zahn. Z=18	1	
13	AP0230415	Gasket ring 6x10	2	
14	AP0240912	Sechskantschraube	1	
15	AP0222290	Wasserpumpenritzel Schirm	1	
16	AP0230330	Dichtung	1	
17	AP0222215	Wasserpumpenkörper	1	
18	AP0240372	TCEI Schraube	1	

Einheit	MOTOR
Code	29.61
Beschreibung	Kühlschlauch
Inspektion	1



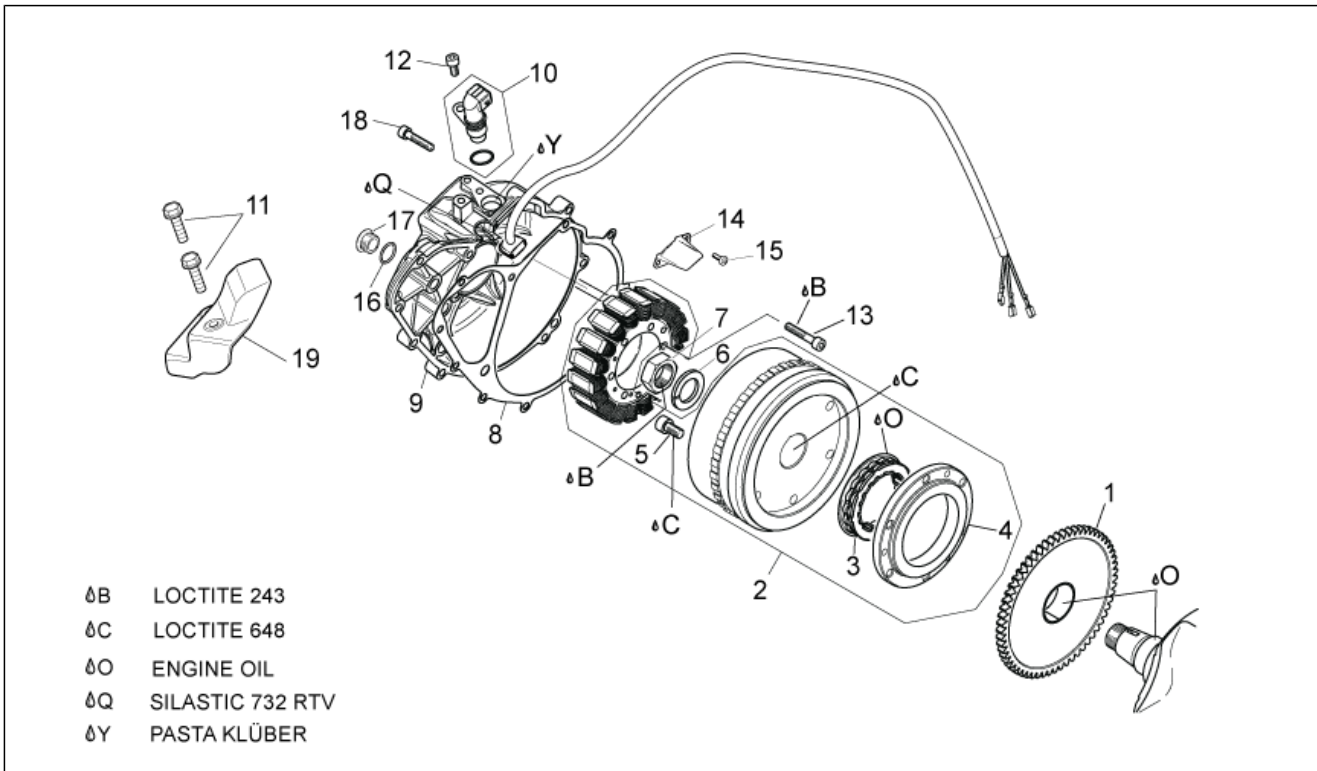
Pos.	Code	Beschreibung	Menge	Varianten
1	AP0840445	Anschluss	1	
2	AP0251170	Schelle d18	2	
3	AP0260955	Leitung 250 mm	1	
4	AP0251920	Schelle	1	
5	AP0922245	Winkelverbinder	1	
6	AP0250025	Dichtung	1	
7	AP0222640	Winkelverbinder	1	
8	AP8124868	Temperaturfühler	1	
9	AP0250640	Gasket ring 12x18	1	
10	AP0840512	TCEI Schraube	2	
11	AP0224090	Leitung	1	
12	AP0251020	Schlauchschelle 23,5	2	
13	AP0222284	Wasserschlauch	1	

Einheit	MOTOR
Code	29.62
Beschreibung	Startermotor
Inspektion	1



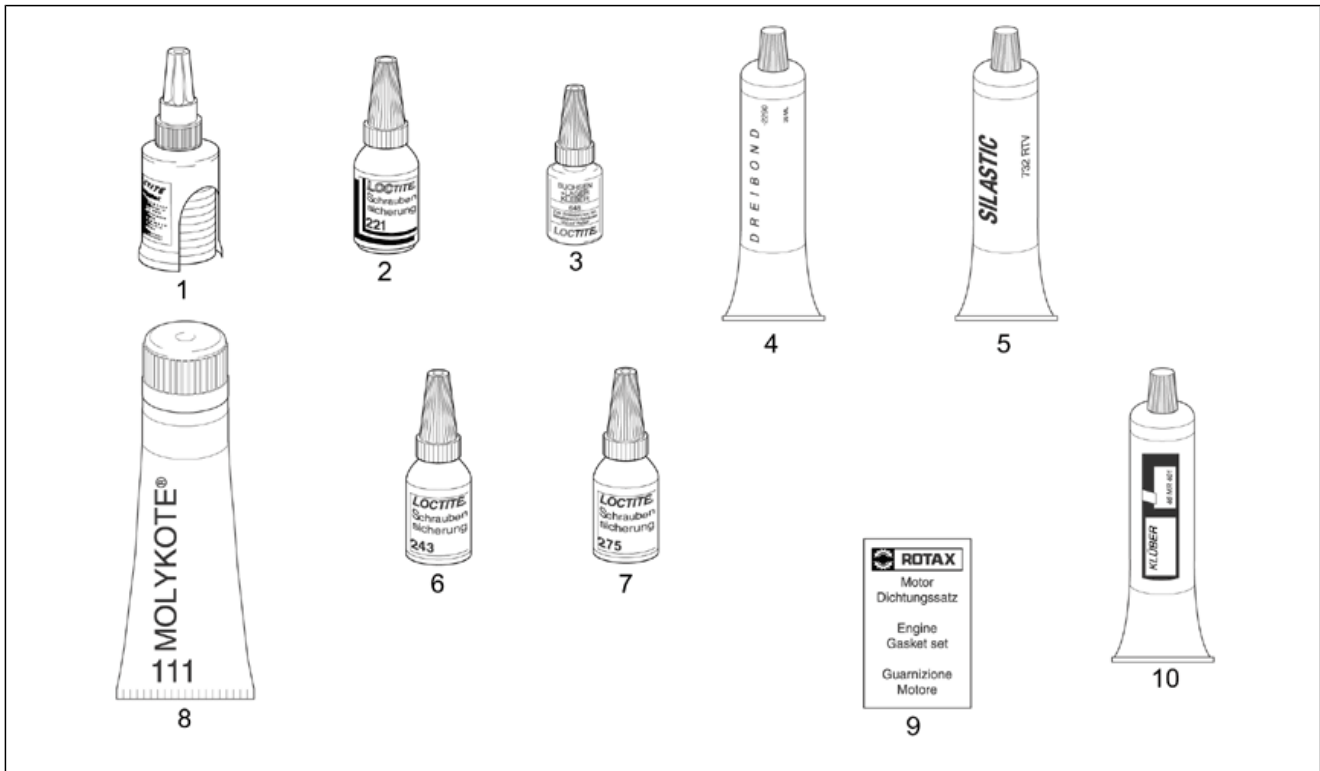
Pos.	Code	Beschreibung	Menge	Varianten
1	AP0294351	Anlasser komplett	1	
2	AP0840882	TCEI Schraube	2	
3	AP0234655	Freilaufgrad Z=24	1	
4	AP0234756	Freilaufgrad Z=11/52	1	
5	AP0627080	Paßscheibe 11/58/1,5	1	
6	AP0229301	Bolzen M6x50	2	
7	AP0247785	Distanzscheibe 10/13/10,7	1	
8	AP0827590	Paßscheibe 10,1/17/1	1	
9	AP0294352	Aust.satz Anlasser	1	

Einheit	MOTOR
Code	29.63
Beschreibung	Zündung
Inspektion	1



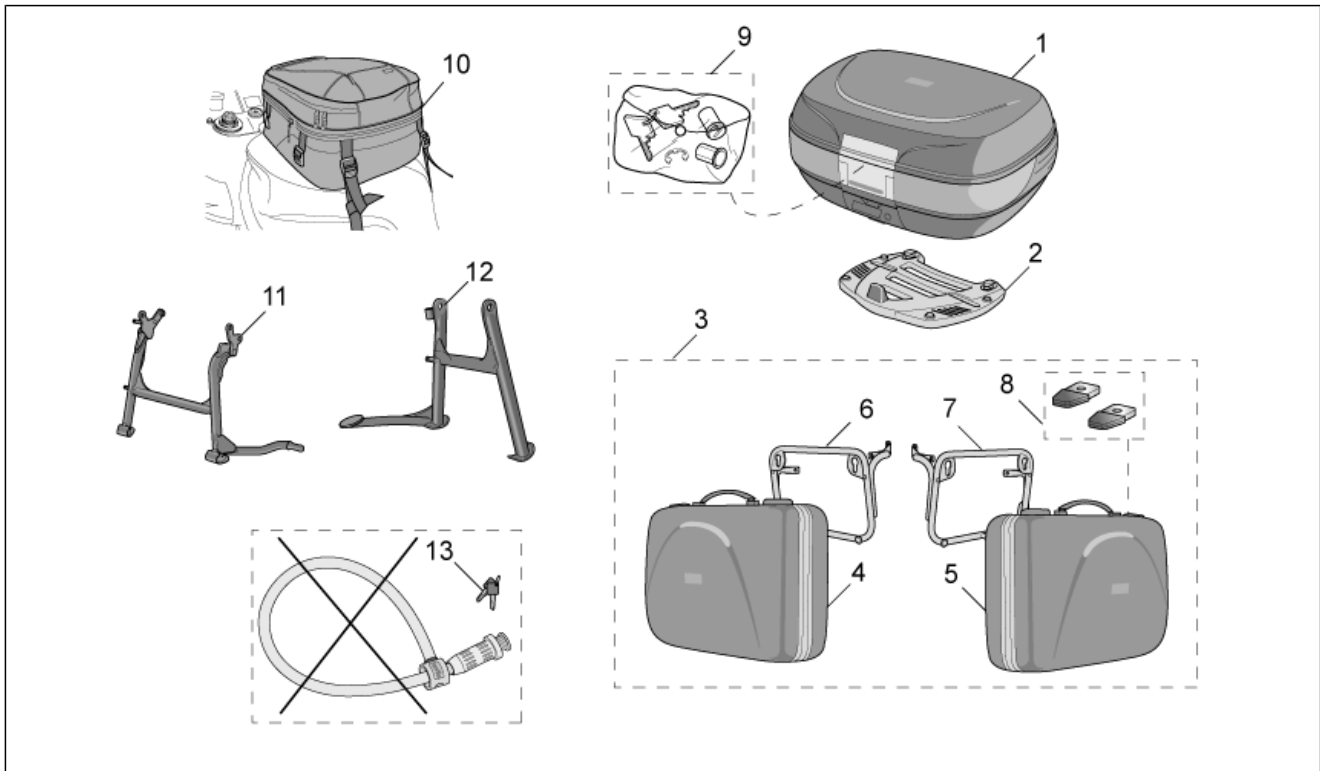
Pos.	Code	Beschreibung	Menge	Varianten
1	AP0634317	Zahnrad Freilauf	1	
2	AP0296410	Zündung 12V-280W	1	
3	AP0659117	Freilauf	1	
4	2R000111	Flansch	1	
5	AP0641590	TCEI Schraube	6	
6	AP0945759	Federring Din a22	1	
7	AP0842230	Mutter m22x1,5	1	
8	AP0250922	Dichtung	1	
9	AP0610161	Zünddeckel	1	
10	AP8124865	kurbelwelle fühler	1	
11	AP8152278	TE Schr. m. Flansch M6x16	2	
12	AP0841331	TCEI Schraube M6x12	1	
13	AP0241810	TCEI Schraube	3	
14	AP0251880	Externe Kabelschutzplatte	1	
15	AP0240195	TCB-Spezialschraube M4x8	2	
16	AP0250890	O-Ring 3771	1	
17	AP0241803	Verschlusschraube M18x1,5	1	
18	AP0840882	TCEI Schraube	10	
19	AP8149056	Fühlerschutz Pick-up	1	

Einheit	MOTOR
Code	29.64
Beschreibung	Verbrauchsmaterial
Inspektion	1



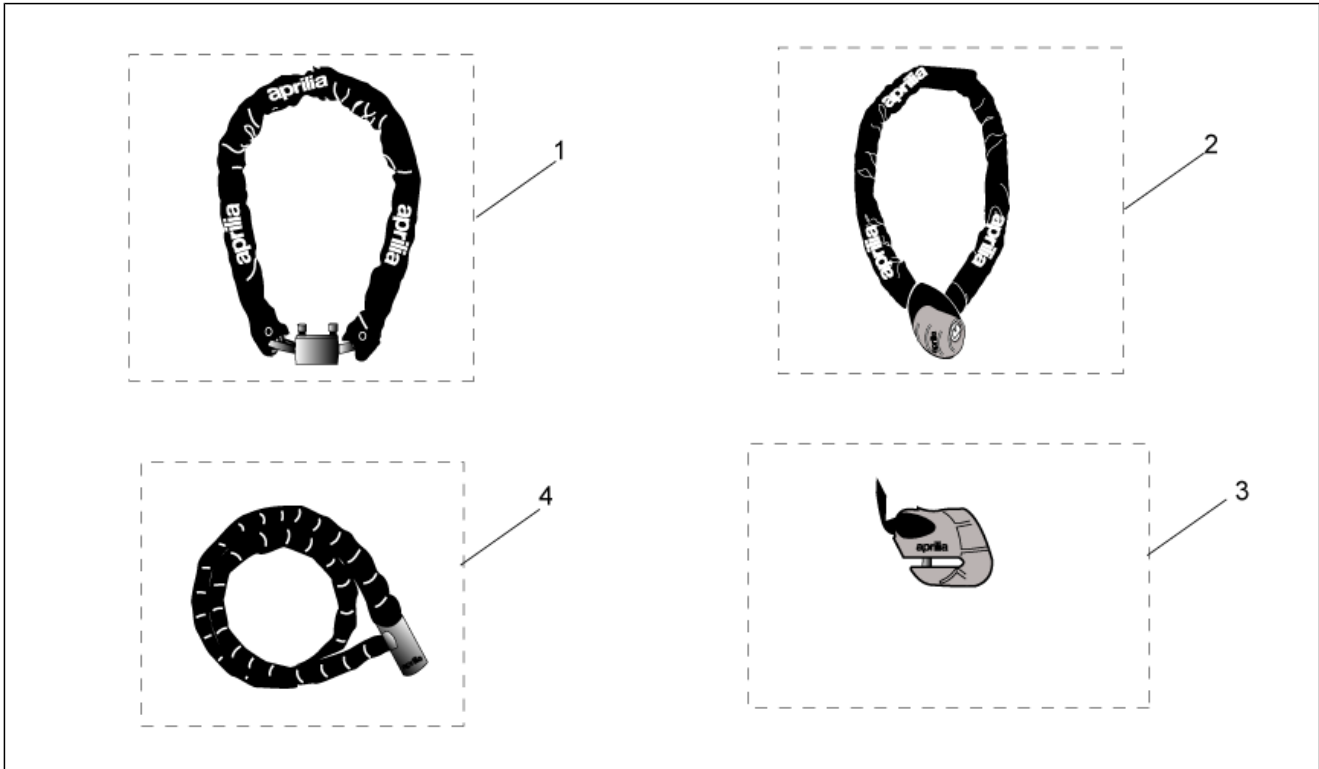
Pos.	Code	Beschreibung	Menge	Varianten
1	AP0899784	Loctite, orange 574	1	
2	AP0899785	Loctite, violett 221 10cc.	1	
3	AP0899788	Loctite, grün 648 5gr.	1	
4	AP0297900	Flachendichtmittel 310 ml	1	
5	AP0297386	Silastic 732 Rtv 100 gr.	1	
6	AP0897651	Loctite, blau 243 10cc.	1	
7	AP0898011	Loctite 275	1	
8	AP0897161	Molykote 111 100gr.	1	
9	AP0294762	Dichtungen - Satz	1	
10	AP0297616	Klueberpaste 60 g	1	

Einheit	ZUBEHÖR
Code	30.65
Beschreibung	Acc. - Koffer, Taschen Son.
Inspektion	1



Pos.	Code	Beschreibung	Menge	Varianten
1	AP8792172	Koffer grau/rot X-Box Dark	1	Technische Daten:Zubehör[A]
1	AP8792286	Koffer grau/rot X-Box Light	1	Technische Daten:Zubehör[A]
2	AP8790188	Kofferhalter 50L	1	Technische Daten:Zubehör[A]
3	AP8792289	Koffer re.grau	1	Technische Daten:Zubehör[A]
4	AP8792290	Koffer re.grau	1	Technische Daten:Zubehör[A]
5	AP8792291	Koffer li.grau	1	Technische Daten:Zubehör[A]
6	AP8700855	Kit Seitenkofferhalterung re.	1	Technische Daten:Zubehör[A]
7	AP8700856	Kit Seitenkofferhalterung li.	1	Technische Daten:Zubehör[A]
8	AP8790114	Rotor kit with key	1	Technische Daten:Zubehör[A]
9	AP8796361	Kit Staukoffergriff 50L	1	Technische Daten:Zubehör[A]
10	AP8792008	Tankrucksack	1	Technische Daten:Zubehör[A]
11	AP8790147	Hauptständer	1	Baujahr:2003[3] Fahrzeugfarbe:Tuscany Tibet 2003[Tibet] Technische Daten:Zubehör[A]
12	AP8795034	Hauptständer	1	Technische Daten:Zubehör[A]
13	AP8700792	Schlüsslersatzdie. B.Guard UK-D	1	Technische Daten:Zubehör[A]
13	AP8700793	Schlüsslersatzdie. B.Guard F-NL	1	Technische Daten:Zubehör[A]
13	AP8700794	Schlüsslersatzdie. B.Guard I-E	1	Technische Daten:Zubehör[A]

Einheit	ZUBEHÖR
Code	30.66
Beschreibung	Acc. - Diefstahl
Inspektion	1



Pos.	Code	Beschreibung	Menge	Varianten
1	AP8720115	Iron Guard 10x150 mm	1	Technische Daten:Zubehör[A]
2	AP8720116	Iron Guard 8x120 mm	1	Technische Daten:Zubehör[A]
3	AP8720117	Iron Guard Disk 5 mm	1	Technische Daten:Zubehör[A]
4	AP8720118	Easy Guard 150 mm	1	Technische Daten:Zubehör[A]