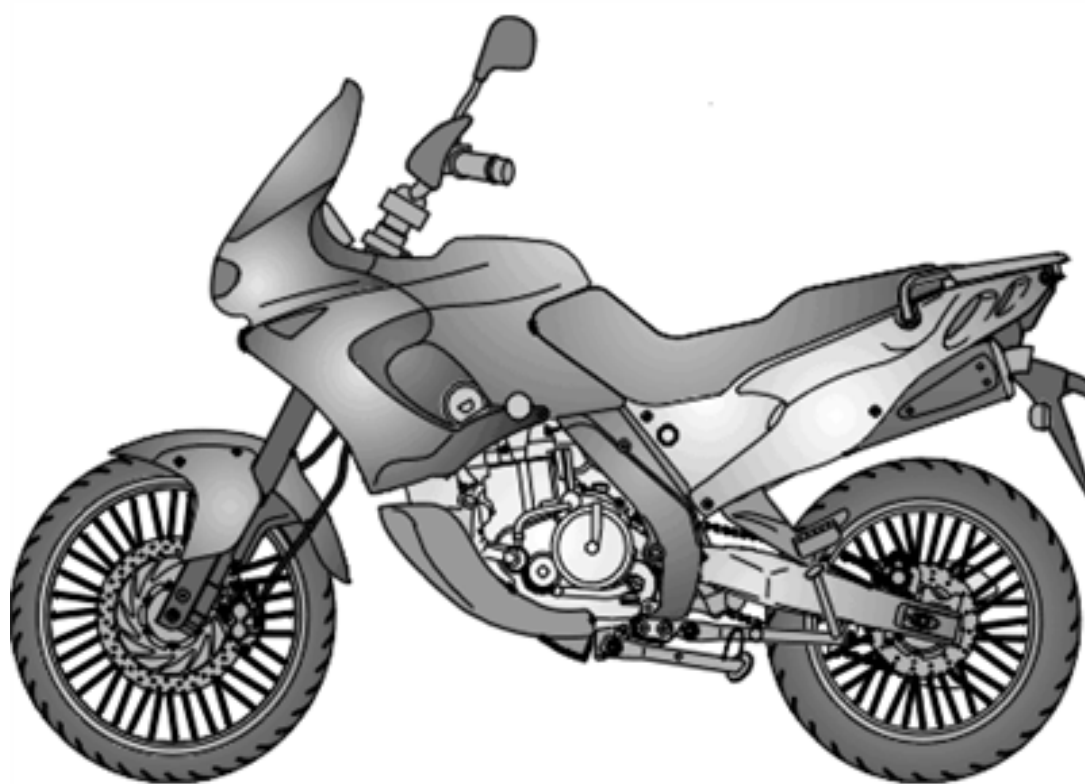


aprilia[®]

ERSATZTEILKATALOG



Pegaso 650 1997-2000

Vorsatzcode Fahrgestell: ZD4ML

Vorsatzcode Motor:

Inhaltsverzeichnis

Fertige Produkte.....	4
Alphanumerisches Verzeichnis.....	7
RAHMEN.....	15
Tafel 28.01 - Rahmen I.....	15
Tafel 28.02 - Rahmen II.....	16
Tafel 28.03 - Fussrasten.....	17
Tafel 28.04 - Hauptständer.....	18
Tafel 28.05 - Lenkung.....	19
Tafel 28.06 - Vorderradgabel.....	20
Tafel 28.07 - Schwinge.....	21
Tafel 28.08 - Hinterradaufhängung.....	22
Tafel 28.09 - Frontaufbau - Kuppel.....	23
Tafel 28.10 - Frontaufbau - V.verkl.Luft Buchse.....	25
Tafel 28.11 - Frontaufbau - V.verkl.....	26
Tafel 28.12 - Frontaufbau - Handschutz.....	28
Tafel 28.13 - Frontaufbau - Schutzblech.....	30
Tafel 28.14 - Frontaufbau - Rechts Schaftenschutz.....	32
Tafel 28.15 - Frontaufbau - Links Schaftenschutz.....	35
Tafel 28.16 - Frontaufbau - Wannenschutz.....	38
Tafel 28.17 - Kraftstofftank.....	40
Tafel 28.18 - Mittlerer aufbau - Sitz.....	43
Tafel 28.19 - Mittlerer aufbau - Seitenteilen.....	45
Tafel 28.20 - Heckaufbau.....	47
Tafel 28.21 - Instrumententafel I.....	48
Tafel 28.22 - Instrumententafel II.....	50
Tafel 28.23 - Instrumententafel III.....	51
Tafel 28.24 - Instrumententafel IV.....	52
Tafel 28.25 - Lenkstange - Rückspiegel.....	53
Tafel 28.26 - Schaltungen rechts.....	54
Tafel 28.27 - Schaltungen links.....	55
Tafel 28.28 - Kühlanlage.....	56
Tafel 28.29 - Ausdehngefäß.....	57
Tafel 28.30 - Filtergehäuse.....	58
Tafel 28.31 - Kraftstoffhahn.....	59
Tafel 28.37 - Auslassgruppe.....	60
Tafel 28.38 - Vorderrad.....	62
Tafel 28.39 - Hinterrad.....	64
Tafel 28.40 - Hinterradbremspumpe.....	65
Tafel 28.41 - Hinterradbremzange.....	66
Tafel 28.42 - Lichter I.....	67
Tafel 28.43 - Lichter II.....	69
Tafel 28.44 - Elektrische anlage I.....	71
Tafel 28.45 - Elektrische anlage II.....	72

Tafel 28.46 - Bausatz Schlösser.....	73
Tafel 28.47 - Schilden.....	75
Tafel 28.48 - Deko Serie.....	76
Tafel 28.49 - Gebrauchsanleitung.....	79
MOTOR.....	80
Tafel 29.32 - Vergaser I.....	80
Tafel 29.33 - Vergaser II.....	82
Tafel 29.34 - Vergaser III.....	83
Tafel 29.35 - Vergaser IV.....	85
Tafel 29.36 - Motor.....	86
Tafel 29.50 - Kurbelwellengehäuse I.....	88
Tafel 29.51 - Kurbelwellengehäuse II.....	89
Tafel 29.52 - Ölfilter.....	90
Tafel 29.53 - Ölpumpe.....	91
Tafel 29.54 - Kurbelwelle.....	92
Tafel 29.55 - Zylinder.....	93
Tafel 29.56 - Zylinderkopf.....	94
Tafel 29.57 - Ventildeckel.....	95
Tafel 29.58 - Ventile.....	96
Tafel 29.59 - Ventilesbeläge.....	97
Tafel 29.60 - Kettenspanner.....	98
Tafel 29.61 - Schaltgabel.....	100
Tafel 29.62 - Schaltgetriebe.....	101
Tafel 29.63 - Kupplung.....	103
Tafel 29.64 - Wasserpumpenritzel.....	104
Tafel 29.65 - Kühlschlauch.....	105
Tafel 29.66 - Steuergerät - Spule.....	106
Tafel 29.67 - Startermotor.....	107
Tafel 29.68 - Zündung.....	108
Tafel 29.69 - Verbrauchsmaterial.....	109
ZUBEHÖR.....	110
Tafel 30.70 - Acc. - Koffer, Taschen Son.....	110
Tafel 30.71 - Acc. - Diebstahl.....	111

Fertige Produkte

Code	Gültigkeit
AP68110AT01	
AP68110AT02	
AP68110BE01	
AP68110BE02	
AP68110CH01	
AP68110CH02	
AP68110DE01	
AP68110DE02	
AP68110DE11	
AP68110DE12	
AP68110EL01	
AP68110EL02	
AP68110ES01	
AP68110ES02	
AP68110FR01	
AP68110FR02	
AP68110GB01	
AP68110GB02	
AP68110IT01	
AP68110IT02	
AP68110NL01	
AP68110NL02	
AP68110PT02	
AP68111FR01	
AP68111FR02	
AP68111IT01	
AP68111IT02	
AP68111NL02	
AP68112AU01	
AP68112AU02	
AP68112AU03	
AP68112AU05	
AP68112AU07	
AP68112BE02	
AP68112BE03	
AP68112BE05	
AP68112BE07	
AP68112BR01	
AP68112BR02	
AP68112BR03	
AP68112BR08	
AP68112DE01	

Code	Gültigkeit
AP68112DE02	
AP68112DE03	
AP68112DE05	
AP68112DE07	
AP68112DE11	
AP68112DE13	
AP68112DE14	
AP68112DK01	
AP68112DK02	
AP68112DK03	
AP68112DK13	
AP68112DK14	
AP68112EL01	
AP68112EL02	
AP68112EL03	
AP68112EL05	
AP68112EL07	
AP68112EL11	
AP68112EL13	
AP68112EL14	
AP68112ES01	
AP68112ES02	
AP68112ES03	
AP68112ES05	
AP68112ES07	
AP68112ES11	
AP68112ES13	
AP68112ES14	
AP68112FR01	
AP68112FR02	
AP68112FR03	
AP68112FR07	
AP68112FR13	
AP68112FR14	
AP68112GB01	
AP68112GB02	
AP68112GB03	
AP68112GB13	
AP68112IT01	
AP68112IT02	
AP68112IT03	
AP68112IT04	
AP68112IT05	
AP68112IT07	
AP68112IT08	

Code	Gültigkeit
AP68112IT11	
AP68112IT13	
AP68112IT14	
AP68112IT15	
AP68112NL02	
AP68112NL03	
AP68112NL05	
AP68112NL14	
AP68112PT02	
AP68112PT03	
AP68112PT05	
AP68112PT07	
AP68112PT14	
AP68113IT01	
AP68113IT02	
AP68113IT03	
AP68113IT05	
AP68114AT02	
AP68114AT03	
AP68114AT14	
AP68114CH02	
AP68114CH05	
AP68114CH13	
AP68114IT13	
AP68114US05	
AP68114US07	
AP68114US08	
AP68114US11	
AP68114US13	
AP68114US14	
AP7999006	

Code	Nr. der Tafel	Pos.	Code	Nr. der Tafel	Pos.	Code	Nr. der Tafel	Pos.
0000000	28.38	4	AP0232420	29.64	11	AP0240362	29.56	5
0000000	28.38	5	AP0232430	29.53	17	AP0240372	29.64	18
0000000	28.39	2	AP0232480	29.61	17	AP0240531	29.50	19
0000000	28.39	3	AP0232501	29.51	4	AP0240541	29.50	6
AP0210378	29.50	1	AP0232520	29.62	11	AP0240545	29.50	23
AP0210379	29.50	1	AP0232530	29.62	12	AP0240545	29.55	11
AP0210386	29.68	8	AP0232730	29.53	11	AP0240705	29.55	10
AP0210388	29.68	8	AP0232742	29.62	20	AP0240912	29.64	14
AP0210411	29.52	6	AP0232764	29.51	5	AP0241070	29.53	8
AP0210414	29.52	6	AP0232805	29.62	7	AP0241262	29.50	20
AP0210640	29.53	14	AP0232910	29.58	17	AP0241262	29.50	9
AP0210674	29.57	1	AP0232990	29.56	9	AP0241370	29.55	13
AP0210677	29.57	1	AP0233675	29.50	11	AP0241370	29.55	13
AP0216201	29.55	4	AP0233680	29.50	12	AP0241375	29.55	13
AP0220220	29.62	10	AP0234561	29.53	18	AP0241375	29.55	13
AP0220225	29.62	27	AP0234620	29.64	12	AP0241375	29.56	15
AP0220232	29.62	23	AP0234655	29.67	3	AP0241801	29.68	21
AP0220250	29.53	3	AP0234670	29.62	9	AP0241803	29.68	21
AP0222214	29.64	17	AP0234700	29.62	16	AP0241810	29.50	18
AP0222215	29.64	17	AP0234712	29.62	2	AP0241810	29.68	13
AP0222226	29.65	7	AP0234720	29.62	8	AP0241822	29.50	17
AP0222227	29.65	7	AP0234756	29.67	4	AP0241850	29.51	17
AP0222270	29.64	8	AP0235272	29.53	1	AP0241852	29.51	17
AP0222280	29.65	13	AP0236081	29.60	10	AP0241932	29.52	7
AP0222280	29.65	13	AP0236081	29.60	10	AP0241932	29.60	4
AP0222284	29.65	13	AP0236086	29.60	3	AP0241932	29.60	4
AP0222284	29.65	13	AP0236086	29.60	3	AP0241932	29.64	5
AP0222290	29.64	15	AP0236100	29.60	8	AP0242031	29.68	18
AP0222300	29.64	4	AP0236100	29.60	8	AP0242591	29.58	20
AP0222317	29.64	2	AP0236115	29.57	8	AP0242607	29.63	8
AP0222420	29.65	8	AP0236126	29.57	10	AP0242651	29.62	29
AP0223519	29.55	1	AP0236130	29.57	2	AP0242840	29.60	15
AP0224090	29.65	11	AP0236250	29.60	1	AP0242840	29.60	15
AP0227430	29.61	7	AP0236250	29.60	1	AP0242851	29.55	8
AP0227430	29.62	22	AP0236336	29.62	25	AP0242851	29.56	7
AP0227445	29.62	6	AP0237022	29.61	13	AP0244020	29.63	17
AP0227450	29.58	22	AP0237040	29.64	7	AP0244100	29.62	19
AP0227455	29.58	23	AP0237050	29.53	10	AP0244217	29.57	6
AP0227542	29.54	9	AP0237050	29.53	10	AP0244950	29.63	5
AP0227680	29.64	10	AP0237051	29.53	10	AP0245325	29.63	7
AP0227825	29.62	3	AP0237051	29.53	10	AP0245330	29.53	19
AP0227982	29.58	5	AP0237060	29.51	15	AP0245330	29.53	19
AP0229280	29.64	9	AP0237095	29.58	13	AP0245391	29.62	28
AP0229290	29.56	17	AP0237105	29.58	14	AP0245431	29.55	5
AP0229290	29.56	17	AP0237927	29.61	3	AP0245431	29.55	5
AP0229301	29.50	24	AP0237997	29.54	8	AP0245435	29.55	5
AP0229301	29.67	6	AP0237999	29.54	8	AP0245435	29.55	5
AP0229320	29.60	14	AP0239015	29.54	14	AP0245650	29.62	26
AP0229320	29.60	14	AP0239015	29.54	14	AP0245710	29.56	4
AP0229330	29.60	12	AP0239060	29.63	14	AP0246570	29.54	4
AP0229330	29.60	12	AP0239075	29.61	4	AP0247320	29.50	15
AP0230195	29.64	6	AP0239082	29.61	5	AP0247785	29.67	7
AP0230330	29.64	16	AP0239095	29.61	1	AP0247790	29.51	13
AP0230395	29.51	2	AP0239130	29.58	15	AP0247900	29.61	6
AP0230415	29.64	13	AP0239140	29.64	1	AP0247955	29.56	6
AP0230510	29.58	6	AP0239150	29.58	7	AP0248305	29.61	18
AP0230540	29.57	5	AP0239162	29.63	16	AP0248345	29.61	2
AP0230581	29.50	7	AP0239180	29.60	13	AP0250025	29.65	6
AP0230592	29.55	7	AP0239180	29.60	13	AP0250450	29.50	5
AP0230601	29.55	6	AP0239280	29.51	8	AP0250890	29.63	4
AP0230601	29.55	6	AP0239310	29.60	9	AP0250890	29.68	20
AP0230602	29.55	6	AP0239310	29.60	9	AP0250910	29.50	16
AP0230602	29.55	6	AP0239810	29.51	20	AP0250920	29.68	9
AP0230920	29.52	5	AP0240036	29.63	18	AP0250992	29.61	15
AP0231020	29.58	16	AP0240195	29.68	4	AP0251010	29.65	2
AP0232262	29.63	12	AP0240205	29.58	19	AP0251010	29.65	2
AP0232275	29.61	16	AP0240232	29.57	3	AP0251020	29.65	12

Code	Nr. der Tafel	Pos.	Code	Nr. der Tafel	Pos.	Code	Nr. der Tafel	Pos.
AP0251170	29.65	2	AP0260310	29.55	15	AP0627070	29.54	10
AP0251170	29.65	2	AP0260310	29.56	13	AP0627071	29.54	10
AP0251880	29.68	3	AP0260570	29.51	18	AP0627072	29.54	10
AP0251920	29.65	4	AP0260700	29.66	4	AP0627073	29.54	10
AP0251990	29.68	2	AP0260955	29.65	3	AP0627080	29.67	5
AP0251991	29.68	2	AP0260955	29.65	3	AP0627330	29.60	2
AP0253530	29.58	21	AP0260960	29.56	16	AP0627330	29.60	2
AP0253540	29.58	11	AP0260961	29.56	16	AP0632010	29.50	13
AP0253550	29.59	1	AP0264577	29.68	14	AP0634260	29.53	5
AP0253551	29.59	1	AP0264861	29.66	3	AP0634270	29.53	2
AP0253552	29.59	1	AP0265155	29.68	11	AP0634290	29.62	21
AP0253553	29.59	1	AP0265355	29.66	2	AP0634300	29.62	13
AP0253554	29.59	1	AP0265365	29.66	1	AP0634317	29.68	19
AP0253555	29.59	1	AP0275030	29.50	3	AP0634330	29.62	5
AP0253556	29.59	1	AP0275035	29.68	6	AP0634340	29.62	15
AP0253557	29.59	1	AP0281192	29.62	1	AP0634350	29.62	18
AP0253558	29.59	1	AP0281193	29.62	1	AP0640280	29.60	5
AP0253559	29.59	1	AP0294285	29.55	2	AP0640280	29.60	5
AP0253560	29.59	1	AP0294351	29.67	1	AP0640821	29.53	15
AP0253561	29.59	1	AP0294352	29.67	9	AP0640980	29.68	15
AP0253562	29.59	1	AP0294476	29.54	3	AP0827590	29.53	16
AP0253563	29.59	1	AP0294476	29.54	3	AP0827590	29.67	8
AP0253564	29.59	1	AP0294478	29.54	3	AP0838140	29.58	8
AP0253565	29.59	1	AP0294478	29.54	3	AP0840277	29.50	22
AP0253566	29.59	1	AP0294761	29.69	9	AP0840402	29.60	11
AP0253567	29.59	1	AP0295166	29.50	10	AP0840402	29.60	11
AP0253568	29.59	1	AP0295170	29.68	10	AP0840445	29.65	1
AP0253569	29.59	1	AP0295184	29.55	3	AP0840512	29.65	10
AP0253570	29.58	9	AP0295191	29.54	1	AP0840861	29.56	2
AP0253581	29.56	10	AP0295440	29.63	19	AP0840862	29.61	19
AP0253591	29.56	11	AP0295441	29.63	3	AP0840882	29.50	8
AP0253596	29.56	12	AP0295441	29.63	3	AP0840882	29.55	9
AP0253605	29.58	18	AP0295442	29.63	3	AP0840882	29.56	8
AP0253610	29.58	2	AP0295442	29.63	3	AP0840882	29.67	2
AP0253615	29.58	1	AP0295984	29.55	3	AP0840882	29.68	1
AP0253620	29.58	3	AP0295986	29.55	2	AP0841680	29.50	4
AP0253630	29.58	4	AP0295987	29.55	2	AP0841680	29.68	7
AP0253640	29.58	10	AP0296341	29.50	10	AP0841690	29.58	12
AP0253910	29.59	1	AP0297386	29.69	5	AP0842230	29.54	13
AP0253945	29.58	24	AP0297431	29.69	6	AP0842230	29.68	23
AP0253947	29.58	25	AP0297433	29.69	7	AP0845240	29.53	6
AP0256150	29.51	19	AP0297542	29.66	5	AP0845390	29.61	14
AP0256170	29.51	21	AP0297760	29.57	9	AP0897161	29.69	8
AP0256170	29.51	9	AP0297900	29.69	4	AP0899784	29.69	1
AP0256185	29.52	4	AP0427460	29.63	1	AP0899785	29.69	2
AP0256321	29.52	1	AP0429150	29.54	2	AP0899788	29.69	3
AP0256330	29.51	10	AP0430460	29.62	24	AP0922245	29.65	5
AP0256347	29.53	13	AP0430550	29.51	1	AP0927945	29.53	7
AP0256430	29.52	2	AP0430590	29.64	3	AP0929650	29.50	14
AP0256530	29.60	7	AP0430622	29.57	4	AP0929650	29.55	12
AP0256530	29.60	7	AP0430782	29.55	14	AP0930500	29.53	9
AP0258013	29.61	11	AP0430782	29.56	14	AP0932096	29.54	11
AP0258023	29.61	10	AP0440193	29.51	12	AP0932740	29.53	4
AP0258034	29.61	9	AP0445300	29.62	4	AP0932815	29.51	6
AP0258275	29.61	8	AP0445441	29.58	26	AP0932826	29.51	3
AP0258782	29.61	12	AP0552280	29.50	21	AP0932830	29.51	7
AP0259115	29.63	6	AP0613156	29.56	1	AP0932930	29.63	2
AP0259122	29.63	11	AP0613158	29.56	1	AP0940516	29.53	15
AP0259192	29.68	17	AP0613305	29.55	1	AP0941122	29.57	7
AP0259202	29.63	13	AP0627030	29.54	6	AP0941500	29.51	14
AP0259210	29.63	10	AP0627030	29.54	7	AP0941925	29.52	3
AP0259210	29.63	10	AP0627031	29.54	7	AP0941925	29.68	12
AP0259260	29.63	9	AP0627032	29.54	7	AP0945650	29.63	15
AP0260141	29.65	3	AP0627033	29.54	7	AP0945750	29.65	9
AP0260141	29.65	3	AP0627035	29.54	7	AP0945751	29.56	3
AP0260300	29.50	2	AP0627051	29.62	14	AP0945759	29.54	12
AP0260305	29.68	5	AP0627061	29.62	17	AP0945759	29.68	22

Code	Nr. der Tafel	Pos.
AP0946015	29.54	5
AP0950141	29.51	11
AP0950145	29.60	6
AP0950145	29.60	6
AP0956169	29.51	16
AP0956277	29.53	12
AP0958857	29.68	16
AP8101106	28.05	2
AP8101106	28.05	2
AP8101108	28.02	10
AP8101372	28.28	14
AP8101513	28.05	4
AP8101595	28.17	3
AP8101606	28.03	19
AP8101944	28.31	18
AP8102159	29.32	25
AP8102176	28.38	2
AP8102176	28.38	2
AP8102289	28.40	7
AP8102324	28.25	3
AP8102325	28.25	4
AP8102348	28.18	11
AP8102375	28.02	12
AP8102375	28.16	3
AP8102375	28.19	5
AP8102376	28.02	11
AP8102376	28.11	3
AP8102376	28.18	3
AP8102376	28.20	5
AP8102376	28.37	16
AP8102376	29.36	8
AP8102392	28.01	11
AP8102393	28.01	6
AP8102435	28.46	2
AP8102469	28.28	1
AP8102470	28.31	6
AP8102495	28.47	1
AP8102503	28.17	2
AP8102504	28.12	5
AP8102504	28.17	4
AP8102504	28.26	17
AP8102504	28.27	8
AP8102505	28.22	5
AP8102505	28.22	5
AP8102520	28.31	21
AP8102526	28.46	9
AP8102535	28.46	9
AP8102579	28.26	13
AP8102579	28.27	13
AP8102583	28.46	2
AP8102593	28.46	1
AP8102678	28.31	16
AP8102688	28.31	19
AP8102715	28.30	12
AP8102719	28.31	20
AP8102741	29.32	28
AP8102747	28.37	15
AP8102756	28.49	1
AP8102758	28.49	1
AP8102759	28.49	1
AP8102771	28.28	2
AP8102811	28.40	25
AP8102880	28.46	7
AP8102889	28.25	3
AP8102890	28.25	4
AP8102935	28.49	1
AP8102958	28.46	1

Code	Nr. der Tafel	Pos.
AP8102985	28.31	15
AP8102997	28.46	1
AP8103235	28.06	12
AP8103504	28.05	13
AP8103537	28.05	17
AP8103537	28.05	17
AP8104065	28.49	1
AP8104091	29.32	27
AP8104096	29.32	22
AP8104144	28.18	14
AP8104144	28.46	3
AP8104218	28.38	2
AP8106303	29.36	1
AP8106412	29.36	1
AP8106413	29.32	1
AP8106429	29.36	5
AP8106437	29.36	10
AP8106451	29.32	5
AP8106452	29.35	3
AP8106453	29.33	6
AP8106454	29.34	15
AP8106455	29.32	13
AP8106460	29.32	1
AP8106468	29.34	6
AP8106523	29.36	10
AP8106523	29.36	5
AP8106555	29.35	6
AP8106556	29.32	29
AP8106556	29.35	1
AP8106557	29.35	2
AP8106565	29.34	6
AP8106648	29.32	1
AP8106706	29.63	10
AP8106706	29.63	10
AP8106715	28.31	14
AP8106716	28.31	13
AP8106719	29.36	1
AP8106743	29.34	11
AP8106744	29.33	9
AP8106745	29.34	1
AP8106746	29.34	2
AP8106765	29.34	13
AP8106766	29.34	14
AP8106767	29.34	12
AP8107069	28.39	4
AP8107123	28.39	25
AP8108266	28.39	6
AP8108366	28.38	7
AP8108469	28.38	9
AP8108471	28.39	7
AP8108576	28.38	6
AP8108577	28.39	5
AP8108600	28.38	8
AP8108672	28.38	10
AP8108672	28.39	16
AP8109004	28.39	1
AP8109096	28.38	3
AP8110045	28.38	22
AP8110045	28.39	17
AP8110050	28.39	20
AP8110065	28.08	8
AP8110066	28.08	12
AP8110067	28.07	10
AP8110067	28.08	14
AP8110068	28.08	7
AP8110069	28.08	15
AP8110084	28.05	1

Code	Nr. der Tafel	Pos.
AP8112592	28.22	4
AP8112592	28.22	4
AP8112593	28.22	7
AP8112593	28.22	7
AP8112594	28.22	6
AP8112594	28.22	6
AP8112599	28.23	7
AP8112599	28.23	7
AP8112600	28.18	5
AP8112600	28.23	6
AP8112600	28.23	6
AP8112602	28.23	4
AP8112602	28.23	4
AP8112603	28.23	3
AP8112603	28.23	3
AP8112677	28.28	6
AP8112710	28.46	4
AP8112756	28.43	11
AP8112830	28.45	11
AP8112857	28.45	10
AP8112898	28.45	15
AP8112920	28.44	1
AP8112922	28.43	10
AP8112941	28.45	13
AP8112959	28.45	9
AP8112996	28.45	14
AP8113003	28.38	16
AP8113003	28.41	1
AP8113004	28.38	17
AP8113004	28.41	2
AP8113058	28.26	9
AP8113070	28.38	21
AP8113070	28.41	3
AP8113203	28.26	11
AP8113241	28.40	1
AP8113276	28.40	8
AP8113288	28.40	4
AP8113484	28.38	14
AP8113485	28.38	1
AP8113502	28.40	3
AP8113522	28.45	2
AP8113533	28.38	19
AP8113537	28.26	8
AP8113546	28.38	26
AP8113548	28.38	27
AP8113549	28.38	20
AP8113549	28.41	4
AP8113552	28.26	10
AP8113553	28.40	2
AP8113557	28.38	15
AP8113560	28.41	6
AP8113595	28.41	5
AP8113620	28.26	14
AP8113623	28.41	10
AP8113628	28.41	7
AP8114296	28.27	16
AP8114315	28.21	2
AP8114315	28.21	2
AP8114337	28.26	16
AP8114338	28.27	17
AP8114339	28.21	3
AP8114339	28.21	3
AP8114358	28.27	9
AP8114396	28.26	3
AP8114397	28.26	1
AP8114408	28.21	3
AP8114421	28.21	2

Code	Nr. der Tafel	Pos.	Code	Nr. der Tafel	Pos.	Code	Nr. der Tafel	Pos.
AP8114422	28.21	3	AP8120771	28.05	5	AP8122807	29.33	10
AP8117095	28.19	10	AP8120823	28.37	10	AP8122808	29.34	3
AP8117096	28.19	11	AP8120850	28.40	18	AP8122809	29.32	12
AP8117116	28.41	13	AP8120853	28.19	9	AP8122811	29.33	9
AP8117117	28.16	7	AP8120855	28.04	13	AP8122813	29.35	11
AP8117118	28.30	22	AP8120863	28.07	6	AP8122815	29.32	11
AP8117119	29.36	12	AP8120864	28.38	18	AP8122816	29.32	8
AP8117166	28.16	7	AP8120865	28.38	24	AP8122817	29.32	6
AP8118201	28.27	12	AP8120869	28.31	4	AP8122818	29.32	9
AP8118308	28.27	3	AP8120876	28.30	20	AP8122819	29.33	22
AP8118316	28.26	2	AP8120893	28.46	8	AP8122819	29.35	9
AP8118317	28.26	19	AP8120894	28.46	10	AP8122821	29.33	3
AP8118317	28.27	15	AP8120905	28.31	22	AP8122823	29.33	19
AP8118349	28.27	10	AP8120912	29.36	4	AP8122824	29.33	18
AP8118355	28.27	11	AP8120924	28.28	11	AP8122826	29.32	19
AP8118358	28.25	1	AP8120952	28.31	23	AP8122827	29.34	7
AP8118376	28.27	4	AP8120972	28.02	8	AP8122828	29.35	10
AP8118409	28.26	5	AP8120972	28.40	15	AP8122829	29.34	9
AP8118416	28.26	7	AP8121014	28.04	11	AP8122830	29.34	10
AP8118432	28.27	14	AP8121015	28.04	10	AP8122831	29.33	13
AP8118441	28.27	1	AP8121075	28.05	18	AP8122832	29.34	17
AP8118486	28.12	6	AP8121075	28.07	17	AP8122833	29.33	2
AP8118487	28.12	6	AP8121075	28.29	5	AP8122834	29.34	5
AP8118488	28.12	6	AP8121092	28.02	23	AP8122835	29.35	7
AP8118490	28.27	2	AP8121121	28.07	9	AP8122836	29.33	4
AP8119367	28.37	1	AP8121156	28.07	20	AP8122837	29.32	14
AP8119369	28.37	2	AP8121216	28.45	1	AP8122838	29.32	10
AP8119371	28.37	3	AP8121250	28.11	6	AP8122839	29.35	5
AP8119372	28.37	4	AP8121250	28.12	12	AP8122840	29.33	11
AP8119425	28.37	11	AP8121252	28.03	16	AP8122841	29.34	1
AP8119427	28.37	9	AP8121255	28.22	2	AP8122842	29.32	7
AP8119445	28.37	1	AP8121255	28.22	2	AP8122843	29.35	8
AP8119446	28.37	2	AP8121257	28.07	2	AP8122844	29.33	12
AP8119463	28.37	3	AP8121259	28.20	14	AP8122845	29.34	2
AP8119464	28.37	4	AP8121260	28.20	15	AP8122847	29.32	3
AP8119534	28.37	1	AP8121265	28.38	25	AP8122848	29.35	4
AP8119535	28.37	2	AP8121267	28.31	17	AP8122850	29.33	1
AP8119602	28.37	18	AP8121307	28.05	20	AP8122851	29.32	16
AP8119603	28.37	19	AP8121309	28.01	17	AP8122852	29.33	7
AP8120001	28.12	8	AP8121310	28.04	3	AP8122853	29.33	14
AP8120030	28.18	8	AP8121429	28.04	2	AP8122854	29.34	8
AP8120030	28.30	18	AP8121717	28.03	12	AP8122855	29.33	17
AP8120030	29.36	14	AP8121718	28.30	10	AP8122856	29.32	18
AP8120178	28.12	11	AP8121725	28.28	19	AP8122857	29.33	5
AP8120179	28.31	12	AP8121773	28.31	8	AP8122858	29.33	21
AP8120196	28.40	16	AP8121795	28.18	4	AP8122859	29.33	20
AP8120218	28.44	11	AP8121805	28.40	17	AP8122860	29.33	8
AP8120223	28.28	18	AP8121808	28.40	14	AP8122861	29.32	17
AP8120240	28.07	8	AP8121811	28.40	23	AP8122862	29.32	2
AP8120275	28.20	9	AP8121826	28.26	4	AP8123199	28.06	10
AP8120276	28.20	6	AP8121837	28.28	15	AP8123243	28.05	6
AP8120280	28.01	7	AP8121856	28.28	20	AP8123346	28.06	14
AP8120317	28.10	1	AP8121862	28.01	12	AP8123348	28.06	13
AP8120317	28.18	12	AP8121887	28.03	4	AP8123357	28.06	16
AP8120354	28.29	2	AP8121888	28.03	5	AP8123360	28.06	9
AP8120363	28.07	11	AP8121897	28.04	12	AP8123441	28.06	15
AP8120376	28.05	3	AP8121922	28.28	12	AP8123510	28.05	14
AP8120376	28.05	3	AP8121928	28.03	11	AP8123512	28.05	16
AP8120447	28.01	18	AP8121977	28.01	21	AP8123513	28.05	11
AP8120512	28.28	4	AP8121994	28.04	2	AP8123604	28.05	10
AP8120531	28.10	3	AP8122801	29.32	20	AP8123605	28.05	12
AP8120531	28.13	5	AP8122801	29.34	4	AP8123606	28.06	4
AP8120531	28.16	9	AP8122802	29.33	16	AP8123607	28.06	17
AP8120594	28.28	13	AP8122803	29.33	15	AP8123608	28.06	18
AP8120663	28.31	9	AP8122804	29.32	15	AP8123609	28.06	20
AP8120673	28.28	16	AP8122805	29.34	16	AP8123610	28.06	19
AP8120712	28.19	8	AP8122806	29.32	4	AP8123611	28.06	5

Code	Nr. der Tafel	Pos.	Code	Nr. der Tafel	Pos.	Code	Nr. der Tafel	Pos.
AP8123684	28.30	3	AP8125387	28.07	7	AP8126827	28.13	1
AP8123689	28.06	7	AP8125423	28.39	8	AP8127076	28.24	7
AP8123714	28.06	2	AP8125425	28.39	21	AP8127077	28.24	5
AP8123715	28.06	3	AP8125427	28.39	9	AP8127078	28.24	6
AP8123717	28.06	8	AP8125442	28.39	19	AP8127079	28.21	4
AP8123721	28.05	15	AP8125462	28.39	18	AP8127080	28.22	7
AP8123723	28.05	8	AP8125542	28.38	11	AP8127081	28.22	4
AP8123729	28.06	1	AP8125563	28.39	10	AP8127082	28.22	5
AP8123729	28.06	1	AP8125594	28.39	11	AP8127083	28.22	2
AP8123777	28.06	11	AP8125604	28.38	23	AP8127084	28.22	1
AP8123786	28.06	6	AP8125649	28.39	12	AP8127085	28.23	3
AP8123895	28.08	1	AP8125650	28.39	13	AP8127086	28.23	6
AP8123959	28.06	1	AP8125679	28.39	14	AP8127087	28.22	6
AP8123960	28.05	17	AP8125720	28.38	13	AP8127088	28.21	5
AP8124094	28.45	12	AP8125755	28.38	12	AP8127089	28.21	6
AP8124096	28.45	3	AP8125805	28.39	26	AP8127090	28.21	7
AP8124098	28.42	1	AP8126479	28.20	4	AP8127091	28.24	8
AP8124100	28.44	5	AP8126513	28.13	1	AP8127094	28.22	3
AP8124173	28.27	6	AP8126515	28.18	2	AP8127095	28.23	5
AP8124187	28.45	4	AP8126584	28.20	3	AP8127096	28.23	2
AP8124206	28.45	5	AP8126585	28.13	1	AP8127097	28.23	1
AP8124215	28.43	1	AP8126586	28.14	1	AP8129166	28.18	1
AP8124217	28.43	8	AP8126587	28.15	1	AP8129202	28.18	1
AP8124218	28.21	1	AP8126632	28.13	1	AP8129226	28.18	1
AP8124218	28.21	1	AP8126633	28.14	1	AP8129227	28.18	1
AP8124235	28.44	4	AP8126634	28.15	1	AP8129231	28.18	1
AP8124335	28.28	8	AP8126656	28.13	1	AP8129231	28.18	1
AP8124343	28.21	4	AP8126657	28.14	1	AP8129246	28.18	1
AP8124343	28.21	4	AP8126658	28.15	1	AP8129255	28.18	1
AP8124367	28.43	9	AP8126659	28.13	1	AP8129279	28.18	1
AP8124400	28.42	2	AP8126660	28.14	1	AP8131838	28.44	2
AP8124401	28.42	3	AP8126661	28.15	1	AP8132927	28.04	9
AP8124434	28.24	2	AP8126710	28.13	1	AP8134111	28.07	4
AP8124434	28.24	2	AP8126711	28.14	1	AP8134167	28.38	29
AP8124435	28.24	3	AP8126712	28.15	1	AP8134186	28.02	24
AP8124435	28.24	3	AP8126723	28.13	1	AP8134186	28.41	11
AP8124436	28.24	1	AP8126724	28.14	1	AP8134186	29.36	9
AP8124436	28.24	1	AP8126725	28.15	1	AP8134190	28.02	5
AP8124437	28.31	1	AP8126726	28.20	3	AP8134234	28.02	6
AP8124444	28.42	1	AP8126727	28.20	4	AP8134239	28.28	5
AP8124449	28.43	2	AP8126740	28.13	1	AP8134274	28.02	14
AP8124450	28.43	3	AP8126741	28.14	1	AP8134280	28.03	6
AP8124451	28.43	4	AP8126742	28.15	1	AP8134430	28.41	8
AP8124472	28.42	5	AP8126767	28.20	3	AP8134441	28.01	10
AP8124479	28.40	6	AP8126787	28.14	1	AP8134623	29.32	23
AP8124538	28.21	1	AP8126788	28.15	1	AP8135304	28.37	8
AP8124539	28.24	5	AP8126790	28.14	1	AP8135446	28.28	9
AP8124597	28.45	8	AP8126791	28.15	1	AP8135477	28.08	6
AP8124625	28.42	4	AP8126792	28.14	1	AP8135478	28.08	10
AP8124628	28.42	1	AP8126793	28.15	1	AP8135607	28.08	20
AP8124635	28.24	2	AP8126810	28.14	1	AP8135608	28.08	13
AP8124636	28.44	3	AP8126811	28.15	1	AP8135609	28.08	11
AP8124651	28.43	9	AP8126812	28.14	1	AP8135610	28.08	9
AP8124662	28.21	1	AP8126813	28.15	1	AP8135683	28.02	4
AP8124669	28.43	9	AP8126814	28.13	1	AP8135685	29.36	2
AP8124670	28.43	1	AP8126817	28.14	1	AP8135703	28.04	1
AP8124698	28.46	4	AP8126817	28.14	1	AP8135707	28.40	13
AP8124700	28.26	5	AP8126818	28.15	1	AP8135708	28.01	2
AP8124713	28.45	3	AP8126818	28.15	1	AP8135765	28.02	2
AP8124714	28.43	8	AP8126819	28.14	1	AP8135767	28.02	1
AP8124718	28.43	14	AP8126820	28.15	1	AP8135875	28.03	1
AP8124719	28.43	15	AP8126821	28.13	1	AP8135877	28.03	2
AP8124777	28.42	15	AP8126821	28.13	1	AP8135879	28.07	1
AP8124880	28.43	13	AP8126823	28.14	1	AP8135978	28.37	6
AP8124897	28.43	2	AP8126824	28.15	1	AP8135979	28.37	7
AP8124898	28.43	3	AP8126825	28.14	1	AP8135980	28.13	2
AP8124988	28.21	1	AP8126826	28.15	1	AP8135981	28.13	3

Code	Nr. der Tafel	Pos.
AP8135986	28.02	3
AP8137622	28.47	8
AP8138103	28.28	7
AP8138124	28.01	14
AP8138264	28.29	1
AP8138274	28.16	5
AP8138275	28.09	1
AP8138276	28.22	1
AP8138276	28.22	1
AP8138509	28.30	13
AP8138510	28.17	1
AP8138721	28.05	7
AP8138745	28.10	2
AP8138746	28.12	4
AP8138747	28.19	3
AP8138748	28.14	1
AP8138749	28.15	1
AP8138750	28.07	3
AP8138753	28.30	17
AP8138768	28.16	1
AP8138769	29.36	3
AP8138770	28.30	5
AP8138771	28.28	10
AP8138772	28.01	8
AP8138829	28.19	4
AP8138869	28.16	4
AP8138918	28.07	21
AP8138919	28.17	1
AP8138921	28.10	2
AP8138922	28.12	4
AP8138923	28.16	5
AP8138927	28.09	1
AP8138927	28.09	1
AP8138927	28.09	1
AP8138939	28.12	6
AP8138940	28.12	6
AP8138950	28.11	2
AP8138951	28.11	2
AP8138952	28.19	2
AP8138953	28.19	1
AP8138953	28.19	1
AP8138954	28.20	1
AP8139107	29.36	11
AP8139122	28.40	22
AP8139228	28.12	4
AP8139229	28.10	2
AP8139232	28.16	5
AP8139235	28.17	1
AP8139236	28.11	2
AP8139237	28.19	2
AP8139238	28.19	1
AP8139239	28.16	4
AP8139241	28.12	4
AP8139242	28.10	2
AP8139243	28.16	5
AP8139246	28.17	1
AP8139247	28.11	2
AP8139393	28.19	2
AP8139394	28.19	1
AP8139396	28.12	4
AP8139397	28.10	2
AP8139400	28.16	5
AP8139403	28.17	1
AP8139404	28.11	2
AP8139640	28.11	2
AP8139641	28.12	4

Code	Nr. der Tafel	Pos.
AP8139642	28.10	2
AP8139643	28.19	2
AP8139644	28.19	1
AP8139645	28.16	5
AP8139648	28.17	1
AP8139688	28.12	6
AP8139749	28.17	1
AP8139751	28.12	4
AP8139752	28.10	2
AP8139753	28.16	5
AP8139759	28.13	2
AP8139760	28.13	3
AP8139761	28.16	4
AP8139764	28.07	3
AP8139765	28.07	5
AP8139844	28.17	1
AP8139846	28.12	4
AP8139847	28.10	2
AP8139848	28.16	5
AP8139854	28.11	2
AP8139855	28.19	2
AP8139856	28.19	1
AP8139861	28.11	2
AP8139862	28.19	2
AP8139863	28.19	1
AP8139973	28.12	6
AP8139974	28.12	6
AP8144016	28.01	20
AP8144039	28.30	4
AP8144040	28.30	8
AP8144041	28.30	2
AP8144042	28.07	5
AP8144082	28.20	2
AP8144087	28.18	15
AP8144088	28.18	16
AP8144089	28.18	17
AP8144146	28.05	2
AP8144151	28.40	26
AP8144246	28.46	2
AP8144303	28.31	11
AP8146040	28.03	14
AP8146041	28.03	13
AP8146044	28.01	1
AP8146044	28.01	1
AP8146044	28.01	1
AP8146045	28.03	3
AP8146046	28.03	10
AP8146195	28.02	3
AP8146270	28.04	1
AP8146271	28.04	6
AP8146310	28.01	2
AP8146318	28.02	3
AP8146332	28.03	1
AP8146333	28.03	2
AP8146365	28.01	1
AP8147109	28.47	7
AP8147110	28.47	5
AP8147123	28.47	6
AP8147125	28.42	9
AP8147126	28.42	10
AP8147154	28.48	1
AP8147168	28.47	2
AP8147170	28.48	1
AP8147196	28.47	5
AP8147297	28.47	6
AP8147328	28.47	6
AP8147561	28.48	1
AP8147562	28.48	1

Code	Nr. der Tafel	Pos.
AP8147619	28.48	1
AP8147855	28.47	3
AP8147952	28.48	1
AP8147957	28.47	4
AP8148268	28.42	17
AP8148269	28.17	1
AP8148271	28.09	1
AP8148584	28.17	1
AP8148585	28.17	1
AP8148592	28.16	4
AP8148593	28.09	3
AP8148596	28.09	2
AP8148653	28.09	3
AP8148654	28.09	2
AP8148655	28.09	3
AP8148656	28.09	2
AP8148682	28.09	1
AP8148685	28.17	1
AP8148686	28.17	1
AP8148688	28.12	4
AP8148689	28.10	2
AP8148690	28.16	5
AP8148695	28.09	3
AP8148696	28.09	2
AP8148697	28.11	2
AP8148698	28.19	2
AP8148699	28.19	1
AP8148703	28.17	1
AP8148703	28.17	1
AP8148704	28.17	1
AP8148706	28.12	4
AP8148706	28.12	4
AP8148707	28.10	2
AP8148707	28.10	2
AP8148708	28.16	5
AP8148708	28.16	5
AP8148713	28.09	3
AP8148714	28.09	2
AP8148715	28.11	2
AP8148716	28.19	2
AP8148716	28.19	2
AP8148717	28.19	1
AP8148717	28.19	1
AP8148718	28.17	1
AP8148719	28.17	1
AP8148721	28.12	4
AP8148722	28.10	2
AP8148723	28.16	5
AP8148728	28.09	3
AP8148729	28.09	2
AP8148730	28.11	2
AP8148731	28.19	2
AP8148732	28.19	1
AP8148734	29.36	11
AP8148735	29.36	3
AP8148901	28.20	1
AP8149034	28.20	17
AP8149101	28.12	6
AP8149102	28.12	6
AP8149102	28.12	6
AP8149103	28.12	6
AP8149311	28.47	9
AP8150011	28.28	21
AP8150011	28.42	7
AP8150017	28.03	20
AP8150017	28.07	23

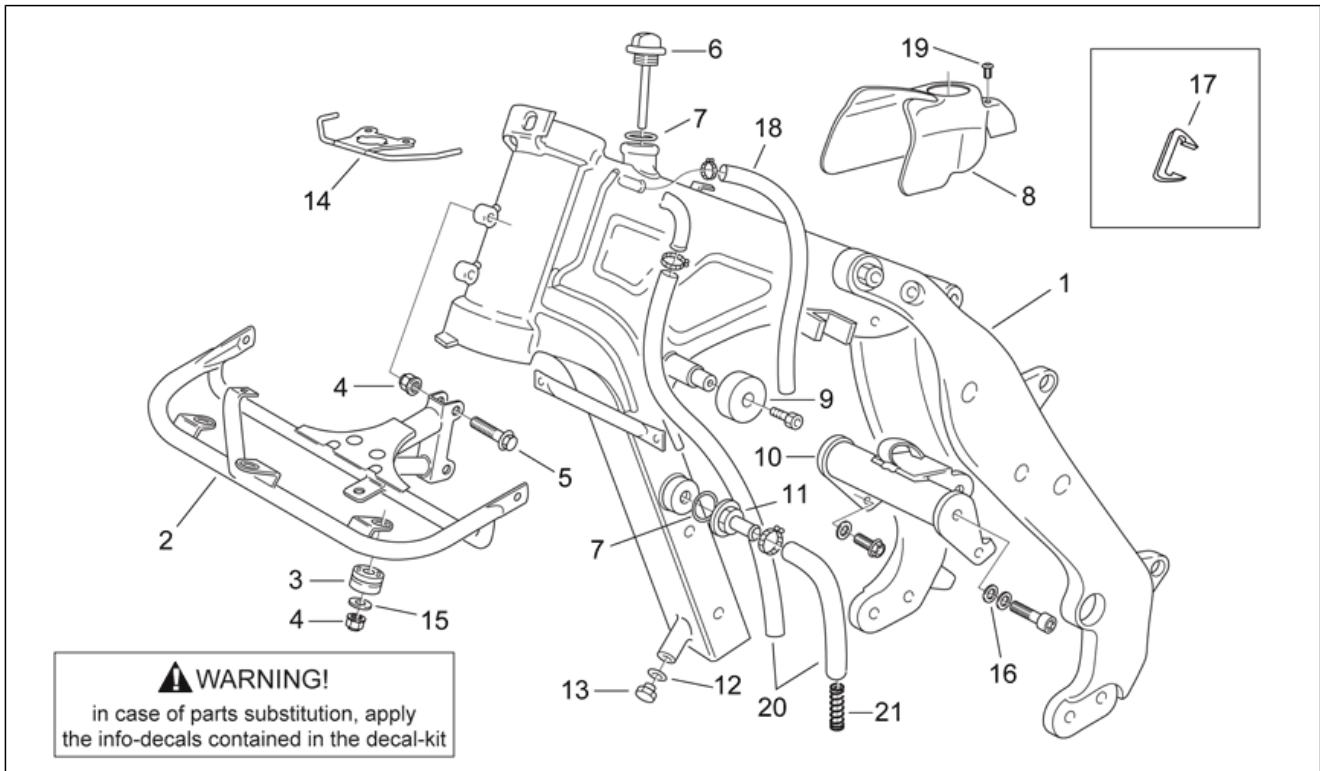
Code	Nr. der Tafel	Pos.
AP8150018	28.02	9
AP8150018	28.31	10
AP8150018	28.40	20
AP8150040	28.02	20
AP8150048	28.38	31
AP8150092	28.02	21
AP8150157	28.26	18
AP8150157	28.27	5
AP8150159	28.30	1
AP8150169	28.41	14
AP8150179	29.36	17
AP8150182	28.40	19
AP8150182	29.36	6
AP8150210	28.08	3
AP8150270	28.42	8
AP8150290	28.08	5
AP8150292	28.01	16
AP8150297	28.04	5
AP8150297	28.07	15
AP8150299	28.07	13
AP8150311	28.13	7
AP8150311	28.14	2
AP8150311	28.15	2
AP8150323	28.04	8
AP8150334	28.37	5
AP8150338	28.08	16
AP8150349	28.46	5
AP8150376	28.02	15
AP8150376	28.41	9
AP8150392	28.02	18
AP8150400	28.02	19
AP8150413	28.30	21
AP8150429	28.28	22
AP8150431	28.07	22
AP8150433	28.39	15
AP8150436	28.04	7
AP8150450	28.19	7
AP8150467	28.03	17
AP8152018	28.08	19
AP8152019	28.12	3
AP8152019	28.27	7
AP8152037	28.01	15
AP8152073	28.07	14
AP8152078	28.12	2
AP8152078	28.26	15
AP8152144	28.03	9
AP8152144	28.08	18
AP8152146	28.08	17
AP8152147	28.08	2
AP8152156	28.38	28
AP8152156	28.41	12
AP8152246	28.07	19
AP8152246	28.11	8
AP8152246	28.13	4
AP8152246	28.16	8
AP8152246	28.37	14
AP8152272	28.01	19
AP8152275	28.30	6
AP8152277	28.07	18
AP8152277	28.28	23
AP8152277	28.31	5
AP8152277	28.40	12
AP8152278	28.05	19
AP8152278	28.18	13
AP8152278	28.20	7
AP8152278	28.37	17
AP8152279	28.18	6

Code	Nr. der Tafel	Pos.
AP8152279	28.29	4
AP8152279	28.45	6
AP8152279	29.32	30
AP8152279	29.36	7
AP8152280	28.18	9
AP8152280	28.30	15
AP8152280	29.36	16
AP8152281	28.01	5
AP8152281	28.18	19
AP8152281	28.28	3
AP8152281	28.30	9
AP8152281	28.40	10
AP8152281	28.46	6
AP8152282	28.20	13
AP8152282	28.40	24
AP8152284	28.20	12
AP8152285	28.37	12
AP8152286	28.01	13
AP8152286	28.02	16
AP8152286	28.20	11
AP8152286	28.44	6
AP8152287	28.02	17
AP8152287	28.03	8
AP8152288	28.39	24
AP8152290	28.31	3
AP8152292	28.02	7
AP8152298	28.10	4
AP8152298	28.11	4
AP8152298	28.12	10
AP8152298	28.13	6
AP8152298	28.14	3
AP8152298	28.15	3
AP8152298	28.16	6
AP8152299	28.01	4
AP8152299	28.12	1
AP8152299	28.18	10
AP8152299	28.20	10
AP8152299	28.26	6
AP8152299	28.28	17
AP8152299	28.30	14
AP8152299	28.40	11
AP8152299	28.43	7
AP8152299	28.45	7
AP8152299	29.32	24
AP8152300	28.39	23
AP8152300	28.40	21
AP8152300	28.44	7
AP8152301	28.02	13
AP8152301	28.03	7
AP8152301	28.08	4
AP8152302	28.11	7
AP8152302	28.12	7
AP8152302	28.19	6
AP8152306	28.11	1
AP8152306	28.30	7
AP8152313	28.16	2
AP8152329	28.20	8
AP8152329	28.30	16
AP8152329	28.42	6
AP8152338	28.16	10
AP8152338	28.38	30
AP8152339	28.11	5
AP8152339	28.12	9
AP8152340	29.36	7
AP8157032	28.48	1
AP8157127	28.48	1
AP8157260	28.48	1

Code	Nr. der Tafel	Pos.
AP8157430	28.48	1
AP8157447	28.48	1
AP8157627	28.47	6
AP8157677	28.48	1
AP8157678	28.48	1
AP8157683	28.48	1
AP8157685	28.48	1
AP8157686	28.48	1
AP8157930	28.48	1
AP8157974	28.48	1
AP8167049	28.48	1
AP8167050	28.48	1
AP8167051	28.48	1
AP8201124	28.01	9
AP8201358	28.31	7
AP8201417	28.02	22
AP8201564	28.18	14
AP8201564	28.46	3
AP8201842	28.25	2
AP8201843	28.25	6
AP8201856	28.25	5
AP8201877	28.18	18
AP8202154	28.31	25
AP8203074	28.39	22
AP8203570	28.05	9
AP8210007	28.40	9
AP8212189	28.24	4
AP8212189	28.24	4
AP8212469	28.44	9
AP8212469	28.44	9
AP8212588	28.44	8
AP8212818	28.42	11
AP8212819	28.42	13
AP8212829	28.42	12
AP8212830	28.42	14
AP8213057	28.40	5
AP8213243	28.26	12
AP8220150	28.01	3
AP8220150	28.43	5
AP8220191	28.29	3
AP8220192	28.30	11
AP8220238	28.20	16
AP8220239	28.03	18
AP8220263	28.31	24
AP8220283	28.44	10
AP8220283	28.44	10
AP8220323	28.07	16
AP8220402	28.31	2
AP8220402	29.32	26
AP8220460	28.03	15
AP8221017	28.43	6
AP8221023	28.30	19
AP8221023	29.36	15
AP8221145	28.18	7
AP8221206	29.32	21
AP8221211	28.04	4
AP8221297	28.37	13
AP8221297	29.36	13
AP8224173	28.42	19
AP8224173	28.43	16
AP8224174	28.42	20
AP8224174	28.43	17
AP8224216	28.42	16
AP8224258	28.42	18
AP8224258	28.43	12
AP8234020	28.07	12
AP8700792	30.70	12

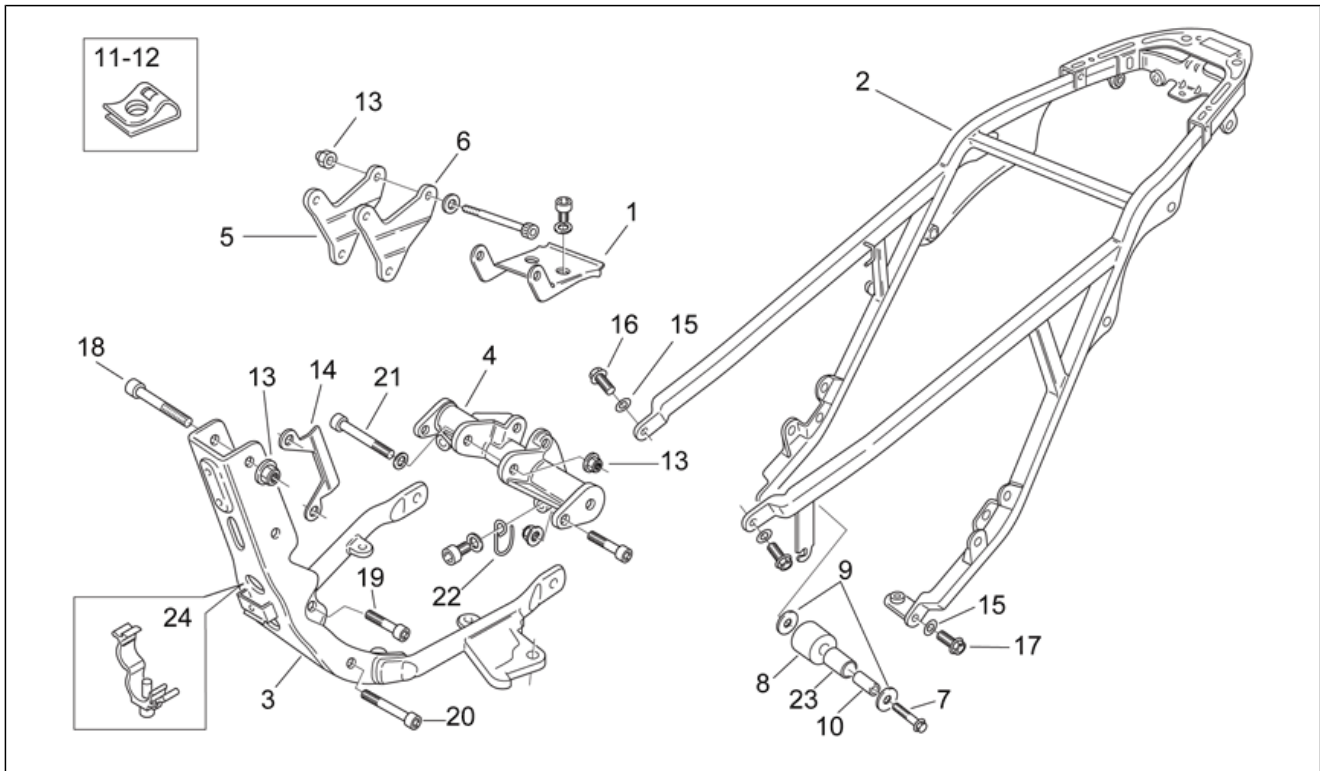
Code	Nr. der Tafel	Pos.
AP8700793	30.70	12
AP8700794	30.70	12
AP8700855	30.70	6
AP8700856	30.70	7
AP8720115	30.71	1
AP8720116	30.71	2
AP8720117	30.71	3
AP8720118	30.71	4
AP8790114	30.70	8
AP8790147	30.70	11
AP8790188	30.70	2
AP8792008	30.70	10
AP8792172	30.70	1
AP8792286	30.70	1
AP8792289	30.70	3
AP8792290	30.70	4
AP8792291	30.70	5
AP8796361	30.70	9

Einheit	RAHMEN
Code	28.01
Beschreibung	Rahmen I
Inspektion	1



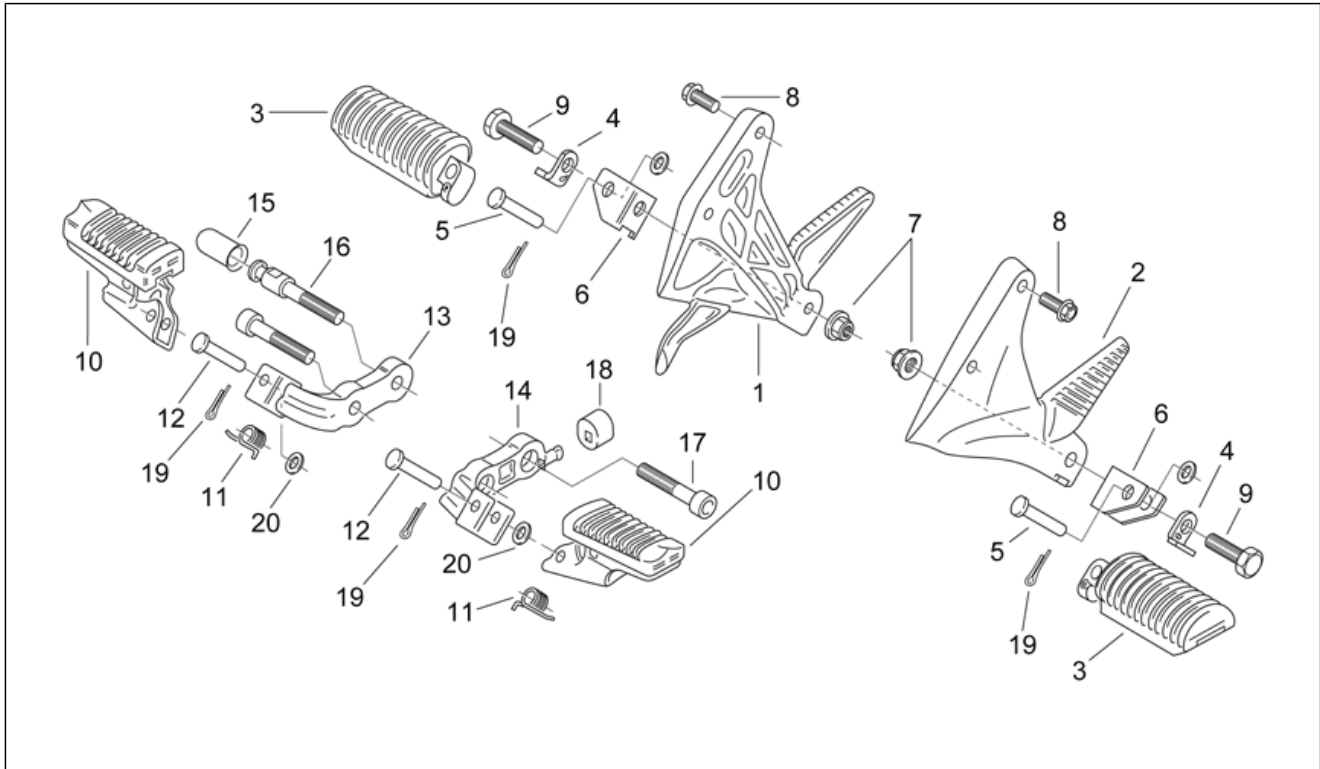
Pos.	Code	Beschreibung	Menge	Varianten
1	AP8146044	Rahmen	1	Baujahr: 1997[V], 1998[W], 1999[X]
1	AP8146044	Rahmen	1	Baujahr: 2000[Y]
1	AP8146365	Rahmen	1	Baujahr: 2000[Y]
2	AP8135708	Sandgestrahlter Rahmen	1	Land: Österreich[A], Australien[AUS], Belgien[B], Schweiz[CH], Deutschland[D], Dänemark[DK], Spanien[E], Frankreich[F], Griechenland[GR], Italien[I], Malaysia[MAL], Holland[NL], Portugal[P], Großbritannien[UK]
2	AP8146310	Sandgestrahlter Rahmen	1	Land: Vereinigte Staaten von Amerika[USA]
3	AP8220150	Gummi	3	
4	AP8152299	Selbstsperrende Mutter M6	5	
5	AP8152281	TE Schr. m. Flansch M6x30	2	
6	AP8102393	Öltankschraube mit Meßstab	1	
7	AP8120280	O-Ring 4087	2	
8	AP8138772	Rahmenschutz schwarz	1	
9	AP8201124	Gummi *	2	
10	AP8134441	Stoßd.hltr.	1	
11	AP8102392	Einlaß Ölfilter	1	
12	AP8121862	Ausgleichscheibe D8x16x1,5	1	
13	AP8152286	TE Schr. m. Flansch M8x20	2	
14	AP8138124	Lenkschloßschutz	1	
15	AP8152037	Scheibe	3	
16	AP8150292	Gebogene Sprengscheibe *	2	
17	AP8121309	Steckverbinder kl.Feder	1	
18	AP8120447	Entlüftungsschlauch öl D6x11	1	
19	AP8152272	TE Schr. m. Flansch M5x12	1	
20	AP8144016	Leitung D10x18	1	
21	AP8121977	Innenfeder Motorölschlauch	1	

Einheit	RAHMEN
Code	28.02
Beschreibung	Rahmen II
Inspektion	1



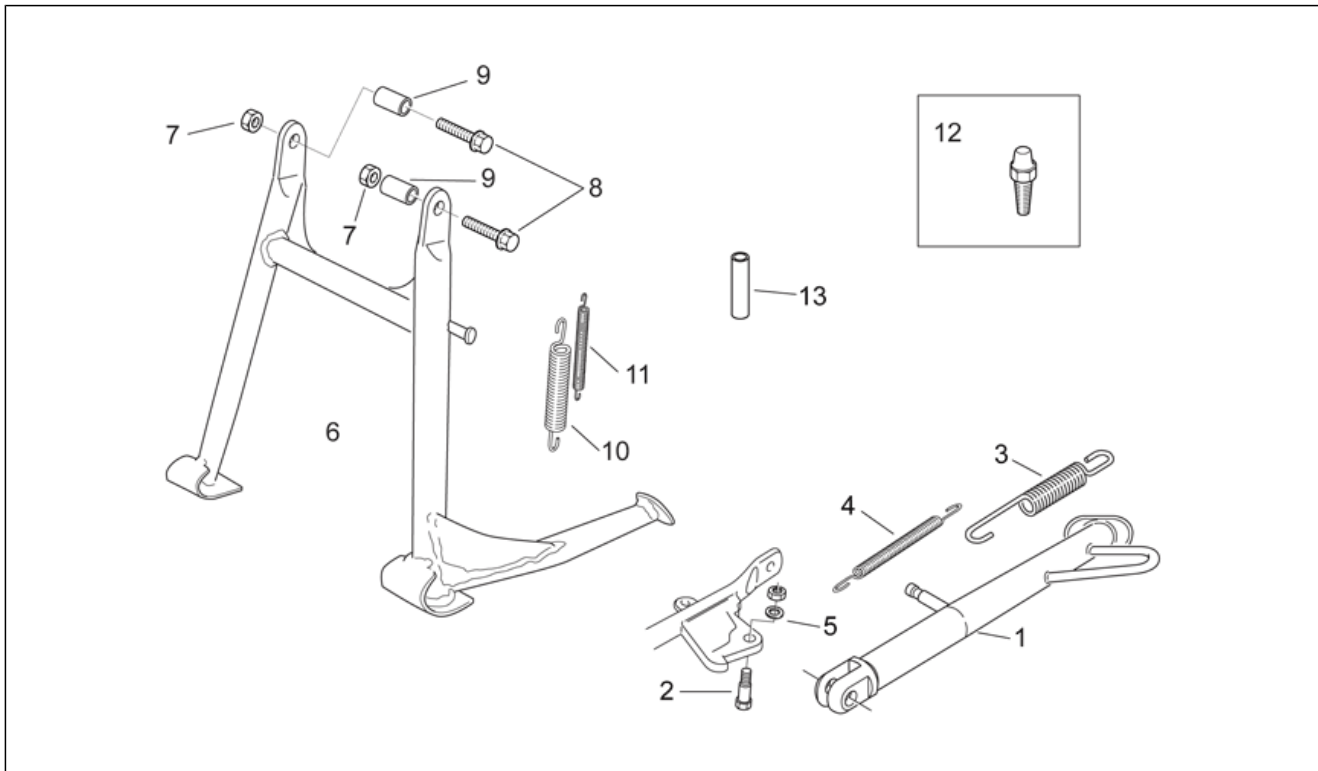
Pos.	Code	Beschreibung	Menge	Varianten
1	AP8135767	Hinterer Tankbefestigung	1	
2	AP8135765	Sndb. Sttlh. m. Rckstr.	1	
3	AP8135986	Alu-Wiege lackiert	1	Land:Österreich[A], Belgien[B], Schweiz[CH], Deutschland[D], Dänemark[DK], Spanien[E], Frankreich[F], Griechenland[GR], Italien[I], Malaysia[MAL], Holland[NL], Portugal[P], Großbritannien[UK]
3	AP8146195	Alu-Wiege lackiert	1	Land:Australien[AUS]
3	AP8146318	Alu-Wiege lackiert	1	Land:Vereinigte Staaten von Amerika[USA]
4	AP8135683	Pleuelstangenlager galv.	1	
5	AP8134190	Rechte Motoranschlußplatte	1	
6	AP8134234	Linke Motoranschlußplatte	1	
7	AP8152292	TE Schr. m. Flansch	1	
8	AP8120972	Kettenspannrolle	1	
9	AP8150018	Ausgleichscheibe	2	
10	AP8101108	Distanzscheibe *	1	
11	AP8102376	Klammer M6	10	
12	AP8102375	Klammer M5	3	
13	AP8152301	Selbstsperrende Mutter	8	
14	AP8134274	Führungplatte	2	
15	AP8150376	Ausgleichscheibe 8,5x15x0,8	2	
16	AP8152286	TE Schr. m. Flansch M8x20	2	
17	AP8152287	TE Schr. m. Flansch M8x25	2	
18	AP8150392	TCEI Schraube M10x65	3	
19	AP8150400	TCEI Schraube	1	
20	AP8150040	TCEI Schraube M10x110*	1	
21	AP8150092	TCEI Schraube M10x115*	1	
22	AP8201417	Kabelführungs	1	
23	AP8121092	Distanzscheibe *	1	
24	AP8134186	Kabelführungs	1	

Einheit	RAHMEN
Code	28.03
Beschreibung	Fussrasten
Inspektion	1



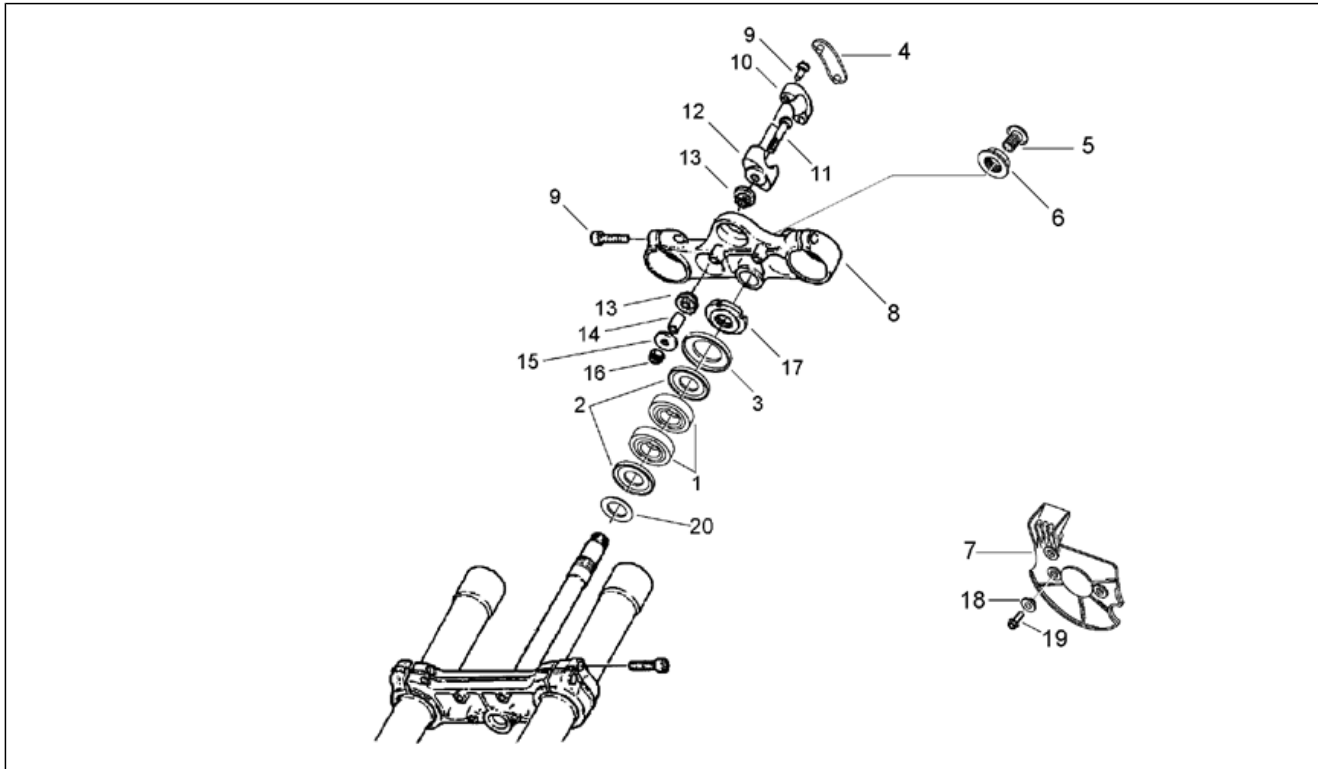
Pos.	Code	Beschreibung	Menge	Varianten
1	AP8135875	Halter rechte Soziusfußr. alu.	1	Baujahr:1997[V], 1998[W], 1999[X]
1	AP8146332	Halter rechte Soziusfußr. alu.	1	Baujahr:2000[Y]
2	AP8135877	Halter linke Soziusfußr., alu.	1	Baujahr:1997[V], 1998[W], 1999[X]
2	AP8146333	Halter linke Soziusfußr., alu.	1	Baujahr:2000[Y]
3	AP8146045	Soziusrasten (Paar)	1	
4	AP8121887	Soziusrasten platte	2	
5	AP8121888	Soziusrastenbolzen	2	
6	AP8134280	Soziusraste Bügelbolzen	2	
7	AP8152301	Selbstsperrende Mutter	2	
8	AP8152287	TE Schr. m. Flansch M8x25	4	
9	AP8152144	Sechskantschraube	2	
10	AP8146046	Fußrasten Fahrer (Paar)	1	
11	AP8121928	Rückholfeder	2	
12	AP8121717	Rastenbolzen	2	
13	AP8146041	Fußrastenhalter Fahrer rechts	1	
14	AP8146040	Fußrastenhalter Fahrer links	1	
15	AP8220460	Gummibecher	1	
16	AP8121252	Schloßbolzen	1	
17	AP8150467	TCEI Schraube M10x55	3	
18	AP8220239	Gummi *	1	
19	AP8101606	Splint	4	
20	AP8150017	Ausgleichscheibe 8,4x16x1,6	2	

Einheit	RAHMEN
Code	28.04
Beschreibung	Hauptständer
Inspektion	1



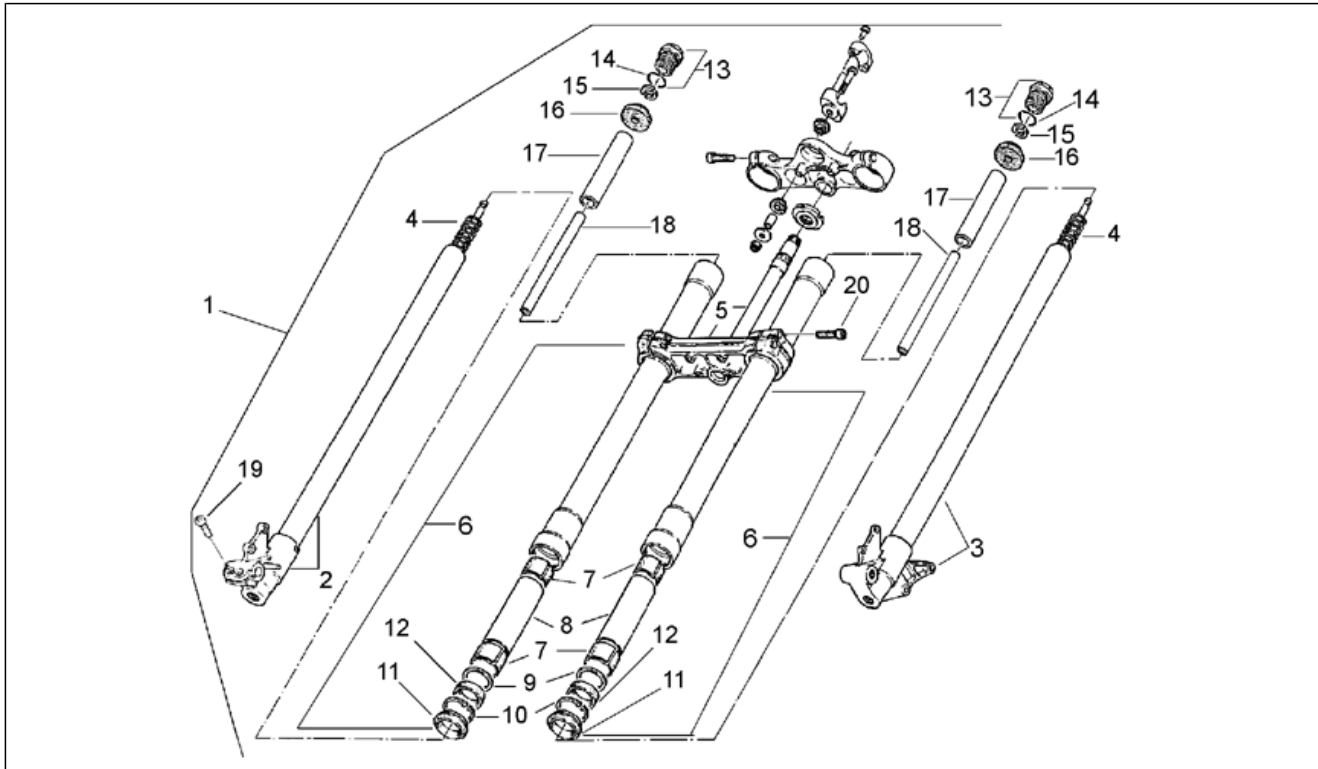
Pos.	Code	Beschreibung	Menge	Varianten
1	AP8135703	Seitenständer, alu.	1	Land:Österreich[A], Australien[AUS], Belgien[B], Schweiz[CH], Deutschland[D], Dänemark[DK], Spanien[E], Frankreich[F], Griechenland[GR], Italien[I], Malaysia[MAL], Holland[NL], Portugal[P], Großbritannien[UK]
1	AP8146270	Seitenständer	1	Land:Vereinigte Staaten von Amerika[USA]
2	AP8121429	Ständerschraube	1	Land:Vereinigte Staaten von Amerika[USA]
2	AP8121994	Ständerschraube	1	Land:Österreich[A], Australien[AUS], Belgien[B], Schweiz[CH], Deutschland[D], Dänemark[DK], Spanien[E], Frankreich[F], Griechenland[GR], Italien[I], Malaysia[MAL], Holland[NL], Portugal[P], Großbritannien[UK]
3	AP8121310	Kabelführungs	1	
4	AP8221211	Rückhofeder Ständer	1	
5	AP8150297	Gebogene Sprengscheibe *	1	
6	AP8146271	Hauptständer	1	Land:Vereinigte Staaten von Amerika[USA]
7	AP8150436	Selbstsperr.mut Unt.	2	Land:Vereinigte Staaten von Amerika[USA]
8	AP8150323	Sechskantschraube	2	Land:Vereinigte Staaten von Amerika[USA]
9	AP8132927	Pleuelbolzen	2	Land:Vereinigte Staaten von Amerika[USA]
10	AP8121015	Externe Rückhofeder Ständer	1	Land:Vereinigte Staaten von Amerika[USA]
11	AP8121014	Schraubenfeder	1	Land:Vereinigte Staaten von Amerika[USA]
12	AP8121897	Fettbüchse	2	Land:Vereinigte Staaten von Amerika[USA]
13	AP8120855	Schutz zentr. Kabelf.	2	Land:Vereinigte Staaten von Amerika[USA]

Einheit	RAHMEN
Code	28.05
Beschreibung	Lenkung
Inspektion	1



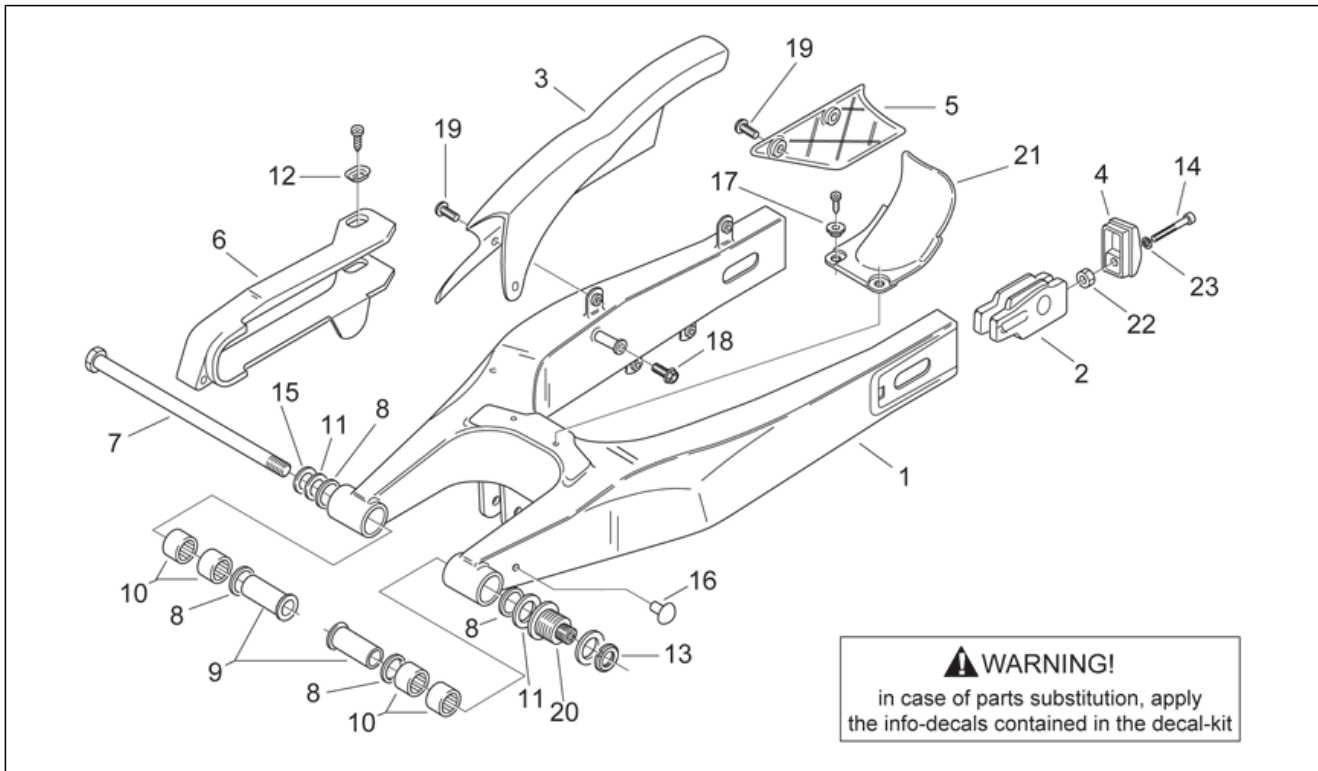
Pos.	Code	Beschreibung	Menge	Varianten
1	AP8110084	Rollenlager	2	
2	AP8101106	Gasket ring	2	Baujahr:1997[V], 1998[W], 1999[X]
2	AP8101106	Gasket ring	2	Baujahr:2000[Y]
2	AP8144146	Gasket ring	2	Baujahr:2000[Y]
3	AP8120376	Staubschutzhaube	1	Baujahr:2000[Y]
3	AP8120376	Staubschutzhaube	1	Baujahr:1997[V], 1998[W], 1999[X]
4	AP8101513	Schraube Lenkstangenbolzen	1	
5	AP8120771	Gummi *	1	
6	AP8123243	Geflanschte Mutter	1	
7	AP8138721	Wasserschutz Rohr	1	
8	AP8123723	Ob. Gabelplatte	1	
9	AP8203570	Zylinderschraube M8x30	4	
10	AP8123604	Bügelbolzen	1	
11	AP8123513	Schraube	1	
12	AP8123605	Unter.Bügelbolzen	1	
13	AP8103504	Silent-Block	2	
14	AP8123510	Röhrchen	1	
15	AP8123721	Becher	1	
16	AP8123512	Mutter	1	
17	AP8103537	Nutmutter	1	Baujahr:2000[Y]
17	AP8103537	Nutmutter	1	Baujahr:1997[V], 1998[W], 1999[X]
17	AP8123960	Nutmutter	1	Baujahr:2000[Y]
18	AP8121075	T-Buchse *	3	
19	AP8152278	TE Schr. m. Flansch M6x16	3	
20	AP8121307	Ausgleichscheibe	1	Baujahr:2000[Y]

Einheit	RAHMEN
Code	28.06
Beschreibung	Vorderradgabel
Inspektion	1



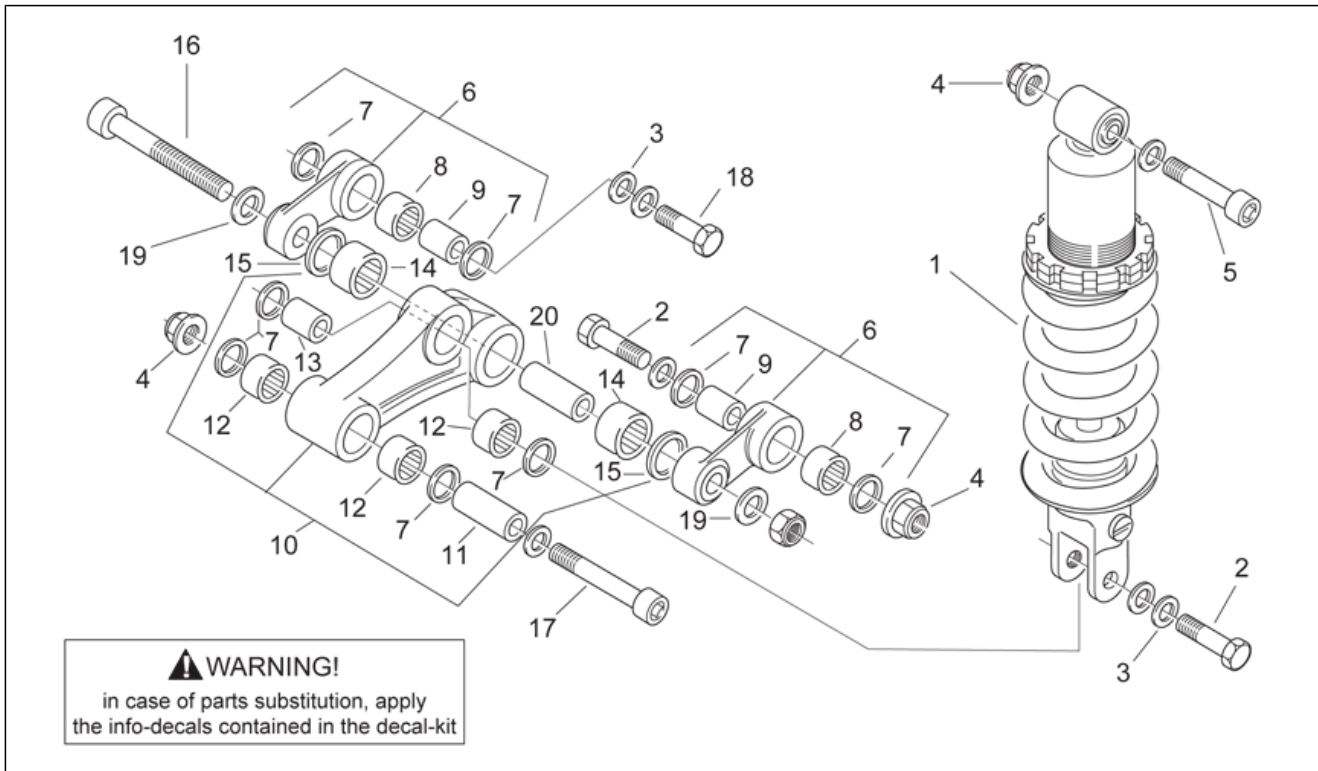
Pos.	Code	Beschreibung	Menge	Varianten
1	AP8123729	Baugruppe vordere Gabel	1	Baujahr: 1997[V], 1998[W], 1999[X]
1	AP8123729	Baugruppe vordere Gabel	1	Baujahr: 2000[Y]
1	AP8123959	Baugruppe vordere Gabel	1	Baujahr: 2000[Y]
2	AP8123714	Klb.st.+ Radhltr. rch.	1	
3	AP8123715	Klb.st.+ Radhltr. lks.	1	
4	AP8123606	Feder D4,8x398	2	
5	AP8123611	Fuß mit Rohr 185/25/54	1	
6	AP8123786	Hülse kplt. silber	2	
7	AP8123689	Gleitbuchse	4	
8	AP8123717	Distanzscheibe	2	
9	AP8123360	Führungsbecher	2	
10	AP8123199	Sperring	2	
11	AP8123777	Staubschutzfeder	2	
12	AP8103235	Gasket ring	2	
13	AP8123348	Verschlußschraube kplt.	2	
14	AP8123346	O-Ring	2	
15	AP8123441	Halbring	2	
16	AP8123357	Ring	2	
17	AP8123607	Vorspannrohr 31x2,5x215	2	
18	AP8123608	Federführung	2	
19	AP8123610	Zylinderschraube M6x20	2	
20	AP8123609	Zylinderschraube M8x30	2	

Einheit	RAHMEN
Code	28.07
Beschreibung	Schwinge
Inspektion	1



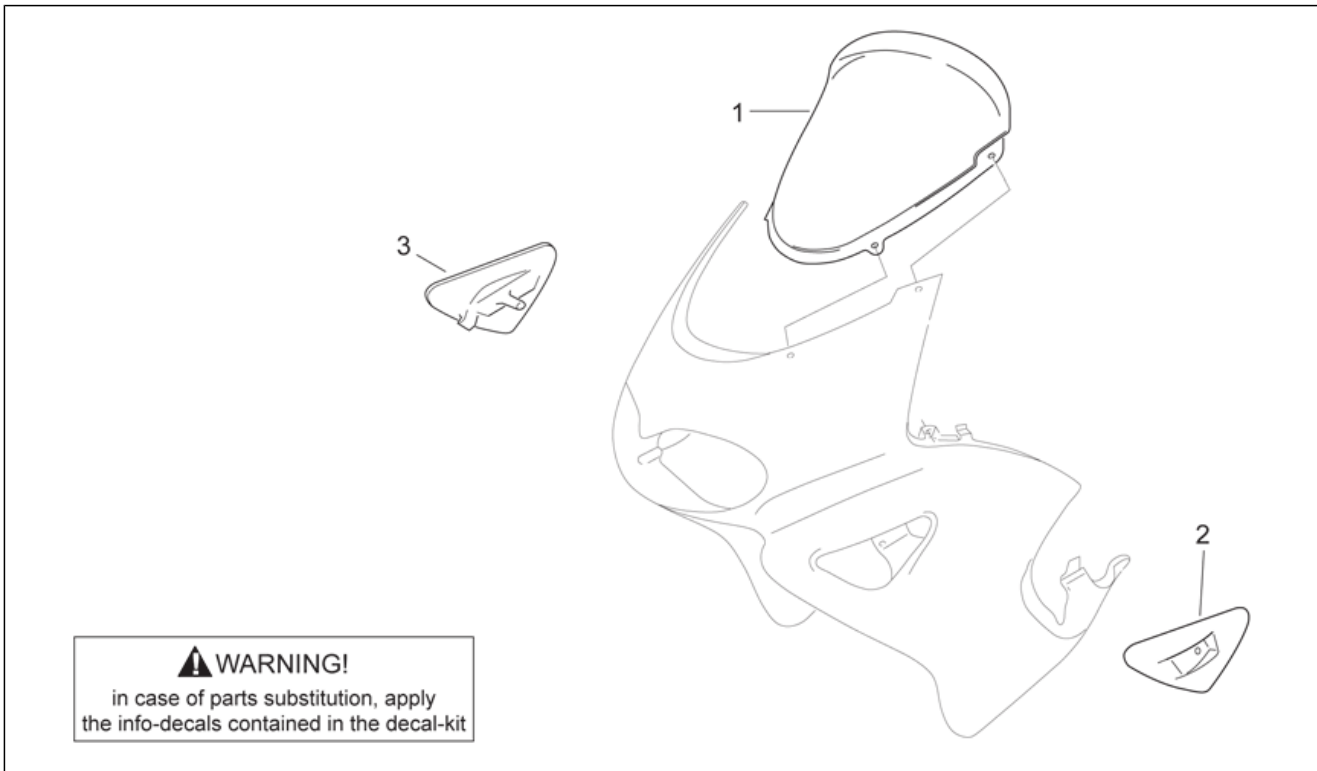
Pos.	Code	Beschreibung	Menge	Varianten
1	AP8135879	Hintere Schwinge Aluminium	1	
2	AP8121257	Paar Kettenspannplatte	2	
3	AP8138750	Oberer Kettenkasten, grau	1	Baujahr:1997[V], 1998[W]
3	AP8139764	Oberer Kettenkasten, blue	1	Baujahr:1999[X], 2000[Y]
4	AP8134111	Schwingenplatte	2	
5	AP8139765	Unterer Kettenkasten, blau	1	Baujahr:1999[X], 2000[Y]
5	AP8144042	Unterer Kettenkasten, grau	1	Baujahr:1997[V], 1998[W]
6	AP8120863	Kettengleitführung	1	
7	AP8125387	Schwingenbolzen	1	
8	AP8120240	Gasket ring	4	
9	AP8121121	Buc.für Schwingenzp.	2	
10	AP8110067	Nadellager 22x28x16	4	
11	AP8120363	Bundunterl.scheibe	6	
12	AP8234020	Becher	2	
13	AP8150299	Nutmutter M17x1	1	
14	AP8152073	TCEI Schraube	2	
15	AP8150297	Gebogene Sprengscheibe *	1	
16	AP8220323	Deckel	2	
17	AP8121075	T-Buchse *	2	
18	AP8152277	TE Schr. m. Flansch M6x12	1	
19	AP8152246	TBEI Schraube m.Flansch M6x16	4	
20	AP8121156	Buchse	1	
21	AP8138918	Stoßdämpferschutz	1	
22	AP8150431	Mutter unten M8	2	
23	AP8150017	Ausgleichscheibe 8,4x16x1,6	2	

Einheit	RAHMEN
Code	28.08
Beschreibung	Hinterradaufhängung
Inspektion	1



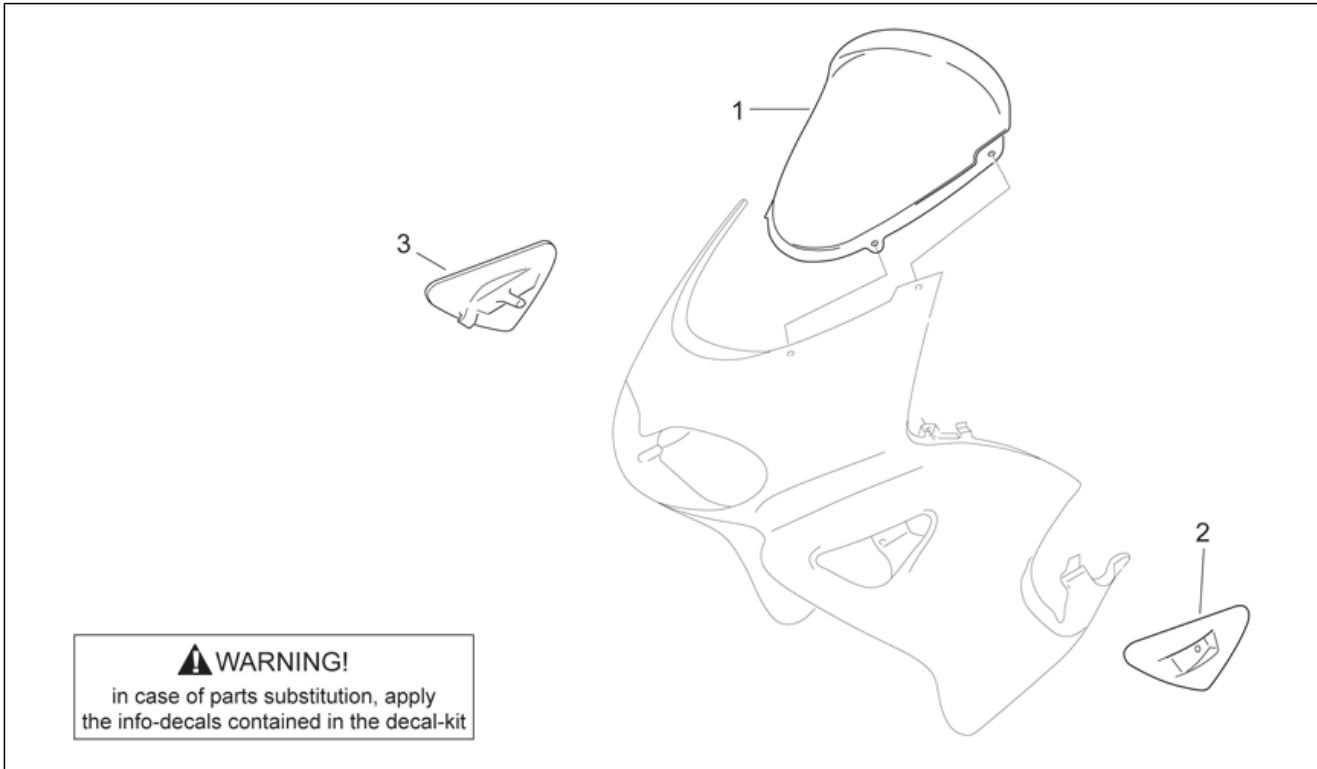
Pos.	Code	Beschreibung	Menge	Varianten
1	AP8123895	Stoßdämpfer	1	
2	AP8152147	Sechskantschraube M10x47	2	
3	AP8150210	Gebogene Sprengscheibe *	2	
4	AP8152301	Selbstsperrende Mutter	3	
5	AP8150290	TCEI Schraube	1	
6	AP8135477	Einfache Pleuelstange	2	
7	AP8110068	Ölabstreifring D18x24x3	8	
8	AP8110065	Nadellager	2	
9	AP8135610	Pleuelbolzen	2	
10	AP8135478	Doppelte Pleuelstange	1	
11	AP8135609	Pleuelbolzen	1	
12	AP8110066	Nadellager	3	
13	AP8135608	Pleuelbolzen L25	1	
14	AP8110067	Nadellager 22x28x16	2	
15	AP8110069	Ölabstreifring D22x28x4	2	
16	AP8150338	TCEI Schraube M12 X 108	1	
17	AP8152146	TCEI Schraube	1	
18	AP8152144	Sechskantschraube	1	
19	AP8152018	Scheibe 12,2x22x2	2	
20	AP8135607	Pleuelbolzen	1	

Einheit	RAHMEN
Code	28.09
Beschreibung	Frontaufbau - Kuppel
Inspektion	1



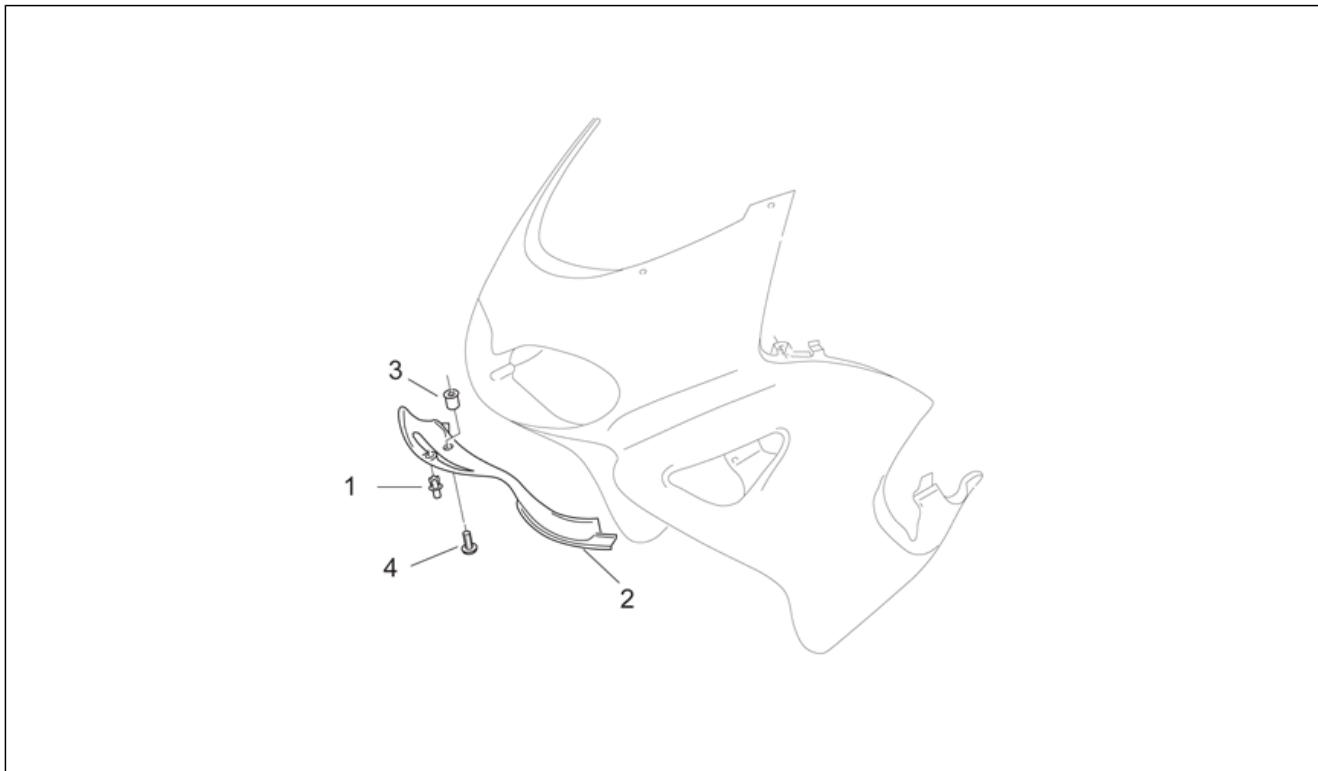
Pos.	Code	Beschreibung	Menge	Varianten
1	AP8138275	Kuppel, rot	1	Baujahr: 1997[V] Fahrzeugfarbe: Rot Red King '97[red]
1	AP8138927	Kuppel, blau	1	Baujahr: 1998[W], 1999[X] Land: Österreich[A], Australien[AUS], Belgien[B], Schweiz[CH], Deutschland[D], Dänemark[DK], Spanien[E], Frankreich[F], Griechenland[GR], Italien[I], Malaysia[MAL], Holland[NL], Portugal[P], Großbritannien[UK]
1	AP8138927	Kuppel, blau	1	Baujahr: 2000[Y] Fahrzeugfarbe: "Grau '98-2000 Version ""GARDA""[garda], Grau Mercury 2000[mer.g], Weiß Aura '98-2000[white] Land: Österreich[A], Australien[AUS], Belgien[B], Schweiz[CH], Deutschland[D], Dänemark[DK], Spanien[E], Frankreich[F], Griechenland[GR], Italien[I], Malaysia[MAL], Holland[NL], Portugal[P], Großbritannien[UK]
1	AP8138927	Kuppel, blau	1	Baujahr: 1997[V] Fahrzeugfarbe: Blau Delta '97[blue]
1	AP8148271	Kuppel, transparent	1	Baujahr: 1999[X], 2000[Y] Land: Vereinigte Staaten von Amerika[USA]
1	AP8148682	Sportschutzsch. grau	1	Baujahr: 2000[Y] Fahrzeugfarbe: Schwarz Shadow 2000[bla.s], Blau Reef 2000[r.b] Land: Österreich[A], Australien[AUS], Belgien[B], Schweiz[CH], Deutschland[D], Dänemark[DK], Spanien[E], Frankreich[F], Griechenland[GR], Italien[I], Malaysia[MAL], Holland[NL], Portugal[P], Großbritannien[UK]
2	AP8148596	Blinker vorn links Fixierung	1	Baujahr: 1999[X] Fahrzeugfarbe: Schwarz Vulkan '99[b.vul] Land: Vereinigte Staaten von Amerika[USA]
2	AP8148654	Blinker vorn links Fixierung	1	Baujahr: 1999[X] Fahrzeugfarbe: Rot Mirò '99[r.mir] Land: Vereinigte Staaten von Amerika[USA]
2	AP8148656	Blinker vorn links Fixierung	1	Baujahr: 1999[X] Fahrzeugfarbe: Tiefgrau Glän. '98-'99[grej] Land: Vereinigte Staaten von Amerika[USA]

Einheit	RAHMEN
Code	28.09
Beschreibung	Frontaufbau - Kuppel
Inspektion	1



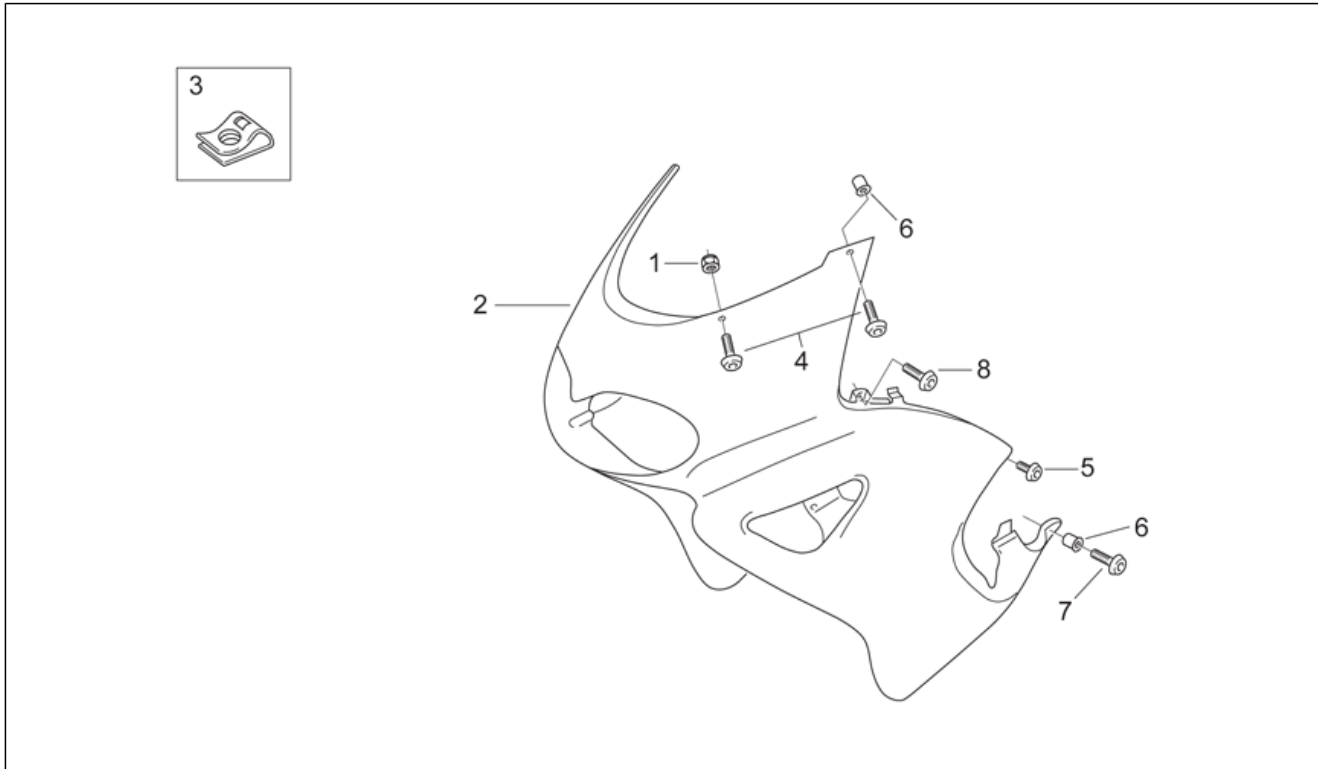
Pos.	Code	Beschreibung	Menge	Varianten
2	AP8148696	Blinker vorn links Fixierung	1	Baujahr: 2000[Y] Fahrzeugfarbe: Blau Reef 2000[r.b] Land: Vereinigte Staaten von Amerika[USA]
2	AP8148714	Blinker vorn links Fixierung	1	Baujahr: 2000[Y] Fahrzeugfarbe: Grau Mercury 2000[mer.g] Land: Vereinigte Staaten von Amerika[USA]
2	AP8148729	Blinker vorn links Fixierung	1	Baujahr: 2000[Y] Fahrzeugfarbe: Schwarz Shadow 2000[bla.s] Land: Vereinigte Staaten von Amerika[USA]
3	AP8148593	Blinker vorn rechts Fixierung	1	Baujahr: 1999[X] Fahrzeugfarbe: Schwarz Vulkan '99[b.vul] Land: Vereinigte Staaten von Amerika[USA]
3	AP8148653	Blinker vorn rechts Fixierung	1	Baujahr: 1999[X] Fahrzeugfarbe: Rot Mirò '99[r.mir] Land: Vereinigte Staaten von Amerika[USA]
3	AP8148655	Blinker vorn rechts Fixierung	1	Baujahr: 1999[X] Fahrzeugfarbe: Tiefgrau Glän. '98 -'99[greyl] Land: Vereinigte Staaten von Amerika[USA]
3	AP8148695	Blinker vorn rechts Fixierung	1	Baujahr: 2000[Y] Fahrzeugfarbe: Blau Reef 2000[r.b] Land: Vereinigte Staaten von Amerika[USA]
3	AP8148713	Blinker vorn rechts Fixierung	1	Baujahr: 2000[Y] Fahrzeugfarbe: Grau Mercury 2000[mer.g] Land: Vereinigte Staaten von Amerika[USA]
3	AP8148728	Blinker vorn rechts Fixierung	1	Baujahr: 2000[Y] Fahrzeugfarbe: Schwarz Shadow 2000[bla.s] Land: Vereinigte Staaten von Amerika[USA]

Einheit	RAHMEN
Code	28.10
Beschreibung	Frontaufbau - V.verkl.Luft Buchse
Inspektion	1



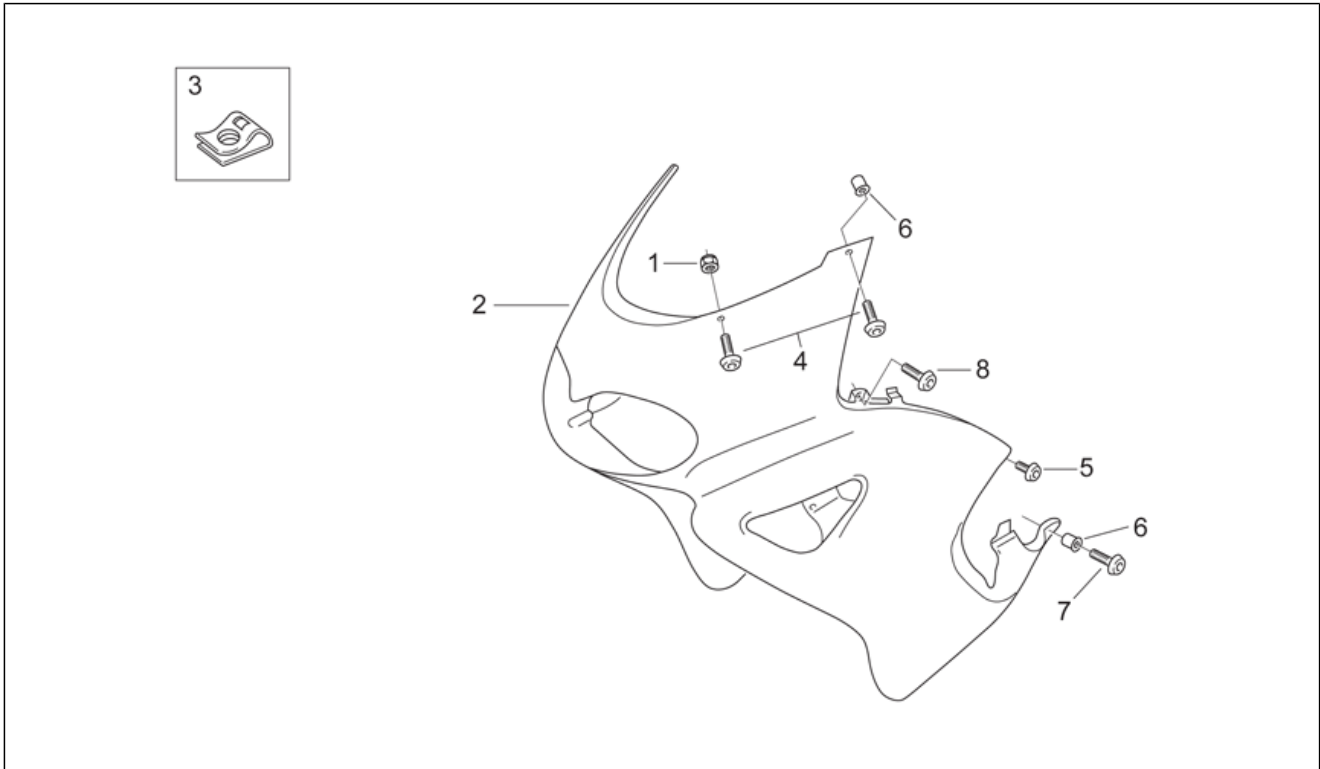
Pos.	Code	Beschreibung	Menge	Varianten
1	AP8120317	Schwarzer Kunststoffniet	1	
2	AP8138745	Lufteinlaß Verkl., rot	1	Baujahr:1997[V] Fahrzeugfarbe:Rot Red King '97[red]
2	AP8138921	Lufteinlaß Verkl., blau	1	Baujahr:1997[V] Fahrzeugfarbe:Blau Delta '97[blue]
2	AP8139229	Lufteinlaß Verkl., h.blau	1	Baujahr:1998[W] Fahrzeugfarbe:Hellblau Space '98[s.cya]
2	AP8139242	Lufteinlaß Verkl., grau	1	Baujahr:1998[W], 1999[X] Fahrzeugfarbe:"Grau '98-2000 Version ""GARDA""[garda], Tiefgrau Glän. '98-'99[grey]
2	AP8139397	Lufteinlaß Verkl., schwarz	1	Baujahr:1998[W] Fahrzeugfarbe:Schwarz Ebenholz Metall. '98[black]
2	AP8139642	Lufteinlaß Verkl., weiß	1	Baujahr:1998[W], 2000[Y] Fahrzeugfarbe:Weiß Aura '98-2000[white]
2	AP8139752	Lufteinlaß Verkl., V.schwarz	1	Baujahr:1999[X] Fahrzeugfarbe:Schwarz Vulkan '99[b.vul]
2	AP8139847	Lufteinlaß Verkl., m.rot	1	Baujahr:1999[X] Fahrzeugfarbe:Rot Mirò '99[r.mir]
2	AP8148689	Lufteinl.Verkl.V. blau r.	1	Baujahr:2000[Y] Fahrzeugfarbe:Blau Reef 2000[r.b]
2	AP8148707	Lufteinl.Verkl.grau m.	1	Baujahr:2000[Y] Fahrzeugfarbe:Grau Mercury 2000[mer.g]
2	AP8148707	Lufteinl.Verkl.grau m.	1	Baujahr:2000[Y] Fahrzeugfarbe:"Grau '98-2000 Version ""GARDA""[garda] Land:Schweiz[CH], Deutschland[D]
2	AP8148722	Lufteinl.Verkl.V. schw. s.	1	Baujahr:2000[Y] Fahrzeugfarbe:Schwarz Shadow 2000[bla.s]
3	AP8120531	Gummi mit Einsatz	2	
4	AP8152298	TBEI Schraube m.Flansch M5x16	7	

Einheit	RAHMEN
Code	28.11
Beschreibung	Frontaufbau - V.verkl.
Inspektion	1



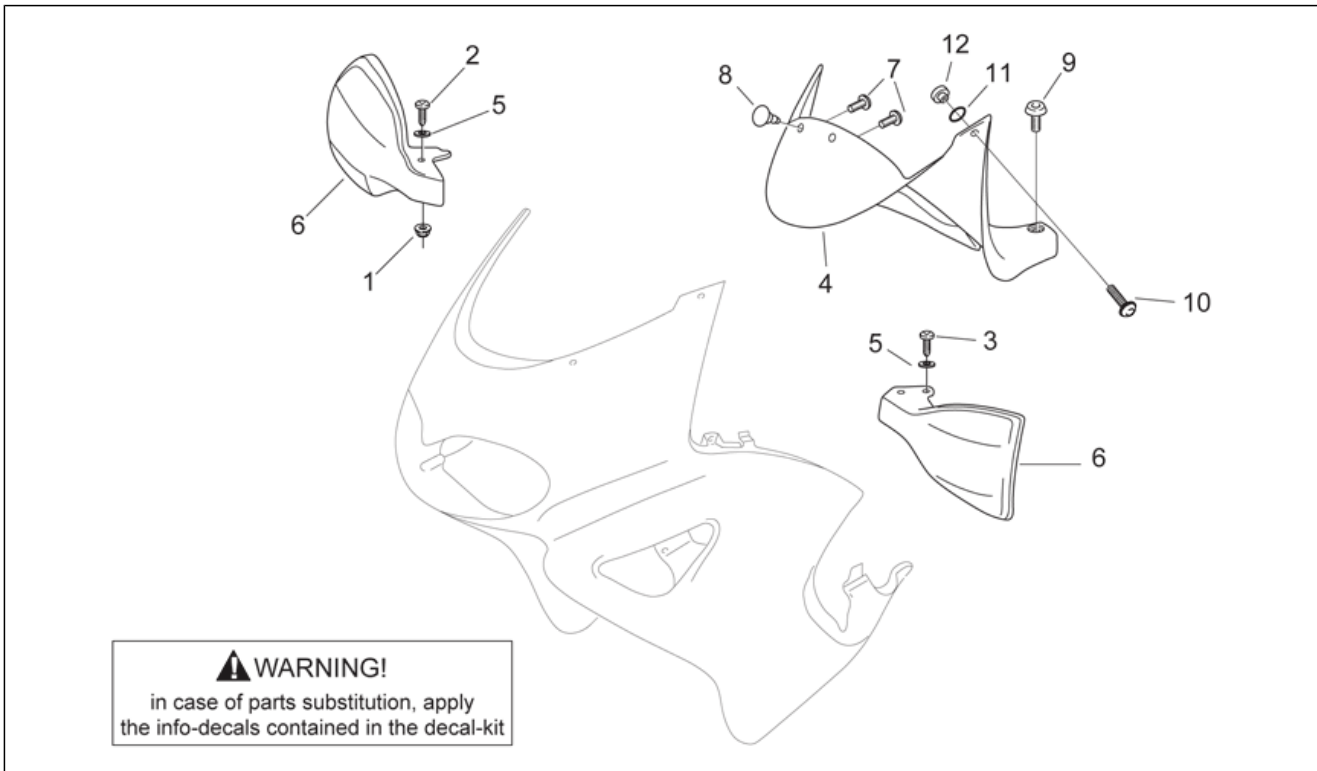
Pos.	Code	Beschreibung	Menge	Varianten
1	AP8152306	Selbstsperrende Mutter M5	2	
2	AP8138950	V.verkl., rot	1	Baujahr:1997[V] Fahrzeugfarbe:Rot Red King '97[red]
2	AP8138951	V.verkl., blau	1	Baujahr:1997[V] Fahrzeugfarbe:Blau Delta '97[blue]
2	AP8139236	V.verkl., h.blau	1	Baujahr:1998[W] Fahrzeugfarbe:Hellblau Space '98[s.cya]
2	AP8139247	V.verkl., grau	1	Baujahr:1998[W], 1999[X] Fahrzeugfarbe:"Grau '98-2000 Version ""GARDA""[garda], Tiefgrau Glän. '98-'99[greyl]
2	AP8139404	V.verkl., schwarz	1	Baujahr:1998[W] Fahrzeugfarbe:Schwarz Ebenholz Metall. '98[black]
2	AP8139640	V.verkl., weiß	1	Baujahr:1998[W], 2000[Y] Fahrzeugfarbe:Weiß Aura '98-2000[white]
2	AP8139854	V.verkl., Vulcan schwarz	1	Baujahr:1999[X] Fahrzeugfarbe:Schwarz Vulkan '99[b.vul]
2	AP8139861	V.verkl., miro' rot	1	Baujahr:1999[X] Fahrzeugfarbe:Rot Mirò '99[r.mir]
2	AP8148697	Verkl.vorne V.reefblau	1	Baujahr:2000[Y] Fahrzeugfarbe:Blau Reef 2000[r.b]
2	AP8148715	Verkl.vorne V.grau m.	1	Baujahr:2000[Y] Fahrzeugfarbe:Grau Mercury 2000[mer.g]
2	AP8148715	Verkl.vorne V.grau m.	1	Baujahr:2000[Y] Fahrzeugfarbe:"Grau '98-2000 Version ""GARDA""[garda] Land:Schweiz[CH], Deutschland[D]
2	AP8148730	Verkl. vorne V. schw.s.	1	Baujahr:2000[Y] Fahrzeugfarbe:Schwarz Shadow 2000[bla.s]
3	AP8102376	Klammer M6	2	
4	AP8152298	TBEI Schraube m.Flansch M5x16	7	
5	AP8152339	TBEI Schraube m.Flansch M5x9	4	
6	AP8121250	Buchse	2	
7	AP8152302	TBEI Schraube m.Flansch M5x12	2	

Einheit	RAHMEN
Code	28.11
Beschreibung	Frontaufbau - V.verkl.
Inspektion	1



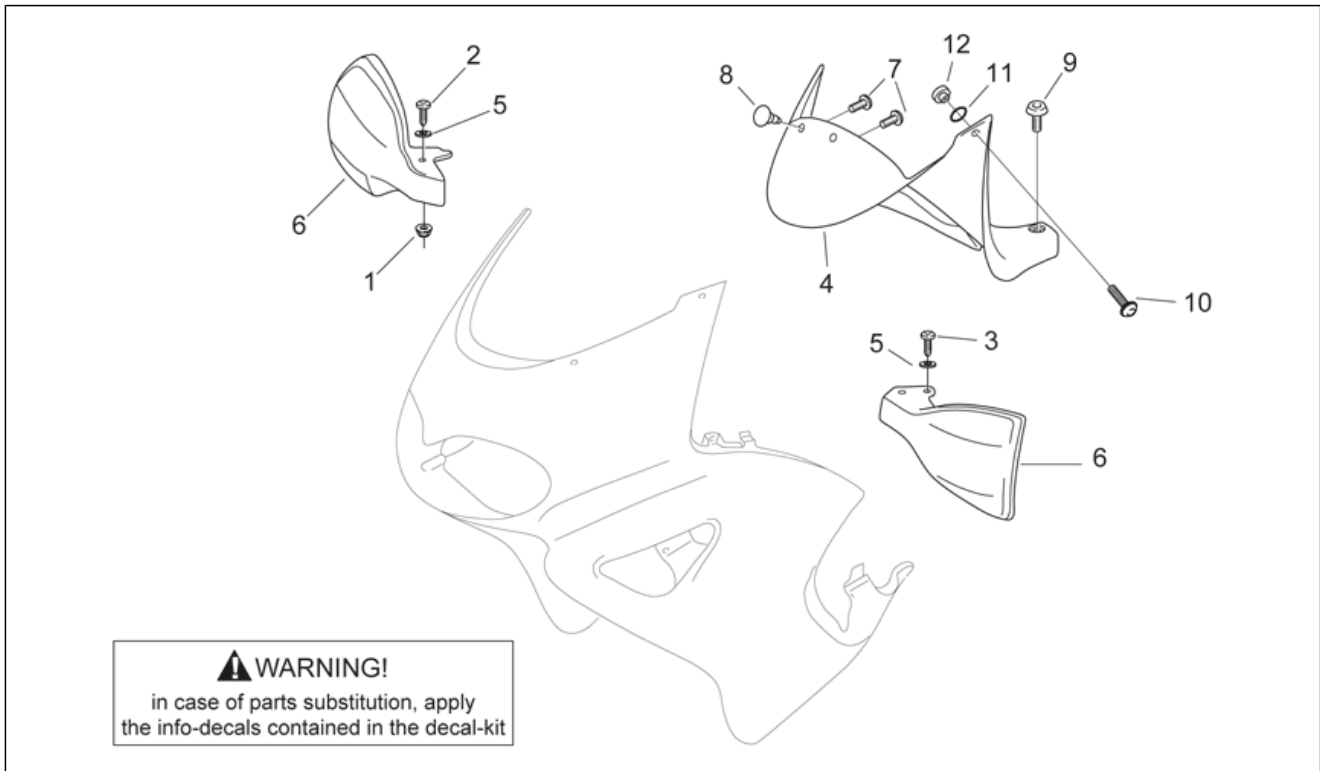
Pos.	Code	Beschreibung	Menge	Varianten
8	AP8152246	TBEI Schraube m.Flansch M6x16	2	

Einheit	RAHMEN
Code	28.12
Beschreibung	Frontaufbau - Handschutz
Inspektion	1



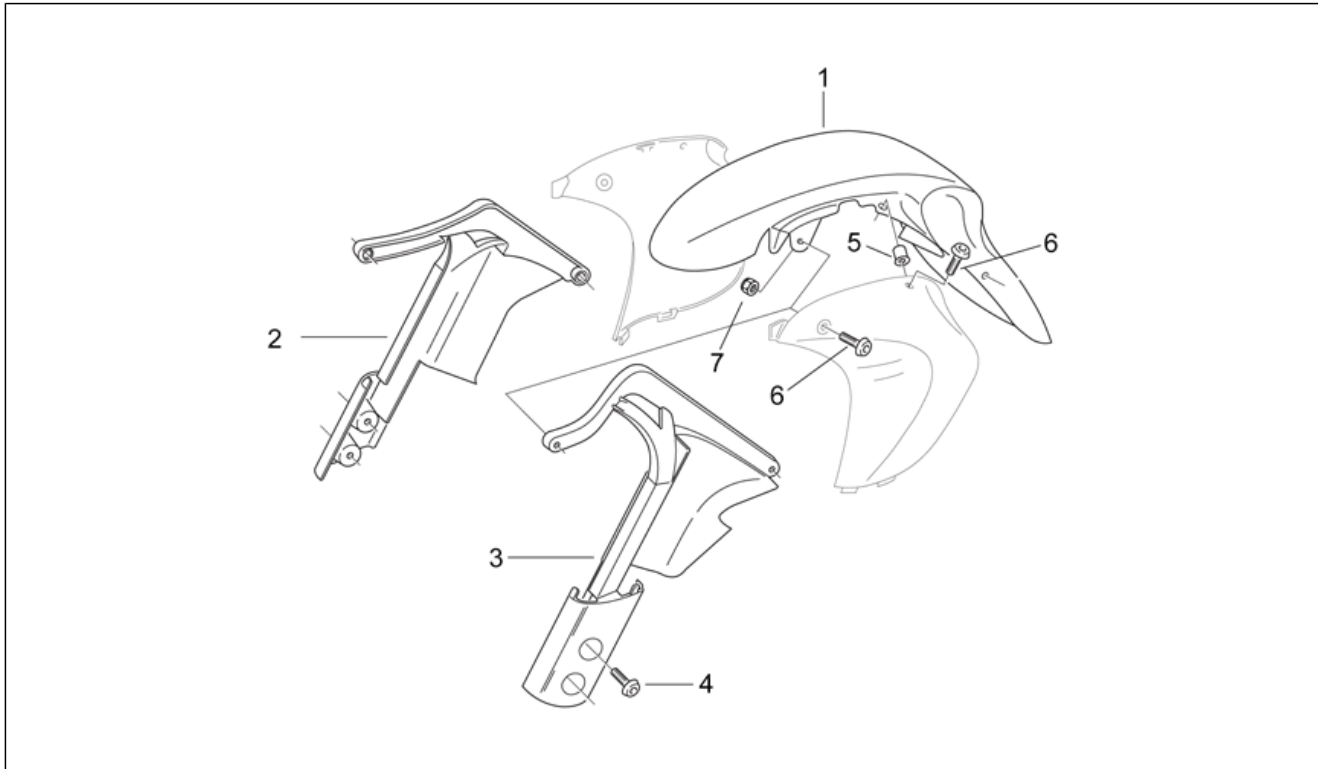
Pos.	Code	Beschreibung	Menge	Varianten
1	AP8152299	Selbstsperrende Mutter M6	1	
2	AP8152078	TB-Spezialschraube M6	1	
3	AP8152019	TCB-Spezialschraube M6x12	1	
4	AP8138746	Verschuß rote Verkleidung	1	Baujahr: 1997[V] Fahrzeugfarbe: Rot Red King '97[red]
4	AP8138922	Verschuß blaue Verkleidung	1	Baujahr: 1997[V] Fahrzeugfarbe: Blau Delta '97[blue]
4	AP8139228	Verkl.verschl. h.blau	1	Baujahr: 1998[W] Fahrzeugfarbe: Hellblau Space '98[s.cya]
4	AP8139241	Verkl.verschl. grau	1	Baujahr: 1998[W], 1999[X] Fahrzeugfarbe: "Grau '98-2000 Version ""GARDA""[garda], Tiefgrau Glän. '98-'99[grey]
4	AP8139396	Verkl.verschl. schw.	1	Baujahr: 1998[W] Fahrzeugfarbe: Schwarz Ebenholz Metall. '98[black]
4	AP8139641	Verkl.verschl. weiß	1	Baujahr: 1998[W], 2000[Y] Fahrzeugfarbe: Weiß Aura '98-2000[white]
4	AP8139751	Verkl.verschl. V.schw.	1	Baujahr: 1999[X] Fahrzeugfarbe: Schwarz Vulkan '99[b.vul]
4	AP8139846	Verschuß V.rote Verkleidung	1	Baujahr: 1999[X] Fahrzeugfarbe: Rot Mirò '99[r.mir]
4	AP8148688	Verkl.verschl., r.blau	1	Baujahr: 2000[Y] Fahrzeugfarbe: Blau Reef 2000[r.b]
4	AP8148706	Verkl.verschl.m.grau	1	Baujahr: 2000[Y] Fahrzeugfarbe: "Grau '98-2000 Version ""GARDA""[garda] Land: Schweiz[CH], Deutschland[D]
4	AP8148706	Verkl.verschl.m.grau	1	Baujahr: 2000[Y] Fahrzeugfarbe: Grau Mercury 2000[mer.g]
4	AP8148721	Verkl.verschl. s.schw.	1	Baujahr: 2000[Y] Fahrzeugfarbe: Schwarz Shadow 2000[bla.s]
5	AP8102504	Gummi	2	
6	AP8118486	Handschutzpaar, h.blau	1	Baujahr: 1998[W] Fahrzeugfarbe: Hellblau Space '98[s.cya]

Einheit	RAHMEN
Code	28.12
Beschreibung	Frontaufbau - Handschutz
Inspektion	1



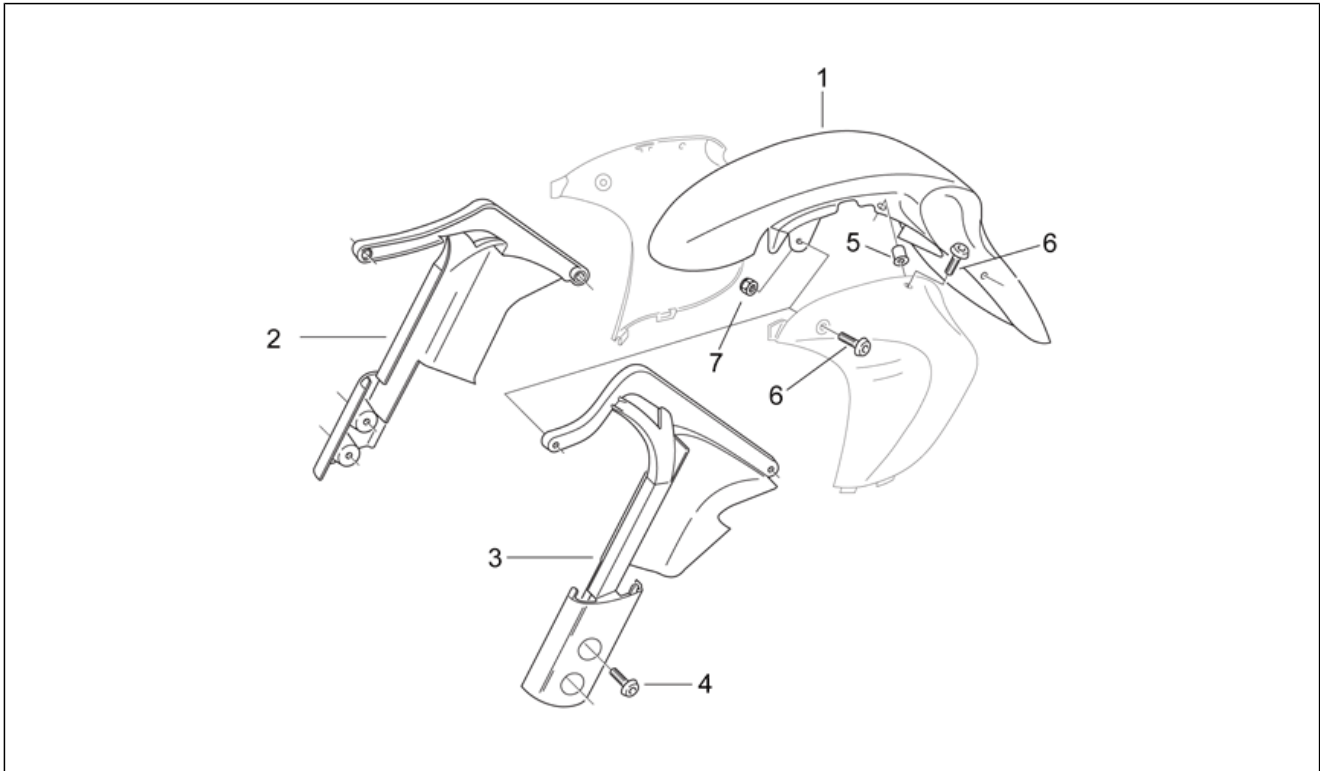
Pos.	Code	Beschreibung	Menge	Varianten
6	AP8118487	Handschutzpaar, grau	1	Baujahr:1998[W], 1999[X] Fahrzeugfarbe:"Grau '98-2000 Version ""GARDA""[garda], Tiefgrau Glän. '98-'99[grey]
6	AP8118488	Handschutzpaar, schwarz	1	Baujahr:1998[W] Fahrzeugfarbe:Schwarz Ebenholz Metall. '98[black]
6	AP8138939	Handschutzpaar, blau	1	Baujahr:1997[V] Fahrzeugfarbe:Blau Delta '97[blue]
6	AP8138940	Handschutzpaar, rot	1	Baujahr:1997[V] Fahrzeugfarbe:Rot Red King '97[red]
6	AP8139688	Handschutzpaar, weiß	1	Baujahr:1998[W], 2000[Y] Fahrzeugfarbe:Weiß Aura '98-2000[white]
6	AP8139973	Handschutzpaar, m.rot	1	Baujahr:1999[X] Fahrzeugfarbe:Rot Mirò '99[r.mir]
6	AP8139974	Handschutzpaar, V.schwarz	1	Baujahr:1999[X] Fahrzeugfarbe:Schwarz Vulkan '99[b.vul]
6	AP8149101	Handschutz V. blau -Paar	1	Baujahr:2000[Y] Fahrzeugfarbe:Blau Reef 2000[r.b]
6	AP8149102	Handschutz V.grau.m.-Paar	1	Baujahr:2000[Y] Fahrzeugfarbe:"Grau '98-2000 Version ""GARDA""[garda] Land:Schweiz[CH], Deutschland[D]
6	AP8149102	Handschutz V.grau.m.-Paar	1	Baujahr:2000[Y] Fahrzeugfarbe:Grau Mercury 2000[mer.g]
6	AP8149103	Handschutz V. schw. s. -Paar	1	Baujahr:2000[Y] Fahrzeugfarbe:Schwarz Shadow 2000[bla.s]
7	AP8152302	TBEI Schraube m.Flansch M5x12	2	
8	AP8120001	Gummi	2	
9	AP8152339	TBEI Schraube m.Flansch M5x9	2	
10	AP8152298	TBEI Schraube m.Flansch M5x16	2	
11	AP8120178	O-Ring OR112	2	
12	AP8121250	Buchse	2	

Einheit	RAHMEN
Code	28.13
Beschreibung	Frontaufbau - Schutzblech
Inspektion	1



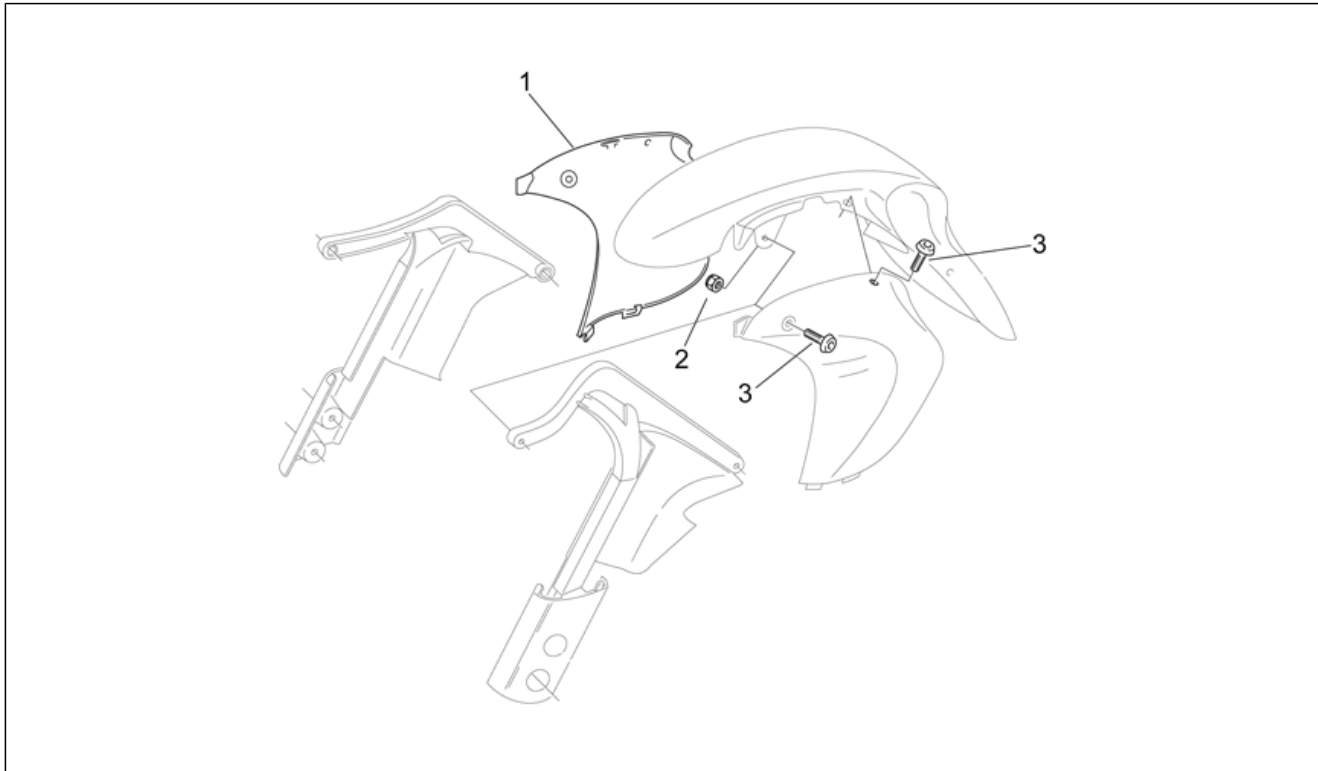
Pos.	Code	Beschreibung	Menge	Varianten
1	AP8126513	V. Schutzblech, rot	1	Baujahr:1997[V] Fahrzeugfarbe:Rot Red King '97[red]
1	AP8126585	V. Schutzblech, blau	1	Baujahr:1997[V] Fahrzeugfarbe:Blau Delta '97[blue]
1	AP8126632	V. Schutzblech, h.bl.	1	Baujahr:1998[W] Fahrzeugfarbe:Hellblau Space '98[s.cya]
1	AP8126656	V. Schutzblech, grau	1	Baujahr:1998[W], 1999[X] Fahrzeugfarbe:"Grau '98-2000 Version ""GARDA""[garda], Tiefgrau Glän. '98-'99[greyl]
1	AP8126659	V. Schutzblech, schwarz	1	Baujahr:1998[W] Fahrzeugfarbe:Schwarz Ebenholz Metall. '98[black]
1	AP8126710	V. Schutzblech, weiß	1	Baujahr:1998[W], 2000[Y] Fahrzeugfarbe:Weiß Aura '98-2000[white]
1	AP8126723	Kotflügel, v.schwarz	1	Baujahr:1999[X] Fahrzeugfarbe:Schwarz Vulkan '99[b.vul]
1	AP8126740	V. Schutzblech, rot	1	Baujahr:1999[X] Fahrzeugfarbe:Rot Mirò '99[r.mir]
1	AP8126814	Schutzbl. vorn V.blau r.	1	Baujahr:2000[Y] Fahrzeugfarbe:Blau Reef 2000[r.b]
1	AP8126821	V. Schutzblech, h.grau	1	Baujahr:2000[Y] Fahrzeugfarbe:Grau Mercury 2000[mer.g]
1	AP8126821	V. Schutzblech, h.grau	1	Baujahr:2000[Y] Fahrzeugfarbe:"Grau '98-2000 Version ""GARDA""[garda] Land:Schweiz[CH], Deutschland[D]
1	AP8126827	Schutzbl.vorne V. schw.s.	1	Baujahr:2000[Y] Fahrzeugfarbe:Schwarz Shadow 2000[bla.s]
2	AP8135980	Rch. Kotfl.hltr. grau	1	Baujahr:1997[V], 1998[W]
2	AP8139759	Rch. Kotfl.hltr. Blau	1	Baujahr:1999[X], 2000[Y]
3	AP8135981	Linker Schutzblechhalter grau	1	Baujahr:1997[V], 1998[W]
3	AP8139760	Linker Schutzblechhalter blau	1	Baujahr:1999[X], 2000[Y]
4	AP8152246	TBEI Schraube m.Flansch M6x16	4	
5	AP8120531	Gummi mit Einsatz	4	

Einheit	RAHMEN
Code	28.13
Beschreibung	Frontaufbau - Schutzblech
Inspektion	1



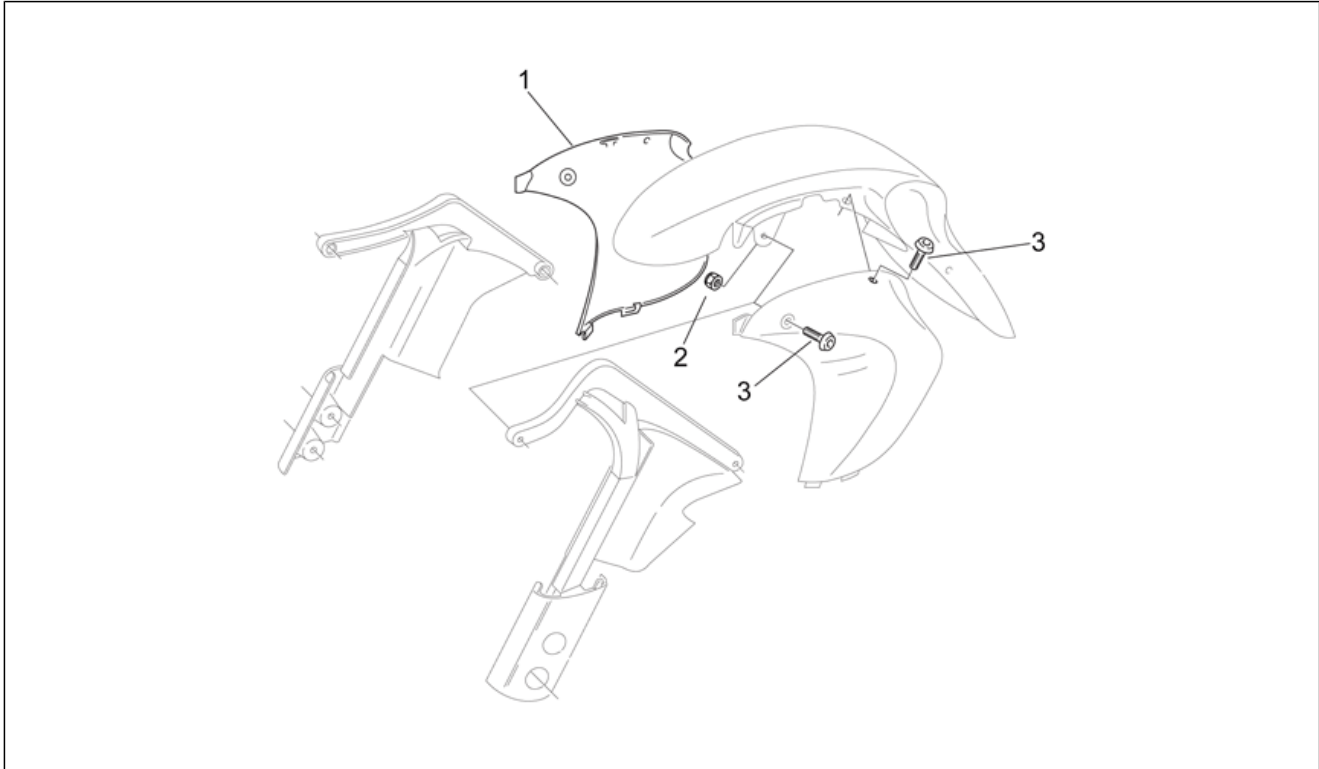
Pos.	Code	Beschreibung	Menge	Varianten
6	AP8152298	TBEI Schraube m.Flansch M5x16	4	
7	AP8150311	Selbstsperr.mut Unt.	4	

Einheit	RAHMEN
Code	28.14
Beschreibung	Frontaufbau - Rechts Schaftenschutz
Inspektion	1



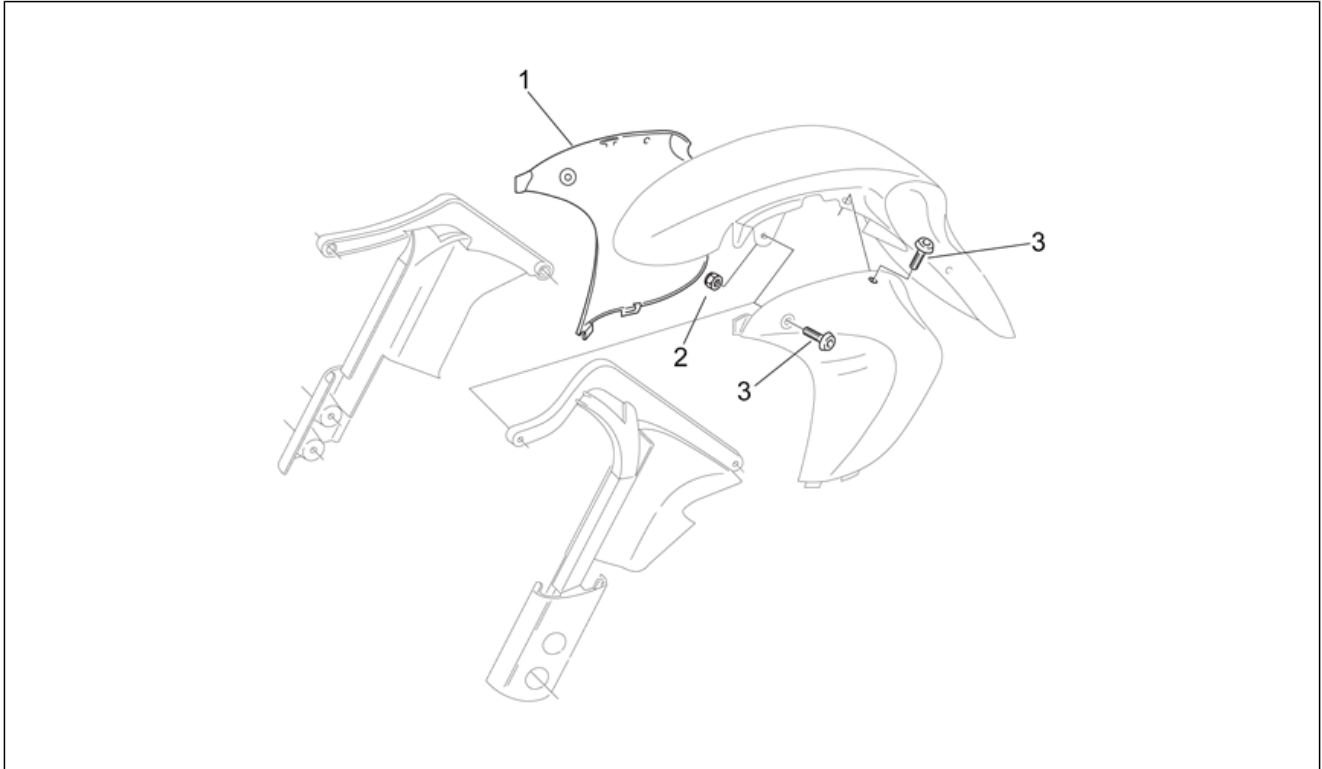
Pos.	Code	Beschreibung	Menge	Varianten
1	AP8126586	Stangenschutz rechts, blau	1	Baujahr: 1997[V] Fahrzeugfarbe: Blau Delta '97[blue]
1	AP8126633	Stangenschutz rechts, h.b.	1	Baujahr: 1998[W] Fahrzeugfarbe: Hellblau Space '98[s.cya]
1	AP8126657	Stangenschutz rechts, grau	1	Baujahr: 1998[W], 1999[X] Fahrzeugfarbe: "Grau '98-2000 Version ""GARDA""[garda], Tiefgrau Glän. '98-'99[grey] Land: Österreich[A], Australien[AUS], Belgien[B], Schweiz[CH], Deutschland[D], Dänemark[DK], Spanien[E], Frankreich[F], Griechenland[GR], Italien[I], Malaysia[MAL], Holland[NL], Portugal[P], Großbritannien[UK]
1	AP8126660	Stangenschutz rechts, sch.	1	Baujahr: 1998[W] Fahrzeugfarbe: Schwarz Ebenholz Metall. '98[black]
1	AP8126711	Stangenschutz rechts, weiß	1	Baujahr: 1998[W], 2000[Y] Fahrzeugfarbe: Weiß Aura '98-2000[white]
1	AP8126724	Stangenschutz rechts, V.sch.	1	Baujahr: 1999[X] Fahrzeugfarbe: Schwarz Vulkan '99[b.vul] Land: Österreich[A], Australien[AUS], Belgien[B], Schweiz[CH], Deutschland[D], Dänemark[DK], Spanien[E], Frankreich[F], Griechenland[GR], Italien[I], Malaysia[MAL], Holland[NL], Portugal[P], Großbritannien[UK]
1	AP8126741	Stangenschutz rechts, m.rot	1	Baujahr: 1999[X] Fahrzeugfarbe: Rot Mirò '99[r.mir] Land: Österreich[A], Australien[AUS], Belgien[B], Schweiz[CH], Deutschland[D], Dänemark[DK], Spanien[E], Frankreich[F], Griechenland[GR], Italien[I], Malaysia[MAL], Holland[NL], Portugal[P], Großbritannien[UK]
1	AP8126787	Stangenschutz rechts, sch.	1	Baujahr: 1999[X] Fahrzeugfarbe: Schwarz Vulkan '99[b.vul] Land: Vereinigte Staaten von Amerika[USA]
1	AP8126790	Stangenschutz rechts, rot	1	Baujahr: 1999[X] Fahrzeugfarbe: Rot Mirò '99[r.mir] Land: Vereinigte Staaten von Amerika[USA]
1	AP8126792	Stangenschutz rechts, grau	1	Baujahr: 1998[W], 1999[X]

Einheit	RAHMEN
Code	28.14
Beschreibung	Frontaufbau - Rechts Schaftenschutz
Inspektion	1



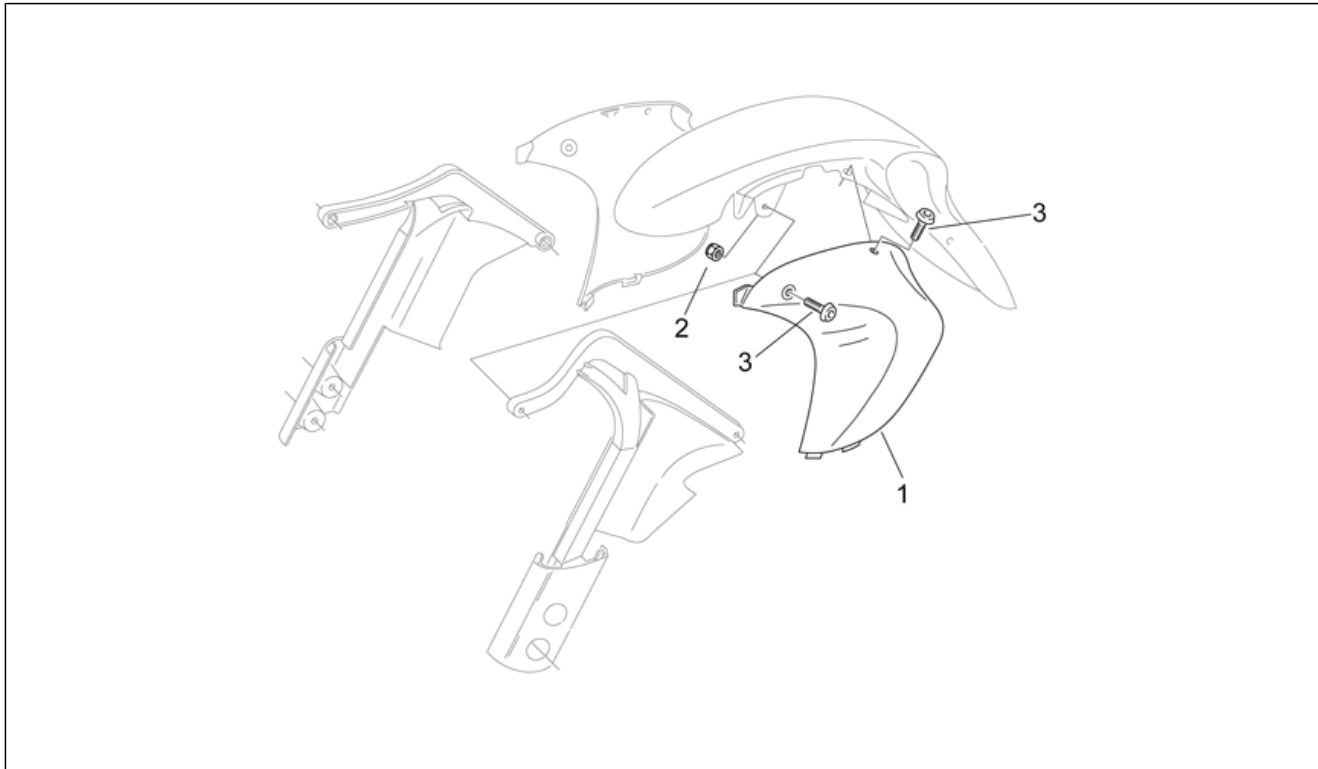
Pos.	Code	Beschreibung	Menge	Varianten
				Fahrzeugfarbe: Tiefgrau Glän. '98 -'99[greyl] Land: Vereinigte Staaten von Amerika[USA]
1	AP8126810	Stangenschutz rechts, r.blau	1	Baujahr: 2000[Y] Fahrzeugfarbe: Blau Reef 2000[r.b] Land: Österreich[A], Australien[AUS], Belgien[B], Schweiz[CH], Deutschland[D], Dänemark[DK], Spanien[E], Frankreich[F], Griechenland[GR], Italien[I], Malaysia[MAL], Holland[NL], Portugal[P], Großbritannien[UK]
1	AP8126812	Stangenschutz rechts, r.blau	1	Baujahr: 2000[Y] Fahrzeugfarbe: Blau Reef 2000[r.b] Land: Vereinigte Staaten von Amerika[USA]
1	AP8126817	Stangenschutz rs. grau m.	1	Baujahr: 2000[Y] Fahrzeugfarbe: "Grau '98-2000 Version ""GARDA""[garda] Land: Schweiz[CH], Deutschland[D]
1	AP8126817	Stangenschutz rs. grau m.	1	Baujahr: 2000[Y] Fahrzeugfarbe: Grau Mercury 2000[mer.g] Land: Österreich[A], Australien[AUS], Belgien[B], Schweiz[CH], Deutschland[D], Dänemark[DK], Spanien[E], Frankreich[F], Griechenland[GR], Italien[I], Malaysia[MAL], Holland[NL], Portugal[P], Großbritannien[UK]
1	AP8126819	Stangenschutz rs. grau m.	1	Baujahr: 2000[Y] Fahrzeugfarbe: Grau Mercury 2000[mer.g] Land: Vereinigte Staaten von Amerika[USA]
1	AP8126823	Stangenschutz rechts, s.schwarz	1	Baujahr: 2000[Y] Fahrzeugfarbe: Schwarz Shadow 2000[bla.s] Land: Österreich[A], Australien[AUS], Belgien[B], Schweiz[CH], Deutschland[D], Dänemark[DK], Spanien[E], Frankreich[F], Griechenland[GR], Italien[I], Malaysia[MAL], Holland[NL], Portugal[P], Großbritannien[UK]
1	AP8126825	Stangenschutz rechts, s.schwarz	1	Baujahr: 2000[Y] Fahrzeugfarbe: Schwarz Shadow 2000[bla.s] Land: Vereinigte Staaten von Amerika[USA]
1	AP8138748	Stangenschutz rechts, rot	1	Baujahr: 1997[V] Fahrzeugfarbe: Rot Red King '97[red]

Einheit	RAHMEN
Code	28.14
Beschreibung	Frontaufbau - Rechts Schaftenschutz
Inspektion	1



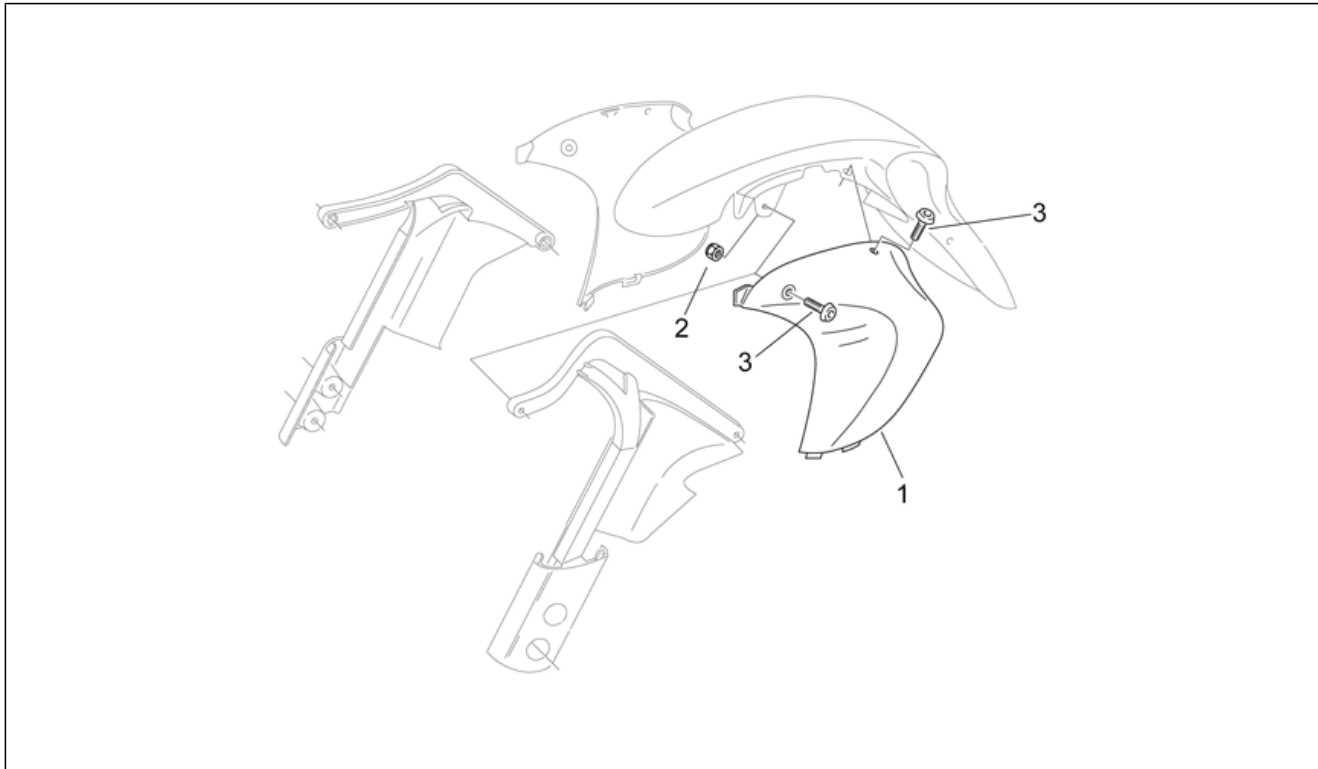
Pos.	Code	Beschreibung	Menge	Varianten
2	AP8150311	Selbstsperr.mut Unt.	2	
3	AP8152298	TBEI Schraube m.Flansch M5x16	2	

Einheit	RAHMEN
Code	28.15
Beschreibung	Frontaufbau - Links Schaftenschutz
Inspektion	1



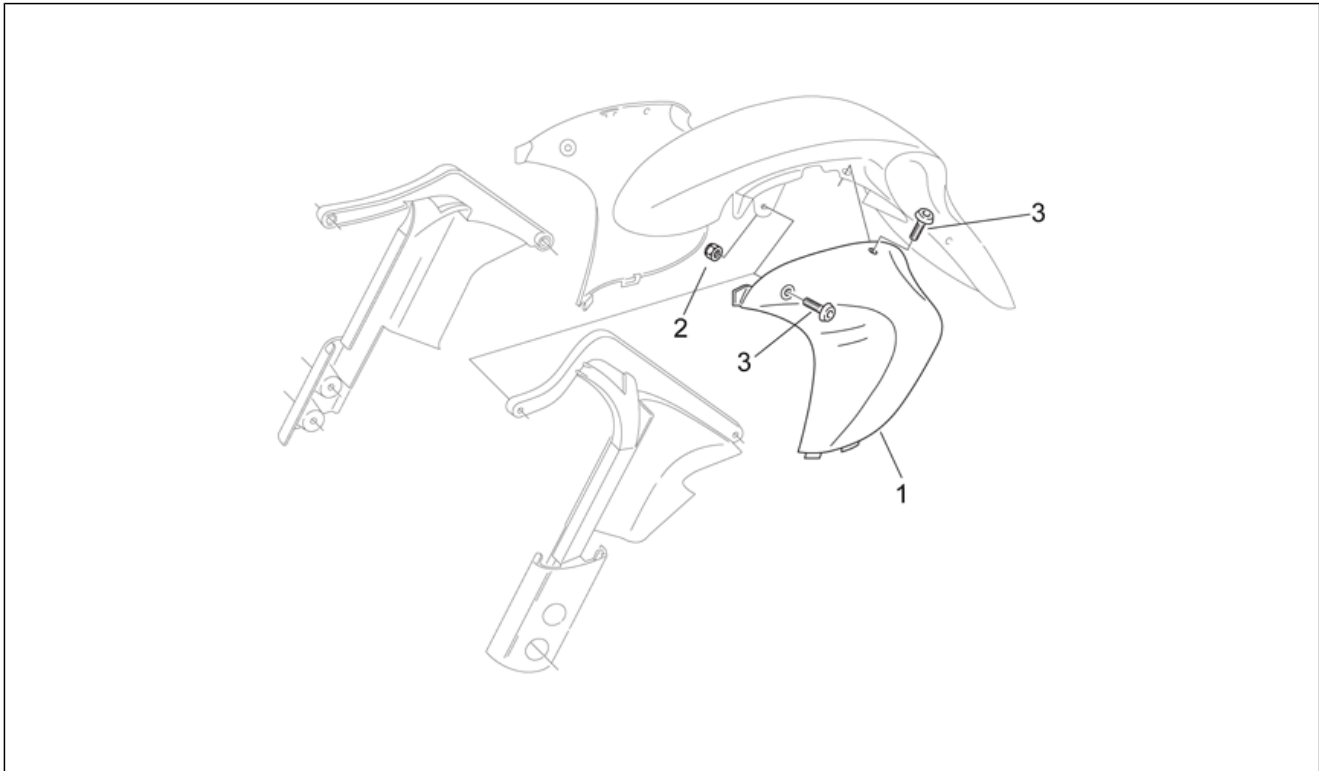
Pos.	Code	Beschreibung	Menge	Varianten
1	AP8126587	Stangenschutz links, blau	1	Baujahr: 1997[V] Fahrzeugfarbe: Blau Delta '97[blue]
1	AP8126634	Stangenschutz links, h.b.	1	Baujahr: 1998[W] Fahrzeugfarbe: Hellblau Space '98[s.cya]
1	AP8126658	Stangenschutz links, grau	1	Baujahr: 1998[W], 1999[X] Fahrzeugfarbe: "Grau '98-2000 Version ""GARDA""[garda], Tiefgrau Glän. '98-'99[greyl] Land: Österreich[A], Australien[AUS], Belgien[B], Schweiz[CH], Deutschland[D], Dänemark[DK], Spanien[E], Frankreich[F], Griechenland[GR], Italien[I], Malaysia[MAL], Holland[NL], Portugal[P], Großbritannien[UK]
1	AP8126661	Stangenschutz links, sch.	1	Baujahr: 1998[W] Fahrzeugfarbe: Schwarz Ebenholz Metall. '98[black]
1	AP8126712	Stangenschutz links, weiß	1	Baujahr: 1998[W], 2000[Y] Fahrzeugfarbe: Weiß Aura '98-2000[white]
1	AP8126725	Stangenschutz links, v.sch.	1	Baujahr: 1999[X] Fahrzeugfarbe: Schwarz Vulkan '99[b.vul] Land: Österreich[A], Australien[AUS], Belgien[B], Schweiz[CH], Deutschland[D], Dänemark[DK], Spanien[E], Frankreich[F], Griechenland[GR], Italien[I], Malaysia[MAL], Holland[NL], Portugal[P], Großbritannien[UK]
1	AP8126742	Stangenschutz links m.rot	1	Baujahr: 1999[X] Fahrzeugfarbe: Rot Mirò '99[r.mir] Land: Österreich[A], Australien[AUS], Belgien[B], Schweiz[CH], Deutschland[D], Dänemark[DK], Spanien[E], Frankreich[F], Griechenland[GR], Italien[I], Malaysia[MAL], Holland[NL], Portugal[P], Großbritannien[UK]
1	AP8126788	Stangenschutz links, sch.	1	Baujahr: 1999[X] Fahrzeugfarbe: Schwarz Vulkan '99[b.vul] Land: Vereinigte Staaten von Amerika[USA]
1	AP8126791	Stangenschutz links rot	1	Baujahr: 1999[X] Fahrzeugfarbe: Rot Mirò '99[r.mir] Land: Vereinigte Staaten von Amerika[USA]
1	AP8126793	Stangenschutz links, grau	1	Baujahr: 1998[W], 1999[X]

Einheit	RAHMEN
Code	28.15
Beschreibung	Frontaufbau - Links Schaftenschutz
Inspektion	1



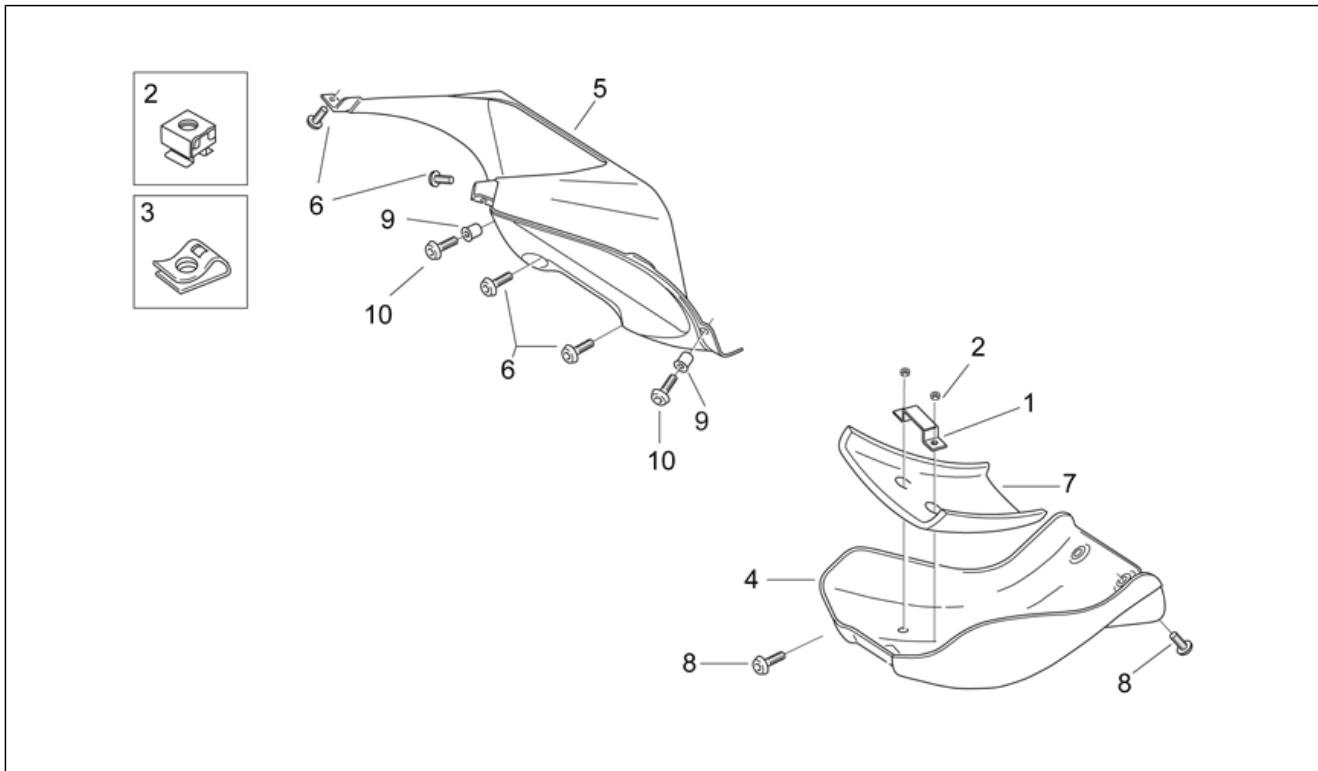
Pos.	Code	Beschreibung	Menge	Varianten
				Fahrzeugfarbe: Tiefgrau Glän. '98 -'99[gre]y Land: Vereinigte Staaten von Amerika[USA]
1	AP8126811	Stangenschutz links, r.blau	1	Baujahr: 2000[Y] Fahrzeugfarbe: Blau Reef 2000[r.b] Land: Österreich[A], Australien[AUS], Belgien[B], Schweiz[CH], Deutschland[D], Dänemark[DK], Spanien[E], Frankreich[F], Griechenland[GR], Italien[I], Malaysia[MAL], Holland[NL], Portugal[P], Großbritannien[UK]
1	AP8126813	Stangenschutz links, r.blau	1	Baujahr: 2000[Y] Fahrzeugfarbe: Blau Reef 2000[r.b] Land: Vereinigte Staaten von Amerika[USA]
1	AP8126818	Stangenschutz l. grau m.	1	Baujahr: 2000[Y] Fahrzeugfarbe: "Grau '98-2000 Version ""GARDA""[garda] Land: Schweiz[CH], Deutschland[D]
1	AP8126818	Stangenschutz l. grau m.	1	Baujahr: 2000[Y] Fahrzeugfarbe: Grau Mercury 2000[mer.g] Land: Österreich[A], Australien[AUS], Belgien[B], Schweiz[CH], Deutschland[D], Dänemark[DK], Spanien[E], Frankreich[F], Griechenland[GR], Italien[I], Malaysia[MAL], Holland[NL], Portugal[P], Großbritannien[UK]
1	AP8126820	Stangenschutz l. grau m.	1	Baujahr: 2000[Y] Fahrzeugfarbe: Grau Mercury 2000[mer.g] Land: Vereinigte Staaten von Amerika[USA]
1	AP8126824	Stangenschutz links, s.schwarz	1	Baujahr: 2000[Y] Fahrzeugfarbe: Schwarz Shadow 2000[bla.s] Land: Österreich[A], Australien[AUS], Belgien[B], Schweiz[CH], Deutschland[D], Dänemark[DK], Spanien[E], Frankreich[F], Griechenland[GR], Italien[I], Malaysia[MAL], Holland[NL], Portugal[P], Großbritannien[UK]
1	AP8126826	Stangenschutz links, s.schwarz	1	Baujahr: 2000[Y] Fahrzeugfarbe: Schwarz Shadow 2000[bla.s] Land: Vereinigte Staaten von Amerika[USA]
1	AP8138749	Stangenschutz links rot	1	Baujahr: 1997[V] Fahrzeugfarbe: Rot Red King '97[red]

Einheit	RAHMEN
Code	28.15
Beschreibung	Frontaufbau - Links Schaftenschutz
Inspektion	1



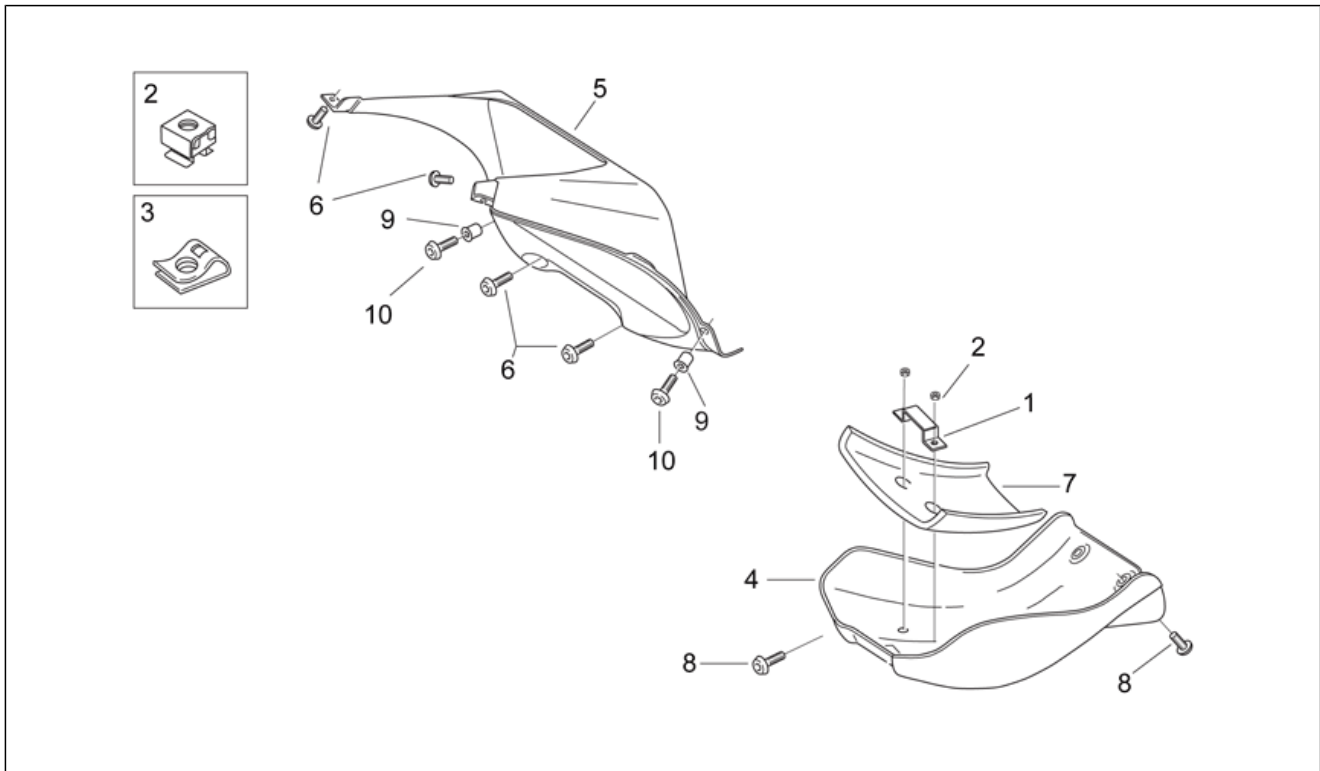
Pos.	Code	Beschreibung	Menge	Varianten
2	AP8150311	Selbstsperr.mut Unt.	2	
3	AP8152298	TBEI Schraube m.Flansch M5x16	2	

Einheit	RAHMEN
Code	28.16
Beschreibung	Frontaufbau - Wannenschutz
Inspektion	1



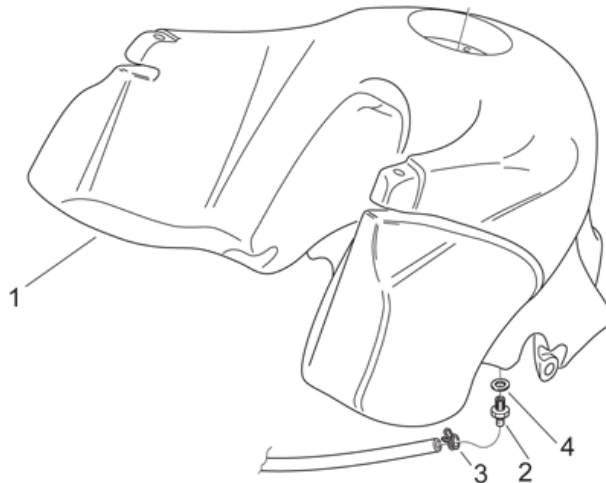
Pos.	Code	Beschreibung	Menge	Varianten
1	AP8138768	Wannenschutzhalter	1	
2	AP8152313	Käfigmutter M6	2	
3	AP8102375	Klammer M5	2	
4	AP8138869	Wannenschutz, grau	1	Baujahr: 1997[V]
4	AP8139239	Wannenschutz, grau	1	Baujahr: 1998[W]
4	AP8139761	Wannenschutz, grau	1	Baujahr: 1999[X], 2000[Y] Land: Österreich[A], Australien[AUS], Belgien[B], Schweiz[CH], Deutschland[D], Dänemark[DK], Spanien[E], Frankreich[F], Griechenland[GR], Italien[I], Malaysia[MAL], Holland[NL], Portugal[P], Großbritannien[UK]
4	AP8148592	Wannenschutz, grau	1	Baujahr: 1999[X], 2000[Y] Land: Vereinigte Staaten von Amerika[USA]
5	AP8138274	Kühlernetz, rot	1	Baujahr: 1997[V] Fahrzeugfarbe: Rot Red King '97[red]
5	AP8138923	Kühlernetz, blau	1	Baujahr: 1997[V] Fahrzeugfarbe: Blau Delta '97[blue]
5	AP8139232	Kühlernetz, hellblau	1	Baujahr: 1998[W] Fahrzeugfarbe: Hellblau Space '98[s.cya]
5	AP8139243	Kühlernetz, grau	1	Baujahr: 1998[W], 1999[X] Fahrzeugfarbe: "Grau '98-2000 Version ""GARDA""[garda], Tiefgrau Glän. '98-'99[grey]
5	AP8139400	Kühlernetz, schwarz	1	Baujahr: 1998[W] Fahrzeugfarbe: Schwarz Ebenholz Metall. '98[black]
5	AP8139645	Kühlernetz, weiß	1	Baujahr: 1998[W], 2000[Y] Fahrzeugfarbe: Weiß Aura '98-2000[white]
5	AP8139753	Kühlernetz, V.schwarz	1	Baujahr: 1999[X] Fahrzeugfarbe: Schwarz Vulkan '99[b.vul]
5	AP8139848	Kühlernetz, m.rot	1	Baujahr: 1999[X] Fahrzeugfarbe: Rot Mirò '99[r.mir]
5	AP8148690	Kühlernetz, r.blau	1	Baujahr: 2000[Y] Fahrzeugfarbe: Blau Reef 2000[r.b]
5	AP8148708	Kühlernetz, m.grau	1	Baujahr: 2000[Y]

Einheit	RAHMEN
Code	28.16
Beschreibung	Frontaufbau - Wannenschutz
Inspektion	1



Pos.	Code	Beschreibung	Menge	Varianten
				Fahrzeugfarbe: "Grau '98-2000 Version ""GARDA""""[garda] Land: Schweiz[CH], Deutschland[D]
5	AP8148708	Kühlernetz, m.grau	1	Baujahr: 2000[Y] Fahrzeugfarbe: Grau Mercury 2000[mer.g]
5	AP8148723	Kühlernetz, s.schwarz	1	Baujahr: 2000[Y] Fahrzeugfarbe: Schwarz Shadow 2000[bla.s]
6	AP8152298	TBEI Schraube m.Flansch M5x16	4	
7	AP8117117	Schalldämmplatte	1	Land: Österreich[A], Australien[AUS], Belgien[B], Schweiz[CH], Deutschland[D], Dänemark[DK], Spanien[E], Frankreich[F], Griechenland[GR], Italien[I], Malaysia[MAL], Holland[NL], Portugal[P], Großbritannien[UK]
7	AP8117166	Schalldämmplatte	1	Land: Vereinigte Staaten von Amerika[USA]
8	AP8152246	TBEI Schraube m.Flansch M6x16	4	
9	AP8120531	Gummi mit Einsatz	2	
10	AP8152338	TBEI Schraube m.Flansch	2	

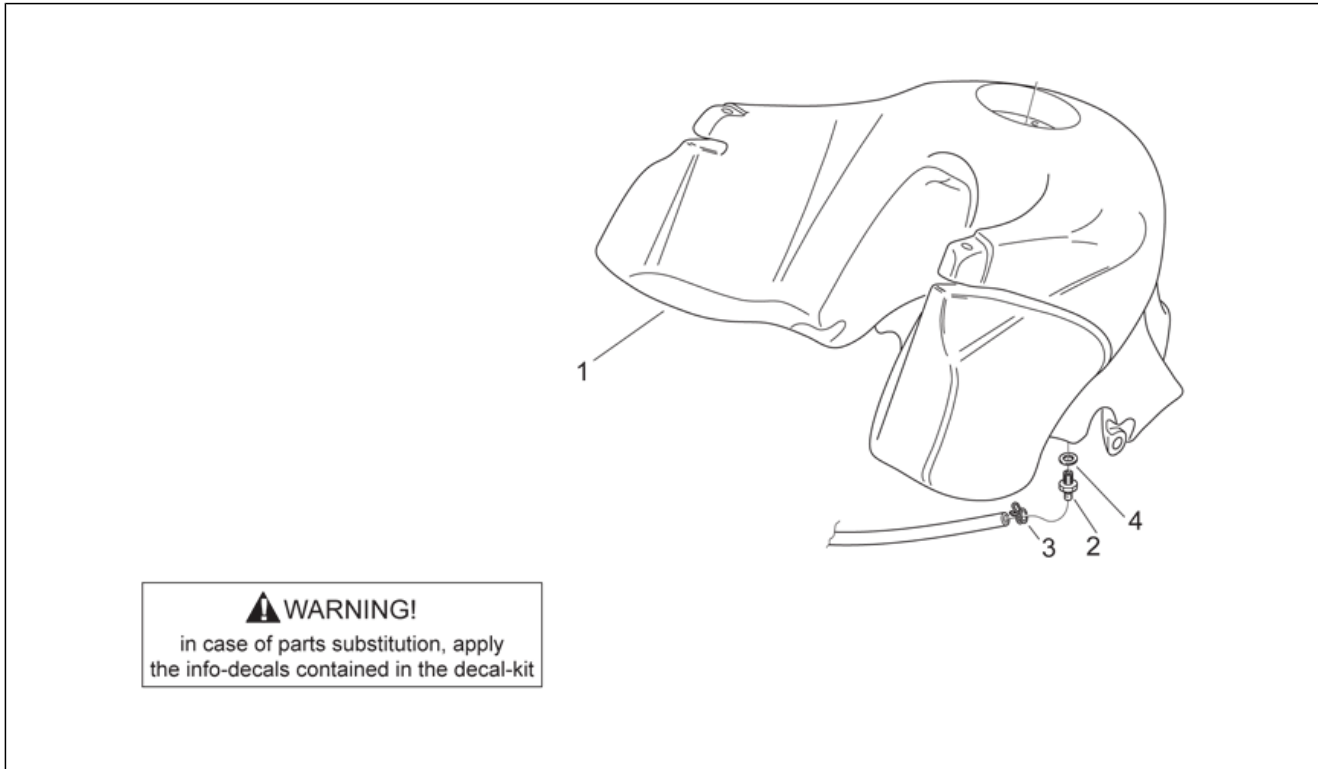
Einheit	RAHMEN
Code	28.17
Beschreibung	Kraftstofftank
Inspektion	1



⚠ WARNING!
in case of parts substitution, apply
the info-decals contained in the decal-kit

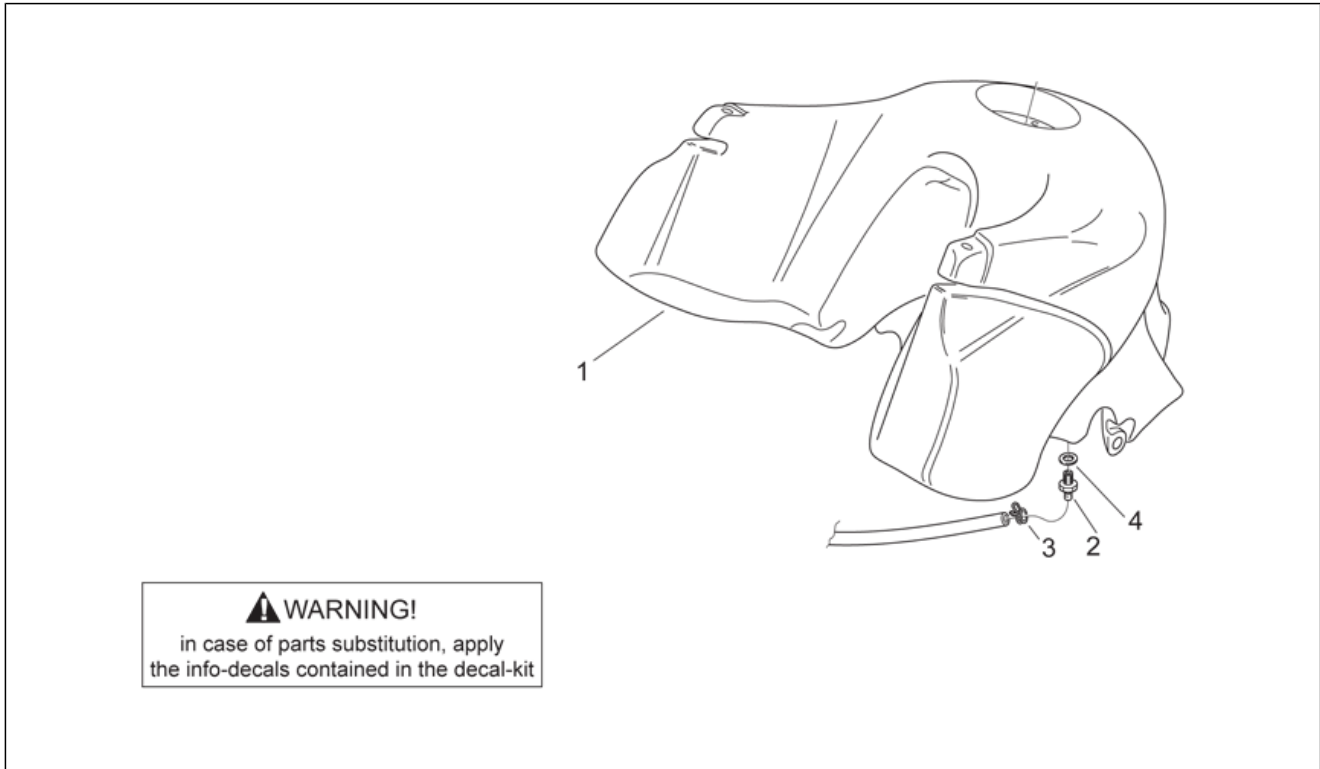
Pos.	Code	Beschreibung	Menge	Varianten
1	AP8138510	Kraftstofftank, rot	1	Baujahr: 1997[V] Fahrzeugfarbe: Rot Red King '97[red]
1	AP8138919	Kraftstofftank, blau	1	Baujahr: 1997[V] Fahrzeugfarbe: Blau Delta '97[blue]
1	AP8139235	Kraftstofftank, h.blau	1	Baujahr: 1998[W] Fahrzeugfarbe: Hellblau Space '98[s.cya]
1	AP8139246	Kraftstofftank, grau	1	Baujahr: 1998[W], 1999[X] Fahrzeugfarbe: "Grau '98-2000 Version ""GARDA""[garda], Tiefgrau Glän. '98-'99[grey] Land: Österreich[A], Australien[AUS], Belgien[B], Schweiz[CH], Deutschland[D], Dänemark[DK], Spanien[E], Frankreich[F], Griechenland[GR], Italien[I], Malaysia[MAL], Holland[NL], Portugal[P], Großbritannien[UK]
1	AP8139403	Kraftstofftank, schwarz	1	Baujahr: 1998[W] Fahrzeugfarbe: Schwarz Ebenholz Metall. '98[black]
1	AP8139648	Kraftstofftank, weiß	1	Baujahr: 1998[W], 2000[Y] Fahrzeugfarbe: Weiß Aura '98-2000[white]
1	AP8139749	Kraftstofftank, v.schw.	1	Baujahr: 1999[X] Fahrzeugfarbe: Schwarz Vulkan '99[b.vul] Land: Österreich[A], Australien[AUS], Belgien[B], Schweiz[CH], Deutschland[D], Dänemark[DK], Spanien[E], Frankreich[F], Griechenland[GR], Italien[I], Malaysia[MAL], Holland[NL], Portugal[P], Großbritannien[UK]
1	AP8139844	Kraftstofftank, m.rot	1	Baujahr: 1999[X] Fahrzeugfarbe: Rot Mirò '99[r.mir] Land: Österreich[A], Australien[AUS], Belgien[B], Schweiz[CH], Deutschland[D], Dänemark[DK], Spanien[E], Frankreich[F], Griechenland[GR], Italien[I], Malaysia[MAL], Holland[NL], Portugal[P], Großbritannien[UK]
1	AP8148269	Kraftstofftank, v.schw.	1	Baujahr: 1999[X] Fahrzeugfarbe: Schwarz Vulkan '99[b.vul] Land: Vereinigte Staaten von Amerika[USA]
1	AP8148584	Kraftstofftank, grau	1	Baujahr: 1998[W], 1999[X] Fahrzeugfarbe: Tiefgrau Glän. '98-'99[grey]

Einheit	RAHMEN
Code	28.17
Beschreibung	Kraftstofftank
Inspektion	1



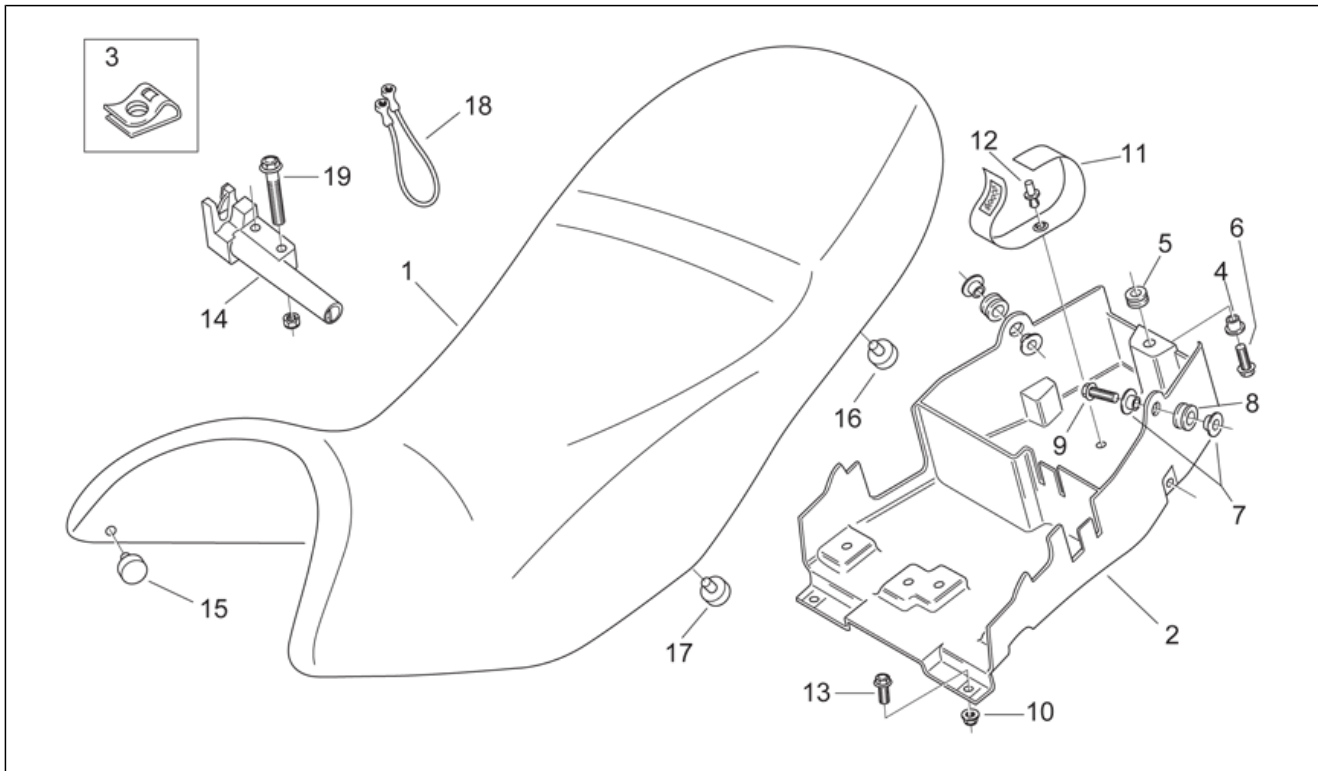
Pos.	Code	Beschreibung	Menge	Varianten
				Land: Vereinigte Staaten von Amerika[USA]
1	AP8148585	Kraftstofftank, m.rot	1	Baujahr: 1999[X] Fahrzeugfarbe: Rot Mirò '99[r.mir] Land: Vereinigte Staaten von Amerika[USA]
1	AP8148685	Tank V. blau r.	1	Baujahr: 2000[Y] Fahrzeugfarbe: Blau Reef 2000[r.b] Land: Österreich[A], Australien[AUS], Belgien[B], Schweiz[CH], Deutschland[D], Dänemark[DK], Spanien[E], Frankreich[F], Griechenland[GR], Italien[I], Malaysia[MAL], Holland[NL], Portugal[P], Großbritannien[UK]
1	AP8148686	Tank V. blau r.	1	Baujahr: 2000[Y] Fahrzeugfarbe: Blau Reef 2000[r.b] Land: Vereinigte Staaten von Amerika[USA]
1	AP8148703	Tank V. grau m.	1	Baujahr: 2000[Y] Fahrzeugfarbe: "Grau '98-2000 Version ""GARDA""[garda] Land: Schweiz[CH], Deutschland[D]
1	AP8148703	Tank V. grau m.	1	Baujahr: 2000[Y] Fahrzeugfarbe: Grau Mercury 2000[mer.g] Land: Österreich[A], Australien[AUS], Belgien[B], Schweiz[CH], Deutschland[D], Dänemark[DK], Spanien[E], Frankreich[F], Griechenland[GR], Italien[I], Malaysia[MAL], Holland[NL], Portugal[P], Großbritannien[UK]
1	AP8148704	Tank V. grau m.	1	Baujahr: 2000[Y] Fahrzeugfarbe: Grau Mercury 2000[mer.g] Land: Vereinigte Staaten von Amerika[USA]
1	AP8148718	Tank V. schwarz s.	1	Baujahr: 2000[Y] Fahrzeugfarbe: Schwarz Shadow 2000[bla.s] Land: Österreich[A], Australien[AUS], Belgien[B], Schweiz[CH], Deutschland[D], Dänemark[DK], Spanien[E], Frankreich[F], Griechenland[GR], Italien[I], Malaysia[MAL], Holland[NL], Portugal[P], Großbritannien[UK]
1	AP8148719	Tank V. schwarz s.	1	Baujahr: 2000[Y] Fahrzeugfarbe: Schwarz Shadow 2000[bla.s] Land: Vereinigte Staaten von Amerika[USA]

Einheit	RAHMEN
Code	28.17
Beschreibung	Kraftstofftank
Inspektion	1



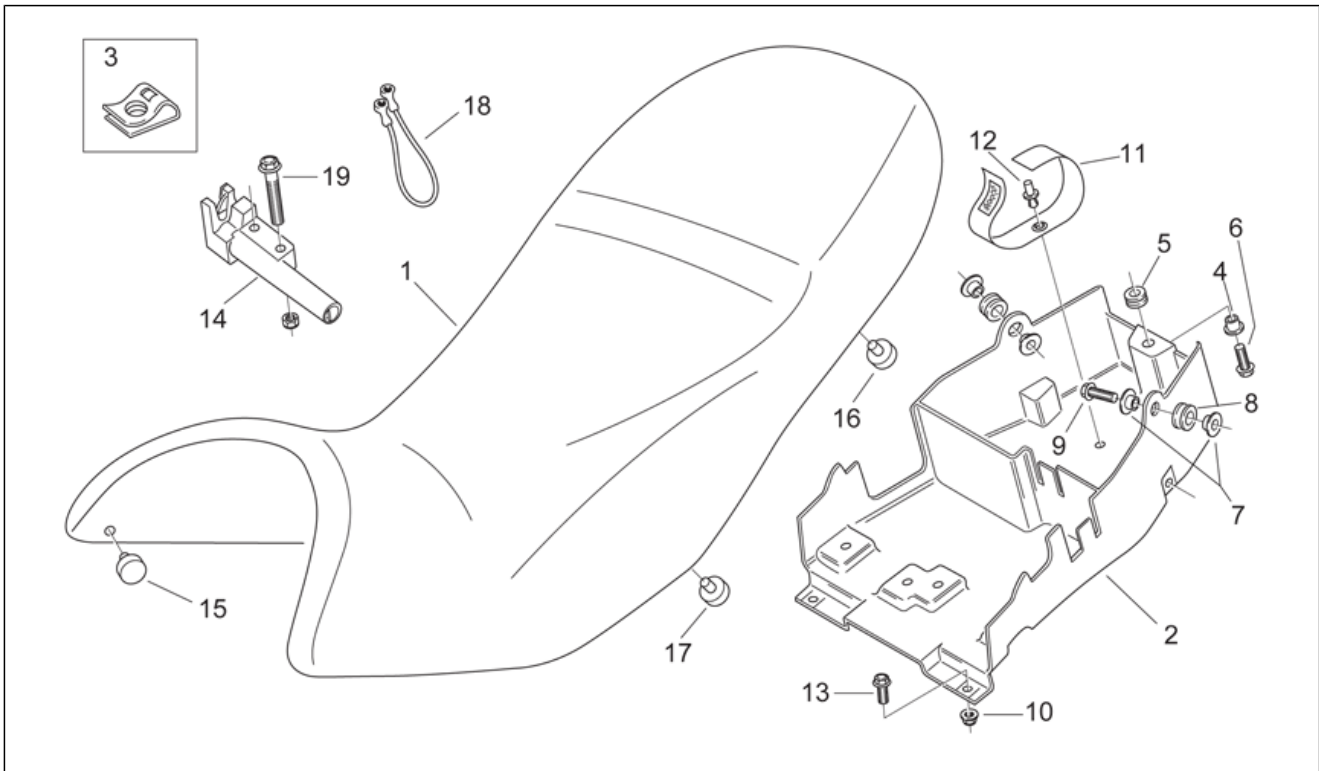
Pos.	Code	Beschreibung	Menge	Varianten
2	AP8102503	Anschluß Gummihalter	1	
3	AP8101595	Schelle D10,1	1	
4	AP8102504	Gummi	1	

Einheit	RAHMEN
Code	28.18
Beschreibung	Mittlerer aufbau - Sitz
Inspektion	1



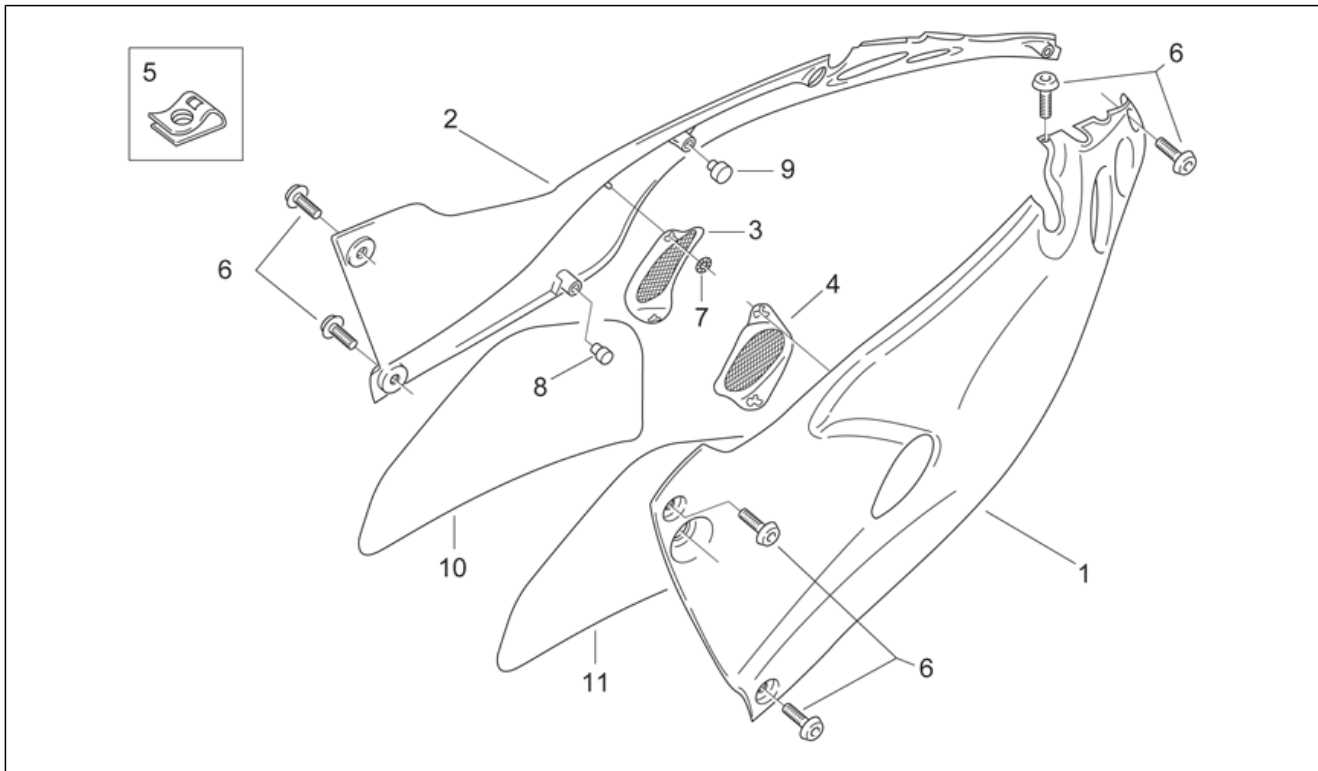
Pos.	Code	Beschreibung	Menge	Varianten
1	AP8129166	Sitz, rot	1	Baujahr: 1997[V] Fahrzeugfarbe: Rot Red King '97[red]
1	AP8129202	Sitz, blau	1	Baujahr: 1997[V] Fahrzeugfarbe: Blau Delta '97[blue]
1	AP8129226	Sitz, blau	1	Baujahr: 1998[W] Fahrzeugfarbe: Hellblau Space '98[s.cya]
1	AP8129227	Sitz, grau	1	Baujahr: 1998[W], 1999[X] Fahrzeugfarbe: "Grau '98-2000 Version ""GARDA""[garda], Tiefgrau Glän. '98-'99[grey]
1	AP8129231	Sitz, schwarz	1	Baujahr: 1999[X] Fahrzeugfarbe: Schwarz Vulkan '99[b.vul] Land: Vereinigte Staaten von Amerika[USA]
1	AP8129231	Sitz, schwarz	1	Baujahr: 1998[W] Fahrzeugfarbe: Schwarz Ebenholz Metall. '98[black], Weiß Aura '98-2000[white]
1	AP8129246	Sitz, rot	1	Baujahr: 1999[X] Fahrzeugfarbe: Schwarz Vulkan '99[b.vul] Land: Österreich[A], Australien[AUS], Belgien[B], Schweiz[CH], Deutschland[D], Dänemark[DK], Spanien[E], Frankreich[F], Griechenland[GR], Italien[I], Malaysia[MAL], Holland[NL], Portugal[P], Großbritannien[UK]
1	AP8129255	Sitz, blau	1	Baujahr: 1999[X] Fahrzeugfarbe: Rot Mirò '99[r.mir]
1	AP8129279	Sitz, schwarz	1	Baujahr: 2000[Y]
2	AP8126515	Ablagefach	1	
3	AP8102376	Klammer M6	2	
4	AP8121795	T-Buchse	1	
5	AP8112600	Gummi	1	
6	AP8152279	TE Schr. m. Flansch M6x20	2	
7	AP8221145	T-Buchse *	4	
8	AP8120030	Gummi	2	
9	AP8152280	TE Schr. m. Flansch M6x25	2	

Einheit	RAHMEN
Code	28.18
Beschreibung	Mittlerer aufbau - Sitz
Inspektion	1



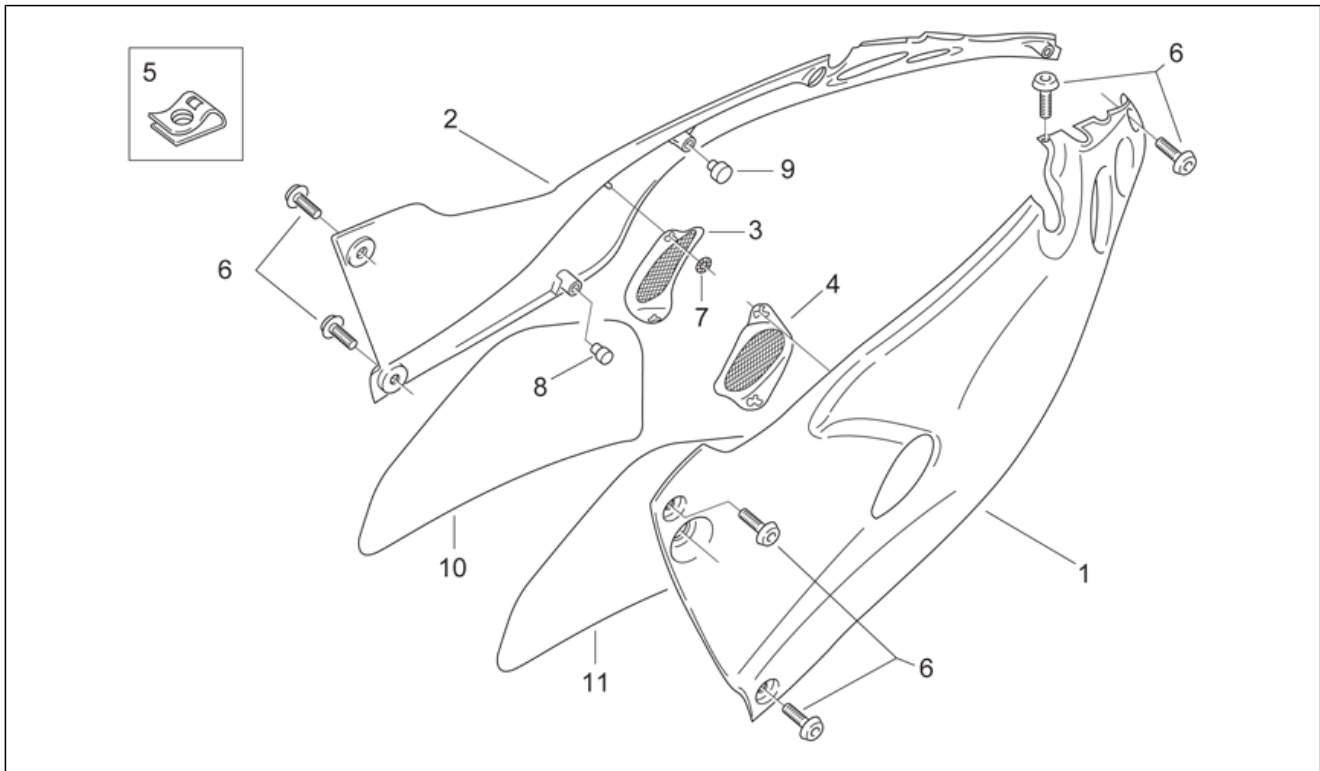
Pos.	Code	Beschreibung	Menge	Varianten
10	AP8152299	Selbstsperrende Mutter M6	2	
11	AP8102348	Fixierschelle Tasche	1	
12	AP8120317	Schwarzer Kunststoffniet	1	
13	AP8152278	TE Schr. m. Flansch M6x16	2	
14	AP8104144	Sitzschloß	1	Baujahr:1999[X], 2000[Y]
14	AP8201564	Sitzschloß	1	Baujahr:1997[V], 1998[W]
15	AP8144087	Gummi	2	
16	AP8144088	Sitz-Auflagegummi hinten	4	
17	AP8144089	Sitz-Auflagegummi vorn	4	
18	AP8201877	Schutzhelm-Befestigungskabel	1	
19	AP8152281	TE Schr. m. Flansch M6x30	2	

Einheit	RAHMEN
Code	28.19
Beschreibung	Mittlerer aufbau - Seitenteilen
Inspektion	1



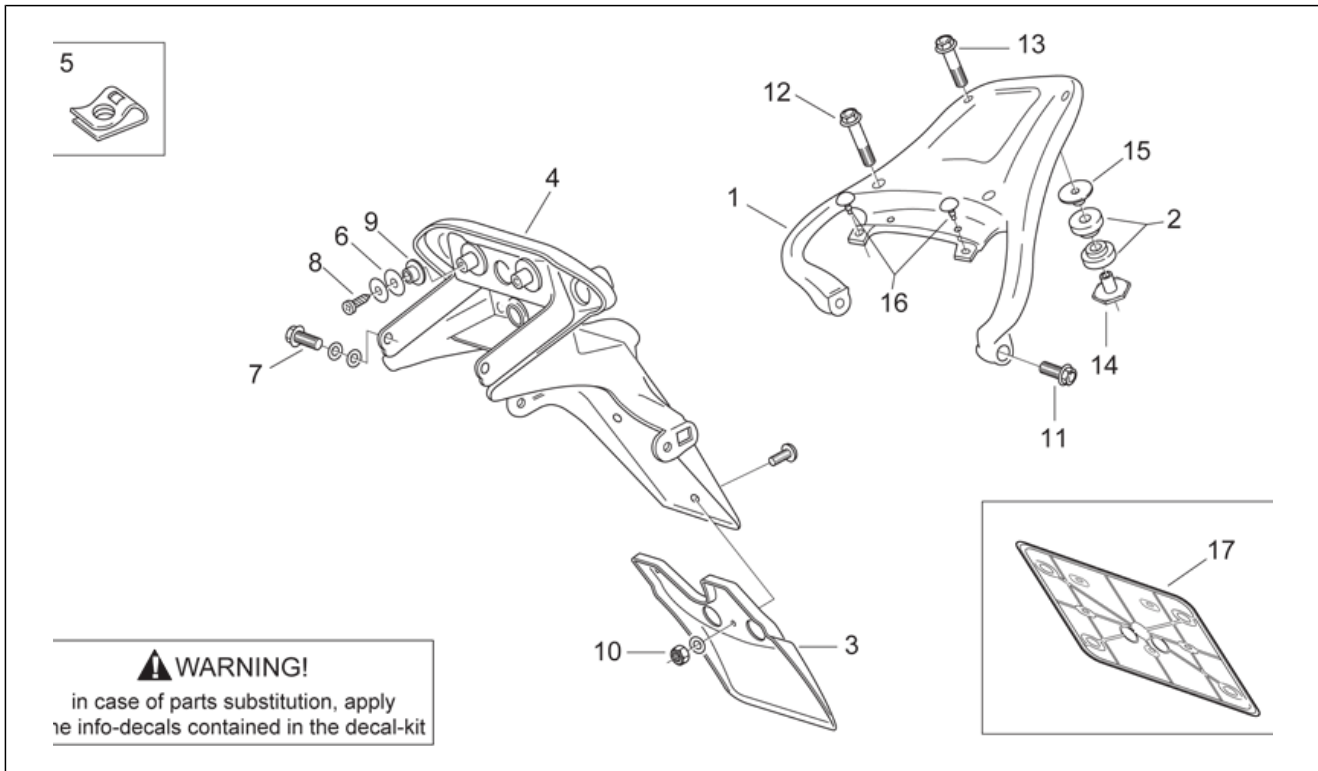
Pos.	Code	Beschreibung	Menge	Varianten
1	AP8138953	L. kl. Seitenteil, grau	1	Baujahr:1997[V]
1	AP8138953	L. kl. Seitenteil, grau	1	Baujahr:1998[W] Fahrzeugfarbe:Hellblau Space '98[s.cya]
1	AP8139238	L. kl. Seitenteil, min.gr.	1	Baujahr:1998[W] Fahrzeugfarbe:Schwarz Ebenholz Metall. '98[black]
1	AP8139394	L. kl. Seitenteil, tiefgr.	1	Baujahr:1998[W], 1999[X] Fahrzeugfarbe:"Grau '98-2000 Version ""GARDA""[garda], Tiefgrau Glän. '98 -'99[grey]
1	AP8139644	L. kl. Seitenteil, weiß	1	Baujahr:1998[W], 2000[Y] Fahrzeugfarbe:Weiß Aura '98-2000[white]
1	AP8139856	L. kl. Seitenteil, V.schw.	1	Baujahr:1999[X] Fahrzeugfarbe:Schwarz Vulkan '99[b.vul]
1	AP8139863	L. kl. Seitenteil, m.rot	1	Baujahr:1999[X] Fahrzeugfarbe:Rot Mirò '99[r.mir]
1	AP8148699	L. kl. Seitenteil, r.blau	1	Baujahr:2000[Y] Fahrzeugfarbe:Blau Reef 2000[r.b]
1	AP8148717	L. kl. Seitenteil, grau	1	Baujahr:2000[Y] Fahrzeugfarbe:Grau Mercury 2000[mer.g]
1	AP8148717	L. kl. Seitenteil, grau	1	Baujahr:2000[Y] Fahrzeugfarbe:"Grau '98-2000 Version ""GARDA""[garda] Land:Schweiz[CH], Deutschland[D]
1	AP8148732	L. kl. Seitenteil, s.schw.	1	Baujahr:2000[Y] Fahrzeugfarbe:Schwarz Shadow 2000[bla.s]
2	AP8138952	R. kl. Seitenteil, grau	1	Baujahr:1997[V]
2	AP8138952	R. kl. Seitenteil, grau	1	Baujahr:1998[W] Fahrzeugfarbe:Hellblau Space '98[s.cya]
2	AP8139237	R. kl. Seitenteil, min.gr.	1	Baujahr:1998[W] Fahrzeugfarbe:Schwarz Ebenholz Metall. '98[black]
2	AP8139393	R. kl. Seitenteil, tiefgr.	1	Baujahr:1998[W], 1999[X] Fahrzeugfarbe:"Grau '98-2000 Version ""GARDA""[garda], Tiefgrau Glän. '98 -'99[grey]
2	AP8139643	R. kl. Seitenteil, weiß	1	Baujahr:1998[W], 2000[Y]

Einheit	RAHMEN
Code	28.19
Beschreibung	Mittlerer aufbau - Seitenteilen
Inspektion	1



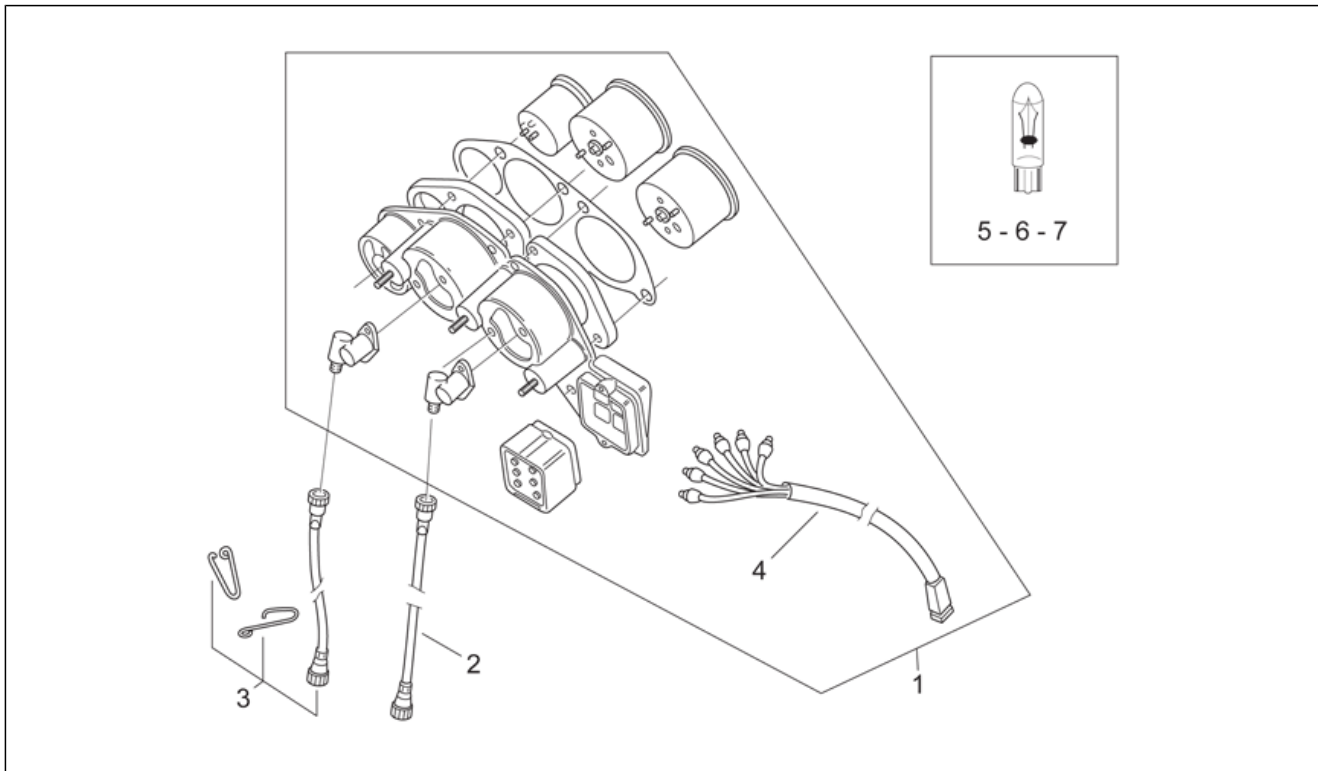
Pos.	Code	Beschreibung	Menge	Varianten
				Fahrzeugfarbe: Weiß Aura '98-2000[white]
2	AP8139855	R. kl. Seitenteil, V.schw.	1	Baujahr: 1999[X] Fahrzeugfarbe: Schwarz Vulkan '99[b.vul]
2	AP8139862	R. kl. Seitenteil, m.rot	1	Baujahr: 1999[X] Fahrzeugfarbe: Rot Mirò '99[r.mir]
2	AP8148698	R. kl. Seitenteil, r.blau	1	Baujahr: 2000[Y] Fahrzeugfarbe: Blau Reef 2000[r.b]
2	AP8148716	R. kl. Seitenteil, grau m.	1	Baujahr: 2000[Y] Fahrzeugfarbe: Grau Mercury 2000[mer.g]
2	AP8148716	R. kl. Seitenteil, grau m.	1	Baujahr: 2000[Y] Fahrzeugfarbe: "Grau '98-2000 Version ""GARDA""[garda] Land: Schweiz[CH], Deutschland[D]
2	AP8148731	R. kl. Seitenteil, s.schw.	1	Baujahr: 2000[Y] Fahrzeugfarbe: Schwarz Shadow 2000[bla.s]
3	AP8138747	Netz rechtes Seitenteil	1	
4	AP8138829	Netz linkes Seitenteil	1	
5	AP8102375	Klammer M5	2	
6	AP8152302	TBEI Schraube m.Flansch M5x12	8	
7	AP8150450	Wellenscheibe D5	4	
8	AP8120712	Gummi	2	
9	AP8120853	Seitenteil-Auflagegummi	2	
10	AP8117095	Rechte Wärmeschutzplatte	1	
11	AP8117096	Linke Wärmeschutzplatte	1	

Einheit	RAHMEN
Code	28.20
Beschreibung	Heckaufbau
Inspektion	1



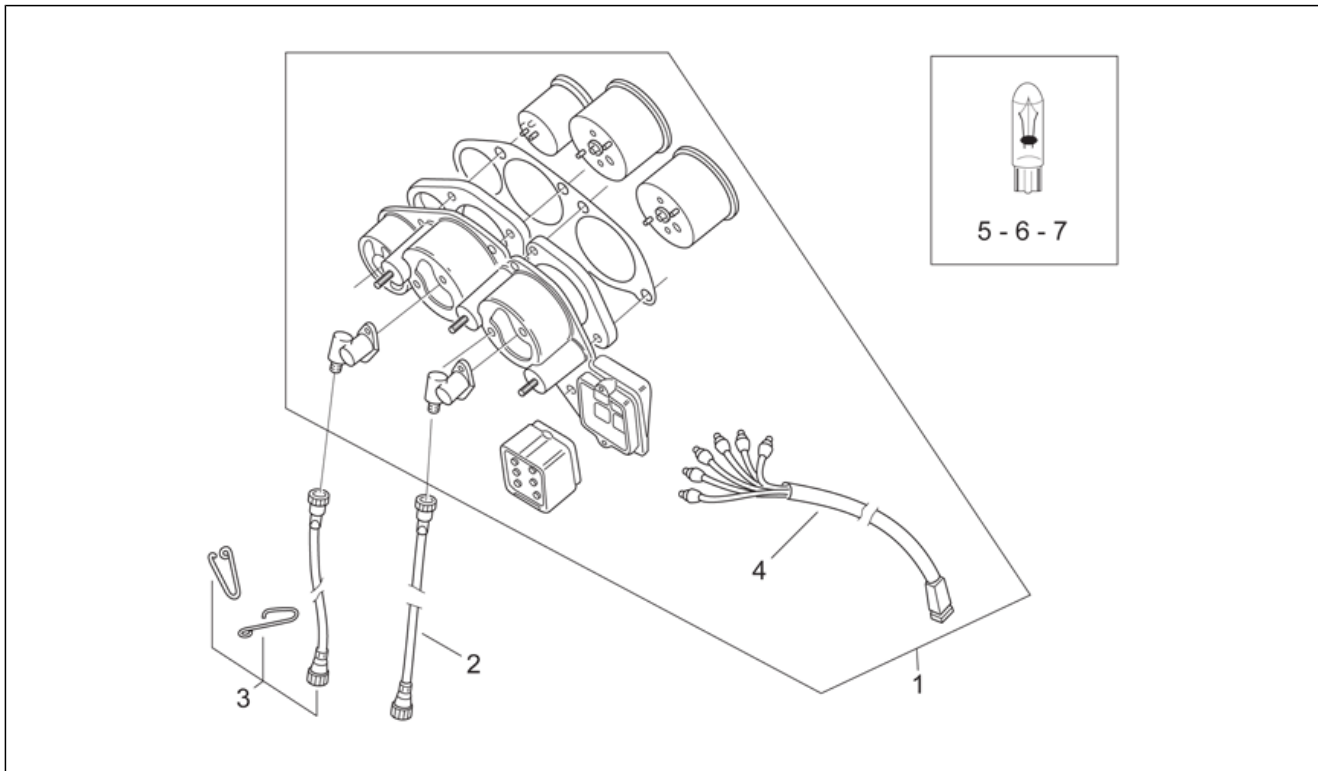
Pos.	Code	Beschreibung	Menge	Varianten
1	AP8138954	Gepäckträger, Alu	1	Baujahr: 1997[V], 1998[W], 1999[X]
1	AP8148901	Gepäckträger	1	Baujahr: 2000[Y]
2	AP8144082	Gummi	2	
3	AP8126584	Verl. Nummernsch.bef.	1	Baujahr: 1997[V], 1998[W]
3	AP8126726	Verl. Nummernsch.bef.	1	Baujahr: 1999[X], 2000[Y] Land: Österreich[A], Australien[AUS], Belgien[B], Schweiz[CH], Deutschland[D], Dänemark[DK], Spanien[E], Frankreich[F], Griechenland[GR], Italien[I], Malaysia[MAL], Holland[NL], Portugal[P], Großbritannien[UK]
3	AP8126767	Verl. Nummernsch.bef.	1	Baujahr: 1999[X], 2000[Y] Land: Vereinigte Staaten von Amerika[USA]
4	AP8126479	Kennzeichenplatte, grau	1	Baujahr: 1997[V], 1998[W]
4	AP8126727	Kennzeich.platte blau	1	Baujahr: 1999[X], 2000[Y]
5	AP8102376	Klammer M6	2	
6	AP8120276	Ausgleichscheibe 6x20x3*	2	
7	AP8152278	TE Schr. m. Flansch M6x16	2	
8	AP8152329	Kreuz.schl.flnschschr. M5x20	2	
9	AP8120275	Silent-Block *	2	
10	AP8152299	Selbstsperrende Mutter M6	8	
11	AP8152286	TE Schr. m. Flansch M8x20	2	
12	AP8152284	TE Schr. m. Flansch	2	
13	AP8152282	TE Schr. m. Flansch M6x35	1	
14	AP8121259	Gewindebuchse	1	
15	AP8121260	Buchse	1	
16	AP8220238	Gummi	2	
17	AP8149034	Kennzeichenhalter	1	Land: Vereinigte Staaten von Amerika[USA]

Einheit	RAHMEN
Code	28.21
Beschreibung	Instrumententafel I
Inspektion	1



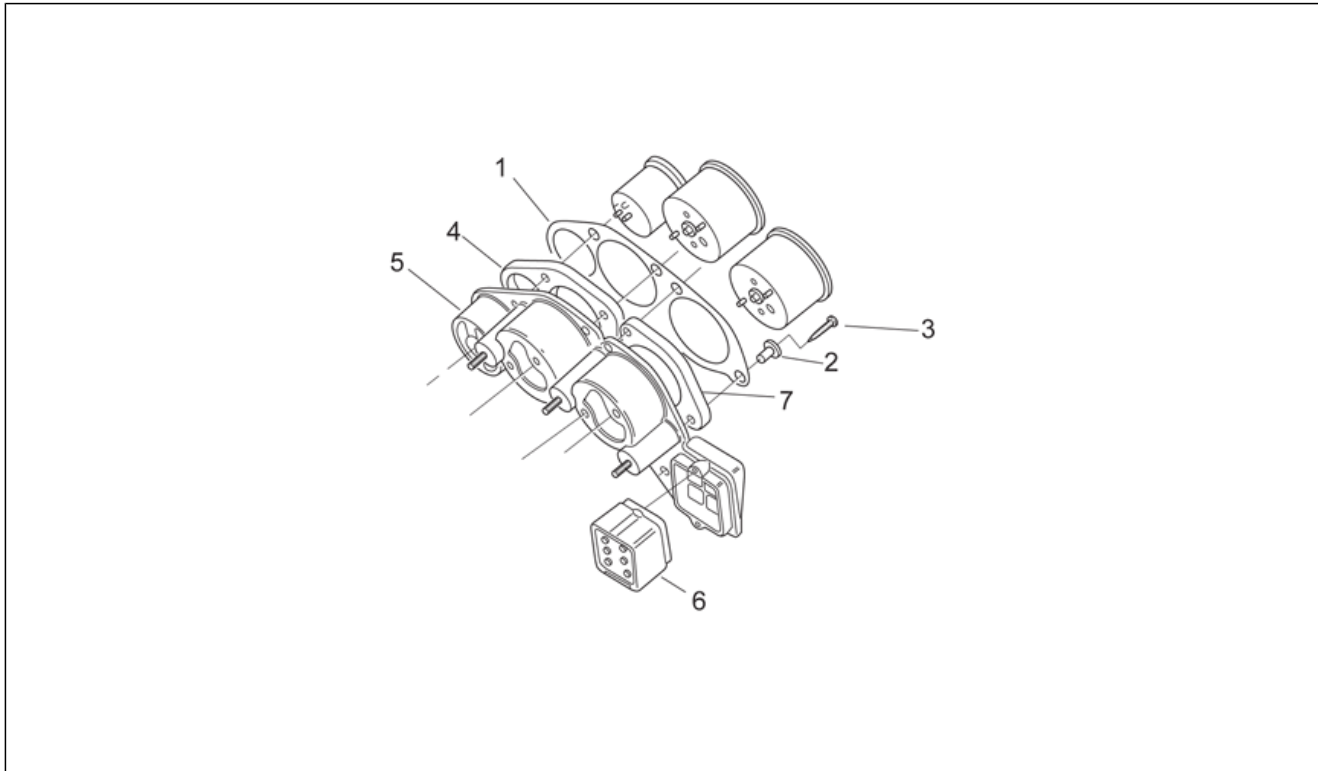
Pos.	Code	Beschreibung	Menge	Varianten
1	AP8124218	Instrumententafel+Kabeln	1	Baujahr: 2000[Y] Land: Österreich[A], Belgien[B], Schweiz[CH], Deutschland[D], Dänemark[DK], Spanien[E], Frankreich[F], Griechenland[GR], Italien[I], Malaysia[MAL], Holland[NL], Portugal[P], Großbritannien[UK]
1	AP8124218	Instrumententafel+Kabeln	1	Baujahr: 1997[V], 1998[W], 1999[X] Land: Österreich[A], Australien[AUS], Belgien[B], Schweiz[CH], Deutschland[D], Dänemark[DK], Spanien[E], Frankreich[F], Griechenland[GR], Italien[I], Malaysia[MAL], Holland[NL], Portugal[P], Großbritannien[UK]
1	AP8124538	Instrumententafel+Kabeln	1	Land: Australien[AUS]
1	AP8124662	Instrum.tafel kplt.	1	Land: Vereinigte Staaten von Amerika[USA]
1	AP8124988	Instrumententafel+Kabeln	1	Baujahr: 2000[Y] Land: Österreich[A], Belgien[B], Schweiz[CH], Deutschland[D], Dänemark[DK], Spanien[E], Frankreich[F], Griechenland[GR], Italien[I], Malaysia[MAL], Holland[NL], Portugal[P], Großbritannien[UK]
2	AP8114315	Drehzahlmesserkabel	1	Baujahr: 1997[V], 1998[W], 1999[X]
2	AP8114315	Drehzahlmesserkabel	1	Baujahr: 2000[Y]
2	AP8114421	Drehzahlmesserkabel	1	Baujahr: 2000[Y]
3	AP8114339	Tachometerkabel	1	Baujahr: 1997[V], 1998[W], 1999[X] Land: Österreich[A], Australien[AUS], Belgien[B], Schweiz[CH], Deutschland[D], Dänemark[DK], Spanien[E], Frankreich[F], Griechenland[GR], Italien[I], Malaysia[MAL], Holland[NL], Portugal[P], Großbritannien[UK]
3	AP8114339	Tachometerkabel	1	Baujahr: 2000[Y] Land: Österreich[A], Australien[AUS], Belgien[B], Schweiz[CH], Deutschland[D], Dänemark[DK], Spanien[E], Frankreich[F], Griechenland[GR], Italien[I], Malaysia[MAL], Holland[NL], Portugal[P], Großbritannien[UK]
3	AP8114408	Tachometerkabel	1	Land: Vereinigte Staaten von Amerika[USA]
3	AP8114422	Tachometerkabel	1	Baujahr: 2000[Y] Land: Österreich[A], Australien[AUS], Belgien[B], Schweiz[CH], Deutschland[D], Dänemark[DK], Spanien[E],

Einheit	RAHMEN
Code	28.21
Beschreibung	Instrumententafel I
Inspektion	1



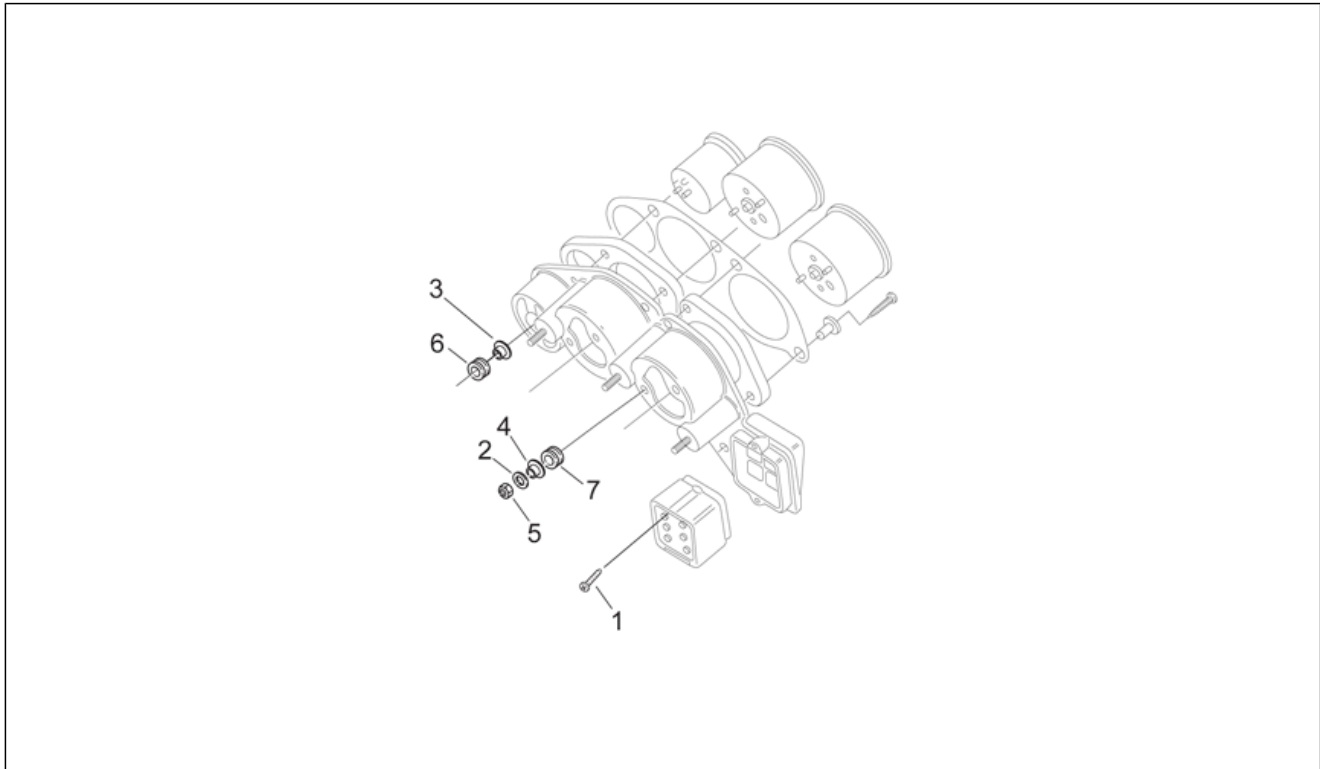
Pos.	Code	Beschreibung	Menge	Varianten
				Frankreich[F], Griechenland[GR], Italien[I], Malaysia[MAL], Holland[NL], Portugal[P], Großbritannien[UK]
4	AP8124343	Verkabelung Instrumentenbrett	1	Baujahr: 2000[Y]
4	AP8124343	Verkabelung Instrumentenbrett	1	Baujahr: 1997[V], 1998[W], 1999[X]
4	AP8127079	Verkabelung Instrumentenbrett	1	Baujahr: 2000[Y]
5	AP8127088	Lampe 12V-2W	1	
6	AP8127089	Lampe	6	
7	AP8127090	Lampe	3	

Einheit	RAHMEN
Code	28.22
Beschreibung	Instrumententafel II
Inspektion	1



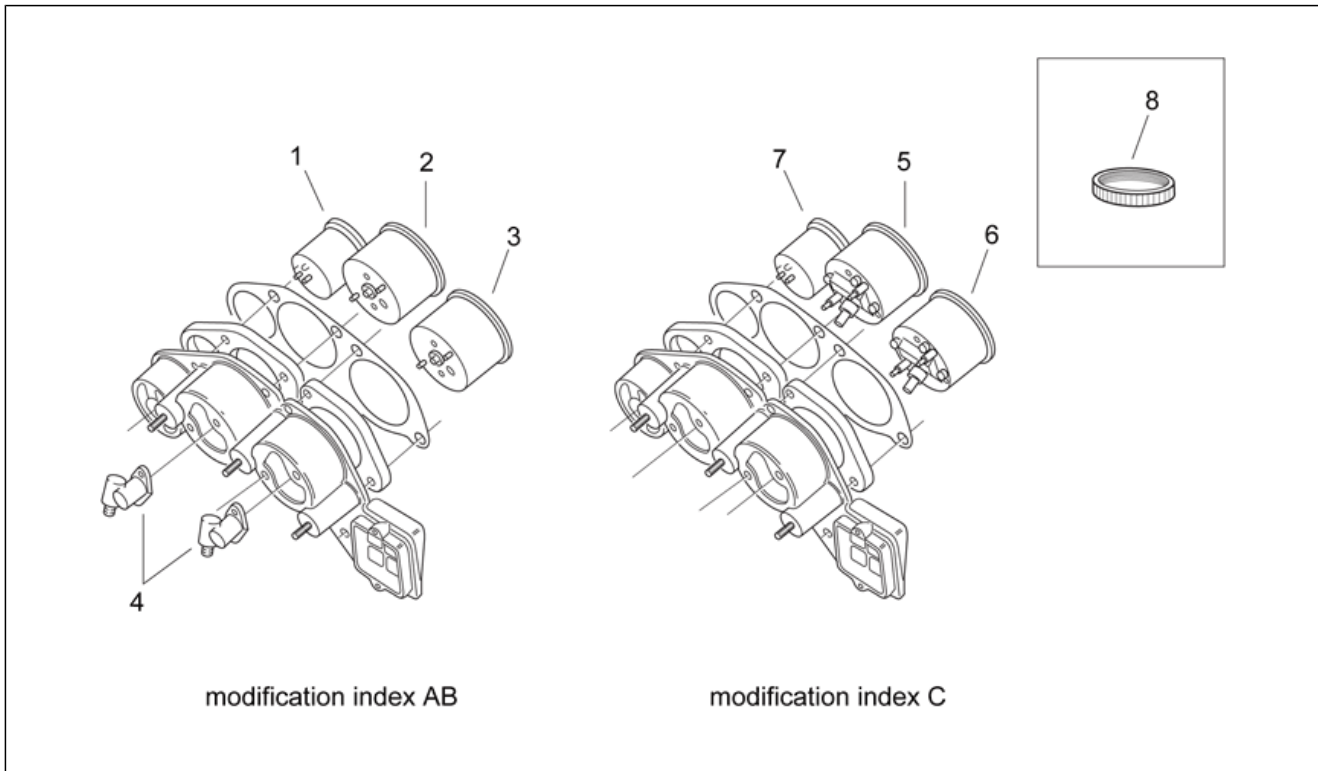
Pos.	Code	Beschreibung	Menge	Varianten
1	AP8127084	Instrumententafel	1	Baujahr:2000[Y]
1	AP8138276	Instrumententafel	1	Baujahr:2000[Y]
1	AP8138276	Instrumententafel	1	Baujahr:1997[V], 1998[W], 1999[X]
2	AP8121255	Buchse Instrumentenbrett	5	Baujahr:2000[Y]
2	AP8121255	Buchse Instrumentenbrett	5	Baujahr:1997[V], 1998[W], 1999[X]
2	AP8127083	Buchse Instrumentenbrett	5	Baujahr:2000[Y]
3	AP8127094	Gew.schr. 3x13 inox	5	
4	AP8112592	Schwamm für Tachometer	1	Baujahr:1997[V], 1998[W], 1999[X]
4	AP8112592	Schwamm für Tachometer	1	Baujahr:2000[Y]
4	AP8127081	Schwamm für Tachometer	1	Baujahr:2000[Y]
5	AP8102505	Grundplatte Instrumente	1	Baujahr:1997[V], 1998[W], 1999[X]
5	AP8102505	Grundplatte Instrumente	1	Baujahr:2000[Y]
5	AP8127082	Grundplatte Instrumente	1	Baujahr:2000[Y]
6	AP8112594	Schachtel Kontrolleuchten	1	Baujahr:1997[V], 1998[W], 1999[X]
6	AP8112594	Schachtel Kontrolleuchten	1	Baujahr:2000[Y]
6	AP8127087	Schachtel Kontrolleuchten	1	Baujahr:2000[Y]
7	AP8112593	Schwamm für Drehzahlmesser	1	Baujahr:1997[V], 1998[W], 1999[X]
7	AP8112593	Schwamm für Drehzahlmesser	1	Baujahr:2000[Y]
7	AP8127080	Schwamm für Drehzahlmesser	1	Baujahr:2000[Y]

Einheit	RAHMEN
Code	28.23
Beschreibung	Instrumententafel III
Inspektion	1



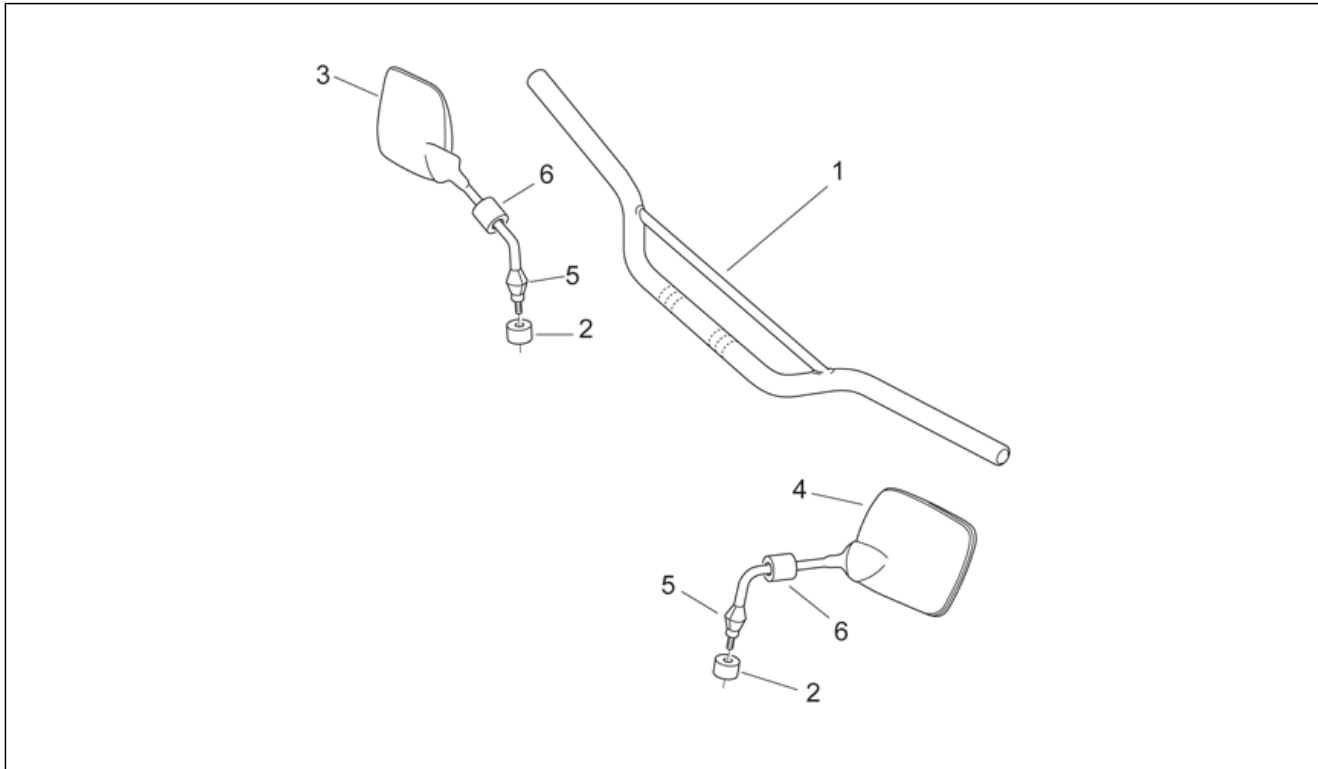
Pos.	Code	Beschreibung	Menge	Varianten
1	AP8127097	Gew.schr. 3x13	2	
2	AP8127096	Ausgleichscheibe	4	
3	AP8112603	Montageb. Thermom.	1	Baujahr: 2000[Y]
3	AP8112603	Montageb. Thermom.	1	Baujahr: 1997[V], 1998[W], 1999[X]
3	AP8127085	Montageb. Thermom.	1	Baujahr: 2000[Y]
4	AP8112602	Buchse Instrumentenbrett	1	Baujahr: 1997[V], 1998[W], 1999[X]
4	AP8112602	Buchse Instrumentenbrett	1	Baujahr: 2000[Y]
5	AP8127095	Mutter M4	4	
6	AP8112600	Gummi	1	Baujahr: 2000[Y]
6	AP8112600	Gummi	1	Baujahr: 1997[V], 1998[W], 1999[X]
6	AP8127086	Gummi *	1	Baujahr: 2000[Y]
7	AP8112599	Gummi *	1	Baujahr: 2000[Y]
7	AP8112599	Gummi *	1	Baujahr: 1997[V], 1998[W], 1999[X]

Einheit	RAHMEN
Code	28.24
Beschreibung	Instrumententafel IV
Inspektion	1



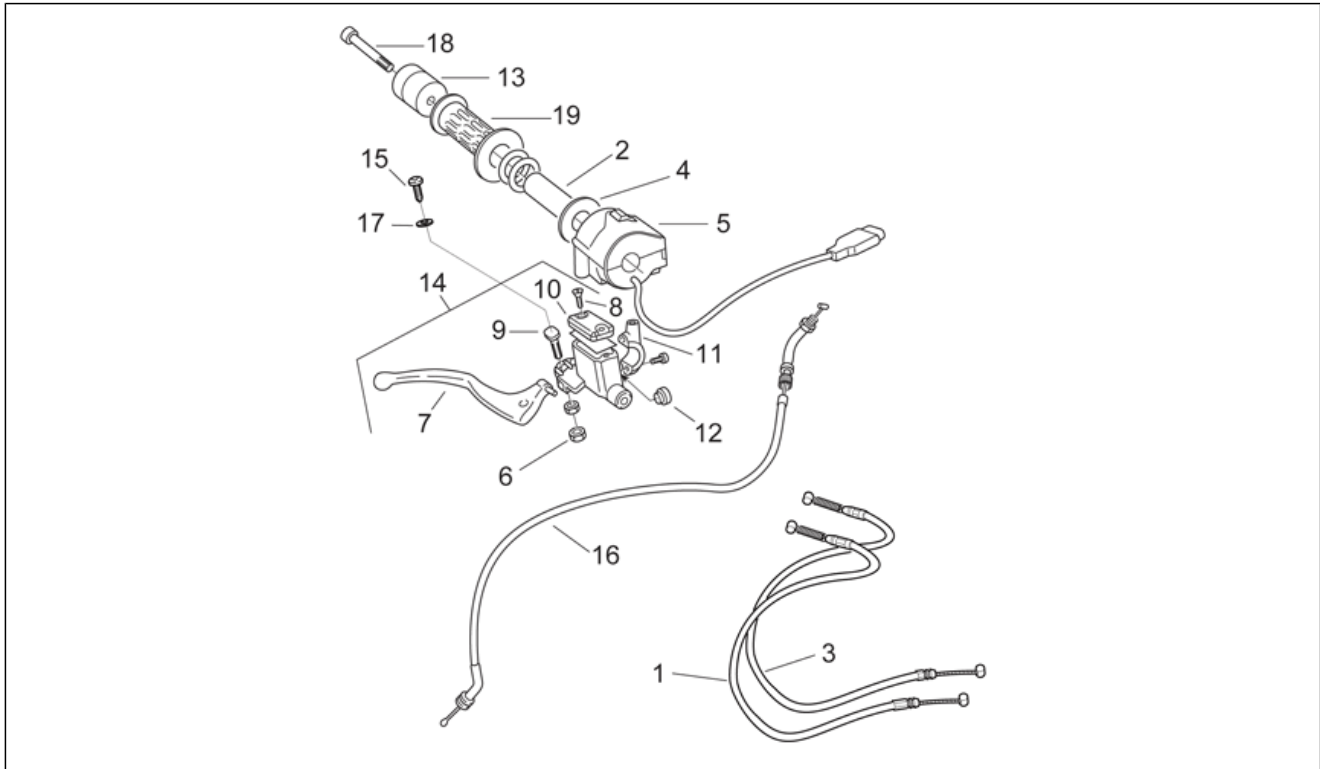
Pos.	Code	Beschreibung	Menge	Varianten
1	AP8124436	Wassertemperaturanzeiger	1	Baujahr: 2000[Y]
1	AP8124436	Wassertemperaturanzeiger	1	Baujahr: 1997[V], 1998[W], 1999[X]
2	AP8124434	Tachometer mit Vorgelege D80	1	Baujahr: 2000[Y] Land: Österreich[A], Belgien[B], Schweiz[CH], Deutschland[D], Dänemark[DK], Spanien[E], Frankreich[F], Griechenland[GR], Italien[I], Malaysia[MAL], Holland[NL], Portugal[P], Großbritannien[UK]
2	AP8124434	Tachometer mit Vorgelege D80	1	Baujahr: 1997[V], 1998[W], 1999[X] Land: Österreich[A], Belgien[B], Schweiz[CH], Deutschland[D], Dänemark[DK], Spanien[E], Frankreich[F], Griechenland[GR], Italien[I], Malaysia[MAL], Holland[NL], Portugal[P], Großbritannien[UK]
2	AP8124635	Tachometer mit Vorgelege d80	1	Land: Vereinigte Staaten von Amerika[USA]
3	AP8124435	Drehzahlm. m. Vorgeg. D80	1	Baujahr: 2000[Y]
3	AP8124435	Drehzahlm. m. Vorgeg. D80	1	Baujahr: 1997[V], 1998[W], 1999[X]
4	AP8212189	Vorgelegte Instrum.tafel	2	Baujahr: 1997[V], 1998[W], 1999[X]
4	AP8212189	Vorgelegte Instrum.tafel	2	Baujahr: 2000[Y]
5	AP8124539	Tachometer kpl.	1	Land: Australien[AUS]
5	AP8127077	Tachometer kpl.	1	Baujahr: 2000[Y] Land: Österreich[A], Belgien[B], Schweiz[CH], Deutschland[D], Dänemark[DK], Spanien[E], Frankreich[F], Griechenland[GR], Italien[I], Malaysia[MAL], Holland[NL], Portugal[P], Großbritannien[UK]
6	AP8127078	Drehzahlm.kpl.	1	Baujahr: 2000[Y]
7	AP8127076	Wassertemperaturanzeiger	1	Baujahr: 2000[Y]
8	AP8127091	Nullsteller Nutmutter	1	Baujahr: 2000[Y]

Einheit	RAHMEN
Code	28.25
Beschreibung	Lenkstange - Rückspiegel
Inspektion	1



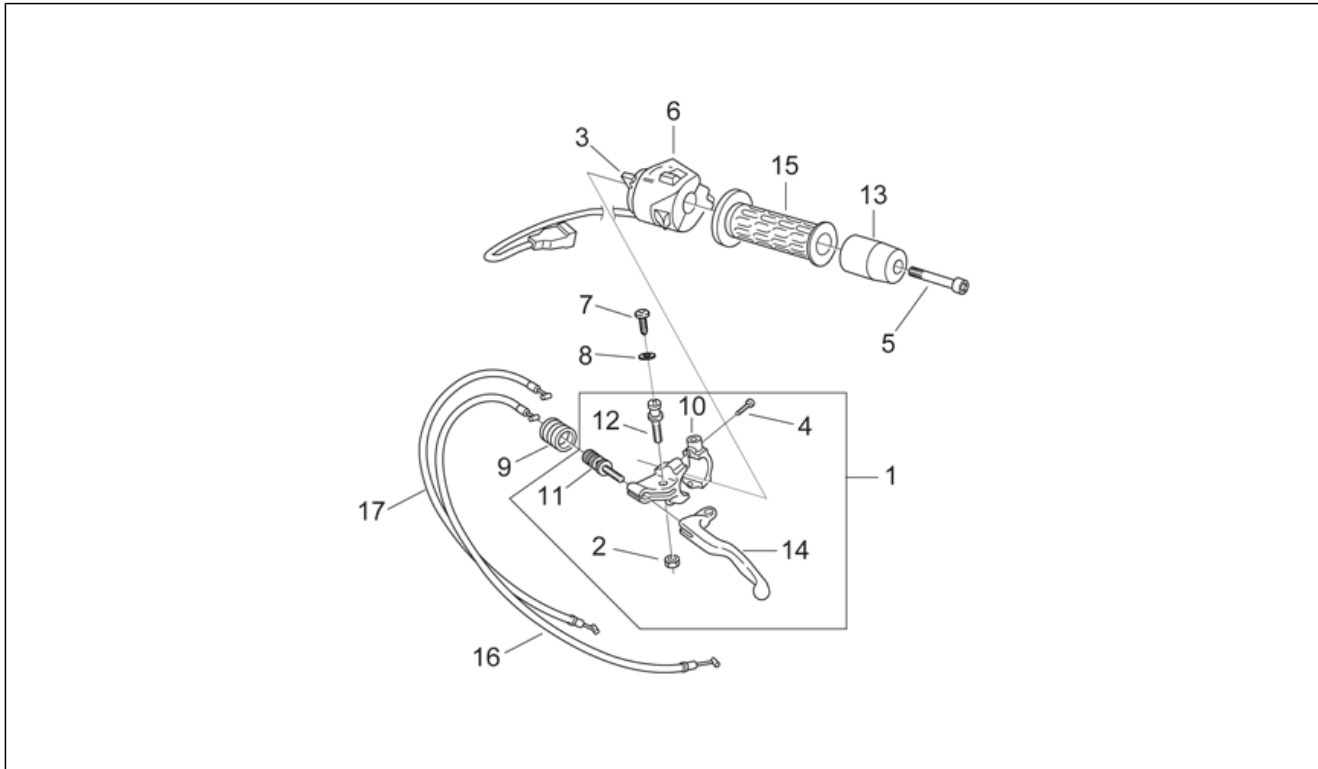
Pos.	Code	Beschreibung	Menge	Varianten
1	AP8118358	Sandgestrahlte Lenkstange	1	
2	AP8201842	Spiegelbefestigung Feder	2	
3	AP8102324	Rückspiegel rechts	1	Land: Österreich[A], Belgien[B], Schweiz[CH], Deutschland[D], Dänemark[DK], Spanien[E], Frankreich[F], Griechenland[GR], Italien[I], Malaysia[MAL], Holland[NL], Portugal[P], Großbritannien[UK], Vereinigte Staaten von Amerika[USA]
3	AP8102889	Rückspiegel rechts	1	Land: Australien[AUS]
4	AP8102325	Rückspiegel links	1	Land: Österreich[A], Belgien[B], Schweiz[CH], Deutschland[D], Dänemark[DK], Spanien[E], Frankreich[F], Griechenland[GR], Italien[I], Malaysia[MAL], Holland[NL], Portugal[P], Großbritannien[UK], Vereinigte Staaten von Amerika[USA]
4	AP8102890	Rückspiegel links	1	Land: Australien[AUS]
5	AP8201856	Nutmutter für Klemme	2	
6	AP8201843	Klemmschutz	2	

Einheit	RAHMEN
Code	28.26
Beschreibung	Schaltungen rechts
Inspektion	1



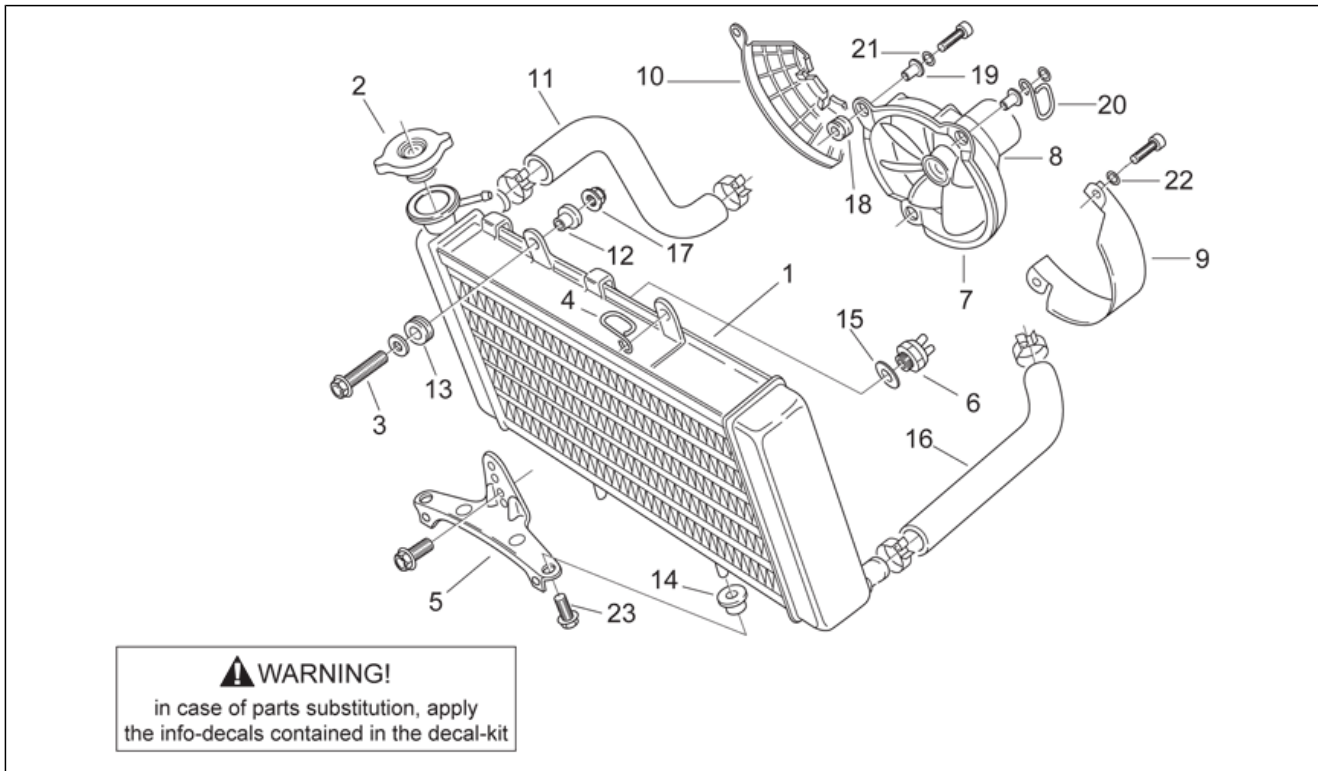
Pos.	Code	Beschreibung	Menge	Varianten
1	AP8114397	Verschuß Gaszugkabel	1	Land:Vereinigte Staaten von Amerika[USA]
2	AP8118316	Gasschaltung ohne Griff	1	
3	AP8114396	Öffnungswinkel Gaszugkabel	1	Land:Vereinigte Staaten von Amerika[USA]
4	AP8121826	Scheibe rechter Griff	2	
5	AP8118409	Startknopf	1	Land:Österreich[A], Australien[AUS], Belgien[B], Schweiz[CH], Deutschland[D], Dänemark[DK], Spanien[E], Frankreich[F], Griechenland[GR], Italien[I], Malaysia[MAL], Holland[NL], Portugal[P], Großbritannien[UK]
5	AP8124700	Rechter Lichtschalter	1	Land:Vereinigte Staaten von Amerika[USA]
6	AP8152299	Selbstsperrende Mutter M6	1	
7	AP8118416	Vorderradbremshebel	1	
8	AP8113537	Schraube	2	
9	AP8113058	Bremshebelbolzen	1	
10	AP8113552	Schraube Vorderradbremspumpe	1	
11	AP8113203	Bremshebel-Bügelbolzen	1	
12	AP8213243	Schauglas Bremspumpe	1	
13	AP8102579	Schwingschutzgewicht schwarz	1	
14	AP8113620	Vorderradbremspumpe	1	
15	AP8152078	TB-Spezialschraube M6	1	
16	AP8114337	Gaszugkabel	1	Land:Österreich[A], Australien[AUS], Belgien[B], Schweiz[CH], Deutschland[D], Dänemark[DK], Spanien[E], Frankreich[F], Griechenland[GR], Italien[I], Malaysia[MAL], Holland[NL], Portugal[P], Großbritannien[UK]
17	AP8102504	Gummi	1	
18	AP8150157	TCEI Schraube M6x60	1	
19	AP8118317	Handgriffe paar, schwarz	1	

Einheit	RAHMEN
Code	28.27
Beschreibung	Schaltungen links
Inspektion	1



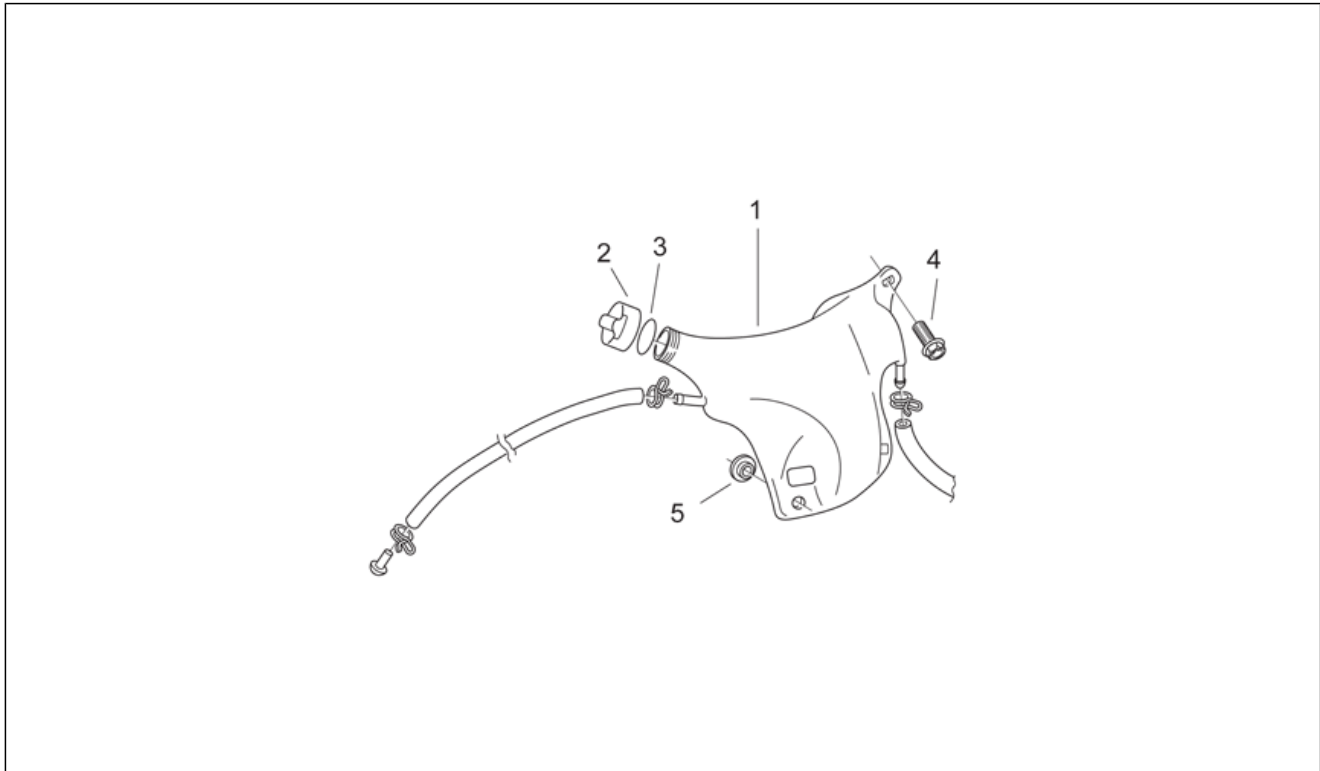
Pos.	Code	Beschreibung	Menge	Varianten
1	AP8118441	Kupplungshebel	1	
2	AP8118490	Mutter	1	
3	AP8118308	Starterhebel	1	
4	AP8118376	Schraube	2	
5	AP8150157	TCEI Schraube M6x60	1	
6	AP8124173	L. Lichtumsch. m. K.	1	
7	AP8152019	TCB-Spezialschraube M6x12	1	
8	AP8102504	Gummi	1	
9	AP8114358	Kupplungskabel Balg	1	
10	AP8118349	Bügelbolzen	1	
11	AP8118355	Einstellschraube	1	
12	AP8118201	Schraube Kupplungshebel	1	
13	AP8102579	Schwingschutzgewicht schwarz	1	
14	AP8118432	Kupplungshebel	1	
15	AP8118317	Handgriffe paar, schwarz	1	
16	AP8114296	Kupplungskabel	1	
17	AP8114338	Starterzugkabel	1	

Einheit	RAHMEN
Code	28.28
Beschreibung	Kühlanlage
Inspektion	1



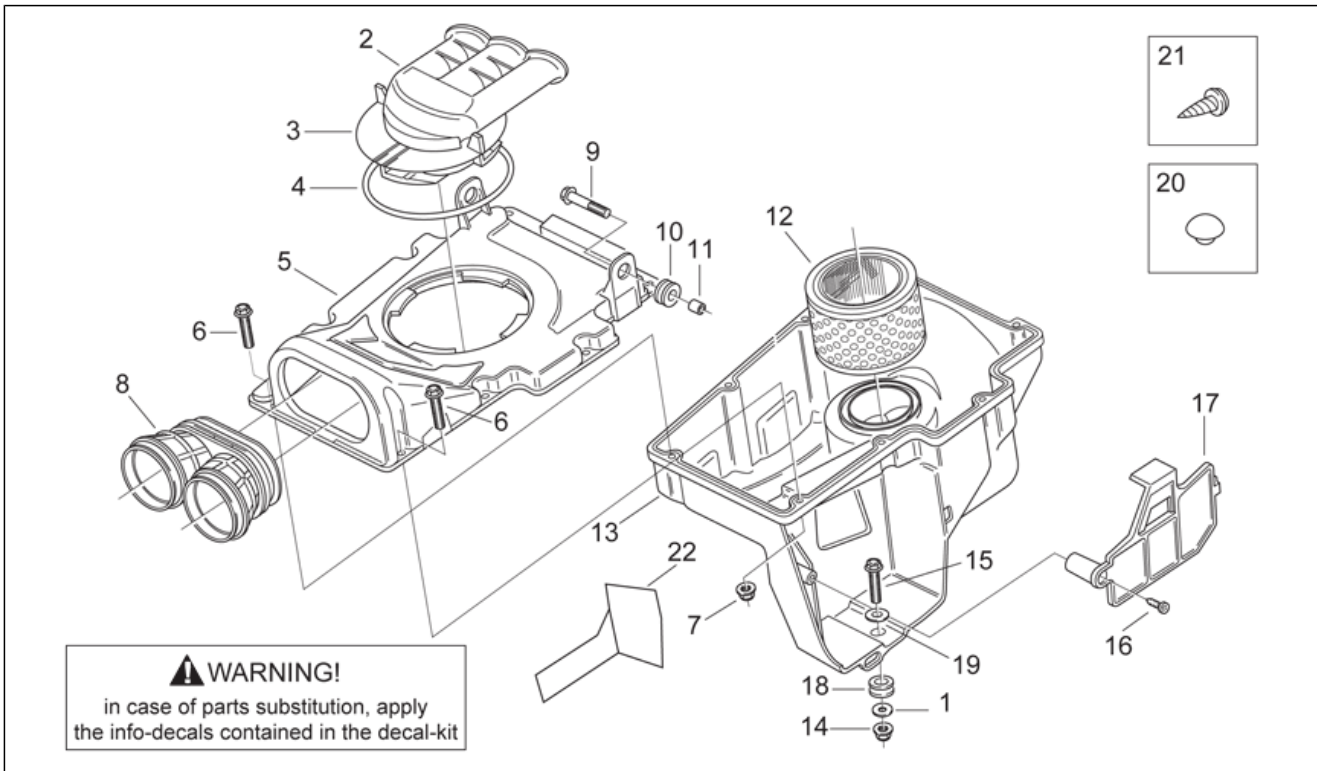
Pos.	Code	Beschreibung	Menge	Varianten
1	AP8102469	Kühler mit Verschlussschraube	1	
2	AP8102771	Kühlerschraube	1	
3	AP8152281	TE Schr. m. Flansch M6x30	2	
4	AP8120512	Kabelführungs	1	
5	AP8134239	Unt. Kühlerhalter	1	
6	AP8112677	Thermoschalter	1	
7	AP8138103	Lüfterlager	1	
8	AP8124335	Lüfter	1	
9	AP8135446	Lüfterschutz	1	
10	AP8138771	Lüfterschutznetz	1	
11	AP8120924	Zylinderkopf-Kühlerschlauch	1	
12	AP8121922	Kühlerbuchse	2	
13	AP8120594	Gummi	2	
14	AP8101372	Silent-Block	2	
15	AP8121837	Alu-Scheibe	1	
16	AP8120673	Rücklaufschlauch Wasser	1	
17	AP8152299	Selbstsperrende Mutter M6	2	
18	AP8120223	Gummi *	3	
19	AP8121725	T-Buchse *	3	
20	AP8121856	Kabelführungs	1	
21	AP8150011	Ausgleichscheibe 4,3x12x1	3	
22	AP8150429	Sprengscheibe 6,4x11x0,5*	3	
23	AP8152277	TE Schr. m. Flansch M6x12	2	

Einheit	RAHMEN
Code	28.29
Beschreibung	Ausdehngefäß
Inspektion	1



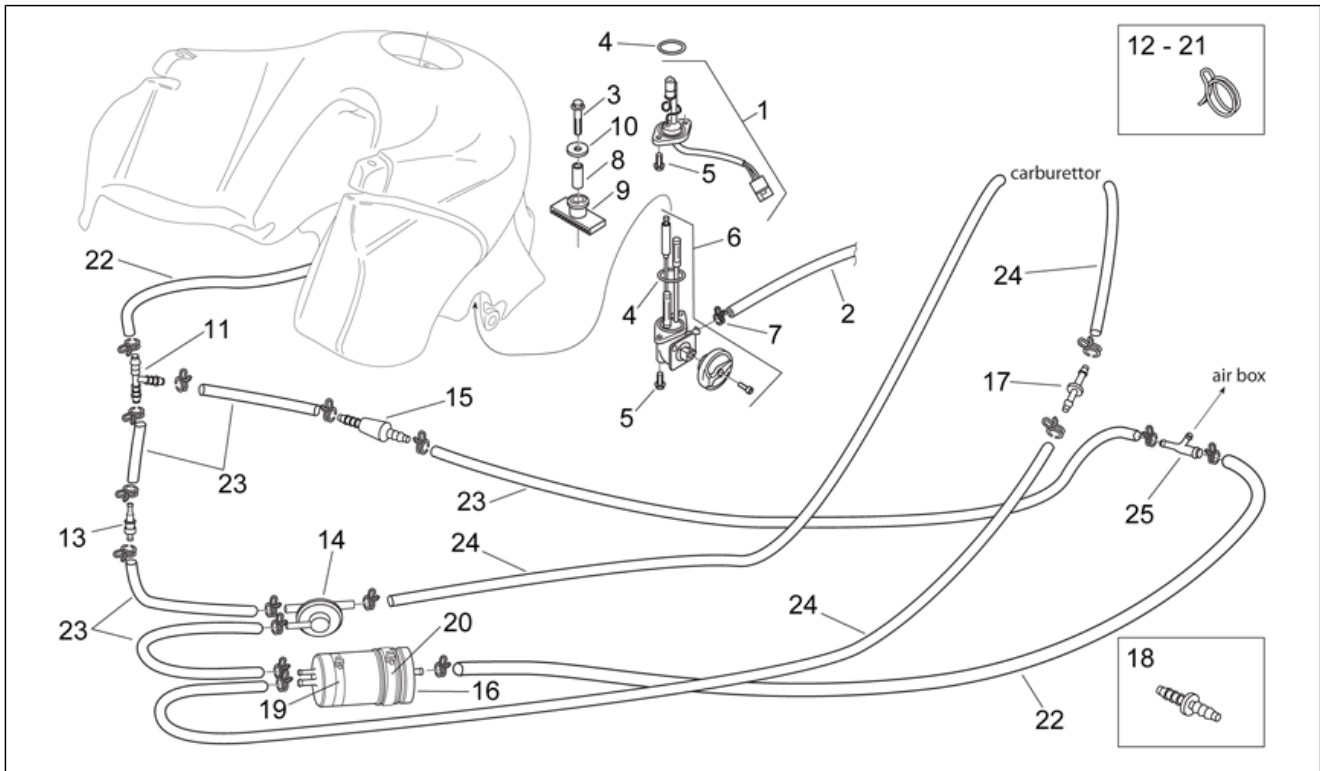
Pos.	Code	Beschreibung	Menge	Varianten
1	AP8138264	Ausdehngefäß	1	
2	AP8120354	Deckel	1	
3	AP8220191	Dichtung	1	
4	AP8152279	TE Schr. m. Flansch M6x20	1	
5	AP8121075	T-Buchse *	1	

Einheit	RAHMEN
Code	28.30
Beschreibung	Filtergehäuse
Inspektion	1



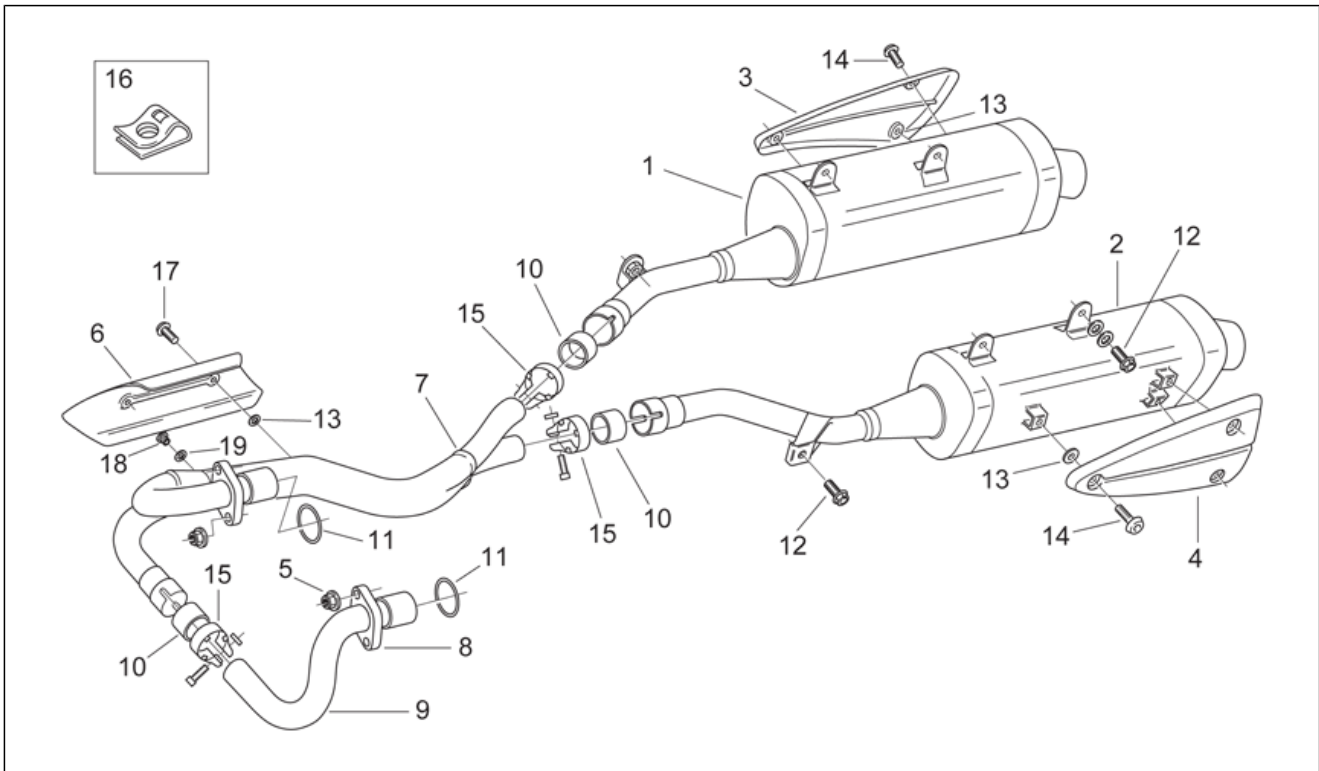
Pos.	Code	Beschreibung	Menge	Varianten
1	AP8150159	Ausgleichscheibe 4,3x16*	1	
2	AP8144041	Ansaugmuffe	1	
3	AP8123684	Schraube Filtergehäuse	1	
4	AP8144039	Dichtung Verschlusschraube	1	
5	AP8138770	Deckel Filtergehäuse	1	
6	AP8152275	TE Schr. m. Flansch M5x25	8	
7	AP8152306	Selbstsperrende Mutter M5	8	
8	AP8144040	Ansaugmuffe	1	
9	AP8152281	TE Schr. m. Flansch M6x30	2	
10	AP8121718	Buchse	2	
11	AP8220192	Gummi *	2	
12	AP8102715	Luftfilter	1	
13	AP8138509	Boden Filtergehäuse	1	
14	AP8152299	Selbstsperrende Mutter M6	1	
15	AP8152280	TE Schr. m. Flansch M6x25	1	
16	AP8152329	Kreuz.schl.flnschschr. M5x20	1	
17	AP8138753	Batterie Verschlussplatte	1	
18	AP8120030	Gummi	1	
19	AP8221023	T-Buchse	1	
20	AP8120876	Verschlusschraube	1	
21	AP8150413	Gew.schr. 3,9x14	4	
22	AP8117118	Wärmeschutzplatte	1	

Einheit	RAHMEN
Code	28.31
Beschreibung	Kraftstoffhahn
Inspektion	1



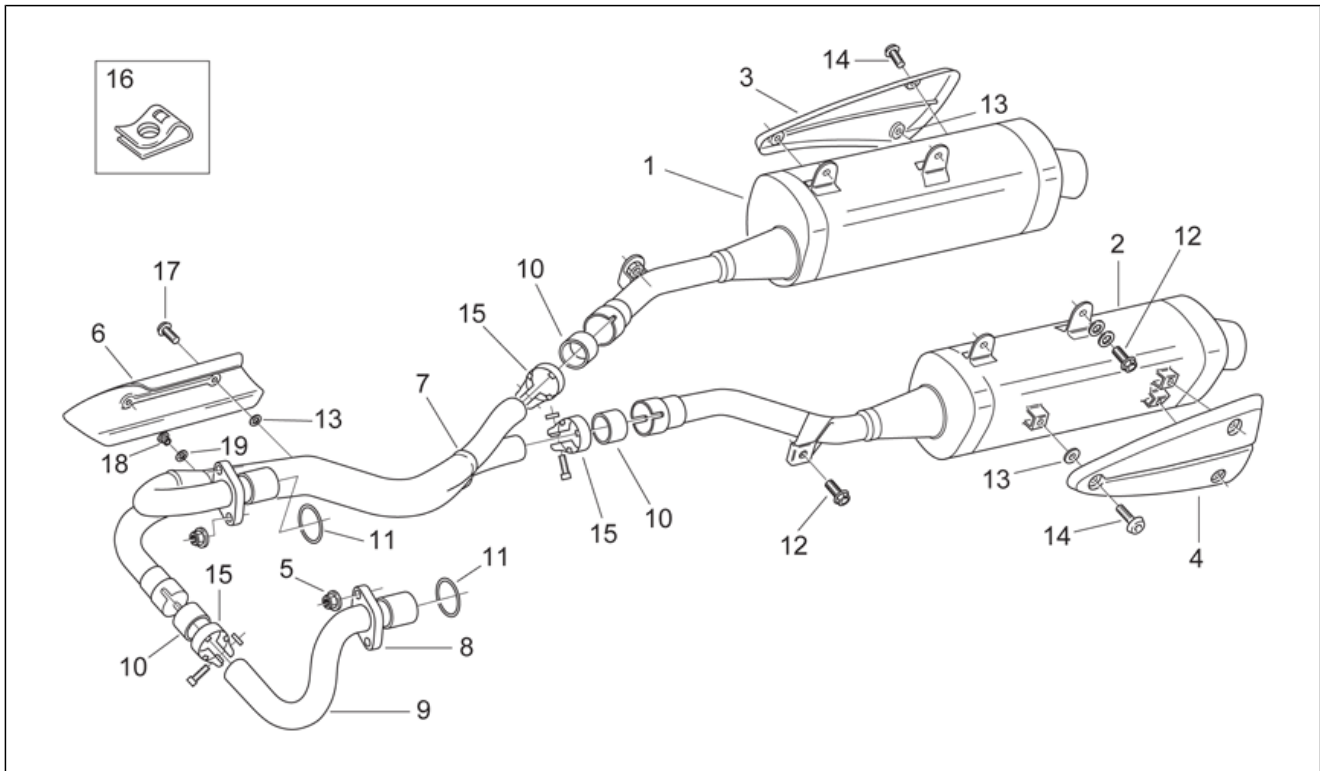
Pos.	Code	Beschreibung	Menge	Varianten
1	AP8124437	Kraftstoffmeßsonde	1	
2	AP8220402	Leitung 5x9	1	
3	AP8152290	TE Schr. m. Flansch M8x40	1	
4	AP8120869	O-Ring 4093	2	
5	AP8152277	TE Schr. m. Flansch M6x12	4	
6	AP8102470	Kraftstoffhahn	1	
7	AP8201358	Schelle D 11,9	2	
8	AP8121773	Distanzscheibe *	1	
9	AP8120663	Gummi *	1	
10	AP8150018	Ausgleichscheibe	1	
11	AP8144303	3-Wegeanschluß	1	Land:Vereinigte Staaten von Amerika[USA]
12	AP8120179	Schelle D8	6	Land:Vereinigte Staaten von Amerika[USA]
13	AP8106716	"Roll-over" Ventil	1	Land:Vereinigte Staaten von Amerika[USA]
14	AP8106715	"Purge" Ventil	1	Land:Vereinigte Staaten von Amerika[USA]
15	AP8102985	Rückstauventil	1	Land:Vereinigte Staaten von Amerika[USA]
16	AP8102678	Kohlefilter	1	Land:Vereinigte Staaten von Amerika[USA]
17	AP8121267	Drosselspindel	1	Land:Vereinigte Staaten von Amerika[USA]
18	AP8101944	2-Wege Anschluß	2	Land:Vereinigte Staaten von Amerika[USA]
19	AP8102688	Schelle d.76	1	Land:Vereinigte Staaten von Amerika[USA]
20	AP8102719	Schelle d.80,5	1	Land:Vereinigte Staaten von Amerika[USA]
21	AP8102520	Schlauchschele	2	Land:Vereinigte Staaten von Amerika[USA]
22	AP8120905	Kraftstoffleitung 8x13	1	Land:Vereinigte Staaten von Amerika[USA]
23	AP8120952	Kraftstoffleitung 5,5x10	1	Land:Vereinigte Staaten von Amerika[USA]
24	AP8220263	Entlüftungsschlauch Kühler 4x8	1	Land:Vereinigte Staaten von Amerika[USA]
25	AP8202154	3-Wegeanschluß	1	Land:Vereinigte Staaten von Amerika[USA]

Einheit	RAHMEN
Code	28.37
Beschreibung	Auslassgruppe
Inspektion	1



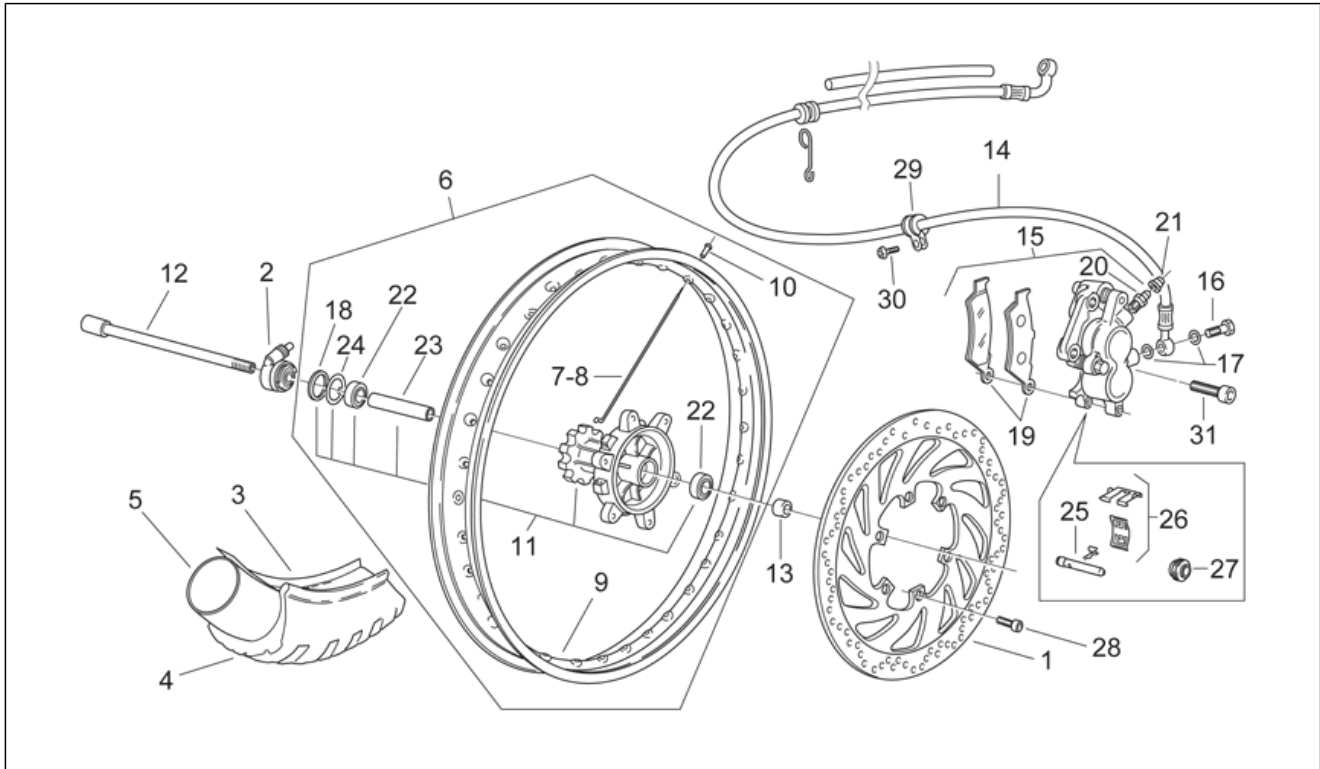
Pos.	Code	Beschreibung	Menge	Varianten
1	AP8119367	Schalldämpfer rechts	1	Land: Australien[AUS], Belgien[B], Dänemark[DK], Spanien[E], Frankreich[F], Griechenland[GR], Italien[I], Malaysia[MAL], Holland[NL], Portugal[P], Großbritannien[UK] Technische Daten: Version ohne Katalysator[nocat]
1	AP8119445	Schalldämpfer rechts mit Kat	1	Land: Österreich[A], Schweiz[CH], Deutschland[D] Technische Daten: Version mit Katalysator[cat]
1	AP8119534	Schalldämpfer rechts	1	Land: Vereinigte Staaten von Amerika[USA] Technische Daten: Version mit Katalysator[cat]
2	AP8119369	Schalldämpfer links	1	Land: Australien[AUS], Belgien[B], Dänemark[DK], Spanien[E], Frankreich[F], Griechenland[GR], Italien[I], Malaysia[MAL], Holland[NL], Portugal[P], Großbritannien[UK] Technische Daten: Version ohne Katalysator[nocat]
2	AP8119446	Schalldämpfer links mit Kat	1	Land: Österreich[A], Schweiz[CH], Deutschland[D] Technische Daten: Version mit Katalysator[cat]
2	AP8119535	Schalldämpfer links	1	Land: Vereinigte Staaten von Amerika[USA] Technische Daten: Version mit Katalysator[cat]
3	AP8119371	Ausp.abd. rch. schw.	1	Baujahr: 1997[V]
3	AP8119463	R.Schalld.schutz sch.	1	Baujahr: 1998[W], 1999[X], 2000[Y]
4	AP8119372	Ausp.abd. lks. schw.	1	Baujahr: 1997[V]
4	AP8119464	L.Schalld.schutz sch.	1	Baujahr: 1998[W], 1999[X], 2000[Y]
5	AP8150334	Mutter M8	4	
6	AP8135978	Auspuffrohrschutz	1	
7	AP8135979	Rch. Ausp.rhr. m. Flns.	1	
8	AP8135304	Leitungsfll. chr. schw.	1	
9	AP8119427	Linkes Auspuffrohr	1	
10	AP8120823	Gasket ring D30x35x20	3	
11	AP8119425	Dichtung Auspuffendrohre	2	
12	AP8152285	TE Schr. m. Flansch	6	
13	AP8221297	Isolierscheibe	8	

Einheit	RAHMEN
Code	28.37
Beschreibung	Auslassgruppe
Inspektion	1



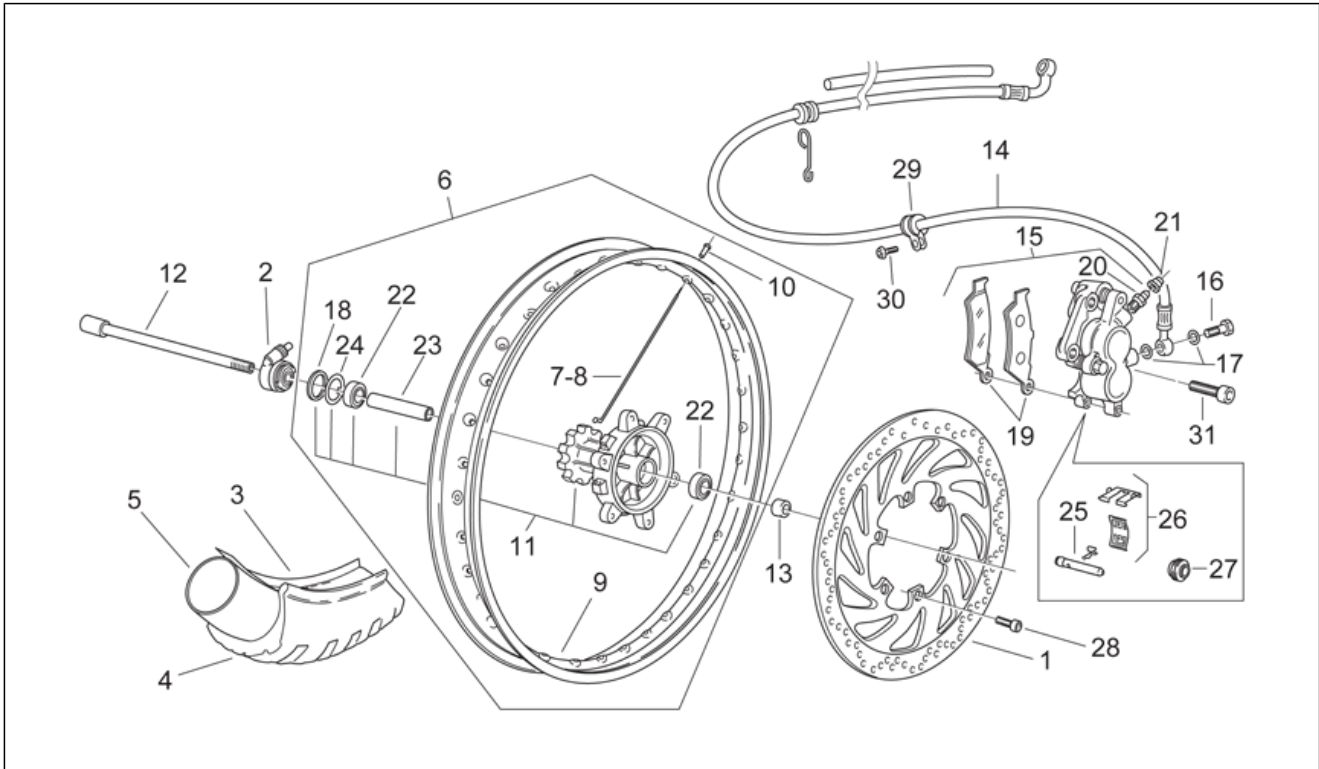
Pos.	Code	Beschreibung	Menge	Varianten
14	AP8152246	TBEI Schraube m.Flansch M6x16	6	
15	AP8102747	Fixierschelle Schalldämpfer	3	
16	AP8102376	Klammer M6	8	
17	AP8152278	TE Schr. m. Flansch M6x16	2	
18	AP8119602	CO-Anschlußschraube	1	
19	AP8119603	Ausgleichscheibe 10x14x1	1	

Einheit	RAHMEN
Code	28.38
Beschreibung	Vorderrad
Inspektion	1



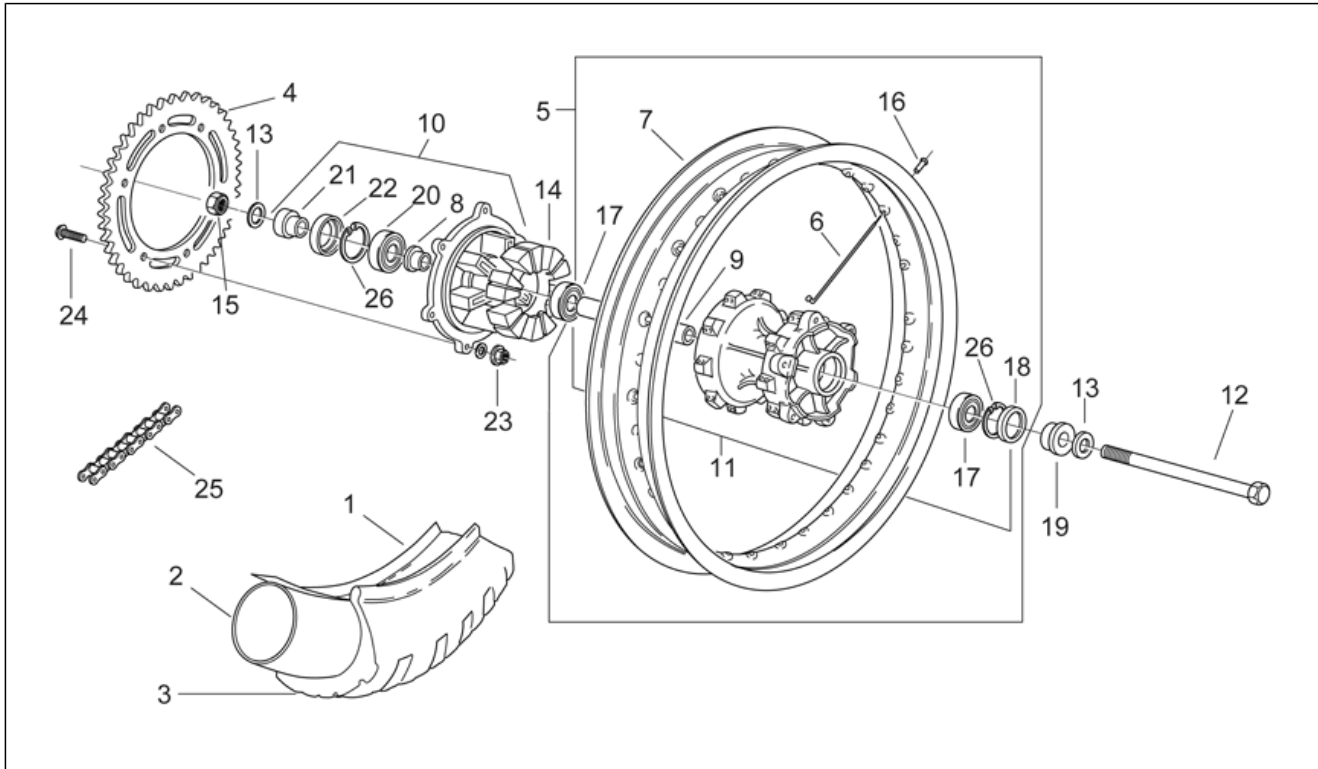
Pos.	Code	Beschreibung	Menge	Varianten
1	AP8113485	Vord. Inox-Bremssch. D300	1	
2	AP8102176	Vorgelegte Kilometerzähler	1	Baujahr:1997[V], 1998[W], 1999[X]
2	AP8102176	Vorgelegte Kilometerzähler	1	Baujahr:2000[Y]
2	AP8104218	Vorgelegte Kilometerzähler	1	Baujahr:2000[Y]
3	AP8109096	Vorderradband 19"	1	
4	0000000	Reifen	1	
5	0000000	Reifen	1	
6	AP8108576	Vorderrad kpl	1	
7	AP8108366	Vordere Speiche links	18	
8	AP8108600	Vordere Speiche rechts	18	
9	AP8108469	Felge D19"	1	
10	AP8108672	Nippel D3,5	36	
11	AP8125542	Vorderradnabe	1	
12	AP8125755	Vorderradbolzen	1	
13	AP8125720	Vorderrad Distanzscheibe	1	
14	AP8113484	Vorderradbremseleitung	1	
15	AP8113557	Vorderradbremzange	1	
16	AP8113003	Fixierschraube Ölschlauch	2	
17	AP8113004	Ausgleichscheibe 10x14x1,6*	4	
18	AP8120864	O-Ring Vorgelege	1	
19	AP8113533	Vord. Beläge (Paar)	1	
20	AP8113549	Entlüftungsanschluß	1	
21	AP8113070	Entlüftungskappe	1	
22	AP8110045	Nabenlager D17x40x12	2	
23	AP8125604	Vorderradnabe Distanzscheibe	1	
24	AP8120865	Mitnehmer	1	
25	AP8121265	Splintbolzen D8x32	1	
26	AP8113546	Platte und Feder	1	

Einheit	RAHMEN
Code	28.38
Beschreibung	Vorderrad
Inspektion	1



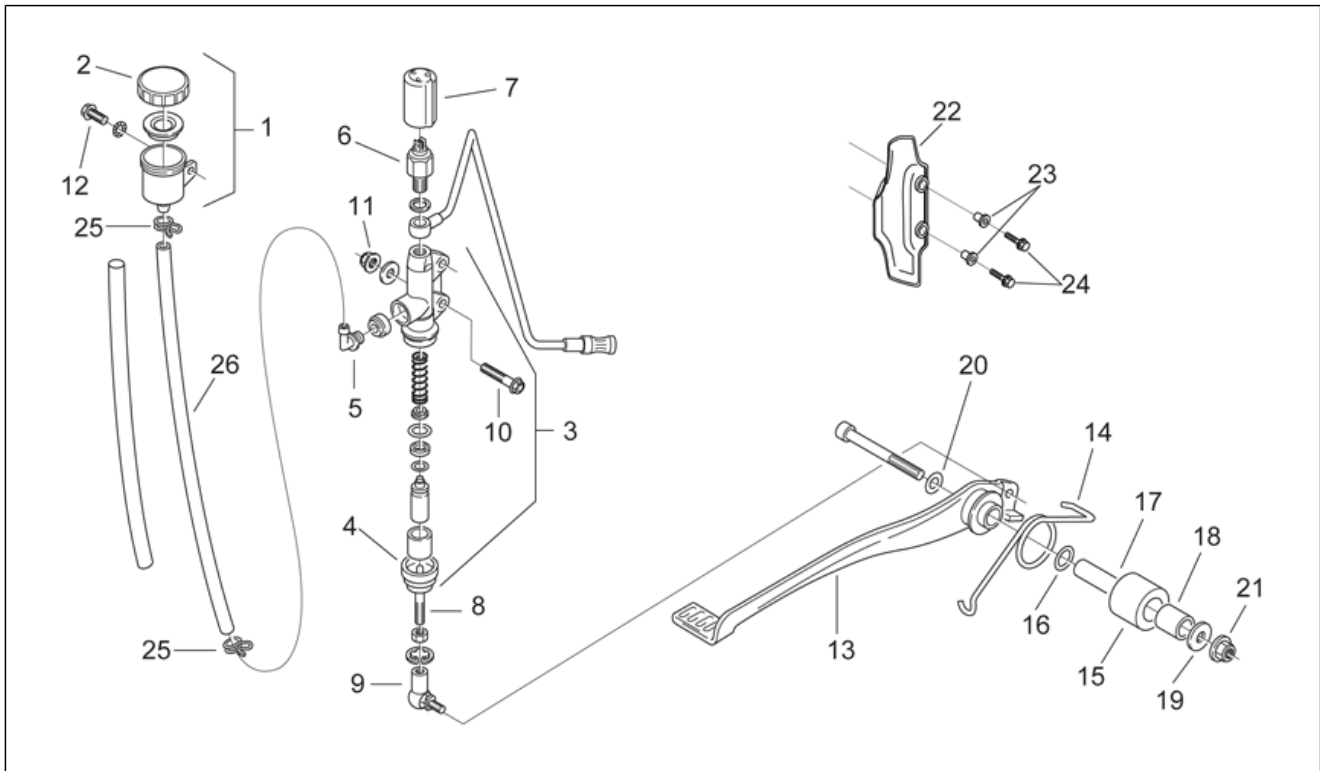
Pos.	Code	Beschreibung	Menge	Varianten
27	AP8113548	Haube	1	
28	AP8152156	TCEI Schraube M6x14	6	
29	AP8134167	Platte Bremsschlauch	1	
30	AP8152338	TBEI Schraube m.Flansch	1	
31	AP8150048	TCEI Schraube	2	

Einheit	RAHMEN
Code	28.39
Beschreibung	Hinterrad
Inspektion	1



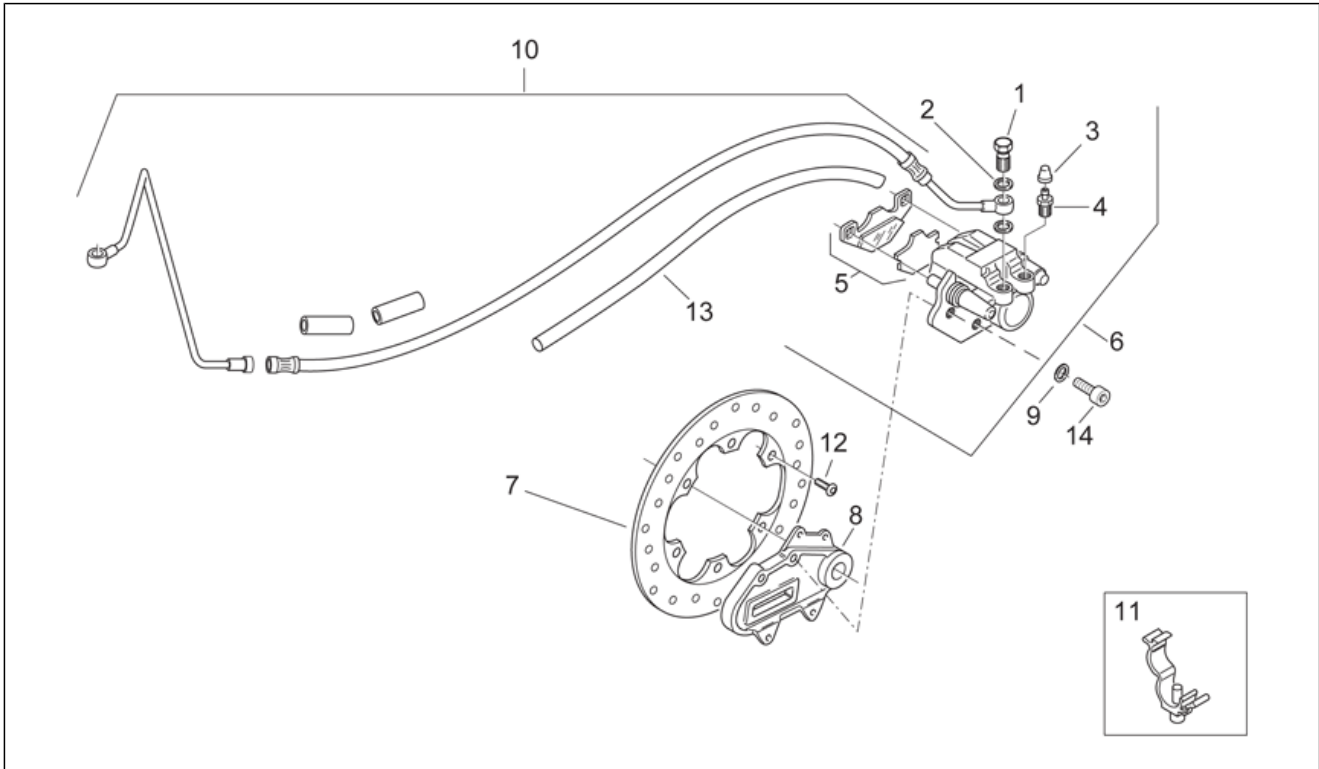
Pos.	Code	Beschreibung	Menge	Varianten
1	AP8109004	Hinterradband	1	
2	0000000	Reifen	1	
3	0000000	Reifen	1	
4	AP8107069	Zahnkranz Z=47	1	
5	AP8108577	Hinterrad ohne Scheibe	1	
6	AP8108266	Speiche 3,5	36	
7	AP8108471	Felge D17"	1	
8	AP8125423	Externe Distanzscheibe	1	
9	AP8125427	Interne Distanzscheibe	1	
10	AP8125563	Zahnkranzhalter	1	
11	AP8125594	Hinterradnabe	1	
12	AP8125649	Hinterradbolzen	1	
13	AP8125650	U-scheibe Hint.radbolz	2	
14	AP8125679	Stoßschutzgummi	1	
15	AP8150433	Selbstsperr.mut Unt. M16x1,5*	1	
16	AP8108672	Nippel D3,5	36	
17	AP8110045	Nabenlager D17x40x12	2	
18	AP8125462	Ölabstreifring 30x40x7	1	
19	AP8125442	Hinterrad Distanzscheibe	1	
20	AP8110050	Reißschutzlager	1	
21	AP8125425	Distanzscheibe	1	
22	AP8203074	Gasket ring	1	
23	AP8152300	Selbstsperrende Mutter M8	6	
24	AP8152288	TE Schr. m. Flansch	6	
25	AP8107123	Kette	1	
26	AP8125805	Seegerring d47	1	

Einheit	RAHMEN
Code	28.40
Beschreibung	Hinterradbremspumpe
Inspektion	1



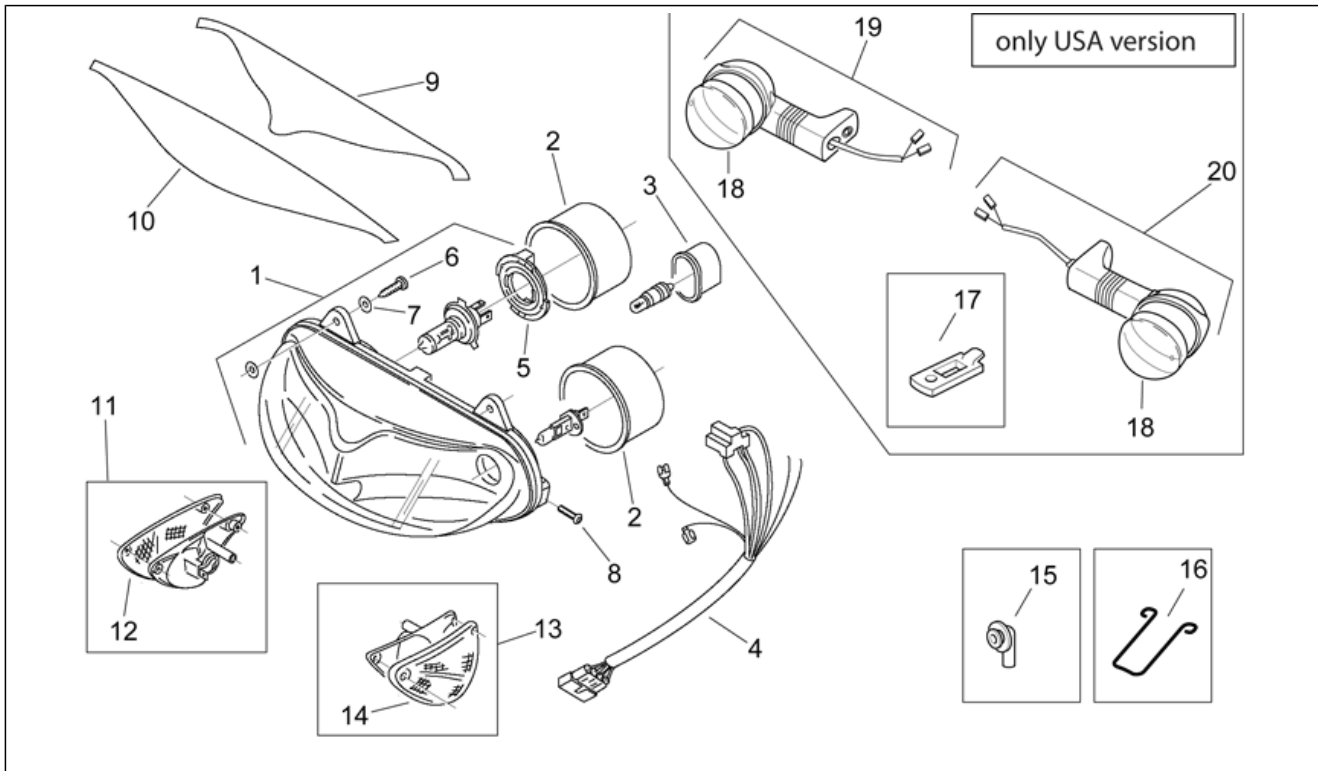
Pos.	Code	Beschreibung	Menge	Varianten
1	AP8113241	Bremsöltank	1	
2	AP8113553	Tankverschluß	1	
3	AP8113502	Hinterradbremspumpe	1	
4	AP8113288	Gummibalg	1	
5	AP8213057	Hinterer Pumpenanschluß	1	
6	AP8124479	Bremslichtschalter	1	
7	AP8102289	Schutz Stopschalter	1	
8	AP8113276	Pumpenstange	1	
9	AP8210007	Kugelenk rechts M6	1	
10	AP8152281	TE Schr. m. Flansch M6x30	2	
11	AP8152299	Selbstsperrende Mutter M6	2	
12	AP8152277	TE Schr. m. Flansch M6x12	1	
13	AP8135707	Hinterradbremshebel galv.	1	
14	AP8121808	Schraubenfeder *	1	
15	AP8120972	Kettenspannrolle	1	
16	AP8120196	O-Ring 3056	1	
17	AP8121805	Distanzscheibe 8,2x14x49,5	1	
18	AP8120850	Kettenspannrolle Buchse	1	
19	AP8150182	Gebogene Sprengscheibe *	1	
20	AP8150018	Ausgleichscheibe	1	
21	AP8152300	Selbstsperrende Mutter M8	1	
22	AP8139122	H. Pumpenschutz	1	
23	AP8121811	T-Buchse	2	
24	AP8152282	TE Schr. m. Flansch M6x35	2	
25	AP8102811	Schelle D9,6	2	
26	AP8144151	Gummischlauch	1	

Einheit	RAHMEN
Code	28.41
Beschreibung	Hinterradbremsszange
Inspektion	1



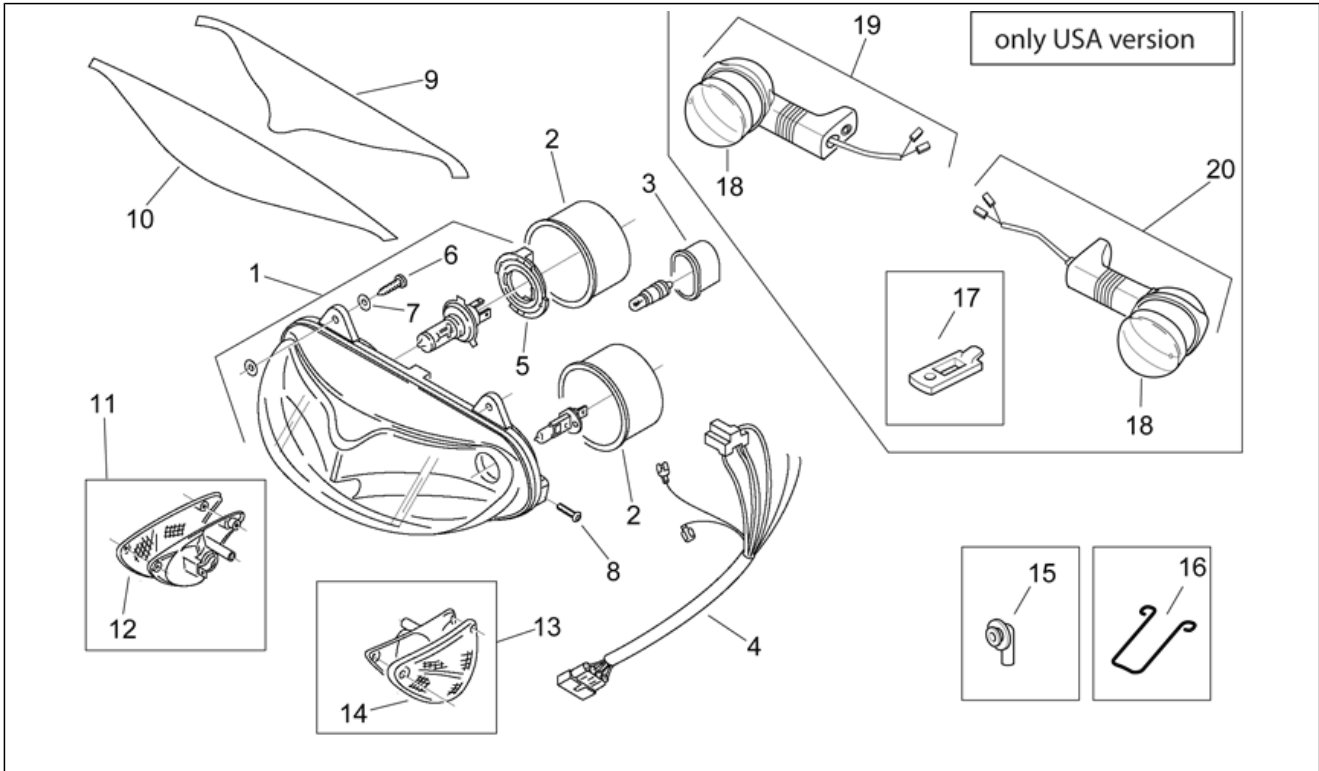
Pos.	Code	Beschreibung	Menge	Varianten
1	AP8113003	Fixierschraube Ölschlauch	1	
2	AP8113004	Ausgleichscheibe 10x14x1,6*	4	
3	AP8113070	Entlüftungskappe	1	
4	AP8113549	Entlüftungsanschluß	1	
5	AP8113595	Beläge (Paar)	1	
6	AP8113560	Hinterradbremsszange	1	
7	AP8113628	Vorderradbremsscheibe	1	
8	AP8134430	Fixierplatte	1	
9	AP8150376	Ausgleichscheibe 8,5x15x0,8	2	
10	AP8113623	Hinterradbremssleitung	1	
11	AP8134186	Kabelführungs	2	
12	AP8152156	TCEI Schraube M6x14	6	
13	AP8117116	Schlauchschutz	1	
14	AP8150169	TCEI Schraube M8x20	2	

Einheit	RAHMEN
Code	28.42
Beschreibung	Lichter I
Inspektion	1



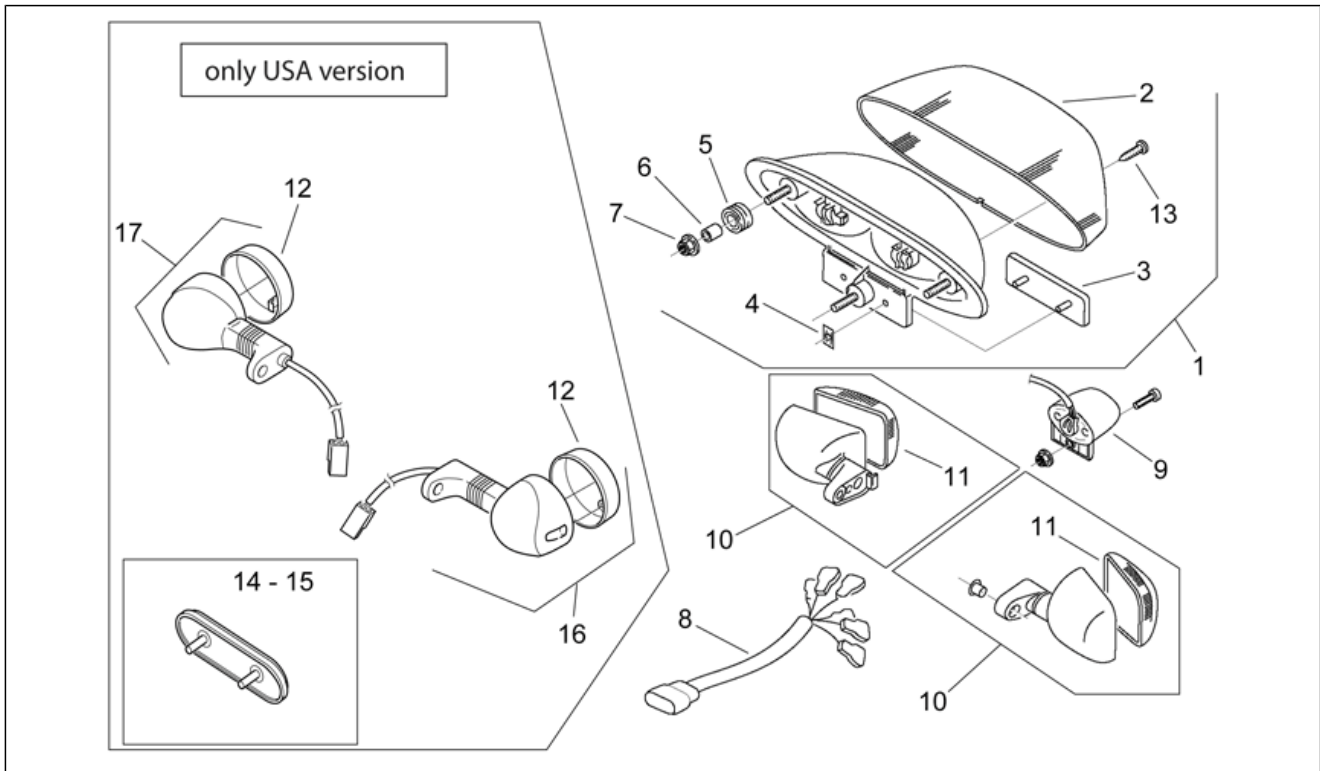
Pos.	Code	Beschreibung	Menge	Varianten
1	AP8124098	Scheinwerfer	1	Land: Österreich[A], Belgien[B], Schweiz[CH], Deutschland[D], Dänemark[DK], Spanien[E], Frankreich[F], Griechenland[GR], Italien[I], Malaysia[MAL], Holland[NL], Portugal[P]
1	AP8124444	Scheinwerfer -UK-	1	Land: Australien[AUS], Großbritannien[UK]
1	AP8124628	Scheinwerfer -usa-	1	Land: Vereinigte Staaten von Amerika[USA]
2	AP8124400	Scheinwerferhaube	2	
3	AP8124401	Scheinwerferhaube	1	
4	AP8124625	Verkabel.Scheinwerf.	1	
5	AP8124472	Lampenhalter	1	
6	AP8152329	Kreuz.schl.flnschschr. M5x20	3	
7	AP8150011	Ausgleichscheibe 4,3x12x1	4	
8	AP8150270	Linsenschraube 4,2x20*	2	
9	AP8147125	Ob.Scheinw.schutz Deko	1	
10	AP8147126	Unt.Scheinw.schutz Deko	1	
11	AP8212818	Vorderblinker rechts	1	Land: Österreich[A], Australien[AUS], Belgien[B], Schweiz[CH], Deutschland[D], Dänemark[DK], Spanien[E], Frankreich[F], Griechenland[GR], Italien[I], Malaysia[MAL], Holland[NL], Portugal[P], Großbritannien[UK]
12	AP8212829	V. Blinkerblende rechts	1	Land: Österreich[A], Australien[AUS], Belgien[B], Schweiz[CH], Deutschland[D], Dänemark[DK], Spanien[E], Frankreich[F], Griechenland[GR], Italien[I], Malaysia[MAL], Holland[NL], Portugal[P], Großbritannien[UK]
13	AP8212819	Vorderblinker links	1	Land: Österreich[A], Australien[AUS], Belgien[B], Schweiz[CH], Deutschland[D], Dänemark[DK], Spanien[E], Frankreich[F], Griechenland[GR], Italien[I], Malaysia[MAL], Holland[NL], Portugal[P], Großbritannien[UK]
14	AP8212830	V. Blinkerblende links	1	Land: Österreich[A], Australien[AUS], Belgien[B], Schweiz[CH], Deutschland[D], Dänemark[DK], Spanien[E], Frankreich[F], Griechenland[GR], Italien[I], Malaysia[MAL], Holland[NL], Portugal[P], Großbritannien[UK]
15	AP8124777	Kondensschutzgummi	1	

Einheit	RAHMEN
Code	28.42
Beschreibung	Lichter I
Inspektion	1



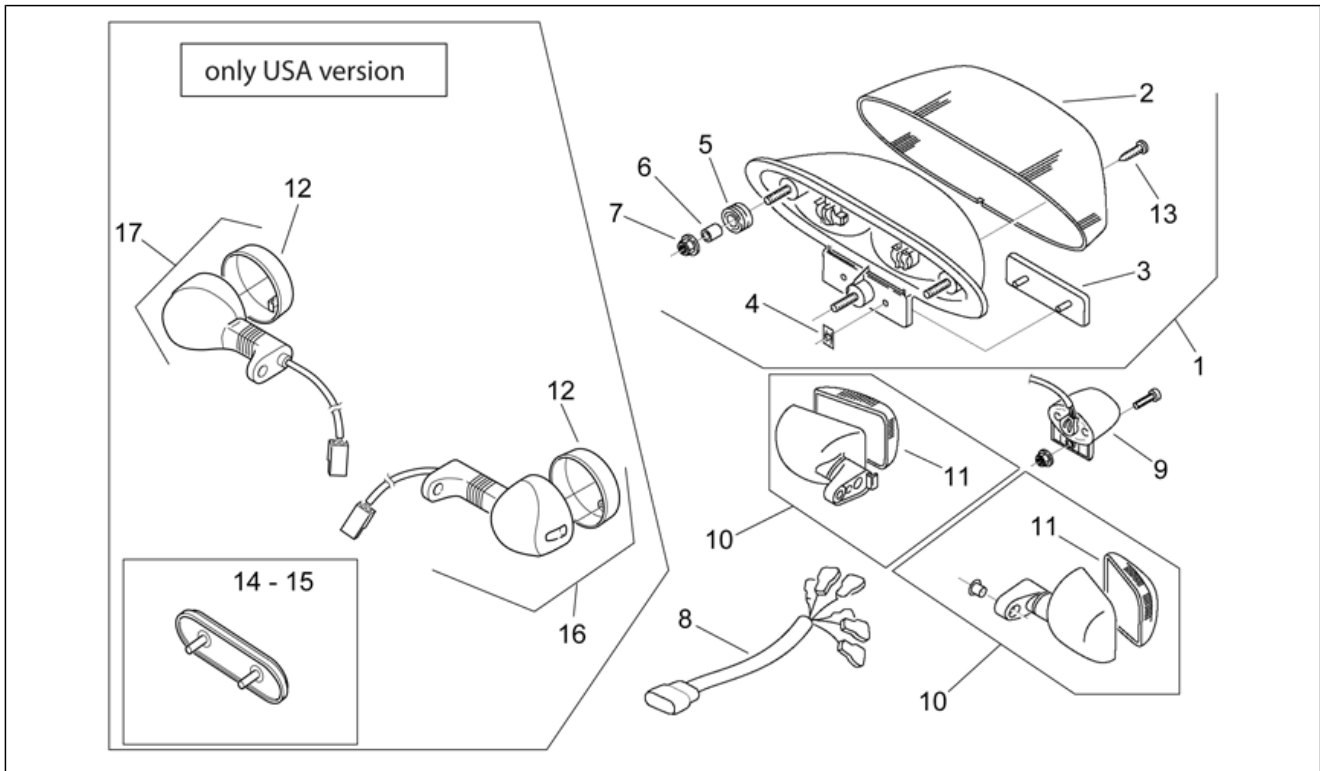
Pos.	Code	Beschreibung	Menge	Varianten
16	AP8224216	Kleine Feder	1	
17	AP8148268	Blinker Adapter	2	Land: Vereinigte Staaten von Amerika[USA]
18	AP8224258	Blinkerblende	2	Land: Vereinigte Staaten von Amerika[USA]
19	AP8224173	Vorderblinker rechts / Hinterblinker links	2	Land: Vereinigte Staaten von Amerika[USA]
20	AP8224174	Vorderblinker links / Hinterblinker rechts	2	Land: Vereinigte Staaten von Amerika[USA]

Einheit	RAHMEN
Code	28.43
Beschreibung	Lichter II
Inspektion	1



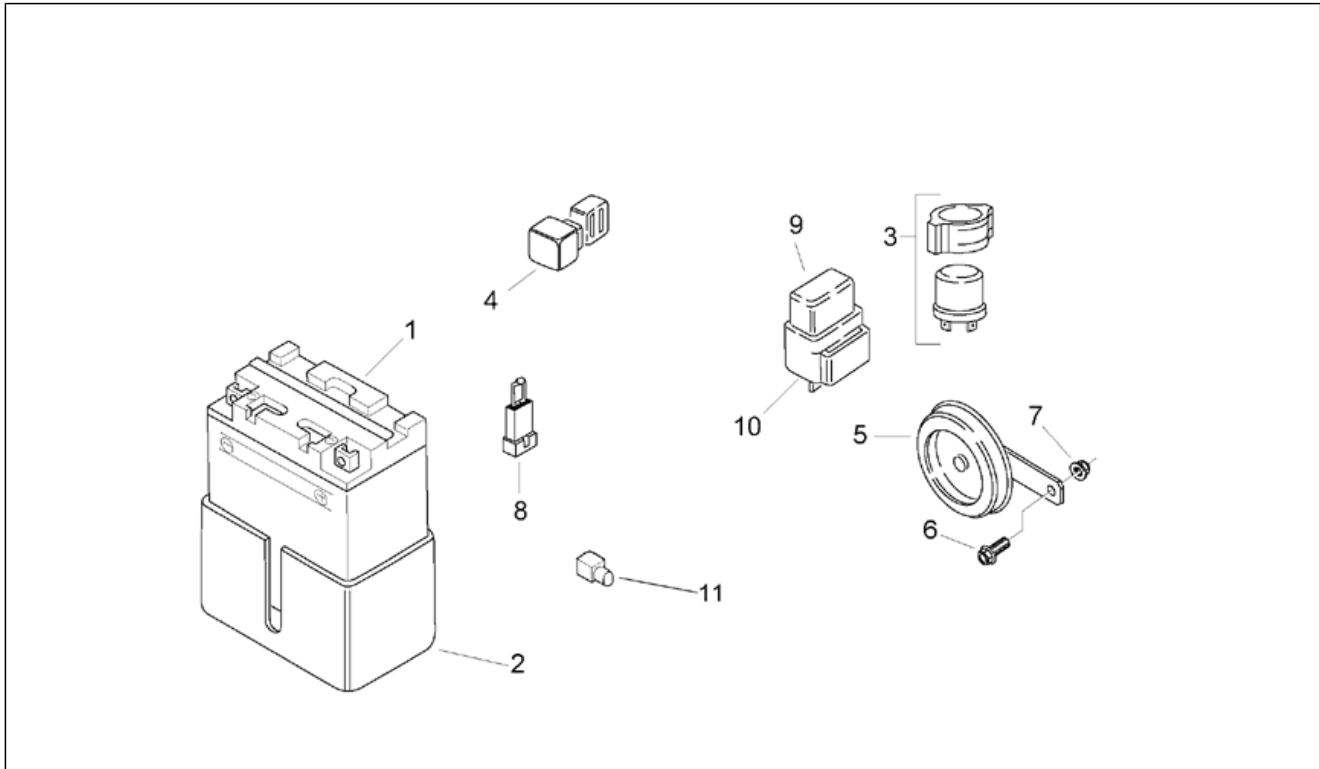
Pos.	Code	Beschreibung	Menge	Varianten
1	AP8124215	Rücklicht	1	Land:Österreich[A], Australien[AUS], Belgien[B], Schweiz[CH], Deutschland[D], Dänemark[DK], Spanien[E], Frankreich[F], Griechenland[GR], Italien[I], Malaysia[MAL], Holland[NL], Portugal[P], Großbritannien[UK]
1	AP8124670	Rücklicht	1	Land:Vereinigte Staaten von Amerika[USA]
2	AP8124449	Rücklichtblende	1	Land:Österreich[A], Australien[AUS], Belgien[B], Schweiz[CH], Deutschland[D], Dänemark[DK], Spanien[E], Frankreich[F], Griechenland[GR], Italien[I], Malaysia[MAL], Holland[NL], Portugal[P], Großbritannien[UK]
2	AP8124897	Rücklichtblende-usa-	1	Land:Vereinigte Staaten von Amerika[USA]
3	AP8124450	Rückstrahler	1	Land:Österreich[A], Australien[AUS], Belgien[B], Schweiz[CH], Deutschland[D], Dänemark[DK], Spanien[E], Frankreich[F], Griechenland[GR], Italien[I], Malaysia[MAL], Holland[NL], Portugal[P], Großbritannien[UK]
3	AP8124898	Rückstrahler Rücklicht-usa-	1	Land:Vereinigte Staaten von Amerika[USA]
4	AP8124451	Federplatte	2	
5	AP8220150	Gummi	3	
6	AP8221017	Distanzscheibe	3	
7	AP8152299	Selbstsperrende Mutter M6	3	
8	AP8124217	Verkabelung Rücklicht	1	Land:Österreich[A], Australien[AUS], Belgien[B], Schweiz[CH], Deutschland[D], Dänemark[DK], Spanien[E], Frankreich[F], Griechenland[GR], Italien[I], Malaysia[MAL], Holland[NL], Portugal[P], Großbritannien[UK]
8	AP8124714	Verkabelung Rücklicht	1	Land:Vereinigte Staaten von Amerika[USA]
9	AP8124367	Kennzeichenleuchte	1	Baujahr:1997[V], 1998[W]
9	AP8124651	Kennzeichenleuchte	1	Baujahr:1999[X], 2000[Y] Land:Österreich[A], Australien[AUS], Belgien[B], Schweiz[CH], Deutschland[D], Dänemark[DK], Spanien[E], Frankreich[F], Griechenland[GR], Italien[I], Malaysia[MAL], Holland[NL], Portugal[P], Großbritannien[UK]
9	AP8124669	Kennzeichenleuchte	1	Baujahr:1999[X], 2000[Y] Land:Vereinigte Staaten von Amerika[USA]

Einheit	RAHMEN
Code	28.43
Beschreibung	Lichter II
Inspektion	1



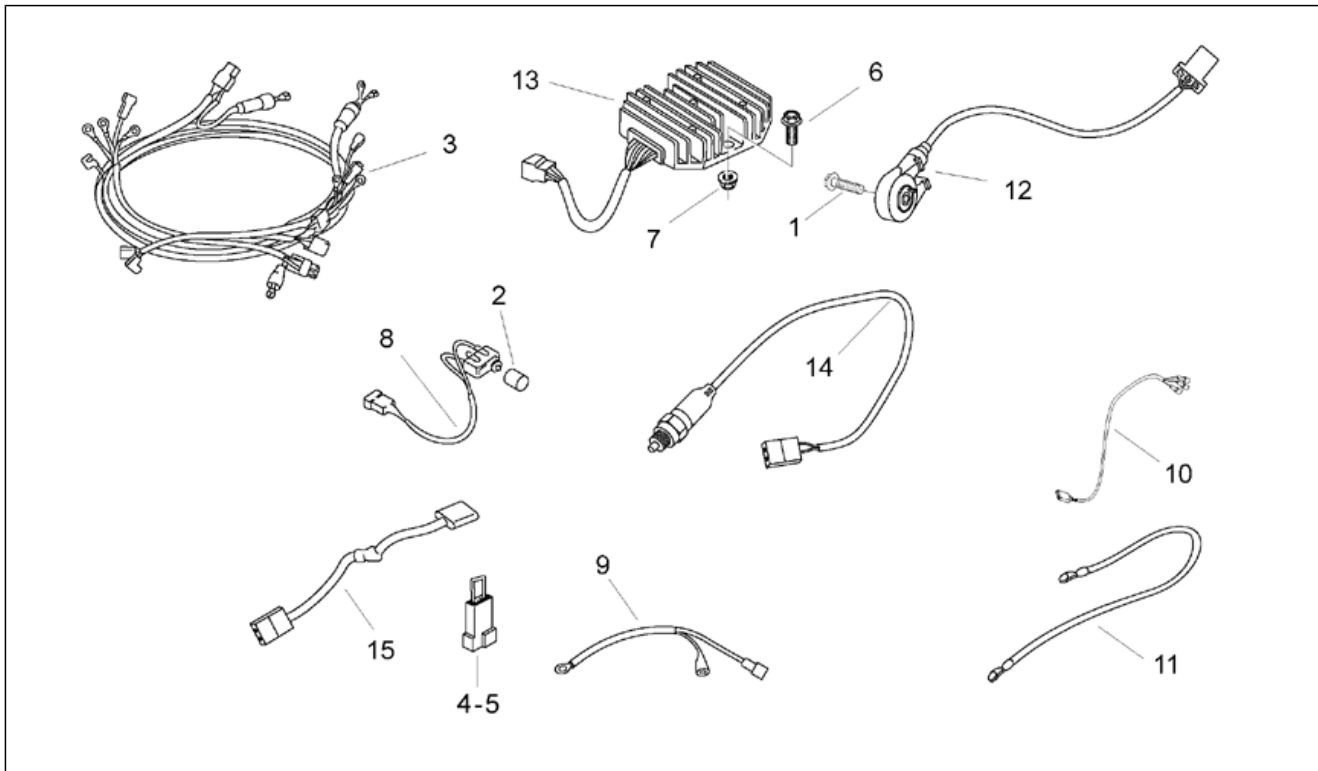
Pos.	Code	Beschreibung	Menge	Varianten
10	AP8112922	Rückblinker	2	Land:Österreich[A], Australien[AUS], Belgien[B], Schweiz[CH], Deutschland[D], Dänemark[DK], Spanien[E], Frankreich[F], Griechenland[GR], Italien[I], Malaysia[MAL], Holland[NL], Portugal[P], Großbritannien[UK]
11	AP8112756	Blinkerblende	2	
12	AP8224258	Blinkerblende	2	Land:Vereinigte Staaten von Amerika[USA]
13	AP8124880	Schraube 4,2x19	2	
14	AP8124718	Rückstrahler Rücklicht, rot	2	Land:Vereinigte Staaten von Amerika[USA]
15	AP8124719	Rückstrahler, gelb	2	Land:Vereinigte Staaten von Amerika[USA]
16	AP8224173	Vorderblinker rechts / Hinterblinker links	2	Land:Vereinigte Staaten von Amerika[USA]
17	AP8224174	Vorderblinker links/ Hinterblinker rechts	2	Land:Vereinigte Staaten von Amerika[USA]

Einheit	RAHMEN
Code	28.44
Beschreibung	Elektrische anlage I
Inspektion	1



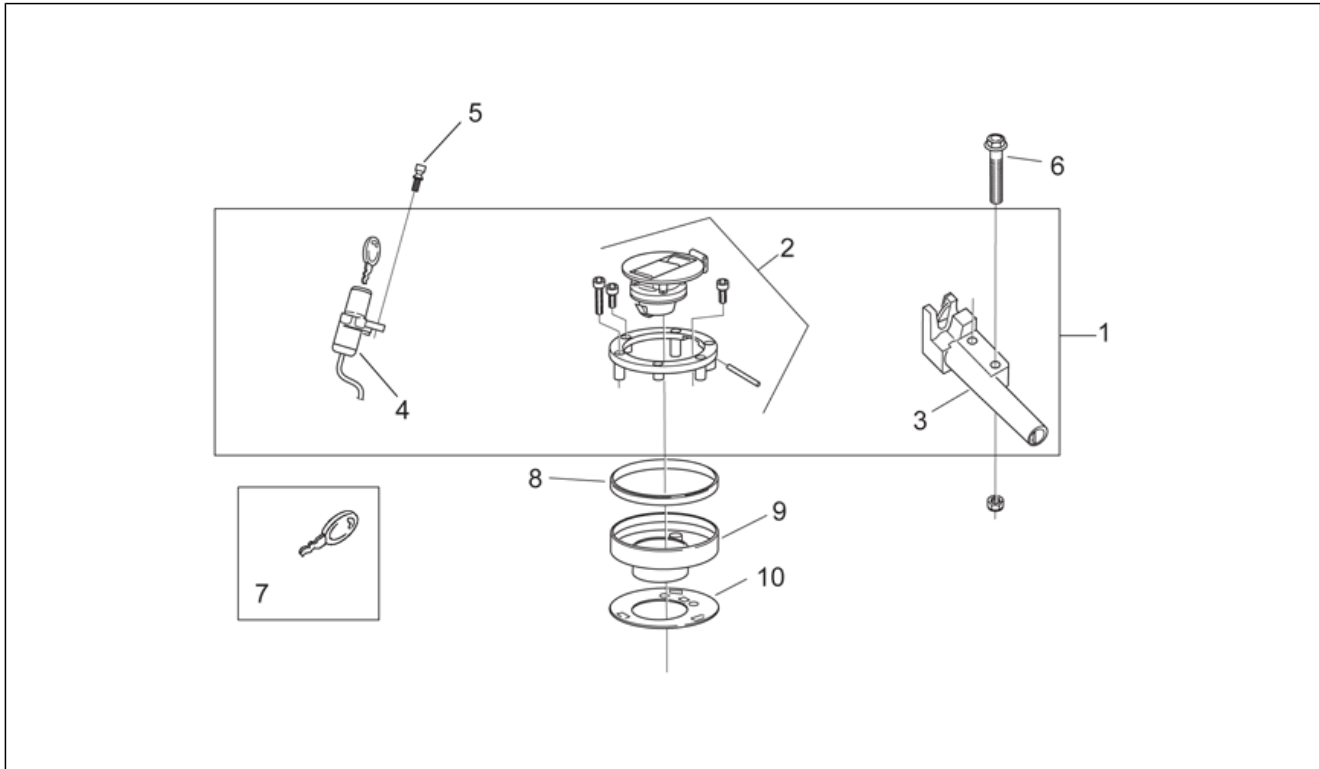
Pos.	Code	Beschreibung	Menge	Varianten
1	AP8112920	Batterie	1	
2	AP8131838	Batteriehalter	1	
3	AP8124636	Zündrelais 12V-150A	1	
4	AP8124235	Blinken	1	
5	AP8124100	Hupe	1	
6	AP8152286	TE Schr. m. Flansch M8x20	1	
7	AP8152300	Selbstsperrende Mutter M8	1	
8	AP8212588	Sicherheitsdiode	2	
9	AP8212469	Zündrelais 12V-20A	1	Land: Österreich[A], Australien[AUS], Belgien[B], Schweiz[CH], Deutschland[D], Dänemark[DK], Spanien[E], Frankreich[F], Griechenland[GR], Italien[I], Malaysia[MAL], Holland[NL], Portugal[P], Großbritannien[UK]
9	AP8212469	Zündrelais 12V-20A	2	Land: Vereinigte Staaten von Amerika[USA]
10	AP8220283	Gummi *	1	Land: Österreich[A], Australien[AUS], Belgien[B], Schweiz[CH], Deutschland[D], Dänemark[DK], Spanien[E], Frankreich[F], Griechenland[GR], Italien[I], Malaysia[MAL], Holland[NL], Portugal[P], Großbritannien[UK]
10	AP8220283	Gummi *	2	Land: Vereinigte Staaten von Amerika[USA]
11	AP8120218	Klemmenkappe	3	

Einheit	RAHMEN
Code	28.45
Beschreibung	Elektrische anlage II
Inspektion	1



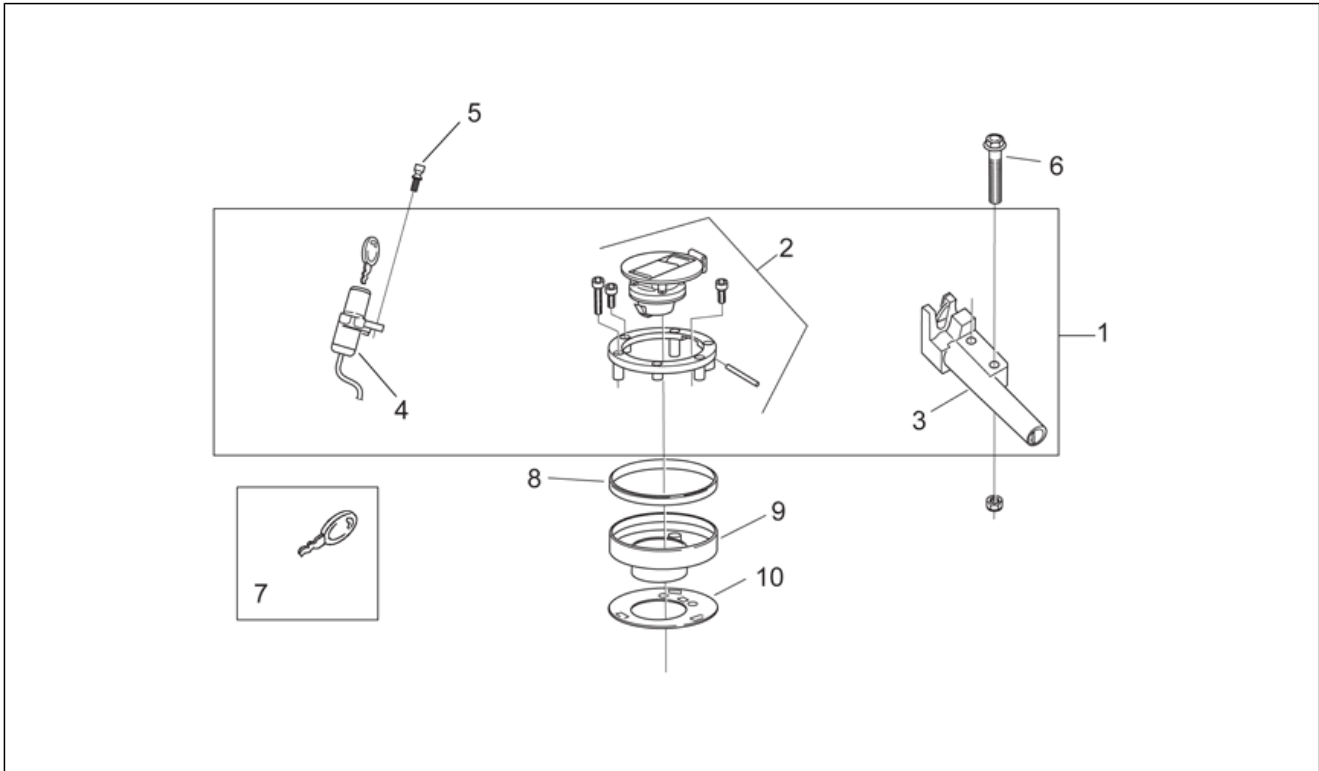
Pos.	Code	Beschreibung	Menge	Varianten
1	AP8121216	Schraube Drehschalter	1	
2	AP8113522	Stopfen Voderradbremshebel	1	
3	AP8124096	Hauptverkabelung	1	Land: Österreich[A], Australien[AUS], Belgien[B], Schweiz[CH], Deutschland[D], Dänemark[DK], Spanien[E], Frankreich[F], Griechenland[GR], Italien[I], Malaysia[MAL], Holland[NL], Portugal[P], Großbritannien[UK]
3	AP8124713	Hauptverkabelung	1	Land: Vereinigte Staaten von Amerika[USA]
4	AP8124187	Verstellwiderstand 4,7K	1	
5	AP8124206	Verstellwiderstand 10K	1	
6	AP8152279	TE Schr. m. Flansch M6x20	6	
7	AP8152299	Selbstsperrende Mutter M6	2	
8	AP8124597	Stoppschalter+Kabeln	1	
9	AP8112959	Verkabelung Leerlauf-Öl	1	
10	AP8112857	Verkabelung Batterie-Relais	1	
11	AP8112830	Anlasserkabel	1	
12	AP8124094	Schalter	1	
13	AP8112941	Spannungsregler	1	
14	AP8112996	Mikroschalter	1	
15	AP8112898	Widerstand mit Verkabelung	1	

Einheit	RAHMEN
Code	28.46
Beschreibung	Bausatz Schlösser
Inspektion	1



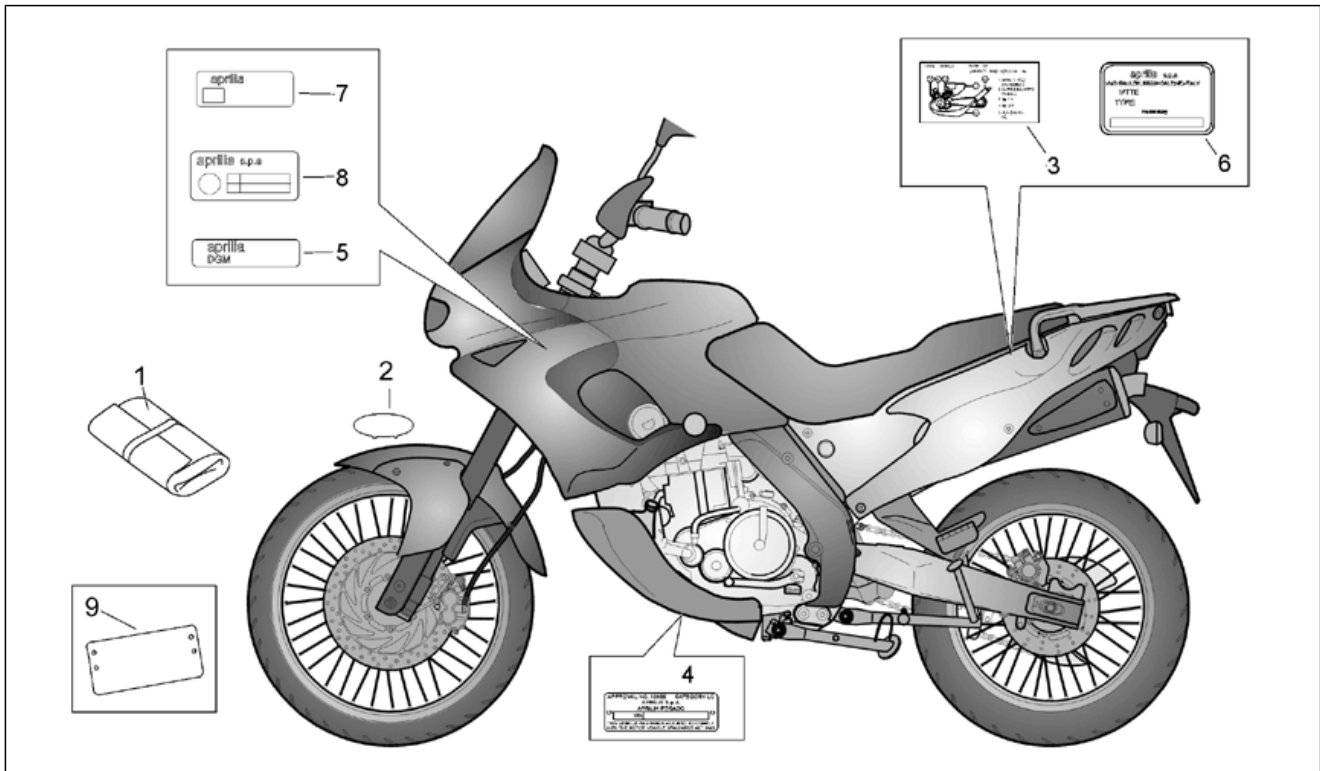
Pos.	Code	Beschreibung	Menge	Varianten
1	AP8102593	Kit Schließvorrichtungen	1	Baujahr: 1997[V], 1998[W]
1	AP8102958	Kit Schließvorrichtungen	1	Baujahr: 1999[X], 2000[Y] Land: Österreich[A], Australien[AUS], Belgien[B], Schweiz[CH], Deutschland[D], Dänemark[DK], Spanien[E], Frankreich[F], Griechenland[GR], Italien[I], Malaysia[MAL], Holland[NL], Portugal[P], Großbritannien[UK]
1	AP8102997	Kit Schließvorrichtungen	1	Baujahr: 1999[X], 2000[Y] Land: Vereinigte Staaten von Amerika[USA]
2	AP8102435	Tankfüllschraube	1	Baujahr: 1997[V], 1998[W]
2	AP8102583	Tankfüllschraube	1	Baujahr: 1999[X], 2000[Y] Land: Österreich[A], Australien[AUS], Belgien[B], Schweiz[CH], Deutschland[D], Dänemark[DK], Spanien[E], Frankreich[F], Griechenland[GR], Italien[I], Malaysia[MAL], Holland[NL], Portugal[P], Großbritannien[UK]
2	AP8144246	Tankfüllschraube	1	Baujahr: 1999[X], 2000[Y] Land: Vereinigte Staaten von Amerika[USA]
3	AP8104144	Sitzschloß	1	Baujahr: 1999[X], 2000[Y]
3	AP8201564	Sitzschloß	1	Baujahr: 1997[V], 1998[W]
4	AP8112710	Lenkschloß	1	Land: Österreich[A], Australien[AUS], Belgien[B], Schweiz[CH], Deutschland[D], Dänemark[DK], Spanien[E], Frankreich[F], Griechenland[GR], Italien[I], Malaysia[MAL], Holland[NL], Portugal[P], Großbritannien[UK]
4	AP8124698	Lenkschloß	1	Land: Vereinigte Staaten von Amerika[USA]
5	AP8150349	Spezialschraube M8x15	1	
6	AP8152281	TE Schr. m. Flansch M6x30	2	
7	AP8102880	Schl. gefr. Aprilia	1	
8	AP8120893	Dichtung	1	
9	AP8102526	Schwimmergehäuse	1	Land: Australien[AUS], Belgien[B], Dänemark[DK], Spanien[E], Frankreich[F], Griechenland[GR], Italien[I], Malaysia[MAL], Holland[NL], Portugal[P], Großbritannien[UK] Technische Daten: Version ohne Katalysator[nocat]

Einheit	RAHMEN
Code	28.46
Beschreibung	Bausatz Schlösser
Inspektion	1



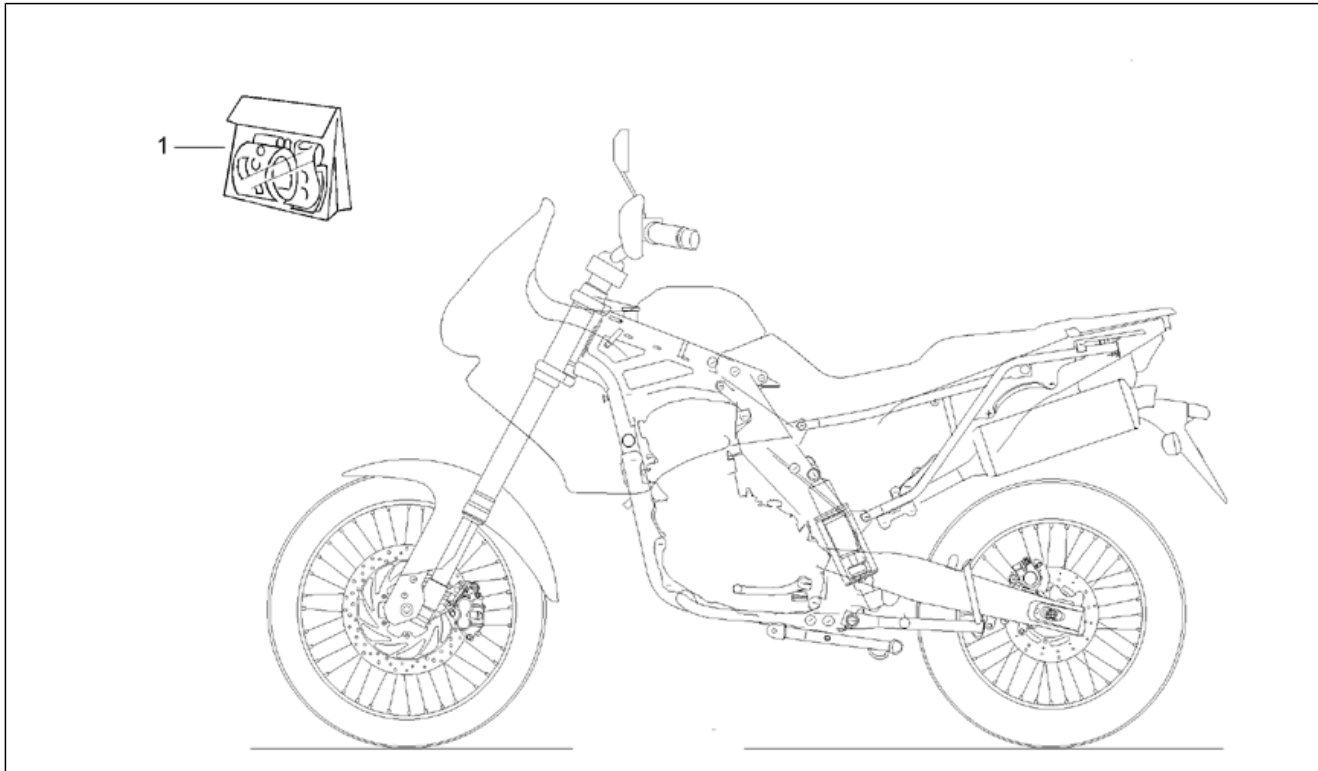
Pos.	Code	Beschreibung	Menge	Varianten
9	AP8102535	Schwimmergehäuse	1	Land:Österreich[A], Schweiz[CH], Deutschland[D], Vereinigte Staaten von Amerika[USA] Technische Daten:Version mit Katalysator[cat]
10	AP8120894	Dichtung Kraftstofftank	1	

Einheit	RAHMEN
Code	28.47
Beschreibung	Schilden
Inspektion	1



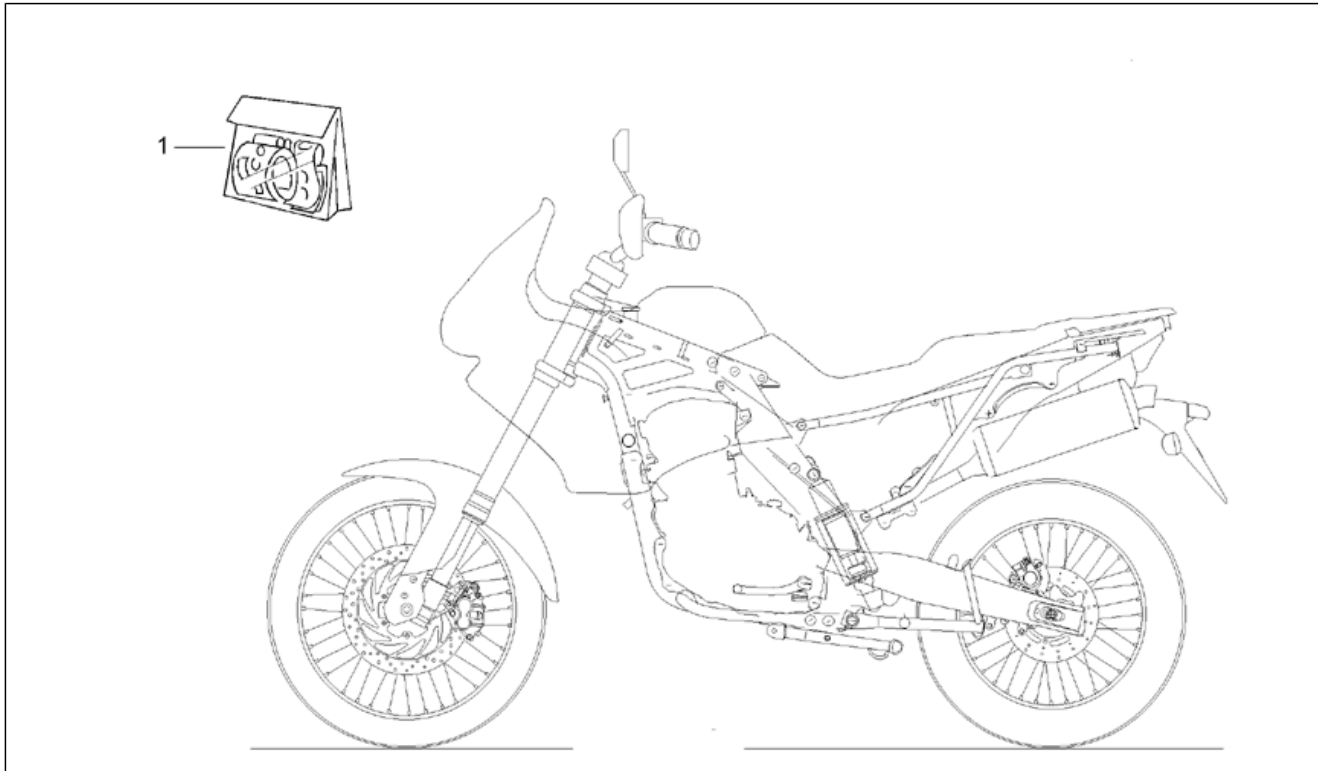
Pos.	Code	Beschreibung	Menge	Varianten
1	AP8102495	Werkzeugtasche	1	
2	AP8147168	Schld. "Apr." Kotflügel	1	Baujahr: 1997[V], 1998[W]
3	AP8147855	Fälschungssicheres Schild	1	Land: Australien[AUS]
4	AP8147957	Herstellerschild -aus-	1	Land: Australien[AUS]
5	AP8147110	Schild DGM	1	Land: Griechenland[GR], Italien[I] Technische Daten: Version mit voller Leistung[F.P.]
5	AP8147196	Schild DGM-25KW-	1	Land: Italien[I] Technische Daten: Version mit Leistungsminderung 25 Kw[25kw]
6	AP8147123	Herstellerschild	1	Land: Australien[AUS], Belgien[B], Dänemark[DK], Spanien[E], Frankreich[F], Griechenland[GR], Italien[I], Malaysia[MAL], Holland[NL], Portugal[P], Großbritannien[UK] Technische Daten: Version ohne Katalysator[nocat]
6	AP8147297	Herstellerschild	1	Land: Österreich[A], Deutschland[D] Technische Daten: Version mit Katalysator[cat]
6	AP8147328	Herstellerschild -CH-	1	Land: Schweiz[CH] Technische Daten: Version mit Katalysator[cat]
6	AP8157627	Herstellerschild-usa-	1	Land: Vereinigte Staaten von Amerika[USA]
7	AP8147109	Schild ECE	1	
8	AP8137622	Schild CEE	1	
9	AP8149311	Schild Rahmen	1	Land: Vereinigte Staaten von Amerika[USA]

Einheit	RAHMEN
Code	28.48
Beschreibung	Deko Serie
Inspektion	1



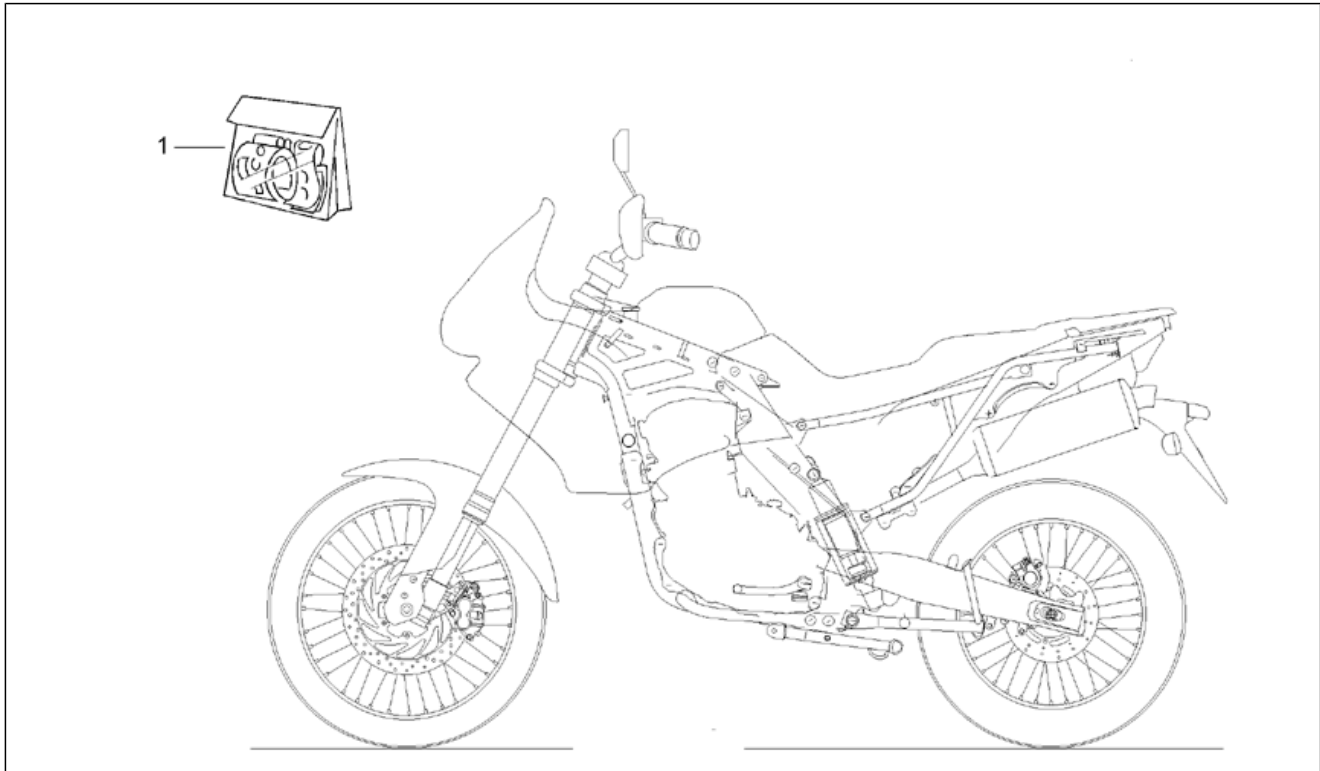
Pos.	Code	Beschreibung	Menge	Varianten
1	AP8147154	Deko Serie	1	Baujahr: 1997[V] Fahrzeugfarbe: Rot Red King '97[red]
1	AP8147170	Deko Serie	1	Baujahr: 1997[V] Fahrzeugfarbe: Blau Delta '97[blue]
1	AP8147561	Deko Serie	1	Baujahr: 1998[W] Fahrzeugfarbe: Hellblau Space '98[s.cya]
1	AP8147562	Deko Serie	1	Baujahr: 1998[W] Fahrzeugfarbe: Tiefgrau Glän. '98 -'99[grey]
1	AP8147619	Deko Serie	1	Baujahr: 1998[W] Fahrzeugfarbe: Schwarz Ebenholz Metall. '98[black]
1	AP8147952	Deko Serie	1	Baujahr: 1998[W] Fahrzeugfarbe: "Grau '98-2000 Version ""GARDA""[garda]
1	AP8157032	Deko Serie	1	Baujahr: 1998[W] Fahrzeugfarbe:
1	AP8157127	Deko Serie	1	Baujahr: 1999[X] Fahrzeugfarbe: Schwarz Vulkan '99[b.vul] Land: Österreich[A], Australien[AUS], Belgien[B], Schweiz[CH], Deutschland[D], Dänemark[DK], Spanien[E], Frankreich[F], Griechenland[GR], Italien[I], Malaysia[MAL], Holland[NL], Portugal[P], Großbritannien[UK]
1	AP8157260	Deko Serie	1	Baujahr: 1999[X] Fahrzeugfarbe: Rot Mirò '99[r.mir] Land: Österreich[A], Australien[AUS], Belgien[B], Schweiz[CH], Deutschland[D], Dänemark[DK], Spanien[E], Frankreich[F], Griechenland[GR], Italien[I], Malaysia[MAL], Holland[NL], Portugal[P], Großbritannien[UK]
1	AP8157430	Deko Serie	1	Baujahr: 1999[X] Fahrzeugfarbe: Schwarz Vulkan '99[b.vul] Land: Vereinigte Staaten von Amerika[USA]
1	AP8157447	Deko Serie	1	Baujahr: 1999[X] Fahrzeugfarbe: Tiefgrau Glän. '98 -'99[grey] Land: Österreich[A], Australien[AUS], Belgien[B], Schweiz[CH], Deutschland[D], Dänemark[DK], Spanien[E],

Einheit	RAHMEN
Code	28.48
Beschreibung	Deko Serie
Inspektion	1



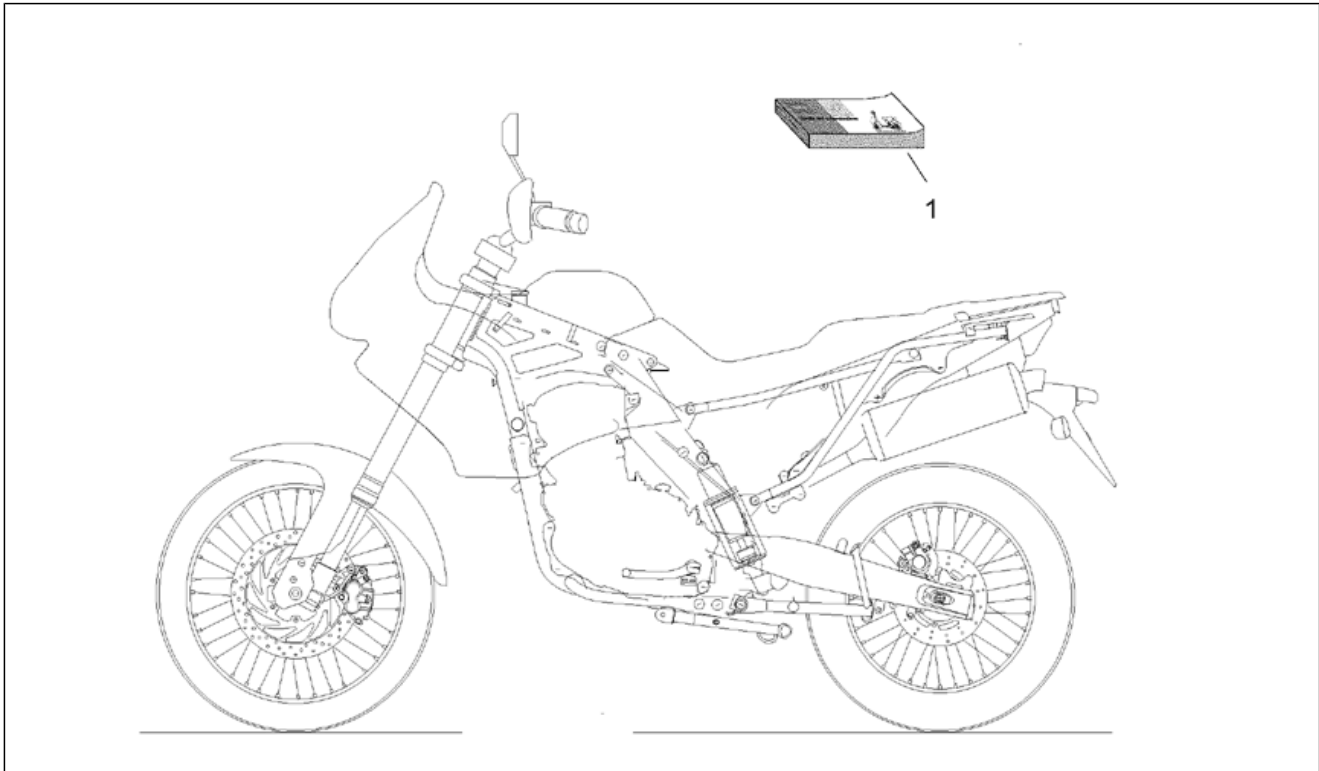
Pos.	Code	Beschreibung	Menge	Varianten
1	AP8157677	Deko Serie	1	Frankreich[F], Griechenland[GR], Italien[I], Malaysia[MAL], Holland[NL], Portugal[P], Großbritannien[UK] Baujahr: 1999[X] Fahrzeugfarbe: Rot Mirò '99[r.mir] Land: Vereinigte Staaten von Amerika[USA]
1	AP8157678	Deko Serie	1	Baujahr: 1999[X] Fahrzeugfarbe: Tiefgrau Glän. '98 -'99[grej] Land: Vereinigte Staaten von Amerika[USA]
1	AP8157683	Deko Serie	1	Baujahr: 2000[Y] Fahrzeugfarbe: Blau Reef 2000[r.b] Land: Österreich[A], Australien[AUS], Belgien[B], Schweiz[CH], Deutschland[D], Dänemark[DK], Spanien[E], Frankreich[F], Griechenland[GR], Italien[I], Malaysia[MAL], Holland[NL], Portugal[P], Großbritannien[UK]
1	AP8157685	Deko Serie	1	Baujahr: 2000[Y] Fahrzeugfarbe: Grau Mercury 2000[mer.g] Land: Österreich[A], Australien[AUS], Belgien[B], Schweiz[CH], Deutschland[D], Dänemark[DK], Spanien[E], Frankreich[F], Griechenland[GR], Italien[I], Malaysia[MAL], Holland[NL], Portugal[P], Großbritannien[UK]
1	AP8157686	Deko Serie	1	Baujahr: 2000[Y] Fahrzeugfarbe: Schwarz Shadow 2000[bla.s] Land: Österreich[A], Australien[AUS], Belgien[B], Schweiz[CH], Deutschland[D], Dänemark[DK], Spanien[E], Frankreich[F], Griechenland[GR], Italien[I], Malaysia[MAL], Holland[NL], Portugal[P], Großbritannien[UK]
1	AP8157930	Deko Serie	1	Baujahr: 2000[Y] Fahrzeugfarbe:
1	AP8157974	Deko Serie	1	Baujahr: 2000[Y] Fahrzeugfarbe: "Grau '98-2000 Version ""GARDA""[garda] Land: Schweiz[CH], Deutschland[D]
1	AP8167049	Deko Serie	1	Baujahr: 2000[Y] Fahrzeugfarbe: Schwarz Shadow 2000[bla.s] Land: Vereinigte Staaten von Amerika[USA]
1	AP8167050	Deko Serie	1	Baujahr: 2000[Y]

Einheit	RAHMEN
Code	28.48
Beschreibung	Deko Serie
Inspektion	1



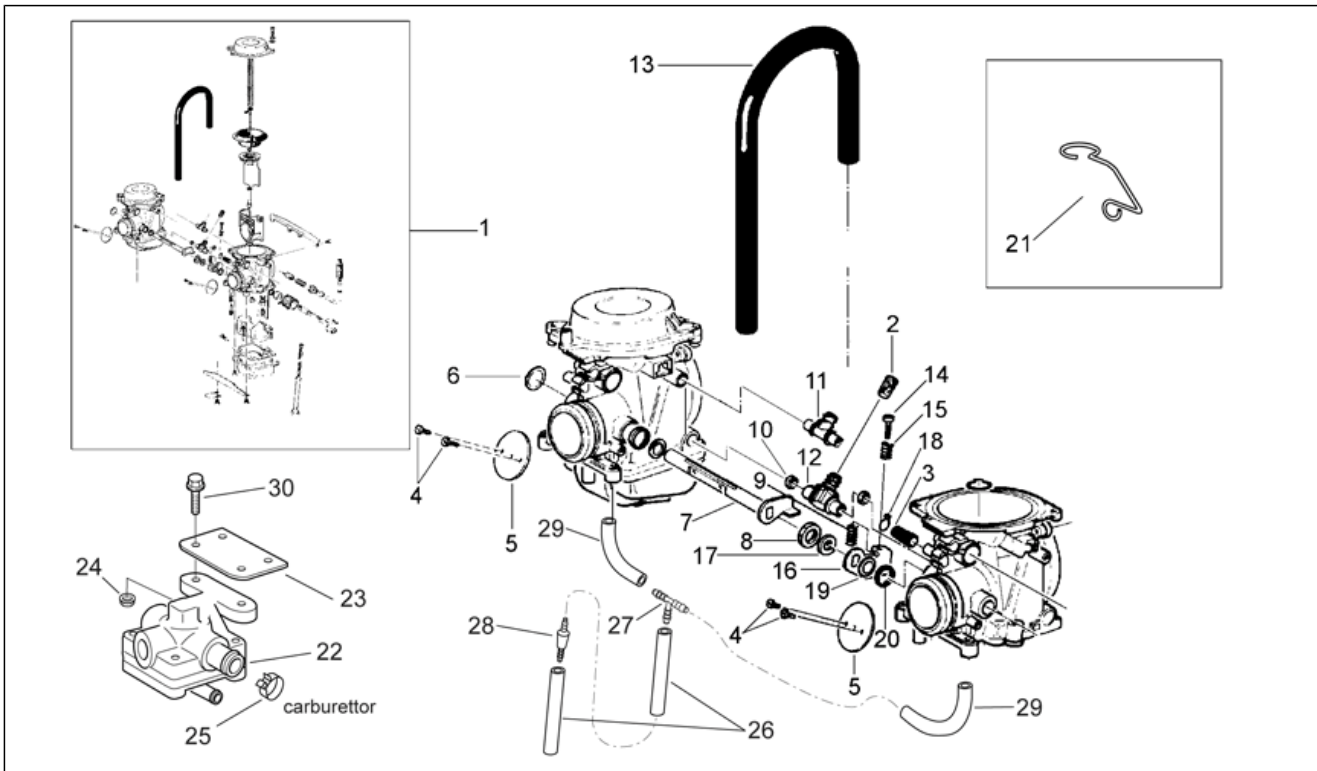
Pos.	Code	Beschreibung	Menge	Varianten
1	AP8167051	Deko Serie	1	Fahrzeugfarbe: Grau Mercury 2000[mer.g] Land: Vereinigte Staaten von Amerika[USA] Baujahr: 2000[Y] Fahrzeugfarbe: Blau Reef 2000[r.b] Land: Vereinigte Staaten von Amerika[USA]

Einheit	RAHMEN
Code	28.49
Beschreibung	Gebrauchsanleitung
Inspektion	1



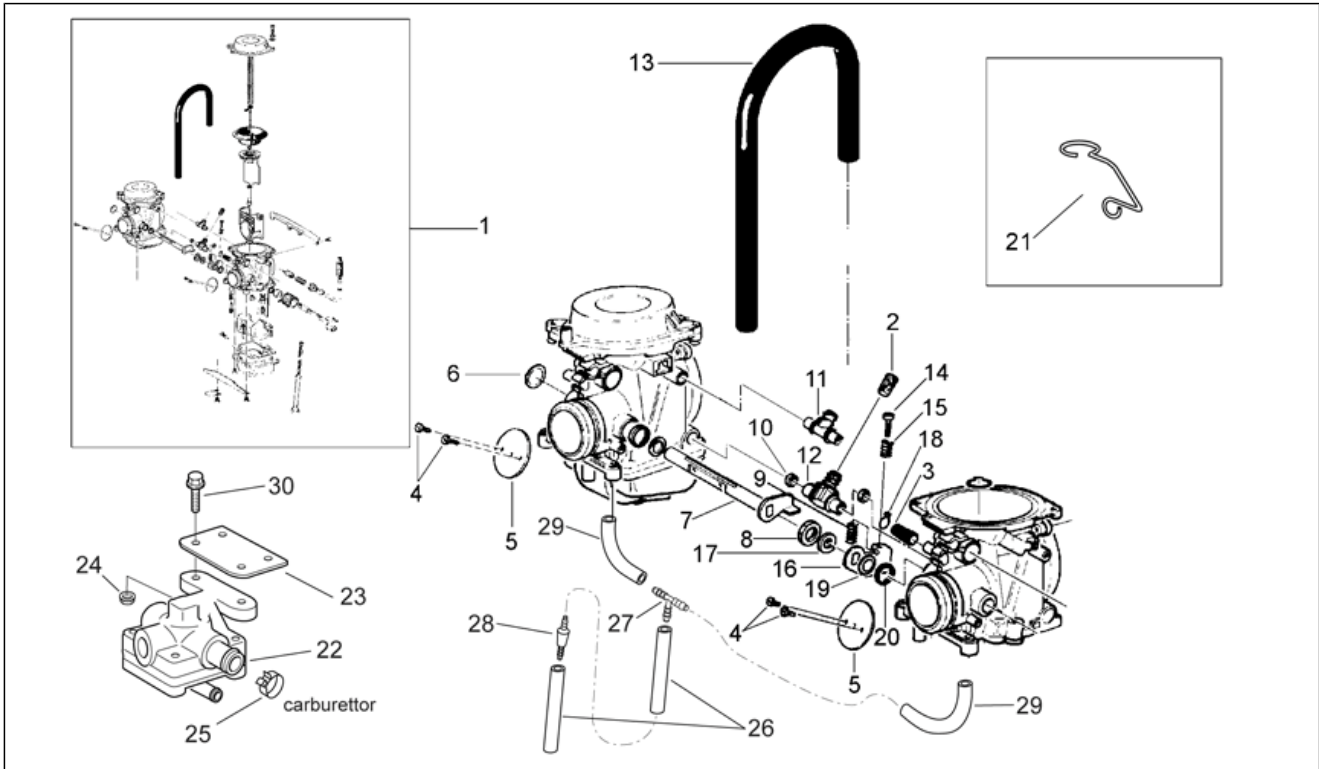
Pos.	Code	Beschreibung	Menge	Varianten
1	AP8102756	Bed./Wart.-Anleit. -I-F-D-	1	Land: Österreich[A], Belgien[B], Schweiz[CH], Deutschland[D], Frankreich[F], Italien[I]
1	AP8102758	Bed./Wart.-Anleit. -NL-DK-SF-	1	Land: Dänemark[DK], Holland[NL]
1	AP8102759	Bed./Wart.-Anleit. -GR-J-UK-	1	Land: Griechenland[GR]
1	AP8102935	Bed./Wart.-Anleit. -p-e-uk-	1	Land: Australien[AUS], Spanien[E], Malaysia[MAL], Portugal[P], Großbritannien[UK]
1	AP8104065	Bed./Wart.-Anl. -USA-	1	Land: Vereinigte Staaten von Amerika[USA]

Einheit	MOTOR
Code	29.32
Beschreibung	Vergaser I
Inspektion	1



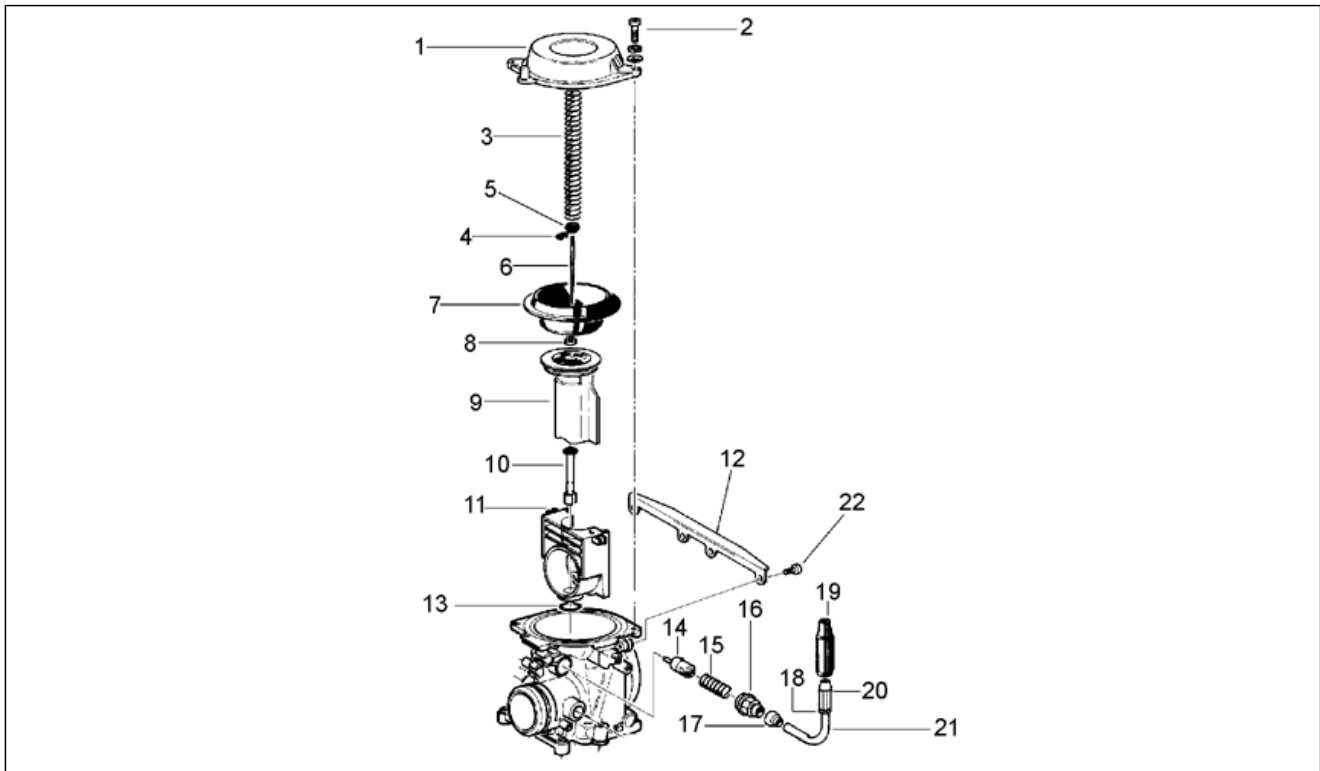
Pos.	Code	Beschreibung	Menge	Varianten
1	AP8106413	Vergaser	1	Land:Österreich[A], Schweiz[CH], Deutschland[D]
1	AP8106460	Vergaser	1	Land:Australien[AUS], Belgien[B], Dänemark[DK], Spanien[E], Frankreich[F], Griechenland[GR], Italien[I], Malaysia[MAL], Holland[NL], Portugal[P], Großbritannien[UK]
1	AP8106648	Vergaser	1	Land:Vereinigte Staaten von Amerika[USA]
2	AP8122862	Kraftstofffilter	1	
3	AP8122847	Deckel	1	
4	AP8122806	Schraube	4	
5	AP8106451	Drosselklappe	2	
6	AP8122817	Deckel	1	
7	AP8122842	Drosselklappenwelle	1	
8	AP8122816	Mutter	1	
9	AP8122818	Feder	1	
10	AP8122838	Ölabstreifring	2	
11	AP8122815	Anschlußschlauch	1	
12	AP8122809	Anschluss	1	
13	AP8106455	Entlüftungsschlauch	1	
14	AP8122837	Schraube	1	
15	AP8122804	Feder	1	
16	AP8122851	Gashebel	1	
17	AP8122861	Ausgleichscheibe	1	
18	AP8122856	Schlauchschelle	1	
19	AP8122826	Dichtung	2	
20	AP8122801	Ölabstreifring	2	
21	AP8221206	Sturzhelmhaken	1	
22	AP8104096	Kraftstoffhahn	1	Land:Vereinigte Staaten von Amerika[USA]
23	AP8134623	Schutz Lagerbügel	1	Land:Vereinigte Staaten von Amerika[USA]
24	AP8152299	Selbstsperrende Mutter M6	2	

Einheit	MOTOR
Code	29.32
Beschreibung	Vergaser I
Inspektion	1



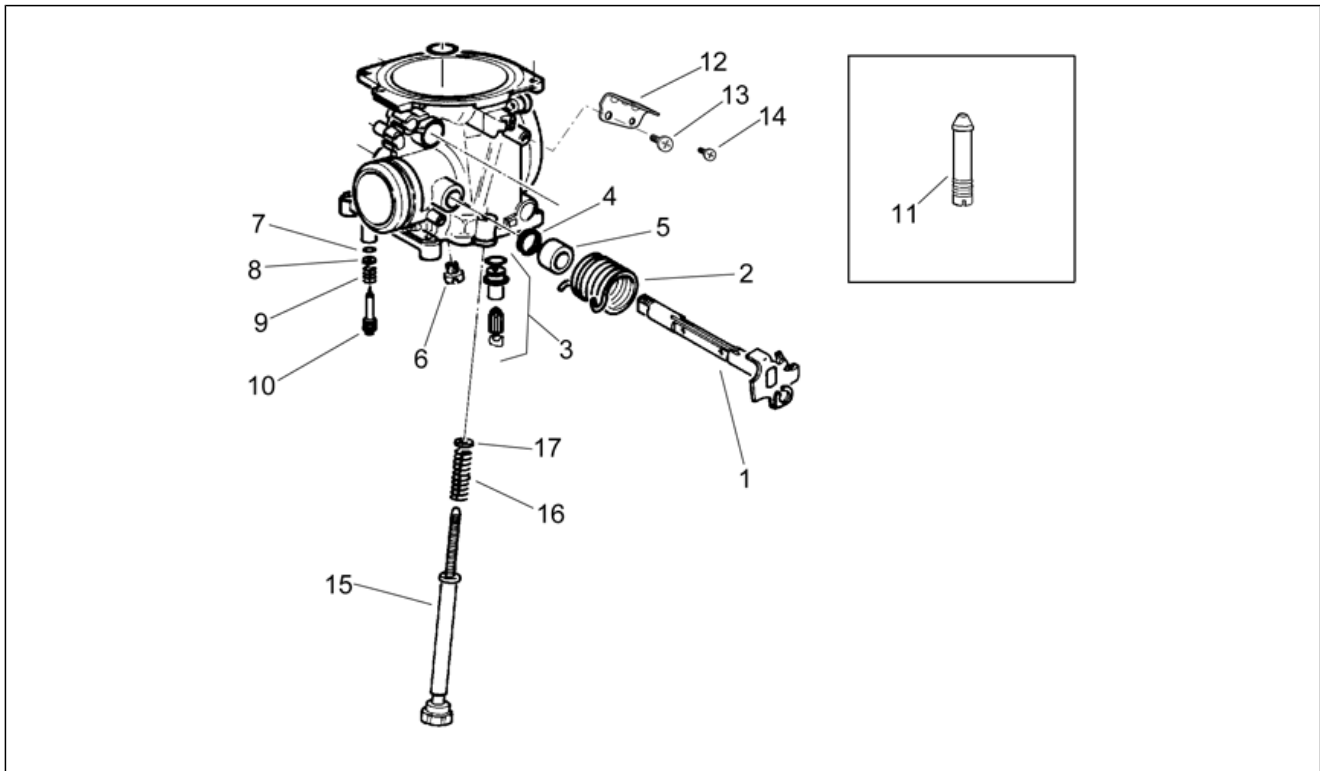
Pos.	Code	Beschreibung	Menge	Varianten
25	AP8102159	Schelle	2	Land: Vereinigte Staaten von Amerika[USA]
26	AP8220402	Leitung 5x9	1	
27	AP8104091	3-Wegeanschluß	1	
28	AP8102741	Rückstauventil	1	
29	AP8106556	Entlüftungsschlauch Kühler	2	
30	AP8152279	TE Schr. m. Flansch M6x20	2	

Einheit	MOTOR
Code	29.33
Beschreibung	Vergaser II
Inspektion	1



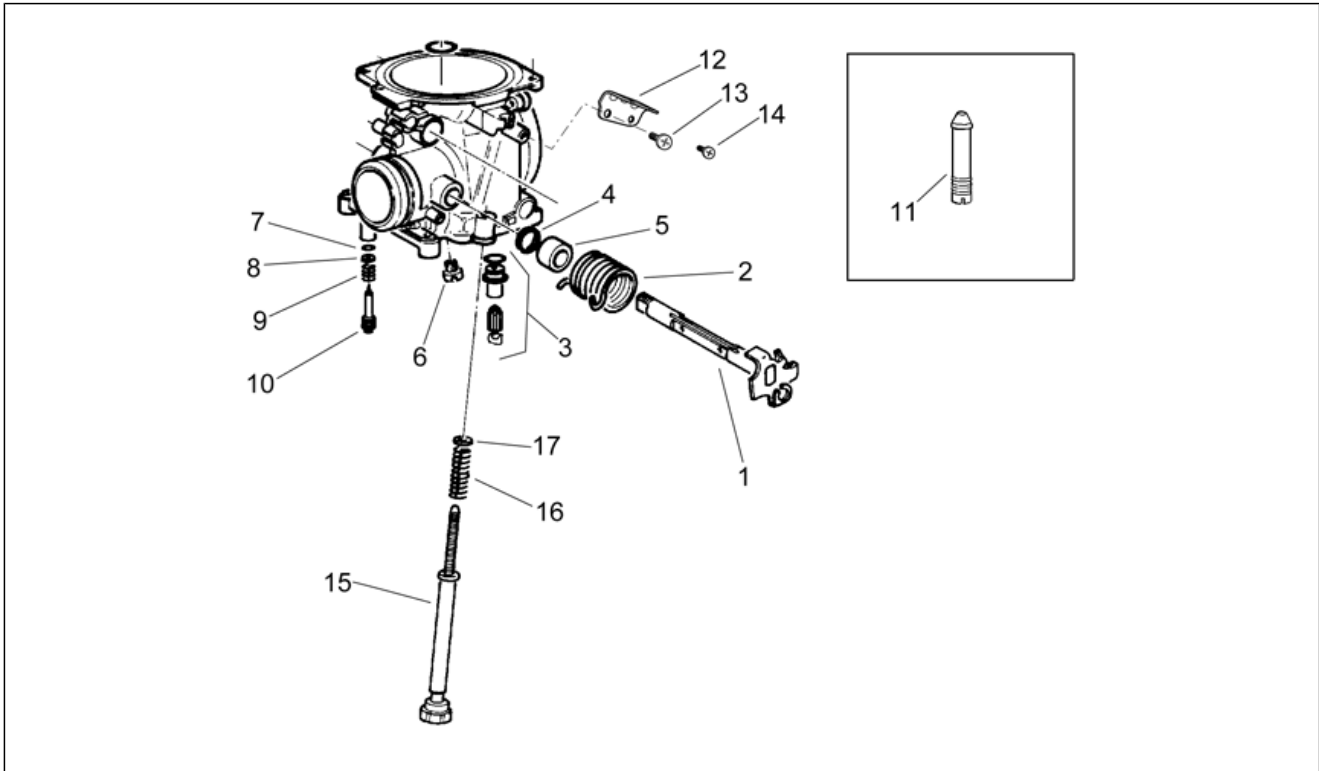
Pos.	Code	Beschreibung	Menge	Varianten
1	AP8122850	Deckel	2	
2	AP8122833	Schraube	4	
3	AP8122821	Feder	2	
4	AP8122836	Ring	2	
5	AP8122857	Seegerring	2	
6	AP8106453	Nadel	2	
7	AP8122852	Membran	2	
8	AP8122860	Ring	2	
9	AP8106744	Ventil	2	Land: Vereinigte Staaten von Amerika[USA]
9	AP8122811	Ventil	2	Land: Österreich[A], Australien[AUS], Belgien[B], Schweiz[CH], Deutschland[D], Dänemark[DK], Spanien[E], Frankreich[F], Griechenland[GR], Italien[I], Malaysia[MAL], Holland[NL], Portugal[P], Großbritannien[UK]
10	AP8122807	Nadelventil	2	
11	AP8122840	Ventilblock	2	
12	AP8122844	Platte	1	
13	AP8122831	O-Ring	2	
14	AP8122853	Kolben kpl.	1	
15	AP8122803	Feder	1	
16	AP8122802	Führungslager	1	
17	AP8122855	Deckel	1	
18	AP8122824	Mutter	1	
19	AP8122823	Deckel	1	
20	AP8122859	Einstll. Gaskabel	1	
21	AP8122858	Kabelführungs	1	
22	AP8122819	Schraube	4	

Einheit	MOTOR
Code	29.34
Beschreibung	Vergaser III
Inspektion	1



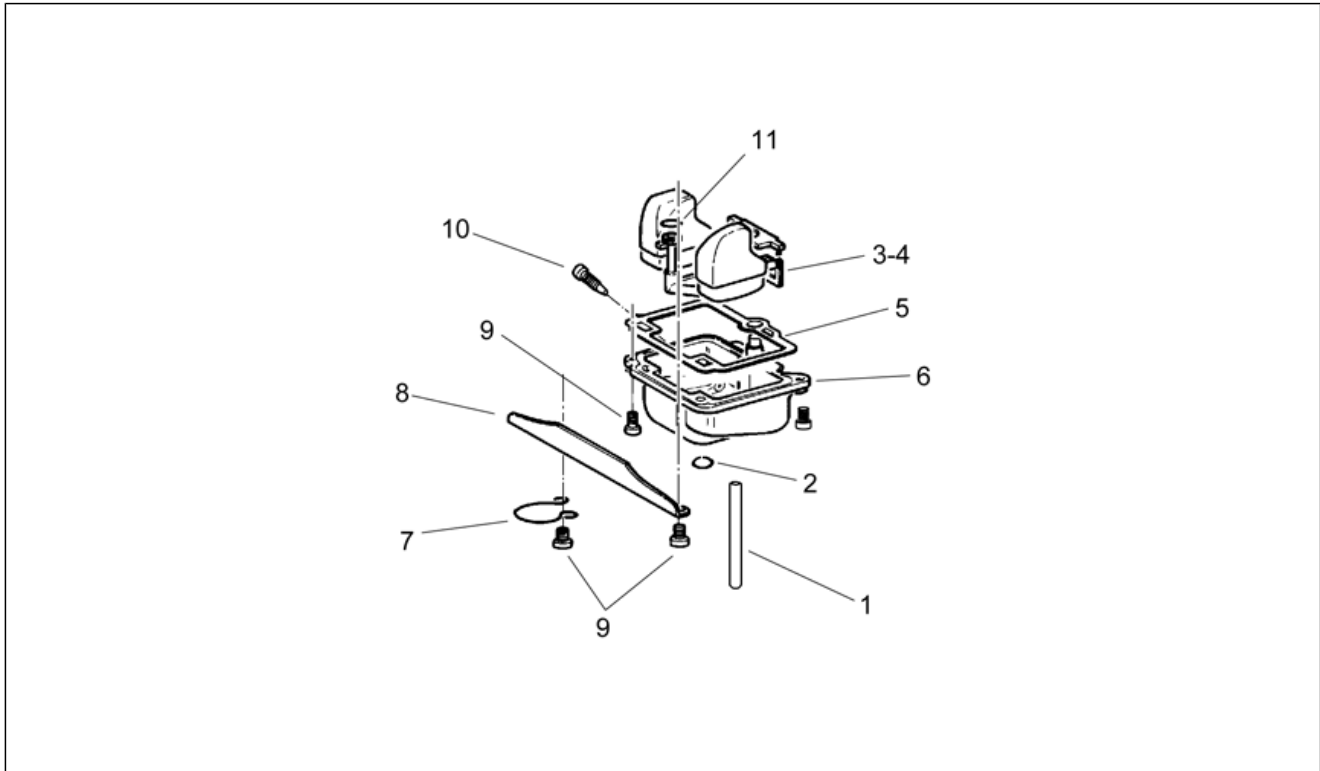
Pos.	Code	Beschreibung	Menge	Varianten
1	AP8106745	Welle kplt.	1	Land: Vereinigte Staaten von Amerika[USA]
1	AP8122841	Welle kplt.	1	Land: Österreich[A], Australien[AUS], Belgien[B], Schweiz[CH], Deutschland[D], Dänemark[DK], Spanien[E], Frankreich[F], Griechenland[GR], Italien[I], Malaysia[MAL], Holland[NL], Portugal[P], Großbritannien[UK]
2	AP8106746	Feder	1	Land: Vereinigte Staaten von Amerika[USA]
2	AP8122845	Feder	1	Land: Österreich[A], Australien[AUS], Belgien[B], Schweiz[CH], Deutschland[D], Dänemark[DK], Spanien[E], Frankreich[F], Griechenland[GR], Italien[I], Malaysia[MAL], Holland[NL], Portugal[P], Großbritannien[UK]
3	AP8122808	Kraftstoffeinlaßventil	2	
4	AP8122801	Ölabstreifring	1	
5	AP8122834	Ring	1	
6	AP8106468	Hauptdüse	2	Land: Österreich[A], Schweiz[CH], Deutschland[D], Vereinigte Staaten von Amerika[USA] Technische Daten: Version mit Katalysator[cat]
6	AP8106565	Hauptdüse	2	Land: Australien[AUS], Belgien[B], Dänemark[DK], Spanien[E], Frankreich[F], Griechenland[GR], Italien[I], Malaysia[MAL], Holland[NL], Portugal[P], Großbritannien[UK] Technische Daten: Version ohne Katalysator[nocat]
7	AP8122827	O-Ring	2	
8	AP8122854	Ausgleichscheibe	2	
9	AP8122829	Feder	2	
10	AP8122830	Regelschraube	2	
11	AP8106743	Fackel Strahl	1	Land: Vereinigte Staaten von Amerika[USA]
12	AP8106767	Halter	1	Land: Vereinigte Staaten von Amerika[USA]
13	AP8106765	Schraube	1	Land: Vereinigte Staaten von Amerika[USA]
14	AP8106766	Schraube	1	Land: Vereinigte Staaten von Amerika[USA]
15	AP8106454	Einstil. Gaskabel	1	
16	AP8122805	Feder	1	

Einheit	MOTOR
Code	29.34
Beschreibung	Vergaser III
Inspektion	1



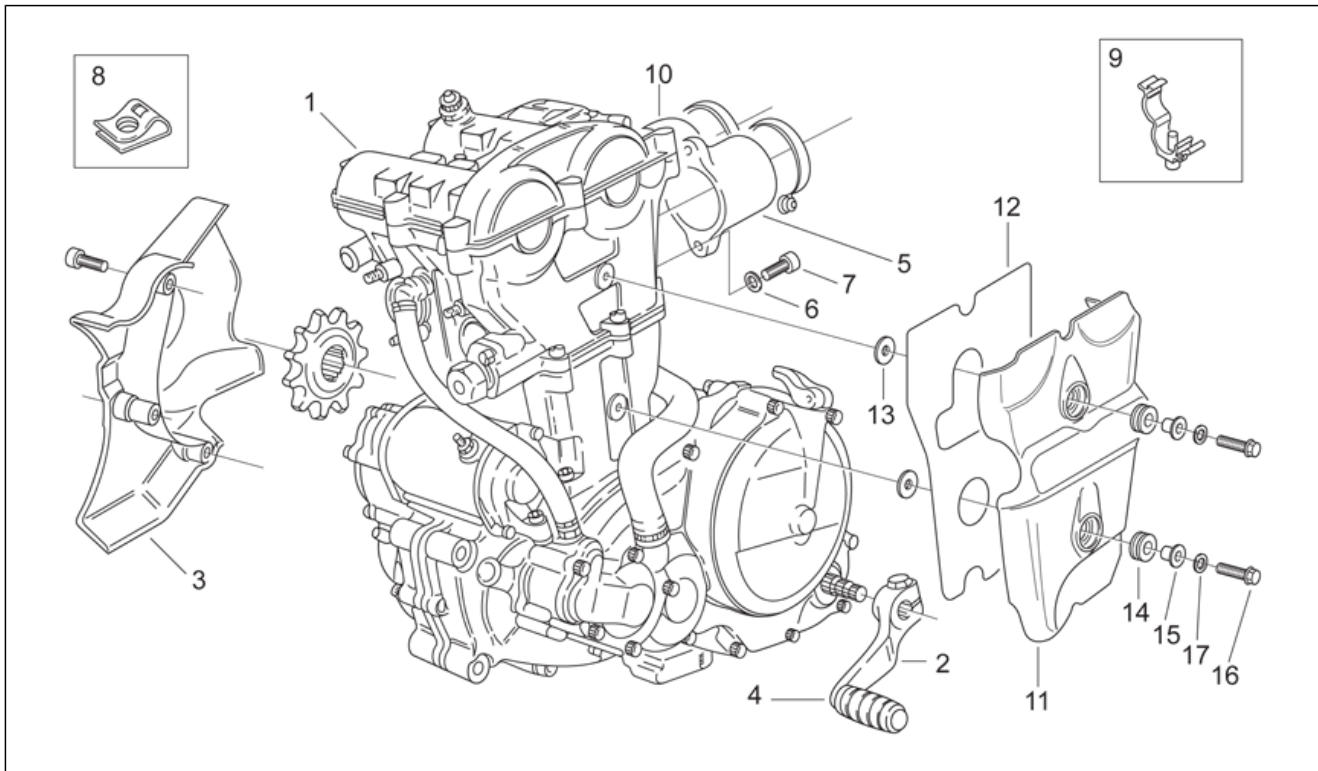
Pos.	Code	Beschreibung	Menge	Varianten
17	AP8122832	Ausgleichscheibe	1	

Einheit	MOTOR
Code	29.35
Beschreibung	Vergaser IV
Inspektion	1



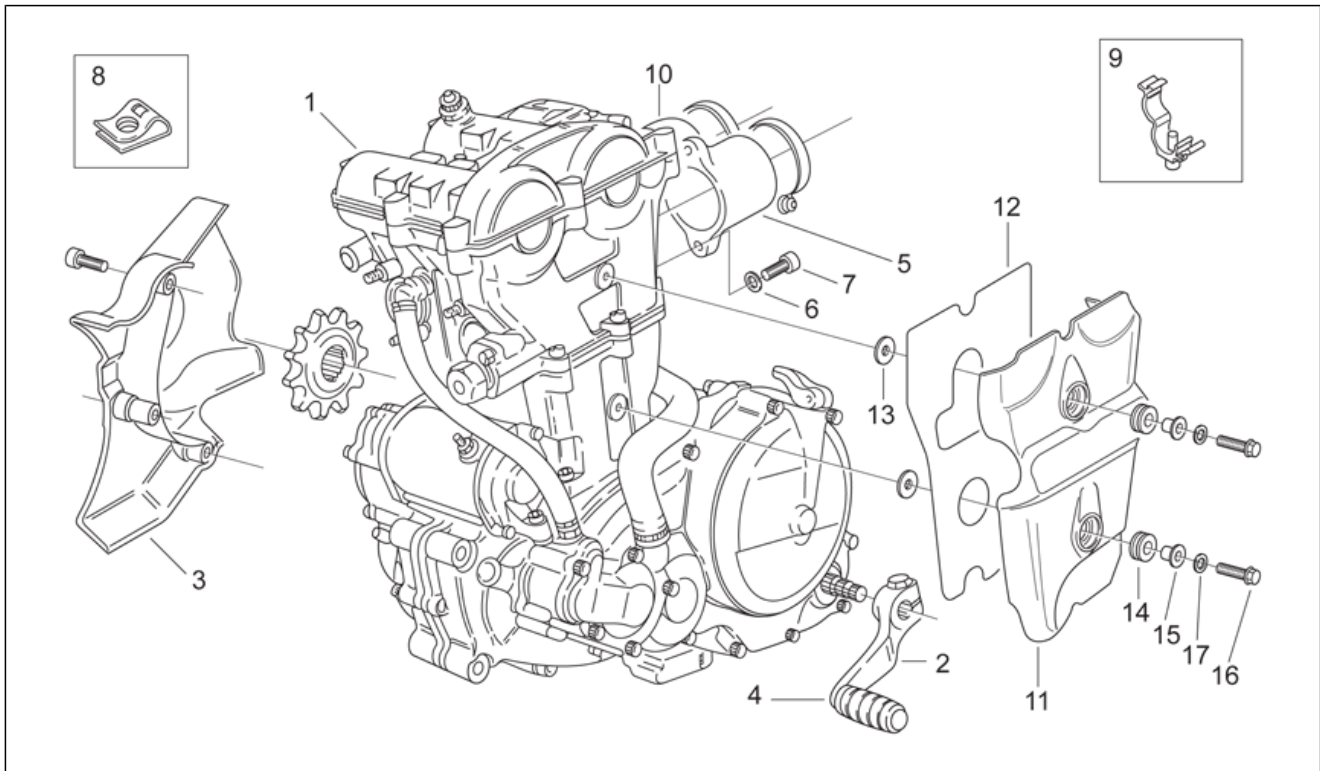
Pos.	Code	Beschreibung	Menge	Varianten
1	AP8106556	Entlüftungsschlauch Kühler	2	
2	AP8106557	Seegerring	2	
3	AP8106452	Halter	1	
4	AP8122848	Halter	1	
5	AP8122839	Ölabstreifring	2	
6	AP8106555	Schwimmergehäuse	2	
7	AP8122835	Kabelführungs	1	
8	AP8122843	Platte	1	
9	AP8122819	Schraube	4	
10	AP8122828	Schraube	2	
11	AP8122813	Schwimmer	2	

Einheit	MOTOR
Code	29.36
Beschreibung	Motor
Inspektion	1



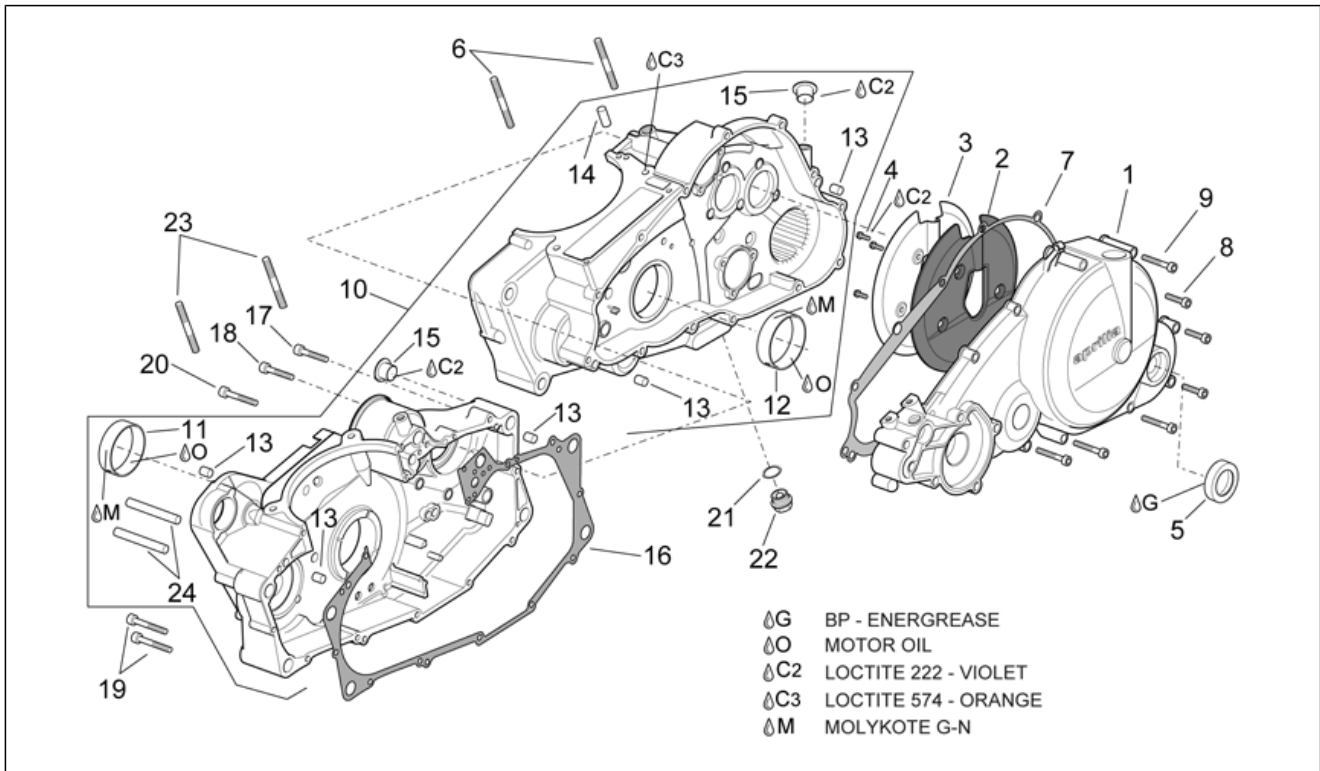
Pos.	Code	Beschreibung	Menge	Varianten
1	AP8106303	655 Enduro Motor 96	1	Baujahr: 1997[V]
1	AP8106412	655 Enduro Motor	1	Baujahr: 1998[W], 1999[X]
1	AP8106719	Motor 655 Enduro E	1	Baujahr: 2000[Y]
2	AP8135685	Schalthebel	1	
3	AP8138769	Ritzelkasten, alu	1	Baujahr: 1997[V], 1998[W], 1999[X]
3	AP8148735	Ritzelkasten, grau	1	Baujahr: 2000[Y]
4	AP8120912	Gummi für Hebel	1	
5	AP8106429	Linker Ansaugkrümmer	1	Land: Frankreich[F], Italien[I], Holland[NL] Technische Daten: Version mit Leistungsminderung 25 Kw[25kw]
5	AP8106523	Ansaugkrümmer	1	Land: Österreich[A], Australien[AUS], Belgien[B], Schweiz[CH], Deutschland[D], Dänemark[DK], Spanien[E], Frankreich[F], Griechenland[GR], Italien[I], Malaysia[MAL], Holland[NL], Portugal[P], Großbritannien[UK], Vereinigte Staaten von Amerika[USA] Technische Daten: Version mit voller Leistung[F.P.]
6	AP8150182	Gebogene Sprengscheibe *	4	
7	AP8152279	TE Schr. m. Flansch M6x20	4	Land: Österreich[A], Australien[AUS], Belgien[B], Schweiz[CH], Deutschland[D], Dänemark[DK], Spanien[E], Frankreich[F], Griechenland[GR], Italien[I], Malaysia[MAL], Holland[NL], Portugal[P], Großbritannien[UK], Vereinigte Staaten von Amerika[USA] Technische Daten: Version mit voller Leistung[F.P.]
7	AP8152340	Krümmer schraube	4	Land: Frankreich[F], Italien[I], Holland[NL] Technische Daten: Version mit Leistungsminderung 25 Kw[25kw]
8	AP8102376	Klammer M6	3	
9	AP8134186	Kabelführungs	1	
10	AP8106437	Rechter Ansaugkrümmer	1	Land: Frankreich[F], Italien[I], Holland[NL] Technische Daten: Version mit Leistungsminderung 25 Kw[25kw]

Einheit	MOTOR
Code	29.36
Beschreibung	Motor
Inspektion	1



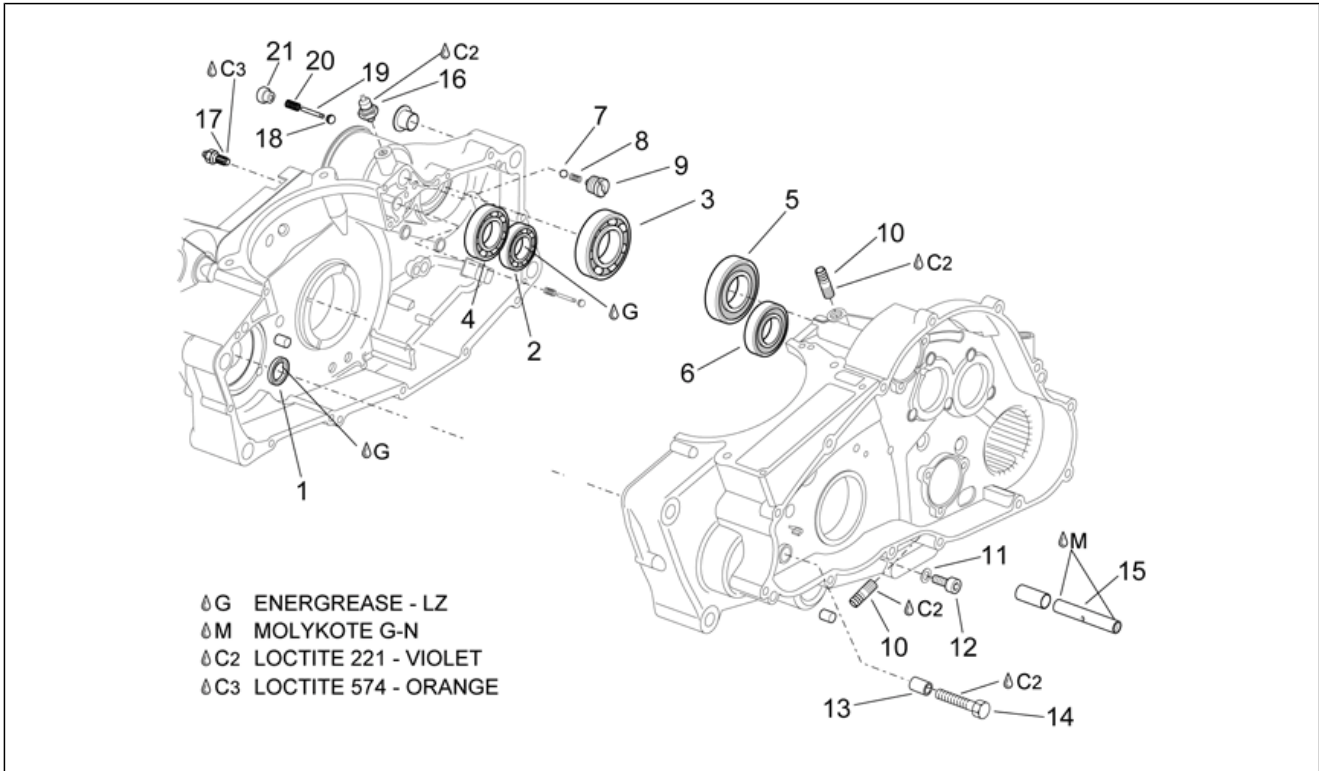
Pos.	Code	Beschreibung	Menge	Varianten
10	AP8106523	Ansaugkrümmer	1	Land:Österreich[A], Australien[AUS], Belgien[B], Schweiz[CH], Deutschland[D], Dänemark[DK], Spanien[E], Frankreich[F], Griechenland[GR], Italien[I], Malaysia[MAL], Holland[NL], Portugal[P], Großbritannien[UK], Vereinigte Staaten von Amerika[USA] Technische Daten:Version mit voller Leistung[F.P.]
11	AP8139107	Zylinderdeckel	1	Baujahr:1997[V], 1998[W], 1999[X]
11	AP8148734	Zylinderdeckel grau	1	Baujahr:2000[Y]
12	AP8117119	Schalldämmplatte	1	
13	AP8221297	Isolierscheibe	2	
14	AP8120030	Gummi	2	
15	AP8221023	T-Buchse	2	
16	AP8152280	TE Schr. m. Flansch M6x25	2	
17	AP8150179	Ausgleichscheibe 6,6x18*	2	

Einheit	MOTOR
Code	29.50
Beschreibung	Kurbelwellengehäuse I
Inspektion	1



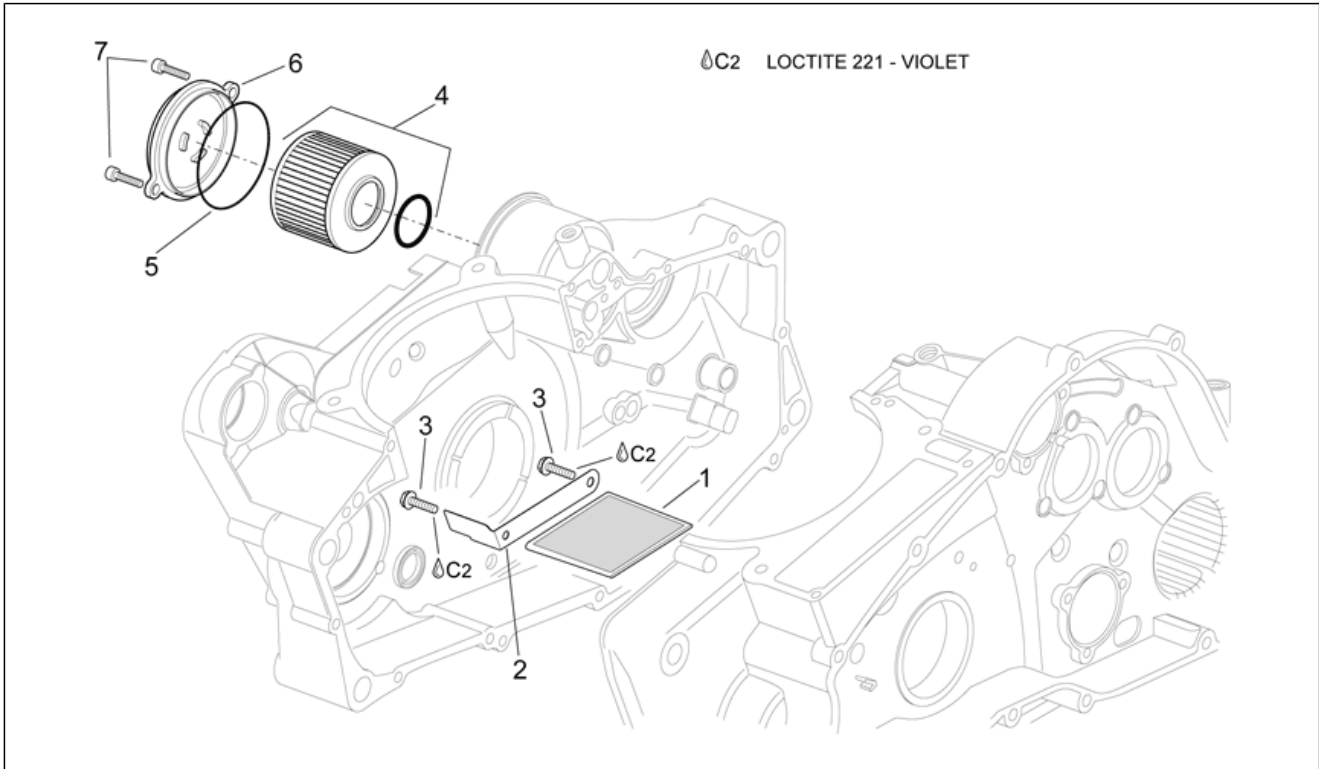
Pos.	Code	Beschreibung	Menge	Varianten
1	AP0210378	Kupplungsdeckel	1	Baujahr:1997[V], 1998[W], 1999[X]
1	AP0210379	Kupplungsdeckel	1	Baujahr:2000[Y]
2	AP0260300	Schalldämmplatte	1	
3	AP0275030	Platthalter	1	
4	AP0841680	TE-Spezialschraube	3	
5	AP0250450	Ölabstreifring 12x28x7	1	
6	AP0240541	Stiftschraube M10x62	2	
7	AP0230581	Dichtung	1	
8	AP0840882	TCEI Schraube	10	
9	AP0241262	TCEI Schraube	2	
10	AP0295166	Kurbelgehäuse	1	Baujahr:1997[V], 1998[W], 1999[X]
10	AP0296341	Kurbelgehäuse	1	Baujahr:2000[Y]
11	AP0233675	Buchse 48x52x22,8	1	
12	AP0233680	Buchse 48x52x22,8	1	
13	AP0632010	Stift M8x12	5	
14	AP0929650	Stift 5x10	2	
15	AP0247320	Buchse	2	
16	AP0250910	Dichtung	1	
17	AP0241822	TCEI Schraube	9	
18	AP0241810	TCEI Schraube	2	
19	AP0240531	TCEI Schraube	2	
20	AP0241262	TCEI Schraube	1	
21	AP0552280	Dichtung	1	
22	AP0840277	Magnetschraube m18x1,5	1	
23	AP0240545	Stiftschraube M10x78	2	
24	AP0229301	Bolzen M6x50	2	

Einheit	MOTOR
Code	29.51
Beschreibung	Kurbelwellengehäuse II
Inspektion	1



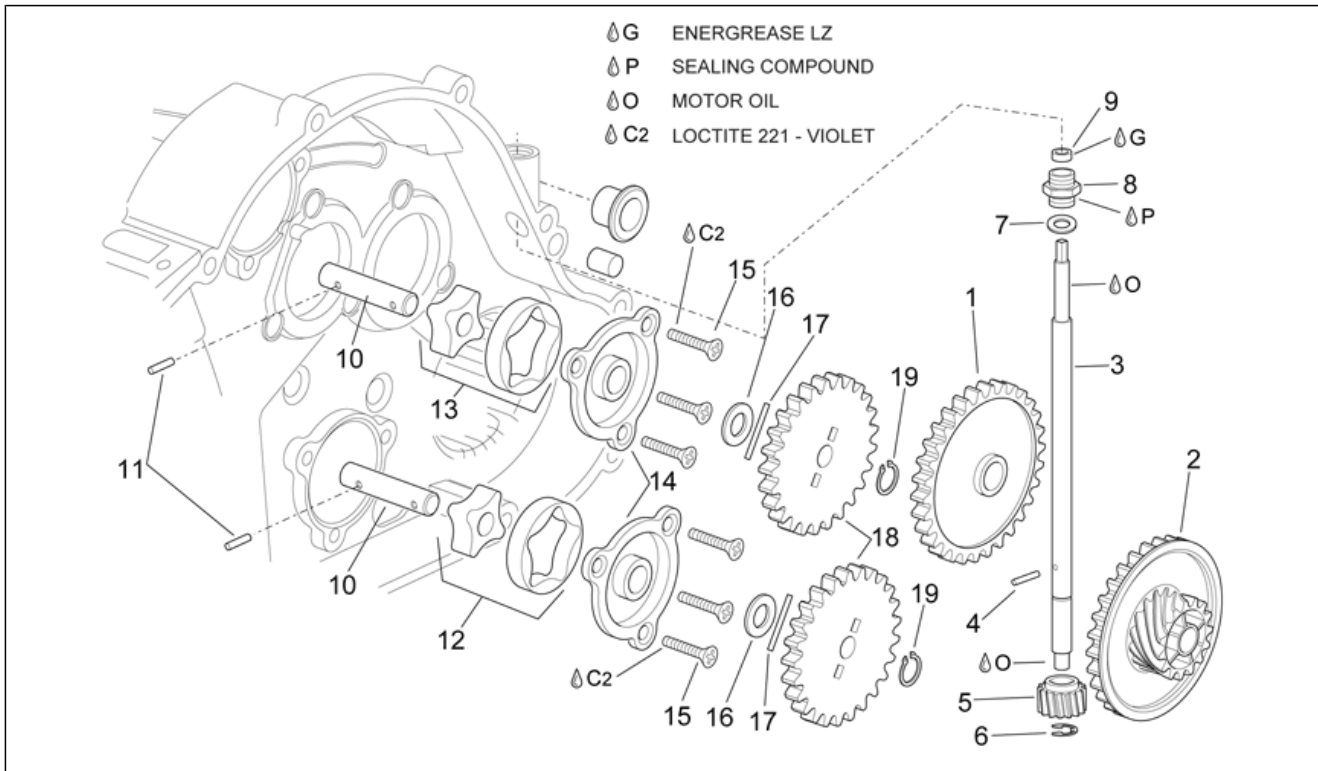
Pos.	Code	Beschreibung	Menge	Varianten
1	AP0430550	Ölabstreifring 15x24x7	1	
2	AP0230395	Ölabstreifring 25x40x7	1	
3	AP0932826	Lager 6305	1	
4	AP0232501	Lager 6303 E-RS1	1	
5	AP0232764	Lager 6205	1	
6	AP0932815	Lager 6303 ETN9	1	
7	AP0932830	Kugel	1	
8	AP0239280	Spannfeder 13,5	1	
9	AP0256170	Ventilschließschraube	1	
10	AP0256330	Anschluss m12x1,5	2	
11	AP0950141	Gasket ring 8x13	1	
12	AP0440193	TCEI Schraube	1	
13	AP0247790	Distanzscheibe 6,2x10x14,5	1	
14	AP0941500	Sechskantschraube	1	
15	AP0237060	Losradwelle	1	
16	AP0956169	Öldruckschalter	1	
17	AP0241850	Kontaktschraube	1	Baujahr:1997[V], 1998[W], 1999[X]
17	AP0241852	Kontaktschraube	1	Baujahr:2000[Y]
18	AP0260570	Öl-Rückstauventil	1	
19	AP0256150	Ventil Stift	1	
20	AP0239810	Feder	1	
21	AP0256170	Ventilschließschraube	1	

Einheit	MOTOR
Code	29.52
Beschreibung	ÖlfILTER
Inspektion	1



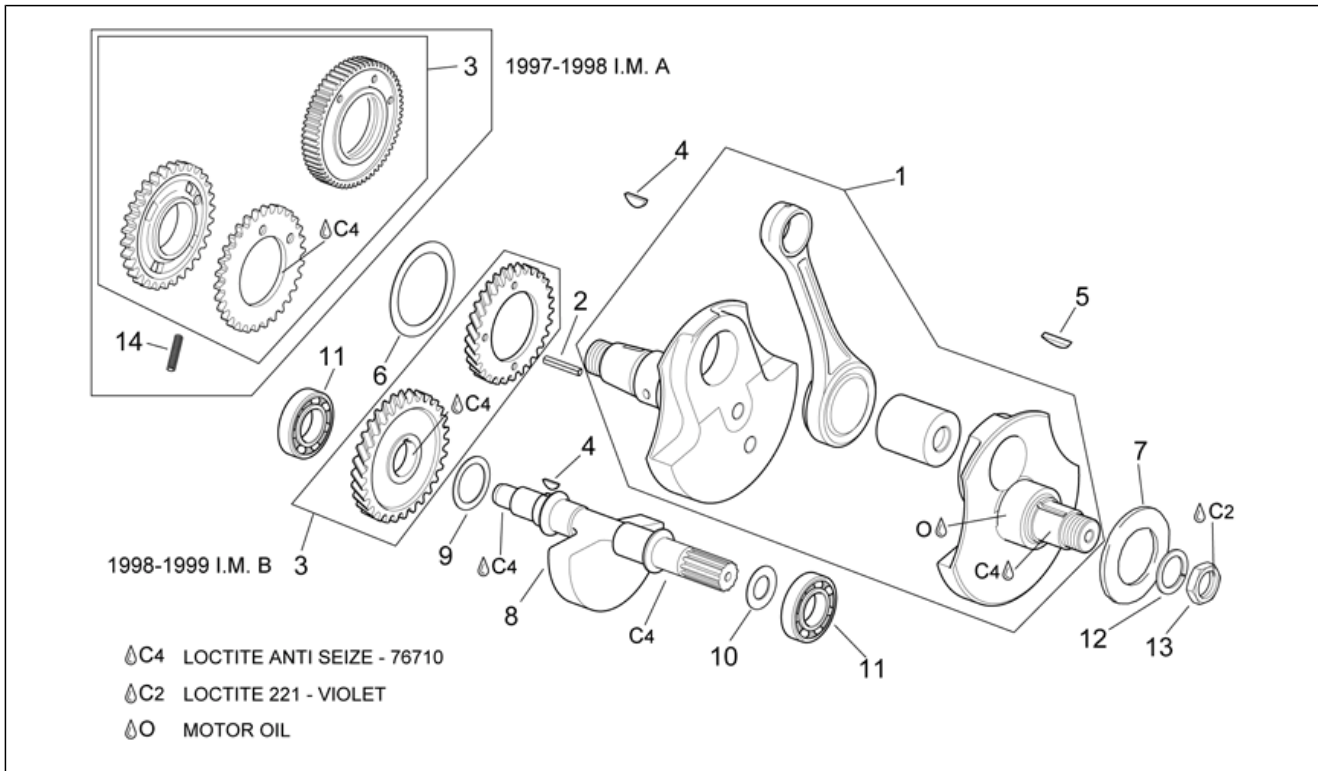
Pos.	Code	Beschreibung	Menge	Varianten
1	AP0256321	Ölnetz	1	
2	AP0256430	Platte	1	
3	AP0941925	TE-Spezialschraube	2	
4	AP0256185	Ölfiltreinsatz	1	
5	AP0230920	O-Ring 60x2,5	1	
6	AP0210411	ÖlfILTERdeckel	1	Baujahr:1997[V], 1998[W], 1999[X]
6	AP0210414	ÖlfILTERdeckel	1	Baujahr:2000[Y]
7	AP0241932	TCEI Schraube	2	

Einheit	MOTOR
Code	29.53
Beschreibung	Ölpumpe
Inspektion	1



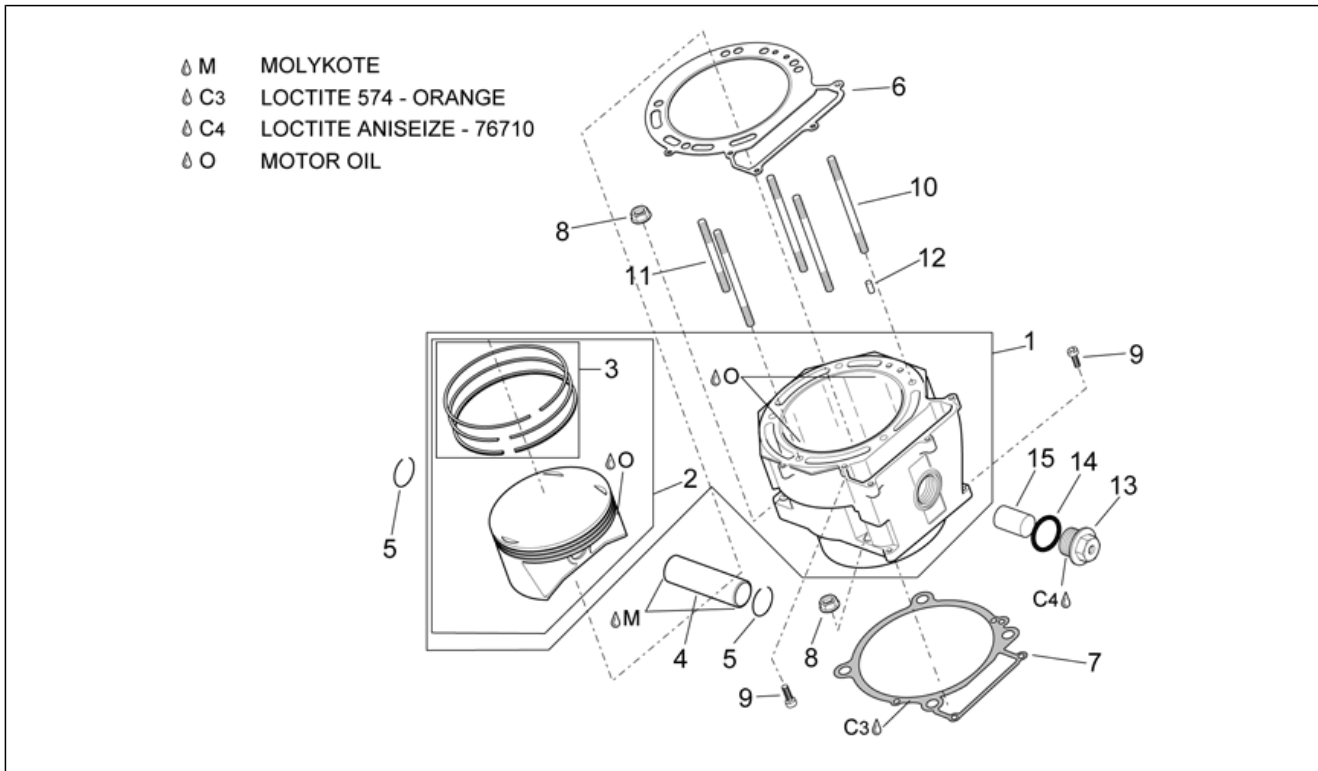
Pos.	Code	Beschreibung	Menge	Varianten
1	AP0235272	Freilaufzahn Z=31	1	
2	AP0634270	Freilaufzahn Z=15/31	1	
3	AP0220250	Drehzahlmesserwelle	1	
4	AP0932740	Stift 2x11,8	1	
5	AP0634260	Zahnrad Z=16	1	
6	AP0845240	Seegerring	1	
7	AP0927945	Ausgleichscheibe 6,2x12x1	1	
8	AP0241070	Anschluss m16x1/m16x1,5	1	
9	AP0930500	Ölabstreifring 6x11x3/4,5	1	
10	AP0237050	Ölpumpenwelle	2	Baujahr:1997[V]
10	AP0237050	Ölpumpenwelle	2	Baujahr:1998[W]
10	AP0237051	Ölpumpenwelle	2	Baujahr:1998[W]
10	AP0237051	Ölpumpenwelle	2	Baujahr:1999[X], 2000[Y]
11	AP0232730	Stift 4x15,8	2	
12	AP0956277	Innen- und Außenrotor	1	
13	AP0256347	Innen- und Außenrotor	1	
14	AP0210640	Ölpumpendeckel	2	
15	AP0640821	Schraube	6	Baujahr:2000[Y]
15	AP0940516	Schraube	6	Baujahr:1997[V], 1998[W], 1999[X]
16	AP0827590	Paßscheibe 10,1/17/1	2	
17	AP0232430	Stift	2	
18	AP0234561	Ölpumpen-Zahnr. Z=25	2	
19	AP0245330	Seegerring 10x1	2	Baujahr:1998[W]
19	AP0245330	Seegerring 10x1	2	Baujahr:1999[X], 2000[Y]

Einheit	MOTOR
Code	29.54
Beschreibung	Kurbelwelle
Inspektion	1



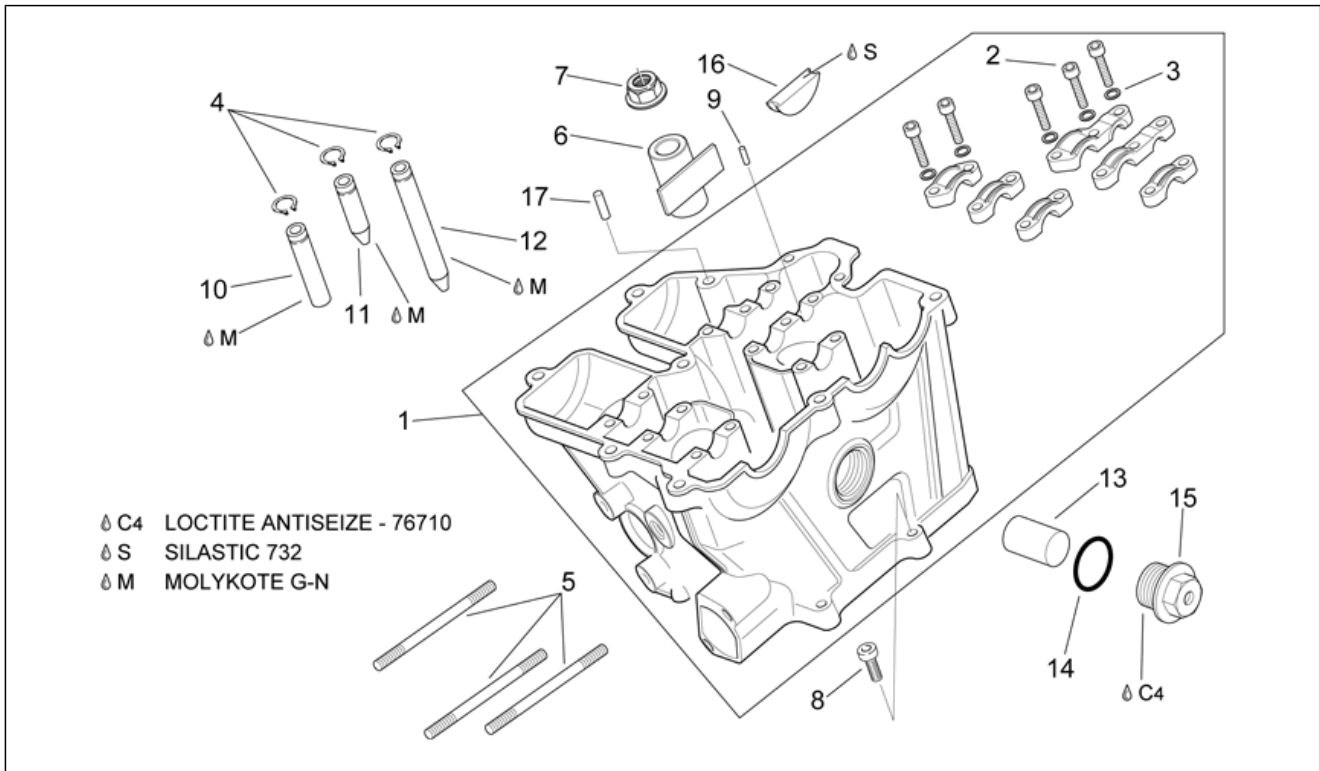
Pos.	Code	Beschreibung	Menge	Varianten
1	AP0295191	Kurbelwelle kpl.	1	
2	AP0429150	Bolzen 8x24	1	
3	AP0294476	Ausgleichsrad kpl.	1	Baujahr:1997[V]
3	AP0294476	Ausgleichsrad kpl.	1	Baujahr:1998[W]
3	AP0294478	Ausgleichsrad kpl.	1	Baujahr:1999[X], 2000[Y]
3	AP0294478	Ausgleichsrad kpl.	1	Baujahr:1998[W]
4	AP0246570	Keil 4x5	2	
5	AP0946015	Keil 6x9	1	
6	AP0627030	Scheibe 48x67x1	1	
7	AP0627030	Scheibe 48x67x1	1	
7	AP0627031	Scheibe 48x67x1,25	1	
7	AP0627032	Scheibe 48x67x1,5	1	
7	AP0627033	Scheibe 48x67x1,75	1	
7	AP0627035	Scheibe 48x67x1,4	1	
8	AP0237997	Gegenwelle Z=11	1	Baujahr:1997[V]
8	AP0237999	Gegenwelle Z=11	1	Baujahr:1998[W], 1999[X], 2000[Y]
9	AP0227542	Paßscheibe 24,3/41/1,5	1	
10	AP0627070	Scheibe 20x41x0,8	1	
10	AP0627071	Scheibe 20x41x1,0	1	
10	AP0627072	Scheibe 20x41x1,2	1	
10	AP0627073	Scheibe 20x41x1,4	1	
11	AP0932096	Lager etn9/c3	2	
12	AP0945759	Federring Din a22	1	
13	AP0842230	Mutter m22x1,5	1	
14	AP0239015	Feder 16,9	2	Baujahr:1997[V]
14	AP0239015	Feder 16,9	2	Baujahr:1998[W]

Einheit	MOTOR
Code	29.55
Beschreibung	Zylinder
Inspektion	1



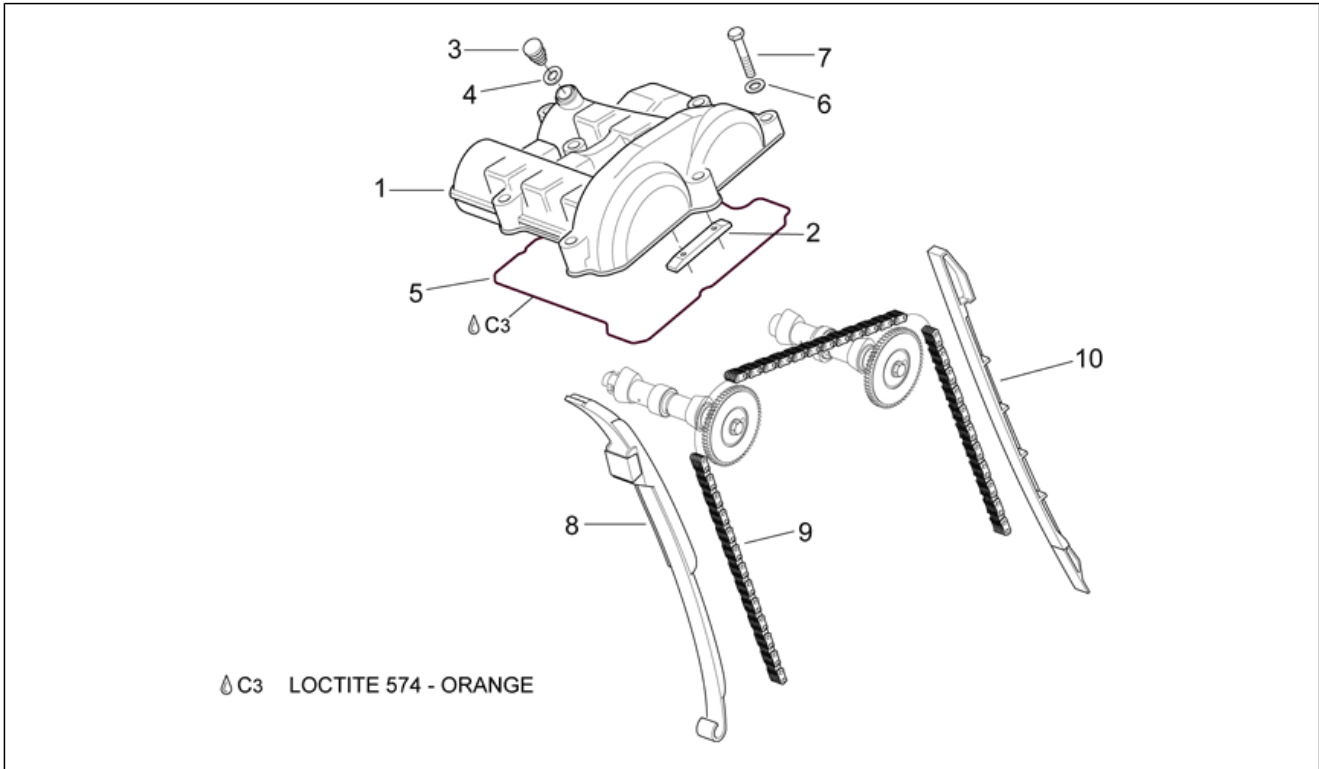
Pos.	Code	Beschreibung	Menge	Varianten
1	AP0223519	Kolben + Zylinder	1	Baujahr:1997[V], 1998[W], 1999[X]
1	AP0613305	Kolben + Zylinder	1	Baujahr:2000[Y]
2	AP0294285	Kolben kpl. 99,97/99,98 mm	1	Technische Daten:Bis Motor Nr. 635617[O]
2	AP0295986	Kolben kpl. 99,97 A+B	1	Technische Daten:Ab Motor Nr. 635618[N]
2	AP0295987	Kolben kpl. 99,98 B+C	1	Technische Daten:Ab Motor Nr. 635618[N]
3	AP0295184	Satz Kolbenringe	1	Technische Daten:Bis Motor Nr. 635617[O]
3	AP0295984	Satz Kolbenringe	1	Technische Daten:Ab Motor Nr. 635618[N]
4	AP0216201	Bolzen 22x14,5/18x68,7	1	
5	AP0245431	Sperring 22	1	Baujahr:1998[W]
5	AP0245431	Sperring 22	1	Baujahr:1997[V]
5	AP0245435	Sperring 22	1	Baujahr:1999[X], 2000[Y]
5	AP0245435	Sperring 22	2	Baujahr:1998[W]
6	AP0230601	Dichtung	1	Baujahr:1998[W]
6	AP0230601	Dichtung	1	Baujahr:1997[V]
6	AP0230602	Dichtung	1	Baujahr:1998[W]
6	AP0230602	Dichtung	1	Baujahr:1999[X], 2000[Y]
7	AP0230592	Dichtung	1	
8	AP0242851	Mutter	4	
9	AP0840882	TCEI Schraube	3	
10	AP0240705	Stiftschraube m10x117	4	
11	AP0240545	Stiftschraube M10x78	1	
12	AP0929650	Stift 5x10	2	
13	AP0241370	Deckel m24x1	1	Baujahr:1997[V]
13	AP0241370	Deckel m24x1	1	Baujahr:1998[W]
13	AP0241375	Deckel m24x1	1	Baujahr:1998[W]
13	AP0241375	Deckel m24x1	1	Baujahr:1999[X], 2000[Y]
14	AP0430782	O-Ring 23,3x2,4	1	
15	AP0260310	Gummi	1	

Einheit	MOTOR
Code	29.56
Beschreibung	Zylinderkopf
Inspektion	1



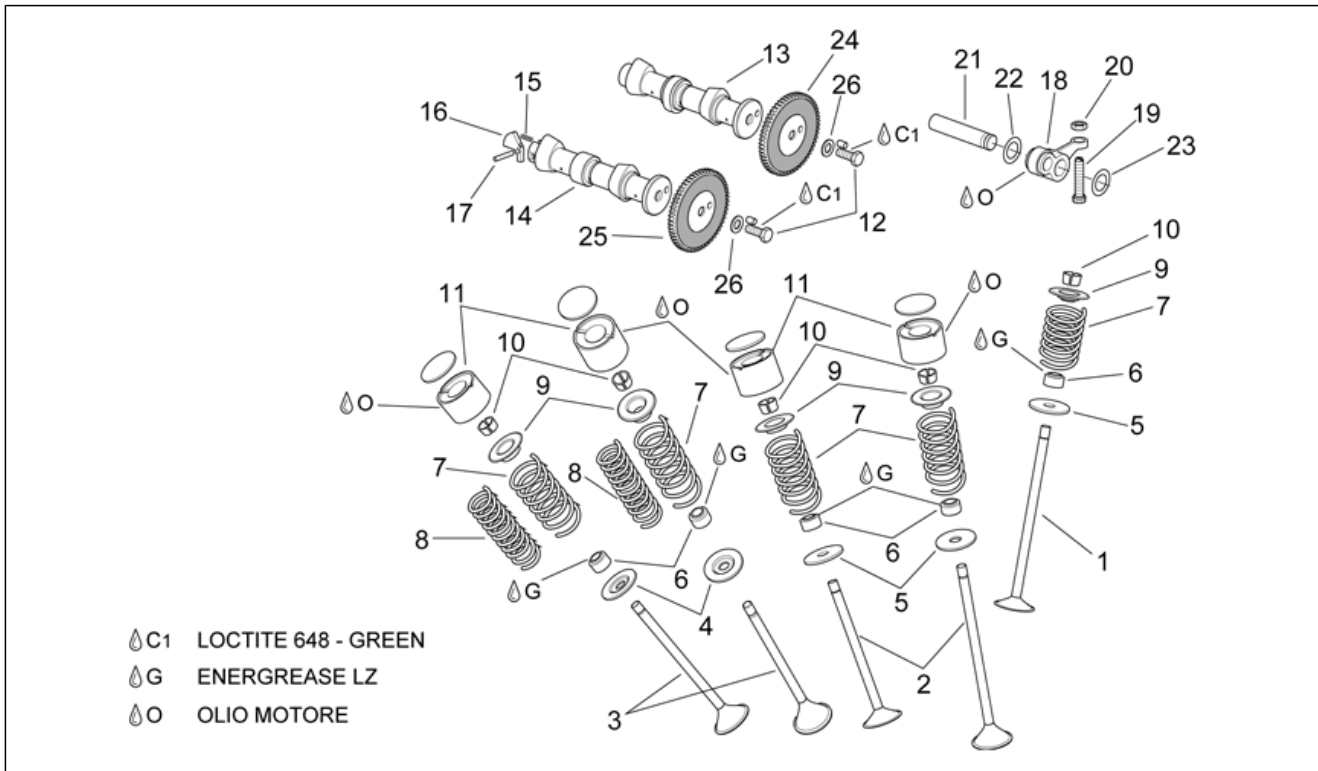
Pos.	Code	Beschreibung	Menge	Varianten
1	AP0613156	Zylinderkopf kpl.	1	Baujahr:1997[V], 1998[W], 1999[X]
1	AP0613158	Zylinderkopf kpl.	1	Baujahr:2000[Y]
2	AP0840861	TCEI Schraube M6x25	14	
3	AP0945751	Federring Din a6	14	
4	AP0245710	Seegerring 11x1	5	
5	AP0240362	Stiftschraube m8x58	4	
6	AP0247955	Gummi	1	
7	AP0242851	Mutter	5	
8	AP0840882	TCEI Schraube	3	
9	AP0232990	Stift 3x9,8	1	
10	AP0253581	Ventilführung Auslaß	2	
11	AP0253591	Ventilführung Einlaß	2	
12	AP0253596	Ventilführung Einlaß	1	
13	AP0260310	Gummi	1	
14	AP0430782	O-Ring 23,3x2,4	1	
15	AP0241375	Deckel m24x1	1	
16	AP0260960	Deckel	3	Baujahr:2000[Y]
16	AP0260961	Deckel	3	Baujahr:1997[V], 1998[W], 1999[X]
17	AP0229290	Stift 8x16	1	Baujahr:1998[W]
17	AP0229290	Stift 8x16	1	Baujahr:1997[V]

Einheit	MOTOR
Code	29.57
Beschreibung	Ventildeckel
Inspektion	1



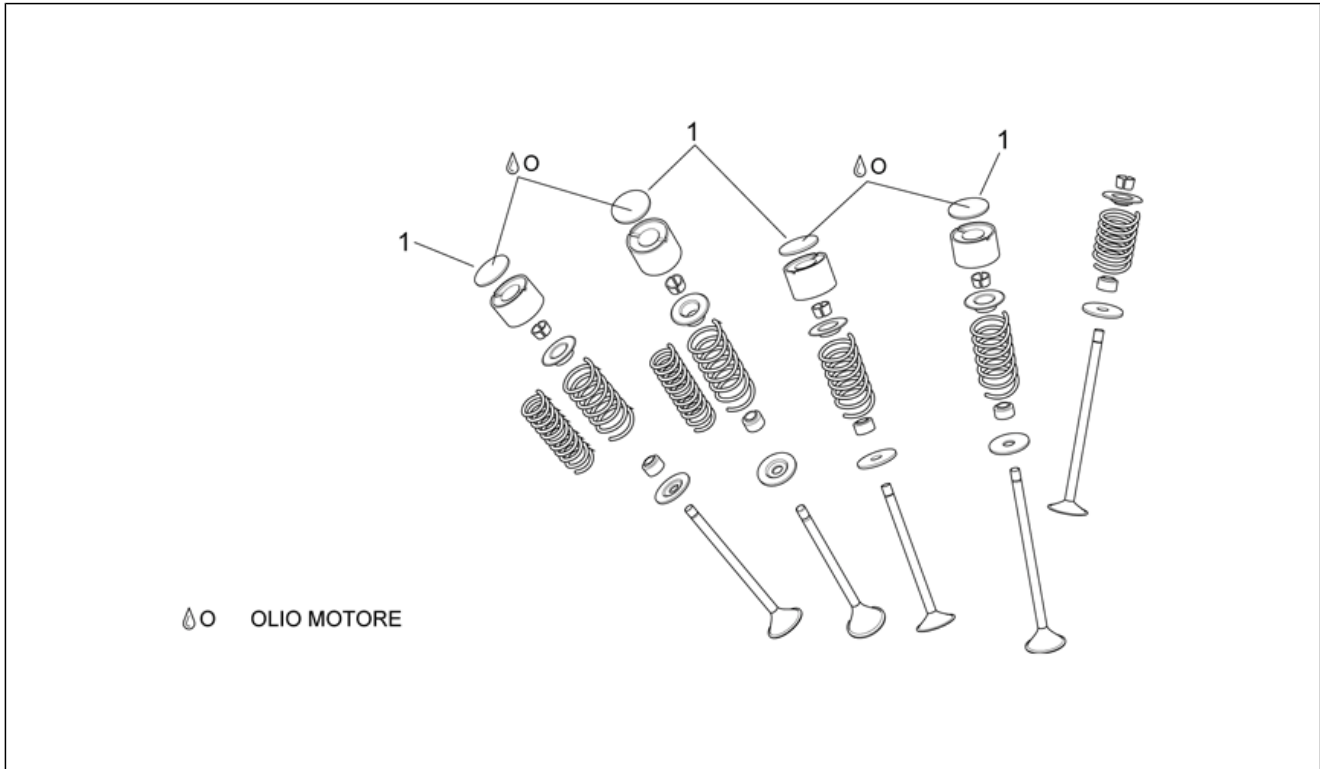
Pos.	Code	Beschreibung	Menge	Varianten
1	AP0210674	Ventildeckel	1	Baujahr:1997[V], 1998[W], 1999[X]
1	AP0210677	Ventildeckel	1	Baujahr:2000[Y]
2	AP0236130	Ob. Kettengleitführung	1	
3	AP0240232	Deckel m16x1,5	1	
4	AP0430622	Gasket ring 16x22	1	
5	AP0230540	O-Ring	1	
6	AP0244217	Ausgleichscheibe 6,4	9	
7	AP0941122	Sechskantschraube	9	
8	AP0236115	Kettenführung links	1	
9	AP0297760	Steuerkette	1	
10	AP0236126	Kettenführung rechts	1	

Einheit	MOTOR
Code	29.58
Beschreibung	Ventile
Inspektion	1



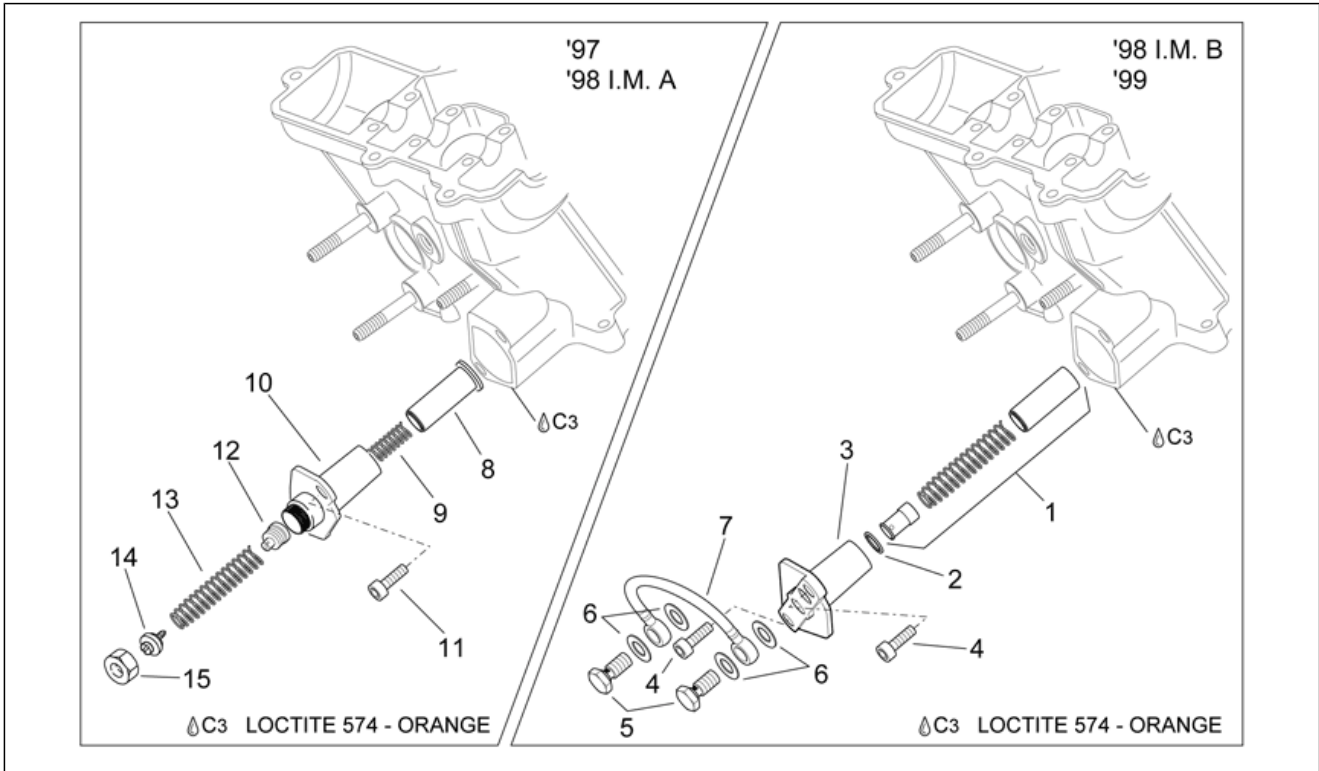
Pos.	Code	Beschreibung	Menge	Varianten
1	AP0253615	Einlaßventil 30 mm	1	
2	AP0253610	Einlaßventil 30 mm	2	
3	AP0253620	Auslaßventil 32 mm	2	
4	AP0253630	Platte	2	
5	AP0227982	Paßscheibe 11,2/28/1	3	
6	AP0230510	Ölabstreifring Ventilführung	5	
7	AP0239150	Ventilfeder außen	5	
8	AP0838140	Ventilfeder innen	2	
9	AP0253570	Ventilfederplatte	5	
10	AP0253640	Ventilhalbkegel	10	
11	AP0253540	Ventilbecher	4	
12	AP0841690	Sechskantschraube	2	
13	AP0237095	Nockenwelle Einlaß	1	
14	AP0237105	Nockenwelle Auslaß	1	
15	AP0239130	Feder	1	
16	AP0231020	Gegengewicht	1	
17	AP0232910	Stift 5x23,8	1	
18	AP0253605	Kipphebel Einlaß Klp.	1	
19	AP0240205	Schraube	1	
20	AP0242591	Mutter	1	
21	AP0253530	Kipphebelstange	1	
22	AP0227450	Paßscheibe 12,5/21,5/0,5	1	
23	AP0227455	Sprengscheibe 12,5x21,5x0,5	1	
24	AP0253945	Einlaß Zahn.Ventilsteuerung Z=36	1	
25	AP0253947	Auslaß Zahn.Ventilsteuerung Z=36	1	
26	AP0445441	Sprengscheibe	2	

Einheit	MOTOR
Code	29.59
Beschreibung	Ventilesbeläge
Inspektion	1



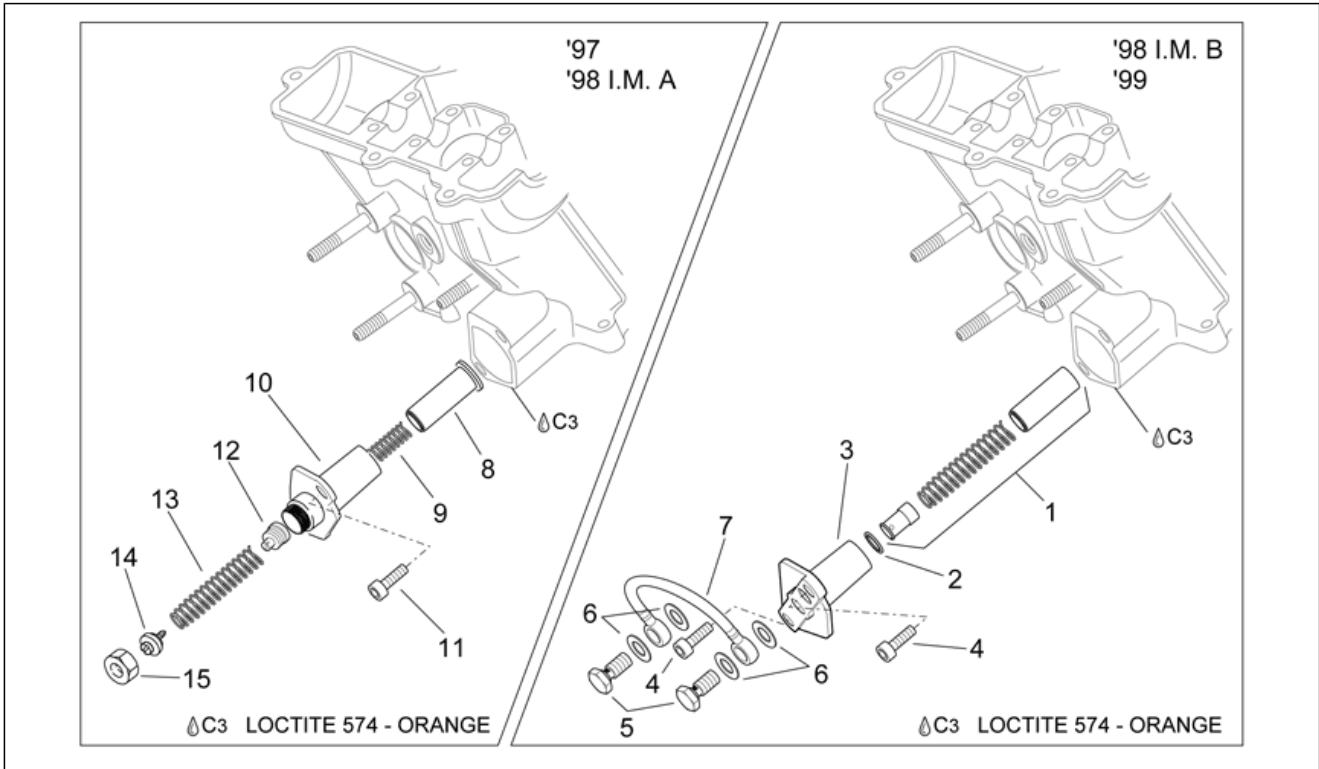
Pos.	Code	Beschreibung	Menge	Varianten
1	AP0253550	Belag 3,00	1	
1	AP0253551	Belag 3,1	1	
1	AP0253552	Belag 3,2	1	
1	AP0253553	Belag 3,3	1	
1	AP0253554	Belag 3,4	1	
1	AP0253555	Belag 3,5	1	
1	AP0253556	Belag 3,6	1	
1	AP0253557	Belag 3,7	1	
1	AP0253558	Belag 3,8	1	
1	AP0253559	Belag 3,9	1	
1	AP0253560	Belag 4,00	1	
1	AP0253561	Belag 2,9	1	
1	AP0253562	Belag 2,8	1	
1	AP0253563	Belag 2,7	1	
1	AP0253564	Belag 3,05	1	
1	AP0253565	Belag 3,15	1	
1	AP0253566	Belag 3,25	1	
1	AP0253567	Belag 3,35	1	
1	AP0253568	Belag 3,45	1	
1	AP0253569	Belag 3,55	1	
1	AP0253910	Belag 3,65	1	

Einheit	MOTOR
Code	29.60
Beschreibung	Kettenspanner
Inspektion	1



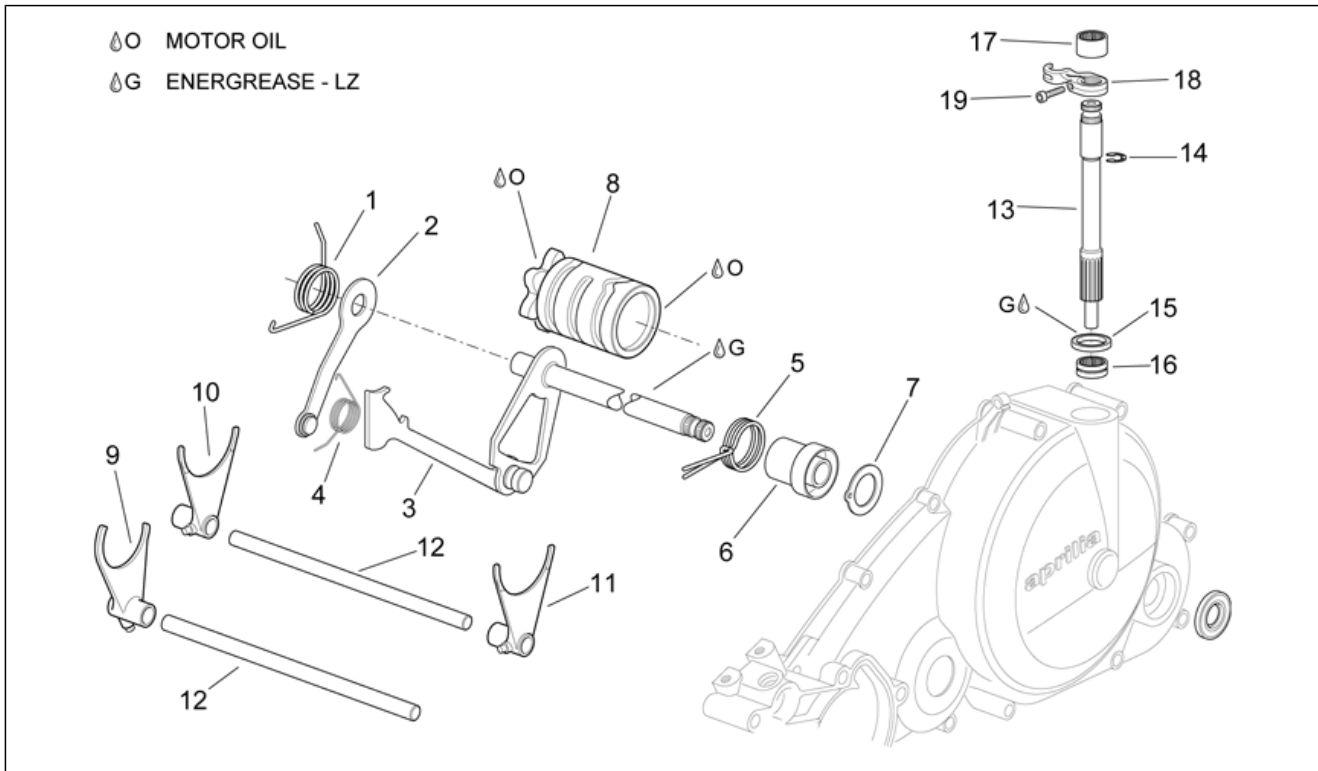
Pos.	Code	Beschreibung	Menge	Varianten
1	AP0236250	Kettenspanner	1	Baujahr:1999[X], 2000[Y]
1	AP0236250	Kettenspanner	1	Baujahr:1998[W]
2	AP0627330	Paßscheibe 7,8/13,5/1	1	Baujahr:1998[W]
2	AP0627330	Paßscheibe 7,8/13,5/1	1	Baujahr:1999[X], 2000[Y]
3	AP0236086	Kettenspannerhäuse	1	Baujahr:1998[W]
3	AP0236086	Kettenspannerhäuse	1	Baujahr:1999[X], 2000[Y]
4	AP0241932	TCEI Schraube	2	Baujahr:1998[W]
4	AP0241932	TCEI Schraube	2	Baujahr:1999[X], 2000[Y]
5	AP0640280	Anschluss	2	Baujahr:1998[W]
5	AP0640280	Anschluss	2	Baujahr:1999[X], 2000[Y]
6	AP0950145	Dichtung	4	Baujahr:1998[W]
6	AP0950145	Dichtung	4	Baujahr:1999[X], 2000[Y]
7	AP0256530	Leitung	1	Baujahr:1998[W]
7	AP0256530	Leitung	1	Baujahr:1999[X], 2000[Y]
8	AP0236100	Buchse	1	Baujahr:1997[V]
8	AP0236100	Buchse	1	Baujahr:1998[W]
9	AP0239310	Feder	1	Baujahr:1998[W]
9	AP0239310	Feder	1	Baujahr:1997[V]
10	AP0236081	Kettenspannerhäuse	1	Baujahr:1998[W]
10	AP0236081	Kettenspannerhäuse	1	Baujahr:1997[V]
11	AP0840402	TCEI Schraube	2	Baujahr:1997[V]
11	AP0840402	TCEI Schraube	2	Baujahr:1998[W]
12	AP0229330	Int.Einstellschraube m18x2,5	1	Baujahr:1997[V]
12	AP0229330	Int.Einstellschraube m18x2,5	1	Baujahr:1998[W]
13	AP0239180	Feder	1	Baujahr:1997[V]
13	AP0239180	Feder	1	Baujahr:1998[W]
14	AP0229320	Est.Einstellschraube	1	Baujahr:1998[W]
14	AP0229320	Est.Einstellschraube	1	Baujahr:1997[V]

Einheit	MOTOR
Code	29.60
Beschreibung	Kettenspanner
Inspektion	1



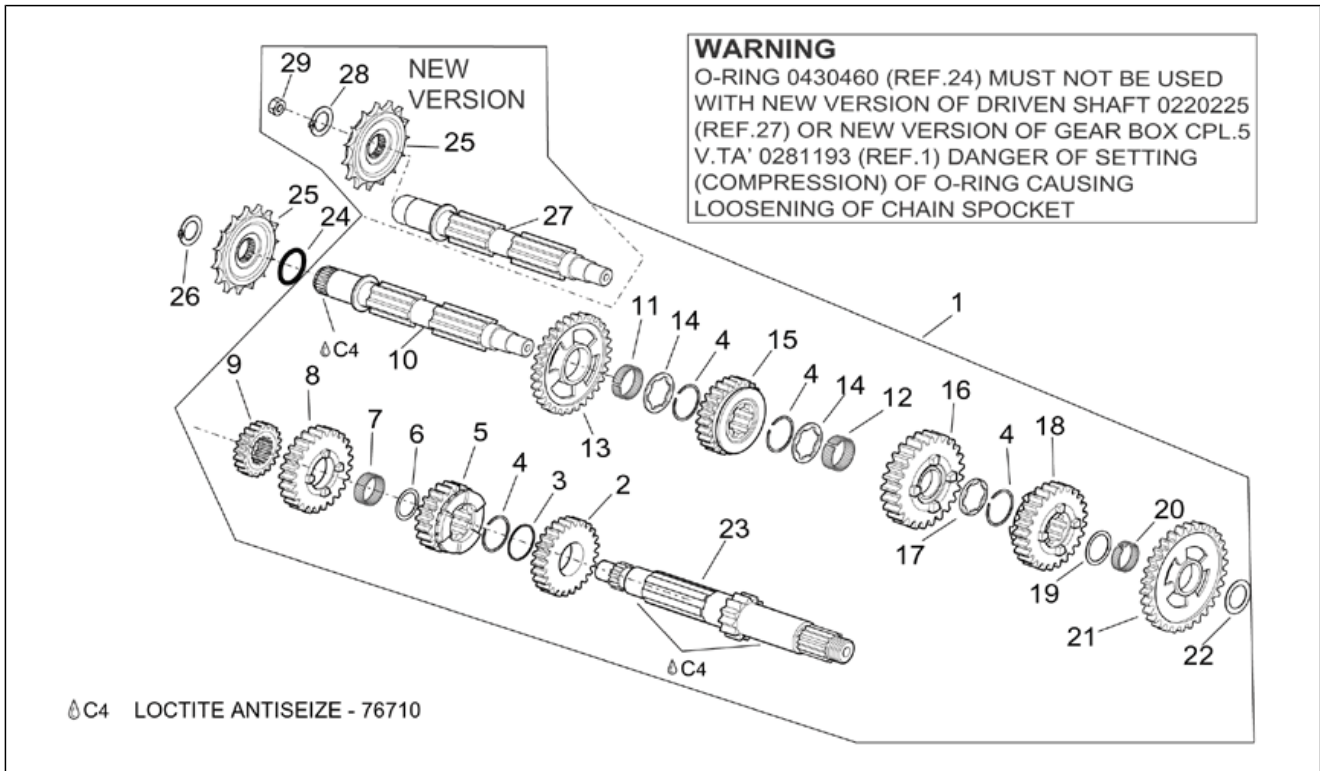
Pos.	Code	Beschreibung	Menge	Varianten
15	AP0242840	Mutter m24x1	1	Baujahr:1997[V]
15	AP0242840	Mutter m24x1	1	Baujahr:1998[W]

Einheit	MOTOR
Code	29.61
Beschreibung	Schaltgabel
Inspektion	1



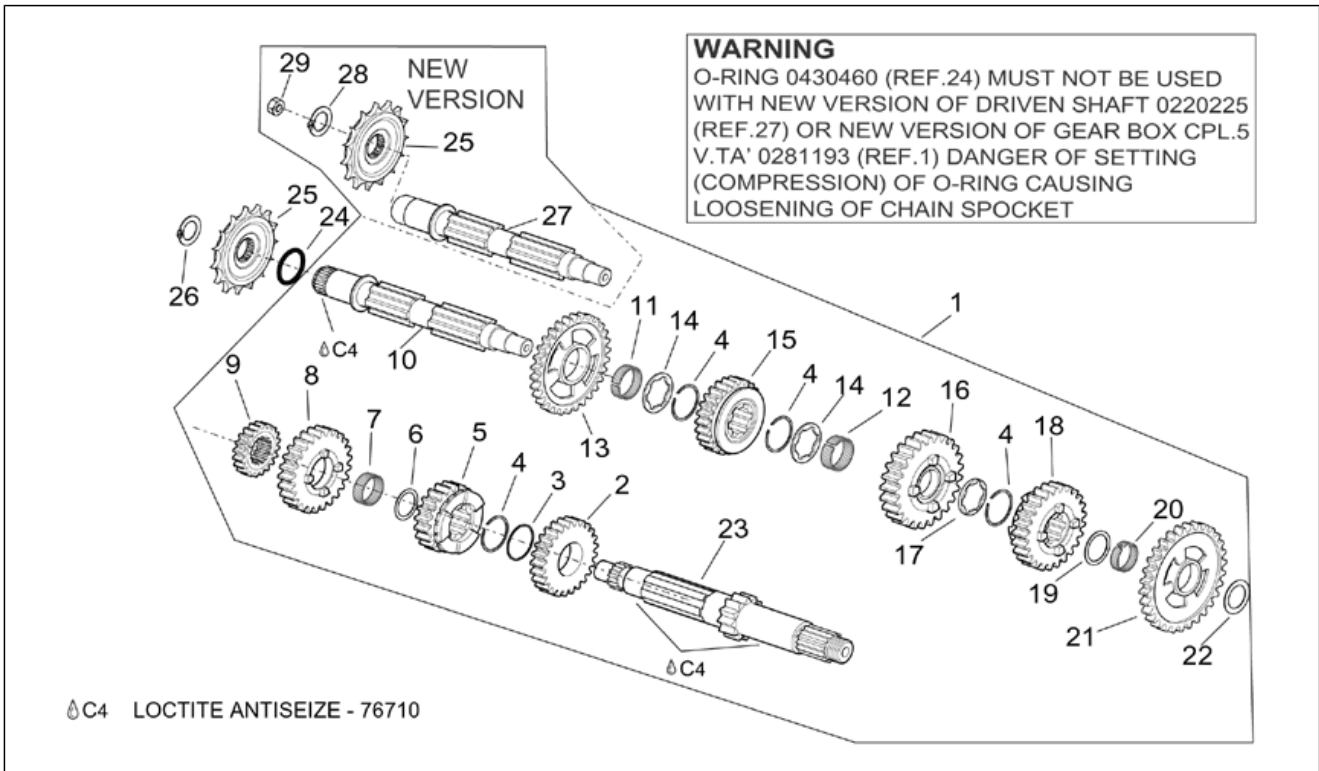
Pos.	Code	Beschreibung	Menge	Varianten
1	AP0239095	Index feder	1	
2	AP0248345	Indexhebel kpl.	1	
3	AP0237927	Getr.welle + Gesperre	1	
4	AP0239075	Feder	1	
5	AP0239082	Feder	1	
6	AP0247900	Distanzscheibe	1	
7	AP0227430	Paßscheibe 17,2/30/1	1	
8	AP0258275	Verschiebenocken	1	
9	AP0258034	Schaltgabel 4-5 Gang	1	
10	AP0258023	Schaltgabel 2 Gang	1	
11	AP0258013	Schaltgabel 1-3 Gang	1	
12	AP0258782	Schaltstange	2	
13	AP0237022	Kupplungswelle Z=11	1	
14	AP0845390	Seegerring	1	
15	AP0250992	Ölabstreifring 12x18x4,5	1	
16	AP0232275	Nadelkaefig 8x12x8	1	
17	AP0232480	Nadelkaefig 12x16x10	1	
18	AP0248305	Ausrueckwelle	1	
19	AP0840862	TCEI Schraube	1	

Einheit	MOTOR
Code	29.62
Beschreibung	Schaltgetriebe
Inspektion	1



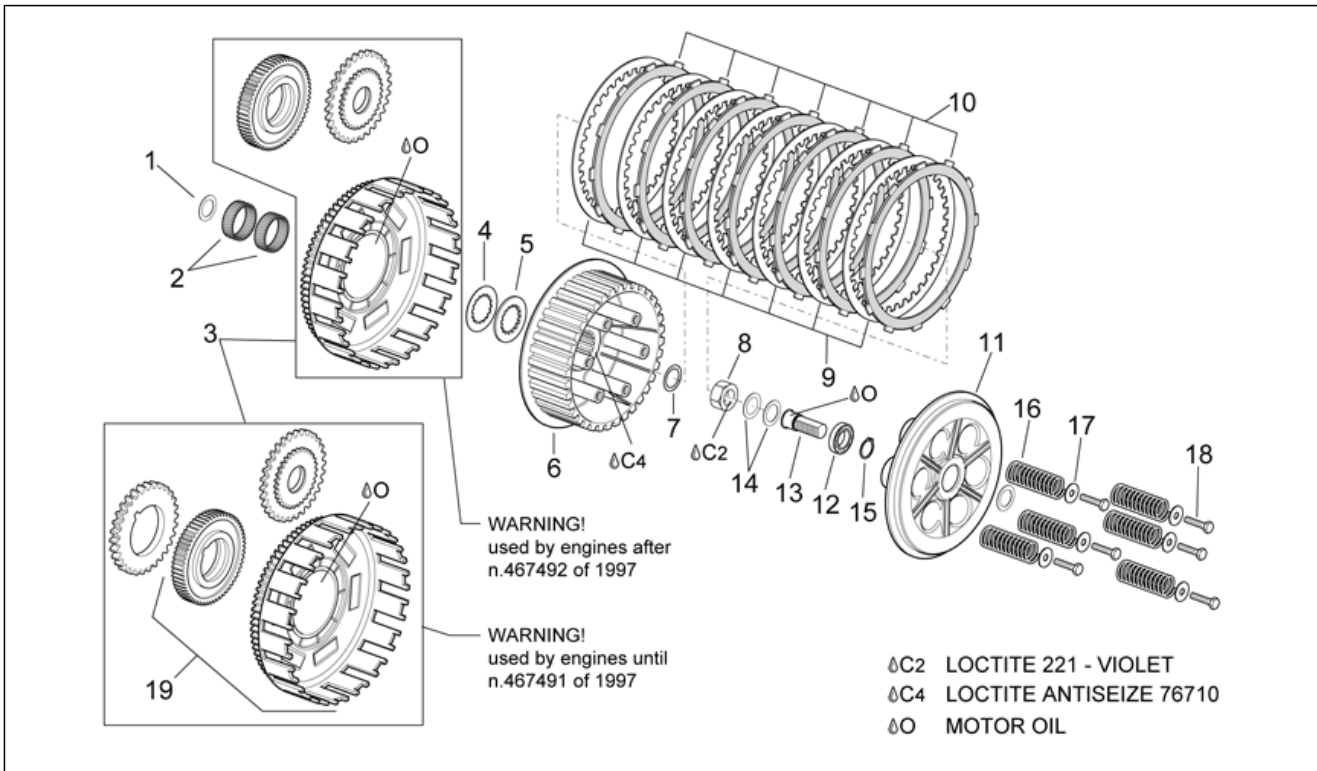
Pos.	Code	Beschreibung	Menge	Varianten
1	AP0281192	Schaltgetriebe 5-Gang	1	Technische Daten:Alte Version[OLD]
1	AP0281193	Schaltgetriebe 5-Gang	1	Technische Daten:Neue Version[NEW]
2	AP0234712	Zahnrad 4.Hauptwelle Z=22	1	
3	AP0227825	Paßscheibe 25,6/28,5/1,5	1	
4	AP0445300	Seegerring d25	4	
5	AP0634330	Zahnrad 3.Hauptwelle Z=16	1	
6	AP0227445	Paßscheibe 21,2/27,5/1	1	
7	AP0232805	Nadelkaefig 21x25x13	1	
8	AP0234720	Zahnrad 5.Hauptwelle Z=24	1	
9	AP0234670	Zahnrad 2.Hauptwelle Z=16	1	
10	AP0220220	Festrad	1	
11	AP0232520	Nadelkaefig 22x26x10	1	
12	AP0232530	Nadelkaefig 22x26x13	1	
13	AP0634300	Zahnrad 2.Vorgelegewelle Z=28	1	
14	AP0627051	Paßscheibe	2	
15	AP0634340	Zahnrad 5.Vorgelegewelle Z=21	1	
16	AP0234700	Zahnrad 3.Vorgelegewelle Z=21	1	
17	AP0627061	Ring	1	
18	AP0634350	Zahnrad 4.Vorgelegewelle Z=23	1	
19	AP0244100	Paßscheibe 21,2/30/1	1	
20	AP0232742	Nadelkaefig 21x25x10	1	
21	AP0634290	Zahnrad 1.Vorgelegewelle Z=33	1	
22	AP0227430	Paßscheibe 17,2/30/1	1	
23	AP0220232	Vorgelegewelle Z=12	1	
24	AP0430460	O-Ring 18x3,5	1	
25	AP0236336	Ritzel Z=16	1	
26	AP0245650	Seegerring AV 20	1	
27	AP0220225	Festrad	1	Technische Daten:Neue Version[NEW]

Einheit	MOTOR
Code	29.62
Beschreibung	Schaltgetriebe
Inspektion	1



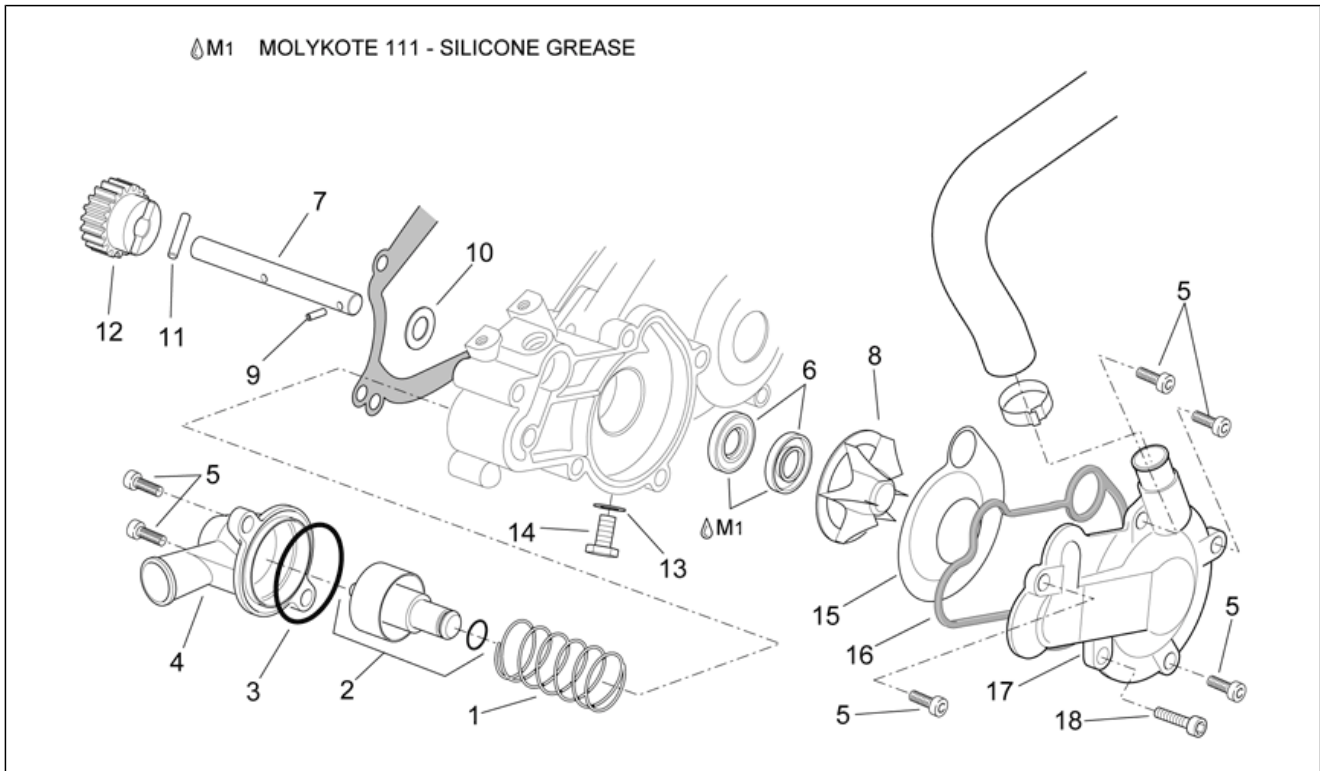
Pos.	Code	Beschreibung	Menge	Varianten
28	AP0245391	Sperring	1	Technische Daten:Neue Version[NEW]
29	AP0242651	Mutter m20x1,5	1	Technische Daten:Neue Version[NEW]

Einheit	MOTOR
Code	29.63
Beschreibung	Kupplung
Inspektion	1



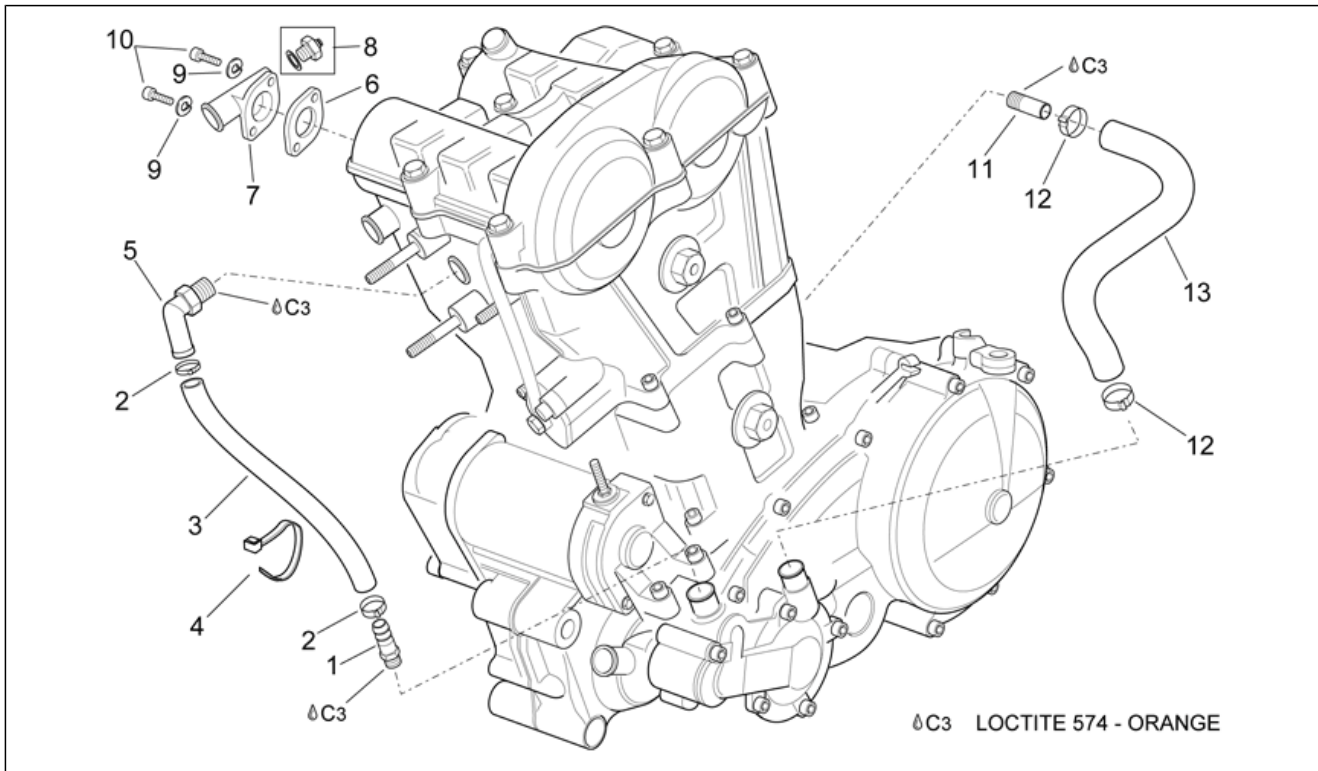
Pos.	Code	Beschreibung	Menge	Varianten
1	AP0427460	Paßscheibe 25/35/2	1	
2	AP0932930	Nadelkaefig 25x29x13	2	
3	AP0295441	Primaertrieb kpl.	1	Baujahr:1998[W]
3	AP0295441	Primaertrieb kpl.	1	Baujahr:1997[V]
3	AP0295442	Primaertrieb kpl.	1	Baujahr:1998[W]
3	AP0295442	Primaertrieb kpl.	1	Baujahr:1999[X], 2000[Y]
4	AP0250890	O-Ring 3771	1	
5	AP0244950	Paßscheibe 20/38/3	1	
6	AP0259115	Mitnehmer	1	
7	AP0245325	Ausgleichscheibe	1	
8	AP0242607	Mutter m18x1,25	1	
9	AP0259260	Kupplungsscheibe St. 1,5 mm	7	
10	AP0259210	Belaglamelle 3,5mm	7	Baujahr:1998[W]
10	AP0259210	Belaglamelle 3,5mm	7	Baujahr:1997[V]
10	AP8106706	Belaglamelle 7 st.	1	Baujahr:1999[X], 2000[Y]
10	AP8106706	Belaglamelle 7 st.	1	Baujahr:1998[W]
11	AP0259122	Stuetzteller	1	
12	AP0232262	Lager 15x32x9	1	
13	AP0259202	Zahnwelle	1	
14	AP0239060	Tellerfeder	2	
15	AP0945650	Seegerring d14	1	
16	AP0239162	Kupplungsfeder	6	
17	AP0244020	Ausgleichscheibe d6,5	6	
18	AP0240036	Sechskantschraube	6	
19	AP0295440	Primaertrieb kpl.	1	Baujahr:1997[V]

Einheit	MOTOR
Code	29.64
Beschreibung	Wasserpumpenritzel
Inspektion	1



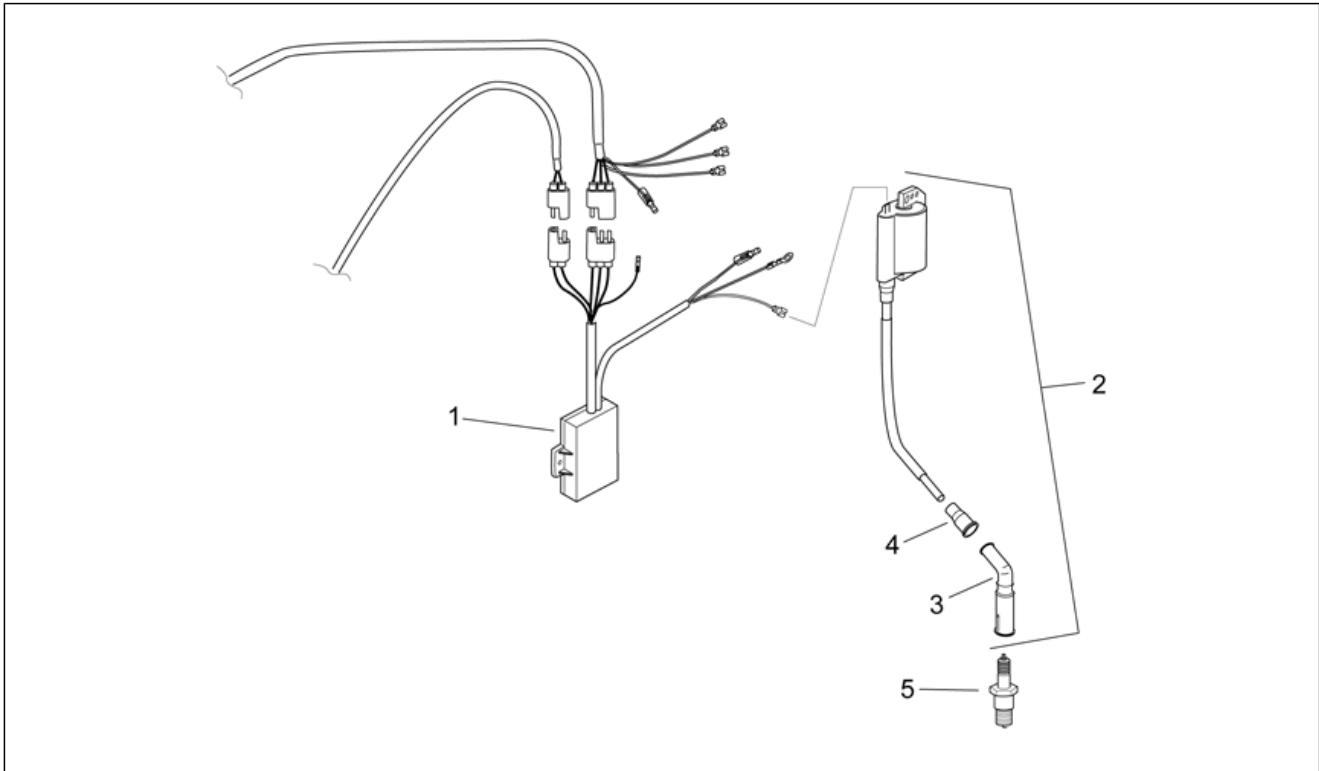
Pos.	Code	Beschreibung	Menge	Varianten
1	AP0239140	Feder	1	
2	AP0222317	Thermostat 70°	1	
3	AP0430590	O-Ring	1	
4	AP0222300	Thermostatgehäuse	1	
5	AP0241932	TCEI Schraube	6	
6	AP0230195	Ölabstreifring 10x26x7	2	
7	AP0237040	Welle Wasserpumpe	1	
8	AP0222270	Läufer	1	
9	AP0229280	Stift 4x16	1	
10	AP0227680	Paßscheibe 10,1/25/1	1	
11	AP0232420	Stift 4x19,8	1	
12	AP0234620	Wasserpump.-Zahn. Z=18	1	
13	AP0230415	Gasket ring 6x10	2	
14	AP0240912	Sechskantschraube	1	
15	AP0222290	Wasserpumpenritzel Schirm	1	
16	AP0230330	Dichtung	1	
17	AP0222214	Wasserpumpenkörper	1	Baujahr:1997[V], 1998[W], 1999[X]
17	AP0222215	Wasserpumpenkörper	1	Baujahr:2000[Y]
18	AP0240372	TCEI Schraube	1	

Einheit	MOTOR
Code	29.65
Beschreibung	Kühlschlauch
Inspektion	1



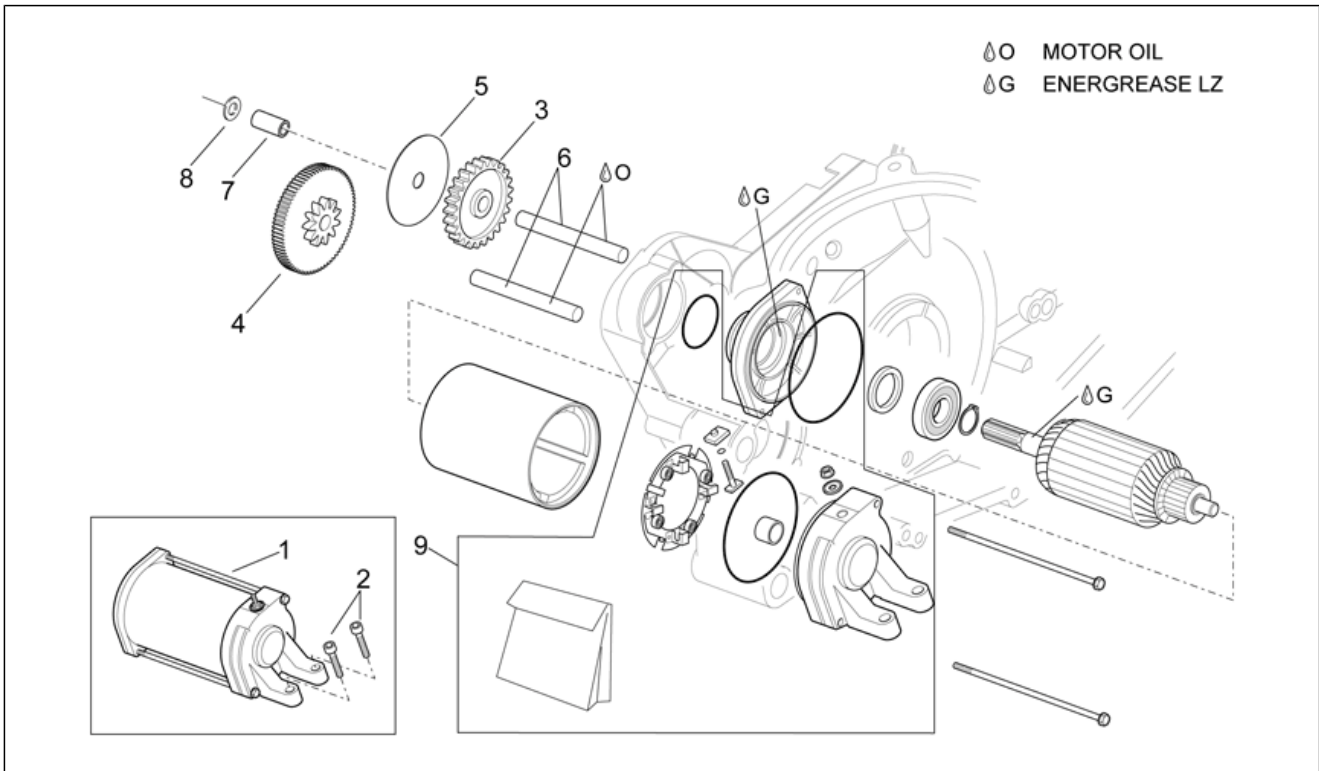
Pos.	Code	Beschreibung	Menge	Varianten
1	AP0840445	Anschluss	1	
2	AP0251010	Schelle d16,5	2	Baujahr:1997[V]
2	AP0251010	Schelle d16,5	2	Baujahr:1998[W]
2	AP0251170	Schelle d18	2	Baujahr:1999[X], 2000[Y]
2	AP0251170	Schelle d18	2	Baujahr:1998[W]
3	AP0260141	Leitung 240 mm	1	Baujahr:1997[V]
3	AP0260141	Leitung 240 mm	1	Baujahr:1998[W]
3	AP0260955	Leitung 250 mm	1	Baujahr:1998[W]
3	AP0260955	Leitung 250 mm	1	Baujahr:1999[X], 2000[Y]
4	AP0251920	Schelle	1	
5	AP0922245	Winkelverbinder	1	
6	AP0250025	Dichtung	1	
7	AP0222226	Winkelverbinder	1	Baujahr:1997[V], 1998[W], 1999[X]
7	AP0222227	Winkelverbinder	1	Baujahr:2000[Y]
8	AP0222420	Temperaturfühler	1	
9	AP0945750	Federring Din a5	2	
10	AP0840512	TCEI Schraube	2	
11	AP0224090	Leitung	1	
12	AP0251020	Schlauchschele 23,5	2	
13	AP0222280	Wasserschlauch	1	Baujahr:1997[V]
13	AP0222280	Wasserschlauch	1	Baujahr:1998[W]
13	AP0222284	Wasserschlauch	1	Baujahr:1998[W]
13	AP0222284	Wasserschlauch	1	Baujahr:1999[X], 2000[Y]

Einheit	MOTOR
Code	29.66
Beschreibung	Steuergerät - Spule
Inspektion	1



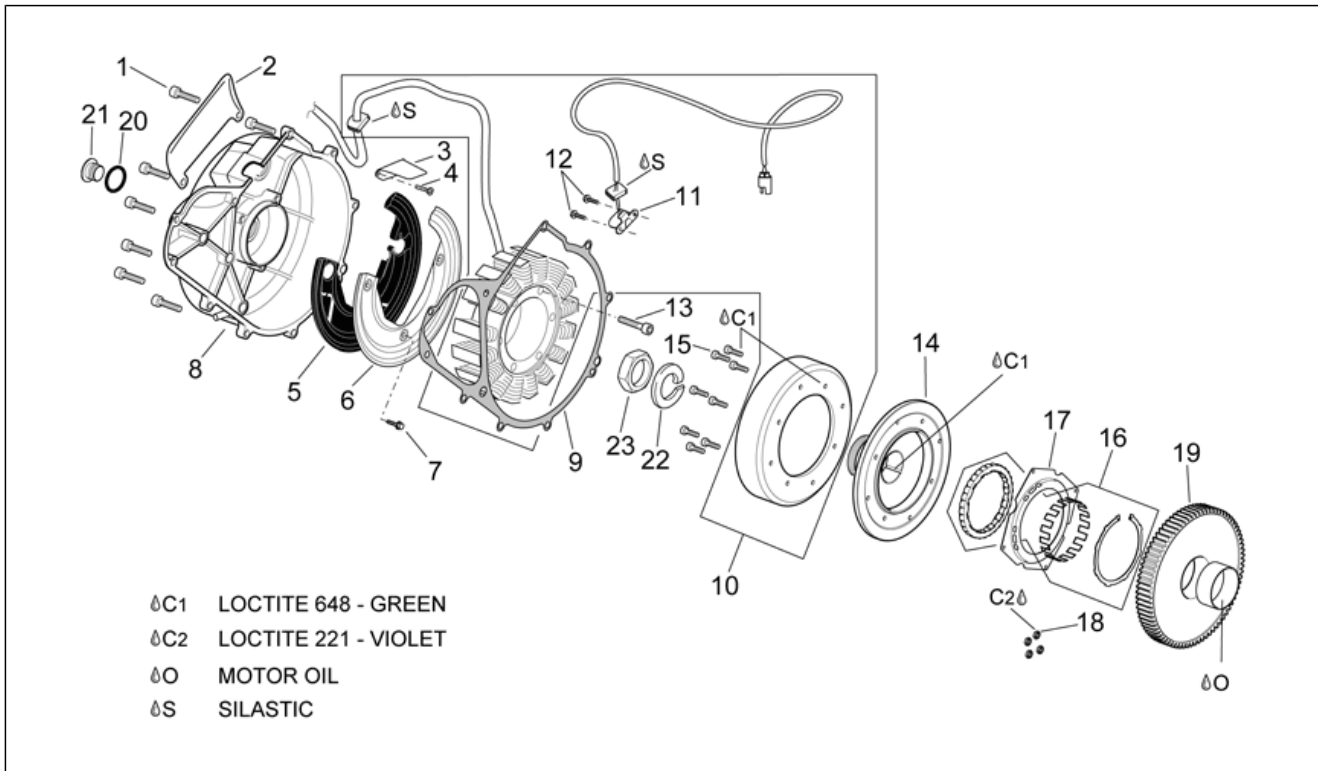
Pos.	Code	Beschreibung	Menge	Varianten
1	AP0265365	Steuergerät	1	
2	AP0265355	Zuendtransform.cpl.	1	
3	AP0264861	Zündkerzenkappe	1	
4	AP0260700	Gummi	1	
5	AP0297542	Zündkerze DR8EA	1	

Einheit	MOTOR
Code	29.67
Beschreibung	Startermotor
Inspektion	1



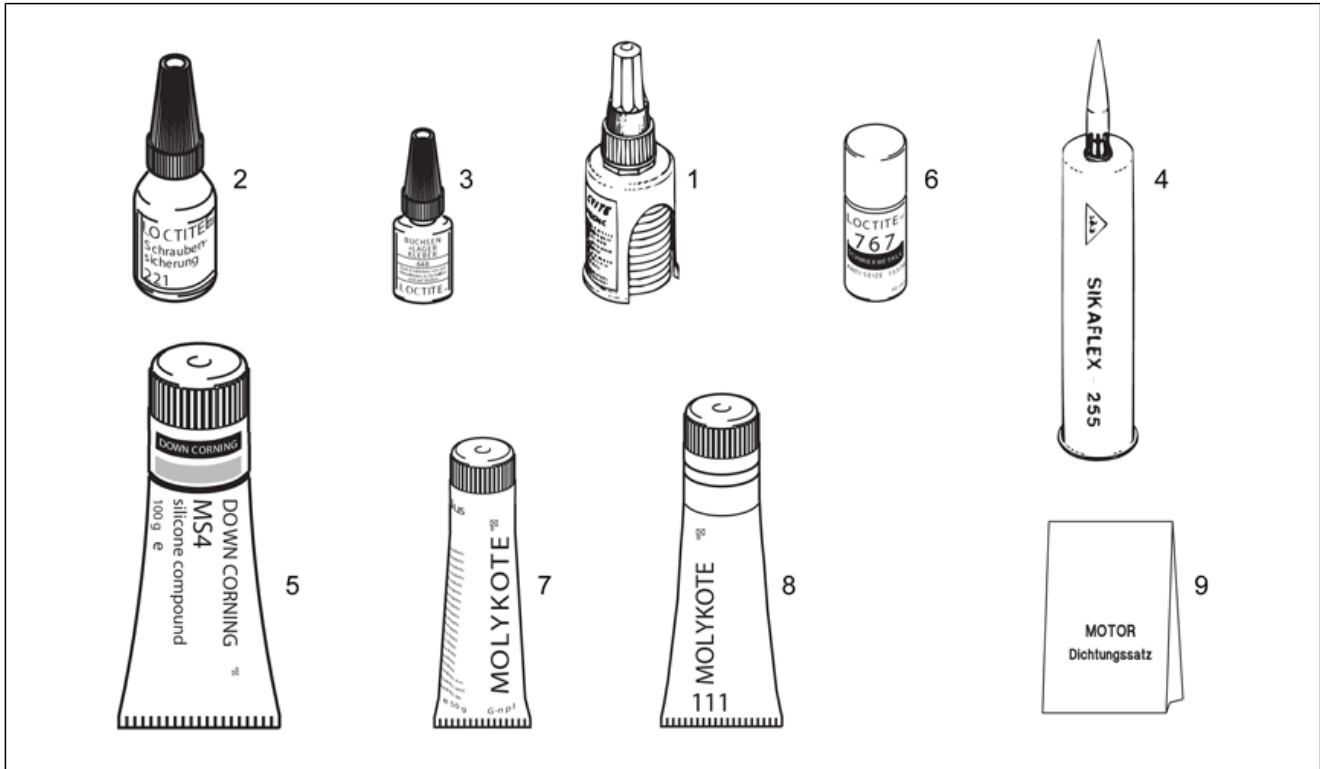
Pos.	Code	Beschreibung	Menge	Varianten
1	AP0294351	Anlasser komplett	1	
2	AP0840882	TCEI Schraube	2	
3	AP0234655	Freilaufgrad Z=24	1	
4	AP0234756	Freilaufgrad Z=11/52	1	
5	AP0627080	Paßscheibe 11/58/1,5	1	
6	AP0229301	Bolzen M6x50	2	
7	AP0247785	Distanzscheibe 10/13/10,7	1	
8	AP0827590	Paßscheibe 10,1/17/1	1	
9	AP0294352	Aust.satz Anlasser	1	

Einheit	MOTOR
Code	29.68
Beschreibung	Zündung
Inspektion	1



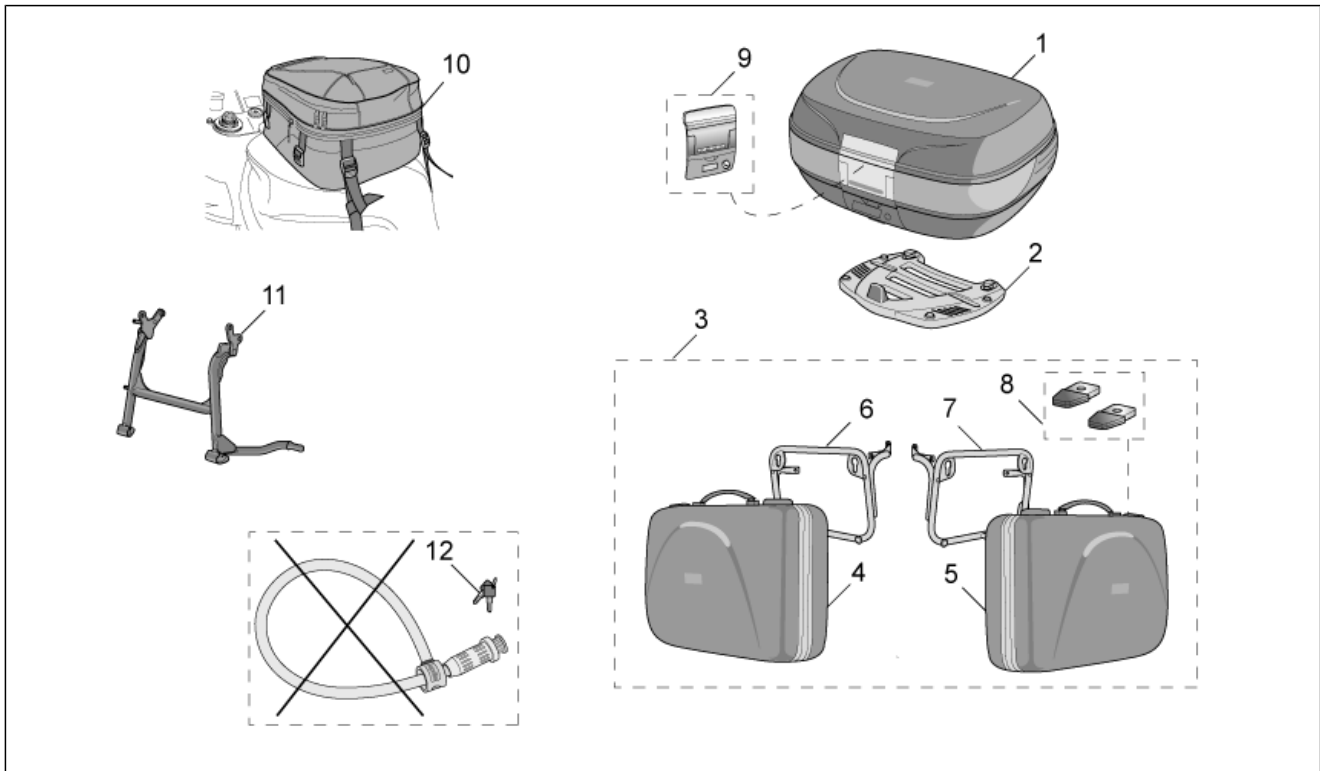
Pos.	Code	Beschreibung	Menge	Varianten
1	AP0840882	TCEI Schraube	10	
2	AP0251990	Interne Kabelschutzplatte	1	Baujahr:1997[V], 1998[W], 1999[X]
2	AP0251991	Interne Kabelschutzplatte	1	Baujahr:2000[Y]
3	AP0251880	Externe Kabelschutzplatte	1	
4	AP0240195	TCB-Spezialschraube M4x8	2	
5	AP0260305	Schalldämmplatte	1	
6	AP0275035	Platthalter	1	
7	AP0841680	TE-Spezialschraube	3	
8	AP0210386	Zünddeckel	1	Baujahr:2000[Y]
8	AP0210388	Zünddeckel	1	Baujahr:1997[V], 1998[W], 1999[X]
9	AP0250920	Dichtung	1	
10	AP0295170	Zündung 12V-280W	1	
11	AP0265155	Aussengeber	1	
12	AP0941925	TE-Spezialschraube	2	
13	AP0241810	TCEI Schraube	3	
14	AP0264577	Schwungmagnetnabe	1	
15	AP0640980	TCEI Schraube	8	
16	AP0958857	Freilauftrad	1	
17	AP0259192	Flansch Freilauftrad	1	
18	AP0242031	Mutter unten	4	
19	AP0634317	Zahnrad Freilauftrad	1	
20	AP0250890	O-Ring 3771	1	
21	AP0241801	Verschlusschraube M18x1,5	1	Baujahr:1997[V], 1998[W], 1999[X]
21	AP0241803	Verschlusschraube M18x1,5	1	Baujahr:2000[Y]
22	AP0945759	Federring Din a22	1	
23	AP0842230	Mutter m22x1,5	1	

Einheit	MOTOR
Code	29.69
Beschreibung	Verbrauchsmaterial
Inspektion	1



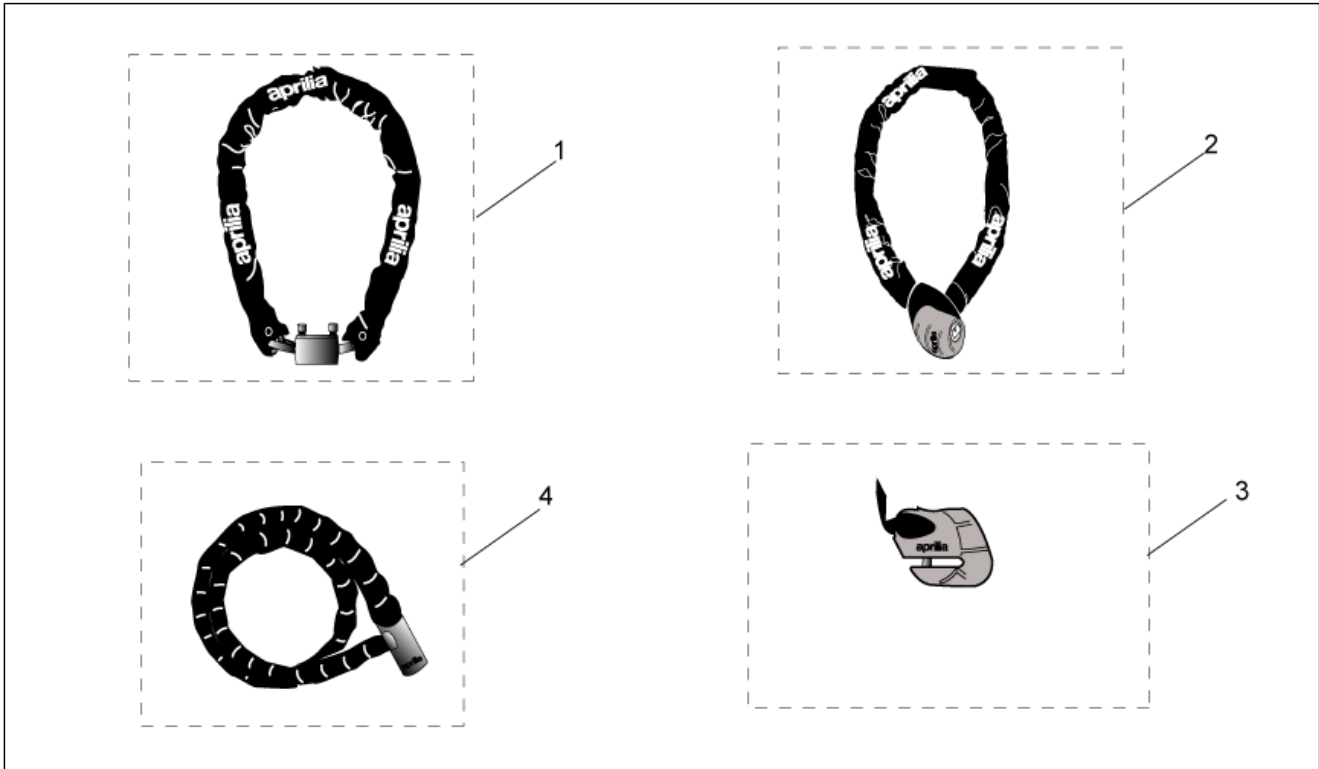
Pos.	Code	Beschreibung	Menge	Varianten
1	AP0899784	Loctite, orange 574	1	
2	AP0899785	Loctite, violett 221 10cc.	1	
3	AP0899788	Loctite, grün 648 5gr.	1	
4	AP0297900	Flachdichtmittel 310 ml	1	
5	AP0297386	Silastic 732 Rtv 100 gr.	1	
6	AP0297431	Loctite Anti Seize 10 GR.	1	
7	AP0297433	Molykote G-N 50gr.	1	
8	AP0897161	Molykote 111 100gr.	1	
9	AP0294761	Dichtungen - Satz	1	

Einheit	ZUBEHÖR
Code	30.70
Beschreibung	Acc. - Koffer, Taschen Son.
Inspektion	1



Pos.	Code	Beschreibung	Menge	Varianten
1	AP8792172	Koffer grau/rot X-Box Dark	1	Technische Daten:Zubehör[A]
1	AP8792286	Koffer grau/rot X-Box Light	1	Technische Daten:Zubehör[A]
2	AP8790188	Kofferhalter 50L	1	Technische Daten:Zubehör[A]
3	AP8792289	Koffer re.grau	1	Technische Daten:Zubehör[A]
4	AP8792290	Koffer re.grau	1	Technische Daten:Zubehör[A]
5	AP8792291	Koffer li.grau	1	Technische Daten:Zubehör[A]
6	AP8700855	Kit Seitenkofferhalterung re.	1	Technische Daten:Zubehör[A]
7	AP8700856	Kit Seitenkofferhalterung li.	1	Technische Daten:Zubehör[A]
8	AP8790114	Rotor kit with key	1	Technische Daten:Zubehör[A]
9	AP8796361	Kit Staukoffergriff 50L	1	Technische Daten:Zubehör[A]
10	AP8792008	Tankrucksack	1	Technische Daten:Zubehör[A]
11	AP8790147	Hauptständer	1	Technische Daten:Zubehör[A]
12	AP8700792	Schlüssellersatzdie. B.Guard UK-D	1	Technische Daten:Zubehör[A]
12	AP8700793	Schlüssellersatzdie. B.Guard F-NL	1	Technische Daten:Zubehör[A]
12	AP8700794	Schlüssellersatzdie. B.Guard I-E	1	Technische Daten:Zubehör[A]

Einheit	ZUBEHÖR
Code	30.71
Beschreibung	Acc. - Diefstahl
Inspektion	1



Pos.	Code	Beschreibung	Menge	Varianten
1	AP8720115	Iron Guard 10x150 mm	1	Technische Daten:Zubehör[A]
2	AP8720116	Iron Guard 8x120 mm	1	Technische Daten:Zubehör[A]
3	AP8720117	Iron Guard Disk 5 mm	1	Technische Daten:Zubehör[A]
4	AP8720118	Easy Guard 150 mm	1	Technische Daten:Zubehör[A]