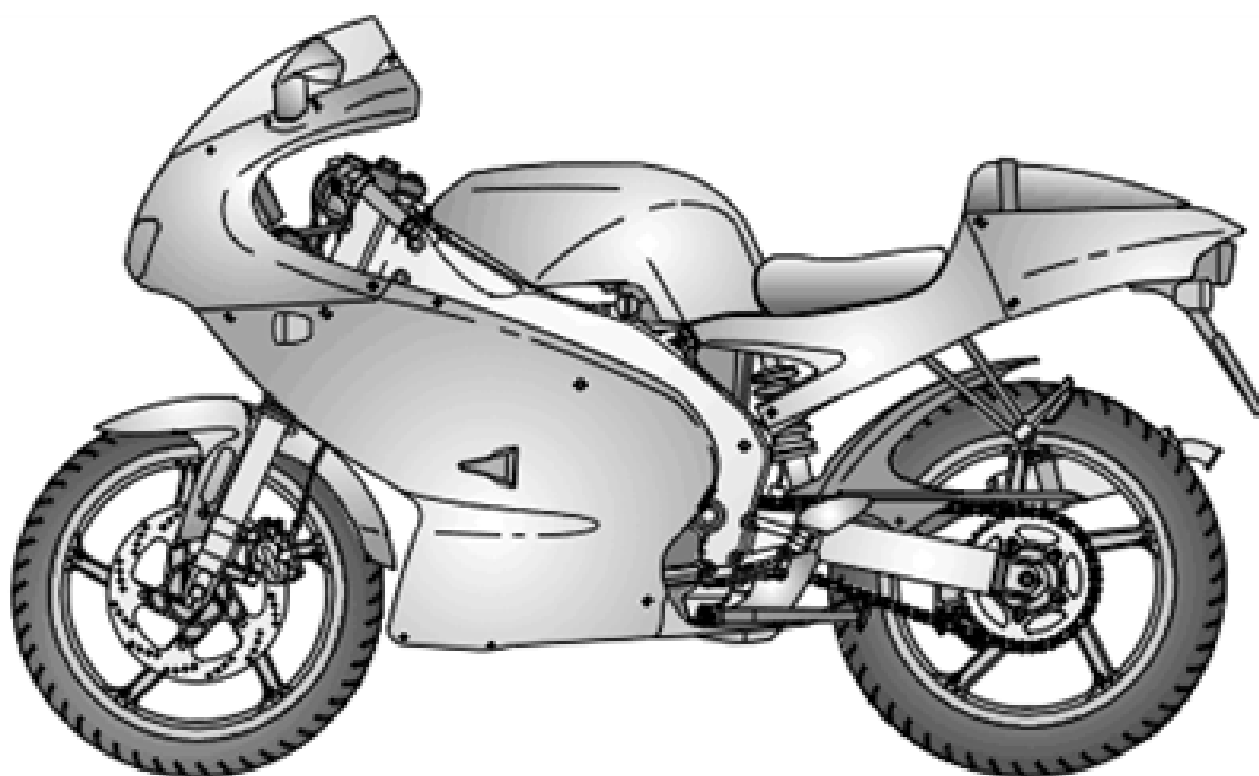


aprilia[®]

ERSATZTEILKATALOG



RS 50 1999-2005

Vorsatzcode Fahrgestell: ZD4PG, ZD4SE0, ZD4TS0, ZD4TSB, ZD4TSJ
Vorsatzcode Motor:

Inhaltsverzeichnis

Fertige Produkte.....	4
Alphanumerisches Verzeichnis.....	5
RAHMEN.....	12
Tafel 28.01 - Rahmen - Wiege.....	12
Tafel 28.02 - Hauptständer.....	13
Tafel 28.03 - Fußrasten Fahrer.....	15
Tafel 28.04 - Soziusrasten.....	16
Tafel 28.05 - Vorderradgabel I.....	17
Tafel 28.06 - Vorderradgabel II.....	18
Tafel 28.07 - Schwinge - Stoßdämpfer.....	21
Tafel 28.08 - Frontaufbau I.....	23
Tafel 28.09 - Frontaufbau II.....	25
Tafel 28.10 - Kraftstofftank.....	28
Tafel 28.11 - Mittlerer Aufbau.....	30
Tafel 28.12 - Sitzbankeinheit.....	33
Tafel 28.13 - Heckaufbau I.....	37
Tafel 28.14 - Heckaufbau II.....	40
Tafel 28.15 - Instrumententafel.....	42
Tafel 28.16 - Schaltungen rechts.....	44
Tafel 28.17 - Schaltungen links.....	46
Tafel 28.18 - Kühler.....	47
Tafel 28.19 - Filtergehäuse.....	48
Tafel 28.21 - Ölbehälter.....	49
Tafel 28.23 - Schalthebel.....	50
Tafel 28.24 - Auslassgruppe.....	51
Tafel 28.25 - Vorderrad.....	54
Tafel 28.26 - Hinterrad.....	56
Tafel 28.27 - Hinterradbrenspumpe.....	58
Tafel 28.28 - Hinterradbrenszange.....	60
Tafel 28.29 - Vorderer lichter.....	61
Tafel 28.30 - Hinterer lichter.....	64
Tafel 28.31 - Elektrische Anlage.....	67
Tafel 28.32 - Bausatz Schlösser.....	69
Tafel 28.33 - Bed./Wart.-Anl. und Deko.....	71
Tafel 28.34 - Schilden.....	78
MOTOR.....	80
Tafel 29.20 - Secondary air.....	80
Tafel 29.22 - Motor.....	81
Tafel 29.35 - Ölpumpe - Krümmer.....	82
Tafel 29.36 - Vergaser - PG.....	85
Tafel 29.37 - Vergaser I - SE-TS.....	87
Tafel 29.38 - Vergaser II - SE-TS.....	89
Tafel 29.39 - Kurbelwelle.....	91

Tafel 29.40 - Zylinderkopf.....	92
Tafel 29.41 - Zylinder - Kolben.....	94
Tafel 29.42 - Hauptwelle.....	97
Tafel 29.43 - Vorgelegewelle.....	98
Tafel 29.44 - Schaltgabel.....	100
Tafel 29.45 - Kupplung.....	101
Tafel 29.46 - Kupplungsdeckel.....	102
Tafel 29.47 - Rechtes gehäuse.....	104
Tafel 29.48 - Linkes gehäuse.....	105
Tafel 29.49 - Zündgruppe.....	106

Fertige Produkte

Code	Gültigkeit
AP66012CH01	
AP66012CH03	
AP66012CH05	

Code	Nr. der Tafel	Pos.
0000000	28.25	2
0000000	28.26	2
AP8101106	28.05	12
AP8101259	28.24	6
AP8101313	28.14	10
AP8101313	28.21	9
AP8101372	28.18	3
AP8101586	29.20	5
AP8101592	28.14	13
AP8101722	28.18	18
AP8101743	28.21	8
AP8101770	28.21	7
AP8101861	28.04	17
AP8101927	28.18	13
AP8101944	28.21	4
AP8102119	28.12	5
AP8102119	28.32	6
AP8102216	28.15	19
AP8102217	28.15	17
AP8102223	28.21	6
AP8102224	28.21	5
AP8102228	28.10	14
AP8102228	28.32	5
AP8102239	28.18	12
AP8102341	28.08	3
AP8102361	28.10	12
AP8102361	28.32	8
AP8102375	28.01	12
AP8102375	28.04	12
AP8102375	28.07	5
AP8102375	28.08	11
AP8102375	28.09	7
AP8102375	28.11	5
AP8102375	28.13	4
AP8102375	28.21	10
AP8102376	28.01	6
AP8102376	28.03	11
AP8102376	28.04	6
AP8102376	28.18	10
AP8102377	28.10	19
AP8102401	28.19	6
AP8102432	28.24	3
AP8102432	28.24	3
AP8102632	28.08	2
AP8102633	28.08	5
AP8102811	28.27	16
AP8102880	28.32	4
AP8102909	28.08	4
AP8102926	28.21	13
AP8103705	28.09	8
AP8104745	29.20	1
AP8106091	29.36	3
AP8106092	29.38	4
AP8106692	29.40	2
AP8106820	29.38	11
AP8110024	28.05	8
AP8110025	28.05	9
AP8110053	28.23	6
AP8112244	28.31	8
AP8112491	28.31	20
AP8112916	28.30	8
AP8113003	28.25	21
AP8113003	28.28	11
AP8113004	28.25	22
AP8113004	28.27	9
AP8113004	28.28	12
AP8113005	28.25	18

Code	Nr. der Tafel	Pos.
AP8113005	28.28	5
AP8113157	28.27	15
AP8113276	28.27	12
AP8113413	28.16	10
AP8113478	28.25	17
AP8113821	28.27	14
AP8113822	28.27	11
AP8113823	28.27	17
AP8118104	28.17	8
AP8118287	28.16	4
AP8118287	28.17	10
AP8118307	28.16	17
AP8118316	28.16	16
AP8118517	28.17	9
AP8120001	28.12	3
AP8120030	28.18	4
AP8120177	28.14	4
AP8120271	28.17	13
AP8120416	28.05	15
AP8120482	28.31	17
AP8120512	28.09	15
AP8120557	28.10	4
AP8120573	28.03	5
AP8120573	28.04	18
AP8120615	28.19	7
AP8120702	28.10	9
AP8120709	28.10	10
AP8120759	28.15	23
AP8120760	28.15	20
AP8120798	28.10	6
AP8120812	28.24	9
AP8120910	28.24	7
AP8120912	28.23	3
AP8120912	28.27	20
AP8120952	28.10	18
AP8120952	28.19	9
AP8120965	28.08	12
AP8121088	28.26	12
AP8121088	28.26	12
AP8121088	28.26	12
AP8121088	28.28	17
AP8121114	28.10	5
AP8121133	28.04	19
AP8121135	28.03	6
AP8121147	28.23	2
AP8121149	28.27	22
AP8121150	28.07	22
AP8121217	28.01	18
AP8121284	28.23	11
AP8121566	28.03	6
AP8121566	28.03	6
AP8121665	29.20	8
AP8121673	28.10	25
AP8121695	28.02	4
AP8121696	28.02	5
AP8121697	28.23	12
AP8121697	28.27	24
AP8121784	28.10	8
AP8121819	28.10	16
AP8121826	28.16	15
AP8123427	28.06	5
AP8123574	28.06	2
AP8123704	28.06	6
AP8123705	28.06	4
AP8124134	28.29	7
AP8124134	28.29	7
AP8124134	28.30	11

Code	Nr. der Tafel	Pos.
AP8124134	28.30	11
AP8124135	28.29	8
AP8124135	28.29	8
AP8124135	28.30	12
AP8124135	28.30	12
AP8124235	28.31	13
AP8124479	28.27	8
AP8124489	28.30	6
AP8124492	28.30	9
AP8124492	28.30	9
AP8124527	28.30	10
AP8124527	28.30	10
AP8124718	28.14	14
AP8124719	28.09	5
AP8124977	28.02	11
AP8125431	28.25	9
AP8125913	29.45	20
AP8125922	28.26	11
AP8125922	28.26	11
AP8125923	28.26	12
AP8125923	28.26	12
AP8126583	28.14	1
AP8126641	28.14	2
AP8127123	28.29	15
AP8127123	28.30	16
AP8127164	28.29	14
AP8127535	28.29	8
AP8127535	28.30	12
AP8127536	28.29	7
AP8127536	28.30	11
AP8127633	28.29	9
AP8127633	28.30	13
AP8128119	28.25	1
AP8128122	28.26	1
AP8129222	28.12	12
AP8129222	28.12	12
AP8129222	28.12	12
AP8129222	28.12	12
AP8129222	28.12	12
AP8129222	28.12	12
AP8129248	28.12	12
AP8129248	28.12	12
AP8131320	28.27	2
AP8131320	28.27	2
AP8134167	28.25	26
AP8134186	28.07	18
AP8134266	28.02	2
AP8134446	28.30	7
AP8134451	28.04	20
AP8134829	28.04	21
AP8135260	28.12	6
AP8135260	28.32	9
AP8138916	28.08	6
AP8138916	28.08	6
AP8138916	28.08	6
AP8138916	28.08	6
AP8139724	28.08	6
AP8140710	28.32	4
AP8144109	28.08	8
AP8144141	28.31	2
AP8144151	28.27	27
AP8146728	28.04	2
AP8147545	28.29	4
AP8147546	28.29	5
AP8148663	28.08	6
AP8149034	28.14	17
AP8150015	28.12	7
AP8150015	28.15	10

Code	Nr. der Tafel	Pos.
AP8150015	28.32	10
AP8150017	28.01	4
AP8150017	28.02	9
AP8150017	28.24	5
AP8150017	29.22	6
AP8150025	28.27	21
AP8150026	28.23	8
AP8150026	28.27	13
AP8150032	28.04	10
AP8150049	28.07	9
AP8150137	28.03	12
AP8150158	28.09	13
AP8150158	28.14	16
AP8150158	28.14	21
AP8150158	28.30	5
AP8150177	28.29	11
AP8150178	28.10	23
AP8150202	28.10	15
AP8150204	28.09	14
AP8150204	28.14	15
AP8150204	28.14	23
AP8150204	28.30	4
AP8150211	28.32	15
AP8150238	28.16	20
AP8150246	28.07	4
AP8150252	29.22	3
AP8150270	28.29	6
AP8150270	28.30	2
AP8150280	28.05	3
AP8150280	28.27	28
AP8150285	28.16	24
AP8150285	28.17	16
AP8150297	28.07	13
AP8150299	28.07	23
AP8150314	28.10	20
AP8150333	28.04	5
AP8150349	28.32	16
AP8150371	28.30	3
AP8150376	28.01	8
AP8150376	28.04	8
AP8150376	28.25	25
AP8150376	28.28	15
AP8150382	28.14	22
AP8150388	28.01	3
AP8150388	28.02	8
AP8150388	29.22	7
AP8150413	28.09	12
AP8150413	28.13	6
AP8150420	28.09	11
AP8150429	28.10	21
AP8150430	28.09	10
AP8150430	28.14	8
AP8150430	28.15	11
AP8150430	28.23	10
AP8150430	28.27	7
AP8150431	28.03	9
AP8150436	28.23	14
AP8150436	28.27	23
AP8150450	28.08	9
AP8150481	28.16	21
AP8150481	28.17	4
AP8152001	28.02	6
AP8152043	28.10	13
AP8152043	28.14	20
AP8152043	28.32	7
AP8152063	28.07	14
AP8152105	28.25	14

Code	Nr. der Tafel	Pos.
AP8152108	28.10	24
AP8152112	28.24	4
AP8152123	28.12	8
AP8152123	28.32	11
AP8152138	28.23	7
AP8152153	28.10	11
AP8152176	28.07	10
AP8152176	28.23	13
AP8152176	28.27	25
AP8152184	28.04	11
AP8152186	28.10	7
AP8152194	28.12	9
AP8152194	28.32	12
AP8152220	28.16	22
AP8152220	28.17	5
AP8152246	28.08	7
AP8152246	28.14	7
AP8152246	28.21	11
AP8152262	28.07	17
AP8152267	28.21	12
AP8152268	28.14	18
AP8152277	28.05	14
AP8152277	28.18	20
AP8152277	28.18	8
AP8152277	28.31	4
AP8152277	29.20	6
AP8152278	28.01	11
AP8152278	28.09	9
AP8152278	28.19	8
AP8152278	28.27	4
AP8152278	28.31	24
AP8152279	28.04	4
AP8152279	28.23	15
AP8152279	28.27	6
AP8152281	28.01	17
AP8152281	28.15	12
AP8152282	28.31	11
AP8152282	29.20	7
AP8152286	28.04	3
AP8152286	28.26	17
AP8152286	28.28	14
AP8152287	28.04	9
AP8152288	28.03	8
AP8152288	28.25	24
AP8152289	28.01	7
AP8152298	28.13	8
AP8152299	28.01	16
AP8152299	28.04	16
AP8152299	28.10	22
AP8152299	28.15	13
AP8152299	28.27	5
AP8152300	28.01	5
AP8152300	28.01	9
AP8152300	28.02	10
AP8152300	28.24	8
AP8152300	29.22	5
AP8152301	28.07	11
AP8152302	28.08	10
AP8152302	28.09	6
AP8152302	28.11	6
AP8152302	28.13	5
AP8152302	28.14	9
AP8152305	28.07	16
AP8152306	28.12	14
AP8152306	28.14	19
AP8152310	28.02	3
AP8152310	28.02	3

Code	Nr. der Tafel	Pos.
AP8152318	28.04	7
AP8152329	28.19	10
AP8152338	28.13	7
AP8152339	28.14	11
AP8152409	28.03	5
AP8152409	28.04	18
AP8157105	28.08	13
AP8163285	28.06	13
AP8163289	28.06	24
AP8163294	28.06	3
AP8163295	28.06	4
AP8163296	28.06	5
AP8163297	28.06	6
AP8163298	28.06	7
AP8163301	28.06	9
AP8163302	28.06	11
AP8163435	28.06	12
AP8163439	28.06	21
AP8166416	28.33	5
AP8178560	28.10	1
AP8201169	28.18	21
AP8201230	28.25	6
AP8201312	28.18	5
AP8201326	28.16	2
AP8201358	28.10	17
AP8201457	28.01	19
AP8201463	28.18	6
AP8201476	28.18	1
AP8201546	28.25	8
AP8201546	28.26	5
AP8201611	28.14	12
AP8201671	28.25	5
AP8202080	28.33	1
AP8202083	28.32	1
AP8202096	28.19	3
AP8202097	28.32	2
AP8202129	28.10	3
AP8202134	28.16	3
AP8202134	28.17	11
AP8202156	28.05	2
AP8202159	28.31	1
AP8202161	28.33	1
AP8202162	28.33	1
AP8202163	28.33	1
AP8202164	28.33	1
AP8202177	28.18	12
AP8202305	28.33	1
AP8202306	28.33	1
AP8202307	28.33	1
AP8202308	28.33	1
AP8202358	28.32	1
AP8202379	28.32	6
AP8202380	28.32	5
AP8202404	28.33	1
AP8202410	28.33	1
AP8202411	28.33	1
AP8202412	28.33	1
AP8203258	28.06	7
AP8203447	28.06	3
AP8203550	28.05	10
AP8203570	28.06	13
AP8203572	28.06	12
AP8203588	28.05	11
AP8203589	28.05	13
AP8203815	28.05	1
AP8203815	28.06	1
AP8203818	28.07	6

Code	Nr. der Tafel	Pos.
AP8203826	28.07	8
AP8203948	28.07	7
AP8203949	28.06	9
AP8203950	28.06	11
AP8203951	28.05	5
AP8203952	28.05	7
AP8203953	28.05	6
AP8203954	28.05	4
AP8203955	28.06	10
AP8203956	28.06	8
AP8203957	28.06	15
AP8203958	28.06	14
AP8203959	28.06	17
AP8203960	28.06	16
AP8203981	28.05	1
AP8203981	28.06	1
AP8203989	28.06	17
AP8203990	28.06	16
AP8206019	29.41	3
AP8206137	29.47	12
AP8206181	29.35	23
AP8206202	29.46	12
AP8206202	29.48	1
AP8206231	29.42	4
AP8206235	29.46	10
AP8206240	29.48	12
AP8206242	29.35	4
AP8206245	29.46	7
AP8206247	29.45	5
AP8206248	29.45	7
AP8206250	29.41	2
AP8206251	29.48	3
AP8206252	29.48	8
AP8206253	29.45	15
AP8206256	29.45	3
AP8206257	29.47	1
AP8206258	29.45	9
AP8206259	29.47	2
AP8206260	29.42	13
AP8206261	29.43	21
AP8206262	29.46	11
AP8206262	29.48	2
AP8206263	29.42	5
AP8206264	29.39	8
AP8206265	29.45	13
AP8206266	29.45	17
AP8206267	29.45	2
AP8206268	29.39	5
AP8206269	29.43	25
AP8206269	29.44	7
AP8206270	29.44	13
AP8206271	29.45	4
AP8206272	29.45	10
AP8206274	29.49	3
AP8206276	29.47	8
AP8206277	29.35	12
AP8206277	29.46	2
AP8206277	29.48	9
AP8206279	29.45	11
AP8206280	29.35	19
AP8206281	29.42	1
AP8206281	29.43	7
AP8206282	29.39	2
AP8206283	29.43	23
AP8206285	29.40	12
AP8206286	29.40	11
AP8206287	29.45	14

Code	Nr. der Tafel	Pos.
AP8206288	29.47	7
AP8206290	29.39	6
AP8206292	29.41	5
AP8206293	29.49	11
AP8206295	29.47	9
AP8206296	29.47	6
AP8206298	29.43	19
AP8206299	29.44	9
AP8206299	29.48	7
AP8206300	29.35	5
AP8206303	29.35	6
AP8206304	29.49	10
AP8206305	29.49	9
AP8206308	29.45	19
AP8206309	29.46	6
AP8206310	29.45	1
AP8206311	29.39	4
AP8206320	29.46	13
AP8206322	29.45	6
AP8206327	29.46	4
AP8206328	29.46	5
AP8206331	29.44	3
AP8206332	29.44	8
AP8206334	29.46	19
AP8206335	29.46	21
AP8206336	29.43	22
AP8206338	29.46	20
AP8206341	29.49	2
AP8206342	29.35	22
AP8206343	29.45	18
AP8206344	29.44	12
AP8206344	29.45	16
AP8206345	29.46	1
AP8206349	29.39	9
AP8206358	29.44	2
AP8206383	29.40	3
AP8206404	29.41	1
AP8206407	29.36	22
AP8206427	29.40	8
AP8206508	29.46	14
AP8206598	29.43	24
AP8206599	29.43	27
AP8206600	29.43	28
AP8206601	29.43	20
AP8206602	29.35	3
AP8206603	29.47	10
AP8206603	29.47	10
AP8206604	29.42	14
AP8206605	29.43	14
AP8206606	29.44	5
AP8206607	29.42	18
AP8206608	29.42	8
AP8206609	29.42	16
AP8206610	29.42	7
AP8206611	29.43	9
AP8206612	29.43	15
AP8206613	29.43	10
AP8206614	29.43	12
AP8206615	29.43	5
AP8206616	29.43	13
AP8206617	29.42	9
AP8206618	29.40	1
AP8206619	29.43	26
AP8206621	29.43	11
AP8206622	29.42	19
AP8206623	29.43	29
AP8206624	29.42	20

Code	Nr. der Tafel	Pos.
AP8206625	29.49	6
AP8206626	29.43	16
AP8206631	29.35	21
AP8206632	29.35	13
AP8206633	29.43	6
AP8206645	29.35	18
AP8206645	29.35	18
AP8206646	29.49	7
AP8206649	29.46	18
AP8206653	29.35	3
AP8206654	29.35	16
AP8206710	29.35	7
AP8206711	29.35	8
AP8206716	29.49	5
AP8206719	29.46	26
AP8206719	29.46	26
AP8206721	29.40	9
AP8206760	29.41	1
AP8206869	29.43	1
AP8206872	29.36	22
AP8206874	29.47	11
AP8206875	29.47	3
AP8206876	29.47	5
AP8206879	29.36	22
AP8206880	29.46	16
AP8206881	29.46	16
AP8206886	29.37	3
AP8206886	29.38	1
AP8206887	29.38	8
AP8206889	29.38	7
AP8206890	29.38	2
AP8206891	29.37	6
AP8206892	29.37	7
AP8206893	29.37	8
AP8206894	29.38	9
AP8206899	29.37	1
AP8206902	29.38	5
AP8206907	29.38	10
AP8206908	29.37	5
AP8206915	29.40	4
AP8206935	29.40	2
AP8206937	29.36	5
AP8206938	29.36	3
AP8206940	29.37	10
AP8206947	29.40	11
AP8206948	29.40	16
AP8206949	29.40	2
AP8206949	29.40	2
AP8206950	29.41	1
AP8206950	29.41	1
AP8206951	29.49	9
AP8206952	29.41	6
AP8206953	29.41	6
AP8206954	29.41	6
AP8206955	29.41	2
AP8206955	29.41	2
AP8206956	29.41	2
AP8206956	29.41	2
AP8206956	29.41	2
AP8206957	29.41	2
AP8206957	29.41	2
AP8206959	29.36	22
AP8206968	29.35	2
AP8206968	29.35	2
AP8206969	29.37	9

Code	Nr. der Tafel	Pos.
AP8206970	29.40	2
AP8206971	29.43	1
AP8206972	29.35	3
AP8206973	29.47	10
AP8206974	29.35	21
AP8206975	29.35	7
AP8206976	29.40	14
AP8206977	28.18	11
AP8206978	29.46	16
AP8206979	29.41	1
AP8206980	29.37	2
AP8206981	29.38	3
AP8206982	29.38	6
AP8206983	29.37	4
AP8206990	29.22	1
AP8207076	28.26	10
AP8207077	28.26	7
AP8207086	28.26	6
AP8208571	28.26	1
AP8208571	28.26	1
AP8208573	28.25	1
AP8208573	28.25	1
AP8208735	28.25	1
AP8208735	28.25	1
AP8208738	28.26	1
AP8208738	28.26	1
AP8208803	28.25	1
AP8208806	28.26	1
AP8208864	28.26	1
AP8208867	28.25	1
AP8208911	28.25	1
AP8208911	28.25	1
AP8208914	28.26	1
AP8208914	28.26	1
AP8210007	28.23	5
AP8210007	28.27	18
AP8212110	28.31	5
AP8212121	28.31	10
AP8212196	28.16	1
AP8212212	28.31	14
AP8212219	28.31	15
AP8212367	29.49	1
AP8212375	28.31	7
AP8212474	28.31	9
AP8212474	28.31	9
AP8212525	28.31	6
AP8212680	28.29	9
AP8212680	28.29	9
AP8212680	28.30	13
AP8212680	28.30	13
AP8212967	28.29	3
AP8212971	28.29	1
AP8212971	28.29	1
AP8212972	28.31	12
AP8212972	28.31	12
AP8212973	28.31	19
AP8212975	28.15	1
AP8212975	28.15	1
AP8212976	28.21	3
AP8212986	28.17	15
AP8213028	28.17	6
AP8213078	28.16	9
AP8213102	28.28	4
AP8213104	28.28	3
AP8213108	28.25	19
AP8213108	28.28	6
AP8213277	28.16	13

Code	Nr. der Tafel	Pos.
AP8213281	28.16	12
AP8213311	28.25	12
AP8213312	28.25	23
AP8213314	28.27	3
AP8213315	28.27	10
AP8213315	28.28	13
AP8213317	28.26	18
AP8213317	28.28	1
AP8213361	28.28	7
AP8213388	28.17	7
AP8213413	28.25	20
AP8213414	28.28	9
AP8213415	28.28	8
AP8213418	28.26	19
AP8213418	28.28	2
AP8213419	28.25	13
AP8213420	28.16	7
AP8213421	28.16	8
AP8213422	28.16	5
AP8213423	28.25	16
AP8213436	28.16	14
AP8213446	28.27	1
AP8213476	28.02	3
AP8213477	28.16	6
AP8213478	28.27	2
AP8213517	28.25	20
AP8213518	28.28	9
AP8214178	28.17	14
AP8214179	28.15	14
AP8214179	28.15	14
AP8214180	28.16	19
AP8214181	28.15	15
AP8214196	28.15	14
AP8214218	28.16	19
AP8214219	28.17	17
AP8214236	28.16	19
AP8218340	28.16	18
AP8218342	28.17	12
AP8218345	28.16	11
AP8218404	28.17	3
AP8218462	28.17	1
AP8218463	28.17	2
AP8219325	28.24	10
AP8219377	28.24	2
AP8219378	28.24	1
AP8219455	28.24	1
AP8219456	28.24	1
AP8219459	28.24	1
AP8219460	28.24	1
AP8219461	28.24	1
AP8219462	28.24	2
AP8219469	28.24	1
AP8219470	28.24	2
AP8219546	28.24	2
AP8219578	28.24	11
AP8219591	28.24	1
AP8219610	28.24	11
AP8219611	28.24	11
AP8219617	28.24	11
AP8220104	28.18	7
AP8220104	28.19	6
AP8220150	28.15	9
AP8220196	28.07	19
AP8220197	28.07	20
AP8220198	28.07	15
AP8220235	28.18	9
AP8220275	28.15	16

Code	Nr. der Tafel	Pos.
AP8220323	28.11	7
AP8220349	28.12	2
AP8220415	28.18	14
AP8220421	28.21	2
AP8220450	28.18	11
AP8220496	28.18	15
AP8220497	28.26	16
AP8220499	28.07	2
AP8220504	28.19	5
AP8220511	28.18	17
AP8220512	28.18	16
AP8220514	28.31	23
AP8220526	28.01	14
AP8220546	28.31	22
AP8220612	28.19	5
AP8220613	28.18	15
AP8220660	29.20	2
AP8220661	29.20	3
AP8221024	28.07	21
AP8221159	28.19	6
AP8221257	28.23	4
AP8221258	28.24	3
AP8221270	28.01	13
AP8221277	28.03	7
AP8221278	28.07	24
AP8221286	28.04	21
AP8221289	28.27	26
AP8221312	28.12	10
AP8221312	28.32	13
AP8222019	28.31	16
AP8222553	29.22	4
AP8222632	29.36	19
AP8222634	29.36	18
AP8222635	29.36	17
AP8222638	29.36	3
AP8222639	29.36	3
AP8222642	29.36	20
AP8222643	29.36	14
AP8222644	29.36	8
AP8222645	29.36	9
AP8222650	29.36	10
AP8222652	29.36	16
AP8222653	29.36	13
AP8222654	29.36	2
AP8222655	29.36	2
AP8222656	29.36	12
AP8222658	29.36	4
AP8222659	29.36	11
AP8222660	29.36	21
AP8222662	29.36	15
AP8222663	29.36	1
AP8222676	29.36	7
AP8222678	29.36	2
AP8222679	29.36	6
AP8222684	29.38	4
AP8222736	29.22	1
AP8222737	29.22	1
AP8222738	29.22	1
AP8222739	29.22	1
AP8222790	29.22	1
AP8222800	29.22	1
AP8222804	29.22	1
AP8222813	29.22	1
AP8223107	28.06	18
AP8223108	28.06	20
AP8223109	28.06	19
AP8223110	28.06	22

Code	Nr. der Tafel	Pos.	Code	Nr. der Tafel	Pos.	Code	Nr. der Tafel	Pos.
AP8223111	28.06	23	AP8225354	28.25	4	AP8235008	28.04	1
AP8223112	28.06	8	AP8225355	28.26	4	AP8235009	28.01	2
AP8223114	28.06	10	AP8226444	28.09	4	AP8235010	28.02	1
AP8223116	28.06	2	AP8226446	28.14	5	AP8235010	28.02	1
AP8223117	28.05	4	AP8226446	28.14	5	AP8235011	28.23	1
AP8223118	28.05	13	AP8226446	28.14	5	AP8235012	28.27	19
AP8224001	28.15	18	AP8226446	28.14	5	AP8235013	28.07	1
AP8224003	28.15	22	AP8226513	28.14	1	AP8235013	28.07	1
AP8224004	28.15	21	AP8226536	28.09	4	AP8235052	28.04	13
AP8224023	28.09	5	AP8226563	28.14	1	AP8235054	28.04	14
AP8224023	28.09	5	AP8226643	28.09	4	AP8235056	28.01	1
AP8224026	28.31	21	AP8226643	28.09	4	AP8235056	28.01	1
AP8224116	28.17	15	AP8226644	28.09	4	AP8235057	28.03	3
AP8224117	28.16	23	AP8226719	28.09	4	AP8235058	28.04	15
AP8224120	28.15	4	AP8226735	28.09	4	AP8235066	28.02	1
AP8224121	28.15	3	AP8226758	28.09	4	AP8235145	28.01	1
AP8224121	28.15	3	AP8226761	28.09	4	AP8235146	28.07	1
AP8224122	28.15	2	AP8226764	28.09	4	AP8235146	28.07	1
AP8224123	28.15	5	AP8226765	28.14	5	AP8235146	28.07	1
AP8224124	28.15	6	AP8226821	28.09	4	AP8235153	28.01	1
AP8224125	28.15	7	AP8226838	28.09	4	AP8235174	28.01	1
AP8224141	28.31	3	AP8226847	28.09	4	AP8239447	29.22	2
AP8224154	28.29	2	AP8229207	28.12	11	AP8239448	28.19	1
AP8224155	28.32	3	AP8229207	28.32	14	AP8239450	28.18	19
AP8224156	28.29	10	AP8229252	28.12	1	AP8239452	28.11	1
AP8224158	28.31	9	AP8229254	28.12	4	AP8239453	28.11	2
AP8224160	28.16	23	AP8229254	28.12	4	AP8239454	28.08	1
AP8224168	28.30	9	AP8229254	28.12	4	AP8239456	28.09	1
AP8224175	28.31	12	AP8229254	28.12	4	AP8239457	28.09	2
AP8224185	28.16	23	AP8229254	28.12	4	AP8239458	28.11	3
AP8224189	28.29	1	AP8229254	28.12	4	AP8239459	28.13	1
AP8224197	28.29	7	AP8229296	28.12	4	AP8239460	28.13	2
AP8224197	28.30	11	AP8229296	28.12	4	AP8239461	28.13	3
AP8224198	28.29	8	AP8229308	28.12	1	AP8239462	28.14	3
AP8224198	28.30	12	AP8229308	28.12	1	AP8239464	28.19	2
AP8224200	28.15	1	AP8229308	28.12	1	AP8239466	28.10	2
AP8224258	28.29	9	AP8229308	28.12	1	AP8239467	28.10	1
AP8224258	28.30	13	AP8229308	28.12	1	AP8239468	28.21	1
AP8224276	28.15	3	AP8229308	28.12	1	AP8239640	28.19	4
AP8224277	28.30	10	AP8229313	28.12	4	AP8239642	28.11	4
AP8224300	28.16	23	AP8229314	28.12	12	AP8239869	28.12	13
AP8224303	28.16	23	AP8229346	28.12	1	AP8247469	28.34	1
AP8224389	28.30	14	AP8229346	28.12	1	AP8247470	28.34	4
AP8224390	28.29	13	AP8229347	28.12	4	AP8247475	28.34	3
AP8224390	28.30	15	AP8229348	28.12	12	AP8248562	28.09	3
AP8224391	28.29	12	AP8229356	28.12	4	AP8248562	28.09	3
AP8224411	28.15	1	AP8229357	28.12	12	AP8248562	28.09	3
AP8224413	28.17	15	AP8229408	28.12	1	AP8248790	28.10	1
AP8224464	28.15	3	AP8229409	28.12	4	AP8248791	28.08	1
AP8224570	28.32	3	AP8229410	28.12	12	AP8248792	28.11	1
AP8224577	28.32	17	AP8230535	28.31	18	AP8248793	28.11	2
AP8225118	28.26	3	AP8232207	28.23	9	AP8248794	28.11	4
AP8225123	28.25	15	AP8234020	28.07	3	AP8248795	28.13	3
AP8225195	28.25	11	AP8234136	28.02	7	AP8248796	28.13	1
AP8225206	28.25	14	AP8234136	28.02	7	AP8248797	28.13	2
AP8225208	28.26	15	AP8234137	28.26	13	AP8248798	28.12	13
AP8225220	28.26	9	AP8234137	28.28	10	AP8248799	28.09	3
AP8225235	28.26	14	AP8234146	28.03	4	AP8248827	28.14	3
AP8225235	28.28	16	AP8234147	28.03	10	AP8249094	28.08	6
AP8225237	28.25	10	AP8234152	28.01	10	AP8249118	28.13	1
AP8225237	28.25	7	AP8234153	28.01	15	AP8249119	28.13	2
AP8225332	28.07	12	AP8234158	28.18	2	AP8249120	28.12	13
AP8225333	28.26	8	AP8234171	28.02	7	AP8249225	28.11	4
AP8225335	28.25	3	AP8234182	28.03	1	AP8249226	28.11	1
AP8225339	28.26	11	AP8234183	28.03	2	AP8249227	28.11	2
AP8225339	28.26	11	AP8234238	29.20	4	AP8249272	28.30	1
AP8225339	28.26	11	AP8235005	28.15	8	AP8249334	28.09	3

Code	Nr. der Tafel	Pos.
AP8249558	28.14	6
AP8249590	28.10	1
AP8249591	28.08	1
AP8249592	28.11	1
AP8249593	28.11	2
AP8249594	28.13	3
AP8249595	28.13	1
AP8249596	28.13	2
AP8249597	28.12	13
AP8249598	28.14	3
AP8249809	28.10	1
AP8249810	28.08	1
AP8249811	28.11	1
AP8249812	28.11	2
AP8249813	28.11	4
AP8249814	28.13	3
AP8249815	28.09	3
AP8249835	28.11	4
AP8249835	28.11	4
AP8249889	28.13	1
AP8249890	28.13	2
AP8249891	28.12	13
AP8257225	28.34	1
AP8257271	28.34	2
AP8257272	28.34	1
AP8257273	28.34	1
AP8257274	28.34	1
AP8257275	28.34	2
AP8257276	28.34	2
AP8257397	28.33	2
AP8257398	28.33	3
AP8257399	28.33	4
AP8257400	28.33	5
AP8257401	28.33	6
AP8257402	28.33	2
AP8257403	28.33	3
AP8257404	28.33	4
AP8257405	28.33	5
AP8257416	28.34	4
AP8257417	28.34	4
AP8257572	28.34	1
AP8257600	28.34	1
AP8257726	28.33	6
AP8258190	28.10	1
AP8258191	28.08	1
AP8258192	28.11	1
AP8258193	28.11	2
AP8258194	28.13	3
AP8258195	28.13	1
AP8258196	28.13	2
AP8258197	28.12	13
AP8258334	28.19	1
AP8258335	28.19	11
AP8258421	28.10	1
AP8258422	28.08	1
AP8258423	28.11	1
AP8258424	28.11	2
AP8258425	28.11	4
AP8258426	28.13	3
AP8258427	28.13	1
AP8258428	28.13	2
AP8258429	28.12	13
AP8258430	28.09	3
AP8258430	28.09	3
AP8258430	28.09	3
AP8258430	28.09	3
AP8258430	28.09	3

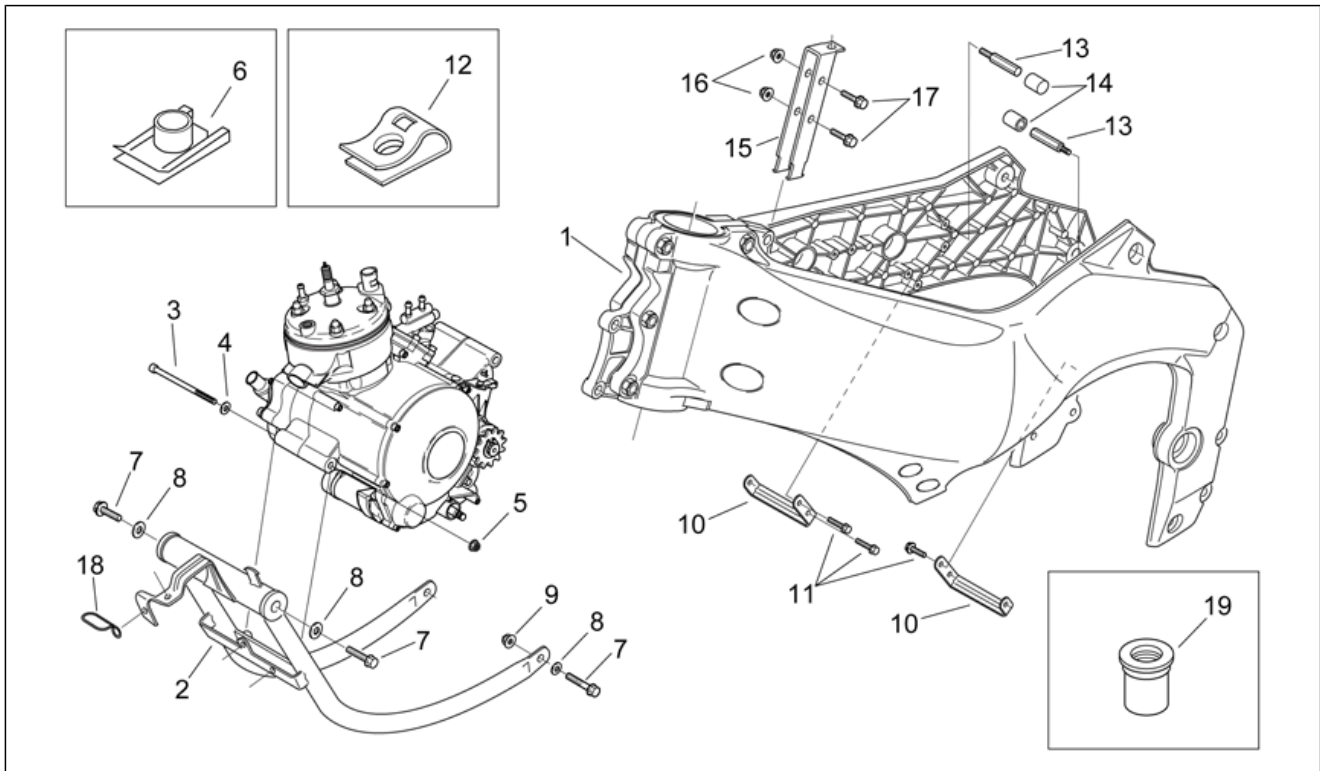
Code	Nr. der Tafel	Pos.
AP8258566	28.10	1
AP8258567	28.08	1
AP8258568	28.11	1
AP8258569	28.11	2
AP8258570	28.11	4
AP8258571	28.13	3
AP8258572	28.13	1
AP8258573	28.13	2
AP8258574	28.12	13
AP8258575	28.09	3
AP8258774	28.10	1
AP8258775	28.08	1
AP8258776	28.11	1
AP8258777	28.11	2
AP8258778	28.11	4
AP8258779	28.13	3
AP8258791	28.10	1
AP8258792	28.08	1
AP8258793	28.11	1
AP8258794	28.11	2
AP8258795	28.11	4
AP8258796	28.13	3
AP8258797	28.13	1
AP8258798	28.13	2
AP8258799	28.12	13
AP8258800	28.09	3
AP8258816	28.10	1
AP8258817	28.08	1
AP8258818	28.11	1
AP8258819	28.11	2
AP8258820	28.11	4
AP8258821	28.13	3
AP8258964	28.13	1
AP8258964	28.13	1
AP8258964	28.13	1
AP8258964	28.13	1
AP8258965	28.13	2
AP8258965	28.13	2
AP8258965	28.13	2
AP8258965	28.13	2
AP8258966	28.12	13
AP8258966	28.12	13
AP8258966	28.12	13
AP8258966	28.12	13
AP8258967	28.13	1
AP8258968	28.13	2
AP8258969	28.12	13
AP8267103	28.33	2
AP8267104	28.33	3
AP8267105	28.33	4
AP8267106	28.33	5
AP8267107	28.33	6
AP8267109	28.33	2
AP8267110	28.33	3
AP8267111	28.33	4
AP8267112	28.33	5
AP8267419	28.33	3
AP8267420	28.33	2
AP8267421	28.33	4
AP8267422	28.33	5
AP8267423	28.33	6
AP8267424	28.33	6
AP8267444	28.34	2
AP8267448	28.34	1

Code	Nr. der Tafel	Pos.
AP8267497	28.34	4
AP8267509	28.33	2
AP8267510	28.33	3
AP8267511	28.33	4
AP8267512	28.33	5
AP8267541	28.33	2
AP8267542	28.33	3
AP8267543	28.33	4
AP8267544	28.33	5
AP8267666	28.33	7
AP8267797	28.33	2
AP8267798	28.33	3
AP8267799	28.33	4
AP8267800	28.33	5
AP8267801	28.33	6
AP8267801	28.33	6
AP8267802	28.33	2
AP8267803	28.33	3
AP8267804	28.33	4
AP8267805	28.33	5
AP8267806	28.33	6
AP8267809	28.33	2
AP8267810	28.33	3
AP8267811	28.33	4
AP8267812	28.33	5
AP8267866	28.33	8
AP8267933	28.34	1
AP8267934	28.34	2
AP8267985	28.34	1
AP8268156	28.11	1
AP8268157	28.11	2
AP8268158	28.08	1
AP8268159	28.19	2
AP8268161	28.19	11
AP8268172	28.11	4
AP8268173	28.13	3
AP8268265	28.10	1
AP8268266	28.08	1
AP8268267	28.11	1
AP8268268	28.11	2
AP8268269	28.11	4
AP8268270	28.13	3
AP8268378	28.10	1
AP8268379	28.08	1
AP8268380	28.11	1
AP8268381	28.11	2
AP8268382	28.11	4
AP8268383	28.13	3
AP8268455	28.10	1
AP8268456	28.08	1
AP8268457	28.11	1
AP8268458	28.11	2
AP8268459	28.11	4
AP8268460	28.13	3
AP8276001	29.46	16
AP8276005	29.46	26
AP8276022	29.37	9
AP8276023	29.43	1
AP8276024	29.38	4
AP8276025	29.35	20
AP8276026	29.35	17
AP8276027	29.46	8
AP8276028	29.35	16
AP8276029	29.35	18
AP8276054	29.38	4
AP8276055	29.38	3
AP8276056	29.37	2

Code	Nr. der Tafel	Pos.
AP8276057	29.37	9
AP8276059	29.39	4
AP8276060	29.39	9
AP8276077	29.37	9
AP8276081	29.38	4
AP8276082	29.37	9
AP8276083	29.43	1
AP8277158	28.34	2
AP8277160	28.34	1
AP8277161	28.34	2
AP8277282	28.33	2
AP8277284	28.33	3
AP8277286	28.33	4
AP8277288	28.33	5
AP8277290	28.33	6
AP8277381	28.33	9
AP8277467	28.34	1
AP8277468	28.34	4
AP8277501	28.33	2
AP8277502	28.33	3
AP8277503	28.33	4
AP8277693	28.33	3
AP8277694	28.33	3
AP8277695	28.33	2
AP8277696	28.33	2
AP8277697	28.33	4
AP8277698	28.33	4
AP8277699	28.33	5
AP8277700	28.33	5
AP8501467	29.35	10
AP8501467	29.46	3
AP8501471	29.42	17
AP8501477	29.43	2
AP8501478	29.42	2
AP8501478	29.43	8
AP8501972	29.44	10
AP8502356	29.44	6
AP8502414	29.43	18
AP8502432	29.45	8
AP8502448	29.44	11
AP8502473	29.43	17
AP8502498	29.42	12
AP8502501	29.43	11
AP8502520	29.44	4
AP8502533	29.45	12
AP8502555	29.46	25
AP8502559	29.40	5
AP8502562	29.35	15
AP8502566	29.46	24
AP8502571	29.46	15
AP8502586	29.48	10
AP8502589	29.48	4
AP8502624	29.42	3
AP8502626	29.42	15
AP8502652	29.42	11
AP8502655	29.40	17
AP8502656	29.39	7
AP8502665	29.35	14
AP8502668	29.40	14
AP8502757	29.48	5
AP8502758	29.46	17
AP8502759	29.40	7
AP8502759	29.46	9
AP8502759	29.48	11
AP8502836	29.42	10
AP8502846	29.41	4
AP8507839	29.40	13

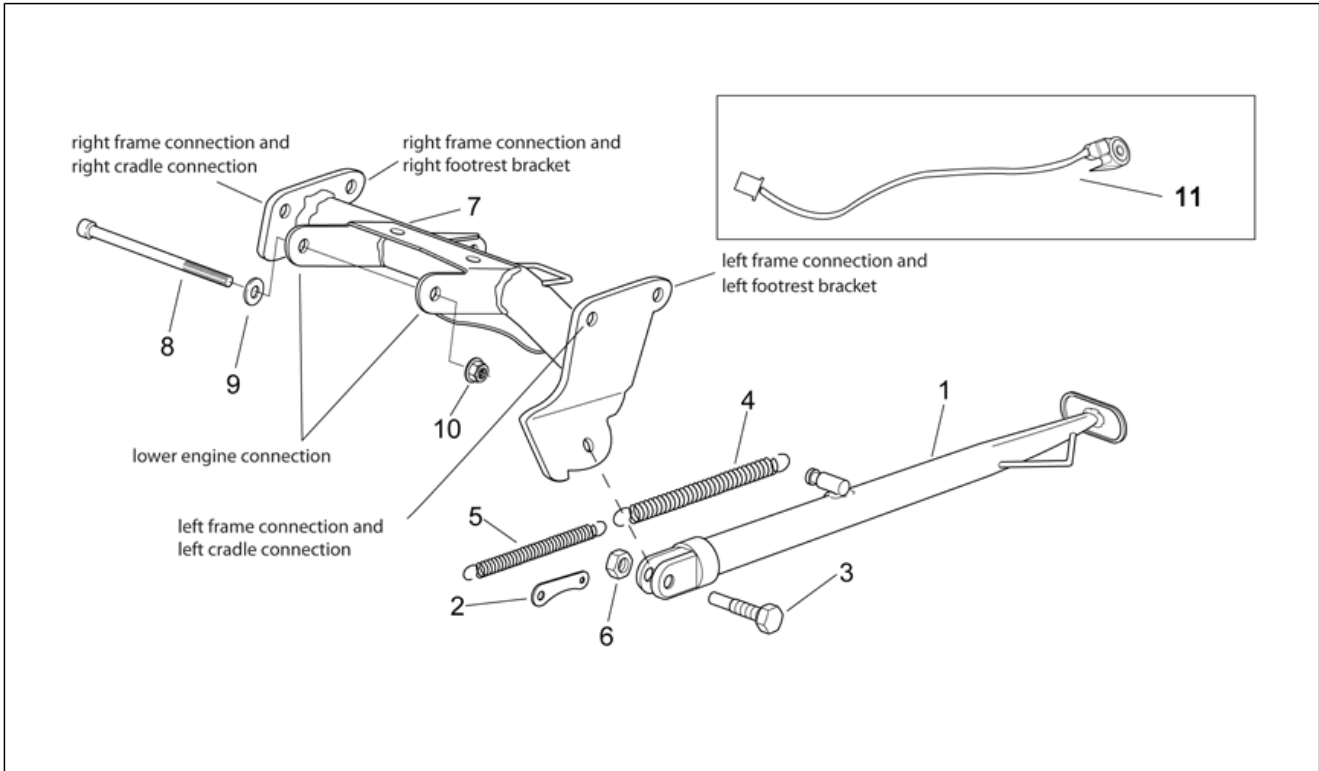
Code	Nr. der Tafel	Pos.
AP8507866	29.43	4
AP8508551	29.39	3
AP8508553	29.40	10
AP8508560	29.40	6
AP8508667	29.35	17
AP8508667	29.35	17
AP8508668	29.35	20
AP8508668	29.35	20
AP8508669	29.35	9
AP8508669	29.46	22
AP8508863	29.35	16
AP8508863	29.35	16
AP8508872	29.35	11
AP8508882	29.40	15
AP8509130	29.46	23
AP8509135	29.43	3
AP8509178	29.44	1
AP8509179	29.47	4
AP8509182	29.39	1
AP8509209	29.48	6
AP8509211	29.49	4
AP8509334	29.46	8
AP8509769	29.39	11
AP8509891	29.39	10
AP8509891	29.49	8
AP8510039	29.42	6
AP8510838	29.35	1

Einheit	RAHMEN
Code	28.01
Beschreibung	Rahmen - Wiege
Inspektion	1



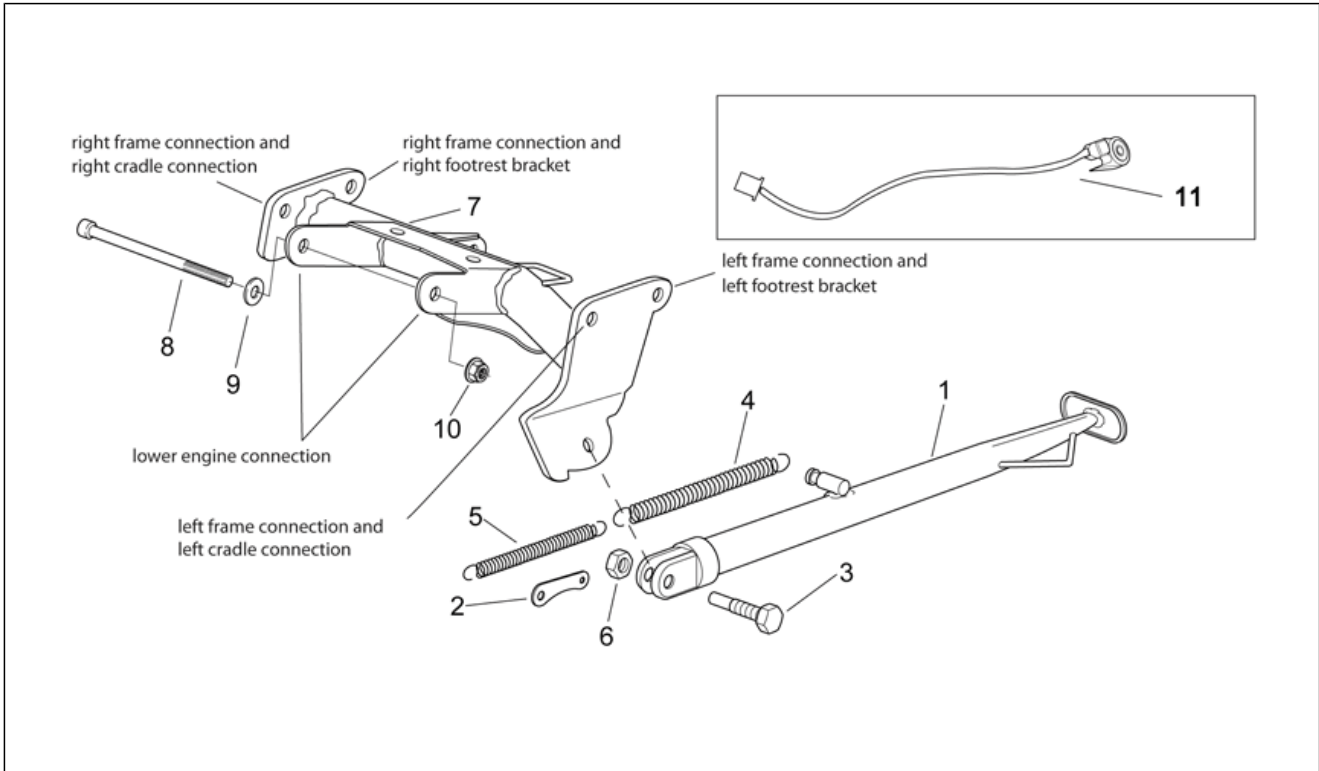
Pos.	Code	Beschreibung	Menge	Varianten
1	AP8235056	Rahmen, grau	1	Baujahr: 2003[3] Farbe: Blau Way 2003[b.way] Schwarz GP1 '03[g.bl]
1	AP8235056	Rahmen, grau	1	Baujahr: 2001[1] 2002[2] 1999[X] 2000[Y]
1	AP8235145	Rahmen, schwarz	1	Baujahr: 2003[3] 2004[4] Farbe: Schwarz SBK '03[s.bl]
1	AP8235153	Rahmen, schwarz	1	Baujahr: 2004[4] Farbe: Poggiali Black 2004[a.blk] Poggiali White 2004[white]
1	AP8235174	Rahmen	1	Baujahr: 2005[5]
2	AP8235009	Wiege Kataph.	1	
3	AP8150388	TCEI Schraube	1	
4	AP8150017	Ausgleichscheibe 8,4x16x1,6	1	
5	AP8152300	Selbstsperrende Mutter M8	1	
6	AP8102376	Klammer M6	8	
7	AP8152289	TE Schr. m. Flansch	4	
8	AP8150376	Ausgleichscheibe 8,5x15x0,8	4	
9	AP8152300	Selbstsperrende Mutter M8	2	
10	AP8234152	Befestig.blech Karosseriet.m.	2	
11	AP8152278	TE Schr. m. Flansch M6x16	4	
12	AP8102375	Klammer M5	2	
13	AP8221270	Befestigungsz. Filtergehäuse	2	
14	AP8220526	Gummi	2	
15	AP8234153	Bügelbolzen	1	
16	AP8152299	Selbstsperrende Mutter M6	2	
17	AP8152281	TE Schr. m. Flansch M6x30	2	
18	AP8121217	Kabelführungs	1	
19	AP8201457	Kunststoffniet *	2	

Einheit	RAHMEN
Code	28.02
Beschreibung	Hauptständer
Inspektion	1



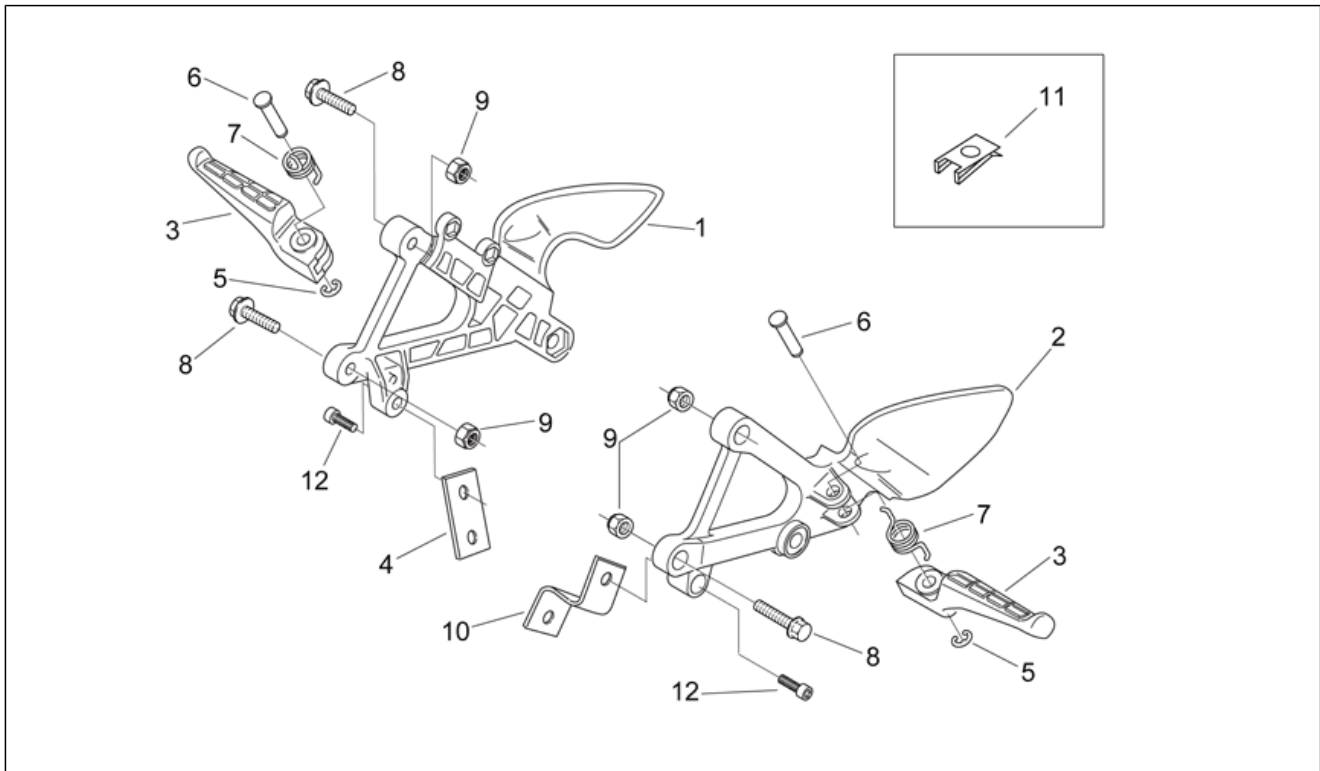
Pos.	Code	Beschreibung	Menge	Varianten
1	AP8235010	Seitenständer sand	1	Land:Österreich[A] Belgien[B] Brasilien[BR] Deutschland[D] Dänemark[DK] Spanien[E] A,B,D,GR,E,F,UK,NL,P[EU] Frankreich[F] [GR]Italien[I] I[II] Israel[IL] Japan[J] J[JJ] Holland[NL] Portugal[P] Rep. Korea[ROK] Finnland[SF] Großbritannien[UK]
1	AP8235010	Seitenständer sand	1	Land:Schweiz[SZ]
1	AP8235066	Seitenständer sand	1	Land:Vereinigte Staaten von Amerika[AM] Vereinigte Staaten von Amerika[USA]
2	AP8134266	Rückholplatte Ständer	1	
3	AP8152310	Ständerschraube	1	Land:Schweiz[SZ]
3	AP8152310	Ständerschraube	1	Land:Österreich[A] Belgien[B] Brasilien[BR] Deutschland[D] Dänemark[DK] Spanien[E] A,B,D,GR,E,F,UK,NL,P[EU] Frankreich[F] [GR]Italien[I] I[II] Israel[IL] Japan[J] J[JJ] Holland[NL] Portugal[P] Rep. Korea[ROK] Finnland[SF] Großbritannien[UK]
3	AP8213476	Ständerbolzen	1	Land:Vereinigte Staaten von Amerika[AM] Vereinigte Staaten von Amerika[USA]
4	AP8121695	Schraubenfeder *	1	
5	AP8121696	Schraubenfeder *	1	
6	AP8152001	Mutter unten M10x1,25	1	
7	AP8234136	Verbindungsblech Kataph.	1	Land:Österreich[A] Belgien[B] Brasilien[BR] Deutschland[D] Dänemark[DK] Spanien[E] A,B,D,GR,E,F,UK,NL,P[EU] Frankreich[F] [GR]Italien[I] I[II] Israel[IL] Japan[J] J[JJ] Holland[NL] Portugal[P] Rep. Korea[ROK] Finnland[SF] Großbritannien[UK]
7	AP8234136	Verbindungsblech Kataph.	1	Land:Schweiz[SZ]
7	AP8234171	Verbindungsblech Kataph.	1	Land:Vereinigte Staaten von Amerika[AM] Vereinigte Staaten von Amerika[USA]
8	AP8150388	TCEI Schraube	1	
9	AP8150017	Ausgleichscheibe 8,4x16x1,6	1	
10	AP8152300	Selbstsperrende Mutter M8	1	

Einheit	RAHMEN
Code	28.02
Beschreibung	Hauptständer
Inspektion	1



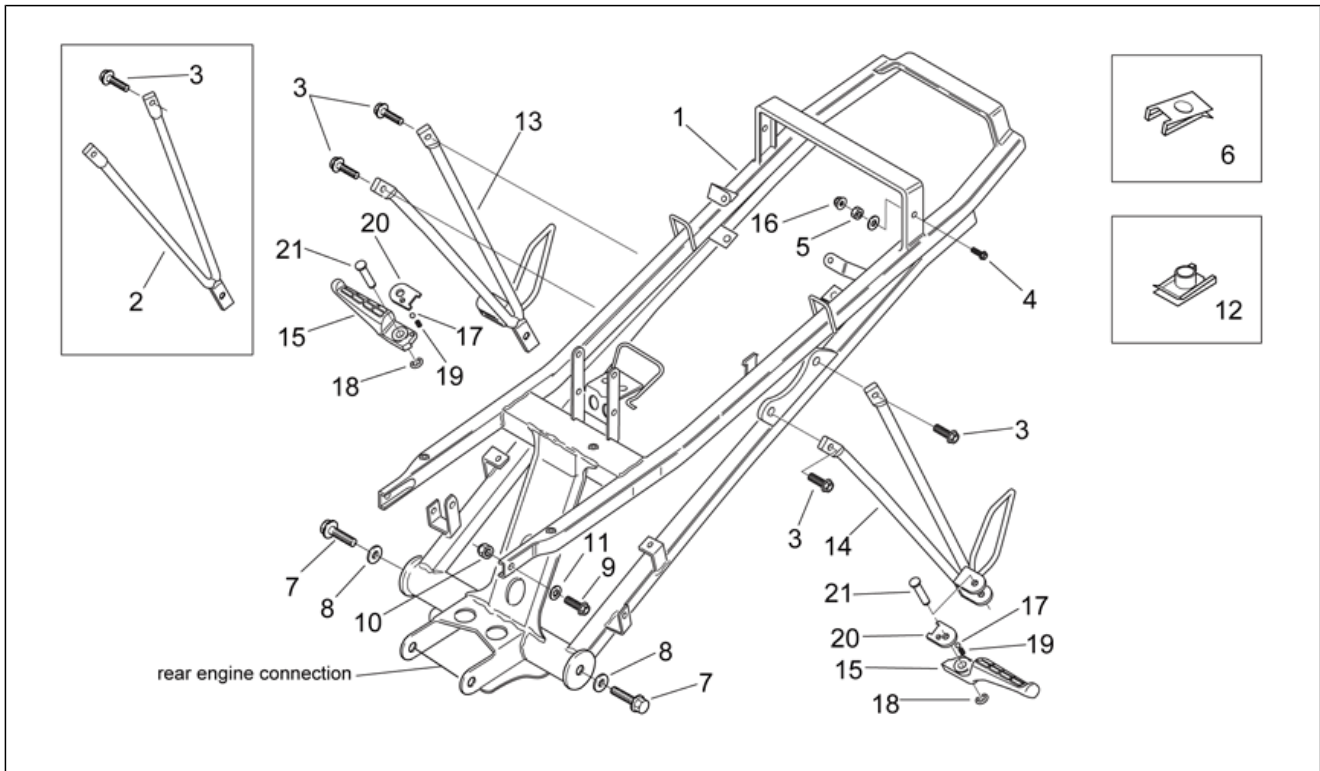
Pos.	Code	Beschreibung	Menge	Varianten
11	AP8124977	Schalter	1	Land: Vereinigte Staaten von Amerika[AM] Vereinigte Staaten von Amerika[USA]

Einheit	RAHMEN
Code	28.03
Beschreibung	Fußrasten Fahrer
Inspektion	1



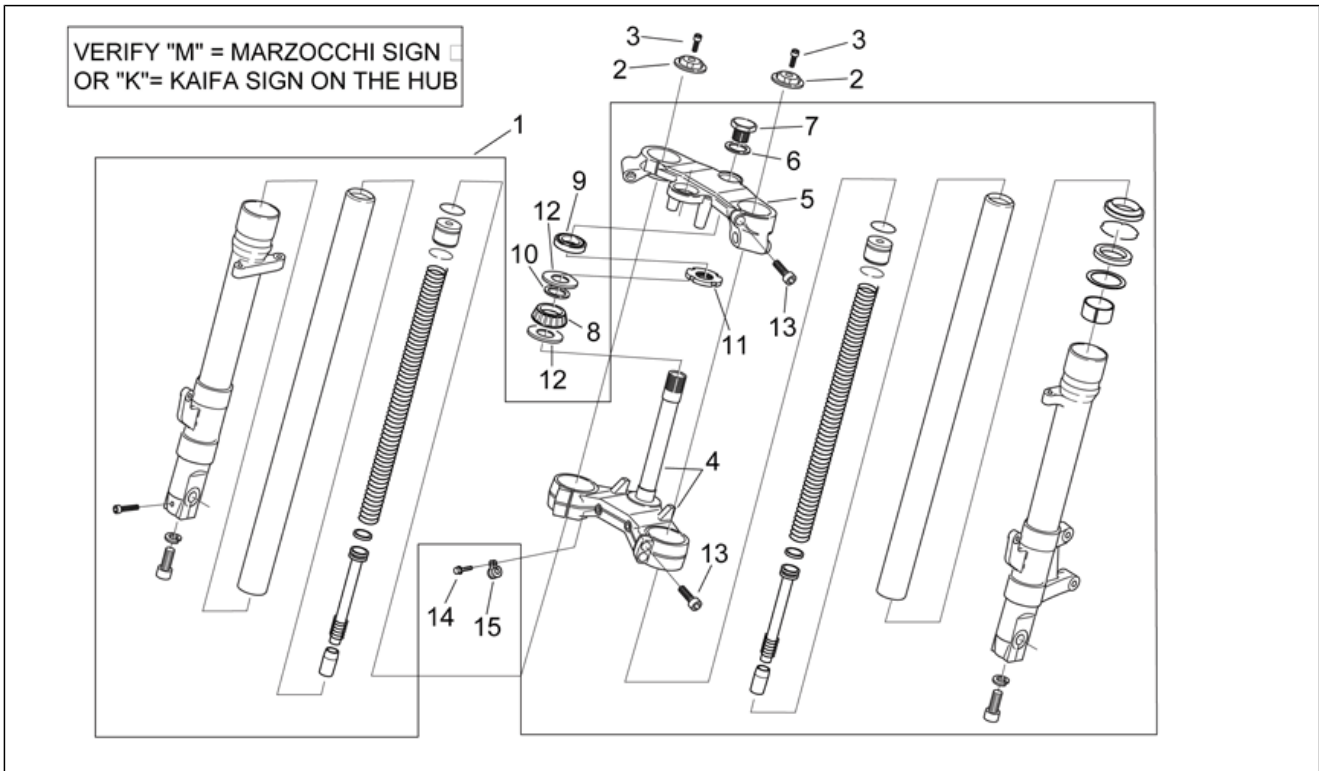
Pos.	Code	Beschreibung	Menge	Varianten
1	AP8234182	Fußrastenhalter Fahrer rechts	1	
2	AP8234183	Fußrastenhalter Fahrer links	1	
3	AP8235057	Fußrasten Fahrer (Paar)	1	
4	AP8234146	Befestig.blech Karosseriet.li.	1	
5	AP8120573	Sperring	2	Technische Spezifikation: Nationale Zulassung[PG]
5	AP8152409	Sperring	2	Technische Spezifikation: EU-Zulassung (Rahmen ZD4SE) [SE] EU-Zulassung (Rahmen ZD4TS)[TS]
6	AP8121135	Rastenbolzen	2	Land: Österreich[A] Belgien[B] Brasilien[BR] Deutschland[D] Dänemark[DK] Spanien[E] A,B,D,GR,E,F,UK,NL,P[EU] Frankreich[F] [GR]Italien[I] I[II] Israel[IL] Japan[J] J[JJ] Holland[NL] Portugal[P] Rep. Korea[ROK] Finnland[SF] Großbritannien[UK] Technische Spezifikation: Nationale Zulassung[PG]
6	AP8121566	Rastenbolzen	2	Technische Spezifikation: EU-Zulassung (Rahmen ZD4SE) [SE] EU-Zulassung (Rahmen ZD4TS)[TS]
6	AP8121566	Rastenbolzen	2	Land: Vereinigte Staaten von Amerika[AM] Vereinigte Staaten von Amerika[USA] Technische Spezifikation: Nationale Zulassung[PG]
7	AP8221277	Rückholfeder	2	
8	AP8152288	TE Schr. m. Flansch M8x30	2	
9	AP8150431	Mutter unten M8	2	
10	AP8234147	Befestig.blech Karosseriet.re.	1	
11	AP8102376	Klammer M6	2	
12	AP8150137	TCEI Schraube M6x16	2	

Einheit	RAHMEN
Code	28.04
Beschreibung	Soziusrasten
Inspektion	1



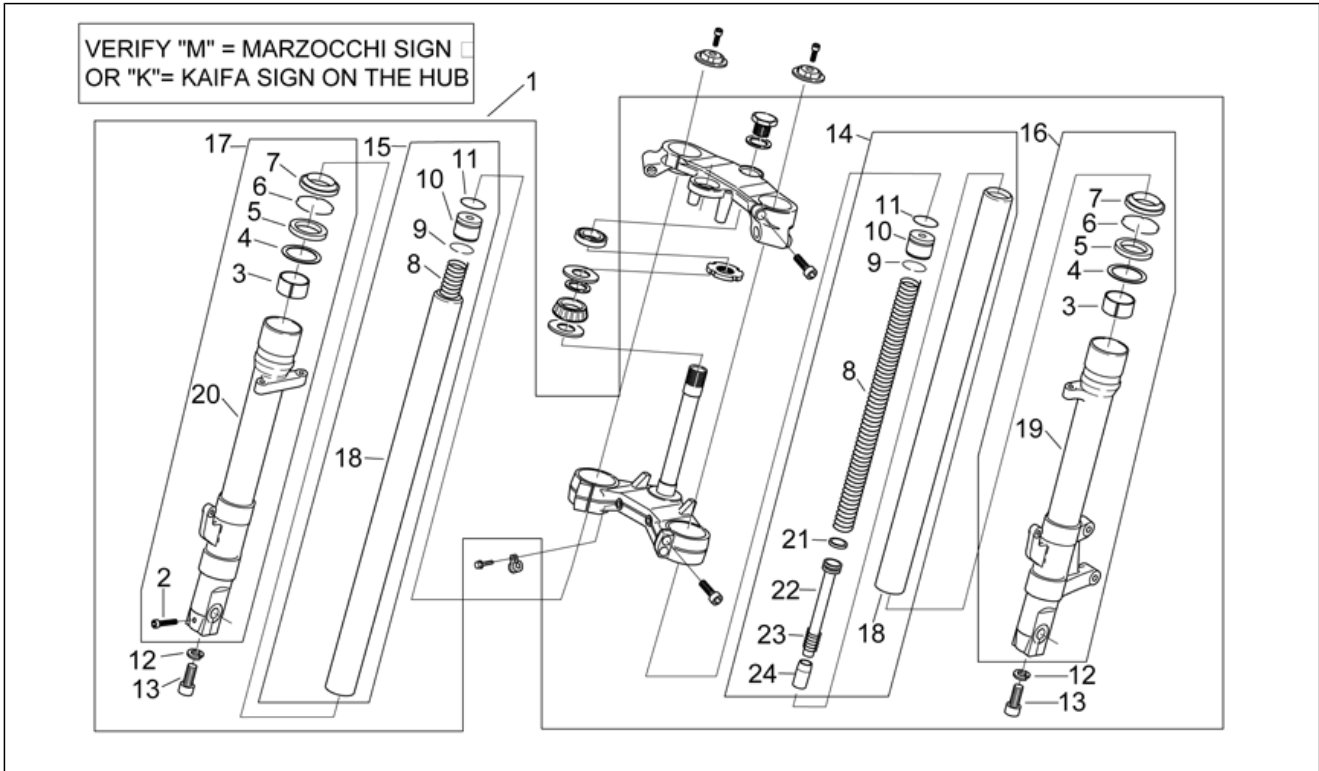
Pos.	Code	Beschreibung	Menge	Varianten
1	AP8235008	Sitz galv.	1	
2	AP8146728	Schalldämpfer Halteplatte	1	
3	AP8152286	TE Schr. m. Flansch M8x20	4	
4	AP8152279	TE Schr. m. Flansch M6x20	2	
5	AP8150333	Serpress Mutter	2	
6	AP8102376	Klammer M6	2	
7	AP8152318	TE Schr. m. Flansch M10x35	2	
8	AP8150376	Ausgleichscheibe 8,5x15x0,8	4	
9	AP8152287	TE Schr. m. Flansch M8x25	2	
10	AP8150032	Selbstsperr.mut Unt. M8	2	
11	AP8152184	Ausgleichscheibe 6,4x12*	2	
12	AP8102375	Klammer M5	4	
13	AP8235052	Halter rechte Soziusfußraste	1	
14	AP8235054	Halter linke Soziusfußraste	1	
15	AP8235058	Soziusrasten (Paar)	1	
16	AP8152299	Selbstsperrende Mutter M6	2	
17	AP8101861	Kugel D6,35	2	
18	AP8120573	Sperring	2	Technische Spezifikation: Nationale Zulassung[PG]
18	AP8152409	Sperring	2	Technische Spezifikation: EU-Zulassung (Rahmen ZD4SE) [SE] EU-Zulassung (Rahmen ZD4TS)[TS]
19	AP8121133	Schraubenfederkompr.	2	
20	AP8134451	Fixierplatte	2	
21	AP8134829	Rastenbolzen	2	Technische Spezifikation: EU-Zulassung (Rahmen ZD4SE) [SE] EU-Zulassung (Rahmen ZD4TS)[TS]
21	AP8221286	Rastenbolzen	2	Technische Spezifikation: Nationale Zulassung[PG]

Einheit	RAHMEN
Code	28.05
Beschreibung	Vorderradgabel I
Inspektion	1



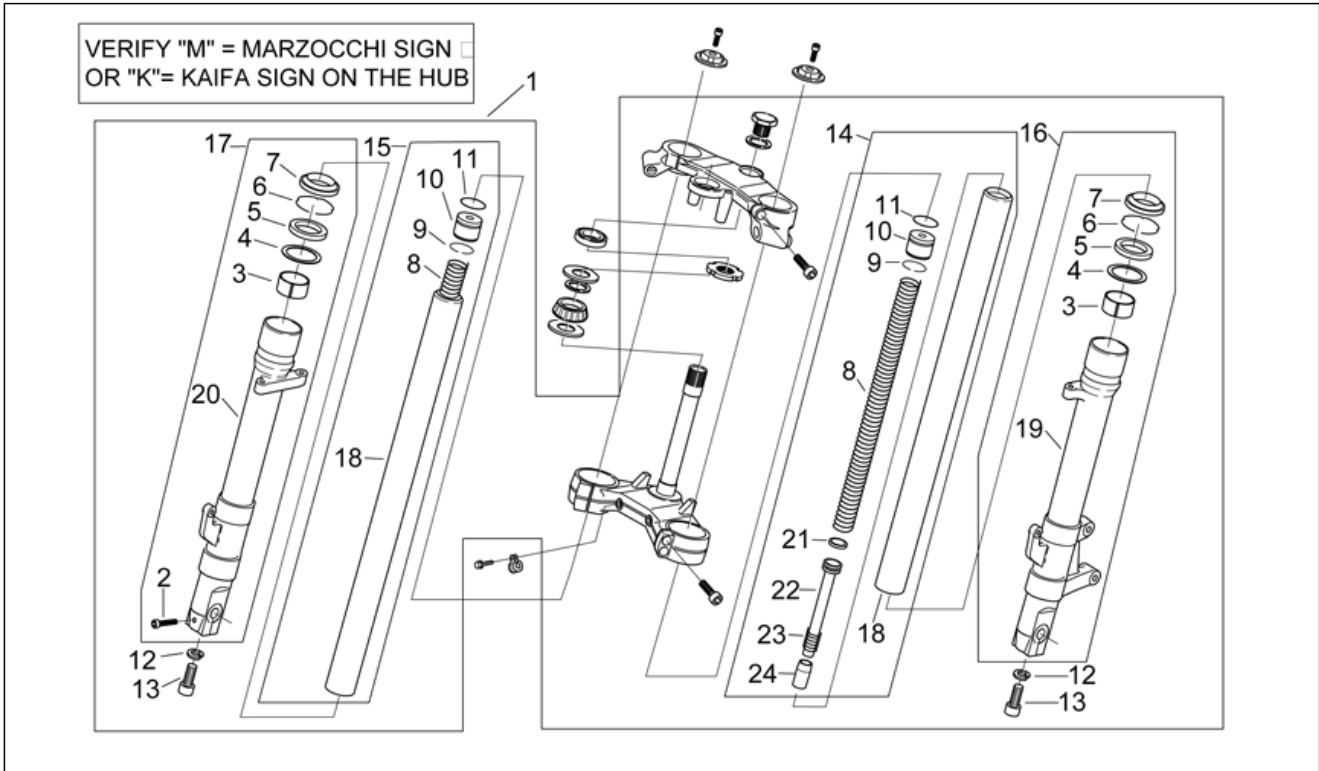
Pos.	Code	Beschreibung	Menge	Varianten
1	AP8203815	Baugruppe vordere Gabel	1	Baujahr: 1999[X]
1	AP8203981	Baugruppe vordere Gabel	1	Baujahr: 2001[1] 2002[2] 2003[3] 2004[4] 2005[5] 2000[Y]
2	AP8202156	Deckel	2	
3	AP8150280	TCEI Schraube	2	
4	AP8203954	Fuß mit Rohr	1	Technische Spezifikation: Gabel mit Buchstaben M auf dem Schaft[M]
4	AP8223117	Fuß mit Rohr	1	Technische Spezifikation: Gabel mit Buchstaben K auf dem Schaft[K]
5	AP8203951	Ob. Gabelplatte	1	
6	AP8203953	Ausgleichscheibe	1	
7	AP8203952	Schraube Rohr	1	
8	AP8110024	Rollenlager	1	
9	AP8110025	Kugellager	1	
10	AP8203550	U-scheibe Lenksatz	1	
11	AP8203588	Untere Nutmutter Gabel	1	
12	AP8101106	Gasket ring	2	
13	AP8203589	Schraube M8x25	6	Technische Spezifikation: Gabel mit Buchstaben M auf dem Schaft[M]
13	AP8223118	Schraube	4	Technische Spezifikation: Gabel mit Buchstaben K auf dem Schaft[K]
14	AP8152277	TE Schr. m. Flansch M6x12	1	
15	AP8120416	Schelle schwarz 178x4	1	

Einheit	RAHMEN
Code	28.06
Beschreibung	Vorderradgabel II
Inspektion	1



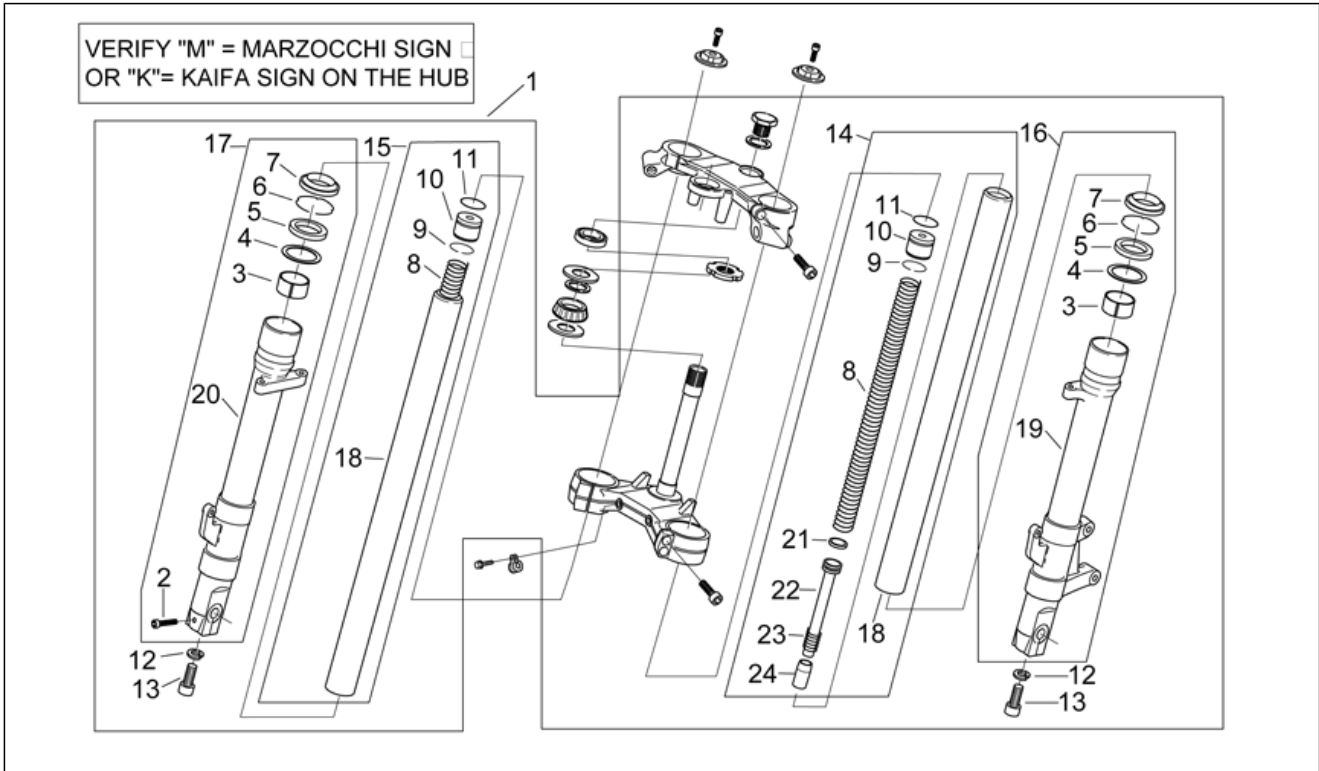
Pos.	Code	Beschreibung	Menge	Varianten
1	AP8203815	Baugruppe vordere Gabel	1	Baujahr: 1999[X]
1	AP8203981	Baugruppe vordere Gabel	1	Baujahr: 2001[1] 2002[2] 2003[3] 2004[4] 2000[Y]
2	AP8123574	TCEI Schraube M6x30	1	Technische Spezifikation: Gabel mit Buchstaben M auf dem Schaft[M]
2	AP8223116	TCEI Schraube M6x30	1	Technische Spezifikation: Gabel mit Buchstaben K auf dem Schaft[K]
3	AP8163294	Gleitbuchse	2	Technische Spezifikation: Gabel mit Buchstaben K auf dem Schaft[K]
3	AP8203447	Gleitbuchse	2	Technische Spezifikation: Gabel mit Buchstaben M auf dem Schaft[M]
4	AP8123705	Becher	2	Technische Spezifikation: Gabel mit Buchstaben M auf dem Schaft[M]
4	AP8163295	Scheibe Ölabbreifer	2	Technische Spezifikation: Gabel mit Buchstaben K auf dem Schaft[K]
5	AP8123427	Gasket ring	2	Technische Spezifikation: Gabel mit Buchstaben M auf dem Schaft[M]
5	AP8163296	Ölabstreifring	2	Technische Spezifikation: Gabel mit Buchstaben K auf dem Schaft[K]
6	AP8123704	Sperring	2	Technische Spezifikation: Gabel mit Buchstaben M auf dem Schaft[M]
6	AP8163297	Sperring	2	Technische Spezifikation: Gabel mit Buchstaben K auf dem Schaft[K]
7	AP8163298	Staubschutz	2	Technische Spezifikation: Gabel mit Buchstaben K auf dem Schaft[K]
7	AP8203258	Staubschutz	2	Technische Spezifikation: Gabel mit Buchstaben M auf dem Schaft[M]
8	AP8203956	Feder	2	Technische Spezifikation: Gabel mit Buchstaben M auf dem Schaft[M]
8	AP8223112	Feder	2	Technische Spezifikation: Gabel mit Buchstaben K auf dem Schaft[K]
9	AP8163301	O-Ring	2	Technische Spezifikation: Gabel mit Buchstaben K auf dem Schaft[K]

Einheit	RAHMEN
Code	28.06
Beschreibung	Vorderradgabel II
Inspektion	1



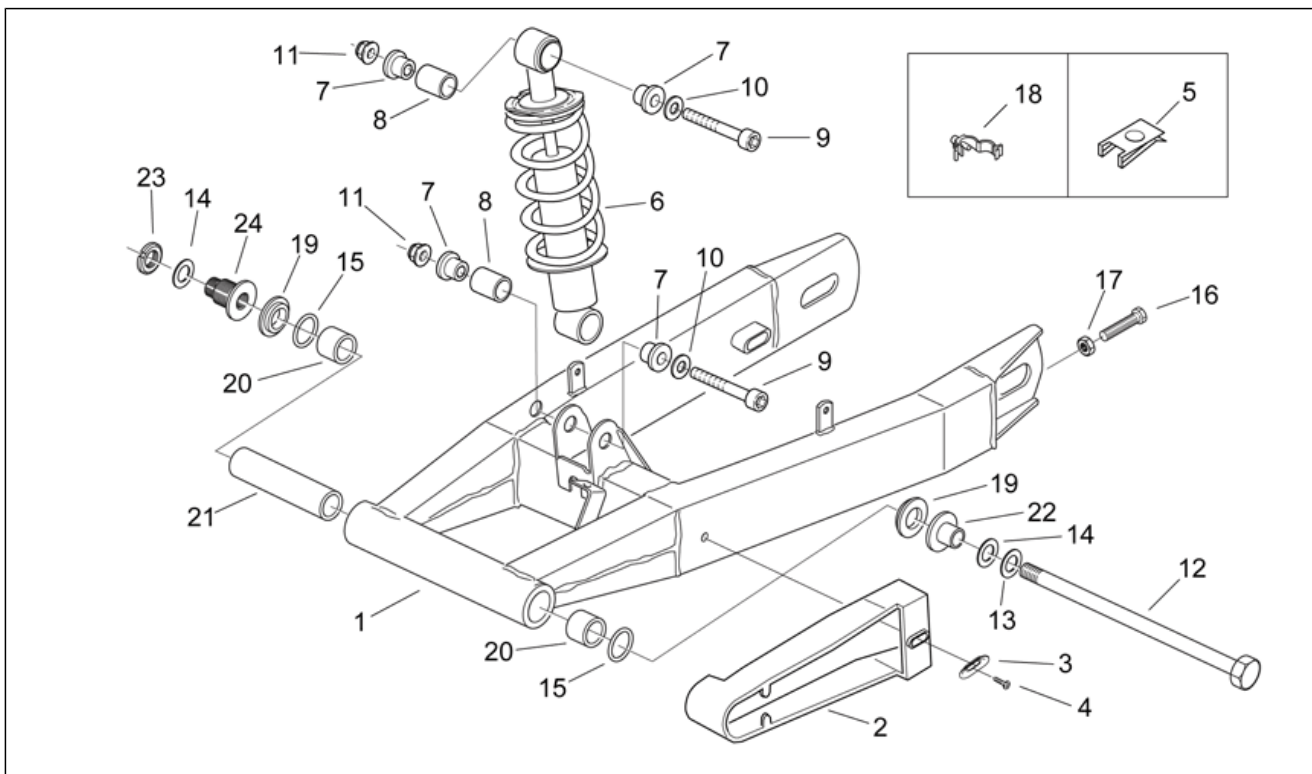
Pos.	Code	Beschreibung	Menge	Varianten
9	AP8203949	O-Ring	2	Technische Spezifikation: Gabel mit Buchstaben M auf dem Schaft[M]
10	AP8203955	Verschlussschraube	2	Technische Spezifikation: Gabel mit Buchstaben M auf dem Schaft[M]
10	AP8223114	Verschlussschraube	2	Technische Spezifikation: Gabel mit Buchstaben K auf dem Schaft[K]
11	AP8163302	Sperring	2	Technische Spezifikation: Gabel mit Buchstaben K auf dem Schaft[K]
11	AP8203950	Seegerring	2	Technische Spezifikation: Gabel mit Buchstaben M auf dem Schaft[M]
12	AP8163435	Dichtscheibe	2	Technische Spezifikation: Gabel mit Buchstaben K auf dem Schaft[K]
12	AP8203572	Dichtscheibe	2	Technische Spezifikation: Gabel mit Buchstaben M auf dem Schaft[M]
13	AP8163285	Schraube M10x30	2	Technische Spezifikation: Gabel mit Buchstaben K auf dem Schaft[K]
13	AP8203570	Zylinderschraube M8x30	2	Technische Spezifikation: Gabel mit Buchstaben M auf dem Schaft[M]
14	AP8203958	Kolbenstange links	1	Technische Spezifikation: Gabel mit Buchstaben M auf dem Schaft[M]
15	AP8203957	Kolbenstange rechts	1	Technische Spezifikation: Gabel mit Buchstaben M auf dem Schaft[M]
16	AP8203960	Linke Hülse	1	Baujahr: 1999[X] Technische Spezifikation: Gabel mit Buchstaben M auf dem Schaft[M]
16	AP8203990	Linke Hülse	1	Baujahr: 2001[1] 2002[2] 2003[3] 2004[4] 2000[Y] Technische Spezifikation: Gabel mit Buchstaben M auf dem Schaft[M]
17	AP8203959	Rechte Hülse	1	Baujahr: 1999[X] Technische Spezifikation: Gabel mit Buchstaben M auf dem Schaft[M]
17	AP8203989	Rechte Hülse	1	Baujahr: 2001[1] 2002[2] 2003[3] 2004[4] 2000[Y]

Einheit	RAHMEN
Code	28.06
Beschreibung	Vorderradgabel II
Inspektion	1



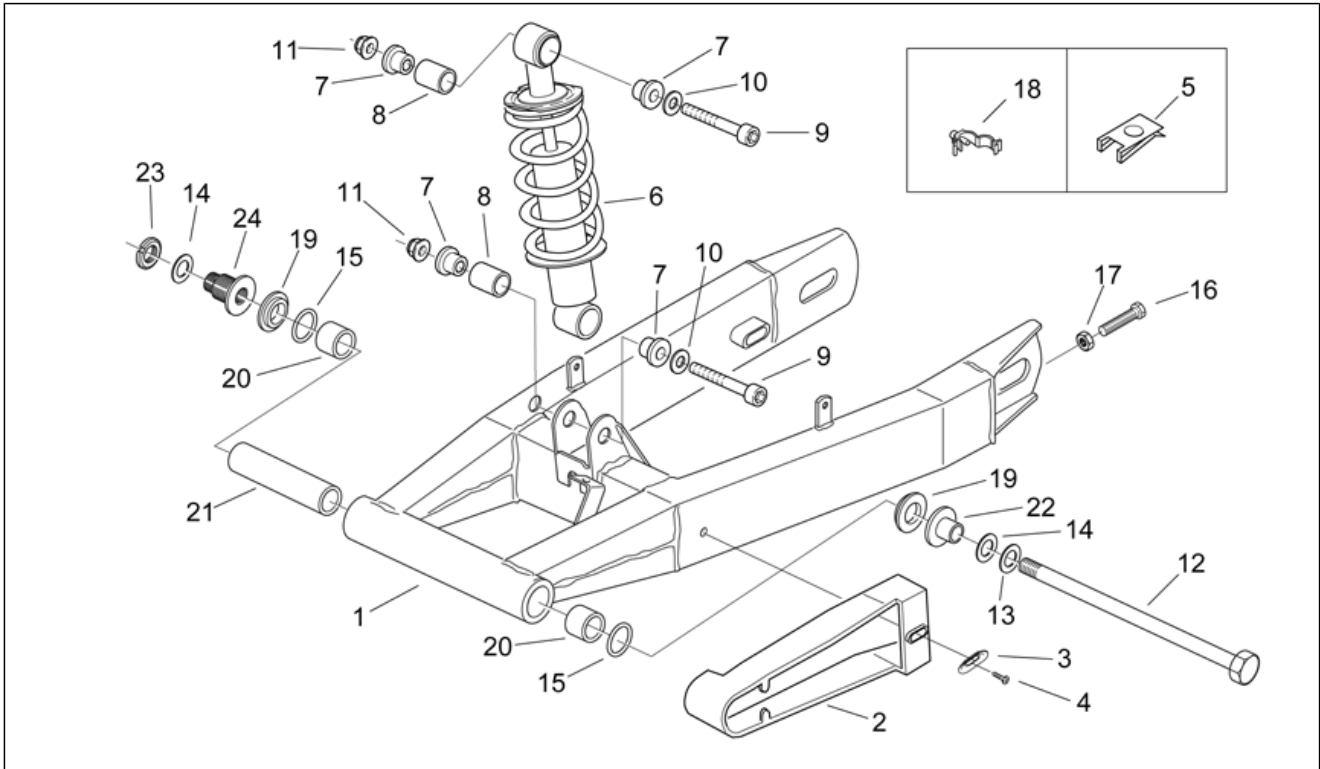
Pos.	Code	Beschreibung	Menge	Varianten
				Technische Spezifikation: Gabel mit Buchstaben M auf dem Schaft[M]
18	AP8223107	Schaft kpl.	2	Technische Spezifikation: Gabel mit Buchstaben K auf dem Schaft[K]
19	AP8223109	Linke Hülse	1	Technische Spezifikation: Gabel mit Buchstaben K auf dem Schaft[K]
20	AP8223108	Rechte Hülse	1	Technische Spezifikation: Gabel mit Buchstaben K auf dem Schaft[K]
21	AP8163439	Ring	1	Technische Spezifikation: Gabel mit Buchstaben K auf dem Schaft[K]
22	AP8223110	Stoßdämpfer	2	Technische Spezifikation: Gabel mit Buchstaben K auf dem Schaft[K]
23	AP8223111	Gegenfeder	1	Technische Spezifikation: Gabel mit Buchstaben K auf dem Schaft[K]
24	AP8163289	Bodenstopfen	2	Technische Spezifikation: Gabel mit Buchstaben K auf dem Schaft[K]

Einheit	RAHMEN
Code	28.07
Beschreibung	Schwinge - Stoßdämpfer
Inspektion	1



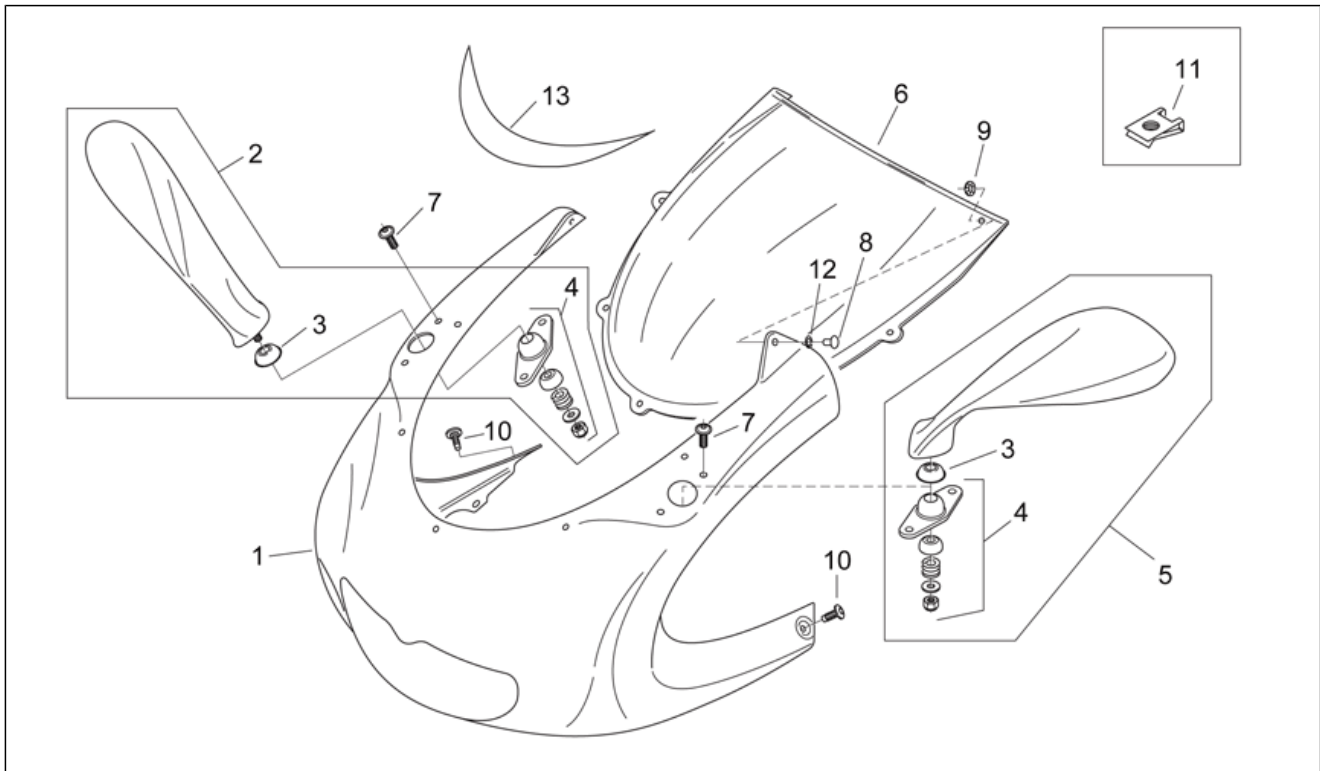
Pos.	Code	Beschreibung	Menge	Varianten
1	AP8235013	Schwinge, grau	1	Baujahr:2001[1] 2002[2] 1999[X] 2000[Y]
1	AP8235013	Schwinge, grau	1	Baujahr:2003[3] Farbe:Blau Way 2003[b.way] Schwarz GP1 '03[g.bl]
1	AP8235146	Schwinge, schwarz	1	Baujahr:2003[3] 2004[4] Farbe:Schwarz SBK '03[s.bl]
1	AP8235146	Schwinge, schwarz	1	Baujahr:2004[4] Farbe:Poggiali Black 2004[a.blk] Poggiali White 2004[white]
1	AP8235146	Schwinge, schwarz	1	Baujahr:2005[5]
2	AP8220499	Kettengleitführung	1	
3	AP8234020	Becher	1	
4	AP8150246	Linsenschraube	1	
5	AP8102375	Klammer M5	3	
6	AP8203818	Stoßdämpfer	1	
7	AP8203948	T-Buchse	4	
8	AP8203826	Silent-Block	2	
9	AP8150049	Schraube M10x60	1	
10	AP8152176	Ausgleichscheibe 10,5X18X2*	2	
11	AP8152301	Selbstsperrende Mutter	1	
12	AP8225332	Schwingenbolzen	1	
13	AP8150297	Gebogene Sprengscheibe *	1	
14	AP8152063	Ausgleichscheibe 17x30x3*	2	
15	AP8220198	O-Ring	2	
16	AP8152305	Kettenspanner Schraube	2	
17	AP8152262	Mutter unten	2	
18	AP8134186	Kabelführungs	2	
19	AP8220196	Buchse	2	
20	AP8220197	Buchse	2	
21	AP8221024	Distanzscheibe	1	
22	AP8121150	Buchse 18 mm	1	

Einheit	RAHMEN
Code	28.07
Beschreibung	Schwinge - Stoßdämpfer
Inspektion	1



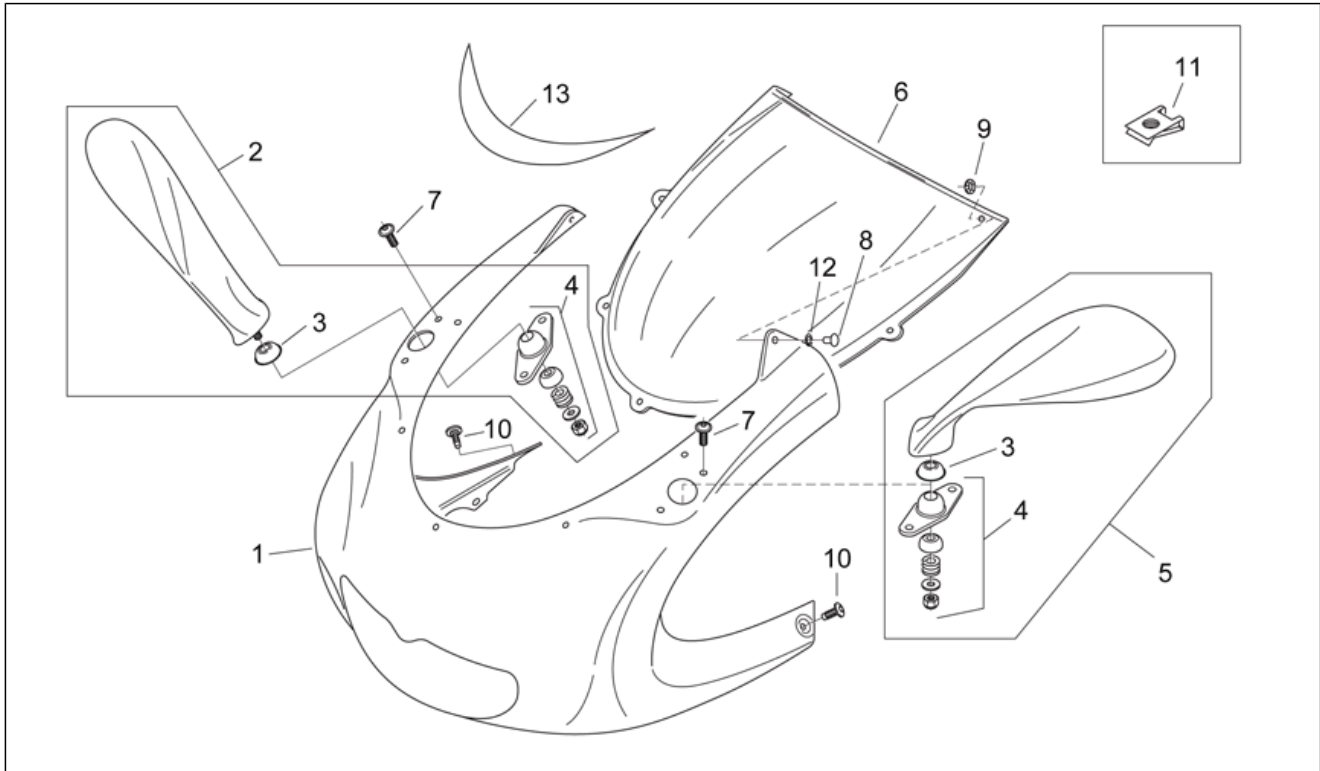
Pos.	Code	Beschreibung	Menge	Varianten
23	AP8150299	Nutmutter M17x1	1	
24	AP8221278	Einstellbuchse	1	

Einheit	RAHMEN
Code	28.08
Beschreibung	Frontaufbau I
Inspektion	1



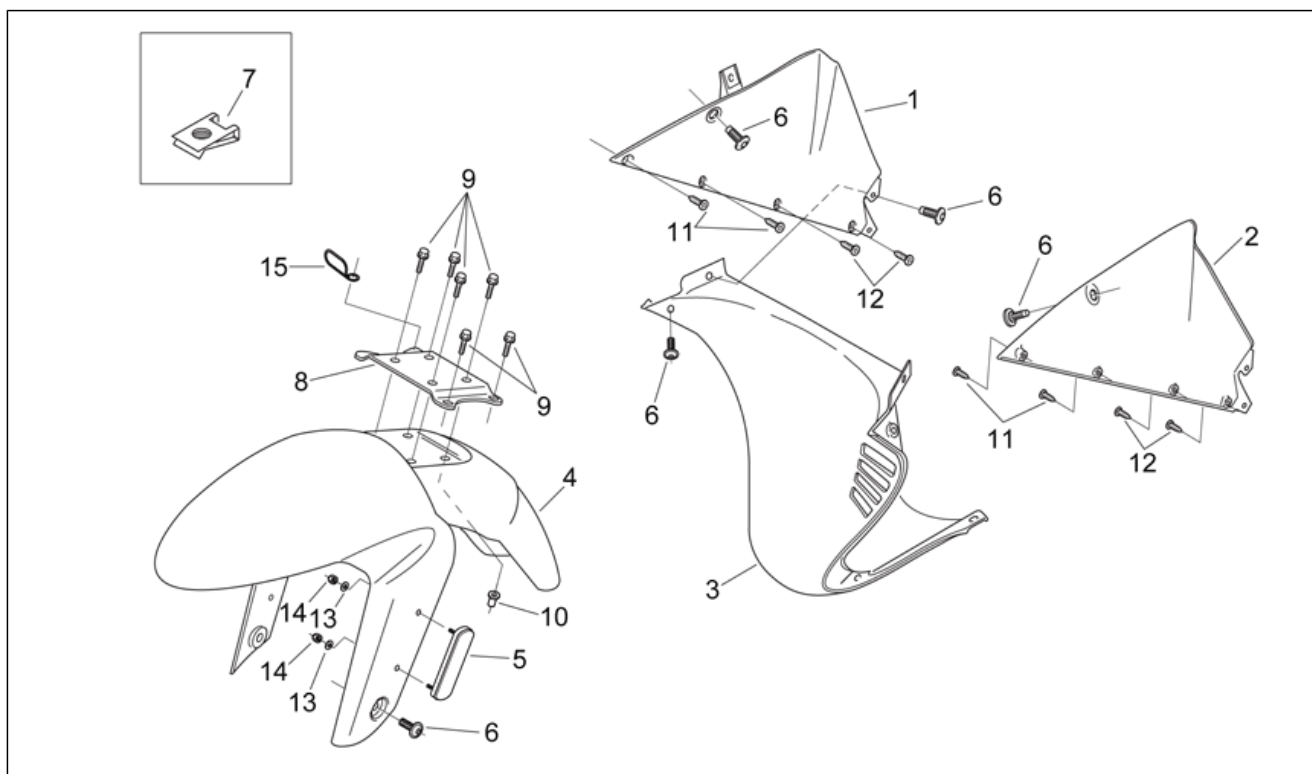
Pos.	Code	Beschreibung	Menge	Varianten
1	AP8258191	Vord. Verkleidung, d.schwarz	1	Baujahr: 2001[1] Farbe: Schwarz Diablo 2001-2002[d.bl]
1	AP8258422	Vord. Verkleidung, d.schwarz	1	Baujahr: 2002[2] Farbe: Schwarz Diablo 2001-2002[d.bl]
1	AP8258567	Vord. Verkleidung, grau	1	Baujahr: 2002[2] Farbe: Grau Dust 2002[grey]
1	AP8258775	Vord. Verkleidung, schwarz	1	Baujahr: 2003[3] 2004[4] Farbe: Schwarz SBK '03[s.bl]
1	AP8258792	Vord. Verkleidung, blau	1	Baujahr: 2003[3] Farbe: Blau Way 2003[b.way]
1	AP8258817	Vord. Verkleidung, schwarz	1	Baujahr: 2003[3] Farbe: Schwarz GP1 '03[g.bl]
1	AP8268158	Vord. Verkleidung, schwarz	1	Baujahr: 2004[4] Farbe: Poggiali Black 2004[a.blk]
1	AP8268266	Vord. Verkleidung weiß	1	Baujahr: 2004[4] Farbe: Poggiali White 2004[white]
1	AP8268379	Vord. Verkleidung, a.schwarz	1	Baujahr: 2005[5] Farbe: Rot Fluo '05 (t.B.14816)[red]
1	AP8268456	Vord. Verkleidung, a.schwarz	1	Baujahr: 2005[5] Farbe: Schwarz Aprilia '05 (t.B.14844)[blk]
1	AP8239454	Vord. Verkleidung, a.schwarz	1	Baujahr: 1999[X] Farbe: Schwarz/Rot '99[n/r]
1	AP8248791	Frontverkl. rauchblau	1	Baujahr: 1999[X] Farbe: Rauchblau / Rot Fluo '99[b/r]
1	AP8249591	Vord. Verkleidung, schwarz	1	Baujahr: 2000[Y] Farbe: Schwarz Aprilia '2000[black]
1	AP8249810	Vord. Verkleidung, n.grau	1	Baujahr: 2000[Y] Farbe: Grau Nik 2000[g.nik]
2	AP8102632	Rückspiegel rechts	1	
3	AP8102341	Becher Spiegelgelenk	2	
4	AP8102909	Bausatz einbauspiegel	2	
5	AP8102633	Rückspiegel links	1	

Einheit	RAHMEN
Code	28.08
Beschreibung	Frontaufbau I
Inspektion	1



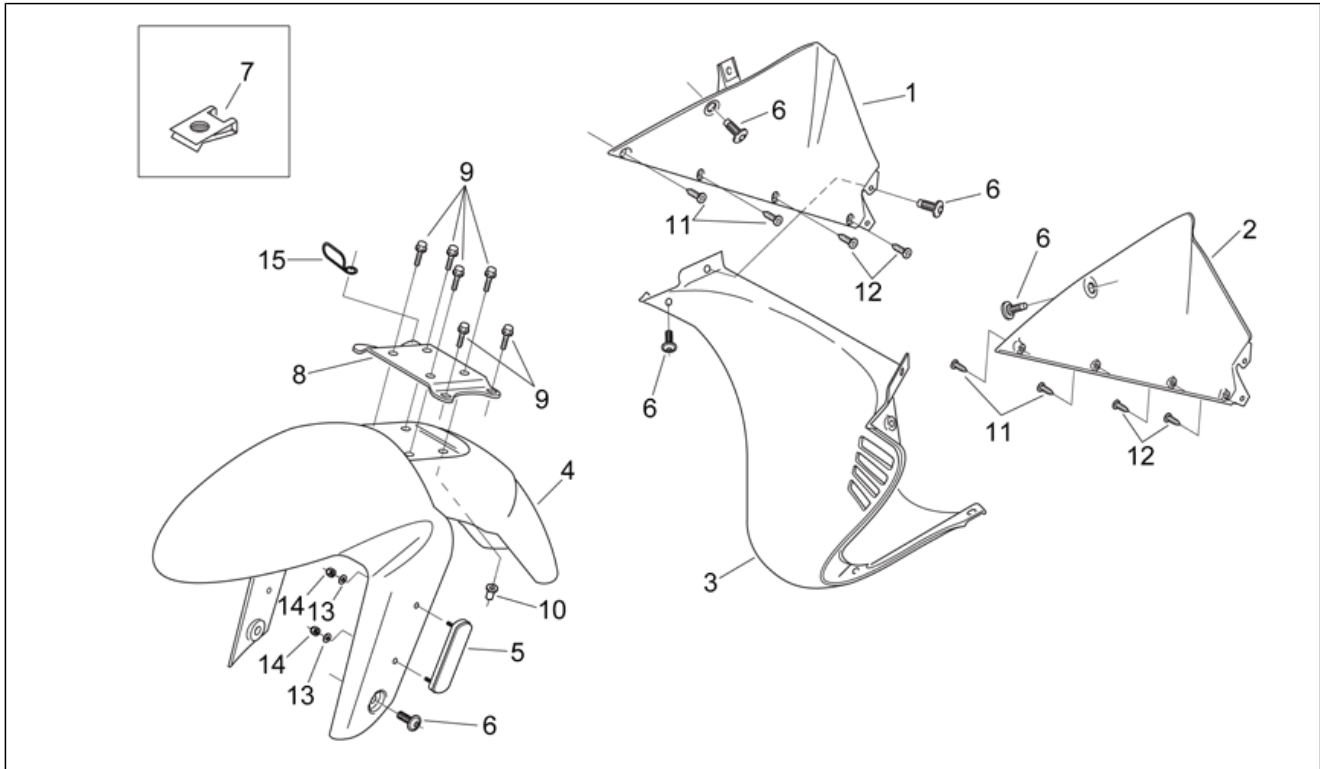
Pos.	Code	Beschreibung	Menge	Varianten
6	AP8138916	Windabweiser	1	Baujahr: 2005[5]
6	AP8138916	Windabweiser	1	Baujahr: 2004[4] Farbe: Poggiali Black 2004[a.blk] Poggiali White 2004[white]
6	AP8138916	Windabweiser	1	Baujahr: 2001[1] 2002[2] 2003[3] Land: Österreich[A] Belgien[B] Deutschland[D] Dänemark[DK] Spanien[E] A,B,D,GR,E,F,UK,NL,P[EU] Frankreich[F] [GR]Italien[I] I[II] Israel[IL] Japan[J] J[JJ] Holland[NL] Portugal[P] Rep. Korea[ROK] Finnland[SF] Schweiz[SZ] Großbritannien[UK]
6	AP8139724	Windabweiser	1	Baujahr: 1999[X] Land: Österreich[A] Belgien[B] Brasilien[BR] Deutschland[D] Dänemark[DK] Spanien[E] Frankreich[F] [GR]Italien[I] Israel[IL] Japan[J] Holland[NL] Portugal[P] Rep. Korea[ROK] Finnland[SF] Großbritannien[UK]
6	AP8148663	Windabweiser	1	Baujahr: 2000[Y] Land: Österreich[A] Belgien[B] Deutschland[D] Dänemark[DK] Spanien[E] Frankreich[F] [GR]Italien[I] Israel[IL] Japan[J] Holland[NL] Portugal[P] Rep. Korea[ROK] Finnland[SF] Großbritannien[UK]
6	AP8249094	Windabweiser	1	Land: Vereinigte Staaten von Amerika[AM] Vereinigte Staaten von Amerika[USA]
7	AP8152246	TBEI Schraube m.Flansch M6x16	4	
8	AP8144109	Fixierstift	7	
9	AP8150450	Wellenscheibe D5	7	
10	AP8152302	TBEI Schraube m.Flansch M5x12	2	
11	AP8102375	Klammer M5	10	
12	AP8120965	O-Ring 2018	7	
13	AP8157105	Deko. Sportscheibe	1	

Einheit	RAHMEN
Code	28.09
Beschreibung	Frontaufbau II
Inspektion	1



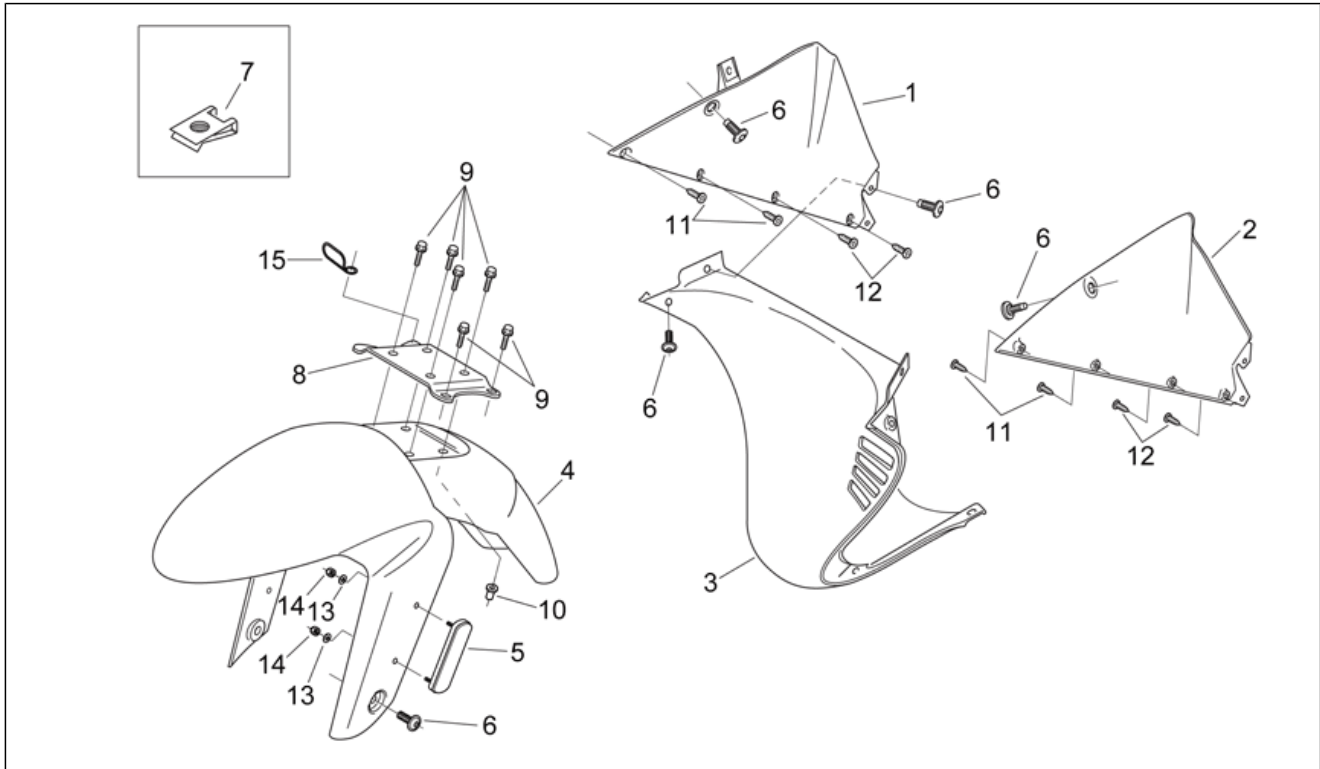
Pos.	Code	Beschreibung	Menge	Varianten
1	AP8239456	Karosseriet. re. innen schwarz	1	
2	AP8239457	Karosseriet. li. innen schwarz	1	
3	AP8248562	Verkl.stütze rot	1	Baujahr: 2000[Y] Farbe: Schwarz Aprilia '2000[black]
3	AP8248562	Verkl.stütze rot	1	Baujahr: 1999[X] Farbe: Schwarz/Rot '99[n/r]
3	AP8248562	Verkl.stütze rot	1	Baujahr: 2001[1] Farbe: Schwarz Diablo 2001-2002[d.bl]
3	AP8248799	Verkl.stange grau s.	1	Baujahr: 1999[X] Farbe: Rauchblau / Rot Fluo '99[b/r]
3	AP8249334	Verkl.stütze grau	1	Baujahr: 1999[X] Farbe: Rauchblau / Rot Fluo '99[b/r]
3	AP8249815	Verkl.stütze gelb	1	Baujahr: 2000[Y] Farbe: Grau Nik 2000[g.nik]
3	AP8258430	Stütze, schwarz	1	Baujahr: 2003[3] 2004[4] Farbe: Schwarz SBK '03[s.bl]
3	AP8258430	Stütze, schwarz	1	Baujahr: 2003[3] Farbe: Schwarz GP1 '03[g.bl]
3	AP8258430	Stütze, schwarz	1	Baujahr: 2004[4] Farbe: Poggiali Black 2004[a.blk] Poggiali White 2004[white]
3	AP8258430	Stütze, schwarz	1	Baujahr: 2005[5]
3	AP8258430	Stütze, schwarz	1	Baujahr: 2002[2] Farbe: Schwarz Diablo 2001-2002[d.bl]
3	AP8258575	Verkl.stütze grau	1	Baujahr: 2002[2] Farbe: Grau Dust 2002[grey]
3	AP8258800	Stütze blu	1	Baujahr: 2003[3] Farbe: Blau Way 2003[b.way]
4	AP8226444	Kotflügel v. schwarz	1	Baujahr: 1999[X] Farbe: Schwarz/Rot '99[n/r]
4	AP8226536	Kotflügel v. rot fluor.	1	Baujahr: 1999[X] Farbe: Rauchblau / Rot Fluo '99[b/r]
4	AP8226643	V. Schutzblech, rot durch.l.	1	Baujahr: 2000[Y]

Einheit	RAHMEN
Code	28.09
Beschreibung	Frontaufbau II
Inspektion	1



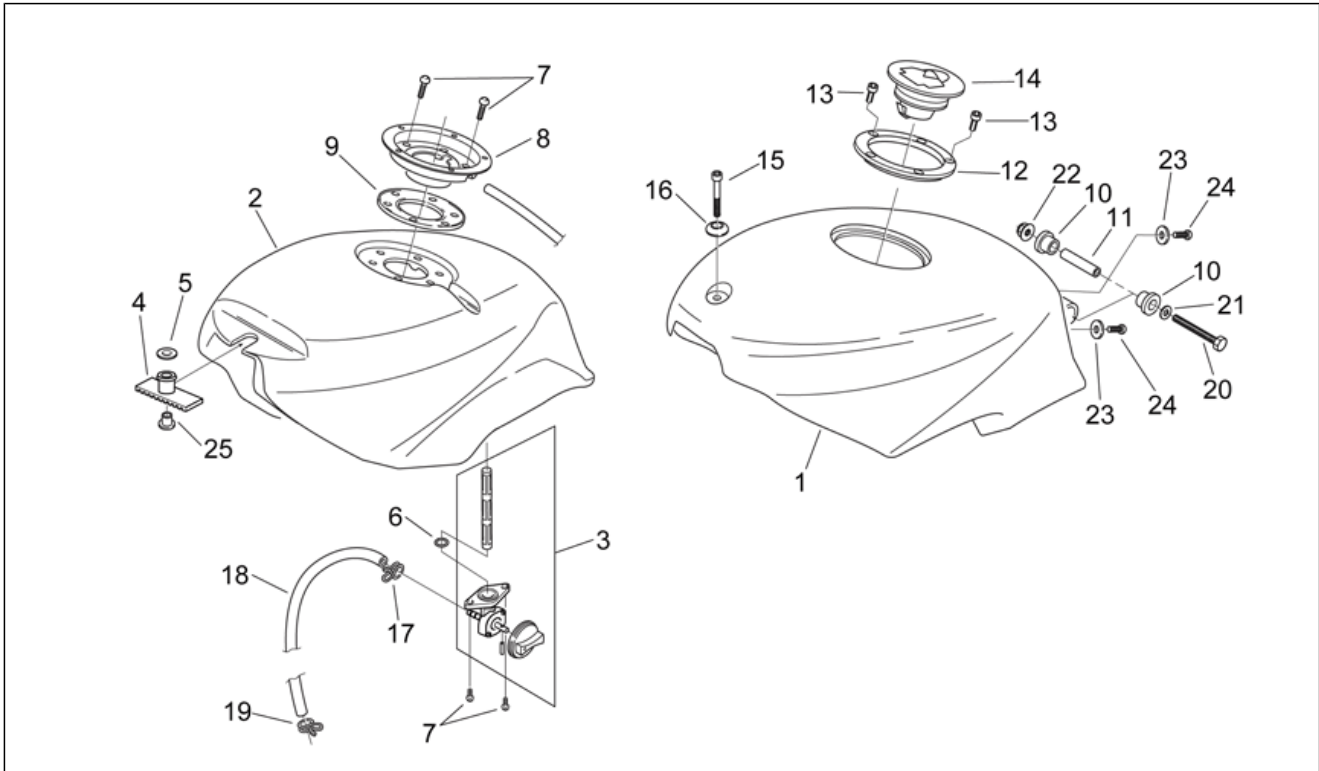
Pos.	Code	Beschreibung	Menge	Varianten
				Farbe:Schwarz Aprilia '2000[black]
4	AP8226643	V. Schutzblech, rot durch.l.	1	Baujahr:2001[1] Farbe:Schwarz Diablo 2001-2002[d.bl]
4	AP8226644	V.Schutzbl., gelb durch.l.	1	Baujahr:2000[Y] Farbe:Grau Nik 2000[g.nik]
4	AP8226719	V. Schutzblech, schwarz	1	Baujahr:2002[2] Farbe:Schwarz Diablo 2001-2002[d.bl]
4	AP8226735	V. Schutzblech, silver	1	Baujahr:2002[2] Farbe:Grau Dust 2002[grey]
4	AP8226758	V. Schutzblech, schwarz	1	Baujahr:2003[3] 2004[4] Farbe:Schwarz SBK '03[s.bl]
4	AP8226761	V. Schutzblech, blau	1	Baujahr:2003[3] Farbe:Blau Way 2003[b.way]
4	AP8226764	V. Schutzblech, schwarz	1	Baujahr:2003[3] Farbe:Schwarz GP1 '03[g.bl]
4	AP8226821	V. Schutzblech, schwarz	1	Baujahr:2004[4] Farbe:Poggiali Black 2004[a.blk]
4	AP8226838	V. Schutzblech, A.weiß	1	Baujahr:2004[4] Farbe:Poggiali White 2004[white]
4	AP8226847	Schutzbl.vorn schwarz a.	1	Baujahr:2005[5]
5	AP8124719	Rückstrahler, gelb	2	Land:Vereinigte Staaten von Amerika[AM] Vereinigte Staaten von Amerika[USA]
5	AP8224023	Rückstrahler, gelb	2	Land:Österreich[A] Belgien[B] Brasilien[BR] Deutschland[D] Dänemark[DK] Spanien[E] A,B,D,GR,E,F,UK,NL,P[EU] Frankreich[F] [GR]Italien[I] I[II] Israel[IL] Japan[J] J[JJ] Holland[NL] Portugal[P] Rep. Korea[ROK] Finnland[SF] Großbritannien[UK]
5	AP8224023	Rückstrahler, gelb	2	Land:Schweiz[SZ]
6	AP8152302	TBEI Schraube m.Flansch M5x12	8	
7	AP8102375	Klammer M5	6	
8	AP8103705	Versteifungsplatte	1	
9	AP8152278	TE Schr. m. Flansch M6x16	8	

Einheit	RAHMEN
Code	28.09
Beschreibung	Frontaufbau II
Inspektion	1



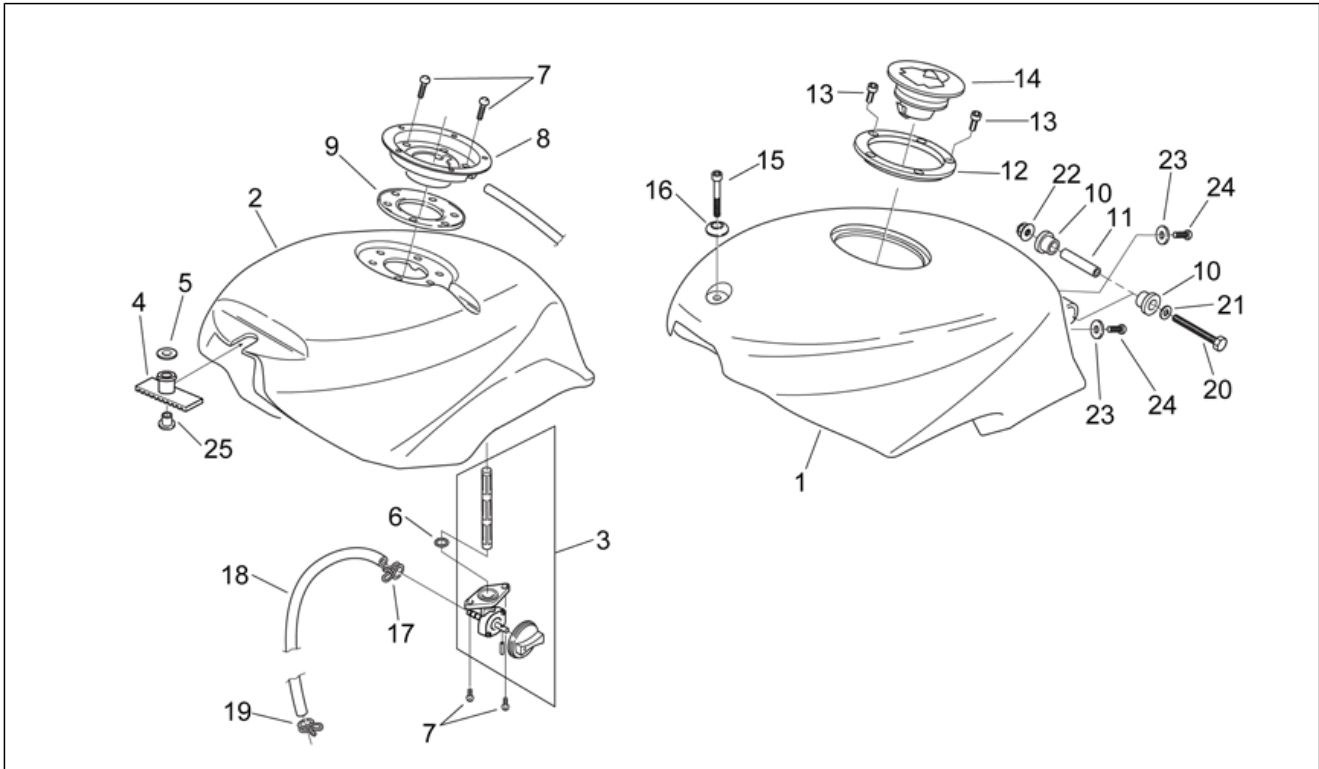
Pos.	Code	Beschreibung	Menge	Varianten
10	AP8150430	Selbstsperr.mut Unt.	4	
11	AP8150420	Gewindeschraube Edelstahl *	4	
12	AP8150413	Gew.schr. 3,9x14	4	
13	AP8150158	Ausgleichscheibe 4,3X9X0,8	4	
14	AP8150204	Mutter M4	4	
15	AP8120512	Kabelführungs	1	

Einheit	RAHMEN
Code	28.10
Beschreibung	Kraftstofftank
Inspektion	1



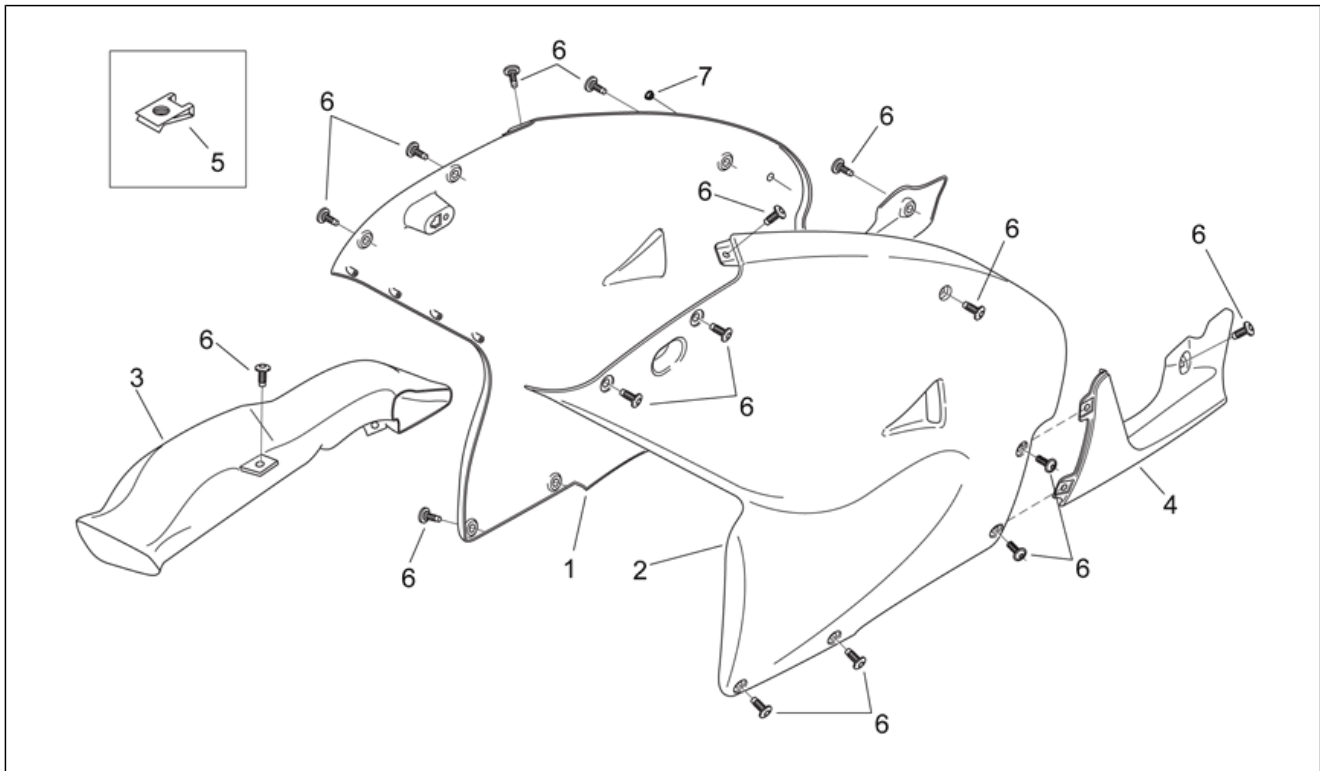
Pos.	Code	Beschreibung	Menge	Varianten
1	AP8178560	Tankabdeckung, schwarz	1	Baujahr: 2004[4] Farbe: Poggiali Black 2004[a.blk]
1	AP8239467	Kraftst.tankabd.schw. a.	1	Baujahr: 1999[X] Farbe: Schwarz/Rot '99[n/r]
1	AP8248790	Kraftst.tankabd.rauchbl.	1	Baujahr: 1999[X] Farbe: Rauchblau / Rot Fluo '99[b/r]
1	AP8249590	Tankabdeckung, schwarz	1	Baujahr: 2000[Y] Farbe: Schwarz Aprilia '2000[black]
1	AP8249809	Tankabdeckung, grau	1	Baujahr: 2000[Y] Farbe: Grau Nik 2000[g.nik]
1	AP8258190	Tankabdeckung, s.grau	1	Baujahr: 2001[1] Farbe: Schwarz Diablo 2001-2002[d.bl]
1	AP8258421	Tankabdeckung, schwarz	1	Baujahr: 2002[2] Farbe: Schwarz Diablo 2001-2002[d.bl]
1	AP8258566	Tankabdeckung, silver	1	Baujahr: 2002[2] Farbe: Grau Dust 2002[grey]
1	AP8258774	Tankabdeckung, schwarz	1	Baujahr: 2003[3] 2004[4] Farbe: Schwarz SBK '03[s.bl]
1	AP8258791	Tankabdeckung, blau	1	Baujahr: 2003[3] Farbe: Blau Way 2003[b.way]
1	AP8258816	Tankabdeckung, schwarz	1	Baujahr: 2003[3] Farbe: Schwarz GP1 '03[g.bl]
1	AP8268265	Tankabdeckung, weiß	1	Baujahr: 2004[4] Farbe: Poggiali White 2004[white]
1	AP8268455	Kraftst.tankabd.schw. a.	1	Baujahr: 2005[5] Farbe: Schwarz Aprilia '05 (t.B.14844)[blk]
1	AP8268378	Tankabdeckung, fluo rot	1	Baujahr: 2005[5] Farbe: Rot Fluo '05 (t.B.14816)[red]
2	AP8239466	Kraftstofftank	1	
3	AP8202129	Kraftstoffhahn	1	
4	AP8120557	Gummi Tankanschluß	1	
5	AP8121114	T-Buchse *	1	

Einheit	RAHMEN
Code	28.10
Beschreibung	Kraftstofftank
Inspektion	1



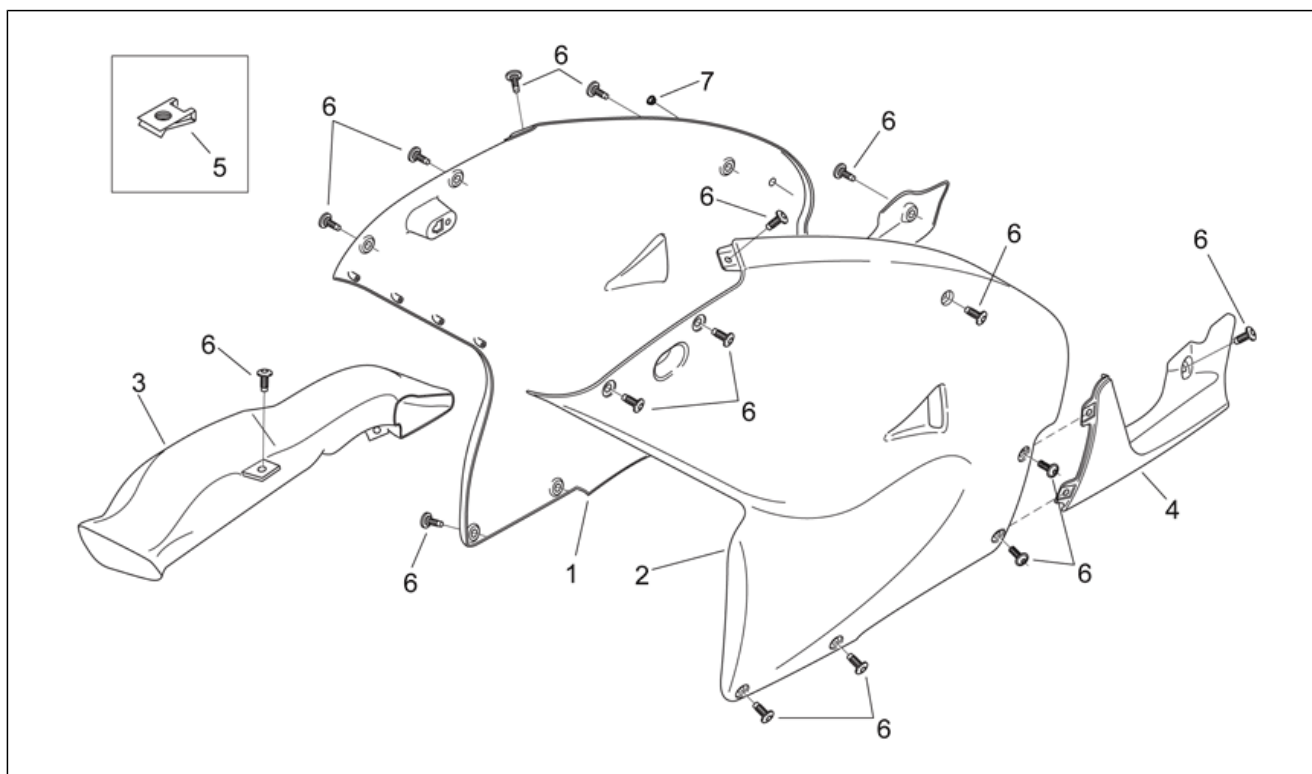
Pos.	Code	Beschreibung	Menge	Varianten
6	AP8120798	O-Ring	1	
7	AP8152186	TBEI Schraube M6x12	8	
8	AP8121784	Tankstutzen	1	
9	AP8120702	Dichtung tankstutzen	1	
10	AP8120709	Gummi *	2	
11	AP8152153	H. Distanzscheibe	1	
12	AP8102361	Nutmut. tankverschlussschraube	1	
13	AP8152043	TCEI Schraube M4x10	5	
14	AP8102228	Tankschraube, chrom.	1	
15	AP8150202	TCEI Schraube M6x50	1	
16	AP8121819	Ausgleichscheibe 6,5x12,5*	1	
17	AP8201358	Schelle D 11,9	1	
18	AP8120952	Kraftstoffleitung 5,5x10	1	
19	AP8102377	Schelle D9,1*	1	
20	AP8150314	Sechskantschraube	1	
21	AP8150429	Sprengscheibe 6,4x11x0,5*	1	
22	AP8152299	Selbstsperrende Mutter M6	1	
23	AP8150178	Ausgleichscheibe 6,4x12,5*	2	
24	AP8152108	TBEI Schraube	2	
25	AP8121673	T-Buchse *	1	

Einheit	RAHMEN
Code	28.11
Beschreibung	Mittlerer Aufbau
Inspektion	1



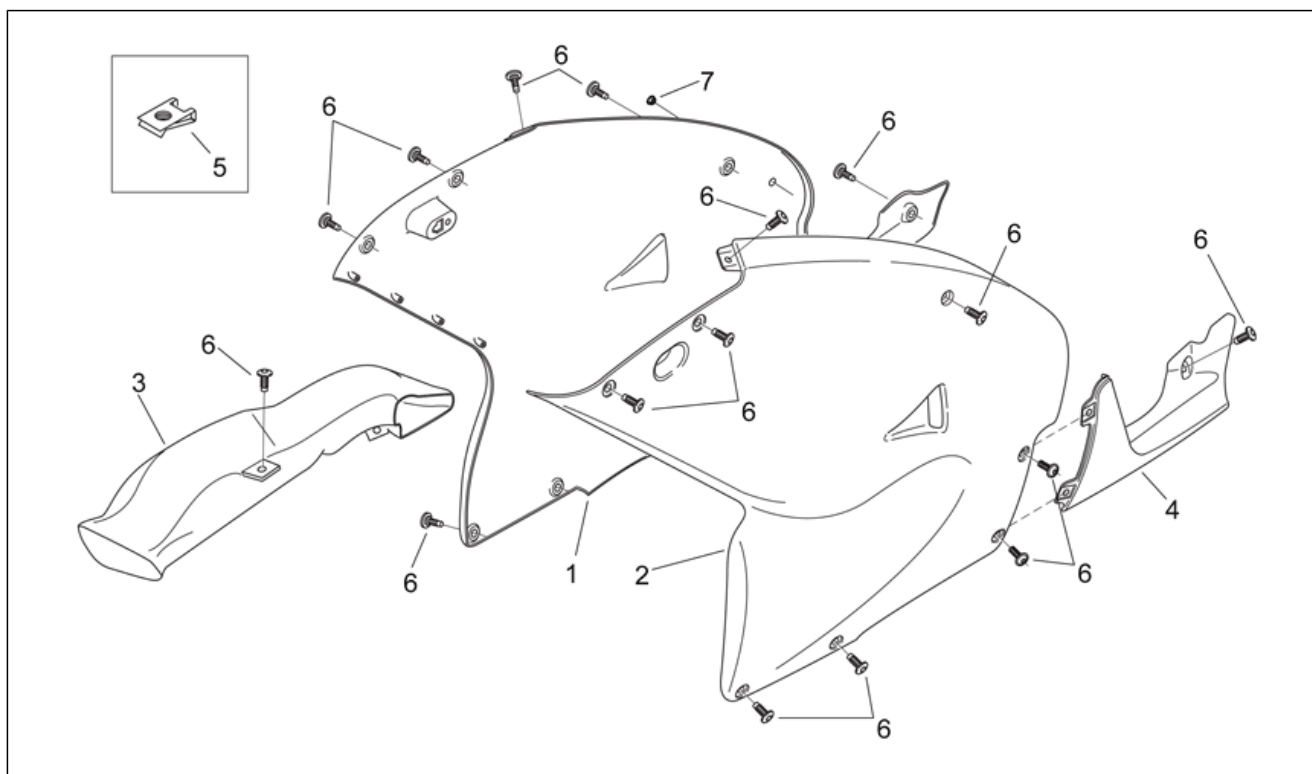
Pos.	Code	Beschreibung	Menge	Varianten
1	AP8239452	Seit.verkl.re.r.f./n.a.	1	Baujahr: 1999[X] Farbe: Schwarz/Rot '99[n/r]
1	AP8248792	R.Seitenteil Verkl., rot/gr.	1	Baujahr: 1999[X] Farbe: Rauchblau / Rot Fluo '99[b/r]
1	AP8249226	R.Seitenteil Verkl., rot	1	Baujahr: 1999[X] Farbe: Rauchblau / Rot Fluo '99[b/r]
1	AP8249592	R.Seitenteil Verkl., schwarz	1	Baujahr: 2000[Y] Farbe: Schwarz Aprilia '2000[black]
1	AP8249811	R.Seitenteil Verkl., grau	1	Baujahr: 2000[Y] Farbe: Grau Nik 2000[g.nik]
1	AP8258192	R.Seitenteil Verkl., d.schwarz	1	Baujahr: 2001[1] Farbe: Schwarz Diablo 2001-2002[d.bl]
1	AP8258423	R.Seitenteil Verkl., d.schwarz	1	Baujahr: 2002[2] Farbe: Schwarz Diablo 2001-2002[d.bl]
1	AP8258568	R.Seitenteil Verkl., grau	1	Baujahr: 2002[2] Farbe: Grau Dust 2002[grey]
1	AP8258776	R.Seitenteil Verkl., schwarz	1	Baujahr: 2003[3] 2004[4] Farbe: Schwarz SBK '03[s.bl]
1	AP8258793	R.Seitenteil Verkl., blau	1	Baujahr: 2003[3] Farbe: Blau Way 2003[b.way]
1	AP8258818	R.Seitenteil Verkl., schwarz	1	Baujahr: 2003[3] Farbe: Schwarz GP1 '03[g.bl]
1	AP8268156	R.Seitenteil Verkl., d.schwarz	1	Baujahr: 2004[4] Farbe: Poggiali Black 2004[a.blk]
1	AP8268267	R.Seitenteil Verkl., s.Weiß	1	Baujahr: 2004[4] Farbe: Poggiali White 2004[white]
1	AP8268457	R.Seitenteil Verkl., bronze	1	Baujahr: 2005[5] Farbe: Schwarz Aprilia '05 (t.B.14844)[blk]
1	AP8268380	R.Seitenteil Verkl., a.schwarz	1	Baujahr: 2005[5] Farbe: Rot Fluo '05 (t.B.14816)[red]
2	AP8249812	L.Seitenteil Verkl., grau	1	Baujahr: 2000[Y] Farbe: Grau Nik 2000[g.nik]

Einheit	RAHMEN
Code	28.11
Beschreibung	Mittlerer Aufbau
Inspektion	1



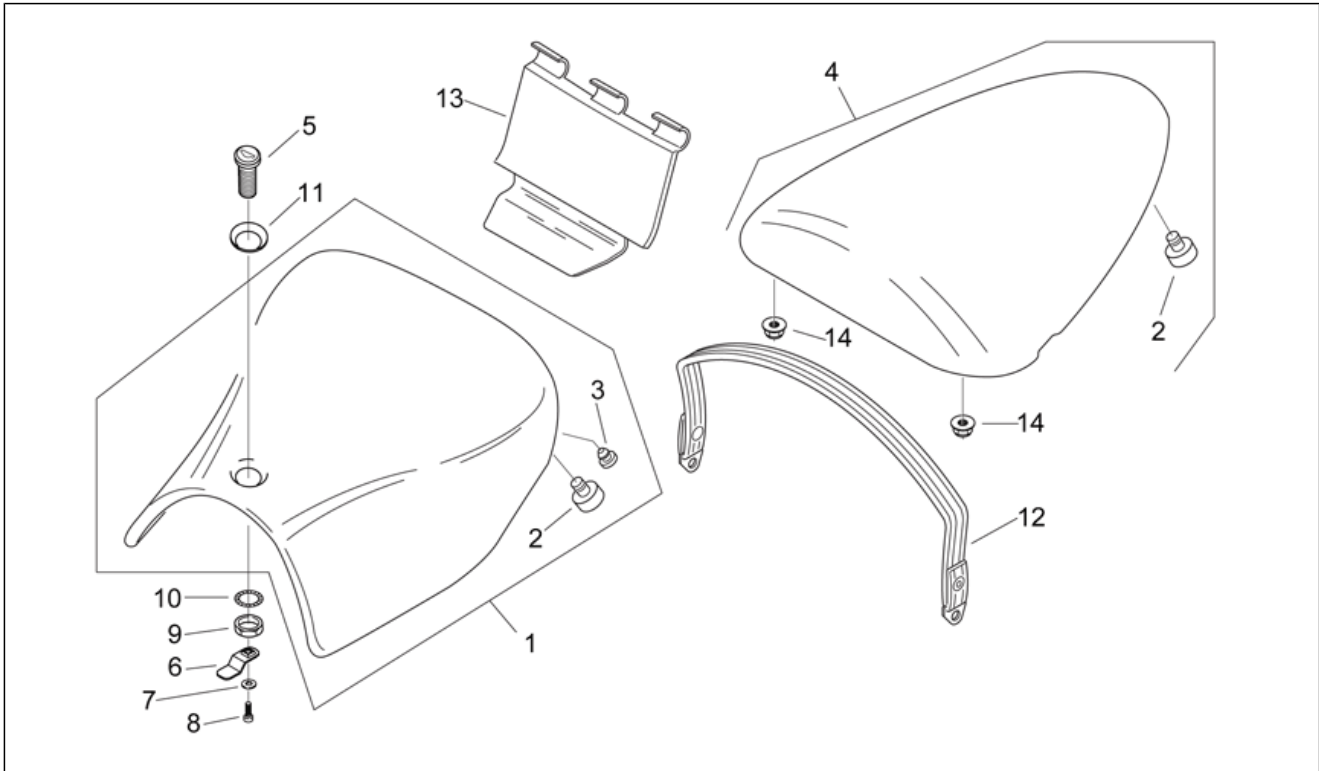
Pos.	Code	Beschreibung	Menge	Varianten
2	AP8258193	L.Seitenteil Verk., schwarz d.	1	Baujahr: 2001[1] Farbe: Schwarz Diablo 2001-2002[d.bl]
2	AP8258424	L.Seitenteil Verk., schwarz d.	1	Baujahr: 2002[2] Farbe: Schwarz Diablo 2001-2002[d.bl]
2	AP8258569	L.Seitenteil Verkl., grau	1	Baujahr: 2002[2] Farbe: Grau Dust 2002[grey]
2	AP8258777	L.Seitenteil Verkl., schwarz	1	Baujahr: 2003[3] 2004[4] Farbe: Schwarz SBK '03[s.bl]
2	AP8258794	L.Seitenteil Verkl., blau	1	Baujahr: 2003[3] Farbe: Blau Way 2003[b.way]
2	AP8258819	L.Seitenteil Verkl., schwarz	1	Baujahr: 2003[3] Farbe: Schwarz GP1 '03[g.bl]
2	AP8268157	L.Seitenteil Verk., schwarz d.	1	Baujahr: 2004[4] Farbe: Poggiali Black 2004[a.blk]
2	AP8268268	L.Seitenteil Verkl., s.Weiß	1	Baujahr: 2004[4] Farbe: Poggiali White 2004[white]
2	AP8268458	L.Seitenteil Verkl., bronze	1	Baujahr: 2005[5] Farbe: Schwarz Aprilia '05 (t.B.14844)[blk]
2	AP8268381	L.Seitenteil Verkl., a.schwarz	1	Baujahr: 2005[5] Farbe: Rot Fluo '05 (t.B.14816)[red]
2	AP8239453	L.Seitenteil Verkl., r.f./s.a.	1	Baujahr: 1999[X] Farbe: Schwarz/Rot '99[n/r]
2	AP8248793	L.Seitenteil Verkl., rot/grau	1	Baujahr: 1999[X] Farbe: Rauchblau / Rot Fluo '99[b/r]
2	AP8249227	L.Seitenteil Verkl., rot	1	Baujahr: 1999[X] Farbe: Rauchblau / Rot Fluo '99[b/r]
2	AP8249593	L.Seitenteil Verkl., schwarz	1	Baujahr: 2000[Y] Farbe: Schwarz Aprilia '2000[black]
3	AP8239458	Leitblech, schwarz	1	
4	AP8239642	Verläng. l. Seitent. rot	1	Baujahr: 1999[X] Farbe: Schwarz/Rot '99[n/r]
4	AP8248794	Seit.verläng.li. Grau	1	Baujahr: 1999[X]

Einheit	RAHMEN
Code	28.11
Beschreibung	Mittlerer Aufbau
Inspektion	1



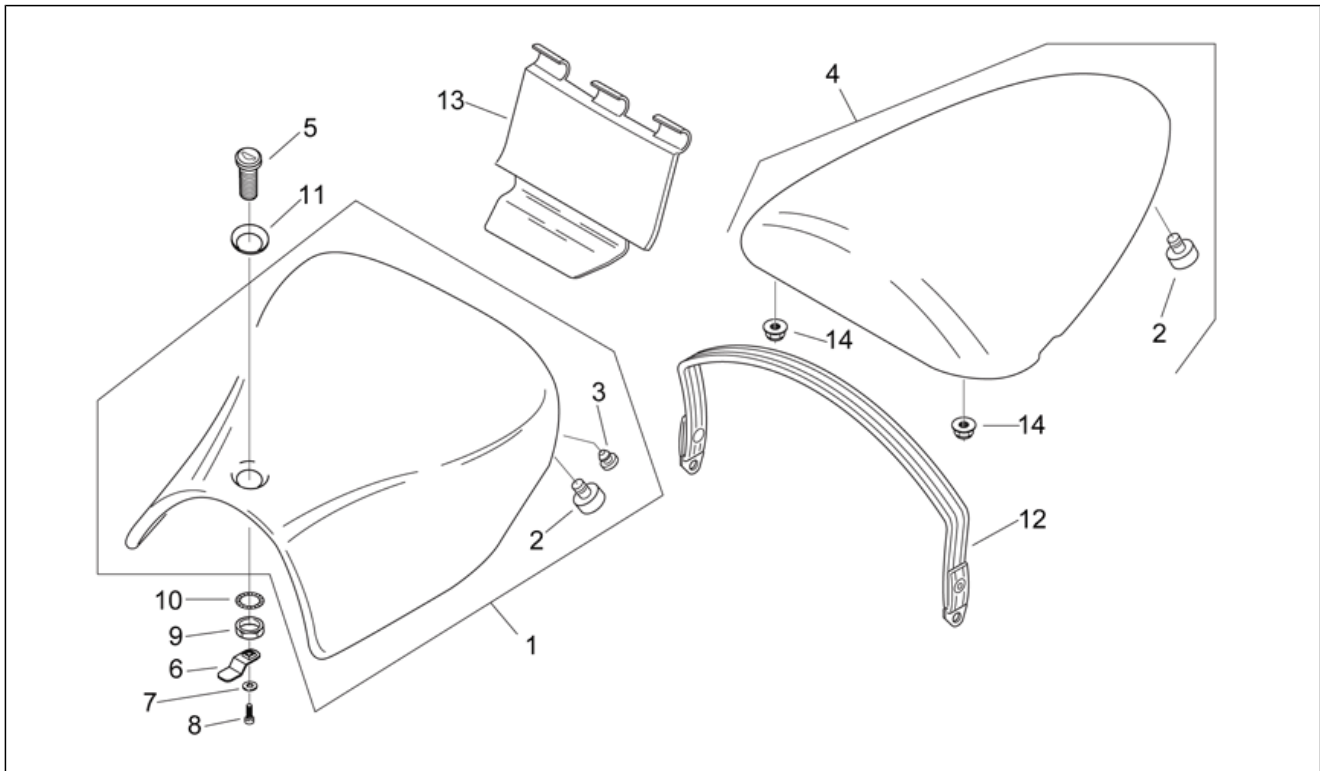
Pos.	Code	Beschreibung	Menge	Varianten
				Farbe:Rauchblau / Rot Fluo '99[b/r]
4	AP8249225	Seit.verläng.li. grau.	1	Baujahr:1999[X]
4	AP8249813	Seit.verläng.li. Gelb	1	Farbe:Rauchblau / Rot Fluo '99[b/r] Baujahr:2000[Y]
4	AP8249835	Seit.verläng.li. Rot	1	Farbe:Grau Nik 2000[g.nik] Baujahr:2000[Y]
4	AP8249835	Seit.verläng.li. Rot	1	Farbe:Schwarz Aprilia '2000[black] Baujahr:2001[1]
4	AP8258425	Verläng. l. Seitent. schwarz	1	Farbe:Schwarz Diablo 2001-2002[d.bl] Baujahr:2002[2]
4	AP8258570	Seit.verläng.li. Grau	1	Farbe:Schwarz Diablo 2001-2002[d.bl] Baujahr:2002[2]
4	AP8258778	Verläng. l. Seitent. schwarz	1	Farbe:Grau Dust 2002[grey] Baujahr:2003[3] 2004[4]
4	AP8258795	Verläng. l. Seitent. rot	1	Farbe:Schwarz SBK '03[s.bl] Baujahr:2003[3]
4	AP8258820	Verläng. l. Seitent. schwarz	1	Farbe:Blau Way 2003[b.way] Baujahr:2003[3]
4	AP8268172	Verläng. l. Seitent. schwarz	1	Farbe:Schwarz GP1 '03[g.bl] Baujahr:2004[4]
4	AP8268269	Seit.verläng.li.Weiß	1	Farbe:Poggiali Black 2004[a.blk] Baujahr:2004[4]
4	AP8268459	Verlängerung li.Seitent.bronz	1	Farbe:Poggiali White 2004[white] Baujahr:2005[5]
4	AP8268382	L. Seitenteil Verläng., schw.	1	Farbe:Schwarz Aprilia '05 (t.B.14844)[blk] Baujahr:2005[5]
5	AP8102375	Klammer M5	6	Farbe:Rot Fluo '05 (t.B.14816)[red]
6	AP8152302	TBEI Schraube m.Flansch M5x12	18	
7	AP8220323	Deckel	1	

Einheit	RAHMEN
Code	28.12
Beschreibung	Sitzbankeinheit
Inspektion	1



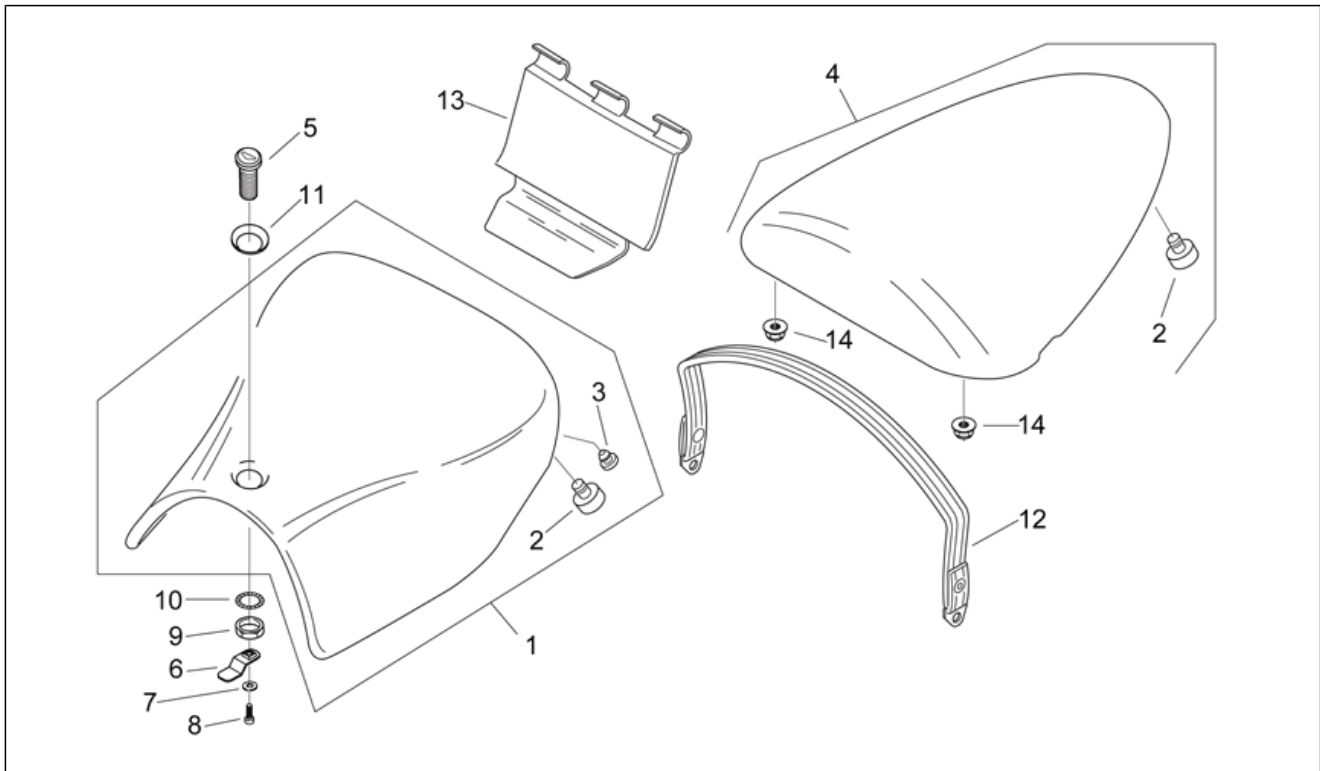
Pos.	Code	Beschreibung	Menge	Varianten
1	AP8229252	Fahrersitz, rot	1	Baujahr:1999[X]
1	AP8229308	Fahrersitz, schwarz	1	Baujahr:2002[2] Farbe:Schwarz Diablo 2001-2002[d.bl]
1	AP8229308	Fahrersitz, schwarz	1	Baujahr:2000[Y]
1	AP8229308	Fahrersitz, schwarz	1	Baujahr:2004[4] Farbe:Poggiali Black 2004[a.blk] Poggiali White 2004[white]
1	AP8229308	Fahrersitz, schwarz	1	Baujahr:2003[3] 2004[4] Farbe:Schwarz SBK '03[s.bl]
1	AP8229308	Fahrersitz, schwarz	1	Baujahr:2003[3] Farbe:Schwarz GP1 '03[g.bl]
1	AP8229308	Fahrersitz, schwarz	1	Baujahr:2001[1]
1	AP8229346	Fahrersitz, schwarz	1	Baujahr:2003[3] Farbe:Blau Way 2003[b.way]
1	AP8229346	Fahrersitz, schwarz	1	Baujahr:2002[2] Farbe:Grau Dust 2002[grey]
1	AP8229408	Fahrersitz, schwarz	1	Baujahr:2005[5]
2	AP8220349	Gummi	8	
3	AP8120001	Gummi	2	
4	AP8229254	Soziussitz, schwarz	1	Baujahr:1999[X] Farbe:Schwarz/Rot '99[n/r]
4	AP8229254	Soziussitz, schwarz	1	Baujahr:2003[3] 2004[4] Farbe:Schwarz SBK '03[s.bl]
4	AP8229254	Soziussitz, schwarz	1	Baujahr:2003[3] Farbe:Schwarz GP1 '03[g.bl]
4	AP8229254	Soziussitz, schwarz	1	Baujahr:2004[4] Farbe:Poggiali Black 2004[a.blk] Poggiali White 2004[white]
4	AP8229254	Soziussitz, schwarz	1	Baujahr:2001[1] Farbe:Schwarz Diablo 2001-2002[d.bl]
4	AP8229254	Soziussitz, schwarz	1	Baujahr:2002[2] Farbe:Schwarz Diablo 2001-2002[d.bl]
4	AP8229296	Soziussitz rot	1	Baujahr:2000[Y]

Einheit	RAHMEN
Code	28.12
Beschreibung	Sitzbankeinheit
Inspektion	1



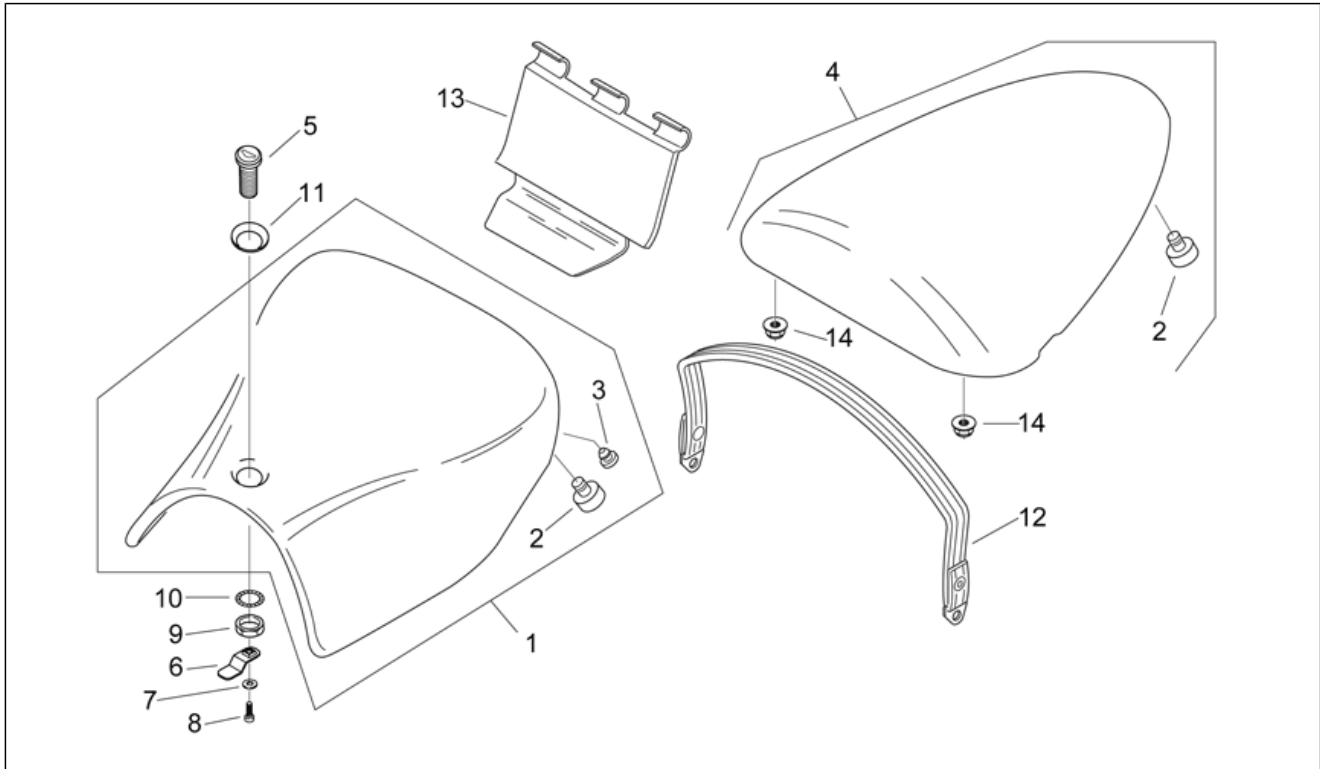
Pos.	Code	Beschreibung	Menge	Varianten
				Farbe:Schwarz Aprilia '2000[black]
4	AP8229296	Soziussitz rot	1	Baujahr:1999[X] Farbe:Rauchblau / Rot Fluo '99[b/r]
4	AP8229313	Soziussitz, gelb	1	Baujahr:2000[Y] Farbe:Grau Nik 2000[g.nik]
4	AP8229347	Soziussitz, schwarz	1	Baujahr:2002[2] Farbe:Grau Dust 2002[grey]
4	AP8229356	Soziussitz, blau	1	Baujahr:2003[3] Farbe:Blau Way 2003[b.way]
4	AP8229409	Soziussitz, schwarz	1	Baujahr:2005[5]
5	AP8102119	Sitzschloß	1	
6	AP8135260	Sitzschloß Fixierplatte	1	
7	AP8150015	Ausgleichscheibe 6,6x18x1,6*	1	
8	AP8152123	TCEI Schraube	1	
9	AP8152194	Mutter unten M19x1*	1	
10	AP8221312	Zahnscheibe	1	
11	AP8229207	Becher Sitzschloß	1	
12	AP8229410	Soziusriemen schwarz	1	Baujahr:2005[5]
12	AP8129222	Soziusriemen schwarz	1	Baujahr:2004[4] Farbe:Poggiali Black 2004[a.blk] Poggiali White 2004[white]
12	AP8129222	Soziusriemen schwarz	1	Baujahr:2002[2] Farbe:Schwarz Diablo 2001-2002[d.bl]
12	AP8129222	Soziusriemen schwarz	1	Baujahr:2003[3] 2004[4] Farbe:Schwarz SBK '03[s.bl]
12	AP8129222	Soziusriemen schwarz	1	Baujahr:2001[1] Farbe:Schwarz Diablo 2001-2002[d.bl]
12	AP8129222	Soziusriemen schwarz	1	Baujahr:2003[3] Farbe:Schwarz GP1 '03[g.bl]
12	AP8129222	Soziusriemen schwarz	1	Baujahr:1999[X] Farbe:Schwarz/Rot '99[n/r]
12	AP8129248	Soziusriemen rot	1	Baujahr:2000[Y]

Einheit	RAHMEN
Code	28.12
Beschreibung	Sitzbankeinheit
Inspektion	1



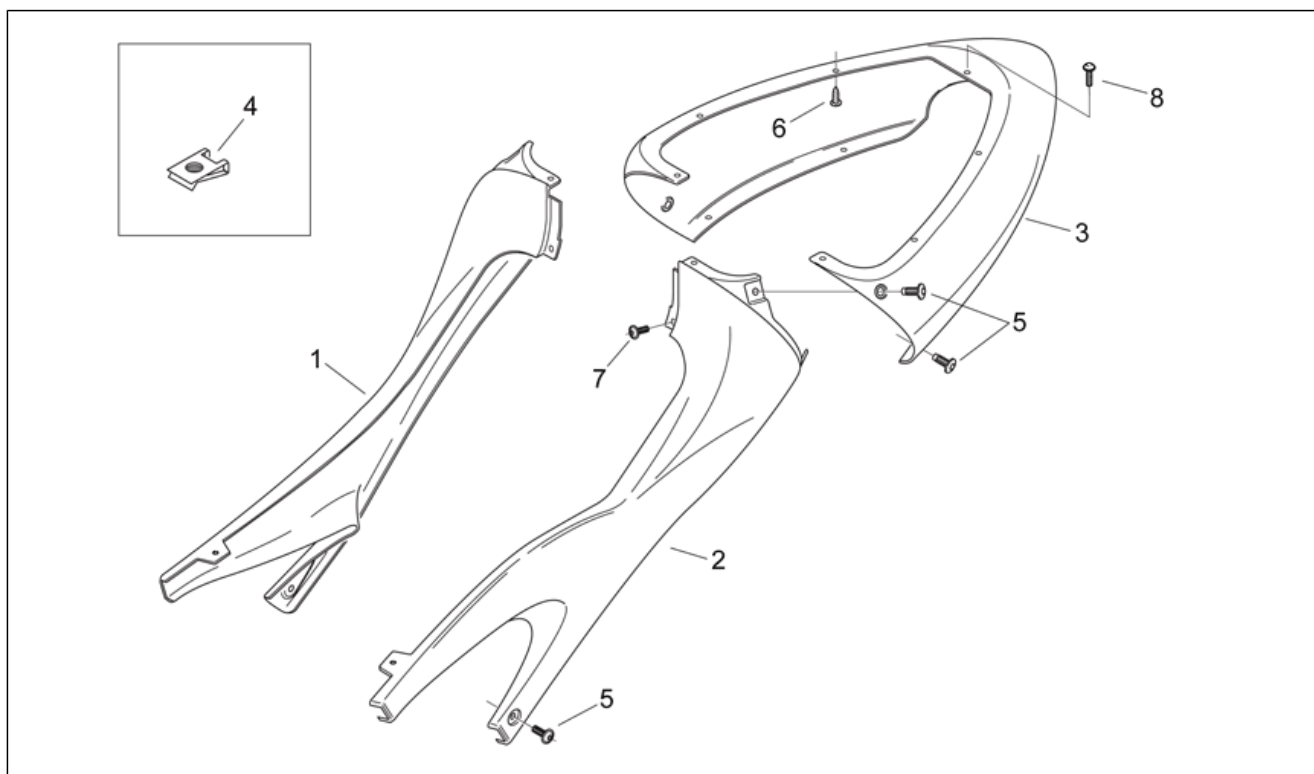
Pos.	Code	Beschreibung	Menge	Varianten
				Farbe:Schwarz Aprilia '2000[black]
12	AP8129248	Soziusriemen rot	1	Baujahr:1999[X] Farbe:Rauchblau / Rot Fluo '99[b/r]
12	AP8229314	Soziusriemen gelb	1	Baujahr:2000[Y] Farbe:Grau Nik 2000[g.nik]
12	AP8229348	Soziusriemen schwarz	1	Baujahr:2002[2] Farbe:Grau Dust 2002[grey]
12	AP8229357	Soziusriemen blu	1	Baujahr:2003[3] Farbe:Blau Way 2003[b.way]
13	AP8239869	Staufachklappe grau s.	1	Baujahr:1999[X] Farbe:Schwarz/Rot '99[n/r]
13	AP8248798	Staufachklappe grau g.	1	Baujahr:1999[X] Farbe:Rauchblau / Rot Fluo '99[b/r]
13	AP8249120	Kl. Werkzeugfach, grau	1	Baujahr:1999[X] Farbe:Rauchblau / Rot Fluo '99[b/r]
13	AP8249597	Kl. Werkzeugfach, grau	1	Baujahr:2000[Y] Farbe:Schwarz Aprilia '2000[black]
13	AP8249891	Klappe Werkzeugfach, schwarz	1	Baujahr:2000[Y] Farbe:Grau Nik 2000[g.nik]
13	AP8258197	Klappe Werkzeugfach, d.grau	1	Baujahr:2001[1] Farbe:Schwarz Diablo 2001-2002[d.bl]
13	AP8258429	Klappe Werkzeugfach, schwarz	1	Baujahr:2002[2] Farbe:Schwarz Diablo 2001-2002[d.bl]
13	AP8258574	Klappe Werkzeugfach, grau	1	Baujahr:2002[2] Farbe:Grau Dust 2002[grey]
13	AP8258799	Klappe Werkzeugfach, blau	1	Baujahr:2003[3] Farbe:Blau Way 2003[b.way]
13	AP8258966	Klappe Werkzeugfach, schwarz	1	Baujahr:2003[3] Farbe:Schwarz GP1 '03[g.bl]
13	AP8258966	Klappe Werkzeugfach, schwarz	1	Baujahr:2003[3] 2004[4] Farbe:Schwarz SBK '03[s.bl]
13	AP8258966	Klappe Werkzeugfach, schwarz	1	Baujahr:2002[2]

Einheit	RAHMEN
Code	28.12
Beschreibung	Sitzbankeinheit
Inspektion	1



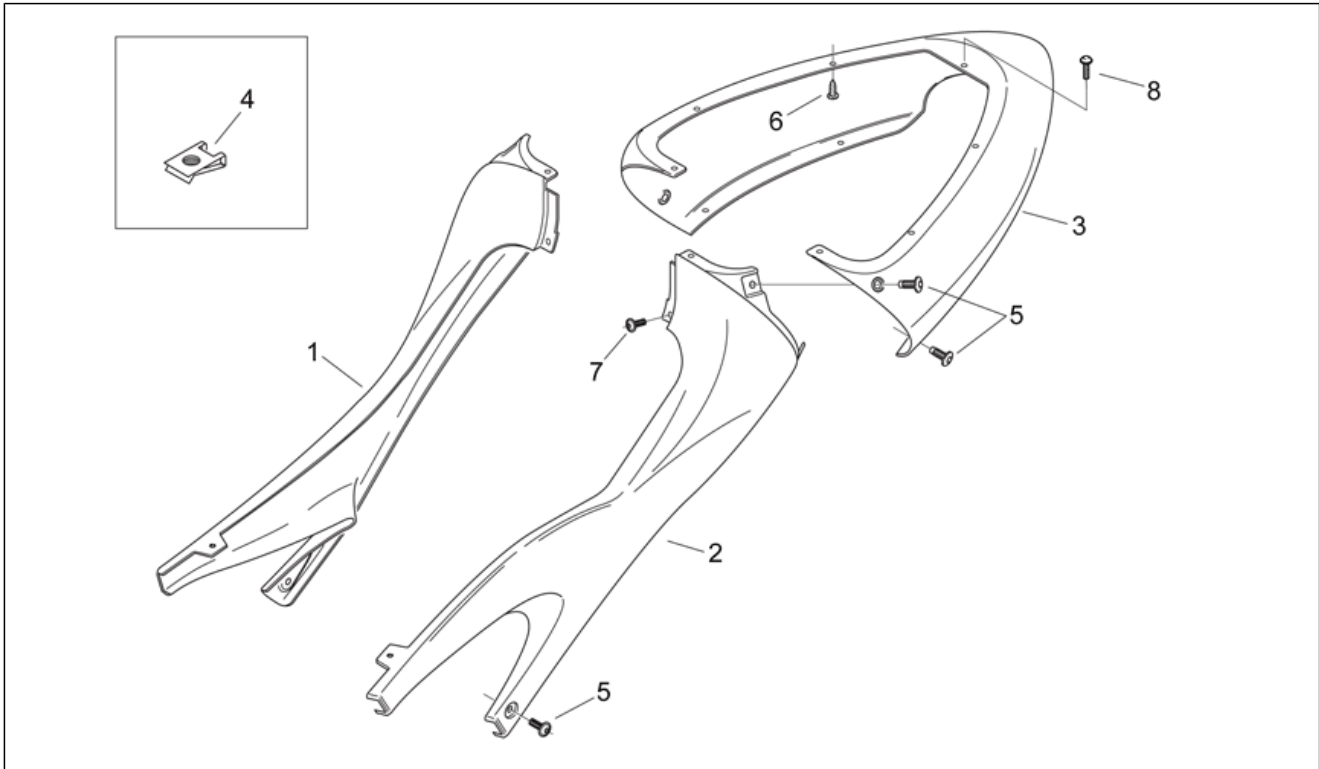
Pos.	Code	Beschreibung	Menge	Varianten
				Farbe:Schwarz Diablo 2001-2002[d.bl]
13	AP8258966	Klappe Werkzeugfach, schwarz	1	Baujahr:2004[4] Farbe:Poggiali Black 2004[a.blk] Poggiali White 2004[white]
13	AP8258966	Klappe Werkzeugfach, schwarz	1	Baujahr:2005[5]
13	AP8258969	Klappe Werkzeugfach, grau	1	Baujahr:2002[2] Farbe:Grau Dust 2002[grey]
14	AP8152306	Selbstsperrende Mutter M5	2	

Einheit	RAHMEN
Code	28.13
Beschreibung	Heckaufbau I
Inspektion	1



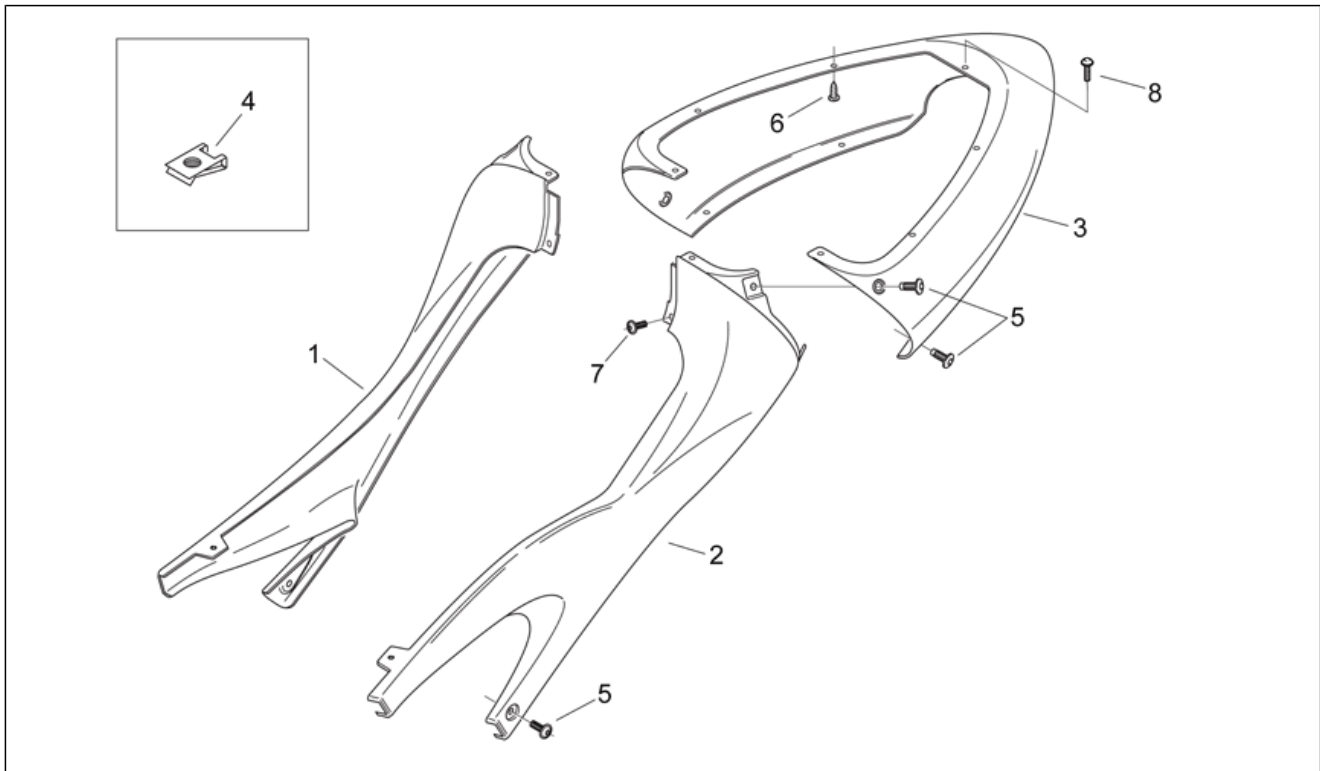
Pos.	Code	Beschreibung	Menge	Varianten
1	AP8239459	R.Sitzhalterabd., s.grau	1	Baujahr: 1999[X] Farbe: Schwarz/Rot '99[n/r]
1	AP8248796	R.Sitzhalterabd., g.grau	1	Baujahr: 1999[X] Farbe: Rauchblau / Rot Fluo '99[b/r]
1	AP8249118	R.Sitzhalterabd., grau	1	Baujahr: 1999[X] Farbe: Rauchblau / Rot Fluo '99[b/r]
1	AP8249595	R.Sitzhalterabd., grau	1	Baujahr: 2000[Y] Farbe: Schwarz Aprilia '2000[black]
1	AP8249889	R.Sitzhalterabd., schwarz	1	Baujahr: 2000[Y] Farbe: Grau Nik 2000[g.nik]
1	AP8258195	R.Sitzhalterabd., d.grau	1	Baujahr: 2001[1] Farbe: Schwarz Diablo 2001-2002[d.bl]
1	AP8258427	R.Sitzhalterabd., schwarz	1	Baujahr: 2002[2] Farbe: Schwarz Diablo 2001-2002[d.bl]
1	AP8258572	R.Sitzhalterabd., grau	1	Baujahr: 2002[2] Farbe: Grau Dust 2002[grey]
1	AP8258797	R.Sitzhalterabd., blau	1	Baujahr: 2003[3] Farbe: Blau Way 2003[b.way]
1	AP8258964	R.Sitzhalterabd., schwarz	1	Baujahr: 2002[2] Farbe: Schwarz Diablo 2001-2002[d.bl]
1	AP8258964	R.Sitzhalterabd., schwarz	1	Baujahr: 2004[4] Farbe: Poggiali Black 2004[a.blk] Poggiali White 2004[white]
1	AP8258964	R.Sitzhalterabd., schwarz	1	Baujahr: 2003[3] Farbe: Schwarz GP1 '03[g.bl]
1	AP8258964	R.Sitzhalterabd., schwarz	1	Baujahr: 2003[3] 2004[4] Farbe: Schwarz SBK '03[s.bl]
1	AP8258964	R.Sitzhalterabd., schwarz	1	Baujahr: 2005[5]
1	AP8258967	R.Sitzhalterabd., grau	1	Baujahr: 2002[2] Farbe: Grau Dust 2002[grey]
2	AP8239460	L.Sitzhalterabd., s.grau	1	Baujahr: 1999[X] Farbe: Schwarz/Rot '99[n/r]
2	AP8248797	L.Sitzhalterabd., g.grau	1	Baujahr: 1999[X]

Einheit	RAHMEN
Code	28.13
Beschreibung	Heckaufbau I
Inspektion	1



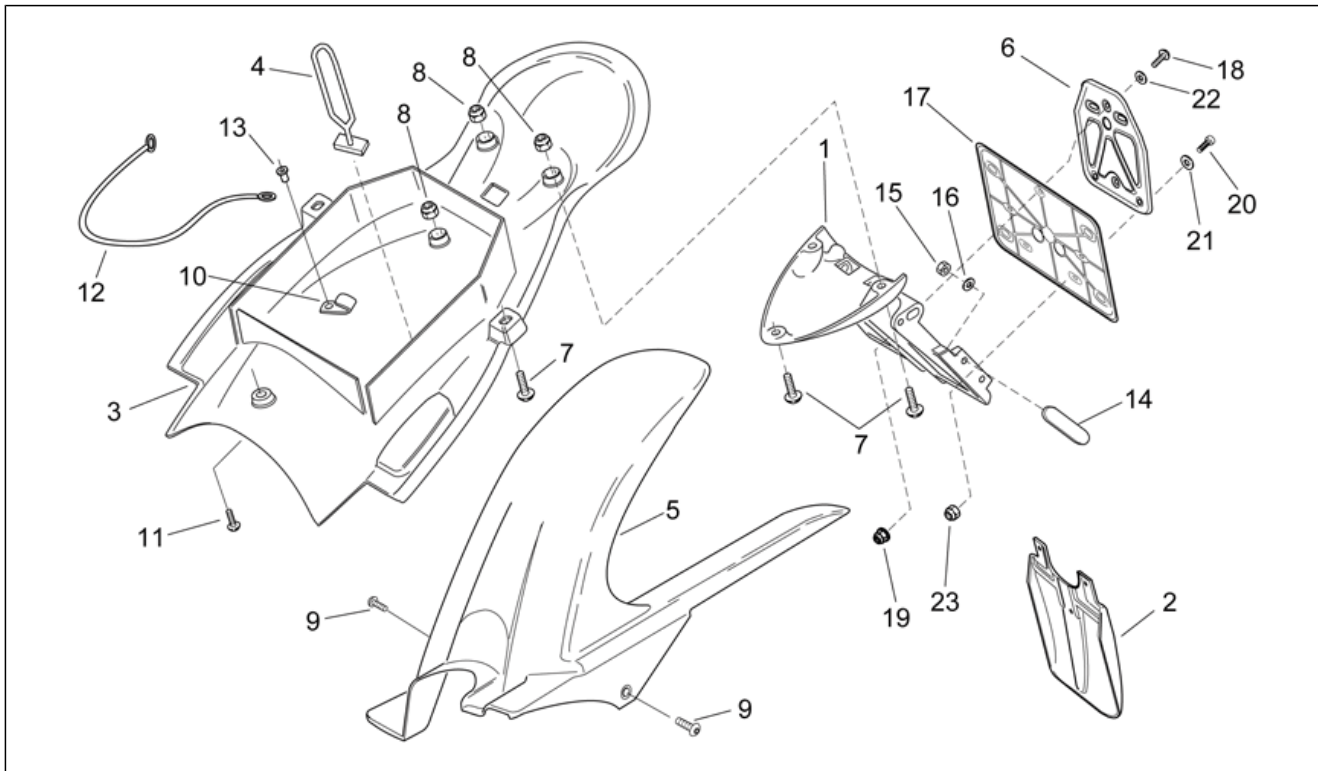
Pos.	Code	Beschreibung	Menge	Varianten
				Farbe:Rauchblau / Rot Fluo '99[b/r]
2	AP8249119	L.Sitzhalterabd., grau	1	Baujahr:1999[X] Farbe:Rauchblau / Rot Fluo '99[b/r]
2	AP8249596	L.Sitzhalterabd., grau	1	Baujahr:2000[Y] Farbe:Schwarz Aprilia '2000[black]
2	AP8249890	L.Sitzhalterabd., schwarz	1	Baujahr:2000[Y] Farbe:Grau Nik 2000[g.nik]
2	AP8258196	L.Sitzhalterabd., d.grau	1	Baujahr:2001[1] Farbe:Schwarz Diablo 2001-2002[d.bl]
2	AP8258428	L.Sitzhalterabd., schwarz	1	Baujahr:2002[2] Farbe:Schwarz Diablo 2001-2002[d.bl]
2	AP8258573	L.Sitzhalterabd., grau	1	Baujahr:2002[2] Farbe:Grau Dust 2002[grey]
2	AP8258798	L.Sitzhalterabd., blau	1	Baujahr:2003[3] Farbe:Blau Way 2003[b.way]
2	AP8258965	L.Sitzhalterabd., schwarz	1	Baujahr:2002[2] Farbe:Schwarz Diablo 2001-2002[d.bl]
2	AP8258965	L.Sitzhalterabd., schwarz	1	Baujahr:2004[4] Farbe:Poggiali Black 2004[a.blk] Poggiali White 2004[white]
2	AP8258965	L.Sitzhalterabd., schwarz	1	Baujahr:2003[3] 2004[4] Farbe:Schwarz SBK '03[s.bl]
2	AP8258965	L.Sitzhalterabd., schwarz	1	Baujahr:2003[3] Farbe:Schwarz GP1 '03[g.bl]
2	AP8258965	L.Sitzhalterabd., schwarz	1	Baujahr:2005[5]
2	AP8258968	L.Sitzhalterabd., grau	1	Baujahr:2002[2] Farbe:Grau Dust 2002[grey]
3	AP8239461	Heck schwarz a.	1	Baujahr:1999[X] Farbe:Schwarz/Rot '99[n/r]
3	AP8248795	Heckteil, fluo rot	1	Baujahr:1999[X] Farbe:Rauchblau / Rot Fluo '99[b/r]
3	AP8249594	Heckteil, schwarz	1	Baujahr:2000[Y] Farbe:Schwarz Aprilia '2000[black]

Einheit	RAHMEN
Code	28.13
Beschreibung	Heckaufbau I
Inspektion	1



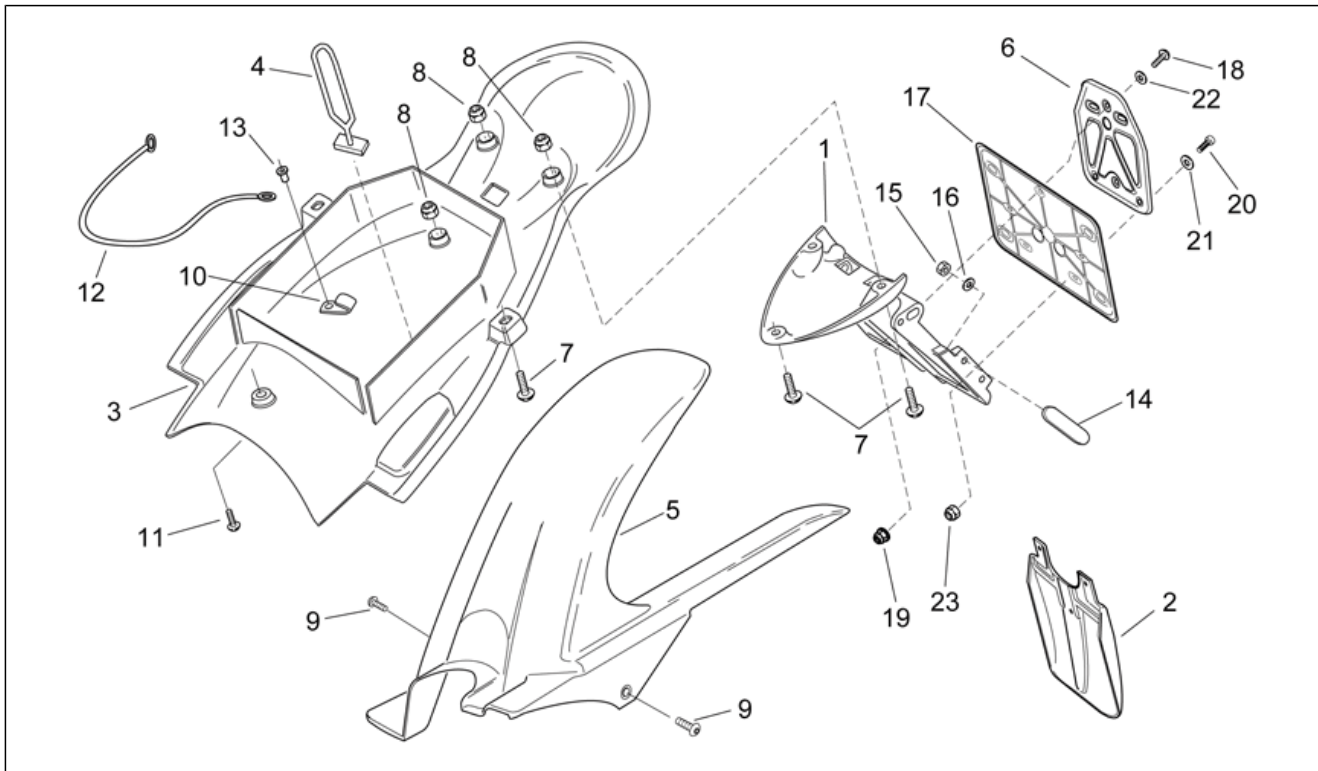
Pos.	Code	Beschreibung	Menge	Varianten
3	AP8249814	Heckteil, grau	1	Baujahr: 2000[Y] Farbe: Grau Nik 2000[g.nik]
3	AP8258194	Heckteil, d. schwarz	1	Baujahr: 2001[1] Farbe: Schwarz Diablo 2001-2002[d.bl]
3	AP8258426	Heckteil, d. schwarz	1	Baujahr: 2002[2] Farbe: Schwarz Diablo 2001-2002[d.bl]
3	AP8258571	Heckteil, grau	1	Baujahr: 2002[2] Farbe: Grau Dust 2002[gre]
3	AP8258779	Heckteil, schwarz	1	Baujahr: 2003[3] 2004[4] Farbe: Schwarz SBK '03[s.bl]
3	AP8258796	Heckteil, blau	1	Baujahr: 2003[3] Farbe: Blau Way 2003[b.way]
3	AP8258821	Heckteil, schwarz	1	Baujahr: 2003[3] Farbe: Schwarz GP1 '03[g.bl]
3	AP8268173	Heckteil, schwarz	1	Baujahr: 2004[4] Farbe: Poggiali Black 2004[a.blk]
3	AP8268270	Heckteil, schwarz	1	Baujahr: 2004[4] Farbe: Poggiali White 2004[white]
3	AP8268383	Heckteil, fluo rot	1	Baujahr: 2005[5] Farbe: Rot Fluo '05 (t.B.14816)[red]
3	AP8268460	Heck schwarz a.	1	Baujahr: 2005[5] Farbe: Schwarz Aprilia '05 (t.B.14844)[blk]
4	AP8102375	Klammer M5	4	
5	AP8152302	TBEI Schraube m.Flansch M5x12	6	
6	AP8150413	Gew.schr. 3,9x14	11	
7	AP8152338	TBEI Schraube m.Flansch	2	
8	AP8152298	TBEI Schraube m.Flansch M5x16	2	

Einheit	RAHMEN
Code	28.14
Beschreibung	Heckaufbau II
Inspektion	1



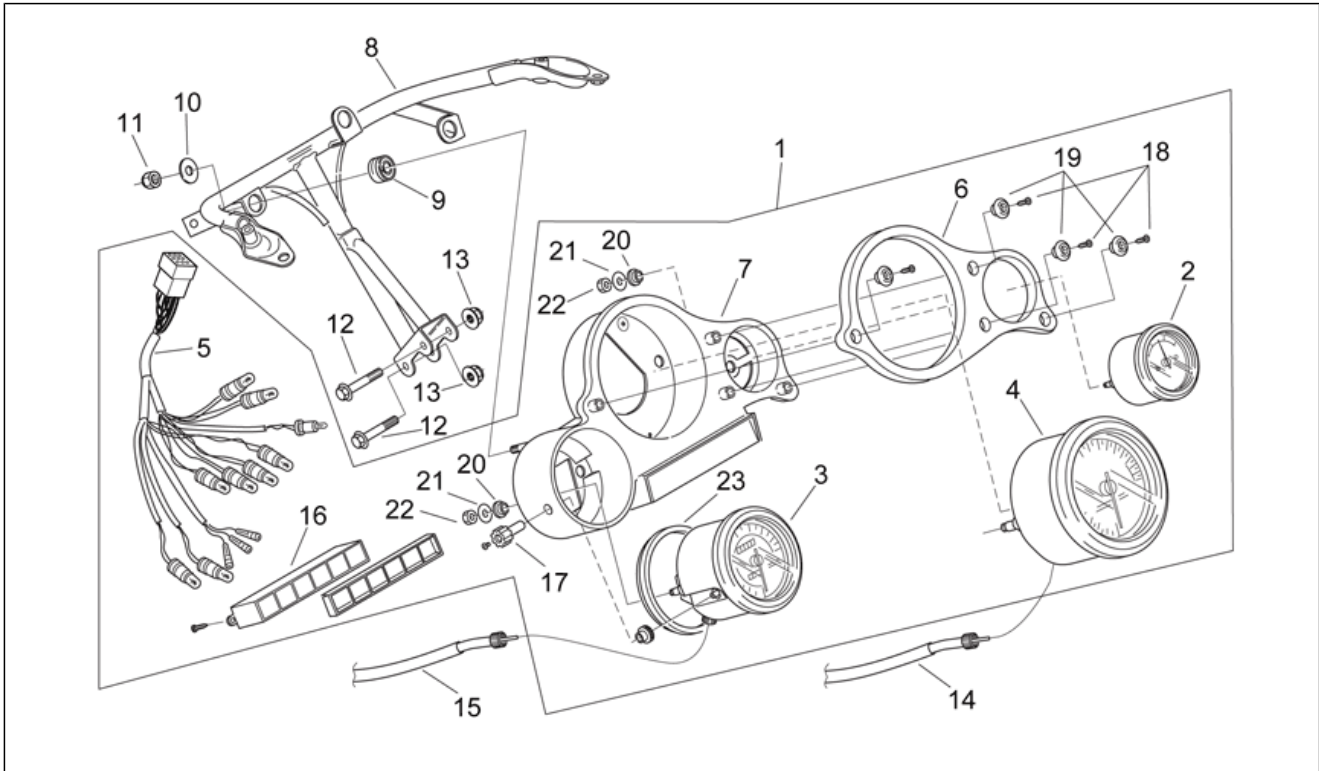
Pos.	Code	Beschreibung	Menge	Varianten
1	AP8126583	Kennzeichenplatte	1	Land:Deutschland[D] Dänemark[DK] A,B,D,GR,E,F,UK,NL,P[EU] I[II] Schweiz[SZ]
1	AP8226513	Kennzeichenplatte	1	Land:Österreich[A] Belgien[B] Brasilien[BR] Spanien[E] A,B,D,GR,E,F,UK,NL,P[EU] Frankreich[F] [GR]Italien[I] I[II] Israel[IL] Japan[J] J[J] Holland[NL] Portugal[P] Rep. Korea[ROK] Finnland[SF] Großbritannien[UK]
1	AP8226563	Kennzeichenplatte	1	Land:Vereinigte Staaten von Amerika[AM] Vereinigte Staaten von Amerika[USA]
2	AP8126641	Verl. Nummernsch.bef.	1	Land:Deutschland[D] Dänemark[DK] A,B,D,GR,E,F,UK,NL,P[EU] I[II]
3	AP8239462	Unt.Verschl.Sitzhal.rot	1	Baujahr:1999[X] Farbe:Schwarz/Rot '99[n/r]
3	AP8248827	Unt.Verschl.Sitzhal.grau	1	Baujahr:1999[X] Farbe:Rauchblau / Rot Fluo '99[b/r]
3	AP8249598	Unt.Verschl.Sitzhal.schw.	1	Baujahr:2001[1] 2002[2] 2003[3] 2004[4] 2005[5] 2000[Y]
4	AP8120177	Elastic	1	
5	AP8226446	H. Schutzblech, schwarz	1	Baujahr:2003[3] 2004[4] Farbe:Schwarz SBK '03[s.bl]
5	AP8226446	H. Schutzblech, schwarz	1	Baujahr:2004[4] Farbe:Poggiali Black 2004[a.blk] Poggiali White 2004[white]
5	AP8226446	H. Schutzblech, schwarz	1	Baujahr:2001[1] 2002[2] 2003[3] 1999[X] 2000[Y] Farbe:Blau Way 2003[b.way] Rauchblau / Rot Fluo '99[b/r] Schwarz Aprilia '2000[black] Schwarz Diablo 2001-2002[d.bl] Grau Nik 2000[g.nik] Grau Dust 2002[grey] Schwarz/Rot '99[n/r]
5	AP8226765	H. Schutzblech, schwarz	1	Baujahr:2003[3] Farbe:Schwarz GP1 '03[g.bl]
5	AP8226446	H. Schutzblech, schwarz	1	Baujahr:2005[5]
6	AP8249558	Kennzeichenhalter	1	
7	AP8152246	TBEI Schraube m.Flansch M6x16	2	
8	AP8150430	Selbstsperr.mut Unt.	3	
9	AP8152302	TBEI Schraube m.Flansch M5x12	3	

Einheit	RAHMEN
Code	28.14
Beschreibung	Heckaufbau II
Inspektion	1



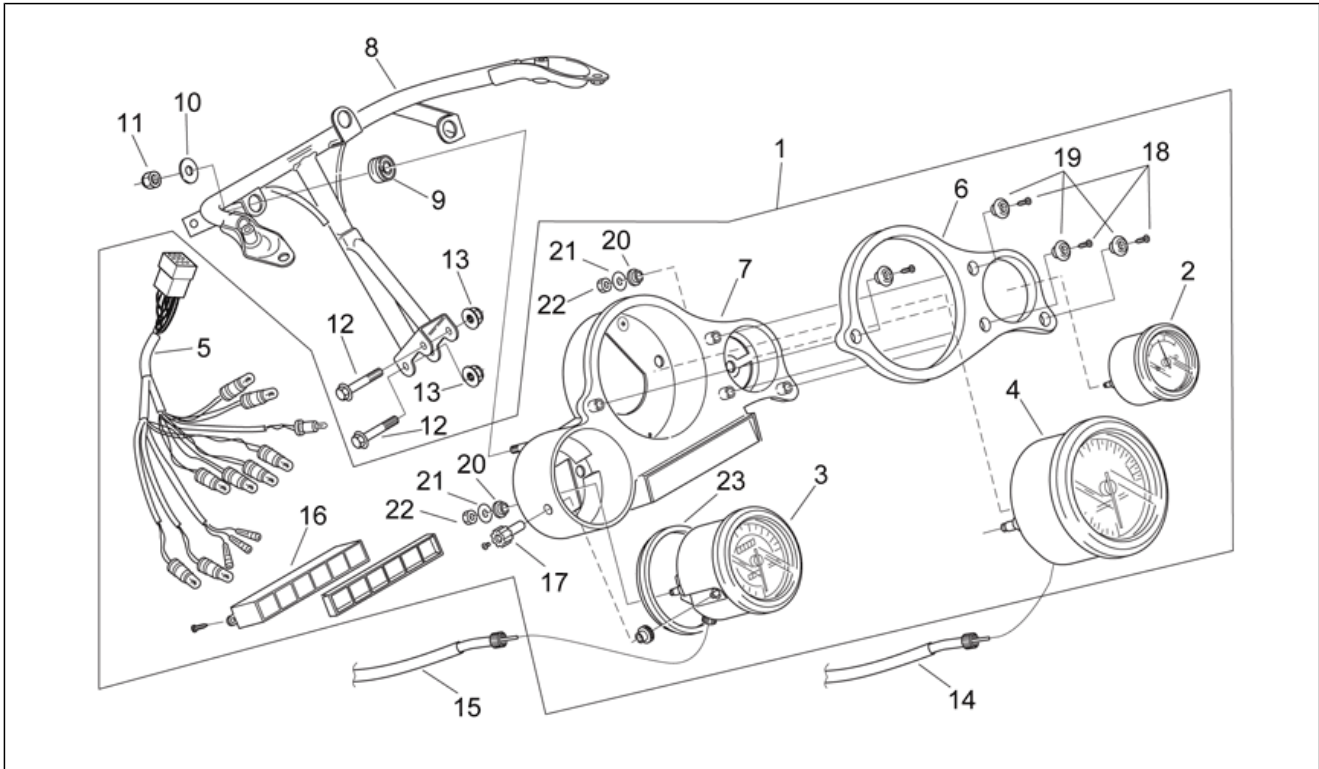
Pos.	Code	Beschreibung	Menge	Varianten
10	AP8101313	Batterie Haken	1	
11	AP8152339	TBEI Schraube m.Flansch M5x9	1	
12	AP8201611	Schutzhelm-Befestigungskabel	1	
13	AP8101592	Kunststoffniet	1	
14	AP8124718	Rückstrahler Rücklicht, rot	2	Land:Vereinigte Staaten von Amerika[AM] Vereinigte Staaten von Amerika[USA]
15	AP8150204	Mutter M4	4	Land:Vereinigte Staaten von Amerika[AM] Vereinigte Staaten von Amerika[USA]
16	AP8150158	Ausgleichscheibe 4,3X9X0,8	4	Land:Vereinigte Staaten von Amerika[AM] Vereinigte Staaten von Amerika[USA]
17	AP8149034	Kennzeichenhalter	1	
18	AP8152268	TBEI Spez.schr. M5x16	3	
19	AP8152306	Selbstsperrende Mutter M5	3	
20	AP8152043	TCEI Schraube M4x10	3	
21	AP8150158	Ausgleichscheibe 4,3X9X0,8	3	
22	AP8150382	Ausgleichscheibe 15x5,5X1,2	3	
23	AP8150204	Mutter M4	3	

Einheit	RAHMEN
Code	28.15
Beschreibung	Instrumententafel
Inspektion	1



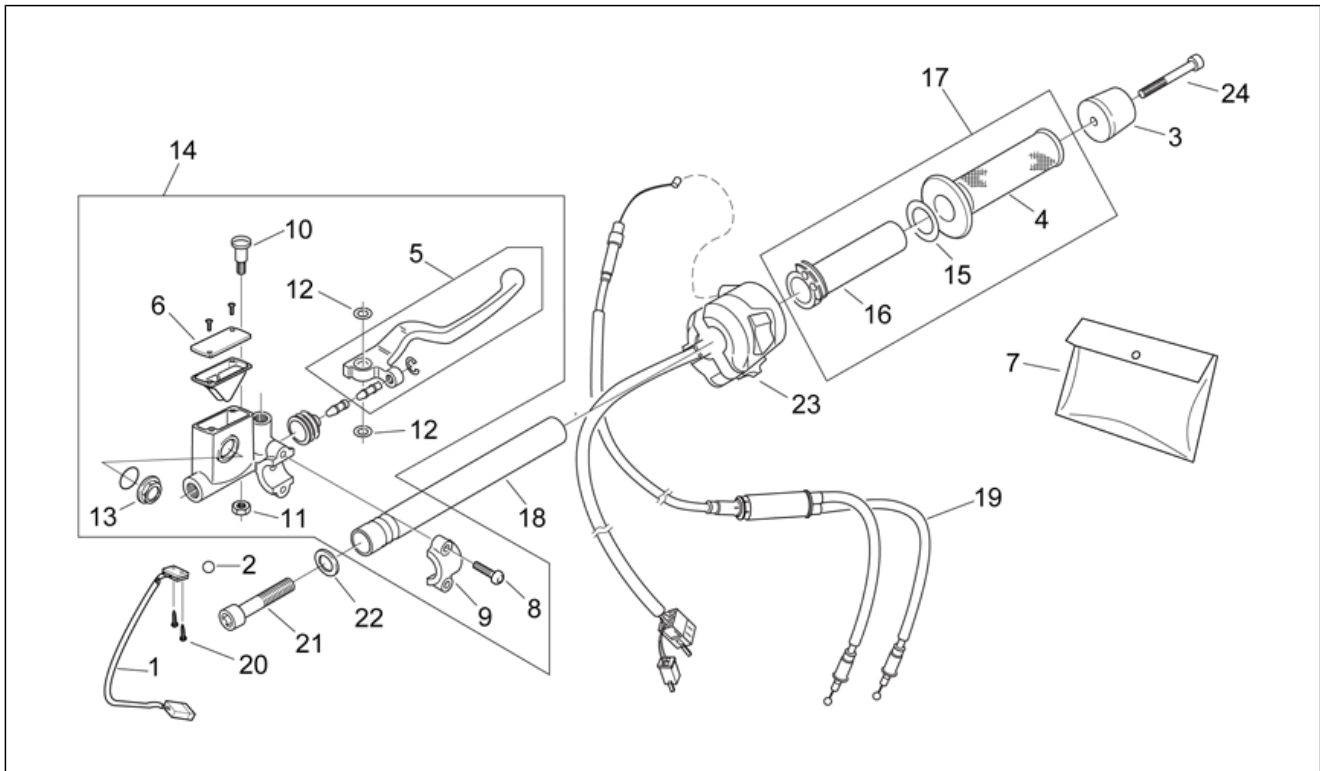
Pos.	Code	Beschreibung	Menge	Varianten
1	AP8212975	Instrum.tafel kplt.	1	Land: Österreich[A] Belgien[B] Brasilien[BR] Deutschland[D] Dänemark[DK] Spanien[E] A,B,D,GR,E,F,UK,NL,P[EU] Frankreich[F] [GR]Italien[I] I[II] Israel[IL] Japan[J] J[JJ] Holland[NL] Portugal[P] Rep. Korea[ROK] Finnland[SF] Großbritannien[UK] Technische Spezifikation: Nationale Zulassung[PG]
1	AP8212975	Instrum.tafel kplt.	1	Technische Spezifikation: Version mit voller Leistung[f.p.] EU-Zulassung (Rahmen ZD4TS)[TS]
1	AP8224200	Instrum.tafel kplt.	1	Land: Vereinigte Staaten von Amerika[AM] Vereinigte Staaten von Amerika[USA] Technische Spezifikation: Nationale Zulassung[PG]
1	AP8224411	Instrum.tafel kplt.	1	Technische Spezifikation: Version mit Beschränkung 45 km/h[45km] Version mit Beschränkung 60 km/h[60km] EU-Zulassung (Rahmen ZD4SE)[SE] EU-Zulassung (Rahmen ZD4TS)[TS]
2	AP8224122	Wassertemperaturanzeiger	1	
3	AP8224121	Tachometer	1	Land: Österreich[A] Belgien[B] Brasilien[BR] Deutschland[D] Dänemark[DK] Spanien[E] A,B,D,GR,E,F,UK,NL,P[EU] Frankreich[F] [GR]Italien[I] I[II] Israel[IL] Japan[J] J[JJ] Holland[NL] Portugal[P] Rep. Korea[ROK] Finnland[SF] Großbritannien[UK] Technische Spezifikation: Nationale Zulassung[PG]
3	AP8224121	Tachometer	1	Land: Schweiz[SZ] Technische Spezifikation: Version mit voller Leistung[f.p.] EU-Zulassung (Rahmen ZD4TS)[TS]
3	AP8224276	Tachometer	1	Land: Vereinigte Staaten von Amerika[AM] Vereinigte Staaten von Amerika[USA] Technische Spezifikation: Nationale Zulassung[PG]
3	AP8224464	Tachometer	1	Technische Spezifikation: Version mit Beschränkung 45 km/h[45km] Version mit Beschränkung 60 km/h[60km] EU-Zulassung (Rahmen ZD4SE)[SE] EU-Zulassung (Rahmen ZD4TS)[TS]
4	AP8224120	Drehzahlm.	1	
5	AP8224123	Instrumentenkabel + Leuchten	1	

Einheit	RAHMEN
Code	28.15
Beschreibung	Instrumententafel
Inspektion	1



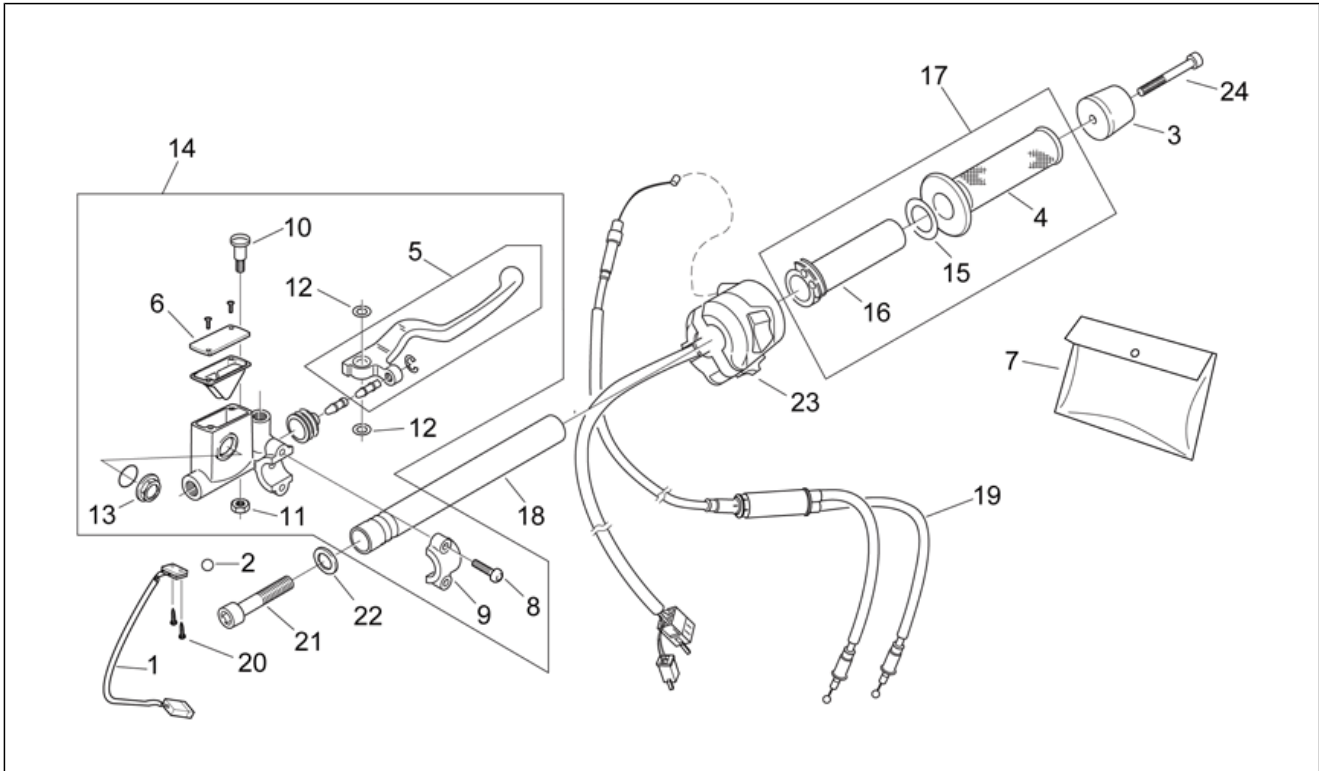
Pos.	Code	Beschreibung	Menge	Varianten
6	AP8224124	Schwamm für Drehzahlmesser	1	
7	AP8224125	Grundplatte Instrumente	1	
8	AP8235005	Instrumentenrahmen	1	
9	AP8220150	Gummi	3	
10	AP8150015	Ausgleichscheibe 6,6x18x1,6*	3	
11	AP8150430	Selbstsperr.mut Unt.	3	
12	AP8152281	TE Schr. m. Flansch M6x30	2	
13	AP8152299	Selbstsperrende Mutter M6	2	
14	AP8214179	Drehzahlmesser-kabel	1	Land: Österreich[A] Belgien[B] Brasilien[BR] Deutschland[D] Dänemark[DK] Spanien[E] A,B,D,GR,E,F,UK,NL,P[EU] Frankreich[F] [GR]Italien[I] I[II] Israel[IL] Japan[J] J[JJ] Holland[NL] Portugal[P] Rep. Korea[ROK] Finnland[SF] Großbritannien[UK]
14	AP8214179	Drehzahlmesser-kabel	1	Land: Schweiz[SZ]
14	AP8214196	Drehzahlmesser-kabel	1	Land: Vereinigte Staaten von Amerika[AM] Vereinigte Staaten von Amerika[USA]
15	AP8214181	Tachometerkabel	1	
16	AP8220275	Schachtel Kontrolleuchten	1	
17	AP8102217	Nullstellknopf	1	
18	AP8224001	Schraube	4	
19	AP8102216	Fixierbuchse Schwamm	4	
20	AP8120760	Gummi	5	
21	AP8224004	Ausgleichscheibe	5	
22	AP8224003	Mutter	5	
23	AP8120759	Tachometer dichtung	1	

Einheit	RAHMEN
Code	28.16
Beschreibung	Schaltungen rechts
Inspektion	1



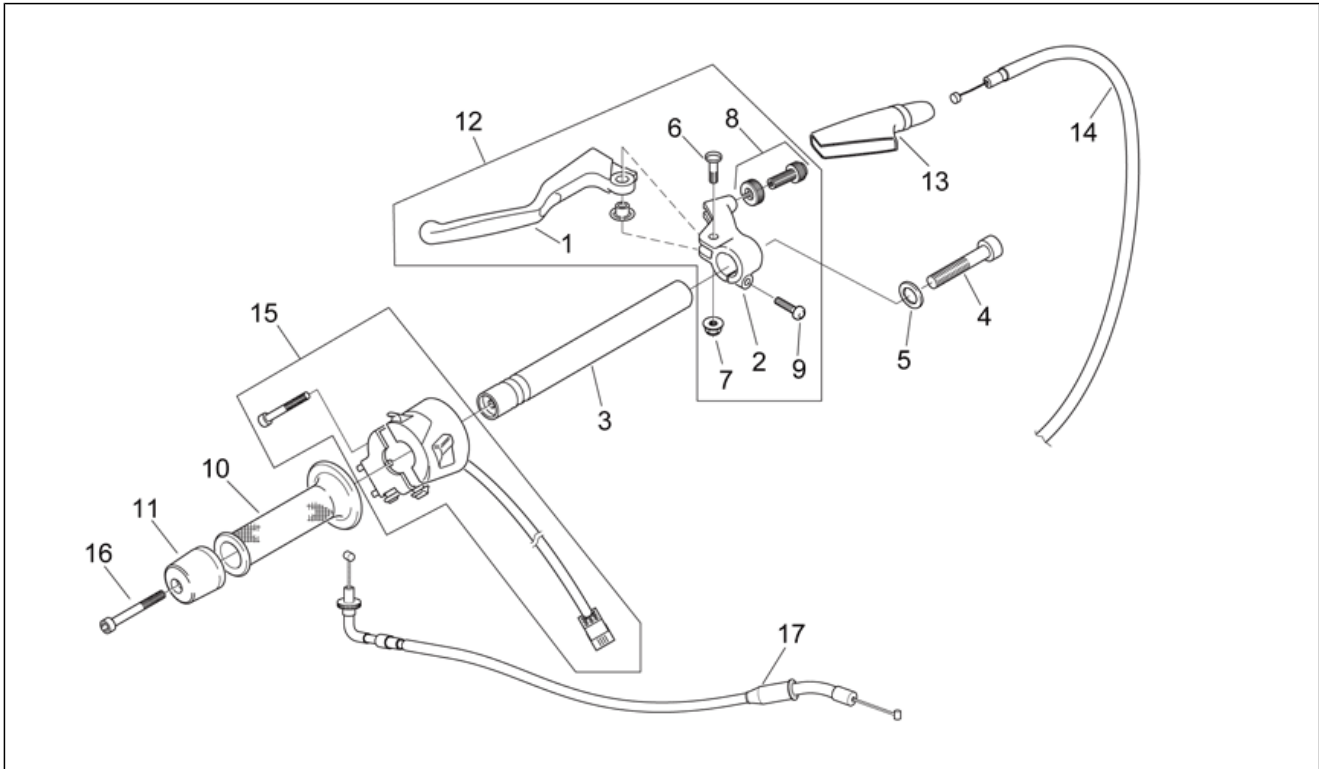
Pos.	Code	Beschreibung	Menge	Varianten
1	AP8212196	Stoppeschalter+Kabeln	1	
2	AP8201326	Kugel 7,1	1	
3	AP8202134	Schwingschutzgewicht schwarz	1	
4	AP8118287	Handgriffe paar	1	
5	AP8213422	Vorderradbremshebel	1	
6	AP8213477	Tankdeckel	1	
7	AP8213420	Bausatz Pumpenüberholung	1	
8	AP8213421	Schraube	2	
9	AP8213078	Bügelbolzen	1	
10	AP8113413	Bremshebelbolzen	1	
11	AP8218345	Mutter	1	
12	AP8213281	Ausgleichscheibe	2	
13	AP8213277	Schauglas Bremspumpe	1	
14	AP8213436	Vorderradbremspumpe	1	
15	AP8121826	Scheibe rechter Griff	1	
16	AP8118316	Gasschaltung ohne Griff	1	
17	AP8118307	Gasschaltung+griff	1	
18	AP8218340	Lenkerteil re.	1	
19	AP8214180	Gaszugkabel	1	Technische Spezifikation: Nationale Zulassung[PG]
19	AP8214218	Gaszugkabel	1	Technische Spezifikation: Zulassung Euro1[E1] EU-Zulassung (Rahmen ZD4SE)[SE] EU-Zulassung (Rahmen ZD4TS)[TS]
19	AP8214236	Gaszugkabel	1	Technische Spezifikation: Zulassung Euro2[E2] EU-Zulassung (Rahmen ZD4SE)[SE] EU-Zulassung (Rahmen ZD4TS)[TS]
20	AP8150238	Linsenschraube 2,2x12,7	2	
21	AP8150481	TCEI Schraube M10x60	1	
22	AP8152220	Scheibe	1	

Einheit	RAHMEN
Code	28.16
Beschreibung	Schaltungen rechts
Inspektion	1



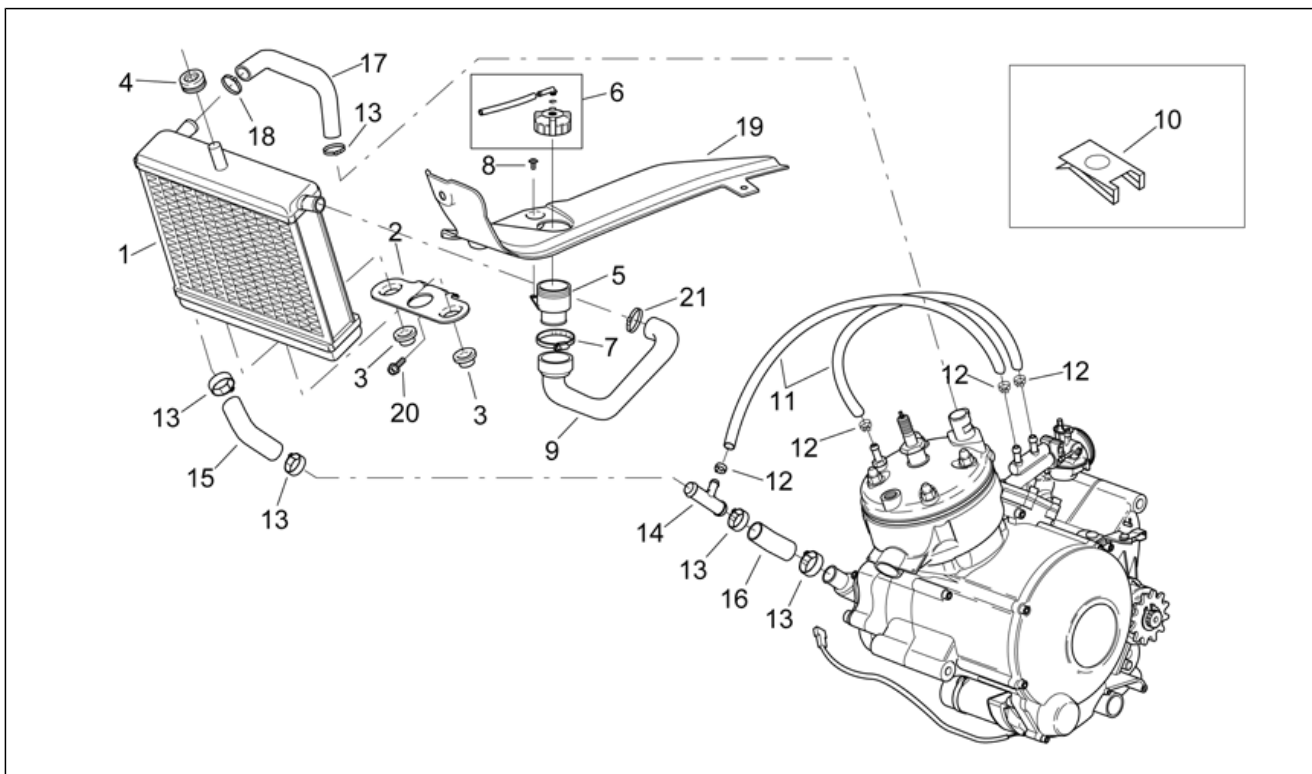
Pos.	Code	Beschreibung	Menge	Varianten
23	AP8224117	Rechter Lichtschalter	1	Land: Österreich[A] Belgien[B] Brasilien[BR] Deutschland[D] Dänemark[DK] Spanien[E] A,B,D,GR,E,F,UK,NL,P[EU] Frankreich[F] [GR]Italien[I] I[II] Israel[IL] Holland[NL] Portugal[P] Rep. Korea[ROK] Finnland[SF] Großbritannien[UK] Technische Spezifikation: Nationale Zulassung[PG]
23	AP8224160	Rechter Lichtschalter	1	Land: Japan[J] J[JJ] Technische Spezifikation: Nationale Zulassung[PG]
23	AP8224185	Rechter Lichtschalter	1	Land: Vereinigte Staaten von Amerika[AM] Vereinigte Staaten von Amerika[USA] Technische Spezifikation: Nationale Zulassung[PG]
23	AP8224300	Rechter Lichtschalter	1	Land: Österreich[A] Belgien[B] Deutschland[D] Dänemark[DK] Spanien[E] A,B,D,GR,E,F,UK,NL,P[EU] Frankreich[F] [GR]Italien[I] I[II] Holland[NL] Portugal[P] Schweiz[SZ] Großbritannien[UK] Technische Spezifikation: EU-Zulassung (Rahmen ZD4SE) [SE] EU-Zulassung (Rahmen ZD4TS)[TS]
23	AP8224303	Rechter Lichtschalter	1	Land: Japan[J] J[JJ] Technische Spezifikation: EU-Zulassung (Rahmen ZD4SE) [SE] EU-Zulassung (Rahmen ZD4TS)[TS]
24	AP8150285	TCEI Schraube M6x35	1	

Einheit	RAHMEN
Code	28.17
Beschreibung	Schaltungen links
Inspektion	1



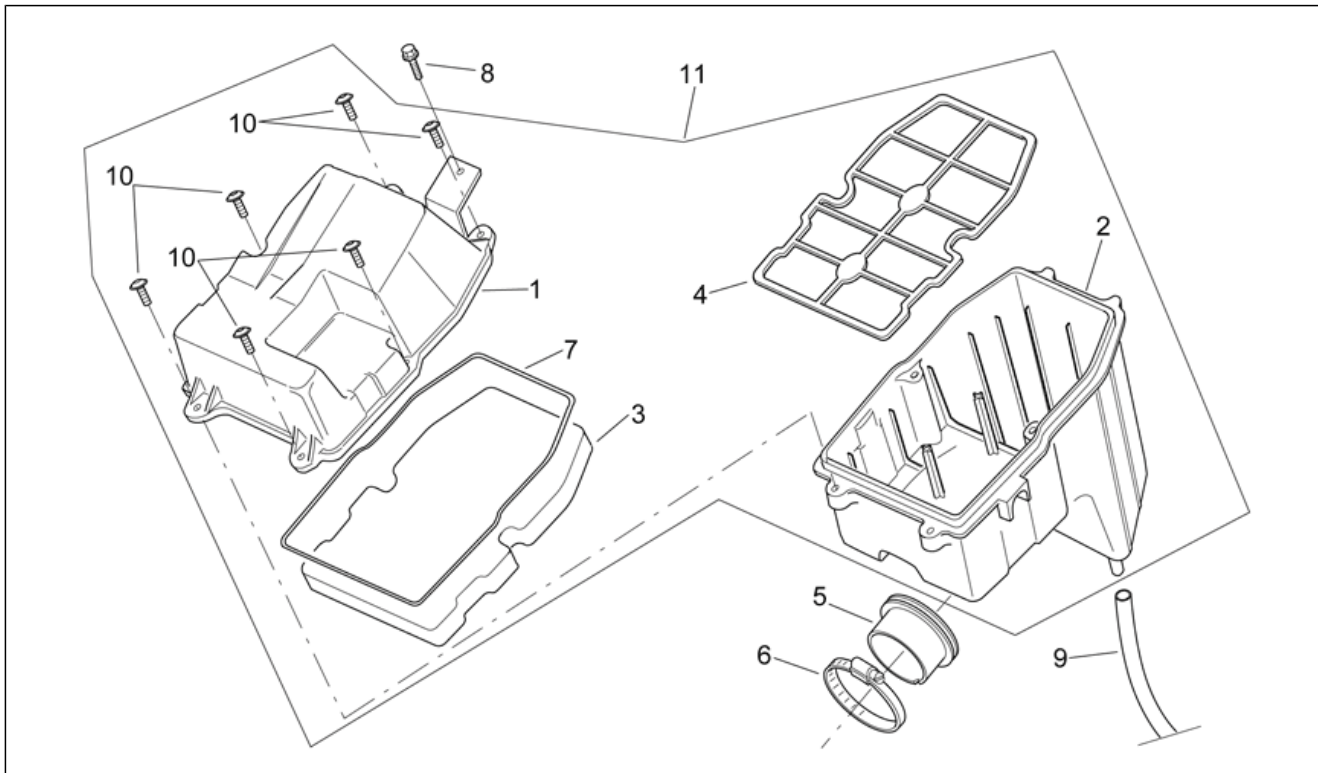
Pos.	Code	Beschreibung	Menge	Varianten
1	AP8218462	Kupplungshebel	1	
2	AP8218463	Fixrbolz.Kuppl.gsheb	1	
3	AP8218404	Halbblenker links	1	
4	AP8150481	TCEI Schraube M10x60	1	
5	AP8152220	Scheibe	1	
6	AP8213028	Schraube	1	
7	AP8213388	Selbstsperrende Mutter	1	
8	AP8118104	Einstll.schr. Kpplg.	1	
9	AP8118517	Schraube	1	
10	AP8118287	Handgriffe paar	1	
11	AP8202134	Schwingschutzgewicht schwarz	1	
12	AP8218342	Kupplung schalt. kpl	1	
13	AP8120271	Abdeckg. Kuppl.einst.	1	
14	AP8214178	Kupplungskabel	1	
15	AP8212986	Linker Lichtschalter	1	Land: Vereinigte Staaten von Amerika[AM] Vereinigte Staaten von Amerika[USA] Technische Spezifikation: Nationale Zulassung[PG]
15	AP8224116	Linker Lichtschalter	1	Land: Österreich[A] Belgien[B] Brasilien[BR] Deutschland[D] Dänemark[DK] Spanien[E] A,B,D,GR,E,F,UK,NL,P[EU] Frankreich[F] [GR]Italien[I] I[II] Israel[IL] Japan[J] J[JJ] Holland[NL] Portugal[P] Rep. Korea[ROK] Finnland[SF] Großbritannien[UK] Technische Spezifikation: Nationale Zulassung[PG]
15	AP8224413	Linker Lichtschalter	1	Technische Spezifikation: EU-Zulassung (Rahmen ZD4SE) [SE] EU-Zulassung (Rahmen ZD4TS)[TS]
16	AP8150285	TCEI Schraube M6x35	1	
17	AP8214219	Starterzugkabel	1	Technische Spezifikation: EU-Zulassung (Rahmen ZD4SE) [SE] EU-Zulassung (Rahmen ZD4TS)[TS]

Einheit	RAHMEN
Code	28.18
Beschreibung	Kühler
Inspektion	1



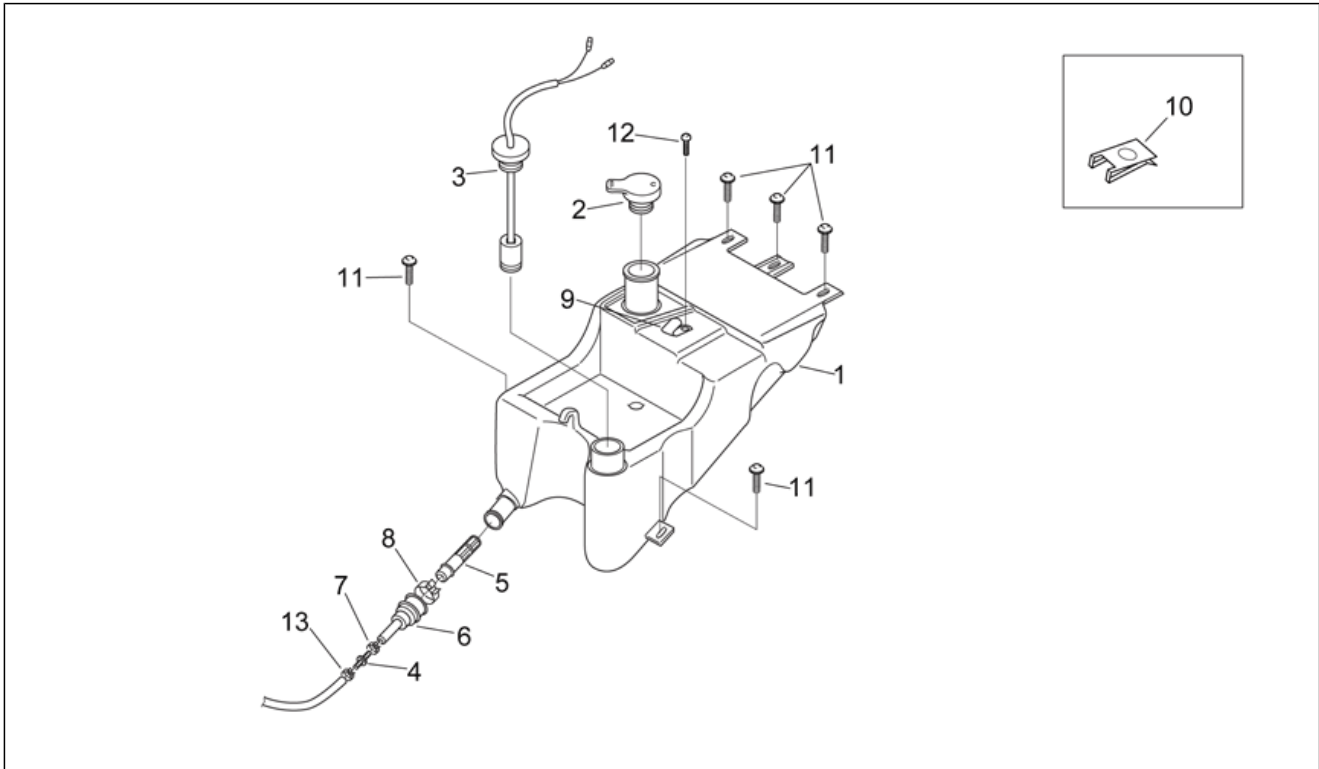
Pos.	Code	Beschreibung	Menge	Varianten
1	AP8201476	Kühler	1	
2	AP8234158	Kühlerbefestigung	1	
3	AP8101372	Silent-Block	2	
4	AP8120030	Gummi	1	
5	AP8201312	Tankstutzen	1	
6	AP8201463	Kühlerschraube belüftet	1	
7	AP8220104	Schelle D25-45x8*	1	
8	AP8152277	TE Schr. m. Flansch M6x12	1	
9	AP8220235	Kühlerschlauch	1	
10	AP8102376	Klammer M6	1	
11	AP8206977	Leitung	1	Technische Spezifikation: EU-Zulassung (Rahmen ZD4SE) [SE] EU-Zulassung (Rahmen ZD4TS)[TS]
11	AP8220450	Gewebeschlauch Gummit	1	Technische Spezifikation: Nationale Zulassung[PG]
12	AP8102239	Schelle 12,5x8	4	Technische Spezifikation: Nationale Zulassung[PG]
12	AP8202177	Schlauchschele D.8	4	Technische Spezifikation: EU-Zulassung (Rahmen ZD4SE) [SE] EU-Zulassung (Rahmen ZD4TS)[TS]
13	AP8101927	Schlauchschele D23,5x8*	5	
14	AP8220415	T-förmiger Anschluß	1	Technische Spezifikation: Nationale Zulassung[PG]
15	AP8220496	Pumpen-Kühlerschlauch	1	Technische Spezifikation: Nationale Zulassung[PG]
15	AP8220613	Pumpen-Kühlerschlauch	1	Technische Spezifikation: EU-Zulassung (Rahmen ZD4SE) [SE] EU-Zulassung (Rahmen ZD4TS)[TS]
16	AP8220512	Pumpen-Bolzenschlauch	1	Technische Spezifikation: Nationale Zulassung[PG]
17	AP8220511	Zylinderkopf-Kühlerschlauch	1	
18	AP8101722	Schlauchschele D25x8,6	1	
19	AP8239450	Abschl. Armaturenbr. schwarz	1	
20	AP8152277	TE Schr. m. Flansch M6x12	1	
21	AP8201169	Schlauchschele D22x8,6*	1	

Einheit	RAHMEN
Code	28.19
Beschreibung	Filtergehäuse
Inspektion	1



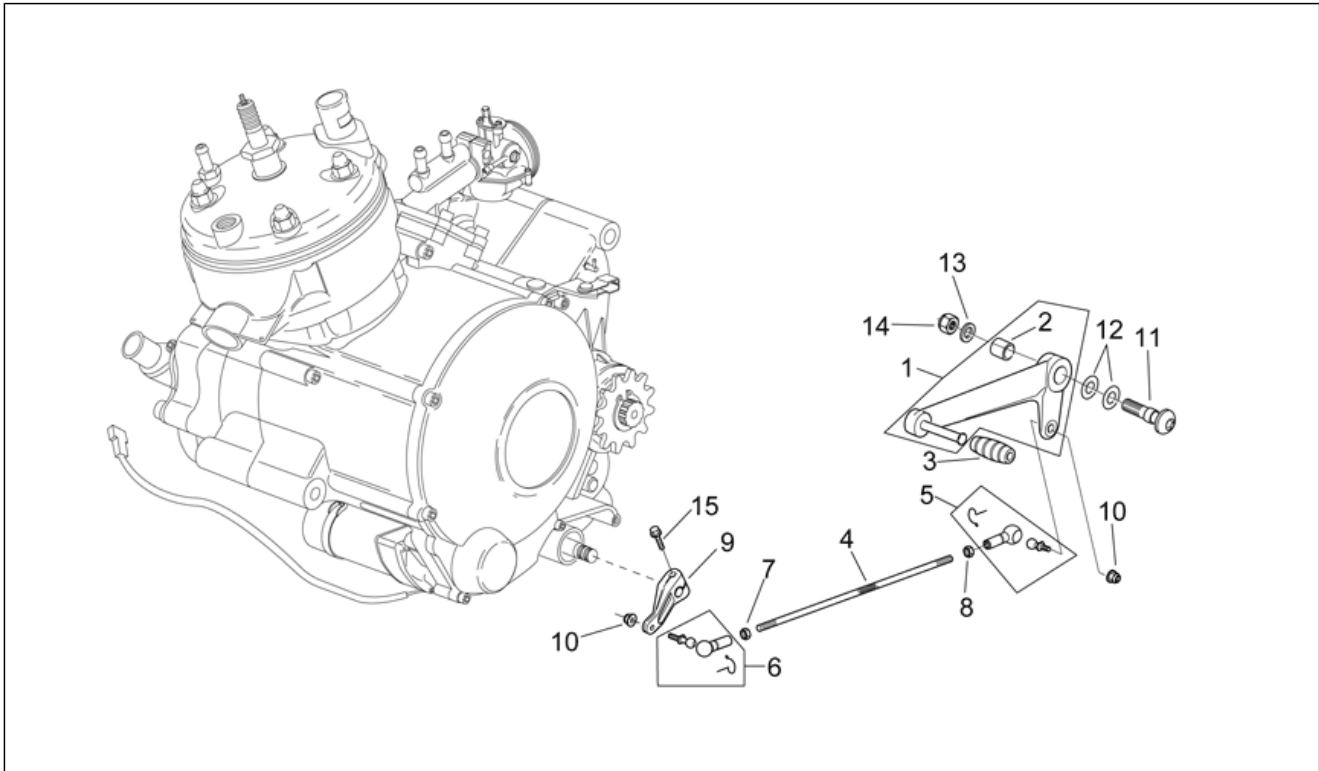
Pos.	Code	Beschreibung	Menge	Varianten
1	AP8239448	Deckel Filtergehäuse	1	Baujahr: 2001[1] 1999[X] 2000[Y]
1	AP8258334	Deckel Filtergehäuse	1	Baujahr: 2002[2] 2003[3] 2004[4]
2	AP8239464	Boden Filtergehäuse	1	Technische Spezifikation: Zulassung Euro1[E1] Nationale Zulassung[PG] EU-Zulassung (Rahmen ZD4SE)[SE] EU-Zulassung (Rahmen ZD4TS)[TS]
2	AP8268159	Boden Filtergehäuse	1	Technische Spezifikation: Zulassung Euro2[E2] EU-Zulassung (Rahmen ZD4SE)[SE] EU-Zulassung (Rahmen ZD4TS)[TS]
3	AP8202096	Luftfilter	1	
4	AP8239640	Filternetz	1	
5	AP8220504	Ansaugmuffe	1	Technische Spezifikation: Nationale Zulassung[PG]
5	AP8220612	Ansaugmuffe	1	Technische Spezifikation: EU-Zulassung (Rahmen ZD4SE) [SE] EU-Zulassung (Rahmen ZD4TS)[TS]
6	AP8102401	Schelle D50-70x8*	1	Technische Spezifikation: Nationale Zulassung[PG]
6	AP8220104	Schelle D25-45x8*	1	Baujahr: 2002[2] Technische Spezifikation: EU-Zulassung (Rahmen ZD4SE) [SE] EU-Zulassung (Rahmen ZD4TS)[TS]
6	AP8221159	Muffenschelle	1	Baujahr: 2003[3] 2004[4] Technische Spezifikation: EU-Zulassung (Rahmen ZD4SE) [SE] EU-Zulassung (Rahmen ZD4TS)[TS]
7	AP8120615	Dichtung D3	1	
8	AP8152278	TE Schr. m. Flansch M6x16	1	
9	AP8120952	Kraftstoffleitung 5,5x10	1	
10	AP8152329	Kreuz.schl.flnschschr. M5x20	6	
11	AP8258335	Filterkasten	1	Technische Spezifikation: Zulassung Euro1[E1] Nationale Zulassung[PG] EU-Zulassung (Rahmen ZD4SE)[SE] EU-Zulassung (Rahmen ZD4TS)[TS]
11	AP8268161	Filterkasten	1	Technische Spezifikation: Zulassung Euro2[E2]

Einheit	RAHMEN
Code	28.21
Beschreibung	Ölbehälter
Inspektion	1



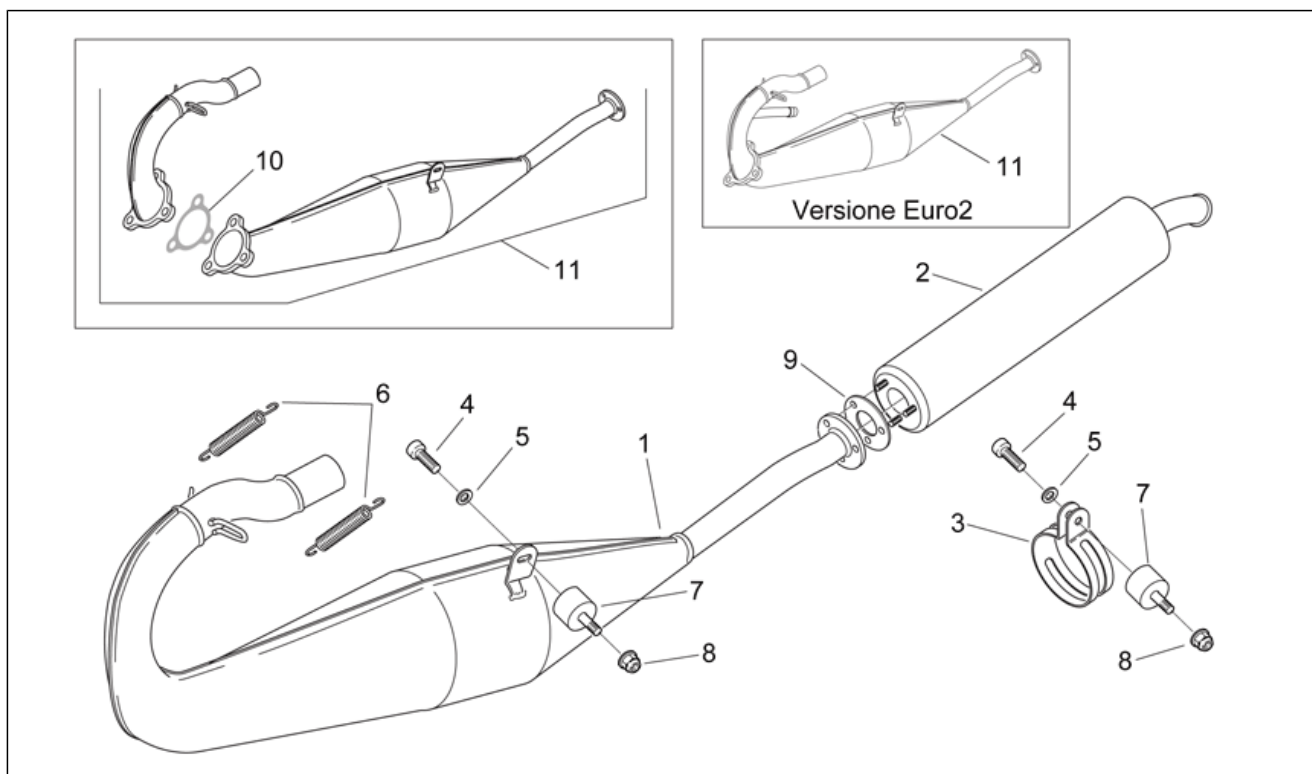
Pos.	Code	Beschreibung	Menge	Varianten
1	AP8239468	Öltank	1	
2	AP8220421	Öltankschraube	1	
3	AP8212976	Anzeige Ölreserve	1	
4	AP8101944	2-Wege Anschluß	1	
5	AP8102224	Gemisch-Ölfilter	1	
6	AP8102223	Gummi *	1	
7	AP8101770	Schlauschelle D8x5,5*	1	
8	AP8101743	Schlauschelle D23,5x8*	1	
9	AP8101313	Batterie Haken	1	
10	AP8102375	Klammer M5	1	
11	AP8152246	TBEI Schraube m.Flansch M6x16	5	
12	AP8152267	TBEI Spez.schr. M5x12	1	
13	AP8102926	Schlauschelle D7	1	

Einheit	RAHMEN
Code	28.23
Beschreibung	Schalthebel
Inspektion	1



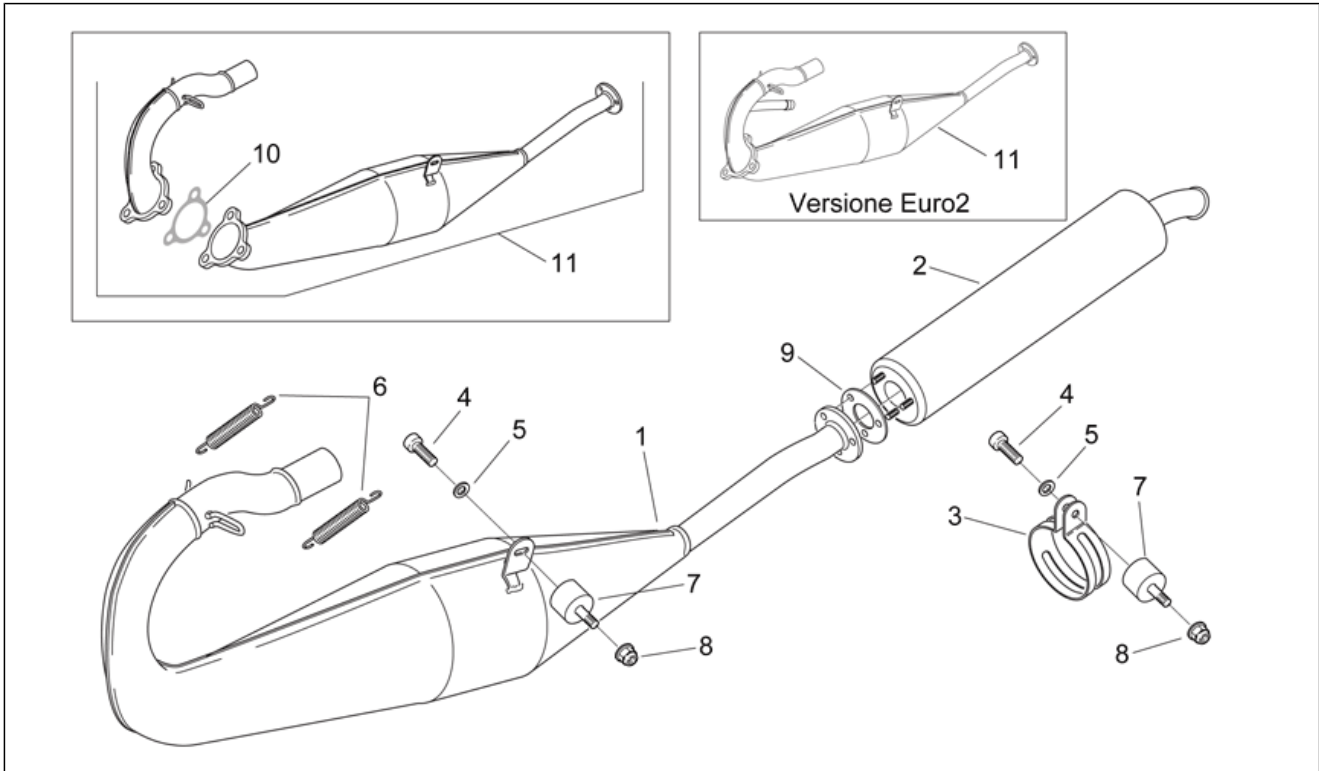
Pos.	Code	Beschreibung	Menge	Varianten
1	AP8235011	Schalthebel	1	
2	AP8121147	Distanzscheibe *	1	
3	AP8120912	Gummi für Hebel	1	
4	AP8221257	Umlenkstange Schaltgetriebe	1	
5	AP8210007	Kugelgelenk rechts M6	1	
6	AP8110053	Kugelgelenk links M6	1	
7	AP8152138	Mutter	1	
8	AP8150026	Mutter M6	1	
9	AP8232207	Umlenkpl.Schaltgetr.	1	
10	AP8150430	Selbstsperr.mut Unt.	2	
11	AP8121284	Bremshebelbolzen	1	
12	AP8121697	Tellerfeder	2	
13	AP8152176	Ausgleichscheibe 10,5X18X2*	1	
14	AP8150436	Selbstsperr.mut Unt.	1	
15	AP8152279	TE Schr. m. Flansch M6x20	1	

Einheit	RAHMEN
Code	28.24
Beschreibung	Auslassgruppe
Inspektion	1



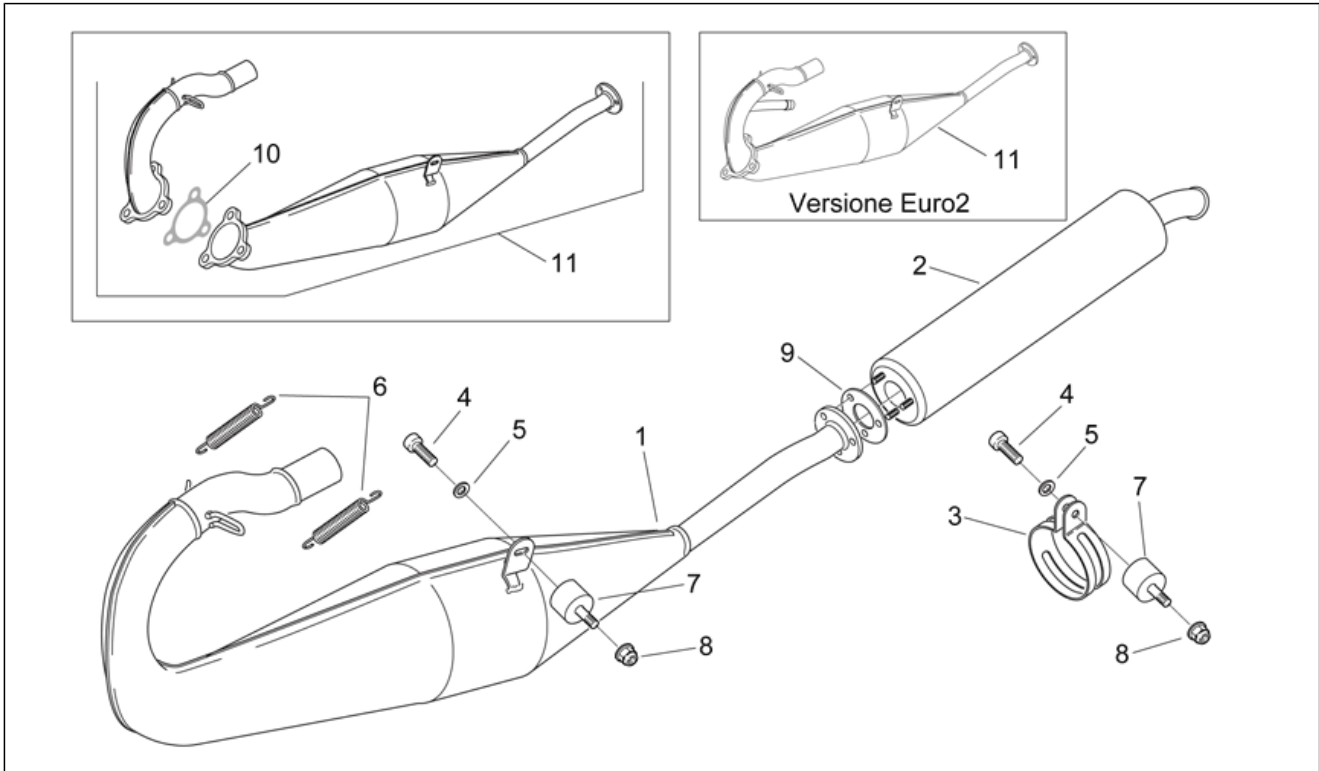
Pos.	Code	Beschreibung	Menge	Varianten
1	AP8219378	Auspuff -i-	1	Land: Brasilien[BR] A,B,D,GR,E,F,UK,NL,P[EU] [GR]Italien[I] I[II] Israel[IL] Technische Spezifikation: Nationale Zulassung[PG]
1	AP8219455	Auspuffrohr -F-	1	Land: Belgien[B] Dänemark[DK] A,B,D,GR,E,F,UK,NL,P[EU] Frankreich[F] I[II] Technische Spezifikation: Nationale Zulassung[PG]
1	AP8219456	Auspuff -d-	1	Land: Deutschland[D] A,B,D,GR,E,F,UK,NL,P[EU] Japan[J] J[JJ] Rep. Korea[ROK] Technische Spezifikation: Nationale Zulassung[PG]
1	AP8219459	Auspuff -nl-	1	Land: A,B,D,GR,E,F,UK,NL,P[EU] Holland[NL] Finnland[SF] Technische Spezifikation: Nationale Zulassung[PG]
1	AP8219460	Kat.Auspuffrohr -A-	1	Land: Österreich[A] A,B,D,GR,E,F,UK,NL,P[EU] Technische Spezifikation: Nationale Zulassung[PG]
1	AP8219461	Auspuffrohr -E-	1	Land: Spanien[E] A,B,D,GR,E,F,UK,NL,P[EU] Portugal[P] Großbritannien[UK] Technische Spezifikation: Nationale Zulassung[PG]
1	AP8219469	Auspuffrohr -USA-	1	Land: Vereinigte Staaten von Amerika[AM] Vereinigte Staaten von Amerika[USA] Technische Spezifikation: Nationale Zulassung[PG]
1	AP8219591	Kat.Auspuffrohr	1	Land: Schweiz[SZ] Technische Spezifikation: Zulassung Euro1[E1] Version mit voller Leistung[f.p.] EU-Zulassung (Rahmen ZD4TS)[TS]
2	AP8219377	Schalldämpfer	1	Land: Belgien[B] Brasilien[BR] Deutschland[D] Dänemark[DK] Spanien[E] A,B,D,GR,E,F,UK,NL,P[EU] Frankreich[F] [GR]Italien[I] I[II] Israel[IL] Japan[J] J[JJ] Holland[NL] Portugal[P] Rep. Korea[ROK] Finnland[SF] Großbritannien[UK] Technische Spezifikation: Nationale Zulassung[PG]
2	AP8219462	Schalldämpfer	1	Land: Österreich[A] A,B,D,GR,E,F,UK,NL,P[EU] Technische Spezifikation: Nationale Zulassung[PG]
2	AP8219470	Schalldämpfer	1	Land: Vereinigte Staaten von Amerika[AM] Vereinigte Staaten von Amerika[USA] Technische Spezifikation: Nationale Zulassung[PG]

Einheit	RAHMEN
Code	28.24
Beschreibung	Auslassgruppe
Inspektion	1



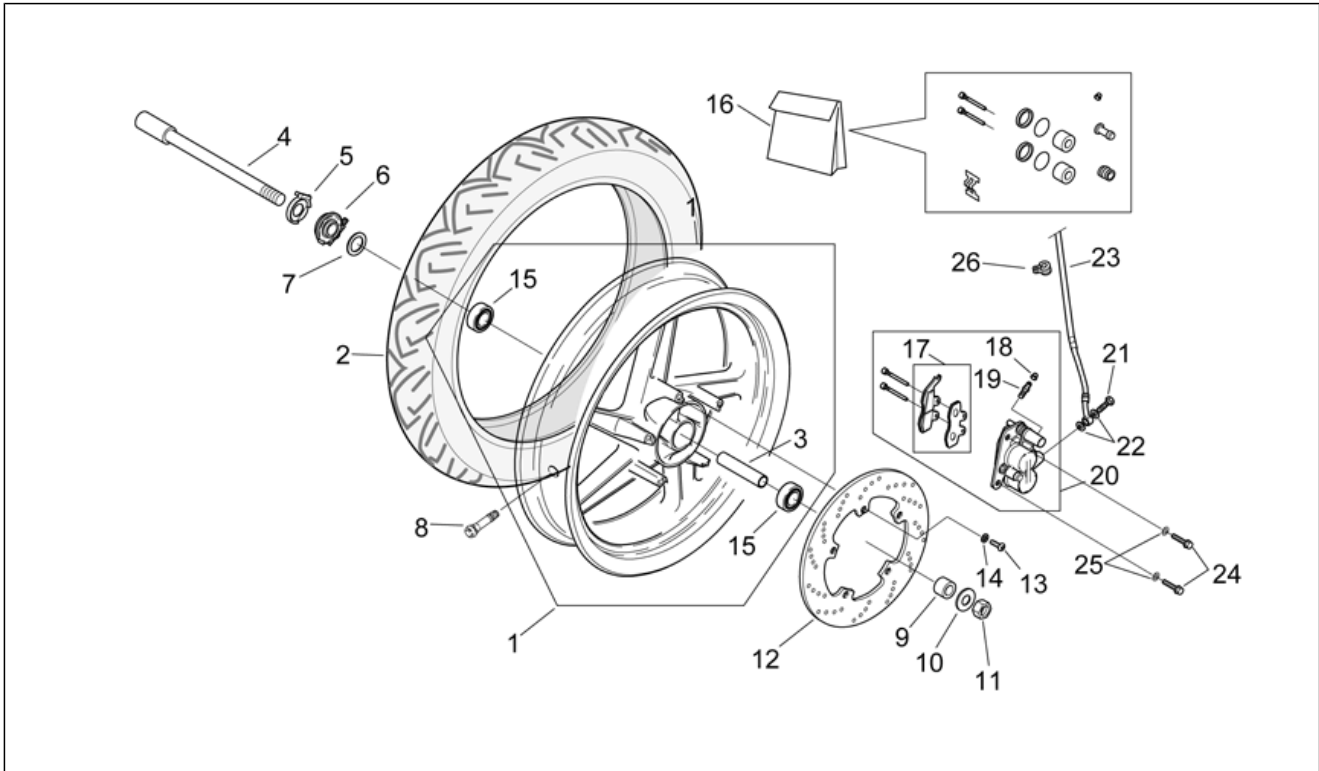
Pos.	Code	Beschreibung	Menge	Varianten
2	AP8219546	Schalldämpfer	1	Technische Spezifikation: Zulassung Euro1[E1] Zulassung Euro2[E2] EU-Zulassung (Rahmen ZD4SE)[SE] EU-Zulassung (Rahmen ZD4TS)[TS]
3	AP8102432	Fixierschelle Schalldämpfer	1	Land: Österreich[A] A,B,D,GR,E,F,UK,NL,P[EU] Technische Spezifikation: Nationale Zulassung[PG]
3	AP8102432	Fixierschelle Schalldämpfer	1	Technische Spezifikation: Zulassung Euro1[E1] Zulassung Euro2[E2] EU-Zulassung (Rahmen ZD4SE)[SE] EU-Zulassung (Rahmen ZD4TS)[TS]
3	AP8221258	Fixierschelle Schalldämpfer	1	Land: Belgien[B] Brasilien[BR] Deutschland[D] Dänemark[DK] Spanien[E] A,B,D,GR,E,F,UK,NL,P[EU] Frankreich[F] [GR]Italien[I] I[II] Israel[IL] Japan[J] Japan[J] Holland[NL] Portugal[P] Rep. Korea[ROK] Finnland[SF] Großbritannien[UK] Vereinigte Staaten von Amerika[USA] Technische Spezifikation: Nationale Zulassung[PG]
4	AP8152112	TCEI Schraube	2	
5	AP8150017	Ausgleichscheibe 8,4x16x1,6	2	
6	AP8101259	Schraubenfeder *	2	
7	AP8120910	Silent-Block	2	
8	AP8152300	Selbstsperrende Mutter M8	2	
9	AP8120812	Dichtung Schalldämpfer	1	
10	AP8219325	Dichtung Auspuffrohrflansch	1	Technische Spezifikation: Version mit Beschränkung 45 km/h[45km] Zulassung Euro1[E1] EU-Zulassung (Rahmen ZD4SE)[SE]
11	AP8219578	Kat.Auspuffrohr	1	Technische Spezifikation: Version mit Beschränkung 45 km/h[45km] Zulassung Euro1[E1] EU-Zulassung (Rahmen ZD4SE)[SE]
11	AP8219610	Auspuff E2	1	Technische Spezifikation: Version mit Beschränkung 45 km/h[45km] Zulassung Euro2[E2] EU-Zulassung (Rahmen ZD4SE)[SE]
11	AP8219611	Auspuff E2	1	Technische Spezifikation: Zulassung Euro2[E2] Version mit voller Leistung[f.p.] EU-Zulassung (Rahmen ZD4TS)[TS]

Einheit	RAHMEN
Code	28.24
Beschreibung	Auslassgruppe
Inspektion	1



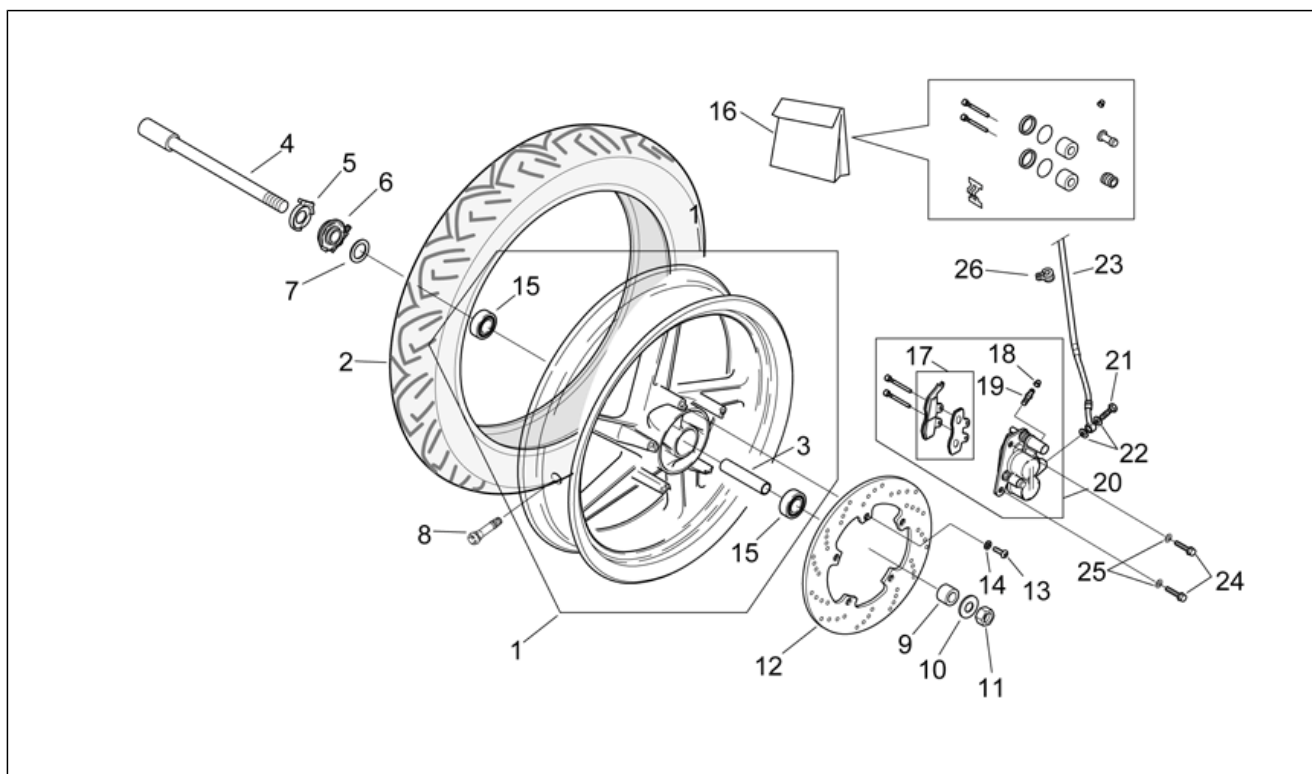
Pos.	Code	Beschreibung	Menge	Varianten
11	AP8219617	Auspuff E2	1	Technische Spezifikation: Version mit Beschränkung 60 km/h[60km] Zulassung Euro2[E2] EU-Zulassung (Rahmen ZD4TS)[TS]

Einheit	RAHMEN
Code	28.25
Beschreibung	Vorderrad
Inspektion	1



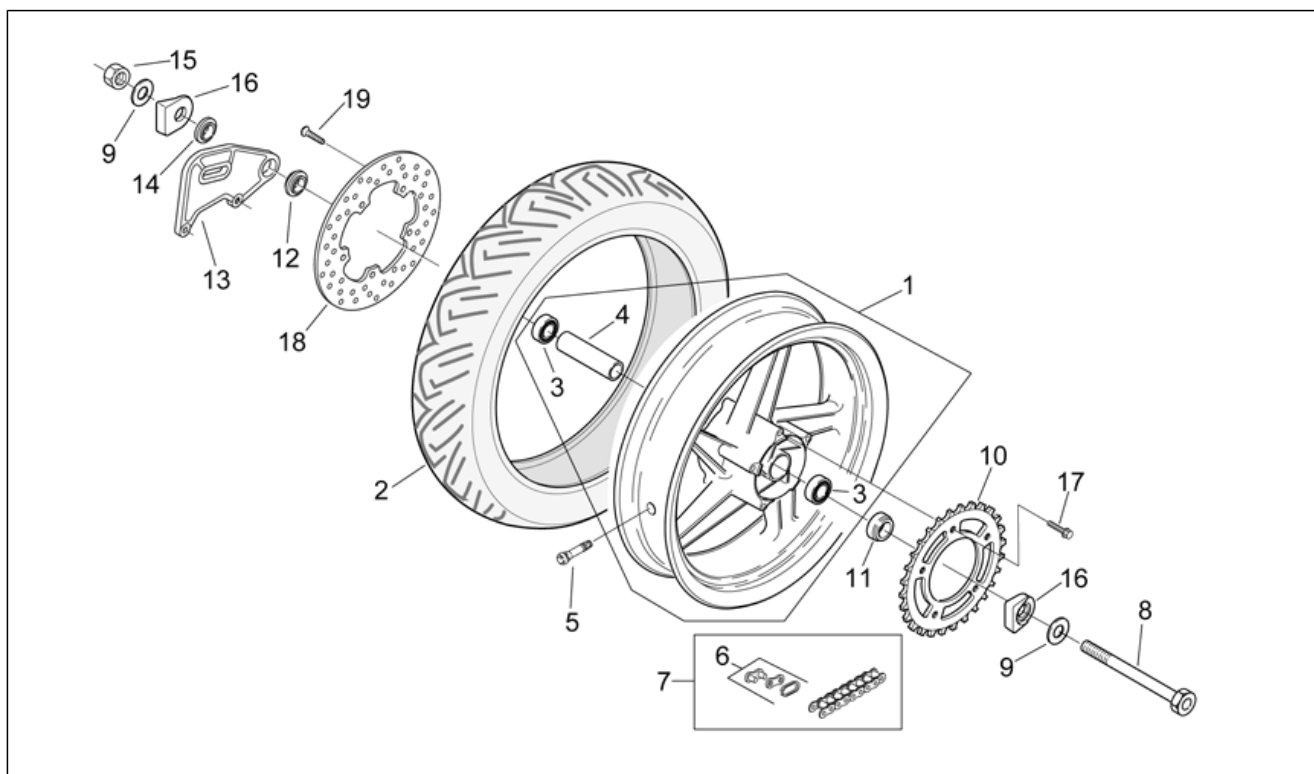
Pos.	Code	Beschreibung	Menge	Varianten
1	AP8208573	Vorderrad schwarz	1	Baujahr: 2003[3] Farbe: Blau Way 2003[b.way] Schwarz GP1 '03[g.bl]
1	AP8208573	Vorderrad schwarz	1	Baujahr: 2001[1] 2002[2] 1999[X] 2000[Y]
1	AP8208735	Vorderrad, schwarz	1	Baujahr: 2004[4] Farbe: Poggiali White 2004[white]
1	AP8208803	Vorderrad v.oro	1	Baujahr: 2003[3] 2004[4] Farbe: Schwarz SBK '03[s.bl]
1	AP8208867	Vorderrad, rot	1	Baujahr: 2004[4] Farbe: Poggiali Black 2004[a.blk]
1	AP8208911	Vorderrad, schwarz	1	Baujahr: 2004[4] Farbe: Poggiali White 2004[white]
1	AP8208735	Vorderrad, schwarz	1	Baujahr: 2005[5]
1	AP8208911	Vorderrad, schwarz	1	Baujahr: 2005[5]
1	AP8128119	Vorderrad, rot	1	Baujahr: 2004[4] Farbe: Poggiali Black 2004[a.blk]
2	0000000	Reifen	1	
3	AP8225335	Distanzscheibe	1	
4	AP8225354	Bolzen	1	
5	AP8201671	Kilomzählerdeckel	1	
6	AP8201230	Vorgelegte Kilometerzähler	1	
7	AP8225237	Ausgleichscheibe 12x24x3	1	
8	AP8201546	Schlauchloses Reifenventil	1	
9	AP8125431	Distanzscheibe	1	
10	AP8225237	Ausgleichscheibe 12x24x3	1	
11	AP8225195	Mutter M12x1,25*	1	
12	AP8213311	Vorderradbremsscheibe	1	
13	AP8213419	Schraube	5	
14	AP8152105	Ausgleichscheibe 6,4x10x,7*	5	Baujahr: 2002[2] 2003[3] 2004[4] 2005[5]
14	AP8225206	Ausgleichscheibe	5	Baujahr: 2001[1] 1999[X] 2000[Y]

Einheit	RAHMEN
Code	28.25
Beschreibung	Vorderrad
Inspektion	1



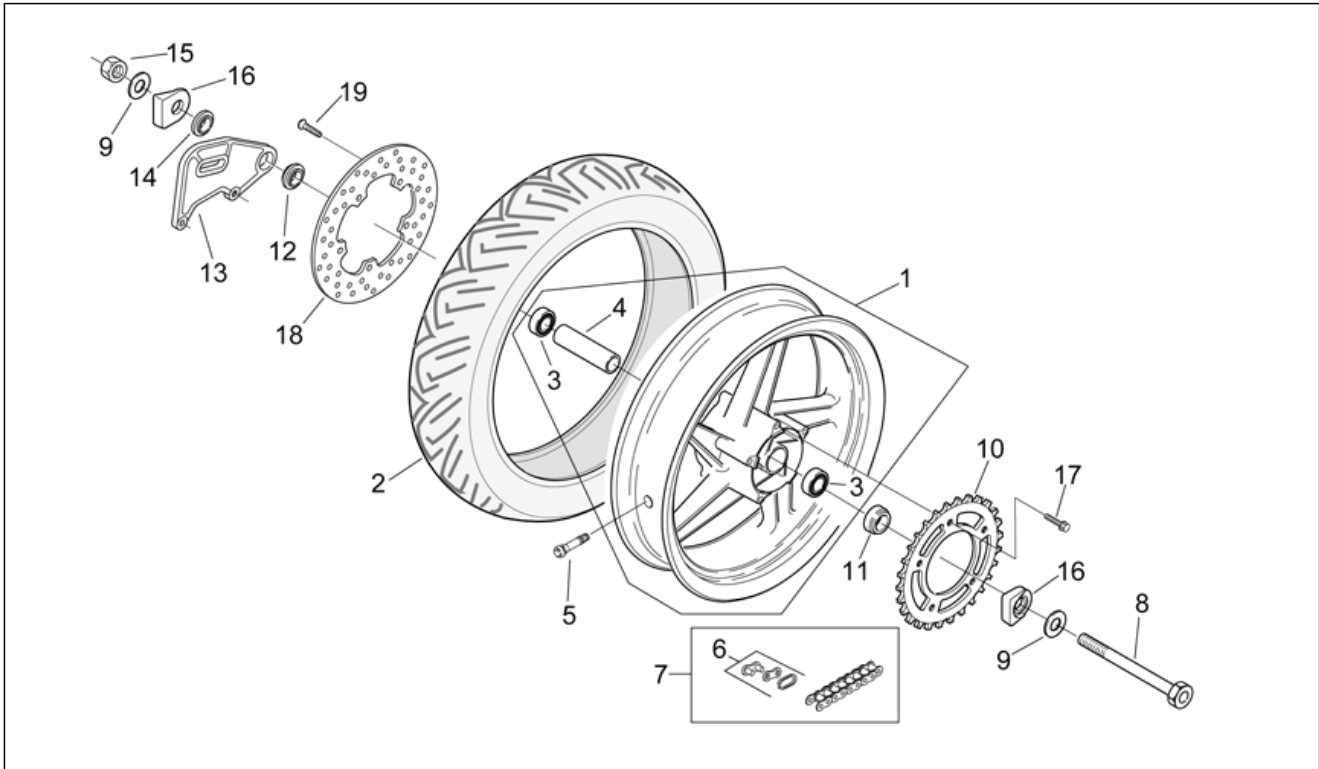
Pos.	Code	Beschreibung	Menge	Varianten
15	AP8225123	Lager	2	
16	AP8213423	Bausatz Bremszangenüberholung	1	
17	AP8113478	Beläge (Paar)	1	
18	AP8113005	Entlüftungskappe	1	
19	AP8213108	Entlüftungsanschluß	1	
20	AP8213413	Vorderradbremzange rot	1	
20	AP8213517	Vorderradbremzange schwarz	1	
21	AP8113003	Fixierschraube Ölschlauch	2	
22	AP8113004	Ausgleichscheibe 10x14x1,6*	4	
23	AP8213312	Vorderradbremseleitung	1	
24	AP8152288	TE Schr. m. Flansch M8x30	2	
25	AP8150376	Ausgleichscheibe 8,5x15x0,8	2	
26	AP8134167	Platte Bremsschlauch	1	

Einheit	RAHMEN
Code	28.26
Beschreibung	Hinterrad
Inspektion	1



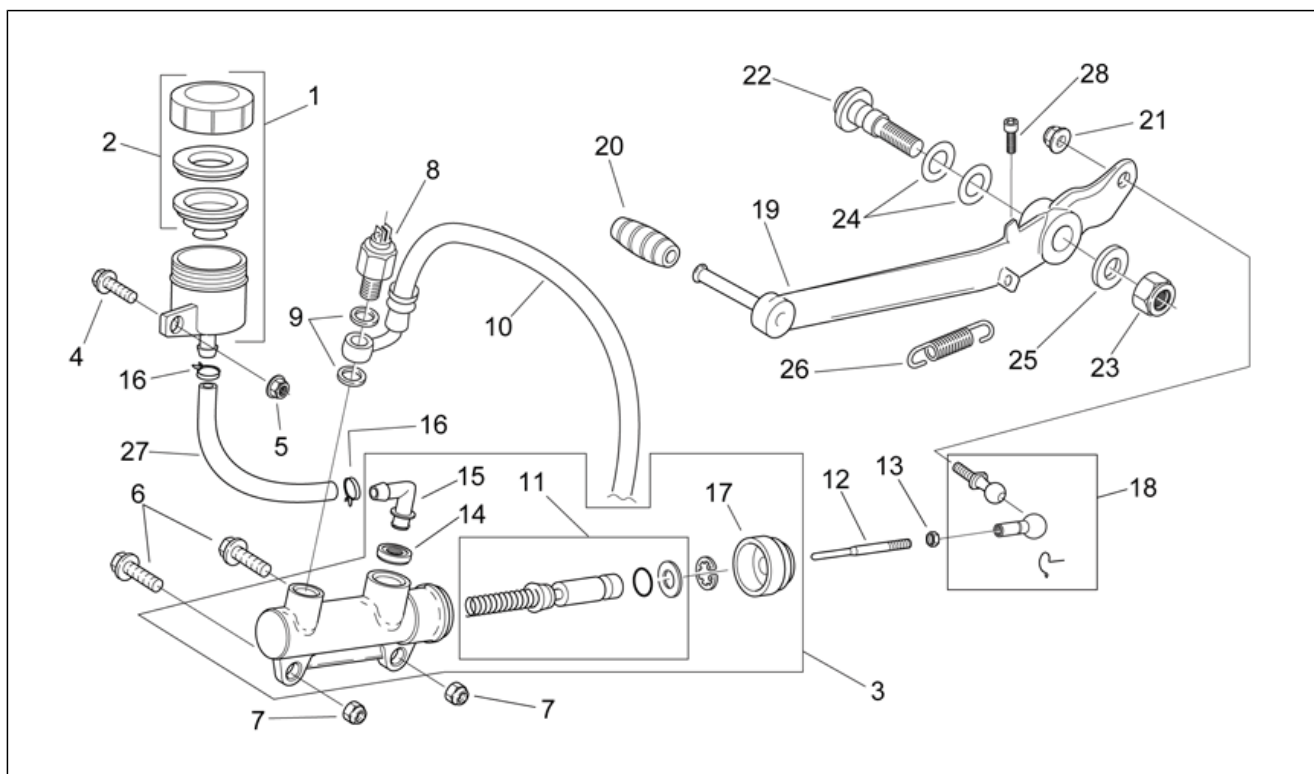
Pos.	Code	Beschreibung	Menge	Varianten
1	AP8128122	Hinterrad, rot	1	Baujahr: 2004[4] Farbe: Poggiali Black 2004[a.blk]
1	AP8208571	Hinterrad schwarz	1	Baujahr: 2003[3] Farbe: Blau Way 2003[b.way] Schwarz GP1 '03[g.bl]
1	AP8208571	Hinterrad schwarz	1	Baujahr: 2001[1] 2002[2] 1999[X] 2000[Y]
1	AP8208738	Hinterrad, schwarz	1	Baujahr: 2004[4] Farbe: Poggiali White 2004[white]
1	AP8208806	Hinterrad oro	1	Baujahr: 2003[3] 2004[4] Farbe: Schwarz SBK '03[s.bl]
1	AP8208864	Hinterrad, rot	1	Baujahr: 2004[4] Farbe: Poggiali Black 2004[a.blk]
1	AP8208914	Hinterrad, schwarz	1	Baujahr: 2004[4] Farbe: Poggiali White 2004[white]
1	AP8208738	Hinterrad, schwarz	1	Baujahr: 2005[5]
1	AP8208914	Hinterrad, schwarz	1	Baujahr: 2005[5]
2	0000000	Reifen	1	
3	AP8225118	Lager	2	
4	AP8225355	Innen H.rad Distanzscheibe	1	
5	AP8201546	Schlauchloses Reifenventil	1	
6	AP8207086	Verbindungsglied	1	
7	AP8207077	Kette Verbindungsgl.	1	
8	AP8225333	Hinterradbolzen	1	
9	AP8225220	Flachscheibe	2	
10	AP8207076	Zahnkranz Z=47	1	
11	AP8225339	Abstandhalter m. Bundring	1	Baujahr: 2005[5]
11	AP8125922	Abstandhalter m. Bundring	1	Baujahr: 2005[5]
11	AP8125922	Abstandhalter m. Bundring	1	Baujahr: 2004[4]
11	AP8225339	Abstandhalter m. Bundring	1	Baujahr: 2004[4]
11	AP8225339	Abstandhalter m. Bundring	1	Baujahr: 2001[1] 2002[2] 2003[3] 1999[X] 2000[Y]

Einheit	RAHMEN
Code	28.26
Beschreibung	Hinterrad
Inspektion	1



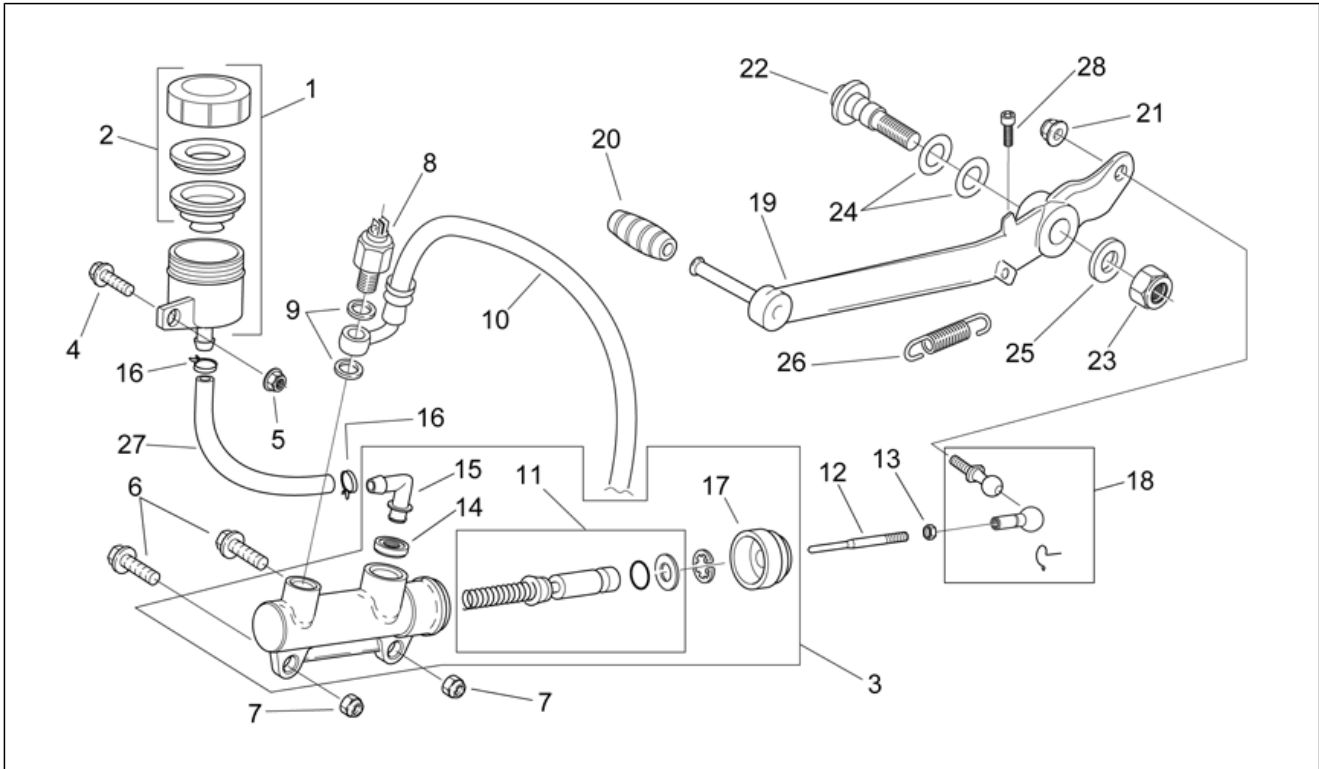
Pos.	Code	Beschreibung	Menge	Varianten
12	AP8121088	Distanzscheibe	1	Baujahr:2004[4]
12	AP8121088	Distanzscheibe	1	Baujahr:2001[1] 2002[2] 2003[3] 1999[X] 2000[Y]
12	AP8125923	Distanzscheibe	1	Baujahr:2004[4]
12	AP8121088	Distanzscheibe	1	Baujahr:2005[5]
12	AP8125923	Distanzscheibe	1	Baujahr:2005[5]
13	AP8234137	Ankerbl. Bremszange	1	
14	AP8225235	Distanzscheibe	1	
15	AP8225208	Hinterradbolzen mut.	1	
16	AP8220497	Kettengleitführung	2	
17	AP8152286	TE Schr. m. Flansch M8x20	5	
18	AP8213317	Vorderradbremsscheibe	1	
19	AP8213418	Schraube	5	

Einheit	RAHMEN
Code	28.27
Beschreibung	Hinterradbremspumpe
Inspektion	1



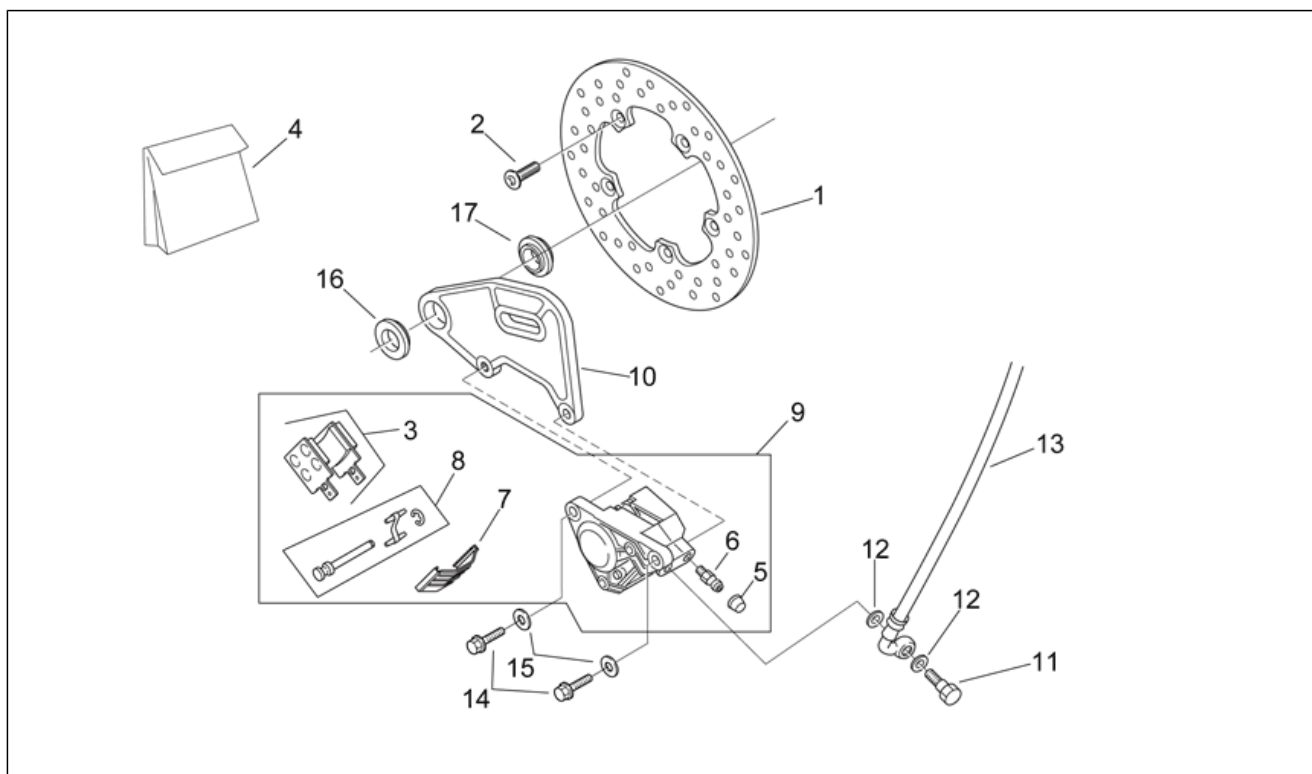
Pos.	Code	Beschreibung	Menge	Varianten
1	AP8213446	Öltank kpl	1	
2	AP8131320	Öltankschraube	1	Land:Schweiz[SZ]
2	AP8131320	Öltankschraube	1	Land:Österreich[A] Belgien[B] Brasilien[BR] Deutschland[D] Dänemark[DK] Spanien[E] A,B,D,GR,E,F,UK,NL,P[EU] Frankreich[F] [GR]Italien[I] I[II] Israel[IL] Japan[J] J[JJ] Holland[NL] Portugal[P] Rep. Korea[ROK] Finnland[SF] Großbritannien[UK]
2	AP8213478	Öltankschraube	1	Land:Vereinigte Staaten von Amerika[AM] Vereinigte Staaten von Amerika[USA]
3	AP8213314	Hinterradbremspumpe	1	
4	AP8152278	TE Schr. m. Flansch M6x16	1	
5	AP8152299	Selbstsperrende Mutter M6	2	
6	AP8152279	TE Schr. m. Flansch M6x20	2	
7	AP8150430	Selbstsperr.mut Unt.	2	
8	AP8124479	Bremslichtschalter	1	
9	AP8113004	Ausgleichscheibe 10x14x1,6*	2	
10	AP8213315	Hinterradbremseleitung	1	
11	AP8113822	Bausatz H.Pumpenüberholung	1	
12	AP8113276	Pumpenstange	1	
13	AP8150026	Mutter M6	1	
14	AP8113821	Anschlußdichtung	1	
15	AP8113157	Anschluss	1	
16	AP8102811	Schelle D9,6	2	
17	AP8113823	Haube Bremszyl.hinten	1	
18	AP8210007	Kugelgelenk rechts M6	1	
19	AP8235012	H.bremshebel	1	
20	AP8120912	Gummi für Hebel	1	
21	AP8150025	Mutter	1	
22	AP8121149	Bremshebelbolzen	1	

Einheit	RAHMEN
Code	28.27
Beschreibung	Hinterradbremspumpe
Inspektion	1



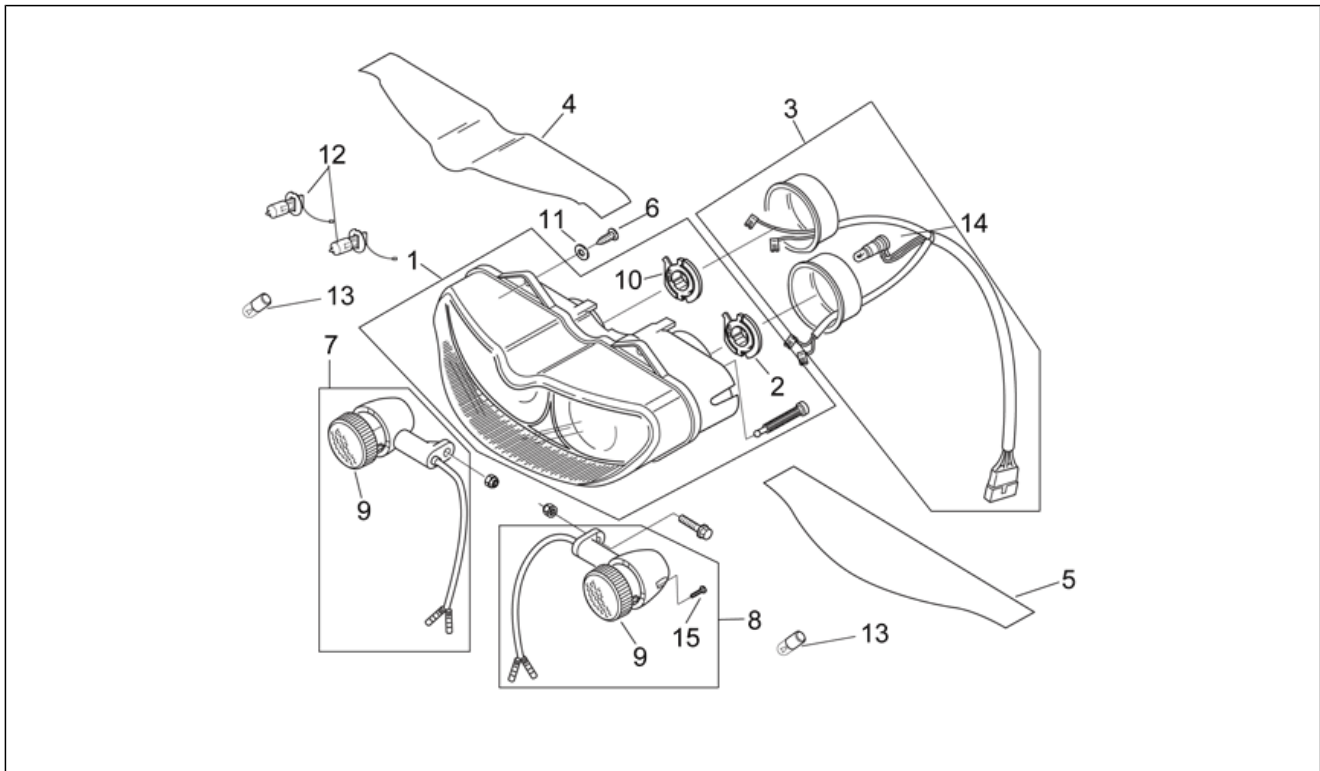
Pos.	Code	Beschreibung	Menge	Varianten
23	AP8150436	Selbstsperr.mut Unt.	1	
24	AP8121697	Tellerfeder	2	
25	AP8152176	Ausgleichscheibe 10,5X18X2*	1	
26	AP8221289	Feder Hinterradbremsh.	1	
27	AP8144151	Gummischlauch	1	
28	AP8150280	TCEI Schraube	1	

Einheit	RAHMEN
Code	28.28
Beschreibung	Hinterradbremzange
Inspektion	1



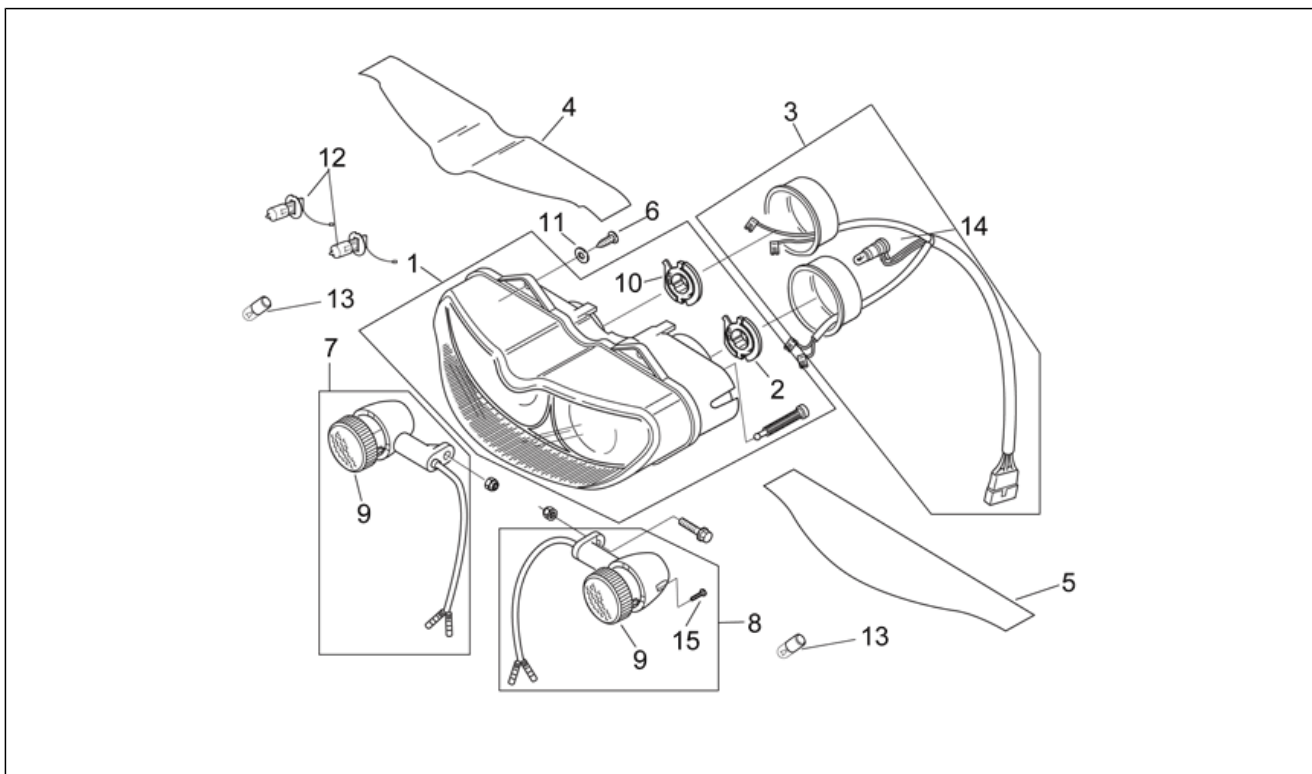
Pos.	Code	Beschreibung	Menge	Varianten
1	AP8213317	Vorderradbremsscheibe	1	
2	AP8213418	Schraube	5	
3	AP8213104	Beläge (Paar)	1	
4	AP8213102	Bausatz Bremszangenüberholung	1	
5	AP8113005	Entlüftungskappe	1	
6	AP8213108	Entlüftungsanschluß	1	
7	AP8213361	H.Bremszangedeckel	1	
8	AP8213415	Bolzen+Bremse Felder	1	
9	AP8213414	Hinterradbremzange, rot	1	
9	AP8213518	Hinterradbremzange, schw.	1	
10	AP8234137	Ankerbl. Bremszange	1	
11	AP8113003	Fixierschraube Ölschlauch	2	
12	AP8113004	Ausgleichscheibe 10x14x1,6*	2	
13	AP8213315	Hinterradbremslleitung	1	
14	AP8152286	TE Schr. m. Flansch M8x20	2	
15	AP8150376	Ausgleichscheibe 8,5x15x0,8	2	
16	AP8225235	Distanzscheibe	1	
17	AP8121088	Distanzscheibe	1	

Einheit	RAHMEN
Code	28.29
Beschreibung	Vorderer Lichter
Inspektion	1



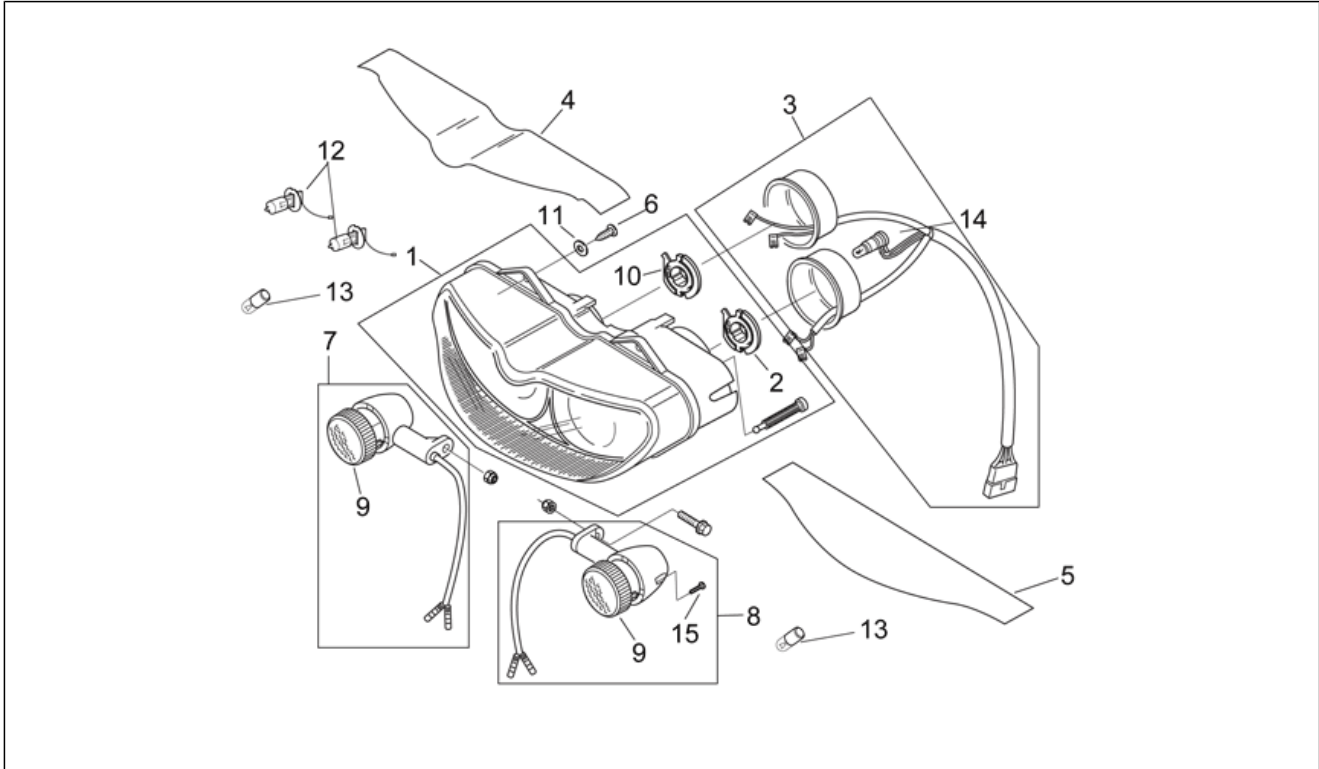
Pos.	Code	Beschreibung	Menge	Varianten
1	AP8212971	Scheinwerfer	1	Land: Österreich[A] Belgien[B] Brasilien[BR] Deutschland[D] Dänemark[DK] Spanien[E] A,B,D,GR,E,F,UK,NL,P[EU] Frankreich[F] [GR]Italien[I] I[II] Israel[IL] Japan[J] J[JJ] Holland[NL] Portugal[P] Rep. Korea[ROK] Finnland[SF] Großbritannien[UK]
1	AP8212971	Scheinwerfer	1	Land: Schweiz[SZ]
1	AP8224189	Scheinwerfer	1	Land: Vereinigte Staaten von Amerika[AM] Vereinigte Staaten von Amerika[USA]
2	AP8224154	Lampenhalter kompl. Fernlicht	1	
3	AP8212967	Verkabel.Scheinwerf.	1	
4	AP8147545	Ob.Scheinw.schutz Deko	1	
5	AP8147546	Unt.Scheinw.schutz Deko	1	
6	AP8150270	Linsenschraube 4,2x20*	5	
7	AP8124134	Vorderblinker rechts	1	Land: Österreich[A] Belgien[B] Brasilien[BR] Deutschland[D] Dänemark[DK] Spanien[E] A,B,D,GR,E,F,UK,NL,P[EU] Frankreich[F] [GR]Italien[I] I[II] Israel[IL] Japan[J] J[JJ] Holland[NL] Portugal[P] Rep. Korea[ROK] Finnland[SF] Großbritannien[UK] Technische Spezifikation: Zulassung Euro1[E1] Nationale Zulassung[PG] EU-Zulassung (Rahmen ZD4SE)[SE]
7	AP8124134	Vorderblinker rechts	1	Land: Schweiz[SZ] Technische Spezifikation: Zulassung Euro1[E1] Nationale Zulassung[PG] EU-Zulassung (Rahmen ZD4TS)[TS]
7	AP8127536	Vorderblinker rechts / Hinterblinker links	1	Technische Spezifikation: Zulassung Euro2[E2] EU-Zulassung (Rahmen ZD4SE)[SE] EU-Zulassung (Rahmen ZD4TS)[TS]
7	AP8224197	Vorderblinker rechts / Hinterblinker links	1	Land: Vereinigte Staaten von Amerika[AM] Vereinigte Staaten von Amerika[USA] Technische Spezifikation: Zulassung Euro1[E1] Nationale Zulassung[PG] EU-Zulassung (Rahmen ZD4SE)[SE]
8	AP8124135	Vorderblinker links	1	Land: Österreich[A] Belgien[B] Brasilien[BR] Deutschland[D] Dänemark[DK] Spanien[E] A,B,D,GR,E,F,UK,NL,P[EU] Frankreich[F] [GR]Italien[I] I[II] Israel[IL] Japan[J] J[JJ]

Einheit	RAHMEN
Code	28.29
Beschreibung	Vorderer Lichter
Inspektion	1



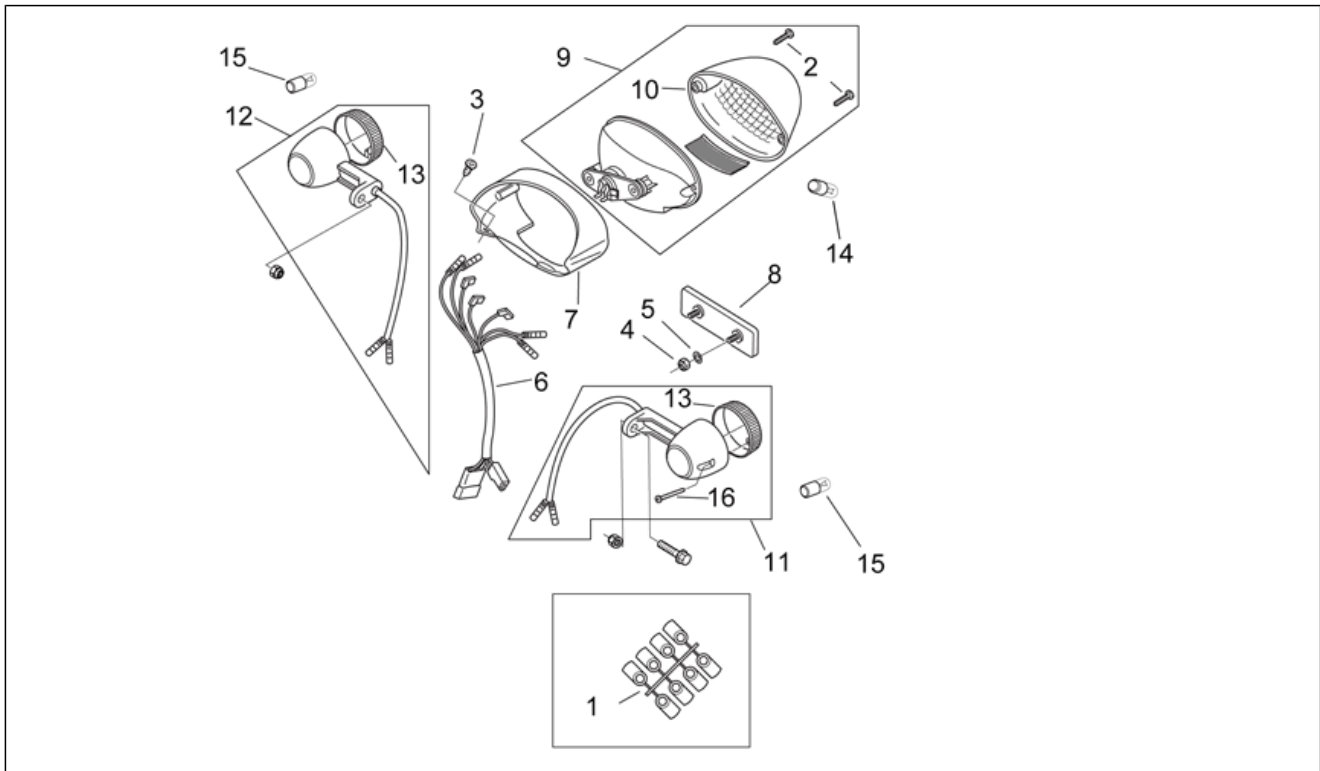
Pos.	Code	Beschreibung	Menge	Varianten
				Holland[NL] Portugal[P] Rep. Korea[ROK] Finnland[SF] Großbritannien[UK] Technische Spezifikation: Zulassung Euro1[E1] Nationale Zulassung[PG] EU-Zulassung (Rahmen ZD4SE)[SE]
8	AP8124135	Vorderblinker links	1	Land: Schweiz[SZ] Technische Spezifikation: Zulassung Euro1[E1] Nationale Zulassung[PG] EU-Zulassung (Rahmen ZD4TS)[TS]
8	AP8127535	Vorderblinker links/ Hinterblinker rechts	1	Technische Spezifikation: Zulassung Euro2[E2] EU-Zulassung (Rahmen ZD4SE)[SE] EU-Zulassung (Rahmen ZD4TS)[TS]
8	AP8224198	Vorderblinker links/ Hinterblinker rechts	1	Land: Vereinigte Staaten von Amerika[AM] Vereinigte Staaten von Amerika[USA] Technische Spezifikation: Zulassung Euro1[E1] Nationale Zulassung[PG] EU-Zulassung (Rahmen ZD4SE)[SE]
9	AP8127633	Blinkerblende	2	Technische Spezifikation: Zulassung Euro2[E2] EU-Zulassung (Rahmen ZD4SE)[SE] EU-Zulassung (Rahmen ZD4TS)[TS]
9	AP8212680	Blinkerblende	2	Land: Österreich[A] Belgien[B] Brasilien[BR] Deutschland[D] Dänemark[DK] Spanien[E] A,B,D,GR,E,F,UK,NL,P[EU] Frankreich[F] [GR]Italien[I] I[II] Israel[IL] Japan[J] J[JJ] Holland[NL] Portugal[P] Rep. Korea[ROK] Finnland[SF] Großbritannien[UK] Technische Spezifikation: Zulassung Euro1[E1] Nationale Zulassung[PG] EU-Zulassung (Rahmen ZD4SE)[SE]
9	AP8212680	Blinkerblende	2	Land: Schweiz[SZ] Technische Spezifikation: Zulassung Euro1[E1] Nationale Zulassung[PG] EU-Zulassung (Rahmen ZD4TS)[TS]
9	AP8224258	Blinkerblende	2	Land: Vereinigte Staaten von Amerika[AM] Vereinigte Staaten von Amerika[USA] Technische Spezifikation: Zulassung Euro1[E1] Nationale Zulassung[PG] EU-Zulassung (Rahmen ZD4SE)[SE]
10	AP8224156	Lampenhalter kompl. Fahrlicht	1	
11	AP8150177	Ausgleichscheibe 5,3X10X1	3	
12	AP8224391	Lampen S2 35/35w 12v	2	

Einheit	RAHMEN
Code	28.29
Beschreibung	Vorderer Lichter
Inspektion	1



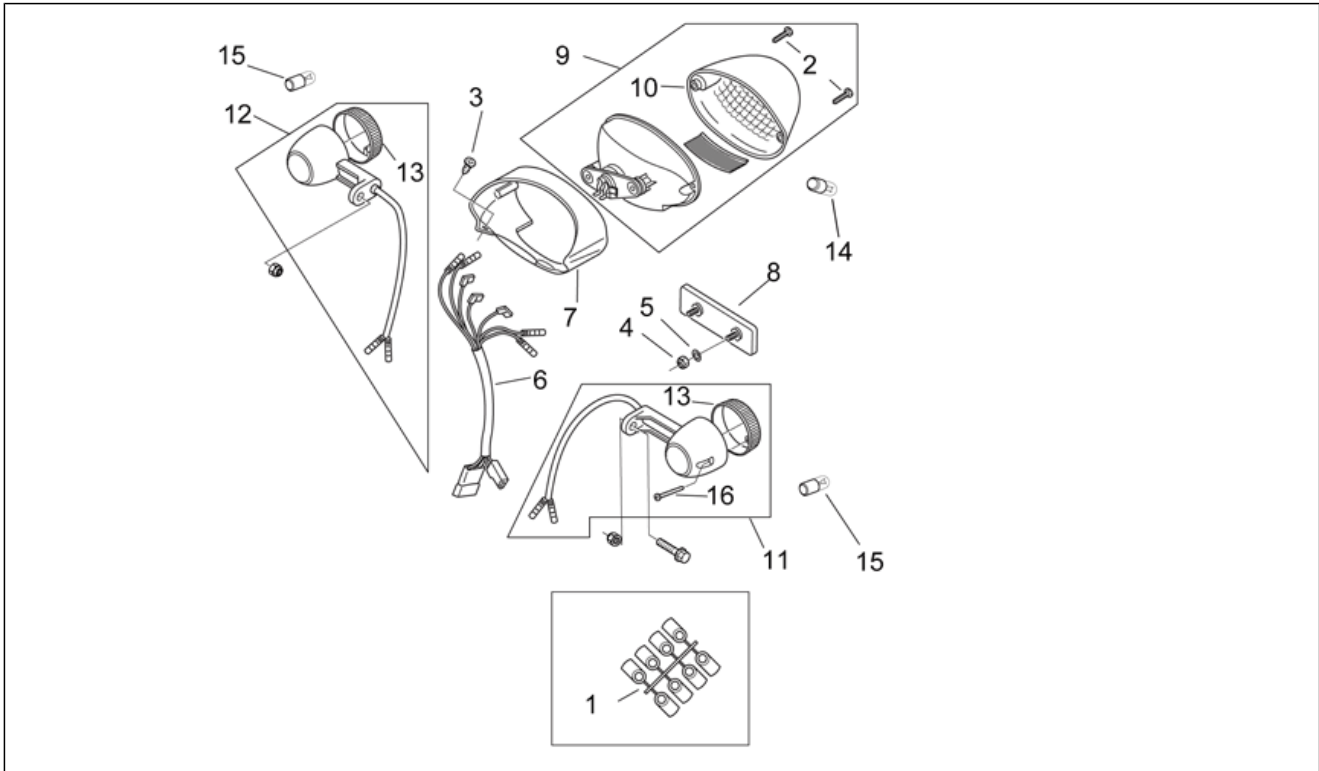
Pos.	Code	Beschreibung	Menge	Varianten
13	AP8224390	Lampen R10W 12v	2	
14	AP8127164	Lampen W3W 12V	1	
15	AP8127123	Schraube TBC 2,9x13	2	

Einheit	RAHMEN
Code	28.30
Beschreibung	Hinterer Lichter
Inspektion	1



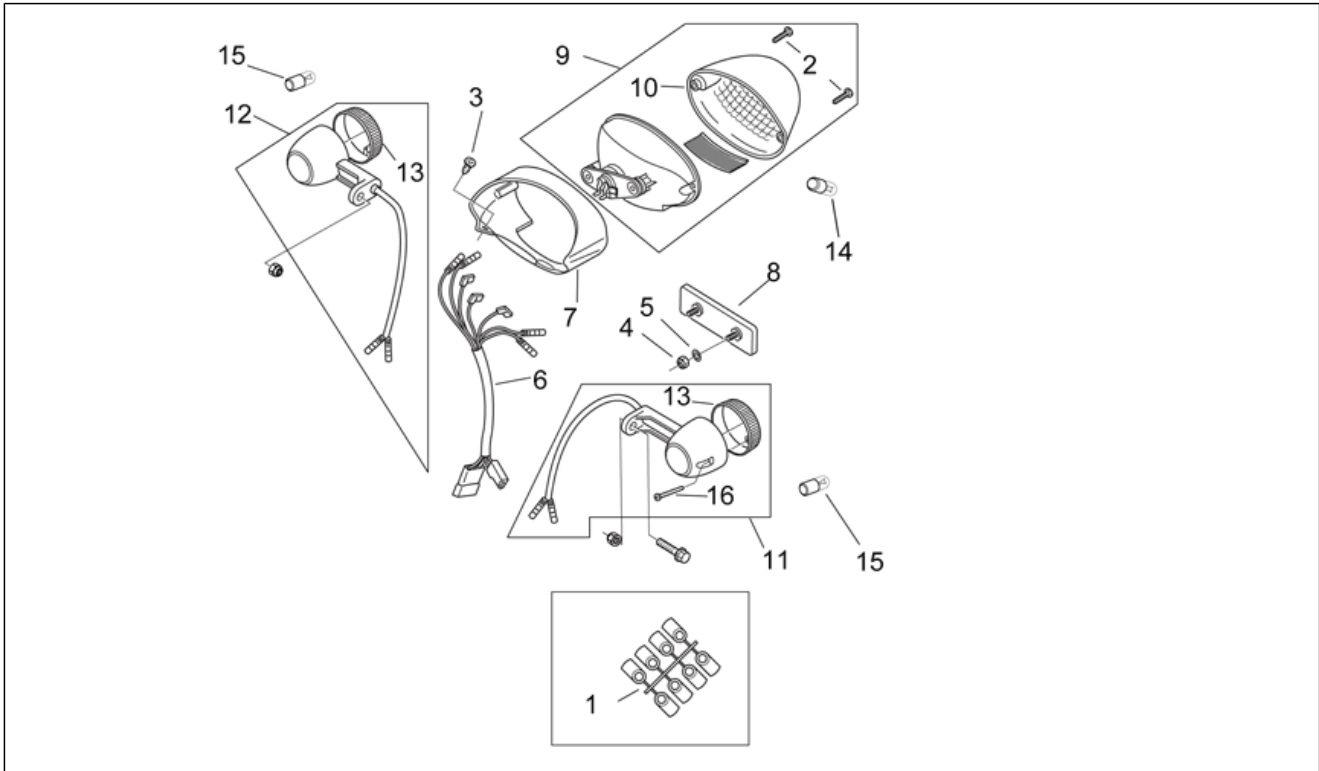
Pos.	Code	Beschreibung	Menge	Varianten
1	AP8249272	Serie Unt.sch. Scheinw.	1	Land: Vereinigte Staaten von Amerika[AM] Vereinigte Staaten von Amerika[USA]
2	AP8150270	Linsenschraube 4,2x20*	2	
3	AP8150371	Linsenschraube M3,9x12,7	2	
4	AP8150204	Mutter M4	2	
5	AP8150158	Ausgleichscheibe 4,3X9X0,8	2	
6	AP8124489	Verkabelung Rücklicht	1	
7	AP8134446	Rücklichthalterung	1	
8	AP8112916	Rückstrahler Rücklicht	1	
9	AP8124492	Rücklicht	1	Land: Österreich[A] Belgien[B] Brasilien[BR] Deutschland[D] Dänemark[DK] Spanien[E] A,B,D,GR,E,F,UK,NL,P[EU] Frankreich[F] [GR]Italien[I] I[II] Israel[IL] Japan[J] J[JJ] Holland[NL] Portugal[P] Rep. Korea[ROK] Finnland[SF] Großbritannien[UK]
9	AP8124492	Rücklicht	1	Land: Schweiz[SZ]
9	AP8224168	Rücklicht	1	Land: Vereinigte Staaten von Amerika[AM] Vereinigte Staaten von Amerika[USA]
10	AP8124527	Rücklichtblende	1	Land: Österreich[A] Belgien[B] Brasilien[BR] Deutschland[D] Dänemark[DK] Spanien[E] A,B,D,GR,E,F,UK,NL,P[EU] Frankreich[F] [GR]Italien[I] I[II] Israel[IL] Japan[J] J[JJ] Holland[NL] Portugal[P] Rep. Korea[ROK] Finnland[SF] Großbritannien[UK]
10	AP8124527	Rücklichtblende	1	Land: Schweiz[SZ]
10	AP8224277	Rücklichtblende	1	Land: Vereinigte Staaten von Amerika[AM] Vereinigte Staaten von Amerika[USA]
11	AP8124134	Vorderblinker rechts	1	Land: Österreich[A] Belgien[B] Brasilien[BR] Deutschland[D] Dänemark[DK] Spanien[E] A,B,D,GR,E,F,UK,NL,P[EU] Frankreich[F] [GR]Italien[I] I[II] Israel[IL] Japan[J] J[JJ] Holland[NL] Portugal[P] Rep. Korea[ROK] Finnland[SF] Großbritannien[UK] Technische Spezifikation: Zulassung Euro1[E1] Nationale Zulassung[PG] EU-Zulassung (Rahmen ZD4SE)[SE]

Einheit	RAHMEN
Code	28.30
Beschreibung	Hinterer Lichter
Inspektion	1



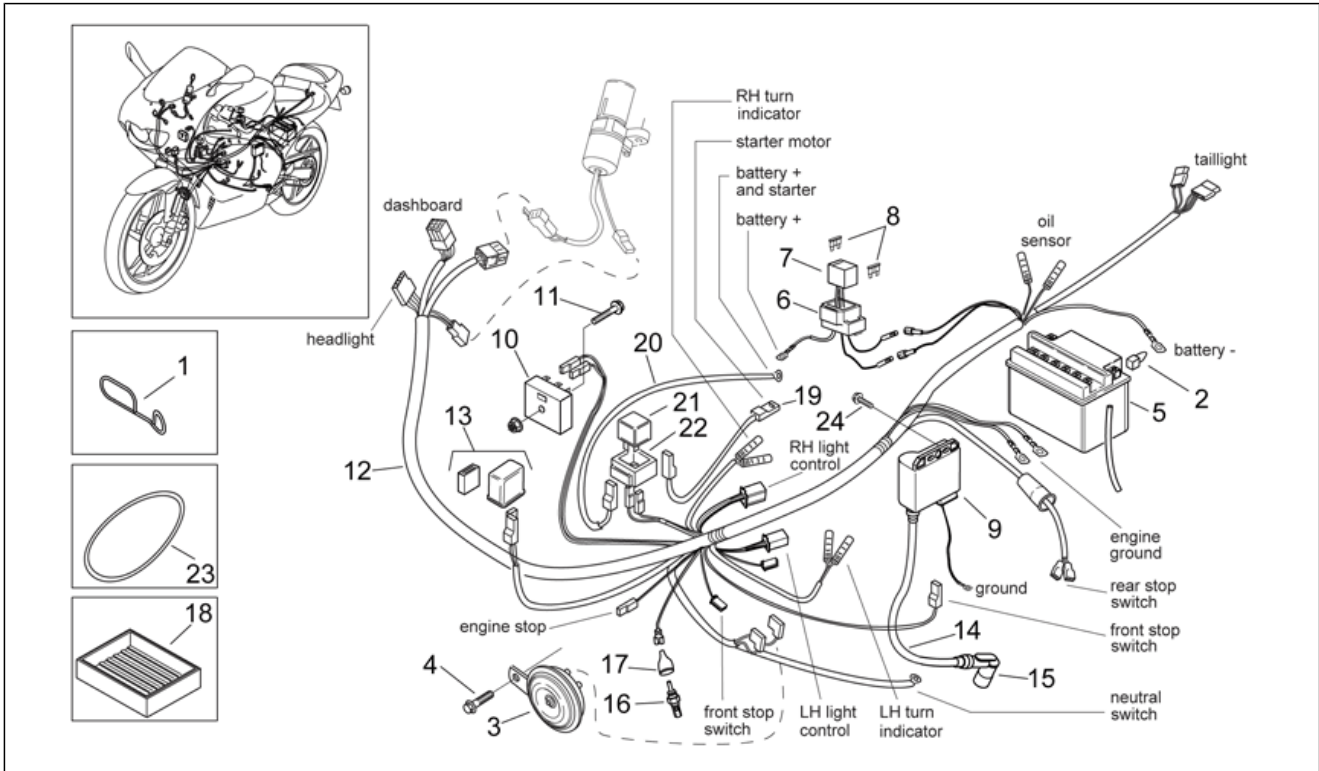
Pos.	Code	Beschreibung	Menge	Varianten
11	AP8127536	Vorderblinker rechts / Hinterblinker links	1	Technische Spezifikation: Zulassung Euro2[E2] EU-Zulassung (Rahmen ZD4SE)[SE] EU-Zulassung (Rahmen ZD4TS)[TS]
11	AP8224197	Vorderblinker rechts / Hinterblinker links	1	Land: Vereinigte Staaten von Amerika[AM] Vereinigte Staaten von Amerika[USA] Technische Spezifikation: Zulassung Euro1[E1] Nationale Zulassung[PG] EU-Zulassung (Rahmen ZD4SE)[SE]
11	AP8124134	Vorderblinker rechts	1	Land: Schweiz[SZ] Technische Spezifikation: Zulassung Euro1[E1] Nationale Zulassung[PG] EU-Zulassung (Rahmen ZD4TS)[TS]
12	AP8124135	Vorderblinker links	1	Land: Österreich[A] Belgien[B] Brasilien[BR] Deutschland[D] Dänemark[DK] Spanien[E] A,B,D,GR,E,F,UK,NL,P[EU] Frankreich[F] [GR]Italien[I] I[II] Israel[IL] Japan[J] J[JJ] Holland[NL] Portugal[P] Rep. Korea[ROK] Finnland[SF] Großbritannien[UK] Technische Spezifikation: Zulassung Euro1[E1] Nationale Zulassung[PG] EU-Zulassung (Rahmen ZD4SE)[SE]
12	AP8124135	Vorderblinker links	1	Land: Schweiz[SZ] Technische Spezifikation: Zulassung Euro1[E1] Nationale Zulassung[PG] EU-Zulassung (Rahmen ZD4TS)[TS]
12	AP8127535	Vorderblinker links/ Hinterblinker rechts	1	Technische Spezifikation: Zulassung Euro2[E2] EU-Zulassung (Rahmen ZD4SE)[SE] EU-Zulassung (Rahmen ZD4TS)[TS]
12	AP8224198	Vorderblinker links/ Hinterblinker rechts	1	Land: Vereinigte Staaten von Amerika[AM] Vereinigte Staaten von Amerika[USA] Technische Spezifikation: Zulassung Euro1[E1] Nationale Zulassung[PG] EU-Zulassung (Rahmen ZD4SE)[SE]
13	AP8127633	Blinkerblende	2	Technische Spezifikation: Zulassung Euro2[E2] EU-Zulassung (Rahmen ZD4SE)[SE] EU-Zulassung (Rahmen ZD4TS)[TS]
13	AP8212680	Blinkerblende	2	Land: Österreich[A] Belgien[B] Brasilien[BR] Deutschland[D] Dänemark[DK] Spanien[E] A,B,D,GR,E,F,UK,NL,P[EU] Frankreich[F] [GR]Italien[I] I[II] Israel[IL] Japan[J] J[JJ] Holland[NL] Portugal[P] Rep. Korea[ROK] Finnland[SF] Großbritannien[UK]

Einheit	RAHMEN
Code	28.30
Beschreibung	Hinterer Lichter
Inspektion	1



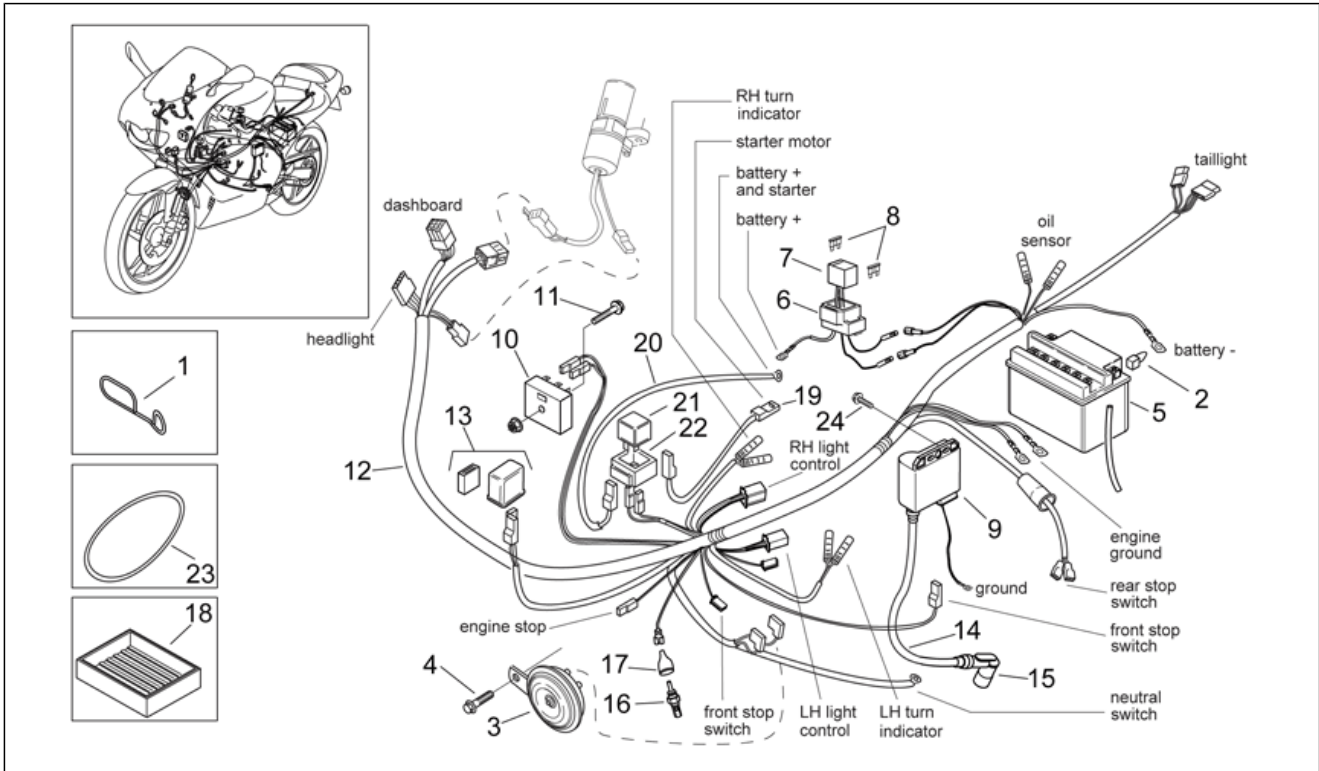
Pos.	Code	Beschreibung	Menge	Varianten
				Technische Spezifikation: Zulassung Euro1[E1] Nationale Zulassung[PG] EU-Zulassung (Rahmen ZD4SE)[SE]
13	AP8212680	Blinkerblende	2	Land: Schweiz[SZ] Technische Spezifikation: Zulassung Euro1[E1] Nationale Zulassung[PG] EU-Zulassung (Rahmen ZD4TS)[TS]
13	AP8224258	Blinkerblende	2	Land: Vereinigte Staaten von Amerika[AM] Vereinigte Staaten von Amerika[USA] Technische Spezifikation: Zulassung Euro1[E1] Nationale Zulassung[PG] EU-Zulassung (Rahmen ZD4SE)[SE]
14	AP8224389	Lampen P21/5W 12V	1	
15	AP8224390	Lampen R10W 12v	2	
16	AP8127123	Schraube TBC 2,9x13	2	

Einheit	RAHMEN
Code	28.31
Beschreibung	Elektrische Anlage
Inspektion	1



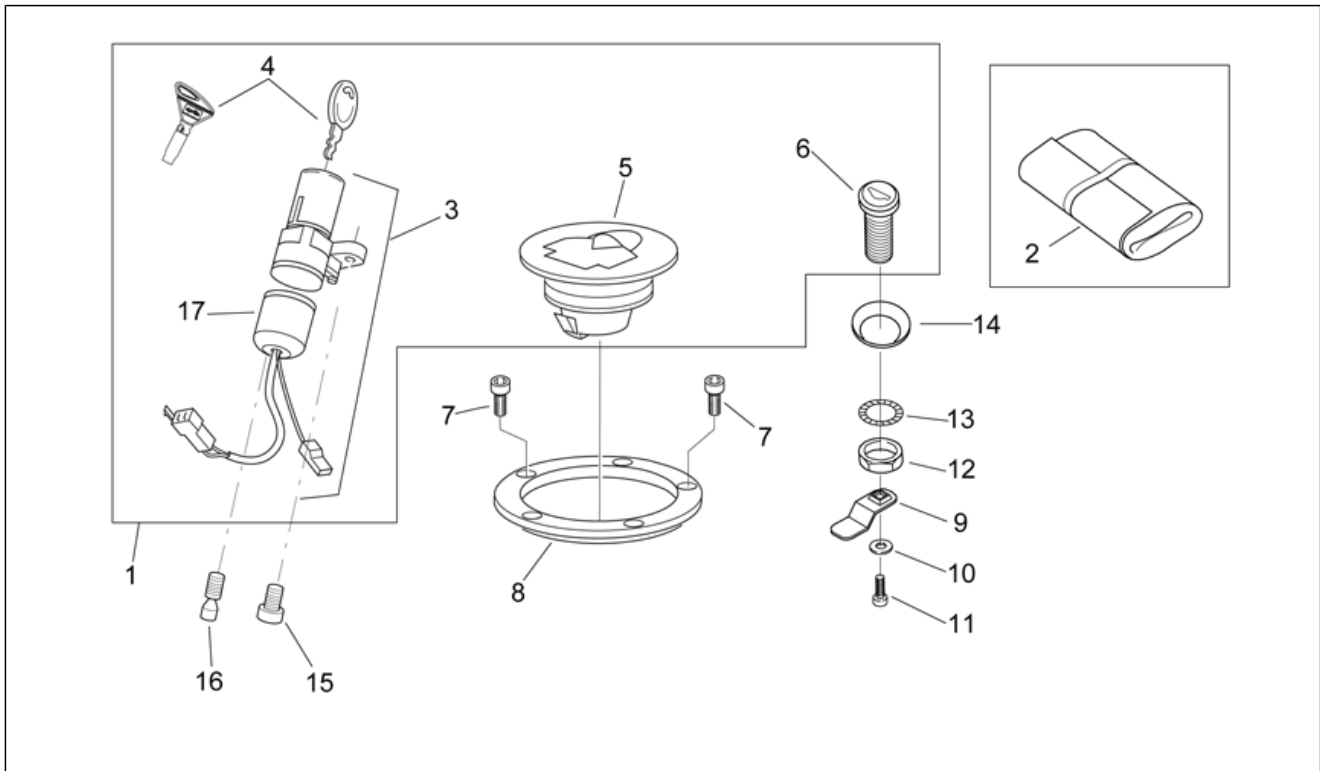
Pos.	Code	Beschreibung	Menge	Varianten
1	AP8202159	Kabelführungs	1	
2	AP8144141	Klemmenkappe	1	Land:Vereinigte Staaten von Amerika[AM] Vereinigte Staaten von Amerika[USA]
3	AP8224141	Hupe	1	
4	AP8152277	TE Schr. m. Flansch M6x12	1	
5	AP8212110	Batterie 12V-4Ah	1	
6	AP8212525	Gummi *	1	
7	AP8212375	Sicherungsblockgummi	1	
8	AP8112244	Sicherung 7,5A	2	
9	AP8212474	Geber	1	Land:Schweiz[SZ]
9	AP8212474	Geber	1	Land:Österreich[A] Belgien[B] Brasilien[BR] Deutschland[D] Dänemark[DK] Spanien[E] A,B,D,GR,E,F,UK,NL,P[EU] Frankreich[F] [GR]Italien[I] I[II] Israel[IL] Japan[J] J[JJ] Holland[NL] Portugal[P] Rep. Korea[ROK] Finnland[SF] Großbritannien[UK]
9	AP8224158	Geber	1	Land:Vereinigte Staaten von Amerika[AM] Vereinigte Staaten von Amerika[USA]
10	AP8212121	Spannungsregler	1	
11	AP8152282	TE Schr. m. Flansch M6x35	1	
12	AP8212972	Hauptverkabelung	1	Land:Schweiz[SZ]
12	AP8212972	Hauptverkabelung	1	Land:Österreich[A] Belgien[B] Brasilien[BR] Deutschland[D] Dänemark[DK] Spanien[E] A,B,D,GR,E,F,UK,NL,P[EU] Frankreich[F] [GR]Italien[I] I[II] Israel[IL] Japan[J] J[JJ] Holland[NL] Portugal[P] Rep. Korea[ROK] Finnland[SF] Großbritannien[UK]
12	AP8224175	Hauptverkabelung	1	Land:Vereinigte Staaten von Amerika[AM] Vereinigte Staaten von Amerika[USA]
13	AP8124235	Blinken	1	
14	AP8212212	HS-Verkabelung	1	
15	AP8212219	Widerstandsstecker	1	
16	AP8222019	Thermistor	1	

Einheit	RAHMEN
Code	28.31
Beschreibung	Elektrische Anlage
Inspektion	1



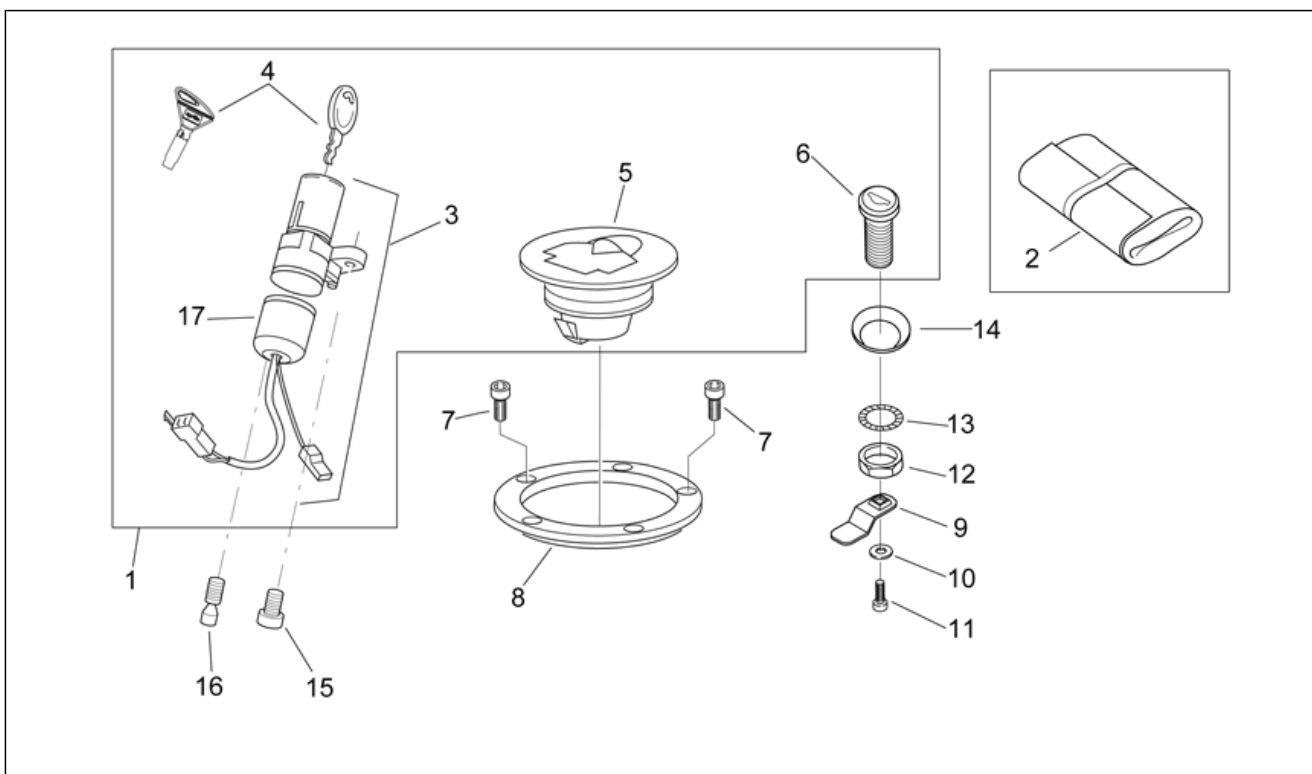
Pos.	Code	Beschreibung	Menge	Varianten
17	AP8120482	Gummi *	1	
18	AP8230535	Batteriehalter	1	
19	AP8212973	Verkabelung Starter	1	
20	AP8112491	Anlasserkabel	1	
21	AP8224026	Zündrelais	1	
22	AP8220546	Auflagegummi Relais	1	
23	AP8220514	Batteriehalter Elastik	1	
24	AP8152278	TE Schr. m. Flansch M6x16	2	Technische Spezifikation: Zulassung Euro1[E1] Nationale Zulassung[PG] EU-Zulassung (Rahmen ZD4SE)[SE] EU-Zulassung (Rahmen ZD4TS)[TS]

Einheit	RAHMEN
Code	28.32
Beschreibung	Bausatz Schlösser
Inspektion	1



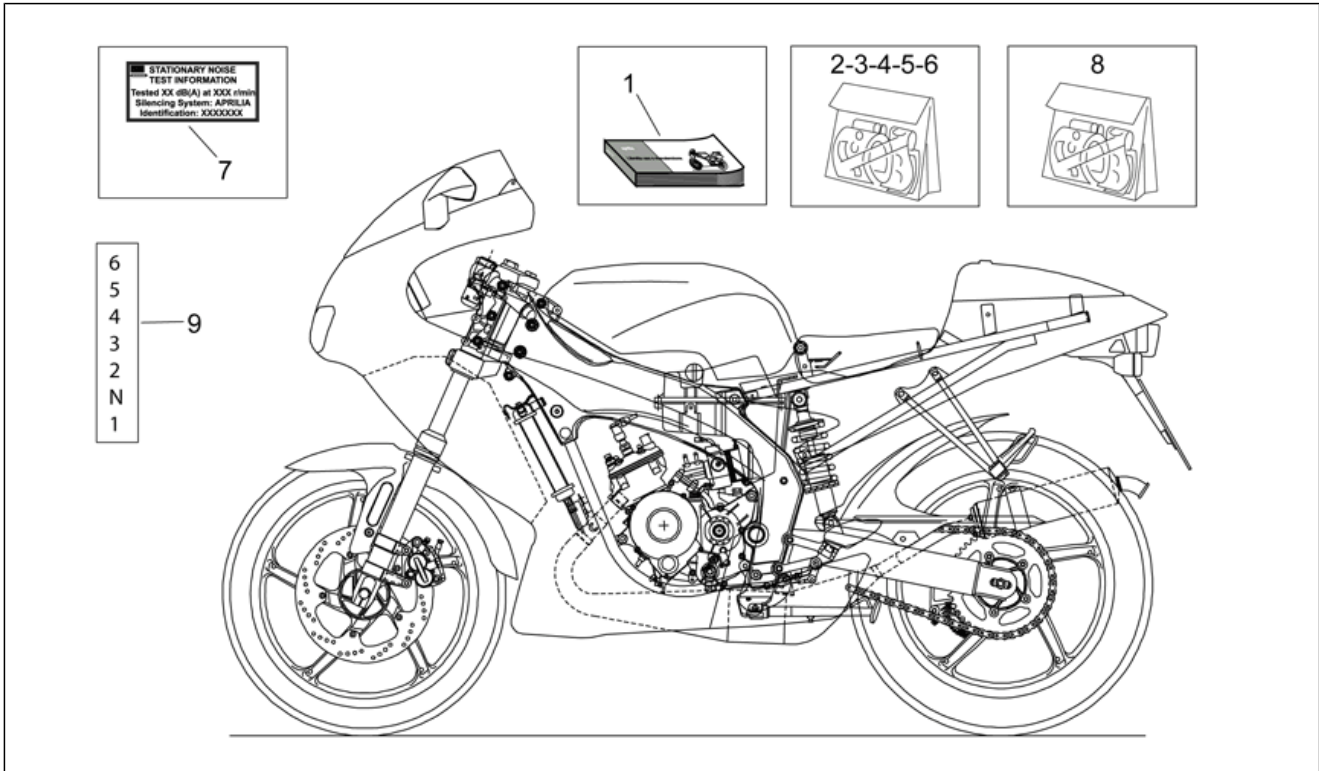
Pos.	Code	Beschreibung	Menge	Varianten
1	AP8202083	Kit Schließvorrichtungen	1	Technische Spezifikation: Zulassung Euro1[E1] Nationale Zulassung[PG] EU-Zulassung (Rahmen ZD4SE)[SE] EU-Zulassung (Rahmen ZD4TS)[TS]
1	AP8202358	Kit Schließvorrichtungen	1	Technische Spezifikation: Zulassung Euro2[E2] EU-Zulassung (Rahmen ZD4SE)[SE] EU-Zulassung (Rahmen ZD4TS)[TS]
2	AP8202097	Werkzeugtasche	1	
3	AP8224155	Lenkschloß	1	Technische Spezifikation: Zulassung Euro1[E1] Nationale Zulassung[PG] EU-Zulassung (Rahmen ZD4SE)[SE] EU-Zulassung (Rahmen ZD4TS)[TS]
3	AP8224570	Lenkschloß	1	Technische Spezifikation: Zulassung Euro2[E2] EU-Zulassung (Rahmen ZD4SE)[SE] EU-Zulassung (Rahmen ZD4TS)[TS]
4	AP8102880	Schl. gefr. Aprilia	1	Technische Spezifikation: Zulassung Euro1[E1] Nationale Zulassung[PG] EU-Zulassung (Rahmen ZD4SE)[SE] EU-Zulassung (Rahmen ZD4TS)[TS]
4	AP8140710	"Aprilia" schlüssel ohne tran.	1	Technische Spezifikation: Zulassung Euro2[E2] EU-Zulassung (Rahmen ZD4SE)[SE] EU-Zulassung (Rahmen ZD4TS)[TS]
5	AP8102228	Tankschraube, chrom.	1	Technische Spezifikation: Zulassung Euro1[E1] Nationale Zulassung[PG] EU-Zulassung (Rahmen ZD4SE)[SE] EU-Zulassung (Rahmen ZD4TS)[TS]
5	AP8202380	Tankverschlussschraube	1	Technische Spezifikation: Zulassung Euro2[E2] EU-Zulassung (Rahmen ZD4SE)[SE] EU-Zulassung (Rahmen ZD4TS)[TS]
6	AP8102119	Sitzschloß	1	Technische Spezifikation: Zulassung Euro1[E1] Nationale Zulassung[PG] EU-Zulassung (Rahmen ZD4SE)[SE] EU-Zulassung (Rahmen ZD4TS)[TS]
6	AP8202379	Sitzschloß	1	Technische Spezifikation: Zulassung Euro2[E2] EU-Zulassung (Rahmen ZD4SE)[SE] EU-Zulassung (Rahmen ZD4TS)[TS]
7	AP8152043	TCEI Schraube M4x10	5	
8	AP8102361	Nutm. tankverschlussschraube	1	

Einheit	RAHMEN
Code	28.32
Beschreibung	Bausatz Schlösser
Inspektion	1



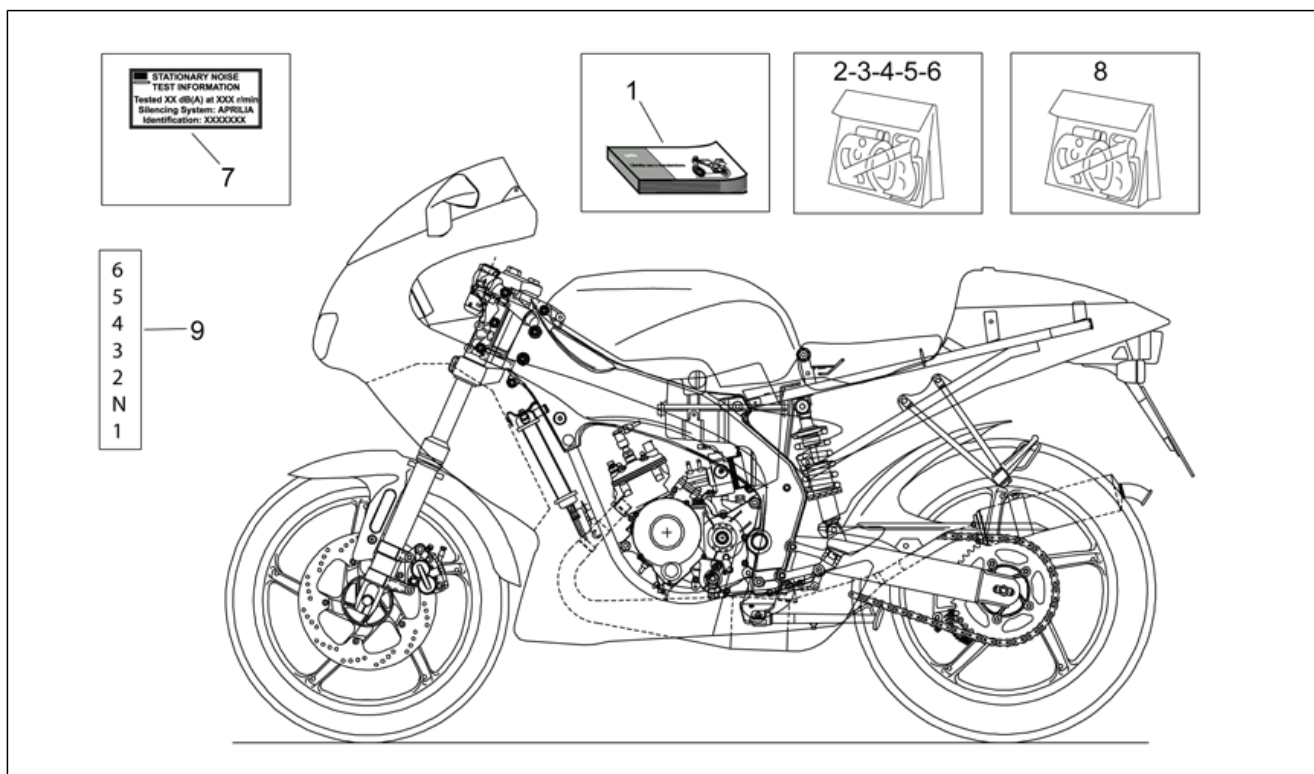
Pos.	Code	Beschreibung	Menge	Varianten
9	AP8135260	Sitzschloß Fixierplatte	1	
10	AP8150015	Ausgleichscheibe 6,6x18x1,6*	1	
11	AP8152123	TCEI Schraube	1	
12	AP8152194	Mutter unten M19x1*	1	
13	AP8221312	Zahnscheibe	1	
14	AP8229207	Becher Sitzschloß	1	
15	AP8150211	TCEI Schraube M8x16	1	
16	AP8150349	Spezialschraube M8x15	1	
17	AP8224577	Lenkschloß verkabelung	1	

Einheit	RAHMEN
Code	28.33
Beschreibung	Bed./Wart.-Anl. und Deko
Inspektion	1



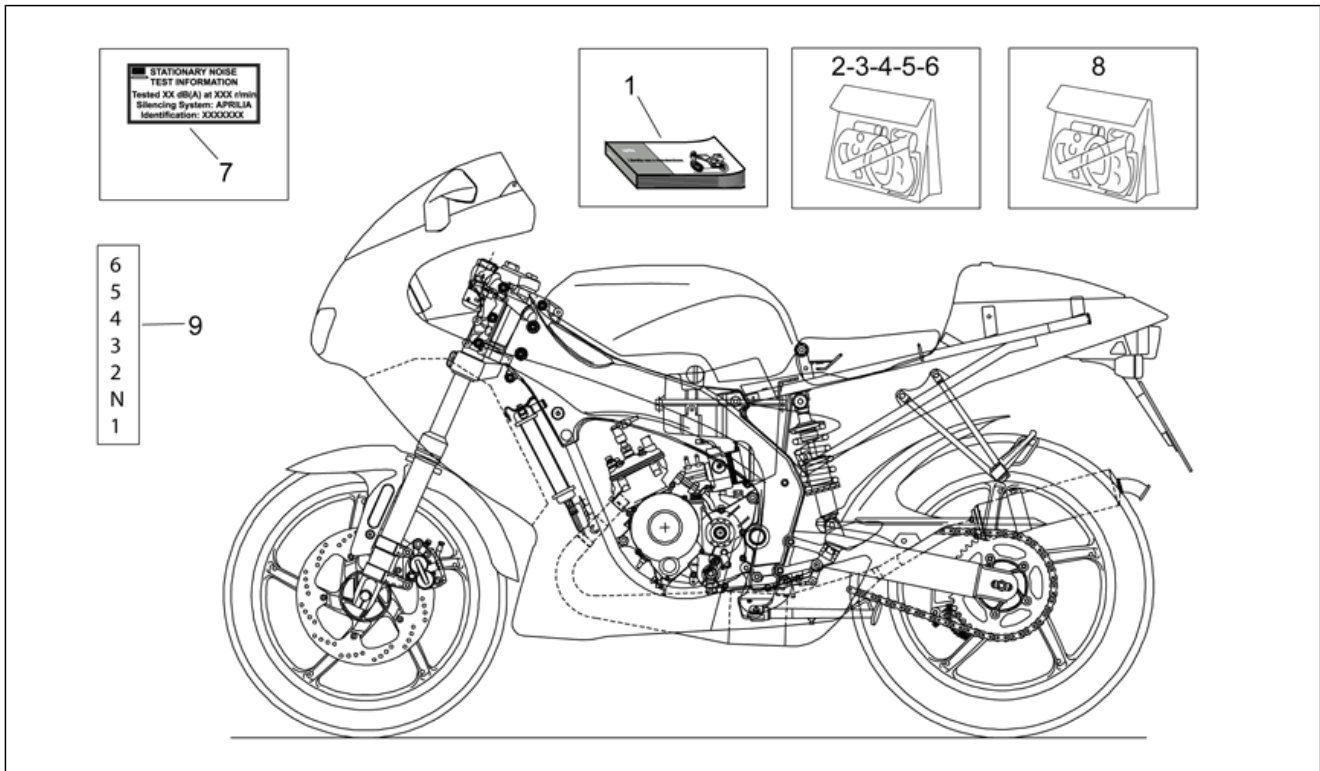
Pos.	Code	Beschreibung	Menge	Varianten
1	AP8202080	Bed./Wart.-Anl. I-F-D	1	Land: Österreich[A] Belgien[B] Deutschland[D] A,B,D,GR,E,F,UK,NL,P[EU] Frankreich[F] Italien[I] I[II] Technische Spezifikation: Nationale Zulassung[PG]
1	AP8202161	Bed./Wart.-Anl. P-E-UK	1	Land: Brasilien[BR] Spanien[E] A,B,D,GR,E,F,UK,NL,P[EU] Israel[IL] Portugal[P] Großbritannien[UK] Technische Spezifikation: Nationale Zulassung[PG]
1	AP8202162	Bed./Wart.-Anl. NL-DK-SF	1	Land: Dänemark[DK] A,B,D,GR,E,F,UK,NL,P[EU] I[II] Holland[NL] Finnland[SF] Technische Spezifikation: Nationale Zulassung[PG]
1	AP8202163	Bed./Wart.-Anleit. -GR-J-UK-	1	Land: A,B,D,GR,E,F,UK,NL,P[EU] [GR]Japan[J] J[JJ] Rep. Korea[ROK] Technische Spezifikation: Nationale Zulassung[PG]
1	AP8202164	Bed./Wart.-Anl. -USA-	1	Land: Vereinigte Staaten von Amerika[AM] Vereinigte Staaten von Amerika[USA] Technische Spezifikation: Nationale Zulassung[PG]
1	AP8202305	Bed./Wart.-Anl. I-F-D	1	Land: Österreich[A] Deutschland[D] A,B,D,GR,E,F,UK,NL,P[EU] Frankreich[F] Italien[I] I[II] Schweiz[SZ] Technische Spezifikation: Zulassung Euro1[E1] EU-Zulassung (Rahmen ZD4SE)[SE] EU-Zulassung (Rahmen ZD4TS)[TS]
1	AP8202306	Bed./Wart.-Anl. P-E-UK	1	Land: Spanien[E] A,B,D,GR,E,F,UK,NL,P[EU] Portugal[P] Großbritannien[UK] Technische Spezifikation: Zulassung Euro1[E1] EU-Zulassung (Rahmen ZD4SE)[SE] EU-Zulassung (Rahmen ZD4TS)[TS]
1	AP8202307	Bed./Wart.-Anl. NL-DK-SF	1	Land: Belgien[B] Dänemark[DK] A,B,D,GR,E,F,UK,NL,P[EU] I[II] Holland[NL] Technische Spezifikation: Zulassung Euro1[E1] EU-Zulassung (Rahmen ZD4SE)[SE] EU-Zulassung (Rahmen ZD4TS)[TS]
1	AP8202308	Bed./Wart.-Anl. -GR-J-UK-	1	Land: A,B,D,GR,E,F,UK,NL,P[EU] [GR]Japan[J] J[JJ] Technische Spezifikation: Zulassung Euro1[E1] EU-Zulassung (Rahmen ZD4SE)[SE] EU-Zulassung (Rahmen ZD4TS)[TS]

Einheit	RAHMEN
Code	28.33
Beschreibung	Bed./Wart.-Anl. und Deko
Inspektion	1



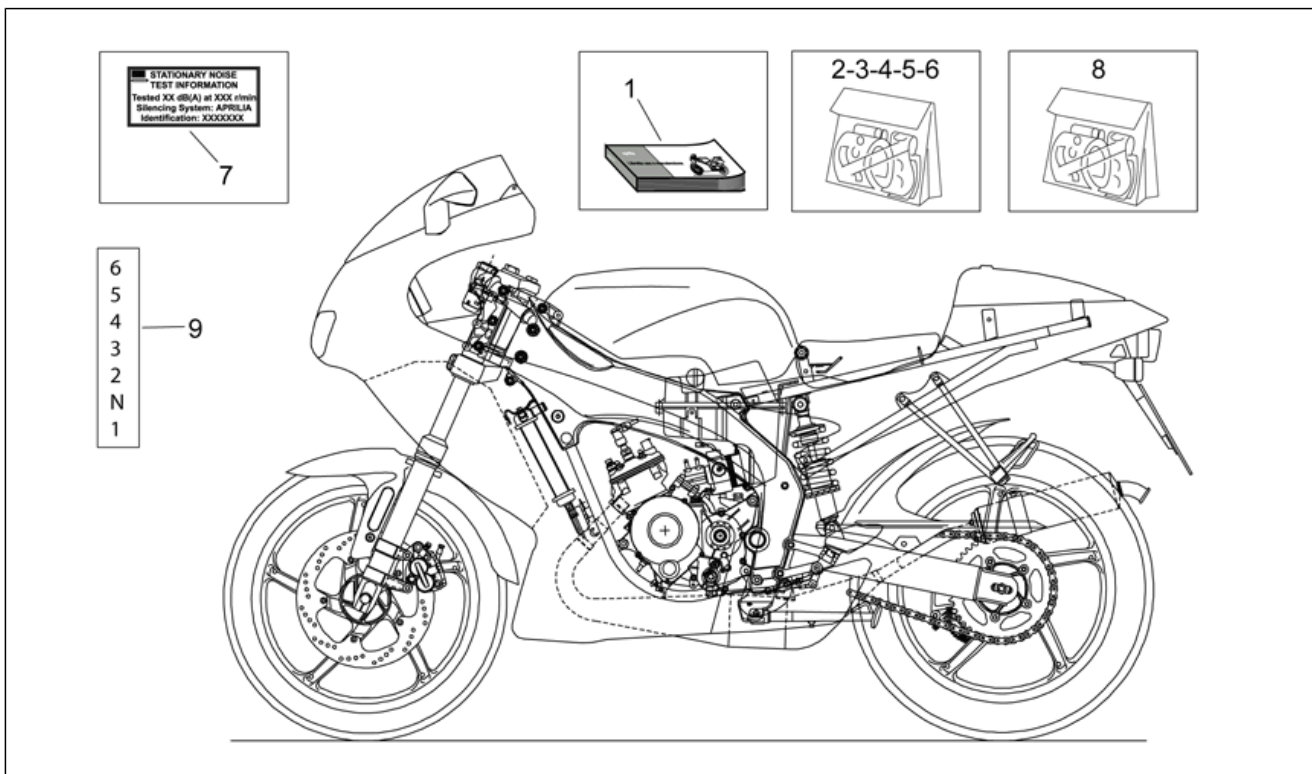
Pos.	Code	Beschreibung	Menge	Varianten
1	AP8202404	Bed./Wart.-Anl. I-F-D	1	Land: Österreich[A] Deutschland[D] A,B,D,GR,E,F,UK,NL,P[EU] Frankreich[F] Italien[I] I[II] Schweiz[SZ] Technische Spezifikation: Zulassung Euro2[E2] EU- Zulassung (Rahmen ZD4SE)[SE] EU-Zulassung (Rahmen ZD4TS)[TS]
1	AP8202410	Bed./Wart.-Anl. NL-DK-SF	1	Land: Belgien[B] Dänemark[DK] A,B,D,GR,E,F,UK,NL,P[EU] I[II] Holland[NL] Technische Spezifikation: Zulassung Euro2[E2] EU- Zulassung (Rahmen ZD4SE)[SE] EU-Zulassung (Rahmen ZD4TS)[TS]
1	AP8202411	Betr./Wart.,anl. gr-j-uk	1	Land: A,B,D,GR,E,F,UK,NL,P[EU] [GR]Japan[J] J[II] Technische Spezifikation: Zulassung Euro2[E2] EU- Zulassung (Rahmen ZD4SE)[SE] EU-Zulassung (Rahmen ZD4TS)[TS]
1	AP8202412	Bed./Wart.-Anl. P-E-UK	1	Land: Spanien[E] A,B,D,GR,E,F,UK,NL,P[EU] Portugal[P] Großbritannien[UK] Technische Spezifikation: Zulassung Euro2[E2] EU- Zulassung (Rahmen ZD4SE)[SE] EU-Zulassung (Rahmen ZD4TS)[TS]
2	AP8277695	Tank Deko-Satz	1	Baujahr: 2005[5] Farbe: Schwarz Aprilia '05 (t.B.14844)[blk]
2	AP8277696	Tank Deko-Satz	1	Baujahr: 2005[5] Farbe: Rot Fluo '05 (t.B.14816)[red]
2	AP8257397	Tank Deko-Satz	1	Baujahr: 1999[X] Farbe: Schwarz/Rot '99[n/r]
2	AP8257402	Tank Deko-Satz	1	Baujahr: 1999[X] Farbe: Rauchblau / Rot Fluo '99[b/r]
2	AP8267103	Tank Deko-Satz	1	Baujahr: 2000[Y] Farbe: Grau Nik 2000[g.nik]
2	AP8267109	Tank Deko-Satz	1	Baujahr: 2000[Y] Farbe: Schwarz Aprilia '2000[black]
2	AP8267420	Tank Deko-Satz	1	Baujahr: 2001[1] Farbe: Schwarz Diablo 2001-2002[d.bl]

Einheit	RAHMEN
Code	28.33
Beschreibung	Bed./Wart.-Anl. und Deko
Inspektion	1



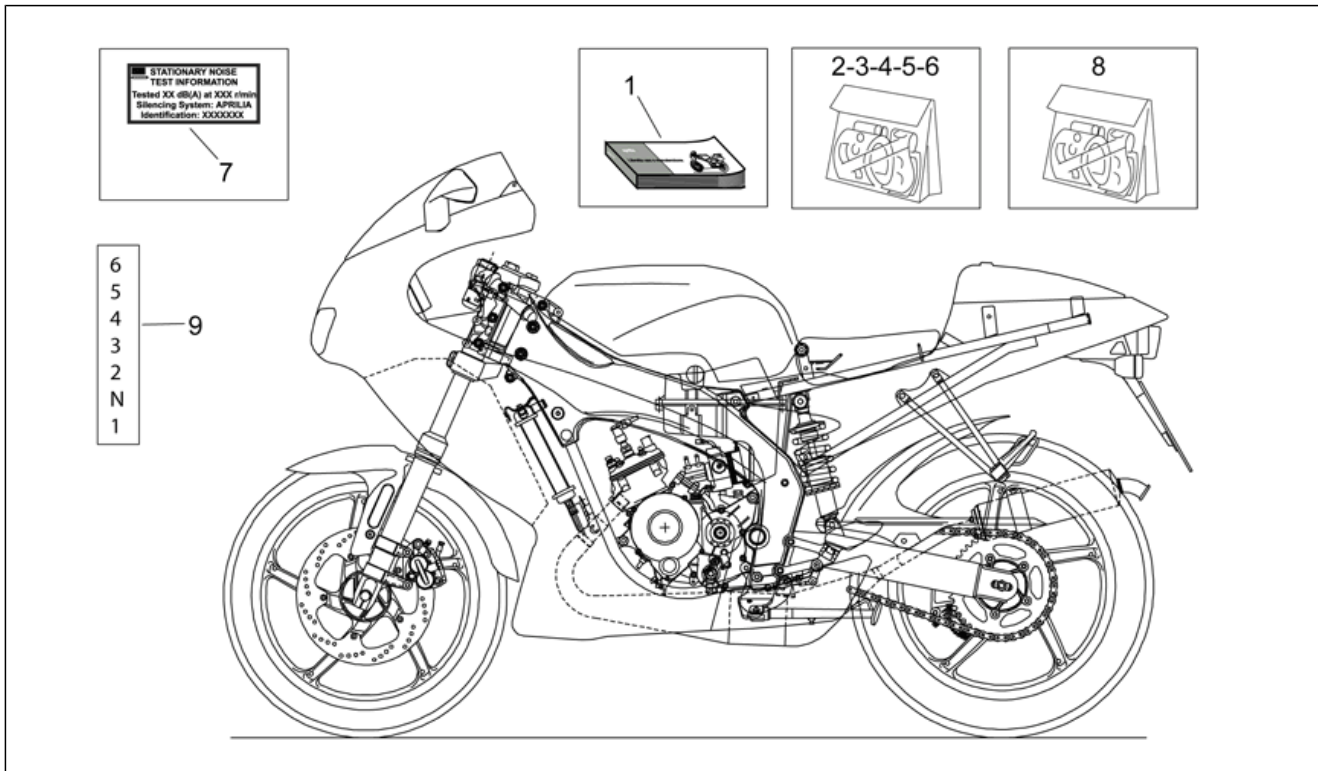
Pos.	Code	Beschreibung	Menge	Varianten
2	AP8267509	Tank Deko-Satz	1	Baujahr: 2002[2] Farbe: Schwarz Diablo 2001-2002[d.bl]
2	AP8267541	Tank Deko-Satz	1	Baujahr: 2002[2] Farbe: Grau Dust 2002[grey]
2	AP8267797	Tank Deko-Satz	1	Baujahr: 2003[3] 2004[4] Farbe: Schwarz SBK '03[s.bl]
2	AP8267802	Tank Deko-Satz	1	Baujahr: 2003[3] Farbe: Blau Way 2003[b.way]
2	AP8267809	Tank Deko-Satz	1	Baujahr: 2003[3] Farbe: Schwarz GP1 '03[g.bl]
2	AP8277282	Tank Deko-Satz	1	Baujahr: 2004[4] Farbe: Poggiali Black 2004[a.blk]
2	AP8277501	Tank Deko-Satz	1	Baujahr: 2004[4] Farbe: Poggiali White 2004[white]
3	AP8257398	Verkleidung Deko-Satz	1	Baujahr: 1999[X] Farbe: Schwarz/Rot '99[n/r]
3	AP8257403	Verkleidung Deko-Satz	1	Baujahr: 1999[X] Farbe: Rauchblau / Rot Fluo '99[b/r]
3	AP8267104	Verkleidung Deko-Satz	1	Baujahr: 2000[Y] Farbe: Grau Nik 2000[g.nik]
3	AP8267110	Verkleidung Deko-Satz	1	Baujahr: 2000[Y] Farbe: Schwarz Aprilia '2000[black]
3	AP8267419	Verkleidung Deko-Satz	1	Baujahr: 2001[1] Farbe: Schwarz Diablo 2001-2002[d.bl]
3	AP8267510	Verkleidung Deko-Satz	1	Baujahr: 2002[2] Farbe: Schwarz Diablo 2001-2002[d.bl]
3	AP8267542	Verkleidung Deko-Satz	1	Baujahr: 2002[2] Farbe: Grau Dust 2002[grey]
3	AP8267798	Verkleidung Deko-Satz	1	Baujahr: 2003[3] 2004[4] Farbe: Schwarz SBK '03[s.bl]
3	AP8267803	Verkleidung Deko-Satz	1	Baujahr: 2003[3] Farbe: Blau Way 2003[b.way]

Einheit	RAHMEN
Code	28.33
Beschreibung	Bed./Wart.-Anl. und Deko
Inspektion	1



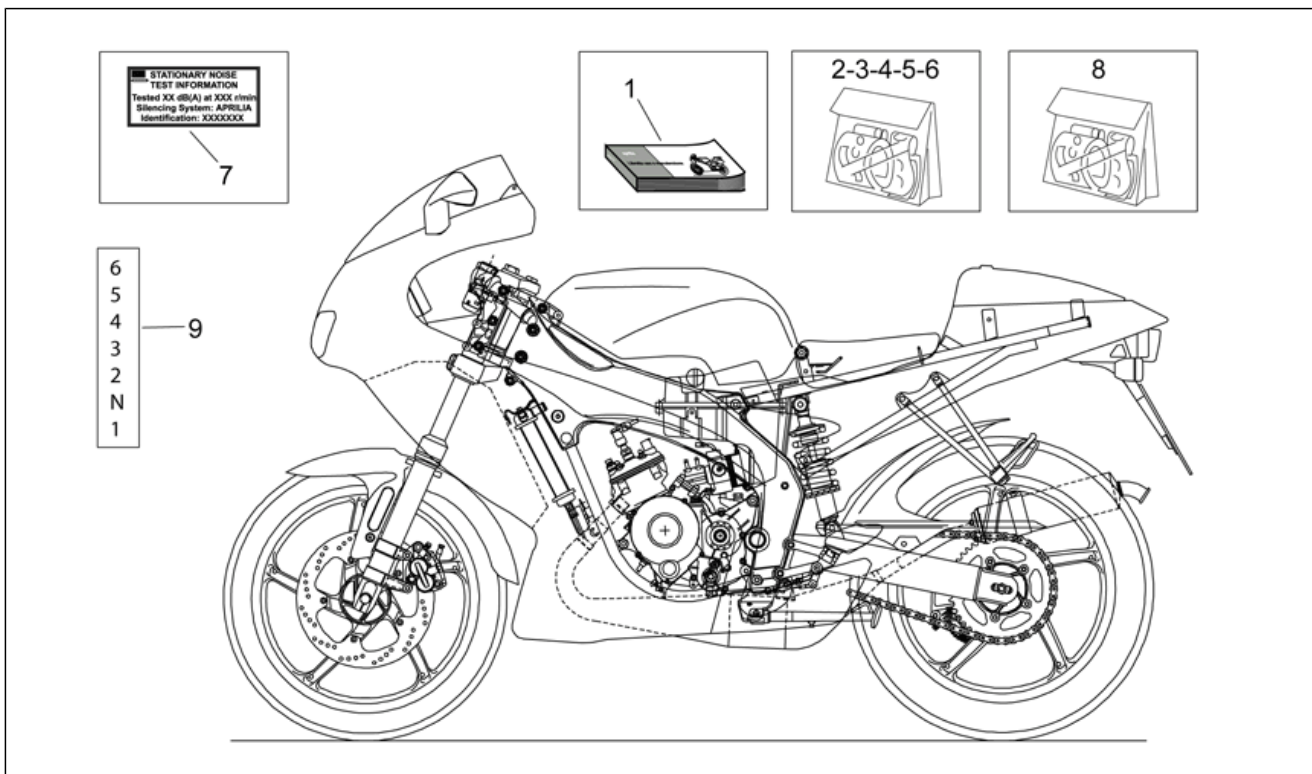
Pos.	Code	Beschreibung	Menge	Varianten
3	AP8267810	Verkleidung Deko-Satz	1	Baujahr:2003[3] Farbe:Schwarz GP1 '03[g.bl]
3	AP8277284	Verkleidung Deko-Satz	1	Baujahr:2004[4] Farbe:Poggiali Black 2004[a.blk]
3	AP8277502	Verkleidung Deko-Satz	1	Baujahr:2004[4] Farbe:Poggiali White 2004[white]
3	AP8277693	Verkleidung Deko-Satz	1	Baujahr:2005[5] Farbe:Schwarz Aprilia '05 (t.B.14844)[blk]
3	AP8277694	Verkleidung Deko-Satz	1	Baujahr:2005[5] Farbe:Rot Fluo '05 (t.B.14816)[red]
4	AP8257399	Kleinkuppel Deko-Satz	1	Baujahr:1999[X] Farbe:Schwarz/Rot '99[n/r]
4	AP8257404	Kleinkuppel Deko-Satz	1	Baujahr:1999[X] Farbe:Rauchblau / Rot Fluo '99[b/r]
4	AP8267105	Kleinkuppel Deko-Satz	1	Baujahr:2000[Y] Farbe:Grau Nik 2000[g.nik]
4	AP8267111	Kleinkuppel Deko-Satz	1	Baujahr:2000[Y] Farbe:Schwarz Aprilia '2000[black]
4	AP8267421	Kleinkuppel Deko-Satz	1	Baujahr:2001[1] Farbe:Schwarz Diablo 2001-2002[d.bl]
4	AP8267511	Kleinkuppel Deko-Satz	1	Baujahr:2002[2] Farbe:Schwarz Diablo 2001-2002[d.bl]
4	AP8267543	Kleinkuppel Deko-Satz	1	Baujahr:2002[2] Farbe:Grau Dust 2002[grey]
4	AP8267799	Kleinkuppel Deko-Satz	1	Baujahr:2003[3] 2004[4] Farbe:Schwarz SBK '03[s.bl]
4	AP8267804	Kleinkuppel Deko-Satz	1	Baujahr:2003[3] Farbe:Blau Way 2003[b.way]
4	AP8267811	Kleinkuppel Deko-Satz	1	Baujahr:2003[3] Farbe:Schwarz GP1 '03[g.bl]
4	AP8277286	Kleinkuppel Deko-Satz	1	Baujahr:2004[4] Farbe:Poggiali Black 2004[a.blk]

Einheit	RAHMEN
Code	28.33
Beschreibung	Bed./Wart.-Anl. und Deko
Inspektion	1



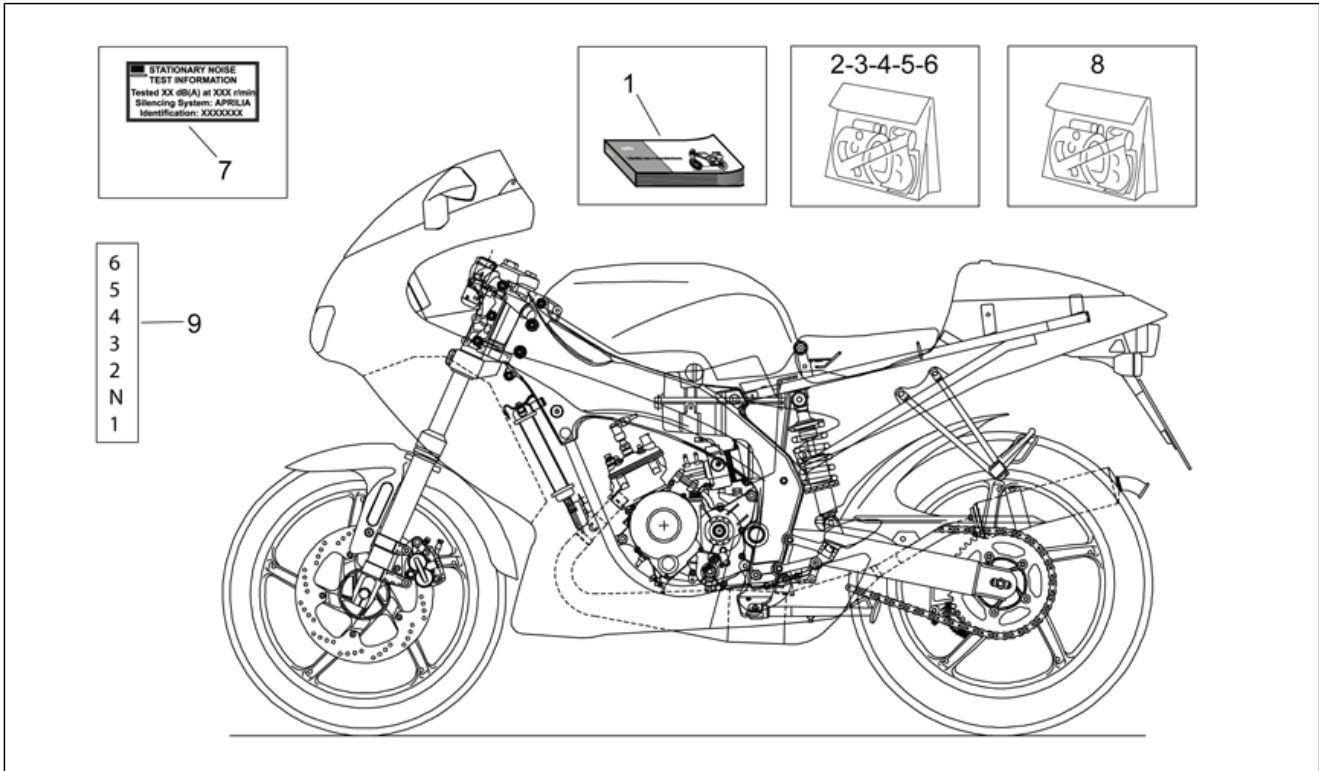
Pos.	Code	Beschreibung	Menge	Varianten
4	AP8277503	Kleinkuppel Deko-Satz	1	Baujahr:2004[4] Farbe:Poggiali White 2004[white]
4	AP8277697	Kleinkuppel Deko-Satz	1	Baujahr:2005[5] Farbe:Schwarz Aprilia '05 (t.B.14844)[blk]
4	AP8277698	Kleinkuppel Deko-Satz	1	Baujahr:2005[5] Farbe:Rot Fluo '05 (t.B.14816)[red]
5	AP8257400	H.Verkleidung Deko-Satz	1	Baujahr:1999[X] Farbe:Schwarz/Rot '99[n/r]
5	AP8257405	H.Verkleidung Deko-Satz	1	Baujahr:1999[X] Farbe:Rauchblau / Rot Fluo '99[b/r]
5	AP8267106	H.Verkleidung Deko-Satz	1	Baujahr:2000[Y] Farbe:Grau Nik 2000[g.nik]
5	AP8267112	H.Verkleidung Deko-Satz	1	Baujahr:2000[Y] Farbe:Schwarz Aprilia '2000[black]
5	AP8267422	H.Verkleidung Deko-Satz	1	Baujahr:2001[1] Farbe:Schwarz Diablo 2001-2002[d.bl]
5	AP8267512	H.Verkleidung Deko-Satz	1	Baujahr:2002[2] Farbe:Schwarz Diablo 2001-2002[d.bl]
5	AP8267544	H.Verkleidung Deko-Satz	1	Baujahr:2002[2] Farbe:Grau Dust 2002[grey]
5	AP8267800	H.Verkleidung Deko-Satz	1	Baujahr:2003[3] 2004[4] Farbe:Schwarz SBK '03[s.bl]
5	AP8267805	H.Verkleidung Deko-Satz	1	Baujahr:2003[3] Farbe:Blau Way 2003[b.way]
5	AP8267812	H.Verkleidung Deko-Satz	1	Baujahr:2003[3] Farbe:Schwarz GP1 '03[g.bl]
5	AP8277288	H.Verkleidung Deko-Satz	1	Baujahr:2004[4] Farbe:Poggiali Black 2004[a.blk]
5	AP8166416	H.Verkleidung Deko-Satz	1	Baujahr:2004[4] Farbe:Poggiali White 2004[white]
5	AP8277699	H.Verkleidung Deko-Satz	1	Baujahr:2005[5] Farbe:Schwarz Aprilia '05 (t.B.14844)[blk]

Einheit	RAHMEN
Code	28.33
Beschreibung	Bed./Wart.-Anl. und Deko
Inspektion	1



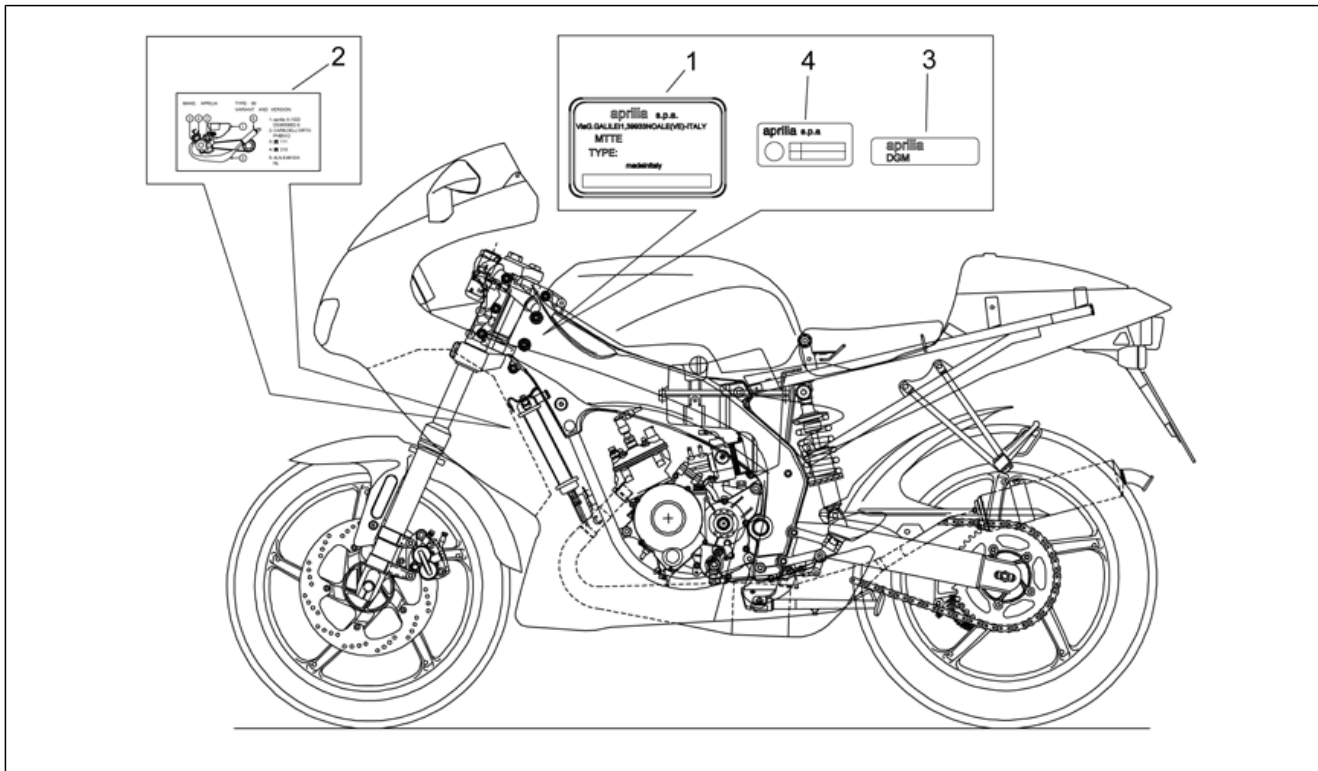
Pos.	Code	Beschreibung	Menge	Varianten
5	AP8277700	H.Verkleidung Deko-Satz	1	Baujahr: 2005[5] Farbe: Rot Fluo '05 (t.B.14816)[red]
6	AP8267423	Deko technische Serie	1	Baujahr: 2001[1] 2002[2] Land: Österreich[A] Belgien[B] Deutschland[D] Dänemark[DK] Spanien[E] Frankreich[F] [GR]Italien[I] Japan[J] Holland[NL] Portugal[P] Rep. Korea[ROK] Großbritannien[UK]
6	AP8267424	Deko technische Serie	1	Baujahr: 2001[1] 2002[2] Land: Vereinigte Staaten von Amerika[USA]
6	AP8267801	Deko technische Serie	1	Baujahr: 2003[3] Land: Schweiz[SZ]
6	AP8267801	Deko technische Serie	1	Baujahr: 2003[3] Land: Österreich[A] Belgien[B] Deutschland[D] Dänemark[DK] Spanien[E] A,B,D,GR,E,F,UK,NL,P[EU] Frankreich[F] [GR]Italien[I] I[II] Japan[J] J[JJ] Holland[NL] Portugal[P] Rep. Korea[ROK] Schweiz[SZ] Großbritannien[UK]
6	AP8267806	Deko technische Serie	1	Baujahr: 2003[3] Land: Vereinigte Staaten von Amerika[AM] Vereinigte Staaten von Amerika[USA]
6	AP8277290	Deko technische Serie	1	Baujahr: 2004[4] 2005[5]
6	AP8257401	Deko technische Serie	1	Baujahr: 1999[X]
6	AP8257726	Deko technische Serie	1	Baujahr: 2000[Y] Land: Vereinigte Staaten von Amerika[USA]
6	AP8267107	Deko technische Serie	1	Baujahr: 2000[Y] Land: Österreich[A] Belgien[B] Deutschland[D] Dänemark[DK] Spanien[E] Frankreich[F] [GR]Italien[I] Israel[IL] Japan[J] Holland[NL] Portugal[P] Rep. Korea[ROK] Finnland[SF] Großbritannien[UK]
7	AP8267666	Lautherausgabe selbstkleber	1	Baujahr: 2003[3] Land: Vereinigte Staaten von Amerika[AM] Vereinigte Staaten von Amerika[USA]
8	AP8267866	Deko kit no.	1	Baujahr: 2003[3] Farbe: Blau Way 2003[b.way]

Einheit	RAHMEN
Code	28.33
Beschreibung	Bed./Wart.-Anl. und Deko
Inspektion	1



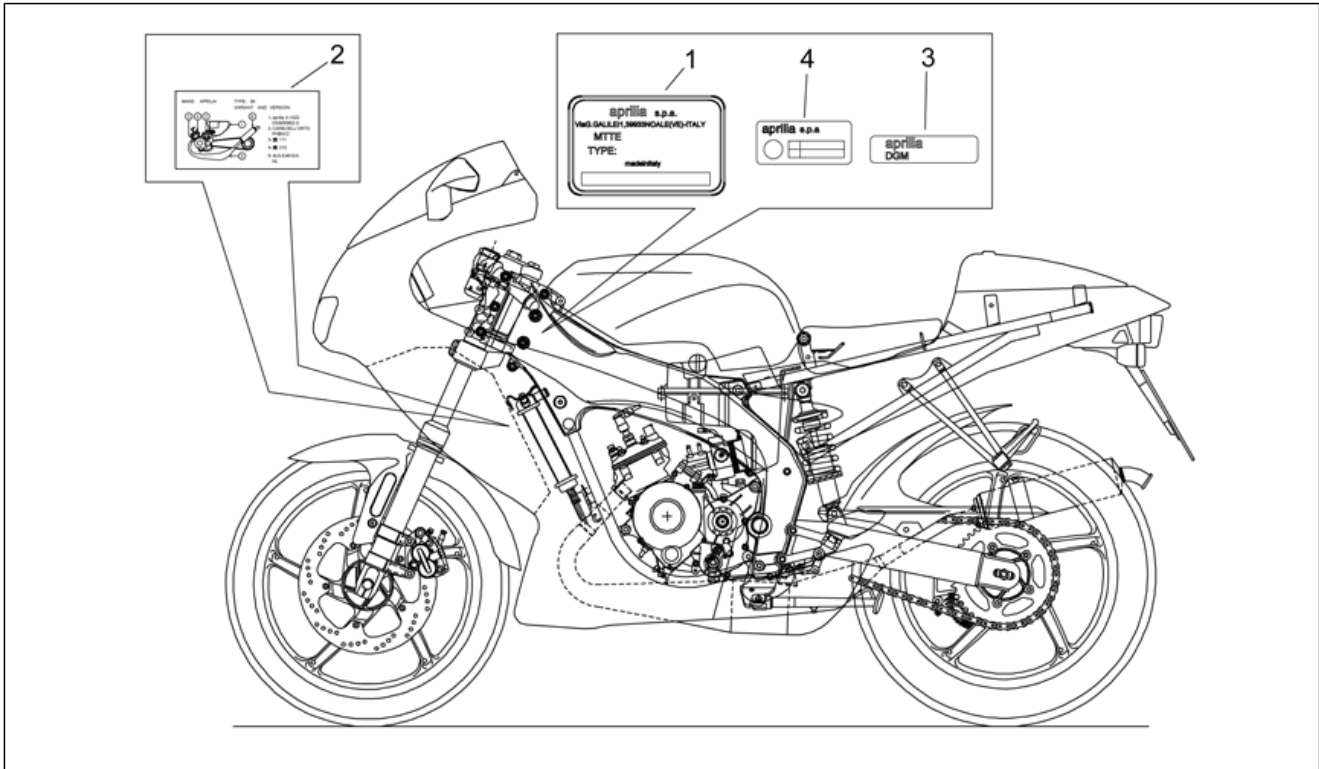
Pos.	Code	Beschreibung	Menge	Varianten
9	AP8277381	Deko Gang	1	Land:Japan[J] J[J]

Einheit	RAHMEN
Code	28.34
Beschreibung	Schilden
Inspektion	1



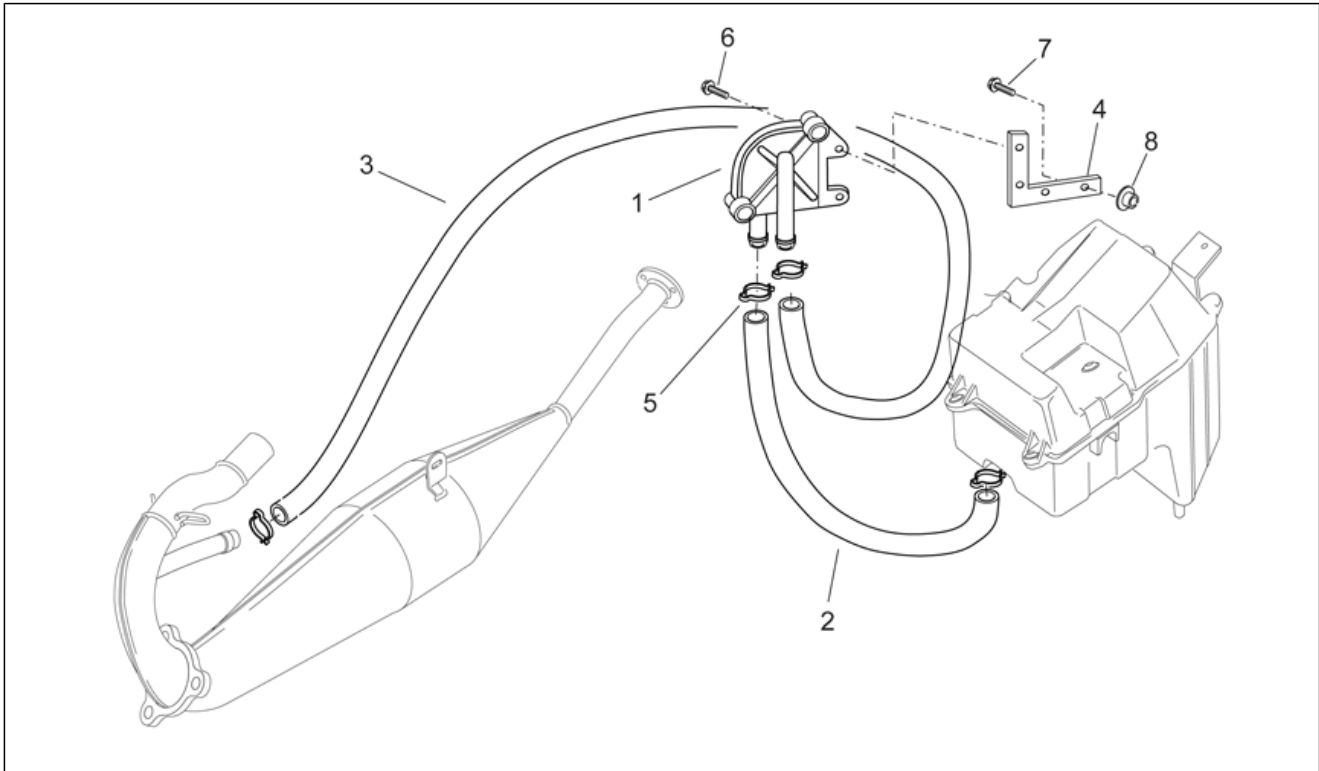
Pos.	Code	Beschreibung	Menge	Varianten
1	AP8247469	Herstellerschild	1	Land:A,B,D,GR,E,F,UK,NL,P[EU] [GR]Italien[I] I[II] Israel[IL] Technische Spezifikation: Nationale Zulassung[PG]
1	AP8257225	Herstellerschild	1	Land:Dänemark[DK] Spanien[E] A,B,D,GR,E,F,UK,NL,P[EU] Frankreich[F] I[II] Portugal[P] Großbritannien[UK] Technische Spezifikation: Nationale Zulassung[PG]
1	AP8257272	Herstellerschild	1	Land:Deutschland[D] A,B,D,GR,E,F,UK,NL,P[EU] Technische Spezifikation: Nationale Zulassung[PG]
1	AP8257273	Herstellerschild	1	Land:A,B,D,GR,E,F,UK,NL,P[EU] Holland[NL] Finnland[SF] Technische Spezifikation: Nationale Zulassung[PG]
1	AP8257274	Herstellerschild	1	Land:Österreich[A] A,B,D,GR,E,F,UK,NL,P[EU] Technische Spezifikation: Nationale Zulassung[PG]
1	AP8257572	Herstellerschild	1	Land:Belgien[B] A,B,D,GR,E,F,UK,NL,P[EU] Technische Spezifikation: Nationale Zulassung[PG]
1	AP8257600	Herstellerschild	1	Land:Vereinigte Staaten von Amerika[AM] Vereinigte Staaten von Amerika[USA] Technische Spezifikation: Nationale Zulassung[PG]
1	AP8267448	Herstellerschild	1	Technische Spezifikation: Version mit Beschränkung 45 km/h[45km] Zulassung Euro1[E1] EU-Zulassung (Rahmen ZD4SE)[SE]
1	AP8267933	Herstellerschild	1	Land:Schweiz[SZ] Technische Spezifikation: Zulassung Euro1[E1] Version mit voller Leistung[f.p.] EU-Zulassung (Rahmen ZD4TS)[TS]
1	AP8267985	Herstellerschild	1	Technische Spezifikation: Version mit Beschränkung 45 km/h[45km] Zulassung Euro2[E2] EU-Zulassung (Rahmen ZD4SE)[SE]
1	AP8277160	Herstellerschild	1	Technische Spezifikation: Zulassung Euro2[E2] Version mit voller Leistung[f.p.] EU-Zulassung (Rahmen ZD4TS)[TS]
1	AP8277467	Herstellerschild	1	Technische Spezifikation: Version mit Beschränkung 60 km/h[60km] Zulassung Euro2[E2] EU-Zulassung (Rahmen ZD4TS)[TS]
2	AP8257271	Fälschungssicheres Schild	1	Land:Dänemark[DK] I[II] Technische Spezifikation: Nationale Zulassung[PG]
2	AP8257275	Fälschungssicheres Schild	1	Land:A,B,D,GR,E,F,UK,NL,P[EU] Holland[NL] Finnland[SF]

Einheit	RAHMEN
Code	28.34
Beschreibung	Schilden
Inspektion	1



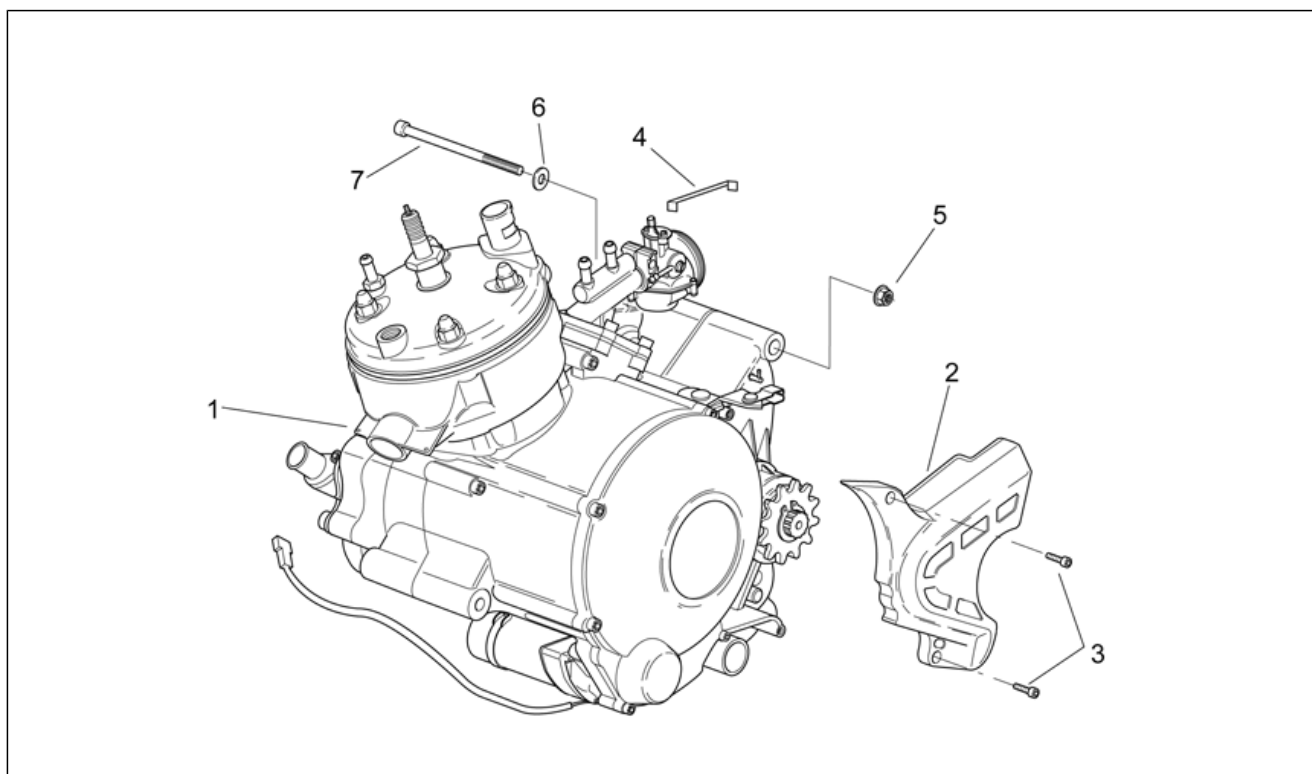
Pos.	Code	Beschreibung	Menge	Varianten
				Technische Spezifikation: Nationale Zulassung[PG]
2	AP8257276	Fälschungssicheres Schild	1	Land: Österreich[A] A,B,D,GR,E,F,UK,NL,P[EU] Technische Spezifikation: Nationale Zulassung[PG]
2	AP8267444	Fälschungssicheres Schild	1	Technische Spezifikation: Version mit Beschränkung 45 km/h[45km] Zulassung Euro1[E1] EU-Zulassung (Rahmen ZD4SE)[SE]
2	AP8267934	Fälschungssicheres Schild	1	Land: Schweiz[SZ] Technische Spezifikation: Zulassung Euro1[E1] Version mit voller Leistung[f.p.] EU-Zulassung (Rahmen ZD4TS)[TS]
2	AP8277158	Fälschungssicheres Schild	1	Technische Spezifikation: Version mit Beschränkung 45 km/h[45km] Zulassung Euro2[E2] EU-Zulassung (Rahmen ZD4SE)[SE]
2	AP8277161	Fälschungssicheres Schild	1	Technische Spezifikation: Zulassung Euro2[E2] Version mit voller Leistung[f.p.] EU-Zulassung (Rahmen ZD4TS)[TS]
3	AP8247475	DGM Schild	1	Land: A,B,D,GR,E,F,UK,NL,P[EU] [GR]Italien[I] I[II] Technische Spezifikation: Nationale Zulassung[PG]
4	AP8247470	ECE Schild	1	Land: Belgien[B] Brasilien[BR] Dänemark[DK] Spanien[E] A,B,D,GR,E,F,UK,NL,P[EU] Frankreich[F] [GR]Italien[I] I[II] Israel[IL] Portugal[P] Großbritannien[UK] Technische Spezifikation: Nationale Zulassung[PG]
4	AP8257416	ECE Schild	1	Land: Deutschland[D] A,B,D,GR,E,F,UK,NL,P[EU] Holland[NL] Finnland[SF] Technische Spezifikation: Nationale Zulassung[PG]
4	AP8257417	ECE Schild	1	Land: Österreich[A] A,B,D,GR,E,F,UK,NL,P[EU] Technische Spezifikation: Nationale Zulassung[PG]
4	AP8267497	ECE Schild	1	Technische Spezifikation: EU-Zulassung (Rahmen ZD4SE) [SE]
4	AP8277468	ECE Schild	1	Technische Spezifikation: Version mit Beschränkung 60 km/h[60km] Zulassung Euro2[E2] EU-Zulassung (Rahmen ZD4TS)[TS]

Einheit	MOTOR
Code	29.20
Beschreibung	Secondary air
Inspektion	1



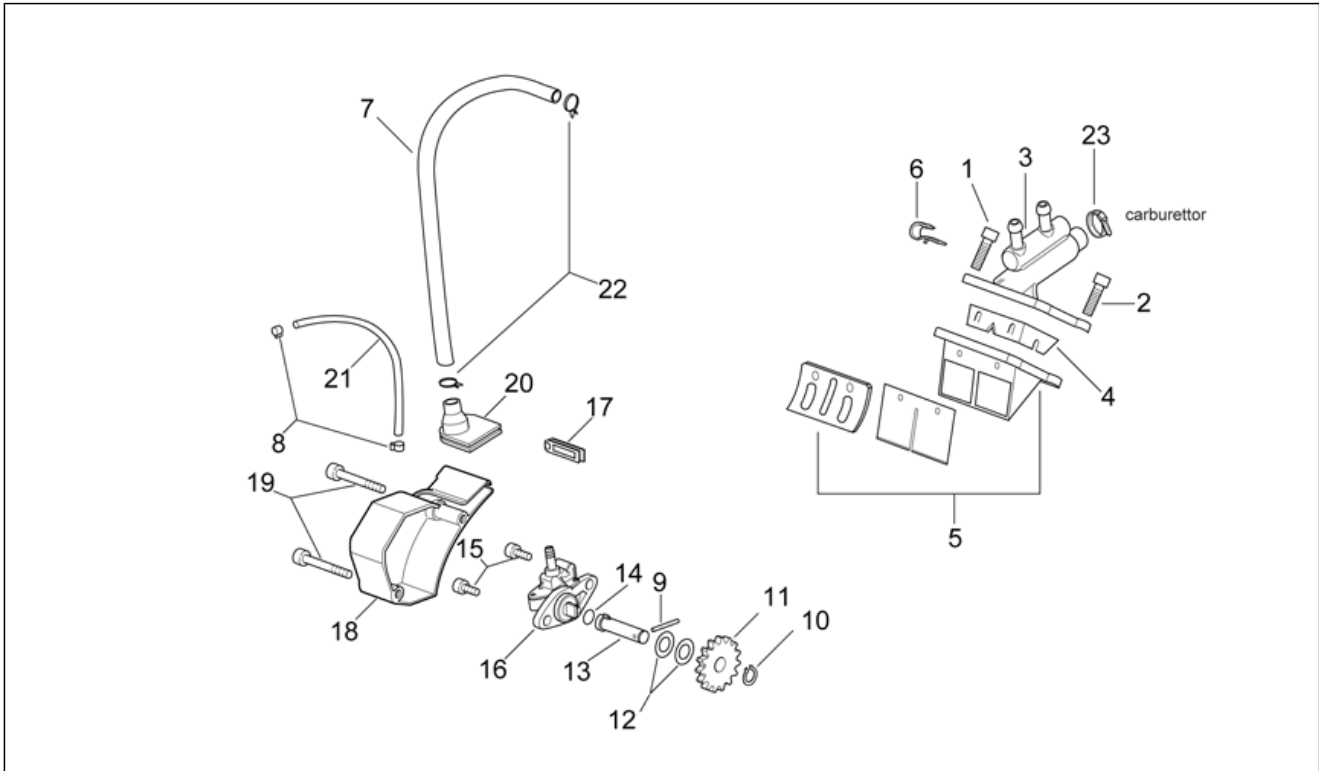
Pos.	Code	Beschreibung	Menge	Varianten
1	AP8104745	Ventil SAS	1	Technische Spezifikation: Zulassung Euro2[E2]
2	AP8220660	Ansaugleitung sas	1	Technische Spezifikation: Zulassung Euro2[E2]
3	AP8220661	Luftschlauch sas	1	Technische Spezifikation: Zulassung Euro2[E2]
4	AP8234238	Fixierbügel ventil	1	Technische Spezifikation: Zulassung Euro2[E2]
5	AP8101586	Schlauchschele D.15,5x6,6	4	Technische Spezifikation: Zulassung Euro2[E2]
6	AP8152277	TE Schr. m. Flansch M6x12	2	Technische Spezifikation: Zulassung Euro2[E2]
7	AP8152282	TE Schr. m. Flansch M6x35	2	Technische Spezifikation: Zulassung Euro2[E2]
8	AP8121665	T-Buchse	2	Technische Spezifikation: Zulassung Euro2[E2]

Einheit	MOTOR
Code	29.22
Beschreibung	Motor
Inspektion	1



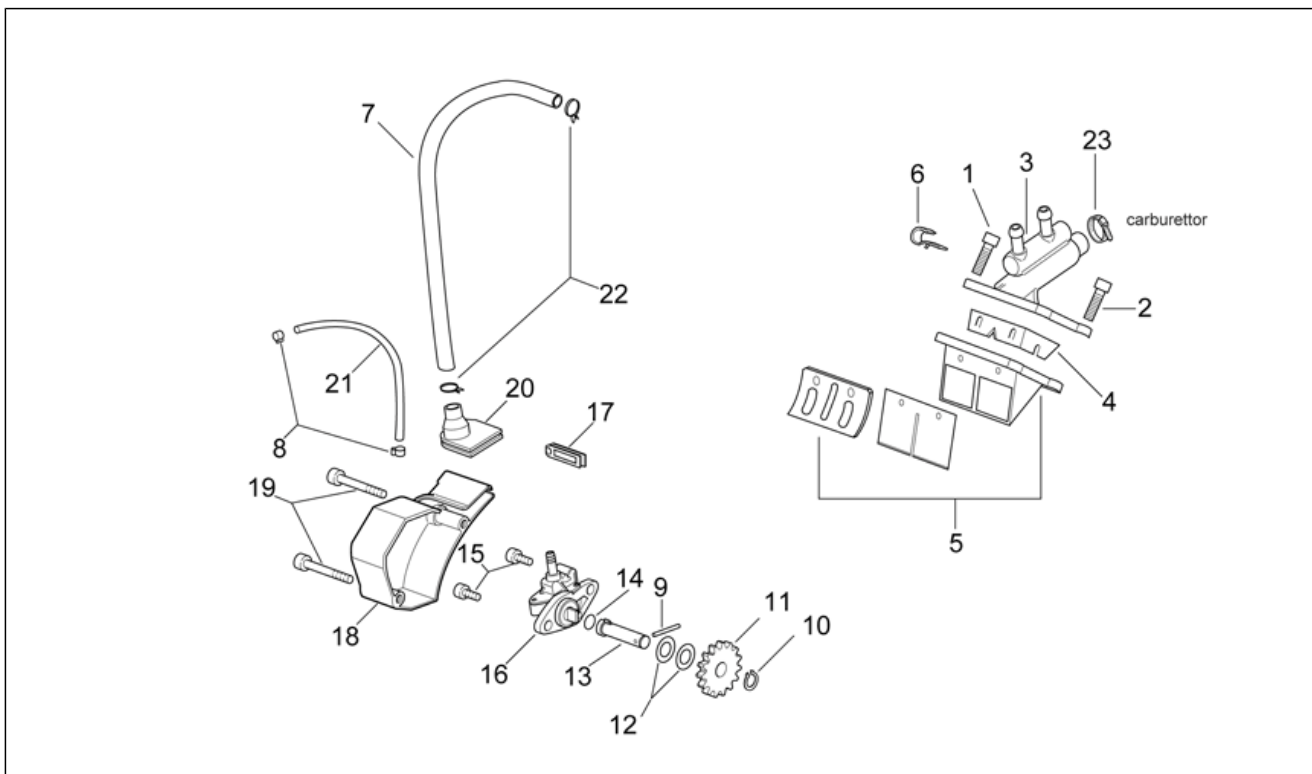
Pos.	Code	Beschreibung	Menge	Varianten
1	AP8206990	Motor am6-EU-1	1	Land: Schweiz[SZ] Technische Spezifikation: Zulassung Euro1[E1] Version mit voller Leistung[f.p.] EU-Zulassung (Rahmen ZD4TS)[TS]
1	AP8222736	Motor am6-i-	1	Land: Vereinigte Staaten von Amerika[AM] Belgien[B] Brasilien[BR] Dänemark[DK] Spanien[E] A,B,D,GR,E,F,UK,NL,P[EU] Frankreich[F] [GR]Italien[I] I[II] Israel[IL] Japan[J] J[JJ] Portugal[P] Rep. Korea[ROK] Großbritannien[UK] Vereinigte Staaten von Amerika[USA] Technische Spezifikation: Nationale Zulassung[PG]
1	AP8222737	Motor am6-d-	1	Land: Deutschland[D] A,B,D,GR,E,F,UK,NL,P[EU] Technische Spezifikation: Nationale Zulassung[PG]
1	AP8222738	Motor am6-nl-	1	Land: A,B,D,GR,E,F,UK,NL,P[EU] Holland[NL] Finnland[SF] Technische Spezifikation: Nationale Zulassung[PG]
1	AP8222739	Motor am6-a-	1	Land: Österreich[A] A,B,D,GR,E,F,UK,NL,P[EU] Technische Spezifikation: Nationale Zulassung[PG]
1	AP8222790	Motor	1	Technische Spezifikation: Version mit Beschränkung 45 km/h[45km] Zulassung Euro1[E1] EU-Zulassung (Rahmen ZD4SE)[SE]
1	AP8222800	Motor E2	1	Technische Spezifikation: Version mit Beschränkung 45 km/h[45km] Zulassung Euro2[E2] EU-Zulassung (Rahmen ZD4SE)[SE]
1	AP8222804	Motor E2	1	Technische Spezifikation: Zulassung Euro2[E2] Version mit voller Leistung[f.p.] EU-Zulassung (Rahmen ZD4TS)[TS]
1	AP8222813	Motor E2	1	Technische Spezifikation: Version mit Beschränkung 60 km/h[60km] Zulassung Euro2[E2] EU-Zulassung (Rahmen ZD4TS)[TS]
2	AP8239447	Ritzelkasten, grau	1	
3	AP8150252	TCEI Schraube M5x20	2	
4	AP8222553	Starterhebel	1	Technische Spezifikation: Nationale Zulassung[PG]
5	AP8152300	Selbstsperrende Mutter M8	3	
6	AP8150017	Ausgleichscheibe 8,4x16x1,6	3	
7	AP8150388	TCEI Schraube	3	

Einheit	MOTOR
Code	29.35
Beschreibung	Ölpumpe - Krümmer
Inspektion	1



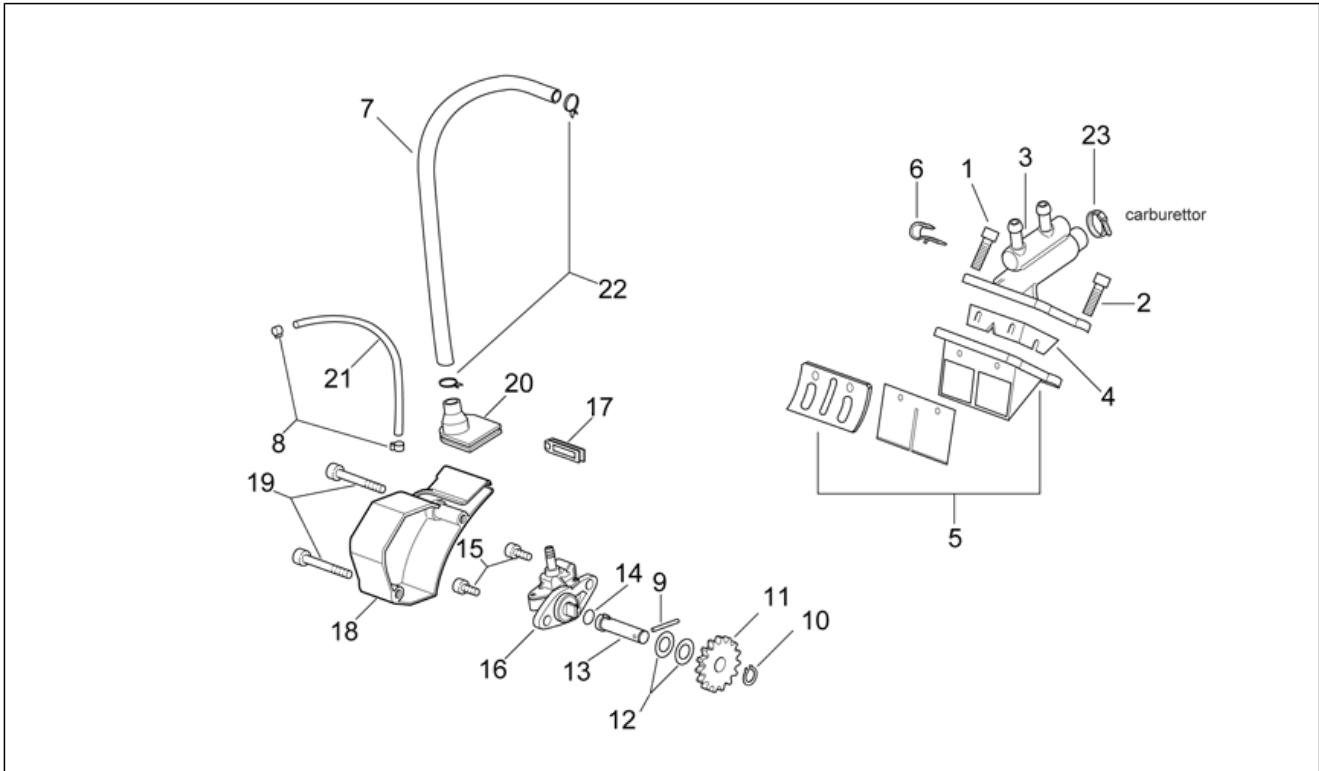
Pos.	Code	Beschreibung	Menge	Varianten
1	AP8510838	Linsenschraube M6x20	2	Technische Spezifikation: EU-Zulassung (Rahmen ZD4SE) [SE] EU-Zulassung (Rahmen ZD4TS)[TS]
2	AP8206968	TCCE Schraube M6x22	2	Technische Spezifikation: EU-Zulassung (Rahmen ZD4SE) [SE] EU-Zulassung (Rahmen ZD4TS)[TS]
2	AP8206968	TCCE Schraube M6x22	4	
3	AP8206602	Ansaugkrümmer	1	Land: Vereinigte Staaten von Amerika[AM] Belgien[B] Brasilien[BR] Dänemark[DK] Spanien[E] A,B,D,GR,E,F,UK,NL,P[EU] Frankreich[F] [GR]Italien[I] I[II] Israel[IL] Japan[J] J[J] Portugal[P] Rep. Korea[ROK] Großbritannien[UK] Vereinigte Staaten von Amerika[USA] Technische Spezifikation: Nationale Zulassung[PG]
3	AP8206653	Ansaugkrümmer	1	Land: Österreich[A] Deutschland[D] A,B,D,GR,E,F,UK,NL,P[EU] Holland[NL] Finnland[SF] Technische Spezifikation: Nationale Zulassung[PG]
3	AP8206972	Ansaugkrümmer	1	Technische Spezifikation: EU-Zulassung (Rahmen ZD4SE) [SE] EU-Zulassung (Rahmen ZD4TS)[TS]
4	AP8206242	Lamellenventil Fixierp.	1	
5	AP8206300	Lamellenventil	1	
6	AP8206303	Kupplungskabelbrücke	1	
7	AP8206710	Leitung 345 mm	1	Technische Spezifikation: Nationale Zulassung[PG]
7	AP8206975	Leitung 710 mm	1	Technische Spezifikation: EU-Zulassung (Rahmen ZD4SE) [SE] EU-Zulassung (Rahmen ZD4TS)[TS]
8	AP8206711	Schelle	2	
9	AP8508669	Rolle D3x21,8	1	
10	AP8501467	Seegerring für Welle D8	1	
11	AP8508872	Zahnrad pumpe Z=22	1	
12	AP8206277	Stahlscheibe blau D8,4x16	2	
13	AP8206632	Bolzen Wasserpumpe	1	
14	AP8502665	O-Ring D19x1,2	1	
15	AP8502562	TCCE Schraube	2	

Einheit	MOTOR
Code	29.35
Beschreibung	Ölpumpe - Krümmer
Inspektion	1



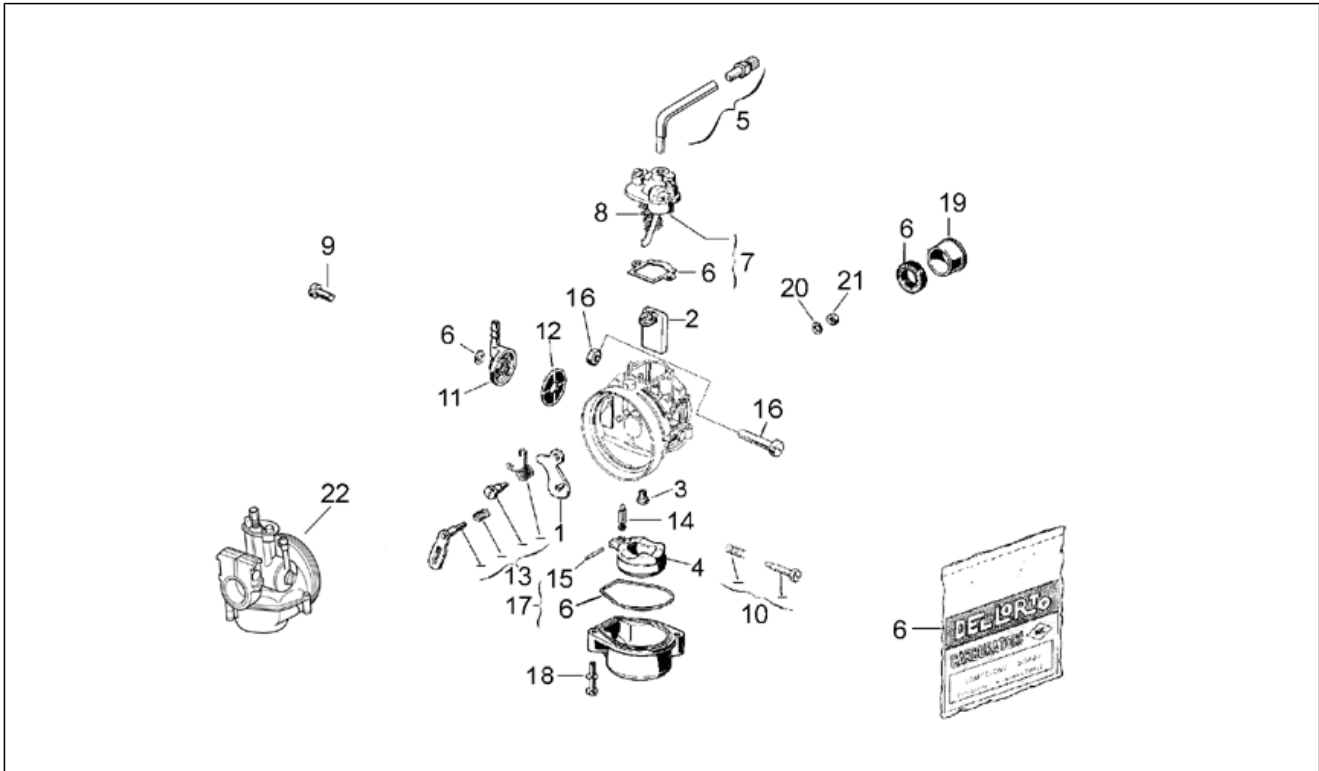
Pos.	Code	Beschreibung	Menge	Varianten
16	AP8206654	Ölpumpe	1	Land:Österreich[A] Deutschland[D] A,B,D,GR,E,F,UK,NL,P[EU] Holland[NL] Finnland[SF] Technische Spezifikation: Nationale Zulassung[PG]
16	AP8276028	Ölpumpe Mikuni	1	Technische Spezifikation: Ab Motor Nr. M3601662[M2] EU-Zulassung (Rahmen ZD4SE)[SE] EU-Zulassung (Rahmen ZD4TS)[TS]
16	AP8508863	Ölpumpe	1	Land:Vereinigte Staaten von Amerika[AM] Belgien[B] Brasilien[BR] Dänemark[DK] Spanien[E] A,B,D,GR,E,F,UK,NL,P[EU] Frankreich[F] [GR]Italien[I] I[II] Israel[IL] Japan[J] J[JJ] Portugal[P] Rep. Korea[ROK] Großbritannien[UK] Vereinigte Staaten von Amerika[USA] Technische Spezifikation: Nationale Zulassung[PG]
16	AP8508863	Ölpumpe	1	Technische Spezifikation: Bis Motor Nr. M3601661[M1] EU-Zulassung (Rahmen ZD4SE)[SE] EU-Zulassung (Rahmen ZD4TS)[TS]
17	AP8276026	Gummi für Kabelspanner Pumpe	1	Technische Spezifikation: Ab Motor Nr. M3601662[M2] EU-Zulassung (Rahmen ZD4SE)[SE] EU-Zulassung (Rahmen ZD4TS)[TS]
17	AP8508667	Gummi für Kabelspanner Pumpe	1	Technische Spezifikation: Nationale Zulassung[PG]
17	AP8508667	Gummi für Kabelspanner Pumpe	1	Technische Spezifikation: Bis Motor Nr. M3601661[M1] EU-Zulassung (Rahmen ZD4SE)[SE] EU-Zulassung (Rahmen ZD4TS)[TS]
18	AP8206645	Ölpumpendeckel	1	Technische Spezifikation: Nationale Zulassung[PG]
18	AP8206645	Ölpumpendeckel	1	Technische Spezifikation: Bis Motor Nr. M3601661[M1] EU-Zulassung (Rahmen ZD4SE)[SE] EU-Zulassung (Rahmen ZD4TS)[TS]
18	AP8276029	Ölpumpendeckel	1	Technische Spezifikation: Ab Motor Nr. M3601662[M2] EU-Zulassung (Rahmen ZD4SE)[SE] EU-Zulassung (Rahmen ZD4TS)[TS]
19	AP8206280	TCCE Schraube	2	
20	AP8276025	Gummi für Ölschläuche	1	Technische Spezifikation: Ab Motor Nr. M3601662[M2] EU-Zulassung (Rahmen ZD4SE)[SE] EU-Zulassung (Rahmen ZD4TS)[TS]

Einheit	MOTOR
Code	29.35
Beschreibung	Ölpumpe - Krümmer
Inspektion	1



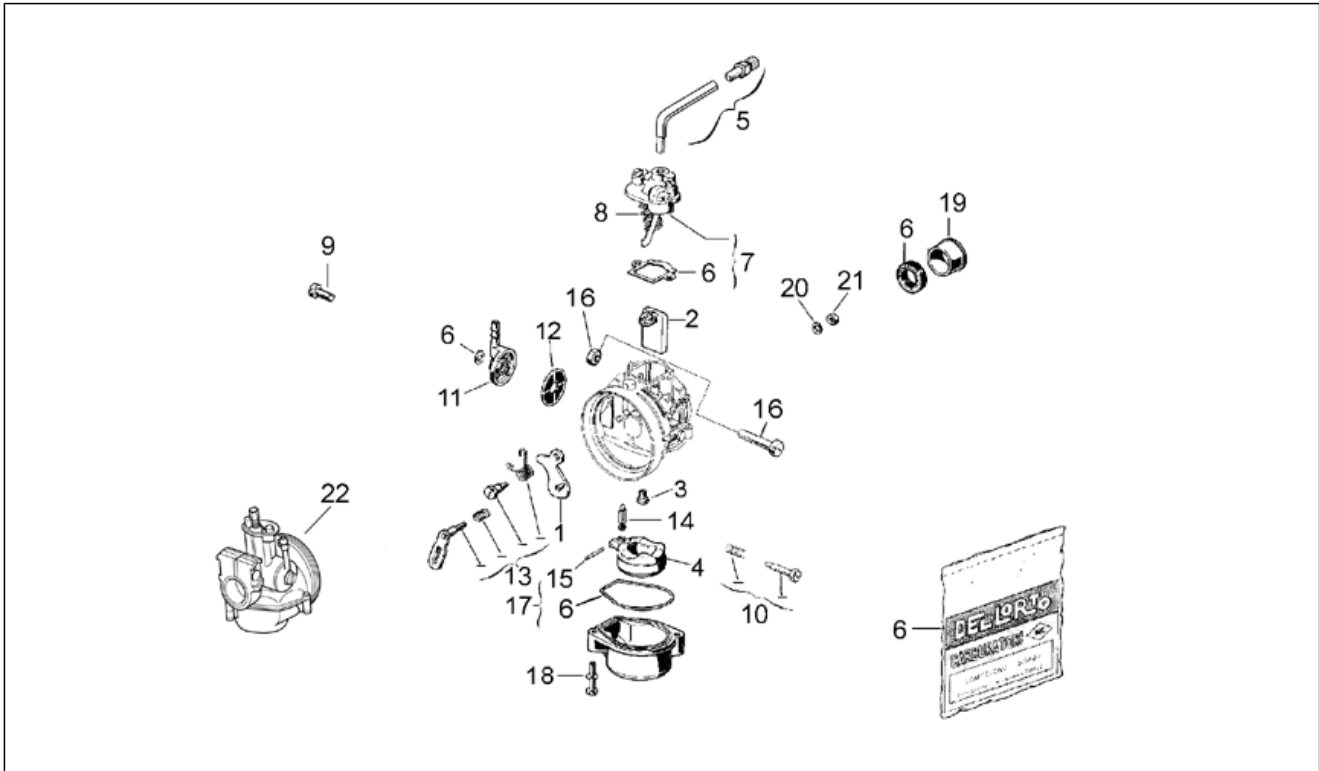
Pos.	Code	Beschreibung	Menge	Varianten
20	AP8508668	Gummi für Ölschläuche	1	Technische Spezifikation: Bis Motor Nr. M3601661[M1] EU-Zulassung (Rahmen ZD4SE)[SE] EU-Zulassung (Rahmen ZD4TS)[TS]
20	AP8508668	Gummi für Ölschläuche	1	Technische Spezifikation: Nationale Zulassung[PG]
21	AP8206974	Leitung 320 mm	1	Technische Spezifikation: EU-Zulassung (Rahmen ZD4SE) [SE] EU-Zulassung (Rahmen ZD4TS)[TS]
21	AP8206631	Leitung 190 mm	1	Land: Vereinigte Staaten von Amerika[AM] Belgien[B] Brasilien[BR] Dänemark[DK] Spanien[E] A,B,D,GR,E,F,UK,NL,P[EU] Frankreich[F] [GR]Italien[I] I[II] Israel[IL] Japan[J] J[JJ] Portugal[P] Rep. Korea[ROK] Großbritannien[UK] Vereinigte Staaten von Amerika[USA] Technische Spezifikation: Nationale Zulassung[PG]
22	AP8206342	Schelle	2	
23	AP8206181	Muffenschelle	1	Technische Spezifikation: EU-Zulassung (Rahmen ZD4SE) [SE] EU-Zulassung (Rahmen ZD4TS)[TS]

Einheit	MOTOR
Code	29.36
Beschreibung	Vergaser - PG
Inspektion	1



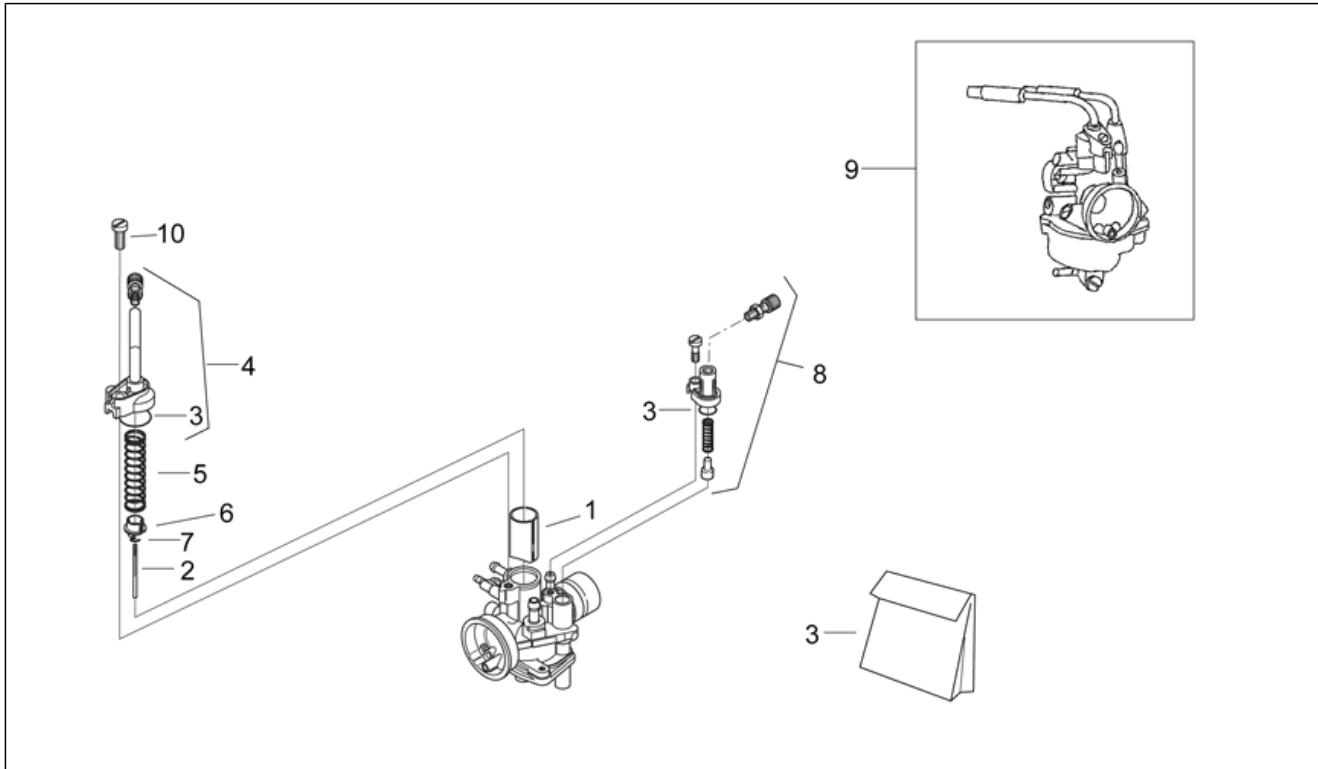
Pos.	Code	Beschreibung	Menge	Varianten
1	AP8222663	Luftventil	1	Technische Spezifikation: Nationale Zulassung[PG]
2	AP8222654	Gasventil	1	Land: Vereinigte Staaten von Amerika[AM] Belgien[B] Brasilien[BR] Dänemark[DK] Spanien[E] A,B,D,GR,E,F,UK,NL,P[EU] Frankreich[F] [GR]Italien[I] I[II] Israel[IL] Japan[J] J[JJ] Portugal[P] Rep. Korea[ROK] Großbritannien[UK] Vereinigte Staaten von Amerika[USA] Technische Spezifikation: Nationale Zulassung[PG]
2	AP8222655	Gasventil	1	Land: Deutschland[D] A,B,D,GR,E,F,UK,NL,P[EU] Holland[NL] Finnland[SF] Technische Spezifikation: Nationale Zulassung[PG]
2	AP8222678	Gasventil	1	Land: Österreich[A] A,B,D,GR,E,F,UK,NL,P[EU] Technische Spezifikation: Nationale Zulassung[PG]
3	AP8106091	Maximaldüse 50	1	Land: Österreich[A] A,B,D,GR,E,F,UK,NL,P[EU] Technische Spezifikation: Nationale Zulassung[PG]
3	AP8206938	Maximaldüse 63	1	Land: Vereinigte Staaten von Amerika[AM] Belgien[B] Brasilien[BR] Dänemark[DK] Spanien[E] A,B,D,GR,E,F,UK,NL,P[EU] Frankreich[F] [GR]Italien[I] I[II] Israel[IL] Japan[J] J[JJ] Portugal[P] Rep. Korea[ROK] Großbritannien[UK] Vereinigte Staaten von Amerika[USA] Technische Spezifikation: Nationale Zulassung[PG]
3	AP8222638	Maximaldüse 52	1	Land: A,B,D,GR,E,F,UK,NL,P[EU] Holland[NL] Finnland[SF] Technische Spezifikation: Nationale Zulassung[PG]
3	AP8222639	Maximaldüse 56	1	Land: Deutschland[D] A,B,D,GR,E,F,UK,NL,P[EU] Technische Spezifikation: Nationale Zulassung[PG]
4	AP8222658	Schwimmer gr.3,5	1	Technische Spezifikation: Nationale Zulassung[PG]
5	AP8206937	Umleiter Röhrchen Kit	1	Technische Spezifikation: Nationale Zulassung[PG]
6	AP8222679	Dichtungsbeutel	1	Technische Spezifikation: Nationale Zulassung[PG]
7	AP8222676	Ventildeckel	1	Technische Spezifikation: Nationale Zulassung[PG]
8	AP8222644	Rückholfeder Gasven.	1	Technische Spezifikation: Nationale Zulassung[PG]
9	AP8222645	Fixierschraube Röhr.	1	Technische Spezifikation: Nationale Zulassung[PG]
10	AP8222650	Einstellschr. Gasventil	1	Technische Spezifikation: Nationale Zulassung[PG]
11	AP8222659	Verb.röhrch. Benz.schl.	1	Technische Spezifikation: Nationale Zulassung[PG]

Einheit	MOTOR
Code	29.36
Beschreibung	Vergaser - PG
Inspektion	1



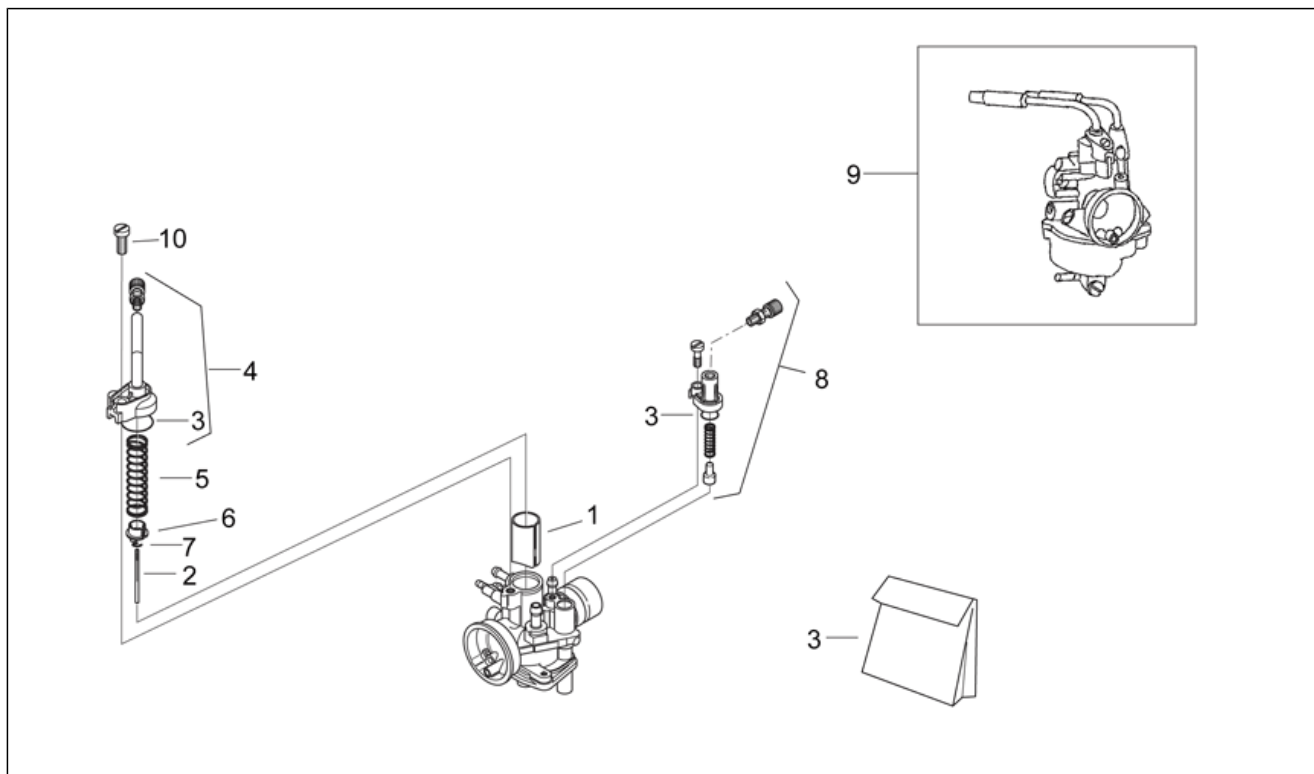
Pos.	Code	Beschreibung	Menge	Varianten
12	AP8222656	Kraftstofffilter	1	Technische Spezifikation: Nationale Zulassung[PG]
13	AP8222653	Steuerwelle Luftventil	1	Technische Spezifikation: Nationale Zulassung[PG]
14	AP8222643	Verschlusnadel Benz.	1	Technische Spezifikation: Nationale Zulassung[PG]
15	AP8222662	Schwimmerstift	1	Technische Spezifikation: Nationale Zulassung[PG]
16	AP8222652	Fixierschraube Hülse	1	Technische Spezifikation: Nationale Zulassung[PG]
17	AP8222635	Schwimmergehäuse	1	Technische Spezifikation: Nationale Zulassung[PG]
18	AP8222634	Fixierschraube Schel.	1	Technische Spezifikation: Nationale Zulassung[PG]
19	AP8222632	Isolieradapter 21-18	1	Technische Spezifikation: Nationale Zulassung[PG]
20	AP8222642	Scheibe Luftwell.mutter	1	Technische Spezifikation: Nationale Zulassung[PG]
21	AP8222660	Mutter Luftwelle	1	Technische Spezifikation: Nationale Zulassung[PG]
22	AP8206407	Vergaser sha14-9	1	Land: Deutschland[D] A,B,D,GR,E,F,UK,NL,P[EU] Technische Spezifikation: Nationale Zulassung[PG]
22	AP8206872	Vergaser SHA 14-12	1	Land: Vereinigte Staaten von Amerika[AM] Belgien[B] Brasilien[BR] Dänemark[DK] Spanien[E] A,B,D,GR,E,F,UK,NL,P[EU] Frankreich[F] [GR]Italien[I] I[II] Israel[IL] Japan[J] J[JJ] Portugal[P] Rep. Korea[ROK] Großbritannien[UK] Vereinigte Staaten von Amerika[USA] Technische Spezifikation: Nationale Zulassung[PG]
22	AP8206879	Vergaser SHA 14-9	1	Land: Österreich[A] A,B,D,GR,E,F,UK,NL,P[EU] Technische Spezifikation: Nationale Zulassung[PG]
22	AP8206959	Vergaser sha14-9	1	Land: A,B,D,GR,E,F,UK,NL,P[EU] Holland[NL] Finnland[SF] Technische Spezifikation: Nationale Zulassung[PG]

Einheit	MOTOR
Code	29.37
Beschreibung	Vergaser I - SE-TS
Inspektion	1



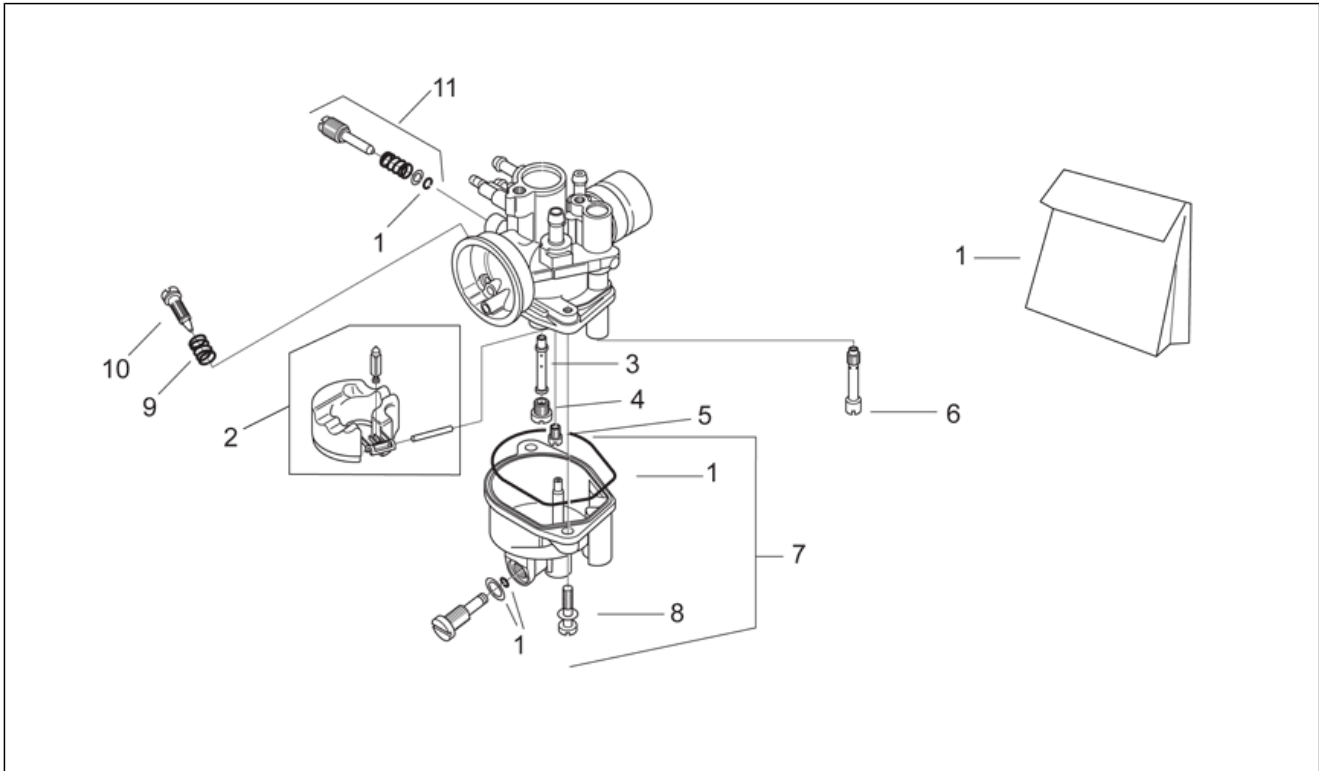
Pos.	Code	Beschreibung	Menge	Varianten
1	AP8206899	Gasventil 40	1	Technische Spezifikation: EU-Zulassung (Rahmen ZD4SE) [SE] EU-Zulassung (Rahmen ZD4TS)[TS]
2	AP8206980	Vergasernadel A34	1	Technische Spezifikation: Zulassung Euro1[E1] EU-Zulassung (Rahmen ZD4SE)[SE] EU-Zulassung (Rahmen ZD4TS)[TS]
2	AP8276056	Vergasernadel A12	1	Technische Spezifikation: Zulassung Euro2[E2] EU-Zulassung (Rahmen ZD4SE)[SE] EU-Zulassung (Rahmen ZD4TS)[TS]
3	AP8206886	Dichtungsbeutel	1	Technische Spezifikation: EU-Zulassung (Rahmen ZD4SE) [SE] EU-Zulassung (Rahmen ZD4TS)[TS]
4	AP8206983	Deckel Gemischkam.	1	Technische Spezifikation: EU-Zulassung (Rahmen ZD4SE) [SE] EU-Zulassung (Rahmen ZD4TS)[TS]
5	AP8206908	Rückholfeder Gasven.	1	Technische Spezifikation: EU-Zulassung (Rahmen ZD4SE) [SE] EU-Zulassung (Rahmen ZD4TS)[TS]
6	AP8206891	Sicherung Kegelnadel	1	Technische Spezifikation: EU-Zulassung (Rahmen ZD4SE) [SE] EU-Zulassung (Rahmen ZD4TS)[TS]
7	AP8206892	Sicherung Kegelnadel	1	Technische Spezifikation: EU-Zulassung (Rahmen ZD4SE) [SE] EU-Zulassung (Rahmen ZD4TS)[TS]
8	AP8206893	Kabelzugstarter	1	Technische Spezifikation: EU-Zulassung (Rahmen ZD4SE) [SE] EU-Zulassung (Rahmen ZD4TS)[TS]
9	AP8206969	Vergaser PHBN 12-HS	1	Technische Spezifikation: Versión mit Beschränkung 45 km/h[45km] Zulassung Euro1[E1] EU-Zulassung (Rahmen ZD4SE)[SE]
9	AP8276022	Vergaser PHBN 12-HS/R.3147	1	Land: Schweiz[SZ] Technische Spezifikation: Zulassung Euro1[E1] Version mit voller Leistung[f.p.] EU-Zulassung (Rahmen ZD4TS)[TS]
9	AP8276057	Vergaser PHBN 16-NS/R.	1	Technische Spezifikation: Versión mit Beschränkung 45 km/h[45km] Zulassung Euro2[E2] EU-Zulassung (Rahmen ZD4SE)[SE]
9	AP8276077	Vergaser PHBN 16-NS/R.	1	Technische Spezifikation: Zulassung Euro2[E2] Version mit voller Leistung[f.p.] EU-Zulassung (Rahmen ZD4TS)[TS]

Einheit	MOTOR
Code	29.37
Beschreibung	Vergaser I - SE-TS
Inspektion	1



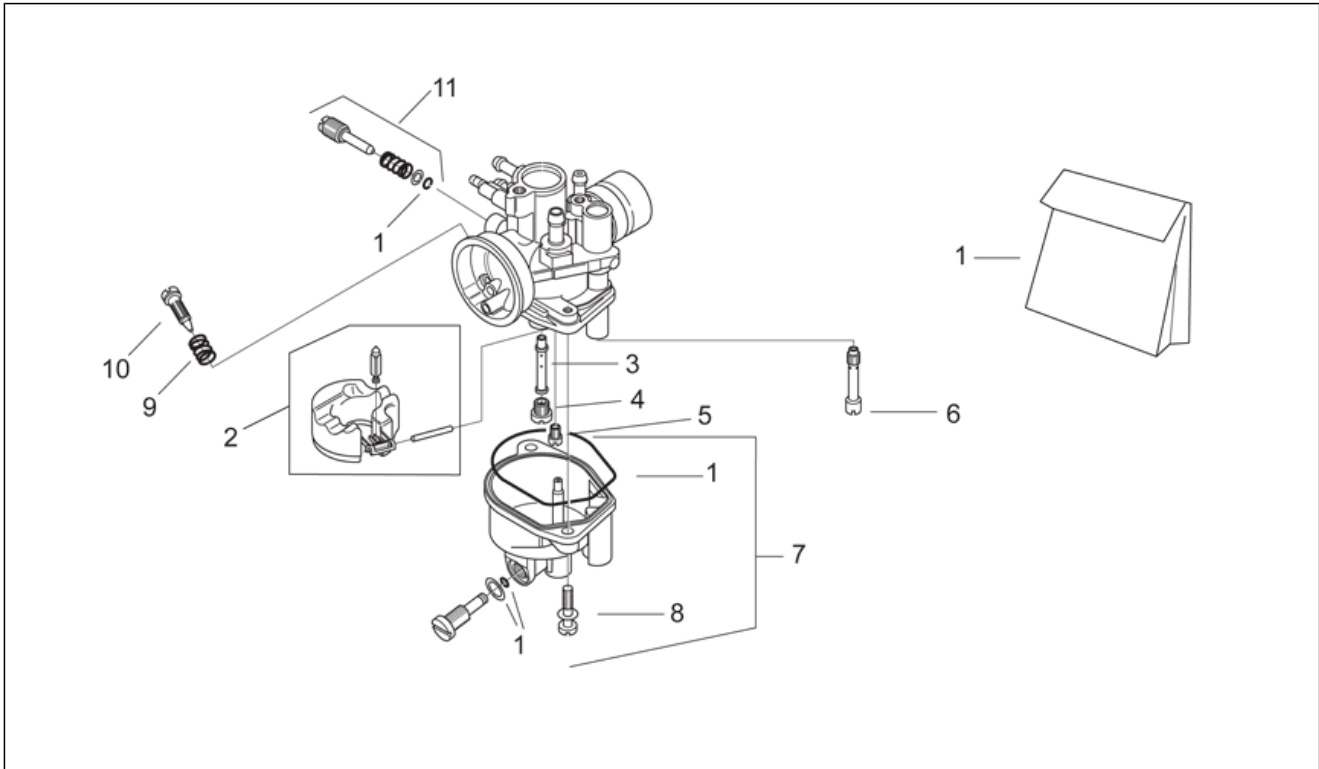
Pos.	Code	Beschreibung	Menge	Varianten
9	AP8276082	Vergaser PHBN 16-NS/R.	1	Technische Spezifikation: Version mit Beschränkung 60 km/h[60km] Zulassung Euro2[E2] EU-Zulassung (Rahmen ZD4TS)[TS]
10	AP8206940	Gemischkam.Deckel Schraube	1	Technische Spezifikation: EU-Zulassung (Rahmen ZD4SE) [SE] EU-Zulassung (Rahmen ZD4TS)[TS]

Einheit	MOTOR
Code	29.38
Beschreibung	Vergaser II - SE-TS
Inspektion	1



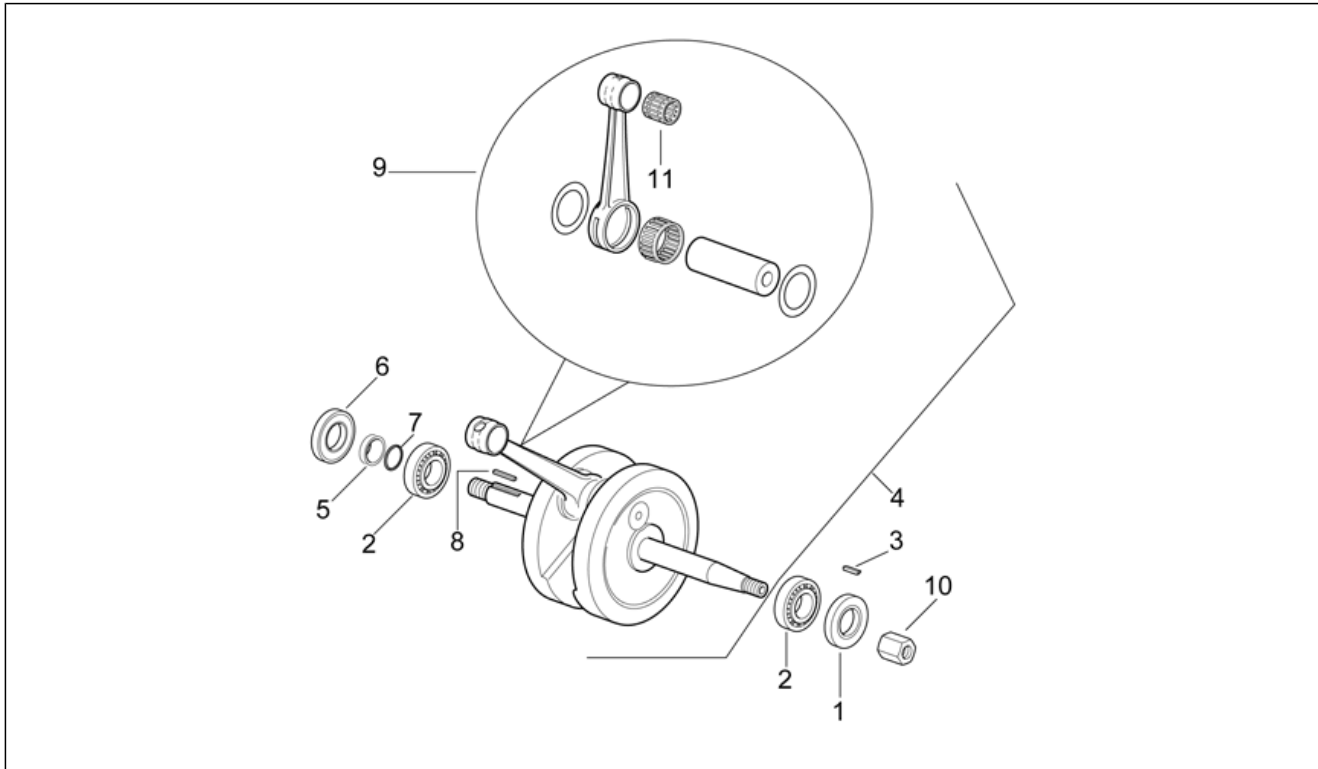
Pos.	Code	Beschreibung	Menge	Varianten
1	AP8206886	Dichtungsbeutel	1	Technische Spezifikation: EU-Zulassung (Rahmen ZD4SE) [SE] EU-Zulassung (Rahmen ZD4TS)[TS]
2	AP8206890	Schwimmer	1	Technische Spezifikation: EU-Zulassung (Rahmen ZD4SE) [SE] EU-Zulassung (Rahmen ZD4TS)[TS]
3	AP8206981	Nadelventil FP 210	1	Technische Spezifikation: EU-Zulassung (Rahmen ZD4SE) [SE] EU-Zulassung (Rahmen ZD4TS)[TS]
3	AP8276055	Nadelventil FA 211	1	Technische Spezifikation: Zulassung Euro2[E2] EU-Zulassung (Rahmen ZD4SE)[SE] EU-Zulassung (Rahmen ZD4TS)[TS]
4	AP8106092	Maximaldüse 120	1	Technische Spezifikation: Zulassung Euro2[E2] Version mit voller Leistung[f.p.] EU-Zulassung (Rahmen ZD4TS)[TS]
4	AP8222684	Maximaldüse 74	1	Technische Spezifikation: Version mit Beschränkung 45 km/h[45km] Zulassung Euro1[E1] EU-Zulassung (Rahmen ZD4SE)[SE]
4	AP8276024	Maximaldüse 100	1	Land: Schweiz[SZ] Technische Spezifikation: Zulassung Euro1[E1] Version mit voller Leistung[f.p.] EU-Zulassung (Rahmen ZD4TS)[TS]
4	AP8276054	Maximaldüse 76	1	Technische Spezifikation: Zulassung Euro2[E2] EU-Zulassung (Rahmen ZD4SE)[SE] EU-Zulassung (Rahmen ZD4TS)[TS]
4	AP8276081	Maximaldüse 95	1	Technische Spezifikation: Version mit Beschränkung 60 km/h[60km] Zulassung Euro2[E2] EU-Zulassung (Rahmen ZD4TS)[TS]
5	AP8206902	Leerlaufstrahl 32	1	Technische Spezifikation: EU-Zulassung (Rahmen ZD4SE) [SE] EU-Zulassung (Rahmen ZD4TS)[TS]
6	AP8206982	Startdüse 45	1	Technische Spezifikation: EU-Zulassung (Rahmen ZD4SE) [SE] EU-Zulassung (Rahmen ZD4TS)[TS]
7	AP8206889	Schwimmergehäuse	1	Technische Spezifikation: EU-Zulassung (Rahmen ZD4SE) [SE] EU-Zulassung (Rahmen ZD4TS)[TS]
8	AP8206887	Fixierschraube Schel.	1	Technische Spezifikation: EU-Zulassung (Rahmen ZD4SE) [SE] EU-Zulassung (Rahmen ZD4TS)[TS]
9	AP8206894	Fed. Einst.schr. Leerl.	1	Technische Spezifikation: EU-Zulassung (Rahmen ZD4SE) [SE] EU-Zulassung (Rahmen ZD4TS)[TS]

Einheit	MOTOR
Code	29.38
Beschreibung	Vergaser II - SE-TS
Inspektion	1



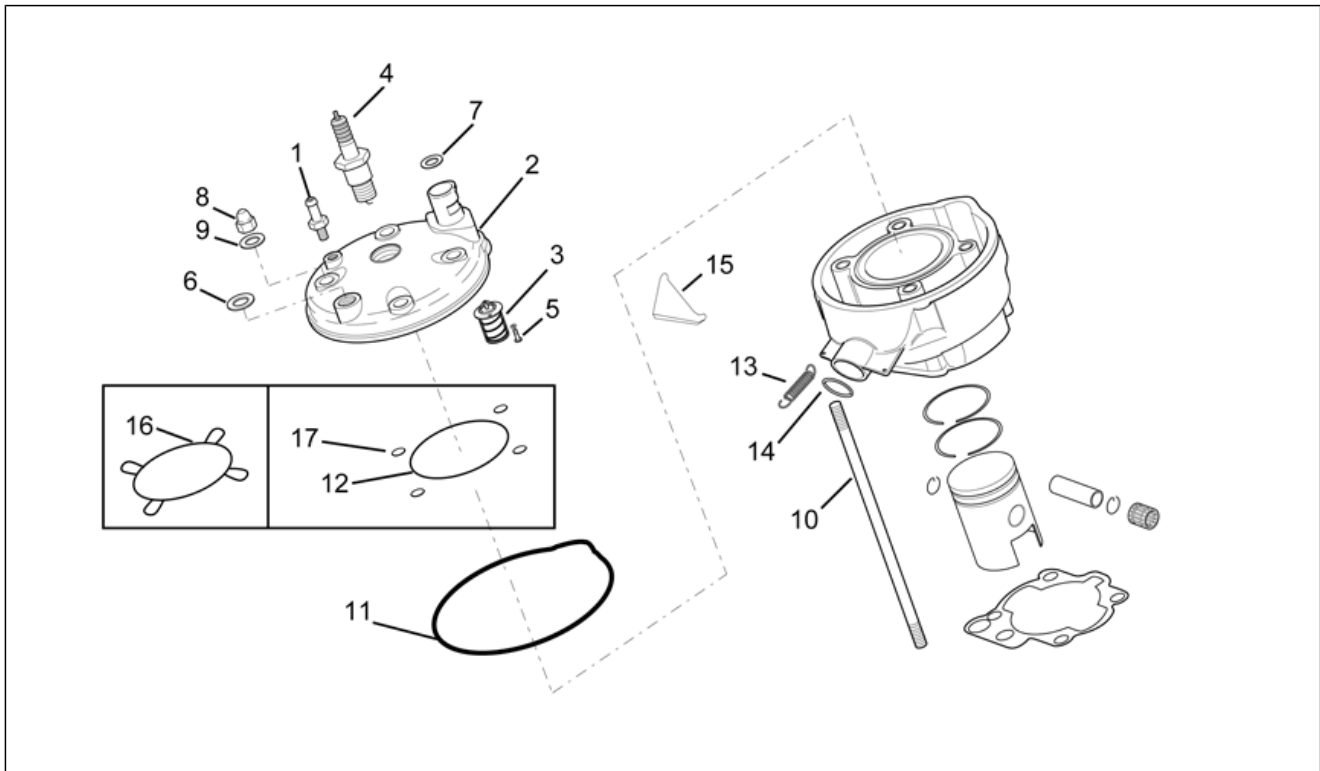
Pos.	Code	Beschreibung	Menge	Varianten
10	AP8206907	Lufteinst.schr. Leerl.	1	Technische Spezifikation: EU-Zulassung (Rahmen ZD4SE) [SE] EU-Zulassung (Rahmen ZD4TS)[TS]
11	AP8106820	Einstellschr. Gasventil	1	Technische Spezifikation: EU-Zulassung (Rahmen ZD4SE) [SE] EU-Zulassung (Rahmen ZD4TS)[TS]

Einheit	MOTOR
Code	29.39
Beschreibung	Kurbelwelle
Inspektion	1



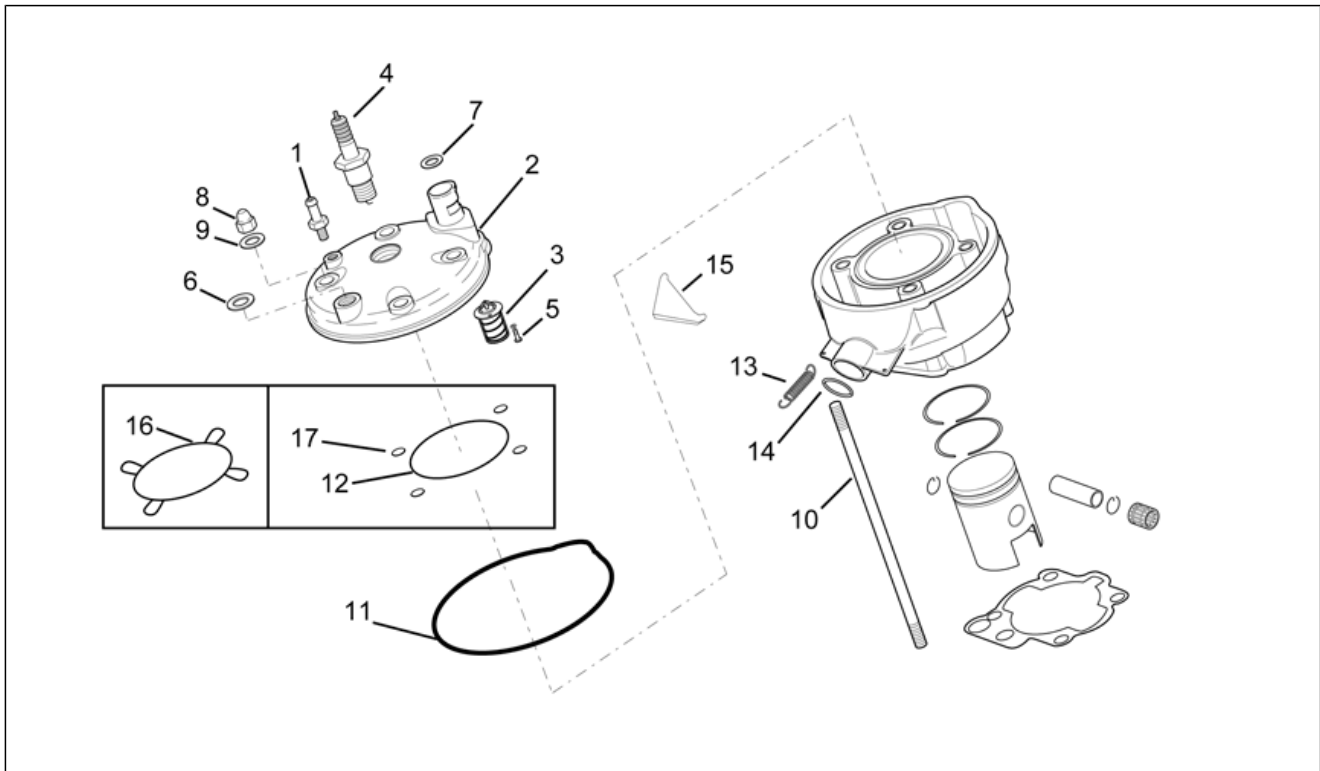
Pos.	Code	Beschreibung	Menge	Varianten
1	AP8509182	Ölabstreifring D17x35x8	1	
2	AP8206282	Lager D17x47x14	2	
3	AP8508551	Keil Schwungradmagnet	1	
4	AP8206311	Baugruppe Kurbelwelle	1	Technische Spezifikation: Bis Motor Nr. M3613126[M3] Bis Motor Nr. M3613326[M5]
4	AP8276059	Baugruppe Kurbelwelle	1	Technische Spezifikation: Ab Motor Nr. M3613127[M4] Ab Motor Nr. M3613327[M6]
5	AP8206268	Distanzscheibe D16,9x24x8	1	
6	AP8206290	Ölabstreifring D24x35x7	1	
7	AP8502656	O-Ring	1	
8	AP8206264	Keil 4x4x20	1	
9	AP8206349	Baugruppe Pleuelstange kplt.	1	Technische Spezifikation: Bis Motor Nr. M3613126[M3] Bis Motor Nr. M3613326[M5]
9	AP8276060	Baugruppe Pleuelstange kplt.	1	Technische Spezifikation: Ab Motor Nr. M3613127[M4] Ab Motor Nr. M3613327[M6]
10	AP8509891	Mutter M10x1,2x15	1	
11	AP8509769	Käfig D12x15x15	1	

Einheit	MOTOR
Code	29.40
Beschreibung	Zylinderkopf
Inspektion	1



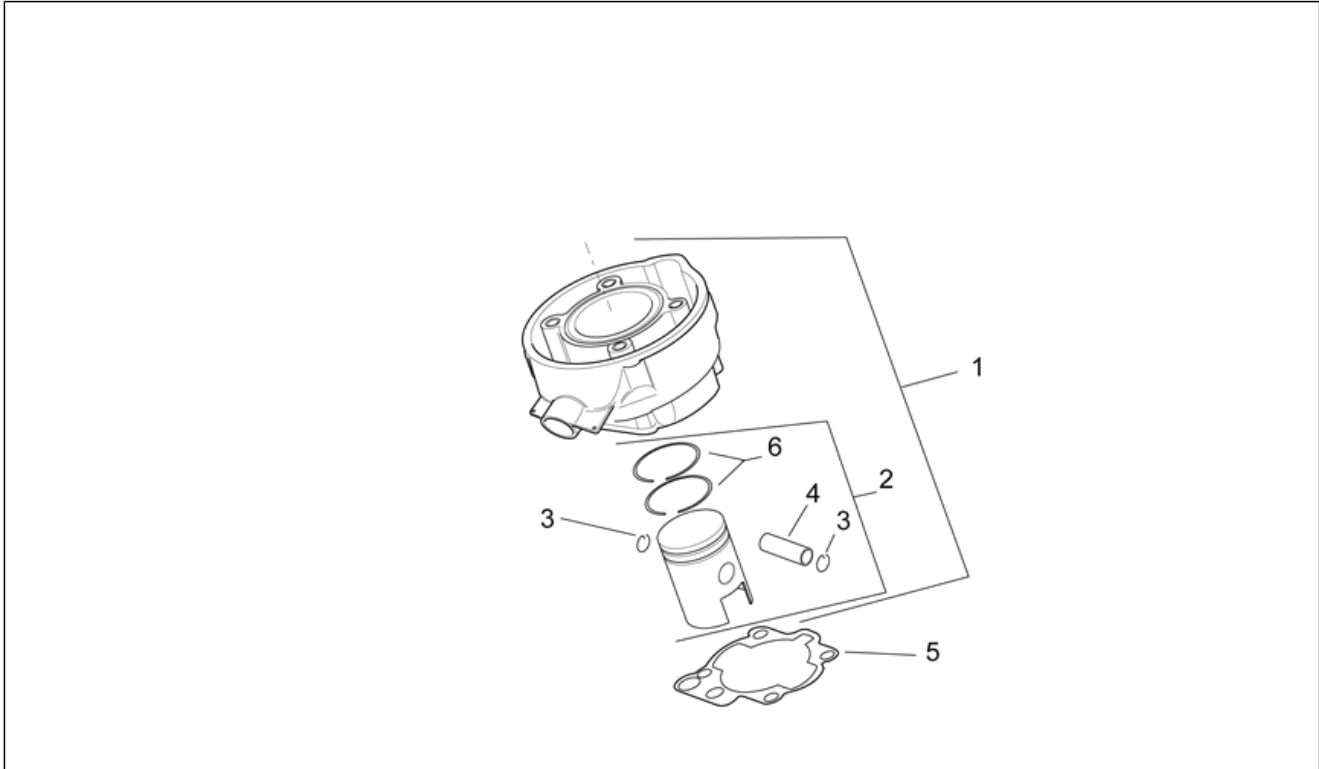
Pos.	Code	Beschreibung	Menge	Varianten
1	AP8206618	Anschluß Wasserschlauch	1	Technische Spezifikation: Nationale Zulassung[PG]
2	AP8106692	Zylinderkopf grau	1	Baujahr: 2001[1] 1999[X] 2000[Y] Land: Belgien[B] Brasilien[BR] Dänemark[DK] Spanien[E] Frankreich[F] [GR]Italien[I] Israel[IL] Japan[J] Portugal[P] Rep. Korea[ROK] Großbritannien[UK] Vereinigte Staaten von Amerika[USA] Technische Spezifikation: Bis Motor Nr. MY500618[<500618] Nationale Zulassung[PG]
2	AP8206935	Zylinderkopf grau	1	Baujahr: 2001[1] 1999[X] 2000[Y] Land: Österreich[A] Deutschland[D] Holland[NL] Finnland[SF] Technische Spezifikation: Nationale Zulassung[PG]
2	AP8206949	Zylinderkopf	1	Baujahr: 2002[2] Land: Spanien[E] Frankreich[F] Vereinigte Staaten von Amerika[USA] Technische Spezifikation: Nationale Zulassung[PG]
2	AP8206949	Zylinderkopf	1	Baujahr: 2001[1] 2000[Y] Land: Belgien[B] Dänemark[DK] Spanien[E] Frankreich[F] [GR]Italien[I] Israel[IL] Japan[J] Portugal[P] Rep. Korea[ROK] Großbritannien[UK] Vereinigte Staaten von Amerika[USA] Technische Spezifikation: Ab Motor Nr. MY500618[>500619] Nationale Zulassung[PG]
2	AP8206970	Zylinderkopf	1	Baujahr: 2002[2] 2003[3] 2004[4] Technische Spezifikation: EU-Zulassung (Rahmen ZD4SE) [SE] EU-Zulassung (Rahmen ZD4TS)[TS]
3	AP8206383	Thermostat	1	
4	AP8206915	Zündkerze BR9ES	1	
5	AP8502559	Schraube+Zahnscheibe M4x10	2	
6	AP8508560	Schraubendichtung 14,1x22x1	1	
7	AP8502759	Dichtung D8x14	1	
8	AP8206427	selbstsp. Mutter M7x1	4	
9	AP8206721	Sprengscheibe	4	

Einheit	MOTOR
Code	29.40
Beschreibung	Zylinderkopf
Inspektion	1



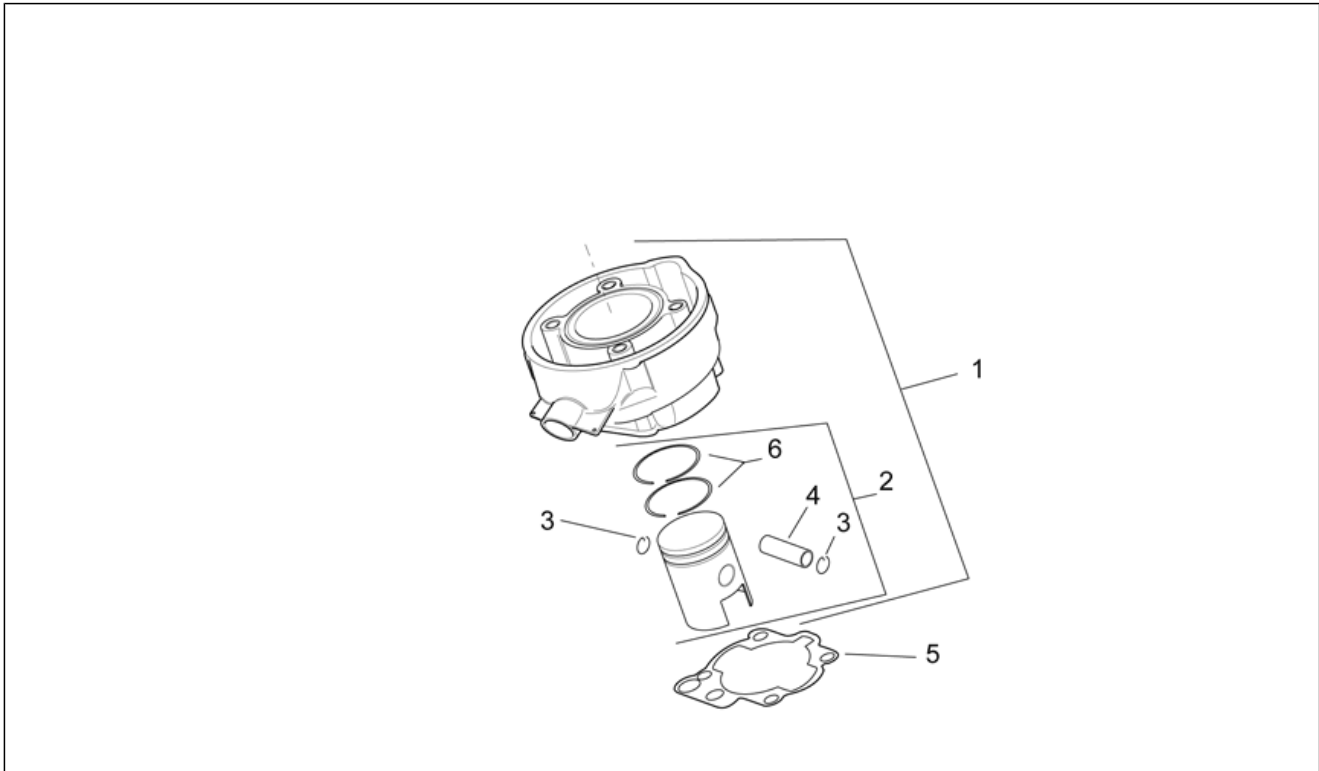
Pos.	Code	Beschreibung	Menge	Varianten
10	AP8508553	Stiftschraube M7x115	4	
11	AP8206286	O-Ring 104,3x3,5	1	Technische Spezifikation: Bis Motor Nr. MY500618[<500618]
11	AP8206947	Aussen O-Ring D2,62	1	Technische Spezifikation: Ab Motor Nr. MY500618[>500619]
12	AP8206285	O-Ring D51,5x1,78	1	Technische Spezifikation: Bis Motor Nr. MY500618[<500618]
13	AP8507839	Einhaefeder Auspuffrohr	1	
14	AP8206976	O-Ring D25x2,6	1	
14	AP8502668	O-Ring D28,2x2,6	1	
15	AP8508882	Fixierplatte Federn	1	
16	AP8206948	Innen O-Ring D2,62	1	Technische Spezifikation: Ab Motor Nr. MY500618[>500619]
17	AP8502655	O-Ring D7,65x1,78	4	Technische Spezifikation: Bis Motor Nr. MY500618[<500618]

Einheit	MOTOR
Code	29.41
Beschreibung	Zylinder - Kolben
Inspektion	1



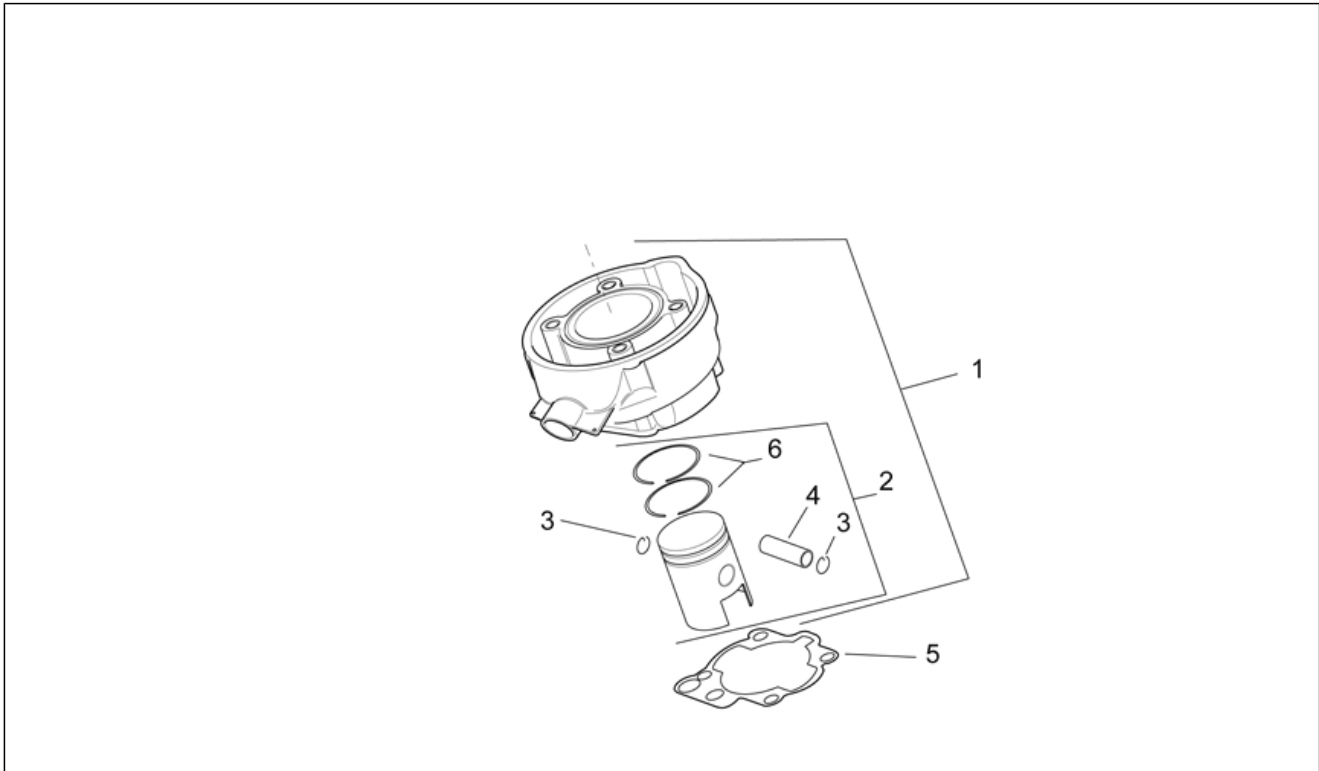
Pos.	Code	Beschreibung	Menge	Varianten
1	AP8206404	Kolben + Zylinder -NL-D40,3	1	Land: Österreich[A] Deutschland[D] A,B,D,GR,E,F,UK,NL,P[EU] Holland[NL] Finnland[SF] Technische Spezifikation: Nationale Zulassung[PG]
1	AP8206760	Gußeisenzylinder mit Kolben	1	Land: Vereinigte Staaten von Amerika[AM] Belgien[B] Brasilien[BR] Dänemark[DK] Spanien[E] A,B,D,GR,E,F,UK,NL,P[EU] Frankreich[F] [GR]Italien[I] I[II] Israel[IL] Japan[J] J[JJ] Portugal[P] Rep. Korea[ROK] Großbritannien[UK] Vereinigte Staaten von Amerika[USA] Technische Spezifikation: Bis Motor Nr. MY500618[<500618] Nationale Zulassung[PG]
1	AP8206950	Gußeisenzylinder mit Kolben	1	Land: Vereinigte Staaten von Amerika[AM] Belgien[B] Brasilien[BR] Dänemark[DK] Spanien[E] A,B,D,GR,E,F,UK,NL,P[EU] Frankreich[F] [GR]Italien[I] I[II] Israel[IL] Japan[J] J[JJ] Portugal[P] Rep. Korea[ROK] Großbritannien[UK] Vereinigte Staaten von Amerika[USA] Technische Spezifikation: Ab Motor Nr. MY500618[>500619] Nationale Zulassung[PG]
1	AP8206950	Gußeisenzylinder mit Kolben	1	Technische Spezifikation: Version mit voller Leistung[f.p.] EU-Zulassung (Rahmen ZD4TS)[TS]
1	AP8206979	Kolben + Zylinder	1	Technische Spezifikation: Version mit Beschränkung 45 km/ h[45km] EU-Zulassung (Rahmen ZD4SE)[SE]
2	AP8206250	Kolben kpl. D40,3	1	Land: Österreich[A] Deutschland[D] A,B,D,GR,E,F,UK,NL,P[EU] Holland[NL] Finnland[SF] Technische Spezifikation: Nationale Zulassung[PG]
2	AP8206955	Kolben kpl. D40,3	1	Land: Vereinigte Staaten von Amerika[AM] Belgien[B] Brasilien[BR] Dänemark[DK] Spanien[E] A,B,D,GR,E,F,UK,NL,P[EU] Frankreich[F] [GR]Italien[I] I[III] Israel[IL] Japan[J] J[JJ] Portugal[P] Rep. Korea[ROK] Großbritannien[UK] Vereinigte Staaten von Amerika[USA] Technische Spezifikation: Version mit Beschränkung 45 km/ h[45km] EU-Zulassung (Rahmen ZD4SE)[SE]
2	AP8206955	Kolben kpl. D40,3	1	Land: Schweiz[SZ] Technische Spezifikation: Zulassung Euro1[E1] Version mit voller Leistung[f.p.] EU-Zulassung (Rahmen ZD4TS)[TS]

Einheit	MOTOR
Code	29.41
Beschreibung	Zylinder - Kolben
Inspektion	1



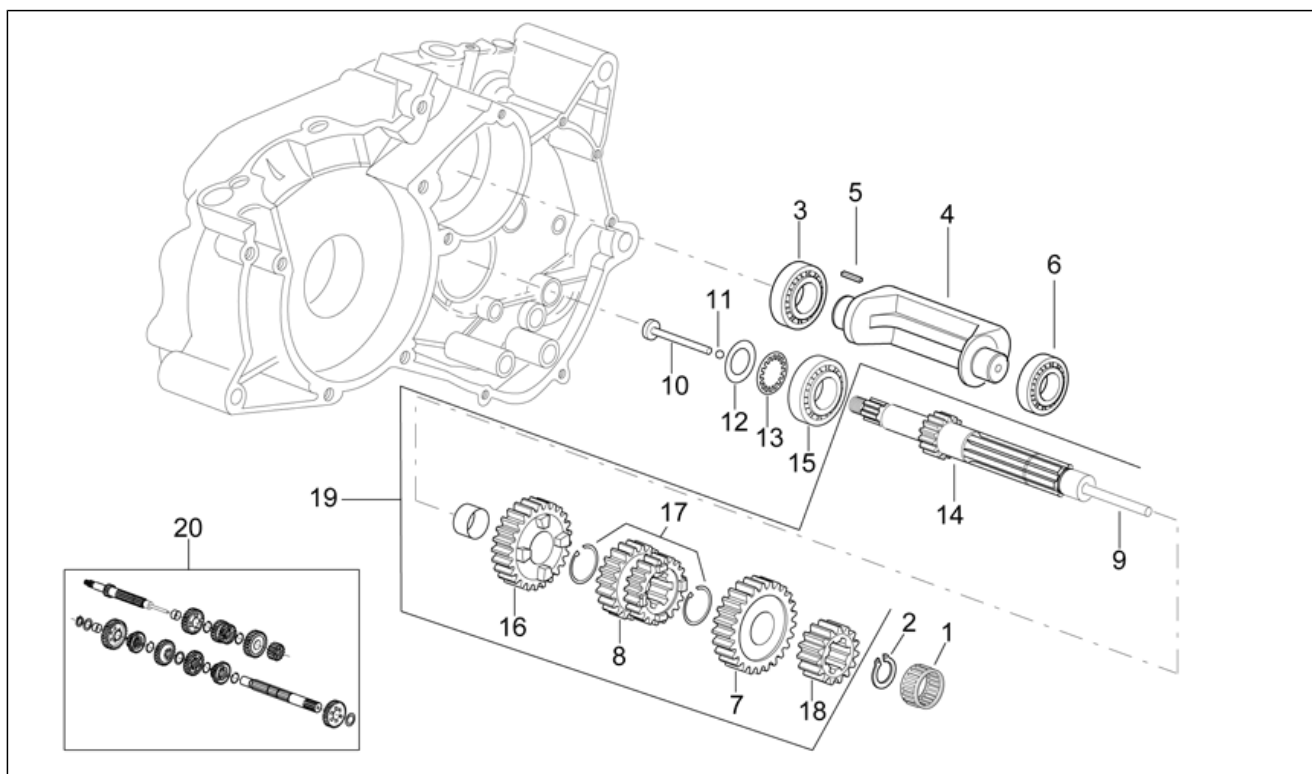
Pos.	Code	Beschreibung	Menge	Varianten
2	AP8206955	Kolben kpl. D40,3	1	Land: Vereinigte Staaten von Amerika[AM] Belgien[B] Brasilien[BR] Dänemark[DK] Spanien[E] A,B,D,GR,E,F,UK,NL,P[EU] Frankreich[F] [GR]Italien[I] I[II] Israel[IL] Japan[J] J[JJ] Portugal[P] Rep. Korea[ROK] Großbritannien[UK] Vereinigte Staaten von Amerika[USA] Technische Spezifikation: Nationale Zulassung[PG]
2	AP8206956	Kolben kpl. D40,6	1	Land: Vereinigte Staaten von Amerika[AM] Belgien[B] Brasilien[BR] Dänemark[DK] Spanien[E] A,B,D,GR,E,F,UK,NL,P[EU] Frankreich[F] [GR]Italien[I] I[II] Israel[IL] Japan[J] J[JJ] Portugal[P] Rep. Korea[ROK] Großbritannien[UK] Vereinigte Staaten von Amerika[USA] Technische Spezifikation: Version mit Beschränkung 45 km/h[45km] EU-Zulassung (Rahmen ZD4SE)[SE]
2	AP8206956	Kolben kpl. D40,6	1	Land: Schweiz[SZ] Technische Spezifikation: Zulassung Euro1[E1] Version mit voller Leistung[f.p.] EU-Zulassung (Rahmen ZD4TS)[TS]
2	AP8206956	Kolben kpl. D40,6	1	Land: Vereinigte Staaten von Amerika[AM] Belgien[B] Brasilien[BR] Dänemark[DK] Spanien[E] A,B,D,GR,E,F,UK,NL,P[EU] Frankreich[F] [GR]Italien[I] I[II] Israel[IL] Japan[J] J[JJ] Portugal[P] Rep. Korea[ROK] Großbritannien[UK] Vereinigte Staaten von Amerika[USA] Technische Spezifikation: Nationale Zulassung[PG]
2	AP8206957	Kolben kpl. D40,8	1	Land: Vereinigte Staaten von Amerika[AM] Belgien[B] Brasilien[BR] Dänemark[DK] Spanien[E] A,B,D,GR,E,F,UK,NL,P[EU] Frankreich[F] [GR]Italien[I] I[II] Israel[IL] Japan[J] J[JJ] Portugal[P] Rep. Korea[ROK] Großbritannien[UK] Vereinigte Staaten von Amerika[USA] Technische Spezifikation: Nationale Zulassung[PG]
2	AP8206957	Kolben kpl. D40,8	1	Land: Schweiz[SZ] Technische Spezifikation: Zulassung Euro1[E1] Version mit voller Leistung[f.p.] EU-Zulassung (Rahmen ZD4TS)[TS]
2	AP8206957	Kolben kpl. D40,8	1	Land: Vereinigte Staaten von Amerika[AM] Belgien[B] Brasilien[BR] Dänemark[DK] Spanien[E] A,B,D,GR,E,F,UK,NL,P[EU] Frankreich[F] [GR]Italien[I] I[II] Israel[IL] Japan[J] J[JJ] Portugal[P] Rep. Korea[ROK] Großbritannien[UK] Vereinigte Staaten von Amerika[USA]

Einheit	MOTOR
Code	29.41
Beschreibung	Zylinder - Kolben
Inspektion	1



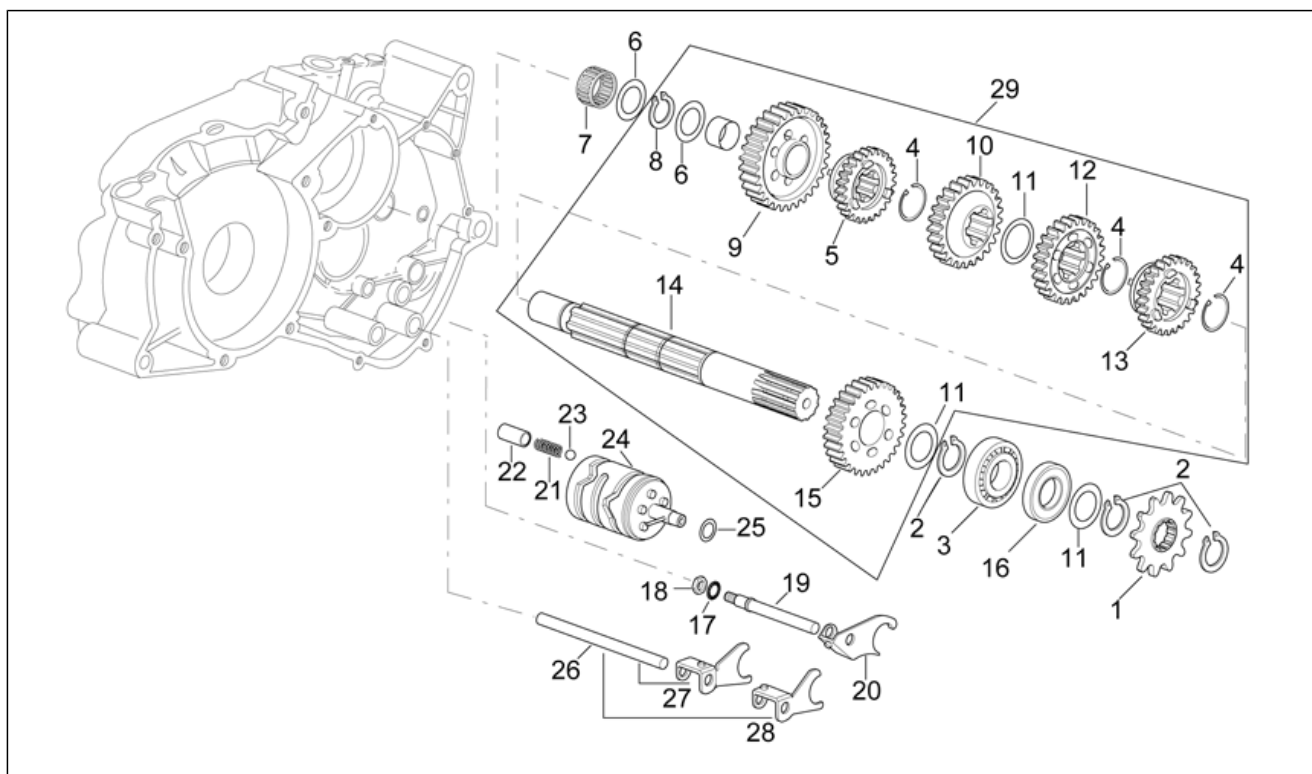
Pos.	Code	Beschreibung	Menge	Varianten
				Technische Spezifikation: Version mit Beschränkung 45 km/h[45km] EU-Zulassung (Rahmen ZD4SE)[SE]
3	AP8206019	Sperring D12	2	
4	AP8502846	Bolzen D12x34,5	1	
5	AP8206292	ZYLINDERFUSSDICHTUNG	1	
6	AP8206952	Satz Kolbenringe D40,3x1,2	1	
6	AP8206953	Kolbenring Vergr. D40,6	1	
6	AP8206954	Kolbenring Vergr. D40,8	1	

Einheit	MOTOR
Code	29.42
Beschreibung	Hauptwelle
Inspektion	1



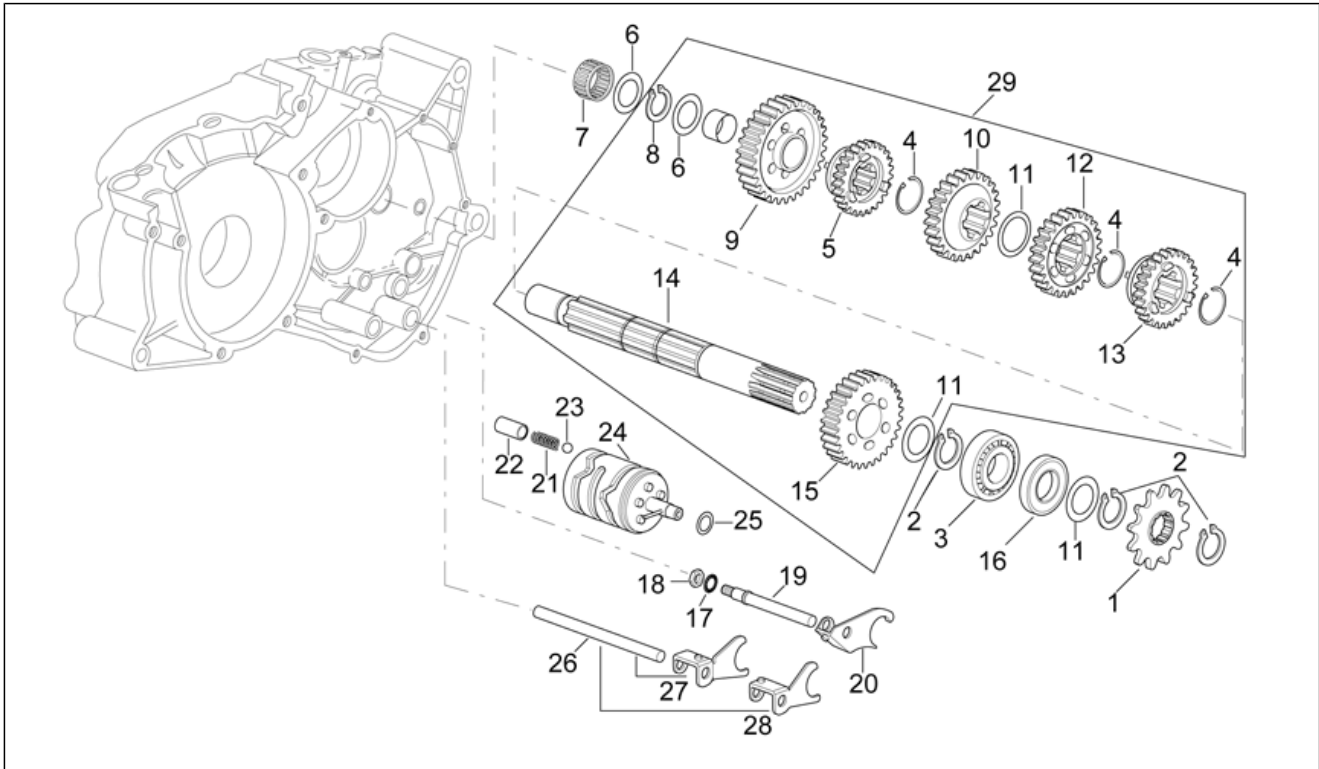
Pos.	Code	Beschreibung	Menge	Varianten
1	AP8206281	Nadellager DB14-12	1	
2	AP8501478	Seegerring für Welle D14	1	
3	AP8502624	Lager D15x35x11	1	
4	AP8206231	Gegenwelle	1	
5	AP8206263	Gegenwellenkeil 4x4x8	1	
6	AP8510039	Lager D17x40x12	1	
7	AP8206610	Zahnrad 6.Hauptwelle Z=25	1	
8	AP8206608	Zahnrad 3-4.Hauptwelle Z=19/22	1	
9	AP8206617	Kupplungsgestänge D5x116,6	1	
10	AP8502836	Kupplungsgestänge D13	1	
11	AP8502652	Kugel 3/16"	1	
12	AP8502498	Stahlscheibe blau D17,2x30	1	
13	AP8206260	Geschlitzte Tellerfeder	1	
14	AP8206604	Hauptwelle	1	
15	AP8502626	Lager D17x40x12	1	
16	AP8206609	Zahnrad 5.Hauptwelle Z=24	1	
17	AP8501471	Seegerring für Welle D18	2	
18	AP8206607	Zahnrad 2.Hauptwelle Z=16	1	
19	AP8206622	Hauptwelle 6 v.ta'	1	
20	AP8206624	Schaltgetriebe kpl. 6 v.ta'	1	

Einheit	MOTOR
Code	29.43
Beschreibung	Vorgelegewelle
Inspektion	1



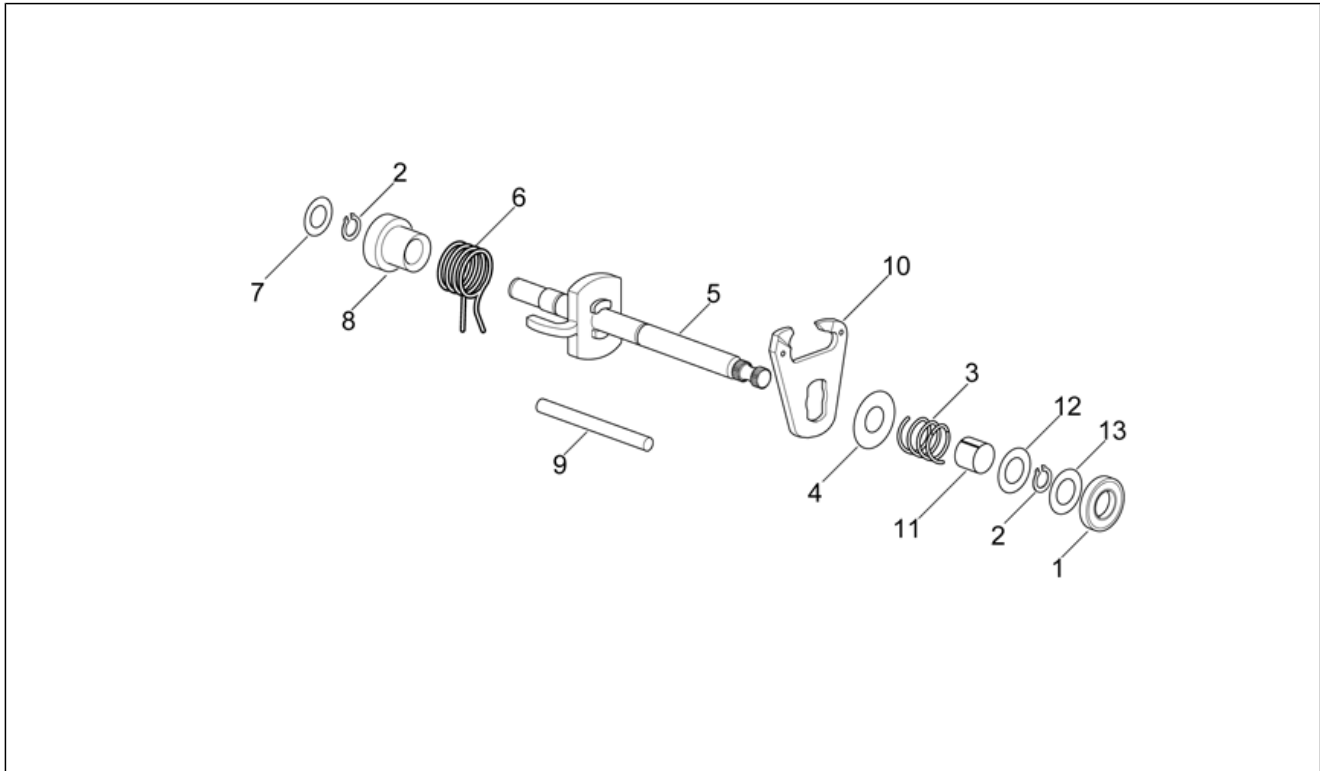
Pos.	Code	Beschreibung	Menge	Varianten
1	AP8206869	Umlenkritzel Z=12	1	Technische Spezifikation: Nationale Zulassung[PG]
1	AP8206971	Umlenkritzel Z=11	1	Technische Spezifikation: Version mit Beschränkung 45 km/h[45km] EU-Zulassung (Rahmen ZD4SE)[SE]
1	AP8276023	Umlenkritzel Z=12	1	Technische Spezifikation: Version mit voller Leistung[f.p.] EU-Zulassung (Rahmen ZD4TS)[TS]
1	AP8276083	Umlenkritzel Z=11	1	Technische Spezifikation: Version mit Beschränkung 60 km/h[60km] EU-Zulassung (Rahmen ZD4TS)[TS]
2	AP8501477	Seegerring für Welle D20	3	
3	AP8509135	Lager D20x47x14	1	
4	AP8507866	Seegerring für Welle D20	3	
5	AP8206615	Zahnrad 5.Vorgelegewelle Z=25	1	
6	AP8206633	Ausgleichscheibe 14,5X27X0,4	2	
7	AP8206281	Nadellager DB14-12	1	
8	AP8501478	Seegerring für Welle D14	1	
9	AP8206611	Zahnrad 1.Vorgelegewelle Z=36	1	
10	AP8206613	Zahnrad 3.Vorgelegewelle Z=29	1	
11	AP8206621	Stahlscheibe blau D20,45x28x0,6	3	
11	AP8502501	Stahlscheibe blau D20,45x28	3	
12	AP8206614	Zahnrad 4.Vorgelegewelle Z=27	1	
13	AP8206616	Zahnrad 6.Vorgelegewelle Z=24	1	
14	AP8206605	Vorgelegewelle	1	
15	AP8206612	Zahnrad 2.Vorgelegewelle Z=33	1	
16	AP8206626	Ölabstreifring	1	
17	AP8502473	Interne Zahnscheibe D7	1	
18	AP8502414	Mutter M7x5,5	1	
19	AP8206298	Führgszapf. Gabel	1	
20	AP8206601	Schaltgabel + Stift 5-6 v.ta'	1	
21	AP8206261	Gangstiftfeder	1	
22	AP8206336	Gangstift	1	

Einheit	MOTOR
Code	29.43
Beschreibung	Vorgelegewelle
Inspektion	1



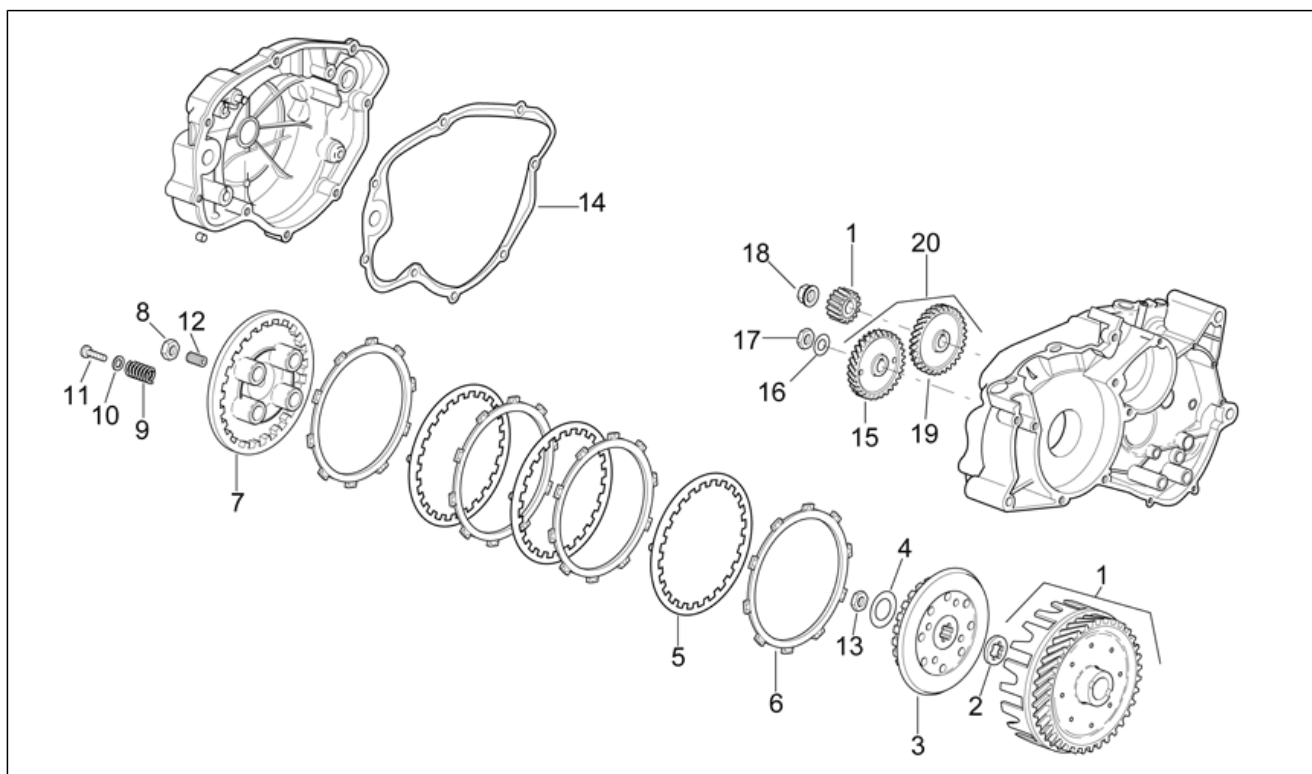
Pos.	Code	Beschreibung	Menge	Varianten
23	AP8206283	Kugel D9	1	
24	AP8206598	Verschiebenocken	1	
25	AP8206269	Stahlscheibe blau D10x16	1	
26	AP8206619	Führungsstift Schaltgabel	1	
27	AP8206599	Schaltgabel + Stift 1-3 v.ta'	1	
28	AP8206600	Schaltgabel + Stift 2-4 v.ta'	1	
29	AP8206623	Vorgelegewelle 6 v.ta'	1	

Einheit	MOTOR
Code	29.44
Beschreibung	Schaltgabel
Inspektion	1



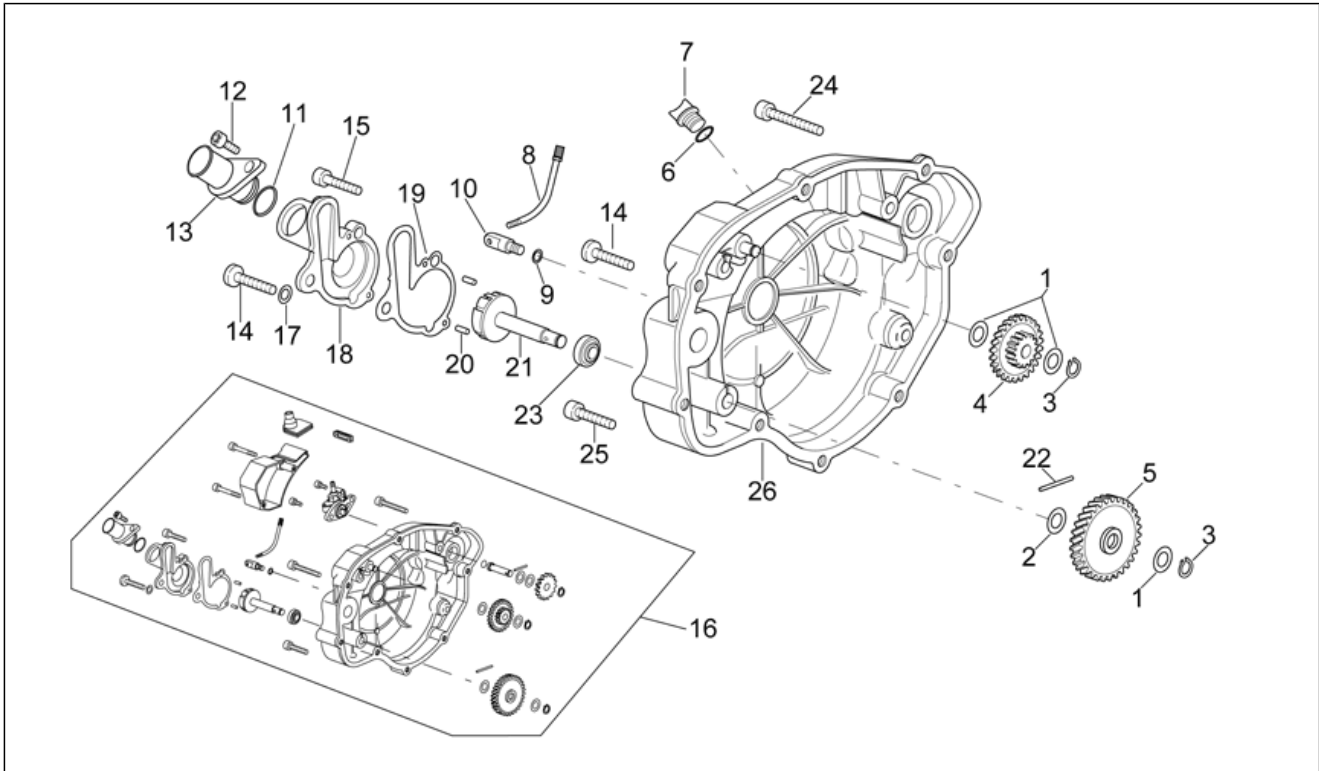
Pos.	Code	Beschreibung	Menge	Varianten
1	AP8509178	Ölabstreifring D12x22x7	1	
2	AP8206358	Seegerring	2	
3	AP8206331	Rückholfeder Schaltgabel	1	
4	AP8502520	Ausgleichscheibe D12,75x28	1	
5	AP8206606	Schaltwelle	1	
6	AP8502356	Schalthebelfeder	1	
7	AP8206269	Stahlscheibe blau D10x16	1	
8	AP8206332	Führungsbuchse Schaltwelle	1	
9	AP8206299	Führzpf. Drehz.messr.	1	
10	AP8501972	Schaltgabel + Stiften	1	
11	AP8502448	Distanzscheibe D12,4x14,4	1	
12	AP8206344	Stahlscheibe blau D12,3x22	1	
13	AP8206270	Stahlscheibe blau D12x17	1	

Einheit	MOTOR
Code	29.45
Beschreibung	Kupplung
Inspektion	1



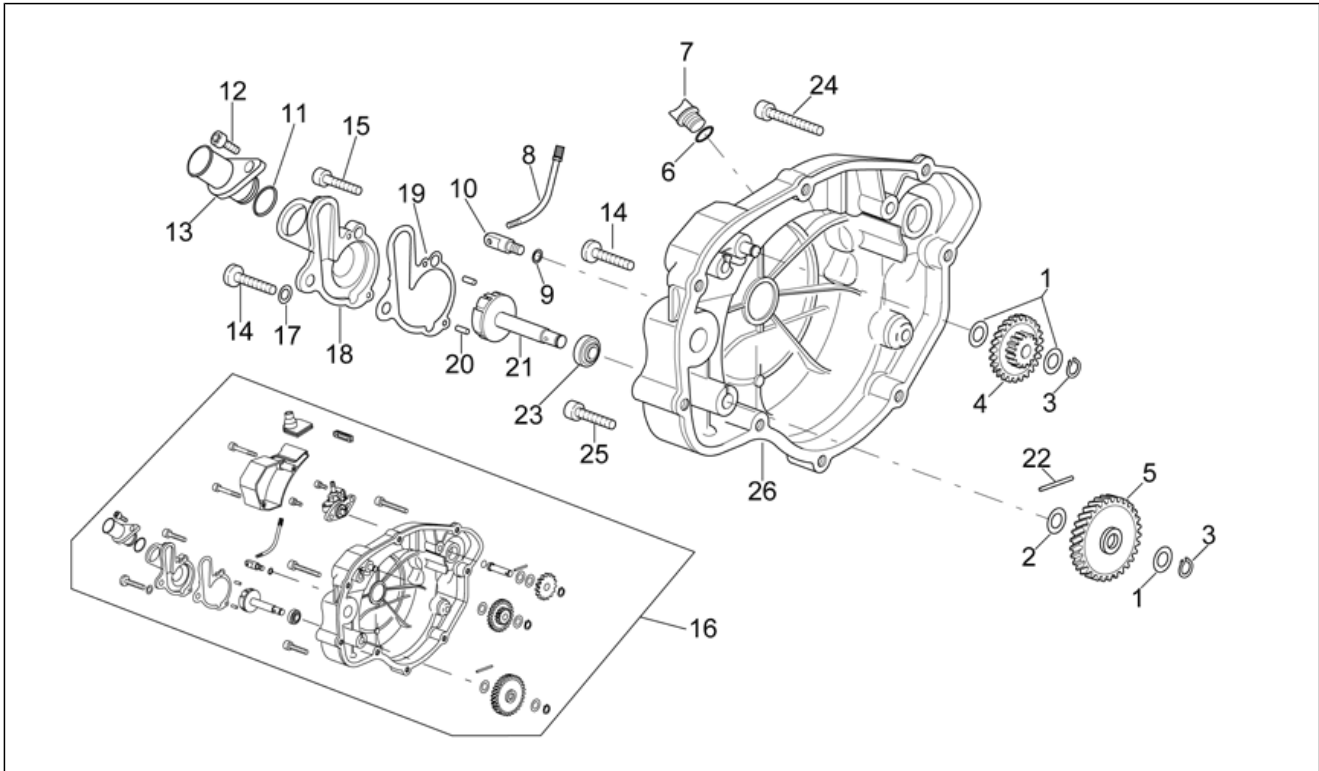
Pos.	Code	Beschreibung	Menge	Varianten
1	AP8206310	Kupplung Z=20/71	1	
2	AP8206267	Distanzscheibe D13x30x4	1	
3	AP8206256	Kupplungstrommel Aluminium	1	
4	AP8206271	Ausgleichscheibe D12	1	
5	AP8206247	Getriebene Kuppl.scheibe	3	
6	AP8206322	Treibende Kupplungsscheibe	4	
7	AP8206248	Andrückfeder Kupplungsscheibe	1	
8	AP8502432	Mutter M14x1,25x6	1	
9	AP8206258	Kupplungsfeder	4	
10	AP8206272	Ausgleichscheibe D5x15x2	4	
11	AP8206279	Linsenschraube	4	
12	AP8502533	Regelschraube M14x1,25	1	
13	AP8206265	Mutter M12x1,25x7	1	
14	AP8206287	Deckeldichtung Kupplungsseite	1	
15	AP8206253	Ritzel Vorgelegew. Z=34	1	
16	AP8206344	Stahlscheibe blau D12,3x22	1	
17	AP8206266	Mutter M12x1 H=5	1	
18	AP8206343	Geflanschte Mutter M12x1,25	1	
19	AP8206308	Ritzel Gegenwelle Z=34	1	
20	AP8125913	Ausgleichsrad kpl.	1	

Einheit	MOTOR
Code	29.46
Beschreibung	Kupplungsdeckel
Inspektion	1



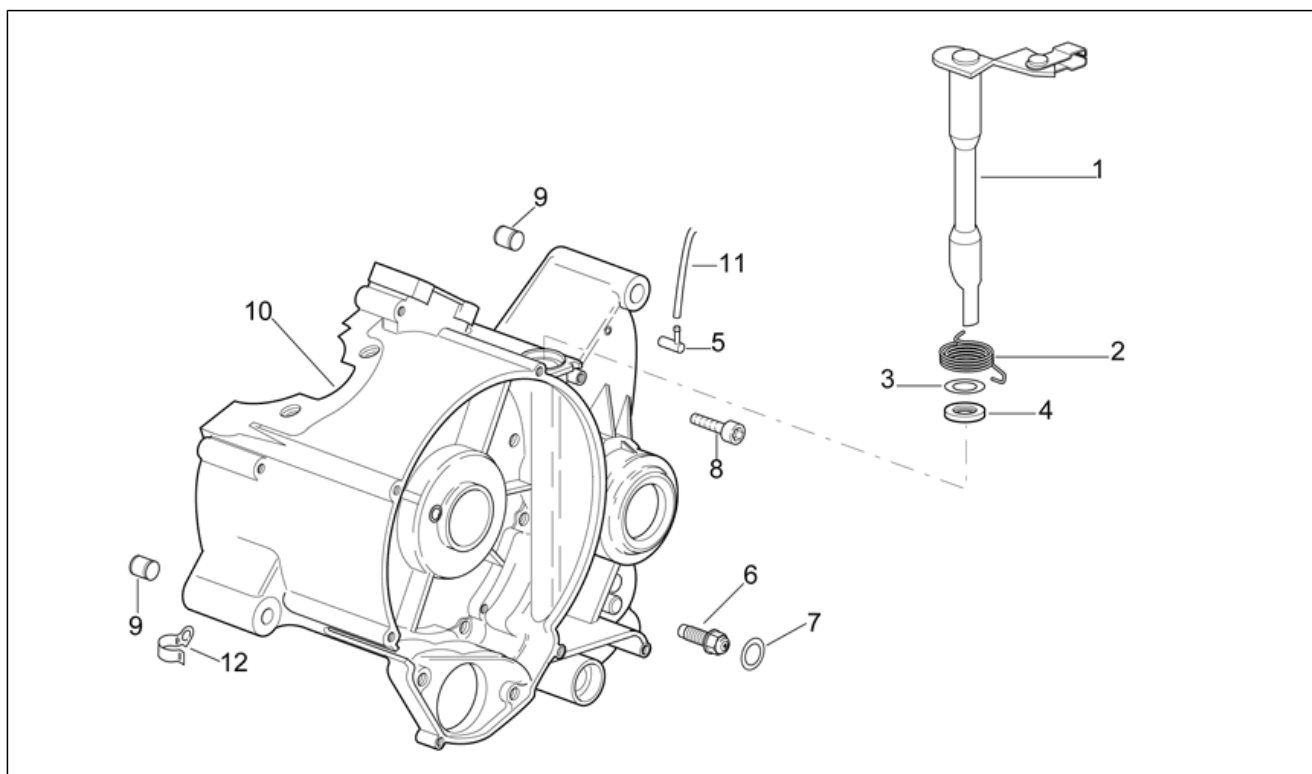
Pos.	Code	Beschreibung	Menge	Varianten
1	AP8206345	Stahlscheibe blau D8,2x15x1	3	
2	AP8206277	Stahlscheibe blau D8,4x16	1	
3	AP8501467	Seegerring für Welle D8	2	
4	AP8206327	Doppeltes Freilaufgrad Z=13/24	1	
5	AP8206328	Ritzel Wasserpumpe Z=30	1	
6	AP8206309	O-Ring D12,3x2,6	1	
7	AP8206245	Ölschraube	1	
8	AP8276027	Bypass-Leitung+Schraube+Mutter	1	Technische Spezifikation: Ab Motor Nr. M3601662[M2]
8	AP8509334	Bypass-Leitung+Schraube+Mutter	1	Technische Spezifikation: Bis Motor Nr. M3601661[M1]
9	AP8502759	Dichtung D8x14	1	
10	AP8206235	Brücke	1	
11	AP8206262	O-Ring D11,8x2,4	1	
12	AP8206202	TCCE Schraube M6x12	2	
13	AP8206320	Einlaßmuffe Pumpe	1	
14	AP8206508	TCCE Schraube M6x25	2	
15	AP8502571	TCCE Schraube M6x55	1	
16	AP8206880	Kupplungsdeckel, braun	1	Land: Österreich[A] Deutschland[D] A,B,D,GR,E,F,UK,NL,P[EU] Holland[NL] Finnland[SF] Technische Spezifikation: Nationale Zulassung[PG]
16	AP8206881	Kupplungsdeckel, schwarz	1	Land: Vereinigte Staaten von Amerika[AM] Belgien[B] Brasilien[BR] Dänemark[DK] Spanien[E] A,B,D,GR,E,F,UK,NL,P[EU] Frankreich[F] [GR]Italien[I] I[II] Israel[IL] Japan[J] J[JJ] Portugal[P] Rep. Korea[ROK] Großbritannien[UK] Vereinigte Staaten von Amerika[USA] Technische Spezifikation: Nationale Zulassung[PG]
16	AP8206978	Kupplungsdeckel, grün	1	Technische Spezifikation: EU-Zulassung (Rahmen ZD4SE) [SE] EU-Zulassung (Rahmen ZD4TS)[TS]
16	AP8276001	Kupplungsdeckel, d.rot	1	Technische Spezifikation: EU-Zulassung (Rahmen ZD4SE) [SE] EU-Zulassung (Rahmen ZD4TS)[TS]
17	AP8502758	Dichtung D6x12	1	

Einheit	MOTOR
Code	29.46
Beschreibung	Kupplungsdeckel
Inspektion	1



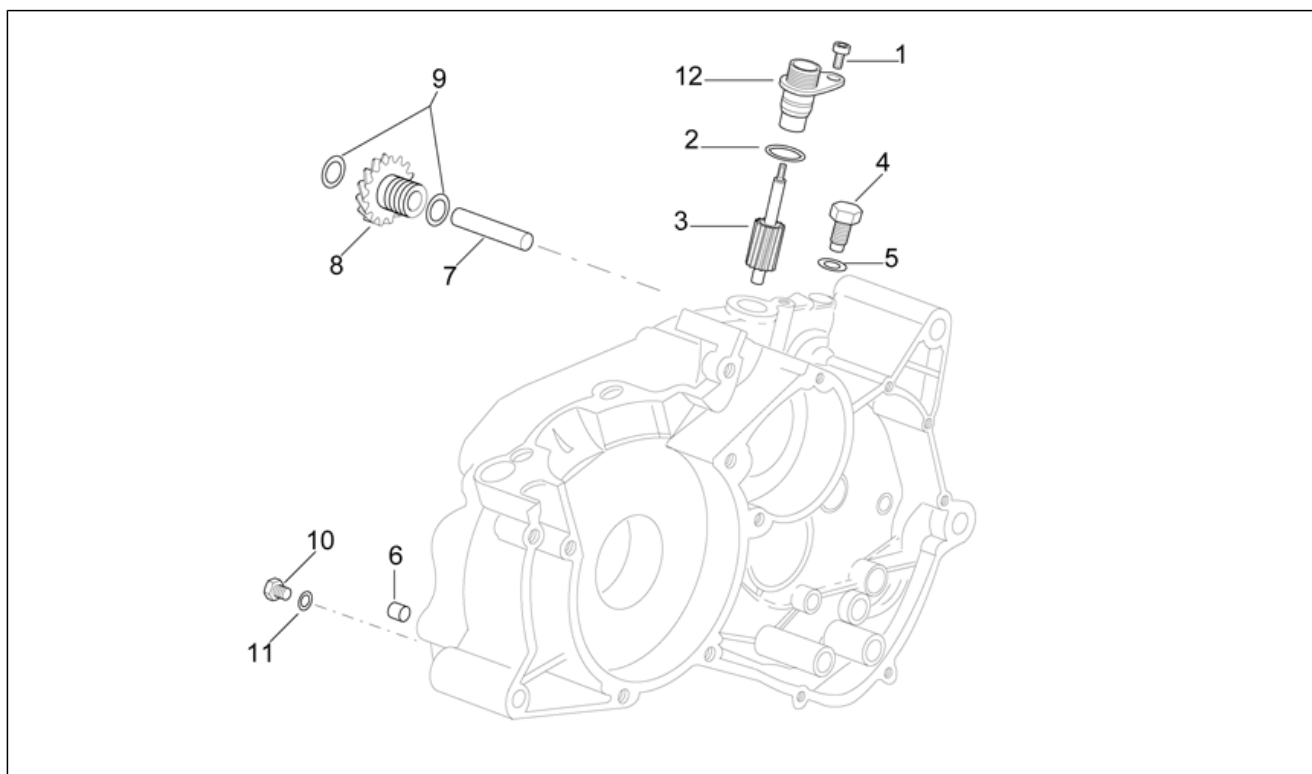
Pos.	Code	Beschreibung	Menge	Varianten
18	AP8206649	Wasserpumpenkörper, grau	1	
19	AP8206334	Dichtung Wasserpumpenkörper	1	
20	AP8206338	Rolle D4x10	2	
21	AP8206335	Bolzen Wasserpumpe+Läufer	1	
22	AP8508669	Rolle D3x21,8	1	
23	AP8509130	Ölabstreifring D10X18X4	1	
24	AP8502566	TCCE Schraube M6x30	7	
25	AP8502555	Linsenschraube+Schaft M6x6	1	
26	AP8206719	Kupplungsdeckel + Stift	1	Technische Spezifikation: Nationale Zulassung[PG]
26	AP8206719	Kupplungsdeckel + Stift	1	Technische Spezifikation: Bis Motor Nr. M3601661[M1] EU-Zulassung (Rahmen ZD4SE)[SE] EU-Zulassung (Rahmen ZD4TS)[TS]
26	AP8276005	Kupplungsdeckel + Stift	1	Technische Spezifikation: Ab Motor Nr. M3601662[M2] EU-Zulassung (Rahmen ZD4SE)[SE] EU-Zulassung (Rahmen ZD4TS)[TS]

Einheit	MOTOR
Code	29.47
Beschreibung	Rechtes gehäuse
Inspektion	1



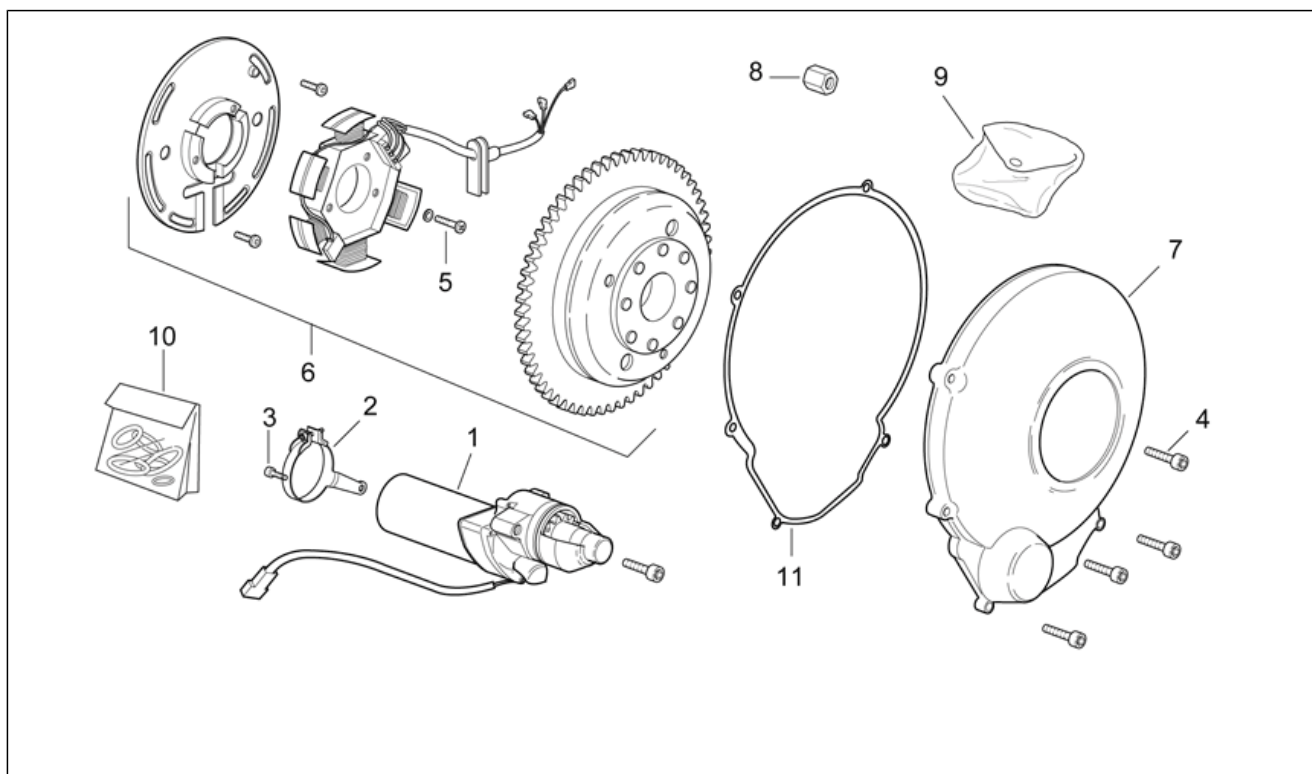
Pos.	Code	Beschreibung	Menge	Varianten
1	AP8206257	Kupplungshebel	1	
2	AP8206259	Rückholfeder Kupplungsfeder	1	
3	AP8206875	Ausgleichscheibe D14x26x0,5	1	
4	AP8509179	Ölabstreifring D15x24x5	1	
5	AP8206876	Anschluß für Ölablaß	1	
6	AP8206296	Schalter Lerrlkrtr. + Dchtg.	1	
7	AP8206288	Dichtung 9,9x16x1	1	
8	AP8206276	TCCE Schraube M6x40	13	
9	AP8206295	Stift Gehäuse D11,5x12	2	
10	AP8206603	Kurbelgehäuse	1	Technische Spezifikation: Nationale Zulassung[PG]
10	AP8206603	Kurbelgehäuse	1	Technische Spezifikation: Version mit Beschränkung 60 km/h[60km] Version mit voller Leistung[f.p.] EU-Zulassung (Rahmen ZD4TS)[TS]
10	AP8206973	Kurbelgehäuse	1	Technische Spezifikation: Version mit Beschränkung 45 km/h[45km] EU-Zulassung (Rahmen ZD4SE)[SE]
11	AP8206874	Entlüftungsschlauch öl D3x5 L=450	1	
12	AP8206137	Kabelführungs	1	Technische Spezifikation: EU-Zulassung (Rahmen ZD4SE) [SE] EU-Zulassung (Rahmen ZD4TS)[TS]

Einheit	MOTOR
Code	29.48
Beschreibung	Linkes gehäuse
Inspektion	1



Pos.	Code	Beschreibung	Menge	Varianten
1	AP8206202	TCCE Schraube M6x12	2	
2	AP8206262	O-Ring D11,8x2,4	1	
3	AP8206251	Ritzel Tachowelle	1	
4	AP8502589	Arretierschraube M12x1,25	1	
5	AP8502757	Schraubendichtung D12x17x1	1	
6	AP8509209	Stift D8,51x7,6	2	
7	AP8206299	Führgzpf. Drehz.messr.	1	
8	AP8206252	Ritzel Tachowelle	1	
9	AP8206277	Stahlscheibe blau D8,4x16	2	
10	AP8502586	Ölablaßschraube M8x10	1	
11	AP8502759	Dichtung D8x14	1	
12	AP8206240	Flansch Drehzahlmesser	1	

Einheit	MOTOR
Code	29.49
Beschreibung	Zündgruppe
Inspektion	1



Pos.	Code	Beschreibung	Menge	Varianten
1	AP8212367	Startermotor	1	
2	AP8206341	Starterfixierschelle	1	
3	AP8206274	TCCE Schraube	1	
4	AP8509211	TCCE Schraube	5	
5	AP8206716	TBEI Schraube M4x10	3	
6	AP8206625	Schwungmagnetstarter	1	
7	AP8206646	Schwungraddeckel, grau	1	
8	AP8509891	Mutter M10x1,2x15	1	
9	AP8206305	Dichtungen - Satz	1	Technische Spezifikation: Bis Motor Nr. MY500618[<500618]
9	AP8206951	Dichtungen - Satz	1	Technische Spezifikation: Ab Motor Nr. MY500618[>500619]
10	AP8206304	Dichtungssatz	1	
11	AP8206293	Dichtg. Schwgrdabd.	1	