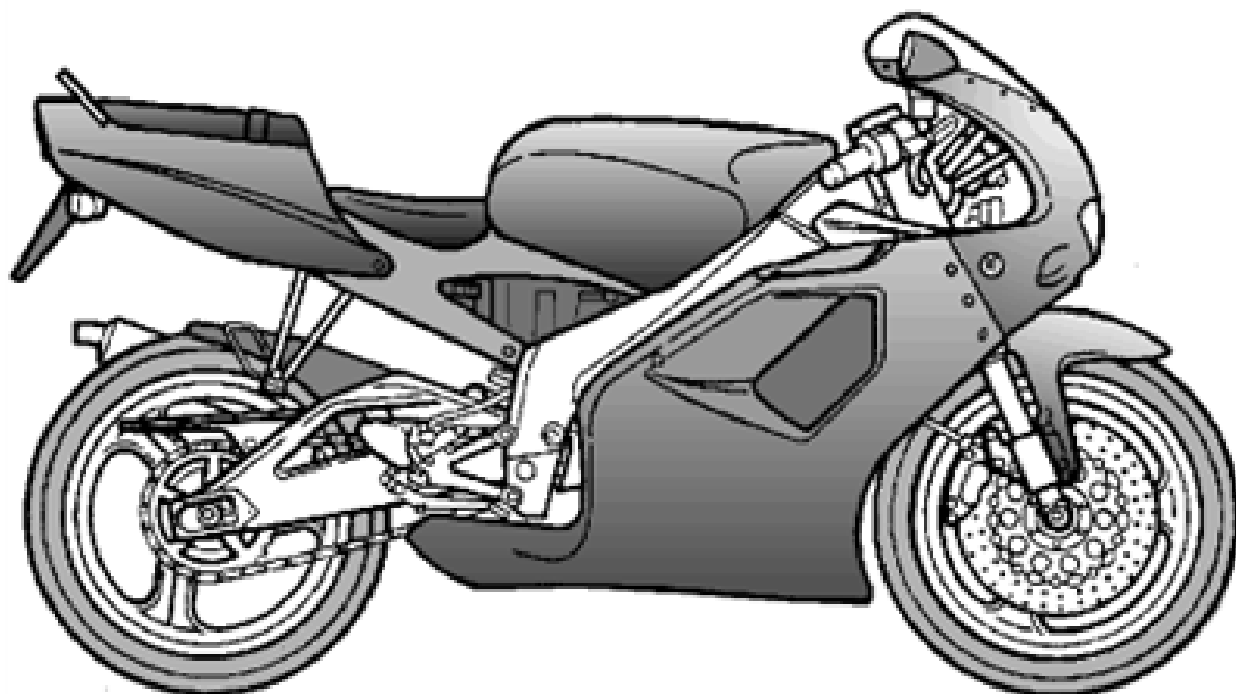


aprilia[®]

ERSATZTEILKATALOG



RS 125 1996-1998 (eng.122cc)

Vorsatzcode Fahrgestell: ZD4MP0, ZD4MPA

Vorsatzcode Motor:

Inhaltsverzeichnis

Fertige Produkte.....	3
Alphanumerisches Verzeichnis.....	7
RAHMEN.....	12
Tafel 28.01 - Rahmen.....	12
Tafel 28.02 - Aufbau.....	15
Tafel 28.03 - Lenkstange - Instrumenteneinheit.....	24
Tafel 28.04 - Hinterradaufhängung.....	27
Tafel 28.06 - Vorderrad kplt.....	29
Tafel 28.07 - Hinterrad.....	30
Tafel 28.08 - Vorderradgabel.....	34
Tafel 28.09 - Elektrische Anlage.....	35
Tafel 28.10 - Aufkleber und Deko.....	38
MOTOR.....	42
Tafel 29.05 - Motor.....	42
Tafel 29.11 - Kurbelwellengehäuse.....	46
Tafel 29.12 - Wasserpumpenritzel kplt.....	47
Tafel 29.13 - Kurbelwelle - Ausgl.rad.....	48
Tafel 29.14 - Zylind. - Kopf - Kolb.....	49
Tafel 29.15 - Vergaserstutzen.....	51
Tafel 29.16 - Zylinder -Entl.vent.....	52
Tafel 29.17 - 6-Ganggetriebe.....	53
Tafel 29.18 - Getriebebeschaltung.....	54
Tafel 29.19 - Kupplung.....	55
Tafel 29.20 - Kupplungsdeckel.....	56
Tafel 29.21 - Ölpumpe.....	57
Tafel 29.22 - Zündung.....	58
SPEZIALWERKZEUG.....	59
Tafel 31.23 - Reparaturwerkzeug I.....	59
Tafel 31.24 - Reparaturwerkzeug II.....	60

Fertige Produkte

Code	Gültigkeit
AP66200IT01	
AP66200IT02	
AP66200IT03	
AP66200IT04	
AP66200MY05	
AP66200MY06	
AP66202DE01	
AP66202DE03	
AP66202DE04	
AP66202ES03	
AP66202ES04	
AP66202IT01	
AP66202IT02	
AP66202IT03	
AP66202IT04	
AP66203IT01	
AP66203IT02	
AP66204AT01	
AP66204DE01	
AP66204DE02	
AP66204DK01	
AP66204DK02	
AP66204ES01	
AP66204ES02	
AP66204FI01	
AP66204FR01	
AP66204FR02	
AP66204IT01	
AP66204IT02	
AP66205AU01	
AP66205AU02	
AP66205CH01	
AP66205CH02	
AP66205DE01	
AP66205DE02	
AP66205DK01	
AP66205DK02	
AP66205GB01	
AP66205GB02	
AP66205JP01	
AP66205SG01	
AP66205SG02	

Code	Gültigkeit
AP66210AT01	
AP66210BE01	
AP66210BE03	
AP66210BE04	
AP66210BE05	
AP66210DE01	
AP66210DE02	
AP66210DE03	
AP66210DE04	
AP66210DE05	
AP66210ES01	
AP66210ES02	
AP66210FI01	
AP66210FI02	
AP66210FI03	
AP66210FI04	
AP66210FI05	
AP66210FR01	
AP66210FR02	
AP66210FR03	
AP66210FR04	
AP66210FR05	
AP66210IT01	
AP66210IT02	
AP66210IT03	
AP66210IT04	
AP66210IT05	
AP66211AU01	
AP66211AU02	
AP66211AU03	
AP66211AU04	
AP66211AU05	
AP66211AU06	
AP66211AU07	
AP66211BE01	
AP66211BE03	
AP66211BE04	
AP66211BE05	
AP66211BE06	
AP66211BE07	
AP66211CH01	
AP66211CH02	
AP66211CH03	
AP66211CH04	
AP66211CH05	

Code	Gültigkeit
AP66211CH06	
AP66211CH07	
AP66211DE01	
AP66211DE02	
AP66211DE03	
AP66211DE04	
AP66211DE05	
AP66211DE06	
AP66211DE07	
AP66211DK01	
AP66211DK02	
AP66211DK04	
AP66211DK05	
AP66211DK06	
AP66211DK07	
AP66211EL01	
AP66211EL02	
AP66211EL03	
AP66211EL04	
AP66211EL05	
AP66211ES01	
AP66211ES02	
AP66211ES03	
AP66211ES04	
AP66211ES05	
AP66211ES06	
AP66211ES07	
AP66211GB01	
AP66211GB02	
AP66211GB03	
AP66211GB04	
AP66211GB05	
AP66211GB06	
AP66211GB07	
AP66211JP01	
AP66211JP03	
AP66211JP04	
AP66211JP05	
AP66211JP06	
AP66211NL01	
AP66211NL02	
AP66211NL03	
AP66211NL04	
AP66211NL05	
AP66211NL06	

Code	Gültigkeit
AP66211NL07	
AP66211PT01	
AP66211PT02	
AP66211PT03	
AP66211PT04	
AP66211PT05	
AP66211PT06	
AP66211PT07	
AP66211SG01	
AP66211SG03	
AP66211SG04	
AP7106242	
AP7106280	
AP7999003	

Code	Nr. der Tafel	Pos.	Code	Nr. der Tafel	Pos.	Code	Nr. der Tafel	Pos.
0000000	28.06	9	AP0236062	29.17	19	AP0256400	29.21	2
0000000	28.07	12	AP0236063	29.17	19	AP0256410	29.21	3
0000000	29.19	22	AP0236064	29.17	19	AP0258113	29.18	8
AP0210345	29.22	17	AP0237912	29.12	3	AP0258123	29.18	7
AP0210795	29.14	17	AP0237945	29.13	11	AP0258135	29.18	5
AP0211403	29.20	1	AP0239052	29.16	8	AP0258200	29.18	9
AP0211405	29.20	1	AP0239241	29.18	15	AP0258305	29.18	1
AP0211440	29.21	10	AP0239252	29.18	19	AP0259053	29.19	7
AP0211455	29.22	18	AP0239265	29.19	14	AP0259165	29.19	11
AP0215670	29.14	17	AP0239270	29.19	19	AP0259325	29.20	3
AP0216135	29.14	18	AP0239625	29.19	10	AP0259420	29.19	12
AP0216139	29.14	18	AP0239907	29.20	7	AP0259470	29.19	9
AP0220134	29.19	17	AP0239950	29.14	11	AP0259557	29.19	8
AP0220280	29.17	8	AP0240081	29.16	18	AP0259570	29.19	6
AP0220295	29.18	18	AP0240195	29.14	13	AP0260030	29.21	6
AP0220300	29.17	1	AP0240820	29.20	13	AP0260840	29.22	10
AP0222120	29.14	9	AP0240860	31.23	23	AP0265157	29.22	5
AP0222122	29.14	9	AP0241236	29.16	23	AP0265402	29.22	11
AP0222175	29.14	10	AP0241236	31.23	13	AP0265405	29.22	11
AP0222182	29.12	1	AP0241270	29.12	9	AP0265415	29.22	12
AP0222195	29.12	6	AP0241381	29.11	18	AP0267915	29.15	6
AP0222202	29.14	12	AP0241770	29.19	13	AP0267917	29.15	6
AP0223384	29.14	4	AP0241782	29.20	16	AP0273970	29.16	16
AP0223389	29.14	4	AP0241791	29.20	4	AP0276025	31.24	9
AP0223398	29.14	8	AP0241801	29.20	14	AP0276040	31.23	7
AP0223618	29.14	2	AP0241821	29.11	16	AP0276370	31.23	15
AP0223618	29.16	2	AP0241821	29.18	16	AP0276372	31.23	18
AP0223990	29.14	2	AP0241930	29.14	15	AP0276380	31.23	14
AP0224067	29.16	17	AP0241930	29.16	12	AP0276382	31.23	17
AP0224260	29.11	3	AP0242091	31.23	16	AP0276502	31.23	3
AP0224387	29.15	2	AP0242206	29.14	20	AP0276662	31.24	8
AP0224388	29.15	2	AP0242206	31.23	19	AP0276770	31.23	4
AP0224430	29.15	3	AP0242206	31.24	6	AP0277100	31.24	2
AP0227280	29.13	13	AP0242211	31.23	24	AP0277107	31.24	22
AP0227280	29.19	2	AP0242515	29.13	5	AP0277110	31.24	5
AP0227325	29.11	21	AP0242515	29.22	8	AP0277180	31.23	8
AP0227430	29.17	16	AP0242700	31.23	20	AP0277215	31.23	1
AP0227450	29.18	22	AP0244100	29.17	14	AP0277440	31.23	22
AP0227710	29.18	14	AP0244585	29.19	16	AP0277445	31.23	21
AP0227945	29.20	6	AP0245570	29.18	10	AP0277450	31.23	10
AP0227945	29.22	1	AP0245650	29.13	9	AP0277455	31.23	9
AP0228220	29.19	18	AP0245650	29.17	18	AP0277460	31.23	12
AP0228250	29.11	22	AP0245730	29.17	4	AP0277470	31.23	11
AP0229280	29.12	4	AP0245790	29.18	3	AP0277875	31.23	2
AP0229380	29.11	2	AP0246570	29.13	8	AP0277917	31.24	1
AP0229380	29.12	11	AP0247555	29.11	7	AP0277970	31.23	5
AP0229390	29.18	6	AP0248325	29.18	13	AP0281210	29.17	21
AP0230195	29.12	2	AP0248365	29.19	20	AP0293314	31.24	21
AP0230415	29.11	15	AP0250160	29.14	3	AP0293318	31.24	20
AP0230425	29.11	10	AP0250205	29.20	10	AP0293417	29.12	13
AP0230810	29.16	6	AP0250271	29.16	15	AP0294735	29.21	1
AP0230880	29.16	5	AP0250280	29.14	14	AP0294747	29.14	16
AP0232150	29.20	2	AP0250311	29.16	13	AP0294748	29.14	16
AP0232275	29.11	4	AP0250311	31.24	4	AP0294755	29.14	16
AP0232291	29.11	8	AP0250455	29.20	9	AP0294800	29.22	15
AP0232291	29.13	10	AP0250521	29.15	1	AP0294810	29.22	2
AP0232340	29.13	12	AP0250641	29.20	15	AP0295360	29.22	20
AP0232402	29.18	2	AP0250890	29.20	12	AP0295365	29.22	20
AP0232742	29.17	2	AP0250890	29.21	7	AP0295373	29.13	1
AP0232742	29.19	4	AP0250975	29.16	7	AP0295374	29.13	17
AP0232765	29.11	12	AP0251080	29.21	4	AP0295385	29.11	1
AP0234415	29.12	7	AP0251850	29.15	8	AP0295388	29.11	1
AP0234431	29.13	7	AP0253373	29.16	19	AP0295400	29.19	5
AP0234858	29.17	12	AP0253465	29.16	4	AP0295406	29.19	5
AP0234968	29.17	9	AP0253500	29.16	20	AP0295670	29.22	3
AP0234984	29.17	11	AP0253722	29.16	3	AP0295677	29.22	4
AP0236061	29.17	19	AP0256037	29.21	5	AP0297386	29.11	20

Code	Nr. der Tafel	Pos.	Code	Nr. der Tafel	Pos.	Code	Nr. der Tafel	Pos.
AP0297386	29.22	22	AP0899785	29.22	19	AP8102685	28.10	12
AP0297386	31.24	18	AP0899785	31.24	16	AP8102704	28.01	33
AP0297431	29.13	18	AP0899788	29.11	19	AP8102705	28.02	23
AP0297431	29.16	24	AP0899788	29.11	25	AP8102706	28.02	24
AP0297431	29.17	20	AP0899788	29.13	19	AP8102798	28.01	2
AP0297431	31.24	14	AP0899788	29.15	9	AP8102801	28.02	25
AP0297745	29.16	9	AP0899788	29.22	16	AP8102802	28.02	8
AP0297830	29.22	14	AP0899788	31.24	17	AP8102849	28.10	12
AP0427590	29.13	3	AP0924150	29.11	6	AP8103235	28.08	25
AP0427591	29.13	3	AP0930675	29.11	11	AP8106013	29.05	3
AP0427690	29.18	20	AP0930725	29.20	17	AP8106194	29.05	2
AP0430060	29.12	8	AP0932028	29.13	16	AP8106266	29.15	2
AP0430460	29.13	6	AP0932032	29.11	9	AP8106304	29.05	1
AP0430460	29.17	17	AP0932588	29.13	2	AP8106314	29.05	2
AP0430782	29.14	7	AP0940065	29.14	6	AP8106314	29.05	2
AP0613100	29.14	8	AP0940235	29.15	5	AP8106314	29.05	2
AP0632010	29.11	5	AP0940315	29.13	14	AP8106315	29.05	11
AP0632060	29.18	4	AP0940315	29.19	3	AP8106316	29.05	32
AP0634035	29.12	10	AP0940481	29.14	6	AP8106346	29.05	37
AP0634055	29.19	15	AP0940590	31.24	3	AP8106349	29.05	1
AP0634065	29.17	15	AP0940755	31.24	12	AP8106365	29.14	2
AP0634085	29.17	7	AP0940786	29.11	13	AP8106397	29.05	2
AP0634095	29.17	5	AP0941925	29.22	9	AP8106398	29.05	1
AP0634105	29.17	6	AP0942671	29.16	14	AP8106431	29.14	16
AP0634115	29.17	10	AP0942671	29.20	5	AP8106432	29.14	16
AP0634125	29.17	3	AP0945635	29.14	19	AP8106433	29.14	16
AP0634135	29.17	13	AP0945752	29.14	5	AP8106435	29.05	2
AP0634175	29.19	1	AP0945754	29.13	4	AP8106436	29.05	1
AP0640190	29.11	17	AP0945754	29.22	7	AP8106520	29.05	37
AP0650095	29.14	1	AP0945758	29.15	4	AP8106548	29.05	1
AP0650095	29.16	1	AP0977490	31.24	10	AP8106549	29.05	1
AP0650096	29.14	1	AP8101106	28.08	6	AP8106550	29.05	2
AP0650096	29.16	1	AP8101271	28.08	9	AP8106558	29.05	1
AP0650097	29.14	1	AP8101284	29.05	26	AP8107045	28.07	41
AP0650097	29.16	1	AP8101285	29.05	27	AP8107090	28.07	3
AP0650130	29.11	14	AP8101341	28.04	3	AP8107110	28.07	41
AP0827261	29.18	21	AP8101744	28.06	7	AP8107110	28.07	41
AP0827305	29.18	11	AP8101744	28.07	2	AP8107116	28.07	3
AP0827307	29.18	17	AP8101819	28.06	8	AP8107121	28.07	41
AP0827590	29.12	5	AP8101910	28.01	38	AP8107135	28.07	38
AP0827961	29.16	21	AP8101912	28.01	37	AP8107135	28.07	38
AP0840510	29.21	8	AP8101916	28.01	41	AP8107140	28.07	38
AP0840511	29.21	11	AP8101924	28.01	49	AP8108564	28.06	1
AP0840681	31.24	13	AP8101944	28.01	62	AP8108565	28.07	1
AP0840861	29.15	7	AP8101945	28.04	14	AP8108619	28.06	1
AP0840861	29.16	22	AP8102080	29.05	12	AP8108621	28.07	1
AP0840880	29.11	23	AP8102106	28.02	32	AP8110024	28.08	8
AP0840880	29.18	12	AP8102112	28.01	23	AP8110025	28.08	7
AP0840880	29.20	11	AP8102118	28.01	36	AP8110053	29.05	10
AP0840880	29.22	6	AP8102223	28.01	63	AP8110063	28.04	20
AP0841685	29.20	8	AP8102224	28.01	61	AP8110064	28.04	13
AP0845020	29.16	11	AP8102228	28.02	2	AP8110067	28.04	4
AP0847160	31.24	7	AP8102233	28.02	42	AP8112176	28.09	13
AP0853840	29.21	9	AP8102296	28.07	4	AP8112244	28.09	15
AP0860460	29.16	10	AP8102341	28.02	20	AP8112290	28.09	24
AP0866708	29.22	13	AP8102361	28.02	10	AP8112413	28.09	23
AP0876298	31.24	11	AP8102375	28.02	64	AP8112458	28.09	28
AP0876973	31.23	6	AP8102432	29.05	29	AP8112460	28.09	32
AP0897055	29.22	14	AP8102502	28.01	52	AP8112523	28.09	17
AP0897161	29.12	12	AP8102512	28.03	46	AP8112567	28.09	42
AP0897161	29.22	21	AP8102579	28.03	3	AP8112568	28.09	43
AP0897161	31.24	15	AP8102603	28.02	51	AP8112599	28.09	29
AP0897330	31.24	19	AP8102632	28.02	23	AP8112612	28.09	43
AP0899785	29.11	24	AP8102633	28.02	24	AP8112659	28.09	43
AP0899785	29.13	15	AP8102660	28.03	3	AP8112687	28.09	3
AP0899785	29.19	21	AP8102682	28.10	12	AP8112710	28.03	27
AP0899785	29.21	12	AP8102683	28.10	12	AP8112756	28.09	8

Code	Nr. der Tafel	Pos.
AP8112802	28.03	10
AP8112811	28.09	12
AP8112906	28.09	21
AP8112916	28.09	11
AP8112942	28.09	14
AP8112961	28.09	4
AP8113003	28.03	13
AP8113003	28.07	20
AP8113004	28.03	14
AP8113004	28.07	21
AP8113006	28.06	12
AP8113006	28.07	40
AP8113117	28.07	39
AP8113198	28.07	47
AP8113237	28.07	18
AP8113241	28.03	44
AP8113254	28.07	42
AP8113254	28.07	42
AP8113280	28.03	44
AP8113309	28.06	13
AP8113310	28.06	15
AP8113322	28.07	44
AP8113322	28.07	44
AP8113366	28.07	44
AP8113439	28.03	39
AP8113489	28.06	14
AP8113509	28.03	15
AP8113510	28.07	19
AP8113530	28.06	11
AP8113567	28.06	10
AP8113596	28.07	35
AP8113602	28.07	37
AP8113617	28.03	16
AP8113628	28.07	18
AP8113651	28.07	36
AP8114320	28.03	26
AP8114321	28.03	22
AP8114331	28.03	25
AP8114334	28.03	21
AP8118233	28.03	8
AP8118287	28.03	5
AP8118287	28.03	5
AP8118307	28.03	4
AP8118307	28.03	4
AP8118308	28.03	9
AP8118324	28.03	2
AP8118343	28.03	1
AP8118409	28.03	24
AP8118409	28.03	24
AP8118432	28.03	7
AP8118439	28.03	6
AP8118460	28.03	41
AP8118493	28.03	4
AP8118497	28.03	5
AP8119375	29.05	22
AP8119375	29.05	22
AP8119383	29.05	23
AP8119383	29.05	23
AP8119387	29.05	37
AP8119402	29.05	37
AP8119417	29.05	22
AP8119418	29.05	23
AP8119418	29.05	23
AP8119434	29.05	22
AP8119467	29.05	22
AP8119468	29.05	22
AP8119469	29.05	36

Code	Nr. der Tafel	Pos.
AP8120030	28.01	44
AP8120177	28.02	43
AP8120218	28.09	36
AP8120223	28.02	40
AP8120275	28.01	34
AP8120280	28.04	7
AP8120405	28.09	44
AP8120405	29.05	19
AP8120422	29.05	37
AP8120467	28.03	23
AP8120485	28.04	11
AP8120502	28.01	29
AP8120508	28.01	50
AP8120531	28.02	33
AP8120557	28.02	19
AP8120568	28.01	11
AP8120569	28.01	31
AP8120573	28.01	25
AP8120582	28.09	18
AP8120598	28.02	49
AP8120670	28.01	57
AP8120699	28.02	15
AP8120702	28.02	9
AP8120708	28.02	52
AP8120708	29.05	18
AP8120709	28.02	12
AP8120712	28.02	48
AP8120721	28.09	9
AP8120748	29.05	14
AP8120754	28.09	12
AP8120754	28.09	14
AP8120783	29.05	13
AP8120786	28.01	53
AP8120787	28.01	39
AP8120790	28.01	35
AP8120792	28.07	10
AP8120793	28.04	15
AP8120794	28.04	16
AP8120796	28.02	14
AP8120806	28.07	31
AP8120807	28.07	30
AP8120810	29.05	13
AP8120812	29.05	28
AP8120815	28.02	5
AP8120852	29.05	37
AP8120910	29.05	21
AP8120946	28.01	40
AP8120965	28.02	34
AP8121058	29.05	20
AP8121091	29.05	24
AP8121114	28.01	28
AP8121114	28.02	26
AP8121118	28.07	27
AP8121121	28.04	5
AP8121133	28.01	58
AP8121134	28.01	17
AP8121135	28.01	16
AP8121147	28.07	24
AP8121147	29.05	5
AP8121150	28.01	8
AP8121156	28.01	7
AP8121157	28.06	2
AP8121163	29.05	7
AP8121284	28.07	25
AP8121284	29.05	6
AP8121303	28.02	51
AP8121672	28.01	10

Code	Nr. der Tafel	Pos.
AP8121695	28.01	30
AP8121696	28.01	13
AP8121697	28.07	33
AP8121697	29.05	30
AP8121728	28.01	51
AP8121736	28.09	45
AP8121764	28.01	56
AP8121795	28.09	10
AP8121798	28.09	38
AP8121803	28.02	3
AP8121819	28.02	7
AP8121825	29.05	37
AP8121835	28.07	26
AP8121845	28.04	25
AP8121846	28.04	21
AP8121847	28.04	24
AP8121852	28.07	22
AP8121867	28.02	62
AP8121890	29.05	37
AP8121892	28.03	43
AP8121939	28.01	18
AP8121940	28.01	19
AP8123191	28.08	19
AP8123199	28.08	26
AP8123203	28.08	21
AP8123216	28.08	20
AP8123256	28.08	24
AP8123315	28.08	22
AP8123316	28.08	12
AP8123357	28.08	15
AP8123441	28.08	14
AP8123514	28.08	11
AP8123553	28.03	18
AP8123632	28.08	17
AP8123633	28.08	16
AP8123663	28.04	8
AP8123663	28.04	8
AP8123666	28.08	3
AP8123676	28.04	8
AP8123691	28.08	18
AP8123692	28.08	10
AP8123693	28.08	1
AP8123777	28.08	23
AP8124006	28.09	37
AP8124075	28.09	7
AP8124116	28.09	1
AP8124117	28.09	16
AP8124119	28.09	6
AP8124141	28.09	33
AP8124145	28.03	17
AP8124152	28.03	20
AP8124173	28.03	28
AP8124174	28.09	4
AP8124194	28.03	50
AP8124195	28.03	42
AP8124197	28.03	12
AP8124198	28.03	32
AP8124211	28.09	1
AP8124221	29.22	11
AP8124224	28.03	30
AP8124225	28.03	29
AP8124226	28.03	49
AP8124227	28.03	34
AP8124228	28.03	33
AP8124229	28.03	37
AP8124235	28.09	2
AP8124252	28.03	47

Code	Nr. der Tafel	Pos.
AP8124253	28.03	31
AP8124254	28.03	48
AP8124255	28.03	19
AP8124399	28.09	19
AP8124467	28.03	17
AP8124479	28.07	32
AP8124486	28.03	30
AP8124487	28.09	22
AP8124531	28.03	24
AP8125388	28.06	3
AP8125418	28.06	4
AP8125469	28.06	6
AP8125627	28.04	2
AP8125628	28.07	11
AP8125631	28.07	5
AP8125635	28.07	7
AP8125636	28.07	28
AP8125637	28.07	9
AP8125638	28.07	16
AP8125639	28.07	15
AP8125644	28.06	5
AP8125645	28.07	13
AP8125646	28.07	14
AP8125646	28.07	46
AP8125647	28.07	34
AP8125660	28.06	5
AP8125661	28.06	6
AP8125662	28.06	2
AP8125663	28.07	14
AP8125664	28.07	46
AP8125666	28.07	13
AP8125667	28.07	16
AP8125668	28.07	9
AP8125763	28.07	6
AP8126356	28.02	6
AP8126385	28.02	47
AP8126501	28.02	45
AP8126510	28.02	41
AP8126538	28.02	41
AP8126613	28.02	41
AP8126666	28.02	41
AP8126670	28.02	41
AP8129118	28.02	16
AP8129118	28.02	16
AP8129154	28.02	44
AP8129154	28.02	44
AP8129190	28.02	44
AP8129191	28.02	17
AP8129191	28.02	17
AP8129192	28.02	17
AP8129192	28.02	17
AP8129192	28.02	17
AP8129209	28.02	16
AP8129214	28.02	44
AP8129218	28.02	17
AP8129218	28.02	17
AP8129219	28.02	17
AP8129219	28.02	17
AP8129234	28.02	17
AP8129234	28.02	17
AP8129235	28.02	17
AP8129236	28.02	16
AP8131121	29.05	16
AP8131176	28.03	35
AP8131256	28.09	30
AP8131470	29.05	17
AP8131605	28.02	1
AP8131606	28.01	46
AP8131623	28.04	17

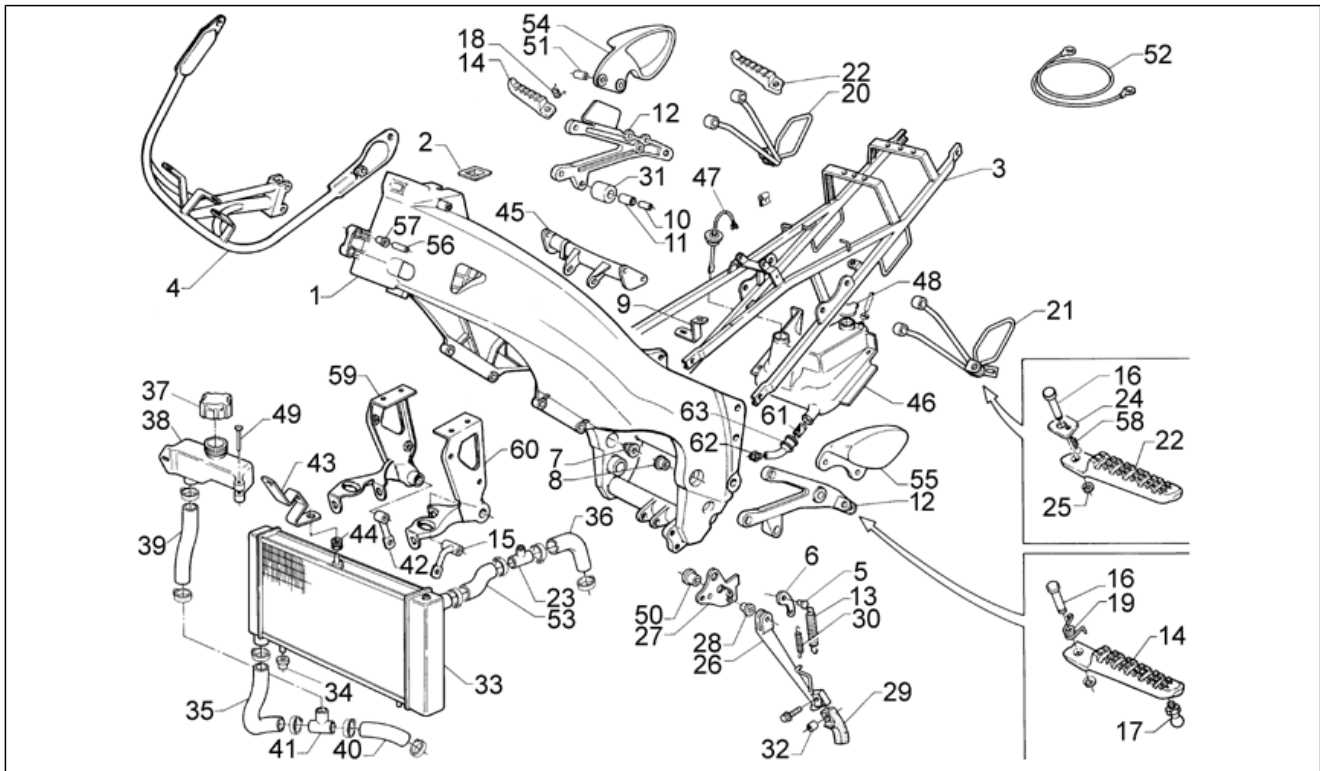
Code	Nr. der Tafel	Pos.
AP8131626	29.05	15
AP8131733	28.02	55
AP8131734	28.02	56
AP8131739	28.09	25
AP8131916	28.02	31
AP8132634	28.04	9
AP8132635	28.07	23
AP8132720	28.01	24
AP8132812	28.01	22
AP8132869	28.09	46
AP8134243	28.02	60
AP8134250	28.01	54
AP8134257	28.02	46
AP8134260	28.01	9
AP8134261	28.01	55
AP8134262	29.05	31
AP8134263	28.02	35
AP8134263	28.02	35
AP8134266	28.01	6
AP8134272	28.02	35
AP8134335	28.09	20
AP8134348	28.09	5
AP8134403	28.02	57
AP8134429	28.07	8
AP8134476	28.01	12
AP8134512	28.01	27
AP8135289	29.05	25
AP8135307	28.02	37
AP8135313	28.01	14
AP8135362	28.04	10
AP8135396	28.04	12
AP8135403	28.01	43
AP8135444	28.01	20
AP8135445	28.01	21
AP8135448	28.09	35
AP8135464	28.01	27
AP8135464	28.01	27
AP8135492	29.05	35
AP8135718	28.01	45
AP8135719	28.01	59
AP8135720	28.01	60
AP8135726	29.05	8
AP8135785	28.01	4
AP8135786	28.01	42
AP8135787	28.01	15
AP8135858	28.01	26
AP8135942	28.01	3
AP8135961	28.04	1
AP8135973	28.02	58
AP8135973	28.02	58
AP8135998	28.01	1
AP8137626	28.10	8
AP8137626	28.10	8
AP8137627	28.10	9
AP8137627	28.10	9
AP8137646	28.09	26
AP8137647	28.09	27
AP8137735	28.10	7
AP8137735	28.10	7
AP8137877	28.10	6
AP8138083	28.02	53
AP8138085	28.02	36
AP8138302	28.02	22
AP8138303	28.02	50
AP8138304	28.02	38
AP8138460	28.02	28
AP8138462	28.02	54

Code	Nr. der Tafel	Pos.
AP8138469	28.02	30
AP8138482	28.02	29
AP8138484	28.02	28
AP8138484	28.02	28
AP8138485	28.02	54
AP8138485	28.02	54
AP8138547	28.02	27
AP8138655	28.02	13
AP8138656	28.02	29
AP8138657	28.02	28
AP8138658	28.02	27
AP8138659	28.02	21
AP8138681	28.02	53
AP8138682	28.02	54
AP8138683	28.02	36
AP8138686	29.05	17
AP8138707	28.02	13
AP8138760	28.02	21
AP8139049	28.02	53
AP8139050	28.02	54
AP8139050	28.02	54
AP8139051	28.02	36
AP8139067	28.02	54
AP8139071	28.02	13
AP8139072	28.02	27
AP8139073	28.02	28
AP8139073	28.02	28
AP8139075	28.02	29
AP8139076	28.02	21
AP8139086	28.02	13
AP8139106	28.02	28
AP8139406	28.02	27
AP8139407	28.02	27
AP8139436	28.02	13
AP8139437	28.02	29
AP8139438	28.02	27
AP8139439	28.02	28
AP8139440	28.02	21
AP8139441	28.02	53
AP8139442	28.02	36
AP8139443	28.02	54
AP8139451	28.02	13
AP8139452	28.02	29
AP8139454	28.02	28
AP8139455	28.02	21
AP8139467	28.02	28
AP8139468	28.02	28
AP8139607	28.02	27
AP8146137	28.01	26
AP8146142	28.02	58
AP8147019	28.10	7
AP8147019	28.10	7
AP8147020	28.10	8
AP8147063	28.10	1
AP8147064	28.10	2
AP8147065	28.10	3
AP8147066	28.10	4
AP8147067	28.10	5
AP8147071	28.10	1
AP8147072	28.10	2
AP8147073	28.10	3
AP8147074	28.10	4
AP8147114	28.10	9
AP8147124	28.10	6
AP8147310	28.10	6
AP8147392	28.10	1
AP8147393	28.10	1

Code	Nr. der Tafel	Pos.
AP8147394	28.10	2
AP8147395	28.10	2
AP8147396	28.10	3
AP8147397	28.10	3
AP8147398	28.10	4
AP8147399	28.10	4
AP8147492	28.10	6
AP8147493	28.10	6
AP8147495	28.10	6
AP8147496	28.10	8
AP8147497	28.10	7
AP8147566	28.10	10
AP8147567	28.10	6
AP8147638	28.10	11
AP8147847	28.10	1
AP8147848	28.10	1
AP8147849	28.10	2
AP8147850	28.10	2
AP8147851	28.10	3
AP8147852	28.10	3
AP8147853	28.10	4
AP8147854	28.10	4
AP8150049	28.03	52
AP8150157	28.03	51
AP8150158	28.02	71
AP8150178	28.02	67
AP8150208	28.06	16
AP8150248	28.02	69
AP8150277	29.05	33
AP8150299	28.04	6
AP8150299	28.08	4
AP8150337	29.05	37
AP8150346	28.04	18
AP8150352	28.08	2
AP8150420	28.02	70
AP8150450	28.02	72
AP8152060	28.07	45
AP8152063	28.04	19
AP8152153	28.02	11
AP8152246	28.02	68
AP8152261	28.04	22
AP8152262	28.04	23
AP8152267	28.03	36
AP8152268	28.02	66
AP8152269	28.02	63
AP8152286	28.06	17
AP8152298	28.02	65
AP8152299	29.05	37
AP8201192	28.01	47
AP8201215	28.09	40
AP8201287	28.02	61
AP8201564	28.03	45
AP8203550	28.08	5
AP8203570	28.08	13
AP8210007	28.07	17
AP8210007	29.05	9
AP8212679	28.09	31
AP8212702	28.09	41
AP8213078	28.03	40
AP8213086	28.07	29
AP8213117	28.07	42
AP8218077	28.03	11
AP8220154	28.01	48
AP8220185	28.09	47
AP8220189	29.05	4
AP8220201	28.09	34
AP8220331	28.02	59

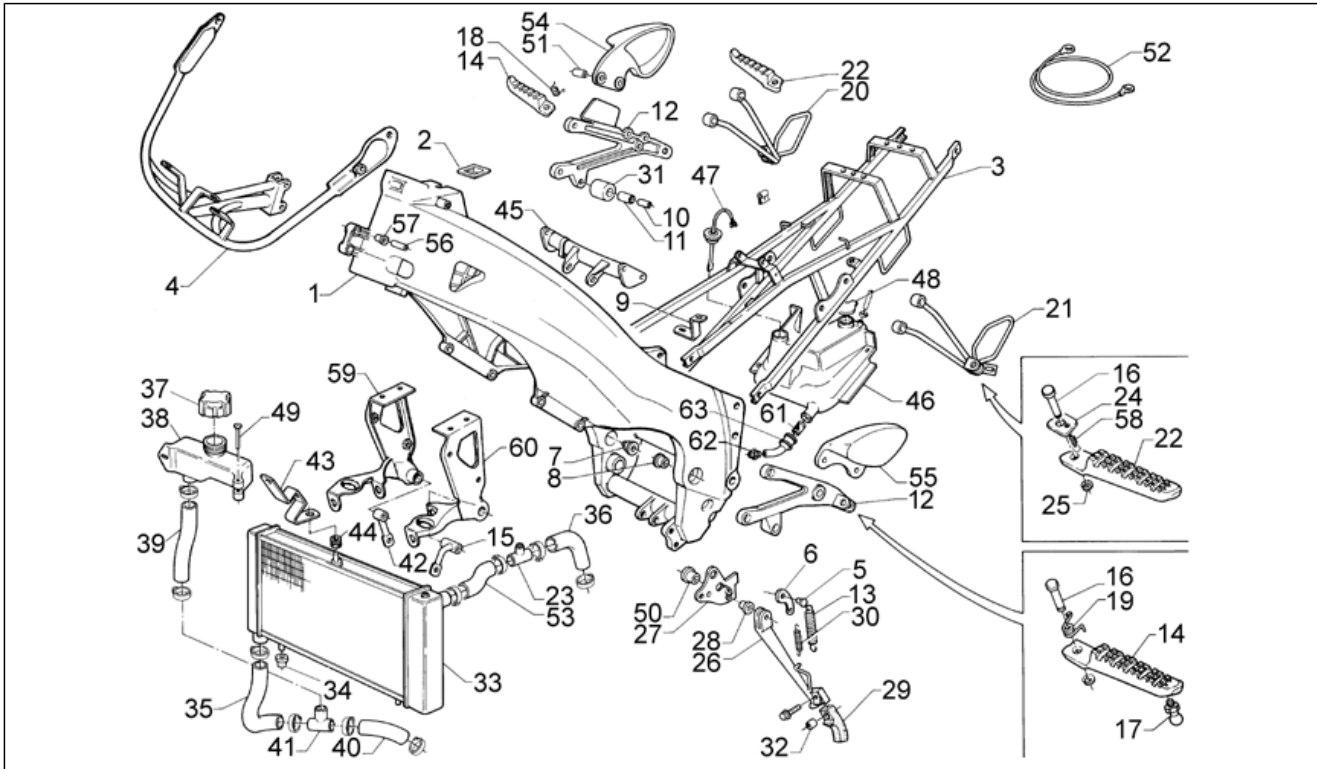
Code	Nr. der Tafel	Pos.
AP8220347	28.02	39
AP8220421	28.01	48
AP8221017	28.01	32
AP8221035	28.09	39
AP8221074	28.07	43
AP8221106	28.02	18
AP8221171	28.01	5
AP8221176	28.02	4
AP8232524	29.05	34

Einheit	RAHMEN
Code	28.01
Beschreibung	Rahmen
Inspektion	1



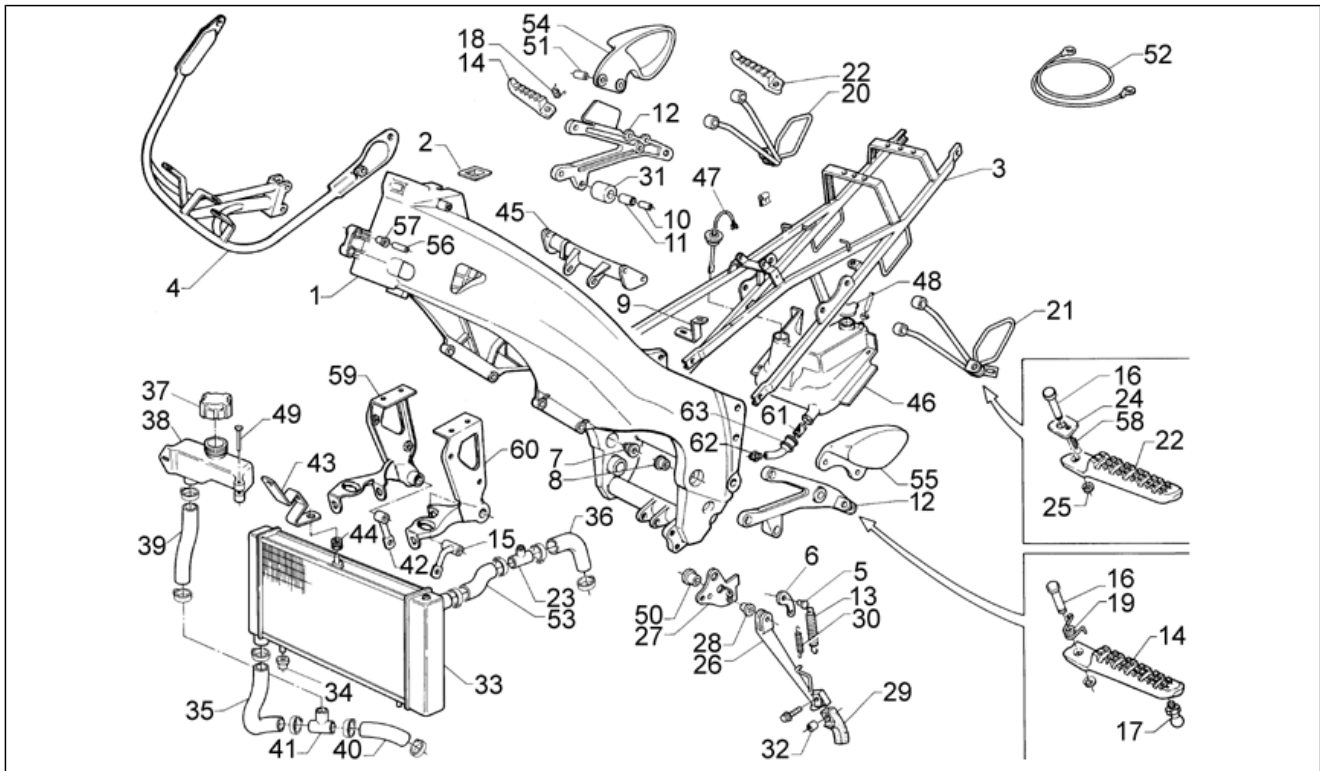
Pos.	Code	Beschreibung	Menge	Varianten
1	AP8135998	Rahmen	1	
2	AP8102798	Klammer M6	1	
3	AP8135942	Sndb. Sttlh. m. Rckstr.	1	
4	AP8135785	Rahmen	1	
5	AP8221171	Distanzscheibe *	1	
6	AP8134266	Rückholplatte Ständer	1	
7	AP8121156	Buchse	1	
8	AP8121150	Buchse 18 mm	1	
9	AP8134260	Filtergehäuse Halteplatte	1	
10	AP8121672	Distanzscheibe *	1	
11	AP8120568	Distanzscheibe *	1	
12	AP8134476	Hltr Fahrerraste-Paar	1	
13	AP8121696	Schraubenfeder *	1	
14	AP8135313	Fußrasten Fahrer (Paar)	1	
15	AP8135787	L. Motorhalter	1	
16	AP8121135	Rastenbolzen	2	
17	AP8121134	Rastenbolzen	2	
18	AP8121939	R. Fussrastenfeder	1	
19	AP8121940	L. Fussrastenfeder	1	
20	AP8135444	Halter rechte Soziusfußraste	1	
21	AP8135445	Halter linke Soziusfußraste	1	
22	AP8132812	Soziusrasten (Paar)	1	
23	AP8102112	Entlüftungsschlauch Anschluß	1	
24	AP8132720	Fixierplatte	2	
25	AP8120573	Sperring	4	
26	AP8135858	Seitenständer	1	Land:Schweiz[CH], Singapur[SGP]
26	AP8146137	Seitenständer	1	Land:Österreich[A], Deutschland[D], Dänemark[DK], Spanien[E], Frankreich[F], Griechenland[GR], Italien[I],

Einheit	RAHMEN
Code	28.01
Beschreibung	Rahmen
Inspektion	1



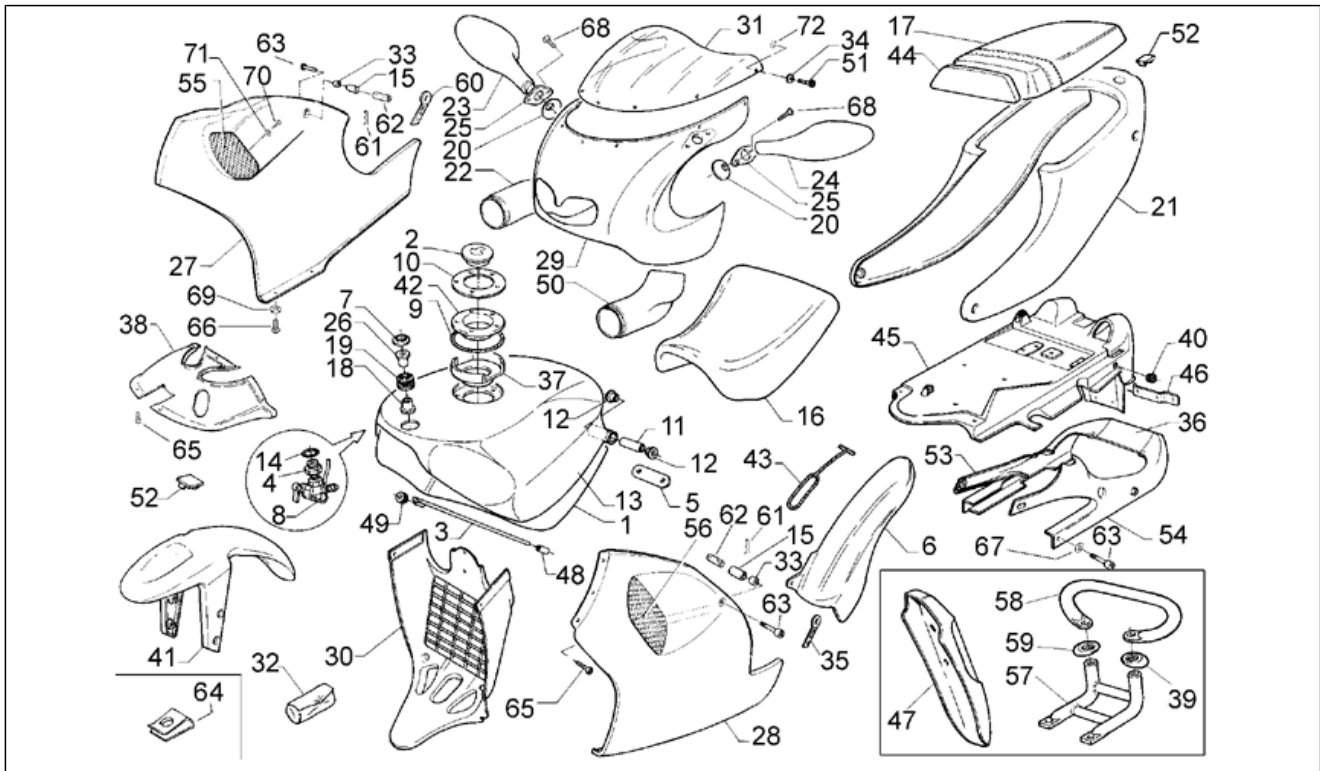
Pos.	Code	Beschreibung	Menge	Varianten
				Japan[J], Malaysia[MAL], Portugal[P], Finnland[SF], Großbritannien[UK]
27	AP8134512	Hauptständer platte	1	Baujahr: 1998[W] Land: Österreich[A], Deutschland[D], Dänemark[DK], Spanien[E], Frankreich[F], Italien[I], Japan[J], Malaysia[MAL], Finnland[SF], Großbritannien[UK]
27	AP8135464	Hauptständer platte	1	Baujahr: 1996[T], 1997[V]
27	AP8135464	Hauptständer platte	1	Baujahr: 1998[W] Land: Schweiz[CH], Singapur[SGP]
28	AP8121114	T-Buchse *	1	
29	AP8120502	Gummi RückholStänder	1	
30	AP8121695	Schraubenfeder *	1	
31	AP8120569	Kettenspannrolle	1	
32	AP8221017	Distanzscheibe	1	
33	AP8102704	Kühler	1	
34	AP8120275	Silent-Block *	2	
35	AP8120790	T-förmiger Anschluß	1	
36	AP8102118	Zylinderkopf Anschluß	1	
37	AP8101912	Kühlerschraube unbelüftet	1	
38	AP8101910	Ausdehngefäß	1	
39	AP8120787	Schlauch Ausdehngefäß	1	
40	AP8120946	Pumpen-Bolzenschlauch	1	
41	AP8101916	T-förmiger Anschluß D20	1	
42	AP8135786	Motorhitr. rechts	1	
43	AP8135403	Obere Kühlerbefestigung	1	
44	AP8120030	Gummi	1	
45	AP8135718	Rahmen V.Halterplatte	1	
46	AP8131606	Öltank	1	
47	AP8201192	Anzeige Ölreserve	1	

Einheit	RAHMEN
Code	28.01
Beschreibung	Rahmen
Inspektion	1



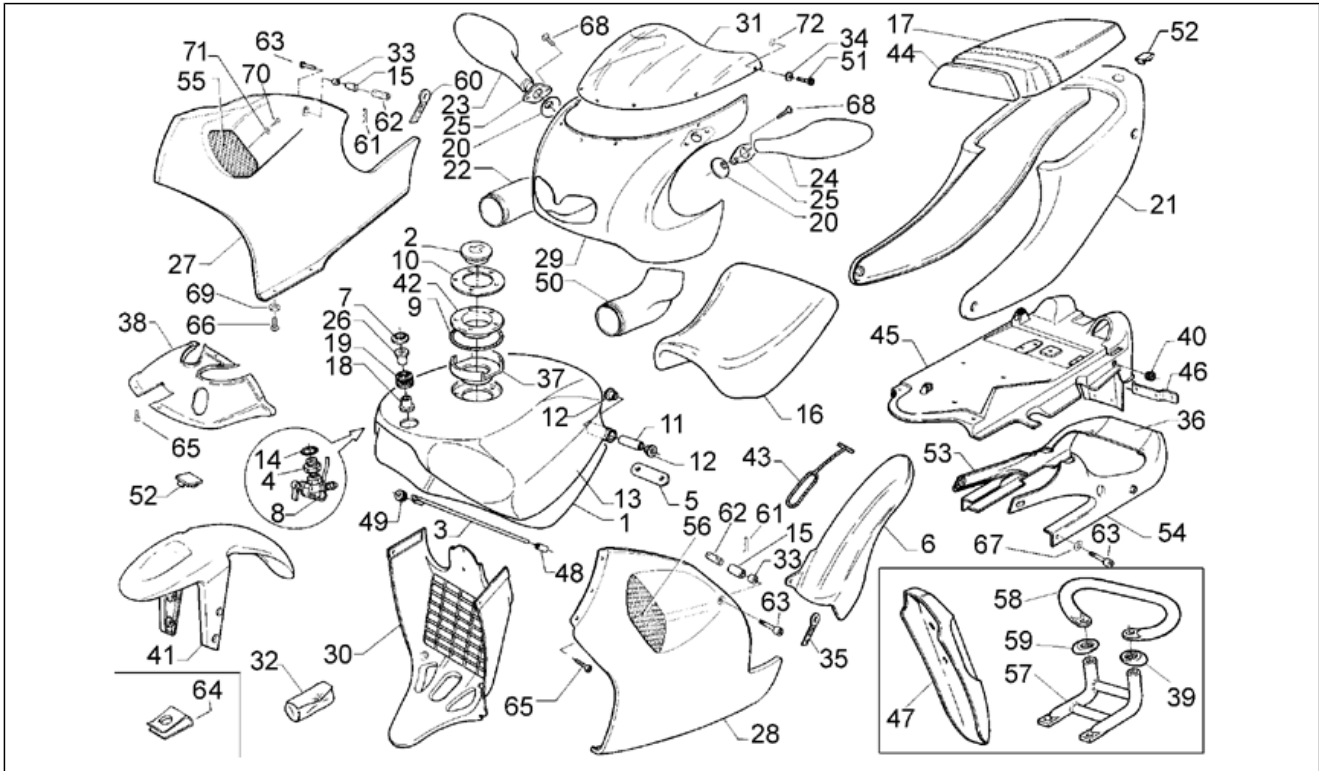
Pos.	Code	Beschreibung	Menge	Varianten
48	AP8220154	Öltankschraube	1	Baujahr:1996[T], 1997[V]
48	AP8220421	Öltankschraube	1	Baujahr:1998[W]
49	AP8101924	Durchb.Kunststoffniet	1	
50	AP8120508	T-Buchse *	1	
51	AP8121728	T-Buchse	2	
52	AP8102502	Schutzhelm-Befestigungskabel	1	
53	AP8120786	Anschlußschlauch KühlerA	1	
54	AP8134250	Fahrer Fußrastenschutz r. grau	1	
55	AP8134261	Fahrer Fußrastenschutz l. grau	1	
56	AP8121764	Distanzscheibe *	1	
57	AP8120670	Gummi *	1	
58	AP8121133	Schraubenfederkompr.	2	
59	AP8135719	Vord. Motorplatte r.	1	
60	AP8135720	Vord. Motorplatte l.	1	
61	AP8102224	Gemisch-Ölfilter	1	
62	AP8101944	2-Wege Anschluß	1	
63	AP8102223	Gummi *	1	

Einheit	RAHMEN
Code	28.02
Beschreibung	Aufbau
Inspektion	1



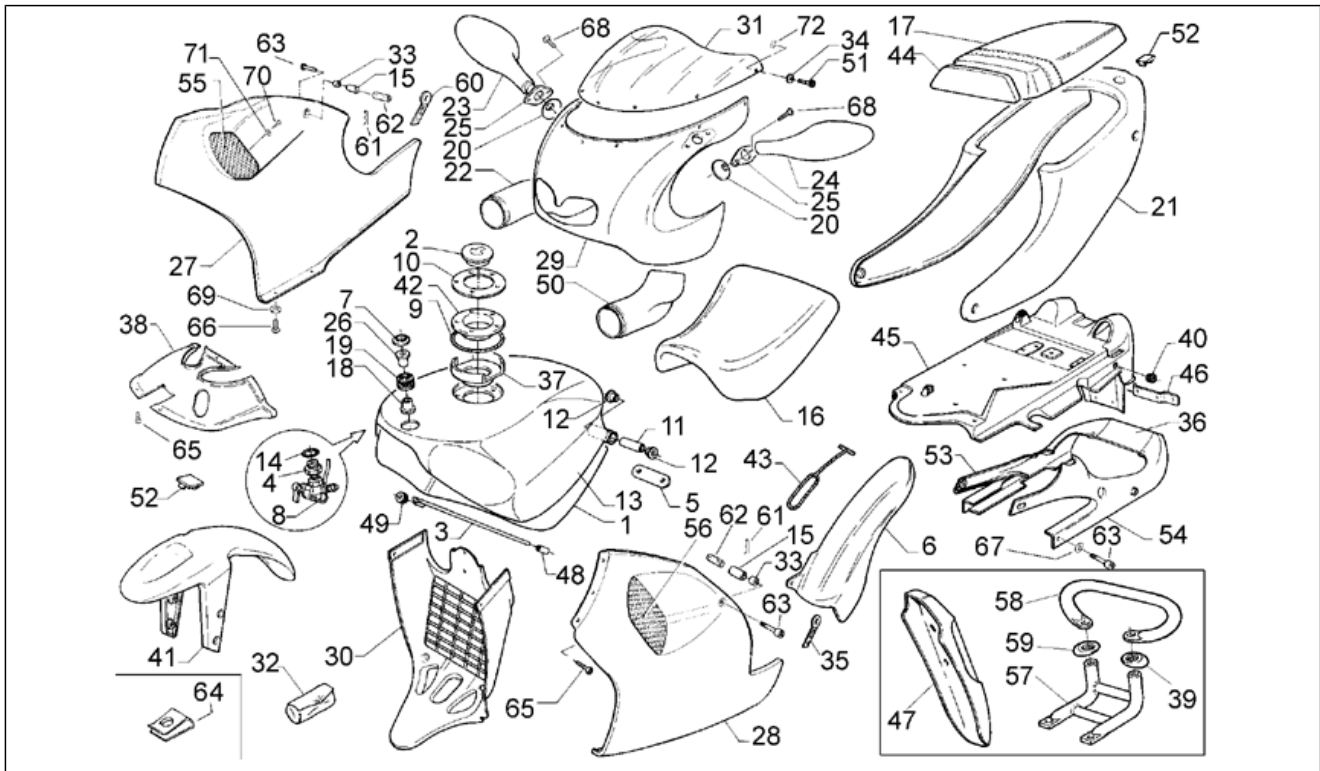
Pos.	Code	Beschreibung	Menge	Varianten
1	AP8131605	Kraftstofftank	1	
2	AP8102228	Tankschraube, chrom.	1	
3	AP8121803	Stange tanköffnung	1	
4	AP8221176	Kraftstoffhahn Anschluß	1	
5	AP8120815	Tank Distanzscheibe	1	
6	AP8126356	Schutzblech schwarz	1	
7	AP8121819	Ausgleichscheibe 6,5x12,5*	1	
8	AP8102802	Kraftstoffhahn	1	
9	AP8120702	Dichtung tankstutzen	1	
10	AP8102361	Nutm. tankverschlussschraube	1	
11	AP8152153	H. Distanzscheibe	1	
12	AP8120709	Gummi *	2	
13	AP8138655	Tankabdeckung, grau	1	Baujahr:1996[T] Fahrzeugfarbe:Grau Mirage 1996[Gr.m]
13	AP8138707	Tankabdeckung, schw/grau	1	Baujahr:1996[T] Fahrzeugfarbe:Schwarz 1996-1998[black]
13	AP8139071	Tankabdeckung, grau	1	Baujahr:1997[V] Fahrzeugfarbe:Grau Silver 1997[Gr.s]
13	AP8139086	Tankabdeckung, schwarz	1	Baujahr:1997[V] Fahrzeugfarbe:Schwarz 1996-1998[black]
13	AP8139436	Tankabdeckung, blau	1	Baujahr:1998[W] Fahrzeugfarbe:Grau/Rot/Blau Valentino Rossi 1998[rossi]
13	AP8139451	Tankabdeckung, schwarz	1	Baujahr:1998[W] Fahrzeugfarbe:Schwarz 1996-1998[black]
14	AP8120796	O-Ring 3050	1	
15	AP8120699	Röhrchen	2	
16	AP8129118	Fahrersitz, schwarz	1	Baujahr:1996[T] Fahrzeugfarbe:Grau Mirage 1996[Gr.m]
16	AP8129118	Fahrersitz, schwarz	1	Baujahr:1996[T], 1997[V], 1998[W] Fahrzeugfarbe:Schwarz 1996-1998[black]

Einheit	RAHMEN
Code	28.02
Beschreibung	Aufbau
Inspektion	1



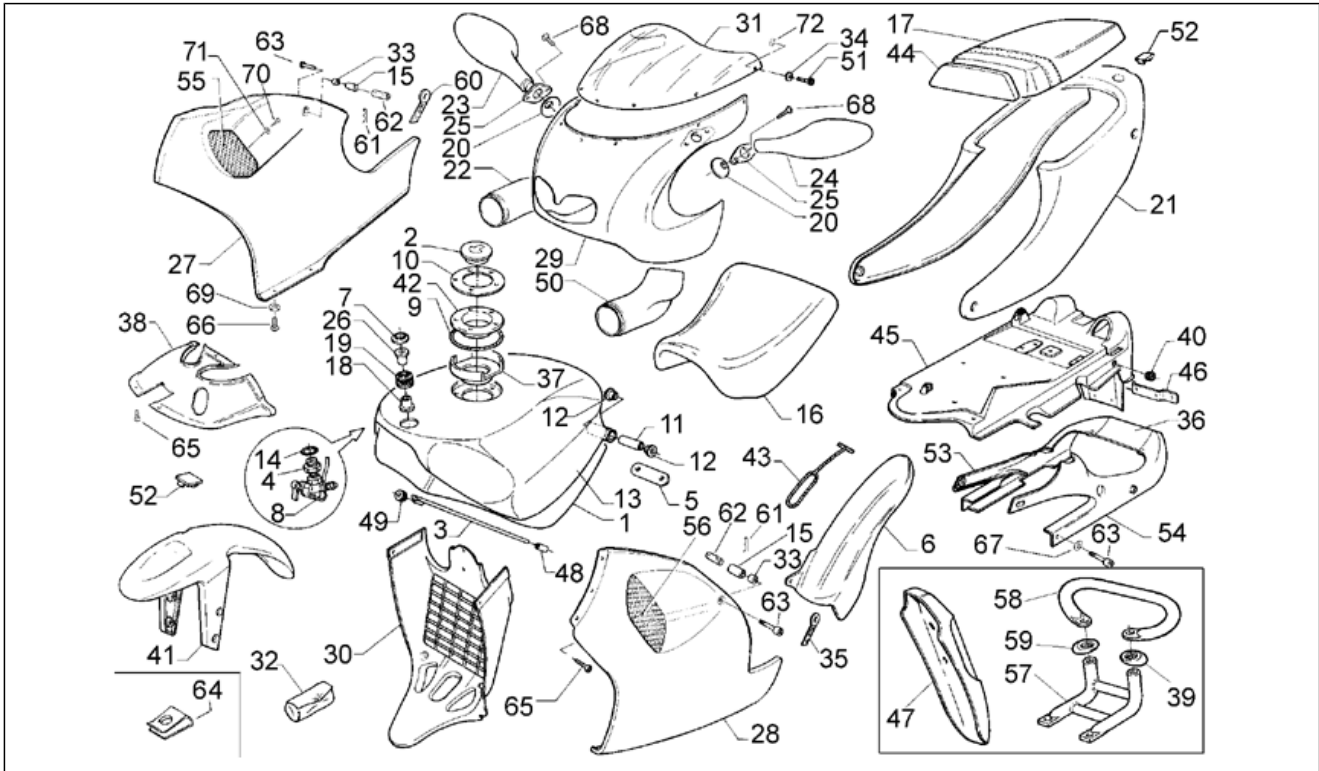
Pos.	Code	Beschreibung	Menge	Varianten
16	AP8129209	Fahrersitz, rot	1	Baujahr: 1997[V] Fahrzeugfarbe: Grau Silver 1997[Gr.s]
16	AP8129236	Fahrersitz, rot	1	Baujahr: 1998[W] Fahrzeugfarbe: Grau/Rot/Blau Valentino Rossi 1998[rossi]
17	AP8129191	Soziussitz, grau	1	Baujahr: 1996[T] Fahrzeugfarbe: Grau Mirage 1996[Gr.m] Land: Dänemark[DK], Spanien[E], Griechenland[GR], Italien[I], Malaysia[MAL], Portugal[P]
17	AP8129191	Soziussitz, grau	1	Baujahr: 1997[V] Fahrzeugfarbe: Grau Silver 1997[Gr.s] Land: Dänemark[DK], Spanien[E], Griechenland[GR], Italien[I], Malaysia[MAL], Portugal[P]
17	AP8129192	Soziussitz, grau	1	Baujahr: 1997[V] Fahrzeugfarbe: Grau Silver 1997[Gr.s] Land: Deutschland[D]
17	AP8129192	Soziussitz, grau	1	Baujahr: 1996[T] Fahrzeugfarbe: Grau Mirage 1996[Gr.m] Land: Deutschland[D]
17	AP8129218	Soziussitz, schw. o. Riem.	1	Baujahr: 1996[T], 1997[V] Fahrzeugfarbe: Schwarz 1996-1998[black] Land: Dänemark[DK], Spanien[E], Griechenland[GR], Italien[I], Malaysia[MAL], Portugal[P]
17	AP8129218	Soziussitz, schw. o. Riem.	1	Baujahr: 1998[W] Fahrzeugfarbe: Schwarz 1996-1998[black] Land: Österreich[A], Dänemark[DK], Spanien[E], Frankreich[F], Italien[I], Japan[J], Malaysia[MAL], Finnland[SF], Singapur[SGP], Großbritannien[UK]
17	AP8129219	Sozius-Längss., schw.	1	Baujahr: 1998[W] Fahrzeugfarbe: Schwarz 1996-1998[black] Land: Schweiz[CH], Deutschland[D]
17	AP8129219	Sozius-Längss., schw.	1	Baujahr: 1996[T], 1997[V] Fahrzeugfarbe: Schwarz 1996-1998[black] Land: Deutschland[D]
17	AP8129234	Soziussitz, grau o. Riemen	1	Baujahr: 1998[W]

Einheit	RAHMEN
Code	28.02
Beschreibung	Aufbau
Inspektion	1



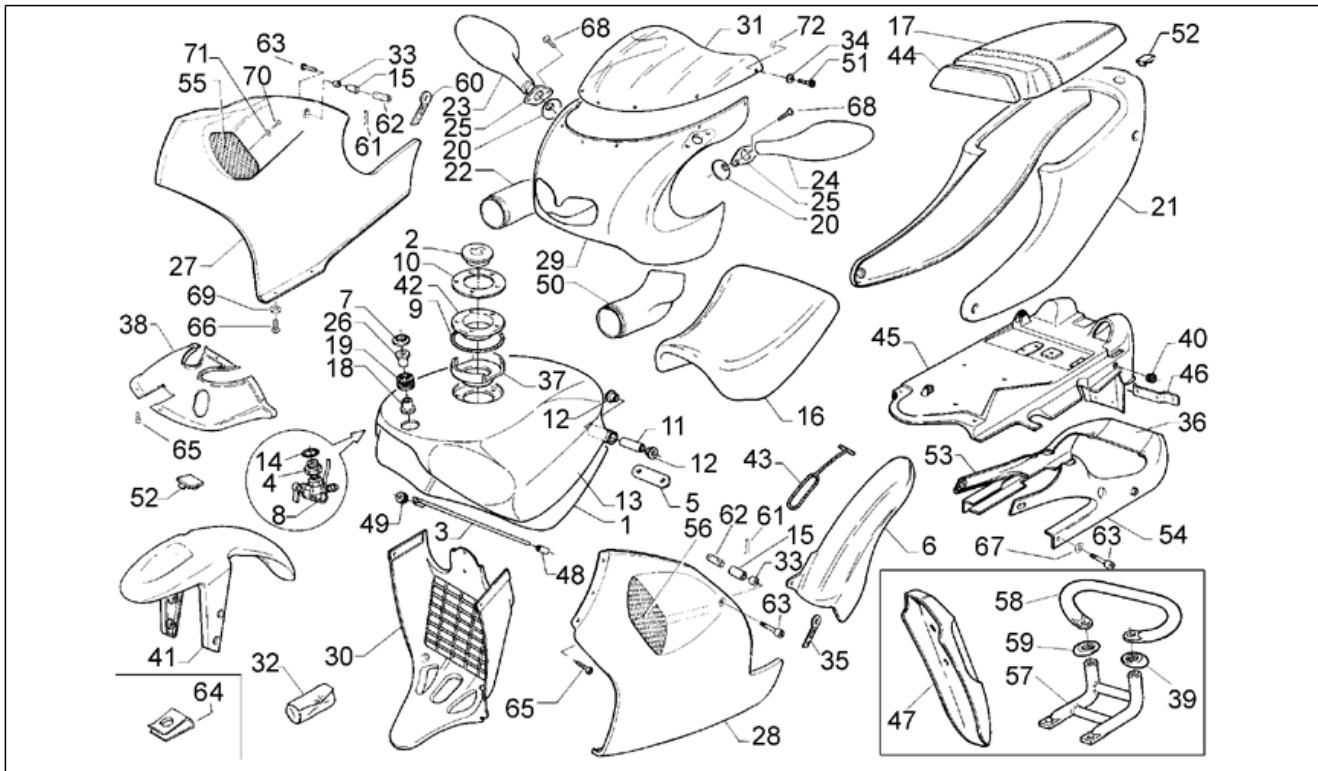
Pos.	Code	Beschreibung	Menge	Varianten
				Fahrzeugfarbe:Grau/Rot/Blau Valentino Rossi 1998[rossi] Land:Österreich[A], Dänemark[DK], Spanien[E], Frankreich[F], Italien[I], Japan[J], Malaysia[MAL], Finnland[SF], Singapur[SGP], Großbritannien[UK]
17	AP8129235	Sozius-Längss., grau	1	Baujahr:1998[W] Fahrzeugfarbe:Grau/Rot/Blau Valentino Rossi 1998[rossi] Land:Schweiz[CH], Deutschland[D]
18	AP8221106	H.Bremshebuche	1	
19	AP8120557	Gummi Tankanschluß	1	
20	AP8102341	Becher Spiegelgelenk	2	
21	AP8138659	Heckteil, m.grau	1	Baujahr:1996[T] Fahrzeugfarbe:Grau Mirage 1996[Gr.m]
21	AP8138760	Heckteil, schwarz	1	Baujahr:1996[T], 1997[V] Fahrzeugfarbe:Schwarz 1996-1998[black]
21	AP8139076	Heckteil, grau	1	Baujahr:1997[V] Fahrzeugfarbe:Grau Silver 1997[Gr.s]
21	AP8139440	Heckteil, grau/blau	1	Baujahr:1998[W] Fahrzeugfarbe:Grau/Rot/Blau Valentino Rossi 1998[rossi]
21	AP8139455	Heckteil, schwarz	1	Baujahr:1998[W] Fahrzeugfarbe:Schwarz 1996-1998[black]
22	AP8138302	Rechtes Leitblech	1	
23	AP8102632	Rückspiegel rechts	1	Baujahr:1998[W]
23	AP8102705	Rückspiegel rechts	1	Baujahr:1996[T], 1997[V]
24	AP8102633	Rückspiegel links	1	Baujahr:1998[W]
24	AP8102706	Rückspiegel links	1	Baujahr:1996[T], 1997[V]
25	AP8102801	Bausatz einbauspiegel	1	
26	AP8121114	T-Buchse *	1	
27	AP8138547	R.Seitenteil, schwarz	1	Baujahr:1996[T], 1997[V] Fahrzeugfarbe:Schwarz 1996-1998[black]
27	AP8138658	R.Seitenteil, grau	1	Baujahr:1996[T] Fahrzeugfarbe:Grau Mirage 1996[Gr.m]

Einheit	RAHMEN
Code	28.02
Beschreibung	Aufbau
Inspektion	1



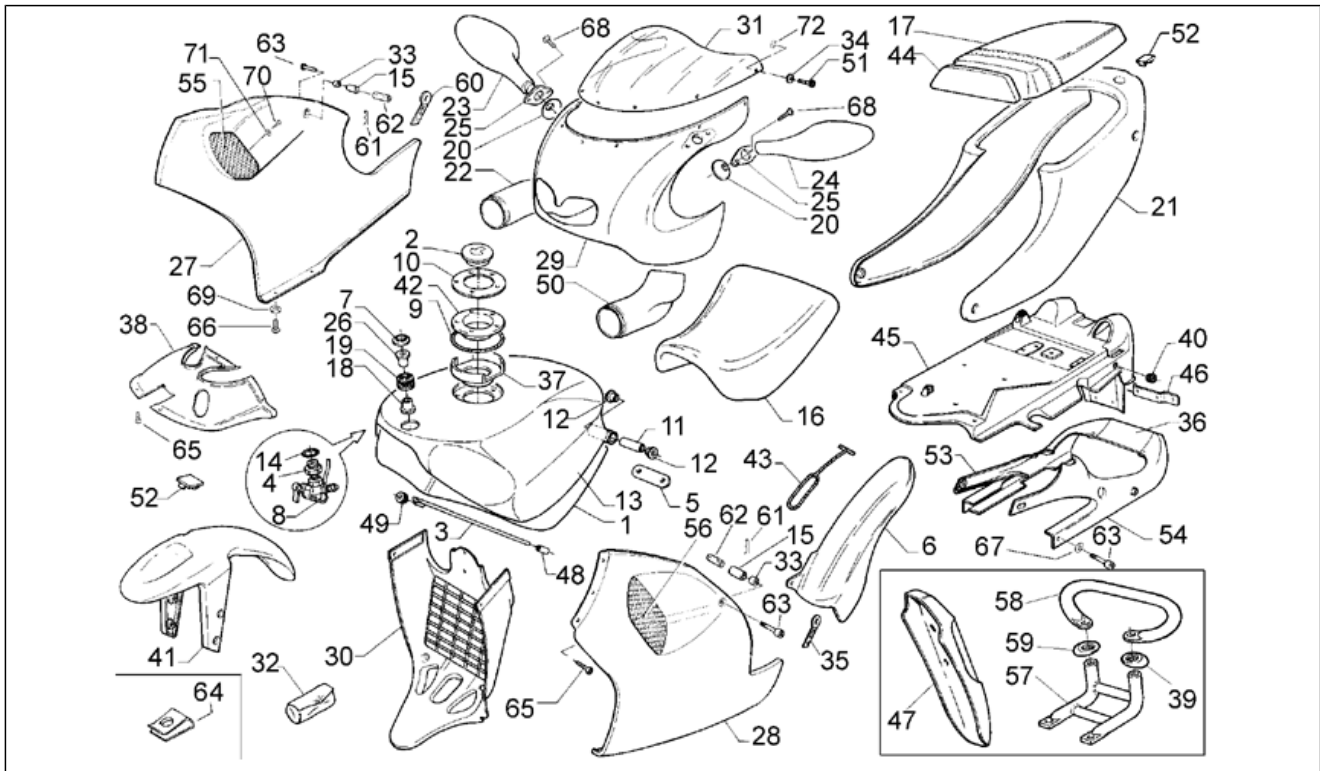
Pos.	Code	Beschreibung	Menge	Varianten
27	AP8139072	R.Seitenteil, s. grau	1	Baujahr: 1997[V] Fahrzeugfarbe: Grau Silver 1997[Gr.s]
27	AP8139406	R.Seitenteil, schwarz	1	Baujahr: 1998[W] Fahrzeugfarbe: Schwarz 1996-1998[black] Land: Schweiz[CH], Singapur[SGP]
27	AP8139407	R.Seitenteil, rot	1	Baujahr: 1998[W] Fahrzeugfarbe: Grau/Rot/Blau Valentino Rossi 1998[rossi] Land: Schweiz[CH], Singapur[SGP]
27	AP8139438	R.Seitenteil, rot	1	Baujahr: 1998[W] Fahrzeugfarbe: Grau/Rot/Blau Valentino Rossi 1998[rossi] Land: Österreich[A], Deutschland[D], Dänemark[DK], Spanien[E], Frankreich[F], Italien[I], Japan[J], Malaysia[MAL], Polen[PL], Finnland[SF], Großbritannien[UK]
27	AP8139607	R.Seitenteil, schwarz	1	Baujahr: 1998[W] Fahrzeugfarbe: Schwarz 1996-1998[black] Land: Österreich[A], Deutschland[D], Dänemark[DK], Spanien[E], Frankreich[F], Italien[I], Japan[J], Malaysia[MAL], Polen[PL], Finnland[SF], Großbritannien[UK]
28	AP8138460	L. Seitenteil, schwarz	1	Baujahr: 1996[T] Fahrzeugfarbe: Schwarz 1996-1998[black] Land: Italien[I] Technische Daten: Sport Production version[s.p.]
28	AP8138484	L. Seitenteil, schwarz	1	Baujahr: 1996[T], 1997[V] Fahrzeugfarbe: Schwarz 1996-1998[black] Land: Italien[I] Technische Daten: Mit Leistungsminderung 11Kw[11Kw], Version mit voller Leistung[f.p.]
28	AP8138484	L. Seitenteil, schwarz	1	Baujahr: 1996[T], 1997[V] Fahrzeugfarbe: Schwarz 1996-1998[black] Land: Deutschland[D], Dänemark[DK], Spanien[E], Griechenland[GR], Malaysia[MAL], Portugal[P]
28	AP8138657	L. Seitenteil, grau	1	Baujahr: 1996[T] Fahrzeugfarbe: Grau Mirage 1996[Gr.m]

Einheit	RAHMEN
Code	28.02
Beschreibung	Aufbau
Inspektion	1



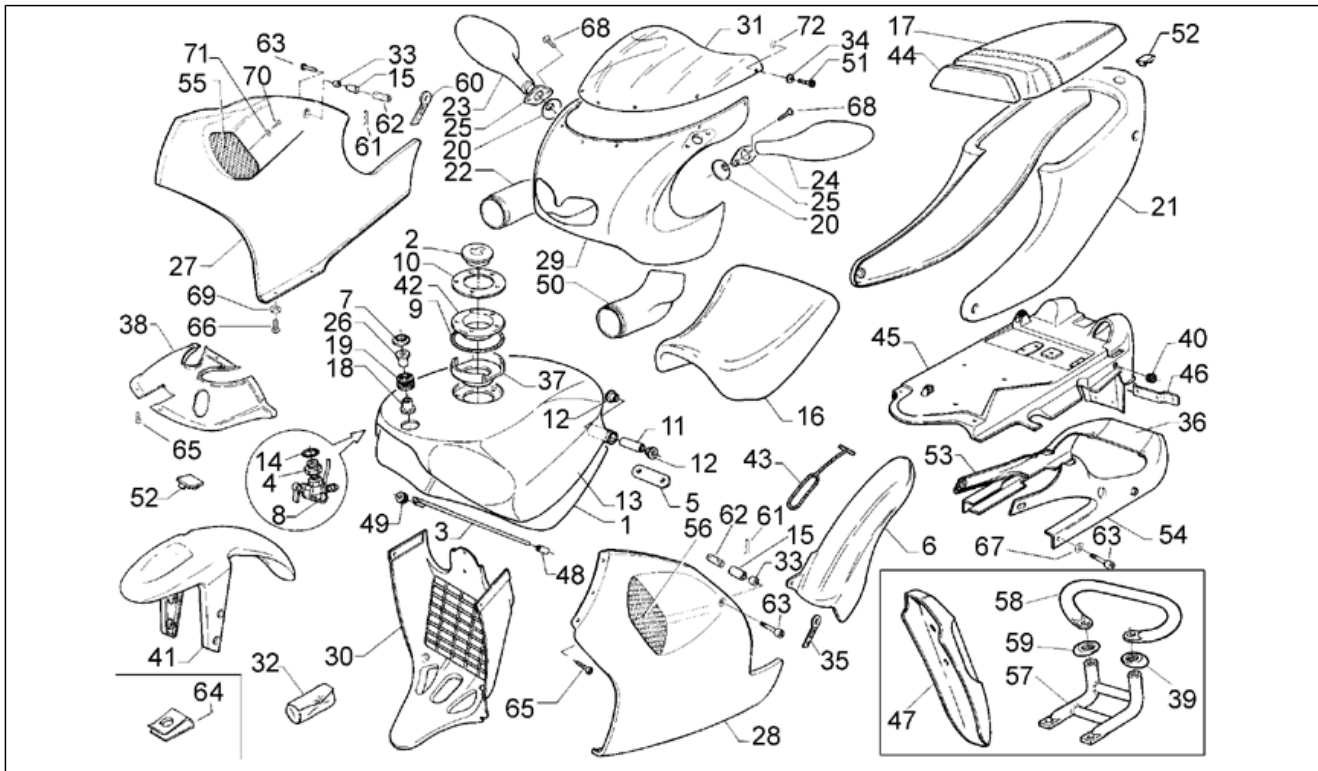
Pos.	Code	Beschreibung	Menge	Varianten
				Land:Deutschland[D], Dänemark[DK], Spanien[E], Griechenland[GR], Italien[I], Malaysia[MAL], Portugal[P]
28	AP8139073	L. Seitenteil, grau	1	Baujahr:1997[V] Fahrzeugfarbe:Grau Silver 1997[Gr.s] Land:Italien[I] Technische Daten:Mit Leistungsminderung 11Kw[11Kw], Version mit voller Leistung[f.p.]
28	AP8139073	L. Seitenteil, grau	1	Baujahr:1997[V] Fahrzeugfarbe:Grau Silver 1997[Gr.s] Land:Deutschland[D], Dänemark[DK], Spanien[E], Griechenland[GR], Malaysia[MAL], Portugal[P]
28	AP8139106	L. Seitenteil, grau	1	Baujahr:1997[V] Fahrzeugfarbe:Grau Silver 1997[Gr.s] Land:Italien[I] Technische Daten:Sport Production version[s.p.]
28	AP8139439	L. Seitenteil, rot	1	Baujahr:1998[W] Fahrzeugfarbe:Grau/Rot/Blau Valentino Rossi 1998[rossi] Land:Österreich[A], Deutschland[D], Dänemark[DK], Spanien[E], Frankreich[F], Italien[I], Japan[J], Malaysia[MAL], Finnland[SF], Großbritannien[UK]
28	AP8139454	L. Seitenteil, schwarz	1	Baujahr:1998[W] Fahrzeugfarbe:Schwarz 1996-1998[black] Land:Österreich[A], Deutschland[D], Dänemark[DK], Spanien[E], Frankreich[F], Italien[I], Japan[J], Malaysia[MAL], Finnland[SF], Großbritannien[UK]
28	AP8139467	L. Seitenteil, red	1	Baujahr:1998[W] Fahrzeugfarbe:Grau/Rot/Blau Valentino Rossi 1998[rossi] Land:Schweiz[CH], Singapur[SGP]
28	AP8139468	L. Seitenteil, schwarz	1	Baujahr:1998[W] Fahrzeugfarbe:Schwarz 1996-1998[black] Land:Schweiz[CH], Singapur[SGP]
29	AP8138482	Vord. Verkleidung, schwarz	1	Baujahr:1996[T], 1997[V] Fahrzeugfarbe:Schwarz 1996-1998[black]
29	AP8138656	Vord. Verkleidung, m.grau	1	Baujahr:1996[T] Fahrzeugfarbe:Grau Mirage 1996[Gr.m]

Einheit	RAHMEN
Code	28.02
Beschreibung	Aufbau
Inspektion	1



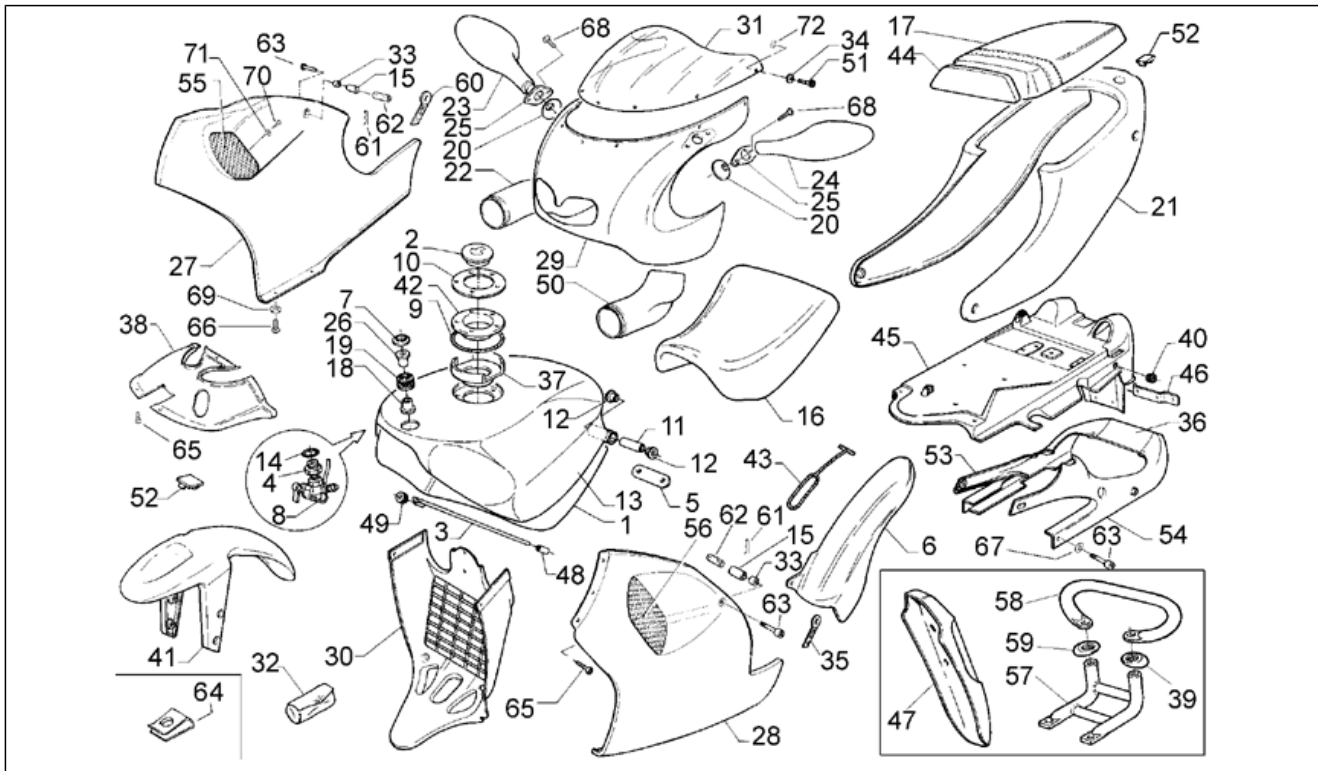
Pos.	Code	Beschreibung	Menge	Varianten
29	AP8139075	Vord. Verkleidung, s.grau	1	Baujahr: 1997[V] Fahrzeugfarbe: Grau Silver 1997[Gr.s]
29	AP8139437	Vord. Verkleidung, blau/grau	1	Baujahr: 1998[W] Fahrzeugfarbe: Grau/Rot/Blau Valentino Rossi 1998[rossi]
29	AP8139452	Vord. Verkleidung, schwarz	1	Baujahr: 1998[W] Fahrzeugfarbe: Schwarz 1996-1998[black]
30	AP8138469	Kühlernetz, schwarz	1	
31	AP8131916	Windabweiser	1	
32	AP8102106	Werkzeugtasche	1	
33	AP8120531	Gummi mit Einsatz	2	
34	AP8120965	O-Ring 2018	1	
35	AP8134263	Untere Platte Verkleidung	1	Baujahr: 1996[T], 1997[V] Land: Deutschland[D], Dänemark[DK], Spanien[E], Griechenland[GR], Italien[I], Malaysia[MAL], Portugal[P]
35	AP8134263	Untere Platte Verkleidung	1	Baujahr: 1998[W] Land: Österreich[A], Deutschland[D], Dänemark[DK], Spanien[E], Frankreich[F], Italien[I], Japan[J], Malaysia[MAL], Finnland[SF], Großbritannien[UK]
35	AP8134272	Untere Platte Verkleidung	1	Baujahr: 1998[W] Land: Schweiz[CH], Singapur[SGP]
36	AP8138085	Zentr.Sitzhalterabd., schwarz	1	Baujahr: 1996[T], 1997[V] Fahrzeugfarbe: Schwarz 1996-1998[black]
36	AP8138683	Zentr.Sitzhalterabd., grau	1	Baujahr: 1996[T] Fahrzeugfarbe: Grau Mirage 1996[Gr.m]
36	AP8139051	Zentr.Sitzhalterabd., s.grau	1	Baujahr: 1997[V] Fahrzeugfarbe: Grau Silver 1997[Gr.s]
36	AP8139442	Zentr.Sitzhalterabd., grau	1	Baujahr: 1998[W]
37	AP8135307	Kraftstofftank Anschl.Verb.	1	Land: Österreich[A], Schweiz[CH]
38	AP8138304	Verschluß Kuppel	1	
39	AP8220347	Gummi rechter Spiegel	1	
40	AP8120223	Gummi *	4	

Einheit	RAHMEN
Code	28.02
Beschreibung	Aufbau
Inspektion	1



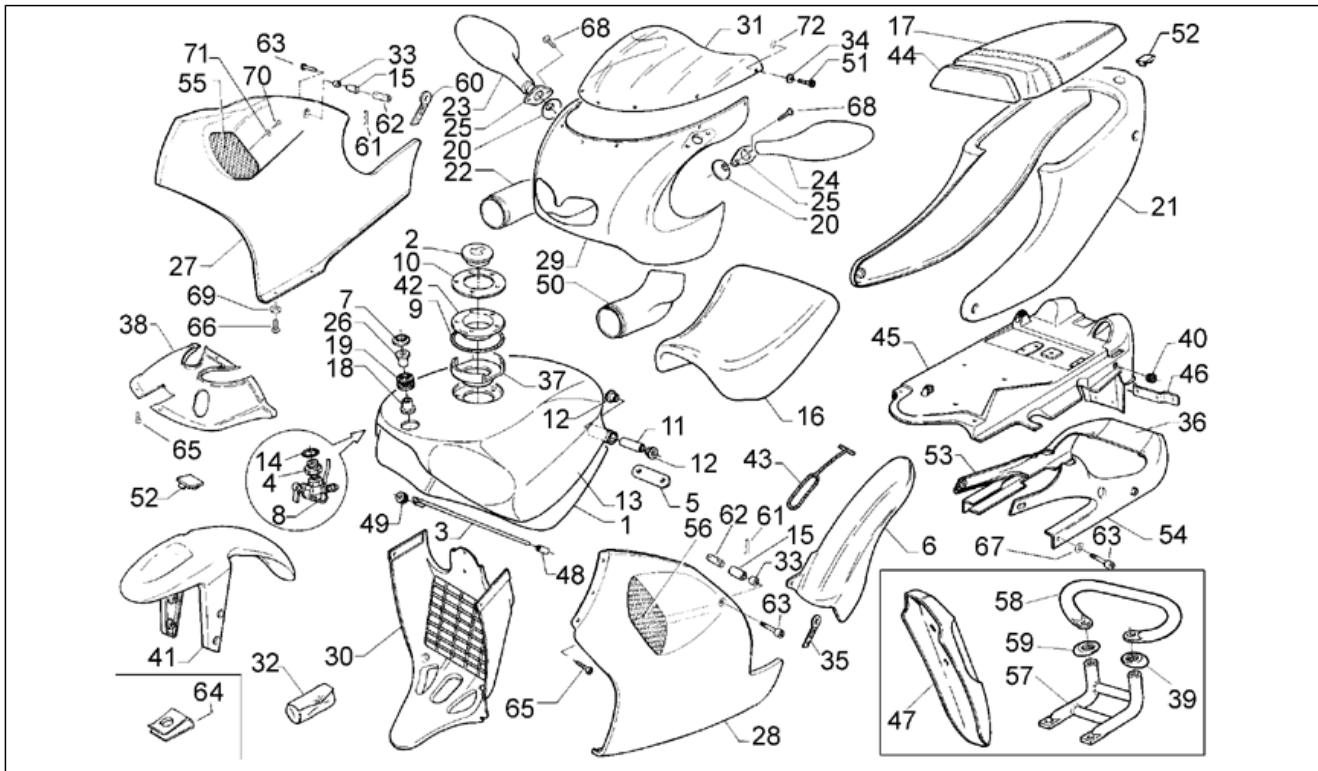
Pos.	Code	Beschreibung	Menge	Varianten
41	AP8126510	V. Schutzblech, schwarz	1	Baujahr: 1996[T], 1997[V] Fahrzeugfarbe: Schwarz 1996-1998[black]
41	AP8126538	V. Schutzblech, h.grau	1	Baujahr: 1996[T] Fahrzeugfarbe: Grau Mirage 1996[Gr.m]
41	AP8126613	V. Schutzblech, d.grau	1	Baujahr: 1997[V] Fahrzeugfarbe: Grau Silver 1997[Gr.s]
41	AP8126666	V. Schutzblech, cos.blau	1	Baujahr: 1998[W] Fahrzeugfarbe: Grau/Rot/Blau Valentino Rossi 1998[rossi]
41	AP8126670	V. Schutzblech, schwarz	1	Baujahr: 1998[W] Fahrzeugfarbe: Schwarz 1996-1998[black]
42	AP8102233	Tankstutzen	1	
43	AP8120177	Elastic	1	
44	AP8129154	Sitzkissen	1	Baujahr: 1996[T] Fahrzeugfarbe: Grau Mirage 1996[Gr.m] Land: Dänemark[DK], Spanien[E], Griechenland[GR], Italien[I], Malaysia[MAL], Portugal[P]
44	AP8129154	Sitzkissen	1	Baujahr: 1996[T], 1997[V] Fahrzeugfarbe: Schwarz 1996-1998[black] Land: Dänemark[DK], Spanien[E], Griechenland[GR], Italien[I], Malaysia[MAL], Portugal[P]
44	AP8129190	Sitzkissen	1	Baujahr: 1998[W] Land: Österreich[A], Dänemark[DK], Spanien[E], Frankreich[F], Italien[I], Japan[J], Malaysia[MAL], Finnland[SF], Singapur[SGP], Großbritannien[UK]
44	AP8129214	Sitzkissen, grau	1	Baujahr: 1997[V] Fahrzeugfarbe: Grau Silver 1997[Gr.s] Land: Dänemark[DK], Spanien[E], Griechenland[GR], Italien[I], Malaysia[MAL], Portugal[P]
45	AP8126501	Kennzeichenpl./Konsole	1	
46	AP8134257	Kennzeichenhalter	1	
47	AP8126385	Hint. Verlängerung	1	Land: Schweiz[CH], Deutschland[D], Singapur[SGP]
48	AP8120712	Gummi	1	

Einheit	RAHMEN
Code	28.02
Beschreibung	Aufbau
Inspektion	1



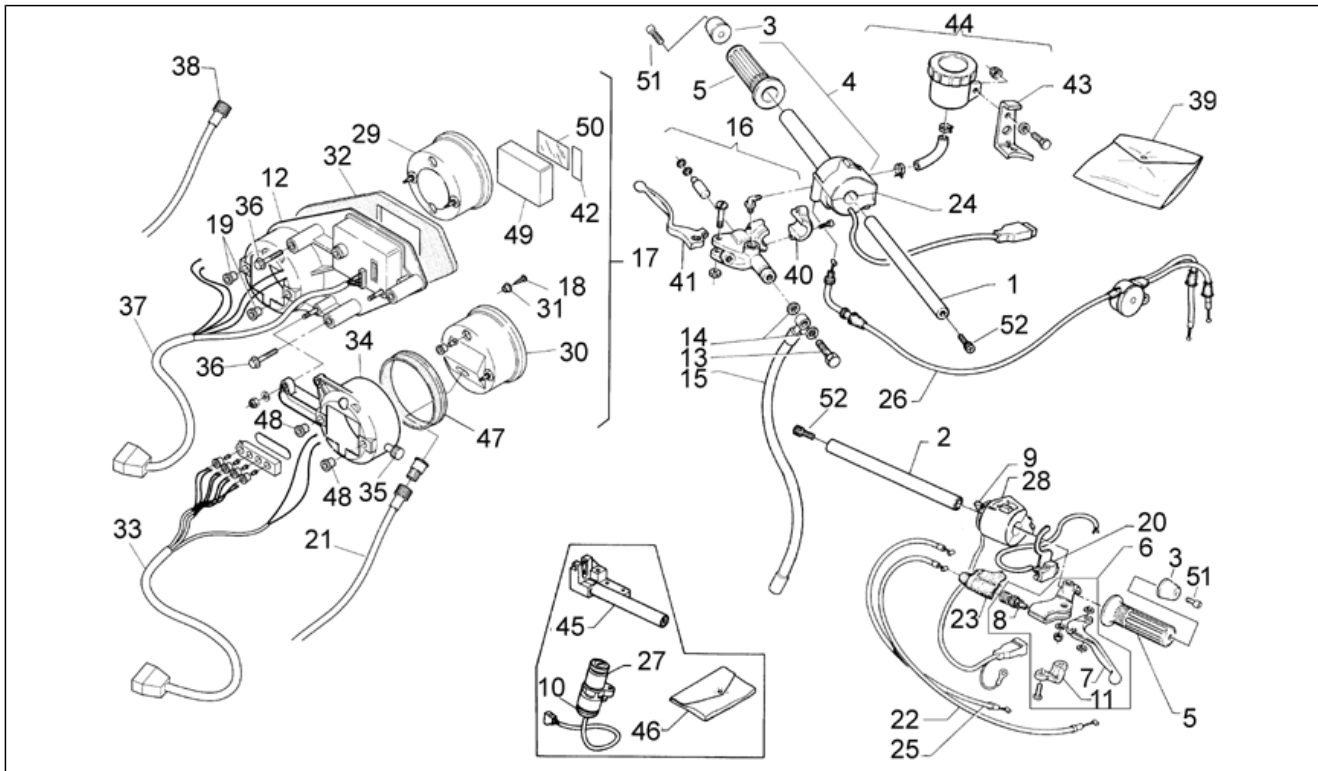
Pos.	Code	Beschreibung	Menge	Varianten
49	AP8120598	Gummi *	1	
50	AP8138303	Linkes Leitblech	1	
51	AP8102603	Eloxiertes Niet blau 5x10	7	Baujahr:1996[T], 1997[V]
51	AP8121303	Eloxiertes Niet 5x10	7	Baujahr:1998[W]
52	AP8120708	Kabelführungs	1	
53	AP8138083	R.Sitzhalterabd., schwarz	1	Baujahr:1996[T], 1997[V] Fahrzeugfarbe:Schwarz 1996-1998[black]
53	AP8138681	R.Sitzhalterabd., m.grau	1	Baujahr:1996[T] Fahrzeugfarbe:Grau Mirage 1996[Gr.m]
53	AP8139049	R.Sitzhalterabd., s.grau	1	Baujahr:1997[V] Fahrzeugfarbe:Grau Silver 1997[Gr.s]
53	AP8139441	R.Sitzhalterabd., grau	1	Baujahr:1998[W]
54	AP8138462	L.Sitzhalterabd., schwarz	1	Baujahr:1996[T] Fahrzeugfarbe:Schwarz 1996-1998[black] Land:Italien[I] Technische Daten:Sport Production version[s.p.]
54	AP8138485	L.Sitzhalterabd., schwarz	1	Baujahr:1996[T], 1997[V] Fahrzeugfarbe:Schwarz 1996-1998[black] Land:Italien[I] Technische Daten:Mit Leistungsminderung 11Kw[11Kw], Version mit voller Leistung[f.p.]
54	AP8138485	L.Sitzhalterabd., schwarz	1	Baujahr:1996[T], 1997[V] Fahrzeugfarbe:Schwarz 1996-1998[black] Land:Deutschland[D], Dänemark[DK], Spanien[E], Griechenland[GR], Malaysia[MAL], Portugal[P]
54	AP8138682	L.Sitzhalterabd., m.grau	1	Baujahr:1996[T] Fahrzeugfarbe:Grau Mirage 1996[Gr.m]
54	AP8139050	L.Sitzhalterabd., s.grau	1	Baujahr:1997[V] Fahrzeugfarbe:Grau Silver 1997[Gr.s] Land:Deutschland[D], Dänemark[DK], Spanien[E], Griechenland[GR], Malaysia[MAL], Portugal[P]
54	AP8139050	L.Sitzhalterabd., s.grau	1	Baujahr:1997[V] Fahrzeugfarbe:Grau Silver 1997[Gr.s]

Einheit	RAHMEN
Code	28.02
Beschreibung	Aufbau
Inspektion	1



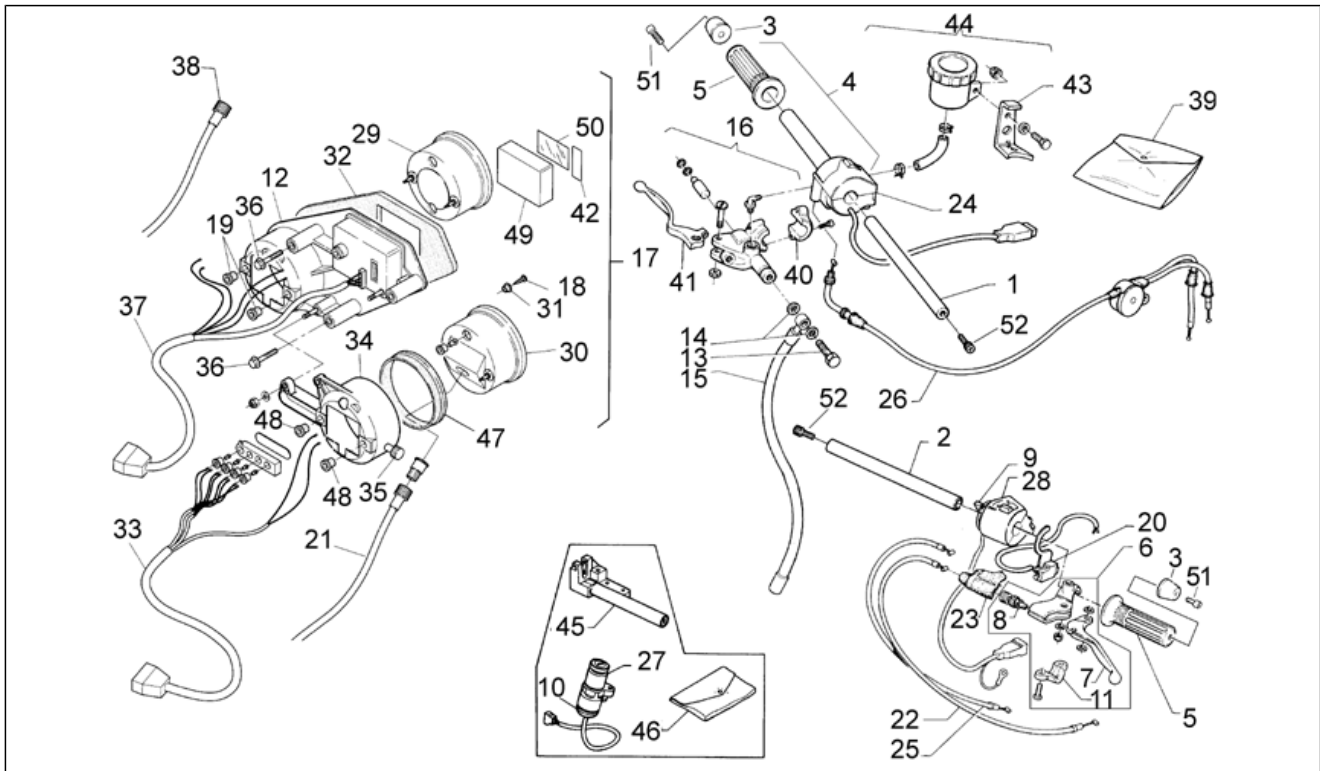
Pos.	Code	Beschreibung	Menge	Varianten
				Land:Italien[I] Technische Daten: Mit Leistungsminderung 11Kw[11Kw], Version mit voller Leistung[f.p.]
54	AP8139067	L.Sitzhalterabd., grau	1	Baujahr: 1997[V] Fahrzeugfarbe: Grau Silver 1997[Gr.s] Land:Italien[I] Technische Daten: Sport Production version[s.p.]
54	AP8139443	L.Sitzhalterabd., grau	1	Baujahr: 1998[W]
55	AP8131733	Netz rechtes Seitenteil	1	
56	AP8131734	Netz linkes Seitenteil	1	
57	AP8134403	Hltr. Soziusgriff	1	
58	AP8135973	Kat.soziusgriff	1	Baujahr: 1996[T], 1997[V]
58	AP8135973	Kat.soziusgriff	1	Baujahr: 1998[W] Fahrzeugfarbe: Schwarz 1996-1998[black]
58	AP8146142	Kat.soziusgriff, grau	1	Baujahr: 1998[W] Fahrzeugfarbe: Grau/Rot/Blau Valentino Rossi 1998[rossi]
59	AP8220331	Gummi *	1	
60	AP8134243	U. Fixierplatte r. Verkl.	1	
61	AP8201287	Splint	2	
62	AP8121867	Speziellbuchse *	2	
63	AP8152269	TBEI Spez.schr.	9	
64	AP8102375	Klammer M5	10	
65	AP8152298	TBEI Schraube m.Flansch M5x16	8	
66	AP8152268	TBEI Spez.schr. M5x16	2	
67	AP8150178	Ausgleichscheibe 6,4x12,5*	6	
68	AP8152246	TBEI Schraube m.Flansch M6x16	4	
69	AP8150248	Ausgleichscheibe 5,5x15x1,6	2	
70	AP8150420	Gewindeschraube Edelstahl *	10	
71	AP8150158	Ausgleichscheibe 4,3X9X0,8	6	
72	AP8150450	Wellenscheibe D5	5	

Einheit	RAHMEN
Code	28.03
Beschreibung	Lenkstange - Instrumenteneinheit
Inspektion	1



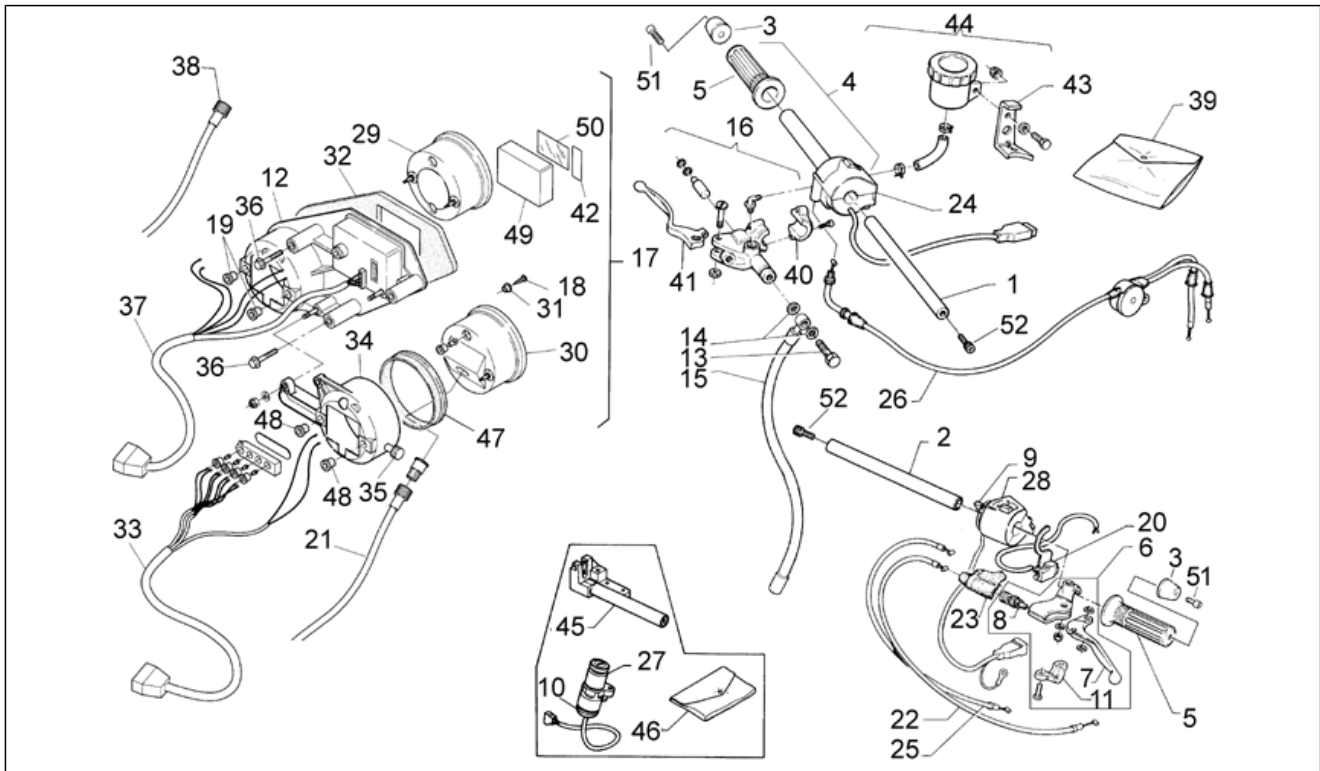
Pos.	Code	Beschreibung	Menge	Varianten
1	AP8118343	Halblenker re. 2 Bohr.	1	
2	AP8118324	Halblenker links	1	
3	AP8102579	Schwingschutzgewicht schwarz	2	Baujahr:1997[V], 1998[W]
3	AP8102660	Schwingschutzgewicht grau	2	Baujahr:1996[T]
4	AP8118307	Gasschaltung+griff	1	Baujahr:1996[T], 1997[V]
4	AP8118307	Gasschaltung+griff	1	Baujahr:1998[W] Fahrzeugfarbe:Schwarz 1996-1998[black]
4	AP8118493	Gasschaltung+griff	1	Baujahr:1998[W] Fahrzeugfarbe:Grau/Rot/Blau Valentino Rossi 1998[rossi]
5	AP8118287	Handgriffe paar	1	Baujahr:1998[W] Fahrzeugfarbe:Schwarz 1996-1998[black]
5	AP8118287	Handgriffe paar	1	Baujahr:1996[T], 1997[V]
5	AP8118497	Handgriffe paar, gelb	1	Baujahr:1998[W] Fahrzeugfarbe:Grau/Rot/Blau Valentino Rossi 1998[rossi]
6	AP8118439	Kupplung schalt. kpl.	1	
7	AP8118432	Kupplungshebel	1	
8	AP8118233	Einstll.schr. Kpplg.	1	
9	AP8118308	Starterhebel	1	
10	AP8112802	Verkabelung Kollektor	1	
11	AP8218077	Fixrbolz.Kuppl.gsheb	1	
12	AP8124197	Hltr. Drehzahlmesser	1	
13	AP8113003	Fixierschraube Ölschlauch	1	
14	AP8113004	Ausgleichscheibe 10x14x1,6*	2	
15	AP8113509	Vorderradbremsleitung	1	
16	AP8113617	Vorderradbremspumpe	1	
17	AP8124145	Instrum.tafel kplt.	1	Baujahr:1996[T]
17	AP8124467	Instrum.tafel kplt.	1	Baujahr:1997[V], 1998[W]
18	AP8123553	Verschlußschraube	1	
19	AP8124255	Gummi tachowelle	2	

Einheit	RAHMEN
Code	28.03
Beschreibung	Lenkstange - Instrumenteneinheit
Inspektion	1



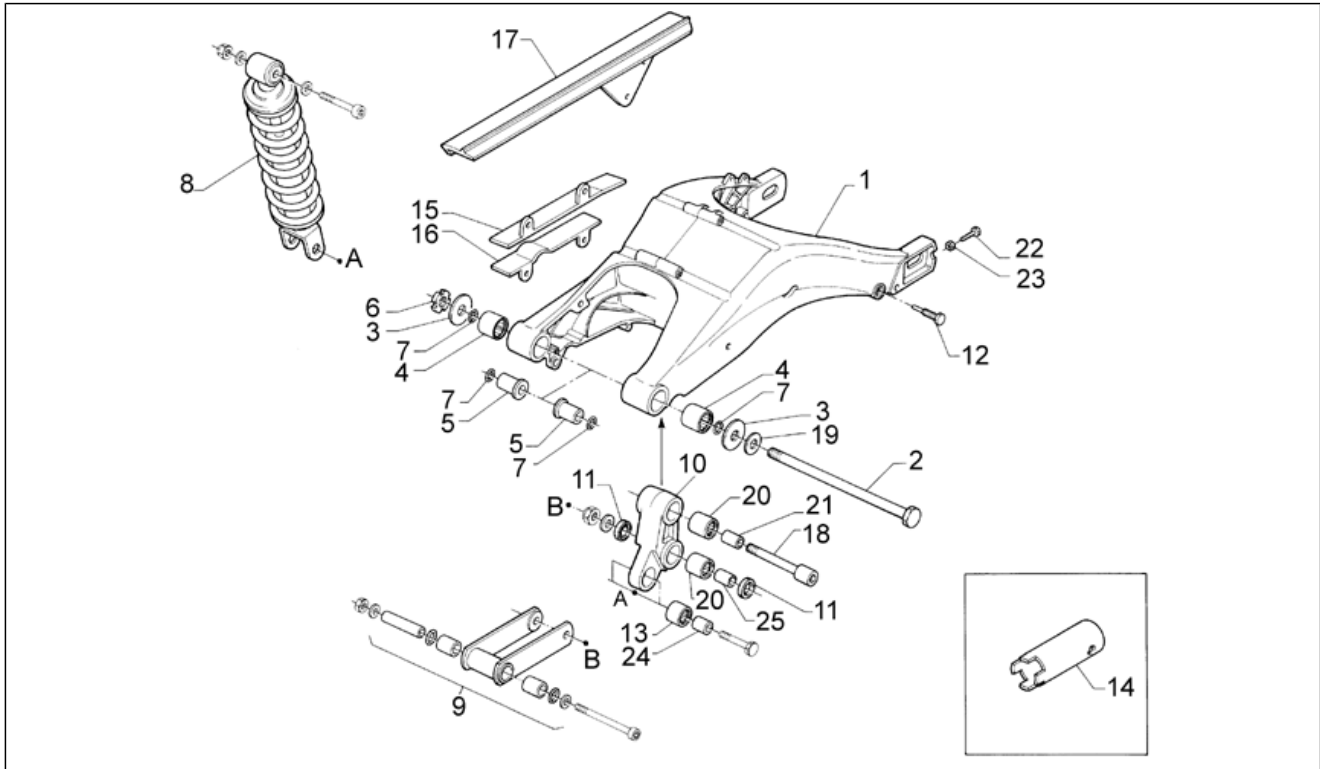
Pos.	Code	Beschreibung	Menge	Varianten
20	AP8124152	Chronometerknopf	1	
21	AP8114334	Tachometerkabel	1	
22	AP8114321	Kupplungskabel	1	
23	AP8120467	Abdeckg. Kuppl.einst.	1	
24	AP8118409	Startknopf	1	Baujahr: 1996[T], 1997[V]
24	AP8118409	Startknopf	1	Baujahr: 1998[W] Land: Österreich[A], Schweiz[CH], Deutschland[D], Dänemark[DK], Spanien[E], Frankreich[F], Italien[I], Malaysia[MAL], Finnland[SF], Singapur[SGP], Großbritannien[UK]
24	AP8124531	Rechter Lichtschalter	1	Baujahr: 1998[W] Land: Japan[J]
25	AP8114331	Starterzugkabel	1	
26	AP8114320	Gaszugkabel mit Verdoppler	1	
27	AP8112710	Lenkschloß	1	
28	AP8124173	L. Lichtumsch. m. K.	1	
29	AP8124225	Drehzählm.	1	
30	AP8124224	Tachometer	1	Baujahr: 1996[T]
30	AP8124486	Tachometer	1	Baujahr: 1997[V], 1998[W]
31	AP8124253	Fixierbuchse Schwamm	1	
32	AP8124198	Dichtung schwamm	1	
33	AP8124228	Tachometerkabel	1	
34	AP8124227	Tachometerhalter	1	
35	AP8131176	Nullstellknopf	1	
36	AP8152267	TBEI Spez.schr. M5x12	2	
37	AP8124229	Drehzahlmesserkabel	1	
39	AP8113439	Bausatz V.Pumpenüberholung	1	
40	AP8213078	Bügelbolzen	1	
41	AP8118460	Vorderradbremshebel	1	

Einheit	RAHMEN
Code	28.03
Beschreibung	Lenkstange - Instrumenteneinheit
Inspektion	1



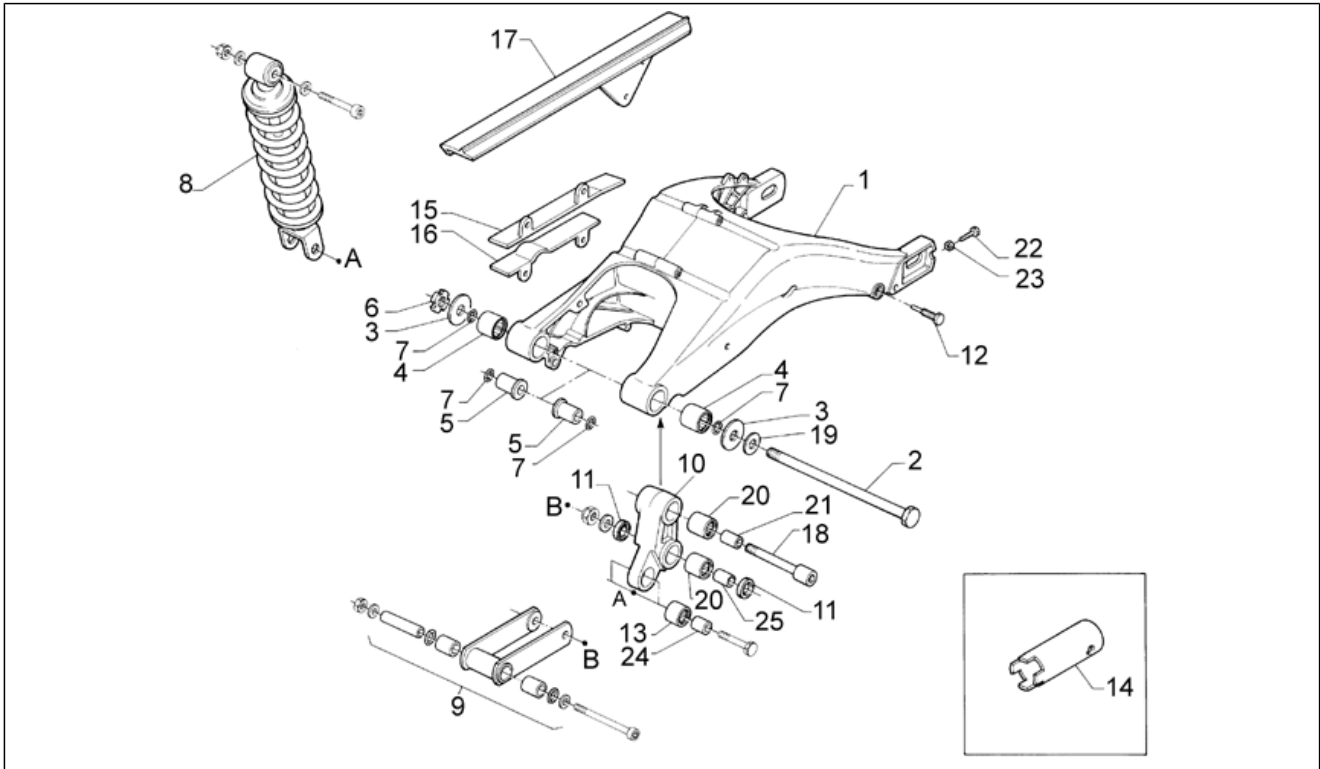
Pos.	Code	Beschreibung	Menge	Varianten
42	AP8124195	Verschlussschraube	1	
43	AP8121892	Bremsen Öltankhalter	1	
44	AP8113241	Bremsöltank	1	Baujahr:1996[T]
44	AP8113280	Bremsöltank	1	Baujahr:1997[V], 1998[W]
45	AP8201564	Sitzschloß	1	
46	AP8102512	Kit Schließvorrichtungen	1	
47	AP8124252	Tachometer dichtung	1	
48	AP8124254	Gummi tachometer	1	
49	AP8124226	Vorrichtung multifunktion	1	
50	AP8124194	Instrumenten-Abdeckblende	1	
51	AP8150157	TCEI Schraube M6x60	2	
52	AP8150049	Schraube M10x60	2	

Einheit	RAHMEN
Code	28.04
Beschreibung	Hinterradaufhängung
Inspektion	1



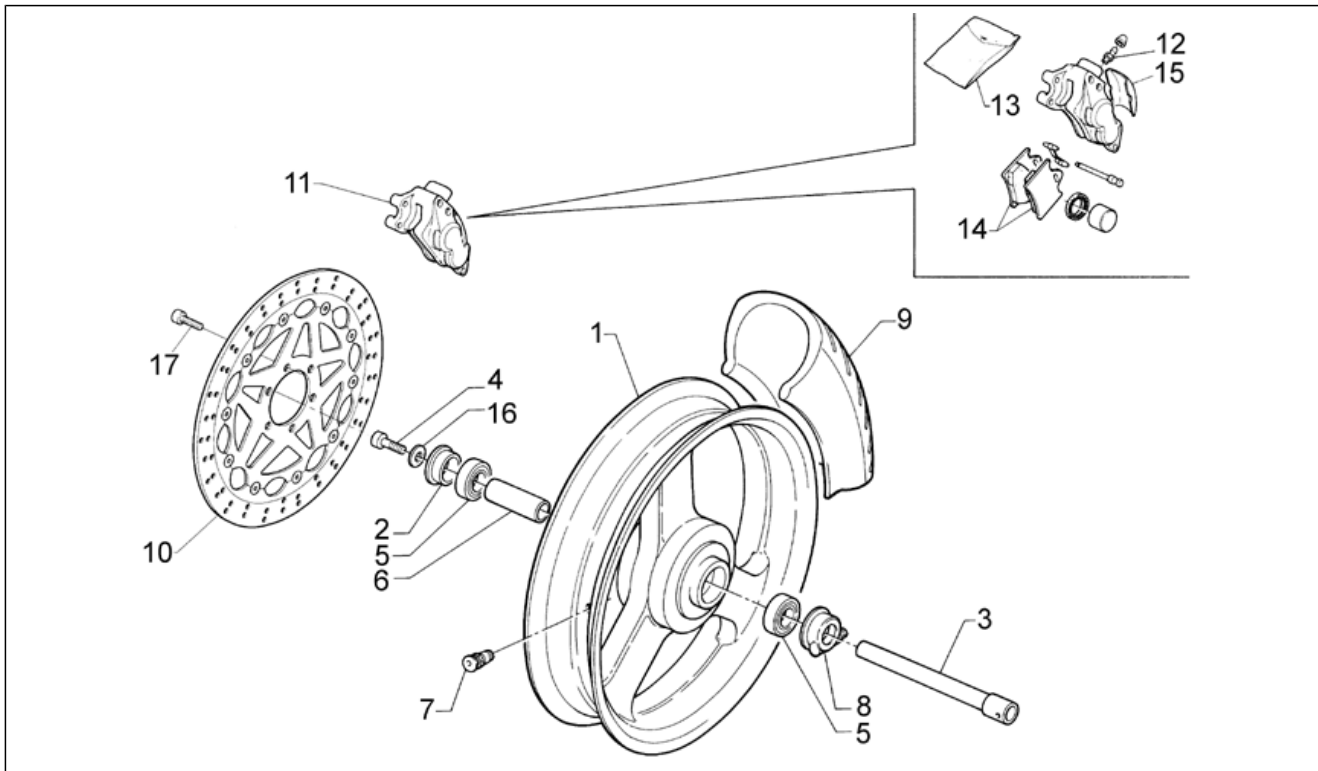
Pos.	Code	Beschreibung	Menge	Varianten
1	AP8135961	Schwinge	1	
2	AP8125627	Schwingenbolzen	1	
3	AP8101341	Bundscheibe	6	
4	AP8110067	Nadellager 22x28x16	2	
5	AP8121121	Buc.für Schwingenzp.	2	
6	AP8150299	Nutmutter M17x1	1	
7	AP8120280	O-Ring 4087	4	
8	AP8123663	Stoßdämpfer	1	Baujahr: 1998[W]
8	AP8123663	Stoßdämpfer	1	Baujahr: 1996[T], 1997[V] Technische Daten: Mit Leistungsminderung 11Kw[11Kw], Geschwindigkeit 80km/h[80], Version mit voller Leistung[f.p.]
8	AP8123676	Stoßdämpfer	1	Baujahr: 1996[T], 1997[V] Technische Daten: Sport Production version[s.p.]
9	AP8132634	Einfache Pleuelstange	1	
10	AP8135362	Doppelte Pleuelstange	1	
11	AP8120485	Gasket ring	4	
12	AP8135396	Bremshalterbolzen	1	
13	AP8110064	Nadelkaefig	1	
14	AP8101945	Nutmutterschlüssel M17x1	1	
15	AP8120793	Ob. Kettengleitführung	1	
16	AP8120794	Unt. Kettengleitführung	1	
17	AP8131623	Kettenkasten, schwarz	1	
18	AP8150346	TCEI Schraube M12x78.5	1	
19	AP8152063	Ausgleichscheibe 17x30x3*	1	
20	AP8110063	Nadelkaefig	2	
21	AP8121846	Pleuelbolzen	1	
22	AP8152261	Kettenspannschrauben	2	
23	AP8152262	Mutter unten	2	

Einheit	RAHMEN
Code	28.04
Beschreibung	Hinterradaufhängung
Inspektion	1



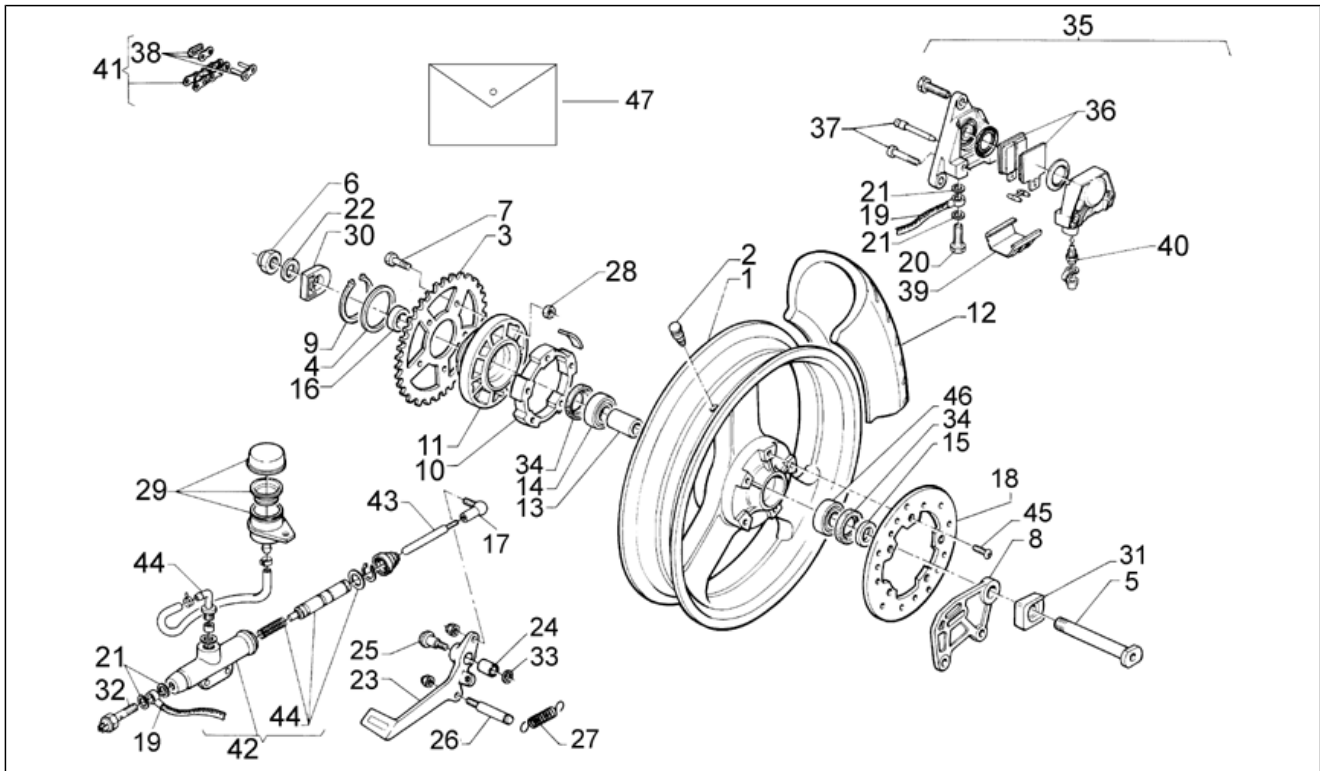
Pos.	Code	Beschreibung	Menge	Varianten
24	AP8121847	Pleuelbolzen	1	
25	AP8121845	Bolzen L=50	1	

Einheit	RAHMEN
Code	28.06
Beschreibung	Vorderrad kplt.
Inspektion	1



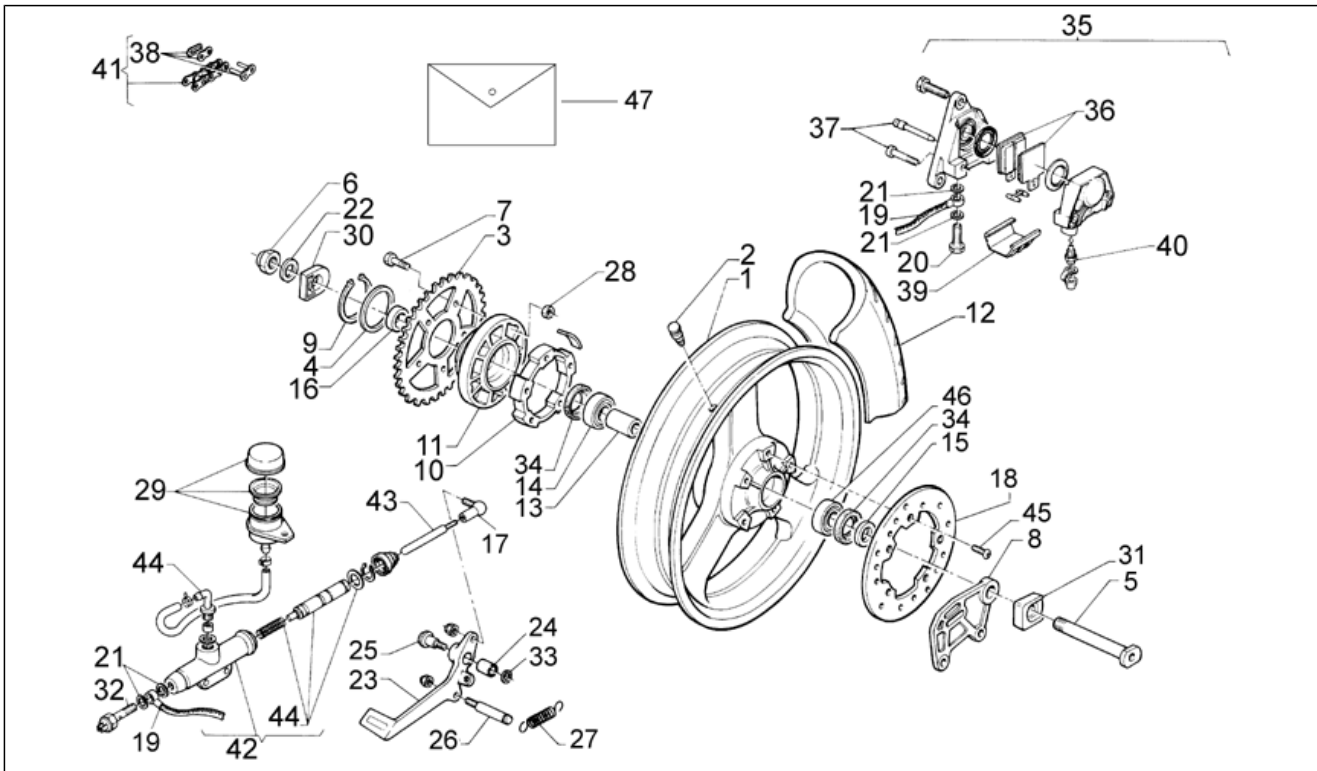
Pos.	Code	Beschreibung	Menge	Varianten
1	AP8108564	Vorderrad, schwarz	1	Technische Daten: Mit Leistungsminderung 11Kw[11Kw], Geschwindigkeit 80km/h[80], Version mit voller Leistung[f.p.]
1	AP8108619	Vorderrad kpl	1	Technische Daten: Sport Production version[s.p.]
2	AP8121157	Außen r. V.rad Distanzscheibe	1	Technische Daten: Mit Leistungsminderung 11Kw[11Kw], Geschwindigkeit 80km/h[80], Version mit voller Leistung[f.p.]
2	AP8125662	Außen r. V.rad Distanzscheibe	1	Technische Daten: Sport Production version[s.p.]
3	AP8125388	Vorderradbolzen	1	
4	AP8125418	Vorderradbolzen Schraube	1	
5	AP8125644	Vorderrad Kugellager	1	Technische Daten: Mit Leistungsminderung 11Kw[11Kw], Geschwindigkeit 80km/h[80], Version mit voller Leistung[f.p.]
5	AP8125660	Vorderrad Kugellager	1	Technische Daten: Sport Production version[s.p.]
6	AP8125469	Distanzstück Lager	1	Technische Daten: Mit Leistungsminderung 11Kw[11Kw], Geschwindigkeit 80km/h[80], Version mit voller Leistung[f.p.]
6	AP8125661	Interne Distanzscheibe	1	Technische Daten: Sport Production version[s.p.]
7	AP8101744	Schlauchloses Reifenventil	1	
8	AP8101819	Vorgelegte Kilometerzähler	1	
9	0000000	Reifen	1	
10	AP8113567	Vorderradbremsscheibe D320	1	
11	AP8113530	Vorderradbremsszange gold	1	
12	AP8113006	Entlüftungsanschluß	1	
13	AP8113309	Bausatz Bremszangenüberholung	1	
14	AP8113489	Vord. Beläge (Paar) I/D452	1	
15	AP8113310	Deckel Bremszangen	1	
16	AP8150208	Ausgleichscheibe 15x28x2,5*	1	
17	AP8152286	TE Schr. m. Flansch M8x20	1	

Einheit	RAHMEN
Code	28.07
Beschreibung	Hinterrad
Inspektion	1



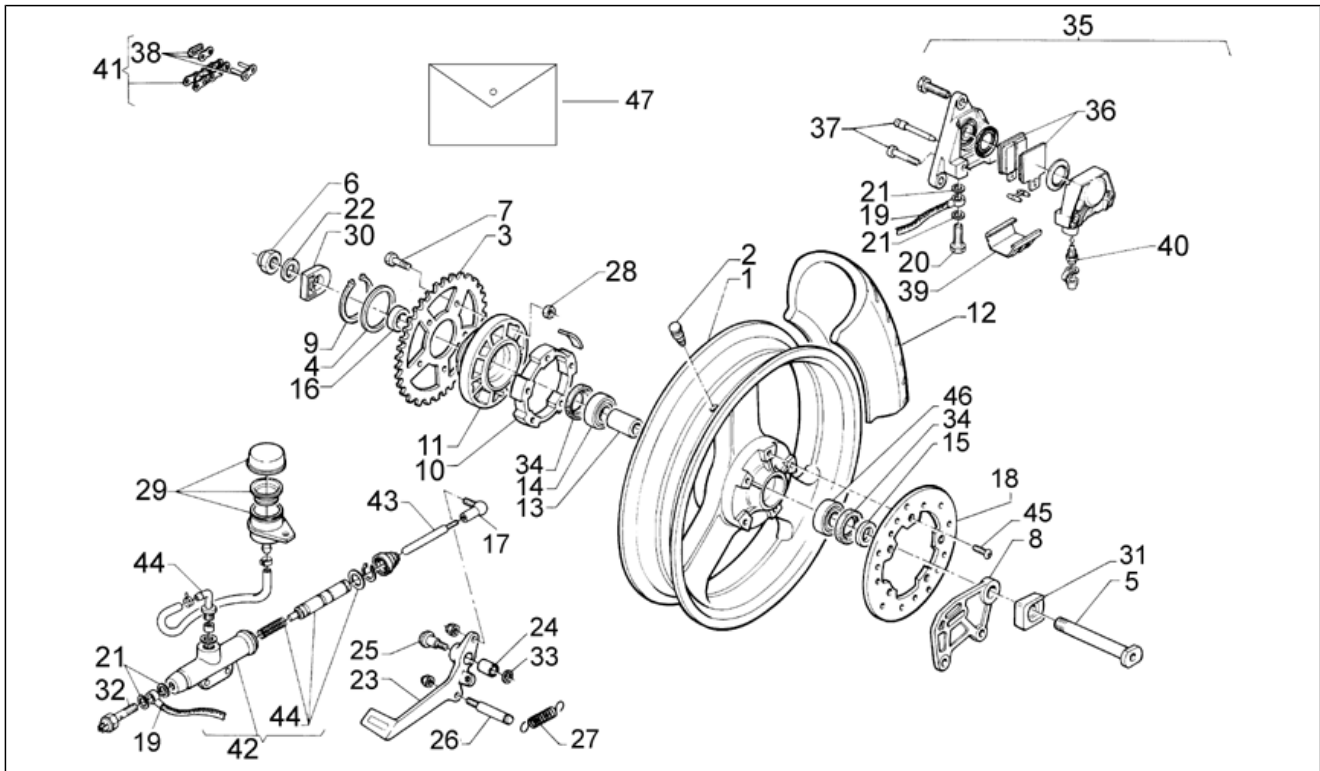
Pos.	Code	Beschreibung	Menge	Varianten
1	AP8108565	Hinterrad, schwarz	1	Technische Daten: Mit Leistungsminderung 11Kw[11Kw], Geschwindigkeit 80km/h[80], Version mit voller Leistung[f.p.]
1	AP8108621	Hinterrad kpl	1	Technische Daten: Sport Production version[s.p.]
2	AP8101744	Schlauchloses Reifenventil	1	
3	AP8107090	Zahnkranz Z=39	1	Technische Daten: Mit Leistungsminderung 11Kw[11Kw], Geschwindigkeit 80km/h[80]
3	AP8107116	Zahnkranz Z=40	1	Technische Daten: Version mit voller Leistung[f.p.], Sport Production version[s.p.]
4	AP8102296	Sprengring	1	
5	AP8125631	Hinterradbolzen	1	
6	AP8125763	Hinterradbolzen mut.	1	
7	AP8125635	Sechskantschraube M8x25	5	
8	AP8134429	Fixierplatte	1	
9	AP8125637	Seegerring zahnkranz	1	Technische Daten: Mit Leistungsminderung 11Kw[11Kw], Geschwindigkeit 80km/h[80], Version mit voller Leistung[f.p.]
9	AP8125668	Seegerring zahnkranz	1	Technische Daten: Sport Production version[s.p.]
10	AP8120792	Stoßschutzgummi	1	
11	AP8125628	Zahnkranzhalter	1	
12	0000000	Reifen	1	
13	AP8125645	Innen H.rad Distanzscheibe	1	Technische Daten: Mit Leistungsminderung 11Kw[11Kw], Geschwindigkeit 80km/h[80], Version mit voller Leistung[f.p.]
13	AP8125666	Innen H.rad Distanzscheibe	1	Technische Daten: Sport Production version[s.p.]
14	AP8125646	Hinterrad Kugellager	2	Technische Daten: Mit Leistungsminderung 11Kw[11Kw], Geschwindigkeit 80km/h[80], Version mit voller Leistung[f.p.]
14	AP8125663	Hinterrad Kugellager	2	Technische Daten: Sport Production version[s.p.]
15	AP8125639	Außen I. Raddistanzscheibe	1	

Einheit	RAHMEN
Code	28.07
Beschreibung	Hinterrad
Inspektion	1



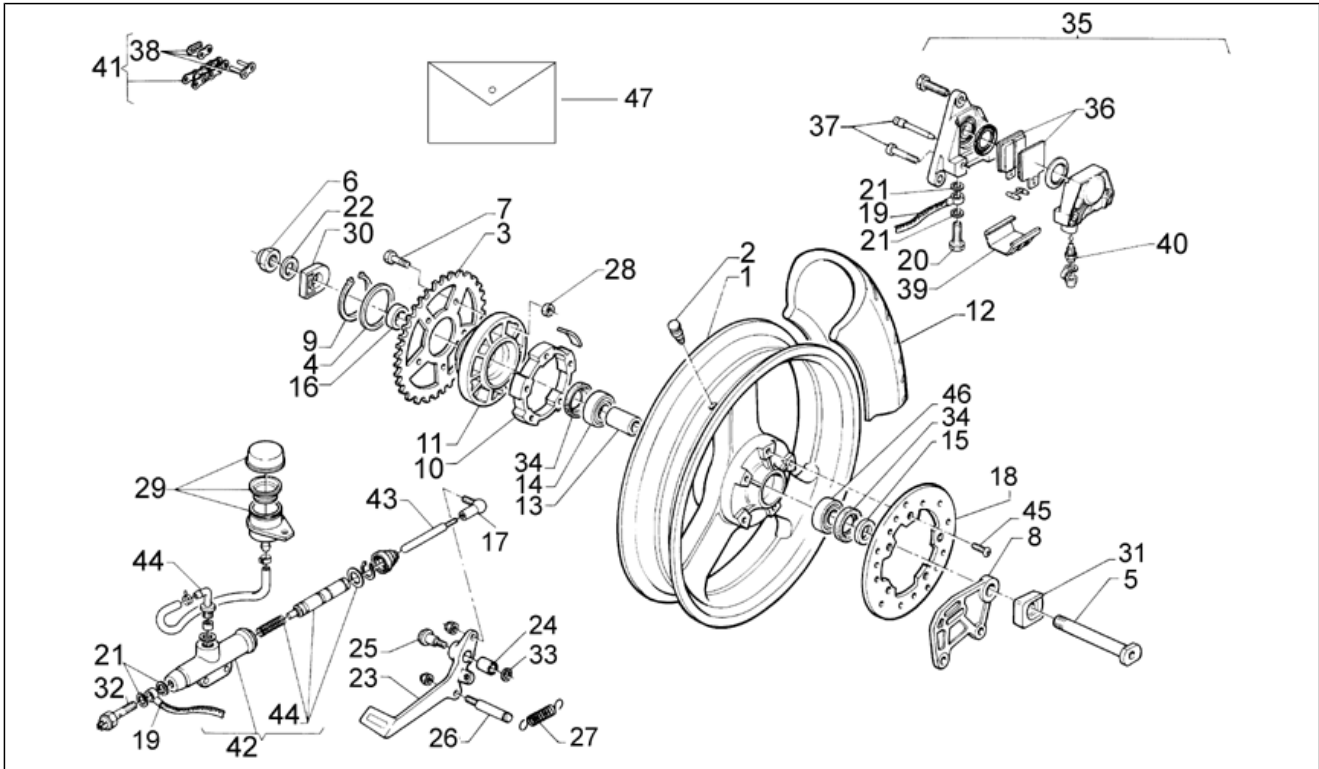
Pos.	Code	Beschreibung	Menge	Varianten
16	AP8125638	Außen r. Raddistanzscheibe	1	Technische Daten: Mit Leistungsminderung 11Kw[11Kw], Geschwindigkeit 80km/h[80], Version mit voller Leistung[f.p.]
16	AP8125667	Außen r. Raddistanzscheibe	1	Technische Daten: Sport Production version[s.p.]
17	AP8210007	Kugelenk rechts M6	1	
18	AP8113237	Vorderradbremsscheibe	1	Baujahr: 1996[T]
18	AP8113628	Vorderradbremsscheibe	1	Baujahr: 1997[V], 1998[W]
19	AP8113510	Hinterradbremsschlauch	1	
20	AP8113003	Fixierschraube Ölschlauch	1	
21	AP8113004	Ausgleichscheibe 10x14x1,6*	2	
22	AP8121852	Ausgleichscheibe 20x30x1	1	
23	AP8132635	H.bremshebel	1	
24	AP8121147	Distanzscheibe *	1	
25	AP8121284	Bremshebelbolzen	1	
26	AP8121835	Federn Fixierstift	1	
27	AP8121118	Schraubenfeder *	1	
28	AP8125636	Selbstsperrende Mutter M8	5	
29	AP8213086	Öltank kpl	1	
30	AP8120807	R. leucht. Kettengleitführung	1	
31	AP8120806	L. Leucht. Kettengleitführung	1	
32	AP8124479	Bremslichtschalter	1	
33	AP8121697	Tellerfeder	1	
34	AP8125647	Öldichring Hinterrad	2	
35	AP8113596	Hinterradbremsschleife	1	
36	AP8113651	Beläge (Paar)	1	
37	AP8113602	Befestigungsbolzen	1	
38	AP8107135	Verbindungsglied	1	Land: Schweiz[CH], Dänemark[DK], Spanien[E], Griechenland[GR], Italien[I], Japan[J], Malaysia[MAL],

Einheit	RAHMEN
Code	28.07
Beschreibung	Hinterrad
Inspektion	1



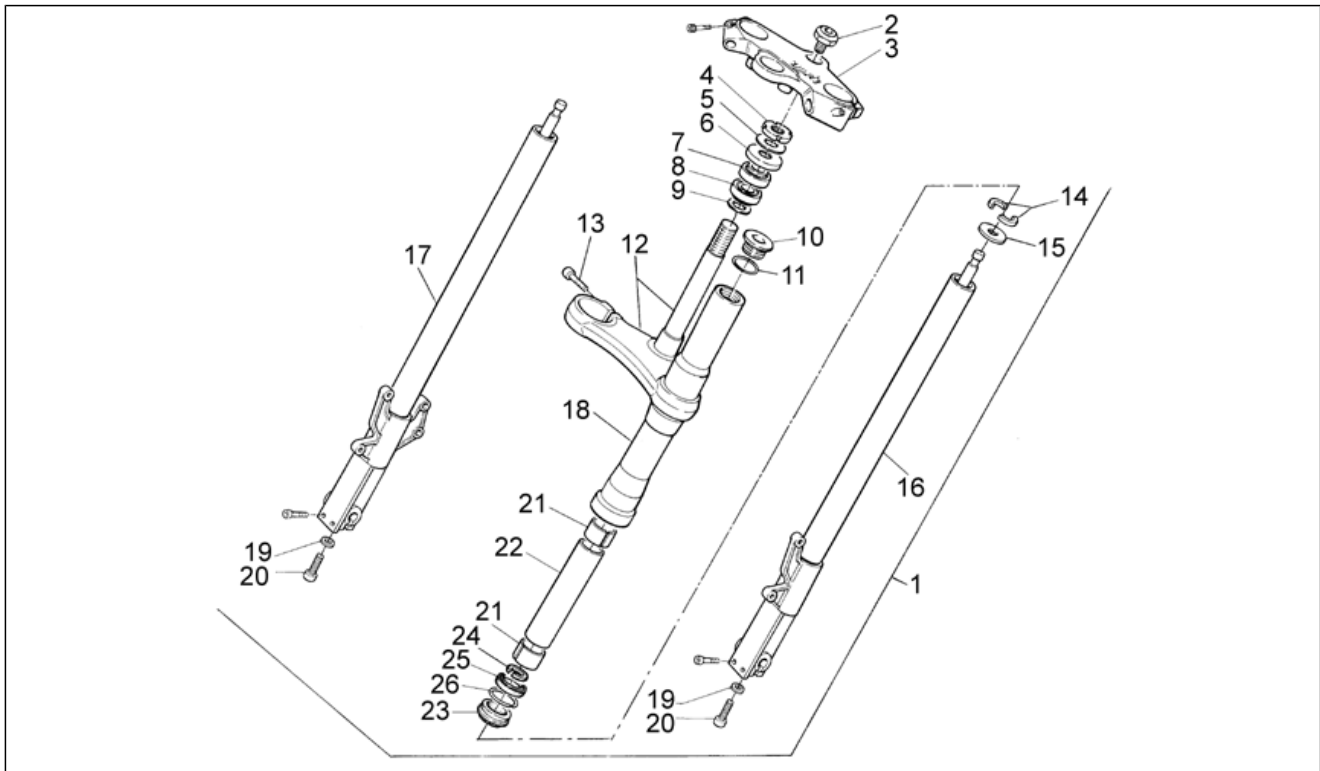
Pos.	Code	Beschreibung	Menge	Varianten
				Holland[NL], Portugal[P], Polen[PL], Finnland[SF], Singapur[SGP], Großbritannien[UK] Technische Daten: Mit Leistungsminderung 11Kw[11Kw], Version mit voller Leistung[f.p.]
38	AP8107135	Verbindungsglied	1	Land: Deutschland[D] Technische Daten: Mit Leistungsminderung 11Kw[11Kw], Geschwindigkeit 80km/h[80]
38	AP8107140	Verbindungsglied	1	Land: Frankreich[F]
39	AP8113117	Deckel Bremszangen	1	
40	AP8113006	Entlüftungsanschluß	1	
41	AP8107045	Kette Verbindungsgl.	1	Land: Frankreich[F]
41	AP8107110	Kette Verbindungsgl.	1	Land: Schweiz[CH], Dänemark[DK], Spanien[E], Griechenland[GR], Italien[I], Japan[J], Malaysia[MAL], Holland[NL], Portugal[P], Polen[PL], Finnland[SF], Singapur[SGP], Großbritannien[UK] Technische Daten: Mit Leistungsminderung 11Kw[11Kw], Version mit voller Leistung[f.p.]
41	AP8107110	Kette Verbindungsgl.	1	Land: Deutschland[D] Technische Daten: Mit Leistungsminderung 11Kw[11Kw]
41	AP8107121	Kette Verbindungsgl.	1	Land: Deutschland[D] Technische Daten: Geschwindigkeit 80km/h[80]
42	AP8113254	H.radbremspumpe o.Tank	1	Baujahr: 1996[T]
42	AP8113254	H.radbremspumpe o.Tank	1	Baujahr: 1997[V], 1998[W] Technische Daten: Version mit voller Leistung[f.p.]
42	AP8213117	Hinterradbremspumpe	1	Baujahr: 1997[V], 1998[W] Technische Daten: Mit Leistungsminderung 11Kw[11Kw], Geschwindigkeit 80km/h[80]
43	AP8221074	Pumpenstange H. Bremse	1	
44	AP8113322	Bausatz H.Pumpenüberholung	1	Baujahr: 1996[T]
44	AP8113322	Bausatz H.Pumpenüberholung	1	Baujahr: 1997[V], 1998[W] Technische Daten: Version mit voller Leistung[f.p.]
44	AP8113366	Bausatz H.Pumpenüberholung	1	Baujahr: 1997[V], 1998[W]

Einheit	RAHMEN
Code	28.07
Beschreibung	Hinterrad
Inspektion	1



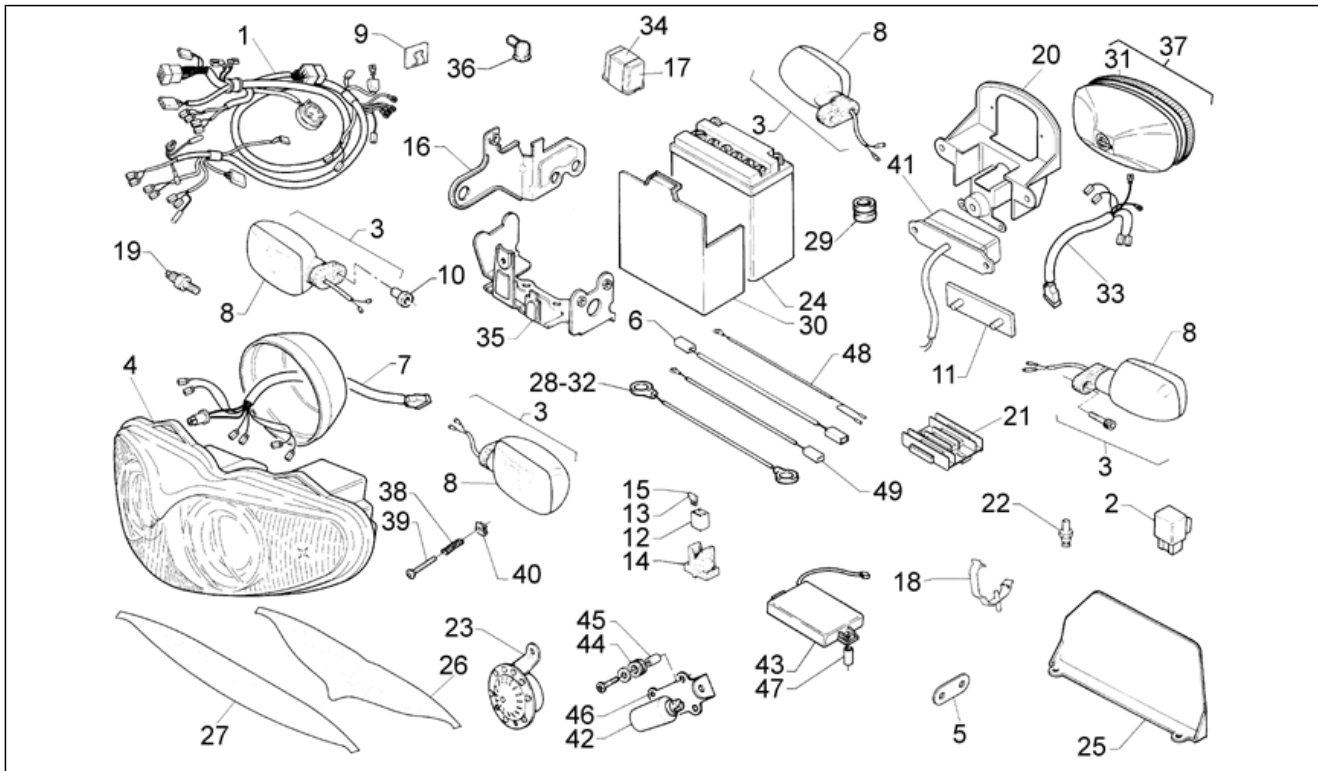
Pos.	Code	Beschreibung	Menge	Varianten
				Technische Daten: Mit Leistungsminderung 11Kw[11Kw], Geschwindigkeit 80km/h[80]
45	AP8152060	TBEI Schraube M6x20	5	
46	AP8125646	Hinterrad Kugellager	1	Technische Daten: Mit Leistungsminderung 11Kw[11Kw], Geschwindigkeit 80km/h[80], Version mit voller Leistung[f.p.]
46	AP8125664	Hinterrad Kugellager	1	Technische Daten: Sport Production version[s.p.]
47	AP8113198	Bausatz Bremszangenüberholung	1	

Einheit	RAHMEN
Code	28.08
Beschreibung	Vorderradgabel
Inspektion	1



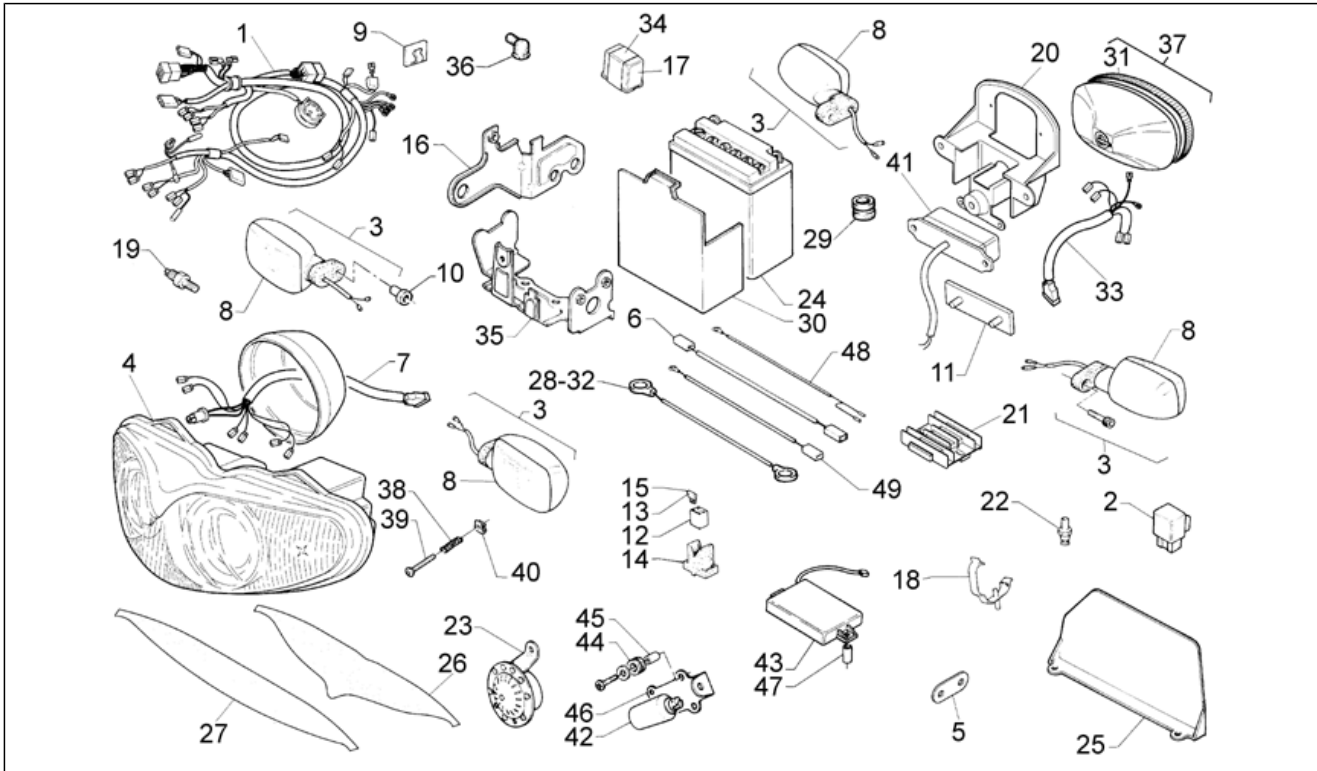
Pos.	Code	Beschreibung	Menge	Varianten
1	AP8123693	Baugruppe vordere Gabel	1	
2	AP8150352	Schraube Rohr	1	
3	AP8123666	Ob. Gabelplatte	1	
4	AP8150299	Nutmutter M17x1	1	
5	AP8203550	U-scheibe Lenksatz	1	
6	AP8101106	Gasket ring	1	
7	AP8110025	Kugellager	1	
8	AP8110024	Rollenlager	1	
9	AP8101271	Staubschutzring unten	1	
10	AP8123692	Geflanschte Mutter rot	2	
11	AP8123514	O-Ring	2	
12	AP8123316	Fuß mit Rohr	1	
13	AP8203570	Zylinderschraube M8x30	2	
14	AP8123441	Halbring	4	
15	AP8123357	Ring	2	
16	AP8123633	Klb.st.+ Radhltr. lks.	1	
17	AP8123632	Klb.st.+ Radhltr. rch.	1	
18	AP8123691	Hülse schwarz	2	
19	AP8123191	Dichtscheibe	2	
20	AP8123216	Zylinderschraube M10x30	2	
21	AP8123203	Gleitbuchse	2	
22	AP8123315	Distanzscheibe	2	
23	AP8123777	Staubschutzfeder	2	
24	AP8123256	Seegerring	2	
25	AP8103235	Gasket ring	2	
26	AP8123199	Sperring	2	

Einheit	RAHMEN
Code	28.09
Beschreibung	Elektrische Anlage
Inspektion	1



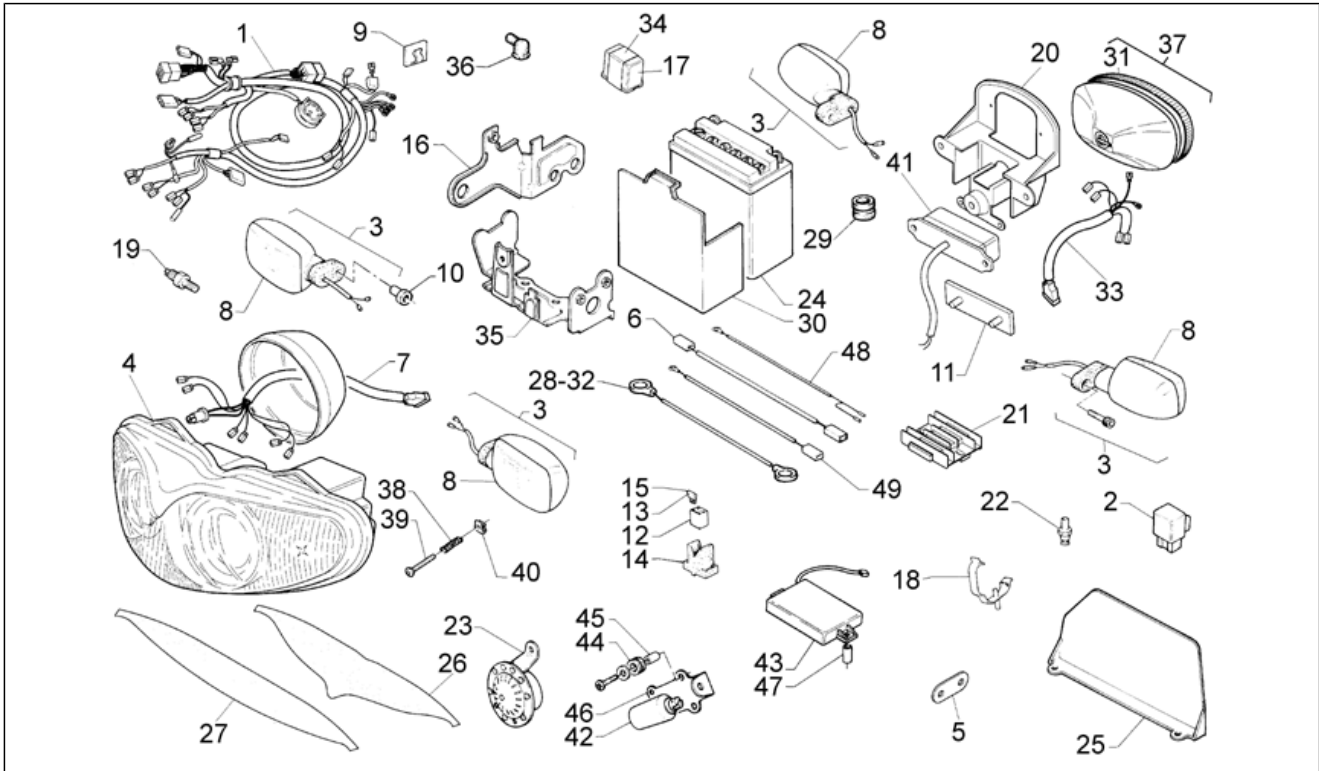
Pos.	Code	Beschreibung	Menge	Varianten
1	AP8124116	Hauptverkabelung	1	Technische Daten: Mit Leistungsminderung 11Kw[11Kw], Geschwindigkeit 80km/h[80], Version mit voller Leistung[f.p.]
1	AP8124211	Hauptverkabelung	1	Technische Daten: Sport Production version[s.p.]
2	AP8124235	Blinken	1	
3	AP8112687	Blinker	1	
4	AP8112961	Scheinwerfer	1	Land: Österreich[A], Schweiz[CH], Deutschland[D], Dänemark[DK], Spanien[E], Frankreich[F], Griechenland[GR], Italien[I], Malaysia[MAL], Portugal[P], Finnland[SF]
4	AP8124174	Scheinwerfer -UK-	1	Land: Japan[J], Singapur[SGP], Großbritannien[UK]
5	AP8134348	Spulehalter platte	1	
6	AP8124119	Anlasserkabel	1	
7	AP8124075	Verkabel.Scheinwerf.	1	
8	AP8112756	Blinkerblende	4	
9	AP8120721	Klebkabelführungs schw.	1	
10	AP8121795	T-Buchse	4	
11	AP8112916	Rückstrahler Rücklicht	0	
12	AP8112811	Sicherungsblockgummi	3	Baujahr: 1996[T], 1997[V]
12	AP8120754	Sicherungsblockgummi	3	Baujahr: 1998[W]
13	AP8112176	Sicherung 15A	1	
14	AP8112942	Sicherungsblockgummi	1	Baujahr: 1998[W]
14	AP8120754	Sicherungsblockgummi	1	Baujahr: 1996[T], 1997[V]
15	AP8112244	Sicherung 7,5A	1	
16	AP8124117	Hltr. Sicher.	1	
17	AP8112523	Zündrelais	1	
18	AP8120582	Kabelführungs	1	
19	AP8124399	Bremslichtschalter	1	
20	AP8134335	Rücklichthalterung	1	

Einheit	RAHMEN
Code	28.09
Beschreibung	Elektrische Anlage
Inspektion	1



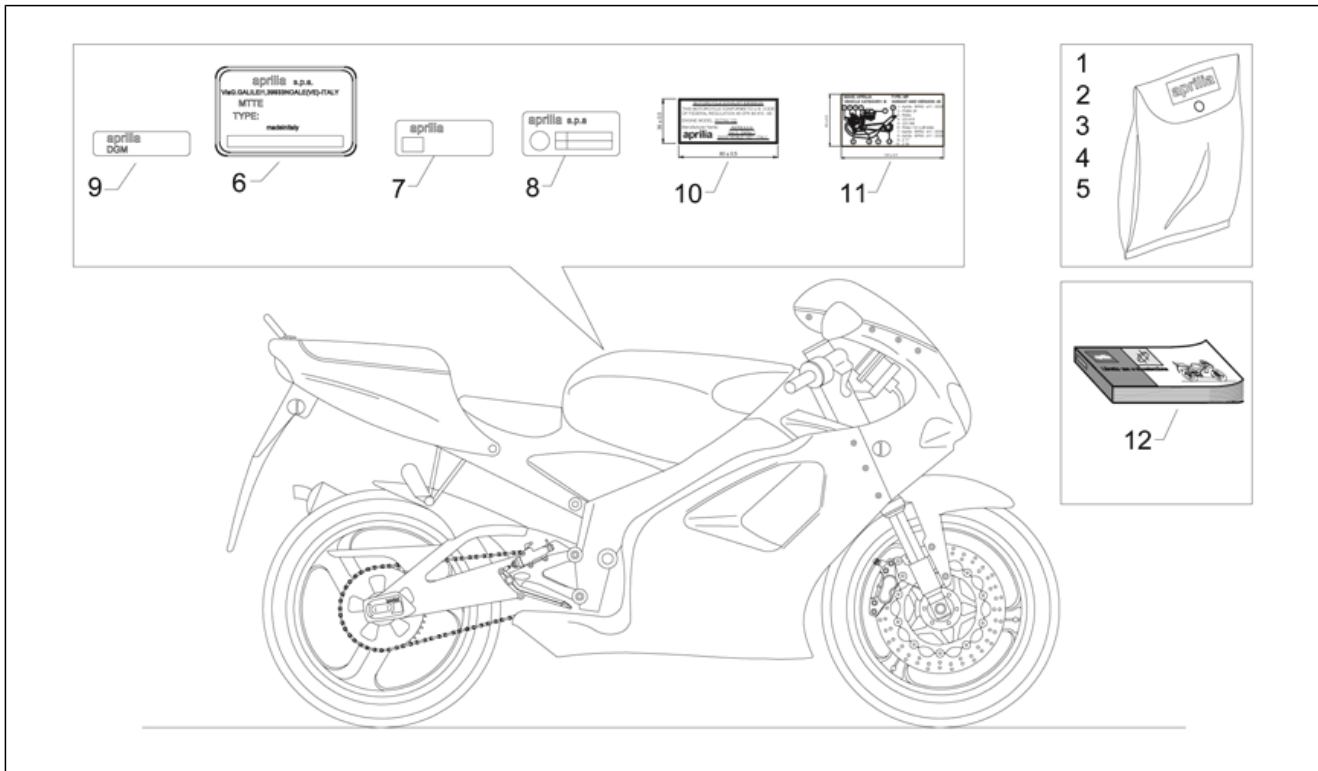
Pos.	Code	Beschreibung	Menge	Varianten
21	AP8112906	Spannungsregler	1	
22	AP8124487	Thermistor	1	
23	AP8112413	Hupe	1	
24	AP8112290	Batterie	1	
25	AP8131739	Spannungsregler schutz	1	
26	AP8137646	Ob.Scheinw.schutz Deko	1	
27	AP8137647	Unt.Scheinw.schutz Deko	1	
28	AP8112458	Batter.kbel negativ	1	
29	AP8112599	Gummi *	1	
30	AP8131256	Batteriehalter	1	
31	AP8212679	Rücklichtblende	1	
32	AP8112460	Relaiskabel Anlasser	1	
33	AP8124141	Verkabelung Rücklicht	1	
34	AP8220201	Gummi *	1	
35	AP8135448	Batteriehalter platte	1	
36	AP8120218	Klemmenkappe	1	
37	AP8124006	Rücklicht	1	
38	AP8121798	Schraubenfederkompr. *	1	
39	AP8221035	Schraube	1	
40	AP8201215	Klammer	1	
41	AP8212702	Kennzeichenleuchte	1	
42	AP8112567	Solenoid Ravestrng.	1	Technische Daten: Version mit voller Leistung[f.p.]
43	AP8112568	Steuergeraet rave	1	Technische Daten: Version mit voller Leistung[f.p.]
43	AP8112612	Steuergeraet rave	1	Land: Schweiz[CH]
43	AP8112659	Steuergeraet rave	1	Technische Daten: Sport Production version[s.p.]
44	AP8120405	Gummi	1	Technische Daten: Version mit voller Leistung[f.p.]
45	AP8121736	T-Buchse	2	Technische Daten: Version mit voller Leistung[f.p.]
46	AP8132869	Solenoid Halteplatte	1	Technische Daten: Version mit voller Leistung[f.p.]

Einheit	RAHMEN
Code	28.09
Beschreibung	Elektrische Anlage
Inspektion	1



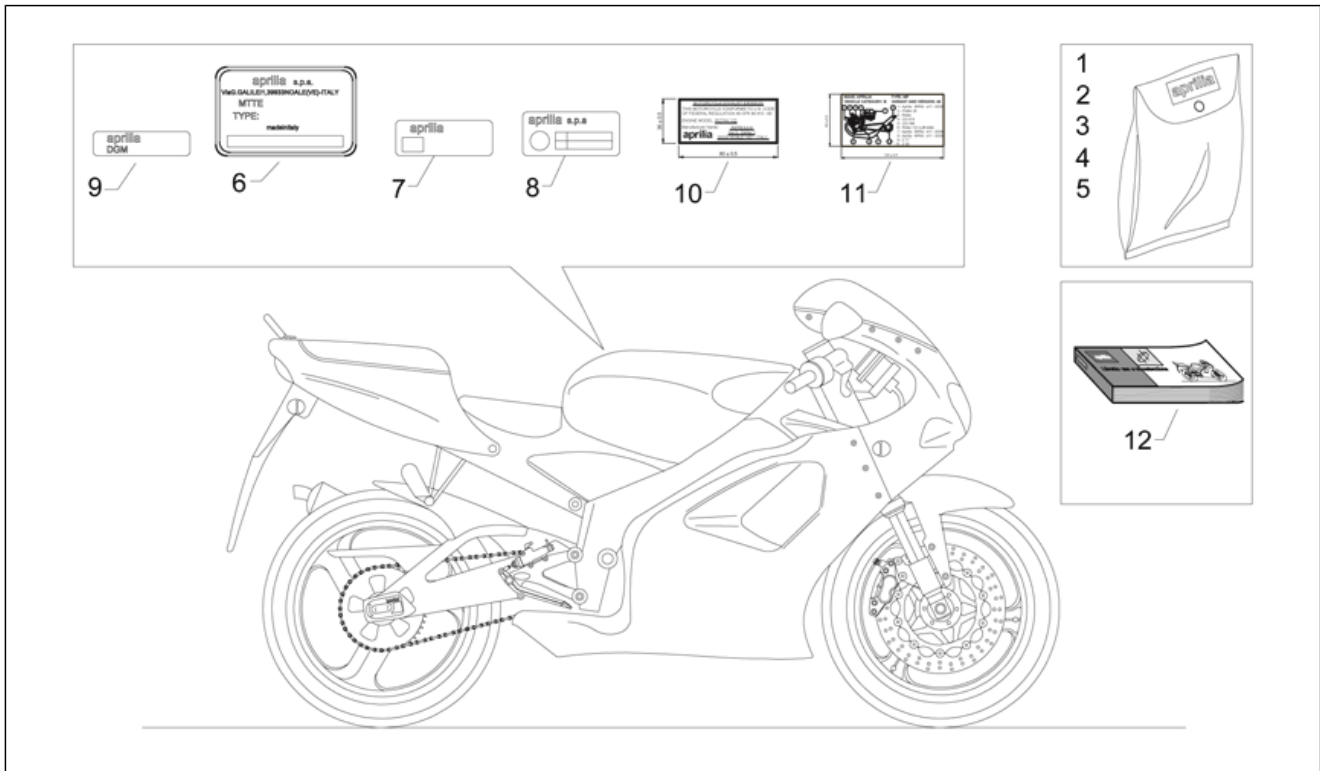
Pos.	Code	Beschreibung	Menge	Varianten
47	AP8220185	Buchse Instrumentenbrett	1	Technische Daten:Version mit voller Leistung[f.p.]

Einheit	RAHMEN
Code	28.10
Beschreibung	Aufkleber und Deko
Inspektion	1



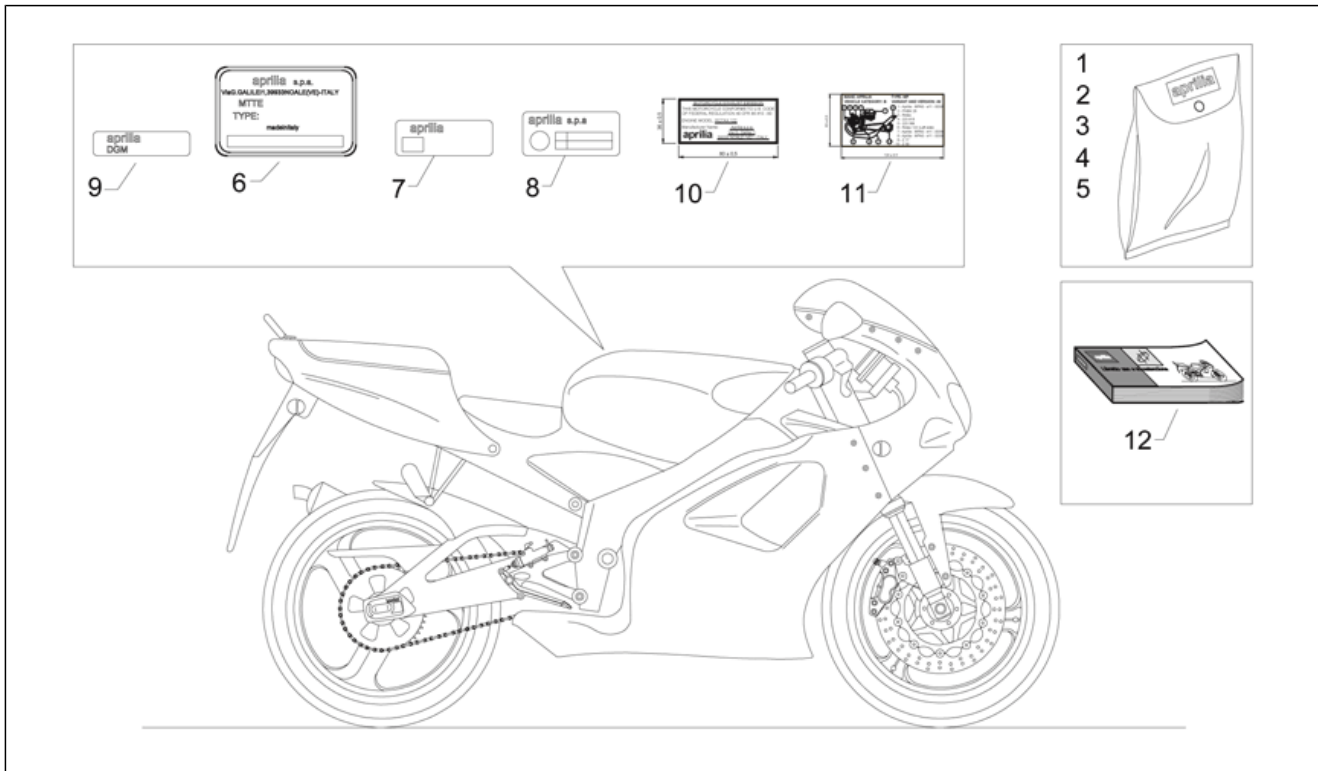
Pos.	Code	Beschreibung	Menge	Varianten
1	AP8147063	Tank Deko-Satz	0	Baujahr:1996[T] Fahrzeugfarbe:Grau Mirage 1996[Gr.m]
1	AP8147071	Tank Deko-Satz	0	Baujahr:1996[T] Fahrzeugfarbe:Schwarz 1996-1998[black]
1	AP8147392	Tank Deko-Satz	0	Baujahr:1997[V] Fahrzeugfarbe:Schwarz 1996-1998[black]
1	AP8147393	Tank Deko-Satz	0	Baujahr:1997[V] Fahrzeugfarbe:Grau Silver 1997[Gr.s]
1	AP8147847	Tank Deko-Satz	1	Baujahr:1998[W] Fahrzeugfarbe:Grau/Rot/Blau Valentino Rossi 1998[rossi]
1	AP8147848	Tank Deko-Satz	1	Baujahr:1998[W] Fahrzeugfarbe:Schwarz 1996-1998[black]
2	AP8147064	Verkleidung Deko-Satz	0	Baujahr:1996[T] Fahrzeugfarbe:Grau Mirage 1996[Gr.m]
2	AP8147072	Verkleidung Deko-Satz	0	Baujahr:1996[T] Fahrzeugfarbe:Schwarz 1996-1998[black]
2	AP8147394	Verkleidung Deko-Satz	0	Baujahr:1997[V] Fahrzeugfarbe:Schwarz 1996-1998[black]
2	AP8147395	Verkleidung Deko-Satz	0	Baujahr:1997[V] Fahrzeugfarbe:Grau Silver 1997[Gr.s]
2	AP8147849	Verkleidung Deko-Satz	1	Baujahr:1998[W] Fahrzeugfarbe:Grau/Rot/Blau Valentino Rossi 1998[rossi]
2	AP8147850	Verkleidung Deko-Satz	1	Baujahr:1998[W] Fahrzeugfarbe:Schwarz 1996-1998[black]
3	AP8147065	Kleinkuppel Deko-Satz	0	Baujahr:1996[T] Fahrzeugfarbe:Grau Mirage 1996[Gr.m]
3	AP8147073	Kleinkuppel Deko-Satz	0	Baujahr:1996[T] Fahrzeugfarbe:Schwarz 1996-1998[black]
3	AP8147396	Kleinkuppel Deko-Satz	0	Baujahr:1997[V] Fahrzeugfarbe:Schwarz 1996-1998[black]
3	AP8147397	Kleinkuppel Deko-Satz	0	Baujahr:1997[V] Fahrzeugfarbe:Grau Silver 1997[Gr.s]

Einheit	RAHMEN
Code	28.10
Beschreibung	Aufkleber und Deko
Inspektion	1



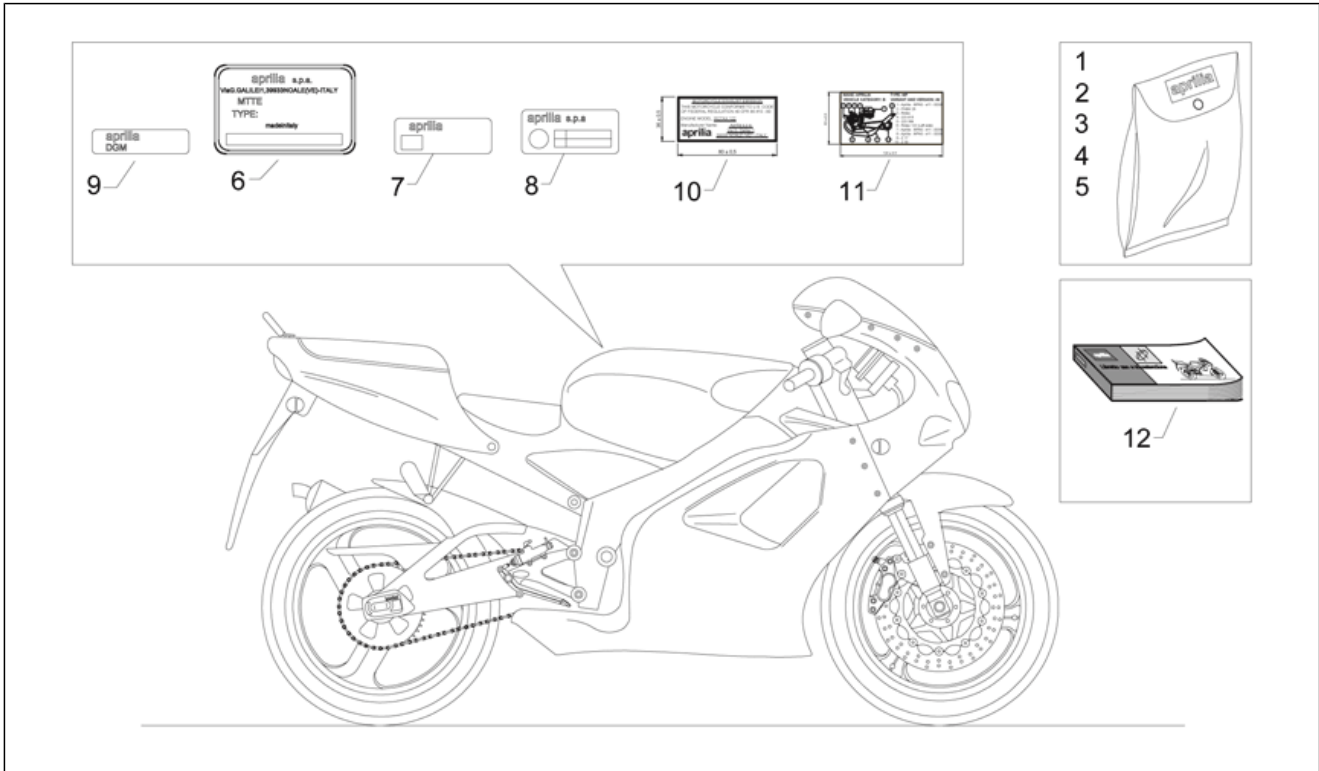
Pos.	Code	Beschreibung	Menge	Varianten
3	AP8147851	Kleinkuppel Deko-Satz	1	Baujahr: 1998[W] Fahrzeugfarbe: Grau/Rot/Blau Valentino Rossi 1998[rossi]
3	AP8147852	Kleinkuppel Deko-Satz	1	Baujahr: 1998[W] Fahrzeugfarbe: Schwarz 1996-1998[black]
4	AP8147066	H.Verkleidung Deko-Satz	0	Baujahr: 1996[T] Fahrzeugfarbe: Grau Mirage 1996[Gr.m]
4	AP8147074	H.Verkleidung Deko-Satz	0	Baujahr: 1996[T] Fahrzeugfarbe: Schwarz 1996-1998[black]
4	AP8147398	H.Verkleidung Deko-Satz	0	Baujahr: 1997[V] Fahrzeugfarbe: Schwarz 1996-1998[black]
4	AP8147399	H.Verkleidung Deko-Satz	0	Baujahr: 1997[V] Fahrzeugfarbe: Grau Silver 1997[Gr.s]
4	AP8147853	H.Verkleidung Deko-Satz	1	Baujahr: 1998[W] Fahrzeugfarbe: Grau/Rot/Blau Valentino Rossi 1998[rossi]
4	AP8147854	H.Verkleidung Deko-Satz	1	Baujahr: 1998[W] Fahrzeugfarbe: Schwarz 1996-1998[black]
5	AP8147067	Deko technische Serie	0	
6	AP8137877	Herstellerschild	0	Technische Daten: Mit Leistungsminderung 11Kw[11Kw]
6	AP8147124	Herstellerschild -D-	0	Land: Deutschland[D] Technische Daten: Geschwindigkeit 80km/h[80]
6	AP8147310	Herstellerschild -D-	0	Baujahr: 1996[T], 1997[V] Technische Daten: Version mit voller Leistung[f.p.]
6	AP8147492	Herstellerschild	1	Baujahr: 1998[W] Technische Daten: Version mit voller Leistung[f.p.]
6	AP8147493	Herstellerschild	1	Land: Schweiz[CH]
6	AP8147495	Herstellerschild	1	Land: Frankreich[F]
6	AP8147567	Herstellerschild	1	Land: Singapur[SGP]
7	AP8137735	Schild ECE	0	Land: Italien[I], Japan[J], Malaysia[MAL] Technische Daten: Version mit voller Leistung[f.p.]
7	AP8137735	Schild ECE	0	Technische Daten: Sport Production version[s.p.]
7	AP8147019	Schild ECE	1	Baujahr: 1998[W]

Einheit	RAHMEN
Code	28.10
Beschreibung	Aufkleber und Deko
Inspektion	1



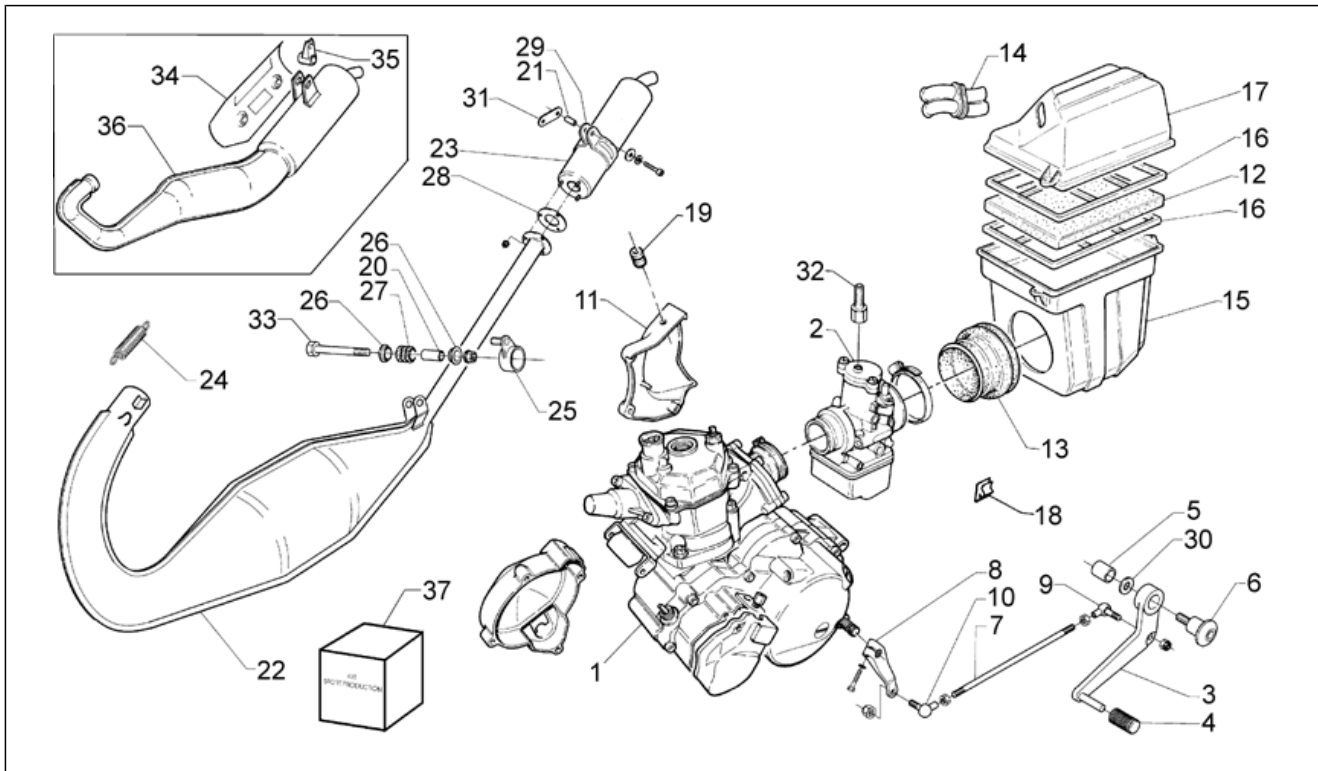
Pos.	Code	Beschreibung	Menge	Varianten
				Technische Daten: Mit Leistungsminderung 11Kw[11Kw], Geschwindigkeit 80km/h[80]
7	AP8147019	Schild ECE	0	Baujahr: 1996[T], 1997[V] Technische Daten: Mit Leistungsminderung 11Kw[11Kw], Geschwindigkeit 80km/h[80]
7	AP8147497	ECE Schild	1	Baujahr: 1998[W] Land: Österreich[A], Schweiz[CH], Deutschland[D], Dänemark[DK], Spanien[E], Großbritannien[UK] Technische Daten: Version mit voller Leistung[f.p.]
8	AP8137626	Schild CEE	0	Baujahr: 1996[T], 1997[V] Land: Italien[I], Japan[J], Malaysia[MAL] Technische Daten: Version mit voller Leistung[f.p.]
8	AP8137626	Schild CEE	0	Technische Daten: Sport Production version[s.p.]
8	AP8147020	Schild CEE	0	Baujahr: 1998[W] Technische Daten: Mit Leistungsminderung 11Kw[11Kw], Geschwindigkeit 80km/h[80]
8	AP8147496	Schild CEE	1	Land: Schweiz[CH]
9	AP8137627	DGM Schild	0	Land: Italien[I], Malaysia[MAL] Technische Daten: Version mit voller Leistung[f.p.]
9	AP8137627	DGM Schild	0	Technische Daten: Sport Production version[s.p.]
9	AP8147114	Schild DGM	1	Technische Daten: Mit Leistungsminderung 11Kw[11Kw]
10	AP8147566	Motorschild -SGP-	1	Baujahr: 1998[W] Land: Singapur[SGP]
11	AP8147638	Fälschungssicheres Schild	1	Baujahr: 1998[W] Land: Frankreich[F]
12	AP8102682	Bed./Wart.-Anleit. -D-F-UK-	1	Baujahr: 1998[W] Land: Österreich[A], Schweiz[CH], Deutschland[D], Frankreich[F], Japan[J], Malaysia[MAL], Finnland[SF], Singapur[SGP], Großbritannien[UK]
12	AP8102683	Bed./Wart.-Anleit. -E-P-NL-	1	Baujahr: 1998[W] Land: Spanien[E]
12	AP8102685	Bed./Wart.-Anleit. -I-	1	Baujahr: 1998[W] Land: Italien[I]

Einheit	RAHMEN
Code	28.10
Beschreibung	Aufkleber und Deko
Inspektion	1



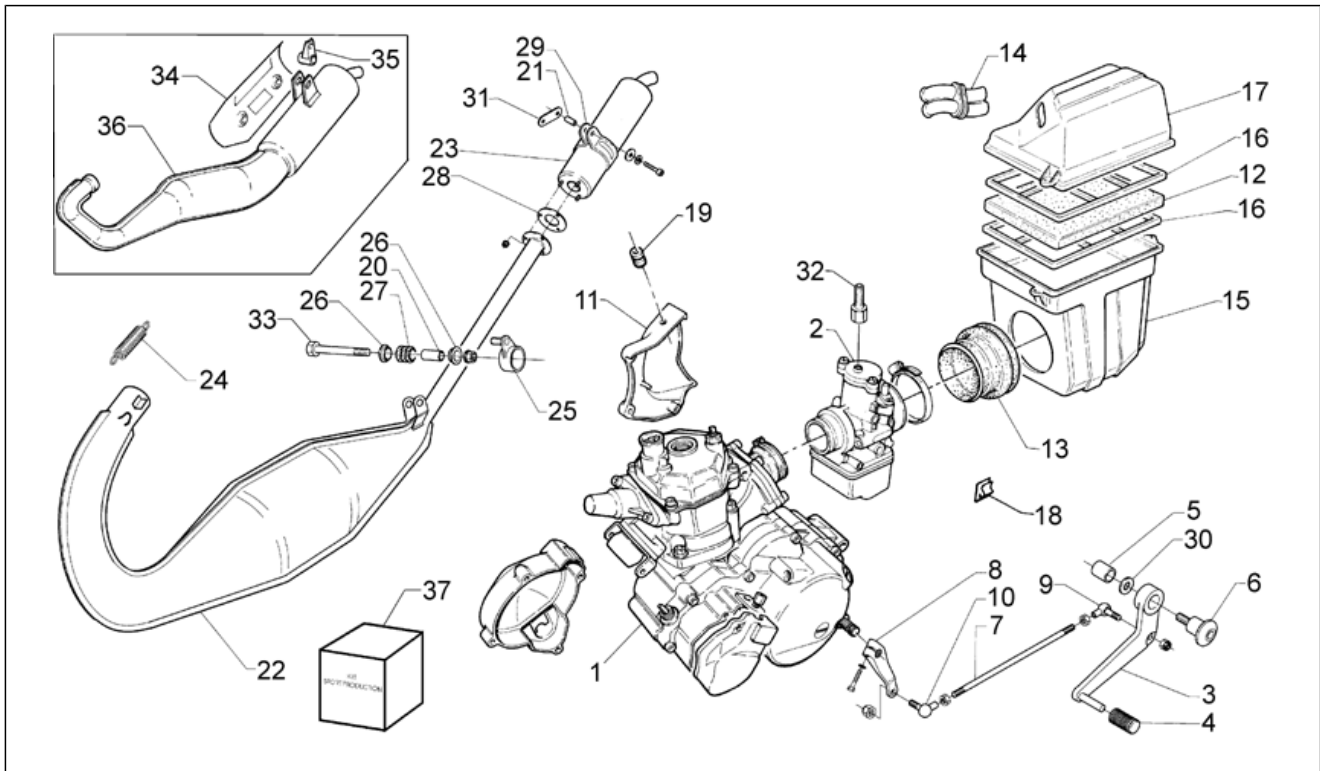
Pos.	Code	Beschreibung	Menge	Varianten
12	AP8102849	Bed./Wart.-Anleit. -DK-	1	Baujahr:1998[W] Land:Dänemark[DK]

Einheit	MOTOR
Code	29.05
Beschreibung	Motor
Inspektion	1



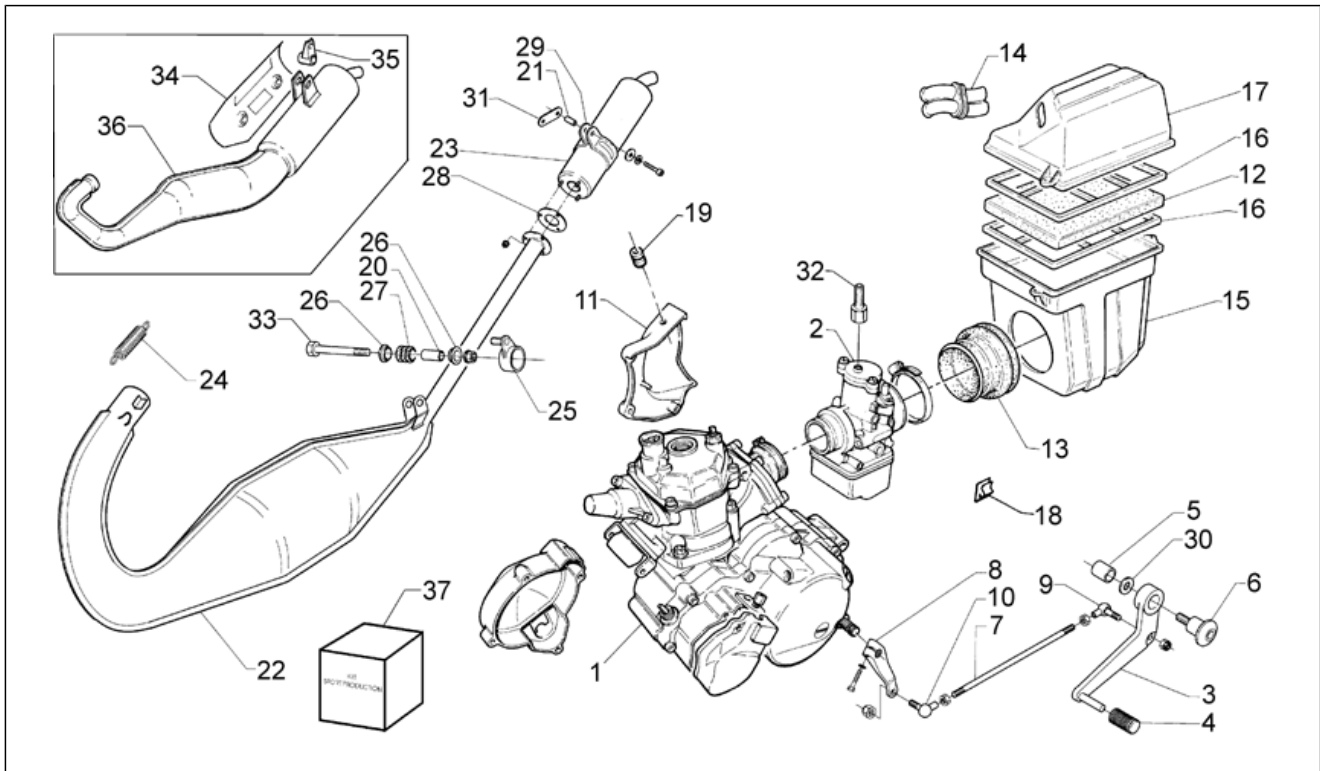
Pos.	Code	Beschreibung	Menge	Varianten
1	AP8106304	Motor 122 STRADA 95	1	Land:Frankreich[F], Italien[I], Japan[J], Malaysia[MAL], Finnland[SF] Technische Daten:Version mit voller Leistung[f.p.]
1	AP8106349	Motor 122 SPORT PRO 95	1	Technische Daten:Sport Production version[s.p.]
1	AP8106398	Motor 122 11KW 96	1	Technische Daten:Mit Leistungsminderung 11Kw[11Kw]
1	AP8106436	Motor 122 11kw 80km/h -D-	1	Land:Deutschland[D] Technische Daten:Geschwindigkeit 80km/h[80]
1	AP8106548	Motor 122 STRADA -D-	1	Land:Deutschland[D], Dänemark[DK], Spanien[E], Großbritannien[UK] Technische Daten:Version mit voller Leistung[f.p.]
1	AP8106549	Motor 122 STRADA -CH-	1	Land:Schweiz[CH]
1	AP8106558	Motor 122 STRADA -SGP-	1	Land:Singapur[SGP] Technische Daten:Version mit voller Leistung[f.p.]
2	AP8106194	Vergaser phbH 28-Rd	1	Land:Schweiz[CH]
2	AP8106314	Vergaser VHSB 34 Ld	1	Baujahr:1996[T], 1997[V] Land:Italien[I], Malaysia[MAL] Technische Daten:Version mit voller Leistung[f.p.]
2	AP8106314	Vergaser VHSB 34 Ld	1	Baujahr:1998[W] Land:Frankreich[F], Japan[J], Malaysia[MAL], Finnland[SF] Technische Daten:Version mit voller Leistung[f.p.]
2	AP8106314	Vergaser VHSB 34 Ld	1	Baujahr:1996[T] Technische Daten:Sport Production version[s.p.]
2	AP8106397	Vergaser phbH 28-Bd	1	Technische Daten:Mit Leistungsminderung 11Kw[11Kw]
2	AP8106435	Vergaser phbL 24	1	Land:Deutschland[D] Technische Daten:Geschwindigkeit 80km/h[80]
2	AP8106550	Vergaser phbh 28-bd	1	Baujahr:1998[W] Land:Deutschland[D], Dänemark[DK], Spanien[E], Singapur[SGP], Großbritannien[UK] Technische Daten:Version mit voller Leistung[f.p.]
3	AP8106013	Schalthebel	1	
4	AP8220189	Gummi	1	
5	AP8121147	Distanzscheibe *	1	

Einheit	MOTOR
Code	29.05
Beschreibung	Motor
Inspektion	1



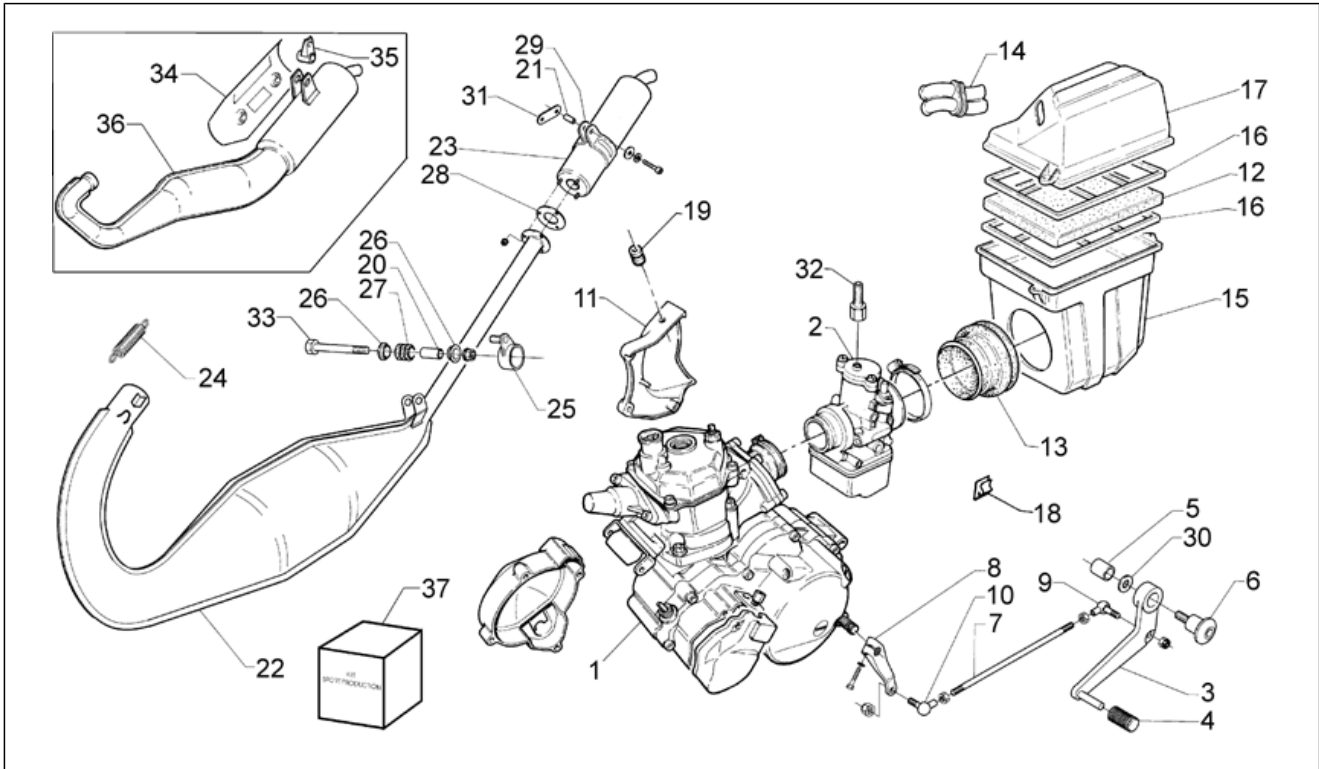
Pos.	Code	Beschreibung	Menge	Varianten
6	AP8121284	Bremshebelbolzen	1	
7	AP8121163	Umlenkstange Schaltgetriebe	1	
8	AP8135726	Umlenkpl.Schaltgetr.	1	
9	AP8210007	Kugelgelenk rechts M6	1	
10	AP8110053	Kugelgelenk links M6	1	
11	AP8106315	Ritzelkasten, grau	1	
12	AP8102080	Luftfilter	1	
13	AP8120783	Ansaugmuffe	1	Technische Daten: Offene Bohrung[FC]
13	AP8120810	Ansaugmuffe	1	Technische Daten: Geschlossene Bohrung[FA]
14	AP8120748	Ansaugmuffe	1	
15	AP8131626	Boden Filtergehäuse	1	
16	AP8131121	Filterschutznetz	2	
17	AP8131470	Deckel Filtergehäuse	1	Land: Schweiz[CH]
17	AP8138686	Deckel Filtergehäuse	1	Land: Österreich[A], Deutschland[D], Dänemark[DK], Spanien[E], Frankreich[F], Griechenland[GR], Italien[I], Japan[J], Malaysia[MAL], Portugal[P], Finnland[SF], Singapur[SGP], Großbritannien[UK]
18	AP8120708	Kabelführungs	1	
19	AP8120405	Gummi	1	
20	AP8121058	Distanzscheibe *	1	
21	AP8120910	Silent-Block	1	
22	AP8119375	Auspuff	1	Technische Daten: Sport Production version[s.p.]
22	AP8119375	Auspuff	1	Land: Frankreich[F], Italien[I], Japan[J], Malaysia[MAL], Finnland[SF] Technische Daten: Version mit voller Leistung[f.p.]
22	AP8119417	Auspuff	1	Land: Deutschland[D], Dänemark[DK], Spanien[E], Frankreich[F], Griechenland[GR], Italien[I], Portugal[P], Polen[PL], Finnland[SF] Technische Daten: Mit Leistungsminderung 11Kw[11Kw]
22	AP8119434	Auspuff 80KM/H-D-	1	Land: Deutschland[D]

Einheit	MOTOR
Code	29.05
Beschreibung	Motor
Inspektion	1



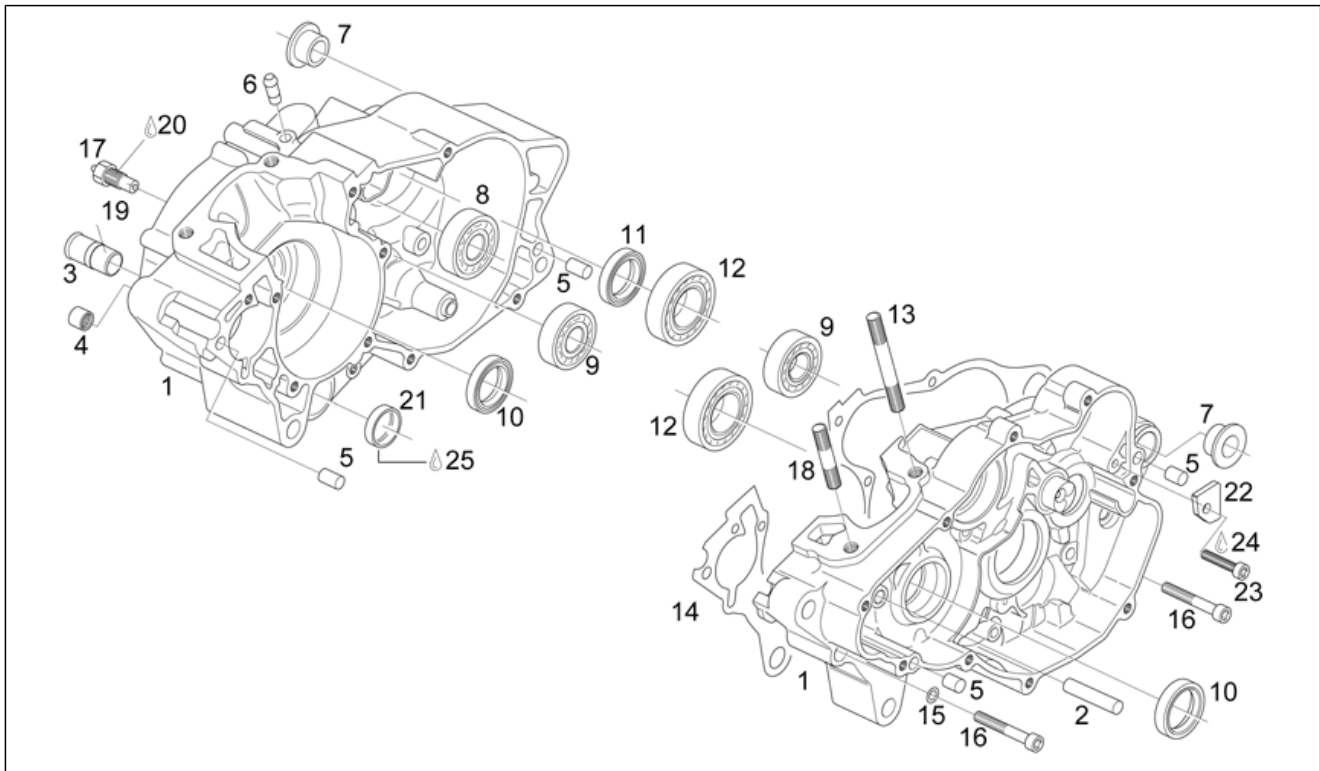
Pos.	Code	Beschreibung	Menge	Varianten
				Technische Daten: Geschwindigkeit 80km/h[80]
22	AP8119467	Auspuff -D-	1	Land: Deutschland[D], Dänemark[DK], Spanien[E], Großbritannien[UK] Technische Daten: Version mit voller Leistung[f.p.]
22	AP8119468	Auspuff -A-	1	Land: Österreich[A] Technische Daten: Mit Leistungsminderung 11Kw[11Kw]
23	AP8119383	Schalldämpfer	1	Land: Frankreich[F], Italien[I], Japan[J], Malaysia[MAL], Finnland[SF] Technische Daten: Version mit voller Leistung[f.p.]
23	AP8119383	Schalldämpfer	1	Technische Daten: Sport Production version[s.p.]
23	AP8119418	Schalldämpfer	1	Technische Daten: Mit Leistungsminderung 11Kw[11Kw]
23	AP8119418	Schalldämpfer	1	Land: Deutschland[D], Dänemark[DK], Spanien[E], Griechenland[GR], Italien[I], Portugal[P] Technische Daten: Geschwindigkeit 80km/h[80]
24	AP8121091	Schraubenfeder *	2	
25	AP8135289	Mittlere Auspuffhltr.	1	
26	AP8101284	Ausgleichscheibe 22x30*	2	
27	AP8101285	Silent-Block *	1	
28	AP8120812	Dichtung Schalldämpfer	1	
29	AP8102432	Fixierschelle Schalldämpfer	1	
30	AP8121697	Tellerfeder	1	
31	AP8134262	Schalldämpfer platte	1	
32	AP8106316	Vergaser Einstellschraube	1	
33	AP8150277	TCEI Schraube M8x50	1	Land: Schweiz[CH], Singapur[SGP]
34	AP8232524	Auspuffrohrschutz, chr. schw.	1	Land: Schweiz[CH], Singapur[SGP]
35	AP8135492	Auspuffrohrhalter	1	Land: Schweiz[CH], Singapur[SGP]
36	AP8119469	Kat.Auspuffrohr -CH-	1	Land: Schweiz[CH], Singapur[SGP]
37	AP8106346	Ansaugkrümmer	1	Technische Daten: Sport Production version[s.p.]
37	AP8106520	Vergaser phbH 28-Bd	1	Technische Daten: Sport Production version[s.p.]
37	AP8119387	Auspuff sport-pro	1	Technische Daten: Sport Production version[s.p.]

Einheit	MOTOR
Code	29.05
Beschreibung	Motor
Inspektion	1



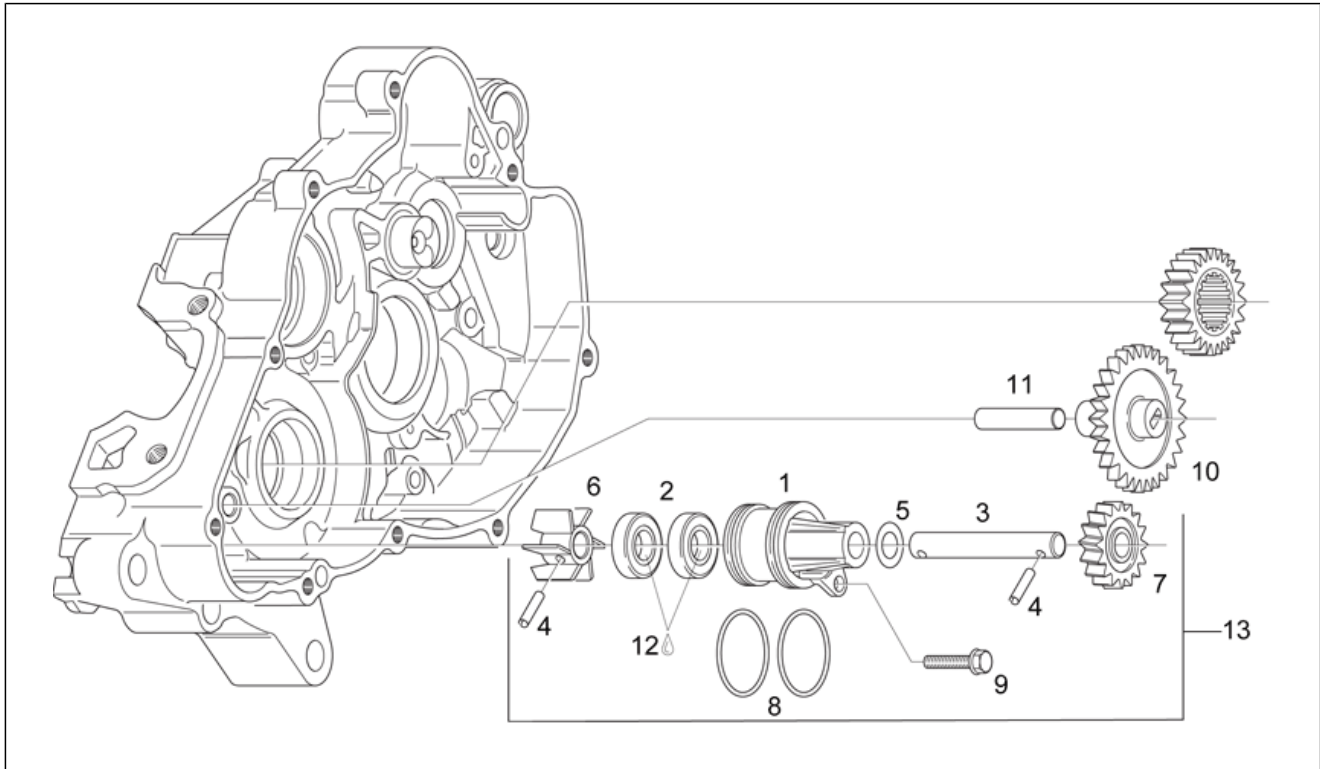
Pos.	Code	Beschreibung	Menge	Varianten
37	AP8119402	Auspuffstutzen kpl.	1	Technische Daten: Sport Production version[s.p.]
37	AP8120422	Schelle schwarz 98x2*	1	Technische Daten: Sport Production version[s.p.]
37	AP8120852	Vergaserschutz	1	Technische Daten: Sport Production version[s.p.]
37	AP8121825	Bundscheibe	1	Technische Daten: Sport Production version[s.p.]
37	AP8121890	Buchse	1	Technische Daten: Sport Production version[s.p.]
37	AP8150337	Schraube M6x55	1	Technische Daten: Sport Production version[s.p.]
37	AP8152299	Selbstsperrende Mutter M6	1	Technische Daten: Sport Production version[s.p.]

Einheit	MOTOR
Code	29.11
Beschreibung	Kurbelwellengehäuse
Inspektion	1



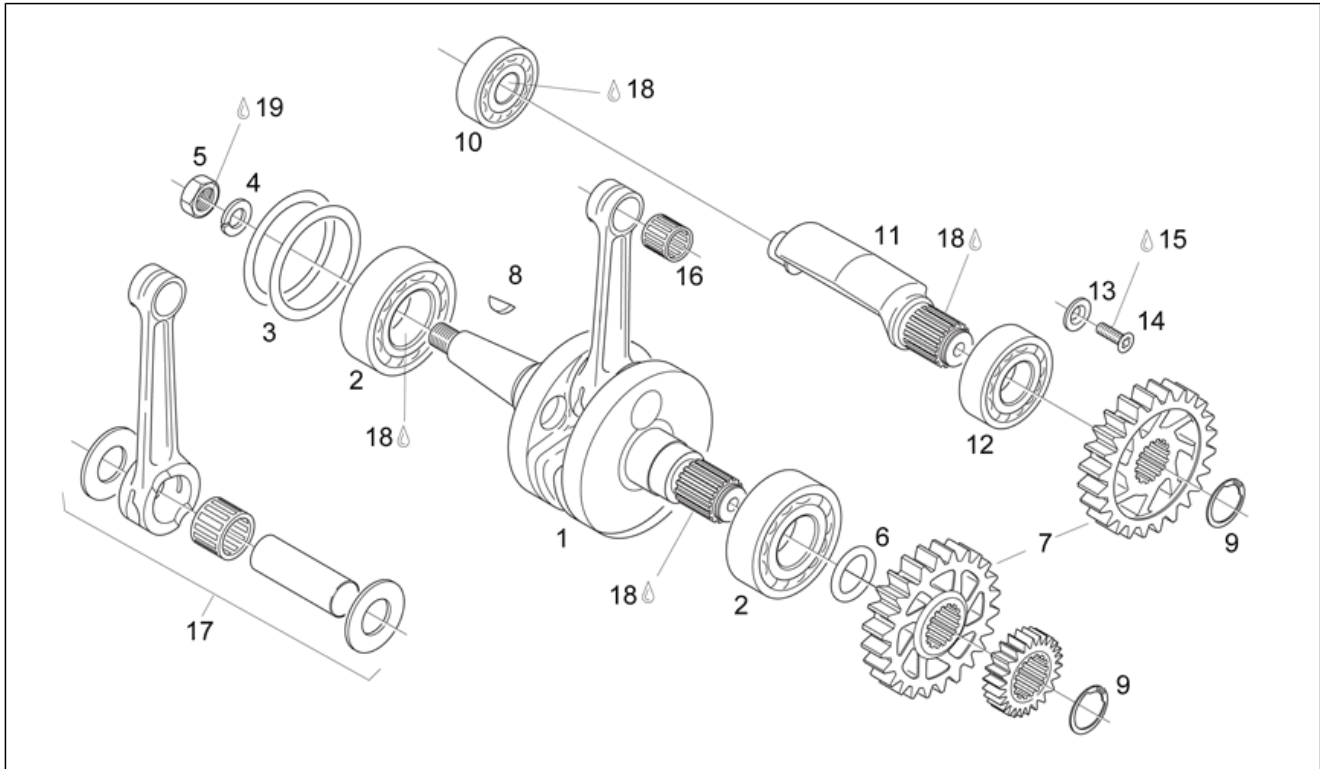
Pos.	Code	Beschreibung	Menge	Varianten
1	AP0295385	Gehäuse-kpl.	1	Baujahr: 1996[T]
1	AP0295388	Gehäuse-kpl.	1	Baujahr: 1997[V], 1998[W]
2	AP0229380	Stift 6x40	1	
3	AP0224260	Leitung	1	
4	AP0232275	Nadelkaefig 8x12x8	1	
5	AP0632010	Stift M8x12	4	
6	AP0924150	Messinganschluß	1	
7	AP0247555	Buchse	2	
8	AP0232291	Lager 6302	1	
9	AP0932032	Lager 6203	2	
10	AP0230425	Ölabstreifring 28x38x7	2	
11	AP0930675	Ölabstreifring 25x38x7	1	
12	AP0232765	Lager 6205	2	
13	AP0940786	Stiftschraube M8x57/20	2	
14	AP0650130	Dichtung 6x10	1	
15	AP0230415	Gasket ring 6x10	1	
16	AP0241821	TCEI Schraube M6x45	10	
17	AP0640190	Sensor	1	
18	AP0241381	Stiftschraube M8x28x20	2	
19	AP0899788	Loctite, grün 648 5gr.	1	
20	AP0297386	Silastic 732 Rtv 100 gr.	1	
21	AP0227325	Deckel	1	Technische Daten: Sport Production version[s.p.]
22	AP0228250	Sperradanschlag	1	Technische Daten: Sport Production version[s.p.]
23	AP0840880	TCEI Schraube M6x30	1	Technische Daten: Sport Production version[s.p.]
24	AP0899785	Loctite, violett 221 10cc.	1	Technische Daten: Sport Production version[s.p.]
25	AP0899788	Loctite, grün 648 5gr.	1	Technische Daten: Sport Production version[s.p.]

Einheit	MOTOR
Code	29.12
Beschreibung	Wasserpumpenritzel kplt.
Inspektion	1



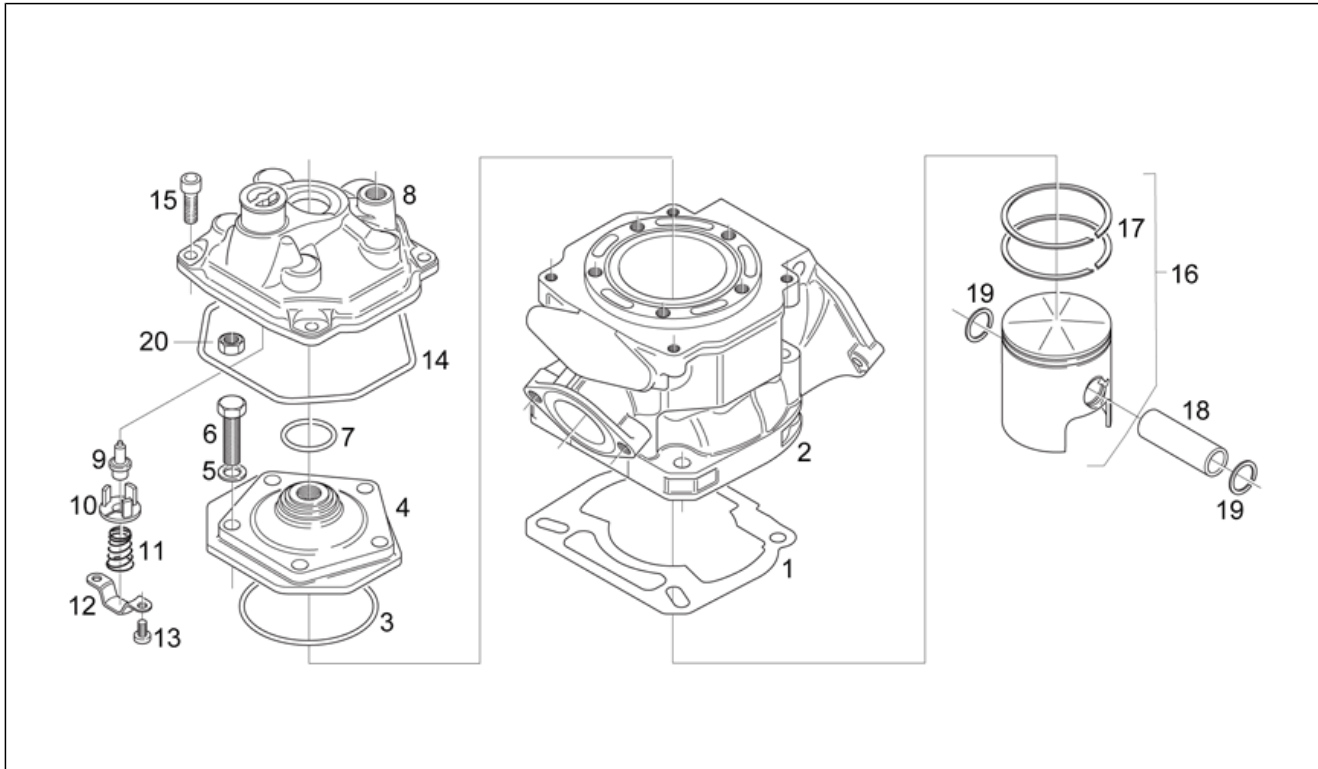
Pos.	Code	Beschreibung	Menge	Varianten
1	AP0222182	Wasserpumpenkörper	1	
2	AP0230195	Ölabstreifring 10x26x7	2	
3	AP0237912	Welle Wasserpumpe	1	
4	AP0229280	Stift 4x16	2	
5	AP0827590	Paßscheibe 10,1/17/1	1	
6	AP0222195	Läufer	1	
7	AP0234415	Wasserpumpenritzel Z=16	1	
8	AP0430060	O-Ring 26,7x1,8	2	
9	AP0241270	TE Schr. m. Flansch	1	
10	AP0634035	Freilaufgrad Z=28/13	1	
11	AP0229380	Stift 6x40	1	
12	AP0897161	Molykote 111 100gr.	1	
13	AP0293417	Wasserpumpe komplett	1	

Einheit	MOTOR
Code	29.13
Beschreibung	Kurbelwelle - Ausgl.rad
Inspektion	1



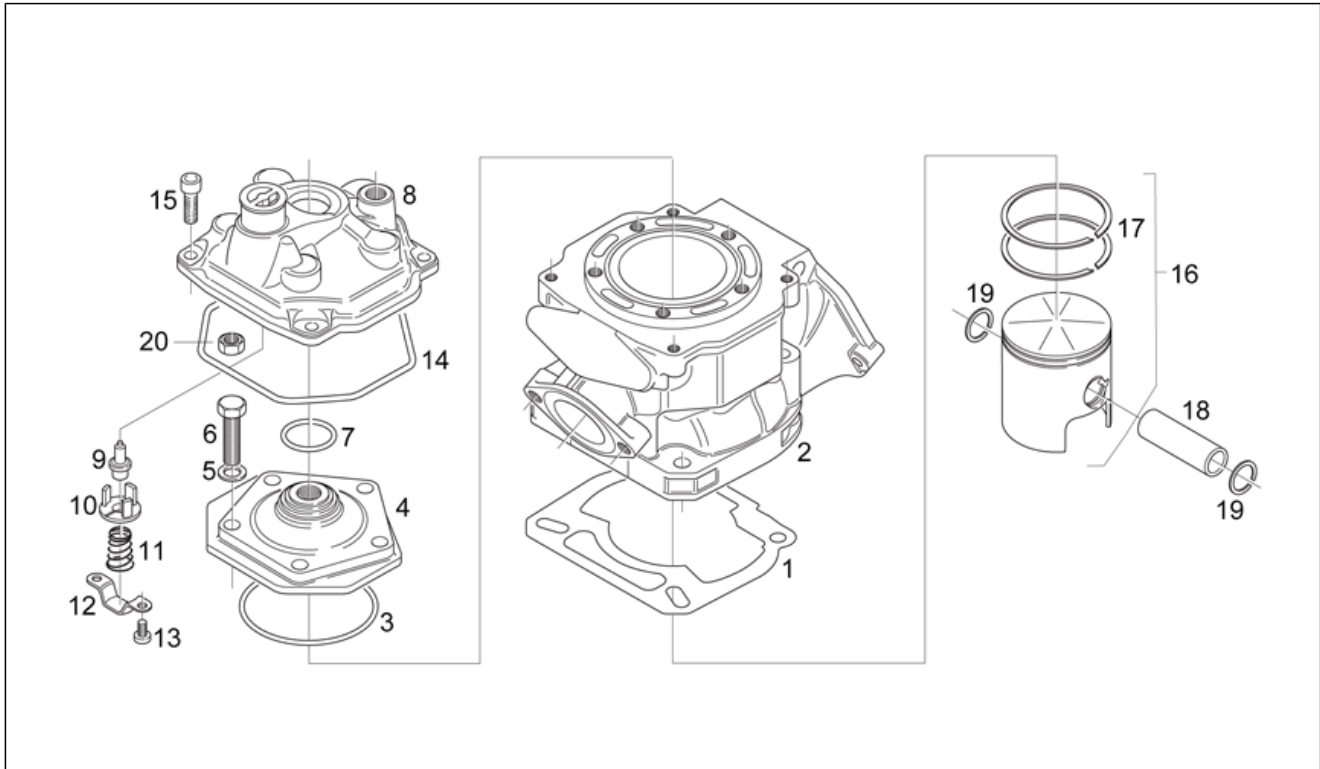
Pos.	Code	Beschreibung	Menge	Varianten
1	AP0295373	Kurbelwelle kpl. 54,5 mm	1	
2	AP0932588	Lager 6206	2	
3	AP0427590	Distanzscheibe D50x62x0,1	1	
3	AP0427591	Distanzscheibe D50x62x0,3	1	
4	AP0945754	Federring Din A12	1	
5	AP0242515	Mutter M12x1	1	
6	AP0430460	O-Ring 18x3,5	1	
7	AP0234431	Ausgleichsrad Z=27	2	
8	AP0246570	Keil 4x5	2	
9	AP0245650	Seegerring AV 20	2	
10	AP0232291	Lager 6302	1	
11	AP0237945	Gegenwelle	1	
12	AP0232340	Kugellager 6005	1	
13	AP0227280	Paßscheibe	1	
14	AP0940315	Schraube	1	
15	AP0899785	Loctite, violett 221 10cc.	1	
16	AP0932028	Nadelkaefig 15x19x20	1	
17	AP0295374	Baugruppe Pleuelstange kplt.	1	
18	AP0297431	Loctite Anti Seize 10 GR.	1	
19	AP0899788	Loctite, grün 648 5gr.	1	

Einheit	MOTOR
Code	29.14
Beschreibung	Zylind. - Kopf - Kolb.
Inspektion	1



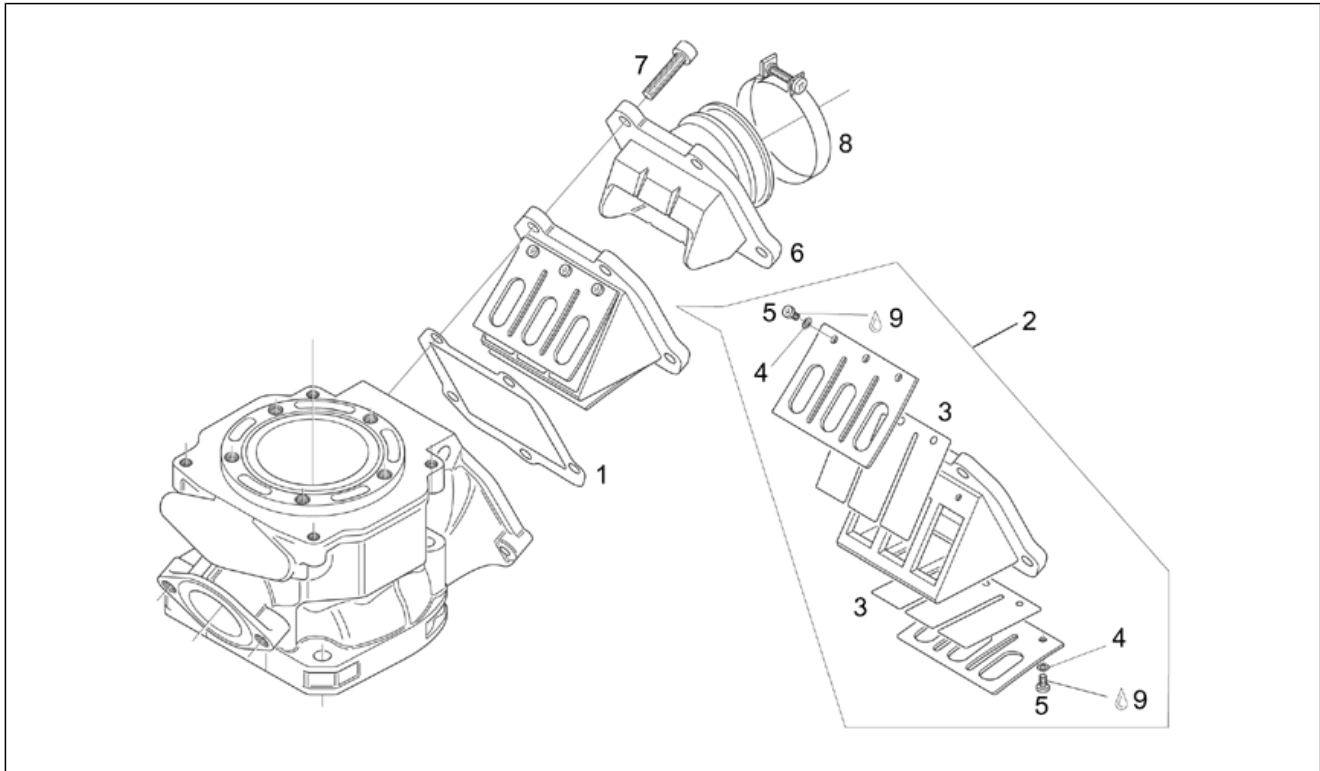
Pos.	Code	Beschreibung	Menge	Varianten
1	AP0650095	Dichtung 0,3	1	
1	AP0650096	Dichtung 0,5	1	
1	AP0650097	Dichtung 0,8	1	
2	AP0223618	Zylinder 9 Löcher	1	Technische Daten: Mit Leistungsminderung 11Kw[11Kw], Geschwindigkeit 80km/h[80], Version mit voller Leistung[f.p.]
2	AP0223990	Zylinder 7 Löcher	1	Land: Schweiz[CH] Technische Daten: Version mit voller Leistung[f.p.]
2	AP8106365	Zylinder bearb.	1	Technische Daten: Sport Production version[s.p.]
3	AP0250160	O-Ring 64x2	1	
4	AP0223384	Brennraumeinsatz	1	Baujahr: 1997[V], 1998[W]
4	AP0223389	Brennraumeinsatz	1	Baujahr: 1996[T]
5	AP0945752	Federring Din A8	5	
6	AP0940065	Stiftschraube	5	Technische Daten: Sport Production version[s.p.]
6	AP0940481	Zyl.schraube M8x30	5	Technische Daten: Mit Leistungsminderung 11Kw[11Kw], Geschwindigkeit 80km/h[80], Version mit voller Leistung[f.p.]
7	AP0430782	O-Ring 23,3x2,4	1	
8	AP0223398	Zylinderkopfdeckel	1	Baujahr: 1996[T]
8	AP0613100	Zylinderkopfdeckel	1	Baujahr: 1997[V], 1998[W]
9	AP0222120	Thermostat	1	Technische Daten: Sport Production version[s.p.]
9	AP0222122	Thermostat 70°	1	Technische Daten: Mit Leistungsminderung 11Kw[11Kw], Geschwindigkeit 80km/h[80], Version mit voller Leistung[f.p.]
10	AP0222175	Thermostathalter	1	
11	AP0239950	Feder	1	
12	AP0222202	Thermostatbuegel	1	
13	AP0240195	TCB-Spezialschraube M4x8	2	
14	AP0250280	O-Ring 105x2,5	1	
15	AP0241930	TCEI Schraube M6x20	4	

Einheit	MOTOR
Code	29.14
Beschreibung	Zylind. - Kopf - Kolb.
Inspektion	1



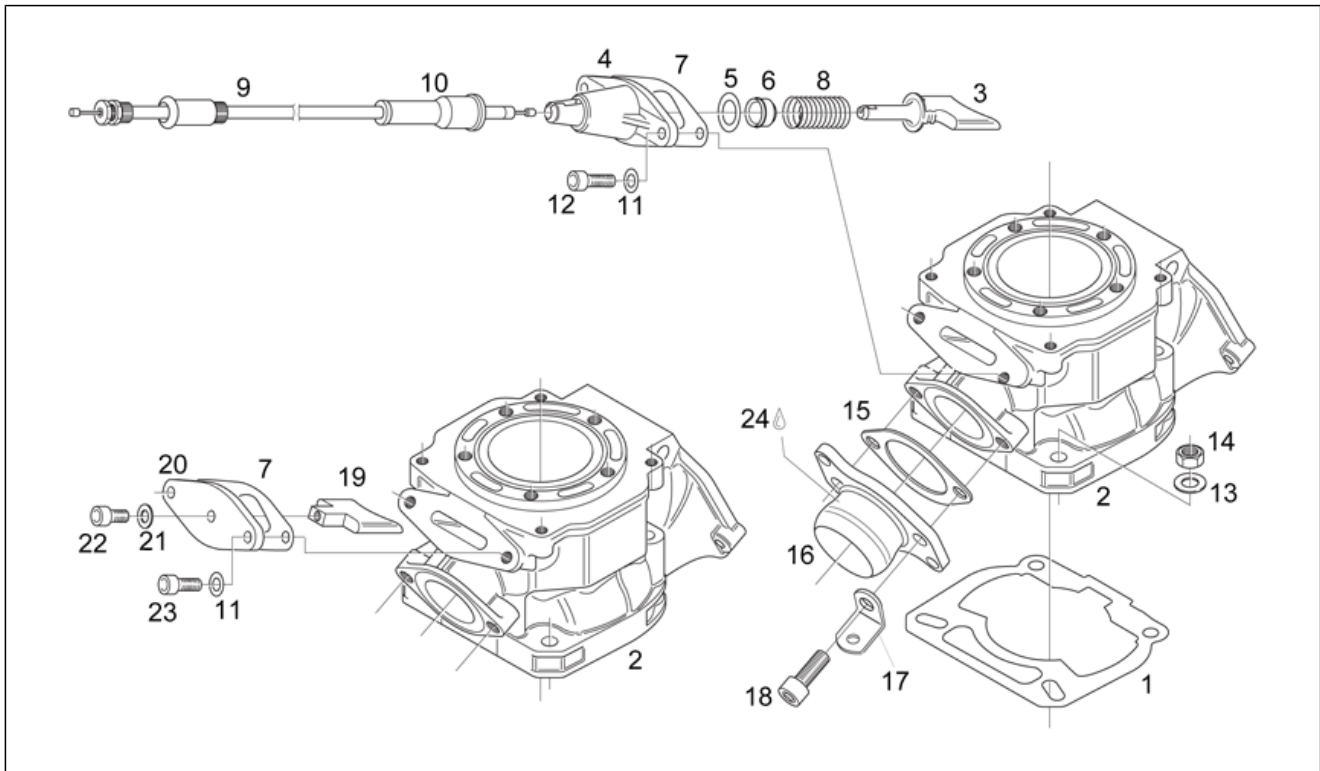
Pos.	Code	Beschreibung	Menge	Varianten
16	AP0294747	Kolben kpl. 53,98 mm	1	Technische Daten: Mit Leistungsminderung 11Kw[11Kw], Geschwindigkeit 80km/h[80], Version mit voller Leistung[f.p.]
16	AP0294748	Kolben kpl. 53,99 mm	1	Technische Daten: Mit Leistungsminderung 11Kw[11Kw], Geschwindigkeit 80km/h[80], Version mit voller Leistung[f.p.]
16	AP0294755	Kolben kpl. 54,00 mm	1	Technische Daten: Mit Leistungsminderung 11Kw[11Kw], Geschwindigkeit 80km/h[80], Version mit voller Leistung[f.p.]
16	AP8106431	Kolben kpl. 54,00	1	Technische Daten: Sport Production version[s.p.]
16	AP8106432	Kolben 53,99	1	Technische Daten: Sport Production version[s.p.]
16	AP8106433	Kolben 53,98	1	Technische Daten: Sport Production version[s.p.]
17	AP0210795	Kolbenring 1 mm	2	Technische Daten: Sport Production version[s.p.]
17	AP0215670	Kolbenring d54	2	Technische Daten: Mit Leistungsminderung 11Kw[11Kw], Geschwindigkeit 80km/h[80], Version mit voller Leistung[f.p.]
18	AP0216135	Bolzen	1	Technische Daten: Sport Production version[s.p.]
18	AP0216139	Bolzen	1	Technische Daten: Mit Leistungsminderung 11Kw[11Kw], Geschwindigkeit 80km/h[80], Version mit voller Leistung[f.p.]
19	AP0945635	Stiftsperrung D15	2	
20	AP0242206	Mutter M8	5	Technische Daten: Sport Production version[s.p.]

Einheit	MOTOR
Code	29.15
Beschreibung	Vergaserstutzen
Inspektion	1



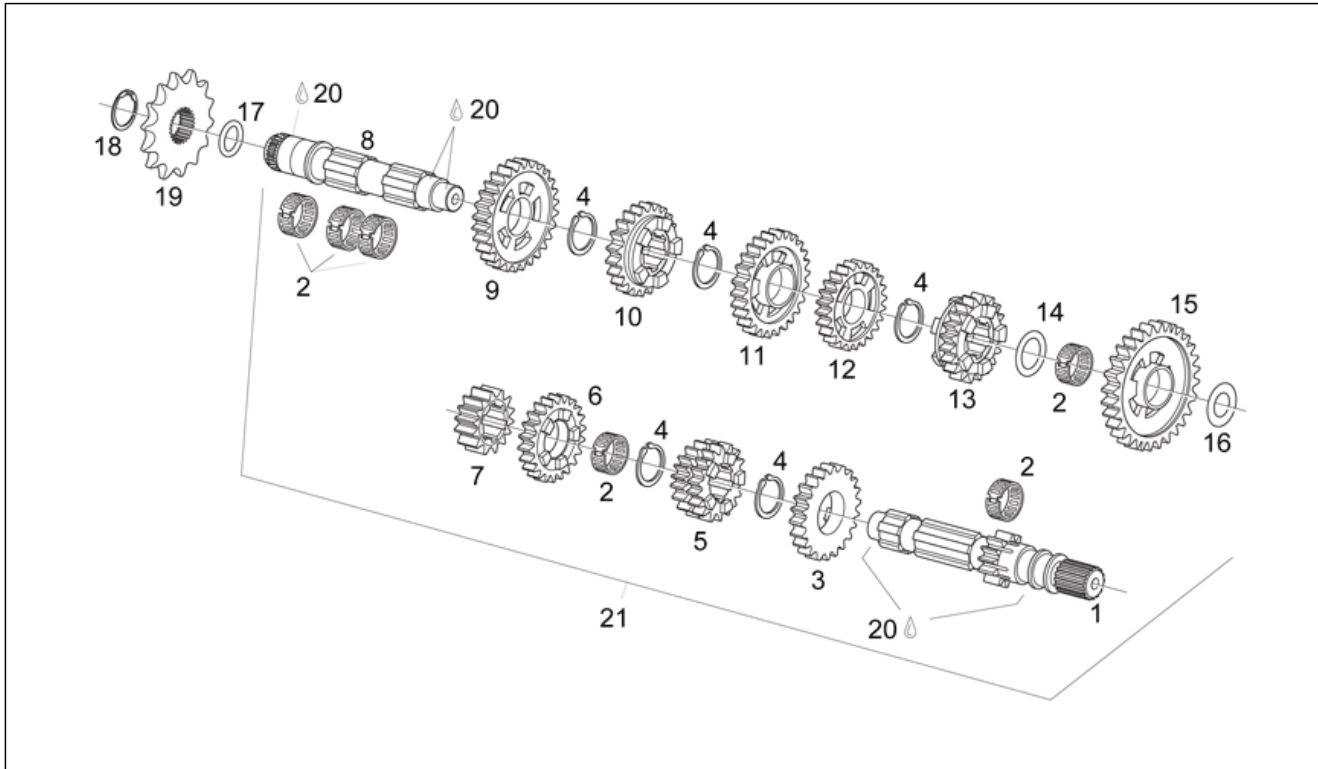
Pos.	Code	Beschreibung	Menge	Varianten
1	AP0250521	Dichtung	1	
2	AP0224387	Ventiltraeger kpl.	1	Technische Daten: Mit Leistungsminderung 11Kw[11Kw], Geschwindigkeit 80km/h[80], Version mit voller Leistung[f.p.]
2	AP0224388	Lamellenventil	1	Technische Daten: Sport Production version[s.p.]
2	AP8106266	Lamelle C40	1	Technische Daten: Sport Production version[s.p.]
3	AP0224430	Lamellenventil	2	
4	AP0945758	Federring Din A4	6	
5	AP0940235	Zyl.schraube M4x8	6	
6	AP0267915	Vergaserstutzen	1	Technische Daten: Version mit voller Leistung[f.p.]
6	AP0267917	Vergaserstutzen 28 MM	1	Technische Daten: Geschwindigkeit 80km/h[80]
7	AP0840861	TCEI Schraube M6x25	5	
8	AP0251850	Schelle 51	1	
9	AP0899788	Loctite, grün 648 5gr.	1	

Einheit	MOTOR
Code	29.16
Beschreibung	Zylinder -Entl.vent.
Inspektion	1



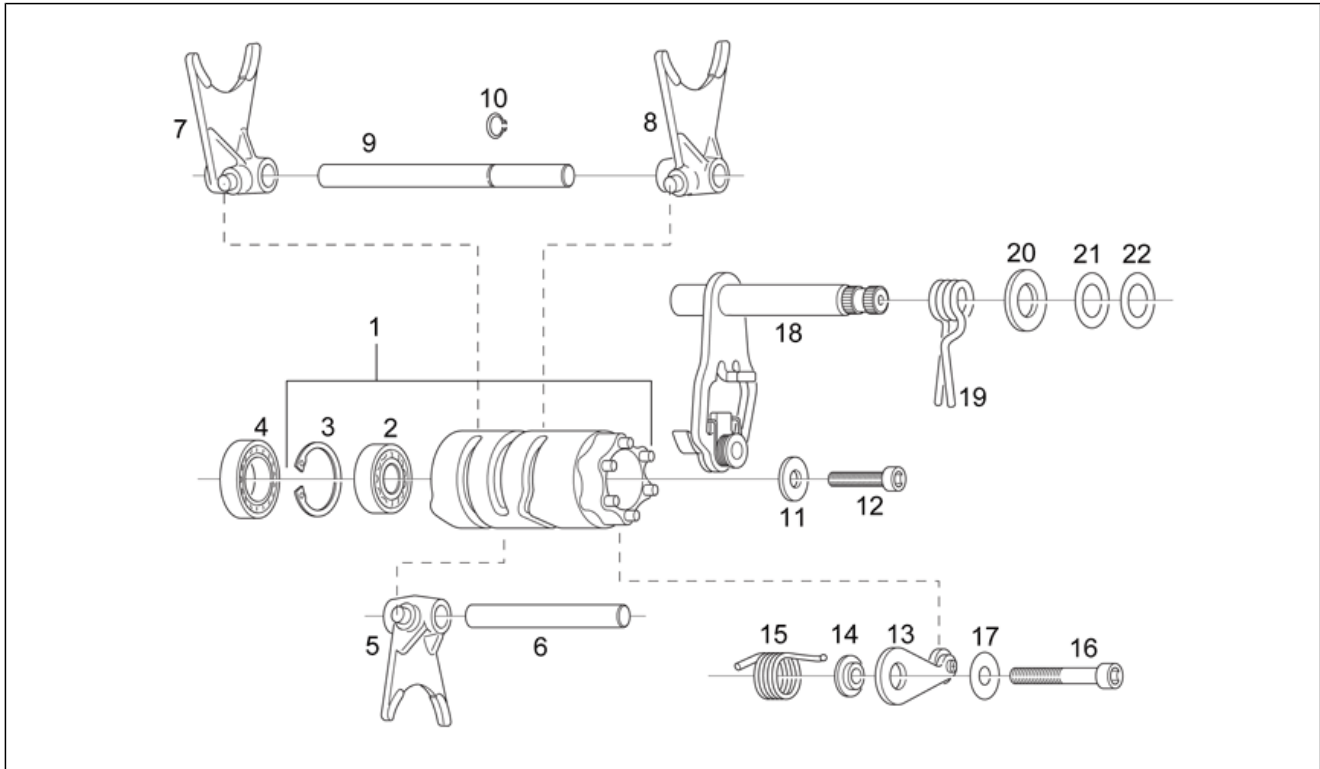
Pos.	Code	Beschreibung	Menge	Varianten
1	AP0650095	Dichtung 0,3	1	
1	AP0650096	Dichtung 0,5	1	
1	AP0650097	Dichtung 0,8	1	
2	AP0223618	Zylinder 9 Löcher	1	
3	AP0253722	Auslasschieber	1	Technische Daten: Version mit voller Leistung[f.p.]
4	AP0253465	Schieberstangen	1	Technische Daten: Version mit voller Leistung[f.p.]
5	AP0230880	O-Ring 13,3x2,4	1	Technische Daten: Version mit voller Leistung[f.p.]
6	AP0230810	Ölabstreifring Ventilführung	1	Technische Daten: Version mit voller Leistung[f.p.]
7	AP0250975	Dichtung 0,8	1	
8	AP0239052	Feder	1	Technische Daten: Version mit voller Leistung[f.p.]
9	AP0297745	Rave elektr.Vent.kab.	1	Technische Daten: Version mit voller Leistung[f.p.]
10	AP0860460	Regenschutzkappe	1	Technische Daten: Version mit voller Leistung[f.p.]
11	AP0845020	Sprengscheibe B6	2	
12	AP0241930	TCEI Schraube M6x20	2	Technische Daten: Version mit voller Leistung[f.p.]
13	AP0250311	Ausgleichscheibe 8,4	4	
14	AP0942671	Mutter M8	4	
15	AP0250271	Dichtung	1	
16	AP0273970	Auspuffstutzen kpl.	1	
17	AP0224067	Federeinhangung	2	
18	AP0240081	TCEI Schraube M8x25	2	
19	AP0253373	Auslasschieber	1	Technische Daten: Geschwindigkeit 80km/h[80]
20	AP0253500	Schieberfixierung	1	Technische Daten: Geschwindigkeit 80km/h[80]
21	AP0827961	Ausgleichscheibe 6,4	1	Technische Daten: Geschwindigkeit 80km/h[80]
22	AP0840861	TCEI Schraube M6x25	1	Technische Daten: Geschwindigkeit 80km/h[80]
23	AP0241236	TCEI Schraube M6x16	2	Technische Daten: Geschwindigkeit 80km/h[80]
24	AP0297431	Loctite Anti Seize 10 GR.	1	

Einheit	MOTOR
Code	29.17
Beschreibung	6-Ganggetriebe
Inspektion	1



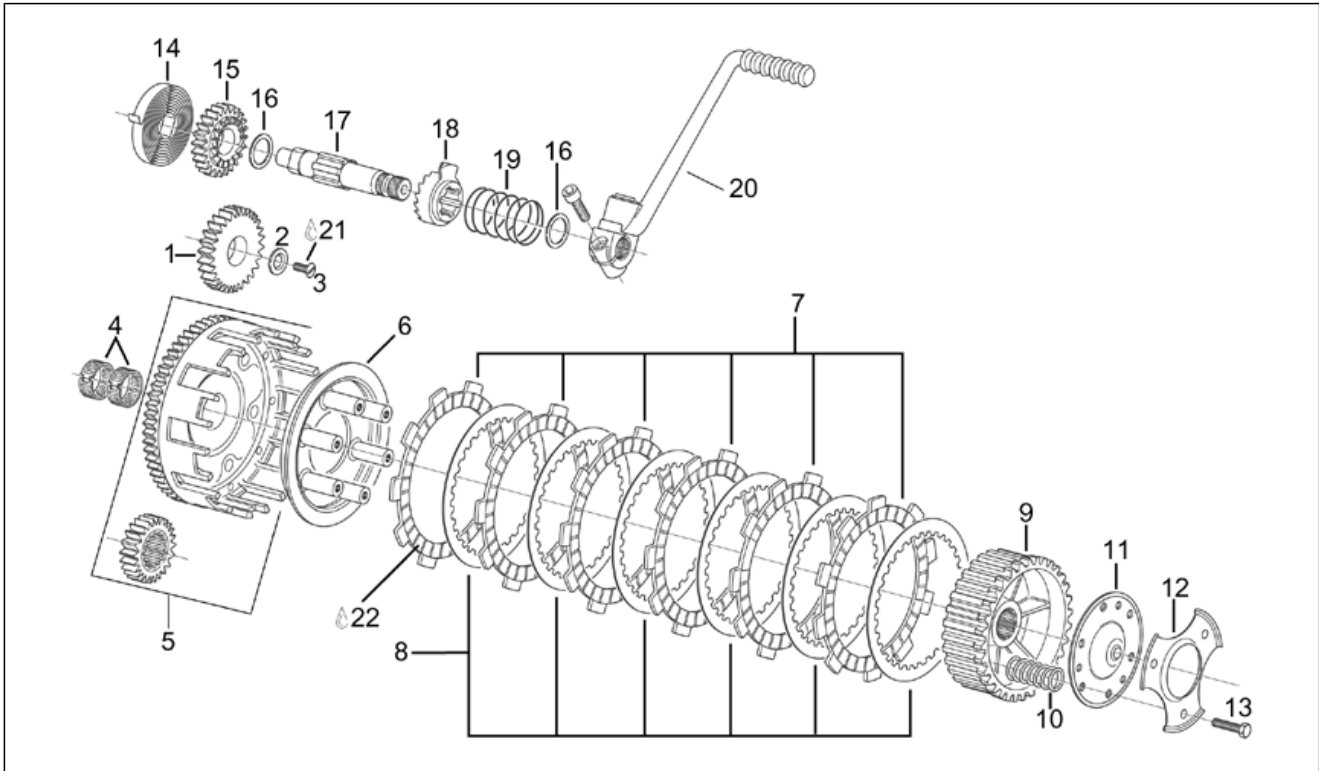
Pos.	Code	Beschreibung	Menge	Varianten
1	AP0220300	Vorgelegewelle Z=10	1	
2	AP0232742	Nadelkaefig 21x25x10	6	
3	AP0634125	Zahnrad Z=22	1	
4	AP0245730	Seegerring 25x2	5	
5	AP0634095	Zahnrad Z=17/19	1	
6	AP0634105	Zahnrad Z=21	1	
7	AP0634085	Zahnrad 2.Hauptwelle Z=14	1	
8	AP0220280	Festrads	1	
9	AP0234968	Zahnrad Z=29	1	
10	AP0634115	Zahnrad Z=24	1	
11	AP0234984	Zahnrad Z=27	1	
12	AP0234858	Zahnrad Z=25	1	
13	AP0634135	Zahnrad Z=23	1	
14	AP0244100	Paßscheibe 21,2/30/1	1	
15	AP0634065	Zahnrad Z=30	1	
16	AP0227430	Paßscheibe 17,2/30/1	1	
17	AP0430460	O-Ring 18x3,5	1	
18	AP0245650	Seegerring AV 20	1	
19	AP0236061	Ritzel Z=14	1	
19	AP0236062	Ritzel	1	
19	AP0236063	Ritzel Z=16	1	
19	AP0236064	Ritzel Z=17	1	
20	AP0297431	Loctite Anti Seize 10 GR.	1	
21	AP0281210	Schaltgetriebe kpl. 6 v.ta'	1	

Einheit	MOTOR
Code	29.18
Beschreibung	Getriebschaltung
Inspektion	1



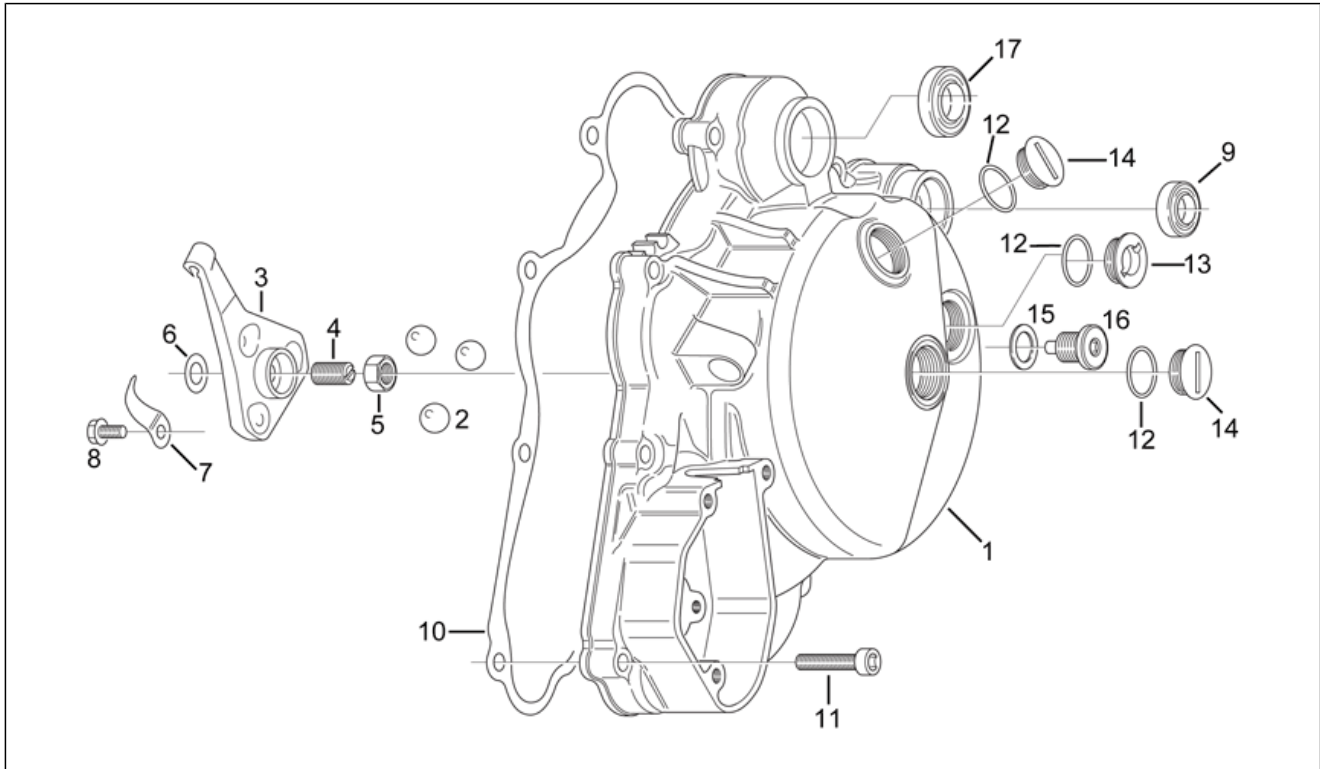
Pos.	Code	Beschreibung	Menge	Varianten
1	AP0258305	Verschiebenocken	1	
2	AP0232402	Lager 6001	1	
3	AP0245790	Seegerring	1	
4	AP0632060	Kugellager 61804	1	
5	AP0258135	Schaltgabel 5-6 V.ta'	1	
6	AP0229390	Stift M6x70	1	
7	AP0258123	Schaltgabel 2-3 Gang	1	
8	AP0258113	Schaltgabel 1-4 v.ta'	1	
9	AP0258200	Schaltstange	1	
10	AP0245570	Seegerring 8x0,8	1	
11	AP0827305	Ausgleichscheibe 6,2x18x2	1	
12	AP0840880	TCEI Schraube M6x30	1	
13	AP0248325	Indexhebel kpl.	1	
14	AP0227710	Stufenring	1	
15	AP0239241	Index feder	1	
16	AP0241821	TCEI Schraube M6x45	1	
17	AP0827307	Ausgleichscheibe 6,2x18x0,5	1	
18	AP0220295	Schaltwele+klin. kpl.	1	
19	AP0239252	Feder	1	
20	AP0427690	Ausgleichscheibe 13	1	
21	AP0827261	Paßscheibe 12,5/21,5	1	
22	AP0227450	Paßscheibe 12,5/21,5/0,5	1	

Einheit	MOTOR
Code	29.19
Beschreibung	Kupplung
Inspektion	1



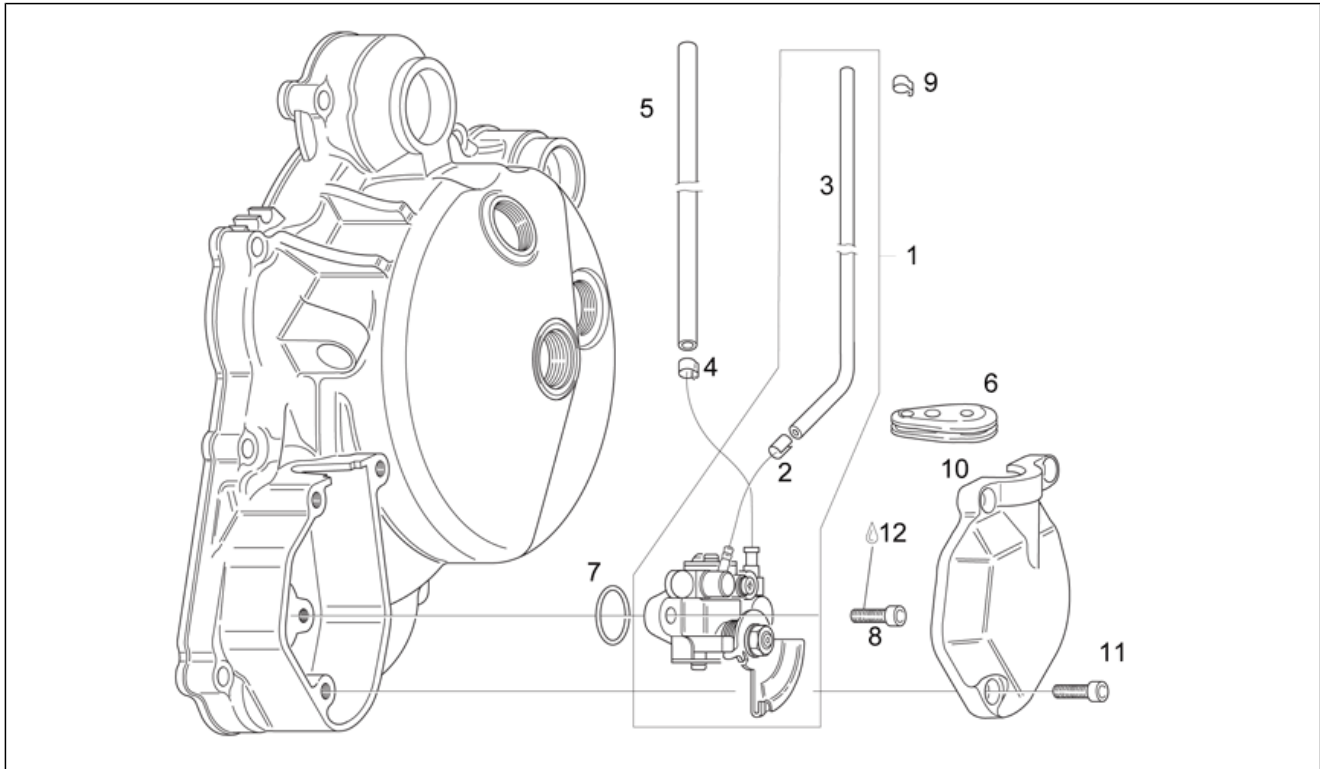
Pos.	Code	Beschreibung	Menge	Varianten
1	AP0634175	Freilaufzahn Z=26	1	Technische Daten: Sport Production version[s.p.]
2	AP0227280	Paßscheibe	1	Technische Daten: Sport Production version[s.p.]
3	AP0940315	Schraube	1	Technische Daten: Sport Production version[s.p.]
4	AP0232742	Nadelkaefig 21x25x10	2	
5	AP0295400	Primaertrieb kpl.	1	Technische Daten: Sport Production version[s.p.]
5	AP0295406	Primaertrieb kpl.	1	Technische Daten: Mit Leistungsminderung 11Kw[11Kw], Geschwindigkeit 80km/h[80], Version mit voller Leistung[f.p.]
6	AP0259570	Stuetzteller	1	
7	AP0259053	Belaglamelle 3,1 mm	6	
8	AP0259557	Kupplungsscheibe 1 MM	6	
9	AP0259470	Mitnehmer	1	
10	AP0239625	Kupplungsfeder 34,1 MM	6	
11	AP0259165	Druckplatte kplt.	1	
12	AP0259420	Stuetztellerfuehrung feder.	1	
13	AP0241770	Sechskantschraube	6	
14	AP0239265	Kickstarterfeder	1	Technische Daten: Sport Production version[s.p.]
15	AP0634055	Starterrad Z=23	1	Technische Daten: Sport Production version[s.p.]
16	AP0244585	Ausgleichscheibe 17,5/24/1	2	Technische Daten: Sport Production version[s.p.]
17	AP0220134	Kickstarterwelle	1	Technische Daten: Sport Production version[s.p.]
18	AP0228220	Sperrad	1	Technische Daten: Sport Production version[s.p.]
19	AP0239270	Feder 42	1	Technische Daten: Sport Production version[s.p.]
20	AP0248365	Kickstarterhebel kpl.	1	Technische Daten: Sport Production version[s.p.]
21	AP0899785	Loctite, violett 221 10cc.	1	Technische Daten: Sport Production version[s.p.]
22	0000000	Reifen	1	

Einheit	MOTOR
Code	29.20
Beschreibung	Kupplungsdeckel
Inspektion	1



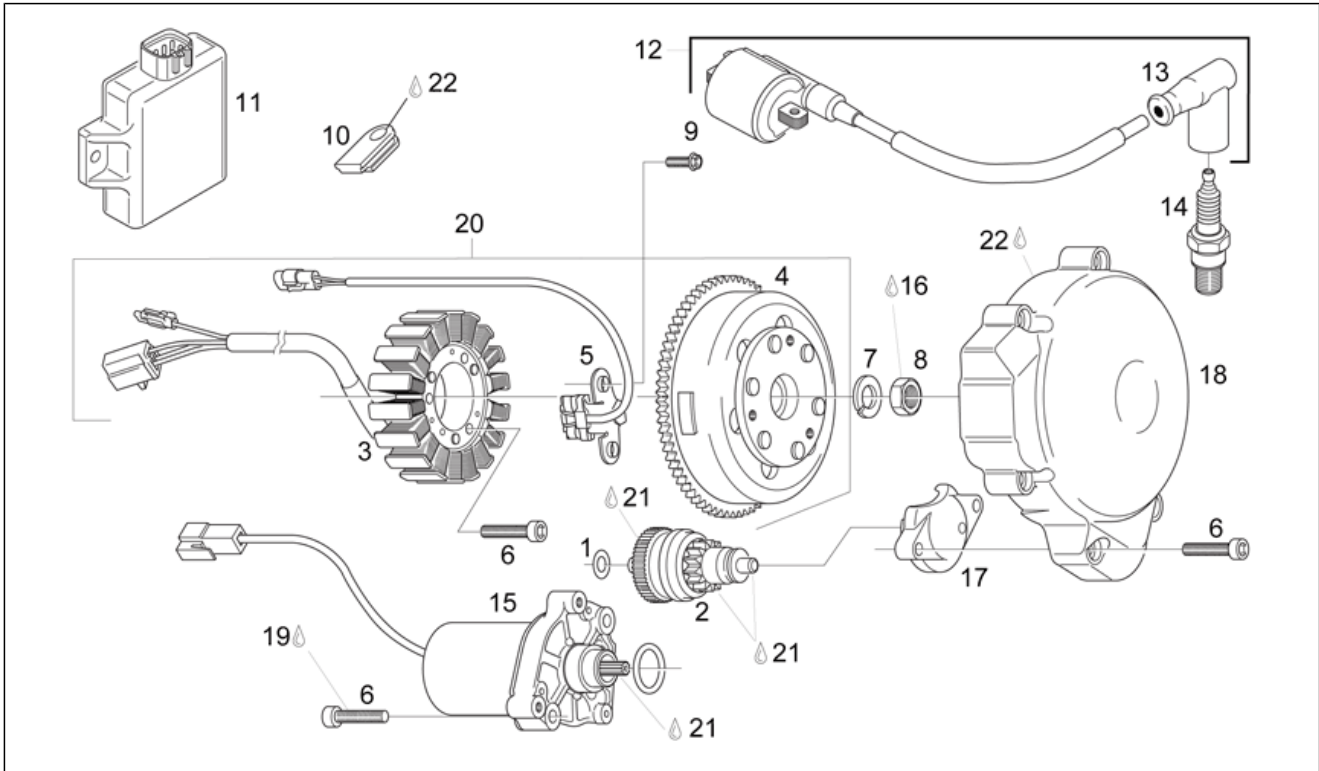
Pos.	Code	Beschreibung	Menge	Varianten
1	AP0211403	Kupplungsdeckel	1	Technische Daten: Mit Leistungsminderung 11Kw[11Kw], Geschwindigkeit 80km/h[80], Version mit voller Leistung[f.p.]
1	AP0211405	Kupplungsdeckel	1	Technische Daten: Sport Production version[s.p.]
2	AP0232150	Kugel 12 MM	3	
3	AP0259325	Ausrueckteller	1	
4	AP0241791	Schraube	1	
5	AP0942671	Mutter M8	1	
6	AP0227945	Paßscheibe 8,1/15	1	
7	AP0239907	Blattfeder	1	
8	AP0841685	TE Schr. m. Flansch	1	
9	AP0250455	Ölabstreifring 12x22x7	1	
10	AP0250205	Dichtung	1	
11	AP0840880	TCEI Schraube M6x30	9	
12	AP0250890	O-Ring 3771	3	
13	AP0240820	Oelstandsschraube M18x1,5	1	
14	AP0241801	Verschlusschraube M18x1,5	2	
15	AP0250641	Gasket ring 12x18	1	
16	AP0241782	Magnetschraube M12x1,5	1	
17	AP0930725	Ölabstreifring 17x28x7	1	Technische Daten: Sport Production version[s.p.]

Einheit	MOTOR
Code	29.21
Beschreibung	Ölpumpe
Inspektion	1



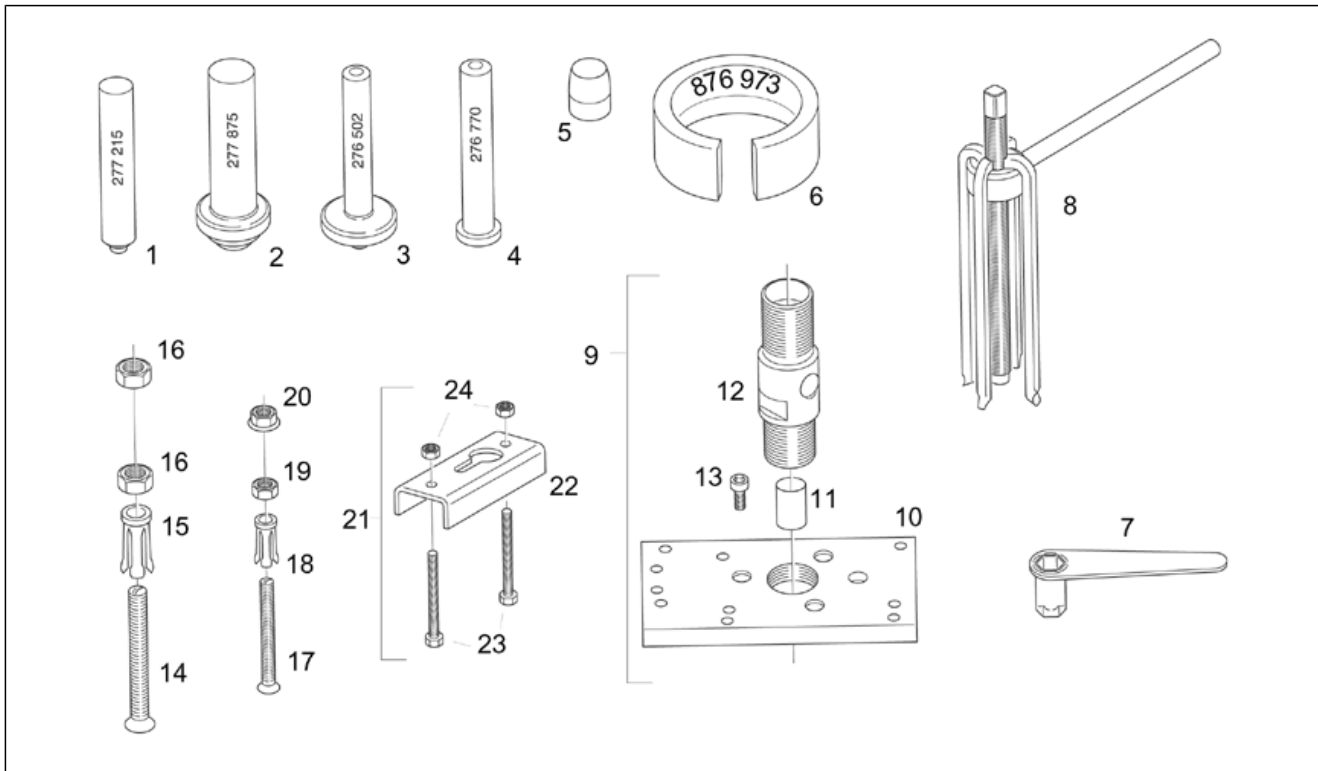
Pos.	Code	Beschreibung	Menge	Varianten
1	AP0294735	Ölpumpe	1	
2	AP0256400	Schelle	1	
3	AP0256410	Leitung 350 MM	1	
4	AP0251080	Schelle 8	1	
5	AP0256037	Leitung 850 MM	1	
6	AP0260030	Drahtabdeckgummi	1	
7	AP0250890	O-Ring 3771	1	
8	AP0840510	TCEI Schraube	2	
9	AP0853840	Schelle 35553	1	
10	AP0211440	Ölpumpendeckel	1	
11	AP0840511	TCEI Schraube	3	
12	AP0899785	Loctite, violett 221 10cc.	1	

Einheit	MOTOR
Code	29.22
Beschreibung	Zündung
Inspektion	1



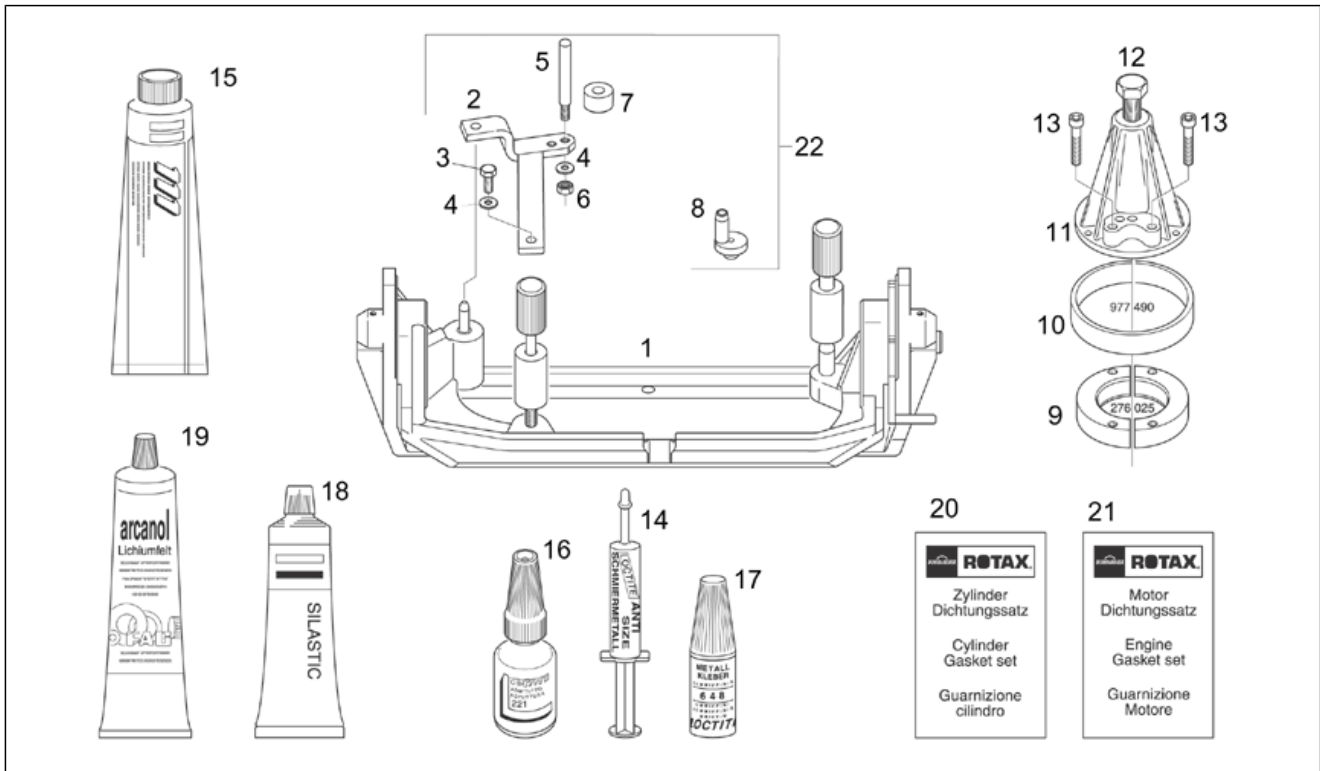
Pos.	Code	Beschreibung	Menge	Varianten
1	AP0227945	Paßscheibe 8,1/15	1	
2	AP0294810	Startergetriebe kpl.	1	
3	AP0295670	Stator kpl	1	
4	AP0295677	Schwungmagnetstarter	1	
5	AP0265157	Aussengeber	1	
6	AP0840880	TCEI Schraube M6x30	11	
7	AP0945754	Federring Din A12	1	
8	AP0242515	Mutter M12x1	1	
9	AP0941925	TE-Spezialschraube	2	
10	AP0260840	Drahtabdeckgummi	1	
11	AP0265402	Steuergeraet digital	1	Technische Daten: Version mit voller Leistung[f.p.]
11	AP0265405	Steuergeraet analog	1	Technische Daten: Mit Leistungsminderung 11Kw[11Kw], Geschwindigkeit 80km/h[80]
11	AP8124221	Steuergerät	1	Technische Daten: Sport Production version[s.p.]
12	AP0265415	Zuendtransform.cpl.	1	
13	AP0866708	Widerstandsstecker schwarz	1	
14	AP0297830	Zündkerze BR10EG	1	Technische Daten: Version mit voller Leistung[f.p.]
14	AP0897055	Zündkerze 14 NGK BR8	1	Technische Daten: Geschwindigkeit 80km/h[80]
15	AP0294800	Startermotor	1	
16	AP0899788	Loctite, grün 648 5gr.	1	
17	AP0210345	Startergetriebedeckel	1	
18	AP0211455	Zuenderdeckel	1	
19	AP0899785	Loctite, violett 221 10cc.	1	
20	AP0295360	Zündung	1	Technische Daten: Sport Production version[s.p.]
20	AP0295365	Zündung Kpl.	1	Technische Daten: Mit Leistungsminderung 11Kw[11Kw], Geschwindigkeit 80km/h[80], Version mit voller Leistung[f.p.]
21	AP0897161	Molykote 111 100gr.	1	
22	AP0297386	Silastic 732 Rtv 100 gr.	1	

Einheit	SPEZIALWERKZEUG
Code	31.23
Beschreibung	Reparaturwerkzeug I
Inspektion	1



Pos.	Code	Beschreibung	Menge	Varianten
1	AP0277215	Einbaudorn	1	
2	AP0277875	Einbaudorn kplt.	1	
3	AP0276502	Einbaudorn kplt.	1	
4	AP0276770	Einbaudorn kplt.	1	
5	AP0277970	Fuehrungshuelse	1	
6	AP0876973	Kolbenringspanner 54 MM	1	
7	AP0276040	Konterschluessel 11 MM	1	
8	AP0277180	Kugellagerabzieher-garnitur	1	
9	AP0277455	Abdruckplatte	1	
10	AP0277450	Abdruckplatte	1	
11	AP0277470	Schutzhuelse	1	
12	AP0277460	Ausziehbolzen	1	
13	AP0241236	TCEI Schraube M6x16	4	
14	AP0276380	Aufnahmebolzen	1	
15	AP0276370	Spreizhuelse	1	
16	AP0242091	Mutter	2	
17	AP0276382	Aufnahmebolzen	1	
18	AP0276372	Spreizhuelse	1	
19	AP0242206	Mutter M8	1	
20	AP0242700	Mutter M8	1	
21	AP0277445	Schieberauszieher kpl.	1	
22	AP0277440	Schieberauszieher kpl.	1	
23	AP0240860	Sechskantschraube M6x60	2	
24	AP0242211	Mutter M6	2	

Einheit	SPEZIALWERKZEUG
Code	31.24
Beschreibung	Reparaturwerkzeug II
Inspektion	1



Pos.	Code	Beschreibung	Menge	Varianten
1	AP0277917	Montagebock kpl.	1	
2	AP0277100	Adapter Kpl.	1	
3	AP0940590	Sechskantschraube M8x20	1	
4	AP0250311	Ausgleichscheibe 8,4	2	
5	AP0277110	Aufnahmebolzen	1	
6	AP0242206	Mutter M8	1	
7	AP0847160	Distanzscheibe 10,5/24/15	1	
8	AP0276662	Exzenterhuelse	1	
9	AP0276025	Halbring	2	
10	AP0977490	Ring	1	
11	AP0876298	Abzieher kplt	1	
12	AP0940755	Sechskantschraube M16x145	1	
13	AP0840681	TCEI Schraube M8x40	4	
14	AP0297431	Loctite Anti Seize 10 GR.	1	
15	AP0897161	Molykote 111 100gr.	1	
16	AP0899785	Loctite, violett 221 10cc.	1	
17	AP0899788	Loctite, grün 648 5gr.	1	
18	AP0297386	Silastic 732 Rtv 100 gr.	1	
19	AP0897330	Lithium-Fett 250gr.	1	
20	AP0293318	Zylinderdichtung-Satz	1	
21	AP0293314	Satz motor dichtung	1	
22	AP0277107	Montagebockaufnahmesatz	1	