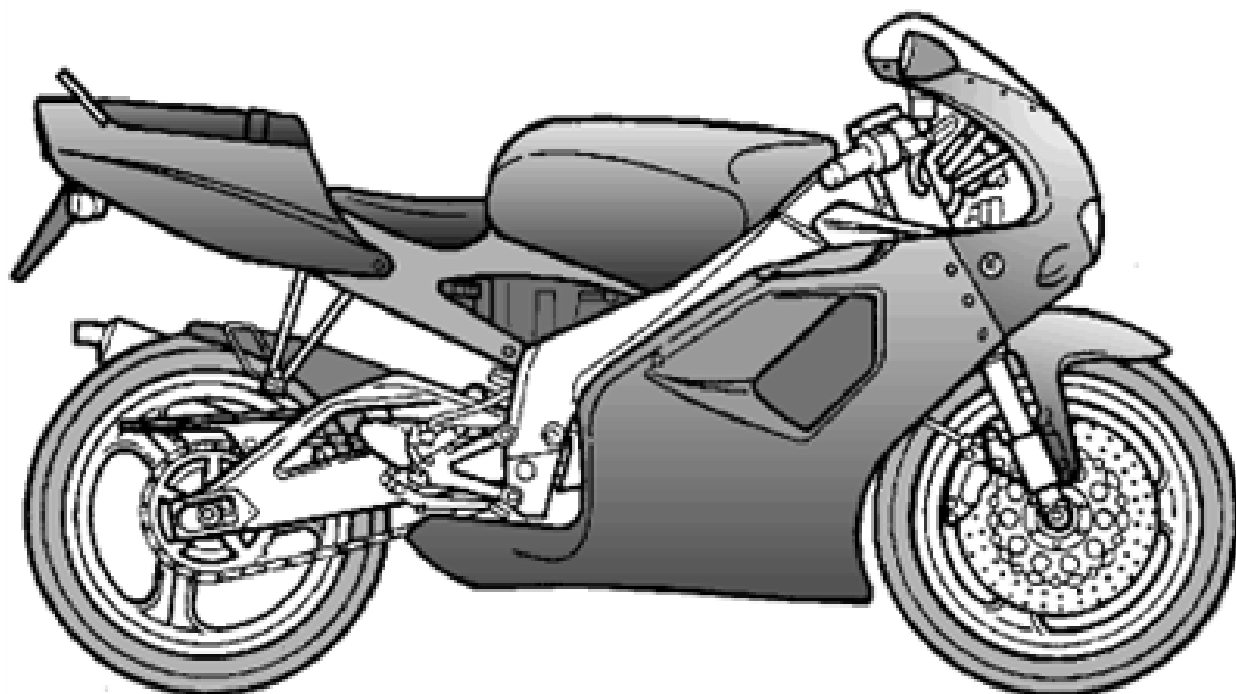


aprilia[®]

ERSATZTEILKATALOG



RS 125 1996-1998 (eng.123cc)

Vorsatzcode Fahrgestell: 055

Vorsatzcode Motor:

Inhaltsverzeichnis

Fertige Produkte.....	3
Alphanumerisches Verzeichnis.....	5
RAHMEN.....	10
Tafel 28.01 - Rahmen.....	10
Tafel 28.02 - Aufbau.....	13
Tafel 28.03 - Lenkstange - Instrumenteneinheit.....	21
Tafel 28.04 - Hinterradaufhängung.....	25
Tafel 28.06 - Vorderrad kplt.....	26
Tafel 28.07 - Hinterrad.....	27
Tafel 28.08 - Vorderradgabel.....	29
Tafel 28.09 - Elektrische Anlage.....	30
Tafel 28.10 - Aufkleber und Deko.....	33
MOTOR.....	35
Tafel 29.05 - Motor.....	35
Tafel 29.11 - Kurbelwellengehäuse.....	38
Tafel 29.12 - Kurbelwelle - Ausgl.rad.....	40
Tafel 29.13 - Zylinder - Zylinderkopf.....	42
Tafel 29.14 - 6-Ganggetriebe.....	45
Tafel 29.15 - Kupplung.....	47
Tafel 29.16 - Kupplungsdeckel-Ölpumpe.....	48
Tafel 29.17 - Zündung.....	50
Tafel 29.18 - Startermotor.....	52
SPEZIALWERKZEUG.....	53
Tafel 31.19 - Reparaturwerkzeug I.....	53
Tafel 31.20 - Reparaturwerkzeug II.....	54

Fertige Produkte

Code	Gültigkeit
AP66201CH01	
AP66201CH03	
AP66201CH04	
AP66201CH05	
AP66201CH06	
AP66201DE01	
AP66201DE03	
AP66201DE05	
AP66201DE06	
AP66201ES02	
AP66201ES03	
AP66201ES04	
AP66201ES05	
AP66201ES06	
AP66201ES07	
AP66201FR01	
AP66201FR02	
AP66201FR03	
AP66201FR04	
AP66201FR05	
AP66201FR06	
AP66201GB02	
AP66201GB03	
AP66201GB04	
AP66201GB05	
AP66201GB06	
AP66201JP03	
AP66201JP04	
AP66201JP05	
AP66201JP06	
AP66201SG03	
AP66201SG05	
AP7106190	
AP7106192	
AP7106207	
AP7106208	
AP7106214	
AP7106216	
AP7106217	
AP7106218	
AP7106220	
AP7106222	

Code	Gültigkeit
AP7106223	
AP7106224	
AP7106226	
AP7106227	
AP7106228	
AP7106229	
AP7106237	
AP7106242	
AP7106243	

Code	Nr. der Tafel	Pos.
0000000	28.06	9
0000000	28.07	12
AP0210340	29.17	19
AP0210920	29.16	1
AP0210930	29.16	27
AP0211050	29.17	22
AP0215670	29.12	23
AP0216136	29.12	24
AP0216139	29.12	24
AP0220050	29.14	8
AP0220066	29.14	19
AP0220075	29.14	1
AP0222122	29.13	24
AP0222174	29.13	25
AP0222175	29.13	25
AP0222180	29.11	21
AP0222195	29.11	27
AP0222200	29.13	27
AP0222202	29.13	27
AP0223368	29.13	2
AP0223384	29.13	19
AP0223398	29.13	23
AP0223617	29.13	2
AP0224067	29.13	44
AP0224260	29.11	3
AP0224387	29.13	32
AP0224430	29.13	34
AP0227280	29.12	18
AP0227430	29.14	16
AP0227500	29.11	16
AP0227571	29.13	20
AP0227600	29.15	5
AP0227945	29.16	6
AP0227945	29.17	2
AP0229280	29.11	28
AP0229290	29.11	38
AP0229290	29.11	5
AP0230195	29.11	22
AP0230425	29.11	10
AP0230810	29.13	8
AP0230880	29.13	5
AP0232150	29.16	2
AP0232275	29.11	4
AP0232290	29.11	14
AP0232290	29.12	15
AP0232291	29.11	14
AP0232291	29.12	15
AP0232340	29.12	17
AP0232420	29.16	10
AP0232460	29.18	4
AP0232652	29.15	2
AP0232730	29.11	24
AP0232742	29.14	2
AP0232765	29.11	12
AP0232766	29.11	12
AP0234410	29.11	25
AP0234430	29.12	7
AP0234431	29.12	7
AP0234858	29.14	12
AP0234968	29.14	9
AP0234984	29.14	11
AP0236061	29.14	31
AP0236062	29.14	31
AP0236063	29.14	31
AP0236064	29.14	31
AP0237160	29.16	13
AP0237905	29.11	2

Code	Nr. der Tafel	Pos.
AP0237905	29.12	12
AP0237910	29.11	23
AP0237945	29.12	16
AP0239052	29.13	10
AP0239625	29.15	12
AP0239645	29.14	24
AP0239820	29.14	23
AP0239835	29.14	20
AP0239905	29.16	7
AP0239950	29.13	26
AP0240081	29.13	45
AP0240150	29.17	15
AP0240181	29.16	28
AP0240195	29.13	28
AP0240820	29.16	25
AP0240860	31.19	23
AP0241071	29.16	15
AP0241215	29.18	11
AP0241236	31.19	13
AP0241241	29.13	17
AP0241261	29.11	18
AP0241270	29.11	30
AP0241301	29.17	26
AP0241301	29.18	13
AP0241381	29.11	36
AP0241401	29.11	7
AP0241591	29.17	7
AP0241770	29.15	15
AP0241782	29.11	33
AP0241791	29.16	4
AP0241800	29.16	24
AP0241801	29.16	24
AP0241811	29.16	12
AP0241821	29.11	17
AP0241850	29.11	35
AP0241905	29.11	9
AP0241930	29.13	14
AP0241930	29.13	30
AP0241930	29.17	21
AP0242090	31.19	16
AP0242206	31.19	19
AP0242206	31.20	6
AP0242211	31.19	24
AP0242570	29.12	11
AP0242591	29.13	21
AP0242700	31.19	20
AP0244100	29.14	14
AP0244930	29.17	20
AP0245650	29.12	20
AP0245650	29.14	18
AP0245730	29.14	4
AP0245740	29.15	10
AP0246055	29.12	8
AP0247555	29.11	39
AP0247690	29.14	25
AP0248255	29.14	21
AP0250160	29.13	18
AP0250200	29.16	11
AP0250280	29.13	29
AP0250311	29.13	15
AP0250311	31.20	4
AP0250350	29.18	5
AP0250417	29.11	15
AP0250450	29.16	9
AP0250521	29.13	31
AP0250641	29.11	32
AP0250641	29.11	6

Code	Nr. der Tafel	Pos.
AP0250890	29.15	4
AP0250890	29.16	22
AP0251850	29.13	41
AP0253462	29.13	4
AP0253465	29.13	4
AP0253722	29.13	3
AP0256037	29.16	20
AP0256400	29.16	17
AP0256410	29.16	18
AP0258880	29.14	30
AP0258893	29.14	29
AP0258903	29.14	27
AP0258913	29.14	28
AP0258937	29.14	26
AP0259052	29.15	7
AP0259053	29.15	7
AP0259065	29.15	9
AP0259165	29.15	13
AP0259320	29.16	3
AP0259420	29.15	14
AP0259557	29.15	8
AP0259570	29.15	6
AP0260030	29.16	21
AP0260120	29.13	6
AP0260434	29.17	11
AP0260840	29.17	16
AP0264010	29.18	1
AP0264030	29.18	2
AP0264040	29.18	9
AP0264045	29.18	10
AP0264050	29.18	3
AP0264060	29.18	8
AP0264070	29.18	6
AP0265965	29.17	4
AP0265987	29.17	9
AP0267915	29.13	38
AP0267917	29.13	38
AP0267996	29.13	39
AP0273882	29.13	43
AP0273970	29.13	43
AP0276025	31.20	9
AP0276040	31.19	7
AP0276370	31.19	15
AP0276372	31.19	18
AP0276380	31.19	14
AP0276382	31.19	17
AP0276502	31.19	3
AP0276662	31.20	8
AP0276770	31.19	4
AP0277100	31.20	2
AP0277107	31.20	22
AP0277110	31.20	5
AP0277180	31.19	8
AP0277440	31.19	22
AP0277445	31.19	21
AP0277450	31.19	10
AP0277455	31.19	9
AP0277460	31.19	12
AP0277470	31.19	11
AP0277850	31.19	1
AP0277875	31.19	2
AP0277917	31.20	1
AP0277970	31.19	5
AP0281184	29.14	34
AP0293312	31.20	21
AP0293317	31.20	20
AP0293367	29.17	8

Code	Nr. der Tafel	Pos.	Code	Nr. der Tafel	Pos.	Code	Nr. der Tafel	Pos.
AP0293377	29.17	5	AP0876298	31.20	11	AP8102341	28.02	20
AP0293415	29.11	43	AP0876973	31.19	6	AP8102361	28.02	10
AP0293685	29.17	24	AP0897161	29.11	40	AP8102375	28.02	64
AP0293690	29.17	3	AP0897161	29.17	27	AP8102432	29.05	29
AP0293849	29.12	26	AP0897161	31.20	15	AP8102502	28.01	52
AP0293890	29.18	7	AP0897330	29.14	33	AP8102512	28.03	46
AP0293925	29.12	9	AP0897330	31.20	19	AP8102579	28.03	3
AP0293925	29.15	3	AP0899785	29.11	42	AP8102603	28.02	51
AP0293926	29.12	9	AP0899785	29.12	29	AP8102632	28.02	23
AP0293926	29.15	3	AP0899785	29.16	31	AP8102633	28.02	24
AP0294451	29.17	31	AP0899785	29.17	30	AP8102660	28.03	3
AP0294730	29.16	16	AP0899785	31.20	16	AP8102704	28.01	33
AP0294747	29.12	22	AP0899788	29.11	41	AP8102705	28.02	23
AP0294755	29.12	22	AP0899788	29.12	28	AP8102706	28.02	24
AP0294756	29.12	22	AP0899788	29.13	47	AP8102798	28.01	2
AP0294770	29.12	1	AP0899788	29.16	30	AP8102801	28.02	25
AP0295216	29.11	1	AP0899788	29.17	29	AP8102802	28.02	8
AP0297386	29.17	28	AP0899788	31.20	17	AP8103235	28.08	25
AP0297386	31.20	18	AP0924150	29.11	8	AP8106013	29.05	3
AP0297431	29.12	27	AP0927571	29.17	6	AP8106194	29.05	2
AP0297431	29.13	46	AP0930675	29.11	11	AP8106205	29.05	1
AP0297431	29.14	32	AP0932028	29.12	21	AP8106224	29.05	2
AP0297431	31.20	14	AP0932032	29.11	13	AP8106238	29.05	1
AP0297740	29.13	11	AP0932588	29.12	2	AP8106283	29.05	1
AP0297830	29.17	13	AP0940235	29.13	37	AP8106285	29.05	2
AP0427460	29.15	1	AP0940315	29.12	19	AP8106315	29.05	11
AP0427590	29.12	3	AP0940590	31.20	3	AP8106316	29.05	32
AP0427591	29.12	3	AP0940755	31.20	12	AP8107045	28.07	41
AP0430060	29.11	29	AP0940786	29.11	37	AP8107090	28.07	3
AP0430460	29.12	6	AP0942220	29.15	11	AP8107110	28.07	41
AP0430460	29.14	17	AP0942671	29.13	16	AP8107110	28.07	41
AP0430600	29.16	14	AP0942671	29.16	5	AP8107135	28.07	38
AP0430782	29.13	22	AP0945635	29.12	25	AP8107135	28.07	38
AP0440191	29.11	31	AP0945750	29.17	14	AP8107140	28.07	38
AP0613100	29.13	23	AP0945751	29.17	25	AP8108564	28.06	1
AP0634030	29.12	14	AP0945751	29.18	12	AP8108565	28.07	1
AP0634065	29.14	15	AP0945754	29.12	4	AP8110024	28.08	8
AP0634085	29.14	7	AP0945754	29.17	17	AP8110025	28.08	7
AP0634095	29.14	5	AP0945756	29.12	10	AP8110053	29.05	10
AP0634105	29.14	6	AP0945758	29.13	36	AP8110063	28.04	20
AP0634115	29.14	10	AP0950141	29.11	19	AP8110064	28.04	13
AP0634125	29.14	3	AP0951591	29.16	19	AP8110067	28.04	4
AP0634135	29.14	13	AP0964180	29.17	10	AP8112176	28.09	13
AP0642051	29.12	5	AP0977490	31.20	10	AP8112244	28.09	15
AP0642051	29.17	18	AP8101106	28.08	6	AP8112290	28.09	24
AP0650090	29.13	1	AP8101271	28.08	9	AP8112402	28.09	49
AP0650091	29.13	1	AP8101284	29.05	26	AP8112413	28.09	23
AP0650092	29.13	1	AP8101285	29.05	27	AP8112460	28.09	32
AP0650097	29.13	1	AP8101341	28.04	3	AP8112523	28.09	17
AP0827261	29.14	22	AP8101744	28.06	7	AP8112567	28.09	42
AP0827265	29.17	1	AP8101744	28.07	2	AP8112568	28.09	43
AP0827590	29.11	26	AP8101819	28.06	8	AP8112568	28.09	43
AP0827590	29.12	13	AP8101910	28.01	38	AP8112599	28.09	29
AP0831500	29.13	7	AP8101912	28.01	37	AP8112612	28.09	43
AP0840510	29.16	23	AP8101916	28.01	41	AP8112687	28.09	3
AP0840681	31.20	13	AP8101924	28.01	49	AP8112710	28.03	27
AP0840836	29.11	36	AP8101944	28.01	62	AP8112756	28.09	8
AP0840861	29.13	40	AP8101945	28.04	14	AP8112802	28.03	10
AP0840861	29.17	23	AP8102080	29.05	12	AP8112811	28.09	12
AP0841561	29.11	20	AP8102106	28.02	32	AP8112811	28.09	14
AP0841680	29.16	8	AP8102112	28.01	23	AP8112833	28.09	48
AP0845020	29.13	13	AP8102118	28.01	36	AP8112846	28.09	21
AP0847160	31.20	7	AP8102223	28.01	63	AP8112916	28.09	11
AP0853840	29.16	26	AP8102224	28.01	61	AP8112961	28.09	4
AP0860372	29.11	34	AP8102228	28.02	2	AP8113003	28.03	13
AP0860460	29.13	12	AP8102233	28.02	42	AP8113003	28.07	20
AP0866708	29.17	12	AP8102296	28.07	4	AP8113004	28.03	14

Code	Nr. der Tafel	Pos.
AP8113004	28.07	21
AP8113006	28.06	12
AP8113006	28.07	40
AP8113117	28.07	39
AP8113198	28.07	47
AP8113237	28.07	18
AP8113241	28.03	44
AP8113254	28.07	42
AP8113280	28.03	44
AP8113309	28.06	13
AP8113310	28.06	15
AP8113322	28.07	44
AP8113439	28.03	39
AP8113468	28.06	10
AP8113489	28.06	14
AP8113509	28.03	15
AP8113510	28.07	19
AP8113530	28.06	11
AP8113567	28.06	10
AP8113596	28.07	35
AP8113602	28.07	37
AP8113617	28.03	16
AP8113628	28.07	18
AP8113651	28.07	36
AP8114175	29.13	11
AP8114321	28.03	22
AP8114331	28.03	25
AP8114334	28.03	21
AP8114336	28.03	38
AP8114336	28.03	38
AP8114364	28.03	26
AP8114364	28.03	26
AP8115753	28.10	8
AP8115973	28.10	6
AP8118233	28.03	8
AP8118287	28.03	5
AP8118287	28.03	5
AP8118307	28.03	4
AP8118307	28.03	4
AP8118308	28.03	9
AP8118324	28.03	2
AP8118343	28.03	1
AP8118420	28.03	24
AP8118420	28.03	24
AP8118420	28.03	24
AP8118432	28.03	7
AP8118439	28.03	6
AP8118460	28.03	41
AP8118482	28.03	24
AP8118493	28.03	4
AP8118497	28.03	5
AP8119314	29.05	22
AP8119314	29.05	22
AP8119327	29.05	36
AP8119349	29.05	23
AP8119349	29.05	23
AP8119351	29.05	22
AP8120030	28.01	44
AP8120177	28.02	43
AP8120218	28.09	36
AP8120223	28.02	40
AP8120275	28.01	34
AP8120280	28.04	7
AP8120405	28.09	44
AP8120405	29.05	19
AP8120467	28.03	23
AP8120485	28.04	11

Code	Nr. der Tafel	Pos.
AP8120502	28.01	29
AP8120508	28.01	50
AP8120531	28.02	33
AP8120557	28.02	19
AP8120568	28.01	11
AP8120569	28.01	31
AP8120573	28.01	25
AP8120582	28.09	18
AP8120598	28.02	49
AP8120670	28.01	57
AP8120699	28.02	15
AP8120702	28.02	9
AP8120708	28.02	52
AP8120708	29.05	18
AP8120709	28.02	12
AP8120712	28.02	48
AP8120721	28.09	9
AP8120748	29.05	14
AP8120754	28.09	12
AP8120754	28.09	14
AP8120783	29.05	13
AP8120786	28.01	53
AP8120787	28.01	39
AP8120788	28.01	40
AP8120790	28.01	35
AP8120792	28.07	10
AP8120793	28.04	15
AP8120794	28.04	16
AP8120796	28.02	14
AP8120806	28.07	31
AP8120807	28.07	30
AP8120810	29.05	13
AP8120812	29.05	28
AP8120815	28.02	5
AP8120910	29.05	21
AP8120965	28.02	34
AP8121058	29.05	20
AP8121091	29.05	24
AP8121114	28.01	28
AP8121114	28.02	26
AP8121118	28.07	27
AP8121121	28.04	5
AP8121133	28.01	58
AP8121134	28.01	17
AP8121135	28.01	16
AP8121147	28.07	24
AP8121147	29.05	5
AP8121150	28.01	8
AP8121156	28.01	7
AP8121157	28.06	2
AP8121284	28.07	25
AP8121284	29.05	6
AP8121303	28.02	51
AP8121668	29.05	7
AP8121668	29.05	7
AP8121672	28.01	10
AP8121695	28.01	30
AP8121696	28.01	13
AP8121697	28.07	33
AP8121697	29.05	30
AP8121728	28.01	51
AP8121736	28.09	45
AP8121764	28.01	56
AP8121795	28.09	10
AP8121798	28.09	38
AP8121803	28.02	3
AP8121819	28.02	7

Code	Nr. der Tafel	Pos.
AP8121835	28.07	26
AP8121845	28.04	25
AP8121846	28.04	21
AP8121847	28.04	24
AP8121852	28.07	22
AP8121867	28.02	62
AP8121892	28.03	43
AP8121939	28.01	18
AP8121940	28.01	19
AP8123191	28.08	19
AP8123199	28.08	26
AP8123203	28.08	21
AP8123216	28.08	20
AP8123256	28.08	24
AP8123315	28.08	22
AP8123316	28.08	12
AP8123357	28.08	15
AP8123441	28.08	14
AP8123514	28.08	11
AP8123553	28.03	18
AP8123632	28.08	17
AP8123633	28.08	16
AP8123663	28.04	8
AP8123666	28.08	3
AP8123691	28.08	18
AP8123692	28.08	10
AP8123693	28.08	1
AP8123777	28.08	23
AP8124006	28.09	37
AP8124075	28.09	7
AP8124117	28.09	16
AP8124119	28.09	6
AP8124141	28.09	33
AP8124152	28.03	20
AP8124171	28.03	17
AP8124173	28.03	28
AP8124174	28.09	4
AP8124190	28.03	17
AP8124190	28.03	17
AP8124194	28.03	50
AP8124195	28.03	42
AP8124197	28.03	12
AP8124198	28.03	32
AP8124210	28.09	1
AP8124224	28.03	30
AP8124226	28.03	49
AP8124227	28.03	34
AP8124228	28.03	33
AP8124229	28.03	37
AP8124230	28.03	29
AP8124230	28.03	29
AP8124235	28.09	2
AP8124252	28.03	47
AP8124253	28.03	31
AP8124254	28.03	48
AP8124255	28.03	19
AP8124399	28.09	19
AP8124468	28.03	17
AP8124468	28.03	17
AP8124468	28.03	17
AP8124477	28.03	30
AP8124479	28.07	32
AP8124486	28.03	30
AP8124487	28.09	22
AP8125388	28.06	3
AP8125418	28.06	4
AP8125469	28.06	6

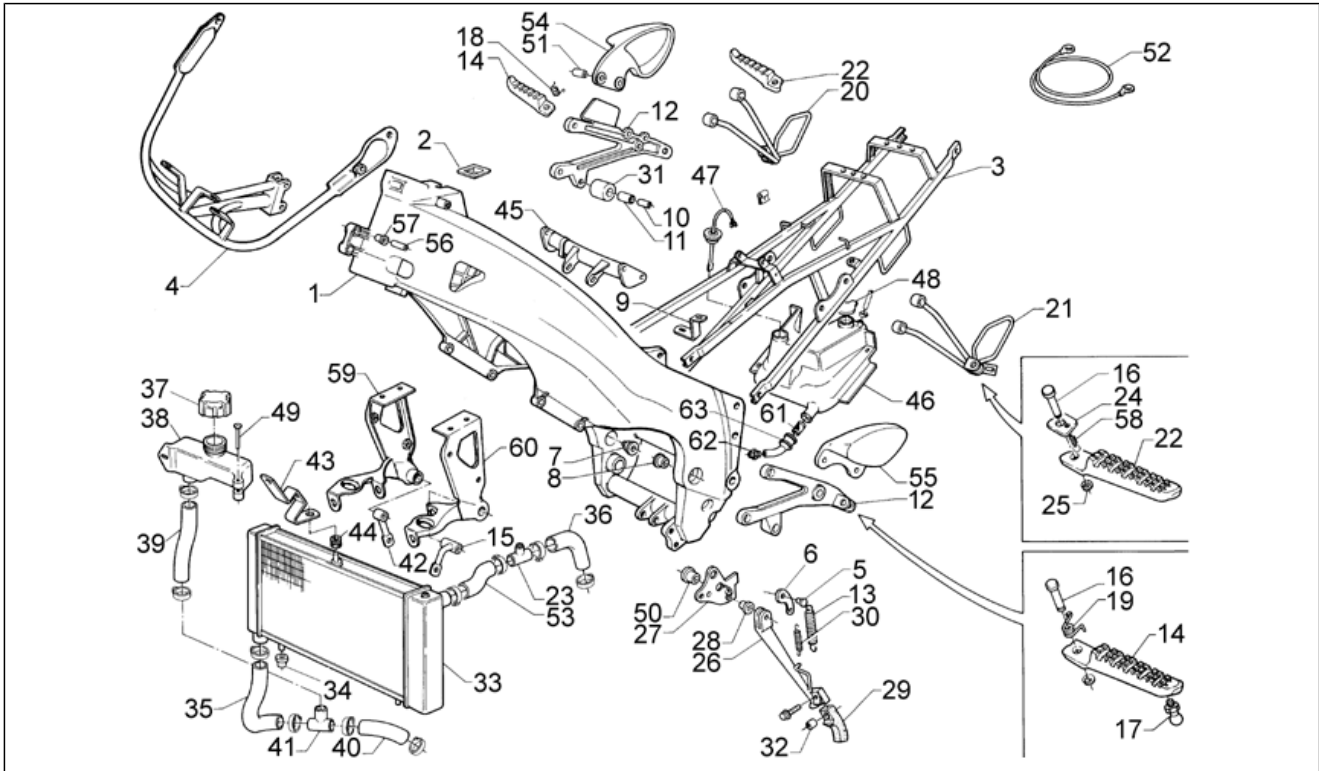
Code	Nr. der Tafel	Pos.
AP8125627	28.04	2
AP8125628	28.07	11
AP8125631	28.07	5
AP8125635	28.07	7
AP8125636	28.07	28
AP8125637	28.07	9
AP8125638	28.07	16
AP8125639	28.07	15
AP8125644	28.06	5
AP8125645	28.07	13
AP8125646	28.07	14
AP8125646	28.07	46
AP8125647	28.07	34
AP8125763	28.07	6
AP8126356	28.02	6
AP8126385	28.02	47
AP8126501	28.02	45
AP8126510	28.02	41
AP8126538	28.02	41
AP8126613	28.02	41
AP8126666	28.02	41
AP8126670	28.02	41
AP8129118	28.02	16
AP8129118	28.02	16
AP8129154	28.02	44
AP8129154	28.02	44
AP8129173	28.02	17
AP8129173	28.02	17
AP8129176	28.02	17
AP8129176	28.02	17
AP8129177	28.02	17
AP8129179	28.02	17
AP8129190	28.02	44
AP8129209	28.02	16
AP8129214	28.02	44
AP8129218	28.02	17
AP8129234	28.02	17
AP8129236	28.02	16
AP8131121	29.05	16
AP8131176	28.03	35
AP8131256	28.09	30
AP8131470	29.05	17
AP8131605	28.02	1
AP8131606	28.01	46
AP8131623	28.04	17
AP8131626	29.05	15
AP8131733	28.02	55
AP8131734	28.02	56
AP8131739	28.09	25
AP8131916	28.02	31
AP8132634	28.04	9
AP8132635	28.07	23
AP8132720	28.01	24
AP8132812	28.01	22
AP8132869	28.09	46
AP8134243	28.02	60
AP8134250	28.01	54
AP8134257	28.02	46
AP8134260	28.01	9
AP8134261	28.01	55
AP8134262	29.05	31
AP8134263	28.02	35
AP8134266	28.01	6
AP8134272	28.02	35
AP8134335	28.09	20
AP8134348	28.09	5
AP8134403	28.02	57

Code	Nr. der Tafel	Pos.
AP8134429	28.07	8
AP8134476	28.01	12
AP8134512	28.01	27
AP8135289	29.05	25
AP8135307	28.02	37
AP8135313	28.01	14
AP8135354	28.01	45
AP8135362	28.04	10
AP8135374	28.01	59
AP8135381	28.01	60
AP8135396	28.04	12
AP8135403	28.01	43
AP8135430	29.05	8
AP8135430	29.05	8
AP8135442	28.01	42
AP8135443	28.01	15
AP8135444	28.01	20
AP8135445	28.01	21
AP8135448	28.09	35
AP8135464	28.01	27
AP8135492	29.05	35
AP8135785	28.01	4
AP8135858	28.01	26
AP8135942	28.01	3
AP8135961	28.04	1
AP8135973	28.02	58
AP8135973	28.02	58
AP8135973	28.02	58
AP8135997	28.01	1
AP8137248	28.10	6
AP8137248	28.10	6
AP8137248	28.10	7
AP8137306	28.10	6
AP8137635	28.10	6
AP8137646	28.09	26
AP8137647	28.09	27
AP8137706	28.10	6
AP8138083	28.02	53
AP8138085	28.02	36
AP8138302	28.02	22
AP8138303	28.02	50
AP8138304	28.02	38
AP8138469	28.02	30
AP8138482	28.02	29
AP8138484	28.02	28
AP8138485	28.02	54
AP8138547	28.02	27
AP8138655	28.02	13
AP8138656	28.02	29
AP8138657	28.02	28
AP8138658	28.02	27
AP8138659	28.02	21
AP8138681	28.02	53
AP8138682	28.02	54
AP8138683	28.02	36
AP8138686	29.05	17
AP8138701	28.02	28
AP8138707	28.02	13
AP8138719	28.02	28
AP8138760	28.02	21
AP8139049	28.02	53
AP8139050	28.02	54
AP8139051	28.02	36
AP8139071	28.02	13
AP8139072	28.02	27
AP8139073	28.02	28
AP8139074	28.02	28

Code	Nr. der Tafel	Pos.
AP8139075	28.02	29
AP8139076	28.02	21
AP8139086	28.02	13
AP8139436	28.02	13
AP8139437	28.02	29
AP8139438	28.02	27
AP8139439	28.02	28
AP8139440	28.02	21
AP8139441	28.02	53
AP8139442	28.02	36
AP8139443	28.02	54
AP8139451	28.02	13
AP8139452	28.02	29
AP8139453	28.02	27
AP8139454	28.02	28
AP8139455	28.02	21
AP8146137	28.01	26
AP8146142	28.02	58
AP8147063	28.10	1
AP8147064	28.10	2
AP8147065	28.10	3
AP8147066	28.10	4
AP8147067	28.10	5
AP8147071	28.10	1
AP8147072	28.10	2
AP8147073	28.10	3
AP8147074	28.10	4
AP8147310	28.10	6
AP8147392	28.10	1
AP8147393	28.10	1
AP8147394	28.10	2
AP8147395	28.10	2
AP8147396	28.10	3
AP8147397	28.10	3
AP8147398	28.10	4
AP8147399	28.10	4
AP8147497	28.10	7
AP8147847	28.10	1
AP8147848	28.10	1
AP8147849	28.10	2
AP8147850	28.10	2
AP8147851	28.10	3
AP8147852	28.10	3
AP8147853	28.10	4
AP8147854	28.10	4
AP8150049	28.03	52
AP8150157	28.03	51
AP8150158	28.02	71
AP8150178	28.02	67
AP8150208	28.06	16
AP8150248	28.02	69
AP8150277	29.05	33
AP8150299	28.04	6
AP8150299	28.08	4
AP8150346	28.04	18
AP8150352	28.08	2
AP8150420	28.02	70
AP8150450	28.02	72
AP8152060	28.07	45
AP8152063	28.04	19
AP8152153	28.02	11
AP8152246	28.02	68
AP8152261	28.04	22
AP8152262	28.04	23
AP8152267	28.03	36
AP8152268	28.02	66
AP8152269	28.02	63

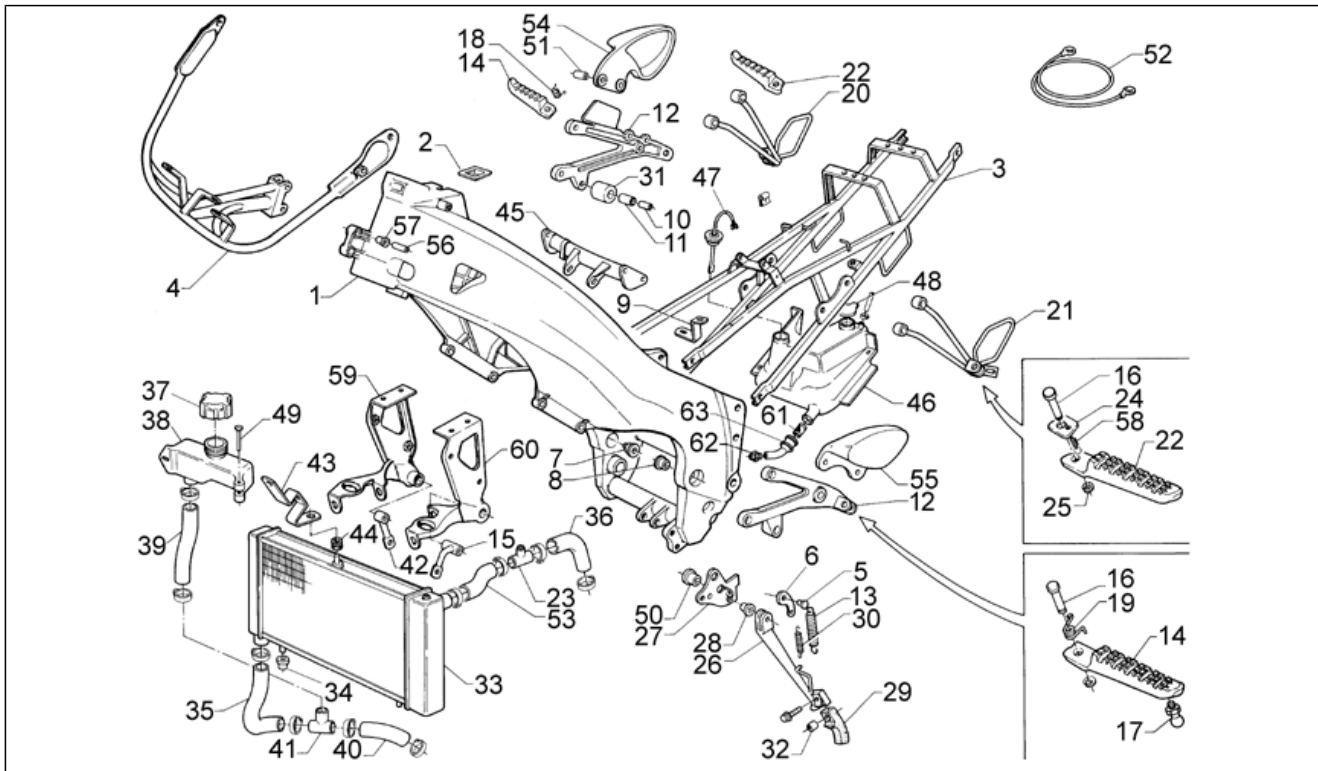
Code	Nr. der Tafel	Pos.
AP8152286	28.06	17
AP8152298	28.02	65
AP8201192	28.01	47
AP8201215	28.09	40
AP8201287	28.02	61
AP8201564	28.03	45
AP8203550	28.08	5
AP8203570	28.08	13
AP8210007	28.07	17
AP8210007	29.05	9
AP8212679	28.09	31
AP8212702	28.09	41
AP8213078	28.03	40
AP8213086	28.07	29
AP8218077	28.03	11
AP8220154	28.01	48
AP8220185	28.09	47
AP8220189	29.05	4
AP8220201	28.09	34
AP8220331	28.02	59
AP8220347	28.02	39
AP8220421	28.01	48
AP8221017	28.01	32
AP8221035	28.09	39
AP8221074	28.07	43
AP8221106	28.02	18
AP8221171	28.01	5
AP8221176	28.02	4
AP8232524	29.05	34

Einheit	RAHMEN
Code	28.01
Beschreibung	Rahmen
Inspektion	1



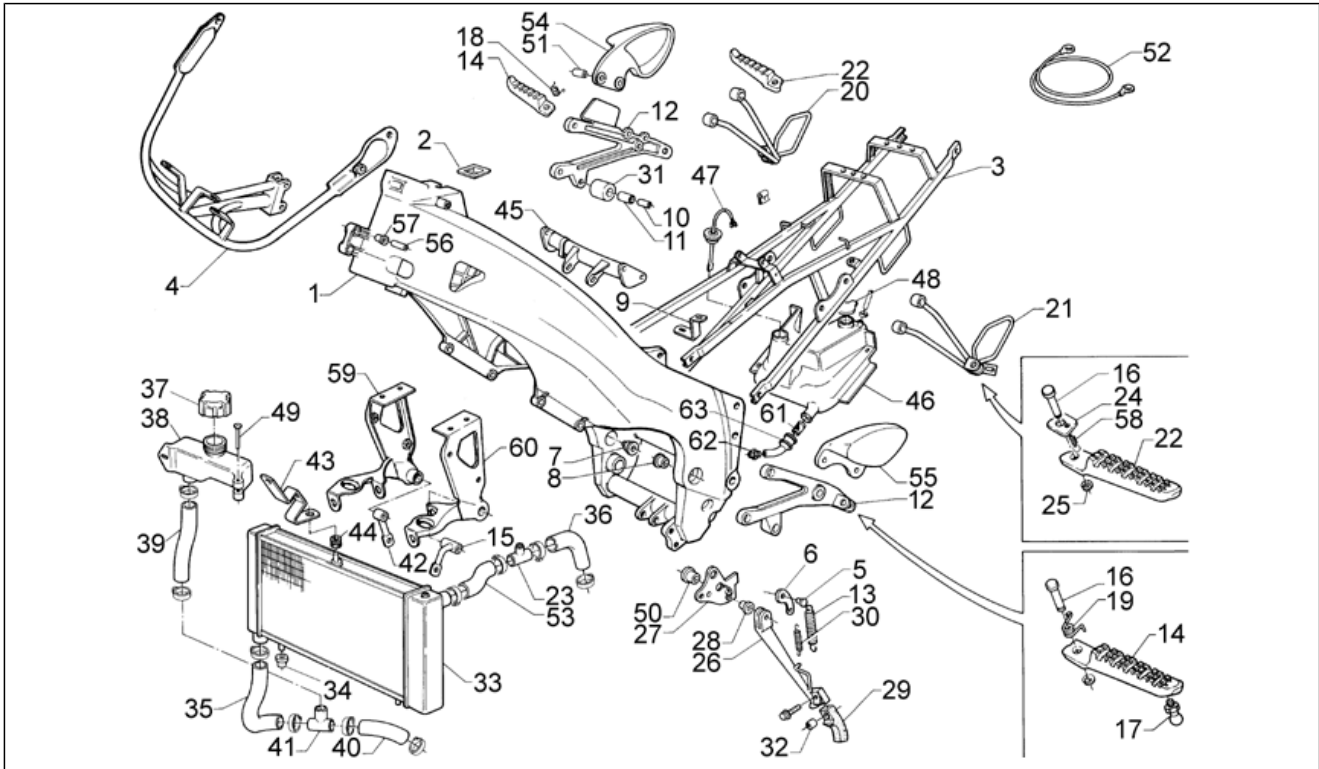
Pos.	Code	Beschreibung	Menge	Varianten
1	AP8135997	Rahmen	1	
2	AP8102798	Klammer M6	1	
3	AP8135942	Sndb. Sttlh. m. Rckstr.	1	
4	AP8135785	Rahmen	1	
5	AP8221171	Distanzscheibe *	1	
6	AP8134266	Rückholplatte Ständer	1	
7	AP8121156	Buchse	1	
8	AP8121150	Buchse 18 mm	1	
9	AP8134260	Filtergehäuse Halteplatte	1	
10	AP8121672	Distanzscheibe *	1	
11	AP8120568	Distanzscheibe *	1	
12	AP8134476	Hltr Fahrerraste-Paar	1	
13	AP8121696	Schraubenfeder *	1	
14	AP8135313	Fußrasten Fahrer (Paar)	1	
15	AP8135443	L. Motorhalter	1	
16	AP8121135	Rastenbolzen	2	
17	AP8121134	Rastenbolzen	2	
18	AP8121939	R. Fussrastenfeder	1	
19	AP8121940	L. Fussrastenfeder	1	
20	AP8135444	Halter rechte Soziusfußraste	1	
21	AP8135445	Halter linke Soziusfußraste	1	
22	AP8132812	Soziusrasten (Paar)	1	
23	AP8102112	Entlüftungsschlauch Anschluß	1	
24	AP8132720	Fixierplatte	2	
25	AP8120573	Sperring	4	
26	AP8135858	Seitenständer	1	Land:Schweiz[CH], Singapur[SGP]

Einheit	RAHMEN
Code	28.01
Beschreibung	Rahmen
Inspektion	1



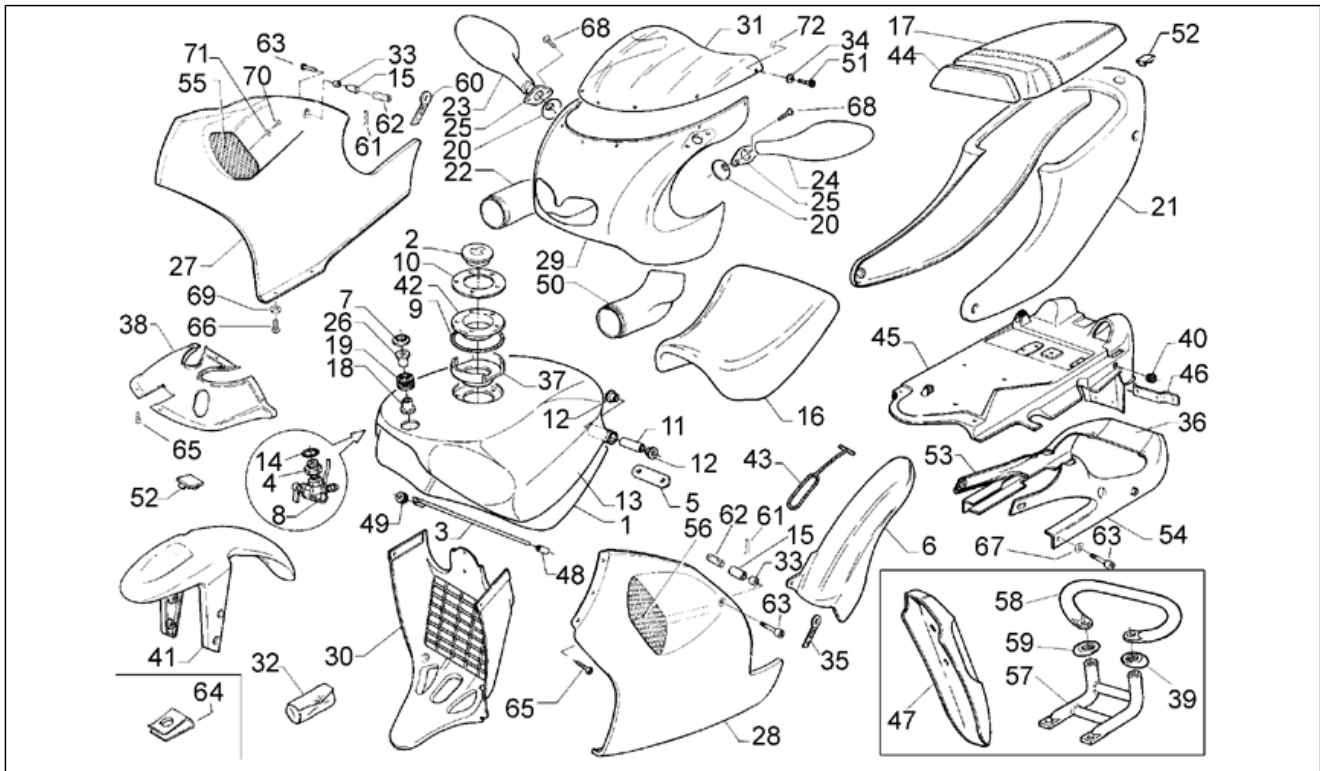
Pos.	Code	Beschreibung	Menge	Varianten
26	AP8146137	Seitenständer	1	Land:Deutschland[D], Dänemark[DK], Spanien[E], Frankreich[F], Japan[J], Holland[NL], Portugal[P], Polen[PL], Finnland[SF], Großbritannien[UK]
27	AP8134512	Hauptständer platte	1	Baujahr:1998[W]
27	AP8135464	Hauptständer platte	1	Baujahr:1996[T], 1997[V]
28	AP8121114	T-Buchse *	1	
29	AP8120502	Gummi RückholStänder	1	
30	AP8121695	Schraubenfeder *	1	
31	AP8120569	Kettenspannrolle	1	
32	AP8221017	Distanzscheibe	1	
33	AP8102704	Kühler	1	
34	AP8120275	Silent-Block *	2	
35	AP8120790	T-förmiger Anschluß	1	
36	AP8102118	Zylinderkopf Anschluß	1	
37	AP8101912	Kühlerschraube unbelüftet	1	
38	AP8101910	Ausdehngefäß	1	
39	AP8120787	Schlauch Ausdehngefäß	1	
40	AP8120788	Pumpen-Bolzenschlauch	1	
41	AP8101916	T-förmiger Anschluß D20	1	
42	AP8135442	Motorhltr. rechts	1	
43	AP8135403	Obere Kühlerbefestigung	1	
44	AP8120030	Gummi	1	
45	AP8135354	Sandg. Rahmen V.H.Platte	1	
46	AP8131606	Öltank	1	
47	AP8201192	Anzeige Ölreserve	1	
48	AP8220154	Öltankschraube	1	Baujahr:1996[T], 1997[V]
48	AP8220421	Öltankschraube	1	Baujahr:1998[W]
49	AP8101924	Durchb.Kunststoffniet	1	

Einheit	RAHMEN
Code	28.01
Beschreibung	Rahmen
Inspektion	1



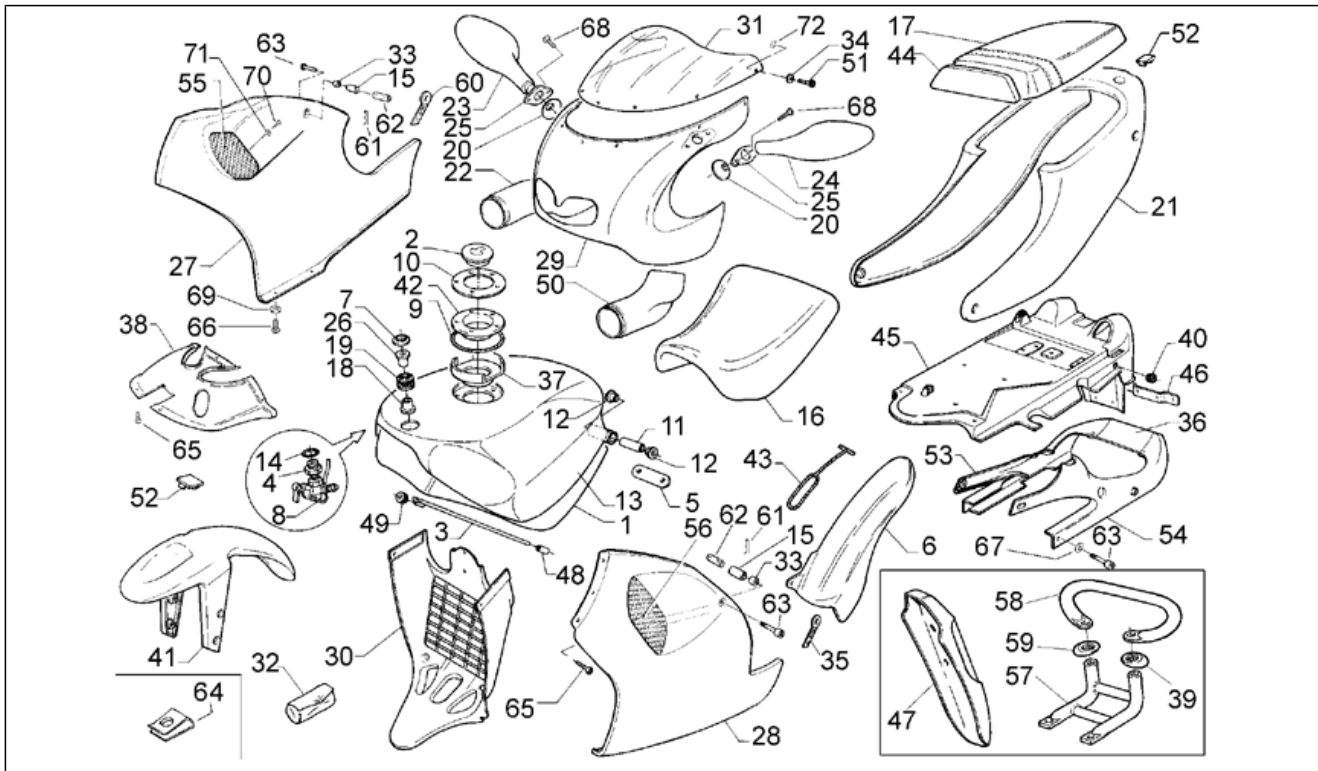
Pos.	Code	Beschreibung	Menge	Varianten
50	AP8120508	T-Buchse *	1	
51	AP8121728	T-Buchse	2	
52	AP8102502	Schutzhelm-Befestigungskabel	1	
53	AP8120786	Anschlußschlauch KühlerA	1	
54	AP8134250	Fahrer Fußrastenschutz r. grau	1	
55	AP8134261	Fahrer Fußrastenschutz l. grau	1	
56	AP8121764	Distanzscheibe *	1	
57	AP8120670	Gummi *	1	
58	AP8121133	Schraubenfederkompr.	2	
59	AP8135374	Vord. Motorplatte r.	1	
60	AP8135381	Vord. Motorplatte l.	1	
61	AP8102224	Gemisch-Ölfilter	1	
62	AP8101944	2-Wege Anschluß	1	
63	AP8102223	Gummi *	1	

Einheit	RAHMEN
Code	28.02
Beschreibung	Aufbau
Inspektion	1



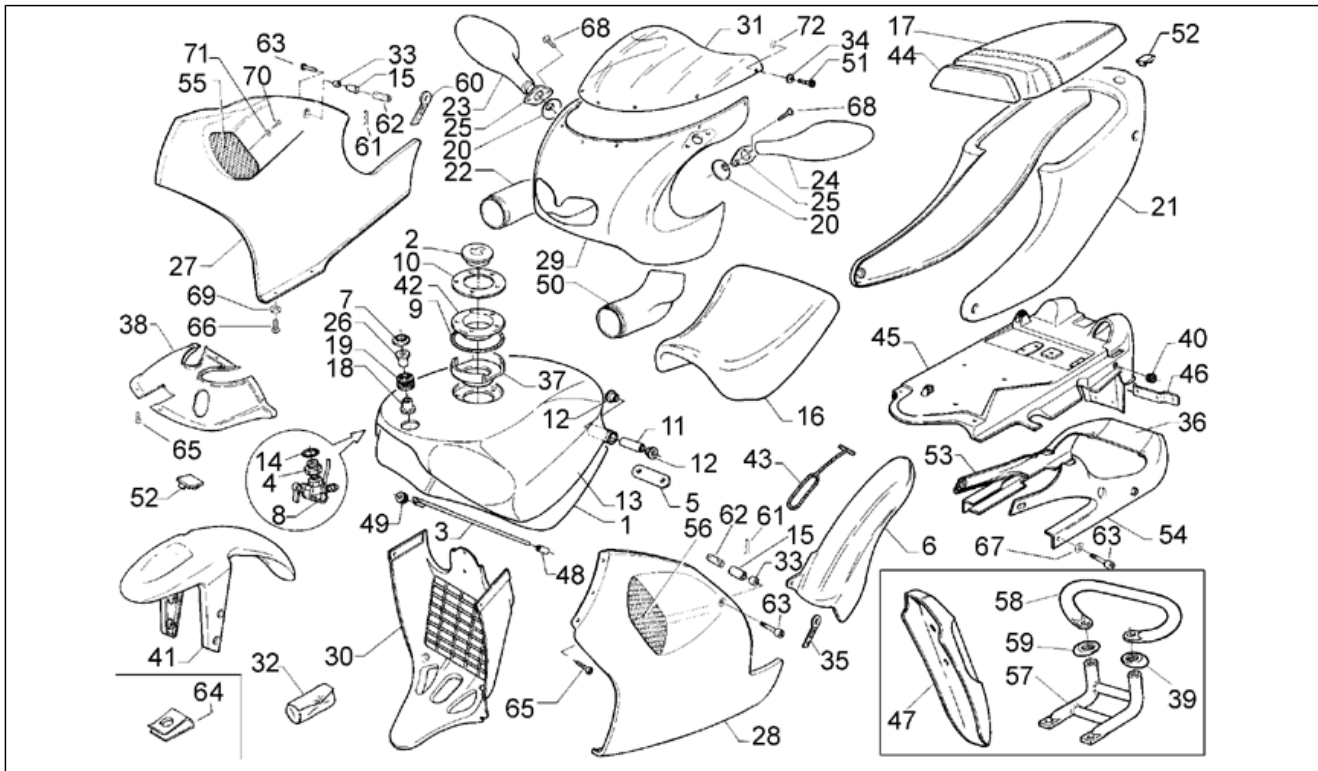
Pos.	Code	Beschreibung	Menge	Varianten
1	AP8131605	Kraftstofftank	1	
2	AP8102228	Tankschraube, chrom.	1	
3	AP8121803	Stange tanköffnung	1	
4	AP8221176	Kraftstoffhahn Anschluß	1	
5	AP8120815	Tank Distanzscheibe	1	
6	AP8126356	Schutzblech schwarz	1	
7	AP8121819	Ausgleichscheibe 6,5x12,5*	1	
8	AP8102802	Kraftstoffhahn	1	
9	AP8120702	Dichtung tankstutzen	1	
10	AP8102361	Nutm. tankverschlussschraube	1	
11	AP8152153	H. Distanzscheibe	1	
12	AP8120709	Gummi *	2	
13	AP8138655	Tankabdeckung, grau	1	Baujahr:1996[T] Fahrzeugfarbe:Grau Mirage 1996[Gr.m]
13	AP8138707	Tankabdeckung, schw/grau	1	Baujahr:1996[T] Fahrzeugfarbe:Schwarz 1996-1998[black]
13	AP8139071	Tankabdeckung, grau	1	Baujahr:1997[V] Fahrzeugfarbe:Grau Silver 1997[Gr.s]
13	AP8139086	Tankabdeckung, schwarz	1	Baujahr:1997[V] Fahrzeugfarbe:Schwarz 1996-1998[black]
13	AP8139436	Tankabdeckung, blau	1	Baujahr:1998[W] Fahrzeugfarbe:Grau/Rot/Blau Valentino Rossi 1998[rossi]
13	AP8139451	Tankabdeckung, schwarz	1	Baujahr:1998[W] Fahrzeugfarbe:Schwarz 1996-1998[black]
14	AP8120796	O-Ring 3050	1	
15	AP8120699	Röhrchen	2	
16	AP8129118	Fahrsitz, schwarz	1	Baujahr:1996[T], 1997[V], 1998[W] Fahrzeugfarbe:Schwarz 1996-1998[black]
16	AP8129118	Fahrsitz, schwarz	1	Baujahr:1996[T] Fahrzeugfarbe:Grau Mirage 1996[Gr.m]

Einheit	RAHMEN
Code	28.02
Beschreibung	Aufbau
Inspektion	1



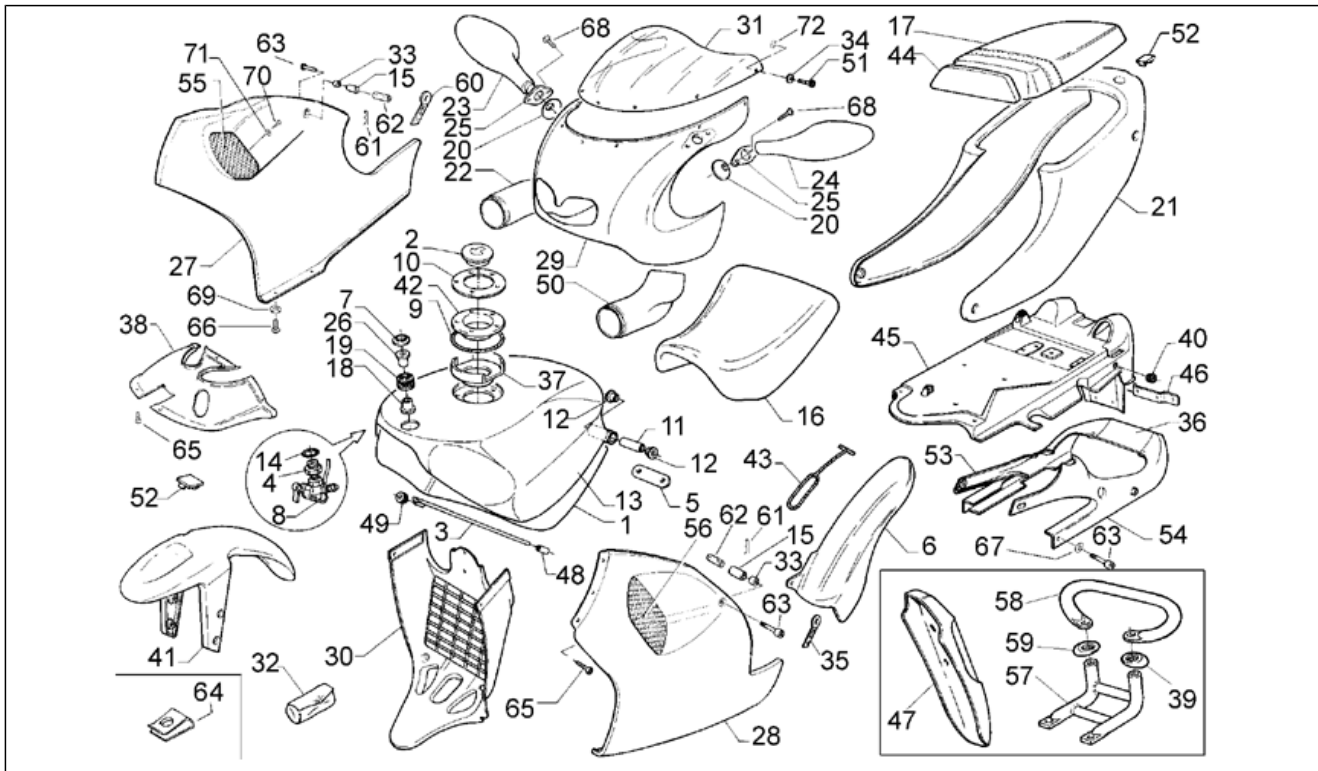
Pos.	Code	Beschreibung	Menge	Varianten
16	AP8129209	Fahrsitz, rot	1	Baujahr: 1997[V] Fahrzeugfarbe: Grau Silver 1997[Gr.s]
16	AP8129236	Fahrsitz, rot	1	Baujahr: 1998[W] Fahrzeugfarbe: Grau/Rot/Blau Valentino Rossi 1998[rossi]
17	AP8129173	Soziussitz, grau o. Riemen	1	Baujahr: 1997[V] Fahrzeugfarbe: Grau Silver 1997[Gr.s] Land: Dänemark[DK], Spanien[E], Frankreich[F], Japan[J], Holland[NL], Portugal[P], Polen[PL], Finnland[SF], Singapur[SGP], Großbritannien[UK]
17	AP8129173	Soziussitz, grau o. Riemen	1	Baujahr: 1996[T] Fahrzeugfarbe: Grau Mirage 1996[Gr.m] Land: Dänemark[DK], Spanien[E], Frankreich[F], Japan[J], Holland[NL], Portugal[P], Polen[PL], Finnland[SF], Singapur[SGP], Großbritannien[UK]
17	AP8129176	Sozius-Längss., grau	1	Baujahr: 1996[T] Fahrzeugfarbe: Grau Mirage 1996[Gr.m] Land: Schweiz[CH], Deutschland[D]
17	AP8129176	Sozius-Längss., grau	1	Baujahr: 1997[V] Fahrzeugfarbe: Grau Silver 1997[Gr.s] Land: Schweiz[CH], Deutschland[D]
17	AP8129177	Sozius-Längss., schw.	1	Baujahr: 1996[T], 1997[V] Fahrzeugfarbe: Schwarz 1996-1998[black] Land: Schweiz[CH], Deutschland[D]
17	AP8129179	Soziussitz, schw. o. Riem.	1	Baujahr: 1996[T], 1997[V] Fahrzeugfarbe: Schwarz 1996-1998[black] Land: Dänemark[DK], Spanien[E], Frankreich[F], Japan[J], Holland[NL], Portugal[P], Polen[PL], Finnland[SF], Singapur[SGP], Großbritannien[UK]
17	AP8129218	Soziussitz, schw. o. Riem.	1	Baujahr: 1998[W] Fahrzeugfarbe: Schwarz 1996-1998[black] Land: Spanien[E]
17	AP8129234	Soziussitz, grau o. Riemen	1	Baujahr: 1998[W] Fahrzeugfarbe: Grau/Rot/Blau Valentino Rossi 1998[rossi] Land: Spanien[E]

Einheit	RAHMEN
Code	28.02
Beschreibung	Aufbau
Inspektion	1



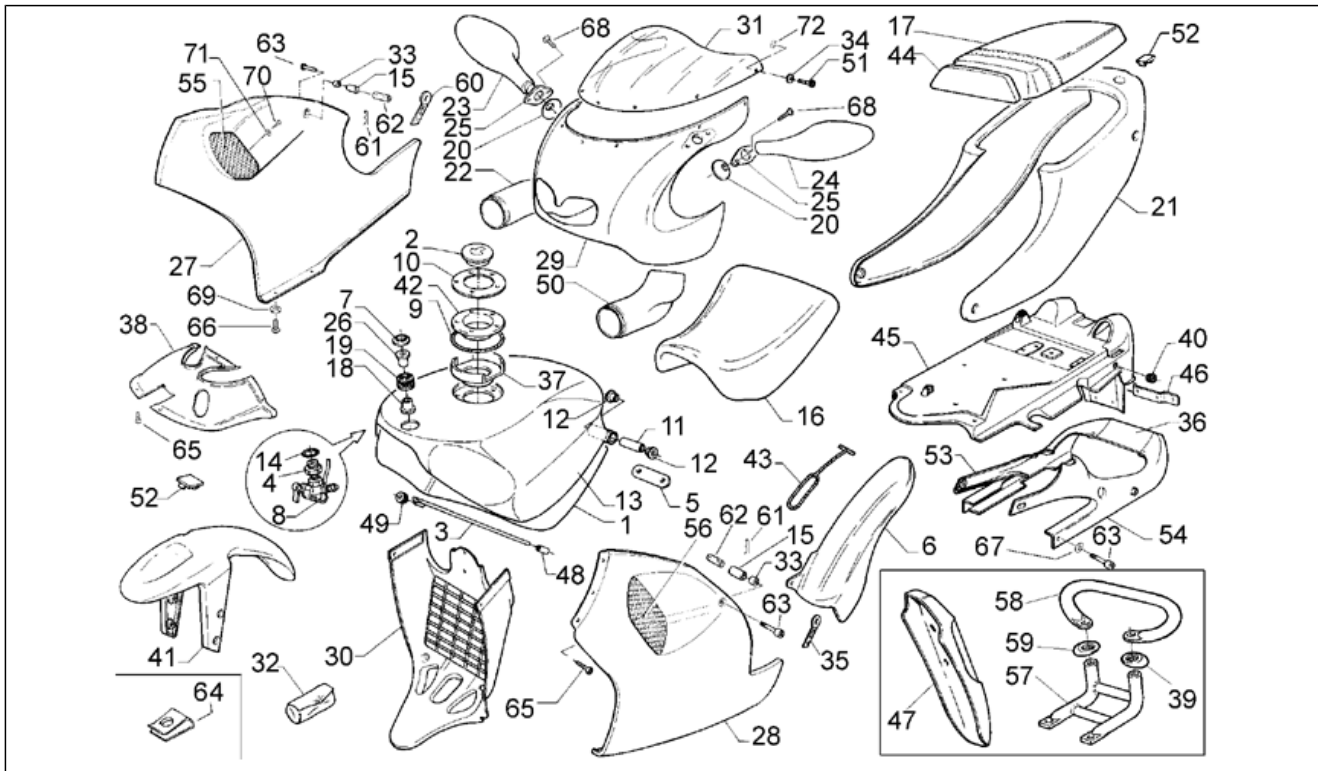
Pos.	Code	Beschreibung	Menge	Varianten
18	AP8221106	H.Bremshebuchse	1	
19	AP8120557	Gummi Tankanschluß	1	
20	AP8102341	Becher Spiegelgelenk	2	
21	AP8138659	Heckteil, m.grau	1	Baujahr: 1996[T] Fahrzeugfarbe: Grau Mirage 1996[Gr.m]
21	AP8138760	Heckteil, schwarz	1	Baujahr: 1996[T], 1997[V] Fahrzeugfarbe: Schwarz 1996-1998[black]
21	AP8139076	Heckteil, grau	1	Baujahr: 1997[V] Fahrzeugfarbe: Grau Silver 1997[Gr.s]
21	AP8139440	Heckteil, grau/blau	1	Baujahr: 1998[W] Fahrzeugfarbe: Grau/Rot/Blau Valentino Rossi 1998[rossi]
21	AP8139455	Heckteil, schwarz	1	Baujahr: 1998[W] Fahrzeugfarbe: Schwarz 1996-1998[black]
22	AP8138302	Rechtes Leitblech	1	
23	AP8102632	Rückspiegel rechts	1	Baujahr: 1998[W]
23	AP8102705	Rückspiegel rechts	1	Baujahr: 1996[T], 1997[V]
24	AP8102633	Rückspiegel links	1	Baujahr: 1998[W]
24	AP8102706	Rückspiegel links	1	Baujahr: 1996[T], 1997[V]
25	AP8102801	Bausatz einbauspiegel	1	
26	AP8121114	T-Buchse *	1	
27	AP8138547	R.Seitenteil, schwarz	1	Baujahr: 1996[T], 1997[V] Fahrzeugfarbe: Schwarz 1996-1998[black]
27	AP8138658	R.Seitenteil, grau	1	Baujahr: 1996[T] Fahrzeugfarbe: Grau Mirage 1996[Gr.m]
27	AP8139072	R.Seitenteil, s. grau	1	Baujahr: 1997[V] Fahrzeugfarbe: Grau Silver 1997[Gr.s]
27	AP8139438	R.Seitenteil, rot	1	Baujahr: 1998[W] Fahrzeugfarbe: Grau/Rot/Blau Valentino Rossi 1998[rossi]
27	AP8139453	R.Seitenteil, schwarz	1	Baujahr: 1998[W] Fahrzeugfarbe: Schwarz 1996-1998[black]
28	AP8138484	L. Seitenteil, schwarz	1	Baujahr: 1996[T], 1997[V]

Einheit	RAHMEN
Code	28.02
Beschreibung	Aufbau
Inspektion	1



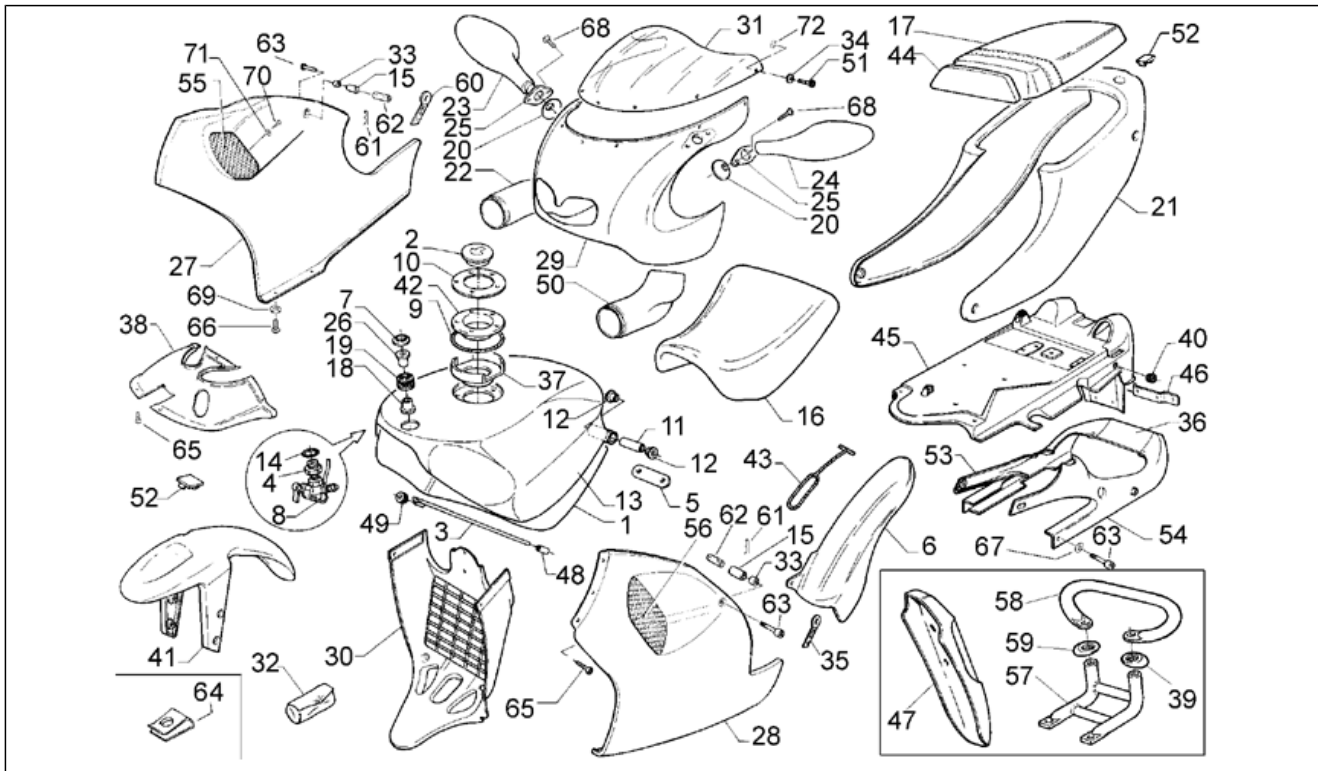
Pos.	Code	Beschreibung	Menge	Varianten
				Fahrzeugfarbe: Schwarz 1996-1998[black] Land: Deutschland[D], Dänemark[DK], Spanien[E], Frankreich[F], Japan[J], Holland[NL], Portugal[P], Polen[PL], Finnland[SF], Großbritannien[UK]
28	AP8138657	L. Seitenteil, grau	1	Baujahr: 1996[T] Fahrzeugfarbe: Grau Mirage 1996[Gr.m] Land: Deutschland[D], Dänemark[DK], Spanien[E], Frankreich[F], Japan[J], Holland[NL], Portugal[P], Polen[PL], Finnland[SF], Großbritannien[UK]
28	AP8138701	L. Seitenteil, grau	1	Baujahr: 1996[T] Fahrzeugfarbe: Grau Mirage 1996[Gr.m] Land: Schweiz[CH], Singapur[SGP]
28	AP8138719	L. Seitenteil, schwarz	1	Baujahr: 1996[T], 1997[V] Fahrzeugfarbe: Schwarz 1996-1998[black] Land: Schweiz[CH], Singapur[SGP]
28	AP8139073	L. Seitenteil, grau	1	Baujahr: 1997[V] Fahrzeugfarbe: Grau Silver 1997[Gr.s] Land: Deutschland[D], Dänemark[DK], Spanien[E], Frankreich[F], Japan[J], Holland[NL], Portugal[P], Polen[PL], Finnland[SF], Großbritannien[UK]
28	AP8139074	L. Seitenteil, grau	1	Baujahr: 1997[V] Fahrzeugfarbe: Grau Silver 1997[Gr.s] Land: Schweiz[CH], Singapur[SGP]
28	AP8139439	L. Seitenteil, rot	1	Baujahr: 1998[W] Fahrzeugfarbe: Grau/Rot/Blau Valentino Rossi 1998[rossi] Land: Spanien[E]
28	AP8139454	L. Seitenteil, schwarz	1	Baujahr: 1998[W] Fahrzeugfarbe: Schwarz 1996-1998[black] Land: Spanien[E]
29	AP8138482	Vord. Verkleidung, schwarz	1	Baujahr: 1996[T], 1997[V] Fahrzeugfarbe: Schwarz 1996-1998[black]
29	AP8138656	Vord. Verkleidung, m.grau	1	Baujahr: 1996[T] Fahrzeugfarbe: Grau Mirage 1996[Gr.m]
29	AP8139075	Vord. Verkleidung, s.grau	1	Baujahr: 1997[V]

Einheit	RAHMEN
Code	28.02
Beschreibung	Aufbau
Inspektion	1



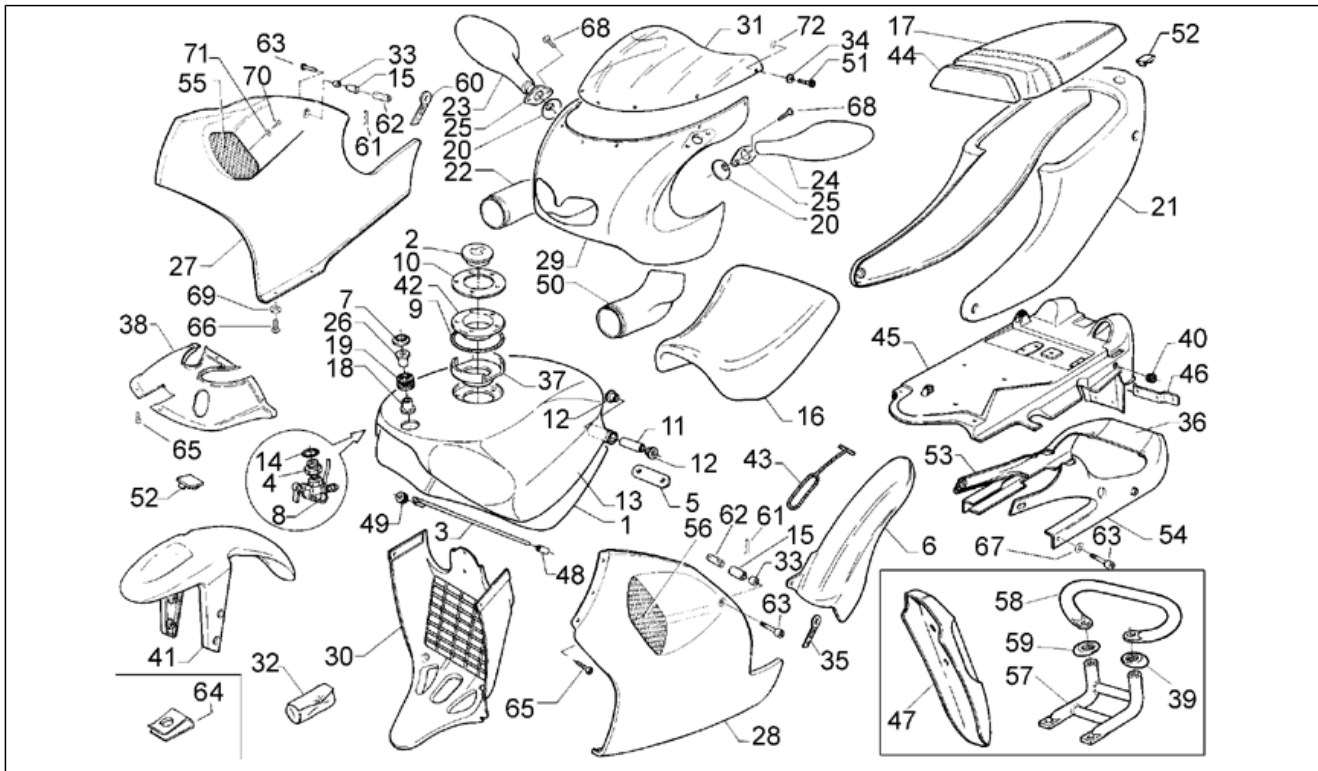
Pos.	Code	Beschreibung	Menge	Varianten
				Fahrzeugfarbe:Grau Silver 1997[Gr.s]
29	AP8139437	Vord. Verkleidung, blau/grau	1	Baujahr:1998[W] Fahrzeugfarbe:Grau/Rot/Blau Valentino Rossi 1998[rossi]
29	AP8139452	Vord. Verkleidung, schwarz	1	Baujahr:1998[W] Fahrzeugfarbe:Schwarz 1996-1998[black]
30	AP8138469	Kühlernetz, schwarz	1	
31	AP8131916	Windabweiser	1	
32	AP8102106	Werkzeugtasche	1	
33	AP8120531	Gummi mit Einsatz	2	
34	AP8120965	O-Ring 2018	0	
35	AP8134263	Untere Platte Verkleidung	1	Land:Deutschland[D], Dänemark[DK], Spanien[E], Frankreich[F], Japan[J], Holland[NL], Portugal[P], Polen[PL], Finnland[SF], Großbritannien[UK]
35	AP8134272	Untere Platte Verkleidung	1	Land:Schweiz[CH], Singapur[SGP]
36	AP8138085	Zentr.Sitzhalterabd., schwarz	1	Baujahr:1996[T], 1997[V] Fahrzeugfarbe:Schwarz 1996-1998[black]
36	AP8138683	Zentr.Sitzhalterabd., grau	1	Baujahr:1996[T] Fahrzeugfarbe:Grau Mirage 1996[Gr.m]
36	AP8139051	Zentr.Sitzhalterabd., s.grau	1	Baujahr:1997[V] Fahrzeugfarbe:Grau Silver 1997[Gr.s]
36	AP8139442	Zentr.Sitzhalterabd., grau	1	Baujahr:1998[W]
37	AP8135307	Kraftstofftank Anschl.Verb.	1	Land:Schweiz[CH], Singapur[SGP]
38	AP8138304	Verschluss Kuppel	1	
39	AP8220347	Gummi rechter Spiegel	1	
40	AP8120223	Gummi *	1	
41	AP8126510	V. Schutzblech, schwarz	1	Baujahr:1996[T], 1997[V] Fahrzeugfarbe:Schwarz 1996-1998[black]
41	AP8126538	V. Schutzblech, h.grau	1	Baujahr:1996[T] Fahrzeugfarbe:Grau Mirage 1996[Gr.m]
41	AP8126613	V. Schutzblech, d.grau	1	Baujahr:1997[V] Fahrzeugfarbe:Grau Silver 1997[Gr.s]

Einheit	RAHMEN
Code	28.02
Beschreibung	Aufbau
Inspektion	1



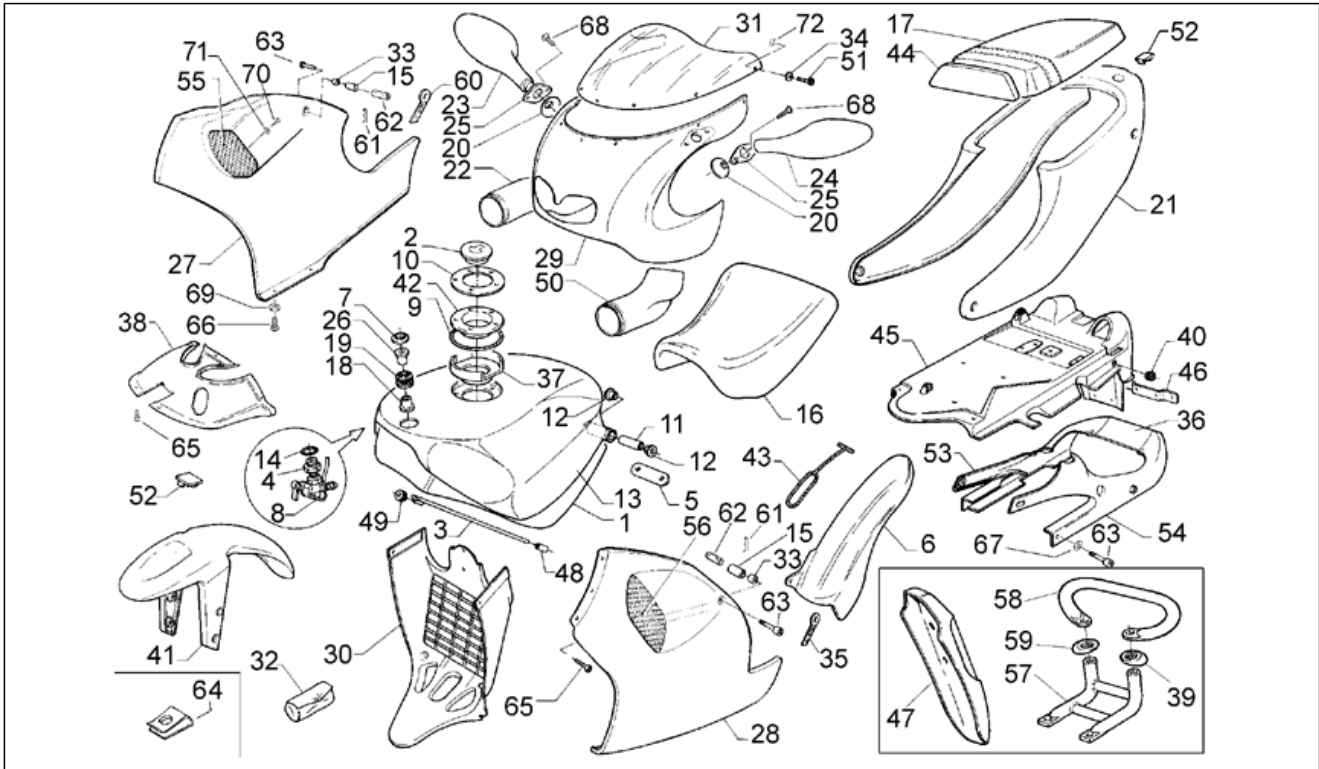
Pos.	Code	Beschreibung	Menge	Varianten
41	AP8126666	V. Schutzblech, cos.blau	1	Baujahr: 1998[W] Fahrzeugfarbe: Grau/Rot/Blau Valentino Rossi 1998[rossi]
41	AP8126670	V. Schutzblech, schwarz	1	Baujahr: 1998[W] Fahrzeugfarbe: Schwarz 1996-1998[black]
42	AP8102233	Tankstutzen	1	
43	AP8120177	Elastic	1	
44	AP8129154	Sitzkissen	1	Baujahr: 1996[T], 1997[V] Fahrzeugfarbe: Schwarz 1996-1998[black] Land: Dänemark[DK], Spanien[E], Frankreich[F], Japan[J], Holland[NL], Portugal[P], Polen[PL], Finnland[SF], Singapur[SGP], Großbritannien[UK]
44	AP8129154	Sitzkissen	1	Baujahr: 1996[T] Fahrzeugfarbe: Grau Mirage 1996[Gr.m] Land: Dänemark[DK], Spanien[E], Frankreich[F], Japan[J], Holland[NL], Portugal[P], Polen[PL], Finnland[SF], Singapur[SGP], Großbritannien[UK]
44	AP8129190	Sitzkissen	1	Baujahr: 1998[W] Land: Spanien[E]
44	AP8129214	Sitzkissen, grau	1	Baujahr: 1997[V] Fahrzeugfarbe: Grau Silver 1997[Gr.s] Land: Dänemark[DK], Spanien[E], Frankreich[F], Japan[J], Holland[NL], Portugal[P], Polen[PL], Finnland[SF], Singapur[SGP], Großbritannien[UK]
45	AP8126501	Kennzeichenpl./Konsole	1	
46	AP8134257	Kennzeichenhalter	1	
47	AP8126385	Hint. Verlängerung	1	Land: Schweiz[CH], Deutschland[D]
48	AP8120712	Gummi	1	
49	AP8120598	Gummi *	1	
50	AP8138303	Linkes Leitblech	7	
51	AP8102603	Eloxiertes Niet blau 5x10	7	Baujahr: 1996[T], 1997[V]
51	AP8121303	Eloxiertes Niet 5x10	7	Baujahr: 1998[W]
52	AP8120708	Kabelführungs	1	

Einheit	RAHMEN
Code	28.02
Beschreibung	Aufbau
Inspektion	1



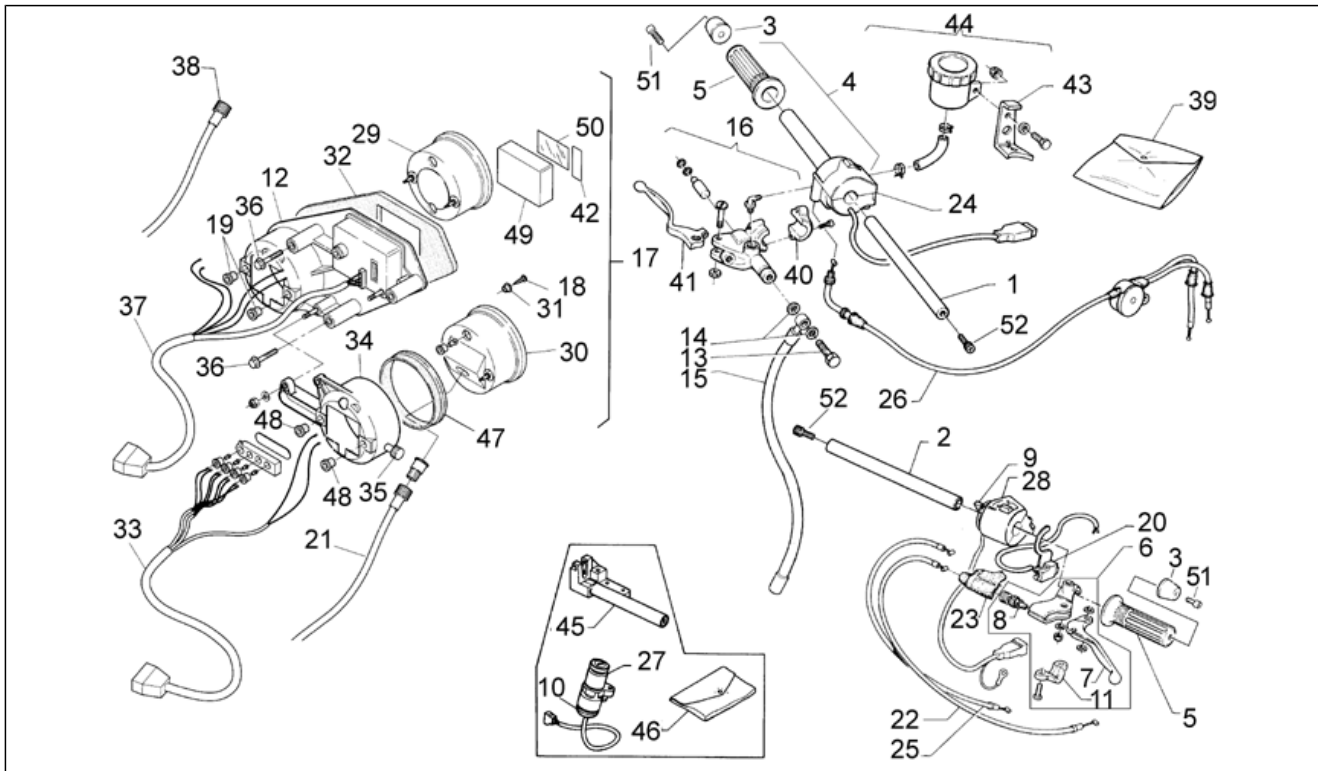
Pos.	Code	Beschreibung	Menge	Varianten
53	AP8138083	R.Sitzhalterabd., schwarz	1	Baujahr:1996[T], 1997[V] Fahrzeugfarbe:Schwarz 1996-1998[black]
53	AP8138681	R.Sitzhalterabd., m.grau	1	Baujahr:1996[T] Fahrzeugfarbe:Grau Mirage 1996[Gr.m]
53	AP8139049	R.Sitzhalterabd., s.grau	1	Baujahr:1997[V] Fahrzeugfarbe:Grau Silver 1997[Gr.s]
53	AP8139441	R.Sitzhalterabd., grau	1	Baujahr:1998[W]
54	AP8138485	L.Sitzhalterabd., schwarz	1	Baujahr:1996[T], 1997[V] Fahrzeugfarbe:Schwarz 1996-1998[black]
54	AP8138682	L.Sitzhalterabd., m.grau	1	Baujahr:1996[T] Fahrzeugfarbe:Grau Mirage 1996[Gr.m]
54	AP8139050	L.Sitzhalterabd., s.grau	1	Baujahr:1997[V] Fahrzeugfarbe:Grau Silver 1997[Gr.s]
54	AP8139443	L.Sitzhalterabd., grau	1	Baujahr:1998[W]
55	AP8131733	Netz rechtes Seitenteil	1	
56	AP8131734	Netz linkes Seitenteil	1	
57	AP8134403	Hltr. Soziusgriff	1	
58	AP8135973	Kat.soziusgriff	1	Baujahr:1996[T] Fahrzeugfarbe:Grau Mirage 1996[Gr.m]
58	AP8135973	Kat.soziusgriff	1	Baujahr:1997[V] Fahrzeugfarbe:Grau Silver 1997[Gr.s]
58	AP8135973	Kat.soziusgriff	1	Baujahr:1996[T], 1997[V], 1998[W] Fahrzeugfarbe:Schwarz 1996-1998[black]
58	AP8146142	Kat.soziusgriff, grau	1	Baujahr:1998[W] Fahrzeugfarbe:Grau/Rot/Blau Valentino Rossi 1998[rossi]
59	AP8220331	Gummi *	1	
60	AP8134243	U. Fixierplatte r. Verkl.	1	
61	AP8201287	Splint	2	
62	AP8121867	Speziellbuchse *	2	
63	AP8152269	TBEI Spez.schr.	9	
64	AP8102375	Klammer M5	10	

Einheit	RAHMEN
Code	28.02
Beschreibung	Aufbau
Inspektion	1



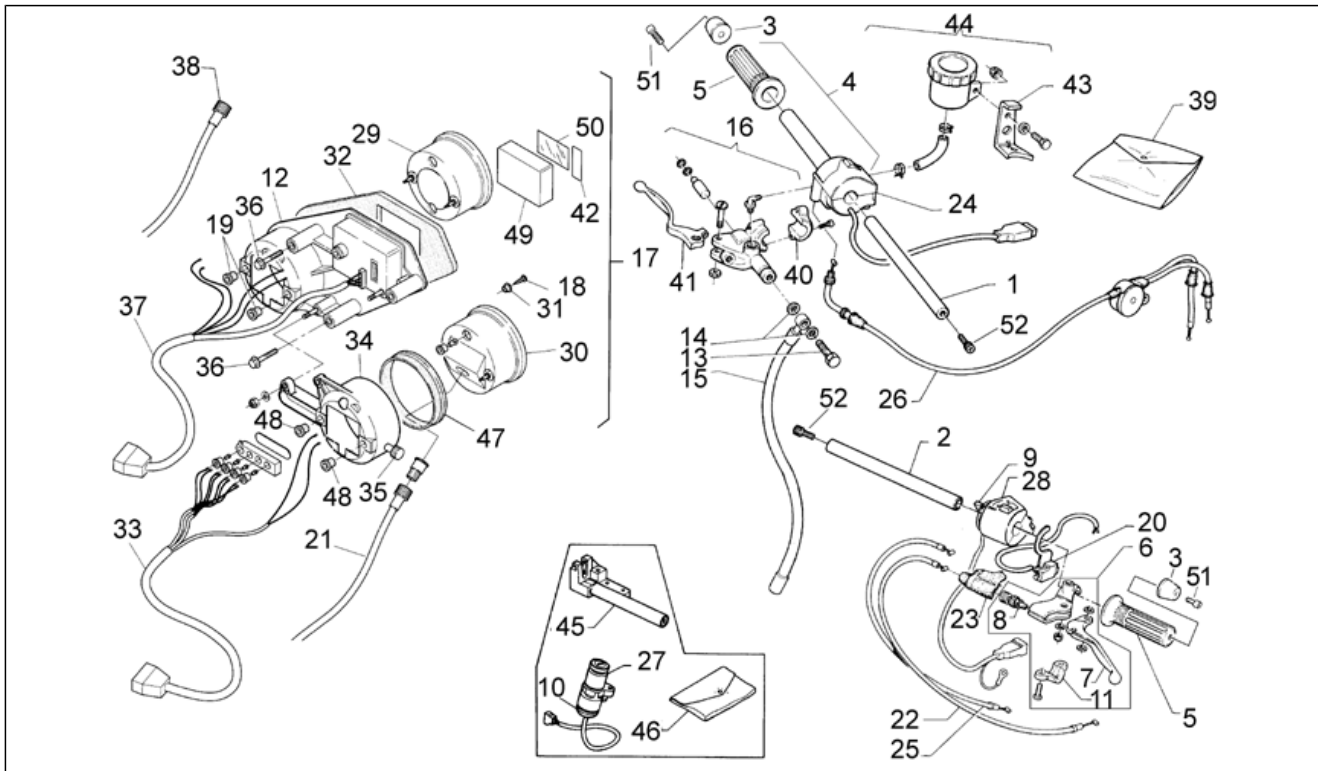
Pos.	Code	Beschreibung	Menge	Varianten
65	AP8152298	TBEI Schraube m.Flansch M5x16	8	
66	AP8152268	TBEI Spez.schr. M5x16	2	
67	AP8150178	Ausgleichscheibe 6,4x12,5*	6	
68	AP8152246	TBEI Schraube m.Flansch M6x16	4	
69	AP8150248	Ausgleichscheibe 5,5x15x1,6	2	
70	AP8150420	Gewindeschraube Edelstahl *	10	
71	AP8150158	Ausgleichscheibe 4,3x9x0,8	6	
72	AP8150450	Wellenscheibe D5	5	

Einheit	RAHMEN
Code	28.03
Beschreibung	Lenkstange - Instrumenteneinheit
Inspektion	1



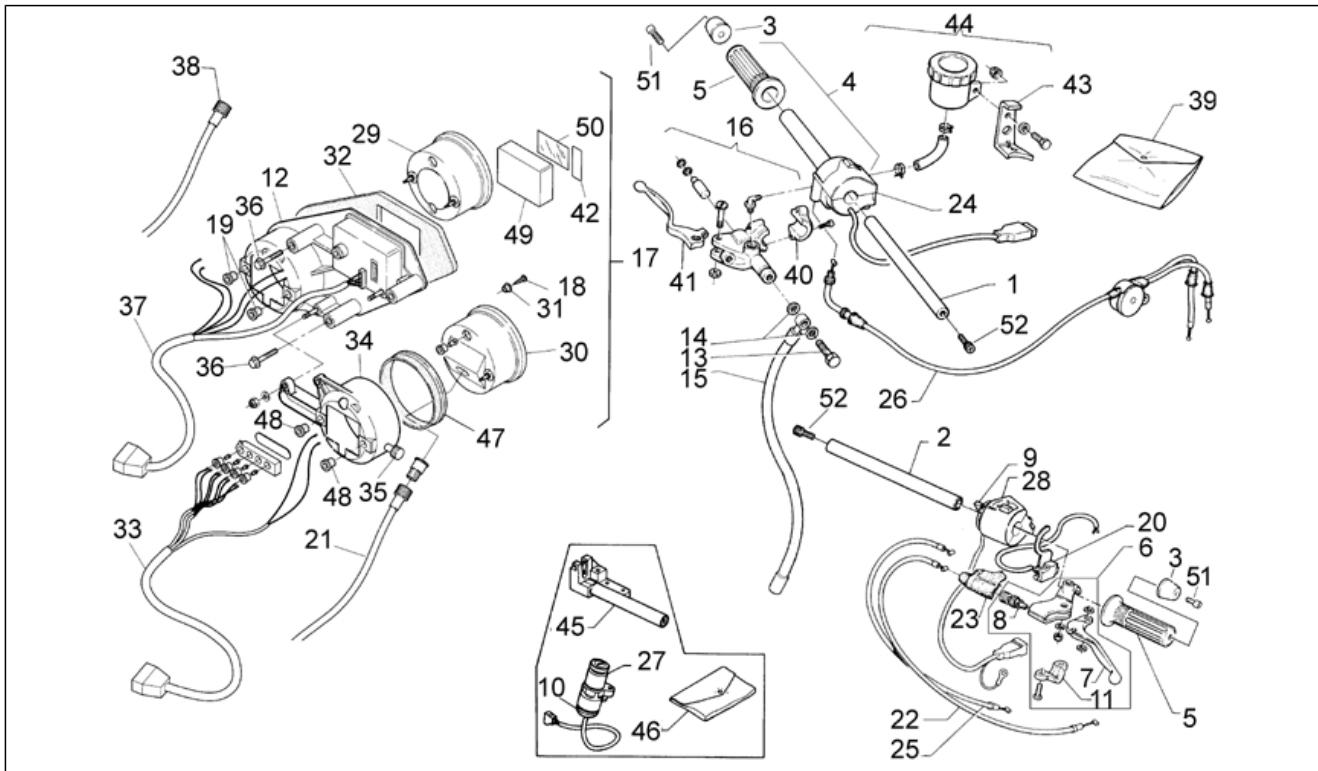
Pos.	Code	Beschreibung	Menge	Varianten
1	AP8118343	Halbblenker re. 2 Bohr.	0	
2	AP8118324	Halbblenker links	1	
3	AP8102579	Schwingschutzgewicht schwarz	2	Baujahr:1997[V], 1998[W]
3	AP8102660	Schwingschutzgewicht grau	2	Baujahr:1996[T]
4	AP8118307	Gasschaltung+griff	1	Baujahr:1996[T], 1997[V]
4	AP8118307	Gasschaltung+griff	1	Baujahr:1998[W] Fahrzeugfarbe:Schwarz 1996-1998[black]
4	AP8118493	Gasschaltung+griff	1	Baujahr:1998[W] Fahrzeugfarbe:Grau/Rot/Blau Valentino Rossi 1998[rossi]
5	AP8118287	Handgriffe paar	1	Baujahr:1998[W] Fahrzeugfarbe:Schwarz 1996-1998[black]
5	AP8118287	Handgriffe paar	1	Baujahr:1996[T], 1997[V] Fahrzeugfarbe:Grau Mirage 1996[Gr.m]
5	AP8118497	Handgriffe paar, gelb	1	Baujahr:1998[W] Fahrzeugfarbe:Grau/Rot/Blau Valentino Rossi 1998[rossi]
6	AP8118439	Kupplung schalt. kpl	1	
7	AP8118432	Kupplungshebel	1	
8	AP8118233	Einstll.schr. Kpplg.	1	
9	AP8118308	Starterhebel	1	
10	AP8112802	Verkabelung Kollektor	1	
11	AP8218077	Fixrbolz.Kuppl.gsheb	1	
12	AP8124197	Hltr. Drehzahlmesser	1	
13	AP8113003	Fixierschraube Ölschlauch	1	
14	AP8113004	Ausgleichscheibe 10x14x1,6*	2	
15	AP8113509	Vorderradbremseleitung	1	
16	AP8113617	Vorderradbremspumpe	1	
17	AP8124171	Instrum.tafel kplt. -miglia-	1	Baujahr:1996[T] Land:Großbritannien[UK]
17	AP8124190	Instrum.tafel kplt.	1	Baujahr:1996[T]

Einheit	RAHMEN
Code	28.03
Beschreibung	Lenkstange - Instrumenteneinheit
Inspektion	1



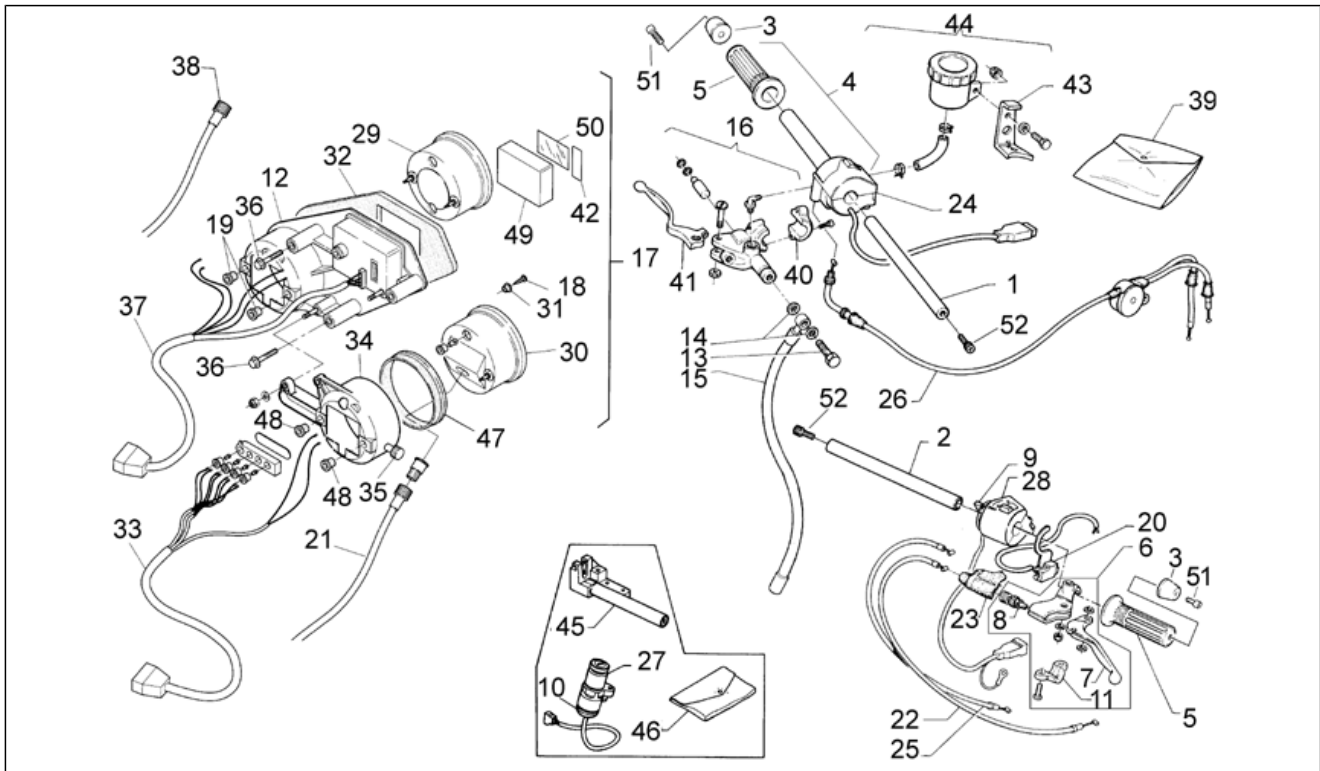
Pos.	Code	Beschreibung	Menge	Varianten
17	AP8124190	Instrum.tafel kplt.	1	Land:Schweiz[CH], Frankreich[F], Japan[J], Holland[NL], Polen[PL], Finnland[SF], Singapur[SGP]
17	AP8124468	Instrum.tafel kplt.	1	Baujahr:1996[T] Land:Deutschland[D], Dänemark[DK], Spanien[E], Portugal[P]
17	AP8124468	Instrum.tafel kplt.	1	Baujahr:1997[V] Land:Deutschland[D], Dänemark[DK], Spanien[E], Portugal[P]
17	AP8124468	Instrum.tafel kplt.	1	Baujahr:1998[W] Land:Spanien[E]
17	AP8124468	Instrum.tafel kplt.	1	Baujahr:1997[V] Land:Schweiz[CH], Frankreich[F], Japan[J], Holland[NL], Polen[PL], Finnland[SF], Singapur[SGP], Großbritannien[UK]
18	AP8123553	Verschlußschraube	1	
19	AP8124255	Gummi tachowelle	2	
20	AP8124152	Chronometerknopf	1	
21	AP8114334	Tachometerkabel	1	
22	AP8114321	Kupplungskabel	1	
23	AP8120467	Abdeckg. Kuppl.einst.	1	
24	AP8118420	Startknopf	1	Land:Deutschland[D], Dänemark[DK], Spanien[E], Portugal[P]
24	AP8118420	Startknopf	1	Baujahr:1996[T] Land:Singapur[SGP]
24	AP8118420	Startknopf	1	Land:Schweiz[CH], Frankreich[F], Japan[J], Holland[NL], Polen[PL], Finnland[SF], Großbritannien[UK]
24	AP8118482	Startknopf	1	Baujahr:1997[V] Land:Singapur[SGP]
25	AP8114331	Starterzugkabel	1	
26	AP8114364	Gaszugkabel mit Verdoppler	1	Land:Deutschland[D], Dänemark[DK], Spanien[E], Portugal[P]
26	AP8114364	Gaszugkabel mit Verdoppler	1	Land:Schweiz[CH], Frankreich[F], Japan[J], Holland[NL], Polen[PL], Finnland[SF], Singapur[SGP], Großbritannien[UK]

Einheit	RAHMEN
Code	28.03
Beschreibung	Lenkstange - Instrumenteneinheit
Inspektion	1



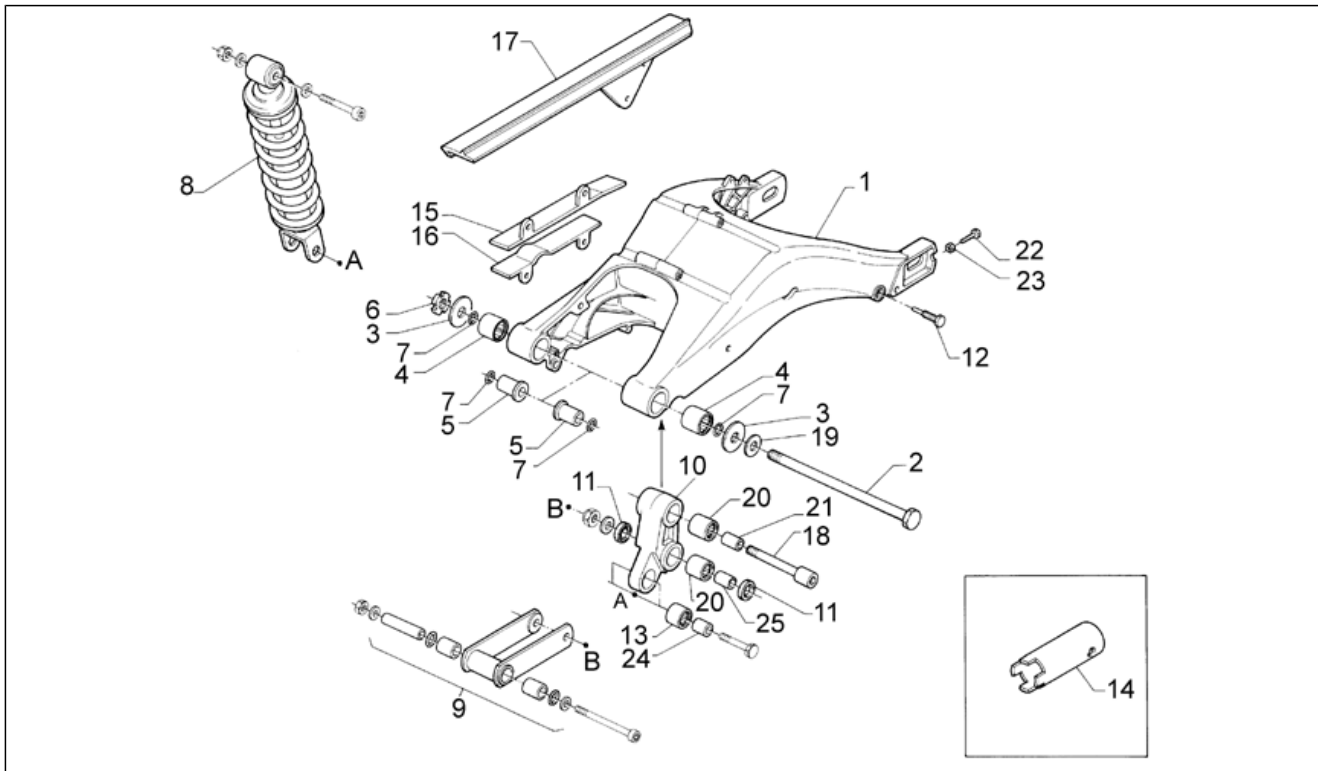
Pos.	Code	Beschreibung	Menge	Varianten
27	AP8112710	Lenkschloß	1	
28	AP8124173	L. Lichtumsch. m. K.	1	
29	AP8124230	Drehzahlm.	1	Land:Deutschland[D], Dänemark[DK], Spanien[E], Portugal[P]
29	AP8124230	Drehzahlm.	1	Land:Schweiz[CH], Frankreich[F], Japan[J], Holland[NL], Polen[PL], Finnland[SF], Singapur[SGP], Großbritannien[UK]
30	AP8124224	Tachometer	1	Baujahr:1996[T] Land:Schweiz[CH], Deutschland[D], Dänemark[DK], Spanien[E], Frankreich[F], Japan[J], Holland[NL], Portugal[P], Polen[PL], Finnland[SF], Singapur[SGP]
30	AP8124477	Tachometer	1	Baujahr:1996[T] Land:Großbritannien[UK]
30	AP8124486	Tachometer	1	Baujahr:1997[V], 1998[W]
31	AP8124253	Fixierbuchse Schwamm	1	
32	AP8124198	Dichtung schwamm	1	
33	AP8124228	Tachometerkabel	1	
34	AP8124227	Tachometerhalter	1	
35	AP8131176	Nullstellknopf	1	
36	AP8152267	TBEI Spez.schr. M5x12	2	
37	AP8124229	Drehzahlmesserkabel	1	
38	AP8114336	Drehzahlmesserkabel	1	Land:Schweiz[CH], Frankreich[F], Japan[J], Holland[NL], Polen[PL], Finnland[SF], Singapur[SGP], Großbritannien[UK]
38	AP8114336	Drehzahlmesserkabel	1	Land:Deutschland[D], Dänemark[DK], Spanien[E], Portugal[P]
39	AP8113439	Bausatz V.Pumpenüberholung	1	
40	AP8213078	Bügelbolzen	1	
41	AP8118460	Vorderradbremshel	1	
42	AP8124195	Verschlußschraube	1	
43	AP8121892	Bremsen Öltankhalter	1	
44	AP8113241	Bremsöltank	1	Baujahr:1996[T]

Einheit	RAHMEN
Code	28.03
Beschreibung	Lenkstange - Instrumenteneinheit
Inspektion	1



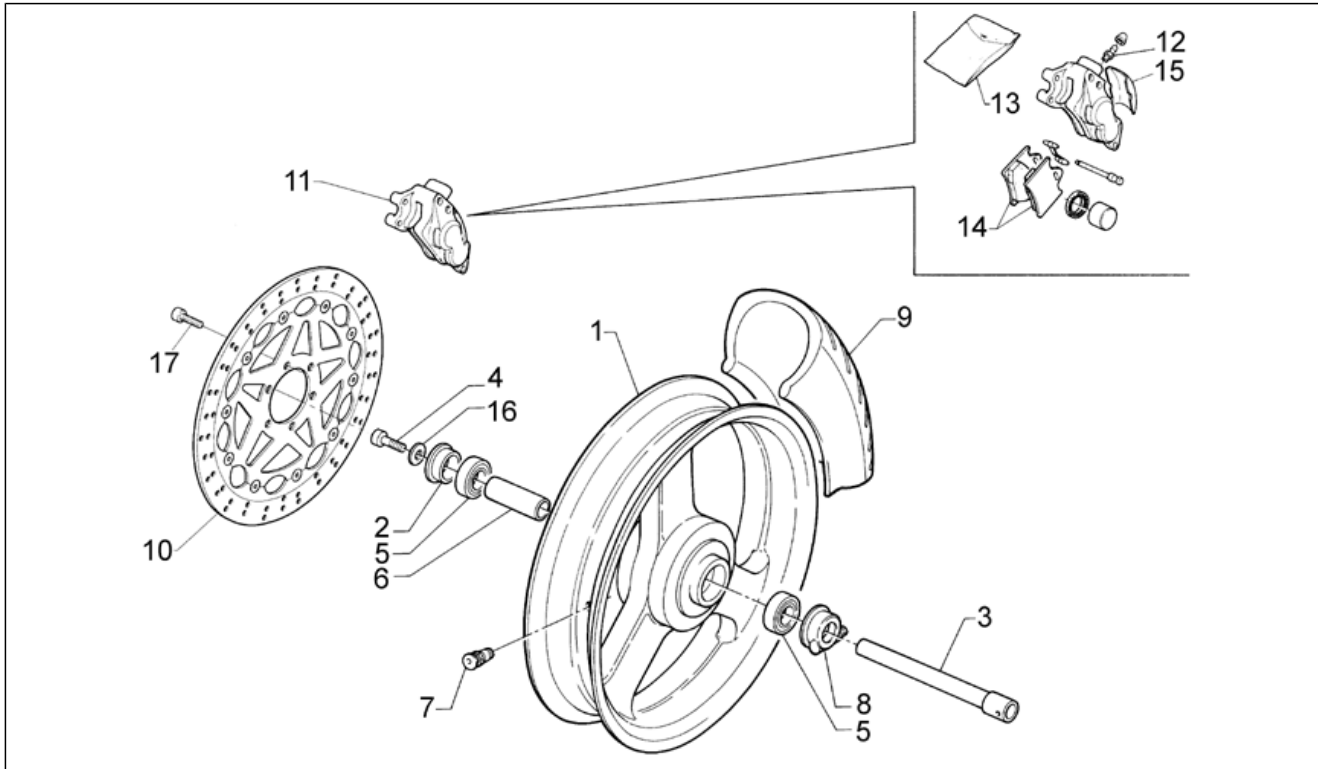
Pos.	Code	Beschreibung	Menge	Varianten
44	AP8113280	Bremsöltank	1	Baujahr:1997[V], 1998[W]
45	AP8201564	Sitzschloß	1	
46	AP8102512	Kit Schließvorrichtungen	1	
47	AP8124252	Tachometer dichtung	1	
48	AP8124254	Gummi tachometer	1	
49	AP8124226	Vorrichtung multifunktion	1	
50	AP8124194	Instrumenten-Abdeckblende	1	
51	AP8150157	TCEI Schraube M6x60	2	
52	AP8150049	Schraube M10x60	2	

Einheit	RAHMEN
Code	28.04
Beschreibung	Hinterradaufhängung
Inspektion	1



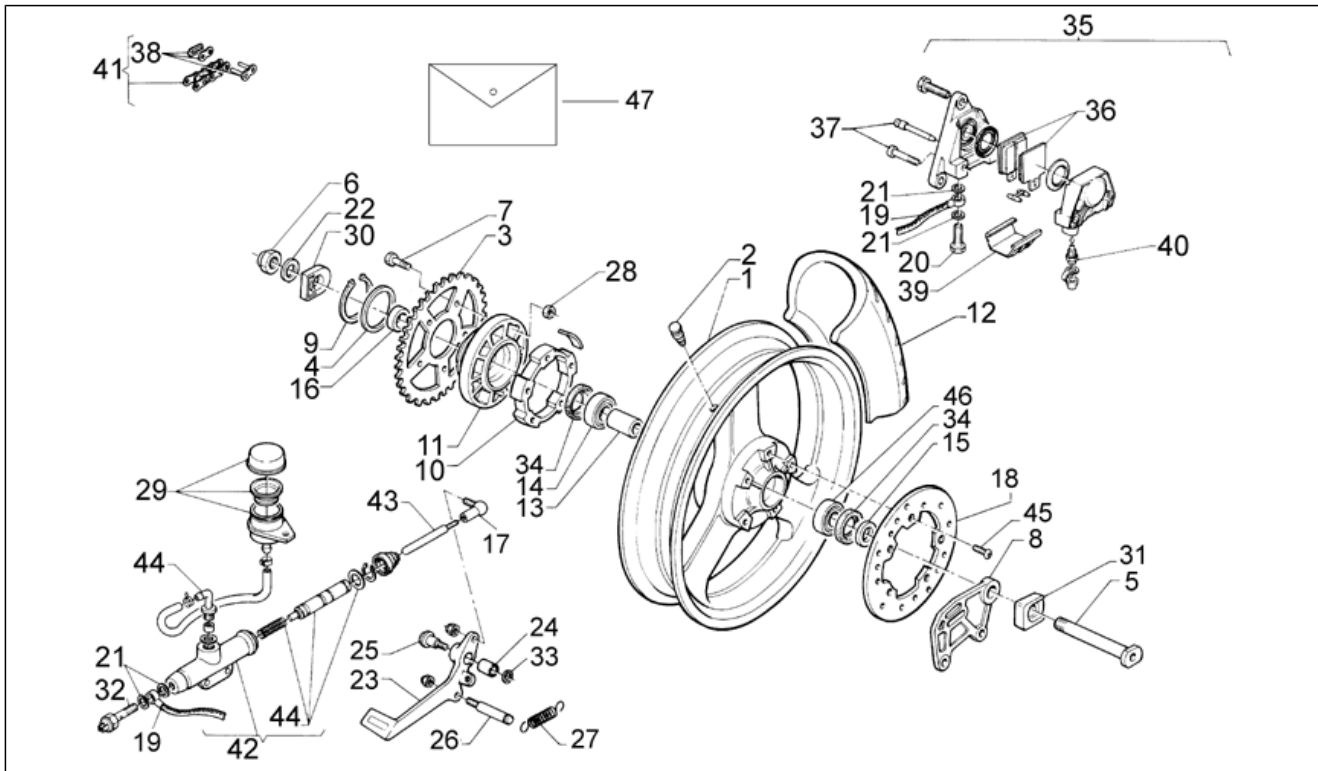
Pos.	Code	Beschreibung	Menge	Varianten
1	AP8135961	Schwinge	0	
2	AP8125627	Schwingenbolzen	0	
3	AP8101341	Bundscheibe	0	
4	AP8110067	Nadellager 22x28x16	0	
5	AP8121121	Buc.für Schwingenzp.	0	
6	AP8150299	Nutmutter M17x1	0	
7	AP8120280	O-Ring 4087	0	
8	AP8123663	Stoßdämpfer	0	
9	AP8132634	Einfache Pleuelstange	0	
10	AP8135362	Doppelte Pleuelstange	0	
11	AP8120485	Gasket ring	0	
12	AP8135396	Bremsenhalterbolzen	0	
13	AP8110064	Nadelkaefig	0	
14	AP8101945	Nutmutterschlüssel M17x1	0	
15	AP8120793	Ob. Kettengleitführung	0	
16	AP8120794	Unt. Kettengleitführung	0	
17	AP8131623	Kettenkasten, schwarz	0	
18	AP8150346	TCEI Schraube M12x78.5	0	
19	AP8152063	Ausgleichscheibe 17x30x3*	0	
20	AP8110063	Nadelkaefig	0	
21	AP8121846	Pleuelbolzen	0	
22	AP8152261	Kettenspannschrauben	0	
23	AP8152262	Mutter unten	0	
24	AP8121847	Pleuelbolzen	0	
25	AP8121845	Bolzen L=50	0	

Einheit	RAHMEN
Code	28.06
Beschreibung	Vorderrad kplt.
Inspektion	1



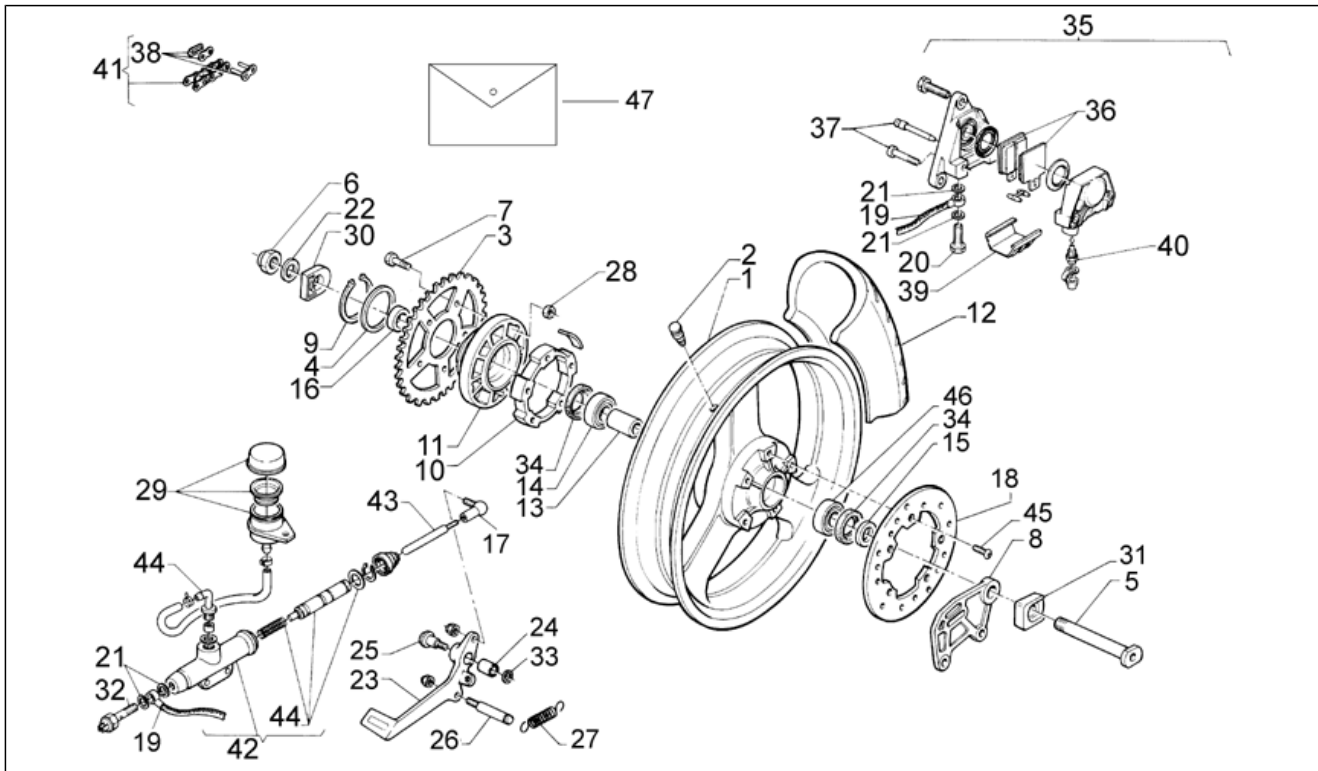
Pos.	Code	Beschreibung	Menge	Varianten
1	AP8108564	Vorderrad, schwarz	0	
2	AP8121157	Außen r. V.rad Distanzscheibe	0	
3	AP8125388	Vorderradbolzen	0	
4	AP8125418	Vorderradbolzen Schraube	0	
5	AP8125644	Vorderrad Kugellager	0	
6	AP8125469	Distanzstück Lager	0	
7	AP8101744	Schlauchloses Reifenventil	0	
8	AP8101819	Vorgelegte Kilometerzähler	0	
9	0000000	Reifen	0	
10	AP8113468	Vorderradbremsscheibe D320	0	Baujahr: 1996[T], 1997[V] Land: Schweiz[CH], Frankreich[F], Japan[J], Holland[NL], Polen[PL], Finnland[SF], Singapur[SGP], Großbritannien[UK]
10	AP8113567	Vorderradbremsscheibe D320	0	Land: Deutschland[D], Dänemark[DK], Spanien[E], Portugal[P]
11	AP8113530	Vorderradbremsszange gold	0	
12	AP8113006	Entlüftungsanschluß	0	
13	AP8113309	Bausatz Bremszangenüberholung	0	
14	AP8113489	Vord. Beläge (Paar) I/D452	0	
15	AP8113310	Deckel Bremszangen	0	
16	AP8150208	Ausgleichscheibe 15x28x2,5*	0	
17	AP8152286	TE Schr. m. Flansch M8x20	0	

Einheit	RAHMEN
Code	28.07
Beschreibung	Hinterrad
Inspektion	1



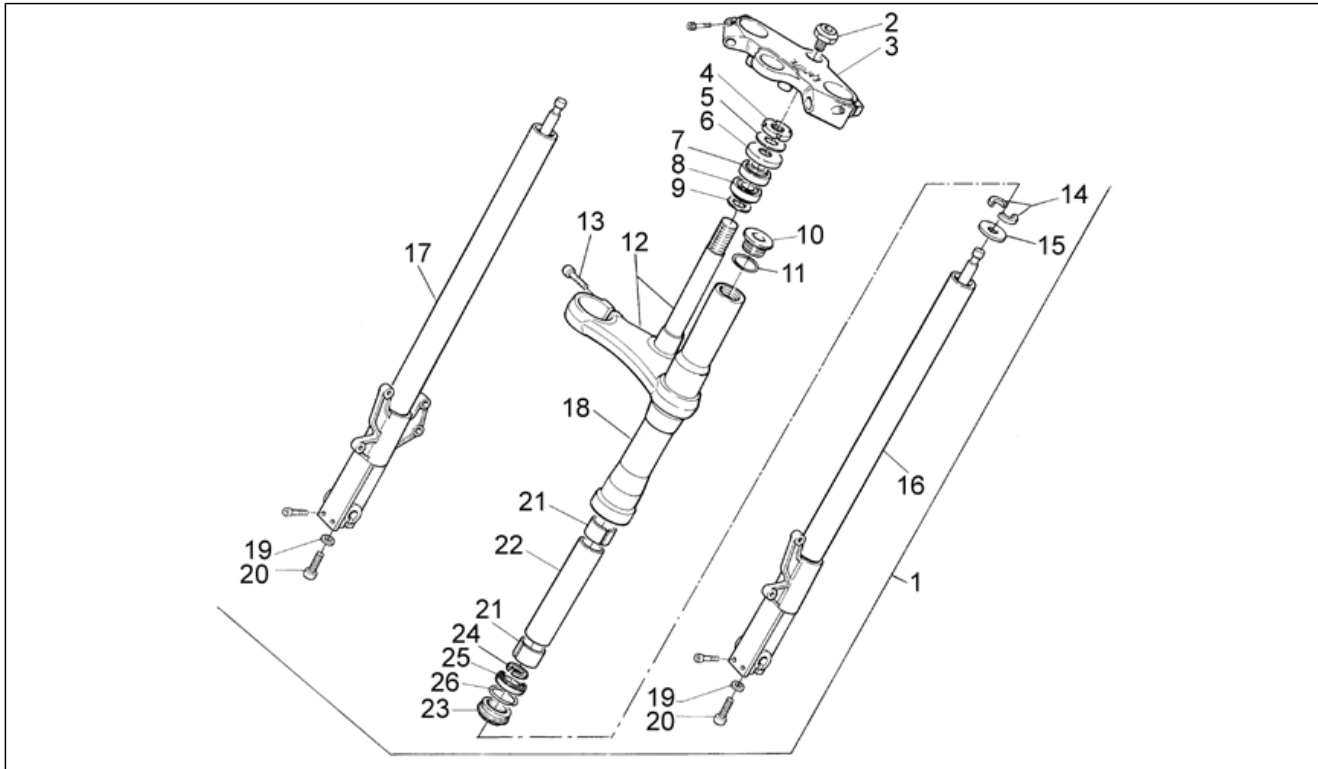
Pos.	Code	Beschreibung	Menge	Varianten
1	AP8108565	Hinterrad, schwarz	1	
2	AP8101744	Schlauchloses Reifenventil	1	
3	AP8107090	Zahnkranz Z=39	1	
4	AP8102296	Sprengring	1	
5	AP8125631	Hinterradbolzen	1	
6	AP8125763	Hinterradbolzen mut.	1	
7	AP8125635	Sechskantschraube M8x25	5	
8	AP8134429	Fixierplatte	1	
9	AP8125637	Seegerring zahnkranz	1	
10	AP8120792	Stoßschutzgummi	1	
11	AP8125628	Zahnkranzhalter	1	
12	0000000	Reifen	1	
13	AP8125645	Innen H.rad Distanzscheibe	1	
14	AP8125646	Hinterrad Kugellager	2	
15	AP8125639	Außen l. Raddistanzscheibe	1	
16	AP8125638	Außen r. Raddistanzscheibe	1	
17	AP8210007	Kugelgelenk rechts M6	1	
18	AP8113237	Vorderradbremsscheibe	1	Baujahr:1996[T]
18	AP8113628	Vorderradbremsscheibe	1	Baujahr:1997[V], 1998[W]
19	AP8113510	Hinterradbremseleitung	1	
20	AP8113003	Fixierschraube Ölschlauch	1	
21	AP8113004	Ausgleichscheibe 10x14x1,6*	2	
22	AP8121852	Ausgleichscheibe 20x30x1	1	
23	AP8132635	H.bremshebel	1	
24	AP8121147	Distanzscheibe *	1	
25	AP8121284	Bremshebelbolzen	1	
26	AP8121835	Federn Fixierstift	1	
27	AP8121118	Schraubenfeder *	1	

Einheit	RAHMEN
Code	28.07
Beschreibung	Hinterrad
Inspektion	1



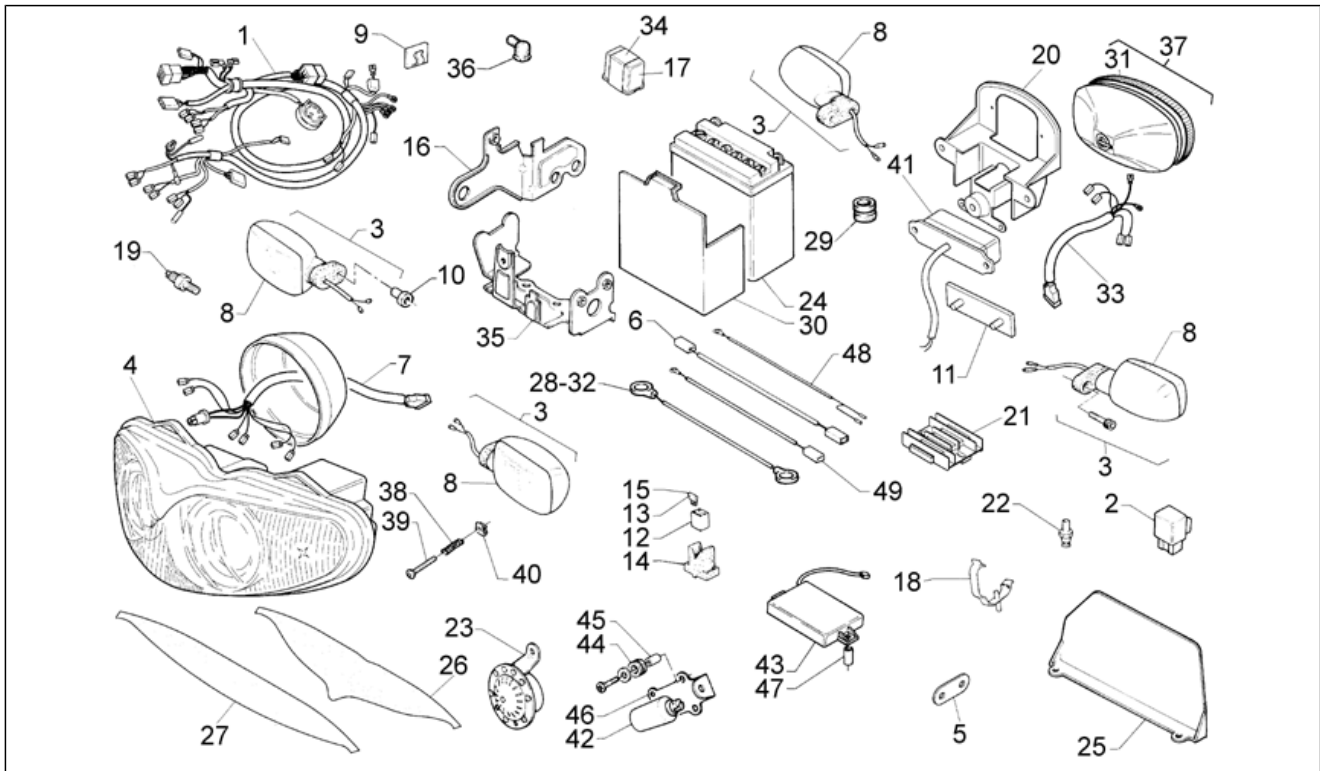
Pos.	Code	Beschreibung	Menge	Varianten
28	AP8125636	Selbstsperrende Mutter M8	5	
29	AP8213086	Öltank kpl	1	
30	AP8120807	R. leucht. Kettengleitführung	1	
31	AP8120806	L. Leucht. Kettengleitführung	1	
32	AP8124479	Bremslichtschalter	1	
33	AP8121697	Tellerfeder	1	
34	AP8125647	Öldichtring Hinterrad	2	
35	AP8113596	Hinterradbremsszange	1	
36	AP8113651	Beläge (Paar)	1	
37	AP8113602	Befestigungsbolzen	1	
38	AP8107135	Verbindungsglied	1	Land:Deutschland[D]
38	AP8107135	Verbindungsglied	1	Land:Schweiz[CH], Deutschland[D], Dänemark[DK], Spanien[E], Japan[J], Holland[NL], Portugal[P], Finnland[SF], Singapur[SGP], Großbritannien[UK]
38	AP8107140	Verbindungsglied	1	Land:Frankreich[F]
39	AP8113117	Deckel Bremszangen	1	
40	AP8113006	Entlüftungsanschluß	1	
41	AP8107045	Kette Verbindungsgl.	1	Land:Frankreich[F]
41	AP8107110	Kette Verbindungsgl.	1	Land:Deutschland[D]
41	AP8107110	Kette Verbindungsgl.	1	Land:Schweiz[CH], Dänemark[DK], Spanien[E], Japan[J], Holland[NL], Portugal[P], Polen[PL], Finnland[SF], Singapur[SGP], Großbritannien[UK]
42	AP8113254	H.radbremspumpe o.Tank	1	
43	AP8221074	Pumpenstange H. bremse	1	
44	AP8113322	Bausatz H.Pumpenüberholung	1	
45	AP8152060	TBEI Schraube M6x20	5	
46	AP8125646	Hinterrad Kugellager	1	
47	AP8113198	Bausatz Bremszangenüberholung	1	

Einheit	RAHMEN
Code	28.08
Beschreibung	Vorderradgabel
Inspektion	1



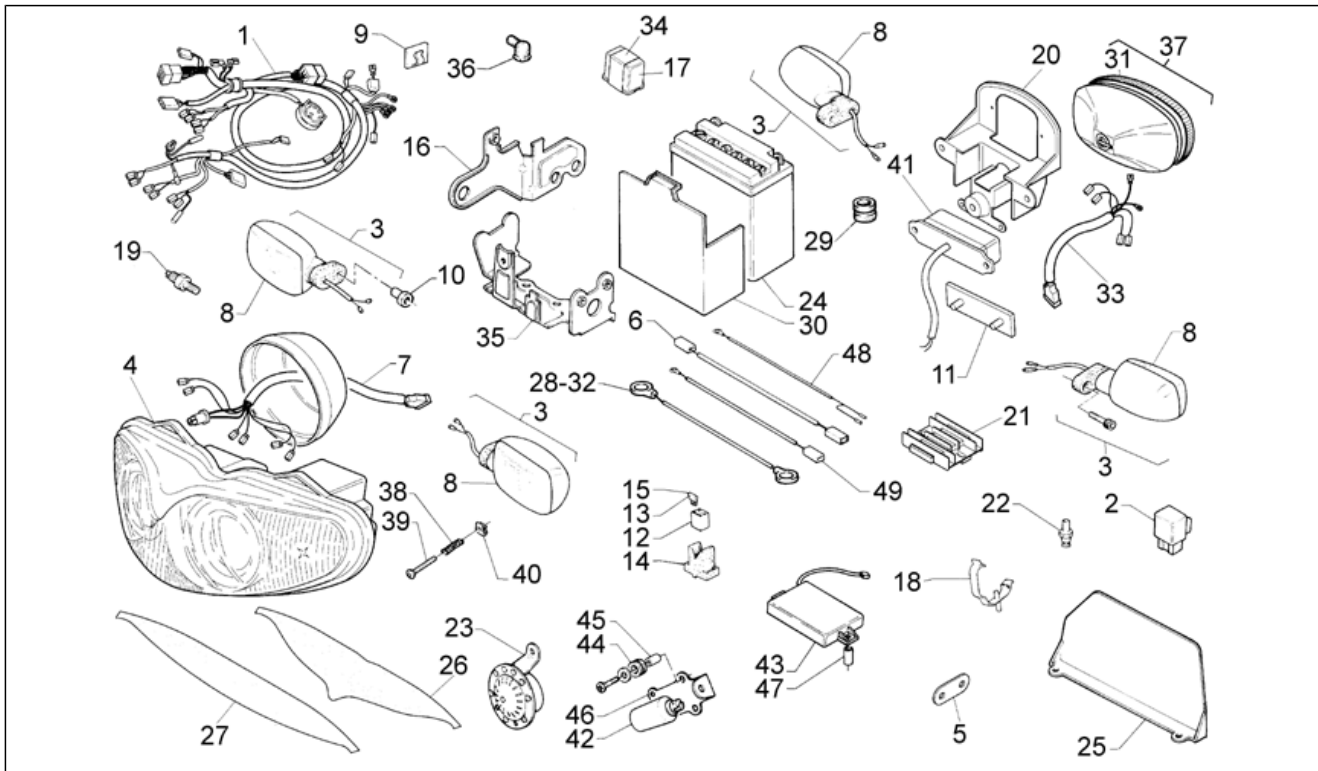
Pos.	Code	Beschreibung	Menge	Varianten
1	AP8123693	Baugruppe vordere Gabel	1	
2	AP8150352	Schraube Rohr	1	
3	AP8123666	Ob. Gabelplatte	1	
4	AP8150299	Nutmutter M17x1	1	
5	AP8203550	U-scheibe Lenksatz	1	
6	AP8101106	Gasket ring	1	
7	AP8110025	Kugellager	1	
8	AP8110024	Rollenlager	1	
9	AP8101271	Staubschutzring unten	1	
10	AP8123692	Geflanschte Mutter rot	2	
11	AP8123514	O-Ring	2	
12	AP8123316	Fuß mit Rohr	1	
13	AP8203570	Zylinderschraube M8x30	2	
14	AP8123441	Halbring	4	
15	AP8123357	Ring	2	
16	AP8123633	Klb.st.+ Radhltr. lks.	1	
17	AP8123632	Klb.st.+ Radhltr. rch.	1	
18	AP8123691	Hülse schwarz	2	
19	AP8123191	Dichtscheibe	2	
20	AP8123216	Zylinderschraube M10x30	2	
21	AP8123203	Gleitbuchse	2	
22	AP8123315	Distanzscheibe	2	
23	AP8123777	Staubschutzfeder	2	
24	AP8123256	Seegerring	2	
25	AP8103235	Gasket ring	2	
26	AP8123199	Sperring	2	

Einheit	RAHMEN
Code	28.09
Beschreibung	Elektrische Anlage
Inspektion	1



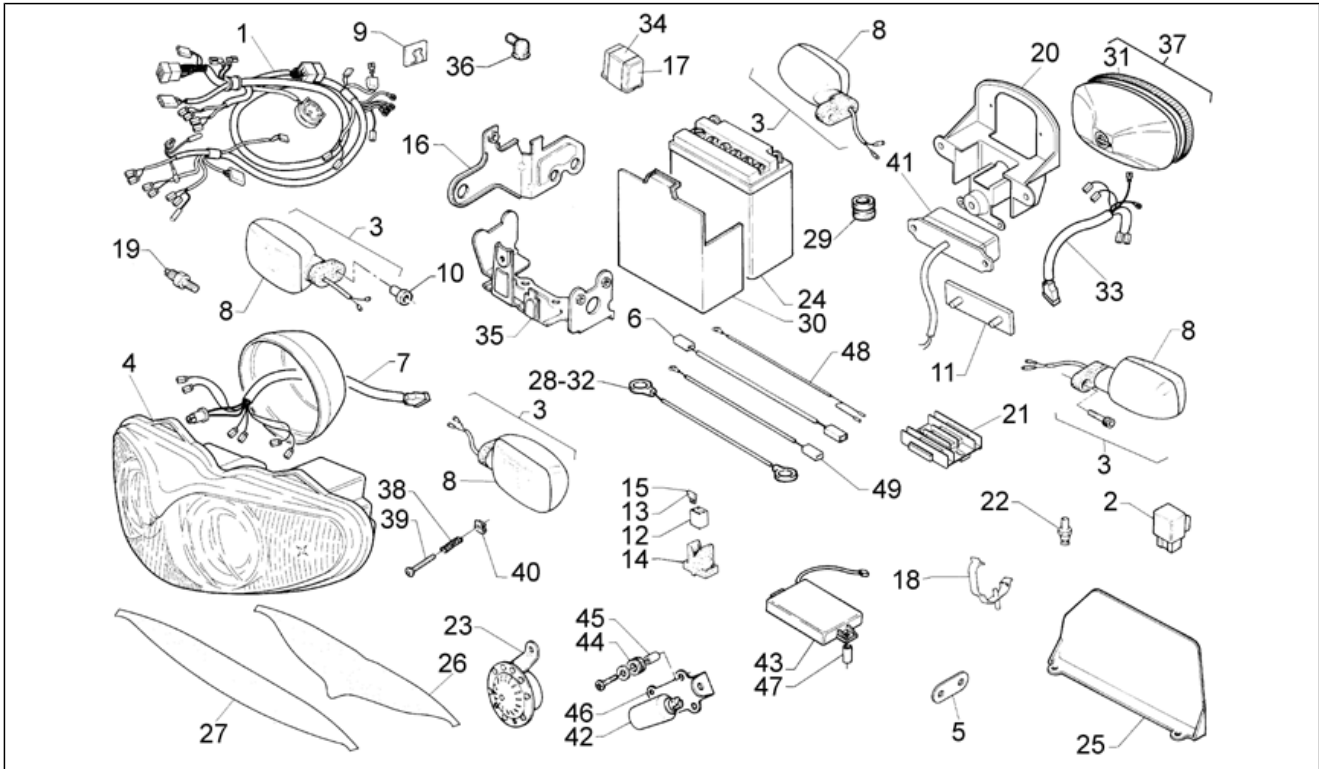
Pos.	Code	Beschreibung	Menge	Varianten
1	AP8124210	Hauptverkabelung	1	
2	AP8124235	Blinken	1	
3	AP8112687	Blinker	1	
4	AP8112961	Scheinwerfer	1	Land:Schweiz[CH], Deutschland[D], Dänemark[DK], Spanien[E], Frankreich[F], Holland[NL], Portugal[P], Polen[PL], Finnland[SF]
4	AP8124174	Scheinwerfer -UK-	1	Land:Japan[J], Singapur[SGP], Großbritannien[UK]
5	AP8134348	Spulehalter platte	1	
6	AP8124119	Anlasserkabel	1	
7	AP8124075	Verkabel.Scheinwerf.	1	
8	AP8112756	Blinkerblende	4	
9	AP8120721	Klebkabelführungs schw.	1	
10	AP8121795	T-Buchse	4	
11	AP8112916	Rückstrahler Rücklicht	1	
12	AP8112811	Sicherungsblockgummi	3	Baujahr:1996[T], 1997[V]
12	AP8120754	Sicherungsblockgummi	3	Baujahr:1998[W]
13	AP8112176	Sicherung 15A	1	
14	AP8112811	Sicherungsblockgummi	1	Baujahr:1998[W]
14	AP8120754	Sicherungsblockgummi	1	Baujahr:1996[T], 1997[V]
15	AP8112244	Sicherung 7,5A	1	
16	AP8124117	Hltr. Sicher.	1	
17	AP8112523	Zündrelais	1	
18	AP8120582	Kabelführungs	1	
19	AP8124399	Bremslichtschalter	1	
20	AP8134335	Rücklichthalterung	1	
21	AP8112846	Spannungsregler	1	
22	AP8124487	Thermistor	1	
23	AP8112413	Hupe	1	

Einheit	RAHMEN
Code	28.09
Beschreibung	Elektrische Anlage
Inspektion	1



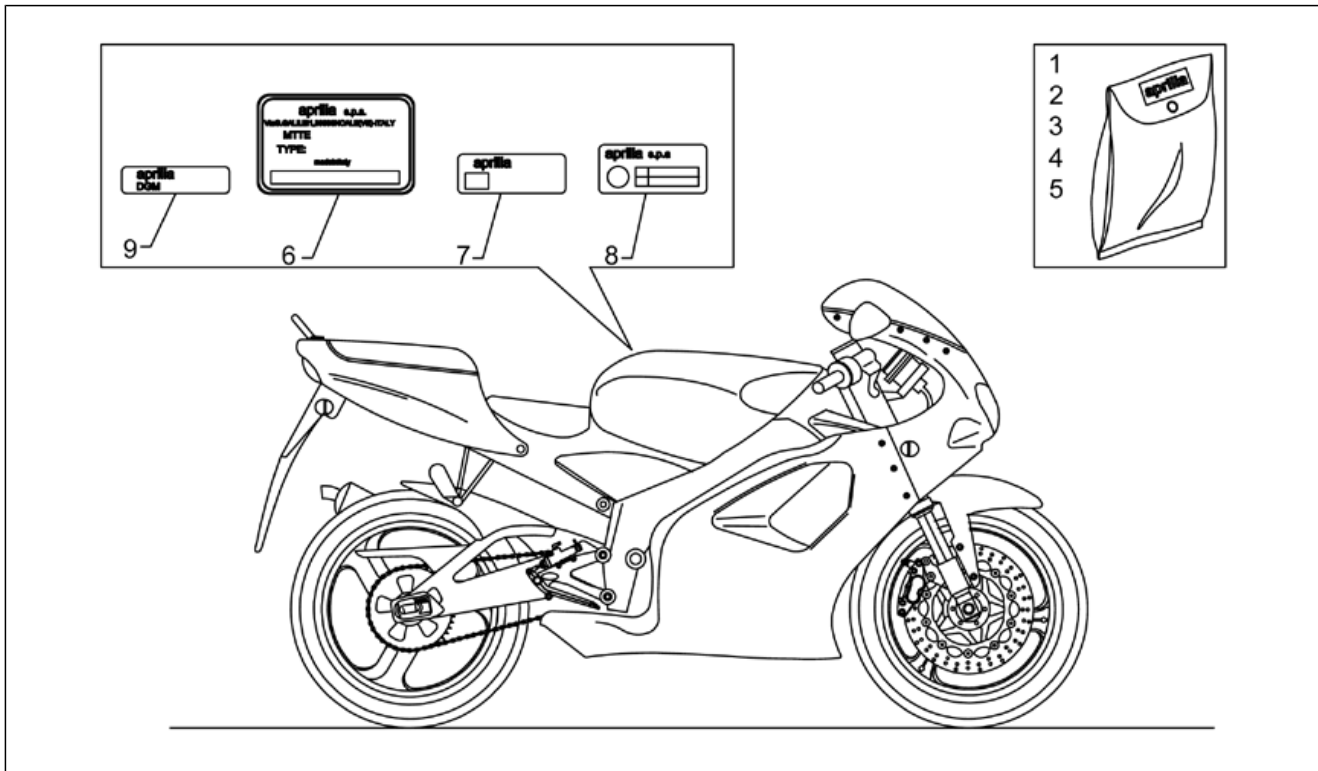
Pos.	Code	Beschreibung	Menge	Varianten
24	AP8112290	Batterie	1	
25	AP8131739	Spannungsregler schutz	1	
26	AP8137646	Ob.Scheinw.schutz Deko	1	
27	AP8137647	Unt.Scheinw.schutz Deko	1	
29	AP8112599	Gummi *	1	
30	AP8131256	Batteriehalter	1	
31	AP8212679	Rücklichtblende	1	
32	AP8112460	Relaiskabel Anlasser	1	
33	AP8124141	Verkabelung Rücklicht	1	
34	AP8220201	Gummi *	1	
35	AP8135448	Batteriehalter platte	1	
36	AP8120218	Klemmenkappe	1	
37	AP8124006	Rücklicht	1	
38	AP8121798	Schraubenfederkompr. *	1	
39	AP8221035	Schraube	1	
40	AP8201215	Klammer	1	
41	AP8212702	Kennzeichenleuchte	1	
42	AP8112567	Solenoid Ravestrg.	1	
43	AP8112568	Steuergeraet rave	1	Land:Deutschland[D], Dänemark[DK], Spanien[E], Portugal[P]
43	AP8112568	Steuergeraet rave	1	Land:Frankreich[F], Japan[J], Holland[NL], Polen[PL], Finnland[SF], Singapur[SGP], Großbritannien[UK]
43	AP8112612	Steuergeraet rave	1	Land:Schweiz[CH]
44	AP8120405	Gummi	1	
45	AP8121736	T-Buchse	2	
46	AP8132869	Solenoid Halteplatte	1	
47	AP8220185	Buchse Instrumentenbrett	1	
48	AP8112833	Verkabelung Batterie	1	

Einheit	RAHMEN
Code	28.09
Beschreibung	Elektrische Anlage
Inspektion	1



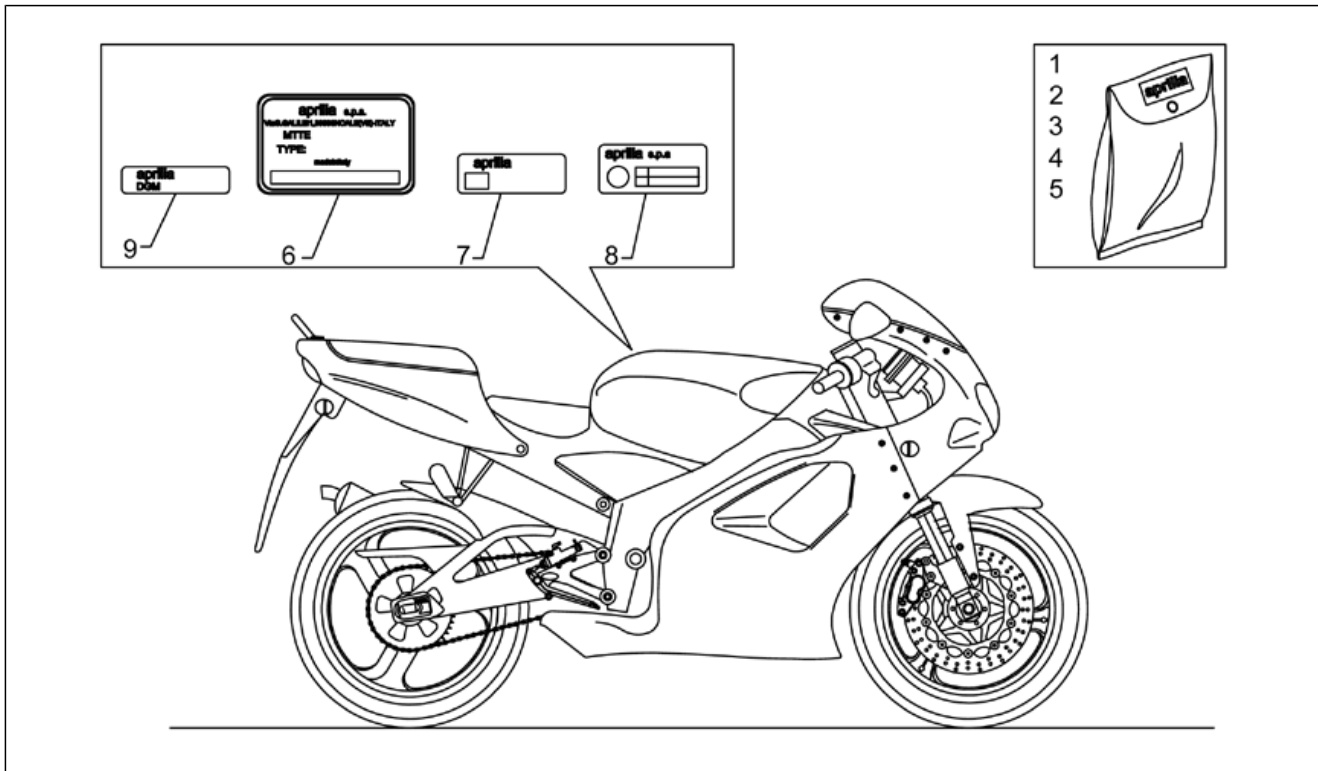
Pos.	Code	Beschreibung	Menge	Varianten
49	AP8112402	Verkabelung Batterie-Relais	1	

Einheit	RAHMEN
Code	28.10
Beschreibung	Aufkleber und Deko
Inspektion	1



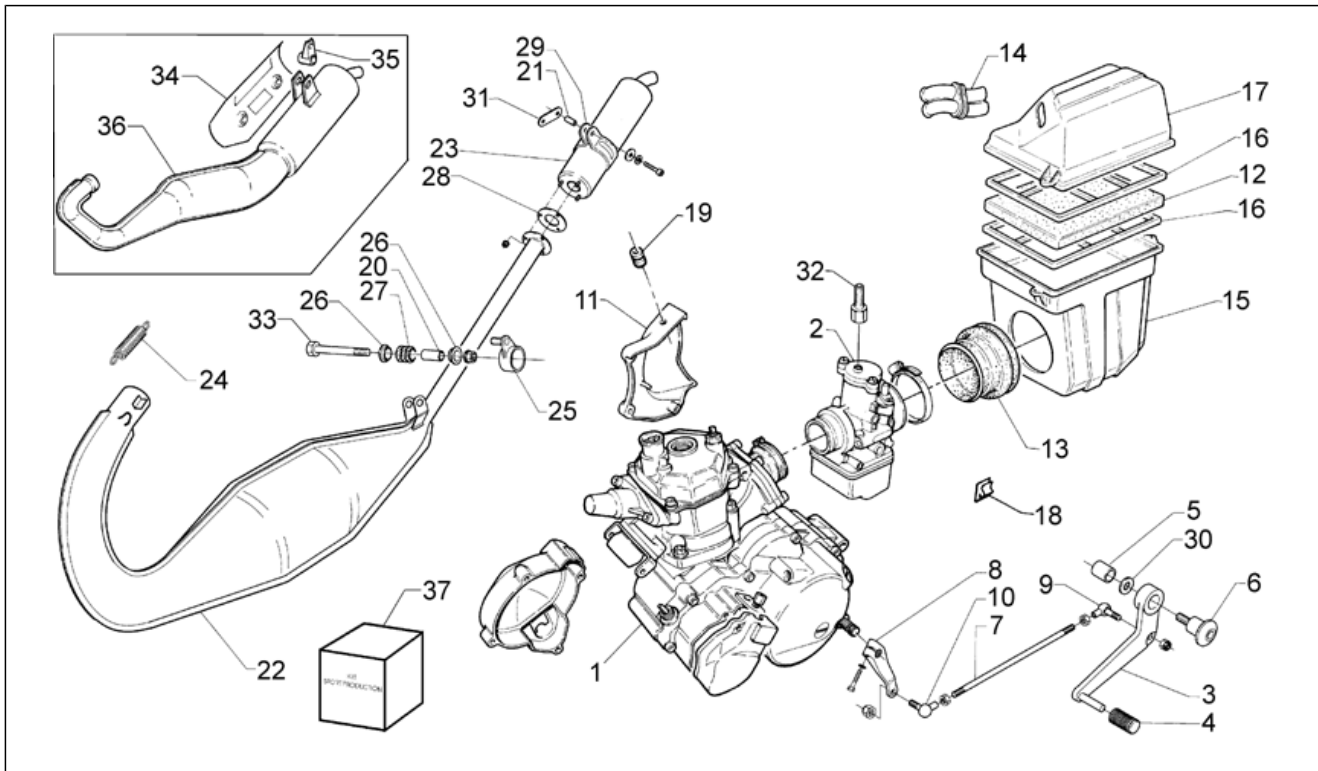
Pos.	Code	Beschreibung	Menge	Varianten
1	AP8147063	Tank Deko-Satz	1	Baujahr:1996[T] Fahrzeugfarbe:Grau Mirage 1996[Gr.m]
1	AP8147071	Tank Deko-Satz	1	Baujahr:1996[T] Fahrzeugfarbe:Schwarz 1996-1998[black]
1	AP8147392	Tank Deko-Satz	1	Baujahr:1997[V] Fahrzeugfarbe:Schwarz 1996-1998[black]
1	AP8147393	Tank Deko-Satz	1	Baujahr:1997[V] Fahrzeugfarbe:Grau Silver 1997[Gr.s]
1	AP8147847	Tank Deko-Satz	1	Baujahr:1998[W] Fahrzeugfarbe:Grau/Rot/Blau Valentino Rossi 1998[rossi]
1	AP8147848	Tank Deko-Satz	1	Baujahr:1998[W] Fahrzeugfarbe:Schwarz 1996-1998[black]
2	AP8147064	Verkleidung Deko-Satz	1	Baujahr:1996[T] Fahrzeugfarbe:Grau Mirage 1996[Gr.m]
2	AP8147072	Verkleidung Deko-Satz	1	Baujahr:1996[T] Fahrzeugfarbe:Schwarz 1996-1998[black]
2	AP8147394	Verkleidung Deko-Satz	1	Baujahr:1997[V] Fahrzeugfarbe:Schwarz 1996-1998[black]
2	AP8147395	Verkleidung Deko-Satz	1	Baujahr:1997[V] Fahrzeugfarbe:Grau Silver 1997[Gr.s]
2	AP8147849	Verkleidung Deko-Satz	1	Baujahr:1998[W] Fahrzeugfarbe:Grau/Rot/Blau Valentino Rossi 1998[rossi]
2	AP8147850	Verkleidung Deko-Satz	1	Baujahr:1998[W] Fahrzeugfarbe:Schwarz 1996-1998[black]
3	AP8147065	Kleinkuppel Deko-Satz	1	Baujahr:1996[T] Fahrzeugfarbe:Grau Mirage 1996[Gr.m]
3	AP8147073	Kleinkuppel Deko-Satz	1	Baujahr:1996[T] Fahrzeugfarbe:Schwarz 1996-1998[black]
3	AP8147396	Kleinkuppel Deko-Satz	1	Baujahr:1997[V] Fahrzeugfarbe:Schwarz 1996-1998[black]
3	AP8147397	Kleinkuppel Deko-Satz	1	Baujahr:1997[V] Fahrzeugfarbe:Grau Silver 1997[Gr.s]

Einheit	RAHMEN
Code	28.10
Beschreibung	Aufkleber und Deko
Inspektion	1



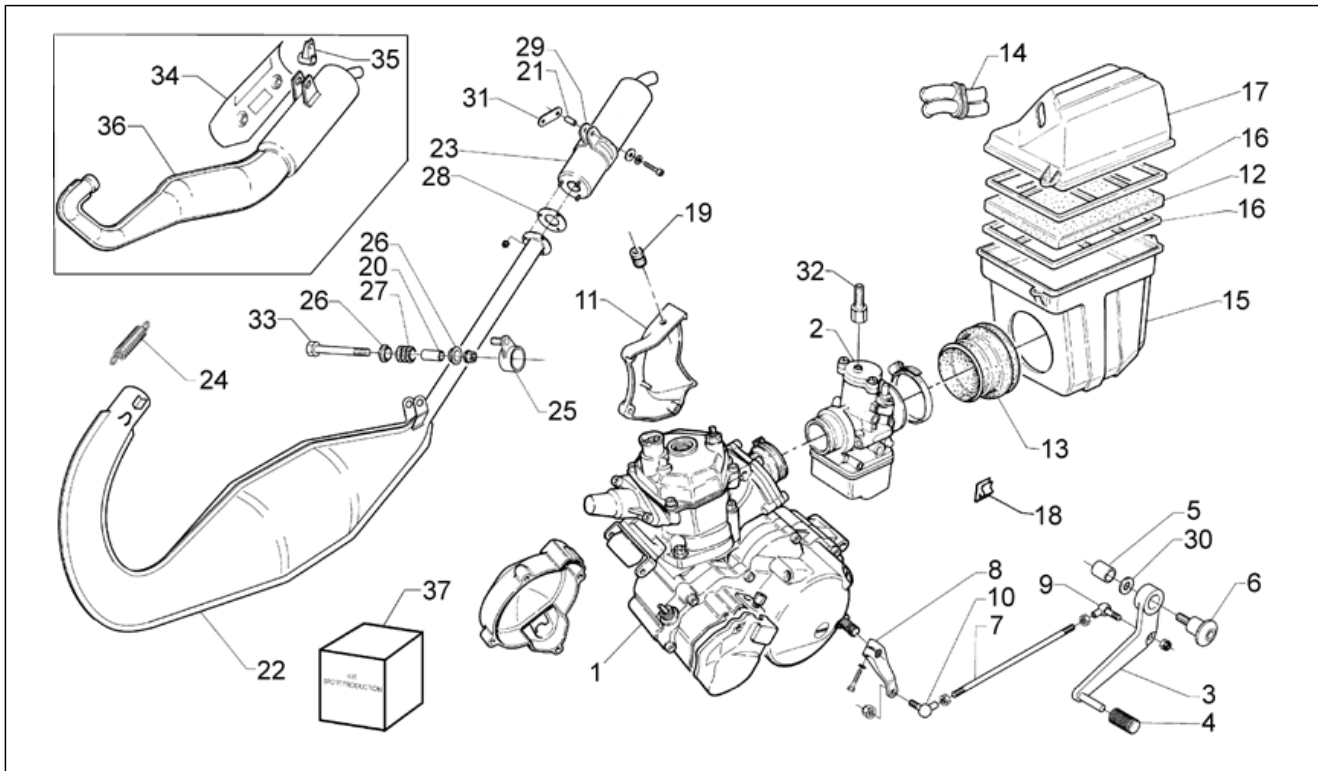
Pos.	Code	Beschreibung	Menge	Varianten
3	AP8147851	Kleinkuppel Deko-Satz	1	Baujahr:1998[W] Fahrzeugfarbe:Grau/Rot/Blau Valentino Rossi 1998[rossi]
3	AP8147852	Kleinkuppel Deko-Satz	1	Baujahr:1998[W] Fahrzeugfarbe:Schwarz 1996-1998[black]
4	AP8147066	H.Verkleidung Deko-Satz	1	Baujahr:1996[T] Fahrzeugfarbe:Grau Mirage 1996[Gr.m]
4	AP8147074	H.Verkleidung Deko-Satz	1	Baujahr:1996[T] Fahrzeugfarbe:Schwarz 1996-1998[black]
4	AP8147398	H.Verkleidung Deko-Satz	1	Baujahr:1997[V] Fahrzeugfarbe:Schwarz 1996-1998[black]
4	AP8147399	H.Verkleidung Deko-Satz	1	Baujahr:1997[V] Fahrzeugfarbe:Grau Silver 1997[Gr.s]
4	AP8147853	H.Verkleidung Deko-Satz	1	Baujahr:1998[W] Fahrzeugfarbe:Grau/Rot/Blau Valentino Rossi 1998[rossi]
4	AP8147854	H.Verkleidung Deko-Satz	1	Baujahr:1998[W] Fahrzeugfarbe:Schwarz 1996-1998[black]
5	AP8147067	Deko technische Serie	1	
6	AP8115973	Herstellerschild -F-	1	Land:Frankreich[F]
6	AP8137248	Herstellerschild	1	Land:Japan[J], Holland[NL], Polen[PL], Finnland[SF]
6	AP8137248	Herstellerschild	1	Land:Spanien[E], Portugal[P]
6	AP8137306	Herstellerschild -CH-	1	Land:Schweiz[CH]
6	AP8137635	Herstellerschild	1	Land:Singapur[SGP]
6	AP8137706	Herstellerschild -UK-	1	Land:Großbritannien[UK]
6	AP8147310	Herstellerschild -D-	1	Land:Deutschland[D], Dänemark[DK]
7	AP8137248	Herstellerschild	1	Land:Schweiz[CH], Frankreich[F], Japan[J], Holland[NL], Polen[PL], Finnland[SF], Singapur[SGP], Großbritannien[UK]
7	AP8147497	ECE Schild	1	Land:Spanien[E]
8	AP8115753	Schild CEE	1	

Einheit	MOTOR
Code	29.05
Beschreibung	Motor
Inspektion	1



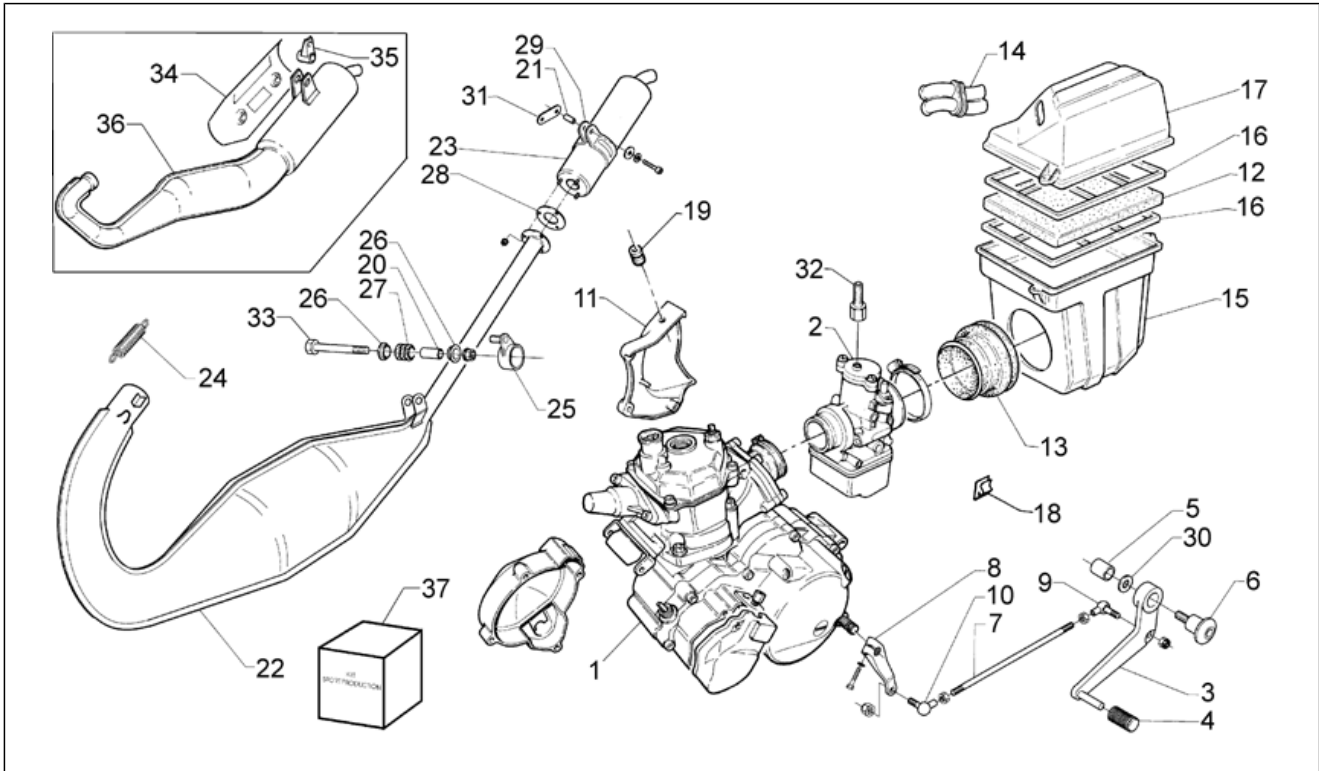
Pos.	Code	Beschreibung	Menge	Varianten
1	AP8106205	Motor 123 STRADA 92-CH-	1	Land:Schweiz[CH]
1	AP8106238	Motor 123 STRADA 92	1	Land:Deutschland[D], Dänemark[DK], Spanien[E], Japan[J], Holland[NL], Portugal[P], Polen[PL], Finnland[SF], Singapur[SGP], Großbritannien[UK]
1	AP8106283	Motor 123 STRADA 93-F-	1	Land:Frankreich[F]
2	AP8106194	Vergaser phbH 28-Rd	1	Land:Schweiz[CH]
2	AP8106224	Vergaser VHSB 34 Ld	1	Land:Deutschland[D], Dänemark[DK], Spanien[E], Japan[J], Holland[NL], Portugal[P], Polen[PL], Finnland[SF], Singapur[SGP], Großbritannien[UK]
2	AP8106285	Vergaser phbL 24	1	Land:Frankreich[F]
3	AP8106013	Schalthebel	1	
4	AP8220189	Gummi	1	
5	AP8121147	Distanzscheibe *	1	
6	AP8121284	Bremshebelbolzen	1	
7	AP8121668	Umlenkstange Schaltgetriebe	1	Land:Deutschland[D], Dänemark[DK], Spanien[E], Portugal[P]
7	AP8121668	Umlenkstange Schaltgetriebe	1	Land:Schweiz[CH], Frankreich[F], Japan[J], Holland[NL], Polen[PL], Finnland[SF], Singapur[SGP], Großbritannien[UK]
8	AP8135430	Umlenkpl.Schaltgetr.	1	Land:Deutschland[D], Dänemark[DK], Spanien[E], Portugal[P]
8	AP8135430	Umlenkpl.Schaltgetr.	1	Land:Schweiz[CH], Frankreich[F], Japan[J], Holland[NL], Polen[PL], Finnland[SF], Singapur[SGP], Großbritannien[UK]
9	AP8210007	Kugelgelenk rechts M6	1	
10	AP8110053	Kugelgelenk links M6	1	
11	AP8106315	Ritzelkasten, grau	1	
12	AP8102080	Luftfilter	1	
13	AP8120783	Ansaugmuffe	1	Baujahr:1996[T], 1997[V]
13	AP8120810	Ansaugmuffe	1	Baujahr:1998[W]
14	AP8120748	Ansaugmuffe	1	
15	AP8131626	Boden Filtergehäuse	1	

Einheit	MOTOR
Code	29.05
Beschreibung	Motor
Inspektion	1



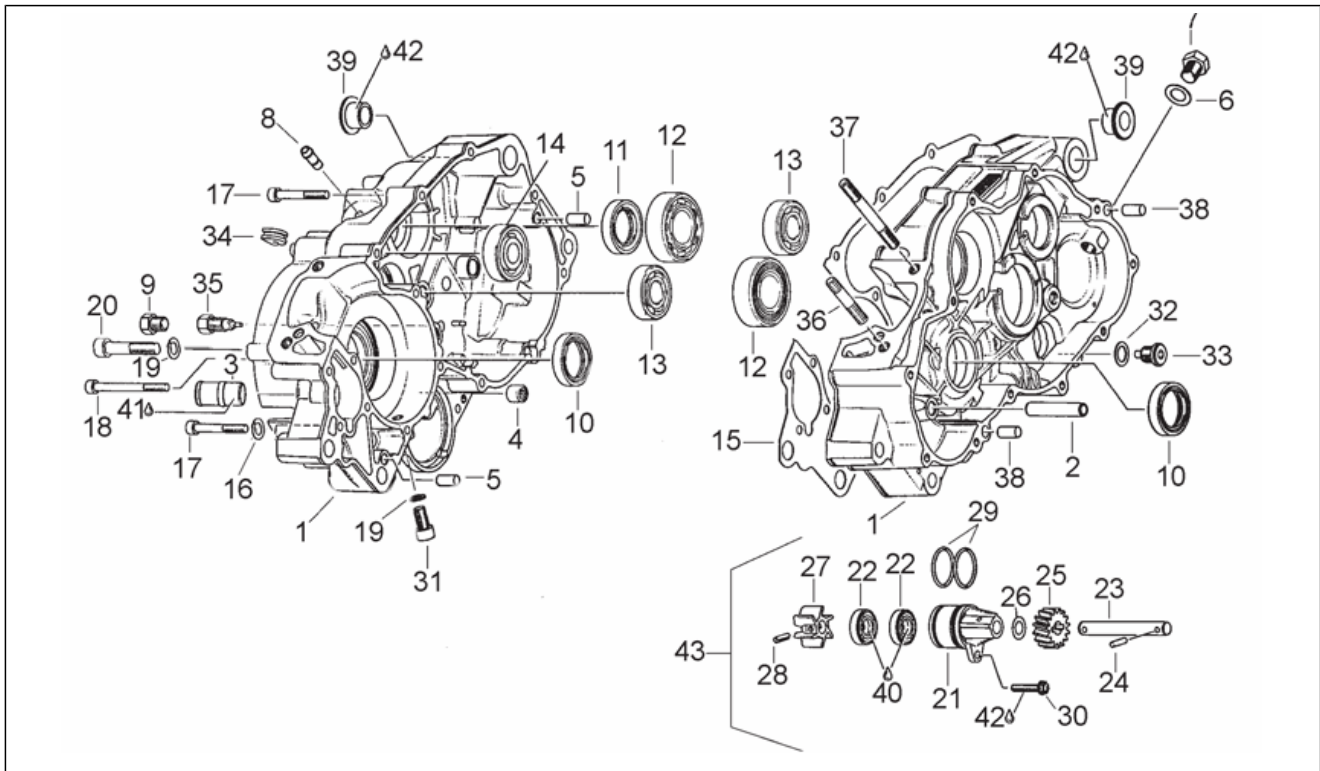
Pos.	Code	Beschreibung	Menge	Varianten
16	AP8131121	Filterschutznetz	2	
17	AP8131470	Deckel Filtergehäuse	1	Land:Schweiz[CH]
17	AP8138686	Deckel Filtergehäuse	1	Land:Deutschland[D], Dänemark[DK], Spanien[E], Frankreich[F], Japan[J], Holland[NL], Portugal[P], Polen[PL], Finnland[SF], Singapur[SGP], Großbritannien[UK]
18	AP8120708	Kabelführungs	1	
19	AP8120405	Gummi	1	
20	AP8121058	Distanzscheibe *	1	
21	AP8120910	Silent-Block	1	
22	AP8119314	Auspuff	1	Land:Deutschland[D], Dänemark[DK], Spanien[E], Portugal[P]
22	AP8119314	Auspuff	1	Land:Japan[J], Holland[NL], Polen[PL], Finnland[SF], Großbritannien[UK]
22	AP8119351	Auspuff -F-	1	Land:Frankreich[F]
23	AP8119349	Schalldämpfer	1	Land:Deutschland[D], Dänemark[DK], Spanien[E], Portugal[P]
23	AP8119349	Schalldämpfer	1	Land:Frankreich[F], Japan[J], Holland[NL], Polen[PL], Finnland[SF], Großbritannien[UK]
24	AP8121091	Schraubenfeder *	2	
25	AP8135289	Mittlere Auspuffhtr.	1	
26	AP8101284	Ausgleichscheibe 22x30*	2	
27	AP8101285	Silent-Block *	1	
28	AP8120812	Dichtung Schalldämpfer	1	
29	AP8102432	Fixierschelle Schalldämpfer	1	
30	AP8121697	Tellerfeder	1	
31	AP8134262	Schalldämpfer platte	1	
32	AP8106316	Vergaser Einstellschraube	1	
33	AP8150277	TCEI Schraube M8x50	1	Land:Schweiz[CH], Singapur[SGP]
34	AP8232524	Auspuffrohrschutz, chr. schw.	1	Land:Schweiz[CH], Singapur[SGP]

Einheit	MOTOR
Code	29.05
Beschreibung	Motor
Inspektion	1



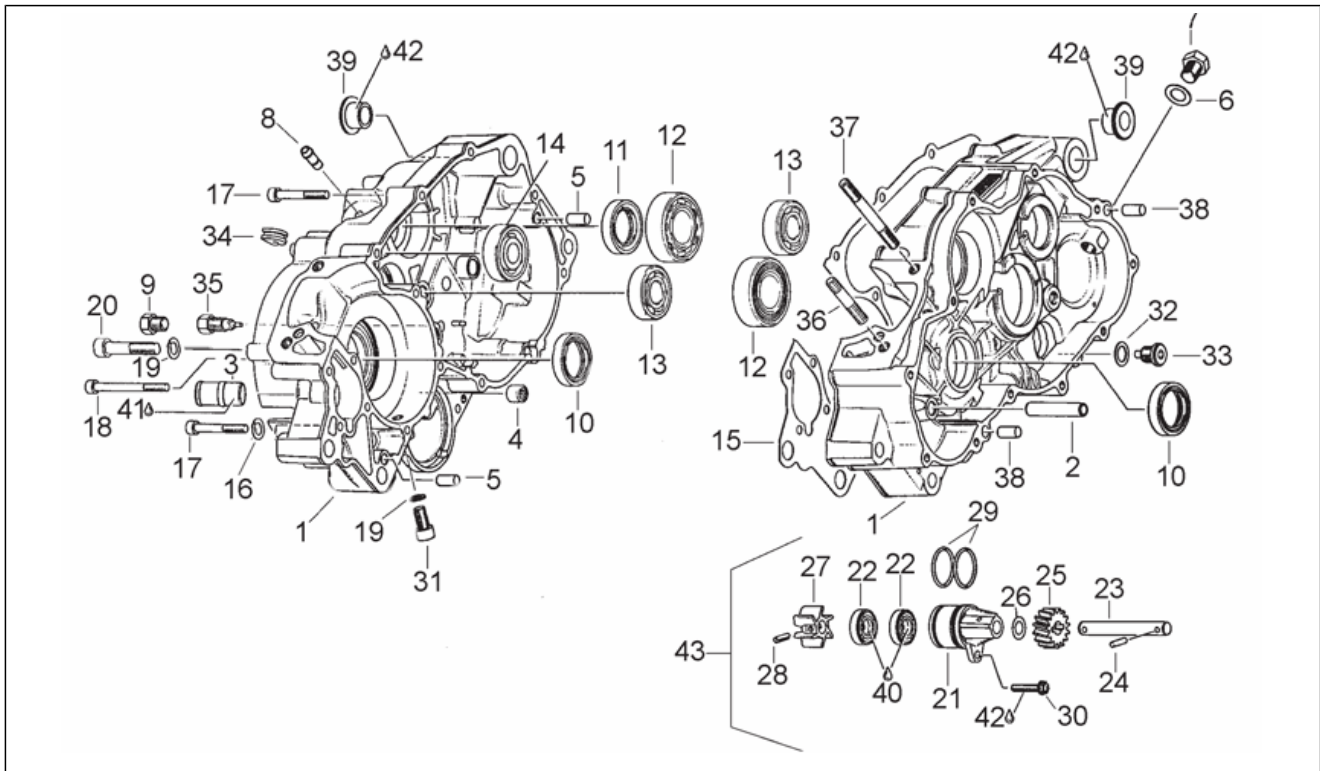
Pos.	Code	Beschreibung	Menge	Varianten
35	AP8135492	Auspuffrohrhalter	1	Land:Schweiz[CH], Singapur[SGP]
36	AP8119327	Auspuff -CH-	1	Land:Schweiz[CH], Singapur[SGP]

Einheit	MOTOR
Code	29.11
Beschreibung	Kurbelwellengehäuse
Inspektion	1



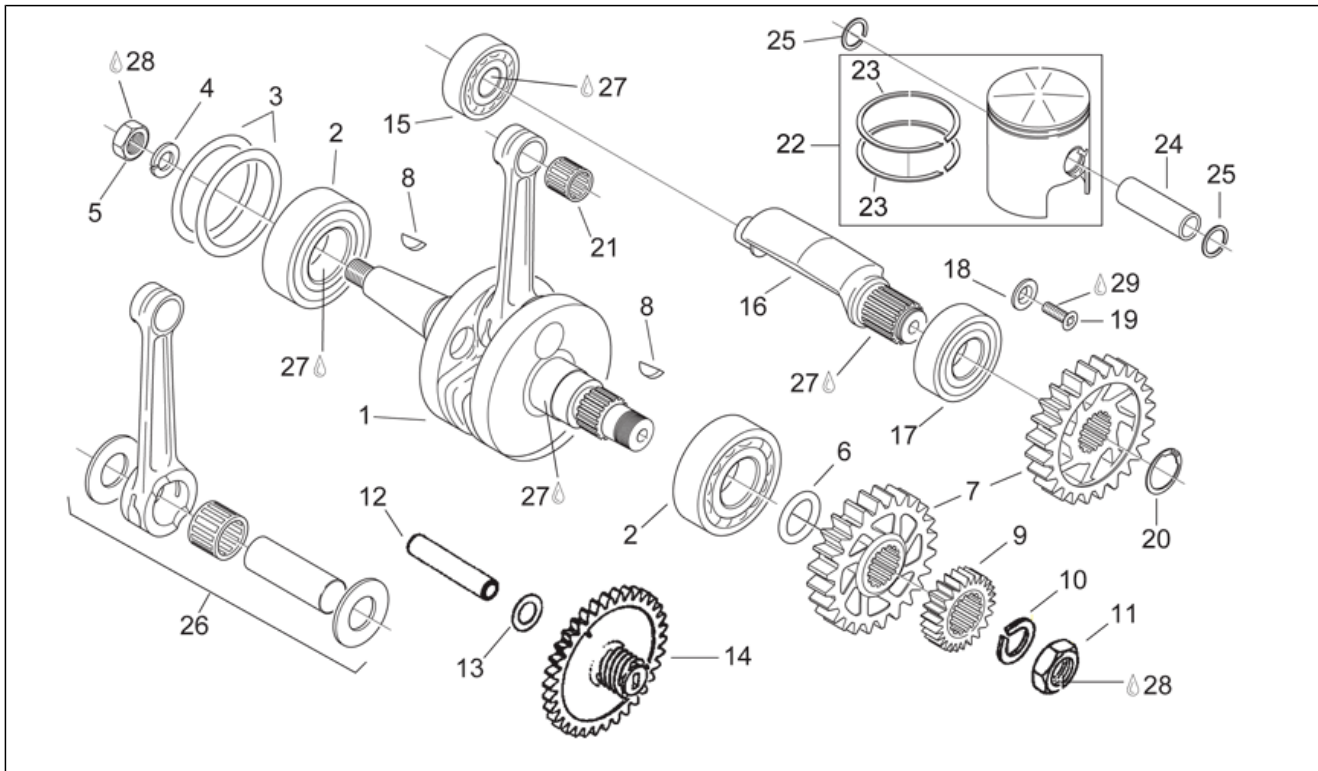
Pos.	Code	Beschreibung	Menge	Varianten
1	AP0295216	Gehäuse-kpl.	1	
2	AP0237905	Losradwelle	1	
3	AP0224260	Leitung	1	
4	AP0232275	Nadelkaefig 8x12x8	1	
5	AP0229290	Stift 8x16	2	
6	AP0250641	Gasket ring 12x18	1	
7	AP0241401	Sechskantschraube M12x12	1	
8	AP0924150	Messinganschluß	1	
9	AP0241905	Verschlussschraube M10x10	1	
10	AP0230425	Ölabstreifring 28x38x7	2	
11	AP0930675	Ölabstreifring 25x38x7	1	
12	AP0232765	Lager 6205	2	Technische Daten: Ab Motor 386977[M21]
12	AP0232766	Lager 6205 tnh	2	Technische Daten: Bis Motor 386976[M20]
13	AP0932032	Lager 6203	2	
14	AP0232290	Kugellager 6302 c3	1	Technische Daten: Bis Motor 360120[M7]
14	AP0232291	Lager 6302	1	Technische Daten: Ab Motor 360121[M9]
15	AP0250417	Dichtung	1	
16	AP0227500	Dichtung d.8x24	1	
17	AP0241821	TCEI Schraube M6x45	9	
18	AP0241261	TCEI Schraube	4	
19	AP0950141	Gasket ring 8x13	2	
20	AP0841561	TCEI Schraube M8x45	1	
21	AP0222180	Wasserpumpenkörper	1	
22	AP0230195	Ölabstreifring 10x26x7	2	
23	AP0237910	Welle Wasserpumpe	1	
24	AP0232730	Stift 4x15,8	1	
25	AP0234410	Wasserpump.-Zahn. Z=14	1	
26	AP0827590	Paßscheibe 10,1/17/1	1	

Einheit	MOTOR
Code	29.11
Beschreibung	Kurbelwellengehäuse
Inspektion	1



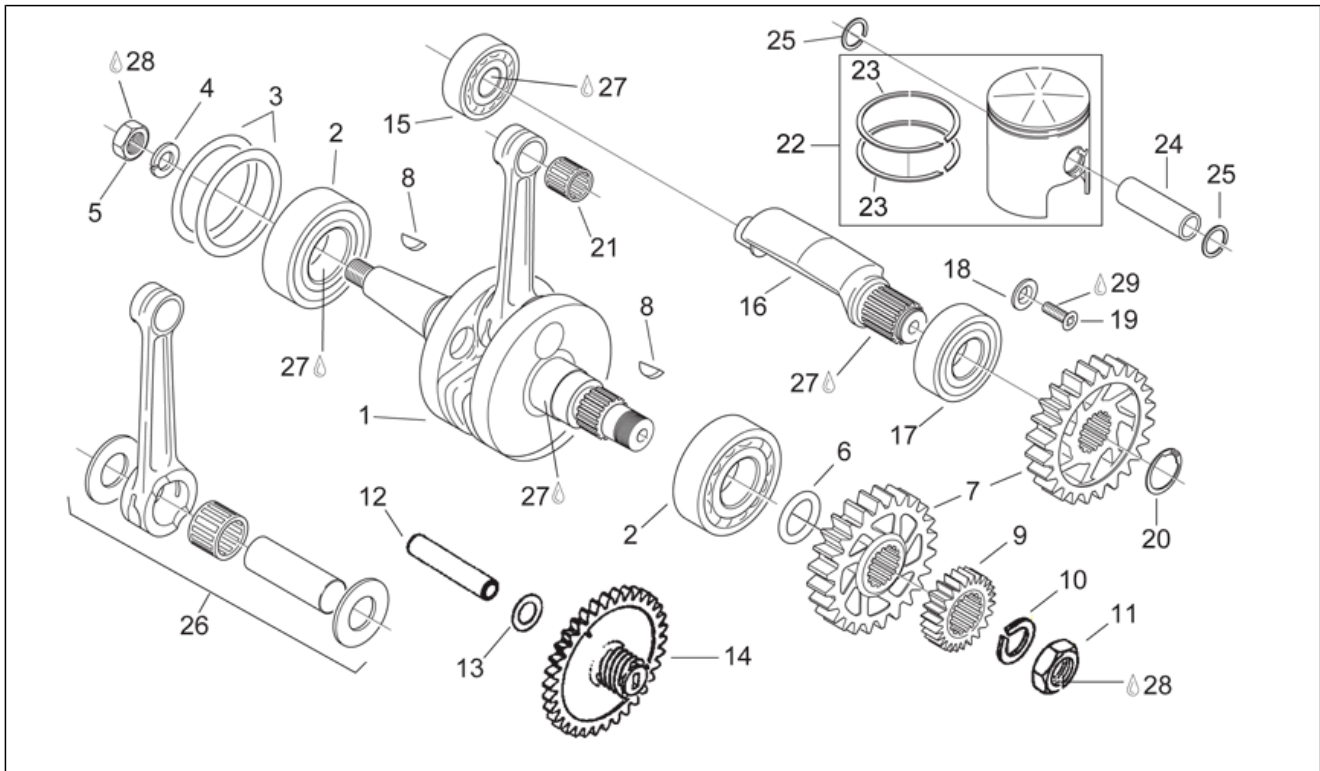
Pos.	Code	Beschreibung	Menge	Varianten
27	AP0222195	Läufer	1	
28	AP0229280	Stift 4x16	1	
29	AP0430060	O-Ring 26,7x1,8	2	
30	AP0241270	TE Schr. m. Flansch	1	
31	AP0440191	TCEI Schraube	1	
32	AP0250641	Gasket ring 12x18	1	
33	AP0241782	Magnetschraube M12x1,5	1	
34	AP0860372	Gummi	1	
35	AP0241850	Kontaktschraube	1	
36	AP0241381	Stiftschraube M8x28x20	2	Technische Daten:Ab Motor 241381[M4]
36	AP0840836	Stiftschraube M8x26/20	2	Technische Daten:Bis Motor 241380[M3]
37	AP0940786	Stiftschraube M8x57/20	2	
38	AP0229290	Stift 8x16	2	
39	AP0247555	Buchse	2	
40	AP0897161	Molykote 111 100gr.	1	
41	AP0899788	Loctite, grün 648 5gr.	1	
42	AP0899785	Loctite, violett 221 10cc.	1	
43	AP0293415	Wasserpumpe komplett	1	

Einheit	MOTOR
Code	29.12
Beschreibung	Kurbelwelle - Ausgl.rad
Inspektion	1



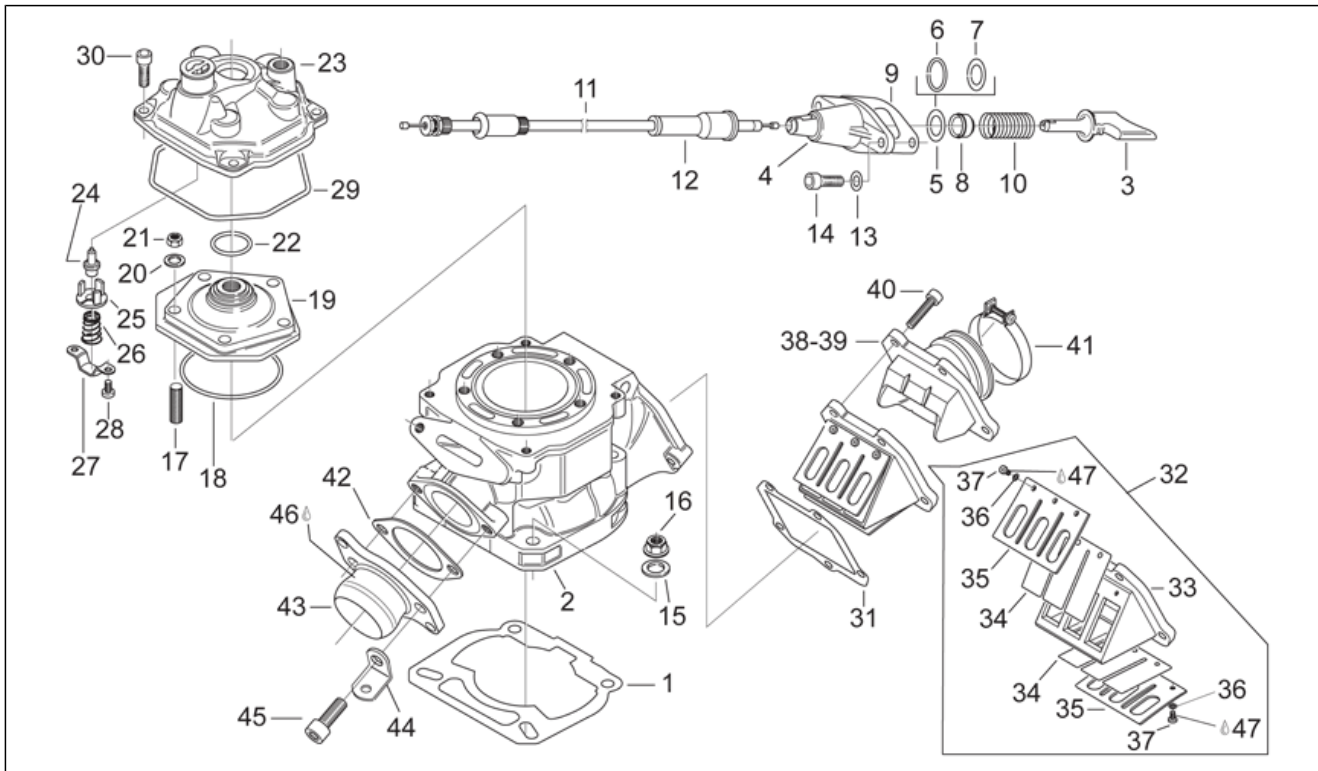
Pos.	Code	Beschreibung	Menge	Varianten
1	AP0294770	Kurbelwelle kpl.	1	
2	AP0932588	Lager 6206	2	
3	AP0427590	Distanzscheibe D50x62x0,1	1	
3	AP0427591	Distanzscheibe D50x62x0,3	1	
4	AP0945754	Federring Din A12	1	
5	AP0642051	Mutter M12x1	1	
6	AP0430460	O-Ring 18x3,5	1	
7	AP0234430	Zahnrad	2	Technische Daten: Bis Motor 234430[M1]
7	AP0234431	Ausgleichsrad Z=27	2	Technische Daten: Ab Motor 234431[M2]
8	AP0246055	Keil 3x3,7	2	
9	AP0293925	Primaertrieb kpl.	1	Technische Daten: Bis Motor 359164[M5]
9	AP0293926	Primaertrieb kpl.	1	Technische Daten: Ab Motor 359165[M6]
10	AP0945756	Ausgleichscheibe	1	
11	AP0242570	Mutter	1	
12	AP0237905	Losradwelle	1	
13	AP0827590	Paßscheibe 10,1/17/1	1	
14	AP0634030	Zwischenzahnrad	1	
15	AP0232290	Kugellager 6302 c3	1	Technische Daten: Bis Motor 360120[M8]
15	AP0232291	Lager 6302	1	Technische Daten: Ab Motor 360121[M9]
16	AP0237945	Gegenwelle	1	
17	AP0232340	Kugellager 6005	1	
18	AP0227280	Paßscheibe	1	
19	AP0940315	Schraube	1	
20	AP0245650	Seegerring AV 20	1	
21	AP0932028	Nadelkaefig 15x19x20	1	
22	AP0294747	Kolben kpl. 53,98 mm	1	
22	AP0294755	Kolben kpl. 54,00 mm	1	
22	AP0294756	Kolben kpl.	1	

Einheit	MOTOR
Code	29.12
Beschreibung	Kurbelwelle - Ausgl.rad
Inspektion	1



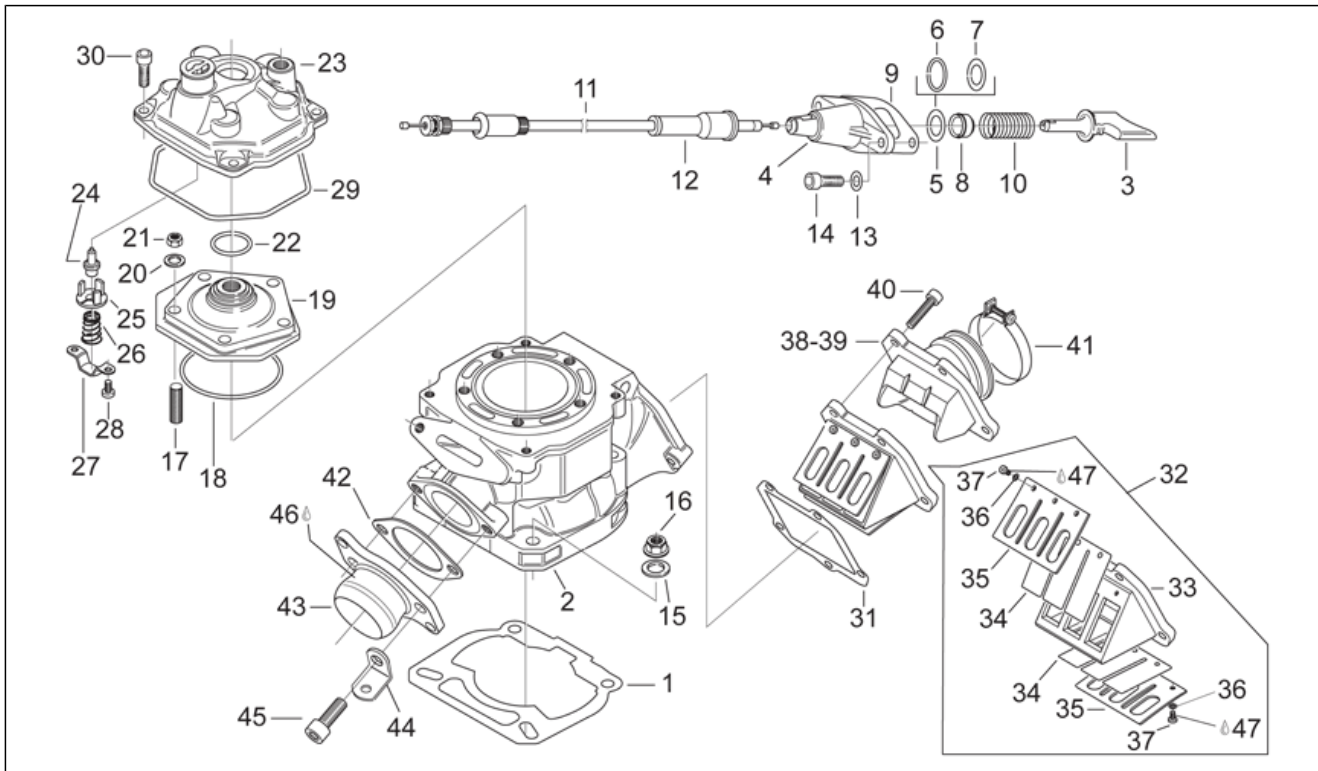
Pos.	Code	Beschreibung	Menge	Varianten
23	AP0215670	Kolbenring d54	2	
24	AP0216136	Bolzen	1	Technische Daten: Bis Motor 433228[M24]
24	AP0216139	Bolzen	1	Technische Daten: Ab Motor 433229[M25]
25	AP0945635	Stiftsperring D15	2	
26	AP0293849	Pleuelstange 20 mm	1	
27	AP0297431	Loctite Anti Seize 10 GR.	1	
28	AP0899788	Loctite, grün 648 5gr.	1	
29	AP0899785	Loctite, violett 221 10cc.	1	

Einheit	MOTOR
Code	29.13
Beschreibung	Zylinder - Zylinderkopf
Inspektion	1



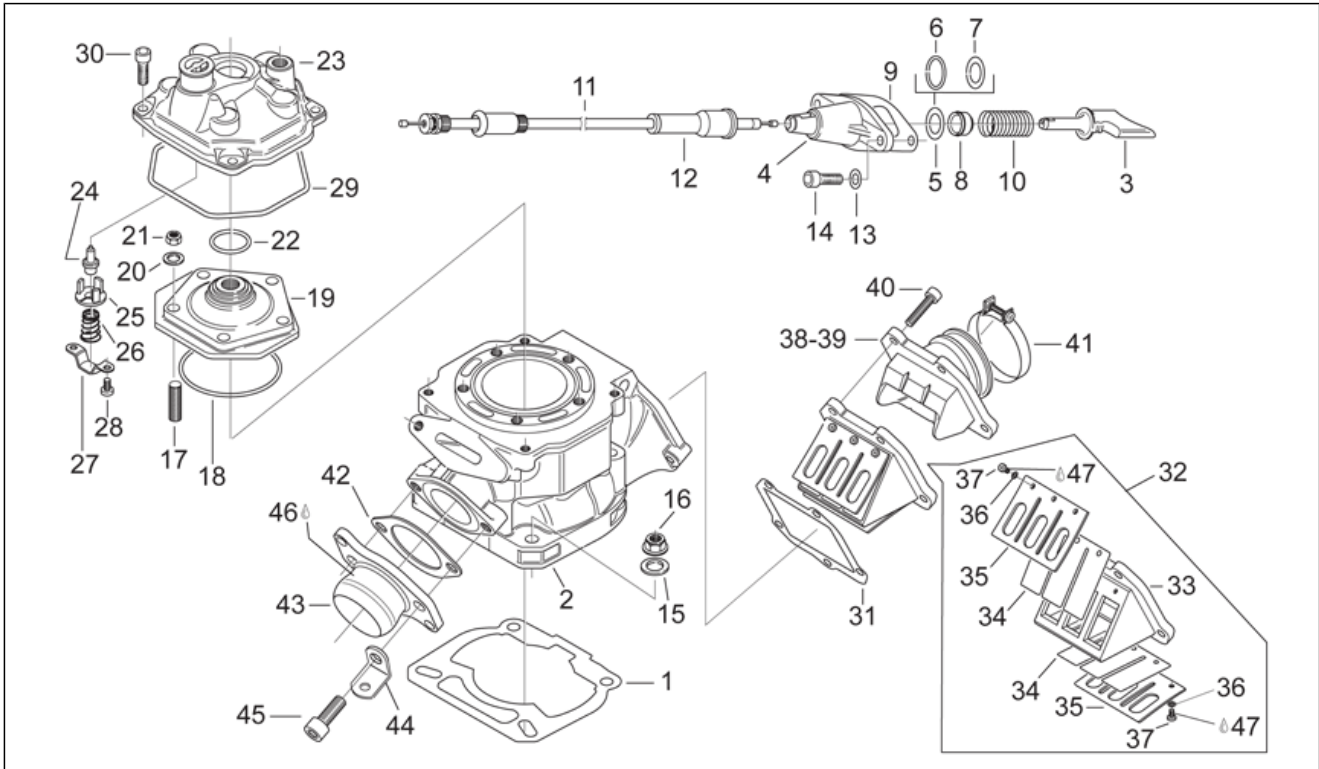
Pos.	Code	Beschreibung	Menge	Varianten
1	AP0650090	ZYLINDERFUSSDICHTUNG 0,3	1	
1	AP0650091	ZYLINDERFUSSDICHTUNG dicke 0,5	1	
1	AP0650092	ZYLINDERFUSSDICHTUNG 0,8	1	Technische Daten: Bis Motor 475754[M26]
1	AP0650097	Dichtung 0,8	1	Technische Daten: Ab Motor 475755[M27]
2	AP0223368	Zylinder	1	Land: Schweiz[CH]
2	AP0223617	Zylinder, grau	1	Land: Deutschland[D], Dänemark[DK], Spanien[E], Frankreich[F], Japan[J], Holland[NL], Portugal[P], Polen[PL], Finnland[SF], Singapur[SGP], Großbritannien[UK] Technische Daten: Bis Motor 377131[M16]
3	AP0253722	Auslasschieber	1	Technische Daten: Ab Motor 377132[M17]
4	AP0253462	Schieberstangen	1	Technische Daten: Bis Motor 386975[M18]
4	AP0253465	Schieberstangen	1	Technische Daten: Ab Motor 386976[M19]
5	AP0230880	O-Ring 13,3x2,4	1	Land: Deutschland[D], Dänemark[DK], Spanien[E], Frankreich[F], Japan[J], Holland[NL], Portugal[P], Polen[PL], Finnland[SF], Singapur[SGP], Großbritannien[UK]
6	AP0260120	Gummi 14/19/1,5	1	Land: Schweiz[CH]
7	AP0831500	O-Ring 14x3	1	Land: Schweiz[CH]
8	AP0230810	Ölabstreifring Ventilfehrung	1	
10	AP0239052	Feder	1	
11	AP0297740	Rave elektr.Vent.kab.	1	Technische Daten: Bis Motor 377131[M16]
11	AP8114175	Rave elektr.Vent.kab.	1	Technische Daten: Ab Motor 377132[M17]
12	AP0860460	Regenschutzkappe	1	
13	AP0845020	Sprenzscheibe B6	2	
14	AP0241930	TCEI Schraube M6x20	2	
15	AP0250311	Ausgleichscheibe 8,4	4	
16	AP0942671	Mutter M8	4	
17	AP0241241	Stiftschraube M7x19/22	5	
18	AP0250160	O-Ring 64x2	1	
19	AP0223384	Brennraumeinsatz	1	

Einheit	MOTOR
Code	29.13
Beschreibung	Zylinder - Zylinderkopf
Inspektion	1



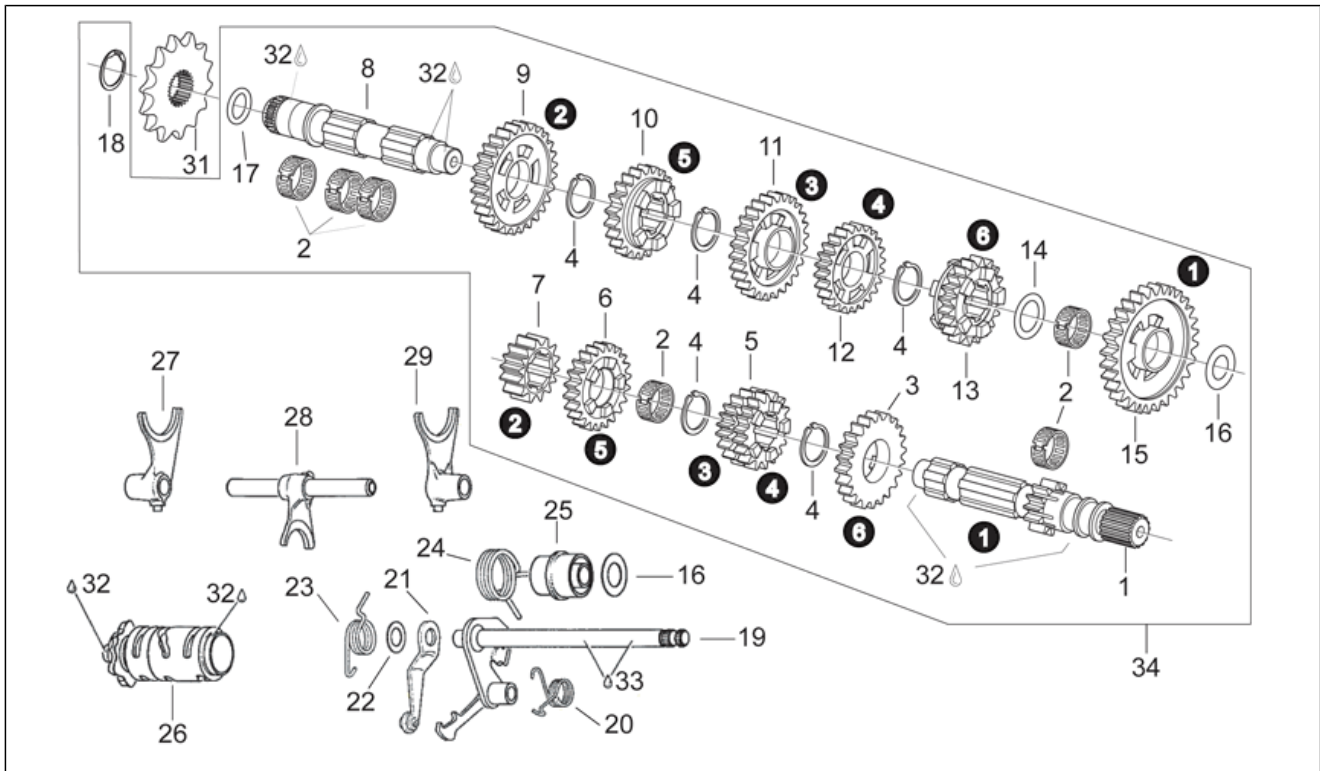
Pos.	Code	Beschreibung	Menge	Varianten
20	AP0227571	Ausgleichscheibe 7,4	5	
21	AP0242591	Mutter	5	
22	AP0430782	O-Ring 23,3x2,4	1	
23	AP0223398	Zylinderkopfdeckel	1	Technische Daten: Bis Motor 476675[M30]
23	AP0613100	Zylinderkopfdeckel	1	Technische Daten: Ab Motor 476676[M31]
24	AP0222122	Thermostat 70°	1	
25	AP0222174	Halter	1	Technische Daten: Bis Motor 377092[M14]
25	AP0222175	Thermostathalter	1	Technische Daten: Ab Motor 377093[M15]
26	AP0239950	Feder	1	
27	AP0222200	Bügel	1	Technische Daten: Bis Motor 360355[M10]
27	AP0222202	Thermostatbuegel	1	Technische Daten: Ab Motor 360356[M11]
28	AP0240195	TCB-Spezialschraube M4x8	2	
29	AP0250280	O-Ring 105x2,5	1	
30	AP0241930	TCEI Schraube M6x20	4	
31	AP0250521	Dichtung	1	
32	AP0224387	Ventiltraeger kpl.	1	
34	AP0224430	Lamellenventil	2	
36	AP0945758	Federring Din A4	6	
37	AP0940235	Zyl.schraube M4x8	6	
38	AP0267915	Vergaserstutzen	1	Land: Deutschland[D], Dänemark[DK], Spanien[E], Frankreich[F], Japan[J], Holland[NL], Portugal[P], Polen[PL], Finnland[SF], Singapur[SGP], Großbritannien[UK]
38	AP0267917	Vergaserstutzen 28 MM	1	Land: Schweiz[CH]
39	AP0267996	Vergaserstutzen 34 MM	1	
40	AP0840861	TCEI Schraube M6x25	5	
41	AP0251850	Schelle 51	1	
43	AP0273882	Auspuffstutzen kpl.	1	Technische Daten: Bis Motor 475941[M28]
43	AP0273970	Auspuffstutzen kpl.	1	Technische Daten: Ab Motor 475942[M29]

Einheit	MOTOR
Code	29.13
Beschreibung	Zylinder - Zylinderkopf
Inspektion	1



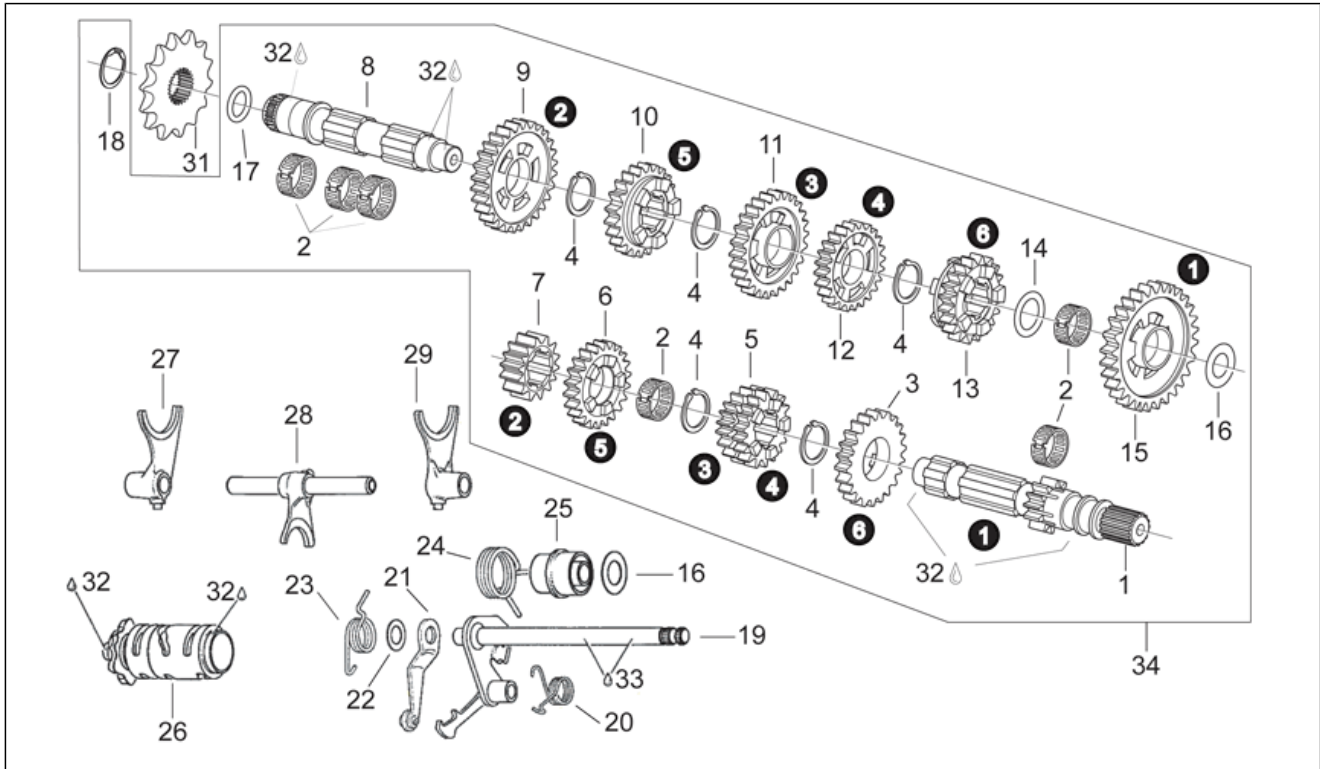
Pos.	Code	Beschreibung	Menge	Varianten
44	AP0224067	Federeinhangung	2	
45	AP0240081	TCEI Schraube M8x25	2	
46	AP0297431	Loctite Anti Seize 10 GR.	1	
47	AP0899788	Loctite, grün 648 5gr.	1	

Einheit	MOTOR
Code	29.14
Beschreibung	6-Ganggetriebe
Inspektion	1



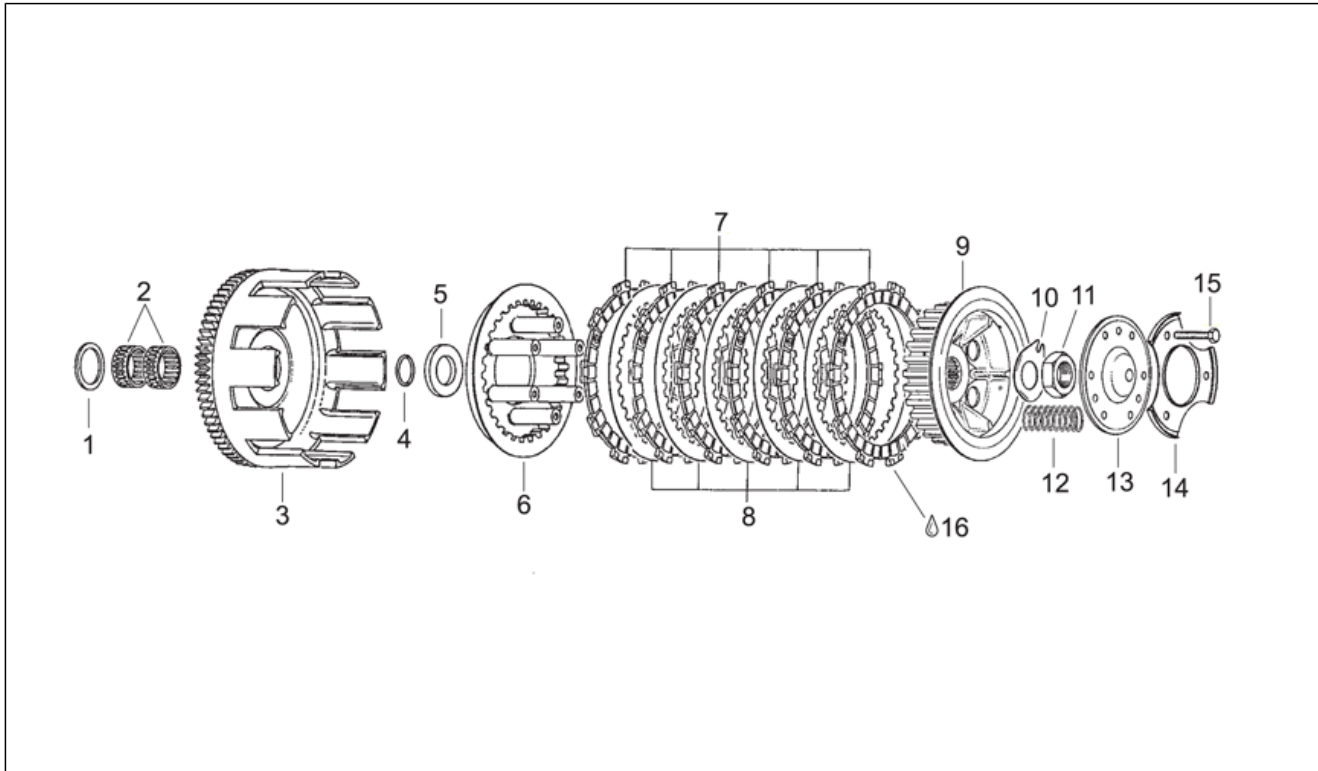
Pos.	Code	Beschreibung	Menge	Varianten
1	AP0220075	Vorgelegewelle Z=10	1	
2	AP0232742	Nadelkaefig 21x25x10	6	
3	AP0634125	Zahnrad Z=22	1	
4	AP0245730	Seegerring 25x2	1	
5	AP0634095	Zahnrad Z=17/19	1	
6	AP0634105	Zahnrad Z=21	1	
7	AP0634085	Zahnrad 2.Hauptwelle Z=14	1	
8	AP0220050	Festrاد	1	
9	AP0234968	Zahnrad Z=29	1	
10	AP0634115	Zahnrad Z=24	1	
11	AP0234984	Zahnrad Z=27	1	
12	AP0234858	Zahnrad Z=25	1	
13	AP0634135	Zahnrad Z=23	1	
14	AP0244100	Paßscheibe 21,2/30/1	1	
15	AP0634065	Zahnrad Z=30	1	
16	AP0227430	Paßscheibe 17,2/30/1	2	
17	AP0430460	O-Ring 18x3,5	1	
18	AP0245650	Seegerring AV 20	1	
19	AP0220066	Schaltwele+klin.kpl.	1	
20	AP0239835	Feder	1	
21	AP0248255	Indexhebel kpl.	1	
22	AP0827261	Paßscheibe 12,5/21,5	1	
23	AP0239820	Index feder	1	
24	AP0239645	Feder	1	
25	AP0247690	Distanzbuchse	1	
26	AP0258937	Verschiebenocken	1	
27	AP0258903	Schaltgabel 2-3 v.ta'	1	
28	AP0258913	Schaltgabel 5-6 v.ta'	1	

Einheit	MOTOR
Code	29.14
Beschreibung	6-Ganggetriebe
Inspektion	1



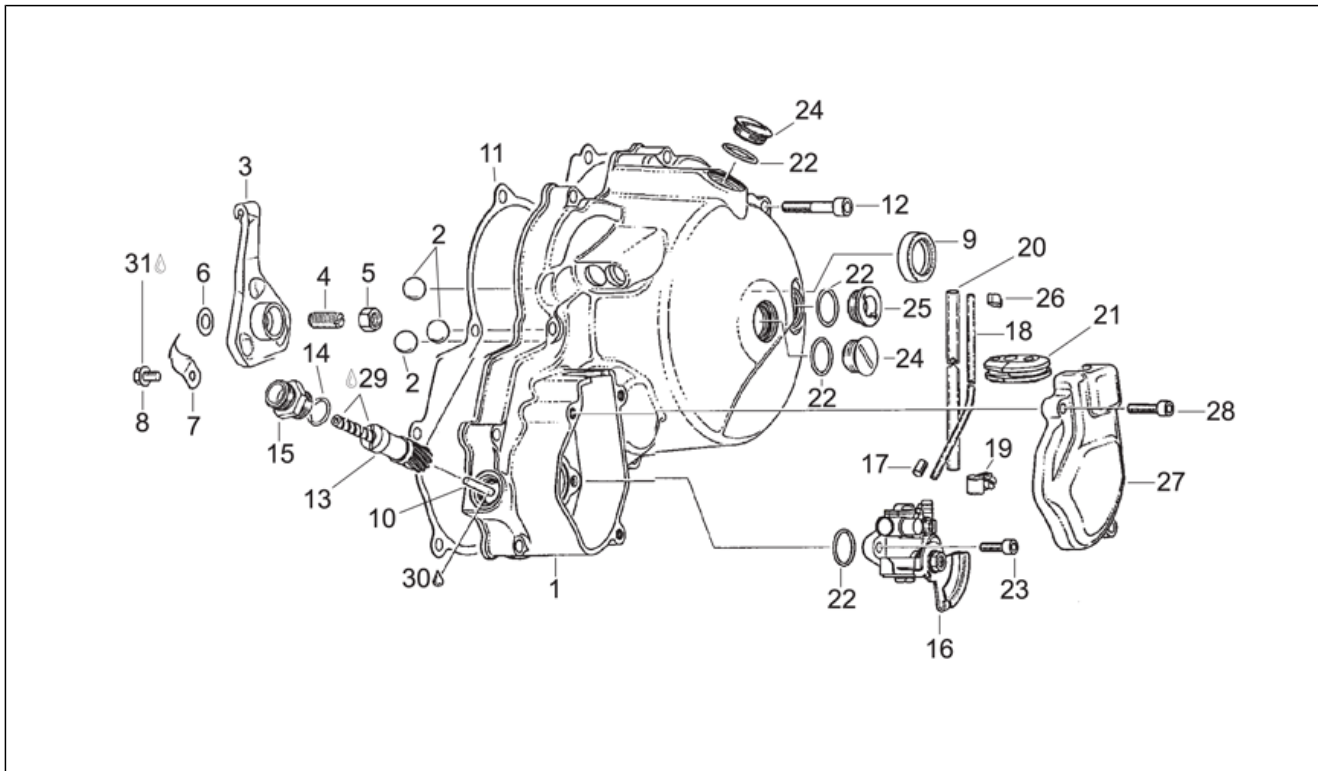
Pos.	Code	Beschreibung	Menge	Varianten
29	AP0258893	Schaltgabel 1-4 v.tà	1	
30	AP0258880	Schaltstange	1	
31	AP0236061	Ritzel Z=14	1	
31	AP0236062	Ritzel	1	
31	AP0236063	Ritzel Z=16	1	
31	AP0236064	Ritzel Z=17	1	
32	AP0297431	Loctite Anti Seize 10 GR.	1	
33	AP0897330	Lithium-Fett 250gr.	1	
34	AP0281184	Schaltgetriebe kpl. 6 speeds	1	

Einheit	MOTOR
Code	29.15
Beschreibung	Kupplung
Inspektion	1



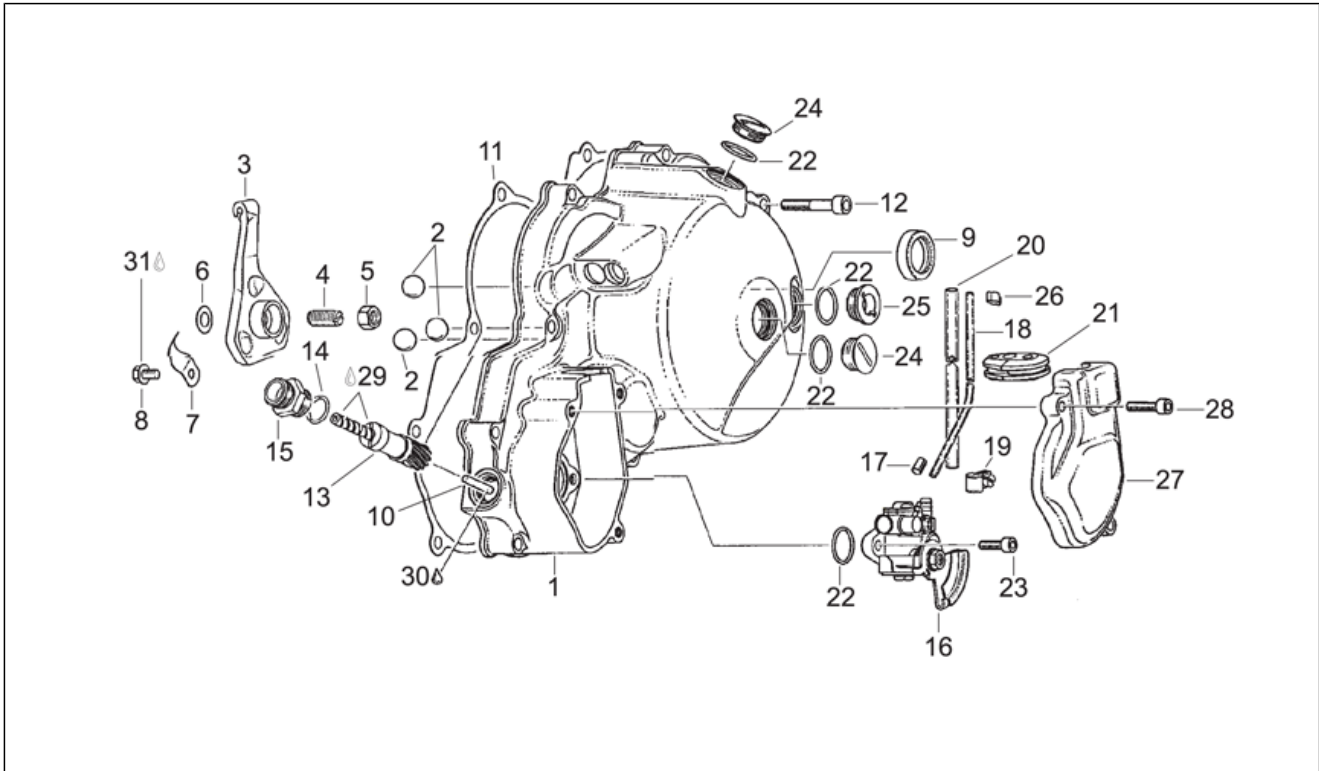
Pos.	Code	Beschreibung	Menge	Varianten
1	AP0427460	Paßscheibe 25/35/2	1	
2	AP0232652	Nadelkaefig 25x29x10	2	
3	AP0293925	Primaertrieb kpl.	1	Technische Daten: Bis Motor 359164[M5]
3	AP0293926	Primaertrieb kpl.	1	Technische Daten: Ab Motor 359165[M6]
4	AP0250890	O-Ring 3771	1	
5	AP0227600	Paßscheibe 20,2x35x3	1	
6	AP0259570	Stuetzteller	1	
7	AP0259052	Belaglamelle	6	Technische Daten: Bis Motor 401076[M22]
7	AP0259053	Belaglamelle 3,1 mm	6	Technische Daten: Ab Motor 401077[M23]
8	AP0259557	Kupplungsscheibe 1 MM	5	
9	AP0259065	Mitnehmer	1	
10	AP0245740	Sicherungsblech	1	
11	AP0942220	Mutter M18x1,5	1	
12	AP0239625	Kupplungsfeder 34,1 MM	6	
13	AP0259165	Druckplatte kplt.	1	
14	AP0259420	Stuetztellerfuehrung feder.	1	
15	AP0241770	Sechskantschraube	6	

Einheit	MOTOR
Code	29.16
Beschreibung	Kupplungsdeckel-Ölpumpe
Inspektion	1



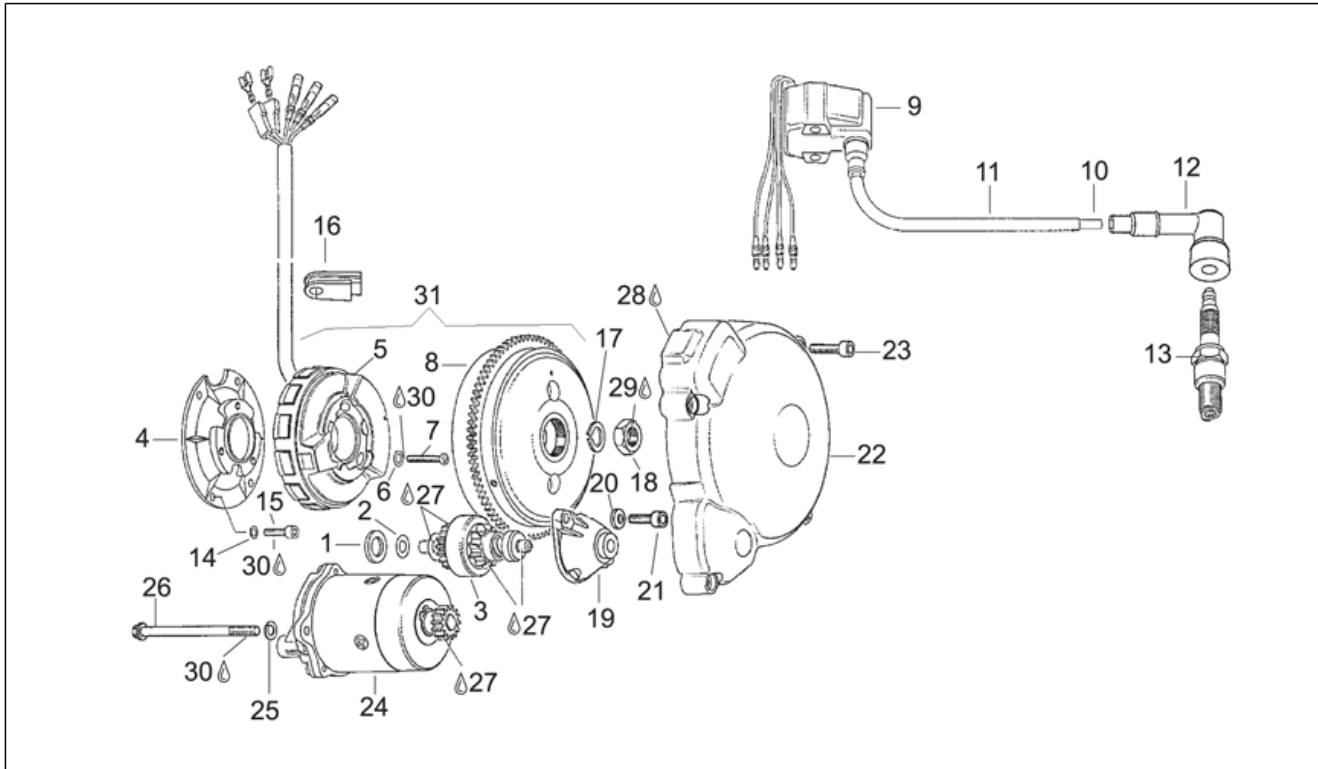
Pos.	Code	Beschreibung	Menge	Varianten
1	AP0210920	Kupplungsdeckel	1	
2	AP0232150	Kugel 12 MM	3	
3	AP0259320	Ausrueckteller	1	
4	AP0241791	Schraube	1	
5	AP0942671	Mutter M8	1	
6	AP0227945	Paßscheibe 8,1/15	1	
7	AP0239905	Feder	1	
8	AP0841680	TE-Spezialschraube	1	
9	AP0250450	Ölabstreifring 12x28x7	1	
10	AP0232420	Stift 4x19,8	1	
11	AP0250200	Dichtung	1	
12	AP0241811	TCEI Schraube	11	
13	AP0237160	Drehzahlmesserwelle	1	
14	AP0430600	O-Ring 12-1,5 mm	1	
15	AP0241071	Anschluss	1	
16	AP0294730	Ölpumpe	1	
17	AP0256400	Schelle	1	
18	AP0256410	Leitung 350 MM	1	
19	AP0951591	Schelle 7	1	
20	AP0256037	Leitung 850 MM	1	
21	AP0260030	Drahtabdeckgummi	1	
22	AP0250890	O-Ring 3771	4	
23	AP0840510	TCEI Schraube	2	
24	AP0241800	Deckel M18x1,5	2	Technische Daten:Bis Motor 361169[M12]
24	AP0241801	Verschlusschraube M18x1,5	2	Technische Daten:Ab Motor 361170[M13]
25	AP0240820	Oelstandsschraube M18x1,5	1	
26	AP0853840	Schelle 35553	1	
27	AP0210930	Ölpumpendeckel	1	

Einheit	MOTOR
Code	29.16
Beschreibung	Kupplungsdeckel-Ölpumpe
Inspektion	1



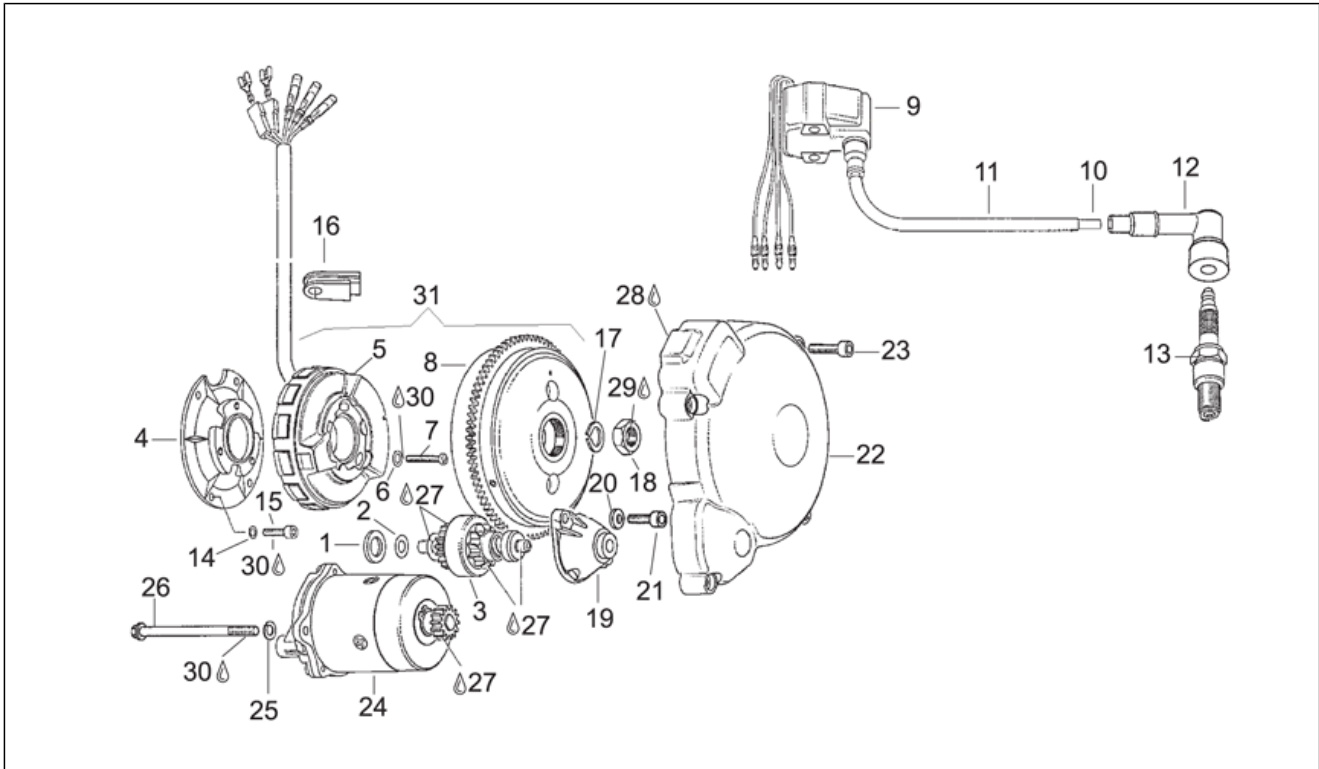
Pos.	Code	Beschreibung	Menge	Varianten
28	AP0240181	TCEI Schraube	3	
30	AP0899788	Loctite, grün 648 5gr.	1	
31	AP0899785	Loctite, violett 221 10cc.	1	

Einheit	MOTOR
Code	29.17
Beschreibung	Zündung
Inspektion	1



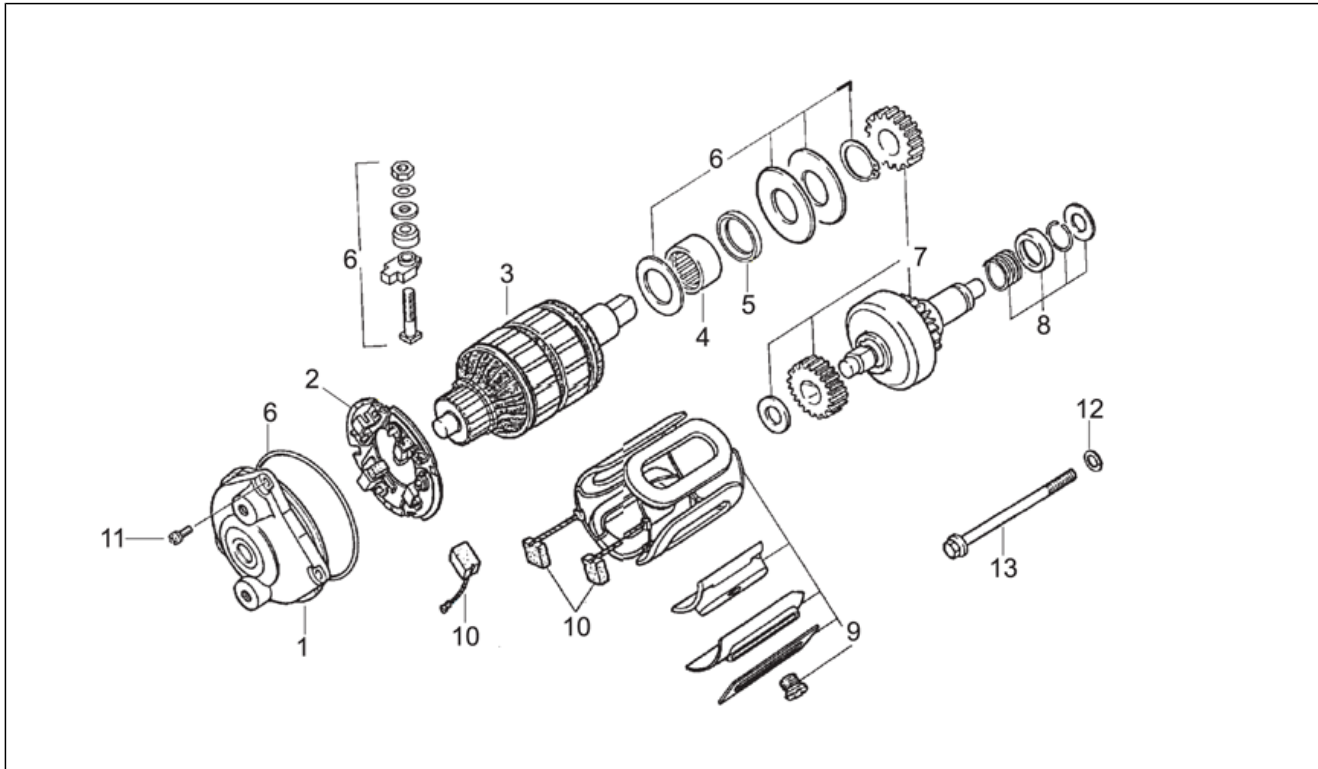
Pos.	Code	Beschreibung	Menge	Varianten
1	AP0827265	Ausgleichscheibe	1	
2	AP0227945	Paßscheibe 8,1/15	1	
3	AP0293690	Umlenk.Anlasser	1	
4	AP0265965	Lagerscheibe	1	
5	AP0293377	Stator	1	
6	AP0927571	Ausgleichscheibe D14	3	
7	AP0241591	Zyl.schraube	3	
8	AP0293367	Schwungradrotor	1	
9	AP0265987	Spule	1	
10	AP0964180	Kabel A.T.200 mm	1	
11	AP0260434	Schutzhuelse	1	
12	AP0866708	Widerstandsstecker schwarz	1	
13	AP0297830	Zündkerze BR10EG	1	
14	AP0945750	Federring Din a5	4	
15	AP0240150	TCEI Schraube M5x14	4	
16	AP0260840	Drahtabdeckgummi	1	
17	AP0945754	Federring Din A12	1	
18	AP0642051	Mutter M12x1	1	
19	AP0210340	Startergetriebedeckel	1	
20	AP0244930	Sprengscheibe	2	
21	AP0241930	TCEI Schraube M6x20	2	
22	AP0211050	Zuenderdeckel	1	
23	AP0840861	TCEI Schraube M6x25	4	
24	AP0293685	Startermotor	1	
25	AP0945751	Federring Din a6	2	
26	AP0241301	Schraube M6x90	2	
27	AP0897161	Molykote 111 100gr.	1	
28	AP0297386	Silastic 732 Rtv 100 gr.	1	

Einheit	MOTOR
Code	29.17
Beschreibung	Zündung
Inspektion	1



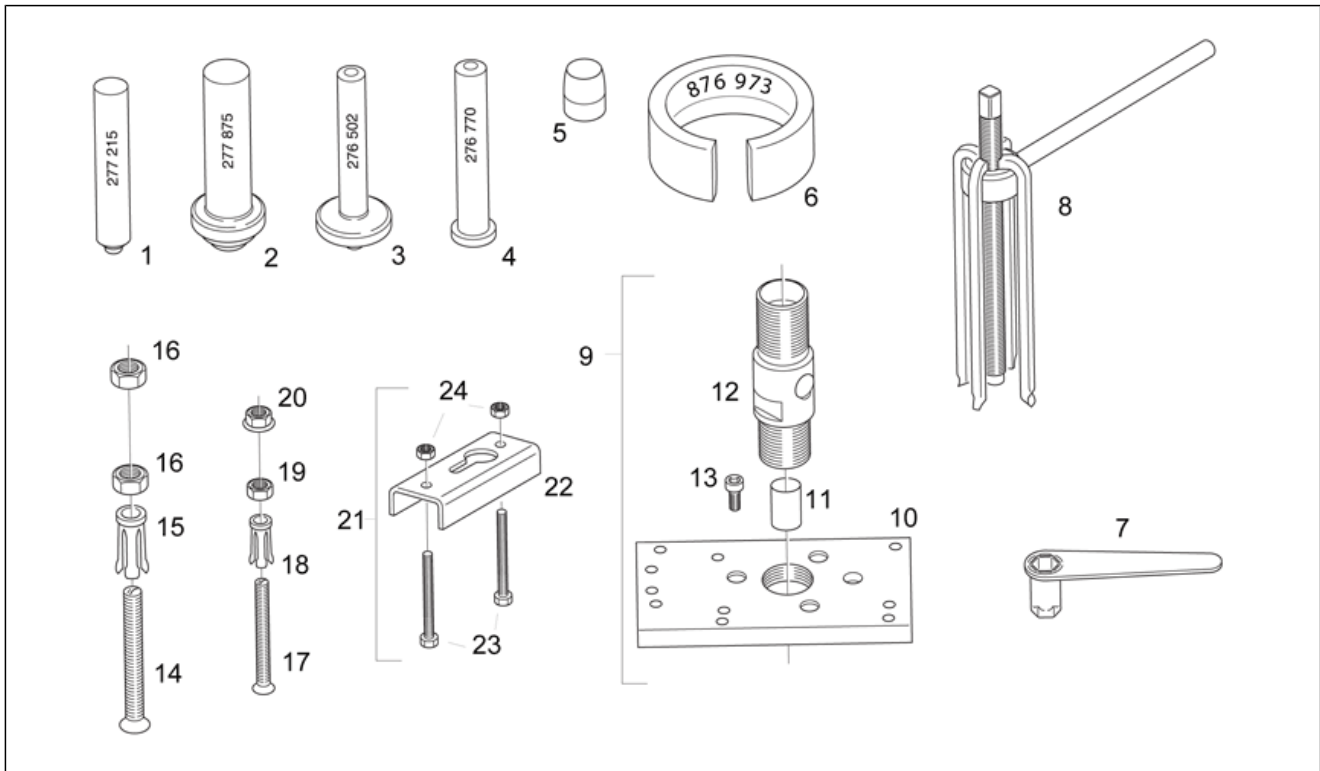
Pos.	Code	Beschreibung	Menge	Varianten
29	AP0899788	Loctite, grün 648 5gr.	1	
30	AP0899785	Loctite, violett 221 10cc.	1	
31	AP0294451	Schwungmagnetstarter	1	

Einheit	MOTOR
Code	29.18
Beschreibung	Startermotor
Inspektion	1



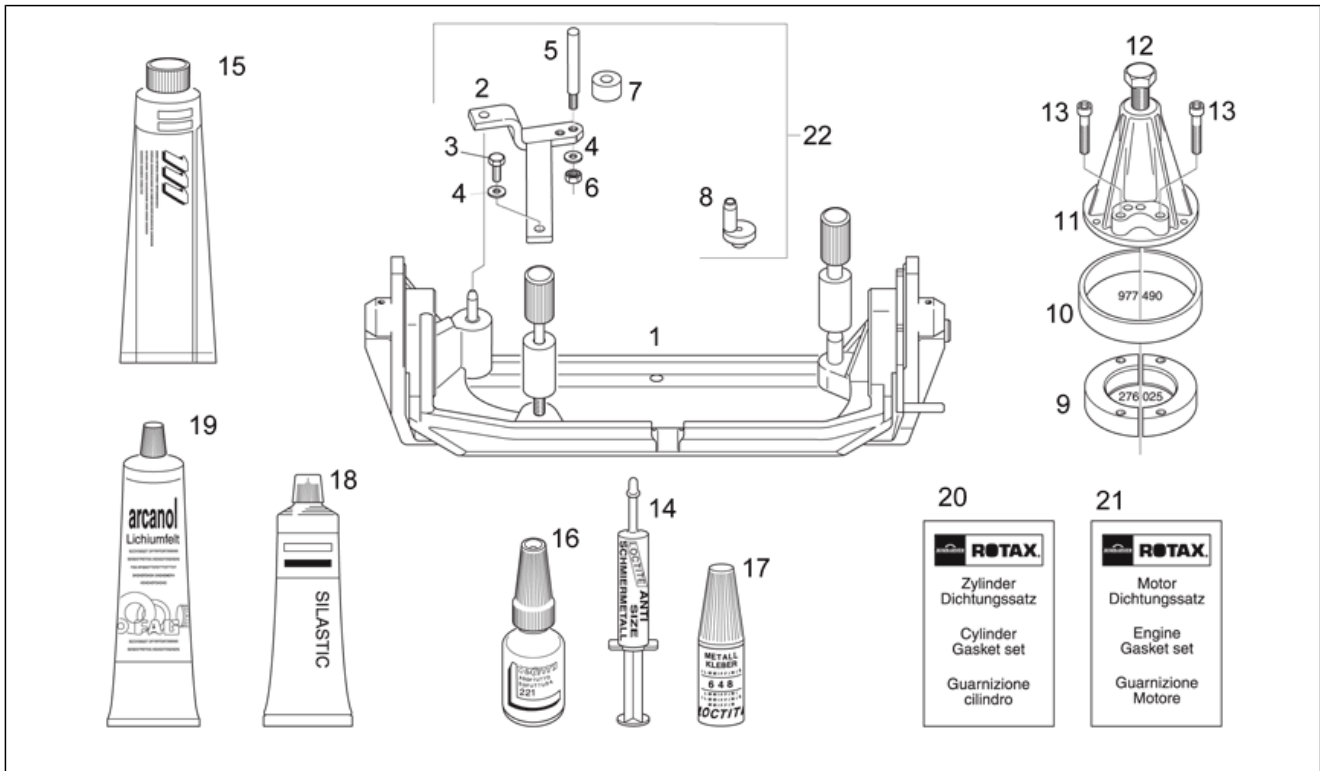
Pos.	Code	Beschreibung	Menge	Varianten
1	AP0264010	Halter	1	
2	AP0264030	Bürstenhalter komplett	1	
3	AP0264050	Rotor	1	
4	AP0232460	Nadelkaefig	1	
5	AP0250350	Ölabstreifring 16x23x3	1	
6	AP0264070	Schrauben-Serie	1	
7	AP0293890	Startergetriebe kpl.	1	
8	AP0264060	Feder-Scheibe-Ring	1	
9	AP0264040	Drosselspule	1	
10	AP0264045	Kohlebürste	4	
11	AP0241215	Schraube M4x10	3	
12	AP0945751	Federring Din a6	2	
13	AP0241301	Schraube M6x90	2	

Einheit	SPEZIALWERKZEUG
Code	31.19
Beschreibung	Reparaturwerkzeug I
Inspektion	1



Pos.	Code	Beschreibung	Menge	Varianten
1	AP0277850	Oil seal drift-balance shaft	1	
2	AP0277875	Einbaudorn kplt.	1	
3	AP0276502	Einbaudorn kplt.	1	
4	AP0276770	Einbaudorn kplt.	1	
5	AP0277970	Fuehrungshuelse	1	
6	AP0876973	Kolbenringspanner 54 MM	1	
7	AP0276040	Konterschluessel 11 MM	1	
8	AP0277180	Kugellagerabzieher-garnitur	1	
9	AP0277455	Abdruckplatte	1	
10	AP0277450	Abdruckplatte	1	
11	AP0277470	Schutzhuelse	1	
12	AP0277460	Ausziehbolzen	1	
13	AP0241236	TCEI Schraube M6x16	4	
14	AP0276380	Aufnahmebolzen	1	
15	AP0276370	Spreizhuelse	1	
16	AP0242090	Mutter	2	
17	AP0276382	Aufnahmebolzen	1	
18	AP0276372	Spreizhuelse	1	
19	AP0242206	Mutter M8	1	
20	AP0242700	Mutter M8	1	
21	AP0277445	Schieberauszieher kpl.	1	
22	AP0277440	Schieberauszieher kpl.	1	
23	AP0240860	Sechskantschraube M6x60	2	
24	AP0242211	Mutter M6	2	

Einheit	SPEZIALWERKZEUG
Code	31.20
Beschreibung	Reparaturwerkzeug II
Inspektion	1



Pos.	Code	Beschreibung	Menge	Varianten
1	AP0277917	Montagebock kpl.	1	
2	AP0277100	Adapter Kpl.	1	
3	AP0940590	Sechskantschraube M8x20	1	
4	AP0250311	Ausgleichscheibe 8,4	2	
5	AP0277110	Aufnahmebolzen	1	
6	AP0242206	Mutter M8	1	
7	AP0847160	Distanzscheibe 10,5/24/15	1	
8	AP0276662	Exzenterhuelse	1	
9	AP0276025	Halbring	2	
10	AP0977490	Ring	1	
11	AP0876298	Abzieher kplt	1	
12	AP0940755	Sechskantschraube M16x145	1	
13	AP0840681	TCEI Schraube M8x40	4	
14	AP0297431	Loctite Anti Seize 10 GR.	1	
15	AP0897161	Molykote 111 100gr.	1	
16	AP0899785	Loctite, violett 221 10cc.	1	
17	AP0899788	Loctite, grün 648 5gr.	1	
18	AP0297386	Silastic 732 Rtv 100 gr.	1	
19	AP0897330	Lithium-Fett 250gr.	1	
20	AP0293317	Zylinder Dichtung Satz	1	
21	AP0293312	Dichtungen - Satz	1	
22	AP0277107	Montagebockaufnahmesatz	1	