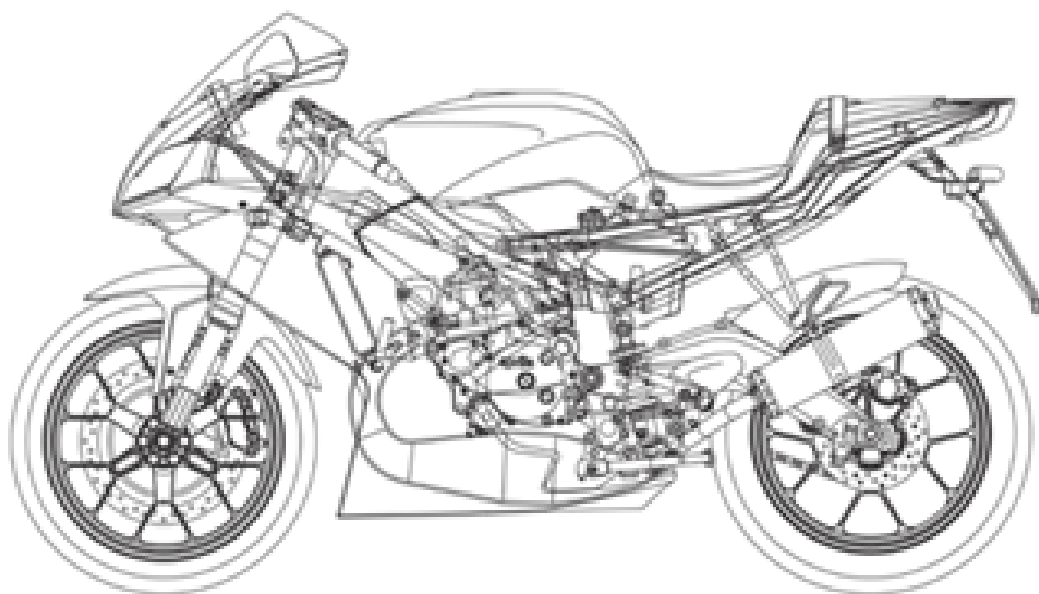


aprilia[®]

ERSATZTEILKATALOG



RS 125 2006-2010

Vorsatzcode Fahrgestell: ZD4PY, ZD4RD, ZD4RM
Vorsatzcode Motor:

Inhaltsverzeichnis

Fertige Produkte.....	4
Alphanumerisches Verzeichnis.....	5
RAHMEN.....	11
Tafel 28.01 - Rahmen.....	11
Tafel 28.02 - Hauptständer.....	12
Tafel 28.03 - Fußrasten Fahrer.....	13
Tafel 28.04 - Soziusrasten.....	14
Tafel 28.05 - Vorderradgabel.....	15
Tafel 28.06 - Schwinge.....	17
Tafel 28.07 - Hinterradaufhängung.....	18
Tafel 28.08 - Frontaufbau I.....	19
Tafel 28.09 - Frontaufbau II.....	26
Tafel 28.10 - Kraftstofftank.....	28
Tafel 28.11 - Mittlerer Aufbau.....	31
Tafel 28.12 - Sitzbankeinheit.....	40
Tafel 28.13 - Heckaufbau I.....	43
Tafel 28.14 - Heckaufbau II.....	47
Tafel 28.15 - Instrumententafel.....	49
Tafel 28.16 - Schaltungen rechts.....	50
Tafel 28.17 - Schaltungen links.....	51
Tafel 28.18 - Kühler.....	52
Tafel 28.19 - Filtergehäuse.....	53
Tafel 28.20 - Secondary air.....	54
Tafel 28.21 - Ölbehälter.....	55
Tafel 28.27 - Auslassgruppe.....	56
Tafel 28.28 - Vorderrad.....	59
Tafel 28.29 - Vorderradbremzange.....	61
Tafel 28.30 - Hinterrad.....	62
Tafel 28.31 - Hinterradbremspumpe.....	65
Tafel 28.32 - Hinterradbremzange.....	66
Tafel 28.33 - Lichter.....	67
Tafel 28.34 - Elektrische anlage I.....	69
Tafel 28.35 - Elektrische anlage II.....	70
Tafel 28.36 - Elektrische Anlage III.....	71
Tafel 28.37 - Bausatz Schlösser.....	74
Tafel 28.38 - Schilder und Anleit.....	75
Tafel 28.39 - Deko.....	77
MOTOR.....	79
Tafel 29.22 - Vergaser I.....	79
Tafel 29.23 - Vergaser II.....	82
Tafel 29.24 - Vergaser III.....	84
Tafel 29.25 - Vergaser IIII.....	85
Tafel 29.26 - Motor.....	87

Tafel 29.40 - Kurbelwellengehäuse.....	89
Tafel 29.41 - Wasserpumpenritzel.....	90
Tafel 29.42 - Kurbelwelle - Ausgl.rad.....	91
Tafel 29.43 - Zylind. - Kopf - Kolb.....	92
Tafel 29.44 - Vergaserstutzen.....	93
Tafel 29.45 - Zylinder -Entl.vent.....	94
Tafel 29.46 - Getriebe.....	96
Tafel 29.47 - Getriebebeschaltung.....	97
Tafel 29.48 - Kupplung.....	98
Tafel 29.49 - Kupplungsdeckel.....	99
Tafel 29.50 - Ölpumpe.....	100
Tafel 29.51 - Zündung.....	101

Fertige Produkte

Code	Gültigkeit
AP6112203AC800	
AP6112203AC804	
AP6112203AC805	
AP6112203AC806	
AP6112203EA800	
AP6112203EA801	
AP6112203EA804	
AP6112203EA805	
AP6112203EA806	
AP6112203EB800	
AP6112203EB804	
AP6112203EB805	
AP6112203EB806	
AP6112203EB807	
AP6112203EC800	
AP6112203EC804	
AP6112203EC805	
AP6112203EC806	
AP6112203EC807	
AP6112300YC900	
AP6112300YC904	
AP6112400EAA11	
AP6112400EAAXX	
AP6112400EBA11	
AP6112400EBAXX	

Code	Nr. der Tafel	Pos.	Code	Nr. der Tafel	Pos.	Code	Nr. der Tafel	Pos.
0000000	28.28	12	854549	29.25	7	AP0227945	29.49	6
0000000	28.30	5	854569	28.20	10	AP0227945	29.51	1
0000000	29.48	11	854888	28.02	11	AP0229280	29.41	4
099315	29.23	4	854963	28.06	22	AP0229380	29.40	2
099315	29.23	4	855799	28.35	15	AP0229380	29.41	11
129953	28.33	14	856102	29.25	7	AP0229390	29.47	6
252945	28.34	4	856103	29.25	3	AP0230195	29.41	2
252945	28.36	4	856244	28.28	3	AP0230425	29.40	10
252945	28.36	4	856384	28.15	1	AP0230810	29.45	6
254485	28.01	9	856494	28.39	6	AP0230880	29.45	5
254485	28.12	10	856494	28.39	6	AP0232150	29.49	2
254485	28.15	6	856494	28.39	6	AP0232275	29.40	4
288878	29.23	5	856920	28.15	10	AP0232291	29.40	8
288878	29.23	5	858201	28.27	1	AP0232291	29.42	10
290860	28.34	5	858201	28.27	1	AP0232341	29.42	12
290860	28.36	5	858204	29.25	1	AP0232402	29.47	2
290860	28.36	5	858206	29.26	1	AP0232742	29.46	2
318604	29.24	8	858207	28.27	1	AP0232742	29.48	1
495357	28.34	6	858633	28.39	6	AP0232765	29.40	12
495357	28.36	6	860304	28.39	6	AP0234415	29.41	7
495357	28.36	6	860741	29.25	4	AP0234431	29.42	7
581142	28.19	13	860957	28.39	6	AP0234858	29.46	12
584810	28.35	1	860974	28.33	8	AP0234968	29.46	9
599501	28.05	19	860975	28.33	9	AP0234984	29.46	11
599502	28.05	21	866346	28.01	17	AP0236061	29.46	19
599504	28.05	18	890288	29.25	7	AP0236062	29.46	19
624522	28.10	26	890510	29.25	8	AP0236063	29.46	19
813174	29.22	2	890627	28.15	1	AP0236064	29.46	19
813174	29.22	2	890792	29.25	1	AP0236065	29.46	19
851753	28.08	1	890921	28.27	1	AP0237912	29.41	3
851757	28.34	25	890989	28.36	1	AP0237948	29.42	11
851762	28.12	15	890990	28.02	22	AP0239052	29.45	8
851763	28.08	12	893081	29.25	4	AP0239241	29.47	15
851763	28.08	13	893766	29.25	9	AP0239252	29.47	19
851790	28.02	16	893925	29.25	10	AP0239625	29.48	7
852142	28.38	3	895054	28.39	6	AP0239907	29.49	7
852143	28.38	2	895896	28.38	2	AP0239950	29.43	11
852144	29.25	1	895897	29.25	1	AP0240081	29.45	18
852145	28.27	1	896825	28.39	6	AP0240195	29.43	13
852146	28.36	1	896826	28.39	6	AP0240351	29.44	5
852149	28.20	8	897899	28.39	6	AP0240820	29.49	13
852151	28.08	2	899770	28.05	1	AP0241236	29.45	23
852152	28.08	3	AP0210345	29.51	17	AP0241270	29.41	9
852154	29.26	1	AP0211403	29.49	1	AP0241381	29.40	18
852154	29.26	1	AP0211440	29.50	10	AP0241770	29.48	10
852200	28.33	5	AP0211455	29.51	18	AP0241782	29.49	16
852352	28.39	6	AP0215672	29.43	17	AP0241793	29.49	4
852745	28.19	2	AP0216139	29.43	18	AP0241801	29.49	14
853034	28.27	2	AP0220280	29.46	8	AP0241821	29.40	16
853034	28.27	2	AP0220295	29.47	18	AP0241821	29.47	16
853034	28.27	2	AP0220300	29.46	1	AP0241930	29.43	15
853034	28.27	2	AP0222122	29.43	9	AP0241930	29.45	12
853979	28.39	6	AP0222175	29.43	10	AP0242515	29.42	5
854014	28.38	1	AP0222182	29.41	1	AP0242515	29.51	8
854015	28.38	1	AP0222195	29.41	6	AP0242706	29.45	13
854089	28.38	1	AP0222202	29.43	12	AP0244100	29.46	14
854531	29.26	27	AP0223385	29.43	4	AP0245570	29.47	10
854532	29.22	1	AP0223614	29.43	2	AP0245650	29.42	9
854540	29.25	2	AP0223614	29.45	2	AP0245650	29.46	18
854541	29.25	3	AP0224067	29.45	17	AP0245730	29.46	4
854541	29.25	3	AP0224260	29.40	3	AP0245790	29.47	3
854543	29.25	5	AP0224389	29.44	2	AP0246570	29.42	8
854543	29.25	5	AP0224430	29.44	3	AP0247555	29.40	7
854543	29.25	5	AP0227280	29.42	13	AP0248326	29.47	13
854544	29.25	6	AP0227430	29.46	16	AP0250160	29.43	3
854544	29.25	6	AP0227451	29.47	22	AP0250206	29.49	10
854544	29.25	6	AP0227710	29.47	14	AP0250271	29.45	15

Code	Nr. der Tafel	Pos.	Code	Nr. der Tafel	Pos.	Code	Nr. der Tafel	Pos.
AP0250280	29.43	14	AP0430782	29.43	7	AP8101573	28.10	7
AP0250455	29.49	9	AP0440113	29.44	10	AP8101586	28.20	5
AP0250521	29.44	1	AP0613101	29.43	8	AP8101743	28.18	15
AP0250641	29.49	15	AP0632010	29.40	5	AP8101743	28.21	8
AP0250890	29.49	12	AP0632060	29.47	4	AP8101861	28.04	9
AP0250890	29.50	7	AP0634035	29.41	10	AP8101890	28.10	25
AP0250975	29.45	7	AP0634065	29.46	15	AP8101910	28.18	2
AP0251080	29.50	4	AP0634085	29.46	7	AP8101912	28.18	1
AP0251850	29.44	8	AP0634095	29.46	5	AP8101916	28.18	5
AP0253373	29.45	19	AP0634105	29.46	6	AP8101924	28.18	4
AP0253465	29.45	4	AP0634115	29.46	10	AP8101927	28.18	19
AP0253500	29.45	20	AP0634125	29.46	3	AP8101944	28.21	6
AP0253722	29.45	3	AP0634135	29.46	13	AP8102080	28.19	4
AP0256037	29.50	5	AP0640190	29.40	17	AP8102112	28.18	8
AP0256408	29.50	2	AP0650095	29.43	1	AP8102118	28.18	9
AP0256410	29.50	3	AP0650095	29.45	1	AP8102223	28.21	5
AP0258118	29.47	8	AP0650096	29.43	1	AP8102224	28.21	4
AP0258128	29.47	7	AP0650096	29.45	1	AP8102341	28.08	6
AP0258138	29.47	5	AP0650097	29.43	1	AP8102375	28.01	10
AP0258200	29.47	9	AP0650097	29.45	1	AP8102375	28.09	9
AP0258305	29.47	1	AP0650131	29.40	14	AP8102375	28.11	10
AP0259053	29.48	4	AP0827261	29.47	21	AP8102375	28.13	8
AP0259165	29.48	8	AP0827305	29.47	11	AP8102375	28.14	17
AP0259325	29.49	3	AP0827307	29.47	17	AP8102375	28.14	17
AP0259420	29.48	9	AP0827590	29.41	5	AP8102375	28.21	11
AP0259470	29.48	6	AP0827961	29.45	21	AP8102375	28.33	7
AP0259559	29.48	5	AP0832533	29.42	2	AP8102381	28.33	10
AP0259570	29.48	3	AP0840510	29.50	8	AP8102401	28.19	9
AP0260030	29.50	6	AP0840511	29.50	11	AP8102432	28.27	12
AP0260840	29.51	10	AP0840861	29.44	7	AP8102502	28.12	4
AP0265157	29.51	5	AP0840861	29.45	22	AP8102524	28.02	5
AP0265402	29.51	11	AP0840880	29.47	12	AP8102632	28.08	2
AP0265405	29.51	11	AP0840880	29.49	11	AP8102632	28.08	2
AP0265415	29.51	12	AP0840880	29.51	6	AP8102633	28.08	3
AP0267918	29.44	6	AP0841685	29.49	8	AP8102633	28.08	3
AP0273970	29.45	16	AP0845020	29.45	11	AP8102670	28.19	8
AP0281210	29.46	21	AP0853845	29.50	9	AP8102704	28.18	11
AP0293314	29.40	22	AP0860460	29.45	10	AP8102798	28.01	13
AP0293318	29.40	21	AP0866708	29.51	13	AP8102909	28.08	5
AP0293417	29.41	13	AP0897161	29.41	12	AP8102913	28.37	7
AP0294735	29.50	1	AP0897161	29.51	21	AP8102950	28.37	14
AP0294744	29.43	16	AP0899785	29.42	15	AP8104474	28.27	6
AP0294745	29.43	16	AP0899785	29.50	12	AP8104597	28.05	5
AP0294753	29.43	16	AP0899785	29.51	19	AP8104708	28.37	3
AP0294754	29.43	16	AP0899788	29.40	19	AP8104710	28.37	4
AP0294800	29.51	15	AP0899788	29.42	19	AP8104745	28.20	1
AP0294810	29.51	2	AP0899788	29.44	9	AP8104916	28.37	1
AP0295365	29.51	20	AP0899788	29.45	24	AP8104917	28.38	1
AP0295375	29.42	1	AP0899788	29.51	16	AP8104934	28.38	1
AP0295379	29.42	17	AP0924150	29.40	6	AP8104935	28.38	1
AP0295406	29.48	2	AP0930675	29.40	11	AP8104995	28.37	5
AP0295670	29.51	3	AP0932028	29.42	16	AP8104997	28.16	8
AP0295677	29.51	4	AP0932032	29.40	9	AP8104998	28.31	2
AP0296199	29.40	1	AP0940315	29.42	14	AP8106013	29.26	4
AP0297386	29.40	20	AP0940487	29.43	6	AP8106013	29.26	4
AP0297386	29.51	22	AP0940786	29.40	13	AP8106013	29.26	4
AP0297434	29.42	18	AP0941925	29.51	9	AP8106696	29.24	1
AP0297434	29.45	14	AP0942671	29.49	5	AP8106697	29.22	9
AP0297434	29.46	20	AP0945635	29.43	19	AP8106697	29.22	9
AP0297746	29.45	9	AP0945752	29.43	5	AP8106722	29.23	9
AP0297830	29.51	14	AP0945754	29.42	4	AP8106722	29.23	9
AP0427590	29.42	3	AP0945754	29.51	7	AP8106723	29.23	8
AP0427591	29.42	3	AP0945758	29.44	4	AP8106723	29.23	8
AP0427690	29.47	20	AP0950141	29.40	15	AP8106724	29.24	1
AP0430060	29.41	8	AP8101271	28.05	9	AP8106728	29.24	4
AP0430460	29.42	6	AP8101285	28.27	3	AP8106729	29.23	9
AP0430460	29.46	17	AP8101341	28.06	3	AP8106729	29.23	9

Code	Nr. der Tafel	Pos.	Code	Nr. der Tafel	Pos.	Code	Nr. der Tafel	Pos.
AP8106778	29.22	9	AP8113004	28.32	4	AP8120816	28.34	16
AP8106779	29.22	8	AP8114272	28.16	14	AP8120869	28.10	14
AP8106779	29.22	8	AP8114320	28.16	6	AP8120910	28.04	6
AP8106780	29.24	2	AP8114331	28.17	8	AP8120912	29.26	8
AP8106782	29.24	7	AP8114332	28.16	13	AP8120937	28.12	14
AP8106783	29.22	4	AP8114467	28.17	7	AP8120937	28.13	10
AP8106783	29.22	4	AP8117073	28.10	24	AP8120946	28.18	7
AP8106784	29.22	10	AP8117111	28.19	7	AP8120997	28.19	1
AP8106784	29.22	10	AP8117269	28.11	13	AP8121014	28.02	6
AP8106785	29.22	5	AP8117270	28.11	14	AP8121058	28.27	10
AP8106785	29.22	5	AP8117271	28.11	12	AP8121091	28.27	4
AP8106786	29.22	6	AP8117272	28.11	11	AP8121114	28.10	10
AP8106786	29.22	6	AP8118287	28.16	3	AP8121118	28.31	10
AP8106787	29.23	6	AP8118287	28.17	3	AP8121121	28.06	5
AP8106787	29.23	6	AP8118307	28.16	7	AP8121133	28.04	8
AP8106788	29.23	7	AP8118308	28.17	9	AP8121134	28.03	7
AP8106788	29.23	7	AP8118516	28.34	18	AP8121147	28.31	12
AP8106790	29.23	1	AP8118716	28.17	1	AP8121147	29.26	21
AP8106790	29.23	1	AP8118727	28.17	2	AP8121151	28.01	11
AP8106791	29.24	6	AP8118728	28.17	4	AP8121151	28.07	21
AP8106792	29.24	5	AP8118729	28.16	19	AP8121155	28.01	12
AP8106793	29.24	3	AP8118729	28.17	12	AP8121155	28.07	22
AP8106794	29.23	3	AP8118730	28.16	5	AP8121156	28.06	21
AP8106794	29.23	3	AP8118731	28.16	10	AP8121163	29.26	7
AP8106795	29.23	2	AP8119745	28.27	2	AP8121184	28.08	8
AP8106795	29.23	2	AP8119751	28.27	1	AP8121284	28.31	11
AP8106796	29.22	11	AP8119833	28.27	1	AP8121284	29.26	9
AP8106796	29.22	11	AP8119869	28.27	2	AP8121324	28.10	8
AP8106796	29.23	10	AP8119880	28.27	1	AP8121566	28.03	14
AP8106796	29.23	10	AP8119880	28.27	1	AP8121581	28.06	20
AP8106796	29.24	9	AP8119881	28.27	12	AP8121672	28.03	12
AP8106950	29.26	1	AP8119889	28.27	1	AP8121697	28.06	14
AP8106950	29.26	1	AP8120001	28.12	7	AP8121697	28.07	14
AP8107110	28.30	3	AP8120030	28.13	9	AP8121697	28.31	19
AP8107135	28.30	16	AP8120030	28.18	13	AP8121697	29.26	24
AP8107165	28.30	11	AP8120030	28.35	6	AP8121728	28.03	18
AP8107165	28.30	11	AP8120177	28.14	7	AP8121731	28.35	8
AP8107166	28.30	19	AP8120271	28.17	14	AP8121736	28.35	17
AP8107171	29.26	2	AP8120275	29.26	25	AP8121764	28.01	14
AP8110024	28.05	8	AP8120280	28.06	7	AP8121764	28.35	13
AP8110025	28.05	7	AP8120405	28.35	20	AP8121795	28.11	9
AP8110053	29.26	6	AP8120405	29.26	26	AP8121819	28.10	13
AP8110063	28.07	17	AP8120422	28.32	12	AP8121835	28.31	9
AP8110064	28.07	16	AP8120485	28.07	12	AP8121845	28.07	19
AP8110067	28.06	4	AP8120531	28.01	8	AP8121846	28.07	18
AP8110068	28.07	13	AP8120531	28.06	15	AP8121847	28.07	20
AP8110107	28.28	5	AP8120536	28.18	20	AP8121852	28.06	25
AP8110107	28.30	7	AP8120557	28.10	9	AP8121890	28.30	22
AP8110109	28.28	6	AP8120568	28.03	13	AP8121939	28.03	8
AP8112458	28.35	9	AP8120569	28.03	11	AP8121940	28.03	9
AP8112460	28.34	17	AP8120582	28.35	7	AP8121999	28.02	3
AP8112460	28.36	16	AP8120670	28.01	5	AP8123199	28.05	20
AP8112460	28.36	16	AP8120708	29.26	3	AP8123346	28.05	13
AP8112567	28.34	15	AP8120709	28.10	4	AP8123355	28.05	16
AP8112568	28.34	22	AP8120748	28.19	1	AP8123357	28.05	15
AP8112906	28.34	2	AP8120754	28.34	8	AP8123441	28.05	14
AP8112906	28.36	2	AP8120754	28.36	8	AP8123689	28.05	17
AP8112906	28.36	2	AP8120754	28.36	8	AP8123691	28.05	22
AP8112916	28.14	8	AP8120786	28.18	10	AP8123853	28.07	1
AP8112942	28.34	7	AP8120787	28.18	3	AP8123878	28.05	12
AP8112942	28.36	7	AP8120790	28.18	6	AP8123879	28.05	10
AP8112942	28.36	7	AP8120793	28.06	9	AP8124117	28.35	4
AP8113003	28.16	17	AP8120794	28.06	10	AP8124119	28.34	13
AP8113003	28.32	5	AP8120806	28.06	23	AP8124119	28.36	13
AP8113004	28.16	18	AP8120807	28.06	24	AP8124119	28.36	13
AP8113004	28.29	4	AP8120810	28.19	6	AP8124152	28.17	11
AP8113004	28.31	5	AP8120812	28.27	18	AP8124437	28.10	18

Code	Nr. der Tafel	Pos.
AP8124479	28.31	4
AP8124487	28.34	20
AP8124487	28.36	15
AP8124487	28.36	15
AP8124914	28.16	4
AP8124915	28.17	10
AP8124943	28.34	24
AP8124976	28.14	19
AP8125418	28.28	11
AP8125627	28.06	2
AP8125645	28.30	6
AP8125687	28.28	10
AP8125763	28.06	26
AP8125763	28.28	11
AP8125841	28.30	13
AP8125841	28.30	8
AP8125842	28.28	7
AP8125842	28.30	9
AP8125869	28.30	12
AP8125890	28.28	3
AP8125950	28.30	1
AP8125951	28.30	2
AP8125962	28.30	11
AP8125962	28.30	11
AP8125962	28.30	11
AP8125962	28.30	11
AP8126115	28.14	2
AP8127098	28.14	13
AP8127305	28.16	11
AP8127309	28.36	3
AP8127309	28.36	3
AP8127391	28.34	3
AP8127656	28.33	8
AP8127657	28.33	9
AP8127668	28.32	1
AP8127745	28.34	1
AP8127745	28.36	1
AP8127746	28.33	6
AP8127748	28.33	1
AP8127750	28.33	2
AP8127847	28.34	10
AP8127847	28.36	10
AP8127847	28.36	10
AP8127856	28.02	13
AP8127916	28.19	13
AP8128143	28.28	13
AP8128143	28.28	13
AP8128145	28.30	10
AP8128145	28.30	10
AP8128212	28.28	13
AP8128212	28.28	13
AP8128212	28.28	13
AP8128212	28.28	13
AP8128214	28.30	10
AP8128214	28.30	10
AP8128214	28.30	10
AP8128214	28.30	10
AP8128240	28.28	13
AP8128242	28.30	10
AP8128244	28.30	11
AP8129456	28.12	1
AP8129457	28.12	2
AP8129457	28.12	2
AP8129457	28.12	2
AP8129458	28.12	3

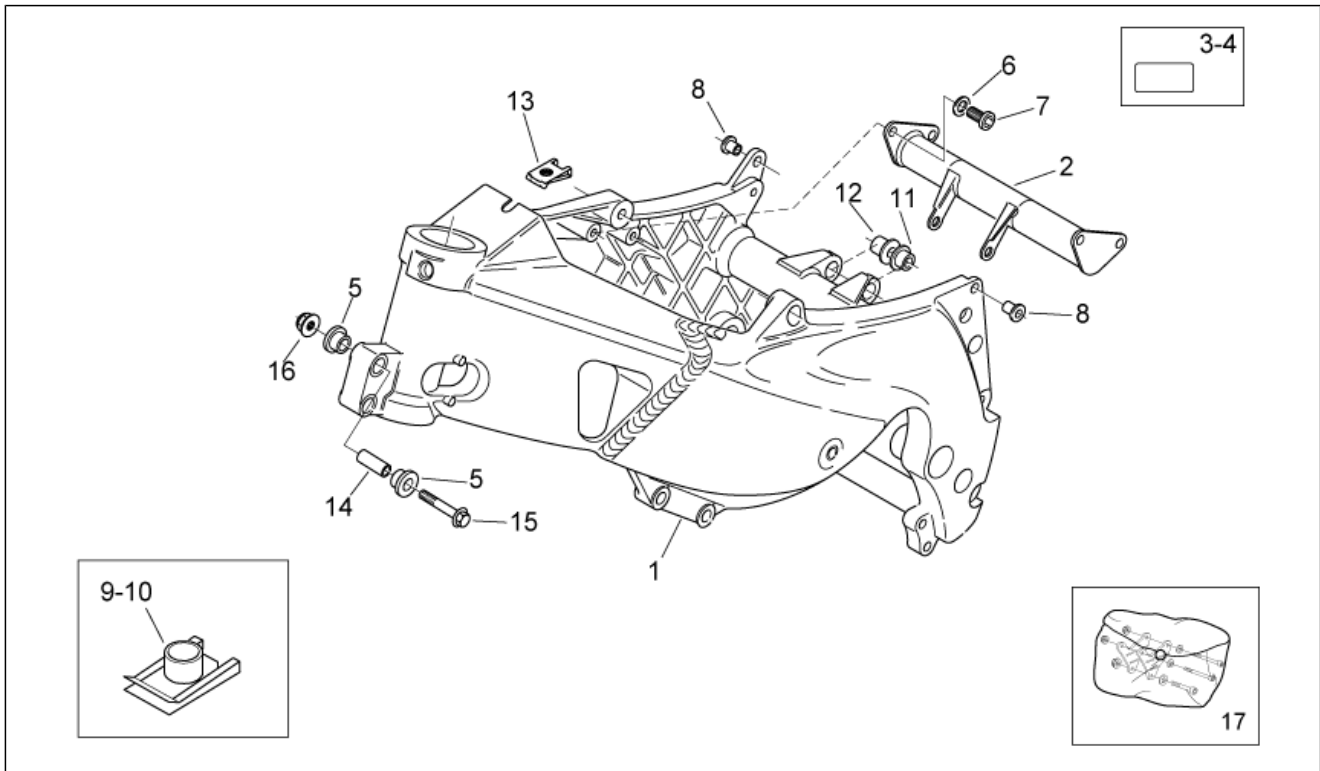
Code	Nr. der Tafel	Pos.
AP8129458	28.12	3
AP8129458	28.12	3
AP8129458	28.12	3
AP8129493	28.12	1
AP8129493	28.12	1
AP8129493	28.12	1
AP8129493	28.12	1
AP8129494	28.12	2
AP8129494	28.12	2
AP8129495	28.12	3
AP8129522	28.12	1
AP8129523	28.12	2
AP8129524	28.12	2
AP8131121	28.19	3
AP8131256	28.35	2
AP8131623	28.06	8
AP8132634	28.07	2
AP8132635	28.31	8
AP8132720	28.04	4
AP8132812	28.04	5
AP8132869	28.35	19
AP8133781	28.28	1
AP8133838	28.16	12
AP8133841	28.29	1
AP8133843	28.31	1
AP8133845	28.32	6
AP8133884	28.31	3
AP8133884	28.32	11
AP8133885	28.16	16
AP8133885	28.29	2
AP8133943	28.29	7
AP8133944	28.29	6
AP8133945	28.29	5
AP8133946	28.32	7
AP8133947	28.32	9
AP8133948	28.32	8
AP8134243	28.03	6
AP8134348	28.35	3
AP8134437	28.14	5
AP8134829	28.04	3
AP8134949	28.37	6
AP8135289	28.27	5
AP8135313	28.03	5
AP8135362	28.07	3
AP8135396	28.06	13
AP8135448	28.35	5
AP8135718	28.01	2
AP8135719	29.26	11
AP8135720	29.26	12
AP8135726	29.26	10
AP8135786	29.26	13
AP8135787	29.26	14
AP8135961	28.06	1
AP8140710	28.37	2
AP8141132	28.20	11
AP8144159	28.10	6
AP8144177	28.10	23
AP8144529	28.33	17
AP8144564	28.08	11
AP8144565	28.08	7
AP8144670	28.20	2
AP8144671	28.20	3
AP8144672	28.20	4
AP8144686	28.30	15
AP8145001	28.04	11
AP8145003	28.15	5
AP8145056	28.02	19

Code	Nr. der Tafel	Pos.
AP8145057	28.02	9
AP8145067	28.01	1
AP8146087	28.02	9
AP8146088	28.02	10
AP8146162	28.18	12
AP8146373	28.03	4
AP8146374	28.03	3
AP8146608	28.27	5
AP8150013	28.35	18
AP8150014	28.03	17
AP8150014	28.10	21
AP8150015	28.02	2
AP8150017	28.01	6
AP8150017	28.02	21
AP8150017	28.27	16
AP8150017	28.31	16
AP8150017	28.33	12
AP8150019	28.03	22
AP8150020	28.07	6
AP8150026	28.18	18
AP8150026	28.31	6
AP8150026	29.26	23
AP8150044	29.26	18
AP8150049	28.16	9
AP8150049	28.17	13
AP8150050	28.10	17
AP8150050	28.37	8
AP8150107	28.03	23
AP8150158	28.08	14
AP8150158	28.14	16
AP8150169	28.01	7
AP8150170	28.04	12
AP8150176	28.02	14
AP8150177	28.02	15
AP8150179	28.14	11
AP8150202	28.10	12
AP8150204	28.14	9
AP8150208	28.28	10
AP8150211	28.37	13
AP8150220	28.05	25
AP8150220	28.37	12
AP8150221	28.03	21
AP8150236	28.02	20
AP8150236	28.05	26
AP8150248	28.10	19
AP8150277	28.27	15
AP8150280	28.33	12
AP8150287	28.07	4
AP8150297	28.06	19
AP8150299	28.06	6
AP8150310	28.07	9
AP8150310	29.26	17
AP8150311	28.02	17
AP8150314	28.10	20
AP8150324	28.16	2
AP8150324	28.17	6
AP8150336	28.07	10
AP8150346	28.07	11
AP8150349	28.37	10
AP8150351	28.27	9
AP8150362	28.14	14
AP8150376	28.27	8
AP8150382	28.15	2
AP8150412	29.26	15
AP8150413	28.08	10
AP8150413	28.14	6
AP8150426	28.18	22

Code	Nr. der Tafel	Pos.	Code	Nr. der Tafel	Pos.	Code	Nr. der Tafel	Pos.
AP8150430	28.03	16	AP8152298	28.11	8	AP8176043	29.22	8
AP8150430	28.31	14	AP8152298	28.13	6	AP8176043	29.22	8
AP8150430	28.37	18	AP8152298	28.14	15	AP8176045	29.26	1
AP8150430	29.26	19	AP8152298	28.14	15	AP8176132	29.24	4
AP8150431	28.04	13	AP8152298	28.21	10	AP8176132	29.25	4
AP8150431	28.07	8	AP8152298	28.33	11	AP8176198	29.22	1
AP8150431	28.27	11	AP8152299	28.01	16	AP8176207	29.22	1
AP8150431	28.31	15	AP8152299	28.10	22	AP8176207	29.22	1
AP8150432	28.07	15	AP8152299	28.12	9	AP8177979	28.06	27
AP8150436	28.31	18	AP8152299	28.15	8	AP8178561	28.19	5
AP8150436	29.26	16	AP8152299	28.19	12	AP8179173	28.03	1
AP8150444	28.13	7	AP8152299	28.27	17	AP8179174	28.04	1
AP8150450	28.11	7	AP8152299	28.31	21	AP8179175	28.04	2
AP8150450	28.19	10	AP8152299	28.34	19	AP8179179	28.10	1
AP8150451	28.06	18	AP8152299	28.37	17	AP8179182	28.09	3
AP8150468	28.30	23	AP8152300	28.02	8	AP8179183	28.08	1
AP8150509	28.14	18	AP8152300	28.03	20	AP8179184	28.09	1
AP8150509	28.15	3	AP8152300	28.04	14	AP8179185	28.09	2
AP8150523	28.37	9	AP8152300	28.27	7	AP8179186	28.12	12
AP8150525	28.37	15	AP8152301	28.07	5	AP8179188	28.08	12
AP8152001	28.02	7	AP8152306	28.10	15	AP8179188	28.08	12
AP8152111	28.07	7	AP8152306	28.33	13	AP8179189	28.08	13
AP8152112	28.27	13	AP8152339	28.03	19	AP8179189	28.08	13
AP8152138	29.26	22	AP8152351	28.09	6	AP8179190	28.11	3
AP8152153	28.10	5	AP8152409	28.03	10	AP8179191	28.11	4
AP8152176	28.31	17	AP8152409	28.04	7	AP8179192	28.11	5
AP8152184	28.18	14	AP8152414	28.29	3	AP8179193	28.11	6
AP8152246	28.08	9	AP8152473	28.30	20	AP8179194	28.11	2
AP8152246	28.12	11	AP8154015	28.32	3	AP8179195	28.11	1
AP8152246	28.15	7	AP8154016	28.27	14	AP8179196	28.13	1
AP8152261	28.06	11	AP8156209	28.09	4	AP8179197	28.13	3
AP8152262	28.06	12	AP8156253	28.14	10	AP8179198	28.14	3
AP8152262	28.33	13	AP8156257	28.09	4	AP8179199	28.14	1
AP8152267	28.06	16	AP8156273	28.09	4	AP8179200	28.13	2
AP8152268	28.06	17	AP8156289	28.09	4	AP8179201	28.12	5
AP8152277	28.16	15	AP8156289	28.09	4	AP8179202	28.14	4
AP8152277	28.18	21	AP8156289	28.09	4	AP8179269	28.13	4
AP8152277	28.20	6	AP8156351	28.09	4	AP8179270	28.09	5
AP8152277	28.35	16	AP8156351	28.09	4	AP8179271	28.33	15
AP8152278	28.09	7	AP8156377	28.09	4	AP8179288	28.12	13
AP8152278	28.12	8	AP8156386	28.09	4	AP8179343	28.10	16
AP8152278	28.14	12	AP8156387	28.09	4	AP8179344	28.03	2
AP8152278	28.18	17	AP8156388	28.09	4	AP8179394	28.10	2
AP8152278	28.20	7	AP8157086	28.01	3	AP8179395	28.21	1
AP8152278	28.31	20	AP8157087	28.01	4	AP8179520	28.10	1
AP8152278	28.32	2	AP8157098	28.39	6	AP8179521	28.11	1
AP8152278	28.35	10	AP8157770	28.05	27	AP8179522	28.11	2
AP8152278	28.37	11	AP8161057	28.16	1	AP8179527	28.08	12
AP8152279	28.02	1	AP8161057	28.17	5	AP8179528	28.08	13
AP8152279	28.19	11	AP8161079	28.30	14	AP8179682	28.11	1
AP8152279	28.34	21	AP8161080	28.28	4	AP8179683	28.11	2
AP8152279	29.26	20	AP8161129	28.05	3	AP8179685	28.10	1
AP8152280	28.04	15	AP8161140	28.28	8	AP8179686	28.13	3
AP8152280	28.31	13	AP8161197	28.11	15	AP8179687	28.13	4
AP8152281	28.20	9	AP8161205	28.35	21	AP8179689	28.08	4
AP8152282	28.03	15	AP8163385	28.05	25	AP8179709	28.08	1
AP8152284	28.01	15	AP8163511	28.05	1	AP8179726	28.11	3
AP8152284	28.15	9	AP8163566	28.05	23	AP8179727	28.11	4
AP8152284	28.35	11	AP8163567	28.05	24	AP8179915	28.10	1
AP8152285	28.34	14	AP8163584	28.05	2	AP8179915	28.10	1
AP8152285	28.36	14	AP8166478	28.39	5	AP8179915	28.10	1
AP8152285	28.36	14	AP8166988	28.38	5	AP8179916	28.08	1
AP8152286	28.28	9	AP8166991	28.38	3	AP8179917	28.11	1
AP8152287	28.04	10	AP8166992	28.38	2	AP8179917	28.11	1
AP8152287	28.32	10	AP8168042	28.19	2	AP8179917	28.11	1
AP8152289	28.02	12	AP8168042	28.19	2	AP8179918	28.11	2
AP8152298	28.09	8	AP8176042	29.25	4	AP8179918	28.11	2

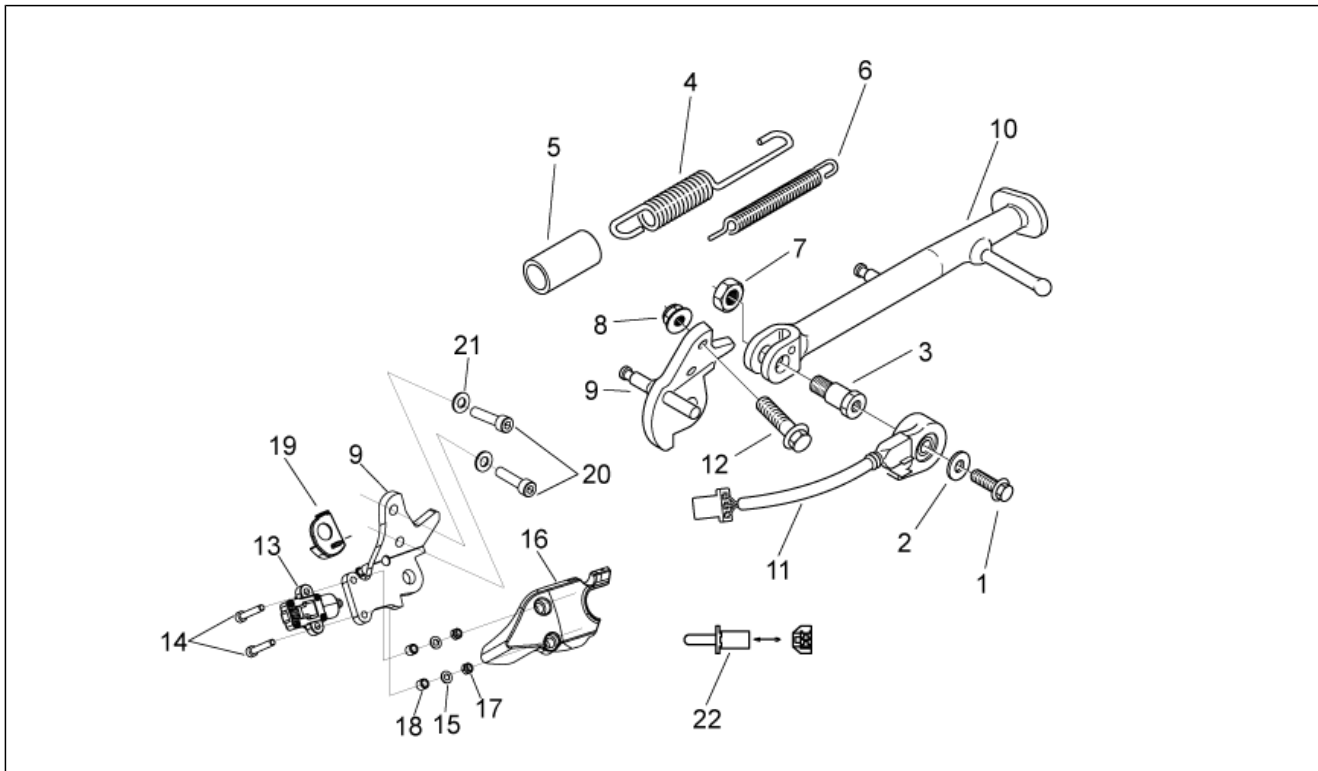
Code	Nr. der Tafel	Pos.	Code	Nr. der Tafel	Pos.	Code	Nr. der Tafel	Pos.
AP8179918	28.11	2	AP8184772	28.11	2	AP8220384	28.21	9
AP8179919	28.11	3	AP8184775	28.11	2	AP8220421	28.21	3
AP8179919	28.11	3	AP8184776	28.11	1	AP8220546	28.34	11
AP8179919	28.11	3	AP8184790	28.08	12	AP8220546	28.36	11
AP8179920	28.11	4	AP8184790	28.08	12	AP8220546	28.36	11
AP8179920	28.11	4	AP8184791	28.08	13	AP8221007	28.35	12
AP8179920	28.11	4	AP8184791	28.08	13	AP8221036	28.02	18
AP8179921	28.13	3	AP8184857	28.10	1	AP8221106	28.10	11
AP8179922	28.13	4	AP8184858	28.08	1	AP8221129	28.37	16
AP8179923	28.08	12	AP8184859	28.11	1	AP8221197	28.02	4
AP8179923	28.08	12	AP8184860	28.11	2	AP8222631	29.22	3
AP8179923	28.08	12	AP8184861	28.11	3	AP8222631	29.22	3
AP8179924	28.08	13	AP8184862	28.11	4	AP8222674	29.22	7
AP8179924	28.08	13	AP8184863	28.13	3	AP8222674	29.22	7
AP8179924	28.08	13	AP8184864	28.13	4	AP8224026	28.34	12
AP8179925	28.08	4	AP8184865	28.08	12	AP8224026	28.36	12
AP8179926	28.08	4	AP8184866	28.08	13	AP8224026	28.36	12
AP8184607	28.10	1	AP8184867	28.08	4	AP8224170	28.34	23
AP8184607	28.10	1	AP8184869	28.13	1	AP8224656	28.33	3
AP8184608	28.08	1	AP8184870	28.13	2	AP8224657	28.33	4
AP8184609	28.11	1	AP8184885	28.10	1	AP8224666	28.33	6
AP8184610	28.11	2	AP8184886	28.08	1	AP8226929	28.09	4
AP8184611	28.11	3	AP8184887	28.11	1	AP8232838	29.26	4
AP8184611	28.11	3	AP8184888	28.11	2	AP8268733	28.08	1
AP8184612	28.11	4	AP8184889	28.11	3	AP8268733	28.08	1
AP8184612	28.11	4	AP8184890	28.11	4	AP8268734	28.13	3
AP8184613	28.13	3	AP8184891	28.13	3	AP8268734	28.13	3
AP8184613	28.13	3	AP8184892	28.13	4	AP8268735	28.13	4
AP8184614	28.13	4	AP8184895	28.10	1	AP8268735	28.13	4
AP8184614	28.13	4	AP8184896	28.08	1	AP8268736	28.08	4
AP8184615	28.08	12	AP8184897	28.11	1	AP8268737	28.08	4
AP8184616	28.08	13	AP8184898	28.11	2	AP8269328	28.10	1
AP8184717	28.08	4	AP8184899	28.13	3	AP8269329	28.08	1
AP8184717	28.08	4	AP8184900	28.13	4	AP8269330	28.11	1
AP8184717	28.08	4	AP8184901	28.08	12	AP8269331	28.11	2
AP8184718	28.08	4	AP8184902	28.08	13	AP8269332	28.11	3
AP8184721	28.10	1	AP8187001	28.39	1	AP8269333	28.11	4
AP8184721	28.10	1	AP8187002	28.39	1	AP8269334	28.13	3
AP8184722	28.08	1	AP8187003	28.39	2	AP8269335	28.13	4
AP8184723	28.11	1	AP8187004	28.39	2	AP8269336	28.08	12
AP8184724	28.11	2	AP8187005	28.39	3	AP8269337	28.08	13
AP8184725	28.13	3	AP8187006	28.39	3	AP8269338	28.08	4
AP8184725	28.13	3	AP8187007	28.39	4	AP8269339	28.08	4
AP8184726	28.13	4	AP8187014	28.38	3	AP8705021	28.30	21
AP8184726	28.13	4	AP8187015	28.38	4	AP9100976	28.33	16
AP8184744	28.10	1	AP8201169	28.18	16	B044051	28.05	14
AP8184745	28.08	1	AP8201192	28.21	2	B044052	28.05	15
AP8184746	28.11	1	AP8201225	28.21	7	B044053	28.05	17
AP8184747	28.11	2	AP8201546	28.28	2	B044054	28.05	18
AP8184748	28.11	3	AP8201546	28.30	4	B044055	28.05	19
AP8184749	28.11	4	AP8201755	28.04	16	B044056	28.05	20
AP8184750	28.13	3	AP8201824	28.10	3	B044057	28.05	21
AP8184751	28.13	4	AP8202449	28.13	5	B044701	28.05	24
AP8184752	28.08	4	AP8203550	28.05	6	B044702	28.05	23
AP8184753	28.08	4	AP8203570	28.05	11	B044703	28.05	16
AP8184762	28.14	1	AP8203588	28.05	4	B044704	28.05	13
AP8184763	28.11	1	AP8206873	29.51	14	B044705	28.05	10
AP8184763	28.11	1	AP8210007	28.31	7	B044706	28.05	4
AP8184764	28.11	2	AP8210007	29.26	5	B044707	28.05	22
AP8184764	28.11	2	AP8212588	28.34	9	B044708	28.05	12
AP8184767	28.11	1	AP8212588	28.36	9	B044709	28.05	11
AP8184767	28.11	1	AP8212588	28.36	9	CM082401	29.51	11
AP8184768	28.11	2	AP8213317	28.30	17	CM082402	29.51	11
AP8184768	28.11	2	AP8213418	28.30	18	CM082407	29.51	11
AP8184771	28.11	1	AP8220150	28.15	4			
AP8184771	28.11	1	AP8220185	28.35	14			
AP8184772	28.11	2	AP8220349	28.12	6			

Einheit	RAHMEN
Code	28.01
Beschreibung	Rahmen
Inspektion	1



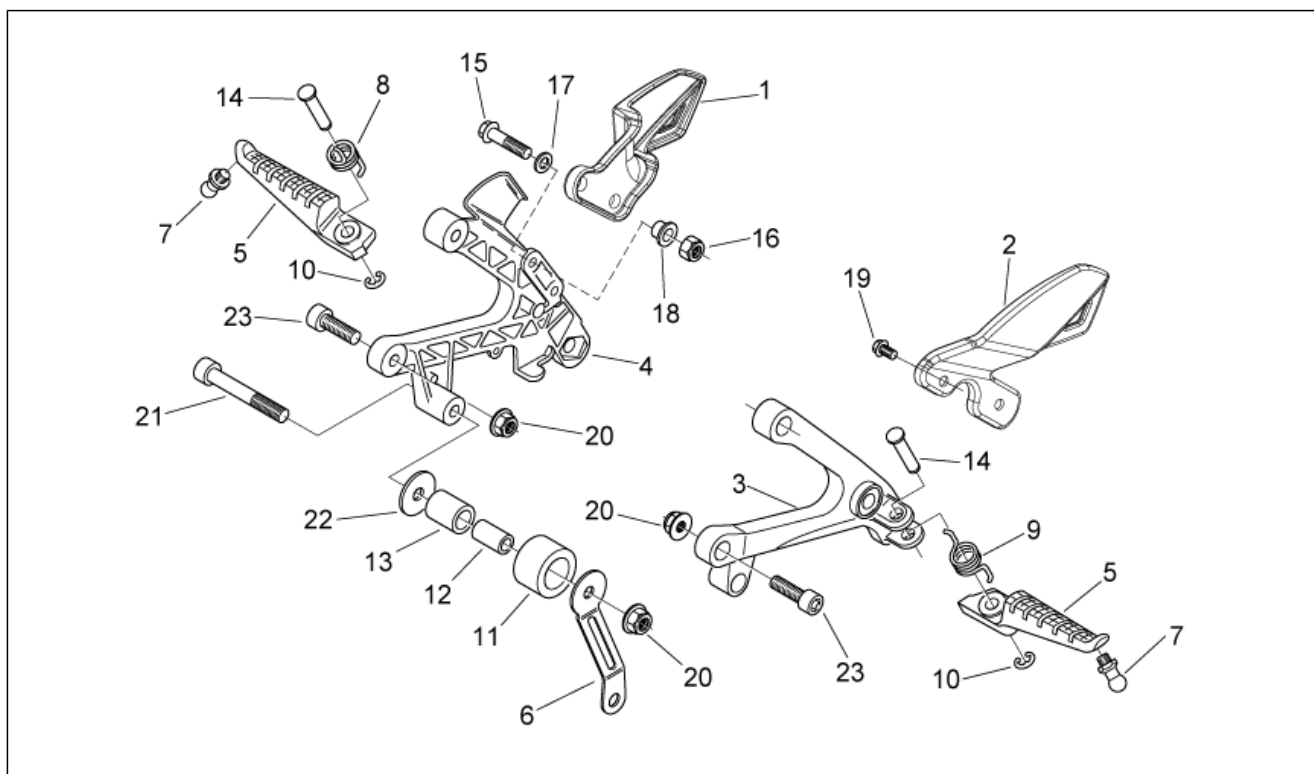
Pos.	Code	Beschreibung	Menge	Varianten
1	AP8145067	Rahmen	1	
2	AP8135718	Rahmen V.Halterplatte	1	
3	AP8157086	RahmenDeko RE	1	
4	AP8157087	RahmenDeko LI	1	
5	AP8120670	Gummi *	4	
6	AP8150017	Ausgleichscheibe 8,4x16x1,6	4	
7	AP8150169	TCEI Schraube M8x20	4	
8	AP8120531	Gummi mit Einsatz	4	
9	254485	Plattchen M6	9	
10	AP8102375	Klammer M5	4	
11	AP8121151	T-Buchse	1	
12	AP8121155	T-Buchse *	1	
13	AP8102798	Klammer M6	1	
14	AP8121764	Distanzscheibe *	2	
15	AP8152284	TE Schr. m. Flansch	2	
16	AP8152299	Selbstsperrende Mutter M6	2	
17	866346	Verstärkung rahmen kit	1	

Einheit	RAHMEN
Code	28.02
Beschreibung	Hauptständer
Inspektion	1



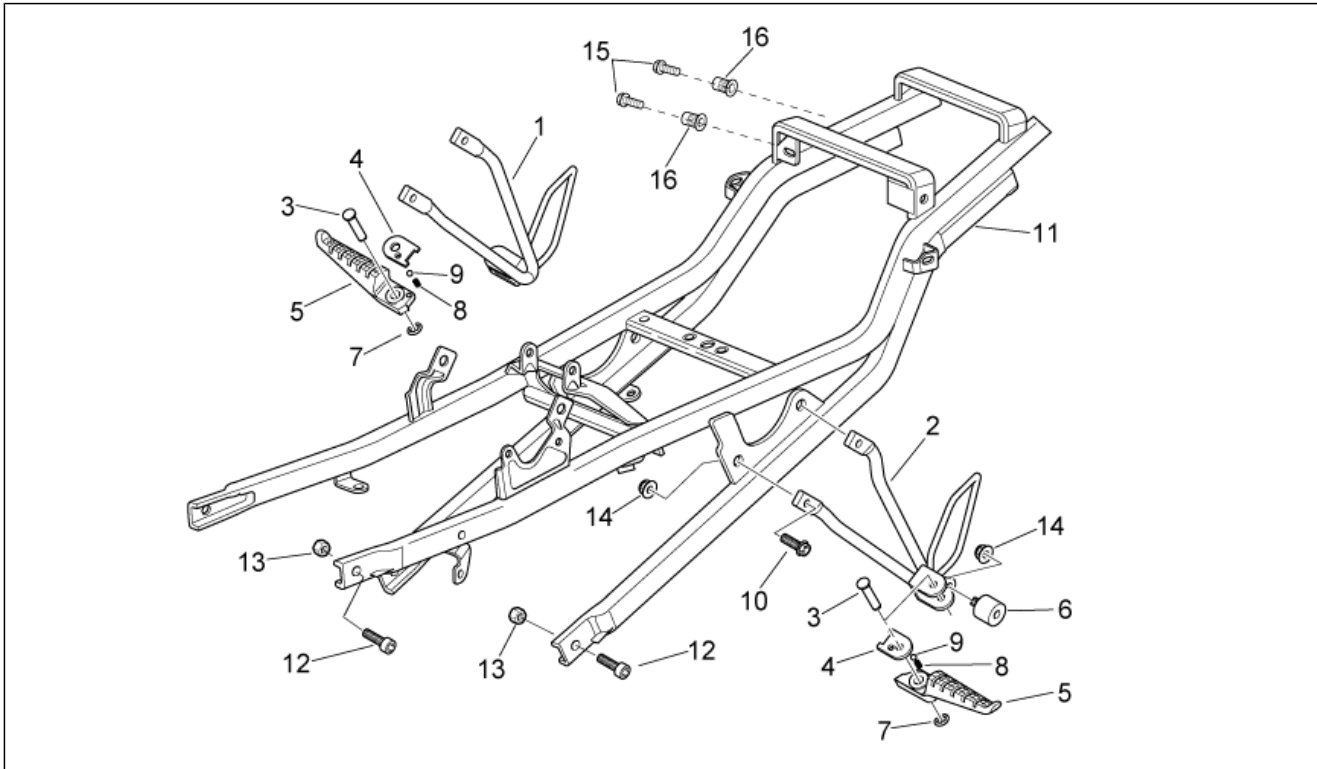
Pos.	Code	Beschreibung	Menge	Varianten
1	AP8152279	TE Schr. m. Flansch M6x20	1	
2	AP8150015	Ausgleichscheibe 6,6x18x1,6*	1	
3	AP8121999	Ständerbolzen	1	
4	AP8221197	Hauptständer Schraubenfeder	1	
5	AP8102524	Schutz f. Ständerfeder	1	
6	AP8121014	Schraubenfeder	1	
7	AP8152001	Mutter unten M10x1,25	1	
8	AP8152300	Selbstsperrende Mutter M8	2	
9	AP8145057	Hauptständer platte galv.	1	Baujahr:2007[7], 2008[8], 2010[A]
9	AP8146087	Hauptständer platte galv.	1	Baujahr:2006[6], 2009[9]
10	AP8146088	Seitenständer	1	
11	854888	Schalter	1	
12	AP8152289	TE Schr. m. Flansch	2	
13	AP8127856	Ständer lichtschalter	1	
14	AP8150176	TCEI Schraube	2	
15	AP8150177	Ausgleichscheibe 5,3x10x1	2	
16	851790	Hauptständer deckel	1	
17	AP8150311	Selbstsperr.mut Unt.	1	
18	AP8221036	Buchse 5,3x8x7,1	1	
19	AP8145056	Hauptständer Nocken	1	
20	AP8150236	TCEI Schraube M8x35	2	
21	AP8150017	Ausgleichscheibe 8,4x16x1,6	2	
22	890990	Bypass for start swith	1	Land:Vereinigte Staaten von Amerika[USA] Technische Daten:Version Rennstrecke USA[rac]

Einheit	RAHMEN
Code	28.03
Beschreibung	Fußrasten Fahrer
Inspektion	1



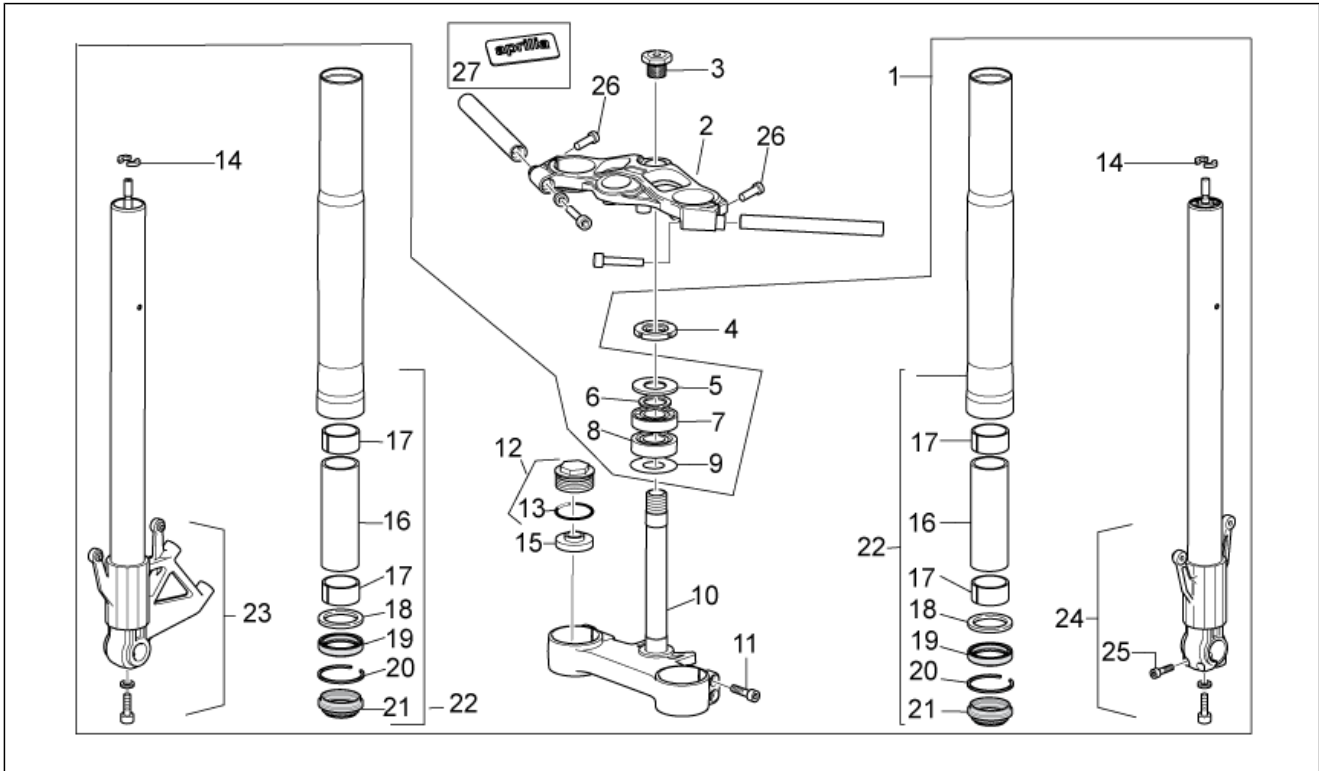
Pos.	Code	Beschreibung	Menge	Varianten
1	AP8179173	Fahrer Fußrastenschutz r.	1	
2	AP8179344	Fahrer Fußrastenschutz l.	1	
3	AP8146374	Fußrastenhalter Fahrer links	1	
4	AP8146373	Fußrastenhalter Fahrer rechts	1	
5	AP8135313	Fußrasten Fahrer (Paar)	1	
6	AP8134243	U. Fixierplatte r. Verkl.	1	
7	AP8121134	Rastenbolzen	2	
8	AP8121939	R. Fussrastenfeder	1	
9	AP8121940	L. Fussrastenfeder	1	
10	AP8152409	Sperring	4	
11	AP8120569	Kettenspannrolle	1	
12	AP8121672	Distanzscheibe *	1	
13	AP8120568	Distanzscheibe *	1	
14	AP8121566	Rastenbolzen	2	
15	AP8152282	TE Schr. m. Flansch M6x35	2	
16	AP8150430	Selbstsperr.mut Unt.	2	
17	AP8150014	Ausgleichscheibe 6,4x12,5*	2	
18	AP8121728	T-Buchse	2	
19	AP8152339	TBEI Schraube m.Flansch M5x9	2	
20	AP8152300	Selbstsperrende Mutter M8	1	
21	AP8150221	TCEI Schraube M8x70	1	
22	AP8150019	Ausgleichscheibe 8,4x32x2,5	1	
23	AP8150107	TCEI Schraube M8x30	2	

Einheit	RAHMEN
Code	28.04
Beschreibung	Soziusrasten
Inspektion	1



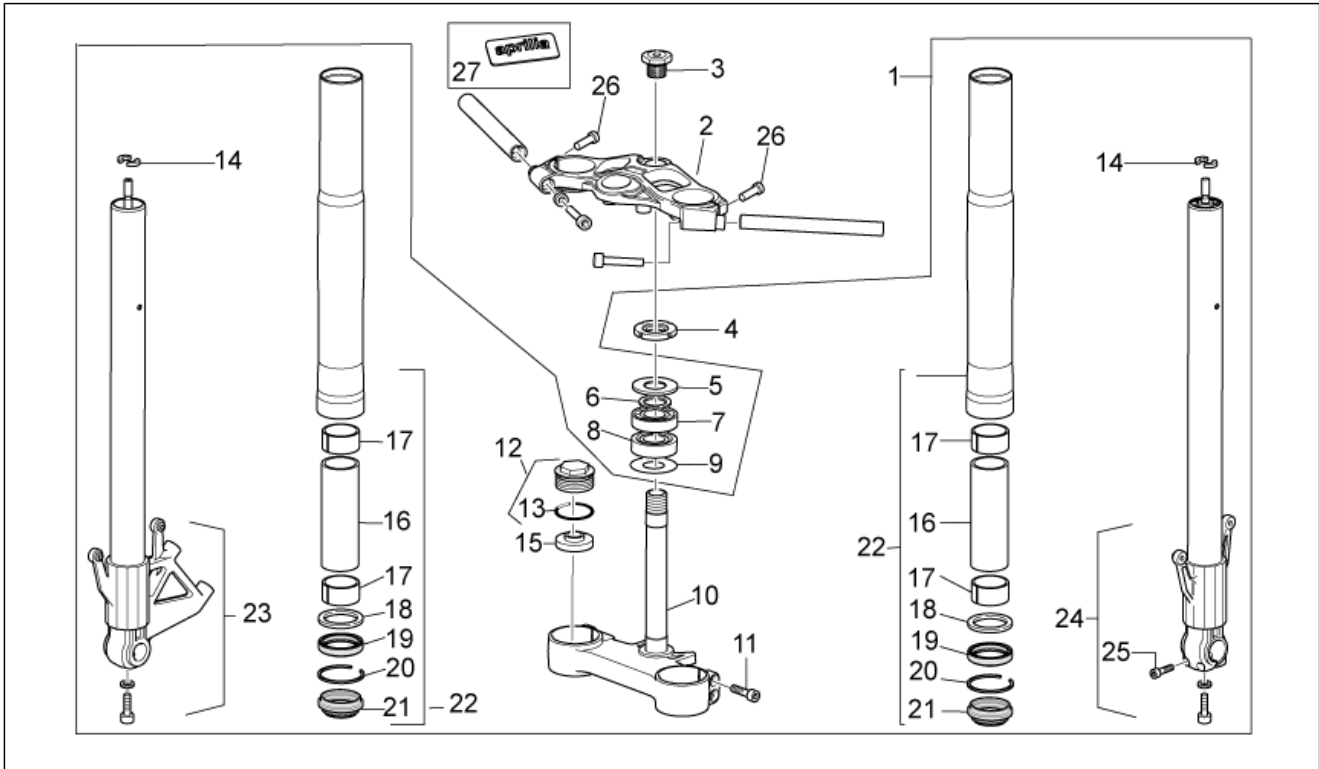
Pos.	Code	Beschreibung	Menge	Varianten
1	AP8179174	Halter rechte Soziusfußraste	1	
2	AP8179175	Halter linke Soziusfußraste	1	
3	AP8134829	Rastenbolzen	2	Land:Australien[AA], Indonesien-Malaysia-Neuseeland-Singapur[AP], CH-DE-DK-EL[EU]
4	AP8132720	Fixierplatte	2	Land:Australien[AA], Indonesien-Malaysia-Neuseeland-Singapur[AP], CH-DE-DK-EL[EU]
5	AP8132812	Soziusrasten (Paar)	1	Land:Australien[AA], Indonesien-Malaysia-Neuseeland-Singapur[AP], CH-DE-DK-EL[EU]
6	AP8120910	Silent-Block	1	
7	AP8152409	Sperring	4	Land:Australien[AA], Indonesien-Malaysia-Neuseeland-Singapur[AP], CH-DE-DK-EL[EU]
8	AP8121133	Schraubenfederkomp.	2	Land:Australien[AA], Indonesien-Malaysia-Neuseeland-Singapur[AP], CH-DE-DK-EL[EU]
9	AP8101861	Kugel D6,35	2	Land:Australien[AA], Indonesien-Malaysia-Neuseeland-Singapur[AP], CH-DE-DK-EL[EU]
10	AP8152287	TE Schr. m. Flansch M8x25	4	
11	AP8145001	Sndb. Sttlh. m. Rckstr.	1	
12	AP8150170	TCEI Schraube M8x25	4	
13	AP8150431	Mutter unten M8	4	
14	AP8152300	Selbstsperrende Mutter M8	5	
15	AP8152280	TE Schr. m. Flansch M6x25	2	
16	AP8201755	Geschnitten Kunststoffniet	4	

Einheit	RAHMEN
Code	28.05
Beschreibung	Vorderradgabel
Inspektion	1



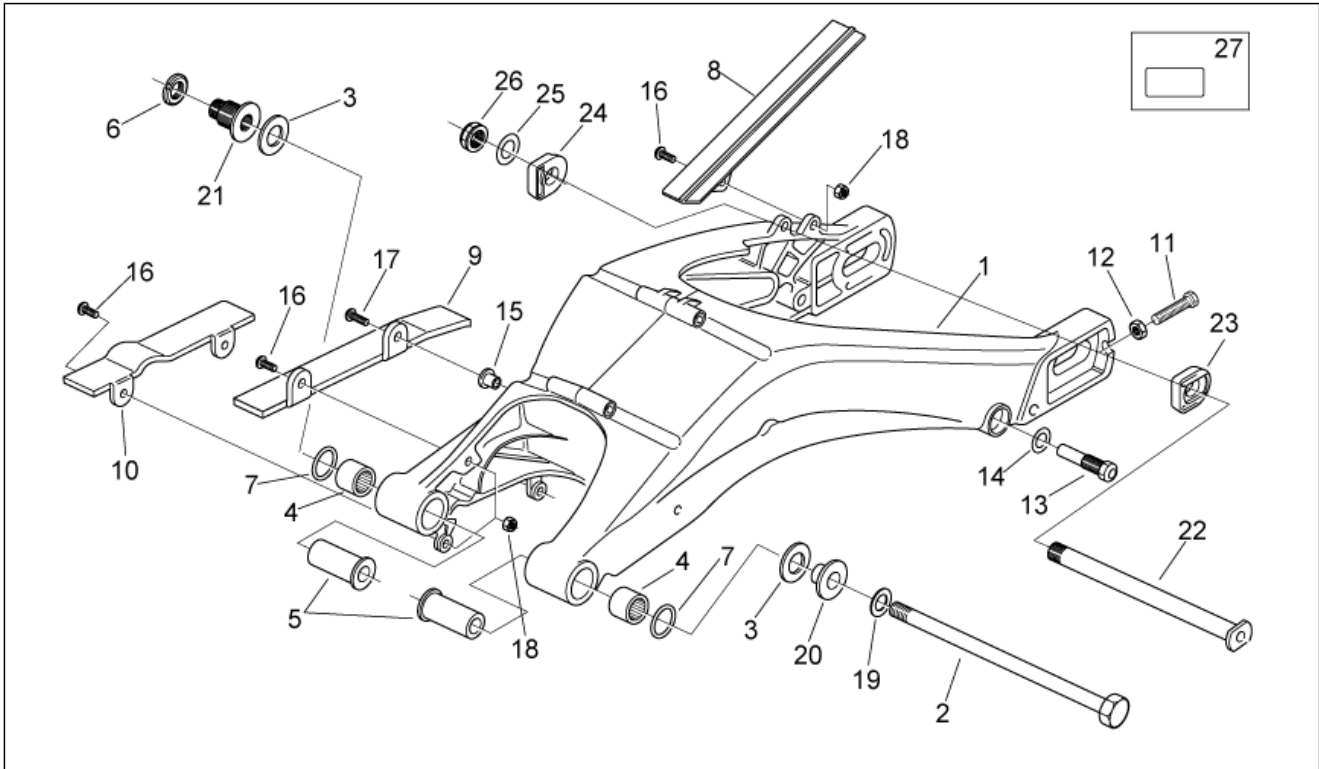
Pos.	Code	Beschreibung	Menge	Varianten
1	899770	Baugruppe vordere Gabel	1	
1	AP8163511	Baugruppe vordere Gabel	1	
2	AP8163584	Ob. Gabelplatte	1	
3	AP8161129	Schraube Rohr	1	
4	AP8203588	Untere Nutmutter Gabel	1	
4	B044706	***Nutmutter	1	
5	AP8104597	Gasket ring	1	
6	AP8203550	U-scheibe Lenksatz	1	
7	AP8110025	Kugellager	1	
8	AP8110024	Rollenlager	1	
9	AP8101271	Staubschutzring unten	1	
10	AP8123879	Fuß mit Rohr	1	
10	B044705	***Lenkungssauleteil	1	
11	AP8203570	Zylinderschraube M8x30	2	
11	B044709	***TCEI Schraube	2	
12	AP8123878	Geflanschte Mutter	2	
12	B044708	***Verschlußschraube kplt.	2	
13	AP8123346	O-Ring	2	
13	B044704	***O-ring	2	
14	AP8123441	Halbring	4	
14	B044051	Halbring	4	
15	AP8123357	Ring	2	
15	B044052	Ring	2	
16	AP8123355	Distanzscheibe	2	
16	B044703	***Buchse Birnenfassung	2	
17	AP8123689	Gleitbuchse	4	
17	B044053	Hülse	4	
18	599504	Führungsbecher (Marzocchi)	2	

Einheit	RAHMEN
Code	28.05
Beschreibung	Vorderradgabel
Inspektion	1



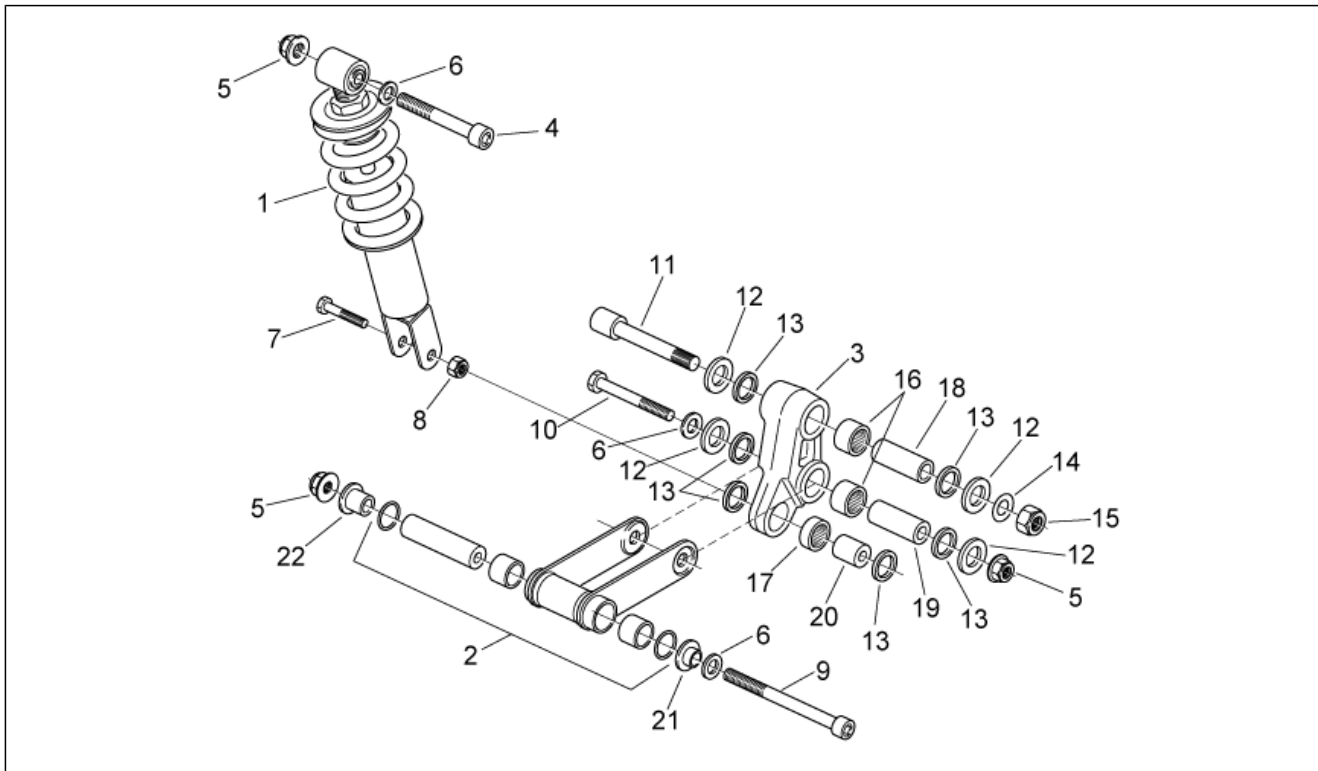
Pos.	Code	Beschreibung	Menge	Varianten
18	B044054	Ausgleichscheibe	2	
19	599501	Gasket ring (Marzocchi)	2	
19	B044055	Ölabstreifring	2	
20	AP8123199	Sperring	2	
20	B044056	Sprengring	2	
21	599502	Staubschutzfeder (Marzocchi)	2	
21	B044057	Staubschutz	2	
22	AP8123691	Hülse schwarz	2	
22	B044707	***Schiebedeckel KIT	2	
23	AP8163566	Klb.st.+ Radhltr. rch.	1	
23	B044702	***Rechte Hülse	1	
24	AP8163567	Klb.st.+ Radhltr. lks.	1	
24	B044701	***Linke Hülse	1	
25	AP8150220	TCEI Schraube M6x30	2	
25	AP8163385	Zylinderschraube M6x30	2	
26	AP8150236	TCEI Schraube M8x35	2	
27	AP8157770	Schild "Aprilia"	1	

Einheit	RAHMEN
Code	28.06
Beschreibung	Schwinge
Inspektion	1



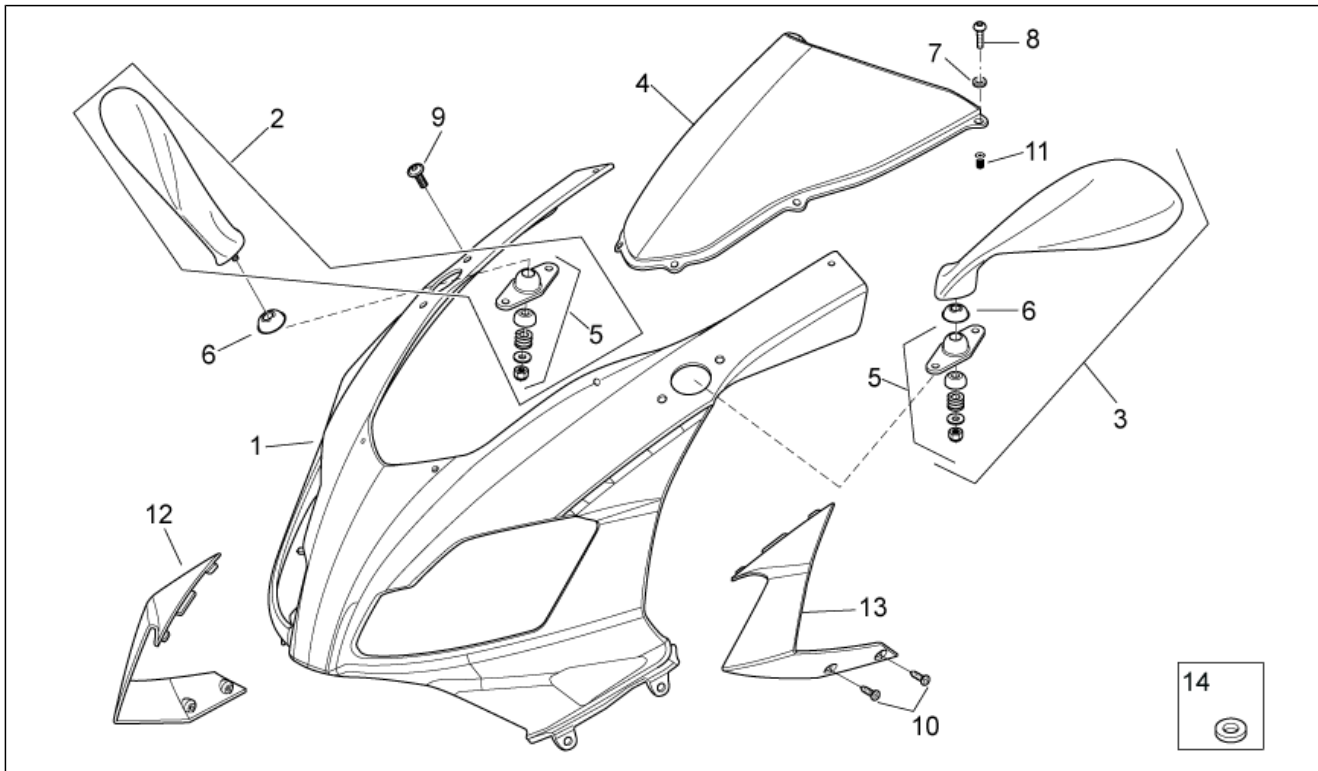
Pos.	Code	Beschreibung	Menge	Varianten
1	AP8135961	Schwinge	1	
2	AP8125627	Schwingenbolzen	1	
3	AP8101341	Bundscheibe	2	
4	AP8110067	Nadellager 22x28x16	2	
5	AP8121121	Buc.für Schwingenzp.	2	
6	AP8150299	Nutmutter M17x1	1	
7	AP8120280	O-Ring 4087	4	
8	AP8131623	Kettenkasten, schwarz	1	
9	AP8120793	Ob. Kettengleitführung	1	
10	AP8120794	Unt. Kettengleitführung	1	
11	AP8152261	Kettenspannschrauben	2	
12	AP8152262	Mutter unten	2	
13	AP8135396	Bremsenhalterbolzen	1	
14	AP8121697	Tellerfeder	1	
15	AP8120531	Gummi mit Einsatz	1	
16	AP8152267	TBEI Spez.schr. M5x12	5	
17	AP8152268	TBEI Spez.schr. M5x16	1	
18	AP8150451	Selbstsperr.mut Unt.	5	
19	AP8150297	Gebogene Sprengscheibe *	1	
20	AP8121581	Buchse 20 mm	1	
21	AP8121156	Buchse	1	
22	854963	Hinterradbolzen	1	
23	AP8120806	L. Leucht. Kettengleitführung	1	
24	AP8120807	R. leucht. Kettengleitführung	1	
25	AP8121852	Ausgleichscheibe 20x30x1	1	
26	AP8125763	Hinterradbolzen mut.	1	
27	AP8177979	Aufkleber Reifendruck	1	

Einheit	RAHMEN
Code	28.07
Beschreibung	Hinterradaufhängung
Inspektion	1



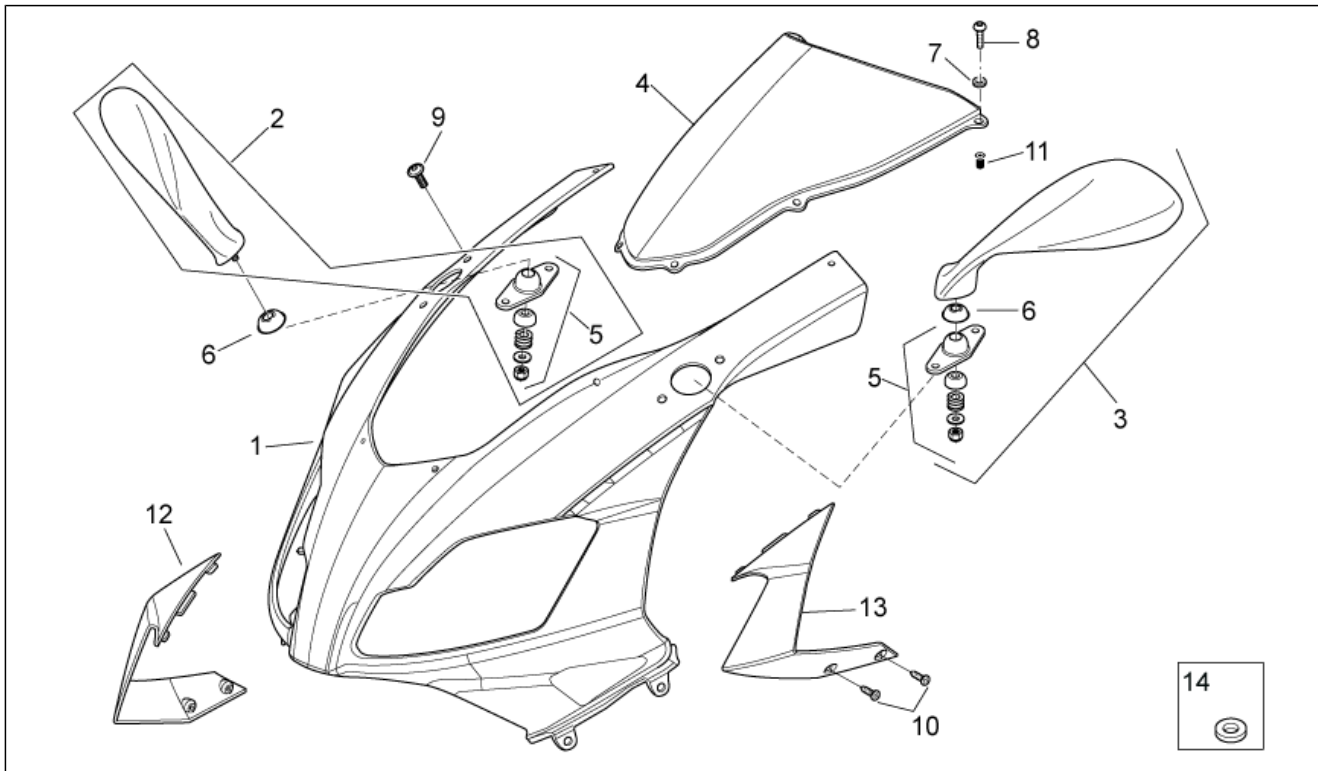
Pos.	Code	Beschreibung	Menge	Varianten
1	AP8123853	Stoßdämpfer	1	
2	AP8132634	Einfache Pleuelstange	1	
3	AP8135362	Doppelte Pleuelstange	1	
4	AP8150287	TCEI Schraube M10x90	1	
5	AP8152301	Selbstsperrende Mutter	3	
6	AP8150020	Ausgleichscheibe 10,5x21x2*	3	
7	AP8152111	Sechskantschraube M8x40	1	
8	AP8150431	Mutter unten M8	1	
9	AP8150310	TCEI Schraube M10x120	1	
10	AP8150336	Sechskantschraube M10x75	1	
11	AP8150346	TCEI Schraube M12x78.5	1	
12	AP8120485	Gasket ring	4	
13	AP8110068	Ölabstreifring D18x24x3	6	
14	AP8121697	Tellerfeder	1	
15	AP8150432	Selbstsperr.mut Unt. M12*	1	
16	AP8110064	Nadelkaefig	1	
17	AP8110063	Nadelkaefig	2	
18	AP8121846	Pleuelbolzen	1	
19	AP8121845	Bolzen L=50	1	
20	AP8121847	Pleuelbolzen	1	
21	AP8121151	T-Buchse	1	
22	AP8121155	T-Buchse *	1	

Einheit	RAHMEN
Code	28.08
Beschreibung	Frontaufbau I
Inspektion	1



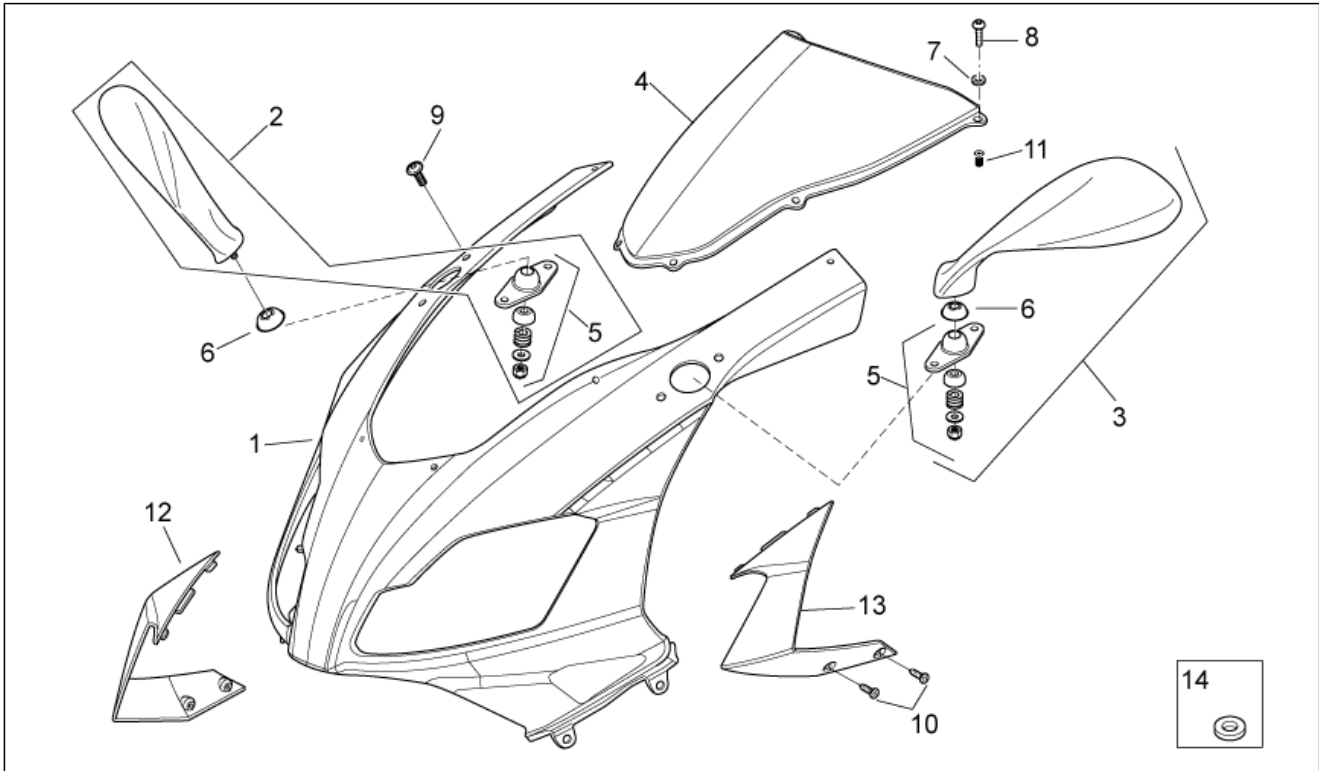
Pos.	Code	Beschreibung	Menge	Varianten
1	851753	Verkl. racing	1	Baujahr: 2006[6] Fahrzeugfarbe: Trofeo Black 2006[RAC6] Technische Daten: Einzelteil mit Aufkleber[D]
1	AP8179183	Vord. Verkleidung, grau	1	Baujahr: 2006[6] Fahrzeugfarbe: Aprilia Black 2006 (t.B..15195)[black] Technische Daten: Einzelteil mit Aufkleber[D]
1	AP8179709	Vord. Verkleidung, grau	1	Baujahr: 2006[6] Fahrzeugfarbe: Aprilia White 2006 (t.B..15196)[white] Technische Daten: Einzelteil mit Aufkleber[D]
1	AP8179916	Vord. Verkleidung, rot	1	Baujahr: 2007[7] Fahrzeugfarbe: Spain's N°1 (t.B.852262)[spain7] Technische Daten: Einzelteil mit Aufkleber[D]
1	AP8184608	Vord. Verkleidung, rot	1	Baujahr: 2008[8], 2009[9] Fahrzeugfarbe: Rot Fluo 2008 (t.B.858632)[red] Land: Australien[AA], Indonesien-Malaysia-Neuseeland-Singapur[AP], CH-DE-DK-EL[EU] Technische Daten: Einzelteil mit Aufkleber[D]
1	AP8184722	Vord. Verkleidung, schwarz	1	Baujahr: 2008[8], 2009[9] Fahrzeugfarbe: Schwarz Aprilia 2008 (t.B.860303)[a.blk] Land: Australien[AA], Indonesien-Malaysia-Neuseeland-Singapur[AP], CH-DE-DK-EL[EU] Technische Daten: Einzelteil mit Aufkleber[D]
1	AP8184745	Vord.Verkleidung grün lack.	1	Baujahr: 2008[8] Fahrzeugfarbe: Talmacsi 2008 (t.B..860957)[tal] Technische Daten: Einzelteil mit Aufkleber[D]
1	AP8184858	Vord. Verkleidung, rot	1	Baujahr: 2009[9], 2010[A] Fahrzeugfarbe: Replica SBK 2009 (t.B.895053)[sbk] Land: CH-DE-DK-EL[EU] Technische Daten: Einzelteil mit Aufkleber[D]
1	AP8184886	Vord. Verkleidung, schwarz	1	Baujahr: 2010[A] Fahrzeugfarbe: Schwarz Aprilia 2010[n.10] Land: Australien[AA], CH-DE-DK-EL[EU] Technische Daten: Einzelteil mit Aufkleber[D]
1	AP8184896	Vord. Verkleidung weiß	1	Baujahr: 2010[A]

Einheit	RAHMEN
Code	28.08
Beschreibung	Frontaufbau I
Inspektion	1



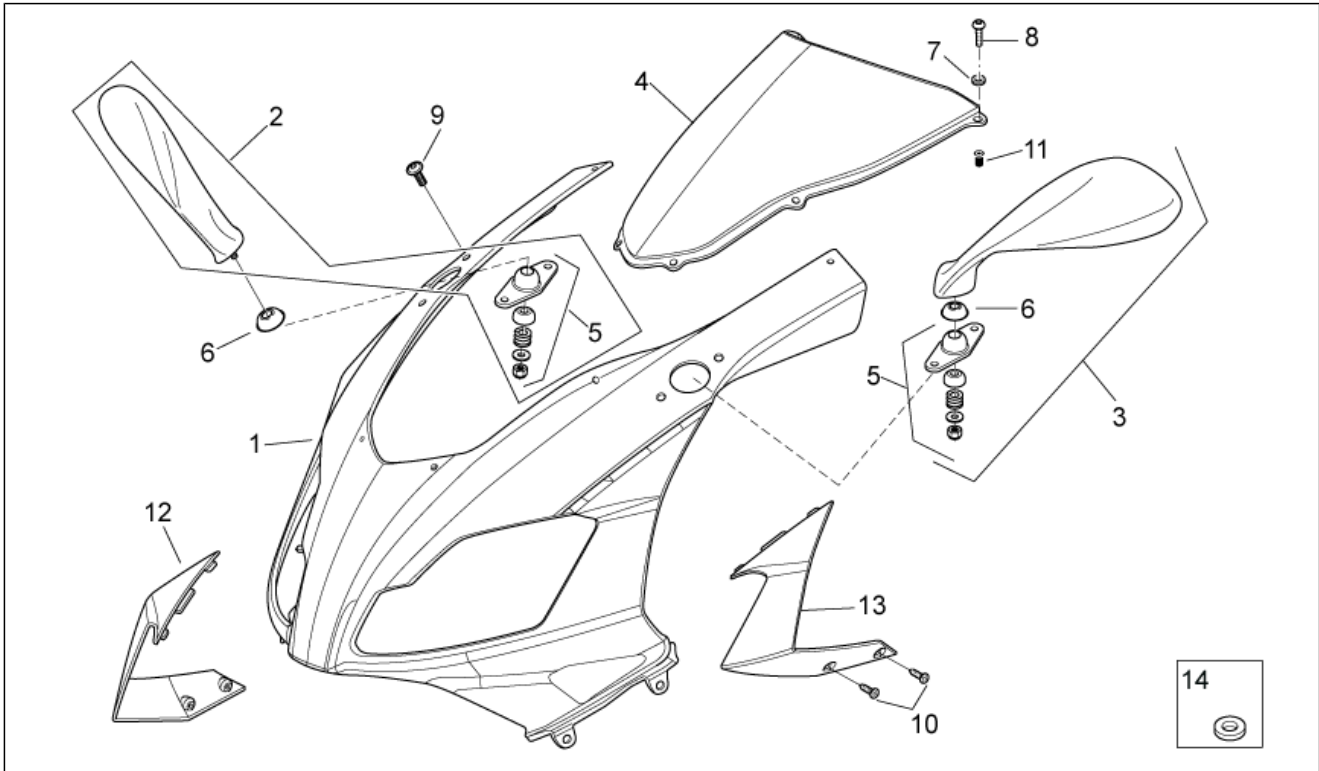
Pos.	Code	Beschreibung	Menge	Varianten
				Fahrzeugfarbe: 'Weiß Glam 2010[w.glam] Land: Australien[AA], CH-DE-DK-EL[EU] Technische Daten: Einzelteil mit Aufkleber[D]
1	AP8268733	Vord. Verkleidung, rot	1	Baujahr: 2008[8] Fahrzeugfarbe: Spain's N°1 (t.B.856884)[spain8] Land: Vereinigte Staaten von Amerika[USA] Technische Daten: Einzelteil mit Aufkleber[D], Version Rennstrecke USA[rac]
1	AP8268733	Vord. Verkleidung, rot	1	Baujahr: 2008[8] Fahrzeugfarbe: Spain's N°1 (t.B.856884)[spain8] Land: Australien[AA], CH-DE-DK-EL[EU] Technische Daten: Einzelteil mit Aufkleber[D]
1	AP8269329	Vord. Verkleidung, rot	1	Baujahr: 2010[A] Fahrzeugfarbe: Replica Alitalia 2010 (t.B.897896)[r.ali] Technische Daten: Einzelteil mit Aufkleber[D]
2	852151	Rückspiegel rechts	1	Baujahr: 2007[7], 2008[8], 2010[A] Land: Australien[AA], CH-DE-DK-EL[EU]
2	AP8102632	Rückspiegel rechts	1	Baujahr: 2006[6]
2	AP8102632	Rückspiegel rechts	1	Baujahr: 2009[9] Land: Australien[AA], Indonesien-Malaysia-Neuseeland-Singapur[AP]
3	852152	Rückspiegel links	1	Baujahr: 2007[7], 2008[8], 2010[A] Land: Australien[AA], CH-DE-DK-EL[EU]
3	AP8102633	Rückspiegel links	1	Baujahr: 2006[6]
3	AP8102633	Rückspiegel links	1	Baujahr: 2009[9] Land: Australien[AA], Indonesien-Malaysia-Neuseeland-Singapur[AP]
4	AP8179689	Windabweiser	1	Baujahr: 2006[6] Fahrzeugfarbe: Aprilia Black 2006 (t.B..15195)[black], Aprilia White 2006 (t.B..15196)[white] Land: Australien[AA] Technische Daten: Einzelteil mit Aufkleber[D]
4	AP8179925	Windabweiser	1	Baujahr: 2007[7] Fahrzeugfarbe: Spain's N°1 (t.B.852262)[spain7]

Einheit	RAHMEN
Code	28.08
Beschreibung	Frontaufbau I
Inspektion	1



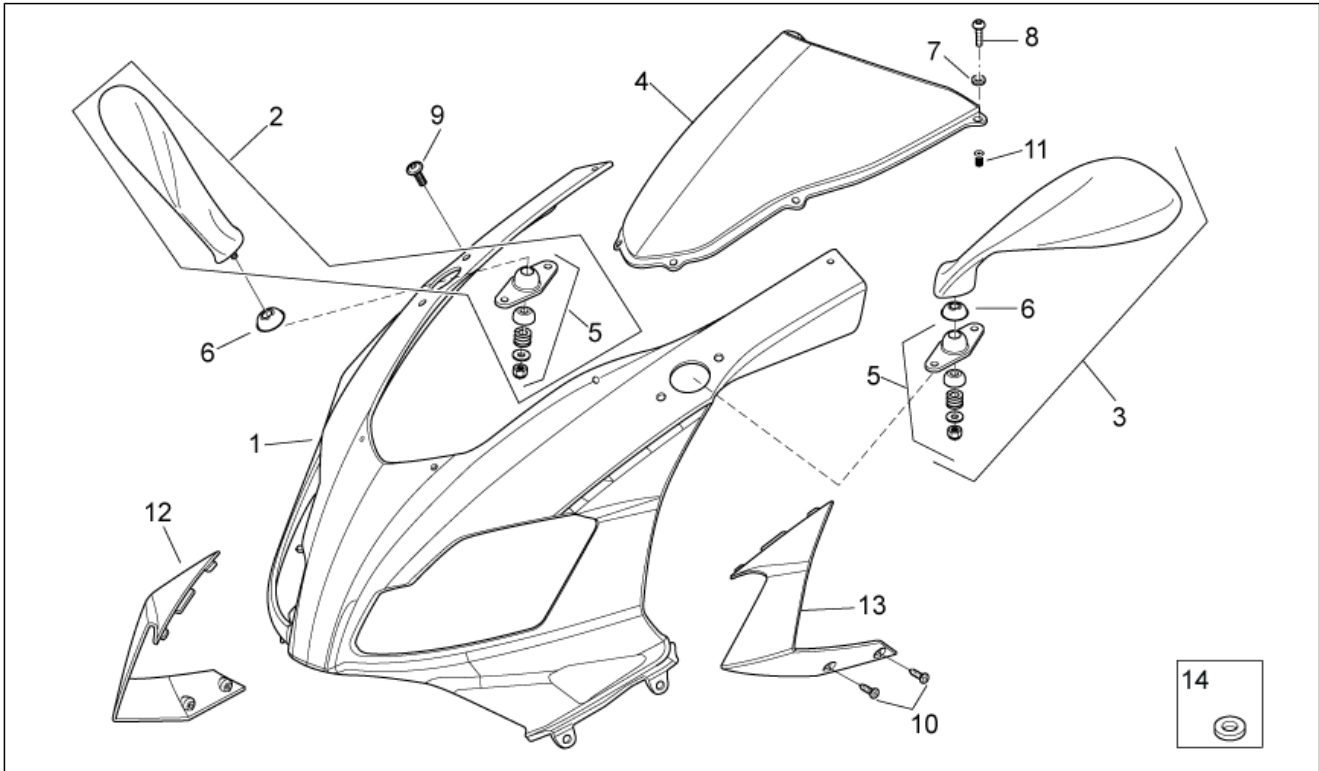
Pos.	Code	Beschreibung	Menge	Varianten
				Land:CH-DE-DK-EL[EU] Technische Daten:Einzelteil mit Aufkleber[D]
4	AP8179926	Windabweiser	1	Baujahr:2007[7] Fahrzeugfarbe:Spain's N°1 (t.B.852262)[spain7] Land:Australien[AA] Technische Daten:Einzelteil mit Aufkleber[D]
4	AP8184717	Windabweiser	1	Baujahr:2008[8], 2010[A] Fahrzeugfarbe:Schwarz Aprilia 2008 (t.B.860303)[a.blk], Schwarz Aprilia 2010[n.10], Rot Fluo 2008 (t.B.858632)[red], 'Weiß Glam 2010[w.glam] Land:CH-DE-DK-EL[EU] Technische Daten:Einzelteil mit Aufkleber[D]
4	AP8184717	Windabweiser	1	Baujahr:2009[9] Fahrzeugfarbe:Schwarz Aprilia 2008 (t.B.860303)[a.blk], Rot Fluo 2008 (t.B.858632)[red] Land:Indonesien-Malaysia-Neuseeland-Singapur[AP] Technische Daten:Einzelteil mit Aufkleber[D]
4	AP8184717	Windabweiser	1	Baujahr:2006[6] Fahrzeugfarbe:Aprilia Black 2006 (t.B..15195)[black], Aprilia White 2006 (t.B..15196)[white] Land:CH-DE-DK-EL[EU] Technische Daten:Einzelteil mit Aufkleber[D]
4	AP8184718	Windabweiser	1	Baujahr:2008[8], 2009[9] Fahrzeugfarbe:Schwarz Aprilia 2008 (t.B.860303)[a.blk], Rot Fluo 2008 (t.B.858632)[red] Land:Australien[AA] Technische Daten:Einzelteil mit Aufkleber[D]
4	AP8184752	Windabweiser	1	Baujahr:2008[8] Fahrzeugfarbe:Talmacsi 2008 (t.B..860957)[tal] Land:CH-DE-DK-EL[EU] Technische Daten:Einzelteil mit Aufkleber[D]
4	AP8184753	Windabweiser	1	Baujahr:2008[8] Fahrzeugfarbe:Talmacsi 2008 (t.B..860957)[tal] Land:Australien[AA] Technische Daten:Einzelteil mit Aufkleber[D]

Einheit	RAHMEN
Code	28.08
Beschreibung	Frontaufbau I
Inspektion	1



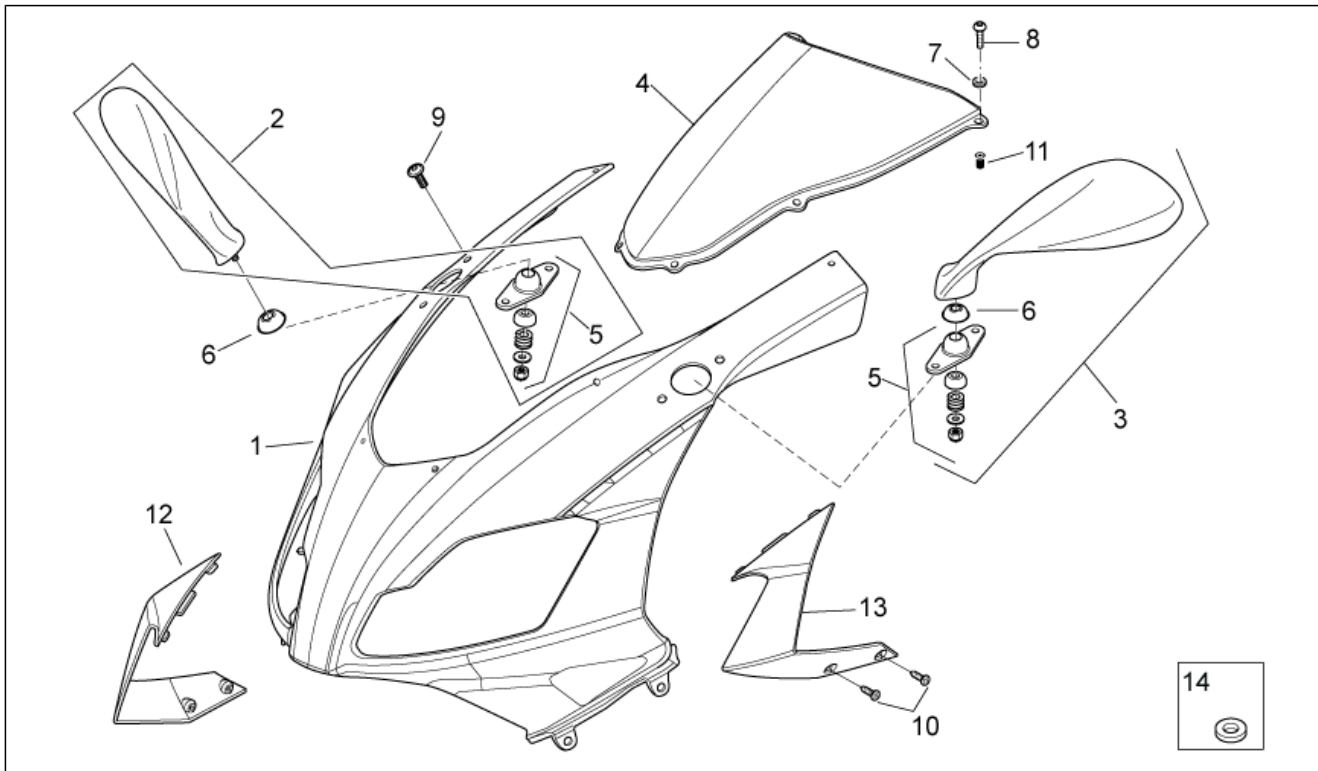
Pos.	Code	Beschreibung	Menge	Varianten
4	AP8184867	Windabweiser	1	Baujahr: 2009[9], 2010[A] Fahrzeugfarbe: Replica SBK 2009 (t.B.895053)[sbk] Land: CH-DE-DK-EL[EU] Technische Daten: Einzelteil mit Aufkleber[D]
4	AP8268736	Windabweiser	1	Baujahr: 2008[8] Fahrzeugfarbe: Spain's N°1 (t.B.856884)[spain8] Land: CH-DE-DK-EL[EU], Vereinigte Staaten von Amerika[USA] Technische Daten: Einzelteil mit Aufkleber[D], Version Rennstrecke USA[rac]
4	AP8268737	Windabweiser	1	Baujahr: 2008[8] Fahrzeugfarbe: Spain's N°1 (t.B.856884)[spain8] Land: Australien[AA] Technische Daten: Einzelteil mit Aufkleber[D]
4	AP8269338	Windabweiser	1	Baujahr: 2010[A] Fahrzeugfarbe: Replica Alitalia 2010 (t.B.897896)[r.ali] Technische Daten: Einzelteil mit Aufkleber[D]
4	AP8269339	Windabweiser	1	Baujahr: 2010[A] Fahrzeugfarbe: Replica Alitalia 2010 (t.B.897896)[r.ali] Land: Australien[AA]
5	AP8102909	Bausatz einbauspiegel	1	Land: Australien[AA], CH-DE-DK-EL[EU]
6	AP8102341	Becher Spiegelgelenk	2	Land: Australien[AA], Indonesien-Malaysia-Neuseeland-Singapur[AP], CH-DE-DK-EL[EU]
7	AP8144565	U-scheibe Nylon	6	
8	AP8121184	TBCE Schraube M4x14	6	
9	AP8152246	TBEI Schraube m.Flansch M6x16	4	
10	AP8150413	Gew.schr. 3,9x14	4	
11	AP8144564	Gummi mit Einsatz M4	6	
12	851763	R.L. Deflektor	1	Baujahr: 2006[6] Fahrzeugfarbe: Trofeo Black 2006[RAC6] Land: Australien[AA], CH-DE-DK-EL[EU] Technische Daten: Nicht abgepaustes Einzelteil[ND]
12	AP8179188	R. Deflektor	1	Baujahr: 2008[8]

Einheit	RAHMEN
Code	28.08
Beschreibung	Frontaufbau I
Inspektion	1



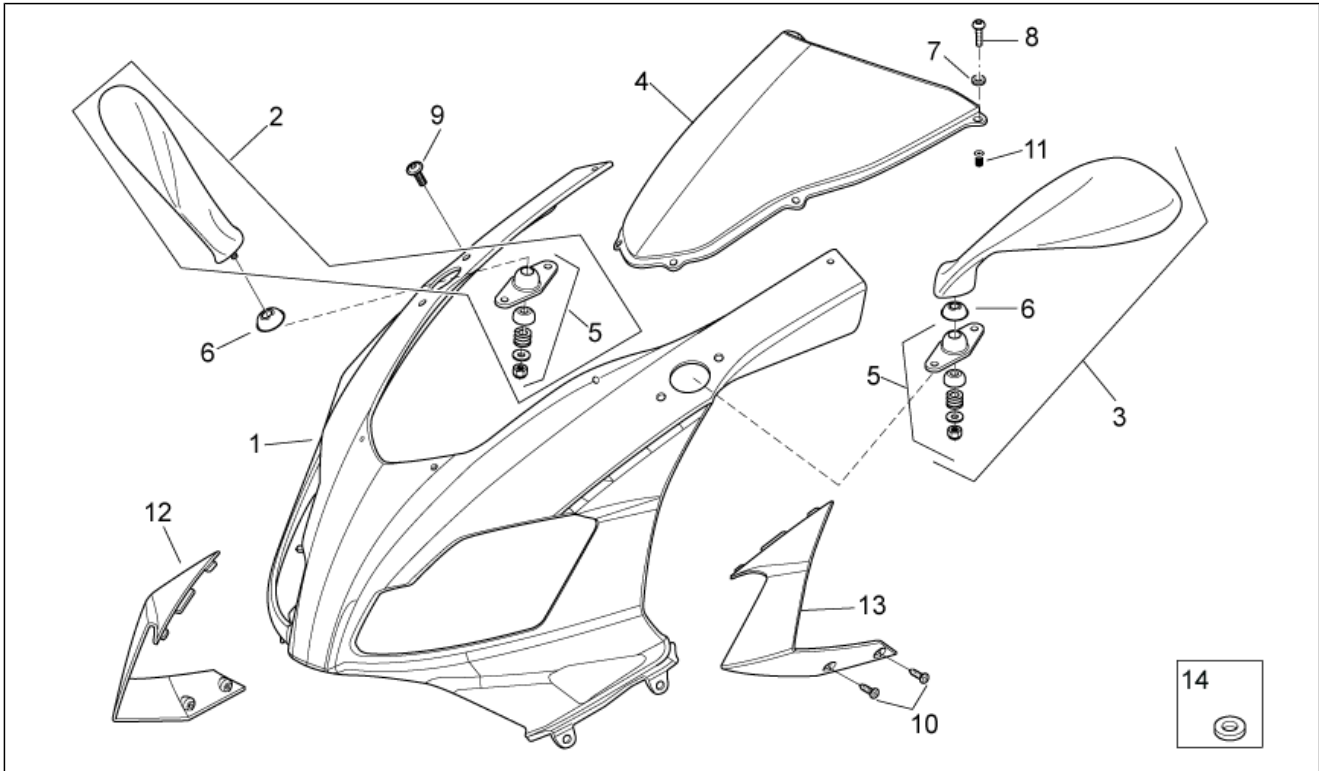
Pos.	Code	Beschreibung	Menge	Varianten
				Fahrzeugfarbe: Schwarz Aprilia 2008 (t.B.860303)[a.blk], Talmacsi 2008 (t.B..860957)[tal] Land: Australien[AA], CH-DE-DK-EL[EU] Technische Daten: Einzelteil mit Aufkleber[D]
12	AP8179188	R. Deflektor	1	Baujahr: 2006[6] Fahrzeugfarbe: Aprilia Black 2006 (t.B..15195)[black] Land: Australien[AA], CH-DE-DK-EL[EU] Technische Daten: Nicht abgepaustes Einzelteil[ND]
12	AP8179527	R. Deflektor	1	Baujahr: 2006[6] Fahrzeugfarbe: Aprilia White 2006 (t.B..15196)[white] Land: Australien[AA], CH-DE-DK-EL[EU] Technische Daten: Nicht abgepaustes Einzelteil[ND]
12	AP8179923	R. Deflektor	1	Baujahr: 2008[8] Fahrzeugfarbe: Spain's N°1 (t.B.856884)[spain8] Land: Australien[AA], CH-DE-DK-EL[EU] Technische Daten: Einzelteil mit Aufkleber[D]
12	AP8179923	R. Deflektor	1	Baujahr: 2007[7] Fahrzeugfarbe: Spain's N°1 (t.B.852262)[spain7] Land: Australien[AA], CH-DE-DK-EL[EU] Technische Daten: Einzelteil mit Aufkleber[D]
12	AP8179923	R. Deflektor	1	Baujahr: 2008[8] Fahrzeugfarbe: Spain's N°1 (t.B.856884)[spain8] Land: Vereinigte Staaten von Amerika[USA] Technische Daten: Einzelteil mit Aufkleber[D], Version Rennstrecke USA[rac]
12	AP8184615	R. Deflektor	1	Baujahr: 2008[8] Fahrzeugfarbe: Rot Fluo 2008 (t.B.858632)[red] Land: Australien[AA], CH-DE-DK-EL[EU] Technische Daten: Einzelteil mit Aufkleber[D]
12	AP8184790	Deflektor r.schwarz	1	Baujahr: 2008[8], 2009[9], 2010[A] Land: Australien[AA], CH-DE-DK-EL[EU] Technische Daten: Nicht abgepaustes Einzelteil[ND]
12	AP8184790	Deflektor r.schwarz	1	Baujahr: 2009[9] Land: Australien[AA], Indonesien-Malaysia-Neuseeland-Singapur[AP]

Einheit	RAHMEN
Code	28.08
Beschreibung	Frontaufbau I
Inspektion	1



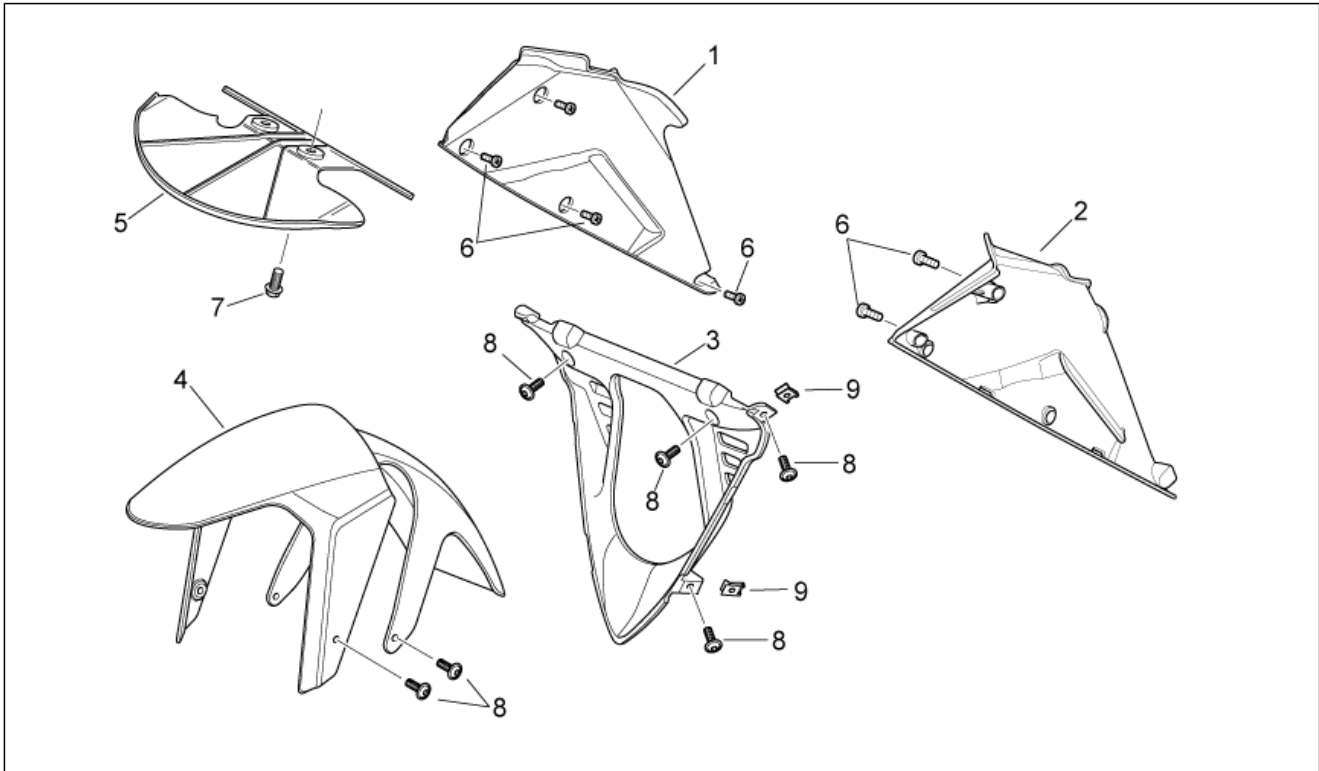
Pos.	Code	Beschreibung	Menge	Varianten
				Technische Daten: Nicht abgepaustes Einzelteil[ND]
12	AP8184865	R. Deflektor	1	Baujahr: 2009[9], 2010[A] Fahrzeugfarbe: Replica SBK 2009 (t.B.895053)[sbk] Land: CH-DE-DK-EL[EU] Technische Daten: Einzelteil mit Aufkleber[D]
12	AP8184901	R. Deflektor	1	Baujahr: 2010[A] Fahrzeugfarbe: 'Weiß Glam 2010[w.glam] Land: Australien[AA], CH-DE-DK-EL[EU] Technische Daten: Einzelteil mit Aufkleber[D]
12	AP8269336	R. Deflektor	1	Baujahr: 2010[A] Fahrzeugfarbe: Replica Alitalia 2010 (t.B.897896)[r.ali] Technische Daten: Einzelteil mit Aufkleber[D]
13	851763	R.L. Deflektor	1	Baujahr: 2006[6] Fahrzeugfarbe: Trofeo Black 2006[RAC6] Land: Australien[AA], CH-DE-DK-EL[EU] Technische Daten: Nicht abgepaustes Einzelteil[ND]
13	AP8179189	L. Deflektor	1	Baujahr: 2008[8] Fahrzeugfarbe: Schwarz Aprilia 2008 (t.B.860303)[a.blk], Talmacsi 2008 (t.B.860957)[tal] Land: Australien[AA], CH-DE-DK-EL[EU] Technische Daten: Einzelteil mit Aufkleber[D]
13	AP8179189	L. Deflektor	1	Baujahr: 2006[6] Fahrzeugfarbe: Aprilia Black 2006 (t.B..15195)[black] Land: Australien[AA], CH-DE-DK-EL[EU] Technische Daten: Nicht abgepaustes Einzelteil[ND]
13	AP8179528	L. Deflektor	1	Baujahr: 2006[6] Fahrzeugfarbe: Aprilia White 2006 (t.B..15196)[white] Land: Australien[AA], CH-DE-DK-EL[EU] Technische Daten: Nicht abgepaustes Einzelteil[ND]
13	AP8179924	L. Deflektor	1	Baujahr: 2008[8] Fahrzeugfarbe: Spain's N°1 (t.B.856884)[spain8] Land: Australien[AA], CH-DE-DK-EL[EU] Technische Daten: Einzelteil mit Aufkleber[D]
13	AP8179924	L. Deflektor	1	Baujahr: 2007[7] Fahrzeugfarbe: Spain's N°1 (t.B.852262)[spain7]

Einheit	RAHMEN
Code	28.08
Beschreibung	Frontaufbau I
Inspektion	1



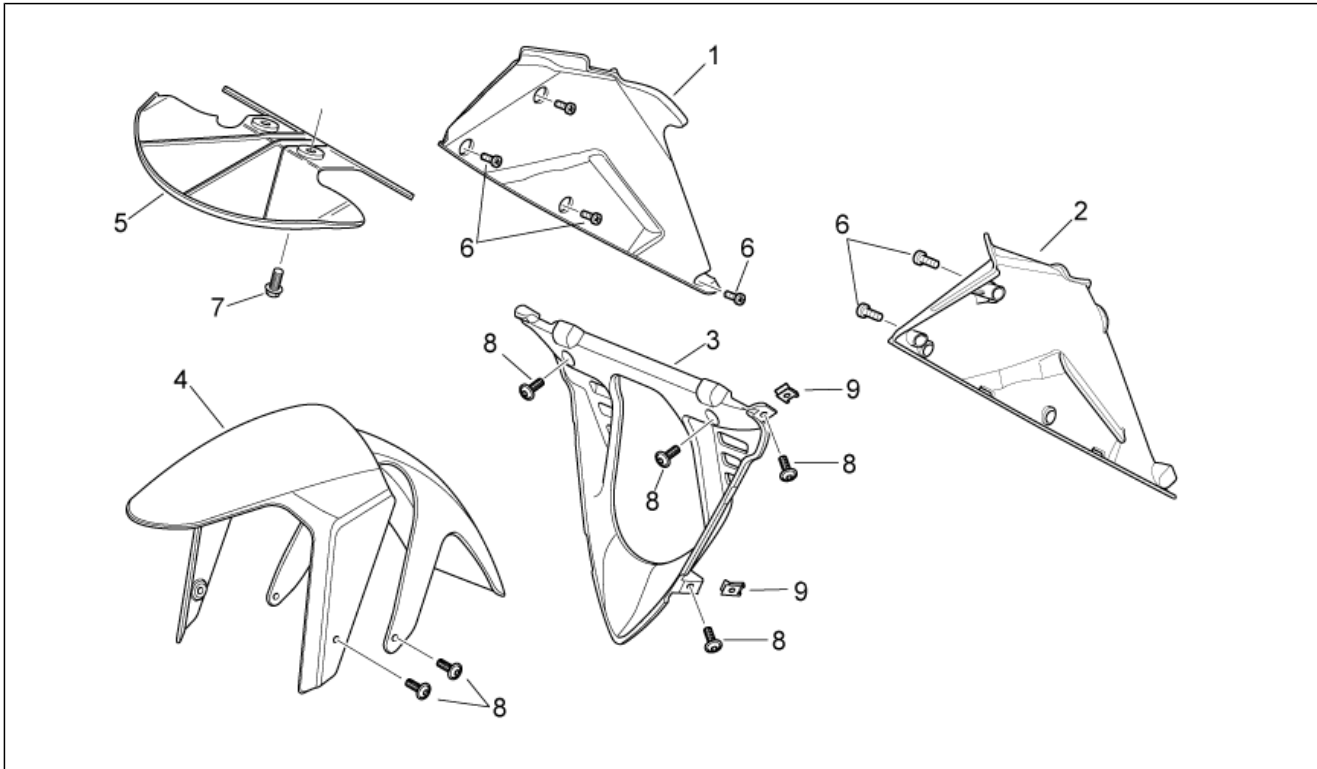
Pos.	Code	Beschreibung	Menge	Varianten
				Land: Australien[AA], CH-DE-DK-EL[EU] Technische Daten: Einzelteil mit Aufkleber[D]
13	AP8179924	L. Deflektor	1	Baujahr: 2008[8] Fahrzeugfarbe: Spain's N°1 (t.B.856884)[spain8] Land: Vereinigte Staaten von Amerika[USA] Technische Daten: Einzelteil mit Aufkleber[D], Version Rennstrecke USA[rac]
13	AP8184616	L. Deflektor	1	Baujahr: 2008[8] Fahrzeugfarbe: Rot Fluo 2008 (t.B.858632)[red] Land: Australien[AA], CH-DE-DK-EL[EU] Technische Daten: Einzelteil mit Aufkleber[D]
13	AP8184791	Deflektor l.schwarz	1	Baujahr: 2008[8], 2009[9], 2010[A] Land: Australien[AA], CH-DE-DK-EL[EU] Technische Daten: Nicht abgepaustes Einzelteil[ND]
13	AP8184791	Deflektor l.schwarz	1	Baujahr: 2009[9] Land: Australien[AA], Indonesien-Malaysia-Neuseeland-Singapur[AP] Technische Daten: Nicht abgepaustes Einzelteil[ND]
13	AP8184866	L. Deflektor	1	Baujahr: 2009[9], 2010[A] Fahrzeugfarbe: Replica SBK 2009 (t.B.895053)[sbk] Land: CH-DE-DK-EL[EU] Technische Daten: Einzelteil mit Aufkleber[D]
13	AP8184902	L. Deflektor	1	Baujahr: 2010[A] Fahrzeugfarbe: 'Weiß Glam 2010[w.glam] Land: Australien[AA], CH-DE-DK-EL[EU] Technische Daten: Einzelteil mit Aufkleber[D]
13	AP8269337	L. Deflektor	1	Baujahr: 2010[A] Fahrzeugfarbe: Replica Alitalia 2010 (t.B.897896)[r.ali] Technische Daten: Einzelteil mit Aufkleber[D]
14	AP8150158	Ausgleichscheibe 4,3X9X0,8	2	

Einheit	RAHMEN
Code	28.09
Beschreibung	Frontaufbau II
Inspektion	1



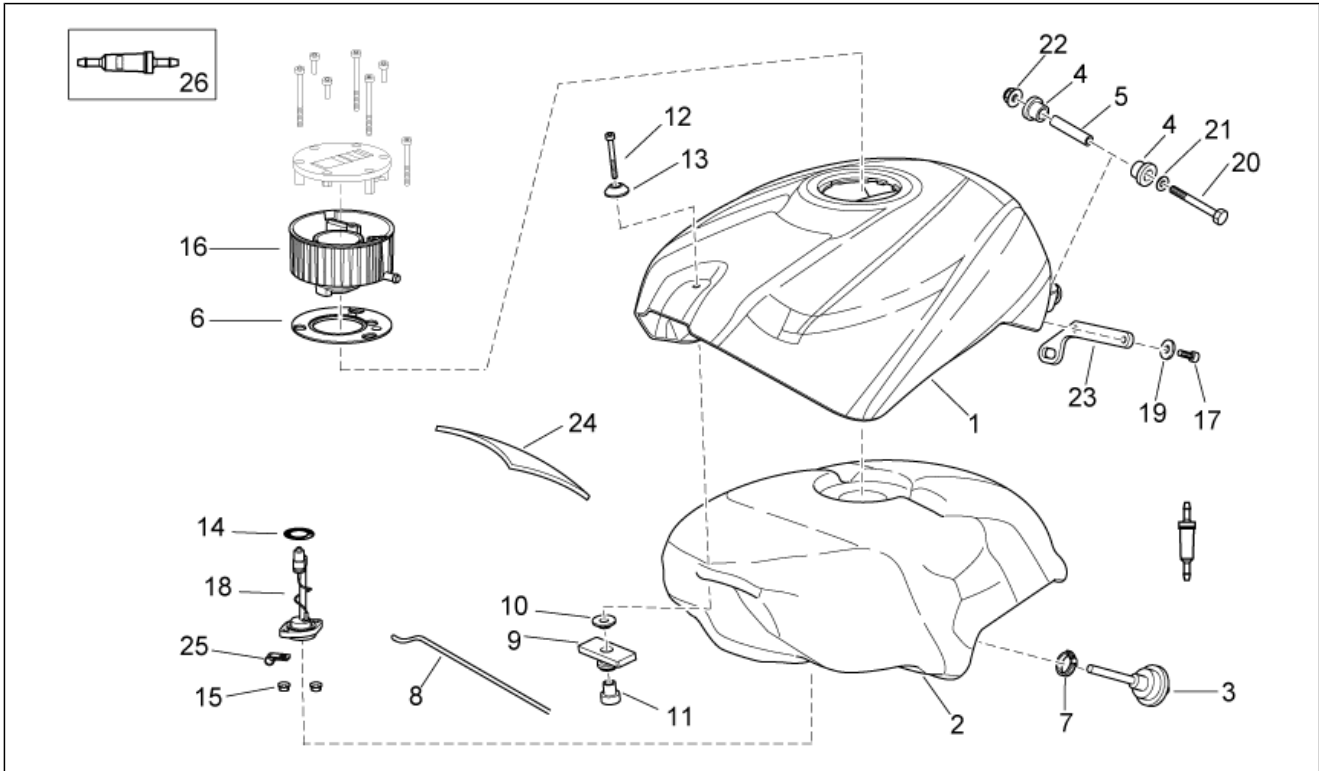
Pos.	Code	Beschreibung	Menge	Varianten
1	AP8179184	R.inn.Rumpf	1	
2	AP8179185	L.inn.Rumpf	1	
3	AP8179182	Stütze	1	
4	AP8156209	V. Schutzblech, schwarz	1	Baujahr: 2006[6] Fahrzeugfarbe: Aprilia Black 2006 (t.B..15195)[black] Land: Australien[AA], CH-DE-DK-EL[EU] Technische Daten: Einzelteil mit Aufkleber[D]
4	AP8156257	V. Schutzblech, schwarz	1	Baujahr: 2006[6] Fahrzeugfarbe: Aprilia White 2006 (t.B..15196)[white] Land: Australien[AA], CH-DE-DK-EL[EU] Technische Daten: Einzelteil mit Aufkleber[D]
4	AP8156273	V. Schutzblech, schwarz	1	Baujahr: 2006[6] Fahrzeugfarbe: Trofeo Black 2006[RAC6] Land: Australien[AA], CH-DE-DK-EL[EU] Technische Daten: Einzelteil mit Aufkleber[D]
4	AP8156289	V. Schutzblech, rot	1	Baujahr: 2008[8] Fahrzeugfarbe: Spain's N°1 (t.B.856884)[spain8] Land: Australien[AA], CH-DE-DK-EL[EU] Technische Daten: Einzelteil mit Aufkleber[D]
4	AP8156289	V. Schutzblech, rot	1	Baujahr: 2007[7] Fahrzeugfarbe: Spain's N°1 (t.B.852262)[spain7] Land: Australien[AA], CH-DE-DK-EL[EU] Technische Daten: Einzelteil mit Aufkleber[D]
4	AP8156289	V. Schutzblech, rot	1	Baujahr: 2008[8] Fahrzeugfarbe: Spain's N°1 (t.B.856884)[spain8] Land: Vereinigte Staaten von Amerika[USA] Technische Daten: Einzelteil mit Aufkleber[D], Version Rennstrecke USA[rac]
4	AP8156351	V. Schutzblech, schwarz	1	Baujahr: 2009[9] Fahrzeugfarbe: Schwarz Aprilia 2008 (t.B.860303)[a.blk], Rot Fluo 2008 (t.B.858632)[red] Land: Australien[AA], Indonesien-Malaysia-Neuseeland-Singapur[AP] Technische Daten: Einzelteil mit Aufkleber[D]

Einheit	RAHMEN
Code	28.09
Beschreibung	Frontaufbau II
Inspektion	1



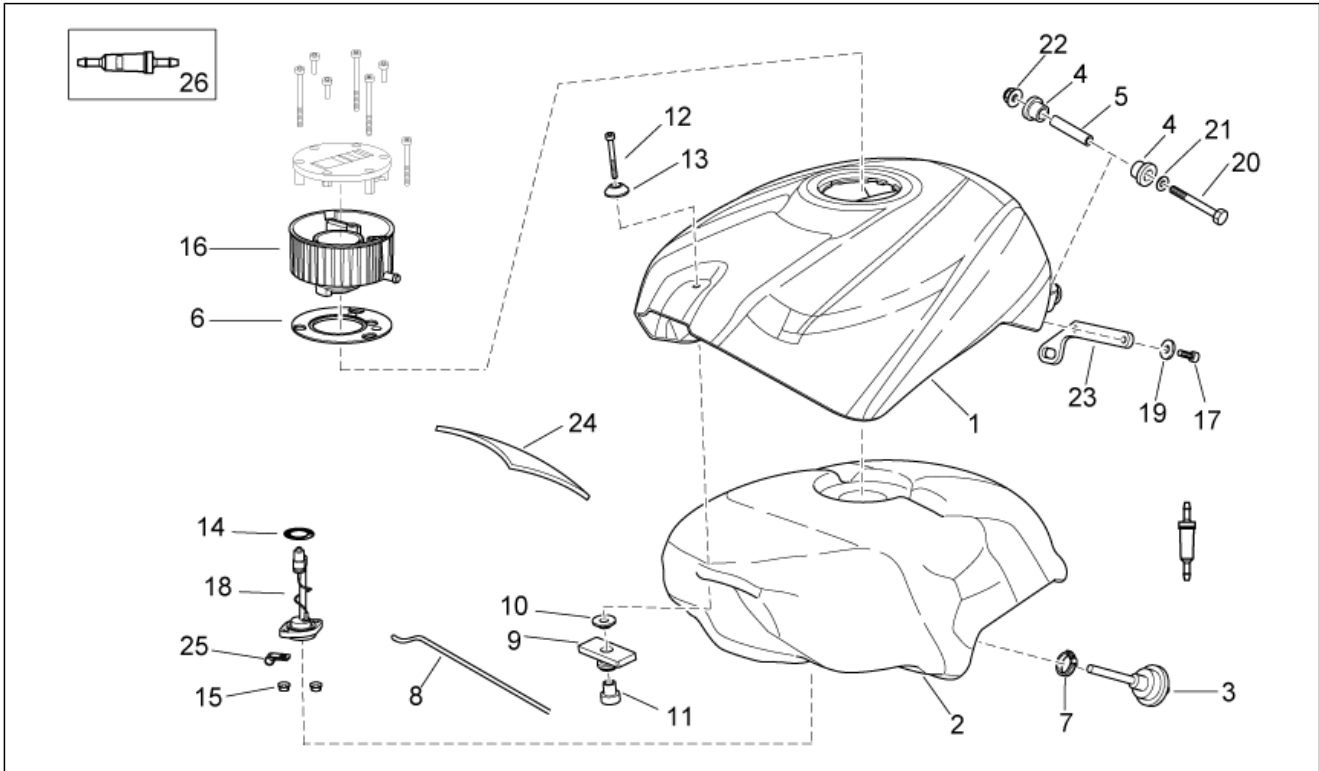
Pos.	Code	Beschreibung	Menge	Varianten
4	AP8156351	V. Schutzblech, schwarz	1	Baujahr: 2008[8] Fahrzeugfarbe: Schwarz Aprilia 2008 (t.B.860303)[a.blk], Rot Fluo 2008 (t.B.858632)[red] Land: Australien[AA], CH-DE-DK-EL[EU] Technische Daten: Einzelteil mit Aufkleber[D]
4	AP8156377	V. Schutzblech, grün	1	Baujahr: 2008[8] Fahrzeugfarbe: Talmacsi 2008 (t.B..860957)[tal] Land: Australien[AA], CH-DE-DK-EL[EU] Technische Daten: Einzelteil mit Aufkleber[D]
4	AP8156386	V. Schutzblech, schwarz	1	Baujahr: 2009[9], 2010[A] Fahrzeugfarbe: Replica SBK 2009 (t.B.895053)[sbk] Land: CH-DE-DK-EL[EU] Technische Daten: Einzelteil mit Aufkleber[D]
4	AP8156387	V. Schutzblech, schwarz	1	Baujahr: 2010[A] Fahrzeugfarbe: Schwarz Aprilia 2010[n.10] Land: Australien[AA], CH-DE-DK-EL[EU] Technische Daten: Einzelteil mit Aufkleber[D]
4	AP8156388	V. Schutzblech, weiß	1	Baujahr: 2010[A] Fahrzeugfarbe: 'Weiß Glam 2010[w.glam] Land: Australien[AA], CH-DE-DK-EL[EU] Technische Daten: Einzelteil mit Aufkleber[D]
4	AP8226929	V. Schutzblech, rot	1	Baujahr: 2010[A] Fahrzeugfarbe: Replica Alitalia 2010 (t.B.897896)[r.ali] Technische Daten: Einzelteil mit Aufkleber[D]
5	AP8179270	Verschluß Kuppel	1	
6	AP8152351	Linsenschraube 4,2x16*	8	
7	AP8152278	TE Schr. m. Flansch M6x16	2	
8	AP8152298	TBEI Schraube m.Flansch M5x16	10	
9	AP8102375	Klammer M5	4	

Einheit	RAHMEN
Code	28.10
Beschreibung	Kraftstofftank
Inspektion	1



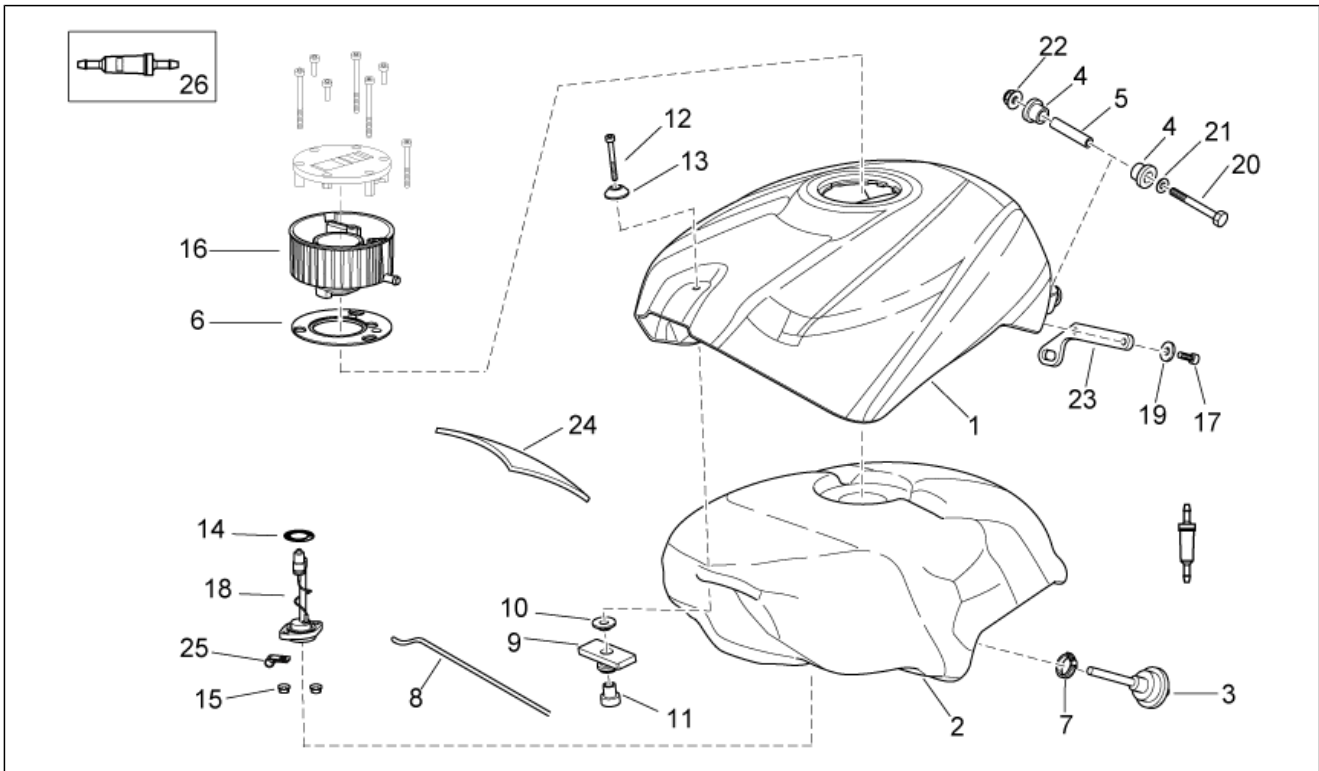
Pos.	Code	Beschreibung	Menge	Varianten
1	AP8179179	Tankabdeckung, schwarz	1	Baujahr: 2006[6] Fahrzeugfarbe: Aprilia Black 2006 (t.B..15195)[black] Land: Australien[AA], CH-DE-DK-EL[EU] Technische Daten: Einzelteil mit Aufkleber[D]
1	AP8179520	Tankabdeckung, weiß	1	Baujahr: 2006[6] Fahrzeugfarbe: Aprilia White 2006 (t.B..15196)[white] Land: Australien[AA], CH-DE-DK-EL[EU] Technische Daten: Einzelteil mit Aufkleber[D]
1	AP8179685	Tankabdeckung, weiß	1	Baujahr: 2006[6] Fahrzeugfarbe: Trofeo Black 2006[RAC6] Land: Australien[AA], CH-DE-DK-EL[EU] Technische Daten: Einzelteil mit Aufkleber[D]
1	AP8179915	Tankabdeckung, rot	1	Baujahr: 2008[8] Fahrzeugfarbe: Spain's N°1 (t.B.856884)[spain8] Land: Vereinigte Staaten von Amerika[USA] Technische Daten: Einzelteil mit Aufkleber[D], Version Rennstrecke USA[rac]
1	AP8179915	Tankabdeckung, rot	1	Baujahr: 2008[8] Fahrzeugfarbe: Spain's N°1 (t.B.856884)[spain8] Land: Australien[AA], CH-DE-DK-EL[EU] Technische Daten: Einzelteil mit Aufkleber[D]
1	AP8179915	Tankabdeckung, rot	1	Baujahr: 2007[7] Fahrzeugfarbe: Spain's N°1 (t.B.852262)[spain7] Land: Australien[AA], CH-DE-DK-EL[EU] Technische Daten: Einzelteil mit Aufkleber[D]
1	AP8184607	Tankabdeckung, rot	1	Baujahr: 2008[8] Fahrzeugfarbe: Rot Fluo 2008 (t.B.858632)[red] Land: Australien[AA], CH-DE-DK-EL[EU] Technische Daten: Einzelteil mit Aufkleber[D]
1	AP8184607	Tankabdeckung, rot	1	Baujahr: 2009[9] Fahrzeugfarbe: Rot Fluo 2008 (t.B.858632)[red] Land: Australien[AA], Indonesien-Malaysia-Neuseeland-Singapur[AP] Technische Daten: Einzelteil mit Aufkleber[D]
1	AP8184721	Tankabdeckung, schwarz	1	Baujahr: 2009[9]

Einheit	RAHMEN
Code	28.10
Beschreibung	Kraftstofftank
Inspektion	1



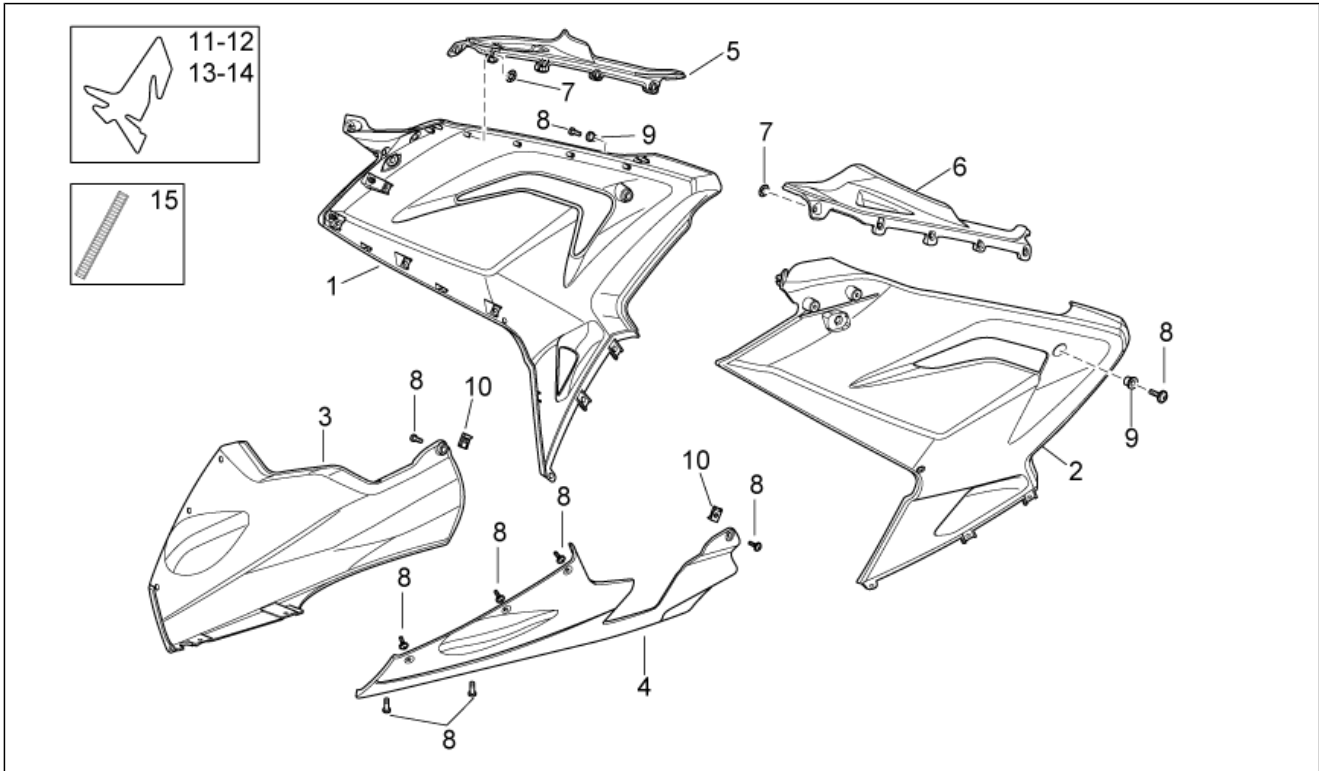
Pos.	Code	Beschreibung	Menge	Varianten
				Fahrzeugfarbe: Schwarz Aprilia 2008 (t.B.860303)[a.blk] Land: Australien[AA], Indonesien-Malaysia-Neuseeland-Singapur[AP] Technische Daten: Einzelteil mit Aufkleber[D]
1	AP8184721	Tankabdeckung, schwarz	1	Baujahr: 2008[8] Fahrzeugfarbe: Schwarz Aprilia 2008 (t.B.860303)[a.blk] Land: Australien[AA], CH-DE-DK-EL[EU] Technische Daten: Einzelteil mit Aufkleber[D]
1	AP8184744	Tankabdeckung, grün	1	Baujahr: 2008[8] Fahrzeugfarbe: Talmacsi 2008 (t.B..860957)[tal] Land: Australien[AA], CH-DE-DK-EL[EU] Technische Daten: Einzelteil mit Aufkleber[D]
1	AP8184857	Tankabdeckung, schwarz	1	Baujahr: 2009[9], 2010[A] Fahrzeugfarbe: Replica SBK 2009 (t.B.895053)[sbk] Land: CH-DE-DK-EL[EU] Technische Daten: Einzelteil mit Aufkleber[D]
1	AP8184885	Tankabdeckung, schwarz	1	Baujahr: 2010[A] Fahrzeugfarbe: Schwarz Aprilia 2010[n.10] Land: Australien[AA], CH-DE-DK-EL[EU] Technische Daten: Einzelteil mit Aufkleber[D]
1	AP8184895	Tankabdeckung, weiß	1	Baujahr: 2010[A] Fahrzeugfarbe: 'Weiß Glam 2010[w.glam] Land: Australien[AA], CH-DE-DK-EL[EU] Technische Daten: Einzelteil mit Aufkleber[D]
1	AP8269328	Tankabdeckung, weiß	1	Baujahr: 2010[A] Fahrzeugfarbe: Replica Alitalia 2010 (t.B.897896)[r.ali] Technische Daten: Einzelteil mit Aufkleber[D]
2	AP8179394	Kraftstofftank kpl.	1	
3	AP8201824	Unterdruck-Kraftstoffhahn	1	
4	AP8120709	Gummi *	2	
5	AP8152153	H. Distanzscheibe	1	
6	AP8144159	Dichtung Kraftstofftank	1	
7	AP8101573	Schelle D16-24x8*	1	

Einheit	RAHMEN
Code	28.10
Beschreibung	Kraftstofftank
Inspektion	1



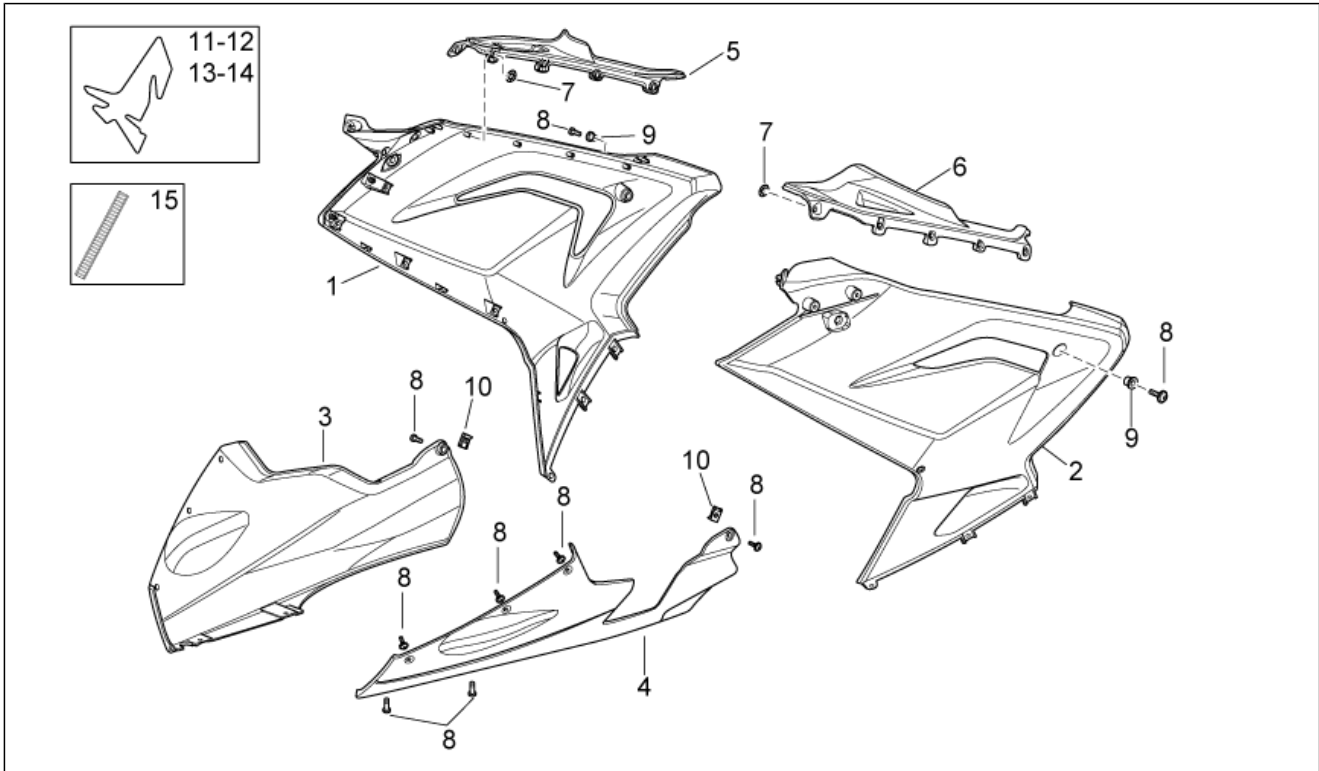
Pos.	Code	Beschreibung	Menge	Varianten
8	AP8121324	Stange tanköffnung	1	
9	AP8120557	Gummi Tankanschluß	1	
10	AP8121114	T-Buchse *	1	
11	AP8221106	H.Bremshebuchse	1	
12	AP8150202	TCEI Schraube M6x50	1	
13	AP8121819	Ausgleichscheibe 6,5x12,5*	1	
14	AP8120869	O-Ring 4093	1	
15	AP8152306	Selbstsperrende Mutter M5	2	
16	AP8179343	Schwimmergehäuse	1	
17	AP8150050	TCEI Schraube M5x16	2	
18	AP8124437	Kraftstoffmeßsonde	1	
19	AP8150248	Ausgleichscheibe 5,5x15x1,6	2	
20	AP8150314	Sechskantschraube	1	
21	AP8150014	Ausgleichscheibe 6,4x12,5*	1	
22	AP8152299	Selbstsperrende Mutter M6	1	
23	AP8144177	Tank Distanzscheibe	1	
24	AP8117073	Klebeschwamm	1	
25	AP8101890	Schelle schwarz D8	1	
26	624522	Unterdruck filter	1	

Einheit	RAHMEN
Code	28.11
Beschreibung	Mittlerer Aufbau
Inspektion	1



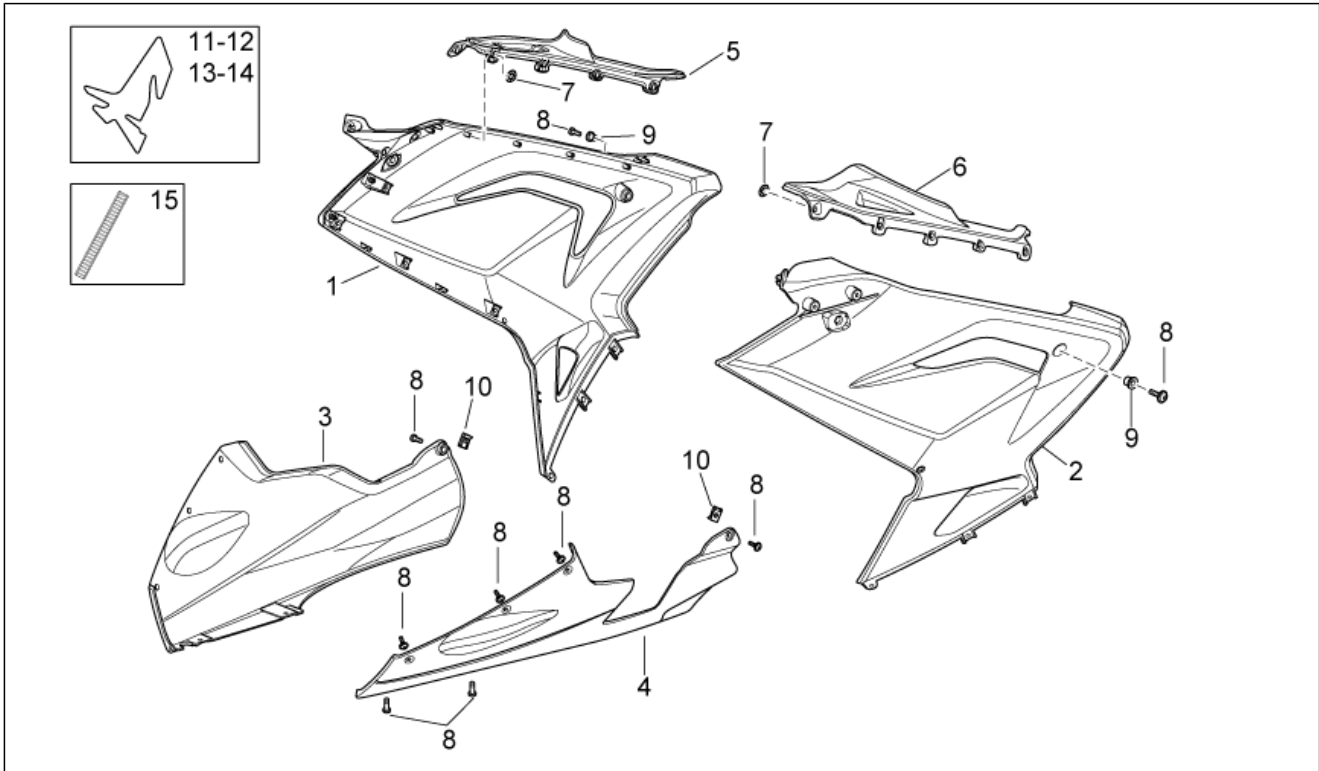
Pos.	Code	Beschreibung	Menge	Varianten
1	AP8179195	Re.Seitenteil ober	1	Baujahr: 2006[6] Fahrzeugfarbe: Aprilia Black 2006 (t.B..15195)[black] Land: Australien[AA], CH-DE-DK-EL[EU] Technische Daten: Einzelteil mit Aufkleber[D]
1	AP8179521	Re.Seitenteil ober	1	Baujahr: 2006[6] Fahrzeugfarbe: Aprilia White 2006 (t.B..15196)[white] Land: Australien[AA], CH-DE-DK-EL[EU] Technische Daten: Einzelteil mit Aufkleber[D]
1	AP8179682	Re.Seitenteil ober	1	Baujahr: 2006[6] Fahrzeugfarbe: Trofeo Black 2006[RAC6] Land: Australien[AA], CH-DE-DK-EL[EU]
1	AP8179917	Re.Seitenteil ober	1	Baujahr: 2008[8] Fahrzeugfarbe: Spain's N°1 (t.B.856884)[spain8] Land: Vereinigte Staaten von Amerika[USA] Technische Daten: Einzelteil mit Aufkleber[D], Version Rennstrecke USA[rac]
1	AP8179917	Re.Seitenteil ober	1	Baujahr: 2008[8] Fahrzeugfarbe: Spain's N°1 (t.B.856884)[spain8] Land: Australien[AA], CH-DE-DK-EL[EU] Technische Daten: Einzelteil mit Aufkleber[D], Blinker 4Led[F4]
1	AP8179917	Re.Seitenteil ober	1	Baujahr: 2007[7] Fahrzeugfarbe: Spain's N°1 (t.B.852262)[spain7] Land: Australien[AA], CH-DE-DK-EL[EU] Technische Daten: Einzelteil mit Aufkleber[D], Blinker 4Led[F4]
1	AP8184609	Re.Seitenteil ober	1	Baujahr: 2008[8] Fahrzeugfarbe: Rot Fluo 2008 (t.B.858632)[red] Land: Australien[AA], CH-DE-DK-EL[EU] Technische Daten: Einzelteil mit Aufkleber[D], Blinker 4Led[F4]
1	AP8184723	Re.Seitenteil ober	1	Baujahr: 2008[8] Fahrzeugfarbe: Schwarz Aprilia 2008 (t.B.860303)[a.blk] Land: Australien[AA], CH-DE-DK-EL[EU]

Einheit	RAHMEN
Code	28.11
Beschreibung	Mittlerer Aufbau
Inspektion	1



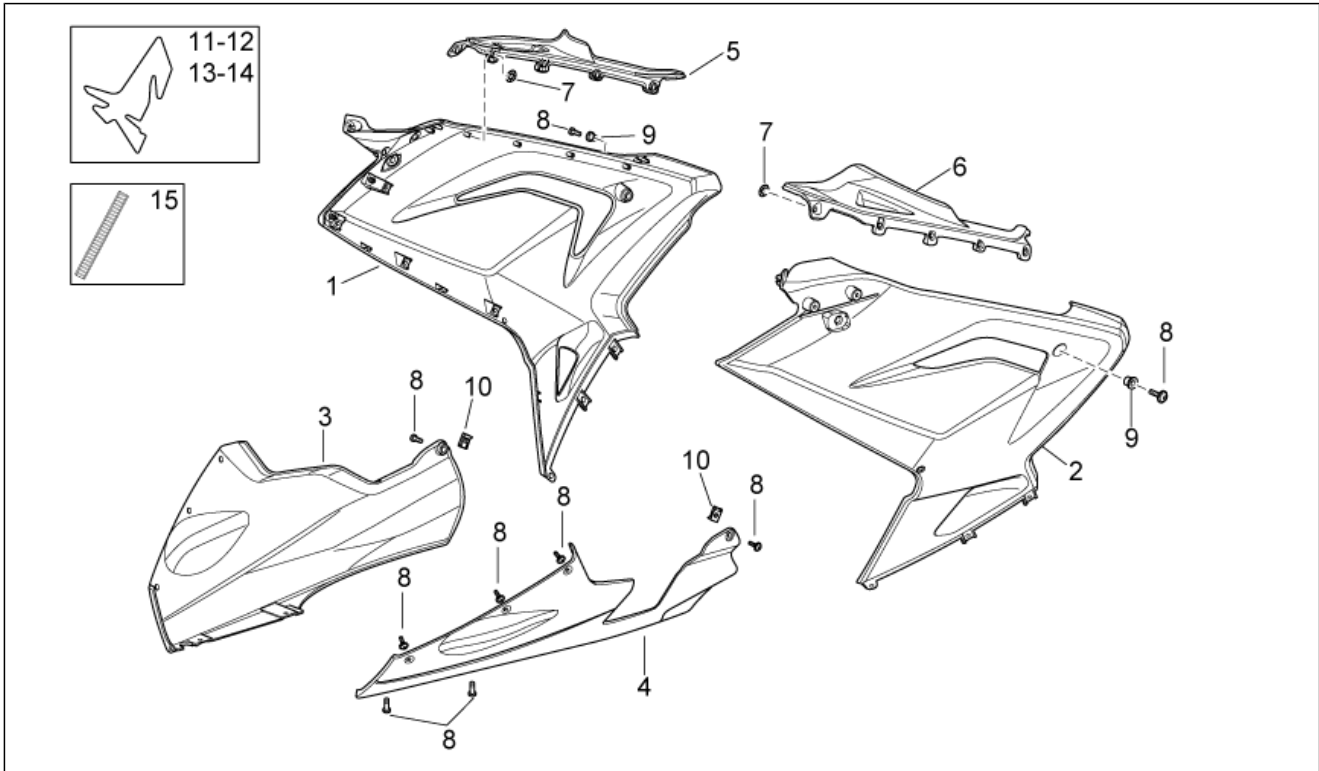
Pos.	Code	Beschreibung	Menge	Varianten
				Technische Daten: Einzelteil mit Aufkleber[D], Blinker 4Led[F4]
1	AP8184746	Re.Seitenteil ober	1	Baujahr: 2008[8] Fahrzeugfarbe: Talmacsi 2008 (t.B..860957)[tal] Land: Australien[AA], CH-DE-DK-EL[EU] Technische Daten: Einzelteil mit Aufkleber[D], Blinker 4Led[F4]
1	AP8184763	Re.Seitenteil ober	1	Baujahr: 2009[9] Fahrzeugfarbe: Schwarz Aprilia 2008 (t.B.860303)[a.blk] Land: Australien[AA], Indonesien-Malaysia-Neuseeland-Singapur[AP] Technische Daten: Einzelteil mit Aufkleber[D], Blinker 1Led[F1]
1	AP8184763	Re.Seitenteil ober	1	Baujahr: 2008[8] Fahrzeugfarbe: Schwarz Aprilia 2008 (t.B.860303)[a.blk] Land: Australien[AA], CH-DE-DK-EL[EU] Technische Daten: Einzelteil mit Aufkleber[D], Blinker 1Led[F1]
1	AP8184767	Re.Seitenteil ober	1	Baujahr: 2008[8] Fahrzeugfarbe: Rot Fluo 2008 (t.B.858632)[red] Land: Australien[AA], CH-DE-DK-EL[EU] Technische Daten: Einzelteil mit Aufkleber[D], Blinker 1Led[F1]
1	AP8184767	Re.Seitenteil ober	1	Baujahr: 2009[9] Fahrzeugfarbe: Rot Fluo 2008 (t.B.858632)[red] Land: Australien[AA], Indonesien-Malaysia-Neuseeland-Singapur[AP] Technische Daten: Einzelteil mit Aufkleber[D], Blinker 1Led[F1]
1	AP8184771	Re.Seitenteil ober	1	Baujahr: 2008[8] Fahrzeugfarbe: Spain's N°1 (t.B.856884)[spain8] Land: Australien[AA], CH-DE-DK-EL[EU] Technische Daten: Einzelteil mit Aufkleber[D], Blinker 1Led[F1]
1	AP8184771	Re.Seitenteil ober	1	Baujahr: 2007[7]

Einheit	RAHMEN
Code	28.11
Beschreibung	Mittlerer Aufbau
Inspektion	1



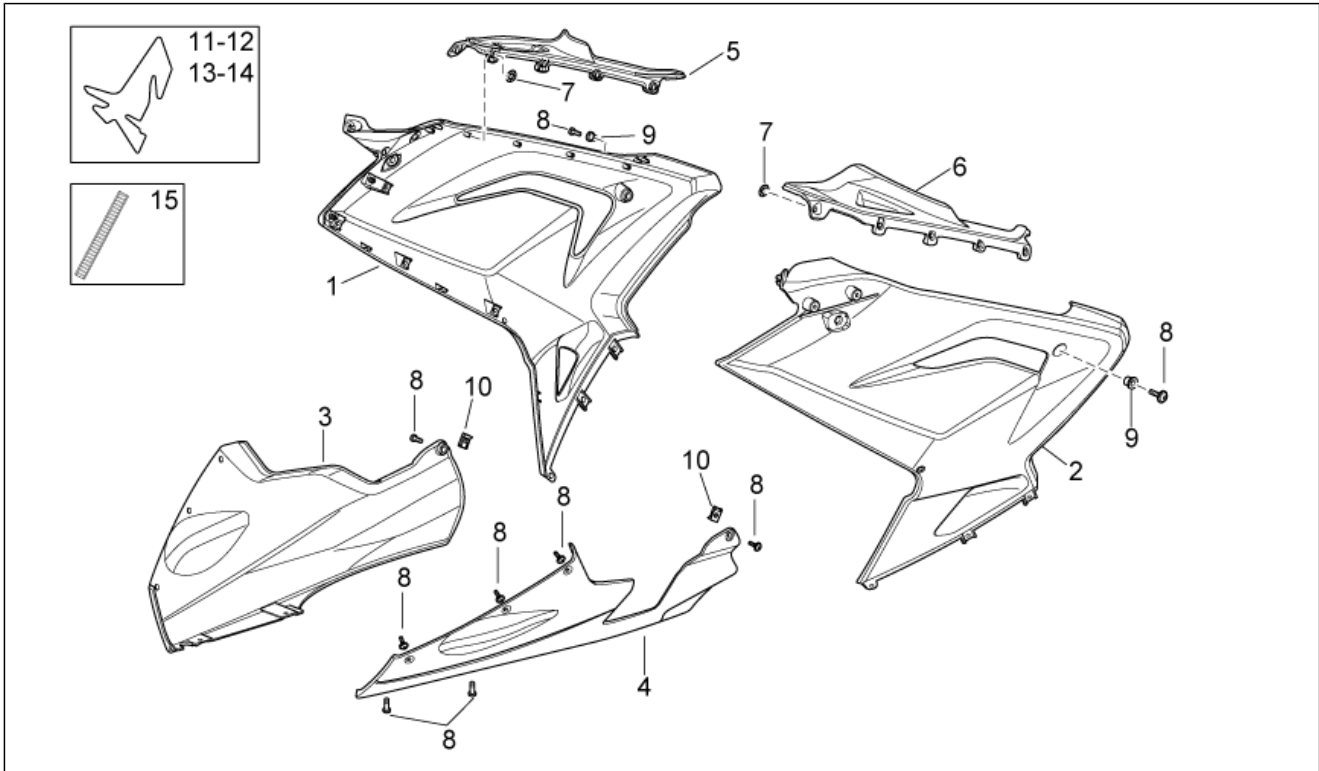
Pos.	Code	Beschreibung	Menge	Varianten
				Fahrzeugfarbe: Spain's N°1 (t.B.852262)[spain7] Land: Australien[AA], CH-DE-DK-EL[EU] Technische Daten: Einzelteil mit Aufkleber[D], Blinker 1Led[F1]
1	AP8184776	Re.Seitenteil ober	1	Baujahr: 2008[8] Fahrzeugfarbe: Talmacsi 2008 (t.B..860957)[tal] Land: Australien[AA], CH-DE-DK-EL[EU] Technische Daten: Einzelteil mit Aufkleber[D], Blinker 1Led[F1]
1	AP8184859	Re.Seitenteil ober	1	Baujahr: 2009[9], 2010[A] Fahrzeugfarbe: Replica SBK 2009 (t.B.895053)[sbk] Land: CH-DE-DK-EL[EU] Technische Daten: Einzelteil mit Aufkleber[D], Blinker 1Led[F1]
1	AP8184887	Re.Seitenteil ober	1	Baujahr: 2010[A] Fahrzeugfarbe: Schwarz Aprilia 2010[n.10] Land: Australien[AA], CH-DE-DK-EL[EU] Technische Daten: Einzelteil mit Aufkleber[D]
1	AP8184897	Re.Seitenteil ober	1	Baujahr: 2010[A] Fahrzeugfarbe: 'Weiß Glam 2010[w.glam] Land: Australien[AA], CH-DE-DK-EL[EU] Technische Daten: Einzelteil mit Aufkleber[D]
1	AP8269330	Re.Seitenteil ober	1	Baujahr: 2010[A] Fahrzeugfarbe: Replica Alitalia 2010 (t.B.897896)[r.ali] Technische Daten: Einzelteil mit Aufkleber[D]
2	AP8179194	Li.Seitenteil ober	1	Baujahr: 2006[6] Fahrzeugfarbe: Aprilia Black 2006 (t.B..15195)[black] Land: Australien[AA], CH-DE-DK-EL[EU] Technische Daten: Einzelteil mit Aufkleber[D]
2	AP8179522	Li.Seitenteil ober	1	Baujahr: 2006[6] Fahrzeugfarbe: Aprilia White 2006 (t.B..15196)[white] Land: Australien[AA], CH-DE-DK-EL[EU] Technische Daten: Einzelteil mit Aufkleber[D]
2	AP8179683	Li.Seitenteil ober	1	Baujahr: 2006[6] Fahrzeugfarbe: Trofeo Black 2006[RAC6]

Einheit	RAHMEN
Code	28.11
Beschreibung	Mittlerer Aufbau
Inspektion	1



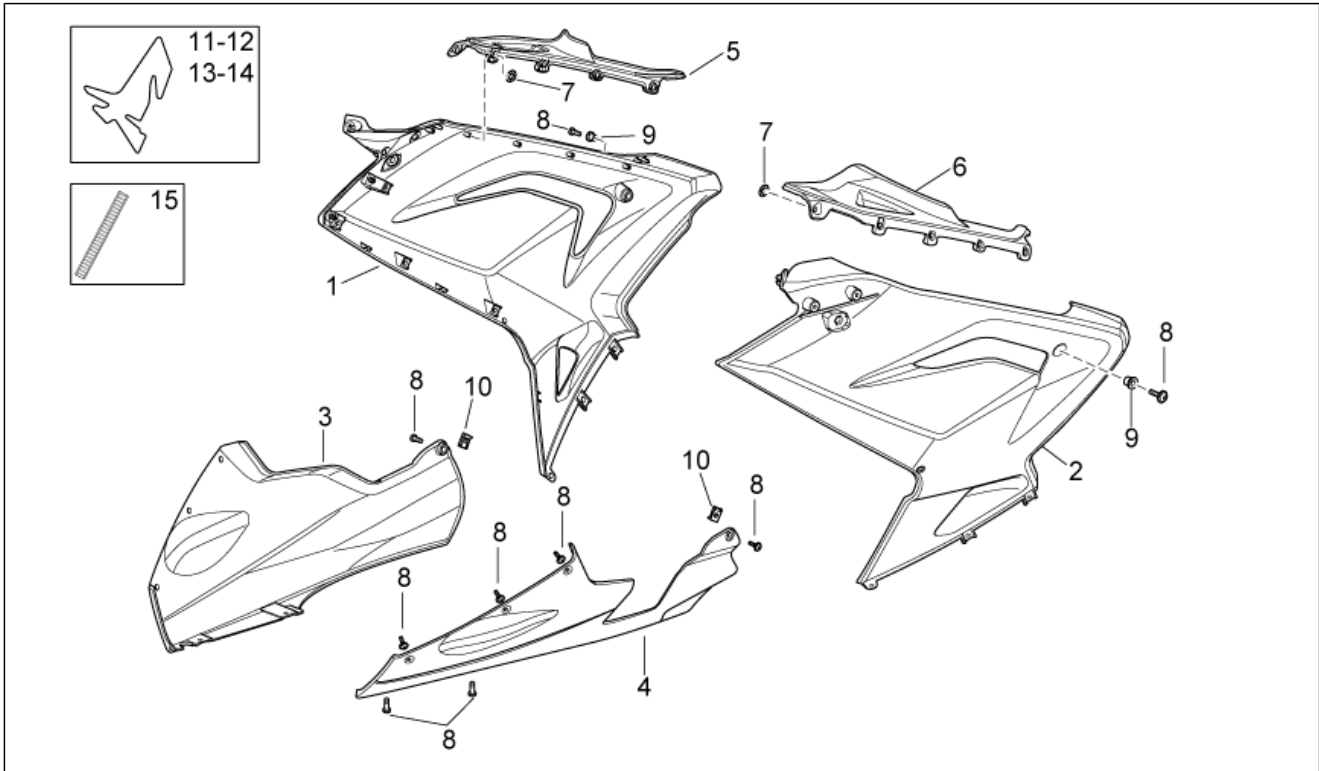
Pos.	Code	Beschreibung	Menge	Varianten
				Land:Australien[AA], CH-DE-DK-EL[EU]
2	AP8179918	Li.Seitenteil ober	1	Baujahr: 2007[7] Fahrzeugfarbe: Spain's N°1 (t.B.852262)[spain7] Land: Australien[AA], CH-DE-DK-EL[EU] Technische Daten: Einzelteil mit Aufkleber[D], Blinker 4Led[F4]
2	AP8179918	Li.Seitenteil ober	1	Baujahr: 2008[8] Fahrzeugfarbe: Spain's N°1 (t.B.856884)[spain8] Land: Australien[AA], CH-DE-DK-EL[EU] Technische Daten: Einzelteil mit Aufkleber[D], Blinker 4Led[F4]
2	AP8179918	Li.Seitenteil ober	1	Baujahr: 2008[8] Fahrzeugfarbe: Spain's N°1 (t.B.856884)[spain8] Land: Vereinigte Staaten von Amerika[USA] Technische Daten: Einzelteil mit Aufkleber[D], Version Rennstrecke USA[rac]
2	AP8184610	Li.Seitenteil ober	1	Baujahr: 2008[8] Fahrzeugfarbe: Rot Fluo 2008 (t.B.858632)[red] Land: Australien[AA], CH-DE-DK-EL[EU] Technische Daten: Einzelteil mit Aufkleber[D], Blinker 4Led[F4]
2	AP8184724	Li.Seitenteil ober	1	Baujahr: 2008[8] Fahrzeugfarbe: Schwarz Aprilia 2008 (t.B.860303)[a.blk] Land: Australien[AA], CH-DE-DK-EL[EU] Technische Daten: Einzelteil mit Aufkleber[D], Blinker 4Led[F4]
2	AP8184747	Li.Seitenteil ober	1	Baujahr: 2008[8] Fahrzeugfarbe: Talmacsi 2008 (t.B..860957)[tal] Land: Australien[AA], CH-DE-DK-EL[EU] Technische Daten: Einzelteil mit Aufkleber[D], Blinker 4Led[F4]
2	AP8184764	Li.Seitenteil ober	1	Baujahr: 2009[9] Fahrzeugfarbe: Schwarz Aprilia 2008 (t.B.860303)[a.blk] Land: Australien[AA], Indonesien-Malaysia-Neuseeland-Singapur[AP]

Einheit	RAHMEN
Code	28.11
Beschreibung	Mittlerer Aufbau
Inspektion	1



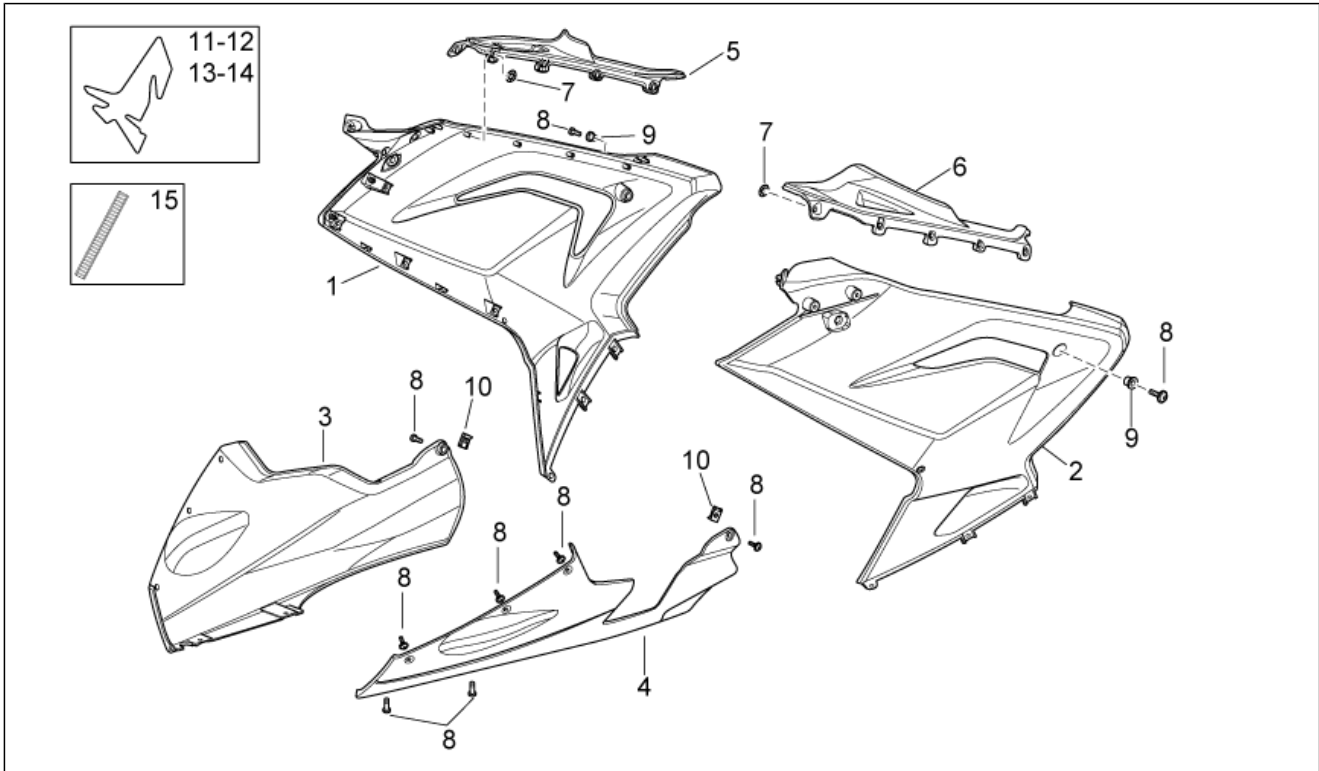
Pos.	Code	Beschreibung	Menge	Varianten
				Technische Daten: Einzelteil mit Aufkleber[D], Blinker 1Led[F1]
2	AP8184764	Li.Seitenteil ober	1	Baujahr: 2008[8] Fahrzeugfarbe: Schwarz Aprilia 2008 (t.B.860303)[a.blk] Land: Australien[AA], CH-DE-DK-EL[EU] Technische Daten: Einzelteil mit Aufkleber[D], Blinker 1Led[F1]
2	AP8184768	Li.Seitenteil ober	1	Baujahr: 2008[8] Fahrzeugfarbe: Rot Fluo 2008 (t.B.858632)[red] Land: Australien[AA], CH-DE-DK-EL[EU] Technische Daten: Einzelteil mit Aufkleber[D], Blinker 1Led[F1]
2	AP8184768	Li.Seitenteil ober	1	Baujahr: 2009[9] Fahrzeugfarbe: Rot Fluo 2008 (t.B.858632)[red] Land: Australien[AA], Indonesien-Malaysia-Neuseeland-Singapur[AP] Technische Daten: Einzelteil mit Aufkleber[D], Blinker 1Led[F1]
2	AP8184772	Li.Seitenteil ober	1	Baujahr: 2008[8] Fahrzeugfarbe: Spain's N°1 (t.B.856884)[spain8] Land: Australien[AA], CH-DE-DK-EL[EU] Technische Daten: Einzelteil mit Aufkleber[D], Blinker 1Led[F1]
2	AP8184772	Li.Seitenteil ober	1	Baujahr: 2007[7] Fahrzeugfarbe: Spain's N°1 (t.B.852262)[spain7] Land: Australien[AA], CH-DE-DK-EL[EU] Technische Daten: Einzelteil mit Aufkleber[D], Blinker 1Led[F1]
2	AP8184775	Li.Seitenteil ober	1	Baujahr: 2008[8] Fahrzeugfarbe: Talmacsi 2008 (t.B..860957)[tal] Land: Australien[AA], CH-DE-DK-EL[EU] Technische Daten: Einzelteil mit Aufkleber[D], Blinker 1Led[F1]
2	AP8184860	Li.Seitenteil ober	1	Baujahr: 2009[9], 2010[A] Fahrzeugfarbe: Replica SBK 2009 (t.B.895053)[sbk]

Einheit	RAHMEN
Code	28.11
Beschreibung	Mittlerer Aufbau
Inspektion	1



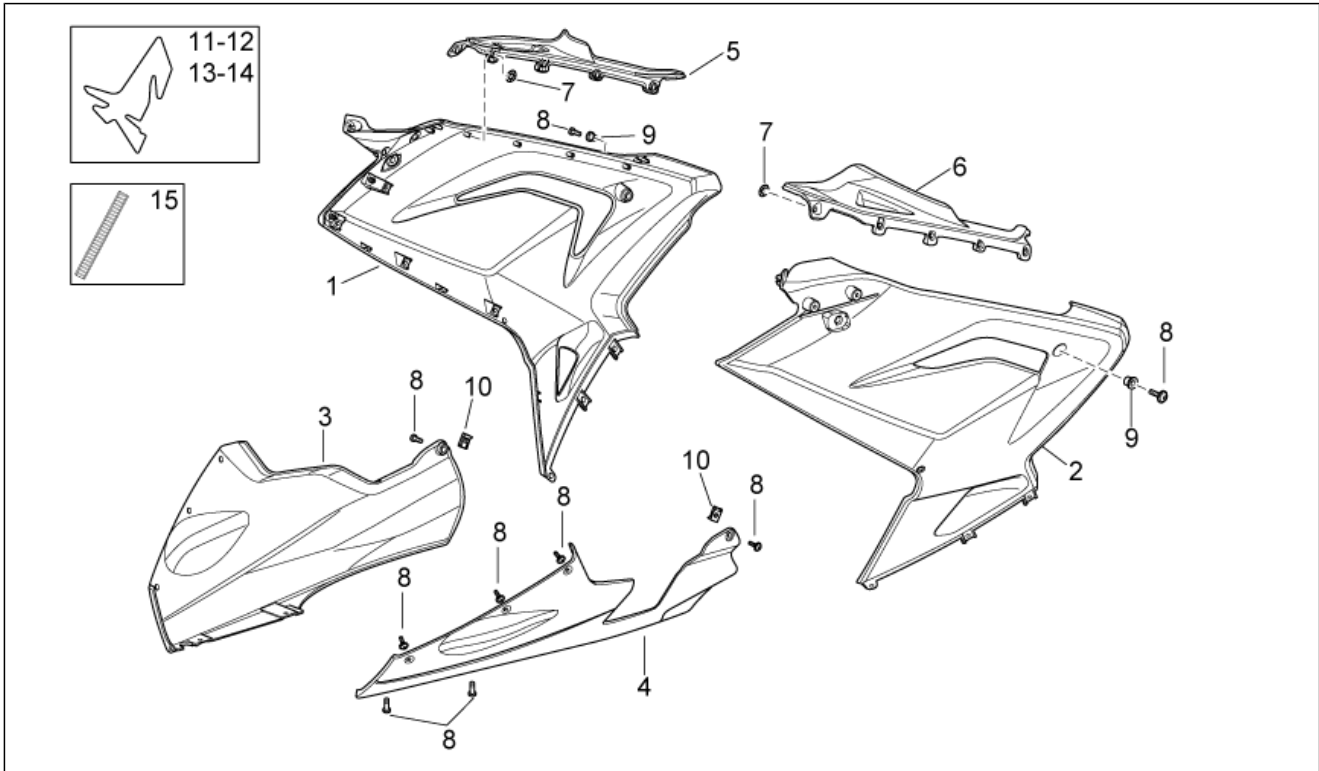
Pos.	Code	Beschreibung	Menge	Varianten
				Land:CH-DE-DK-EL[EU] Technische Daten:Einzelteil mit Aufkleber[D], Blinker 1Led[F1]
2	AP8184888	Li.Seitenteil ober	1	Baujahr:2010[A] Fahrzeugfarbe:Schwarz Aprilia 2010[n.10] Land:Australien[AA], CH-DE-DK-EL[EU] Technische Daten:Einzelteil mit Aufkleber[D]
2	AP8184898	Li.Seitenteil ober	1	Baujahr:2010[A] Fahrzeugfarbe:'Weiß Glam 2010[w.glam] Land:Australien[AA], CH-DE-DK-EL[EU] Technische Daten:Einzelteil mit Aufkleber[D]
2	AP8269331	Li.Seitenteil ober	1	Baujahr:2010[A] Fahrzeugfarbe:Replica Alitalia 2010 (t.B.897896)[r.ali] Technische Daten:Einzelteil mit Aufkleber[D]
3	AP8179190	Re.Seitenteil unten	1	Baujahr:2006[6] Fahrzeugfarbe:Aprilia Black 2006 (t.B..15195)[black], Aprilia White 2006 (t.B..15196)[white] Land:Australien[AA], CH-DE-DK-EL[EU] Technische Daten:Einzelteil mit Aufkleber[D]
3	AP8179726	Re.Seitenteil unten	1	Baujahr:2006[6] Fahrzeugfarbe:Trofeo Black 2006[RAC6] Land:Australien[AA], CH-DE-DK-EL[EU] Technische Daten:Einzelteil mit Aufkleber[D]
3	AP8179919	Re.Seitenteil unten	1	Baujahr:2008[8] Fahrzeugfarbe:Spain's N°1 (t.B.856884)[spain8] Land:Vereinigte Staaten von Amerika[USA] Technische Daten:Einzelteil mit Aufkleber[D], Version Rennstrecke USA[rc]
3	AP8179919	Re.Seitenteil unten	1	Baujahr:2008[8] Fahrzeugfarbe:Spain's N°1 (t.B.856884)[spain8] Land:Australien[AA], CH-DE-DK-EL[EU] Technische Daten:Einzelteil mit Aufkleber[D]
3	AP8179919	Re.Seitenteil unten	1	Baujahr:2007[7] Fahrzeugfarbe:Spain's N°1 (t.B.852262)[spain7] Land:Australien[AA], CH-DE-DK-EL[EU]

Einheit	RAHMEN
Code	28.11
Beschreibung	Mittlerer Aufbau
Inspektion	1



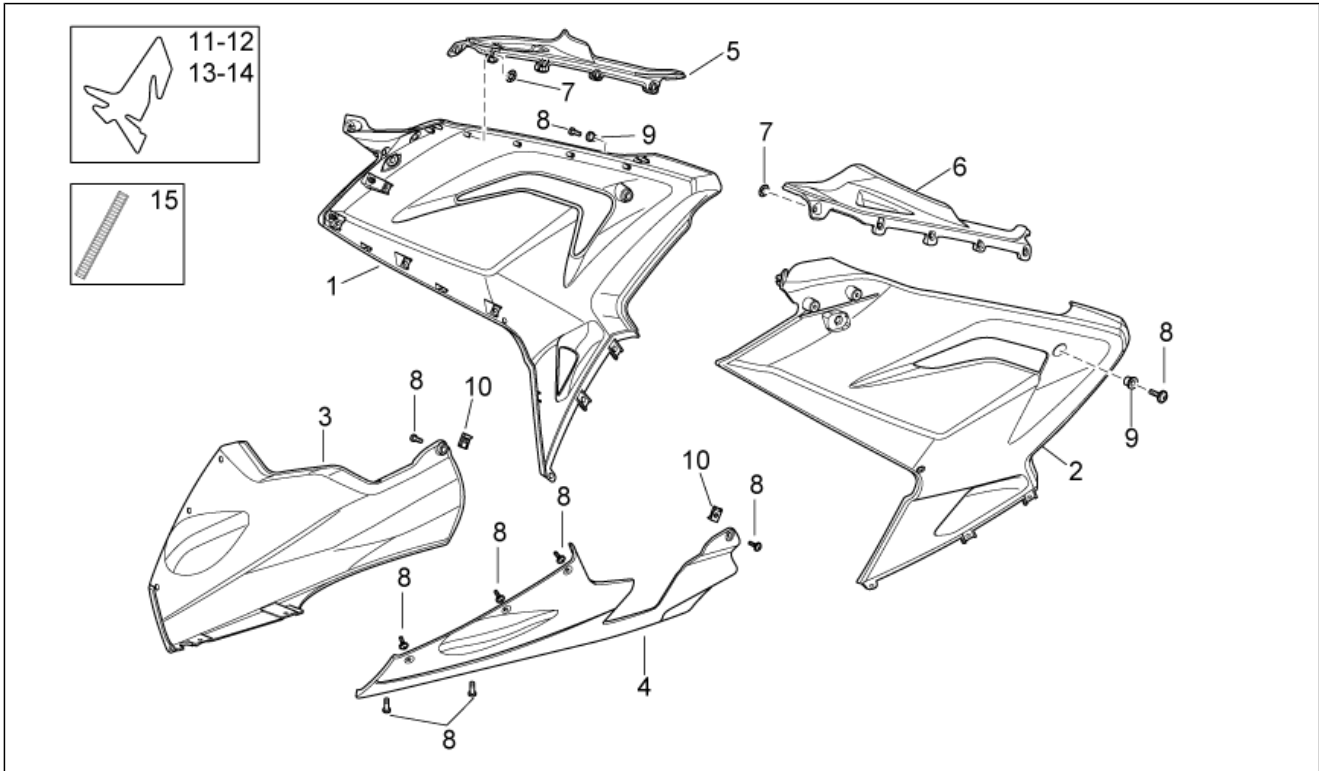
Pos.	Code	Beschreibung	Menge	Varianten
				Technische Daten: Einzelteil mit Aufkleber[D]
3	AP8184611	Re.Seitenteil unten	1	Baujahr: 2008[8] Fahrzeugfarbe: Schwarz Aprilia 2008 (t.B.860303)[a.blk], Rot Fluo 2008 (t.B.858632)[red] Land: Australien[AA], CH-DE-DK-EL[EU] Technische Daten: Einzelteil mit Aufkleber[D]
3	AP8184611	Re.Seitenteil unten	1	Baujahr: 2009[9] Fahrzeugfarbe: Schwarz Aprilia 2008 (t.B.860303)[a.blk], Rot Fluo 2008 (t.B.858632)[red] Land: Australien[AA] Technische Daten: Einzelteil mit Aufkleber[D]
3	AP8184748	Re.Seitenteil unten	1	Baujahr: 2008[8] Fahrzeugfarbe: Talmacsi 2008 (t.B..860957)[tal] Land: Australien[AA], CH-DE-DK-EL[EU] Technische Daten: Einzelteil mit Aufkleber[D]
3	AP8184861	Re.Seitenteil unten	1	Baujahr: 2009[9], 2010[A] Fahrzeugfarbe: Replica SBK 2009 (t.B.895053)[sbk] Land: CH-DE-DK-EL[EU] Technische Daten: Einzelteil mit Aufkleber[D]
3	AP8184889	Re.Seitenteil unten	1	Baujahr: 2010[A] Fahrzeugfarbe: Schwarz Aprilia 2010[n.10], 'Weiß Glam 2010[w.glam] Land: Australien[AA], CH-DE-DK-EL[EU] Technische Daten: Einzelteil mit Aufkleber[D]
3	AP8269332	Re.Seitenteil unten	1	Baujahr: 2010[A] Fahrzeugfarbe: Replica Alitalia 2010 (t.B.897896)[r.ali] Technische Daten: Einzelteil mit Aufkleber[D]
4	AP8179191	Li.Seitenteil unten	1	Baujahr: 2006[6] Fahrzeugfarbe: Aprilia Black 2006 (t.B..15195)[black], Aprilia White 2006 (t.B..15196)[white] Land: Australien[AA], CH-DE-DK-EL[EU] Technische Daten: Einzelteil mit Aufkleber[D]
4	AP8179727	Li.Seitenteil unten	1	Baujahr: 2006[6] Fahrzeugfarbe: Trofeo Black 2006[RAC6] Land: Australien[AA], CH-DE-DK-EL[EU]

Einheit	RAHMEN
Code	28.11
Beschreibung	Mittlerer Aufbau
Inspektion	1



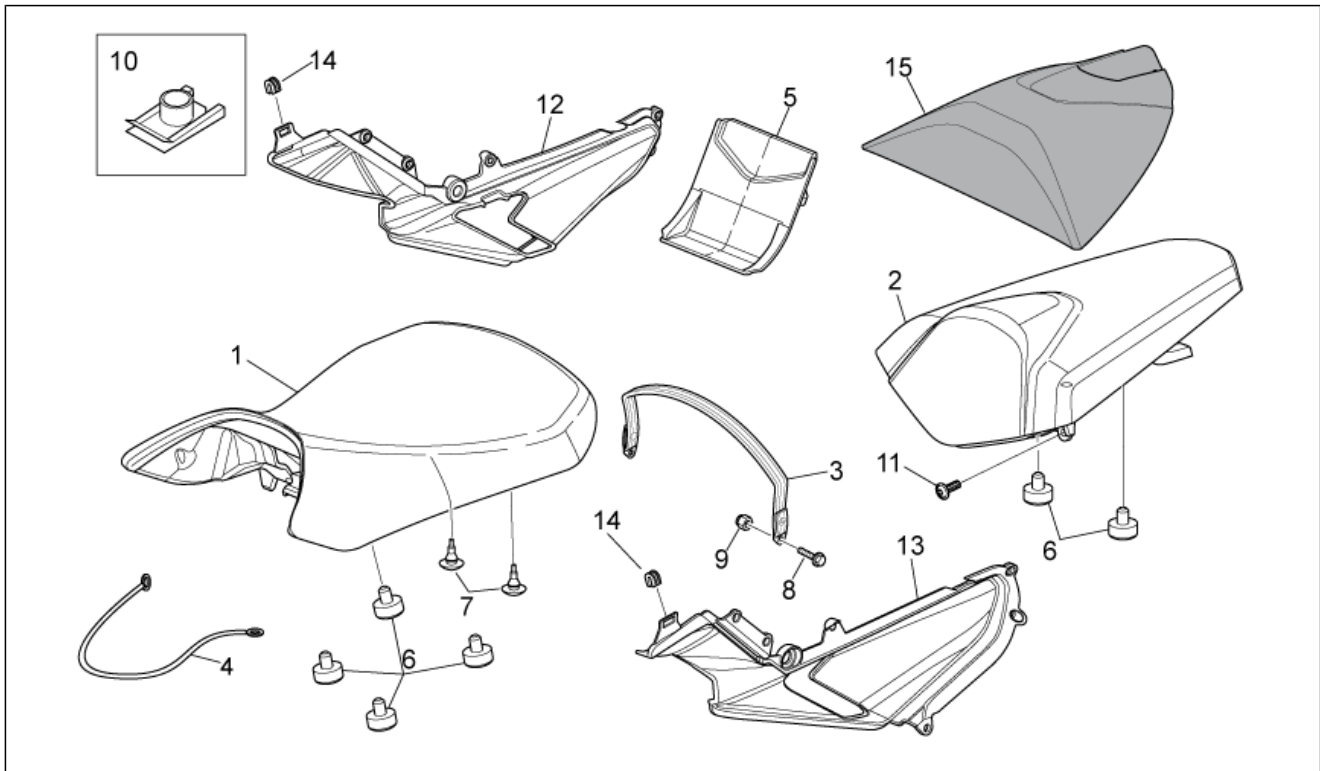
Pos.	Code	Beschreibung	Menge	Varianten
				Technische Daten: Einzelteil mit Aufkleber[D]
4	AP8179920	Li.Seitenteil unten	1	Baujahr: 2007[7] Fahrzeugfarbe: Spain's N°1 (t.B.852262)[spain7] Land: Australien[AA], CH-DE-DK-EL[EU] Technische Daten: Einzelteil mit Aufkleber[D]
4	AP8179920	Li.Seitenteil unten	1	Baujahr: 2008[8] Fahrzeugfarbe: Spain's N°1 (t.B.856884)[spain8] Land: Australien[AA], CH-DE-DK-EL[EU] Technische Daten: Einzelteil mit Aufkleber[D]
4	AP8179920	Li.Seitenteil unten	1	Baujahr: 2008[8] Fahrzeugfarbe: Spain's N°1 (t.B.856884)[spain8] Land: Vereinigte Staaten von Amerika[USA] Technische Daten: Einzelteil mit Aufkleber[D], Version Rennstrecke USA[rac]
4	AP8184612	Li.Seitenteil unten	1	Baujahr: 2009[9] Fahrzeugfarbe: Schwarz Aprilia 2008 (t.B.860303)[a.blk], Rot Fluo 2008 (t.B.858632)[red] Land: Australien[AA], Indonesien-Malaysia-Neuseeland-Singapur[AP] Technische Daten: Einzelteil mit Aufkleber[D]
4	AP8184612	Li.Seitenteil unten	1	Baujahr: 2008[8] Fahrzeugfarbe: Schwarz Aprilia 2008 (t.B.860303)[a.blk], Rot Fluo 2008 (t.B.858632)[red] Land: Australien[AA], CH-DE-DK-EL[EU] Technische Daten: Einzelteil mit Aufkleber[D]
4	AP8184749	Li.Seitenteil unten	1	Baujahr: 2008[8] Fahrzeugfarbe: Talmacsi 2008 (t.B..860957)[tal] Land: Australien[AA], CH-DE-DK-EL[EU] Technische Daten: Einzelteil mit Aufkleber[D]
4	AP8184862	Li.Seitenteil unten	1	Baujahr: 2009[9], 2010[A] Fahrzeugfarbe: Replica SBK 2009 (t.B.895053)[sbk] Land: CH-DE-DK-EL[EU] Technische Daten: Einzelteil mit Aufkleber[D]
4	AP8184890	Li.Seitenteil unten	1	Baujahr: 2010[A]

Einheit	RAHMEN
Code	28.11
Beschreibung	Mittlerer Aufbau
Inspektion	1



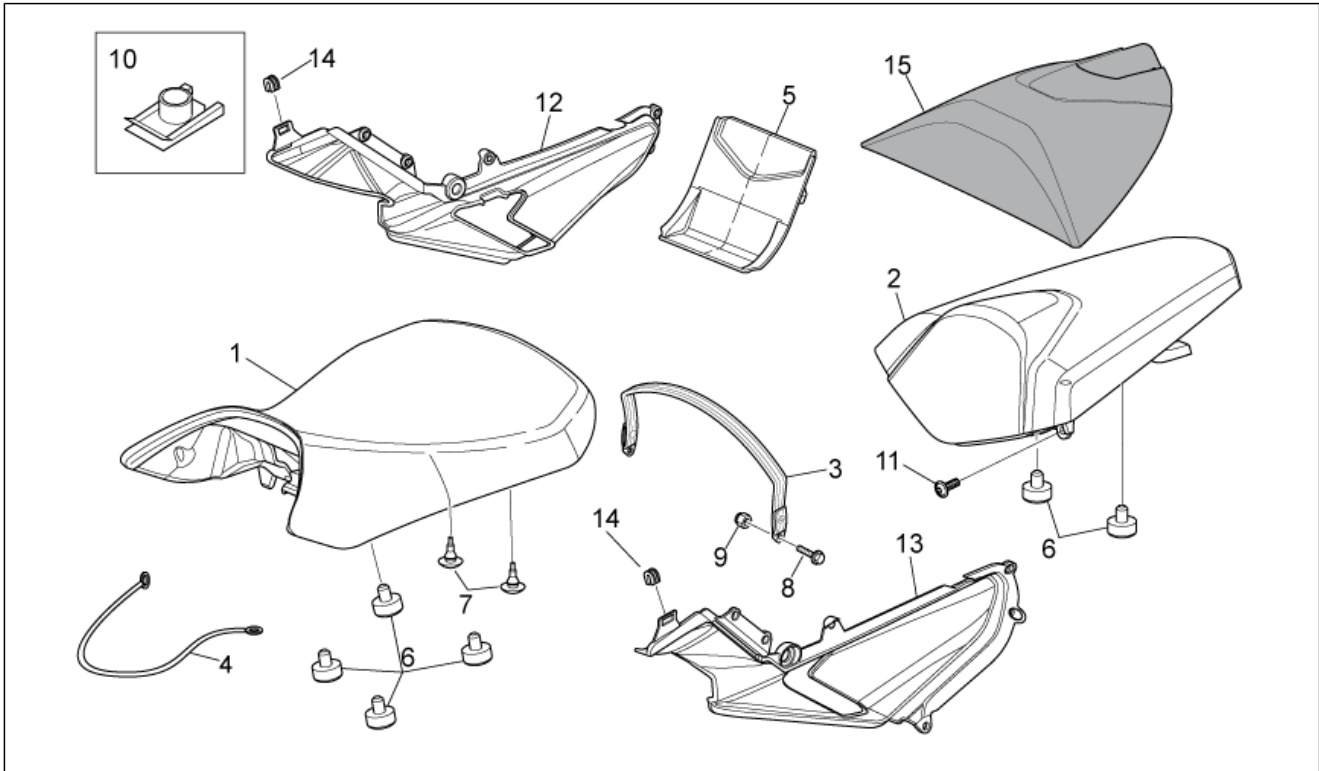
Pos.	Code	Beschreibung	Menge	Varianten
				Fahrzeugfarbe: Schwarz Aprilia 2010[n.10], 'Weiß Glam 2010[w.glam] Land: Australien[AA], CH-DE-DK-EL[EU] Technische Daten: Einzelteil mit Aufkleber[D]
4	AP8269333	Li.Seitenteil unten	1	Baujahr: 2010[A] Fahrzeugfarbe: Replica Alitalia 2010 (t.B.897896)[r.ali] Technische Daten: Einzelteil mit Aufkleber[D]
5	AP8179192	Verschl. Verkl.ob.r.	1	
6	AP8179193	Verschl. Verkl.ob.r.	1	
7	AP8150450	Wellenscheibe D5	10	
8	AP8152298	TBEI Schraube m.Flansch M5x16	10	
9	AP8121795	T-Buchse	2	
10	AP8102375	Klammer M5	12	
11	AP8117272	Schalldämmpl. ob. re.	1	
12	AP8117271	Schalldämmpl. ob. links	1	
13	AP8117269	RU Hitzeschutz	1	
14	AP8117270	LU Hitzeschutz	1	
15	AP8161197	Connecting	2	

Einheit	RAHMEN
Code	28.12
Beschreibung	Sitzbankeinheit
Inspektion	1



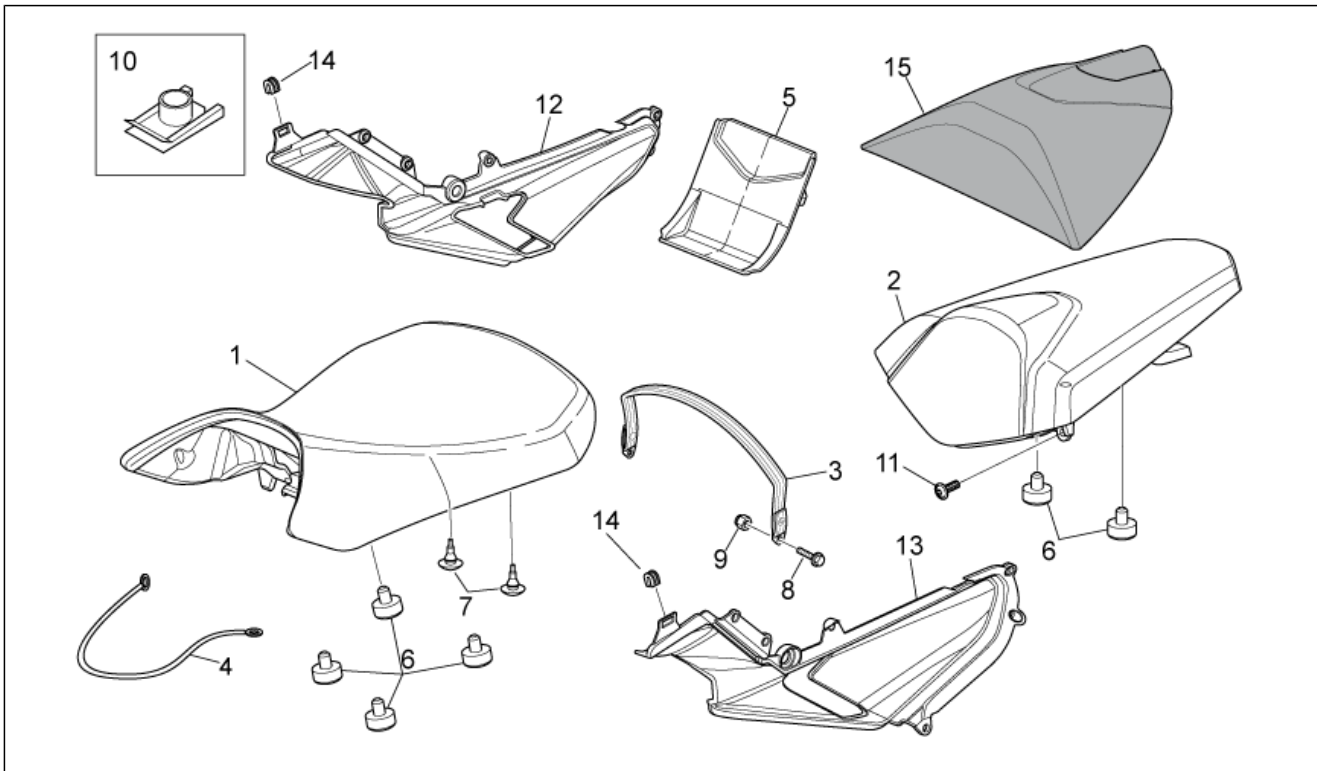
Pos.	Code	Beschreibung	Menge	Varianten
1	AP8129456	Fahrersitz, rot	1	Baujahr: 2006[6] Fahrzeugfarbe: Aprilia Black 2006 (t.B..15195)[black], Trofeo Black 2006[RAC6], Aprilia White 2006 (t.B..15196)[white] Land: Australien[AA], CH-DE-DK-EL[EU]
1	AP8129493	Fahrersitz, schwarz	1	Baujahr: 2008[8] Fahrzeugfarbe: Schwarz Aprilia 2008 (t.B.860303)[a.blk], Rot Fluo 2008 (t.B.858632)[red], Talmacsi 2008 (t.B..860957)[tal] Land: Australien[AA], CH-DE-DK-EL[EU]
1	AP8129493	Fahrersitz, schwarz	1	Baujahr: 2008[8] Fahrzeugfarbe: Spain's N°1 (t.B.856884)[spain8] Land: Vereinigte Staaten von Amerika[USA] Technische Daten: Version Rennstrecke USA[rac]
1	AP8129493	Fahrersitz, schwarz	1	Baujahr: 2007[7], 2008[8] Fahrzeugfarbe: Spain's N°1 (t.B.852262)[spain7], Spain's N°1 (t.B.856884)[spain8] Land: Australien[AA], CH-DE-DK-EL[EU]
1	AP8129493	Fahrersitz, schwarz	1	Baujahr: 2009[9] Fahrzeugfarbe: Schwarz Aprilia 2008 (t.B.860303)[a.blk], Rot Fluo 2008 (t.B.858632)[red] Land: Australien[AA], Indonesien-Malaysia-Neuseeland-Singapur[AP]
1	AP8129522	Fahrersitz, schwarz	1	Baujahr: 2009[9], 2010[A] Fahrzeugfarbe: Schwarz Aprilia 2010[n.10], Replica Alitalia 2010 (t.B.897896)[r.all], Replica SBK 2009 (t.B.895053)[sbk], 'Weiß Glam 2010[w.glam] Land: Australien[AA], CH-DE-DK-EL[EU]
2	AP8129457	Soziussitz, schwarz	1	Baujahr: 2009[9] Fahrzeugfarbe: Schwarz Aprilia 2008 (t.B.860303)[a.blk], Rot Fluo 2008 (t.B.858632)[red] Land: Australien[AA], Indonesien-Malaysia-Neuseeland-Singapur[AP]
2	AP8129457	Soziussitz, schwarz	1	Baujahr: 2008[8]

Einheit	RAHMEN
Code	28.12
Beschreibung	Sitzbankeinheit
Inspektion	1



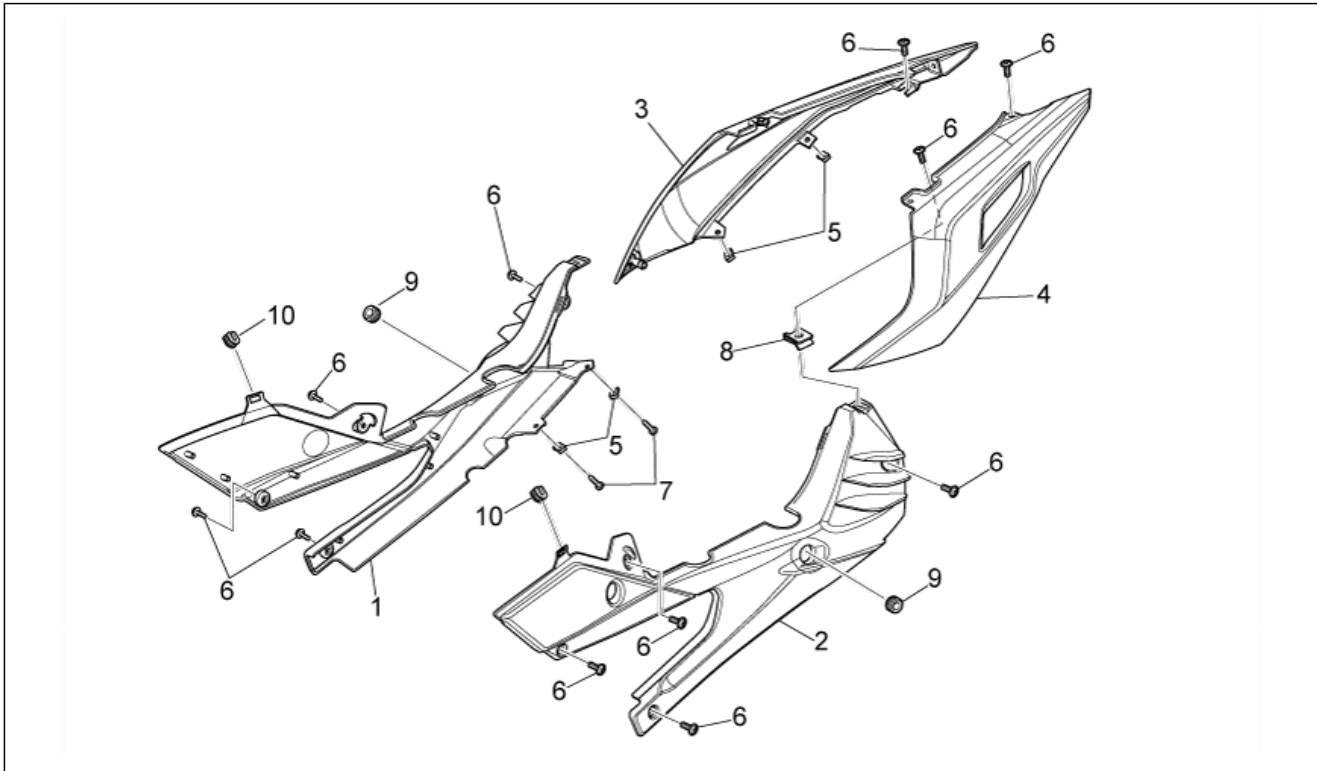
Pos.	Code	Beschreibung	Menge	Varianten
				Fahrzeugfarbe: Schwarz Aprilia 2008 (t.B.860303)[a.blk], Rot Fluo 2008 (t.B.858632)[red], Talmacsi 2008 (t.B..860957)[tal] Land: Australien[AA], CH-DE-DK-EL[EU]
2	AP8129457	Soziussitz, schwarz	1	Baujahr: 2006[6] Fahrzeugfarbe: Aprilia Black 2006 (t.B..15195)[black], Trofeo Black 2006[RAC6], Aprilia White 2006 (t.B..15196)[white] Land: Australien[AA], CH-DE-DK-EL[EU]
2	AP8129494	Soziussitz rot	1	Baujahr: 2008[8] Fahrzeugfarbe: Spain's N°1 (t.B.856884)[spain8] Land: Vereinigte Staaten von Amerika[USA] Technische Daten: Version Rennstrecke USA[rac]
2	AP8129494	Soziussitz rot	1	Baujahr: 2007[7], 2008[8] Fahrzeugfarbe: Spain's N°1 (t.B.852262)[spain7], Spain's N°1 (t.B.856884)[spain8] Land: Australien[AA], CH-DE-DK-EL[EU]
2	AP8129523	Soziussitz rot	1	Baujahr: 2009[9], 2010[A] Fahrzeugfarbe: Replica Alitalia 2010 (t.B.897896)[r.ali], Replica SBK 2009 (t.B.895053)[sbk] Land: CH-DE-DK-EL[EU]
2	AP8129524	Soziussitz, schwarz	1	Baujahr: 2010[A] Fahrzeugfarbe: Schwarz Aprilia 2010[n.10], 'Weiß Glam 2010[w.glam] Land: Australien[AA], CH-DE-DK-EL[EU]
3	AP8129458	Soziusriemen schwarz	1	Baujahr: 2010[A] Fahrzeugfarbe: Schwarz Aprilia 2010[n.10], 'Weiß Glam 2010[w.glam] Land: Australien[AA], CH-DE-DK-EL[EU]
3	AP8129458	Soziusriemen schwarz	1	Baujahr: 2008[8] Fahrzeugfarbe: Schwarz Aprilia 2008 (t.B.860303)[a.blk], Rot Fluo 2008 (t.B.858632)[red], Talmacsi 2008 (t.B..860957)[tal] Land: Australien[AA], CH-DE-DK-EL[EU]
3	AP8129458	Soziusriemen schwarz	1	Baujahr: 2009[9]

Einheit	RAHMEN
Code	28.12
Beschreibung	Sitzbankeinheit
Inspektion	1



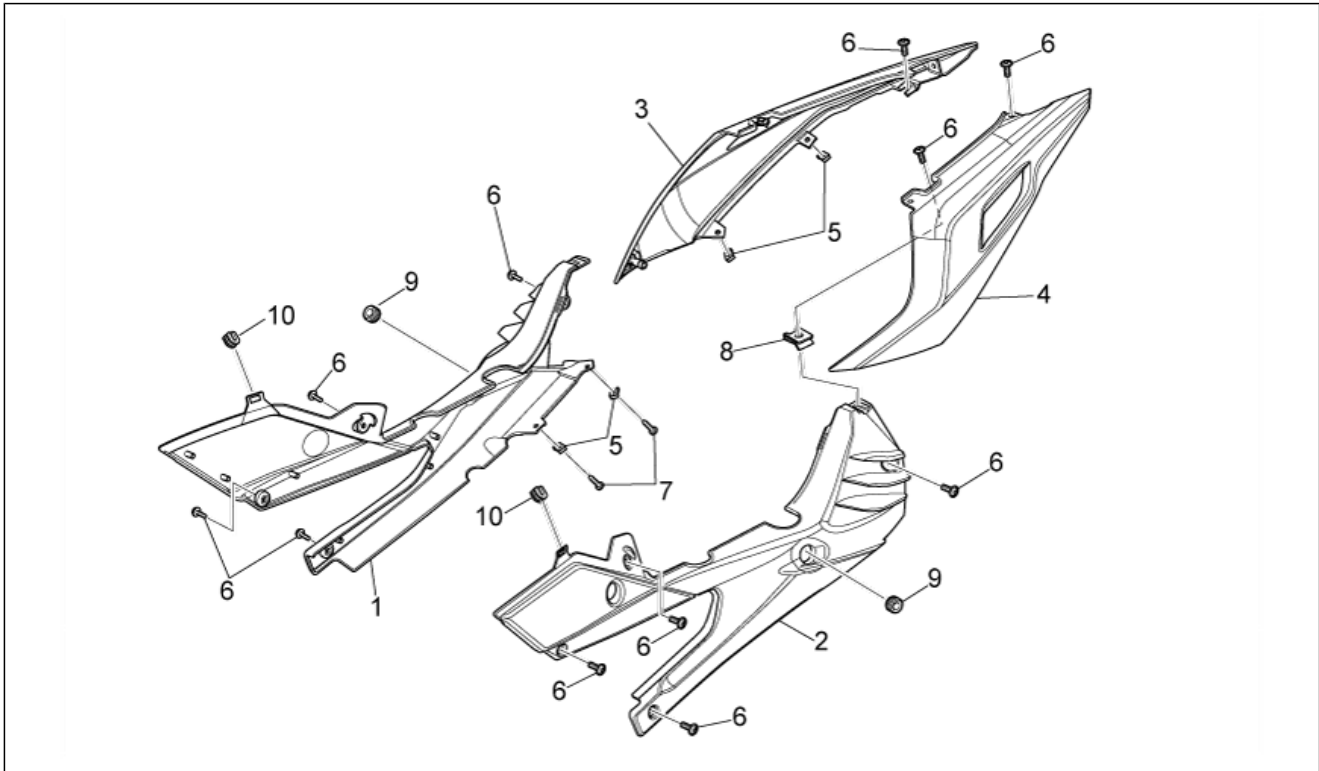
Pos.	Code	Beschreibung	Menge	Varianten
				Fahrzeugfarbe: Schwarz Aprilia 2008 (t.B.860303)[a.blk], Rot Fluo 2008 (t.B.858632)[red] Land: Australien[AA], Indonesien-Malaysia-Neuseeland-Singapur[AP]
3	AP8129458	Soziusriemen schwarz	1	Baujahr: 2006[6] Fahrzeugfarbe: Aprilia Black 2006 (t.B..15195)[black], Trofeo Black 2006[RAC6], Aprilia White 2006 (t.B..15196)[white] Land: Australien[AA], CH-DE-DK-EL[EU]
3	AP8129495	Soziusriemen rot	1	Baujahr: 2007[7], 2008[8], 2009[9], 2010[A] Fahrzeugfarbe: Replica Alitalia 2010 (t.B.897896)[r.ali], Replica SBK 2009 (t.B.895053)[sbk], Spain's N°1 (t.B.852262)[spain7], Spain's N°1 (t.B.856884)[spain8] Land: Australien[AA], CH-DE-DK-EL[EU], Vereinigte Staaten von Amerika[USA] Technische Daten: Version Rennstrecke USA[rac]
4	AP8102502	Schutzhelm-Befestigungskabel	1	
5	AP8179201	Klappe Werkzeugfach, schwarz	1	
6	AP8220349	Gummi	6	
7	AP8120001	Gummi	2	
8	AP8152278	TE Schr. m. Flansch M6x16	2	
9	AP8152299	Selbstsperrende Mutter M6	2	
10	254485	Plattchen M6	2	
11	AP8152246	TBEI Schraube m.Flansch M6x16	2	
12	AP8179186	SitzhalterungSchloss,Re	1	
13	AP8179288	SitzhalterungSchloss,Li	1	
14	AP8120937	Gummi kühlerebefestigung	2	
15	851762	Beifahrersitzabdeck.hne farbe	1	Baujahr: 2006[6] Fahrzeugfarbe: Trofeo Black 2006[RAC6] Land: Australien[AA], CH-DE-DK-EL[EU] Technische Daten: Version Trofeo Gara[GP]

Einheit	RAHMEN
Code	28.13
Beschreibung	Heckaufbau I
Inspektion	1



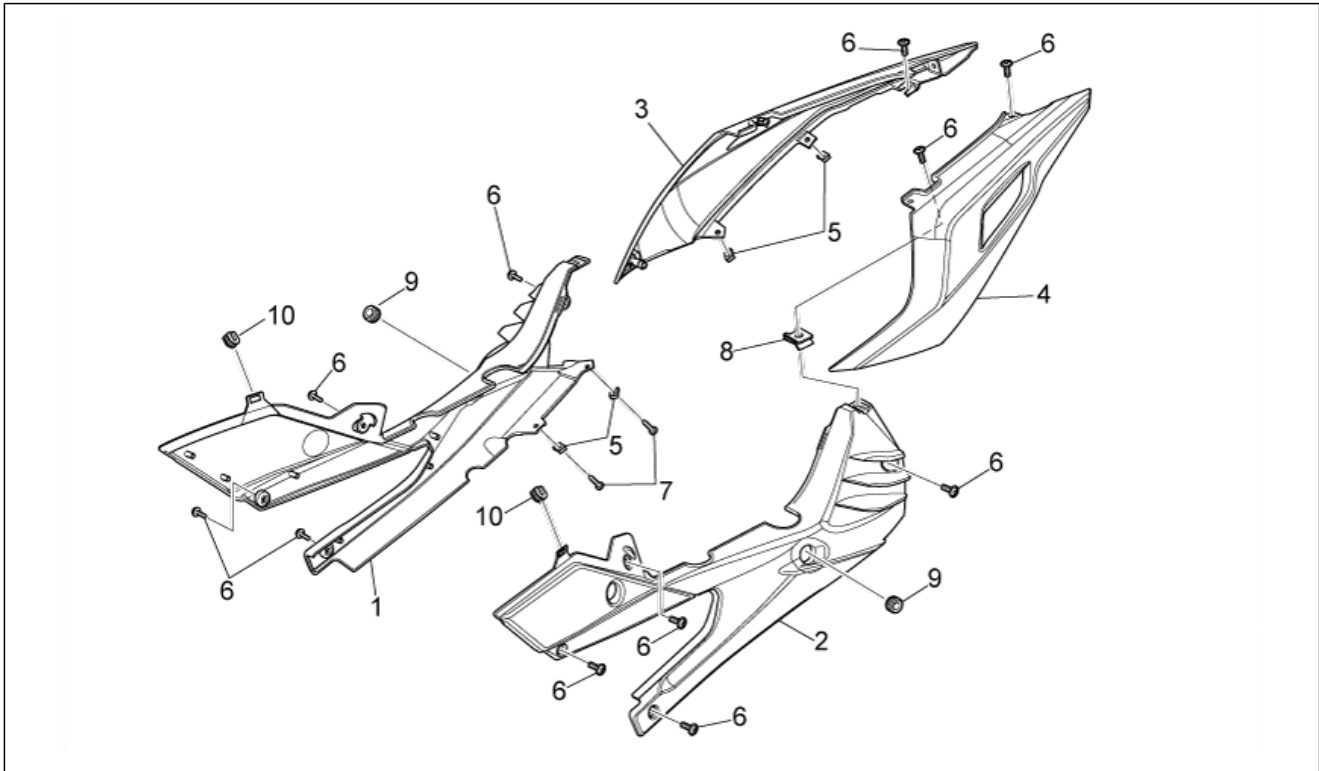
Pos.	Code	Beschreibung	Menge	Varianten
1	AP8179196	R.Sitzhalterabd., schwarz	1	Baujahr: 2006[6], 2007[7], 2008[8], 2010[A]
1	AP8184869	R.Sitzhalterabd., schwarz	1	Baujahr: 2009[9], 2010[A] Fahrzeugfarbe: Replica Alitalia 2010 (t.B.897896)[r.ali], Replica SBK 2009 (t.B.895053)[sbk] Technische Daten: Einzelteil mit Aufkleber[D]
2	AP8179200	L.Sitzhalterabd., schwarz	1	Baujahr: 2006[6], 2007[7], 2008[8], 2010[A]
2	AP8184870	L.Sitzhalterabd., schwarz	1	Baujahr: 2009[9], 2010[A] Fahrzeugfarbe: Replica Alitalia 2010 (t.B.897896)[r.ali], Replica SBK 2009 (t.B.895053)[sbk] Technische Daten: Einzelteil mit Aufkleber[D]
3	AP8179197	Heckteil r., grau	1	Baujahr: 2006[6] Fahrzeugfarbe: Aprilia Black 2006 (t.B..15195)[black], Aprilia White 2006 (t.B..15196)[white] Land: Australien[AA], CH-DE-DK-EL[EU] Technische Daten: Einzelteil mit Aufkleber[D]
3	AP8179686	Heckteil r., grau	1	Baujahr: 2006[6] Fahrzeugfarbe: Trofeo Black 2006[RAC6] Land: Australien[AA], CH-DE-DK-EL[EU] Technische Daten: Einzelteil mit Aufkleber[D]
3	AP8179921	Heckteil r., rot	1	Baujahr: 2007[7] Fahrzeugfarbe: Spain's N°1 (t.B.852262)[spain7] Land: Australien[AA], CH-DE-DK-EL[EU] Technische Daten: Einzelteil mit Aufkleber[D]
3	AP8184613	Heckteil r., weiß	1	Baujahr: 2008[8] Fahrzeugfarbe: Rot Fluo 2008 (t.B.858632)[red] Land: Australien[AA], CH-DE-DK-EL[EU] Technische Daten: Einzelteil mit Aufkleber[D]
3	AP8184613	Heckteil r., weiß	1	Baujahr: 2009[9] Fahrzeugfarbe: Rot Fluo 2008 (t.B.858632)[red] Land: Australien[AA], Indonesien-Malaysia-Neuseeland-Singapur[AP] Technische Daten: Einzelteil mit Aufkleber[D]
3	AP8184725	Heckteil r., schwarz	1	Baujahr: 2008[8] Fahrzeugfarbe: Schwarz Aprilia 2008 (t.B.860303)[a.blk]

Einheit	RAHMEN
Code	28.13
Beschreibung	Heckaufbau I
Inspektion	1



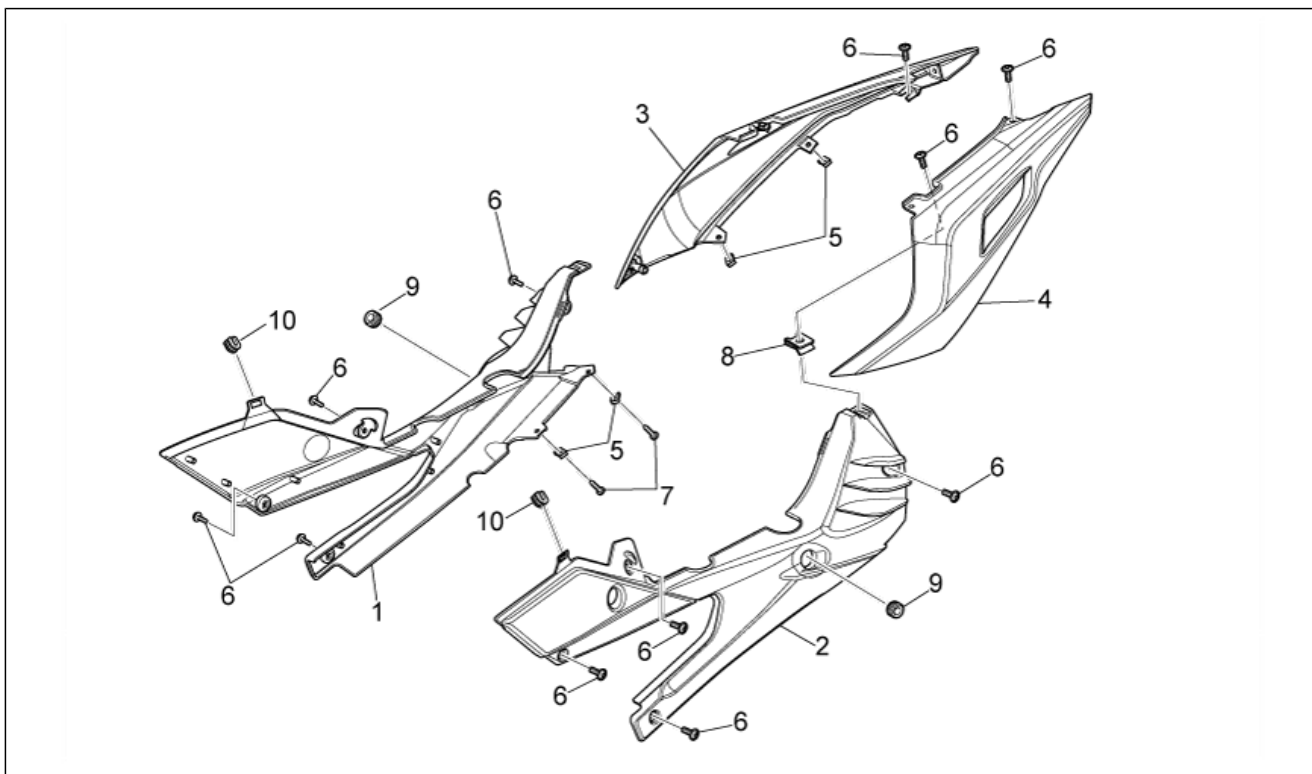
Pos.	Code	Beschreibung	Menge	Varianten
				Land:Australien[AA], CH-DE-DK-EL[EU] Technische Daten:Einzelteil mit Aufkleber[D]
3	AP8184725	Heckteil r., schwarz	1	Baujahr:2009[9] Fahrzeugfarbe:Schwarz Aprilia 2008 (t.B.860303)[a.blk] Land:Australien[AA], Indonesien-Malaysia-Neuseeland-Singapur[AP] Technische Daten:Einzelteil mit Aufkleber[D]
3	AP8184750	Heckteil r., grün	1	Baujahr:2008[8] Fahrzeugfarbe:Talmacsi 2008 (t.B..860957)[tal] Land:Australien[AA], CH-DE-DK-EL[EU] Technische Daten:Einzelteil mit Aufkleber[D]
3	AP8184863	Heckteil r., schwarz	1	Baujahr:2009[9], 2010[A] Fahrzeugfarbe:Replica SBK 2009 (t.B.895053)[sbk] Land:CH-DE-DK-EL[EU] Technische Daten:Einzelteil mit Aufkleber[D]
3	AP8184891	Heckteil r., schwarz	1	Baujahr:2010[A] Fahrzeugfarbe:Schwarz Aprilia 2010[n.10] Land:Australien[AA], CH-DE-DK-EL[EU] Technische Daten:Einzelteil mit Aufkleber[D]
3	AP8184899	Heckteil r., weiß	1	Baujahr:2010[A] Fahrzeugfarbe:'Weiß Glam 2010[w.glam] Land:Australien[AA], CH-DE-DK-EL[EU] Technische Daten:Einzelteil mit Aufkleber[D]
3	AP8268734	Heckteil r., rot	1	Baujahr:2008[8] Fahrzeugfarbe:Spain's N°1 (t.B.856884)[spain8] Land:Vereinigte Staaten von Amerika[USA] Technische Daten:Einzelteil mit Aufkleber[D], Version Rennstrecke USA[rac]
3	AP8268734	Heckteil r., rot	1	Baujahr:2008[8] Fahrzeugfarbe:Spain's N°1 (t.B.856884)[spain8] Land:Australien[AA], CH-DE-DK-EL[EU] Technische Daten:Einzelteil mit Aufkleber[D]
3	AP8269334	Heckteil r., schwarz	1	Baujahr:2010[A] Fahrzeugfarbe:Replica Alitalia 2010 (t.B.897896)[r.ali] Technische Daten:Einzelteil mit Aufkleber[D]

Einheit	RAHMEN
Code	28.13
Beschreibung	Heckaufbau I
Inspektion	1



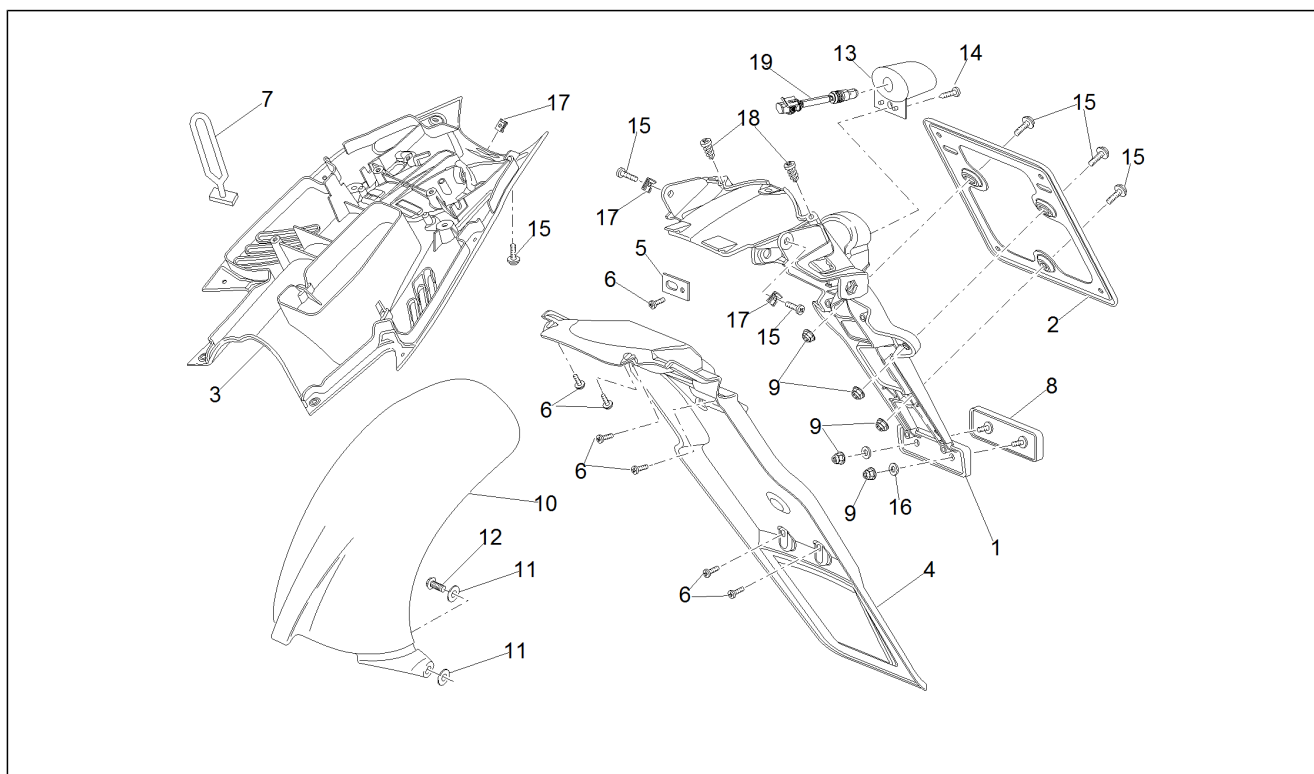
Pos.	Code	Beschreibung	Menge	Varianten
4	AP8179269	Heckteil l., grau	1	Baujahr: 2006[6] Fahrzeugfarbe: Aprilia Black 2006 (t.B..15195)[black], Aprilia White 2006 (t.B..15196)[white] Land: Australien[AA], CH-DE-DK-EL[EU] Technische Daten: Einzelteil mit Aufkleber[D]
4	AP8179687	Heckteil l., grau	1	Baujahr: 2006[6] Fahrzeugfarbe: Trofeo Black 2006[RAC6] Land: Australien[AA], CH-DE-DK-EL[EU] Technische Daten: Einzelteil mit Aufkleber[D]
4	AP8179922	Heckteil l., rot	1	Baujahr: 2007[7] Fahrzeugfarbe: Spain's N°1 (t.B.852262)[spain7] Land: Australien[AA], CH-DE-DK-EL[EU] Technische Daten: Einzelteil mit Aufkleber[D]
4	AP8184614	Heckteil l., s.weiß	1	Baujahr: 2008[8] Fahrzeugfarbe: Rot Fluo 2008 (t.B.858632)[red] Land: Australien[AA], CH-DE-DK-EL[EU] Technische Daten: Einzelteil mit Aufkleber[D]
4	AP8184614	Heckteil l., s.weiß	1	Baujahr: 2009[9] Fahrzeugfarbe: Rot Fluo 2008 (t.B.858632)[red] Land: Australien[AA], Indonesien-Malaysia-Neuseeland-Singapur[AP] Technische Daten: Einzelteil mit Aufkleber[D]
4	AP8184726	Heckteil l., schwarz	1	Baujahr: 2008[8] Fahrzeugfarbe: Schwarz Aprilia 2008 (t.B.860303)[a.blk] Land: Australien[AA], CH-DE-DK-EL[EU] Technische Daten: Einzelteil mit Aufkleber[D]
4	AP8184726	Heckteil l., schwarz	1	Baujahr: 2009[9] Fahrzeugfarbe: Schwarz Aprilia 2008 (t.B.860303)[a.blk] Land: Australien[AA], Indonesien-Malaysia-Neuseeland-Singapur[AP] Technische Daten: Einzelteil mit Aufkleber[D]
4	AP8184751	Heckteil l., grün	1	Baujahr: 2008[8] Fahrzeugfarbe: Talmacsi 2008 (t.B..860957)[tal] Land: Australien[AA], CH-DE-DK-EL[EU] Technische Daten: Einzelteil mit Aufkleber[D]

Einheit	RAHMEN
Code	28.13
Beschreibung	Heckaufbau I
Inspektion	1



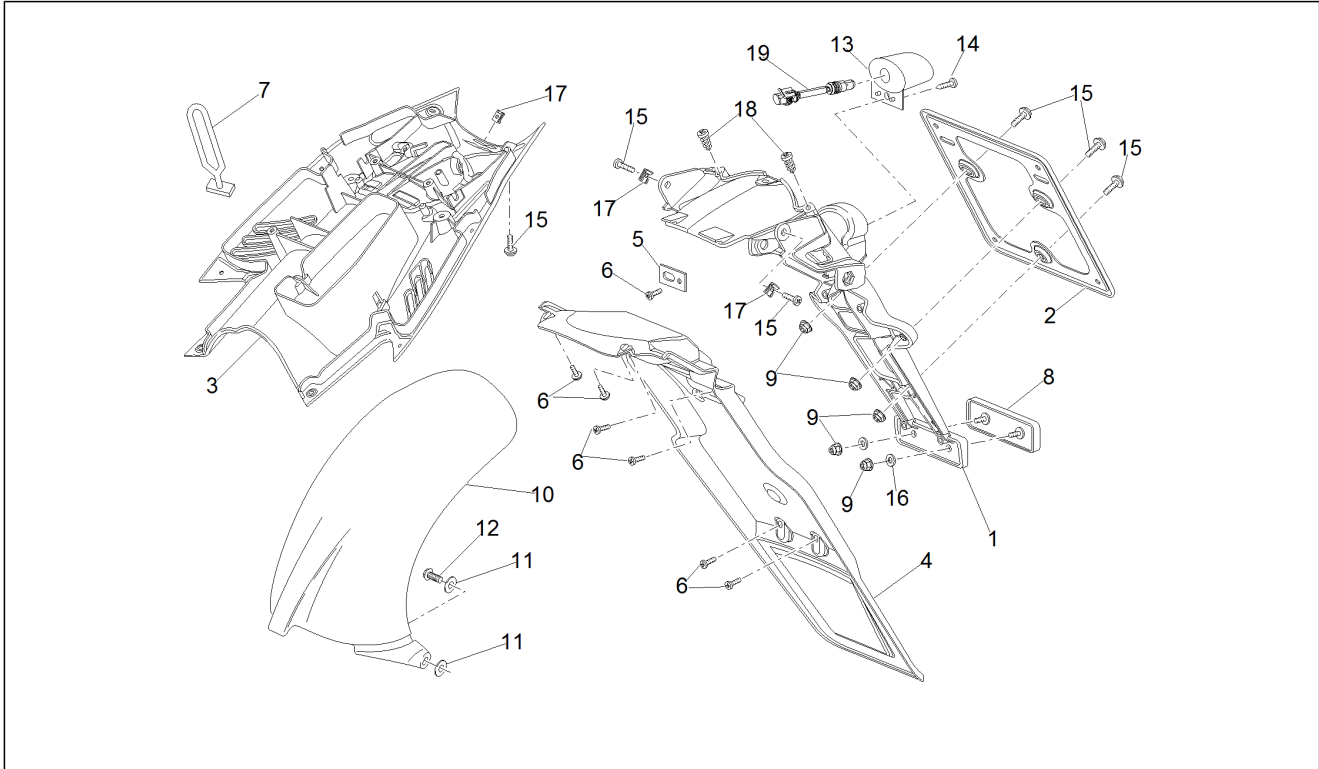
Pos.	Code	Beschreibung	Menge	Varianten
4	AP8184864	Heckteil l., schwarz	1	Baujahr: 2009[9], 2010[A] Fahrzeugfarbe: Replica SBK 2009 (t.B.895053)[sbk] Land: CH-DE-DK-EL[EU] Technische Daten: Einzelteil mit Aufkleber[D]
4	AP8184892	Heckteil l., schwarz	1	Baujahr: 2010[A] Fahrzeugfarbe: Schwarz Aprilia 2010[n.10] Land: Australien[AA], CH-DE-DK-EL[EU] Technische Daten: Einzelteil mit Aufkleber[D]
4	AP8184900	Heckteil l., s.weiß	1	Baujahr: 2010[A] Fahrzeugfarbe: 'Weiß Glam 2010[w.glam] Land: Australien[AA], CH-DE-DK-EL[EU] Technische Daten: Einzelteil mit Aufkleber[D]
4	AP8268735	Heckteil l., rot	1	Baujahr: 2008[8] Fahrzeugfarbe: Spain's N°1 (t.B.856884)[spain8] Land: Vereinigte Staaten von Amerika[USA] Technische Daten: Einzelteil mit Aufkleber[D], Version Rennstrecke USA[rac]
4	AP8268735	Heckteil l., rot	1	Baujahr: 2008[8] Fahrzeugfarbe: Spain's N°1 (t.B.856884)[spain8] Land: Australien[AA], CH-DE-DK-EL[EU] Technische Daten: Einzelteil mit Aufkleber[D]
4	AP8269335	Heckteil l., schwarz	1	Baujahr: 2010[A] Fahrzeugfarbe: Replica Alitalia 2010 (t.B.897896)[r.ali] Technische Daten: Einzelteil mit Aufkleber[D]
5	AP8202449	Klammer	8	
6	AP8152298	TBEI Schraube m.Flansch M5x16	12	
7	AP8150444	Gewindeschraube Edelstahl	4	
8	AP8102375	Klammer M5	2	
9	AP8120030	Gummi	2	
10	AP8120937	Gummi kühlerebefestigung	2	

Einheit	RAHMEN
Code	28.14
Beschreibung	Heckaufbau II
Inspektion	1



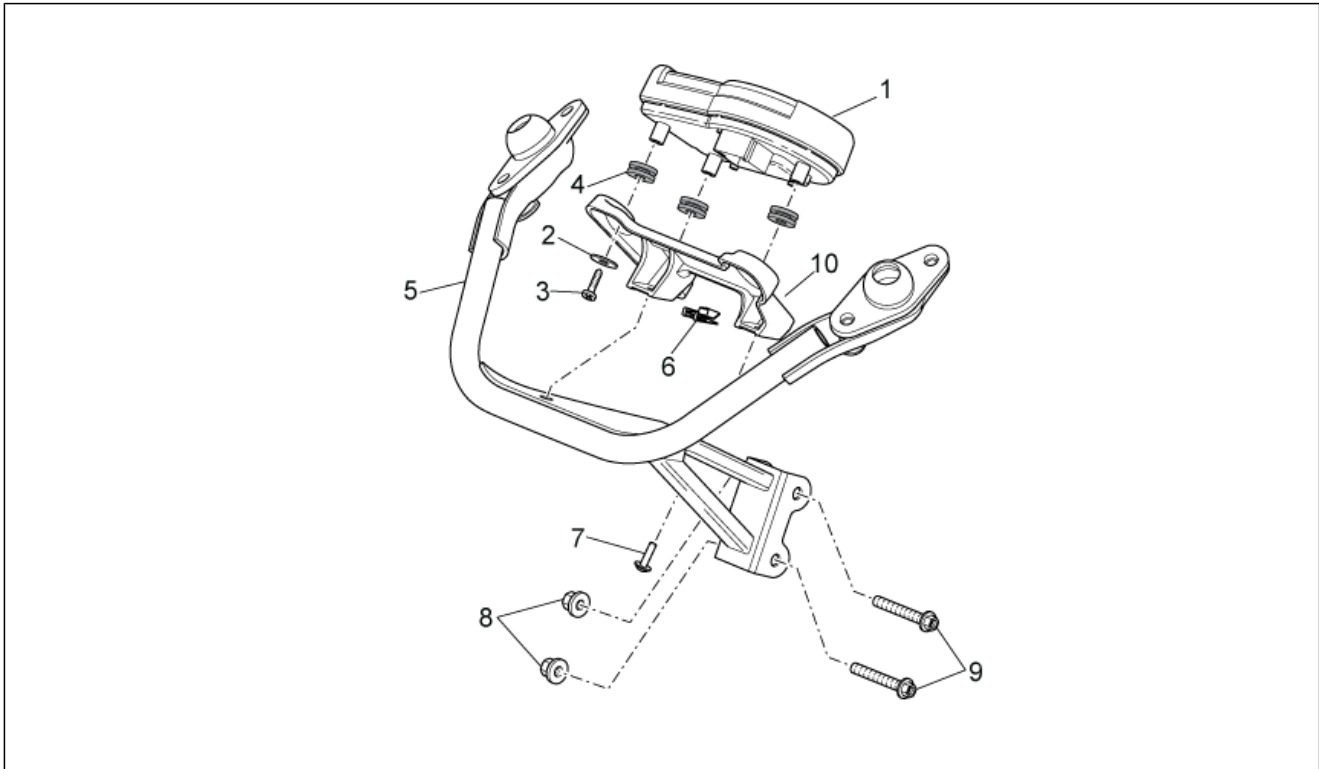
Pos.	Code	Beschreibung	Menge	Varianten
1	AP8179199	Kennzeichenplatte	1	Land: Australien[AA], Indonesien-Malaysia-Neuseeland-Singapur[AP], CH-DE-DK-EL[EU] Technische Daten: Blinker 1Led[F1]
1	AP8184762	Kennzeichenplatte	1	Land: Australien[AA], Indonesien-Malaysia-Neuseeland-Singapur[AP], CH-DE-DK-EL[EU] Technische Daten: Blinker 4Led[F4]
2	AP8126115	Kennzeichenplatte	1	Land: Australien[AA], CH-DE-DK-EL[EU]
3	AP8179198	Unt.Verschl.Sitzhal.schw.	1	
4	AP8179202	Spritzschutz	1	Land: Australien[AA], Indonesien-Malaysia-Neuseeland-Singapur[AP], CH-DE-DK-EL[EU]
5	AP8134437	Platte	1	Land: Australien[AA], Indonesien-Malaysia-Neuseeland-Singapur[AP], CH-DE-DK-EL[EU]
6	AP8150413	Gew.schr. 3,9x14	1	Land: Australien[AA], Indonesien-Malaysia-Neuseeland-Singapur[AP], CH-DE-DK-EL[EU]
7	AP8120177	Elastic	1	
8	AP8112916	Rückstrahler Rücklicht	1	Land: Australien[AA], Indonesien-Malaysia-Neuseeland-Singapur[AP], CH-DE-DK-EL[EU]
9	AP8150204	Mutter M4	5	Land: Australien[AA], Indonesien-Malaysia-Neuseeland-Singapur[AP], CH-DE-DK-EL[EU]
10	AP8156253	Schutzblech schwarz	1	
11	AP8150179	Ausgleichscheibe 6,6x18*	5	
12	AP8152278	TE Schr. m. Flansch M6x16	2	
13	AP8127098	Kennzeichenleuchte	1	Land: Australien[AA], Indonesien-Malaysia-Neuseeland-Singapur[AP], CH-DE-DK-EL[EU]
14	AP8150362	Gewindeschraube Edelstahl *	1	Land: Australien[AA], Indonesien-Malaysia-Neuseeland-Singapur[AP], CH-DE-DK-EL[EU]
15	AP8152298	TBEI Schraube m.Flansch M5x16	1	Land: Vereinigte Staaten von Amerika[USA] Technische Daten: Version Rennstrecke USA[rac]
15	AP8152298	TBEI Schraube m.Flansch M5x16	6	Land: Australien[AA], Indonesien-Malaysia-Neuseeland-Singapur[AP], CH-DE-DK-EL[EU]
16	AP8150158	Ausgleichscheibe 4,3X9X0,8	2	Land: Australien[AA], Indonesien-Malaysia-Neuseeland-Singapur[AP], CH-DE-DK-EL[EU]

Einheit	RAHMEN
Code	28.14
Beschreibung	Heckaufbau II
Inspektion	1



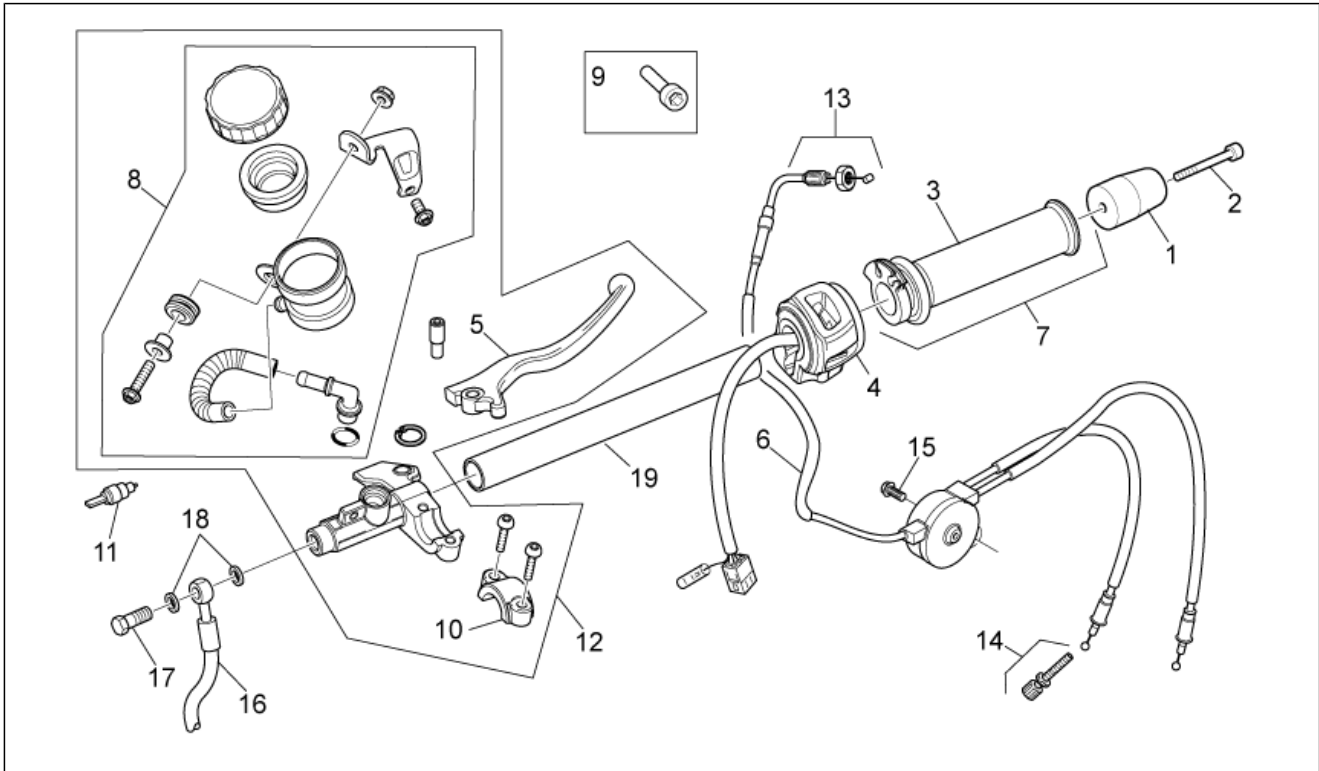
Pos.	Code	Beschreibung	Menge	Varianten
17	AP8102375	Klammer M5	3	Land:Australien[AA], Indonesien-Malaysia-Neuseeland-Singapur[AP], CH-DE-DK-EL[EU]
17	AP8102375	Klammer M5	1	Land:Vereinigte Staaten von Amerika[USA] Technische Daten:Version Rennstrecke USA[rac]
18	AP8150509	Gew.schr. 5x14	2	Land:Australien[AA], Indonesien-Malaysia-Neuseeland-Singapur[AP], CH-DE-DK-EL[EU]
19	AP8124976	Kennzeich.leuch.Kabel	1	

Einheit	RAHMEN
Code	28.15
Beschreibung	Instrumententafel
Inspektion	1



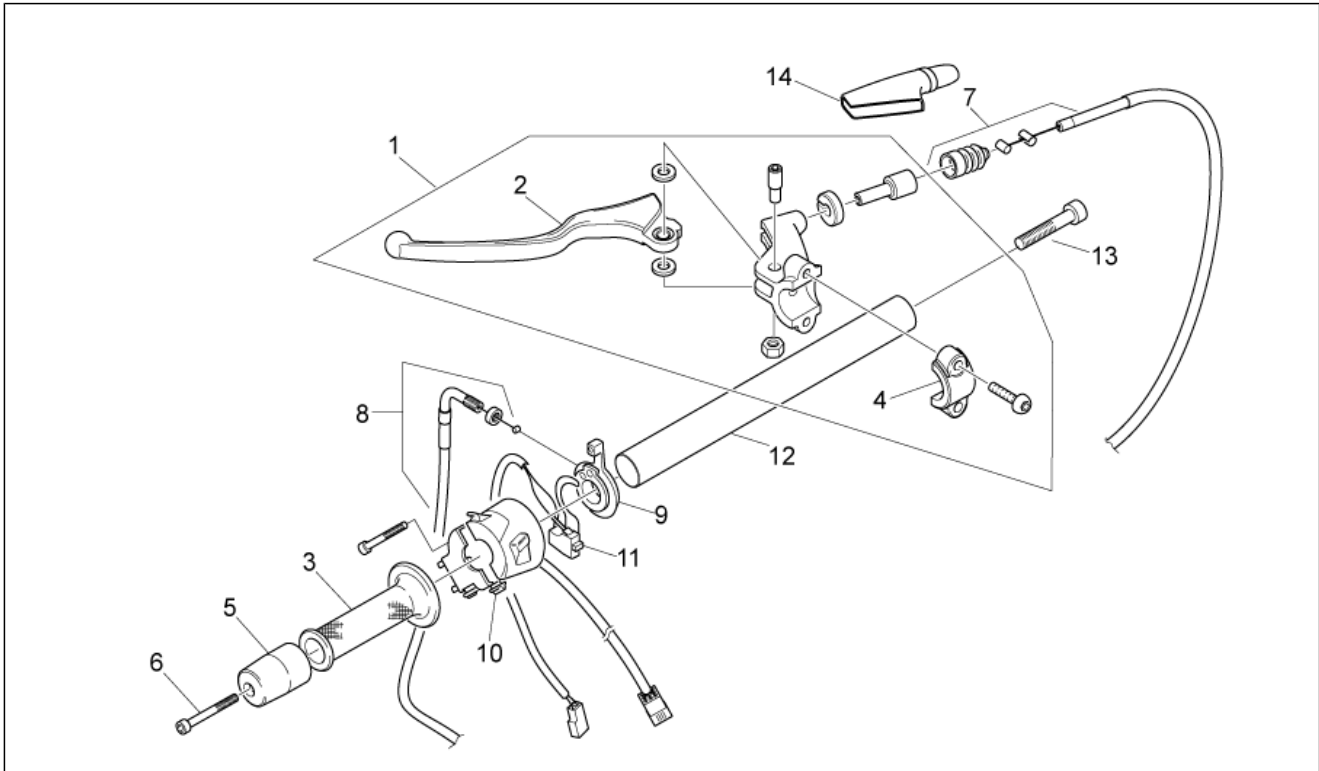
Pos.	Code	Beschreibung	Menge	Varianten
1	856384	Instrum.tafel kplt.	1	Baujahr: 2006[6], 2009[9] Technische Daten: Euro 2[E2], Euro 3[E3]
1	890627	Instrum.tafel kplt.	1	Baujahr: 2007[7], 2008[8], 2010[A] Technische Daten: Euro 3[E3]
2	AP8150382	Ausgleichscheibe 15x5,5X1,2	3	
3	AP8150509	Gew.schr. 5x14	3	
4	AP8220150	Gummi	3	
5	AP8145003	Instrumentenrahmen	1	
6	254485	Plattchen M6	2	
7	AP8152246	TBEI Schraube m.Flansch M6x16	2	
8	AP8152299	Selbstsperrende Mutter M6	2	
9	AP8152284	TE Schr. m. Flansch	2	
10	856920	Halterfassung	1	

Einheit	RAHMEN
Code	28.16
Beschreibung	Schaltungen rechts
Inspektion	1



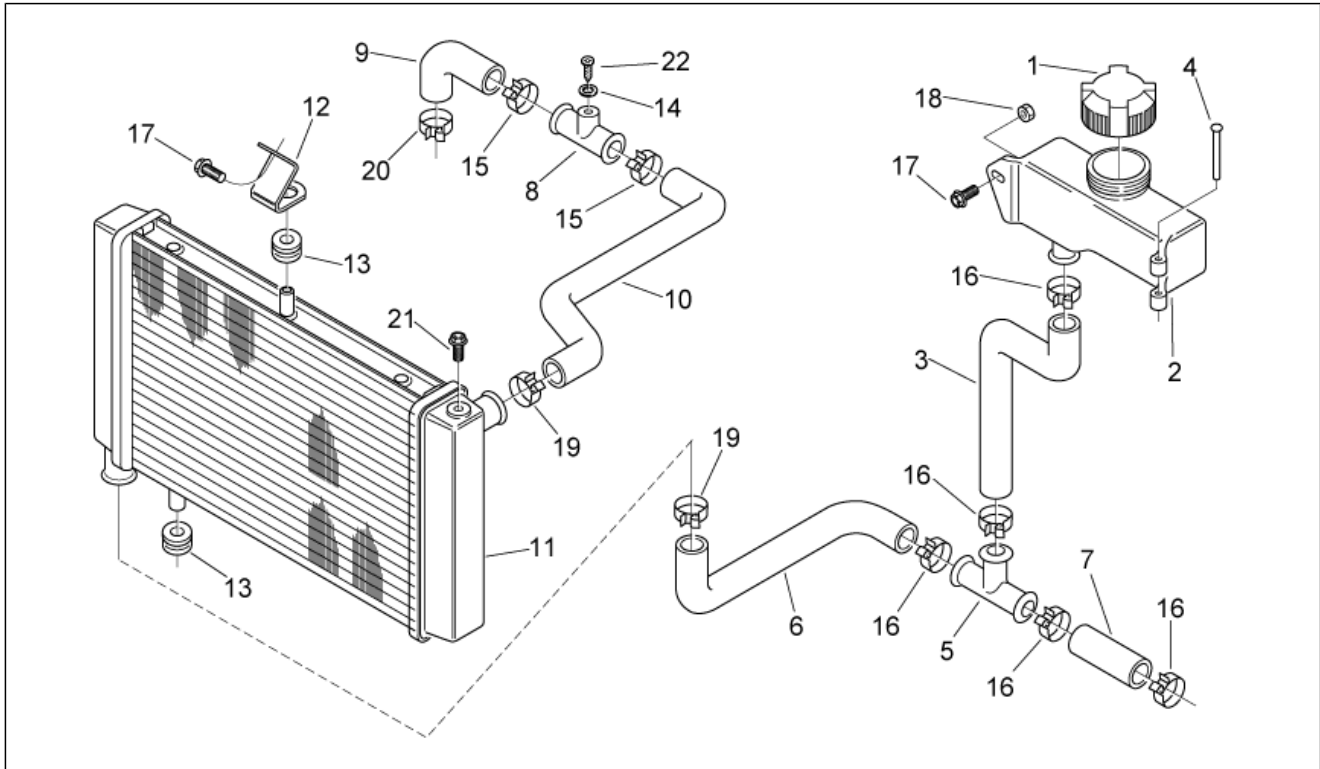
Pos.	Code	Beschreibung	Menge	Varianten
1	AP8161057	Lenkstangen-Schwingschutz	1	
2	AP8150324	TCEI Schraube M6x50	1	
3	AP8118287	Handgriffe paar	1	
4	AP8124914	R. Lichtumsch. m. K.	1	
5	AP8118730	Vorderradbremshebel	1	
6	AP8114320	Gaszugkabel mit Verdoppler	1	
7	AP8118307	Gasschaltung+griff	1	
8	AP8104997	Öltank kpl	1	
9	AP8150049	Schraube M10x60	1	
10	AP8118731	Bügelbolzen	1	
11	AP8127305	Knopf stop	1	Land:Australien[AA], Indonesien-Malaysia-Neuseeland-Singapur[AP], CH-DE-DK-EL[EU]
12	AP8133838	Vorderradbremspumpe	1	
13	AP8114332	Einstellschraube Gaskabel	1	
14	AP8114272	Einstellschr. Gaskabel	1	
15	AP8152277	TE Schr. m. Flansch M6x12	1	
16	AP8133885	Vorderradbremslleitung	1	
17	AP8113003	Fixierschraube Ölschlauch	3	
18	AP8113004	Ausgleichscheibe 10x14x1,6*	2	
19	AP8118729	Halblenker RE/LI	1	

Einheit	RAHMEN
Code	28.17
Beschreibung	Schaltungen links
Inspektion	1



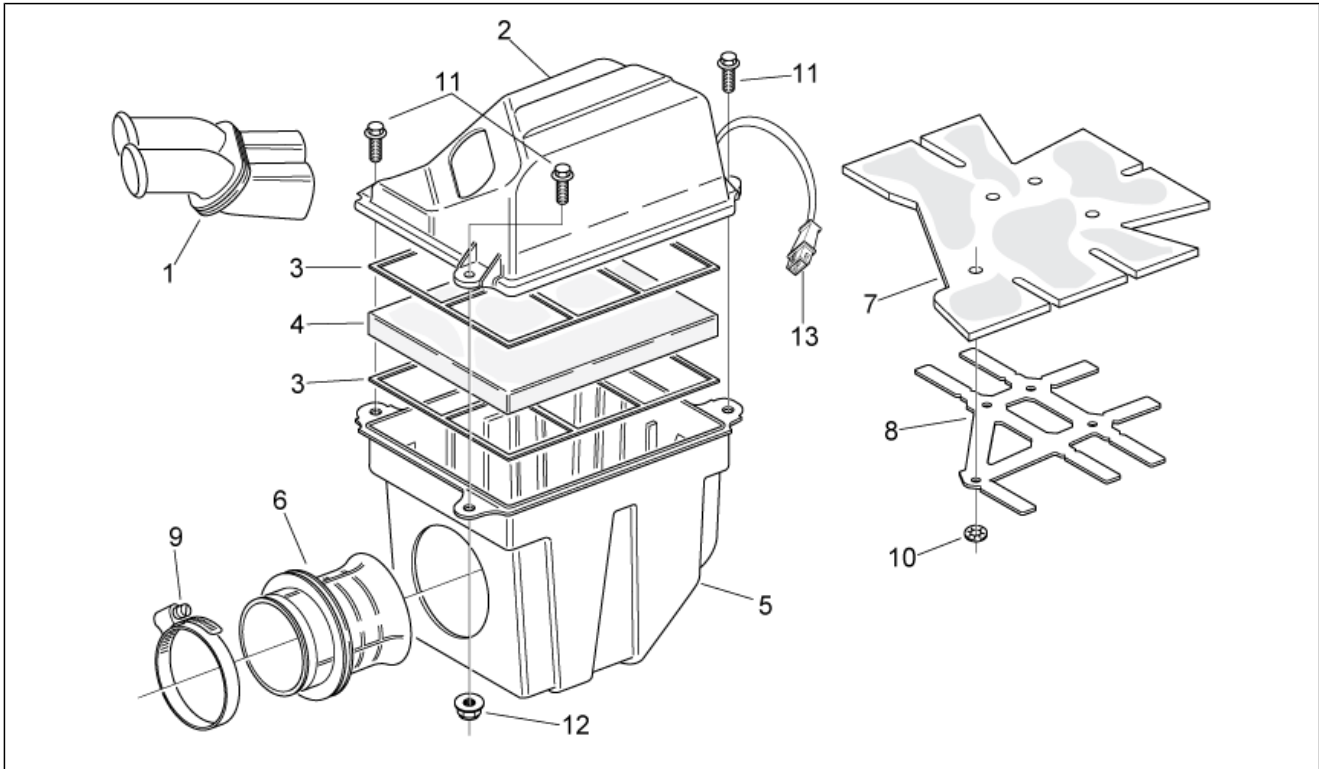
Pos.	Code	Beschreibung	Menge	Varianten
1	AP8118716	Kupplung schalt. kpl	1	
2	AP8118727	Kupplungshebel	1	
3	AP8118287	Handgriffe paar	1	
4	AP8118728	Fixrbolz.Kuppl.gsheb	1	
5	AP8161057	Lenkstangen-Schwingschutz	1	
6	AP8150324	TCEI Schraube M6x50	1	
7	AP8114467	Kupplungskabel	1	
8	AP8114331	Starterzugkabel	1	
9	AP8118308	Starterhebel	1	
10	AP8124915	L. Lichtumsch. m. K.	1	
11	AP8124152	Chronometerknopf	1	
12	AP8118729	Halbhenker RE/LI	1	
13	AP8150049	Schraube M10x60	1	
14	AP8120271	Abdeckg. Kuppl.einst.	1	

Einheit	RAHMEN
Code	28.18
Beschreibung	Kühler
Inspektion	1



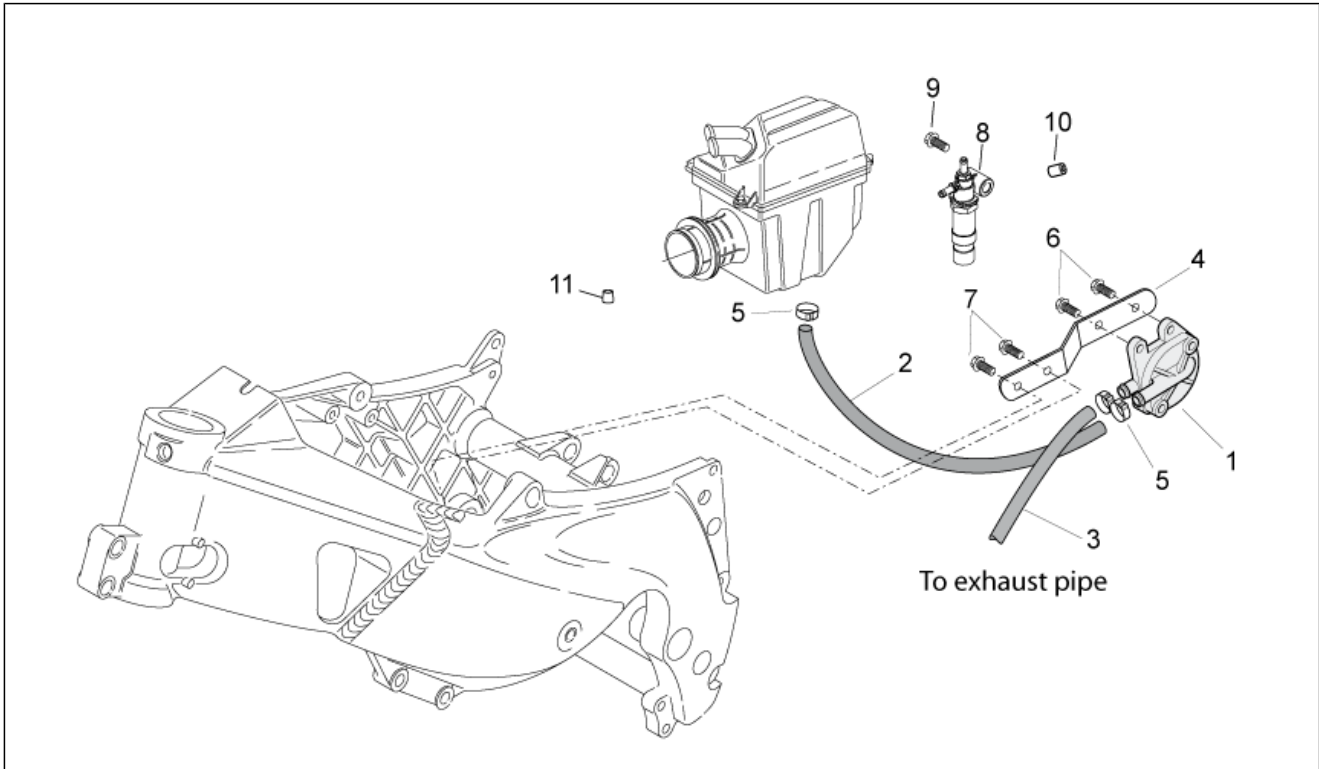
Pos.	Code	Beschreibung	Menge	Varianten
1	AP8101912	Kühlerschraube unbelüftet	1	
2	AP8101910	Ausdehngefäß	1	
3	AP8120787	Schlauch Ausdehngefäß	1	
4	AP8101924	Durchb.Kunststoffniet	1	
5	AP8101916	T-förmiger Anschluß D20	1	
6	AP8120790	T-förmiger Anschluß	1	
7	AP8120946	Pumpen-Bolzenschlauch	1	
8	AP8102112	Entlüftungsschlauch Anschluß	1	
9	AP8102118	Zylinderkopf Anschluß	1	
10	AP8120786	Anschlußschlauch KühlerA	1	
11	AP8102704	Kühler	1	
12	AP8146162	Obere Kühlerbefestigung	1	
13	AP8120030	Gummi	2	
14	AP8152184	Ausgleichscheibe 6,4x12*	1	
15	AP8101743	Schlauchschele D23,5x8*	2	
16	AP8201169	Schlauchschele D22x8,6*	5	
17	AP8152278	TE Schr. m. Flansch M6x16	1	
18	AP8150026	Mutter M6	1	
19	AP8101927	Schlauchschele D23,5x8*	2	
20	AP8120536	Schlauchschele D28x8,6*	1	
21	AP8152277	TE Schr. m. Flansch M6x12	1	
22	AP8150426	Linsenschraube 5,5x15,9*	1	

Einheit	RAHMEN
Code	28.19
Beschreibung	Filtergehäuse
Inspektion	1



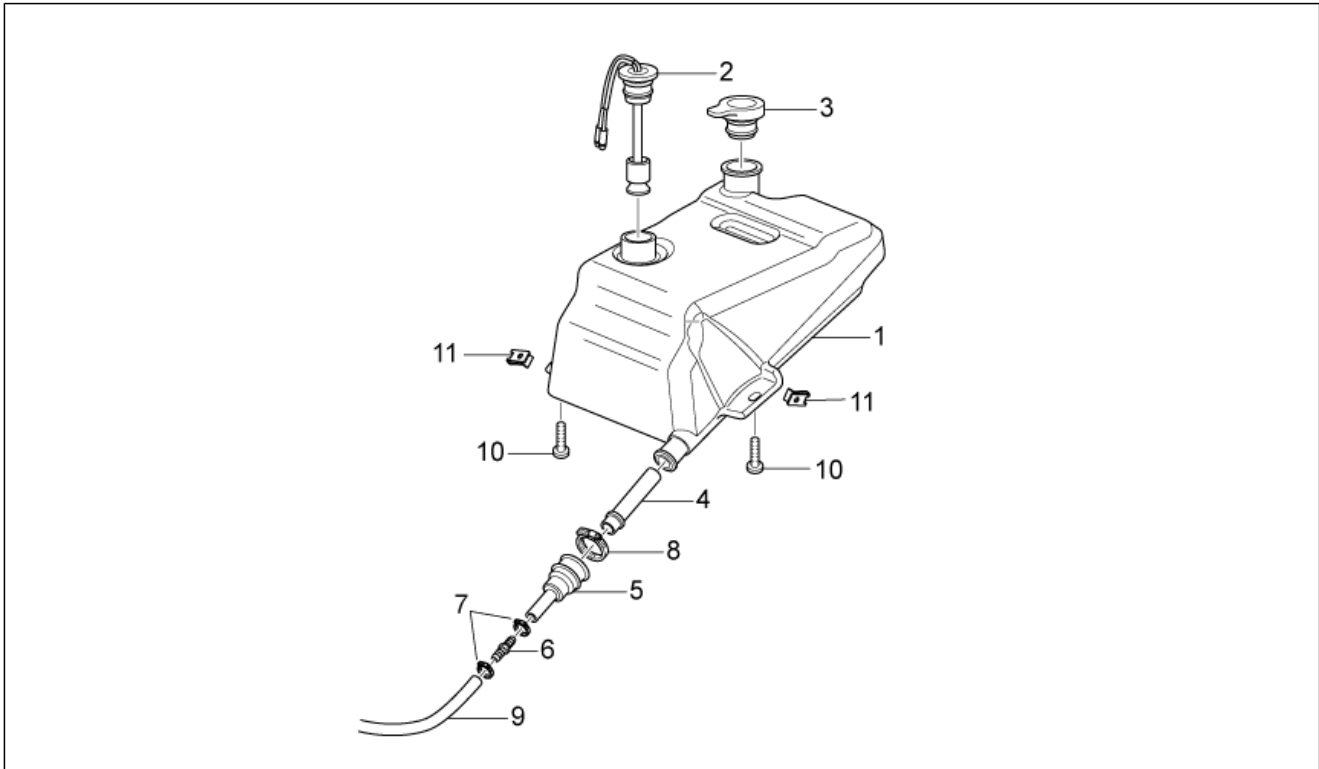
Pos.	Code	Beschreibung	Menge	Varianten
1	AP8120748	Ansaugmuffe	1	Technische Daten: Version mit voller Leistung[f.p.], Version Rennstrecke USA[rac]
1	AP8120997	Ansaugmuffe	1	Technische Daten: Version 11 kW[11kw]
2	852745	Deckel Filtergehäuse	1	Baujahr: 2007[7], 2008[8], 2010[A] Technische Daten: Euro 3[E3]
2	AP8168042	Deckel Filtergehäuse	1	Baujahr: 2009[9] Technische Daten: Euro 2[E2]
2	AP8168042	Deckel Filtergehäuse	1	Baujahr: 2006[6] Technische Daten: Euro 2[E2]
3	AP8131121	Filterschutznetz	2	
4	AP8102080	Luftfilter	1	
5	AP8178561	Boden Filtergehäuse	1	
6	AP8120810	Ansaugmuffe	1	
7	AP8117111	Nichtleit.Filtergehäuse	1	
8	AP8102670	Fixiernetz m. Dämmwirk.	1	
9	AP8102401	Schelle D50-70x8*	1	
10	AP8150450	Wellenscheibe D5	4	
11	AP8152279	TE Schr. m. Flansch M6x20	2	
12	AP8152299	Selbstsperrende Mutter M6	2	
13	581142	Umgebungstemperatursensor	1	Baujahr: 2010[A] Technische Daten: Euro 3[E3]
13	AP8127916	Temperaturfühler	1	Baujahr: 2007[7], 2008[8] Technische Daten: Euro 3[E3]

Einheit	RAHMEN
Code	28.20
Beschreibung	Secondary air
Inspektion	1



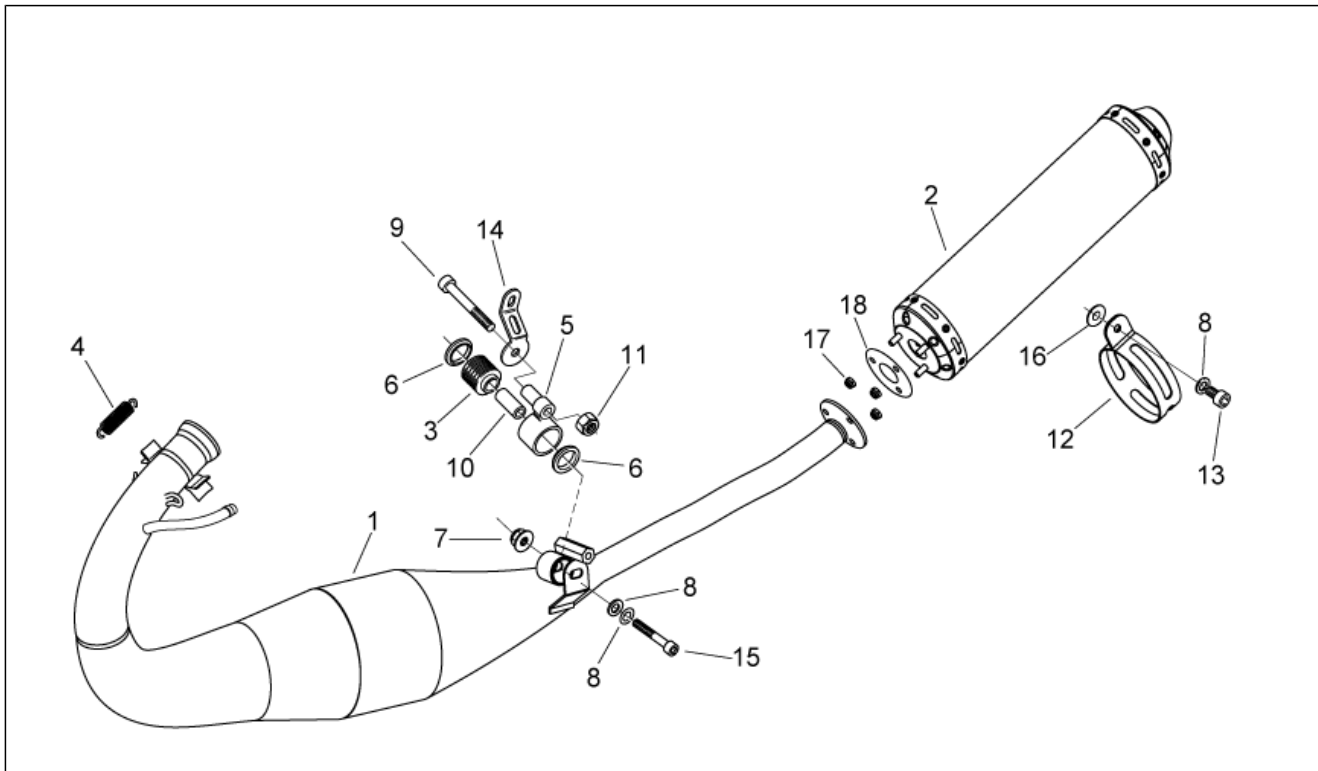
Pos.	Code	Beschreibung	Menge	Varianten
1	AP8104745	Ventil SAS	1	Land:Australien[AA], Indonesien-Malaysia-Neuseeland-Singapur[AP], CH-DE-DK-EL[EU]
2	AP8144670	Ansaugleitung sas	1	Land:Australien[AA], Indonesien-Malaysia-Neuseeland-Singapur[AP], CH-DE-DK-EL[EU]
3	AP8144671	Luftschlauch sas	1	Land:Australien[AA], Indonesien-Malaysia-Neuseeland-Singapur[AP], CH-DE-DK-EL[EU]
4	AP8144672	Fixierbügel ventil	1	
5	AP8101586	Schlauschelle D.15,5x6,6	4	
6	AP8152277	TE Schr. m. Flansch M6x12	2	
7	AP8152278	TE Schr. m. Flansch M6x16	2	
8	852149	Solenoid	1	Baujahr:2007[7], 2008[8], 2010[A]
9	AP8152281	TE Schr. m. Flansch M6x30	1	Baujahr:2007[7], 2008[8], 2010[A]
10	854569	Solenoid Filter	1	Baujahr:2007[7], 2008[8], 2010[A]
11	AP8141132	Gummi	1	Baujahr:2008[8] Land:Vereinigte Staaten von Amerika[USA] Technische Daten:Version Rennstrecke USA[rac]

Einheit	RAHMEN
Code	28.21
Beschreibung	Ölbehälter
Inspektion	1



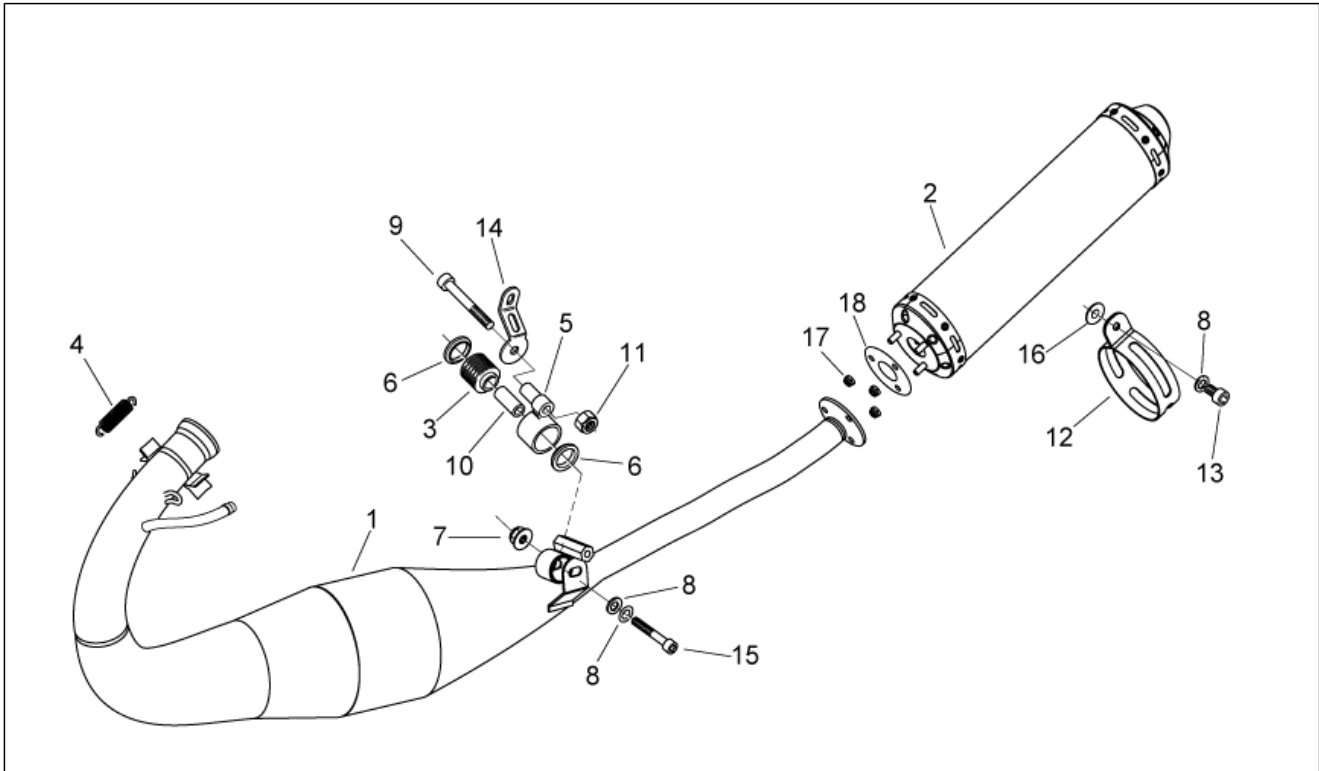
Pos.	Code	Beschreibung	Menge	Varianten
1	AP8179395	Öltank	1	
2	AP8201192	Anzeige Ölreserve	1	
3	AP8220421	Öltankschraube	1	
4	AP8102224	Gemisch-Ölfilter	1	
5	AP8102223	Gummi *	1	
6	AP8101944	2-Wege Anschluß	1	
7	AP8201225	Schlauchschelle D8,5x5,5	2	
8	AP8101743	Schlauchschelle D23,5x8*	1	
9	AP8220384	Entlüftungsschlauch öl	1	
10	AP8152298	TBEI Schraube m.Flansch M5x16	3	
11	AP8102375	Klammer M5	3	

Einheit	RAHMEN
Code	28.27
Beschreibung	Auslassgruppe
Inspektion	1



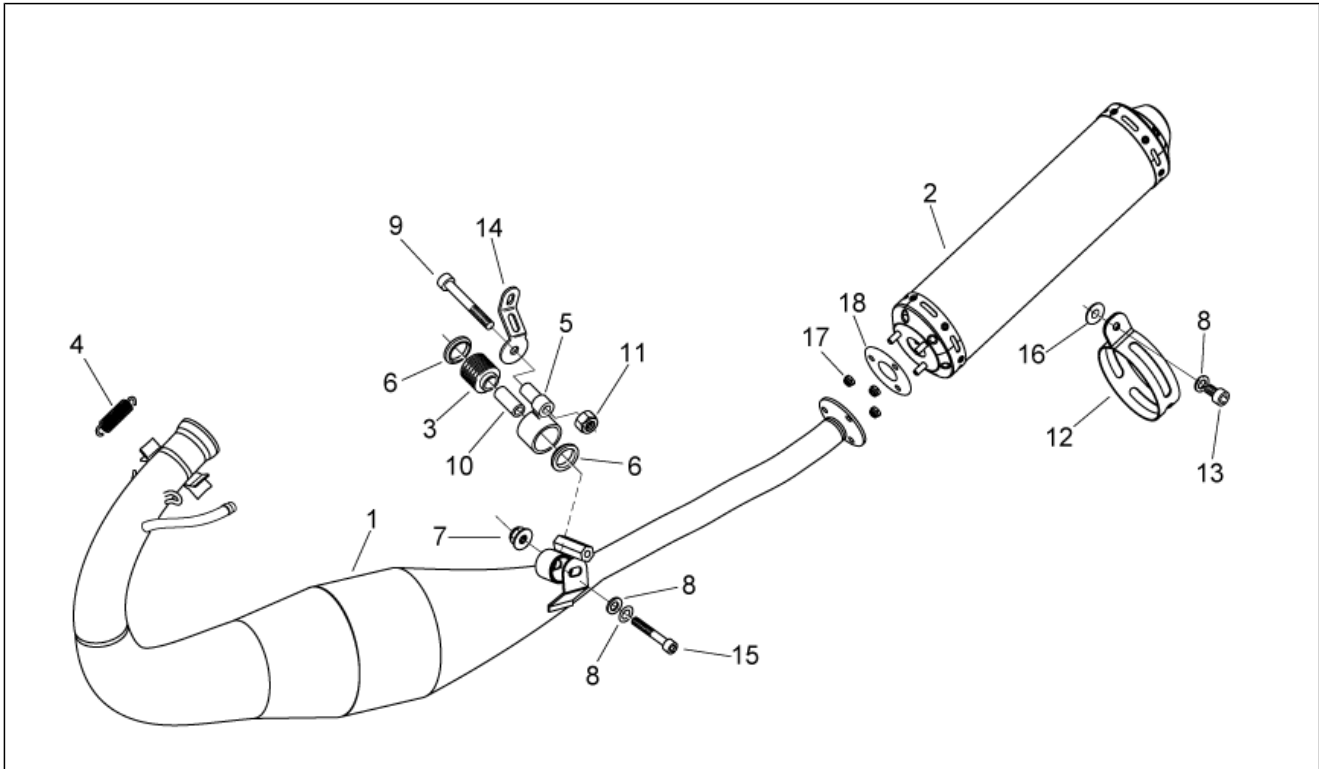
Pos.	Code	Beschreibung	Menge	Varianten
1	852145	Auspuff	1	Baujahr: 2007[7] Land: Australien[AA], CH-DE-DK-EL[EU] Technische Daten: Version 11 kW[11kw], Euro 3[E3]
1	858201	Auspuff	1	Baujahr: 2010[A] Land: Australien[AA], CH-DE-DK-EL[EU] Technische Daten: Version 11 kW[11kw]
1	858201	Auspuff	1	Baujahr: 2008[8] Land: Australien[AA], CH-DE-DK-EL[EU] Technische Daten: Euro 3[E3], Version mit voller Leistung[f.p.]
1	858207	Auspuff	1	Baujahr: 2008[8] Land: Australien[AA], CH-DE-DK-EL[EU] Technische Daten: Geschwindigkeit 80km/h[80Km], Euro 3[E3]
1	890921	Auspuff	1	Baujahr: 2008[8] Land: Vereinigte Staaten von Amerika[USA] Technische Daten: Euro 3[E3], Version Rennstrecke USA[rac]
1	AP8119751	Auspuff	1	Baujahr: 2006[6] Land: Australien[AA], CH-DE-DK-EL[EU] Technische Daten: Euro 2[E2], Version Trofeo Gara[GP]
1	AP8119833	Auspuff	1	Baujahr: 2006[6] Land: Australien[AA], CH-DE-DK-EL[EU] Technische Daten: Geschwindigkeit 80km/h[80Km], Euro 2[E2]
1	AP8119880	Auspuff	1	Baujahr: 2009[9] Land: Australien[AA], Indonesien-Malaysia-Neuseeland-Singapur[AP] Technische Daten: Version mit voller Leistung[f.p.]
1	AP8119880	Auspuff	1	Baujahr: 2006[6], 2007[7] Land: Australien[AA], CH-DE-DK-EL[EU] Technische Daten: Euro 2[E2], Version mit voller Leistung[f.p.]
1	AP8119889	Auspuff	1	Baujahr: 2006[6] Land: Australien[AA], CH-DE-DK-EL[EU]

Einheit	RAHMEN
Code	28.27
Beschreibung	Auslassgruppe
Inspektion	1



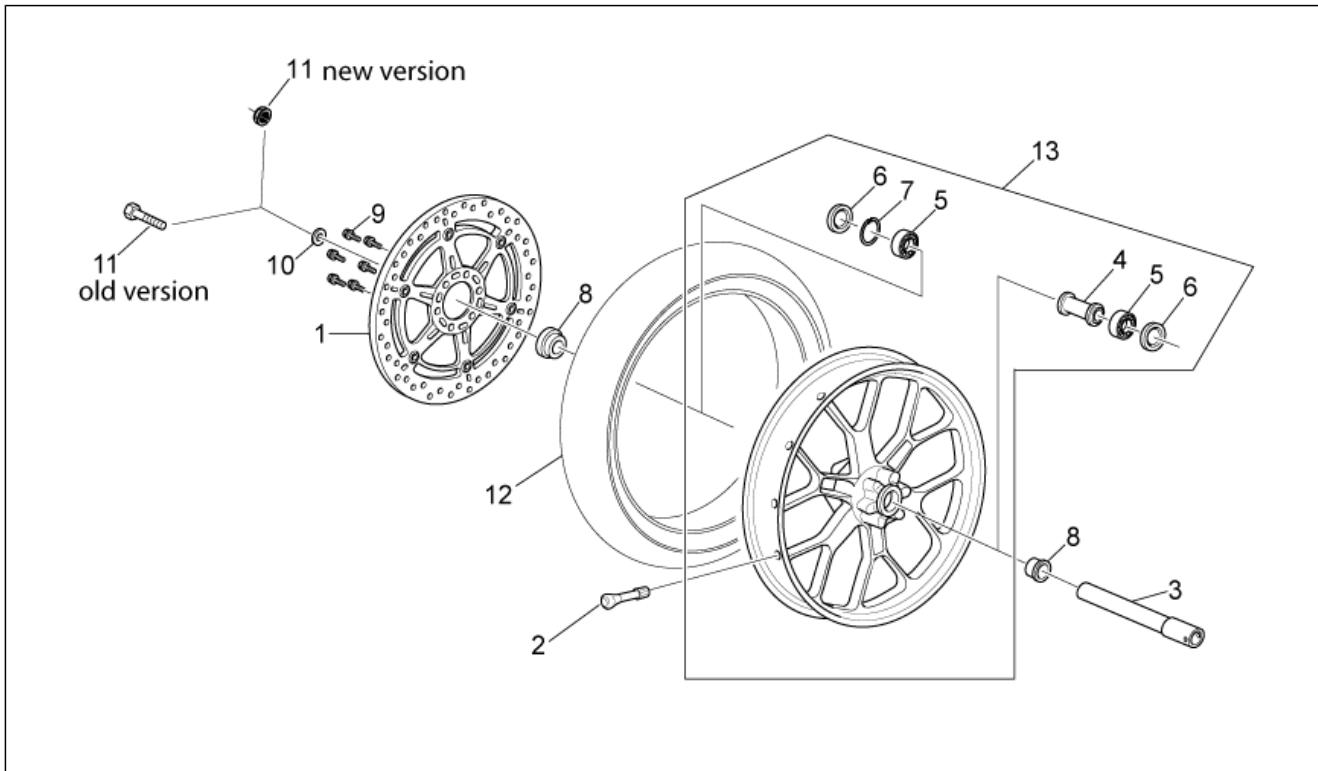
Pos.	Code	Beschreibung	Menge	Varianten
				Technische Daten: Version 11 kW[11kw], Euro 2[E2]
2	853034	Schalldämpfer	1	Baujahr: 2007[7] Land: Australien[AA], CH-DE-DK-EL[EU] Technische Daten: Version 11 kW[11kw], Euro 3[E3]
2	853034	Schalldämpfer	1	Baujahr: 2010[A] Land: Australien[AA], CH-DE-DK-EL[EU] Technische Daten: Version 11 kW[11kw]
2	853034	Schalldämpfer	1	Baujahr: 2007[7], 2008[8] Technische Daten: Euro 3[E3], Version mit voller Leistung[f.p.], Version Rennstrecke USA[rac]
2	853034	Schalldämpfer	1	Baujahr: 2009[9] Land: Australien[AA], Indonesien-Malaysia-Neuseeland-Singapur[AP] Technische Daten: Version mit voller Leistung[f.p.]
2	AP8119745	Schalldämpfer	1	Baujahr: 2006[6] Land: Australien[AA], CH-DE-DK-EL[EU] Technische Daten: Euro 2[E2], Version Trofeo Gara[GP]
2	AP8119869	Schalldämpfer	1	Baujahr: 2006[6] Land: Australien[AA], CH-DE-DK-EL[EU] Technische Daten: Version 11 kW[11kw], Geschwindigkeit 80km/h[80Km], Euro 2[E2], Version mit voller Leistung[f.p.]
3	AP8101285	Silent-Block *	2	
4	AP8121091	Schraubenfeder *	2	
5	AP8135289	Mittlere Auspuffhltr.	1	Baujahr: 2006[6], 2007[7], 2008[8], 2009[9], 2010[A] Technische Daten: Version mit voller Leistung[f.p.], Version Rennstrecke USA[rac]
5	AP8146608	Mittlere Auspuffhltr.	1	Baujahr: 2006[6], 2007[7], 2008[8], 2009[9] Technische Daten: Version 11 kW[11kw], Geschwindigkeit 80km/h[80Km], Version Trofeo Gara[GP]
6	AP8104474	Ausgleichscheibe 22x30	2	
7	AP8152300	Selbstsperrende Mutter M8	2	
8	AP8150376	Ausgleichscheibe 8,5x15x0,8	3	
9	AP8150351	Reißschraube M8x40	1	

Einheit	RAHMEN
Code	28.27
Beschreibung	Auslassgruppe
Inspektion	1



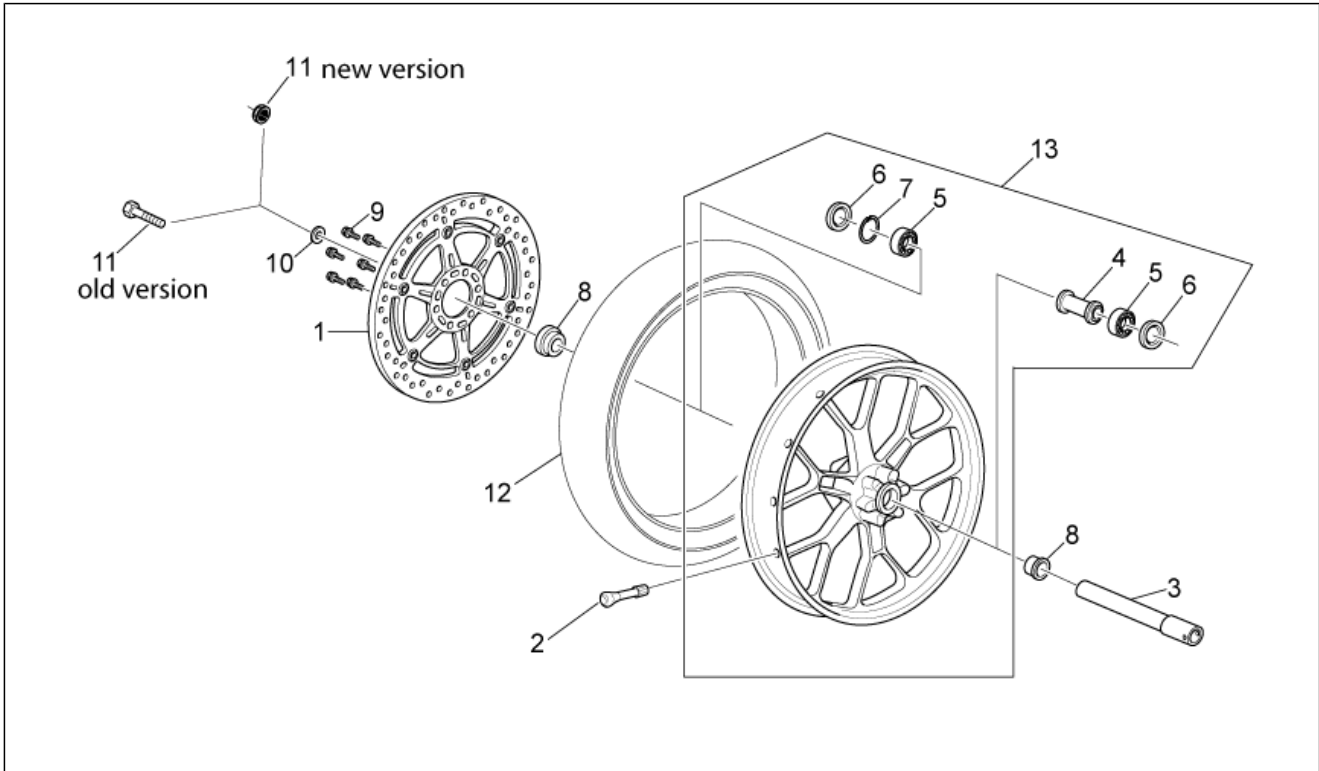
Pos.	Code	Beschreibung	Menge	Varianten
10	AP8121058	Distanzscheibe *	2	
11	AP8150431	Mutter unten M8	1	
12	AP8102432	Fixierschelle Schalldämpfer	1	Baujahr: 2006[6], 2007[7], 2008[8], 2009[9], 2010[A] Technische Daten: Version Trofeo Gara[GP]
12	AP8119881	Fixierschelle Schalldämpfer	1	Baujahr: 2006[6], 2007[7], 2008[8], 2009[9] Technische Daten: Version 11 kW[11kw], Geschwindigkeit 80km/h[80Km], Version mit voller Leistung[f.p.], Version Rennstrecke USA[rac]
13	AP8152112	TCEI Schraube	1	
14	AP8154016	Fixierplatte Kette	1	
15	AP8150277	TCEI Schraube M8x50	2	
16	AP8150017	Ausgleichscheibe 8,4x16x1,6	1	
17	AP8152299	Selbstsperrende Mutter M6	2	
18	AP8120812	Dichtung Schalldämpfer	1	

Einheit	RAHMEN
Code	28.28
Beschreibung	Vorderrad
Inspektion	1



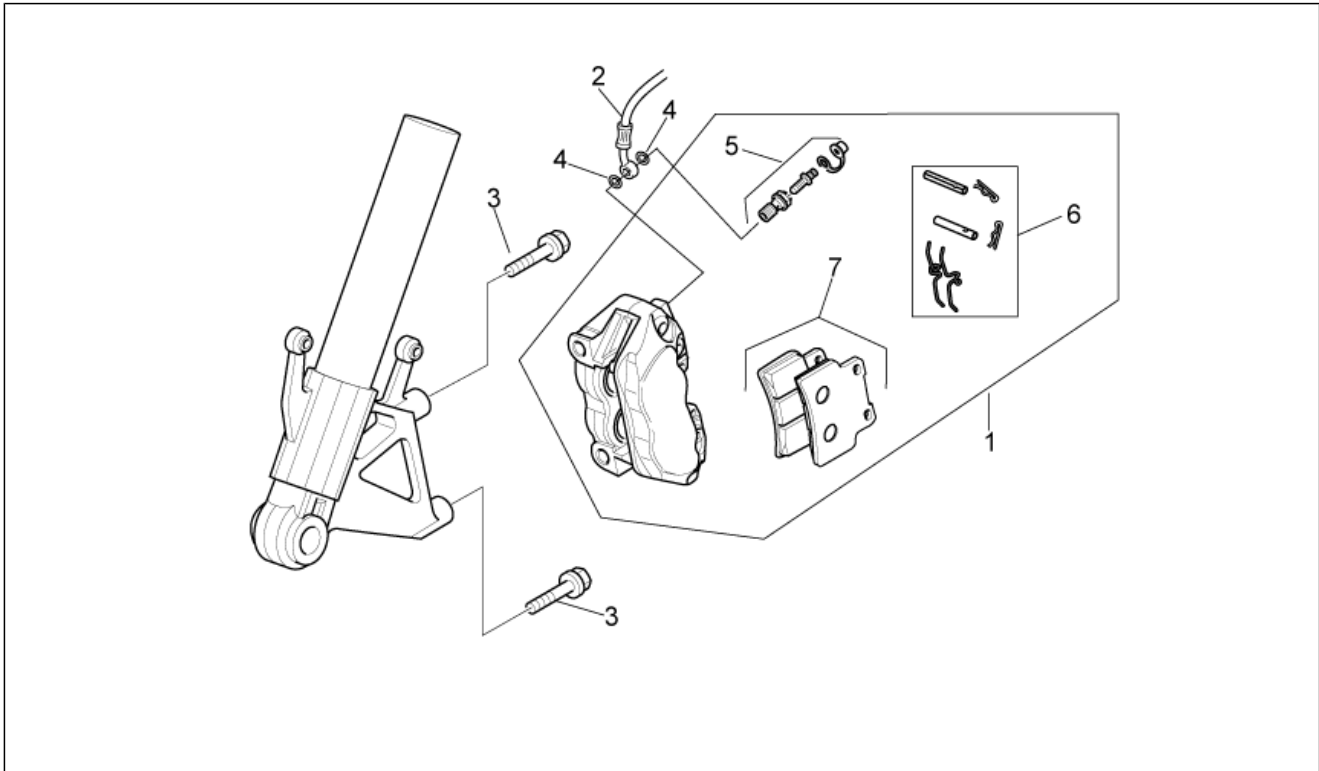
Pos.	Code	Beschreibung	Menge	Varianten
1	AP8133781	Vorderradbremsscheibe	1	
2	AP8201546	Schlauchloses Reifenventil	1	
3	856244	Vorderradbolzen	1	Technische Daten: Neue Version[new], Version Rennstrecke USA[rac]
3	AP8125890	Vorderradbolzen	1	Technische Daten: Alte Version[old]
4	AP8161080	Interne Distanzscheibe	1	
5	AP8110107	Lager 20X47X14	2	
6	AP8110109	Gasket ring 28X47X7	2	
7	AP8125842	Sprengring d47	1	
8	AP8161140	Außen r. V.rad Distanzscheibe	2	
9	AP8152286	TE Schr. m. Flansch M8x20	6	
10	AP8125687	U-scheibe Hint.radbolz	1	Technische Daten: Neue Version[new], Version Rennstrecke USA[rac]
10	AP8150208	Ausgleichscheibe 15x28x2,5*	1	Technische Daten: Alte Version[old]
11	AP8125418	Vorderradbolzen Schraube	1	Technische Daten: Alte Version[old]
11	AP8125763	Hinterradbolzen mut.	1	Technische Daten: Neue Version[new], Version Rennstrecke USA[rac]
12	0000000	Reifen	1	
13	AP8128143	Vorderrad, blau	1	Baujahr: 2008[8] Fahrzeugfarbe: Spain's N°1 (t.B.856884)[spain8]
13	AP8128143	Vorderrad, blau	1	Baujahr: 2006[6], 2007[7] Fahrzeugfarbe: Aprilia Black 2006 (t.B..15195)[black], Trofeo Black 2006[RAC6], Spain's N°1 (t.B.852262)[spain7], Aprilia White 2006 (t.B..15196)[white]
13	AP8128212	Vorderrad, silber	1	Baujahr: 2009[9] Fahrzeugfarbe: Schwarz Aprilia 2008 (t.B.860303)[a.blk], Rot Fluo 2008 (t.B.858632)[red] Land: Australien[AA], Indonesien-Malaysia-Neuseeland-Singapur[AP]
13	AP8128212	Vorderrad, silber	1	Baujahr: 2008[8] Fahrzeugfarbe: Spain's N°1 (t.B.856884)[spain8]

Einheit	RAHMEN
Code	28.28
Beschreibung	Vorderrad
Inspektion	1



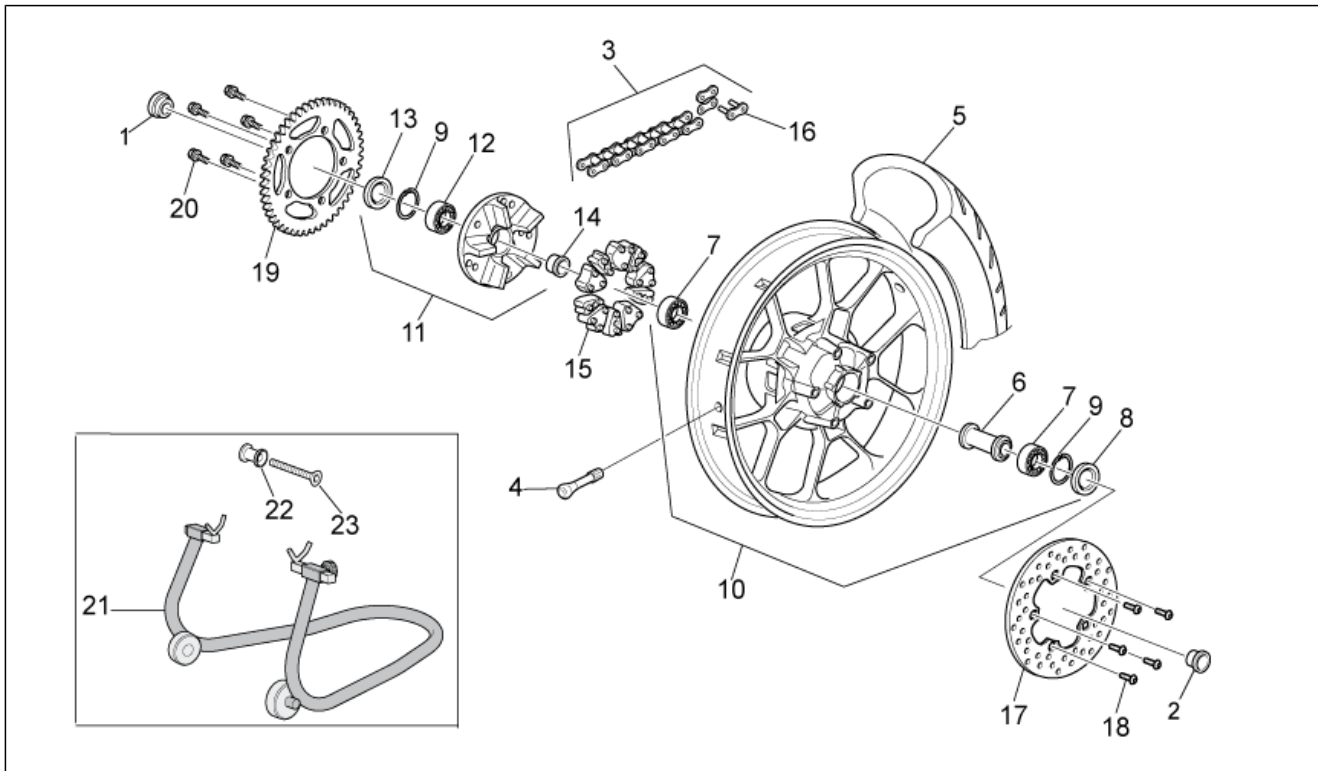
Pos.	Code	Beschreibung	Menge	Varianten
13	AP8128212	Vorderrad, silber	1	Land:Australien[AA], CH-DE-DK-EL[EU] Baujahr:2008[8] Fahrzeugfarbe:Spain's N°1 (t.B.856884)[spain8] Land:Vereinigte Staaten von Amerika[USA] Technische Daten:Version Rennstrecke USA[rac]
13	AP8128212	Vorderrad, silber	1	Baujahr:2008[8] Fahrzeugfarbe:Schwarz Aprilia 2008 (t.B.860303) [a.blk], Rot Fluo 2008 (t.B.858632)[red], Talmacsi 2008 (t.B..860957)[tal]
13	AP8128212	Vorderrad, silber	1	Baujahr:2010[A] Fahrzeugfarbe:Schwarz Aprilia 2010[n.10], 'Weiß Glam 2010[w.glam] Land:Australien[AA], CH-DE-DK-EL[EU] Technische Daten:Version 11 kW[11kw]
13	AP8128240	Vorderrad, schwarz	1	Baujahr:2009[9], 2010[A] Fahrzeugfarbe:Replica Alitalia 2010 (t.B.897896)[r.ali], Replica SBK 2009 (t.B.895053)[sbk] Land:CH-DE-DK-EL[EU]

Einheit	RAHMEN
Code	28.29
Beschreibung	Vorderradbremzange
Inspektion	1



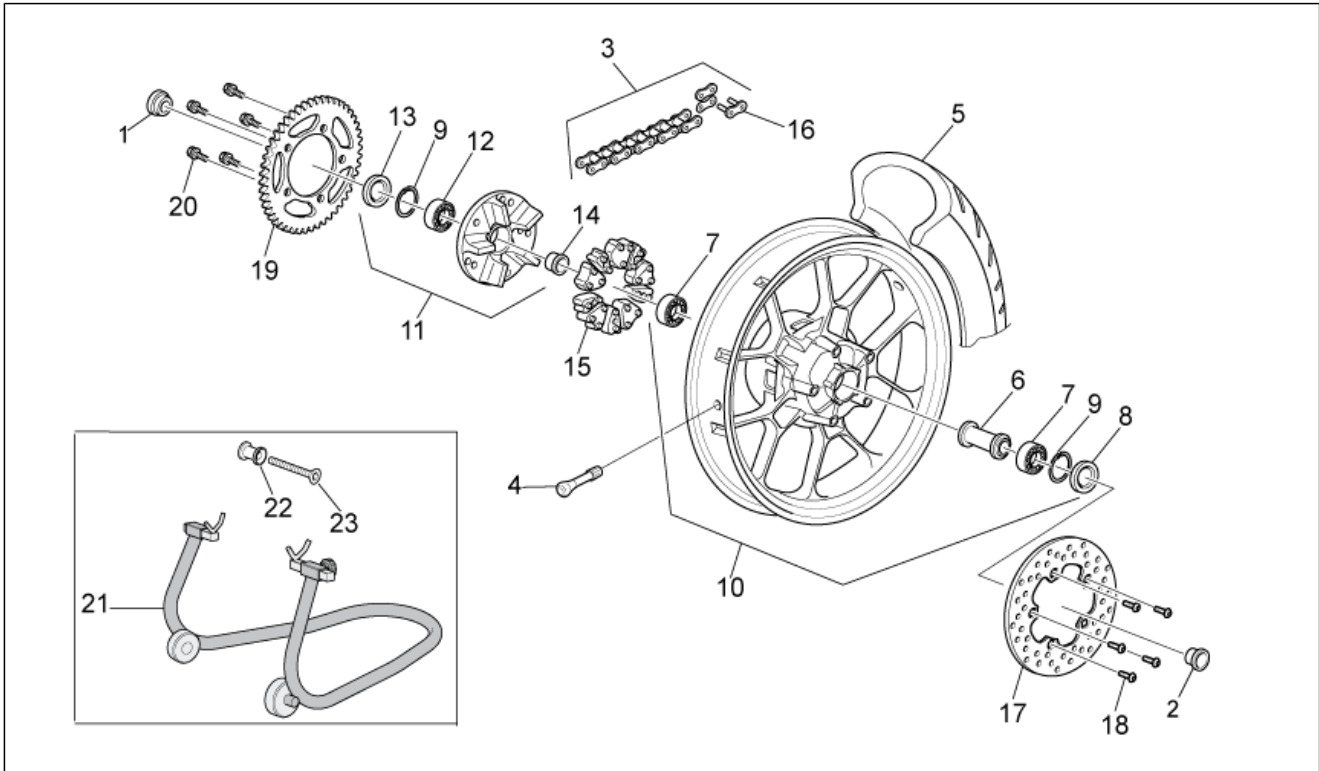
Pos.	Code	Beschreibung	Menge	Varianten
1	AP8133841	Vorderradbremzange gold	1	
2	AP8133885	Vorderradbremseleitung	1	
3	AP8152414	TE Schr. m. Flansch M10x55	2	
4	AP8113004	Ausgleichscheibe 10x14x1,6*	2	
5	AP8133945	Bausatz Entlüftungsüberh.	1	
6	AP8133944	Bolzen+Bremse Felder	1	
7	AP8133943	Vord. Beläge (Paar)	1	

Einheit	RAHMEN
Code	28.30
Beschreibung	Hinterrad
Inspektion	1



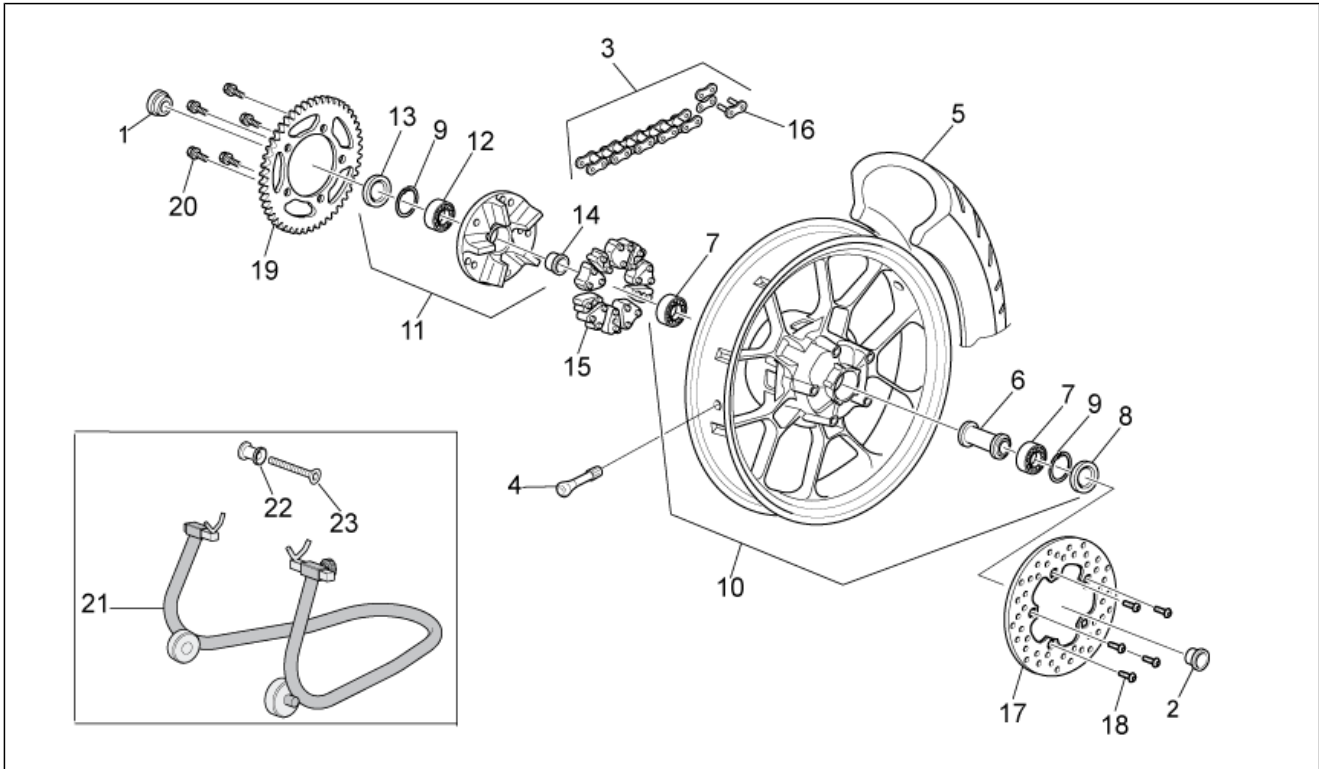
Pos.	Code	Beschreibung	Menge	Varianten
1	AP8125950	Außen r. Raddistanzscheibe	1	
2	AP8125951	Außen l. Raddistanzscheibe	1	
3	AP8107110	Kette Verbindungsgl.	1	
4	AP8201546	Schlauchloses Reifenventil	1	
5	0000000	Reifen	1	
6	AP8125645	Innen H.rad Distanzscheibe	1	
7	AP8110107	Lager 20X47X14	2	
8	AP8125841	Gasket ring 30x47x7	1	
9	AP8125842	Sprengring d47	2	
10	AP8128145	Hinterrad, blau	1	Baujahr: 2006[6], 2007[7] Fahrzeugfarbe: Aprilia Black 2006 (t.B..15195)[black], Trofeo Black 2006[RAC6], Spain's N°1 (t.B.852262)[spain7], Aprilia White 2006 (t.B..15196)[white]
10	AP8128145	Hinterrad, blau	1	Baujahr: 2008[8] Fahrzeugfarbe: Spain's N°1 (t.B.856884)[spain8]
10	AP8128214	Hinterrad, silber	1	Baujahr: 2008[8] Fahrzeugfarbe: Spain's N°1 (t.B.856884)[spain8] Land: Vereinigte Staaten von Amerika[USA] Technische Daten: Version Rennstrecke USA[rac]
10	AP8128214	Hinterrad, silber	1	Baujahr: 2008[8] Fahrzeugfarbe: Spain's N°1 (t.B.856884)[spain8] Land: Australien[AA], CH-DE-DK-EL[EU]
10	AP8128214	Hinterrad, silber	1	Baujahr: 2008[8] Fahrzeugfarbe: Schwarz Aprilia 2008 (t.B.860303)[a.blk], Rot Fluo 2008 (t.B.858632)[red], Talmacsi 2008 (t.B..860957)[tal]
10	AP8128214	Hinterrad, silber	1	Baujahr: 2009[9] Fahrzeugfarbe: Schwarz Aprilia 2008 (t.B.860303)[a.blk], Rot Fluo 2008 (t.B.858632)[red] Land: Australien[AA], Indonesien-Malaysia-Neuseeland-Singapur[AP]
10	AP8128214	Hinterrad, silber	1	Baujahr: 2010[A]

Einheit	RAHMEN
Code	28.30
Beschreibung	Hinterrad
Inspektion	1



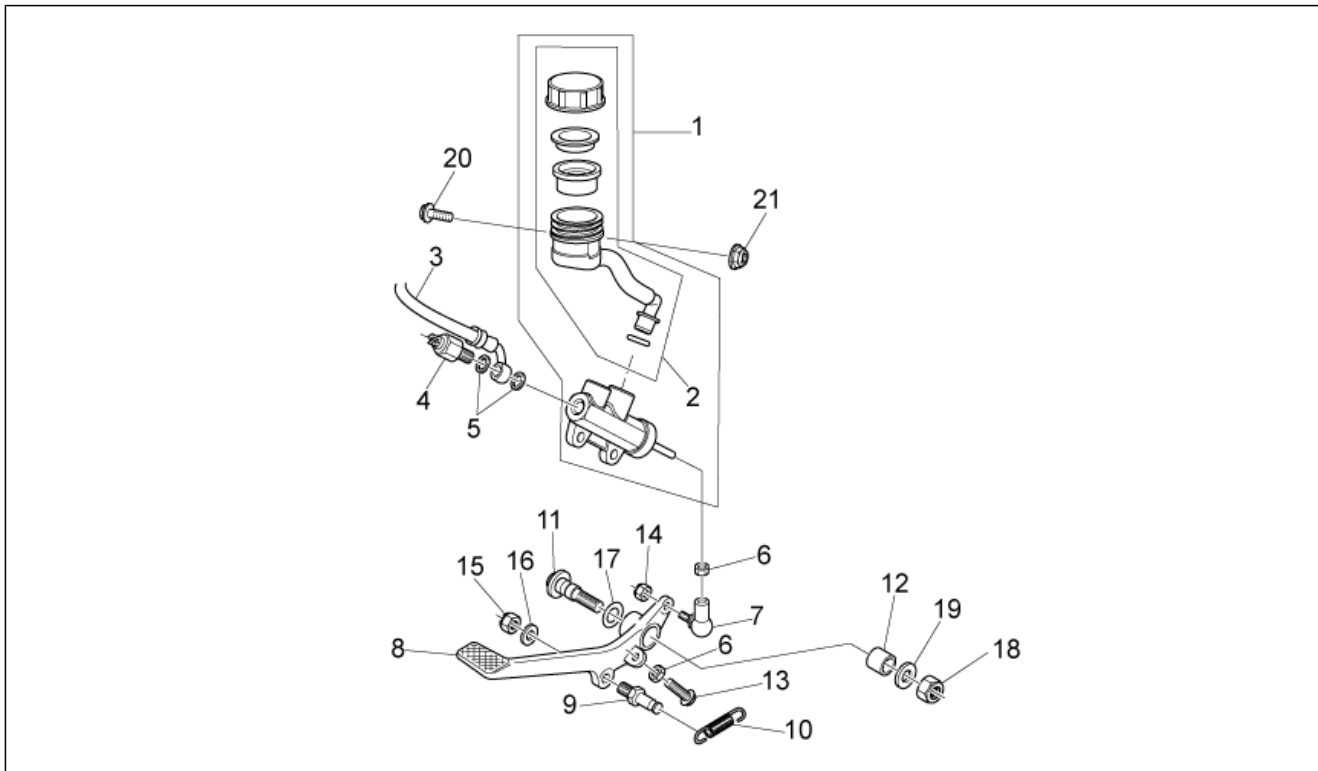
Pos.	Code	Beschreibung	Menge	Varianten
				Fahrzeugfarbe: Schwarz Aprilia 2010[n.10], 'Weiß Glam 2010[w.glam] Land: Australien[AA], CH-DE-DK-EL[EU] Technische Daten: Version 11 kW[11kw]
10	AP8128242	Hinterrad, schwarz	1	Baujahr: 2009[9], 2010[A] Fahrzeugfarbe: Replica Alitalia 2010 (t.B.897896)[r.ali], Replica SBK 2009 (t.B.895053)[sbk] Land: CH-DE-DK-EL[EU]
11	AP8107165	Zahnkranzhalter	1	Baujahr: 2008[8] Fahrzeugfarbe: Spain's N°1 (t.B.856884)[spain8]
11	AP8107165	Zahnkranzhalter	1	Baujahr: 2006[6], 2007[7] Fahrzeugfarbe: Aprilia Black 2006 (t.B..15195)[black], Trofeo Black 2006[RAC6], Spain's N°1 (t.B.852262)[spain7], Aprilia White 2006 (t.B..15196)[white]
11	AP8125962	Zahnkranzhalter silbergrau	1	Baujahr: 2008[8] Fahrzeugfarbe: Spain's N°1 (t.B.856884)[spain8] Land: Australien[AA], CH-DE-DK-EL[EU]
11	AP8125962	Zahnkranzhalter silbergrau	1	Baujahr: 2008[8] Fahrzeugfarbe: Spain's N°1 (t.B.856884)[spain8] Land: Vereinigte Staaten von Amerika[USA] Technische Daten: Version Rennstrecke USA[rac]
11	AP8125962	Zahnkranzhalter silbergrau	1	Baujahr: 2010[A] Fahrzeugfarbe: Schwarz Aprilia 2010[n.10], 'Weiß Glam 2010[w.glam] Land: Australien[AA], CH-DE-DK-EL[EU] Technische Daten: Version 11 kW[11kw]
11	AP8125962	Zahnkranzhalter silbergrau	1	Baujahr: 2008[8], 2009[9] Fahrzeugfarbe: Schwarz Aprilia 2008 (t.B.860303)[a.blk], Rot Fluo 2008 (t.B.858632)[red], Talmacsi 2008 (t.B..860957)[tal]
11	AP8128244	Zahnkranzhalter schwarz	1	Baujahr: 2009[9], 2010[A] Fahrzeugfarbe: Replica Alitalia 2010 (t.B.897896)[r.ali], Replica SBK 2009 (t.B.895053)[sbk] Land: CH-DE-DK-EL[EU]

Einheit	RAHMEN
Code	28.30
Beschreibung	Hinterrad
Inspektion	1



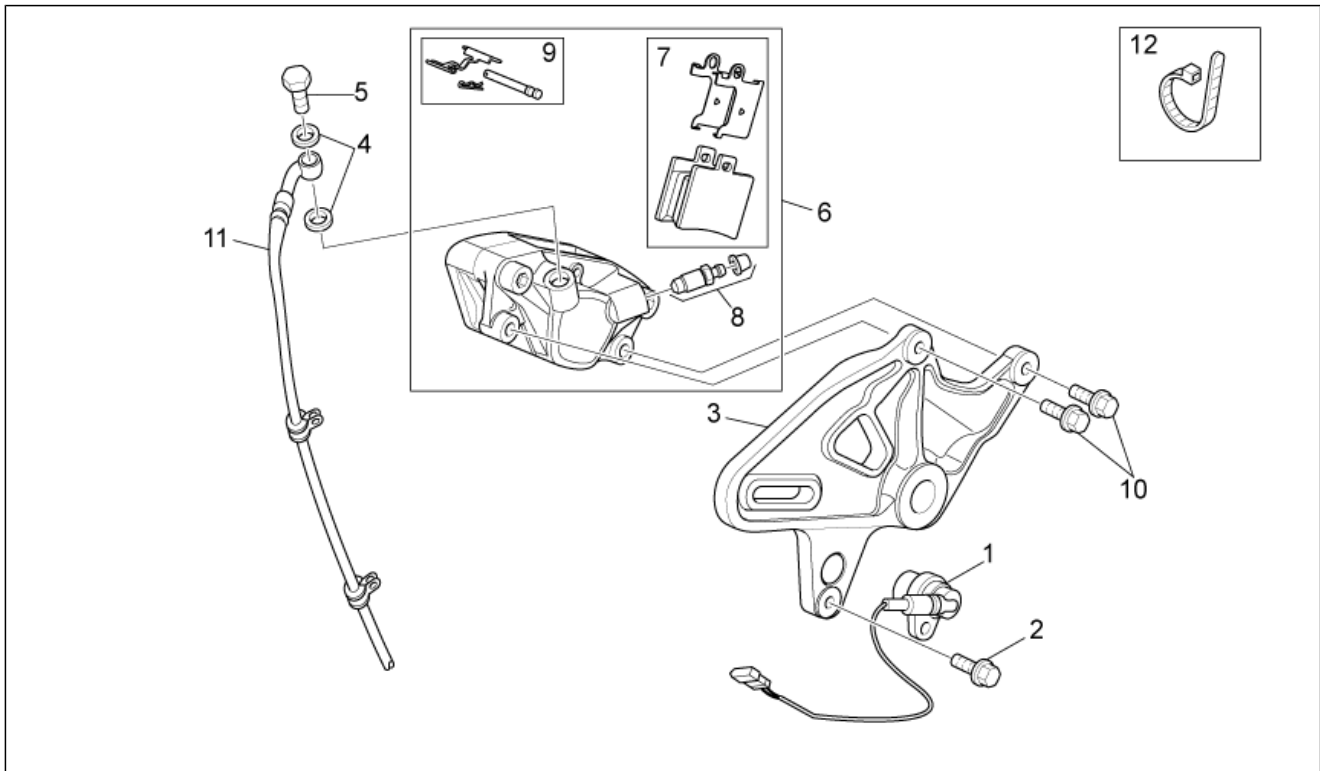
Pos.	Code	Beschreibung	Menge	Varianten
12	AP8125869	Lager 6005-2rs 25x47x12	1	
13	AP8125841	Gasket ring 30x47x7	1	
14	AP8161079	Interne Distanzscheibe	1	
15	AP8144686	Stoßschutzgummi	5	
16	AP8107135	Verbindungsglied	1	
17	AP8213317	Vorderradbremsscheibe	1	
18	AP8213418	Schraube	5	
19	AP8107166	Zahnkranz Z=40	1	
20	AP8152473	TE Schr. m. Flansch	5	
21	AP8705021	Hauptständer hi.Werkstatt	1	Technische Daten:Version Trofeo Gara[GP]
22	AP8121890	Buchse	2	Technische Daten:Version Trofeo Gara[GP]
23	AP8150468	Schraube M6x40	2	Technische Daten:Version Trofeo Gara[GP]

Einheit	RAHMEN
Code	28.31
Beschreibung	Hinterradbremspumpe
Inspektion	1



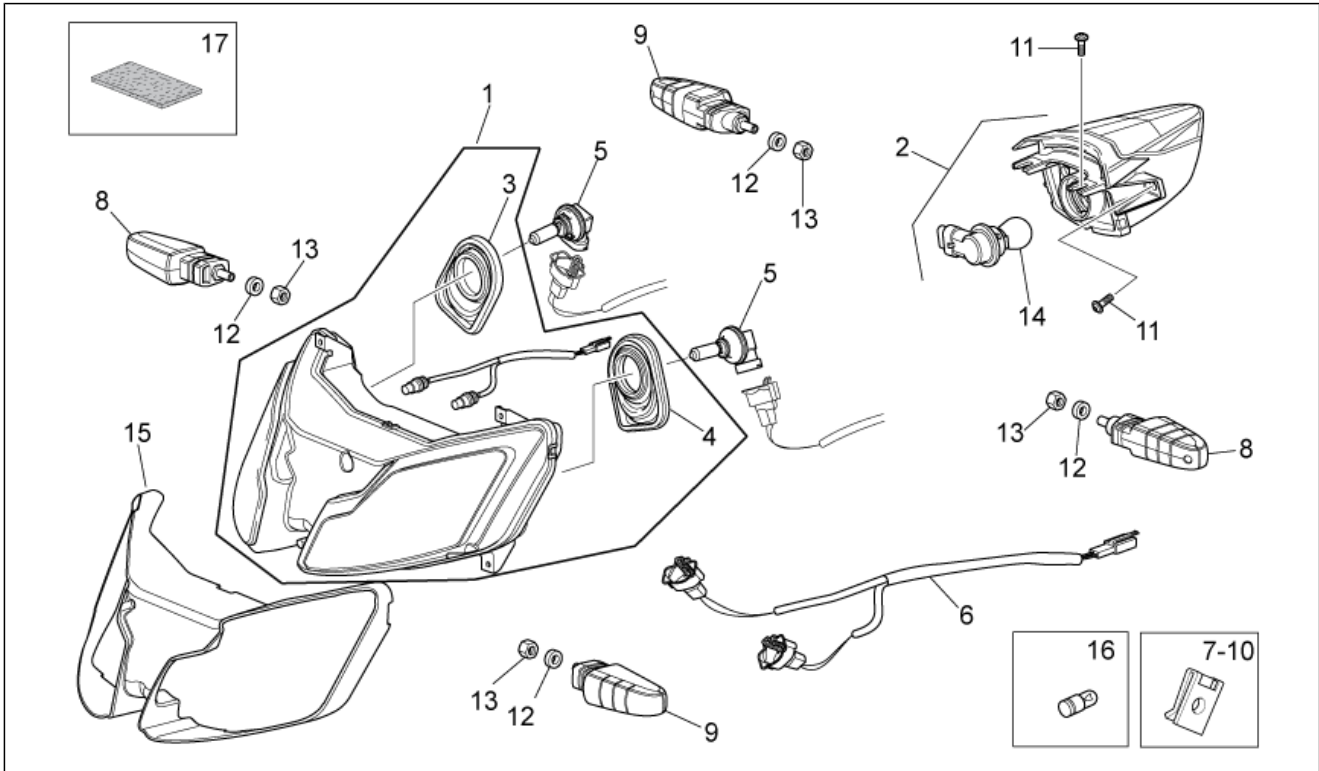
Pos.	Code	Beschreibung	Menge	Varianten
1	AP8133843	Hinterradbremspumpe	1	
2	AP8104998	Öltank kpl	1	
3	AP8133884	Hinterradbremseleitung	1	
4	AP8124479	Bremslichtschalter	1	Land:Australien[AA], Indonesien-Malaysia-Neuseeland-Singapur[AP], CH-DE-DK-EL[EU]
5	AP8113004	Ausgleichscheibe 10x14x1,6*	9	
6	AP8150026	Mutter M6	2	
7	AP8210007	Kugelgelenk rechts M6	1	
8	AP8132635	H.bremshebel	1	
9	AP8121835	Federn Fixierstift	1	
10	AP8121118	Schraubenfeder *	1	
11	AP8121284	Bremshebelbolzen	1	
12	AP8121147	Distanzscheibe *	1	
13	AP8152280	TE Schr. m. Flansch M6x25	1	
14	AP8150430	Selbstsperr.mut Unt.	2	
15	AP8150431	Mutter unten M8	2	
16	AP8150017	Ausgleichscheibe 8,4x16x1,6	1	
17	AP8152176	Ausgleichscheibe 10,5X18X2*	1	
18	AP8150436	Selbstsperr.mut Unt.	1	
19	AP8121697	Tellerfeder	1	
20	AP8152278	TE Schr. m. Flansch M6x16	1	
21	AP8152299	Selbstsperrende Mutter M6	1	

Einheit	RAHMEN
Code	28.32
Beschreibung	Hinterradbremzange
Inspektion	1



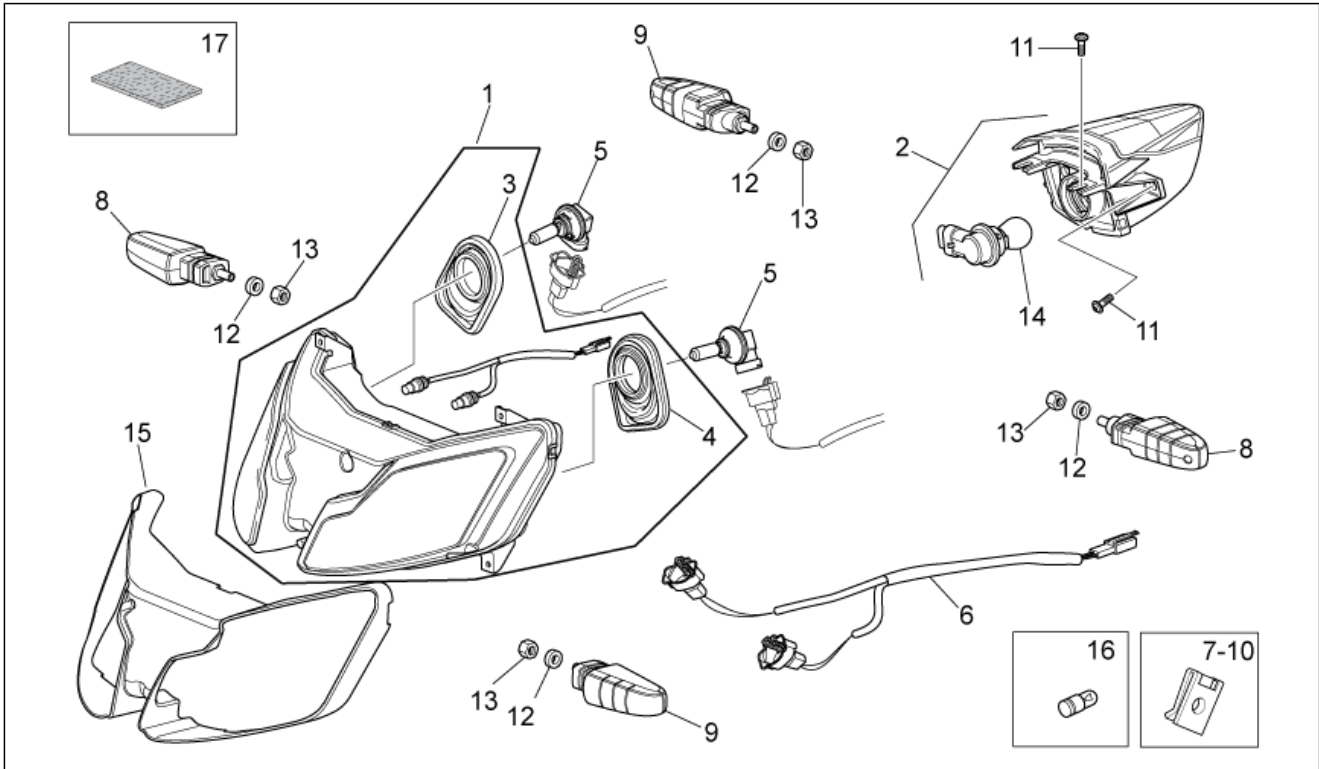
Pos.	Code	Beschreibung	Menge	Varianten
1	AP8127668	Kilom.zählersens. kpl.	1	
2	AP8152278	TE Schr. m. Flansch M6x16	1	
3	AP8154015	Fixierplatte	1	
4	AP8113004	Ausgleichscheibe 10x14x1,6*	2	
5	AP8113003	Fixierschraube Ölschlauch	3	
6	AP8133845	Hinterradbremzange	1	
7	AP8133946	H. Beläge (Paar)	1	
8	AP8133948	Bausatz Entlüftungsüberh.	1	
9	AP8133947	Bolzen+Bremse Felder	1	
10	AP8152287	TE Schr. m. Flansch M8x25	2	
11	AP8133884	Hinterradbremleitung	1	
12	AP8120422	Schelle schwarz 98x2*	2	

Einheit	RAHMEN
Code	28.33
Beschreibung	Lichter
Inspektion	1



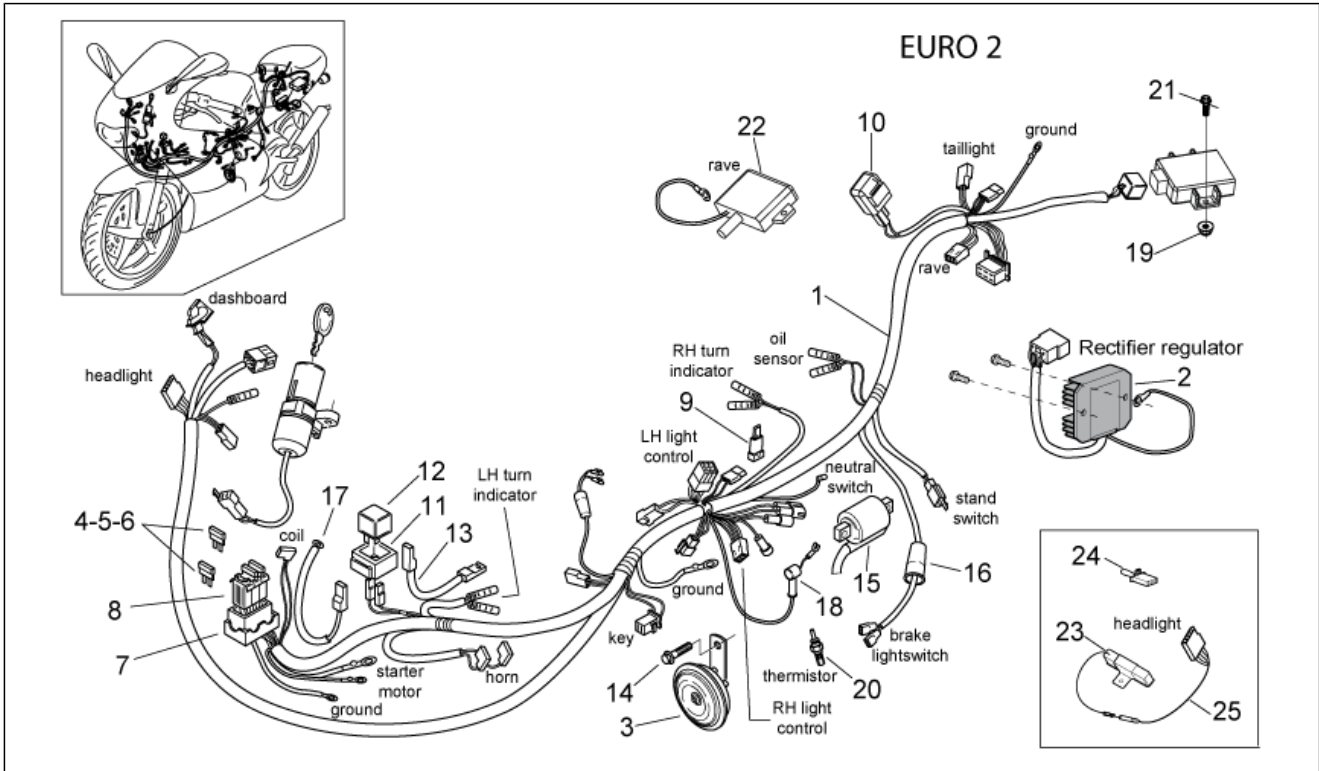
Pos.	Code	Beschreibung	Menge	Varianten
1	AP8127748	Scheinwerfer	1	
2	AP8127750	Rücklicht	1	
3	AP8224656	Re.Scheinwerferhaube	1	
4	AP8224657	Li.Scheinwerferhaube	1	
5	852200	Lampen H11 12V-55W	2	
6	AP8127746	Verkabel.Scheinwerf.	1	Land:Australien[AA], Indonesien-Malaysia-Neuseeland-Singapur[AP], CH-DE-DK-EL[EU]
6	AP8224666	Verkabel.Scheinwerf.	1	Land:Vereinigte Staaten von Amerika[USA]
7	AP8102375	Klammer M5	4	
8	860974	Vorderblinker rechts	2	Land:Australien[AA], Indonesien-Malaysia-Neuseeland-Singapur[AP], CH-DE-DK-EL[EU] Technische Daten:Blinker 1Led[F1]
8	AP8127656	Vorderblinker rechts	2	Land:Australien[AA], CH-DE-DK-EL[EU] Technische Daten:Blinker 4Led[F4]
9	860975	Vorderblinker links	2	Land:Australien[AA], Indonesien-Malaysia-Neuseeland-Singapur[AP], CH-DE-DK-EL[EU] Technische Daten:Blinker 1Led[F1]
9	AP8127657	Vorderblinker links	2	Land:Australien[AA], CH-DE-DK-EL[EU] Technische Daten:Blinker 4Led[F4]
10	AP8102381	Klammer M4	4	
11	AP8152298	TBEI Schraube m.Flansch M5x16	4	
12	AP8150017	Ausgleichscheibe 8,4x16x1,6	4	Land:Australien[AA], Indonesien-Malaysia-Neuseeland-Singapur[AP], CH-DE-DK-EL[EU] Technische Daten:Blinker 4Led[F4]
12	AP8150280	TCEI Schraube	4	Land:Australien[AA], Indonesien-Malaysia-Neuseeland-Singapur[AP], CH-DE-DK-EL[EU] Technische Daten:Blinker 1Led[F1]
13	AP8152262	Mutter unten	4	Land:Australien[AA], Indonesien-Malaysia-Neuseeland-Singapur[AP], CH-DE-DK-EL[EU] Technische Daten:Blinker 4Led[F4]
13	AP8152306	Selbstsperrende Mutter M5	4	Land:Australien[AA], Indonesien-Malaysia-Neuseeland-Singapur[AP], CH-DE-DK-EL[EU]

Einheit	RAHMEN
Code	28.33
Beschreibung	Lichter
Inspektion	1



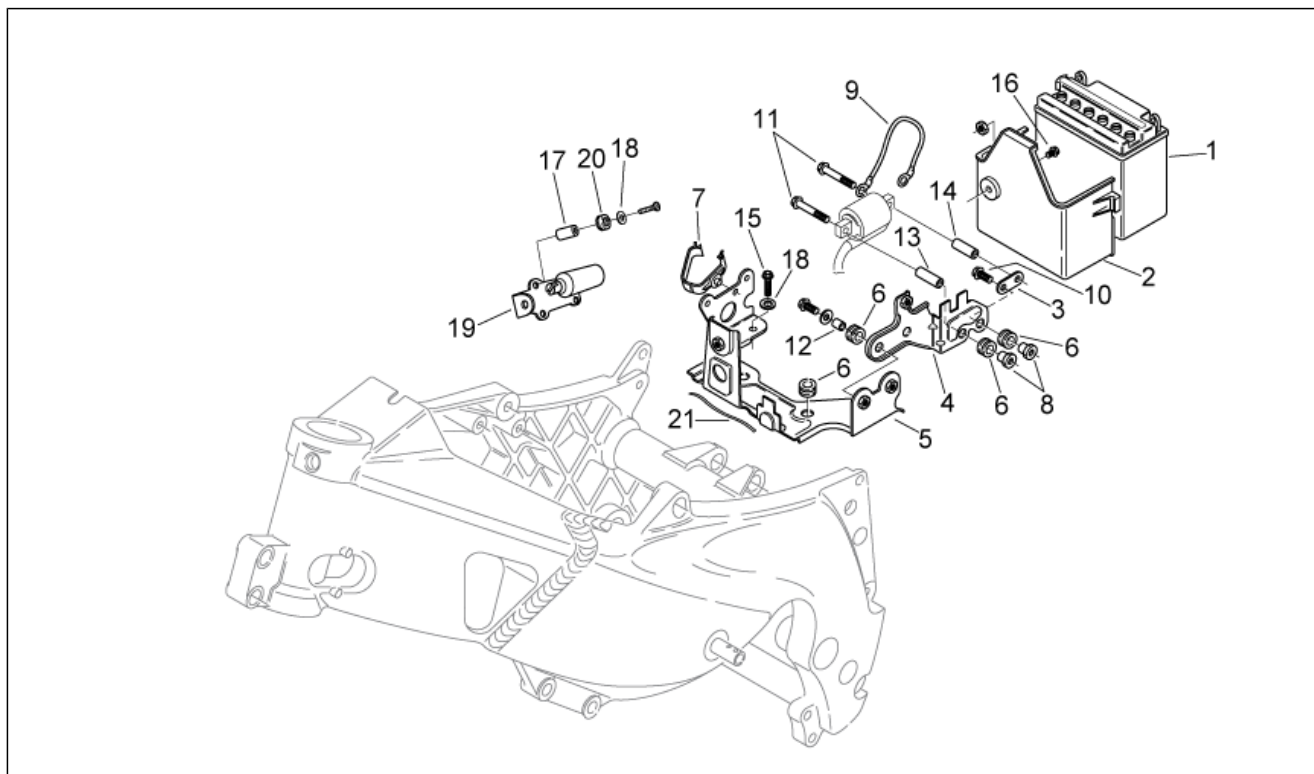
Pos.	Code	Beschreibung	Menge	Varianten
				Technische Daten: Blinker 1Led[F1]
14	129953	Lampen 12V-21/5W	1	
15	AP8179271	Blende	1	
16	AP9100976	Lampen orange WY2,3W	16	
17	AP8144529	Dichtung	1	

Einheit	RAHMEN
Code	28.34
Beschreibung	Elektrische anlage I
Inspektion	1



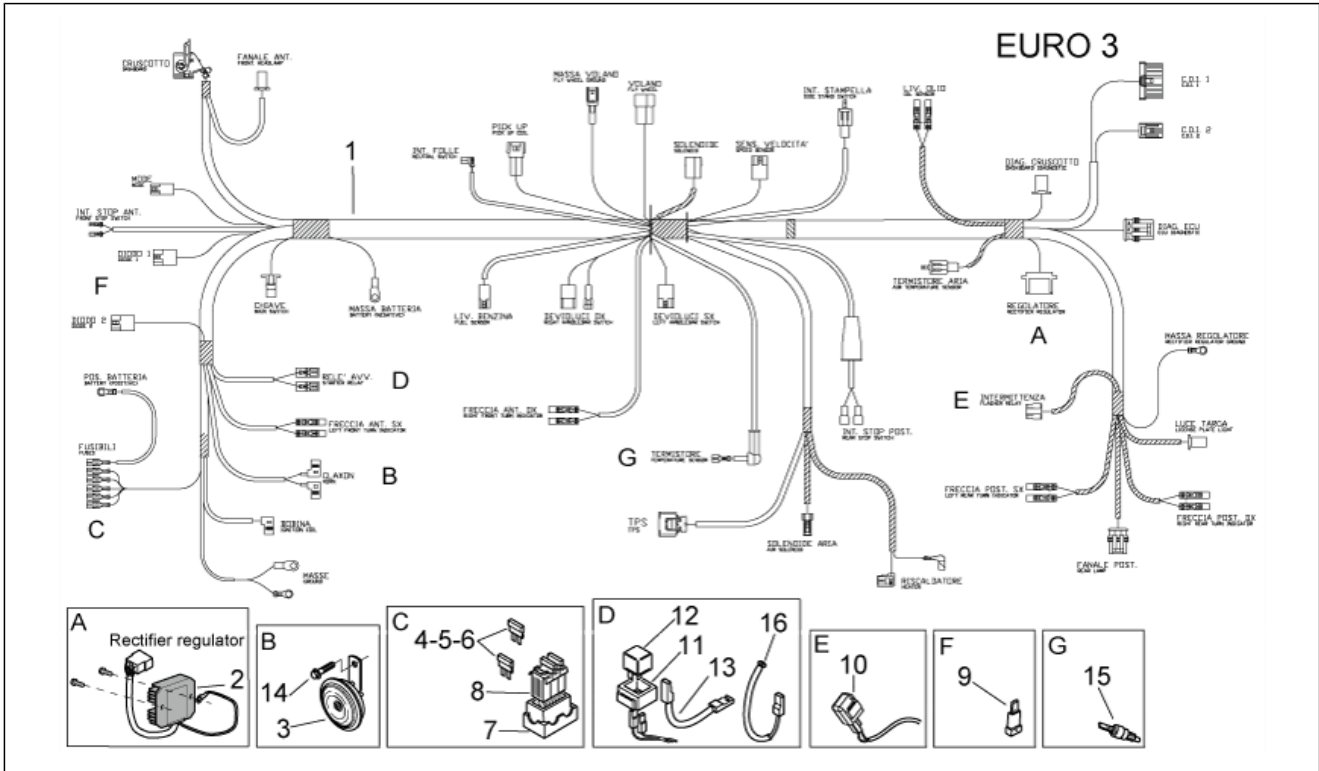
Pos.	Code	Beschreibung	Menge	Varianten
1	AP8127745	Hauptverkabelung	1	Baujahr:2006[6]
2	AP8112906	Spannungsregler	1	Baujahr:2006[6]
3	AP8127391	Hupe	1	Baujahr:2006[6]
4	252945	Sicherung 7,5A	1	Baujahr:2006[6]
5	290860	Sicherung 15A	1	Baujahr:2006[6]
6	495357	Sicherung 20A	1	Baujahr:2006[6]
7	AP8112942	Sicherungsblockgummi	1	Baujahr:2006[6]
8	AP8120754	Sicherungsblockgummi	1	Baujahr:2006[6]
9	AP8212588	Sicherheitsdiode	1	Baujahr:2006[6]
10	AP8127847	Blinken	1	Baujahr:2006[6]
11	AP8220546	Auflagegummi Relais	1	Baujahr:2006[6]
12	AP8224026	Zündrelais	1	Baujahr:2006[6]
13	AP8124119	Anlasserkabel	1	Baujahr:2006[6]
14	AP8152285	TE Schr. m. Flansch	1	Baujahr:2006[6]
15	AP8112567	Solenoid Ravestrg.	1	Baujahr:2006[6]
16	AP8120816	Gummi	1	Baujahr:2006[6]
17	AP8112460	Relaiskabel Anlasser	1	Baujahr:2006[6]
18	AP8118516	Klemmenkappe	1	Baujahr:2006[6]
19	AP8152299	Selbstsperrende Mutter M6	2	Baujahr:2006[6]
20	AP8124487	Thermistor	1	Baujahr:2006[6]
21	AP8152279	TE Schr. m. Flansch M6x20	2	Baujahr:2006[6]
22	AP8112568	Steuergeraet rave	1	Baujahr:2006[6]
23	AP8224170	Widerstand mit Verkabelung	1	Baujahr:2006[6]
24	AP8124943	Ständer lichtschalter	1	Baujahr:2006[6]
25	851757	WiderstandVerkabelung	1	Baujahr:2006[6]

Einheit	RAHMEN
Code	28.35
Beschreibung	Elektrische anlage II
Inspektion	1



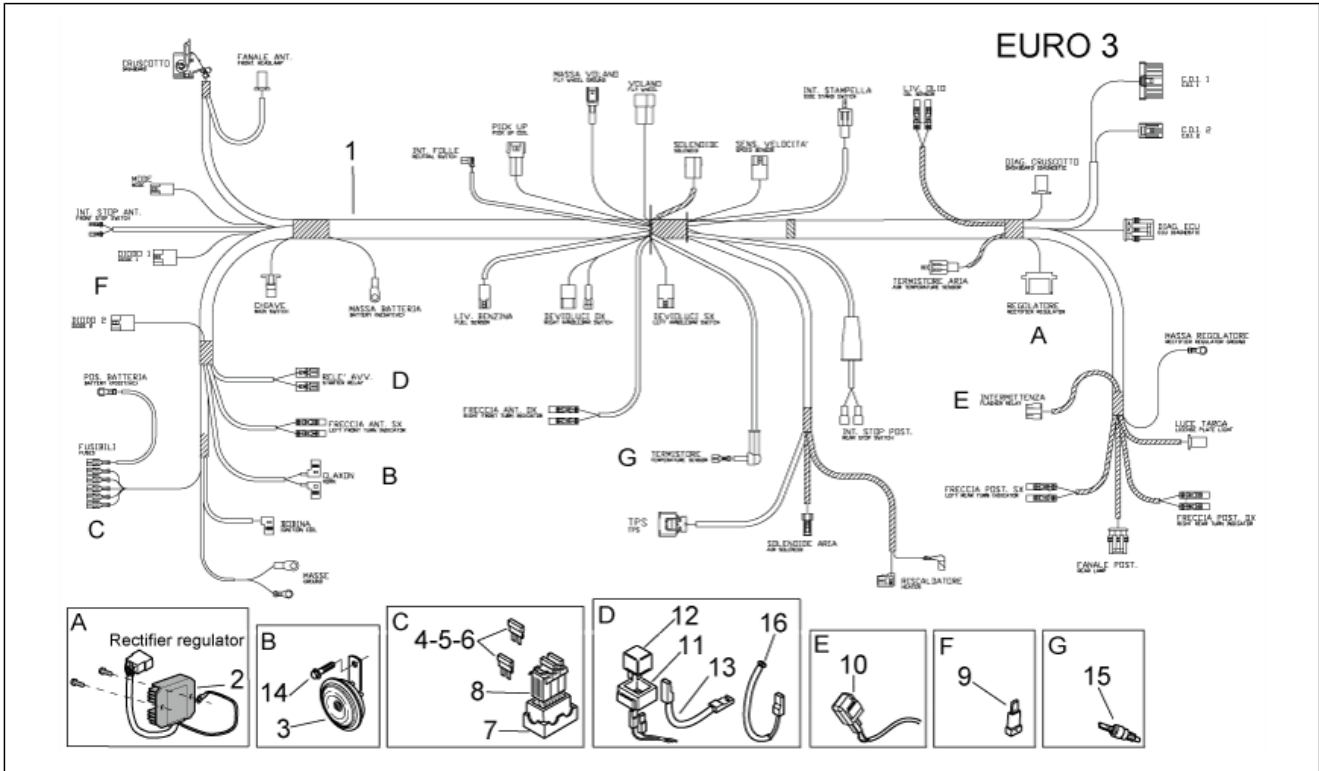
Pos.	Code	Beschreibung	Menge	Varianten
1	584810	Batterie 12V-9Ah	1	
2	AP8131256	Batteriehalter	1	
3	AP8134348	Spulehalter platte	1	
4	AP8124117	Hltr. Sicher.	1	
5	AP8135448	Batteriehalter platte	1	
6	AP8120030	Gummi	6	
7	AP8120582	Kabelführungs	1	
8	AP8121731	T-Buchse *	2	
9	AP8112458	Batter.kbel negativ	1	
10	AP8152278	TE Schr. m. Flansch M6x16	1	
11	AP8152284	TE Schr. m. Flansch	2	
12	AP8221007	Distanzscheibe 6,5X10X11*	2	
13	AP8121764	Distanzscheibe *	1	
14	AP8220185	Buchse Instrumentenbrett	1	
15	855799	TE Schr. m. Flansch	4	
16	AP8152277	TE Schr. m. Flansch M6x12	1	
17	AP8121736	T-Buchse	2	
18	AP8150013	Ausgleichscheibe 5,5x15x1,6*	6	
19	AP8132869	Solenoid Halteplatte	1	
20	AP8120405	Gummi	2	
21	AP8161205	Dichtung L25	1	

Einheit	RAHMEN
Code	28.36
Beschreibung	Elektrische Anlage III
Inspektion	1



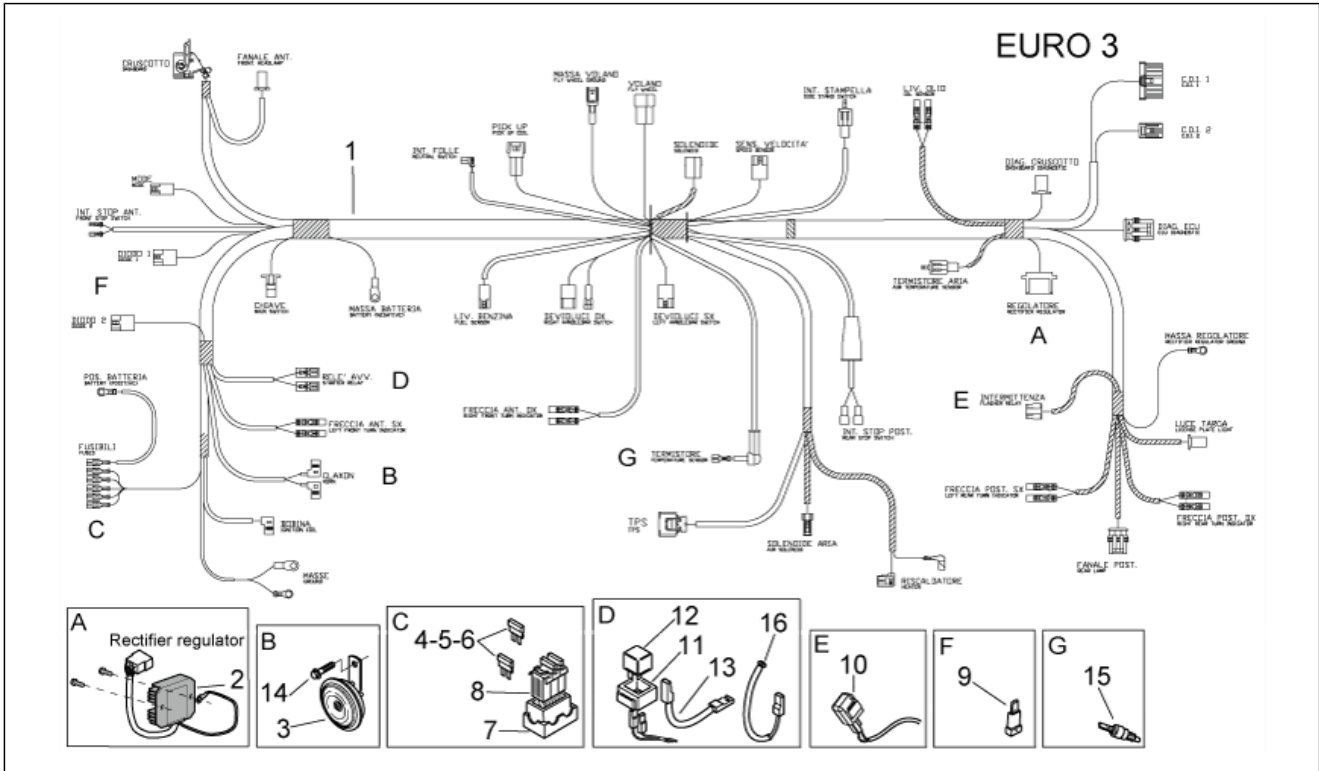
Pos.	Code	Beschreibung	Menge	Varianten
1	852146	Hauptverkabelung	1	Baujahr: 2007[7], 2008[8], 2010[A] Land: Australien[AA], CH-DE-DK-EL[EU] Technische Daten: Version 11 kW[11kw], Version mit voller Leistung[f.p.]
1	890989	Hauptverkabelung	1	Baujahr: 2008[8] Land: Vereinigte Staaten von Amerika[USA] Technische Daten: Version Rennstrecke USA[rac]
1	AP8127745	Hauptverkabelung	1	Baujahr: 2009[9] Land: Australien[AA], Indonesien-Malaysia-Neuseeland-Singapur[AP] Technische Daten: Version mit voller Leistung[f.p.]
2	AP8112906	Spannungsregler	1	Baujahr: 2007[7], 2008[8], 2010[A] Land: Australien[AA], CH-DE-DK-EL[EU], Vereinigte Staaten von Amerika[USA]
2	AP8112906	Spannungsregler	1	Baujahr: 2009[9] Land: Australien[AA], Indonesien-Malaysia-Neuseeland-Singapur[AP]
3	AP8127309	Hupe	1	Baujahr: 2009[9] Land: Australien[AA], Indonesien-Malaysia-Neuseeland-Singapur[AP]
3	AP8127309	Hupe	1	Baujahr: 2007[7], 2008[8], 2010[A] Land: Australien[AA], CH-DE-DK-EL[EU]
4	252945	Sicherung 7,5A	1	Baujahr: 2007[7], 2008[8], 2010[A] Land: Australien[AA], CH-DE-DK-EL[EU]
4	252945	Sicherung 7,5A	1	Baujahr: 2009[9] Land: Australien[AA], Indonesien-Malaysia-Neuseeland-Singapur[AP]
5	290860	Sicherung 15A	1	Baujahr: 2009[9] Land: Australien[AA], Indonesien-Malaysia-Neuseeland-Singapur[AP]
5	290860	Sicherung 15A	1	Baujahr: 2007[7], 2008[8], 2010[A] Land: Australien[AA], CH-DE-DK-EL[EU]
6	495357	Sicherung 20A	1	Baujahr: 2009[9]

Einheit	RAHMEN
Code	28.36
Beschreibung	Elektrische Anlage III
Inspektion	1



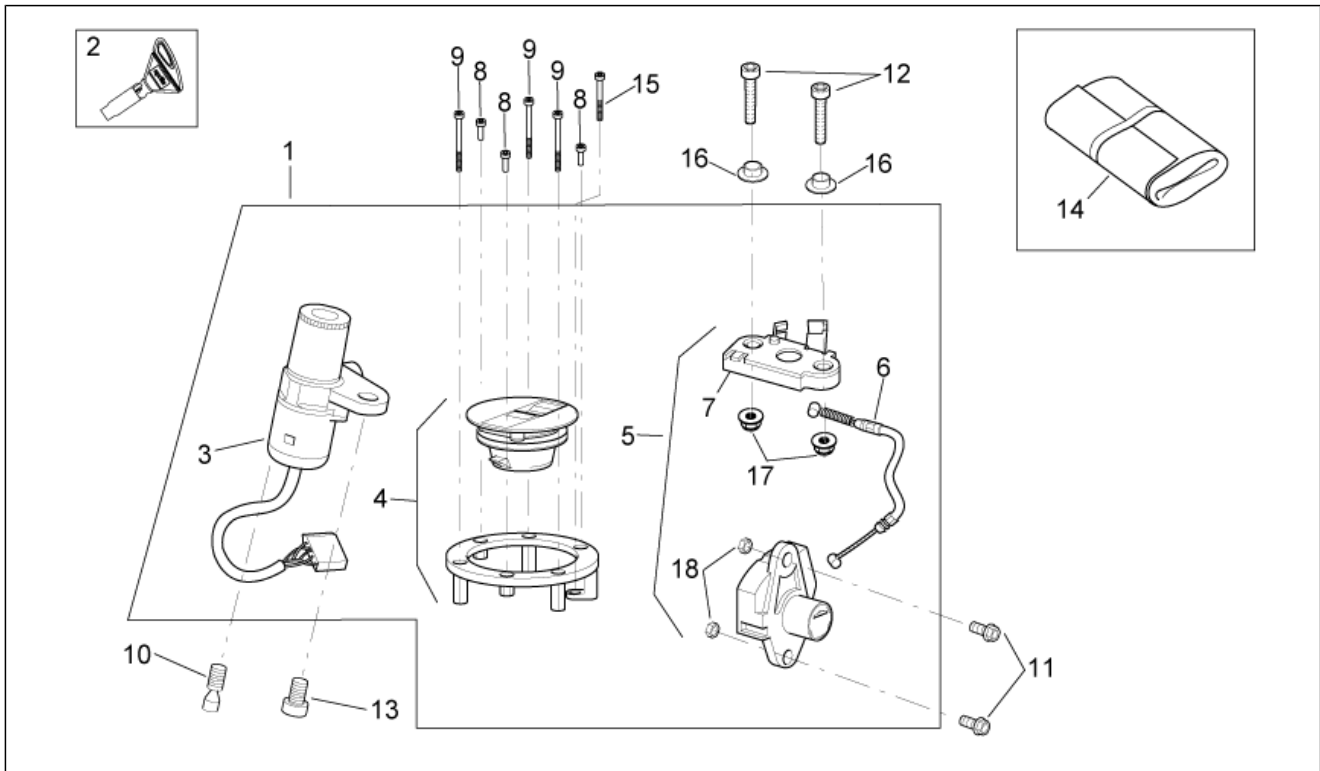
Pos.	Code	Beschreibung	Menge	Varianten
				Land:Australien[AA], Indonesien-Malaysia-Neuseeland-Singapur[AP]
6	495357	Sicherung 20A	1	Baujahr:2007[7], 2008[8], 2010[A] Land:Australien[AA], CH-DE-DK-EL[EU]
7	AP8112942	Sicherungsblockgummi	1	Baujahr:2009[9] Land:Australien[AA], Indonesien-Malaysia-Neuseeland-Singapur[AP]
7	AP8112942	Sicherungsblockgummi	1	Baujahr:2007[7], 2008[8], 2010[A] Land:Australien[AA], CH-DE-DK-EL[EU]
8	AP8120754	Sicherungsblockgummi	1	Baujahr:2007[7], 2008[8], 2010[A] Land:Australien[AA], CH-DE-DK-EL[EU]
8	AP8120754	Sicherungsblockgummi	1	Baujahr:2009[9] Land:Australien[AA], Indonesien-Malaysia-Neuseeland-Singapur[AP]
9	AP8212588	Sicherheitsdiode	2	Baujahr:2007[7], 2008[8], 2010[A]
9	AP8212588	Sicherheitsdiode	2	Baujahr:2009[9] Land:Australien[AA], Indonesien-Malaysia-Neuseeland-Singapur[AP]
10	AP8127847	Blinken	1	Baujahr:2007[7], 2008[8], 2010[A] Land:Australien[AA], CH-DE-DK-EL[EU]
10	AP8127847	Blinken	1	Baujahr:2009[9] Land:Australien[AA], Indonesien-Malaysia-Neuseeland-Singapur[AP]
11	AP8220546	Auflagegummi Relais	1	Baujahr:2007[7], 2008[8], 2010[A] Land:Australien[AA], CH-DE-DK-EL[EU]
11	AP8220546	Auflagegummi Relais	1	Baujahr:2009[9] Land:Australien[AA], Indonesien-Malaysia-Neuseeland-Singapur[AP]
12	AP8224026	Zündrelais	1	Baujahr:2007[7], 2008[8], 2010[A] Land:Australien[AA], CH-DE-DK-EL[EU]
12	AP8224026	Zündrelais	1	Baujahr:2009[9] Land:Australien[AA], Indonesien-Malaysia-Neuseeland-Singapur[AP]

Einheit	RAHMEN
Code	28.36
Beschreibung	Elektrische Anlage III
Inspektion	1



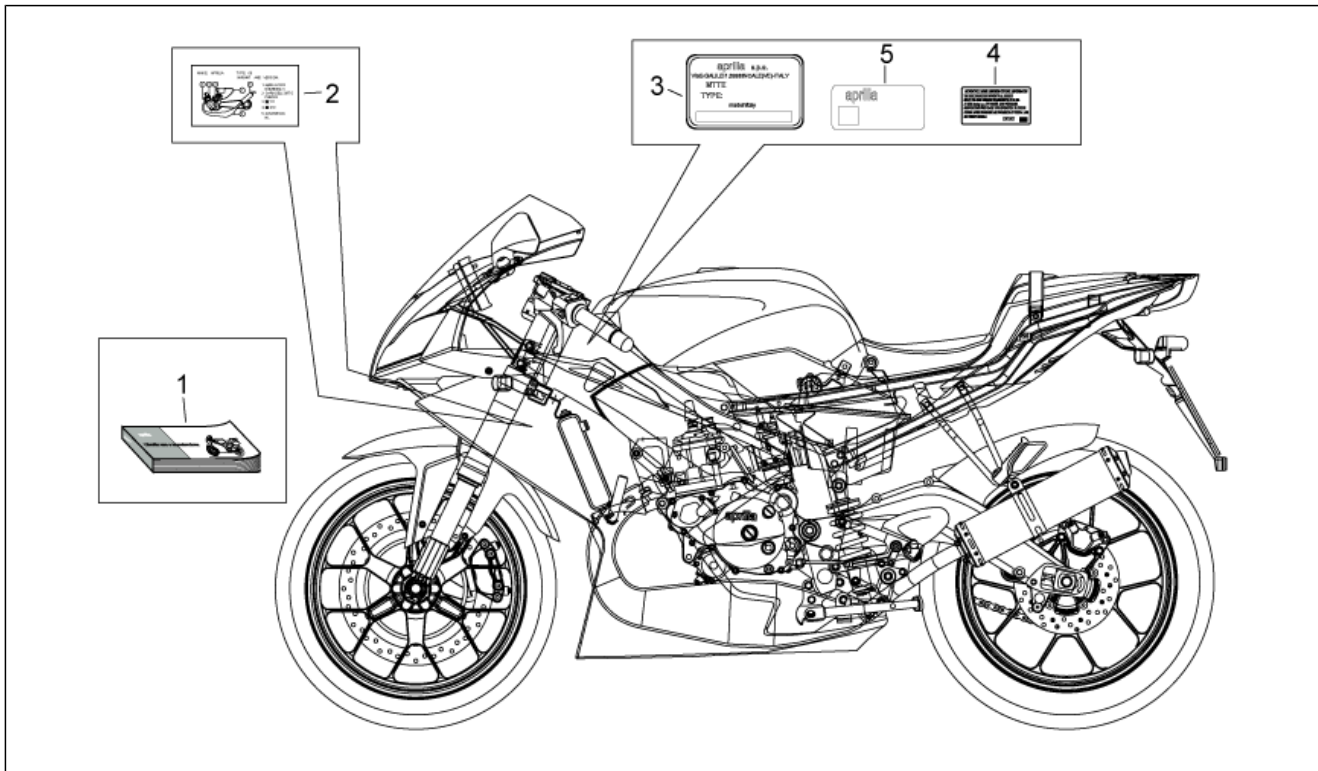
Pos.	Code	Beschreibung	Menge	Varianten
13	AP8124119	Anlasserkabel	1	Baujahr: 2007[7], 2008[8], 2010[A] Land: Australien[AA], CH-DE-DK-EL[EU]
13	AP8124119	Anlasserkabel	1	Baujahr: 2009[9] Land: Australien[AA], Indonesien-Malaysia-Neuseeland-Singapur[AP]
14	AP8152285	TE Schr. m. Flansch	1	Baujahr: 2007[7], 2008[8], 2010[A] Land: Australien[AA], CH-DE-DK-EL[EU]
14	AP8152285	TE Schr. m. Flansch	1	Baujahr: 2009[9] Land: Australien[AA], Indonesien-Malaysia-Neuseeland-Singapur[AP]
15	AP8124487	Thermistor	1	Baujahr: 2007[7], 2008[8], 2010[A] Land: Australien[AA], CH-DE-DK-EL[EU]
15	AP8124487	Thermistor	1	Baujahr: 2009[9] Land: Australien[AA], Indonesien-Malaysia-Neuseeland-Singapur[AP]
16	AP8112460	Relaiskabel Anlasser	1	Baujahr: 2009[9] Land: Australien[AA], Indonesien-Malaysia-Neuseeland-Singapur[AP]
16	AP8112460	Relaiskabel Anlasser	1	Baujahr: 2007[7], 2008[8], 2010[A] Land: Australien[AA], CH-DE-DK-EL[EU]

Einheit	RAHMEN
Code	28.37
Beschreibung	Bausatz Schlösser
Inspektion	1



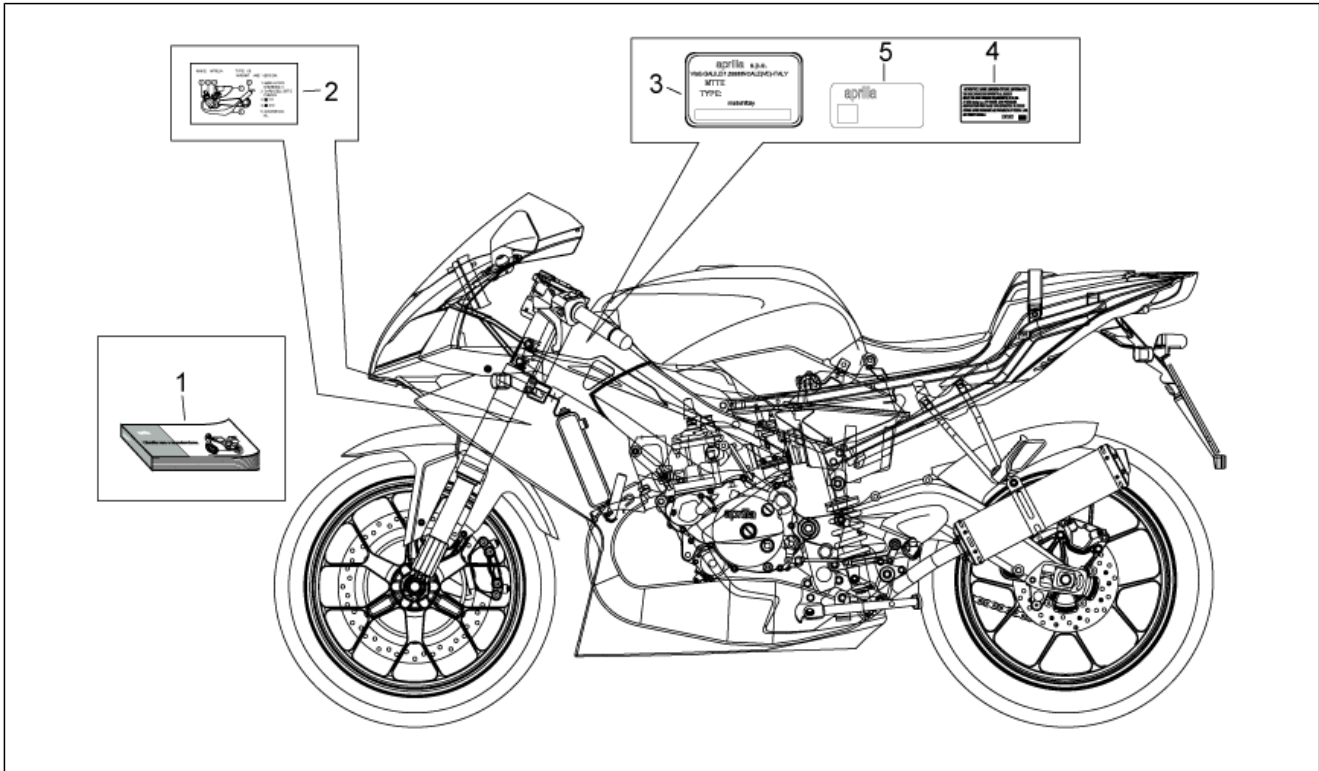
Pos.	Code	Beschreibung	Menge	Varianten
1	AP8104916	Kit Schließvorrichtungen	1	
2	AP8140710	"Aprilia" schlüssel ohne tran.	1	
3	AP8104708	Lenkschloß	1	
4	AP8104710	Tankfüllschraube	1	
5	AP8104995	Sitzschloß	1	
6	AP8134949	Kabel	1	
7	AP8102913	Fixierplatte Soziussitz	1	
8	AP8150050	TCEI Schraube M5x16	3	
9	AP8150523	TCEI Schraube M5x60	3	
10	AP8150349	Spezialschraube M8x15	1	
11	AP8152278	TE Schr. m. Flansch M6x16	2	
12	AP8150220	TCEI Schraube M6x30	2	
13	AP8150211	TCEI Schraube M8x16	1	
14	AP8102950	Werkzeugtasche	1	
15	AP8150525	Schraube	1	
16	AP8221129	Buchse	2	
17	AP8152299	Selbstsperrende Mutter M6	2	
18	AP8150430	Selbstsperr.mut Unt.	2	

Einheit	RAHMEN
Code	28.38
Beschreibung	Schilder und Anleit.
Inspektion	1



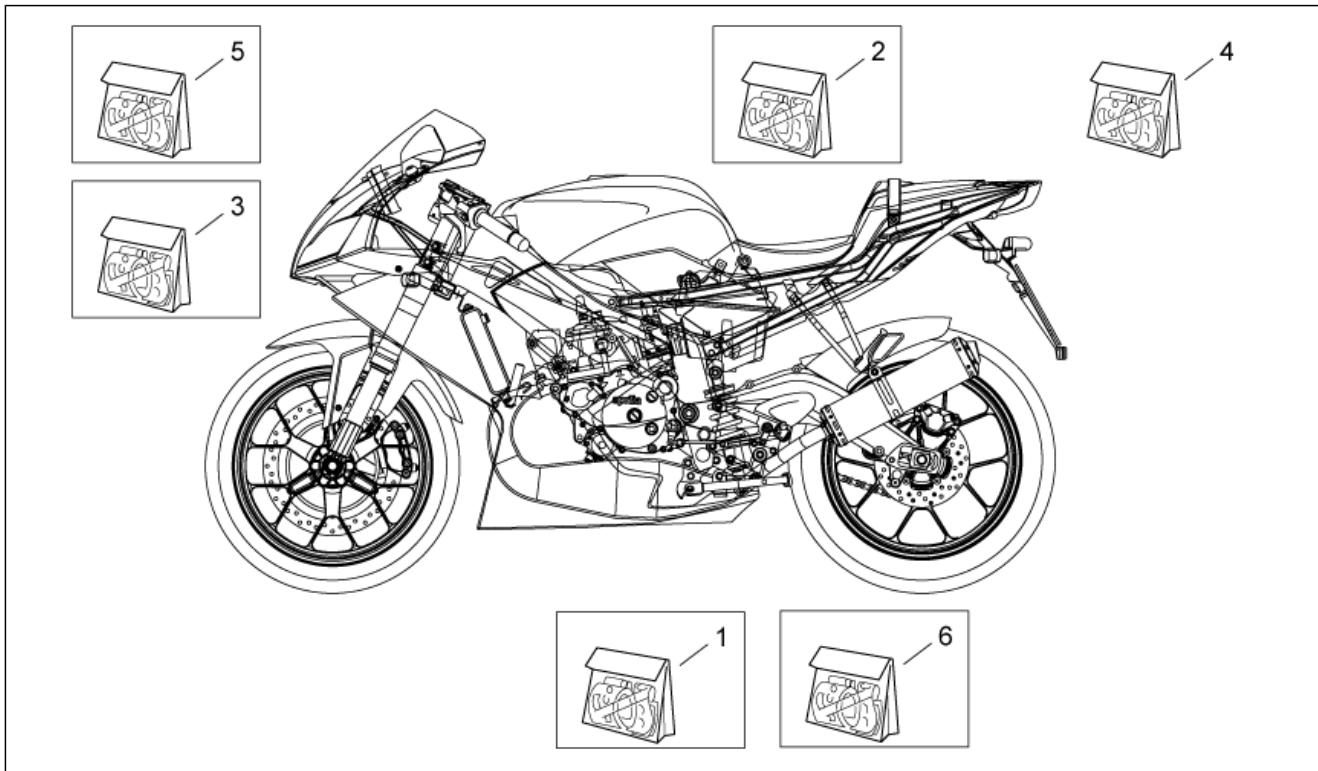
Pos.	Code	Beschreibung	Menge	Varianten
1	854014	Gebrauchsanleitung -I-D-F-E	1	Baujahr: 2007[7], 2008[8], 2010[A] Technische Daten: Euro 3[E3]
1	854015	Gebrauchsanleitung -UK-NL-GR-DK-SF-F	1	Baujahr: 2007[7], 2008[8] Technische Daten: Euro 3[E3]
1	854089	Gebrauchsanleitung -USA-CN	1	Baujahr: 2008[8] Technische Daten: Euro 3[E3]
1	AP8104917	Bed./Wart.-Anleit. -I-	1	Baujahr: 2006[6] Technische Daten: Euro 2[E2]
1	AP8104934	Gebrauchsanleitung -F-DE-UK	1	Baujahr: 2006[6] Technische Daten: Euro 2[E2]
1	AP8104935	Gebrauchsanleitung -NL-DK-SF-GR-J	1	Baujahr: 2006[6] Technische Daten: Euro 2[E2]
2	852143	Fälschungssicheres Schild	1	Baujahr: 2009[9], 2010[A] Fahrzeugfarbe: Replica SBK 2009 (t.B.895053)[sbk] Land: CH-DE-DK-EL[EU]
2	895896	Fälschungssicheres Schild	1	Baujahr: 2010[A] Fahrzeugfarbe: Schwarz Aprilia 2010[n.10], 'Weiß Glam 2010[w.glam] Land: Australien[AA], CH-DE-DK-EL[EU]
2	AP8166992	Fälschungssicheres Schild	1	Baujahr: 2006[6], 2007[7], 2008[8] Fahrzeugfarbe: Schwarz Aprilia 2008 (t.B.860303)[a.blk], Aprilia Black 2006 (t.B..15195)[black], Spain's N°1 (t.B.852262)[spain7], Spain's N°1 (t.B.856884)[spain8], Talmacsi 2008 (t.B..860957)[tal], Aprilia White 2006 (t.B..15196)[white]
3	852142	Herstellerschild	1	Baujahr: 2009[9], 2010[A] Fahrzeugfarbe: Replica SBK 2009 (t.B.895053)[sbk] Land: CH-DE-DK-EL[EU]
3	AP8166991	Herstellerschild	1	Fahrzeugfarbe: Schwarz Aprilia 2008 (t.B.860303)[a.blk], Aprilia Black 2006 (t.B..15195)[black], Spain's N°1 (t.B.852262)[spain7], Spain's N°1 (t.B.856884)[spain8], Talmacsi 2008 (t.B..860957)[tal], Aprilia White 2006 (t.B..15196)[white] Land: CH-DE-DK-EL[EU]

Einheit	RAHMEN
Code	28.38
Beschreibung	Schilder und Anleit.
Inspektion	1



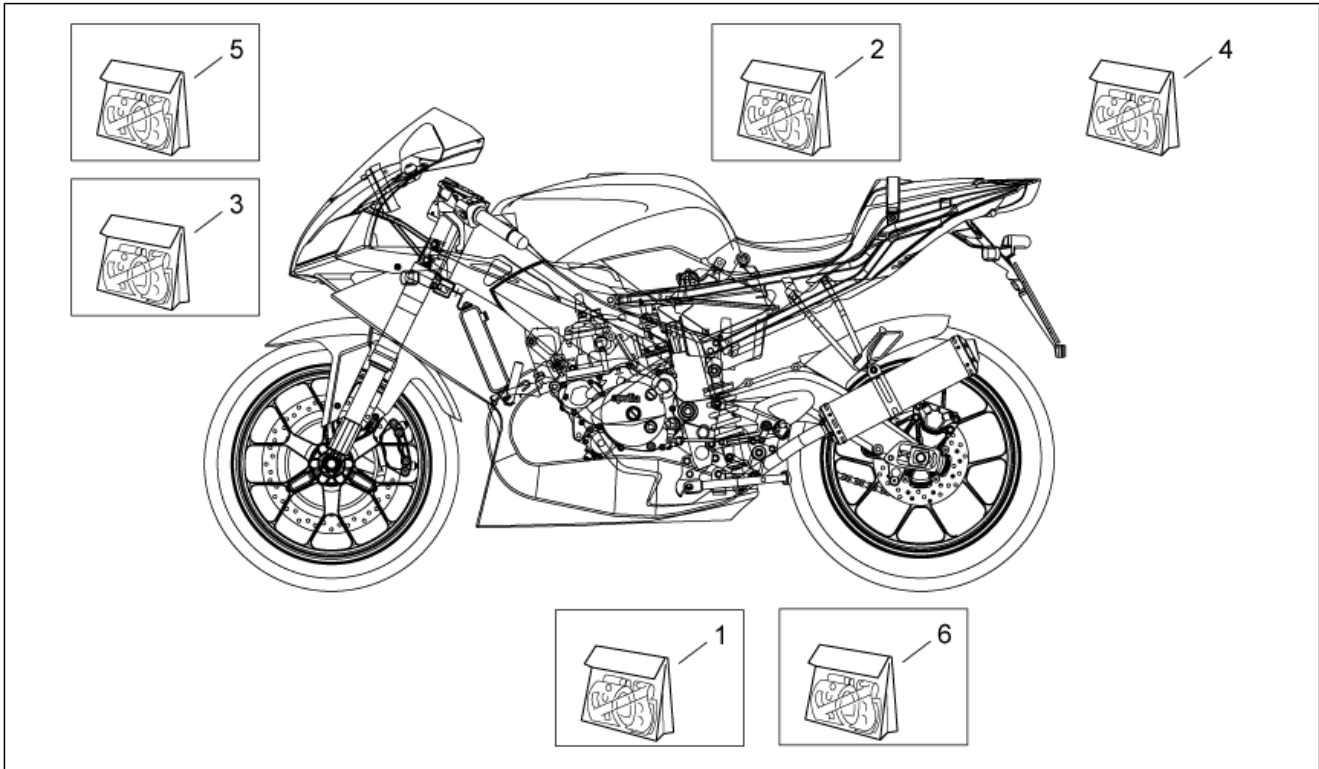
Pos.	Code	Beschreibung	Menge	Varianten
3	AP8187014	Herstellerschild	1	Land:Australien[AA]
4	AP8187015	Lautherausgabe selbstkleber	1	Land:Australien[AA], CH-DE-DK-EL[EU]
5	AP8166988	ECE Schild	1	Land:Australien[AA], CH-DE-DK-EL[EU]

Einheit	RAHMEN
Code	28.39
Beschreibung	Deko
Inspektion	1



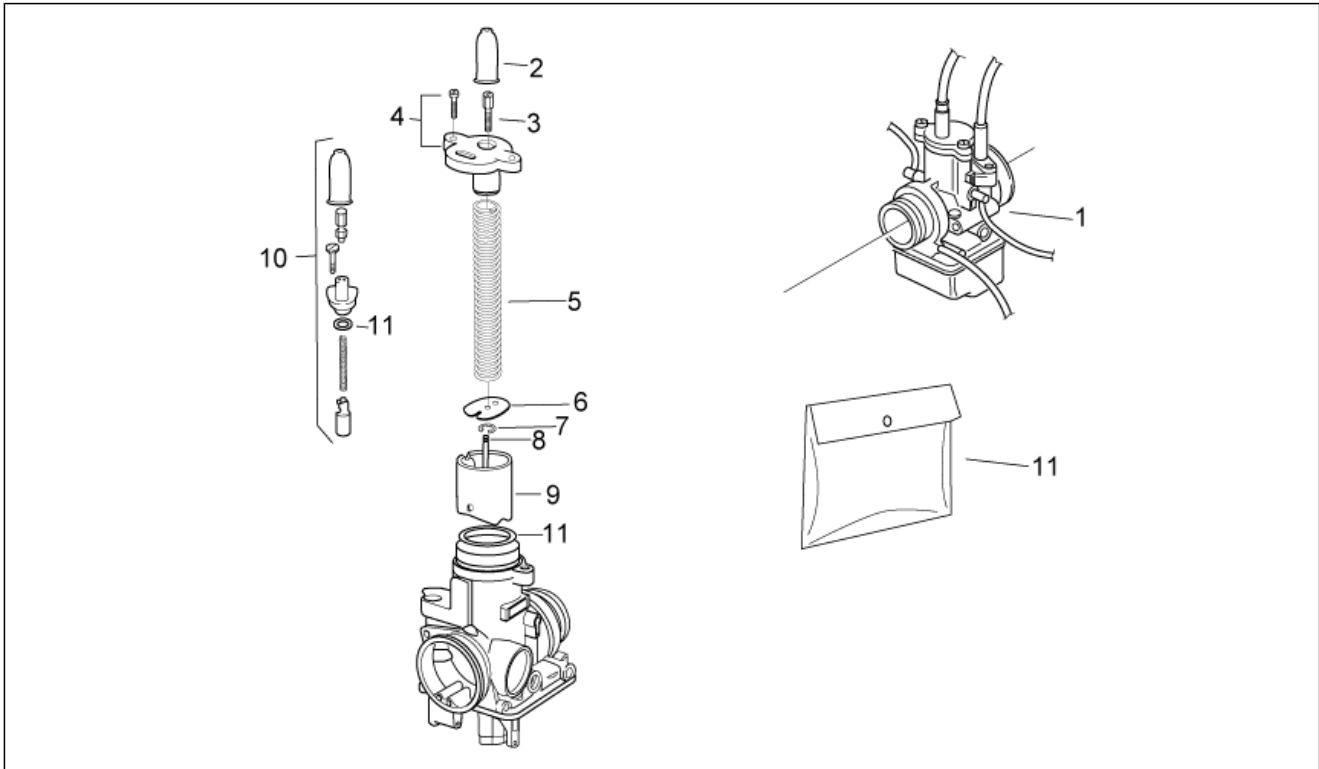
Pos.	Code	Beschreibung	Menge	Varianten
1	AP8187001	Verkleidung Deko-Satz	1	Baujahr: 2006[6] Fahrzeugfarbe: Aprilia White 2006 (t.B..15196)[white]
1	AP8187002	Verkleidung Deko-Satz	1	Baujahr: 2006[6] Fahrzeugfarbe: Aprilia Black 2006 (t.B..15195)[black]
2	AP8187003	Tank Deko-Satz	1	Baujahr: 2006[6] Fahrzeugfarbe: Aprilia White 2006 (t.B..15196)[white]
2	AP8187004	Tank Deko-Satz	1	Baujahr: 2006[6] Fahrzeugfarbe: Aprilia Black 2006 (t.B..15195)[black]
3	AP8187005	Kleinkuppel Deko-Satz	1	Baujahr: 2006[6] Fahrzeugfarbe: Aprilia White 2006 (t.B..15196)[white]
3	AP8187006	Kleinkuppel Deko-Satz	1	Baujahr: 2006[6] Fahrzeugfarbe: Aprilia Black 2006 (t.B..15195)[black]
4	AP8187007	H.Verkleidung Deko-Satz	1	Baujahr: 2006[6]
5	AP8166478	Deko technische Serie	1	
6	852352	Deko Serie	1	Baujahr: 2007[7] Fahrzeugfarbe: Spain's N°1 (t.B.852262)[spain7]
6	853979	Deko "competition"	1	Baujahr: 2008[8] Land: Vereinigte Staaten von Amerika[USA] Technische Daten: Version Rennstrecke USA[rac]
6	856494	Deko Serie	1	Baujahr: 2008[8] Fahrzeugfarbe: Spain's N°1 (t.B.856884)[spain8]
6	856494	Deko Serie	1	Baujahr: 2008[8] Fahrzeugfarbe: Spain's N°1 (t.B.856884)[spain8] Land: Australien[AA], CH-DE-DK-EL[EU]
6	856494	Deko Serie	1	Baujahr: 2008[8] Fahrzeugfarbe: Spain's N°1 (t.B.856884)[spain8] Land: Vereinigte Staaten von Amerika[USA] Technische Daten: Version Rennstrecke USA[rac]
6	858633	Deko Serie	1	Baujahr: 2008[8], 2009[9] Fahrzeugfarbe: Rot Fluo 2008 (t.B.858632)[red]
6	860304	Deko Serie	1	Baujahr: 2008[8], 2009[9] Fahrzeugfarbe: Schwarz Aprilia 2008 (t.B.860303)[a.blk]

Einheit	RAHMEN
Code	28.39
Beschreibung	Deko
Inspektion	1



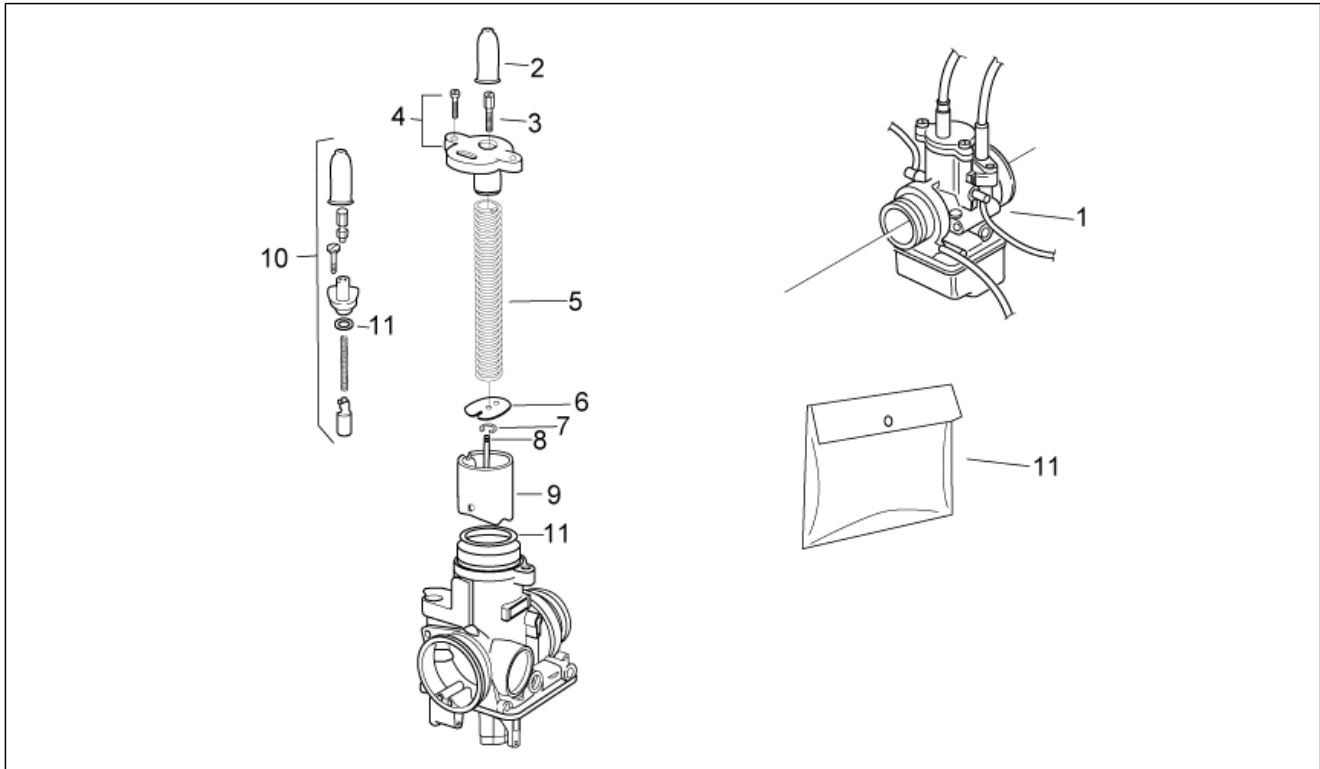
Pos.	Code	Beschreibung	Menge	Varianten
6	860957	Deko Serie	1	Baujahr: 2008[8] Fahrzeugfarbe: Talmacsi 2008 (t.B..860957)[tal]
6	895054	Deko Serie	1	Baujahr: 2009[9], 2010[A] Fahrzeugfarbe: Replica SBK 2009 (t.B.895053)[sbk] Land: CH-DE-DK-EL[EU]
6	896825	Deko Serie	1	Baujahr: 2010[A] Fahrzeugfarbe: Schwarz Aprilia 2010[n.10]
6	896826	Deko Serie	1	Baujahr: 2010[A] Fahrzeugfarbe: 'Weiß Glam 2010[w.glam]
6	897899	Deko Serie	1	Baujahr: 2010[A] Fahrzeugfarbe: Replica Alitalia 2010 (t.B.897896)[r.ali]
6	AP8157098	Deko Competition Only	1	Baujahr: 2008[8] Land: Vereinigte Staaten von Amerika[USA] Technische Daten: Version Rennstrecke USA[rac]

Einheit	MOTOR
Code	29.22
Beschreibung	Vergaser I
Inspektion	1



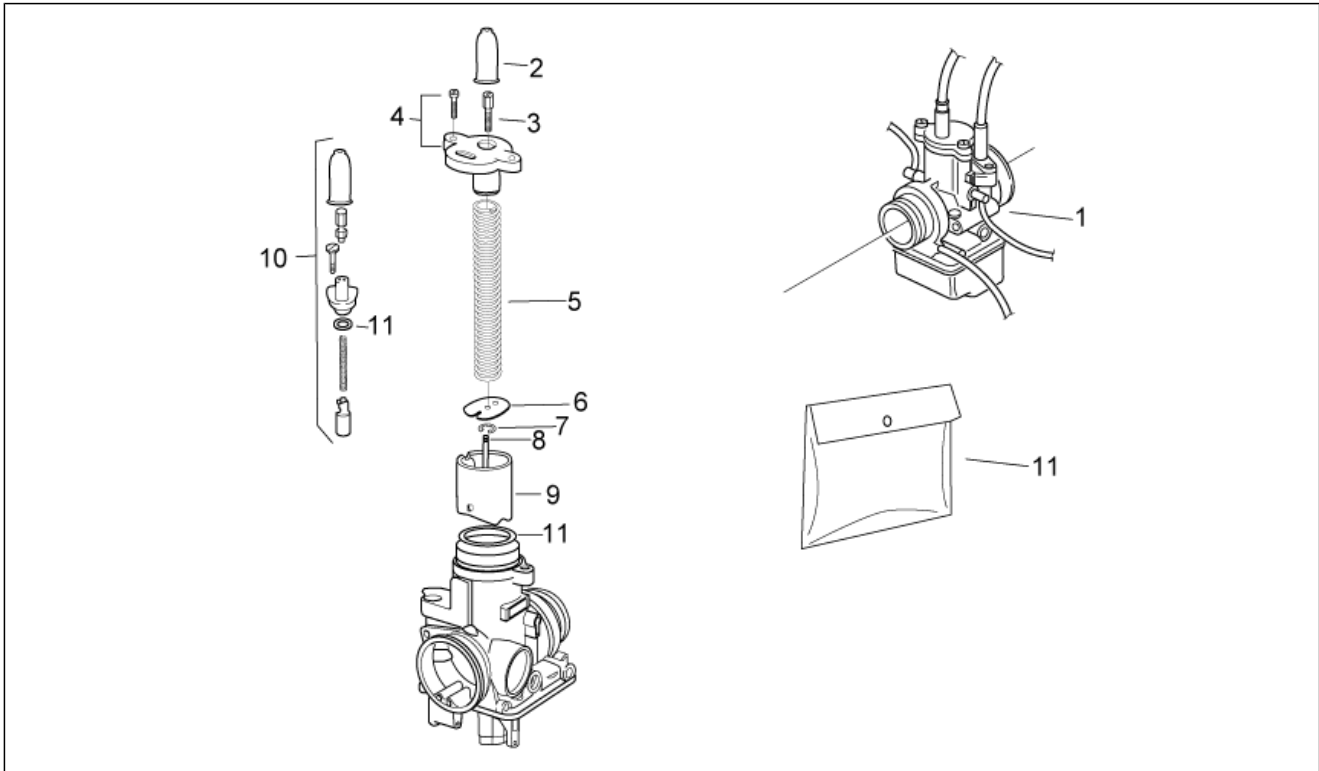
Pos.	Code	Beschreibung	Menge	Varianten
1	854532	Vergaser phbh 28-bd	1	Baujahr: 2006[6] Land: Australien[AA], CH-DE-DK-EL[EU] Technische Daten: Version Trofeo Gara[GP]
1	AP8176198	Vergaser phbh 28 bd	1	Baujahr: 2006[6] Land: Australien[AA], CH-DE-DK-EL[EU] Technische Daten: Version 11 kW[11kw]
1	AP8176207	Vergaser phbh 28 bd	1	Baujahr: 2009[9] Land: Australien[AA], Indonesien-Malaysia-Neuseeland-Singapur[AP] Technische Daten: Version mit voller Leistung[f.p.]
1	AP8176207	Vergaser phbh 28 bd	1	Baujahr: 2006[6] Land: Australien[AA], CH-DE-DK-EL[EU] Technische Daten: Version mit voller Leistung[f.p.]
2	813174	Kappe	1	Baujahr: 2009[9] Land: Australien[AA], Indonesien-Malaysia-Neuseeland-Singapur[AP]
2	813174	Kappe	1	Baujahr: 2006[6] Land: Australien[AA], CH-DE-DK-EL[EU]
3	AP8222631	Spannschraube Kabel	1	Baujahr: 2006[6] Land: Australien[AA], CH-DE-DK-EL[EU]
3	AP8222631	Spannschraube Kabel	1	Baujahr: 2009[9] Land: Australien[AA], Indonesien-Malaysia-Neuseeland-Singapur[AP]
4	AP8106783	Deckel Gemischkam.	1	Baujahr: 2009[9] Land: Australien[AA], Indonesien-Malaysia-Neuseeland-Singapur[AP]
4	AP8106783	Deckel Gemischkam.	1	Baujahr: 2006[6] Land: Australien[AA], CH-DE-DK-EL[EU]
5	AP8106785	Rückholfeder Gasven.	1	Baujahr: 2006[6] Land: Australien[AA], CH-DE-DK-EL[EU]
5	AP8106785	Rückholfeder Gasven.	1	Baujahr: 2009[9] Land: Australien[AA], Indonesien-Malaysia-Neuseeland-Singapur[AP]

Einheit	MOTOR
Code	29.22
Beschreibung	Vergaser I
Inspektion	1



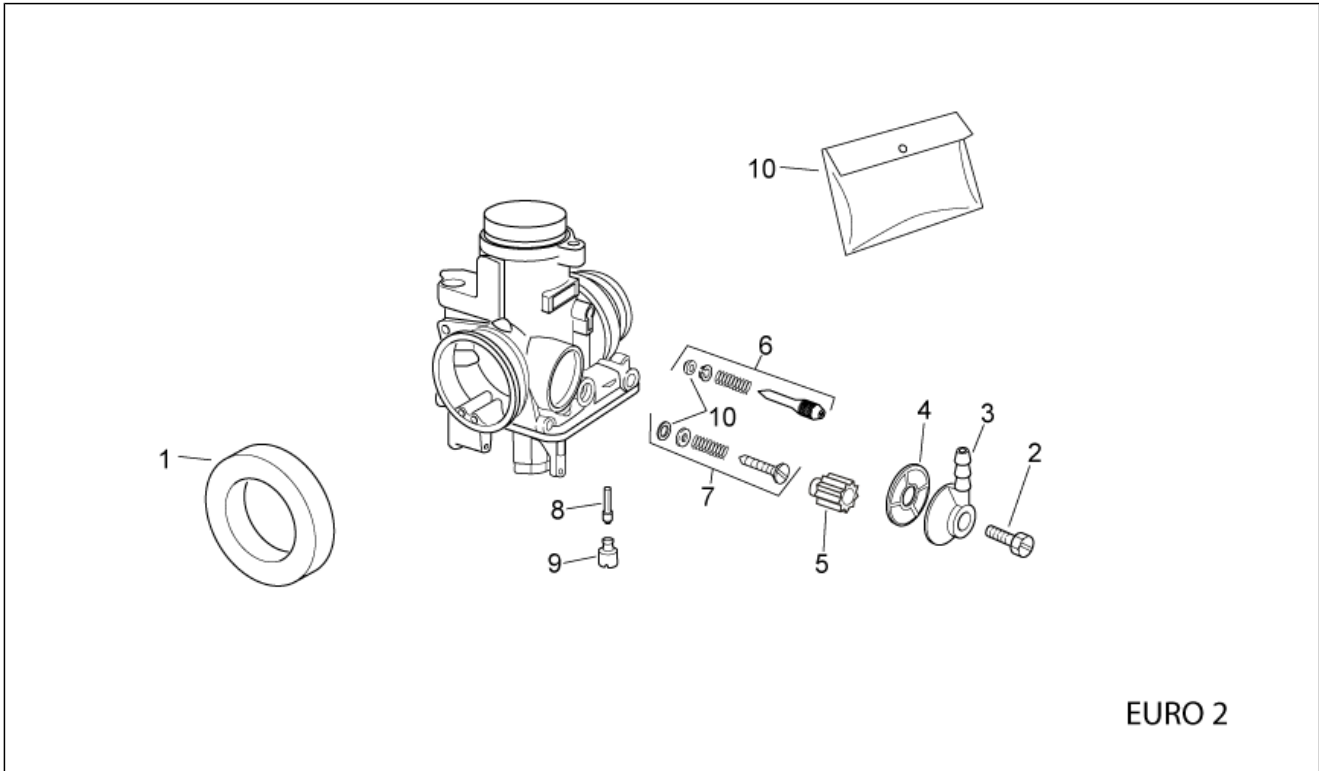
Pos.	Code	Beschreibung	Menge	Varianten
6	AP8106786	Platte Nadelfixierung	1	Baujahr: 2009[9] Land: Australien[AA], Indonesien-Malaysia-Neuseeland-Singapur[AP]
6	AP8106786	Platte Nadelfixierung	1	Baujahr: 2006[6] Land: Australien[AA], CH-DE-DK-EL[EU]
7	AP8222674	Sicherung Kegelnadel	1	Baujahr: 2009[9] Land: Australien[AA], Indonesien-Malaysia-Neuseeland-Singapur[AP]
7	AP8222674	Sicherung Kegelnadel	1	Baujahr: 2006[6] Land: Australien[AA], CH-DE-DK-EL[EU]
8	AP8106779	Vergasernadel X25/3a	1	Baujahr: 2006[6] Land: Australien[AA], CH-DE-DK-EL[EU]
8	AP8106779	Vergasernadel X25/3a	1	Baujahr: 2009[9] Land: Australien[AA], Indonesien-Malaysia-Neuseeland-Singapur[AP]
8	AP8176043	Vergasernadel X2/2"	1	Baujahr: 2009[9] Land: Australien[AA], Indonesien-Malaysia-Neuseeland-Singapur[AP]
8	AP8176043	Vergasernadel X2/2"	1	Baujahr: 2006[6] Land: Australien[AA], CH-DE-DK-EL[EU]
9	AP8106697	Gasventil 40	1	Baujahr: 2006[6] Land: Australien[AA], CH-DE-DK-EL[EU]
9	AP8106697	Gasventil 40	1	Baujahr: 2009[9] Land: Australien[AA], Indonesien-Malaysia-Neuseeland-Singapur[AP]
9	AP8106778	Gasventil 50	1	Baujahr: 2006[6] Land: Australien[AA], CH-DE-DK-EL[EU]
10	AP8106784	Startervorrichtung	1	Baujahr: 2006[6] Land: Australien[AA], CH-DE-DK-EL[EU]
10	AP8106784	Startervorrichtung	1	Baujahr: 2009[9] Land: Australien[AA], Indonesien-Malaysia-Neuseeland-Singapur[AP], CH-DE-DK-EL[EU], Griechenland[GR]
11	AP8106796	Dichtungsbeutel	1	Baujahr: 2009[9]

Einheit	MOTOR
Code	29.22
Beschreibung	Vergaser I
Inspektion	1



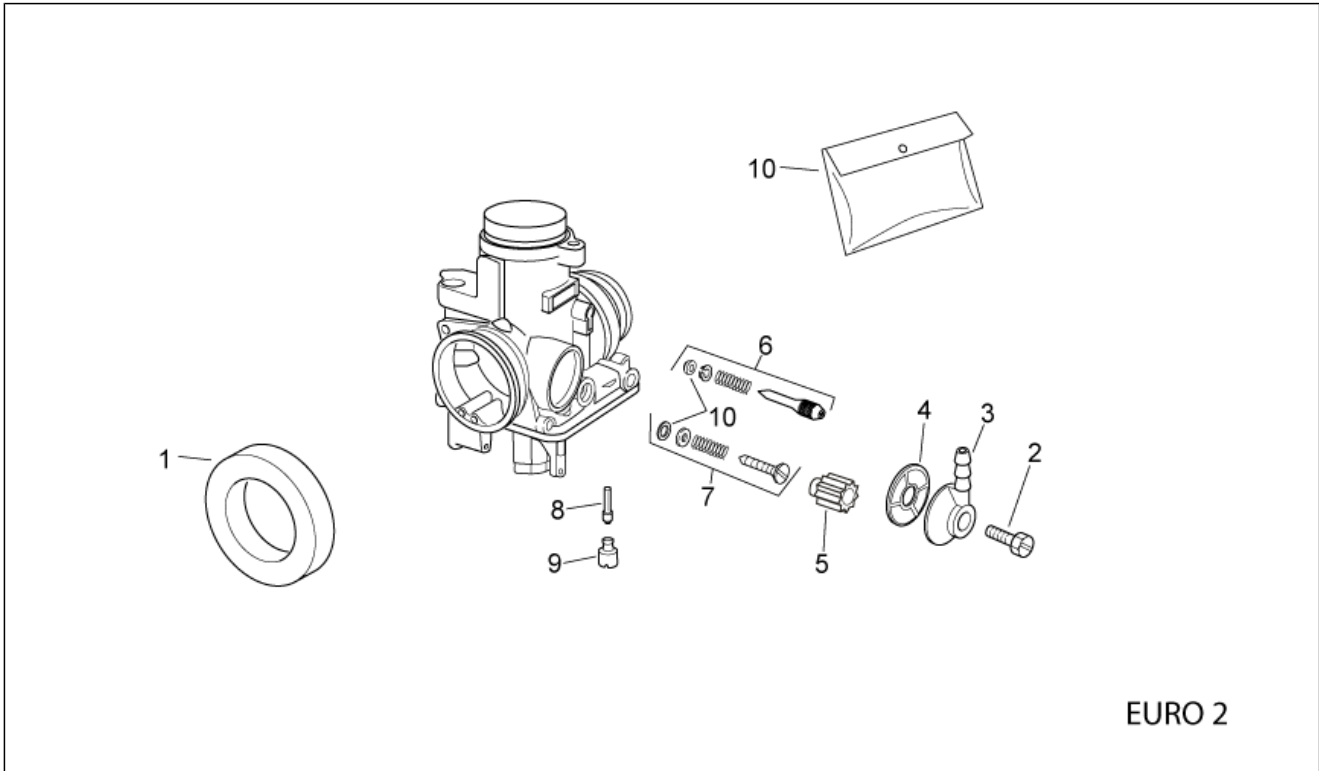
Pos.	Code	Beschreibung	Menge	Varianten
				Land:Australien[AA], Indonesien-Malaysia-Neuseeland-Singapur[AP]
11	AP8106796	Dichtungsbeutel	1	Baujahr:2006[6] Land:Australien[AA], CH-DE-DK-EL[EU]

Einheit	MOTOR
Code	29.23
Beschreibung	Vergaser II
Inspektion	1



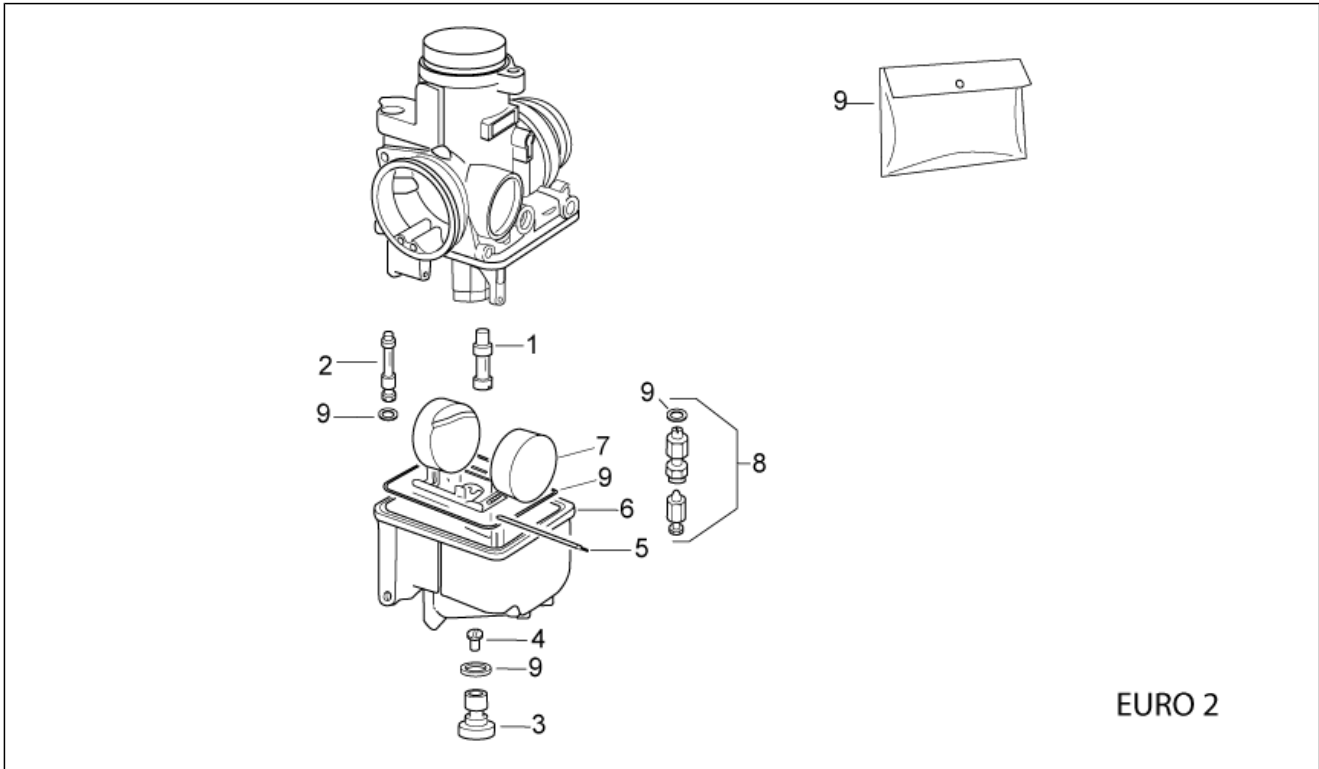
Pos.	Code	Beschreibung	Menge	Varianten
1	AP8106790	Anschluß Lufteinlaß	1	Baujahr: 2006[6] Land: Australien[AA], CH-DE-DK-EL[EU]
1	AP8106790	Anschluß Lufteinlaß	1	Baujahr: 2009[9] Land: Australien[AA], Indonesien-Malaysia-Neuseeland-Singapur[AP]
2	AP8106795	Fixierschraube Röhr.	1	Baujahr: 2006[6] Land: Australien[AA], CH-DE-DK-EL[EU]
2	AP8106795	Fixierschraube Röhr.	1	Baujahr: 2009[9] Land: Australien[AA], Indonesien-Malaysia-Neuseeland-Singapur[AP]
3	AP8106794	Verb.röhrch. Benz.schl.	1	Baujahr: 2009[9] Land: Australien[AA], Indonesien-Malaysia-Neuseeland-Singapur[AP]
3	AP8106794	Verb.röhrch. Benz.schl.	1	Baujahr: 2006[6] Land: Australien[AA], CH-DE-DK-EL[EU]
4	099315	Kraftstofffilter	1	Baujahr: 2006[6] Land: Australien[AA], CH-DE-DK-EL[EU]
4	099315	Kraftstofffilter	1	Baujahr: 2009[9] Land: Australien[AA], Indonesien-Malaysia-Neuseeland-Singapur[AP]
5	288878	Griff	1	Baujahr: 2006[6] Land: Australien[AA], CH-DE-DK-EL[EU]
5	288878	Griff	1	Baujahr: 2009[9] Land: Australien[AA], Indonesien-Malaysia-Neuseeland-Singapur[AP]
6	AP8106787	Einst.schr. L.laufgemisch Kit	1	Baujahr: 2009[9] Land: Australien[AA], Indonesien-Malaysia-Neuseeland-Singapur[AP]
6	AP8106787	Einst.schr. L.laufgemisch Kit	1	Baujahr: 2006[6] Land: Australien[AA], CH-DE-DK-EL[EU]
7	AP8106788	Einstellschr. Gasventil	1	Baujahr: 2009[9] Land: Australien[AA], Indonesien-Malaysia-Neuseeland-Singapur[AP]

Einheit	MOTOR
Code	29.23
Beschreibung	Vergaser II
Inspektion	1



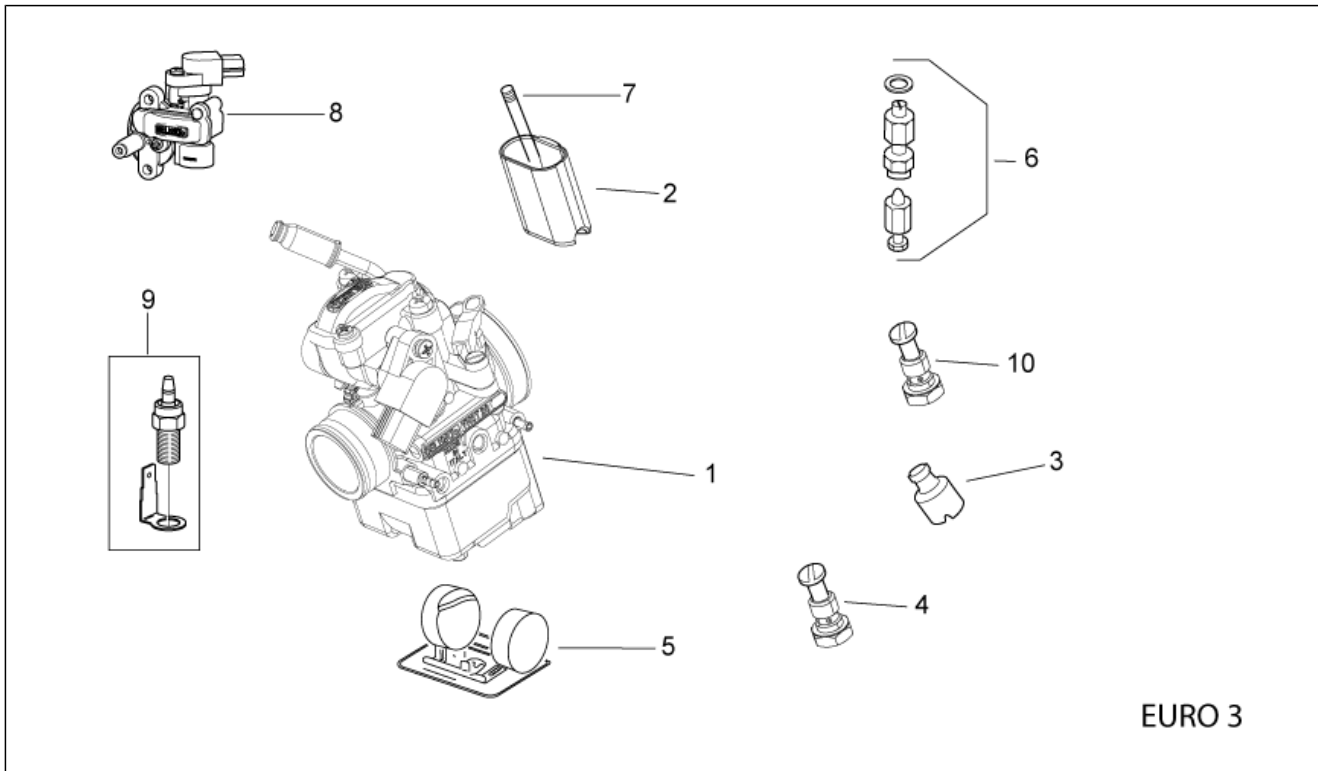
Pos.	Code	Beschreibung	Menge	Varianten
7	AP8106788	Einstellschr. Gasventil	1	Baujahr: 2006[6] Land: Australien[AA], CH-DE-DK-EL[EU]
8	AP8106723	Min.Mischrohr Düse 62	1	Baujahr: 2006[6] Land: Australien[AA], CH-DE-DK-EL[EU]
8	AP8106723	Min.Mischrohr Düse 62	1	Baujahr: 2009[9] Land: Australien[AA], Indonesien-Malaysia-Neuseeland-Singapur[AP]
9	AP8106722	Leerlaufstrahl 62	1	Baujahr: 2009[9] Land: Australien[AA], Indonesien-Malaysia-Neuseeland-Singapur[AP]
9	AP8106722	Leerlaufstrahl 62	1	Baujahr: 2006[6] Land: Australien[AA], CH-DE-DK-EL[EU]
9	AP8106729	Leerlaufstrahl 65	1	Baujahr: 2006[6] Land: Australien[AA], CH-DE-DK-EL[EU]
9	AP8106729	Leerlaufstrahl 65	1	Baujahr: 2009[9] Land: Australien[AA], Indonesien-Malaysia-Neuseeland-Singapur[AP]
10	AP8106796	Dichtungsbeutel	1	Baujahr: 2009[9] Land: Australien[AA], Indonesien-Malaysia-Neuseeland-Singapur[AP]
10	AP8106796	Dichtungsbeutel	1	Baujahr: 2006[6] Land: Australien[AA], CH-DE-DK-EL[EU]

Einheit	MOTOR
Code	29.24
Beschreibung	Vergaser III
Inspektion	1



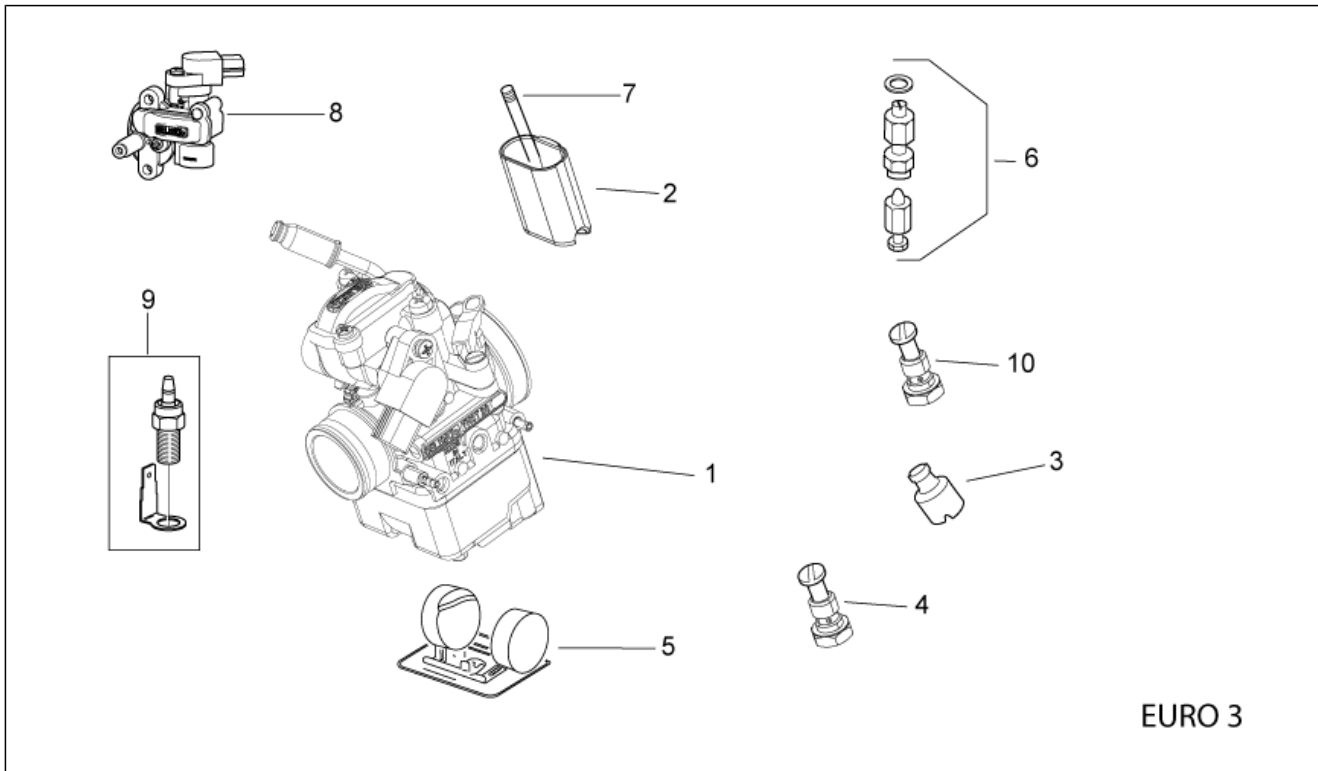
Pos.	Code	Beschreibung	Menge	Varianten
1	AP8106696	Nadelventil BN 264	1	Baujahr: 2006[6] Land: Australien[AA], CH-DE-DK-EL[EU]
1	AP8106724	Nadelventil BN 266	1	Baujahr: 2006[6] Land: Australien[AA], CH-DE-DK-EL[EU]
2	AP8106780	Startdüse 70	1	Baujahr: 2006[6] Land: Australien[AA], CH-DE-DK-EL[EU]
3	AP8106793	Wanne Fixierschluß	1	Baujahr: 2006[6] Land: Australien[AA], CH-DE-DK-EL[EU]
4	AP8106728	Maximaldüse 115	1	Baujahr: 2006[6] Land: Australien[AA], CH-DE-DK-EL[EU]
4	AP8176132	Maximaldüse 128	1	Baujahr: 2006[6] Land: Australien[AA], CH-DE-DK-EL[EU]
5	AP8106792	Schwimmerstift	1	Baujahr: 2006[6] Land: Australien[AA], CH-DE-DK-EL[EU]
6	AP8106791	Schwimmergehäuse	1	Baujahr: 2006[6] Land: Australien[AA], CH-DE-DK-EL[EU]
7	AP8106782	Schwimmer	1	Baujahr: 2006[6] Land: Australien[AA], CH-DE-DK-EL[EU]
8	318604	Nadelventil 250	1	Baujahr: 2006[6] Land: Australien[AA], CH-DE-DK-EL[EU]
9	AP8106796	Dichtungsbeutel	1	Baujahr: 2006[6] Land: Australien[AA], CH-DE-DK-EL[EU]

Einheit	MOTOR
Code	29.25
Beschreibung	Vergaser IIII
Inspektion	1



Pos.	Code	Beschreibung	Menge	Varianten
1	852144	Vergaser vfst 28 cd	1	Baujahr: 2007[7] Land: Australien[AA], CH-DE-DK-EL[EU] Technische Daten: Version 11 kW[11kw]
1	858204	Vergaser vfst 28 cd	1	Baujahr: 2008[8] Land: Australien[AA], CH-DE-DK-EL[EU] Technische Daten: Version mit voller Leistung[f.p.]
1	890792	Vergaser vfst 28 cd	1	Baujahr: 2008[8] Land: Vereinigte Staaten von Amerika[USA] Technische Daten: Version Rennstrecke USA[rac]
1	895897	Vergaser phbh 28 bd	1	Baujahr: 2010[A] Land: Australien[AA], CH-DE-DK-EL[EU] Technische Daten: Version 11 kW[11kw]
2	854540	Gasventil 45	1	
3	854541	Leerlaufstrahl 36	1	Baujahr: 2010[A] Land: Australien[AA], CH-DE-DK-EL[EU] Technische Daten: Version 11 kW[11kw]
3	854541	Leerlaufstrahl 36	1	Baujahr: 2007[7], 2008[8] Land: Australien[AA], CH-DE-DK-EL[EU] Technische Daten: Version 11 kW[11kw], Version mit voller Leistung[f.p.]
3	856103	Leerlaufstrahl 45	1	Baujahr: 2008[8] Land: Vereinigte Staaten von Amerika[USA] Technische Daten: Version Rennstrecke USA[rac]
4	860741	Maximaldüse 170	1	Baujahr: 2008[8] Land: Australien[AA], CH-DE-DK-EL[EU] Technische Daten: Version mit voller Leistung[f.p.]
4	893081	Maximaldüse 175	1	Baujahr: 2008[8] Land: Vereinigte Staaten von Amerika[USA] Technische Daten: Version Rennstrecke USA[rac]
4	AP8176042	Maximaldüse 132	1	Baujahr: 2007[7], 2008[8] Land: Australien[AA], CH-DE-DK-EL[EU] Technische Daten: Version 11 kW[11kw]
4	AP8176132	Maximaldüse 128	1	Baujahr: 2010[A] Land: Australien[AA], CH-DE-DK-EL[EU]

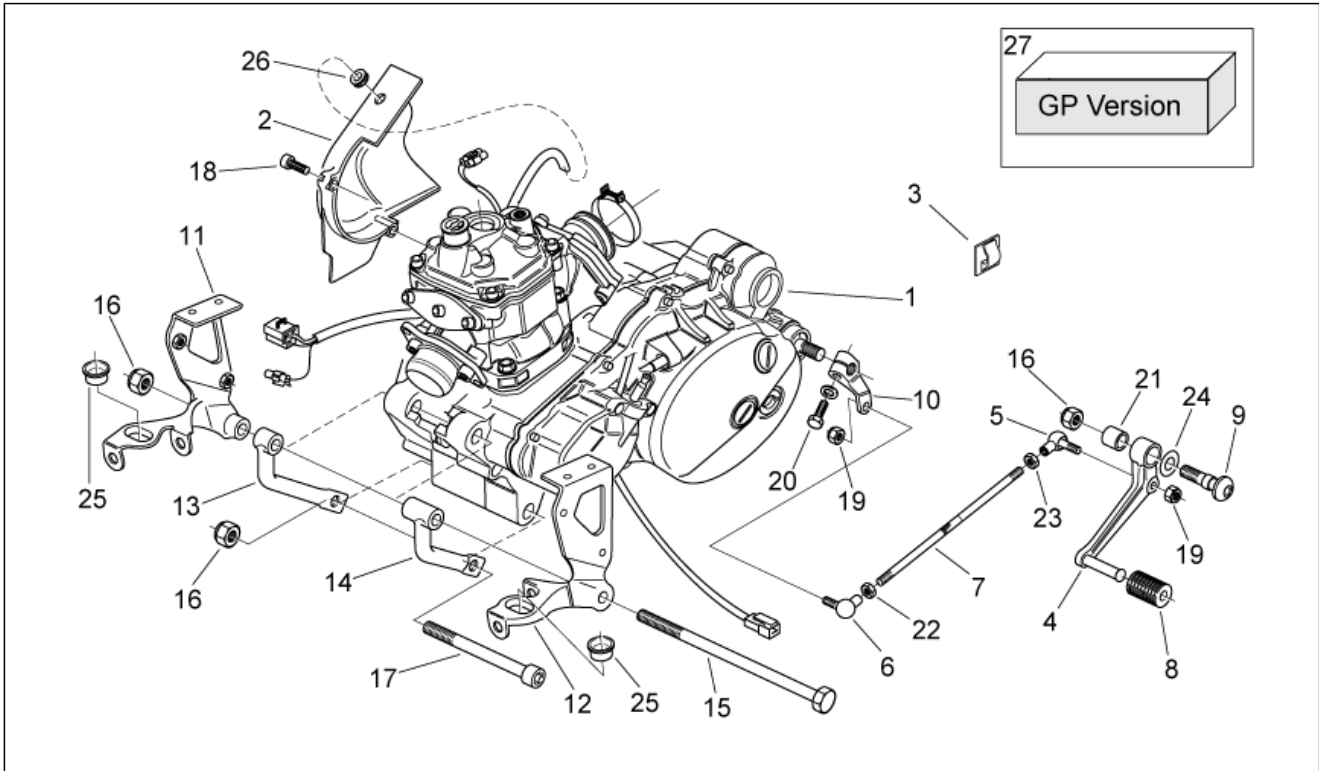
Einheit	MOTOR
Code	29.25
Beschreibung	Vergaser IIII
Inspektion	1



EURO 3

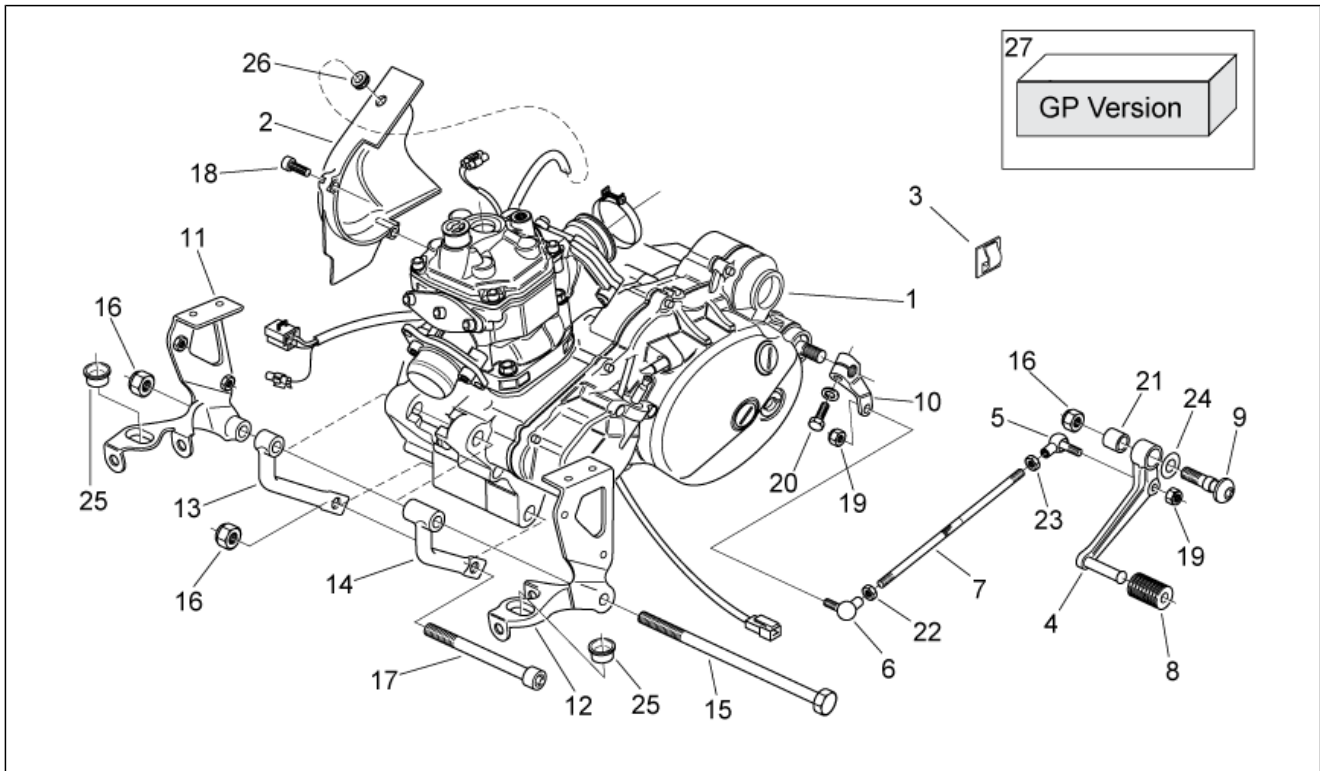
Pos.	Code	Beschreibung	Menge	Varianten
				Technische Daten: Version 11 kW[11kw]
5	854543	Schwimmer gr.6,5	1	Baujahr: 2007[7], 2008[8] Land: Australien[AA], CH-DE-DK-EL[EU] Technische Daten: Version 11 kW[11kw], Version mit voller Leistung[f.p.]
5	854543	Schwimmer gr.6,5	1	Baujahr: 2010[A] Land: Australien[AA], CH-DE-DK-EL[EU] Technische Daten: Version 11 kW[11kw]
5	854543	Schwimmer gr.6,5	1	Baujahr: 2008[8] Land: Vereinigte Staaten von Amerika[USA] Technische Daten: Version Rennstrecke USA[rac]
6	854544	Nadelventil 300	1	Baujahr: 2007[7], 2008[8] Land: Australien[AA], CH-DE-DK-EL[EU] Technische Daten: Version 11 kW[11kw], Version mit voller Leistung[f.p.]
6	854544	Nadelventil 300	1	Baujahr: 2010[A] Land: Australien[AA], CH-DE-DK-EL[EU] Technische Daten: Version 11 kW[11kw]
6	854544	Nadelventil 300	1	Baujahr: 2008[8] Land: Vereinigte Staaten von Amerika[USA] Technische Daten: Version Rennstrecke USA[rac]
7	854549	Vergasernadel D49/4a	1	Baujahr: 2007[7], 2008[8] Land: Australien[AA], CH-DE-DK-EL[EU] Technische Daten: Version 11 kW[11kw]
7	856102	Vergasernadel D53/2a	1	Baujahr: 2008[8] Technische Daten: Version mit voller Leistung[f.p.], Version Rennstrecke USA[rac]
7	890288	Vergasernadel D53/4a	1	Baujahr: 2010[A] Land: Australien[AA], CH-DE-DK-EL[EU] Technische Daten: Version 11 kW[11kw]
8	890510	kurbelwelle gasventil	1	
9	893766	Heizapparat	1	
10	893925	Startdüse D90	1	

Einheit	MOTOR
Code	29.26
Beschreibung	Motor
Inspektion	1



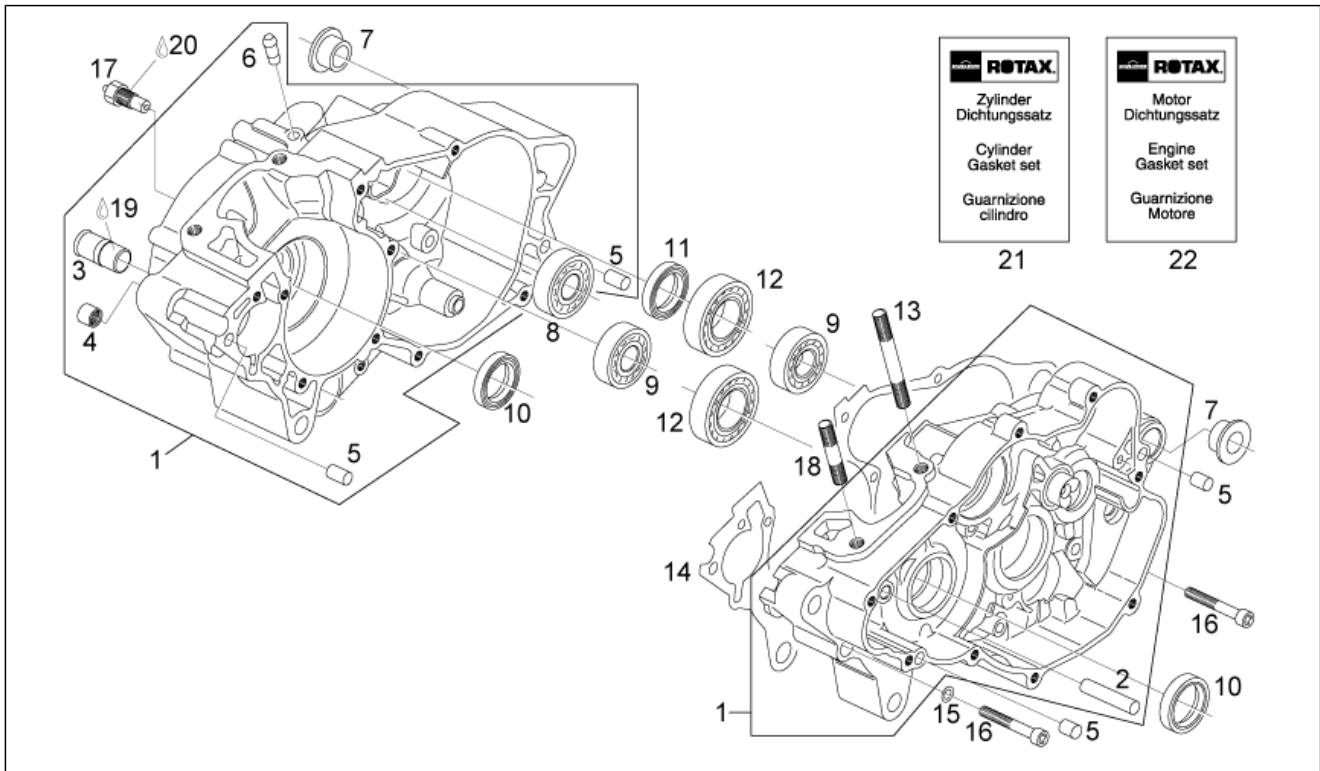
Pos.	Code	Beschreibung	Menge	Varianten
1	852154	Motor 122 11KW	1	Baujahr: 2007[7] Land: Australien[AA], CH-DE-DK-EL[EU] Technische Daten: Version 11 kW[11kw], Euro 3[E3]
1	852154	Motor 122 11KW	1	Baujahr: 2010[A] Land: Australien[AA], CH-DE-DK-EL[EU] Technische Daten: Version 11 kW[11kw], Euro 3[E3]
1	858206	Motor 122 Euro3 FP	1	Baujahr: 2008[8] Technische Daten: Euro 3[E3], Version mit voller Leistung[f.p.], Version Rennstrecke USA[rac]
1	AP8106950	Motor 122	1	Baujahr: 2009[9] Land: Australien[AA], Indonesien-Malaysia-Neuseeland-Singapur[AP] Technische Daten: Euro 2[E2], Version mit voller Leistung[f.p.], Version Trofeo Gara[GP]
1	AP8106950	Motor 122	1	Baujahr: 2006[6] Land: Australien[AA], CH-DE-DK-EL[EU] Technische Daten: Euro 2[E2], Version mit voller Leistung[f.p.], Version Trofeo Gara[GP]
1	AP8176045	Motor 122 11KW	1	Baujahr: 2006[6] Land: Australien[AA], CH-DE-DK-EL[EU] Technische Daten: Version 11 kW[11kw], Euro 2[E2]
2	AP8107171	Ritzelkasten, grau	1	
3	AP8120708	Kabelführungs	2	
4	AP8106013	Schalthebel	1	Baujahr: 2006[6], 2010[A] Land: Australien[AA], CH-DE-DK-EL[EU] Technische Daten: Version 11 kW[11kw], Version mit voller Leistung[f.p.]
4	AP8106013	Schalthebel	1	Baujahr: 2009[9] Land: Australien[AA], Indonesien-Malaysia-Neuseeland-Singapur[AP] Technische Daten: Version mit voller Leistung[f.p.]
4	AP8106013	Schalthebel	1	Baujahr: 2007[7], 2008[8] Land: Vereinigte Staaten von Amerika[USA] Technische Daten: Version Rennstrecke USA[rac]

Einheit	MOTOR
Code	29.26
Beschreibung	Motor
Inspektion	1



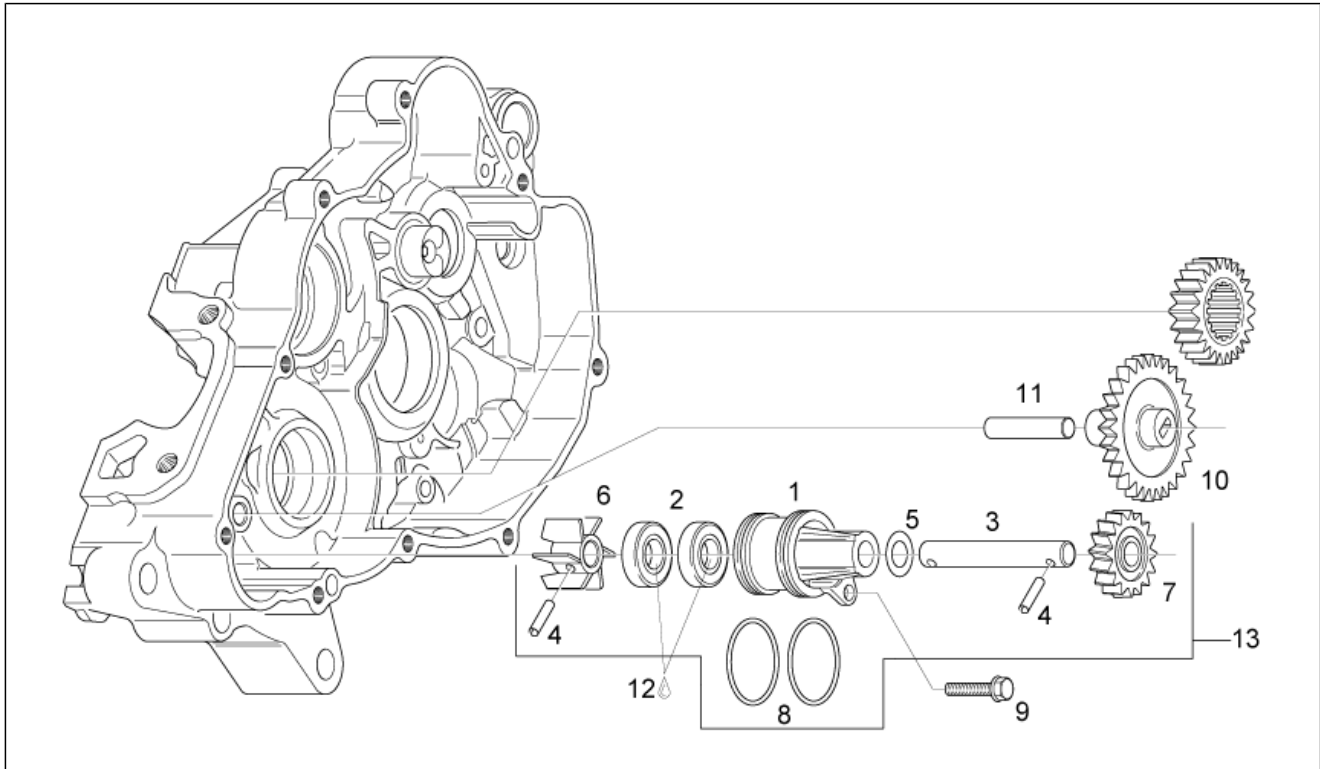
Pos.	Code	Beschreibung	Menge	Varianten
4	AP8232838	Schalthebel	1	Baujahr:2006[6] Land:Australien[AA], CH-DE-DK-EL[EU] Technische Daten:Version Trofeo Gara[GP]
5	AP8210007	Kugelgelenk rechts M6	1	
6	AP8110053	Kugelgelenk links M6	1	
7	AP8121163	Umlenkstange Schaltgetriebe	1	
8	AP8120912	Gummi für Hebel	1	
9	AP8121284	Bremshebelbolzen	1	
10	AP8135726	Umlenkpl.Schaltgetr.	1	
11	AP8135719	Vord. Motorplatte r.	1	
12	AP8135720	Vord. Motorplatte l.	1	
13	AP8135786	Motorhtr. rechts	1	
14	AP8135787	L. Motorhalter	1	
15	AP8150412	Sechskantschraube	1	
16	AP8150436	Selbstsperr.mut Unt.	3	
17	AP8150310	TCEI Schraube M10x120	1	
18	AP8150044	TCEI Schraube M6x20	2	
19	AP8150430	Selbstsperr.mut Unt.	2	
20	AP8152279	TE Schr. m. Flansch M6x20	1	
21	AP8121147	Distanzscheibe *	1	
22	AP8152138	Mutter	1	
23	AP8150026	Mutter M6	1	
24	AP8121697	Tellerfeder	1	
25	AP8120275	Silent-Block *	2	
26	AP8120405	Gummi	1	
27	854531	Fussrasten l.	1	

Einheit	MOTOR
Code	29.40
Beschreibung	Kurbelwellengehäuse
Inspektion	1



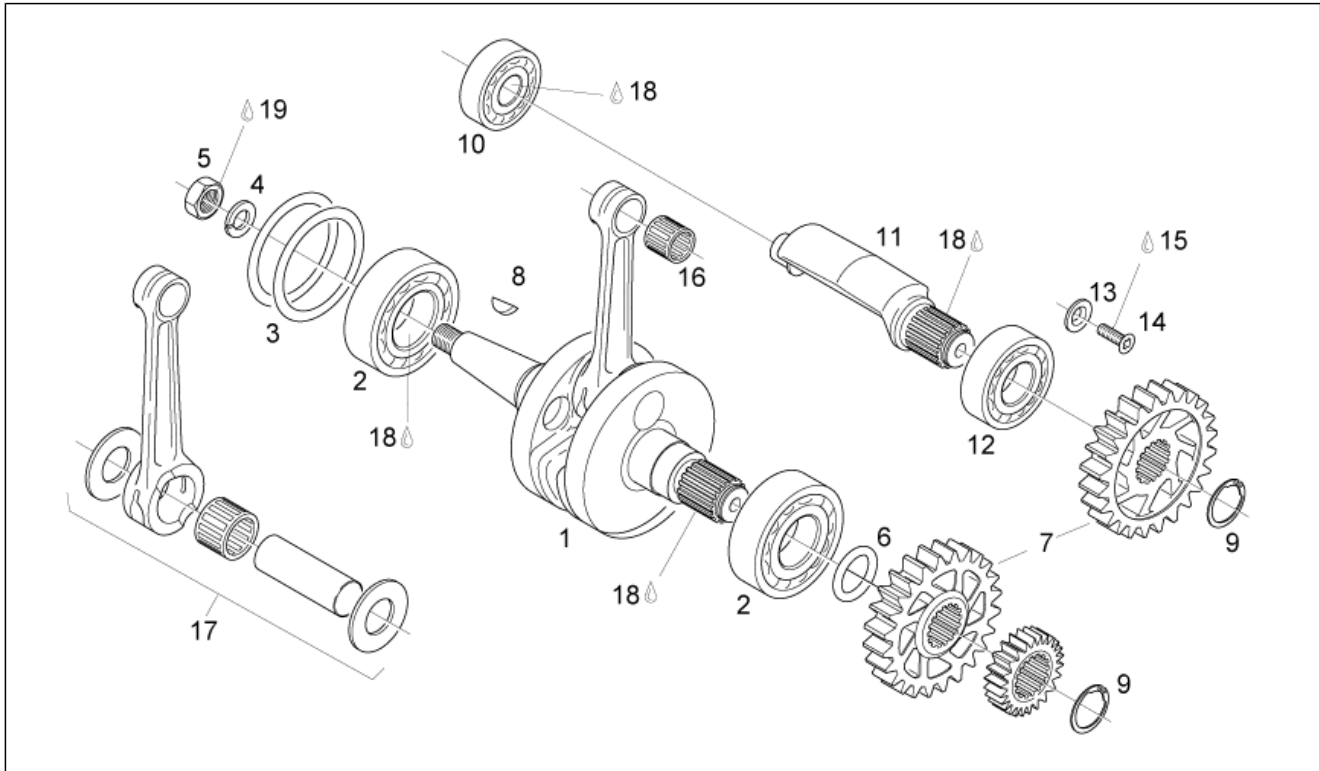
Pos.	Code	Beschreibung	Menge	Varianten
1	AP0296199	Gehäuse-kpl.	1	
2	AP0229380	Stift 6x40	1	
3	AP0224260	Leitung	1	
4	AP0232275	Nadelkaefig 8x12x8	1	
5	AP0632010	Stift M8x12	4	
6	AP0924150	Messinganschluß	1	
7	AP0247555	Buchse	2	
8	AP0232291	Lager 6302	1	
9	AP0932032	Lager 6203	2	
10	AP0230425	Ölabstreifring 28x38x7	2	
11	AP0930675	Ölabstreifring 25x38x7	1	
12	AP0232765	Lager 6205	2	
13	AP0940786	Stiftschraube M8x57/20	2	
14	AP0650131	Dichtung 6x10	1	
15	AP0950141	Gasket ring 8x13	1	
16	AP0241821	TCEI Schraube M6x45	10	
17	AP0640190	Sensor	1	
18	AP0241381	Stiftschraube M8x28x20	2	
19	AP0899788	Loctite, grün 648 5gr.	1	
20	AP0297386	Silastic 732 Rtv 100 gr.	1	
21	AP0293318	Zylinderdichtung-Satz	1	
22	AP0293314	Satz motor dichtung	1	

Einheit	MOTOR
Code	29.41
Beschreibung	Wasserpumpenritzel kplt.
Inspektion	1



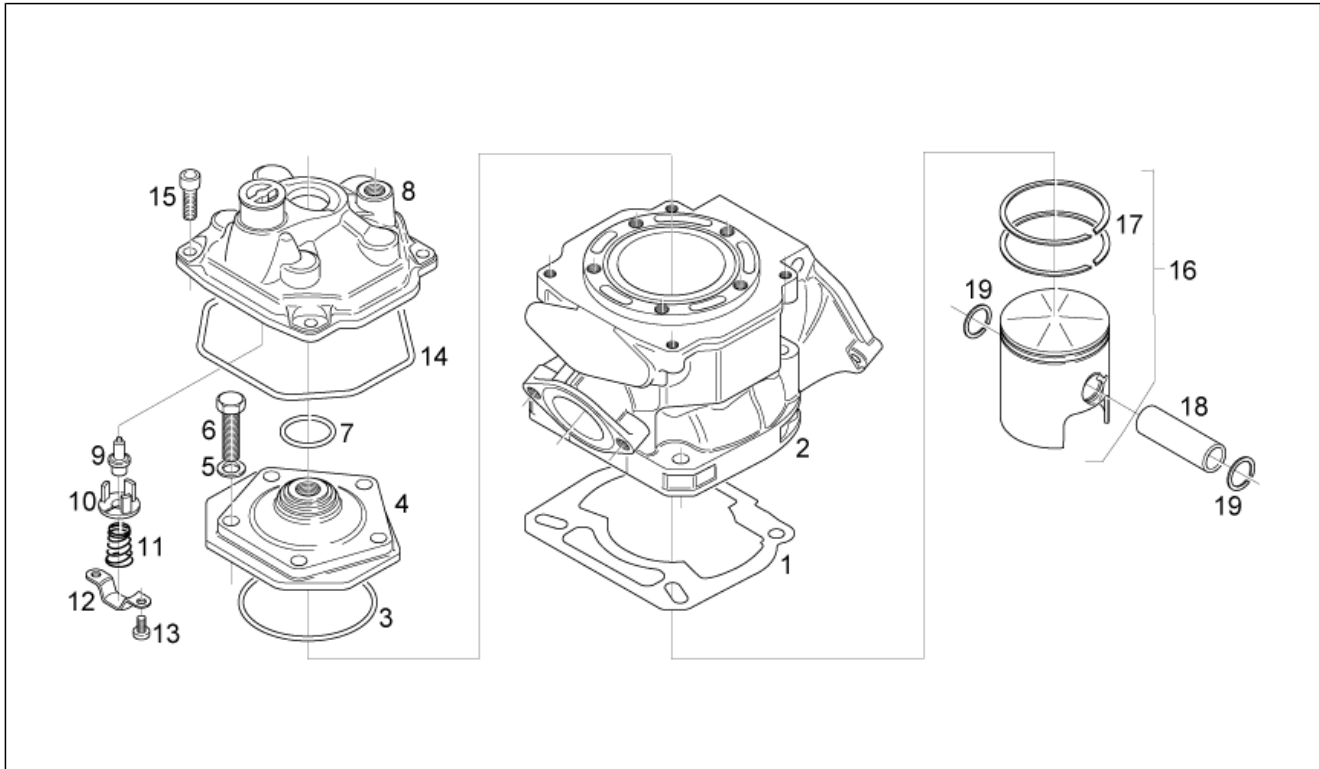
Pos.	Code	Beschreibung	Menge	Varianten
1	AP0222182	Wasserpumpenkörper	1	
2	AP0230195	Ölabstreifring 10x26x7	2	
3	AP0237912	Welle Wasserpumpe	1	
4	AP0229280	Stift 4x16	2	
5	AP0827590	Paßscheibe 10,1/17/1	1	
6	AP0222195	Läufer	1	
7	AP0234415	Wasserpumpenritzel Z=16	1	
8	AP0430060	O-Ring 26,7x1,8	2	
9	AP0241270	TE Schr. m. Flansch	1	
10	AP0634035	Freilaufgrad Z=28/13	1	
11	AP0229380	Stift 6x40	1	
12	AP0897161	Molykote 111 100gr.	1	
13	AP0293417	Wasserpumpe komplett	1	

Einheit	MOTOR
Code	29.42
Beschreibung	Kurbelwelle - Ausgl.rad
Inspektion	1



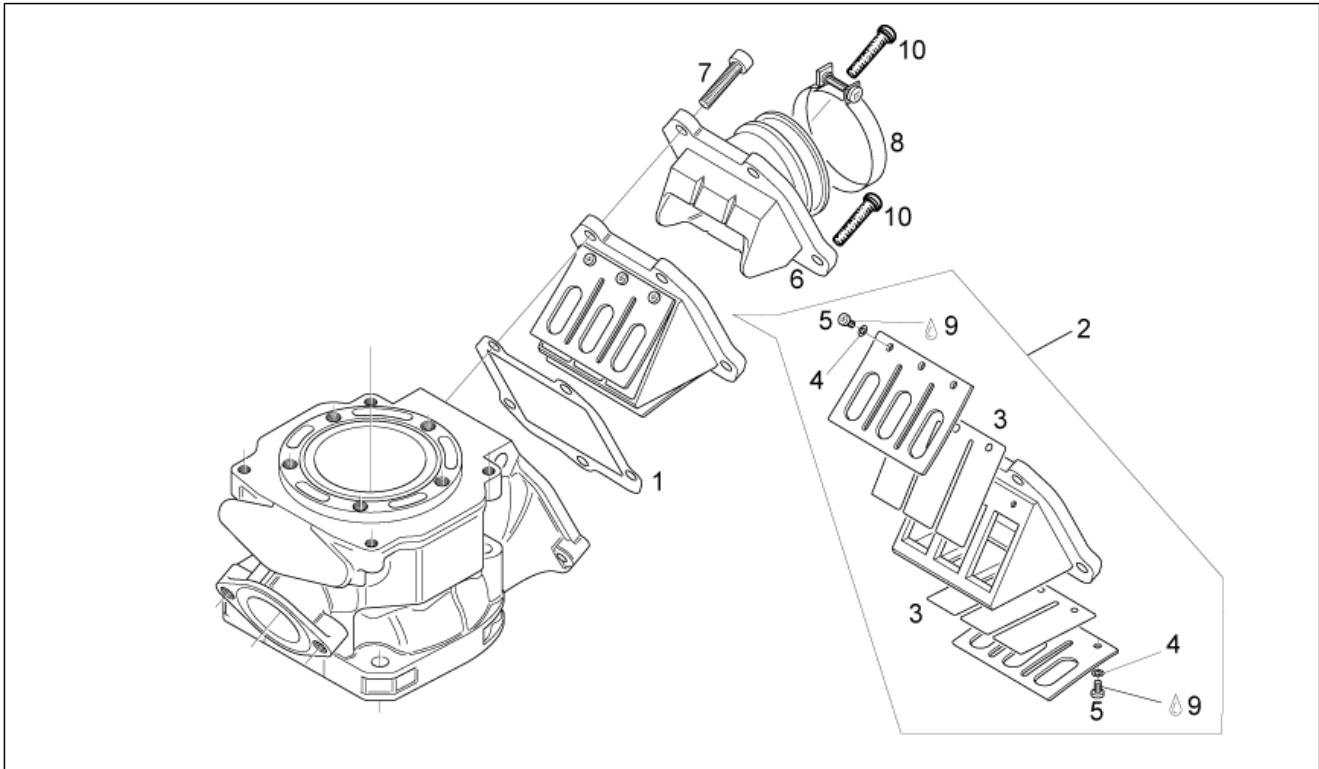
Pos.	Code	Beschreibung	Menge	Varianten
1	AP0295375	Kurbelwelle kpl. 54,5 mm	1	
2	AP0832533	Lager 6206	2	
3	AP0427590	Distanzscheibe D50x62x0,1	1	
3	AP0427591	Distanzscheibe D50x62x0,3	1	
4	AP0945754	Federring Din A12	1	
5	AP0242515	Mutter M12x1	1	
6	AP0430460	O-Ring 18x3,5	1	
7	AP0234431	Ausgleichsrad Z=27	2	
8	AP0246570	Keil 4x5	2	
9	AP0245650	Seegerring AV 20	2	
10	AP0232291	Lager 6302	1	
11	AP0237948	Gegenwelle	1	
12	AP0232341	Kugellager 6005	1	
13	AP0227280	Paßscheibe	1	
14	AP0940315	Schraube	1	
15	AP0899785	Loctite, violett 221 10cc.	1	
16	AP0932028	Nadelkaefig 15x19x20	1	
17	AP0295379	Baugruppe Pleuelstange kplt.	1	
18	AP0297434	Loctite Anti Seize 50ml.15378	1	
19	AP0899788	Loctite, grün 648 5gr.	1	

Einheit	MOTOR
Code	29.43
Beschreibung	Zylind. - Kopf - Kolb.
Inspektion	1



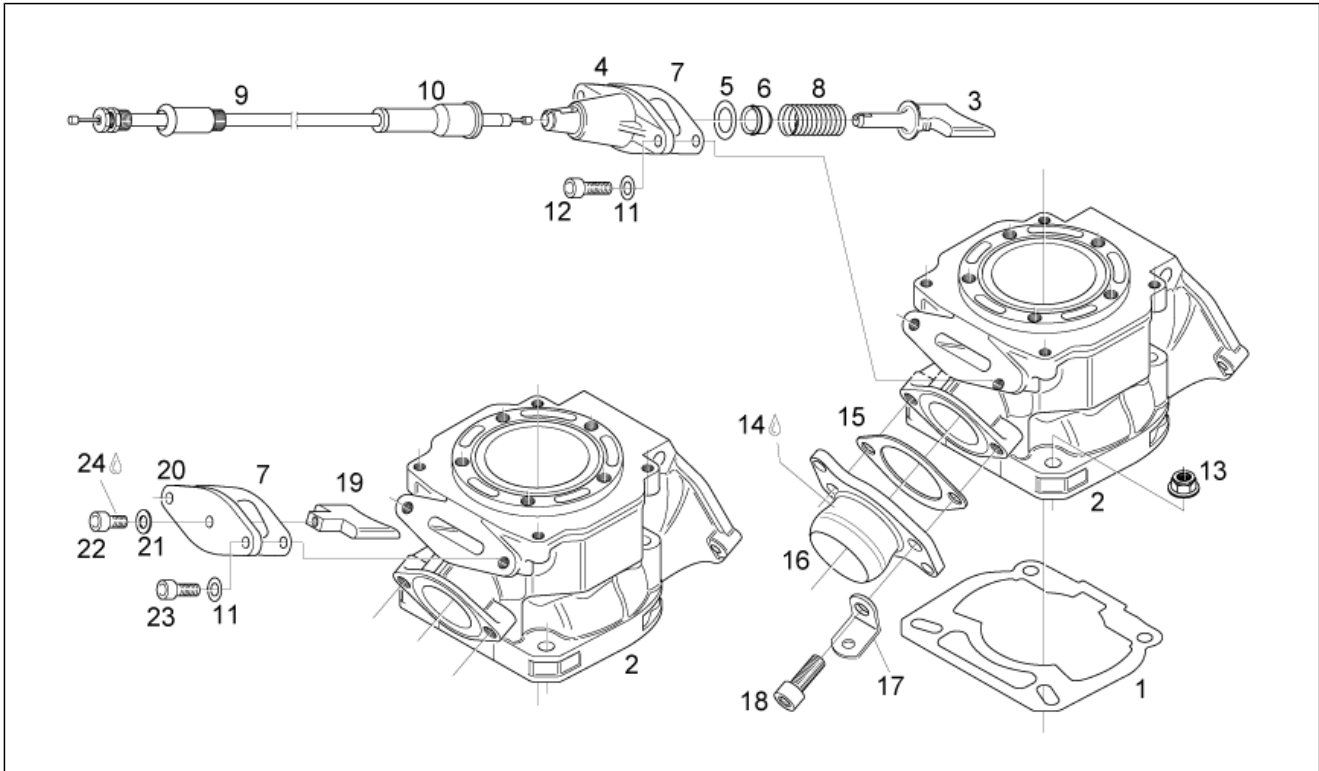
Pos.	Code	Beschreibung	Menge	Varianten
1	AP0650095	Dichtung 0,3	1	
1	AP0650096	Dichtung 0,5	1	
1	AP0650097	Dichtung 0,8	1	
2	AP0223614	Zylinder 9 Löcher	1	
3	AP0250160	O-Ring 64x2	1	
4	AP0223385	Brennraumeinsatz	1	
5	AP0945752	Federring Din A8	5	
6	AP0940487	Zyl.schraube M8x30	5	
7	AP0430782	O-Ring 23,3x2,4	1	
8	AP0613101	Zylinderkopfdeckel	1	
9	AP0222122	Thermostat 70°	1	
10	AP0222175	Thermostathalter	1	
11	AP0239950	Feder	1	
12	AP0222202	Thermostatbuegel	1	
13	AP0240195	TCB-Spezialschraube M4x8	2	
14	AP0250280	O-Ring 105x2,5	1	
15	AP0241930	TCEI Schraube M6x20	4	
16	AP0294744	Kolben kpl. 53,98 mm	1	
16	AP0294745	Kolben kpl. 53,99 mm	1	
16	AP0294753	Kolben kpl. 54,00 mm	1	
16	AP0294754	Kolben kpl. 54,01 mm	1	
17	AP0215672	Kolbenring d54	2	
18	AP0216139	Bolzen	1	
19	AP0945635	Stiftsperring D15	2	

Einheit	MOTOR
Code	29.44
Beschreibung	Vergaserstutzen
Inspektion	1



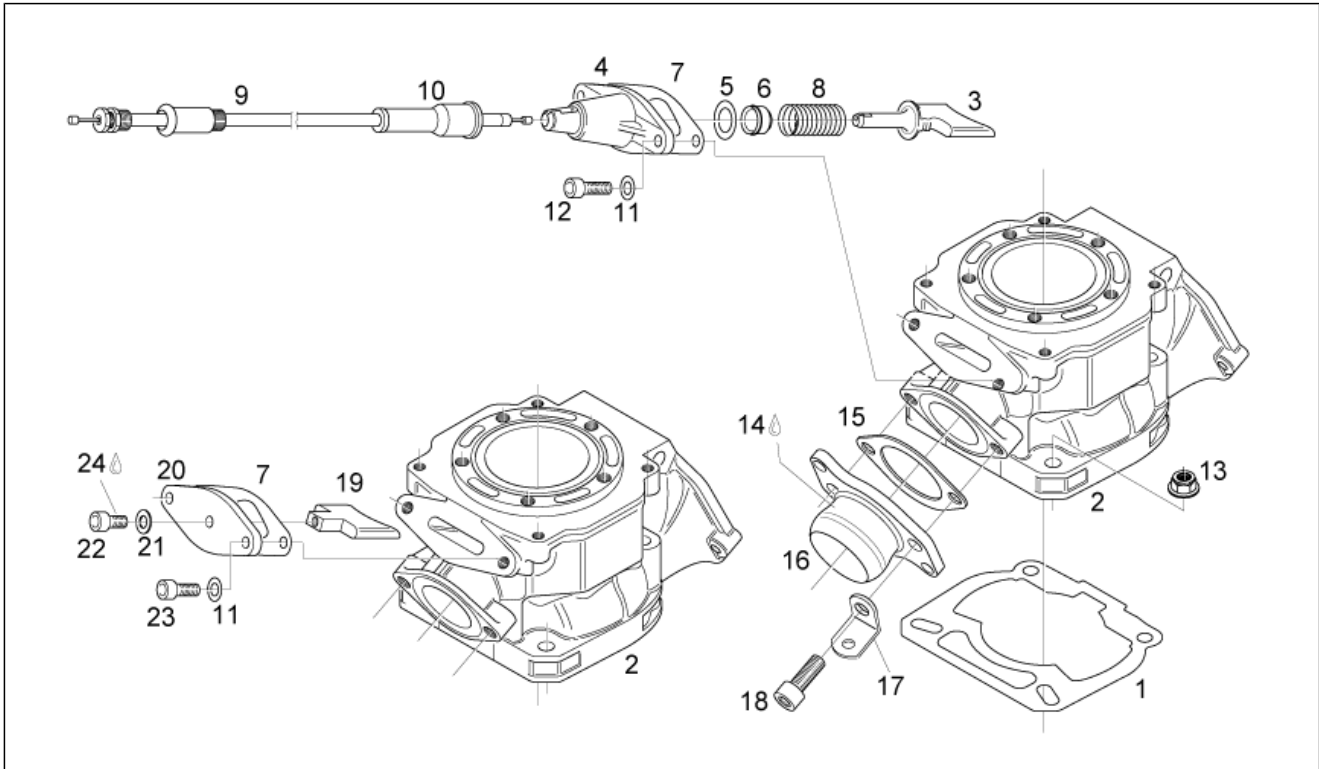
Pos.	Code	Beschreibung	Menge	Varianten
1	AP0250521	Dichtung	1	
2	AP0224389	Ventilträger kpl.	1	
3	AP0224430	Lamellenventil	2	
4	AP0945758	Federring Din A4	6	
5	AP0240351	Zyl.schraube M3x6	6	
6	AP0267918	Vergaserstutzen 28 MM	1	
7	AP0840861	TCEI Schraube M6x25	5	
8	AP0251850	Schelle 51	1	
9	AP0899788	Loctite, grün 648 5gr.	1	
10	AP0440113	Schraube M6x25	2	

Einheit	MOTOR
Code	29.45
Beschreibung	Zylinder -Entl.vent.
Inspektion	1



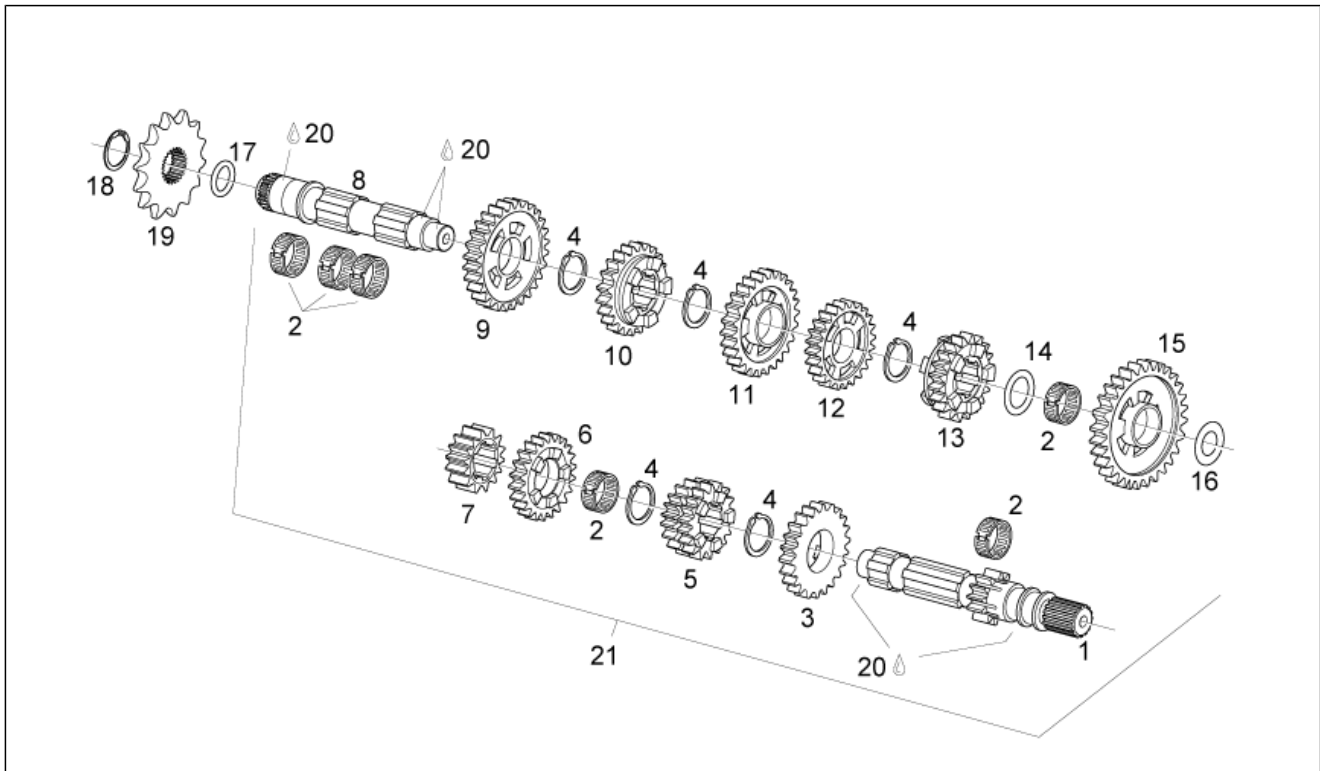
Pos.	Code	Beschreibung	Menge	Varianten
1	AP0650095	Dichtung 0,3	1	
1	AP0650096	Dichtung 0,5	1	
1	AP0650097	Dichtung 0,8	1	
2	AP0223614	Zylinder 9 Löcher	1	
3	AP0253722	Auslassschieber	1	Technische Daten: Version mit voller Leistung[f.p.], Version Rennstrecke USA[rac]
4	AP0253465	Schieberstangen	1	Technische Daten: Version mit voller Leistung[f.p.], Version Rennstrecke USA[rac]
5	AP0230880	O-Ring 13,3x2,4	1	Technische Daten: Version mit voller Leistung[f.p.], Version Rennstrecke USA[rac]
6	AP0230810	Ölabstreifring Ventilführung	1	Technische Daten: Version mit voller Leistung[f.p.], Version Rennstrecke USA[rac]
7	AP0250975	Dichtung 0,8	1	
8	AP0239052	Feder	1	Technische Daten: Version mit voller Leistung[f.p.], Version Rennstrecke USA[rac]
9	AP0297746	Rave elektr.Vent.kab.	1	Technische Daten: Version mit voller Leistung[f.p.], Version Rennstrecke USA[rac]
10	AP0860460	Regenschutzkappe	1	Technische Daten: Version mit voller Leistung[f.p.], Version Rennstrecke USA[rac]
11	AP0845020	Sprengscheibe B6	2	
12	AP0241930	TCEI Schraube M6x20	2	Technische Daten: Version mit voller Leistung[f.p.], Version Rennstrecke USA[rac]
13	AP0242706	Geflanschte Mutter M8	4	
14	AP0297434	Loctite Anti Seize 50ml.15378	1	
15	AP0250271	Dichtung	1	
16	AP0273970	Auspuffstutzen kpl.	1	
17	AP0224067	Federeinhaengung	2	
18	AP0240081	TCEI Schraube M8x25	2	
19	AP0253373	Auslassschieber	1	Technische Daten: Geschwindigkeit 80km/h[80Km]
20	AP0253500	Schieberfixierung	1	Technische Daten: Geschwindigkeit 80km/h[80Km]

Einheit	MOTOR
Code	29.45
Beschreibung	Zylinder -Entl.vent.
Inspektion	1



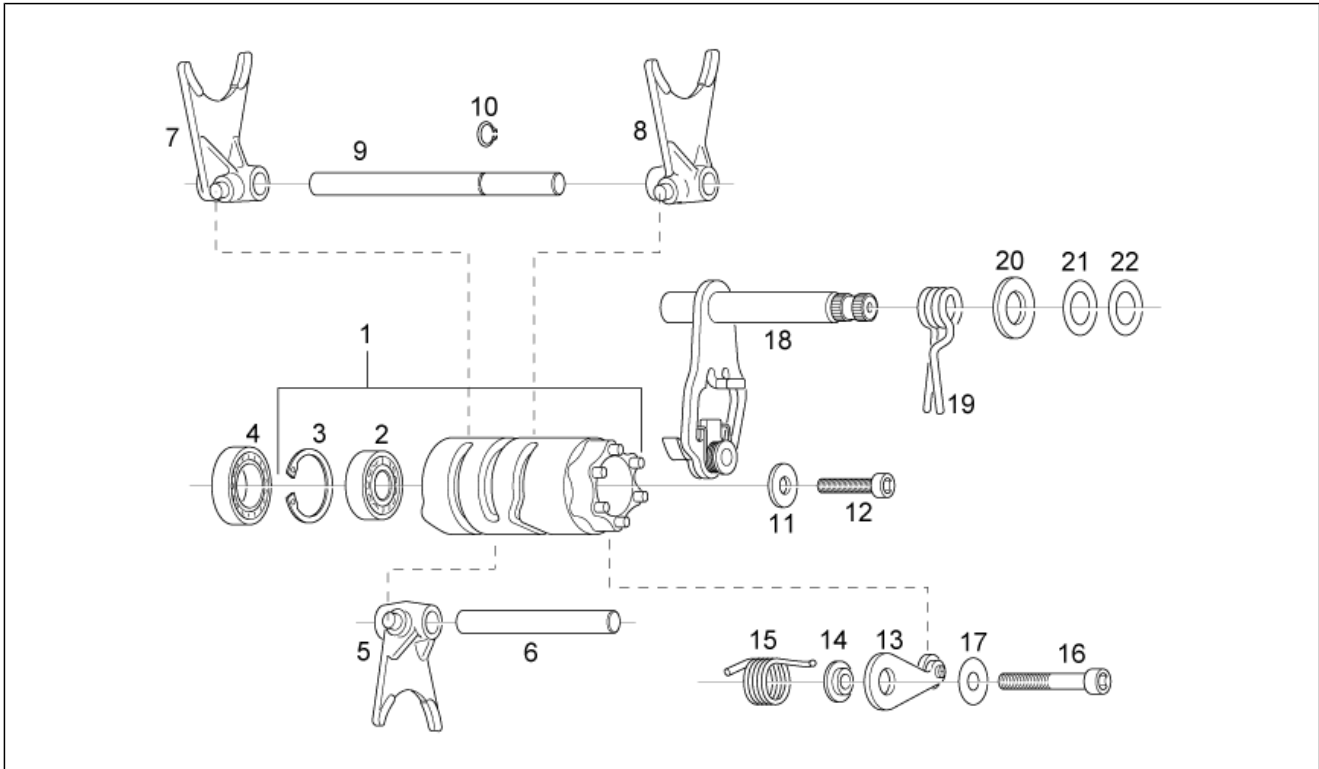
Pos.	Code	Beschreibung	Menge	Varianten
21	AP0827961	Ausgleichscheibe 6,4	1	Technische Daten: Geschwindigkeit 80km/h[80Km]
22	AP0840861	TCEI Schraube M6x25	1	Technische Daten: Geschwindigkeit 80km/h[80Km]
23	AP0241236	TCEI Schraube M6x16	2	Technische Daten: Geschwindigkeit 80km/h[80Km]
24	AP0899788	Loctite, grün 648 5gr.	2	Technische Daten: Geschwindigkeit 80km/h[80Km]

Einheit	MOTOR
Code	29.46
Beschreibung	Getriebe
Inspektion	1



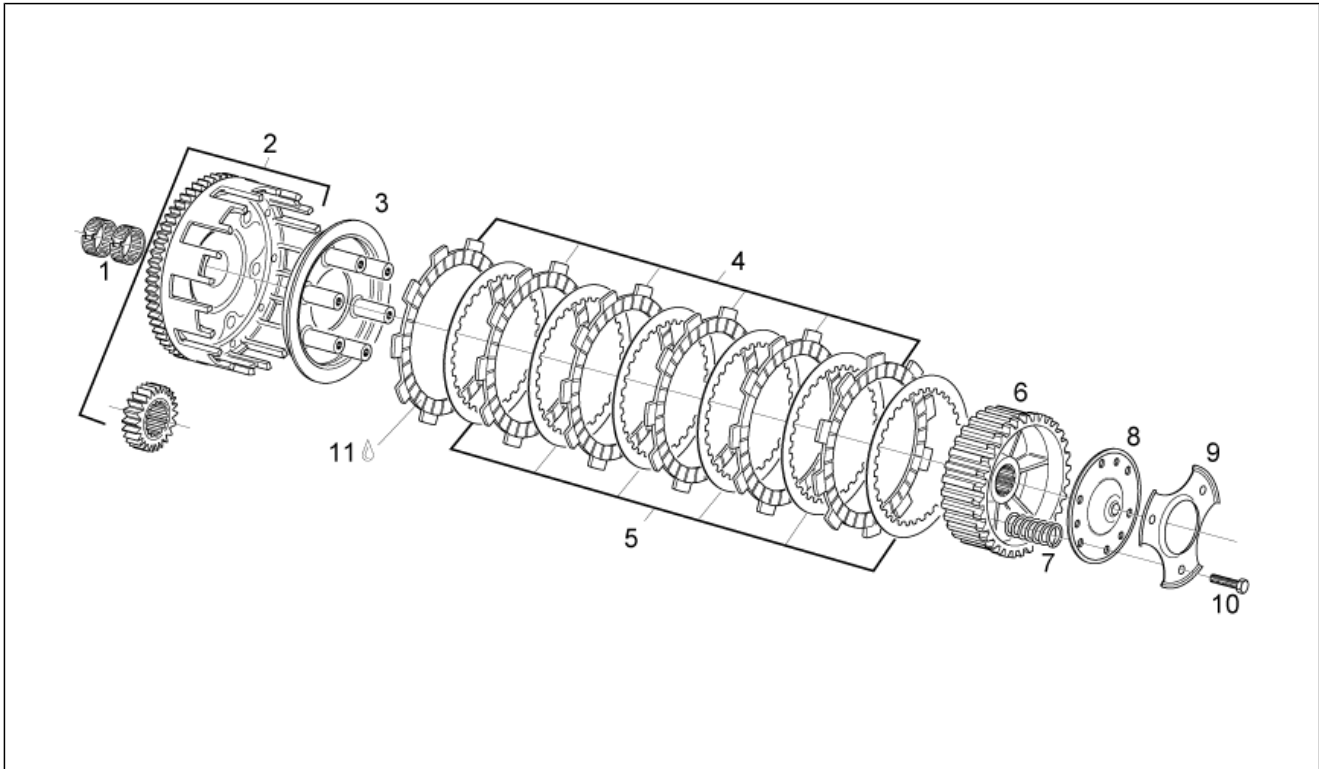
Pos.	Code	Beschreibung	Menge	Varianten
1	AP0220300	Vorgelegewelle Z=10	1	
2	AP0232742	Nadelkaefig 21x25x10	6	
3	AP0634125	Zahnrad Z=22	1	
4	AP0245730	Seegerring 25x2	5	
5	AP0634095	Zahnrad Z=17/19	1	
6	AP0634105	Zahnrad Z=21	1	
7	AP0634085	Zahnrad 2.Hauptwelle Z=14	1	
8	AP0220280	Festrad	1	
9	AP0234968	Zahnrad Z=29	1	
10	AP0634115	Zahnrad Z=24	1	
11	AP0234984	Zahnrad Z=27	1	
12	AP0234858	Zahnrad Z=25	1	
13	AP0634135	Zahnrad Z=23	1	
14	AP0244100	Paßscheibe 21,2/30/1	1	
15	AP0634065	Zahnrad Z=30	1	
16	AP0227430	Paßscheibe 17,2/30/1	1	
17	AP0430460	O-Ring 18x3,5	1	
18	AP0245650	Seegerring AV 20	1	
19	AP0236061	Ritzel Z=14	1	
19	AP0236062	Ritzel	1	
19	AP0236063	Ritzel Z=16	1	
19	AP0236064	Ritzel Z=17	1	Land: Vereinigte Staaten von Amerika[USA] Technische Daten: Version Rennstrecke USA[rac]
19	AP0236065	Ritzel Z=17	1	Land: Australien[AA], Indonesien-Malaysia-Neuseeland-Singapur[AP], CH-DE-DK-EL[EU]
20	AP0297434	Loctite Anti Seize 50ml.15378	1	
21	AP0281210	Schaltgetriebe kpl. 6 v.ta'	1	

Einheit	MOTOR
Code	29.47
Beschreibung	Getriebschaltung
Inspektion	1



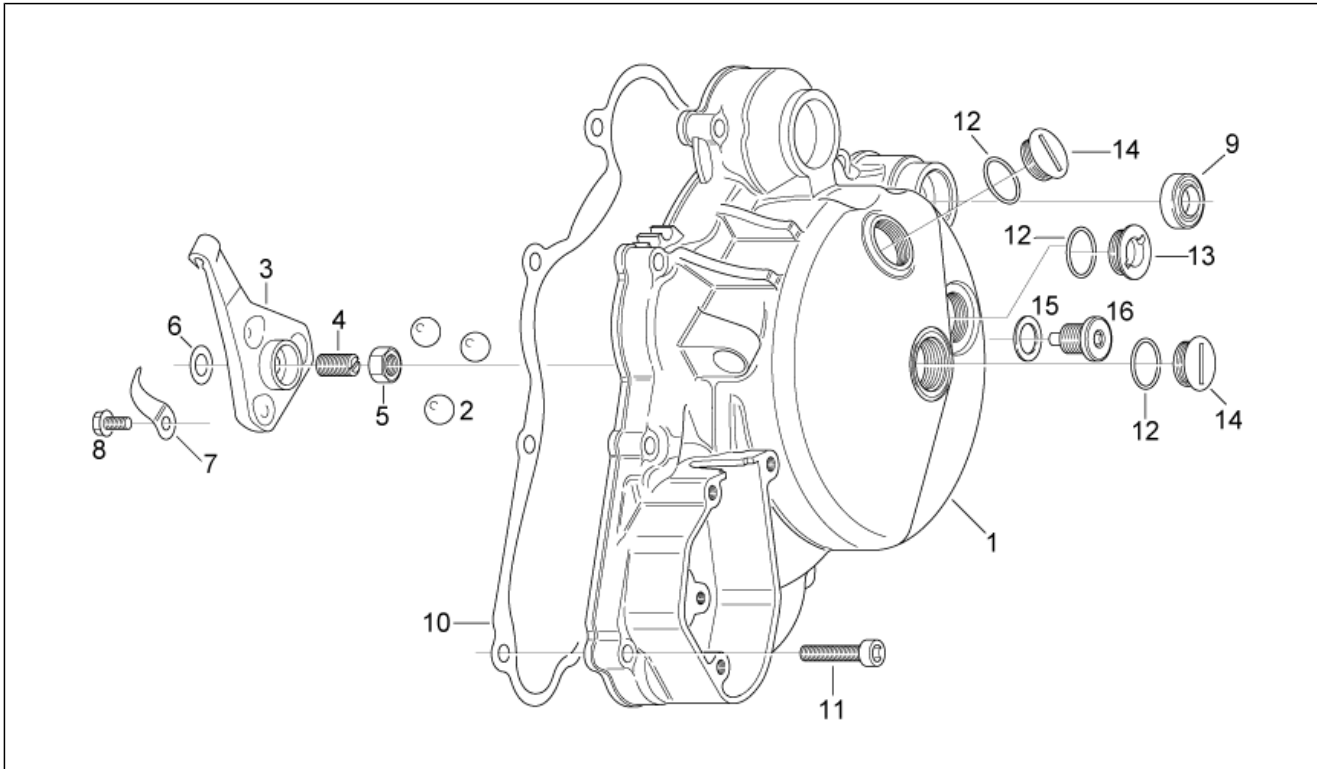
Pos.	Code	Beschreibung	Menge	Varianten
1	AP0258305	Verschiebenocken	1	
2	AP0232402	Lager 6001	1	
3	AP0245790	Seegerring	1	
4	AP0632060	Kugellager 61804	1	
5	AP0258138	Schaltgabel 5-6 V.ta'	1	
6	AP0229390	Stift M6x70	1	
7	AP0258128	Schaltgabel 2-3 Gang	1	
8	AP0258118	Schaltgabel 1-4 v.ta'	1	
9	AP0258200	Schaltstange	1	
10	AP0245570	Seegerring 8x0,8	1	
11	AP0827305	Ausgleichscheibe 6,2x18x2	1	
12	AP0840880	TCEI Schraube M6x30	1	
13	AP0248326	Indexhebel kpl.	1	
14	AP0227710	Stufenring	1	
15	AP0239241	Index feder	1	
16	AP0241821	TCEI Schraube M6x45	1	
17	AP0827307	Ausgleichscheibe 6,2x18x0,5	1	
18	AP0220295	Schaltwele+klin.kpl.	1	
19	AP0239252	Feder	1	
20	AP0427690	Ausgleichscheibe 13	1	
21	AP0827261	Paßscheibe 12,5/21,5	1	
22	AP0227451	Paßscheibe 12,5/21,5/0,5	1	

Einheit	MOTOR
Code	29.48
Beschreibung	Kupplung
Inspektion	1



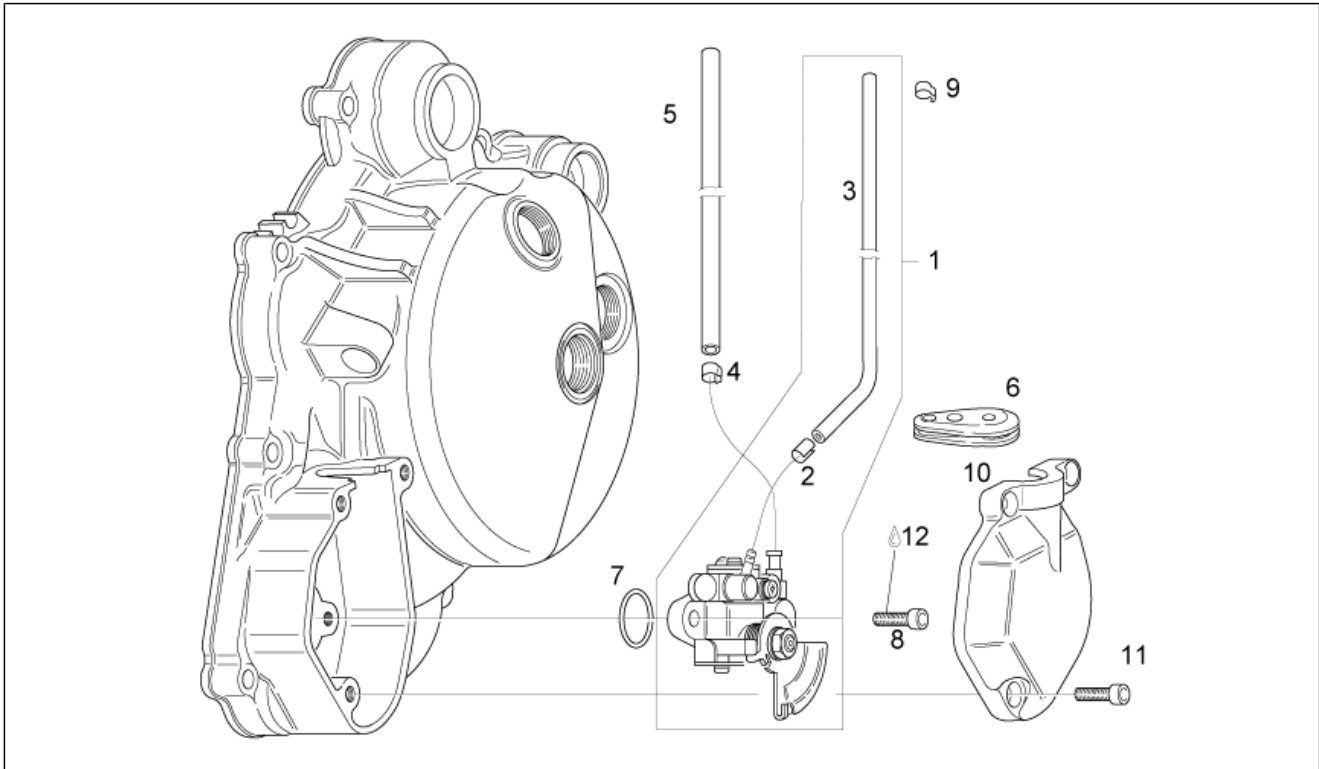
Pos.	Code	Beschreibung	Menge	Varianten
1	AP0232742	Nadelkaefig 21x25x10	2	
2	AP0295406	Primaertrieb kpl.	1	
3	AP0259570	Stuetzteller	1	
4	AP0259053	Belaglamelle 3,1 mm	6	
5	AP0259559	Kupplungsscheibe 1 MM	6	
6	AP0259470	Mitnehmer	1	
7	AP0239625	Kupplungsfeder 34,1 MM	6	
8	AP0259165	Druckplatte kplt.	1	
9	AP0259420	Stuetztellerfuehrung feder.	1	
10	AP0241770	Sechskantschraube	6	
11	0000000	Reifen	1	

Einheit	MOTOR
Code	29.49
Beschreibung	Kupplungsdeckel
Inspektion	1



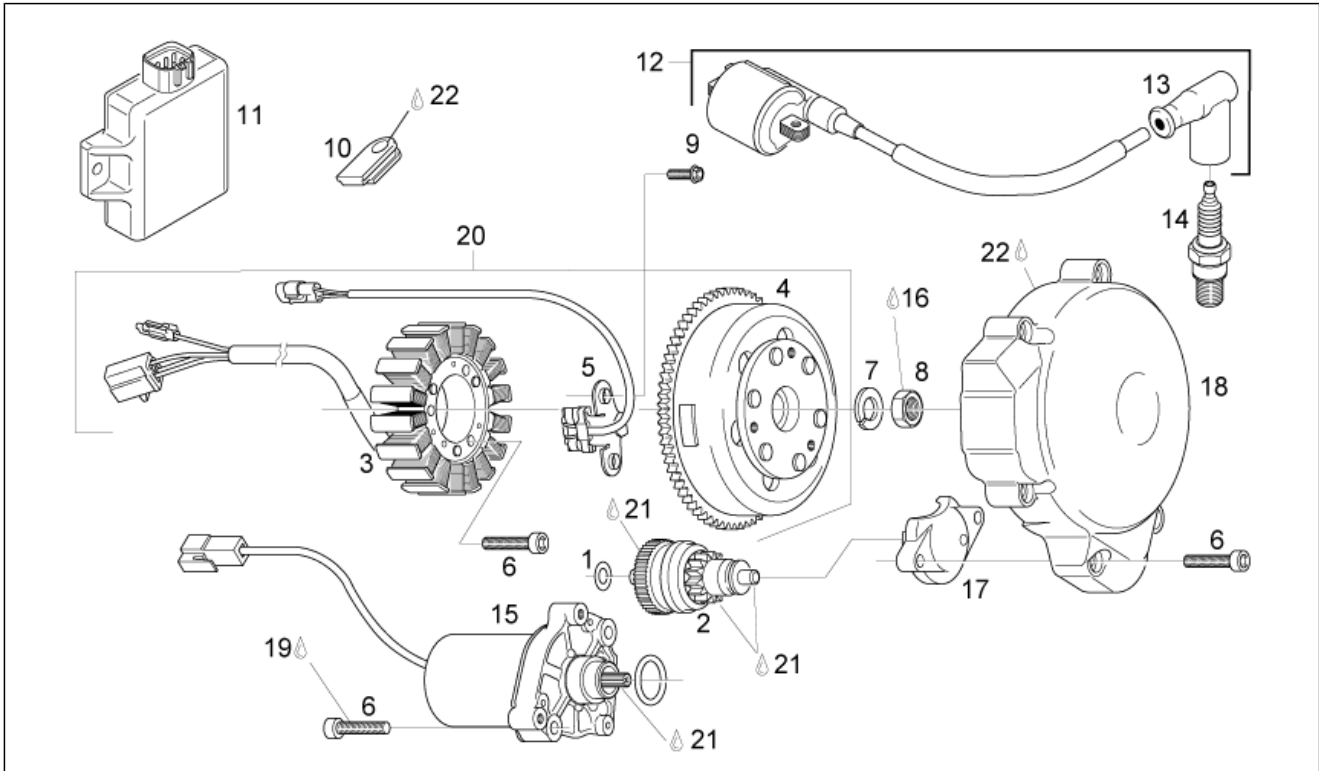
Pos.	Code	Beschreibung	Menge	Varianten
1	AP0211403	Kupplungsdeckel	1	
2	AP0232150	Kugel 12 MM	3	
3	AP0259325	Ausrueckteller	1	
4	AP0241793	Schraube	1	
5	AP0942671	Mutter M8	1	
6	AP0227945	Paßscheibe 8,1/15	1	
7	AP0239907	Blattfeder	1	
8	AP0841685	TE Schr. m. Flansch	1	
9	AP0250455	Ölabstreifring 12x22x7	1	
10	AP0250206	Dichtung	1	
11	AP0840880	TCEI Schraube M6x30	9	
12	AP0250890	O-Ring 3771	3	
13	AP0240820	Oelstandsschraube M18x1,5	1	
14	AP0241801	Verschlusschraube M18x1,5	2	
15	AP0250641	Gasket ring 12x18	1	
16	AP0241782	Magnetschraube M12x1,5	1	

Einheit	MOTOR
Code	29.50
Beschreibung	Ölpumpe
Inspektion	1



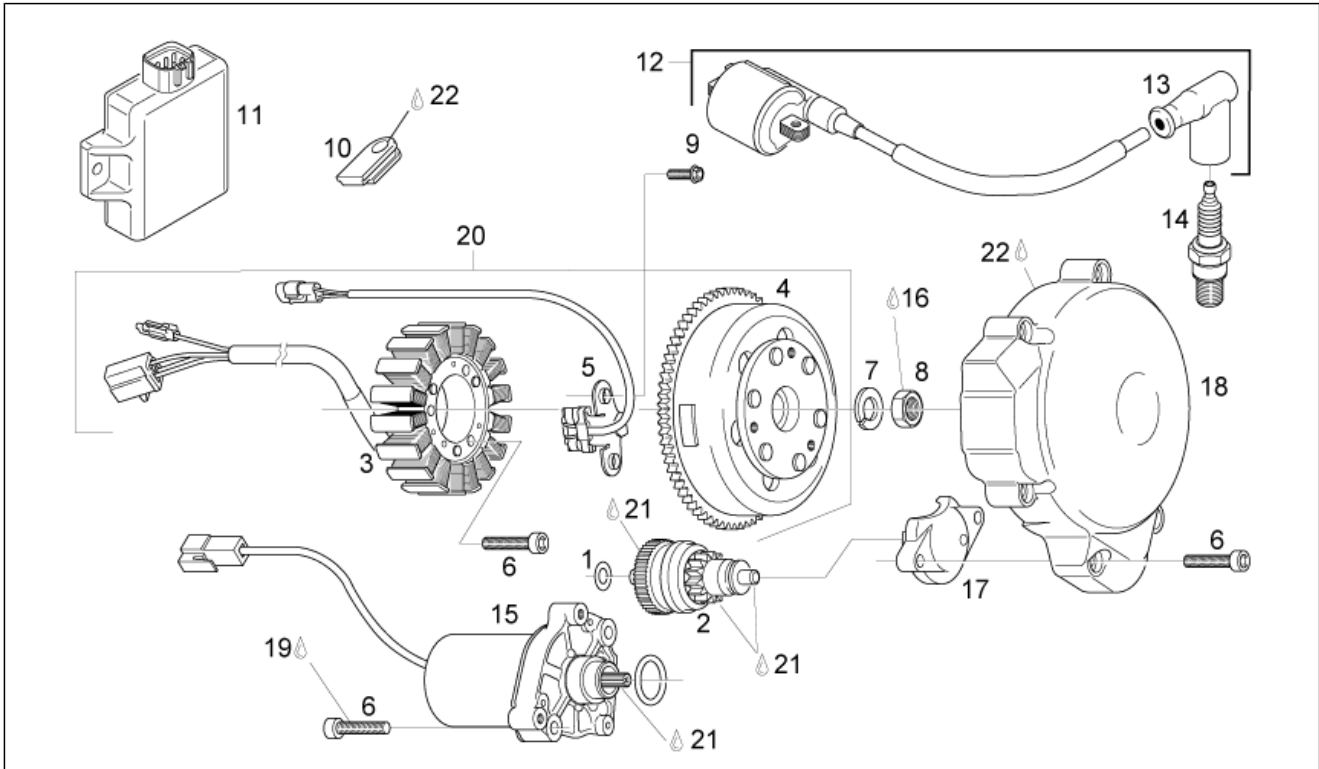
Pos.	Code	Beschreibung	Menge	Varianten
1	AP0294735	Ölpumpe	1	
2	AP0256408	Schelle	1	
3	AP0256410	Leitung 350 MM	1	
4	AP0251080	Schelle 8	1	
5	AP0256037	Leitung 850 MM	1	
6	AP0260030	Drahtabdeckgummi	1	
7	AP0250890	O-Ring 3771	1	
8	AP0840510	TCEI Schraube	2	
9	AP0853845	Schelle 35553	1	
10	AP0211440	Ölpumpendeckel	1	
11	AP0840511	TCEI Schraube	3	
12	AP0899785	Loctite, violett 221 10cc.	1	

Einheit	MOTOR
Code	29.51
Beschreibung	Zündung
Inspektion	1



Pos.	Code	Beschreibung	Menge	Varianten
1	AP0227945	Paßscheibe 8,1/15	1	
2	AP0294810	Startergetriebe kpl.	1	
3	AP0295670	Stator kpl	1	
4	AP0295677	Schwungmagnetstarter	1	
5	AP0265157	Aussengeber	1	
6	AP0840880	TCEI Schraube M6x30	11	
7	AP0945754	Federring Din A12	1	
8	AP0242515	Mutter M12x1	1	
9	AP0941925	TE-Spezialschraube	2	
10	AP0260840	Drahtabdeckgummi	1	
11	AP0265402	Steuergeraet digital	1	Baujahr: 2006[6], 2009[9] Technische Daten: Version mit voller Leistung[f.p.]
11	AP0265405	Steuergeraet analog	1	Baujahr: 2006[6] Technische Daten: Geschwindigkeit 80km/h[80Km]
11	CM082401	Steuergerät CDI	1	Baujahr: 2008[8] Technische Daten: Version mit voller Leistung[f.p.], Version Rennstrecke USA[rac]
11	CM082402	Steuergerät CDI	1	Baujahr: 2007[7], 2008[8] Technische Daten: Version 11 kW[11kw]
11	CM082407	Steuergerät CDI	1	Baujahr: 2010[A] Technische Daten: Version 11 kW[11kw]
12	AP0265415	Zuendtransform.cpl.	1	
13	AP0866708	Widerstandsstecker schwarz	1	
14	AP0297830	Zündkerze BR10EG	1	Technische Daten: Version mit voller Leistung[f.p.], Version Rennstrecke USA[rac]
14	AP8206873	Zündkerze BR8ES	1	Technische Daten: Geschwindigkeit 80km/h[80Km]
15	AP0294800	Startermotor	1	
16	AP0899788	Loctite, grün 648 5gr.	1	
17	AP0210345	Startergetriebedeckel	1	
18	AP0211455	Zuenderdeckel	1	

Einheit	MOTOR
Code	29.51
Beschreibung	Zündung
Inspektion	1



Pos.	Code	Beschreibung	Menge	Varianten
19	AP0899785	Loctite, violett 221 10cc.	1	
20	AP0295365	Zündung Kpl.	1	
21	AP0897161	Molykote 111 100gr.	1	
22	AP0297386	Silastic 732 Rtv 100 gr.	1	