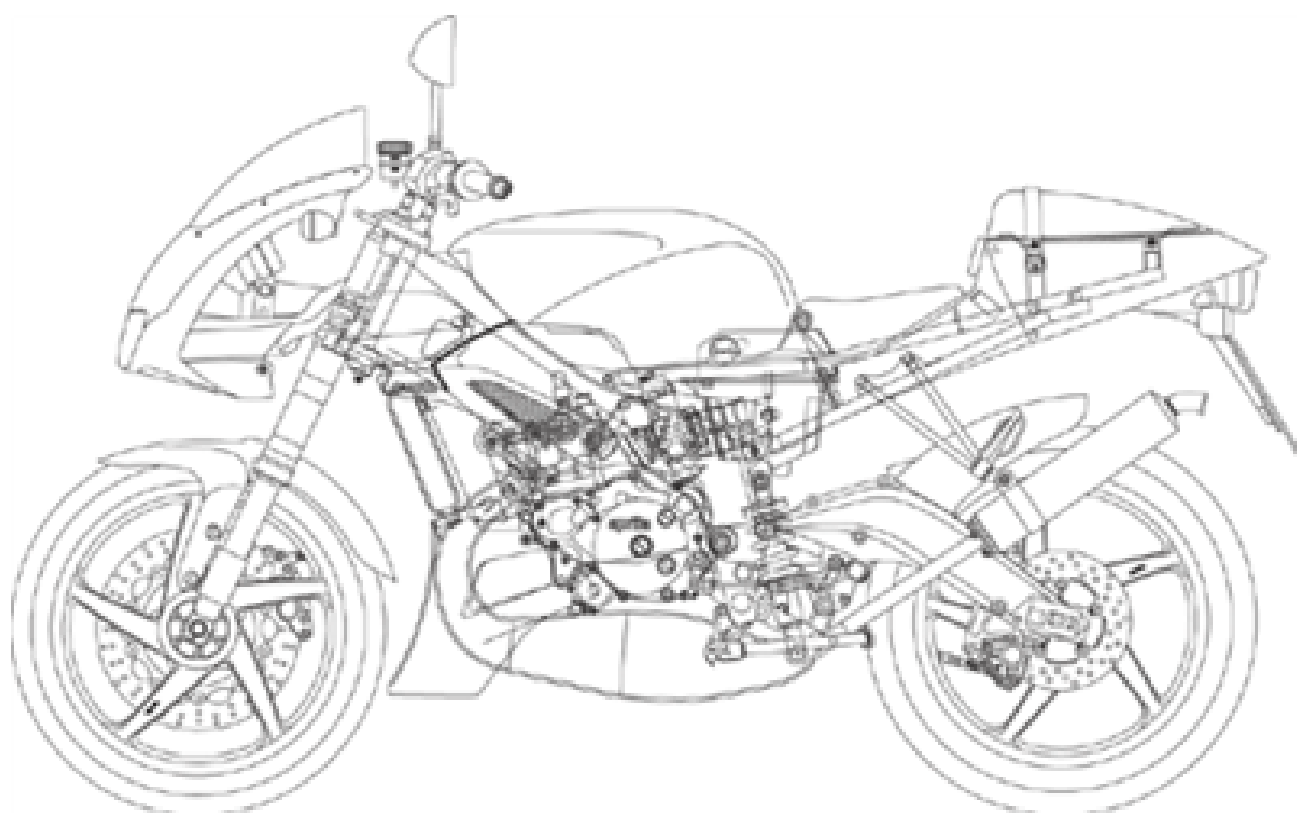


aprilia[®]

ERSATZTEILKATALOG



RS 125 Tuono 2003-2004

Vorsatzcode Fahrgestell: ZD4SFC, ZD4SFD, ZD4SFL, ZD4SFM
Vorsatzcode Motor:

Inhaltsverzeichnis

Fertige Produkte.....	4
Alphanumerisches Verzeichnis.....	5
RAHMEN.....	10
Tafel 28.01 - Rahmen.....	10
Tafel 28.02 - Hauptständer.....	11
Tafel 28.03 - Fußrasten Fahrer.....	12
Tafel 28.04 - Soziusrasten.....	13
Tafel 28.05 - Vorderradgabel.....	14
Tafel 28.06 - Schwinge.....	15
Tafel 28.07 - Hinterradaufhängung.....	16
Tafel 28.08 - Frontaufbau I.....	17
Tafel 28.09 - Frontaufbau II.....	18
Tafel 28.10 - Kraftstofftank.....	19
Tafel 28.11 - Sitzbankeinheit.....	20
Tafel 28.12 - Heckaufbau I.....	21
Tafel 28.13 - Heckaufbau II.....	22
Tafel 28.14 - Instrumententafel.....	23
Tafel 28.15 - Lenkstange.....	25
Tafel 28.16 - Schaltungen rechts.....	26
Tafel 28.17 - Schaltungen links.....	27
Tafel 28.18 - Kühler.....	28
Tafel 28.19 - Filtergehäuse.....	29
Tafel 28.20 - Secondary air.....	30
Tafel 28.21 - Ölbehälter.....	31
Tafel 28.26 - Auslassgruppe.....	32
Tafel 28.27 - Vorderrad.....	34
Tafel 28.28 - Hinterrad.....	36
Tafel 28.29 - Hinterradbrennpumpe.....	37
Tafel 28.30 - Hinterradbrennszange.....	38
Tafel 28.31 - Lichter.....	39
Tafel 28.32 - Elektrische anlage I.....	40
Tafel 28.33 - Elektrische anlage II.....	41
Tafel 28.34 - Bausatz Schlösser.....	42
Tafel 28.35 - Schilder und Anleit.....	43
Tafel 28.36 - Deko.....	44
MOTOR.....	45
Tafel 29.22 - Vergaser I.....	45
Tafel 29.23 - Vergaser II.....	46
Tafel 29.24 - Vergaser III.....	47
Tafel 29.25 - Motor.....	48
Tafel 29.37 - Kurbelwellengehäuse.....	49
Tafel 29.38 - Wasserpumpenritzel kplt.....	50
Tafel 29.39 - Kurbelwelle - Ausgl.rad.....	51

Tafel 29.40 - Zylind. - Kopf - Kolb.....	52
Tafel 29.41 - Vergaserstutzen.....	53
Tafel 29.42 - Zylinder -Entl.vent.....	54
Tafel 29.43 - Getriebe.....	56
Tafel 29.44 - Getriebeschaltung.....	57
Tafel 29.45 - Kupplung.....	58
Tafel 29.46 - Kupplungsdeckel.....	59
Tafel 29.47 - Ölpumpe.....	60
Tafel 29.48 - Zündung.....	61

Fertige Produkte

Code	Gültigkeit
AP66216EU01	
AP66216EU02	
AP66216IT01	
AP66216IT02	

Code	Nr. der Tafel	Pos.	Code	Nr. der Tafel	Pos.	Code	Nr. der Tafel	Pos.
0000000	28.27	11	AP0240081	28.26	18	AP0281210	29.43	21
0000000	28.28	9	AP0240081	29.42	18	AP0293314	29.37	22
0000000	29.45	11	AP0240195	29.40	13	AP0293318	29.37	21
852330	28.17	3	AP0240820	29.46	13	AP0293417	29.38	13
AP0210345	29.48	17	AP0241236	29.42	23	AP0294735	29.47	1
AP0211404	29.46	1	AP0241270	29.38	9	AP0294747	29.40	16
AP0211440	29.47	10	AP0241381	29.37	18	AP0294748	29.40	16
AP0211455	29.48	18	AP0241770	29.45	10	AP0294755	29.40	16
AP0215670	29.40	17	AP0241782	29.46	16	AP0294800	29.48	15
AP0216139	29.40	18	AP0241791	29.46	4	AP0294810	29.48	2
AP0220280	29.43	8	AP0241801	29.46	14	AP0295365	29.48	20
AP0220295	29.44	18	AP0241821	29.37	16	AP0295373	29.39	1
AP0220300	29.43	1	AP0241821	29.44	16	AP0295374	29.39	17
AP0222122	29.40	9	AP0241930	29.40	15	AP0295388	29.37	1
AP0222175	29.40	10	AP0241930	29.42	12	AP0295406	29.45	2
AP0222182	29.38	1	AP0242515	29.39	5	AP0295670	29.48	3
AP0222195	29.38	6	AP0242515	29.48	8	AP0295677	29.48	4
AP0222202	29.40	12	AP0242586	29.42	13	AP0297386	29.37	20
AP0223384	29.40	4	AP0244100	29.43	14	AP0297386	29.48	22
AP0223618	29.40	2	AP0245570	29.44	10	AP0297431	29.39	18
AP0223618	29.42	2	AP0245650	29.39	9	AP0297431	29.42	14
AP0224067	28.26	17	AP0245650	29.43	18	AP0297431	29.43	20
AP0224067	29.42	17	AP0245730	29.43	4	AP0297745	29.42	9
AP0224260	29.37	3	AP0245790	29.44	3	AP0297830	29.48	14
AP0224387	29.41	2	AP0246570	29.39	8	AP0427590	29.39	3
AP0224430	29.41	3	AP0247555	29.37	7	AP0427591	29.39	3
AP0227280	29.39	13	AP0248325	29.44	13	AP0427690	29.44	20
AP0227430	29.43	16	AP0250160	29.40	3	AP0430060	29.38	8
AP0227450	29.44	22	AP0250205	29.46	10	AP0430460	29.39	6
AP0227710	29.44	14	AP0250271	28.26	15	AP0430460	29.43	17
AP0227945	29.46	6	AP0250271	29.42	15	AP0430782	29.40	7
AP0227945	29.48	1	AP0250280	29.40	14	AP0440113	29.41	10
AP0229280	29.38	4	AP0250455	29.46	9	AP0613100	29.40	8
AP0229380	29.37	2	AP0250521	29.41	1	AP0632010	29.37	5
AP0229380	29.38	11	AP0250641	29.46	15	AP0632060	29.44	4
AP0229390	29.44	6	AP0250890	29.46	12	AP0634035	29.38	10
AP0230195	29.38	2	AP0250890	29.47	7	AP0634065	29.43	15
AP0230415	29.37	15	AP0250975	29.42	7	AP0634085	29.43	7
AP0230425	29.37	10	AP0251080	29.47	4	AP0634095	29.43	5
AP0230810	29.42	6	AP0251850	29.41	8	AP0634105	29.43	6
AP0230880	29.42	5	AP0253373	29.42	19	AP0634115	29.43	10
AP0232150	29.46	2	AP0253465	29.42	4	AP0634125	29.43	3
AP0232275	29.37	4	AP0253500	29.42	20	AP0634135	29.43	13
AP0232291	29.37	8	AP0253722	29.42	3	AP0640190	29.37	17
AP0232291	29.39	10	AP0256037	29.47	5	AP0650095	29.40	1
AP0232340	29.39	12	AP0256400	29.47	2	AP0650095	29.42	1
AP0232402	29.44	2	AP0256410	29.47	3	AP0650096	29.40	1
AP0232742	29.43	2	AP0258113	29.44	8	AP0650096	29.42	1
AP0232742	29.45	1	AP0258123	29.44	7	AP0650097	29.40	1
AP0232765	29.37	12	AP0258135	29.44	5	AP0650097	29.42	1
AP0234415	29.38	7	AP0258200	29.44	9	AP0650130	29.37	14
AP0234431	29.39	7	AP0258305	29.44	1	AP0827261	29.44	21
AP0234858	29.43	12	AP0259053	29.45	4	AP0827305	29.44	11
AP0234968	29.43	9	AP0259165	29.45	8	AP0827307	29.44	17
AP0234984	29.43	11	AP0259325	29.46	3	AP0827590	29.38	5
AP0236061	29.43	19	AP0259420	29.45	9	AP0827961	29.42	21
AP0236062	29.43	19	AP0259470	29.45	6	AP0840510	29.47	8
AP0236063	29.43	19	AP0259557	29.45	5	AP0840511	29.47	11
AP0236064	29.43	19	AP0259570	29.45	3	AP0840861	29.41	7
AP0237912	29.38	3	AP0260030	29.47	6	AP0840861	29.42	22
AP0237945	29.39	11	AP0260840	29.48	10	AP0840880	29.44	12
AP0239052	29.42	8	AP0265157	29.48	5	AP0840880	29.46	11
AP0239241	29.44	15	AP0265402	29.48	11	AP0840880	29.48	6
AP0239252	29.44	19	AP0265415	29.48	12	AP0841685	29.46	8
AP0239625	29.45	7	AP0267918	29.41	6	AP0845020	29.42	11
AP0239907	29.46	7	AP0273970	28.26	16	AP0853840	29.47	9
AP0239950	29.40	11	AP0273970	29.42	16	AP0860460	29.42	10

Code	Nr. der Tafel	Pos.
AP0866708	29.48	13
AP0897055	29.48	14
AP0897161	29.38	12
AP0897161	29.48	21
AP0899785	29.39	15
AP0899785	29.47	12
AP0899785	29.48	19
AP0899788	29.37	19
AP0899788	29.39	19
AP0899788	29.41	9
AP0899788	29.42	24
AP0899788	29.48	16
AP0924150	29.37	6
AP0930675	29.37	11
AP0932028	29.39	16
AP0932032	29.37	9
AP0932588	29.39	2
AP0940235	29.41	5
AP0940315	29.39	14
AP0940487	29.40	6
AP0940786	29.37	13
AP0941925	29.48	9
AP0942671	29.46	5
AP0945635	29.40	19
AP0945752	29.40	5
AP0945754	29.39	4
AP0945754	29.48	7
AP0945758	29.41	4
AP8101106	28.05	5
AP8101271	28.05	9
AP8101285	28.26	3
AP8101341	28.06	3
AP8101513	28.15	5
AP8101743	28.18	15
AP8101743	28.21	8
AP8101861	28.04	9
AP8101910	28.18	2
AP8101912	28.18	1
AP8101916	28.18	5
AP8101924	28.18	4
AP8101927	28.18	19
AP8101944	28.21	6
AP8102080	28.19	4
AP8102112	28.18	8
AP8102118	28.18	9
AP8102223	28.21	5
AP8102224	28.21	4
AP8102296	28.28	17
AP8102375	28.01	10
AP8102375	28.08	3
AP8102375	28.09	13
AP8102375	28.12	6
AP8102376	28.01	9
AP8102401	28.19	9
AP8102432	28.26	12
AP8102502	28.11	14
AP8102504	28.08	6
AP8102524	28.02	5
AP8102670	28.19	8
AP8102676	28.10	16
AP8102704	28.18	11
AP8102798	28.01	13
AP8102811	28.16	13
AP8102811	28.29	7
AP8102819	28.10	3
AP8102903	28.20	5
AP8102913	28.11	13

Code	Nr. der Tafel	Pos.
AP8102913	28.34	7
AP8102950	28.34	14
AP8103235	28.05	19
AP8104387	28.27	7
AP8104474	28.26	6
AP8104566	28.15	2
AP8104637	28.34	1
AP8104674	28.35	1
AP8104681	28.35	1
AP8104682	28.35	1
AP8104708	28.32	23
AP8104708	28.34	3
AP8104709	28.11	7
AP8104709	28.34	5
AP8104710	28.10	7
AP8104710	28.34	4
AP8104745	28.20	1
AP8105153	28.16	10
AP8105153	28.17	4
AP8106013	29.25	4
AP8106315	29.25	2
AP8106696	29.24	1
AP8106697	29.22	9
AP8106697	29.22	9
AP8106722	29.23	9
AP8106723	29.23	8
AP8106724	29.24	1
AP8106728	29.24	4
AP8106779	29.22	8
AP8106780	29.24	2
AP8106781	29.24	8
AP8106782	29.24	7
AP8106783	29.22	4
AP8106784	29.22	10
AP8106785	29.22	5
AP8106786	29.22	6
AP8106787	29.23	6
AP8106788	29.23	7
AP8106789	29.23	5
AP8106790	29.23	1
AP8106791	29.24	6
AP8106792	29.24	5
AP8106793	29.24	3
AP8106794	29.23	3
AP8106795	29.23	2
AP8106796	29.22	11
AP8106796	29.23	10
AP8106796	29.24	9
AP8106948	29.22	1
AP8106949	29.22	1
AP8106963	29.22	9
AP8107110	28.28	4
AP8107134	28.28	14
AP8107135	28.28	21
AP8108997	28.27	23
AP8110024	28.05	8
AP8110025	28.05	7
AP8110053	29.25	6
AP8110063	28.07	17
AP8110064	28.07	16
AP8110067	28.06	4
AP8110068	28.07	13
AP8112176	28.32	5
AP8112244	28.32	4
AP8112290	28.33	1
AP8112458	28.33	9
AP8112460	28.32	17

Code	Nr. der Tafel	Pos.
AP8112506	28.32	6
AP8112567	28.32	25
AP8112568	28.32	24
AP8112906	28.32	2
AP8112916	28.31	13
AP8112942	28.32	7
AP8113003	28.27	4
AP8113003	28.30	5
AP8113004	28.27	5
AP8113004	28.29	6
AP8113004	28.30	4
AP8113005	28.27	16
AP8113005	28.30	15
AP8113006	28.27	15
AP8113006	28.30	16
AP8113117	28.30	14
AP8113157	28.16	22
AP8113157	28.29	9
AP8113198	28.30	17
AP8113280	28.16	8
AP8113309	28.27	20
AP8113310	28.27	14
AP8113413	28.16	20
AP8113489	28.27	17
AP8113530	28.27	2
AP8113567	28.27	1
AP8113596	28.30	6
AP8113651	28.30	13
AP8113714	28.29	4
AP8113714	28.30	2
AP8113816	28.16	23
AP8113818	28.30	18
AP8113819	28.27	24
AP8113821	28.16	24
AP8113821	28.29	26
AP8113822	28.29	28
AP8113823	28.29	27
AP8113824	28.16	25
AP8113825	28.16	26
AP8114272	28.16	11
AP8114332	28.16	12
AP8114389	28.11	12
AP8114389	28.34	6
AP8114462	28.16	6
AP8114464	28.17	8
AP8114465	28.14	5
AP8114467	28.17	7
AP8117073	28.10	23
AP8117111	28.19	7
AP8118287	28.16	3
AP8118287	28.17	12
AP8118307	28.16	7
AP8118308	28.17	9
AP8118375	28.17	14
AP8118432	28.17	2
AP8118460	28.16	5
AP8118516	28.32	18
AP8118518	28.16	27
AP8118663	28.17	1
AP8118664	28.15	1
AP8119399	28.26	20
AP8119768	28.26	1
AP8119769	28.26	1
AP8119784	28.26	2
AP8119828	28.26	1
AP8119829	28.26	1
AP8120030	28.18	13

Code	Nr. der Tafel	Pos.	Code	Nr. der Tafel	Pos.	Code	Nr. der Tafel	Pos.
AP8120030	28.33	6	AP8121731	28.33	8	AP8125418	28.27	10
AP8120177	28.13	6	AP8121736	28.33	17	AP8125469	28.27	19
AP8120271	28.17	16	AP8121764	28.33	13	AP8125627	28.06	2
AP8120275	29.25	25	AP8121819	28.10	13	AP8125628	28.28	16
AP8120278	28.16	15	AP8121835	28.29	14	AP8125631	28.28	1
AP8120280	28.06	7	AP8121845	28.07	19	AP8125635	28.28	18
AP8120351	28.21	14	AP8121846	28.07	18	AP8125636	28.28	20
AP8120405	28.16	16	AP8121847	28.07	20	AP8125637	28.28	19
AP8120405	28.33	20	AP8121867	28.01	4	AP8125638	28.28	2
AP8120405	29.25	26	AP8121939	28.03	8	AP8125639	28.28	3
AP8120485	28.07	12	AP8121940	28.03	9	AP8125644	28.27	18
AP8120531	28.01	8	AP8121999	28.02	3	AP8125645	28.28	10
AP8120531	28.06	15	AP8123199	28.05	20	AP8125646	28.28	11
AP8120536	28.18	20	AP8123346	28.05	13	AP8125647	28.28	12
AP8120557	28.10	9	AP8123355	28.05	16	AP8125763	28.28	7
AP8120568	28.03	13	AP8123357	28.05	15	AP8125890	28.27	8
AP8120569	28.03	11	AP8123360	28.05	18	AP8126115	28.13	2
AP8120582	28.33	7	AP8123441	28.05	14	AP8126356	28.13	9
AP8120670	28.01	14	AP8123544	28.15	4	AP8126356	28.13	9
AP8120699	28.01	5	AP8123553	28.14	10	AP8126583	28.13	1
AP8120708	29.25	3	AP8123574	28.05	2	AP8126641	28.13	4
AP8120709	28.10	4	AP8123605	28.15	3	AP8127164	28.31	21
AP8120748	28.19	1	AP8123689	28.05	17	AP8127230	28.31	20
AP8120754	28.32	8	AP8123691	28.05	22	AP8127305	28.32	19
AP8120786	28.18	10	AP8123777	28.05	21	AP8127325	28.14	1
AP8120787	28.18	3	AP8123853	28.07	1	AP8127361	28.14	24
AP8120790	28.18	6	AP8123878	28.05	12	AP8127533	28.31	22
AP8120792	28.28	15	AP8123879	28.05	10	AP8127534	28.16	28
AP8120793	28.06	9	AP8124094	28.02	11	AP8127534	28.17	13
AP8120794	28.06	10	AP8124117	28.33	4	AP8127535	28.31	7
AP8120798	28.10	14	AP8124119	28.32	13	AP8127536	28.31	6
AP8120806	28.28	5	AP8124152	28.17	11	AP8128001	28.28	13
AP8120807	28.28	6	AP8124194	28.14	11	AP8128023	28.27	23
AP8120810	28.19	6	AP8124195	28.14	13	AP8128026	28.28	13
AP8120816	28.32	26	AP8124197	28.14	15	AP8128081	28.27	23
AP8120910	28.04	6	AP8124198	28.14	7	AP8128146	28.28	13
AP8120946	28.18	7	AP8124224	28.14	24	AP8129223	28.11	4
AP8120997	28.19	1	AP8124225	28.14	8	AP8129391	28.11	1
AP8121014	28.02	6	AP8124226	28.14	12	AP8129392	28.11	2
AP8121058	28.26	10	AP8124235	28.32	10	AP8129393	28.11	3
AP8121091	28.26	4	AP8124252	28.14	25	AP8129405	28.11	1
AP8121114	28.10	10	AP8124253	28.14	9	AP8129406	28.11	2
AP8121118	28.29	15	AP8124254	28.14	21	AP8129407	28.11	3
AP8121121	28.06	5	AP8124429	28.31	1	AP8129436	28.11	1
AP8121133	28.04	8	AP8124479	28.29	5	AP8131121	28.19	3
AP8121134	28.03	7	AP8124487	28.32	21	AP8131176	28.14	23
AP8121147	28.29	17	AP8124488	28.32	1	AP8131256	28.33	2
AP8121147	29.25	21	AP8124489	28.31	12	AP8131320	28.29	2
AP8121150	28.06	20	AP8124492	28.31	2	AP8131623	28.06	8
AP8121151	28.01	11	AP8124513	28.31	1	AP8131626	28.19	5
AP8121151	28.07	21	AP8124525	28.31	9	AP8132634	28.07	2
AP8121155	28.01	12	AP8124527	28.31	11	AP8132635	28.29	13
AP8121155	28.07	22	AP8124530	28.32	3	AP8132720	28.04	4
AP8121156	28.06	21	AP8124634	28.31	10	AP8132812	28.04	5
AP8121157	28.27	9	AP8124652	28.14	6	AP8132869	28.33	19
AP8121163	29.25	7	AP8124653	28.14	26	AP8132907	28.30	7
AP8121284	28.29	16	AP8124654	28.14	16	AP8133625	28.16	17
AP8121284	29.25	9	AP8124655	28.14	14	AP8133628	28.27	3
AP8121324	28.10	8	AP8124656	28.14	17	AP8134243	28.03	6
AP8121566	28.03	14	AP8124657	28.14	18	AP8134266	28.02	1
AP8121581	28.06	20	AP8124658	28.14	19	AP8134348	28.33	3
AP8121672	28.03	12	AP8124659	28.14	20	AP8134446	28.31	5
AP8121697	28.06	14	AP8124660	28.14	22	AP8134467	28.26	14
AP8121697	28.07	14	AP8124661	28.14	27	AP8134542	28.03	1
AP8121697	28.29	25	AP8124835	28.14	1	AP8134543	28.03	2
AP8121697	29.25	24	AP8124914	28.16	4	AP8134829	28.04	3
AP8121728	28.03	18	AP8124915	28.17	10	AP8134911	28.30	3

Code	Nr. der Tafel	Pos.
AP8134922	28.09	14
AP8134965	28.16	9
AP8135289	28.26	5
AP8135313	28.03	5
AP8135362	28.07	3
AP8135396	28.06	13
AP8135444	28.04	1
AP8135445	28.04	2
AP8135448	28.33	5
AP8135718	28.01	2
AP8135726	29.25	10
AP8135786	29.25	13
AP8135787	29.25	14
AP8138686	28.19	2
AP8139124	28.10	2
AP8139129	28.09	12
AP8139689	28.21	1
AP8140710	28.34	2
AP8144109	28.08	8
AP8144151	28.16	14
AP8144151	28.29	3
AP8144159	28.10	6
AP8144560	28.27	25
AP8144561	28.27	26
AP8144670	28.20	2
AP8144671	28.20	3
AP8144672	28.20	4
AP8146080	28.04	11
AP8146087	28.02	9
AP8146088	28.02	10
AP8146162	28.18	12
AP8146373	28.03	4
AP8146374	28.03	3
AP8146608	28.26	5
AP8146775	29.25	11
AP8146776	29.25	12
AP8146777	28.14	28
AP8146800	28.01	1
AP8146806	28.06	1
AP8147020	28.35	3
AP8147545	28.31	3
AP8147546	28.31	4
AP8148672	28.13	3
AP8150011	28.12	7
AP8150013	28.30	8
AP8150013	28.33	18
AP8150014	28.03	17
AP8150014	28.10	21
AP8150015	28.02	2
AP8150017	28.01	6
AP8150017	28.29	22
AP8150019	28.03	22
AP8150020	28.07	6
AP8150026	28.18	18
AP8150026	28.29	11
AP8150026	29.25	23
AP8150044	29.25	18
AP8150045	28.13	7
AP8150050	28.10	17
AP8150050	28.34	8
AP8150053	28.17	17
AP8150107	28.03	23
AP8150107	28.15	10
AP8150107	28.15	6
AP8150157	28.16	2
AP8150157	28.17	6
AP8150158	28.31	16

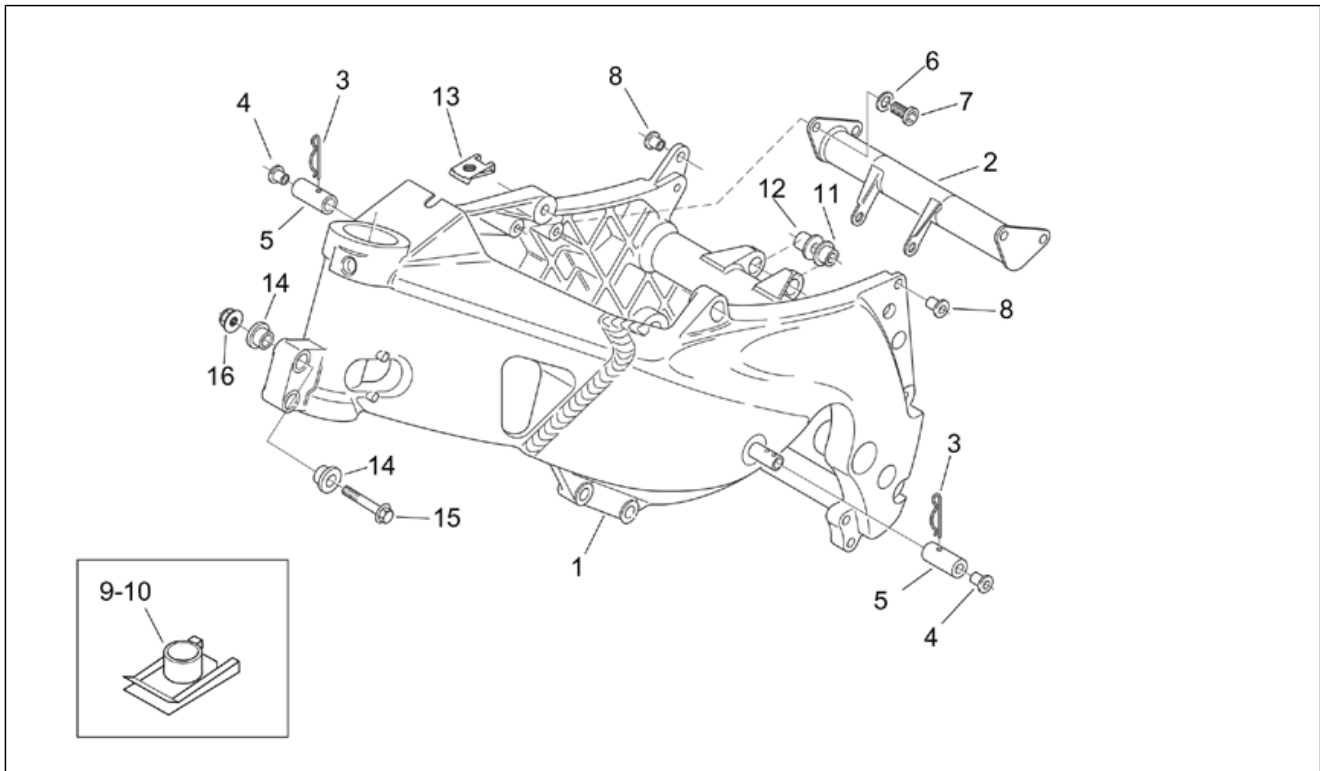
Code	Nr. der Tafel	Pos.
AP8150169	28.01	7
AP8150170	28.04	12
AP8150176	28.10	18
AP8150176	28.34	9
AP8150179	28.13	11
AP8150179	28.14	4
AP8150179	28.21	13
AP8150179	28.32	15
AP8150192	28.07	4
AP8150202	28.10	12
AP8150204	28.31	14
AP8150205	28.15	9
AP8150208	28.27	12
AP8150211	28.34	13
AP8150221	28.03	21
AP8150221	28.26	9
AP8150227	28.15	8
AP8150248	28.10	19
AP8150270	28.31	17
AP8150277	28.26	19
AP8150297	28.06	19
AP8150299	28.06	6
AP8150310	28.07	9
AP8150310	29.25	17
AP8150314	28.10	20
AP8150336	28.07	10
AP8150346	28.07	11
AP8150349	28.34	10
AP8150351	28.26	9
AP8150352	28.05	3
AP8150376	28.26	8
AP8150376	28.27	22
AP8150412	29.25	15
AP8150426	28.18	22
AP8150429	28.21	10
AP8150429	28.29	19
AP8150430	28.03	16
AP8150430	28.11	9
AP8150430	28.13	14
AP8150430	28.14	3
AP8150430	28.29	20
AP8150430	29.25	19
AP8150431	28.04	13
AP8150431	28.07	8
AP8150431	28.26	11
AP8150431	28.29	21
AP8150431	28.30	10
AP8150432	28.07	15
AP8150436	28.29	24
AP8150436	29.25	16
AP8150444	28.12	5
AP8150450	28.08	7
AP8150450	28.19	10
AP8150451	28.06	18
AP8150469	28.09	16
AP8152001	28.02	7
AP8152111	28.07	7
AP8152112	28.26	13
AP8152138	29.25	22
AP8152153	28.10	5
AP8152166	28.13	5
AP8152176	28.29	23
AP8152181	28.21	11
AP8152184	28.18	14
AP8152246	28.08	9
AP8152261	28.06	11
AP8152262	28.06	12

Code	Nr. der Tafel	Pos.
AP8152267	28.06	16
AP8152268	28.06	17
AP8152272	28.03	19
AP8152272	28.10	15
AP8152272	28.30	9
AP8152273	28.16	18
AP8152275	28.33	15
AP8152277	28.16	21
AP8152277	28.18	21
AP8152277	28.20	6
AP8152277	28.33	16
AP8152278	28.02	13
AP8152278	28.09	7
AP8152278	28.11	8
AP8152278	28.13	13
AP8152278	28.18	17
AP8152278	28.20	7
AP8152278	28.33	10
AP8152278	28.34	11
AP8152279	28.13	10
AP8152279	28.19	11
AP8152279	28.21	12
AP8152279	28.32	22
AP8152279	29.25	20
AP8152280	28.11	10
AP8152280	28.13	12
AP8152280	28.21	9
AP8152280	28.29	18
AP8152282	28.03	15
AP8152283	28.34	12
AP8152284	28.01	15
AP8152284	28.32	16
AP8152284	28.33	11
AP8152285	28.32	14
AP8152286	28.04	10
AP8152286	28.27	13
AP8152286	28.30	12
AP8152288	28.30	11
AP8152289	28.02	12
AP8152289	28.27	21
AP8152298	28.09	8
AP8152299	28.01	16
AP8152299	28.10	22
AP8152299	28.13	8
AP8152299	28.19	12
AP8152299	28.32	20
AP8152300	28.02	8
AP8152300	28.03	20
AP8152300	28.04	14
AP8152300	28.26	7
AP8152301	28.07	5
AP8152302	28.12	4
AP8152306	28.11	11
AP8152351	28.31	8
AP8152409	28.03	10
AP8152409	28.04	7
AP8156072	28.09	11
AP8156089	28.13	9
AP8156090	28.09	11
AP8156148	28.09	11
AP8163116	28.05	1
AP8163190	28.05	23
AP8163191	28.05	24
AP8163193	28.09	15
AP8163248	28.15	7
AP8166275	28.35	4
AP8166280	28.35	2

Code	Nr. der Tafel	Pos.
AP8166338	28.36	1
AP8167688	28.35	2
AP8167695	28.35	4
AP8167958	28.35	5
AP8168042	28.19	2
AP8168285	28.12	1
AP8168286	28.12	2
AP8168287	28.11	5
AP8168835	28.10	1
AP8168836	28.09	5
AP8168837	28.09	6
AP8168838	28.08	4
AP8168839	28.08	5
AP8168840	28.09	9
AP8168841	28.08	1
AP8168842	28.09	1
AP8168843	28.09	2
AP8168844	28.09	3
AP8168845	28.09	4
AP8168847	28.12	3
AP8168890	28.09	10
AP8168975	28.08	2
AP8176042	29.24	4
AP8176043	29.22	8
AP8176079	29.25	1
AP8176080	29.25	1
AP8176108	29.22	1
AP8176109	29.22	1
AP8176132	29.24	4
AP8177516	28.35	4
AP8177517	28.35	6
AP8177574	28.35	4
AP8177742	28.36	1
AP8177884	28.36	1
AP8178007	28.10	1
AP8178008	28.08	1
AP8178009	28.12	3
AP8178561	28.19	5
AP8178626	28.10	1
AP8201169	28.18	16
AP8201192	28.21	2
AP8201287	28.01	3
AP8201358	28.10	24
AP8201358	28.21	7
AP8201546	28.27	6
AP8201546	28.28	8
AP8202330	28.16	1
AP8202330	28.17	5
AP8203550	28.05	6
AP8203570	28.05	11
AP8203588	28.05	4
AP8210007	28.29	12
AP8210007	29.25	5
AP8212588	28.32	9
AP8213028	28.17	15
AP8213086	28.29	1
AP8213117	28.29	8
AP8213317	28.30	1
AP8213418	28.30	19
AP8218345	28.16	19
AP8220150	28.14	2
AP8220185	28.33	14
AP8220205	29.25	8
AP8220349	28.11	6
AP8220421	28.21	3
AP8220546	28.32	11
AP8221007	28.33	12

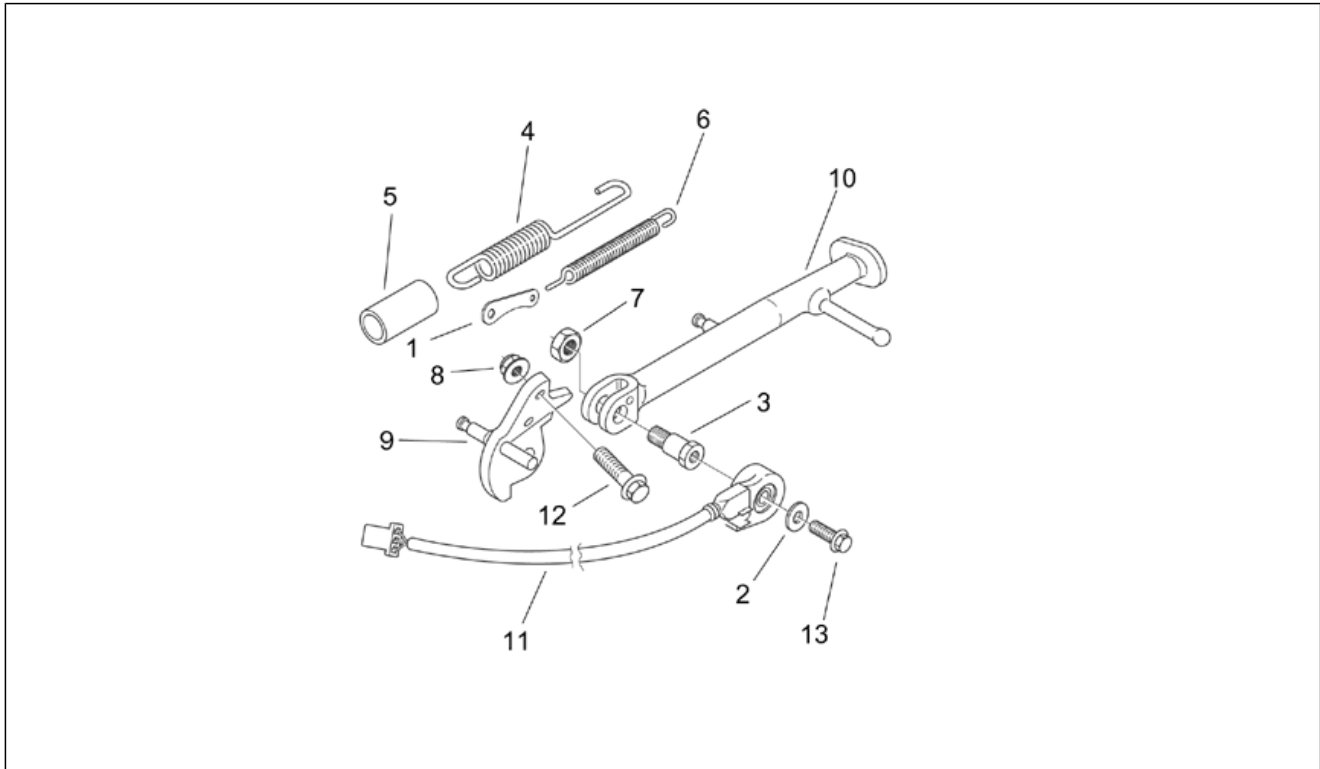
Code	Nr. der Tafel	Pos.
AP8221074	28.29	10
AP8221106	28.10	11
AP8221197	28.02	4
AP8222631	29.22	3
AP8222636	29.22	2
AP8222656	29.23	4
AP8222674	29.22	7
AP8224026	28.32	12
AP8224389	28.31	19
AP8229389	28.11	2
AP8229390	28.11	3
AP8268207	28.08	1
AP8268208	28.12	3
GU32753710	28.31	15
GU93450126	28.31	18

Einheit	RAHMEN
Code	28.01
Beschreibung	Rahmen
Inspektion	1



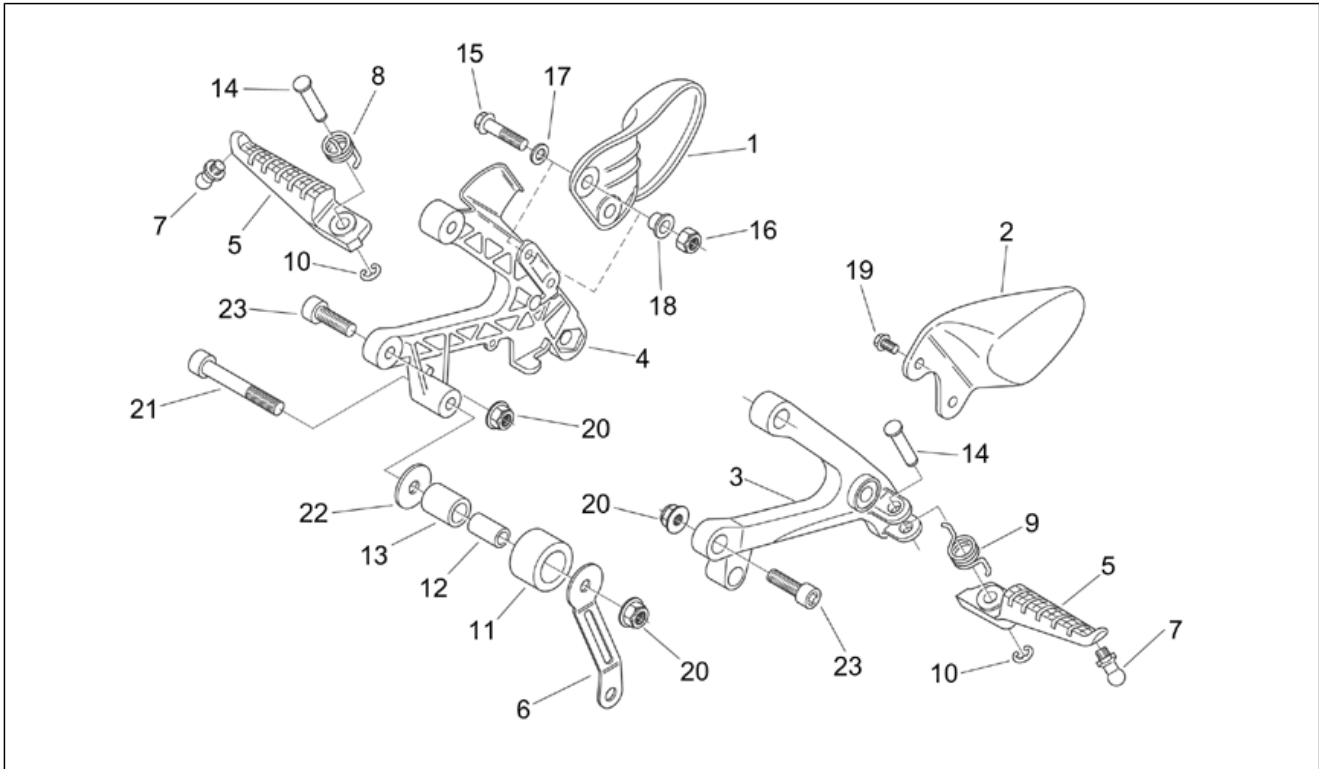
Pos.	Code	Beschreibung	Menge	Varianten
1	AP8146800	Rahmen, schwarz	1	
2	AP8135718	Rahmen V.Halterplatte	1	
3	AP8201287	Splint	2	
4	AP8121867	Speziellbuchse *	2	
5	AP8120699	Röhrchen	2	
6	AP8150017	Ausgleichscheibe 8,4x16x1,6	4	
7	AP8150169	TCEI Schraube M8x20	4	
8	AP8120531	Gummi mit Einsatz	2	
9	AP8102376	Klammer M6	9	
10	AP8102375	Klammer M5	2	
11	AP8121151	T-Buchse	1	
12	AP8121155	T-Buchse *	1	
13	AP8102798	Klammer M6	1	
14	AP8120670	Gummi *	4	
15	AP8152284	TE Schr. m. Flansch	2	
16	AP8152299	Selbstsperrende Mutter M6	2	

Einheit	RAHMEN
Code	28.02
Beschreibung	Hauptständer
Inspektion	1



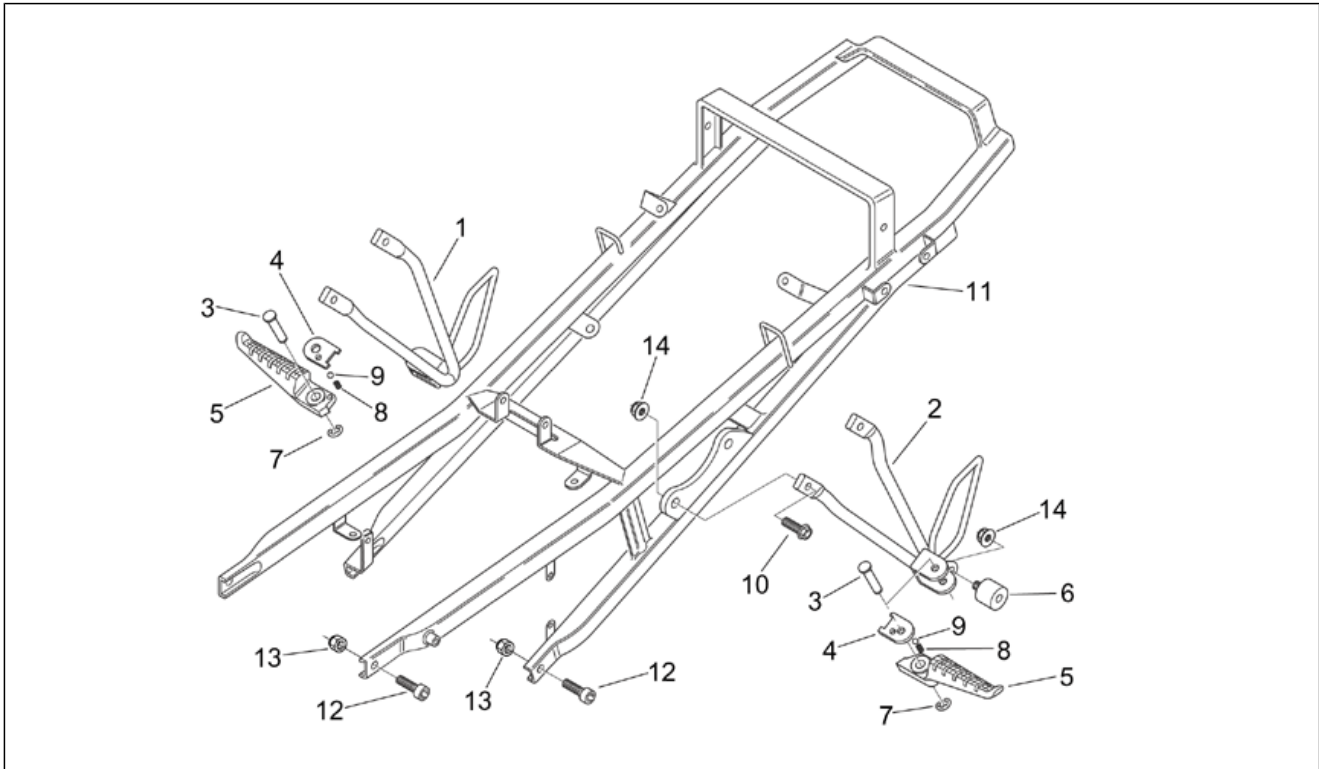
Pos.	Code	Beschreibung	Menge	Varianten
1	AP8134266	Rückholplatte Ständer	1	
2	AP8150015	Ausgleichscheibe 6,6x18x1,6*	1	
3	AP8121999	Ständerbolzen	1	
4	AP8221197	Hauptständer Schraubenfeder	1	
5	AP8102524	Schutz f. Ständerfeder	1	
6	AP8121014	Schraubenfeder	1	
7	AP8152001	Mutter unten M10x1,25	1	
8	AP8152300	Selbstsperrende Mutter M8	2	
9	AP8146087	Hauptständer platte galv.	1	
10	AP8146088	Seitenständer	1	
11	AP8124094	Schalter	1	
12	AP8152289	TE Schr. m. Flansch	2	
13	AP8152278	TE Schr. m. Flansch M6x16	1	

Einheit	RAHMEN
Code	28.03
Beschreibung	Fußrasten Fahrer
Inspektion	1



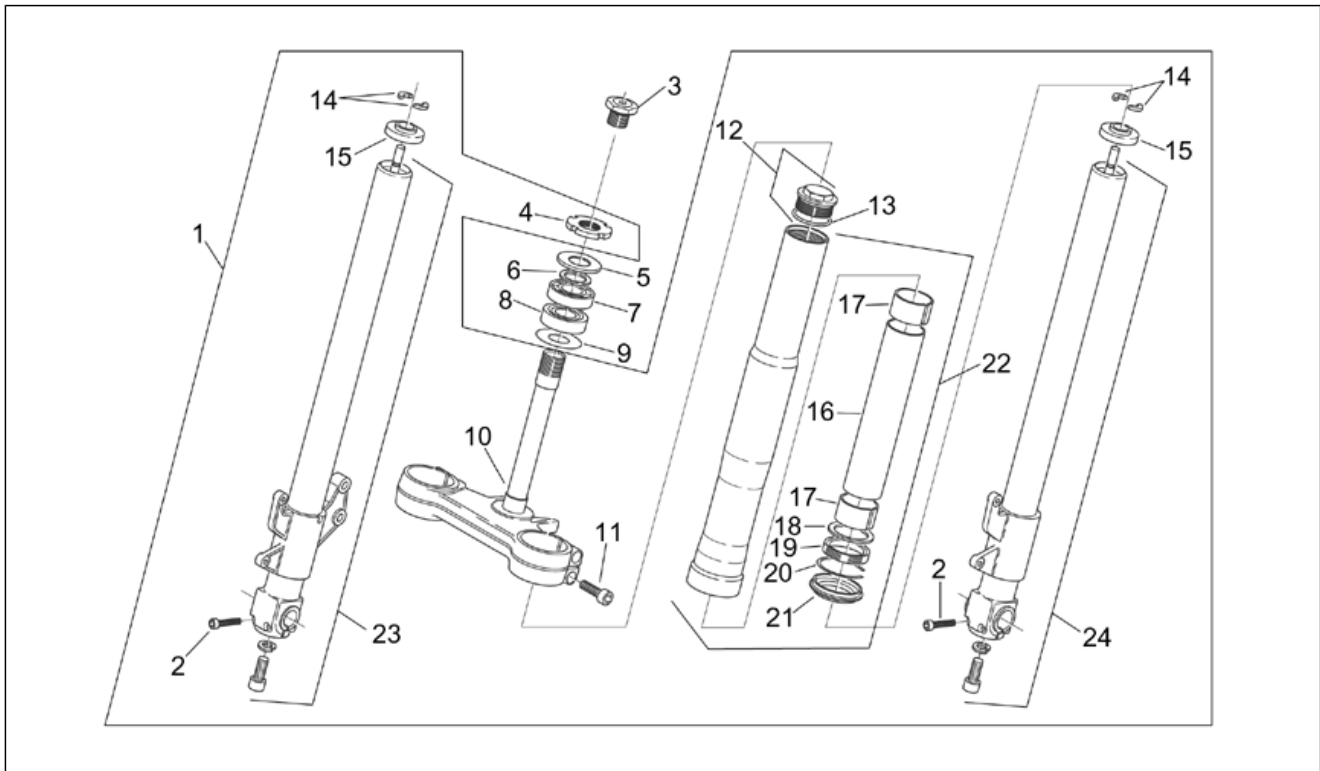
Pos.	Code	Beschreibung	Menge	Varianten
1	AP8134542	Fahrer Fußrastenschutz r.	1	
2	AP8134543	Fahrer Fußrastenschutz l.	1	
3	AP8146374	Fußrastenhalter Fahrer links	1	
4	AP8146373	Fußrastenhalter Fahrer rechts	1	
5	AP8135313	Fußrasten Fahrer (Paar)	1	
6	AP8134243	U. Fixierplatte r. Verkl.	1	
7	AP8121134	Rastenbolzen	2	
8	AP8121939	R. Fussrastenfeder	1	
9	AP8121940	L. Fussrastenfeder	1	
10	AP8152409	Sperring	4	
11	AP8120569	Kettenspannrolle	1	
12	AP8121672	Distanzscheibe *	1	
13	AP8120568	Distanzscheibe *	1	
14	AP8121566	Rastenbolzen	2	
15	AP8152282	TE Schr. m. Flansch M6x35	2	
16	AP8150430	Selbstsperr.mut Unt.	2	
17	AP8150014	Ausgleichscheibe 6,4x12,5*	2	
18	AP8121728	T-Buchse	2	
19	AP8152272	TE Schr. m. Flansch M5x12	2	
20	AP8152300	Selbstsperrende Mutter M8	1	
21	AP8150221	TCEI Schraube M8x70	1	
22	AP8150019	Ausgleichscheibe 8,4x32x2,5	1	
23	AP8150107	TCEI Schraube M8x30	2	

Einheit	RAHMEN
Code	28.04
Beschreibung	Soziusrasten
Inspektion	1



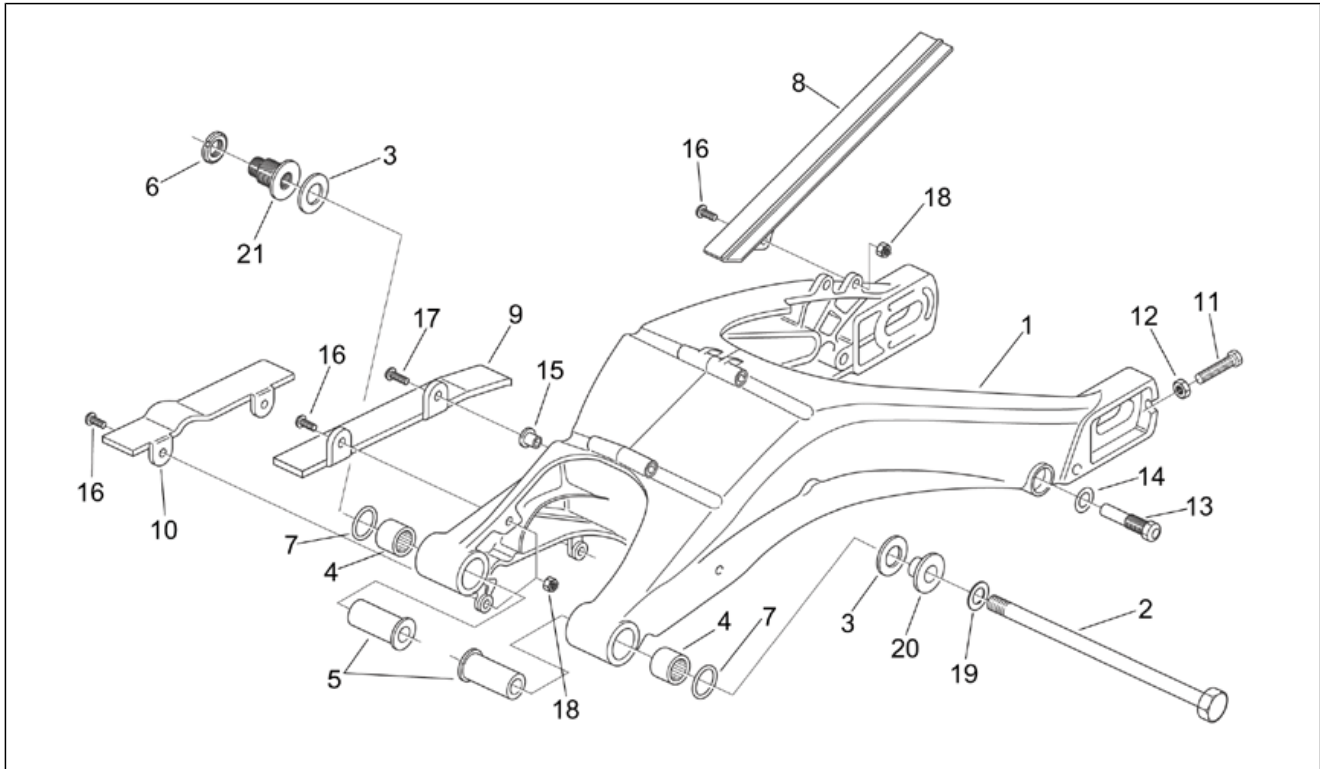
Pos.	Code	Beschreibung	Menge	Varianten
1	AP8135444	Halter rechte Soziusfußraste	1	
2	AP8135445	Halter linke Soziusfußraste	1	
3	AP8134829	Rastenbolzen	2	
4	AP8132720	Fixierplatte	2	
5	AP8132812	Soziusrasten (Paar)	1	
6	AP8120910	Silent-Block	1	
7	AP8152409	Sperring	4	
8	AP8121133	Schraubenfederkompr.	2	
9	AP8101861	Kugel D6,35	2	
10	AP8152286	TE Schr. m. Flansch M8x20	4	
11	AP8146080	Sndb. Sttlh. m. Rckstr.	1	
12	AP8150170	TCEI Schraube M8x25	4	
13	AP8150431	Mutter unten M8	4	
14	AP8152300	Selbstsperrende Mutter M8	4	

Einheit	RAHMEN
Code	28.05
Beschreibung	Vorderradgabel
Inspektion	1



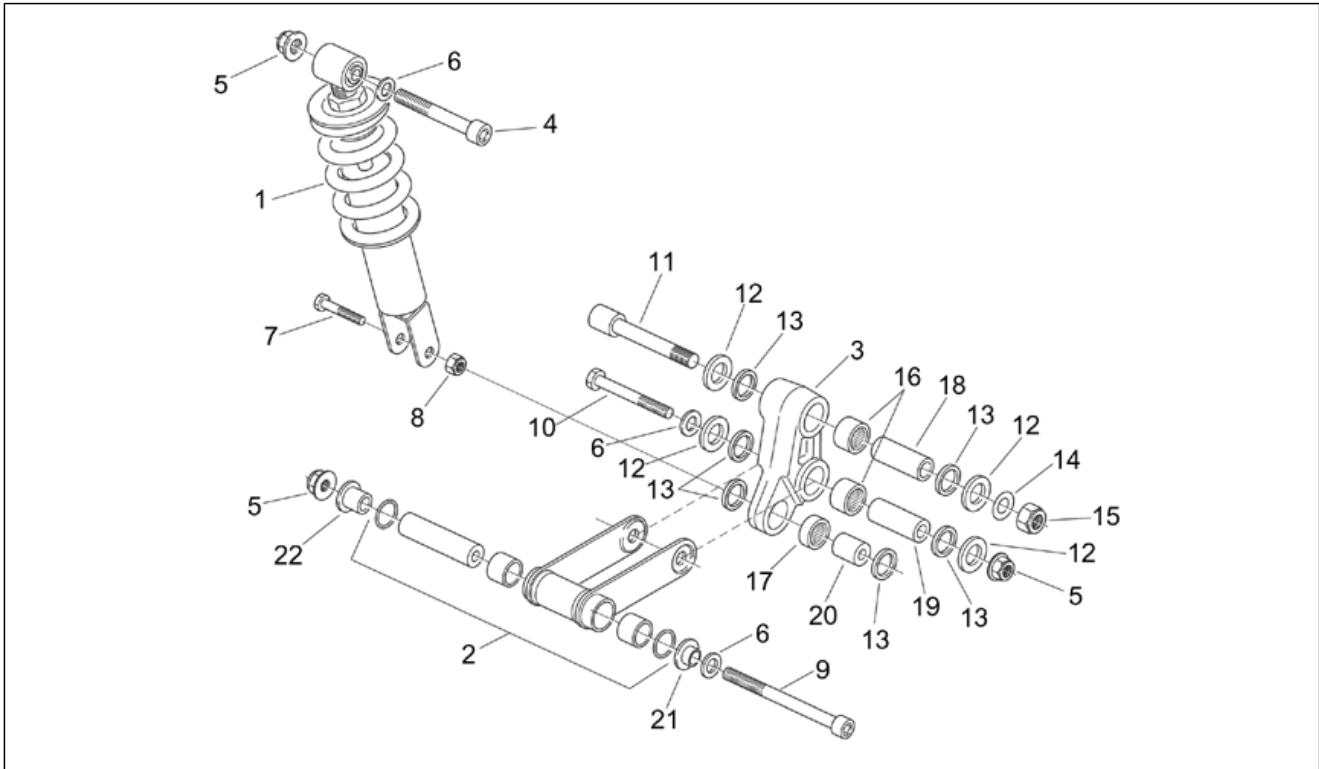
Pos.	Code	Beschreibung	Menge	Varianten
1	AP8163116	Baugruppe vordere Gabel	1	
2	AP8123574	TCEI Schraube M6x30	2	
3	AP8150352	Schraube Rohr	1	
4	AP8203588	Untere Nutmutter Gabel	1	
5	AP8101106	Gasket ring	1	
6	AP8203550	U-scheibe Lenksatz	1	
7	AP8110025	Kugellager	1	
8	AP8110024	Rollenlager	1	
9	AP8101271	Staubschutzring unten	1	
10	AP8123879	Fuß mit Rohr	1	
11	AP8203570	Zylinderschraube M8x30	2	
12	AP8123878	Geflanschte Mutter	2	
13	AP8123346	O-Ring	2	
14	AP8123441	Halbring	4	
15	AP8123357	Ring	2	
16	AP8123355	Distanzscheibe	2	
17	AP8123689	Gleitbuchse	4	
18	AP8123360	Führungsbecher	2	
19	AP8103235	Gasket ring	2	
20	AP8123199	Sperring	2	
21	AP8123777	Staubschutzfeder	2	
22	AP8123691	Hülse schwarz	2	
23	AP8163190	Klb.st.+ Radhltr. rch.	1	
24	AP8163191	Klb.st.+ Radhltr. lks.	1	

Einheit	RAHMEN
Code	28.06
Beschreibung	Schwinge
Inspektion	1



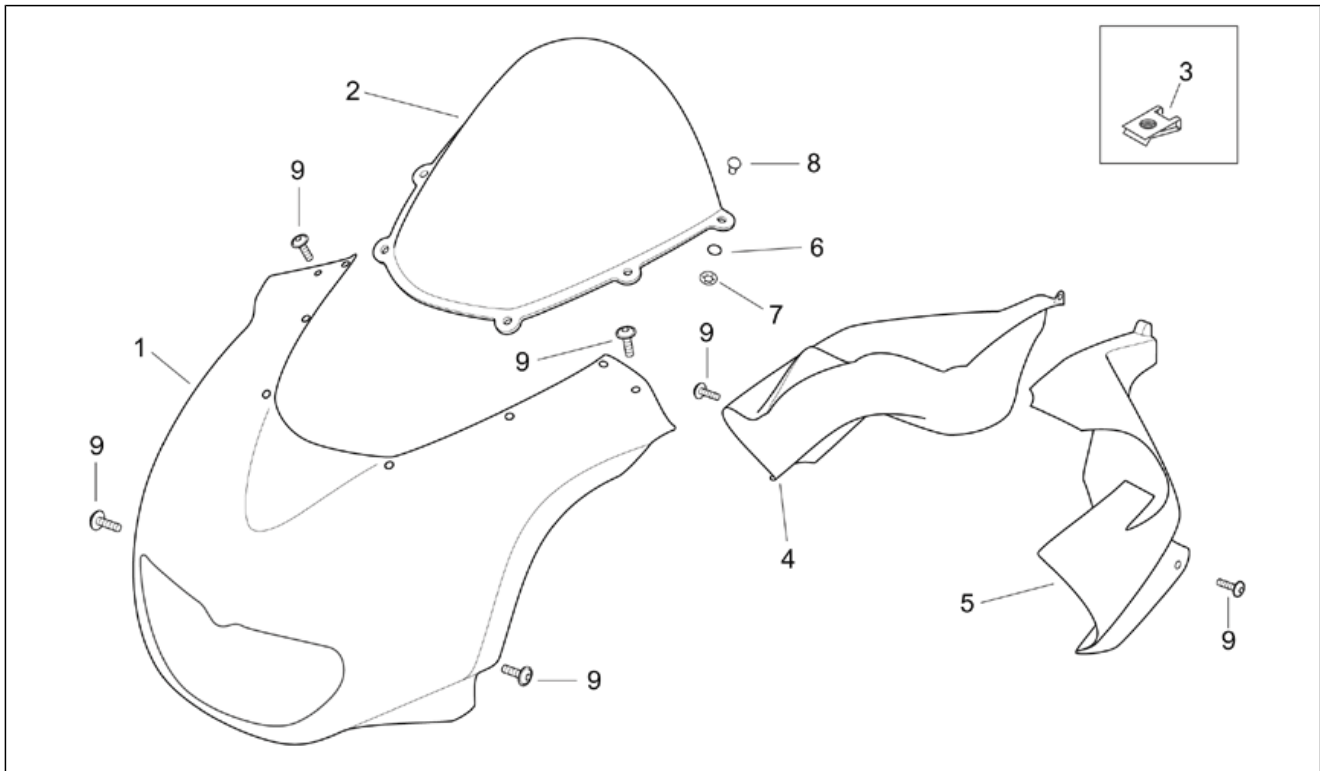
Pos.	Code	Beschreibung	Menge	Varianten
1	AP8146806	Schwinge, schwarz	1	
2	AP8125627	Schwingenbolzen	1	
3	AP8101341	Bundscheibe	2	
4	AP8110067	Nadellager 22x28x16	2	
5	AP8121121	Buc.für Schwingenzp.	2	
6	AP8150299	Nutmutter M17x1	1	
7	AP8120280	O-Ring 4087	4	
8	AP8131623	Kettenkasten, schwarz	1	
9	AP8120793	Ob. Kettengleitführung	1	
10	AP8120794	Unt. Kettengleitführung	1	
11	AP8152261	Kettenspannschrauben	2	
12	AP8152262	Mutter unten	2	
13	AP8135396	Bremsenhalterbolzen	1	
14	AP8121697	Tellerfeder	1	
15	AP8120531	Gummi mit Einsatz	1	
16	AP8152267	TBEI Spez.schr. M5x12	5	
17	AP8152268	TBEI Spez.schr. M5x16	1	
18	AP8150451	Selbstsperr.mut Unt.	5	
19	AP8150297	Gebogene Sprengscheibe *	1	
20	AP8121150	Buchse 18 mm	1	
20	AP8121581	Buchse 20 mm	1	
21	AP8121156	Buchse	1	

Einheit	RAHMEN
Code	28.07
Beschreibung	Hinterradaufhängung
Inspektion	1



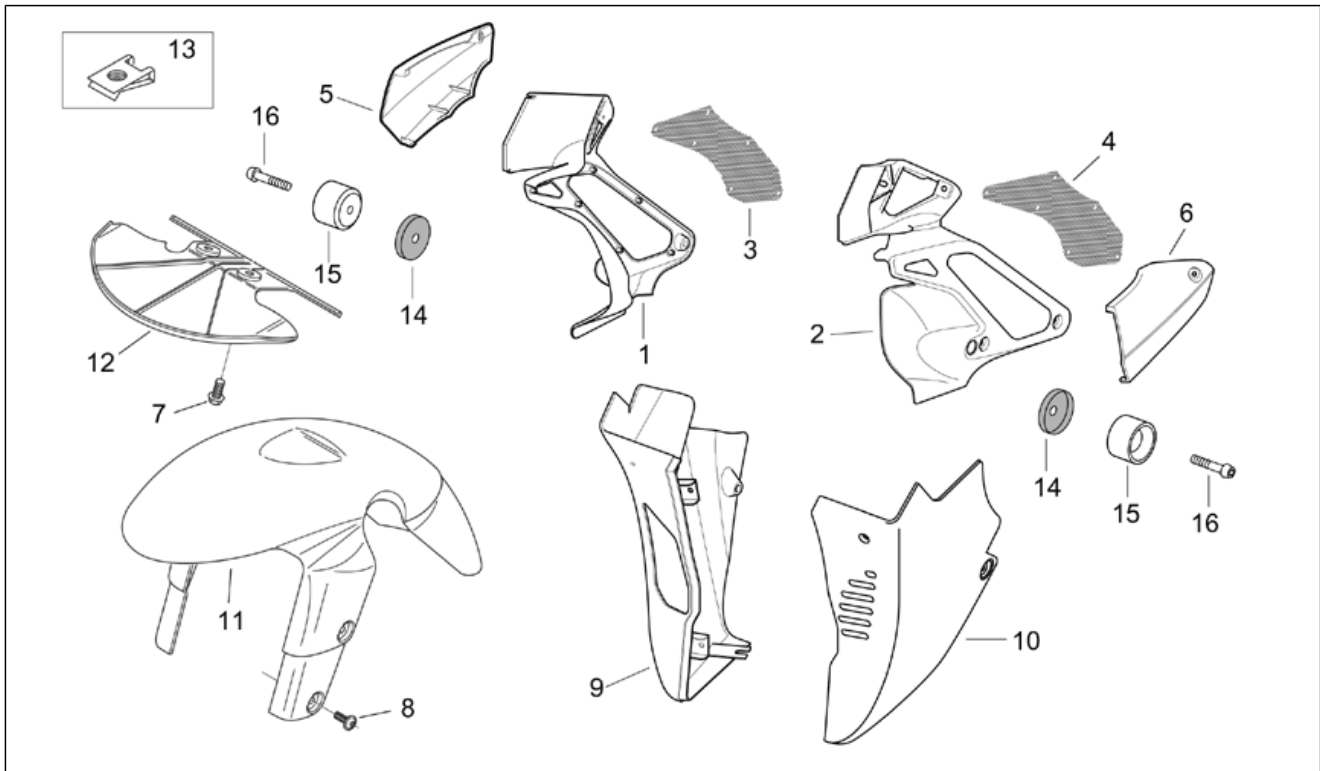
Pos.	Code	Beschreibung	Menge	Varianten
1	AP8123853	Stoßdämpfer	1	
2	AP8132634	Einfache Pleuelstange	1	
3	AP8135362	Doppelte Pleuelstange	1	
4	AP8150192	TCEI Schraube M10x80	1	
5	AP8152301	Selbstsperrende Mutter	3	
6	AP8150020	Ausgleichscheibe 10,5x21x2*	3	
7	AP8152111	Sechskantschraube M8x40	1	
8	AP8150431	Mutter unten M8	1	
9	AP8150310	TCEI Schraube M10x120	1	
10	AP8150336	Sechskantschraube M10x75	1	
11	AP8150346	TCEI Schraube M12x78.5	1	
12	AP8120485	Gasket ring	4	
13	AP8110068	Ölabstreifring D18x24x3	6	
14	AP8121697	Tellerfeder	1	
15	AP8150432	Selbstsperr.mut Unt. M12*	1	
16	AP8110064	Nadelkaefig	1	
17	AP8110063	Nadelkaefig	2	
18	AP8121846	Pleuelbolzen	1	
19	AP8121845	Bolzen L=50	1	
20	AP8121847	Pleuelbolzen	1	
21	AP8121151	T-Buchse	1	
22	AP8121155	T-Buchse *	1	

Einheit	RAHMEN
Code	28.08
Beschreibung	Frontaufbau I
Inspektion	1



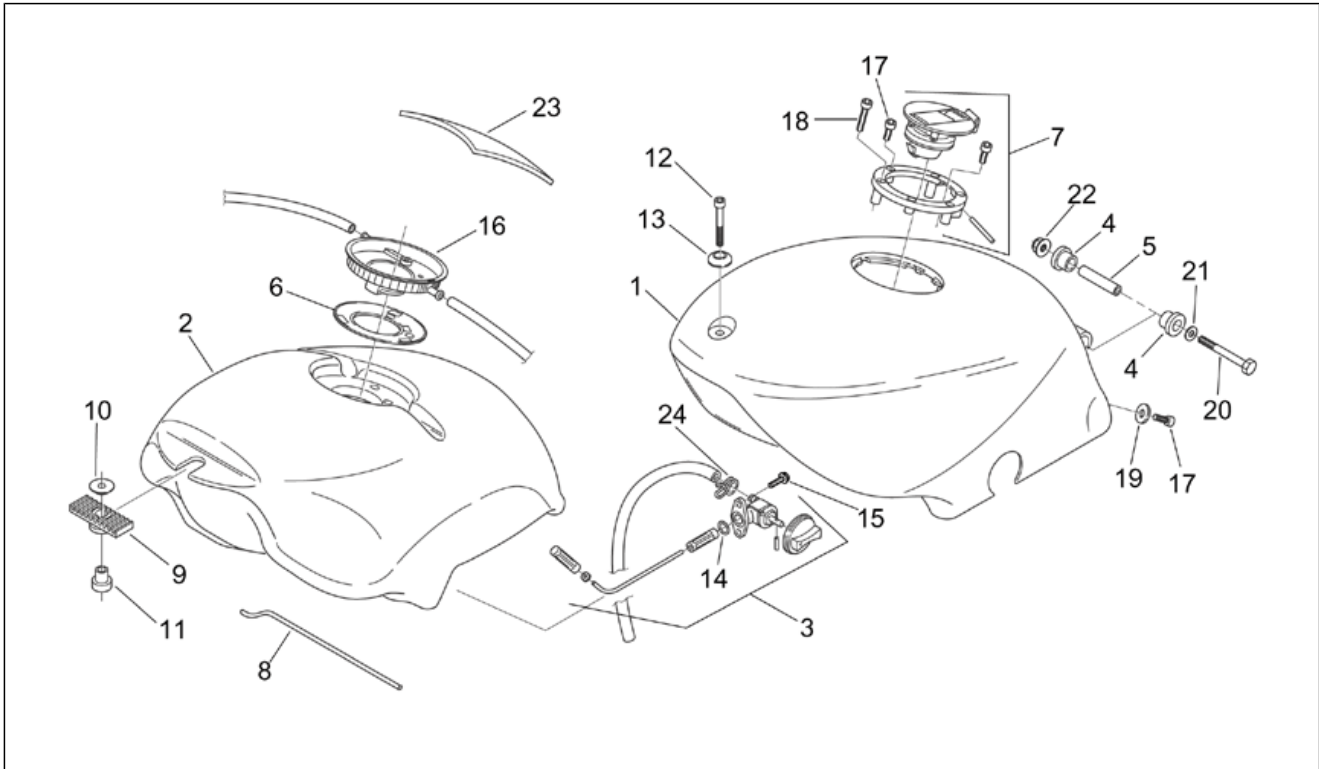
Pos.	Code	Beschreibung	Menge	Varianten
1	AP8168841	Vord. Verkleidung, schwarz	1	Baujahr: 2003[3] Fahrzeugfarbe: Racing 2003[rac]
1	AP8178008	Vord. Verkleidung, rot	1	Baujahr: 2003[3] Fahrzeugfarbe: Rot Tulip 2003[t.red]
1	AP8268207	Front fairing, silver	1	Baujahr: 2004[4] Fahrzeugfarbe: Silver Mirror 2004 (t.B..14475)[s.mir]
2	AP8168975	Windabweiser	1	
3	AP8102375	Klammer M5	10	
4	AP8168838	Verschl.R.Instrument.	1	
5	AP8168839	Verschl.L.Instrument.	1	
6	AP8102504	Gummi	6	
7	AP8150450	Wellenscheibe D5	6	
8	AP8144109	Fixierstift	3	
9	AP8152246	TBEI Schraube m.Flansch M6x16	4	

Einheit	RAHMEN
Code	28.09
Beschreibung	Frontaufbau II
Inspektion	1



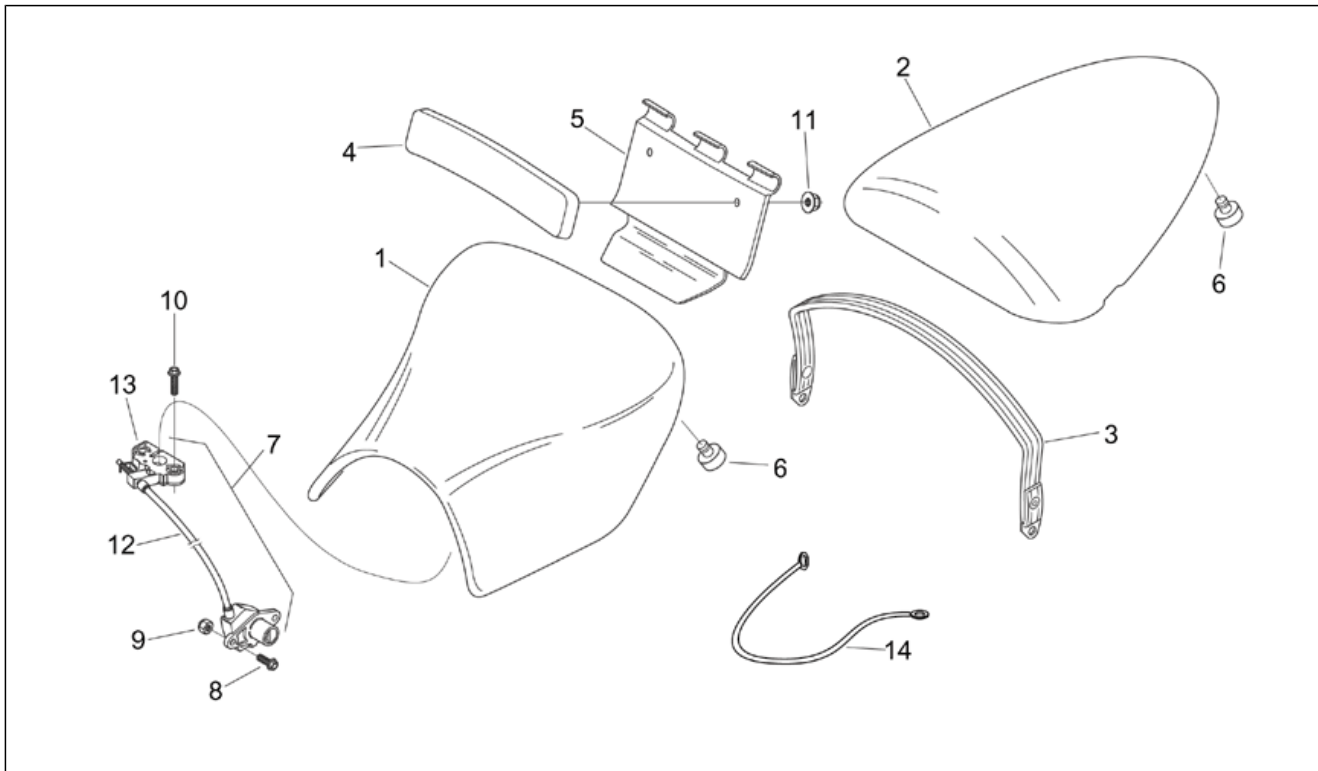
Pos.	Code	Beschreibung	Menge	Varianten
1	AP8168842	Seitenteil rechts	1	
2	AP8168843	Seitenteil links	1	
3	AP8168844	Netz rechtes Seitenteil	1	
4	AP8168845	Netz linkes Seitenteil	1	
5	AP8168836	Rechtes Leitblech	1	
6	AP8168837	Linkes Leitblech	1	
7	AP8152278	TE Schr. m. Flansch M6x16	4	
8	AP8152298	TBEI Schraube m.Flansch M5x16	4	
9	AP8168840	R.Stütze	1	
10	AP8168890	L.Stütze	1	
11	AP8156072	V. Schutzblech, schwarz	1	Baujahr:2003[3] Fahrzeugfarbe:Racing 2003[rac]
11	AP8156090	V. Schutzblech, rot	1	Baujahr:2003[3] Fahrzeugfarbe:Rot Tulip 2003[t.red]
11	AP8156148	V. Schutzblech, silver	1	Baujahr:2004[4] Fahrzeugfarbe:Silver Mirror 2004 (t.B..14475)[s.mir]
12	AP8139129	Verschluß Kuppel	1	
13	AP8102375	Klammer M5	6	
14	AP8134922	Boden	2	
15	AP8163193	Puffer	2	
16	AP8150469	TCEI Schraube M10x30	2	

Einheit	RAHMEN
Code	28.10
Beschreibung	Kraftstofftank
Inspektion	1



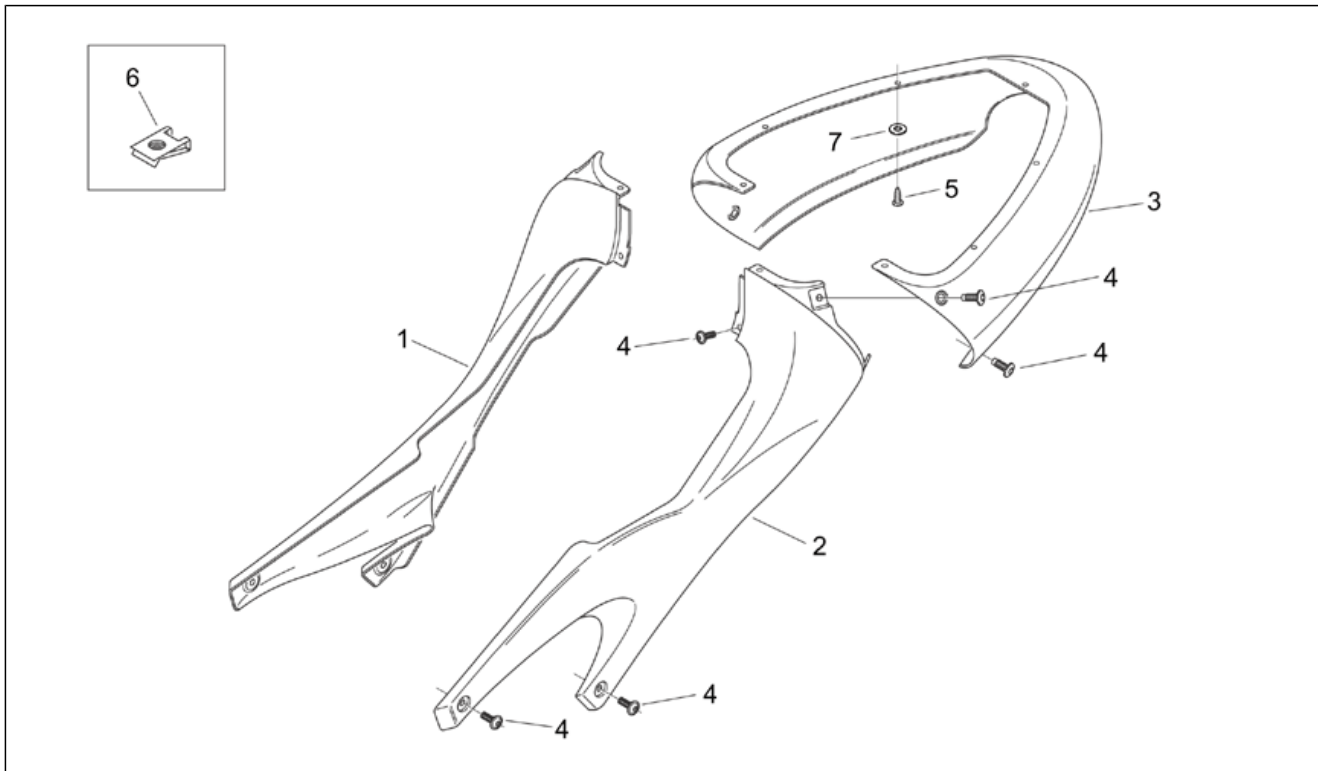
Pos.	Code	Beschreibung	Menge	Varianten
1	AP8168835	Tankabdeckung, schwarz	1	Baujahr:2003[3] Fahrzeugfarbe:Racing 2003[rac]
1	AP8178007	Tankabdeckung, rot	1	Baujahr:2003[3] Fahrzeugfarbe:Rot Tulip 2003[t.red]
1	AP8178626	Tankabdeckung, silver	1	Baujahr:2004[4] Fahrzeugfarbe:Silver Mirror 2004 (t.B..14475)[s.mir]
2	AP8139124	Kraftstofftank	1	
3	AP8102819	Kraftstoffhahn	1	
4	AP8120709	Gummi *	2	
5	AP8152153	H. Distanzscheibe	1	
6	AP8144159	Dichtung Kraftstofftank	1	
7	AP8104710	Tankfüllschraube	1	
8	AP8121324	Stange tanköffnung	1	
9	AP8120557	Gummi Tankanschluß	1	
10	AP8121114	T-Buchse *	1	
11	AP8221106	H.Bremshebuchse	1	
12	AP8150202	TCEI Schraube M6x50	1	
13	AP8121819	Ausgleichscheibe 6,5x12,5*	1	
14	AP8120798	O-Ring	1	
15	AP8152272	TE Schr. m. Flansch M5x12	2	
16	AP8102676	Schwimmergehäuse	1	
17	AP8150050	TCEI Schraube M5x16	4	
18	AP8150176	TCEI Schraube	3	
19	AP8150248	Ausgleichscheibe 5,5x15x1,6	2	
20	AP8150314	Sechskantschraube	1	
21	AP8150014	Ausgleichscheibe 6,4x12,5*	1	
22	AP8152299	Selbstsperrende Mutter M6	1	
23	AP8117073	Klebschwamm	1	
24	AP8201358	Schelle D 11,9	1	

Einheit	RAHMEN
Code	28.11
Beschreibung	Sitzbankeinheit
Inspektion	1



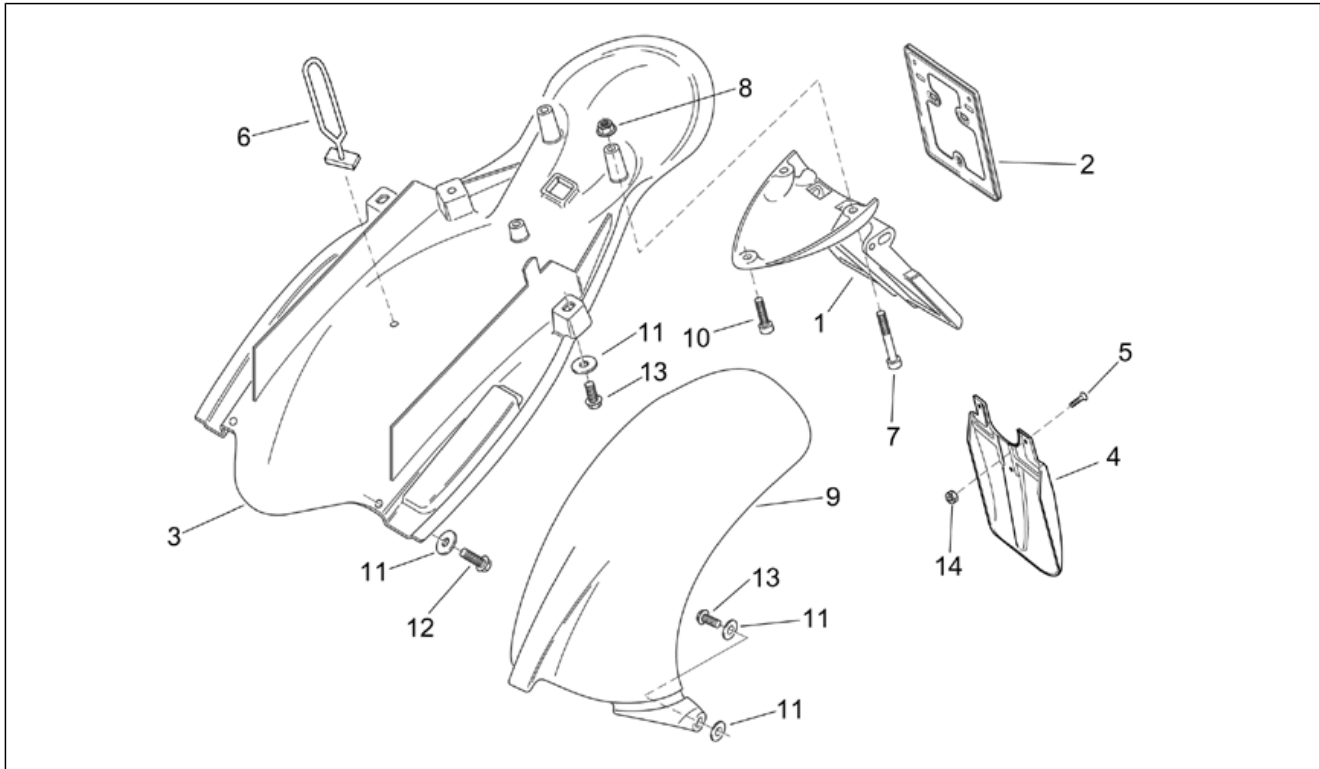
Pos.	Code	Beschreibung	Menge	Varianten
1	AP8129391	Fahrersitz, rot/swz	1	Baujahr: 2003[3] Fahrzeugfarbe: Racing 2003[rac]
1	AP8129405	Fahrersitz, schwarz	1	Baujahr: 2003[3] Fahrzeugfarbe: Rot Tulip 2003[t.red]
1	AP8129436	Fahrersitz, rot/swz	1	Baujahr: 2004[4]
2	AP8129392	Soziussitz rot	1	Baujahr: 2003[3] Fahrzeugfarbe: Racing 2003[rac]
2	AP8129406	Soziussitz, schwarz	1	Baujahr: 2003[3] Fahrzeugfarbe: Rot Tulip 2003[t.red]
2	AP8229389	Soziussitz, schwarz	1	Baujahr: 2004[4]
3	AP8129393	Soziusriemen rot	1	Baujahr: 2003[3] Fahrzeugfarbe: Racing 2003[rac]
3	AP8129407	Soziusriemen schwarz	1	Baujahr: 2003[3] Fahrzeugfarbe: Rot Tulip 2003[t.red]
3	AP8229390	Soziusriemen schwarz	1	Baujahr: 2004[4]
4	AP8129223	Sitzkissen	1	
5	AP8168287	Klappe Werkzeugfach, schwarz	1	
6	AP8220349	Gummi	4	
7	AP8104709	Sitzschloß	1	
8	AP8152278	TE Schr. m. Flansch M6x16	2	
9	AP8150430	Selbstsperr.mut Unt.	3	
10	AP8152280	TE Schr. m. Flansch M6x25	2	
11	AP8152306	Selbstsperrende Mutter M5	4	
12	AP8114389	Schloßkabel	1	
13	AP8102913	Fixierplatte Soziussitz	1	
14	AP8102502	Schutzhelm-Befestigungskabel	1	

Einheit	RAHMEN
Code	28.12
Beschreibung	Heckaufbau I
Inspektion	1



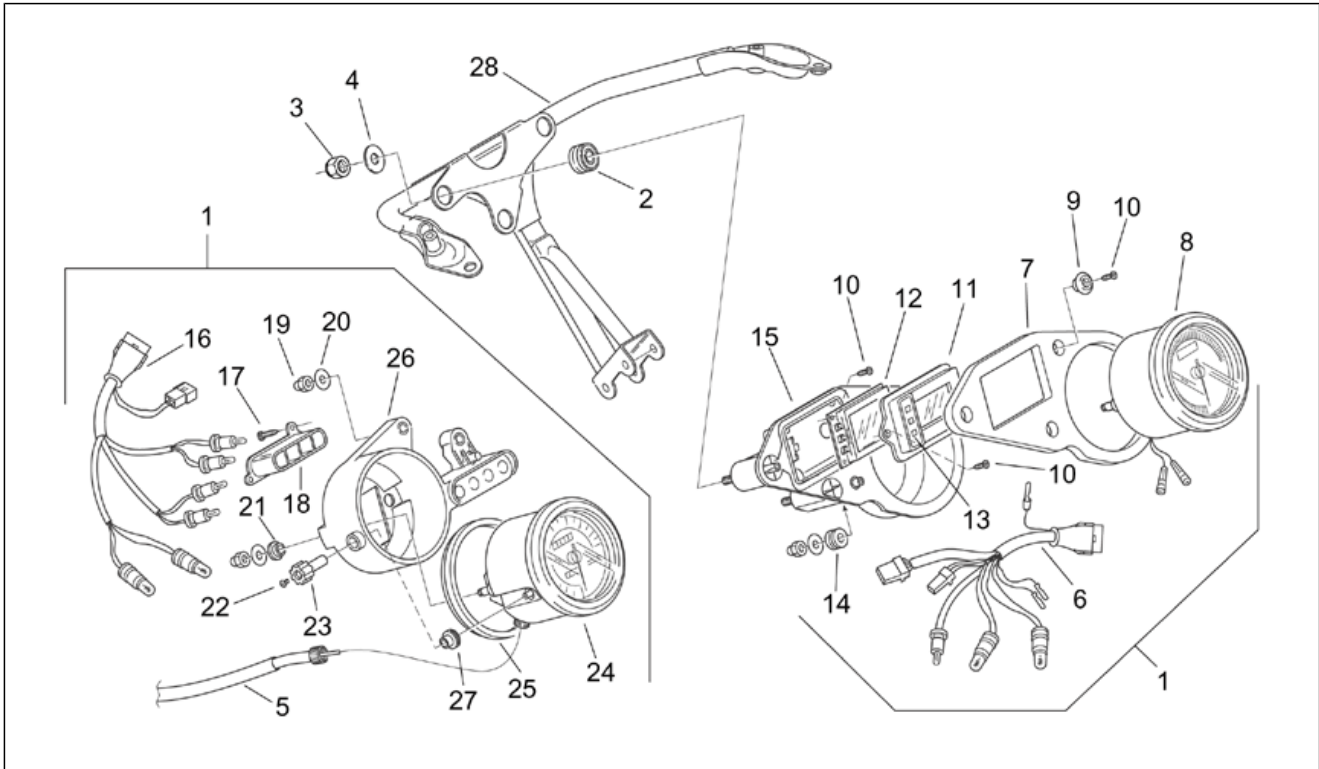
Pos.	Code	Beschreibung	Menge	Varianten
1	AP8168285	R.Sitzhalterabd., schwarz	1	Baujahr:2003[3], 2004[4]
2	AP8168286	L.Sitzhalterabd., schwarz	1	Baujahr:2003[3], 2004[4]
3	AP8168847	Heckteil, schwarz	1	Baujahr:2003[3] Fahrzeugfarbe:Racing 2003[rac]
3	AP8178009	Heckteil, rot	1	Baujahr:2003[3] Fahrzeugfarbe:Rot Tulip 2003[t.red]
3	AP8268208	Heckteil, silver	1	Baujahr:2004[4] Fahrzeugfarbe:Silver Mirror 2004 (t.B..14475)[s.mir]
4	AP8152302	TBEI Schraube m.Flansch M5x12	4	
5	AP8150444	Gewindeschraube Edelstahl	7	
6	AP8102375	Klammer M5	2	
7	AP8150011	Ausgleichscheibe 4,3x12x1	6	

Einheit	RAHMEN
Code	28.13
Beschreibung	Heckaufbau II
Inspektion	1



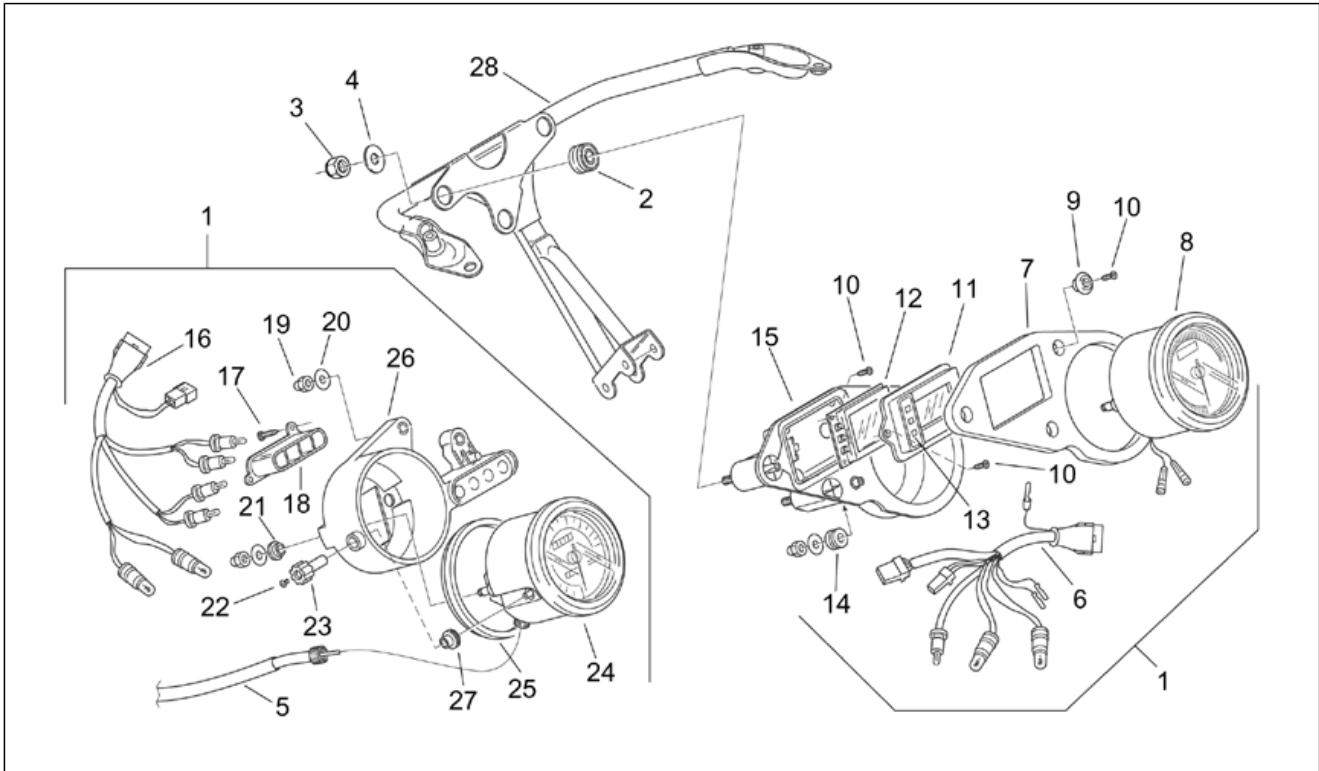
Pos.	Code	Beschreibung	Menge	Varianten
1	AP8126583	Kennzeichenplatte	1	
2	AP8126115	Kennzeichenplatte	1	
3	AP8148672	Unt.Verschl.Sitzhal.schw.	1	
4	AP8126641	Verl. Nummernsch.bef.	1	
5	AP8152166	Schraube M6x16	3	
6	AP8120177	Elastic	1	
7	AP8150045	TCEI Schraube M6x55	2	
8	AP8152299	Selbstsperrende Mutter M6	3	
9	AP8126356	Schutzblech schwarz	1	Baujahr:2004[4]
9	AP8126356	Schutzblech schwarz	1	Baujahr:2003[3] Fahrzeugfarbe:Rot Tulip 2003[t.red]
9	AP8156089	Schutzblech schwarz	1	Baujahr:2003[3] Fahrzeugfarbe:Racing 2003[rac]
10	AP8152279	TE Schr. m. Flansch M6x20	1	
11	AP8150179	Ausgleichscheibe 6,6x18*	5	
12	AP8152280	TE Schr. m. Flansch M6x25	2	
13	AP8152278	TE Schr. m. Flansch M6x16	2	
14	AP8150430	Selbstsperr.mut Unt.	2	

Einheit	RAHMEN
Code	28.14
Beschreibung	Instrumententafel
Inspektion	1



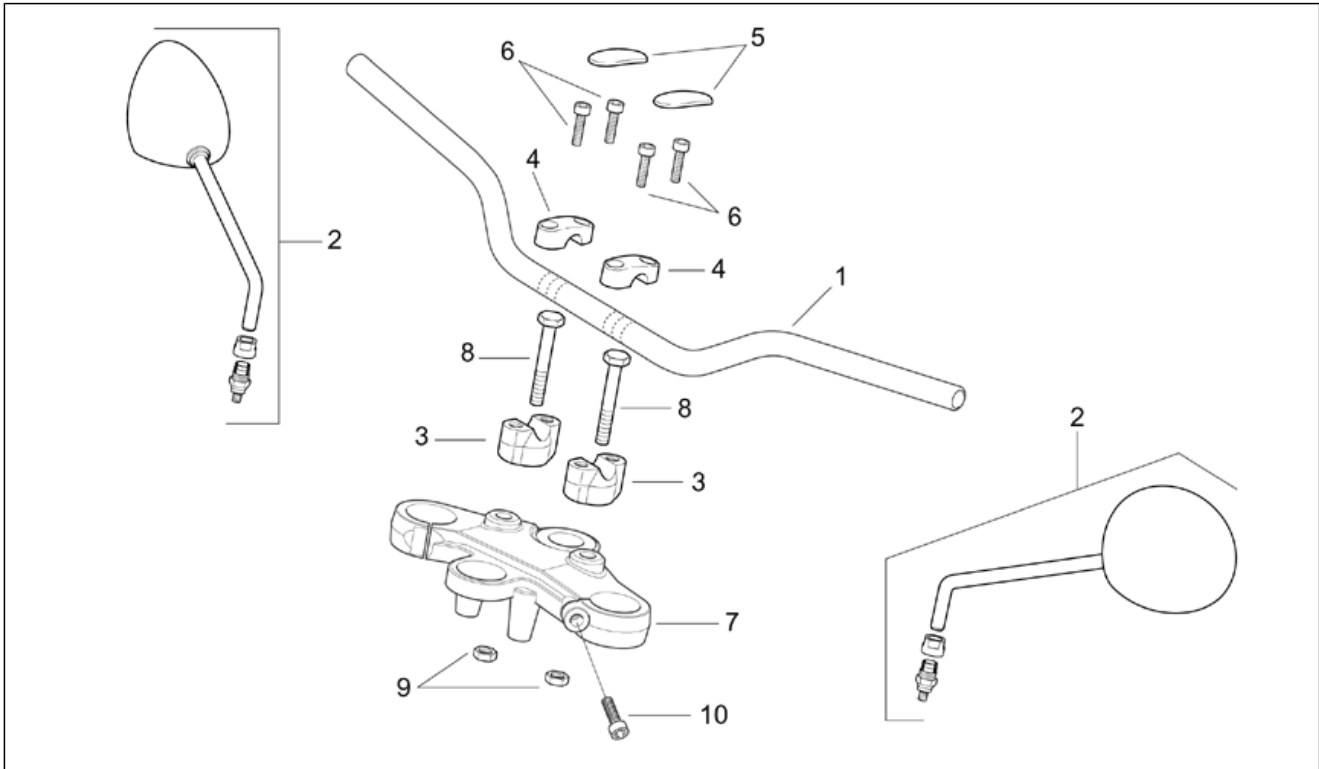
Pos.	Code	Beschreibung	Menge	Varianten
1	AP8124835	Instrum.tafel kplt.	1	Land:Australien[AA]
1	AP8127325	Instrum.tafel kplt.	1	Land:I, D, E, NL[EU], Großbritannien[UK]
2	AP8220150	Gummi	3	
3	AP8150430	Selbstsperr.mut Unt.	3	
4	AP8150179	Ausgleichscheibe 6,6x18*	3	
5	AP8114465	Tachometerkabel	1	
6	AP8124652	Drehzahlmesserkabel	1	
7	AP8124198	Dichtung schwamm	1	
8	AP8124225	Drehzahlm.	1	
9	AP8124253	Fixierbuchse Schwamm	3	
10	AP8123553	Verschlusschraube	7	
11	AP8124194	Instrumenten-Abdeckblende	1	
12	AP8124226	Vorrichtung multifunktion	1	
13	AP8124195	Verschlusschraube	1	
14	AP8124655	Gummi tachowelle	2	
15	AP8124197	Hltr. Drehzahlmesser	1	
16	AP8124654	Verkabelung Instrumentenbrett	1	
17	AP8124656	Lampenhalterschraube	2	
18	AP8124657	Lampenhalter	1	
19	AP8124658	Mutter	6	
20	AP8124659	Ausgleichscheibe	6	
21	AP8124254	Gummi tachometer	2	
22	AP8124660	Tastenschraube hellbl.	1	
23	AP8131176	Nullstellknopf	1	
24	AP8124224	Tachometer	1	Land:Australien[AA]
24	AP8127361	Tachometer	1	Land:I, D, E, NL[EU], Großbritannien[UK]
25	AP8124252	Tachometer dichtung	1	
26	AP8124653	Tachometeraufnahme	1	

Einheit	RAHMEN
Code	28.14
Beschreibung	Instrumententafel
Inspektion	1



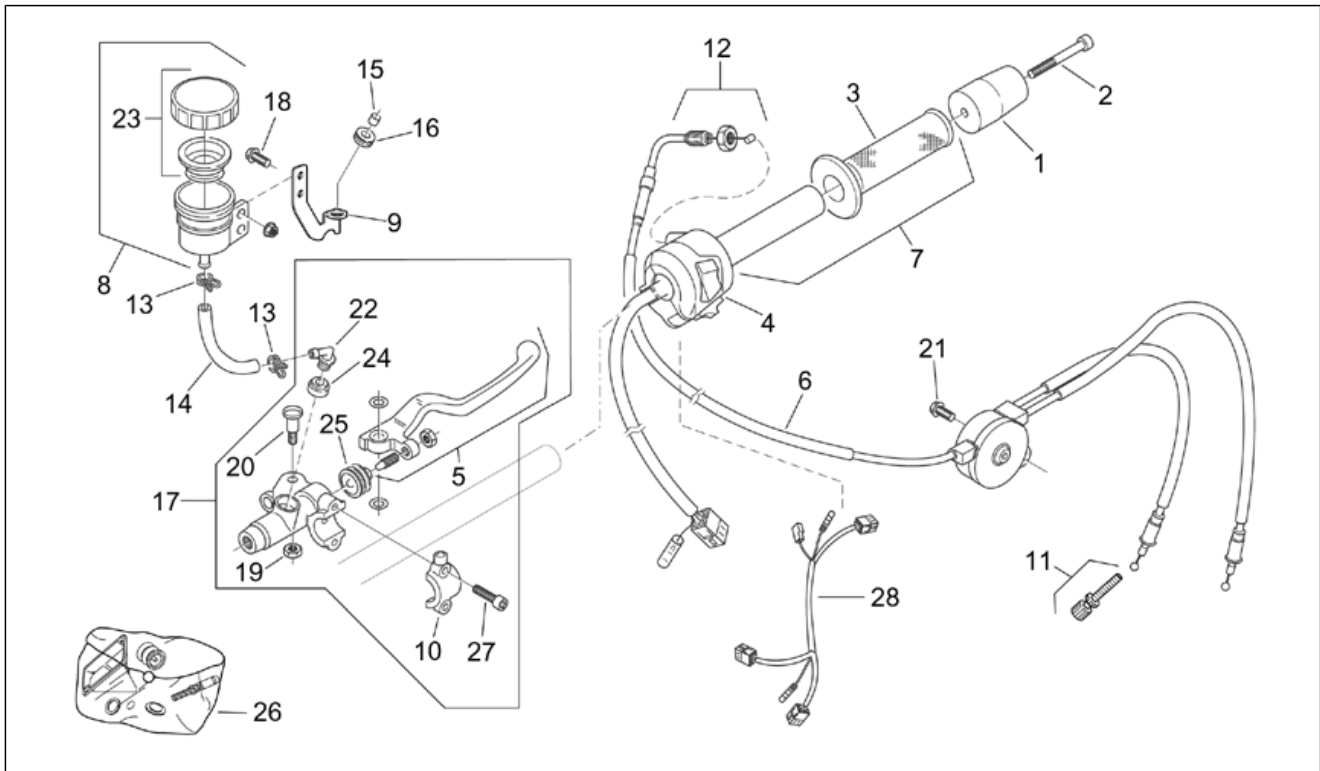
Pos.	Code	Beschreibung	Menge	Varianten
27	AP8124661	Gummi Nullstellknopf	1	
28	AP8146777	Instrumentenrahmen	1	

Einheit	RAHMEN
Code	28.15
Beschreibung	Lenkstange
Inspektion	1



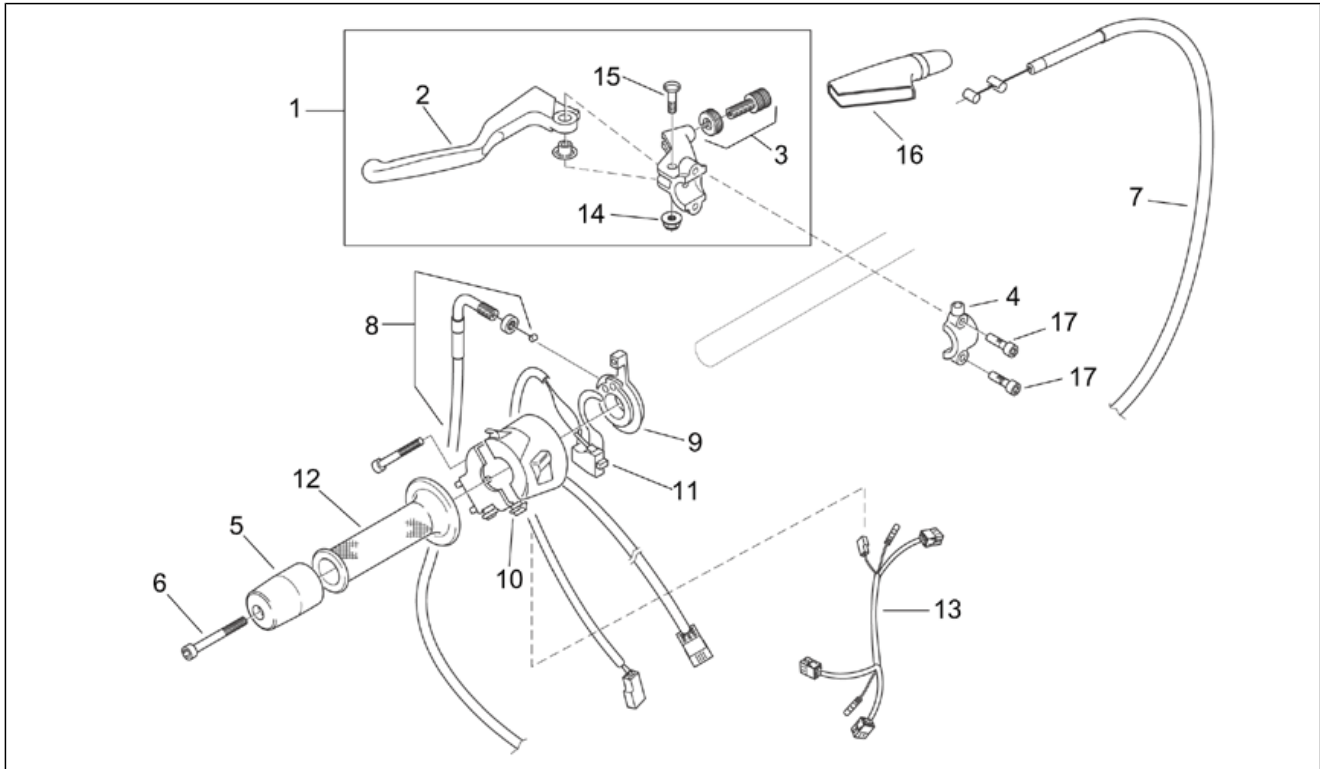
Pos.	Code	Beschreibung	Menge	Varianten
1	AP8118664	Lenkstange	1	
2	AP8104566	Rückspiegel	2	
3	AP8123605	Unter.Bügelbolzen	2	
4	AP8123544	Bügelbolzen	2	
5	AP8101513	Schraube Lenkstangenbolzen	2	
6	AP8150107	TCEI Schraube M8x30	4	
7	AP8163248	Ob. Gabelplatte	1	
8	AP8150227	Sechskantschraube	2	
9	AP8150205	Selbstsperrende Mutter	2	
10	AP8150107	TCEI Schraube M8x30	2	

Einheit	RAHMEN
Code	28.16
Beschreibung	Schaltungen rechts
Inspektion	1



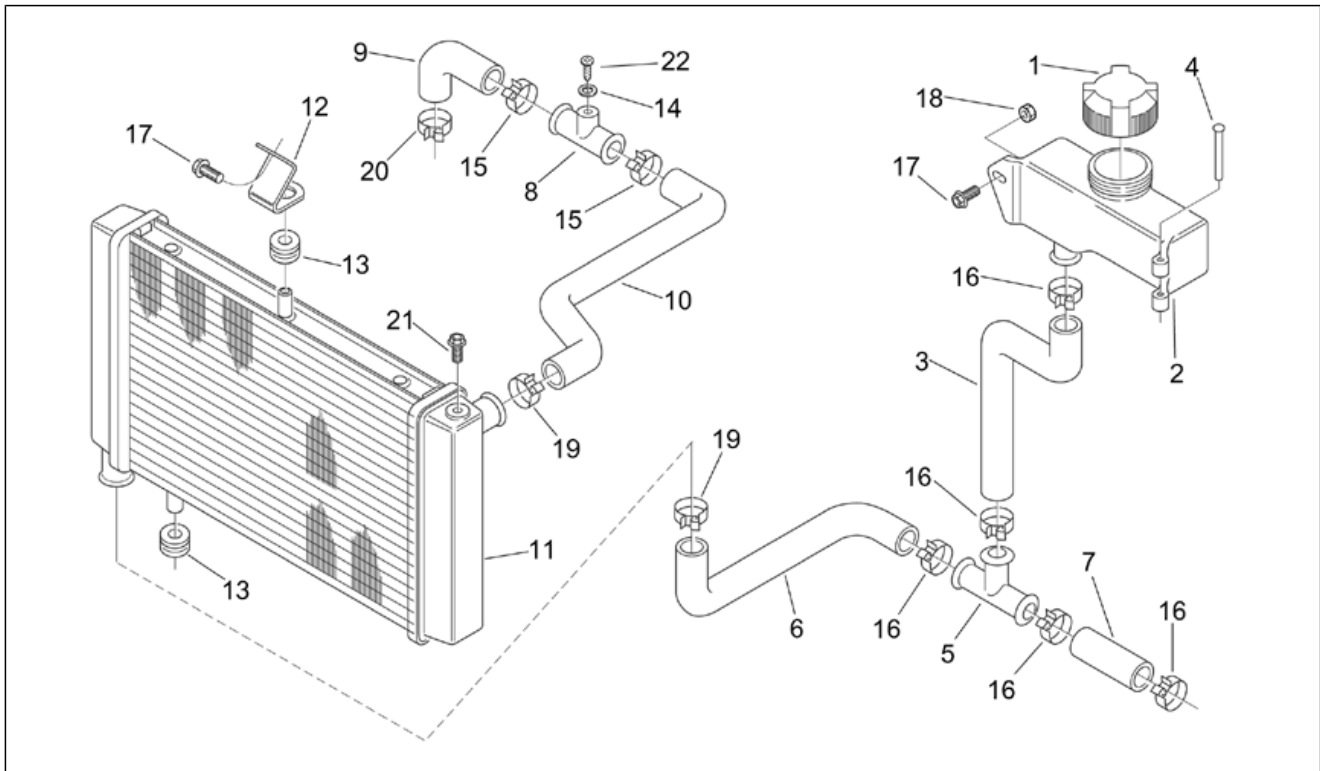
Pos.	Code	Beschreibung	Menge	Varianten
1	AP8202330	Schwingschutzgewicht schwarz	1	
2	AP8150157	TCEI Schraube M6x60	1	
3	AP8118287	Handgriffe paar	1	
4	AP8124914	R. Lichtumsch. m. K.	1	
5	AP8118460	Vorderradbremshelbel	1	
6	AP8114462	Gaszugkabel mit Verdoppler	1	
7	AP8118307	Gasschaltung+griff	1	
8	AP8113280	Bremsöltank	1	
9	AP8134965	Bremsen Öltankhalter	1	
10	AP8105153	Bügelbolzen	1	
11	AP8114272	Einstellschr. Gaskabel	1	
12	AP8114332	Einstellschraube Gaskabel	1	
13	AP8102811	Schelle D9,6	2	
14	AP8144151	Gummischlauch	1	
15	AP8120278	Distanzscheibe	1	
16	AP8120405	Gummi	1	
17	AP8133625	Vorderradbremspumpe	1	
18	AP8152273	Flanschschraube M5x15	2	
19	AP8218345	Mutter	1	
20	AP8113413	Bremshelbelbolzen	1	
21	AP8152277	TE Schr. m. Flansch M6x12	1	
22	AP8113157	Anschluss	1	
23	AP8113816	Schraube Bremsöltank	1	
24	AP8113821	Anschlußdichtung	1	
25	AP8113824	Haube Bremszyl.vorn	1	
26	AP8113825	Bausatz V.Pumpenüberholung	1	
27	AP8118518	Bügelsschraube	1	
28	AP8127534	Lichtschalterkabel	1	

Einheit	RAHMEN
Code	28.17
Beschreibung	Schaltungen links
Inspektion	1



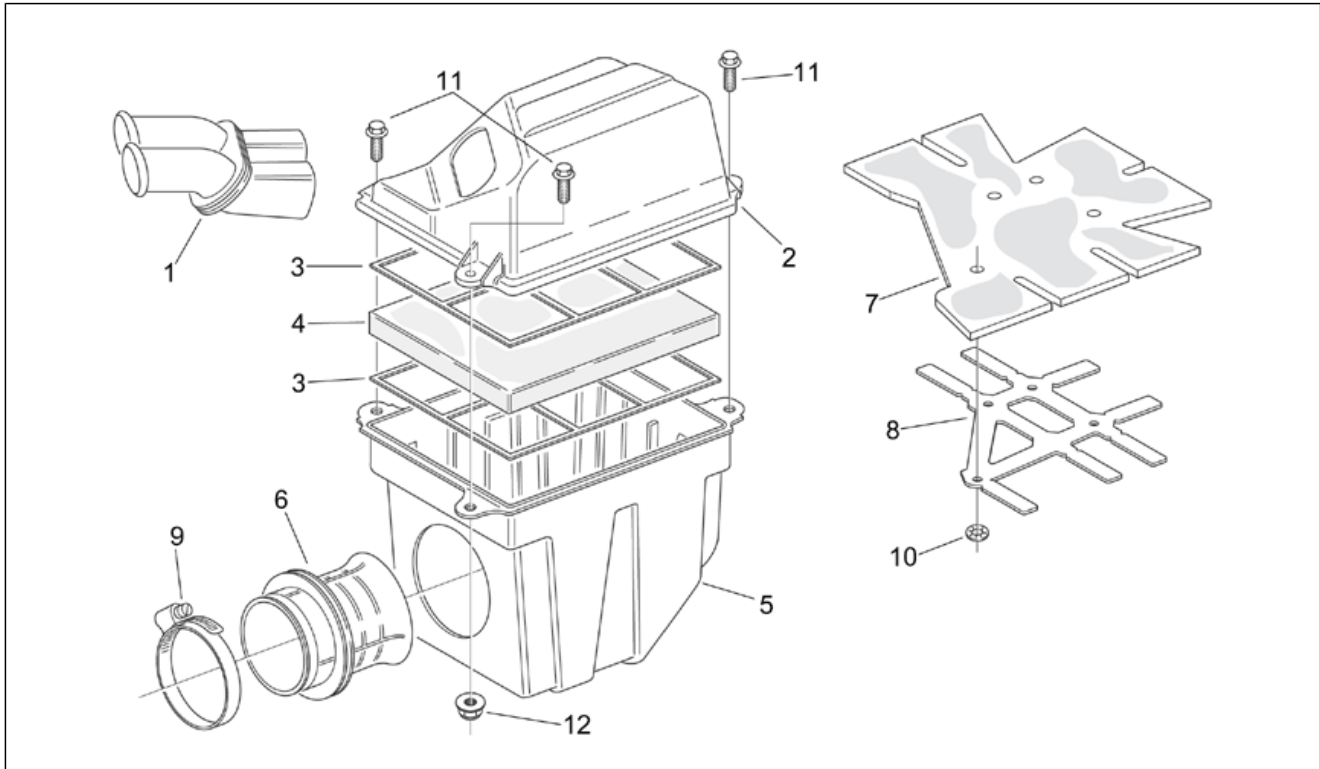
Pos.	Code	Beschreibung	Menge	Varianten
1	AP8118663	Kupplung schalt. kpl	1	
2	AP8118432	Kupplungshebel	1	
3	852330	Einstl.schr. Kpplg.	1	
4	AP8105153	Bügelbolzen	1	
5	AP8202330	Schwingschutzgewicht schwarz	1	
6	AP8150157	TCEI Schraube M6x60	1	
7	AP8114467	Kupplungskabel	1	
8	AP8114464	Starterzugkabel	1	
9	AP8118308	Starterhebel	1	
10	AP8124915	L. Lichtumsch. m. K.	1	
11	AP8124152	Chronometerknopf	1	
12	AP8118287	Handgriffe paar	1	
13	AP8127534	Lichtschalterkabel	1	
14	AP8118375	Schalthebel mut.	1	
15	AP8213028	Schraube	1	
16	AP8120271	Abdeckg. Kuppl.einst.	1	
17	AP8150053	TCEI Schraube M6x25	2	

Einheit	RAHMEN
Code	28.18
Beschreibung	Kühler
Inspektion	1



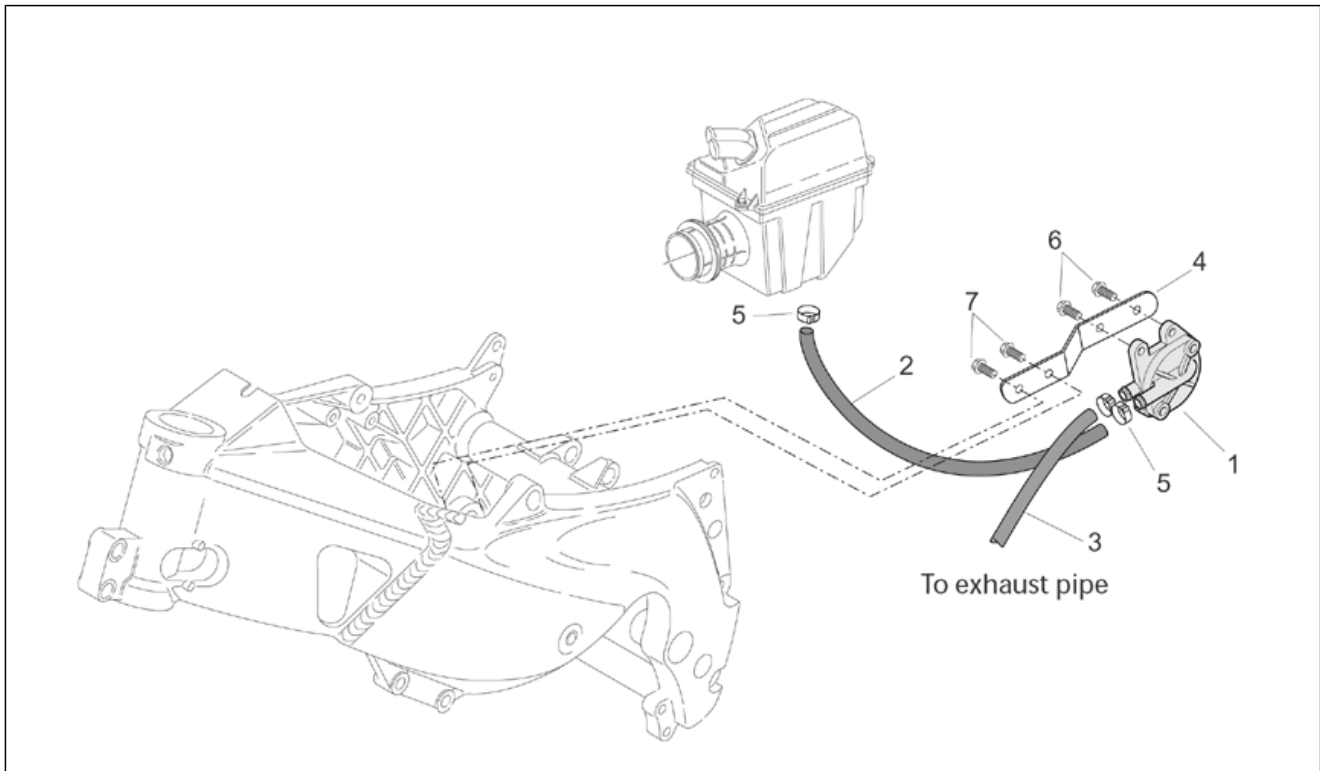
Pos.	Code	Beschreibung	Menge	Varianten
1	AP8101912	Kühlerschraube unbelüftet	1	
2	AP8101910	Ausdehngefäß	1	
3	AP8120787	Schlauch Ausdehngefäß	1	
4	AP8101924	Durchb.Kunststoffniet	1	
5	AP8101916	T-förmiger Anschluß D20	1	
6	AP8120790	T-förmiger Anschluß	1	
7	AP8120946	Pumpen-Bolzenschlauch	1	
8	AP8102112	Entlüftungsschlauch Anschluß	1	
9	AP8102118	Zylinderkopf Anschluß	1	
10	AP8120786	Anschlußschlauch KühlerA	1	
11	AP8102704	Kühler	1	
12	AP8146162	Obere Kühlerbefestigung	1	
13	AP8120030	Gummi	2	
14	AP8152184	Ausgleichscheibe 6,4x12*	1	
15	AP8101743	Schlauchschele D23,5x8*	2	
16	AP8201169	Schlauchschele D22x8,6*	5	
17	AP8152278	TE Schr. m. Flansch M6x16	1	
18	AP8150026	Mutter M6	1	
19	AP8101927	Schlauchschele D23,5x8*	2	
20	AP8120536	Schlauchschele D28x8,6*	1	
21	AP8152277	TE Schr. m. Flansch M6x12	1	
22	AP8150426	Linsenschraube 5,5x15,9*	1	

Einheit	RAHMEN
Code	28.19
Beschreibung	Filtergehäuse
Inspektion	1



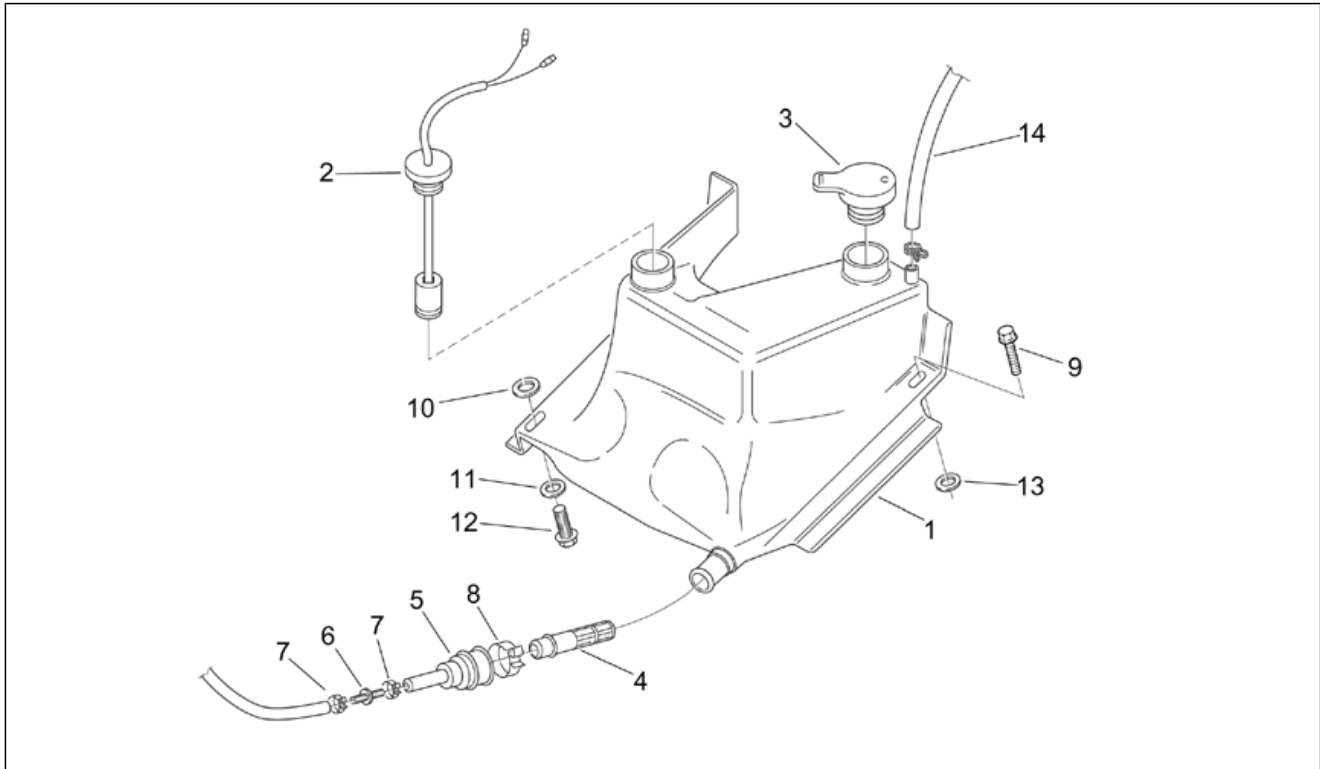
Pos.	Code	Beschreibung	Menge	Varianten
1	AP8120748	Ansaugmuffe	1	Technische Daten: Version mit voller Leistung[f.p.]
1	AP8120997	Ansaugmuffe	1	Technische Daten: Version mit Leistungsminderung 11 Kw[11Kw]
2	AP8138686	Deckel Filtergehäuse	1	Technische Daten: Version mit Leistungsminderung 11 Kw[11Kw]
2	AP8168042	Deckel Filtergehäuse	1	Technische Daten: Version mit voller Leistung[f.p.]
3	AP8131121	Filterschutznetz	2	
4	AP8102080	Luftfilter	1	
5	AP8131626	Boden Filtergehäuse	1	Technische Daten: Zulassung EURO1 (Rahmen ZD4SF)[E1]
5	AP8178561	Boden Filtergehäuse	1	Technische Daten: Zulassung EURO2 (Rahmen ZD4SF)[E2]
6	AP8120810	Ansaugmuffe	1	
7	AP8117111	Nichtleit.Filtergehäuse	1	
8	AP8102670	Fixiernetz m. Dämmwirk.	1	
9	AP8102401	Schelle D50-70x8*	1	
10	AP8150450	Wellenscheibe D5	4	
11	AP8152279	TE Schr. m. Flansch M6x20	2	
12	AP8152299	Selbstsperrende Mutter M6	2	

Einheit	RAHMEN
Code	28.20
Beschreibung	Secondary air
Inspektion	1



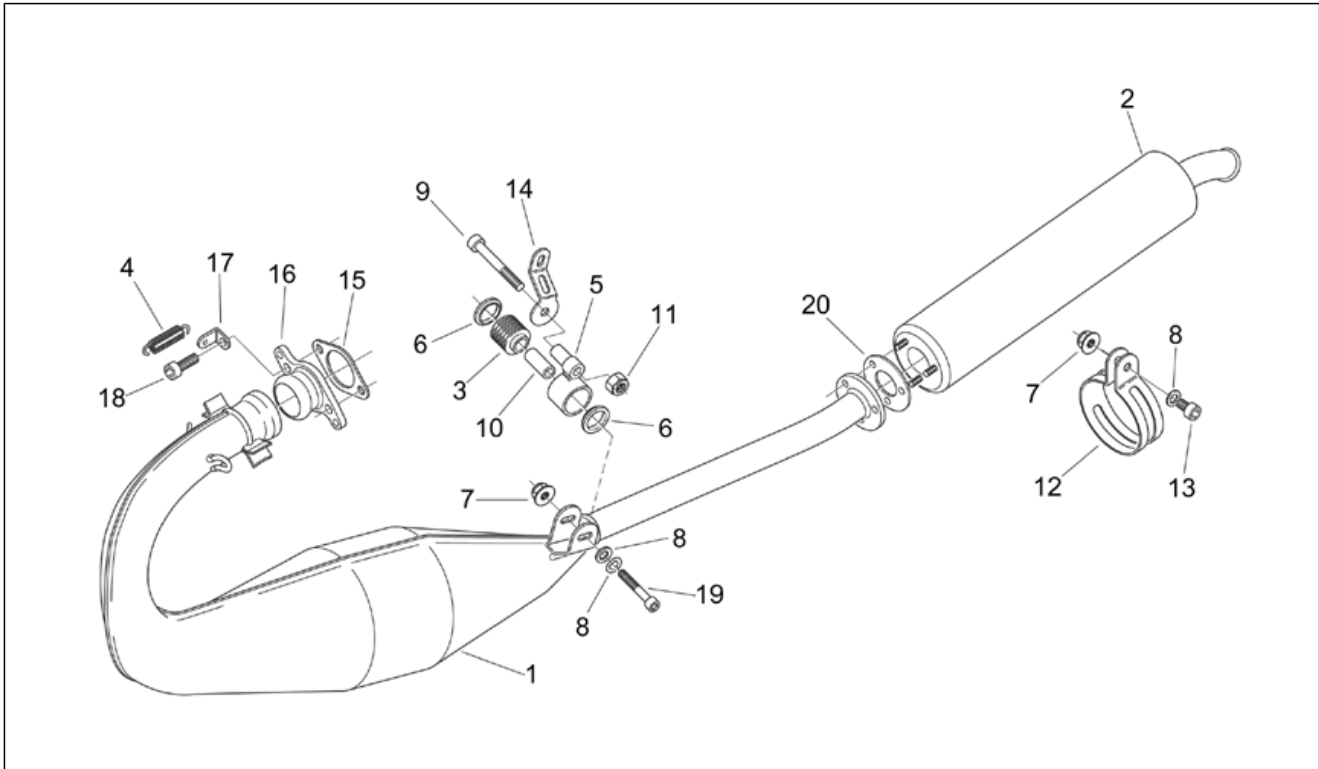
Pos.	Code	Beschreibung	Menge	Varianten
1	AP8104745	Ventil SAS	1	Technische Daten: Zulassung EURO2 (Rahmen ZD4SF)[E2]
2	AP8144670	Ansaugleitung sas	1	Technische Daten: Zulassung EURO2 (Rahmen ZD4SF)[E2]
3	AP8144671	Luftschlauch sas	1	Technische Daten: Zulassung EURO2 (Rahmen ZD4SF)[E2]
4	AP8144672	Fixierbügel ventil	1	Technische Daten: Zulassung EURO2 (Rahmen ZD4SF)[E2]
5	AP8102903	Schlauchselle D16,5X6,6	4	Technische Daten: Zulassung EURO2 (Rahmen ZD4SF)[E2]
6	AP8152277	TE Schr. m. Flansch M6x12	2	Technische Daten: Zulassung EURO2 (Rahmen ZD4SF)[E2]
7	AP8152278	TE Schr. m. Flansch M6x16	2	Technische Daten: Zulassung EURO2 (Rahmen ZD4SF)[E2]

Einheit	RAHMEN
Code	28.21
Beschreibung	Ölbehälter
Inspektion	1



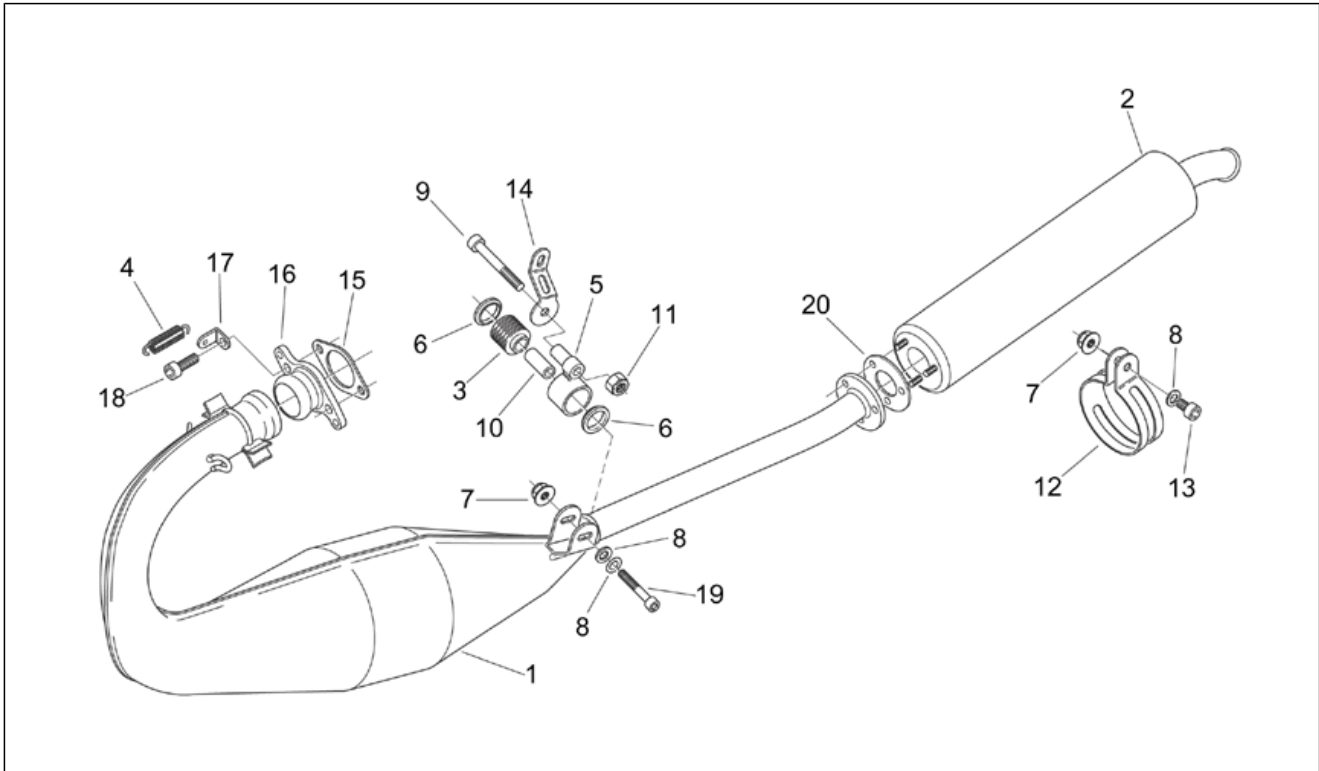
Pos.	Code	Beschreibung	Menge	Varianten
1	AP8139689	Öltank	1	
2	AP8201192	Anzeige Ölreserve	1	
3	AP8220421	Öltankschraube	1	
4	AP8102224	Gemisch-Ölfilter	1	
5	AP8102223	Gummi *	1	
6	AP8101944	2-Wege Anschluß	1	
7	AP8201358	Schelle D 11,9	2	
8	AP8101743	Schlauchschelle D23,5x8*	1	
9	AP8152280	TE Schr. m. Flansch M6x25	2	
10	AP8150429	Sprengscheibe 6,4x11x0,5*	1	
11	AP8152181	Scheibe 6,4x15x1	1	
12	AP8152279	TE Schr. m. Flansch M6x20	1	
13	AP8150179	Ausgleichscheibe 6,6x18*	2	
14	AP8120351	Entlüftungsschlauch Kühler	1	

Einheit	RAHMEN
Code	28.26
Beschreibung	Auslassgruppe
Inspektion	1



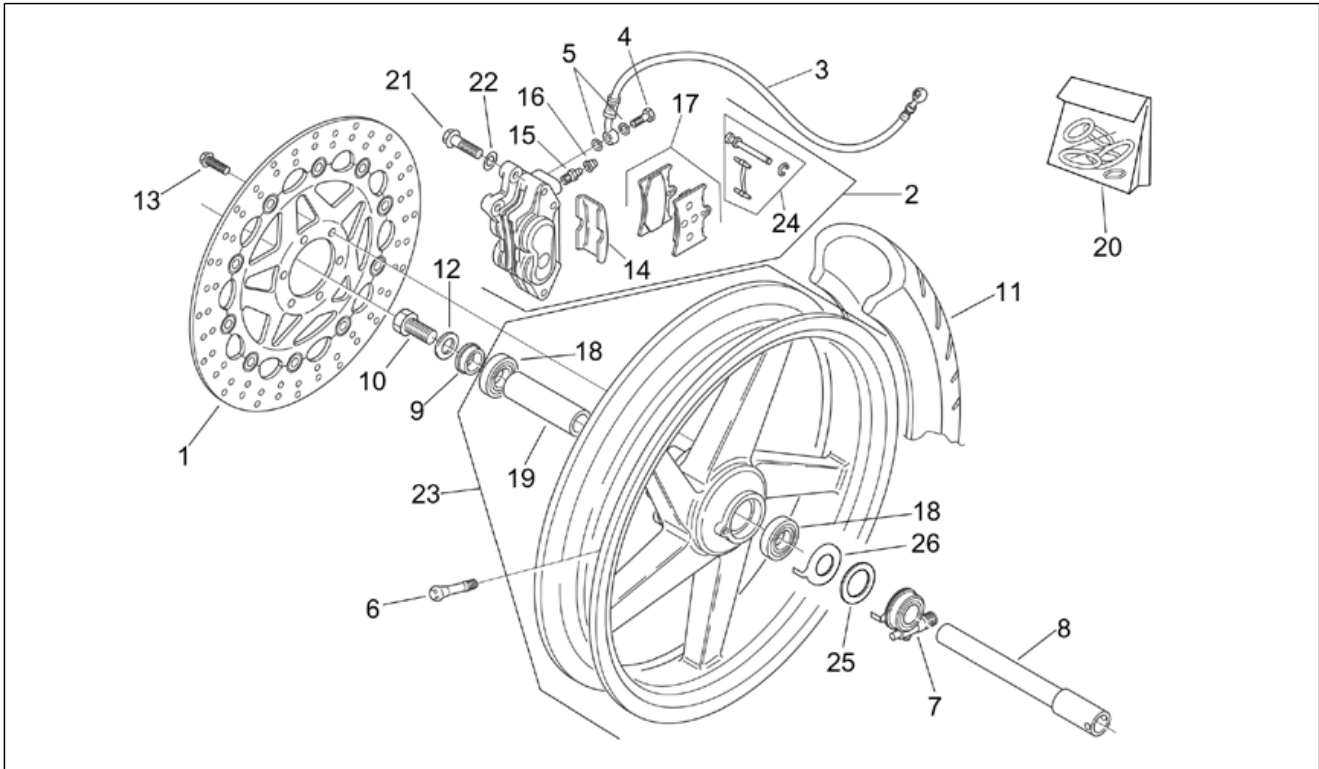
Pos.	Code	Beschreibung	Menge	Varianten
1	AP8119768	Auspuff	1	Technische Daten: Version mit Leistungsminderung 11 Kw[11Kw], Zulassung EURO1 (Rahmen ZD4SF)[E1]
1	AP8119769	Auspuff	1	Technische Daten: Zulassung EURO1 (Rahmen ZD4SF)[E1], Version mit voller Leistung[f.p.]
1	AP8119828	Auspuff	1	Technische Daten: Zulassung EURO2 (Rahmen ZD4SF)[E2], Version mit voller Leistung[f.p.]
1	AP8119829	Auspuff -11kw-	1	Technische Daten: Version mit Leistungsminderung 11 Kw[11Kw], Zulassung EURO2 (Rahmen ZD4SF)[E2]
2	AP8119784	Schalldämpfer	1	
3	AP8101285	Silent-Block *	2	
4	AP8121091	Schraubenfeder *	2	
5	AP8135289	Mittlere Auspuffhltr.	1	Technische Daten: Version mit voller Leistung[f.p.]
5	AP8146608	Mittlere Auspuffhltr.	1	Technische Daten: Version mit Leistungsminderung 11 Kw[11Kw]
6	AP8104474	Ausgleichscheibe 22x30	2	
7	AP8152300	Selbstsperrende Mutter M8	2	
8	AP8150376	Ausgleichscheibe 8,5x15x0,8	3	
9	AP8150221	TCEI Schraube M8x70	1	Technische Daten: Version mit voller Leistung[f.p.]
9	AP8150351	Reißschraube M8x40	1	Technische Daten: Version mit Leistungsminderung 11 Kw[11Kw]
10	AP8121058	Distanzscheibe *	2	
11	AP8150431	Mutter unten M8	1	
12	AP8102432	Fixierschelle Schalldämpfer	1	
13	AP8152112	TCEI Schraube	1	
14	AP8134467	Fixierplatte Kette	1	
15	AP0250271	Dichtung	1	
16	AP0273970	Auspuffstutzen kpl.	1	
17	AP0224067	Federeinhangung	1	
18	AP0240081	TCEI Schraube M8x25	1	

Einheit	RAHMEN
Code	28.26
Beschreibung	Auslassgruppe
Inspektion	1



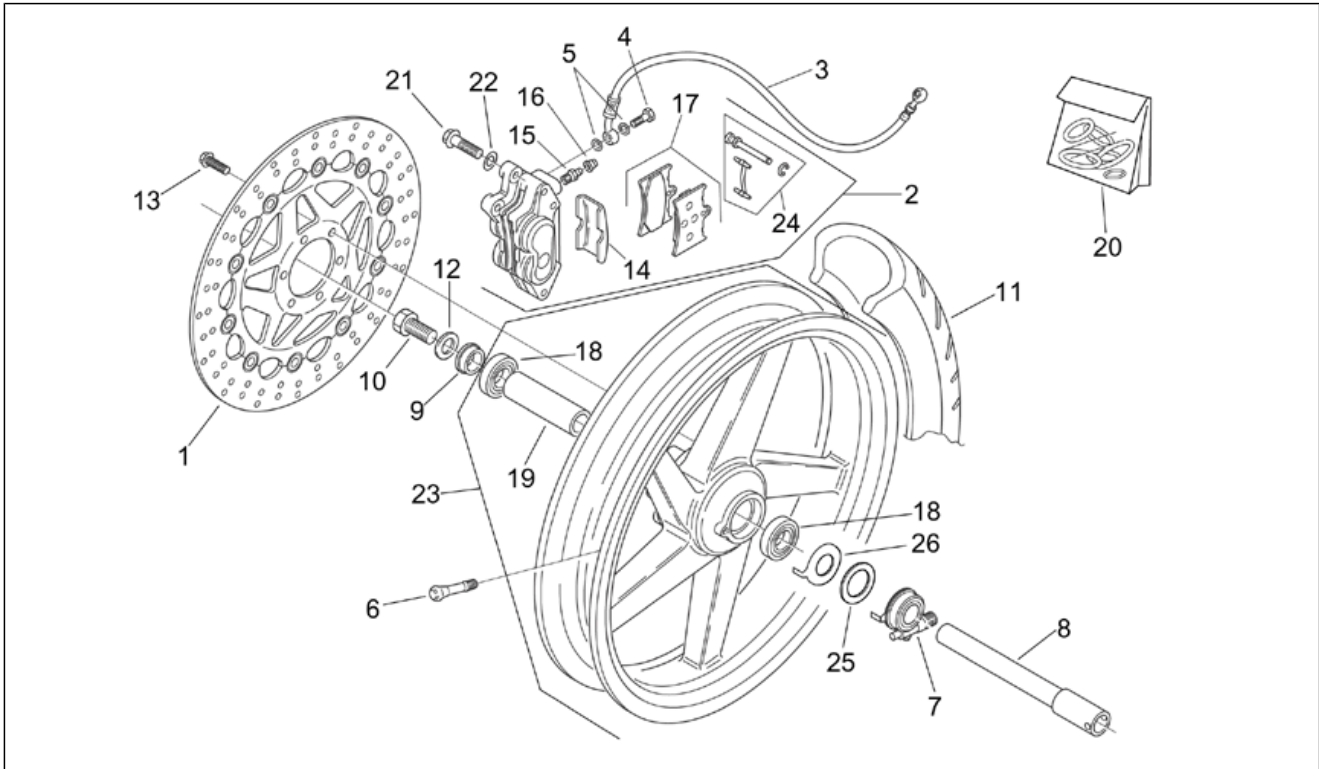
Pos.	Code	Beschreibung	Menge	Varianten
19	AP8150277	TCEI Schraube M8x50	2	
20	AP8119399	Dichtung Schalldämpfer	1	

Einheit	RAHMEN
Code	28.27
Beschreibung	Vorderrad
Inspektion	1



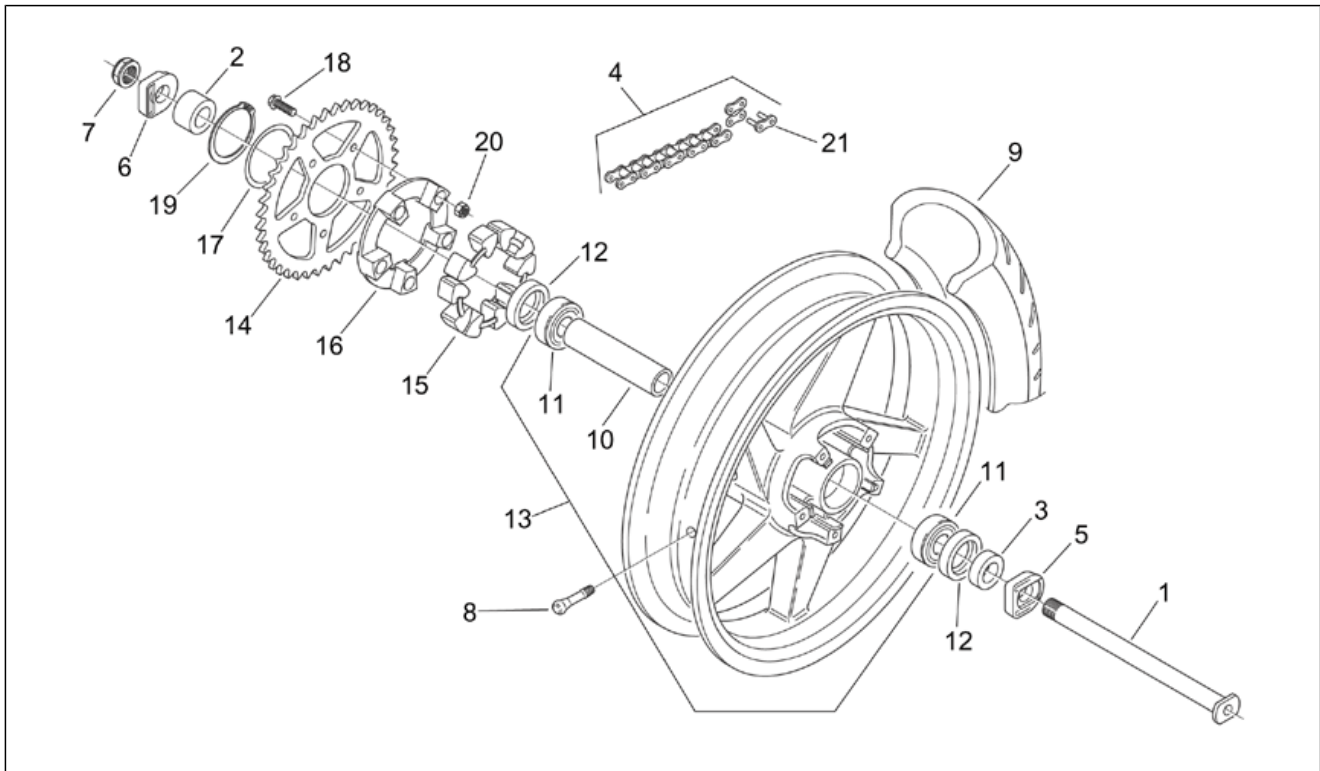
Pos.	Code	Beschreibung	Menge	Varianten
1	AP8113567	Vorderradbremsscheibe D320	1	
2	AP8113530	Vorderradbremsszange gold	1	
3	AP8133628	Vorderradbremssleitung	1	
4	AP8113003	Fixierschraube Ölschlauch	1	
5	AP8113004	Ausgleichscheibe 10x14x1,6*	2	
6	AP8201546	Schlauchloses Reifenventil	1	
7	AP8104387	Vorgelegte Kilometerzähler	1	
8	AP8125890	Vorderradbolzen	1	
9	AP8121157	Außen r. V.rad Distanzscheibe	1	
10	AP8125418	Vorderradbolzen Schraube	1	
11	0000000	Reifen	1	
12	AP8150208	Ausgleichscheibe 15x28x2,5*	1	
13	AP8152286	TE Schr. m. Flansch M8x20	6	
14	AP8113310	Deckel Bremszangen	1	
15	AP8113006	Entlüftungsanschluß	1	
16	AP8113005	Entlüftungskappe	1	
17	AP8113489	Vord. Beläge (Paar) I/D452	1	
18	AP8125644	Vorderrad Kugellager	2	
19	AP8125469	Distanzstück Lager	1	
20	AP8113309	Bausatz Bremszangenüberholung	1	
21	AP8152289	TE Schr. m. Flansch	2	
22	AP8150376	Ausgleichscheibe 8,5x15x0,8	2	
23	AP8108997	Vorderrad gold	1	Baujahr: 2003[3] Fahrzeugfarbe: Rot Tulip 2003[t.red]
23	AP8128023	Vorderrad, weiß	1	Baujahr: 2003[3] Fahrzeugfarbe: Racing 2003[rac]
23	AP8128081	Vorderrad, rot	1	Baujahr: 2004[4]
24	AP8113819	Bolzen+Bremse Felder	1	

Einheit	RAHMEN
Code	28.27
Beschreibung	Vorderrad
Inspektion	1



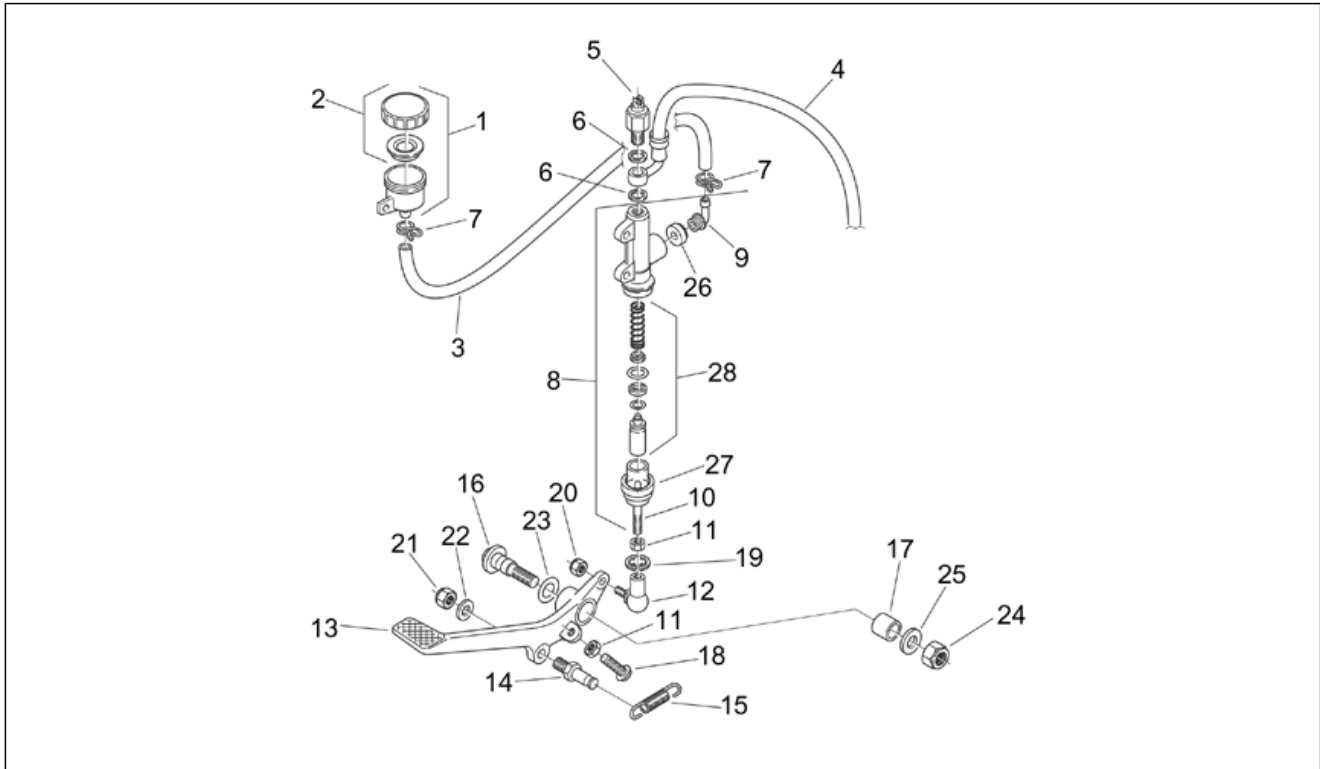
Pos.	Code	Beschreibung	Menge	Varianten
25	AP8144560	Gasket ring	1	
26	AP8144561	Mitnehmer	1	

Einheit	RAHMEN
Code	28.28
Beschreibung	Hinterrad
Inspektion	1



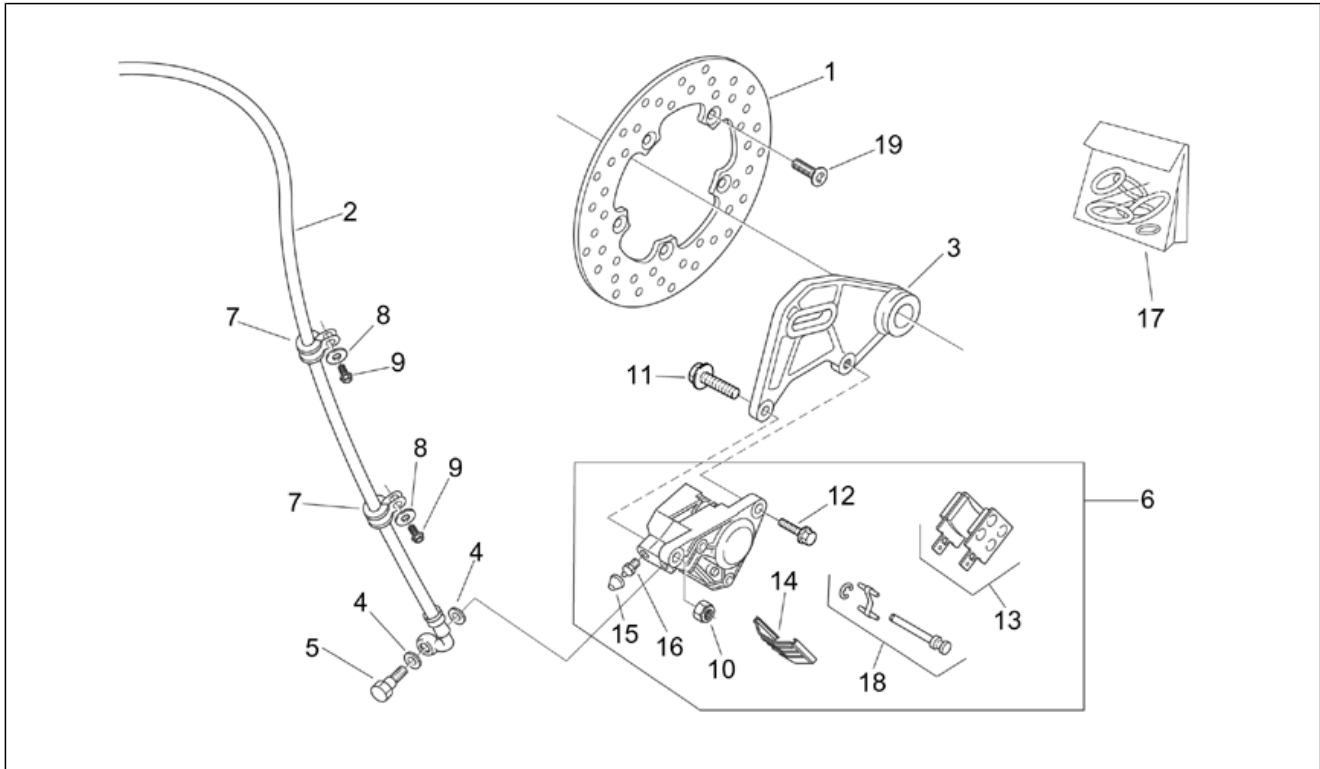
Pos.	Code	Beschreibung	Menge	Varianten
1	AP8125631	Hinterradbolzen	1	
2	AP8125638	Außen r. Raddistanzscheibe	1	
3	AP8125639	Außen l. Raddistanzscheibe	1	
4	AP8107110	Kette Verbindungsgli.	1	
5	AP8120806	L. Leucht. Kettengleitführung	1	
6	AP8120807	R. leucht. Kettengleitführung	1	
7	AP8125763	Hinterradbolzen mut.	1	
8	AP8201546	Schlauchloses Reifenventil	1	
9	0000000	Reifen	1	
10	AP8125645	Innen H.rad Distanzscheibe	1	
11	AP8125646	Hinterrad Kugellager	2	
12	AP8125647	Öldichring Hinterrad	2	
13	AP8128001	Hinterrad gold	1	Baujahr: 2003[3] Fahrzeugfarbe: Rot Tulip 2003[t.red]
13	AP8128026	Hinterrad,weiß	1	Baujahr: 2003[3] Fahrzeugfarbe: Racing 2003[rac]
13	AP8128146	Hinterrad, rot	1	Baujahr: 2004[4]
14	AP8107134	Zahnkranz	1	
15	AP8120792	Stoßschutzgummi	1	
16	AP8125628	Zahnkranzhalter	1	
17	AP8102296	Sprengring	1	
18	AP8125635	Sechskantschraube M8x25	5	
19	AP8125637	Seegerring zahnkranz	1	
20	AP8125636	Selbstsperrende Mutter M8	5	
21	AP8107135	Verbindungsglied	1	

Einheit	RAHMEN
Code	28.29
Beschreibung	Hinterradbremspumpe
Inspektion	1



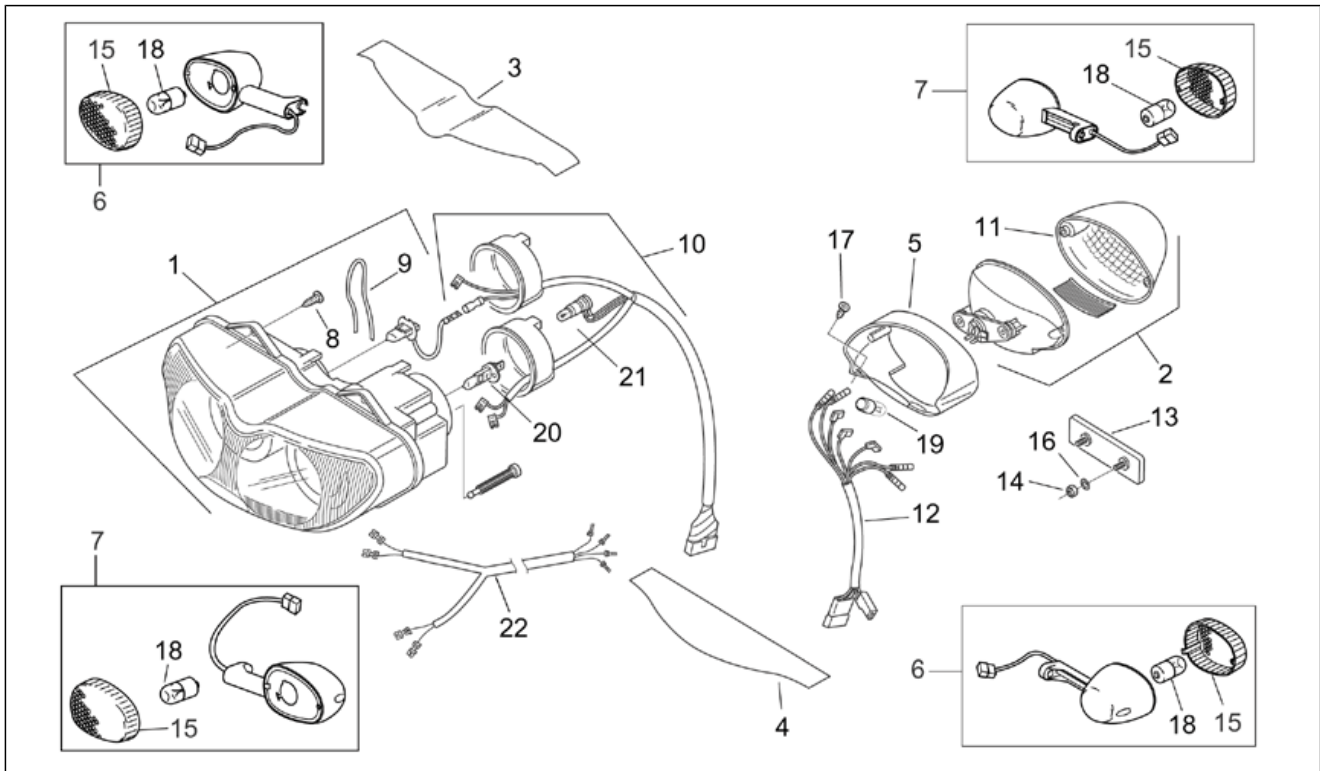
Pos.	Code	Beschreibung	Menge	Varianten
1	AP8213086	Öltank kpl	1	
2	AP8131320	Öltankschraube	1	
3	AP8144151	Gummischlauch	1	
4	AP8113714	Hinterradbremseleitung	1	
5	AP8124479	Bremslichtschalter	1	
6	AP8113004	Ausgleichscheibe 10x14x1,6*	2	
7	AP8102811	Schelle D9,6	2	
8	AP8213117	Hinterradbremspumpe	1	
9	AP8113157	Anschluss	1	
10	AP8221074	Pumpenstange H. Bremse	1	
11	AP8150026	Mutter M6	2	
12	AP8210007	Kugelgelenk rechts M6	1	
13	AP8132635	H.bremshebel	1	
14	AP8121835	Federn Fixierstift	1	
15	AP8121118	Schraubenfeder *	1	
16	AP8121284	Bremshebelbolzen	1	
17	AP8121147	Distanzscheibe *	1	
18	AP8152280	TE Schr. m. Flansch M6x25	1	
19	AP8150429	Sprengscheibe 6,4x11x0,5*	1	
20	AP8150430	Selbstsperr.mut Unt.	2	
21	AP8150431	Mutter unten M8	2	
22	AP8150017	Ausgleichscheibe 8,4x16x1,6	1	
23	AP8152176	Ausgleichscheibe 10,5x18x2*	1	
24	AP8150436	Selbstsperr.mut Unt.	1	
25	AP8121697	Tellerfeder	1	
26	AP8113821	Anschlußdichtung	1	
27	AP8113823	Haube Bremszyl.hinten	1	
28	AP8113822	Bausatz H.Pumpenüberholung	1	

Einheit	RAHMEN
Code	28.30
Beschreibung	Hinterradbremsszange
Inspektion	1



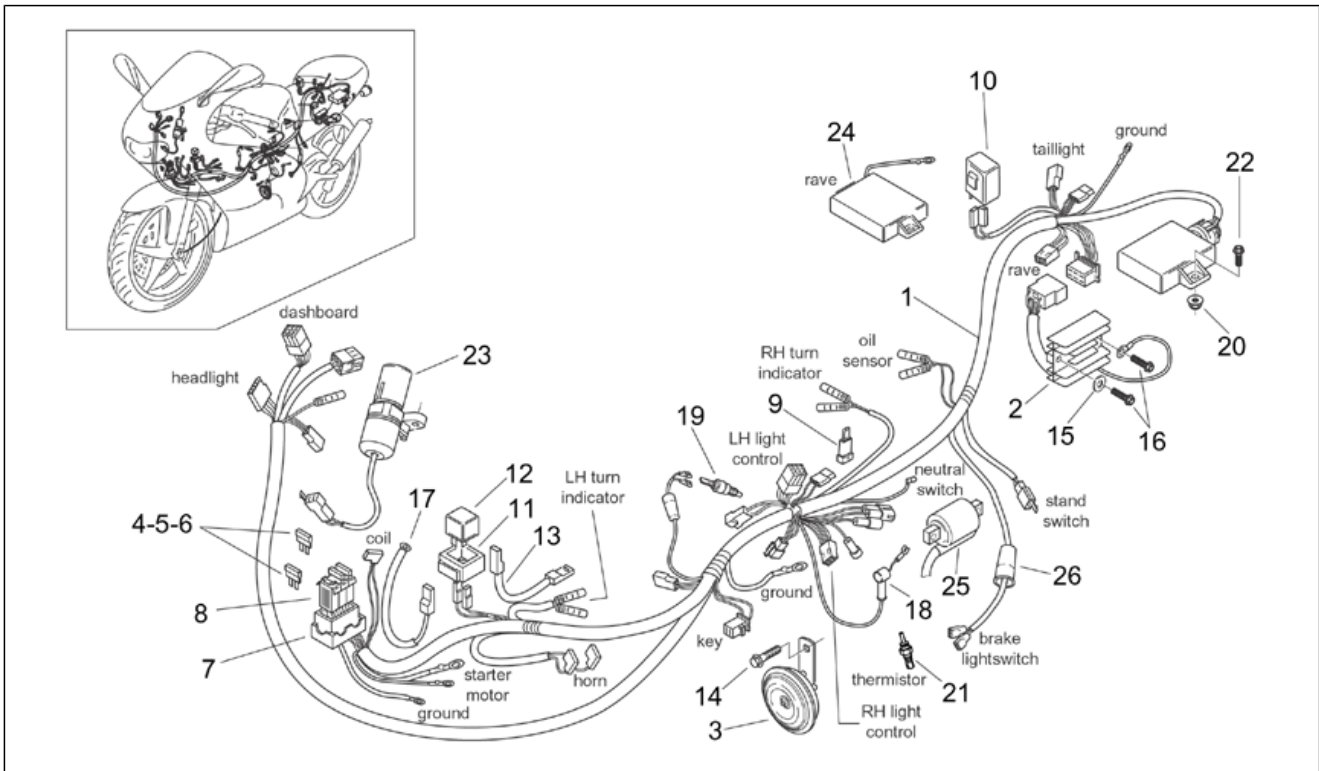
Pos.	Code	Beschreibung	Menge	Varianten
1	AP8213317	Vorderradbremsscheibe	1	
2	AP8113714	Hinterradbremssleitung	1	
3	AP8134911	Fixierplatte	1	
4	AP8113004	Ausgleichscheibe 10x14x1,6*	2	
5	AP8113003	Fixierschraube Ölschlauch	1	
6	AP8113596	Hinterradbremsszange	1	
7	AP8132907	Schelle	2	
8	AP8150013	Ausgleichscheibe 5,5x15x1,6*	2	
9	AP8152272	TE Schr. m. Flansch M5x12	2	
10	AP8150431	Mutter unten M8	2	
11	AP8152288	TE Schr. m. Flansch	1	
12	AP8152286	TE Schr. m. Flansch M8x20	1	
13	AP8113651	Beläge (Paar)	1	
14	AP8113117	Deckel Bremszangen	1	
15	AP8113005	Entlüftungskappe	1	
16	AP8113006	Entlüftungsanschluß	1	
17	AP8113198	Bausatz Bremszangenüberholung	1	
18	AP8113818	Bolzen+Bremse Felder	1	
19	AP8213418	Schraube	5	

Einheit	RAHMEN
Code	28.31
Beschreibung	Lichter
Inspektion	1



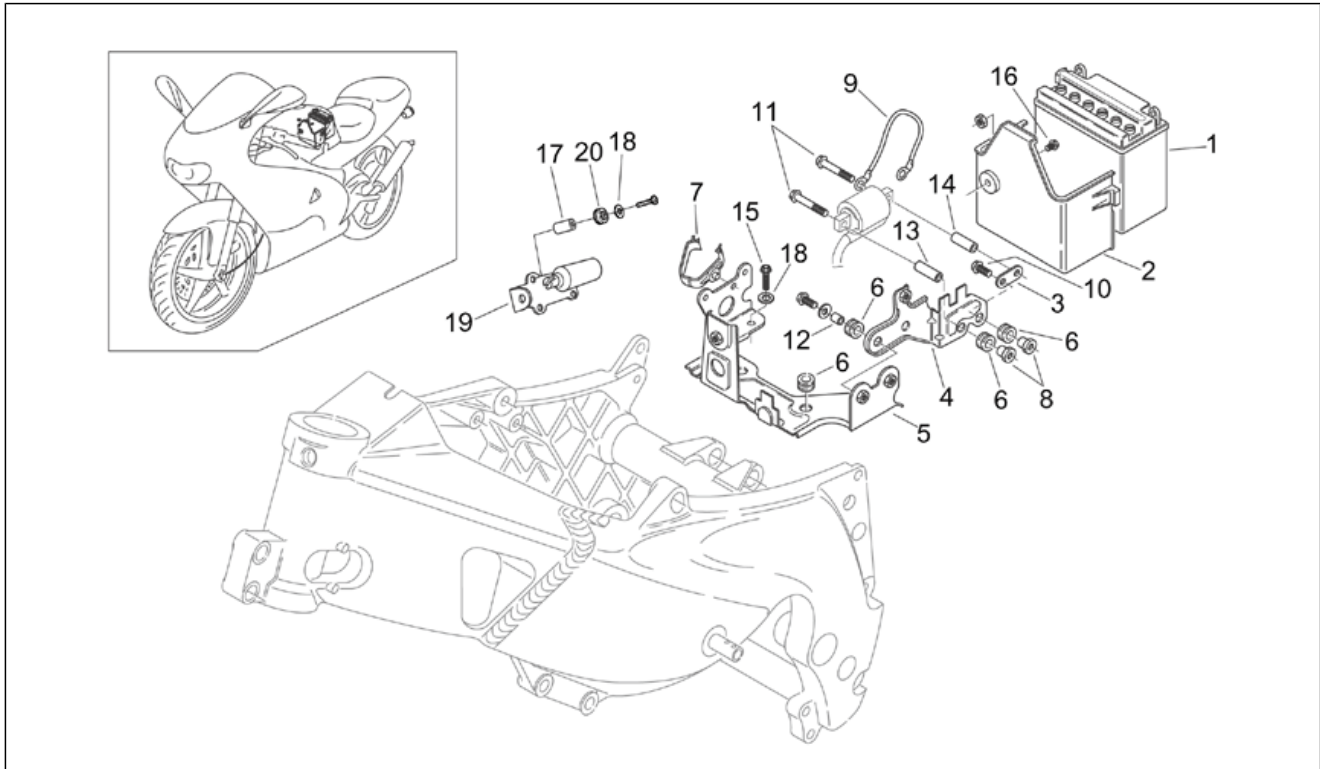
Pos.	Code	Beschreibung	Menge	Varianten
1	AP8124429	Scheinwerfer	1	Land:I, D, E, NL[EU]
1	AP8124513	Scheinwerfer	1	Land:Australien[AA], Großbritannien[UK]
2	AP8124492	Rücklicht	1	
3	AP8147545	Ob.Scheinw.schutz Deko	1	
4	AP8147546	Unt.Scheinw.schutz Deko	1	
5	AP8134446	Rücklichthalterung	1	
6	AP8127536	Vorderblinker rechts / Hinterblinker links	2	
7	AP8127535	Vorderblinker links/ Hinterblinker rechts	2	
8	AP8152351	Linsenschraube 4,2x16*	3	
9	AP8124525	Kleine Feder	2	
10	AP8124634	Verkabel.Scheinwerf.	1	
11	AP8124527	Rücklichtblende	1	
12	AP8124489	Verkabelung Rücklicht	1	
13	AP8112916	Rückstrahler Rücklicht	1	
14	AP8150204	Mutter M4	2	
15	GU32753710	Blinkerblende	4	
16	AP8150158	Ausgleichscheibe 4,3X9X0,8	2	
17	AP8150270	Linsenschraube 4,2x20*	2	
18	GU93450126	Lampen orange	4	
19	AP8224389	Lampen P21/5W 12V	1	
20	AP8127230	Lampen H3 12V	2	
21	AP8127164	Lampen W3W 12V	1	
22	AP8127533	Verlängerung	1	

Einheit	RAHMEN
Code	28.32
Beschreibung	Elektrische anlage I
Inspektion	1



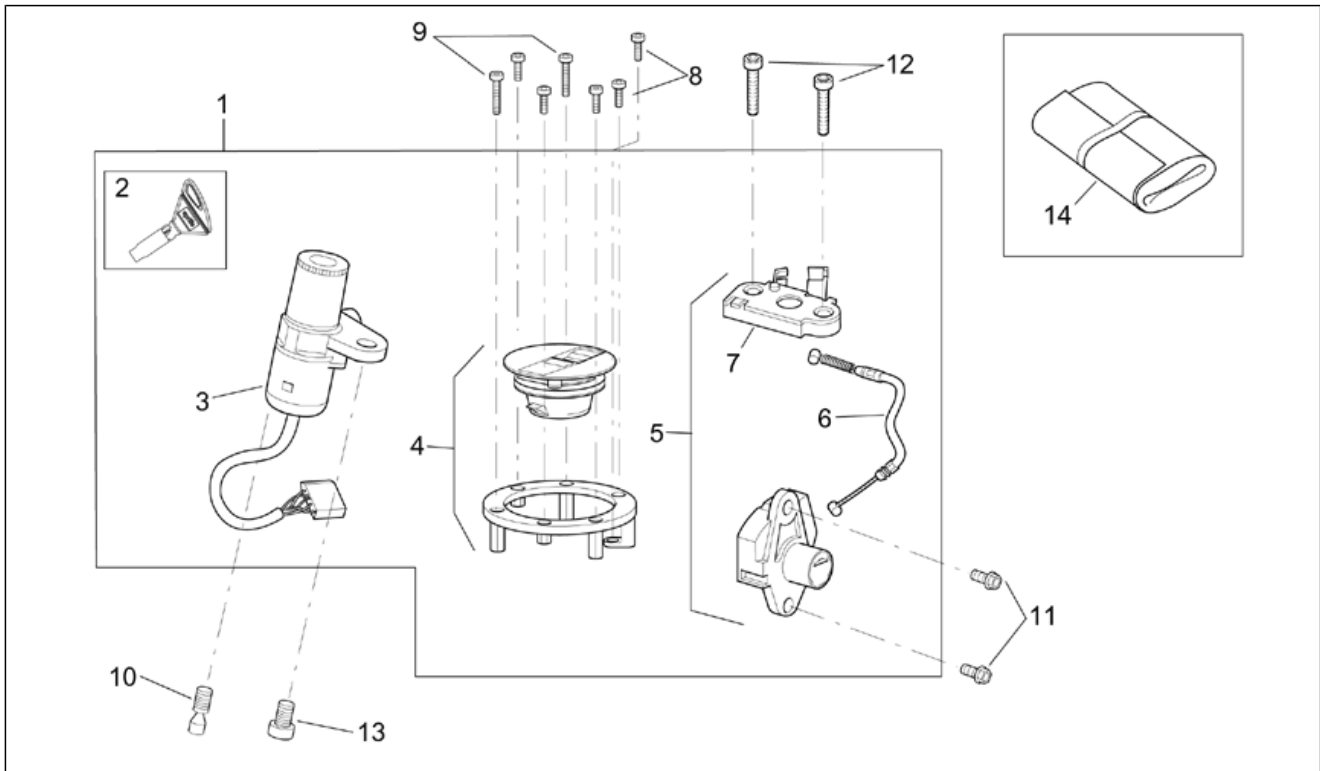
Pos.	Code	Beschreibung	Menge	Varianten
1	AP8124488	Hauptverkabelung	1	
2	AP8112906	Spannungsregler	1	
3	AP8124530	Hupe	1	
4	AP8112244	Sicherung 7,5A	1	
5	AP8112176	Sicherung 15A	1	
6	AP8112506	Sicherung 20A	1	
7	AP8112942	Sicherungsblockgummi	1	
8	AP8120754	Sicherungsblockgummi	1	
9	AP8212588	Sicherheitsdiode	1	
10	AP8124235	Blinker	1	
11	AP8220546	Auflagegummi Relais	1	
12	AP8224026	Zündrelais	1	
13	AP8124119	Anlasserkabel	1	
14	AP8152285	TE Schr. m. Flansch	1	
15	AP8150179	Ausgleichscheibe 6,6x18*	2	
16	AP8152284	TE Schr. m. Flansch	2	
17	AP8112460	Relaiskabel Anlasser	1	
18	AP8118516	Klemmenkappe	1	
19	AP8127305	Knopf stop	1	
20	AP8152299	Selbstsperrende Mutter M6	2	
21	AP8124487	Thermistor	1	
22	AP8152279	TE Schr. m. Flansch M6x20	2	
23	AP8104708	Lenkschloß	1	
24	AP8112568	Steuergeraet rave	1	Technische Daten: Version mit voller Leistung[f.p.]
25	AP8112567	Solenoid Ravestrg.	1	Technische Daten: Version mit voller Leistung[f.p.]
26	AP8120816	Gummi	1	

Einheit	RAHMEN
Code	28.33
Beschreibung	Elektrische anlage II
Inspektion	1



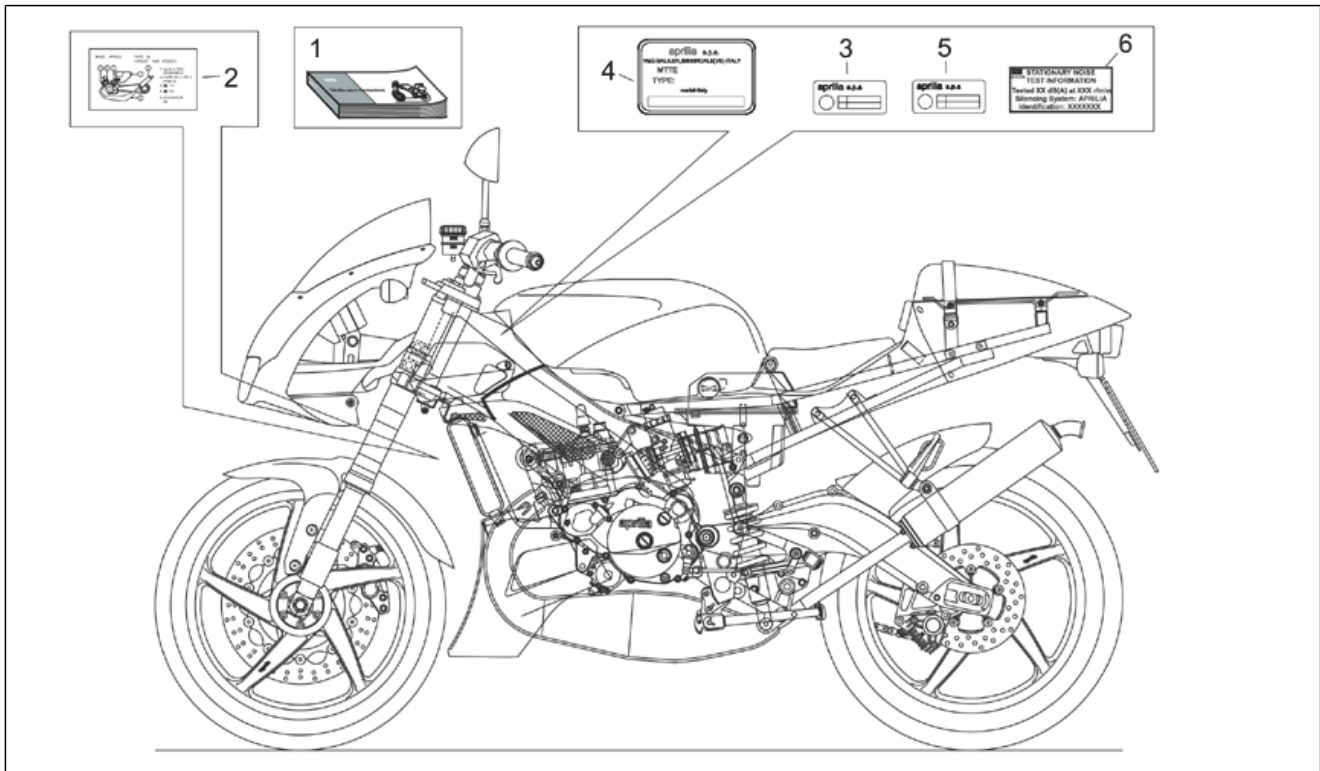
Pos.	Code	Beschreibung	Menge	Varianten
1	AP8112290	Batterie	1	
2	AP8131256	Batteriehalter	1	
3	AP8134348	Spulehalter platte	1	
4	AP8124117	Hltr. Sicher.	1	
5	AP8135448	Batteriehalter platte	1	
6	AP8120030	Gummi	6	
7	AP8120582	Kabelführungs	1	
8	AP8121731	T-Buchse *	2	
9	AP8112458	Batter.kbel negativ	1	
10	AP8152278	TE Schr. m. Flansch M6x16	1	
11	AP8152284	TE Schr. m. Flansch	2	
12	AP8221007	Distanzscheibe 6,5X10X11*	2	
13	AP8121764	Distanzscheibe *	1	
14	AP8220185	Buchse Instrumentenbrett	1	
15	AP8152275	TE Schr. m. Flansch M5x25	4	
16	AP8152277	TE Schr. m. Flansch M6x12	1	
17	AP8121736	T-Buchse	2	Technische Daten: Version mit voller Leistung[f.p.]
18	AP8150013	Ausgleichscheibe 5,5x15x1,6*	6	Technische Daten: Version mit voller Leistung[f.p.]
19	AP8132869	Solenoid Halteplatte	1	Technische Daten: Version mit voller Leistung[f.p.]
20	AP8120405	Gummi	2	Technische Daten: Version mit voller Leistung[f.p.]

Einheit	RAHMEN
Code	28.34
Beschreibung	Bausatz Schlösser
Inspektion	1



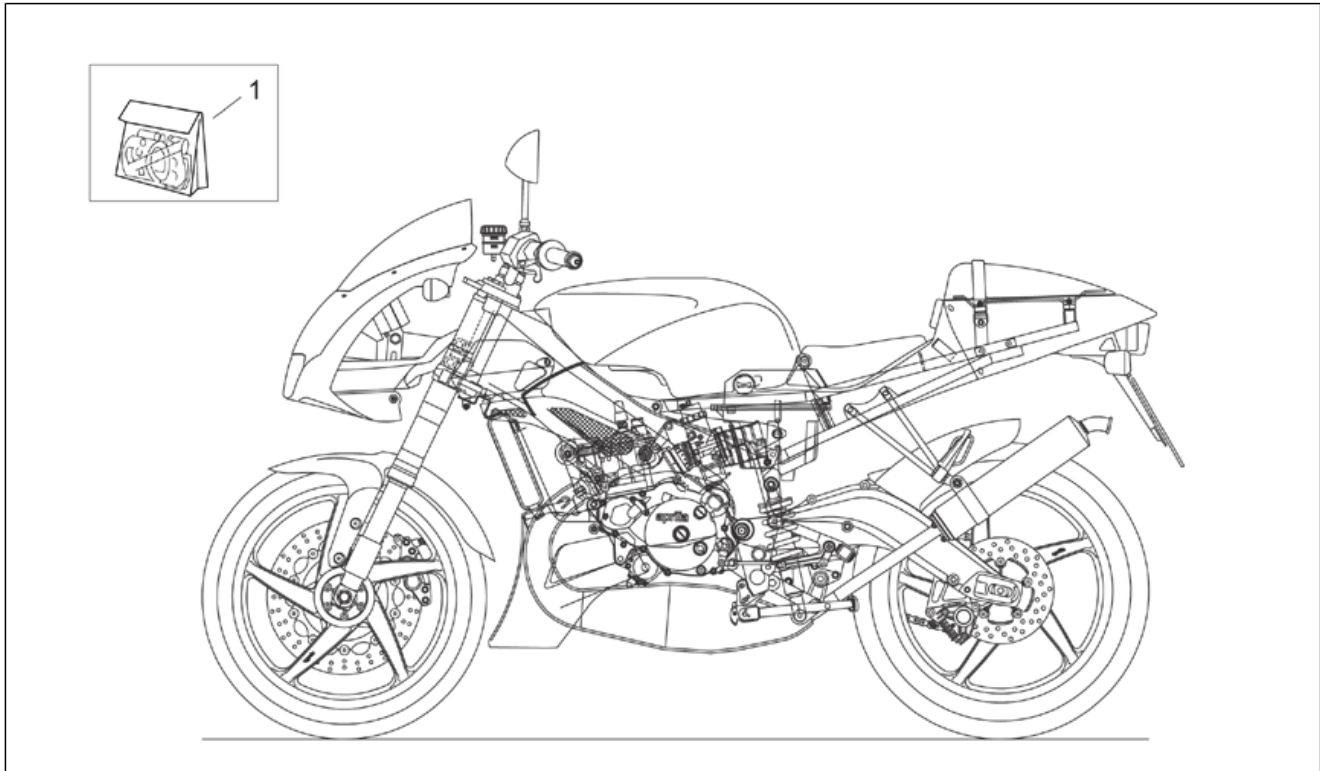
Pos.	Code	Beschreibung	Menge	Varianten
1	AP8104637	Bausatz Schlösser	1	
2	AP8140710	"Aprilia" schlüssel ohne tran.	1	
3	AP8104708	Lenkschloß	1	
4	AP8104710	Tankfüllschraube	1	
5	AP8104709	Sitzschloß	1	
6	AP8114389	Schloßkabel	1	
7	AP8102913	Fixierplatte Soziussitz	1	
8	AP8150050	TCEI Schraube M5x16	4	
9	AP8150176	TCEI Schraube	3	
10	AP8150349	Spezialschraube M8x15	1	
11	AP8152278	TE Schr. m. Flansch M6x16	2	
12	AP8152283	TE Schr. m. Flansch	2	
13	AP8150211	TCEI Schraube M8x16	1	
14	AP8102950	Werkzeugtasche	1	

Einheit	RAHMEN
Code	28.35
Beschreibung	Schilder und Anleit.
Inspektion	1



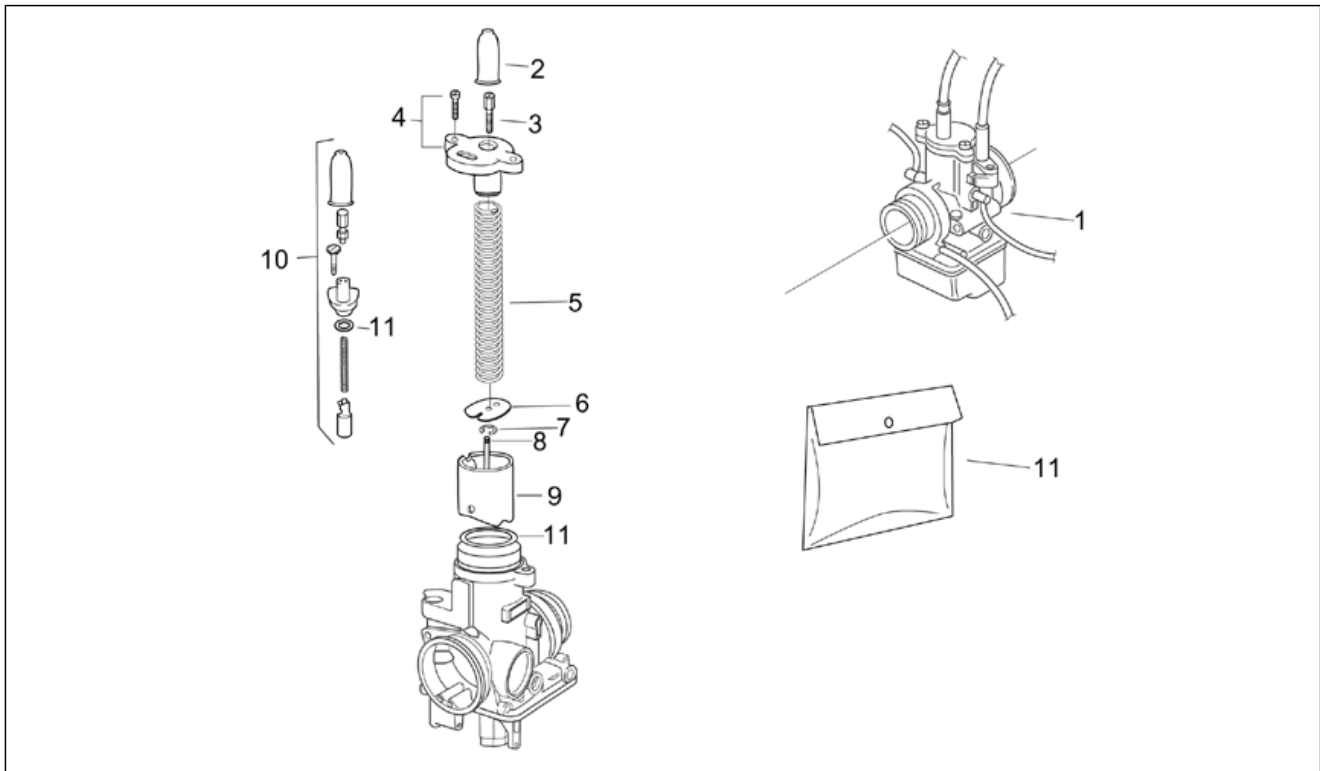
Pos.	Code	Beschreibung	Menge	Varianten
1	AP8104674	Bed./Wart.-Anl. -P-E-UK-	1	
1	AP8104681	Bed./Wart.-Anl. -I-F-D-	1	
1	AP8104682	Betr./Wart.anl. -nl-dk-sf	1	
2	AP8166280	Fälschungssicheres Schild	1	Technische Daten: Version mit Leistungsminderung 11 Kw[11Kw], Zulassung EURO2 (Rahmen ZD4SF)[E2]
2	AP8167688	Fälschungssicheres Schild	1	Technische Daten: Version mit Leistungsminderung 11 Kw[11Kw], Zulassung EURO1 (Rahmen ZD4SF)[E1]
3	AP8147020	Schild CEE	1	Technische Daten: Version mit Leistungsminderung 11 Kw[11Kw]
4	AP8166275	Herstellerschild	1	Land: I, D, E, NL[EU], Großbritannien[UK] Technische Daten: Zulassung EURO2 (Rahmen ZD4SF)[E2], Version mit voller Leistung[f.p.]
4	AP8167695	Herstellerschild	1	Technische Daten: Version mit Leistungsminderung 11 Kw[11Kw]
4	AP8177516	Herstellerschild	1	Land: Australien[AA] Technische Daten: Version mit voller Leistung[f.p.]
4	AP8177574	Herstellerschild	1	Land: I, D, E, NL[EU], Großbritannien[UK] Technische Daten: Zulassung EURO1 (Rahmen ZD4SF)[E1], Version mit voller Leistung[f.p.]
5	AP8167958	ECE Schild	1	Land: Australien[AA] Technische Daten: Version mit voller Leistung[f.p.]
6	AP8177517	Lautherausgabe selbstkleber	1	Land: Australien[AA] Technische Daten: Version mit voller Leistung[f.p.]

Einheit	RAHMEN
Code	28.36
Beschreibung	Deko
Inspektion	1



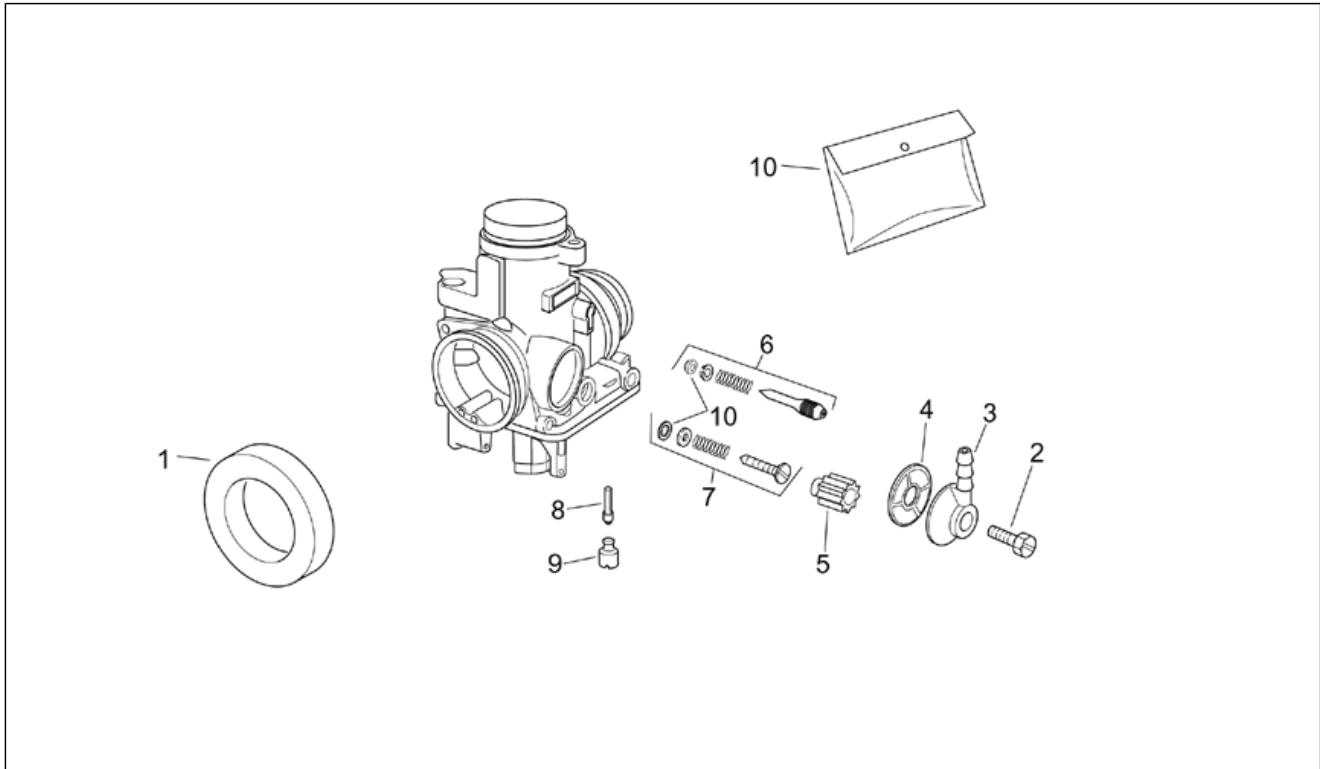
Pos.	Code	Beschreibung	Menge	Varianten
1	AP8166338	Deko Serie	1	Baujahr:2004[4] Fahrzeugfarbe:Silver Mirror 2004 (t.B..14475)[s.mir]
1	AP8177742	Deko Serie	1	Baujahr:2003[3] Fahrzeugfarbe:Racing 2003[rac]
1	AP8177884	Deko Serie	1	Baujahr:2003[3] Fahrzeugfarbe:Rot Tulip 2003[t.red]

Einheit	MOTOR
Code	29.22
Beschreibung	Vergaser I
Inspektion	1



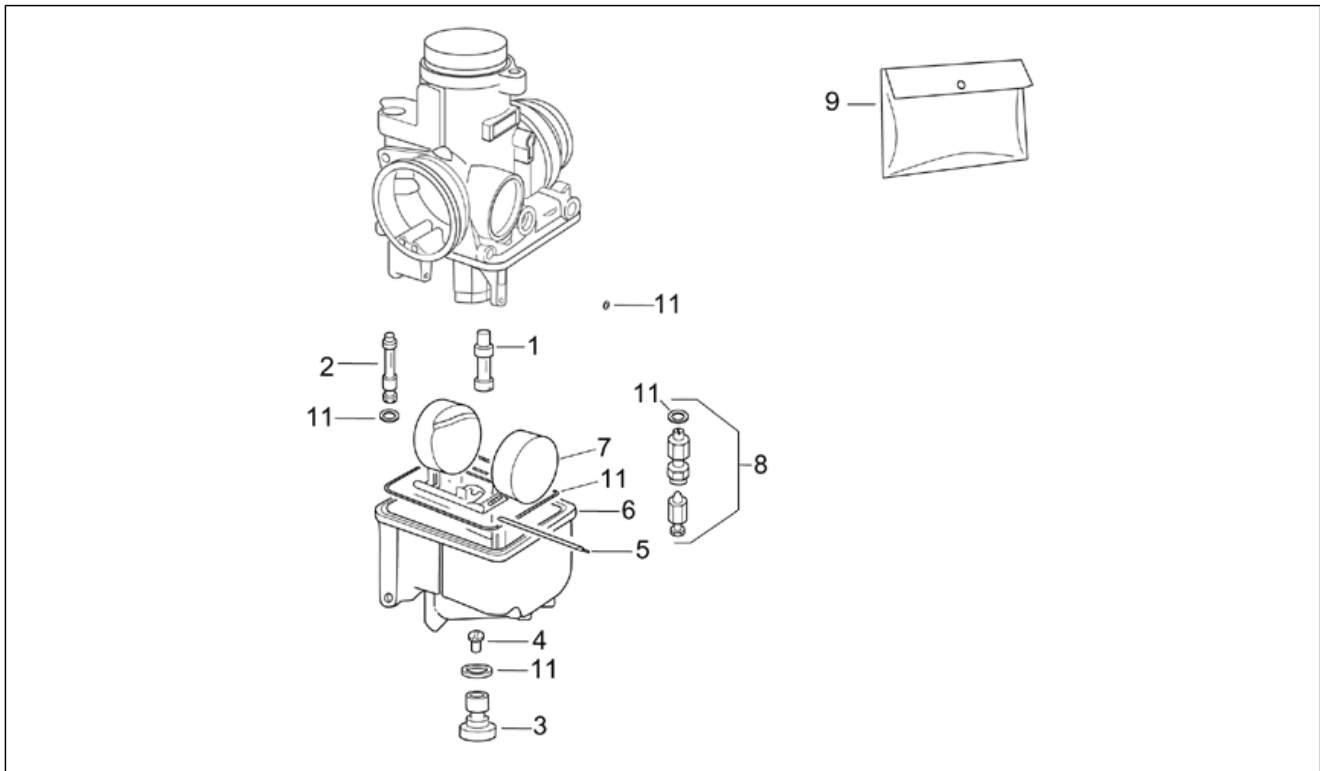
Pos.	Code	Beschreibung	Menge	Varianten
1	AP8106948	Vergaser phbh 28 bd	1	Technische Daten: Zulassung EURO1 (Rahmen ZD4SF)[E1], Version mit voller Leistung[f.p.]
1	AP8106949	Vergaser phbh 28 bd	1	Technische Daten: Version mit Leistungsminderung 11 Kw[11Kw], Zulassung EURO1 (Rahmen ZD4SF)[E1]
1	AP8176108	Vergaser phbh 28 bd	1	Technische Daten: Zulassung EURO2 (Rahmen ZD4SF)[E2], Version mit voller Leistung[f.p.]
1	AP8176109	Vergaser phbh 28 bd	1	Technische Daten: Version mit Leistungsminderung 11 Kw[11Kw], Zulassung EURO2 (Rahmen ZD4SF)[E2]
2	AP8222636	Kappe	1	
3	AP8222631	Spannschraube Kabel	1	
4	AP8106783	Deckel Gemischkam.	1	
5	AP8106785	Rückholfeder Gasven.	1	
6	AP8106786	Platte Nadelfixierung	1	
7	AP8222674	Sicherung Kegelnadel	1	
8	AP8106779	Vergasernadel X25/3a	1	Technische Daten: Version mit Leistungsminderung 11 Kw[11Kw]
8	AP8176043	Vergasernadel X2/2"	1	Technische Daten: Version mit voller Leistung[f.p.]
9	AP8106697	Gasventil 40	1	Technische Daten: Zulassung EURO1 (Rahmen ZD4SF)[E1], Version mit voller Leistung[f.p.]
9	AP8106697	Gasventil 40	1	Technische Daten: Zulassung EURO2 (Rahmen ZD4SF)[E2]
9	AP8106963	Gasventil 45	1	Technische Daten: Version mit Leistungsminderung 11 Kw[11Kw], Zulassung EURO1 (Rahmen ZD4SF)[E1]
10	AP8106784	Startervorrichtung	1	
11	AP8106796	Dichtungsbeutel	1	

Einheit	MOTOR
Code	29.23
Beschreibung	Vergaser II
Inspektion	1



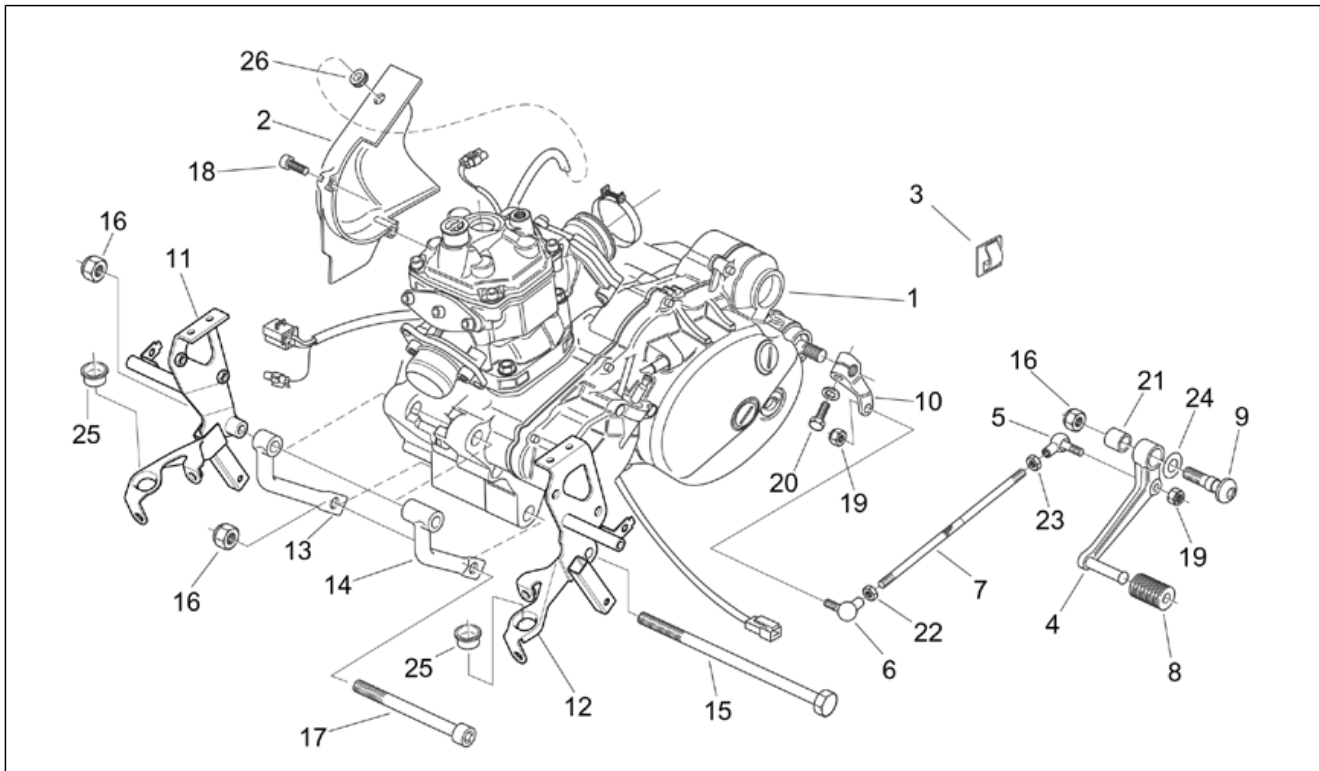
Pos.	Code	Beschreibung	Menge	Varianten
1	AP8106790	Anschluß Lufteinlaß	1	
2	AP8106795	Fixierschraube Röhr.	1	
3	AP8106794	Verb.röhrch. Benz.schl.	1	
4	AP8222656	Kraftstofffilter	1	
5	AP8106789	Griff	1	
6	AP8106787	Einst.schr. L.laufgemisch Kit	1	
7	AP8106788	Einstellschr. Gasventil	1	
8	AP8106723	Min.Mischrohr Düse 62	1	
9	AP8106722	Leerlaufstrahl 62	1	
10	AP8106796	Dichtungsbeutel	1	

Einheit	MOTOR
Code	29.24
Beschreibung	Vergaser III
Inspektion	1



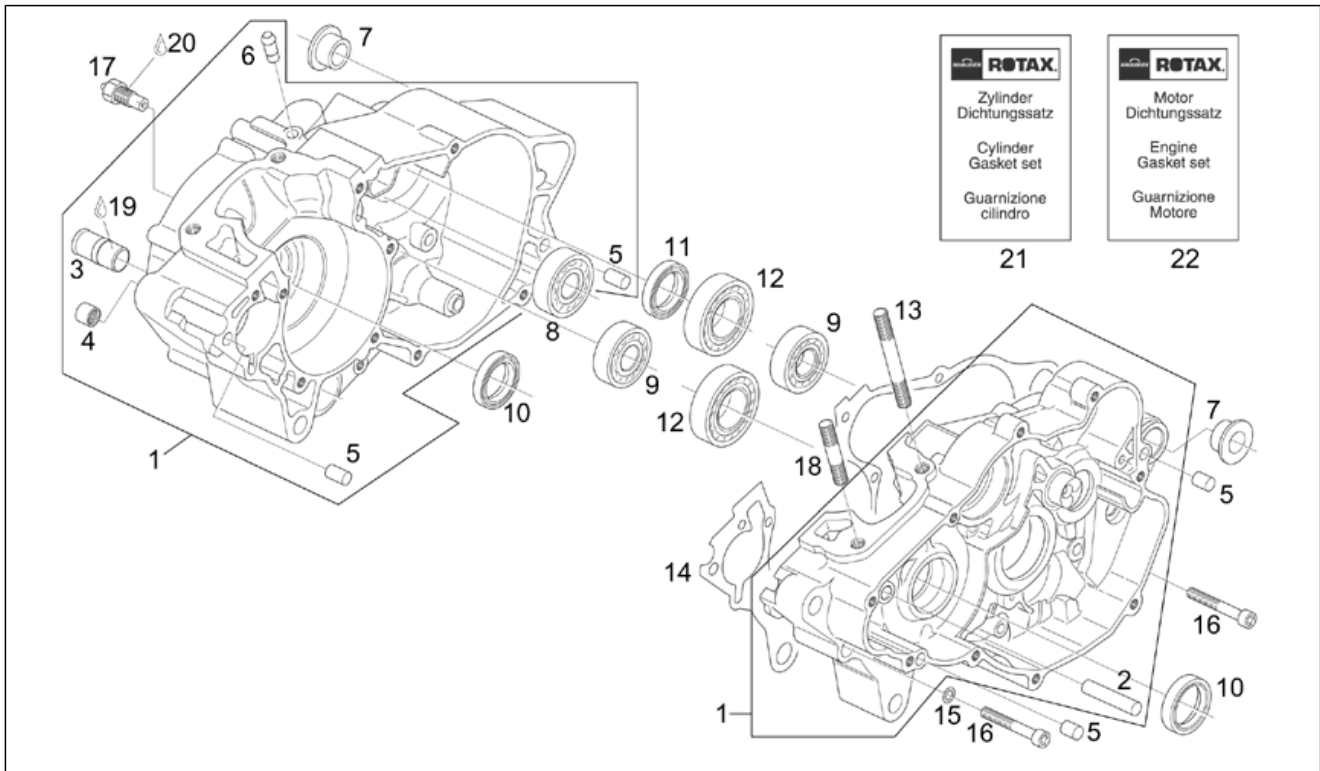
Pos.	Code	Beschreibung	Menge	Varianten
1	AP8106696	Nadelventil BN 264	1	Technische Daten: Version mit Leistungsminderung 11 Kw[11Kw]
1	AP8106724	Nadelventil BN 266	1	Technische Daten: Version mit voller Leistung[f.p.]
2	AP8106780	Startdüse 70	1	
3	AP8106793	Wanne Fixierschluß	1	
4	AP8106728	Maximaldüse 115	1	Technische Daten: Version mit Leistungsminderung 11 Kw[11Kw]
4	AP8176042	Maximaldüse 132	1	Technische Daten: Zulassung EURO1 (Rahmen ZD4SF)[E1], Version mit voller Leistung[f.p.]
4	AP8176132	Maximaldüse 128	1	Technische Daten: Zulassung EURO2 (Rahmen ZD4SF)[E2], Version mit voller Leistung[f.p.]
5	AP8106792	Schwimmerstift	1	
6	AP8106791	Schwimmergehäuse	1	
7	AP8106782	Schwimmer	1	
8	AP8106781	Nadelventil 250	1	
9	AP8106796	Dichtungsbeutel	1	

Einheit	MOTOR
Code	29.25
Beschreibung	Motor
Inspektion	1



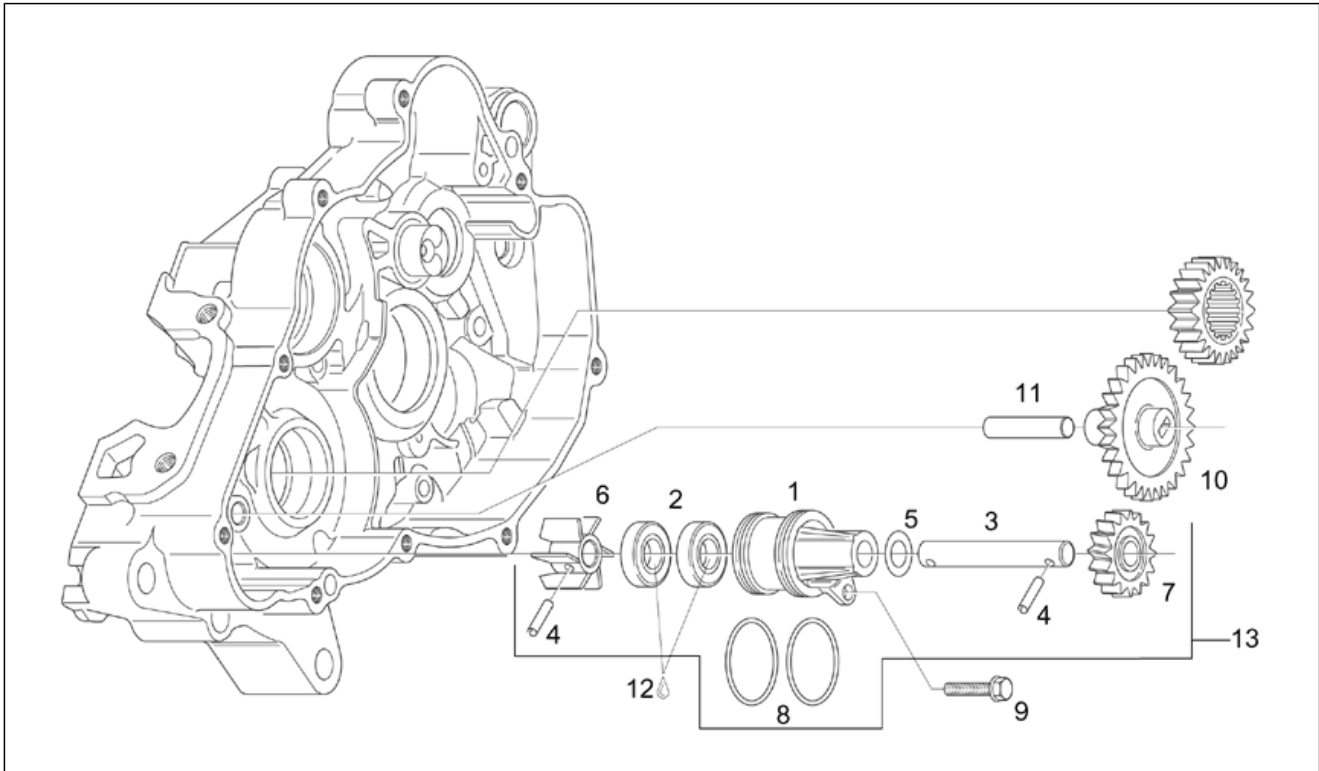
Pos.	Code	Beschreibung	Menge	Varianten
1	AP8176079	Motor 122 22KW	1	Technische Daten: Version mit voller Leistung[f.p.]
1	AP8176080	Motor 122 11KW	1	Technische Daten: Version mit Leistungsminderung 11 Kw[11Kw]
2	AP8106315	Ritzelkasten, grau	1	
3	AP8120708	Kabelführungs	2	
4	AP8106013	Schalthebel	1	
5	AP8210007	Kugelgelenk rechts M6	1	
6	AP8110053	Kugelgelenk links M6	1	
7	AP8121163	Umlenkstange Schaltgetriebe	1	
8	AP8220205	Gummi	1	
9	AP8121284	Bremshebelbolzen	1	
10	AP8135726	Umlenkpl.Schaltgetr.	1	
11	AP8146775	Vord. Motorplatte r.	1	
12	AP8146776	Vord. Motorplatte l.	1	
13	AP8135786	Motorhltr. rechts	1	
14	AP8135787	L. Motorhalter	1	
15	AP8150412	Sechskantschraube	1	
16	AP8150436	Selbstsperr.mut Unt.	3	
17	AP8150310	TCEI Schraube M10x120	1	
18	AP8150044	TCEI Schraube M6x20	2	
19	AP8150430	Selbstsperr.mut Unt.	2	
20	AP8152279	TE Schr. m. Flansch M6x20	1	
21	AP8121147	Distanzscheibe *	1	
22	AP8152138	Mutter	1	
23	AP8150026	Mutter M6	1	
24	AP8121697	Tellerfeder	1	
25	AP8120275	Silent-Block *	2	
26	AP8120405	Gummi	1	

Einheit	MOTOR
Code	29.37
Beschreibung	Kurbelwellengehäuse
Inspektion	1



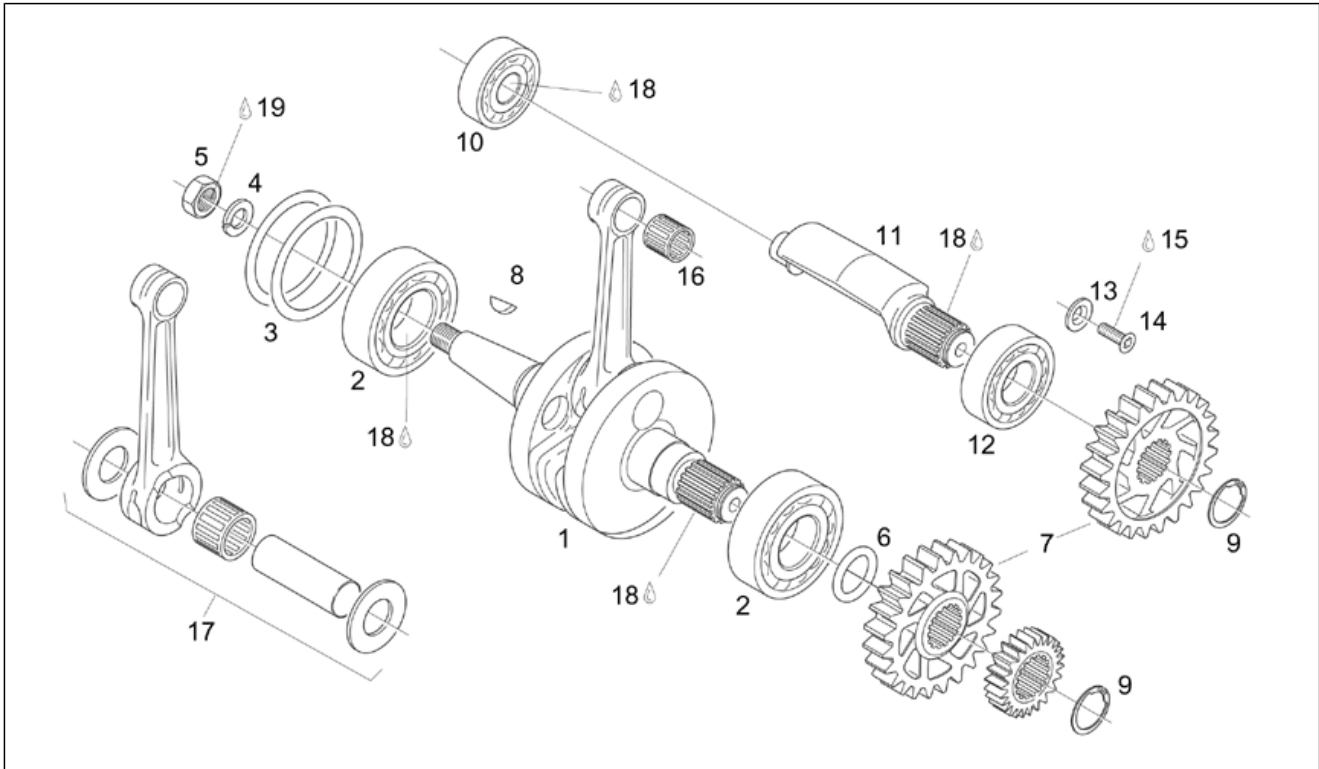
Pos.	Code	Beschreibung	Menge	Varianten
1	AP0295388	Gehäuse-kpl.	1	
2	AP0229380	Stift 6x40	1	
3	AP0224260	Leitung	1	
4	AP0232275	Nadelkaefig 8x12x8	1	
5	AP0632010	Stift M8x12	4	
6	AP0924150	Messinganschluß	1	
7	AP0247555	Buchse	2	
8	AP0232291	Lager 6302	1	
9	AP0932032	Lager 6203	2	
10	AP0230425	Ölabstreifring 28x38x7	2	
11	AP0930675	Ölabstreifring 25x38x7	1	
12	AP0232765	Lager 6205	2	
13	AP0940786	Stiftschraube M8x57/20	2	
14	AP0650130	Dichtung 6x10	1	
15	AP0230415	Gasket ring 6x10	1	
16	AP0241821	TCEI Schraube M6x45	10	
17	AP0640190	Sensor	1	
18	AP0241381	Stiftschraube M8x28x20	2	
19	AP0899788	Loctite, grün 648 5gr.	1	
20	AP0297386	Silastic 732 Rtv 100 gr.	1	
21	AP0293318	Zylinderdichtung-Satz	1	
22	AP0293314	Satz motor dichtung	1	

Einheit	MOTOR
Code	29.38
Beschreibung	Wasserpumpenritzel kplt.
Inspektion	1



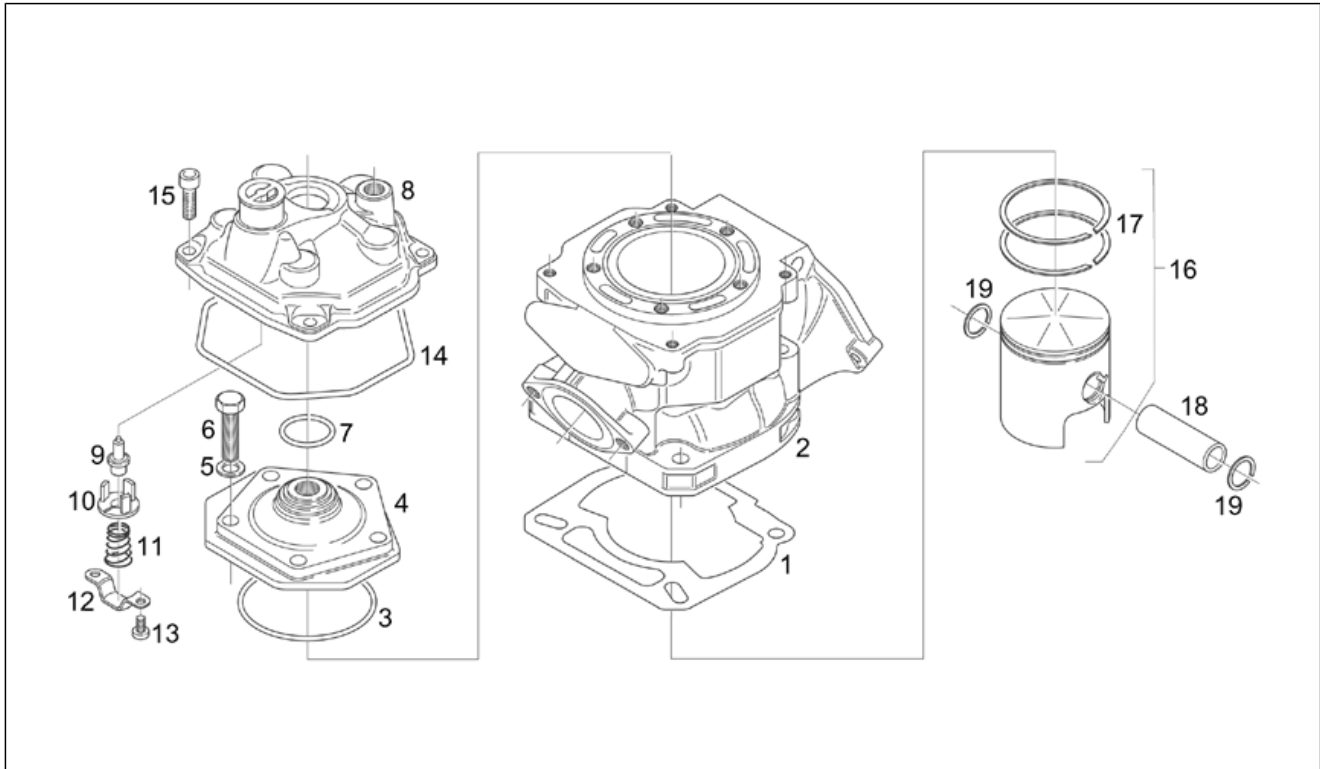
Pos.	Code	Beschreibung	Menge	Varianten
1	AP0222182	Wasserpumpenkörper	1	
2	AP0230195	Ölabstreifring 10x26x7	2	
3	AP0237912	Welle Wasserpumpe	1	
4	AP0229280	Stift 4x16	2	
5	AP0827590	Paßscheibe 10,1/17/1	1	
6	AP0222195	Läufer	1	
7	AP0234415	Wasserpumpenritzel Z=16	1	
8	AP0430060	O-Ring 26,7x1,8	2	
9	AP0241270	TE Schr. m. Flansch	1	
10	AP0634035	Freilaufgrad Z=28/13	1	
11	AP0229380	Stift 6x40	1	
12	AP0897161	Molykote 111 100gr.	1	
13	AP0293417	Wasserpumpe komplett	1	

Einheit	MOTOR
Code	29.39
Beschreibung	Kurbelwelle - Ausgl.rad
Inspektion	1



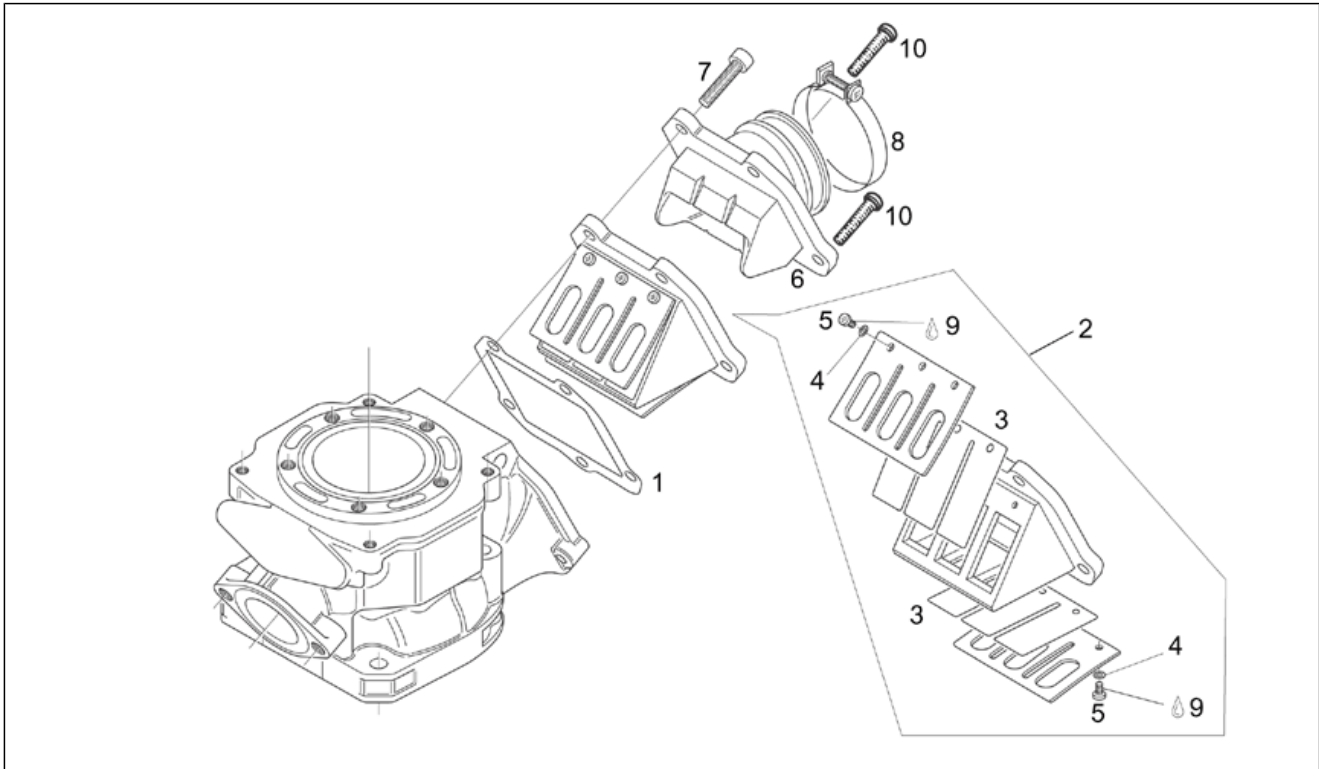
Pos.	Code	Beschreibung	Menge	Varianten
1	AP0295373	Kurbelwelle kpl. 54,5 mm	1	
2	AP0932588	Lager 6206	2	
3	AP0427590	Distanzscheibe D50x62x0,1	1	
3	AP0427591	Distanzscheibe D50x62x0,3	1	
4	AP0945754	Federring Din A12	1	
5	AP0242515	Mutter M12x1	1	
6	AP0430460	O-Ring 18x3,5	1	
7	AP0234431	Ausgleichsrad Z=27	2	
8	AP0246570	Keil 4x5	2	
9	AP0245650	Seegerring AV 20	2	
10	AP0232291	Lager 6302	1	
11	AP0237945	Gegenwelle	1	
12	AP0232340	Kugellager 6005	1	
13	AP0227280	Paßscheibe	1	
14	AP0940315	Schraube	1	
15	AP0899785	Loctite, violett 221 10cc.	1	
16	AP0932028	Nadelkaefig 15x19x20	1	
17	AP0295374	Baugruppe Pleuelstange kplt.	1	
18	AP0297431	Loctite Anti Seize 10 GR.	1	
19	AP0899788	Loctite, grün 648 5gr.	1	

Einheit	MOTOR
Code	29.40
Beschreibung	Zylind. - Kopf - Kolb.
Inspektion	1



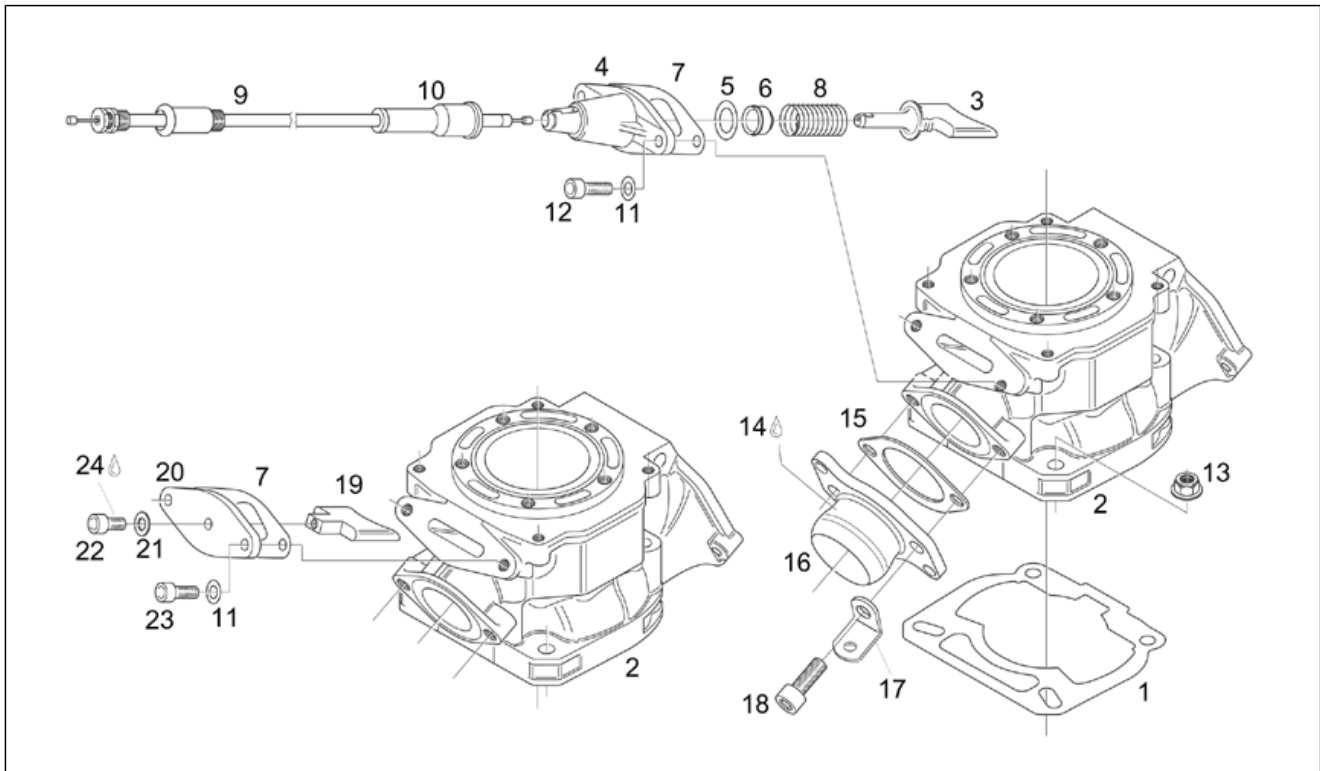
Pos.	Code	Beschreibung	Menge	Varianten
1	AP0650095	Dichtung 0,3	1	
1	AP0650096	Dichtung 0,5	1	
1	AP0650097	Dichtung 0,8	1	
2	AP0223618	Zylinder 9 Löcher	1	
3	AP0250160	O-Ring 64x2	1	
4	AP0223384	Brennraumeinsatz	1	
5	AP0945752	Federring Din A8	5	
6	AP0940487	Zyl.schraube M8x30	5	
7	AP0430782	O-Ring 23,3x2,4	1	
8	AP0613100	Zylinderkopfdeckel	1	
9	AP0222122	Thermostat 70°	1	
10	AP0222175	Thermosthalter	1	
11	AP0239950	Feder	1	
12	AP0222202	Thermostatbuegel	1	
13	AP0240195	TCB-Spezialschraube M4x8	2	
14	AP0250280	O-Ring 105x2,5	1	
15	AP0241930	TCEI Schraube M6x20	4	
16	AP0294747	Kolben kpl. 53,98 mm	1	
16	AP0294748	Kolben kpl. 53,99 mm	1	
16	AP0294755	Kolben kpl. 54,00 mm	1	
17	AP0215670	Kolbenring d54	2	
18	AP0216139	Bolzen	1	
19	AP0945635	Stiftsperring D15	2	

Einheit	MOTOR
Code	29.41
Beschreibung	Vergaserstutzen
Inspektion	1



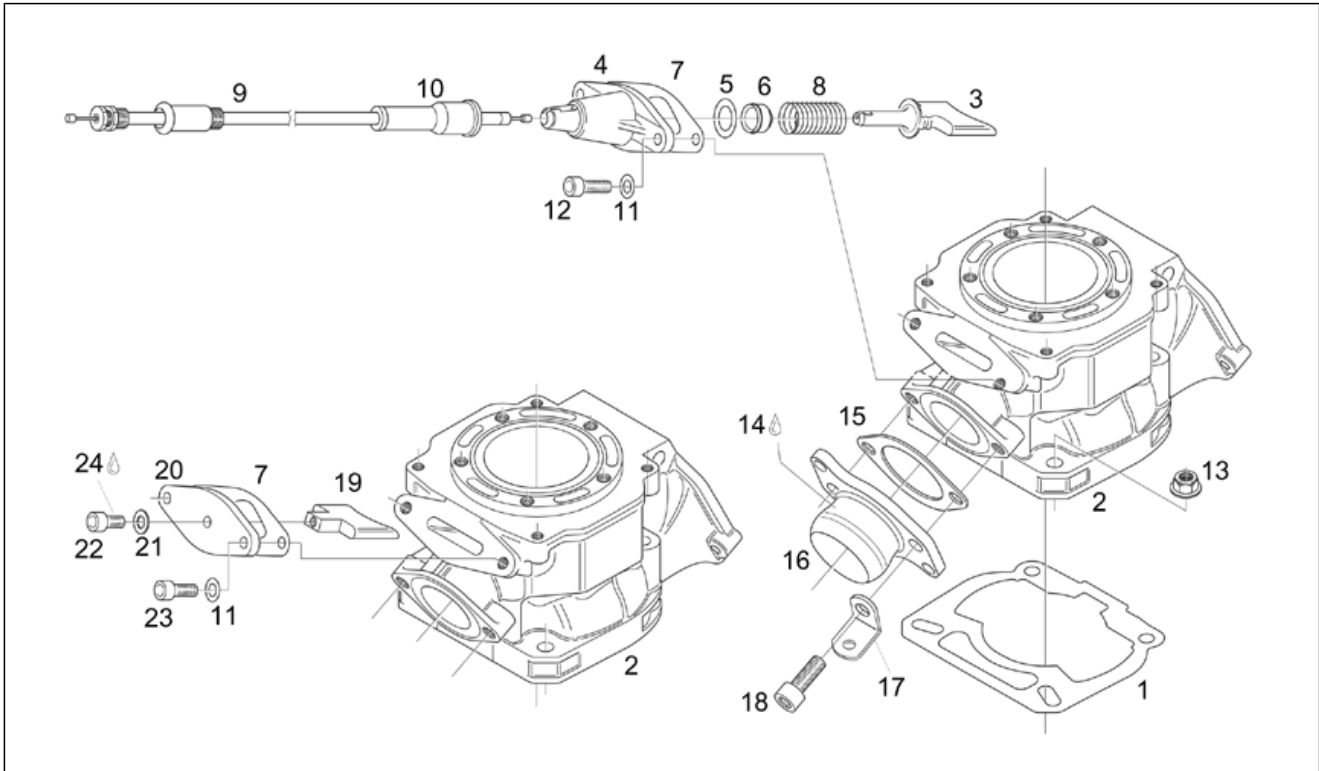
Pos.	Code	Beschreibung	Menge	Varianten
1	AP0250521	Dichtung	1	
2	AP0224387	Ventiltraeger kpl.	1	
3	AP0224430	Lamellenventil	2	
4	AP0945758	Federring Din A4	6	
5	AP0940235	Zyl.schraube M4x8	6	
6	AP0267918	Vergaserstutzen 28 MM	1	
7	AP0840861	TCEI Schraube M6x25	5	
8	AP0251850	Schelle 51	1	
9	AP0899788	Loctite, grün 648 5gr.	1	
10	AP0440113	Schraube M6x25	2	Technische Daten: Version mit Leistungsminderung 11 Kw[11Kw]

Einheit	MOTOR
Code	29.42
Beschreibung	Zylinder -Entl.vent.
Inspektion	1



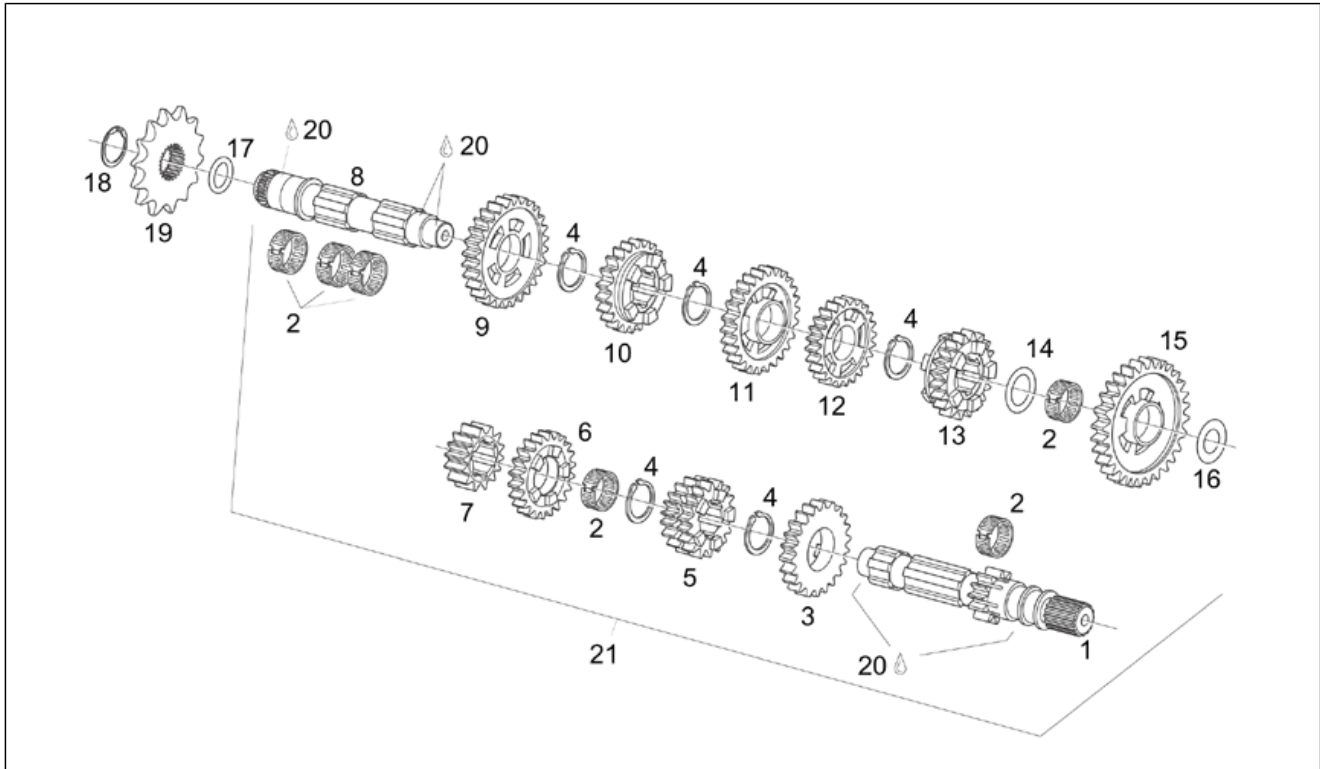
Pos.	Code	Beschreibung	Menge	Varianten
1	AP0650095	Dichtung 0,3	1	
1	AP0650096	Dichtung 0,5	1	
1	AP0650097	Dichtung 0,8	1	
2	AP0223618	Zylinder 9 Löcher	1	
3	AP0253722	Auslasschieber	1	Technische Daten: Version mit voller Leistung[f.p.]
4	AP0253465	Schieberstangen	1	Technische Daten: Version mit voller Leistung[f.p.]
5	AP0230880	O-Ring 13,3x2,4	1	Technische Daten: Version mit voller Leistung[f.p.]
6	AP0230810	Ölabstreifring Ventilführung	1	Technische Daten: Version mit voller Leistung[f.p.]
7	AP0250975	Dichtung 0,8	1	
8	AP0239052	Feder	1	Technische Daten: Version mit voller Leistung[f.p.]
9	AP0297745	Rave elektr.Vent.kab.	1	Technische Daten: Version mit voller Leistung[f.p.]
10	AP0860460	Regenschutzkappe	1	Technische Daten: Version mit voller Leistung[f.p.]
11	AP0845020	Sprengscheibe B6	2	
12	AP0241930	TCEI Schraube M6x20	2	Technische Daten: Version mit voller Leistung[f.p.]
13	AP0242586	Flanschmutter	4	
14	AP0297431	Loctite Anti Seize 10 GR.	1	
15	AP0250271	Dichtung	1	
16	AP0273970	Auspuffstutzen kpl.	1	
17	AP0224067	Federeinhangung	2	
18	AP0240081	TCEI Schraube M8x25	2	
19	AP0253373	Auslasschieber	1	Technische Daten: Version mit Leistungsminderung 11 Kw[11Kw]
20	AP0253500	Schieberfixierung	1	Technische Daten: Version mit Leistungsminderung 11 Kw[11Kw]
21	AP0827961	Ausgleichscheibe 6,4	1	Technische Daten: Version mit Leistungsminderung 11 Kw[11Kw]
22	AP0840861	TCEI Schraube M6x25	1	Technische Daten: Version mit Leistungsminderung 11 Kw[11Kw]

Einheit	MOTOR
Code	29.42
Beschreibung	Zylinder -Entl.vent.
Inspektion	1



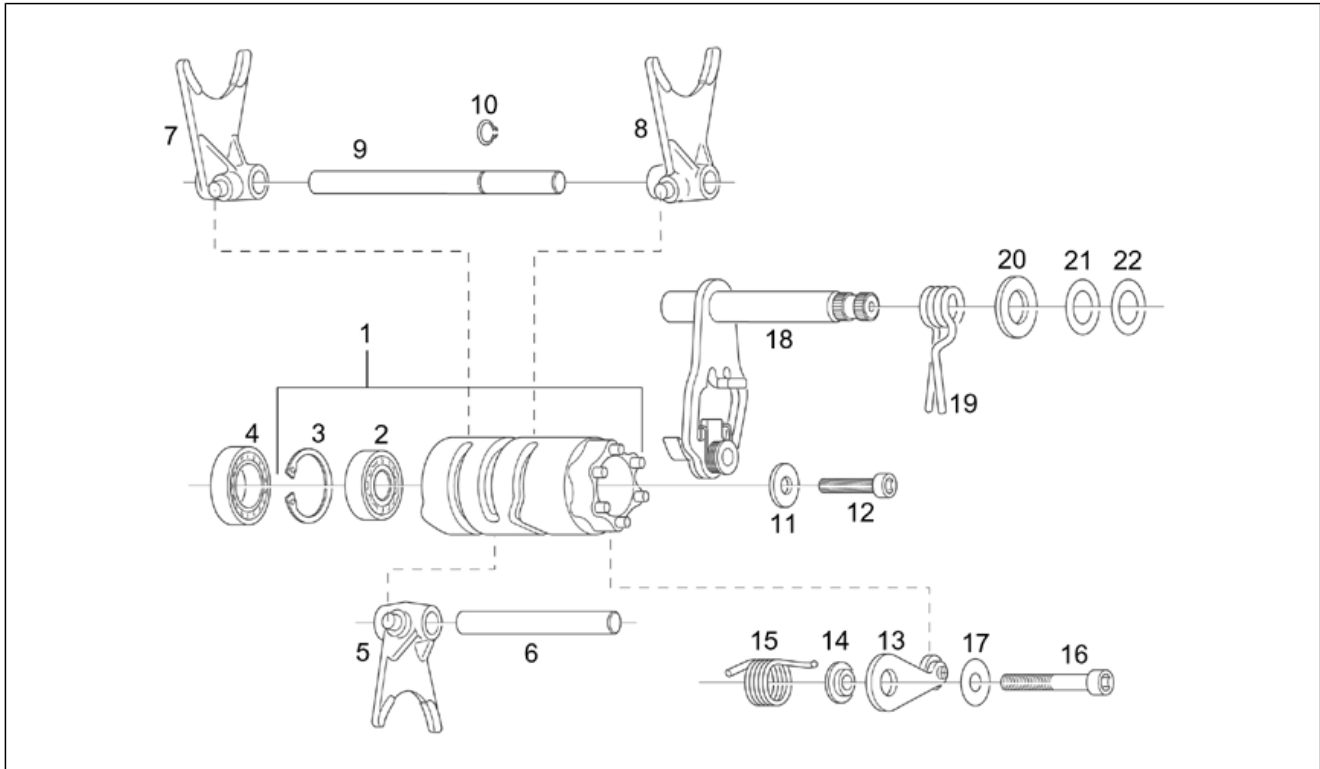
Pos.	Code	Beschreibung	Menge	Varianten
23	AP0241236	TCEI Schraube M6x16	2	Technische Daten: Version mit Leistungsminderung 11 Kw[11Kw]
24	AP0899788	Loctite, grün 648 5gr.	2	Technische Daten: Version mit Leistungsminderung 11 Kw[11Kw]

Einheit	MOTOR
Code	29.43
Beschreibung	Getriebe
Inspektion	1



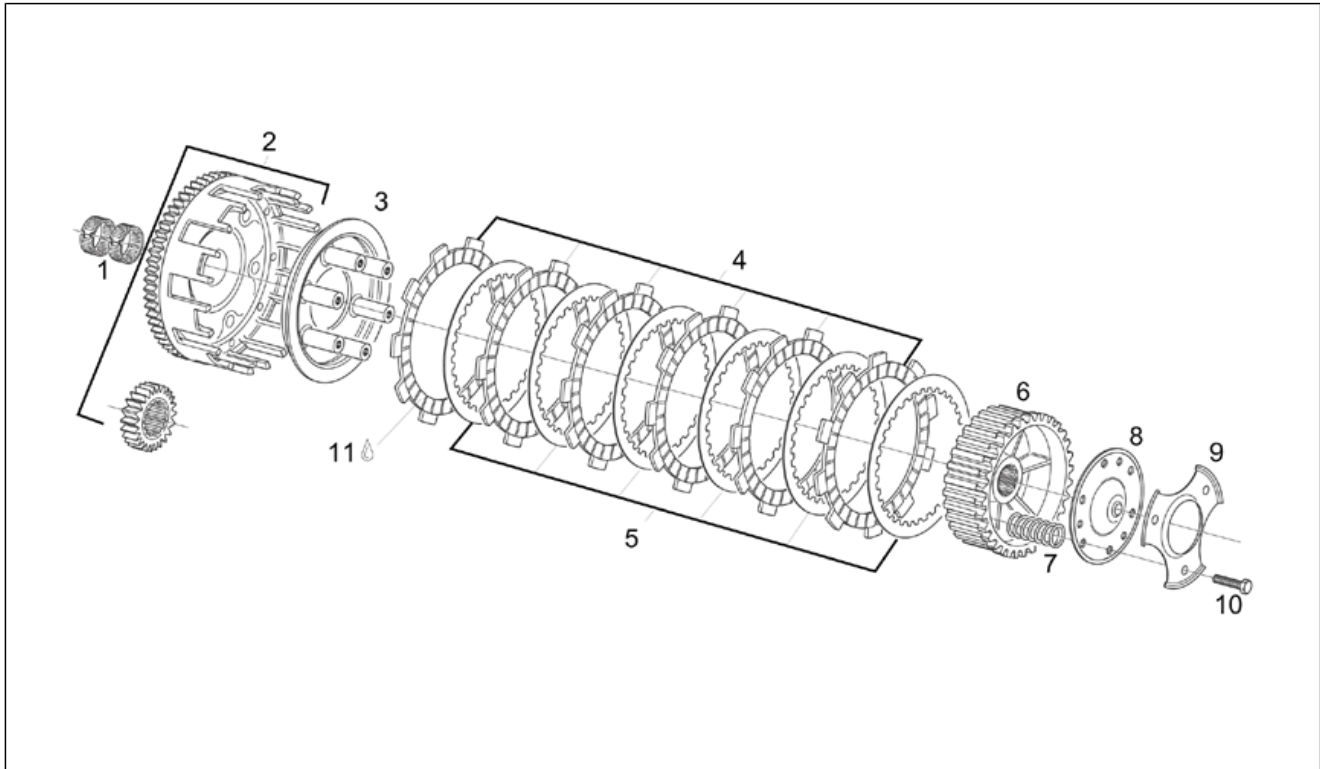
Pos.	Code	Beschreibung	Menge	Varianten
1	AP0220300	Vorgelegewelle Z=10	1	
2	AP0232742	Nadelkaefig 21x25x10	6	
3	AP0634125	Zahnrad Z=22	1	
4	AP0245730	Seegerring 25x2	5	
5	AP0634095	Zahnrad Z=17/19	1	
6	AP0634105	Zahnrad Z=21	1	
7	AP0634085	Zahnrad 2.Hauptwelle Z=14	1	
8	AP0220280	Festrad	1	
9	AP0234968	Zahnrad Z=29	1	
10	AP0634115	Zahnrad Z=24	1	
11	AP0234984	Zahnrad Z=27	1	
12	AP0234858	Zahnrad Z=25	1	
13	AP0634135	Zahnrad Z=23	1	
14	AP0244100	Paßscheibe 21,2/30/1	1	
15	AP0634065	Zahnrad Z=30	1	
16	AP0227430	Paßscheibe 17,2/30/1	1	
17	AP0430460	O-Ring 18x3,5	1	
18	AP0245650	Seegerring AV 20	1	
19	AP0236061	Ritzel Z=14	1	
19	AP0236062	Ritzel	1	
19	AP0236063	Ritzel Z=16	1	
19	AP0236064	Ritzel Z=17	1	
20	AP0297431	Loctite Anti Seize 10 GR.	1	
21	AP0281210	Schaltgetriebe kpl. 6 v.ta'	1	

Einheit	MOTOR
Code	29.44
Beschreibung	Getriebschaltung
Inspektion	1



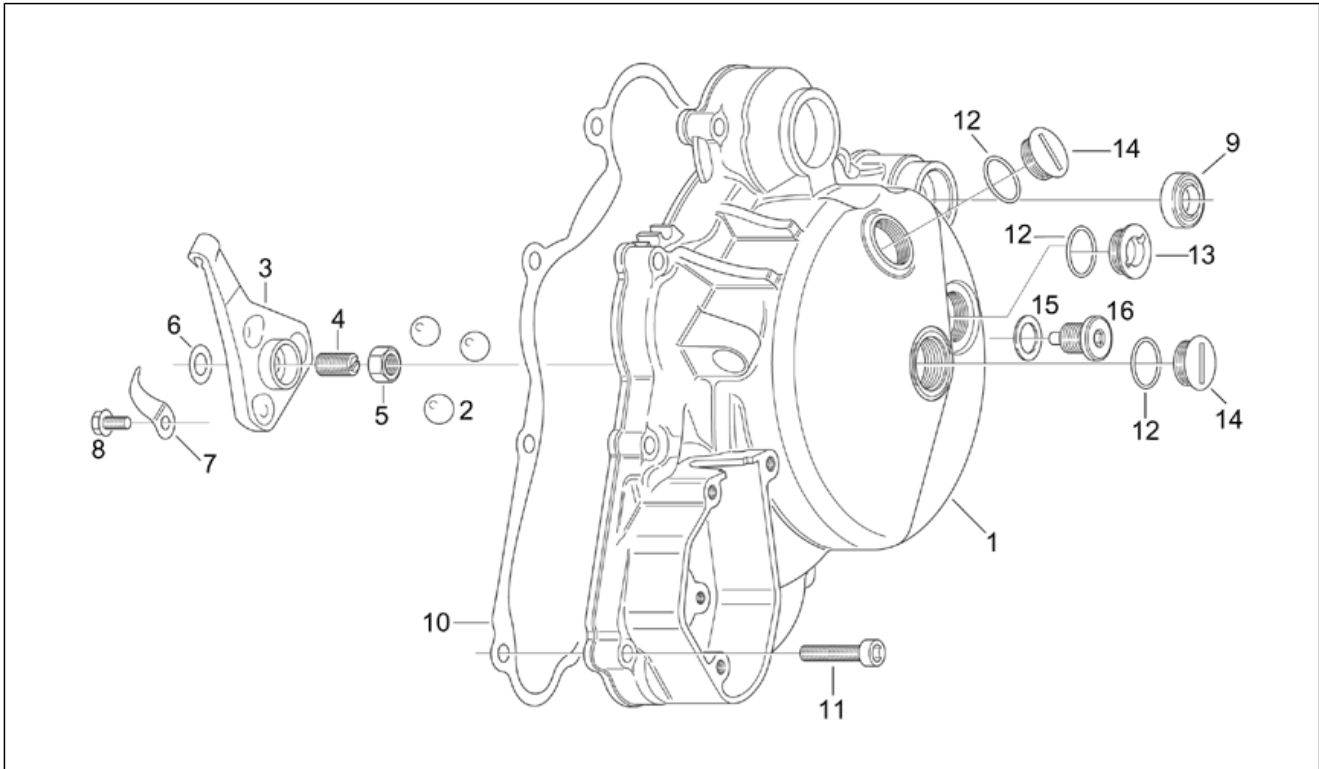
Pos.	Code	Beschreibung	Menge	Varianten
1	AP0258305	Verschiebenocken	1	
2	AP0232402	Lager 6001	1	
3	AP0245790	Seegerring	1	
4	AP0632060	Kugellager 61804	1	
5	AP0258135	Schaltgabel 5-6 V.ta'	1	
6	AP0229390	Stift M6x70	1	
7	AP0258123	Schaltgabel 2-3 Gang	1	
8	AP0258113	Schaltgabel 1-4 v.ta'	1	
9	AP0258200	Schaltstange	1	
10	AP0245570	Seegerring 8x0,8	1	
11	AP0827305	Ausgleichscheibe 6,2x18x2	1	
12	AP0840880	TCEI Schraube M6x30	1	
13	AP0248325	Indexhebel kpl.	1	
14	AP0227710	Stufenring	1	
15	AP0239241	Index feder	1	
16	AP0241821	TCEI Schraube M6x45	1	
17	AP0827307	Ausgleichscheibe 6,2x18x0,5	1	
18	AP0220295	Schaltwele+klin. kpl.	1	
19	AP0239252	Feder	1	
20	AP0427690	Ausgleichscheibe 13	1	
21	AP0827261	Paßscheibe 12,5/21,5	1	
22	AP0227450	Paßscheibe 12,5/21,5/0,5	1	

Einheit	MOTOR
Code	29.45
Beschreibung	Kupplung
Inspektion	1



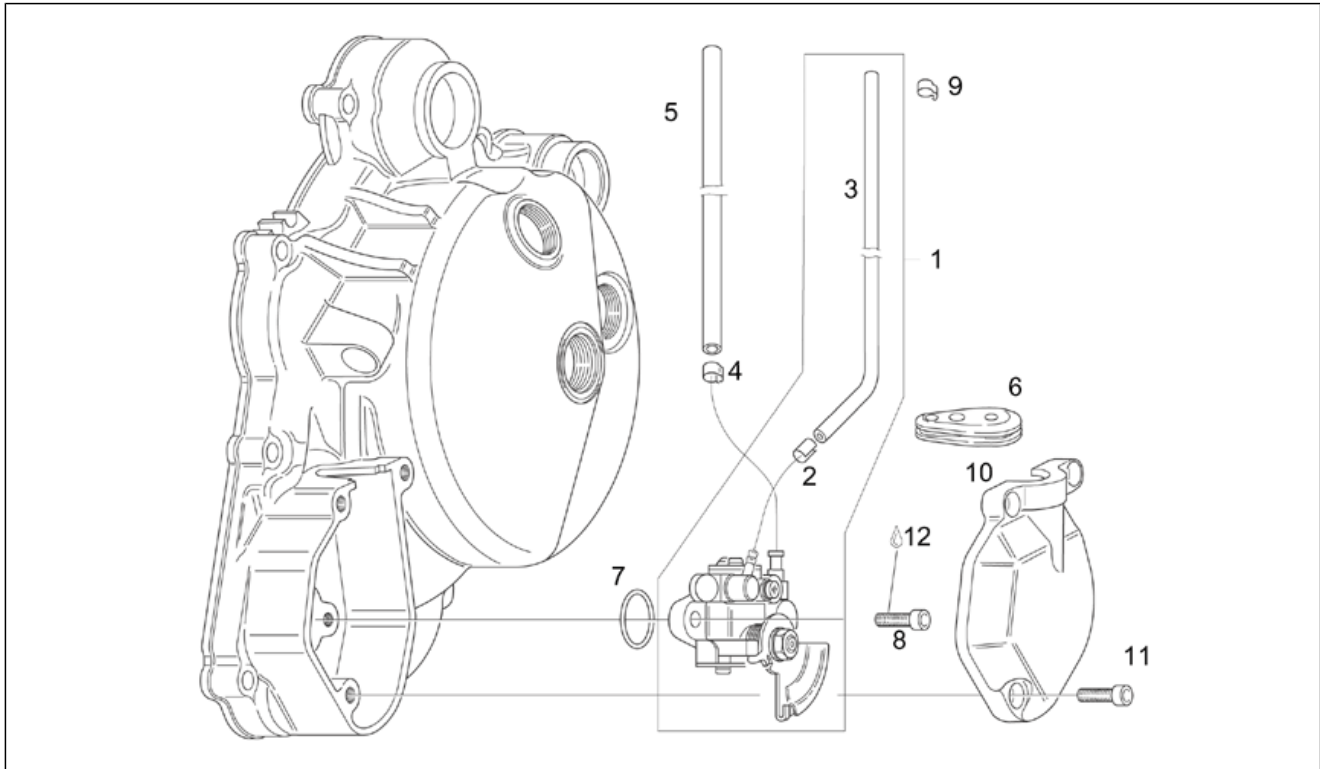
Pos.	Code	Beschreibung	Menge	Varianten
1	AP0232742	Nadelkaefig 21x25x10	2	
2	AP0295406	Primaertrieb kpl.	1	
3	AP0259570	Stuetzteller	1	
4	AP0259053	Belaglamelle 3,1 mm	6	
5	AP0259557	Kupplungsscheibe 1 MM	6	
6	AP0259470	Mitnehmer	1	
7	AP0239625	Kupplungsfeder 34,1 MM	6	
8	AP0259165	Druckplatte kplt.	1	
9	AP0259420	Stuetztellerfuehrung feder.	1	
10	AP0241770	Sechskantschraube	6	
11	0000000	Reifen	1	

Einheit	MOTOR
Code	29.46
Beschreibung	Kupplungsdeckel
Inspektion	1



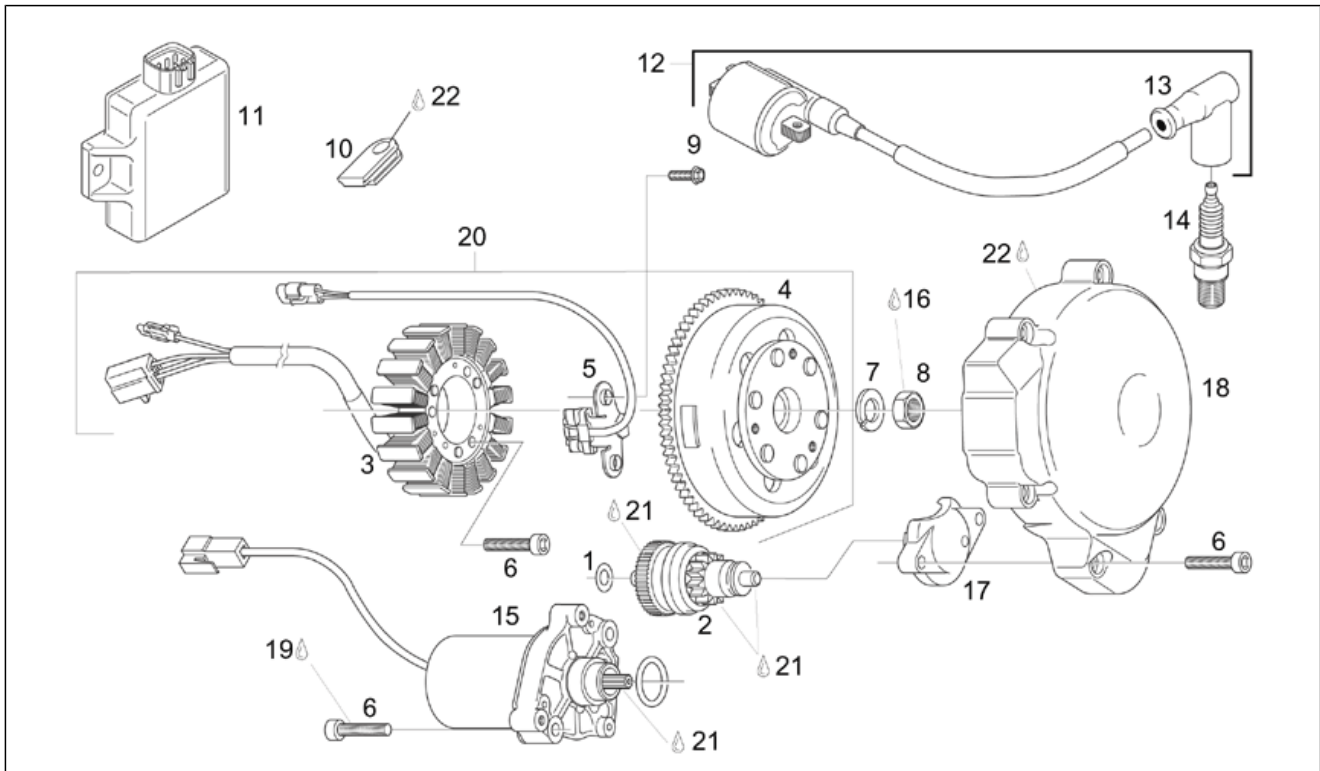
Pos.	Code	Beschreibung	Menge	Varianten
1	AP0211404	Kupplungsdeckel	1	
2	AP0232150	Kugel 12 MM	3	
3	AP0259325	Ausrueckteller	1	
4	AP0241791	Schraube	1	
5	AP0942671	Mutter M8	1	
6	AP0227945	Paßscheibe 8,1/15	1	
7	AP0239907	Blattfeder	1	
8	AP0841685	TE Schr. m. Flansch	1	
9	AP0250455	Ölabstreifring 12x22x7	1	
10	AP0250205	Dichtung	1	
11	AP0840880	TCEI Schraube M6x30	9	
12	AP0250890	O-Ring 3771	3	
13	AP0240820	Oelstandsschraube M18x1,5	1	
14	AP0241801	Verschlusschraube M18x1,5	2	
15	AP0250641	Gasket ring 12x18	1	
16	AP0241782	Magnetschraube M12x1,5	1	

Einheit	MOTOR
Code	29.47
Beschreibung	Ölpumpe
Inspektion	1



Pos.	Code	Beschreibung	Menge	Varianten
1	AP0294735	Ölpumpe	1	
2	AP0256400	Schelle	1	
3	AP0256410	Leitung 350 MM	1	
4	AP0251080	Schelle 8	1	
5	AP0256037	Leitung 850 MM	1	
6	AP0260030	Drahtabdeckgummi	1	
7	AP0250890	O-Ring 3771	1	
8	AP0840510	TCEI Schraube	2	
9	AP0853840	Schelle 35553	1	
10	AP0211440	Ölpumpendeckel	1	
11	AP0840511	TCEI Schraube	3	
12	AP0899785	Loctite, violett 221 10cc.	1	

Einheit	MOTOR
Code	29.48
Beschreibung	Zündung
Inspektion	1



Pos.	Code	Beschreibung	Menge	Varianten
1	AP0227945	Paßscheibe 8,1/15	1	
2	AP0294810	Startergetriebe kpl.	1	
3	AP0295670	Stator kpl	1	
4	AP0295677	Schwungmagnetstarter	1	
5	AP0265157	Aussengeber	1	
6	AP0840880	TCEI Schraube M6x30	11	
7	AP0945754	Federring Din A12	1	
8	AP0242515	Mutter M12x1	1	
9	AP0941925	TE-Spezialschraube	2	
10	AP0260840	Drahtabdeckgummi	1	
11	AP0265402	Steuergeraet digital	1	
12	AP0265415	Zuendtransfom.cpl.	1	
13	AP0866708	Widerstandsstecker schwarz	1	
14	AP0297830	Zündkerze BR10EG	1	Technische Daten: Version mit voller Leistung[f.p.]
14	AP0897055	Zündkerze 14 NGK BR8	1	Technische Daten: Version mit Leistungsminderung 11 Kw[11Kw]
15	AP0294800	Startermotor	1	
16	AP0899788	Loctite, grün 648 5gr.	1	
17	AP0210345	Startergetriebedeckel	1	
18	AP0211455	Zuenderdeckel	1	
19	AP0899785	Loctite, violett 221 10cc.	1	
20	AP0295365	Zündung Kpl.	1	
21	AP0897161	Molykote 111 100gr.	1	
22	AP0297386	Silastic 732 Rtv 100 gr.	1	