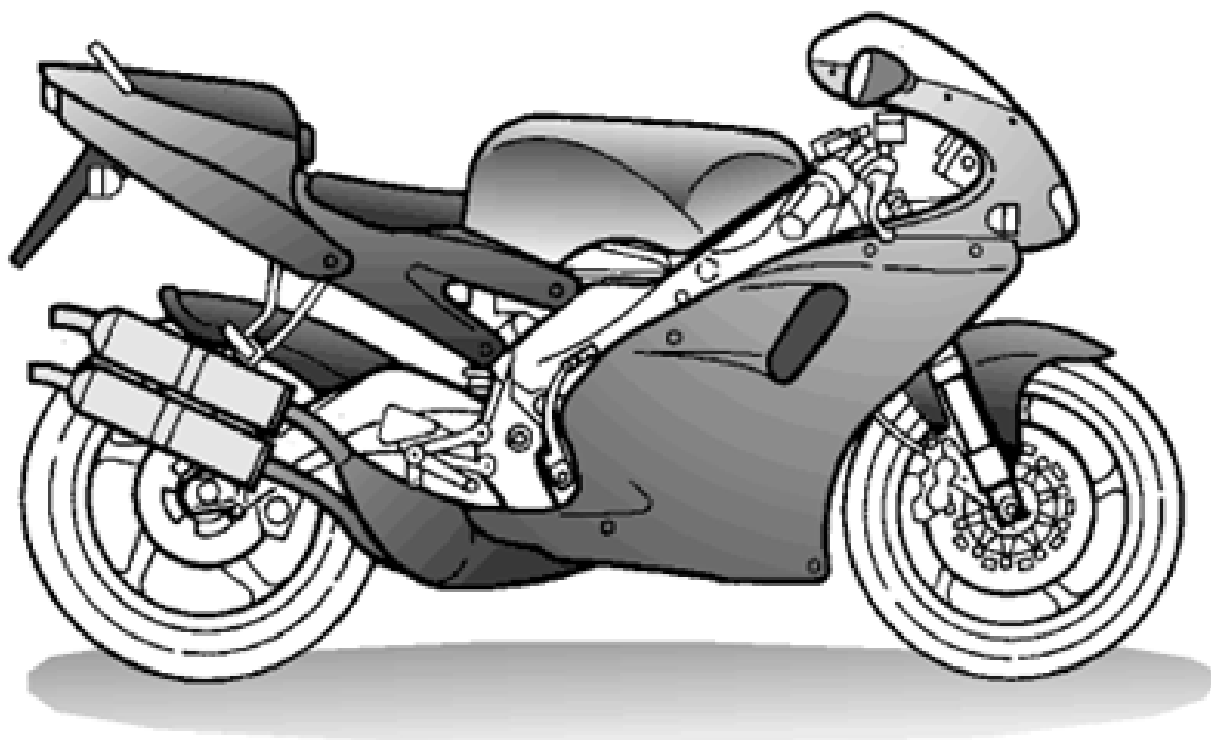


aprilia[®]

ERSATZTEILKATALOG



RS 250 1995-1997

Vorsatzcode Fahrgestell: ZD4LD0

Vorsatzcode Motor:

RS 250

380T

Inhaltsverzeichnis

Fertige Produkte.....	3
Alphanumerisches Verzeichnis.....	5
RAHMEN.....	10
Tafel 28.01 - Rahmen.....	10
Tafel 28.02 - Fussrasten - Ständer.....	11
Tafel 28.03 - Kraftstofftank.....	13
Tafel 28.04 - Frontaufbau I.....	15
Tafel 28.05 - Heckaufbau.....	17
Tafel 28.06 - Instrumententafel.....	20
Tafel 28.07 - Schaltungen.....	22
Tafel 28.08 - Hinterradaufhängung.....	24
Tafel 28.09 - Filtergehäuse.....	26
Tafel 28.10 - Auspuffrohr.....	28
Tafel 28.11 - Vorderrad.....	29
Tafel 28.12 - Hinterrad.....	31
Tafel 28.13 - Hinterradbremzange.....	32
Tafel 28.14 - Lichter.....	34
Tafel 28.15 - Elektrische Anlage.....	35
Tafel 28.16 - Vorderradgabel.....	36
Tafel 28.17 - Aufkleber und Deko.....	38
MOTOR.....	40
Tafel 29.18 - Kurbelwellengehäuse.....	40
Tafel 29.19 - Wasserpumpenritzel.....	42
Tafel 29.20 - Ölpumpe.....	43
Tafel 29.21 - Kurbelwelle.....	44
Tafel 29.22 - Horizontal zylinder gruppe.....	45
Tafel 29.23 - Vertikal zylinder gruppe.....	47
Tafel 29.24 - Ventilgruppe I.....	49
Tafel 29.25 - Ventilgruppe II.....	50
Tafel 29.26 - Zündung.....	51
Tafel 29.27 - Getriebeschaltung gruppe I.....	52
Tafel 29.28 - Getriebeschaltung gruppe II.....	53
Tafel 29.29 - Vorgelegewelle.....	54
Tafel 29.30 - Festrad.....	55
Tafel 29.31 - Kupplung.....	57
Tafel 29.32 - Startergruppe.....	58
Tafel 29.33 - Vergaserstutzen.....	59
Tafel 29.34 - Vergaser I.....	60
Tafel 29.35 - Vergaser II.....	61
Tafel 29.36 - Vergaser III.....	62

Fertige Produkte

Code	Gültigkeit
AP66400AT05	
AP66400BE05	
AP66400BE06	
AP66400DE01	
AP66400DE03	
AP66400DE04	
AP66400DE05	
AP66400DE06	
AP66400DK05	
AP66400DK06	
AP66400EL05	
AP66400ES01	
AP66400ES04	
AP66400ES05	
AP66400ES06	
AP66400FR01	
AP66400FR02	
AP66400FR03	
AP66400FR04	
AP66400FR05	
AP66400FR06	
AP66400GB01	
AP66400GB02	
AP66400GB03	
AP66400GB04	
AP66400GB05	
AP66400GB06	
AP66400IT01	
AP66400IT02	
AP66400IT03	
AP66400IT04	
AP66400IT05	
AP66400IT06	
AP66400JP01	
AP66400JP02	
AP66400JP03	
AP66400JP04	
AP66400JP05	
AP66400JP06	
AP66400NL01	
AP66400NL03	
AP66400NL04	

Code	Gültigkeit
AP66400PT05	
AP66400SG03	
AP66401IT01	
AP66401IT02	
AP66401IT03	
AP66401IT04	
AP7999025	

Code	Nr. der Tafel	Pos.	Code	Nr. der Tafel	Pos.	Code	Nr. der Tafel	Pos.
0000000	28.11	1	AP8110076	28.12	16	AP8119399	28.10	4
0000000	28.12	1	AP8112413	28.15	8	AP8120001	28.15	11
AP8101106	28.16	6	AP8112710	28.05	14	AP8120030	28.15	12
AP8101272	28.16	8	AP8112802	28.05	15	AP8120177	28.05	21
AP8101527	28.09	10	AP8112916	28.14	12	AP8120311	28.03	11
AP8101744	28.11	7	AP8112961	28.14	10	AP8120340	28.08	8
AP8101744	28.12	5	AP8112962	28.14	13	AP8120531	28.04	14
AP8101819	28.11	18	AP8112966	28.06	1	AP8120531	28.04	27
AP8101944	28.09	15	AP8112996	28.15	4	AP8120531	28.08	33
AP8102120	28.09	9	AP8112998	28.15	5	AP8120542	28.16	9
AP8102179	28.01	10	AP8113003	28.11	21	AP8120573	28.02	5
AP8102223	28.09	17	AP8113003	28.13	16	AP8120591	28.04	19
AP8102224	28.09	16	AP8113004	28.11	22	AP8120591	28.04	23
AP8102341	28.04	18	AP8113004	28.13	17	AP8120591	28.05	31
AP8102351	28.09	2	AP8113058	28.07	3	AP8120638	28.10	8
AP8102357	28.05	19	AP8113230	28.11	16	AP8120699	28.04	11
AP8102360	28.03	2	AP8113230	28.13	11	AP8120806	28.12	23
AP8102375	28.04	15	AP8113241	28.13	5	AP8120807	28.12	24
AP8102375	28.06	18	AP8113288	28.13	13	AP8120837	28.09	6
AP8102376	28.15	10	AP8113353	28.11	15	AP8120838	28.08	28
AP8102418	29.24	26	AP8113353	28.13	10	AP8120846	28.08	22
AP8102418	29.25	26	AP8113359	28.13	12	AP8120869	28.03	12
AP8102420	29.33	1	AP8113498	28.07	1	AP8120872	28.08	6
AP8102423	29.35	1	AP8113499	28.07	7	AP8120893	28.03	3
AP8102429	28.08	7	AP8113500	28.11	9	AP8120894	28.03	4
AP8102430	28.10	6	AP8113501	28.11	10	AP8120895	28.02	15
AP8102431	28.03	5	AP8113503	28.13	1	AP8120902	29.18	2
AP8102435	28.03	17	AP8113505	28.13	2	AP8120910	28.01	11
AP8102458	28.09	8	AP8113506	28.11	11	AP8120912	28.02	27
AP8102459	28.09	7	AP8113507	28.11	19	AP8120912	28.13	19
AP8102503	28.03	9	AP8113522	28.07	6	AP8120913	28.03	7
AP8102504	28.03	10	AP8113539	28.11	24	AP8120914	28.03	8
AP8102509	28.09	14	AP8113578	28.11	23	AP8120947	28.10	13
AP8102525	28.03	14	AP8113585	28.11	12	AP8120948	28.10	15
AP8102526	28.03	13	AP8113586	28.11	13	AP8120949	28.12	14
AP8102535	28.03	13	AP8113587	28.11	14	AP8120950	28.09	11
AP8102544	28.01	9	AP8113588	28.07	2	AP8120951	28.15	9
AP8102567	28.12	22	AP8113589	28.07	4	AP8120968	28.11	25
AP8102580	28.07	21	AP8113598	28.07	9	AP8120976	28.07	8
AP8102580	28.07	21	AP8113665	28.11	10	AP8120976	28.13	21
AP8102593	28.05	13	AP8113666	28.11	11	AP8121134	28.02	6
AP8102603	28.04	24	AP8114285	28.06	2	AP8121712	28.02	21
AP8102648	28.07	21	AP8114286	28.07	23	AP8121716	28.10	7
AP8102705	28.04	5	AP8114287	28.07	24	AP8121764	28.03	21
AP8102706	28.04	6	AP8114288	28.07	25	AP8121764	28.05	11
AP8102801	28.04	17	AP8114305	28.07	26	AP8121842	28.13	14
AP8102880	28.05	36	AP8114306	28.07	27	AP8121856	28.13	20
AP8103235	28.16	13	AP8114307	28.07	28	AP8121867	28.04	12
AP8105103	28.02	22	AP8114308	28.07	29	AP8121884	28.08	3
AP8106273	29.32	11	AP8117100	28.10	17	AP8121885	28.08	15
AP8106341	29.36	3	AP8117102	28.10	20	AP8121898	28.08	16
AP8106342	29.36	2	AP8117104	28.10	19	AP8121899	28.08	26
AP8106417	29.35	17	AP8117105	28.10	18	AP8121901	28.11	20
AP8107095	28.12	21	AP8118287	28.07	11	AP8121917	28.02	10
AP8107096	28.12	7	AP8118308	28.07	18	AP8121918	28.02	9
AP8107113	28.12	15	AP8118348	28.07	16	AP8121919	28.08	14
AP8107114	28.12	7	AP8118364	28.07	13	AP8121920	28.08	27
AP8108582	28.11	2	AP8118366	28.07	14	AP8121921	28.11	8
AP8108583	28.12	2	AP8118379	28.07	19	AP8121923	28.08	5
AP8110010	28.16	7	AP8118417	28.07	15	AP8121925	28.08	18
AP8110024	28.16	5	AP8118419	28.07	22	AP8121939	28.02	17
AP8110050	28.12	4	AP8119331	28.10	3	AP8121940	28.02	16
AP8110053	28.02	26	AP8119332	28.10	1	AP8121942	28.13	18
AP8110066	28.08	4	AP8119333	28.10	2	AP8121948	29.18	3
AP8110070	28.08	2	AP8119384	28.10	3	AP8121950	29.18	6
AP8110074	28.02	14	AP8119391	28.10	1	AP8121960	28.02	29
AP8110075	28.08	9	AP8119392	28.10	2	AP8121961	28.01	6

Code	Nr. der Tafel	Pos.
AP8121962	28.01	7
AP8121963	28.01	8
AP8123199	28.16	12
AP8123203	28.16	15
AP8123206	28.16	35
AP8123331	28.16	1
AP8123332	28.08	12
AP8123333	28.16	2
AP8123346	28.16	18
AP8123360	28.16	11
AP8123413	28.16	3
AP8123553	28.06	14
AP8123562	28.16	28
AP8123563	28.16	25
AP8123566	28.16	32
AP8123567	28.16	22
AP8123568	28.16	16
AP8123569	28.16	17
AP8123570	28.16	19
AP8123571	28.16	20
AP8123572	28.16	21
AP8123573	28.16	23
AP8123574	28.16	24
AP8123575	28.16	27
AP8123576	28.16	30
AP8123577	28.16	31
AP8123578	28.16	33
AP8123579	28.16	34
AP8123580	28.16	26
AP8123581	28.16	4
AP8123777	28.16	14
AP8124006	28.14	7
AP8124052	28.07	31
AP8124054	28.15	13
AP8124075	28.14	11
AP8124080	28.09	13
AP8124139	28.14	4
AP8124140	28.14	3
AP8124141	28.14	9
AP8124172	28.06	1
AP8124174	28.14	10
AP8124191	28.06	3
AP8124192	28.06	4
AP8124193	28.06	5
AP8124194	28.06	8
AP8124195	28.06	7
AP8124196	28.06	6
AP8124197	28.06	9
AP8124198	28.06	13
AP8124199	28.06	10
AP8124200	28.06	11
AP8124201	28.06	12
AP8124203	28.06	3
AP8124251	28.14	13
AP8124252	28.06	20
AP8124253	28.06	15
AP8124254	28.06	21
AP8124255	28.06	17
AP8124330	28.07	12
AP8124331	28.07	20
AP8124466	28.06	1
AP8124477	28.06	3
AP8125644	28.11	4
AP8125651	28.08	1
AP8125652	28.11	5
AP8125653	28.11	6
AP8125654	28.12	6

Code	Nr. der Tafel	Pos.
AP8125655	28.12	9
AP8125656	28.12	8
AP8125657	28.12	10
AP8125658	28.12	11
AP8125686	28.12	12
AP8125687	28.12	13
AP8125718	28.11	3
AP8125719	28.12	3
AP8126415	28.05	24
AP8126416	28.04	16
AP8126417	28.05	22
AP8126490	28.05	26
AP8126505	28.04	16
AP8126537	28.04	16
AP8126614	28.04	16
AP8127286	28.15	1
AP8129136	28.05	8
AP8129137	28.05	9
AP8131905	28.09	3
AP8131906	28.09	4
AP8131907	28.09	5
AP8131908	28.05	25
AP8131909	28.09	12
AP8131910	28.05	1
AP8131912	28.05	2
AP8131916	28.04	1
AP8131919	28.04	2
AP8131921	28.04	3
AP8131923	28.04	4
AP8131925	28.08	21
AP8131926	28.03	1
AP8131932	28.04	10
AP8134257	28.05	23
AP8134277	28.13	4
AP8134283	28.07	10
AP8134310	28.07	30
AP8134322	28.03	6
AP8134328	28.01	5
AP8134332	28.04	9
AP8134334	28.10	12
AP8134355	28.10	9
AP8134464	28.12	25
AP8134464	28.13	4
AP8135494	28.01	3
AP8135495	28.01	4
AP8135508	28.08	11
AP8135509	28.08	13
AP8135513	28.02	20
AP8135514	28.02	24
AP8135516	28.13	3
AP8135517	28.02	13
AP8135518	28.02	25
AP8135617	28.02	11
AP8135628	28.02	12
AP8135734	28.14	6
AP8135735	28.05	7
AP8135781	28.02	23
AP8135788	28.02	4
AP8135789	28.02	3
AP8135801	28.05	12
AP8135803	28.08	10
AP8135808	28.01	2
AP8135811	28.01	1
AP8135842	28.02	1
AP8135844	28.02	2
AP8135860	28.02	7
AP8135861	28.02	8

Code	Nr. der Tafel	Pos.
AP8137315	28.17	1
AP8137646	28.14	1
AP8137647	28.14	2
AP8137664	28.17	2
AP8137665	28.17	2
AP8137666	28.17	2
AP8137668	28.17	6
AP8137691	28.17	3
AP8137692	28.17	4
AP8137693	28.17	3
AP8137695	28.17	4
AP8137707	28.17	2
AP8137736	28.17	4
AP8137739	28.17	6
AP8137892	28.17	2
AP8137894	28.17	5
AP8137895	28.17	1
AP8138192	28.15	3
AP8138194	28.04	7
AP8138195	28.04	8
AP8138231	28.05	20
AP8138247	28.05	6
AP8138249	28.06	16
AP8138403	28.16	10
AP8138420	28.05	3
AP8138420	28.05	3
AP8138421	28.05	4
AP8138421	28.05	4
AP8138422	28.05	5
AP8138422	28.05	5
AP8138444	28.03	1
AP8138445	28.04	2
AP8138446	28.04	3
AP8138447	28.04	4
AP8138448	28.05	1
AP8138449	28.05	2
AP8138450	28.05	6
AP8138637	28.03	1
AP8138638	28.04	2
AP8138639	28.04	3
AP8138640	28.04	4
AP8138646	28.05	1
AP8138647	28.05	2
AP8138648	28.05	6
AP8138678	28.05	3
AP8138679	28.05	4
AP8138680	28.05	5
AP8138708	28.03	1
AP8138957	28.03	1
AP8138964	28.05	3
AP8138965	28.05	4
AP8138966	28.05	5
AP8139052	28.03	1
AP8139057	28.05	6
AP8139059	28.05	3
AP8139060	28.05	4
AP8139061	28.05	5
AP8139077	28.04	2
AP8139078	28.04	3
AP8139079	28.04	4
AP8139080	28.05	1
AP8139081	28.05	2
AP8147021	28.17	7
AP8147022	28.17	8
AP8147023	28.17	9
AP8147024	28.17	10
AP8147025	28.17	11

Code	Nr. der Tafel	Pos.
AP8147025	28.17	11
AP8147026	28.17	7
AP8147027	28.17	8
AP8147028	28.17	9
AP8147029	28.17	10
AP8147030	28.17	11
AP8147374	28.17	10
AP8147375	28.17	10
AP8147376	28.17	9
AP8147377	28.17	9
AP8147378	28.17	8
AP8147379	28.17	8
AP8147380	28.17	7
AP8147381	28.17	7
AP8150015	28.03	20
AP8150018	28.05	35
AP8150020	28.08	30
AP8150050	28.03	15
AP8150090	28.08	20
AP8150101	28.08	29
AP8150107	28.01	14
AP8150107	28.05	28
AP8150158	28.05	29
AP8150164	28.01	16
AP8150171	28.01	15
AP8150176	28.03	16
AP8150208	28.11	17
AP8150227	28.08	19
AP8150304	28.08	25
AP8150376	28.02	19
AP8150388	28.10	11
AP8150413	28.05	33
AP8150431	28.10	10
AP8150438	28.09	18
AP8150438	29.18	5
AP8150439	28.09	19
AP8150439	29.18	4
AP8150442	28.08	17
AP8150446	28.02	18
AP8150450	28.04	22
AP8152013	28.08	32
AP8152031	28.10	16
AP8152108	28.04	21
AP8152138	28.02	30
AP8152173	28.08	24
AP8152246	28.09	28
AP8152262	28.12	18
AP8152267	28.05	30
AP8152267	28.06	19
AP8152268	28.04	20
AP8152268	28.04	28
AP8152272	28.02	31
AP8152272	28.13	23
AP8152273	28.13	24
AP8152274	28.02	32
AP8152274	28.09	26
AP8152274	28.15	14
AP8152275	28.09	27
AP8152277	28.03	18
AP8152277	28.11	26
AP8152278	28.09	21
AP8152279	28.02	33
AP8152279	28.09	22
AP8152279	28.15	16
AP8152280	28.09	23
AP8152280	28.11	27
AP8152280	28.15	17

Code	Nr. der Tafel	Pos.
AP8152281	28.09	24
AP8152281	28.13	25
AP8152283	28.09	25
AP8152284	28.01	17
AP8152284	28.03	19
AP8152284	28.05	34
AP8152285	28.02	34
AP8152285	28.05	32
AP8152285	28.11	28
AP8152285	28.12	19
AP8152285	28.13	26
AP8152285	28.15	15
AP8152286	28.02	35
AP8152287	28.09	20
AP8152287	28.13	27
AP8152288	28.02	36
AP8152288	28.12	20
AP8152288	28.13	28
AP8152289	28.02	37
AP8152290	28.10	5
AP8152294	28.01	18
AP8152298	28.04	26
AP8152298	28.13	29
AP8152299	28.01	12
AP8152300	28.01	13
AP8152301	28.08	31
AP8152301	29.18	25
AP8152302	28.04	25
AP8152302	28.05	27
AP8152302	28.09	29
AP8152305	28.12	17
AP8201287	28.04	13
AP8201298	28.05	17
AP8201564	28.05	16
AP8203588	28.16	29
AP8210007	28.02	28
AP8210007	28.13	22
AP8212110	28.15	2
AP8212469	28.15	7
AP8212679	28.14	8
AP8212680	28.14	5
AP8212702	28.14	14
AP8213057	28.07	5
AP8213057	28.13	15
AP8213172	28.13	6
AP8213197	28.13	8
AP8213198	28.13	7
AP8213199	28.13	9
AP8218077	28.07	17
AP8220192	28.05	10
AP8220195	28.09	1
AP8220283	28.15	6
AP8221056	28.10	14
AP8221206	28.05	18
AP8234020	28.08	23
AP8600001	29.22	1
AP8600001	29.23	1
AP8600002	29.22	2
AP8600002	29.23	2
AP8600003	29.22	3
AP8600003	29.23	3
AP8600004	29.22	4
AP8600004	29.23	4
AP8600005	29.22	6
AP8600005	29.23	6
AP8600006	29.22	7
AP8600006	29.23	7

Code	Nr. der Tafel	Pos.
AP8600007	29.22	8
AP8600007	29.23	8
AP8600008	29.22	9
AP8600008	29.23	9
AP8600010	29.22	10
AP8600010	29.23	10
AP8600011	29.18	28
AP8600011	29.22	11
AP8600011	29.23	11
AP8600012	29.22	12
AP8600012	29.23	12
AP8600013	29.22	13
AP8600013	29.23	13
AP8600014	29.22	14
AP8600014	29.23	14
AP8600015	29.22	15
AP8600015	29.23	15
AP8600016	29.22	16
AP8600016	29.23	16
AP8600017	29.22	17
AP8600017	29.23	17
AP8600018	29.22	18
AP8600018	29.23	18
AP8600019	29.22	19
AP8600019	29.23	19
AP8600020	29.22	20
AP8600020	29.23	20
AP8600021	29.22	21
AP8600021	29.23	21
AP8600022	29.22	22
AP8600022	29.23	22
AP8600023	29.22	23
AP8600023	29.23	23
AP8600024	29.22	24
AP8600024	29.23	24
AP8600025	29.22	25
AP8600025	29.23	25
AP8600026	29.22	5
AP8600026	29.23	5
AP8600035	29.24	12
AP8600035	29.25	12
AP8600036	29.24	13
AP8600036	29.25	13
AP8600037	29.24	14
AP8600037	29.25	14
AP8600038	29.24	15
AP8600038	29.25	15
AP8600040	29.24	17
AP8600040	29.25	17
AP8600041	29.24	18
AP8600041	29.25	18
AP8600042	29.24	19
AP8600042	29.25	19
AP8600043	29.24	20
AP8600043	29.25	20
AP8600044	29.24	21
AP8600044	29.25	21
AP8600045	29.24	22
AP8600045	29.25	22
AP8600046	29.24	23
AP8600046	29.25	23
AP8600047	29.24	24
AP8600047	29.25	24
AP8600048	29.24	25
AP8600048	29.25	25
AP8600049	29.24	11
AP8600049	29.25	11

Code	Nr. der Tafel	Pos.
AP8600050	29.24	10
AP8600050	29.25	10
AP8600051	29.24	9
AP8600051	29.25	9
AP8600052	29.24	8
AP8600052	29.25	8
AP8600053	29.24	7
AP8600053	29.25	7
AP8600054	29.24	6
AP8600054	29.25	6
AP8600055	29.24	5
AP8600055	29.25	5
AP8600056	29.24	4
AP8600056	29.25	4
AP8600057	29.24	3
AP8600057	29.25	3
AP8600058	29.24	2
AP8600058	29.25	2
AP8600059	29.24	1
AP8600059	29.25	1
AP8600060	29.18	1
AP8600061	29.18	26
AP8600062	29.18	27
AP8600065	29.18	21
AP8600066	29.18	20
AP8600067	29.18	23
AP8600069	29.18	22
AP8600070	29.18	29
AP8600071	29.18	24
AP8600071	29.28	17
AP8600072	29.29	16
AP8600073	29.29	14
AP8600074	29.29	15
AP8600075	29.29	21
AP8600076	29.29	22
AP8600077	29.18	31
AP8600077	29.20	12
AP8600078	29.18	30
AP8600080	29.33	5
AP8600081	29.33	6
AP8600082	29.33	7
AP8600083	29.33	8
AP8600084	29.33	9
AP8600085	29.33	10
AP8600086	29.33	4
AP8600087	29.33	3
AP8600088	29.33	2
AP8600090	29.18	7
AP8600091	29.18	8
AP8600092	29.18	11
AP8600093	29.18	12
AP8600094	29.18	14
AP8600095	29.18	13
AP8600096	29.18	9
AP8600097	29.18	10
AP8600098	29.18	17
AP8600099	29.18	18
AP8600100	29.18	15
AP8600101	29.18	16
AP8600102	29.26	10
AP8600103	29.26	11
AP8600104	29.26	12
AP8600105	29.21	1
AP8600106	29.21	2
AP8600107	29.21	3
AP8600108	29.21	4
AP8600109	29.21	5

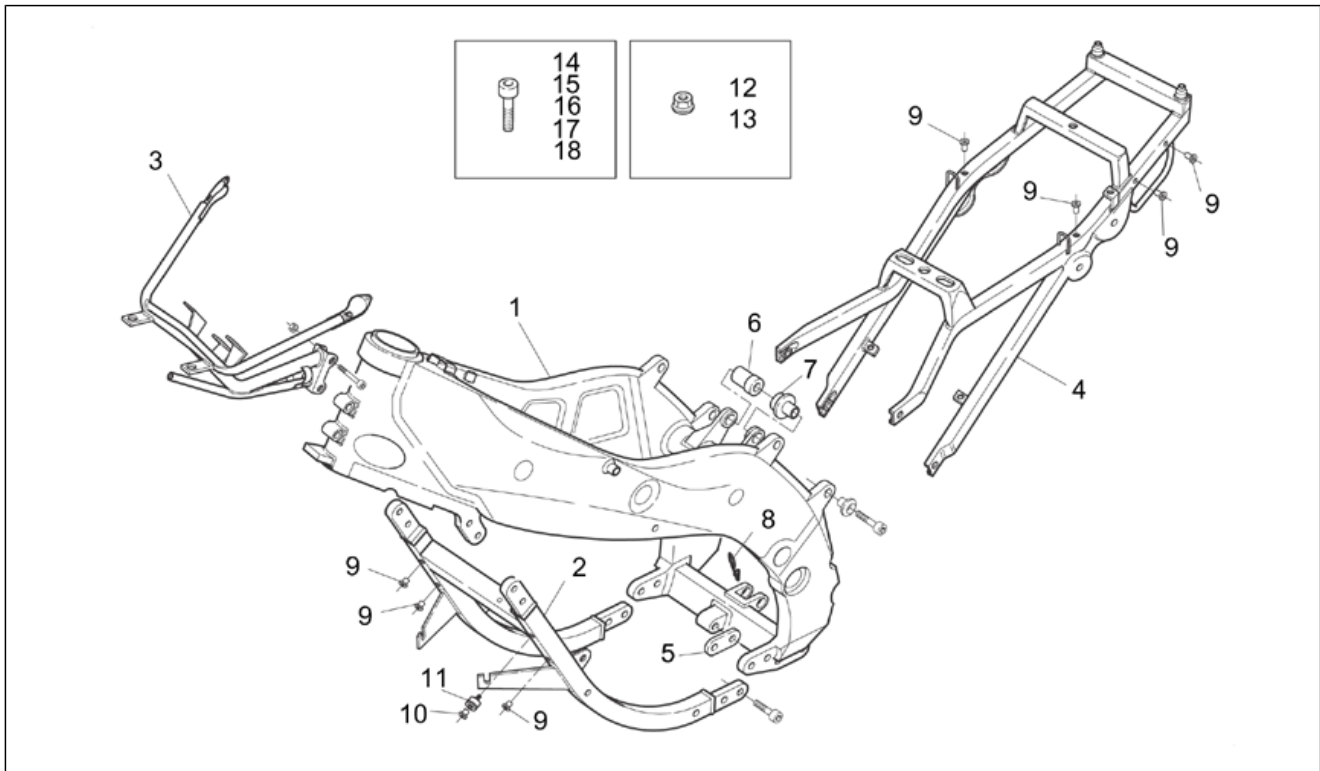
Code	Nr. der Tafel	Pos.
AP8600110	29.21	6
AP8600111	29.21	7
AP8600112	29.21	8
AP8600113	29.21	9
AP8600114	29.21	10
AP8600115	29.21	11
AP8600116	29.21	12
AP8600117	29.21	13
AP8600118	29.21	14
AP8600120	29.21	16
AP8600121	29.21	17
AP8600122	29.21	18
AP8600123	29.21	19
AP8600124	29.21	20
AP8600125	29.21	21
AP8600126	29.21	22
AP8600128	29.22	26
AP8600128	29.23	26
AP8600129	29.22	29
AP8600129	29.23	29
AP8600130	29.22	28
AP8600130	29.23	28
AP8600131	29.21	23
AP8600132	29.21	24
AP8600133	29.34	2
AP8600134	29.34	1
AP8600135	29.35	5
AP8600136	29.35	6
AP8600137	29.35	4
AP8600137	29.36	11
AP8600138	29.35	2
AP8600139	29.35	3
AP8600140	29.35	7
AP8600141	29.35	8
AP8600142	29.35	9
AP8600143	29.35	10
AP8600144	29.35	11
AP8600145	29.36	2
AP8600146	29.36	3
AP8600147	29.36	7
AP8600148	29.36	8
AP8600149	29.36	5
AP8600150	29.36	4
AP8600151	29.36	6
AP8600152	29.36	9
AP8600153	29.36	13
AP8600154	29.36	14
AP8600155	29.36	15
AP8600156	29.36	12
AP8600157	29.34	5
AP8600159	29.36	10
AP8600160	29.36	19
AP8600161	29.36	16
AP8600162	29.36	17
AP8600163	29.36	18
AP8600164	29.34	7
AP8600165	29.35	15
AP8600166	29.35	14
AP8600167	29.35	13
AP8600168	29.35	12
AP8600169	29.34	10
AP8600170	29.34	4
AP8600171	29.34	3
AP8600172	29.35	17
AP8600175	29.34	12
AP8600176	29.34	9
AP8600177	29.36	1

Code	Nr. der Tafel	Pos.
AP8600178	29.35	19
AP8600180	29.34	6
AP8600181	29.35	16
AP8600182	29.35	18
AP8600184	29.34	8
AP8600200	29.34	11
AP8600202	29.20	1
AP8600203	29.20	2
AP8600204	29.20	3
AP8600205	29.20	4
AP8600206	29.20	5
AP8600207	29.20	6
AP8600208	29.20	7
AP8600209	29.20	8
AP8600210	29.20	9
AP8600211	29.20	10
AP8600212	29.20	11
AP8600212	29.21	15
AP8600214	29.20	13
AP8600215	29.20	14
AP8600215	29.20	16
AP8600216	29.20	15
AP8600217	29.20	17
AP8600218	29.20	18
AP8600219	29.20	19
AP8600220	29.20	20
AP8600221	29.20	21
AP8600222	29.20	22
AP8600223	29.20	23
AP8600224	29.20	24
AP8600225	29.20	25
AP8600226	29.20	26
AP8600227	29.20	27
AP8600228	29.19	1
AP8600229	29.19	2
AP8600230	29.19	3
AP8600231	29.19	4
AP8600232	29.19	5
AP8600233	29.19	6
AP8600234	29.19	7
AP8600235	29.19	8
AP8600236	29.19	10
AP8600237	29.19	9
AP8600238	29.19	11
AP8600239	29.19	12
AP8600240	29.19	13
AP8600241	29.19	14
AP8600242	29.19	15
AP8600243	29.19	16
AP8600244	29.19	17
AP8600245	29.19	18
AP8600246	29.19	19
AP8600247	29.19	20
AP8600248	29.19	21
AP8600249	29.19	22
AP8600250	29.19	23
AP8600261	29.31	1
AP8600262	29.31	2
AP8600263	29.31	3
AP8600264	29.31	4
AP8600265	29.31	5
AP8600266	29.31	6
AP8600267	29.31	7
AP8600268	29.31	9
AP8600269	29.31	8
AP8600270	29.31	10
AP8600271	29.31	11

Code	Nr. der Tafel	Pos.
AP8600272	29.31	12
AP8600273	29.31	13
AP8600274	29.31	14
AP8600275	29.31	15
AP8600276	29.31	16
AP8600277	29.31	17
AP8600278	29.31	18
AP8600279	29.31	19
AP8600280	29.31	20
AP8600281	29.31	21
AP8600282	29.31	22
AP8600284	29.31	24
AP8600285	29.31	25
AP8600286	29.31	23
AP8600287	29.29	9
AP8600288	29.29	2
AP8600289	29.29	5
AP8600290	29.29	8
AP8600291	29.29	3
AP8600292	29.29	1
AP8600293	29.29	7
AP8600294	29.29	4
AP8600295	29.29	6
AP8600296	29.29	10
AP8600297	29.29	20
AP8600298	29.30	9
AP8600299	29.30	21
AP8600300	29.30	10
AP8600301	29.30	17
AP8600302	29.30	18
AP8600303	29.30	19
AP8600305	29.30	26
AP8600306	29.30	20
AP8600307	29.30	11
AP8600308	29.30	16
AP8600309	29.30	12
AP8600310	29.30	15
AP8600311	29.30	14
AP8600312	29.30	8
AP8600313	29.30	7
AP8600314	29.30	22
AP8600315	29.30	23
AP8600316	29.30	24
AP8600316	29.32	5
AP8600318	29.30	3
AP8600319	29.30	4
AP8600320	29.30	5
AP8600321	29.30	6
AP8600322	29.30	27
AP8600323	29.30	28
AP8600324	29.30	29
AP8600325	29.30	2
AP8600326	29.30	1
AP8600327	29.30	25
AP8600328	29.30	31
AP8600329	29.29	18
AP8600330	29.30	30
AP8600331	29.29	17
AP8600332	29.28	5
AP8600333	29.28	6
AP8600335	29.28	8
AP8600336	29.28	9
AP8600337	29.28	10
AP8600338	29.28	11
AP8600339	29.28	12
AP8600340	29.27	8
AP8600341	29.28	14

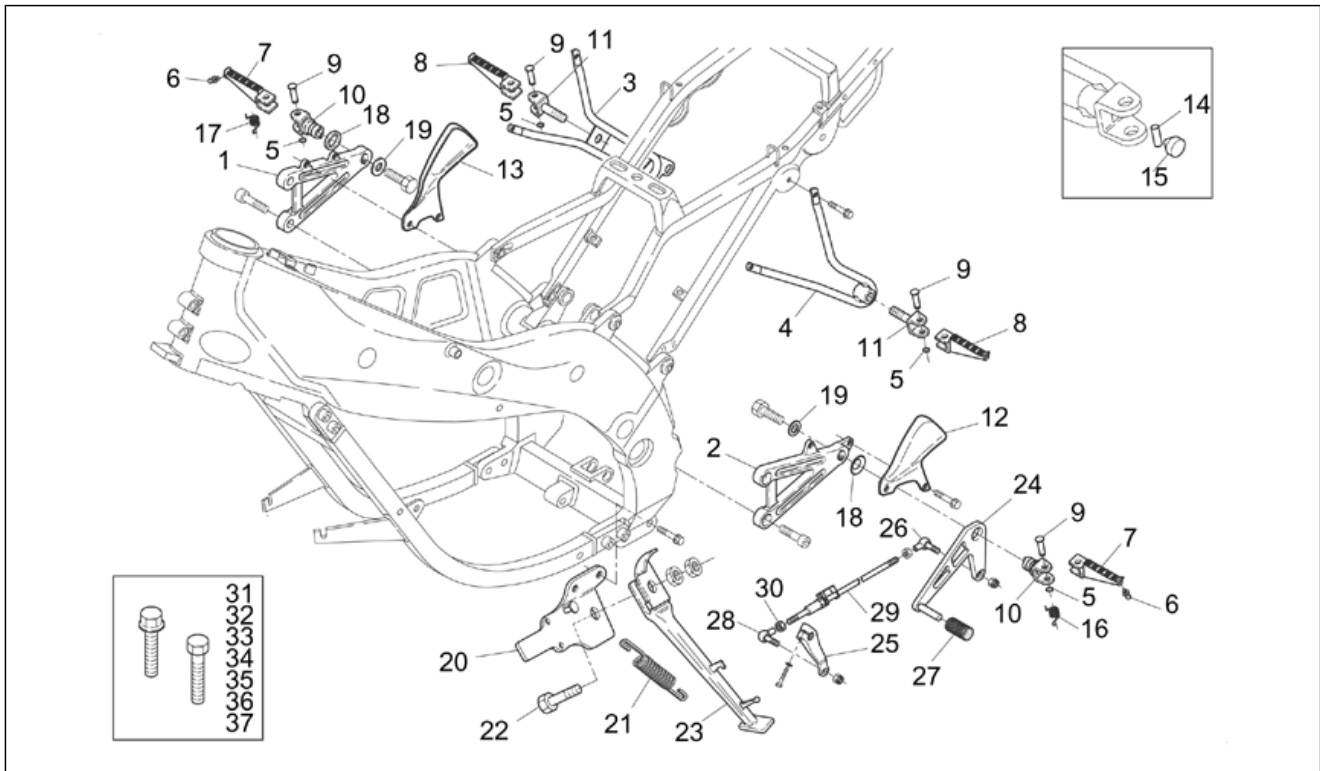
Code	Nr. der Tafel	Pos.
AP8600342	29.27	9
AP8600342	29.28	15
AP8600343	29.27	10
AP8600343	29.28	16
AP8600344	29.28	18
AP8600345	29.28	19
AP8600346	29.28	20
AP8600347	29.28	21
AP8600348	29.28	22
AP8600349	29.28	23
AP8600350	29.28	24
AP8600351	29.27	1
AP8600352	29.27	6
AP8600353	29.27	5
AP8600354	29.27	7
AP8600355	29.27	3
AP8600356	29.27	2
AP8600357	29.27	4
AP8600358	29.28	2
AP8600359	29.28	3
AP8600360	29.28	1
AP8600361	29.28	4
AP8600362	29.28	13
AP8600363	29.18	19
AP8600364	29.32	1
AP8600365	29.32	2
AP8600366	29.32	3
AP8600368	29.32	6
AP8600369	29.32	7
AP8600370	29.32	8
AP8600371	29.32	9
AP8600372	29.32	10
AP8600373	29.26	1
AP8600374	29.26	2
AP8600375	29.26	3
AP8600376	29.26	4
AP8600377	29.26	5
AP8600378	29.26	6
AP8600379	29.26	7
AP8600380	29.26	8
AP8600381	29.26	9
AP8600401	29.34	2
AP8600402	29.34	1
AP8600404	29.30	32
AP8600405	29.30	13
AP8600406	29.28	7
AP8600407	29.32	4
AP8600408	29.29	19
AP8600409	29.22	27
AP8600409	29.23	27
AP8600410	29.29	11
AP8600411	29.24	16
AP8600411	29.25	16
AP8600412	29.29	12
AP8600412	29.29	13

Einheit	RAHMEN
Code	28.01
Beschreibung	Rahmen
Inspektion	1



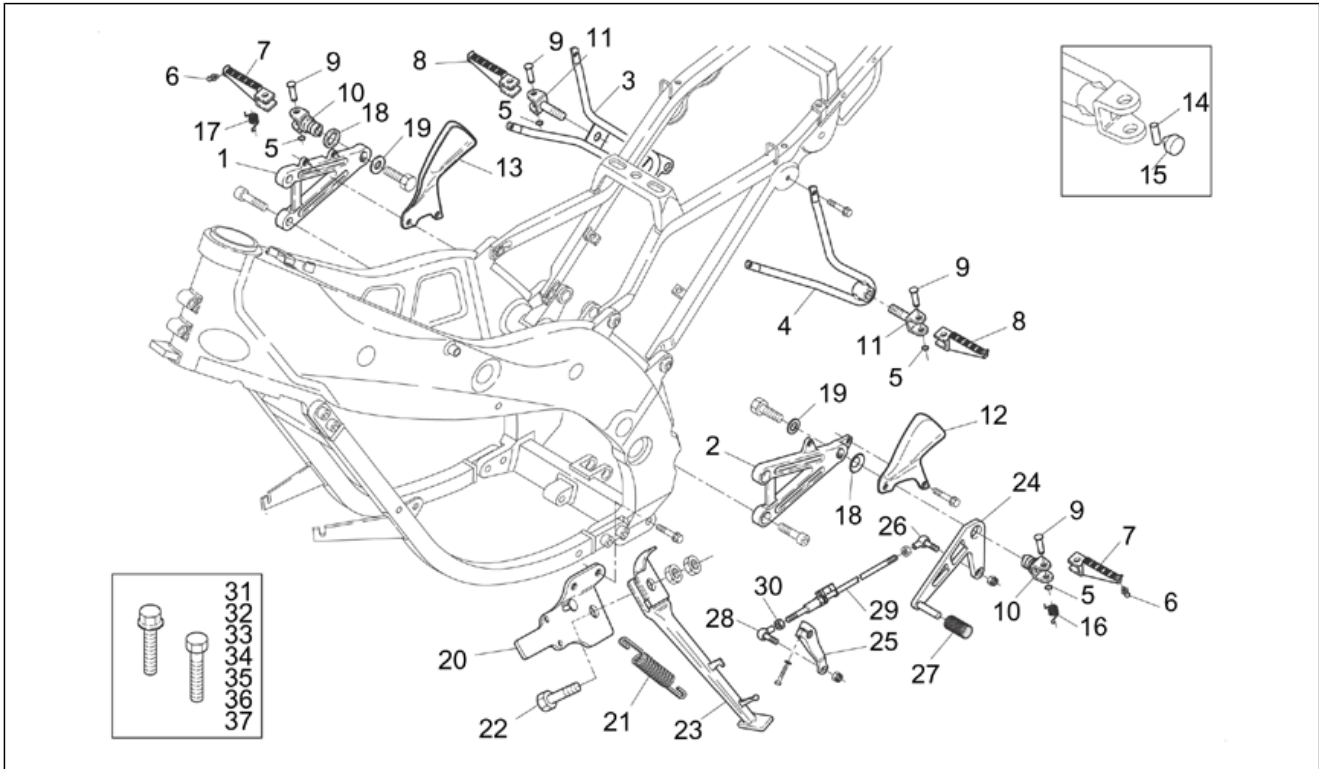
Pos.	Code	Beschreibung	Menge	Varianten
1	AP8135811	Rahmen	0	
2	AP8135808	Wiege lackiert	0	
3	AP8135494	Verkleidunghalt.bueg.	0	
4	AP8135495	Sitz galv.	0	
5	AP8134328	Motoranschlußplatte	0	
6	AP8121961	R.stoßdämpfer Buchse	0	
7	AP8121962	L.stoßdämpfer Buchse	0	
8	AP8121963	Entlüftungkabelführungs	0	
9	AP8102544	Geschnitten Kunststoffniet M6	0	
10	AP8102179	Geschnitten Kunststoffniet M8	0	
11	AP8120910	Silent-Block	0	
12	AP8152299	Selbstsperrende Mutter M6	0	
13	AP8152300	Selbstsperrende Mutter M8	0	
14	AP8150107	TCEI Schraube M8x30	0	
15	AP8150171	TCEI Schraube M8x40	0	
16	AP8150164	TCEI Schraube M8x45	0	
17	AP8152284	TE Schr. m. Flansch	0	
18	AP8152294	TE Schr. m. Flansch	0	

Einheit	RAHMEN
Code	28.02
Beschreibung	Fussrasten - Ständer
Inspektion	1



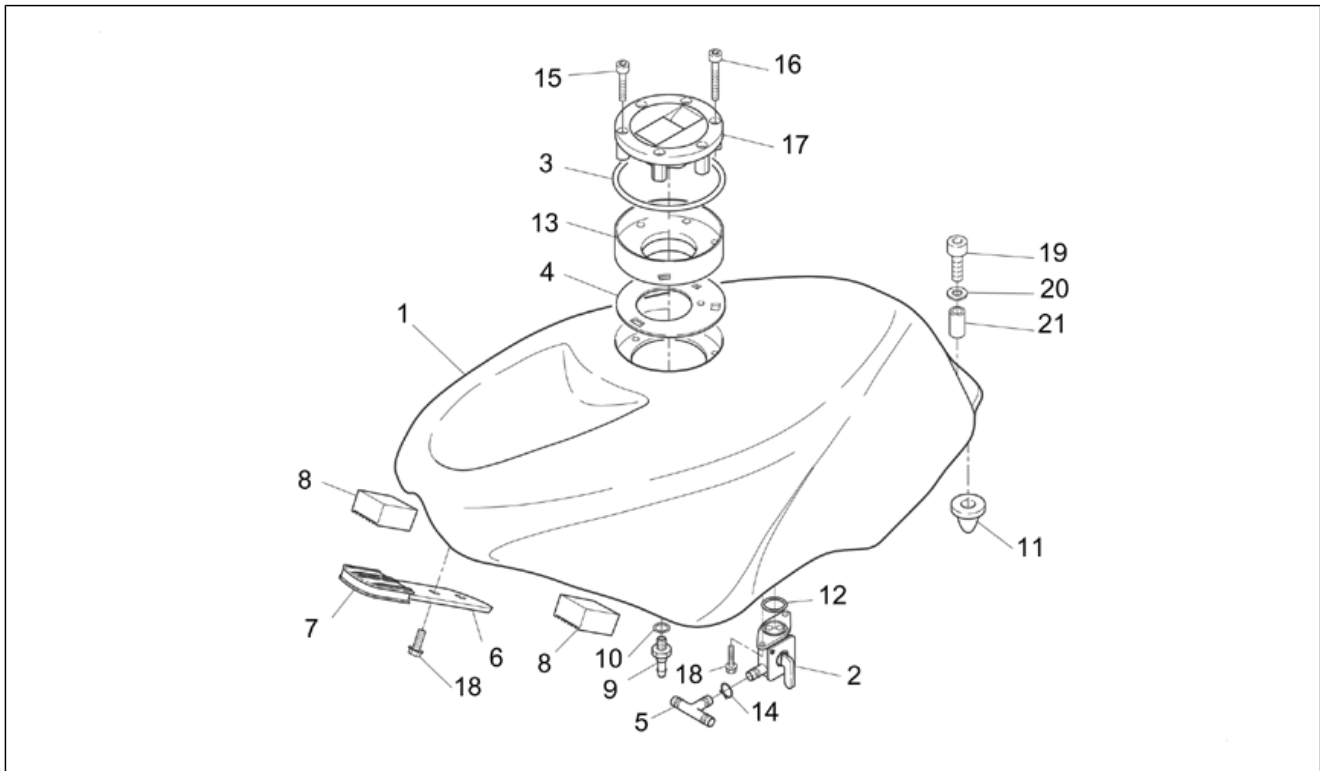
Pos.	Code	Beschreibung	Menge	Varianten
1	AP8135842	Fußrastenhalter Fahrer rechts	0	
2	AP8135844	Fußrastenhalter Fahrer links	0	
3	AP8135789	Halter rechte Soziusfußraste	0	
4	AP8135788	Halter linke Soziusfußraste	0	
5	AP8120573	Sperring	0	
6	AP8121134	Rastenbolzen	0	
7	AP8135860	Fußrasten Fahrer (Paar)	0	
8	AP8135861	Soziusrasten (Paar)	0	
9	AP8121918	Rastenbolzen	0	
10	AP8121917	Bremse/Getriebe bolzen	0	
11	AP8135617	Soziusfußrasten Halteplatte	0	
12	AP8135628	Fahrer Fußrastenschutz l.	0	
13	AP8135517	Fahrer Fußrastenschutz r.	0	
14	AP8110074	Rolle D4x19,8	0	
15	AP8120895	Gummi soziusraste	0	
16	AP8121940	L. Fussrastenfeder	0	
17	AP8121939	R. Fussrastenfeder	0	
18	AP8150446	Tellerfeder	0	
19	AP8150376	Ausgleichscheibe 8,5x15x0,8	0	
20	AP8135513	Hauptständer platte galv.	0	
21	AP8121712	Schraubenfeder *	0	
22	AP8105103	Ständerschraube M10x18*	0	
23	AP8135781	Seitenständer	0	
24	AP8135514	Schalthebel	0	
25	AP8135518	Umlenkpleuel Schaltgetriebe	0	
26	AP8110053	Kugelgelenk links M6	0	
27	AP8120912	Gummi für Hebel	0	
28	AP8210007	Kugelgelenk rechts M6	0	

Einheit	RAHMEN
Code	28.02
Beschreibung	Fussrasten - Ständer
Inspektion	1



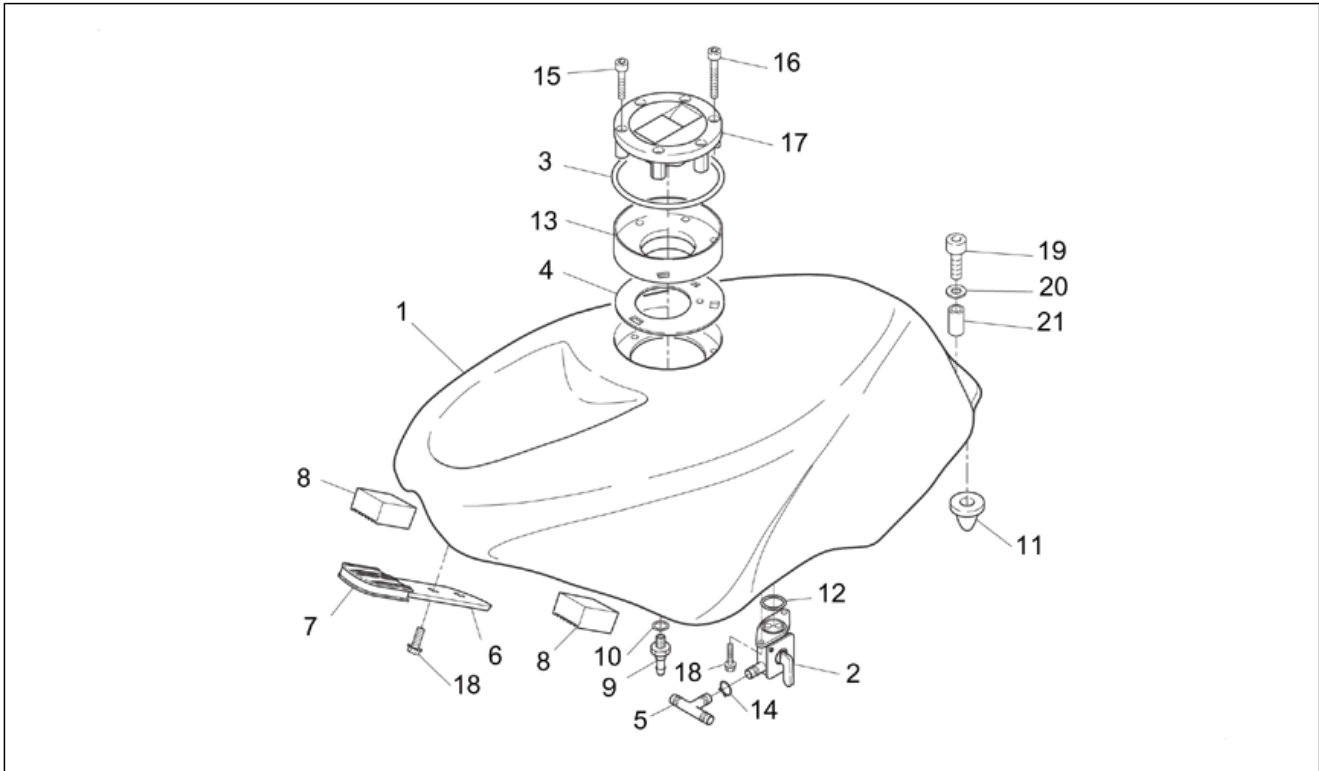
Pos.	Code	Beschreibung	Menge	Varianten
29	AP8121960	Umlenkstange Schaltgetriebe	0	
30	AP8152138	Mutter	0	
31	AP8152272	TE Schr. m. Flansch M5x12	0	
32	AP8152274	TE Schr. m. Flansch M5x20	0	
33	AP8152279	TE Schr. m. Flansch M6x20	0	
34	AP8152285	TE Schr. m. Flansch	0	
35	AP8152286	TE Schr. m. Flansch M8x20	0	
36	AP8152288	TE Schr. m. Flansch	0	
37	AP8152289	TE Schr. m. Flansch	0	

Einheit	RAHMEN
Code	28.03
Beschreibung	Kraftstofftank
Inspektion	1



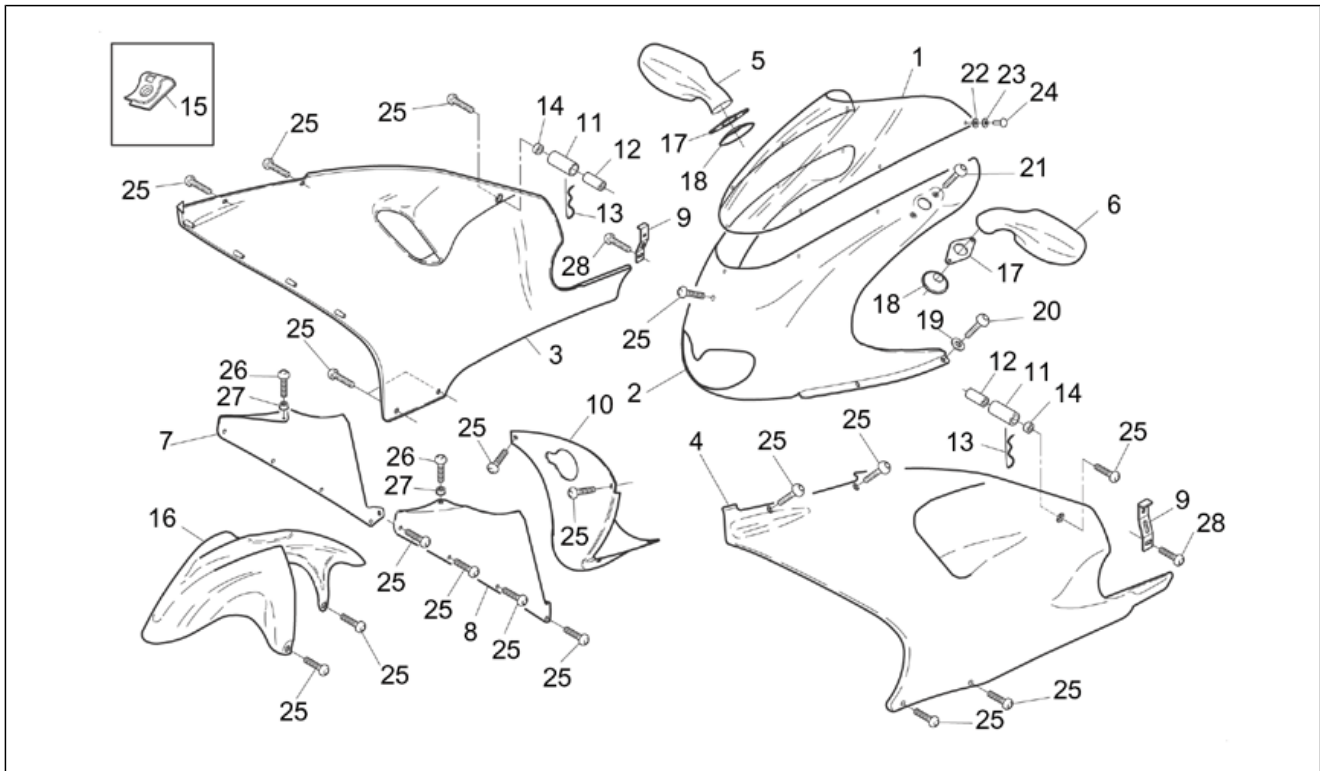
Pos.	Code	Beschreibung	Menge	Varianten
1	AP8131926	Kraftstofftank, blau/schw.	0	Baujahr: 1995[S] Fahrzeugfarbe: Blau / Rot 1995[B/R]
1	AP8138444	Kraftstofftank, schwarz	0	Baujahr: 1995[S] Fahrzeugfarbe: Schwarz 1995-1997[Black]
1	AP8138637	Kraftstofftank, grau/alu	0	Baujahr: 1996[T] Fahrzeugfarbe: Grau Mirage 1996[Gr.m]
1	AP8138708	Kraftstofftank, schwarz	0	Baujahr: 1996[T] Fahrzeugfarbe: Schwarz 1995-1997[Black]
1	AP8138957	Kraftstofftank, schw. ap.	0	Baujahr: 1997[V] Fahrzeugfarbe: Schwarz 1995-1997[Black]
1	AP8139052	Kraftstofftank, grau	0	Baujahr: 1997[V] Fahrzeugfarbe: Grau Silver 1997[Gr.s]
2	AP8102360	Kraftstoffhahn	0	
3	AP8120893	Dichtung	0	
4	AP8120894	Dichtung Kraftstofftank	0	
5	AP8102431	3-Wegeanschluß	0	
6	AP8134322	Vord. Hltr. Kraftst.t.	0	
7	AP8120913	Gummi Tankanschluß	0	
8	AP8120914	Seitegummi Tankanschluß	0	
9	AP8102503	Anschluß Gummihalter	0	
10	AP8102504	Gummi	0	
11	AP8120311	Gummi	0	
12	AP8120869	O-Ring 4093	0	
13	AP8102526	Schwimmergehäuse	0	Land: Belgien[B], Dänemark[DK], Spanien[E], Frankreich[F], Griechenland[GR], Italien[I], Japan[J], Holland[NL], Portugal[P], Großbritannien[UK]
13	AP8102535	Schwimmergehäuse	0	Land: Österreich[A], Deutschland[D], Singapur[SGP]
14	AP8102525	Hahnschelle	0	
15	AP8150050	TCEI Schraube M5x16	0	
16	AP8150176	TCEI Schraube	0	

Einheit	RAHMEN
Code	28.03
Beschreibung	Kraftstofftank
Inspektion	1



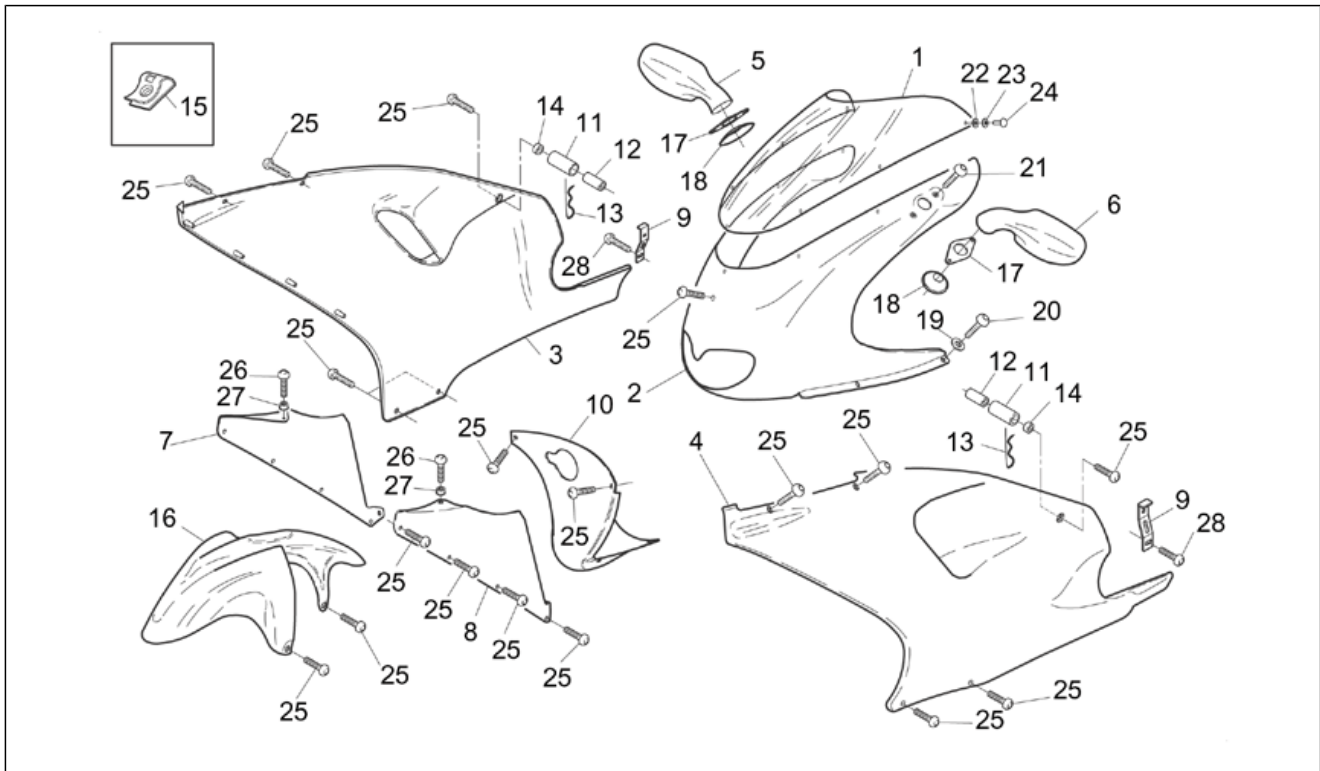
Pos.	Code	Beschreibung	Menge	Varianten
17	AP8102435	Tankfüllschraube	0	
18	AP8152277	TE Schr. m. Flansch M6x12	0	
19	AP8152284	TE Schr. m. Flansch	0	
20	AP8150015	Ausgleichscheibe 6,6x18x1,6*	0	
21	AP8121764	Distanzscheibe *	0	

Einheit	RAHMEN
Code	28.04
Beschreibung	Frontaufbau I
Inspektion	1



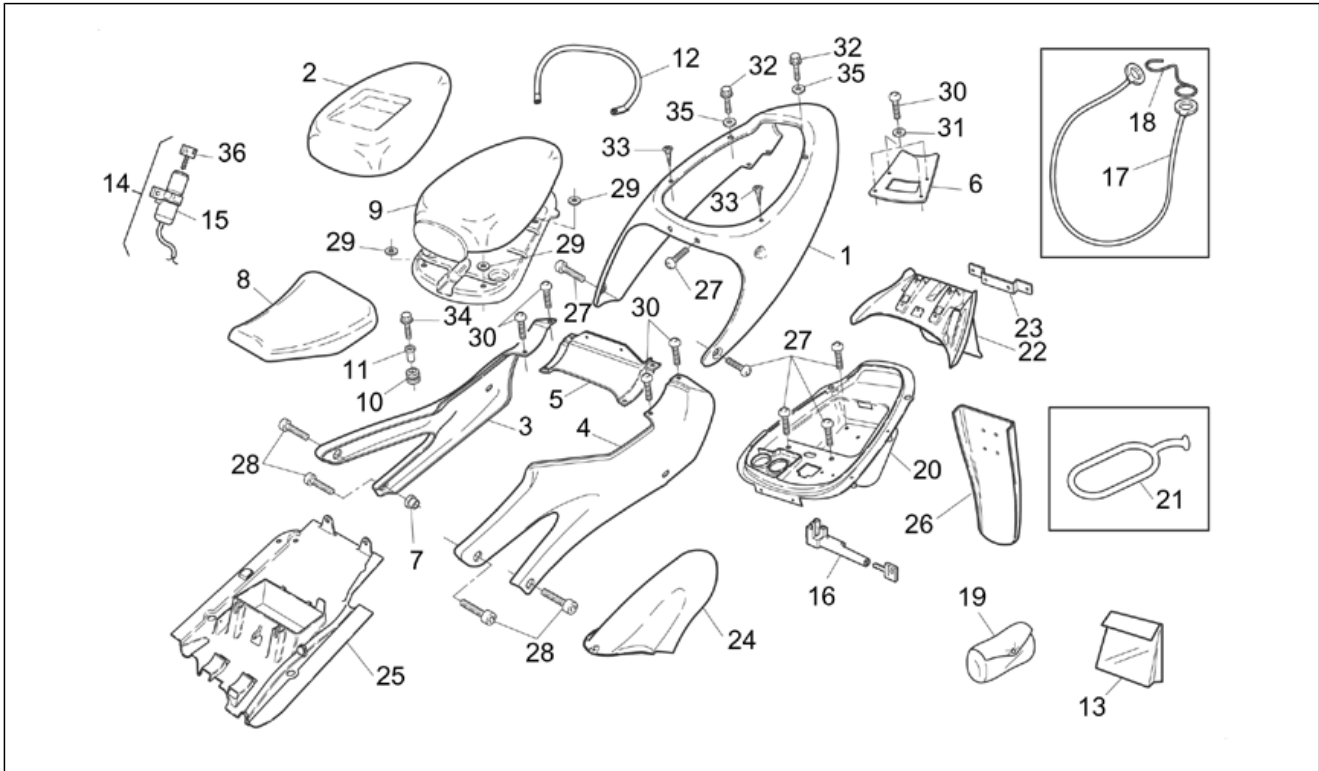
Pos.	Code	Beschreibung	Menge	Varianten
1	AP8131916	Windabweiser	0	
2	AP8131919	Vord. Verkleidung, rot/grau	0	Baujahr:1995[S] Fahrzeugfarbe:Blau / Rot 1995[B/R]
2	AP8138445	Vord. Verkleidung, schwarz	0	Fahrzeugfarbe:Schwarz 1995-1997[Black]
2	AP8138638	Vord. Verkleidung, m.grau	0	Baujahr:1996[T] Fahrzeugfarbe:Grau Mirage 1996[Gr.m]
2	AP8139077	Vord. Verkleidung, s.grau	0	Baujahr:1997[V] Fahrzeugfarbe:Grau Silver 1997[Gr.s]
3	AP8131921	R.Seitenteil Verkl., rot	0	Baujahr:1995[S] Fahrzeugfarbe:Blau / Rot 1995[B/R]
3	AP8138446	R.Seitenteil Verkl., schwarz	0	Fahrzeugfarbe:Schwarz 1995-1997[Black]
3	AP8138639	R.Seitenteil Verkl., m.grau	0	Baujahr:1996[T] Fahrzeugfarbe:Grau Mirage 1996[Gr.m]
3	AP8139078	R.Seitenteil, s. grau	0	Baujahr:1997[V] Fahrzeugfarbe:Grau Silver 1997[Gr.s]
4	AP8131923	L.Seitenteil Verkl., rot	0	Baujahr:1995[S] Fahrzeugfarbe:Blau / Rot 1995[B/R]
4	AP8138447	L.Seitenteil Verkl., schwarz	0	Fahrzeugfarbe:Schwarz 1995-1997[Black]
4	AP8138640	L.Seitenteil Verkl., m.grau	0	Baujahr:1996[T] Fahrzeugfarbe:Grau Mirage 1996[Gr.m]
4	AP8139079	L. Seitenteil, grau	0	Baujahr:1997[V] Fahrzeugfarbe:Grau Silver 1997[Gr.s]
5	AP8102705	Rückspiegel rechts	0	
6	AP8102706	Rückspiegel links	0	
7	AP8138194	R.inn.Rumpf	0	
8	AP8138195	L.inn.Rumpf	0	
9	AP8134332	Untere Platte Verkleidung	0	
10	AP8131932	Stütze	0	
11	AP8120699	Röhrchen	0	
12	AP8121867	Speziellbuchse *	0	

Einheit	RAHMEN
Code	28.04
Beschreibung	Frontaufbau I
Inspektion	1



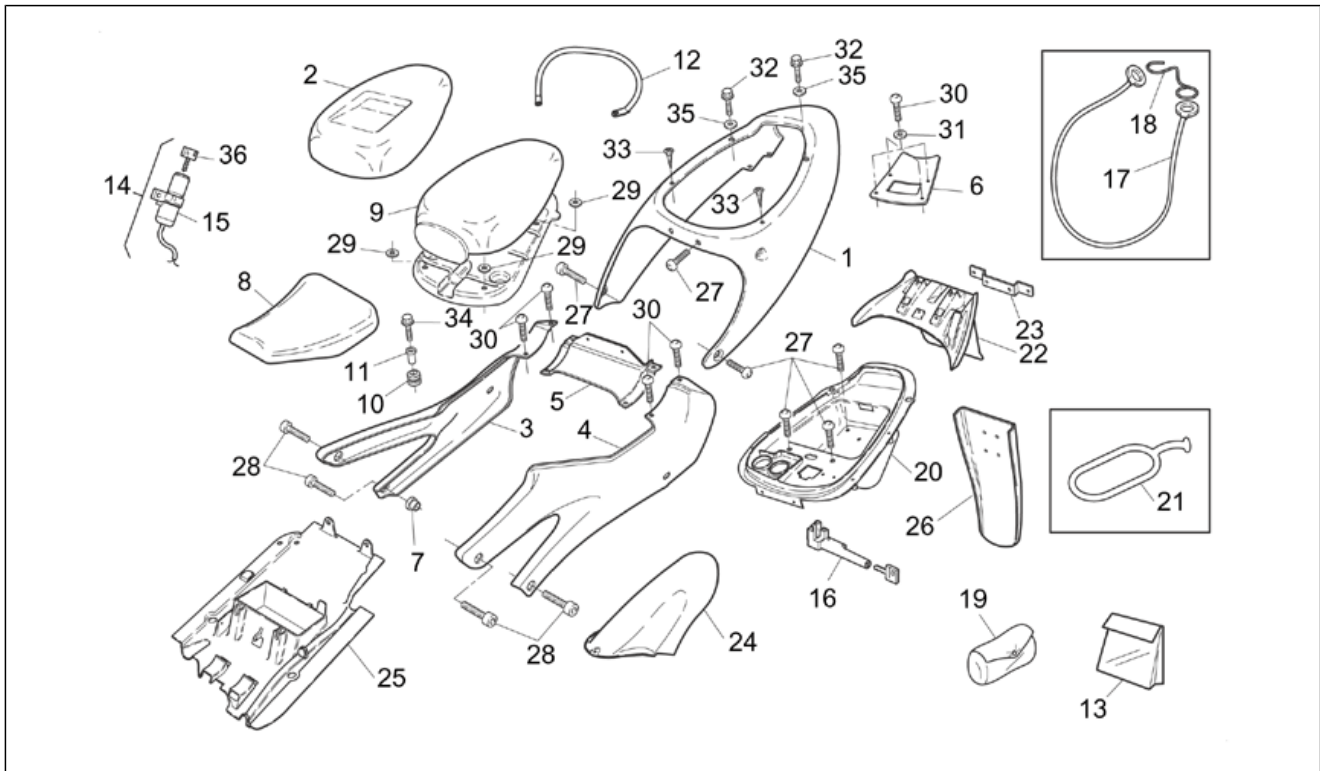
Pos.	Code	Beschreibung	Menge	Varianten
13	AP8201287	Splint	0	
14	AP8120531	Gummi mit Einsatz	0	
15	AP8102375	Klammer M5	0	
16	AP8126416	V. Schutzblech, blau	0	Baujahr: 1995[S] Fahrzeugfarbe: Blau / Rot 1995[B/R]
16	AP8126505	V. Schutzblech, schwarz	0	Fahrzeugfarbe: Schwarz 1995-1997[Black]
16	AP8126537	V. Schutzblech, h.grau	0	Baujahr: 1996[T] Fahrzeugfarbe: Grau Mirage 1996[Gr.m]
16	AP8126614	V. Schutzblech, d.grau	0	Baujahr: 1997[V] Fahrzeugfarbe: Grau Silver 1997[Gr.s]
17	AP8102801	Bausatz einbauspiegel	0	
18	AP8102341	Becher Spiegelgelenk	0	
19	AP8120591	Ausgleichscheibe 10x5,3x1*	0	
20	AP8152268	TBEI Spez.schr. M5x16	0	
21	AP8152108	TBEI Schraube	0	
22	AP8150450	Wellenscheibe D5	0	
23	AP8120591	Ausgleichscheibe 10x5,3x1*	0	
24	AP8102603	Eloxiertes Niet blau 5x10	0	
25	AP8152302	TBEI Schraube m.Flansch M5x12	0	
26	AP8152298	TBEI Schraube m.Flansch M5x16	0	
27	AP8120531	Gummi mit Einsatz	0	
28	AP8152268	TBEI Spez.schr. M5x16	0	

Einheit	RAHMEN
Code	28.05
Beschreibung	Heckaufbau
Inspektion	1



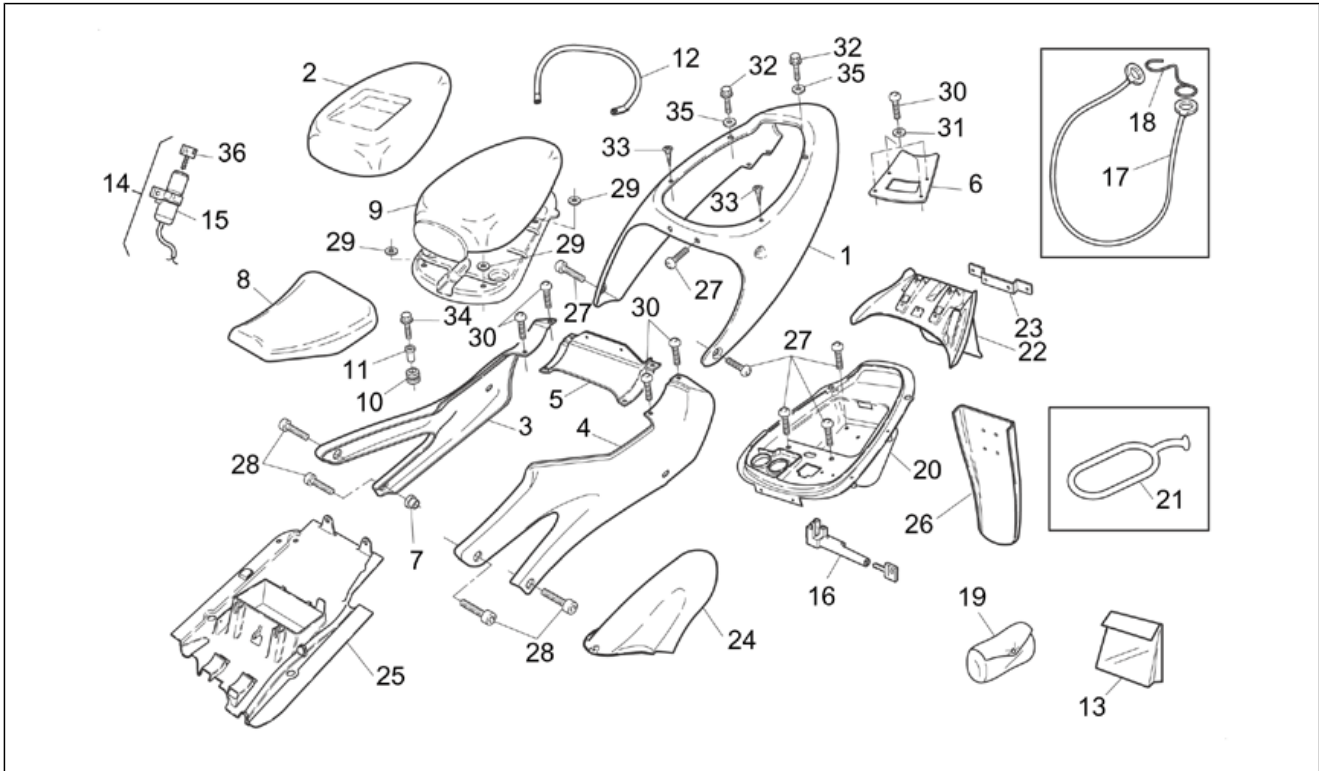
Pos.	Code	Beschreibung	Menge	Varianten
1	AP8131910	Heckteil, blau	0	Baujahr:1995[S] Fahrzeugfarbe:Blau / Rot 1995[B/R]
1	AP8138448	Heckteil, schwarz	0	Fahrzeugfarbe:Schwarz 1995-1997[Black]
1	AP8138646	Heckteil, m.grau	0	Baujahr:1996[T] Fahrzeugfarbe:Grau Mirage 1996[Gr.m]
1	AP8139080	Heckteil, grau	0	Baujahr:1997[V] Fahrzeugfarbe:Grau Silver 1997[Gr.s]
2	AP8131912	Sitzabdeckung, blau	0	Baujahr:1995[S] Fahrzeugfarbe:Blau / Rot 1995[B/R]
2	AP8138449	Sitzabdeckung, schwarz	0	Fahrzeugfarbe:Schwarz 1995-1997[Black]
2	AP8138647	Sitzabdeckung, m.grau	0	Baujahr:1996[T] Fahrzeugfarbe:Grau Mirage 1996[Gr.m]
2	AP8139081	Sitzabdeckung, s.grau	0	Baujahr:1997[V] Fahrzeugfarbe:Grau Silver 1997[Gr.s]
3	AP8138420	R.Sitzhalterabdeckung	0	Baujahr:1995[S]
3	AP8138420	R.Sitzhalterabdeckung	0	Baujahr:1996[T] Fahrzeugfarbe:Schwarz 1995-1997[Black]
3	AP8138678	R.Sitzhalterabd., m.grau	0	Baujahr:1996[T] Fahrzeugfarbe:Grau Mirage 1996[Gr.m]
3	AP8138964	R.Sitzhalterabd., Ap.schwarz	0	Baujahr:1997[V] Fahrzeugfarbe:Schwarz 1995-1997[Black]
3	AP8139059	R.Sitzhalterabd., s.grau	0	Baujahr:1997[V] Fahrzeugfarbe:Grau Silver 1997[Gr.s]
4	AP8138421	L.Sitzhalterabdeckung	0	Baujahr:1996[T] Fahrzeugfarbe:Schwarz 1995-1997[Black]
4	AP8138421	L.Sitzhalterabdeckung	0	Baujahr:1995[S]
4	AP8138679	L.Sitzhalterabd., m.grau	0	Baujahr:1996[T] Fahrzeugfarbe:Grau Mirage 1996[Gr.m]
4	AP8138965	L.Sitzhalterabd., Ap.schwarz	0	Baujahr:1997[V] Fahrzeugfarbe:Schwarz 1995-1997[Black]
4	AP8139060	L.Sitzhalterabd., s.grau	0	Baujahr:1997[V] Fahrzeugfarbe:Grau Silver 1997[Gr.s]

Einheit	RAHMEN
Code	28.05
Beschreibung	Heckaufbau
Inspektion	1



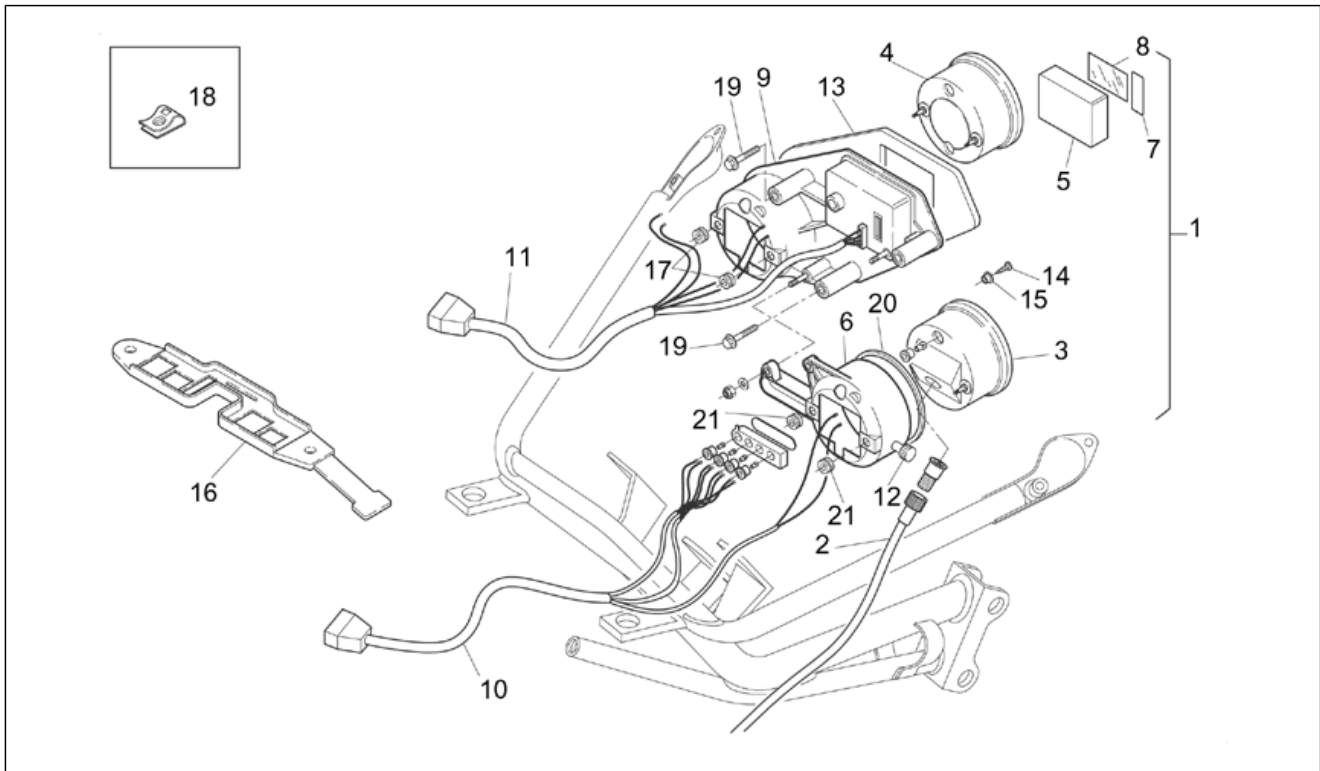
Pos.	Code	Beschreibung	Menge	Varianten
5	AP8138422	Zentr.Sitzhalterabdeckung	0	Baujahr:1996[T] Fahrzeugfarbe:Schwarz 1995-1997[Black]
5	AP8138422	Zentr.Sitzhalterabdeckung	0	Baujahr:1995[S]
5	AP8138680	Zentr.Sitzhalterabd., grau	0	Baujahr:1996[T] Fahrzeugfarbe:Grau Mirage 1996[Gr.m]
5	AP8138966	Zentr.Sitzhalterabd., schwarz	0	Baujahr:1997[V] Fahrzeugfarbe:Schwarz 1995-1997[Black]
5	AP8139061	Zentr.Sitzhalterabd., grau	0	Baujahr:1997[V] Fahrzeugfarbe:Grau Silver 1997[Gr.s]
6	AP8138247	Heck, blau	0	Baujahr:1995[S] Fahrzeugfarbe:Blau / Rot 1995[B/R]
6	AP8138450	Heck, schwarz	0	Fahrzeugfarbe:Schwarz 1995-1997[Black]
6	AP8138648	Heck, m.grau	0	Baujahr:1996[T] Fahrzeugfarbe:Grau Mirage 1996[Gr.m]
6	AP8139057	Heck, s.grau	0	Baujahr:1997[V] Fahrzeugfarbe:Grau Silver 1997[Gr.s]
7	AP8135735	Buchse	0	
8	AP8129136	Fahrersitz	0	
9	AP8129137	Soziussitz	0	
10	AP8220192	Gummi *	0	
11	AP8121764	Distanzscheibe *	0	
12	AP8135801	Kat.soziusgriff	0	
13	AP8102593	Kit Schließvorrichtungen	0	
14	AP8112710	Lenkschloß	0	
15	AP8112802	Verkabelung Kollektor	0	
16	AP8201564	Sitzschloß	0	
17	AP8201298	Schutzhelm-Befestigungskabel	0	
18	AP8221206	Sturzhelmhaken	0	
19	AP8102357	Werkzeugtasche	0	
20	AP8138231	Handschuhfach	0	

Einheit	RAHMEN
Code	28.05
Beschreibung	Heckaufbau
Inspektion	1



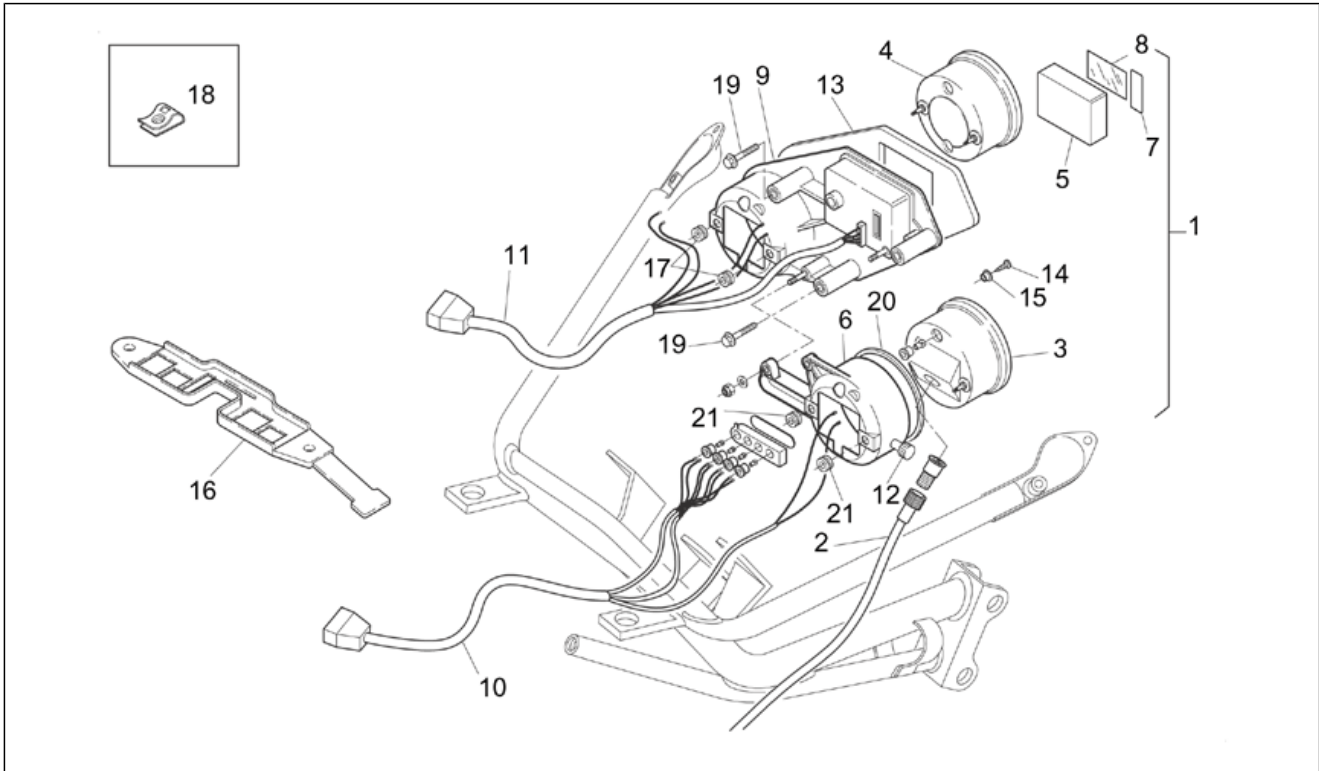
Pos.	Code	Beschreibung	Menge	Varianten
21	AP8120177	Elastic	0	
22	AP8126417	Kennzeichenplatte	0	
23	AP8134257	Kennzeichenhalter	0	Land:Italien[I]
24	AP8126415	Schutzblech schwarz	0	
25	AP8131908	Batteriehalter	0	
26	AP8126490	Verl. Nummernsch.bef.	0	Land:Österreich[A], Deutschland[D], Holland[NL], Singapur[SGP]
27	AP8152302	TBEI Schraube m.Flansch M5x12	0	
28	AP8150107	TCEI Schraube M8x30	0	
29	AP8150158	Ausgleichscheibe 4,3X9X0,8	0	
30	AP8152267	TBEI Spez.schr. M5x12	0	
31	AP8120591	Ausgleichscheibe 10x5,3x1*	0	
32	AP8152285	TE Schr. m. Flansch	0	
33	AP8150413	Gew.schr. 3,9x14	0	
34	AP8152284	TE Schr. m. Flansch	0	
35	AP8150018	Ausgleichscheibe	0	
36	AP8102880	Schl. gefr. Aprilia	0	

Einheit	RAHMEN
Code	28.06
Beschreibung	Instrumententafel
Inspektion	1



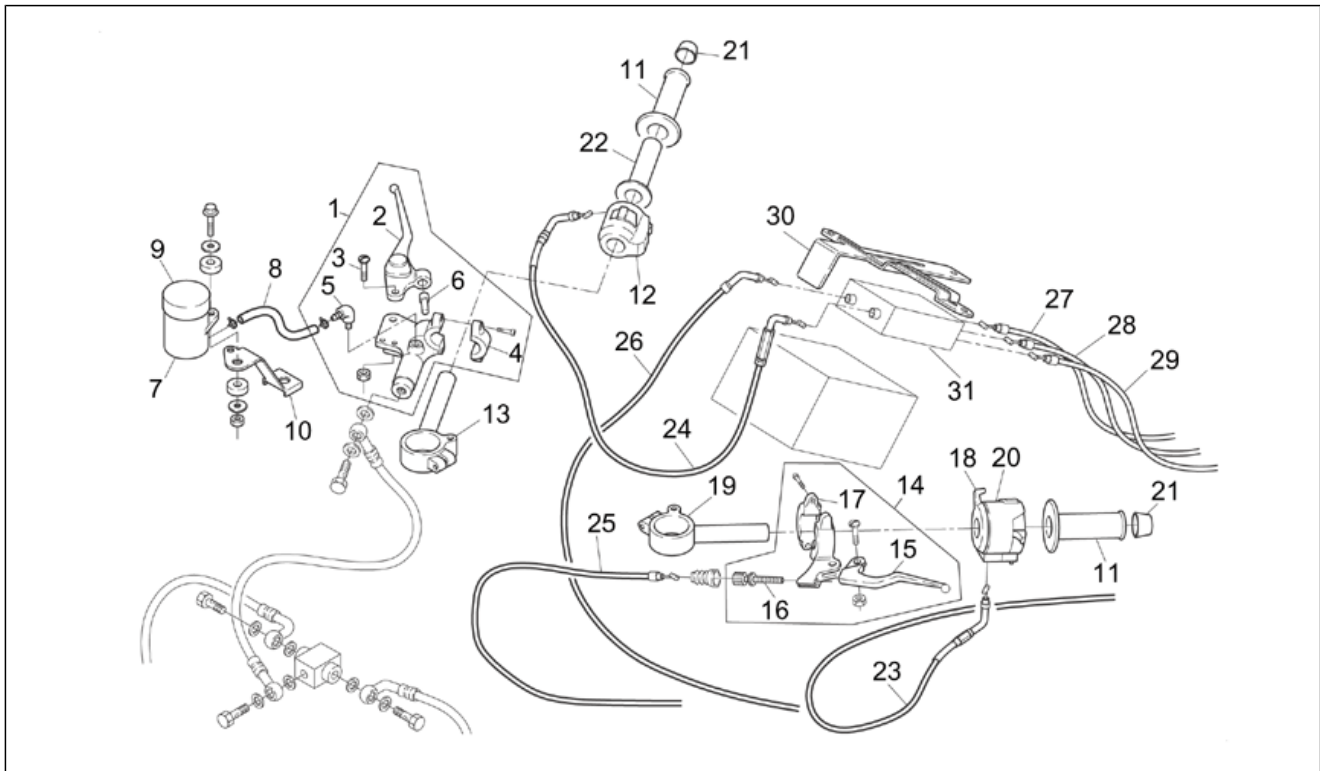
Pos.	Code	Beschreibung	Menge	Varianten
1	AP8112966	Instrum.tafel kplt.	0	Baujahr: 1995[S], 1996[T] Land: Deutschland[D], Spanien[E], Frankreich[F], Italien[I], Japan[J], Holland[NL], Singapur[SGP]
1	AP8124172	Instrum.tafel kplt. -miglia-	0	Baujahr: 1995[S], 1996[T] Land: Großbritannien[UK]
1	AP8124466	Instrum.tafel kplt.	0	Baujahr: 1997[V]
2	AP8114285	Tachometerkabel	0	
3	AP8124191	Tachometer	0	Baujahr: 1995[S], 1996[T] Land: Deutschland[D], Spanien[E], Frankreich[F], Italien[I], Japan[J], Holland[NL], Singapur[SGP]
3	AP8124203	Meilezähler	0	Baujahr: 1995[S], 1996[T] Land: Großbritannien[UK]
3	AP8124477	Tachometer	0	Baujahr: 1997[V]
4	AP8124192	Drehzahlm.	0	
5	AP8124193	Vorrichtung multifunktion	0	
6	AP8124196	Tachometerhalter	0	
7	AP8124195	Verschlußschraube	0	
8	AP8124194	Instrumenten-Abdeckblende	0	
9	AP8124197	Hltr. Drehzahlmesser	0	
10	AP8124199	Tachometerkabel	0	
11	AP8124200	Drehzahlmesserkabel	0	
12	AP8124201	Nullstellknopf	0	
13	AP8124198	Dichtung schwamm	0	
14	AP8123553	Verschlußschraube	0	
15	AP8124253	Fixierbuchse Schwamm	0	
16	AP8138249	Verbindungs Haltenplatte	0	
17	AP8124255	Gummi tachowelle	0	
18	AP8102375	Klammer M5	0	
19	AP8152267	TBEI Spez.schr. M5x12	0	

Einheit	RAHMEN
Code	28.06
Beschreibung	Instrumententafel
Inspektion	1



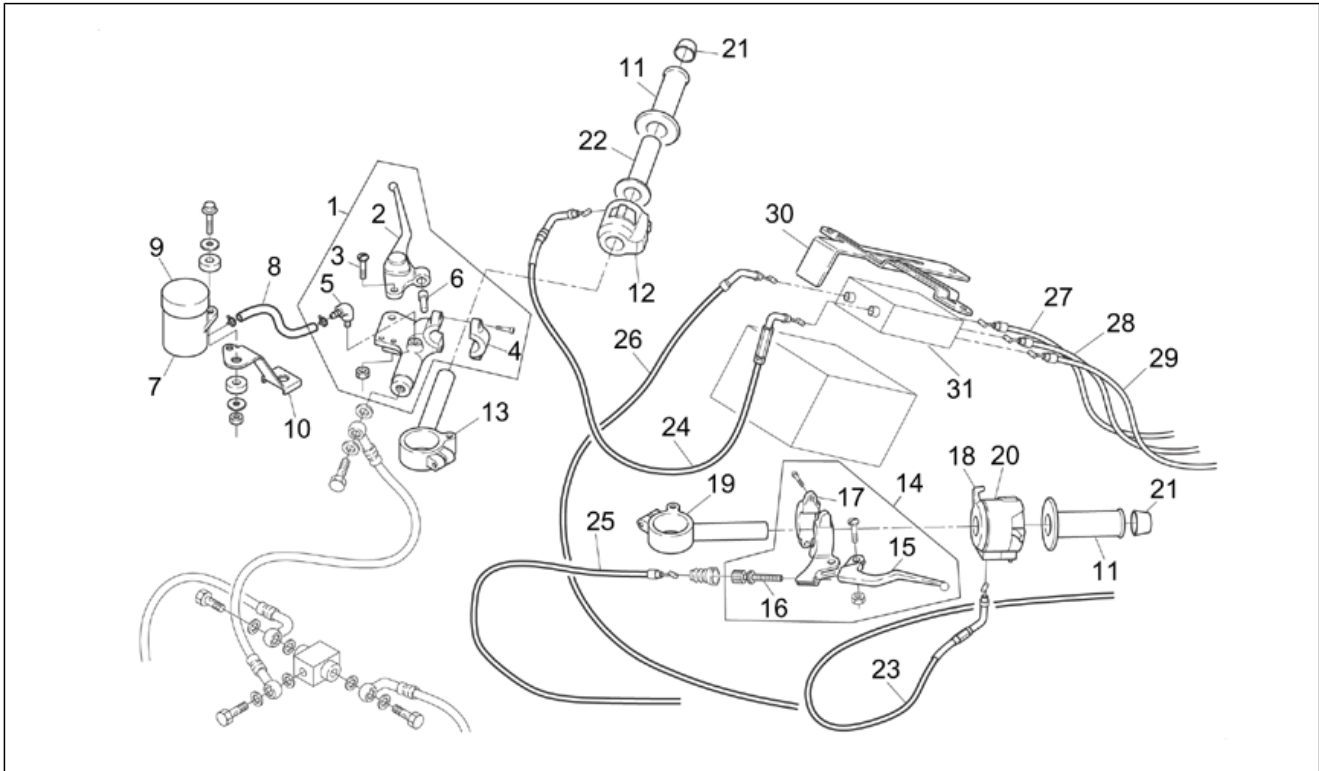
Pos.	Code	Beschreibung	Menge	Varianten
20	AP8124252	Tachometer dichtung	0	
21	AP8124254	Gummi tachometer	0	

Einheit	RAHMEN
Code	28.07
Beschreibung	Schaltungen
Inspektion	1



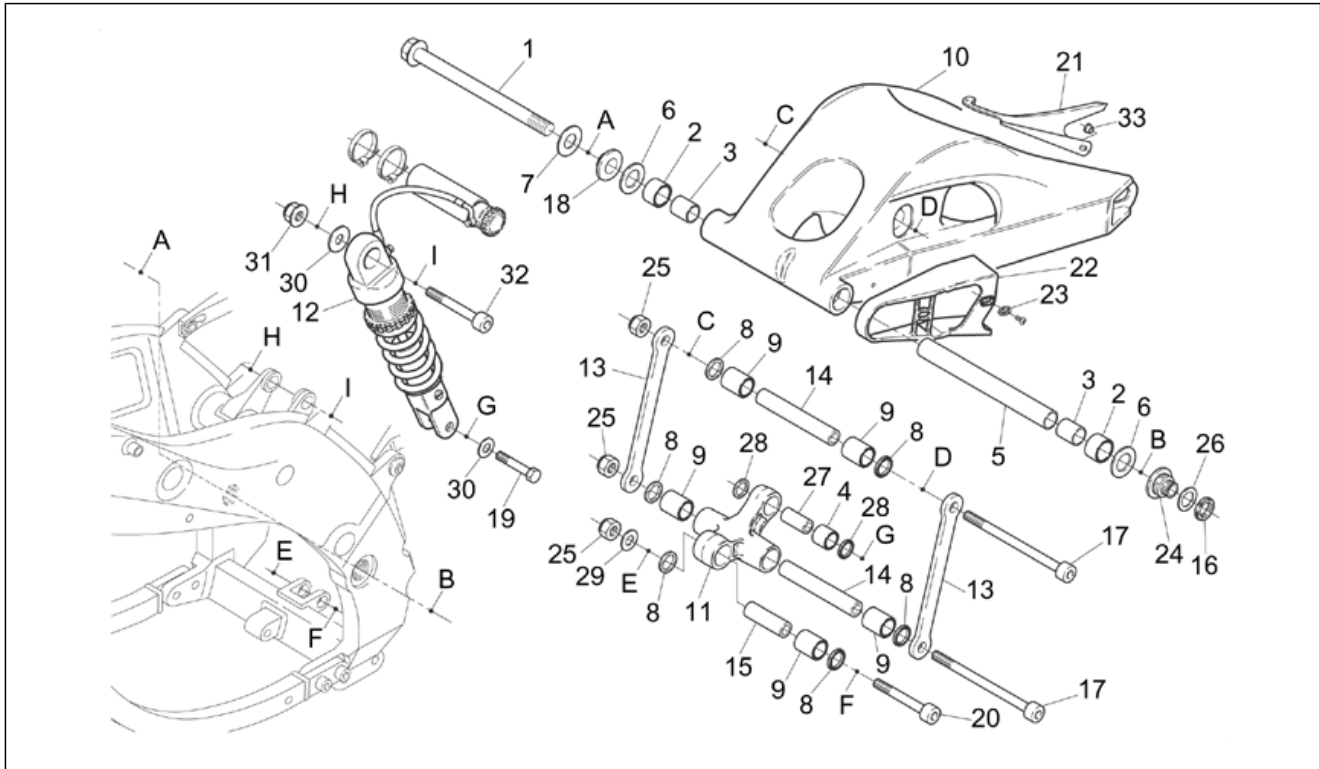
Pos.	Code	Beschreibung	Menge	Varianten
1	AP8113498	Vorderradbremspumpe D16	0	
2	AP8113588	Vorderradbremshebel	0	
3	AP8113058	Bremshebelbolzen	0	
4	AP8113589	Bügelbolzen	0	
5	AP8213057	Hinterer Pumpenanschluß	0	
6	AP8113522	Stopfen Voderradbremshebel	0	
7	AP8113499	Öltank Bremsen	0	
8	AP8120976	Leitung D5x9	0	
9	AP8113598	Bremsen-Öltankschraube	0	
10	AP8134283	Öltankhalter	0	
11	AP8118287	Handgriffe paar	0	
12	AP8124330	Rechter Lichtschalter	0	
13	AP8118364	Halblenker kpl rechts	0	
14	AP8118366	Kupplungshebel	0	
15	AP8118417	Kupplungshebel	0	
16	AP8118348	Einstll.schr. Kpplg.	0	
17	AP8218077	Fixrbolz.Kuppl.gsheb	0	
18	AP8118308	Starterhebel	0	
19	AP8118379	Halblenker kpl links	0	
20	AP8124331	Linker Lichtschalter	0	
21	AP8102580	Schwingschutzgewicht schwarz	0	Baujahr:1997[V]
21	AP8102580	Schwingschutzgewicht schwarz	0	Baujahr:1995[S]
21	AP8102648	Schwingschutzgewicht grau	0	Baujahr:1996[T]
22	AP8118419	Gasschaltung+griff	0	
23	AP8114286	Starterzugkabel	0	
24	AP8114287	Gaszugkabel	0	
25	AP8114288	Kupplungskabel	0	
26	AP8114305	Verdp.kabel-actuator	0	

Einheit	RAHMEN
Code	28.07
Beschreibung	Schaltungen
Inspektion	1



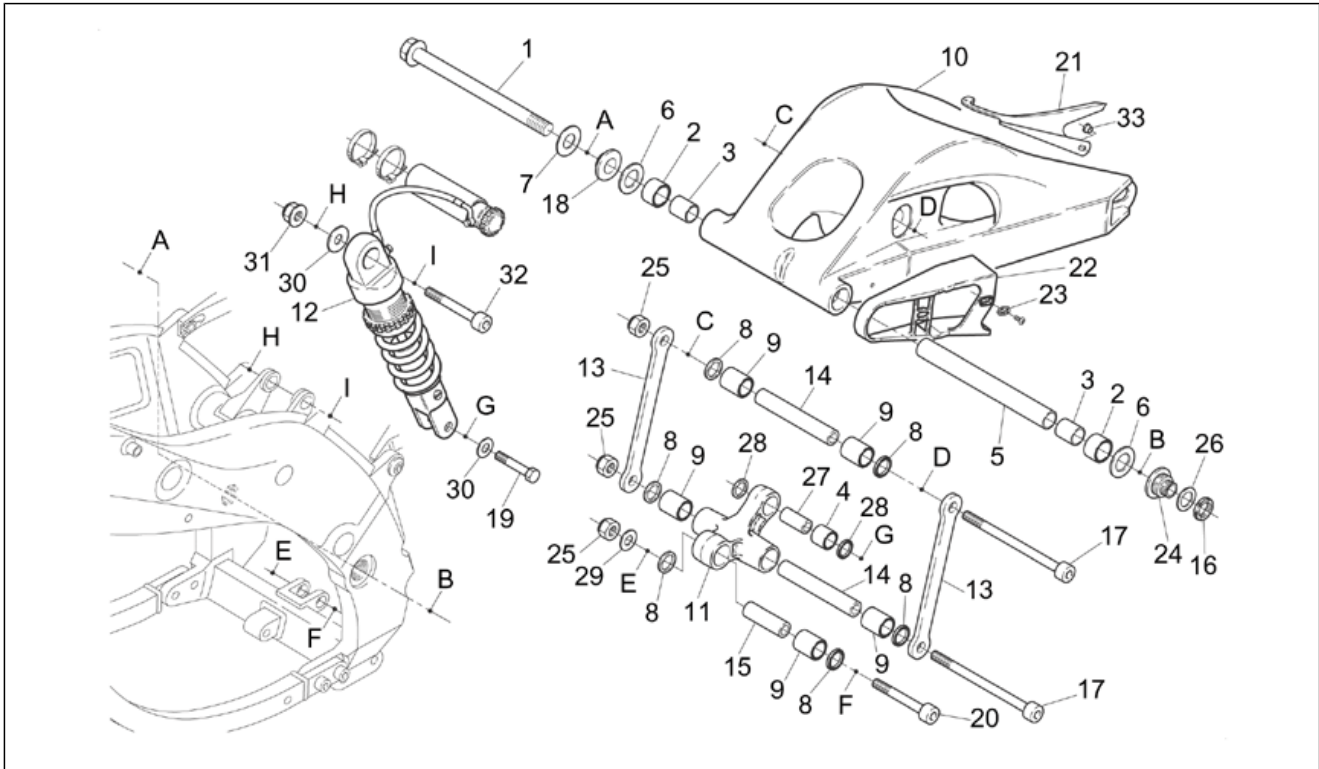
Pos.	Code	Beschreibung	Menge	Varianten
27	AP8114306	Verdp.kabel-mixpum.	0	
28	AP8114307	Verdp.kabel-R.Verg.	0	
29	AP8114308	Verdp.kabel-L.Verg.	0	
30	AP8134310	Verdoppler Halteplatte	0	
31	AP8124052	Verdoppler mit Sensor	0	

Einheit	RAHMEN
Code	28.08
Beschreibung	Hinterradaufhängung
Inspektion	1



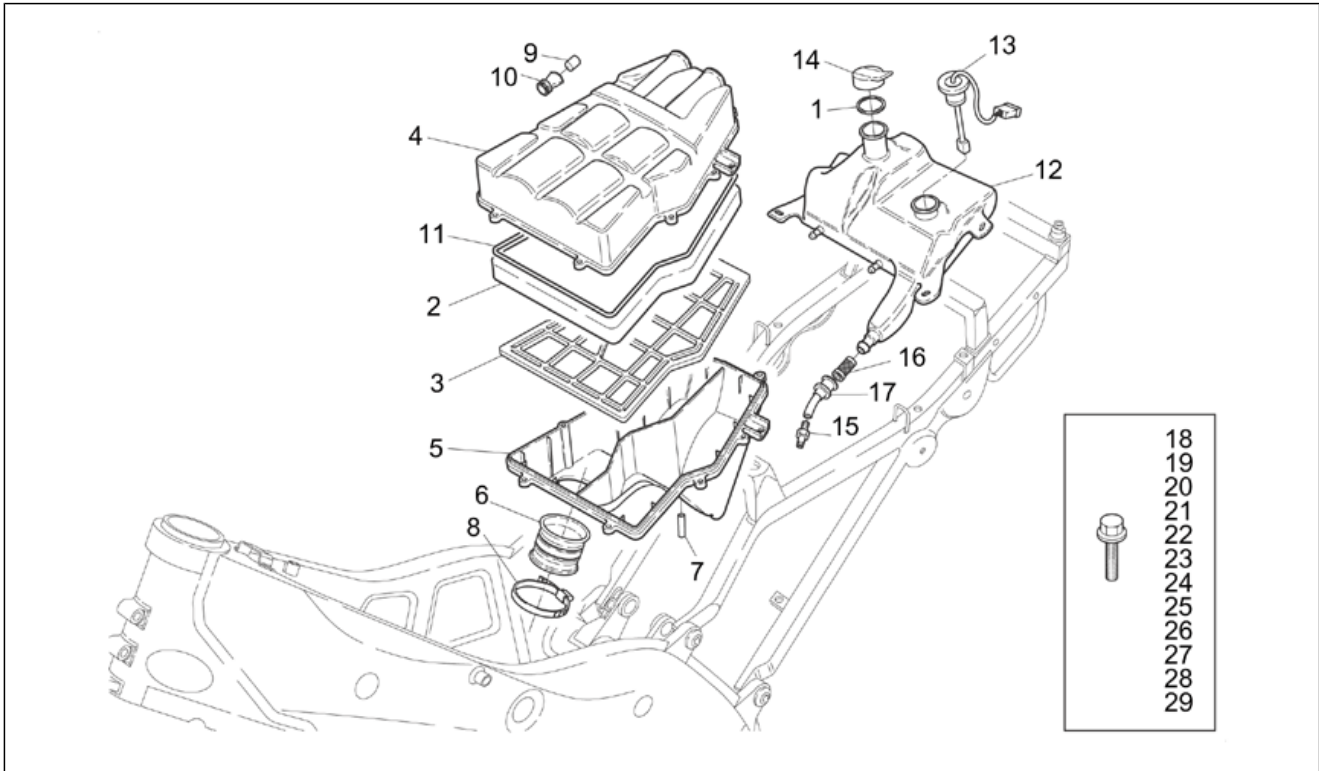
Pos.	Code	Beschreibung	Menge	Varianten
1	AP8125651	Schwingenbolzen	0	
2	AP8110070	Nadellager 25x32x24	0	
3	AP8121884	Buc.für Schwingenzp.	0	
4	AP8110066	Nadellager	0	
5	AP8121923	Schwingenbolzen Dist.	0	
6	AP8120872	Bundunterl.scheibe	0	
7	AP8102429	Gebogene Sprengscheibe	0	
8	AP8120340	Gasket ring	0	
9	AP8110075	Rollenlager	0	
10	AP8135803	Schwinge	0	
11	AP8135508	Doppelte Pleuelstange	0	
12	AP8123332	Stoßdämpfer	0	
13	AP8135509	Einfache Pleuelstange	0	
14	AP8121919	Pleuelbolzen	0	
15	AP8121885	Pleuelbolzen	0	
16	AP8121898	Nutmutter M20x1	0	
17	AP8150442	TCEI Schraube M12x115	0	
18	AP8121925	Bundscheibebuchse	0	
19	AP8150227	Sechskantschraube	0	
20	AP8150090	TCEI Schraube M12x75	0	
21	AP8131925	Kettenkasten	0	
22	AP8120846	Kettengleitführung	0	
23	AP8234020	Becher	0	
24	AP8152173	Scheibe	0	
25	AP8150304	Selbstsperr.mut Unt. M12	0	
26	AP8121899	Einstellbuchse	0	
27	AP8121920	Pleuelbolzen	0	
28	AP8120838	Gasket ring	0	

Einheit	RAHMEN
Code	28.08
Beschreibung	Hinterradaufhängung
Inspektion	1



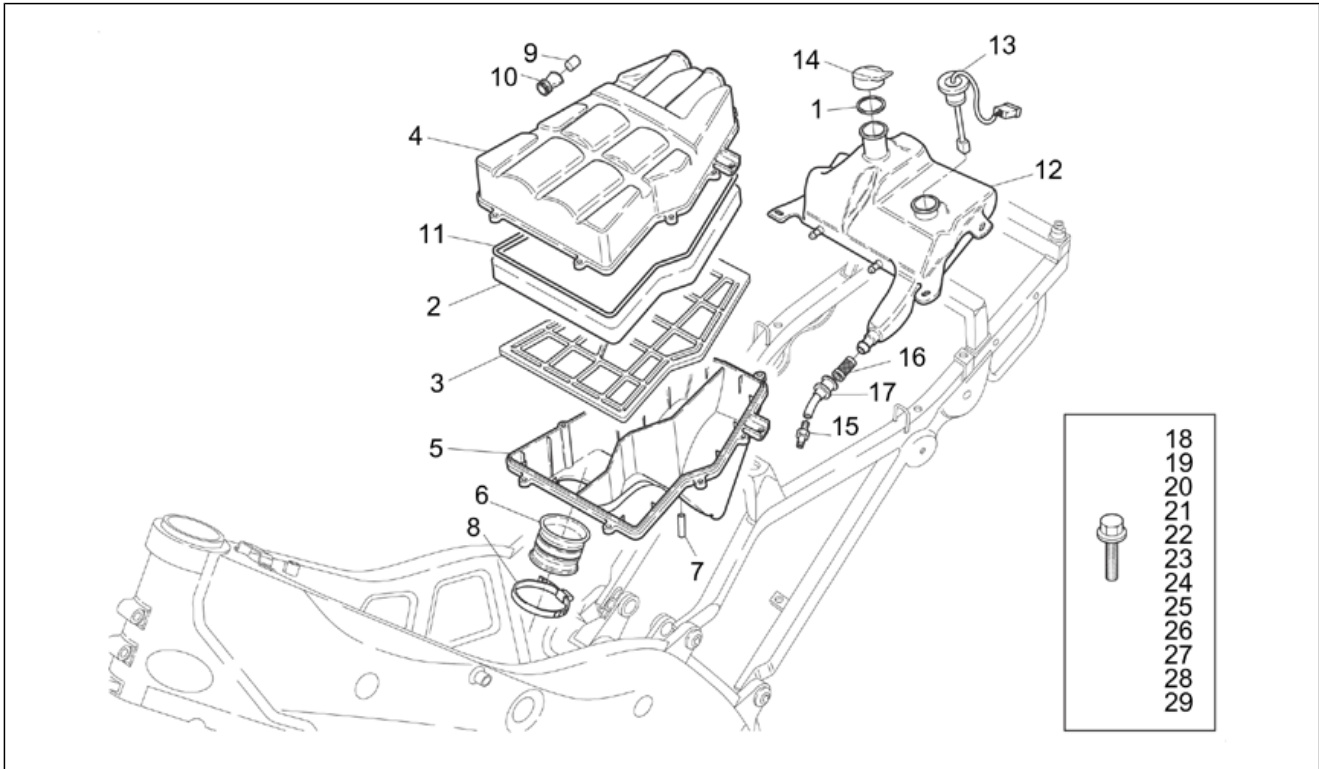
Pos.	Code	Beschreibung	Menge	Varianten
29	AP8150101	Ausgleichscheibe 13x24x2,5*	0	
30	AP8150020	Ausgleichscheibe 10,5x21x2*	0	
31	AP8152301	Selbstsperrende Mutter	0	
32	AP8152013	TCEI Schraube M10x105	0	
33	AP8120531	Gummi mit Einsatz	0	

Einheit	RAHMEN
Code	28.09
Beschreibung	Filtergehäuse
Inspektion	1



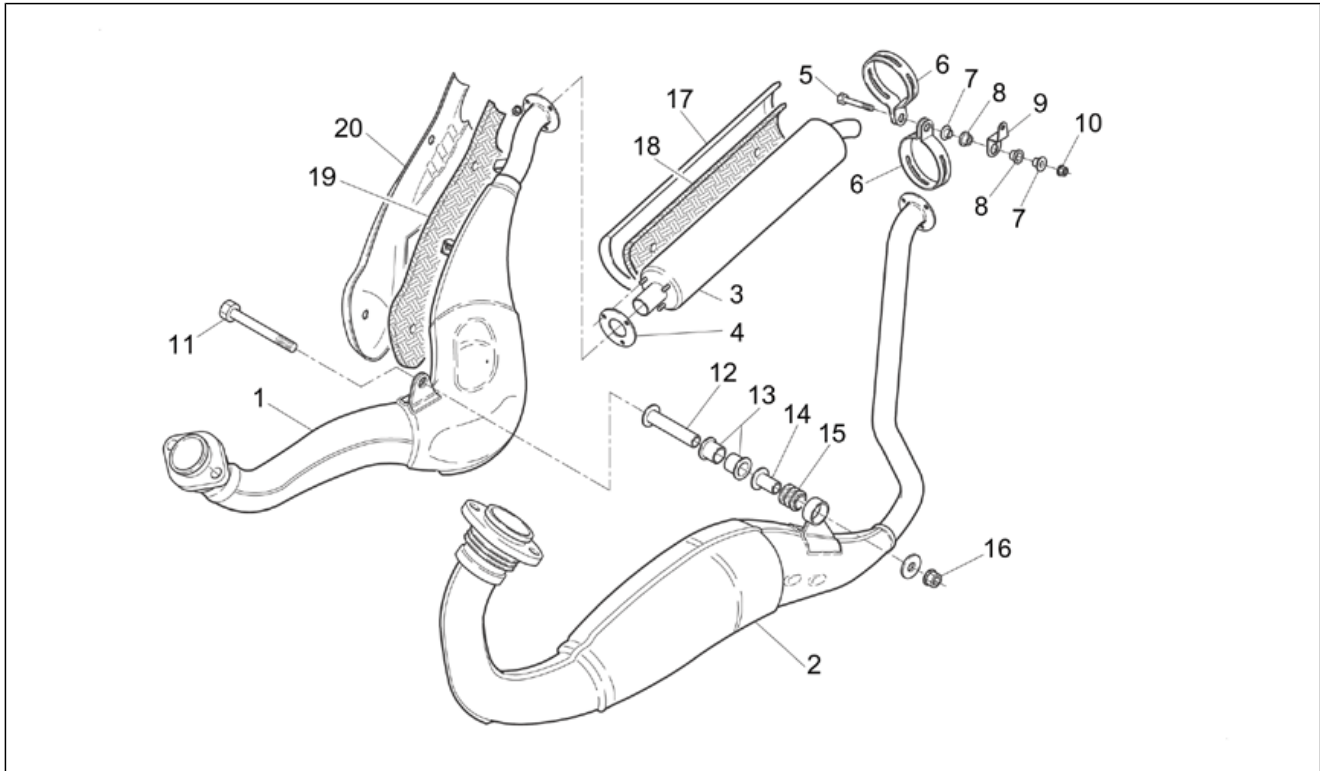
Pos.	Code	Beschreibung	Menge	Varianten
1	AP8220195	Ölabstreifring	0	
2	AP8102351	Luftfilter	0	
3	AP8131905	Filterschutznetz	0	
4	AP8131906	Deckel Filtergehäuse	0	
5	AP8131907	Boden Filtergehäuse	0	
6	AP8120837	Ansaugmuffe	0	
7	AP8102459	Entlüftungsschlauch Kühler	0	
8	AP8102458	Muffenschelle	0	
9	AP8102120	Entlüftungsfiter	0	
10	AP8101527	Entl. Filtergeh.	0	
11	AP8120950	Dichtung Filtergehäuse	0	
12	AP8131909	Öltank	0	
13	AP8124080	Anzeige Ölreserve	0	
14	AP8102509	Öltankschraube	0	
15	AP8101944	2-Wege Anschluß	0	
16	AP8102224	Gemisch-Ölfilter	0	
17	AP8102223	Gummi *	0	
18	AP8150438	TCEI Schraube M10x130	0	
19	AP8150439	Sechskantschraube M10x250	0	
20	AP8152287	TE Schr. m. Flansch M8x25	0	
21	AP8152278	TE Schr. m. Flansch M6x16	0	
22	AP8152279	TE Schr. m. Flansch M6x20	0	
23	AP8152280	TE Schr. m. Flansch M6x25	0	
24	AP8152281	TE Schr. m. Flansch M6x30	0	
25	AP8152283	TE Schr. m. Flansch	0	
26	AP8152274	TE Schr. m. Flansch M5x20	0	
27	AP8152275	TE Schr. m. Flansch M5x25	0	
28	AP8152246	TBEI Schraube m.Flansch M6x16	0	

Einheit	RAHMEN
Code	28.09
Beschreibung	Filtergehäuse
Inspektion	1



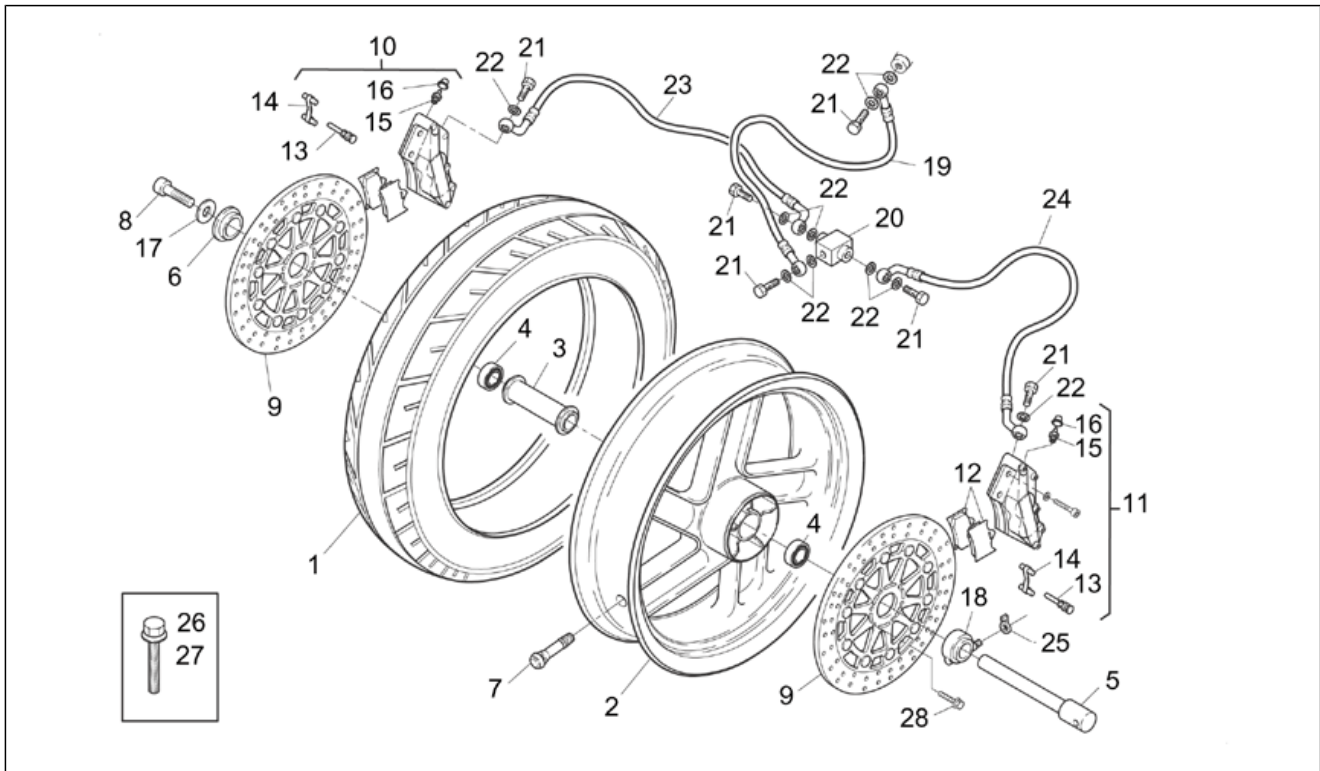
Pos.	Code	Beschreibung	Menge	Varianten
29	AP8152302	TBEI Schraube m.Flansch M5x12	0	

Einheit	RAHMEN
Code	28.10
Beschreibung	Auspuffrohr
Inspektion	1



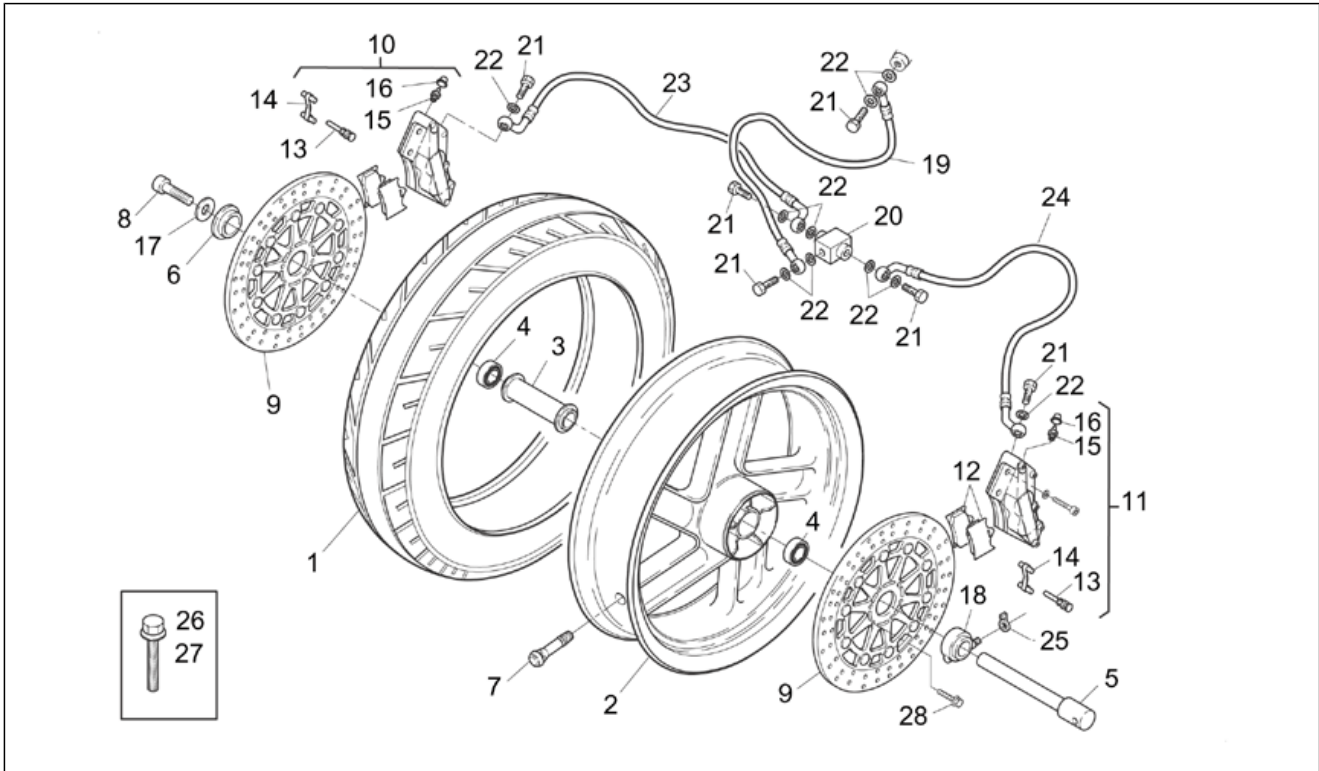
Pos.	Code	Beschreibung	Menge	Varianten
1	AP8119332	R.Auspuffrohr	0	Land:Belgien[B], Dänemark[DK], Spanien[E], Frankreich[F], Griechenland[GR], Italien[I], Japan[J], Holland[NL], Portugal[P], Großbritannien[UK]
1	AP8119391	R.kat.Auspuffrohr	0	Land:Österreich[A], Deutschland[D], Singapur[SGP]
2	AP8119333	L.Auspuffrohr	0	Land:Belgien[B], Dänemark[DK], Spanien[E], Frankreich[F], Griechenland[GR], Italien[I], Japan[J], Holland[NL], Portugal[P], Großbritannien[UK]
2	AP8119392	L.kat.Auspuffrohr	0	Land:Österreich[A], Deutschland[D], Singapur[SGP]
3	AP8119331	Schalldämpfer	0	Land:Belgien[B], Dänemark[DK], Spanien[E], Frankreich[F], Griechenland[GR], Italien[I], Japan[J], Holland[NL], Portugal[P], Großbritannien[UK]
3	AP8119384	Inox-Schalldämpfer	0	Land:Österreich[A], Deutschland[D], Singapur[SGP]
4	AP8119399	Dichtung Schalldämpfer	0	
5	AP8152290	TE Schr. m. Flansch M8x40	0	
6	AP8102430	Fixierschelle Schalldämpfer	0	
7	AP8121716	T-Buchse	0	
8	AP8120638	Silent-Block *	0	
9	AP8134355	Schalldämpfer Halteplatte	0	
10	AP8150431	Mutter unten M8	0	
11	AP8150388	TCEI Schraube	0	
12	AP8134334	Auspuffrohrhalter	0	
13	AP8120947	Gummi auspuffrohr	0	
14	AP8221056	T-Buchse *	0	
15	AP8120948	Gummi auspuffrohr	0	
16	AP8152031	Mutter M8	0	
17	AP8117100	Auspuffrohr Wärmeschutz	0	Land:Österreich[A], Deutschland[D], Singapur[SGP]
18	AP8117105	Auspuffrohrschutzplatte	0	Land:Österreich[A], Deutschland[D], Singapur[SGP]
19	AP8117104	Auspuffrohrschutzplatte	0	Land:Österreich[A], Deutschland[D], Singapur[SGP]
20	AP8117102	Auspuffrohr Wärmeschutz	0	Land:Österreich[A], Deutschland[D], Singapur[SGP]

Einheit	RAHMEN
Code	28.11
Beschreibung	Vorderrad
Inspektion	1



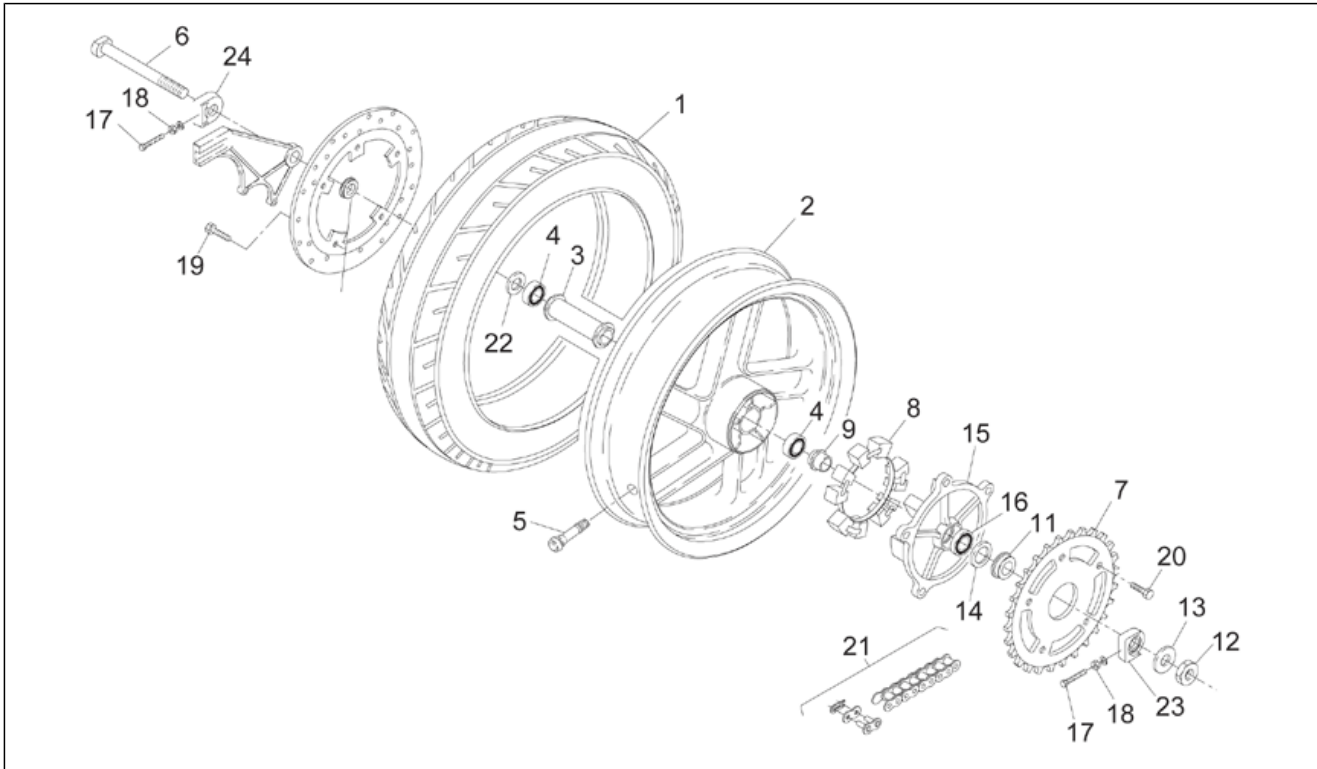
Pos.	Code	Beschreibung	Menge	Varianten
1	0000000	Reifen	0	
2	AP8108582	Vorderrad kpl, schwarz	0	
3	AP8125718	Interne Distanzscheibe	0	
4	AP8125644	Vorderrad Kugellager	0	
5	AP8125652	Vorderradbolzen	0	
6	AP8125653	Vorderrad Distanzscheibe	0	
7	AP8101744	Schlauchloses Reifenventil	0	
8	AP8121921	Vorderradbolzen Schraube	0	
9	AP8113500	Vorderradbremsscheibe	0	
10	AP8113501	Vorderradbremsszange r.	0	Baujahr:1995[S], 1996[T]
10	AP8113665	Vorderradbremsszange r.	0	Baujahr:1997[V]
11	AP8113506	Vorderradbremsszange l.	0	Baujahr:1995[S], 1996[T]
11	AP8113666	Vorderradbremsszange l.	0	Baujahr:1997[V]
12	AP8113585	Beläge (Paar)	0	
13	AP8113586	Vord. Greiferbolzen	0	
14	AP8113587	Vord.radbremsszangefeder	0	
15	AP8113353	Entlüftungsanschluß	0	
16	AP8113230	Entlüftungskappe	0	
17	AP8150208	Ausgleichscheibe 15x28x2,5*	0	
18	AP8101819	Vorgelegte Kilometerzähler	0	
19	AP8113507	O.Vorderradbremssleitung	0	
20	AP8121901	Vorderrad bremsleitung Ansch.	0	
21	AP8113003	Fixierschraube Ölschlauch	0	
22	AP8113004	Ausgleichscheibe 10x14x1,6*	0	
23	AP8113578	U.R.Vorderradbremssleitung	0	
24	AP8113539	U.L.Vorderradbremssleitung	0	
25	AP8120968	Km-zähler kabel haken	0	
26	AP8152277	TE Schr. m. Flansch M6x12	0	

Einheit	RAHMEN
Code	28.11
Beschreibung	Vorderrad
Inspektion	1



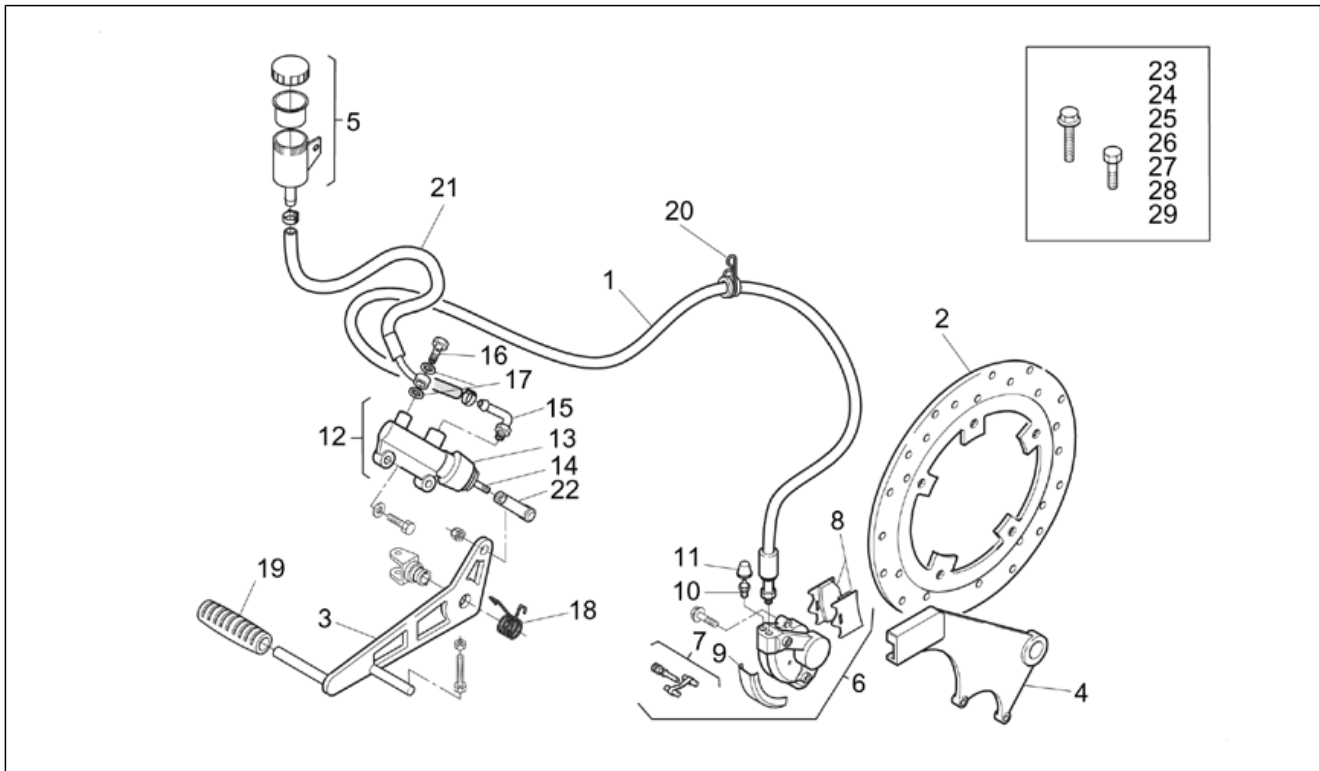
Pos.	Code	Beschreibung	Menge	Varianten
27	AP8152280	TE Schr. m. Flansch M6x25	0	
28	AP8152285	TE Schr. m. Flansch	0	

Einheit	RAHMEN
Code	28.12
Beschreibung	Hinterrad
Inspektion	1



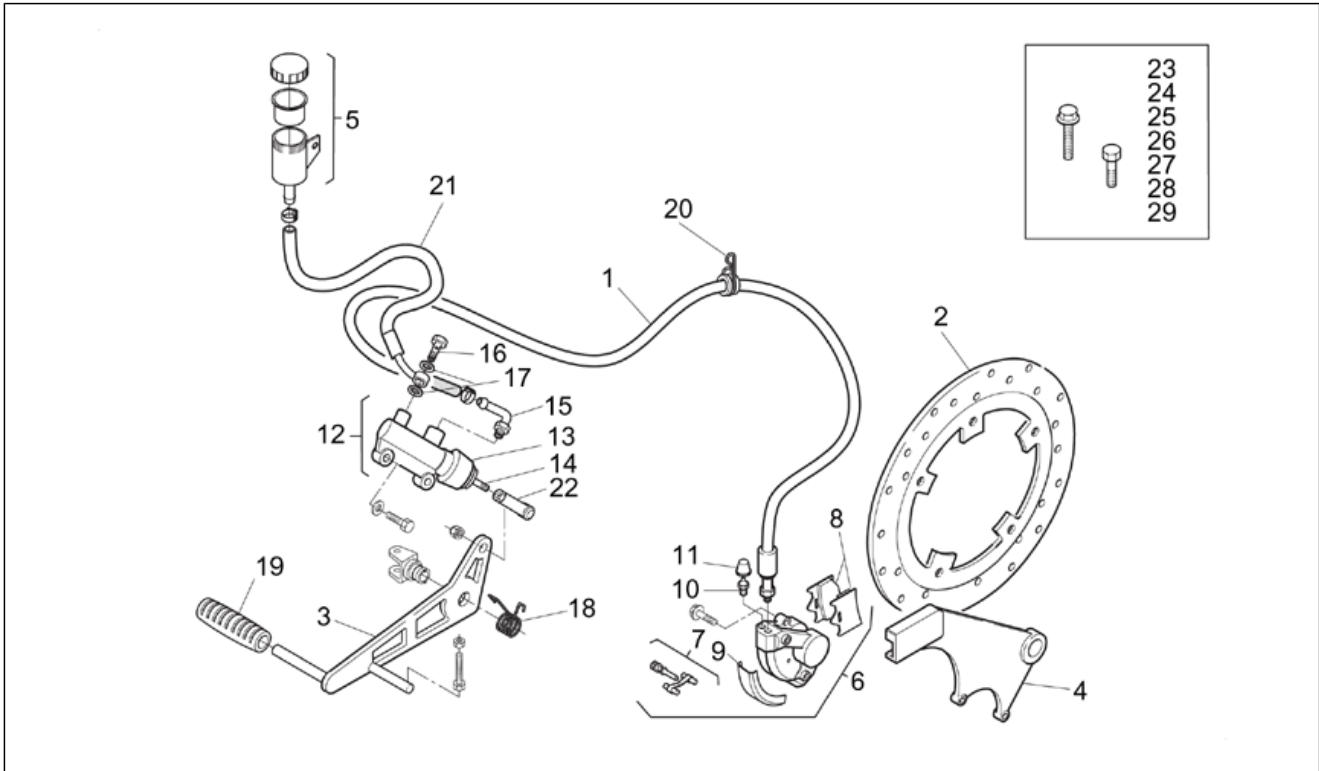
Pos.	Code	Beschreibung	Menge	Varianten
1	0000000	Reifen	0	
2	AP8108583	Hinterrad kpl, schwarz	0	
3	AP8125719	Interne Distanzscheibe	0	
4	AP8110050	Reißschutzlager	0	
5	AP8101744	Schlauchloses Reifenventil	0	
6	AP8125654	Hinterradbolzen	0	
7	AP8107096	Zahnkranz Z=42	0	Land:Belgien[B], Dänemark[DK], Spanien[E], Frankreich[F], Griechenland[GR], Italien[I], Japan[J], Holland[NL], Portugal[P], Großbritannien[UK]
7	AP8107114	Zahnkranz Z=43	0	Land:Österreich[A], Deutschland[D], Singapur[SGP]
8	AP8125656	Stoßschutzgummi	0	
9	AP8125655	Innen l. H.rad Distanzscheibe	0	
10	AP8125657	Außen r. H.rad Distanzscheibe	0	
11	AP8125658	Außen l. H.rad Distanzscheibe	0	
12	AP8125686	Hinterradbolzen mut.	0	
13	AP8125687	U-scheibe Hint.radbolz	0	
14	AP8120949	Gasket ring 30x52x7	0	
15	AP8107113	Zahnkranzhalter schwarz	0	
16	AP8110076	Kugellager	0	
17	AP8152305	Kettenspanner Schraube	0	
18	AP8152262	Mutter unten	0	
19	AP8152285	TE Schr. m. Flansch	0	
20	AP8152288	TE Schr. m. Flansch	0	
21	AP8107095	Kette Verbindungsgl.	0	
22	AP8102567	Ölabstreifring 25x47x7	0	
23	AP8120806	L. Leucht. Kettengleitführung	0	
24	AP8120807	R. leucht. Kettengleitführung	0	
25	AP8134464	Fixierplatte	0	

Einheit	RAHMEN
Code	28.13
Beschreibung	Hinterradbremsszange
Inspektion	1



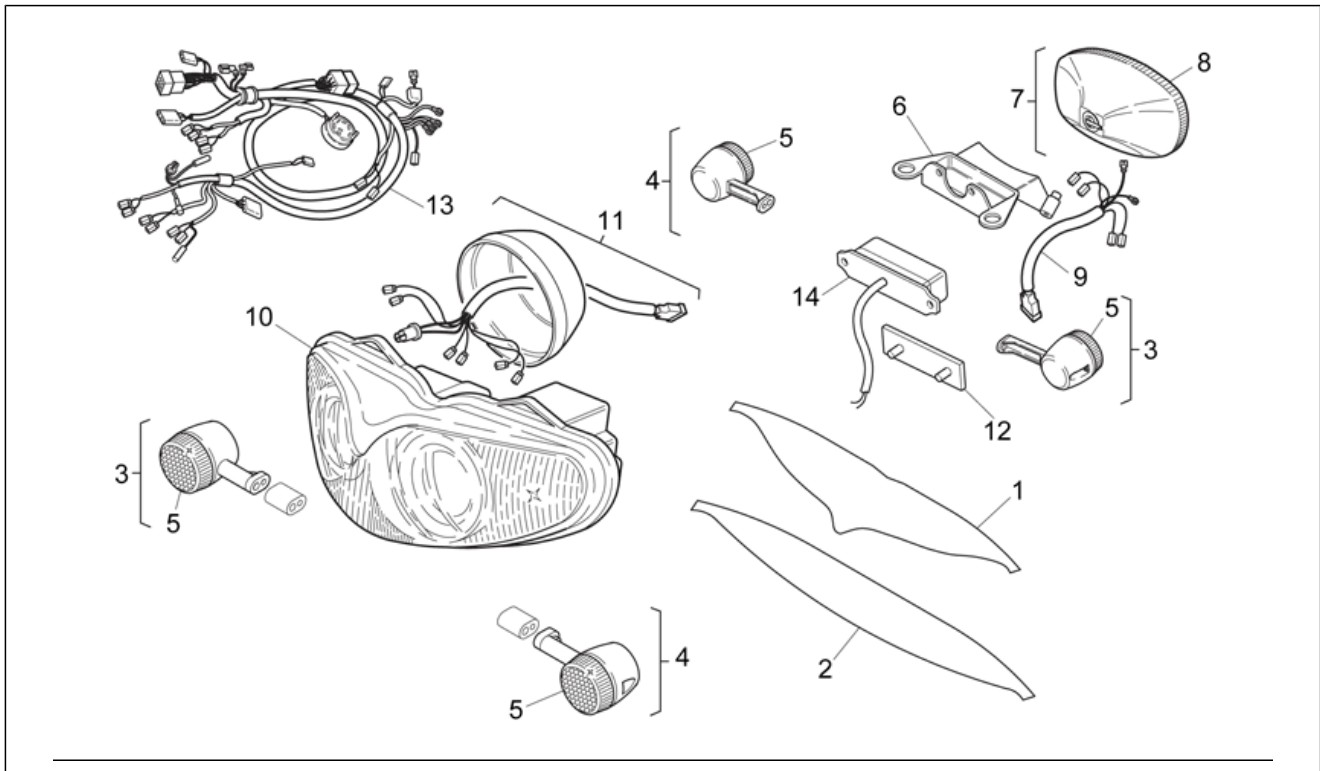
Pos.	Code	Beschreibung	Menge	Varianten
1	AP8113503	Hinterradbremssleitung	0	
2	AP8113505	Vorderradbremsscheibe	0	
3	AP8135516	H.bremsshebel	0	
4	AP8134277	Bremsszange platte	0	Baujahr:1995[S], 1996[T]
4	AP8134464	Fixierplatte	0	Baujahr:1997[V]
5	AP8113241	Bremssöltank	0	
6	AP8213172	Bremsszange	0	
7	AP8213198	Greiferbolzen	0	
8	AP8213197	Beläge (Paar)	0	
9	AP8213199	Deckel Bremsszangen	0	
10	AP8113353	Entlüftungsanschluß	0	
11	AP8113230	Entlüftungskappe	0	
12	AP8113359	Hinterradbremsspumpe	0	
13	AP8113288	Gummibalg	0	
14	AP8121842	Pumpenstange Bremse	0	
15	AP8213057	Hinterer Pumpenanschluß	0	
16	AP8113003	Fixierschraube Ölschlauch	0	
17	AP8113004	Ausgleichscheibe 10x14x1,6*	0	
18	AP8121942	Bremsshebelfeder	0	
19	AP8120912	Gummi für Hebel	0	
20	AP8121856	Kabelführungs	0	
21	AP8120976	Leitung D5x9	0	
22	AP8210007	Kugelgelenk rechts M6	0	
23	AP8152272	TE Schr. m. Flansch M5x12	0	
24	AP8152273	Flanschschraube M5x15	0	
25	AP8152281	TE Schr. m. Flansch M6x30	0	
26	AP8152285	TE Schr. m. Flansch	0	
27	AP8152287	TE Schr. m. Flansch M8x25	0	

Einheit	RAHMEN
Code	28.13
Beschreibung	Hinterradbremsszange
Inspektion	1



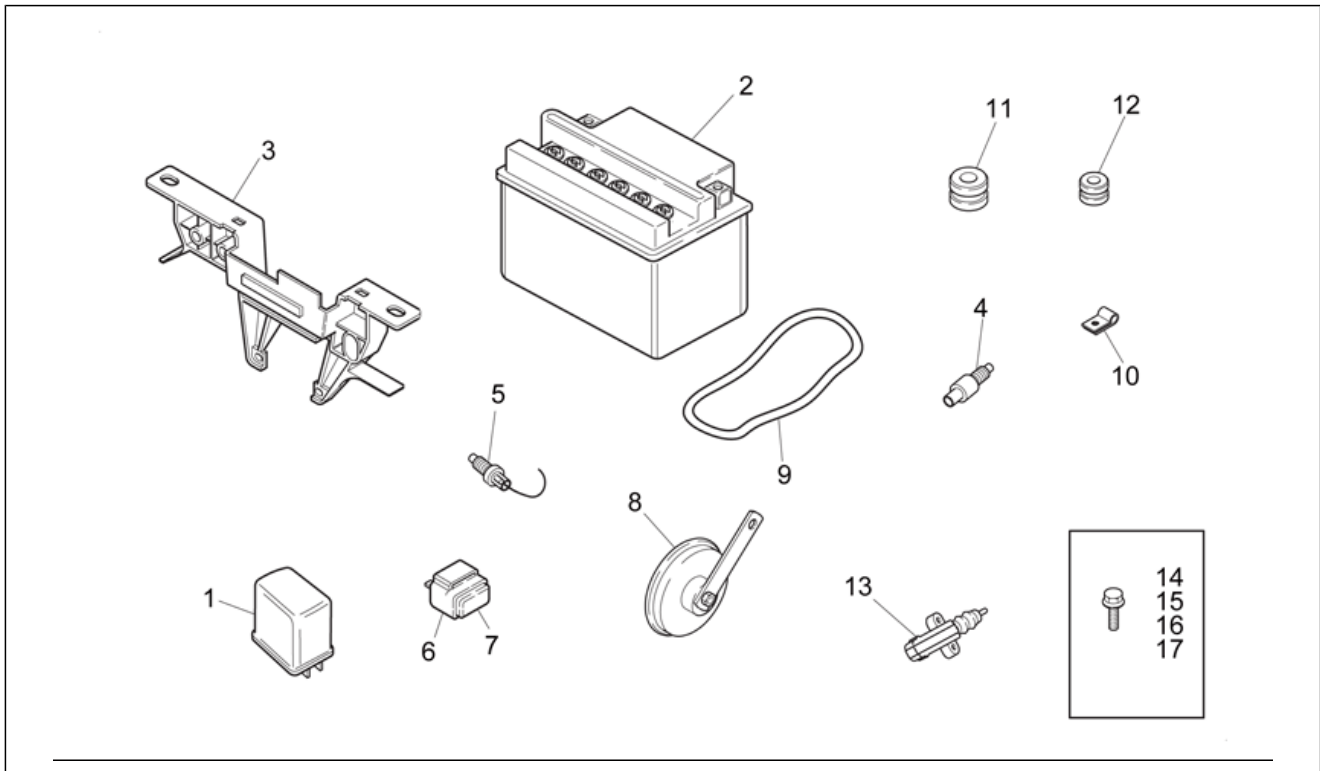
Pos.	Code	Beschreibung	Menge	Varianten
28	AP8152288	TE Schr. m. Flansch	0	
29	AP8152298	TBEI Schraube m.Flansch M5x16	0	

Einheit	RAHMEN
Code	28.14
Beschreibung	Lichter
Inspektion	1



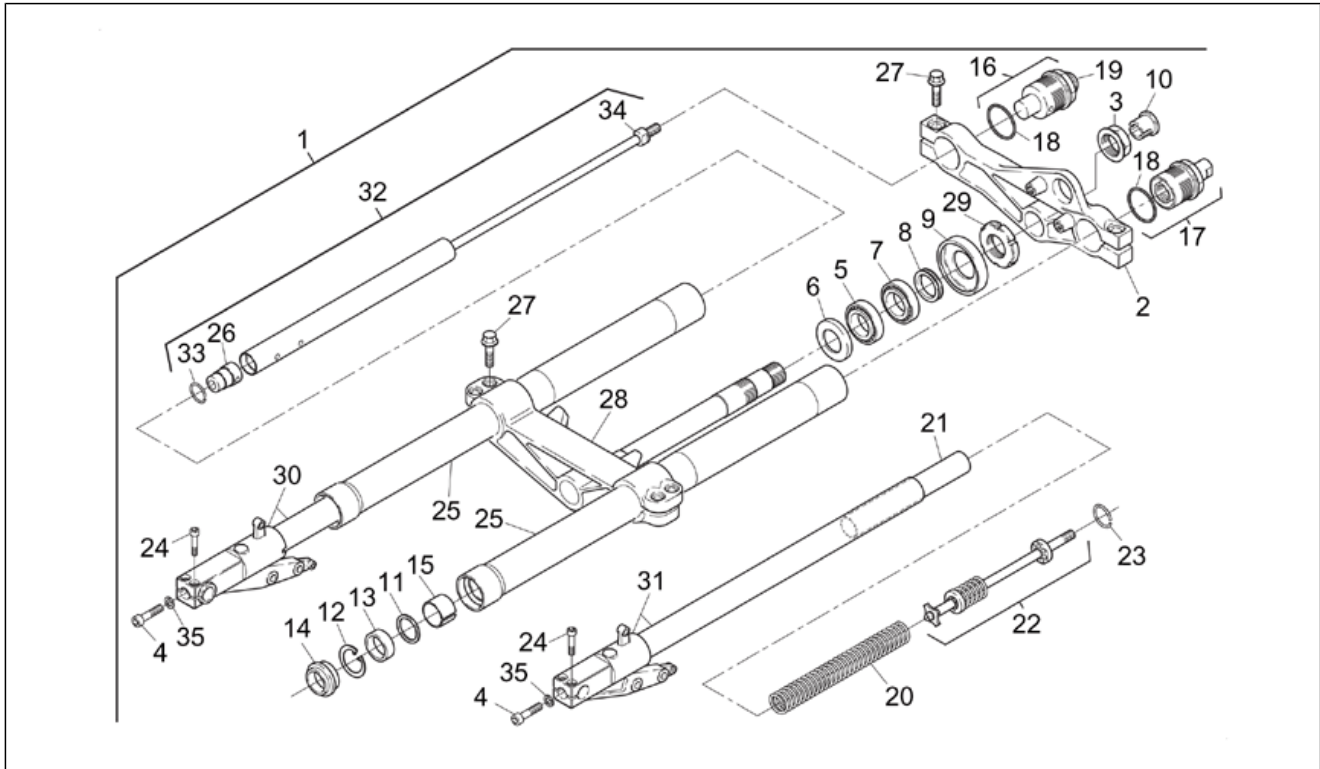
Pos.	Code	Beschreibung	Menge	Varianten
1	AP8137646	Ob.Scheinw.schutz Deko	0	
2	AP8137647	Unt.Scheinw.schutz Deko	0	
3	AP8124140	Vorderblinker rechts / Hinterblinker links	0	
4	AP8124139	Vorderblinker links/ Hinterblinker rechts	0	
5	AP8212680	Blinkerblende	0	
6	AP8135734	Rücklichthalterung	0	
7	AP8124006	Rücklicht	0	
8	AP8212679	Rücklichtblende	0	
9	AP8124141	Verkabelung Rücklicht	0	
10	AP8112961	Scheinwerfer	0	Land:Österreich[A], Belgien[B], Deutschland[D], Dänemark[DK], Spanien[E], Frankreich[F], Griechenland[GR], Italien[I], Holland[NL], Portugal[P]
10	AP8124174	Scheinwerfer -UK-	0	Land:Japan[J], Singapur[SGP], Großbritannien[UK]
11	AP8124075	Verkabel.Scheinwerf.	0	
12	AP8112916	Rückstrahler Rücklicht	0	
13	AP8112962	Hauptverkabelung	0	Baujahr:1996[T], 1997[V]
13	AP8124251	Hauptverkabelung	0	Baujahr:1995[S]
14	AP8212702	Kennzeichenleuchte	0	

Einheit	RAHMEN
Code	28.15
Beschreibung	Elektrische Anlage
Inspektion	1



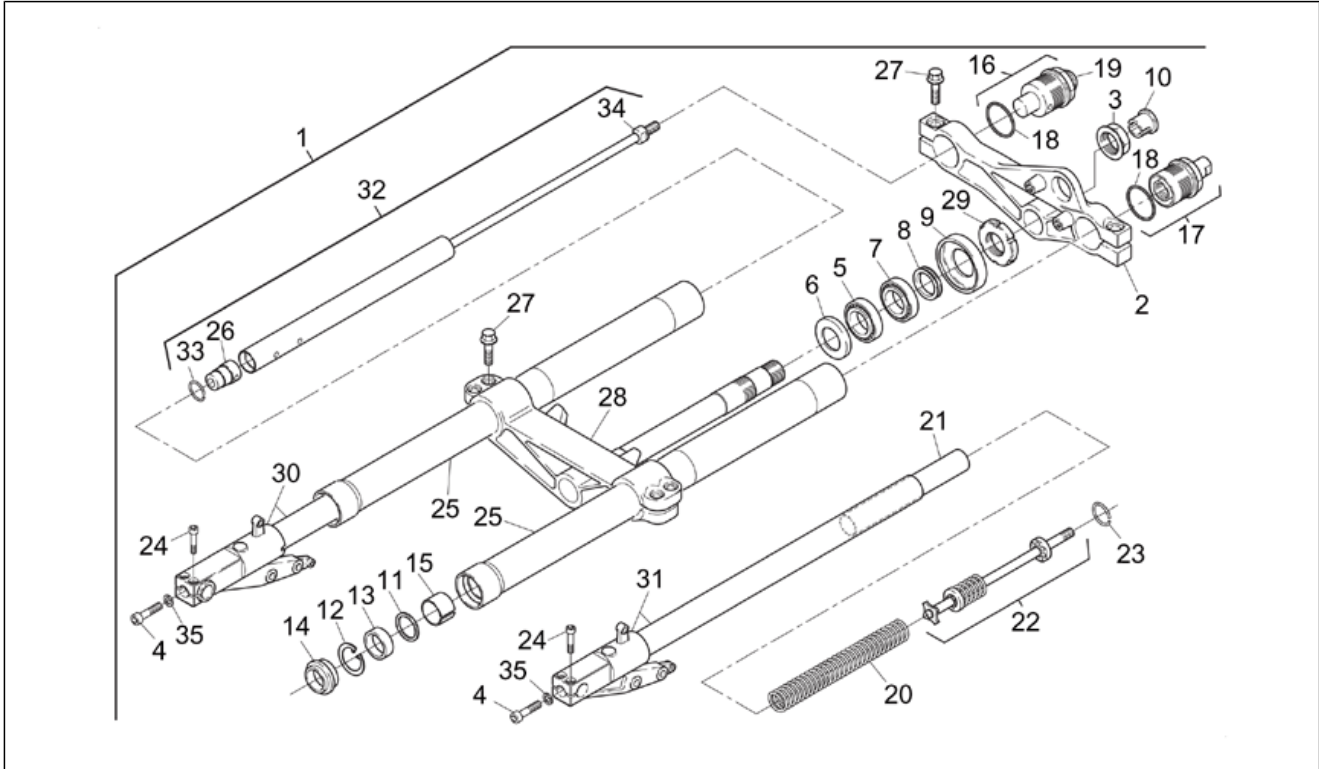
Pos.	Code	Beschreibung	Menge	Varianten
1	AP8127286	Blinken	0	
2	AP8212110	Batterie 12V-4Ah	0	
3	AP8138192	Halter	0	
4	AP8112996	Mikroschalter	0	
5	AP8112998	Stoppschalter+Kabeln	0	
6	AP8220283	Gummi *	0	
7	AP8212469	Zündrelais 12V-20A	0	
8	AP8112413	Hupe	0	
9	AP8120951	Batteriehalter Elastik	0	
10	AP8102376	Klammer M6	0	
11	AP8120001	Gummi	0	
12	AP8120030	Gummi	0	
13	AP8124054	Ständer lightschalter	0	
14	AP8152274	TE Schr. m. Flansch M5x20	0	
15	AP8152285	TE Schr. m. Flansch	0	
16	AP8152279	TE Schr. m. Flansch M6x20	0	
17	AP8152280	TE Schr. m. Flansch M6x25	0	

Einheit	RAHMEN
Code	28.16
Beschreibung	Vorderradgabel
Inspektion	1



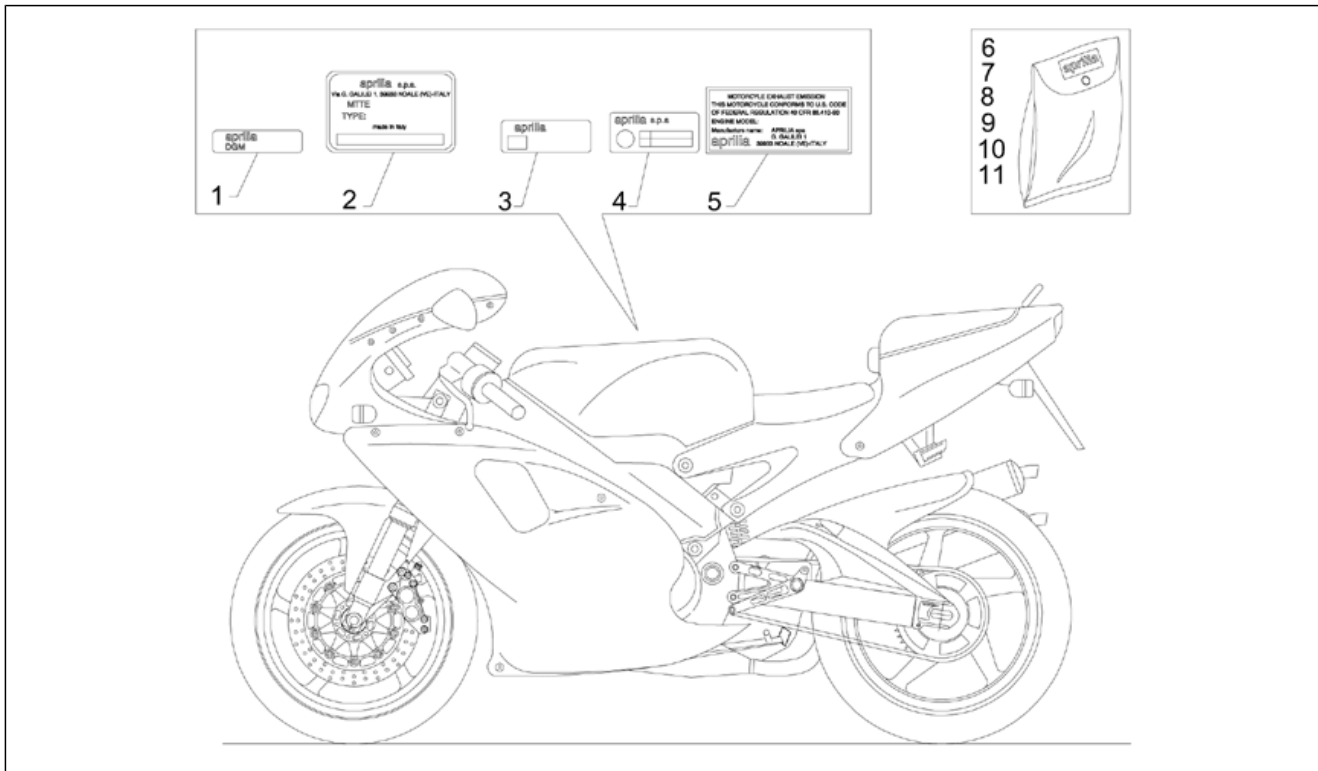
Pos.	Code	Beschreibung	Menge	Varianten
1	AP8123331	Baugruppe vordere Gabel	0	
2	AP8123333	Ob. Gabelplatte	0	
3	AP8123413	Schraube Rohr	0	
4	AP8123581	Schraube	0	
5	AP8110024	Rollenlager	0	
6	AP8101106	Gasket ring	0	
7	AP8110010	Rollenlager	0	
8	AP8101272	Distanzscheibe	0	
9	AP8120542	Staubschutz	0	
10	AP8138403	Schraube Rohr	0	
11	AP8123360	Führungsbecher	0	
12	AP8123199	Sperring	0	
13	AP8103235	Gasket ring	0	
14	AP8123777	Staubschutzfeder	0	
15	AP8123203	Gleitbuchse	0	
16	AP8123568	R.Geflanschte Mutter	0	
17	AP8123569	L.Geflanschte Mutter	0	
18	AP8123346	O-Ring	0	
19	AP8123570	Rückholgabel knopf	0	
20	AP8123571	Feder L=255	0	
21	AP8123572	Vorspannrrohr	0	
22	AP8123567	Pumpenrad l. kplt.	0	
23	AP8123573	Sperring	0	
24	AP8123574	TCEI Schraube M6x30	0	
25	AP8123563	Hülse	0	
26	AP8123580	Schieberstangen	0	
27	AP8123575	Spezialschraube M8x35	0	
28	AP8123562	Untere Platte	0	

Einheit	RAHMEN
Code	28.16
Beschreibung	Vorderradgabel
Inspektion	1



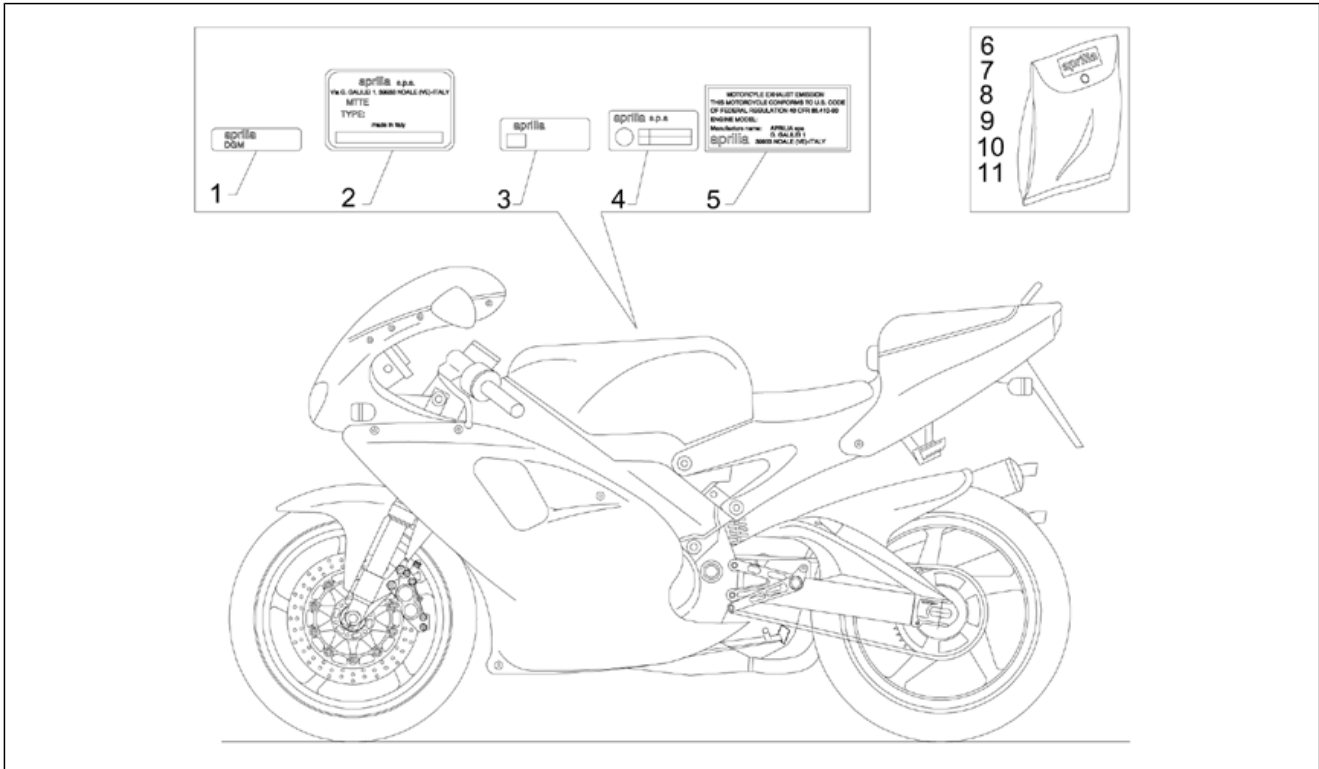
Pos.	Code	Beschreibung	Menge	Varianten
29	AP8203588	Untere Nutmutter Gabel	0	
30	AP8123576	Klb.st.+ Radhtr. rch.	0	
31	AP8123577	Klb.st.+ Radhtr. lks.	0	
32	AP8123566	Pumpenrad r. kplt.	0	
33	AP8123578	Seegerring	0	
34	AP8123579	Gegenmutter	0	
35	AP8123206	Dichtscheibe	0	

Einheit	RAHMEN
Code	28.17
Beschreibung	Aufkleber und Deko
Inspektion	1



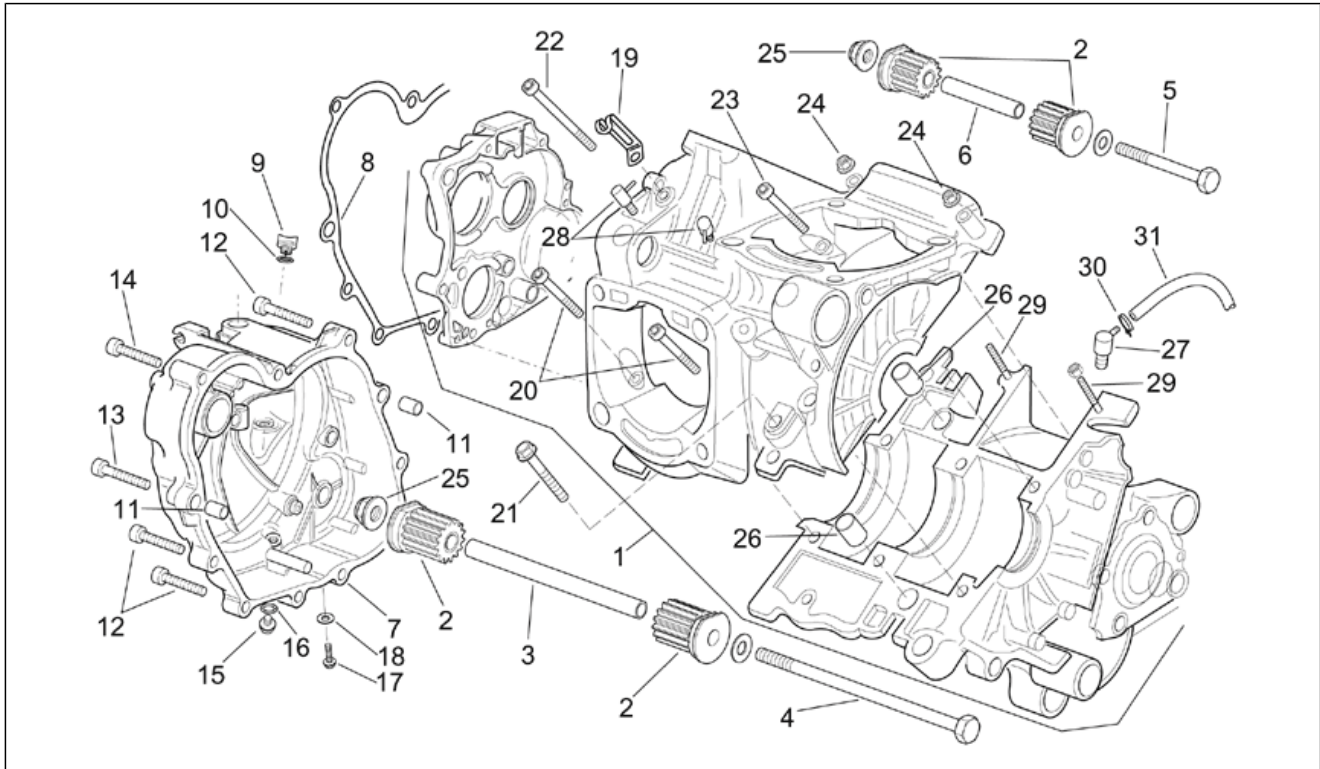
Pos.	Code	Beschreibung	Menge	Varianten
1	AP8137315	Schild DGM	0	Land:Griechenland[GR], Italien[I] Technische Daten: Version mit voller Leistung[f.p.]
1	AP8137895	Schild DGM	0	Land:Griechenland[GR], Italien[I] Technische Daten: Version mit Leistungsminderung 25 Kw[25kw]
2	AP8137664	Herstellerschild -E-	0	Land:Belgien[B], Dänemark[DK], Spanien[E], Portugal[P]
2	AP8137665	Herstellerschild -F-	0	Land:Frankreich[F]
2	AP8137666	Herstellerschild -D-	0	Land:Österreich[A], Deutschland[D], Singapur[SGP]
2	AP8137707	Herstellerschild -UK-	0	Land:Großbritannien[UK]
2	AP8137892	Herstellerschild	0	Land:Italien[I] Technische Daten: Version mit Leistungsminderung 25 Kw[25kw]
3	AP8137691	Schild CEE	0	Land:Belgien[B], Dänemark[DK], Spanien[E], Frankreich[F], Griechenland[GR], Italien[I], Japan[J], Holland[NL], Portugal[P], Großbritannien[UK]
3	AP8137693	Schild CEE	0	Land:Österreich[A], Deutschland[D], Singapur[SGP]
4	AP8137692	Schild ECE	0	
4	AP8137695	Schild ECE-D-	0	Land:Österreich[A], Deutschland[D], Singapur[SGP]
4	AP8137736	Schild ECE	0	Land:Belgien[B], Dänemark[DK], Spanien[E], Frankreich[F], Griechenland[GR], Italien[I], Japan[J], Holland[NL], Portugal[P], Großbritannien[UK]
5	AP8137894	Motorschild -SGP-	0	Land:Singapur[SGP]
6	AP8137668	Deko Serie	0	Baujahr: 1995[S] Fahrzeugfarbe: Blau / Rot 1995[B/R]
6	AP8137739	Deko Serie	0	Baujahr: 1995[S] Fahrzeugfarbe: Schwarz 1995-1997[Black]
7	AP8147021	Tank Deko-Satz	0	Baujahr: 1996[T] Fahrzeugfarbe: Grau Mirage 1996[Gr.m]
7	AP8147026	Tank Deko-Satz	0	Baujahr: 1996[T] Fahrzeugfarbe: Schwarz 1995-1997[Black]
7	AP8147380	Tank Deko-Satz	0	Baujahr: 1997[V] Fahrzeugfarbe: Grau Silver 1997[Gr.s]

Einheit	RAHMEN
Code	28.17
Beschreibung	Aufkleber und Deko
Inspektion	1



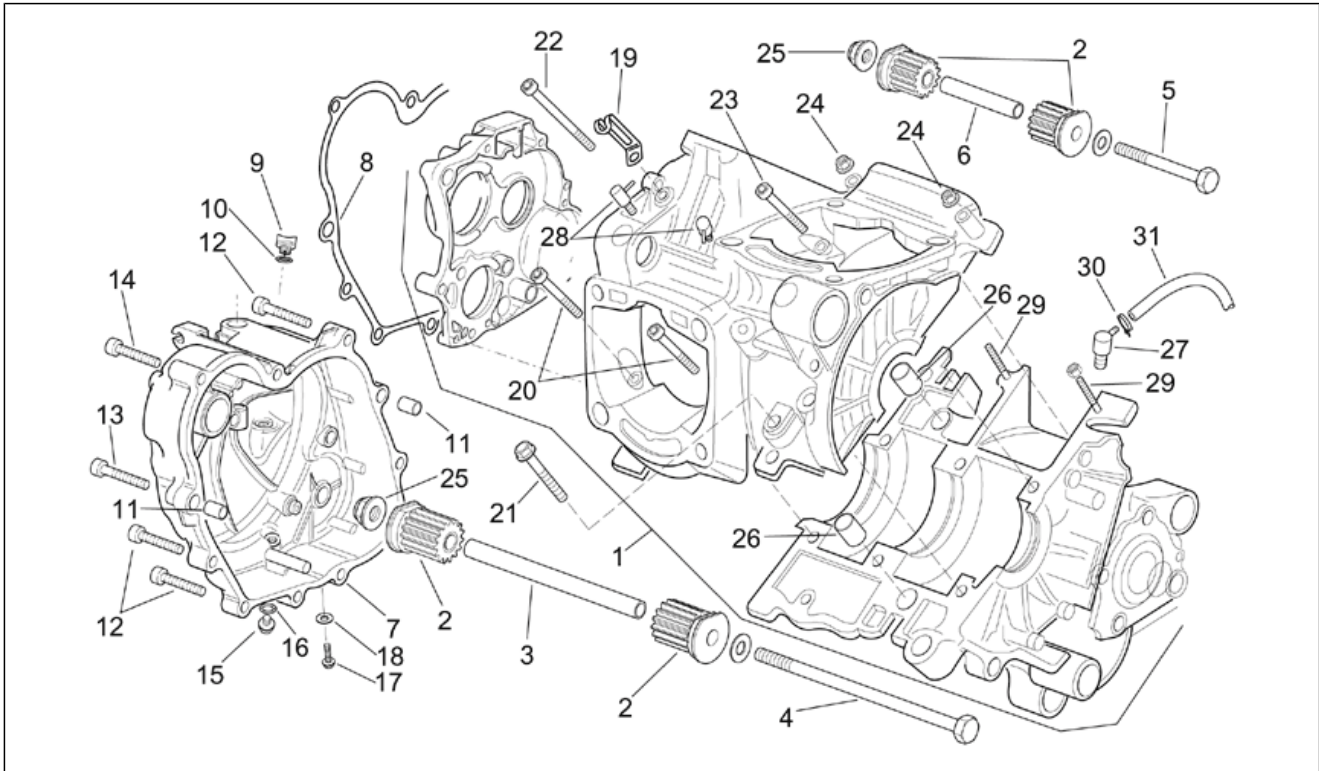
Pos.	Code	Beschreibung	Menge	Varianten
7	AP8147381	Tank Deko-Satz	0	Baujahr:1997[V] Fahrzeugfarbe:Schwarz 1995-1997[Black]
8	AP8147022	Verkleidung Deko-Satz	0	Baujahr:1996[T] Fahrzeugfarbe:Grau Mirage 1996[Gr.m]
8	AP8147027	Verkleidung Deko-Satz	0	Baujahr:1996[T] Fahrzeugfarbe:Schwarz 1995-1997[Black]
8	AP8147378	Verkleidung Deko-Satz	0	Baujahr:1997[V] Fahrzeugfarbe:Grau Silver 1997[Gr.s]
8	AP8147379	Verkleidung Deko-Satz	0	Baujahr:1997[V] Fahrzeugfarbe:Schwarz 1995-1997[Black]
9	AP8147023	Kleinkuppel Deko-Satz	0	Baujahr:1996[T] Fahrzeugfarbe:Grau Mirage 1996[Gr.m]
9	AP8147028	Kleinkuppel Deko-Satz	0	Baujahr:1996[T] Fahrzeugfarbe:Schwarz 1995-1997[Black]
9	AP8147376	Kleinkuppel Deko-Satz	0	Baujahr:1997[V] Fahrzeugfarbe:Grau Silver 1997[Gr.s]
9	AP8147377	Kleinkuppel Deko-Satz	0	Baujahr:1997[V] Fahrzeugfarbe:Schwarz 1995-1997[Black]
10	AP8147024	H.Verkleidung Deko-Satz	0	Baujahr:1996[T] Fahrzeugfarbe:Grau Mirage 1996[Gr.m]
10	AP8147029	H.Verkleidung Deko-Satz	0	Baujahr:1996[T] Fahrzeugfarbe:Schwarz 1995-1997[Black]
10	AP8147374	H.Verkleidung Deko-Satz	0	Baujahr:1997[V] Fahrzeugfarbe:Grau Silver 1997[Gr.s]
10	AP8147375	H.Verkleidung Deko-Satz	0	Baujahr:1997[V] Fahrzeugfarbe:Schwarz 1995-1997[Black]
11	AP8147025	Deko technische Serie	0	Baujahr:1996[T] Fahrzeugfarbe:Grau Mirage 1996[Gr.m]
11	AP8147025	Deko technische Serie	0	Baujahr:1997[V] Fahrzeugfarbe:Grau Silver 1997[Gr.s]
11	AP8147030	Deko technische Serie	0	Baujahr:1996[T], 1997[V] Fahrzeugfarbe:Schwarz 1995-1997[Black]

Einheit	MOTOR
Code	29.18
Beschreibung	Kurbelwellengehäuse
Inspektion	1



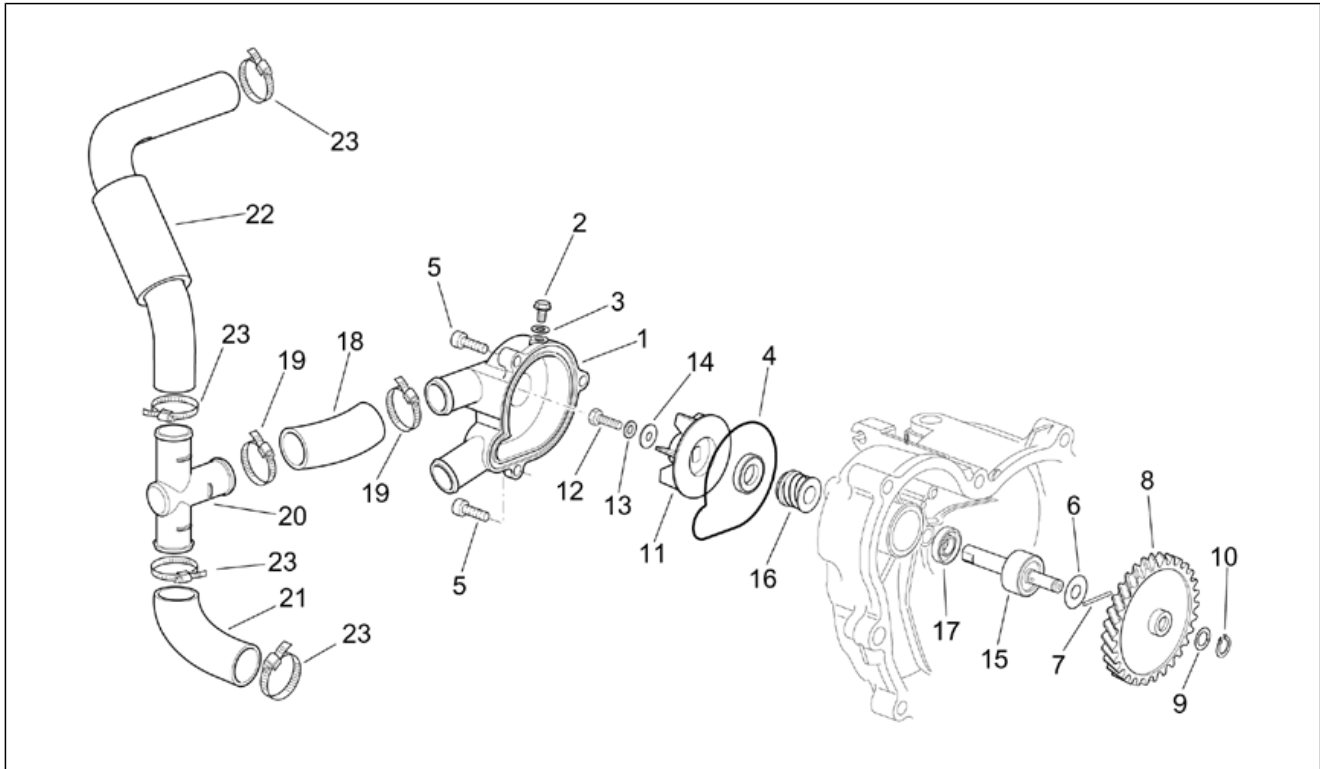
Pos.	Code	Beschreibung	Menge	Varianten
1	AP8600060	Gehäuse-kpl.	1	
2	AP8120902	U. Silent-Bl.anschl.	4	
3	AP8121948	V. Anschlußhülse	1	
4	AP8150439	Sechskantschraube M10x250	1	
5	AP8150438	TCEI Schraube M10x130	1	
6	AP8121950	H. Anschlußhülse	1	
7	AP8600090	Kupplungsgehäuse	1	
8	AP8600091	Dicht. Kuppl.gehäu.	2	
9	AP8600096	Öleinfüllschraube	1	
10	AP8600097	O-Ring	1	
11	AP8600092	Stift	8	
12	AP8600093	Schraube M6x30	1	
13	AP8600095	Schraube M6x40	1	
14	AP8600094	Schraube M6x35	2	
15	AP8600100	Ölablaßschraube	1	
16	AP8600101	Dichtung 13,8x18,8	1	
17	AP8600098	Schraube M6x10	1	
18	AP8600099	Ausgleichscheibe	1	
19	AP8600363	Schelle l=35	1	
20	AP8600066	Schraube M8x35	2	
21	AP8600065	Schraube M6x50	1	
22	AP8600069	Schraube M8x110	1	
23	AP8600067	Schraube M8x40	2	
24	AP8600071	Mutter M6	2	
25	AP8152301	Selbstsperrende Mutter	2	
26	AP8600061	Stift	2	
27	AP8600062	Anschluß für Ölablaß	1	
28	AP8600011	Anschl. Öleintritt	2	

Einheit	MOTOR
Code	29.18
Beschreibung	Kurbelwellengehäuse
Inspektion	1



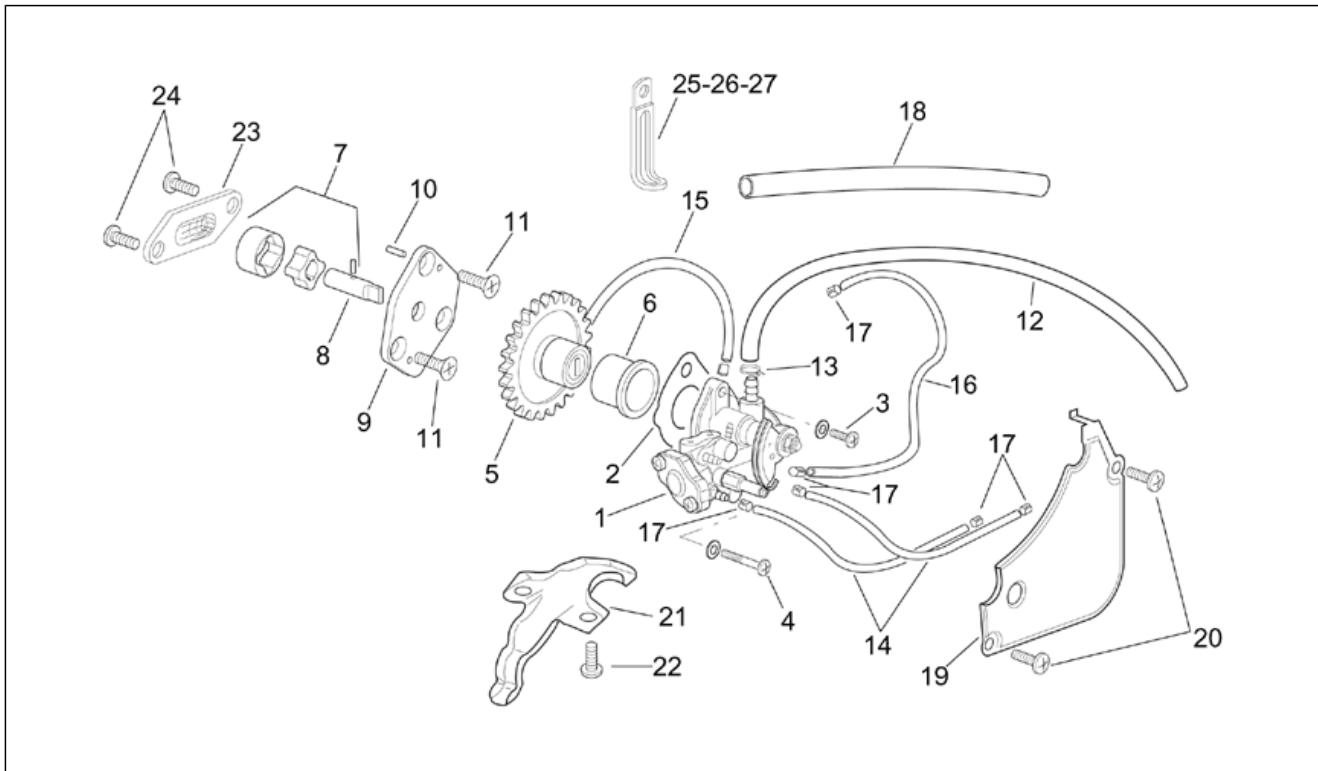
Pos.	Code	Beschreibung	Menge	Varianten
29	AP8600070	Stiftschraube l=27	2	
30	AP8600078	Klammer	1	
31	AP8600077	Leitung l=600	1	

Einheit	MOTOR
Code	29.19
Beschreibung	Wasserpumpenritzel
Inspektion	1



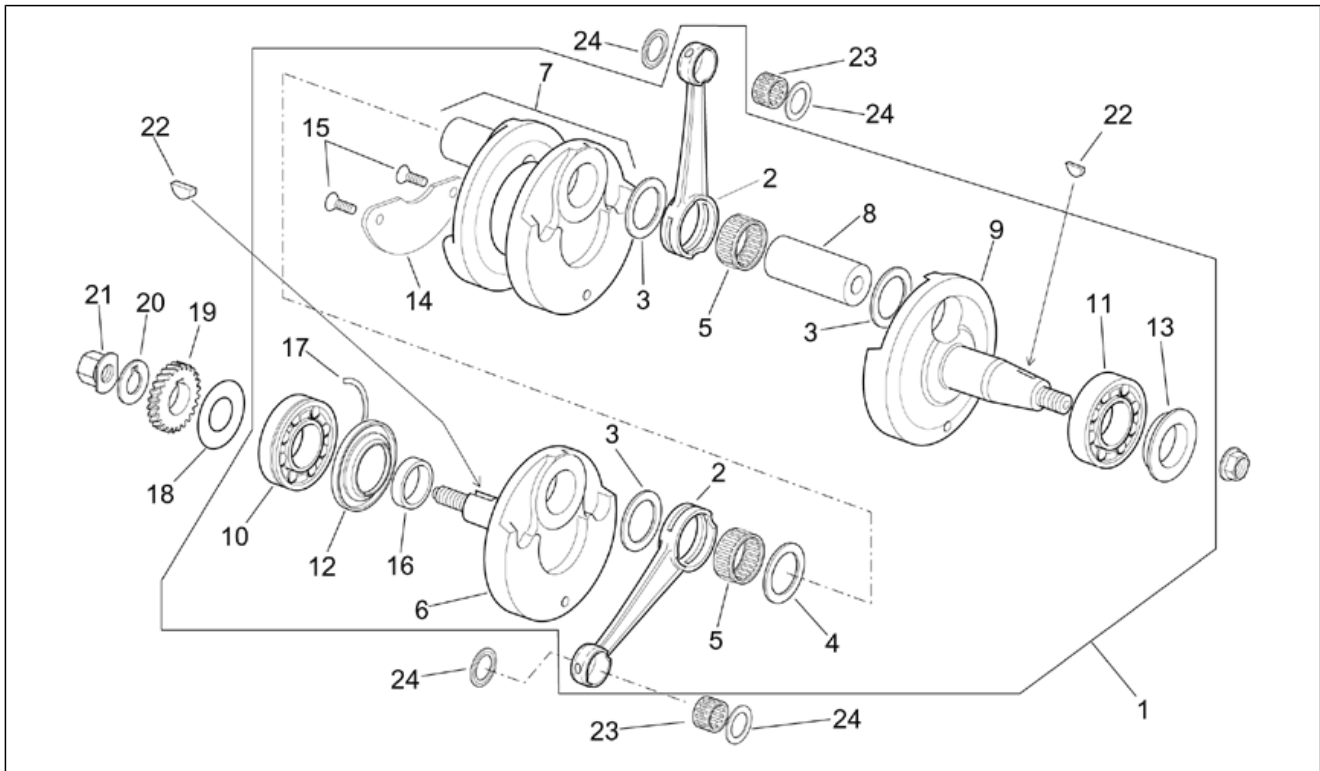
Pos.	Code	Beschreibung	Menge	Varianten
1	AP8600228	Pumpendeckel	1	
2	AP8600229	Wasserablaßschr.	1	
3	AP8600230	Dichtung	1	
4	AP8600231	O-Ring	1	
5	AP8600232	Schraube	3	
6	AP8600233	Ausgleichscheibe	1	
7	AP8600234	Stift	1	
8	AP8600235	Wasserpump.-Zahn.	1	
9	AP8600237	Ausgleichscheibe 17x26x1	1	
10	AP8600236	Seegerring	1	
11	AP8600238	Läufer	1	
12	AP8600239	Schraube M6x13	1	
13	AP8600240	Ausgleichscheibe	1	
14	AP8600241	Ausgleichscheibe	1	
15	AP8600242	Welle Wasserpumpe	1	
16	AP8600243	Mech. Dichtung	1	
17	AP8600244	Ölabstreifring 10x20x5	1	
18	AP8600245	Was.schl.Pump.aus.	1	
19	AP8600246	Schelle	2	
20	AP8600247	3-Wegeanschluß	1	
21	AP8600248	Was.schl.Ans./Zyl. r.	1	
22	AP8600249	Was.schl.Ans./Zyl. l.	1	
23	AP8600250	Schlauchschelle	4	

Einheit	MOTOR
Code	29.20
Beschreibung	Ölpumpe
Inspektion	1



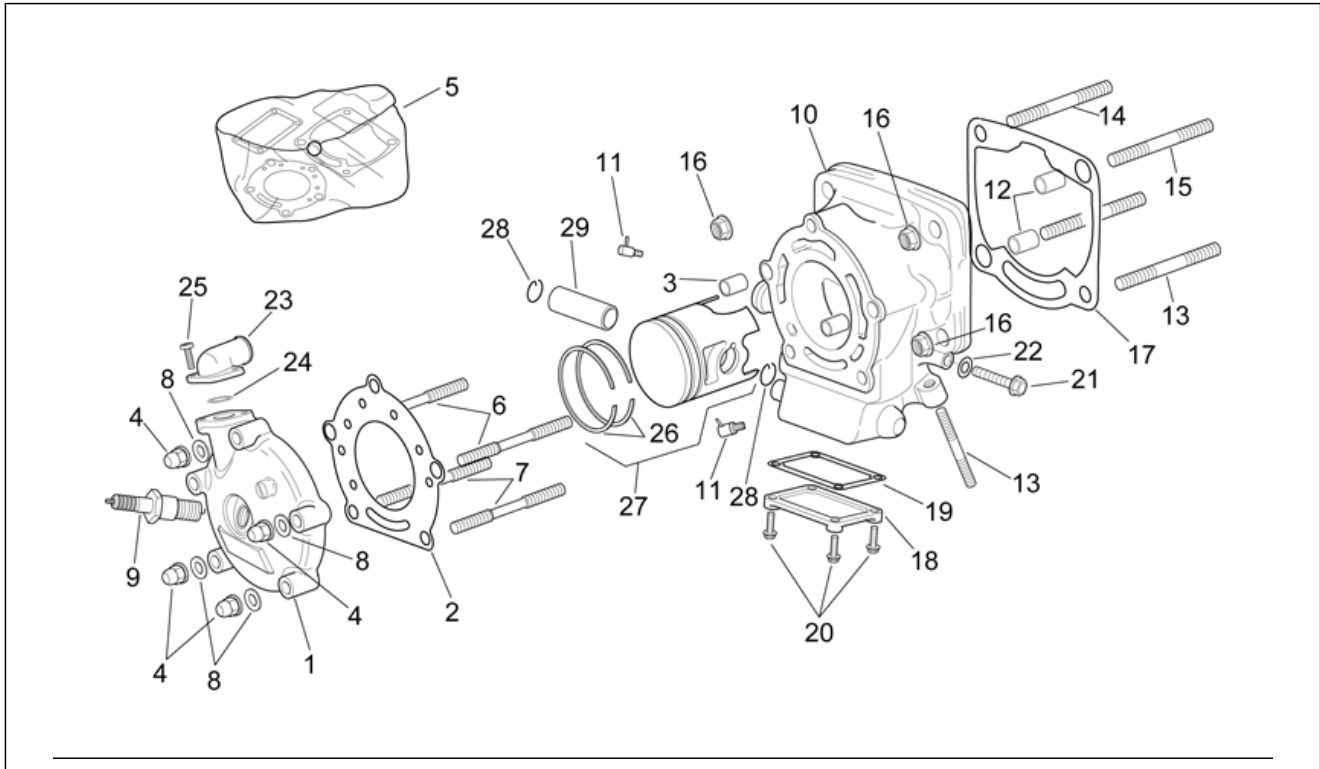
Pos.	Code	Beschreibung	Menge	Varianten
1	AP8600202	Ölpumpe	1	
2	AP8600203	Dicht. Ölgem.pumpe	1	
3	AP8600204	Schraube	1	
4	AP8600205	Schraube	1	
5	AP8600206	Ölpumpen-Zahn.	1	
6	AP8600207	Buchse	1	
7	AP8600208	Rotor Ölpumpe	1	
8	AP8600209	Ölpumpenwelle	1	
9	AP8600210	Ölpumpendeckel	1	
10	AP8600211	Stift	2	
11	AP8600212	Schraube	3	
12	AP8600077	Leitung l=600	1	
13	AP8600214	Klammer	1	
14	AP8600215	Leitung 2x5x600	2	
15	AP8600216	Leitung 2x5x1000	1	
16	AP8600215	Leitung 2x5x600	1	
17	AP8600217	Klammer	8	
18	AP8600218	Leitung 11x15x600	1	
19	AP8600219	Deckel	1	
20	AP8600220	Schraube	2	
21	AP8600221	Ölschlauchschutz	1	
22	AP8600222	Schraube	2	
23	AP8600223	Ölfiltereinsatz	1	
24	AP8600224	Schraube	2	
25	AP8600225	Schelle	1	
26	AP8600226	Schelle l=50	1	
27	AP8600227	Schelle l=82	1	

Einheit	MOTOR
Code	29.21
Beschreibung	Kurbelwelle
Inspektion	1



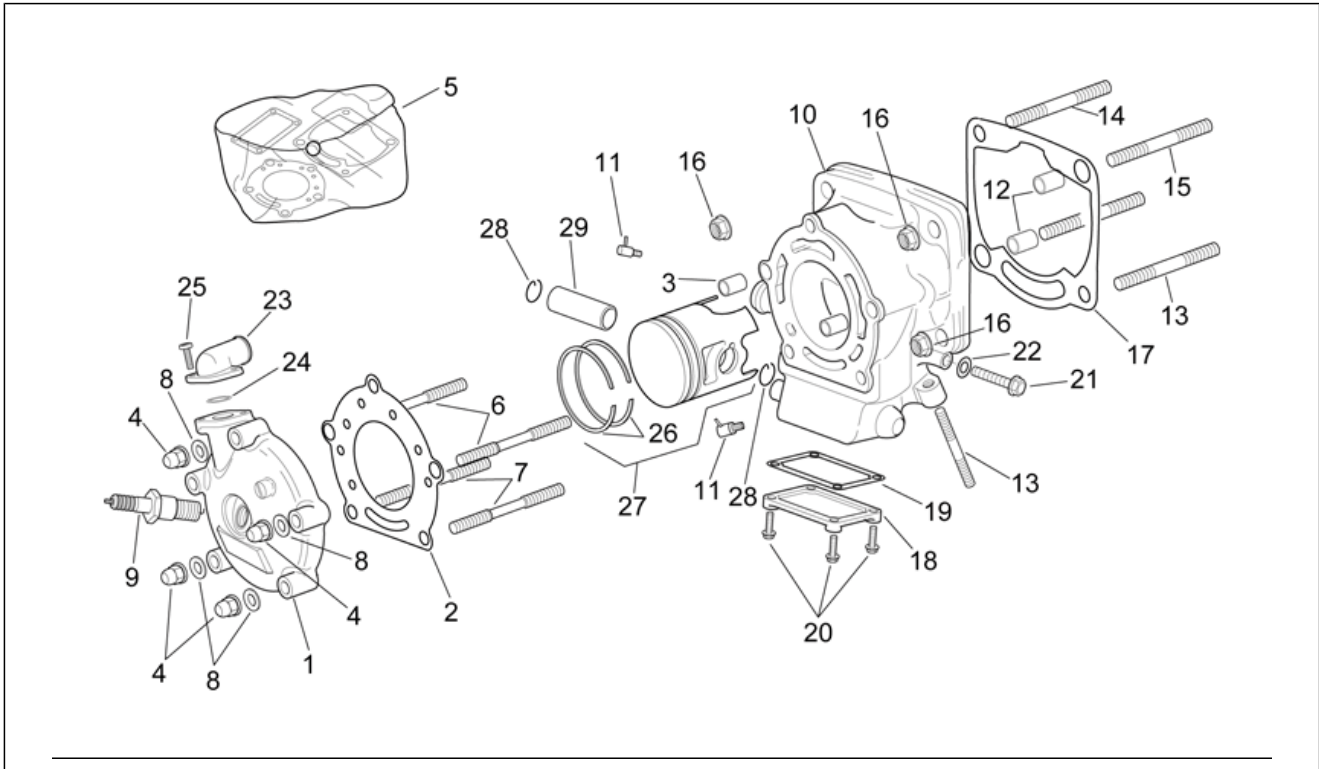
Pos.	Code	Beschreibung	Menge	Varianten
1	AP8600105	Kurbelwelle kpl.	1	
2	AP8600106	Baugruppe Pleuelstange kplt.	2	
3	AP8600107	Ausgleichscheibe 22x27,5	3	
4	AP8600108	Ausgleichscheibe 22x27,5x2	1	
5	AP8600109	Nadelkaefig	2	
6	AP8600110	Kurbelwelle/rechts	1	
7	AP8600111	Kurbelwelle/mitte	1	
8	AP8600112	Pleuelzapfen	1	
9	AP8600113	Kurbelwelle/links	1	
10	AP8600114	Lager rechts 25x62x17	1	
11	AP8600115	Lager links 25x62x17	1	
12	AP8600116	Ölabstreifring rechts 32x62x6	1	
13	AP8600117	Ölabstreifring links 25x36x6	1	
14	AP8600118	Gegengewicht	1	
15	AP8600212	Schraube	2	
16	AP8600120	Distanzscheibe 25,5x32x9	1	
17	AP8600121	C-Ring	1	
18	AP8600122	Ausgleichscheibe	1	
19	AP8600123	Haupt-Zahnrad	1	
20	AP8600124	Scheibe 20x48x0,5	1	
21	AP8600125	Mutter	1	
22	AP8600126	Keil	1	
23	AP8600131	Nadelkaefig	2	
24	AP8600132	Bundscheibe	4	

Einheit	MOTOR
Code	29.22
Beschreibung	Horizontal zylinder gruppe
Inspektion	1



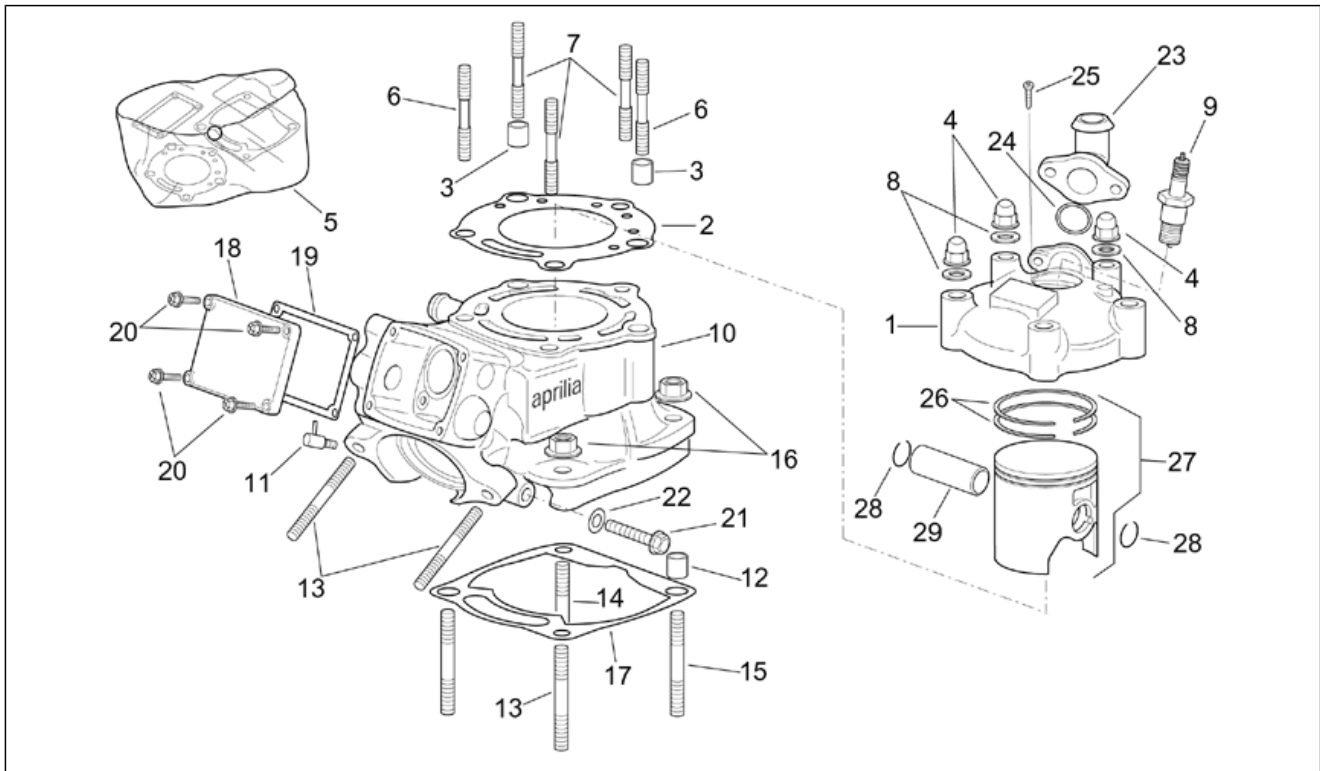
Pos.	Code	Beschreibung	Menge	Varianten
1	AP8600001	Zylinderkopf	1	
2	AP8600002	Dichtung Zylinderkopf	1	
3	AP8600003	Stift	2	
4	AP8600004	Mutter	5	
5	AP8600026	Dichtungen - Satz	1	
6	AP8600005	Stiftschraube l=51	2	
7	AP8600006	Stiftschraube l=45	3	
8	AP8600007	Ausgleichscheibe	5	
9	AP8600008	Zündkerze BR9ECM	1	
10	AP8600010	Zylinder	1	
11	AP8600011	Anschl. Öleintritt	1	
12	AP8600012	Stift	2	
13	AP8600013	Stiftschraube l=30	3	
14	AP8600014	Stiftschraube l=35	3	
15	AP8600015	Stiftschraube l=40	3	
16	AP8600016	Mutter	4	
17	AP8600017	ZYLINDERFUSSDICHTUNG	1	
18	AP8600018	Ventildeckel	1	
19	AP8600019	Dichtung Ventildeckel	1	
20	AP8600020	Schraube	4	
21	AP8600021	Wasserablaßschr.	1	
22	AP8600022	Ausgleichscheibe	1	
23	AP8600023	Anschl. Wasseraus.	1	
24	AP8600024	O-Ring	1	
25	AP8600025	Schraube	2	
26	AP8600128	Satz Kolbenringe	1	
27	AP8600409	Kolben kpl.	1	
28	AP8600130	Sprengring	2	

Einheit	MOTOR
Code	29.22
Beschreibung	Horizontal zylinder gruppe
Inspektion	1



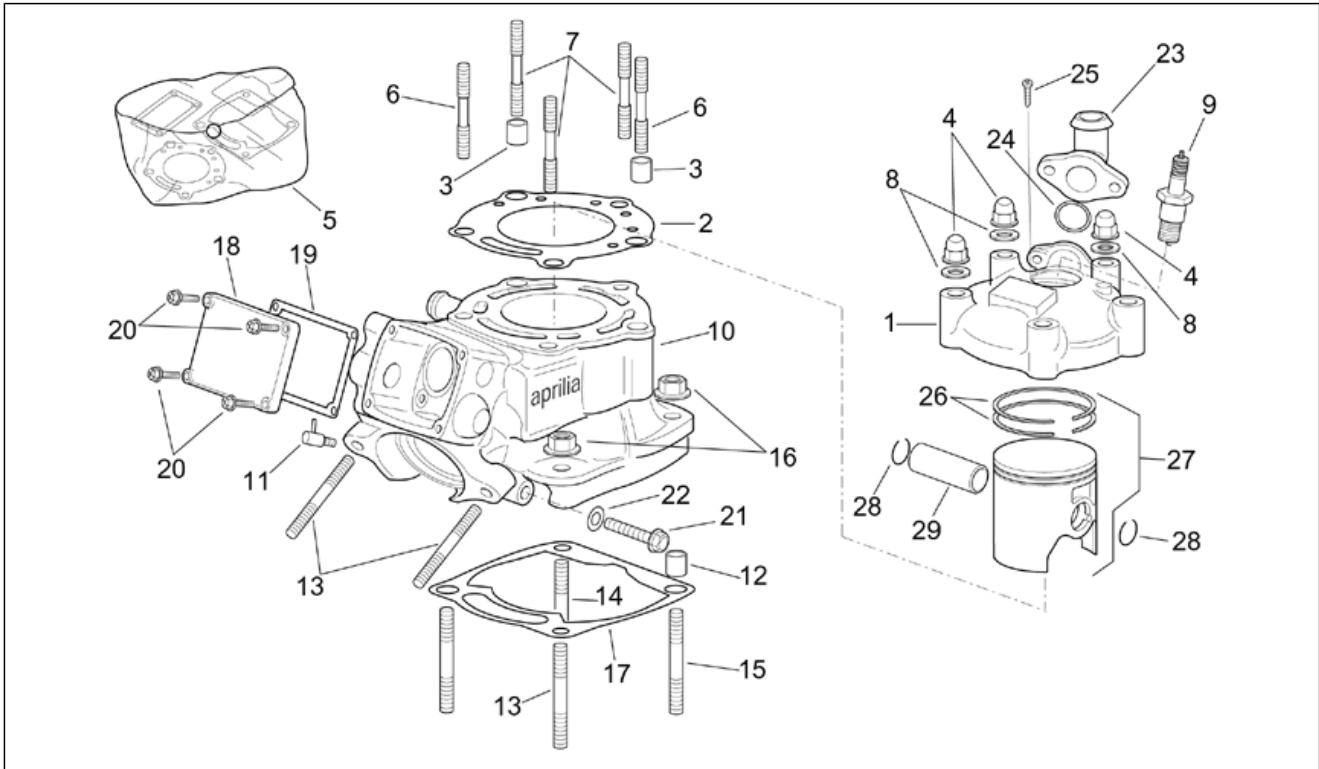
Pos.	Code	Beschreibung	Menge	Varianten
29	AP8600129	Bolzen	1	

Einheit	MOTOR
Code	29.23
Beschreibung	Vertikal zylinder gruppe
Inspektion	1



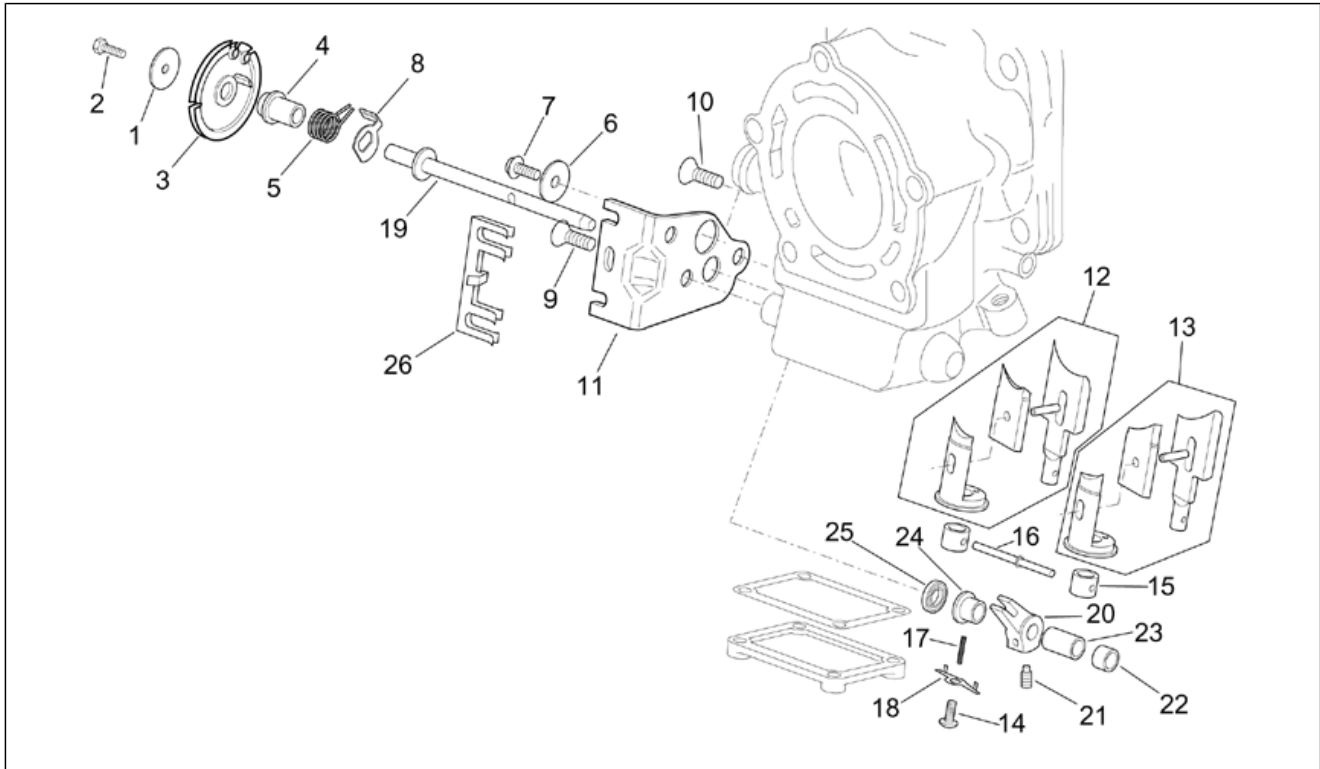
Pos.	Code	Beschreibung	Menge	Varianten
1	AP8600001	Zylinderkopf	1	
2	AP8600002	Dichtung Zylinderkopf	1	
3	AP8600003	Stift	2	
4	AP8600004	Mutter	5	
5	AP8600026	Dichtungen - Satz	1	
6	AP8600005	Stiftschraube l=51	2	
7	AP8600006	Stiftschraube l=45	3	
8	AP8600007	Ausgleichscheibe	5	
9	AP8600008	Zündkerze BR9ECM	1	
10	AP8600010	Zylinder	1	
11	AP8600011	Anschl. Öleintritt	1	
12	AP8600012	Stift	2	
13	AP8600013	Stiftschraube l=30	3	
14	AP8600014	Stiftschraube l=35	3	
15	AP8600015	Stiftschraube l=40	3	
16	AP8600016	Mutter	4	
17	AP8600017	ZYLINDERFUSSDICHTUNG	1	
18	AP8600018	Ventildeckel	1	
19	AP8600019	Dichtung Ventildeckel	1	
20	AP8600020	Schraube	4	
21	AP8600021	Wasserablaßschr.	1	
22	AP8600022	Ausgleichscheibe	1	
23	AP8600023	Anschl. Wasseraus.	1	
24	AP8600024	O-Ring	1	
25	AP8600025	Schraube	2	
26	AP8600128	Satz Kolbenringe	1	
27	AP8600409	Kolben kpl.	1	
28	AP8600130	Sprengring	2	

Einheit	MOTOR
Code	29.23
Beschreibung	Vertikal zylinder gruppe
Inspektion	1



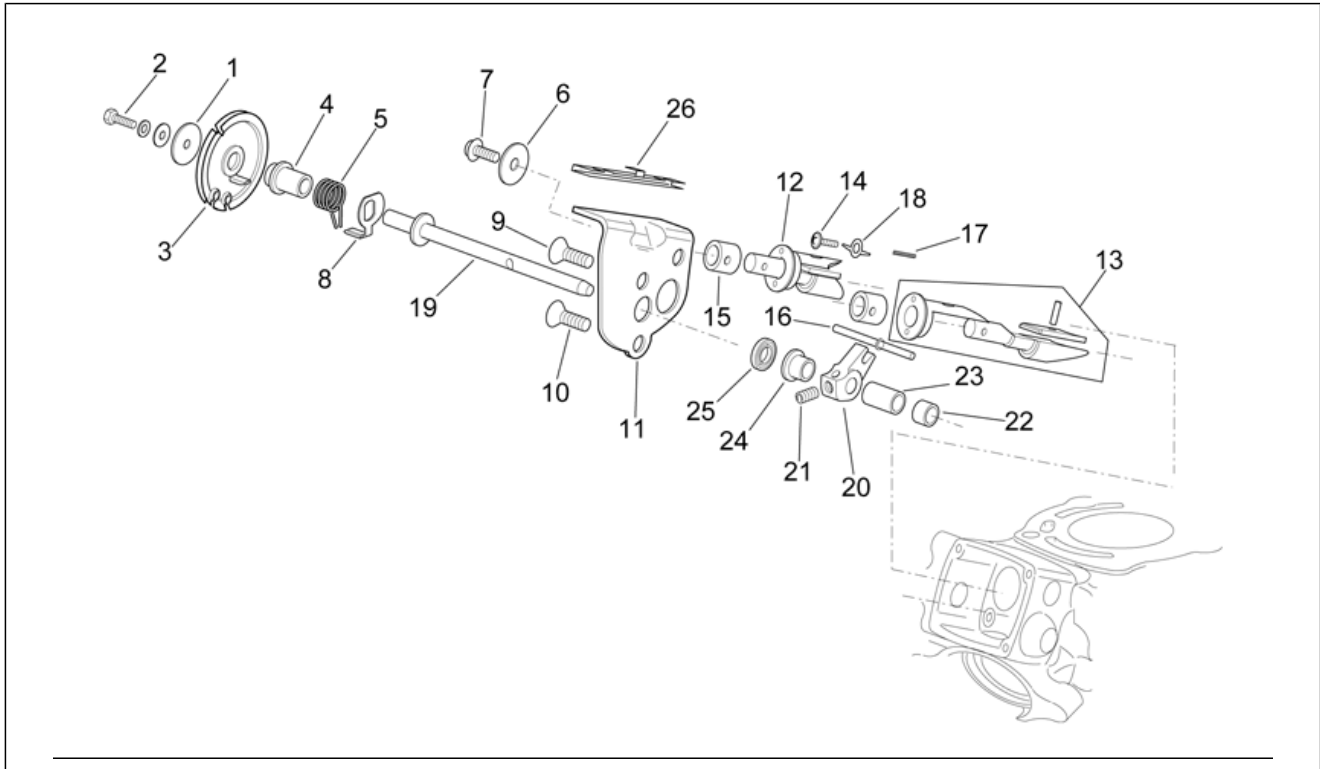
Pos.	Code	Beschreibung	Menge	Varianten
29	AP8600129	Bolzen	1	

Einheit	MOTOR
Code	29.24
Beschreibung	Ventilgruppe I
Inspektion	1



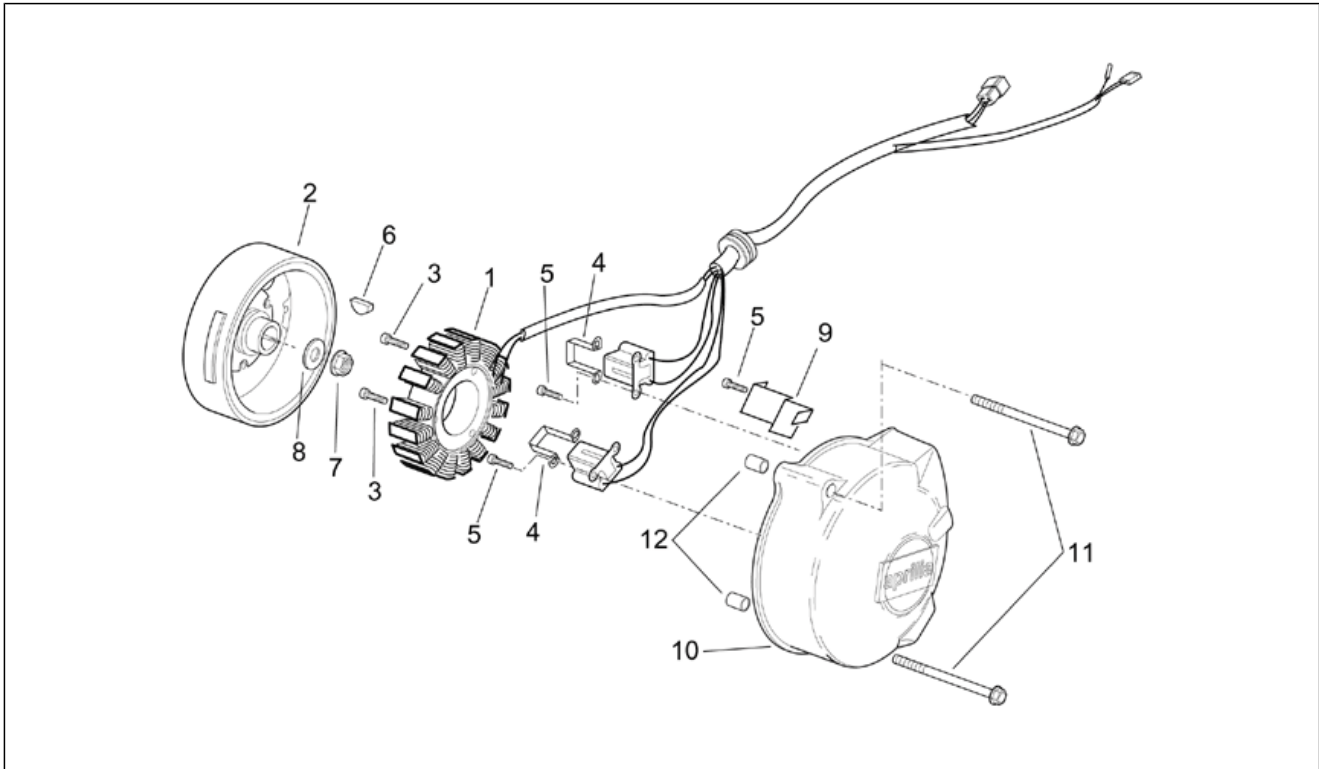
Pos.	Code	Beschreibung	Menge	Varianten
1	AP8600059	Ausgleichscheibe	1	
2	AP8600058	Schraube	1	
3	AP8600057	Riemens.Ausl.vent.	1	
4	AP8600056	Dist.Riem.sch.Aus.ve.	1	
5	AP8600055	Feder Auslaßventil	1	
6	AP8600054	Ausgleichscheibe	1	
7	AP8600053	Schraube	1	
8	AP8600052	Hebel Auslaßventil	1	
9	AP8600051	Schraube M6x12	1	
10	AP8600050	Schraube	1	
11	AP8600049	Kabelpl. Auslaßven.	1	
12	AP8600035	Auslaßventil rechts	1	
13	AP8600036	Auslaßventil links	1	
14	AP8600037	Schraube	3	
15	AP8600038	Distanzst. Ausl.ven.	2	
16	AP8600411	Stecker Auslaßvent.	1	
17	AP8600040	Feder	2	
18	AP8600041	Platte	1	
19	AP8600042	Auslaßventilwelle	1	
20	AP8600043	Steuerarm Ausl.ven.	1	
21	AP8600044	Schraube	1	
22	AP8600045	Buchse	1	
23	AP8600046	Distanzscheibe	1	
24	AP8600047	Auslaßventilbuchse	1	
25	AP8600048	Ölabstreifring 8x16x5	1	
26	AP8102418	Kabelführ. Vent.steu.	1	

Einheit	MOTOR
Code	29.25
Beschreibung	Ventilgruppe II
Inspektion	1



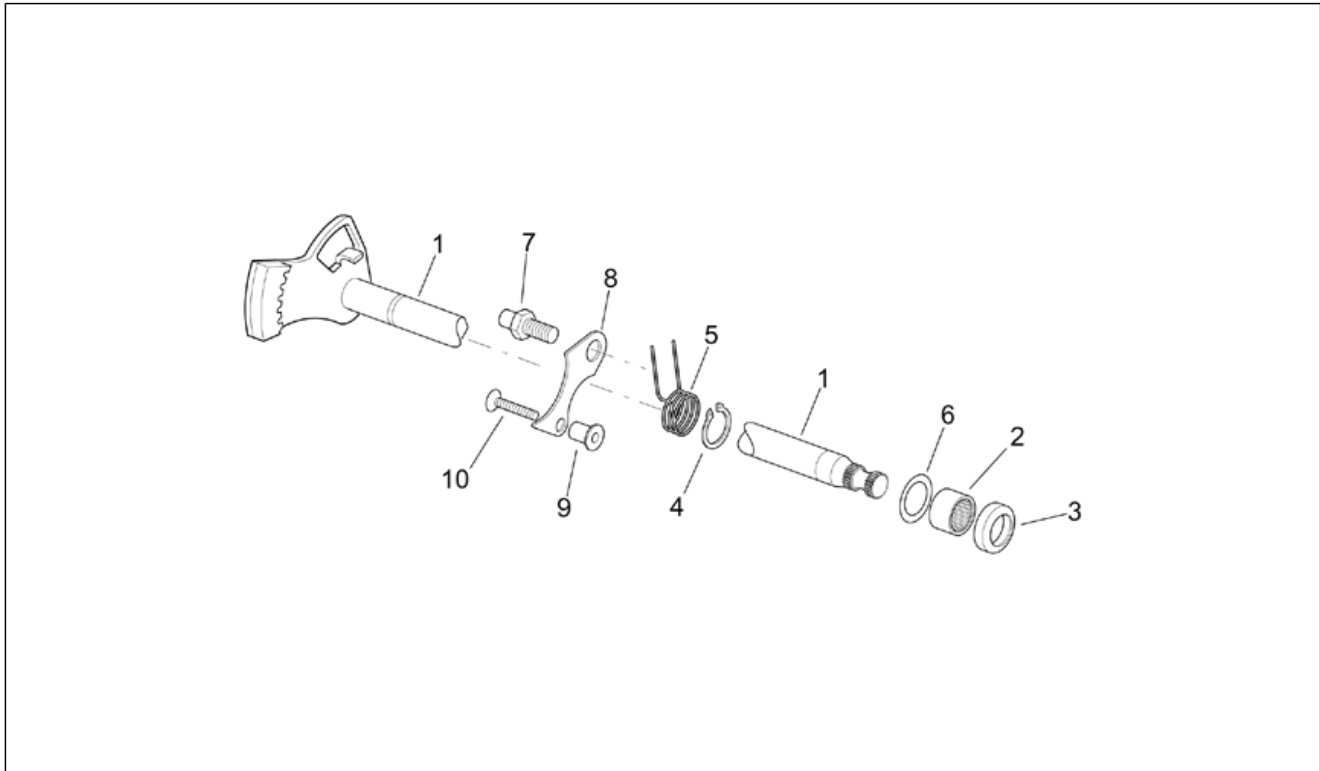
Pos.	Code	Beschreibung	Menge	Varianten
1	AP8600059	Ausgleichscheibe	1	
2	AP8600058	Schraube	1	
3	AP8600057	Riemens.Ausl.vent.	1	
4	AP8600056	Dist.Riem.sch.Aus.ve.	1	
5	AP8600055	Feder Auslaßventil	1	
6	AP8600054	Ausgleichscheibe	1	
7	AP8600053	Schraube	1	
8	AP8600052	Hebel Auslaßventil	1	
9	AP8600051	Schraube M6x12	1	
10	AP8600050	Schraube	1	
11	AP8600049	Kabelpl. Auslaßven.	1	
12	AP8600035	Auslaßventil rechts	1	
13	AP8600036	Auslaßventil links	1	
14	AP8600037	Schraube	3	
15	AP8600038	Distanzst. Ausl.ven.	2	
16	AP8600411	Stecker Auslaßvent.	1	
17	AP8600040	Feder	2	
18	AP8600041	Platte	1	
19	AP8600042	Auslaßventilwelle	1	
20	AP8600043	Steuerarm Ausl.ven.	1	
21	AP8600044	Schraube	1	
22	AP8600045	Buchse	1	
23	AP8600046	Distanzscheibe	1	
24	AP8600047	Auslaßventilbuchse	1	
25	AP8600048	Ölabstreifring 8x16x5	1	
26	AP8102418	Kabelführ. Vent.steu.	1	

Einheit	MOTOR
Code	29.26
Beschreibung	Zündung
Inspektion	1



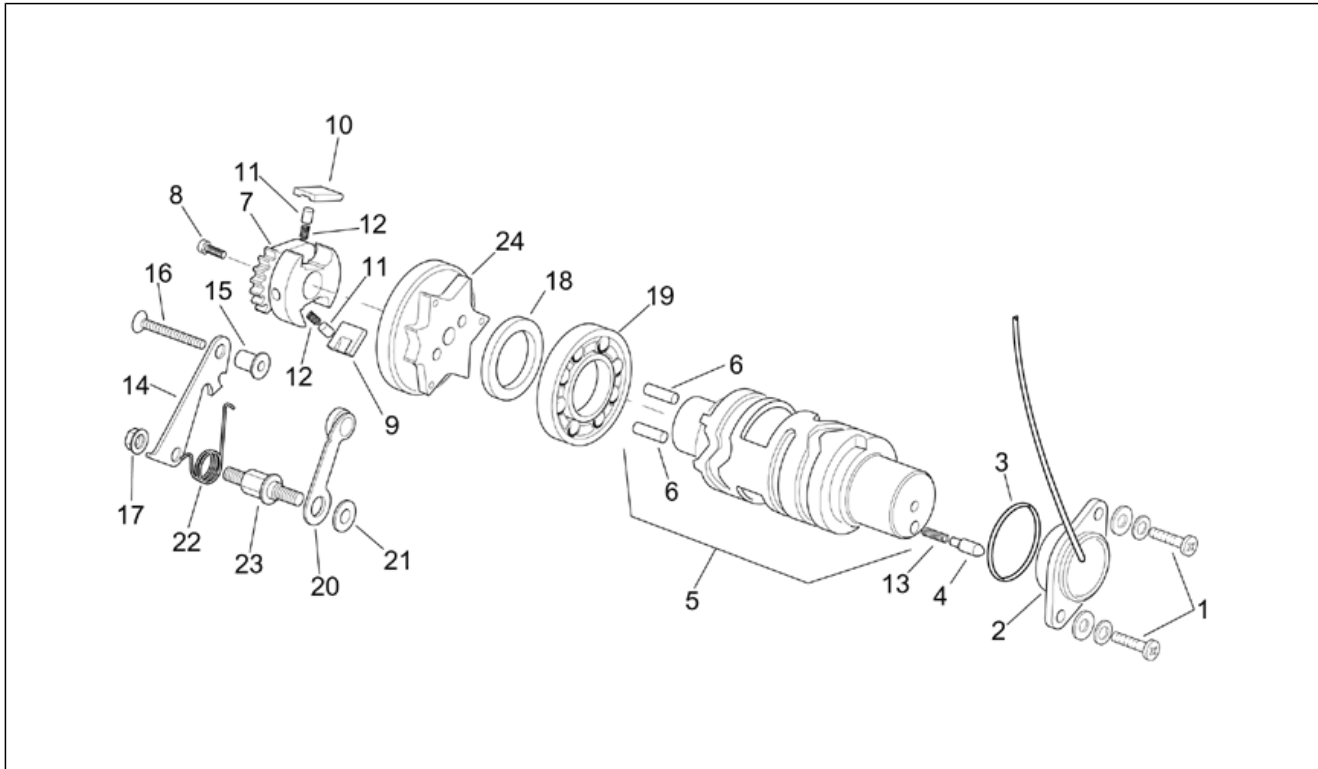
Pos.	Code	Beschreibung	Menge	Varianten
1	AP8600373	Stator kpl	1	
2	AP8600374	Schwungmagnetstarter	1	
3	AP8600375	Schraube	3	
4	AP8600376	Pick-up Platte	2	
5	AP8600377	Schraube	5	
6	AP8600378	Keil	1	
7	AP8600379	Mutter	1	
8	AP8600380	Ausgleichscheibe 12x27x2	1	
9	AP8600381	Schelle	1	
10	AP8600102	Zuenderdeckel	1	
11	AP8600103	Schraube	3	
12	AP8600104	Stift	2	

Einheit	MOTOR
Code	29.27
Beschreibung	Getriebebeschaltung gruppe I
Inspektion	1



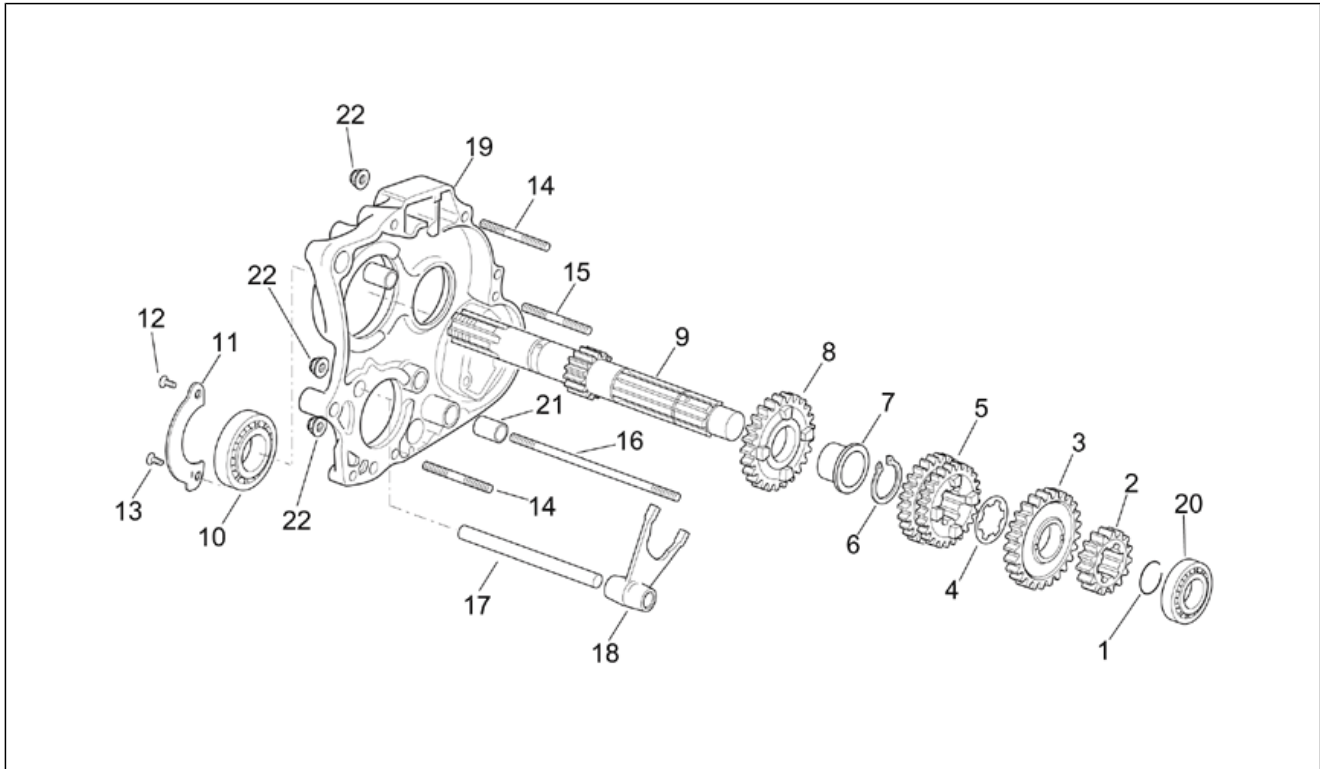
Pos.	Code	Beschreibung	Menge	Varianten
1	AP8600351	Schaltwelle	1	
2	AP8600356	Lager 14x20x12	1	
3	AP8600355	Ölabstreifring 13x22x6	1	
4	AP8600357	Sprengring	1	
5	AP8600353	Feder	1	
6	AP8600352	Ausgleichscheibe	1	
7	AP8600354	Anschlagplatte	1	
8	AP8600340	Platte Getriebemech.	1	
9	AP8600342	Distanzscheibe 6,1x10x16	1	
10	AP8600343	Schraube	1	

Einheit	MOTOR
Code	29.28
Beschreibung	Getriebschaltung gruppe II
Inspektion	1



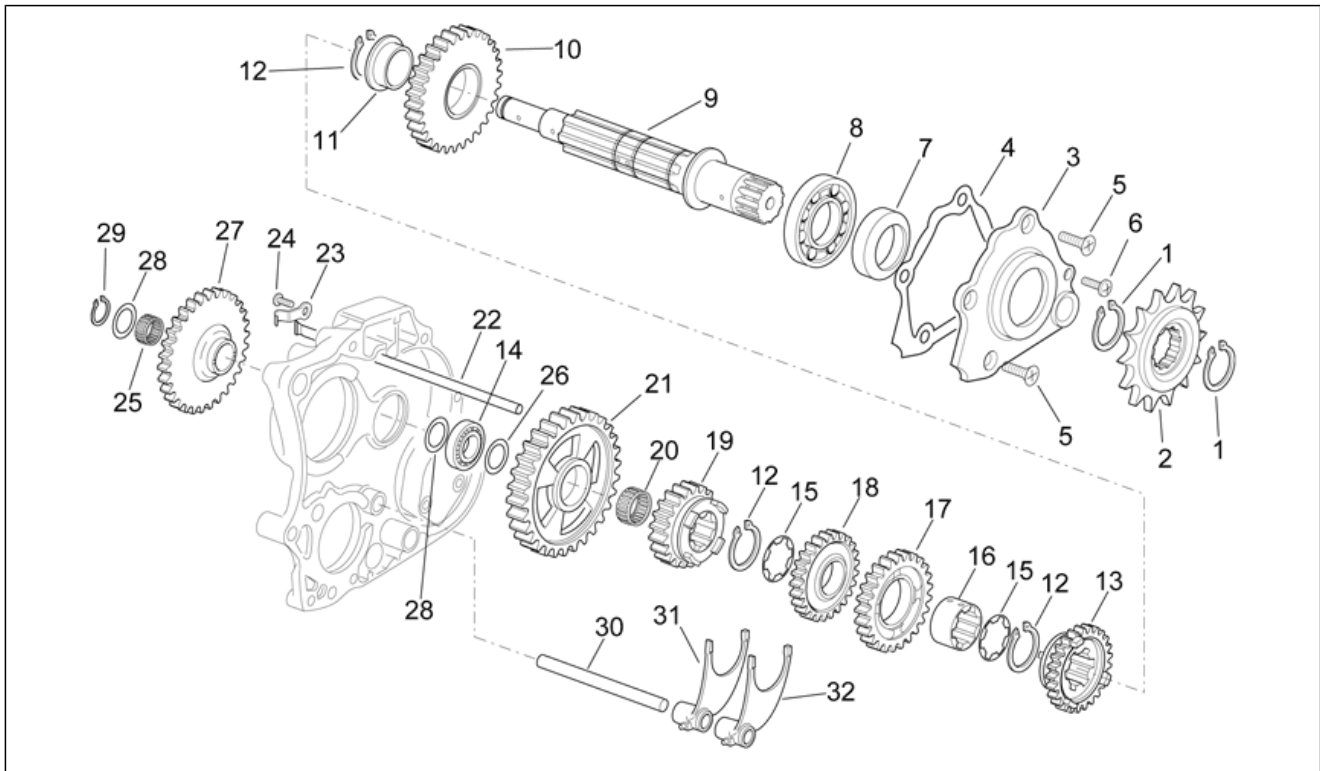
Pos.	Code	Beschreibung	Menge	Varianten
1	AP8600360	Schraube	2	
2	AP8600358	Schalter Lerrlkr. + Dchtg.	1	
3	AP8600359	O-Ring	1	
4	AP8600361	Bolzen	1	
5	AP8600332	Verschiebenocken	1	
6	AP8600333	Stecker Desmodr.	2	
7	AP8600406	Desmodrom. Zahn.	1	
8	AP8600335	Steck,desmodr.Zahn.	1	
9	AP8600336	Desmodrom.Platte 1	1	
10	AP8600337	Desmodrom.Platte 2	1	
11	AP8600338	Rolle	2	
12	AP8600339	Feder	2	
13	AP8600362	Feder	1	
14	AP8600341	Führungspl. Desmo.	1	
15	AP8600342	Distanzscheibe 6,1x10x16	1	
16	AP8600343	Schraube	1	
17	AP8600071	Mutter M6	1	
18	AP8600344	Ausgleichscheibe 25x32x3	1	
19	AP8600345	Lager 25x47x8	1	
20	AP8600346	Anschlagpl. Desmo.	1	
21	AP8600347	Ausgleichscheibe	1	
22	AP8600348	Feder	1	
23	AP8600349	Halter	1	
24	AP8600350	Stern Desmodrom.	1	

Einheit	MOTOR
Code	29.29
Beschreibung	Vorgelegewelle
Inspektion	1



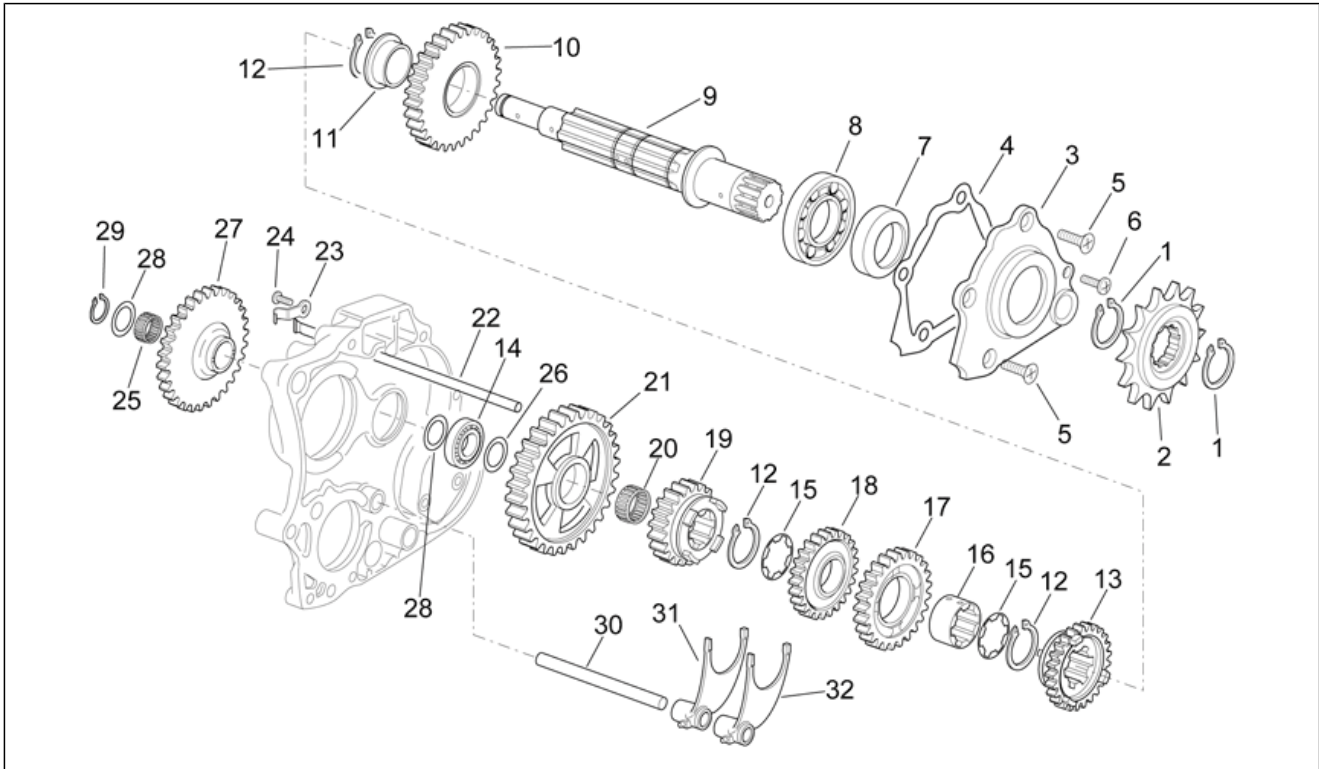
Pos.	Code	Beschreibung	Menge	Varianten
1	AP8600292	Seegerring	1	
2	AP8600288	Zahnrad 2.Hauptwelle	1	
3	AP8600291	Zahnrad 6.Hauptwelle	1	
4	AP8600294	Ausgleichscheibe	1	
5	AP8600289	Zahnrad 3-4.Hauptwelle	1	
6	AP8600295	Sprengtring	2	
7	AP8600293	Buchse	1	
8	AP8600290	Zahnrad 5.Hauptwelle	1	
9	AP8600287	Vorgelegewelle	1	
10	AP8600296	Lager 20x52x15	1	
11	AP8600410	Lager-Halteplatte	1	
12	AP8600412	Schraube M6x16	1	
13	AP8600412	Schraube M6x16	1	
14	AP8600073	Stiftschraube	4	
15	AP8600074	Stiftschraube	2	
16	AP8600072	Stiftschraube l=90	1	
17	AP8600331	Schaltstange	1	
18	AP8600329	Gabel Nr. 3	1	
19	AP8600408	Getriebedeckel	1	
20	AP8600297	Lager 17x40x12	1	
21	AP8600075	Stift	2	
22	AP8600076	Mutter	7	

Einheit	MOTOR
Code	29.30
Beschreibung	Festrad
Inspektion	1



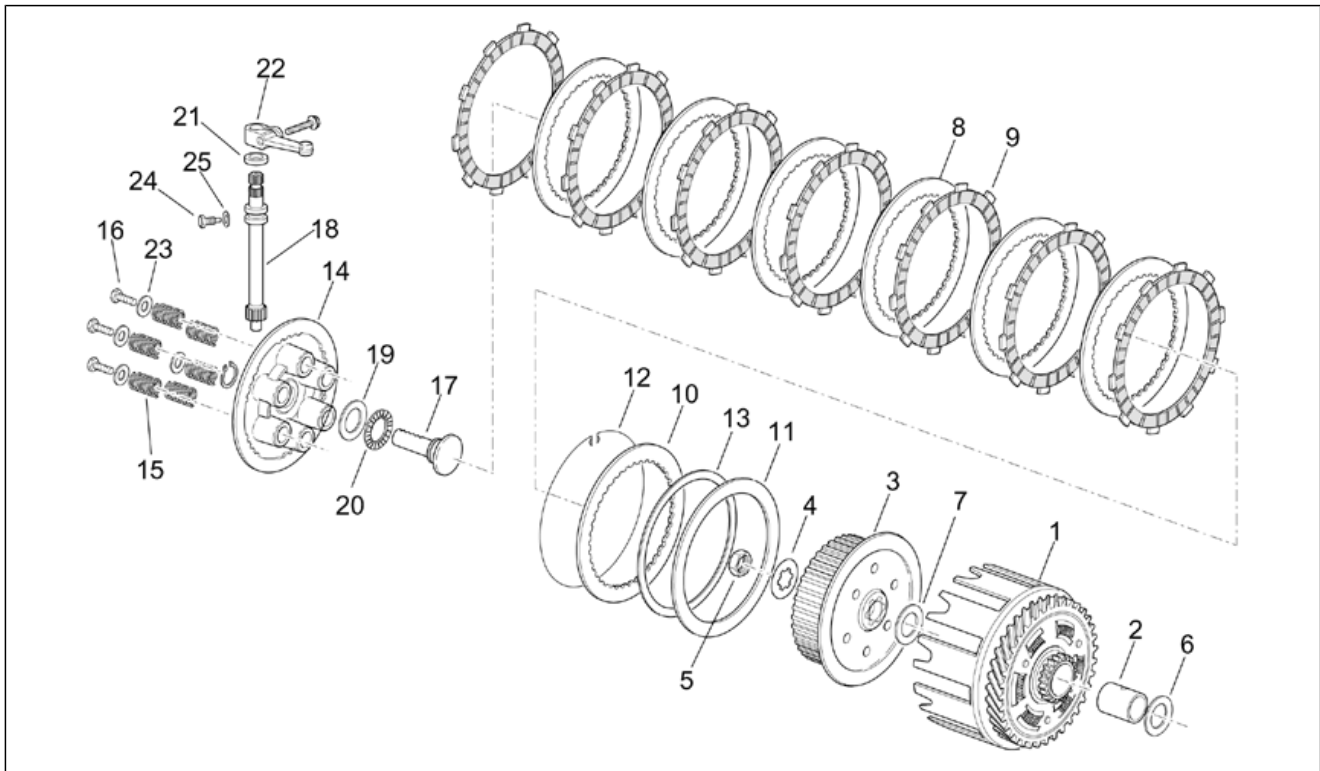
Pos.	Code	Beschreibung	Menge	Varianten
1	AP8600326	Sprengring	2	
2	AP8600325	Ritzel Z=14	1	
3	AP8600318	Lager-Anschlagpl.	1	
4	AP8600319	Dicht. Anschlagpla.	1	
5	AP8600320	Schraube M6x16	3	
6	AP8600321	Schraube M6x16	1	
7	AP8600313	Ölabstreifring 25x38x6	1	
8	AP8600312	Lager 25x62x17	1	
9	AP8600298	Festrad	1	
10	AP8600300	Zahnrad 2.Vorgelegewelle	1	
11	AP8600307	Buchse	1	
12	AP8600309	Seegerring	3	
13	AP8600405	Zahnrad 6.Vorgelegewelle	1	
14	AP8600311	Lager	1	
15	AP8600310	Ausgleichscheibe	2	
16	AP8600308	Zahnradbuchse 3/4	1	
17	AP8600301	Zahnrad 3.Vorgelegewelle	1	
18	AP8600302	Zahnrad 4.Vorgelegewelle	1	
19	AP8600303	Zahnrad 5.Vorgelegewelle	1	
20	AP8600306	Lager 18x22x12.8	1	
21	AP8600299	Zahnrad 1.Vorgelegewelle	1	
22	AP8600314	Getriebe-Ölschlauch	1	
23	AP8600315	Anschlagpl. Ölleitung	1	
24	AP8600316	Schraube	1	
25	AP8600327	Lager 15x19x13	1	
26	AP8600305	Ausgleichscheibe	1	
27	AP8600322	Start-Umlenzahn.	1	
28	AP8600323	Bundscheibe	2	

Einheit	MOTOR
Code	29.30
Beschreibung	Festrad
Inspektion	1



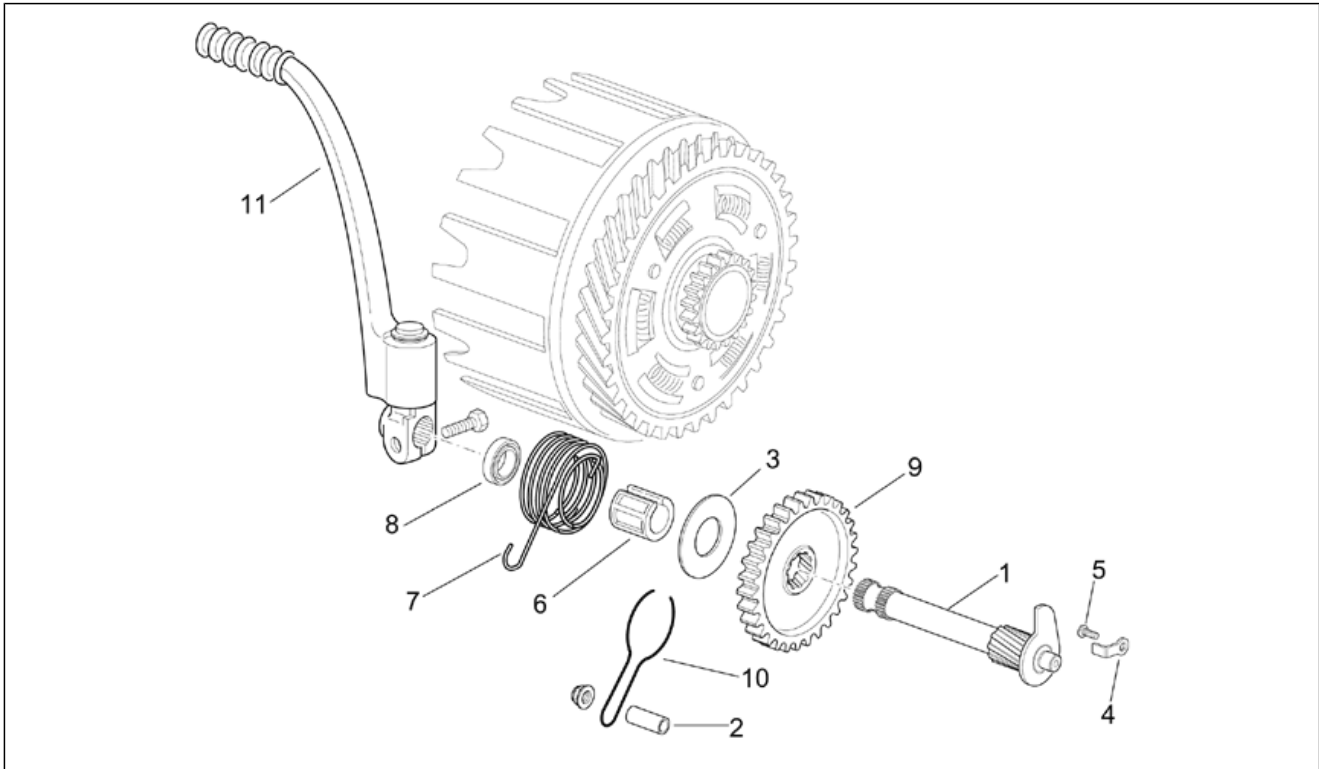
Pos.	Code	Beschreibung	Menge	Varianten
29	AP8600324	Sprengring	1	
30	AP8600330	Schaltstange	1	
31	AP8600328	Gabel Nr. 1	1	
32	AP8600404	Gabel Nr. 2	1	

Einheit	MOTOR
Code	29.31
Beschreibung	Kupplung
Inspektion	1



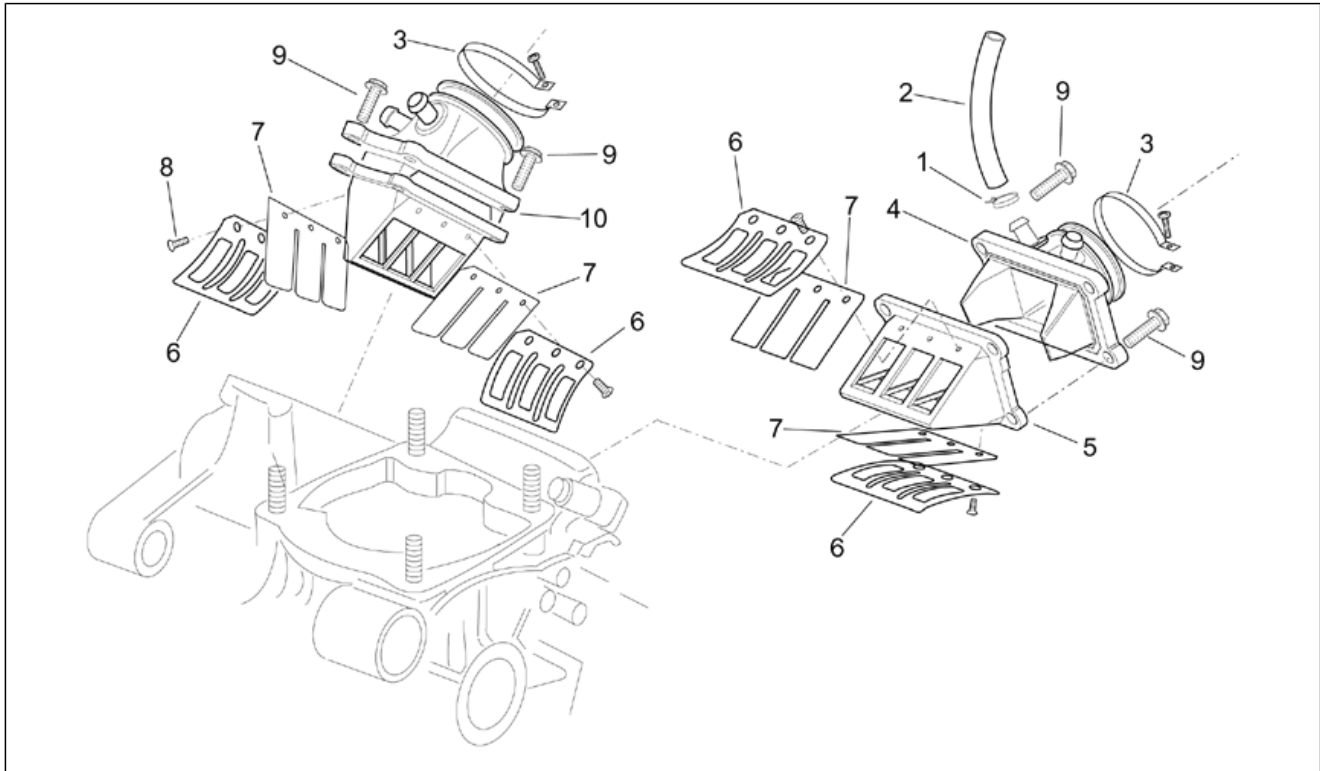
Pos.	Code	Beschreibung	Menge	Varianten
1	AP8600261	Kupplungsglocke	1	
2	AP8600262	Distanzsch. Kupp.glo.	1	
3	AP8600263	Mitnehmer	1	
4	AP8600264	Ausgleichscheibe	1	
5	AP8600265	Mutter	1	
6	AP8600266	Ausgleichscheibe 20x36x3	1	
7	AP8600267	Ausgleichscheibe 20x36x2	1	
8	AP8600269	Metall-Kuppl.scheibe sp.1.6	6	
9	AP8600268	Belaglamelle sp.3	7	
10	AP8600270	Metall-Kuppl.scheibe sp.2	1	
11	AP8600271	Sprengring Kupp.sch.	1	
12	AP8600272	Klemmring Kupp.sch.	1	
13	AP8600273	Elast. Kuppl.scheibe	1	
14	AP8600274	Andrückfeder Kupplungsscheibe	1	
15	AP8600275	Kupplungsfeder	6	
16	AP8600276	Schraube	6	
17	AP8600277	Kupplungssteuerpl.	1	
18	AP8600278	Kupplungswelle	1	
19	AP8600279	Ausgleichscheibe 15,5x28x1	1	
20	AP8600280	Lager 15x28x2	1	
21	AP8600281	Ölabstreifring 10x17x5	1	
22	AP8600282	Kupplungshebel	1	
23	AP8600286	Seegerring	1	
24	AP8600284	Schraube	1	
25	AP8600285	Ausgleichscheibe	1	

Einheit	MOTOR
Code	29.32
Beschreibung	Startergruppe
Inspektion	1



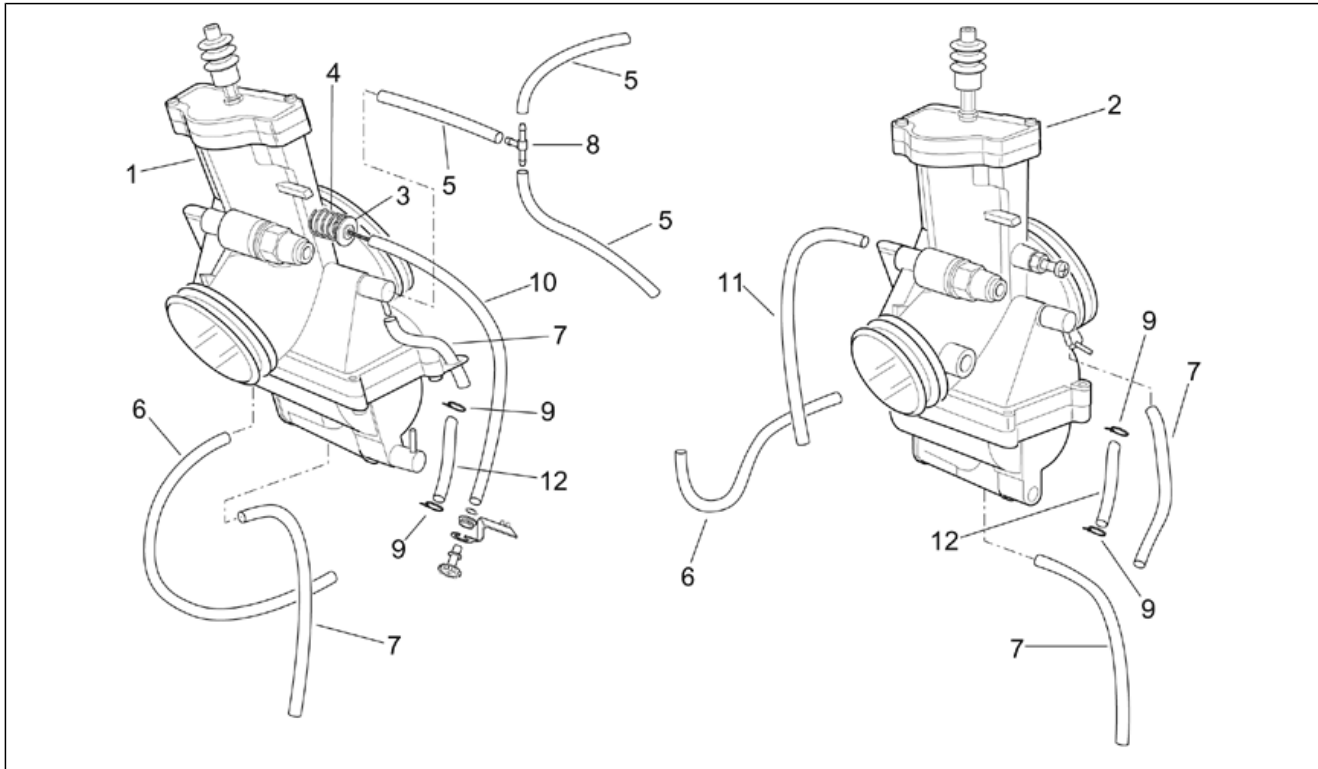
Pos.	Code	Beschreibung	Menge	Varianten
1	AP8600364	Kickstarterwelle	1	
2	AP8600365	Distanzscheibe 6,5x10,5x22,5	1	
3	AP8600366	Bundscheibe	1	
4	AP8600407	Anschlagplatte	1	
5	AP8600316	Schraube	1	
6	AP8600368	Federführ. Kick St.	1	
7	AP8600369	Kickstarterfeder	1	
8	AP8600370	Ölabstreifring 16x24x5	1	
9	AP8600371	Kick Starter-Zahn.	1	
10	AP8600372	Federstop. Kick St.	1	
11	AP8106273	Starthebel komplett	1	

Einheit	MOTOR
Code	29.33
Beschreibung	Vergaserstutzen
Inspektion	1



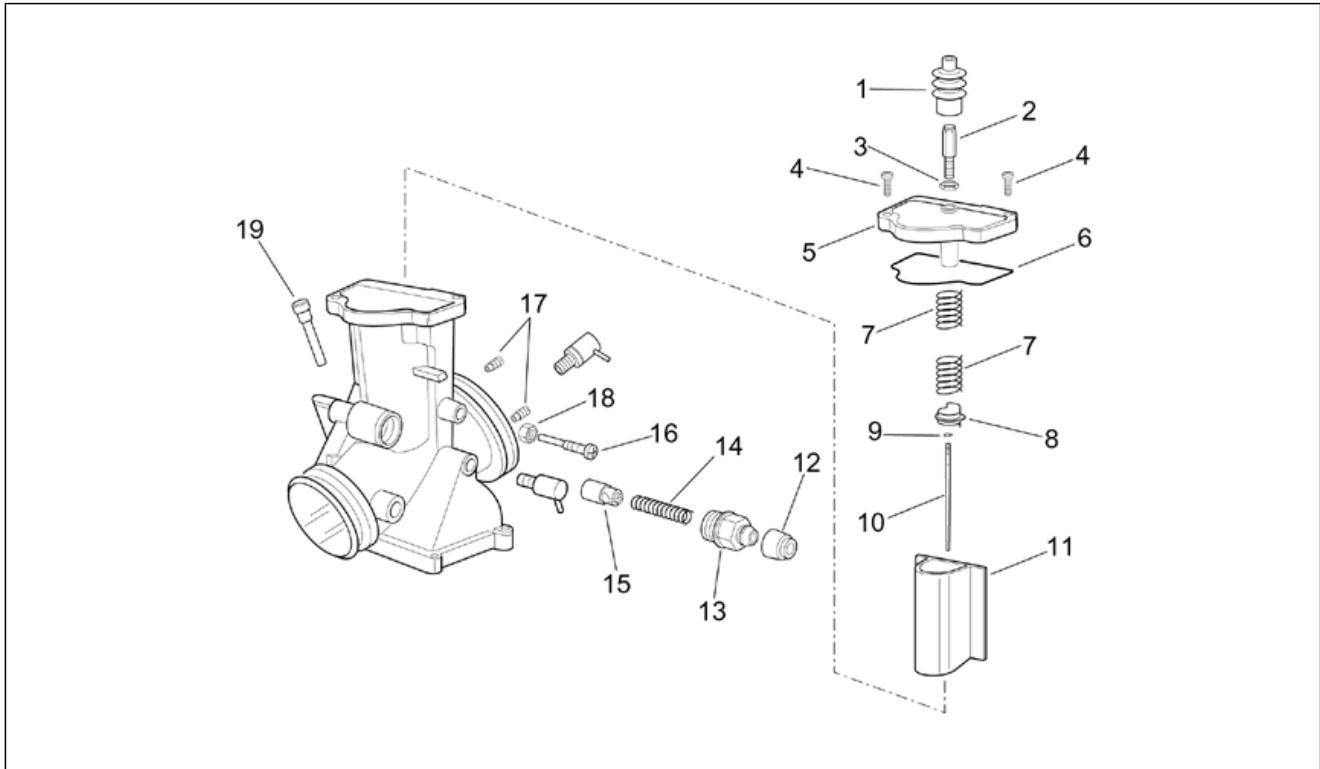
Pos.	Code	Beschreibung	Menge	Varianten
1	AP8102420	Klammer D13	4	
2	AP8600088	Leitung l=2200	2	
3	AP8600087	Schelle	2	
4	AP8600086	Einlaßmuffe links	1	
5	AP8600080	Ventiltraeger kpl.	2	
6	AP8600081	Lamellenstopper	4	
7	AP8600082	Lamellenventil	4	
8	AP8600083	Schraube	12	
9	AP8600084	Schraube	8	
10	AP8600085	Einlaßmuffe rechts	1	

Einheit	MOTOR
Code	29.34
Beschreibung	Vergaser I
Inspektion	1



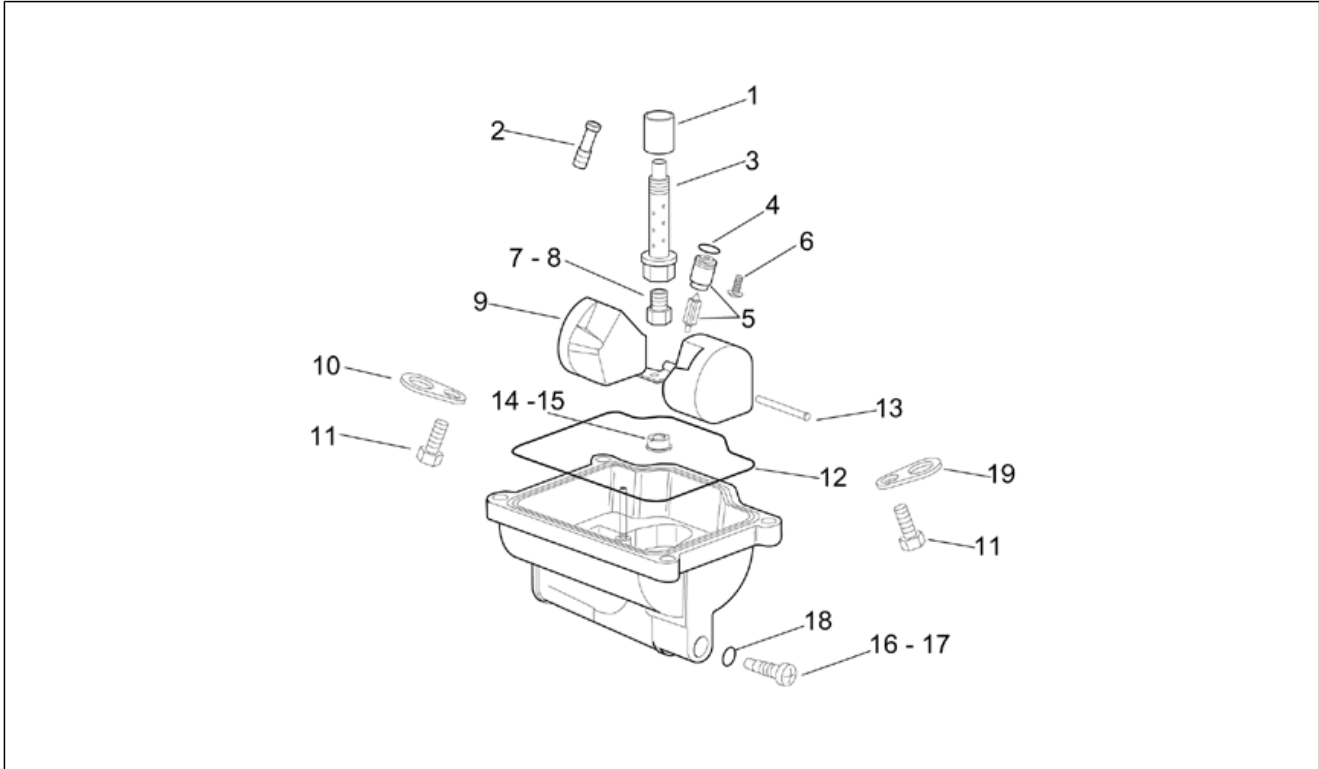
Pos.	Code	Beschreibung	Menge	Varianten
1	AP8600134	Vergaser rechts	1	Land:Österreich[A], Belgien[B], Dänemark[DK], Spanien[E], Frankreich[F], Griechenland[GR], Italien[I], Japan[J], Malaysia[MAL], Holland[NL], Portugal[P], Singapur[SGP], Großbritannien[UK]
1	AP8600402	Vergaser rechts	1	Land:Deutschland[D]
2	AP8600133	Vergaser links	1	Land:Österreich[A], Belgien[B], Dänemark[DK], Spanien[E], Frankreich[F], Griechenland[GR], Italien[I], Japan[J], Malaysia[MAL], Holland[NL], Portugal[P], Singapur[SGP], Großbritannien[UK]
2	AP8600401	Vergaser links	1	Land:Deutschland[D]
3	AP8600171	Ausgleichscheibe	1	
4	AP8600170	Feder rechts	1	
5	AP8600157	Leitung l=250	3	
6	AP8600180	Leitung 4x7x1000	2	
7	AP8600164	Leitung 3x5x650	2	
8	AP8600184	3-Wegeanschluß	1	
9	AP8600176	Klammer	4	
10	AP8600169	R. Einstellkabel	1	
11	AP8600200	Luftschlauch max.	2	
12	AP8600175	Schlauch komplett	2	

Einheit	MOTOR
Code	29.35
Beschreibung	Vergaser II
Inspektion	1



Pos.	Code	Beschreibung	Menge	Varianten
1	AP8102423	Gaskabelhaube	2	
2	AP8600138	Einstellschraube	2	
3	AP8600139	Mutter	2	
4	AP8600137	Schraube	12	
5	AP8600135	Deckel	2	
6	AP8600136	O-Ring	2	
7	AP8600140	Feder	2	
8	AP8600141	Ring	2	
9	AP8600142	Seegerring	2	
10	AP8600143	Nadel 6gh8-55-3	2	
11	AP8600144	Ventil ca=1,5	2	
12	AP8600168	Kappe	2	
13	AP8600167	Federführung	2	
14	AP8600166	Feder	2	
15	AP8600165	Starterverschluß	2	
16	AP8600181	Einstellschraube lk.	1	
17	AP8106417	Luftstrahl (1,5)	2	
17	AP8600172	Luftstrahl (1,1)	2	
18	AP8600182	Mutter	1	
19	AP8600178	Filter	2	

Einheit	MOTOR
Code	29.36
Beschreibung	Vergaser III
Inspektion	1



Pos.	Code	Beschreibung	Menge	Varianten
1	AP8600177	Ring	2	
2	AP8106342	Leerlaufstrahl 20	2	Land:Deutschland[D], Holland[NL]
2	AP8600145	Leerlaufstrahl 27,5	2	Land:Österreich[A], Belgien[B], Dänemark[DK], Spanien[E], Frankreich[F], Griechenland[GR], Italien[I], Japan[J], Malaysia[MAL], Portugal[P], Singapur[SGP], Großbritannien[UK]
3	AP8106341	Nadelventil 0-9	2	Land:Deutschland[D]
3	AP8600146	Nadelventil 0-8	2	Land:Österreich[A], Belgien[B], Dänemark[DK], Spanien[E], Frankreich[F], Griechenland[GR], Italien[I], Japan[J], Malaysia[MAL], Holland[NL], Portugal[P], Singapur[SGP], Großbritannien[UK]
4	AP8600150	O-Ring	2	
5	AP8600149	Nadelventil	2	
6	AP8600151	Schraube	2	
7	AP8600147	Max. Strahl links 270	1	
8	AP8600148	Max. Strahl rechts 280	1	
9	AP8600152	Schwimmer	2	
10	AP8600159	Platte	2	
11	AP8600137	Schraube	2	
12	AP8600156	Dichtung Wanne	2	
13	AP8600153	Schwimmerstecker	2	
14	AP8600154	Leistungsstr. links (55)	1	
15	AP8600155	Leistungsstr. rechts (35)	1	
16	AP8600161	Auslaßschraube li.	1	
17	AP8600162	Auslaßschraube re.	1	
18	AP8600163	O-Ring	1	
19	AP8600160	Platte	2	