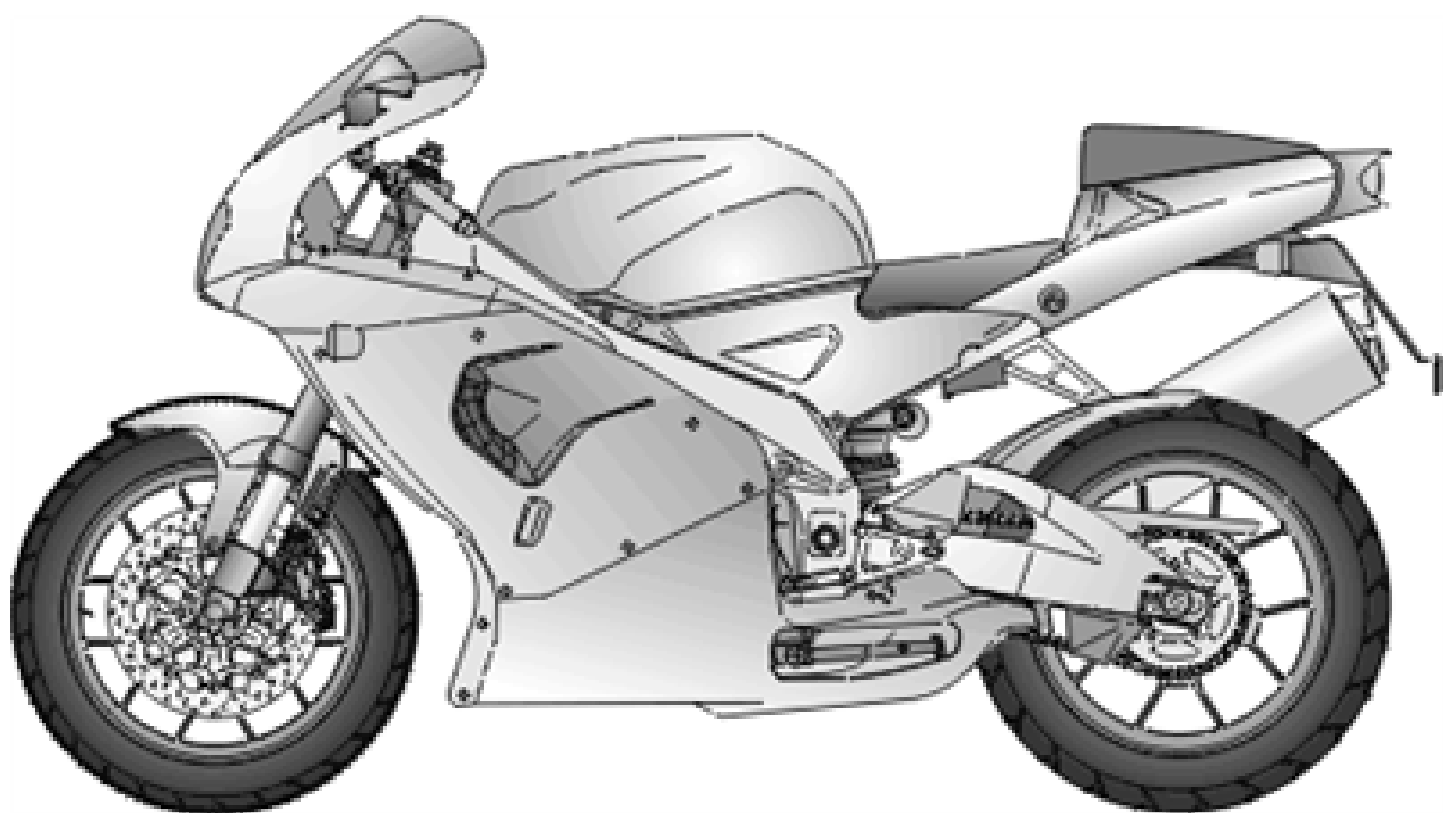


aprilia[®]

ERSATZTEILKATALOG



RSV 1000 2000

Vorsatzcode Fahrgestell: ZD4ME001, ZD4MEA01,
ZD4MEC01, ZD4MEE01, ZD4MEE10, ZD4MEE11



Vorsatzcode Motor:

Inhaltsverzeichnis

Fertige Produkte.....	5
Alphanumerisches Verzeichnis.....	6
RAHMEN.....	14
Tafel 28.01 - Rahmen I.....	14
Tafel 28.02 - Rahmen II.....	15
Tafel 28.03 - Rahmen III.....	16
Tafel 28.04 - Fussrasten.....	18
Tafel 28.05 - Hauptständer.....	19
Tafel 28.06 - Lenkung.....	21
Tafel 28.07 - Vorderradgabel I.....	23
Tafel 28.08 - Vorderradgabel II.....	24
Tafel 28.09 - Schwinge.....	25
Tafel 28.10 - Pleuelstange und Stoßdämpfer.....	27
Tafel 28.11 - Frontaufbau - Kuppel.....	28
Tafel 28.12 - Frontaufbau - Leitblech.....	30
Tafel 28.13 - Frontaufbau - Vrd. Schutzblech.....	32
Tafel 28.14 - Karosserie v.-Verschlüsse.....	34
Tafel 28.15 - Mittlerer aufbau - Oberer Rumpfe.....	35
Tafel 28.16 - Karosserie zent.-Verkl.rs.....	37
Tafel 28.17 - Karosserie zent.-Verkl.l.....	38
Tafel 28.18 - Kraftstofftank I.....	40
Tafel 28.19 - Kraftstofftank II.....	41
Tafel 28.20 - Benzindampfrückf.-Anlage.....	42
Tafel 28.21 - Sitz.....	44
Tafel 28.22 - R.Kar. - R.verkl.....	46
Tafel 28.23 - U. Sitzbank.....	47
Tafel 28.24 - Hinteres Schutzblech.....	49
Tafel 28.25 - Instrumententafel.....	50
Tafel 28.26 - Lenkstange.....	51
Tafel 28.27 - Kupplungspumpe.....	52
Tafel 28.28 - Vorderradbremspumpe.....	53
Tafel 28.29 - Kühlanlage.....	54
Tafel 28.30 - Wasserkühler.....	55
Tafel 28.31 - Ausdehngefäß.....	56
Tafel 28.32 - Öltank.....	57
Tafel 28.33 - Filtergehäuse.....	59
Tafel 28.34 - Kraftstoffpumpe I.....	61
Tafel 28.35 - Kraftstoffpumpe II.....	62
Tafel 28.37 - Auspuffrohr.....	63
Tafel 28.38 - Vorderrad Vers.RSV Mille.....	64
Tafel 28.39 - Vorderrad Vers.RSV Mille "R".....	65
Tafel 28.40 - Vorderradbremzange.....	66
Tafel 28.41 - Hinterrad Vers. RSV Mille "R".....	67

Tafel 28.42 - Hinterrad Vers. RSV Mille "R".....	68
Tafel 28.43 - Hinterradbrenspumpe.....	69
Tafel 28.44 - Hinterradbrenszange.....	70
Tafel 28.45 - Scheinwerfer.....	71
Tafel 28.46 - Blinker.....	72
Tafel 28.47 - Rücklicht.....	73
Tafel 28.48 - Vord. elektrische Anlage.....	74
Tafel 28.49 - Mitt. elektrische Anlage.....	75
Tafel 28.50 - Hint. elektrische Anlage.....	77
Tafel 28.51 - Bausatz Schlösser.....	79
Tafel 28.52 - Deko.....	81
Tafel 28.53 - Schilder und Anleit.....	84
MOTOR.....	86
Tafel 29.36 - Motor.....	86
Tafel 29.54 - Gehäuse I.....	87
Tafel 29.55 - Gehäuse II.....	88
Tafel 29.56 - Ölpumpe.....	90
Tafel 29.57 - Kurbelwelle I.....	91
Tafel 29.58 - Kurbelwelle II.....	92
Tafel 29.59 - Ventildeckel.....	93
Tafel 29.60 - Zylinderkopf und Ventile.....	94
Tafel 29.61 - Ventilesbeläge.....	95
Tafel 29.62 - Vrd. Zylindersteuer.....	97
Tafel 29.63 - Hint. Zylindersteuer.....	98
Tafel 29.64 - Schaltgabel.....	100
Tafel 29.65 - Schaltgetriebe.....	102
Tafel 29.66 - Kupplung.....	103
Tafel 29.67 - Wasserpumpenritzel.....	104
Tafel 29.68 - Zündung.....	106
Tafel 29.69 - Klappenkörper.....	107
Tafel 29.70 - Verbrauchsmaterial.....	108
ZUBEHÖR.....	109
Tafel 30.71 - Acc. - Fahrwerk I.....	109
Tafel 30.72 - Acc. - Fahrwerk II.....	110
Tafel 30.73 - Acc. - Spez. Verkleidungsteile.....	111
Tafel 30.74 - Acc. - Tuning Motorteile I.....	112
Tafel 30.75 - Acc. - Tuning Motorteile II.....	113
Tafel 30.76 - Acc. - Sonstiges.....	114
Tafel 30.77 - Acc. - Diedstahl.....	115



RSV 2 1000
390Y - RSV 1000 2000

Vorsatzcode Fahrgestell: ZD4ME001,
ZD4MEA01, ZD4MEC01, ZD4MEE01,
ZD4MEE10, ZD4MEE11
Vorsatzcode Motor:

Fertige Produkte

Code	Gültigkeit
AP66903US01	

Code	Nr. der Tafel	Pos.	Code	Nr. der Tafel	Pos.	Code	Nr. der Tafel	Pos.
0000000	28.38	7	AP0233780	29.67	11	AP0244211	29.64	10
0000000	28.39	7	AP0233790	29.67	10	AP0245330	29.56	15
0000000	28.41	5	AP0233791	29.67	10	AP0245436	29.58	6
0000000	28.42	5	AP0233793	29.67	10	AP0245440	29.64	18
0000000	29.70	6	AP0233820	29.54	9	AP0245815	29.65	4
0000000	29.70	7	AP0233822	29.54	9	AP0245830	29.66	14
AP0210416	29.55	4	AP0236252	29.58	9	AP0245840	29.57	13
AP0211620	29.56	5	AP0236300	29.62	5	AP0245860	29.57	10
AP0211631	29.56	8	AP0236300	29.63	5	AP0246055	29.63	17
AP0211643	29.67	9	AP0236310	29.62	6	AP0246570	29.57	5
AP0211651	29.68	8	AP0236310	29.63	6	AP0247940	29.64	17
AP0211661	29.59	5	AP0236320	29.62	3	AP0247970	29.66	9
AP0211666	29.59	3	AP0236365	29.64	22	AP0247980	29.62	17
AP0211681	29.63	4	AP0236366	29.64	22	AP0247980	29.63	27
AP0211756	29.63	25	AP0236370	29.55	26	AP0248375	29.64	12
AP0211766	29.62	4	AP0236380	29.63	9	AP0250130	29.63	3
AP0211778	29.67	24	AP0239247	29.64	13	AP0250140	29.68	21
AP0216222	29.58	5	AP0239370	29.66	8	AP0250311	29.59	6
AP0217346	29.57	2	AP0239390	29.66	6	AP0250450	29.55	24
AP0219340	29.63	20	AP0239420	29.64	16	AP0250640	29.59	10
AP0219350	29.57	21	AP0239430	29.64	15	AP0251090	29.60	23
AP0219360	29.57	12	AP0239447	29.56	10	AP0251100	29.59	11
AP0219365	29.57	8	AP0239450	29.64	23	AP0251830	29.59	8
AP0220372	29.57	15	AP0239480	29.66	21	AP0253645	29.60	22
AP0220380	29.62	13	AP0239510	29.60	20	AP0253921	29.60	3
AP0220380	29.63	13	AP0239520	29.60	19	AP0253926	29.60	2
AP0220385	29.62	12	AP0240036	29.66	23	AP0253955	29.60	21
AP0220385	29.63	12	AP0240081	29.59	7	AP0253965	29.60	17
AP0220390	29.65	1	AP0240170	29.59	16	AP0253974	29.61	1
AP0220400	29.65	10	AP0240181	29.67	25	AP0253975	29.61	1
AP0220410	29.67	4	AP0240275	29.63	29	AP0253976	29.61	1
AP0220423	29.56	1	AP0240331	29.60	10	AP0253977	29.61	1
AP0220435	29.64	26	AP0240331	29.60	13	AP0253978	29.61	1
AP0220437	29.64	1	AP0240331	29.67	21	AP0253979	29.61	1
AP0220440	29.63	1	AP0240400	29.62	1	AP0253980	29.61	1
AP0220455	29.66	18	AP0240580	29.68	12	AP0253981	29.61	1
AP0222500	29.67	18	AP0240960	29.62	18	AP0253982	29.61	1
AP0222512	29.67	19	AP0241081	29.55	9	AP0253983	29.61	1
AP0224090	29.59	17	AP0241261	29.55	29	AP0253984	29.61	1
AP0227180	29.66	24	AP0241501	29.55	15	AP0253985	29.61	1
AP0227442	29.64	20	AP0241531	29.55	12	AP0253986	29.61	1
AP0227685	29.67	6	AP0241541	29.68	6	AP0253987	29.61	1
AP0227714	29.64	27	AP0241560	29.59	14	AP0253988	29.61	1
AP0227716	29.64	11	AP0241580	29.55	1	AP0253990	29.60	24
AP0229301	29.54	4	AP0241601	29.59	13	AP0254010	29.60	16
AP0229301	29.68	16	AP0241625	29.59	1	AP0254020	29.60	15
AP0229385	29.54	6	AP0241631	29.68	9	AP0254030	29.61	1
AP0229385	29.64	14	AP0241650	29.56	11	AP0254031	29.61	1
AP0230415	29.55	8	AP0241761	29.67	27	AP0254032	29.61	1
AP0230415	29.67	23	AP0241782	29.55	7	AP0254033	29.61	1
AP0230510	29.60	18	AP0241811	29.67	14	AP0254034	29.61	1
AP0232210	29.60	5	AP0241811	29.68	15	AP0254035	29.61	1
AP0232430	29.56	13	AP0241816	29.68	11	AP0254036	29.61	1
AP0232430	29.67	5	AP0241821	28.27	22	AP0254037	29.61	1
AP0232625	29.55	14	AP0241821	29.55	28	AP0254038	29.61	1
AP0232730	29.56	2	AP0241821	29.56	12	AP0254039	29.61	1
AP0232970	29.56	4	AP0241821	29.60	4	AP0254040	29.61	1
AP0233711	29.54	9	AP0241852	29.55	6	AP0254041	29.61	1
AP0233721	29.57	23	AP0241932	29.55	2	AP0254042	29.61	1
AP0233722	29.57	23	AP0241932	29.64	9	AP0254043	29.61	1
AP0233723	29.57	23	AP0242091	29.59	4	AP0256187	29.55	5
AP0233740	29.54	8	AP0242851	29.59	18	AP0256497	29.55	20
AP0233741	29.54	8	AP0242874	29.57	16	AP0256510	29.56	9
AP0233743	29.54	8	AP0242940	29.57	14	AP0256526	29.55	21
AP0233745	29.54	7	AP0242950	29.66	15	AP0256680	29.56	3
AP0233746	29.54	7	AP0244020	29.66	22	AP0258310	29.64	6
AP0233748	29.54	7	AP0244211	29.63	8	AP0258322	29.64	8

Code	Nr. der Tafel	Pos.	Code	Nr. der Tafel	Pos.	Code	Nr. der Tafel	Pos.
AP0258350	29.64	4	AP0627140	29.66	7	AP0840371	29.63	16
AP0258360	29.64	3	AP0627190	29.62	7	AP0840391	29.63	22
AP0258370	29.64	5	AP0627190	29.63	15	AP0840861	29.55	16
AP0258380	29.64	2	AP0627200	29.57	17	AP0840861	29.67	22
AP0259500	29.55	27	AP0627210	29.64	24	AP0840880	29.60	26
AP0259515	29.66	19	AP0627220	29.66	12	AP0840880	29.60	6
AP0259520	29.66	13	AP0627230	29.66	25	AP0840882	29.68	22
AP0259530	29.66	3	AP0627260	29.66	1	AP0841841	29.67	16
AP0259580	29.66	10	AP0627270	29.68	7	AP0845030	29.62	10
AP0260870	29.68	13	AP0627280	29.66	27	AP0845030	29.63	30
AP0260890	29.66	26	AP0632010	29.54	2	AP0850050	29.55	23
AP0265244	28.49	4	AP0632010	29.67	7	AP0874320	29.69	10
AP0265244	29.68	25	AP0632070	29.65	7	AP0897651	29.70	1
AP0265246	28.49	19	AP0632124	29.55	17	AP0899784	29.70	3
AP0265246	29.68	24	AP0632130	29.66	20	AP0899788	29.70	2
AP0265471	28.50	19	AP0632161	29.62	8	AP0922245	29.59	15
AP0265474	28.50	19	AP0632161	29.63	23	AP0927863	29.60	14
AP0265476	28.50	19	AP0634470	29.56	6	AP0927863	29.60	9
AP0265480	28.49	2	AP0634470	29.66	2	AP0927945	29.60	25
AP0265480	29.68	26	AP0634483	29.56	14	AP0927945	29.60	7
AP0267150	29.59	9	AP0634490	29.67	3	AP0929500	29.54	3
AP0268010	29.69	14	AP0634500	29.57	19	AP0929500	29.63	26
AP0268757	29.55	10	AP0634500	29.67	2	AP0929650	29.54	10
AP0274010	29.69	6	AP0634595	29.68	1	AP0929650	29.58	8
AP0274020	29.69	8	AP0634600	29.68	17	AP0929930	29.54	5
AP0274030	29.69	5	AP0634610	29.57	18	AP0929930	29.57	20
AP0274040	29.59	12	AP0634620	29.65	17	AP0929930	29.67	1
AP0274050	29.69	12	AP0634640	29.65	9	AP0932335	29.55	19
AP0274060	29.60	12	AP0634655	29.65	11	AP0932335	29.64	7
AP0281222	29.65	19	AP0634660	29.65	5	AP0932428	29.55	18
AP0281241	29.69	2	AP0634670	29.65	13	AP0932585	29.55	11
AP0294352	29.68	20	AP0634680	29.65	14	AP0940560	29.63	7
AP0294356	29.68	19	AP0634695	29.65	2	AP0940580	29.66	11
AP0295653	29.54	1	AP0634700	29.65	15	AP0940590	29.62	2
AP0295662	29.57	1	AP0634710	29.65	8	AP0940631	29.62	11
AP0295662	29.58	1	AP0634720	29.65	12	AP0940631	29.63	28
AP0295696	29.69	1	AP0634730	29.62	14	AP0940637	29.58	12
AP0295760	29.57	22	AP0634730	29.63	14	AP0940741	29.64	25
AP0295760	29.63	24	AP0634735	29.62	15	AP0941121	29.63	10
AP0295765	29.57	7	AP0634740	29.68	18	AP0941935	29.60	11
AP0295765	29.62	9	AP0640400	29.57	4	AP0942570	29.63	21
AP0295770	29.57	9	AP0640450	29.58	10	AP0945665	29.64	21
AP0295775	29.63	18	AP0640581	29.59	20	AP0946015	29.57	6
AP0295780	29.57	11	AP0641590	29.68	5	AP0950141	29.67	17
AP0295780	29.66	4	AP0650210	29.59	19	AP0956169	29.67	26
AP0295790	29.66	5	AP0650240	29.67	20	AP0956275	29.56	7
AP0295830	29.68	2	AP0650310	29.67	12	AP0960111	29.69	9
AP0295858	29.58	3	AP0650320	29.55	25	AP0960121	29.69	11
AP0296170	29.70	9	AP0650330	29.67	8	AP0960122	29.69	3
AP0296180	29.69	7	AP0650335	29.55	22	AP8101372	28.30	12
AP0297386	29.70	8	AP0650340	29.68	14	AP8101595	28.20	18
AP0297433	29.70	10	AP0650345	29.59	2	AP8101595	28.23	2
AP0297434	29.70	4	AP0650370	29.67	13	AP8101595	28.33	13
AP0297942	29.68	23	AP0650390	29.58	7	AP8101595	28.35	4
AP0297955	29.62	19	AP0650500	29.55	3	AP8101744	28.38	1
AP0297955	29.63	19	AP0659110	29.68	3	AP8101744	28.41	7
AP0427106	29.65	16	AP0659120	29.68	4	AP8101744	28.42	7
AP0430622	29.58	11	AP0660020	29.69	16	AP8101861	28.04	12
AP0430782	29.68	10	AP0661011	29.69	4	AP8101927	28.29	8
AP0440101	29.67	15	AP0684310	29.58	2	AP8101927	28.31	5
AP0440260	29.57	3	AP0684311	29.58	2	AP8101968	28.43	9
AP0442130	29.66	28	AP0827110	29.65	18	AP8101985	28.16	10
AP0613068	29.58	4	AP0827305	29.63	11	AP8101985	28.17	10
AP0613406	29.60	1	AP0832144	29.55	13	AP8102239	28.34	16
AP0613408	29.60	8	AP0832144	29.64	19	AP8102239	28.35	16
AP0627120	29.65	3	AP0832360	29.63	2	AP8102341	28.11	7
AP0627132	29.65	6	AP0840371	29.62	16	AP8102349	28.32	18

Code	Nr. der Tafel	Pos.
AP8102375	28.02	8
AP8102375	28.03	8
AP8102375	28.12	10
AP8102375	28.20	12
AP8102375	28.22	9
AP8102375	28.23	11
AP8102376	28.02	9
AP8102376	28.03	9
AP8102376	28.16	5
AP8102376	28.17	5
AP8102376	28.23	12
AP8102376	28.45	10
AP8102377	28.20	22
AP8102377	28.33	11
AP8102378	28.20	20
AP8102378	28.31	3
AP8102431	28.29	1
AP8102498	28.02	6
AP8102503	28.19	4
AP8102504	28.11	5
AP8102504	28.16	8
AP8102504	28.17	8
AP8102520	28.20	19
AP8102524	28.05	7
AP8102535	28.19	3
AP8102544	28.01	2
AP8102544	28.02	18
AP8102544	28.03	18
AP8102544	28.04	19
AP8102600	28.23	13
AP8102600	28.23	13
AP8102610	28.33	1
AP8102615	28.31	16
AP8102618	28.32	2
AP8102621	28.51	1
AP8102622	28.53	1
AP8102626	28.35	11
AP8102627	28.34	8
AP8102632	28.11	8
AP8102633	28.11	9
AP8102677	28.29	4
AP8102678	28.20	7
AP8102688	28.20	10
AP8102719	28.20	11
AP8102727	28.20	5
AP8102731	28.32	24
AP8102732	28.29	5
AP8102732	28.31	4
AP8102741	29.36	13
AP8102763	28.33	12
AP8102764	28.29	14
AP8102764	28.35	5
AP8102765	28.34	15
AP8102766	28.20	23
AP8102766	28.33	23
AP8102786	28.32	20
AP8102787	28.26	1
AP8102828	28.32	12
AP8102829	28.35	18
AP8102873	28.35	10
AP8102880	28.51	5
AP8102909	28.11	10
AP8102910	28.51	4
AP8102911	28.22	11
AP8102911	28.51	2
AP8102912	28.19	7
AP8102912	28.19	7

Code	Nr. der Tafel	Pos.
AP8102912	28.51	3
AP8102912	28.51	3
AP8102913	28.22	7
AP8102913	28.51	7
AP8102914	28.22	8
AP8102914	28.51	6
AP8102951	28.30	3
AP8102952	28.30	2
AP8102985	28.20	2
AP8104089	28.53	2
AP8104097	28.29	3
AP8104097	28.30	1
AP8104098	28.51	1
AP8104100	28.32	3
AP8104141	28.53	2
AP8104142	28.53	2
AP8104143	28.53	2
AP8104164	28.53	2
AP8104171	28.53	2
AP8104183	28.39	1
AP8104214	28.51	1
AP8104219	28.19	7
AP8104219	28.51	3
AP8106379	29.36	3
AP8106381	28.27	13
AP8106382	28.27	24
AP8106384	28.27	9
AP8106385	28.34	9
AP8106386	28.34	1
AP8106387	28.32	29
AP8106388	28.32	14
AP8106389	28.32	31
AP8106395	28.33	5
AP8106443	28.35	1
AP8106444	28.35	2
AP8106633	29.66	16
AP8106634	29.66	17
AP8106672	28.27	10
AP8106687	29.36	2
AP8106710	29.36	1
AP8106712	28.11	14
AP8106718	29.36	1
AP8106757	29.36	1
AP8106764	28.20	6
AP8106806	28.41	19
AP8106935	28.27	26
AP8107118	28.41	1
AP8107118	28.42	1
AP8107122	28.41	2
AP8107122	28.42	2
AP8107136	28.41	25
AP8107136	28.42	4
AP8107137	28.41	25
AP8107137	28.42	4
AP8108675	28.38	9
AP8108676	28.41	3
AP8108844	28.39	9
AP8108854	28.42	3
AP8110065	28.10	2
AP8110068	28.10	11
AP8110074	28.26	9
AP8110077	28.06	1
AP8110078	28.09	11
AP8110079	28.09	1
AP8110081	28.41	23
AP8110081	28.42	20
AP8110093	28.42	19

Code	Nr. der Tafel	Pos.
AP8110094	28.39	11
AP8112176	28.48	8
AP8112599	28.25	2
AP8112599	28.47	7
AP8112600	28.30	9
AP8112795	28.48	5
AP8112811	28.50	21
AP8112832	28.49	16
AP8112939	28.29	17
AP8112940	28.50	7
AP8112996	28.49	17
AP8113003	28.27	3
AP8113003	28.28	10
AP8113003	28.32	7
AP8113003	28.44	5
AP8113004	28.32	6
AP8113004	28.37	15
AP8113070	28.40	5
AP8113070	28.44	11
AP8113230	28.27	5
AP8113241	28.43	1
AP8113288	28.43	6
AP8113324	28.43	7
AP8113499	28.28	3
AP8113553	28.27	23
AP8113553	28.43	2
AP8113598	28.28	2
AP8113607	28.38	8
AP8113607	28.40	9
AP8113612	28.44	2
AP8113717	28.28	6
AP8113719	28.27	12
AP8113719	28.28	8
AP8113721	28.40	6
AP8113722	28.40	7
AP8113723	28.40	8
AP8113752	28.44	9
AP8113754	28.40	3
AP8113758	28.27	7
AP8113759	28.27	8
AP8113761	28.27	6
AP8113762	28.27	4
AP8113764	28.27	15
AP8113764	28.28	18
AP8113764	28.43	3
AP8113765	28.43	4
AP8113773	28.27	14
AP8113873	28.44	6
AP8113874	28.28	1
AP8113886	28.39	8
AP8113886	28.40	9
AP8113892	28.40	1
AP8113893	28.40	2
AP8113895	28.44	10
AP8113897	28.44	7
AP8113898	28.44	8
AP8113905	28.28	4
AP8114359	28.26	18
AP8114403	29.69	15
AP8114404	28.26	16
AP8114405	28.26	17
AP8116067	29.70	5
AP8116071	28.07	20
AP8116071	28.08	17
AP8117033	28.09	27
AP8117033	28.31	12
AP8117033	28.49	21

Code	Nr. der Tafel	Pos.
AP8117041	28.20	9
AP8117125	28.21	18
AP8117127	28.18	2
AP8117128	28.18	4
AP8117129	28.14	3
AP8117130	28.15	11
AP8117131	28.15	12
AP8117132	28.16	3
AP8117132	28.17	2
AP8117133	28.16	11
AP8117133	28.17	11
AP8117167	28.37	16
AP8117174	28.18	2
AP8118470	28.26	14
AP8118492	28.26	21
AP8118501	28.26	8
AP8118534	28.26	2
AP8118536	28.26	3
AP8118561	28.26	2
AP8118562	28.26	3
AP8118566	28.26	19
AP8118567	28.26	20
AP8119412	28.37	3
AP8119413	28.37	4
AP8119414	28.37	2
AP8119492	28.37	5
AP8119497	28.37	14
AP8119565	28.37	6
AP8119568	28.37	6
AP8119582	28.37	6
AP8120001	28.15	1
AP8120001	28.23	7
AP8120030	28.18	7
AP8120030	28.28	14
AP8120030	28.32	4
AP8120030	28.33	21
AP8120116	28.20	1
AP8120116	29.36	11
AP8120178	28.26	10
AP8120178	28.43	10
AP8120179	28.20	21
AP8120190	28.26	23
AP8120190	28.32	11
AP8120196	28.32	27
AP8120218	28.49	1
AP8120218	28.50	1
AP8120253	28.33	22
AP8120253	28.35	12
AP8120285	28.35	19
AP8120354	28.31	13
AP8120355	28.31	10
AP8120405	28.49	13
AP8120428	28.51	15
AP8120446	28.32	17
AP8120446	29.36	12
AP8120531	28.15	2
AP8120531	28.31	2
AP8120573	28.04	4
AP8120582	28.03	5
AP8120615	28.33	6
AP8120622	28.15	10
AP8120754	28.50	4
AP8120876	28.33	15
AP8120893	28.19	1
AP8120894	28.19	2
AP8120894	28.19	2
AP8120912	28.43	11

Code	Nr. der Tafel	Pos.
AP8120912	29.36	4
AP8120952	28.20	15
AP8120952	28.23	3
AP8120952	28.31	11
AP8120965	28.19	5
AP8120965	29.69	13
AP8120978	28.29	6
AP8120979	28.29	7
AP8120980	28.29	16
AP8120981	28.30	4
AP8120985	28.09	3
AP8120986	28.09	4
AP8120987	28.20	16
AP8120987	28.33	24
AP8120988	28.31	15
AP8120990	28.34	7
AP8120991	28.34	14
AP8120992	28.35	17
AP8120993	28.34	11
AP8120995	28.09	22
AP8121014	28.05	4
AP8121020	28.48	1
AP8121041	28.06	14
AP8121075	28.09	29
AP8121133	28.04	11
AP8121135	28.04	2
AP8121155	28.10	10
AP8121200	28.09	5
AP8121201	28.09	6
AP8121202	28.09	7
AP8121203	28.09	8
AP8121204	28.09	15
AP8121205	28.06	8
AP8121207	28.06	4
AP8121212	28.41	22
AP8121212	28.42	22
AP8121213	28.41	21
AP8121213	28.42	21
AP8121221	28.43	12
AP8121221	29.36	5
AP8121222	28.43	8
AP8121223	28.43	13
AP8121224	28.04	3
AP8121225	28.41	8
AP8121225	28.42	8
AP8121231	28.37	1
AP8121233	28.06	19
AP8121234	28.44	1
AP8121235	28.06	22
AP8121236	28.06	16
AP8121253	28.15	13
AP8121254	28.03	23
AP8121261	28.26	6
AP8121262	28.26	4
AP8121267	28.20	3
AP8121293	28.27	20
AP8121297	28.12	7
AP8121302	28.06	9
AP8121313	28.03	19
AP8121346	28.06	8
AP8121375	28.05	8
AP8121408	28.41	9
AP8121408	28.42	9
AP8121421	28.18	6
AP8121428	28.02	4
AP8121429	28.05	8
AP8121573	28.08	3

Code	Nr. der Tafel	Pos.
AP8121678	28.51	16
AP8121731	28.32	22
AP8121731	28.33	16
AP8121736	28.49	14
AP8121773	28.37	13
AP8121837	28.29	2
AP8121862	28.32	9
AP8121882	28.01	4
AP8121890	28.09	9
AP8121890	28.23	6
AP8121915	28.27	2
AP8121915	28.28	9
AP8121915	28.44	4
AP8121927	28.43	14
AP8121991	28.21	14
AP8121995	28.03	17
AP8121996	28.03	16
AP8121997	28.03	14
AP8121998	28.03	10
AP8123637	28.07	1
AP8123637	28.08	1
AP8123638	28.07	2
AP8123638	28.08	2
AP8123640	28.06	3
AP8123641	28.06	11
AP8123642	28.06	5
AP8123643	28.06	6
AP8123644	28.06	7
AP8123645	28.06	23
AP8123806	28.08	7
AP8123810	28.07	4
AP8123811	28.08	12
AP8123812	28.08	13
AP8123815	28.07	11
AP8123816	28.07	10
AP8123819	28.07	14
AP8123820	28.07	15
AP8123821	28.07	16
AP8123822	28.08	4
AP8123823	28.08	5
AP8123824	28.08	6
AP8123825	28.08	8
AP8123826	28.08	11
AP8123827	28.08	9
AP8123828	28.08	10
AP8123829	28.07	3
AP8123830	28.07	9
AP8123831	28.07	5
AP8123832	28.07	6
AP8123833	28.07	12
AP8123834	28.07	13
AP8123835	28.07	7
AP8123836	28.07	8
AP8123849	28.07	1
AP8123849	28.08	1
AP8123850	28.07	2
AP8123850	28.08	2
AP8123859	28.10	12
AP8123860	28.10	13
AP8123861	28.10	14
AP8123862	28.10	15
AP8123863	28.10	16
AP8123864	28.06	18
AP8123865	28.06	15
AP8123866	28.06	21
AP8123870	28.10	17
AP8123925	28.06	23

Code	Nr. der Tafel	Pos.
AP8123925	30.71	8
AP8123927	28.06	2
AP8123928	28.06	3
AP8123932	28.06	2
AP8123934	28.18	8
AP8123939	28.10	4
AP8123975	28.07	17
AP8123975	28.08	14
AP8123976	28.07	18
AP8123976	28.08	15
AP8123977	28.07	19
AP8123977	28.08	16
AP8124094	28.05	13
AP8124235	28.48	5
AP8124260	28.26	15
AP8124261	28.26	13
AP8124262	28.45	1
AP8124266	28.50	8
AP8124267	28.49	7
AP8124269	28.49	15
AP8124269	28.50	15
AP8124273	28.50	20
AP8124274	28.48	7
AP8124277	28.48	9
AP8124283	28.47	1
AP8124284	28.49	20
AP8124286	28.46	1
AP8124287	28.46	2
AP8124288	28.28	21
AP8124289	28.50	14
AP8124293	28.48	11
AP8124294	28.25	1
AP8124297	28.34	13
AP8124300	28.12	2
AP8124398	28.27	21
AP8124439	28.50	5
AP8124441	28.48	3
AP8124441	28.49	3
AP8124441	28.50	6
AP8124456	28.46	1
AP8124471	28.46	2
AP8124514	28.45	1
AP8124528	28.44	3
AP8124529	28.35	13
AP8124551	28.26	13
AP8124558	28.47	2
AP8124559	28.47	3
AP8124560	28.47	4
AP8124561	28.47	5
AP8124562	28.47	6
AP8124563	28.46	4
AP8124564	28.45	8
AP8124565	28.45	9
AP8124566	28.45	2
AP8124567	28.45	6
AP8124568	28.45	5
AP8124569	28.25	4
AP8124570	28.25	5
AP8124571	28.25	6
AP8124572	28.25	10
AP8124573	28.25	9
AP8124574	28.25	8
AP8124575	28.25	7
AP8124636	28.50	12
AP8124668	28.47	1
AP8124719	28.13	7
AP8124748	28.49	20

Code	Nr. der Tafel	Pos.
AP8124836	28.48	3
AP8124836	28.49	3
AP8124836	28.50	6
AP8124837	28.45	1
AP8124855	28.30	5
AP8124885	28.47	2
AP8124889	28.46	3
AP8124890	28.46	4
AP8124895	28.51	4
AP8124896	28.45	8
AP8124896	28.45	9
AP8124929	28.29	15
AP8125687	28.09	17
AP8125728	28.38	2
AP8125728	28.39	2
AP8125730	28.41	11
AP8125730	28.42	11
AP8125731	28.41	6
AP8125731	28.42	6
AP8125732	28.41	24
AP8125732	28.42	18
AP8125733	28.41	4
AP8125763	28.09	13
AP8125773	28.38	10
AP8125777	28.38	11
AP8125778	28.38	12
AP8125779	28.38	13
AP8125786	28.41	15
AP8125787	28.41	16
AP8125788	28.41	17
AP8125827	28.38	6
AP8125827	28.39	6
AP8125830	28.09	2
AP8125831	28.41	12
AP8125831	28.42	12
AP8125838	28.42	15
AP8125839	28.42	17
AP8125840	28.42	16
AP8125841	28.39	10
AP8125842	28.39	13
AP8125843	28.39	12
AP8126579	28.24	2
AP8126591	28.24	6
AP8126650	28.24	2
AP8126682	28.13	1
AP8126701	28.21	9
AP8126702	28.21	10
AP8126775	28.24	1
AP8126784	28.13	1
AP8126837	28.13	1
AP8126838	28.13	1
AP8126839	28.13	1
AP8126840	28.13	1
AP8126841	28.13	1
AP8126842	28.13	1
AP8126843	28.13	1
AP8126854	28.13	1
AP8127309	28.48	4
AP8129169	28.21	1
AP8129170	28.21	2
AP8129204	28.21	6
AP8129211	28.21	3
AP8133522	28.27	25
AP8134370	28.18	1
AP8134373	28.05	3
AP8134378	28.37	10
AP8134379	28.03	11

Code	Nr. der Tafel	Pos.
AP8134380	28.03	12
AP8134383	28.28	11
AP8134384	28.43	25
AP8134385	28.44	17
AP8134389	28.02	1
AP8134390	28.02	2
AP8134394	28.27	1
AP8134396	28.22	1
AP8134399	28.33	8
AP8134415	28.43	24
AP8134419	28.18	9
AP8134436	28.02	5
AP8134437	28.33	9
AP8134438	28.28	12
AP8134443	28.44	14
AP8134448	28.24	3
AP8134451	28.04	17
AP8134452	28.01	3
AP8134480	28.48	6
AP8134493	28.33	8
AP8134541	28.02	7
AP8134541	28.04	1
AP8134608	28.01	6
AP8134608	28.51	17
AP8134609	28.37	18
AP8134619	28.02	14
AP8134625	28.33	7
AP8134632	28.48	6
AP8134650	28.20	8
AP8134651	28.04	13
AP8134652	28.04	14
AP8134654	28.21	19
AP8134655	28.05	3
AP8135897	28.02	13
AP8135897	28.03	13
AP8135905	28.02	3
AP8135906	28.01	1
AP8135909	28.04	7
AP8135910	28.04	8
AP8135915	28.05	2
AP8135916	28.10	5
AP8135917	28.10	3
AP8135918	28.09	10
AP8135924	28.10	1
AP8135925	28.43	23
AP8135999	28.05	1
AP8137857	28.53	7
AP8138554	28.33	3
AP8138554	28.33	3
AP8138555	28.33	10
AP8138556	28.31	14
AP8138558	28.32	1
AP8138565	28.16	1
AP8138565	28.17	1
AP8138570	28.14	5
AP8138579	28.14	6
AP8138580	28.11	12
AP8138591	28.23	1
AP8138592	28.22	4
AP8138593	28.09	23
AP8138596	28.50	11
AP8138597	28.49	22
AP8138624	28.34	12
AP8138776	28.50	10
AP8138947	28.21	17
AP8139414	28.12	13
AP8139415	28.12	1

Code	Nr. der Tafel	Pos.
AP8139517	28.11	3
AP8139732	28.33	3
AP8140451	30.72	1
AP8140453	30.72	1
AP8140496	30.72	2
AP8140497	30.72	2
AP8140498	30.72	2
AP8140499	30.72	3
AP8140500	30.72	3
AP8140501	30.72	3
AP8140505	30.72	4
AP8140506	30.72	4
AP8140507	30.72	4
AP8140520	30.72	5
AP8140521	30.72	5
AP8140522	30.72	5
AP8140532	30.72	6
AP8140533	30.72	6
AP8140534	30.72	6
AP8140699	30.72	7
AP8140700	30.72	7
AP8140701	30.72	7
AP8140702	30.72	2
AP8140703	30.72	3
AP8144003	28.34	5
AP8144005	28.09	16
AP8144006	28.09	12
AP8144007	28.43	15
AP8144008	28.32	28
AP8144010	28.34	6
AP8144011	28.34	10
AP8144015	28.32	13
AP8144015	29.36	10
AP8144032	28.31	8
AP8144033	28.29	9
AP8144034	28.29	10
AP8144038	28.33	14
AP8144045	28.49	24
AP8144046	28.50	9
AP8144047	28.35	8
AP8144048	28.09	14
AP8144061	28.32	19
AP8144062	28.18	8
AP8144063	28.33	4
AP8144069	28.35	15
AP8144071	28.37	11
AP8144081	28.16	4
AP8144081	28.17	4
AP8144081	28.21	11
AP8144083	28.26	5
AP8144090	28.32	30
AP8144092	28.29	13
AP8144093	28.29	12
AP8144094	28.29	11
AP8144109	28.11	4
AP8144109	28.16	7
AP8144109	28.17	7
AP8144151	28.28	19
AP8144158	28.19	6
AP8144158	28.27	19
AP8144176	28.33	25
AP8144275	28.32	8
AP8144281	28.11	13
AP8144284	28.09	28
AP8144298	28.34	11
AP8144319	28.35	8
AP8144328	28.18	7

Code	Nr. der Tafel	Pos.
AP8144351	28.19	2
AP8146171	28.04	5
AP8146172	28.04	15
AP8146299	28.01	1
AP8146300	28.04	9
AP8146301	28.04	10
AP8146355	28.02	13
AP8146355	28.03	13
AP8146360	28.05	1
AP8146362	28.28	5
AP8146364	28.05	2
AP8147574	28.53	7
AP8147575	28.53	7
AP8147576	28.53	4
AP8147577	28.53	5
AP8147578	28.53	6
AP8147802	28.53	3
AP8148350	28.12	4
AP8148351	28.12	5
AP8148355	28.14	5
AP8148356	28.23	1
AP8148427	28.32	1
AP8148459	28.11	3
AP8148483	28.15	6
AP8148484	28.15	7
AP8148519	28.18	5
AP8148522	28.16	2
AP8148523	28.17	3
AP8148524	28.11	11
AP8148525	28.15	4
AP8148526	28.15	5
AP8148529	28.15	8
AP8148530	28.15	9
AP8148531	28.12	12
AP8148532	28.12	11
AP8148535	28.21	7
AP8148536	28.21	8
AP8148537	28.22	4
AP8148538	28.22	10
AP8148539	28.21	5
AP8148543	28.18	5
AP8148548	28.11	12
AP8148549	28.16	2
AP8148550	28.17	3
AP8148551	28.14	4
AP8148552	28.11	11
AP8148553	28.15	4
AP8148559	28.12	12
AP8148560	28.12	11
AP8148563	28.21	7
AP8148564	28.21	8
AP8148566	28.22	10
AP8148567	28.21	5
AP8148587	28.24	16
AP8148588	28.13	6
AP8148589	28.13	5
AP8148600	28.15	5
AP8148640	28.33	2
AP8148660	28.49	22
AP8148821	28.11	3
AP8148903	28.17	3
AP8148904	28.18	5
AP8148905	28.11	11
AP8148906	28.15	4
AP8148907	28.15	5
AP8148908	28.16	2
AP8148909	28.17	3

Code	Nr. der Tafel	Pos.
AP8148910	28.17	3
AP8148911	28.12	13
AP8148912	28.12	1
AP8148913	28.12	12
AP8148914	28.12	11
AP8148915	28.15	8
AP8148916	28.15	9
AP8148917	28.21	7
AP8148918	28.21	8
AP8148919	28.21	5
AP8148920	28.22	10
AP8148921	28.18	5
AP8148922	28.11	11
AP8148923	28.15	4
AP8148924	28.15	5
AP8148925	28.16	2
AP8148926	28.17	3
AP8148927	28.17	3
AP8148928	28.12	13
AP8148929	28.12	1
AP8148930	28.12	12
AP8148931	28.12	11
AP8148932	28.15	8
AP8148933	28.15	9
AP8148934	28.21	7
AP8148935	28.21	8
AP8148936	28.21	5
AP8148937	28.22	10
AP8148938	28.18	5
AP8148939	28.11	11
AP8148940	28.15	4
AP8148941	28.15	5
AP8148942	28.16	2
AP8148943	28.17	3
AP8148944	28.17	3
AP8148945	28.12	13
AP8148946	28.12	1
AP8148947	28.12	12
AP8148948	28.12	11
AP8148949	28.15	8
AP8148950	28.15	9
AP8148951	28.21	7
AP8148952	28.21	8
AP8148953	28.21	5
AP8148954	28.22	10
AP8149033	28.23	1
AP8149034	28.24	10
AP8149041	28.33	3
AP8149042	28.17	3
AP8149064	28.23	1
AP8150012	28.49	12
AP8150013	28.20	14
AP8150013	28.44	15
AP8150014	28.18	11
AP8150014	28.48	14
AP8150015	28.05	11
AP8150015	28.23	6
AP8150018	28.37	12
AP8150020	28.43	16
AP8150026	28.30	11
AP8150026	28.43	17
AP8150026	28.49	8
AP8150026	28.50	16
AP8150038	28.05	5
AP8150044	28.43	18
AP8150044	29.36	9
AP8150137	28.32	23

Code	Nr. der Tafel	Pos.
AP8150159	28.45	4
AP8150159	28.47	8
AP8150159	28.50	3
AP8150177	28.24	9
AP8150195	28.41	20
AP8150204	28.13	3
AP8150204	28.24	18
AP8150211	28.06	10
AP8150220	29.36	8
AP8150272	28.13	2
AP8150272	28.24	8
AP8150277	28.37	8
AP8150277	28.43	27
AP8150285	28.22	3
AP8150285	28.51	11
AP8150292	28.03	6
AP8150292	28.05	12
AP8150314	28.02	16
AP8150334	28.09	19
AP8150334	28.37	7
AP8150340	28.24	7
AP8150349	28.51	8
AP8150400	28.05	15
AP8150403	28.43	26
AP8150413	28.12	6
AP8150413	28.21	13
AP8150413	28.33	18
AP8150413	28.34	3
AP8150413	28.45	3
AP8150413	28.47	9
AP8150421	28.15	3
AP8150421	28.34	2
AP8150421	28.48	10
AP8150429	28.49	9
AP8150429	28.50	17
AP8150430	28.03	20
AP8150436	28.05	14
AP8150436	28.41	10
AP8150436	28.42	10
AP8150450	28.11	6
AP8150450	28.16	9
AP8150450	28.17	9
AP8150451	28.49	11
AP8150453	28.19	9
AP8150453	28.51	13
AP8150454	28.19	8
AP8150454	28.51	14
AP8150457	28.10	9
AP8150458	28.10	8
AP8150459	28.18	12
AP8150462	28.43	19
AP8150462	29.36	6
AP8150463	28.41	18
AP8150468	28.09	18
AP8150468	28.23	5
AP8150469	28.01	5
AP8150472	28.26	22
AP8150490	28.06	26
AP8152001	28.05	6
AP8152040	28.06	17
AP8152040	28.26	11
AP8152123	28.49	6
AP8152181	28.03	22
AP8152181	28.32	25
AP8152184	28.30	6
AP8152184	28.35	6
AP8152190	28.39	3

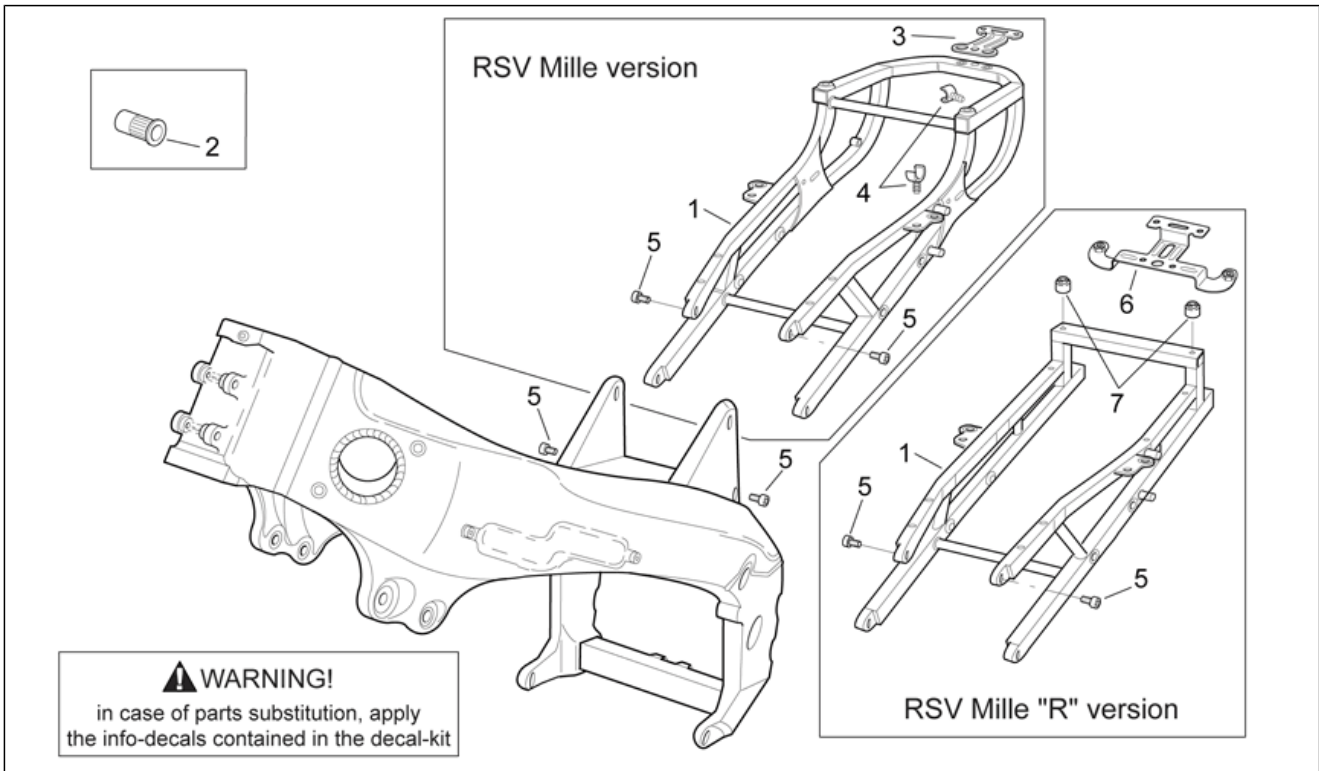
Code	Nr. der Tafel	Pos.
AP8152246	28.03	7
AP8152246	28.11	2
AP8152246	28.14	2
AP8152246	28.16	6
AP8152246	28.17	6
AP8152246	28.21	12
AP8152246	28.23	8
AP8152246	28.33	20
AP8152246	28.45	7
AP8152267	28.09	26
AP8152267	28.24	15
AP8152268	28.24	17
AP8152272	28.02	10
AP8152272	28.28	13
AP8152272	28.35	9
AP8152272	28.44	16
AP8152273	28.20	13
AP8152273	28.27	16
AP8152273	28.31	1
AP8152273	28.33	19
AP8152273	28.34	4
AP8152273	28.35	14
AP8152273	28.43	20
AP8152275	28.49	18
AP8152277	28.04	16
AP8152277	28.14	1
AP8152277	28.27	18
AP8152277	28.28	20
AP8152277	28.30	10
AP8152277	28.32	15
AP8152277	28.33	17
AP8152277	28.35	7
AP8152277	28.49	5
AP8152278	28.02	19
AP8152278	28.03	15
AP8152278	28.04	6
AP8152278	28.18	3
AP8152278	28.22	5
AP8152278	28.23	5
AP8152278	28.23	9
AP8152278	28.24	13
AP8152278	28.31	7
AP8152278	28.32	26
AP8152278	28.35	3
AP8152278	28.37	17
AP8152278	28.46	5
AP8152278	28.49	23
AP8152278	28.51	10
AP8152279	28.02	20
AP8152279	28.05	10
AP8152279	28.12	3
AP8152279	28.20	25
AP8152279	28.21	4
AP8152279	28.26	7
AP8152279	28.30	7
AP8152279	28.31	9
AP8152279	28.32	16
AP8152279	28.43	22
AP8152279	28.44	13
AP8152279	28.46	6
AP8152279	28.48	12
AP8152280	28.18	13
AP8152280	28.28	15
AP8152280	28.48	15
AP8152281	28.03	21
AP8152281	28.06	13
AP8152281	28.18	13

Code	Nr. der Tafel	Pos.
AP8152282	28.49	10
AP8152283	28.48	12
AP8152285	28.32	10
AP8152285	28.48	13
AP8152286	28.38	3
AP8152286	28.44	12
AP8152286	28.44	18
AP8152288	28.04	18
AP8152288	28.37	19
AP8152288	28.51	9
AP8152289	28.06	12
AP8152289	28.26	12
AP8152290	28.08	3
AP8152298	28.11	1
AP8152298	28.12	8
AP8152298	28.13	4
AP8152298	28.24	11
AP8152299	28.02	17
AP8152299	28.18	10
AP8152299	28.20	24
AP8152299	28.23	10
AP8152299	28.24	12
AP8152299	28.25	3
AP8152299	28.28	16
AP8152299	28.32	21
AP8152299	28.46	7
AP8152300	28.37	9
AP8152301	28.03	1
AP8152301	28.10	7
AP8152302	28.09	25
AP8152302	28.09	30
AP8152302	28.13	4
AP8152302	28.15	14
AP8152302	28.22	6
AP8152305	28.09	20
AP8152306	28.24	14
AP8152306	28.24	5
AP8152306	28.27	17
AP8152315	28.03	25
AP8152316	28.03	24
AP8152317	28.03	2
AP8152318	28.03	3
AP8152320	28.05	5
AP8152322	28.10	6
AP8152323	28.38	4
AP8152323	28.39	4
AP8152323	28.41	14
AP8152323	28.42	14
AP8152324	28.41	13
AP8152324	28.42	13
AP8152325	28.03	4
AP8152335	28.38	5
AP8152335	28.39	5
AP8152336	28.40	10
AP8152384	28.06	24
AP8152385	28.40	10
AP8152386	28.01	7
AP8157446	28.53	7
AP8157635	28.53	7
AP8157653	28.53	7
AP8157654	28.53	3
AP8157737	28.53	6
AP8157770	28.06	25
AP8157822	28.53	5
AP8157829	28.53	7
AP8157847	28.53	7
AP8157882	28.52	1

Code	Nr. der Tafel	Pos.
AP8157883	28.52	1
AP8157884	28.52	2
AP8157885	28.52	2
AP8157886	28.52	2
AP8157887	28.52	2
AP8157888	28.52	3
AP8157889	28.52	3
AP8157890	28.52	3
AP8157891	28.52	3
AP8157892	28.52	4
AP8157893	28.52	4
AP8157894	28.52	4
AP8157895	28.52	4
AP8157901	28.52	1
AP8157902	28.52	2
AP8157903	28.52	3
AP8157904	28.52	4
AP8157913	28.52	1
AP8167044	28.52	5
AP8167045	28.52	5
AP8167046	28.52	5
AP8167047	28.52	5
AP8167048	28.52	5
AP8167106	28.52	6
AP8167107	28.52	6
AP8167108	28.52	6
AP8167109	28.52	6
AP8201301	28.43	21
AP8201539	28.02	15
AP8201539	28.23	4
AP8201727	28.02	11
AP8201727	28.03	26
AP8201755	28.09	21
AP8202154	28.20	4
AP8212469	28.50	13
AP8212588	28.48	2
AP8212680	28.46	3
AP8213057	28.27	11
AP8213057	28.28	7
AP8213057	28.43	5
AP8213193	28.40	4
AP8220149	28.06	20
AP8220150	28.50	2
AP8220263	28.20	17
AP8220269	28.02	12
AP8220269	28.03	5
AP8220269	28.12	9
AP8220283	28.50	18
AP8220349	28.21	16
AP8221023	28.18	6
AP8221023	28.28	17
AP8221023	28.30	8
AP8221023	28.32	5
AP8221046	29.36	7
AP8221129	28.22	2
AP8221129	28.51	12
AP8221145	28.21	15
AP8221145	28.31	6
AP8221197	28.05	9
AP8224164	28.24	4
AP8224164	28.24	4
AP8234020	28.09	24
AP8700792	30.76	2
AP8700793	30.76	2
AP8700794	30.76	2
AP8705020	28.10	4
AP8705021	30.76	4

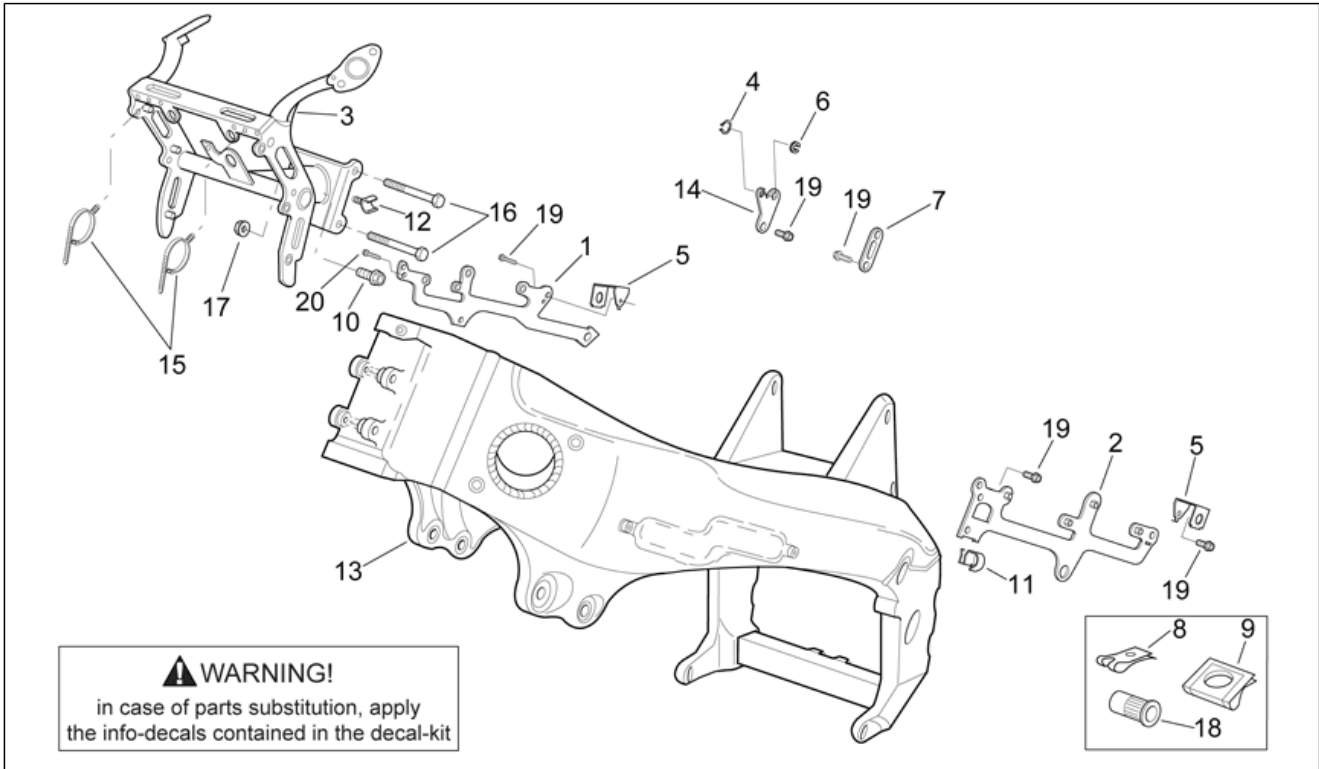
Code	Nr. der Tafel	Pos.
AP8720115	30.77	1
AP8720116	30.77	2
AP8720117	30.77	3
AP8720118	30.77	4
AP8791048	30.73	7
AP8791049	30.73	11
AP8791050	30.73	2
AP8791052	30.73	9
AP8791053	30.73	10
AP8791055	30.73	8
AP8791058	30.73	6
AP8791059	30.73	3
AP8791060	30.73	4
AP8791061	30.73	5
AP8792152	30.76	5
AP8792156	30.76	3
AP8795020	28.07	21
AP8795020	28.08	18
AP8796046	30.76	6
AP8796047	30.76	1
AP8796050	30.71	7
AP8796055	30.73	1
AP8796196	30.71	3
AP8796197	30.71	4
AP8796263	30.71	3
AP8796264	30.71	4
AP8796492	30.75	2
AP8796493	30.75	1
AP8796494	30.74	4
AP8796494	30.75	3
AP8796498	30.75	4
AP8796499	30.75	5
AP8796500	30.75	6
AP8796501	30.75	7
AP8796519	30.74	6
AP8796530	30.71	5
AP8796531	30.71	6
AP8796532	30.71	1
AP8796533	30.71	2
AP8796534	30.71	1
AP8796535	30.71	2
AP8797215	30.74	7
AP8797218	30.74	1
AP8797227	30.74	2
AP8797228	30.74	3
AP8797229	30.74	5
AP8797230	30.74	8
B044207	28.38	8

Einheit	RAHMEN
Code	28.01
Beschreibung	Rahmen I
Inspektion	1



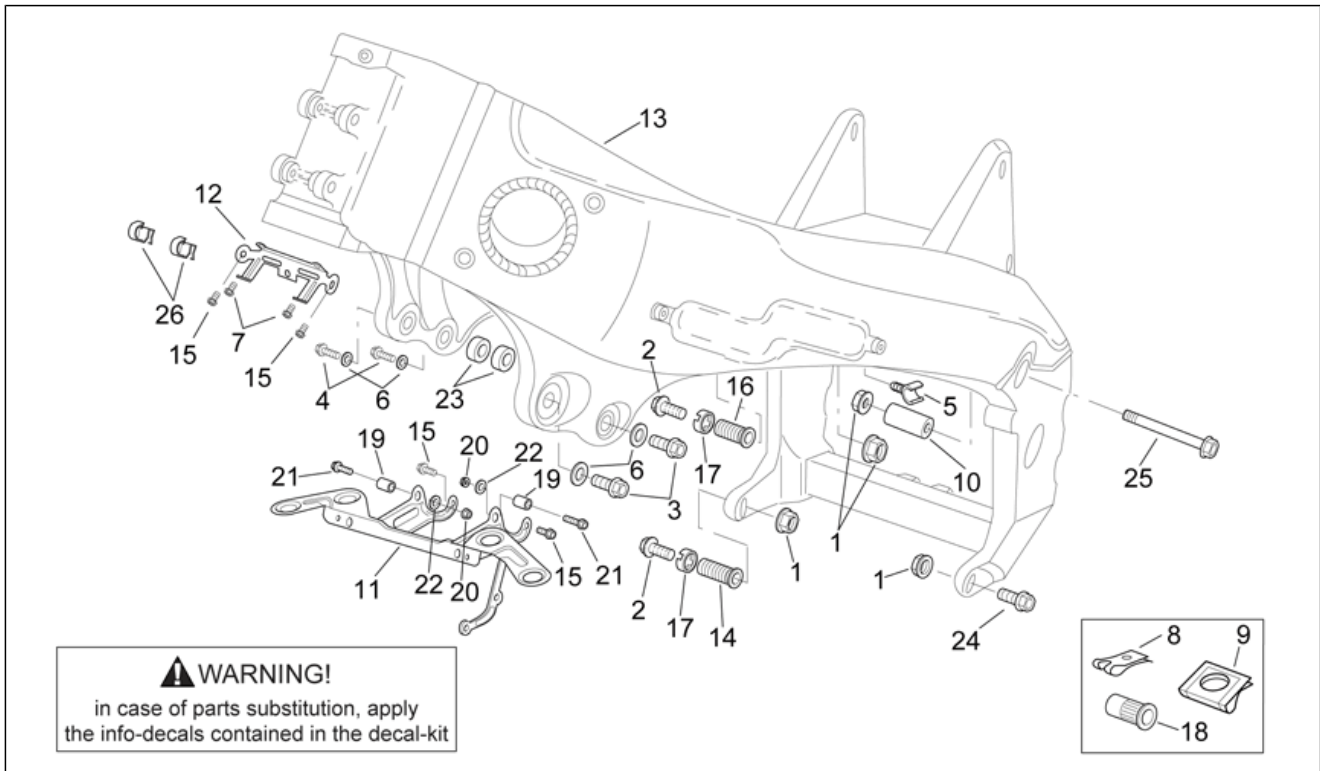
Pos.	Code	Beschreibung	Menge	Varianten
1	AP8135906	Sattelstütze	1	Technische Daten: Version RSV Mille[STD]
1	AP8146299	Sattelstütze	1	Technische Daten: "Version RSV Mille ""R""acing"[R]
2	AP8102544	Geschnitten Kunststoffniet M6	13	
3	AP8134452	Fixierung Heckteil	1	Technische Daten: Version RSV Mille[STD]
4	AP8121882	Kabelführungs	2	
5	AP8150469	TCEI Schraube M10x30	4	
6	AP8134608	Sitzschloß halter	1	Technische Daten: "Version RSV Mille ""R""acing"[R]
7	AP8152386	Distanzscheibe	2	Technische Daten: "Version RSV Mille ""R""acing"[R]

Einheit	RAHMEN
Code	28.02
Beschreibung	Rahmen II
Inspektion	1



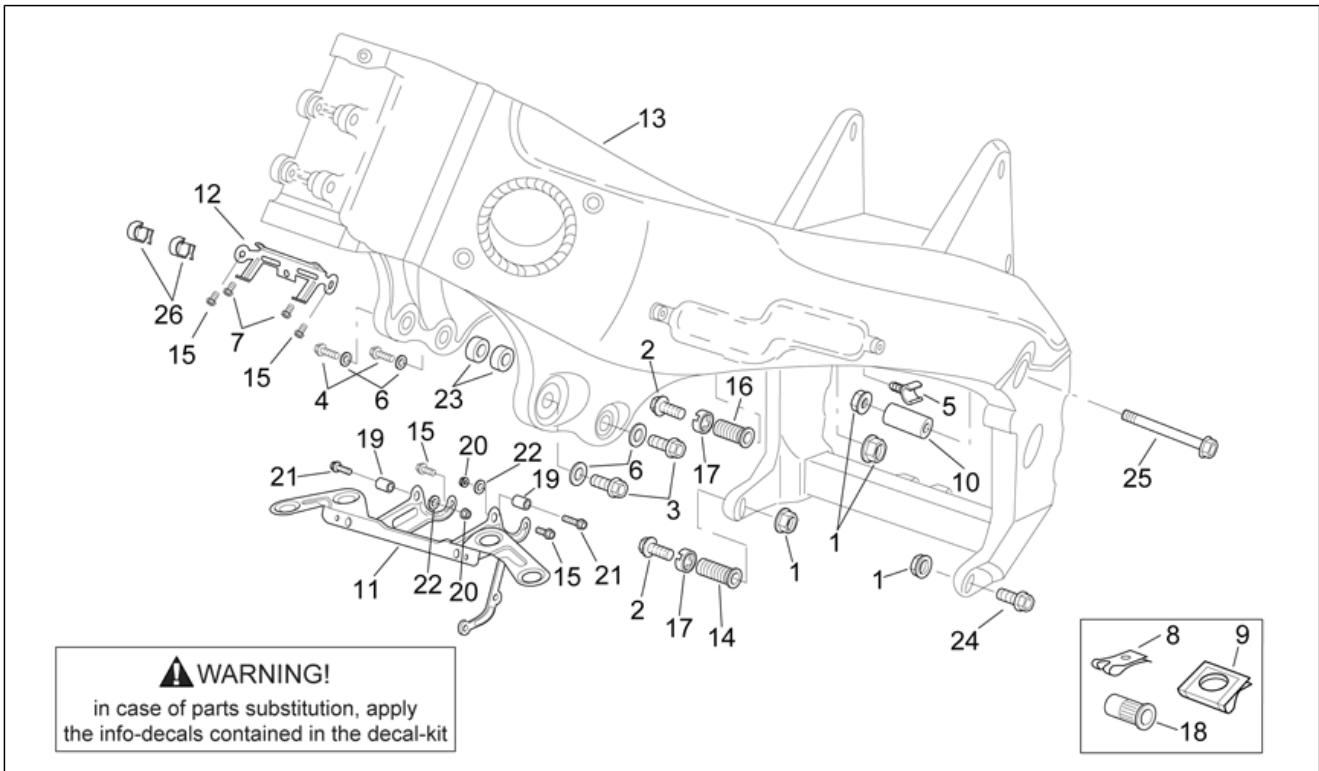
Pos.	Code	Beschreibung	Menge	Varianten
1	AP8134389	Fixierung rechts Spulen	1	
2	AP8134390	Fixierung links Spulen	1	
3	AP8135905	Instrumentenrahmen	1	
4	AP8121428	Seegerring d8	1	
5	AP8134436	Fixierplatte Kette	2	
6	AP8102498	Sprengring	1	
7	AP8134541	Seitenteilen Fixierplatte	1	
8	AP8102375	Klammer M5	2	
9	AP8102376	Klammer M6	2	
10	AP8152272	TE Schr. m. Flansch M5x12	1	
11	AP8201727	Kabelführungs schw.	1	
12	AP8220269	Kabelführungs	1	
13	AP8135897	Feinbearb. Rahmen	1	Land: Österreich[A], Australien[AUS], Belgien[B], Schweiz[CH], Deutschland[D], Dänemark[DK], Spanien[E], Frankreich[F], Griechenland[GR], Italien[I], Japan[J], Holland[NL], Portugal[P], Großbritannien[UK]
13	AP8146355	Feinbearb. Rahmen	1	Land: Vereinigte Staaten von Amerika[USA]
14	AP8134619	Platte Leerlaufkabel	1	
15	AP8201539	Schelle	2	
16	AP8150314	Sechskantschraube	2	
17	AP8152299	Selbstsperrende Mutter M6	2	
18	AP8102544	Geschnitten Kunststoffniet M6	12	
19	AP8152278	TE Schr. m. Flansch M6x16	20	
20	AP8152279	TE Schr. m. Flansch M6x20	1	

Einheit	RAHMEN
Code	28.03
Beschreibung	Rahmen III
Inspektion	1



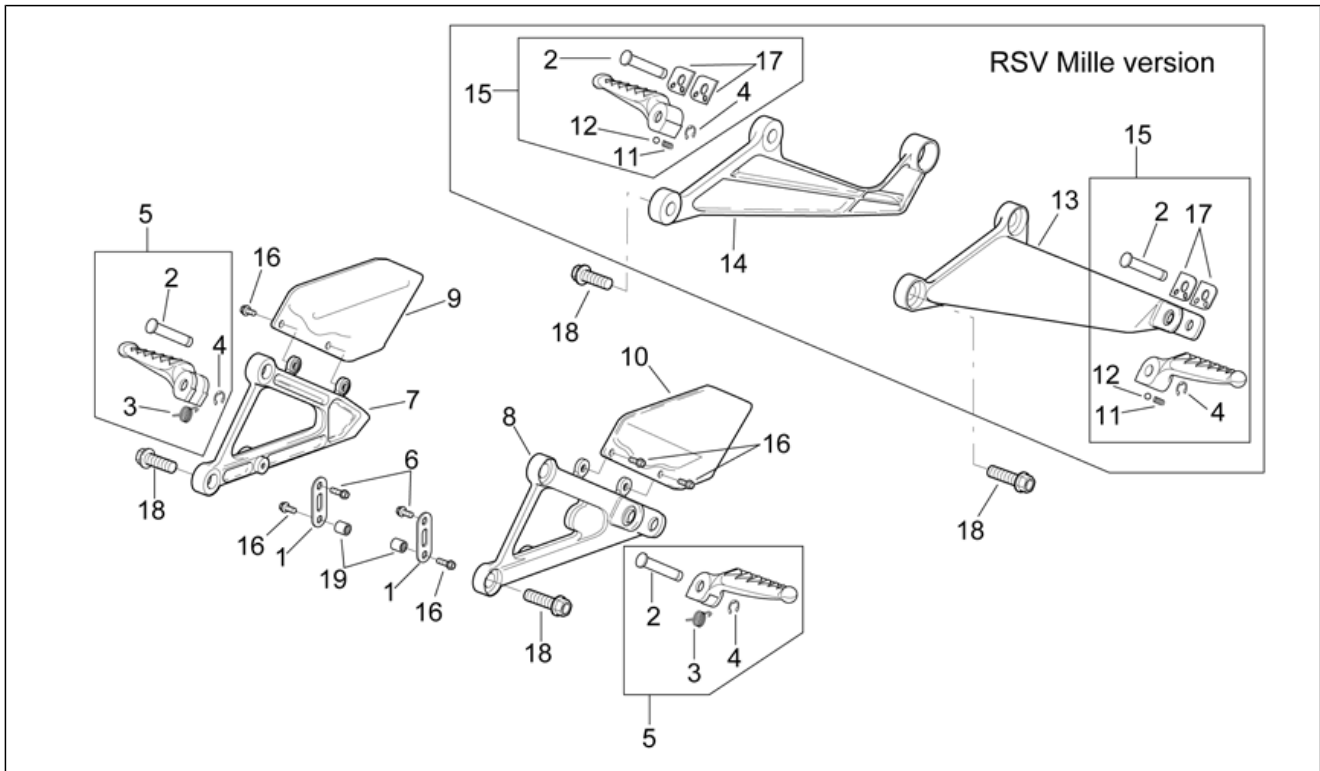
Pos.	Code	Beschreibung	Menge	Varianten
1	AP8152301	Selbstsperrende Mutter	4	
2	AP8152317	TE Schr. m. Flansch M10x100	2	
3	AP8152318	TE Schr. m. Flansch M10x35	2	
4	AP8152325	TE Schr. m. Flansch	2	
5	AP8120582	Kabelführungs	1	Land: Vereinigte Staaten von Amerika[USA]
5	AP8220269	Kabelführungs	1	Land: Österreich[A], Australien[AUS], Belgien[B], Schweiz[CH], Deutschland[D], Dänemark[DK], Spanien[E], Frankreich[F], Griechenland[GR], Italien[I], Japan[J], Holland[NL], Portugal[P], Großbritannien[UK]
6	AP8150292	Gebogene Sprengscheibe *	4	
7	AP8152246	TBEI Schraube m.Flansch M6x16	2	
8	AP8102375	Klammer M5	2	
9	AP8102376	Klammer M6	2	
10	AP8121998	Distanzst. Motorlager	1	
11	AP8134379	Unt. Kühlerhalter	1	
12	AP8134380	Obere Kühlerbefestigung	1	
13	AP8135897	Feinbearb. Rahmen	1	Land: Österreich[A], Australien[AUS], Belgien[B], Schweiz[CH], Deutschland[D], Dänemark[DK], Spanien[E], Frankreich[F], Griechenland[GR], Italien[I], Japan[J], Holland[NL], Portugal[P], Großbritannien[UK]
13	AP8146355	Feinbearb. Rahmen	1	Land: Vereinigte Staaten von Amerika[USA]
14	AP8121997	Unt. Einstellbuchse	1	
15	AP8152278	TE Schr. m. Flansch M6x16	4	
16	AP8121996	Ob. Einstellbuchse	1	
17	AP8121995	Motor-Nutmutter	2	
18	AP8102544	Geschnitten Kunststoffniet M6	10	
19	AP8121313	Konischebuchse	2	
20	AP8150430	Selbstsperr.mut Unt.	2	
21	AP8152281	TE Schr. m. Flansch M6x30	2	

Einheit	RAHMEN
Code	28.03
Beschreibung	Rahmen III
Inspektion	1



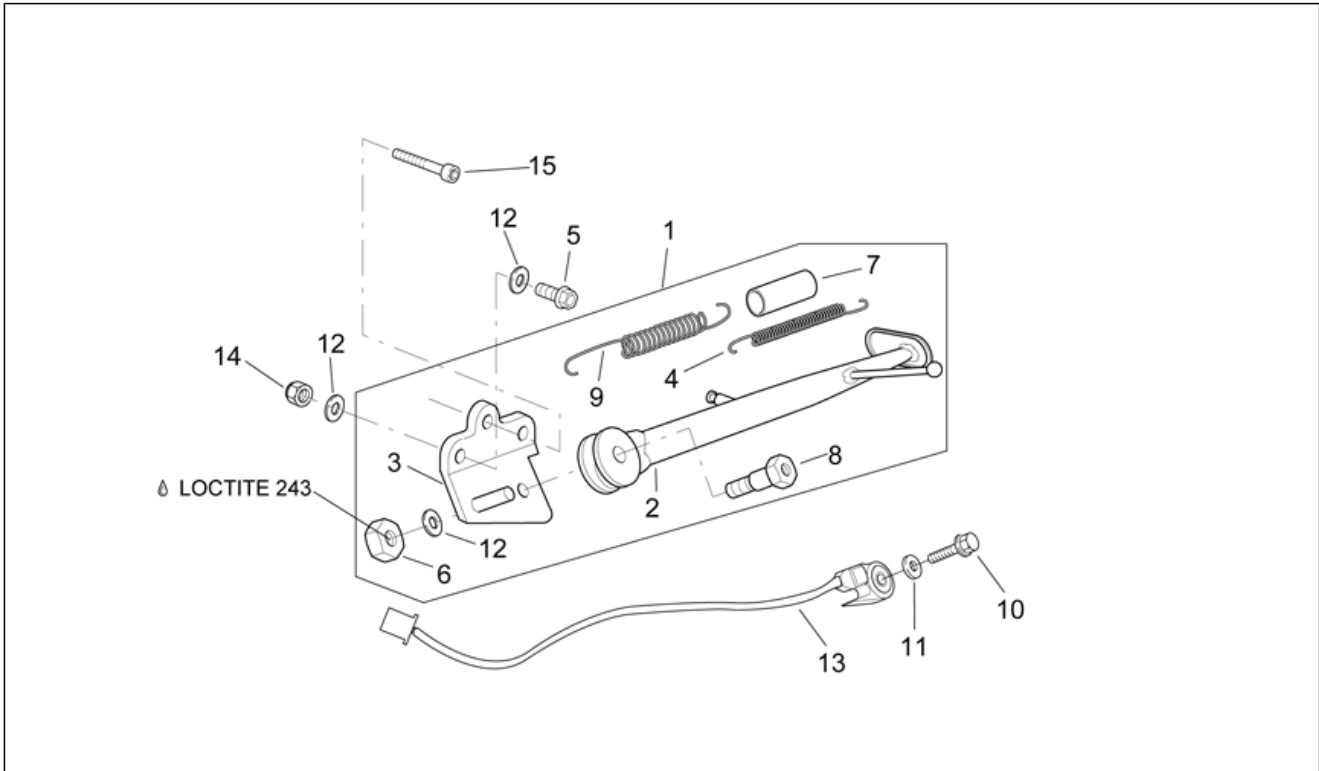
Pos.	Code	Beschreibung	Menge	Varianten
22	AP8152181	Scheibe 6,4x15x1	2	
23	AP8121254	V.links Motor Distanzscheibe	2	
24	AP8152316	TE Schr. m. Flansch M10x75	1	
25	AP8152315	TE Schr. m. Flansch M10x110	1	
26	AP8201727	Kabelführungs schw.	2	

Einheit	RAHMEN
Code	28.04
Beschreibung	Fußrasten
Inspektion	1



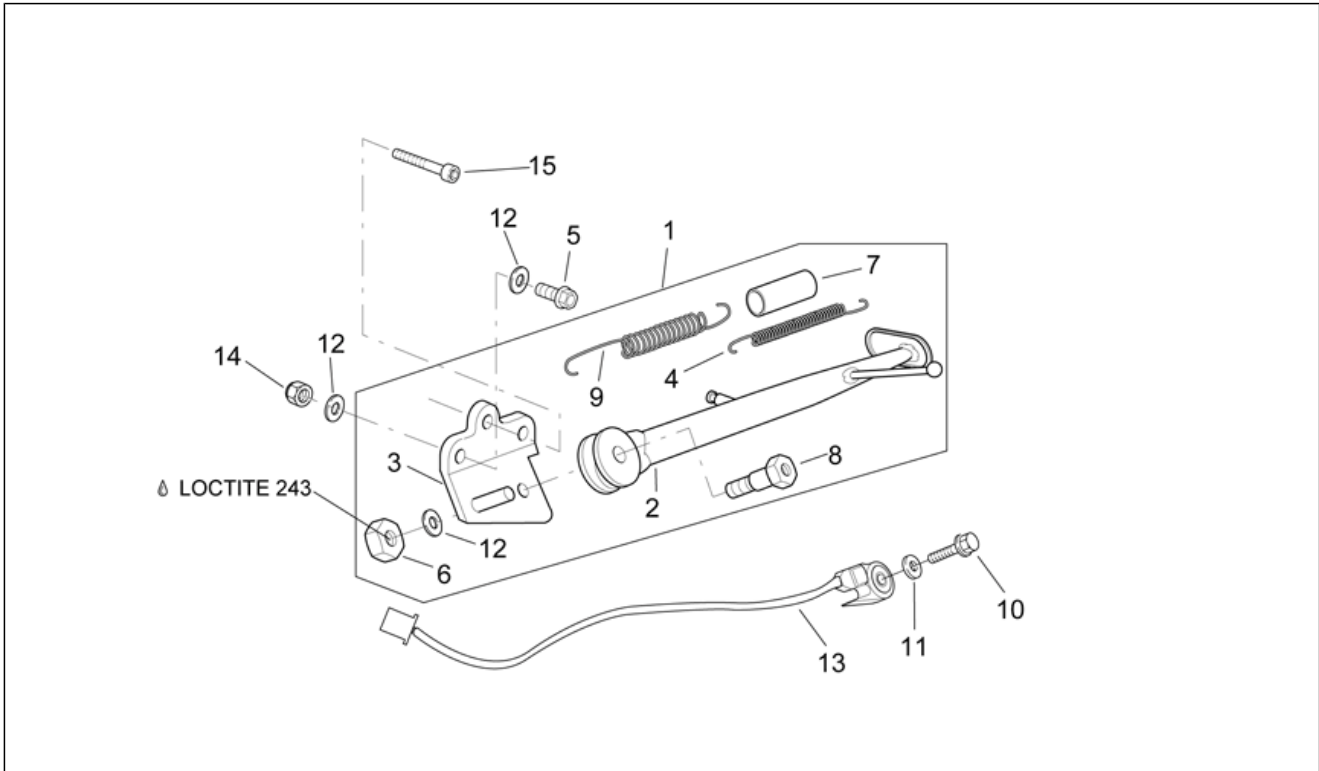
Pos.	Code	Beschreibung	Menge	Varianten
1	AP8134541	Seitenteilen Fixierplatte	2	
2	AP8121135	Rastenbolzen	4	
3	AP8121224	Rückholfeder	2	
4	AP8120573	Sperring	4	
5	AP8146171	Fußrasten Fahrer (Paar)	1	
6	AP8152278	TE Schr. m. Flansch M6x16	3	
7	AP8135909	Fußrastenhalter Fahrer rechts	1	
8	AP8135910	Fußrastenhalter Fahrer links	1	
9	AP8146300	Schutz Fahrerrast.rs.	1	
10	AP8146301	Schutz Fahrerrast.l.	1	
11	AP8121133	Schraubenfederkompr.	2	Technische Daten:Version RSV Mille[STD]
12	AP8101861	Kugel D6,35	2	Technische Daten:Version RSV Mille[STD]
13	AP8134651	Halter linke Soziasfußraste	1	Technische Daten:Version RSV Mille[STD]
14	AP8134652	Halter rechte Soziasfußraste	1	Technische Daten:Version RSV Mille[STD]
15	AP8146172	Soziasrasten (Paar)	1	Technische Daten:Version RSV Mille[STD]
16	AP8152277	TE Schr. m. Flansch M6x12	6	
17	AP8134451	Fixierplatte	4	Technische Daten:Version RSV Mille[STD]
18	AP8152288	TE Schr. m. Flansch	8	
19	AP8102544	Geschnitten Kunststoffniet M6	2	

Einheit	RAHMEN
Code	28.05
Beschreibung	Hauptständer
Inspektion	1



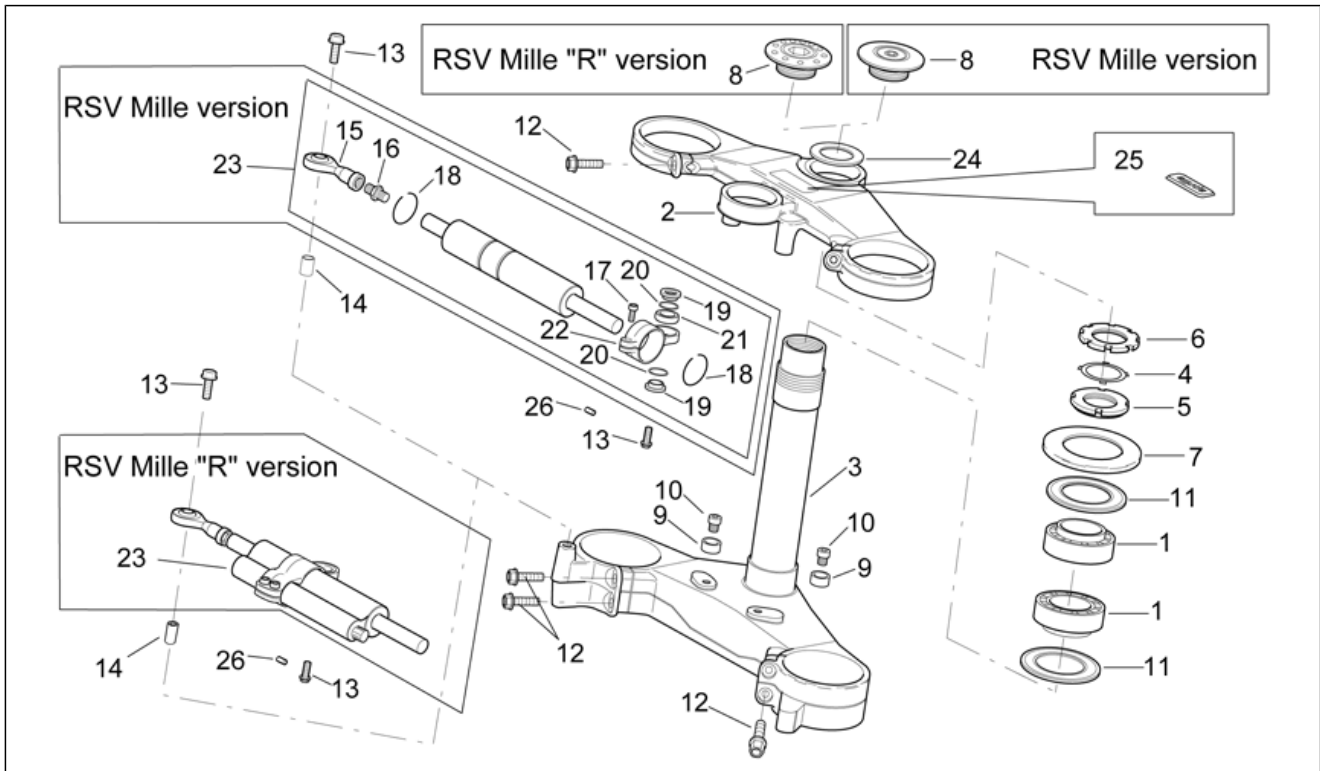
Pos.	Code	Beschreibung	Menge	Varianten
1	AP8135999	Hauptständer Kpl.	1	Land: Österreich[A], Australien[AUS], Belgien[B], Schweiz[CH], Deutschland[D], Dänemark[DK], Spanien[E], Frankreich[F], Griechenland[GR], Italien[I], Japan[J], Holland[NL], Portugal[P], Großbritannien[UK]
1	AP8146360	Hauptständer Kpl.	1	Land: Vereinigte Staaten von Amerika[USA]
2	AP8135915	Seitenständer	1	Land: Österreich[A], Australien[AUS], Belgien[B], Schweiz[CH], Deutschland[D], Dänemark[DK], Spanien[E], Frankreich[F], Griechenland[GR], Italien[I], Japan[J], Holland[NL], Portugal[P], Großbritannien[UK]
2	AP8146364	Seitenständer	1	Land: Vereinigte Staaten von Amerika[USA]
3	AP8134373	Hauptständer platte	1	Land: Österreich[A], Australien[AUS], Belgien[B], Schweiz[CH], Deutschland[D], Dänemark[DK], Spanien[E], Frankreich[F], Griechenland[GR], Italien[I], Japan[J], Holland[NL], Portugal[P], Großbritannien[UK]
3	AP8134655	Hauptständer platte	1	Land: Vereinigte Staaten von Amerika[USA]
4	AP8121014	Schraubenfeder	1	
5	AP8150038	TCEI Schraube M10x45	2	Land: Vereinigte Staaten von Amerika[USA]
5	AP8152320	TE Schr. m. Flansch	2	Land: Österreich[A], Australien[AUS], Belgien[B], Schweiz[CH], Deutschland[D], Dänemark[DK], Spanien[E], Frankreich[F], Griechenland[GR], Italien[I], Japan[J], Holland[NL], Portugal[P], Großbritannien[UK]
6	AP8152001	Mutter unten M10x1,25	1	
7	AP8102524	Schutz f. Ständerfeder	1	
8	AP8121375	Ständerschraube	1	Land: Österreich[A], Australien[AUS], Belgien[B], Schweiz[CH], Deutschland[D], Dänemark[DK], Spanien[E], Frankreich[F], Griechenland[GR], Italien[I], Japan[J], Holland[NL], Portugal[P], Großbritannien[UK]
8	AP8121429	Ständerschraube	1	Land: Vereinigte Staaten von Amerika[USA]
9	AP8221197	Hauptständer Schraubenfeder	1	
10	AP8152279	TE Schr. m. Flansch M6x20	1	
11	AP8150015	Ausgleichscheibe 6,6x18x1,6*	1	
12	AP8150292	Gebogene Sprengscheibe *	3	

Einheit	RAHMEN
Code	28.05
Beschreibung	Hauptständer
Inspektion	1



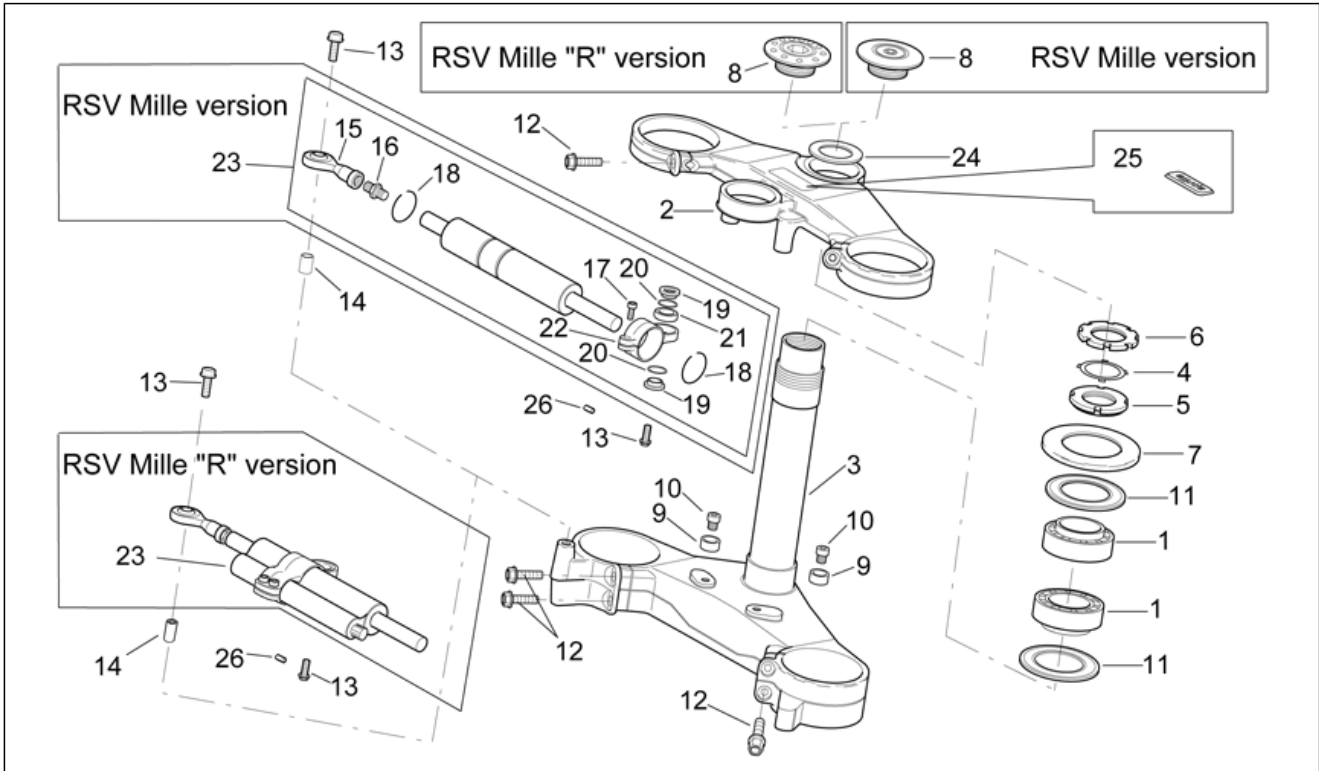
Pos.	Code	Beschreibung	Menge	Varianten
13	AP8124094	Schalter	1	
14	AP8150436	Selbstsperr.mut Unt.	1	Land:Vereinigte Staaten von Amerika[USA]
15	AP8150400	TCEI Schraube	1	Land:Vereinigte Staaten von Amerika[USA]

Einheit	RAHMEN
Code	28.06
Beschreibung	Lenkung
Inspektion	1



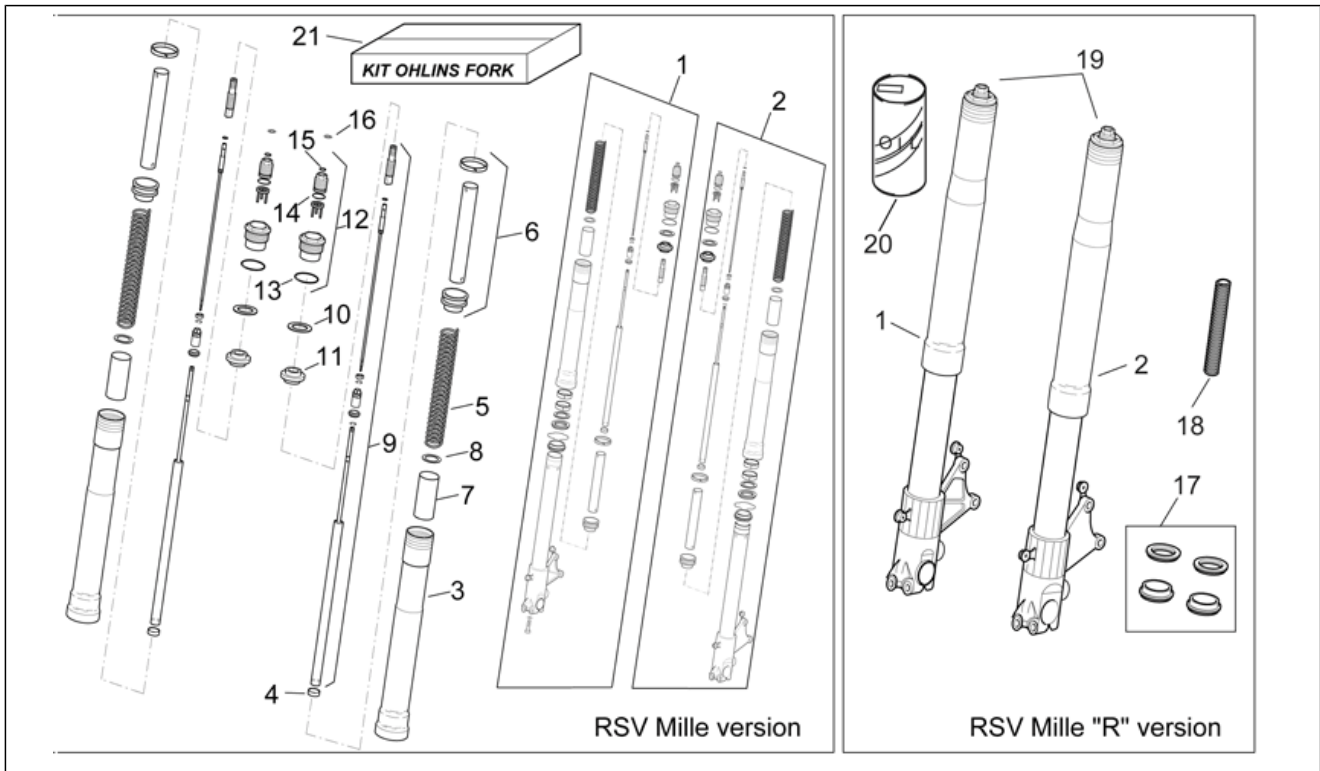
Pos.	Code	Beschreibung	Menge	Varianten
1	AP8110077	Axialkugellager	2	
2	AP8123927	Ob. Gabelplatte	1	Technische Daten:"Version RSV Mille ""R""acing"[R]
2	AP8123932	Ob. Gabelplatte	1	Technische Daten:Version RSV Mille[STD]
3	AP8123640	Fuß mit Rohr	1	Technische Daten:Version RSV Mille[STD]
3	AP8123928	Fuß mit Rohr	1	Technische Daten:"Version RSV Mille ""R""acing"[R]
4	AP8121207	Sicherheitspl. Lenkung	1	
5	AP8123642	Nutmutter	1	
6	AP8123643	Gegenmutter	1	
7	AP8123644	Staubschutzring	1	
8	AP8121205	Fixierbuchse ob. Platte	1	Technische Daten:Version RSV Mille[STD]
8	AP8121346	Fixierbuchse ob. Platte	1	Technische Daten:"Version RSV Mille ""R""acing"[R]
9	AP8121302	Lenkerhülse	2	
10	AP8150211	TCEI Schraube M8x16	2	
11	AP8123641	Staubschutzring	2	
12	AP8152289	TE Schr. m. Flansch	6	
13	AP8152281	TE Schr. m. Flansch M6x30	2	
14	AP8121041	Distanzscheibe *	1	
15	AP8123865	Gelenkkopf	1	Technische Daten:Version RSV Mille[STD]
16	AP8121236	Verbinder Lenkdämpf.	1	Technische Daten:Version RSV Mille[STD]
17	AP8152040	TCEI Schraube	1	Technische Daten:Version RSV Mille[STD]
18	AP8123864	Seegerring	2	Technische Daten:Version RSV Mille[STD]
19	AP8121233	T-Buchse	2	Technische Daten:Version RSV Mille[STD]
20	AP8220149	O-Ring 119	2	Technische Daten:Version RSV Mille[STD]
21	AP8123866	Kugelgelenk	1	Technische Daten:Version RSV Mille[STD]
22	AP8121235	Lenk Stoßdämpfer Bundring	1	Technische Daten:Version RSV Mille[STD]
23	AP8123645	Lenk Stoßdämpfer Sachs	1	Technische Daten:Version RSV Mille[STD]
23	AP8123925	Lenk Stoßdämpfer	1	Technische Daten:"Version RSV Mille ""R""acing"[R]
24	AP8152384	Scheibe Lenkkopf	1	

Einheit	RAHMEN
Code	28.06
Beschreibung	Lenkung
Inspektion	1



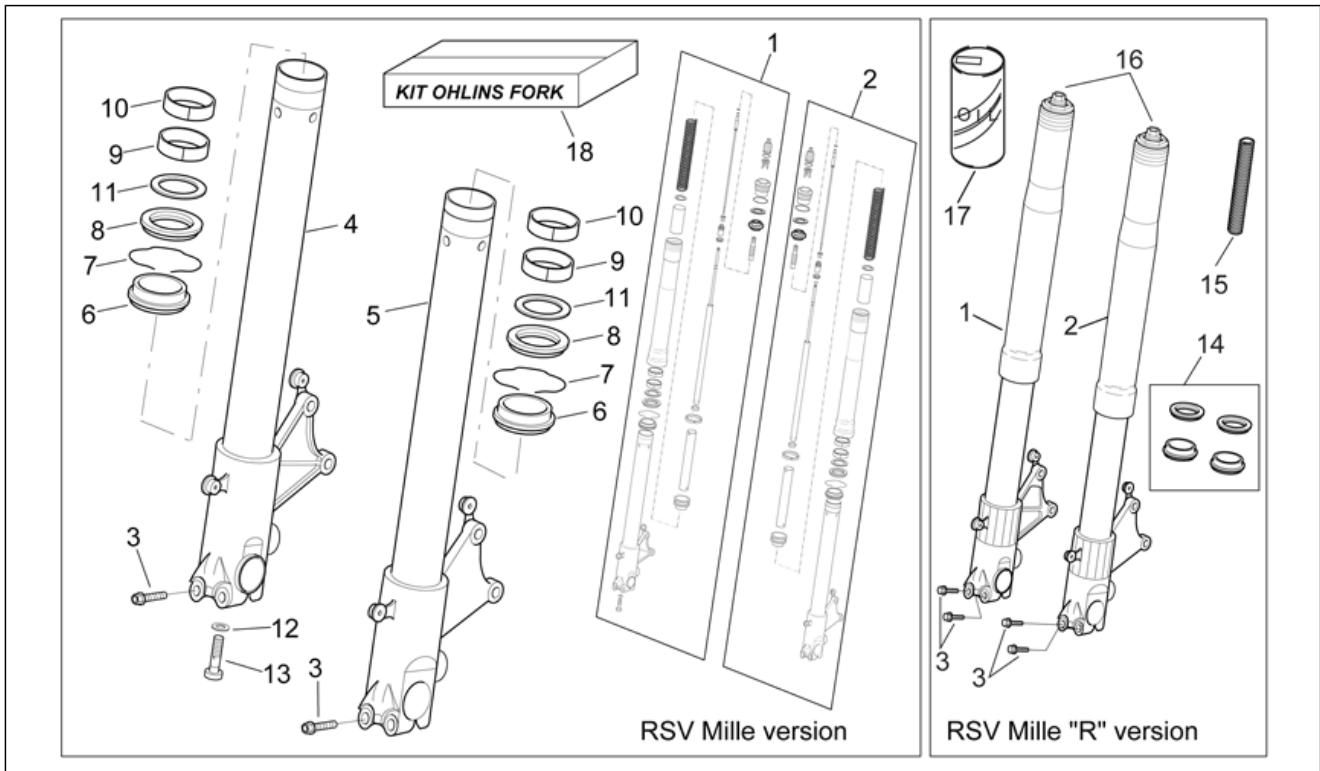
Pos.	Code	Beschreibung	Menge	Varianten
25	AP8157770	Schild "Aprilia"	1	
26	AP8150490	Feststellschraube	1	

Einheit	RAHMEN
Code	28.07
Beschreibung	Vorderradgabel I
Inspektion	1



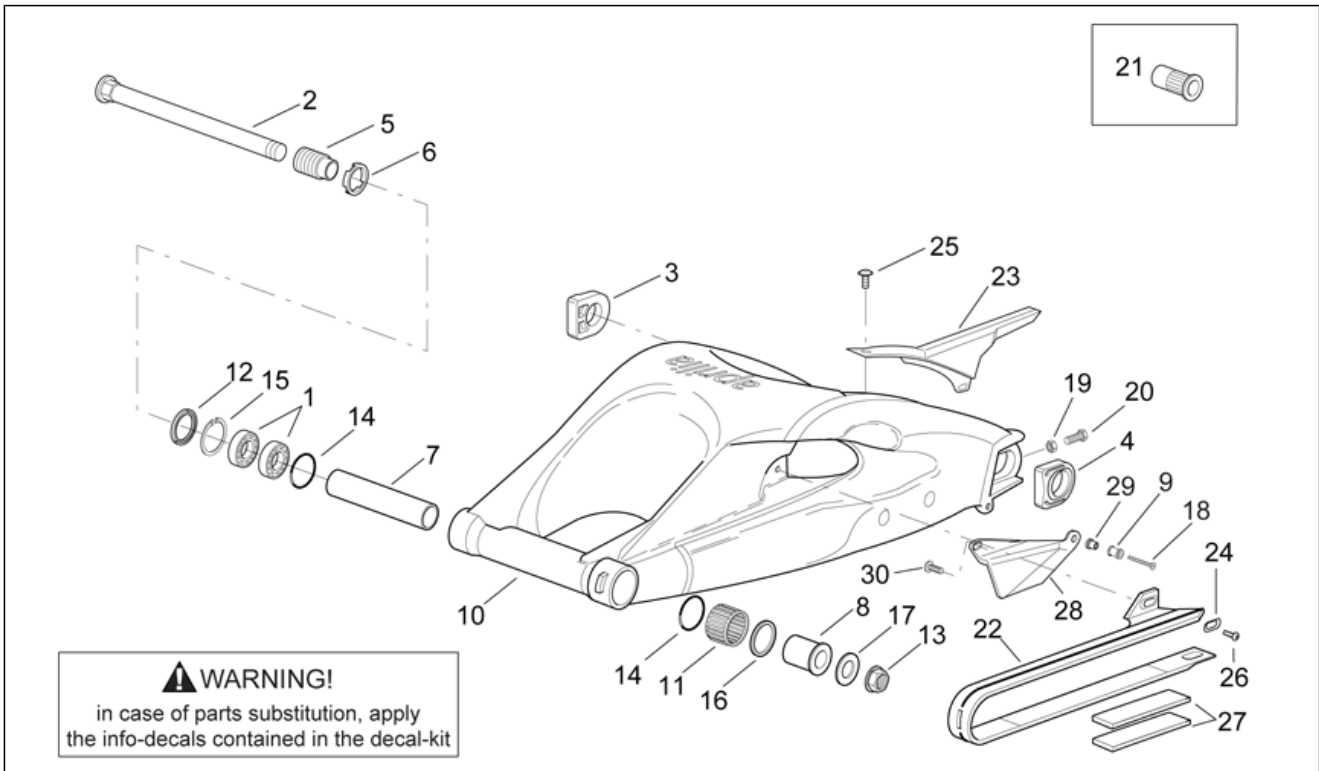
Pos.	Code	Beschreibung	Menge	Varianten
1	AP8123637	Kolbenstange rechts kpl.	1	Technische Daten: Version RSV Mille[STD]
1	AP8123849	Kolbenstange rechts	1	Technische Daten: "Version RSV Mille ""R""acing"[R]
2	AP8123638	Kolbenstange links kpl.	1	Technische Daten: Version RSV Mille[STD]
2	AP8123850	Kolbenstange links	1	Technische Daten: "Version RSV Mille ""R""acing"[R]
3	AP8123829	Hülse	2	Technische Daten: Version RSV Mille[STD]
4	AP8123810	Anschlußhülse Pumpenrad	2	Technische Daten: Version RSV Mille[STD]
5	AP8123831	Feder	2	Technische Daten: Version RSV Mille[STD]
6	AP8123832	Vorspannschlauch kpl	2	Technische Daten: Version RSV Mille[STD]
7	AP8123835	Distanzscheibe	2	Technische Daten: Version RSV Mille[STD]
8	AP8123836	Ausgleichscheibe	2	Technische Daten: Version RSV Mille[STD]
9	AP8123830	Pumpenrad kplt.	2	Technische Daten: Version RSV Mille[STD]
10	AP8123816	Ausgleichscheibe	2	Technische Daten: Version RSV Mille[STD]
11	AP8123815	Ring	2	Technische Daten: Version RSV Mille[STD]
12	AP8123833	Versch. Schaft kpl.	2	Technische Daten: Version RSV Mille[STD]
13	AP8123834	O-Ring	2	Technische Daten: Version RSV Mille[STD]
14	AP8123819	O-Ring	2	Technische Daten: Version RSV Mille[STD]
15	AP8123820	O-Ring	2	Technische Daten: Version RSV Mille[STD]
16	AP8123821	Sperring	2	Technische Daten: Version RSV Mille[STD]
17	AP8123975	Aust.satz Vorderradgabel	1	Technische Daten: "Version RSV Mille ""R""acing"[R]
18	AP8123976	Feder	2	Technische Daten: "Version RSV Mille ""R""acing"[R]
19	AP8123977	Verschlußschraube kplt.	2	Technische Daten: "Version RSV Mille ""R""acing"[R]
20	AP8116071	Stoßdämpfer Öl 1 lt.	1	Technische Daten: "Version RSV Mille ""R""acing"[R]
21	AP8795020	Ohlins Gabel Kit	1	Technische Daten: Version RSV Mille[STD]

Einheit	RAHMEN
Code	28.08
Beschreibung	Vorderradgabel II
Inspektion	1



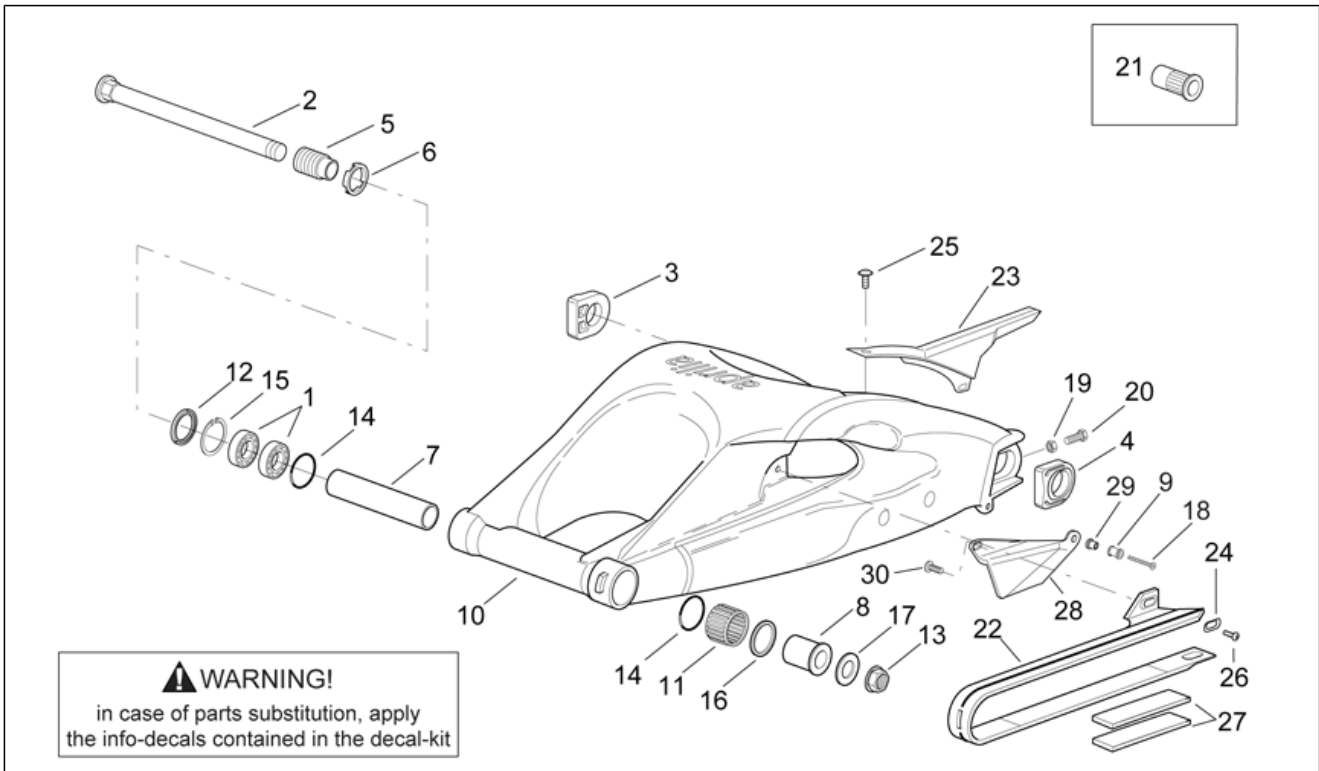
Pos.	Code	Beschreibung	Menge	Varianten
1	AP8123637	Kolbenstange rechts kpl.	1	Technische Daten: Version RSV Mille[STD]
1	AP8123849	Kolbenstange rechts	1	Technische Daten: "Version RSV Mille ""R""acing"[R]
2	AP8123638	Kolbenstange links kpl.	1	Technische Daten: Version RSV Mille[STD]
2	AP8123850	Kolbenstange links	1	Technische Daten: "Version RSV Mille ""R""acing"[R]
3	AP8121573	Schraube M8x40	4	Technische Daten: "Version RSV Mille ""R""acing"[R]
3	AP8152290	TE Schr. m. Flansch M8x40	4	Technische Daten: Version RSV Mille[STD]
4	AP8123822	Klb.st.+ Radhltr. rch.	1	Technische Daten: Version RSV Mille[STD]
5	AP8123823	Klb.st.+ Radhltr. lks.	1	Technische Daten: Version RSV Mille[STD]
6	AP8123824	Staubschutz	2	Technische Daten: Version RSV Mille[STD]
7	AP8123806	Seegerring	2	Technische Daten: Version RSV Mille[STD]
8	AP8123825	Ölabstreifring	2	Technische Daten: Version RSV Mille[STD]
9	AP8123827	Buchse D.47,1xd.43xh.20	2	Technische Daten: Version RSV Mille[STD]
10	AP8123828	Gleitbuchse D.44,5xd.41,1xh.20	2	Technische Daten: Version RSV Mille[STD]
11	AP8123826	Ring	2	Technische Daten: Version RSV Mille[STD]
12	AP8123811	Spezial-U-scheibe	2	Technische Daten: Version RSV Mille[STD]
13	AP8123812	Schraube M10x1,5	2	Technische Daten: Version RSV Mille[STD]
14	AP8123975	Aust.satz Vorderradgabel	1	Technische Daten: "Version RSV Mille ""R""acing"[R]
15	AP8123976	Feder	2	Technische Daten: "Version RSV Mille ""R""acing"[R]
16	AP8123977	Verschlussschraube kplt.	2	Technische Daten: "Version RSV Mille ""R""acing"[R]
17	AP8116071	Stoßdämpfer Öl 1 lt.	1	Technische Daten: "Version RSV Mille ""R""acing"[R]
18	AP8795020	Ohlins Gabel Kit	1	Technische Daten: Version RSV Mille[STD]

Einheit	RAHMEN
Code	28.09
Beschreibung	Schwinge
Inspektion	1



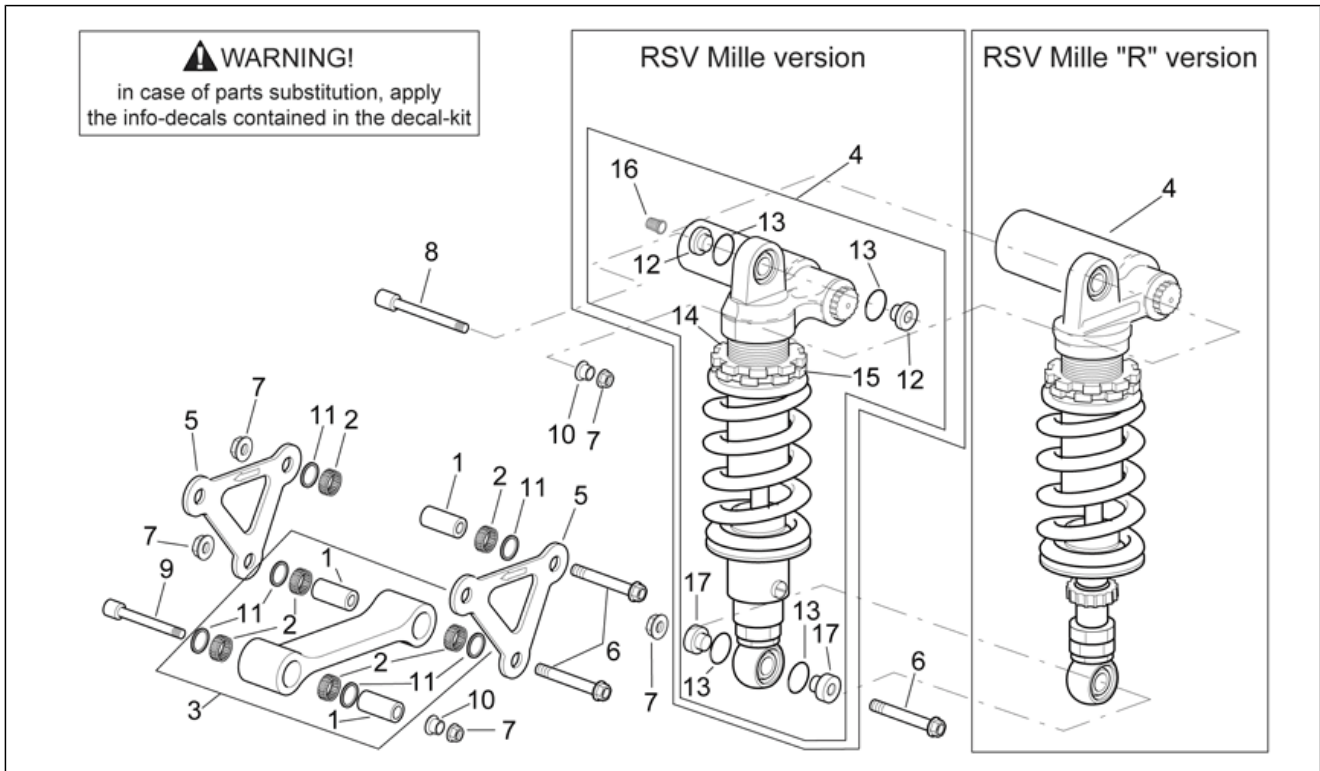
Pos.	Code	Beschreibung	Menge	Varianten
1	AP8110079	Kugellager	2	
2	AP8125830	Schwingenbolzen	1	
3	AP8120985	Kettenführung rechts	1	
4	AP8120986	Kettenführung links	1	
5	AP8121200	Einstellbuchse	1	
6	AP8121201	Gabelzapfen-Nutmutter	1	
7	AP8121202	Interne Distanzscheibe	1	
8	AP8121203	Buchse Gabelzapfen	1	
9	AP8121890	Buchse	2	
10	AP8135918	Schwinge	1	
11	AP8110078	Nadellager	1	
12	AP8144006	Gasket ring	1	
13	AP8125763	Hinterradbolzen mut.	1	
14	AP8144048	O-Ring 134	2	
15	AP8121204	Seegerring für Bohrung d37	1	
16	AP8144005	Gasket ring	1	
17	AP8125687	U-scheibe Hint.radbolz	1	
18	AP8150468	Schraube M6x40	2	
19	AP8150334	Mutter M8	2	
20	AP8152305	Kettenspanner Schraube	2	
21	AP8201755	Geschnitten Kunststoffniet	2	
22	AP8120995	Kettengleitführung	1	
23	AP8138593	Kettenkasten	1	
24	AP8234020	Becher	2	
25	AP8152302	TBEI Schraube m.Flansch M5x12	1	
26	AP8152267	TBEI Spez.schr. M5x12	2	
27	AP8117033	Klebeschwamm	2	
28	AP8144284	Kettengleitführung	1	

Einheit	RAHMEN
Code	28.09
Beschreibung	Schwinge
Inspektion	1



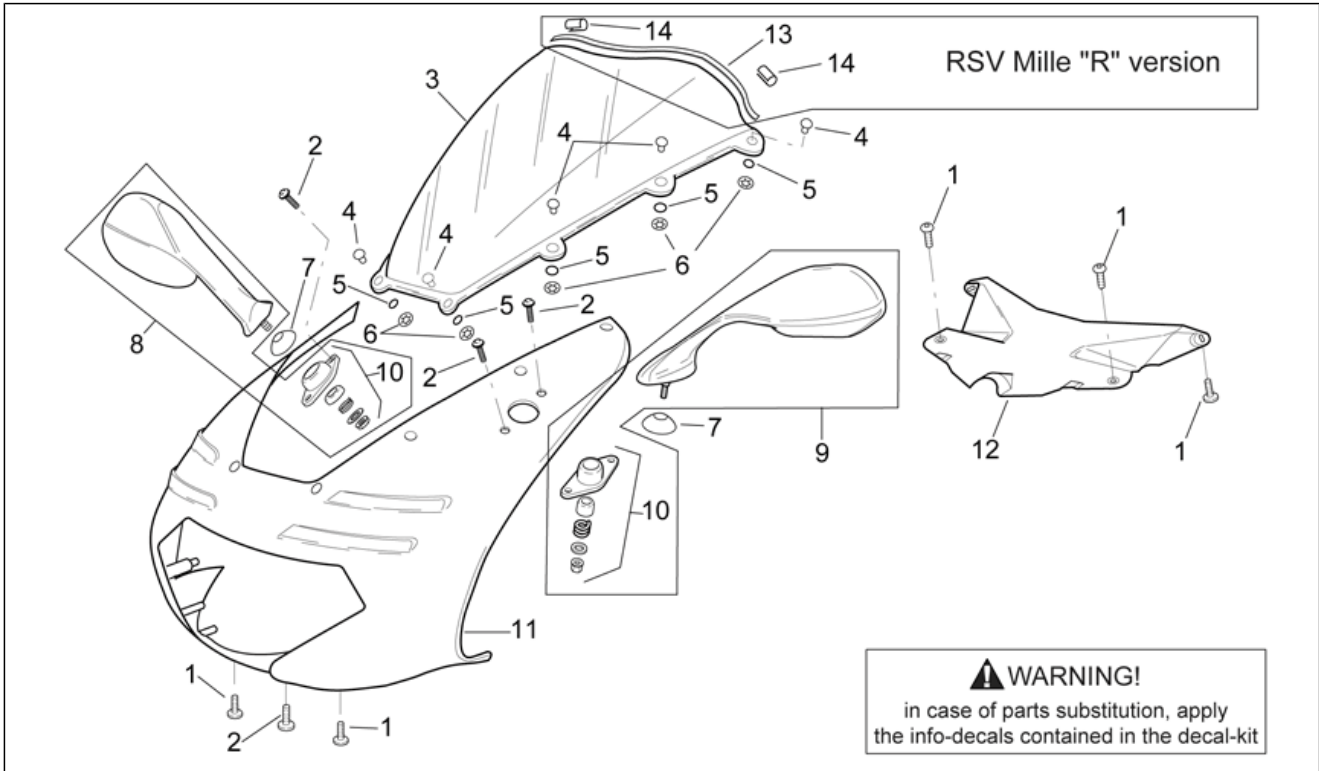
Pos.	Code	Beschreibung	Menge	Varianten
29	AP8121075	T-Buchse *	1	
30	AP8152302	TBEI Schraube m.Flansch M5x12	1	

Einheit	RAHMEN
Code	28.10
Beschreibung	Pleuelstange und Stoßdämpfer
Inspektion	1



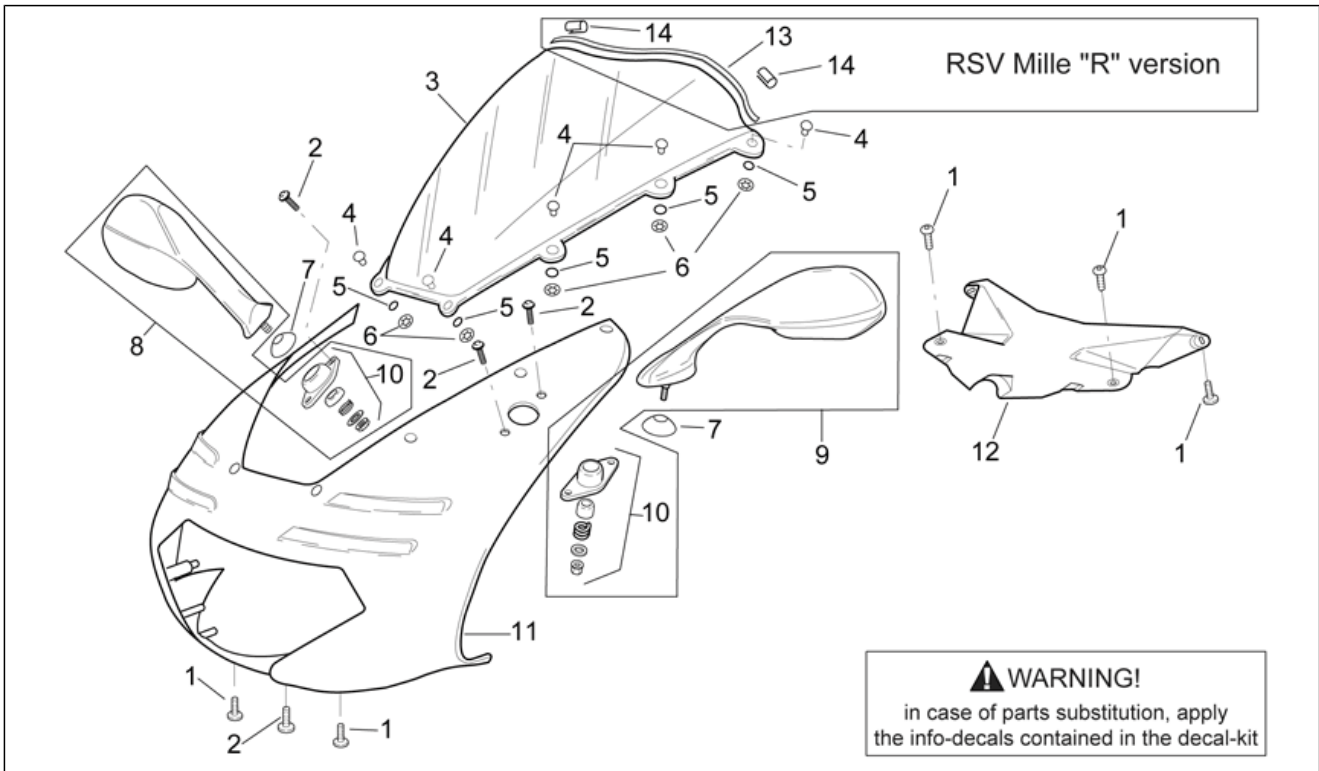
Pos.	Code	Beschreibung	Menge	Varianten
1	AP8135924	Pleuelbolzen L40	2	
2	AP8110065	Nadellager	6	
3	AP8135917	Einfache Pleuelstange	1	
4	AP8123939	Stoßdämpfer	1	Technische Daten: Version RSV Mille[STD]
4	AP8705020	Stoßdämpfer	1	Technische Daten: "Version RSV Mille ""R""acing"[R]
5	AP8135916	Doppelte Pleuelstange	2	
6	AP8152322	TE Schr. m. Flansch M10x65	3	
7	AP8152301	Selbstsperrende Mutter	5	
8	AP8150458	TCEI Schraube M10x63	1	
9	AP8150457	TCEI Schraube M10x74	1	
10	AP8121155	T-Buchse *	2	
11	AP8110068	Ölabstreifring D18x24x3	6	
12	AP8123859	T-Buchse	2	
13	AP8123860	O-Ring	4	
14	AP8123861	Gegenmutter	1	
15	AP8123862	Nutmutter	1	
16	AP8123863	Deckel	1	
17	AP8123870	T-Buchse	2	

Einheit	RAHMEN
Code	28.11
Beschreibung	Frontaufbau - Kuppel
Inspektion	1



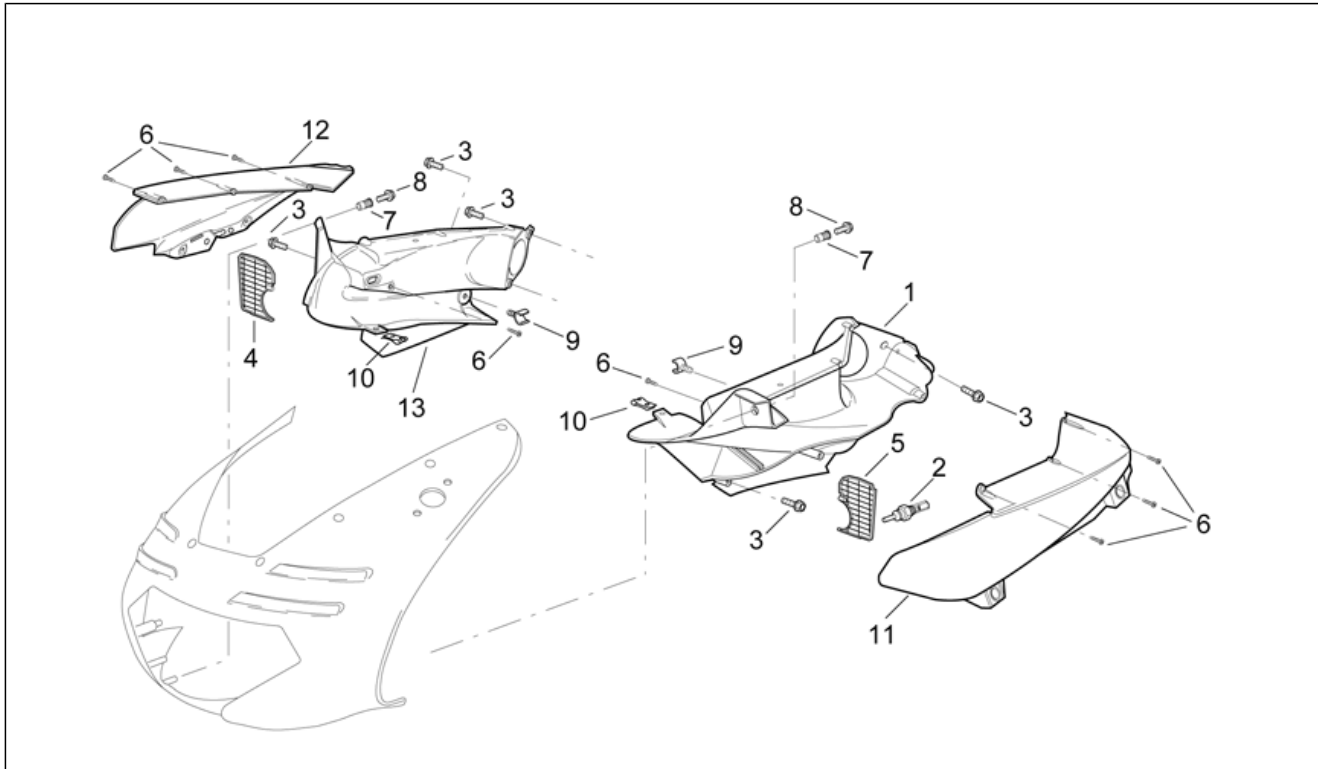
Pos.	Code	Beschreibung	Menge	Varianten
1	AP8152298	TBEI Schraube m.Flansch M5x16	6	
2	AP8152246	TBEI Schraube m.Flansch M6x16	5	
3	AP8139517	Windabweiser	1	Land: Österreich[A], Belgien[B], Schweiz[CH], Deutschland[D], Dänemark[DK], Spanien[E], Frankreich[F], Griechenland[GR], Italien[I], Japan[J], Holland[NL], Portugal[P], Großbritannien[UK] Technische Daten: "Version RSV Mille ""R""acing"[R]
3	AP8148459	Windabweiser	1	Land: Australien[AUS], Vereinigte Staaten von Amerika[USA]
3	AP8148821	Windabweiser	1	Land: Österreich[A], Belgien[B], Schweiz[CH], Deutschland[D], Dänemark[DK], Spanien[E], Frankreich[F], Griechenland[GR], Italien[I], Japan[J], Holland[NL], Portugal[P], Großbritannien[UK] Technische Daten: Version RSV Mille[STD]
4	AP8144109	Fixierstift	8	
5	AP8102504	Gummi	8	
6	AP8150450	Wellenscheibe D5	8	
7	AP8102341	Becher Spiegelgelenk	2	
8	AP8102632	Rückspiegel rechts	1	
9	AP8102633	Rückspiegel links	1	
10	AP8102909	Bausatz einbauspiegel	2	
11	AP8148524	Front.Verkl.V.apriliaschw.	1	Baujahr: 2000[Y] Fahrzeugfarbe: Schwarz Aprilia '2000[black]
11	AP8148552	Front.Verkl. Schw./Weiß	1	Baujahr: 2000[Y] Fahrzeugfarbe: Racing Schwarz Aprilia 2000[rac]
11	AP8148905	Front.Verkl. V.hellrot	1	Baujahr: 2000[Y] Fahrzeugfarbe: Hot red 2000[red]
11	AP8148922	Front.Verkl.V.el.blau	1	Baujahr: 2000[Y] Fahrzeugfarbe: Electric Blue 2000[blue]
11	AP8148939	Front.Verkl.V. gelb.f	1	Baujahr: 2000[Y] Fahrzeugfarbe: Gelb Flashy 2000[yell]
12	AP8138580	Verschl. Kuppel-Instr.tafel	1	Baujahr: 2000[Y]

Einheit	RAHMEN
Code	28.11
Beschreibung	Frontaufbau - Kuppel
Inspektion	1



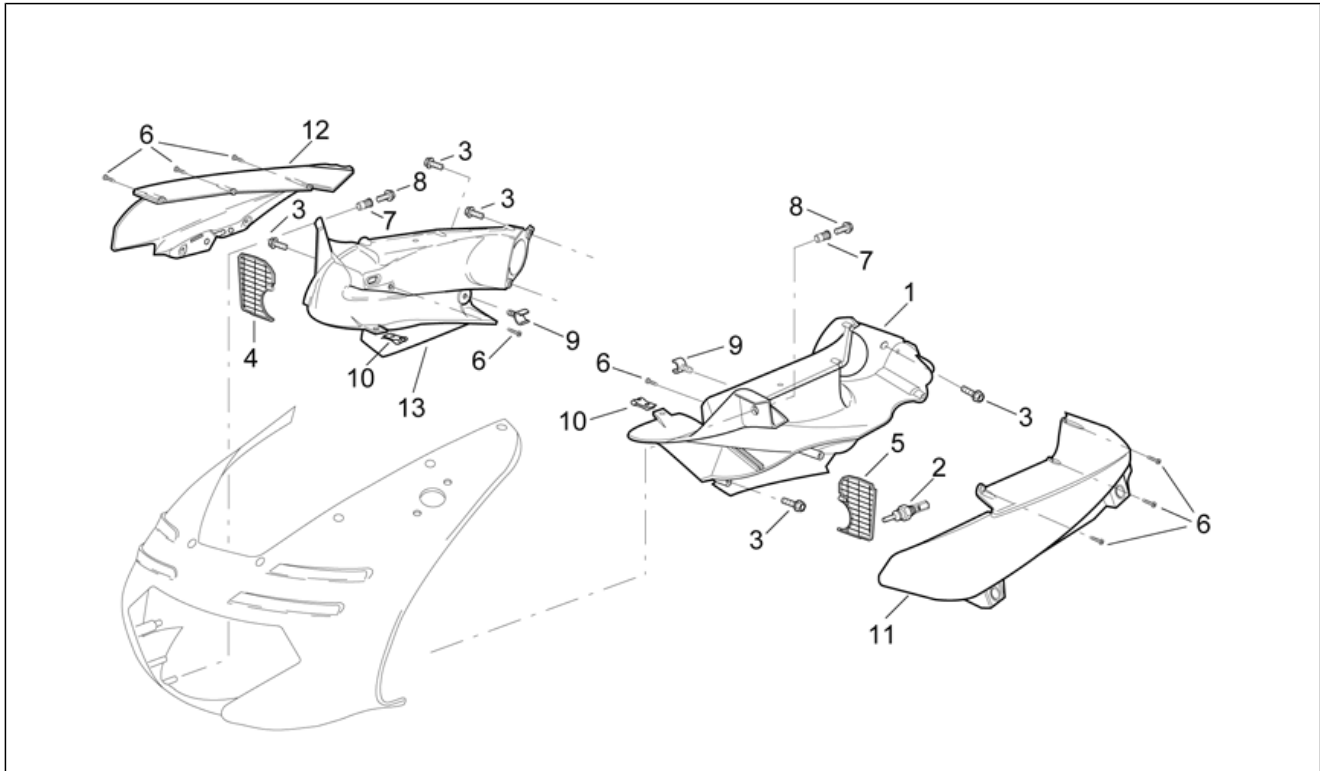
Pos.	Code	Beschreibung	Menge	Varianten
12	AP8148548	Verschl. Kuppel-Instr.tafel	1	Fahrzeugfarbe: Schwarz Aprilia '2000[black], Electric Blue 2000[blue], Hot red 2000[red], Gelb Flashy 2000[yell] Baujahr: 2000[Y] Fahrzeugfarbe: Racing Schwarz Aprilia 2000[rac]
13	AP8144281	Dichtung Sportsch.	1	Technische Daten: "Version RSV Mille ""R""acing"[R]
14	AP8106712	Klammer	2	Technische Daten: "Version RSV Mille ""R""acing"[R]

Einheit	RAHMEN
Code	28.12
Beschreibung	Frontaufbau - Leitblech
Inspektion	1



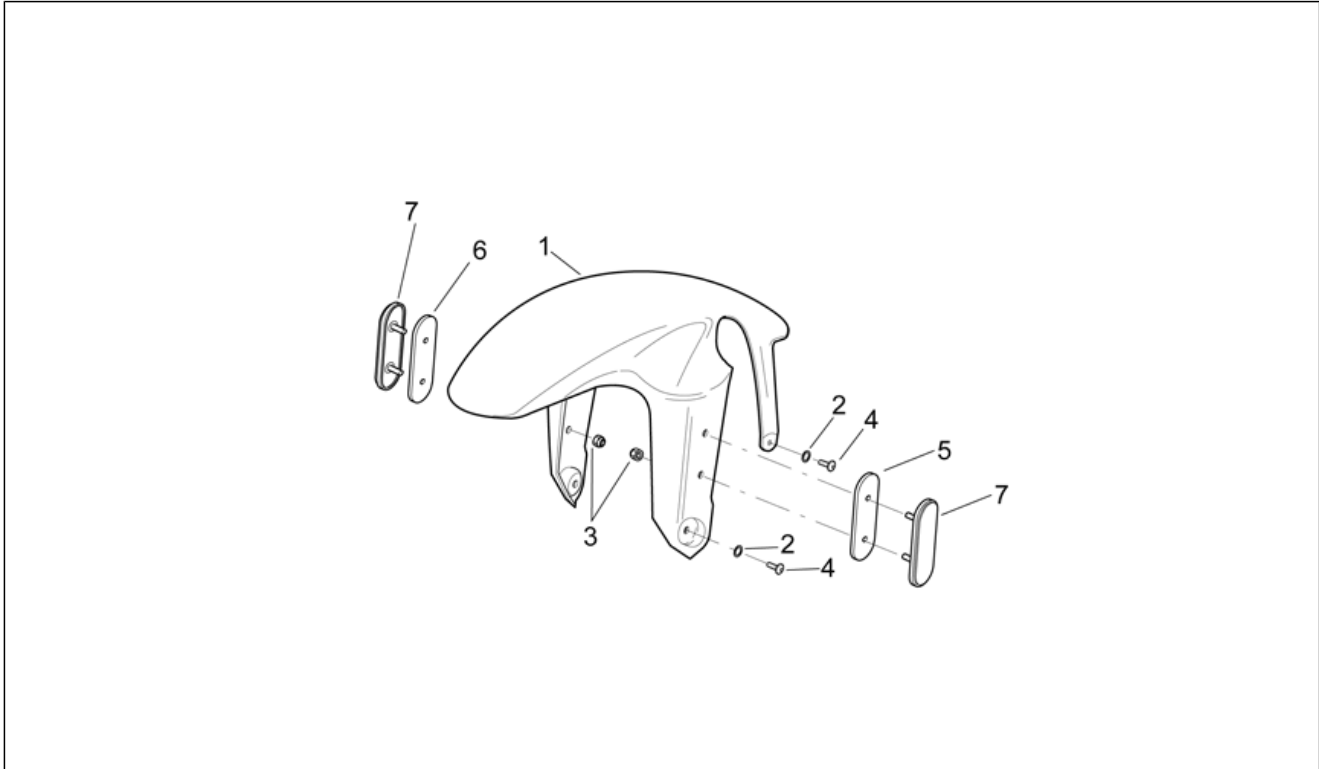
Pos.	Code	Beschreibung	Menge	Varianten
1	AP8139415	L. inn. Leitblech, schwarz	1	Baujahr:2000[Y] Fahrzeugfarbe:Schwarz Aprilia '2000[black], Racing Schwarz Aprilia 2000[rac]
1	AP8148912	int.Leitblech I.V.hellrot	1	Baujahr:2000[Y] Fahrzeugfarbe:Hot red 2000[red]
1	AP8148929	int. Leitblech I.V.el.blau	1	Baujahr:2000[Y] Fahrzeugfarbe:Electric Blue 2000[blue]
1	AP8148946	int. Leitblech I. V. gelb	1	Baujahr:2000[Y] Fahrzeugfarbe:Gelb Flashy 2000[yell]
2	AP8124300	Lufttemperaturfühler	1	
3	AP8152279	TE Schr. m. Flansch M6x20	4	
4	AP8148350	Netz Luftschlitz rechts	1	
5	AP8148351	Netz Luftschlitz links	1	
6	AP8150413	Gew.schr. 3,9x14	18	
7	AP8121297	Dehneinsatz M5	2	
8	AP8152298	TBEI Schraube m.Flansch M5x16	2	
9	AP8220269	Kabelführungs	2	
10	AP8102375	Klammer M5	2	
11	AP8148532	ext. Leitblech ls. Schw.	1	Baujahr:2000[Y] Fahrzeugfarbe:Schwarz Aprilia '2000[black]
11	AP8148560	L. auß. Leitblech, schwarz	1	Baujahr:2000[Y] Fahrzeugfarbe:Racing Schwarz Aprilia 2000[rac]
11	AP8148914	ext. Leitblech I.V.hellrot	1	Baujahr:2000[Y] Fahrzeugfarbe:Hot red 2000[red]
11	AP8148931	ext.Leitblech I.V.el.blau	1	Baujahr:2000[Y] Fahrzeugfarbe:Electric Blue 2000[blue]
11	AP8148948	ext. Leitblech I.V.gelb	1	Baujahr:2000[Y] Fahrzeugfarbe:Gelb Flashy 2000[yell]
12	AP8148531	R. auß. Leitblech, schwarz	1	Baujahr:2000[Y] Fahrzeugfarbe:Schwarz Aprilia '2000[black]
12	AP8148559	R. auß. Leitblech, schwarz	1	Baujahr:2000[Y]

Einheit	RAHMEN
Code	28.12
Beschreibung	Frontaufbau - Leitblech
Inspektion	1



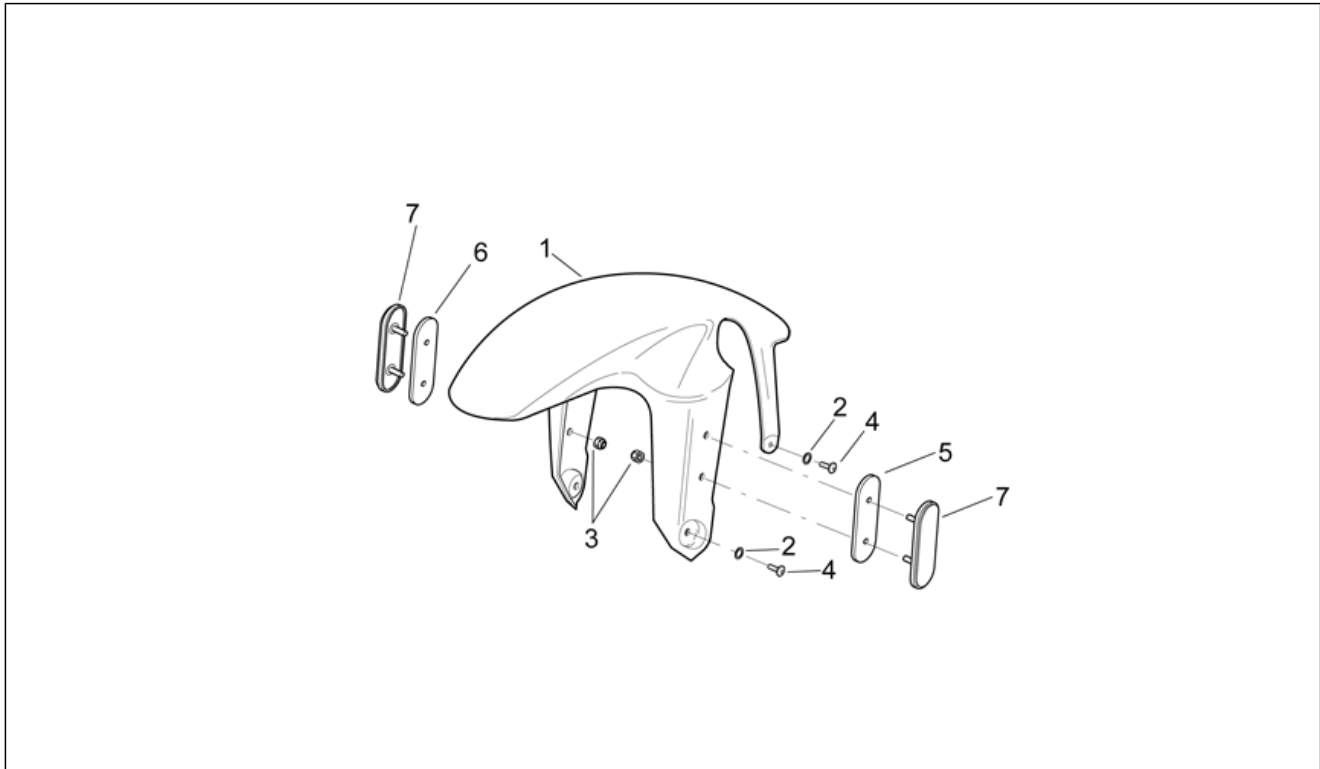
Pos.	Code	Beschreibung	Menge	Varianten
				Fahrzeugfarbe: Racing Schwarz Aprilia 2000[rac]
12	AP8148913	ext. Leitblech rs.V.hellrot	1	Baujahr: 2000[Y] Fahrzeugfarbe: Hot red 2000[red]
12	AP8148930	ext. Leitblech rs.V.el.blau	1	Baujahr: 2000[Y] Fahrzeugfarbe: Electric Blue 2000[blue]
12	AP8148947	ext. Leitblech rs.V.gelb	1	Baujahr: 2000[Y] Fahrzeugfarbe: Gelb Flashy 2000[yell]
13	AP8139414	R. inn. Leitblech, schwarz	1	Baujahr: 2000[Y] Fahrzeugfarbe: Schwarz Aprilia '2000[black], Racing Schwarz Aprilia 2000[rac]
13	AP8148911	int.Leitbl.rs.V.hellrot	1	Baujahr: 2000[Y] Fahrzeugfarbe: Hot red 2000[red]
13	AP8148928	int.Leitblech rs.V.el.blau	1	Baujahr: 2000[Y] Fahrzeugfarbe: Electric Blue 2000[blue]
13	AP8148945	int. Leitblech rs.V.gelb	1	Baujahr: 2000[Y] Fahrzeugfarbe: Gelb Flashy 2000[yell]

Einheit	RAHMEN
Code	28.13
Beschreibung	Frontaufbau - Vrd. Schutzblech
Inspektion	1



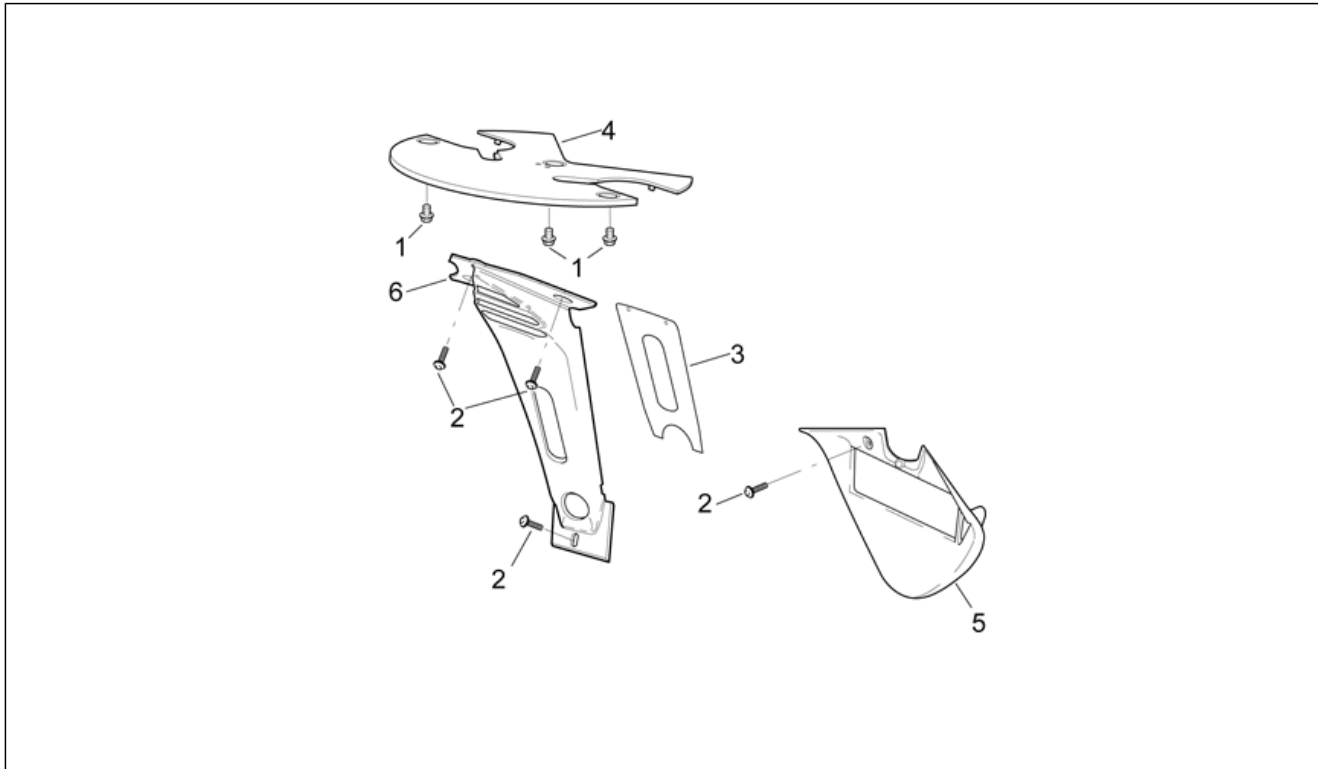
Pos.	Code	Beschreibung	Menge	Varianten
1	AP8126682	Schutzblech vorn Kohl.	1	Baujahr: 2000[Y] Fahrzeugfarbe: Racing Schwarz Aprilia 2000[rac] Land: Österreich[A], Australien[AUS], Belgien[B], Schweiz[CH], Deutschland[D], Dänemark[DK], Spanien[E], Frankreich[F], Griechenland[GR], Italien[I], Japan[J], Holland[NL], Portugal[P], Großbritannien[UK]
1	AP8126784	Schutzbl. v. apriliaschw.	1	Baujahr: 2000[Y] Fahrzeugfarbe: Schwarz Aprilia '2000[black] Land: Österreich[A], Australien[AUS], Belgien[B], Schweiz[CH], Deutschland[D], Dänemark[DK], Spanien[E], Frankreich[F], Griechenland[GR], Italien[I], Japan[J], Holland[NL], Portugal[P], Großbritannien[UK]
1	AP8126837	Schutzbl. v. apriliaschw.	1	Baujahr: 2000[Y] Fahrzeugfarbe: Schwarz Aprilia '2000[black] Land: Vereinigte Staaten von Amerika[USA]
1	AP8126838	Schutzbl.vorn V.hellrot	1	Baujahr: 2000[Y] Fahrzeugfarbe: Hot red 2000[red] Land: Österreich[A], Australien[AUS], Belgien[B], Schweiz[CH], Deutschland[D], Dänemark[DK], Spanien[E], Frankreich[F], Griechenland[GR], Italien[I], Japan[J], Holland[NL], Portugal[P], Großbritannien[UK]
1	AP8126839	Schutzbl.vorn V.hellrot	1	Baujahr: 2000[Y] Fahrzeugfarbe: Hot red 2000[red] Land: Vereinigte Staaten von Amerika[USA]
1	AP8126840	Schutzblech vorn el.blau	1	Baujahr: 2000[Y] Fahrzeugfarbe: Electric Blue 2000[blue] Land: Österreich[A], Australien[AUS], Belgien[B], Schweiz[CH], Deutschland[D], Dänemark[DK], Spanien[E], Frankreich[F], Griechenland[GR], Italien[I], Japan[J], Holland[NL], Portugal[P], Großbritannien[UK]
1	AP8126841	Schutzblech vorn el.blau	1	Baujahr: 2000[Y] Fahrzeugfarbe: Electric Blue 2000[blue] Land: Vereinigte Staaten von Amerika[USA]
1	AP8126842	Schutzbl.vorn V.flashygelb	1	Baujahr: 2000[Y] Fahrzeugfarbe: Gelb Flashy 2000[yell]

Einheit	RAHMEN
Code	28.13
Beschreibung	Frontaufbau - Vrd. Schutzblech
Inspektion	1



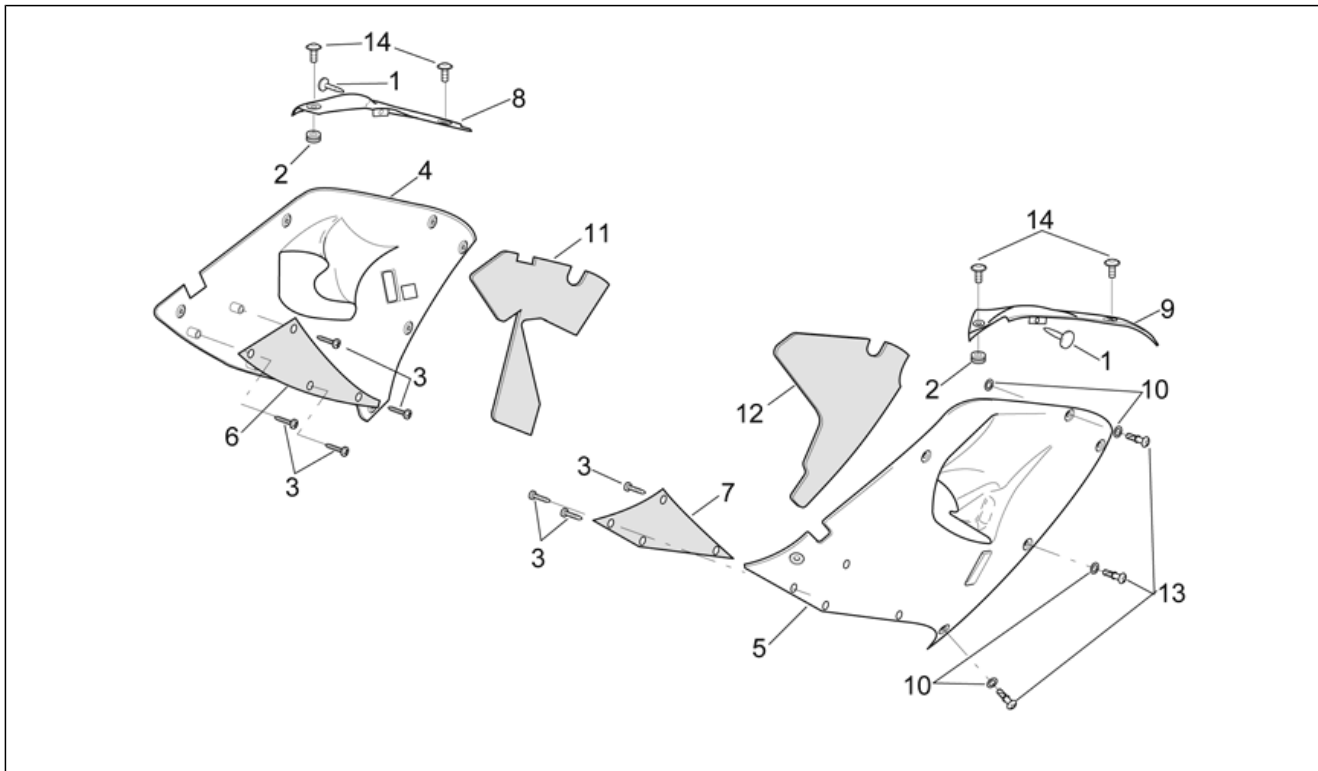
Pos.	Code	Beschreibung	Menge	Varianten
				Land:Österreich[A], Australien[AUS], Belgien[B], Schweiz[CH], Deutschland[D], Dänemark[DK], Spanien[E], Frankreich[F], Griechenland[GR], Italien[I], Japan[J], Holland[NL], Portugal[P], Großbritannien[UK]
1	AP8126843	Schutzbl.vorn V.flashygelb	1	Baujahr: 2000[Y] Fahrzeugfarbe: Gelb Flashy 2000[yell] Land: Vereinigte Staaten von Amerika[USA]
1	AP8126854	Schutzblech vorn Kohl.	1	Baujahr: 2000[Y] Fahrzeugfarbe: Racing Schwarz Aprilia 2000[rac] Land: Vereinigte Staaten von Amerika[USA]
2	AP8150272	Gebogene Sprengscheibe 5,3x10x0,5	4	Technische Daten: "Version RSV Mille ""R""acing"[R]
3	AP8150204	Mutter M4	4	Land: Vereinigte Staaten von Amerika[USA]
4	AP8152298	TBEI Schraube m.Flansch M5x16	4	
4	AP8152302	TBEI Schraube m.Flansch M5x12	4	
5	AP8148589	Rückstr.halter v. ls.	1	Land: Vereinigte Staaten von Amerika[USA]
6	AP8148588	Rückstr.halter v. rs.	1	Land: Vereinigte Staaten von Amerika[USA]
7	AP8124719	Rückstrahler, gelb	2	Land: Vereinigte Staaten von Amerika[USA]

Einheit	RAHMEN
Code	28.14
Beschreibung	Karosserie v.-Verschlüsse
Inspektion	1



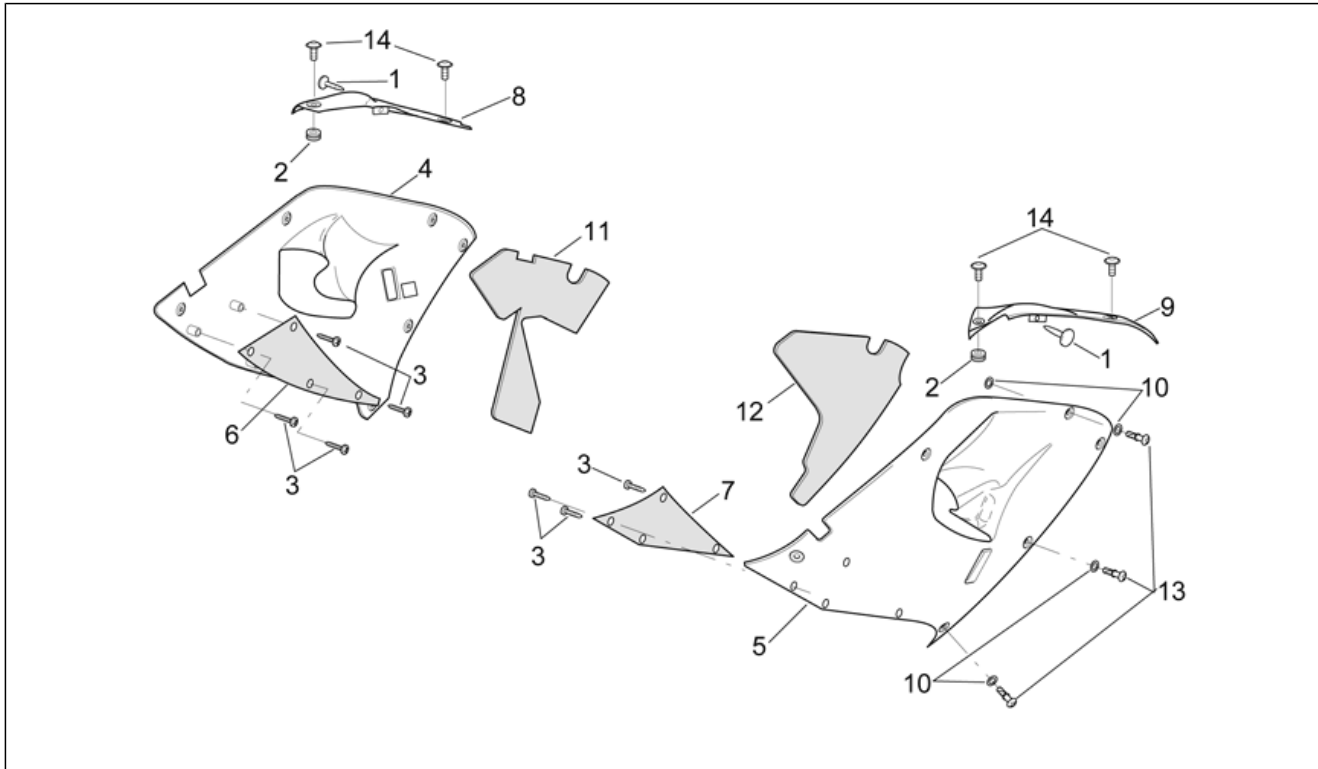
Pos.	Code	Beschreibung	Menge	Varianten
1	AP8152277	TE Schr. m. Flansch M6x12	3	
2	AP8152246	TBEI Schraube m.Flansch M6x16	5	
3	AP8117129	Gelenkplatte Spoiler	1	
4	AP8148551	Verschl. unt. vorn Verkl.	1	
5	AP8138570	Verkl.stütze eloxalgrau	1	Baujahr: 2000[Y] Fahrzeugfarbe: Electric Blue 2000[blue], Hot red 2000[red], Gelb Flashy 2000[yell]
5	AP8148355	Verkl.stange rot fluo.	1	Baujahr: 2000[Y] Fahrzeugfarbe: Schwarz Aprilia '2000[black], Racing Schwarz Aprilia 2000[rac]
6	AP8138579	Kühlerspoiler eloxalgrau	1	

Einheit	RAHMEN
Code	28.15
Beschreibung	Mittlerer aufbau - Oberer Rumpfe
Inspektion	1



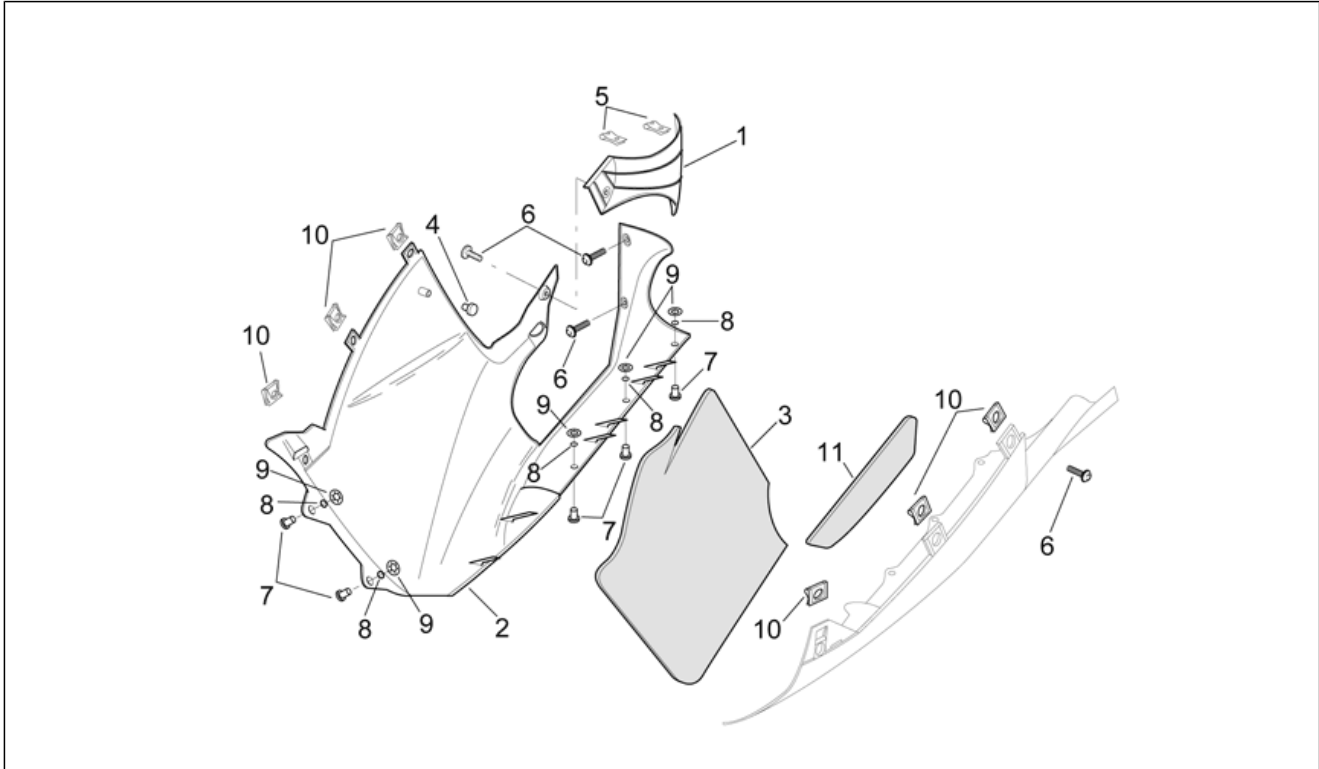
Pos.	Code	Beschreibung	Menge	Varianten
1	AP8120001	Gummi	2	
2	AP8120531	Gummi mit Einsatz	2	
3	AP8150421	Gew.schr. 2,9x12	8	
4	AP8148525	Seit.Verkl.rs.ap.schwarz	1	Baujahr: 2000[Y] Fahrzeugfarbe: Schwarz Aprilia '2000[black]
4	AP8148553	Seit.Verkl.rs.ap.schwarz	1	Baujahr: 2000[Y] Fahrzeugfarbe: Racing Schwarz Aprilia 2000[rac]
4	AP8148906	Seitenverkl. r. V. hellrot	1	Baujahr: 2000[Y] Fahrzeugfarbe: Hot red 2000[red]
4	AP8148923	Seitenverkl. r. V.el.blau	1	Baujahr: 2000[Y] Fahrzeugfarbe: Electric Blue 2000[blue]
4	AP8148940	Seitenverkl. r. V. gelb f.	1	Baujahr: 2000[Y] Fahrzeugfarbe: Gelb Flashy 2000[yell]
5	AP8148526	Seit.Verkl.ls.ap.schwarz	1	Baujahr: 2000[Y] Fahrzeugfarbe: Schwarz Aprilia '2000[black]
5	AP8148600	Seit.Verkl.ls.ap.schwarz	1	Baujahr: 2000[Y] Fahrzeugfarbe: Racing Schwarz Aprilia 2000[rac]
5	AP8148907	Seitenverkl. l. V.hellrot	1	Baujahr: 2000[Y] Fahrzeugfarbe: Hot red 2000[red]
5	AP8148924	Seitenverkl. l. V.el.blau	1	Baujahr: 2000[Y] Fahrzeugfarbe: Electric Blue 2000[blue]
5	AP8148941	Seitenverkl. l. V.gelb f.	1	Baujahr: 2000[Y] Fahrzeugfarbe: Gelb Flashy 2000[yell]
6	AP8148483	R.inn.Rumpf, schwarz	1	
7	AP8148484	L.inn.Rumpf, schwarz	1	
8	AP8148529	Verschl. Verkl.ob.r.V.schw.	1	Baujahr: 2000[Y] Fahrzeugfarbe: Schwarz Aprilia '2000[black], Racing Schwarz Aprilia 2000[rac]
8	AP8148915	Verschl. Verkl.ob.r.V.rot	1	Baujahr: 2000[Y] Fahrzeugfarbe: Hot red 2000[red]
8	AP8148932	Verschl. Verkl.ob.r.V.blau	1	Baujahr: 2000[Y] Fahrzeugfarbe: Electric Blue 2000[blue]

Einheit	RAHMEN
Code	28.15
Beschreibung	Mittlerer aufbau - Oberer Rumpfe
Inspektion	1



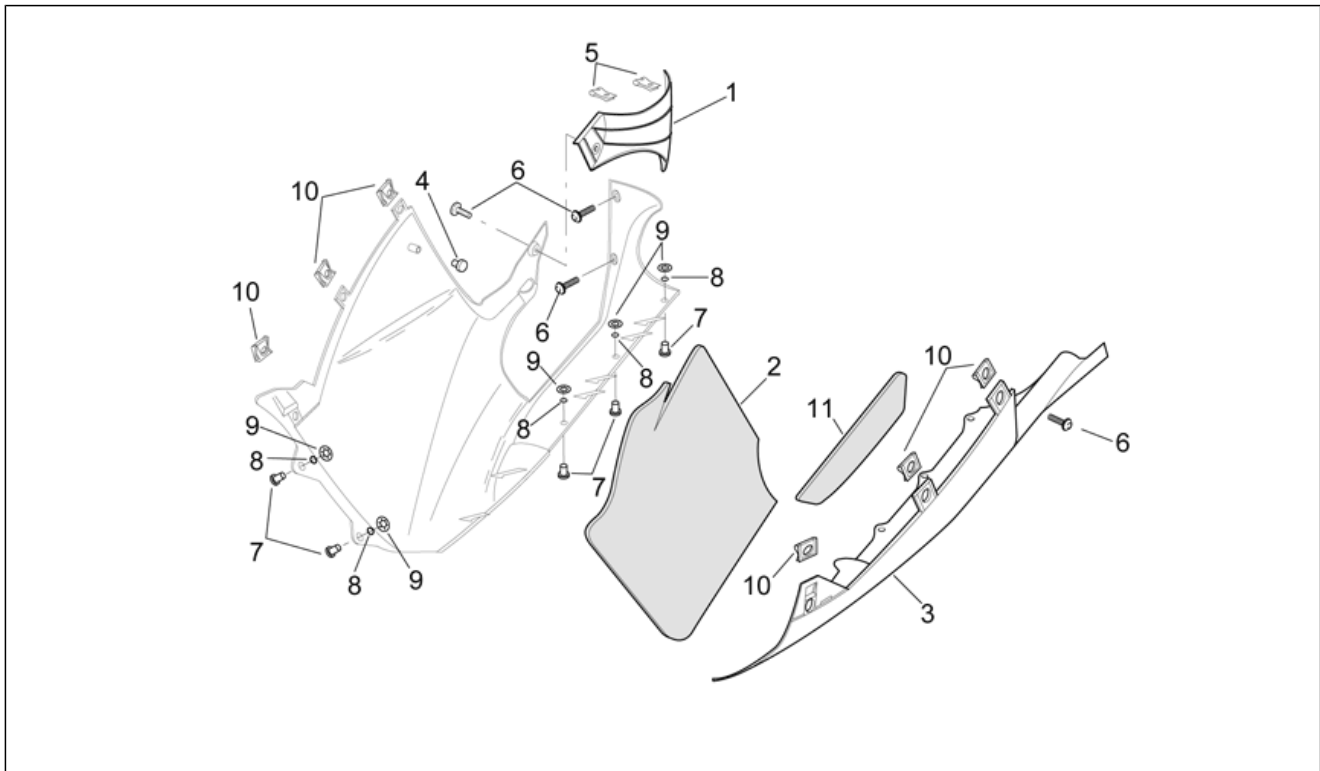
Pos.	Code	Beschreibung	Menge	Varianten
8	AP8148949	Verschl. Verkl.ob.r.V.gelb	1	Baujahr: 2000[Y] Fahrzeugfarbe: Gelb Flashy 2000[yell]
9	AP8148530	Verschl.Verkl.ob.l.V.schw.	1	Baujahr: 2000[Y] Fahrzeugfarbe: Schwarz Aprilia '2000[black], Racing Schwarz Aprilia 2000[rac]
9	AP8148916	Verschl. Verkl.ob.l.V.rot	1	Baujahr: 2000[Y] Fahrzeugfarbe: Hot red 2000[red]
9	AP8148933	Verschl. Verkl.ob.r.V.blau	1	Baujahr: 2000[Y] Fahrzeugfarbe: Electric Blue 2000[blue]
9	AP8148950	Verschl. Verkl.ob.r.V.gelb	1	Baujahr: 2000[Y] Fahrzeugfarbe: Gelb Flashy 2000[yell]
10	AP8120622	Vord. Staubschutzring	24	
11	AP8117130	Schalldämmpl. ob. re.	1	
12	AP8117131	Schalldämmpl. ob. links	1	
13	AP8121253	Bolzen	12	
14	AP8152302	TBEI Schraube m.Flansch M5x12	4	

Einheit	RAHMEN
Code	28.16
Beschreibung	Karosserie zent.-Verkl.rs.
Inspektion	1



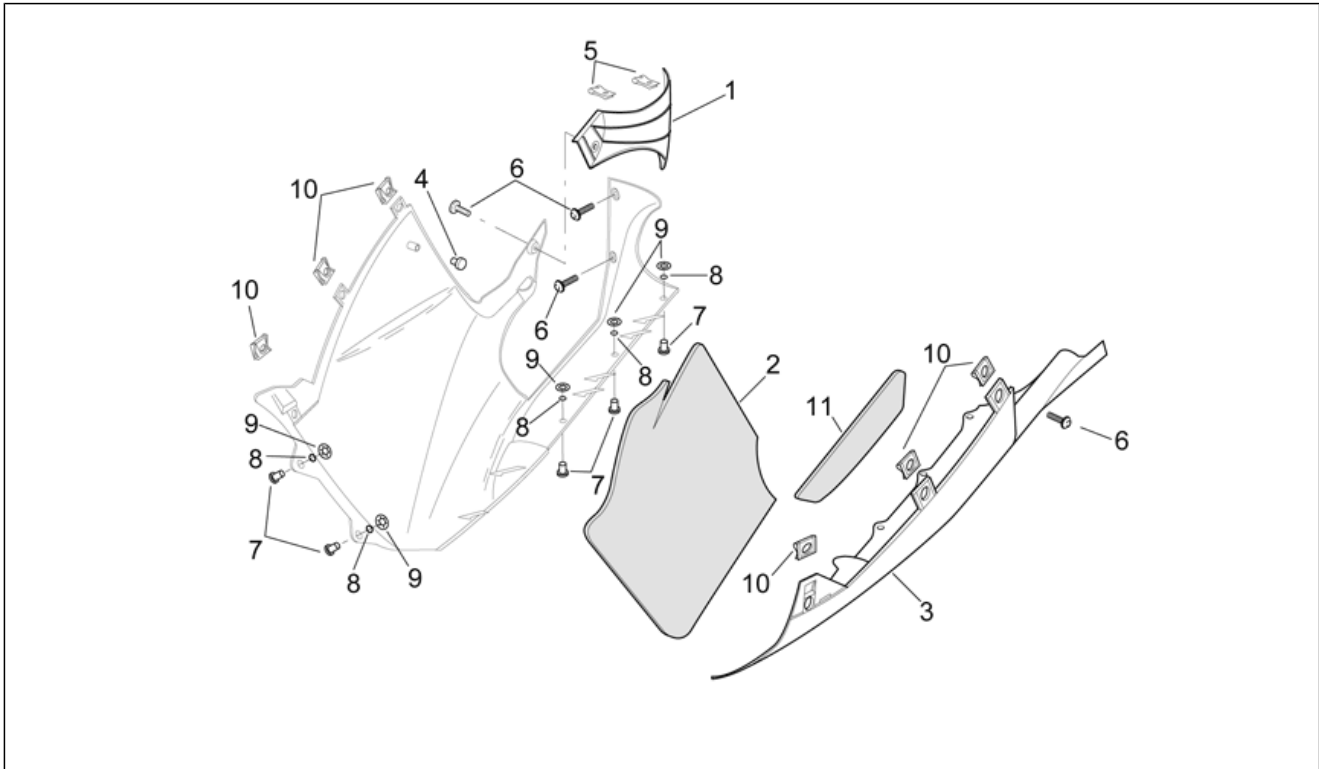
Pos.	Code	Beschreibung	Menge	Varianten
1	AP8138565	Schalldämpferschutz	1	
2	AP8148522	Verkl.unten rs. Fluo-Rot	1	Baujahr: 2000[Y] Fahrzeugfarbe: Schwarz Aprilia '2000[black]
2	AP8148549	Verkl.unten rs. Fluo-Rot	1	Baujahr: 2000[Y] Fahrzeugfarbe: Racing Schwarz Aprilia 2000[rac]
2	AP8148908	Verkl.unt. re., eloxalgrau	1	Baujahr: 2000[Y] Fahrzeugfarbe: Hot red 2000[red]
2	AP8148925	Verkl.unt. re., eloxalgrau	1	Baujahr: 2000[Y] Fahrzeugfarbe: Electric Blue 2000[blue]
2	AP8148942	Verkl.unt. re., eloxalgrau	1	Baujahr: 2000[Y] Fahrzeugfarbe: Gelb Flashy 2000[yell]
3	AP8117132	Schalldämmpl. unt. re.	1	
4	AP8144081	Gummi	1	
5	AP8102376	Klammer M6	2	
6	AP8152246	TBEI Schraube m.Flansch M6x16	4	
7	AP8144109	Fixierstift	12	
8	AP8102504	Gummi	12	
9	AP8150450	Wellenscheibe D5	12	
10	AP8101985	Spezialklammer	12	
11	AP8117133	Schalldämmpl. unt. links	1	

Einheit	RAHMEN
Code	28.17
Beschreibung	Karosserie zent.-Verkl.l.
Inspektion	1



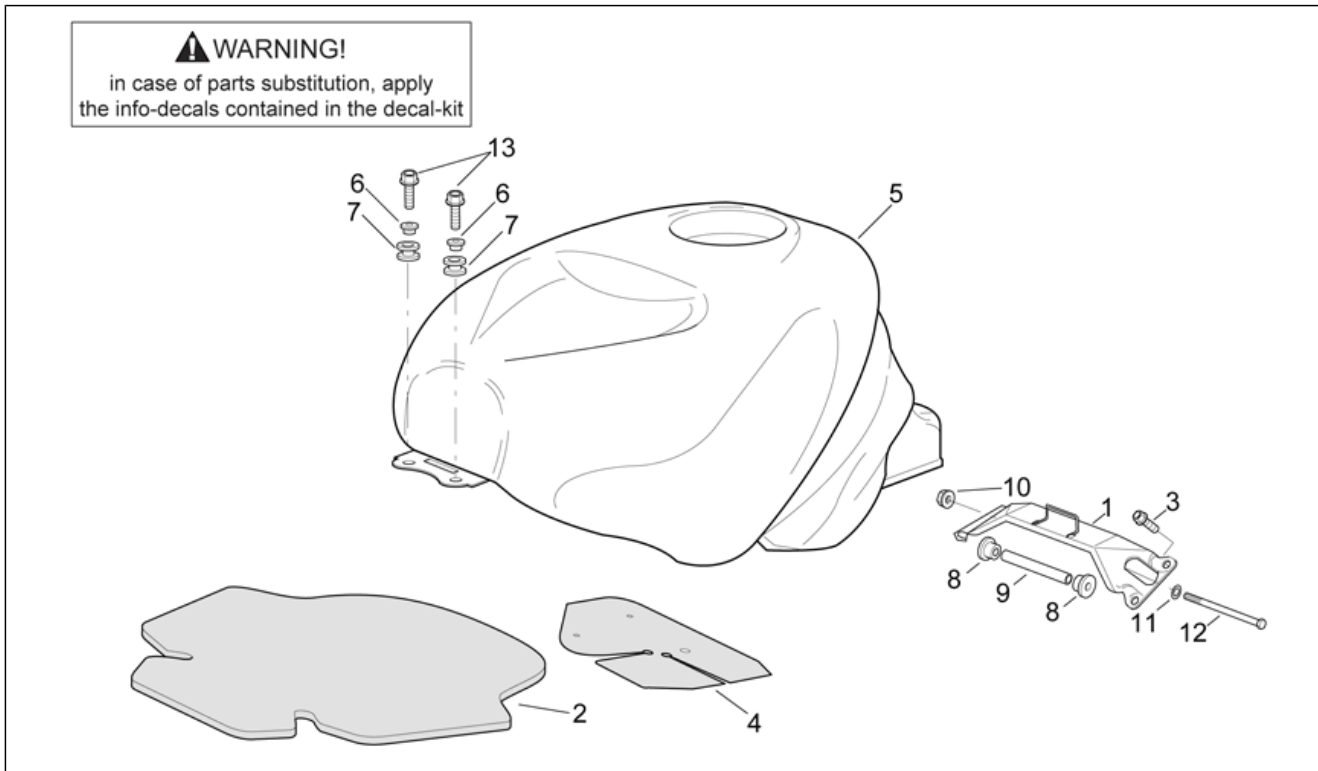
Pos.	Code	Beschreibung	Menge	Varianten
1	AP8138565	Schalldämpferschutz	1	
2	AP8117132	Schalldämmpl. unt. re.	1	
3	AP8148523	Verkl. unten ls. Fluo-Rot	1	Baujahr: 2000[Y] Fahrzeugfarbe: Schwarz Aprilia '2000[black] Land: Österreich[A], Australien[AUS], Belgien[B], Schweiz[CH], Deutschland[D], Dänemark[DK], Spanien[E], Frankreich[F], Griechenland[GR], Italien[I], Japan[J], Holland[NL], Portugal[P], Großbritannien[UK]
3	AP8148550	Verkl. unten ls. Fluo-Rot	1	Baujahr: 2000[Y] Fahrzeugfarbe: Racing Schwarz Aprilia 2000[rac] Land: Österreich[A], Australien[AUS], Belgien[B], Schweiz[CH], Deutschland[D], Dänemark[DK], Spanien[E], Frankreich[F], Griechenland[GR], Italien[I], Japan[J], Holland[NL], Portugal[P], Großbritannien[UK]
3	AP8148903	Verkl. unten ls. Fluo-Rot	1	Baujahr: 2000[Y] Fahrzeugfarbe: Schwarz Aprilia '2000[black] Land: Vereinigte Staaten von Amerika[USA]
3	AP8148909	Verkl. unt. links, eloxalgrau	1	Baujahr: 2000[Y] Fahrzeugfarbe: Hot red 2000[red] Land: Österreich[A], Australien[AUS], Belgien[B], Schweiz[CH], Deutschland[D], Dänemark[DK], Spanien[E], Frankreich[F], Griechenland[GR], Italien[I], Japan[J], Holland[NL], Portugal[P], Großbritannien[UK]
3	AP8148910	Verkl. unt. links, eloxalgrau	1	Baujahr: 2000[Y] Fahrzeugfarbe: Hot red 2000[red] Land: Vereinigte Staaten von Amerika[USA]
3	AP8148926	Verkl. unt. links, eloxalgrau	1	Baujahr: 2000[Y] Fahrzeugfarbe: Electric Blue 2000[blue] Land: Österreich[A], Australien[AUS], Belgien[B], Schweiz[CH], Deutschland[D], Dänemark[DK], Spanien[E], Frankreich[F], Griechenland[GR], Italien[I], Japan[J], Holland[NL], Portugal[P], Großbritannien[UK]
3	AP8148927	Verkl. unt. links, eloxalgrau	1	Baujahr: 2000[Y] Fahrzeugfarbe: Electric Blue 2000[blue] Land: Vereinigte Staaten von Amerika[USA]

Einheit	RAHMEN
Code	28.17
Beschreibung	Karosserie zent.-Verkl.l.
Inspektion	1



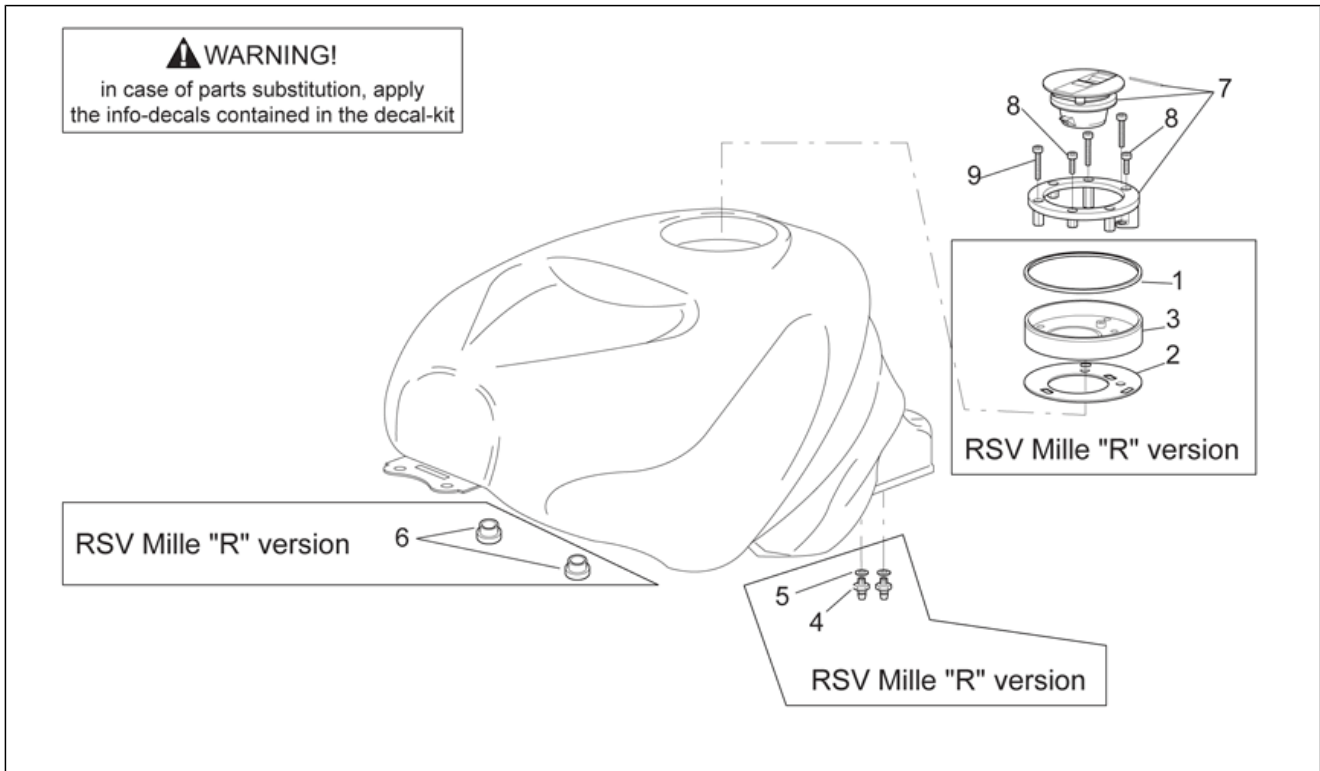
Pos.	Code	Beschreibung	Menge	Varianten
3	AP8148943	Verkl.unt. links, eloxalgrau	1	Baujahr: 2000[Y] Fahrzeugfarbe: Gelb Flashy 2000[yell] Land: Österreich[A], Australien[AUS], Belgien[B], Schweiz[CH], Deutschland[D], Dänemark[DK], Spanien[E], Frankreich[F], Griechenland[GR], Italien[I], Japan[J], Holland[NL], Portugal[P], Großbritannien[UK]
3	AP8148944	Verkl.unt. links, eloxalgrau	1	Baujahr: 2000[Y] Fahrzeugfarbe: Gelb Flashy 2000[yell] Land: Vereinigte Staaten von Amerika[USA]
3	AP8149042	Verkl.unten ls. Fluo-Rot	1	Baujahr: 2000[Y] Fahrzeugfarbe: Racing Schwarz Aprilia 2000[rac] Land: Vereinigte Staaten von Amerika[USA]
4	AP8144081	Gummi	1	
5	AP8102376	Klammer M6	2	
6	AP8152246	TBEI Schraube m.Flansch M6x16	4	
7	AP8144109	Fixierstift	12	
8	AP8102504	Gummi	12	
9	AP8150450	Wellenscheibe D5	12	
10	AP8101985	Spezialklammer	12	
11	AP8117133	Schalldämmpl. unt. links	1	

Einheit	RAHMEN
Code	28.18
Beschreibung	Kraftstofftank I
Inspektion	1



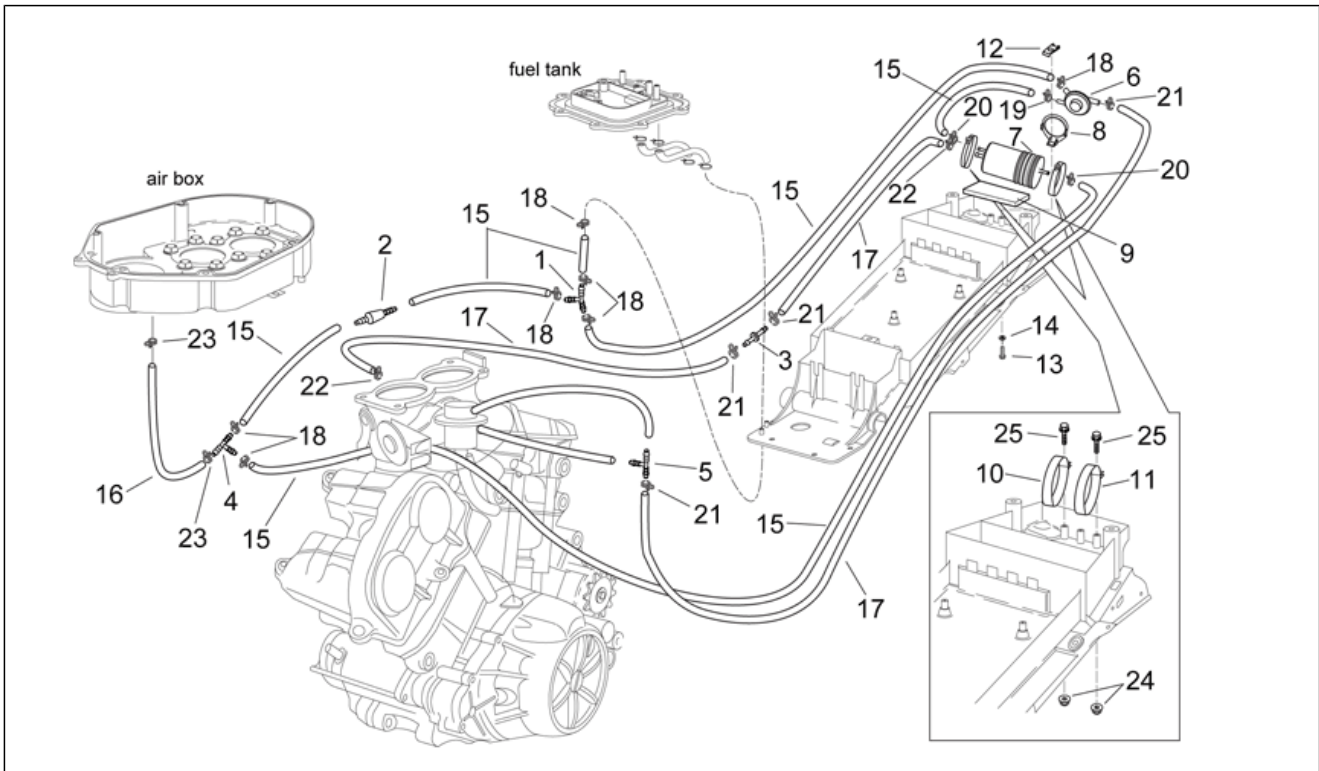
Pos.	Code	Beschreibung	Menge	Varianten
1	AP8134370	Tankfixierung	1	
2	AP8117127	Schalldämmpl. Tank	1	Technische Daten: Version RSV Mille[STD]
2	AP8117174	Schalldämmpl. Tank	1	Technische Daten: "Version RSV Mille ""R""acing"[R]
3	AP8152278	TE Schr. m. Flansch M6x16	4	
4	AP8117128	Hitzeschild Tank	1	
5	AP8148519	Kraftstofftank, schw. ap.	1	Baujahr: 2000[Y] Fahrzeugfarbe: Schwarz Aprilia '2000[black]
5	AP8148543	Kraftstofftank, schw. ap.	1	Baujahr: 2000[Y] Fahrzeugfarbe: Racing Schwarz Aprilia 2000[rac]
5	AP8148904	Tank V. hellrot	1	Baujahr: 2000[Y] Fahrzeugfarbe: Hot red 2000[red]
5	AP8148921	Tank V. el.blau	1	Baujahr: 2000[Y] Fahrzeugfarbe: Electric Blue 2000[blue]
5	AP8148938	Tank V. flashygelb	1	Baujahr: 2000[Y] Fahrzeugfarbe: Gelb Flashy 2000[yell]
6	AP8121421	T-Buchse	2	Technische Daten: "Version RSV Mille ""R""acing"[R]
6	AP8221023	T-Buchse	2	Technische Daten: Version RSV Mille[STD]
7	AP8120030	Gummi	2	Technische Daten: Version RSV Mille[STD]
7	AP8144328	Gummi	2	Technische Daten: "Version RSV Mille ""R""acing"[R]
8	AP8123934	Gummi	2	Technische Daten: "Version RSV Mille ""R""acing"[R]
8	AP8144062	Gummi Tankanschluß	2	Technische Daten: Version RSV Mille[STD]
9	AP8134419	Aufnahmebüchse Kraftstofftank	1	
10	AP8152299	Selbstsperrende Mutter M6	1	
11	AP8150014	Ausgleichscheibe 6,4x12,5*	1	
12	AP8150459	Sechskantschraube M6x90	1	
13	AP8152280	TE Schr. m. Flansch M6x25	2	Technische Daten: Version RSV Mille[STD]
13	AP8152281	TE Schr. m. Flansch M6x30	2	Technische Daten: "Version RSV Mille ""R""acing"[R]

Einheit	RAHMEN
Code	28.19
Beschreibung	Kraftstofftank II
Inspektion	1



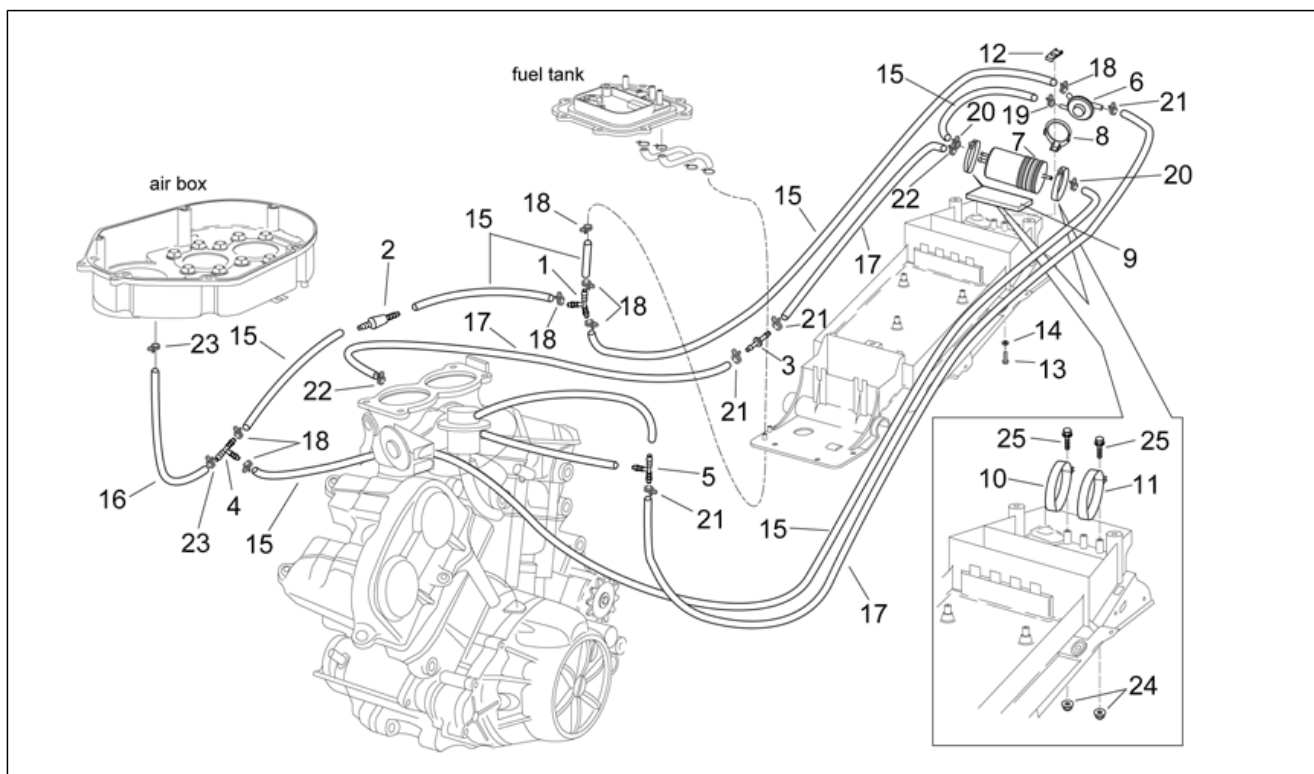
Pos.	Code	Beschreibung	Menge	Varianten
1	AP8120893	Dichtung	1	Technische Daten: "Version RSV Mille ""R""acing"[R]
2	AP8120894	Dichtung Kraftstofftank	1	Land: Österreich[A], Australien[AUS], Belgien[B], Schweiz[CH], Deutschland[D], Dänemark[DK], Spanien[E], Frankreich[F], Griechenland[GR], Italien[I], Japan[J], Holland[NL], Portugal[P], Großbritannien[UK] Technische Daten: "Version RSV Mille ""R""acing"[R]
2	AP8120894	Dichtung Kraftstofftank	1	Land: Vereinigte Staaten von Amerika[USA] Technische Daten: Zulassung 49 Staaten[49st], "Version RSV Mille ""R""acing"[R]
2	AP8144351	Dichtung Kraftstofftank	1	Land: Vereinigte Staaten von Amerika[USA] Technische Daten: Zulassung California[cal], "Version RSV Mille ""R""acing"[R]
3	AP8102535	Schwimmergehäuse	1	Technische Daten: "Version RSV Mille ""R""acing"[R]
4	AP8102503	Anschluß Gummihalter	2	Technische Daten: "Version RSV Mille ""R""acing"[R]
5	AP8120965	O-Ring 2018	2	Technische Daten: "Version RSV Mille ""R""acing"[R]
6	AP8144158	Gummi	2	Technische Daten: "Version RSV Mille ""R""acing"[R]
7	AP8102912	Tankfüllschraube	1	Land: Vereinigte Staaten von Amerika[USA] Technische Daten: Zulassung 49 Staaten[49st]
7	AP8102912	Tankfüllschraube	1	Land: Österreich[A], Australien[AUS], Belgien[B], Schweiz[CH], Deutschland[D], Dänemark[DK], Spanien[E], Frankreich[F], Griechenland[GR], Italien[I], Japan[J], Holland[NL], Portugal[P], Großbritannien[UK]
7	AP8104219	Tankfüllschraube	1	Land: Vereinigte Staaten von Amerika[USA] Technische Daten: Zulassung California[cal]
8	AP8150454	TCEI Schraube M5x16	4	
9	AP8150453	TCEI Schraube M5x30	3	

Einheit	RAHMEN
Code	28.20
Beschreibung	Benzindampfrückf.-Anlage
Inspektion	1



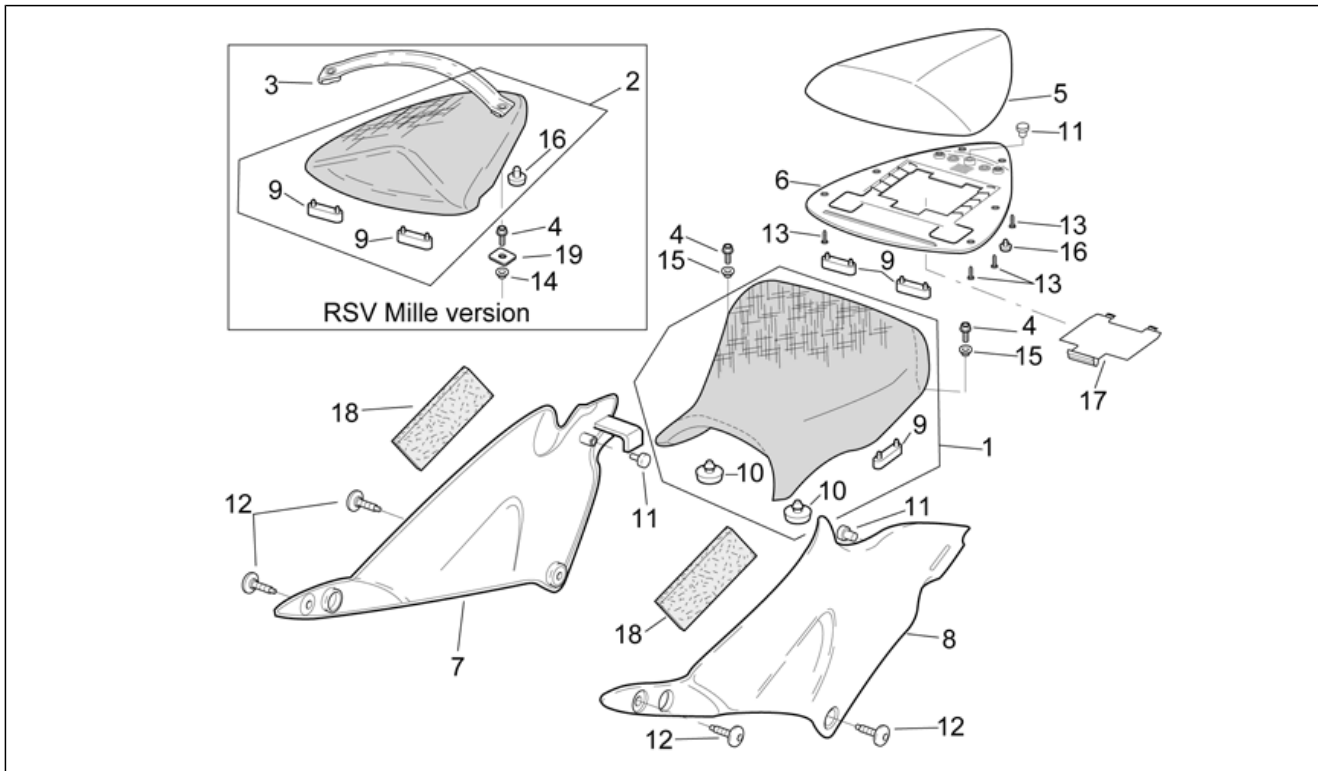
Pos.	Code	Beschreibung	Menge	Varianten
1	AP8120116	3-Wegeanschluß	1	Land:Vereinigte Staaten von Amerika[USA] Technische Daten:Zulassung California[cal]
2	AP8102985	Rückstauventil	1	Land:Vereinigte Staaten von Amerika[USA] Technische Daten:Zulassung California[cal]
3	AP8121267	Drosselspindel	1	Land:Vereinigte Staaten von Amerika[USA] Technische Daten:Zulassung California[cal]
4	AP8202154	3-Wegeanschluß	1	Land:Vereinigte Staaten von Amerika[USA] Technische Daten:Zulassung California[cal]
5	AP8102727	3-Wegeanschluß	1	Land:Vereinigte Staaten von Amerika[USA] Technische Daten:Zulassung California[cal]
6	AP8106764	"Purge" Ventil	1	Land:Vereinigte Staaten von Amerika[USA] Technische Daten:Zulassung California[cal]
7	AP8102678	Kohlefilter	1	Land:Vereinigte Staaten von Amerika[USA] Technische Daten:Zulassung California[cal]
8	AP8134650	Ventilhaltebügel	1	Land:Vereinigte Staaten von Amerika[USA] Technische Daten:Zulassung California[cal]
9	AP8117041	Klebeschwamm 6x30	1	Land:Vereinigte Staaten von Amerika[USA] Technische Daten:Zulassung California[cal]
10	AP8102688	Schelle d.76	1	Land:Vereinigte Staaten von Amerika[USA] Technische Daten:Zulassung California[cal]
11	AP8102719	Schelle d.80,5	1	Land:Vereinigte Staaten von Amerika[USA] Technische Daten:Zulassung California[cal]
12	AP8102375	Klammer M5	1	Land:Vereinigte Staaten von Amerika[USA] Technische Daten:Zulassung California[cal]
13	AP8152273	Flanschschraube M5x15	1	Land:Vereinigte Staaten von Amerika[USA] Technische Daten:Zulassung California[cal]
14	AP8150013	Ausgleichscheibe 5,5x15x1,6*	1	Land:Vereinigte Staaten von Amerika[USA] Technische Daten:Zulassung California[cal]
15	AP8120952	Kraftstoffleitung 5,5x10	2	Land:Vereinigte Staaten von Amerika[USA] Technische Daten:Zulassung California[cal]
16	AP8120987	Leitung 9x14	1	Land:Vereinigte Staaten von Amerika[USA] Technische Daten:Zulassung California[cal]

Einheit	RAHMEN
Code	28.20
Beschreibung	Benzindampfrückf.-Anlage
Inspektion	1



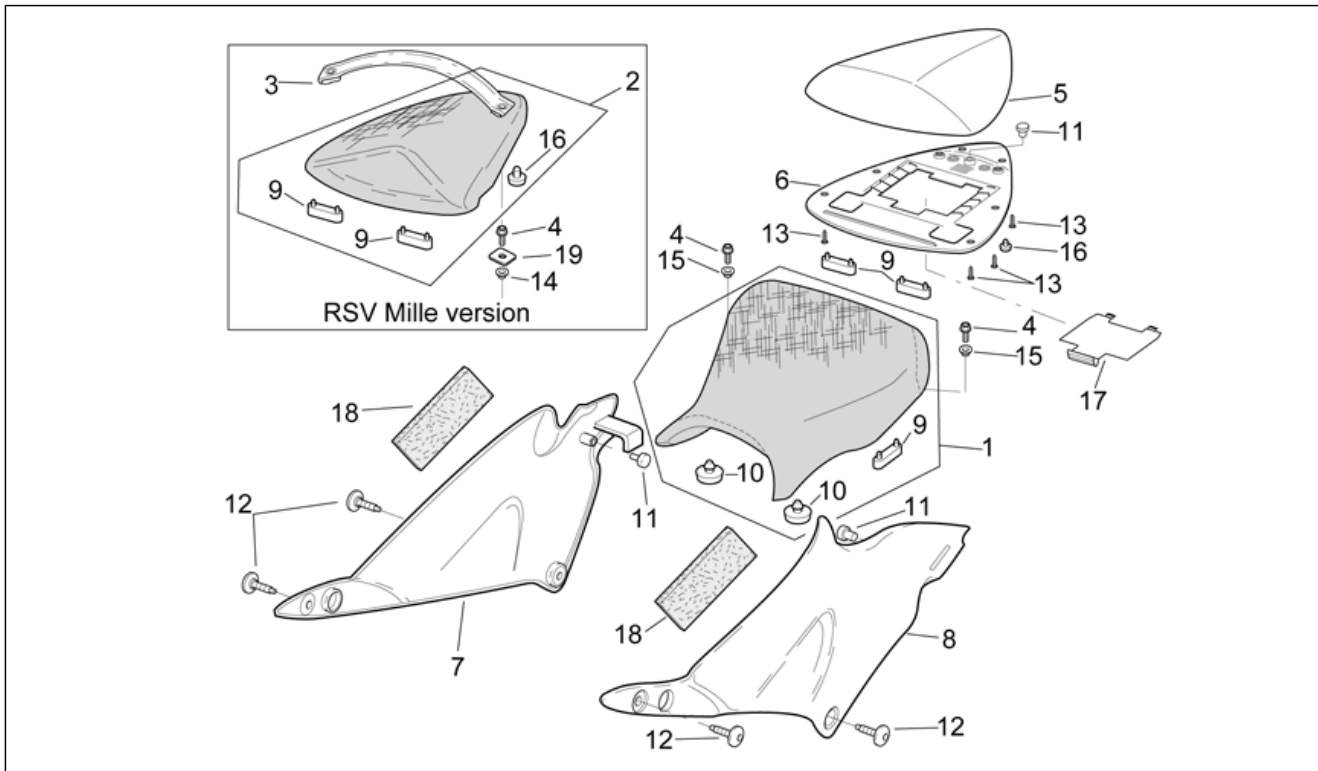
Pos.	Code	Beschreibung	Menge	Varianten
17	AP8220263	Entlüftungsschlauch Kühler 4x8	2	Land: Vereinigte Staaten von Amerika[USA] Technische Daten: Zulassung California[cal]
18	AP8101595	Schelle D10,1	7	Land: Vereinigte Staaten von Amerika[USA] Technische Daten: Zulassung California[cal]
19	AP8102520	Schlauchschelle	1	Land: Vereinigte Staaten von Amerika[USA] Technische Daten: Zulassung California[cal]
20	AP8102378	Schelle D11,3	2	Land: Vereinigte Staaten von Amerika[USA] Technische Daten: Zulassung California[cal]
21	AP8120179	Schelle D8	4	Land: Vereinigte Staaten von Amerika[USA] Technische Daten: Zulassung California[cal]
22	AP8102377	Schelle D9,1*	2	Land: Vereinigte Staaten von Amerika[USA] Technische Daten: Zulassung California[cal]
23	AP8102766	Schelle	2	Land: Vereinigte Staaten von Amerika[USA] Technische Daten: Zulassung California[cal]
24	AP8152299	Selbstsperrende Mutter M6	2	Land: Vereinigte Staaten von Amerika[USA] Technische Daten: Zulassung California[cal]
25	AP8152279	TE Schr. m. Flansch M6x20	2	Land: Vereinigte Staaten von Amerika[USA] Technische Daten: Zulassung California[cal]

Einheit	RAHMEN
Code	28.21
Beschreibung	Sitz
Inspektion	1



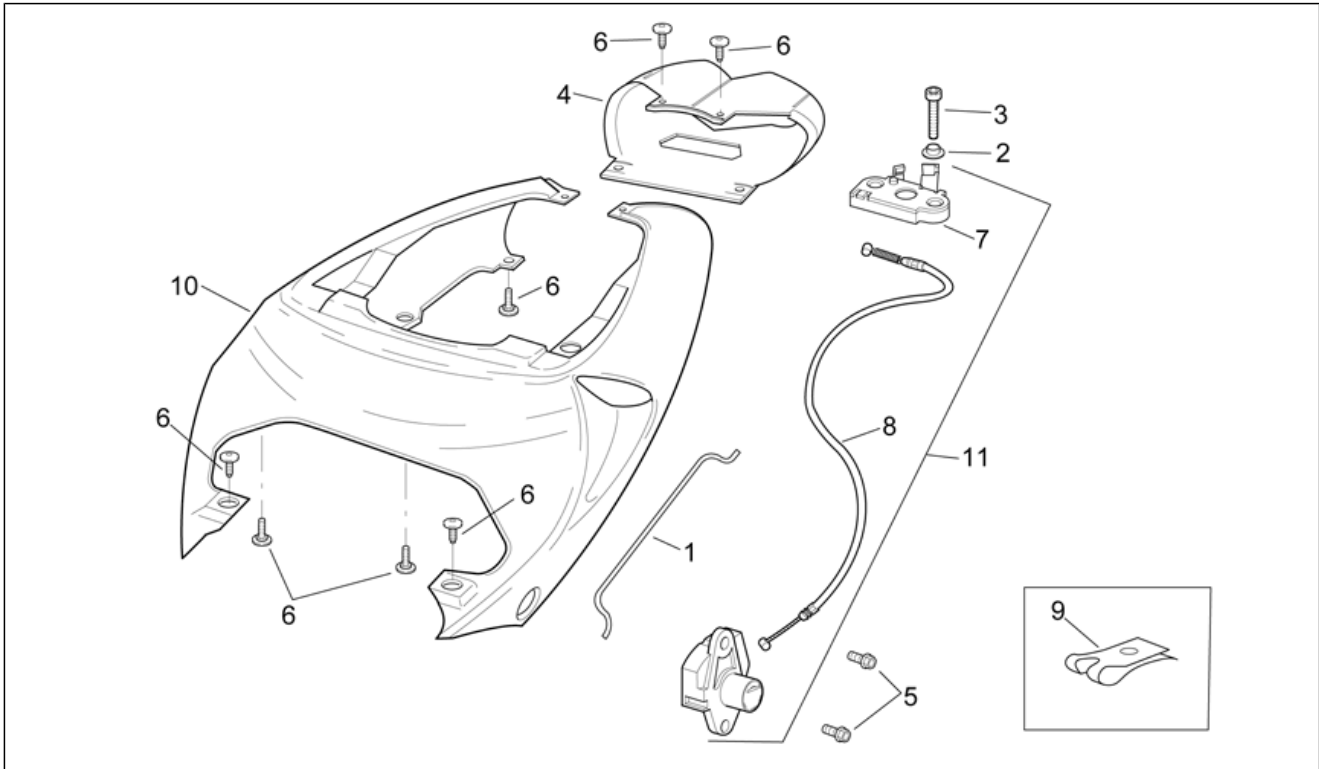
Pos.	Code	Beschreibung	Menge	Varianten
1	AP8129169	Fahrersitz, schwarz	1	
2	AP8129170	Soziussitz, schwarz	1	Technische Daten: Version RSV Mille[STD]
3	AP8129211	Soziusriemen	1	Technische Daten: Version RSV Mille[STD]
4	AP8152279	TE Schr. m. Flansch M6x20	4	
5	AP8148539	Sitzabd. V. aprilia-schw.	1	Baujahr: 2000[Y] Fahrzeugfarbe: Schwarz Aprilia '2000[black]
5	AP8148567	Sitzabdeckung V.schw./grau	1	Baujahr: 2000[Y] Fahrzeugfarbe: Racing Schwarz Aprilia 2000[rac]
5	AP8148919	Sitzabdeckung V.hellrot	1	Baujahr: 2000[Y] Fahrzeugfarbe: Hot red 2000[red]
5	AP8148936	Sitzabdeckung V. el. blau	1	Baujahr: 2000[Y] Fahrzeugfarbe: Electric Blue 2000[blue]
5	AP8148953	.Sitzabdeckung V.flashy.	1	Baujahr: 2000[Y] Fahrzeugfarbe: Gelb Flashy 2000[yell]
6	AP8129204	Grundplatte Sitzabdeckung	1	
7	AP8148535	Seitent.r.V.apriliaschw.	1	Baujahr: 2000[Y] Fahrzeugfarbe: Schwarz Aprilia '2000[black]
7	AP8148563	Seitenteil r.V. grau	1	Baujahr: 2000[Y] Fahrzeugfarbe: Racing Schwarz Aprilia 2000[rac]
7	AP8148917	Seitenteil r. V.hellrot	1	Baujahr: 2000[Y] Fahrzeugfarbe: Hot red 2000[red]
7	AP8148934	Seitenteil r.V. el. blau	1	Baujahr: 2000[Y] Fahrzeugfarbe: Electric Blue 2000[blue]
7	AP8148951	Seitenteil r.V.flashygelb	1	Baujahr: 2000[Y] Fahrzeugfarbe: Gelb Flashy 2000[yell]
8	AP8148536	Seitent. l.V.apriliaschw.	1	Baujahr: 2000[Y] Fahrzeugfarbe: Schwarz Aprilia '2000[black]
8	AP8148564	Seitenteil l.V. grau	1	Baujahr: 2000[Y] Fahrzeugfarbe: Racing Schwarz Aprilia 2000[rac]
8	AP8148918	Seitenteil l.hellrot	1	Baujahr: 2000[Y] Fahrzeugfarbe: Hot red 2000[red]

Einheit	RAHMEN
Code	28.21
Beschreibung	Sitz
Inspektion	1



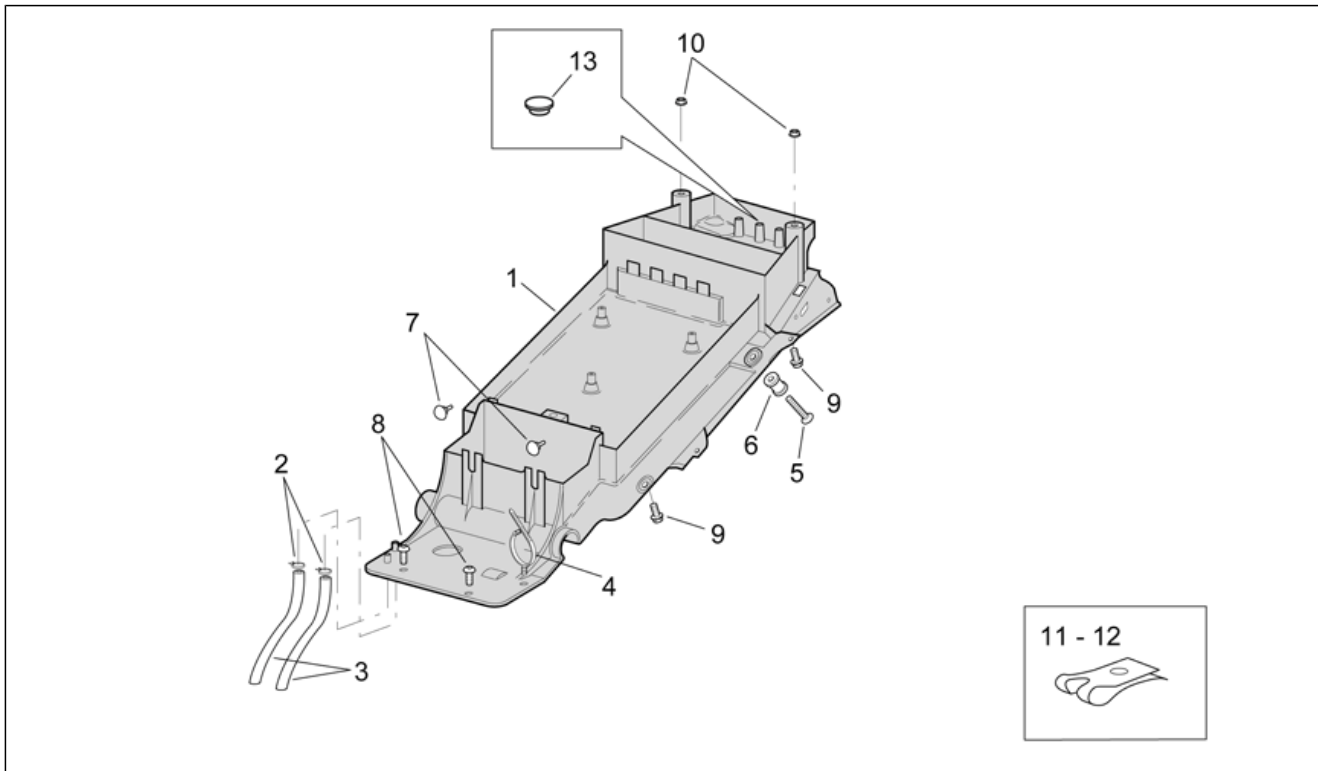
Pos.	Code	Beschreibung	Menge	Varianten
8	AP8148935	Seitenteil l.v. el. blau	1	Baujahr: 2000[Y] Fahrzeugfarbe: Electric Blue 2000[blue]
8	AP8148952	Seitenteil l.v.flashygelb	1	Baujahr: 2000[Y] Fahrzeugfarbe: Gelb Flashy 2000[yell]
9	AP8126701	Sitz-Auflagegummi	6	
10	AP8126702	Gummi	2	
11	AP8144081	Gummi	3	
12	AP8152246	TBEI Schraube m.Flansch M6x16	4	
13	AP8150413	Gew.schr. 3,9x14	6	
14	AP8121991	Buchse	2	Technische Daten: Version RSV Mille[STD]
15	AP8221145	T-Buchse *	2	
16	AP8220349	Gummi	4	
17	AP8138947	Zugangsklappe Sitzab.	1	
18	AP8117125	Klebeschwamm	2	
19	AP8134654	Platte	2	Technische Daten: Version RSV Mille[STD]

Einheit	RAHMEN
Code	28.22
Beschreibung	R.Kar. - R.verkl.
Inspektion	1



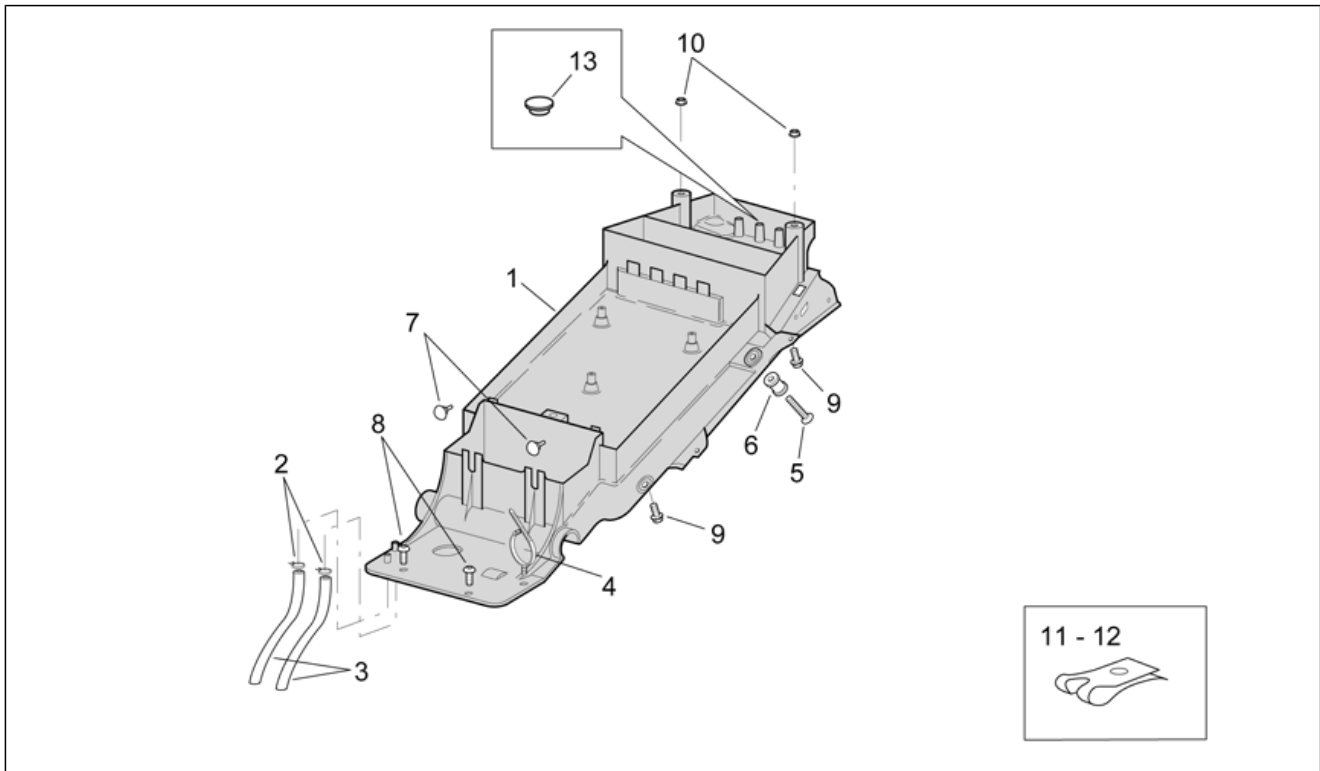
Pos.	Code	Beschreibung	Menge	Varianten
1	AP8134396	Kraftstoff tankhalter stange	1	
2	AP8221129	Buchse	2	
3	AP8150285	TCEI Schraube M6x35	2	
4	AP8138592	Heck ansatz elox.gr.	1	Baujahr: 2000[Y] Fahrzeugfarbe: Schwarz Aprilia '2000[black], Electric Blue 2000[blue]
4	AP8148537	Scheinw.aufn.V. schw.a.	1	Baujahr: 2000[Y] Fahrzeugfarbe: Racing Schwarz Aprilia 2000[rac], Hot red 2000[red], Gelb Flashy 2000[yell]
5	AP8152278	TE Schr. m. Flansch M6x16	2	
6	AP8152302	TBEI Schraube m.Flansch M5x12	10	
7	AP8102913	Fixierplatte Soziussitz	1	
8	AP8102914	Sitz-Einkupplungsvorrichtung	1	
9	AP8102375	Klammer M5	8	
10	AP8148538	Heck schwarz Aprilia	1	Baujahr: 2000[Y] Fahrzeugfarbe: Schwarz Aprilia '2000[black]
10	AP8148566	Heckteil, grau/rot	1	Baujahr: 2000[Y] Fahrzeugfarbe: Racing Schwarz Aprilia 2000[rac]
10	AP8148920	Heck hot red+Deko	1	Baujahr: 2000[Y] Fahrzeugfarbe: Hot red 2000[red]
10	AP8148937	Heckteil, e.blue+Deko	1	Baujahr: 2000[Y] Fahrzeugfarbe: Electric Blue 2000[blue]
10	AP8148954	Heckteil, flashygelb	1	Baujahr: 2000[Y] Fahrzeugfarbe: Gelb Flashy 2000[yell]
11	AP8102911	Sitzschloß komplett	1	

Einheit	RAHMEN
Code	28.23
Beschreibung	U. Sitzbank.
Inspektion	1



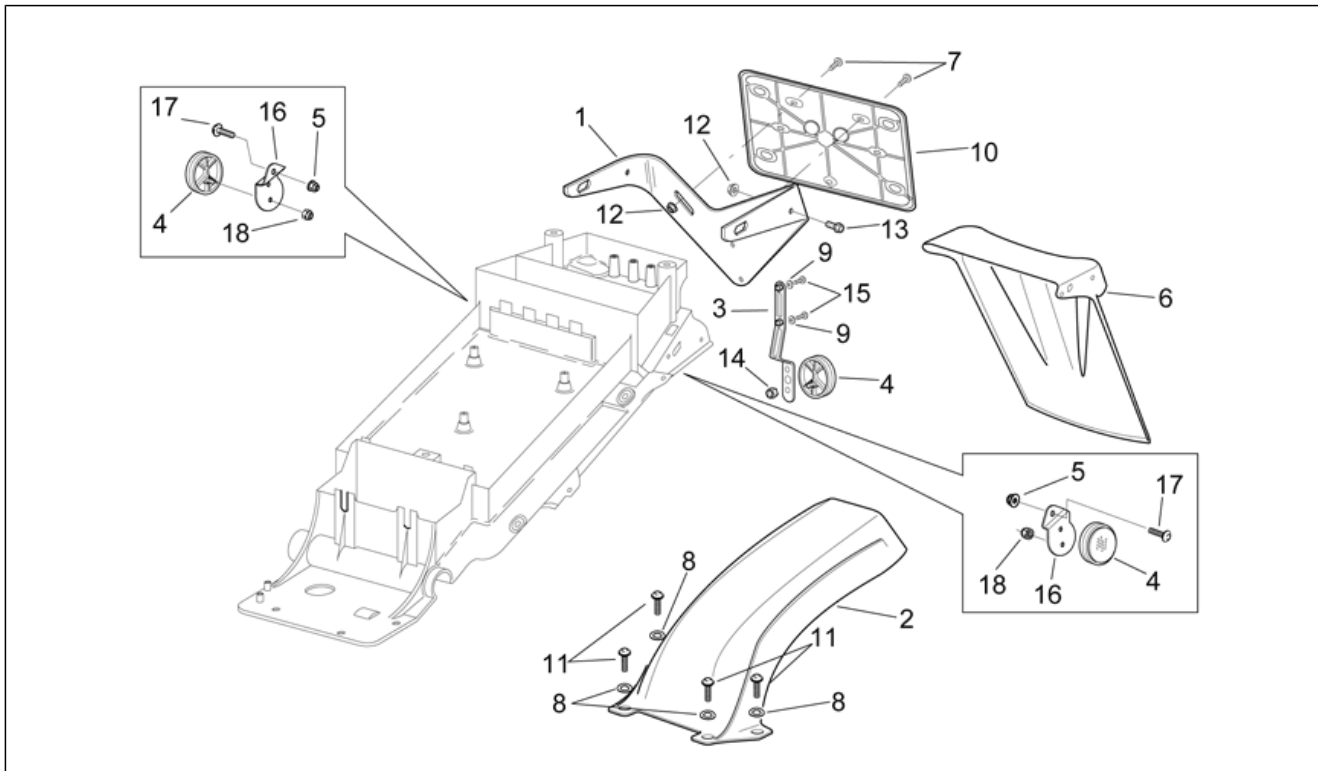
Pos.	Code	Beschreibung	Menge	Varianten
1	AP8138591	Verschl. unt. vorn Sitz	1	Baujahr: 2000[Y] Fahrzeugfarbe: Schwarz Aprilia '2000[black], Electric Blue 2000[blue], Hot red 2000[red], Gelb Flashy 2000[yell] Land: Österreich[A], Australien[AUS], Belgien[B], Schweiz[CH], Deutschland[D], Dänemark[DK], Spanien[E], Frankreich[F], Griechenland[GR], Italien[I], Japan[J], Holland[NL], Portugal[P], Großbritannien[UK]
1	AP8148356	Unt.Verschl.Sitzhal.rot	1	Baujahr: 2000[Y] Fahrzeugfarbe: Racing Schwarz Aprilia 2000[rac] Land: Österreich[A], Australien[AUS], Belgien[B], Schweiz[CH], Deutschland[D], Dänemark[DK], Spanien[E], Frankreich[F], Griechenland[GR], Italien[I], Japan[J], Holland[NL], Portugal[P], Großbritannien[UK]
1	AP8149033	Verschl. unt. vorn Sitz	1	Baujahr: 2000[Y] Fahrzeugfarbe: Schwarz Aprilia '2000[black], Electric Blue 2000[blue], Hot red 2000[red], Gelb Flashy 2000[yell] Land: Vereinigte Staaten von Amerika[USA]
1	AP8149064	Unt.Verschl.Sitzhal.rot	1	Baujahr: 2000[Y] Fahrzeugfarbe: Racing Schwarz Aprilia 2000[rac] Land: Vereinigte Staaten von Amerika[USA]
2	AP8101595	Schelle D10,1	2	
3	AP8120952	Kraftstoffleitung 5,5x10	1	
4	AP8201539	Schelle	1	
5	AP8150468	Schraube M6x40	2	
5	AP8152278	TE Schr. m. Flansch M6x16	2	Land: Vereinigte Staaten von Amerika[USA] Technische Daten: Zulassung California[cal], "Version RSV Mille ""R""acing"[R]
6	AP8121890	Buchse	2	
6	AP8150015	Ausgleichscheibe 6,6x18x1,6*	2	Land: Vereinigte Staaten von Amerika[USA] Technische Daten: Zulassung California[cal], "Version RSV Mille ""R""acing"[R]
7	AP8120001	Gummi	2	
8	AP8152246	TBEI Schraube m.Flansch M6x16	4	

Einheit	RAHMEN
Code	28.23
Beschreibung	U. Sitzbank.
Inspektion	1



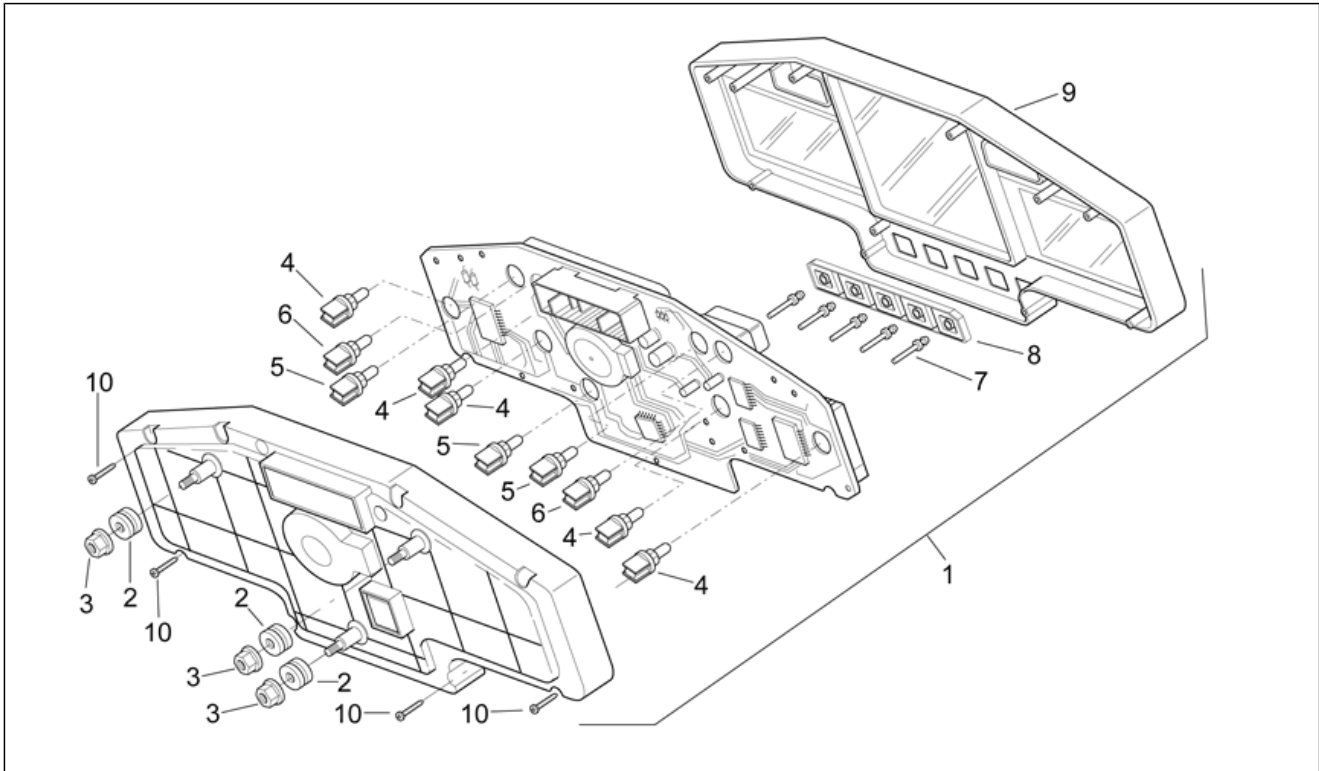
Pos.	Code	Beschreibung	Menge	Varianten
9	AP8152278	TE Schr. m. Flansch M6x16	6	
10	AP8152299	Selbstsperrende Mutter M6	2	
11	AP8102375	Klammer M5	8	
12	AP8102376	Klammer M6	1	
13	AP8102600	Deckel	3	Land: Österreich[A], Australien[AUS], Belgien[B], Schweiz[CH], Deutschland[D], Dänemark[DK], Spanien[E], Frankreich[F], Griechenland[GR], Italien[I], Japan[J], Holland[NL], Portugal[P], Großbritannien[UK]
13	AP8102600	Deckel	3	Land: Vereinigte Staaten von Amerika[USA] Technische Daten: Zulassung 49 Staaten[49st]

Einheit	RAHMEN
Code	28.24
Beschreibung	Hinteres Schutzblech
Inspektion	1



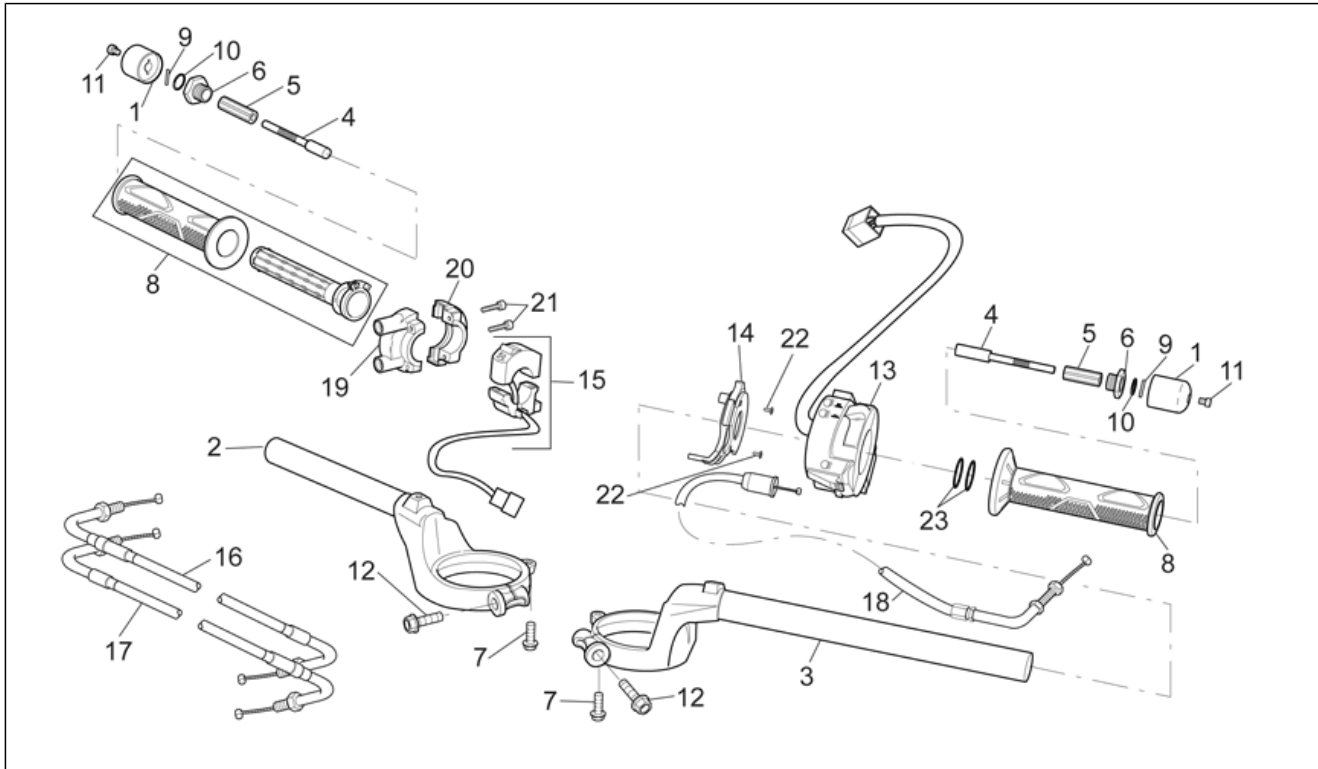
Pos.	Code	Beschreibung	Menge	Varianten
1	AP8126775	Kennzeichenhalter	1	
2	AP8126579	H. Schutzblech, tief	1	Baujahr: 2000[Y] Fahrzeugfarbe: Schwarz Aprilia '2000[black], Electric Blue 2000[blue], Hot red 2000[red], Gelb Flashy 2000[yell]
2	AP8126650	Schutzblech hinten Kohl.	1	Baujahr: 2000[Y] Fahrzeugfarbe: Racing Schwarz Aprilia 2000[rac]
3	AP8134448	Rückstrahler-Fixierung	1	
4	AP8224164	Rückstrahler Rücklicht, rot	3	Land: Vereinigte Staaten von Amerika[USA]
4	AP8224164	Rückstrahler Rücklicht, rot	1	Land: Österreich[A], Australien[AUS], Belgien[B], Schweiz[CH], Deutschland[D], Dänemark[DK], Spanien[E], Frankreich[F], Griechenland[GR], Italien[I], Japan[J], Holland[NL], Portugal[P], Großbritannien[UK]
5	AP8152306	Selbstsperrende Mutter M5	2	Land: Vereinigte Staaten von Amerika[USA]
6	AP8126591	Verl. Nummernsch.bef.	1	Land: Österreich[A], Schweiz[CH], Deutschland[D], Dänemark[DK], Holland[NL]
7	AP8150340	TBEI Schraube	2	
8	AP8150272	Gebogene Sprengscheibe 5,3x10x0,5	4	Technische Daten: "Version RSV Mille ""R""acing"[R]
9	AP8150177	Ausgleichscheibe 5,3X10X1	2	
10	AP8149034	Kennzeichenhalter	1	Land: Vereinigte Staaten von Amerika[USA]
11	AP8152298	TBEI Schraube m.Flansch M5x16	4	
12	AP8152299	Selbstsperrende Mutter M6	4	
13	AP8152278	TE Schr. m. Flansch M6x16	2	
14	AP8152306	Selbstsperrende Mutter M5	1	
15	AP8152267	TBEI Spez.schr. M5x12	2	
16	AP8148587	Rückstrahler-Fixierung	2	Land: Vereinigte Staaten von Amerika[USA]
17	AP8152268	TBEI Spez.schr. M5x16	2	Land: Vereinigte Staaten von Amerika[USA]
18	AP8150204	Mutter M4	4	Land: Vereinigte Staaten von Amerika[USA]

Einheit	RAHMEN
Code	28.25
Beschreibung	Instrumententafel
Inspektion	1



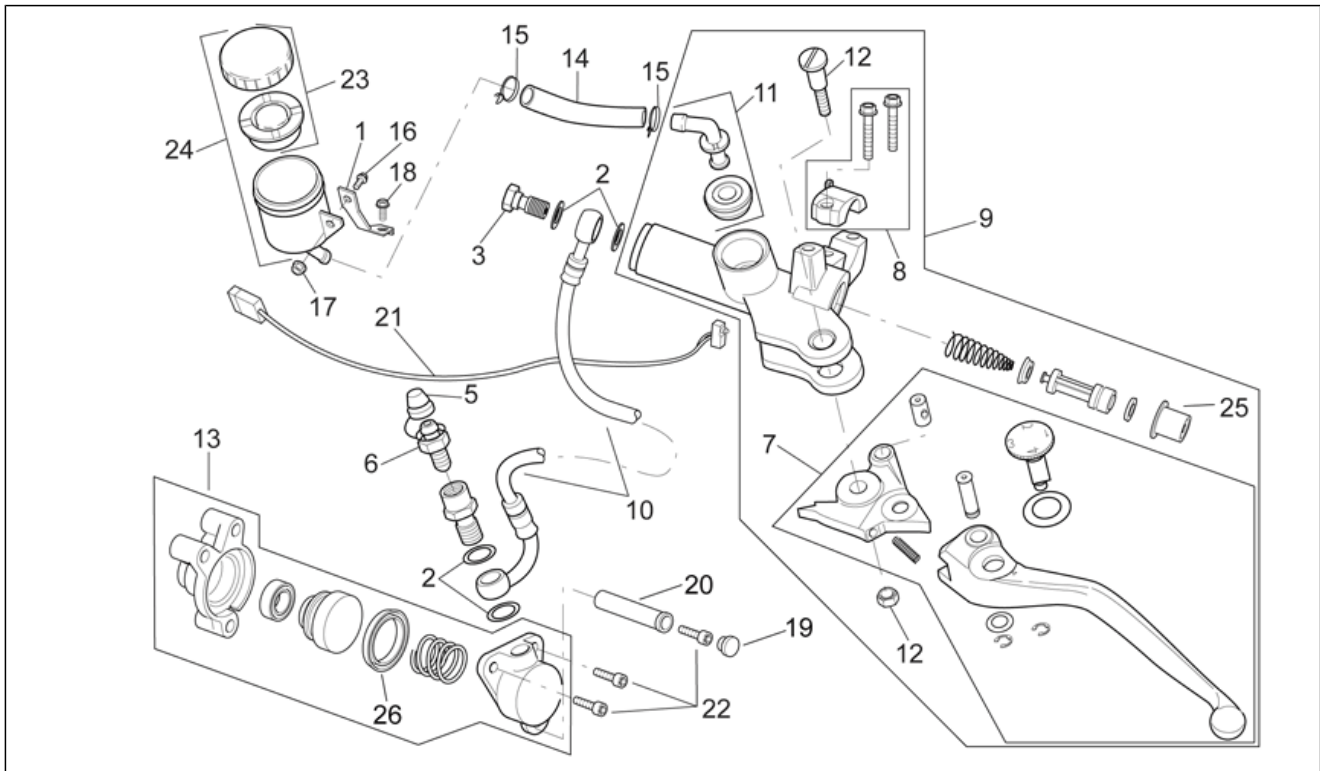
Pos.	Code	Beschreibung	Menge	Varianten
1	AP8124294	Instrum.tafel kplt.	1	
2	AP8112599	Gummi *	3	
3	AP8152299	Selbstsperrende Mutter M6	3	
4	AP8124569	Lampenhalter kplt.	5	
5	AP8124570	Lampenhalter kplt.	3	
6	AP8124571	Lampenhalter kplt. 12V-3W	2	
7	AP8124575	Kolben Armaturentafel	5	
8	AP8124574	Gummi	1	
9	AP8124573	Ob. Armaturenabdeck.	1	
10	AP8124572	Schraube	8	

Einheit	RAHMEN
Code	28.26
Beschreibung	Lenkstange
Inspektion	1



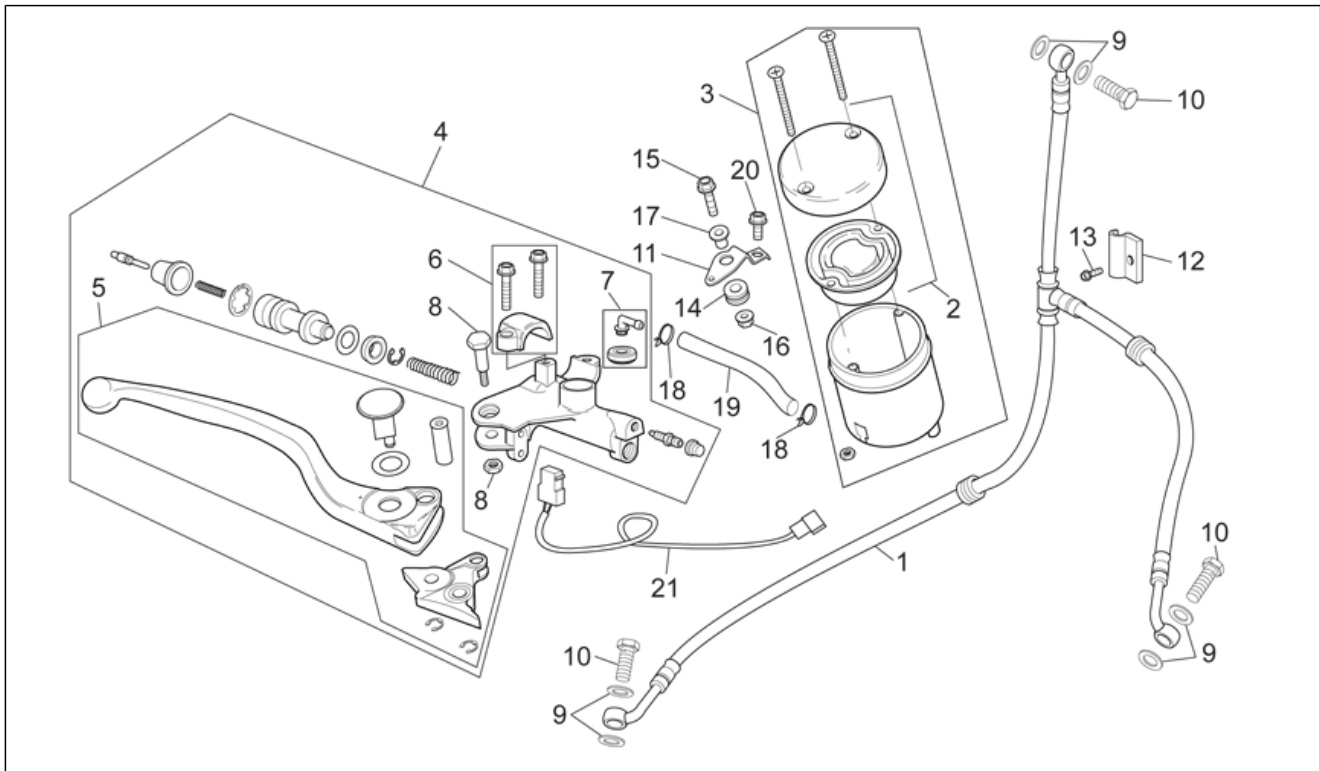
Pos.	Code	Beschreibung	Menge	Varianten
1	AP8102787	Schwingschutzgewicht schwarz	2	
2	AP8118534	Halbblenker kpl rechts	1	Technische Daten: Version RSV Mille[STD]
2	AP8118561	Halbblenker kpl rechts	1	Technische Daten: "Version RSV Mille ""R""acing"[R]
3	AP8118536	Halbblenker kpl links	1	Technische Daten: Version RSV Mille[STD]
3	AP8118562	Halbblenker kpl links	1	Technische Daten: "Version RSV Mille ""R""acing"[R]
4	AP8121262	Welle Schwingschutz	2	
5	AP8144083	Gummi	2	
6	AP8121261	Endstück Schwinggew.	2	
7	AP8152279	TE Schr. m. Flansch M6x20	2	
8	AP8118501	Handgriffe paar, schwarz	1	
9	AP8110074	Rolle D4x19,8	2	
10	AP8120178	O-Ring OR112	2	
11	AP8152040	TCEI Schraube	2	
12	AP8152289	TE Schr. m. Flansch	2	
13	AP8124261	Linker Lichtschalter	1	Land: Österreich[A], Australien[AUS], Belgien[B], Schweiz[CH], Deutschland[D], Dänemark[DK], Spanien[E], Frankreich[F], Griechenland[GR], Italien[I], Holland[NL], Portugal[P], Großbritannien[UK]
13	AP8124551	Linker Lichtschalter	1	Land: Japan[J], Vereinigte Staaten von Amerika[USA]
14	AP8118470	Starterschaltung	1	
15	AP8124260	Motor Stop-Start Vorr.	1	
16	AP8114404	Gas trasmission delivery	1	
17	AP8114405	Gas trasmission return	1	
18	AP8114359	Starterzugkabel	1	
19	AP8118566	Gasschaltung V.Bügelbolzen	1	
20	AP8118567	Gasschaltung H.Bügelbolzen	1	
21	AP8118492	Kappenschraube	2	
22	AP8150472	Edelstahl-Inbusschraube M3x20	2	
23	AP8120190	O-Ring 3075	1	

Einheit	RAHMEN
Code	28.27
Beschreibung	Kupplungspumpe
Inspektion	1



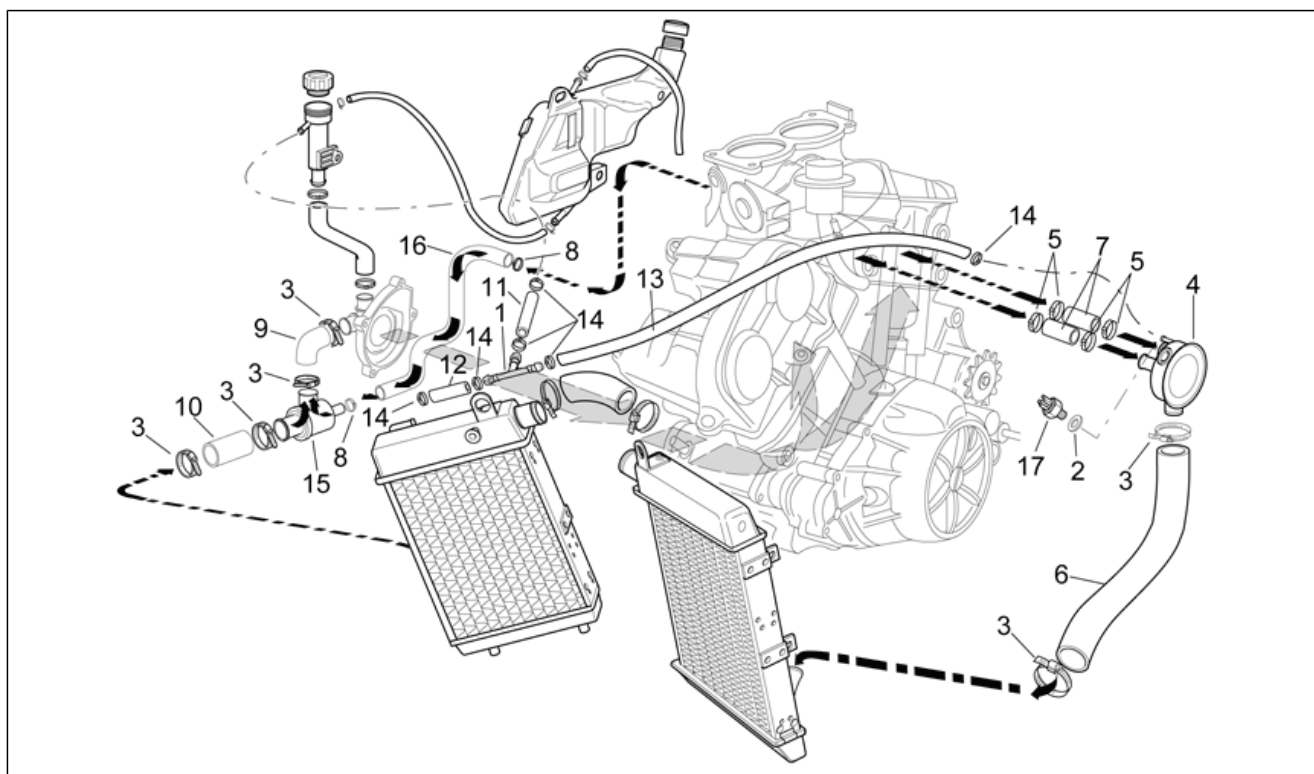
Pos.	Code	Beschreibung	Menge	Varianten
1	AP8134394	Platte f. Ölbehälter	1	
2	AP8121915	Dichtung	4	
3	AP8113003	Fixierschraube Ölschlauch	1	
4	AP8113762	Lochschaube	1	
5	AP8113230	Entlüftungskappe	1	
6	AP8113761	Entlüftungsanschluß	1	
7	AP8113758	Kupplungshebel	1	
8	AP8113759	Bügelbolzen	1	
9	AP8106384	Kupplungspumpe	1	
10	AP8106672	Kupplungsschlauch	1	
11	AP8213057	Hinterer Pumpenanschluß	1	
12	AP8113719	Hebelbolzen	1	
13	AP8106381	Kupplungszylinder	1	
14	AP8113773	Leitung	1	
15	AP8113764	Schelle	2	
16	AP8152273	Flanschschraube M5x15	1	
17	AP8152306	Selbstsperrende Mutter M5	1	
18	AP8152277	TE Schr. m. Flansch M6x12	1	
19	AP8144158	Gummi	1	
20	AP8121293	Distanzsch. Kettengummi	1	
21	AP8124398	Kuppl.schalter+Verkab.	1	
22	AP0241821	TCEI Schraube M6x45	1	
23	AP8113553	Tankverschluß	1	
24	AP8106382	Öltank kpl	1	
25	AP8133522	Haube	1	
26	AP8106935	Dichtung	1	

Einheit	RAHMEN
Code	28.28
Beschreibung	Vorderradbremspumpe
Inspektion	1



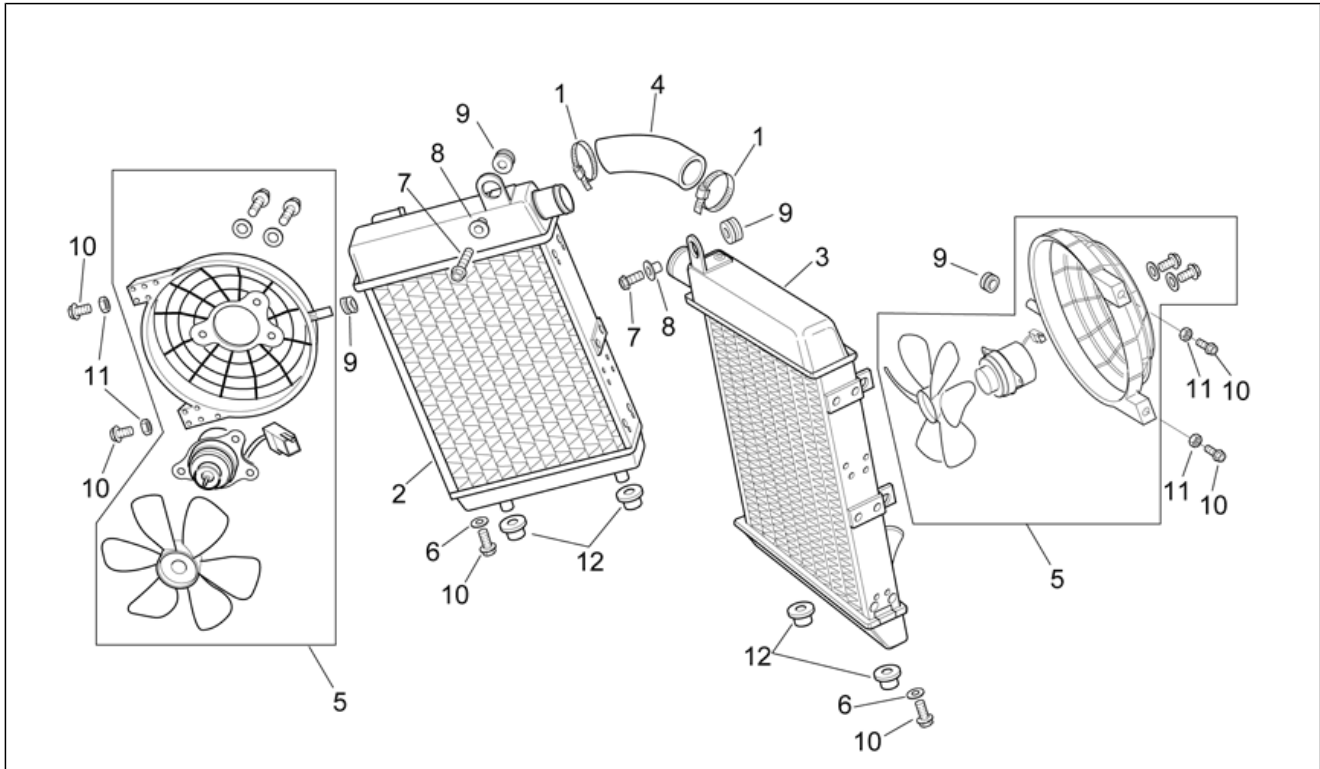
Pos.	Code	Beschreibung	Menge	Varianten
1	AP8113874	Vorderradbremssleitung	1	
2	AP8113598	Bremsen-Öltankschraube	1	
3	AP8113499	Öltank Bremsen	1	
4	AP8113905	Vorderradbremspumpe	1	
5	AP8146362	Vorderradbremshebel	1	
6	AP8113717	Bügelbolzen	1	
7	AP8213057	Hinterer Pumpenanschluß	1	
8	AP8113719	Hebelbolzen	1	
9	AP8121915	Dichtung	6	
10	AP8113003	Fixierschraube Ölschlauch	3	
11	AP8134383	Platte f. Ölbehälter	1	
12	AP8134438	Platte Bremsschlauch	1	
13	AP8152272	TE Schr. m. Flansch M5x12	1	
14	AP8120030	Gummi	1	
15	AP8152280	TE Schr. m. Flansch M6x25	1	
16	AP8152299	Selbstsperrende Mutter M6	1	
17	AP8221023	T-Buchse	1	
18	AP8113764	Schelle	2	
19	AP8144151	Gummischlauch	1	
20	AP8152277	TE Schr. m. Flansch M6x12	1	
21	AP8124288	Bremslichtschalter	1	

Einheit	RAHMEN
Code	28.29
Beschreibung	Kühlanlage
Inspektion	1



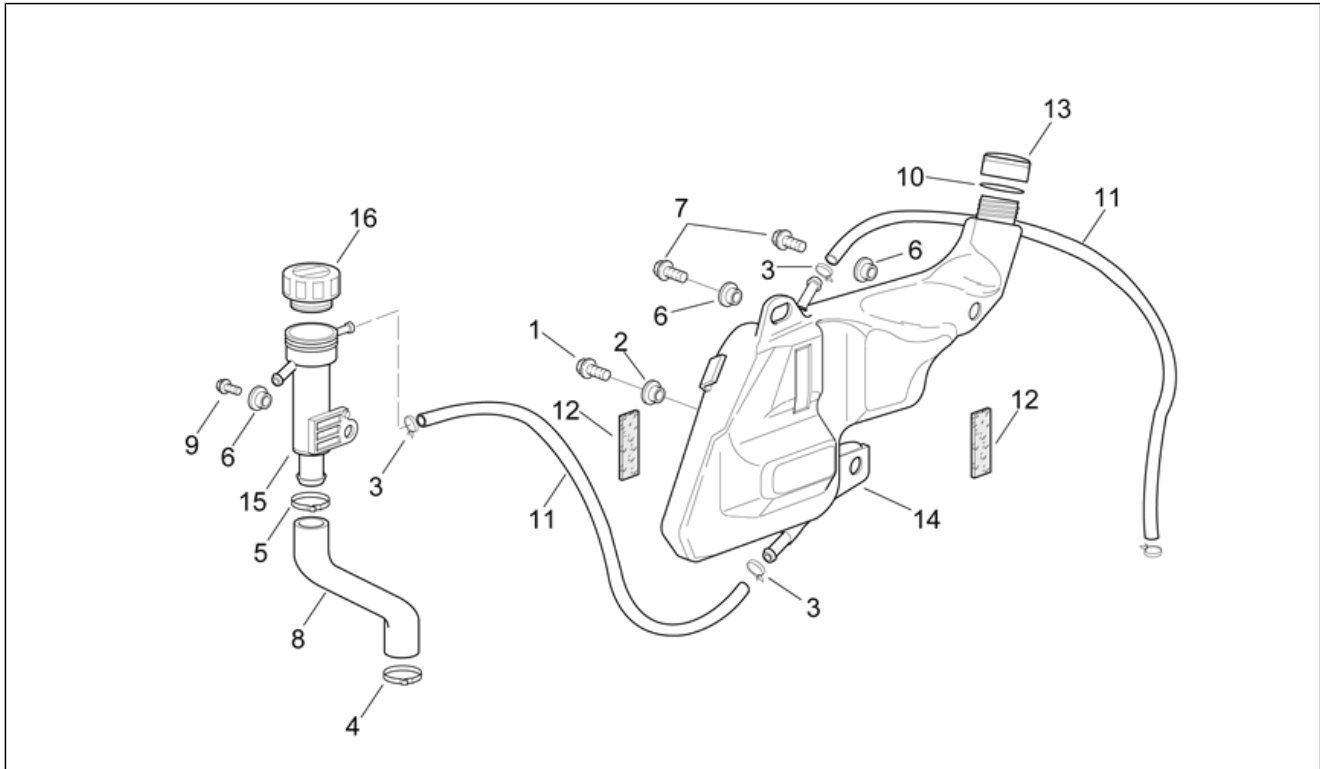
Pos.	Code	Beschreibung	Menge	Varianten
1	AP8102431	3-Wegeanschluß	1	
2	AP8121837	Alu-Scheibe	1	
3	AP8104097	Schlauchschelle	6	
4	AP8102677	3-Wege-Krümm.	1	
5	AP8102732	Schelle 17-25	4	
6	AP8120978	Wasserschl. Krüm.-Kühl.	1	
7	AP8120979	Schlauch Motor-Krüm.	2	
8	AP8101927	Schlauchschelle D23,5x8*	2	
9	AP8144033	Schl. Thermostat-Pumpe	1	
10	AP8144034	Schl. Therm.-Kühl.	1	
11	AP8144094	Entlft.schl. Anschl.-Krüm.	1	
12	AP8144093	Entlft.schl. Kühler-Ansch.	1	
13	AP8144092	Entlüftungsschlauch	1	
14	AP8102764	Schlauchschelle weiß d.13x6	6	
15	AP8124929	Ventil thermostatgruppe 75°C	1	
16	AP8120980	Schlauch Thermost.-Mot.	1	
17	AP8112939	Thermoschalter	1	

Einheit	RAHMEN
Code	28.30
Beschreibung	Wasserkühler
Inspektion	1



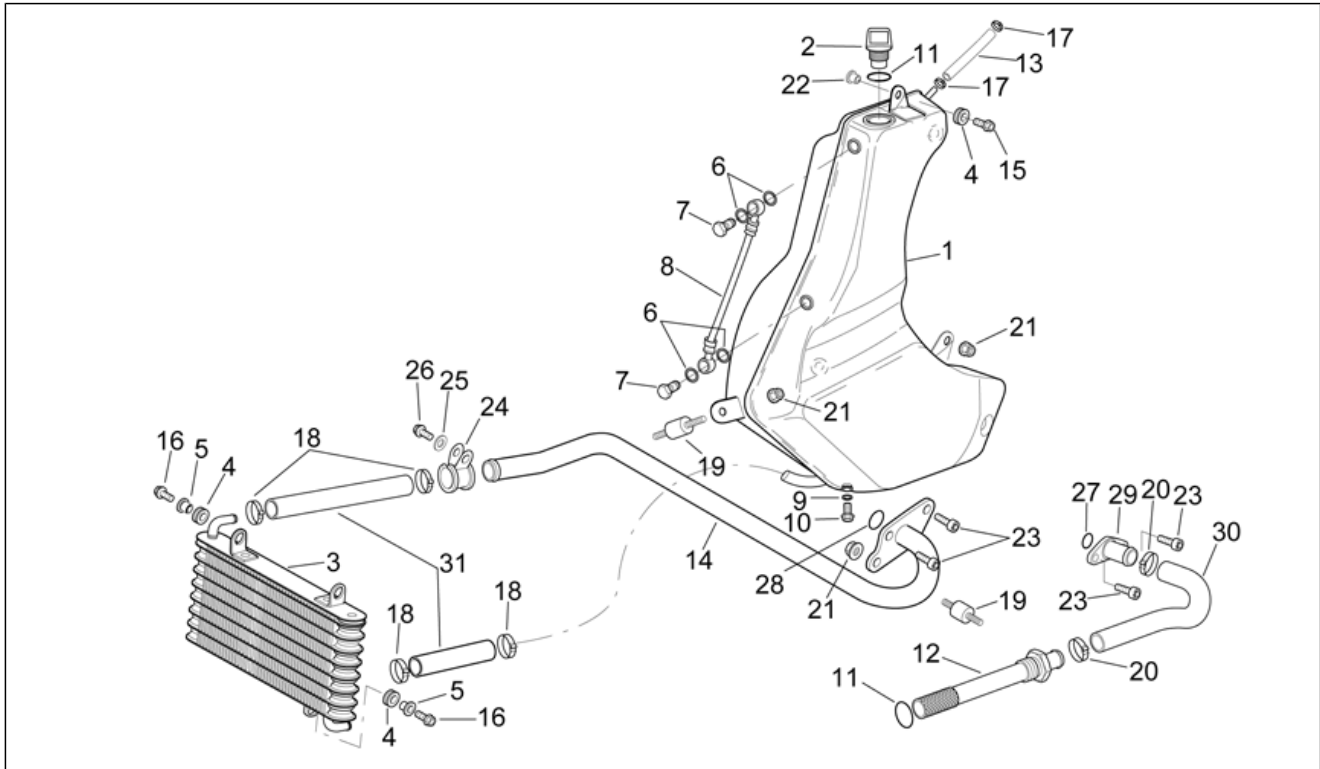
Pos.	Code	Beschreibung	Menge	Varianten
1	AP8104097	Schlauchschelle	2	
2	AP8102952	Wasserkühler R.schwarz	1	
3	AP8102951	Wasserkühler L.schwarz	1	
4	AP8120981	Wasserschlauch Kühler	1	
5	AP8124855	Ventilator komplett	2	
6	AP8152184	Ausgleichscheibe 6,4x12*	2	
7	AP8152279	TE Schr. m. Flansch M6x20	2	
8	AP8221023	T-Buchse	2	
9	AP8112600	Gummi	2	
10	AP8152277	TE Schr. m. Flansch M6x12	6	
11	AP8150026	Mutter M6	4	
12	AP8101372	Silent-Block	4	

Einheit	RAHMEN
Code	28.31
Beschreibung	Ausdehngefäß
Inspektion	1



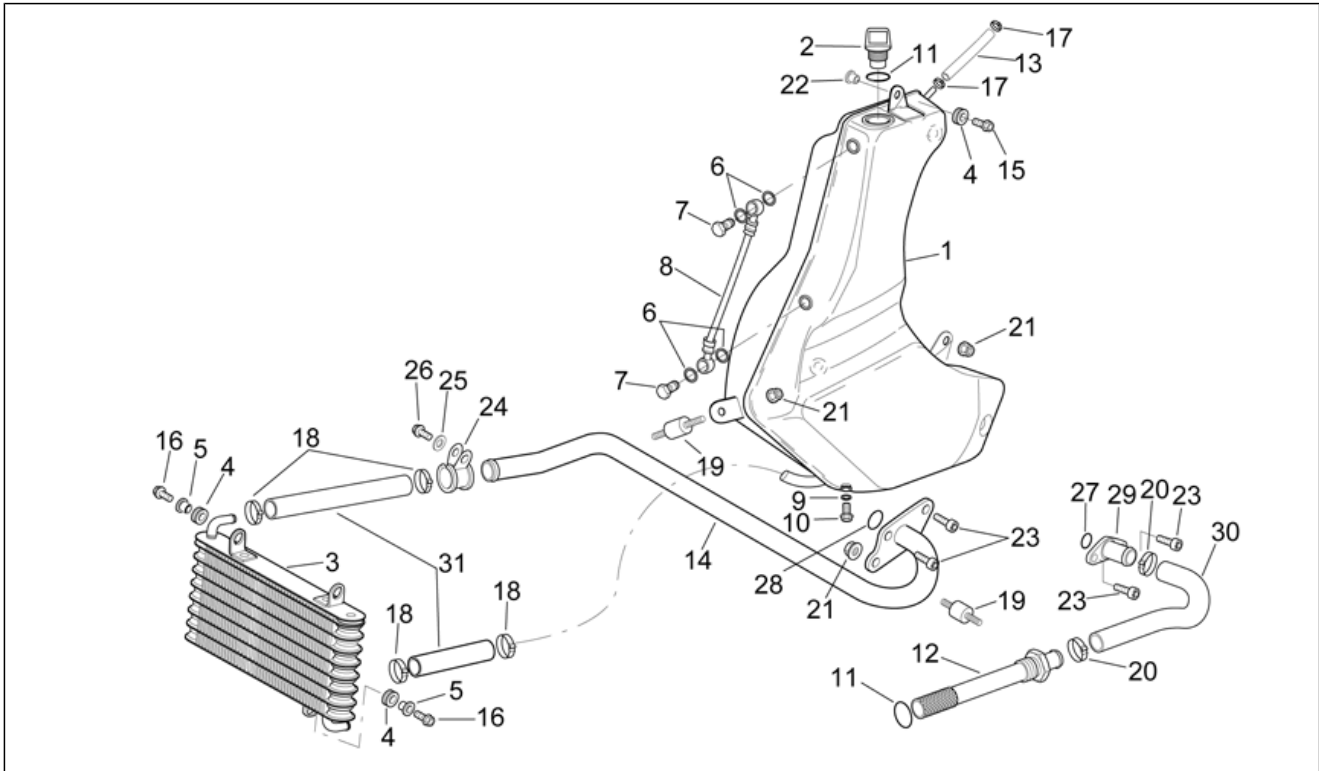
Pos.	Code	Beschreibung	Menge	Varianten
1	AP8152273	Flanschschraube M5x15	1	
2	AP8120531	Gummi mit Einsatz	1	
3	AP8102378	Schelle D11,3	3	
4	AP8102732	Schelle 17-25	1	
5	AP8101927	Schlauchschelle D23,5x8*	1	
6	AP8221145	T-Buchse *	3	
7	AP8152278	TE Schr. m. Flansch M6x16	2	
8	AP8144032	Schl. Pumpe-Stutzen	1	
9	AP8152279	TE Schr. m. Flansch M6x20	1	
10	AP8120355	Ölschraubelochstal dichtung	1	
11	AP8120952	Kraftstoffleitung 5,5x10	1	
12	AP8117033	Klebeschwamm	1	
13	AP8120354	Deckel	1	
14	AP8138556	Ausdehngefäß	1	
15	AP8120988	Tankstutzen	1	
16	AP8102615	Deckel	1	

Einheit	RAHMEN
Code	28.32
Beschreibung	Öltank
Inspektion	1



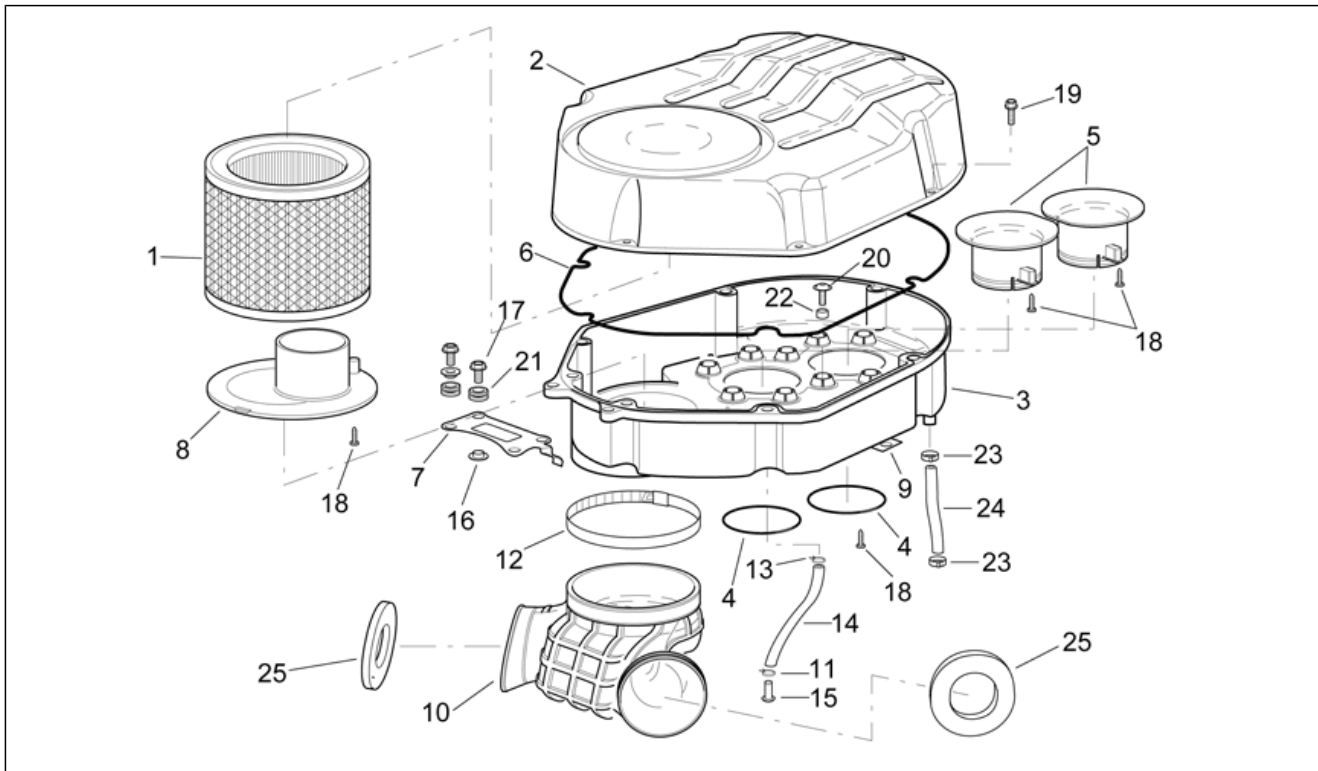
Pos.	Code	Beschreibung	Menge	Varianten
1	AP8138558	Öltank	1	Technische Daten: Version RSV Mille[STD]
1	AP8148427	Öltank	1	Technische Daten: "Version RSV Mille ""R""acing"[R]
2	AP8102618	Öltankschraube	1	
3	AP8104100	Ölkühler schwarz	1	
4	AP8120030	Gummi	4	
5	AP8221023	T-Buchse	3	
6	AP8113004	Ausgleichscheibe 10x14x1,6*	4	
7	AP8113003	Fixierschraube Ölschlauch	2	
8	AP8144275	Ölstandschlauch	1	
9	AP8121862	Ausgleichscheibe D8x16x1,5	1	
10	AP8152285	TE Schr. m. Flansch	1	
11	AP8120190	O-Ring 3075	2	
12	AP8102828	Ölfiltereinsatz kpl.	1	
13	AP8144015	Ölschlauch 6x12	1	
14	AP8106388	Ölschlauch	1	
15	AP8152277	TE Schr. m. Flansch M6x12	1	
16	AP8152279	TE Schr. m. Flansch M6x20	3	
17	AP8120446	Schlauchschele, grün D11x6,6x1	2	
18	AP8102349	Schlauchschele weiß D17,5x8	4	
19	AP8144061	Silent-Block	2	
20	AP8102786	Schlauchschele 20x8	2	
21	AP8152299	Selbstsperrende Mutter M6	3	
22	AP8121731	T-Buchse *	1	
23	AP8150137	TCEI Schraube M6x16	4	
24	AP8102731	Schelle	1	
25	AP8152181	Scheibe 6,4x15x1	2	
26	AP8152278	TE Schr. m. Flansch M6x16	1	
27	AP8120196	O-Ring 3056	1	

Einheit	RAHMEN
Code	28.32
Beschreibung	Öltank
Inspektion	1



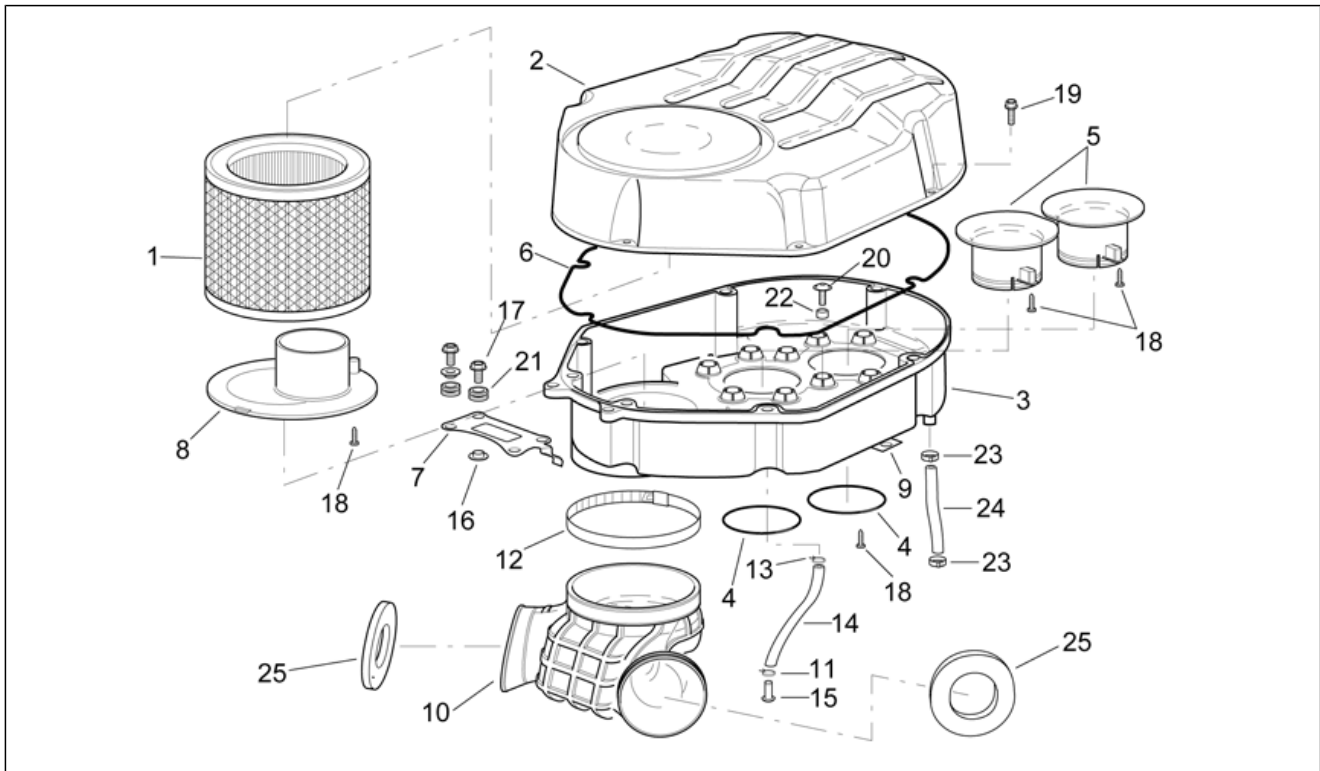
Pos.	Code	Beschreibung	Menge	Varianten
28	AP8144008	O-Ring 115	1	
29	AP8106387	Ölschlauch	1	
30	AP8144090	Ölschlauch	1	
31	AP8106389	Ölschlauch 12x19	1	

Einheit	RAHMEN
Code	28.33
Beschreibung	Filtergehäuse
Inspektion	1



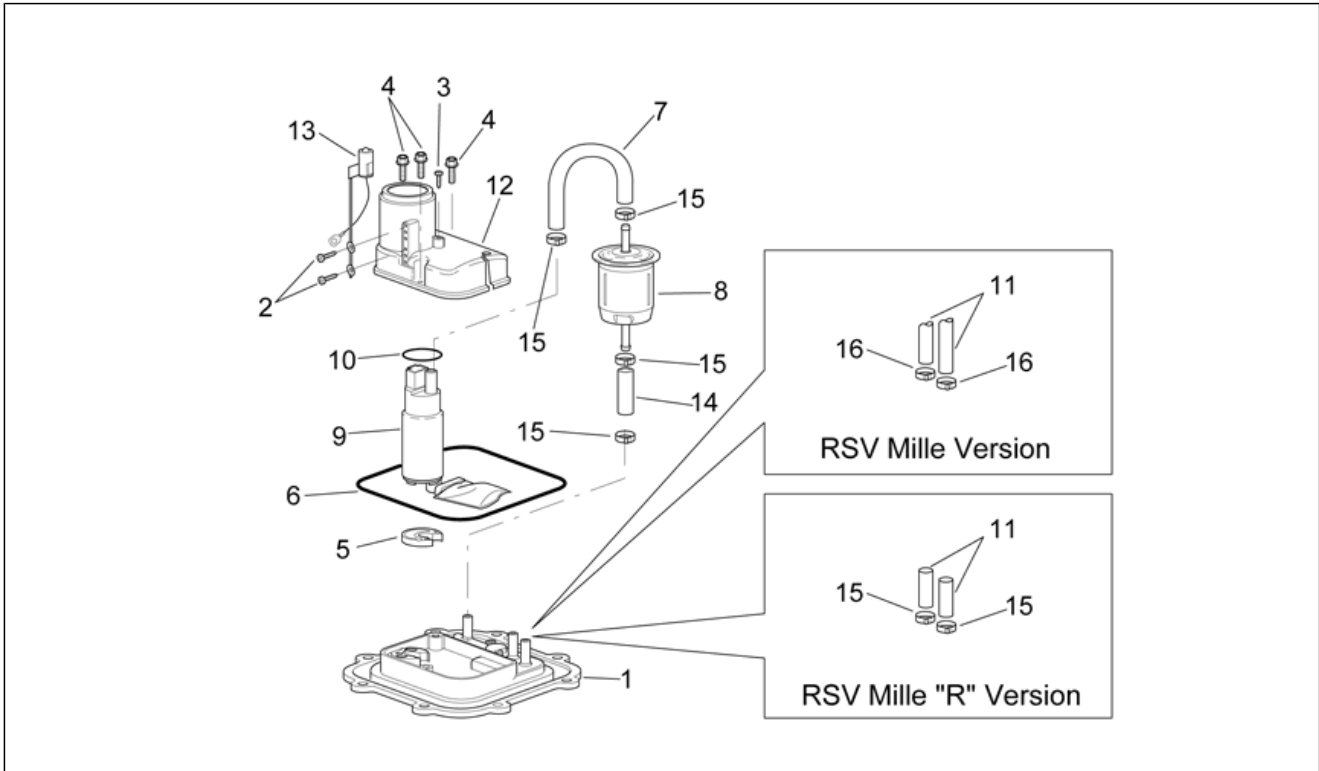
Pos.	Code	Beschreibung	Menge	Varianten
1	AP8102610	Luftfilter	1	
2	AP8148640	Oberteil Filtergehäuse	1	
3	AP8138554	Unterteil Filtergehäuse	1	Land: Vereinigte Staaten von Amerika[USA] Technische Daten: Zulassung 49 Staaten[49st]
3	AP8138554	Unterteil Filtergehäuse	1	Land: Österreich[A], Australien[AUS], Belgien[B], Schweiz[CH], Deutschland[D], Dänemark[DK], Spanien[E], Griechenland[GR], Italien[I], Japan[J], Holland[NL], Portugal[P], Großbritannien[UK]
3	AP8139732	Unterteil Filtergehäuse	1	Land: Frankreich[F]
3	AP8149041	Unterteil Filtergehäuse	1	Land: Vereinigte Staaten von Amerika[USA] Technische Daten: Zulassung California[cal]
4	AP8144063	O-Ring 159	2	
5	AP8106395	Einlaßöffnung	2	
6	AP8120615	Dichtung D3	1	
7	AP8134625	Fixierung vorn Filtergeh.	1	
8	AP8134399	Reduziermembran	1	Land: Österreich[A], Schweiz[CH], Deutschland[D], Dänemark[DK], Spanien[E], Griechenland[GR], Italien[I], Japan[J], Holland[NL], Portugal[P], Großbritannien[UK]
8	AP8134493	Reduziermembran	1	Land: Australien[AUS], Belgien[B], Vereinigte Staaten von Amerika[USA]
9	AP8134437	Platte	1	
10	AP8138555	Ansaugmuffe	1	
11	AP8102377	Schelle D9,1*	1	
12	AP8102763	Schelle 100-120	1	
13	AP8101595	Schelle D10,1	1	
14	AP8144038	Kraftstoffleitung 6x10	1	
15	AP8120876	Verschlußschraube	1	
16	AP8121731	T-Buchse *	2	
17	AP8152277	TE Schr. m. Flansch M6x12	2	
18	AP8150413	Gew.schr. 3,9x14	8	

Einheit	RAHMEN
Code	28.33
Beschreibung	Filtergehäuse
Inspektion	1



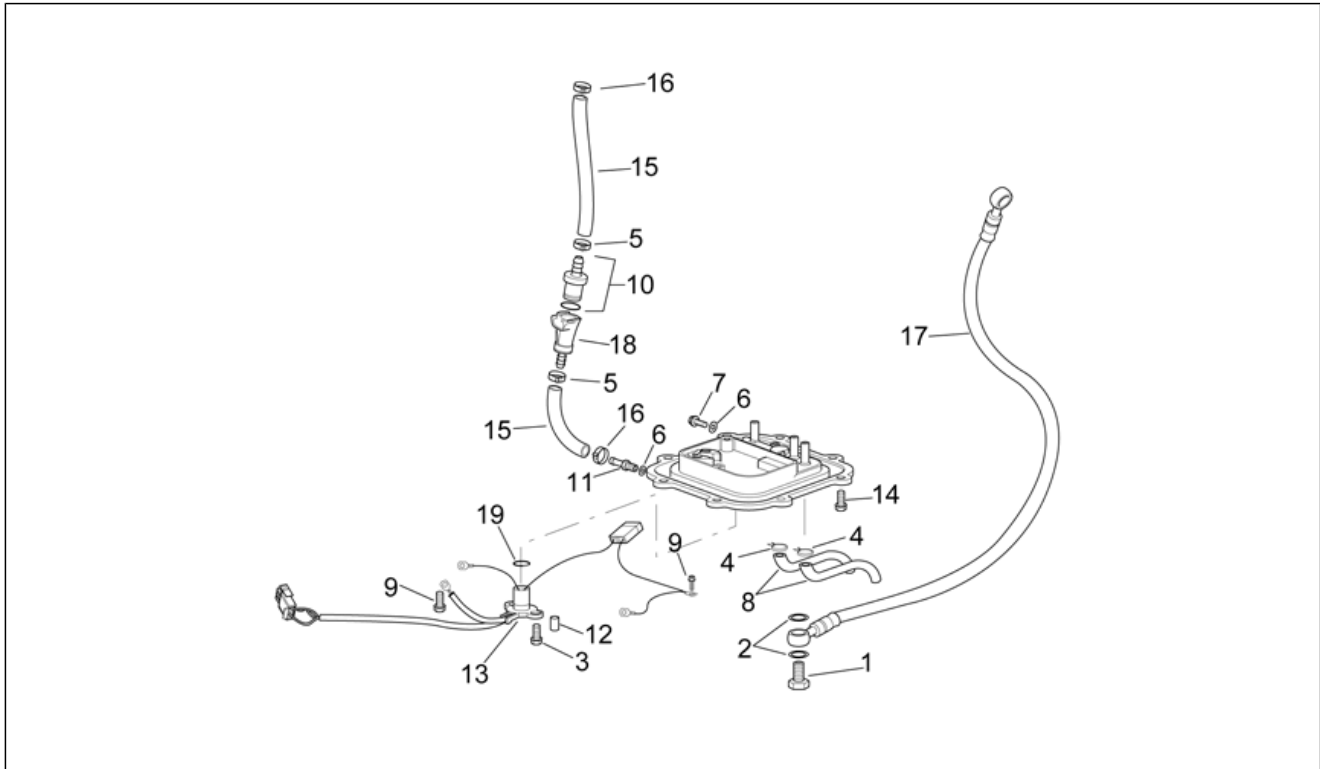
Pos.	Code	Beschreibung	Menge	Varianten
19	AP8152273	Flanschschraube M5x15	7	
20	AP8152246	TBEI Schraube m.Flansch M6x16	6	
21	AP8120030	Gummi	2	
22	AP8120253	Distanzscheibe	6	
23	AP8102766	Schelle	2	
24	AP8120987	Leitung 9x14	1	
25	AP8144176	Dichtung Einlaßhülse	2	

Einheit	RAHMEN
Code	28.34
Beschreibung	Kraftstoffpumpe I
Inspektion	1



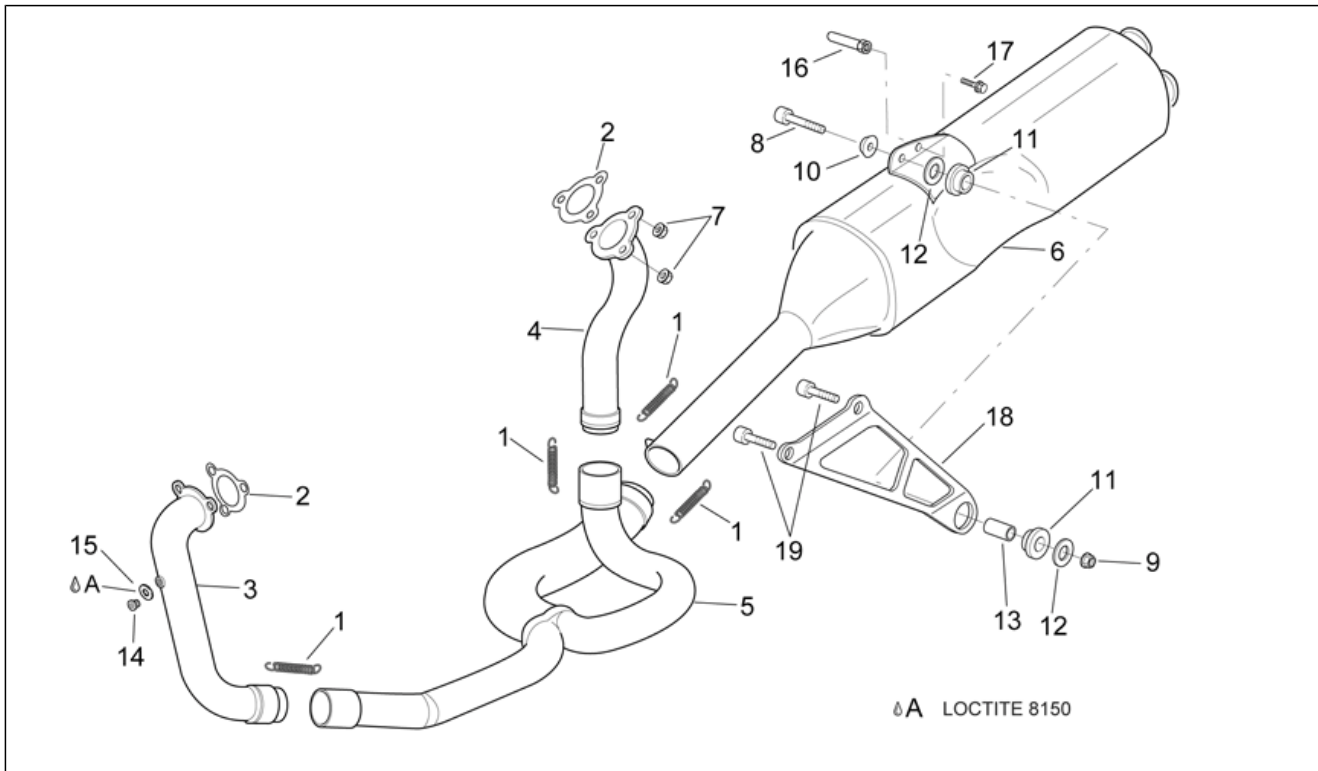
Pos.	Code	Beschreibung	Menge	Varianten
1	AP8106386	Kraftst.pumpen-Verschl.	1	
2	AP8150421	Gew.schr. 2,9x12	2	
3	AP8150413	Gew.schr. 3,9x14	1	
4	AP8152273	Flanschschraube M5x15	3	
5	AP8144003	Kraftst.pumpen-Gummi	1	
6	AP8144010	O-Ring 199	1	
7	AP8120990	Kraft.schl. Pumpe-Filter	1	
8	AP8102627	Kraftstofffilter	1	
9	AP8106385	Kraftstoffpumpe	1	
10	AP8144011	O-Ring 3125	1	
11	AP8120993	Entlüftungsschlauch Kühler 7,5x12,5	1	Technische Daten: Version RSV Mille[STD]
11	AP8144298	Entlüftungsschraube	2	Technische Daten: "Version RSV Mille ""R""acing"[R]
12	AP8138624	Halter Kraftstoffpumpe	1	
13	AP8124297	Standfühler	1	
14	AP8120991	Kraftstoffleitung 7,5x14,5	1	
15	AP8102765	Schlauchschelle weiß D.13,5x6	6	
16	AP8102239	Schelle 12,5x8	2	

Einheit	RAHMEN
Code	28.35
Beschreibung	Kraftstoffpumpe II
Inspektion	1



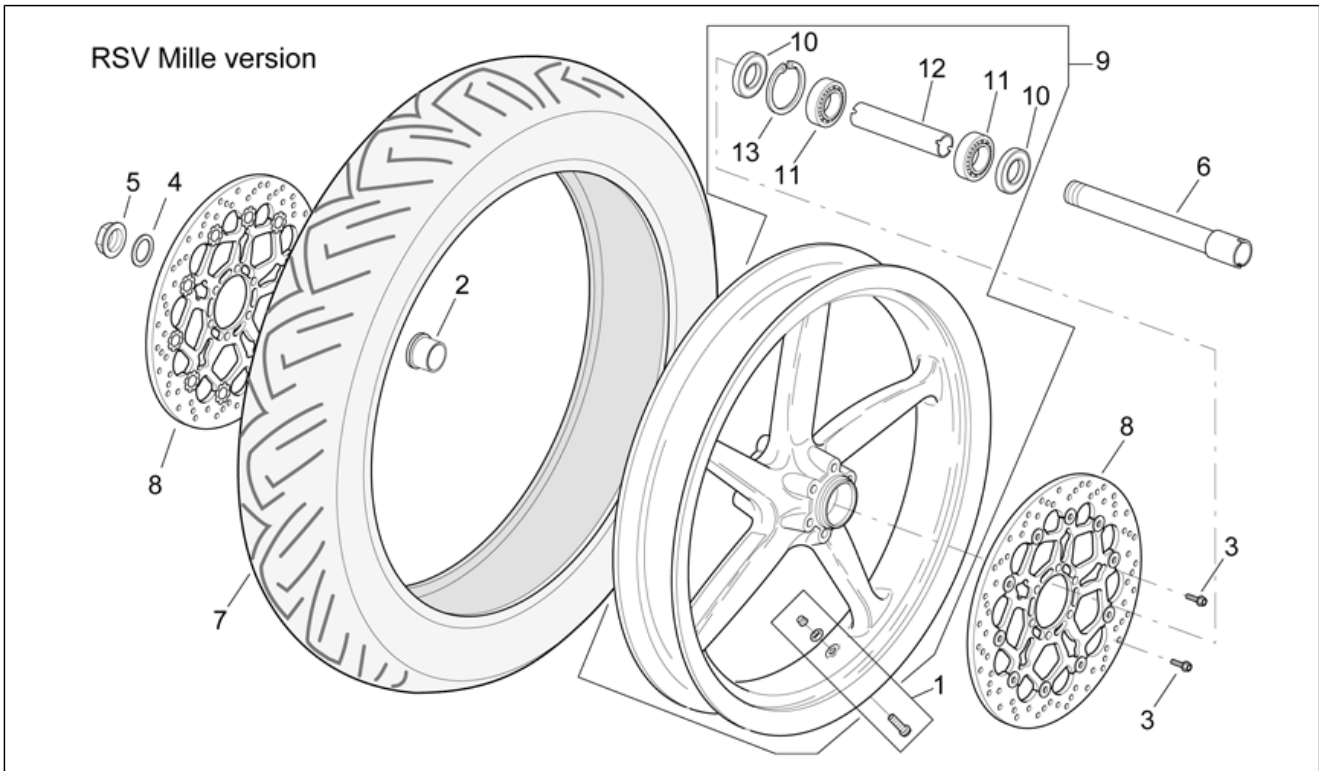
Pos.	Code	Beschreibung	Menge	Varianten
1	AP8106443	Lochschraube	2	
2	AP8106444	Dichtung 18x12,2x1,5	4	
3	AP8152278	TE Schr. m. Flansch M6x16	3	
4	AP8101595	Schelle D10,1	2	
5	AP8102764	Schlauchschelle weiß d.13x6	2	
6	AP8152184	Ausgleichscheibe 6,4x12*	2	
7	AP8152277	TE Schr. m. Flansch M6x12	1	
8	AP8144047	Entlüftungsschl. Tank	2	Technische Daten: Version RSV Mille[STD]
8	AP8144319	Entlüftungsschl. Tank	2	Technische Daten: "Version RSV Mille ""R""acing"[R]
9	AP8152272	TE Schr. m. Flansch M5x12	2	
10	AP8102873	Anschluss	1	
11	AP8102626	2-Wege Anschluß	1	
12	AP8120253	Distanzscheibe	2	
13	AP8124529	Kraftstoffpumpe kabel	1	
14	AP8152273	Flanschschraube M5x15	8	
15	AP8144069	Kraftstoffleitung 6x13	1	
16	AP8102239	Schelle 12,5x8	2	
17	AP8120992	Kraftstoffleitung	1	
18	AP8102829	Anschluss	1	
19	AP8120285	O-Ring 123	1	

Einheit	RAHMEN
Code	28.37
Beschreibung	Auspuffrohr
Inspektion	1



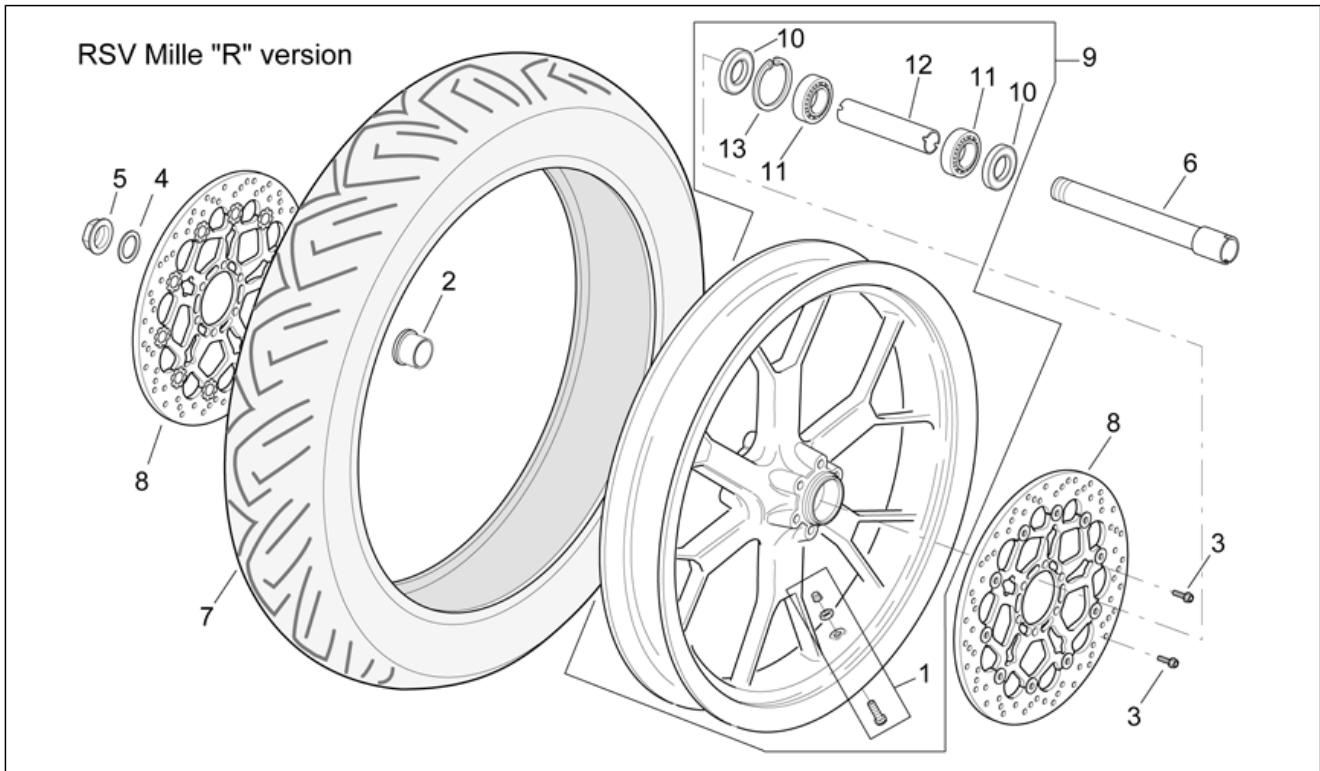
Pos.	Code	Beschreibung	Menge	Varianten
1	AP8121231	Feder Auspuffrohre	4	
2	AP8119414	Dichtung Auspuffrohr	2	
3	AP8119412	Auspuffrohr vorn	1	
4	AP8119413	Auspuffrohr hinten	1	
5	AP8119492	Mittlerer Auslaßkrümm.	1	
6	AP8119565	Auspuff	1	Land: Vereinigte Staaten von Amerika[USA] Technische Daten: Zulassung 49 Staaten[49st]
6	AP8119568	Auspuff	1	Land: Österreich[A], Australien[AUS], Belgien[B], Schweiz[CH], Deutschland[D], Dänemark[DK], Spanien[E], Frankreich[F], Griechenland[GR], Italien[I], Japan[J], Holland[NL], Portugal[P], Großbritannien[UK]
6	AP8119582	Auspuff	1	Land: Vereinigte Staaten von Amerika[USA] Technische Daten: Zulassung California[cal]
7	AP8150334	Mutter M8	6	
8	AP8150277	TCEI Schraube M8x50	1	
9	AP8152300	Selbstsperrende Mutter M8	1	
10	AP8134378	Fixierhülse Schalldämpfer	1	
11	AP8144071	Gummi auspuffrohr	2	
12	AP8150018	Ausgleichscheibe	2	
13	AP8121773	Distanzscheibe *	1	
14	AP8119497	CO-Anschlußschraube	2	
15	AP8113004	Ausgleichscheibe 10x14x1,6*	2	
16	AP8117167	Bolzen	1	Land: Vereinigte Staaten von Amerika[USA]
17	AP8152278	TE Schr. m. Flansch M6x16	1	Land: Vereinigte Staaten von Amerika[USA]
18	AP8134609	Bügel Auspuffrohr	1	Technische Daten: "Version RSV Mille ""R""acing"[R]
19	AP8152288	TE Schr. m. Flansch	2	

Einheit	RAHMEN
Code	28.38
Beschreibung	Vorderrad Vers.RSV Mille
Inspektion	1



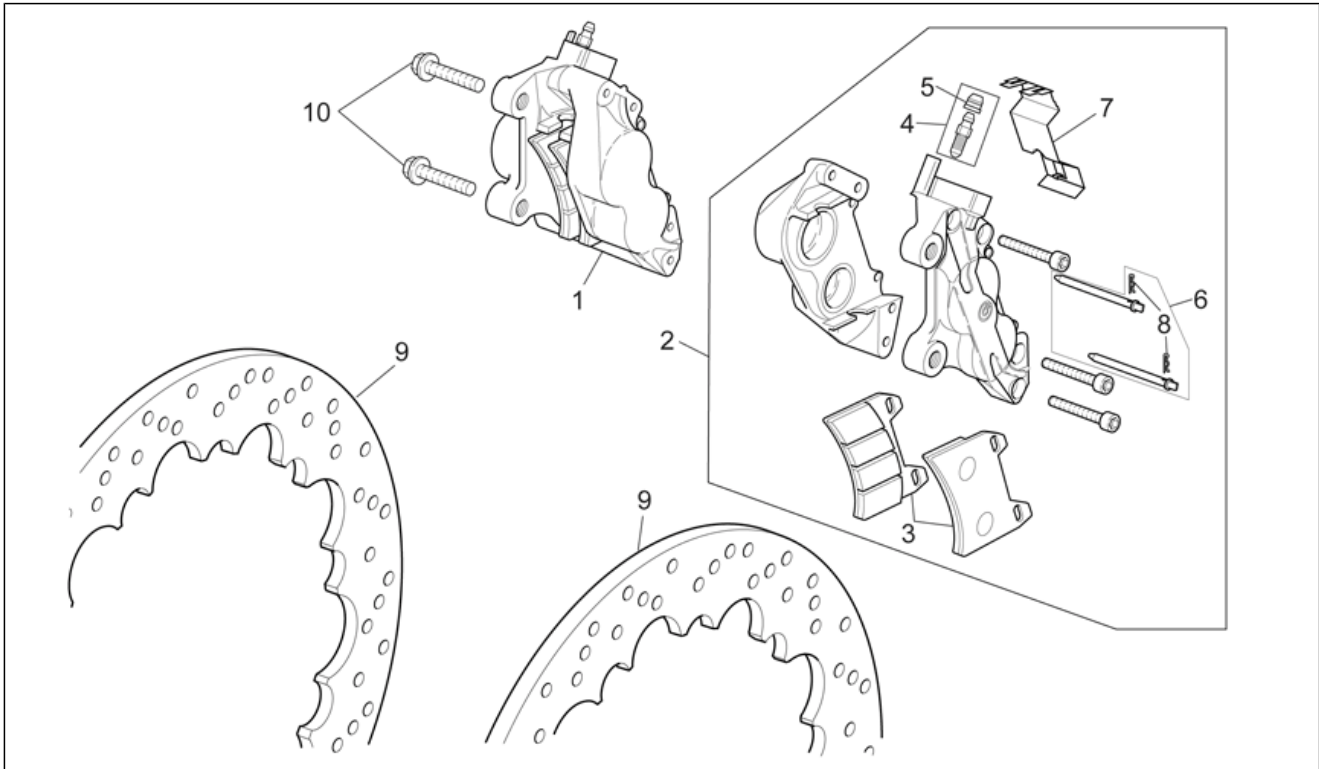
Pos.	Code	Beschreibung	Menge	Varianten
1	AP8101744	Schlauchloses Reifenventil	1	Technische Daten:Version RSV Mille[STD]
2	AP8125728	Außen r. V.rad Distanzscheibe	1	Technische Daten:Version RSV Mille[STD]
3	AP8152286	TE Schr. m. Flansch M8x20	12	Technische Daten:Version RSV Mille[STD]
4	AP8152323	Ausgleichscheibe 25,2x36x1	1	Technische Daten:Version RSV Mille[STD]
5	AP8152335	Radbolzenmutter	1	Technische Daten:Version RSV Mille[STD]
6	AP8125827	Vorderradbolzen	1	Technische Daten:Version RSV Mille[STD]
7	0000000	Reifen	1	Technische Daten:Version RSV Mille[STD]
8	AP8113607	Bremsscheibe schwarz	2	Technische Daten:Version RSV Mille[STD]
8	B044207	***Vorderradbremsscheibe d.320	2	Technische Daten:Version RSV Mille[STD]
9	AP8108675	Vorderrad, grau	1	Technische Daten:Version RSV Mille[STD]
10	AP8125773	Gasket ring 30x47x7	2	Technische Daten:Version RSV Mille[STD]
11	AP8125777	Kugellager 25x47x12	2	Technische Daten:Version RSV Mille[STD]
12	AP8125778	Interne Distanzscheibe	1	Technische Daten:Version RSV Mille[STD]
13	AP8125779	Seegerring	1	Technische Daten:Version RSV Mille[STD]

Einheit	RAHMEN
Code	28.39
Beschreibung	Vorderrad Vers.RSV Mille "R"
Inspektion	1



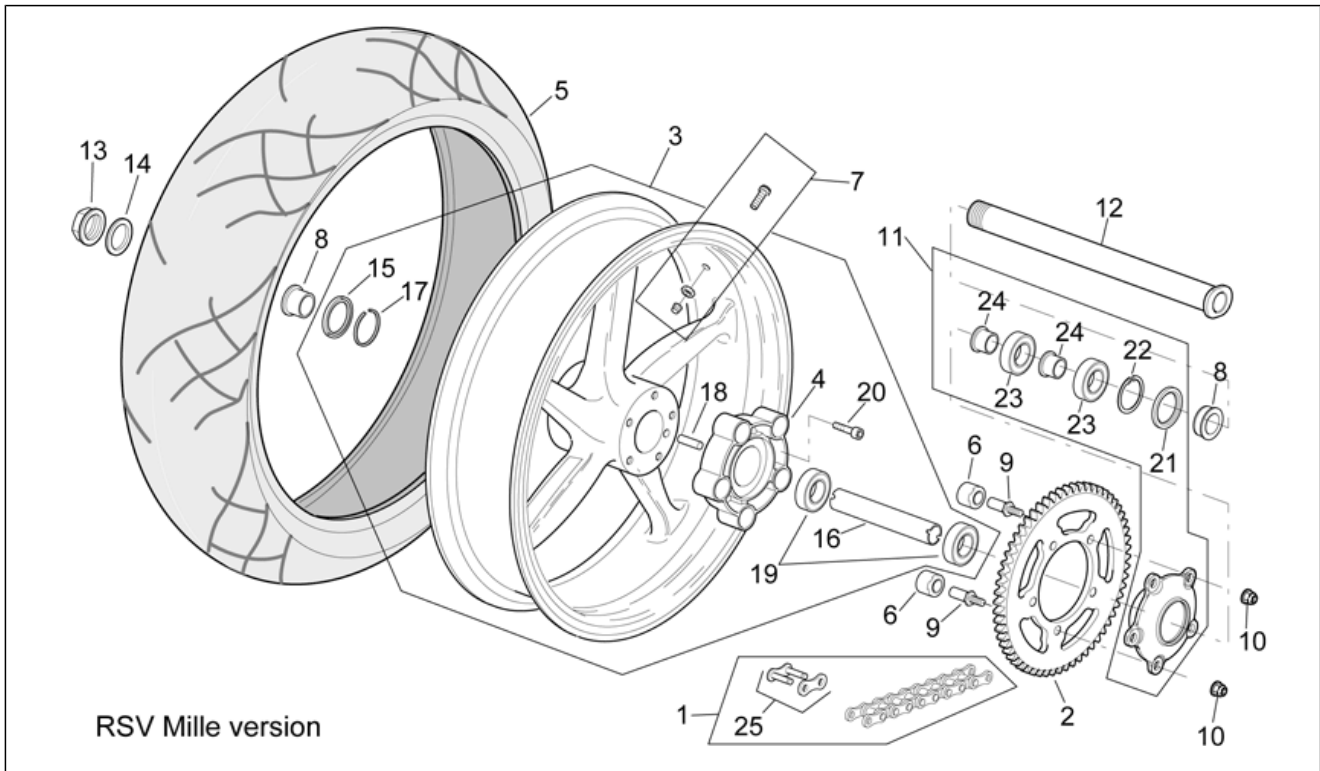
Pos.	Code	Beschreibung	Menge	Varianten
1	AP8104183	Schlauchloses Reifenventil	1	Technische Daten:"Version RSV Mille ""R""acing"[R]
2	AP8125728	Außen r. V.rad Distanzscheibe	1	Technische Daten:"Version RSV Mille ""R""acing"[R]
3	AP8152190	TCEI Schraube M8x20	12	Technische Daten:"Version RSV Mille ""R""acing"[R]
4	AP8152323	Ausgleichscheibe 25,2x36x1	1	Technische Daten:"Version RSV Mille ""R""acing"[R]
5	AP8152335	Radbolzenmutter	1	Technische Daten:"Version RSV Mille ""R""acing"[R]
6	AP8125827	Vorderradbolzen	1	Technische Daten:"Version RSV Mille ""R""acing"[R]
7	0000000	Reifen	1	Technische Daten:"Version RSV Mille ""R""acing"[R]
8	AP8113886	Vorderradbremsscheibe, gold 320	2	Technische Daten:"Version RSV Mille ""R""acing"[R]
9	AP8108844	Vorderrad	1	Technische Daten:"Version RSV Mille ""R""acing"[R]
10	AP8125841	Gasket ring 30x47x7	2	Technische Daten:"Version RSV Mille ""R""acing"[R]
11	AP8110094	Lager 25x47x12	2	Technische Daten:"Version RSV Mille ""R""acing"[R]
12	AP8125843	Interne Distanzscheibe	1	Technische Daten:"Version RSV Mille ""R""acing"[R]
13	AP8125842	Sprengring d47	1	Technische Daten:"Version RSV Mille ""R""acing"[R]

Einheit	RAHMEN
Code	28.40
Beschreibung	Vorderradbremzange
Inspektion	1



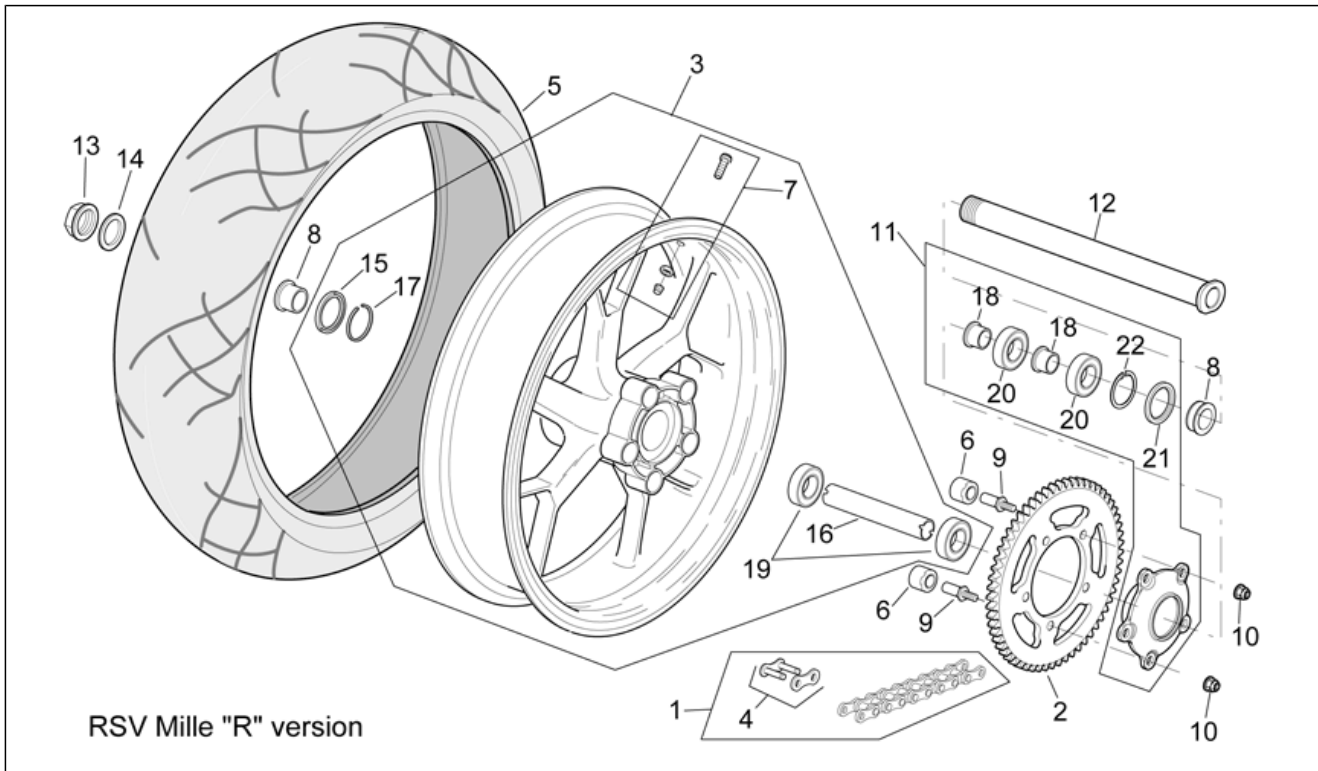
Pos.	Code	Beschreibung	Menge	Varianten
1	AP8113892	Bremsan.vorn rs Gold	1	
2	AP8113893	Bremsan.vorn ls Gold	1	
3	AP8113754	Beläge (Paar)	2	
4	AP8213193	Entlüftungsanschluß	2	
5	AP8113070	Entlüftungskappe	2	
6	AP8113721	Stift+Splint Bremse	2	
7	AP8113722	Feder	2	
8	AP8113723	Splint	2	
9	AP8113607	Bremsscheibe schwarz	2	Technische Daten: Version RSV Mille[STD]
9	AP8113886	Vorderradbremsscheibe, gold 320	2	Technische Daten: "Version RSV Mille ""R""acing"[R]
10	AP8152336	TE Schr. m. Flansch M10x1,25	4	Technische Daten: Version RSV Mille[STD]
10	AP8152385	TCEI Schraube M10x1,25	4	Technische Daten: "Version RSV Mille ""R""acing"[R]

Einheit	RAHMEN
Code	28.41
Beschreibung	Hinterrad Vers. RSV Mille "R"
Inspektion	1



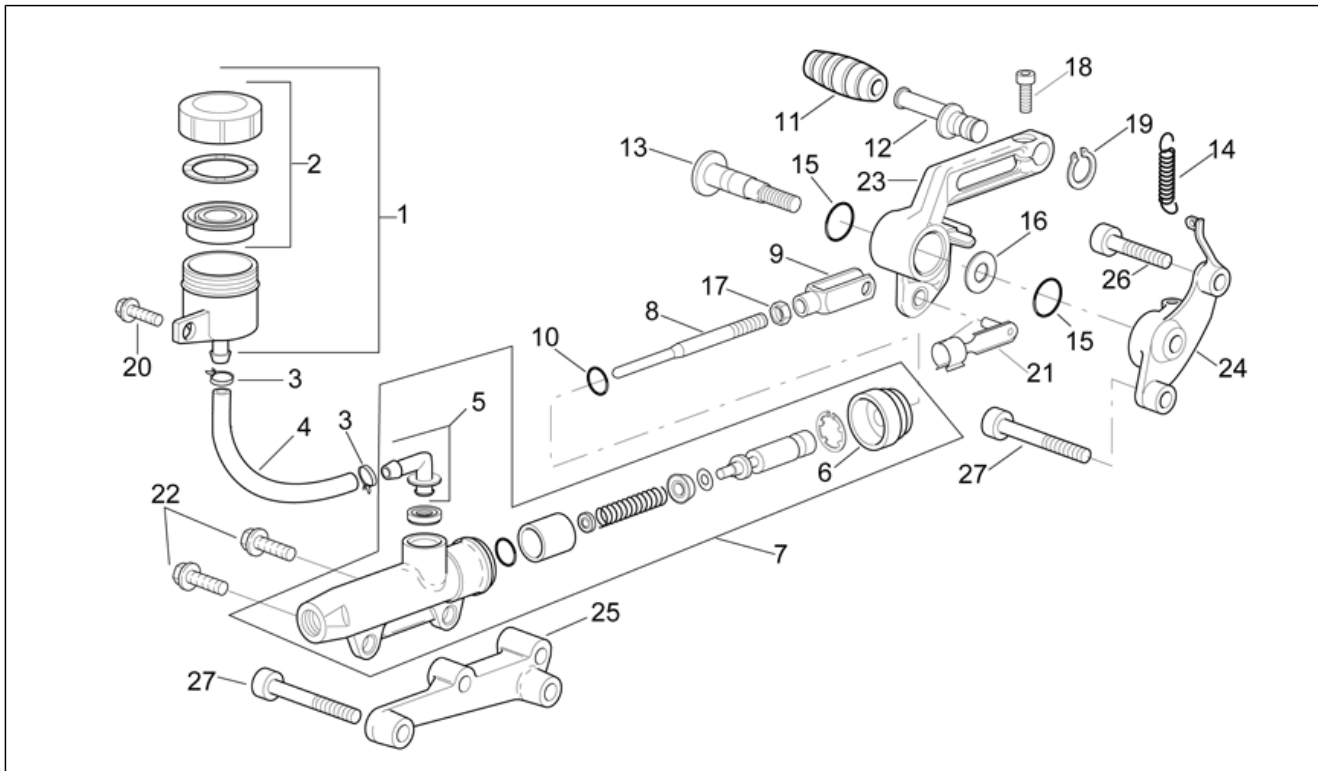
Pos.	Code	Beschreibung	Menge	Varianten
1	AP8107118	Kette Verbindungsgl.	1	Technische Daten:Version RSV Mille[STD]
2	AP8107122	Zahnkranz Z=42	1	Technische Daten:Version RSV Mille[STD]
3	AP8108676	Hinterrad, grau	1	Technische Daten:Version RSV Mille[STD]
4	AP8125733	Elast. Stoßlager Hint.rad	1	Technische Daten:Version RSV Mille[STD]
5	0000000	Reifen	1	Technische Daten:Version RSV Mille[STD]
6	AP8125731	Stoßschutzgummi	5	Technische Daten:Version RSV Mille[STD]
7	AP8101744	Schlauchloses Reifenventil	1	Technische Daten:Version RSV Mille[STD]
8	AP8121225	Hinterrad Distanzscheibe	2	Technische Daten:Version RSV Mille[STD]
9	AP8121408	Elast. Fixierbuchse	5	Technische Daten:Version RSV Mille[STD]
10	AP8150436	Selbstsperr.mut Unt.	5	Technische Daten:Version RSV Mille[STD]
11	AP8125730	Radkranzhalter kplt.	1	Technische Daten:Version RSV Mille[STD]
12	AP8125831	Hinterradbolzen	1	Technische Daten:Version RSV Mille[STD]
13	AP8152324	Radbolzenmutter M25x1,5	1	Technische Daten:Version RSV Mille[STD]
14	AP8152323	Ausgleichscheibe 25,2x36x1	1	Technische Daten:Version RSV Mille[STD]
15	AP8125786	Gasket ring 38x52x7	1	Technische Daten:Version RSV Mille[STD]
16	AP8125787	Distanzscheibe	1	Technische Daten:Version RSV Mille[STD]
17	AP8125788	Seegerring	1	Technische Daten:Version RSV Mille[STD]
18	AP8150463	Stift 10x20	1	Technische Daten:Version RSV Mille[STD]
19	AP8106806	Lager 6205-2rs1 25x52x15	2	Technische Daten:Version RSV Mille[STD]
20	AP8150195	TCEI Schraube M10x30	5	Technische Daten:Version RSV Mille[STD]
21	AP8121213	Gasket ring 38x55x7	1	Technische Daten:Version RSV Mille[STD]
22	AP8121212	Seegerring für Bohrung d55	1	Technische Daten:Version RSV Mille[STD]
23	AP8110081	Lager 30x55x13	2	Technische Daten:Version RSV Mille[STD]
24	AP8125732	elast. Distanzstück	2	Technische Daten:Version RSV Mille[STD]
25	AP8107136	Verbindungsglied	1	Technische Daten:Für Kette mit Schrift D.I.D.[DID]
25	AP8107137	Verbindungsglied	1	Technische Daten:Für Kette mit Schrift R.K.[RK]

Einheit	RAHMEN
Code	28.42
Beschreibung	Hinterrad Vers. RSV Mille "R"
Inspektion	1



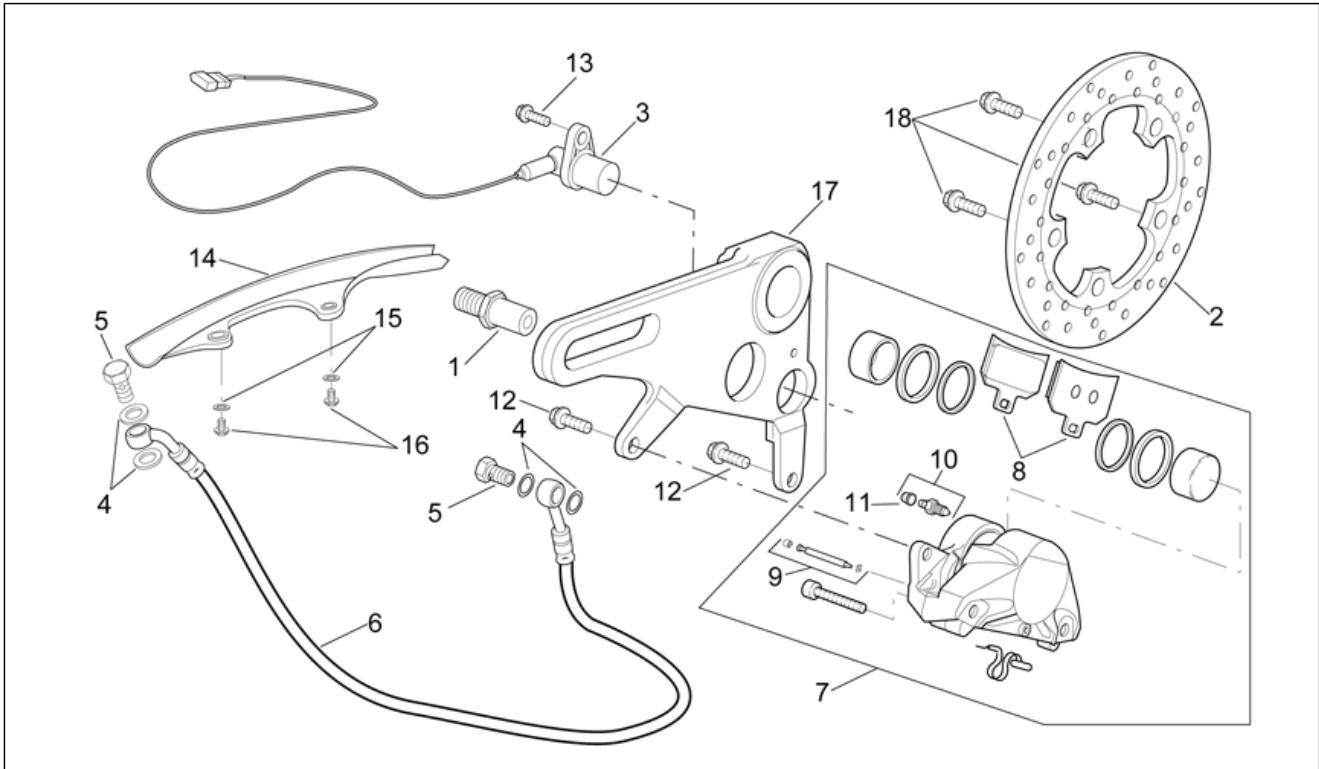
Pos.	Code	Beschreibung	Menge	Varianten
1	AP8107118	Kette Verbindungsgl.	1	Technische Daten:"Version RSV Mille ""R""acing"[R]
2	AP8107122	Zahnkranz Z=42	1	Technische Daten:"Version RSV Mille ""R""acing"[R]
3	AP8108854	Hinterrad ohne Scheibe	1	Technische Daten:"Version RSV Mille ""R""acing"[R]
4	AP8107136	Verbindungsglied	1	Technische Daten:Für Kette mit Schrift D.I.D.[DID]
4	AP8107137	Verbindungsglied	1	Technische Daten:Für Kette mit Schrift R.K.[RK]
5	0000000	Reifen	1	Technische Daten:"Version RSV Mille ""R""acing"[R]
6	AP8125731	Stoßschutzgummi	5	Technische Daten:"Version RSV Mille ""R""acing"[R]
7	AP8101744	Schlauchloses Reifenventil	1	Technische Daten:"Version RSV Mille ""R""acing"[R]
8	AP8121225	Hinterrad Distanzscheibe	2	Technische Daten:"Version RSV Mille ""R""acing"[R]
9	AP8121408	Elast. Fixierbuchse	5	Technische Daten:"Version RSV Mille ""R""acing"[R]
10	AP8150436	Selbstsperr.mut Unt.	5	Technische Daten:"Version RSV Mille ""R""acing"[R]
11	AP8125730	Radkranzhalter kplt.	1	Technische Daten:"Version RSV Mille ""R""acing"[R]
12	AP8125831	Hinterradbolzen	1	Technische Daten:"Version RSV Mille ""R""acing"[R]
13	AP8152324	Radbolzenmutter M25x1,5	1	Technische Daten:"Version RSV Mille ""R""acing"[R]
14	AP8152323	Ausgleichscheibe 25,2x36x1	1	Technische Daten:"Version RSV Mille ""R""acing"[R]
15	AP8125838	Gasket ring 38x52x7	1	Technische Daten:"Version RSV Mille ""R""acing"[R]
16	AP8125840	Distanzscheibe	1	Technische Daten:"Version RSV Mille ""R""acing"[R]
17	AP8125839	Sprengring d52	1	Technische Daten:"Version RSV Mille ""R""acing"[R]
18	AP8125732	elast. Distanzstück	2	Technische Daten:"Version RSV Mille ""R""acing"[R]
19	AP8110093	Lager 6205-2rs1 25x52x15	2	Technische Daten:"Version RSV Mille ""R""acing"[R]
20	AP8110081	Lager 30x55x13	2	Technische Daten:"Version RSV Mille ""R""acing"[R]
21	AP8121213	Gasket ring 38x55x7	1	Technische Daten:"Version RSV Mille ""R""acing"[R]
22	AP8121212	Seegerring für Bohrung d55	1	Technische Daten:"Version RSV Mille ""R""acing"[R]

Einheit	RAHMEN
Code	28.43
Beschreibung	Hinterradbremspumpe
Inspektion	1



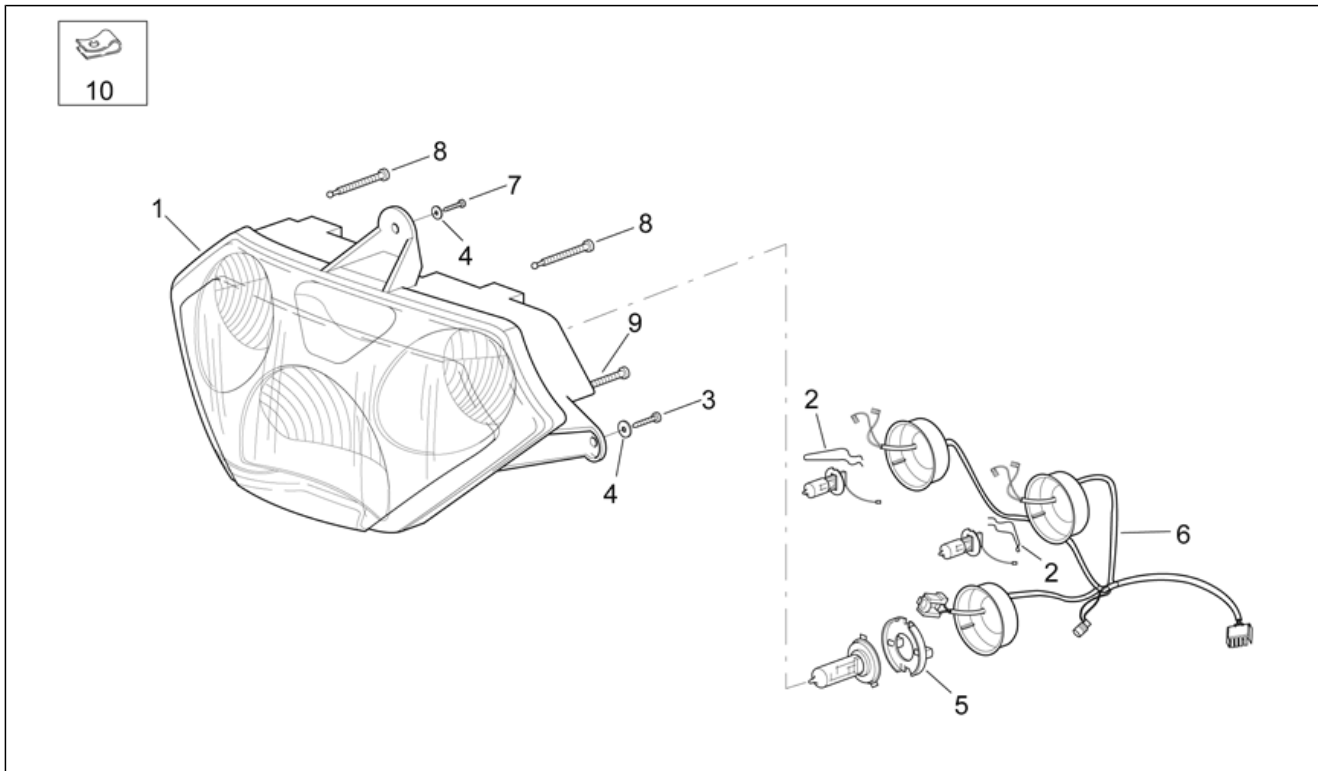
Pos.	Code	Beschreibung	Menge	Varianten
1	AP8113241	Bremsöltank	1	
2	AP8113553	Tankverschluß	1	
3	AP8113764	Schelle	2	
4	AP8113765	Hinterradbremseleitung	1	
5	AP8213057	Hinterer Pumpenanschluß	1	
6	AP8113288	Gummibalg	1	
7	AP8113324	Hinterradbremspumpe	1	
8	AP8121222	Pumpenstange brems	1	
9	AP8101968	Schaltgabel	1	
10	AP8120178	O-Ring OR112	1	
11	AP8120912	Gummi für Hebel	1	
12	AP8121221	Stift Bremshebel	1	
13	AP8121223	Stift Hinterradbremsh.	1	
14	AP8121927	Feder Hinterradbremsh.	1	
15	AP8144007	O-Ring 11,11x1,78	2	
16	AP8150020	Ausgleichscheibe 10,5x21x2*	1	
17	AP8150026	Mutter M6	1	
18	AP8150044	TCEI Schraube M6x20	1	
19	AP8150462	Seegerring d9	1	
20	AP8152273	Flanschschraube M5x15	1	
21	AP8201301	Klemmen für Schaltgabel	1	
22	AP8152279	TE Schr. m. Flansch M6x20	2	
23	AP8135925	H.bremshebel	1	
24	AP8134415	Fixierung Bremshebel	1	
25	AP8134384	Fix. Hinterradbremszyl.	1	
26	AP8150403	TCEI Schraube M6x45	1	
27	AP8150277	TCEI Schraube M8x50	3	

Einheit	RAHMEN
Code	28.44
Beschreibung	Hinterradbremzange
Inspektion	1



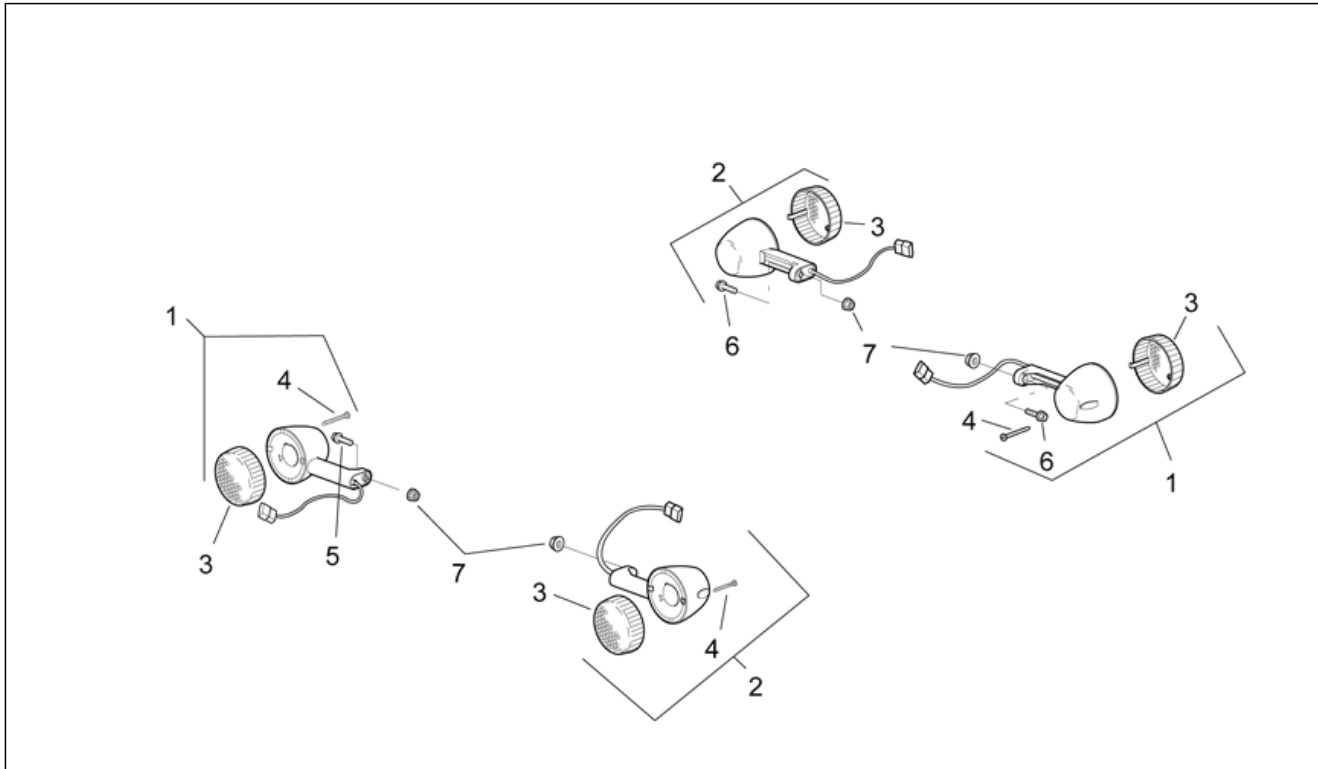
Pos.	Code	Beschreibung	Menge	Varianten
1	AP8121234	Bremsenhalterbolzen	1	
2	AP8113612	Vorderradbremsscheibe	1	
3	AP8124528	Kilom.zählersens. kpl.	1	
4	AP8121915	Dichtung	4	
5	AP8113003	Fixierschraube Ölschlauch	2	
6	AP8113873	Hinterradbremsschlauch	1	
7	AP8113897	Hinterradbremzange	1	
8	AP8113898	Beläge (Paar)	1	
9	AP8113752	Stift+Splint Bremse	1	
10	AP8113895	Entlüftungsanschluß	1	
11	AP8113070	Entlüftungskappe	1	
12	AP8152286	TE Schr. m. Flansch M8x20	2	
13	AP8152279	TE Schr. m. Flansch M6x20	1	
14	AP8134443	Fix. Hinterradbremsschl.	1	
15	AP8150013	Ausgleichscheibe 5,5x15x1,6*	2	
16	AP8152272	TE Schr. m. Flansch M5x12	2	
17	AP8134385	Fixierplatte	1	
18	AP8152286	TE Schr. m. Flansch M8x20	5	

Einheit	RAHMEN
Code	28.45
Beschreibung	Scheinwerfer
Inspektion	1



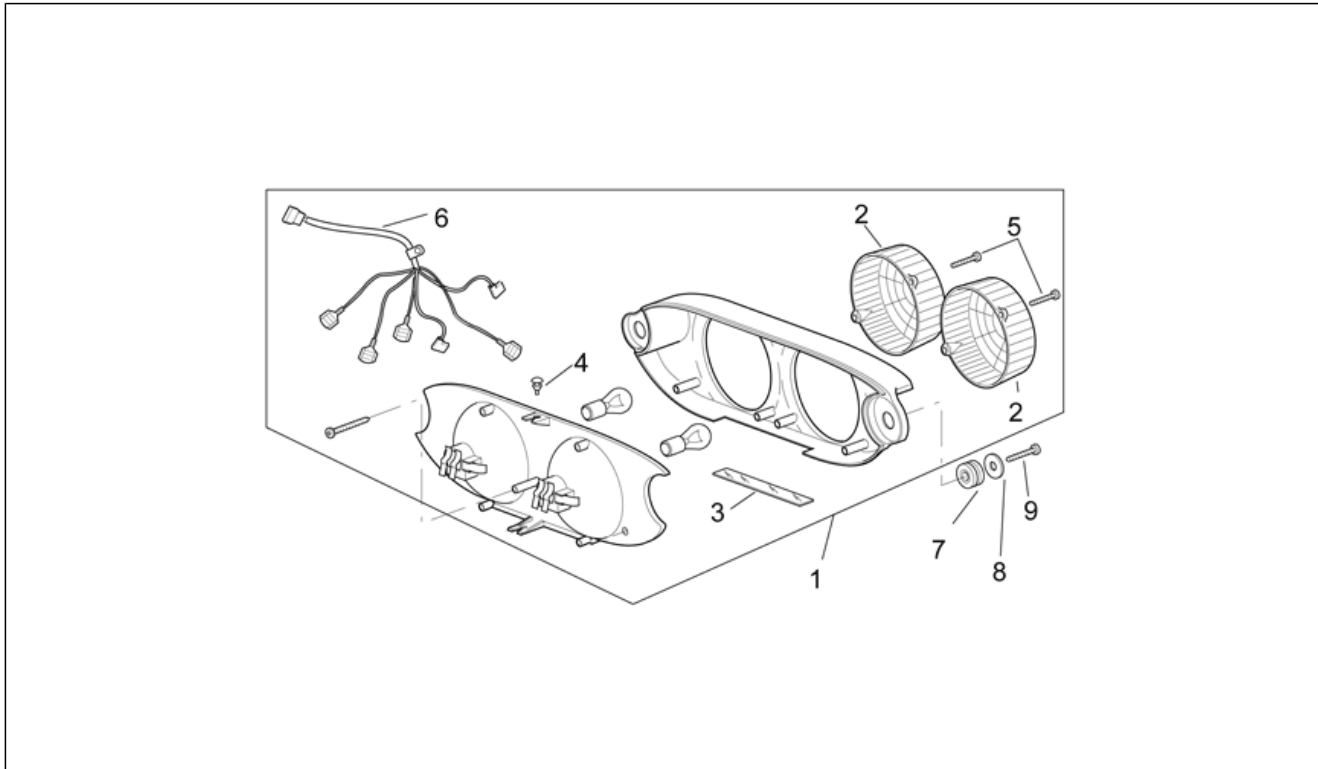
Pos.	Code	Beschreibung	Menge	Varianten
1	AP8124262	Scheinwerfer	1	Land:Österreich[A], Belgien[B], Schweiz[CH], Deutschland[D], Dänemark[DK], Spanien[E], Frankreich[F], Griechenland[GR], Italien[I], Holland[NL], Portugal[P]
1	AP8124514	Scheinwerfer	1	Land:Australien[AUS], Japan[J], Großbritannien[UK]
1	AP8124837	Scheinwerfer	1	Land:Vereinigte Staaten von Amerika[USA]
2	AP8124566	Kleine Feder	2	
3	AP8150413	Gew.schr. 3,9x14	2	
4	AP8150159	Ausgleichscheibe 4,3x16*	3	
5	AP8124568	Lampenhalter	1	
6	AP8124567	Kabel Scheinw.	1	
7	AP8152246	TBEI Schraube m.Flansch M6x16	1	
8	AP8124564	Regelschraube	2	Land:Österreich[A], Australien[AUS], Belgien[B], Schweiz[CH], Deutschland[D], Dänemark[DK], Spanien[E], Frankreich[F], Griechenland[GR], Italien[I], Japan[J], Holland[NL], Portugal[P], Großbritannien[UK]
8	AP8124896	Regelschraube	2	Land:Vereinigte Staaten von Amerika[USA]
9	AP8124565	Regelschraube	1	Land:Österreich[A], Australien[AUS], Belgien[B], Schweiz[CH], Deutschland[D], Dänemark[DK], Spanien[E], Frankreich[F], Griechenland[GR], Italien[I], Japan[J], Holland[NL], Portugal[P], Großbritannien[UK]
9	AP8124896	Regelschraube	1	Land:Vereinigte Staaten von Amerika[USA]
10	AP8102376	Klammer M6	2	

Einheit	RAHMEN
Code	28.46
Beschreibung	Blinker
Inspektion	1



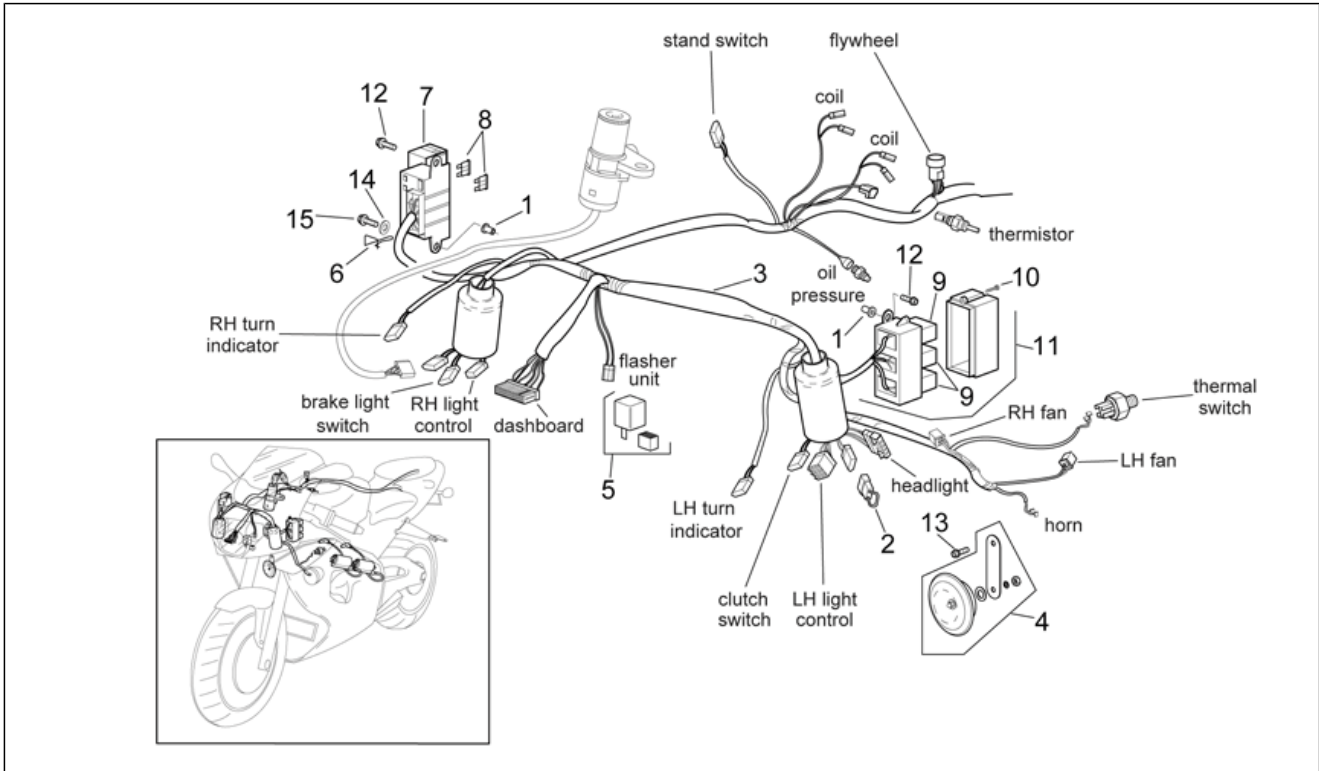
Pos.	Code	Beschreibung	Menge	Varianten
1	AP8124286	Vorderblinker rechts / Hinterblinker links	2	Land: Österreich[A], Australien[AUS], Belgien[B], Schweiz[CH], Deutschland[D], Dänemark[DK], Spanien[E], Frankreich[F], Griechenland[GR], Italien[I], Japan[J], Holland[NL], Portugal[P], Großbritannien[UK]
1	AP8124456	Vorderblinker rechts / Hinterblinker links	2	Land: Vereinigte Staaten von Amerika[USA]
2	AP8124287	Vorderblinker links/ Hinterblinker rechts	2	Land: Österreich[A], Australien[AUS], Belgien[B], Schweiz[CH], Deutschland[D], Dänemark[DK], Spanien[E], Frankreich[F], Griechenland[GR], Italien[I], Japan[J], Holland[NL], Portugal[P], Großbritannien[UK]
2	AP8124471	Vorderblinker links/ Hinterblinker rechts	2	Land: Vereinigte Staaten von Amerika[USA]
3	AP8124889	Blinkerblende	4	Land: Vereinigte Staaten von Amerika[USA]
3	AP8212680	Blinkerblende	4	Land: Österreich[A], Australien[AUS], Belgien[B], Schweiz[CH], Deutschland[D], Dänemark[DK], Spanien[E], Frankreich[F], Griechenland[GR], Italien[I], Japan[J], Holland[NL], Portugal[P], Großbritannien[UK]
4	AP8124563	Schraube 3,5x30	4	Land: Österreich[A], Australien[AUS], Belgien[B], Schweiz[CH], Deutschland[D], Dänemark[DK], Spanien[E], Frankreich[F], Griechenland[GR], Italien[I], Japan[J], Holland[NL], Portugal[P], Großbritannien[UK]
4	AP8124890	Schraube 2,9x32	4	Land: Vereinigte Staaten von Amerika[USA]
5	AP8152278	TE Schr. m. Flansch M6x16	2	
6	AP8152279	TE Schr. m. Flansch M6x20	2	
7	AP8152299	Selbstsperrende Mutter M6	4	

Einheit	RAHMEN
Code	28.47
Beschreibung	Rücklicht
Inspektion	1



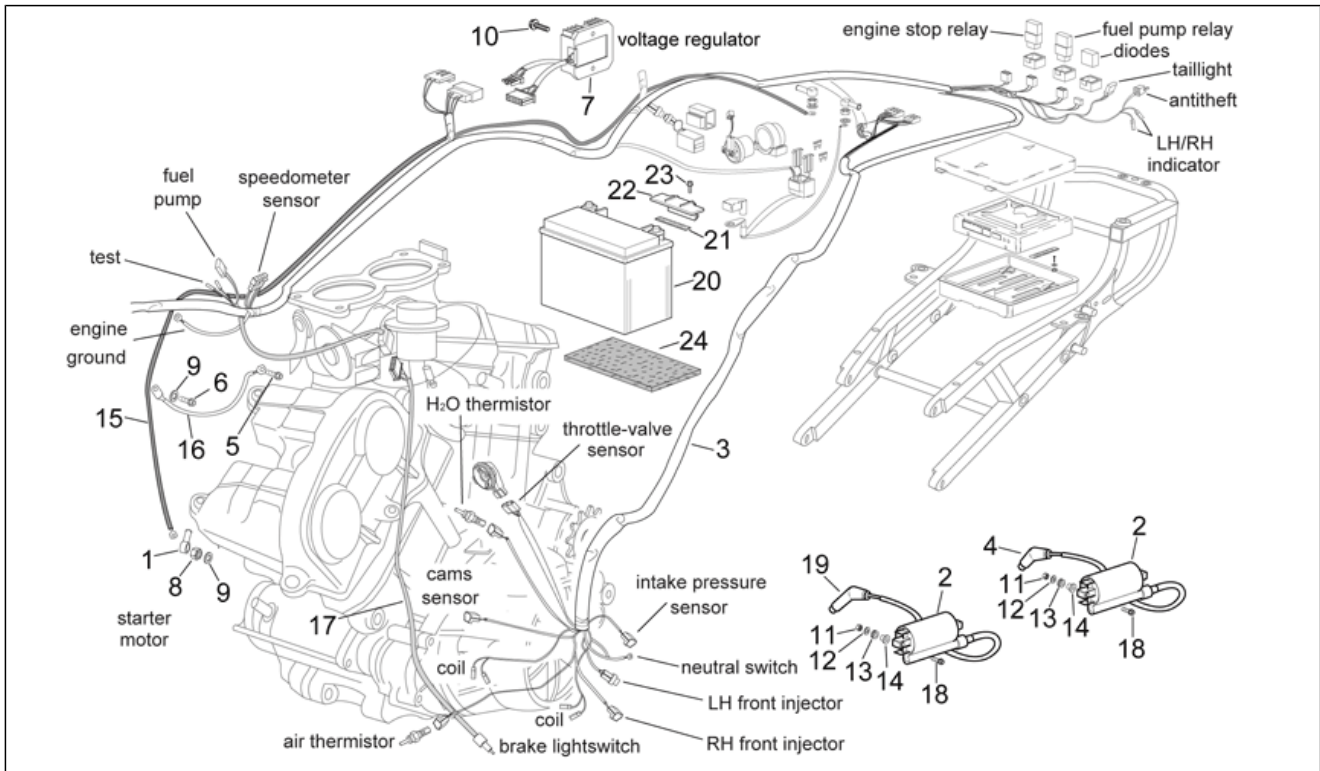
Pos.	Code	Beschreibung	Menge	Varianten
1	AP8124283	Rücklicht	1	Land: Österreich[A], Australien[AUS], Belgien[B], Schweiz[CH], Deutschland[D], Dänemark[DK], Spanien[E], Frankreich[F], Griechenland[GR], Italien[I], Japan[J], Holland[NL], Portugal[P], Großbritannien[UK]
1	AP8124668	Rücklicht	1	Land: Vereinigte Staaten von Amerika[USA]
2	AP8124558	Rücklichtblende	2	Land: Österreich[A], Australien[AUS], Belgien[B], Schweiz[CH], Deutschland[D], Dänemark[DK], Spanien[E], Frankreich[F], Griechenland[GR], Italien[I], Japan[J], Holland[NL], Portugal[P], Großbritannien[UK]
2	AP8124885	Rücklichtblende	2	Land: Vereinigte Staaten von Amerika[USA]
3	AP8124559	Blende Kennzeich.leuch.	1	
4	AP8124560	Gummi	2	
5	AP8124561	Spezialschraube 3,5x20	4	
6	AP8124562	Verkabelung Rücklicht	1	
7	AP8112599	Gummi *	2	
8	AP8150159	Ausgleichscheibe 4,3x16*	2	
9	AP8150413	Gew.schr. 3,9x14	2	

Einheit	RAHMEN
Code	28.48
Beschreibung	Vord. elektrische Anlage
Inspektion	1



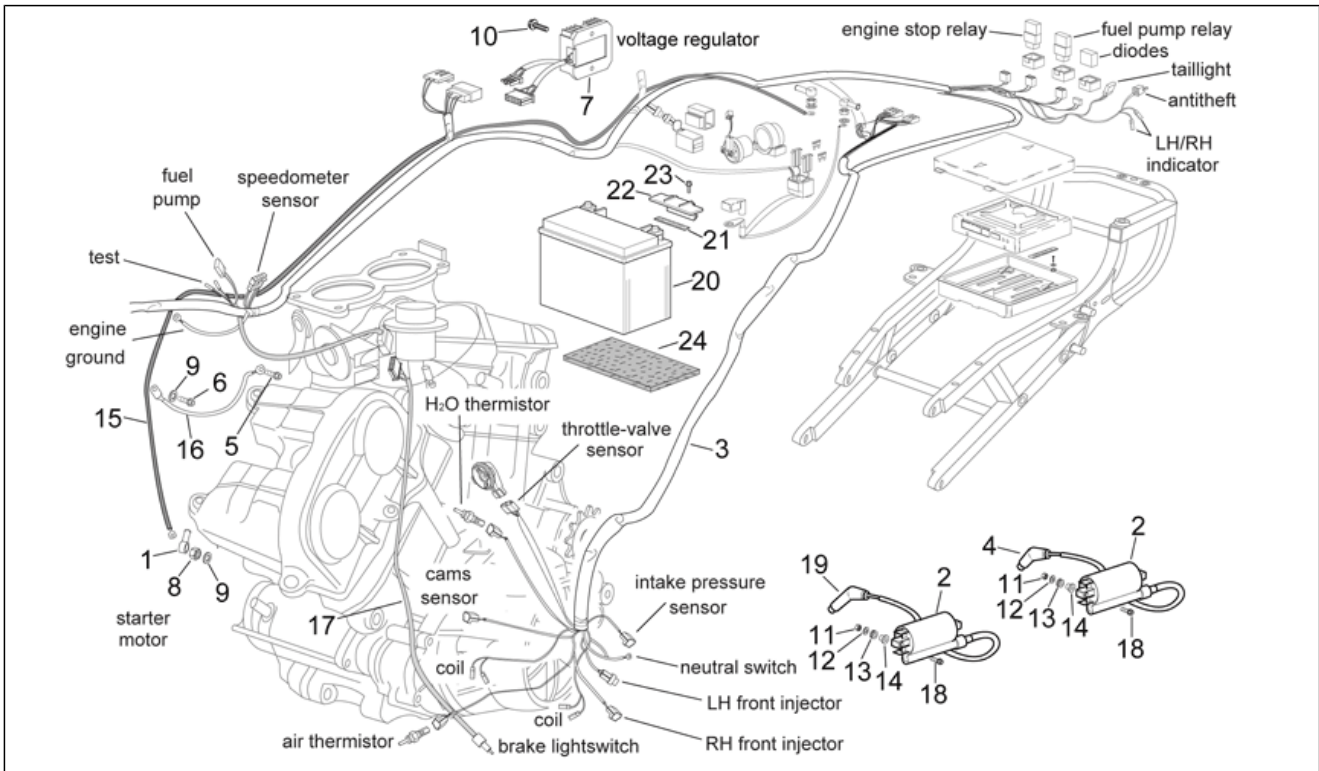
Pos.	Code	Beschreibung	Menge	Varianten
1	AP8121020	Distanzscheibe 6,5x10x19*	4	Land:Vereinigte Staaten von Amerika[USA]
2	AP8212588	Sicherheitsdiode	1	
3	AP8124441	Hauptverkabelung	1	Land:Österreich[A], Australien[AUS], Belgien[B], Schweiz[CH], Deutschland[D], Dänemark[DK], Spanien[E], Frankreich[F], Griechenland[GR], Italien[I], Japan[J], Holland[NL], Portugal[P], Großbritannien[UK]
3	AP8124836	Hauptverkabelung	1	Land:Vereinigte Staaten von Amerika[USA]
4	AP8127309	Hupe	1	
5	AP8112795	Blinken	1	Land:Österreich[A], Australien[AUS], Belgien[B], Schweiz[CH], Deutschland[D], Dänemark[DK], Spanien[E], Frankreich[F], Griechenland[GR], Italien[I], Japan[J], Holland[NL], Portugal[P], Großbritannien[UK]
5	AP8124235	Blinken	1	Land:Vereinigte Staaten von Amerika[USA]
6	AP8134480	Sicherungshaken	1	Land:Österreich[A], Australien[AUS], Belgien[B], Schweiz[CH], Deutschland[D], Dänemark[DK], Spanien[E], Frankreich[F], Griechenland[GR], Italien[I], Japan[J], Holland[NL], Portugal[P], Großbritannien[UK]
6	AP8134632	Sicherungshaken	1	Land:Vereinigte Staaten von Amerika[USA]
7	AP8124274	Sicherungskasten	1	
8	AP8112176	Sicherung 15A	8	
9	AP8124277	Zündrelais	3	
10	AP8150421	Gew.schr. 2,9x12	2	
11	AP8124293	Relaisträger	1	
12	AP8152279	TE Schr. m. Flansch M6x20	3	Land:Österreich[A], Australien[AUS], Belgien[B], Schweiz[CH], Deutschland[D], Dänemark[DK], Spanien[E], Frankreich[F], Griechenland[GR], Italien[I], Japan[J], Holland[NL], Portugal[P], Großbritannien[UK]
12	AP8152283	TE Schr. m. Flansch	4	Land:Vereinigte Staaten von Amerika[USA]
13	AP8152285	TE Schr. m. Flansch	1	
14	AP8150014	Ausgleichscheibe 6,4x12,5*	2	
15	AP8152280	TE Schr. m. Flansch M6x25	1	

Einheit	RAHMEN
Code	28.49
Beschreibung	Mitt. elektrische Anlage
Inspektion	1



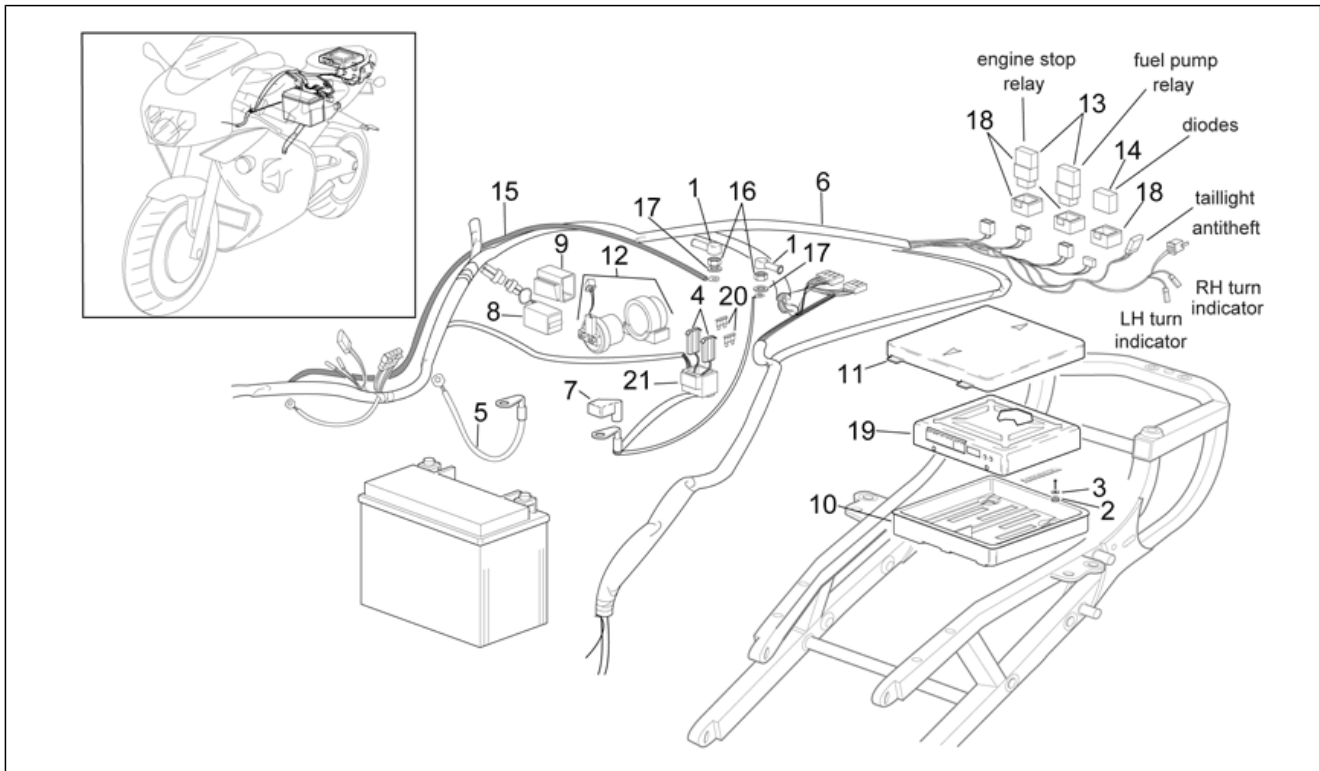
Pos.	Code	Beschreibung	Menge	Varianten
1	AP8120218	Klemmenkappe	1	
2	AP0265480	Zuendtransform.cpl.	2	
3	AP8124441	Hauptverkabelung	1	Land: Österreich[A], Australien[AUS], Belgien[B], Schweiz[CH], Deutschland[D], Dänemark[DK], Spanien[E], Frankreich[F], Griechenland[GR], Italien[I], Japan[J], Holland[NL], Portugal[P], Großbritannien[UK]
3	AP8124836	Hauptverkabelung	1	Land: Vereinigte Staaten von Amerika[USA]
4	AP0265244	Kerzenhaube außen	1	
5	AP8152277	TE Schr. m. Flansch M6x12	1	
6	AP8152123	TCEI Schraube	1	
7	AP8124267	Spannungsregler	1	
8	AP8150026	Mutter M6	1	
9	AP8150429	Sprengscheibe 6,4x11x0,5*	2	
10	AP8152282	TE Schr. m. Flansch M6x35	2	
11	AP8150451	Selbstsperr.mut Unt.	4	
12	AP8150012	Ausgleichscheibe 5,3x10x1*	4	
13	AP8120405	Gummi	4	
14	AP8121736	T-Buchse	4	
15	AP8124269	Anlasserkabel	1	
16	AP8112832	Masse-Batteriekabel	1	
17	AP8112996	Mikroschalter	1	
18	AP8152275	TE Schr. m. Flansch M5x25	4	
19	AP0265246	Kerzenhaube innen	1	
20	AP8124284	Batterie	1	Technische Daten: Version RSV Mille[STD]
20	AP8124748	Batterie YTX12-BS	1	Technische Daten: "Version RSV Mille ""R""acing"[R]
21	AP8117033	Klebeschwamm	1	
22	AP8138597	Fixierplatte Batterie	1	Technische Daten: Version RSV Mille[STD]
22	AP8148660	Fixierplatte Batterie	1	Technische Daten: "Version RSV Mille ""R""acing"[R]
23	AP8152278	TE Schr. m. Flansch M6x16	1	

Einheit	RAHMEN
Code	28.49
Beschreibung	Mitt. elektrische Anlage
Inspektion	1



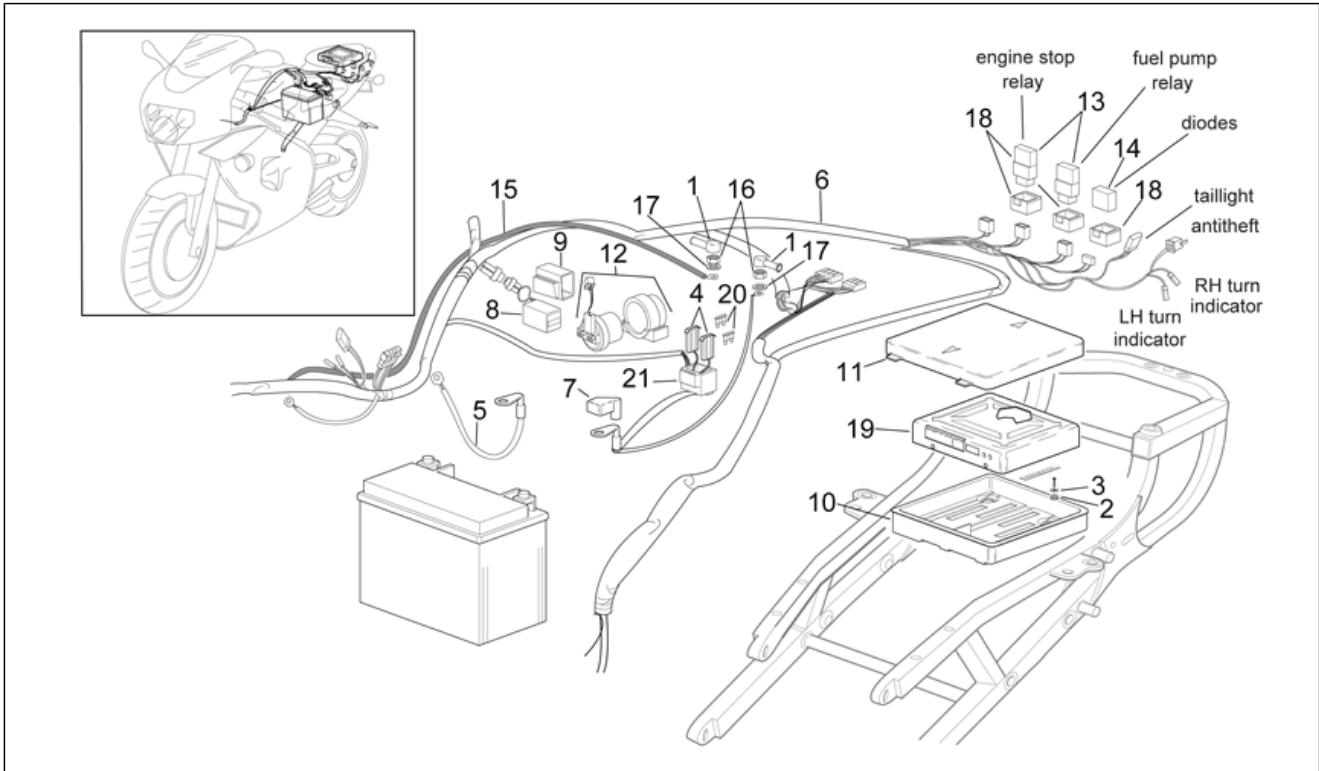
Pos.	Code	Beschreibung	Menge	Varianten
24	AP8144045	Batterieauflegegummi	1	

Einheit	RAHMEN
Code	28.50
Beschreibung	Hint. elektrische Anlage
Inspektion	1



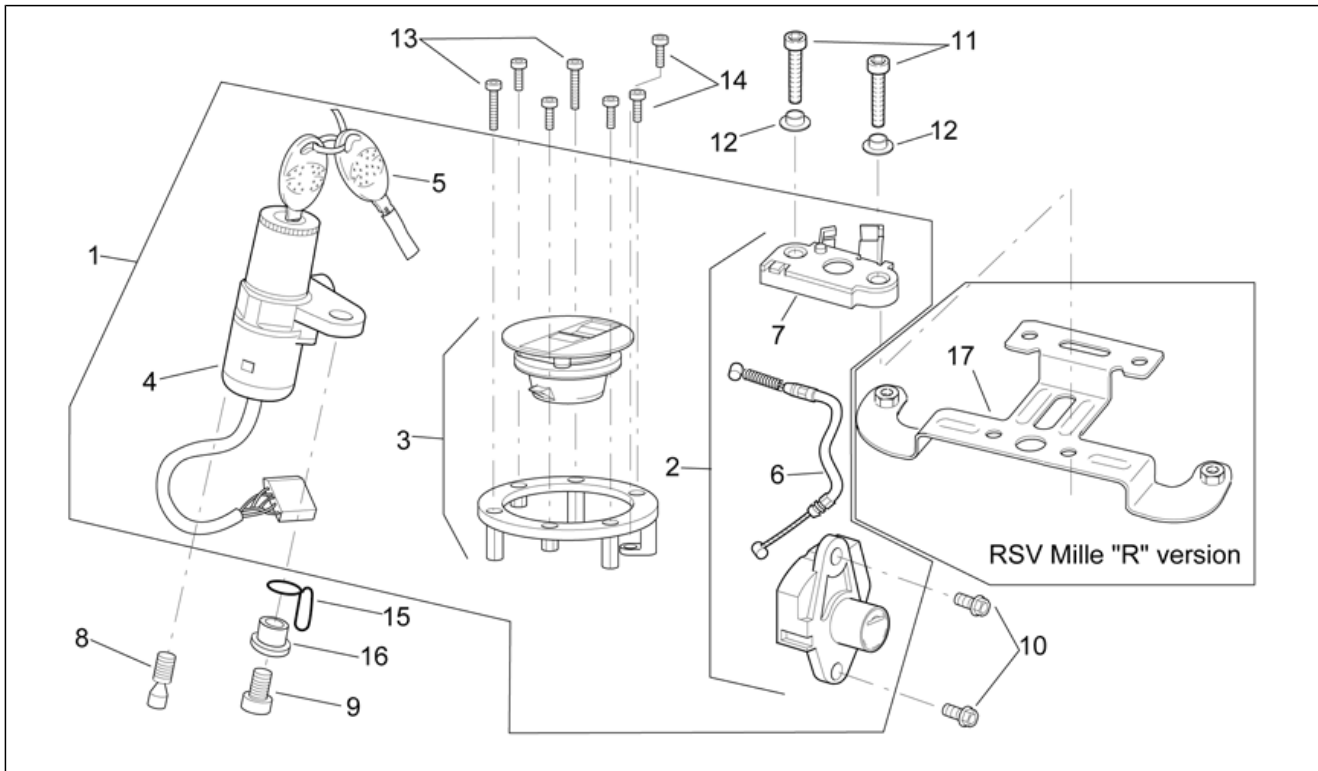
Pos.	Code	Beschreibung	Menge	Varianten
1	AP8120218	Klemmenkappe	2	
2	AP8220150	Gummi	3	
3	AP8150159	Ausgleichscheibe 4,3x16*	3	
4	AP8120754	Sicherungsblockgummi	2	
5	AP8124439	Masse-Batteriekabel	1	
6	AP8124441	Hauptverkabelung	1	Land:Österreich[A], Australien[AUS], Belgien[B], Schweiz[CH], Deutschland[D], Dänemark[DK], Spanien[E], Frankreich[F], Griechenland[GR], Italien[I], Japan[J], Holland[NL], Portugal[P], Großbritannien[UK]
6	AP8124836	Hauptverkabelung	1	Land:Vereinigte Staaten von Amerika[USA]
7	AP8112940	Kappe Pluspol	1	
8	AP8124266	Neigungsfühler	1	
9	AP8144046	Sensor halter gummi	1	
10	AP8138776	Schutzkasten Steuerger.	1	
11	AP8138596	Steuergerätdeckel	1	
12	AP8124636	Zündrelais 12V-150A	1	
13	AP8212469	Zündrelais 12V-20A	2	
14	AP8124289	Dioden	1	
15	AP8124269	Anlasserkabel	1	
16	AP8150026	Mutter M6	2	
17	AP8150429	Sprengscheibe 6,4x11x0,5*	2	
18	AP8220283	Gummi *	3	
19	AP0265471	Steuergerät	1	Land:Österreich[A], Australien[AUS], Belgien[B], Schweiz[CH], Deutschland[D], Dänemark[DK], Spanien[E], Frankreich[F], Griechenland[GR], Italien[I], Japan[J], Holland[NL], Portugal[P], Großbritannien[UK]
19	AP0265474	Steuergerät	1	Land:Vereinigte Staaten von Amerika[USA] Technische Daten:Zulassung 49 Staaten[49st]
19	AP0265476	Steuergerät	1	Land:Vereinigte Staaten von Amerika[USA] Technische Daten:Zulassung California[cal]

Einheit	RAHMEN
Code	28.50
Beschreibung	Hint. elektrische Anlage
Inspektion	1



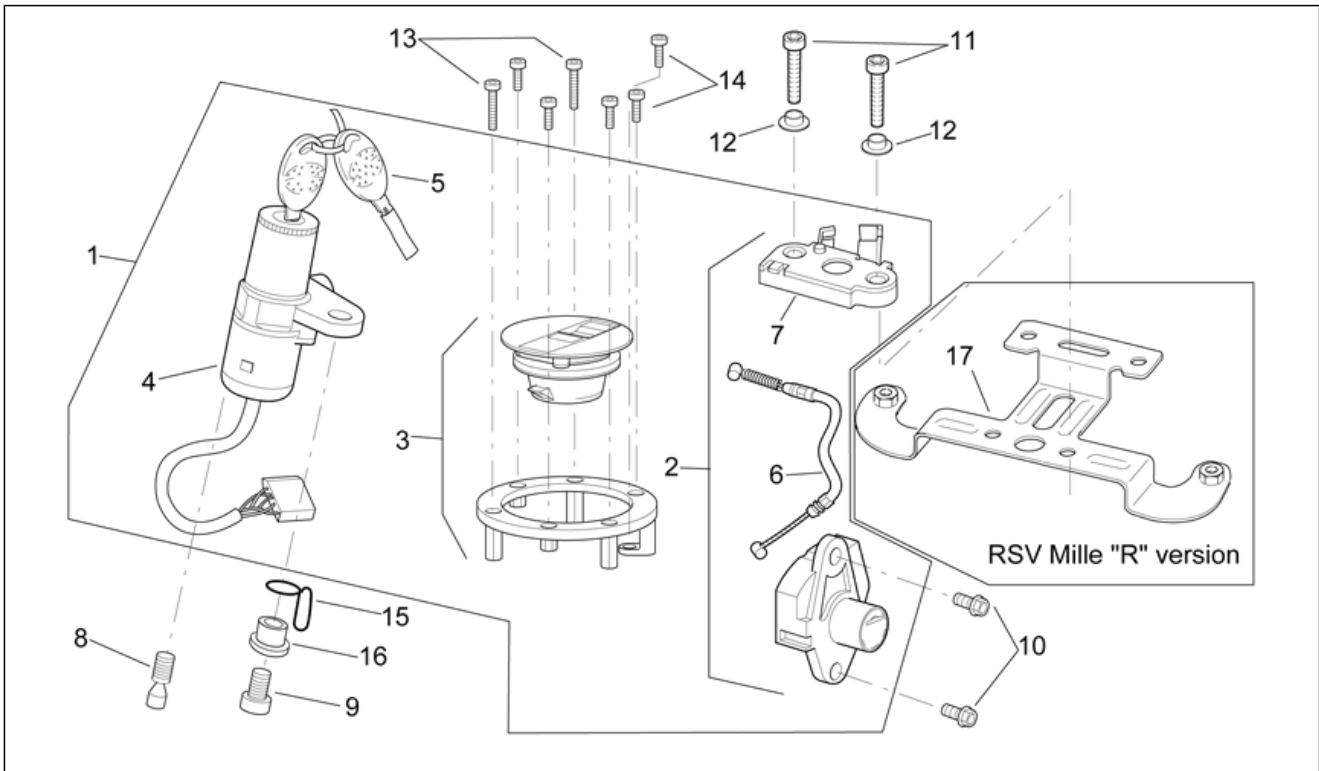
Pos.	Code	Beschreibung	Menge	Varianten
20	AP8124273	Sicherung 30a	3	
21	AP8112811	Sicherungsblockgummi	1	

Einheit	RAHMEN
Code	28.51
Beschreibung	Bausatz Schlösser
Inspektion	1



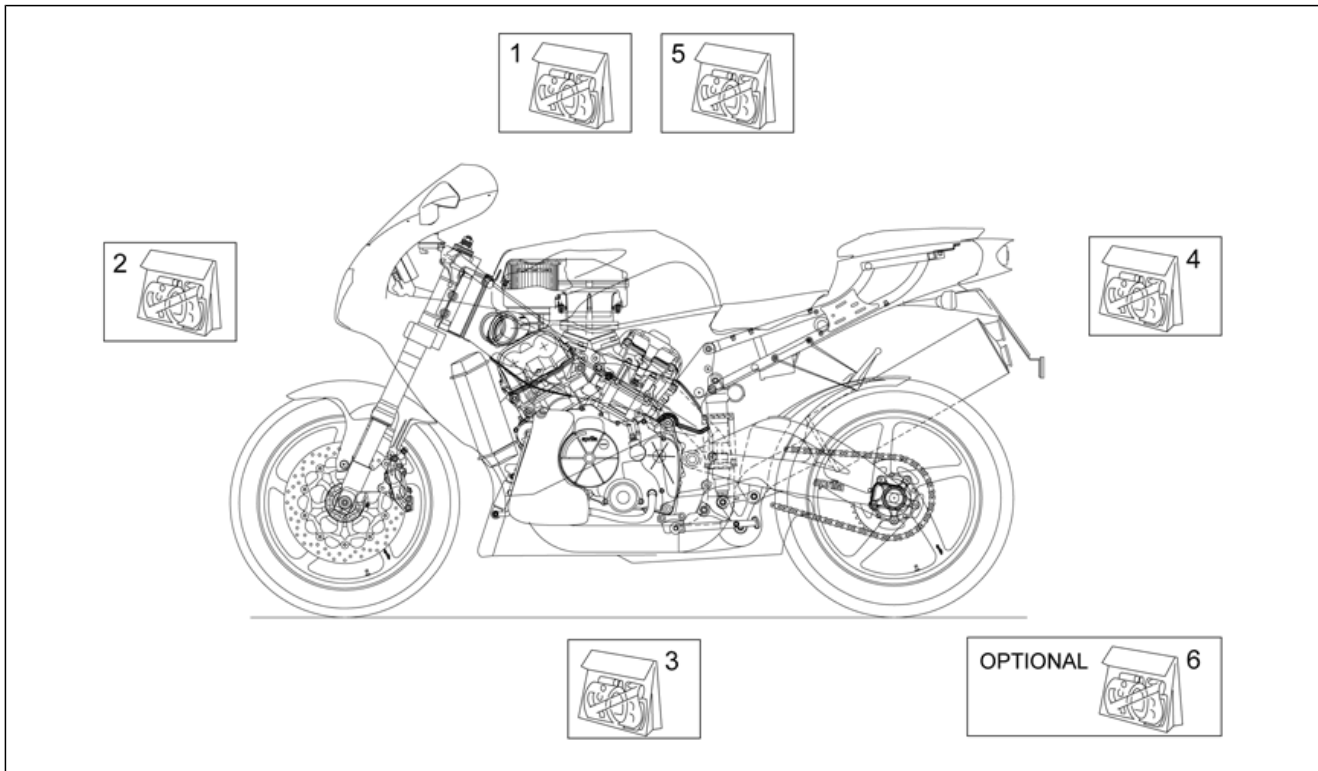
Pos.	Code	Beschreibung	Menge	Varianten
1	AP8102621	Kit Schließvorrichtungen	1	Land: Österreich[A], Australien[AUS], Belgien[B], Schweiz[CH], Deutschland[D], Dänemark[DK], Spanien[E], Frankreich[F], Griechenland[GR], Italien[I], Japan[J], Holland[NL], Portugal[P], Großbritannien[UK]
1	AP8104098	Kit Schließvorrichtungen	1	Land: Vereinigte Staaten von Amerika[USA] Technische Daten: Zulassung 49 Staaten[49st]
1	AP8104214	Kit Schließvorrichtungen	1	Land: Vereinigte Staaten von Amerika[USA] Technische Daten: Zulassung California[cal]
2	AP8102911	Sitzschloß komplett	1	
3	AP8102912	Tankfüllschraube	1	Land: Österreich[A], Australien[AUS], Belgien[B], Schweiz[CH], Deutschland[D], Dänemark[DK], Spanien[E], Frankreich[F], Griechenland[GR], Italien[I], Japan[J], Holland[NL], Portugal[P], Großbritannien[UK]
3	AP8102912	Tankfüllschraube	1	Land: Vereinigte Staaten von Amerika[USA] Technische Daten: Zulassung 49 Staaten[49st]
3	AP8104219	Tankfüllschraube	1	Land: Vereinigte Staaten von Amerika[USA] Technische Daten: Zulassung California[cal]
4	AP8102910	Lenkschloß	1	Land: Österreich[A], Australien[AUS], Belgien[B], Schweiz[CH], Deutschland[D], Dänemark[DK], Spanien[E], Frankreich[F], Griechenland[GR], Italien[I], Japan[J], Holland[NL], Portugal[P], Großbritannien[UK]
4	AP8124895	Lenkschloß	1	Land: Vereinigte Staaten von Amerika[USA]
5	AP8102880	Schl. gefr. Aprilia	1	
6	AP8102914	Sitz-Einkupplungsvorrichtung	1	
7	AP8102913	Fixierplatte Soziussitz	1	
8	AP8150349	Spezialschraube M8x15	1	
9	AP8152288	TE Schr. m. Flansch	1	
10	AP8152278	TE Schr. m. Flansch M6x16	2	
11	AP8150285	TCEI Schraube M6x35	2	
12	AP8221129	Buchse	2	
13	AP8150453	TCEI Schraube M5x30	3	

Einheit	RAHMEN
Code	28.51
Beschreibung	Bausatz Schlösser
Inspektion	1



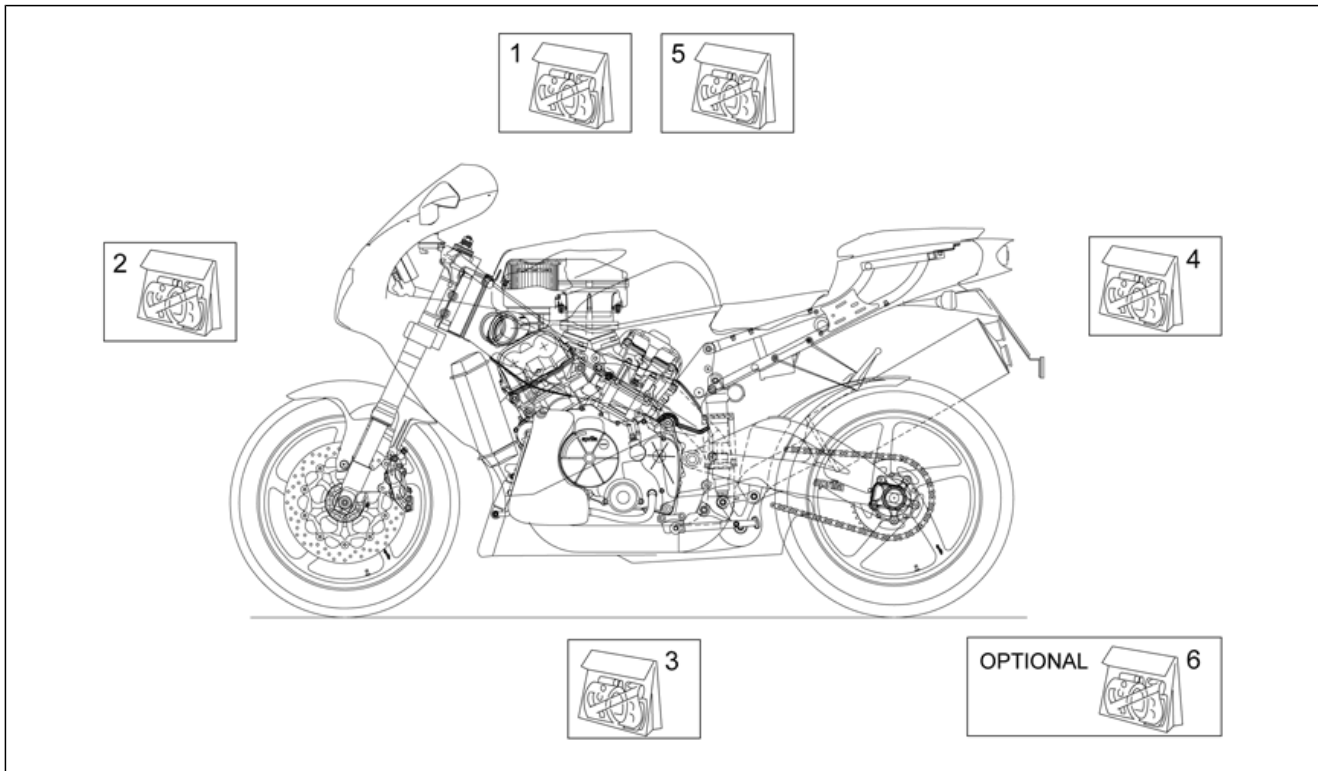
Pos.	Code	Beschreibung	Menge	Varianten
14	AP8150454	TCEI Schraube M5x16	4	
15	AP8120428	Kabelführungs	1	
16	AP8121678	Buchse	1	
17	AP8134608	Sitzschloß halter	1	Technische Daten: "Version RSV Mille ""R""acing"[R]

Einheit	RAHMEN
Code	28.52
Beschreibung	Deko
Inspektion	1



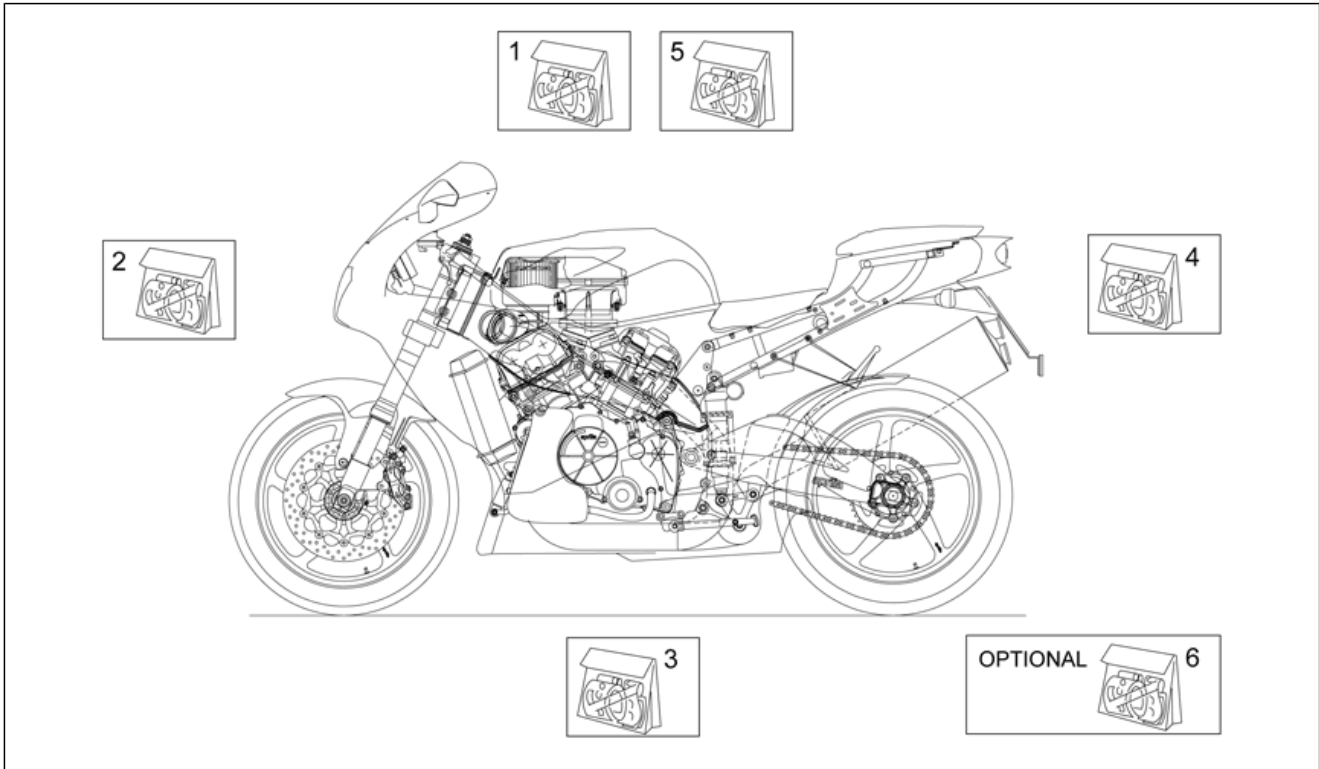
Pos.	Code	Beschreibung	Menge	Varianten
1	AP8157882	Deko technische Serie	1	Baujahr: 2000[Y] Fahrzeugfarbe: Schwarz Aprilia '2000[black], Electric Blue 2000[blue], Hot red 2000[red], Gelb Flashy 2000[yell] Land: Österreich[A], Australien[AUS], Belgien[B], Schweiz[CH], Deutschland[D], Dänemark[DK], Spanien[E], Frankreich[F], Griechenland[GR], Italien[I], Japan[J], Holland[NL], Portugal[P], Großbritannien[UK]
1	AP8157883	Deko technische Serie	1	Baujahr: 2000[Y] Fahrzeugfarbe: Schwarz Aprilia '2000[black], Electric Blue 2000[blue], Hot red 2000[red], Gelb Flashy 2000[yell] Land: Vereinigte Staaten von Amerika[USA]
1	AP8157901	Deko technische Serie	1	Baujahr: 2000[Y] Fahrzeugfarbe: Racing Schwarz Aprilia 2000[rac] Land: Österreich[A], Australien[AUS], Belgien[B], Schweiz[CH], Deutschland[D], Dänemark[DK], Spanien[E], Frankreich[F], Griechenland[GR], Italien[I], Japan[J], Holland[NL], Portugal[P], Großbritannien[UK]
1	AP8157913	Deko technische Serie	1	Baujahr: 2000[Y] Fahrzeugfarbe: Racing Schwarz Aprilia 2000[rac] Land: Vereinigte Staaten von Amerika[USA]
2	AP8157884	Kleinkuppel Deko-Satz	1	Baujahr: 2000[Y] Fahrzeugfarbe: Schwarz Aprilia '2000[black]
2	AP8157885	Kleinkuppel Deko-Satz	1	Baujahr: 2000[Y] Fahrzeugfarbe: Hot red 2000[red]
2	AP8157886	Kleinkuppel Deko-Satz	1	Baujahr: 2000[Y] Fahrzeugfarbe: Electric Blue 2000[blue]
2	AP8157887	Kleinkuppel Deko-Satz	1	Baujahr: 2000[Y] Fahrzeugfarbe: Gelb Flashy 2000[yell]
2	AP8157902	Kleinkuppel Deko-Satz	1	Baujahr: 2000[Y] Fahrzeugfarbe: Racing Schwarz Aprilia 2000[rac]
3	AP8157888	Verkleidung Deko-Satz	1	Baujahr: 2000[Y] Fahrzeugfarbe: Schwarz Aprilia '2000[black]
3	AP8157889	Verkleidung Deko-Satz	1	Baujahr: 2000[Y] Fahrzeugfarbe: Hot red 2000[red]

Einheit	RAHMEN
Code	28.52
Beschreibung	Deko
Inspektion	1



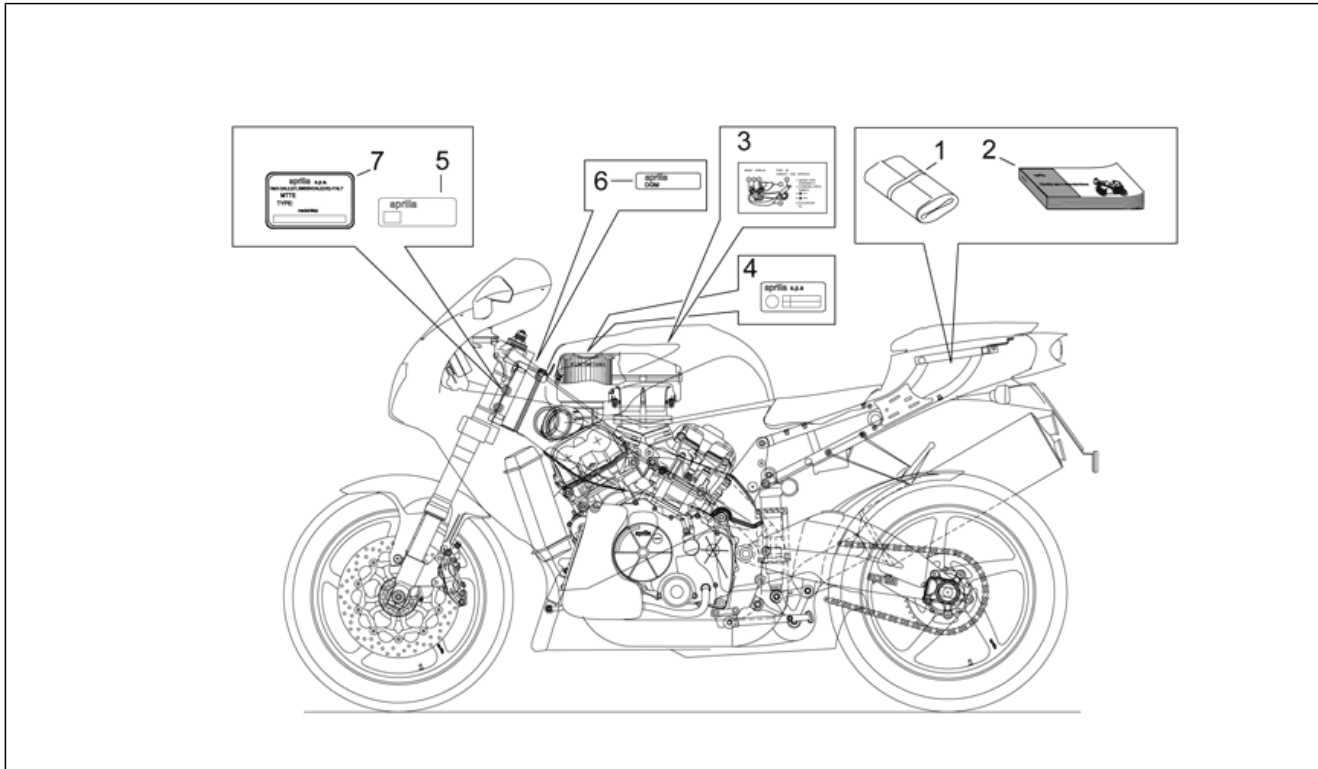
Pos.	Code	Beschreibung	Menge	Varianten
3	AP8157890	Verkleidung Deko-Satz	1	Baujahr:2000[Y] Fahrzeugfarbe:Electric Blue 2000[blue]
3	AP8157891	Verkleidung Deko-Satz	1	Baujahr:2000[Y] Fahrzeugfarbe:Gelb Flashy 2000[yell]
3	AP8157903	Verkleidung Deko-Satz	1	Baujahr:2000[Y] Fahrzeugfarbe:Racing Schwarz Aprilia 2000[rac]
4	AP8157892	H.Verkleidung Deko-Satz	1	Baujahr:2000[Y] Fahrzeugfarbe:Schwarz Aprilia '2000[black]
4	AP8157893	H.Verkleidung Deko-Satz	1	Baujahr:2000[Y] Fahrzeugfarbe:Hot red 2000[red]
4	AP8157894	H.Verkleidung Deko-Satz	1	Baujahr:2000[Y] Fahrzeugfarbe:Electric Blue 2000[blue]
4	AP8157895	H.Verkleidung Deko-Satz	1	Baujahr:2000[Y] Fahrzeugfarbe:Gelb Flashy 2000[yell]
4	AP8157904	H.Verkleidung Deko-Satz	1	Baujahr:2000[Y] Fahrzeugfarbe:Racing Schwarz Aprilia 2000[rac]
5	AP8167044	Tank Deko-Satz	1	Baujahr:2000[Y] Fahrzeugfarbe:Schwarz Aprilia '2000[black]
5	AP8167045	Tank Deko-Satz	1	Baujahr:2000[Y] Fahrzeugfarbe:Hot red 2000[red]
5	AP8167046	Tank Deko-Satz	1	Baujahr:2000[Y] Fahrzeugfarbe:Electric Blue 2000[blue]
5	AP8167047	Tank Deko-Satz	1	Baujahr:2000[Y] Fahrzeugfarbe:Gelb Flashy 2000[yell]
5	AP8167048	Tank Deko-Satz	1	Baujahr:2000[Y] Fahrzeugfarbe:Racing Schwarz Aprilia 2000[rac]
6	AP8167106	Verkl. Deko-Satz optional	1	Baujahr:2000[Y] Fahrzeugfarbe:Schwarz Aprilia '2000[black]
6	AP8167107	Verkl. Deko-Satz optional	1	Baujahr:2000[Y] Fahrzeugfarbe:Hot red 2000[red]
6	AP8167108	Verkl. Deko-Satz optional	1	Baujahr:2000[Y] Fahrzeugfarbe:Electric Blue 2000[blue]

Einheit	RAHMEN
Code	28.52
Beschreibung	Deko
Inspektion	1



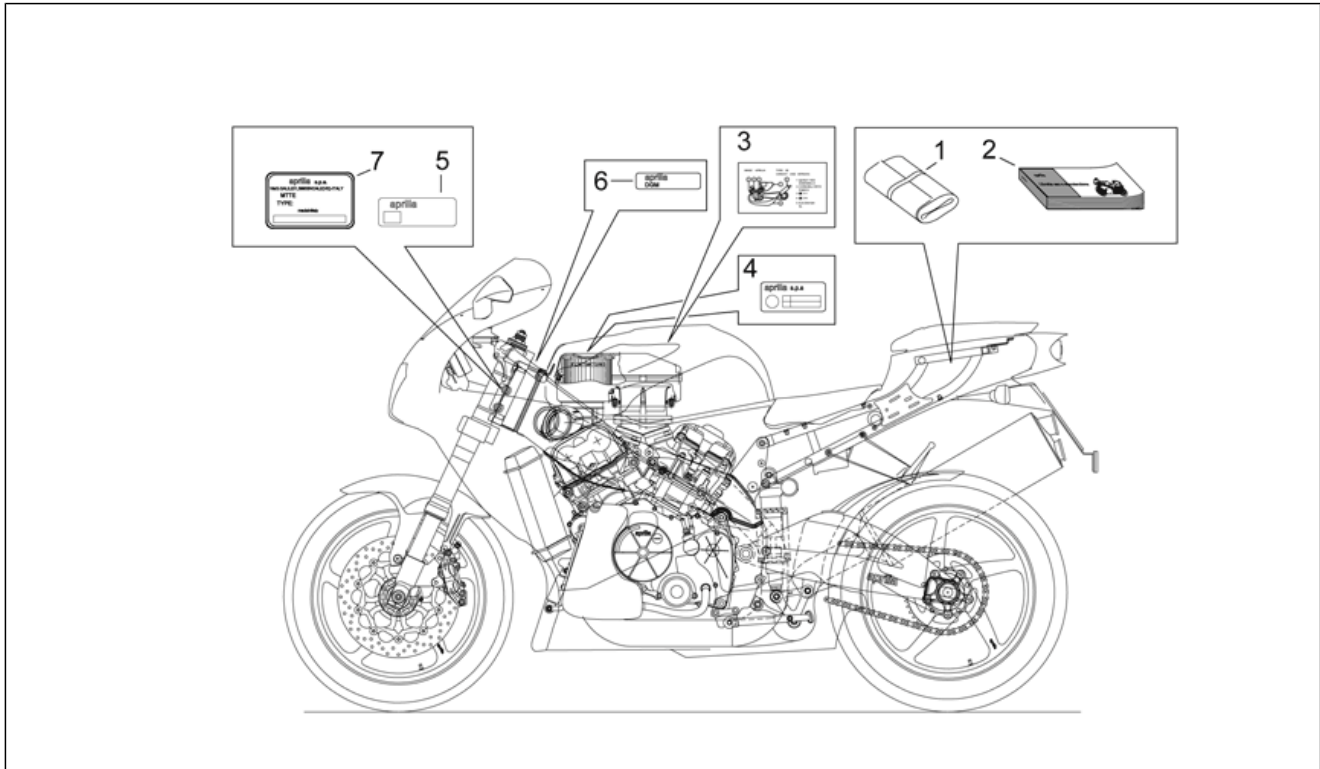
Pos.	Code	Beschreibung	Menge	Varianten
6	AP8167109	Verkl. Deko-Satz optional	1	Baujahr:2000[Y] Fahrzeugfarbe:Gelb Flashy 2000[yell]

Einheit	RAHMEN
Code	28.53
Beschreibung	Schilder und Anleit.
Inspektion	1



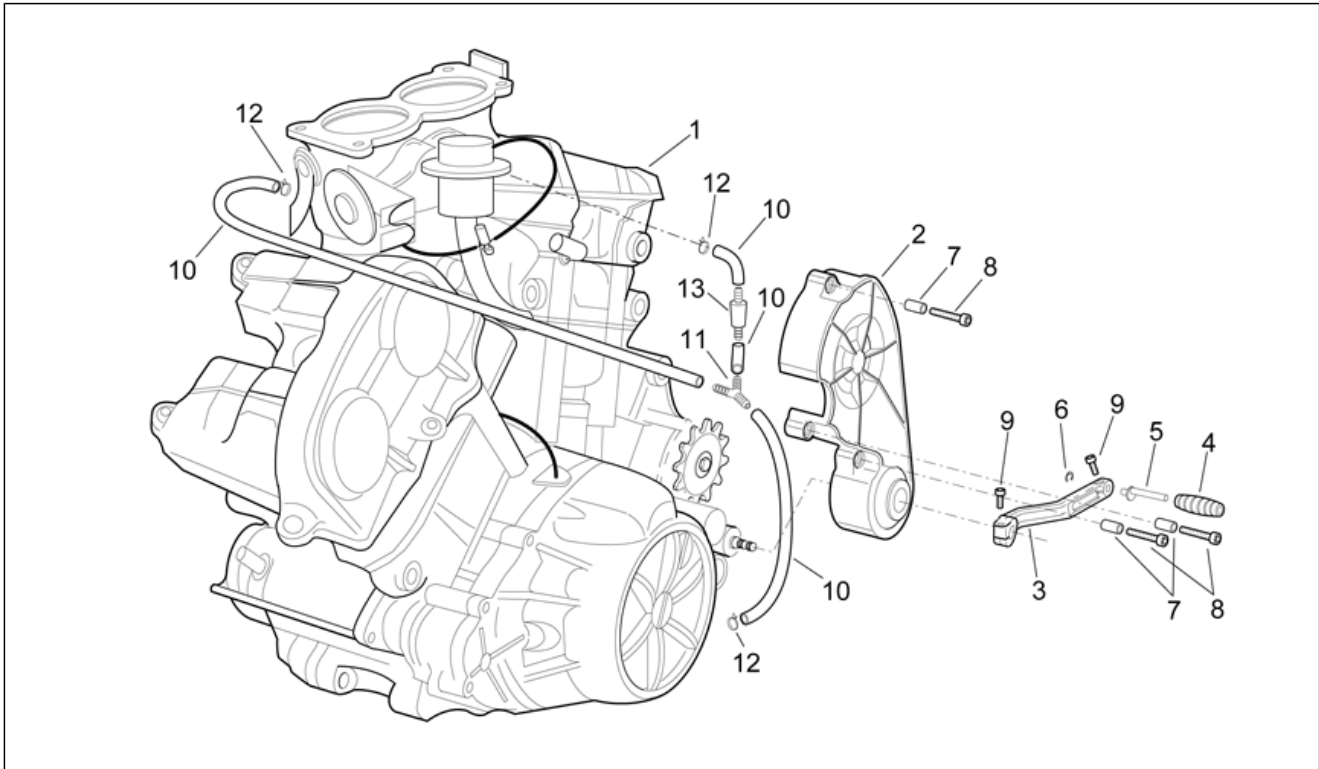
Pos.	Code	Beschreibung	Menge	Varianten
1	AP8102622	Werkzeugtasche	1	
2	AP8104089	Bed./Wart.-Anl. I-F-D	1	Land:Österreich[A], Belgien[B], Schweiz[CH], Deutschland[D], Frankreich[F], Italien[I]
2	AP8104141	Betr./Wart.,anl. gr-j-uk	1	Land:Griechenland[GR], Japan[J]
2	AP8104142	Bed./Wart.-Anl. P-E-UK	1	Land:Spanien[E], Portugal[P], Großbritannien[UK]
2	AP8104143	Bed./Wart.-Anl. NL-DK-SF	1	Land:Belgien[B], Dänemark[DK], Holland[NL]
2	AP8104164	Bed./Wart.-Anl. -AUS-	1	Land:Australien[AUS]
2	AP8104171	Bed./Wart.-Anl. -USA-	1	Land:Vereinigte Staaten von Amerika[USA]
3	AP8147802	Fälschungssicheres Schild	1	Land:Frankreich[F]
3	AP8157654	Fälschungssicheres Schild	1	Land:Australien[AUS]
4	AP8147576	CEE Schild	1	Land:Österreich[A], Belgien[B], Schweiz[CH], Deutschland[D], Dänemark[DK], Spanien[E], Frankreich[F], Griechenland[GR], Italien[I], Japan[J], Holland[NL], Portugal[P], Großbritannien[UK]
5	AP8147577	ECE Schild	1	Land:Österreich[A], Belgien[B], Schweiz[CH], Deutschland[D], Dänemark[DK], Spanien[E], Frankreich[F], Griechenland[GR], Italien[I], Holland[NL], Portugal[P], Großbritannien[UK]
5	AP8157822	ECE Schild	1	Land:Japan[J]
6	AP8147578	DGM Schild	1	Land:Griechenland[GR], Italien[I] Technische Daten:Version RSV Mille[STD]
6	AP8157737	DGM Schild	1	Land:Griechenland[GR], Italien[I] Technische Daten:"Version RSV Mille ""R""acing"[R]
7	AP8137857	Herstellerschild	1	Land:Österreich[A], Deutschland[D], Dänemark[DK], Spanien[E], Griechenland[GR], Italien[I], Japan[J], Holland[NL], Portugal[P], Großbritannien[UK]
7	AP8147574	Herstellerschild	1	Land:Belgien[B]
7	AP8147575	Herstellerschild	1	Land:Frankreich[F]
7	AP8157446	Herstellerschild	1	Land:Schweiz[CH]
7	AP8157635	Herstellerschild	1	Land:Vereinigte Staaten von Amerika[USA]

Einheit	RAHMEN
Code	28.53
Beschreibung	Schilder und Anleit.
Inspektion	1



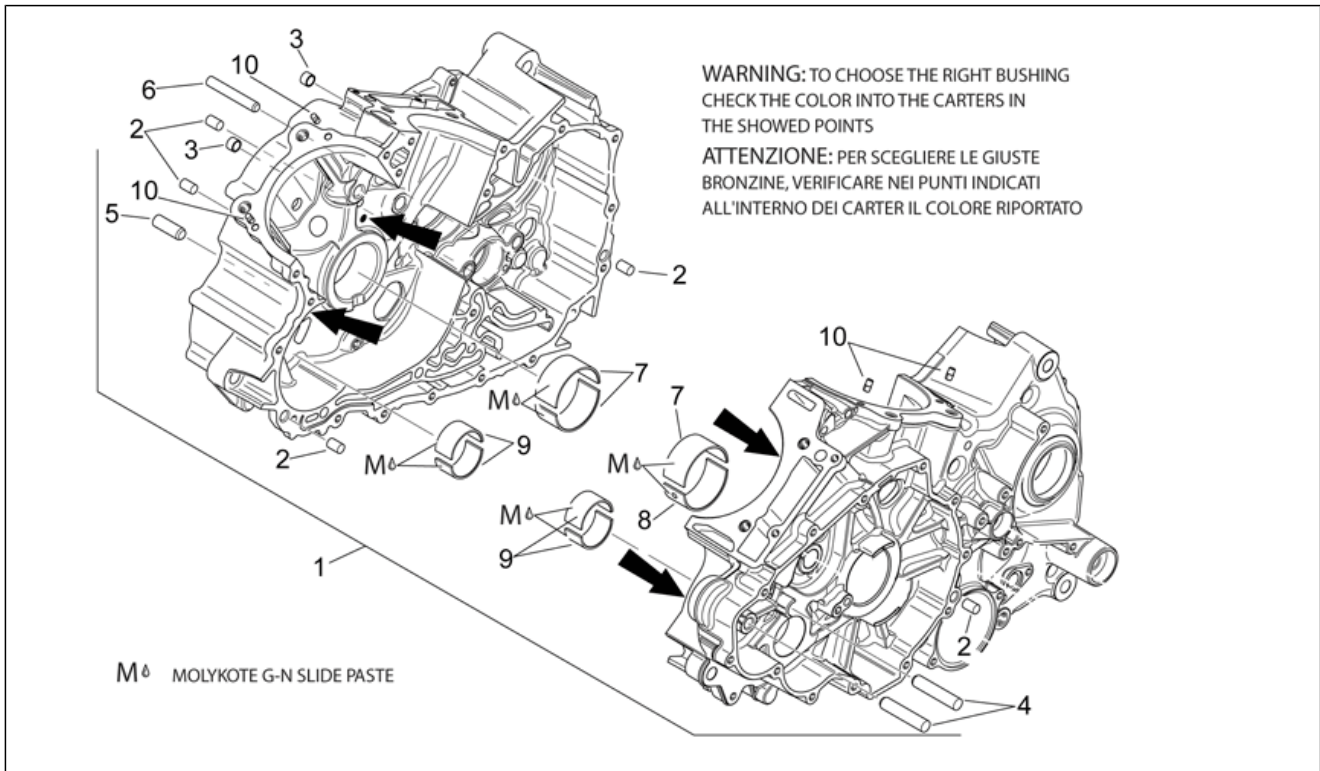
Pos.	Code	Beschreibung	Menge	Varianten
				Technische Daten: Zulassung 49 Staaten[49st], Version RSV Mille[STD]
7	AP8157653	Herstellerschild	1	Land: Australien[AUS]
7	AP8157829	Herstellerschild	1	Land: Vereinigte Staaten von Amerika[USA] Technische Daten: Zulassung California[cal], Version RSV Mille[STD]
7	AP8157847	Herstellerschild	1	Land: Vereinigte Staaten von Amerika[USA] Technische Daten: "Version RSV Mille ""R""acing"[R]

Einheit	MOTOR
Code	29.36
Beschreibung	Motor
Inspektion	1



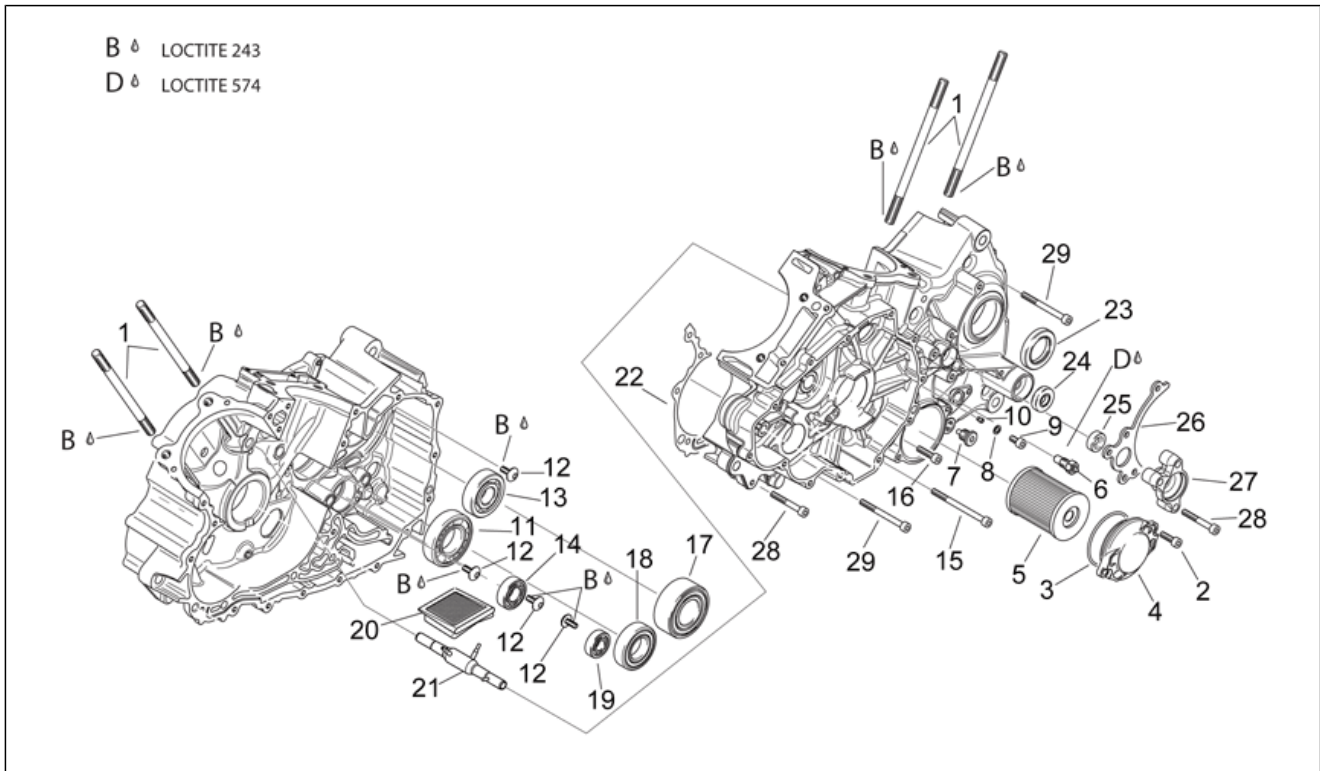
Pos.	Code	Beschreibung	Menge	Varianten
1	AP8106710	Motor 990	1	Land: Österreich[A], Australien[AUS], Belgien[B], Schweiz[CH], Deutschland[D], Dänemark[DK], Spanien[E], Frankreich[F], Griechenland[GR], Italien[I], Japan[J], Holland[NL], Portugal[P], Großbritannien[UK]
1	AP8106718	Motor 990	1	Land: Vereinigte Staaten von Amerika[USA] Technische Daten: Zulassung 49 Staaten[49st]
1	AP8106757	Motor 990	1	Land: Vereinigte Staaten von Amerika[USA] Technische Daten: Zulassung California[cal]
2	AP8106687	Ritzelkasten, grau	1	
3	AP8106379	Schalthebel	1	
4	AP8120912	Gummi für Hebel	1	
5	AP8121221	Stift Bremshebel	1	
6	AP8150462	Seegerring d9	1	
7	AP8221046	Distanzscheibe D6x8x13,5*	3	
8	AP8150220	TCEI Schraube M6x30	3	
9	AP8150044	TCEI Schraube M6x20	2	
10	AP8144015	Ölschlauch 6x12	1	
11	AP8120116	3-Wegeanschluß	1	
12	AP8120446	Schlauchschelle, grün D11x6,6x1	3	
13	AP8102741	Rückstauventil	1	

Einheit	MOTOR
Code	29.54
Beschreibung	Gehäuse I
Inspektion	1



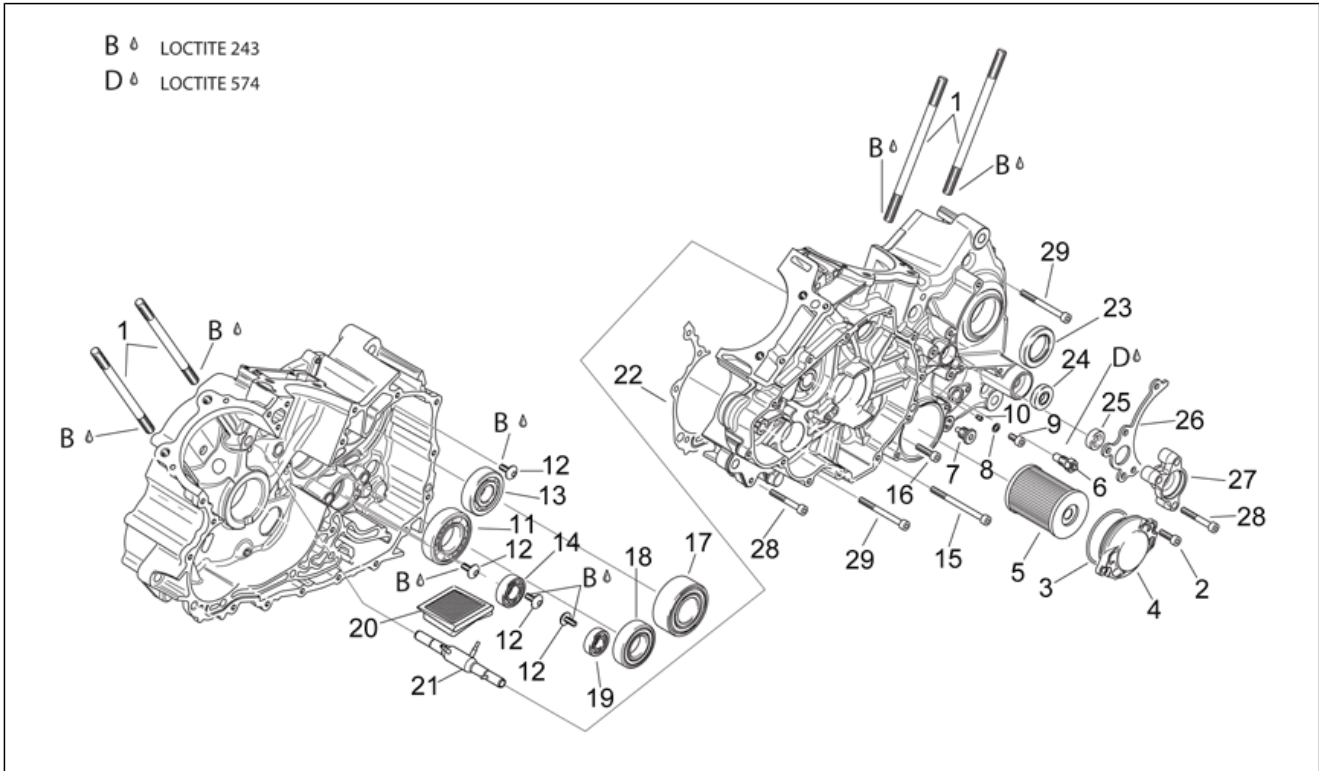
Pos.	Code	Beschreibung	Menge	Varianten
1	AP0295653	Gehäuse-kpl.	1	
2	AP0632010	Stift M8x12	5	
3	AP0929500	Stift 10x8	2	
4	AP0229301	Bolzen M6x50	2	
5	AP0929930	Bolzen	1	
6	AP0229385	Bolzen	1	
7	AP0233745	Halbsch. Bronzebu., blau	3	
7	AP0233746	Halbsch. Bronzebu., rot	3	
7	AP0233748	Halbsch. Bronzebu., gelb	3	
8	AP0233740	Halbsch. Bronzebu., blau	1	
8	AP0233741	Halbsch. Bronzebu., rot	1	
8	AP0233743	Halbsch. Bronzebu., gelb	1	
9	AP0233711	Halbsch. Bronzebu., blau	4	
9	AP0233820	Halbsch. Bronzebu., rot	4	
9	AP0233822	Halbsch. Bronzebu., gelb	4	
10	AP0929650	Stift 5x10	4	

Einheit	MOTOR
Code	29.55
Beschreibung	Gehäuse II
Inspektion	1



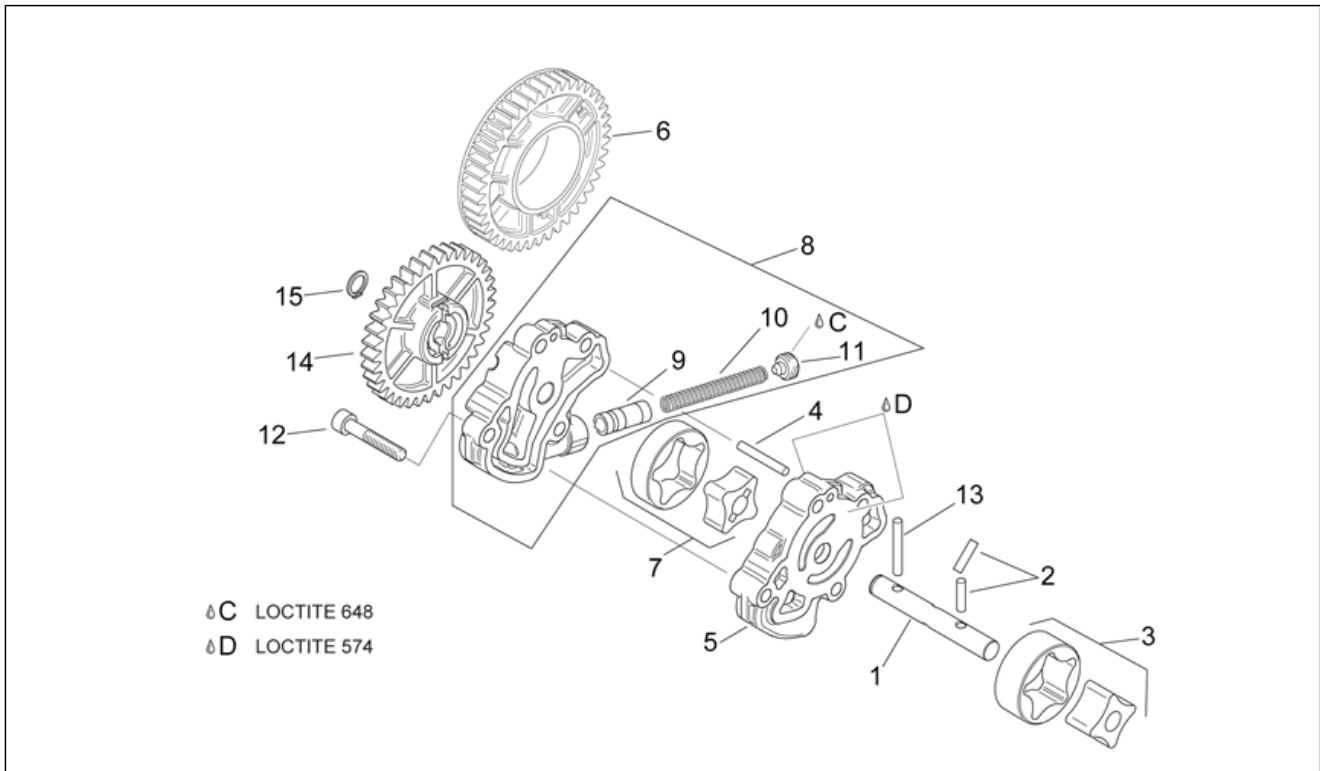
Pos.	Code	Beschreibung	Menge	Varianten
1	AP0241580	Stiftschraube m10x171	8	
2	AP0241932	TCEI Schraube	2	
3	AP0650500	O-Ring 59,52x2,62	1	
4	AP0210416	Ölfilterdeckel grau	1	
5	AP0256187	Ölfiltereinsatz	1	
6	AP0241852	Kontaktschraube	1	
7	AP0241782	Magnetschraube M12x1,5	1	
8	AP0230415	Gasket ring 6x10	1	
9	AP0241081	TCEI Schraube M6x10	1	
10	AP0268757	Strahl 75	1	
11	AP0932585	Kugellager 6206	1	
12	AP0241531	Kurzkopf-Schraube	4	
13	AP0832144	Kugellager 6304	1	
14	AP0232625	Lager 6003	1	
15	AP0241501	TCEI Schraube M6x80	1	
16	AP0840861	TCEI Schraube M6x25	1	
17	AP0632124	Schulterkugellager 3206	1	
18	AP0932428	Kugellager 6205	1	
19	AP0932335	Kugellager 16101	1	
20	AP0256497	Ölnetz	1	
21	AP0256526	Öl-Einspritzschlauch	1	
22	AP0650335	Dichtung	1	
23	AP0850050	Ölabstreifring 40x47x7,5	1	
24	AP0250450	Ölabstreifring 12x28x7	1	
25	AP0650320	Ölabstreifring 11x22x7	1	
26	AP0236370	Kettenführung	1	
27	AP0259500	Kupplungs-Ausrückfla.	1	
28	AP0241821	TCEI Schraube M6x45	8	

Einheit	MOTOR
Code	29.55
Beschreibung	Gehäuse II
Inspektion	1



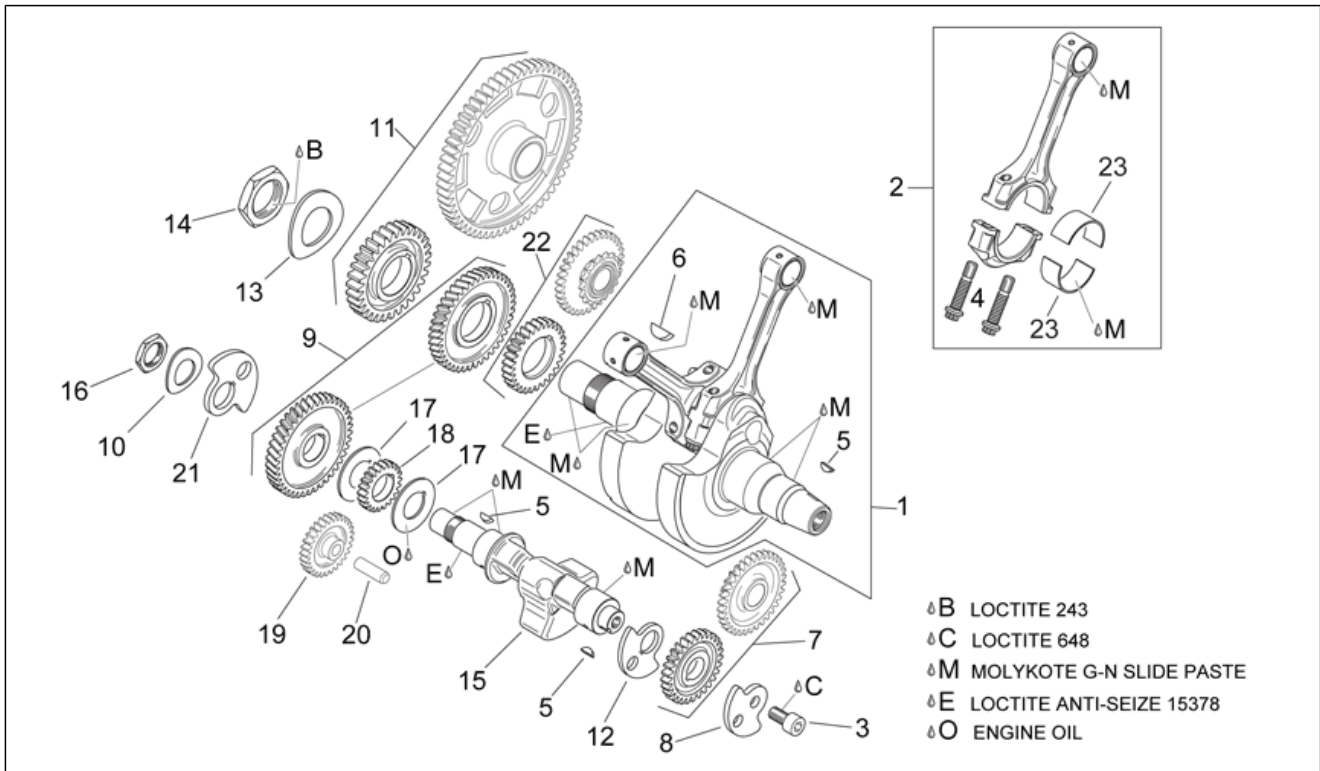
Pos.	Code	Beschreibung	Menge	Varianten
29	AP0241261	TCEI Schraube	13	

Einheit	MOTOR
Code	29.56
Beschreibung	Ölpumpe
Inspektion	1



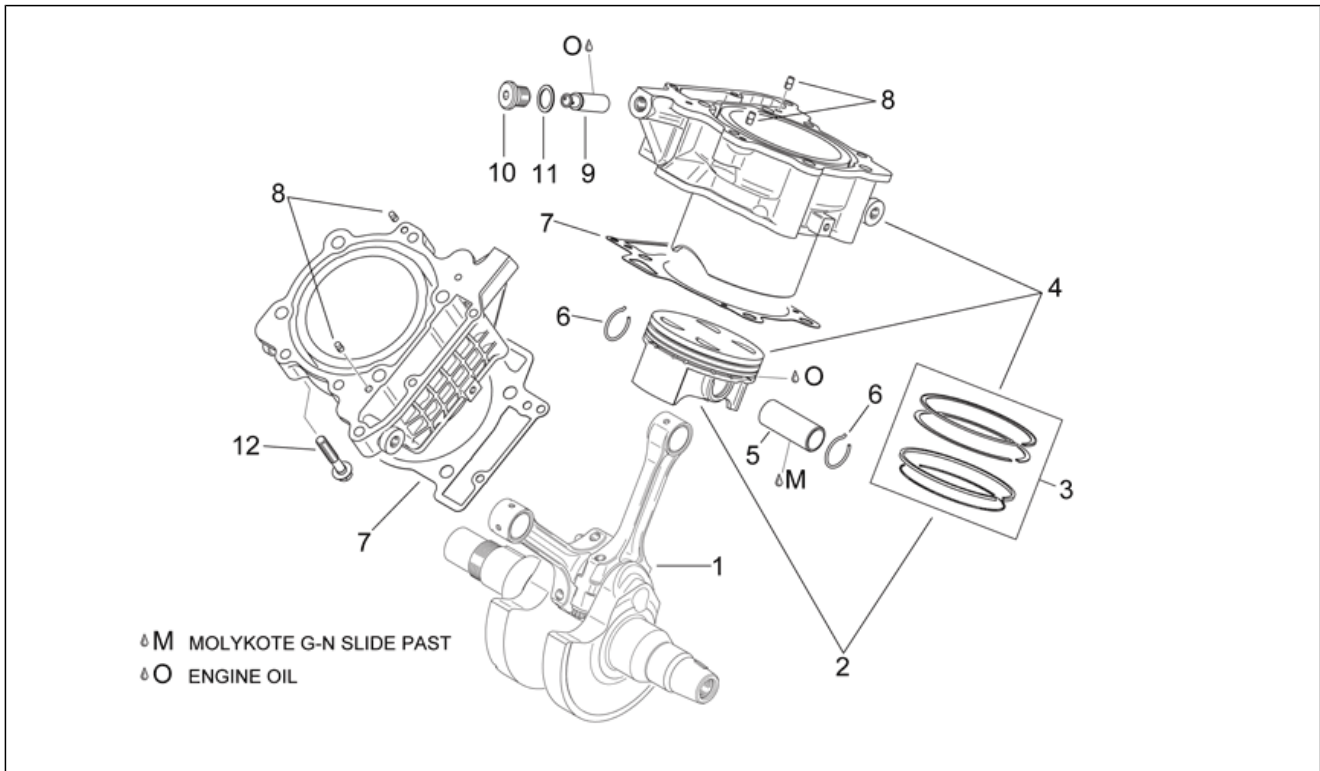
Pos.	Code	Beschreibung	Menge	Varianten
1	AP0220423	Ölpumpenwelle	1	
2	AP0232730	Stift 4x15,8	2	
3	AP0256680	Innen- und Außenrotor	1	
4	AP0232970	Bolzen 4x25,8	1	
5	AP0211620	Ölpumpengehäuse	1	
6	AP0634470	Ölpumpen-Zahn. z=42	1	
7	AP0956275	Innen- und Außenrotor	1	
8	AP0211631	Deckel Ölpumpe	1	
9	AP0256510	Druckregelkolben	1	
10	AP0239447	Feder	1	
11	AP0241650	Ventilschließschraube m12x1,5	1	
12	AP0241821	TCEI Schraube M6x45	4	
13	AP0232430	Stift	1	
14	AP0634483	Ölpumpen-Zahn.	1	
15	AP0245330	Seegerring 10x1	1	

Einheit	MOTOR
Code	29.57
Beschreibung	Kurbelwelle I
Inspektion	1



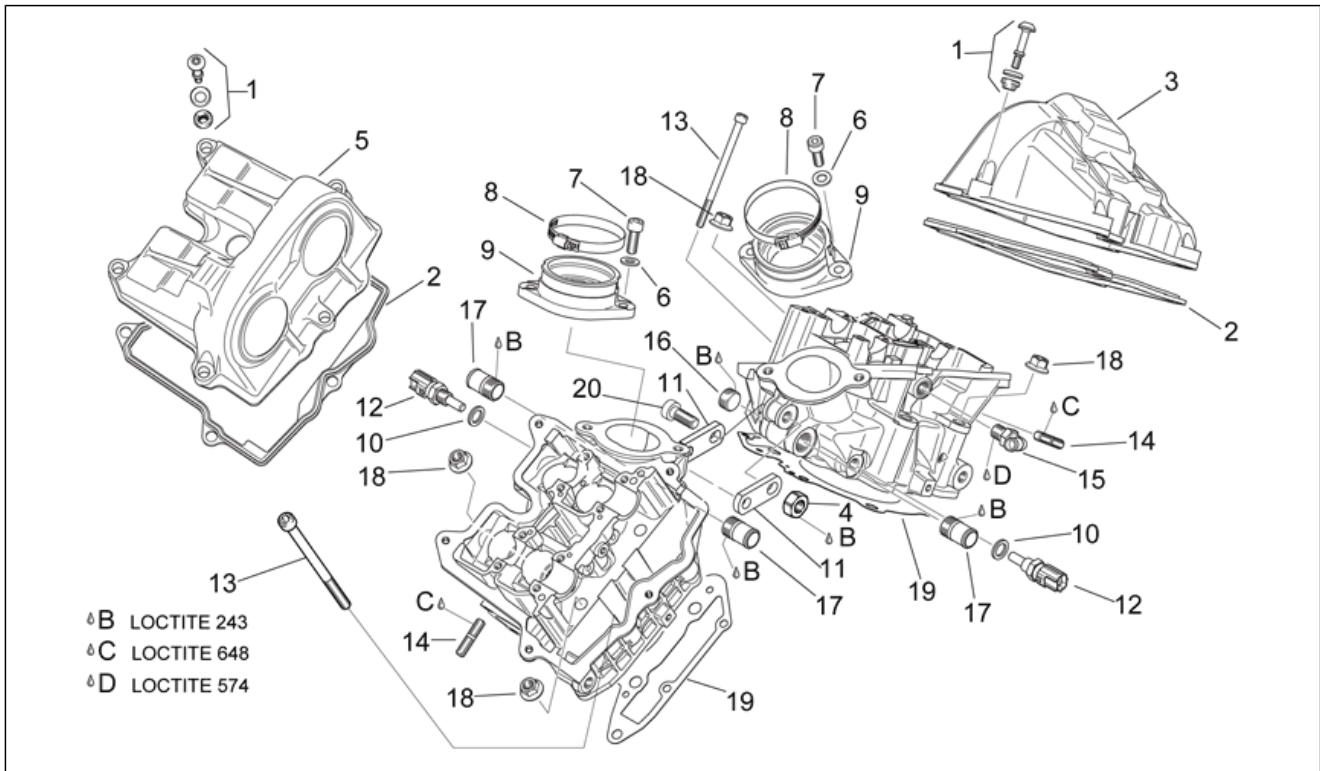
Pos.	Code	Beschreibung	Menge	Varianten
1	AP0295662	Kurbelwelle kpl.	1	
2	AP0217346	Baugruppe Pleuelstange kplt.	2	
3	AP0440260	TCEI Schraube	1	
4	AP0640400	Pleuelschraube	4	
5	AP0246570	Keil 4x5	3	
6	AP0946015	Keil 6x9	1	
7	AP0295765	Zahnrad Vent.st. kplt.	1	
8	AP0219365	Gegengew. Schw.rad a.	1	
9	AP0295770	Ausgleichsrad kpl.	1	
10	AP0245860	Sprengscheibe	1	
11	AP0295780	Zahnrad Hauptgetriebe	1	
12	AP0219360	Gegengew. Schw.rad i.	1	
13	AP0245840	Sprengscheibe	1	
14	AP0242940	Mutter m33x1,5	1	
15	AP0220372	Unt. Gegenwelle	1	
16	AP0242874	Mutter	1	
17	AP0627200	Ausgleichscheibe 24x54x2	2	
18	AP0634610	Wasserpump.-Zahn.	1	
19	AP0634500	Freilaufgrad	1	
20	AP0929930	Bolzen	1	
21	AP0219350	Gegengewicht Kuppl.	1	
22	AP0295760	Zahnrad Vent.st. kplt.	1	
23	AP0233721	Bronzebuchse,rot 42x45x19	2	
23	AP0233722	Bronzebuchse,blau 42x45x19	2	
23	AP0233723	Bronzebuchse,gelb 42x45x19	2	

Einheit	MOTOR
Code	29.58
Beschreibung	Kurbelwelle II
Inspektion	1



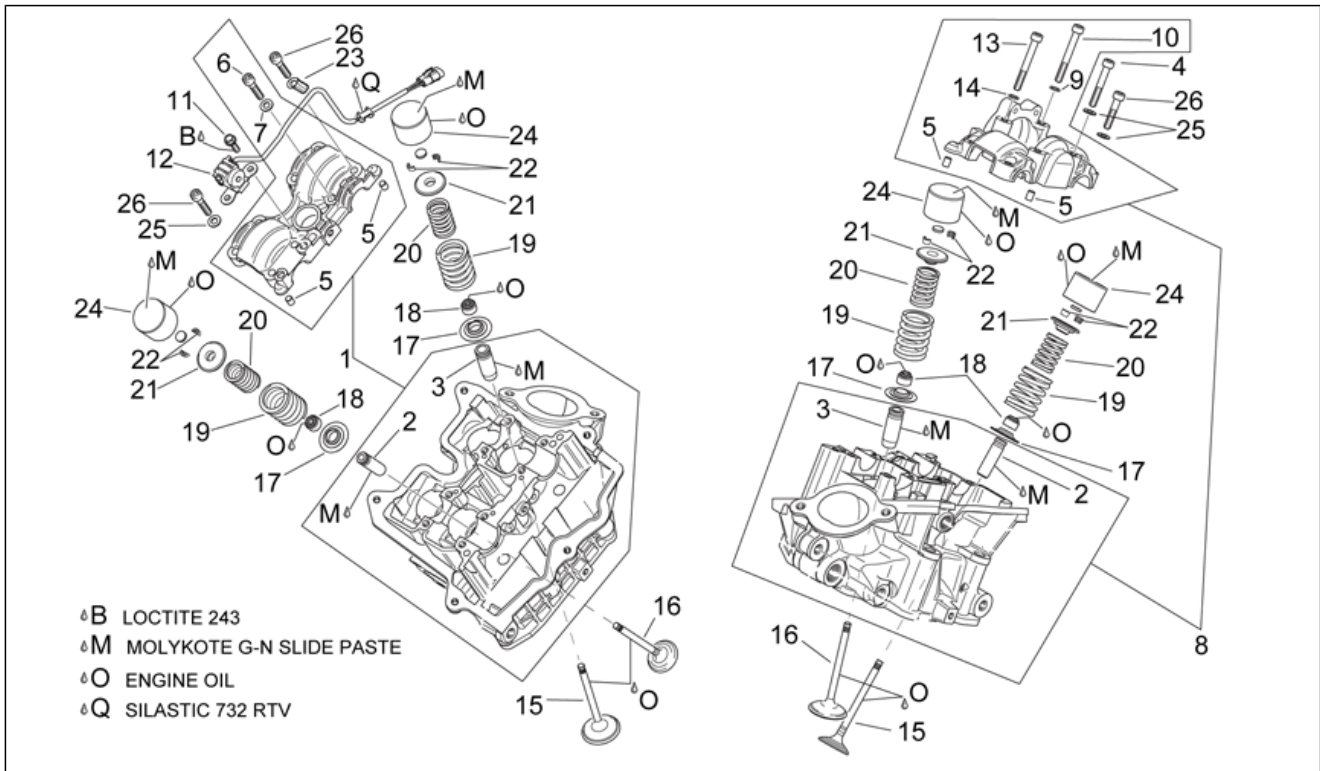
Pos.	Code	Beschreibung	Menge	Varianten
1	AP0295662	Kurbelwelle kpl.	1	
2	AP0684310	Kolben kpl. 96,944 mm (A)	2	
2	AP0684311	Kolben kpl. 96,956 mm (B)	2	
3	AP0295858	Satz Kolbenringe	2	
4	AP0613068	Kolben + Zylinder	2	
5	AP0216222	Bolzen 22x14x55	2	
6	AP0245436	Sperring 22	4	
7	AP0650390	ZYLINDERFUSSDICHTUNG	2	
8	AP0929650	Stift 5x10	4	
9	AP0236252	Kettenspanner	2	
10	AP0640450	Deckel	2	
11	AP0430622	Gasket ring 16x22	2	
12	AP0940637	TE Schr. m. Flansch	8	

Einheit	MOTOR
Code	29.59
Beschreibung	Ventildeckel
Inspektion	1



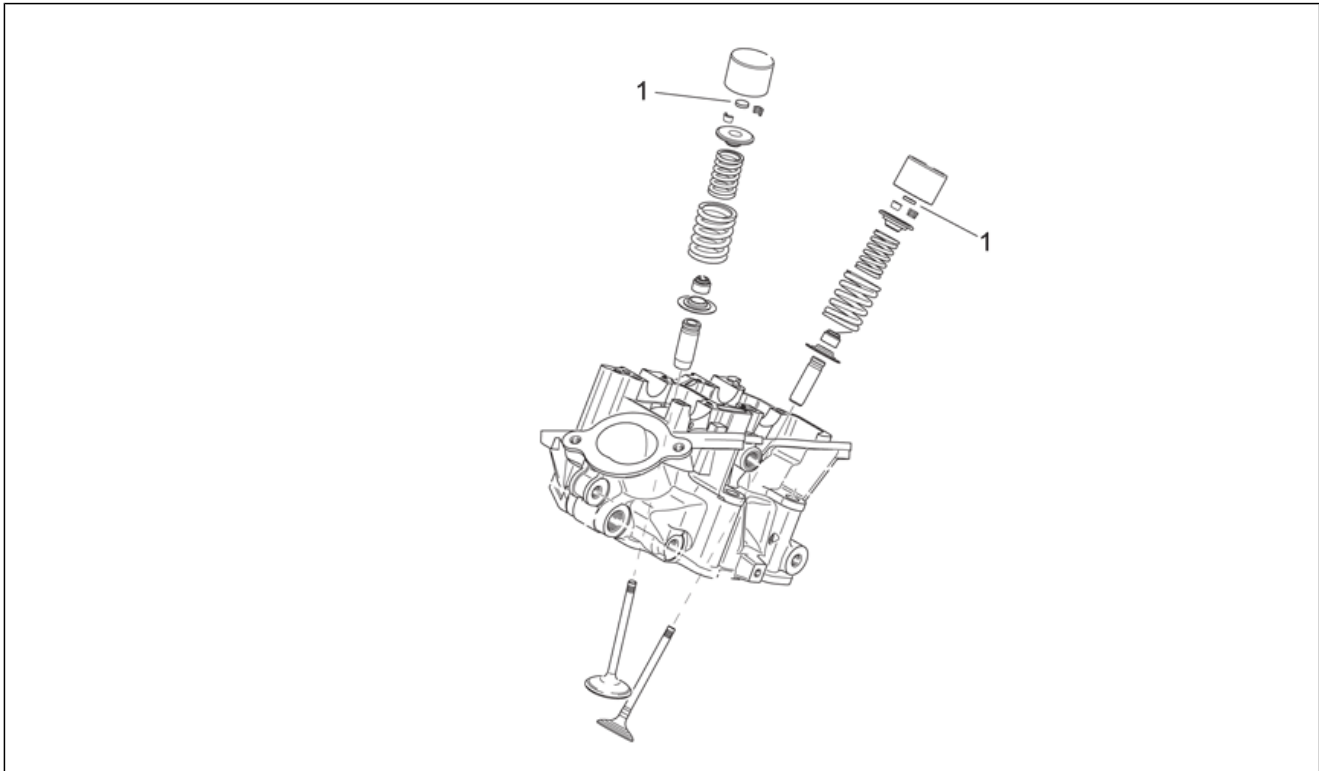
Pos.	Code	Beschreibung	Menge	Varianten
1	AP0241625	Distanzschraube kpl.	10	
2	AP0650345	Dichtung Ventildeckel	2	
3	AP0211666	Hint. Ventildeckel	1	
4	AP0242091	Mutter	2	
5	AP0211661	Vord. Ventildeckel	1	
6	AP0250311	Ausgleichscheibe 8,4	4	
7	AP0240081	TCEI Schraube M8x25	4	
8	AP0251830	Schelle 65	2	
9	AP0267150	Einlaßflansch	2	
10	AP0250640	Gasket ring 12x18	2	
11	AP0251100	Platte	2	
12	AP0274040	Temperaturfühler	2	
13	AP0241601	TCEI Schraube	4	
14	AP0241560	Stiftschraube	6	
15	AP0922245	Winkelverbinder	1	
16	AP0240170	Deckel m18x1,5	1	
17	AP0224090	Leitung	3	
18	AP0242851	Mutter	8	
19	AP0650210	Dichtung Kopf-Zylinder	2	
20	AP0640581	TCEI Schraube M10x40	2	

Einheit	MOTOR
Code	29.60
Beschreibung	Zylinderkopf und Ventile
Inspektion	1



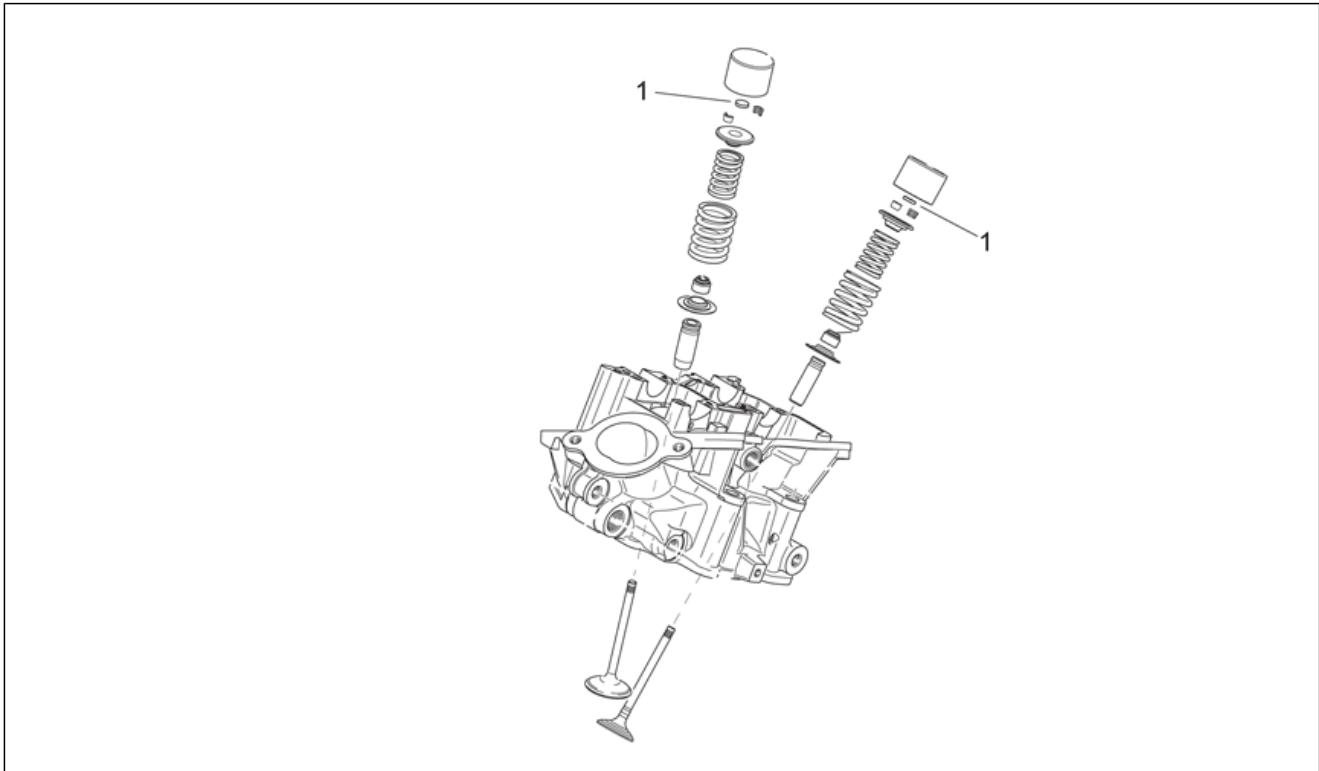
Pos.	Code	Beschreibung	Menge	Varianten
1	AP0613406	Zylinderkopf vorn kplt.grau	1	
2	AP0253926	Ventilführung Auslaß	4	
3	AP0253921	Ventilführung Einlaß	4	
4	AP0241821	TCEI Schraube M6x45	2	
5	AP0232210	Bolzen 6x8	4	
6	AP0840880	TCEI Schraube M6x30	1	
7	AP0927945	Ausgleichscheibe 6,2x12x1	1	
8	AP0613408	Zylinderkopf hinten kpl.grau	1	
9	AP0927863	Ausgleichscheibe 6,1x9,8x1	1	
10	AP0240331	TCEI Schraube	1	
11	AP0941935	Gew.schr. M5x12	2	
12	AP0274060	Fühler Nockenwelle kp.	1	
13	AP0240331	TCEI Schraube	1	
14	AP0927863	Ausgleichscheibe 6,1x9,8x1	1	
15	AP0254020	Auslaßventil 31mm	4	
16	AP0254010	Einlaßventil 36 mm	4	
17	AP0253965	Ventilfederplatte	8	
18	AP0230510	Ölabstreifring Ventilführung	8	
19	AP0239520	Ventilfeder außen	8	
20	AP0239510	Ventilfeder innen	8	
21	AP0253955	Ventilfederplatte	8	
22	AP0253645	Ventilhalbkegel	16	
23	AP0251090	Kabelschutz	1	
24	AP0253990	Ventilbecher	8	
25	AP0927945	Ausgleichscheibe 6,2x12x1	12	
26	AP0840880	TCEI Schraube M6x30	11	

Einheit	MOTOR
Code	29.61
Beschreibung	Ventilesbeläge
Inspektion	1



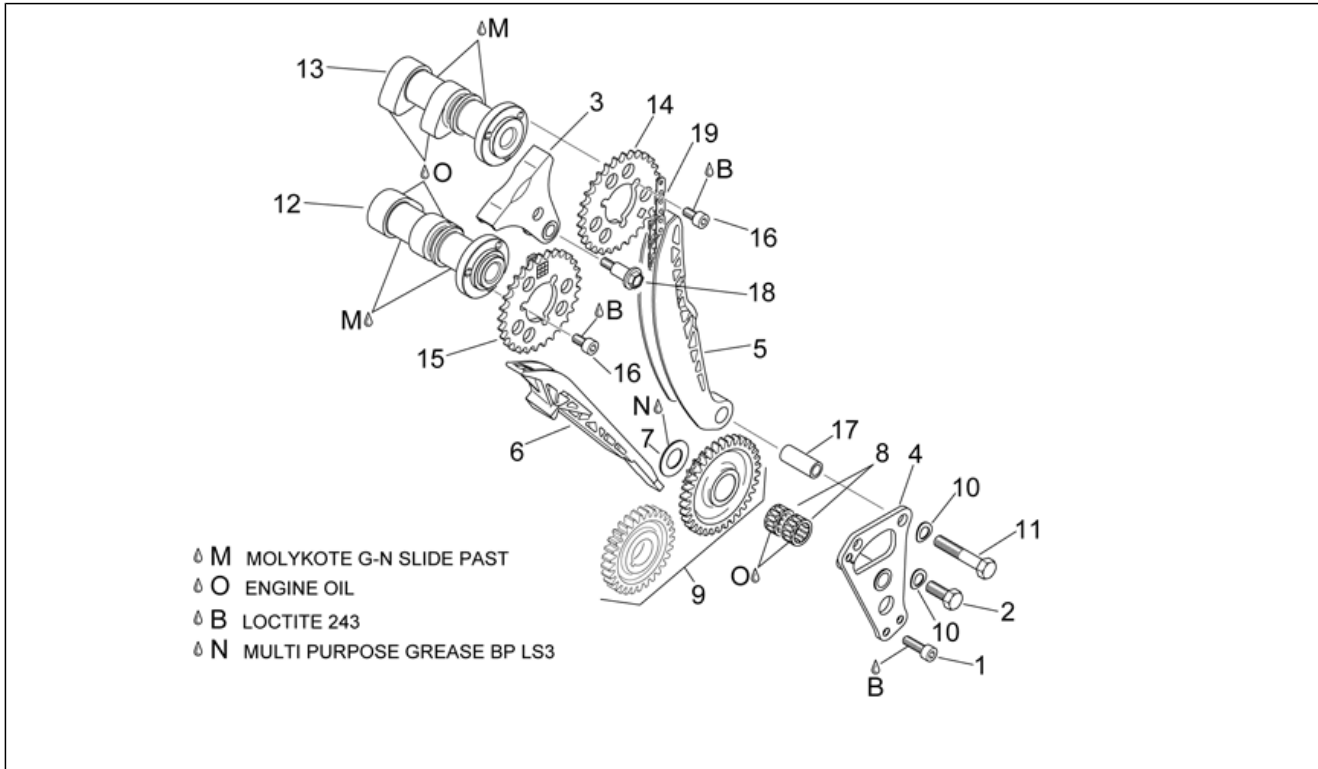
Pos.	Code	Beschreibung	Menge	Varianten
1	AP0253974	Belag 2,3	1	
1	AP0253975	Belag 2,35	1	
1	AP0253976	Belag 2,4	1	
1	AP0253977	Belag 2,45	1	
1	AP0253978	Belag 2,5	1	
1	AP0253979	Belag 2,55	1	
1	AP0253980	Belag 2,6	1	
1	AP0253981	Belag 2,65	1	
1	AP0253982	Belag 2,7	1	
1	AP0253983	Belag 2,75	1	
1	AP0253984	Belag 2,8	1	
1	AP0253985	Belag 2,85	1	
1	AP0253986	Belag 2,9	1	
1	AP0253987	Belag 2,95	1	
1	AP0253988	Belag 3,00	1	
1	AP0254030	Belag 2,325	1	
1	AP0254031	Belag 2,375	1	
1	AP0254032	Belag 2,425	1	
1	AP0254033	Belag 2,475	1	
1	AP0254034	Belag 2,525	1	
1	AP0254035	Belag 2,575	1	
1	AP0254036	Belag 2,625	1	
1	AP0254037	Belag 2,675	1	
1	AP0254038	Belag 2,725	1	
1	AP0254039	Belag 2,775	1	
1	AP0254040	Belag 2,825	1	
1	AP0254041	Belag 2,875	1	
1	AP0254042	Belag 2,925	1	

Einheit	MOTOR
Code	29.61
Beschreibung	Ventilesbeläge
Inspektion	1



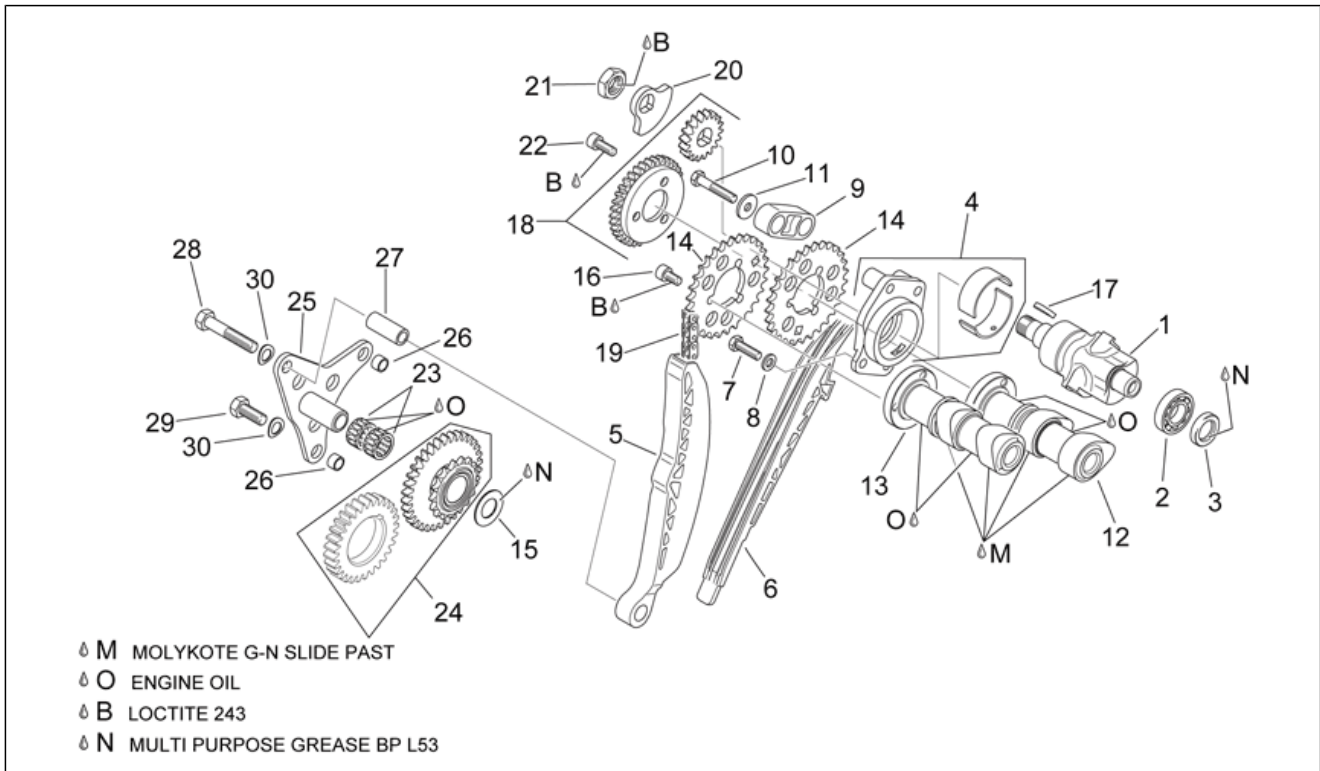
Pos.	Code	Beschreibung	Menge	Varianten
1	AP0254043	Belag 2,975	1	

Einheit	MOTOR
Code	29.62
Beschreibung	Vrd. Zylindersteuer
Inspektion	1



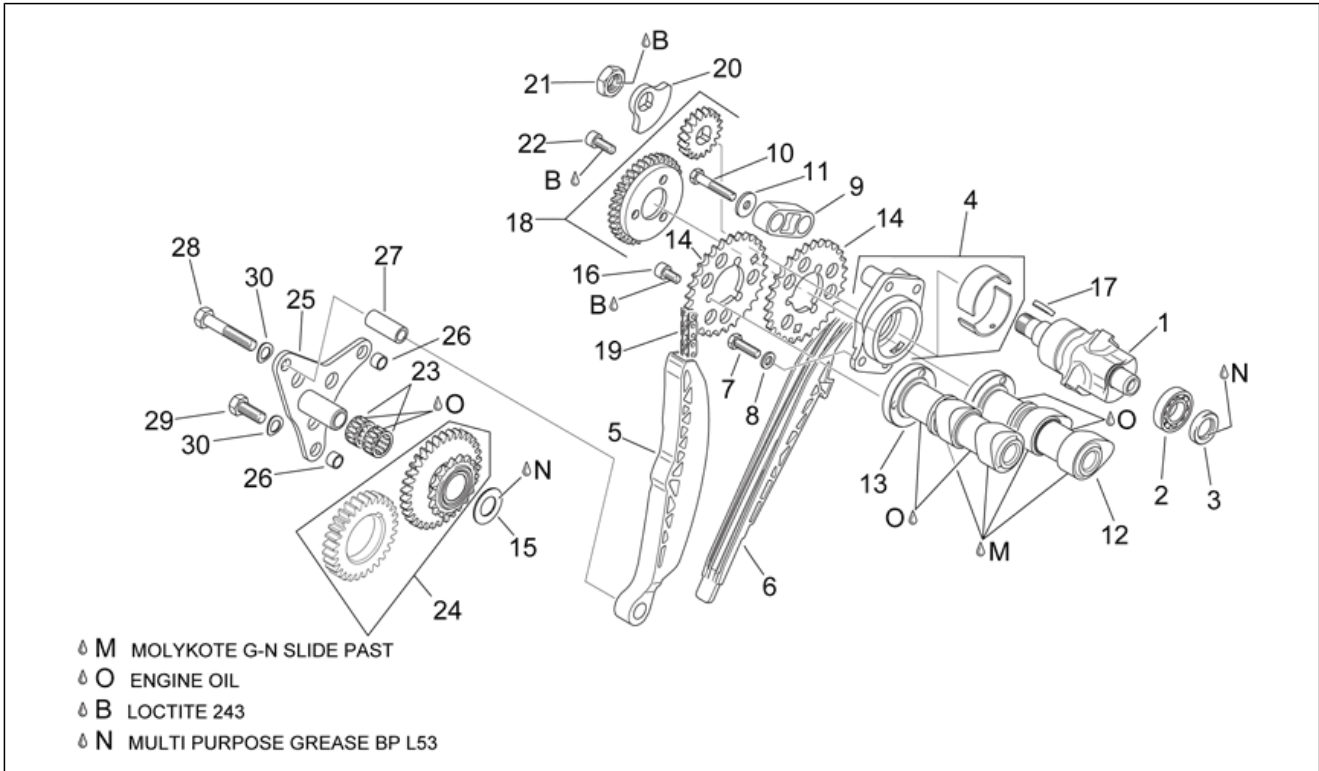
Pos.	Code	Beschreibung	Menge	Varianten
1	AP0240400	TCEI Schraube	1	
2	AP0940590	Sechskantschraube M8x20	1	
3	AP0236320	Kettenführung	1	
4	AP0211766	Lagerplatte	1	
5	AP0236300	Kettenführung	1	
6	AP0236310	Kettenführung	1	
7	AP0627190	Ausgleichscheibe 16,7x29x1	1	
8	AP0632161	Nadelkaefig 16x22x10	2	
9	AP0295765	Zahnrad Vent.st. kplt.	1	
10	AP0845030	Sprengscheibe b8	2	
11	AP0940631	Sechskantschraube	1	
12	AP0220385	Nockenwelle Auslaß	1	
13	AP0220380	Nockenwelle Einlaß	1	
14	AP0634730	Zahnrad Ventilsteuerung	1	
15	AP0634735	Zahnrad Ventilsteuerung	1	
16	AP0840371	TCEI Schraube M6x11,5	6	
17	AP0247980	Buchse 8,2x12x25	1	
18	AP0240960	Distanstückschraube	2	
19	AP0297955	Steuerkette	1	

Einheit	MOTOR
Code	29.63
Beschreibung	Hint. Zylindersteuer
Inspektion	1



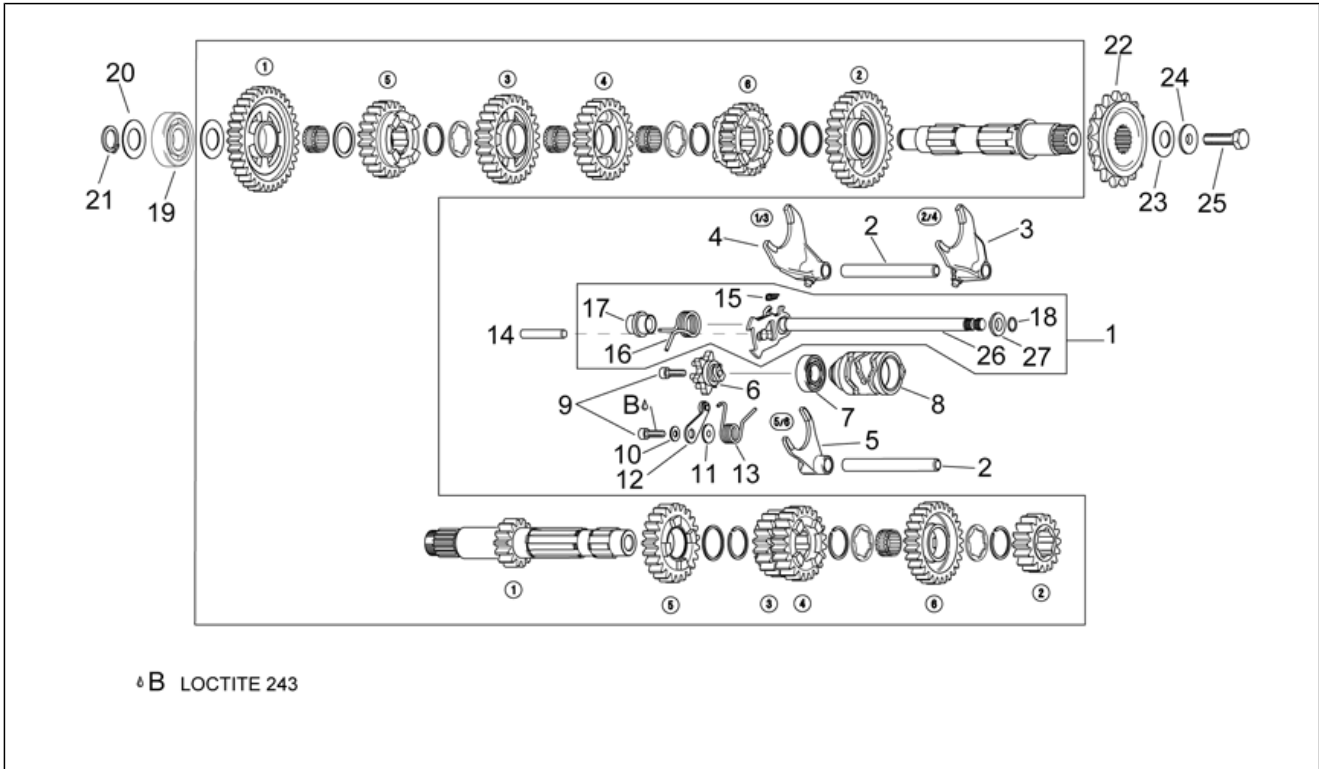
Pos.	Code	Beschreibung	Menge	Varianten
1	AP0220440	Ob. Gegenwelle	1	
2	AP0832360	Kugellager 16002	1	
3	AP0250130	Ölabstreifring 15x24x5	1	
4	AP0211681	Buchsenplatte komplett	1	
5	AP0236300	Kettenführung	1	
6	AP0236310	Kettenführung	1	
7	AP0940560	Sechskantschraube	2	
8	AP0244211	Ausgleichscheibe 6,4	2	
9	AP0236380	Kettenführung	1	
10	AP0941121	Sechskantschraube	2	
11	AP0827305	Ausgleichscheibe 6,2x18x2	2	
12	AP0220385	Nockenwelle Auslaß	1	
13	AP0220380	Nockenwelle Einlaß	1	
14	AP0634730	Zahnrad Ventilsteuerung	2	
15	AP0627190	Ausgleichscheibe 16,7x29x1	1	
16	AP0840371	TCEI Schraube M6x11,5	3	
17	AP0246055	Keil 3x3,7	1	
18	AP0295775	Ausgleichsrad ob.kpl.	1	
19	AP0297955	Steuerkette	1	
20	AP0219340	Gegengewicht	1	
21	AP0942570	Mutter m14	1	
22	AP0840391	TCEI Schraube	3	
23	AP0632161	Nadelkaefig 16x22x10	2	
24	AP0295760	Zahnrad Vent.st. kplt.	1	
25	AP0211756	Platte f. Walzenkäfig	1	
26	AP0929500	Stift 10x8	2	
27	AP0247980	Buchse 8,2x12x25	1	
28	AP0940631	Sechskantschraube	1	

Einheit	MOTOR
Code	29.63
Beschreibung	Hint. Zylindersteuer
Inspektion	1



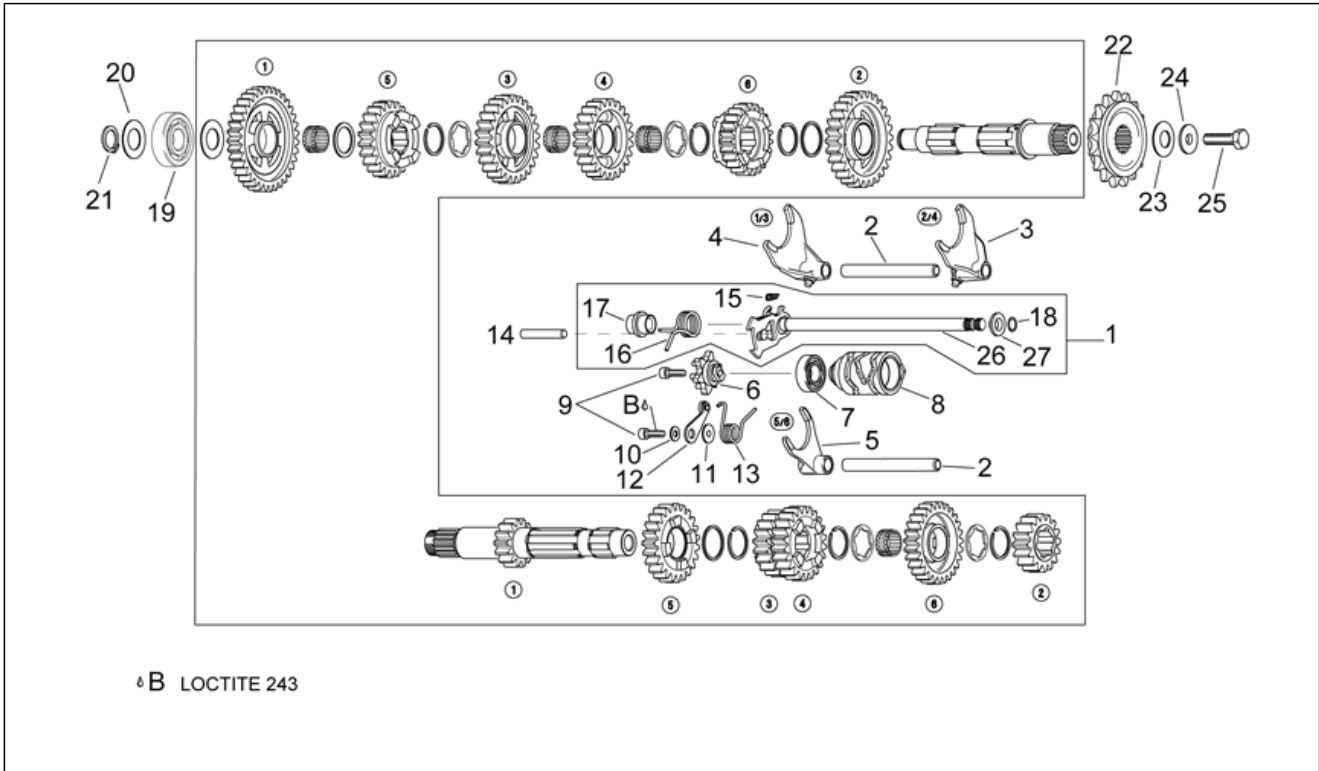
Pos.	Code	Beschreibung	Menge	Varianten
29	AP0240275	Sechskantschraube	2	
30	AP0845030	Sprengscheibe b8	3	

Einheit	MOTOR
Code	29.64
Beschreibung	Schaltgabel
Inspektion	1



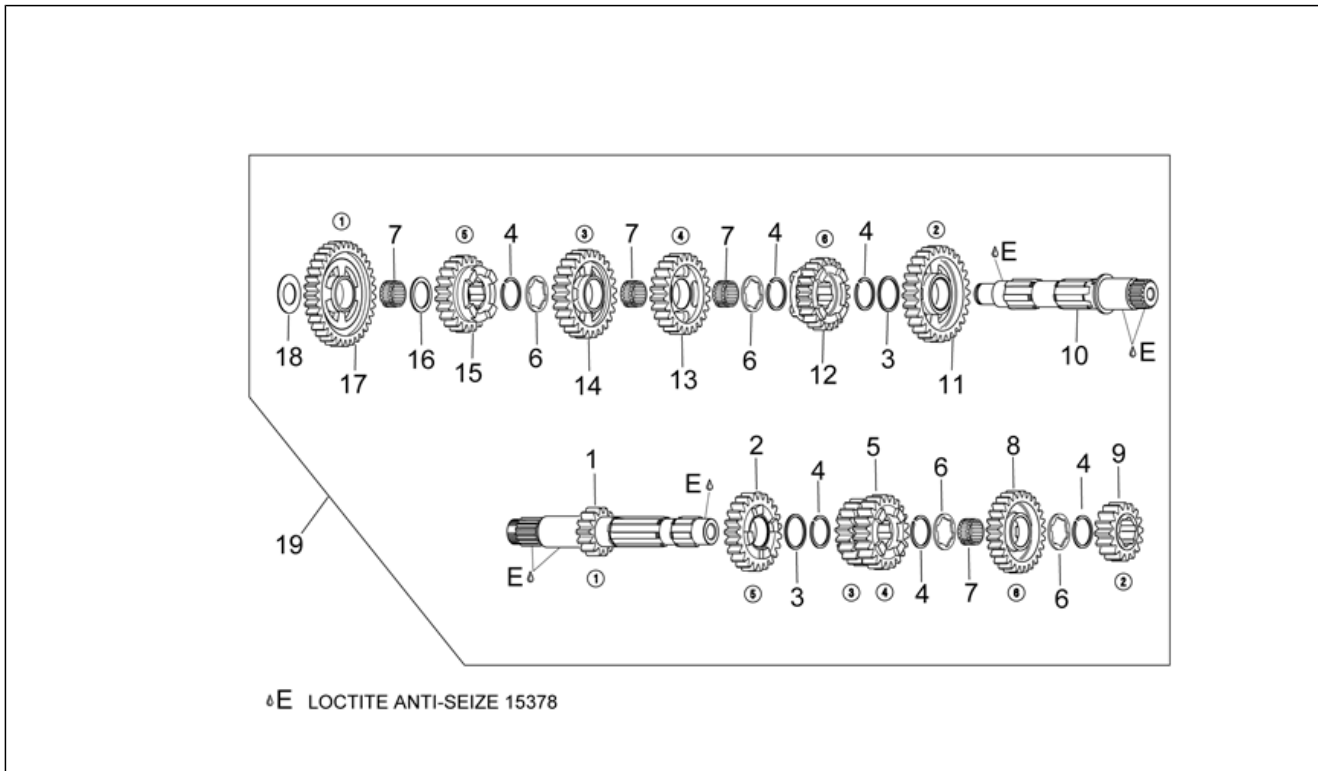
Pos.	Code	Beschreibung	Menge	Varianten
1	AP0220437	Getr.welle + Federsatz	1	
2	AP0258380	Schaltstange	2	
3	AP0258360	Schaltgabel	1	
4	AP0258350	Schaltgabel	1	
5	AP0258370	Schaltgabel	1	
6	AP0258310	Index-Platte	1	
7	AP0932335	Kugellager 16101	1	
8	AP0258322	Verschiebenocken	1	
9	AP0241932	TCEI Schraube	2	
10	AP0244211	Ausgleichscheibe 6,4	1	
11	AP0227716	Ausgleichscheibe	1	
12	AP0248375	Indexhebel kpl.	1	
13	AP0239247	Index feder	1	
14	AP0229385	Bolzen	1	
15	AP0239430	Feder	1	
16	AP0239420	Gabelfeder	1	
17	AP0247940	Buchse	1	
18	AP0245440	Seegerring	1	
19	AP0832144	Kugellager 6304	1	
20	AP0227442	Ausgleichscheibe 20,2x27,5	1	
21	AP0945665	Seegerring 20x1,75	1	
22	AP0236365	Gummi-Ritzel	1	Land: Vereinigte Staaten von Amerika[USA]
22	AP0236366	Gummi-Ritzel	1	Land: Österreich[A], Australien[AUS], Belgien[B], Schweiz[CH], Deutschland[D], Dänemark[DK], Spanien[E], Frankreich[F], Griechenland[GR], Italien[I], Japan[J], Holland[NL], Portugal[P], Großbritannien[UK]
23	AP0239450	Sprengscheibe 34x16,3	1	
24	AP0627210	Ausgleichscheibe	1	
25	AP0940741	Sechskantschraube	1	

Einheit	MOTOR
Code	29.64
Beschreibung	Schaltgabel
Inspektion	1



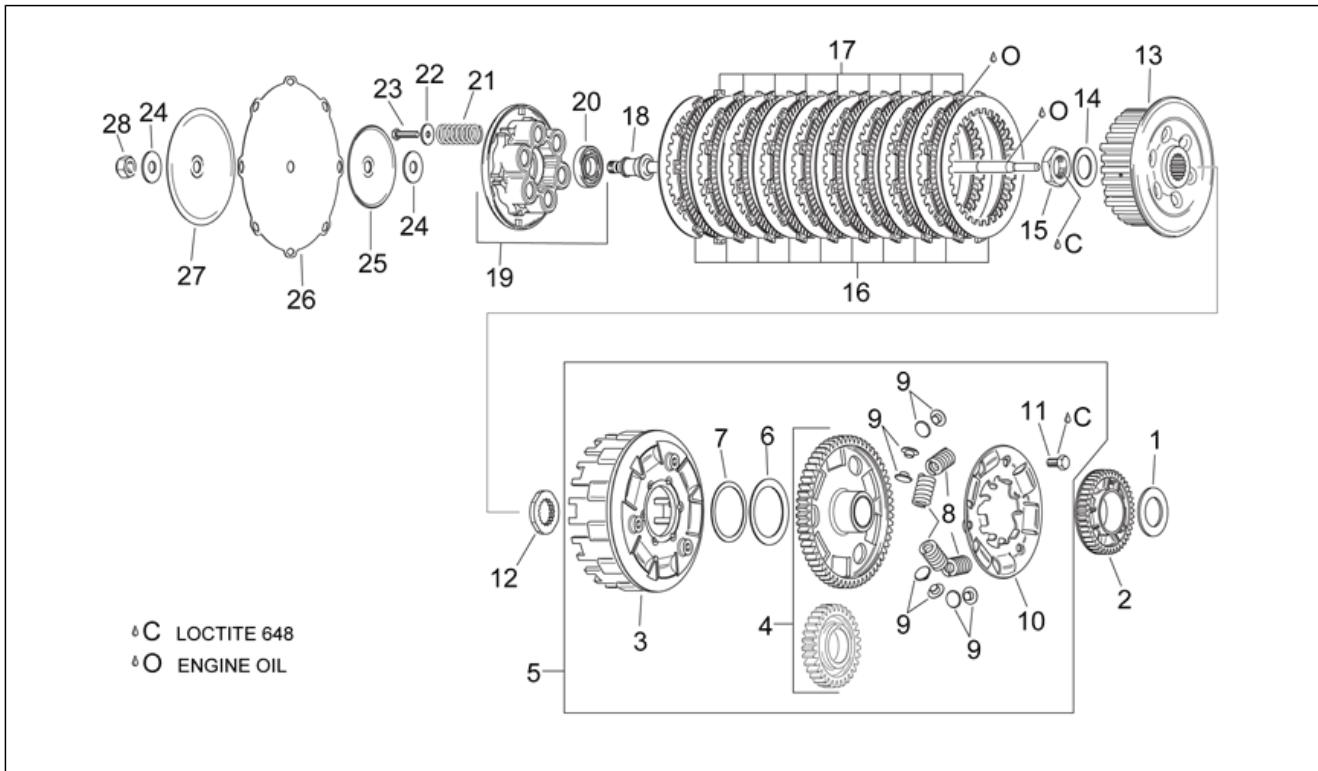
Pos.	Code	Beschreibung	Menge	Varianten
26	AP0220435	Getr.welle + Gesperre	1	
27	AP0227714	Ausgleichscheibe	1	

Einheit	MOTOR
Code	29.65
Beschreibung	Schaltgetriebe
Inspektion	1



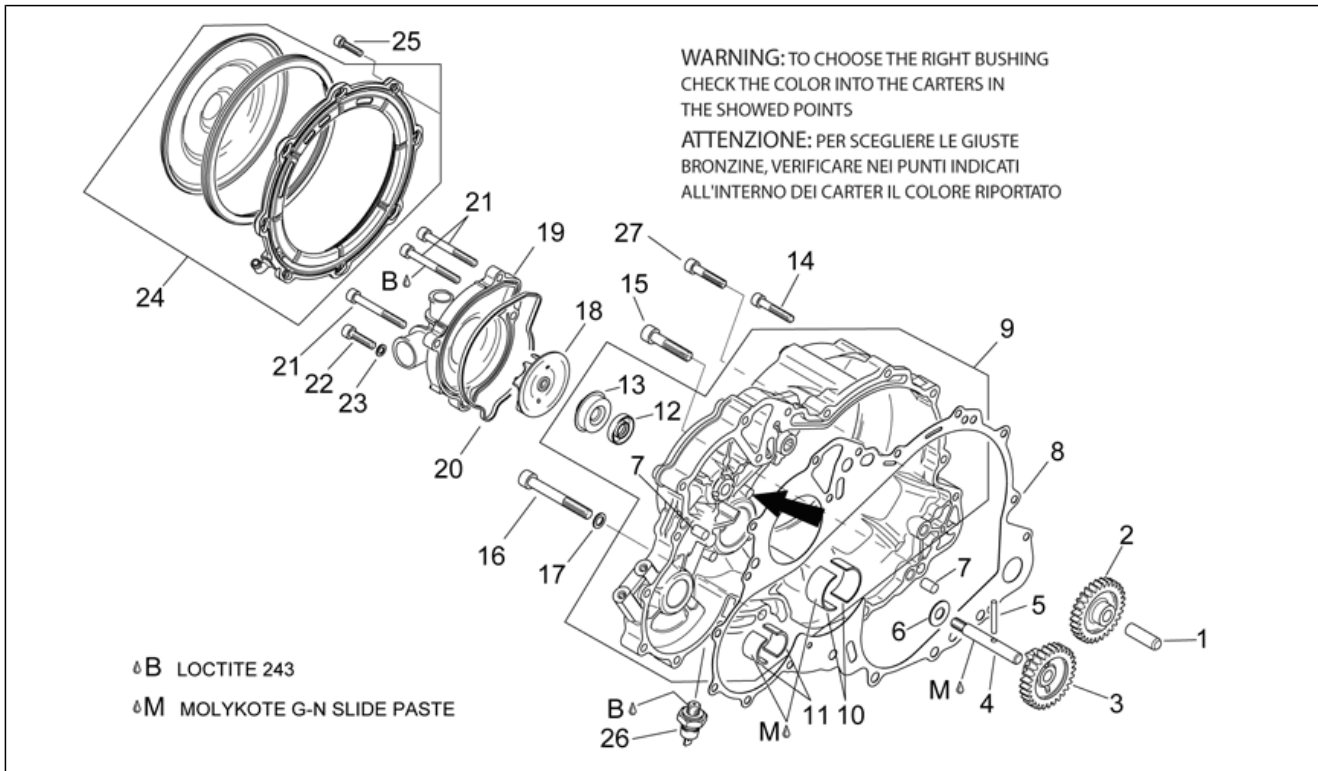
Pos.	Code	Beschreibung	Menge	Varianten
1	AP0220390	Hauptwelle	1	
2	AP0634695	Zahnrad 5.Hauptwelle	1	
3	AP0627120	Ausgleichscheibe 29,2x33,5	2	
4	AP0245815	Seegerring 28x2	6	
5	AP0634660	Zahnrad 3-4.Hauptwelle	1	
6	AP0627132	Ausgleichscheibe 25,35x34,5	4	
7	AP0632070	Nadelkaefig 25x29x13	4	
8	AP0634710	Zahnrad 6.Hauptwelle	1	
9	AP0634640	Zahnrad 2.Hauptwelle	1	
10	AP0220400	Festrads	1	
11	AP0634655	Zahnrad 2.Vorgelegewelle	1	
12	AP0634720	Zahnrad 6.Vorgelegewelle	1	
13	AP0634670	Zahnrad 4.Vorgelegewelle	1	
14	AP0634680	Zahnrad 3.Vorgelegewelle	1	
15	AP0634700	Zahnrad 5.Vorgelegewelle	1	
16	AP0427106	Ausgleichscheibe 25,3x33,5	1	
17	AP0634620	Zahnrad 1.Vorgelegewelle	1	
18	AP0827110	Ausgleichscheibe 20,5x37x1	1	
19	AP0281222	Schaltgetriebe 6-Gang	1	

Einheit	MOTOR
Code	29.66
Beschreibung	Kupplung
Inspektion	1



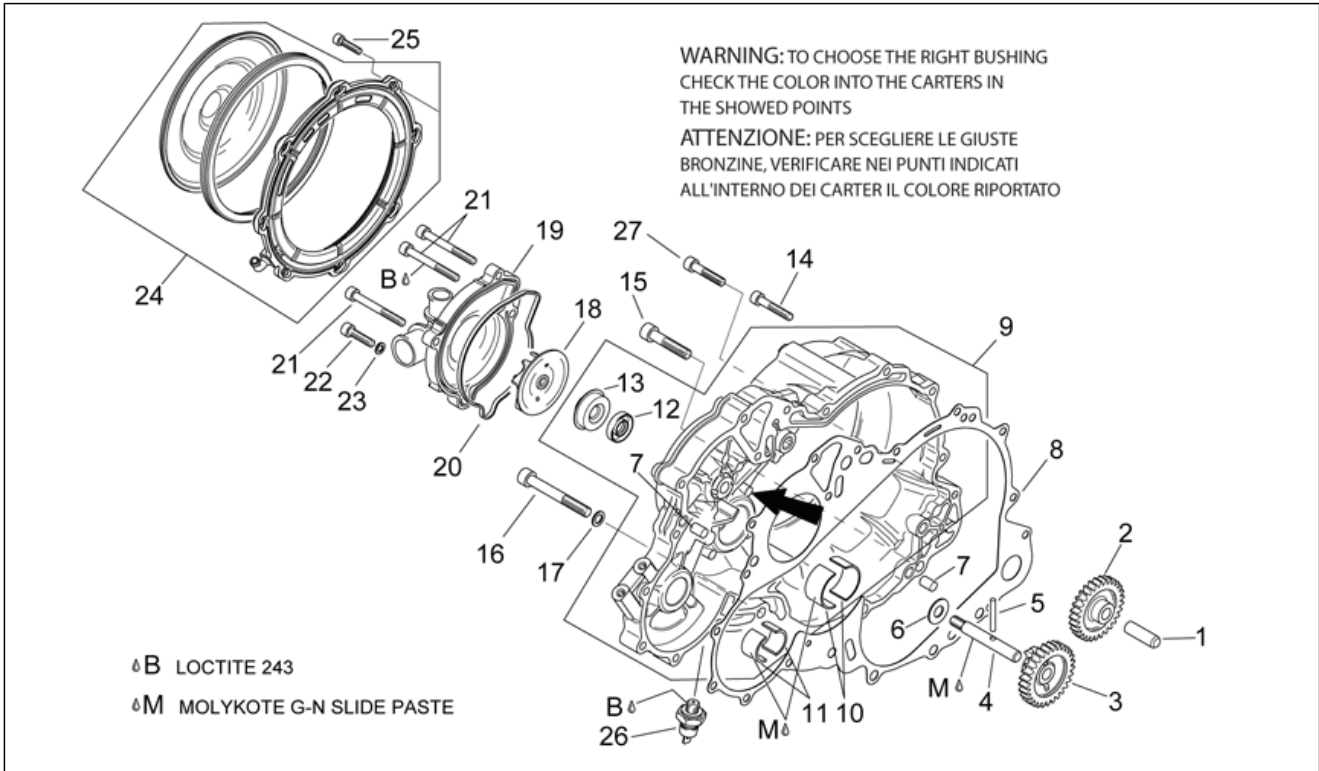
Pos.	Code	Beschreibung	Menge	Varianten
1	AP0627260	Ausgleichscheibe 30,2x50	1	
2	AP0634470	Ölpumpen-Zahn. z=42	1	
3	AP0259530	Kupplungsglocke	1	
4	AP0295780	Zahnrad Hauptgetriebe	1	
5	AP0295790	Hauptgetriebe	1	
6	AP0239390	Sprengscheibe 68x52x1,2	1	
7	AP0627140	Ausgleichscheibe 52x62x1	1	
8	AP0239370	Feder	6	
9	AP0247970	Buchse	12	
10	AP0259580	Stuetzteller	1	
11	AP0940580	Schraube	3	
12	AP0627220	Ausgleichscheibe 25x44,4x5	1	
13	AP0259520	Mitnehmer	1	
14	AP0245830	Sprengscheibe 24,5x40	1	
15	AP0242950	Mutter m24x1,5	1	
16	AP8106633	St.Kupplungsscheiben 10 st.	1	
17	AP8106634	Kasch.Kupplungsscheiben 9 st.	1	
18	AP0220455	Kupplungswelle Kpl.	1	
19	AP0259515	Federplatte komplett	1	
20	AP0632130	Kugellager 16004	1	
21	AP0239480	Kupplungsfeder	6	
22	AP0244020	Ausgleichscheibe d6,5	6	
23	AP0240036	Sechskantschraube	6	
24	AP0227180	Ausgleichscheibe 12,2x32x2	2	
25	AP0627230	Lagerscheibe	1	
26	AP0260890	Membran	1	
27	AP0627280	Druckplatte	1	
28	AP0442130	Mutter m12	1	

Einheit	MOTOR
Code	29.67
Beschreibung	Wasserpumpenritzel
Inspektion	1



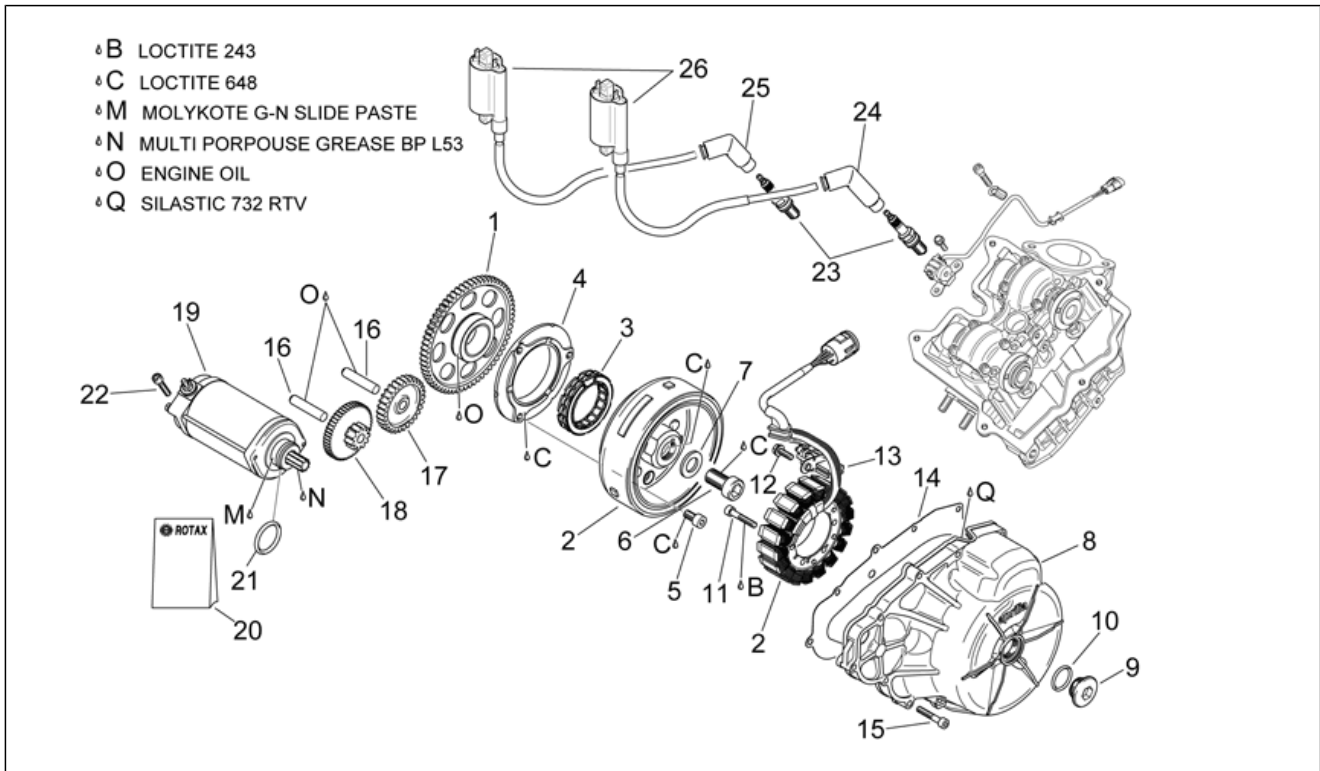
Pos.	Code	Beschreibung	Menge	Varianten
1	AP0929930	Bolzen	1	
2	AP0634500	Freilaufgrad	1	
3	AP0634490	Wasserpump.-Zahn.	1	
4	AP0220410	Welle Wasserpumpe	1	
5	AP0232430	Stift	1	
6	AP0227685	Ausgleichscheibe 10,1x22x1	1	
7	AP0632010	Stift M8x12	2	
8	AP0650330	Dichtung	1	
9	AP0211643	Kupplungsdeckel	1	
10	AP0233790	Halbsch. Bronzebu., blau	2	
10	AP0233791	Halbsch. Bronzebu., rot	2	
10	AP0233793	Halbsch. Bronzebu., gelb	2	
11	AP0233780	Halbsch. Bronzebchs. 20x24x16	2	
12	AP0650310	Ölabstreifring 10x25x5	1	
13	AP0650370	Pumpe Mechanische Dichtung	1	
14	AP0241811	TCEI Schraube	10	
15	AP0440101	TCEI Schraube	3	
16	AP0841841	TCEI Schraube	1	
17	AP0950141	Gasket ring 8x13	1	
18	AP0222500	Läufer	1	
19	AP0222512	Wasserpumpenkörper	1	
20	AP0650240	Dichtung	1	
21	AP0240331	TCEI Schraube	3	
22	AP0840861	TCEI Schraube M6x25	1	
23	AP0230415	Gasket ring 6x10	1	
24	AP0211778	Membranscheibe kplt.	1	
25	AP0240181	TCEI Schraube	8	
26	AP0956169	Öldruckschalter	1	

Einheit	MOTOR
Code	29.67
Beschreibung	Wasserpumpenritzel
Inspektion	1



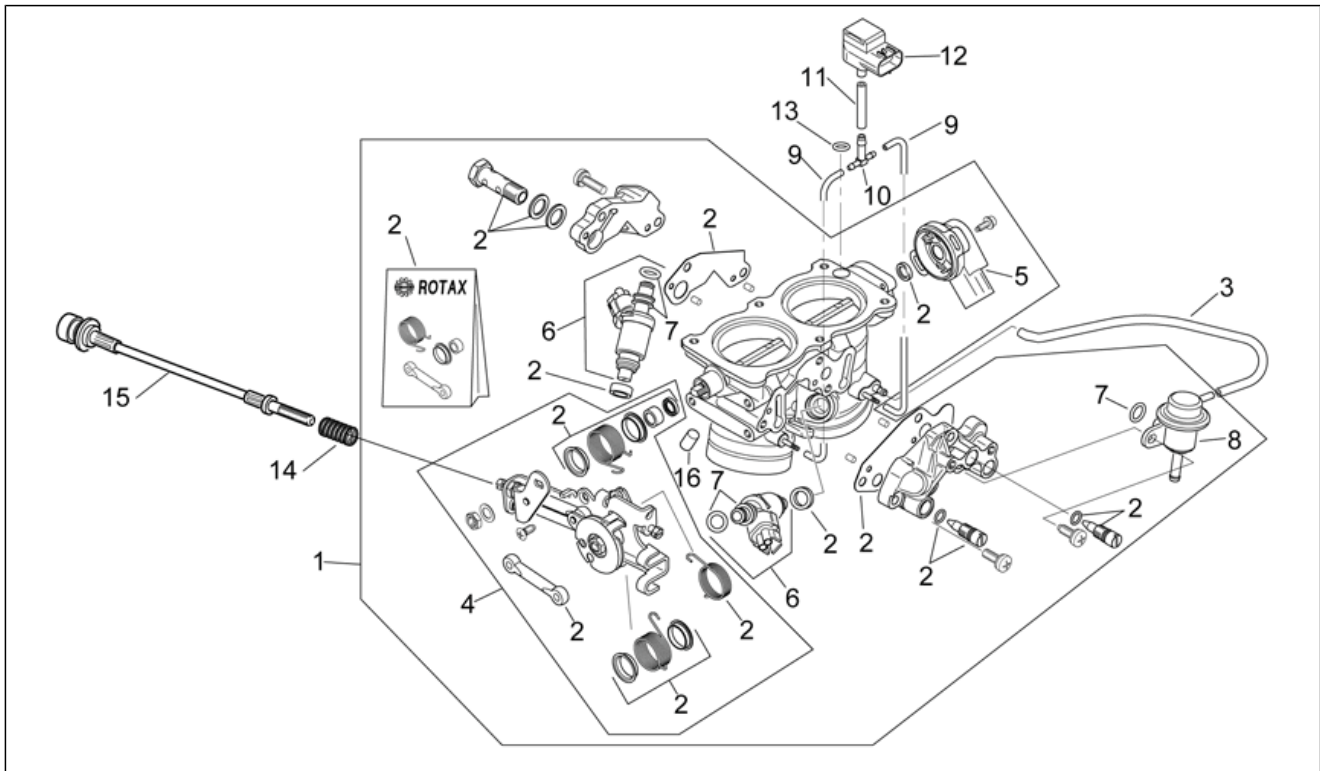
Pos.	Code	Beschreibung	Menge	Varianten
27	AP0241761	TCEI Schraube	1	

Einheit	MOTOR
Code	29.68
Beschreibung	Zündung
Inspektion	1



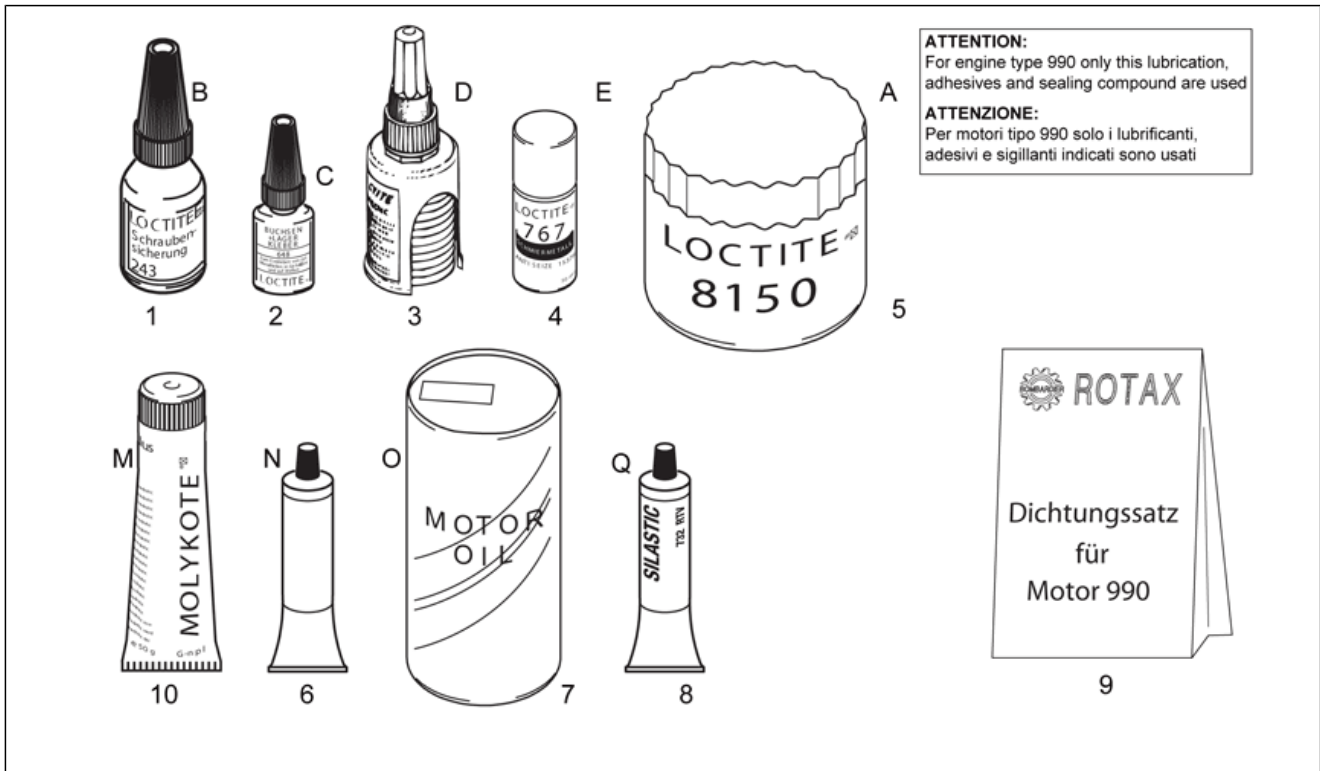
Pos.	Code	Beschreibung	Menge	Varianten
1	AP0634595	Zahnrad Freilaufzrad z=64	1	
2	AP0295830	Zündung 12V-380W	1	
3	AP0659110	Freilaufzrad	1	
4	AP0659120	Flansch Freilaufzrad	1	
5	AP0641590	TCEI Schraube	3	
6	AP0241541	TCEI Schraube m16x30	1	
7	AP0627270	Ausgleichscheibe a17	1	
8	AP0211651	Zünddeckel	1	
9	AP0241631	Deckel m24x1,5	1	
10	AP0430782	O-Ring 23,3x2,4	1	
11	AP0241816	TCEI Schraube M6x40	3	
12	AP0240580	TE Schr. m. Flansch	2	
13	AP0260870	Kabelschutz	1	
14	AP0650340	Dichtung	1	
15	AP0241811	TCEI Schraube	12	
16	AP0229301	Bolzen M6x50	2	
17	AP0634600	Freilaufzrad	1	
18	AP0634740	Doppeltes Zahnrad	1	
19	AP0294356	Anlasser komplett	1	
20	AP0294352	Aust.satz Anlasser	1	
21	AP0250140	O-Ring 24,4x3,1	1	
22	AP0840882	TCEI Schraube	2	
23	AP0297942	Zündkerze DCPR9E	4	
24	AP0265246	Kerzenhaube innen	2	
25	AP0265244	Kerzenhaube außen	2	
26	AP0265480	Zuendtransform.cpl.	2	

Einheit	MOTOR
Code	29.69
Beschreibung	Klappenkörper
Inspektion	1



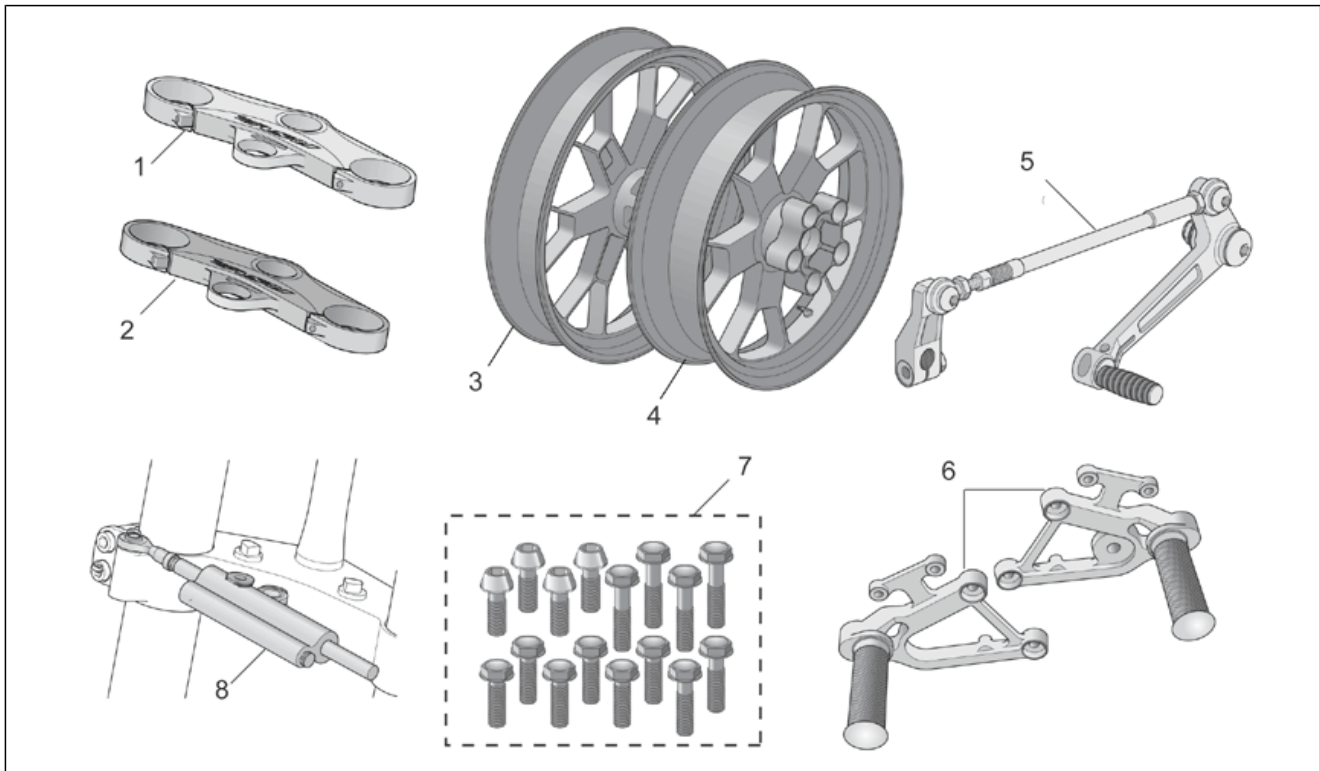
Pos.	Code	Beschreibung	Menge	Varianten
1	AP0295696	Klappenkörper kpl.	1	
2	AP0281241	Aust.satz Drosselklap.	1	
3	AP0960122	Fühlerschlauch 110mm	1	
4	AP0661011	Fixierplatte Gaszug kpl.	1	
5	AP0274030	Fühler Drosselklappe	1	
6	AP0274010	Einspritzventil kplt.	2	
7	AP0296180	Dichtungen - Satz	1	
8	AP0274020	Kraftstoff-Druckregler	1	
9	AP0960111	Fühlerschlauch 95 mm	2	
10	AP0874320	3-Wegeanschluß	1	
11	AP0960121	Fühlerschlauch 30 mm	1	
12	AP0274050	Druckfühler	1	
13	AP8120965	O-Ring 2018	1	
14	AP0268010	Feder	1	
15	AP8114403	Kabel LeerlaufEinstellung	1	
16	AP0660020	Kappe	1	

Einheit	MOTOR
Code	29.70
Beschreibung	Verbrauchsmaterial
Inspektion	1



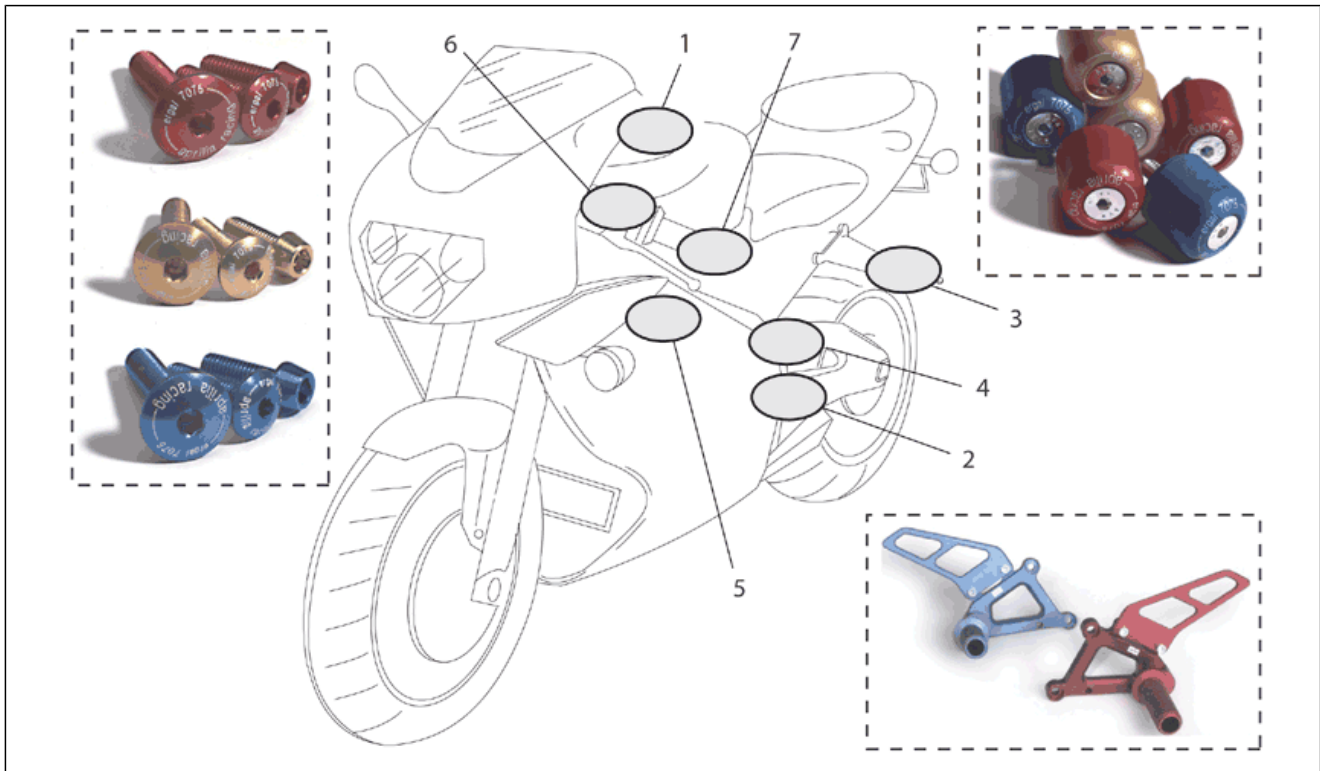
Pos.	Code	Beschreibung	Menge	Varianten
1	AP0897651	Loctite, blau 243 10cc.	1	
2	AP0899788	Loctite, grün 648 5gr.	1	
3	AP0899784	Loctite, orange 574	1	
4	AP0297434	Loctite Anti Seize 50ml.15378	1	
5	AP8116067	Loctite 8150	1	
6	0000000	Reifen	1	
7	0000000	Reifen	1	
8	AP0297386	Silastic 732 Rtv 100 gr.	1	
9	AP0296170	Dichtungen - Satz	1	
10	AP0297433	Molykote G-N 50gr.	1	

Einheit	ZUBEHÖR
Code	30.71
Beschreibung	Acc. - Fahrwerk I
Inspektion	1



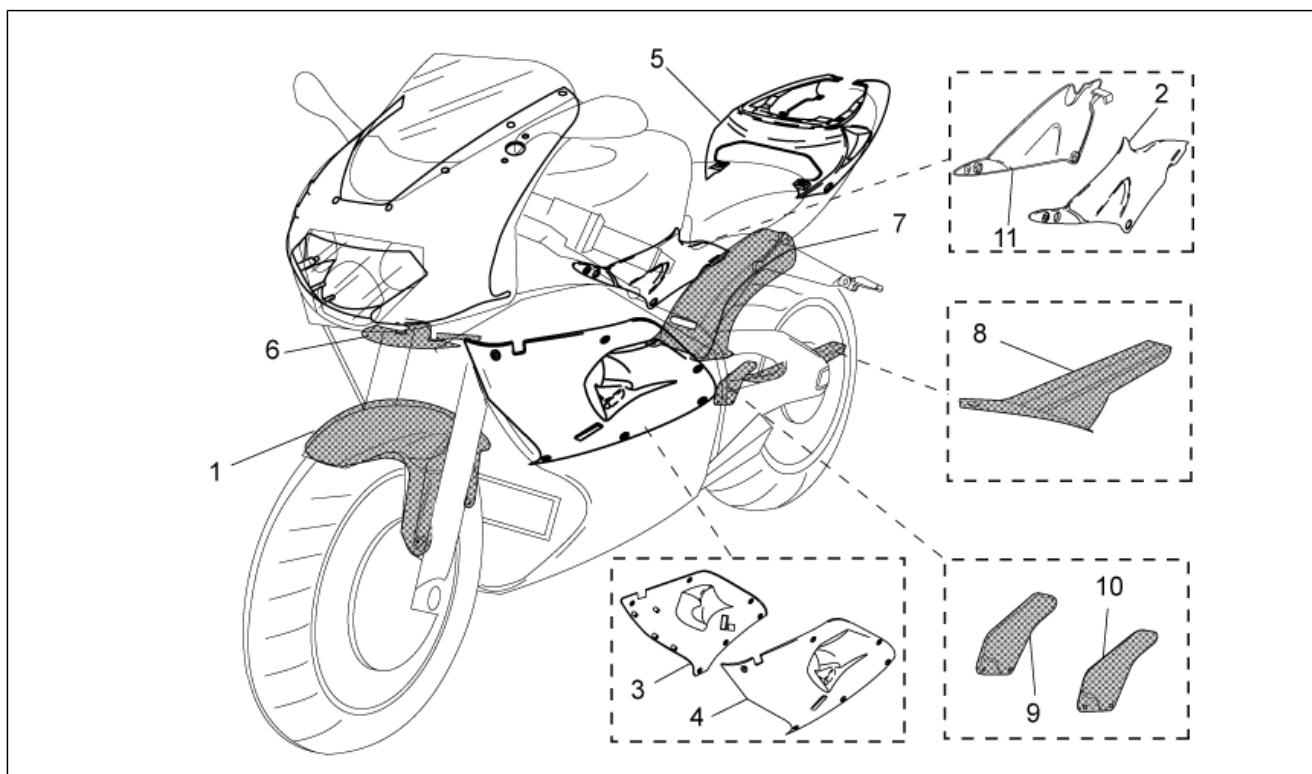
Pos.	Code	Beschreibung	Menge	Varianten
1	AP8796532	Lenkungsplatte Showa-Alu	1	Technische Daten: Zubehör[A], Version RSV Mille[STD]
1	AP8796534	Lenkungsplatte Ohlins-Alu	1	Technische Daten: Zubehör[A], "Version RSV Mille "R"acing"[R]
2	AP8796533	Lenkungsplatte Showa-Alu	1	Technische Daten: Zubehör[A], Version RSV Mille[STD]
2	AP8796535	Lenkungsplatte gold Ohlins-Alu	1	Technische Daten: Zubehör[A], "Version RSV Mille "R"acing"[R]
3	AP8796196	Vorderrad geschm.blau l. OZ-Alu	1	Technische Daten: Zubehör[A], Version RSV Mille[STD]
3	AP8796263	Vorderrad geschm.sil.l. OZ-Alu	1	Technische Daten: Zubehör[A]
4	AP8796197	Hinterrad geschm.blau l. OZ-Alu	1	Technische Daten: Zubehör[A], Version RSV Mille[STD]
4	AP8796264	Hinterrad geschm.silber OZ-Alu	1	Technische Daten: Zubehör[A]
5	AP8796530	Schaltheb. ERGAL	1	Technische Daten: Zubehör[A]
6	AP8796531	Rasten verstellbar Alu	1	Technische Daten: Zubehör[A]
7	AP8796050	Kit Schrauben 16 Stck. Titan	1	Technische Daten: Zubehör[A]
8	AP8123925	Lenk Stoßdämpfer	1	Technische Daten: Zubehör[A], Version RSV Mille[STD]

Einheit	ZUBEHÖR
Code	30.72
Beschreibung	Acc. - Fahrwerk II
Inspektion	1



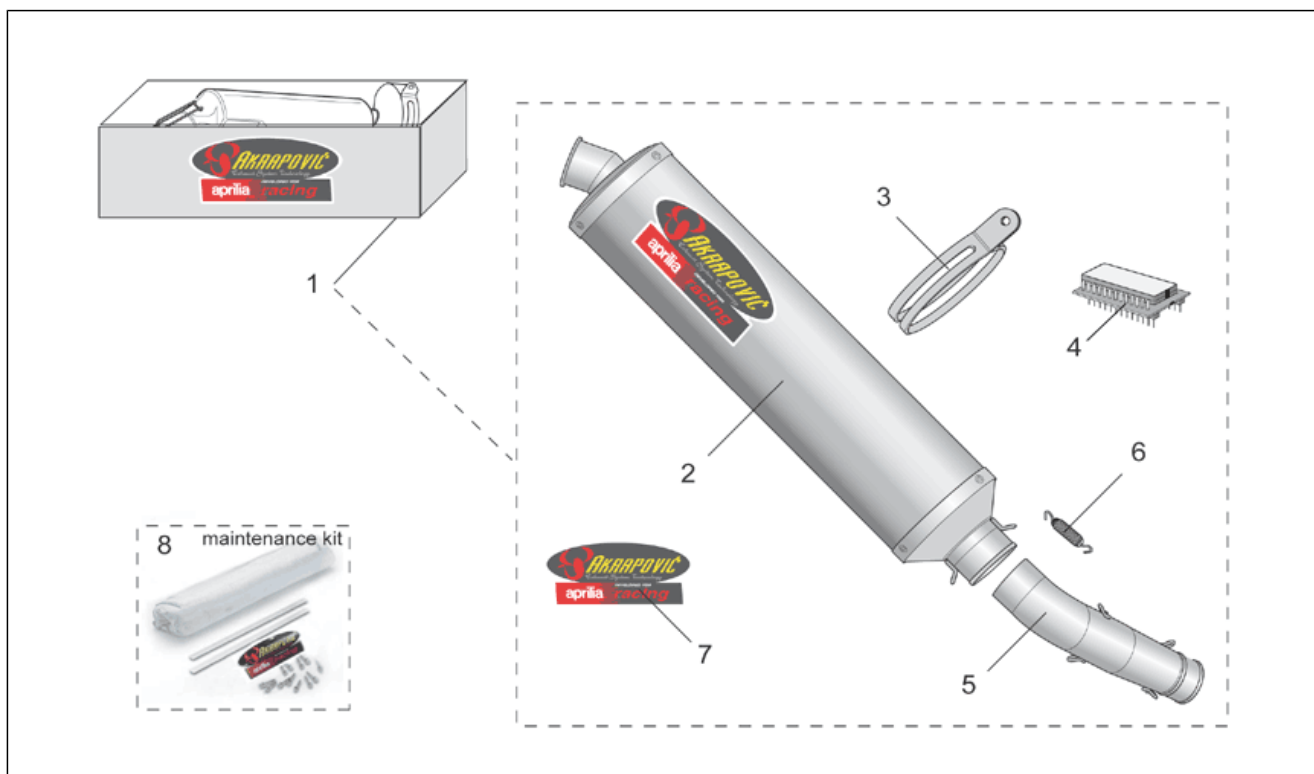
Pos.	Code	Beschreibung	Menge	Varianten
1	AP8140451	Tenckeckelschrauben rot Ergal	1	
1	AP8140453	Tankdeckelschrauben gold Ergal	1	
2	AP8140496	Fahrerpedalreg.Paar Ergal-Red	1	
2	AP8140497	Fahrerpedalreg.Paar Ergal-Blu	1	
2	AP8140498	Fahrerpedalreg.Paar Ergal-Oro	1	
2	AP8140702	Fahrerpedalreg.Paar swz. Ergal	1	
3	AP8140499	Soziusrasten (Paar) Ergal-Red	1	
3	AP8140500	Soziusrasten (Paar) Ergal-Blu	1	
3	AP8140501	Soziusrasten (Paar) Ergal-Oro	1	
3	AP8140703	Soziusraste - Paar swz. Ergal	1	
4	AP8140505	Fahrrastensc.-Paar Ergal-Red	1	
4	AP8140506	Fahrrastensc.-Paar Ergal-Blu	1	
4	AP8140507	Fahrrastensc.-Paar Ergal-Oro	1	
5	AP8140520	Schrauben Verkleidung r. Ergal	1	
5	AP8140521	Schrauben Verkleidung b. Ergal	1	
5	AP8140522	Schrauben verkleidung g. Ergal	1	
6	AP8140532	Lenkerschrauben rot Ergal	1	
6	AP8140533	Lenkerschrauben blau Ergal	1	
6	AP8140534	Lenkerschrauben gold Ergal	1	
7	AP8140699	Schwingschutz.Lenk.rot Ergal	1	
7	AP8140700	Schwingschutz.Lenk.blau Ergal	1	
7	AP8140701	Schwingschutz.Lenk.gold Ergal	1	

Einheit	ZUBEHÖR
Code	30.73
Beschreibung	Acc. - Spez. Verkleidungsteile
Inspektion	1



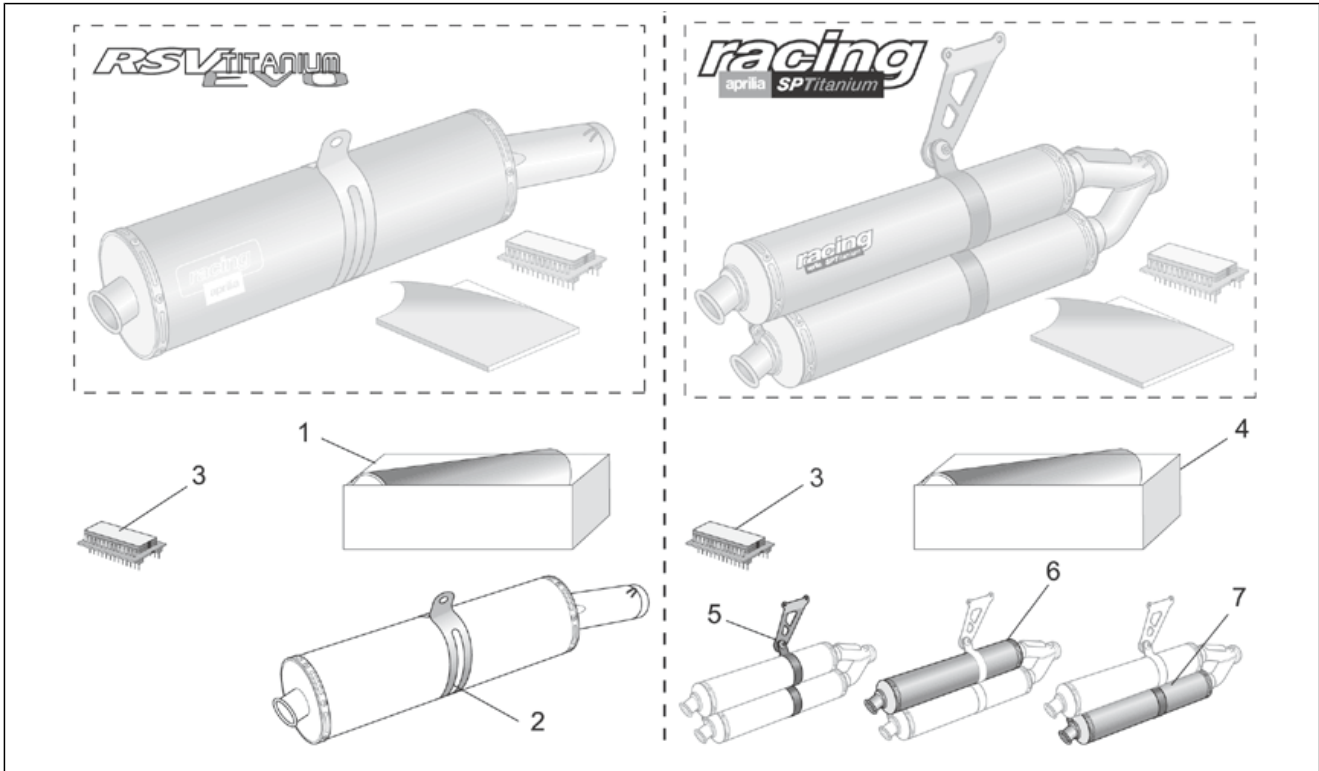
Pos.	Code	Beschreibung	Menge	Varianten
1	AP8796055	Schutzblech vorn Kohl.	1	Technische Daten:Zubehör[A], Version RSV Mille[STD]
2	AP8791050	Seitenteil untertank li. Carb.	1	Technische Daten:Zubehör[A]
3	AP8791059	Seitenverkleid.re Carb.	1	Technische Daten:Zubehör[A]
4	AP8791060	Seitenverkleid.li. Carb.	1	Technische Daten:Zubehör[A]
5	AP8791061	Heck kpl. Carb.	1	Technische Daten:Zubehör[A]
6	AP8791058	Deckel Vorderradgabel Carb.	1	Technische Daten:Zubehör[A]
7	AP8791048	Schutzblech hinten Kohl.	1	Technische Daten:Zubehör[A], Version RSV Mille[STD]
8	AP8791055	Kettenkasten Kohlen.	1	Technische Daten:Zubehör[A]
9	AP8791052	Fahrrastenschutz re. Carb.	1	Technische Daten:Zubehör[A]
10	AP8791053	Fahrrastenschutz li. Carb.	1	Technische Daten:Zubehör[A]
11	AP8791049	Seitenteil untertank re. Carb.	1	Technische Daten:Zubehör[A]

Einheit	ZUBEHÖR
Code	30.74
Beschreibung	Acc. - Tuning Motorteile I
Inspektion	1



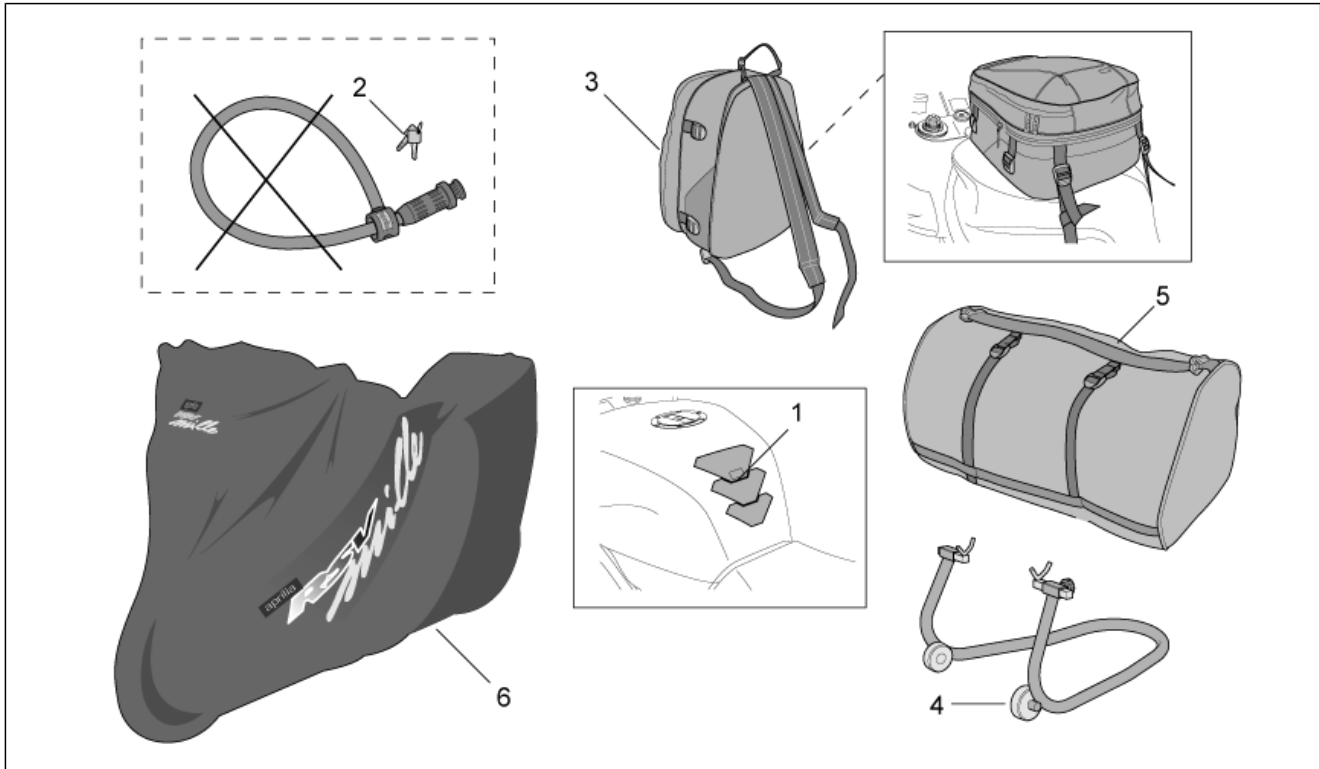
Pos.	Code	Beschreibung	Menge	Varianten
1	AP8797218	Auslassgruppe KIT Akra Mono	1	Technische Daten: Zubehör[A], Nur Einsatz auf geschlossener Rennstrecke[Circ]
2	AP8797227	Schalldämpfer Titan	1	Technische Daten: Zubehör[A], Nur Einsatz auf geschlossener Rennstrecke[Circ]
3	AP8797228	Schelle m/Halterung	1	Technische Daten: Zubehör[A], Nur Einsatz auf geschlossener Rennstrecke[Circ]
4	AP8796494	Eprom Titan-Evo	1	Technische Daten: Zubehör[A], Nur Einsatz auf geschlossener Rennstrecke[Circ]
5	AP8797229	Auspuffrohr Inox	1	Technische Daten: Zubehör[A], Nur Einsatz auf geschlossener Rennstrecke[Circ]
6	AP8796519	Feder Auspuffrohre	4	Technische Daten: Zubehör[A]
7	AP8797215	Aufkleber	1	Technische Daten: Zubehör[A], Nur Einsatz auf geschlossener Rennstrecke[Circ]
8	AP8797230	Bausatz Entlüftungsüberh. Akra	1	Technische Daten: Zubehör[A], Nur Einsatz auf geschlossener Rennstrecke[Circ]

Einheit	ZUBEHÖR
Code	30.75
Beschreibung	Acc. - Tuning Motorteile II
Inspektion	1



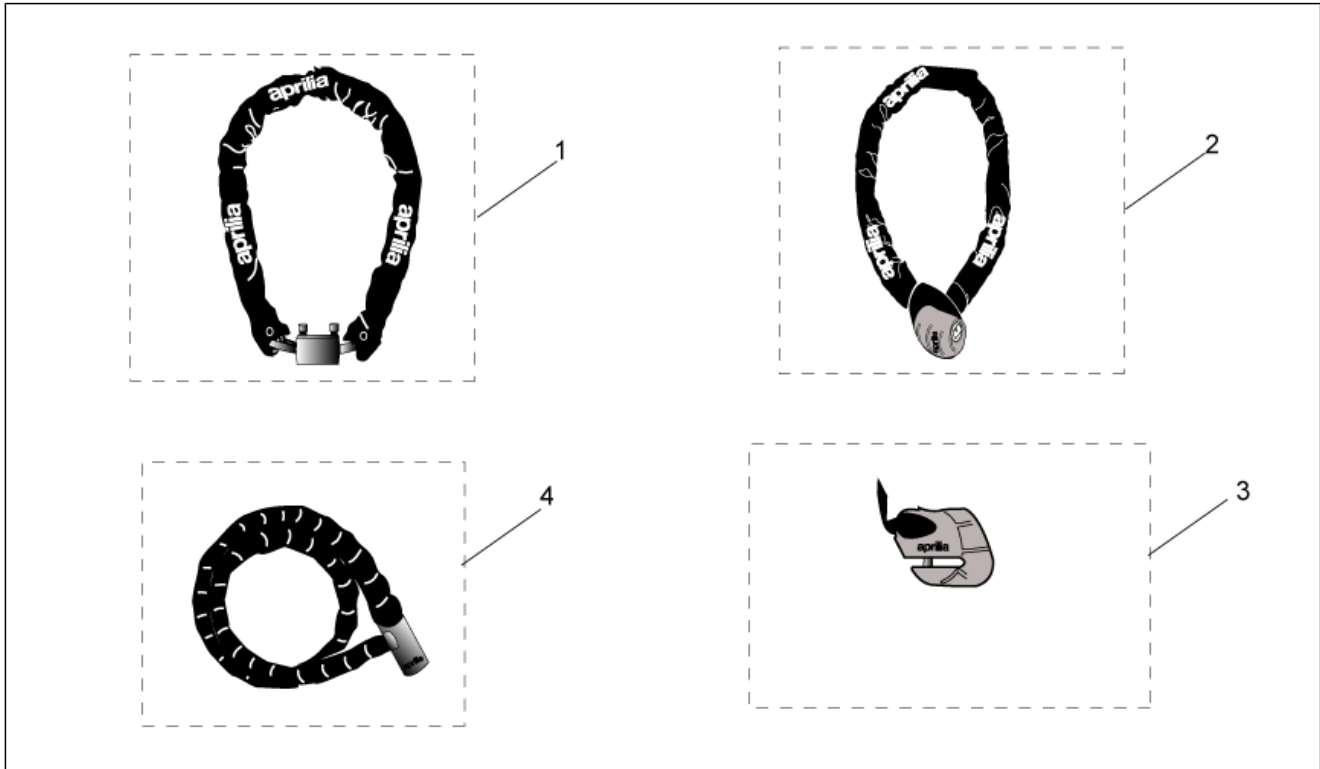
Pos.	Code	Beschreibung	Menge	Varianten
1	AP8796493	Schalldämpfer kpl.	1	Technische Daten: Zubehör[A], Nur Einsatz auf geschlossener Rennstrecke[Circ]
2	AP8796492	Fixierschelle	1	Technische Daten: Zubehör[A]
3	AP8796494	Eprom Titan-Evo	1	Technische Daten: Zubehör[A]
4	AP8796498	Schalldämpfer - Paar kpl.	1	Technische Daten: Zubehör[A], Nur Einsatz auf geschlossener Rennstrecke[Circ]
5	AP8796499	Schelle m/Halterung Carb.	1	Technische Daten: Zubehör[A]
6	AP8796500	O.Schalldämpfer SPTitan	1	Technische Daten: Zubehör[A], Nur Einsatz auf geschlossener Rennstrecke[Circ]
7	AP8796501	U.Schalldämpfer SPTitan	1	Technische Daten: Zubehör[A], Nur Einsatz auf geschlossener Rennstrecke[Circ]

Einheit	ZUBEHÖR
Code	30.76
Beschreibung	Acc. - Sonstiges
Inspektion	1



Pos.	Code	Beschreibung	Menge	Varianten
1	AP8796047	Kit Aufkleber Tankschutz	1	Technische Daten: Zubehör[A]
2	AP8700792	Schlüssellersatzdie. B.Guard UK-D	1	Land: Deutschland[D], Großbritannien[UK] Technische Daten: Zubehör[A]
2	AP8700793	Schlüssellersatzdie. B.Guard F-NL	1	Land: Frankreich[F], Holland[NL] Technische Daten: Zubehör[A]
2	AP8700794	Schlüssellersatzdie. B.Guard I-E	1	Land: Spanien[E], Italien[I] Technische Daten: Zubehör[A]
3	AP8792156	Tankrucksack	1	Technische Daten: Zubehör[A]
4	AP8705021	Hauptständer hi.Werkstatt	1	Technische Daten: Zubehör[A]
5	AP8792152	Gepäcktasche hi.	1	Technische Daten: Zubehör[A]
6	AP8796046	Abdeckplane	1	Technische Daten: Zubehör[A]

Einheit	ZUBEHÖR
Code	30.77
Beschreibung	Acc. - Diefstahl
Inspektion	1



Pos.	Code	Beschreibung	Menge	Varianten
1	AP8720115	Iron Guard 10x150 mm	1	Technische Daten:Zubehör[A]
2	AP8720116	Iron Guard 8x120 mm	1	Technische Daten:Zubehör[A]
3	AP8720117	Iron Guard Disk 5 mm	1	Technische Daten:Zubehör[A]
4	AP8720118	Easy Guard 150 mm	1	Technische Daten:Zubehör[A]