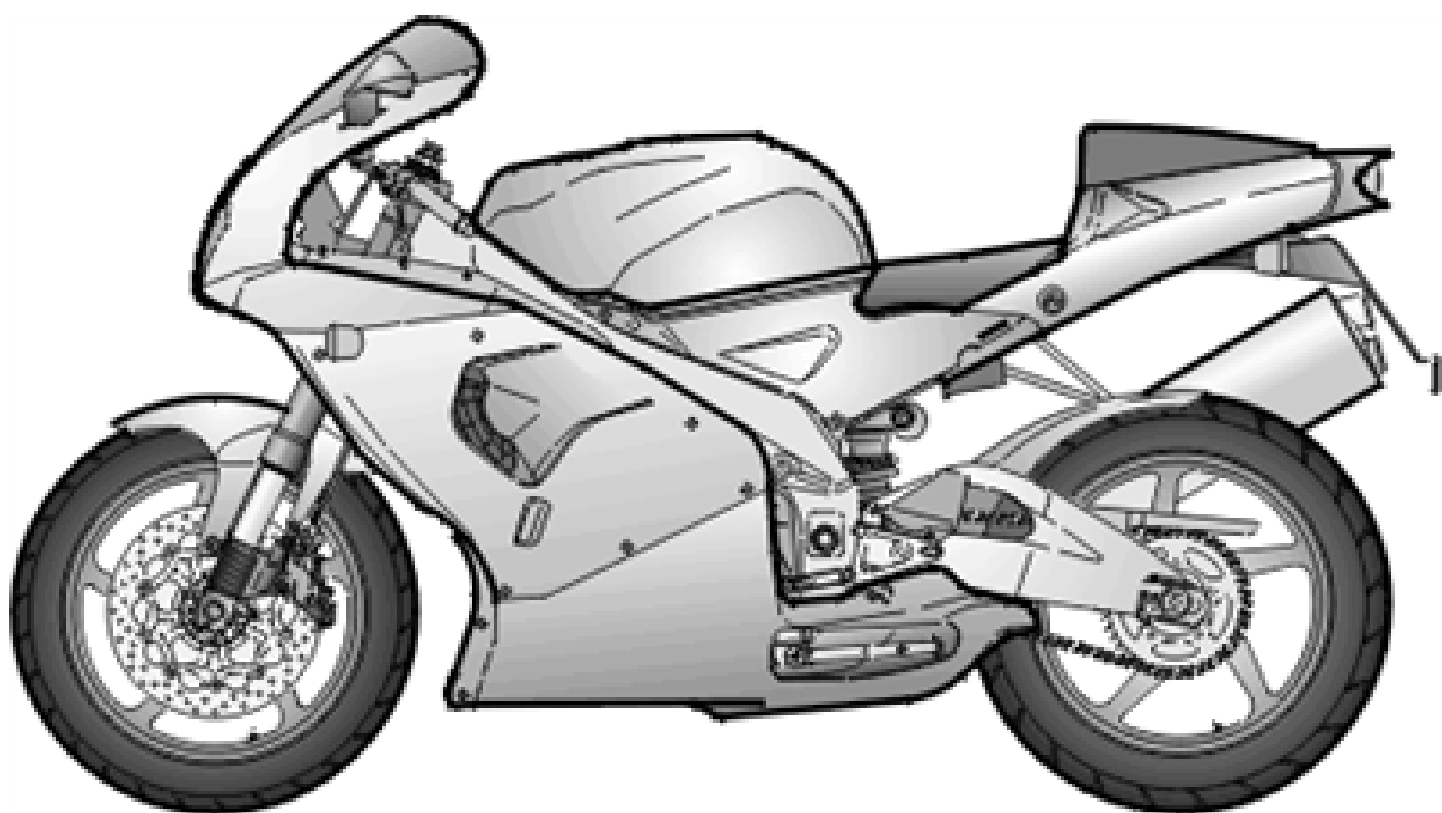


**aprilia**<sup>®</sup>

## ERSATZTEILKATALOG



### **RSV 1000 SP 1999**

Vorsatzcode Fahrgestell: ZD4MED

Vorsatzcode Motor:

## Inhaltsverzeichnis

Fertige Produkte.....	4
Alphanumerisches Verzeichnis.....	5
RAHMEN.....	11
Tafel 28.01 - Rahmen I.....	11
Tafel 28.02 - Rahmen II.....	13
Tafel 28.03 - Fussrasten - Ständer.....	14
Tafel 28.04 - Lenkung.....	15
Tafel 28.05 - Vorderradgabel.....	16
Tafel 28.06 - Schwinge.....	17
Tafel 28.07 - Pleuelstange und Stoßdämpfer.....	19
Tafel 28.08 - Frontaufbau - Kuppel.....	20
Tafel 28.09 - Frontaufbau - Leitblech.....	21
Tafel 28.10 - Frontaufbau - Vrd. Schutzblech.....	22
Tafel 28.11 - Mittlerer aufbau - Oberer Rumpf.....	23
Tafel 28.12 - Mittlerer aufbau - Unterer Rumpf.....	24
Tafel 28.13 - Kraftstofftank.....	25
Tafel 28.14 - Sitz.....	26
Tafel 28.15 - R.Kar. - R.verkl.....	27
Tafel 28.16 - R.Kar. - Untersitz.....	28
Tafel 28.17 - Instrumententafel.....	29
Tafel 28.18 - Lenkstange.....	30
Tafel 28.19 - Kupplungspumpe.....	31
Tafel 28.20 - Vorderradbremspumpe.....	32
Tafel 28.21 - Kühlanlage.....	33
Tafel 28.22 - Wasserkühler.....	34
Tafel 28.23 - Ausdehngefäß.....	35
Tafel 28.24 - Öltank.....	36
Tafel 28.25 - Filtergehäuse.....	38
Tafel 28.26 - Kraftstoffpumpe I.....	39
Tafel 28.27 - Kraftstoffpumpe II.....	40
Tafel 28.29 - Auspuffrohr.....	41
Tafel 28.30 - Vorderrad.....	42
Tafel 28.31 - Vorderradbremzange.....	43
Tafel 28.32 - Hinterrad.....	44
Tafel 28.33 - Hinterradbremspumpe.....	45
Tafel 28.34 - Hinterradbremzange.....	46
Tafel 28.35 - Lichter.....	47
Tafel 28.36 - Vorder Elektrische Anlage.....	48
Tafel 28.37 - Mitt. elektrische Anlage.....	49
Tafel 28.38 - Hint.Elektrische Anlage.....	50
Tafel 28.39 - Bausatz Schlösser.....	51
Tafel 28.40 - Abziehb. + Schilder.....	52
MOTOR.....	53

---

Tafel 29.28 - Motor.....	53
Tafel 29.42 - Gehäuse I.....	54
Tafel 29.43 - Gehäuse II.....	55
Tafel 29.44 - Ölpumpe.....	57
Tafel 29.45 - Kurbelwelle I.....	58
Tafel 29.46 - Kurbelwelle II.....	59
Tafel 29.47 - Zylinderkopf I.....	60
Tafel 29.48 - Zylinderkopf II.....	61
Tafel 29.49 - Ventilesbeläge.....	63
Tafel 29.50 - Vrd. Zylindersteuer.....	65
Tafel 29.51 - Hint. Zylindersteuer.....	66
Tafel 29.52 - Schaltgabel.....	67
Tafel 29.53 - Schaltgetriebe.....	68
Tafel 29.54 - Kupplung.....	69
Tafel 29.55 - Wasserpumpenritzel.....	70
Tafel 29.56 - Zündung.....	71
Tafel 29.57 - Klappenkörper.....	72
Tafel 29.58 - Verbrauchsmaterial.....	73
ZUBEHÖR.....	74
Tafel 30.41 - Fertigstellung.....	74
Tafel 30.59 - Acc. - Diebstahl.....	75

## Fertige Produkte

Code	Gültigkeit
AP66901DE01	
AP66901GB01	
AP66901IT01	
AP66901NL01	

Code	Nr. der Tafel	Pos.	Code	Nr. der Tafel	Pos.	Code	Nr. der Tafel	Pos.
0000000	28.30	7	AP0236460	29.47	14	AP0250015	29.43	27
0000000	28.32	5	AP0238060	29.48	6	AP0250140	29.56	21
0000000	29.58	6	AP0239247	29.52	13	AP0250450	29.43	16
0000000	29.58	7	AP0239370	29.54	8	AP0250640	29.48	20
0000000	29.58	9	AP0239390	29.54	6	AP0251190	29.48	24
AP0211641	29.55	9	AP0239420	29.52	16	AP0251200	29.48	31
AP0211650	29.56	8	AP0239430	29.52	15	AP0251830	29.48	32
AP0211756	29.51	13	AP0239445	29.44	10	AP0253645	29.48	8
AP0211766	29.50	4	AP0239450	29.52	23	AP0253974	29.49	1
AP0211776	29.55	24	AP0239480	29.54	21	AP0253975	29.49	1
AP0216240	29.46	5	AP0240036	29.54	23	AP0253976	29.49	1
AP0219350	29.45	4	AP0240150	29.48	26	AP0253977	29.49	1
AP0219360	29.45	12	AP0240275	29.51	17	AP0253978	29.49	1
AP0219365	29.45	8	AP0240327	29.46	7	AP0253979	29.49	1
AP0220375	29.45	15	AP0240331	29.55	21	AP0253980	29.49	1
AP0220390	29.53	1	AP0240400	29.50	1	AP0253981	29.49	1
AP0220400	29.53	10	AP0240580	29.56	12	AP0253982	29.49	1
AP0220410	29.55	4	AP0241081	29.43	26	AP0253983	29.49	1
AP0220435	29.52	26	AP0241261	29.43	21	AP0253984	29.49	1
AP0220437	29.52	1	AP0241501	29.43	22	AP0253985	29.49	1
AP0220455	29.54	18	AP0241531	29.43	10	AP0253986	29.49	1
AP0220690	29.50	13	AP0241541	29.56	6	AP0253987	29.49	1
AP0220690	29.51	6	AP0241630	29.56	9	AP0253988	29.49	1
AP0220700	29.50	12	AP0241650	29.44	11	AP0253990	29.48	9
AP0220700	29.51	5	AP0241700	29.43	2	AP0254030	29.49	1
AP0220710	29.44	1	AP0241782	29.43	28	AP0254031	29.49	1
AP0220720	29.51	1	AP0241811	29.55	14	AP0254032	29.49	1
AP0222500	29.55	18	AP0241811	29.56	15	AP0254033	29.49	1
AP0222511	29.55	19	AP0241816	29.56	11	AP0254034	29.49	1
AP0224090	29.48	17	AP0241821	28.19	22	AP0254035	29.49	1
AP0224650	29.47	9	AP0241821	29.43	20	AP0254036	29.49	1
AP0227180	29.54	24	AP0241821	29.44	12	AP0254037	29.49	1
AP0227442	29.52	20	AP0241852	29.43	29	AP0254038	29.49	1
AP0227685	29.55	6	AP0241932	29.43	3	AP0254039	29.49	1
AP0227714	29.52	27	AP0241932	29.52	9	AP0254040	29.49	1
AP0227716	29.52	11	AP0242175	29.47	17	AP0254041	29.49	1
AP0229301	29.42	4	AP0242175	29.50	19	AP0254042	29.49	1
AP0229301	29.56	16	AP0242175	29.51	26	AP0254043	29.49	1
AP0229385	29.42	6	AP0242626	29.48	13	AP0254232	29.48	1
AP0229385	29.52	14	AP0242874	29.45	16	AP0254242	29.48	2
AP0230415	29.43	25	AP0242940	29.45	14	AP0254250	29.48	4
AP0230415	29.55	23	AP0242950	29.54	15	AP0254260	29.48	7
AP0232430	29.44	13	AP0242990	29.48	11	AP0256187	29.43	30
AP0232430	29.55	5	AP0244020	29.54	22	AP0256495	29.43	11
AP0232625	29.43	6	AP0244211	29.52	10	AP0256510	29.44	9
AP0232730	29.44	2	AP0244340	29.43	12	AP0256527	29.43	13
AP0232970	29.44	4	AP0244620	29.48	3	AP0256700	29.44	3
AP0233711	29.42	9	AP0244630	29.50	16	AP0258310	29.52	6
AP0233740	29.42	8	AP0244630	29.51	10	AP0258322	29.52	8
AP0233741	29.42	8	AP0244640	29.48	12	AP0258350	29.52	4
AP0233743	29.42	8	AP0244645	29.48	10	AP0258360	29.52	3
AP0233745	29.42	7	AP0244660	29.47	19	AP0258375	29.52	5
AP0233746	29.42	7	AP0244661	29.47	19	AP0258380	29.52	2
AP0233748	29.42	7	AP0245330	29.44	15	AP0258382	29.52	28
AP0233780	29.55	11	AP0245436	29.46	6	AP0259500	29.43	19
AP0233790	29.55	10	AP0245440	29.52	18	AP0259515	29.54	19
AP0233791	29.55	10	AP0245815	29.53	4	AP0259520	29.54	13
AP0233793	29.55	10	AP0245830	29.54	14	AP0259530	29.54	3
AP0233820	29.42	9	AP0245840	29.45	13	AP0259580	29.54	10
AP0233822	29.42	9	AP0245860	29.45	10	AP0260870	29.56	13
AP0236252	29.48	14	AP0246570	29.45	5	AP0260890	29.54	26
AP0236366	29.52	22	AP0247940	29.52	17	AP0265660	28.36	17
AP0236370	29.43	18	AP0247970	29.54	9	AP0265670	28.38	27
AP0236440	29.50	5	AP0247980	29.50	17	AP0265750	28.36	19
AP0236440	29.51	23	AP0247980	29.51	15	AP0265755	28.36	20
AP0236450	29.50	6	AP0248375	29.52	12	AP0267200	29.48	28
AP0236450	29.51	25	AP0249110	29.48	22	AP0267210	29.48	30

Code	Nr. der Tafel	Pos.
AP0268757	29.43	24
AP0274010	29.57	6
AP0274020	29.57	8
AP0274030	29.57	5
AP0274040	29.48	19
AP0274050	29.57	12
AP0274070	29.47	18
AP0281222	29.53	19
AP0281240	29.57	2
AP0294352	29.56	20
AP0294356	29.56	19
AP0295690	29.57	1
AP0295750	29.45	1
AP0295760	29.45	2
AP0295760	29.51	19
AP0295765	29.45	7
AP0295765	29.50	9
AP0295770	29.45	9
AP0295780	29.45	11
AP0295780	29.54	4
AP0295790	29.54	5
AP0295830	29.56	2
AP0296180	29.57	7
AP0296301	29.42	1
AP0296310	29.46	2
AP0297386	29.58	8
AP0297433	29.58	10
AP0297434	29.58	4
AP0297945	29.56	23
AP0297955	29.50	3
AP0297955	29.51	22
AP0427106	29.53	16
AP0430623	29.48	15
AP0430782	29.56	10
AP0440260	29.45	3
AP0442130	29.54	28
AP0610090	29.43	31
AP0610100	29.44	5
AP0610110	29.44	8
AP0613270	29.46	4
AP0613281	29.47	1
AP0613291	29.47	2
AP0627120	29.53	3
AP0627132	29.53	6
AP0627140	29.54	7
AP0627190	29.50	7
AP0627190	29.51	21
AP0627200	29.45	17
AP0627210	29.52	24
AP0627220	29.54	12
AP0627230	29.54	25
AP0627260	29.54	1
AP0627270	29.56	7
AP0627280	29.54	27
AP0627380	29.47	8
AP0627385	29.47	22
AP0627410	29.47	10
AP0627420	29.51	9
AP0632010	29.42	2
AP0632010	29.55	7
AP0632070	29.53	7
AP0632124	29.43	7
AP0632130	29.54	20
AP0632161	29.50	8
AP0632161	29.51	20
AP0632240	29.51	2
AP0634470	29.44	6

Code	Nr. der Tafel	Pos.
AP0634470	29.54	2
AP0634483	29.44	14
AP0634490	29.55	3
AP0634500	29.45	19
AP0634500	29.55	2
AP0634595	29.56	1
AP0634600	29.56	17
AP0634610	29.45	18
AP0634620	29.53	17
AP0634640	29.53	9
AP0634655	29.53	11
AP0634660	29.53	5
AP0634670	29.53	13
AP0634680	29.53	14
AP0634695	29.53	2
AP0634700	29.53	15
AP0634710	29.53	8
AP0634720	29.53	12
AP0634740	29.56	18
AP0635080	29.50	14
AP0635080	29.51	7
AP0635090	29.51	8
AP0640620	29.51	12
AP0640630	29.42	13
AP0640635	29.42	12
AP0640650	29.47	15
AP0640660	29.48	18
AP0640665	29.42	11
AP0640670	29.47	21
AP0640700	29.48	16
AP0640900	29.50	15
AP0640900	29.51	11
AP0640911	29.47	11
AP0640922	29.55	25
AP0641590	29.56	5
AP0650240	29.55	20
AP0650310	29.55	12
AP0650320	29.43	17
AP0650330	29.55	8
AP0650340	29.56	14
AP0650370	29.55	13
AP0650390	29.46	3
AP0650500	29.43	32
AP0650860	29.47	12
AP0650870	29.48	5
AP0650880	29.47	23
AP0650890	29.47	5
AP0650895	29.47	7
AP0650900	29.48	21
AP0650905	29.48	27
AP0650910	29.47	13
AP0650920	29.47	20
AP0650925	29.43	1
AP0650930	29.48	23
AP0650970	29.43	14
AP0659110	29.56	3
AP0659120	29.56	4
AP0661010	29.57	4
AP0827110	29.53	18
AP0827800	29.48	25
AP0832144	29.43	5
AP0832144	29.52	19
AP0832160	29.47	6
AP0832160	29.51	3
AP0840512	29.48	29
AP0840681	29.55	15
AP0840861	29.43	23

Code	Nr. der Tafel	Pos.
AP0840861	29.55	22
AP0840882	29.56	22
AP0841590	29.47	4
AP0841841	29.55	16
AP0845030	29.50	10
AP0845030	29.51	18
AP0845455	29.51	4
AP0850050	29.43	15
AP0874320	29.57	10
AP0897161	29.58	3
AP0897651	29.58	1
AP0899788	29.58	2
AP0929500	29.42	3
AP0929500	29.51	14
AP0929650	29.42	10
AP0929650	29.47	16
AP0929930	29.42	5
AP0929930	29.45	20
AP0929930	29.55	1
AP0932335	29.43	9
AP0932335	29.52	7
AP0932428	29.43	8
AP0932585	29.43	4
AP0940046	29.50	18
AP0940046	29.51	24
AP0940580	29.54	11
AP0940590	29.50	2
AP0940631	29.50	11
AP0940631	29.51	16
AP0940637	29.46	1
AP0940741	29.52	25
AP0944033	29.47	3
AP0945665	29.52	21
AP0946015	29.45	6
AP0950141	29.55	17
AP0956169	29.55	26
AP0956275	29.44	7
AP0960111	29.57	9
AP0960121	29.57	11
AP0960122	29.57	3
AP8101372	28.22	15
AP8101595	28.16	14
AP8101595	28.25	13
AP8101744	28.30	1
AP8101744	28.32	7
AP8101916	28.21	5
AP8101927	28.21	8
AP8101927	28.23	5
AP8101968	28.33	9
AP8101985	28.12	10
AP8102159	28.27	12
AP8102239	28.26	16
AP8102239	28.27	16
AP8102341	28.08	7
AP8102349	28.24	18
AP8102375	28.01	8
AP8102375	28.02	8
AP8102375	28.09	10
AP8102375	28.15	9
AP8102375	28.16	16
AP8102375	28.39	18
AP8102376	28.01	9
AP8102376	28.02	9
AP8102376	28.16	12
AP8102376	28.35	23
AP8102376	28.39	19
AP8102377	28.25	11

Code	Nr. der Tafel	Pos.
AP8102378	28.23	3
AP8102431	28.21	1
AP8102504	28.08	5
AP8102504	28.12	8
AP8102524	28.03	24
AP8102544	28.01	18
AP8102544	28.02	18
AP8102610	28.25	1
AP8102612	28.22	2
AP8102613	28.22	3
AP8102614	28.21	15
AP8102615	28.23	16
AP8102618	28.24	2
AP8102619	28.24	3
AP8102626	28.27	11
AP8102627	28.26	8
AP8102677	28.21	4
AP8102731	28.24	24
AP8102732	28.23	4
AP8102741	29.28	13
AP8102763	28.25	12
AP8102764	28.21	14
AP8102764	28.27	5
AP8102765	28.26	15
AP8102766	28.25	23
AP8102786	28.24	20
AP8102787	28.18	1
AP8102828	28.24	12
AP8102829	28.27	18
AP8102873	28.27	20
AP8102880	28.36	16
AP8102880	28.39	5
AP8102883	28.08	8
AP8102884	28.08	9
AP8102895	28.40	1
AP8102896	28.40	2
AP8102897	30.41	3
AP8102902	28.01	29
AP8102902	28.02	27
AP8102909	28.08	10
AP8102911	28.15	1
AP8102911	28.39	2
AP8102912	28.13	4
AP8102912	28.39	3
AP8102913	28.15	7
AP8102913	28.39	7
AP8102914	28.15	8
AP8102914	28.39	6
AP8104097	28.21	3
AP8104097	28.22	1
AP8104178	28.39	1
AP8106379	29.28	3
AP8106381	28.19	13
AP8106382	28.19	24
AP8106384	28.19	9
AP8106385	28.26	9
AP8106386	28.26	1
AP8106387	28.24	29
AP8106389	28.24	31
AP8106441	28.26	5
AP8106441	28.27	10
AP8106443	28.27	1
AP8106444	28.27	2
AP8106577	29.28	1
AP8106578	29.28	2
AP8106633	29.54	16
AP8106634	29.54	17

Code	Nr. der Tafel	Pos.
AP8106643	28.24	14
AP8106672	28.19	10
AP8106712	28.08	14
AP8106726	28.25	5
AP8106806	28.32	19
AP8106935	28.19	25
AP8107118	28.32	1
AP8107122	28.32	2
AP8107136	28.32	25
AP8107137	28.32	25
AP8108675	28.30	9
AP8108676	28.32	3
AP8110065	28.07	2
AP8110068	28.07	11
AP8110074	28.18	9
AP8110078	28.06	11
AP8110079	28.06	1
AP8110081	28.32	23
AP8112176	28.36	8
AP8112599	28.17	2
AP8112599	28.35	18
AP8112600	28.22	12
AP8112795	28.36	5
AP8112811	28.38	21
AP8112832	28.37	4
AP8112927	28.38	12
AP8112939	28.21	17
AP8112940	28.38	23
AP8112996	28.37	2
AP8113003	28.24	7
AP8113004	28.24	6
AP8113004	28.29	15
AP8113241	28.33	1
AP8113288	28.33	6
AP8113324	28.33	7
AP8113499	28.20	3
AP8113553	28.19	23
AP8113553	28.33	2
AP8113598	28.20	2
AP8113607	28.30	8
AP8113607	28.31	9
AP8113612	28.34	2
AP8113717	28.20	6
AP8113719	28.19	12
AP8113719	28.20	8
AP8113721	28.31	6
AP8113722	28.31	7
AP8113723	28.31	8
AP8113751	28.34	8
AP8113752	28.34	9
AP8113753	28.34	10
AP8113754	28.31	3
AP8113755	28.31	4
AP8113756	28.31	5
AP8113756	28.34	11
AP8113757	28.20	5
AP8113758	28.19	7
AP8113759	28.19	8
AP8113760	28.19	5
AP8113761	28.19	6
AP8113762	28.19	4
AP8113763	28.20	4
AP8113764	28.19	15
AP8113764	28.20	18
AP8113764	28.33	3
AP8113765	28.33	4
AP8113766	28.19	3

Code	Nr. der Tafel	Pos.
AP8113766	28.20	10
AP8113766	28.34	5
AP8113771	28.20	19
AP8113773	28.19	14
AP8113774	28.31	1
AP8113775	28.31	2
AP8113776	28.34	7
AP8113873	28.34	6
AP8113874	28.20	1
AP8114342	28.18	16
AP8114343	28.18	17
AP8114359	28.18	18
AP8116067	29.58	5
AP8116071	28.05	6
AP8117033	28.06	27
AP8117033	28.23	12
AP8117033	28.38	2
AP8117125	28.14	2
AP8117127	28.13	2
AP8117129	28.10	3
AP8117130	28.11	7
AP8117131	28.11	8
AP8117132	28.12	5
AP8117133	28.12	11
AP8117160	28.13	16
AP8117172	30.41	6
AP8118470	28.18	14
AP8118478	28.04	2
AP8118492	28.18	21
AP8118501	28.18	8
AP8118502	28.18	19
AP8118503	28.18	20
AP8118508	28.04	19
AP8118561	28.18	2
AP8118562	28.18	3
AP8119482	28.29	3
AP8119483	28.29	4
AP8119486	28.29	2
AP8119497	28.29	14
AP8119539	30.41	4
AP8119551	28.29	6
AP8119552	28.29	5
AP8120001	28.16	15
AP8120030	28.01	25
AP8120030	28.13	9
AP8120030	28.20	14
AP8120030	28.22	14
AP8120030	28.24	4
AP8120030	28.25	21
AP8120116	29.28	11
AP8120178	28.18	10
AP8120178	28.33	10
AP8120190	28.18	23
AP8120190	28.24	11
AP8120196	28.24	27
AP8120218	28.37	1
AP8120218	28.38	1
AP8120253	28.25	22
AP8120285	28.27	19
AP8120354	28.23	13
AP8120355	28.23	10
AP8120428	28.04	23
AP8120428	28.39	15
AP8120446	28.24	17
AP8120446	29.28	12
AP8120531	28.11	2
AP8120531	28.23	2

Code	Nr. der Tafel	Pos.
AP8120573	28.03	4
AP8120615	28.25	6
AP8120622	28.11	6
AP8120754	28.38	22
AP8120876	28.25	15
AP8120912	28.33	11
AP8120912	29.28	4
AP8120952	28.16	20
AP8120952	28.23	11
AP8120965	29.57	13
AP8120978	28.21	6
AP8120979	28.21	7
AP8120981	28.22	4
AP8120985	28.06	3
AP8120986	28.06	4
AP8120987	28.25	24
AP8120988	28.23	15
AP8120990	28.26	7
AP8120991	28.26	14
AP8120992	28.27	17
AP8120993	28.26	11
AP8120995	28.06	22
AP8121014	28.03	16
AP8121075	28.06	32
AP8121135	28.03	2
AP8121201	28.06	6
AP8121202	28.06	7
AP8121204	28.06	15
AP8121207	28.04	4
AP8121212	28.32	22
AP8121213	28.32	21
AP8121221	28.33	12
AP8121221	29.28	5
AP8121222	28.33	8
AP8121223	28.33	13
AP8121224	28.03	3
AP8121225	28.32	8
AP8121226	28.32	9
AP8121231	28.29	1
AP8121234	28.34	1
AP8121261	28.18	6
AP8121262	28.18	4
AP8121276	28.06	28
AP8121277	28.06	30
AP8121293	28.19	20
AP8121321	28.02	26
AP8121322	28.11	3
AP8121325	28.02	10
AP8121342	28.04	14
AP8121343	28.02	21
AP8121344	28.02	19
AP8121345	28.06	5
AP8121346	28.04	8
AP8121348	28.06	29
AP8121349	28.06	8
AP8121350	28.07	12
AP8121351	28.07	10
AP8121352	28.01	27
AP8121358	28.02	25
AP8121359	28.02	24
AP8121360	28.02	23
AP8121361	28.02	2
AP8121362	28.01	26
AP8121364	28.04	7
AP8121365	28.04	1
AP8121375	28.03	25
AP8121401	28.18	7

Code	Nr. der Tafel	Pos.
AP8121405	28.07	8
AP8121406	28.07	9
AP8121413	28.04	10
AP8121414	28.04	18
AP8121678	28.04	24
AP8121678	28.39	16
AP8121728	28.10	9
AP8121731	28.24	22
AP8121773	28.29	13
AP8121837	28.21	2
AP8121862	28.24	9
AP8121890	28.06	9
AP8121915	28.19	2
AP8121915	28.20	9
AP8121915	28.34	4
AP8121927	28.33	14
AP8121995	28.02	17
AP8121996	28.02	16
AP8121997	28.02	14
AP8123500	28.05	1
AP8123501	28.05	2
AP8123641	28.04	11
AP8123642	28.04	5
AP8123643	28.04	6
AP8123789	28.07	4
AP8123851	28.04	20
AP8123852	28.04	3
AP8123975	28.05	3
AP8123976	28.05	4
AP8123977	28.05	5
AP8124094	28.03	14
AP8124260	28.18	15
AP8124261	28.18	13
AP8124262	28.35	9
AP8124266	28.38	8
AP8124267	28.37	7
AP8124269	28.37	11
AP8124269	28.38	15
AP8124273	28.38	20
AP8124274	28.36	7
AP8124277	28.36	9
AP8124283	28.35	1
AP8124286	28.35	7
AP8124287	28.35	8
AP8124288	28.20	21
AP8124289	28.38	14
AP8124293	28.36	11
AP8124294	28.17	1
AP8124297	28.26	13
AP8124300	28.09	2
AP8124335	28.22	5
AP8124398	28.19	21
AP8124439	28.38	5
AP8124514	28.35	9
AP8124528	28.34	3
AP8124529	28.27	13
AP8124548	28.36	3
AP8124548	28.37	3
AP8124548	28.38	6
AP8124558	28.35	2
AP8124559	28.35	3
AP8124560	28.35	4
AP8124561	28.35	5
AP8124562	28.35	6
AP8124563	28.35	11
AP8124564	28.35	12
AP8124565	28.35	13

Code	Nr. der Tafel	Pos.
AP8124566	28.35	14
AP8124567	28.35	15
AP8124568	28.35	16
AP8124569	28.17	4
AP8124570	28.17	5
AP8124571	28.17	6
AP8124572	28.17	10
AP8124573	28.17	9
AP8124574	28.17	8
AP8124575	28.17	7
AP8124748	28.38	3
AP8124944	28.36	1
AP8124944	28.39	4
AP8125687	28.06	17
AP8125727	28.30	6
AP8125728	28.30	2
AP8125729	28.32	12
AP8125730	28.32	11
AP8125731	28.32	6
AP8125732	28.32	24
AP8125733	28.32	4
AP8125737	28.30	3
AP8125763	28.06	13
AP8125773	28.30	10
AP8125777	28.30	11
AP8125778	28.30	12
AP8125779	28.30	13
AP8125786	28.32	15
AP8125787	28.32	16
AP8125788	28.32	17
AP8126591	28.16	6
AP8126650	28.16	2
AP8126682	28.10	1
AP8126701	28.14	15
AP8126702	28.14	10
AP8126775	28.16	1
AP8127309	28.36	4
AP8129169	28.14	1
AP8129204	28.14	6
AP8134186	28.01	15
AP8134370	28.13	1
AP8134373	28.03	17
AP8134378	28.29	10
AP8134380	28.02	12
AP8134383	28.20	11
AP8134384	28.33	25
AP8134385	28.34	17
AP8134394	28.19	1
AP8134396	30.41	1
AP8134399	28.25	8
AP8134415	28.33	24
AP8134419	28.13	11
AP8134436	28.01	5
AP8134437	28.25	9
AP8134438	28.20	12
AP8134443	28.34	14
AP8134448	28.16	3
AP8134479	28.29	17
AP8134480	28.36	6
AP8134541	28.01	7
AP8134541	28.03	1
AP8134547	28.02	11
AP8134549	28.25	7
AP8134551	28.39	17
AP8134558	28.01	1
AP8134559	28.01	2
AP8134574	28.01	22



Code	Nr. der Tafel	Pos.
AP8134599	28.22	16
AP8134600	28.24	32
AP8134602	28.01	12
AP8134645	28.04	22
AP8134645	28.39	9
AP8135897	28.02	13
AP8135909	28.03	7
AP8135910	28.03	8
AP8135915	28.03	22
AP8135918	28.06	10
AP8135924	28.07	1
AP8135925	28.33	23
AP8135999	28.03	6
AP8136368	28.12	1
AP8138554	28.25	3
AP8138556	28.23	14
AP8138596	28.38	11
AP8138624	28.26	12
AP8138776	28.38	10
AP8138947	28.14	3
AP8139344	28.06	23
AP8139346	28.10	7
AP8139515	28.13	5
AP8139517	28.08	3
AP8139521	28.09	1
AP8139522	28.09	7
AP8139528	28.09	12
AP8139529	28.09	11
AP8139530	28.12	2
AP8139531	28.12	3
AP8139532	28.10	6
AP8139534	28.14	7
AP8139535	28.14	8
AP8139537	28.15	4
AP8139793	28.14	5
AP8144003	28.26	17
AP8144005	28.06	16
AP8144006	28.06	12
AP8144007	28.33	15
AP8144008	28.24	28
AP8144010	28.26	6
AP8144011	28.26	10
AP8144015	28.24	13
AP8144015	29.28	10
AP8144032	28.23	8
AP8144033	28.21	9
AP8144034	28.21	10
AP8144038	28.25	14
AP8144045	28.38	19
AP8144046	28.38	9
AP8144047	28.27	8
AP8144048	28.06	14
AP8144059	28.24	8
AP8144061	28.24	19
AP8144062	28.13	10
AP8144063	28.25	4
AP8144069	28.27	15
AP8144071	28.29	11
AP8144081	28.12	4
AP8144081	28.14	11
AP8144083	28.18	5
AP8144090	28.24	30
AP8144092	28.21	13
AP8144093	28.21	12
AP8144094	28.21	11
AP8144109	28.08	4
AP8144109	28.12	7

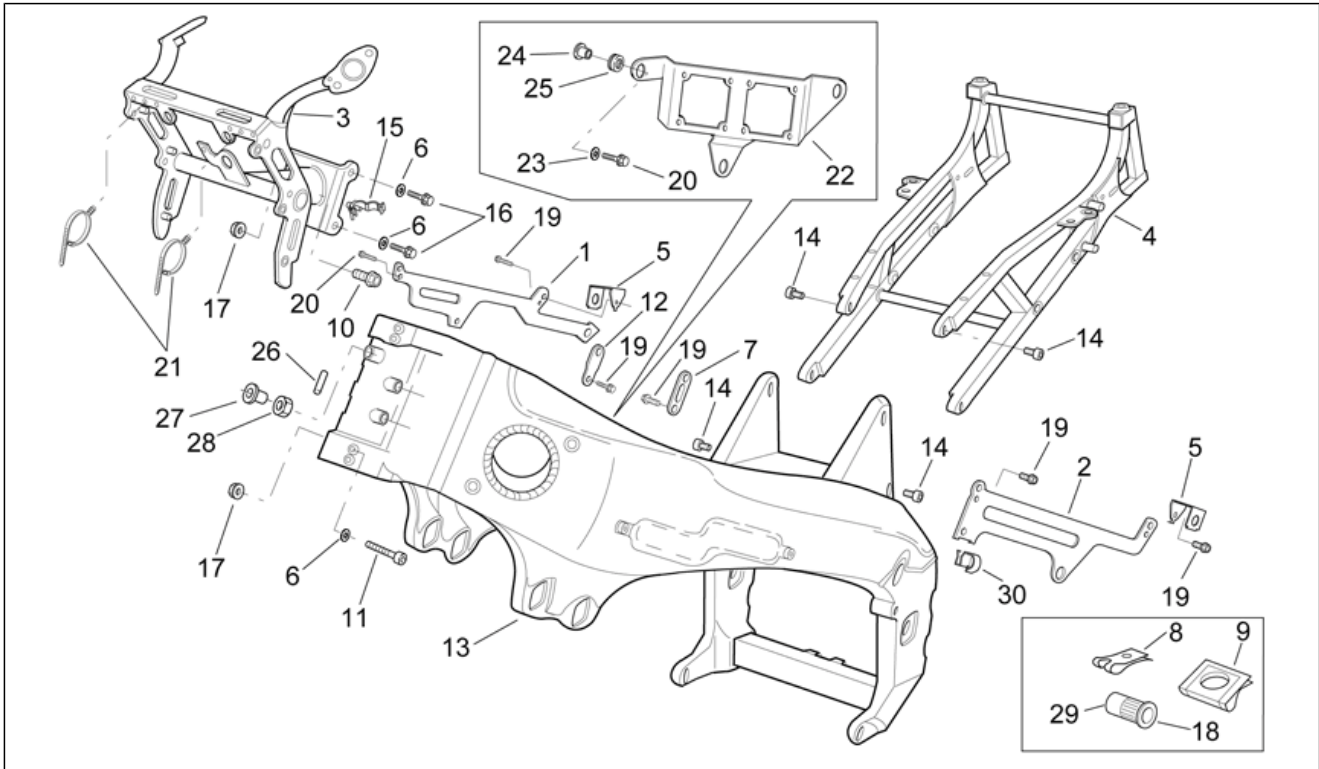
Code	Nr. der Tafel	Pos.
AP8144153	28.25	10
AP8144158	28.19	19
AP8144188	28.25	25
AP8144229	28.21	16
AP8144230	28.21	18
AP8144236	28.21	19
AP8144284	28.06	31
AP8144302	28.04	17
AP8144305	28.08	13
AP8144317	30.41	5
AP8144318	28.04	21
AP8144318	28.39	8
AP8144322	28.36	21
AP8144323	30.41	7
AP8146091	28.01	3
AP8146098	28.01	13
AP8146122	28.03	9
AP8146123	28.03	10
AP8146151	28.01	4
AP8146154	28.06	2
AP8146163	28.07	5
AP8146171	28.03	5
AP8146205	30.41	2
AP8146261	28.07	3
AP8147576	28.40	4
AP8147577	28.40	5
AP8147802	28.40	3
AP8147841	28.40	6
AP8147843	28.40	7
AP8148263	28.15	10
AP8148350	28.09	4
AP8148351	28.09	5
AP8148353	28.11	4
AP8148354	28.11	5
AP8148355	28.10	5
AP8148356	28.16	8
AP8148427	28.24	1
AP8148548	28.08	12
AP8148640	28.25	2
AP8148658	28.08	11
AP8148660	28.38	4
AP8150011	28.22	9
AP8150013	28.34	15
AP8150014	28.13	13
AP8150014	28.36	14
AP8150015	28.01	23
AP8150015	28.03	12
AP8150018	28.29	12
AP8150020	28.02	20
AP8150020	28.33	16
AP8150021	28.10	10
AP8150021	28.16	22
AP8150026	28.22	11
AP8150026	28.33	17
AP8150026	28.37	8
AP8150026	28.38	16
AP8150044	28.33	18
AP8150044	29.28	9
AP8150045	28.01	11
AP8150048	28.02	3
AP8150086	28.02	4
AP8150137	28.24	23
AP8150156	28.36	18
AP8150159	28.35	19
AP8150159	28.38	25
AP8150177	28.16	9
AP8150195	28.32	20

Code	Nr. der Tafel	Pos.
AP8150220	29.28	8
AP8150277	28.29	8
AP8150277	28.33	27
AP8150285	28.15	3
AP8150285	28.39	11
AP8150292	28.02	6
AP8150292	28.03	19
AP8150333	28.29	7
AP8150334	28.06	19
AP8150340	28.16	7
AP8150349	28.04	16
AP8150382	28.37	9
AP8150403	28.33	26
AP8150413	28.09	6
AP8150413	28.14	13
AP8150413	28.25	18
AP8150413	28.26	3
AP8150413	28.35	20
AP8150413	28.38	24
AP8150421	28.26	2
AP8150421	28.36	10
AP8150429	28.01	6
AP8150429	28.03	11
AP8150429	28.38	17
AP8150431	28.04	25
AP8150431	28.39	20
AP8150436	28.32	10
AP8150450	28.08	6
AP8150450	28.12	9
AP8150453	28.13	7
AP8150453	28.39	13
AP8150454	28.13	6
AP8150454	28.39	14
AP8150459	28.13	14
AP8150462	28.33	19
AP8150462	29.28	6
AP8150463	28.32	18
AP8150468	28.06	18
AP8150468	28.16	13
AP8150469	28.01	14
AP8150472	28.18	22
AP8150480	28.03	23
AP8152040	28.18	11
AP8152043	28.22	8
AP8152181	28.24	25
AP8152184	28.22	6
AP8152184	28.27	6
AP8152246	28.02	7
AP8152246	28.08	2
AP8152246	28.10	2
AP8152246	28.12	6
AP8152246	28.14	12
AP8152246	28.16	10
AP8152246	28.25	20
AP8152267	28.06	26
AP8152267	28.16	5
AP8152272	28.01	10
AP8152272	28.20	13
AP8152272	28.27	9
AP8152272	28.34	16
AP8152273	28.19	16
AP8152273	28.23	1
AP8152273	28.25	19
AP8152273	28.26	4
AP8152273	28.33	20
AP8152273	28.37	6
AP8152274	28.27	14

Code	Nr. der Tafel	Pos.
AP8152277	28.03	20
AP8152277	28.10	8
AP8152277	28.19	18
AP8152277	28.20	20
AP8152277	28.22	10
AP8152277	28.24	15
AP8152277	28.27	7
AP8152277	28.37	5
AP8152278	28.01	16
AP8152278	28.01	19
AP8152278	28.02	15
AP8152278	28.13	3
AP8152278	28.15	5
AP8152278	28.16	19
AP8152278	28.23	7
AP8152278	28.24	26
AP8152278	28.27	3
AP8152278	28.35	21
AP8152278	28.38	7
AP8152278	28.39	10
AP8152279	28.01	20
AP8152279	28.03	13
AP8152279	28.09	3
AP8152279	28.14	4
AP8152279	28.22	7
AP8152279	28.23	9
AP8152279	28.24	16
AP8152279	28.25	17
AP8152279	28.33	22
AP8152279	28.34	13
AP8152279	28.35	17
AP8152279	28.36	12
AP8152280	28.13	15
AP8152280	28.20	15
AP8152280	28.36	15
AP8152281	28.04	13
AP8152282	28.37	10
AP8152285	28.24	10
AP8152285	28.36	13
AP8152286	28.30	14
AP8152286	28.34	12
AP8152286	28.34	18
AP8152288	28.03	18
AP8152298	28.08	1
AP8152298	28.09	8
AP8152298	28.10	4
AP8152298	28.16	11
AP8152298	28.35	24
AP8152299	28.01	17
AP8152299	28.13	12
AP8152299	28.16	18
AP8152299	28.17	3
AP8152299	28.18	24
AP8152299	28.20	16
AP8152299	28.24	21
AP8152299	28.35	22
AP8152300	28.29	9
AP8152301	28.02	1
AP8152301	28.07	7
AP8152302	28.06	25
AP8152302	28.11	1
AP8152302	28.15	6
AP8152305	28.06	20
AP8152306	28.16	21
AP8152306	28.19	17
AP8152320	28.03	21
AP8152322	28.07	6

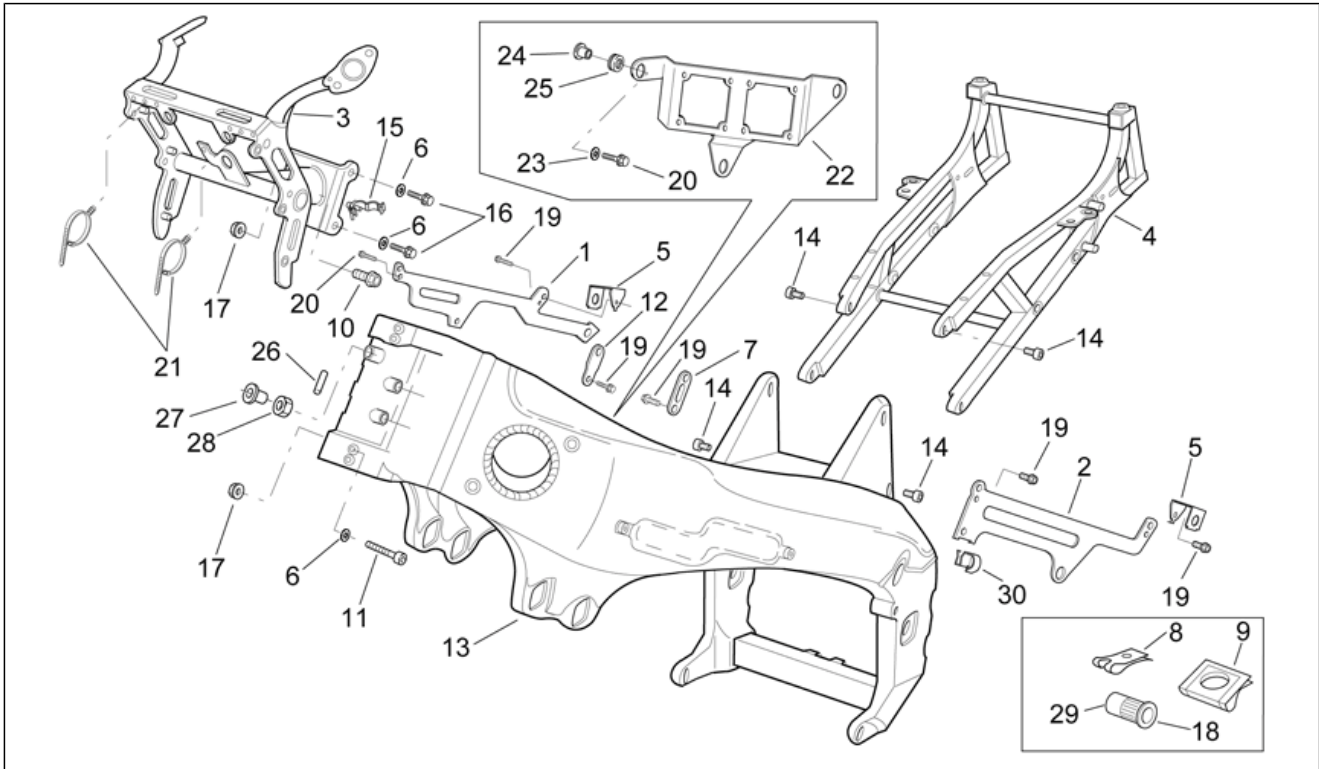
Code	Nr. der Tafel	Pos.
AP8152323	28.30	4
AP8152323	28.32	14
AP8152324	28.32	13
AP8152335	28.30	5
AP8152353	28.29	16
AP8152354	28.07	13
AP8152355	28.04	12
AP8152355	28.18	12
AP8152356	28.31	10
AP8152383	28.04	9
AP8152384	28.04	15
AP8152388	28.01	28
AP8157450	28.40	8
AP8201301	28.33	21
AP8201358	28.27	4
AP8201539	28.01	21
AP8201539	28.16	17
AP8201727	28.01	30
AP8201727	28.02	22
AP8201755	28.06	21
AP8212469	28.38	13
AP8212588	28.36	2
AP8212603	28.16	4
AP8212680	28.35	10
AP8213057	28.19	11
AP8213057	28.20	7
AP8213057	28.33	5
AP8220150	28.38	26
AP8220238	28.14	16
AP8220269	28.02	5
AP8220269	28.09	9
AP8220283	28.38	18
AP8220349	28.14	14
AP8221023	28.13	8
AP8221023	28.20	17
AP8221023	28.22	13
AP8221023	28.24	5
AP8221023	28.25	16
AP8221046	29.28	7
AP8221128	28.01	24
AP8221129	28.15	2
AP8221129	28.39	12
AP8221145	28.14	9
AP8221145	28.23	6
AP8221197	28.03	15
AP8234020	28.06	24
AP8720115	30.59	1
AP8720116	30.59	2
AP8720117	30.59	3
AP8720118	30.59	4
B044207	28.30	8

<b>Einheit</b>	RAHMEN
<b>Code</b>	28.01
<b>Beschreibung</b>	Rahmen I
<b>Inspektion</b>	1



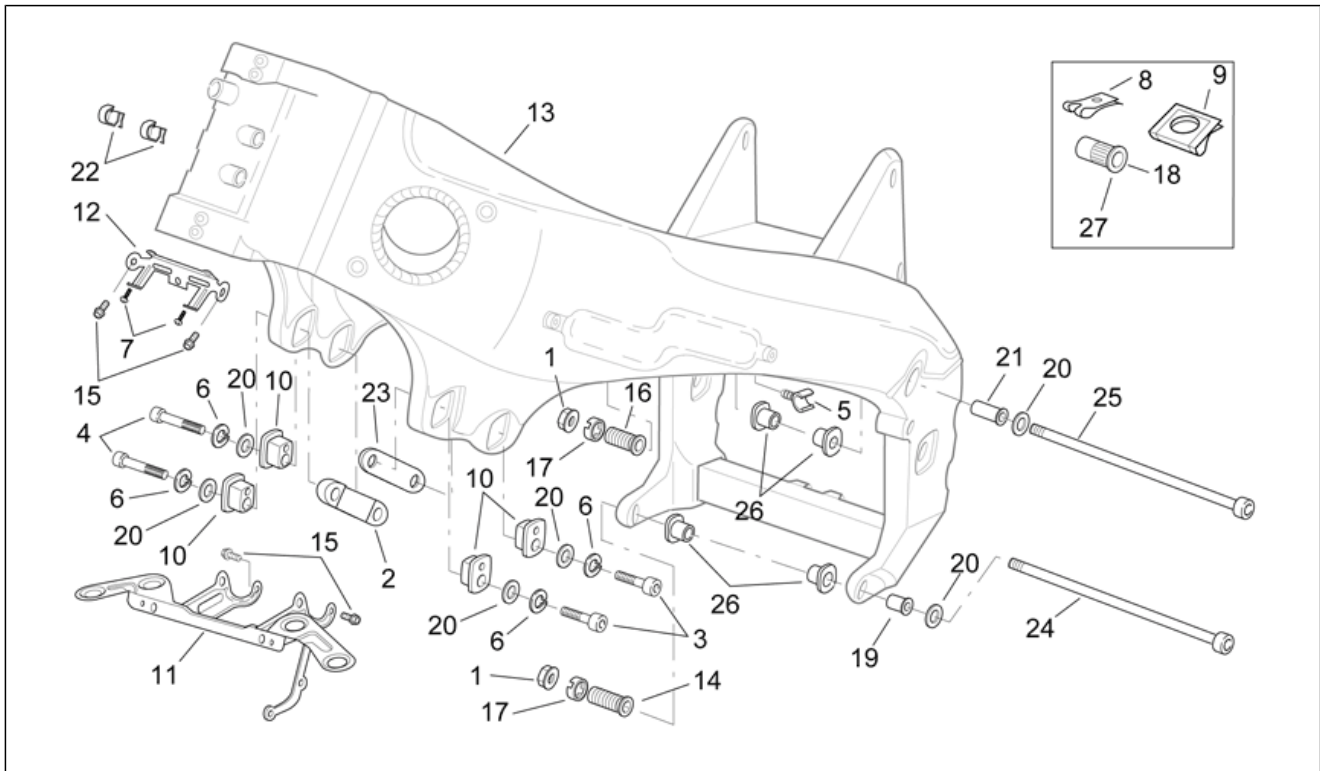
Pos.	Code	Beschreibung	Menge	Varianten
1	AP8134558	Aufnahme Expansionsgef.	1	
2	AP8134559	Öltankhalter	1	
3	AP8146091	Instrumentenrahmen	1	
4	AP8146151	Sattelstütze	1	
5	AP8134436	Fixierplatte Kette	2	
6	AP8150429	Sprengscheibe 6,4x11x0,5*	8	
7	AP8134541	Seitenteilen Fixierplatte	1	
8	AP8102375	Klammer M5	2	
9	AP8102376	Klammer M6	2	
10	AP8152272	TE Schr. m. Flansch M5x12	1	
11	AP8150045	TCEI Schraube M6x55	4	
12	AP8134602	Seitenteilen Fixierplatte	1	
13	AP8146098	Feinbearb. Rahmen	1	
14	AP8150469	TCEI Schraube M10x30	4	
15	AP8134186	Kabelführungs	1	
16	AP8152278	TE Schr. m. Flansch M6x16	4	
17	AP8152299	Selbstsperrende Mutter M6	7	
18	AP8102544	Geschnitten Kunststoffniet M6	2	
19	AP8152278	TE Schr. m. Flansch M6x16	20	
20	AP8152279	TE Schr. m. Flansch M6x20	3	
21	AP8201539	Schelle	1	
22	AP8134574	Spulehalter platte	1	
23	AP8150015	Ausgleichscheibe 6,6x18x1,6*	2	
24	AP8221128	T-Buchse 8,5x10,7x12	2	
25	AP8120030	Gummi	3	
26	AP8121362	Stift	2	
27	AP8121352	Buchse	1	
28	AP8152388	Mutter unten M18x1,5	1	

<b>Einheit</b>	RAHMEN
<b>Code</b>	28.01
<b>Beschreibung</b>	Rahmen I
<b>Inspektion</b>	1



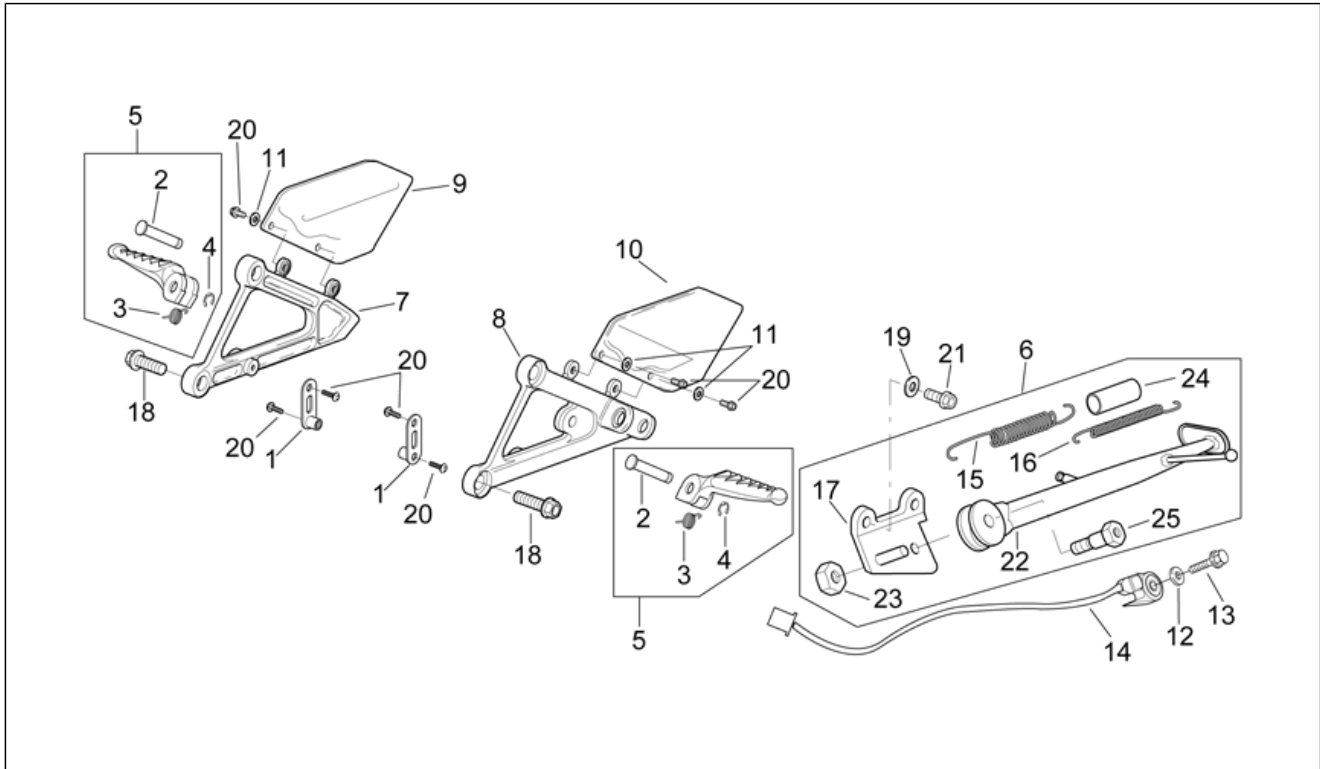
Pos.	Code	Beschreibung	Menge	Varianten
29	AP8102902	Sechss. Geschn. Einsatz	2	
30	AP8201727	Kabelführungs schw.	1	

<b>Einheit</b>	RAHMEN
<b>Code</b>	28.02
<b>Beschreibung</b>	Rahmen II
<b>Inspektion</b>	1



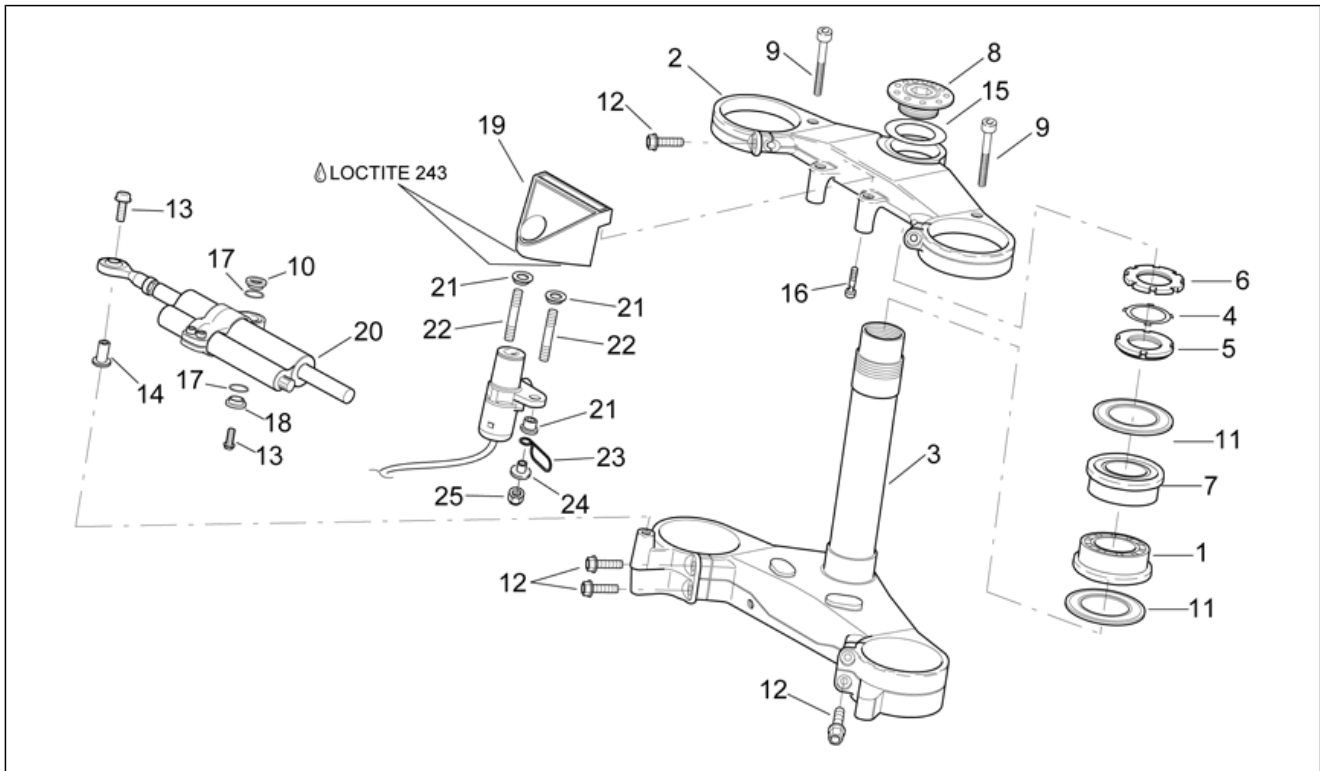
Pos.	Code	Beschreibung	Menge	Varianten
1	AP8152301	Selbstsperrende Mutter	2	
2	AP8121361	Distanzstück v. rs	1	
3	AP8150048	TCEI Schraube	2	
4	AP8150086	TCEI Schraube	2	
5	AP8220269	Kabelführungs	1	
6	AP8150292	Gebogene Sprengscheibe *	6	
7	AP8152246	TBEI Schraube m.Flansch M6x16	2	
8	AP8102375	Klammer M5	2	
9	AP8102376	Klammer M6	2	
10	AP8121325	Fixiereins. vorn Motor	4	
11	AP8134547	Unt. Kühlerhalter	1	
12	AP8134380	Obere Kühlerbefestigung	1	
13	AP8135897	Feinbearb. Rahmen	1	
14	AP8121997	Unt. Einstellbuchse	1	
15	AP8152278	TE Schr. m. Flansch M6x16	4	
16	AP8121996	Ob. Einstellbuchse	1	
17	AP8121995	Motor-Nutmutter	2	
18	AP8102544	Geschnitten Kunststoffniet M6	10	
19	AP8121344	T-Buchse	1	
20	AP8150020	Ausgleichscheibe 10,5x21x2*	6	
21	AP8121343	T-Buchse	1	
22	AP8201727	Kabelführungs schw.	2	
23	AP8121360	Distanzstück v. ls	1	
24	AP8121359	Fixierstift unten Motor	1	
25	AP8121358	Fixierstift oben Motor	1	
26	AP8121321	Fixiereins. hinten Motor	4	
27	AP8102902	Sechss. Geschn. Einsatz	2	

<b>Einheit</b>	RAHMEN
<b>Code</b>	28.03
<b>Beschreibung</b>	Fussrasten - Ständer
<b>Inspektion</b>	1



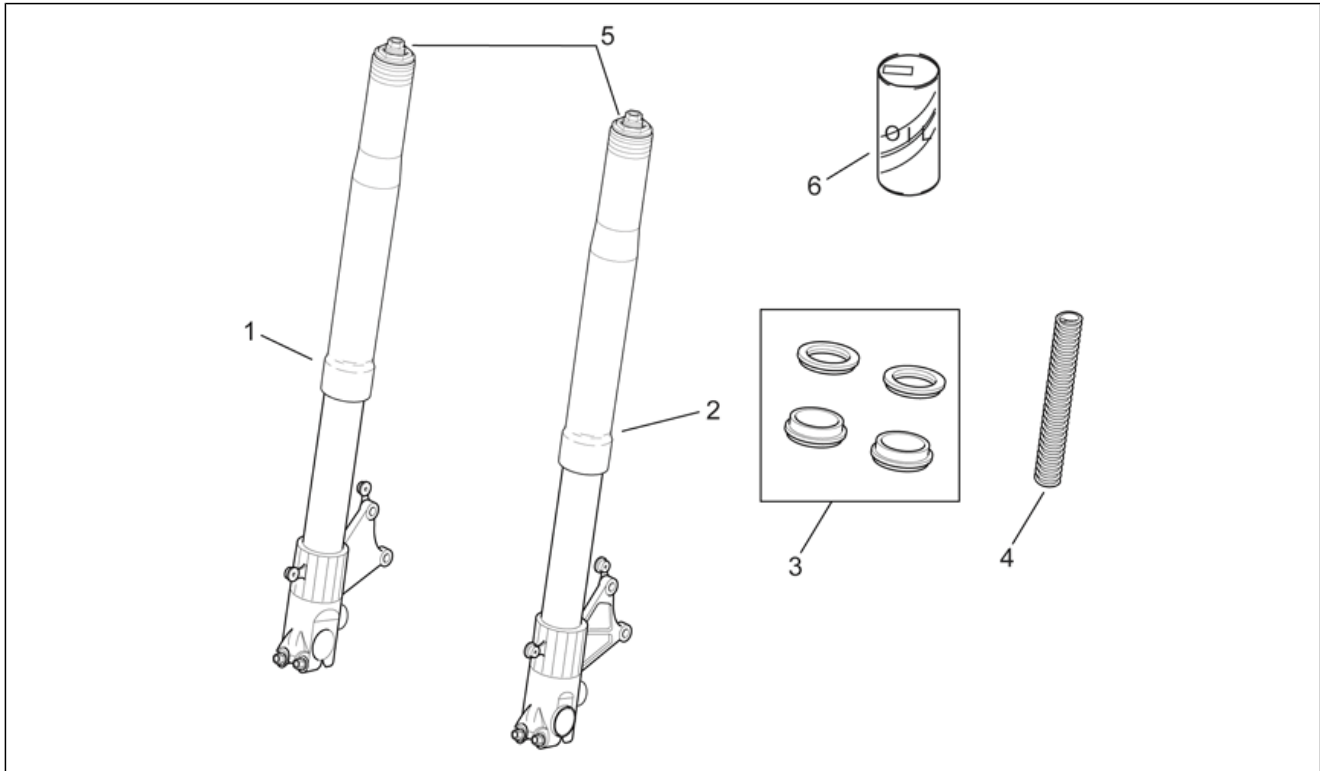
Pos.	Code	Beschreibung	Menge	Varianten
1	AP8134541	Seitenteilen Fixierplatte	2	
2	AP8121135	Rastenbolzen	2	
3	AP8121224	Rückholfeder	2	
4	AP8120573	Sperring	2	
5	AP8146171	Fußrasten Fahrer (Paar)	1	
6	AP8135999	Hauptständer Kpl.	1	
7	AP8135909	Fußrastenhalter Fahrer rechts	1	
8	AP8135910	Fußrastenhalter Fahrer links	1	
9	AP8146122	Schutz Fahrerrast.rs.Koh.	1	
10	AP8146123	Schutz Fahrerrast.ls.Koh.	1	
11	AP8150429	Sprengscheibe 6,4x11x0,5*	4	
12	AP8150015	Ausgleichscheibe 6,6x18x1,6*	1	
13	AP8152279	TE Schr. m. Flansch M6x20	1	
14	AP8124094	Schalter	1	
15	AP8221197	Hauptständer Schraubenfeder	1	
16	AP8121014	Schraubenfeder	1	
17	AP8134373	Hauptständer platte	1	
18	AP8152288	TE Schr. m. Flansch	4	
19	AP8150292	Gebogene Sprengscheibe *	2	
20	AP8152277	TE Schr. m. Flansch M6x12	6	
21	AP8152320	TE Schr. m. Flansch	2	
22	AP8135915	Seitenständer	1	
23	AP8150480	Selbstsperr.Mut.Unt. M10x1,25	1	
24	AP8102524	Schutz f. Ständerfeder	1	
25	AP8121375	Ständerschraube	1	

<b>Einheit</b>	RAHMEN
<b>Code</b>	28.04
<b>Beschreibung</b>	Lenkung
<b>Inspektion</b>	1



Pos.	Code	Beschreibung	Menge	Varianten
1	AP8121365	Rohrbuchse unten kplt.	1	
2	AP8118478	Ob. Gabelplatte	1	
3	AP8123852	Fuß mit Rohr	1	
4	AP8121207	Sicherheitspl. Lenkung	1	
5	AP8123642	Nutmutter	1	
6	AP8123643	Gegenmutter	1	
7	AP8121364	Rohrbuchse oben kplt.	1	
8	AP8121346	Fixierbuchse ob. Platte	1	
9	AP8152383	TCEI Schraube M6x60	2	
10	AP8121413	T-Buchse	1	
11	AP8123641	Staubschutzring	2	
12	AP8152355	TE Schr. m. Flansch M8x35	6	
13	AP8152281	TE Schr. m. Flansch M6x30	2	
14	AP8121342	T-Buchse	1	
15	AP8152384	Scheibe Lenkkopf	1	
16	AP8150349	Spezialschraube M8x15	2	
17	AP8144302	O-Ring 3x10	2	
18	AP8121414	T-Buchse	1	
19	AP8118508	Halterung Lichtschalter	1	
20	AP8123851	Lenk Stoßdämpfer	1	
21	AP8144318	Gummi *	4	
22	AP8134645	Fixierstift Lichtschalter	2	
23	AP8120428	Kabelführungs	1	
24	AP8121678	Buchse	1	
25	AP8150431	Mutter unten M8	2	

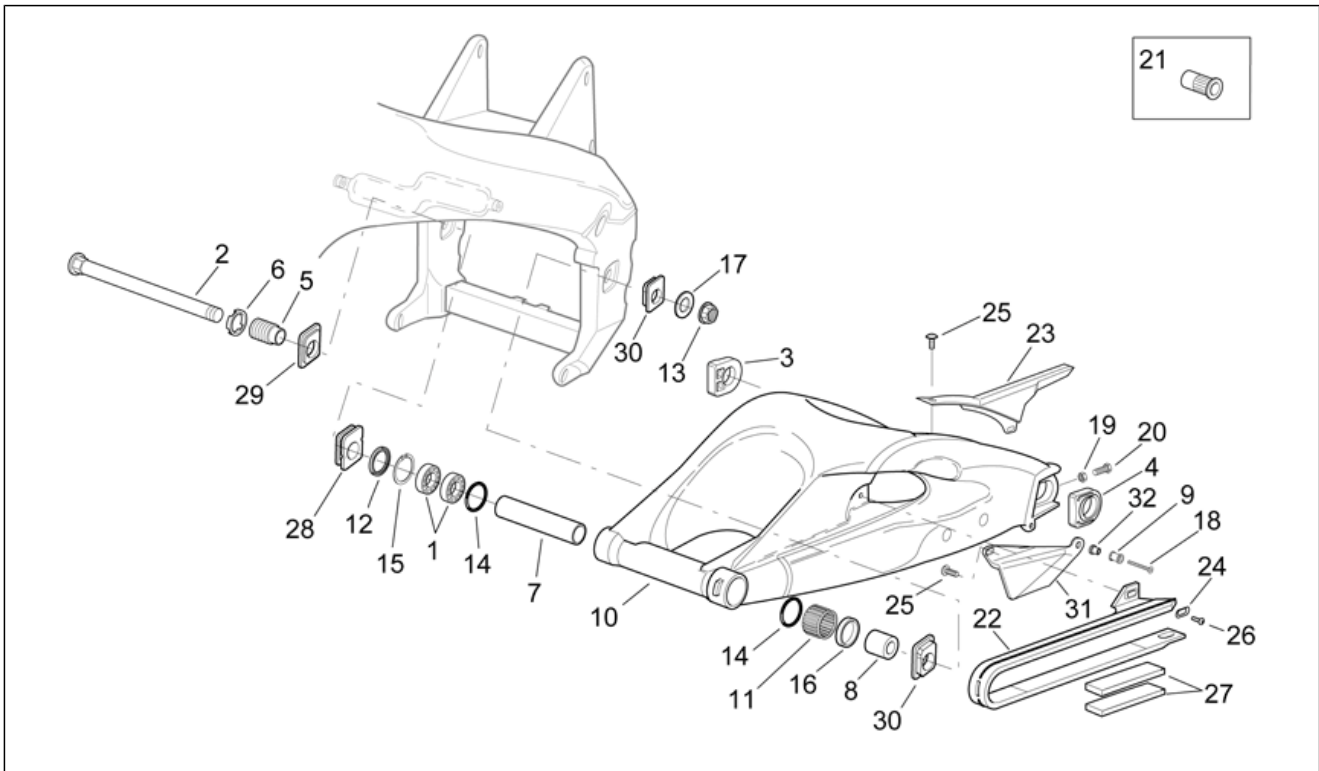
<b>Einheit</b>	RAHMEN
<b>Code</b>	28.05
<b>Beschreibung</b>	Vorderradgabel
<b>Inspektion</b>	1



Pos.	Code	Beschreibung	Menge	Varianten
1	AP8123500	Kolbenstange rechts	1	
2	AP8123501	Kolbenstange links	1	
3	AP8123975	Aust.satz Vorderradgabel	1	
4	AP8123976	Feder	2	
5	AP8123977	Verschlussschraube kplt.	2	
6	AP8116071	Stoßdämpfer Öl 1 lt.	1	

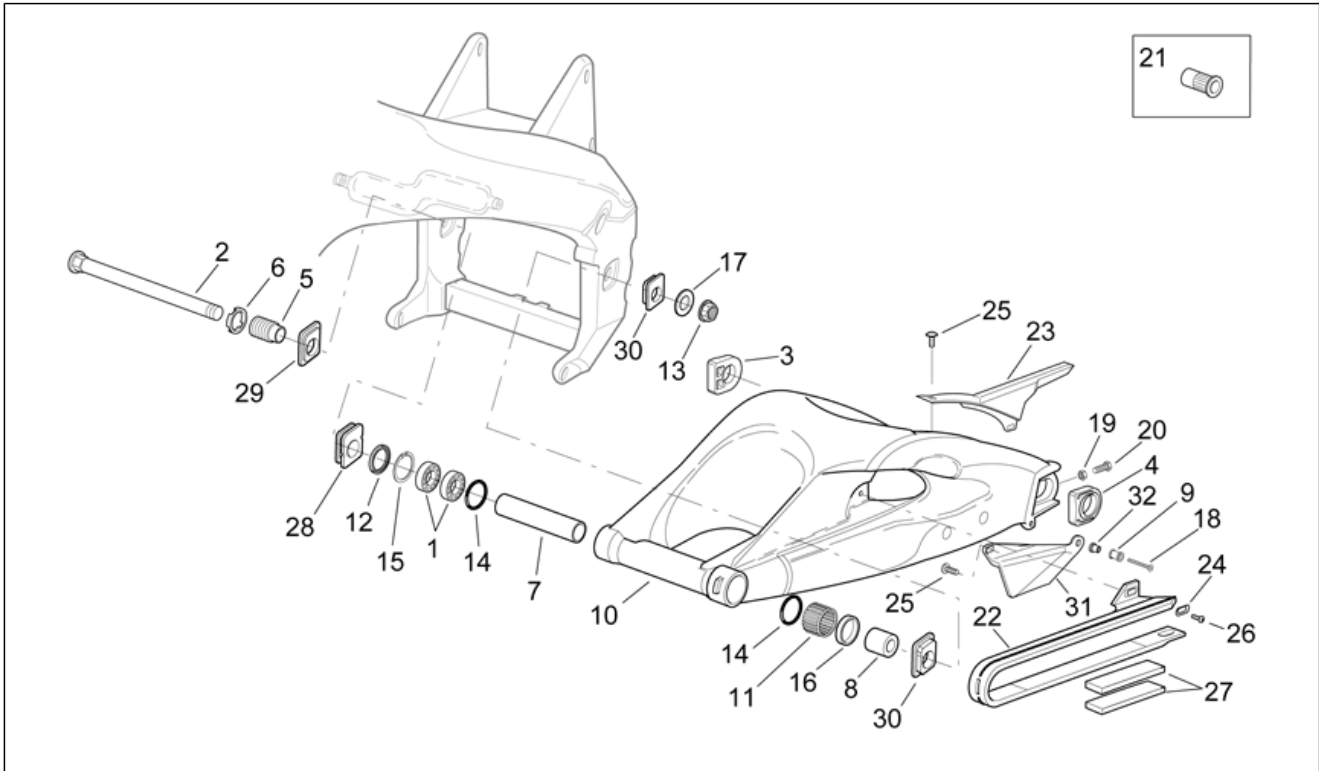


<b>Einheit</b>	RAHMEN
<b>Code</b>	28.06
<b>Beschreibung</b>	Schwinge
<b>Inspektion</b>	1



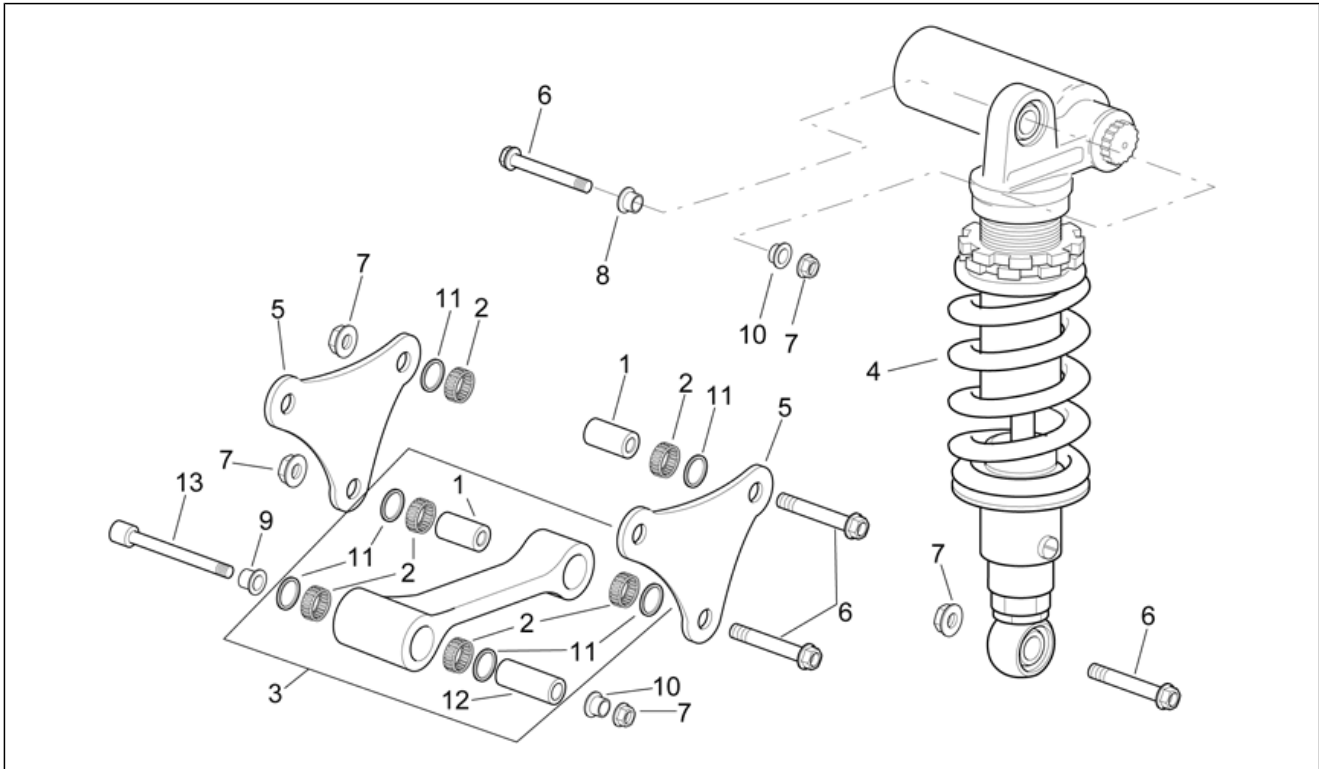
Pos.	Code	Beschreibung	Menge	Varianten
1	AP8110079	Kugellager	2	
2	AP8146154	Schwingenbolzen	1	
3	AP8120985	Kettenführung rechts	1	
4	AP8120986	Kettenführung links	1	
5	AP8121345	Einstellbuchse	1	
6	AP8121201	Gabelzapfen-Nutmutter	1	
7	AP8121202	Interne Distanzscheibe	1	
8	AP8121349	Buchse Gabelzapfen	1	
9	AP8121890	Buchse	2	
10	AP8135918	Schwinge	1	
11	AP8110078	Nadellager	1	
12	AP8144006	Gasket ring	1	
13	AP8125763	Hinterradbolzen mut.	1	
14	AP8144048	O-Ring 134	2	
15	AP8121204	Seegerring für Bohrung d37	1	
16	AP8144005	Gasket ring	1	
17	AP8125687	U-scheibe Hint.radbolz	1	
18	AP8150468	Schraube M6x40	2	
19	AP8150334	Mutter M8	2	
20	AP8152305	Kettenspanner Schraube	2	
21	AP8201755	Geschnitten Kunststoffniet	2	
22	AP8120995	Kettengleitführung	1	
23	AP8139344	Kettenkasten Kohlen.	1	
24	AP8234020	Becher	2	
25	AP8152302	TBEI Schraube m.Flansch M5x12	2	
26	AP8152267	TBEI Spez.schr. M5x12	2	
27	AP8117033	Klebeschwamm	2	
28	AP8121276	Einsatz rs. Schwinge	1	

<b>Einheit</b>	RAHMEN
<b>Code</b>	28.06
<b>Beschreibung</b>	Schwinge
<b>Inspektion</b>	1



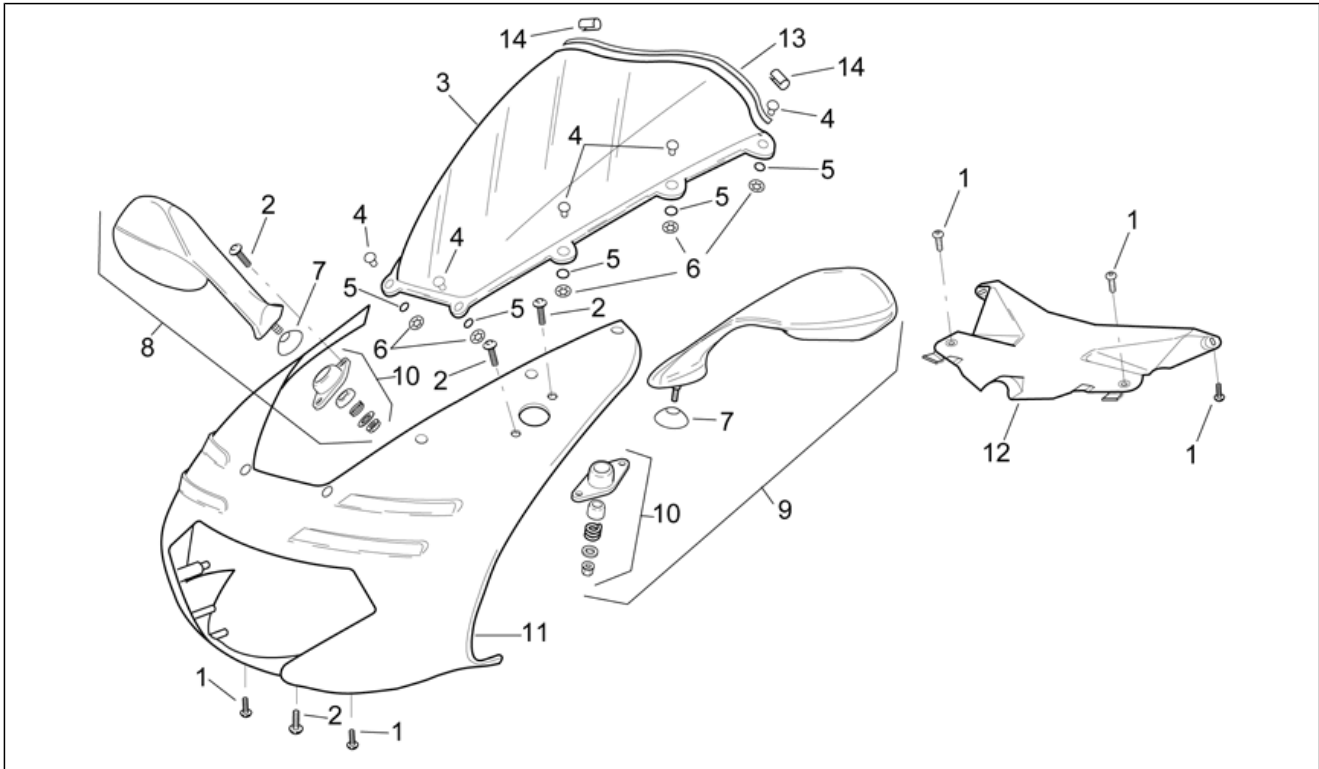
Pos.	Code	Beschreibung	Menge	Varianten
29	AP8121348	Schwingenbolzen Dist.	1	
30	AP8121277	Einsatz ls. Schwinge	2	
31	AP8144284	Kettengleitführung	1	
32	AP8121075	T-Buchse *	1	

<b>Einheit</b>	RAHMEN
<b>Code</b>	28.07
<b>Beschreibung</b>	Pleuelstange und Stoßdämpfer
<b>Inspektion</b>	1



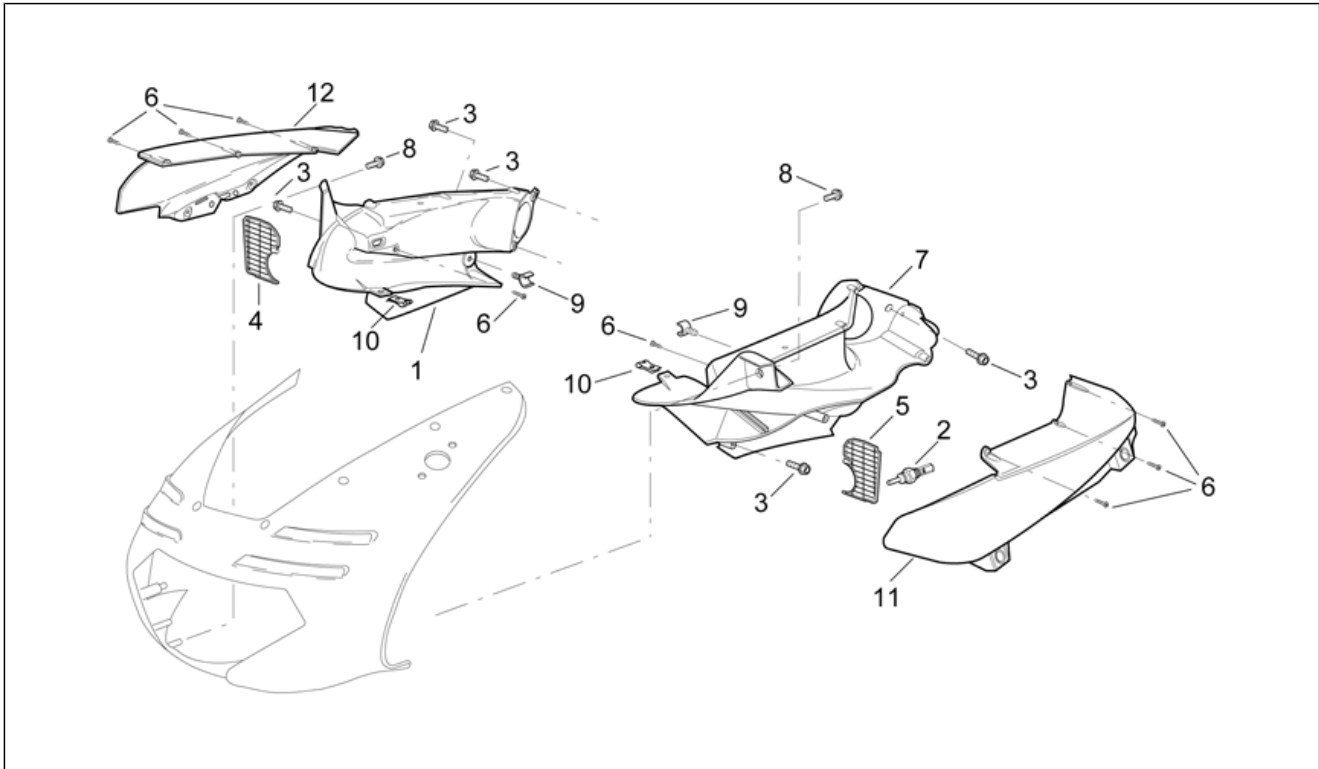
Pos.	Code	Beschreibung	Menge	Varianten
1	AP8135924	Pleuelbolzen L40	3	
2	AP8110065	Nadellager	6	
3	AP8146261	Einfache Pleuelstange	1	
4	AP8123789	Stoßdämpfer	1	
5	AP8146163	Doppelte Pleuelstange	2	
6	AP8152322	TE Schr. m. Flansch M10x65	4	
7	AP8152301	Selbstsperrende Mutter	5	
8	AP8121405	T-Buchse *	1	
9	AP8121406	T-Buchse *	1	
10	AP8121351	T-Buchse	2	
11	AP8110068	Ölabstreifring D18x24x3	6	
12	AP8121350	Pleuelbolzen	1	
13	AP8152354	TCEI Schraube M10x130	1	

<b>Einheit</b>	RAHMEN
<b>Code</b>	28.08
<b>Beschreibung</b>	Frontaufbau - Kuppel
<b>Inspektion</b>	1



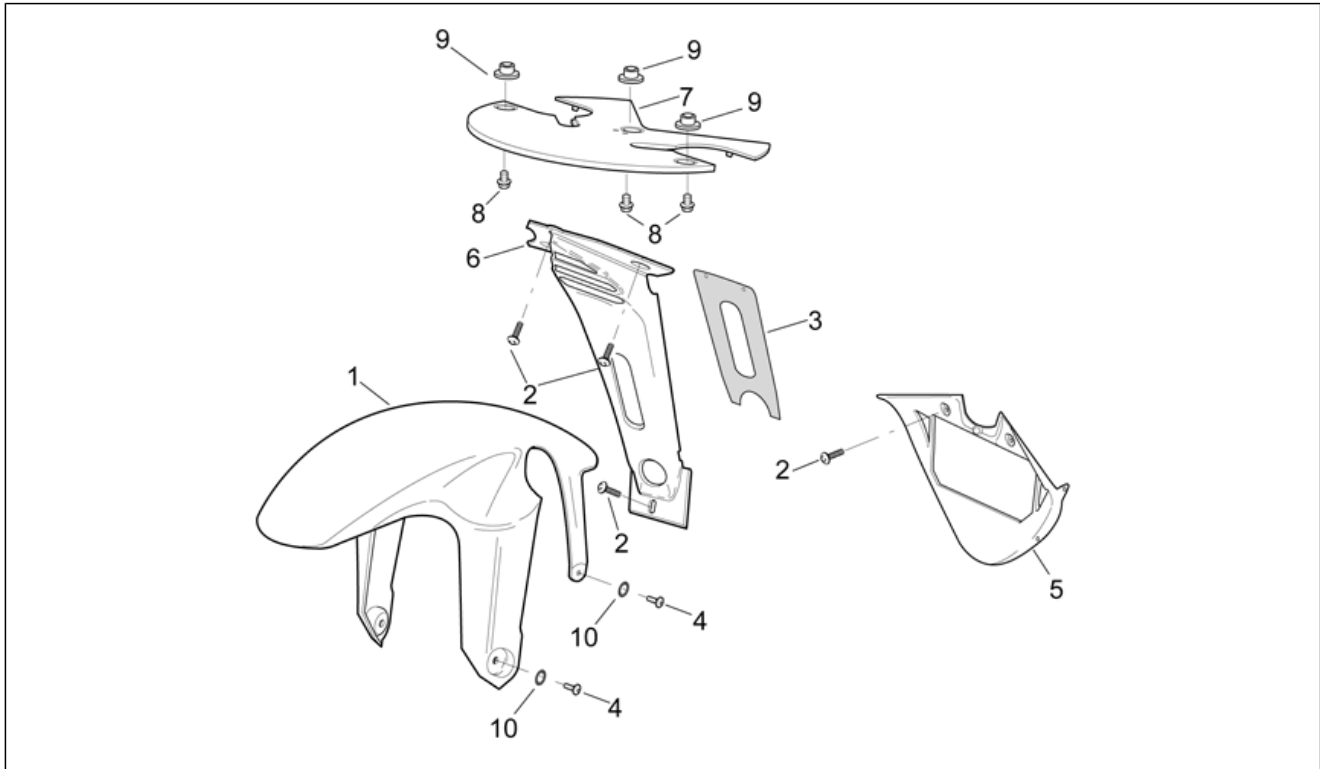
Pos.	Code	Beschreibung	Menge	Varianten
1	AP8152298	TBEI Schraube m.Flansch M5x16	6	
2	AP8152246	TBEI Schraube m.Flansch M6x16	5	
3	AP8139517	Windabweiser	1	
4	AP8144109	Fixierstift	8	
5	AP8102504	Gummi	8	
6	AP8150450	Wellenscheibe D5	8	
7	AP8102341	Becher Spiegelgelenk	2	
8	AP8102883	Rückspiegel rechts, schwarz	1	
9	AP8102884	Rückspiegel links, schwarz	1	
10	AP8102909	Bausatz einbauspiegel	2	
11	AP8148658	Front.Verkl. Schw./Weiß	1	
12	AP8148548	Verschl. Kuppel-Instr.tafel	1	
13	AP8144305	Dichtung Sportsch.	1	
14	AP8106712	Klammer	1	

<b>Einheit</b>	RAHMEN
<b>Code</b>	28.09
<b>Beschreibung</b>	Frontaufbau - Leitblech
<b>Inspektion</b>	1



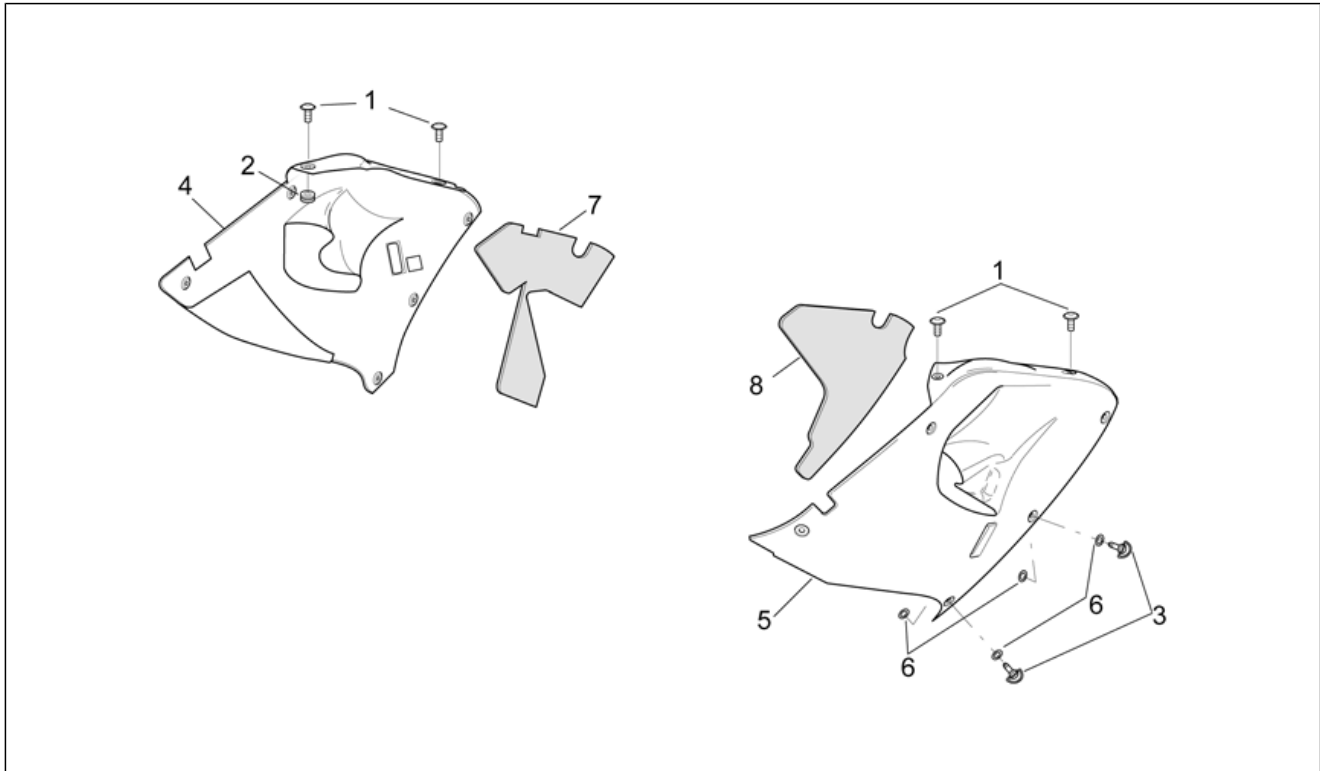
Pos.	Code	Beschreibung	Menge	Varianten
1	AP8139521	R. inn. Leitblech, schwarz	1	
2	AP8124300	Lufttemperaturfühler	1	
3	AP8152279	TE Schr. m. Flansch M6x20	4	
4	AP8148350	Netz Luftschlitz rechts	1	
5	AP8148351	Netz Luftschlitz links	1	
6	AP8150413	Gew.schr. 3,9x14	16	
7	AP8139522	L. inn. Leitblech, schwarz	1	
8	AP8152298	TBEI Schraube m.Flansch M5x16	2	
9	AP8220269	Kabelführungs	2	
10	AP8102375	Klammer M5	2	
11	AP8139529	ext. Leitblech ls. Schw.	1	
12	AP8139528	ext. Leitblech rs Schw.	1	

<b>Einheit</b>	RAHMEN
<b>Code</b>	28.10
<b>Beschreibung</b>	Frontaufbau - Vrd. Schutzblech
<b>Inspektion</b>	1



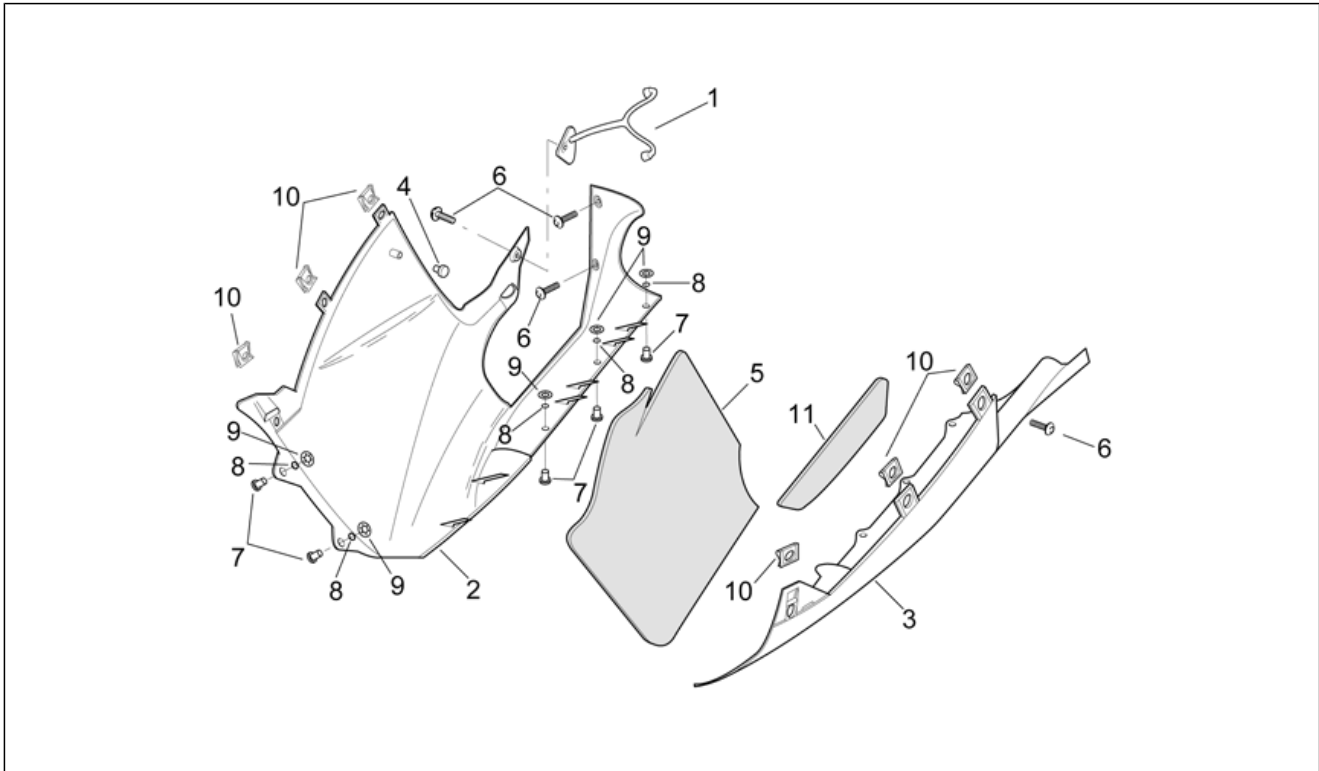
Pos.	Code	Beschreibung	Menge	Varianten
1	AP8126682	Schutzblech vorn Kohl.	1	
2	AP8152246	TBEI Schraube m.Flansch M6x16	5	
3	AP8117129	Gelenkplatte Spoiler	1	
4	AP8152298	TBEI Schraube m.Flansch M5x16	4	
5	AP8148355	Verkl.stange rot fluo.	1	
6	AP8139532	Kühlerspoiler Grau	1	
7	AP8139346	Verschl. unt. vorn Verkl.	1	
8	AP8152277	TE Schr. m. Flansch M6x12	3	
9	AP8121728	T-Buchse	3	
10	AP8150021	Externe Zahnscheibe	4	

<b>Einheit</b>	RAHMEN
<b>Code</b>	28.11
<b>Beschreibung</b>	Mittlerer aufbau - Oberer Rumpf
<b>Inspektion</b>	1



Pos.	Code	Beschreibung	Menge	Varianten
1	AP8152302	TBEI Schraube m.Flansch M5x12	4	
2	AP8120531	Gummi mit Einsatz	2	
3	AP8121322	Fixierstift	10	
4	AP8148353	seit.Verkl. rechts Schw.	1	
5	AP8148354	Seit.Verkl. links Schw.	1	
6	AP8120622	Vord. Staubschutzring	20	
7	AP8117130	Schalldämmpl. ob. re.	1	
8	AP8117131	Schalldämmpl. ob. links	1	

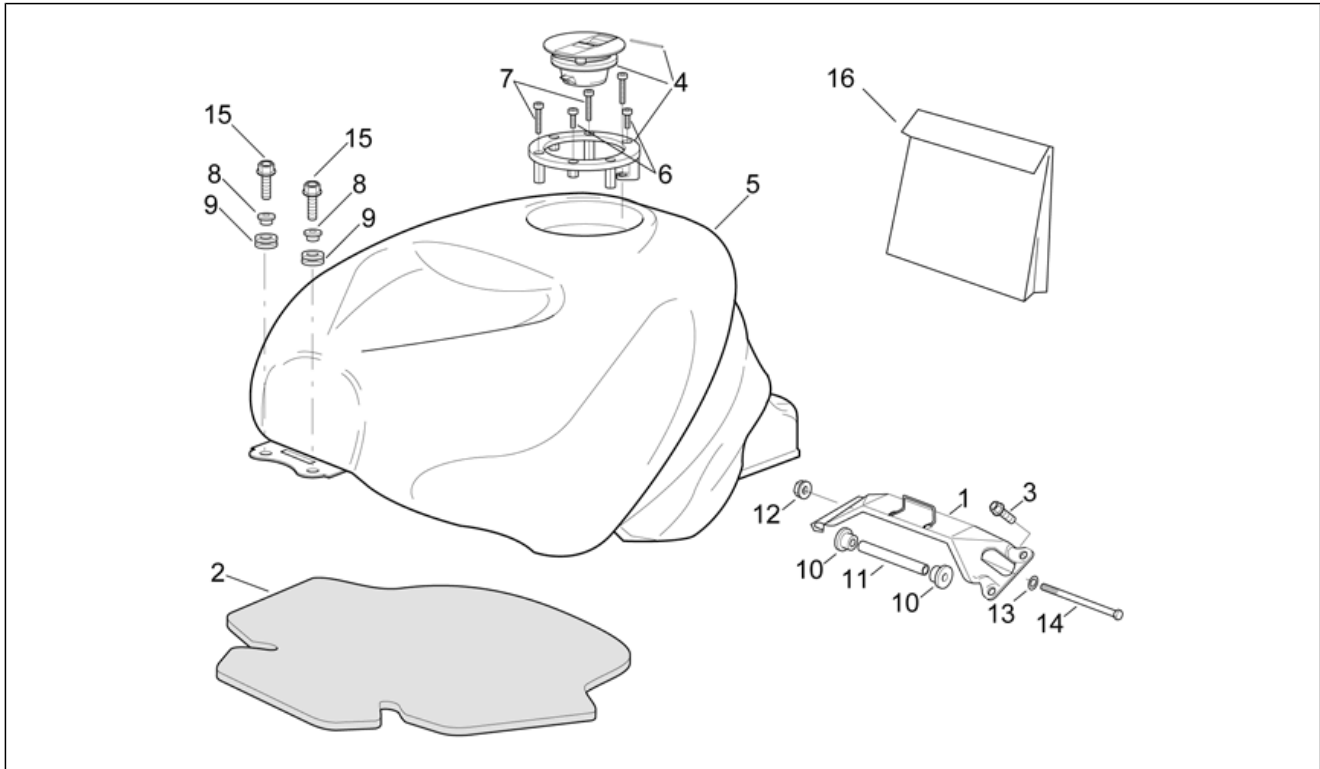
<b>Einheit</b>	RAHMEN
<b>Code</b>	28.12
<b>Beschreibung</b>	Mittlerer aufbau - Unterer Rumpf
<b>Inspektion</b>	1



Pos.	Code	Beschreibung	Menge	Varianten
1	AP8136368	Kettenrahmen unten rs.	1	
2	AP8139530	Verkl.unten rs. Fluo-Rot	1	
3	AP8139531	Verkl.unten ls. Fluo-Rot	1	
4	AP8144081	Gummi	1	
5	AP8117132	Schalldämmpl. unt. re.	1	
6	AP8152246	TBEI Schraube m.Flansch M6x16	4	
7	AP8144109	Fixierstift	12	
8	AP8102504	Gummi	12	
9	AP8150450	Wellenscheibe D5	12	
10	AP8101985	Spezialklammer	10	
11	AP8117133	Schalldämmpl. unt. links	1	

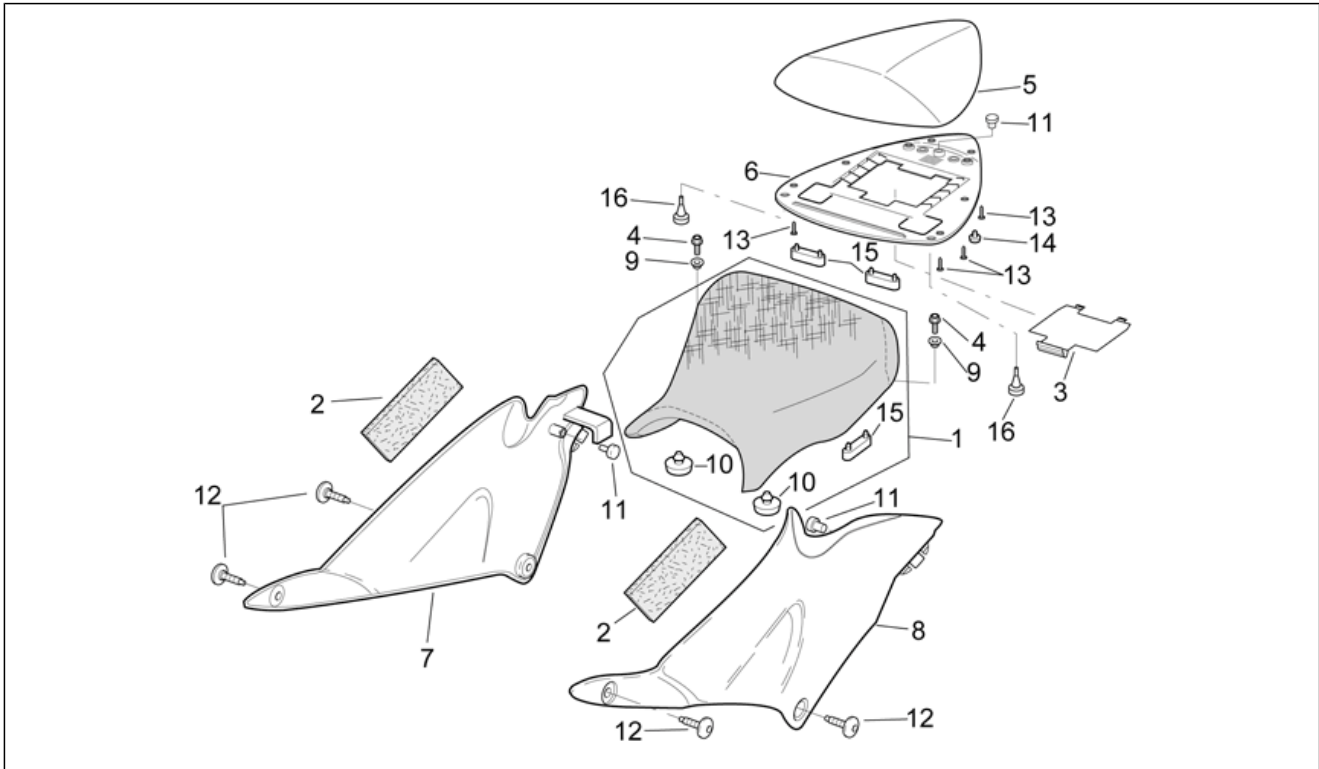


<b>Einheit</b>	RAHMEN
<b>Code</b>	28.13
<b>Beschreibung</b>	Kraftstofftank
<b>Inspektion</b>	1



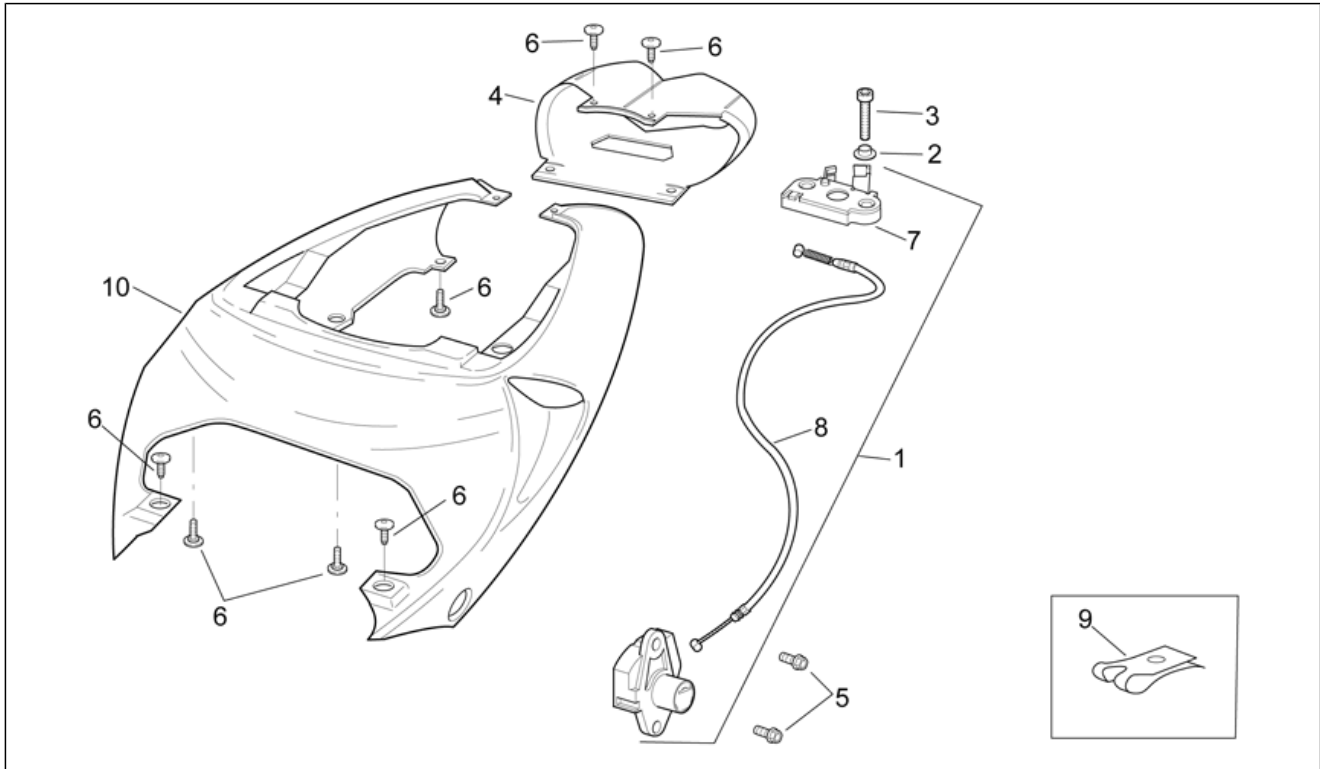
Pos.	Code	Beschreibung	Menge	Varianten
1	AP8134370	Tankfixierung	1	
2	AP8117127	Schalldämmpl. Tank	1	
3	AP8152278	TE Schr. m. Flansch M6x16	4	
4	AP8102912	Tankfüllschraube	1	
5	AP8139515	Kraftstofftank, schwarz	1	
6	AP8150454	TCEI Schraube M5x16	4	
7	AP8150453	TCEI Schraube M5x30	3	
8	AP8221023	T-Buchse	2	
9	AP8120030	Gummi	2	
10	AP8144062	Gummi Tankanschluß	2	
11	AP8134419	Aufnahmebüchse Kraftstofftank	1	
12	AP8152299	Selbstsperrende Mutter M6	1	
13	AP8150014	Ausgleichscheibe 6,4x12,5*	1	
14	AP8150459	Sechskantschraube M6x90	1	
15	AP8152280	TE Schr. m. Flansch M6x25	2	
16	AP8117160	Bausatz Hitzeschilder	1	

<b>Einheit</b>	RAHMEN
<b>Code</b>	28.14
<b>Beschreibung</b>	Sitz
<b>Inspektion</b>	1



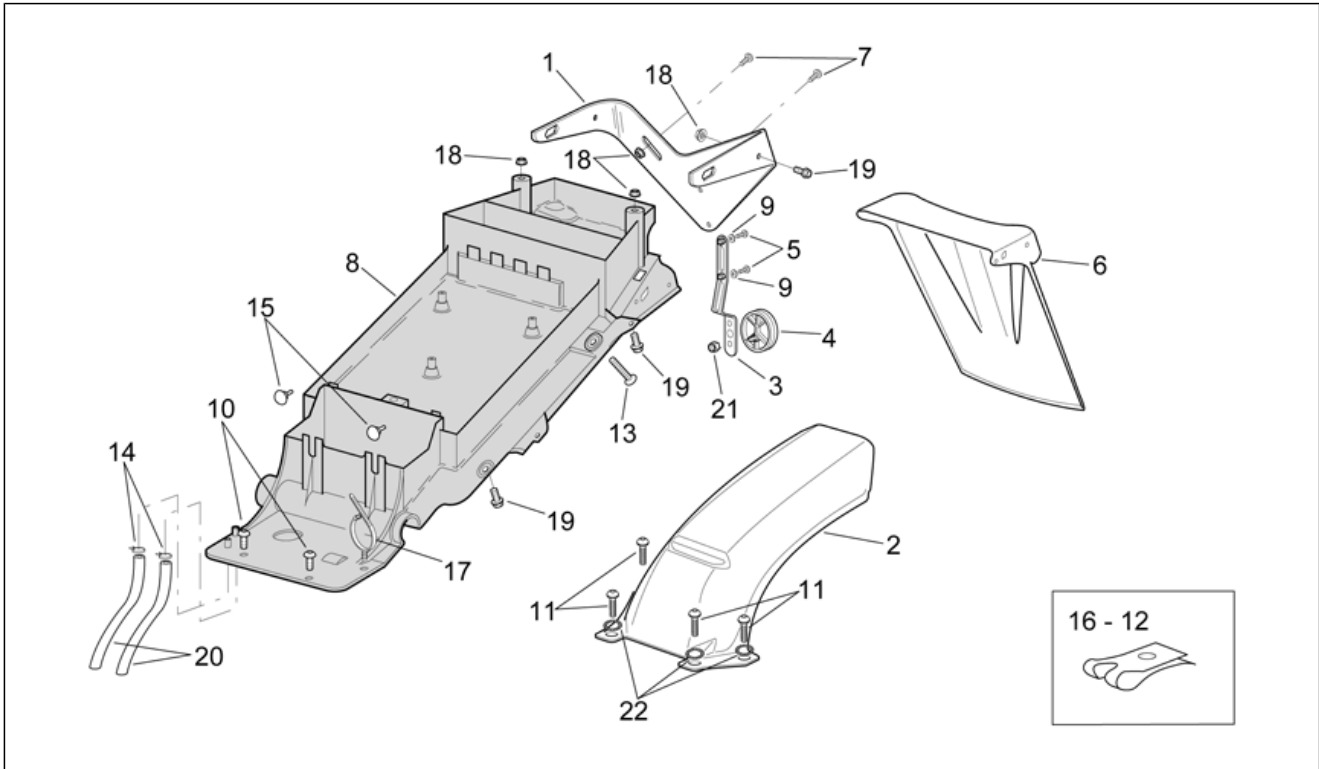
Pos.	Code	Beschreibung	Menge	Varianten
1	AP8129169	Fahrersitz, schwarz	1	
2	AP8117125	Klebeschwamm	2	
3	AP8138947	Zugangsklappe Sitzab.	1	
4	AP8152279	TE Schr. m. Flansch M6x20	2	
5	AP8139793	Sitzabdeckung, schwarz	1	
6	AP8129204	Grundplatte Sitzabdeckung	1	
7	AP8139534	Seitenteil rechts Kohl.	1	
8	AP8139535	Seitenteil links Kohlen.	1	
9	AP8221145	T-Buchse *	2	
10	AP8126702	Gummi	2	
11	AP8144081	Gummi	3	
12	AP8152246	TBEI Schraube m.Flansch M6x16	4	
13	AP8150413	Gew.schr. 3,9x14	6	
14	AP8220349	Gummi	4	
15	AP8126701	Sitz-Auflagegummi	6	
16	AP8220238	Gummi	2	

<b>Einheit</b>	RAHMEN
<b>Code</b>	28.15
<b>Beschreibung</b>	R.Kar. - R.verkl.
<b>Inspektion</b>	1



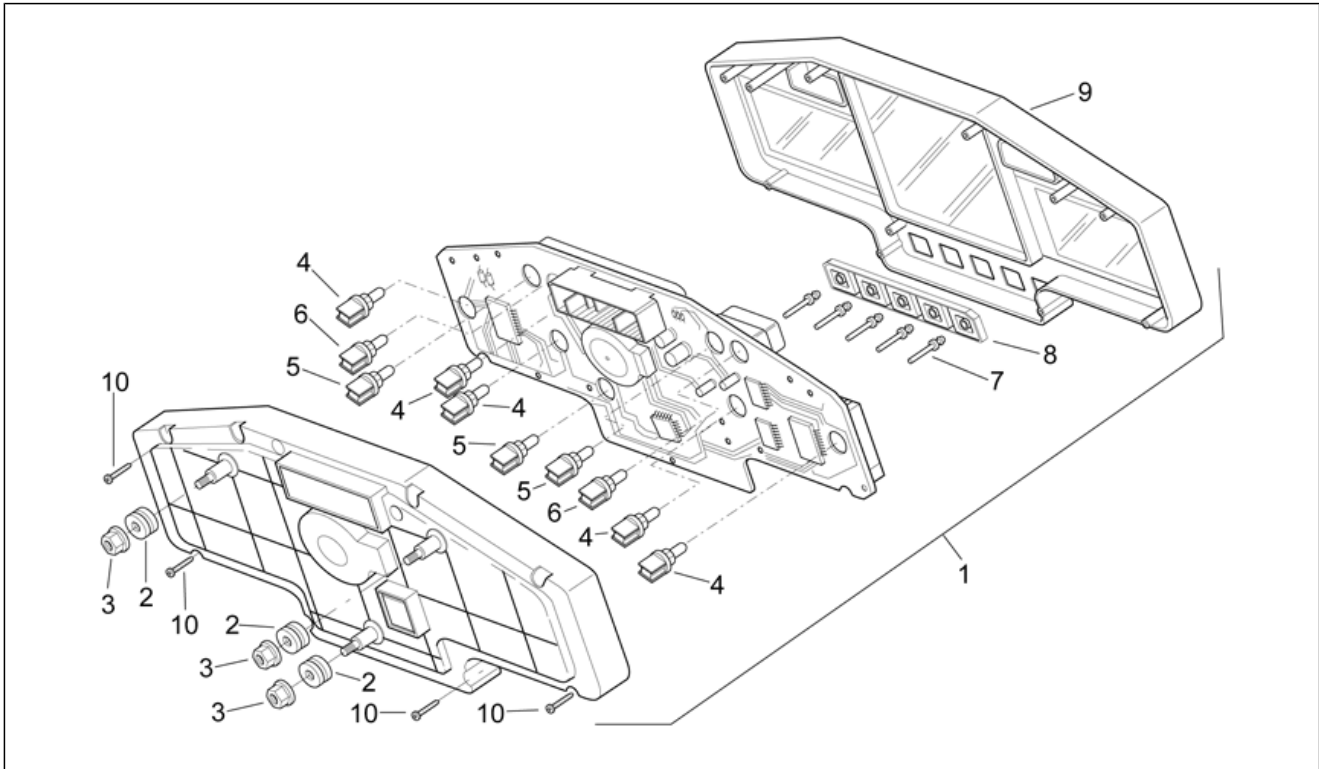
Pos.	Code	Beschreibung	Menge	Varianten
1	AP8102911	Sitzschloß komplett	1	
2	AP8221129	Buchse	2	
3	AP8150285	TCEI Schraube M6x35	2	
4	AP8139537	Heckrah. Rückl. Grau	1	
5	AP8152278	TE Schr. m. Flansch M6x16	2	
6	AP8152302	TBEI Schraube m.Flansch M5x12	10	
7	AP8102913	Fixierplatte Soziussitz	1	
8	AP8102914	Sitz-Einkupplungsvorrichtung	1	
9	AP8102375	Klammer M5	8	
10	AP8148263	Heck Schwarz/Rot	1	

<b>Einheit</b>	RAHMEN
<b>Code</b>	28.16
<b>Beschreibung</b>	R.Kar. - Untersitz
<b>Inspektion</b>	1



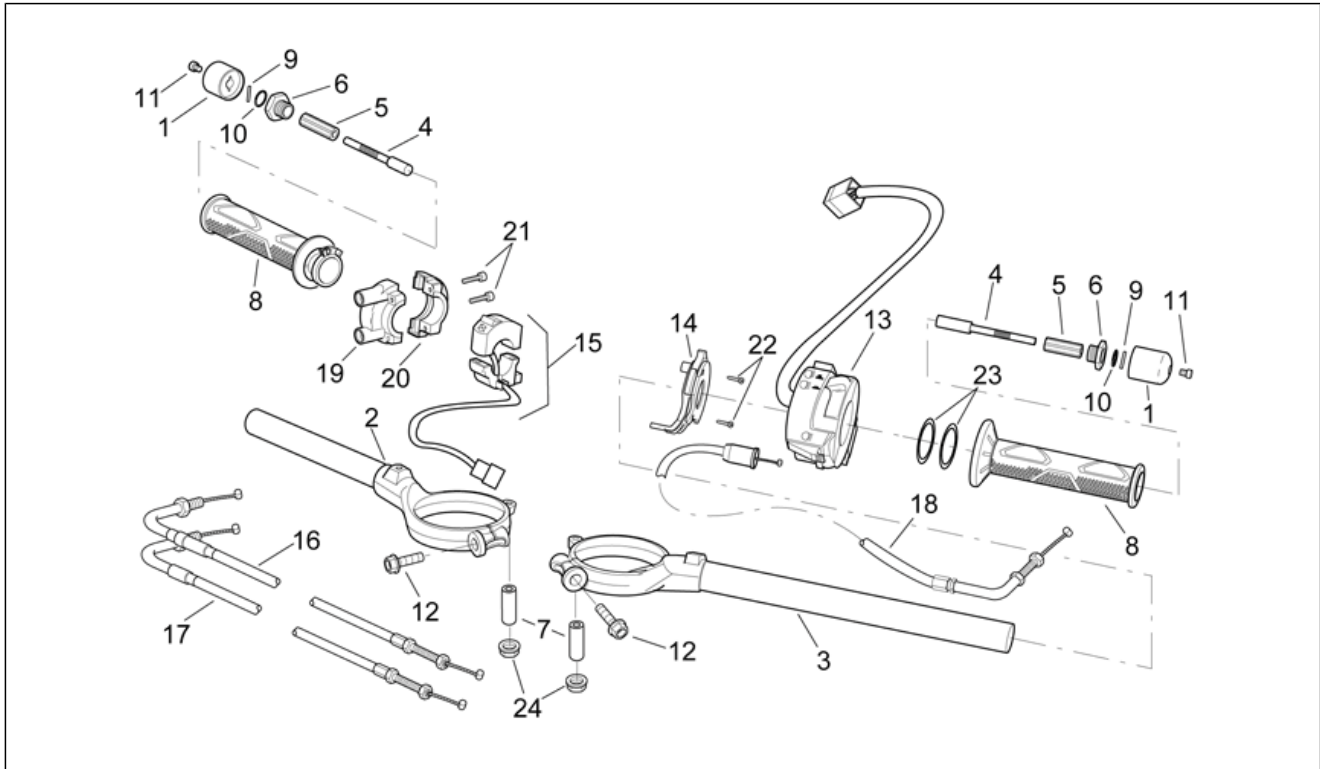
Pos.	Code	Beschreibung	Menge	Varianten
1	AP8126775	Kennzeichenhalter	1	
2	AP8126650	Schutzblech hinten Kohl.	1	
3	AP8134448	Rückstrahler-Fixierung	1	
4	AP8212603	Rückstrahler Rücklicht, rot	1	
5	AP8152267	TBEI Spez.schr. M5x12	2	
6	AP8126591	Verl. Nummernsch.bef.	1	Land:Deutschland[D]
7	AP8150340	TBEI Schraube	2	
8	AP8148356	Unt.Verschl.Sitzhal.rot	1	
9	AP8150177	Ausgleichscheibe 5,3X10X1	2	
10	AP8152246	TBEI Schraube m.Flansch M6x16	4	
11	AP8152298	TBEI Schraube m.Flansch M5x16	4	
12	AP8102376	Klammer M6	1	
13	AP8150468	Schraube M6x40	2	
14	AP8101595	Schelle D10,1	2	
15	AP8120001	Gummi	2	
16	AP8102375	Klammer M5	8	
17	AP8201539	Schelle	1	
18	AP8152299	Selbstsperrende Mutter M6	6	
19	AP8152278	TE Schr. m. Flansch M6x16	6	
20	AP8120952	Kraftstoffleitung 5,5x10	1	
21	AP8152306	Selbstsperrende Mutter M5	1	
22	AP8150021	Externe Zahnscheibe	4	

<b>Einheit</b>	RAHMEN
<b>Code</b>	28.17
<b>Beschreibung</b>	Instrumententafel
<b>Inspektion</b>	1



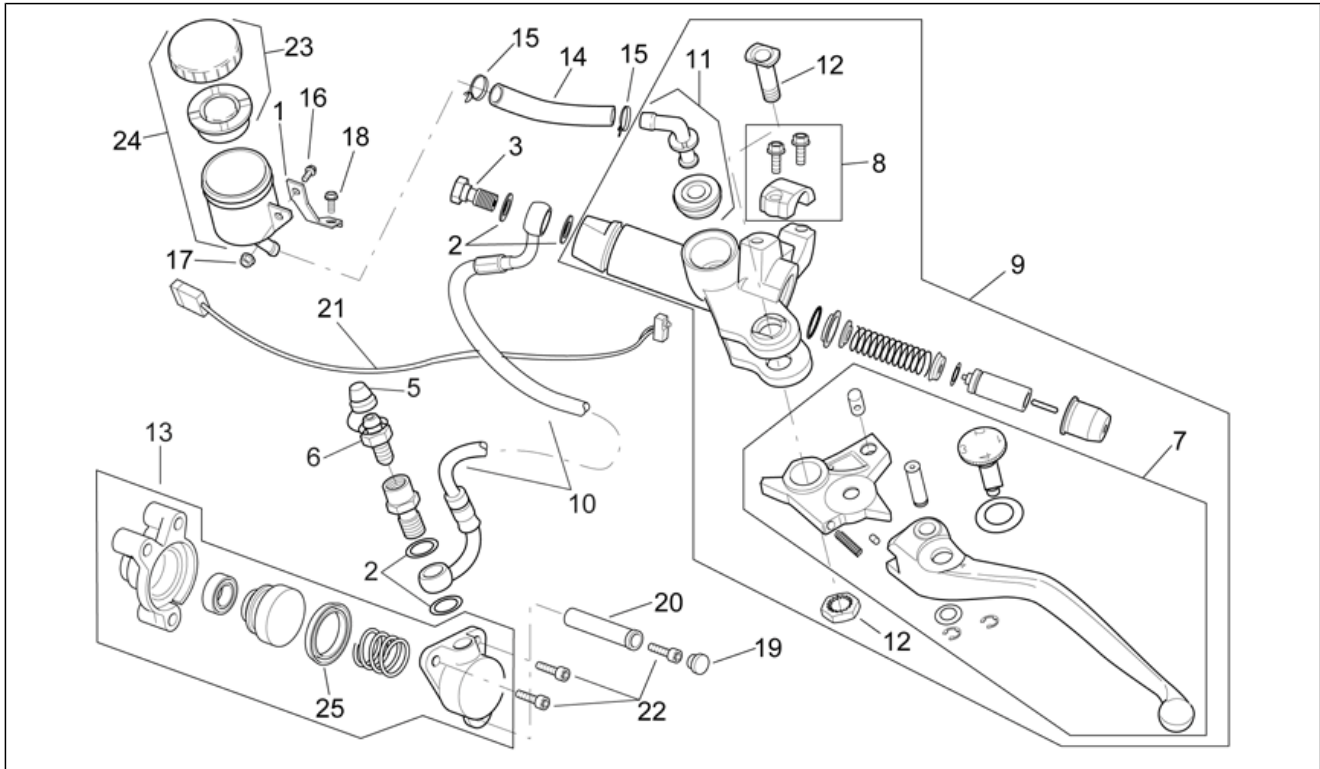
Pos.	Code	Beschreibung	Menge	Varianten
1	AP8124294	Instrum.tafel kplt.	1	
2	AP8112599	Gummi *	3	
3	AP8152299	Selbstsperrende Mutter M6	3	
4	AP8124569	Lampenhalter kplt.	5	
5	AP8124570	Lampenhalter kplt.	3	
6	AP8124571	Lampenhalter kplt. 12V-3W	2	
7	AP8124575	Kolben Armaturentafel	5	
8	AP8124574	Gummi	1	
9	AP8124573	Ob. Armaturenabdeck.	1	
10	AP8124572	Schraube	8	

<b>Einheit</b>	RAHMEN
<b>Code</b>	28.18
<b>Beschreibung</b>	Lenkstange
<b>Inspektion</b>	1



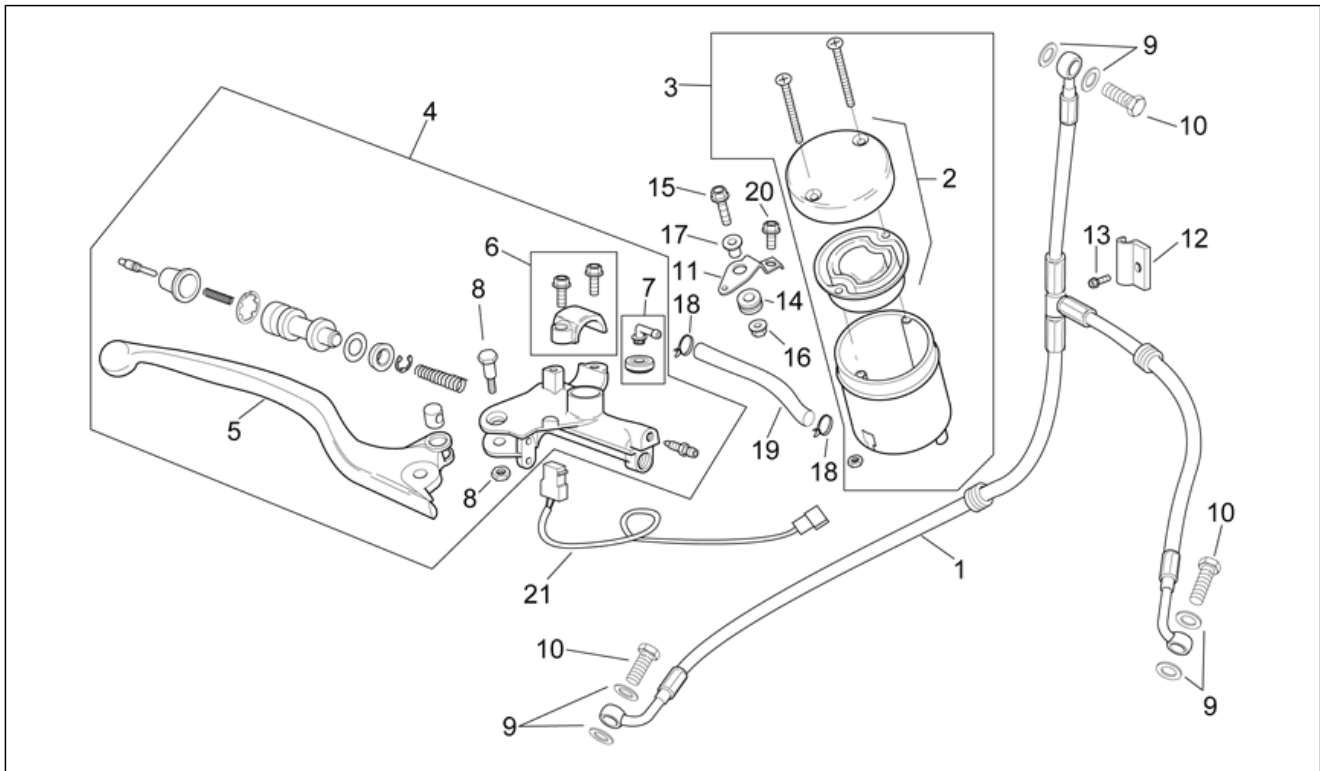
Pos.	Code	Beschreibung	Menge	Varianten
1	AP8102787	Schwingschutzgewicht schwarz	2	
2	AP8118561	Halblenker kpl rechts	1	
3	AP8118562	Halblenker kpl links	1	
4	AP8121262	Welle Schwingschutz	2	
5	AP8144083	Gummi	2	
6	AP8121261	Endstück Schwinggew.	2	
7	AP8121401	Distanzst. Lenkfixierung	2	
8	AP8118501	Handgriffe paar, schwarz	1	
9	AP8110074	Rolle D4x19,8	2	
10	AP8120178	O-Ring OR112	2	
11	AP8152040	TCEI Schraube	2	
12	AP8152355	TE Schr. m. Flansch M8x35	2	
13	AP8124261	Linker Lichtschalter	1	
14	AP8118470	Starterschaltung	1	
15	AP8124260	Motor Stop-Start Vorr.	1	
16	AP8114342	Gas trasmissione delivery	1	
17	AP8114343	Gas trasmissione return	1	
18	AP8114359	Starterzugkabel	1	
19	AP8118502	Gasschaltung V.Bügelbolzen	1	
20	AP8118503	Gasschaltung H.Bügelbolzen	1	
21	AP8118492	Kappenschraube	2	
22	AP8150472	Edelstahl-Inbusschraube M3x20	2	
23	AP8120190	O-Ring 3075	2	
24	AP8152299	Selbstsperrende Mutter M6	2	

<b>Einheit</b>	RAHMEN
<b>Code</b>	28.19
<b>Beschreibung</b>	Kupplungspumpe
<b>Inspektion</b>	1



Pos.	Code	Beschreibung	Menge	Varianten
1	AP8134394	Platte f. Ölbehälter	1	
2	AP8121915	Dichtung	4	
3	AP8113766	Lochschaube	1	
4	AP8113762	Lochschaube	1	
5	AP8113760	Entlüftungskappe	1	
6	AP8113761	Entlüftungsanschluß	1	
7	AP8113758	Kupplungshebel	1	
8	AP8113759	Bügelbolzen	1	
9	AP8106384	Kupplungspumpe	1	
10	AP8106672	Kupplungsschlauch	1	
11	AP8213057	Hinterer Pumpenanschluß	1	
12	AP8113719	Hebelbolzen	1	
13	AP8106381	Kupplungszylinder	1	
14	AP8113773	Leitung	1	
15	AP8113764	Schelle	2	
16	AP8152273	Flanschschraube M5x15	1	
17	AP8152306	Selbstsperrende Mutter M5	1	
18	AP8152277	TE Schr. m. Flansch M6x12	1	
19	AP8144158	Gummi	1	
20	AP8121293	Distanzsch. Kettengummi	1	
21	AP8124398	Kuppl.schalter+Verkab.	1	
22	AP0241821	TCEI Schraube M6x45	1	
23	AP8113553	Tankverschluß	1	
24	AP8106382	Öltank kpl	1	
25	AP8106935	Dichtung	1	

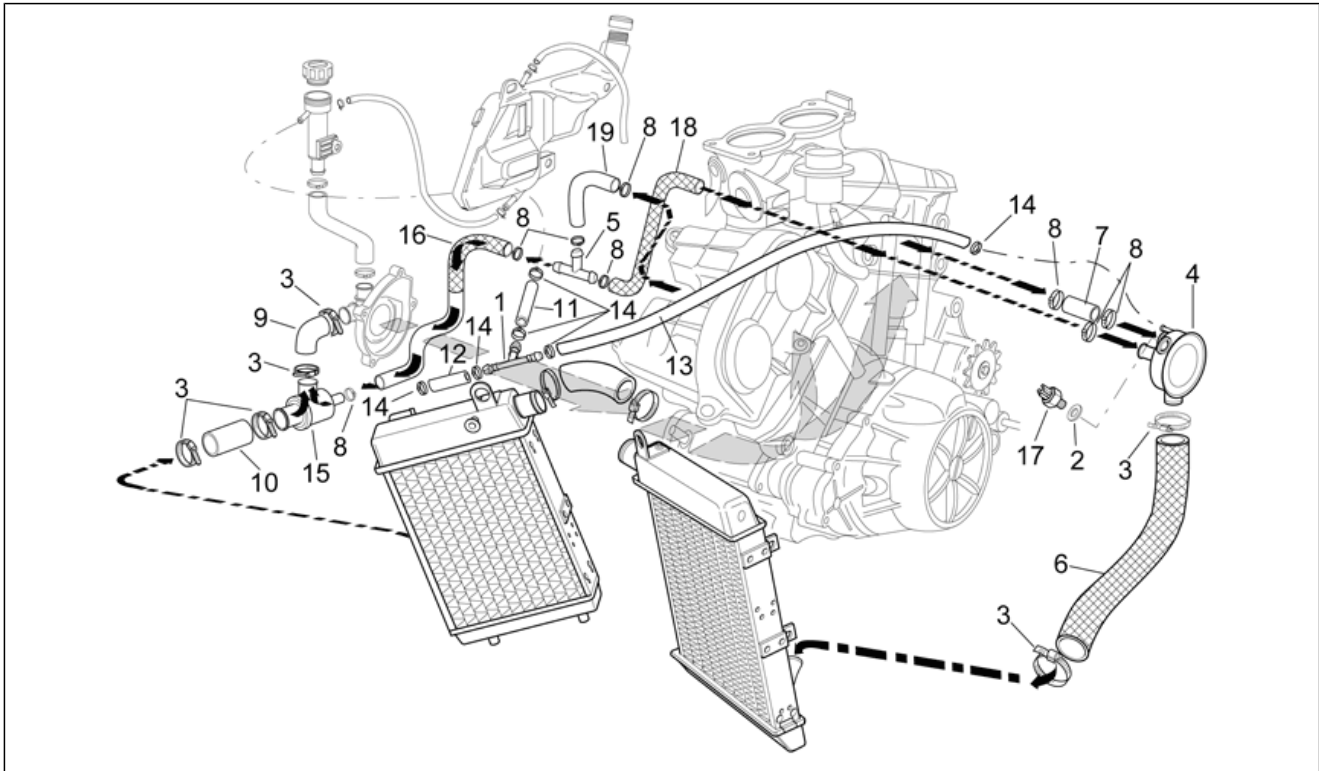
<b>Einheit</b>	RAHMEN
<b>Code</b>	28.20
<b>Beschreibung</b>	Vorderradbremspumpe
<b>Inspektion</b>	1



Pos.	Code	Beschreibung	Menge	Varianten
1	AP8113874	Vorderradbremseleitung	1	
2	AP8113598	Bremsen-Öltankschraube	1	
3	AP8113499	Öltank Bremsen	1	
4	AP8113763	Vorderradbremspumpe	1	
5	AP8113757	Vorderradbremshebel	1	
6	AP8113717	Bügelbolzen	1	
7	AP8213057	Hinterer Pumpenanschluß	1	
8	AP8113719	Hebelbolzen	1	
9	AP8121915	Dichtung	6	
10	AP8113766	Lochschaube	3	
11	AP8134383	Platte f. Ölbehälter	1	
12	AP8134438	Platte Bremsschlauch	1	
13	AP8152272	TE Schr. m. Flansch M5x12	1	
14	AP8120030	Gummi	1	
15	AP8152280	TE Schr. m. Flansch M6x25	1	
16	AP8152299	Selbstsperrende Mutter M6	1	
17	AP8221023	T-Buchse	1	
18	AP8113764	Schelle	2	
19	AP8113771	Leitung	1	
20	AP8152277	TE Schr. m. Flansch M6x12	1	
21	AP8124288	Bremslichtschalter	1	

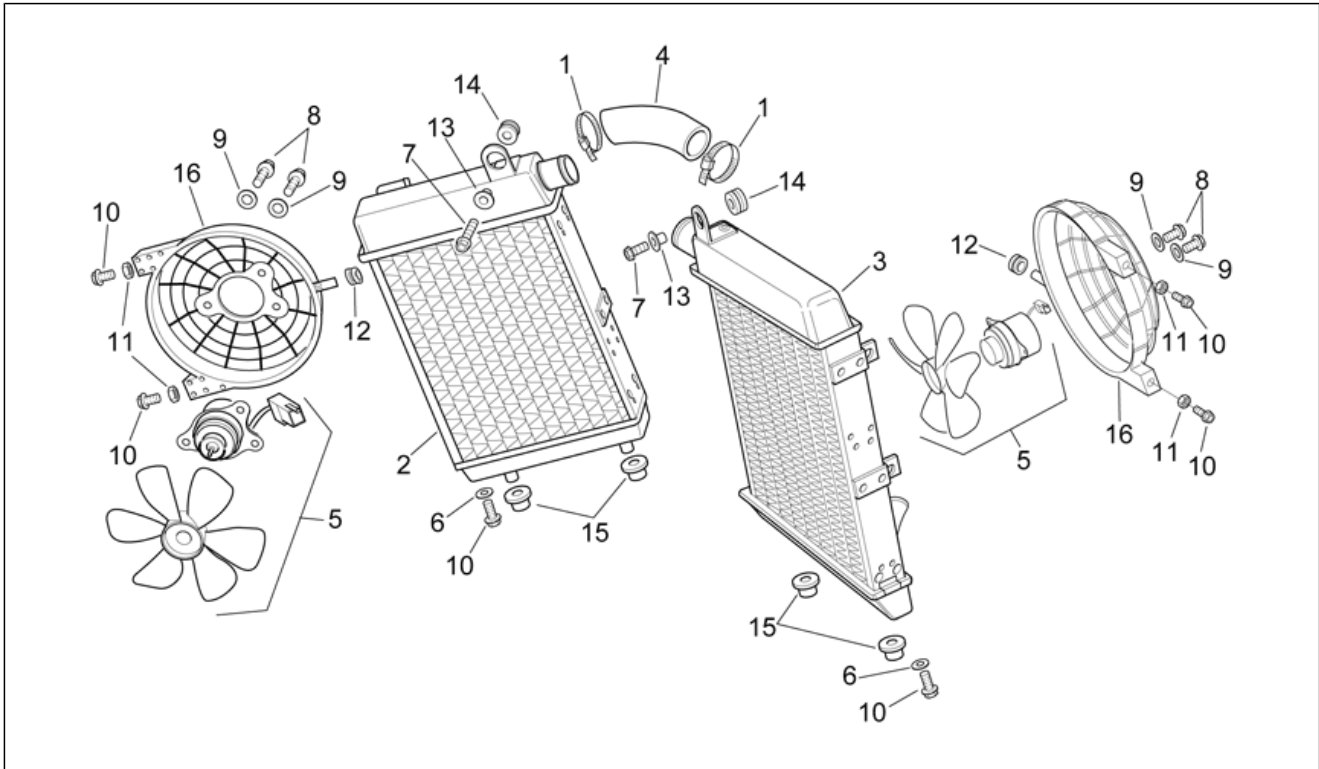


<b>Einheit</b>	RAHMEN
<b>Code</b>	28.21
<b>Beschreibung</b>	Kühlanlage
<b>Inspektion</b>	1



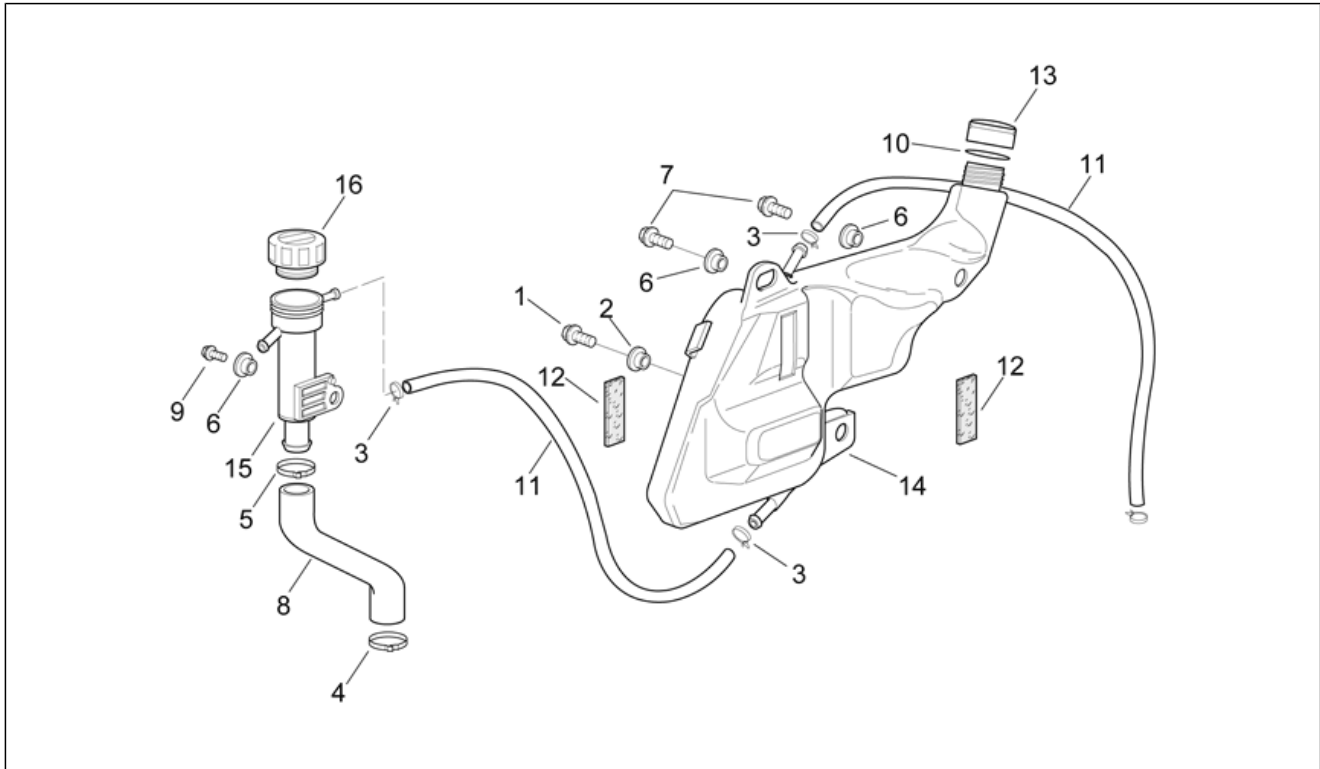
Pos.	Code	Beschreibung	Menge	Varianten
1	AP8102431	3-Wegeanschluß	1	
2	AP8121837	Alu-Scheibe	1	
3	AP8104097	Schlauchschelle	6	
4	AP8102677	3-Wege-Krümmmer	1	
5	AP8101916	T-förmiger Anschluß D20	1	
6	AP8120978	Wasserschl. Krüm.-Kühl.	1	
7	AP8120979	Schlauch Motor-Krüm.	1	
8	AP8101927	Schlauchschelle D23,5x8*	8	
9	AP8144033	Schl. Thermostat-Pumpe	1	
10	AP8144034	Schl. Therm.-Kühl.	1	
11	AP8144094	Entftf.schl. Anschl.-Krüm.	1	
12	AP8144093	Entftf.schl. Kühler-Ansch.	1	
13	AP8144092	Entlüftungsschlauch	1	
14	AP8102764	Schlauchschelle weiß d.13x6	6	
15	AP8102614	Ventil thermostatgruppe	1	
16	AP8144229	Schlauch Thermost.-Mot.	1	
17	AP8112939	Thermoschalter	1	
18	AP8144230	3-Wege-Sammelr./Gel.	1	
19	AP8144236	Motorrohr/T-Gelenk	1	

<b>Einheit</b>	RAHMEN
<b>Code</b>	28.22
<b>Beschreibung</b>	Wasserkühler
<b>Inspektion</b>	1



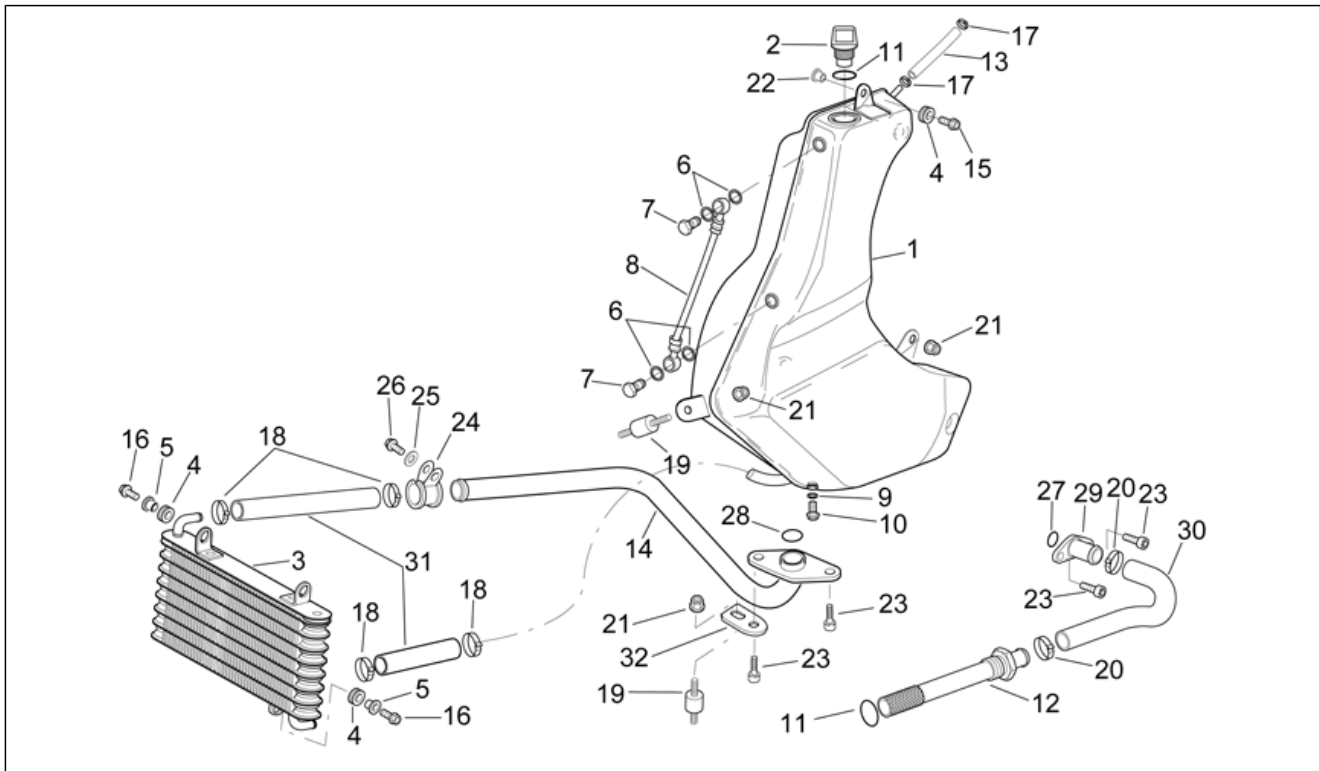
Pos.	Code	Beschreibung	Menge	Varianten
1	AP8104097	Schlauchschelle	2	
2	AP8102612	Wasserkühler re. grau	1	
3	AP8102613	Wasserkühler links gr.	1	
4	AP8120981	Wasserschlauch Kühler	1	
5	AP8124335	Lüfter	2	
6	AP8152184	Ausgleichscheibe 6,4x12*	2	
7	AP8152279	TE Schr. m. Flansch M6x20	2	
8	AP8152043	TCEI Schraube M4x10	6	
9	AP8150011	Ausgleichscheibe 4,3x12x1	6	
10	AP8152277	TE Schr. m. Flansch M6x12	6	
11	AP8150026	Mutter M6	4	
12	AP8112600	Gummi	2	
13	AP8221023	T-Buchse	2	
14	AP8120030	Gummi	2	
15	AP8101372	Silent-Block	4	
16	AP8134599	Lüfterlager	2	

<b>Einheit</b>	RAHMEN
<b>Code</b>	28.23
<b>Beschreibung</b>	Ausdehngefäß
<b>Inspektion</b>	1



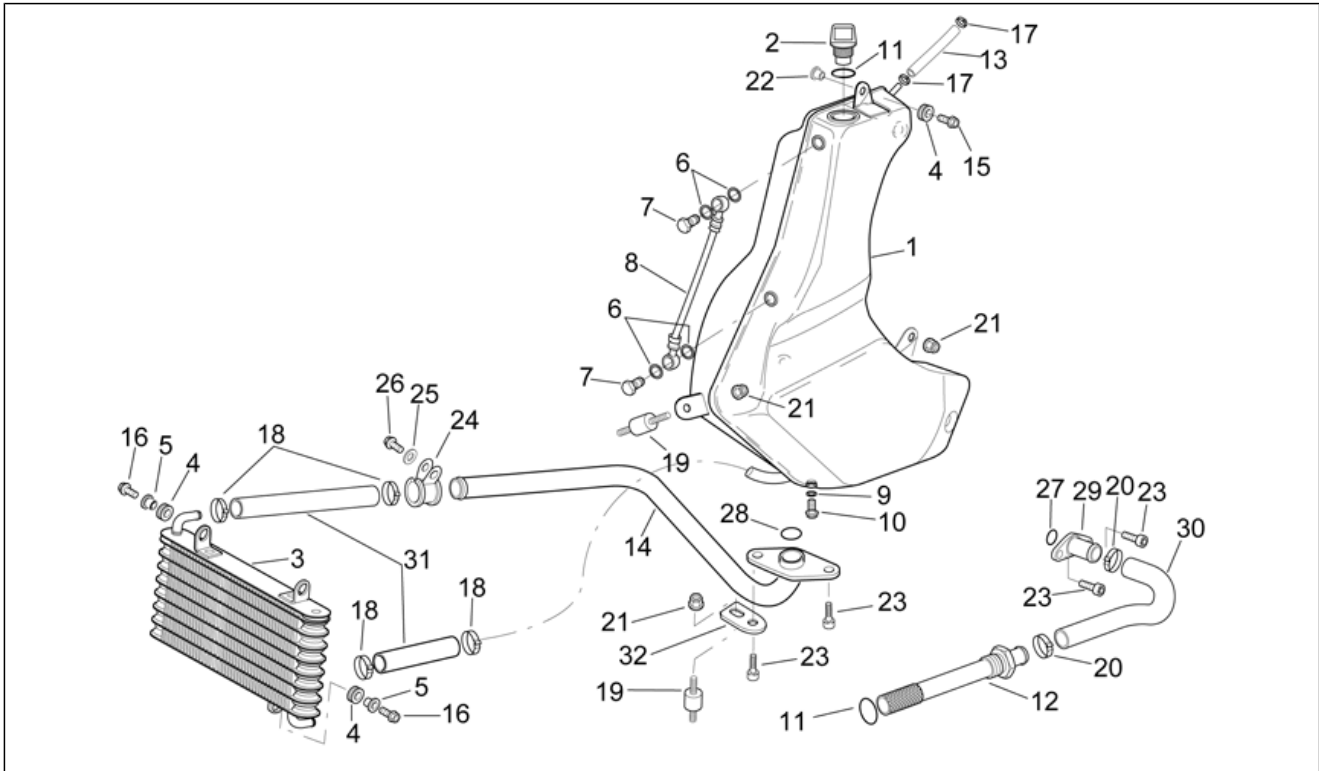
Pos.	Code	Beschreibung	Menge	Varianten
1	AP8152273	Flanschschraube M5x15	1	
2	AP8120531	Gummi mit Einsatz	1	
3	AP8102378	Schelle D11,3	3	
4	AP8102732	Schelle 17-25	1	
5	AP8101927	Schlauchschelle D23,5x8*	1	
6	AP8221145	T-Buchse *	3	
7	AP8152278	TE Schr. m. Flansch M6x16	2	
8	AP8144032	Schl. Pumpe-Stutzen	1	
9	AP8152279	TE Schr. m. Flansch M6x20	1	
10	AP8120355	Ölschraubelochstal dichtung	1	
11	AP8120952	Kraftstoffleitung 5,5x10	1	
12	AP8117033	Klebeschwamm	1	
13	AP8120354	Deckel	1	
14	AP8138556	Ausdehngefäß	1	
15	AP8120988	Tankstutzen	1	
16	AP8102615	Deckel	1	

<b>Einheit</b>	RAHMEN
<b>Code</b>	28.24
<b>Beschreibung</b>	Öltank
<b>Inspektion</b>	1



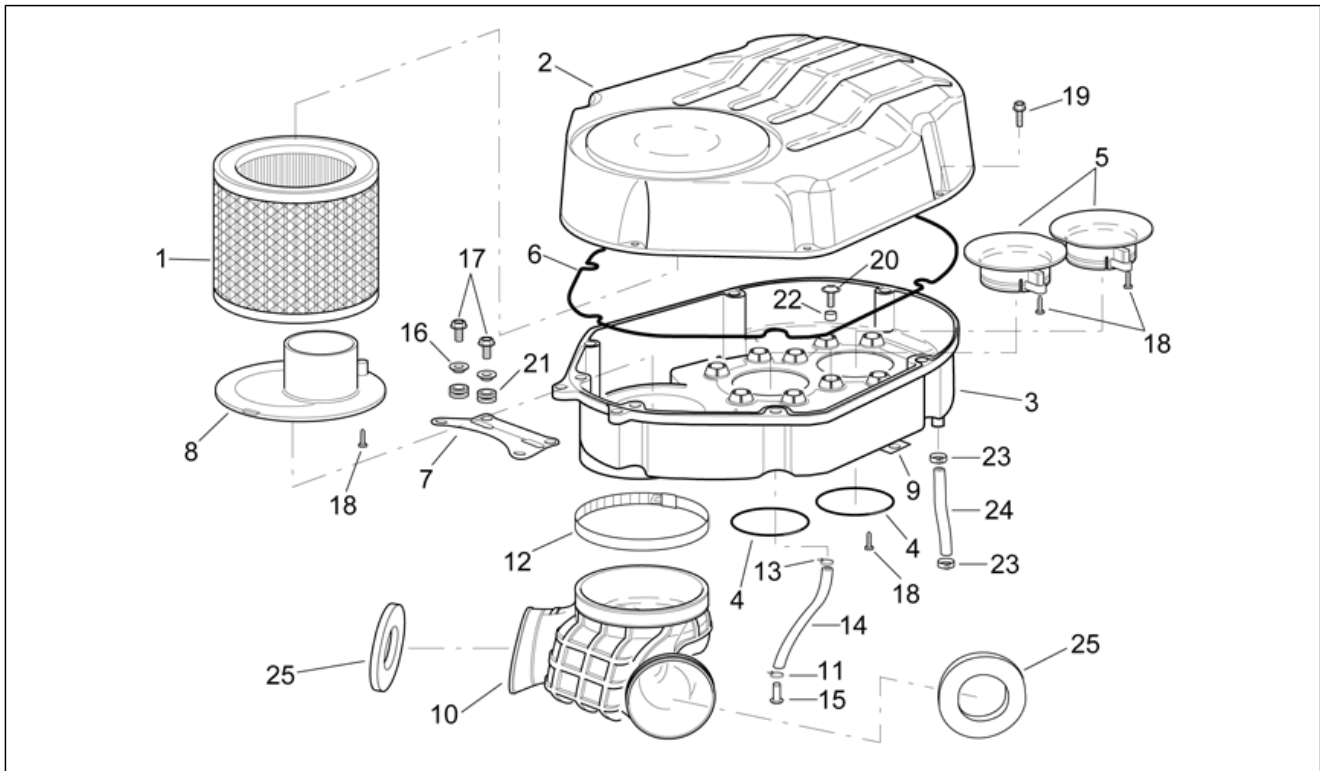
Pos.	Code	Beschreibung	Menge	Varianten
1	AP8148427	Öltank	1	
2	AP8102618	Öltankschraube	1	
3	AP8102619	Ölkühler grau	1	
4	AP8120030	Gummi	4	
5	AP8221023	T-Buchse	3	
6	AP8113004	Ausgleichscheibe 10x14x1,6*	4	
7	AP8113003	Fixierschraube Ölschlauch	2	
8	AP8144059	Ölstandschlauch	1	
9	AP8121862	Ausgleichscheibe D8x16x1,5	1	
10	AP8152285	TE Schr. m. Flansch	1	
11	AP8120190	O-Ring 3075	2	
12	AP8102828	Ölfiltereinsatz kpl.	1	
13	AP8144015	Ölschlauch 6x12	1	
14	AP8106643	Ölschlauch	1	
15	AP8152277	TE Schr. m. Flansch M6x12	1	
16	AP8152279	TE Schr. m. Flansch M6x20	3	
17	AP8120446	Schlauchschele, grün D11x6,6x1	2	
18	AP8102349	Schlauchschele weiß D17,5x8	4	
19	AP8144061	Silent-Block	2	
20	AP8102786	Schlauchschele 20x8	2	
21	AP8152299	Selbstsperrende Mutter M6	3	
22	AP8121731	T-Buchse *	1	
23	AP8150137	TCEI Schraube M6x16	4	
24	AP8102731	Schelle	1	
25	AP8152181	Scheibe 6,4x15x1	2	
26	AP8152278	TE Schr. m. Flansch M6x16	1	
27	AP8120196	O-Ring 3056	1	
28	AP8144008	O-Ring 115	1	

<b>Einheit</b>	RAHMEN
<b>Code</b>	28.24
<b>Beschreibung</b>	Öltank
<b>Inspektion</b>	1



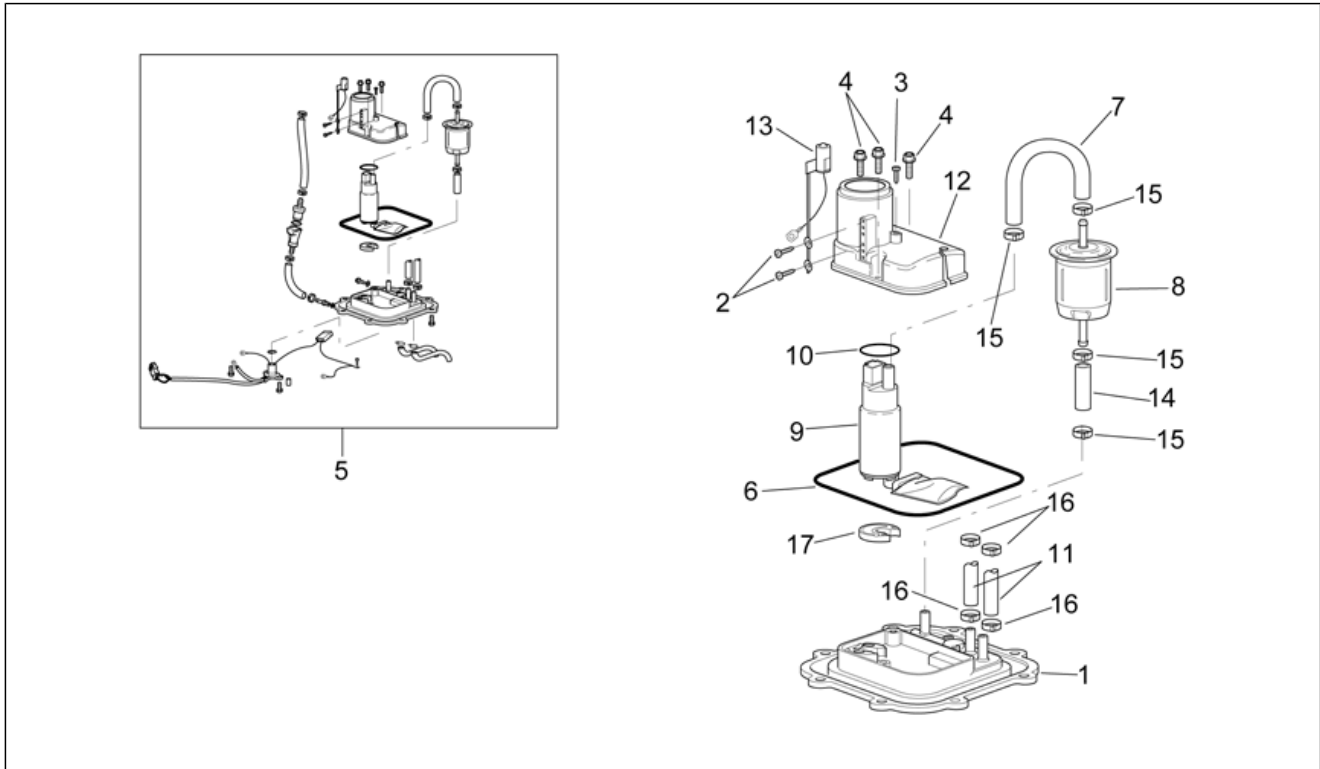
Pos.	Code	Beschreibung	Menge	Varianten
29	AP8106387	Ölschlauch	1	
30	AP8144090	Ölschlauch	1	
31	AP8106389	Ölschlauch 12x19	1	
32	AP8134600	Bügel unten Öltank	1	

<b>Einheit</b>	RAHMEN
<b>Code</b>	28.25
<b>Beschreibung</b>	Filtergehäuse
<b>Inspektion</b>	1



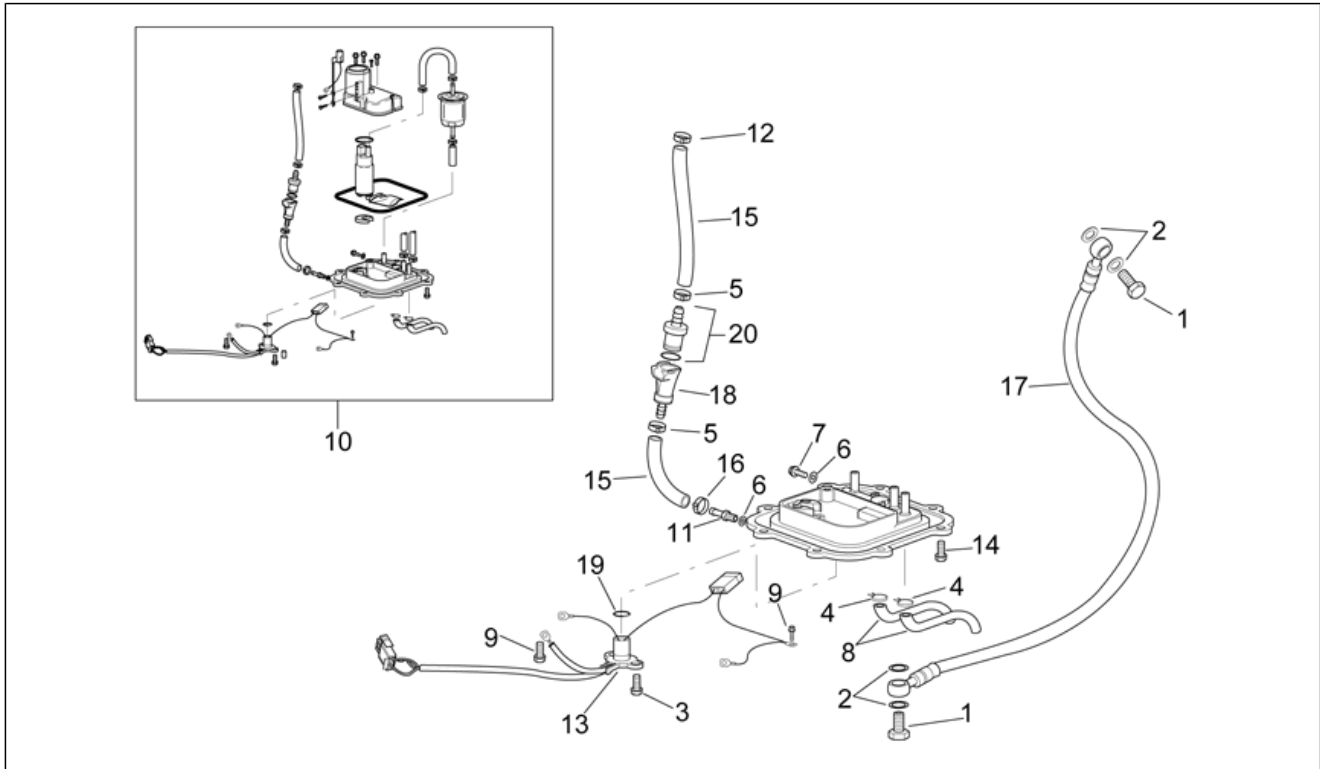
Pos.	Code	Beschreibung	Menge	Varianten
1	AP8102610	Luftfilter	1	
2	AP8148640	Oberteil Filtergehäuse	1	
3	AP8138554	Unterteil Filtergehäuse	1	
4	AP8144063	O-Ring 159	2	
5	AP8106726	Einlaßöffnung	2	
6	AP8120615	Dichtung D3	1	
7	AP8134549	Fixierung vorn Filtergeh.	1	
8	AP8134399	Reduziermembran	1	
9	AP8134437	Platte	1	
10	AP8144153	Ansaugmuffe	1	
11	AP8102377	Schelle D9,1*	1	
12	AP8102763	Schelle 100-120	1	
13	AP8101595	Schelle D10,1	1	
14	AP8144038	Kraftstoffleitung 6x10	1	
15	AP8120876	Verschlusschraube	1	
16	AP8221023	T-Buchse	2	
17	AP8152279	TE Schr. m. Flansch M6x20	2	
18	AP8150413	Gew.schr. 3,9x14	7	
19	AP8152273	Flanschschraube M5x15	7	
20	AP8152246	TBEI Schraube m.Flansch M6x16	6	
21	AP8120030	Gummi	2	
22	AP8120253	Distanzscheibe	6	
23	AP8102766	Schelle	2	
24	AP8120987	Leitung 9x14	1	
25	AP8144188	Dichtung Einlaßhülse	2	

<b>Einheit</b>	RAHMEN
<b>Code</b>	28.26
<b>Beschreibung</b>	Kraftstoffpumpe I
<b>Inspektion</b>	1



Pos.	Code	Beschreibung	Menge	Varianten
1	AP8106386	Kraftst.pumpen-Verschl.	1	
2	AP8150421	Gew.schr. 2,9x12	2	
3	AP8150413	Gew.schr. 3,9x14	1	
4	AP8152273	Flanschschraube M5x15	3	
5	AP8106441	Kraftstoffpumpe kplt.	1	
6	AP8144010	O-Ring 199	1	
7	AP8120990	Kraft.schl. Pumpe-Filter	1	
8	AP8102627	Kraftstofffilter	1	
9	AP8106385	Kraftstoffpumpe	1	
10	AP8144011	O-Ring 3125	1	
11	AP8120993	Entlüftungsschlauch Kühler 7,5x12,5	1	
12	AP8138624	Halter Kraftstoffpumpe	1	
13	AP8124297	Standfühler	1	
14	AP8120991	Kraftstoffleitung 7,5x14,5	1	
15	AP8102765	Schlauchschelle weiß D.13,5x6	4	
16	AP8102239	Schelle 12,5x8	4	
17	AP8144003	Kraftst.pumpen-Gummi	1	

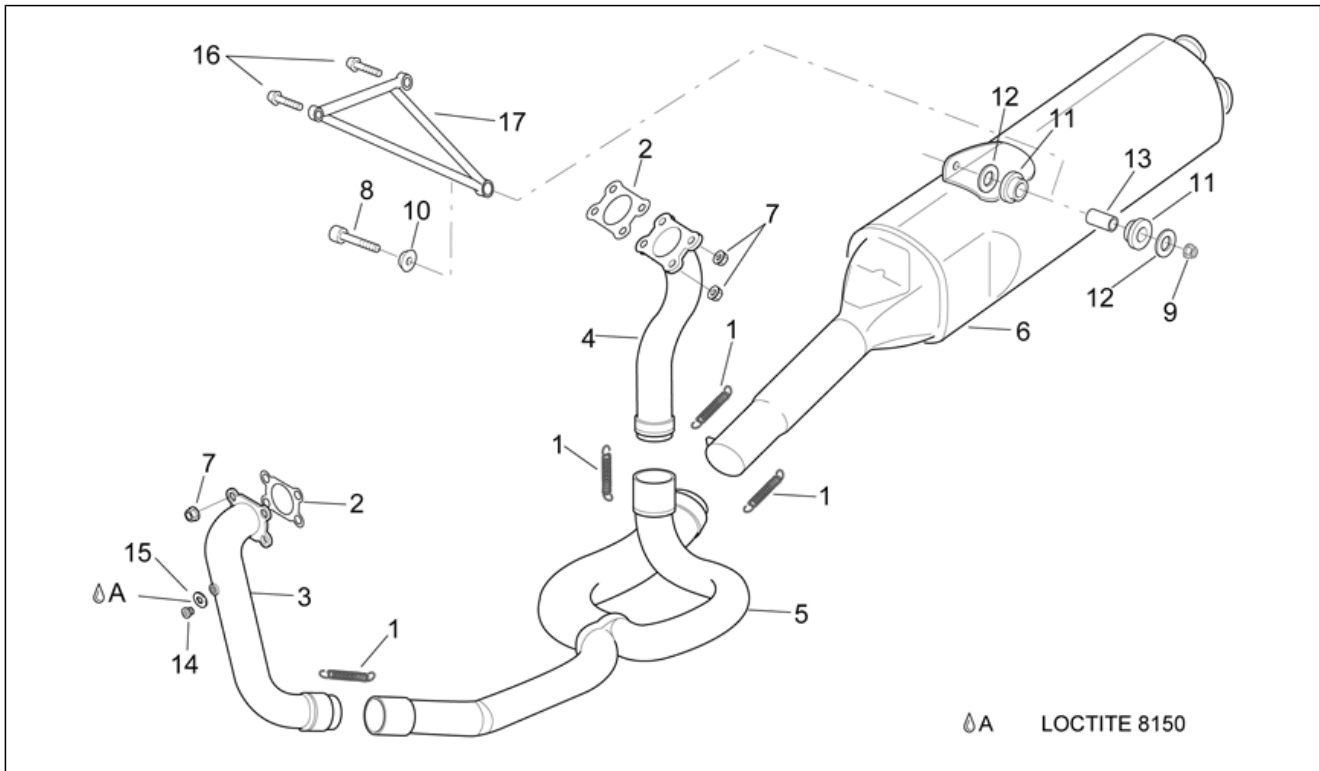
<b>Einheit</b>	RAHMEN
<b>Code</b>	28.27
<b>Beschreibung</b>	Kraftstoffpumpe II
<b>Inspektion</b>	1



Pos.	Code	Beschreibung	Menge	Varianten
1	AP8106443	Lochschraube	2	
2	AP8106444	Dichtung 18x12,2x1,5	4	
3	AP8152278	TE Schr. m. Flansch M6x16	3	
4	AP8201358	Schelle D 11,9	2	
5	AP8102764	Schlauchschelle weiß d.13x6	2	
6	AP8152184	Ausgleichscheibe 6,4x12*	2	
7	AP8152277	TE Schr. m. Flansch M6x12	1	
8	AP8144047	Entlüftungsschl. Tank	2	
9	AP8152272	TE Schr. m. Flansch M5x12	2	
10	AP8106441	Kraftstoffpumpe kplt.	1	
11	AP8102626	2-Wege Anschluß	1	
12	AP8102159	Schelle	1	
13	AP8124529	Kraftstoffpumpe kabel	1	
14	AP8152274	TE Schr. m. Flansch M5x20	8	
15	AP8144069	Kraftstoffleitung 6x13	1	
16	AP8102239	Schelle 12,5x8	1	
17	AP8120992	Kraftstoffleitung	1	
18	AP8102829	Anschluss	1	
19	AP8120285	O-Ring 123	1	
20	AP8102873	Anschluss	1	

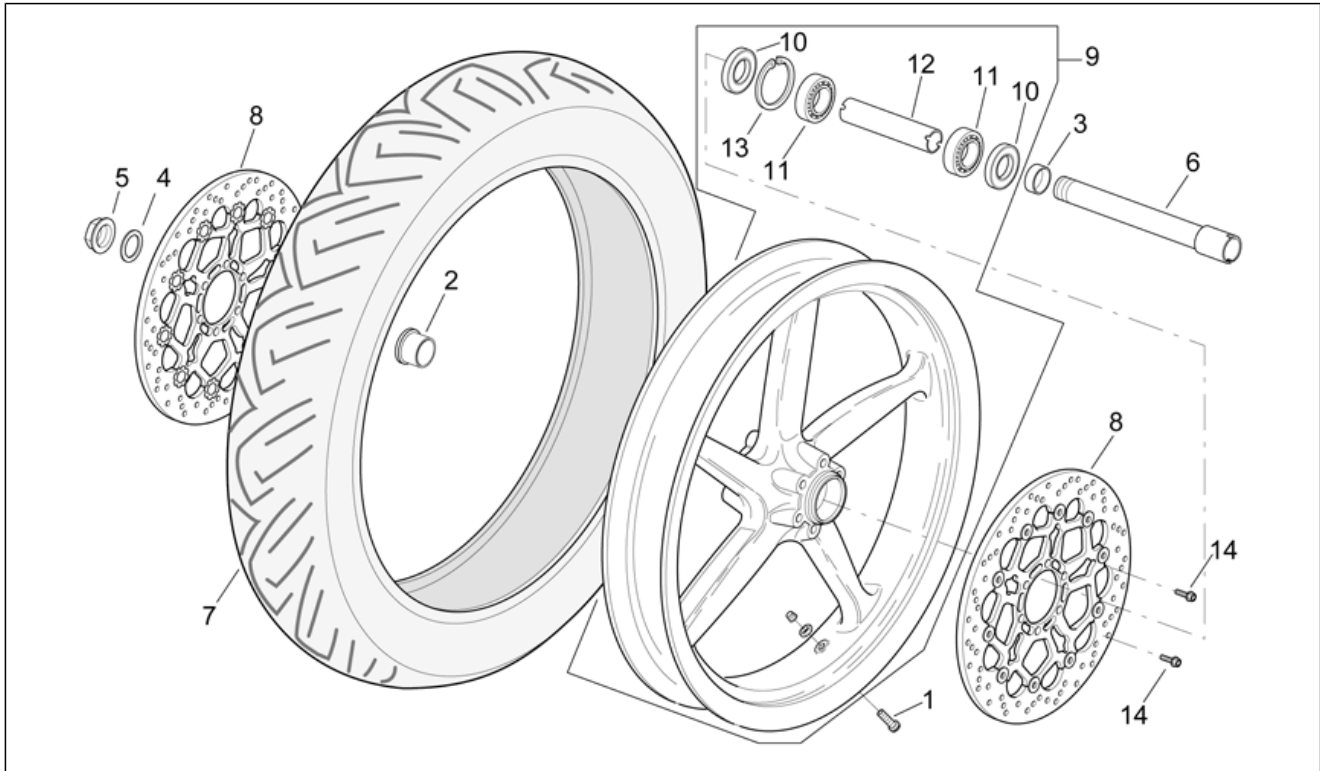


<b>Einheit</b>	RAHMEN
<b>Code</b>	28.29
<b>Beschreibung</b>	Auspuffrohr
<b>Inspektion</b>	1



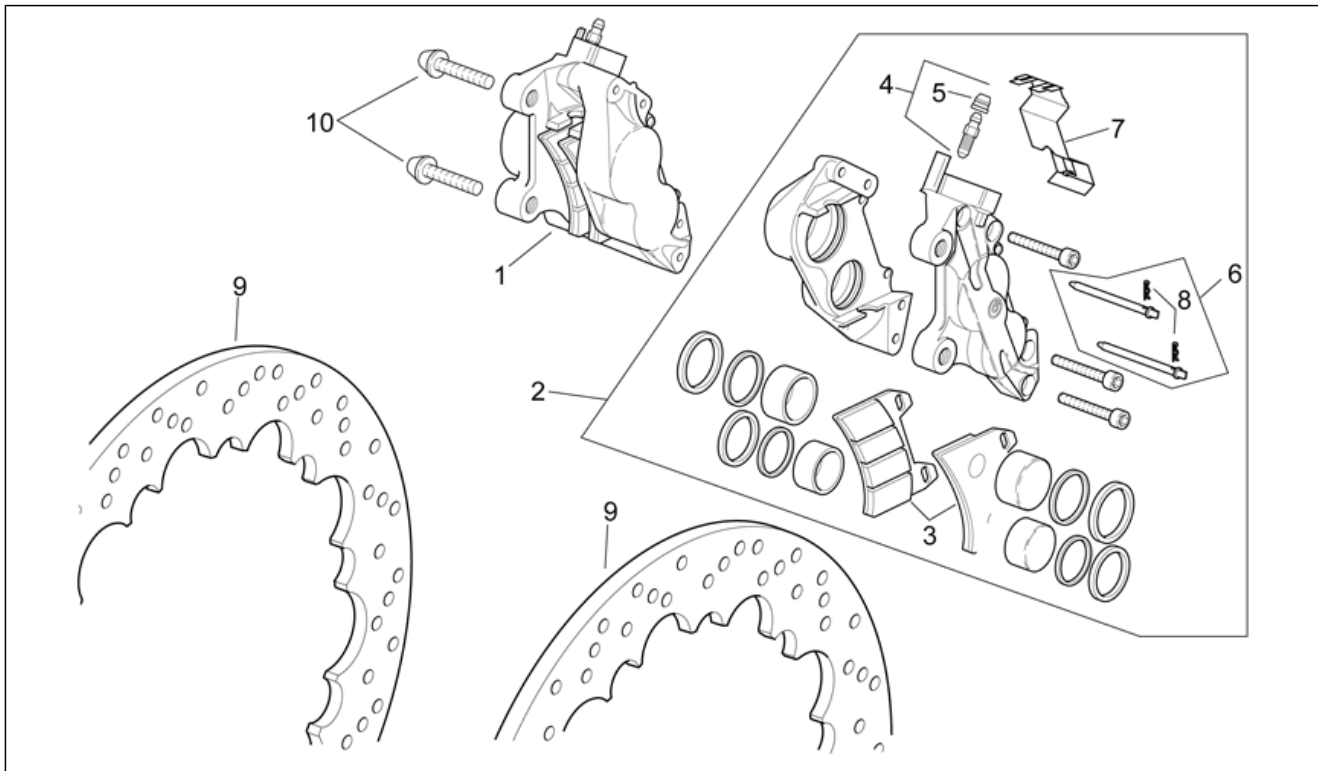
Pos.	Code	Beschreibung	Menge	Varianten
1	AP8121231	Feder Auspuffrohre	4	
2	AP8119486	Dichtung Auspuffrohr	2	
3	AP8119482	Auspuffrohr vorn	1	
4	AP8119483	Auspuffrohr hinten	1	
5	AP8119552	Mittlerer Auslaßkrümm.	1	
6	AP8119551	Auspuff	1	
7	AP8150333	Serpress Mutter	8	
8	AP8150277	TCEI Schraube M8x50	1	
9	AP8152300	Selbstsperrende Mutter M8	1	
10	AP8134378	Fixierhülse Schalldämpfer	1	
11	AP8144071	Gummi auspuffrohr	2	
12	AP8150018	Ausgleichscheibe	2	
13	AP8121773	Distanzscheibe *	1	
14	AP8119497	CO-Anschlußschraube	2	
15	AP8113004	Ausgleichscheibe 10x14x1,6*	2	
16	AP8152353	Zylinderschraube M8x30	2	
17	AP8134479	Bügel Auspuffrohr	1	

<b>Einheit</b>	RAHMEN
<b>Code</b>	28.30
<b>Beschreibung</b>	Vorderrad
<b>Inspektion</b>	1



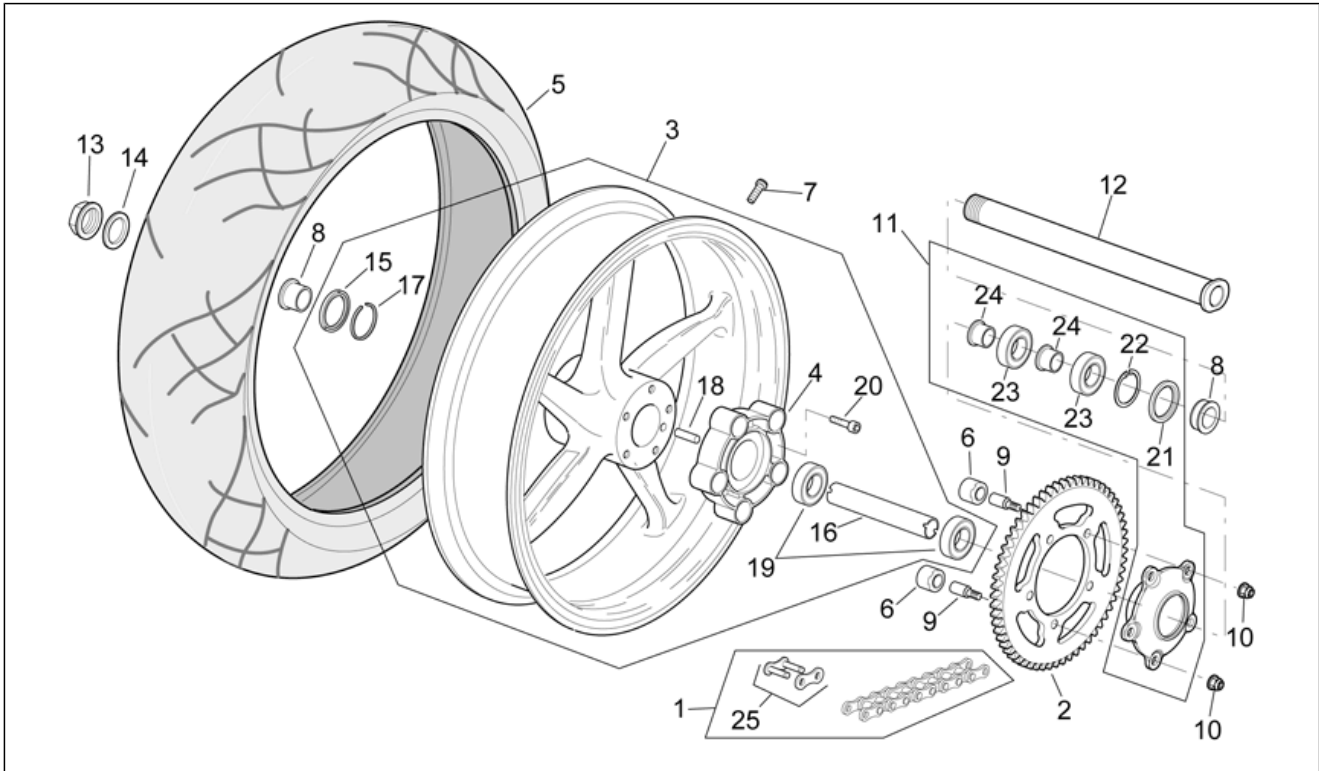
Pos.	Code	Beschreibung	Menge	Varianten
1	AP8101744	Schlauchloses Reifenventil	1	
2	AP8125728	Außen r. V.rad Distanzscheibe	1	
3	AP8125737	Außen l. V.rad Distanzscheibe	1	
4	AP8152323	Ausgleichscheibe 25,2x36x1	1	
5	AP8152335	Radbolzenmutter	1	
6	AP8125727	Vorderradbolzen	1	
7	0000000	Reifen	1	
8	AP8113607	Bremsscheibe schwarz	2	
8	B044207	***Vorderradbremsscheibe d.320	2	
9	AP8108675	Vorderrad, grau	1	
10	AP8125773	Gasket ring 30x47x7	2	
11	AP8125777	Kugellager 25x47x12	2	
12	AP8125778	Interne Distanzscheibe	1	
13	AP8125779	Seegerring	1	
14	AP8152286	TE Schr. m. Flansch M8x20	12	

<b>Einheit</b>	RAHMEN
<b>Code</b>	28.31
<b>Beschreibung</b>	Vorderradbremzange
<b>Inspektion</b>	1



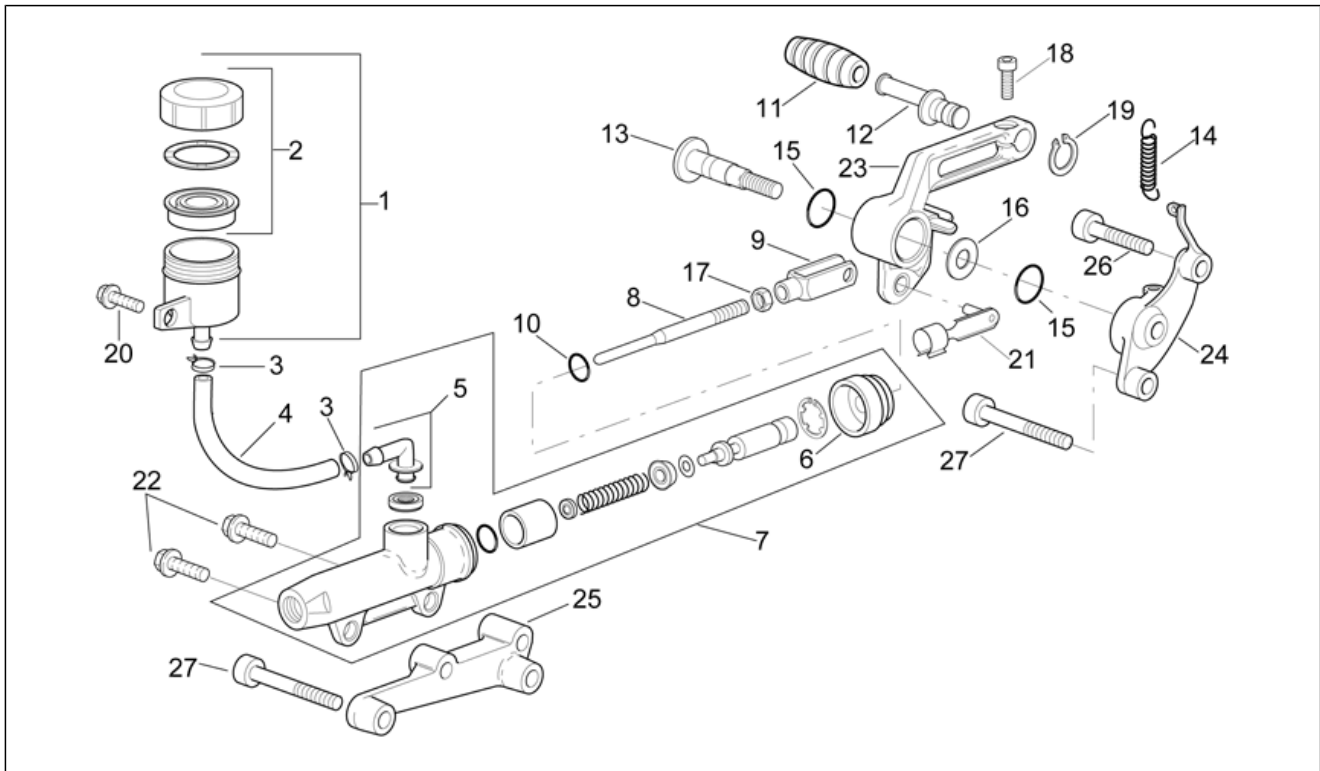
Pos.	Code	Beschreibung	Menge	Varianten
1	AP8113774	Vorderradbremzange r., rot	1	
2	AP8113775	Vorderradbremzange l., rot	1	
3	AP8113754	Beläge (Paar)	2	
4	AP8113755	Entlüftungsanschluß	2	
5	AP8113756	Entlüftungskappe 20 st.	2	
6	AP8113721	Stift+Splint Bremse	2	
7	AP8113722	Feder	2	
8	AP8113723	Splint	2	
9	AP8113607	Bremsscheibe schwarz	2	
10	AP8152356	TE Schr. m. Flansch M10x1,25	4	

<b>Einheit</b>	RAHMEN
<b>Code</b>	28.32
<b>Beschreibung</b>	Hinterrad
<b>Inspektion</b>	1



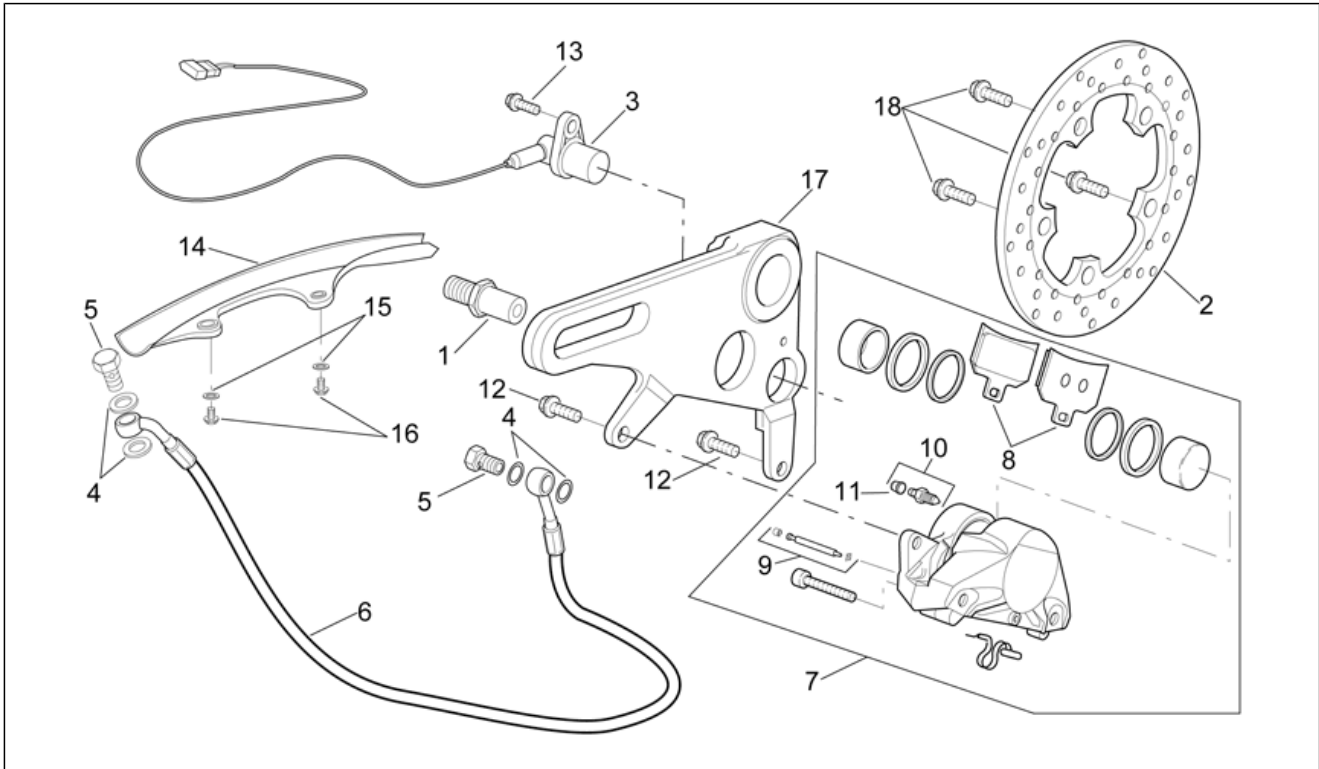
Pos.	Code	Beschreibung	Menge	Varianten
1	AP8107118	Kette Verbindungsgl.	1	
2	AP8107122	Zahnkranz Z=42	1	
3	AP8108676	Hinterrad, grau	1	
4	AP8125733	Elast. Stoßlager Hint.rad	1	
5	0000000	Reifen	1	
6	AP8125731	Stoßschutzgummi	5	
7	AP8101744	Schlauchloses Reifenventil	1	
8	AP8121225	Hinterrad Distanzscheibe	2	
9	AP8121226	Elast. Fixierbuchse	5	
10	AP8150436	Selbstsperr.mut Unt.	5	
11	AP8125730	Radkranzhalter kplt.	1	
12	AP8125729	Hinterradbolzen	1	
13	AP8152324	Radbolzenmutter M25x1,5	1	
14	AP8152323	Ausgleichscheibe 25,2x36x1	1	
15	AP8125786	Gasket ring 38x52x7	1	
16	AP8125787	Distanzscheibe	1	
17	AP8125788	Seegerring	1	
18	AP8150463	Stift 10x20	1	
19	AP8106806	Lager 6205-2rs1 25x52x15	2	
20	AP8150195	TCEI Schraube M10x30	5	
21	AP8121213	Gasket ring 38x55x7	1	
22	AP8121212	Seegerring für Bohrung d55	1	
23	AP8110081	Lager 30x55x13	2	
24	AP8125732	elast. Distanzstück	2	
25	AP8107136	Verbindungsglied	1	<b>Technische Daten:</b> Für Kette mit Schrift D.I.D.[DID]
25	AP8107137	Verbindungsglied	1	<b>Technische Daten:</b> Für Kette mit Schrift R.K.[RK]

<b>Einheit</b>	RAHMEN
<b>Code</b>	28.33
<b>Beschreibung</b>	Hinterradbremspumpe
<b>Inspektion</b>	1



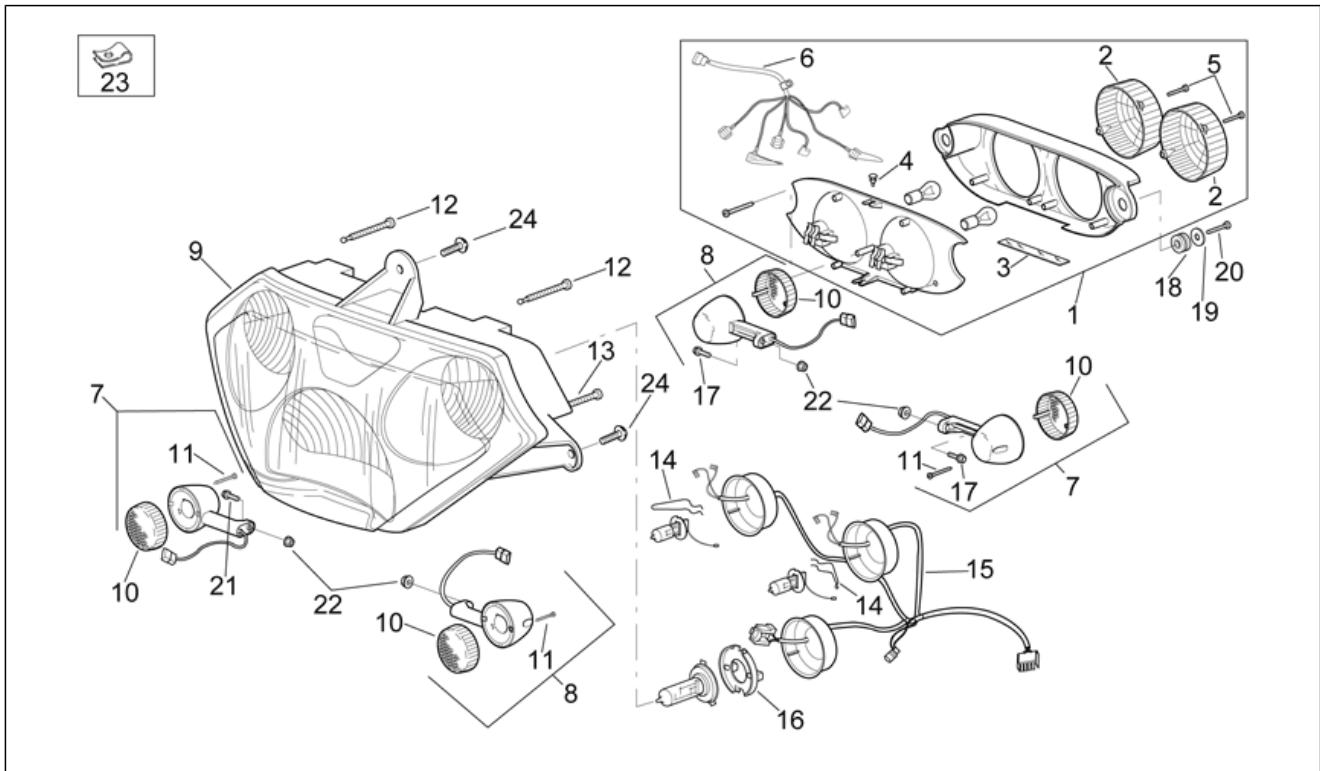
Pos.	Code	Beschreibung	Menge	Varianten
1	AP8113241	Bremsöltank	1	
2	AP8113553	Tankverschluß	1	
3	AP8113764	Schelle	2	
4	AP8113765	Hinterradbremseleitung	1	
5	AP8213057	Hinterer Pumpenanschluß	1	
6	AP8113288	Gummibalg	1	
7	AP8113324	Hinterradbremspumpe	1	
8	AP8121222	Pumpenstange brems	1	
9	AP8101968	Schaltgabel	1	
10	AP8120178	O-Ring OR112	1	
11	AP8120912	Gummi für Hebel	1	
12	AP8121221	Stift Bremshebel	1	
13	AP8121223	Stift Hinterradbremsh.	1	
14	AP8121927	Feder Hinterradbremsh.	1	
15	AP8144007	O-Ring 11,11x1,78	2	
16	AP8150020	Ausgleichscheibe 10,5x21x2*	1	
17	AP8150026	Mutter M6	1	
18	AP8150044	TCEI Schraube M6x20	1	
19	AP8150462	Seegerring d9	1	
20	AP8152273	Flanschschraube M5x15	1	
21	AP8201301	Klemmen für Schaltgabel	1	
22	AP8152279	TE Schr. m. Flansch M6x20	2	
23	AP8135925	H.bremsh. Hebel	1	
24	AP8134415	Fixierung Bremshebel	1	
25	AP8134384	Fix. Hinterradbremssyl.	1	
26	AP8150403	TCEI Schraube M6x45	1	
27	AP8150277	TCEI Schraube M8x50	3	

<b>Einheit</b>	RAHMEN
<b>Code</b>	28.34
<b>Beschreibung</b>	Hinterradbremzange
<b>Inspektion</b>	1



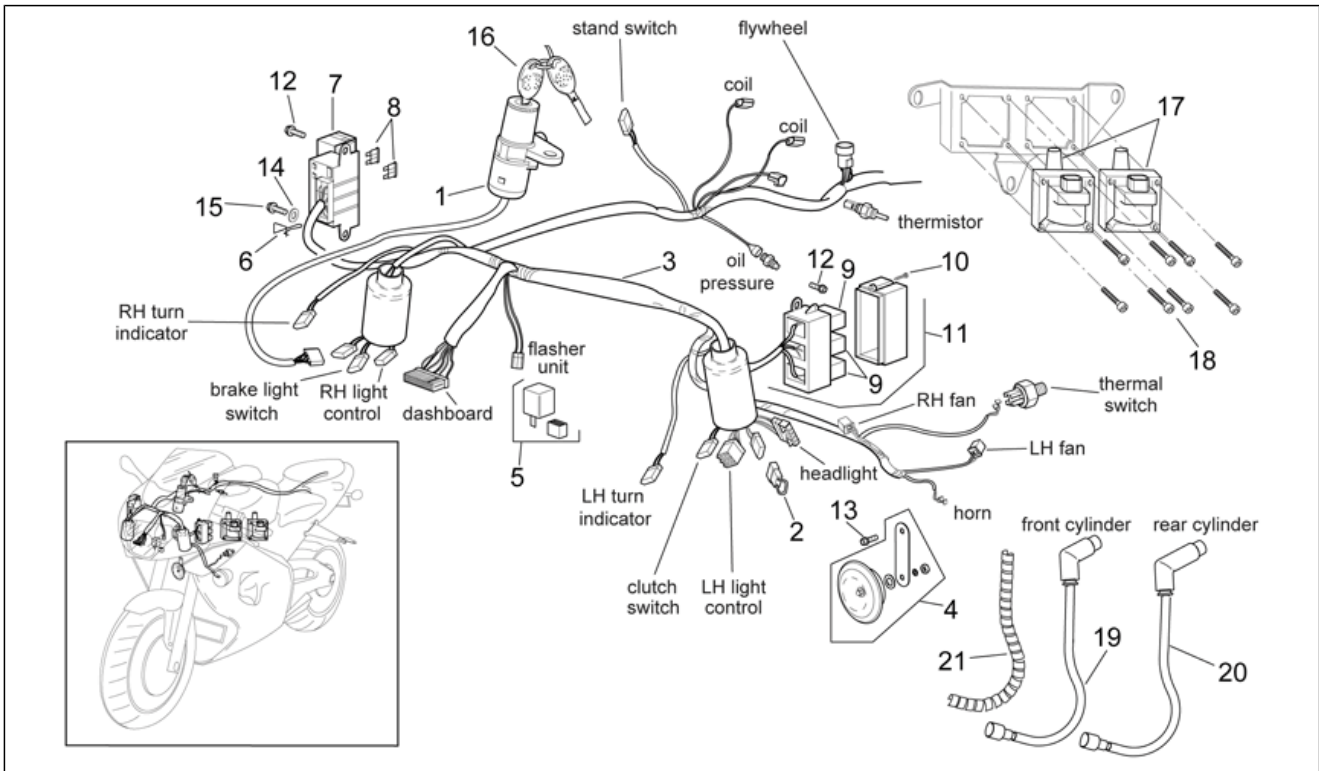
Pos.	Code	Beschreibung	Menge	Varianten
1	AP8121234	Bremsenhalterbolzen	1	
2	AP8113612	Vorderradbremsscheibe	1	
3	AP8124528	Kilom.zählersens. kpl.	1	
4	AP8121915	Dichtung	4	
5	AP8113766	Lochschraube	2	
6	AP8113873	Hinterradbremseleitung	1	
7	AP8113776	Hinterradbremzange, rot	1	
8	AP8113751	Beläge (Paar)	1	
9	AP8113752	Stift+Splint Bremse	1	
10	AP8113753	Entlüftungsanschluß	1	
11	AP8113756	Entlüftungskappe 20 st.	1	
12	AP8152286	TE Schr. m. Flansch M8x20	2	
13	AP8152279	TE Schr. m. Flansch M6x20	1	
14	AP8134443	Fix. Hinterradbremsschl.	1	
15	AP8150013	Ausgleichscheibe 5,5x15x1,6*	2	
16	AP8152272	TE Schr. m. Flansch M5x12	2	
17	AP8134385	Fixierplatte	1	
18	AP8152286	TE Schr. m. Flansch M8x20	5	

<b>Einheit</b>	RAHMEN
<b>Code</b>	28.35
<b>Beschreibung</b>	Lichter
<b>Inspektion</b>	1



Pos.	Code	Beschreibung	Menge	Varianten
1	AP8124283	Rücklicht	1	
2	AP8124558	Rücklichtblende	2	
3	AP8124559	Blende Kennzeich.leuch.	1	
4	AP8124560	Gummi	2	
5	AP8124561	Spezialschraube 3,5x20	4	
6	AP8124562	Verkabelung Rücklicht	1	
7	AP8124286	Vorderblinker rechts / Hinterblinker links	2	
8	AP8124287	Vorderblinker links/ Hinterblinker rechts	2	
9	AP8124262	Scheinwerfer	1	Land:Deutschland[D], Spanien[E], Italien[I], Holland[NL]
9	AP8124514	Scheinwerfer	1	Land:Großbritannien[UK]
10	AP8212680	Blinkerblende	4	
11	AP8124563	Schraube 3,5x30	4	
12	AP8124564	Regelschraube	2	
13	AP8124565	Regelschraube	1	
14	AP8124566	Kleine Feder	2	
15	AP8124567	Kabel Scheinw.	1	
16	AP8124568	Lampenhalter	1	
17	AP8152279	TE Schr. m. Flansch M6x20	2	
18	AP8112599	Gummi *	2	
19	AP8150159	Ausgleichscheibe 4,3x16*	2	
20	AP8150413	Gew.schr. 3,9x14	2	
21	AP8152278	TE Schr. m. Flansch M6x16	2	
22	AP8152299	Selbstsperrende Mutter M6	4	
23	AP8102376	Klammer M6	2	
24	AP8152298	TBEI Schraube m.Flansch M5x16	3	

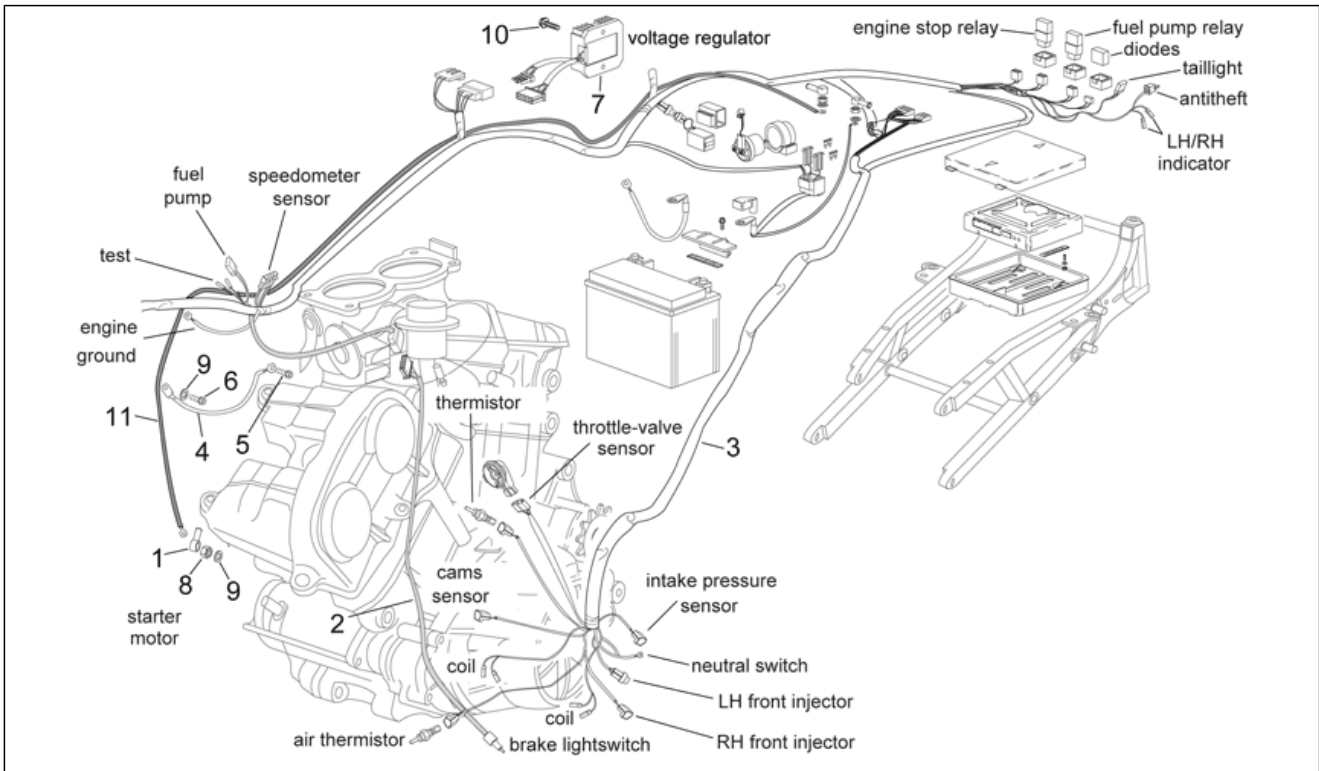
<b>Einheit</b>	RAHMEN
<b>Code</b>	28.36
<b>Beschreibung</b>	Vorder Elektrische Anlage
<b>Inspektion</b>	1



Pos.	Code	Beschreibung	Menge	Varianten
1	AP8124944	Lenkschloß	1	
2	AP8212588	Sicherheitsdiode	1	
3	AP8124548	Hauptverkabelung	1	
4	AP8127309	Hupe	1	
5	AP8112795	Blinken	1	
6	AP8134480	Sicherungshaken	1	
7	AP8124274	Sicherungskasten	1	
8	AP8112176	Sicherung 15A	8	
9	AP8124277	Zündrelais	3	
10	AP8150421	Gew.schr. 2,9x12	2	
11	AP8124293	Relaisträger	1	
12	AP8152279	TE Schr. m. Flansch M6x20	3	
13	AP8152285	TE Schr. m. Flansch	1	
14	AP8150014	Ausgleichscheibe 6,4x12,5*	2	
15	AP8152280	TE Schr. m. Flansch M6x25	1	
16	AP8102880	Schl. gefr. Aprilia	1	
17	AP0265660	Zuendtransform.cpl.	2	
18	AP8150156	TCEI Schraube M4x25	8	
19	AP0265750	Kerzenpfeife Zyl. vorn	1	
20	AP0265755	Kerzenpfeife Zyl. hinten	1	
21	AP8144322	Leitung 8x10	1	

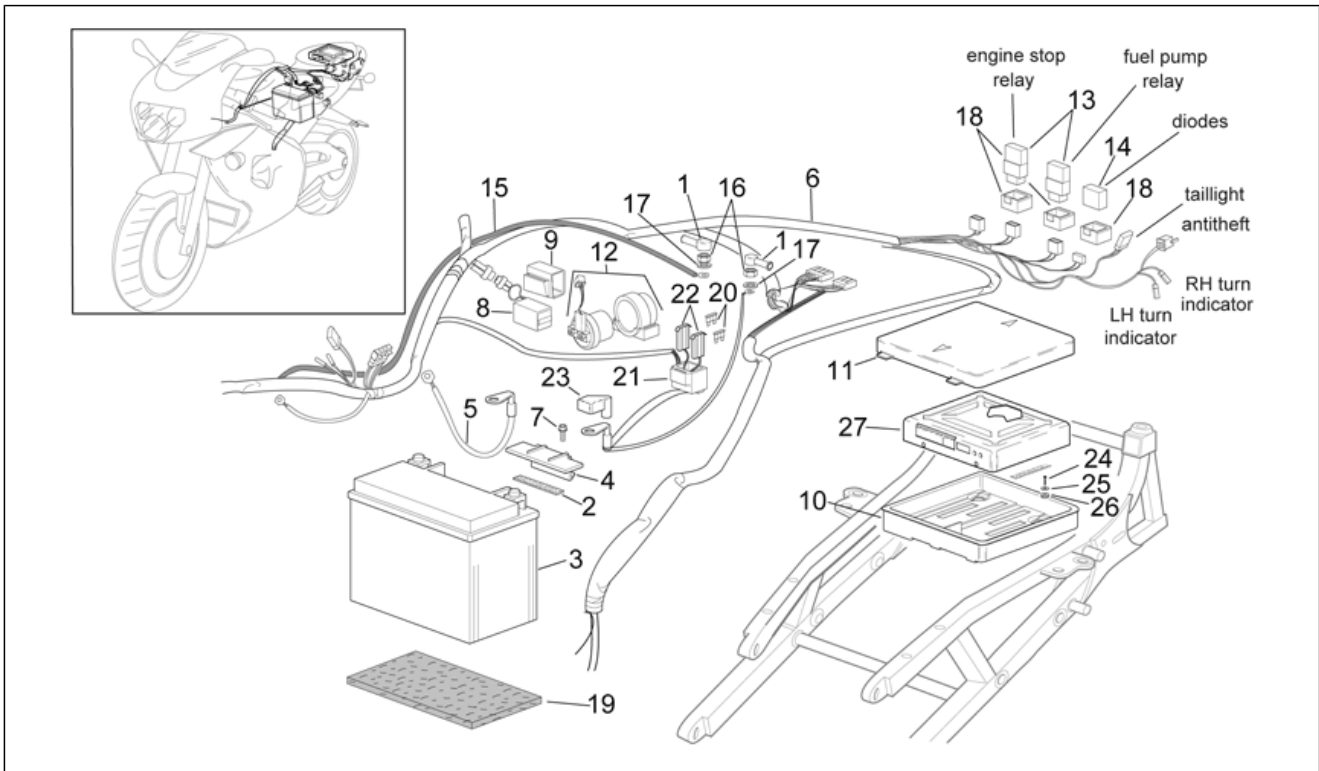


<b>Einheit</b>	RAHMEN
<b>Code</b>	28.37
<b>Beschreibung</b>	Mitt. elektrische Anlage
<b>Inspektion</b>	1



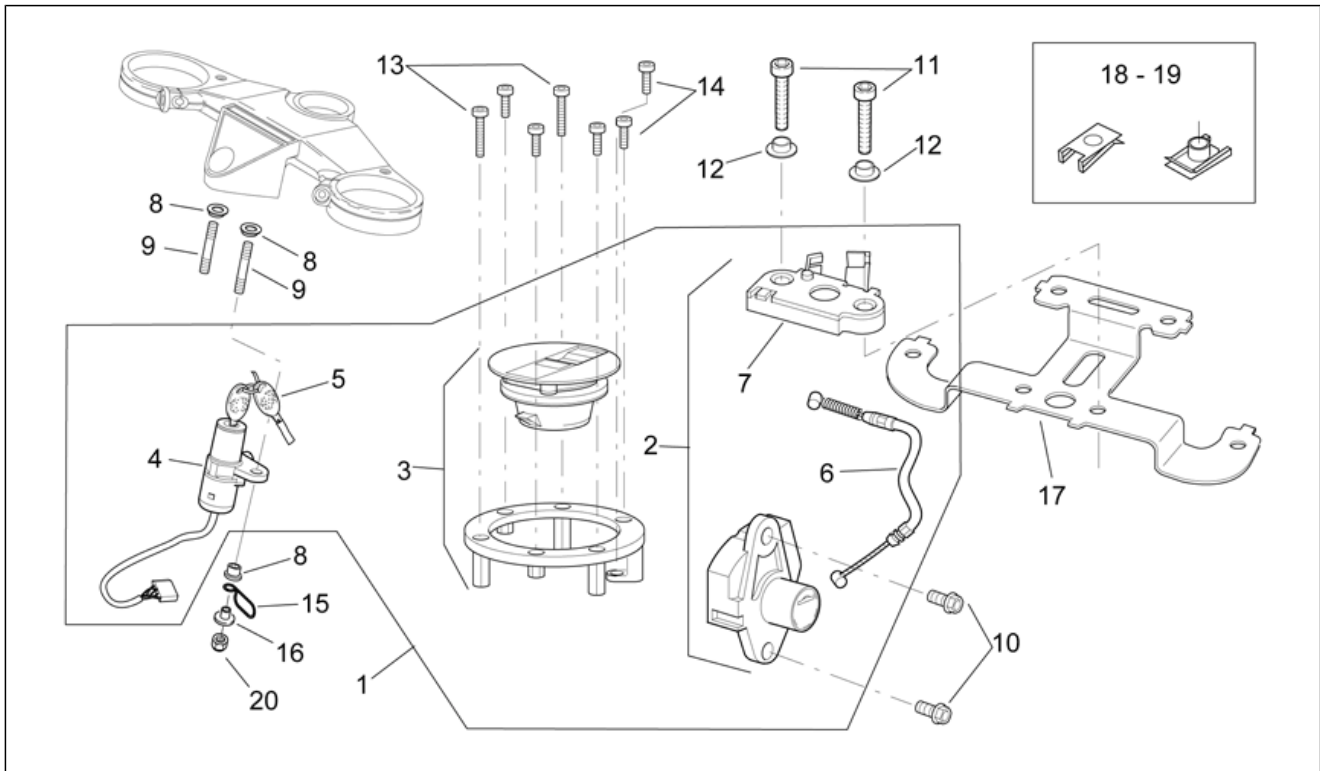
Pos.	Code	Beschreibung	Menge	Varianten
1	AP8120218	Klemmenkappe	1	
2	AP8112996	Mikroschalter	1	
3	AP8124548	Hauptverkabelung	1	
4	AP8112832	Masse-Batteriekabel	1	
5	AP8152277	TE Schr. m. Flansch M6x12	1	
6	AP8152273	Flanschschraube M5x15	1	
7	AP8124267	Spannungsregler	1	
8	AP8150026	Mutter M6	1	
9	AP8150382	Ausgleichscheibe 15x5,5X1,2	1	
10	AP8152282	TE Schr. m. Flansch M6x35	2	
11	AP8124269	Anlasserkabel	1	

<b>Einheit</b>	RAHMEN
<b>Code</b>	28.38
<b>Beschreibung</b>	Hint.Elektrische Anlage
<b>Inspektion</b>	1



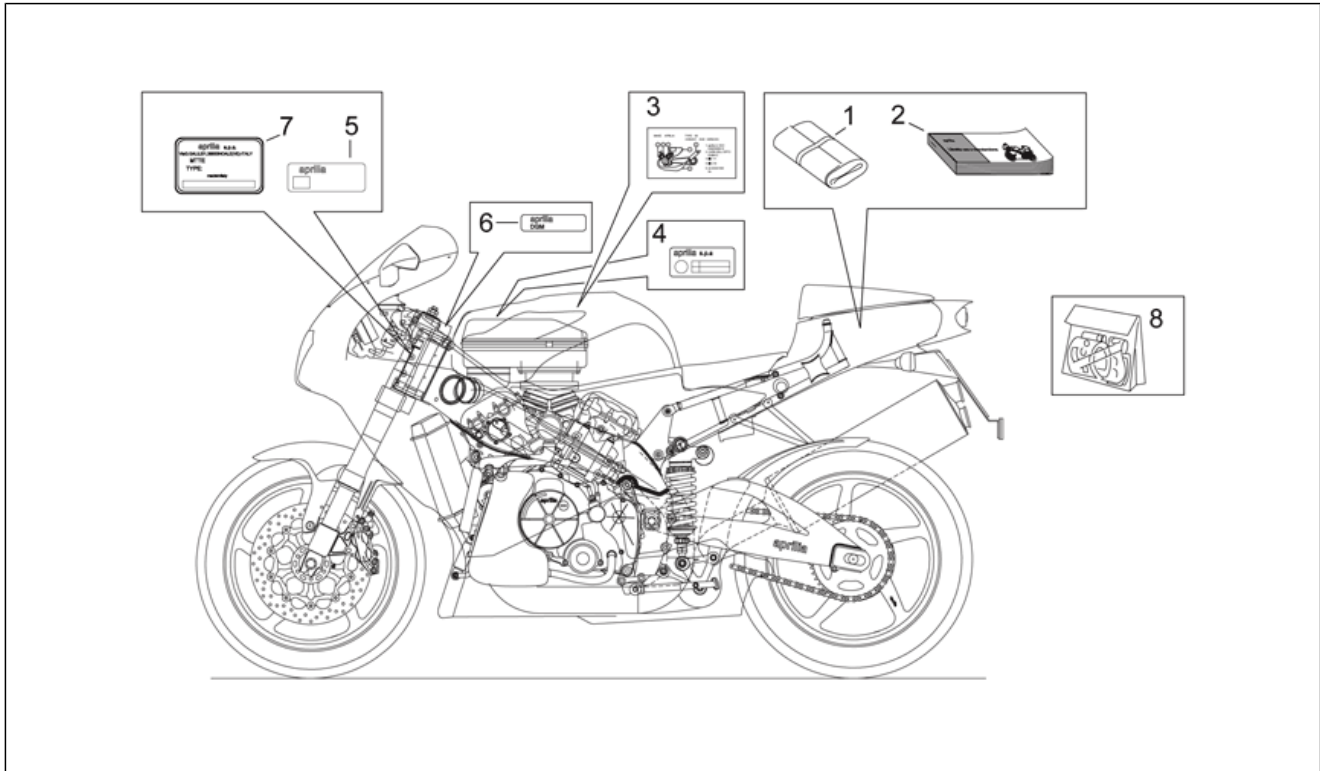
Pos.	Code	Beschreibung	Menge	Varianten
1	AP8120218	Klemmenkappe	2	
2	AP8117033	Klebeschwamm	1	
3	AP8124748	Batterie YTX12-BS	1	
4	AP8148660	Fixierplatte Batterie	1	
5	AP8124439	Masse-Batteriekabel	1	
6	AP8124548	Hauptverkabelung	1	
7	AP8152278	TE Schr. m. Flansch M6x16	1	
8	AP8124266	Neigungsfühler	1	
9	AP8144046	Sensor halter gummi	1	
10	AP8138776	Schutzkasten Steuerger.	1	
11	AP8138596	Steuergerätdcover	1	
12	AP8112927	Zündrelais 12V-150A	1	
13	AP8212469	Zündrelais 12V-20A	2	
14	AP8124289	Dioden	1	
15	AP8124269	Anlasserkabel	1	
16	AP8150026	Mutter M6	2	
17	AP8150429	Sprengscheibe 6,4x11x0,5*	2	
18	AP8220283	Gummi *	3	
19	AP8144045	Batterieauflegelummi	1	
20	AP8124273	Sicherung 30a	3	
21	AP8112811	Sicherungsblockgummi	1	
22	AP8120754	Sicherungsblockgummi	2	
23	AP8112940	Kappe Pluspol	1	
24	AP8150413	Gew.schr. 3,9x14	3	
25	AP8150159	Ausgleichscheibe 4,3x16*	3	
26	AP8220150	Gummi	3	
27	AP0265670	Steuergerät	1	

<b>Einheit</b>	RAHMEN
<b>Code</b>	28.39
<b>Beschreibung</b>	Bausatz Schlösser
<b>Inspektion</b>	1



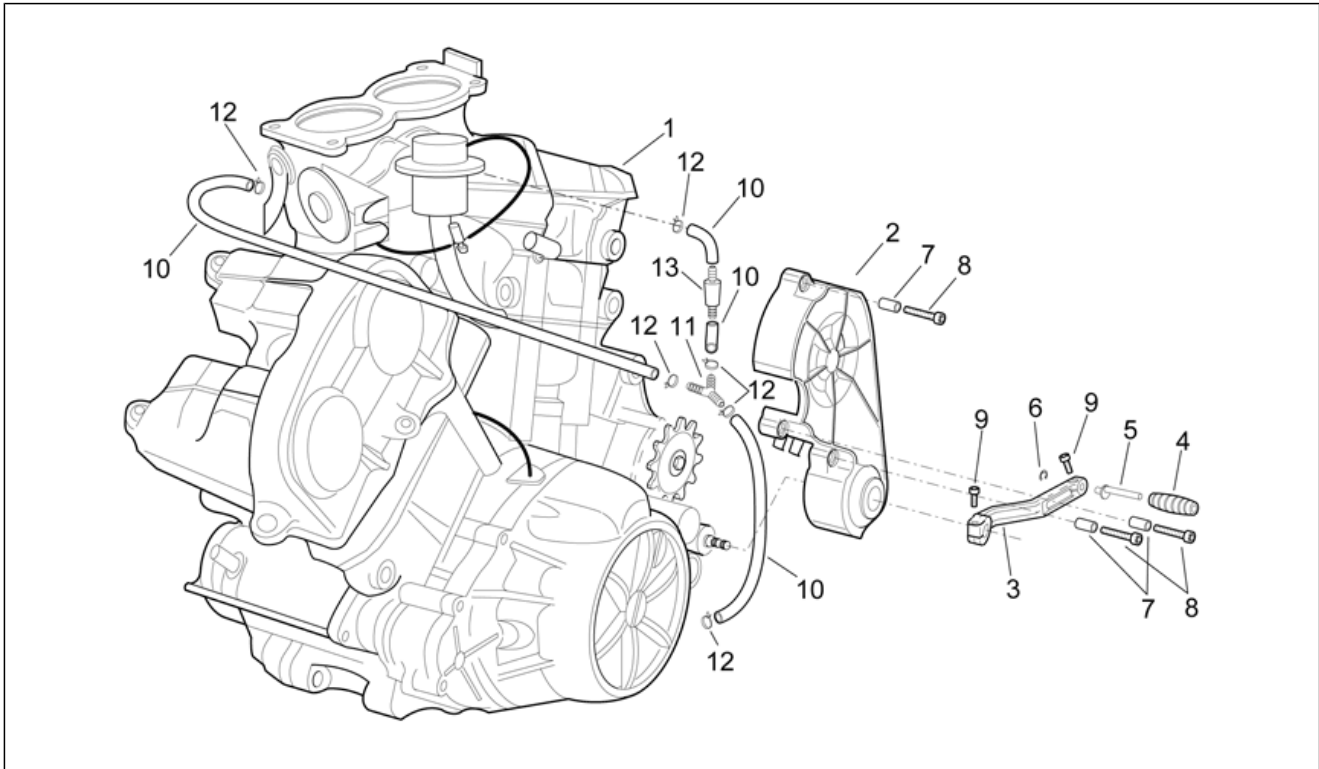
Pos.	Code	Beschreibung	Menge	Varianten
1	AP8104178	Kit Schließvorrichtungen	1	
2	AP8102911	Sitzschloß komplett	1	
3	AP8102912	Tankfüllschraube	1	
4	AP8124944	Lenkschloß	1	
5	AP8102880	Schl. gefr. Aprilia	1	
6	AP8102914	Sitz-Einkupplungsvorrichtung	1	
7	AP8102913	Fixierplatte Soziussitz	1	
8	AP8144318	Gummi *	4	
9	AP8134645	Fixierstift Lichtschalter	2	
10	AP8152278	TE Schr. m. Flansch M6x16	2	
11	AP8150285	TCEI Schraube M6x35	2	
12	AP8221129	Buchse	2	
13	AP8150453	TCEI Schraube M5x30	3	
14	AP8150454	TCEI Schraube M5x16	4	
15	AP8120428	Kabelführungs	1	
16	AP8121678	Buchse	1	
17	AP8134551	Schließplatte Staufach	1	
18	AP8102375	Klammer M5	2	
19	AP8102376	Klammer M6	4	
20	AP8150431	Mutter unten M8	2	

<b>Einheit</b>	RAHMEN
<b>Code</b>	28.40
<b>Beschreibung</b>	Abzieh. + Schilder
<b>Inspektion</b>	1



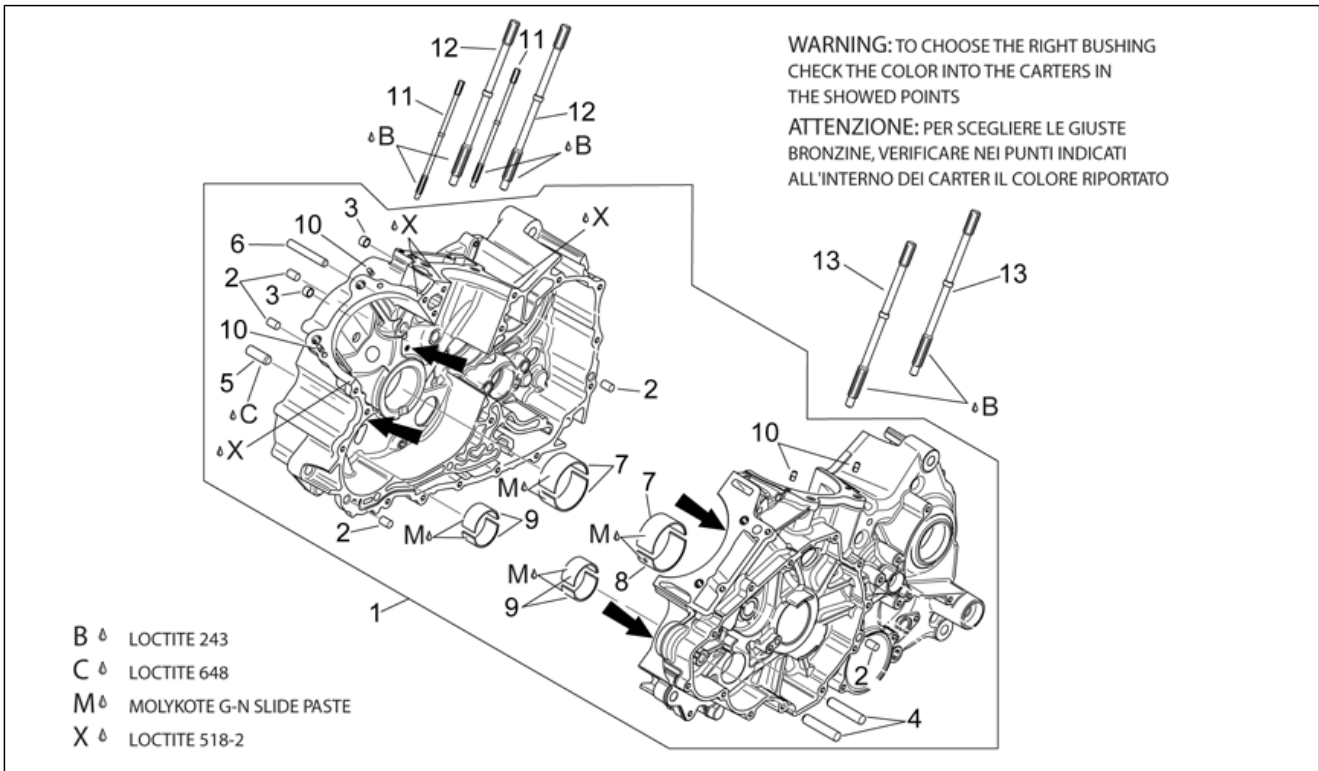
Pos.	Code	Beschreibung	Menge	Varianten
1	AP8102895	Werkzeugtasche	1	
2	AP8102896	Gebrauchsanl. -I-D-E-UK	1	
3	AP8147802	Fälschungssicheres Schild	1	
4	AP8147576	CEE Schild	1	
5	AP8147577	ECE Schild	1	
6	AP8147841	DGM Schild	1	Land:Italien[I]
7	AP8147843	Herstellerschild	1	
8	AP8157450	Deko Serie	1	

<b>Einheit</b>	MOTOR
<b>Code</b>	29.28
<b>Beschreibung</b>	Motor
<b>Inspektion</b>	1



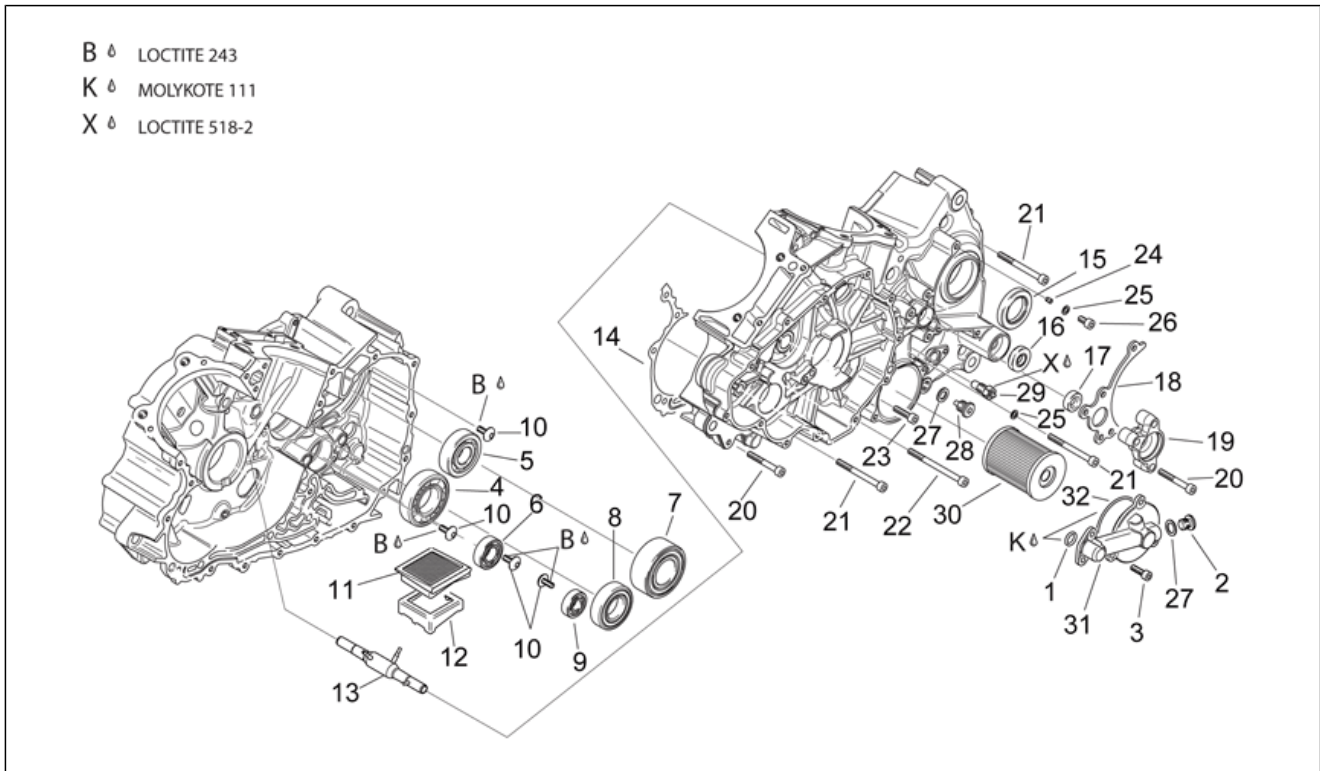
Pos.	Code	Beschreibung	Menge	Varianten
1	AP8106577	Motor 990 Sport Produc.	1	
2	AP8106578	Ritzelkasten, schwarz	1	
3	AP8106379	Schalthebel	1	
4	AP8120912	Gummi für Hebel	1	
5	AP8121221	Stift Bremshebel	1	
6	AP8150462	Seegerring d9	1	
7	AP8221046	Distanzscheibe D6x8x13,5*	3	
8	AP8150220	TCEI Schraube M6x30	3	
9	AP8150044	TCEI Schraube M6x20	2	
10	AP8144015	Ölschlauch 6x12	1	
11	AP8120116	3-Wegeanschluß	1	
12	AP8120446	Schlauchschele, grün D11x6,6x1	6	
13	AP8102741	Rückstauventil	1	

<b>Einheit</b>	MOTOR
<b>Code</b>	29.42
<b>Beschreibung</b>	Gehäuse I
<b>Inspektion</b>	1



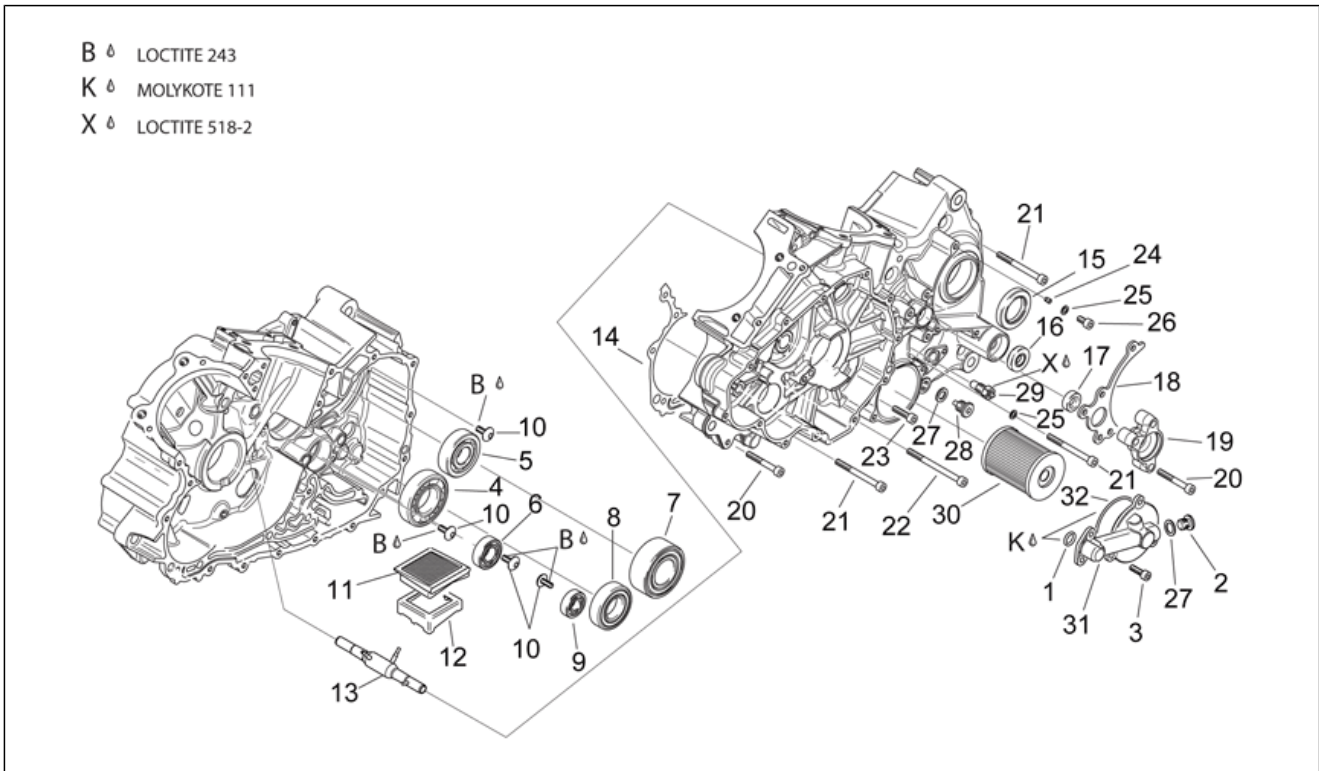
Pos.	Code	Beschreibung	Menge	Varianten
1	AP0296301	Gehäuse-kpl.	1	
2	AP0632010	Stift M8x12	5	
3	AP0929500	Stift 10x8	2	
4	AP0229301	Bolzen M6x50	2	
5	AP0929930	Bolzen	1	
6	AP0229385	Bolzen	1	
7	AP0233745	Halbsch. Bronzebu., blau	3	
7	AP0233746	Halbsch. Bronzebu., rot	3	
7	AP0233748	Halbsch. Bronzebu., gelb	3	
8	AP0233740	Halbsch. Bronzebu., blau	1	
8	AP0233741	Halbsch. Bronzebu., rot	1	
8	AP0233743	Halbsch. Bronzebu., gelb	1	
9	AP0233711	Halbsch. Bronzebu., blau	4	
9	AP0233820	Halbsch. Bronzebu., rot	4	
9	AP0233822	Halbsch. Bronzebu., gelb	4	
10	AP0929650	Stift 5x10	4	
11	AP0640665	Stiftschraube	4	
12	AP0640635	Stiftschraube m10x180	4	
13	AP0640630	Stiftschraube m10x174	4	

<b>Einheit</b>	MOTOR
<b>Code</b>	29.43
<b>Beschreibung</b>	Gehäuse II
<b>Inspektion</b>	1



Pos.	Code	Beschreibung	Menge	Varianten
1	AP0650925	O-Ring 11x2	1	
2	AP0241700	Verschlussschraube m12x1,5	1	
3	AP0241932	TCEI Schraube	5	
4	AP0932585	Kugellager 6206	1	
5	AP0832144	Kugellager 6304	1	
6	AP0232625	Lager 6003	1	
7	AP0632124	Schulterkugellager 3206	1	
8	AP0932428	Kugellager 6205	1	
9	AP0932335	Kugellager 16101	1	
10	AP0241531	Kurzkopf-Schraube	4	
11	AP0256495	Ölnetz	1	
12	AP0244340	Ölführung	1	
13	AP0256527	Ölspritzleitung	1	
14	AP0650970	Dichtung	1	
15	AP0850050	Ölabstreifring 40x47x7,5	1	
16	AP0250450	Ölabstreifring 12x28x7	1	
17	AP0650320	Ölabstreifring 11x22x7	1	
18	AP0236370	Kettenführung	1	
19	AP0259500	Kupplungs-Ausrückfla.	1	
20	AP0241821	TCEI Schraube M6x45	8	
21	AP0241261	TCEI Schraube	13	
22	AP0241501	TCEI Schraube M6x80	1	
23	AP0840861	TCEI Schraube M6x25	1	
24	AP0268757	Strahl 75	1	
25	AP0230415	Gasket ring 6x10	2	
26	AP0241081	TCEI Schraube M6x10	1	
27	AP0250015	Dichtung 12x18	2	
28	AP0241782	Magnetschraube M12x1,5	1	

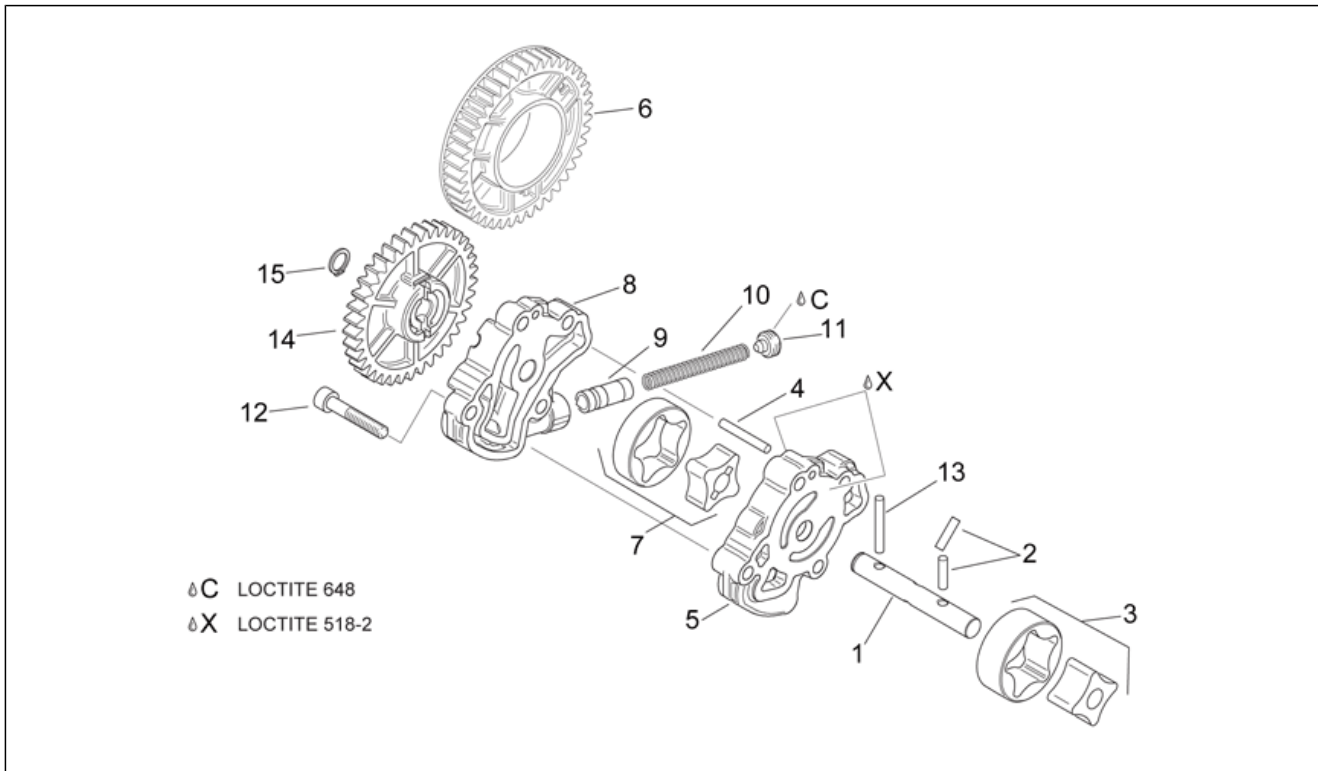
<b>Einheit</b>	MOTOR
<b>Code</b>	29.43
<b>Beschreibung</b>	Gehäuse II
<b>Inspektion</b>	1



Pos.	Code	Beschreibung	Menge	Varianten
29	AP0241852	Kontaktschraube	1	
30	AP0256187	Ölfiltersatz	1	
31	AP0610090	Ölfilterdeckel	1	
32	AP0650500	O-Ring 59,52x2,62	1	

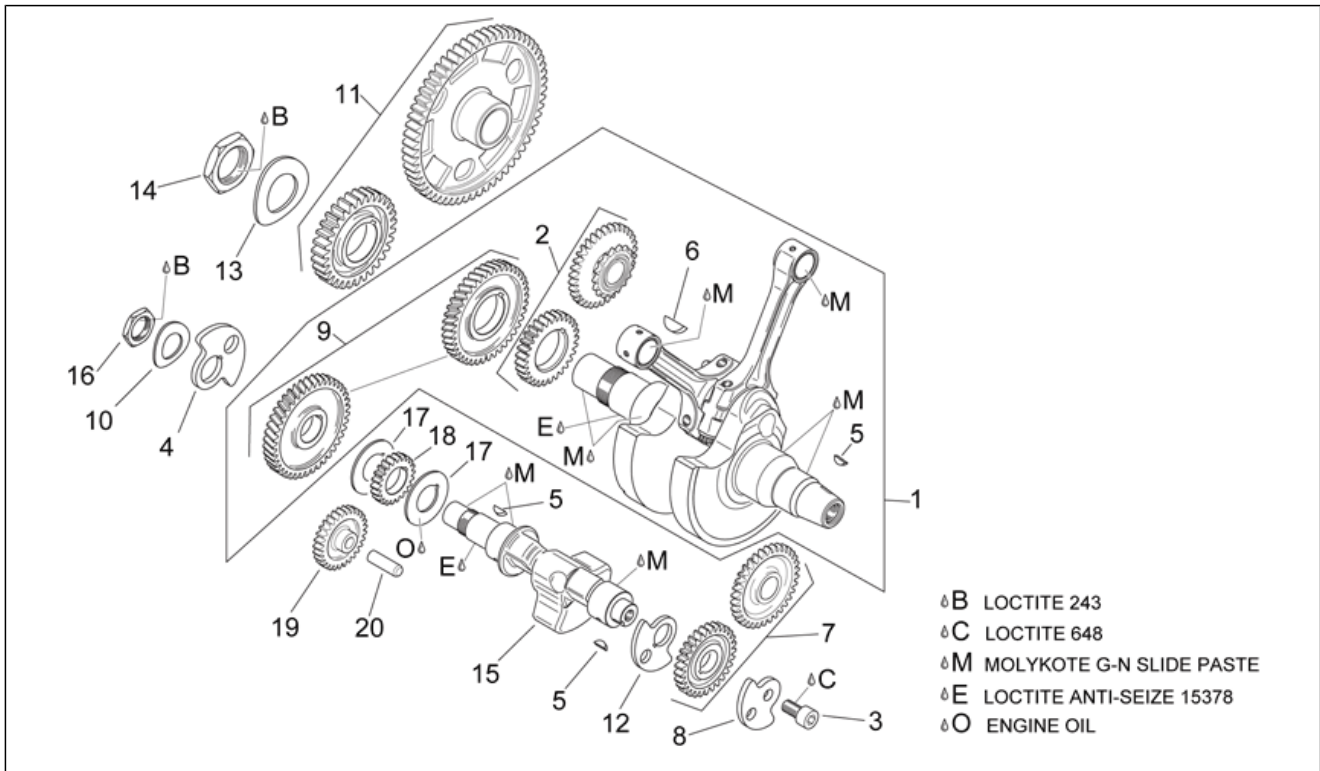


<b>Einheit</b>	MOTOR
<b>Code</b>	29.44
<b>Beschreibung</b>	Ölpumpe
<b>Inspektion</b>	1



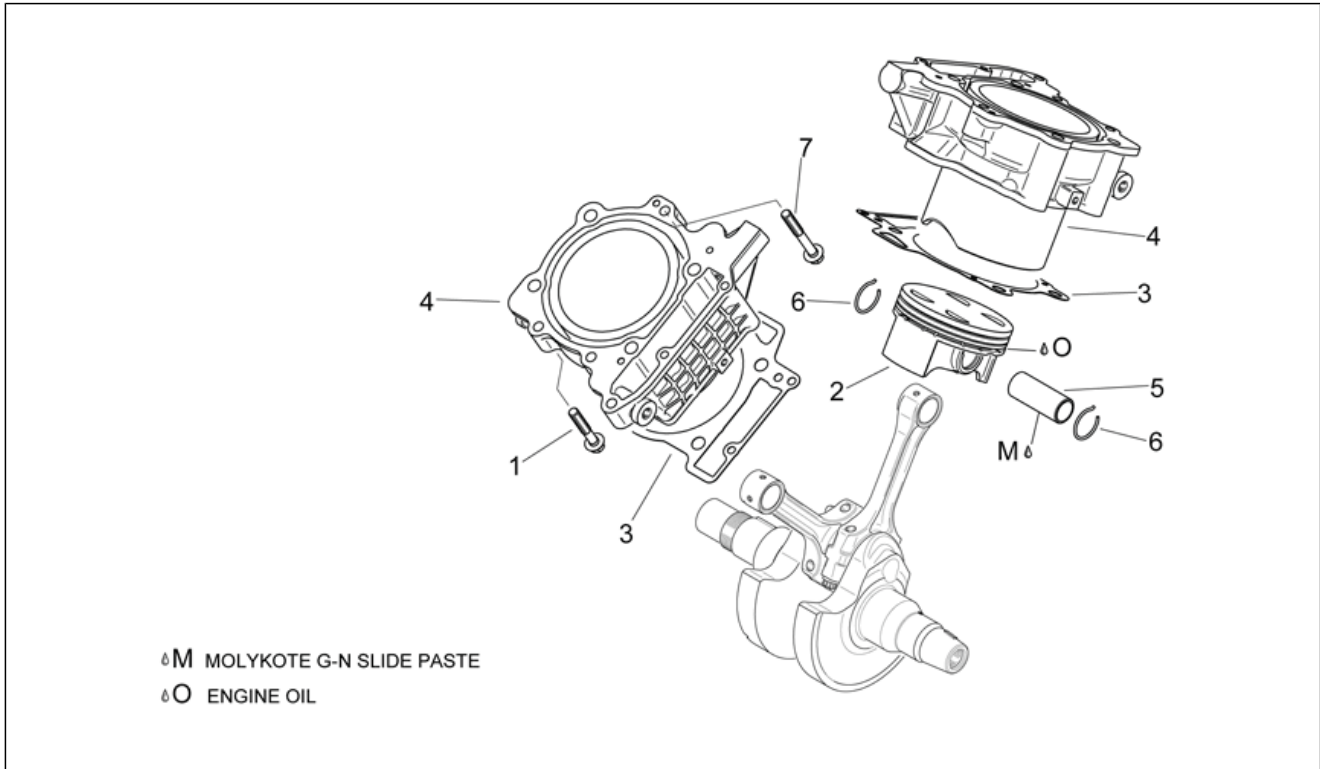
Pos.	Code	Beschreibung	Menge	Varianten
1	AP0220710	Ölpumpenwelle	1	
2	AP0232730	Stift 4x15,8	2	
3	AP0256700	Innen- und Außenrotor	1	
4	AP0232970	Bolzen 4x25,8	2	
5	AP0610100	Ölpumpengehäuse	1	
6	AP0634470	Ölpumpen-Zahn. z=42	1	
7	AP0956275	Innen- und Außenrotor	1	
8	AP0610110	Ölpumpendeckel	1	
9	AP0256510	Druckregelkolben	1	
10	AP0239445	Feder	1	
11	AP0241650	Ventilschließschraube m12x1,5	1	
12	AP0241821	TCEI Schraube M6x45	4	
13	AP0232430	Stift	1	
14	AP0634483	Ölpumpen-Zahn.	1	
15	AP0245330	Seegerring 10x1	1	

<b>Einheit</b>	MOTOR
<b>Code</b>	29.45
<b>Beschreibung</b>	Kurbelwelle I
<b>Inspektion</b>	1



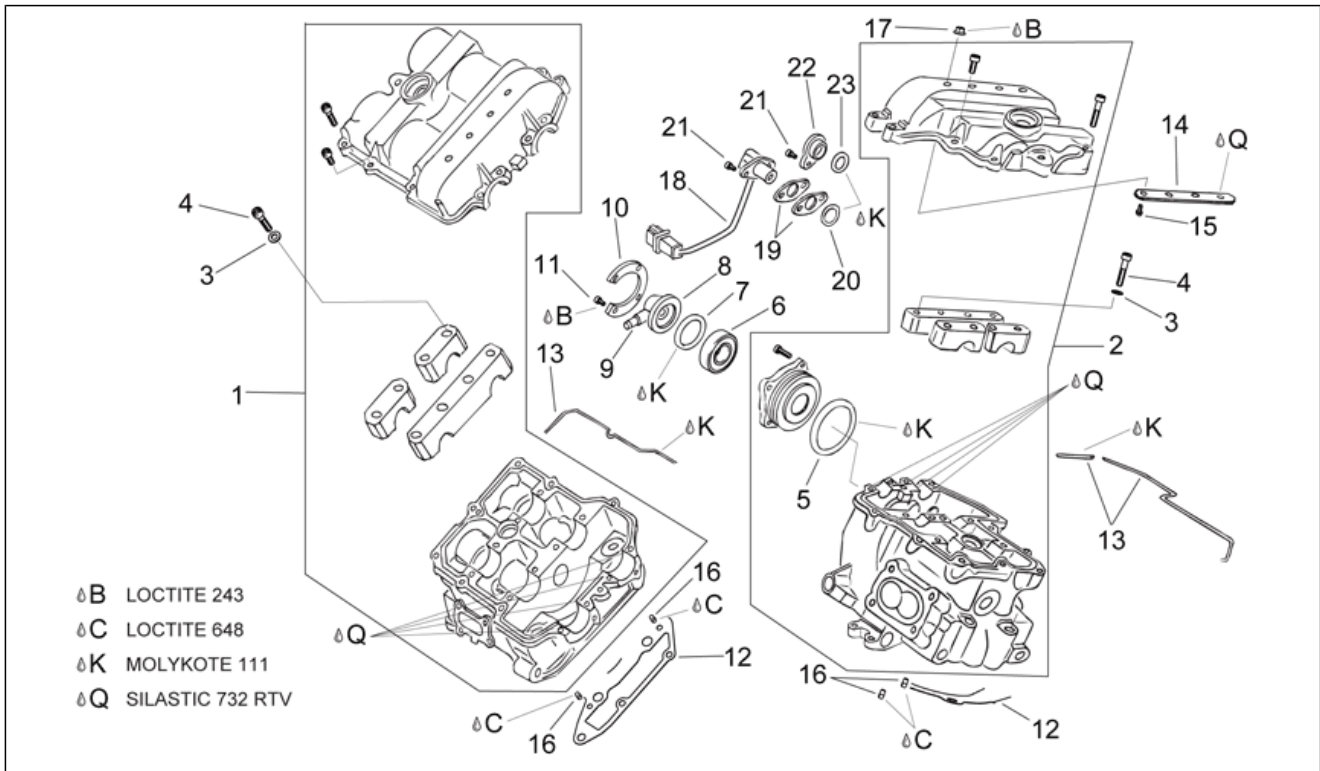
Pos.	Code	Beschreibung	Menge	Varianten
1	AP0295750	Kurbelwelle kpl.	1	
2	AP0295760	Zahnrad Vent.st. kplt.	1	
3	AP0440260	TCEI Schraube	1	
4	AP0219350	Gegengewicht Kuppl.	1	
5	AP0246570	Keil 4x5	3	
6	AP0946015	Keil 6x9	1	
7	AP0295765	Zahnrad Vent.st. kplt.	1	
8	AP0219365	Gegengew. Schw.rad a.	1	
9	AP0295770	Ausgleichsrad kpl.	1	
10	AP0245860	Sprengscheibe	1	
11	AP0295780	Zahnrad Hauptgetriebe	1	
12	AP0219360	Gegengew. Schw.rad i.	1	
13	AP0245840	Sprengscheibe	1	
14	AP0242940	Mutter m33x1,5	1	
15	AP0220375	Unt. Gegenwelle	1	
16	AP0242874	Mutter	1	
17	AP0627200	Ausgleichscheibe 24x54x2	2	
18	AP0634610	Wasserpump.-Zahn.	1	
19	AP0634500	Freilaufgrad	1	
20	AP0929930	Bolzen	1	

<b>Einheit</b>	MOTOR
<b>Code</b>	29.46
<b>Beschreibung</b>	Kurbelwelle II
<b>Inspektion</b>	1



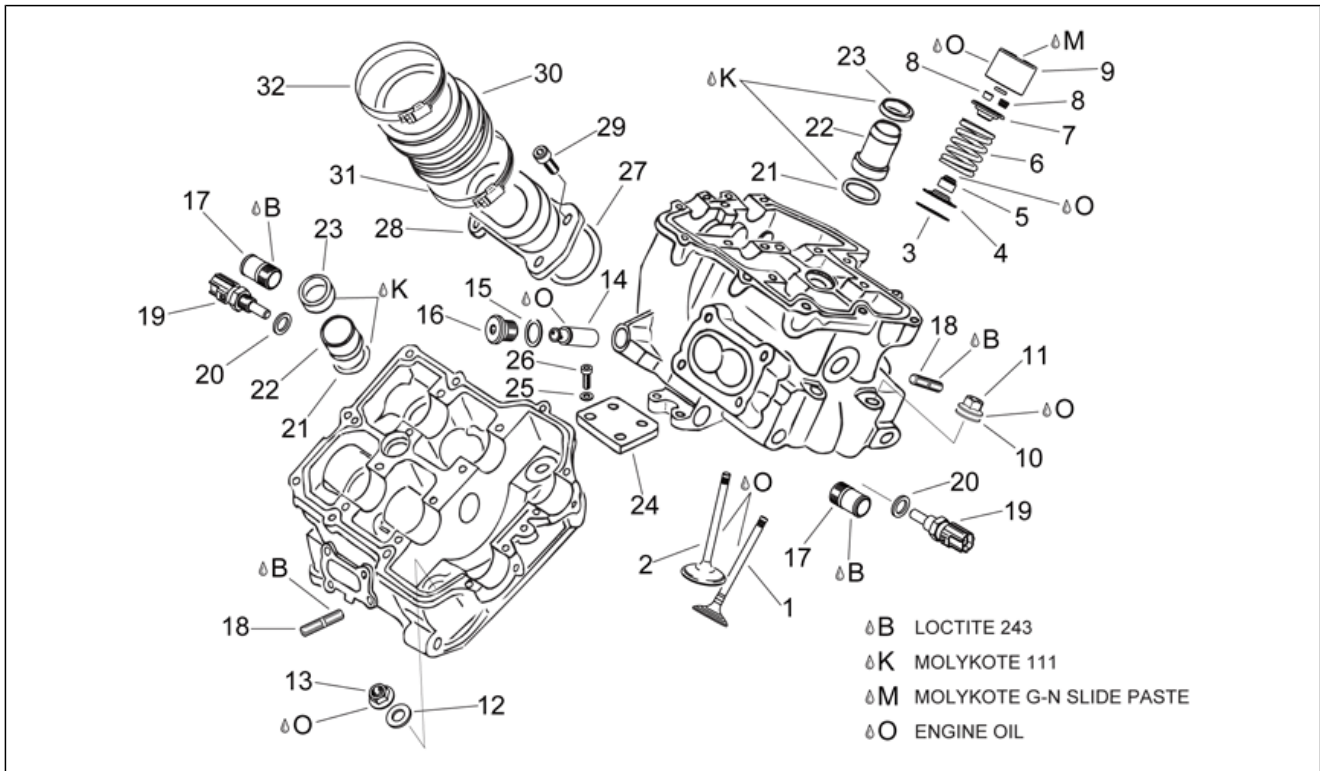
Pos.	Code	Beschreibung	Menge	Varianten
1	AP0940637	TE Schr. m. Flansch	6	
2	AP0296310	Kolben kpl. 100 mm	2	
3	AP0650390	ZYLINDERFUSSDICHTUNG	2	
4	AP0613270	Zylinder	2	
5	AP0216240	Bolzen 22x14x55	2	
6	AP0245436	Sperring 22	4	
7	AP0240327	TE Schr. m. Flansch m8x53,5	2	

<b>Einheit</b>	MOTOR
<b>Code</b>	29.47
<b>Beschreibung</b>	Zylinderkopf I
<b>Inspektion</b>	1



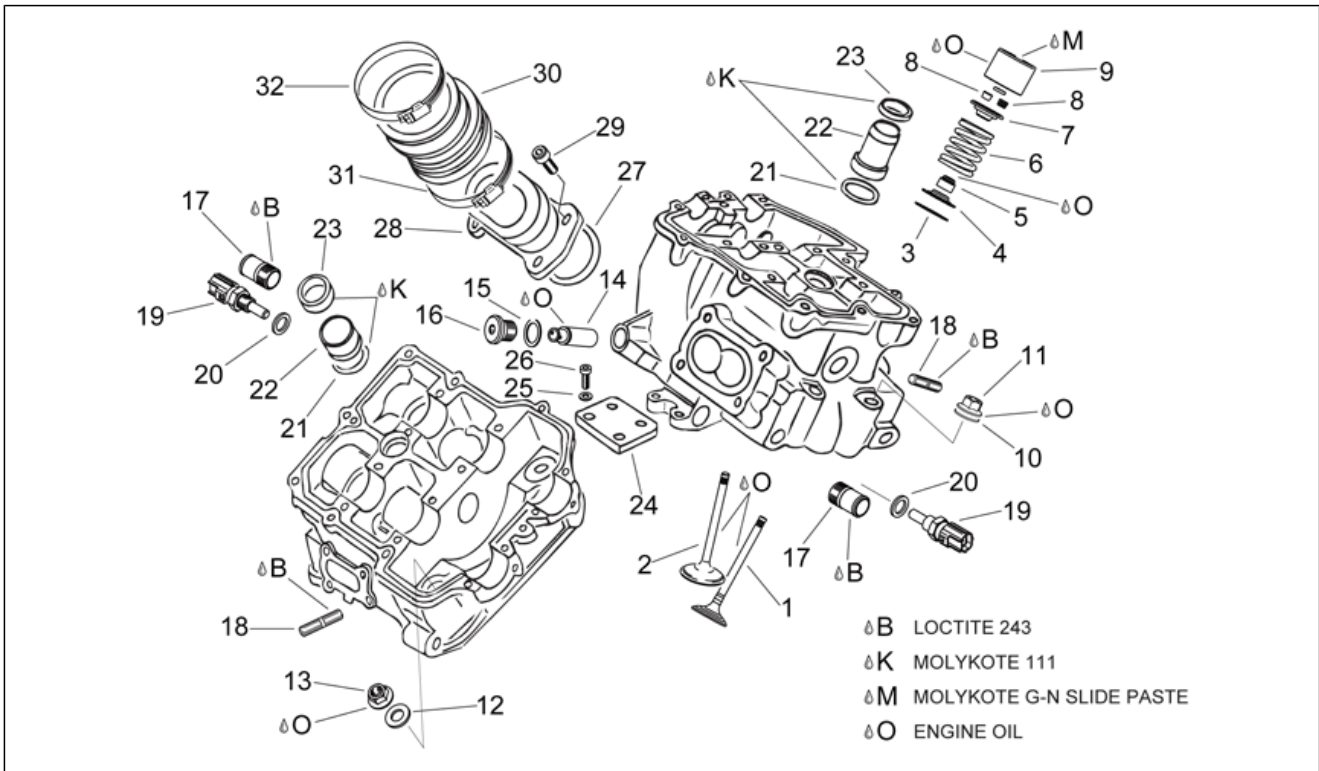
Pos.	Code	Beschreibung	Menge	Varianten
1	AP0613281	Zylinderkopf vorn kplt.	1	
2	AP0613291	Zylinderkopf hinten kpl.	1	
3	AP0944033	Ausgleichscheibe 8,5x14x1	16	
4	AP0841590	TCEI Schraube M8x35	16	
5	AP0650890	O-Ring 54,6x2,4	1	
6	AP0832160	Kugellager 6203	1	
7	AP0650895	O-Ring 37,1x1,6	1	
8	AP0627380	Deckel	1	
9	AP0224650	Entlüftungsnippel	1	
10	AP0627410	Platte	1	
11	AP0640911	Schraube	4	
12	AP0650860	Dichtung Kopf-Zylinder	2	
13	AP0650910	Dichtung 1,8 mm	1	
14	AP0236460	Kettenführung	2	
15	AP0640650	Haubenschraube	8	
16	AP0929650	Stift 5x10	4	
17	AP0242175	Mutter	8	
18	AP0274070	Fühler Nockenwelle kp.	1	
19	AP0244660	Distanzscheibe 0,15 mm	1	
19	AP0244661	Distanzscheibe 0,3 mm	1	
20	AP0650920	O-Ring 15,1x1,6	1	
21	AP0640670	TCEI Schraube	6	
22	AP0627385	Deckel	4	
23	AP0650880	O-Ring 23x1,5	4	

<b>Einheit</b>	MOTOR
<b>Code</b>	29.48
<b>Beschreibung</b>	Zylinderkopf II
<b>Inspektion</b>	1



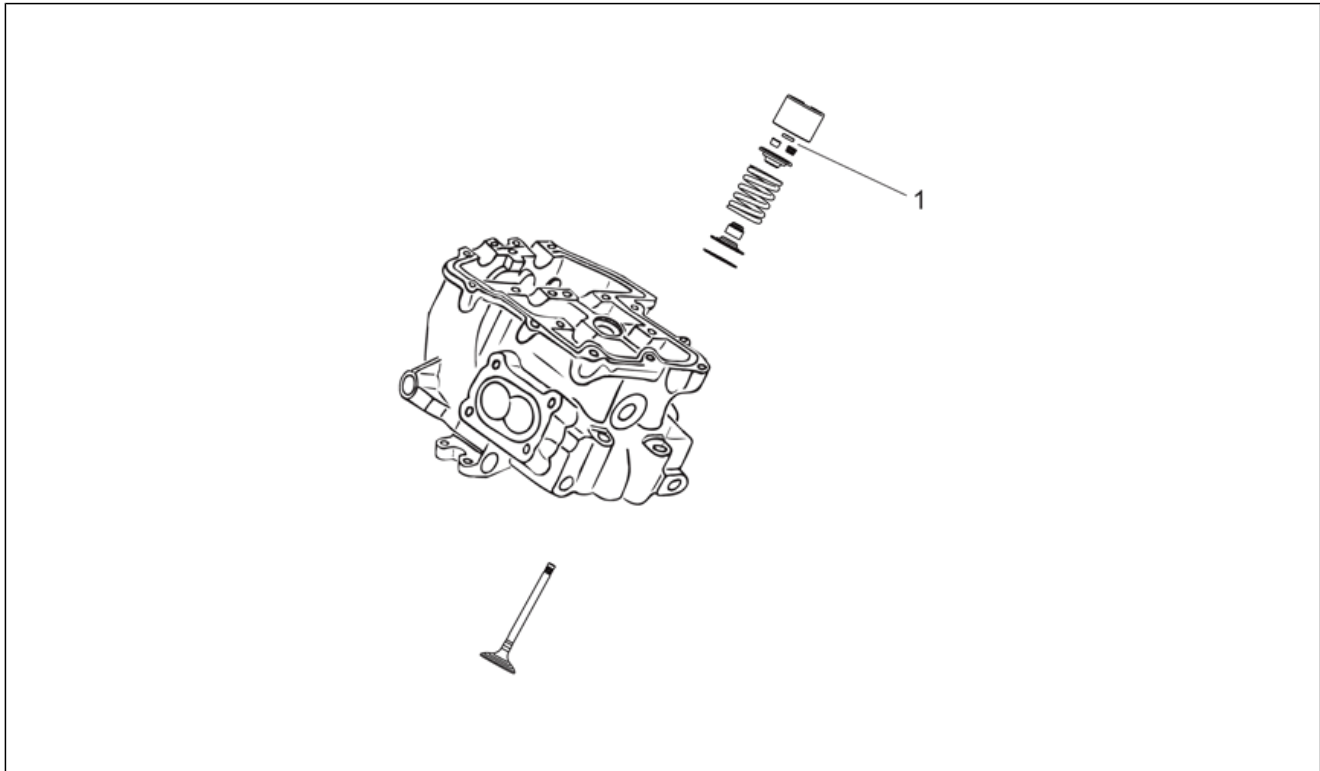
Pos.	Code	Beschreibung	Menge	Varianten
1	AP0254232	Auslaßventil 35 mm	4	
2	AP0254242	Einlaßventil 40,5 mm	4	
3	AP0244620	Ausgleichscheibe 12,9x28x2,00-2,12	8	
4	AP0254250	Ventilfederplatte	8	
5	AP0650870	Ölabstreifring Ventilführung	8	
6	AP0238060	Ventilfeder	8	
7	AP0254260	Ventilfederplatte	8	
8	AP0253645	Ventilhalbkegel	16	
9	AP0253990	Ventilbecher	8	
10	AP0244645	Ausgleichscheibe 10x19x3,5	8	
11	AP0242990	12-kant Flanschmutter 3/8"-24	8	
12	AP0244640	Ausgleichscheibe 6,6x13x2,5	4	
13	AP0242626	Mutter	4	
14	AP0236252	Kettenspanner	2	
15	AP0430623	Gasket ring 16x22	2	
16	AP0640700	Verschlußschraube m16x1,5	2	
17	AP0224090	Leitung	2	
18	AP0640660	Stiftschraube	8	
19	AP0274040	Temperaturfühler	2	
20	AP0250640	Gasket ring 12x18	2	
21	AP0650900	O-Ring 25,1x1,6	2	
22	AP0249110	Buchse	2	
23	AP0650930	Profildichtung 24x26,5x4	2	
24	AP0251190	Fixierplatte	1	
25	AP0827800	Ausgleichscheibe a5,5	4	
26	AP0240150	TCEI Schraube M5x14	4	
27	AP0650905	O-Ring 3771	2	
28	AP0267200	Einlaßflansch	2	

<b>Einheit</b>	MOTOR
<b>Code</b>	29.48
<b>Beschreibung</b>	Zylinderkopf II
<b>Inspektion</b>	1



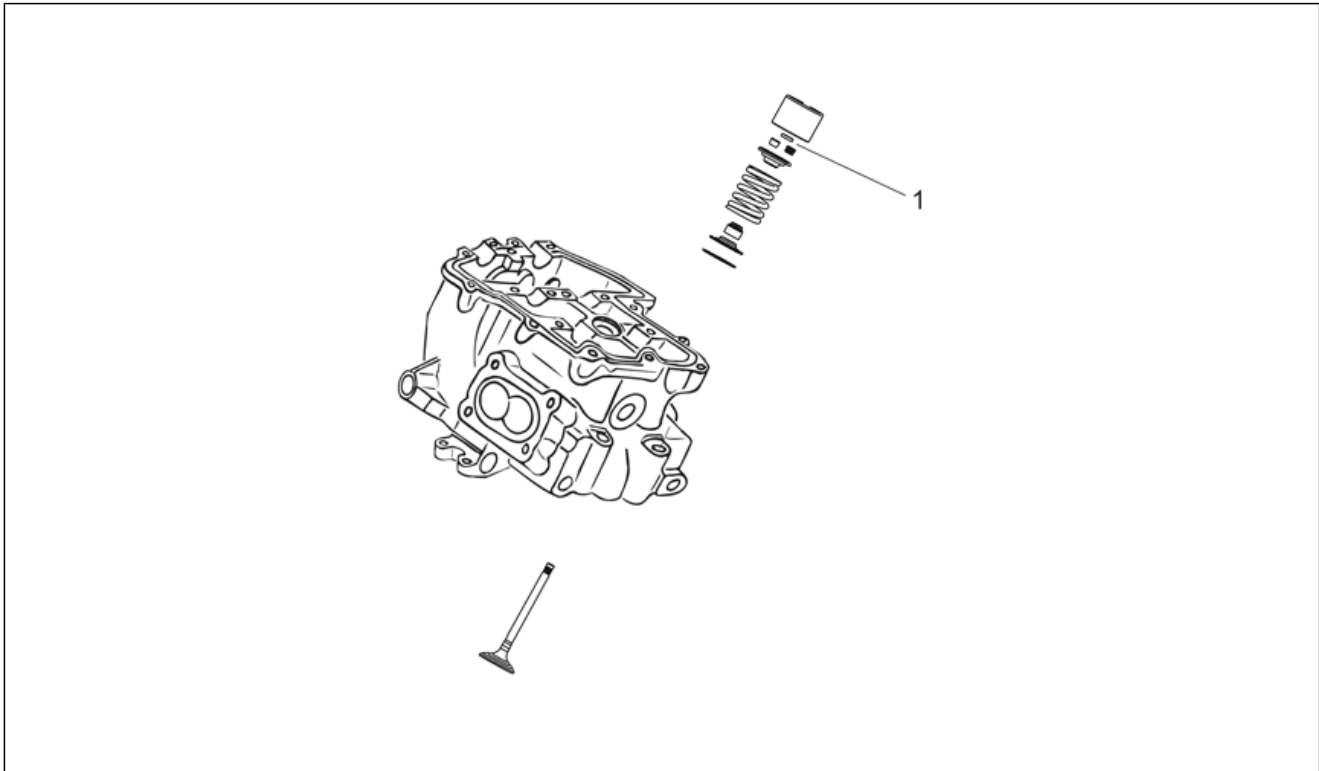
Pos.	Code	Beschreibung	Menge	Varianten
29	AP0840512	TCEI Schraube	8	
30	AP0267210	Ansaugmuffe	2	
31	AP0251200	Schelle 76	2	
32	AP0251830	Schelle 65	2	

<b>Einheit</b>	MOTOR
<b>Code</b>	29.49
<b>Beschreibung</b>	Ventilesbeläge
<b>Inspektion</b>	1



Pos.	Code	Beschreibung	Menge	Varianten
1	AP0253974	Belag 2,3	1	
1	AP0253975	Belag 2,35	1	
1	AP0253976	Belag 2,4	1	
1	AP0253977	Belag 2,45	1	
1	AP0253978	Belag 2,5	1	
1	AP0253979	Belag 2,55	1	
1	AP0253980	Belag 2,6	1	
1	AP0253981	Belag 2,65	1	
1	AP0253982	Belag 2,7	1	
1	AP0253983	Belag 2,75	1	
1	AP0253984	Belag 2,8	1	
1	AP0253985	Belag 2,85	1	
1	AP0253986	Belag 2,9	1	
1	AP0253987	Belag 2,95	1	
1	AP0253988	Belag 3,00	1	
1	AP0254030	Belag 2,325	1	
1	AP0254031	Belag 2,375	1	
1	AP0254032	Belag 2,425	1	
1	AP0254033	Belag 2,475	1	
1	AP0254034	Belag 2,525	1	
1	AP0254035	Belag 2,575	1	
1	AP0254036	Belag 2,625	1	
1	AP0254037	Belag 2,675	1	
1	AP0254038	Belag 2,725	1	
1	AP0254039	Belag 2,775	1	
1	AP0254040	Belag 2,825	1	
1	AP0254041	Belag 2,875	1	
1	AP0254042	Belag 2,925	1	

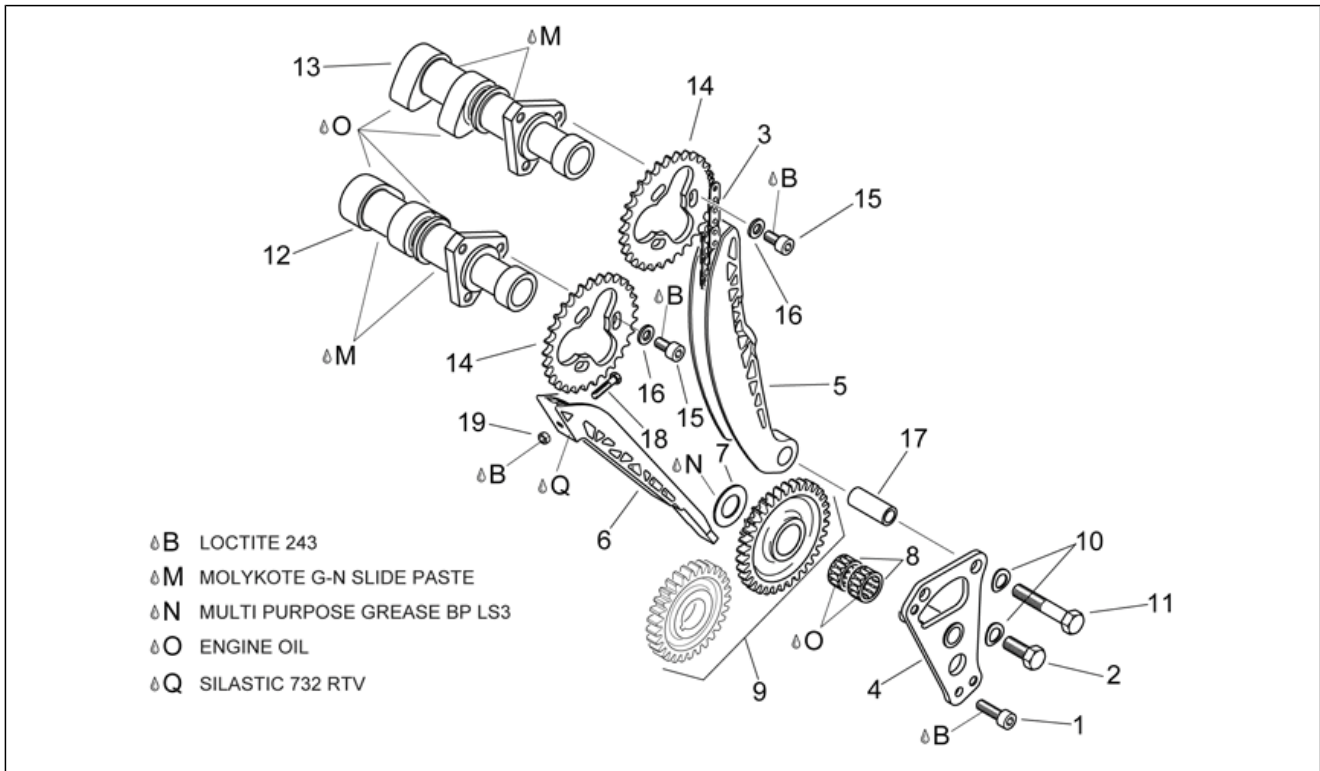
<b>Einheit</b>	MOTOR
<b>Code</b>	29.49
<b>Beschreibung</b>	Ventilesbeläge
<b>Inspektion</b>	1



Pos.	Code	Beschreibung	Menge	Varianten
1	AP0254043	Belag 2,975	1	

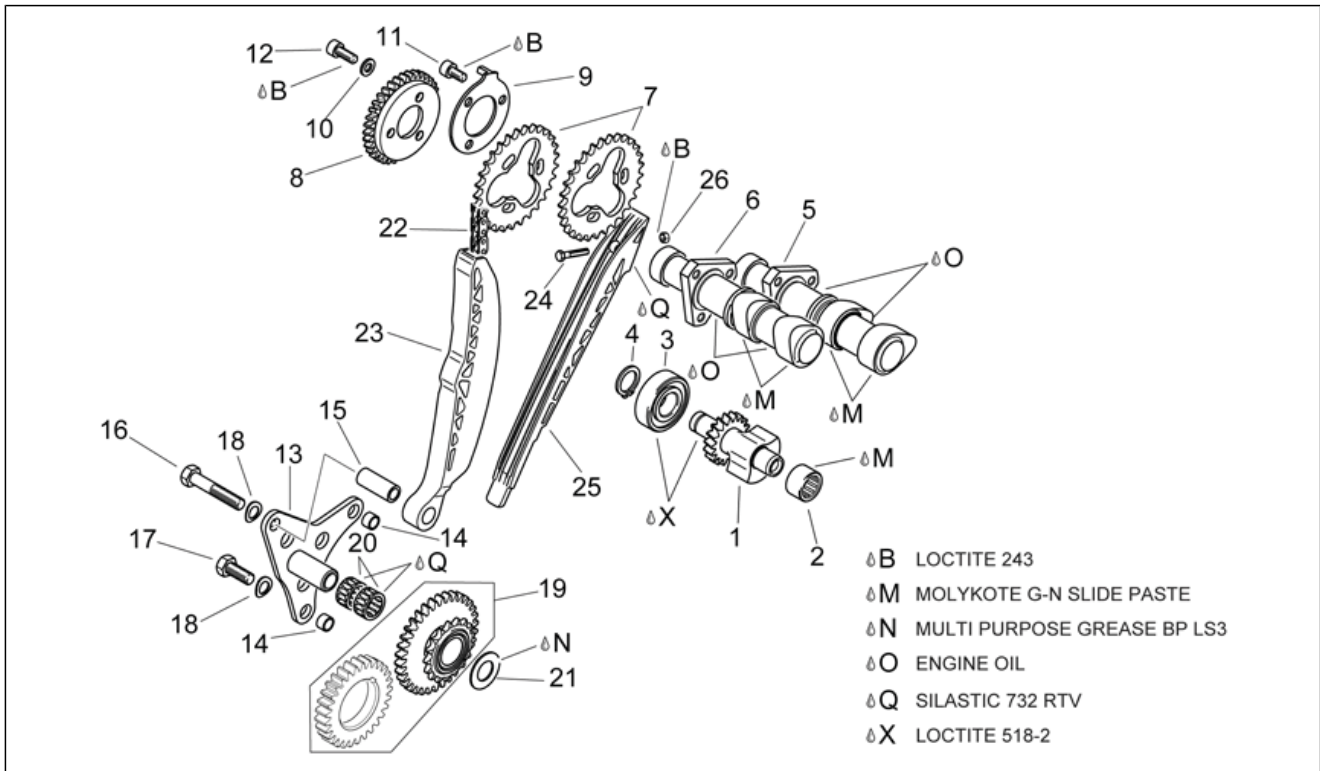


<b>Einheit</b>	MOTOR
<b>Code</b>	29.50
<b>Beschreibung</b>	Vrd. Zylindersteuer
<b>Inspektion</b>	1



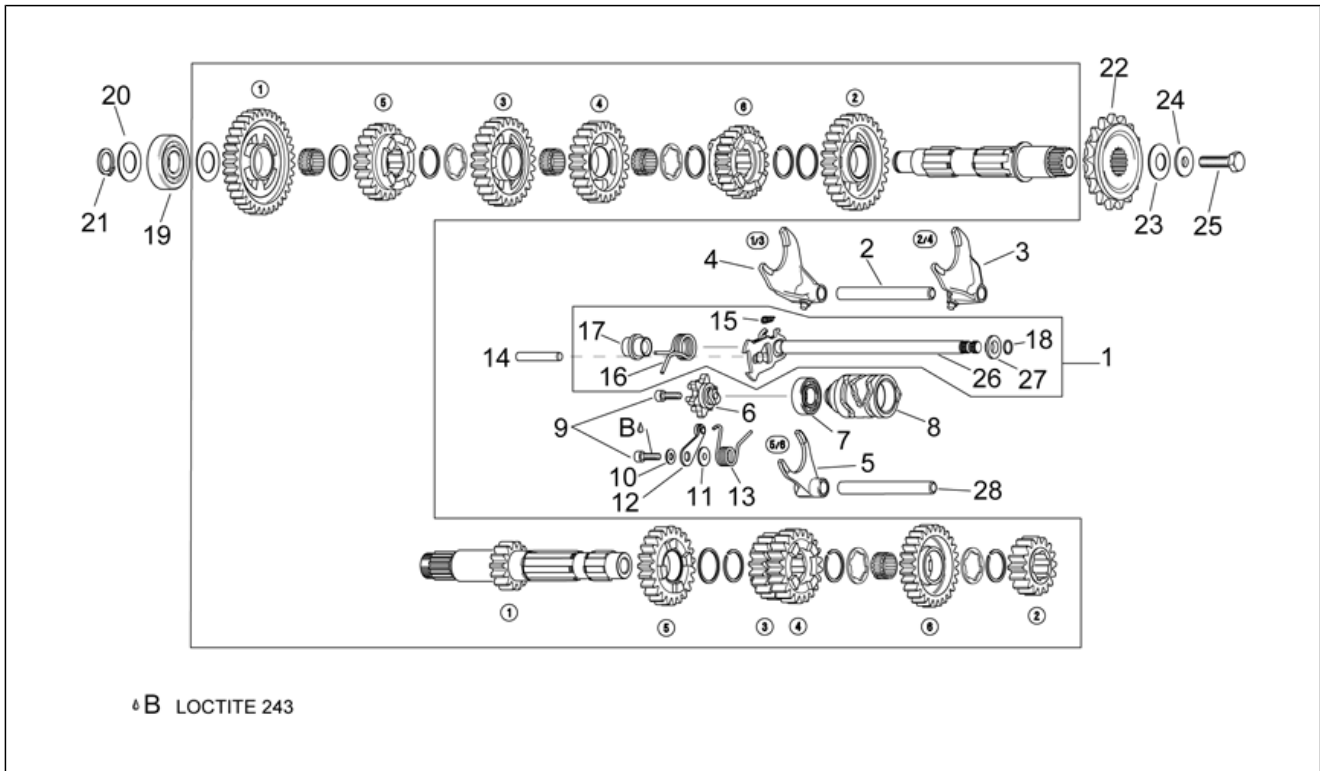
Pos.	Code	Beschreibung	Menge	Varianten
1	AP0240400	TCEI Schraube	1	
2	AP0940590	Sechskantschraube M8x20	1	
3	AP0297955	Steuerkette	1	
4	AP0211766	Lagerplatte	1	
5	AP0236440	Kettenführung	1	
6	AP0236450	Kettenführung	1	
7	AP0627190	Ausgleichscheibe 16,7x29x1	1	
8	AP0632161	Nadelkaefig 16x22x10	2	
9	AP0295765	Zahnrad Vent.st. kplt.	1	
10	AP0845030	Sprengscheibe b8	2	
11	AP0940631	Sechskantschraube	1	
12	AP0220700	Nockenwelle Auslaß	1	
13	AP0220690	Nockenwelle Einlaß	1	
14	AP0635080	Zahnrad Ventilsteuerung	2	
15	AP0640900	TCEI Schraube	6	
16	AP0244630	Ausgleichscheibe 6,4x12x2	6	
17	AP0247980	Buchse 8,2x12x25	1	
18	AP0940046	Schraube	1	
19	AP0242175	Mutter	1	

<b>Einheit</b>	MOTOR
<b>Code</b>	29.51
<b>Beschreibung</b>	Hint. Zylindersteuer
<b>Inspektion</b>	1



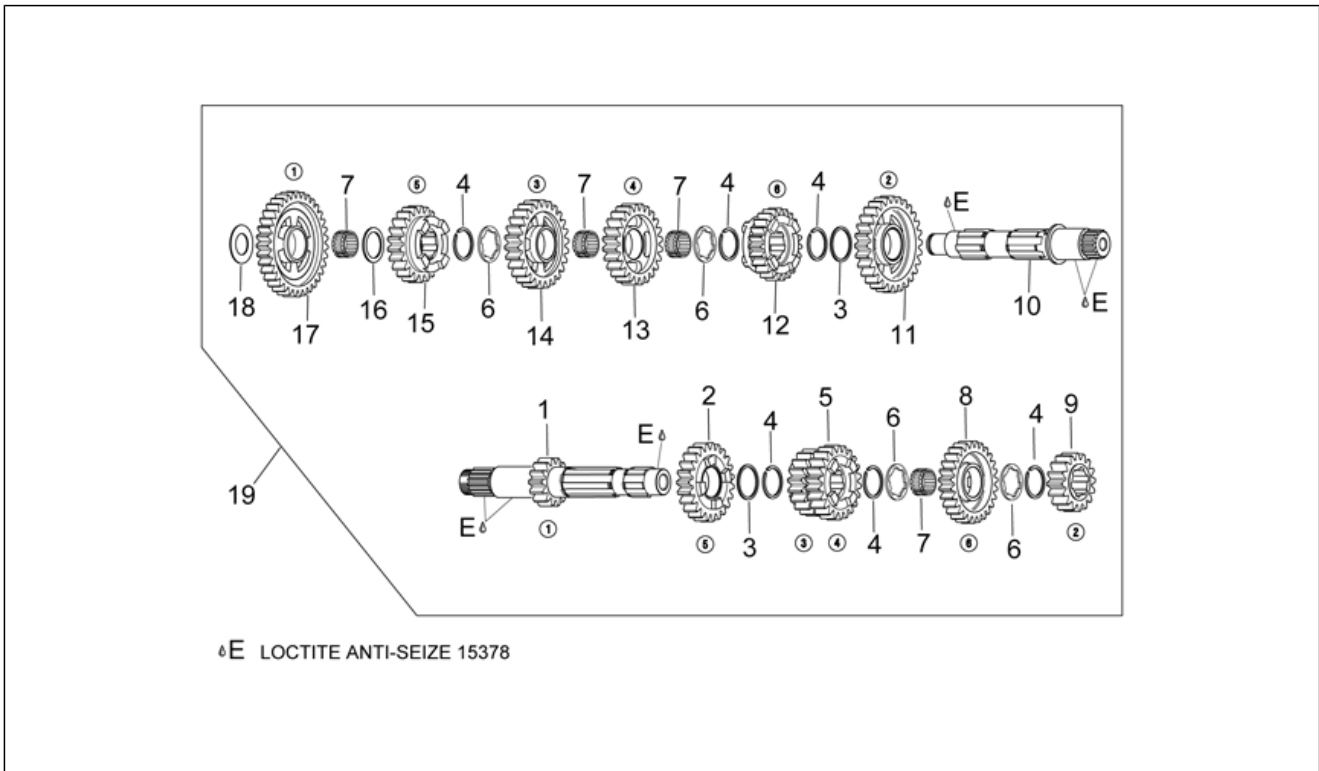
Pos.	Code	Beschreibung	Menge	Varianten
1	AP0220720	Ob. Gegenwelle	1	
2	AP0632240	Rollenlager 16x22x16	1	
3	AP0832160	Kugellager 6203	1	
4	AP0845455	Seegerring 17	1	
5	AP0220700	Nockenwelle Auslaß	1	
6	AP0220690	Nockenwelle Einlaß	1	
7	AP0635080	Zahnrad Ventilsteuerung	2	
8	AP0635090	Zahnrad	1	
9	AP0627420	Pickup-Platte	1	
10	AP0244630	Ausgleichscheibe 6,4x12x2	3	
11	AP0640900	TCEI Schraube	3	
12	AP0640620	TCEI Schraube	3	
13	AP0211756	Platte f. Walzenkäfig	1	
14	AP0929500	Stift 10x8	2	
15	AP0247980	Buchse 8,2x12x25	1	
16	AP0940631	Sechskantschraube	1	
17	AP0240275	Sechskantschraube	2	
18	AP0845030	Sprengscheibe b8	3	
19	AP0295760	Zahnrad Vent.st. kplt.	1	
20	AP0632161	Nadelkaefig 16x22x10	2	
21	AP0627190	Ausgleichscheibe 16,7x29x1	1	
22	AP0297955	Steuerkette	1	
23	AP0236440	Kettenführung	1	
24	AP0940046	Schraube	1	
25	AP0236450	Kettenführung	1	
26	AP0242175	Mutter	1	

<b>Einheit</b>	MOTOR
<b>Code</b>	29.52
<b>Beschreibung</b>	Schaltgabel
<b>Inspektion</b>	1



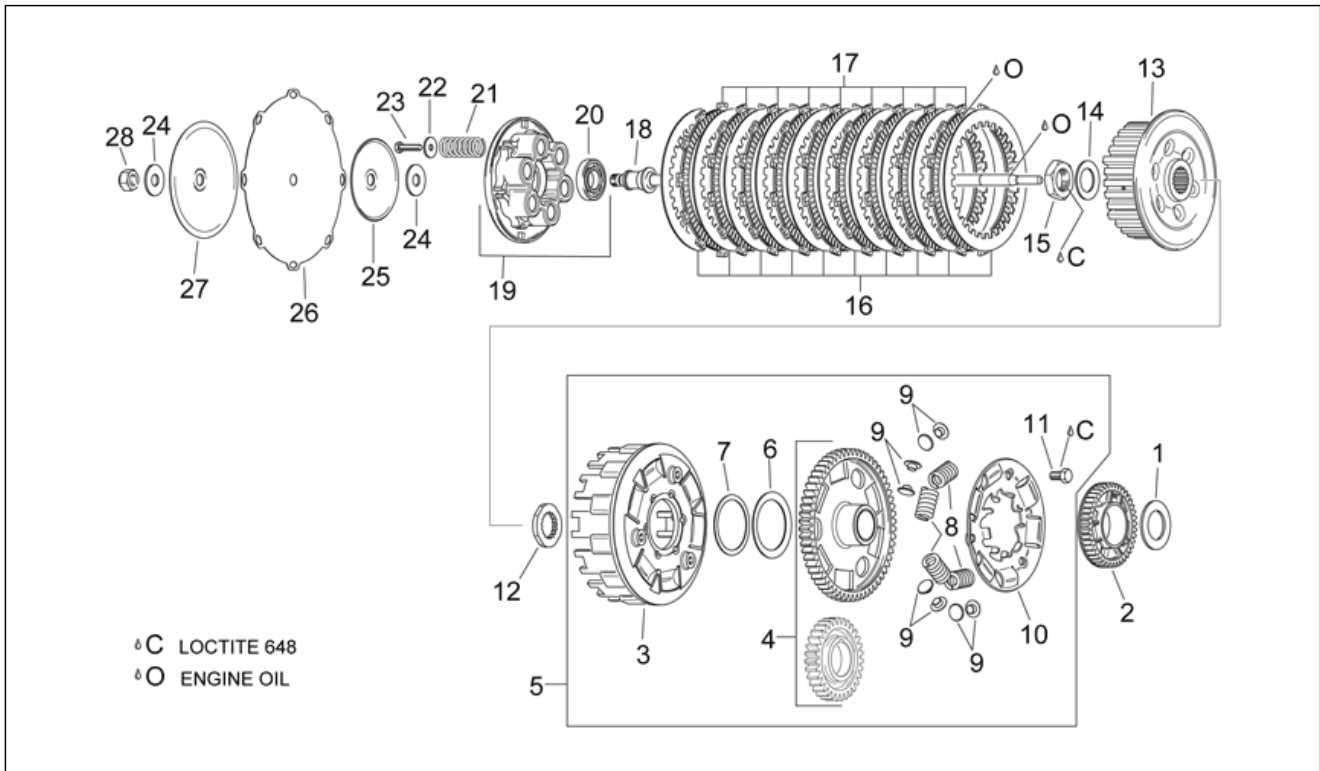
Pos.	Code	Beschreibung	Menge	Varianten
1	AP0220437	Getr.welle + Federsatz	1	
2	AP0258380	Schaltstange	1	
3	AP0258360	Schaltgabel	1	
4	AP0258350	Schaltgabel	1	
5	AP0258375	Schaltgabel	1	
6	AP0258310	Index-Platte	1	
7	AP0932335	Kugellager 16101	1	
8	AP0258322	Verschiebenocken	1	
9	AP0241932	TCEI Schraube	2	
10	AP0244211	Ausgleichscheibe 6,4	1	
11	AP0227716	Ausgleichscheibe	1	
12	AP0248375	Indexhebel kpl.	1	
13	AP0239247	Index feder	1	
14	AP0229385	Bolzen	1	
15	AP0239430	Feder	1	
16	AP0239420	Gabelfeder	1	
17	AP0247940	Buchse	1	
18	AP0245440	Seegerring	1	
19	AP0832144	Kugellager 6304	1	
20	AP0227442	Ausgleichscheibe 20,2x27,5	1	
21	AP0945665	Seegerring 20x1,75	1	
22	AP0236366	Gummi-Ritzel	1	
23	AP0239450	Sprengscheibe 34x16,3	1	
24	AP0627210	Ausgleichscheibe	1	
25	AP0940741	Sechskantschraube	1	
26	AP0220435	Getr.welle + Gesperre	1	
27	AP0227714	Ausgleichscheibe	1	
28	AP0258382	Schaltstange	1	

<b>Einheit</b>	MOTOR
<b>Code</b>	29.53
<b>Beschreibung</b>	Schaltgetriebe
<b>Inspektion</b>	1



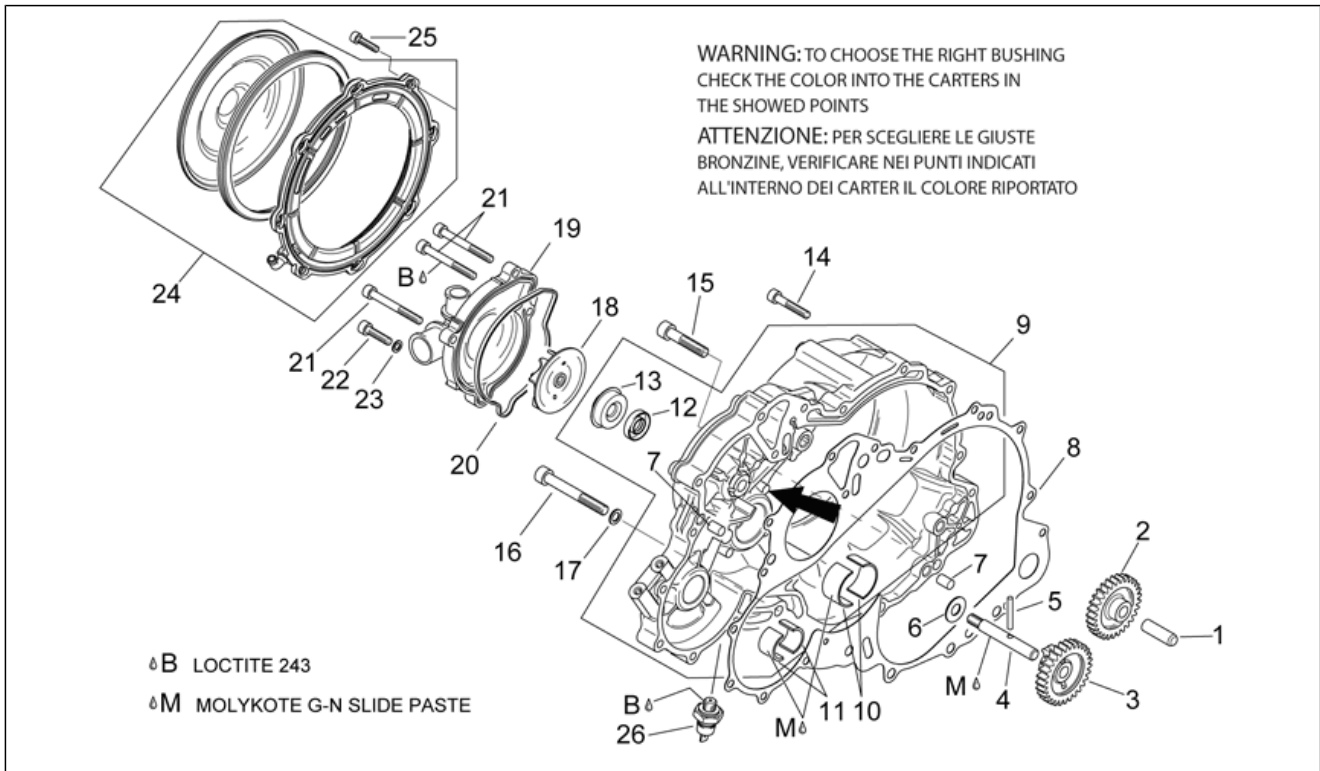
Pos.	Code	Beschreibung	Menge	Varianten
1	AP0220390	Hauptwelle	1	
2	AP0634695	Zahnrad 5.Hauptwelle	1	
3	AP0627120	Ausgleichscheibe 29,2x33,5	2	
4	AP0245815	Seegerring 28x2	6	
5	AP0634660	Zahnrad 3-4.Hauptwelle	1	
6	AP0627132	Ausgleichscheibe 25,35x34,5	4	
7	AP0632070	Nadelkaefig 25x29x13	4	
8	AP0634710	Zahnrad 6.Hauptwelle	1	
9	AP0634640	Zahnrad 2.Hauptwelle	1	
10	AP0220400	Festrads	1	
11	AP0634655	Zahnrad 2.Vorgelegewelle	1	
12	AP0634720	Zahnrad 6.Vorgelegewelle	1	
13	AP0634670	Zahnrad 4.Vorgelegewelle	1	
14	AP0634680	Zahnrad 3.Vorgelegewelle	1	
15	AP0634700	Zahnrad 5.Vorgelegewelle	1	
16	AP0427106	Ausgleichscheibe 25,3x33,5	1	
17	AP0634620	Zahnrad 1.Vorgelegewelle	1	
18	AP0827110	Ausgleichscheibe 20,5x37x1	1	
19	AP0281222	Schaltgetriebe 6-Gang	1	

<b>Einheit</b>	MOTOR
<b>Code</b>	29.54
<b>Beschreibung</b>	Kupplung
<b>Inspektion</b>	1



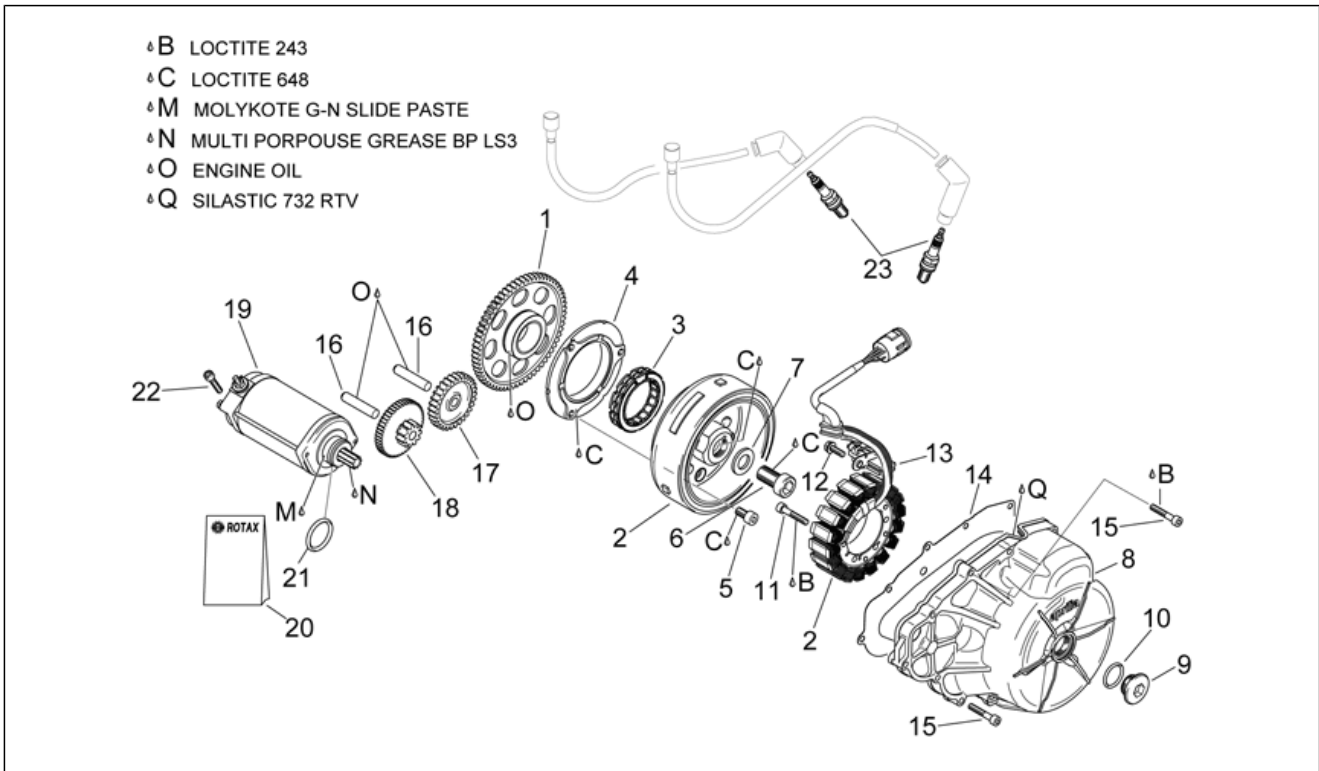
Pos.	Code	Beschreibung	Menge	Varianten
1	AP0627260	Ausgleichscheibe 30,2x50	1	
2	AP0634470	Ölpumpen-Zahn. z=42	1	
3	AP0259530	Kupplungsglocke	1	
4	AP0295780	Zahnrad Hauptgetriebe	1	
5	AP0295790	Hauptgetriebe	1	
6	AP0239390	Sprengscheibe 68x52x1,2	1	
7	AP0627140	Ausgleichscheibe 52x62x1	1	
8	AP0239370	Feder	6	
9	AP0247970	Buchse	12	
10	AP0259580	Stuetzteller	1	
11	AP0940580	Schraube	3	
12	AP0627220	Ausgleichscheibe 25x44,4x5	1	
13	AP0259520	Mitnehmer	1	
14	AP0245830	Sprengscheibe 24,5x40	1	
15	AP0242950	Mutter m24x1,5	1	
16	AP8106633	St.Kupplungsscheiben 10 st.	1	
17	AP8106634	Kasch.Kupplungsscheiben 9 st.	1	
18	AP0220455	Kupplungswelle Kpl.	1	
19	AP0259515	Federplatte komplett	1	
20	AP0632130	Kugellager 16004	1	
21	AP0239480	Kupplungsfeder	6	
22	AP0244020	Ausgleichscheibe d6,5	6	
23	AP0240036	Sechskantschraube	6	
24	AP0227180	Ausgleichscheibe 12,2x32x2	2	
25	AP0627230	Lagerscheibe	1	
26	AP0260890	Membran	1	
27	AP0627280	Druckplatte	1	
28	AP0442130	Mutter m12	1	

<b>Einheit</b>	MOTOR
<b>Code</b>	29.55
<b>Beschreibung</b>	Wasserpumpenritzel
<b>Inspektion</b>	1



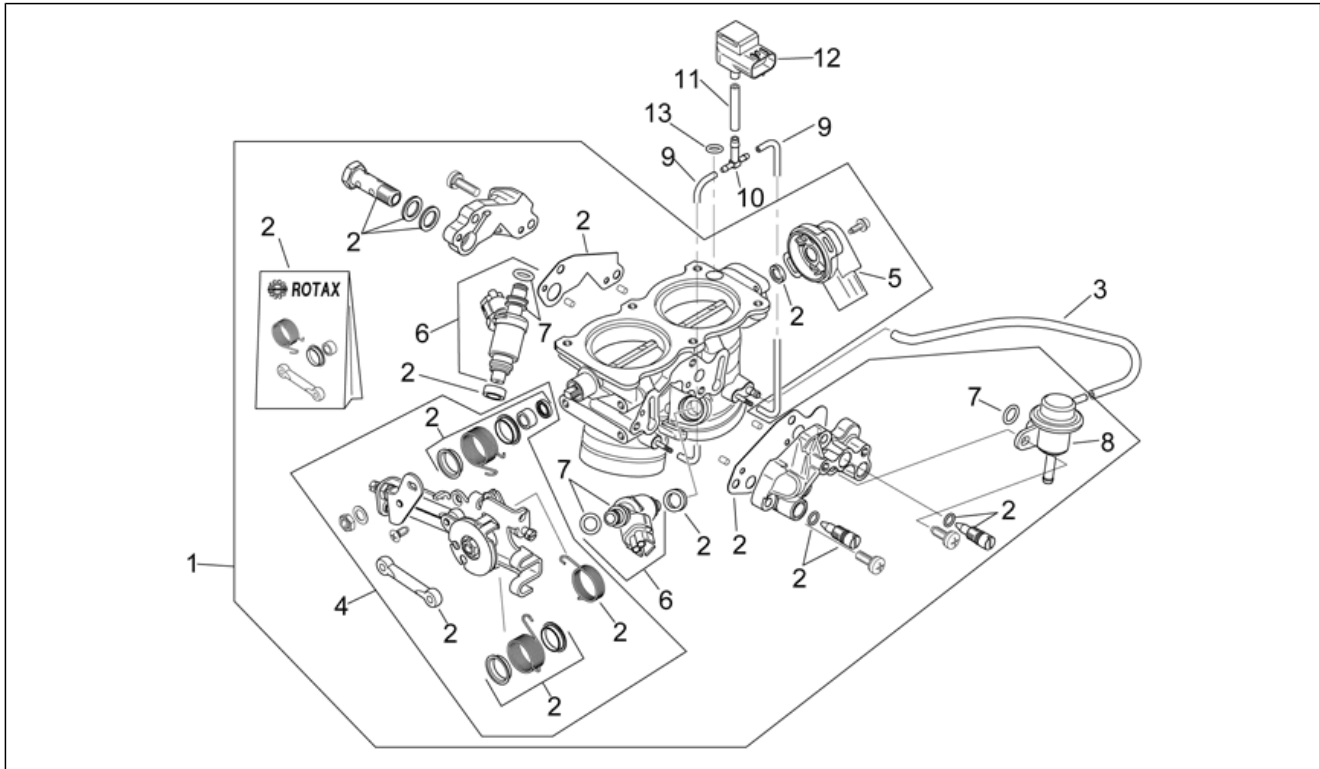
Pos.	Code	Beschreibung	Menge	Varianten
1	AP0929930	Bolzen	1	
2	AP0634500	Freilaufgrad	1	
3	AP0634490	Wasserpump.-Zahn.	1	
4	AP0220410	Welle Wasserpumpe	1	
5	AP0232430	Stift	1	
6	AP0227685	Ausgleichscheibe 10,1x22x1	1	
7	AP0632010	Stift M8x12	2	
8	AP0650330	Dichtung	1	
9	AP0211641	Kupplungsdeckel	1	
10	AP0233790	Halbsch. Bronzebu., blau	2	
10	AP0233791	Halbsch. Bronzebu., rot	2	
10	AP0233793	Halbsch. Bronzebu., gelb	2	
11	AP0233780	Halbsch. Bronzebchs. 20x24x16	2	
12	AP0650310	Ölabstreifring 10x25x5	1	
13	AP0650370	Pumpe Mechanische Dichtung	1	
14	AP0241811	TCEI Schraube	11	
15	AP0840681	TCEI Schraube M8x40	3	
16	AP0841841	TCEI Schraube	1	
17	AP0950141	Gasket ring 8x13	1	
18	AP0222500	Läufer	1	
19	AP0222511	Wasserpumpenkörper	1	
20	AP0650240	Dichtung	1	
21	AP0240331	TCEI Schraube	3	
22	AP0840861	TCEI Schraube M6x25	1	
23	AP0230415	Gasket ring 6x10	1	
24	AP0211776	Membranscheibe kplt.	1	
25	AP0640922	TE Schr. m. Flansch	8	
26	AP0956169	Öldruckschalter	1	

<b>Einheit</b>	MOTOR
<b>Code</b>	29.56
<b>Beschreibung</b>	Zündung
<b>Inspektion</b>	1



Pos.	Code	Beschreibung	Menge	Varianten
1	AP0634595	Zahnrad Freilaufzahn z=64	1	
2	AP0295830	Zündung 12V-380W	1	
3	AP0659110	Freilaufzahn	1	
4	AP0659120	Flansch Freilaufzahn	1	
5	AP0641590	TCEI Schraube	3	
6	AP0241541	TCEI Schraube m16x30	1	
7	AP0627270	Ausgleichscheibe a17	1	
8	AP0211650	Zünddeckel	1	
9	AP0241630	Deckel m24x1,5	1	
10	AP0430782	O-Ring 23,3x2,4	1	
11	AP0241816	TCEI Schraube M6x40	3	
12	AP0240580	TE Schr. m. Flansch	2	
13	AP0260870	Kabelschutz	1	
14	AP0650340	Dichtung	1	
15	AP0241811	TCEI Schraube	12	
16	AP0229301	Bolzen M6x50	2	
17	AP0634600	Freilaufzahn	1	
18	AP0634740	Doppeltes Zahnrad	1	
19	AP0294356	Anlasser komplett	1	
20	AP0294352	Aust.satz Anlasser	1	
21	AP0250140	O-Ring 24,4x3,1	1	
22	AP0840882	TCEI Schraube	2	
23	AP0297945	Zündkerze 10	2	

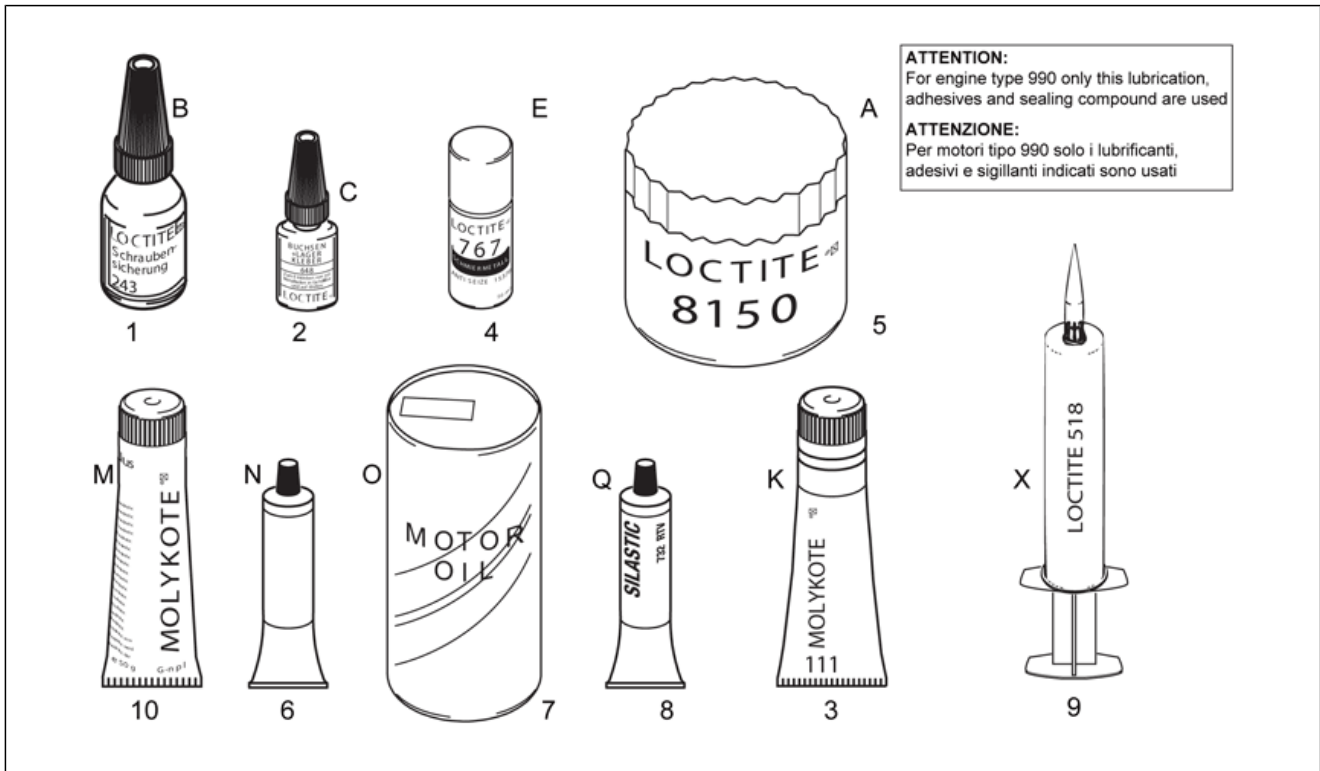
<b>Einheit</b>	MOTOR
<b>Code</b>	29.57
<b>Beschreibung</b>	Klappenkörper
<b>Inspektion</b>	1



Pos.	Code	Beschreibung	Menge	Varianten
1	AP0295690	Klappenkörper kpl.	1	
2	AP0281240	Aust.satz Drosselklap.	1	
3	AP0960122	Fühlerschlauch 110mm	1	
4	AP0661010	Fixierplatte Gaszug kpl.	1	
5	AP0274030	Fühler Drosselklappe	1	
6	AP0274010	Einspritzventil kplt.	2	
7	AP0296180	Dichtungen - Satz	1	
8	AP0274020	Kraftstoff-Druckregler	1	
9	AP0960111	Fühlerschlauch 95 mm	2	
10	AP0874320	3-Wegeanschluß	1	
11	AP0960121	Fühlerschlauch 30 mm	1	
12	AP0274050	Druckfühler	1	
13	AP8120965	O-Ring 2018	1	

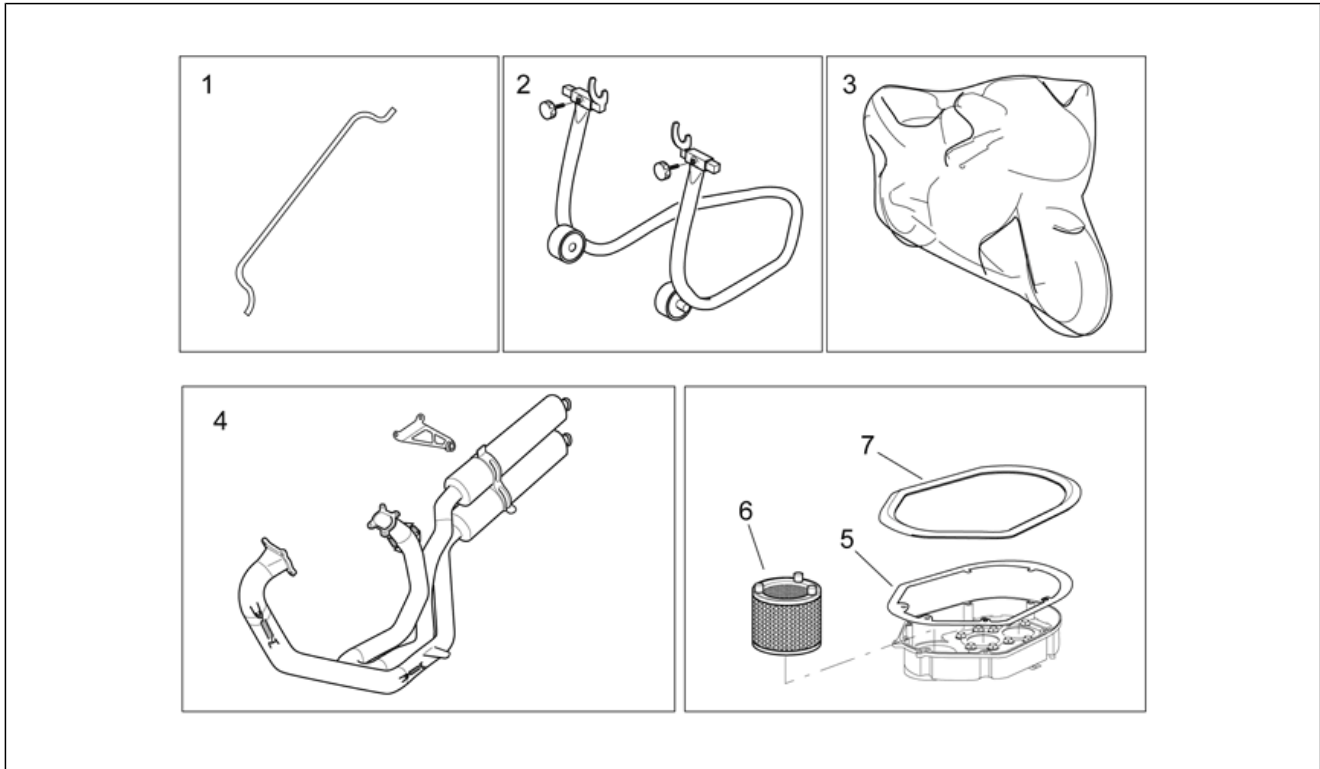


<b>Einheit</b>	MOTOR
<b>Code</b>	29.58
<b>Beschreibung</b>	Verbrauchsmaterial
<b>Inspektion</b>	1



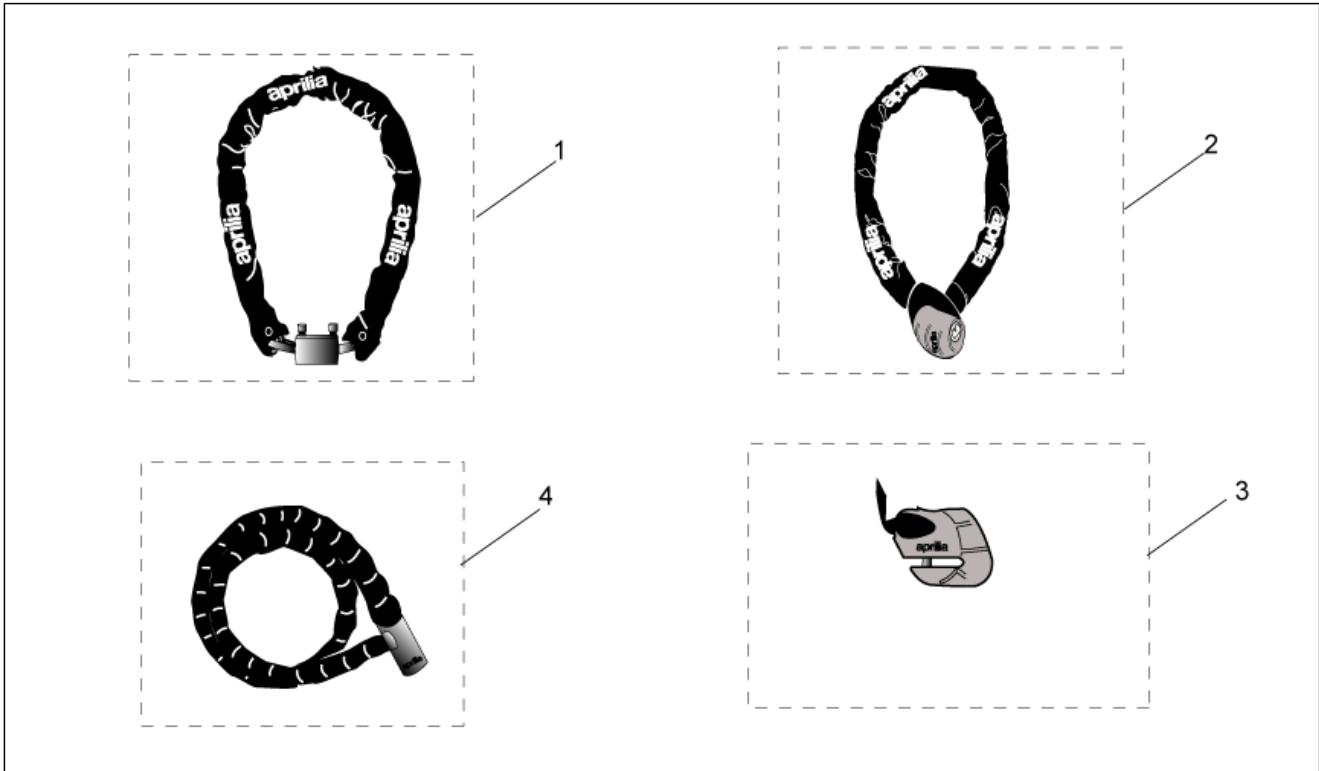
Pos.	Code	Beschreibung	Menge	Varianten
1	AP0897651	Loctite, blau 243 10cc.	1	
2	AP0899788	Loctite, grün 648 5gr.	1	
3	AP0897161	Molykote 111 100gr.	1	
4	AP0297434	Loctite Anti Seize 50ml.15378	1	
5	AP8116067	Loctite 8150	1	
6	0000000	Reifen	1	
7	0000000	Reifen	1	
8	AP0297386	Silastic 732 Rtv 100 gr.	1	
9	0000000	Reifen	1	
10	AP0297433	Molykote G-N 50gr.	1	

<b>Einheit</b>	ZUBEHÖR
<b>Code</b>	30.41
<b>Beschreibung</b>	Fertigstellung
<b>Inspektion</b>	1



Pos.	Code	Beschreibung	Menge	Varianten
1	AP8134396	Kraftstoff tankhalter stange	1	
2	AP8146205	Hinterer ständer	1	
3	AP8102897	Abdeckplane	1	
4	AP8119539	Auspuff Racing	1	
5	AP8144317	Basis Filterkast. Racing	1	
6	AP8117172	Luftfilter Racing	1	
7	AP8144323	Dichtung Filtergehäuse	1	

<b>Einheit</b>	ZUBEHÖR
<b>Code</b>	30.59
<b>Beschreibung</b>	Acc. - Diefstahl
<b>Inspektion</b>	1



Pos.	Code	Beschreibung	Menge	Varianten
1	AP8720115	Iron Guard 10x150 mm	1	Technische Daten:A[A]
2	AP8720116	Iron Guard 8x120 mm	1	Technische Daten:A[A]
3	AP8720117	Iron Guard Disk 5 mm	1	Technische Daten:A[A]
4	AP8720118	Easy Guard 150 mm	1	Technische Daten:A[A]