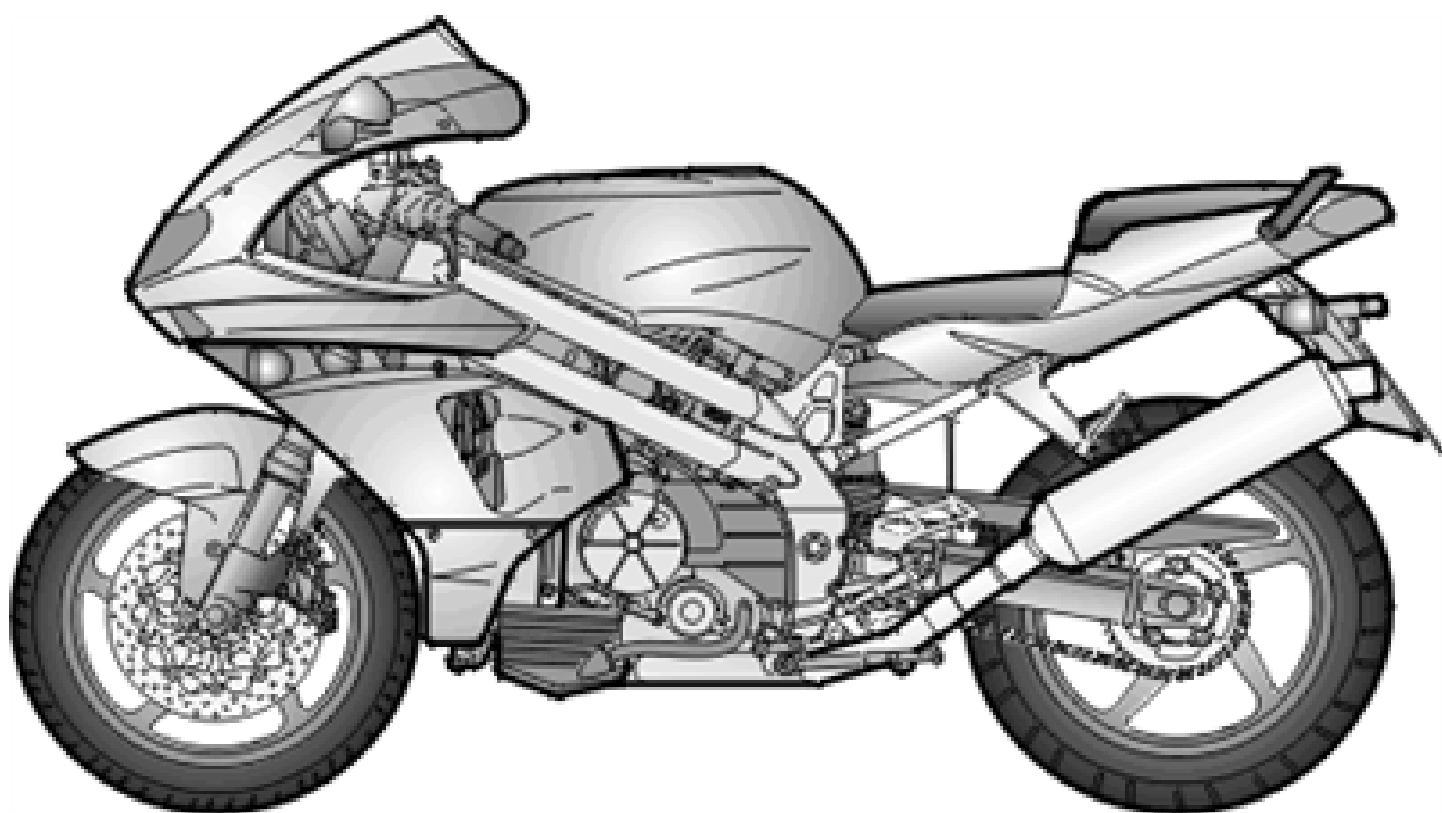


aprilia[®]

ERSATZTEILKATALOG



SL 1000 Falco 2000-2003

Vorsatzcode Fahrgestell: ZD4PA

Vorsatzcode Motor:

Inhaltsverzeichnis

| | |
|---|----|
| Fertige Produkte..... | 4 |
| Alphanumerisches Verzeichnis..... | 7 |
| RAHMEN..... | 15 |
| Tafel 28.01 - Rahmen I..... | 15 |
| Tafel 28.02 - Rahmen II..... | 17 |
| Tafel 28.03 - Fussrasten..... | 19 |
| Tafel 28.04 - Hauptständer..... | 21 |
| Tafel 28.05 - Lenkung..... | 23 |
| Tafel 28.06 - Vorderradgabel I..... | 24 |
| Tafel 28.07 - Vorderradgabel II..... | 27 |
| Tafel 28.08 - Vorderradgabel III..... | 29 |
| Tafel 28.09 - Schwinge..... | 33 |
| Tafel 28.10 - Pleuelstange und Stoßdämpfer..... | 35 |
| Tafel 28.11 - Frontaufbau - Kuppel..... | 36 |
| Tafel 28.12 - Frontaufbau - Leitblech..... | 38 |
| Tafel 28.13 - Frontaufbau - Vrd. Schutzblech..... | 39 |
| Tafel 28.14 - Mittlerer aufbau - Rumpfe..... | 43 |
| Tafel 28.15 - Kraftstofftank..... | 44 |
| Tafel 28.16 - Benzindampfrückf.-Anlage..... | 47 |
| Tafel 28.17 - Sitz..... | 50 |
| Tafel 28.18 - R.Kar. - R.verkl..... | 52 |
| Tafel 28.19 - R.Kar. - Untersitz..... | 54 |
| Tafel 28.20 - Instrumententafel..... | 57 |
| Tafel 28.21 - Lenkstange..... | 58 |
| Tafel 28.22 - Kupplungspumpe..... | 60 |
| Tafel 28.23 - Vorderradbremspumpe..... | 61 |
| Tafel 28.24 - Kühlanlage..... | 62 |
| Tafel 28.25 - Wasserkühler..... | 63 |
| Tafel 28.26 - Ausdehngefäß..... | 64 |
| Tafel 28.27 - Öltank..... | 65 |
| Tafel 28.28 - Ölkühler..... | 67 |
| Tafel 28.29 - Filtergehäuse..... | 68 |
| Tafel 28.30 - Kraftstoffpumpe I..... | 71 |
| Tafel 28.31 - Kraftstoffpumpe II..... | 72 |
| Tafel 28.33 - Auspuffrohr..... | 73 |
| Tafel 28.34 - Vorderrad..... | 77 |
| Tafel 28.35 - Vorderradbremzange..... | 78 |
| Tafel 28.36 - Hinterrad..... | 79 |
| Tafel 28.37 - Hinterradbremspumpe..... | 80 |
| Tafel 28.38 - Hinterradbremzange..... | 81 |
| Tafel 28.39 - Scheinwerfer..... | 82 |
| Tafel 28.40 - Rücklicht - Blinker..... | 83 |
| Tafel 28.41 - Vorder Elektrische Anlage..... | 85 |

| | |
|---|-----|
| Tafel 28.42 - Mitt. elektrische Anlage..... | 87 |
| Tafel 28.43 - Hint.Elektrische Anlage..... | 88 |
| Tafel 28.44 - Bausatz Schlösser..... | 90 |
| Tafel 28.45 - Abzieh. + Schilder..... | 93 |
| MOTOR..... | 98 |
| Tafel 29.32 - Motor..... | 98 |
| Tafel 29.46 - Gehäuse I..... | 100 |
| Tafel 29.47 - Gehäuse II..... | 101 |
| Tafel 29.48 - Ölpumpe..... | 103 |
| Tafel 29.49 - Kurbelwelle I..... | 104 |
| Tafel 29.50 - Kurbelwelle II..... | 105 |
| Tafel 29.51 - Ventildeckel..... | 106 |
| Tafel 29.52 - Zylinderkopf und Ventile..... | 107 |
| Tafel 29.53 - Ventilesbeläge..... | 108 |
| Tafel 29.54 - Vrd. Zylindersteuer..... | 110 |
| Tafel 29.55 - Hint. Zylindersteuer..... | 111 |
| Tafel 29.56 - Schaltgabel..... | 113 |
| Tafel 29.57 - Schaltgetriebe..... | 114 |
| Tafel 29.58 - Kupplung..... | 115 |
| Tafel 29.59 - Wasserpumpenritzel..... | 117 |
| Tafel 29.60 - Zündung..... | 118 |
| Tafel 29.61 - Klappenkörper..... | 119 |
| Tafel 29.62 - Verbrauchsmaterial..... | 120 |
| ZUBEHÖR..... | 121 |
| Tafel 30.63 - Acc. - Sonstiges..... | 121 |
| Tafel 30.64 - Acc. - Fahrwerk..... | 122 |
| Tafel 30.65 - Acc. - Tuning Motorteile I..... | 123 |
| Tafel 30.66 - Acc. - Tuning Motorteile II..... | 124 |
| Tafel 30.67 - Acc. - Spez. Verkleidungsteile..... | 125 |
| Tafel 30.68 - Acc. - Diebstahl..... | 126 |

Fertige Produkte

| Code | Gültigkeit |
|-------------|------------|
| AP66800AT01 | |
| AP66800AT02 | |
| AP66800AU01 | |
| AP66800AU02 | |
| AP66800BE01 | |
| AP66800BE02 | |
| AP66800CH01 | |
| AP66800CH02 | |
| AP66800CZ01 | |
| AP66800CZ02 | |
| AP66800DE01 | |
| AP66800DE02 | |
| AP66800DK01 | |
| AP66800DK02 | |
| AP66800EL01 | |
| AP66800EL02 | |
| AP66800ES01 | |
| AP66800ES02 | |
| AP66800FR01 | |
| AP66800FR02 | |
| AP66800GB01 | |
| AP66800GB02 | |
| AP66800IT01 | |
| AP66800IT02 | |
| AP66800JP01 | |
| AP66800JP02 | |
| AP66800NL01 | |
| AP66800NL02 | |
| AP66800PT02 | |
| AP66800US01 | |
| AP66800US02 | |
| AP66802AU01 | |
| AP66802AU02 | |
| AP66802AU03 | |
| AP66802CZ01 | |
| AP66802CZ02 | |
| AP66802CZ03 | |
| AP66802DE01 | |
| AP66802DE02 | |
| AP66802DE03 | |
| AP66802DK01 | |
| AP66802DK02 | |

| Code | Gültigkeit |
|-------------|------------|
| AP66802DK03 | |
| AP66802EL02 | |
| AP66802EL03 | |
| AP66802ES01 | |
| AP66802ES02 | |
| AP66802ES03 | |
| AP66802FR01 | |
| AP66802FR02 | |
| AP66802FR03 | |
| AP66802GB01 | |
| AP66802GB02 | |
| AP66802GB03 | |
| AP66802IT01 | |
| AP66802IT02 | |
| AP66802IT03 | |
| AP66802JP01 | |
| AP66802JP02 | |
| AP66802JP03 | |
| AP66802NL01 | |
| AP66802NL02 | |
| AP66802NL03 | |
| AP66802US01 | |
| AP66802US02 | |
| AP66802US03 | |
| AP66803AU01 | |
| AP66803DE04 | |
| AP66803DE05 | |
| AP66803ES01 | |
| AP66803ES04 | |
| AP66803ES05 | |
| AP66803ES06 | |
| AP66803EU04 | |
| AP66803EU05 | |
| AP66803GB04 | |
| AP66803GB05 | |
| AP66803IT04 | |
| AP66803IT05 | |
| AP66803NL04 | |
| AP66803NL05 | |
| AP66804FR04 | |
| AP66804FR05 | |
| AP668A2CZ01 | |
| AP668A2CZ02 | |
| AP668A2US01 | |
| AP668A2US02 | |

| Code | Gültigkeit |
|-------------|------------|
| AP668B2CZ01 | |
| AP668B2CZ02 | |
| AP668B2US01 | |
| AP668B2US02 | |
| AP7999003 | |
| AP7999028 | |

| Code | Nr. der Tafel | Pos. | Code | Nr. der Tafel | Pos. | Code | Nr. der Tafel | Pos. |
|-----------|---------------|------|-----------|---------------|------|-----------|---------------|------|
| 0000000 | 28.34 | 7 | AP0233791 | 29.59 | 10 | AP0245815 | 29.57 | 4 |
| 0000000 | 28.36 | 5 | AP0233793 | 29.59 | 10 | AP0245830 | 29.58 | 14 |
| 0000000 | 29.62 | 6 | AP0233820 | 29.46 | 9 | AP0245840 | 29.49 | 13 |
| 0000000 | 29.62 | 7 | AP0233822 | 29.46 | 9 | AP0245860 | 29.49 | 10 |
| AP0210416 | 29.47 | 4 | AP0236252 | 29.50 | 9 | AP0246055 | 29.55 | 17 |
| AP0211620 | 29.48 | 5 | AP0236300 | 29.54 | 5 | AP0246570 | 29.49 | 5 |
| AP0211631 | 29.48 | 8 | AP0236300 | 29.55 | 5 | AP0247940 | 29.56 | 17 |
| AP0211643 | 29.59 | 9 | AP0236310 | 29.54 | 6 | AP0247970 | 29.58 | 9 |
| AP0211651 | 29.60 | 8 | AP0236310 | 29.55 | 6 | AP0247980 | 29.54 | 17 |
| AP0211661 | 29.51 | 5 | AP0236320 | 29.54 | 3 | AP0247980 | 29.55 | 27 |
| AP0211666 | 29.51 | 3 | AP0236365 | 29.56 | 22 | AP0248375 | 29.56 | 12 |
| AP0211681 | 29.55 | 4 | AP0236370 | 29.47 | 26 | AP0250130 | 29.55 | 3 |
| AP0211756 | 29.55 | 25 | AP0236380 | 29.55 | 9 | AP0250140 | 29.60 | 21 |
| AP0211766 | 29.54 | 4 | AP0239247 | 29.56 | 13 | AP0250311 | 29.51 | 6 |
| AP0211778 | 29.59 | 24 | AP0239370 | 29.58 | 8 | AP0250450 | 29.47 | 24 |
| AP0216222 | 29.50 | 5 | AP0239390 | 29.58 | 6 | AP0250640 | 29.51 | 10 |
| AP0217346 | 29.49 | 2 | AP0239420 | 29.56 | 16 | AP0251090 | 29.52 | 23 |
| AP0219340 | 29.55 | 20 | AP0239430 | 29.56 | 15 | AP0251100 | 29.51 | 11 |
| AP0219350 | 29.49 | 21 | AP0239449 | 29.48 | 10 | AP0251830 | 29.51 | 8 |
| AP0219360 | 29.49 | 12 | AP0239450 | 29.56 | 23 | AP0253645 | 29.52 | 22 |
| AP0219365 | 29.49 | 8 | AP0239480 | 29.58 | 21 | AP0253921 | 29.52 | 3 |
| AP0220372 | 29.49 | 15 | AP0239510 | 29.52 | 20 | AP0253926 | 29.52 | 2 |
| AP0220380 | 29.54 | 13 | AP0239520 | 29.52 | 19 | AP0253955 | 29.52 | 21 |
| AP0220380 | 29.55 | 13 | AP0240036 | 29.58 | 23 | AP0253965 | 29.52 | 17 |
| AP0220385 | 29.54 | 12 | AP0240081 | 29.51 | 7 | AP0253974 | 29.53 | 1 |
| AP0220385 | 29.55 | 12 | AP0240170 | 29.51 | 16 | AP0253975 | 29.53 | 1 |
| AP0220390 | 29.57 | 1 | AP0240181 | 29.59 | 25 | AP0253976 | 29.53 | 1 |
| AP0220400 | 29.57 | 10 | AP0240275 | 29.55 | 29 | AP0253977 | 29.53 | 1 |
| AP0220410 | 29.59 | 4 | AP0240331 | 29.52 | 10 | AP0253978 | 29.53 | 1 |
| AP0220423 | 29.48 | 1 | AP0240331 | 29.52 | 13 | AP0253979 | 29.53 | 1 |
| AP0220435 | 29.56 | 26 | AP0240331 | 29.59 | 21 | AP0253980 | 29.53 | 1 |
| AP0220437 | 29.56 | 1 | AP0240400 | 29.54 | 1 | AP0253981 | 29.53 | 1 |
| AP0220440 | 29.55 | 1 | AP0240580 | 29.60 | 12 | AP0253982 | 29.53 | 1 |
| AP0220455 | 29.58 | 18 | AP0240960 | 29.54 | 18 | AP0253983 | 29.53 | 1 |
| AP0222500 | 29.59 | 18 | AP0241081 | 29.47 | 9 | AP0253984 | 29.53 | 1 |
| AP0222512 | 29.59 | 19 | AP0241261 | 29.47 | 29 | AP0253985 | 29.53 | 1 |
| AP0224090 | 29.51 | 17 | AP0241501 | 29.47 | 15 | AP0253986 | 29.53 | 1 |
| AP0227180 | 29.58 | 24 | AP0241531 | 29.47 | 12 | AP0253987 | 29.53 | 1 |
| AP0227442 | 29.56 | 20 | AP0241541 | 29.60 | 6 | AP0253988 | 29.53 | 1 |
| AP0227685 | 29.59 | 6 | AP0241560 | 29.51 | 14 | AP0253990 | 29.52 | 24 |
| AP0227714 | 29.56 | 27 | AP0241580 | 29.47 | 1 | AP0254010 | 29.52 | 16 |
| AP0227716 | 29.56 | 11 | AP0241601 | 29.51 | 13 | AP0254020 | 29.52 | 15 |
| AP0229301 | 29.46 | 4 | AP0241625 | 29.51 | 1 | AP0254030 | 29.53 | 1 |
| AP0229301 | 29.60 | 16 | AP0241631 | 29.60 | 9 | AP0254031 | 29.53 | 1 |
| AP0229385 | 29.46 | 6 | AP0241650 | 29.48 | 11 | AP0254032 | 29.53 | 1 |
| AP0229385 | 29.56 | 14 | AP0241782 | 29.47 | 7 | AP0254033 | 29.53 | 1 |
| AP0230415 | 29.47 | 8 | AP0241811 | 29.59 | 14 | AP0254034 | 29.53 | 1 |
| AP0230415 | 29.59 | 23 | AP0241811 | 29.60 | 15 | AP0254035 | 29.53 | 1 |
| AP0230510 | 29.52 | 18 | AP0241816 | 29.60 | 11 | AP0254036 | 29.53 | 1 |
| AP0232210 | 29.52 | 5 | AP0241821 | 28.22 | 22 | AP0254037 | 29.53 | 1 |
| AP0232430 | 29.48 | 13 | AP0241821 | 29.47 | 28 | AP0254038 | 29.53 | 1 |
| AP0232430 | 29.59 | 5 | AP0241821 | 29.48 | 12 | AP0254039 | 29.53 | 1 |
| AP0232625 | 29.47 | 14 | AP0241821 | 29.52 | 4 | AP0254040 | 29.53 | 1 |
| AP0232730 | 29.48 | 2 | AP0241852 | 29.47 | 6 | AP0254041 | 29.53 | 1 |
| AP0232970 | 29.48 | 4 | AP0241932 | 29.47 | 2 | AP0254042 | 29.53 | 1 |
| AP0233711 | 29.46 | 9 | AP0241932 | 29.56 | 9 | AP0254043 | 29.53 | 1 |
| AP0233721 | 29.49 | 23 | AP0242091 | 29.51 | 4 | AP0256187 | 29.47 | 5 |
| AP0233722 | 29.49 | 23 | AP0242851 | 29.51 | 18 | AP0256497 | 29.47 | 20 |
| AP0233723 | 29.49 | 23 | AP0242874 | 29.49 | 16 | AP0256510 | 29.48 | 9 |
| AP0233740 | 29.46 | 8 | AP0242940 | 29.49 | 14 | AP0256526 | 29.47 | 21 |
| AP0233741 | 29.46 | 8 | AP0242950 | 29.58 | 15 | AP0256680 | 29.48 | 3 |
| AP0233743 | 29.46 | 8 | AP0244020 | 29.58 | 22 | AP0258310 | 29.56 | 6 |
| AP0233745 | 29.46 | 7 | AP0244211 | 29.55 | 8 | AP0258325 | 29.56 | 8 |
| AP0233746 | 29.46 | 7 | AP0244211 | 29.56 | 10 | AP0258350 | 29.56 | 4 |
| AP0233748 | 29.46 | 7 | AP0245330 | 29.48 | 15 | AP0258360 | 29.56 | 3 |
| AP0233780 | 29.59 | 11 | AP0245436 | 29.50 | 6 | AP0258375 | 29.56 | 5 |
| AP0233790 | 29.59 | 10 | AP0245440 | 29.56 | 18 | AP0258380 | 29.56 | 2 |

| Code | Nr. der Tafel | Pos. | Code | Nr. der Tafel | Pos. | Code | Nr. der Tafel | Pos. |
|-----------|---------------|------|-----------|---------------|------|-----------|---------------|------|
| AP0259500 | 29.47 | 27 | AP0627200 | 29.49 | 17 | AP0840681 | 29.59 | 15 |
| AP0259515 | 29.58 | 19 | AP0627210 | 29.56 | 24 | AP0840861 | 29.47 | 16 |
| AP0259520 | 29.58 | 13 | AP0627220 | 29.58 | 12 | AP0840861 | 29.59 | 22 |
| AP0259530 | 29.58 | 3 | AP0627230 | 29.58 | 25 | AP0840880 | 29.52 | 26 |
| AP0259580 | 29.58 | 10 | AP0627260 | 29.58 | 1 | AP0840880 | 29.52 | 6 |
| AP0260870 | 29.60 | 13 | AP0627270 | 29.60 | 7 | AP0840882 | 29.60 | 22 |
| AP0260890 | 29.58 | 26 | AP0627280 | 29.58 | 27 | AP0841841 | 29.59 | 16 |
| AP0265244 | 28.41 | 25 | AP0627910 | 29.58 | 29 | AP0845030 | 29.54 | 10 |
| AP0265244 | 28.43 | 25 | AP0632010 | 29.46 | 2 | AP0845030 | 29.55 | 30 |
| AP0265244 | 29.60 | 25 | AP0632010 | 29.59 | 7 | AP0850050 | 29.47 | 23 |
| AP0265246 | 28.41 | 26 | AP0632070 | 29.57 | 7 | AP0874320 | 29.61 | 10 |
| AP0265246 | 28.43 | 23 | AP0632124 | 29.47 | 17 | AP0897651 | 29.62 | 1 |
| AP0265246 | 29.60 | 24 | AP0632130 | 29.58 | 20 | AP0899784 | 29.62 | 3 |
| AP0265472 | 28.43 | 22 | AP0632161 | 29.54 | 8 | AP0899788 | 29.62 | 2 |
| AP0265480 | 28.43 | 24 | AP0632161 | 29.55 | 23 | AP0922245 | 29.51 | 15 |
| AP0265482 | 28.41 | 24 | AP0634470 | 29.48 | 6 | AP0927863 | 29.52 | 14 |
| AP0265673 | 28.43 | 22 | AP0634470 | 29.58 | 2 | AP0927863 | 29.52 | 9 |
| AP0265674 | 28.43 | 22 | AP0634483 | 29.48 | 14 | AP0927945 | 29.52 | 25 |
| AP0267150 | 29.51 | 9 | AP0634490 | 29.59 | 3 | AP0927945 | 29.52 | 7 |
| AP0268010 | 29.61 | 14 | AP0634500 | 29.49 | 19 | AP0929500 | 29.46 | 3 |
| AP0268757 | 29.47 | 10 | AP0634500 | 29.59 | 2 | AP0929500 | 29.55 | 26 |
| AP0274010 | 29.61 | 6 | AP0634595 | 29.60 | 1 | AP0929650 | 29.46 | 10 |
| AP0274020 | 29.61 | 8 | AP0634600 | 29.60 | 17 | AP0929650 | 29.50 | 8 |
| AP0274030 | 29.61 | 5 | AP0634610 | 29.49 | 18 | AP0929930 | 29.46 | 5 |
| AP0274040 | 29.51 | 12 | AP0634620 | 29.57 | 17 | AP0929930 | 29.49 | 20 |
| AP0274050 | 29.61 | 12 | AP0634640 | 29.57 | 9 | AP0929930 | 29.59 | 1 |
| AP0274060 | 29.52 | 12 | AP0634655 | 29.57 | 11 | AP0932335 | 29.47 | 19 |
| AP0281222 | 29.57 | 19 | AP0634660 | 29.57 | 5 | AP0932335 | 29.56 | 7 |
| AP0281241 | 29.61 | 2 | AP0634670 | 29.57 | 13 | AP0932428 | 29.47 | 18 |
| AP0294352 | 29.60 | 20 | AP0634680 | 29.57 | 14 | AP0932585 | 29.47 | 11 |
| AP0294356 | 29.60 | 19 | AP0634695 | 29.57 | 2 | AP0940560 | 29.55 | 7 |
| AP0295653 | 29.46 | 1 | AP0634700 | 29.57 | 15 | AP0940580 | 29.58 | 11 |
| AP0295662 | 29.49 | 1 | AP0634710 | 29.57 | 8 | AP0940590 | 29.54 | 2 |
| AP0295662 | 29.50 | 1 | AP0634720 | 29.57 | 12 | AP0940631 | 29.54 | 11 |
| AP0295696 | 29.61 | 1 | AP0634730 | 29.54 | 14 | AP0940631 | 29.55 | 28 |
| AP0295760 | 29.49 | 22 | AP0634730 | 29.55 | 14 | AP0940637 | 29.50 | 12 |
| AP0295760 | 29.55 | 24 | AP0634735 | 29.54 | 15 | AP0940741 | 29.56 | 25 |
| AP0295765 | 29.49 | 7 | AP0634740 | 29.60 | 18 | AP0941121 | 29.55 | 10 |
| AP0295765 | 29.54 | 9 | AP0640400 | 29.49 | 4 | AP0941935 | 29.52 | 11 |
| AP0295770 | 29.49 | 9 | AP0640450 | 29.50 | 10 | AP0942570 | 29.55 | 21 |
| AP0295775 | 29.55 | 18 | AP0640581 | 29.51 | 20 | AP0945665 | 29.56 | 21 |
| AP0295780 | 29.49 | 11 | AP0641590 | 29.60 | 5 | AP0946015 | 29.49 | 6 |
| AP0295780 | 29.58 | 4 | AP0650210 | 29.51 | 19 | AP0950141 | 29.59 | 17 |
| AP0295790 | 29.58 | 5 | AP0650240 | 29.59 | 20 | AP0956169 | 29.59 | 26 |
| AP0295830 | 29.60 | 2 | AP0650310 | 29.59 | 12 | AP0956275 | 29.48 | 7 |
| AP0295858 | 29.50 | 3 | AP0650320 | 29.47 | 25 | AP0960111 | 29.61 | 9 |
| AP0296170 | 29.62 | 9 | AP0650330 | 29.59 | 8 | AP0960121 | 29.61 | 11 |
| AP0296180 | 29.61 | 7 | AP0650335 | 29.47 | 22 | AP0960122 | 29.61 | 3 |
| AP0297386 | 29.62 | 8 | AP0650340 | 29.60 | 14 | AP8101372 | 28.25 | 12 |
| AP0297433 | 29.62 | 10 | AP0650345 | 29.51 | 2 | AP8101573 | 28.24 | 8 |
| AP0297434 | 29.62 | 4 | AP0650370 | 29.59 | 13 | AP8101595 | 28.16 | 18 |
| AP0297942 | 29.60 | 23 | AP0650390 | 29.50 | 7 | AP8101595 | 28.19 | 7 |
| AP0297955 | 29.54 | 19 | AP0650500 | 29.47 | 3 | AP8101595 | 28.22 | 15 |
| AP0297955 | 29.55 | 19 | AP0659110 | 29.60 | 3 | AP8101595 | 28.26 | 11 |
| AP0427106 | 29.57 | 16 | AP0659120 | 29.60 | 4 | AP8101595 | 28.29 | 13 |
| AP0430622 | 29.50 | 11 | AP0660020 | 29.61 | 16 | AP8101595 | 28.31 | 4 |
| AP0430782 | 29.60 | 10 | AP0661011 | 29.61 | 4 | AP8101595 | 28.37 | 3 |
| AP0440260 | 29.49 | 3 | AP0684310 | 29.50 | 2 | AP8101744 | 28.34 | 1 |
| AP0442130 | 29.58 | 28 | AP0684311 | 29.50 | 2 | AP8101744 | 28.36 | 7 |
| AP0613056 | 29.52 | 1 | AP0827110 | 29.57 | 18 | AP8101861 | 28.03 | 12 |
| AP0613058 | 29.52 | 8 | AP0827305 | 29.55 | 11 | AP8101927 | 28.24 | 18 |
| AP0613068 | 29.50 | 4 | AP0832144 | 29.47 | 13 | AP8101927 | 28.26 | 5 |
| AP0627120 | 29.57 | 3 | AP0832144 | 29.56 | 19 | AP8102239 | 28.31 | 16 |
| AP0627132 | 29.57 | 6 | AP0832360 | 29.55 | 2 | AP8102341 | 28.11 | 10 |
| AP0627140 | 29.58 | 7 | AP0840371 | 29.54 | 16 | AP8102349 | 28.27 | 18 |
| AP0627190 | 29.54 | 7 | AP0840371 | 29.55 | 16 | AP8102349 | 28.28 | 13 |
| AP0627190 | 29.55 | 15 | AP0840391 | 29.55 | 22 | AP8102375 | 28.02 | 27 |

| Code | Nr. der Tafel | Pos. | Code | Nr. der Tafel | Pos. | Code | Nr. der Tafel | Pos. |
|-----------|---------------|------|-----------|---------------|------|-----------|---------------|------|
| AP8102375 | 28.11 | 4 | AP8104124 | 28.26 | 7 | AP8110065 | 28.10 | 2 |
| AP8102375 | 28.12 | 9 | AP8104125 | 28.45 | 2 | AP8110068 | 28.10 | 11 |
| AP8102375 | 28.14 | 5 | AP8104126 | 28.45 | 2 | AP8110074 | 28.21 | 9 |
| AP8102375 | 28.16 | 12 | AP8104127 | 28.45 | 2 | AP8110077 | 28.05 | 1 |
| AP8102375 | 28.19 | 9 | AP8104154 | 28.18 | 14 | AP8110078 | 28.09 | 11 |
| AP8102375 | 28.27 | 28 | AP8104154 | 28.44 | 2 | AP8110079 | 28.09 | 1 |
| AP8102376 | 28.01 | 16 | AP8104155 | 28.11 | 9 | AP8110081 | 28.36 | 23 |
| AP8102376 | 28.02 | 28 | AP8104160 | 28.11 | 17 | AP8112176 | 28.41 | 8 |
| AP8102376 | 28.16 | 28 | AP8104173 | 28.44 | 1 | AP8112599 | 28.20 | 2 |
| AP8102377 | 28.16 | 22 | AP8104174 | 28.45 | 2 | AP8112599 | 28.40 | 10 |
| AP8102377 | 28.29 | 11 | AP8104175 | 28.16 | 26 | AP8112600 | 28.25 | 9 |
| AP8102378 | 28.16 | 20 | AP8104176 | 28.45 | 2 | AP8112811 | 28.42 | 13 |
| AP8102431 | 28.24 | 1 | AP8104213 | 28.44 | 1 | AP8112916 | 28.19 | 11 |
| AP8102503 | 28.15 | 20 | AP8104259 | 28.44 | 1 | AP8112939 | 28.24 | 17 |
| AP8102520 | 28.16 | 19 | AP8104260 | 28.44 | 1 | AP8112940 | 28.42 | 17 |
| AP8102524 | 28.04 | 9 | AP8104261 | 28.44 | 1 | AP8112996 | 28.37 | 19 |
| AP8102535 | 28.15 | 16 | AP8104262 | 28.15 | 4 | AP8113003 | 28.22 | 3 |
| AP8102544 | 28.01 | 17 | AP8104262 | 28.44 | 3 | AP8113003 | 28.37 | 10 |
| AP8102610 | 28.29 | 1 | AP8104455 | 28.30 | 2 | AP8113003 | 28.38 | 5 |
| AP8102615 | 28.26 | 3 | AP8104456 | 28.30 | 12 | AP8113004 | 28.27 | 6 |
| AP8102618 | 28.27 | 2 | AP8104457 | 28.30 | 17 | AP8113070 | 28.35 | 5 |
| AP8102622 | 28.45 | 1 | AP8104458 | 28.30 | 19 | AP8113070 | 28.38 | 11 |
| AP8102626 | 28.27 | 25 | AP8104459 | 28.30 | 18 | AP8113230 | 28.22 | 5 |
| AP8102626 | 28.31 | 11 | AP8104528 | 28.15 | 4 | AP8113288 | 28.37 | 6 |
| AP8102627 | 28.30 | 8 | AP8104528 | 28.44 | 3 | AP8113499 | 28.23 | 3 |
| AP8102677 | 28.24 | 4 | AP8104529 | 28.15 | 4 | AP8113553 | 28.22 | 20 |
| AP8102678 | 28.16 | 7 | AP8104529 | 28.15 | 4 | AP8113553 | 28.37 | 2 |
| AP8102688 | 28.16 | 10 | AP8104529 | 28.44 | 3 | AP8113598 | 28.23 | 2 |
| AP8102719 | 28.16 | 11 | AP8104529 | 28.44 | 3 | AP8113607 | 28.34 | 8 |
| AP8102721 | 28.45 | 2 | AP8106381 | 28.22 | 13 | AP8113607 | 28.34 | 8 |
| AP8102722 | 28.44 | 1 | AP8106382 | 28.22 | 21 | AP8113612 | 28.38 | 2 |
| AP8102727 | 28.16 | 5 | AP8106382 | 28.37 | 1 | AP8113717 | 28.23 | 6 |
| AP8102728 | 28.45 | 6 | AP8106384 | 28.22 | 9 | AP8113719 | 28.22 | 12 |
| AP8102731 | 28.28 | 6 | AP8106385 | 28.30 | 9 | AP8113719 | 28.23 | 8 |
| AP8102732 | 28.24 | 5 | AP8106386 | 28.30 | 1 | AP8113721 | 28.35 | 6 |
| AP8102738 | 28.26 | 12 | AP8106386 | 28.31 | 10 | AP8113722 | 28.35 | 7 |
| AP8102741 | 29.32 | 17 | AP8106387 | 28.27 | 5 | AP8113723 | 28.35 | 8 |
| AP8102763 | 28.29 | 12 | AP8106388 | 28.28 | 10 | AP8113752 | 28.38 | 9 |
| AP8102764 | 28.24 | 20 | AP8106389 | 28.27 | 16 | AP8113754 | 28.35 | 3 |
| AP8102764 | 28.31 | 5 | AP8106389 | 28.28 | 12 | AP8113757 | 28.23 | 5 |
| AP8102765 | 28.24 | 14 | AP8106395 | 28.29 | 5 | AP8113758 | 28.22 | 7 |
| AP8102765 | 28.30 | 15 | AP8106420 | 29.32 | 14 | AP8113759 | 28.22 | 8 |
| AP8102765 | 28.30 | 16 | AP8106443 | 28.31 | 1 | AP8113761 | 28.22 | 6 |
| AP8102766 | 28.16 | 23 | AP8106444 | 28.31 | 2 | AP8113762 | 28.22 | 4 |
| AP8102766 | 28.29 | 21 | AP8106519 | 29.32 | 2 | AP8113763 | 28.23 | 4 |
| AP8102773 | 28.24 | 10 | AP8106583 | 29.32 | 1 | AP8113764 | 28.23 | 18 |
| AP8102786 | 28.27 | 20 | AP8106588 | 28.27 | 21 | AP8113766 | 28.23 | 10 |
| AP8102787 | 28.21 | 1 | AP8106633 | 29.58 | 16 | AP8113889 | 28.37 | 5 |
| AP8102829 | 28.31 | 18 | AP8106634 | 29.58 | 17 | AP8113889 | 28.38 | 6 |
| AP8102873 | 28.31 | 20 | AP8106675 | 28.26 | 8 | AP8113890 | 28.37 | 7 |
| AP8102880 | 28.41 | 20 | AP8106758 | 29.32 | 1 | AP8113891 | 28.22 | 10 |
| AP8102880 | 28.44 | 5 | AP8106759 | 29.32 | 1 | AP8113892 | 28.35 | 1 |
| AP8102902 | 28.01 | 11 | AP8106776 | 28.16 | 6 | AP8113893 | 28.35 | 2 |
| AP8102907 | 28.28 | 3 | AP8106806 | 28.36 | 19 | AP8113895 | 28.38 | 10 |
| AP8102913 | 28.18 | 9 | AP8106812 | 28.29 | 25 | AP8113896 | 28.23 | 1 |
| AP8102913 | 28.44 | 7 | AP8106813 | 28.29 | 26 | AP8113897 | 28.38 | 7 |
| AP8102940 | 28.02 | 29 | AP8106868 | 29.32 | 1 | AP8113898 | 28.38 | 8 |
| AP8102951 | 28.25 | 3 | AP8106869 | 29.32 | 1 | AP8114355 | 28.21 | 16 |
| AP8102952 | 28.25 | 2 | AP8106935 | 28.22 | 24 | AP8114356 | 28.21 | 17 |
| AP8102971 | 28.30 | 8 | AP8107119 | 28.36 | 2 | AP8114369 | 28.21 | 18 |
| AP8102985 | 28.16 | 2 | AP8107120 | 28.36 | 1 | AP8114411 | 28.18 | 2 |
| AP8104049 | 28.27 | 12 | AP8107136 | 28.36 | 25 | AP8114411 | 28.44 | 6 |
| AP8104075 | 28.12 | 8 | AP8107149 | 28.36 | 1 | AP8114415 | 29.61 | 15 |
| AP8104080 | 28.11 | 7 | AP8107150 | 28.36 | 25 | AP8116067 | 29.62 | 5 |
| AP8104081 | 28.11 | 8 | AP8108675 | 28.34 | 9 | AP8117033 | 28.40 | 25 |
| AP8104097 | 28.24 | 3 | AP8108676 | 28.36 | 3 | AP8117033 | 28.43 | 12 |
| AP8104097 | 28.25 | 1 | AP8110053 | 29.32 | 7 | AP8117041 | 28.16 | 9 |

| Code | Nr. der Tafel | Pos. | Code | Nr. der Tafel | Pos. | Code | Nr. der Tafel | Pos. |
|-----------|---------------|------|-----------|---------------|------|-----------|---------------|------|
| AP8117127 | 28.15 | 2 | AP8120615 | 28.29 | 6 | AP8121420 | 28.44 | 10 |
| AP8117129 | 28.13 | 3 | AP8120622 | 28.11 | 13 | AP8121428 | 28.01 | 28 |
| AP8117147 | 28.15 | 19 | AP8120754 | 28.42 | 14 | AP8121429 | 28.04 | 8 |
| AP8117170 | 28.40 | 17 | AP8120876 | 28.29 | 15 | AP8121436 | 28.39 | 8 |
| AP8117175 | 28.40 | 24 | AP8120893 | 28.15 | 17 | AP8121437 | 28.10 | 14 |
| AP8118457 | 28.21 | 2 | AP8120894 | 28.15 | 18 | AP8121438 | 28.10 | 15 |
| AP8118458 | 28.21 | 3 | AP8120894 | 28.15 | 18 | AP8121582 | 28.08 | 20 |
| AP8118470 | 28.21 | 14 | AP8120912 | 28.37 | 11 | AP8121665 | 28.18 | 5 |
| AP8118492 | 28.21 | 21 | AP8120912 | 29.32 | 13 | AP8121678 | 28.41 | 19 |
| AP8118501 | 28.21 | 8 | AP8120952 | 28.16 | 15 | AP8121678 | 28.44 | 17 |
| AP8118566 | 28.21 | 19 | AP8120952 | 28.19 | 10 | AP8121728 | 28.18 | 13 |
| AP8118567 | 28.21 | 20 | AP8120952 | 28.26 | 10 | AP8121728 | 28.44 | 12 |
| AP8118580 | 28.21 | 15 | AP8120965 | 28.15 | 21 | AP8121731 | 28.29 | 16 |
| AP8118603 | 28.21 | 2 | AP8120965 | 29.61 | 13 | AP8121736 | 28.01 | 6 |
| AP8118604 | 28.21 | 3 | AP8120979 | 28.24 | 7 | AP8121773 | 28.03 | 18 |
| AP8119414 | 28.33 | 2 | AP8120981 | 28.24 | 19 | AP8121790 | 28.40 | 11 |
| AP8119428 | 28.33 | 5 | AP8120981 | 28.25 | 4 | AP8121837 | 28.24 | 2 |
| AP8119429 | 28.33 | 3 | AP8120985 | 28.09 | 3 | AP8121862 | 28.27 | 9 |
| AP8119430 | 28.33 | 4 | AP8120986 | 28.09 | 4 | AP8121882 | 28.01 | 22 |
| AP8119431 | 28.33 | 6 | AP8120987 | 28.16 | 16 | AP8121889 | 28.15 | 25 |
| AP8119443 | 28.33 | 7 | AP8120987 | 28.29 | 20 | AP8121915 | 28.22 | 2 |
| AP8119583 | 28.33 | 6 | AP8120988 | 28.26 | 2 | AP8121915 | 28.23 | 9 |
| AP8119584 | 28.33 | 7 | AP8120990 | 28.30 | 7 | AP8121915 | 28.37 | 12 |
| AP8119585 | 28.33 | 6 | AP8120991 | 28.30 | 14 | AP8121915 | 28.38 | 4 |
| AP8119586 | 28.33 | 7 | AP8120992 | 28.31 | 17 | AP8121917 | 28.03 | 1 |
| AP8119619 | 28.33 | 6 | AP8121014 | 28.04 | 7 | AP8121918 | 28.03 | 26 |
| AP8119619 | 28.33 | 6 | AP8121020 | 28.39 | 13 | AP8121995 | 28.02 | 17 |
| AP8119620 | 28.33 | 7 | AP8121032 | 28.18 | 19 | AP8121996 | 28.02 | 16 |
| AP8119620 | 28.33 | 7 | AP8121032 | 28.19 | 19 | AP8121997 | 28.02 | 14 |
| AP8119634 | 28.33 | 6 | AP8121032 | 28.42 | 22 | AP8121998 | 28.02 | 10 |
| AP8119635 | 28.33 | 7 | AP8121075 | 28.01 | 27 | AP8123637 | 28.06 | 1 |
| AP8119718 | 28.33 | 6 | AP8121075 | 28.17 | 3 | AP8123637 | 28.06 | 1 |
| AP8119719 | 28.33 | 7 | AP8121075 | 28.43 | 13 | AP8123637 | 28.07 | 1 |
| AP8119720 | 28.33 | 6 | AP8121129 | 28.01 | 26 | AP8123637 | 28.07 | 1 |
| AP8119721 | 28.33 | 7 | AP8121133 | 28.03 | 11 | AP8123638 | 28.06 | 2 |
| AP8120030 | 28.01 | 10 | AP8121135 | 28.03 | 2 | AP8123638 | 28.06 | 2 |
| AP8120030 | 28.02 | 5 | AP8121155 | 28.10 | 10 | AP8123638 | 28.07 | 2 |
| AP8120030 | 28.15 | 9 | AP8121200 | 28.09 | 5 | AP8123638 | 28.07 | 2 |
| AP8120030 | 28.23 | 14 | AP8121201 | 28.09 | 6 | AP8123640 | 28.05 | 3 |
| AP8120030 | 28.25 | 13 | AP8121202 | 28.09 | 7 | AP8123641 | 28.05 | 11 |
| AP8120030 | 28.26 | 16 | AP8121203 | 28.09 | 8 | AP8123642 | 28.05 | 5 |
| AP8120030 | 28.28 | 4 | AP8121204 | 28.09 | 15 | AP8123643 | 28.05 | 6 |
| AP8120030 | 28.29 | 17 | AP8121205 | 28.05 | 8 | AP8123644 | 28.05 | 7 |
| AP8120116 | 28.16 | 1 | AP8121207 | 28.05 | 4 | AP8123688 | 28.10 | 4 |
| AP8120116 | 29.32 | 15 | AP8121212 | 28.36 | 22 | AP8123806 | 28.07 | 7 |
| AP8120177 | 28.19 | 5 | AP8121213 | 28.36 | 21 | AP8123810 | 28.06 | 4 |
| AP8120178 | 28.21 | 10 | AP8121224 | 28.03 | 3 | AP8123811 | 28.07 | 12 |
| AP8120179 | 28.16 | 21 | AP8121225 | 28.36 | 8 | AP8123812 | 28.07 | 13 |
| AP8120190 | 28.21 | 23 | AP8121254 | 28.02 | 23 | AP8123815 | 28.06 | 11 |
| AP8120190 | 28.27 | 11 | AP8121261 | 28.21 | 6 | AP8123816 | 28.06 | 10 |
| AP8120196 | 28.27 | 3 | AP8121262 | 28.21 | 4 | AP8123819 | 28.06 | 14 |
| AP8120218 | 28.42 | 8 | AP8121267 | 28.16 | 3 | AP8123820 | 28.06 | 15 |
| AP8120253 | 28.29 | 23 | AP8121302 | 28.05 | 9 | AP8123821 | 28.06 | 16 |
| AP8120253 | 28.31 | 12 | AP8121313 | 28.02 | 19 | AP8123822 | 28.07 | 4 |
| AP8120285 | 28.31 | 19 | AP8121353 | 29.32 | 6 | AP8123823 | 28.07 | 5 |
| AP8120405 | 28.01 | 5 | AP8121354 | 29.32 | 5 | AP8123824 | 28.07 | 6 |
| AP8120428 | 28.41 | 6 | AP8121355 | 28.33 | 1 | AP8123825 | 28.07 | 8 |
| AP8120428 | 28.44 | 15 | AP8121375 | 28.04 | 8 | AP8123826 | 28.07 | 11 |
| AP8120446 | 28.26 | 9 | AP8121386 | 28.15 | 3 | AP8123827 | 28.07 | 9 |
| AP8120446 | 28.27 | 17 | AP8121387 | 28.27 | 15 | AP8123828 | 28.07 | 10 |
| AP8120446 | 29.32 | 16 | AP8121407 | 28.38 | 1 | AP8123829 | 28.06 | 3 |
| AP8120512 | 28.19 | 23 | AP8121408 | 28.36 | 9 | AP8123829 | 28.06 | 3 |
| AP8120531 | 28.09 | 23 | AP8121409 | 28.27 | 7 | AP8123830 | 28.06 | 9 |
| AP8120531 | 28.11 | 5 | AP8121410 | 28.03 | 21 | AP8123831 | 28.06 | 5 |
| AP8120531 | 28.19 | 14 | AP8121411 | 28.42 | 10 | AP8123832 | 28.06 | 6 |
| AP8120531 | 28.26 | 15 | AP8121416 | 28.37 | 8 | AP8123833 | 28.06 | 12 |
| AP8120573 | 28.03 | 4 | AP8121420 | 28.18 | 3 | AP8123834 | 28.06 | 13 |

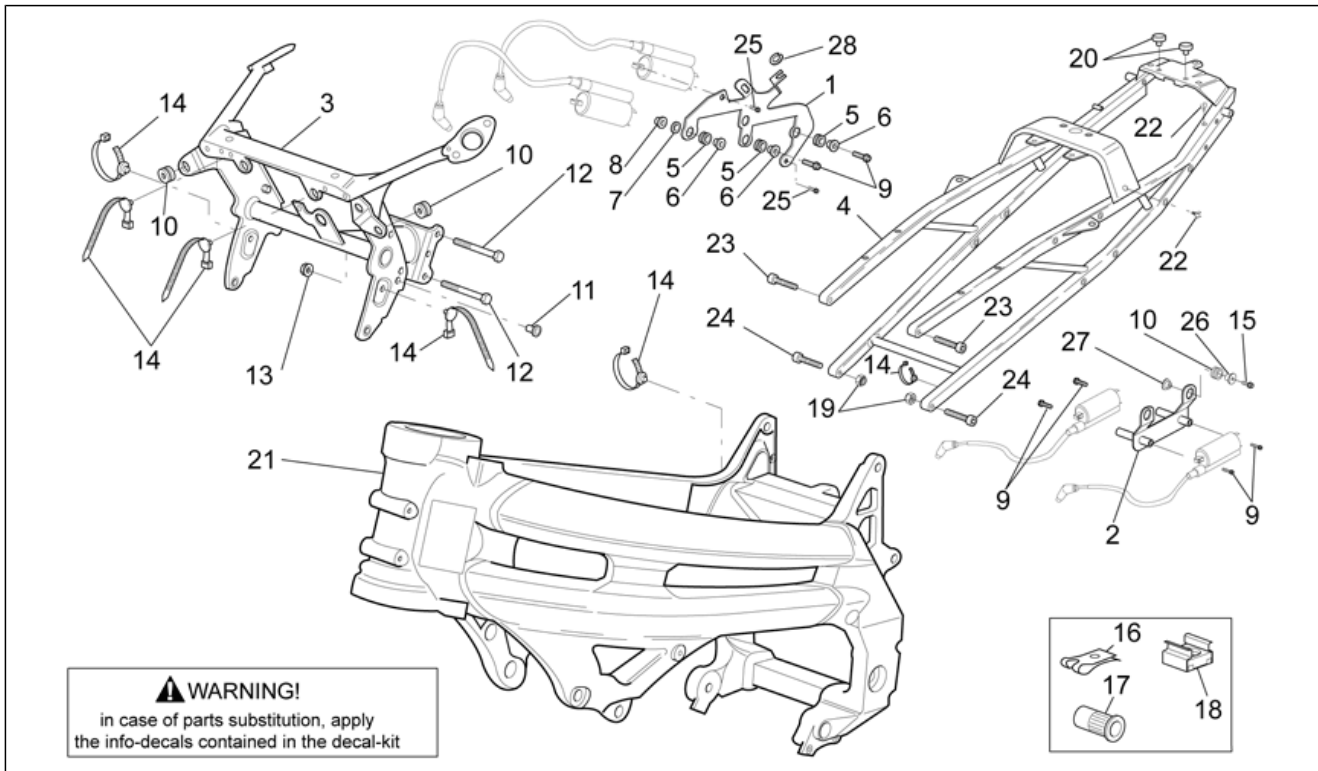
| Code | Nr. der Tafel | Pos. | Code | Nr. der Tafel | Pos. | Code | Nr. der Tafel | Pos. |
|-----------|---------------|------|-----------|---------------|------|-----------|---------------|------|
| AP8123835 | 28.06 | 7 | AP8124959 | 28.43 | 22 | AP8134383 | 28.23 | 11 |
| AP8123836 | 28.06 | 8 | AP8124960 | 28.43 | 22 | AP8134385 | 28.38 | 17 |
| AP8123860 | 28.10 | 13 | AP8124976 | 28.40 | 19 | AP8134394 | 28.22 | 1 |
| AP8123870 | 28.10 | 12 | AP8124977 | 28.04 | 1 | AP8134396 | 28.18 | 1 |
| AP8123932 | 28.05 | 2 | AP8125687 | 28.09 | 17 | AP8134399 | 28.29 | 8 |
| AP8124235 | 28.43 | 5 | AP8125728 | 28.34 | 2 | AP8134399 | 28.29 | 8 |
| AP8124260 | 28.21 | 15 | AP8125730 | 28.36 | 11 | AP8134419 | 28.15 | 11 |
| AP8124261 | 28.21 | 13 | AP8125731 | 28.36 | 6 | AP8134437 | 28.29 | 9 |
| AP8124266 | 28.43 | 16 | AP8125732 | 28.36 | 24 | AP8134438 | 28.23 | 12 |
| AP8124267 | 28.43 | 1 | AP8125733 | 28.36 | 4 | AP8134451 | 28.03 | 17 |
| AP8124273 | 28.42 | 15 | AP8125737 | 28.34 | 3 | AP8134493 | 28.29 | 8 |
| AP8124274 | 28.41 | 7 | AP8125763 | 28.09 | 13 | AP8134493 | 28.29 | 8 |
| AP8124277 | 28.41 | 9 | AP8125773 | 28.34 | 10 | AP8134493 | 28.29 | 8 |
| AP8124284 | 28.42 | 5 | AP8125777 | 28.34 | 11 | AP8134500 | 28.15 | 1 |
| AP8124288 | 28.23 | 21 | AP8125778 | 28.34 | 12 | AP8134501 | 28.02 | 9 |
| AP8124289 | 28.43 | 4 | AP8125779 | 28.34 | 13 | AP8134503 | 28.01 | 1 |
| AP8124293 | 28.41 | 11 | AP8125786 | 28.36 | 15 | AP8134504 | 28.01 | 2 |
| AP8124294 | 28.20 | 1 | AP8125787 | 28.36 | 16 | AP8134505 | 28.02 | 18 |
| AP8124297 | 28.30 | 13 | AP8125788 | 28.36 | 17 | AP8134544 | 28.38 | 14 |
| AP8124300 | 28.12 | 4 | AP8125827 | 28.34 | 6 | AP8134557 | 28.02 | 7 |
| AP8124393 | 28.39 | 9 | AP8125830 | 28.09 | 2 | AP8134593 | 28.03 | 7 |
| AP8124395 | 28.40 | 18 | AP8125831 | 28.36 | 12 | AP8134594 | 28.03 | 8 |
| AP8124398 | 28.22 | 19 | AP8125895 | 28.08 | 18 | AP8134595 | 28.29 | 7 |
| AP8124454 | 28.42 | 11 | AP8126590 | 28.19 | 1 | AP8134596 | 28.02 | 11 |
| AP8124456 | 28.40 | 1 | AP8126610 | 28.19 | 22 | AP8134603 | 28.27 | 22 |
| AP8124471 | 28.40 | 2 | AP8126701 | 28.17 | 6 | AP8134618 | 28.18 | 11 |
| AP8124523 | 28.41 | 3 | AP8126702 | 28.17 | 5 | AP8134618 | 28.44 | 16 |
| AP8124523 | 28.43 | 14 | AP8126717 | 28.19 | 6 | AP8134641 | 28.39 | 7 |
| AP8124528 | 28.38 | 3 | AP8126766 | 28.19 | 2 | AP8134644 | 28.03 | 16 |
| AP8124529 | 28.31 | 13 | AP8126797 | 28.13 | 1 | AP8134659 | 28.16 | 8 |
| AP8124551 | 28.21 | 13 | AP8126798 | 28.13 | 1 | AP8134665 | 28.04 | 10 |
| AP8124557 | 28.42 | 12 | AP8126852 | 28.13 | 1 | AP8134739 | 28.29 | 8 |
| AP8124569 | 28.20 | 4 | AP8126857 | 28.13 | 1 | AP8134739 | 28.29 | 8 |
| AP8124570 | 28.20 | 5 | AP8126862 | 28.19 | 2 | AP8134746 | 28.03 | 13 |
| AP8124571 | 28.20 | 6 | AP8126890 | 28.13 | 1 | AP8134747 | 28.03 | 14 |
| AP8124572 | 28.20 | 10 | AP8126891 | 28.13 | 1 | AP8134863 | 28.08 | 3 |
| AP8124573 | 28.20 | 9 | AP8126894 | 28.19 | 2 | AP8135916 | 28.10 | 5 |
| AP8124574 | 28.20 | 8 | AP8126895 | 28.19 | 2 | AP8135924 | 28.10 | 1 |
| AP8124575 | 28.20 | 7 | AP8126906 | 28.13 | 1 | AP8138596 | 28.43 | 9 |
| AP8124593 | 28.41 | 1 | AP8126907 | 28.13 | 1 | AP8138624 | 28.30 | 12 |
| AP8124593 | 28.44 | 4 | AP8126914 | 28.13 | 1 | AP8138776 | 28.43 | 10 |
| AP8124636 | 28.42 | 2 | AP8126915 | 28.13 | 1 | AP8138781 | 28.26 | 1 |
| AP8124719 | 28.13 | 9 | AP8126988 | 28.13 | 1 | AP8138785 | 28.19 | 8 |
| AP8124744 | 28.39 | 9 | AP8126989 | 28.13 | 1 | AP8138788 | 28.40 | 8 |
| AP8124763 | 28.39 | 10 | AP8126990 | 28.19 | 2 | AP8138790 | 28.09 | 18 |
| AP8124764 | 28.41 | 18 | AP8126990 | 28.19 | 2 | AP8138792 | 28.27 | 1 |
| AP8124766 | 28.42 | 9 | AP8126991 | 28.19 | 2 | AP8138832 | 28.42 | 7 |
| AP8124825 | 28.42 | 6 | AP8126991 | 28.19 | 2 | AP8138947 | 28.17 | 8 |
| AP8124826 | 28.42 | 18 | AP8127069 | 28.21 | 13 | AP8139351 | 28.11 | 1 |
| AP8124826 | 28.43 | 21 | AP8127109 | 28.39 | 15 | AP8139351 | 28.11 | 1 |
| AP8124827 | 28.41 | 21 | AP8127309 | 28.41 | 4 | AP8139362 | 28.11 | 6 |
| AP8124828 | 28.42 | 16 | AP8127321 | 28.31 | 13 | AP8139363 | 28.12 | 3 |
| AP8124855 | 28.25 | 5 | AP8127524 | 28.21 | 13 | AP8139364 | 28.12 | 2 |
| AP8124856 | 28.41 | 5 | AP8129182 | 28.17 | 1 | AP8139367 | 28.13 | 6 |
| AP8124860 | 28.40 | 20 | AP8129208 | 28.17 | 2 | AP8139369 | 28.17 | 9 |
| AP8124884 | 28.39 | 9 | AP8129401 | 28.17 | 1 | AP8139633 | 28.12 | 5 |
| AP8124889 | 28.40 | 4 | AP8129401 | 28.17 | 1 | AP8139634 | 28.12 | 6 |
| AP8124895 | 28.41 | 1 | AP8129402 | 28.17 | 2 | AP8139692 | 28.13 | 5 |
| AP8124895 | 28.44 | 4 | AP8129402 | 28.17 | 2 | AP8139693 | 28.14 | 3 |
| AP8124903 | 28.39 | 1 | AP8129403 | 28.17 | 1 | AP8139694 | 28.14 | 4 |
| AP8124904 | 28.39 | 2 | AP8129404 | 28.17 | 2 | AP8140451 | 30.64 | 2 |
| AP8124905 | 28.39 | 3 | AP8133522 | 28.22 | 23 | AP8140453 | 30.64 | 2 |
| AP8124906 | 28.39 | 4 | AP8133535 | 28.34 | 8 | AP8140505 | 30.64 | 6 |
| AP8124908 | 28.40 | 14 | AP8133535 | 28.34 | 8 | AP8140506 | 30.64 | 6 |
| AP8124909 | 28.40 | 15 | AP8134373 | 28.04 | 10 | AP8140507 | 30.64 | 6 |
| AP8124929 | 28.24 | 15 | AP8134378 | 28.33 | 12 | AP8140526 | 30.64 | 4 |
| AP8124932 | 28.43 | 14 | AP8134380 | 28.02 | 12 | AP8140527 | 30.64 | 4 |

| Code | Nr. der Tafel | Pos. | Code | Nr. der Tafel | Pos. | Code | Nr. der Tafel | Pos. |
|-----------|---------------|------|-----------|---------------|------|-----------|---------------|------|
| AP8140528 | 30.64 | 4 | AP8144477 | 28.30 | 6 | AP8149664 | 28.40 | 9 |
| AP8140529 | 30.64 | 1 | AP8146001 | 28.01 | 3 | AP8149665 | 28.19 | 8 |
| AP8140530 | 30.64 | 1 | AP8146004 | 28.01 | 21 | AP8149666 | 28.13 | 5 |
| AP8140531 | 30.64 | 1 | AP8146008 | 28.03 | 14 | AP8149667 | 28.29 | 3 |
| AP8140532 | 30.64 | 5 | AP8146009 | 28.03 | 13 | AP8149667 | 28.29 | 3 |
| AP8140533 | 30.64 | 5 | AP8146010 | 28.04 | 12 | AP8149669 | 28.29 | 3 |
| AP8140534 | 30.64 | 5 | AP8146012 | 28.09 | 10 | AP8149723 | 28.29 | 3 |
| AP8140699 | 30.64 | 3 | AP8146016 | 28.37 | 14 | AP8149723 | 28.29 | 3 |
| AP8140700 | 30.64 | 3 | AP8146124 | 28.01 | 4 | AP8149763 | 28.15 | 5 |
| AP8140701 | 30.64 | 3 | AP8146172 | 28.03 | 15 | AP8149764 | 28.11 | 3 |
| AP8144003 | 28.30 | 5 | AP8146231 | 28.03 | 9 | AP8149765 | 28.18 | 10 |
| AP8144005 | 28.09 | 16 | AP8146232 | 28.03 | 10 | AP8149766 | 28.17 | 7 |
| AP8144006 | 28.09 | 12 | AP8146272 | 28.10 | 3 | AP8149788 | 28.15 | 5 |
| AP8144008 | 28.27 | 4 | AP8146341 | 28.03 | 5 | AP8149789 | 28.11 | 3 |
| AP8144008 | 28.28 | 14 | AP8146342 | 28.04 | 13 | AP8149790 | 28.18 | 10 |
| AP8144010 | 28.30 | 6 | AP8146349 | 28.01 | 21 | AP8149791 | 28.17 | 7 |
| AP8144011 | 28.30 | 10 | AP8146352 | 28.09 | 10 | AP8150012 | 28.01 | 7 |
| AP8144015 | 28.27 | 13 | AP8146354 | 28.04 | 12 | AP8150013 | 28.16 | 14 |
| AP8144015 | 29.32 | 18 | AP8146364 | 28.04 | 13 | AP8150013 | 28.40 | 22 |
| AP8144032 | 28.26 | 4 | AP8146468 | 28.01 | 4 | AP8150014 | 28.15 | 13 |
| AP8144038 | 28.29 | 14 | AP8146559 | 28.01 | 21 | AP8150014 | 28.20 | 11 |
| AP8144045 | 28.19 | 18 | AP8146570 | 28.01 | 21 | AP8150014 | 28.41 | 14 |
| AP8144046 | 28.43 | 15 | AP8146573 | 28.01 | 4 | AP8150015 | 28.04 | 2 |
| AP8144048 | 28.09 | 14 | AP8146623 | 28.03 | 5 | AP8150015 | 28.15 | 24 |
| AP8144052 | 28.09 | 9 | AP8146624 | 28.03 | 15 | AP8150015 | 28.19 | 15 |
| AP8144061 | 28.27 | 19 | AP8146788 | 28.03 | 13 | AP8150015 | 28.28 | 2 |
| AP8144061 | 28.28 | 9 | AP8146789 | 28.03 | 14 | AP8150015 | 28.40 | 12 |
| AP8144062 | 28.15 | 10 | AP8146796 | 28.01 | 21 | AP8150015 | 28.40 | 5 |
| AP8144063 | 28.29 | 4 | AP8146797 | 28.01 | 21 | AP8150015 | 28.43 | 11 |
| AP8144069 | 28.31 | 15 | AP8147068 | 28.45 | 4 | AP8150018 | 28.27 | 31 |
| AP8144071 | 28.03 | 6 | AP8148260 | 28.40 | 9 | AP8150018 | 28.33 | 10 |
| AP8144073 | 28.24 | 9 | AP8148438 | 28.43 | 7 | AP8150026 | 28.25 | 11 |
| AP8144075 | 28.24 | 16 | AP8148506 | 28.15 | 5 | AP8150026 | 28.37 | 17 |
| AP8144076 | 28.24 | 6 | AP8148507 | 28.18 | 10 | AP8150026 | 28.42 | 4 |
| AP8144081 | 28.17 | 11 | AP8148508 | 28.17 | 7 | AP8150026 | 29.32 | 12 |
| AP8144083 | 28.21 | 5 | AP8148509 | 28.18 | 4 | AP8150044 | 28.17 | 4 |
| AP8144085 | 28.29 | 10 | AP8148551 | 28.13 | 7 | AP8150050 | 28.27 | 24 |
| AP8144148 | 28.27 | 14 | AP8148632 | 28.11 | 3 | AP8150072 | 28.37 | 13 |
| AP8144151 | 28.22 | 14 | AP8148633 | 28.14 | 1 | AP8150137 | 28.27 | 29 |
| AP8144151 | 28.23 | 19 | AP8148634 | 28.14 | 2 | AP8150137 | 28.28 | 7 |
| AP8144151 | 28.37 | 4 | AP8148644 | 28.15 | 5 | AP8150158 | 28.13 | 11 |
| AP8144160 | 28.31 | 8 | AP8148645 | 28.11 | 3 | AP8150158 | 28.19 | 12 |
| AP8144226 | 28.30 | 7 | AP8148646 | 28.14 | 1 | AP8150195 | 28.36 | 20 |
| AP8144258 | 28.12 | 7 | AP8148647 | 28.14 | 2 | AP8150204 | 28.13 | 10 |
| AP8144275 | 28.27 | 8 | AP8148648 | 28.18 | 10 | AP8150204 | 28.19 | 13 |
| AP8144288 | 28.19 | 17 | AP8148649 | 28.17 | 7 | AP8150211 | 28.05 | 10 |
| AP8144290 | 28.11 | 12 | AP8148661 | 28.41 | 23 | AP8150220 | 29.32 | 4 |
| AP8144298 | 28.30 | 11 | AP8148662 | 28.41 | 22 | AP8150270 | 28.12 | 12 |
| AP8144307 | 28.24 | 13 | AP8148824 | 28.09 | 24 | AP8150272 | 28.03 | 24 |
| AP8144308 | 28.24 | 11 | AP8148824 | 28.19 | 20 | AP8150277 | 28.33 | 9 |
| AP8144309 | 28.24 | 12 | AP8149034 | 28.19 | 28 | AP8150282 | 28.39 | 11 |
| AP8144312 | 28.15 | 4 | AP8149036 | 28.11 | 1 | AP8150285 | 28.18 | 12 |
| AP8144312 | 28.15 | 4 | AP8149037 | 28.19 | 27 | AP8150285 | 28.44 | 11 |
| AP8144312 | 28.44 | 3 | AP8149038 | 28.16 | 27 | AP8150292 | 28.02 | 6 |
| AP8144312 | 28.44 | 3 | AP8149048 | 28.29 | 2 | AP8150292 | 28.04 | 4 |
| AP8144313 | 28.40 | 16 | AP8149311 | 28.45 | 7 | AP8150314 | 28.01 | 12 |
| AP8144314 | 28.10 | 16 | AP8149654 | 28.15 | 5 | AP8150329 | 28.01 | 24 |
| AP8144316 | 29.32 | 19 | AP8149655 | 28.11 | 3 | AP8150334 | 28.09 | 19 |
| AP8144321 | 28.09 | 26 | AP8149656 | 28.14 | 1 | AP8150334 | 28.33 | 8 |
| AP8144351 | 28.15 | 18 | AP8149657 | 28.14 | 2 | AP8150349 | 28.41 | 16 |
| AP8144383 | 28.29 | 27 | AP8149658 | 28.18 | 10 | AP8150349 | 28.44 | 8 |
| AP8144409 | 28.02 | 29 | AP8149659 | 28.17 | 7 | AP8150376 | 28.03 | 25 |
| AP8144410 | 28.29 | 29 | AP8149660 | 28.18 | 4 | AP8150388 | 28.18 | 7 |
| AP8144411 | 28.29 | 22 | AP8149660 | 28.18 | 4 | AP8150413 | 28.17 | 10 |
| AP8144415 | 28.20 | 12 | AP8149663 | 28.40 | 8 | AP8150413 | 28.30 | 3 |
| AP8144475 | 28.31 | 19 | AP8149663 | 28.40 | 8 | AP8150413 | 28.40 | 13 |
| AP8144476 | 28.30 | 14 | AP8149664 | 28.40 | 9 | AP8150421 | 28.30 | 2 |

| Code | Nr. der Tafel | Pos. | Code | Nr. der Tafel | Pos. | Code | Nr. der Tafel | Pos. |
|-----------|---------------|------|-----------|---------------|------|-----------|---------------|------|
| AP8150421 | 28.41 | 10 | AP8152278 | 28.19 | 24 | AP8152318 | 28.02 | 3 |
| AP8150423 | 28.12 | 10 | AP8152278 | 28.28 | 1 | AP8152320 | 28.04 | 5 |
| AP8150429 | 28.42 | 3 | AP8152278 | 28.29 | 18 | AP8152322 | 28.10 | 6 |
| AP8150430 | 28.02 | 20 | AP8152278 | 28.31 | 3 | AP8152323 | 28.34 | 4 |
| AP8150430 | 28.39 | 14 | AP8152278 | 28.42 | 1 | AP8152323 | 28.36 | 14 |
| AP8150430 | 29.32 | 10 | AP8152278 | 28.43 | 8 | AP8152324 | 28.36 | 13 |
| AP8150436 | 28.36 | 10 | AP8152279 | 28.04 | 3 | AP8152325 | 28.02 | 4 |
| AP8150444 | 28.14 | 6 | AP8152279 | 28.15 | 23 | AP8152335 | 28.34 | 5 |
| AP8150446 | 28.03 | 20 | AP8152279 | 28.16 | 25 | AP8152336 | 28.35 | 9 |
| AP8150447 | 28.03 | 22 | AP8152279 | 28.18 | 16 | AP8152338 | 28.11 | 16 |
| AP8150451 | 28.01 | 8 | AP8152279 | 28.21 | 7 | AP8152339 | 28.09 | 21 |
| AP8150453 | 28.15 | 7 | AP8152279 | 28.25 | 7 | AP8152339 | 28.09 | 22 |
| AP8150453 | 28.44 | 13 | AP8152279 | 28.26 | 13 | AP8152339 | 28.13 | 4 |
| AP8150454 | 28.15 | 6 | AP8152279 | 28.28 | 11 | AP8152339 | 28.14 | 7 |
| AP8150454 | 28.44 | 14 | AP8152279 | 28.37 | 16 | AP8152339 | 28.18 | 15 |
| AP8150457 | 28.10 | 9 | AP8152279 | 28.38 | 13 | AP8152339 | 28.18 | 18 |
| AP8150458 | 28.10 | 8 | AP8152279 | 28.40 | 6 | AP8152384 | 28.05 | 13 |
| AP8150459 | 28.15 | 14 | AP8152279 | 28.41 | 12 | AP8152392 | 28.40 | 3 |
| AP8150463 | 28.36 | 18 | AP8152279 | 29.32 | 9 | AP8156080 | 28.13 | 1 |
| AP8150468 | 28.09 | 25 | AP8152280 | 28.01 | 15 | AP8156081 | 28.13 | 1 |
| AP8150468 | 28.19 | 21 | AP8152280 | 28.15 | 22 | AP8156082 | 28.13 | 1 |
| AP8150469 | 28.01 | 23 | AP8152280 | 28.23 | 15 | AP8156083 | 28.13 | 1 |
| AP8150472 | 28.21 | 22 | AP8152280 | 28.41 | 15 | AP8156084 | 28.13 | 1 |
| AP8150480 | 28.04 | 11 | AP8152281 | 28.02 | 21 | AP8156085 | 28.13 | 1 |
| AP8150486 | 28.39 | 6 | AP8152281 | 28.18 | 6 | AP8157532 | 28.05 | 14 |
| AP8150488 | 28.33 | 14 | AP8152282 | 28.43 | 2 | AP8157617 | 28.45 | 5 |
| AP8150489 | 28.33 | 13 | AP8152285 | 28.27 | 10 | AP8157646 | 28.45 | 5 |
| AP8150497 | 28.08 | 27 | AP8152285 | 28.41 | 13 | AP8157648 | 28.45 | 4 |
| AP8150498 | 28.08 | 9 | AP8152286 | 28.34 | 14 | AP8157649 | 28.45 | 4 |
| AP8152001 | 28.04 | 11 | AP8152286 | 28.38 | 12 | AP8157650 | 28.45 | 3 |
| AP8152040 | 28.02 | 8 | AP8152286 | 28.38 | 15 | AP8157716 | 28.11 | 15 |
| AP8152040 | 28.21 | 11 | AP8152288 | 28.03 | 19 | AP8157769 | 28.19 | 25 |
| AP8152117 | 28.43 | 17 | AP8152288 | 28.41 | 17 | AP8157821 | 28.45 | 8 |
| AP8152123 | 28.42 | 19 | AP8152288 | 28.44 | 9 | AP8157831 | 28.45 | 4 |
| AP8152136 | 28.39 | 12 | AP8152289 | 28.05 | 12 | AP8157833 | 28.45 | 5 |
| AP8152138 | 29.32 | 11 | AP8152289 | 28.21 | 12 | AP8157838 | 28.45 | 4 |
| AP8152181 | 28.02 | 22 | AP8152290 | 28.07 | 3 | AP8157916 | 28.45 | 5 |
| AP8152184 | 28.25 | 6 | AP8152298 | 28.11 | 2 | AP8157970 | 28.45 | 5 |
| AP8152184 | 28.27 | 26 | AP8152298 | 28.12 | 11 | AP8157971 | 28.45 | 5 |
| AP8152184 | 28.31 | 6 | AP8152298 | 28.38 | 16 | AP8158762 | 28.15 | 5 |
| AP8152246 | 28.02 | 13 | AP8152299 | 28.01 | 13 | AP8158763 | 28.11 | 3 |
| AP8152246 | 28.11 | 11 | AP8152299 | 28.15 | 12 | AP8158764 | 28.14 | 1 |
| AP8152246 | 28.13 | 2 | AP8152299 | 28.16 | 24 | AP8158765 | 28.14 | 2 |
| AP8152246 | 28.18 | 17 | AP8152299 | 28.19 | 4 | AP8158766 | 28.18 | 10 |
| AP8152246 | 28.19 | 3 | AP8152299 | 28.20 | 3 | AP8158767 | 28.17 | 7 |
| AP8152246 | 28.29 | 24 | AP8152299 | 28.23 | 16 | AP8158768 | 28.18 | 4 |
| AP8152246 | 28.42 | 21 | AP8152299 | 28.27 | 30 | AP8158769 | 28.40 | 8 |
| AP8152272 | 28.23 | 13 | AP8152299 | 28.28 | 8 | AP8158770 | 28.40 | 9 |
| AP8152272 | 28.31 | 9 | AP8152299 | 28.37 | 15 | AP8158771 | 28.19 | 8 |
| AP8152273 | 28.03 | 23 | AP8152299 | 28.40 | 7 | AP8158772 | 28.09 | 18 |
| AP8152273 | 28.16 | 13 | AP8152299 | 28.42 | 20 | AP8158773 | 28.13 | 5 |
| AP8152273 | 28.22 | 16 | AP8152299 | 28.43 | 18 | AP8158783 | 28.11 | 1 |
| AP8152273 | 28.26 | 14 | AP8152300 | 28.18 | 8 | AP8158784 | 28.19 | 6 |
| AP8152273 | 28.29 | 19 | AP8152300 | 28.33 | 11 | AP8158832 | 28.15 | 5 |
| AP8152273 | 28.30 | 4 | AP8152301 | 28.01 | 19 | AP8158833 | 28.11 | 3 |
| AP8152273 | 28.31 | 14 | AP8152301 | 28.02 | 1 | AP8163128 | 28.08 | 6 |
| AP8152273 | 28.37 | 18 | AP8152301 | 28.10 | 7 | AP8163131 | 28.08 | 13 |
| AP8152275 | 28.01 | 9 | AP8152302 | 28.11 | 14 | AP8163132 | 28.08 | 14 |
| AP8152277 | 28.13 | 8 | AP8152302 | 28.40 | 21 | AP8163133 | 28.08 | 15 |
| AP8152277 | 28.15 | 15 | AP8152305 | 28.09 | 20 | AP8163134 | 28.08 | 16 |
| AP8152277 | 28.22 | 18 | AP8152306 | 28.19 | 29 | AP8163135 | 28.08 | 17 |
| AP8152277 | 28.23 | 20 | AP8152306 | 28.22 | 17 | AP8163138 | 28.08 | 25 |
| AP8152277 | 28.25 | 10 | AP8152306 | 28.40 | 23 | AP8163141 | 28.08 | 22 |
| AP8152277 | 28.27 | 23 | AP8152313 | 28.01 | 18 | AP8163142 | 28.08 | 10 |
| AP8152277 | 28.31 | 7 | AP8152315 | 28.02 | 25 | AP8163143 | 28.08 | 8 |
| AP8152278 | 28.01 | 25 | AP8152316 | 28.02 | 24 | AP8163144 | 28.08 | 11 |
| AP8152278 | 28.02 | 15 | AP8152317 | 28.02 | 2 | AP8163145 | 28.08 | 21 |

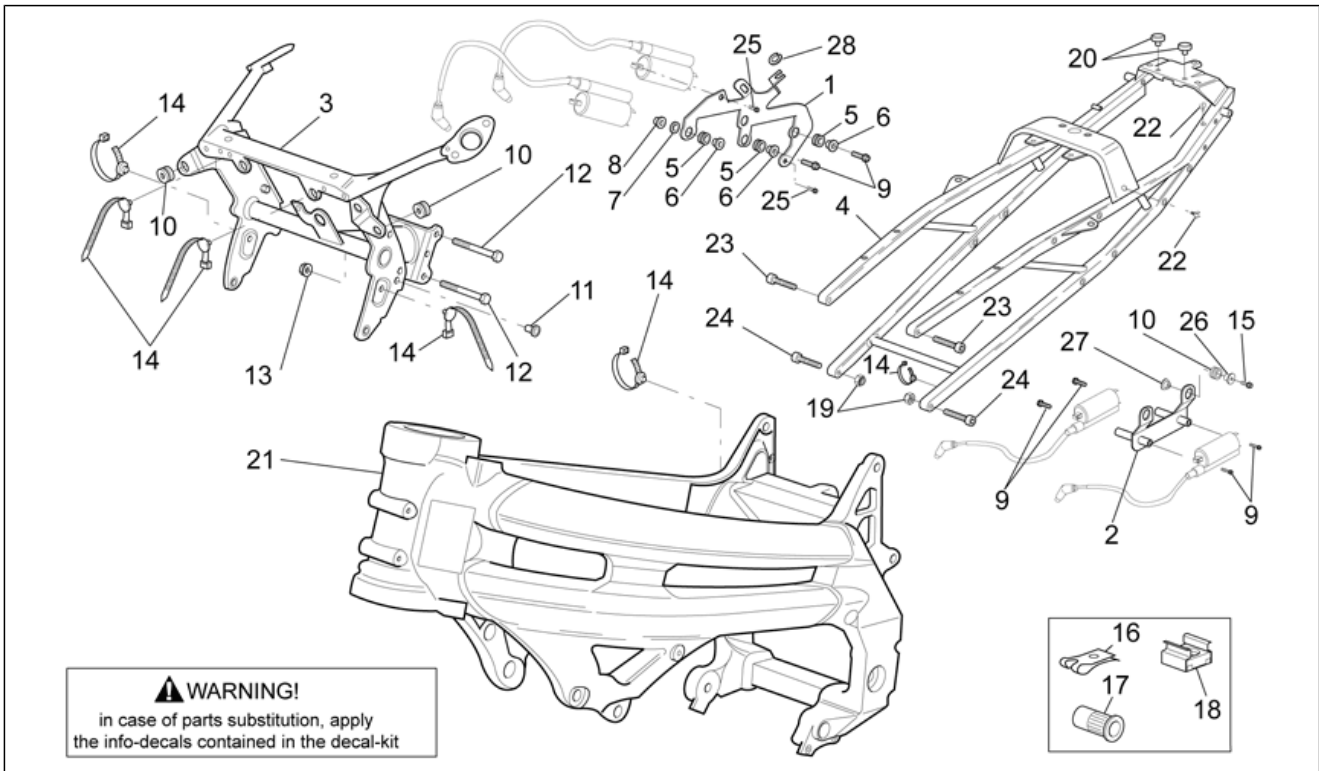
| Code | Nr. der Tafel | Pos. | Code | Nr. der Tafel | Pos. |
|-----------|---------------|------|-----------|---------------|------|
| AP8163146 | 28.06 | 1 | AP8201727 | 29.32 | 3 |
| AP8163146 | 28.06 | 1 | AP8202154 | 28.16 | 4 |
| AP8163146 | 28.07 | 1 | AP8210007 | 28.37 | 9 |
| AP8163146 | 28.07 | 1 | AP8210007 | 29.32 | 8 |
| AP8163147 | 28.06 | 2 | AP8212469 | 28.43 | 3 |
| AP8163147 | 28.06 | 2 | AP8212588 | 28.41 | 2 |
| AP8163147 | 28.07 | 2 | AP8212702 | 28.19 | 16 |
| AP8163147 | 28.07 | 2 | AP8213057 | 28.22 | 11 |
| AP8163172 | 28.08 | 33 | AP8213057 | 28.23 | 7 |
| AP8163173 | 28.08 | 34 | AP8213057 | 28.37 | 20 |
| AP8163174 | 28.08 | 1 | AP8213193 | 28.35 | 4 |
| AP8163175 | 28.08 | 2 | AP8220150 | 28.43 | 19 |
| AP8163176 | 28.08 | 4 | AP8220191 | 28.26 | 6 |
| AP8163177 | 28.08 | 5 | AP8220263 | 28.16 | 17 |
| AP8163178 | 28.08 | 7 | AP8220283 | 28.43 | 6 |
| AP8163179 | 28.08 | 12 | AP8220349 | 28.01 | 20 |
| AP8163180 | 28.08 | 19 | AP8220369 | 28.27 | 27 |
| AP8163181 | 28.08 | 29 | AP8221023 | 28.15 | 8 |
| AP8163182 | 28.08 | 30 | AP8221023 | 28.23 | 17 |
| AP8163183 | 28.08 | 31 | AP8221023 | 28.25 | 8 |
| AP8163184 | 28.08 | 28 | AP8221023 | 28.26 | 17 |
| AP8163185 | 28.08 | 26 | AP8221023 | 28.28 | 5 |
| AP8163186 | 28.08 | 24 | AP8221097 | 28.43 | 20 |
| AP8163187 | 28.08 | 23 | AP8221197 | 28.04 | 6 |
| AP8163189 | 28.06 | 3 | AP8221242 | 28.29 | 28 |
| AP8163189 | 28.06 | 3 | AP8221303 | 28.40 | 26 |
| AP8163250 | 28.08 | 12 | AP8221305 | 28.40 | 27 |
| AP8163251 | 28.08 | 29 | AP8224164 | 28.19 | 26 |
| AP8163252 | 28.08 | 30 | AP8224389 | 28.40 | 29 |
| AP8163253 | 28.08 | 32 | AP8224390 | 28.40 | 28 |
| AP8167165 | 28.45 | 5 | AP8224393 | 28.39 | 5 |
| AP8167216 | 28.45 | 5 | AP8700792 | 30.63 | 9 |
| AP8167337 | 28.45 | 5 | AP8700793 | 30.63 | 9 |
| AP8167397 | 28.45 | 5 | AP8700794 | 30.63 | 9 |
| AP8167542 | 28.45 | 4 | AP8720115 | 30.68 | 1 |
| AP8167542 | 28.45 | 4 | AP8720116 | 30.68 | 2 |
| AP8167757 | 28.45 | 4 | AP8720117 | 30.68 | 3 |
| AP8167956 | 28.45 | 5 | AP8720118 | 30.68 | 4 |
| AP8167957 | 28.45 | 5 | AP8792152 | 30.63 | 5 |
| AP8167963 | 28.45 | 5 | AP8792153 | 30.63 | 1 |
| AP8167964 | 28.45 | 5 | AP8792154 | 30.63 | 2 |
| AP8168955 | 28.15 | 5 | AP8792155 | 30.63 | 3 |
| AP8168956 | 28.11 | 3 | AP8792156 | 30.63 | 6 |
| AP8168957 | 28.14 | 1 | AP8795029 | 30.63 | 7 |
| AP8168957 | 28.14 | 1 | AP8796047 | 30.63 | 8 |
| AP8168958 | 28.14 | 2 | AP8796145 | 30.63 | 4 |
| AP8168958 | 28.14 | 2 | AP8796493 | 30.65 | 5 |
| AP8168959 | 28.18 | 10 | AP8796541 | 30.65 | 1 |
| AP8168960 | 28.17 | 7 | AP8796543 | 30.65 | 3 |
| AP8168961 | 28.15 | 5 | AP8796544 | 30.65 | 2 |
| AP8168962 | 28.11 | 3 | AP8796545 | 30.65 | 4 |
| AP8168963 | 28.14 | 1 | AP8796545 | 30.66 | 4 |
| AP8168964 | 28.14 | 2 | AP8796547 | 30.67 | 1 |
| AP8168965 | 28.18 | 10 | AP8796548 | 30.67 | 2 |
| AP8168966 | 28.17 | 7 | AP8796549 | 30.67 | 3 |
| AP8168967 | 28.15 | 5 | AP8796550 | 30.67 | 4 |
| AP8168968 | 28.11 | 3 | AP8796551 | 30.67 | 5 |
| AP8168969 | 28.18 | 10 | AP8796552 | 30.66 | 7 |
| AP8168970 | 28.17 | 7 | AP8796553 | 30.67 | 6 |
| AP8177743 | 28.45 | 5 | AP8796554 | 30.66 | 1 |
| AP8177744 | 28.45 | 5 | AP8796555 | 30.66 | 5 |
| AP8177745 | 28.45 | 5 | AP8796556 | 30.66 | 2 |
| AP8177844 | 28.45 | 5 | AP8796557 | 30.66 | 3 |
| AP8201169 | 28.24 | 21 | AP8796558 | 30.66 | 6 |
| AP8201539 | 28.01 | 14 | B044207 | 28.34 | 8 |
| AP8201539 | 28.12 | 1 | B044207 | 28.34 | 8 |
| AP8201727 | 28.02 | 26 | | | |

| | |
|---------------------|----------|
| Einheit | RAHMEN |
| Code | 28.01 |
| Beschreibung | Rahmen I |
| Inspektion | 1 |



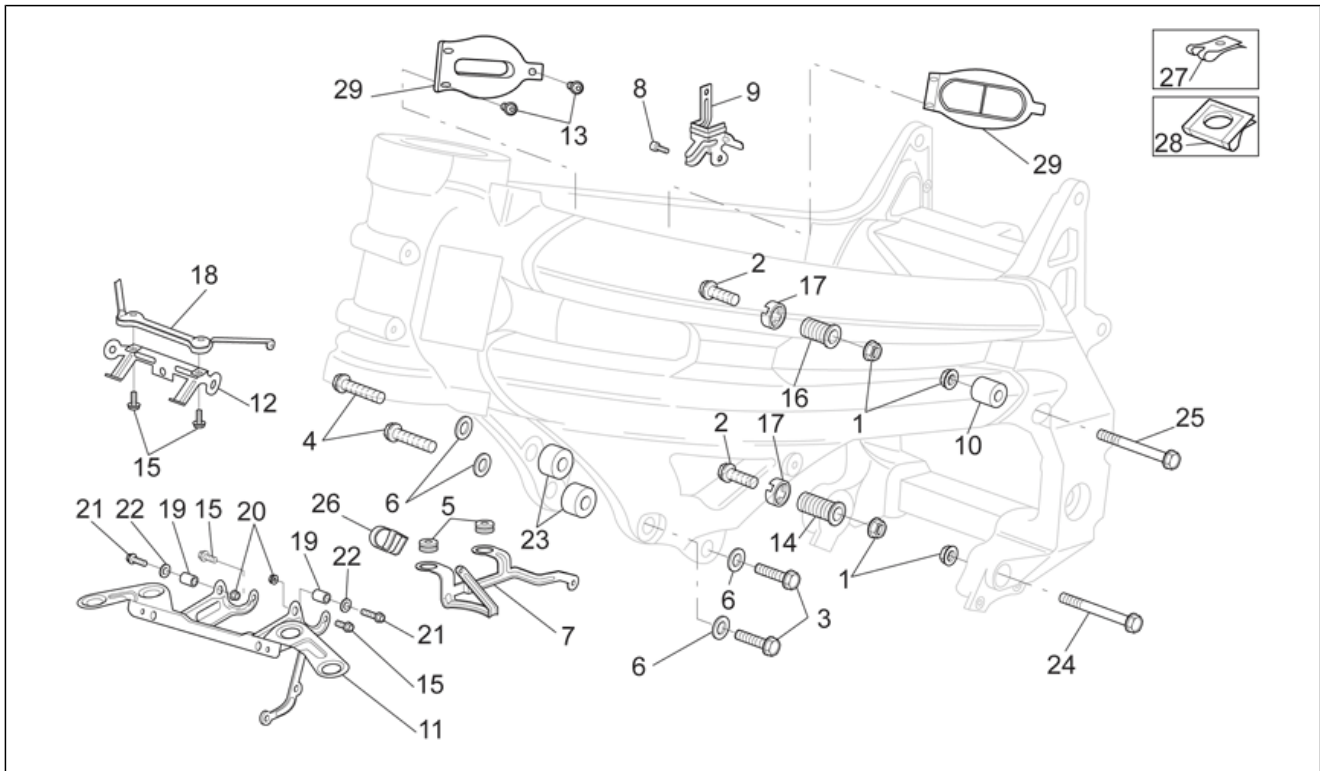
| Pos. | Code | Beschreibung | Menge | Varianten |
|------|-----------|-------------------------------|-------|--|
| 1 | AP8134503 | Fixierung rechts Spulen | 1 | |
| 2 | AP8134504 | Fixierung links Spulen | 1 | |
| 3 | AP8146001 | Instrumentenrahmen | 1 | |
| 4 | AP8146124 | Sattelstütze | 1 | Baujahr: 2000[Y] |
| 4 | AP8146468 | Sattelstütze BLACK | 1 | Baujahr: 2001[1], 2003[3] |
| 4 | AP8146573 | Sattelstütze GREY | 1 | Baujahr: 2002[2], 2003[3] |
| 5 | AP8120405 | Gummi | 4 | |
| 6 | AP8121736 | T-Buchse | 4 | |
| 7 | AP8150012 | Ausgleichscheibe 5,3x10x1* | 4 | |
| 8 | AP8150451 | Selbstperr.mut Unt. | 4 | |
| 9 | AP8152275 | TE Schr. m. Flansch M5x25 | 8 | |
| 10 | AP8120030 | Gummi | 4 | |
| 11 | AP8102902 | Sechss. Geschn. Einsatz | 8 | |
| 12 | AP8150314 | Sechskantschraube | 2 | |
| 13 | AP8152299 | Selbstsperrende Mutter M6 | 2 | |
| 14 | AP8201539 | Schelle | 6 | |
| 15 | AP8152280 | TE Schr. m. Flansch M6x25 | 2 | |
| 16 | AP8102376 | Klammer M6 | 3 | |
| 17 | AP8102544 | Geschnitten Kunststoffniet M6 | 21 | |
| 18 | AP8152313 | Käfigmutter M6 | 3 | |
| 19 | AP8152301 | Selbstsperrende Mutter | 2 | |
| 20 | AP8220349 | Gummi | 2 | |
| 21 | AP8146004 | Feinbearb. Rahmen | 1 | Baujahr: 2001[1], 2000[Y] Land: Österreich[A], Australien[AA], Australien[AUS], Belgien[B], Belgien[BB], Schweiz[CH], Deutschland[D], Dänemark[DK], Spanien[E], A, CH, D, DK, GR, E, I, NL, P[EU], Frankreich[F], Frankreich[FF], Griechenland[GR], Italien[I], Japan[J], Japan[JJ], Holland[NL], Portugal[P], Großbritannien[UK] |
| 21 | AP8146349 | Feinbearb. Rahmen | 1 | Baujahr: 2001[1], 2000[Y] |

| | |
|---------------------|----------|
| Einheit | RAHMEN |
| Code | 28.01 |
| Beschreibung | Rahmen I |
| Inspektion | 1 |



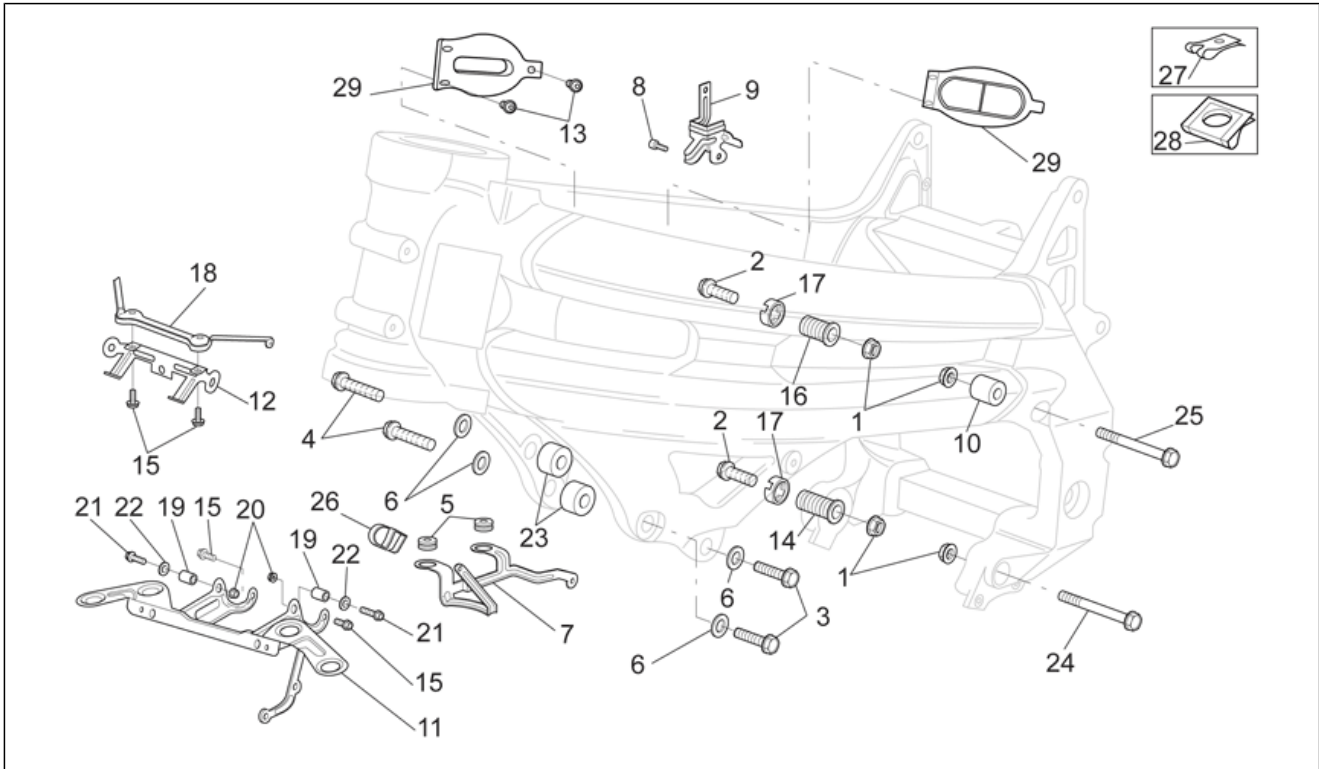
| Pos. | Code | Beschreibung | Menge | Varianten |
|------|-----------|---------------------------|-------|---|
| 21 | AP8146559 | Feinbearb. Rahmen | 1 | Land: USA (Zulassung 49 Staaten)[AM], USA (Zulassung California)[CF], Vereinigte Staaten von Amerika[USA] Baujahr: 2002[2] Land: Österreich[A], Australien[AA], Australien[AUS], Belgien[B], Belgien[BB], Schweiz[CH], Deutschland[D], Dänemark[DK], Spanien[E], A, CH, D, DK, GR, E, I, NL, P[EU], Frankreich[F], Frankreich[FF], Griechenland[GR], Italien[I], Japan[J], Japan[JJ], Holland[NL], Portugal[P], Großbritannien[UK] |
| 21 | AP8146570 | Feinbearb. Rahmen | 1 | Baujahr: 2002[2] Land: USA (Zulassung 49 Staaten)[AM], USA (Zulassung California)[CF], Vereinigte Staaten von Amerika[USA] |
| 21 | AP8146796 | Feinbearb. Rahmen | 1 | Baujahr: 2003[3] Land: Österreich[A], Australien[AA], Australien[AUS], Belgien[B], Belgien[BB], Schweiz[CH], Deutschland[D], Dänemark[DK], Spanien[E], A, CH, D, DK, GR, E, I, NL, P[EU], Frankreich[F], Frankreich[FF], Griechenland[GR], Italien[I], Japan[J], Japan[JJ], Holland[NL], Portugal[P], Großbritannien[UK] |
| 21 | AP8146797 | Feinbearb. Rahmen | 1 | Baujahr: 2003[3] Land: USA (Zulassung 49 Staaten)[AM], USA (Zulassung California)[CF], Vereinigte Staaten von Amerika[USA] |
| 22 | AP8121882 | Kabelführungs | 2 | |
| 23 | AP8150469 | TCEI Schraube M10x30 | 2 | |
| 24 | AP8150329 | TCEI Schraube | 2 | |
| 25 | AP8152278 | TE Schr. m. Flansch M6x16 | 2 | |
| 26 | AP8121129 | T-Buchse * | 2 | |
| 27 | AP8121075 | T-Buchse * | 2 | |
| 28 | AP8121428 | Seegerring d8 | 1 | |

| | |
|---------------------|-----------|
| Einheit | RAHMEN |
| Code | 28.02 |
| Beschreibung | Rahmen II |
| Inspektion | 1 |



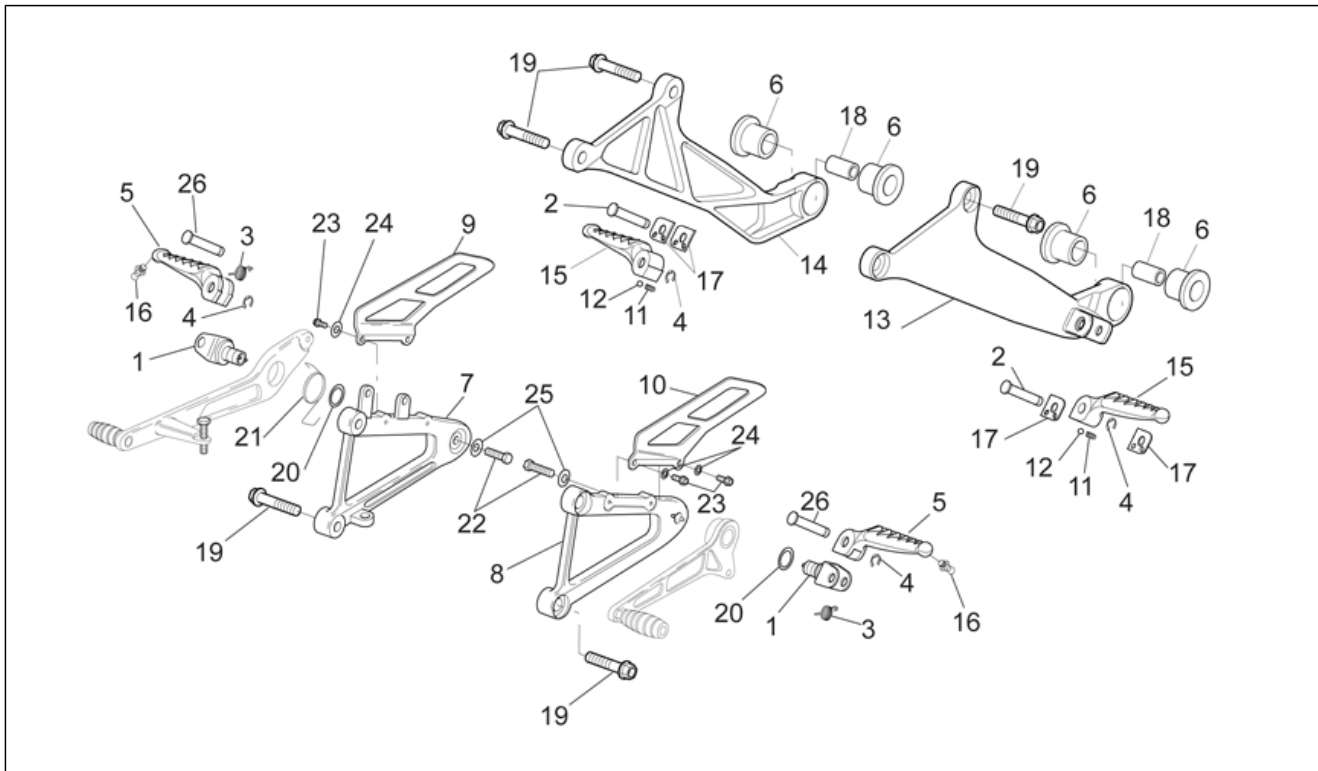
| Pos. | Code | Beschreibung | Menge | Varianten |
|------|-----------|-------------------------------|-------|-----------|
| 1 | AP8152301 | Selbstsperrende Mutter | 4 | |
| 2 | AP8152317 | TE Schr. m. Flansch M10x100 | 2 | |
| 3 | AP8152318 | TE Schr. m. Flansch M10x35 | 2 | |
| 4 | AP8152325 | TE Schr. m. Flansch | 2 | |
| 5 | AP8120030 | Gummi | 2 | |
| 6 | AP8150292 | Gebogene Sprengscheibe * | 4 | |
| 7 | AP8134557 | Aufnahme Expansionsgef. | 1 | |
| 8 | AP8152040 | TCEI Schraube | 1 | |
| 9 | AP8134501 | Fixierplatte Kette | 1 | |
| 10 | AP8121998 | Distanzst. Motorlager | 1 | |
| 11 | AP8134596 | Unt. Kühlerhalter | 1 | |
| 12 | AP8134380 | Obere Kühlerbefestigung | 1 | |
| 13 | AP8152246 | TBEI Schraube m.Flansch M6x16 | 6 | |
| 14 | AP8121997 | Unt. Einstellbuchse | 1 | |
| 15 | AP8152278 | TE Schr. m. Flansch M6x16 | 4 | |
| 16 | AP8121996 | Ob. Einstellbuchse | 1 | |
| 17 | AP8121995 | Motor-Nutmutter | 2 | |
| 18 | AP8134505 | ob. Bügel Leitbleche | 1 | |
| 19 | AP8121313 | Konischebuchse | 2 | |
| 20 | AP8150430 | Selbstsperr.mut Unt. | 2 | |
| 21 | AP8152281 | TE Schr. m. Flansch M6x30 | 2 | |
| 22 | AP8152181 | Scheibe 6,4x15x1 | 2 | |
| 23 | AP8121254 | V.links Motor Distanzscheibe | 2 | |
| 24 | AP8152316 | TE Schr. m. Flansch M10x75 | 1 | |
| 25 | AP8152315 | TE Schr. m. Flansch M10x110 | 1 | |
| 26 | AP8201727 | Kabelführungs schw. | 1 | |
| 27 | AP8102375 | Klammer M5 | 1 | |
| 28 | AP8102376 | Klammer M6 | 1 | |

| | |
|---------------------|-----------|
| Einheit | RAHMEN |
| Code | 28.02 |
| Beschreibung | Rahmen II |
| Inspektion | 1 |



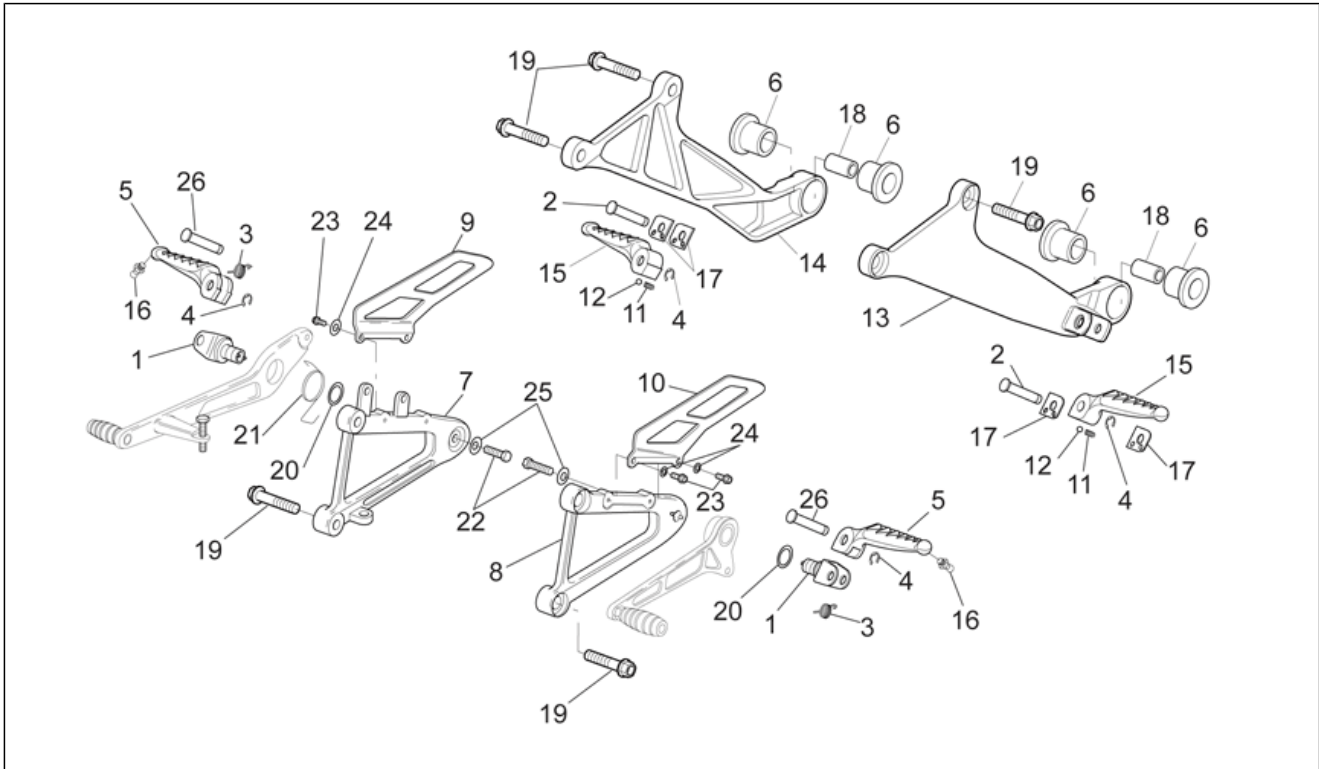
| Pos. | Code | Beschreibung | Menge | Varianten |
|------|-----------|------------------|-------|-----------------------------------|
| 29 | AP8102940 | Anschlußdichtung | 2 | Baujahr:2000[Y] |
| 29 | AP8144409 | Anschlußdichtung | 2 | Baujahr:2001[1], 2002[2], 2003[3] |

| | |
|---------------------|------------|
| Einheit | RAHMEN |
| Code | 28.03 |
| Beschreibung | Fussrasten |
| Inspektion | 1 |



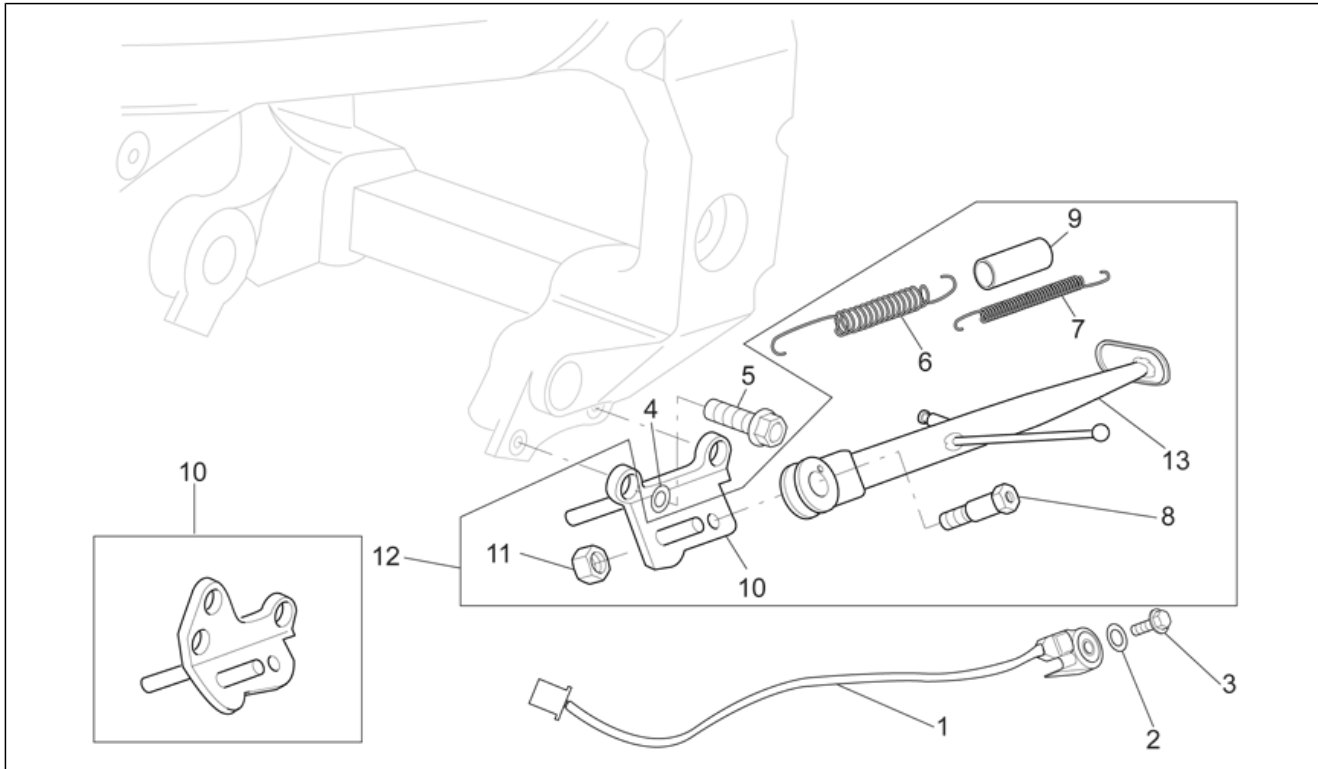
| Pos. | Code | Beschreibung | Menge | Varianten |
|------|-----------|------------------------------------|-------|--------------------------|
| 1 | AP8121917 | Bremse/Getriebe bolzen | 2 | |
| 2 | AP8121135 | Rastenbolzen | 2 | |
| 3 | AP8121224 | Rückholfeder | 2 | |
| 4 | AP8120573 | Sperring | 4 | |
| 5 | AP8146341 | Fußrasten Fahrer (Paar) | 1 | Baujahr:2001[1], 2000[Y] |
| 5 | AP8146623 | Fußrasten Fahrer (Paar) | 1 | Baujahr:2002[2], 2003[3] |
| 6 | AP8144071 | Gummi auspuffrohr | 4 | |
| 7 | AP8134593 | Fußrastenhalter Fahrer rechts | 1 | |
| 8 | AP8134594 | Fußrastenhalter Fahrer links | 1 | |
| 9 | AP8146231 | Fahrer Fußrastenschutz r. | 1 | |
| 10 | AP8146232 | Fahrer Fußrastenschutz l. | 1 | |
| 11 | AP8121133 | Schraubenfederkompr. | 2 | |
| 12 | AP8101861 | Kugel D6,35 | 2 | |
| 13 | AP8134746 | Halter linke Soziusfußraste BLACK | 1 | Baujahr:2001[1], 2003[3] |
| 13 | AP8146009 | Halter linke Soziusfußraste | 1 | Baujahr:2000[Y] |
| 13 | AP8146788 | Halter linke Soziusfußraste GREY | 1 | Baujahr:2002[2], 2003[3] |
| 14 | AP8134747 | Halter rechte Soziusfußraste BLACK | 1 | Baujahr:2001[1], 2003[3] |
| 14 | AP8146008 | Halter rechte Soziusfußraste | 1 | Baujahr:2000[Y] |
| 14 | AP8146789 | Halter rechte Soziusfußraste GREY | 1 | Baujahr:2002[2], 2003[3] |
| 15 | AP8146172 | Soziusrasten (Paar) | 1 | Baujahr:2001[1], 2000[Y] |
| 15 | AP8146624 | Soziusrasten (Paar) | 1 | Baujahr:2002[2], 2003[3] |
| 16 | AP8134644 | Rastenbolzen | 2 | |
| 17 | AP8134451 | Fixierplatte | 4 | |
| 18 | AP8121773 | Distanzscheibe * | 2 | |
| 19 | AP8152288 | TE Schr. m. Flansch | 8 | |
| 20 | AP8150446 | Tellerfeder | 2 | |
| 21 | AP8121410 | Feder Hinterradbremsh. | 1 | |
| 22 | AP8150447 | Sechskantschraube M8x30 | 2 | |

| | |
|---------------------|------------|
| Einheit | RAHMEN |
| Code | 28.03 |
| Beschreibung | Fussrasten |
| Inspektion | 1 |



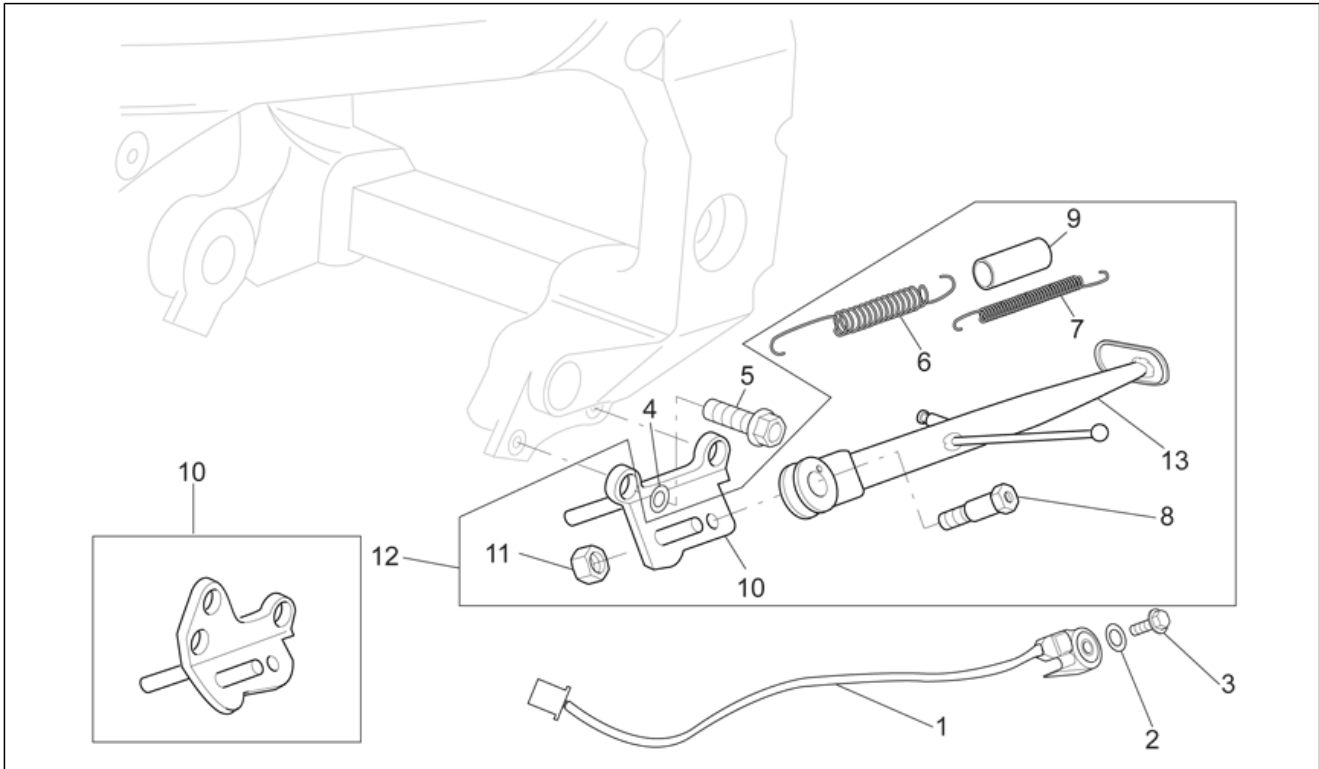
| Pos. | Code | Beschreibung | Menge | Varianten |
|------|-----------|-----------------------------------|-------|-----------|
| 23 | AP8152273 | Flanschschraube M5x15 | 4 | |
| 24 | AP8150272 | Gebogene Sprengscheibe 5,3x10x0,5 | 4 | |
| 25 | AP8150376 | Ausgleichscheibe 8,5x15x0,8 | 2 | |
| 26 | AP8121918 | Rastenbolzen | 2 | |

| | |
|---------------------|--------------|
| Einheit | RAHMEN |
| Code | 28.04 |
| Beschreibung | Hauptständer |
| Inspektion | 1 |



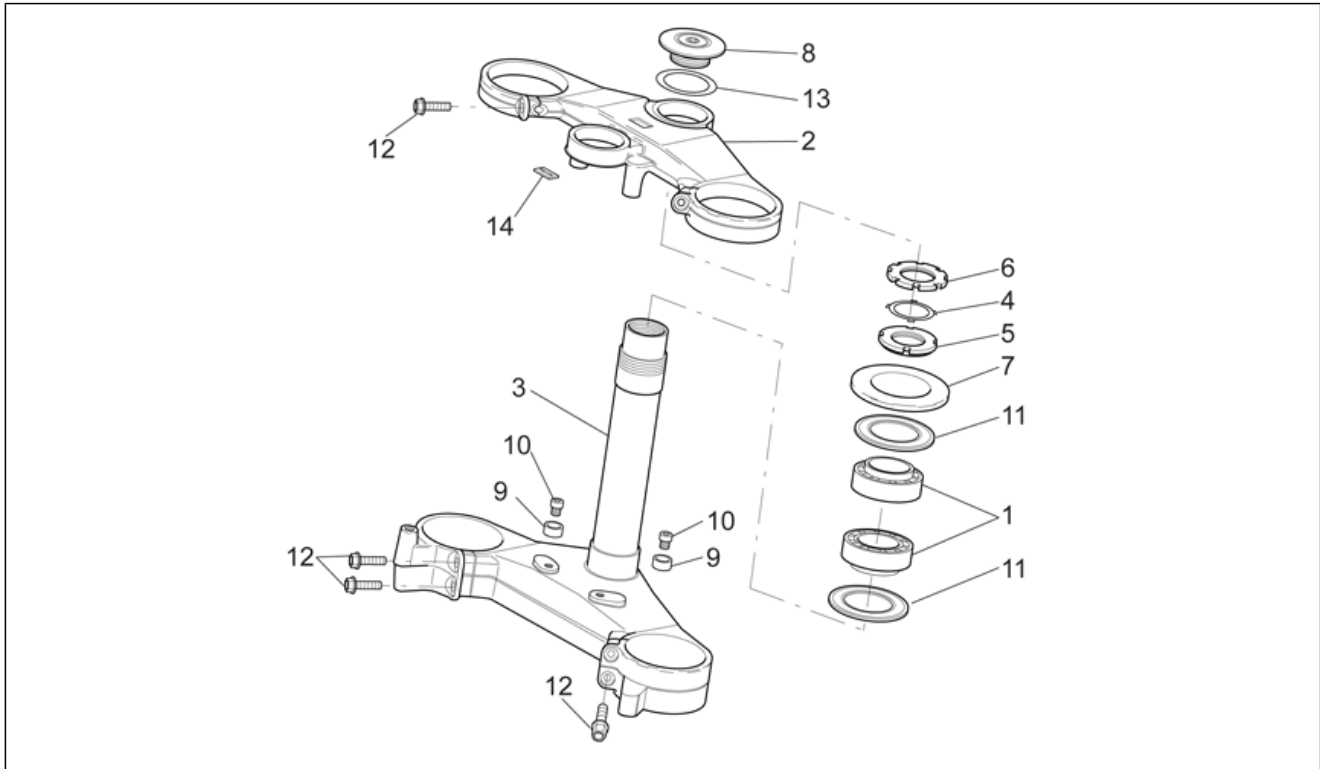
| Pos. | Code | Beschreibung | Menge | Varianten |
|------|-----------|-------------------------------|-------|--|
| 1 | AP8124977 | Schalter | 1 | |
| 2 | AP8150015 | Ausgleichscheibe 6,6x18x1,6* | 1 | |
| 3 | AP8152279 | TE Schr. m. Flansch M6x20 | 1 | |
| 4 | AP8150292 | Gebogene Sprengscheibe * | 2 | |
| 5 | AP8152320 | TE Schr. m. Flansch | 2 | |
| 6 | AP8221197 | Hauptständer Schraubenfeder | 1 | |
| 7 | AP8121014 | Schraubenfeder | 1 | |
| 8 | AP8121375 | Ständerschraube | 1 | Land: Österreich[A], Australien[AA], Australien[AUS], Belgien[B], Belgien[BB], Schweiz[CH], Deutschland[D], Dänemark[DK], Spanien[E], A, CH, D, DK, GR, E, I, NL, P[EU], Frankreich[F], Frankreich[FF], Griechenland[GR], Italien[I], Japan[J], Japan[JJ], Holland[NL], Portugal[P], Großbritannien[UK] |
| 8 | AP8121429 | Ständerschraube | 1 | Land: USA (Zulassung 49 Staaten)[AM], USA (Zulassung California)[CF], Vereinigte Staaten von Amerika[USA] |
| 9 | AP8102524 | Schutz f. Ständerfeder | 1 | |
| 10 | AP8134373 | Hauptständer platte | 1 | Land: Österreich[A], Australien[AA], Australien[AUS], Belgien[B], Belgien[BB], Schweiz[CH], Deutschland[D], Dänemark[DK], Spanien[E], A, CH, D, DK, GR, E, I, NL, P[EU], Frankreich[F], Frankreich[FF], Griechenland[GR], Italien[I], Japan[J], Japan[JJ], Holland[NL], Portugal[P], Großbritannien[UK] |
| 10 | AP8134665 | Hauptständer platte | 1 | Land: USA (Zulassung 49 Staaten)[AM], USA (Zulassung California)[CF], Vereinigte Staaten von Amerika[USA] |
| 11 | AP8150480 | Selbstsperr.Mut.Unt. M10x1,25 | 1 | Land: Österreich[A], Australien[AA], Australien[AUS], Belgien[B], Belgien[BB], Schweiz[CH], Deutschland[D], Dänemark[DK], Spanien[E], A, CH, D, DK, GR, E, I, NL, P[EU], Frankreich[F], Frankreich[FF], Griechenland[GR], Italien[I], Japan[J], Japan[JJ], Holland[NL], Portugal[P], Großbritannien[UK] |
| 11 | AP8152001 | Mutter unten M10x1,25 | 1 | Land: USA (Zulassung 49 Staaten)[AM], USA (Zulassung California)[CF], Vereinigte Staaten von Amerika[USA] |

| | |
|---------------------|--------------|
| Einheit | RAHMEN |
| Code | 28.04 |
| Beschreibung | Hauptständer |
| Inspektion | 1 |



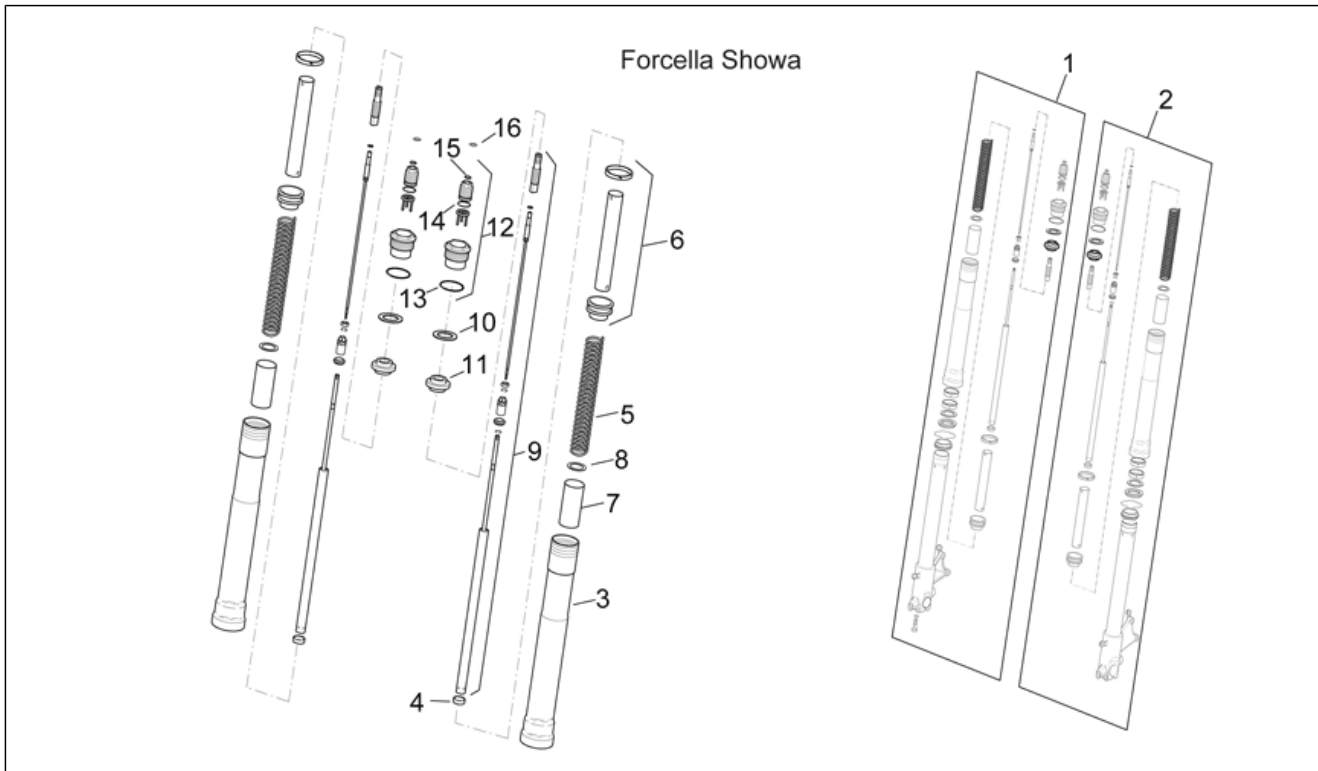
| Pos. | Code | Beschreibung | Menge | Varianten |
|------|-----------|-------------------|-------|--|
| 12 | AP8146010 | Hauptständer Kpl. | 1 | Land: Österreich[A], Australien[AA], Australien[AUS], Belgien[B], Belgien[BB], Schweiz[CH], Deutschland[D], Dänemark[DK], Spanien[E], A, CH, D, DK, GR, E, I, NL, P[EU], Frankreich[F], Frankreich[FF], Griechenland[GR], Italien[I], Japan[J], Japan[JJ], Holland[NL], Portugal[P], Großbritannien[UK] |
| 12 | AP8146354 | Hauptständer Kpl. | 1 | Land: USA (Zulassung 49 Staaten)[AM], USA (Zulassung California)[CF], Vereinigte Staaten von Amerika[USA] |
| 13 | AP8146342 | Seitenständer | 1 | Land: Österreich[A], Australien[AA], Australien[AUS], Belgien[B], Belgien[BB], Schweiz[CH], Deutschland[D], Dänemark[DK], Spanien[E], A, CH, D, DK, GR, E, I, NL, P[EU], Frankreich[F], Frankreich[FF], Griechenland[GR], Italien[I], Japan[J], Japan[JJ], Holland[NL], Portugal[P], Großbritannien[UK] |
| 13 | AP8146364 | Seitenständer | 2 | Land: USA (Zulassung 49 Staaten)[AM], USA (Zulassung California)[CF], Vereinigte Staaten von Amerika[USA] |

| | |
|---------------------|---------|
| Einheit | RAHMEN |
| Code | 28.05 |
| Beschreibung | Lenkung |
| Inspektion | 1 |



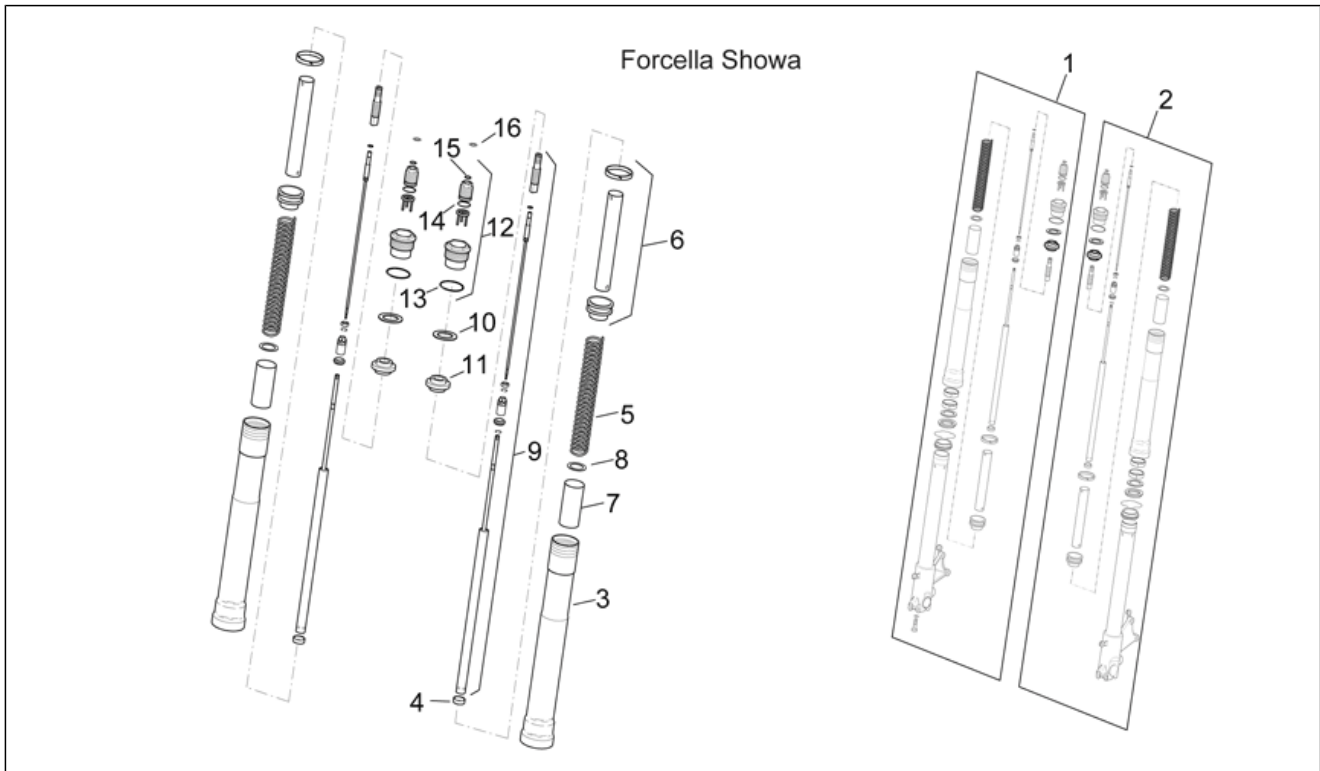
| Pos. | Code | Beschreibung | Menge | Varianten |
|------|-----------|-------------------------|-------|-----------|
| 1 | AP8110077 | Axialkugellager | 2 | |
| 2 | AP8123932 | Ob. Gabelplatte | 1 | |
| 3 | AP8123640 | Fuß mit Rohr | 1 | |
| 4 | AP8121207 | Sicherheitspl. Lenkung | 1 | |
| 5 | AP8123642 | Nutmutter | 1 | |
| 6 | AP8123643 | Gegenmutter | 1 | |
| 7 | AP8123644 | Staubschutzring | 1 | |
| 8 | AP8121205 | Fixierbuchse ob. Platte | 1 | |
| 9 | AP8121302 | Lenkerhülse | 2 | |
| 10 | AP8150211 | TCEI Schraube M8x16 | 2 | |
| 11 | AP8123641 | Staubschutzring | 2 | |
| 12 | AP8152289 | TE Schr. m. Flansch | 6 | |
| 13 | AP8152384 | Scheibe Lenkkopf | 1 | |
| 14 | AP8157532 | Schild "Aprilia" | 1 | |

| | |
|---------------------|------------------|
| Einheit | RAHMEN |
| Code | 28.06 |
| Beschreibung | Vorderradgabel I |
| Inspektion | 1 |



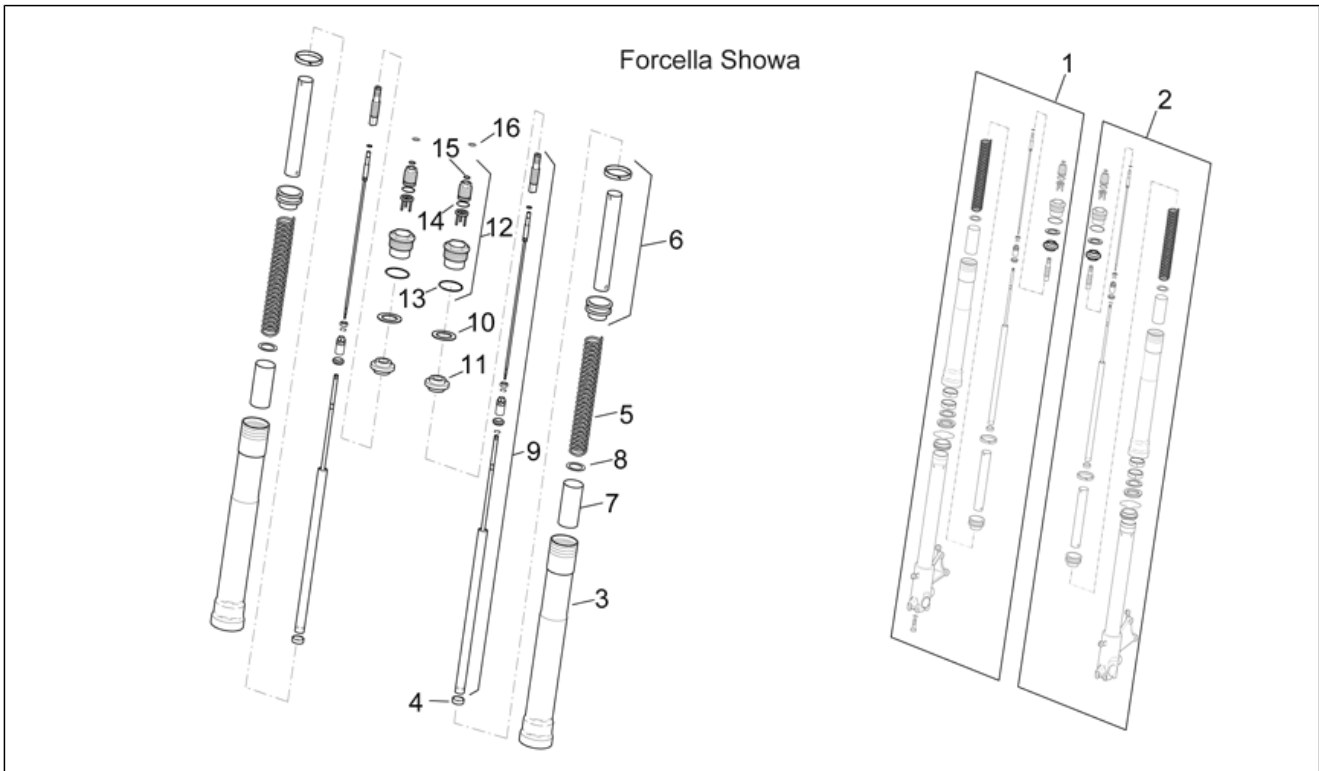
| Pos. | Code | Beschreibung | Menge | Varianten |
|------|-----------|--------------------------------|-------|---|
| 1 | AP8123637 | Kolbenstange rechts kpl. | 1 | Baujahr: 2001[1], 2000[Y] Technische Daten: Gabel mit Buchstaben S auf dem Schaft[S] |
| 1 | AP8123637 | Kolbenstange rechts kpl. | 1 | Baujahr: 2003[3] Fahrzeugfarbe: Rot Flamingo 2003[fla.r], Grün Oasis 2003[o.gr] Technische Daten: Gabel mit Buchstaben S auf dem Schaft[S] |
| 1 | AP8163146 | Kolbenstange rechts kpl., gold | 1 | Baujahr: 2003[3] Fahrzeugfarbe: Bronze Olympic 2003[o.br] Technische Daten: Gabel mit Buchstaben S auf dem Schaft[S] |
| 1 | AP8163146 | Kolbenstange rechts kpl., gold | 1 | Baujahr: 2002[2] Technische Daten: Gabel mit Buchstaben S auf dem Schaft[S] |
| 2 | AP8123638 | Kolbenstange links kpl. | 1 | Baujahr: 2003[3] Fahrzeugfarbe: Rot Flamingo 2003[fla.r], Grün Oasis 2003[o.gr] Technische Daten: Gabel mit Buchstaben S auf dem Schaft[S] |
| 2 | AP8123638 | Kolbenstange links kpl. | 1 | Baujahr: 2001[1], 2000[Y] Technische Daten: Gabel mit Buchstaben S auf dem Schaft[S] |
| 2 | AP8163147 | Kolbenstange links kpl., gold | 1 | Baujahr: 2003[3] Fahrzeugfarbe: Bronze Olympic 2003[o.br] Technische Daten: Gabel mit Buchstaben S auf dem Schaft[S] |
| 2 | AP8163147 | Kolbenstange links kpl., gold | 1 | Baujahr: 2002[2] Technische Daten: Gabel mit Buchstaben S auf dem Schaft[S] |
| 3 | AP8123829 | Hülse | 2 | Baujahr: 2003[3] Fahrzeugfarbe: Rot Flamingo 2003[fla.r], Grün Oasis 2003[o.gr] Technische Daten: Gabel mit Buchstaben S auf dem Schaft[S] |

| | |
|---------------------|------------------|
| Einheit | RAHMEN |
| Code | 28.06 |
| Beschreibung | Vorderradgabel I |
| Inspektion | 1 |



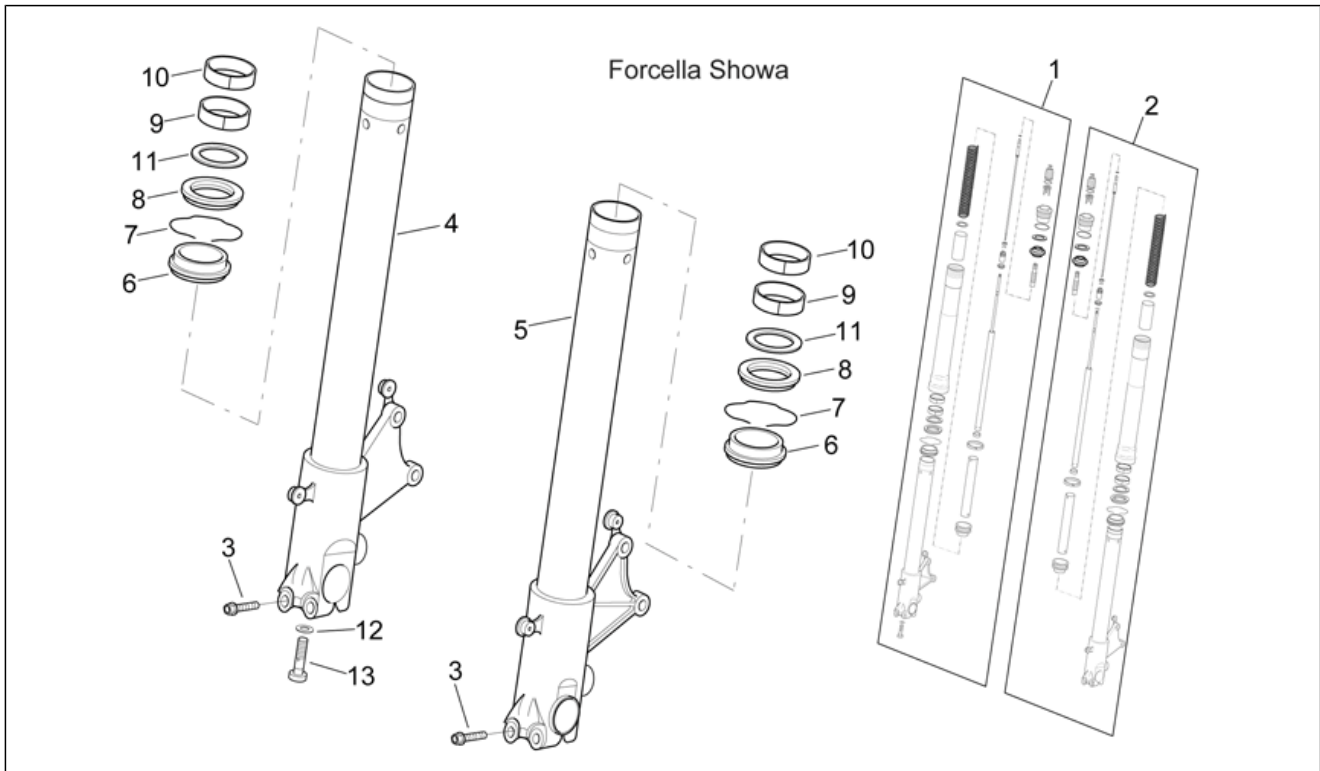
| Pos. | Code | Beschreibung | Menge | Varianten |
|------|-----------|-------------------------|-------|---|
| 3 | AP8123829 | Hülse | 2 | Baujahr: 2001[1], 2000[Y] Technische Daten: Gabel mit Buchstaben S auf dem Schaft[S] |
| 3 | AP8163189 | Hülse, gold | 2 | Baujahr: 2003[3] Fahrzeugfarbe: Bronze Olympic 2003[o.br] Technische Daten: Gabel mit Buchstaben S auf dem Schaft[S] |
| 3 | AP8163189 | Hülse, gold | 2 | Baujahr: 2002[2] Technische Daten: Gabel mit Buchstaben S auf dem Schaft[S] |
| 4 | AP8123810 | Anschlußhülse Pumpenrad | 2 | Technische Daten: Gabel mit Buchstaben S auf dem Schaft[S] |
| 5 | AP8123831 | Feder | 2 | Technische Daten: Gabel mit Buchstaben S auf dem Schaft[S] |
| 6 | AP8123832 | Vorspannschlauch kpl | 2 | Technische Daten: Gabel mit Buchstaben S auf dem Schaft[S] |
| 7 | AP8123835 | Distanzscheibe | 2 | Technische Daten: Gabel mit Buchstaben S auf dem Schaft[S] |
| 8 | AP8123836 | Ausgleichscheibe | 2 | Technische Daten: Gabel mit Buchstaben S auf dem Schaft[S] |
| 9 | AP8123830 | Pumpenrad kplt. | 2 | Technische Daten: Gabel mit Buchstaben S auf dem Schaft[S] |
| 10 | AP8123816 | Ausgleichscheibe | 2 | Technische Daten: Gabel mit Buchstaben S auf dem Schaft[S] |
| 11 | AP8123815 | Ring | 2 | Technische Daten: Gabel mit Buchstaben S auf dem Schaft[S] |
| 12 | AP8123833 | Versch. Schaft kpl. | 2 | Technische Daten: Gabel mit Buchstaben S auf dem Schaft[S] |
| 13 | AP8123834 | O-Ring | 2 | Technische Daten: Gabel mit Buchstaben S auf dem Schaft[S] |
| 14 | AP8123819 | O-Ring | 2 | Technische Daten: Gabel mit Buchstaben S auf dem Schaft[S] |

| | |
|---------------------|------------------|
| Einheit | RAHMEN |
| Code | 28.06 |
| Beschreibung | Vorderradgabel I |
| Inspektion | 1 |



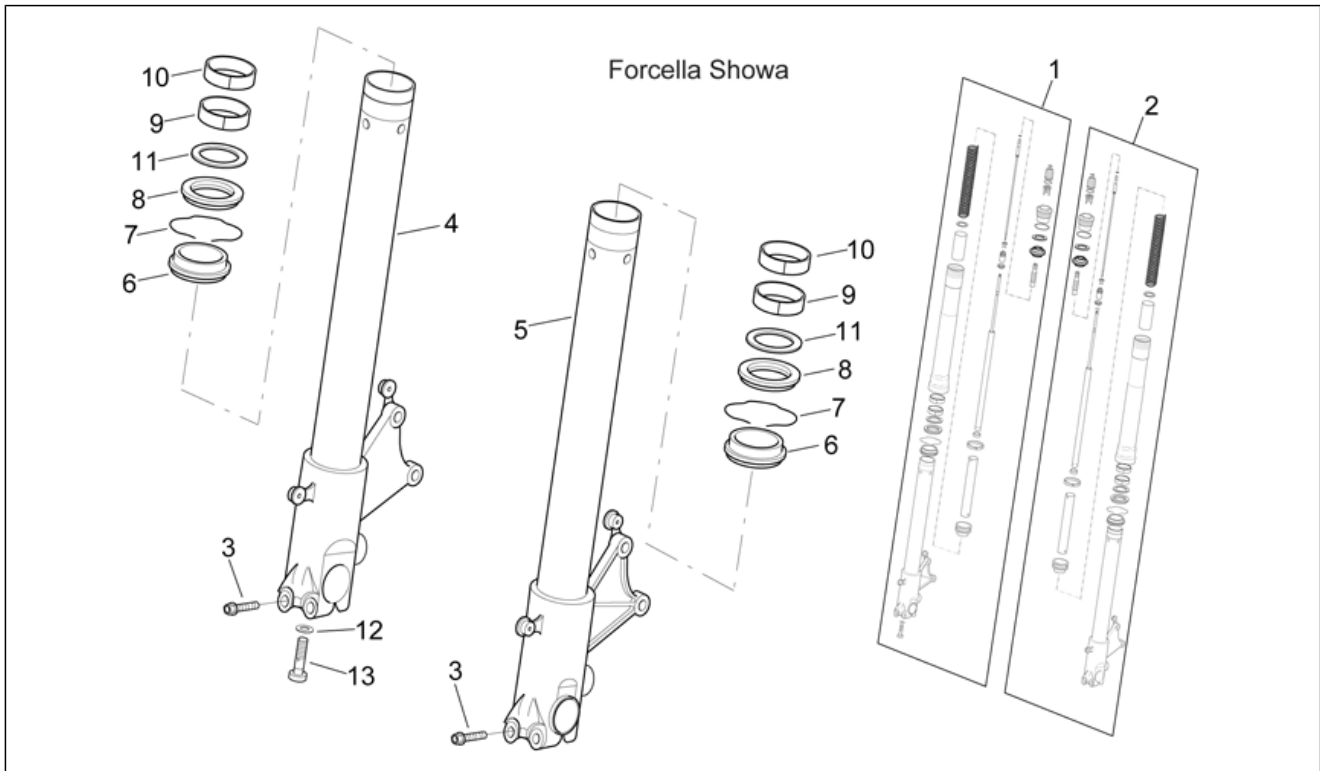
| Pos. | Code | Beschreibung | Menge | Varianten |
|------|-----------|--------------|-------|---|
| 15 | AP8123820 | O-Ring | 2 | Technische Daten: Gabel mit Buchstaben S auf dem Schaft[S] |
| 16 | AP8123821 | Sperring | 2 | Technische Daten: Gabel mit Buchstaben S auf dem Schaft[S] |

| | |
|---------------------|-------------------|
| Einheit | RAHMEN |
| Code | 28.07 |
| Beschreibung | Vorderradgabel II |
| Inspektion | 1 |



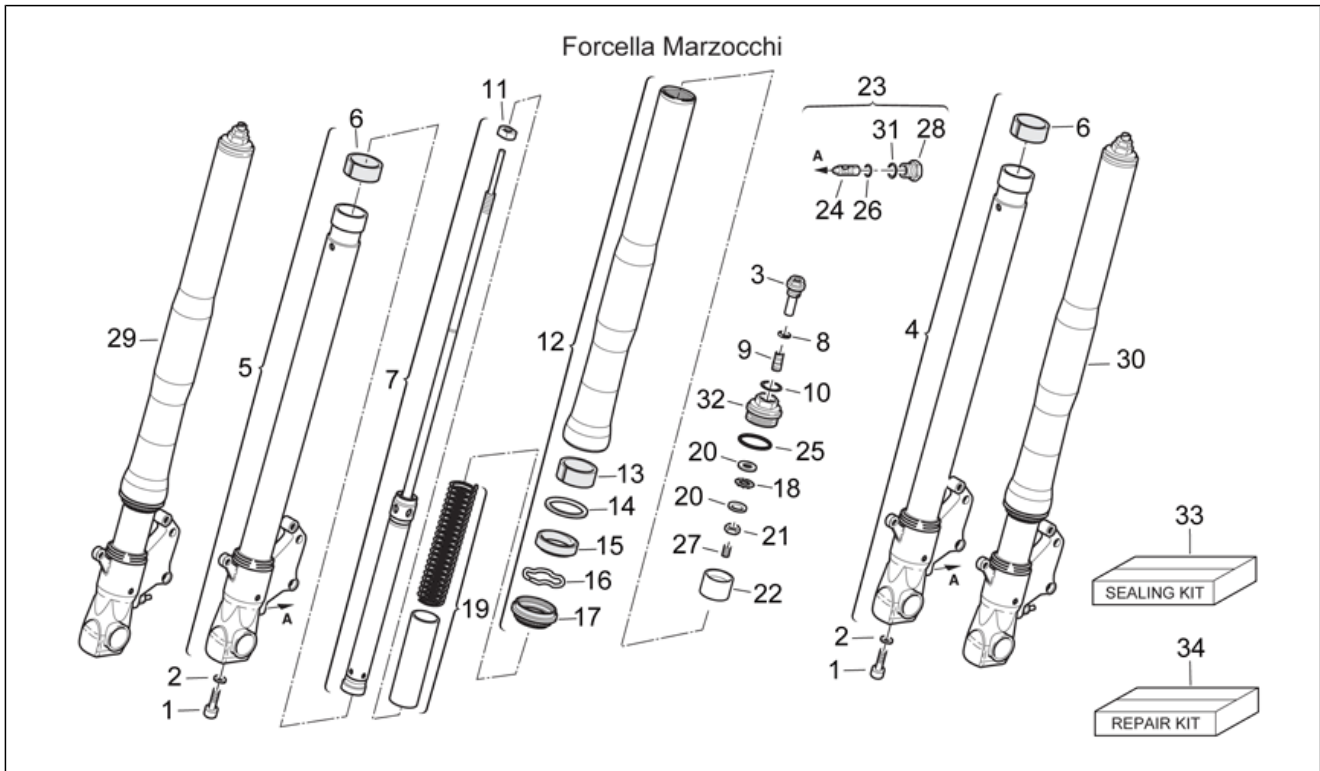
| Pos. | Code | Beschreibung | Menge | Varianten |
|------|-----------|--------------------------------|-------|---|
| 1 | AP8123637 | Kolbenstange rechts kpl. | 1 | Baujahr: 2003[3] Fahrzeugfarbe: Rot Flamingo 2003[fla.r], Grün Oasis 2003[o.gr] Technische Daten: Gabel mit Buchstaben S auf dem Schaft[S] |
| 1 | AP8123637 | Kolbenstange rechts kpl. | 1 | Baujahr: 2001[1], 2000[Y] Technische Daten: Gabel mit Buchstaben S auf dem Schaft[S] |
| 1 | AP8163146 | Kolbenstange rechts kpl., gold | 1 | Baujahr: 2003[3] Fahrzeugfarbe: Bronze Olympic 2003[o.br] Technische Daten: Gabel mit Buchstaben S auf dem Schaft[S] |
| 1 | AP8163146 | Kolbenstange rechts kpl., gold | 1 | Baujahr: 2002[2] Technische Daten: Gabel mit Buchstaben S auf dem Schaft[S] |
| 2 | AP8123638 | Kolbenstange links kpl. | 1 | Baujahr: 2003[3] Fahrzeugfarbe: Rot Flamingo 2003[fla.r], Grün Oasis 2003[o.gr] Technische Daten: Gabel mit Buchstaben S auf dem Schaft[S] |
| 2 | AP8123638 | Kolbenstange links kpl. | 1 | Baujahr: 2001[1], 2000[Y] Technische Daten: Gabel mit Buchstaben S auf dem Schaft[S] |
| 2 | AP8163147 | Kolbenstange links kpl., gold | 1 | Baujahr: 2003[3] Fahrzeugfarbe: Bronze Olympic 2003[o.br] Technische Daten: Gabel mit Buchstaben S auf dem Schaft[S] |
| 2 | AP8163147 | Kolbenstange links kpl., gold | 1 | Baujahr: 2002[2] Technische Daten: Gabel mit Buchstaben S auf dem Schaft[S] |
| 3 | AP8152290 | TE Schr. m. Flansch M8x40 | 4 | Technische Daten: Gabel mit Buchstaben S auf dem Schaft[S] |
| 4 | AP8123822 | Klb.st.+ Radhltr. rch. | 1 | Technische Daten: Gabel mit Buchstaben S auf dem Schaft[S] |

| | |
|---------------------|-------------------|
| Einheit | RAHMEN |
| Code | 28.07 |
| Beschreibung | Vorderradgabel II |
| Inspektion | 1 |



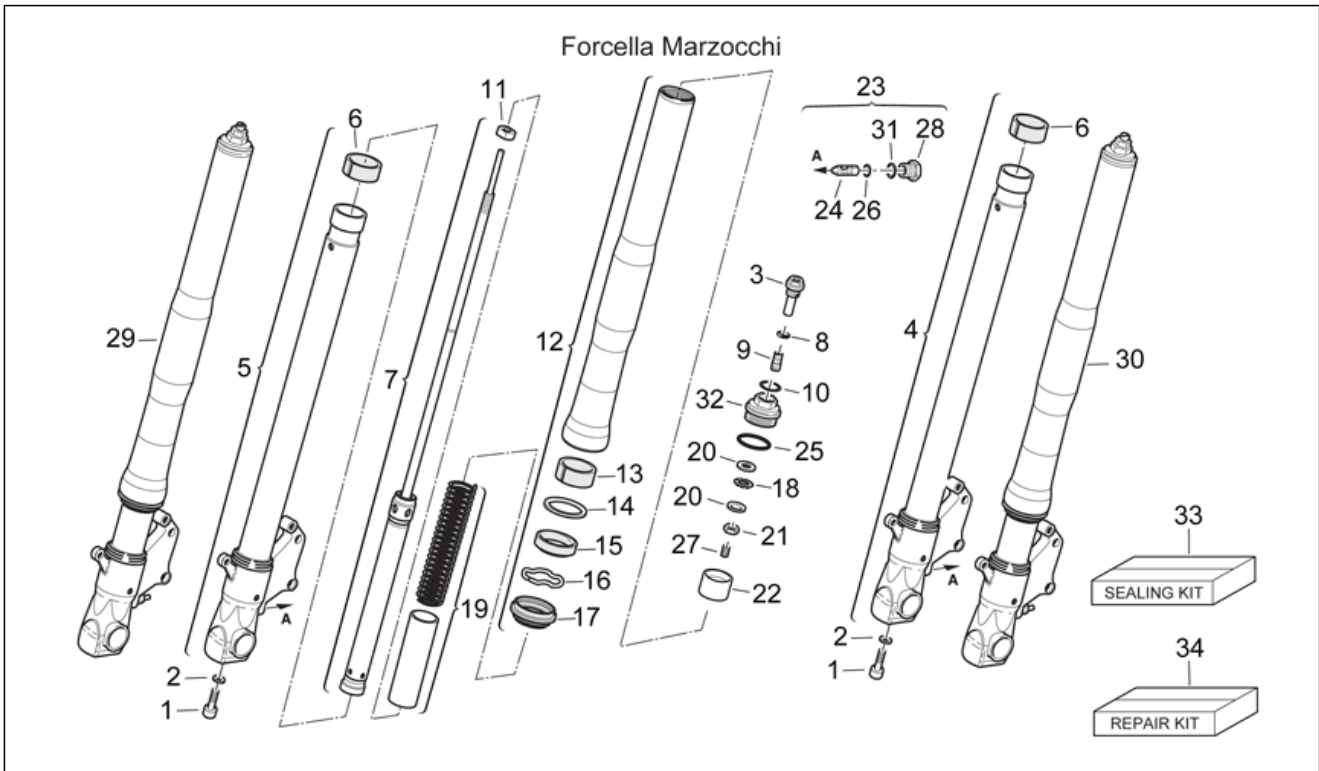
| Pos. | Code | Beschreibung | Menge | Varianten |
|------|-----------|--------------------------------|-------|---|
| 5 | AP8123823 | Klb.st.+ Radhltr. lks. | 1 | Technische Daten: Gabel mit Buchstaben S auf dem Schaft[S] |
| 6 | AP8123824 | Staubschutz | 2 | Technische Daten: Gabel mit Buchstaben S auf dem Schaft[S] |
| 7 | AP8123806 | Seegerring | 2 | Technische Daten: Gabel mit Buchstaben S auf dem Schaft[S] |
| 8 | AP8123825 | Ölabstreifring | 2 | Technische Daten: Gabel mit Buchstaben S auf dem Schaft[S] |
| 9 | AP8123827 | Buchse D.47,1xd.43xh.20 | 2 | Technische Daten: Gabel mit Buchstaben S auf dem Schaft[S] |
| 10 | AP8123828 | Gleitbuchse D.44,5xd.41,1xh.20 | 2 | Technische Daten: Gabel mit Buchstaben S auf dem Schaft[S] |
| 11 | AP8123826 | Ring | 2 | Technische Daten: Gabel mit Buchstaben S auf dem Schaft[S] |
| 12 | AP8123811 | Spezial-U-scheibe | 2 | Technische Daten: Gabel mit Buchstaben S auf dem Schaft[S] |
| 13 | AP8123812 | Schraube M10x1,5 | 2 | Technische Daten: Gabel mit Buchstaben S auf dem Schaft[S] |

| | |
|---------------------|--------------------|
| Einheit | RAHMEN |
| Code | 28.08 |
| Beschreibung | Vorderradgabel III |
| Inspektion | 1 |



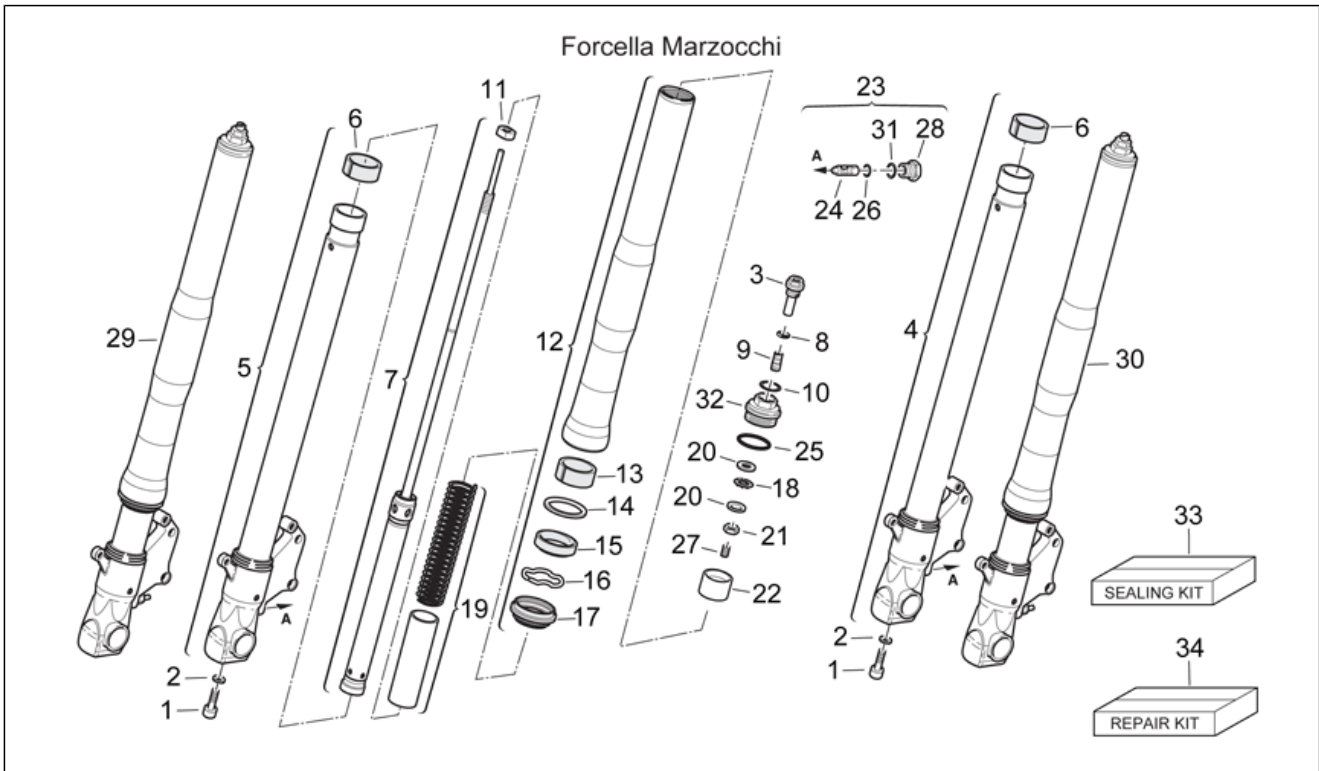
| Pos. | Code | Beschreibung | Menge | Varianten |
|------|-----------|-------------------------|-------|---|
| 1 | AP8163174 | Zylinderschraube M12x40 | 2 | Baujahr: 2002[2], 2003[3] Technische Daten: Gabel mit Buchstaben M auf dem Schaft[M] |
| 2 | AP8163175 | Dichtscheibe | 1 | Baujahr: 2002[2], 2003[3] Technische Daten: Gabel mit Buchstaben M auf dem Schaft[M] |
| 3 | AP8134863 | Bolzen | 2 | Baujahr: 2002[2], 2003[3] Technische Daten: Gabel mit Buchstaben M auf dem Schaft[M] |
| 4 | AP8163176 | Klb.st.+ Radhtr. lks. | 1 | Baujahr: 2002[2], 2003[3] Technische Daten: Gabel mit Buchstaben M auf dem Schaft[M] |
| 5 | AP8163177 | Klb.st.+ Radhtr. rch. | 1 | Baujahr: 2002[2], 2003[3] Technische Daten: Gabel mit Buchstaben M auf dem Schaft[M] |
| 6 | AP8163128 | Buchse | 2 | Baujahr: 2002[2], 2003[3] Technische Daten: Gabel mit Buchstaben M auf dem Schaft[M] |
| 7 | AP8163178 | Pumpenrad kplt. | 2 | Baujahr: 2002[2], 2003[3] Technische Daten: Gabel mit Buchstaben M auf dem Schaft[M] |
| 8 | AP8163143 | O-Ring | 2 | Baujahr: 2002[2], 2003[3] Technische Daten: Gabel mit Buchstaben M auf dem Schaft[M] |
| 9 | AP8150498 | Feststellschraube | 2 | Baujahr: 2002[2], 2003[3] Technische Daten: Gabel mit Buchstaben M auf dem Schaft[M] |
| 10 | AP8163142 | O-Ring | 2 | Baujahr: 2002[2], 2003[3] Technische Daten: Gabel mit Buchstaben M auf dem Schaft[M] |
| 11 | AP8163144 | Mutter M12x1,25 | 2 | Baujahr: 2002[2], 2003[3] Technische Daten: Gabel mit Buchstaben M auf dem Schaft[M] |
| 12 | AP8163179 | Hülse kplt. schwarz | 2 | Baujahr: 2002[2], 2003[3] |

| | |
|---------------------|--------------------|
| Einheit | RAHMEN |
| Code | 28.08 |
| Beschreibung | Vorderradgabel III |
| Inspektion | 1 |



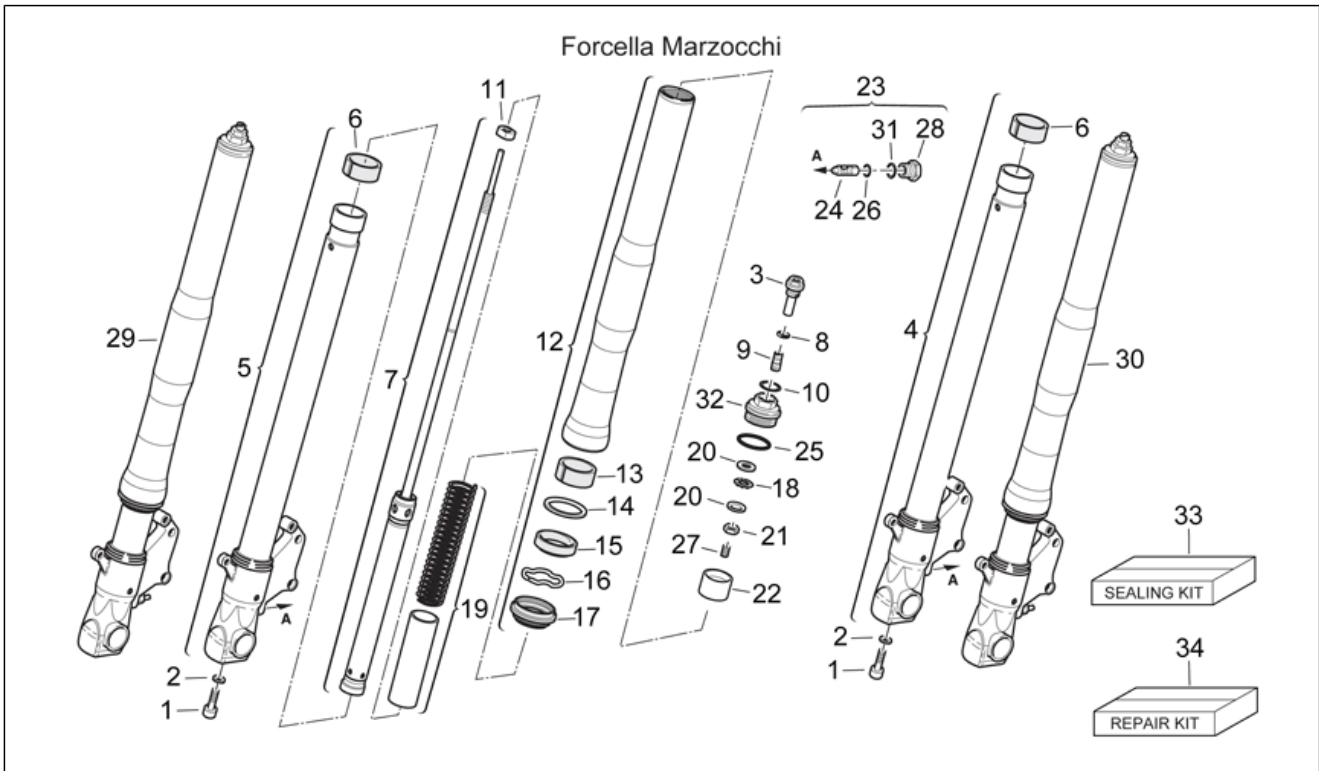
| Pos. | Code | Beschreibung | Menge | Varianten |
|------|-----------|------------------|-------|---|
| | | | | Technische Daten: Gabel mit Buchstaben M auf dem Schaft[M] |
| 12 | AP8163250 | Hülse kplt. Gold | 2 | Baujahr: 2002[2], 2003[3] Technische Daten: Gabel mit Buchstaben M auf dem Schaft[M] |
| 13 | AP8163131 | Buchse | 2 | Baujahr: 2002[2], 2003[3] Technische Daten: Gabel mit Buchstaben M auf dem Schaft[M] |
| 14 | AP8163132 | Ring | 2 | Baujahr: 2002[2], 2003[3] Technische Daten: Gabel mit Buchstaben M auf dem Schaft[M] |
| 15 | AP8163133 | Ölabstreifring | 2 | Baujahr: 2002[2], 2003[3] Technische Daten: Gabel mit Buchstaben M auf dem Schaft[M] |
| 16 | AP8163134 | Seegerring | 2 | Baujahr: 2002[2], 2003[3] Technische Daten: Gabel mit Buchstaben M auf dem Schaft[M] |
| 17 | AP8163135 | Staubschutz | 2 | Baujahr: 2002[2], 2003[3] Technische Daten: Gabel mit Buchstaben M auf dem Schaft[M] |
| 18 | AP8125895 | Lager | 2 | Baujahr: 2002[2], 2003[3] Technische Daten: Gabel mit Buchstaben M auf dem Schaft[M] |
| 19 | AP8163180 | Feder+schlauch | 2 | Baujahr: 2002[2], 2003[3] Technische Daten: Gabel mit Buchstaben M auf dem Schaft[M] |
| 20 | AP8121582 | Anlaufscheibe | 4 | Baujahr: 2002[2], 2003[3] Technische Daten: Gabel mit Buchstaben M auf dem Schaft[M] |
| 21 | AP8163145 | Mutter M17x1 | 2 | Baujahr: 2002[2], 2003[3] Technische Daten: Gabel mit Buchstaben M auf dem Schaft[M] |
| 22 | AP8163141 | Ausgleichscheibe | 2 | Baujahr: 2002[2], 2003[3] |

| | |
|---------------------|--------------------|
| Einheit | RAHMEN |
| Code | 28.08 |
| Beschreibung | Vorderradgabel III |
| Inspektion | 1 |



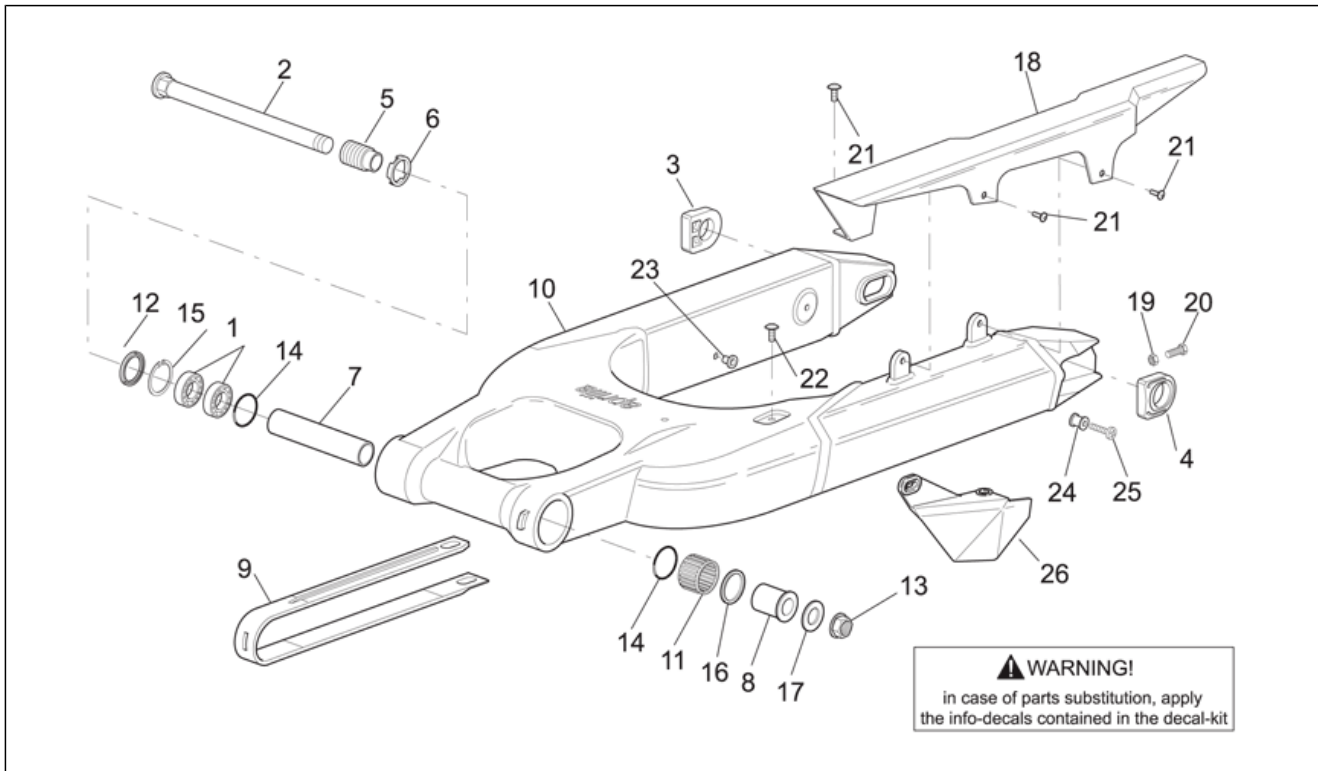
| Pos. | Code | Beschreibung | Menge | Varianten |
|------|-----------|--------------------------------|-------|---|
| | | | | Technische Daten: Gabel mit Buchstaben M auf dem Schaft[M] |
| 23 | AP8163187 | Deckel registro cpl. | 2 | Baujahr: 2002[2], 2003[3] Technische Daten: Gabel mit Buchstaben M auf dem Schaft[M] |
| 24 | AP8163186 | Bolzen | 2 | Baujahr: 2002[2], 2003[3] Technische Daten: Gabel mit Buchstaben M auf dem Schaft[M] |
| 25 | AP8163138 | O-Ring | 2 | Baujahr: 2002[2], 2003[3] Technische Daten: Gabel mit Buchstaben M auf dem Schaft[M] |
| 26 | AP8163185 | O-Ring | 2 | Baujahr: 2002[2], 2003[3] Technische Daten: Gabel mit Buchstaben M auf dem Schaft[M] |
| 27 | AP8150497 | Feststellschraube | 2 | Baujahr: 2002[2], 2003[3] Technische Daten: Gabel mit Buchstaben M auf dem Schaft[M] |
| 28 | AP8163184 | Deckel registro | 2 | Baujahr: 2002[2], 2003[3] Technische Daten: Gabel mit Buchstaben M auf dem Schaft[M] |
| 29 | AP8163181 | Kolbenstange rch. kpl., schw. | 1 | Baujahr: 2002[2], 2003[3] Technische Daten: Gabel mit Buchstaben M auf dem Schaft[M] |
| 29 | AP8163251 | Kolbenstange rechts kpl., gold | 1 | Baujahr: 2002[2], 2003[3] Technische Daten: Gabel mit Buchstaben M auf dem Schaft[M] |
| 30 | AP8163182 | Kolbenstange lks kpl., schw. | 1 | Baujahr: 2002[2], 2003[3] Technische Daten: Gabel mit Buchstaben M auf dem Schaft[M] |
| 30 | AP8163252 | Kolbenstange links kpl., gold | 1 | Baujahr: 2002[2], 2003[3] Technische Daten: Gabel mit Buchstaben M auf dem Schaft[M] |
| 31 | AP8163183 | O-Ring | 2 | Baujahr: 2002[2], 2003[3] |

| | |
|---------------------|--------------------|
| Einheit | RAHMEN |
| Code | 28.08 |
| Beschreibung | Vorderradgabel III |
| Inspektion | 1 |



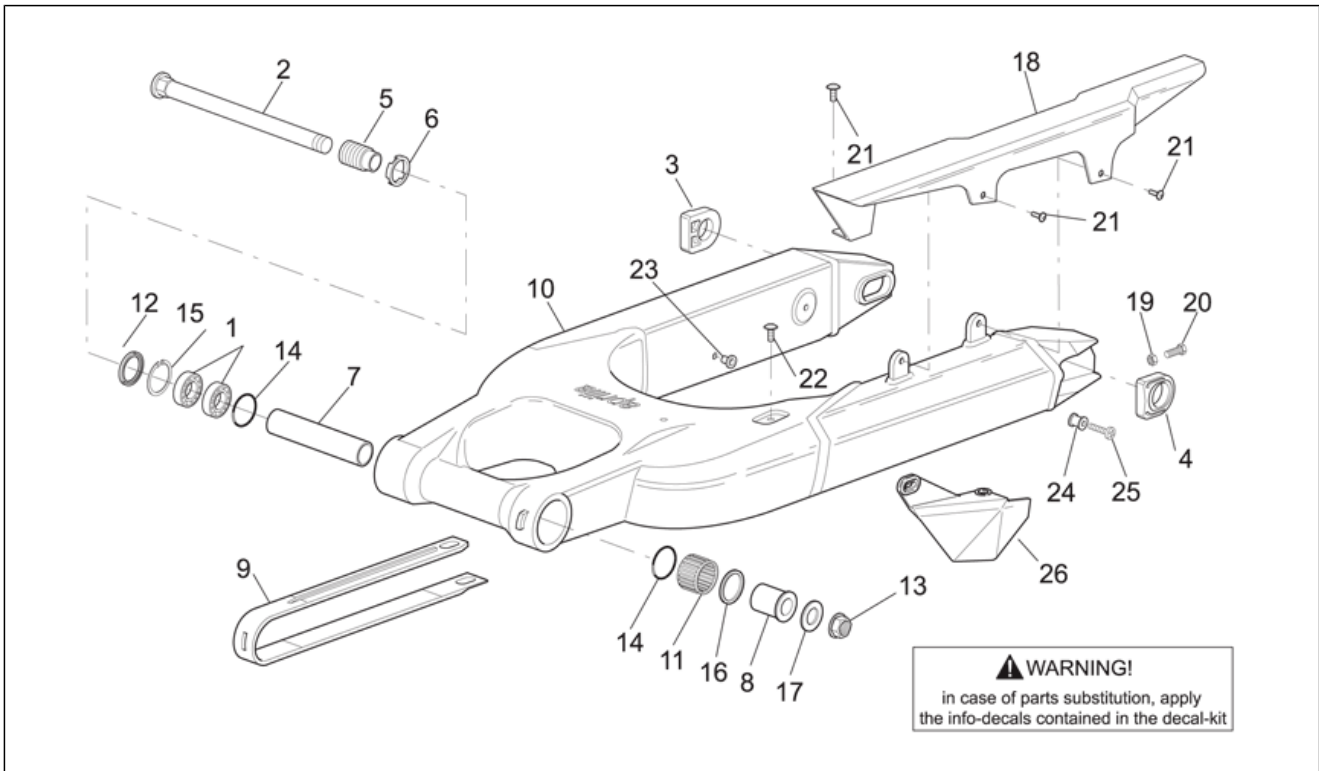
| Pos. | Code | Beschreibung | Menge | Varianten |
|------|-----------|--------------------------|-------|---|
| | | | | Technische Daten: Gabel mit Buchstaben M auf dem Schaft[M] |
| 32 | AP8163253 | Geflanschte Mutter | 2 | Baujahr: 2002[2], 2003[3] Technische Daten: Gabel mit Buchstaben M auf dem Schaft[M] |
| 33 | AP8163172 | Aust.satz Vorderradgabel | 1 | Baujahr: 2002[2], 2003[3] Technische Daten: Gabel mit Buchstaben M auf dem Schaft[M] |
| 34 | AP8163173 | Reparaturkit | 1 | Baujahr: 2002[2], 2003[3] Technische Daten: Gabel mit Buchstaben M auf dem Schaft[M] |

| | |
|---------------------|----------|
| Einheit | RAHMEN |
| Code | 28.09 |
| Beschreibung | Schwinge |
| Inspektion | 1 |



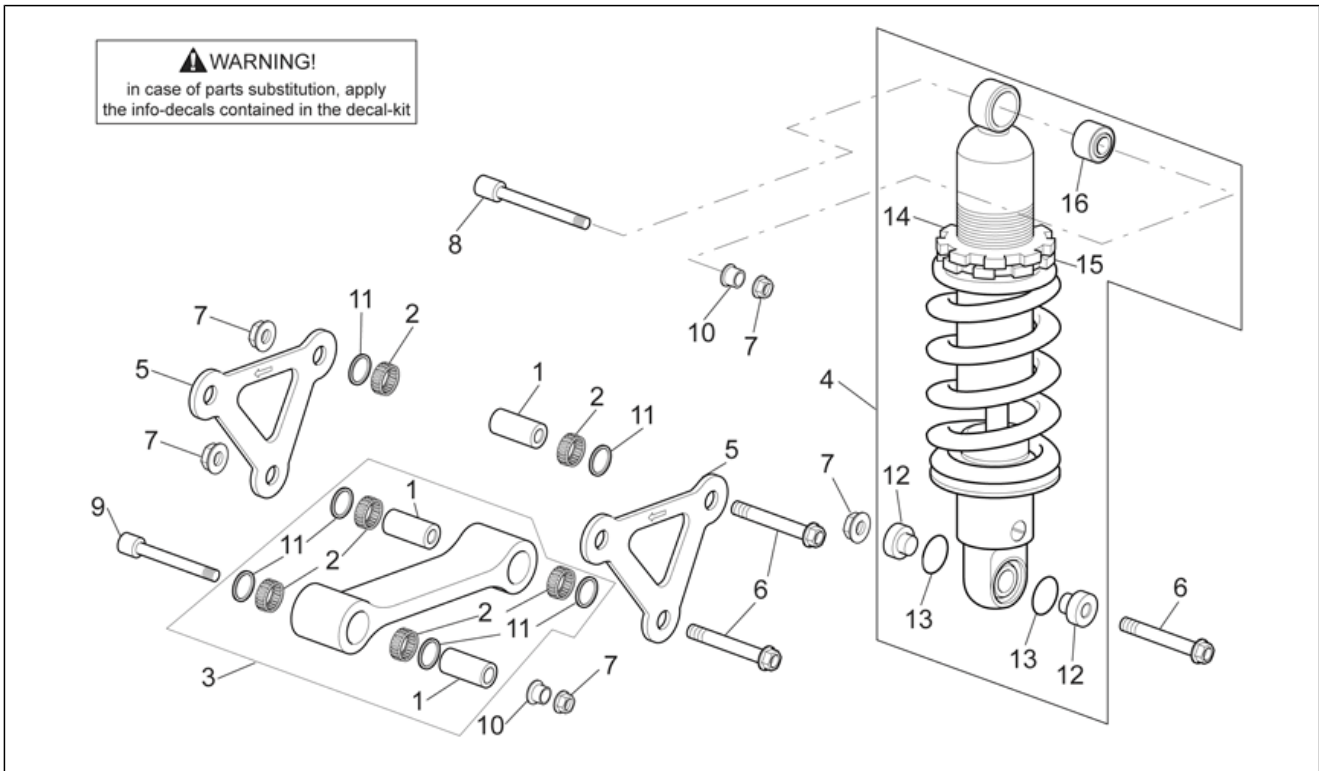
| Pos. | Code | Beschreibung | Menge | Varianten |
|------|-----------|------------------------------|-------|--|
| 1 | AP8110079 | Kugellager | 2 | |
| 2 | AP8125830 | SchwingeBolzen | 1 | |
| 3 | AP8120985 | Kettenführung rechts | 1 | |
| 4 | AP8120986 | Kettenführung links | 1 | |
| 5 | AP8121200 | Einstellbuchse | 1 | |
| 6 | AP8121201 | Gabelzapfen-Nutmutter | 1 | |
| 7 | AP8121202 | Interne Distanzscheibe | 1 | |
| 8 | AP8121203 | Buchse Gabelzapfen | 1 | |
| 9 | AP8144052 | Kettengleitführung | 1 | |
| 10 | AP8146012 | Schwinge | 1 | Land: Österreich[A], Australien[AA], Australien[AUS], Belgien[B], Belgien[BB], Schweiz[CH], Deutschland[D], Dänemark[DK], Spanien[E], A, CH, D, DK, GR, E, I, NL, P[EU], Frankreich[F], Frankreich[FF], Griechenland[GR], Italien[I], Japan[J], Japan[JJ], Holland[NL], Portugal[P], Großbritannien[UK] |
| 10 | AP8146352 | Schwinge | 1 | Land: USA (Zulassung 49 Staaten)[AM], USA (Zulassung California)[CF], Vereinigte Staaten von Amerika[USA] |
| 11 | AP8110078 | Nadellager | 1 | |
| 12 | AP8144006 | Gasket ring | 1 | |
| 13 | AP8125763 | Hinterradbolzen mut. | 1 | |
| 14 | AP8144048 | O-Ring 134 | 2 | |
| 15 | AP8121204 | Seegerring für Bohrung d37 | 1 | |
| 16 | AP8144005 | Gasket ring | 1 | |
| 17 | AP8125687 | U-scheibe Hint.radbolz | 1 | |
| 18 | AP8138790 | Kettenkasten | 1 | Baujahr: 2001[1], 2000[Y] |
| 18 | AP8158772 | Kettenkasten | 1 | Baujahr: 2002[2], 2003[3] |
| 19 | AP8150334 | Mutter M8 | 2 | |
| 20 | AP8152305 | Kettenspanner Schraube | 2 | |
| 21 | AP8152339 | TBEI Schraube m.Flansch M5x9 | 3 | |

| | |
|---------------------|----------|
| Einheit | RAHMEN |
| Code | 28.09 |
| Beschreibung | Schwinge |
| Inspektion | 1 |



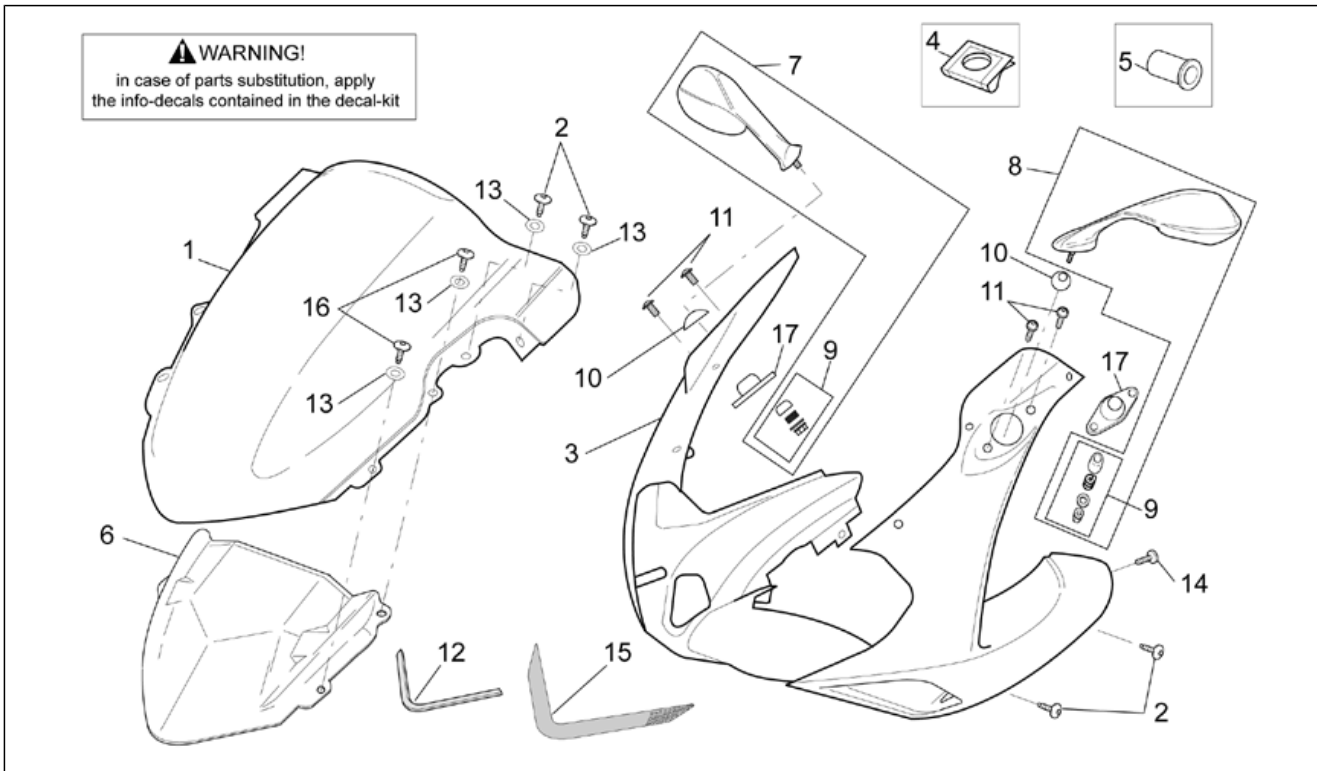
| Pos. | Code | Beschreibung | Menge | Varianten |
|------|-----------|------------------------------|-------|--|
| 22 | AP8152339 | TBEI Schraube m.Flansch M5x9 | 2 | |
| 23 | AP8120531 | Gummi mit Einsatz | 1 | |
| 24 | AP8148824 | Halter | 1 | |
| 25 | AP8150468 | Schraube M6x40 | 1 | |
| 26 | AP8144321 | Kettengleitführung | 1 | Land:USA (Zulassung 49 Staaten)[AM], USA (Zulassung California)[CF], Vereinigte Staaten von Amerika[USA] |

| | |
|---------------------|------------------------------|
| Einheit | RAHMEN |
| Code | 28.10 |
| Beschreibung | Pleuelstange und Stoßdämpfer |
| Inspektion | 1 |



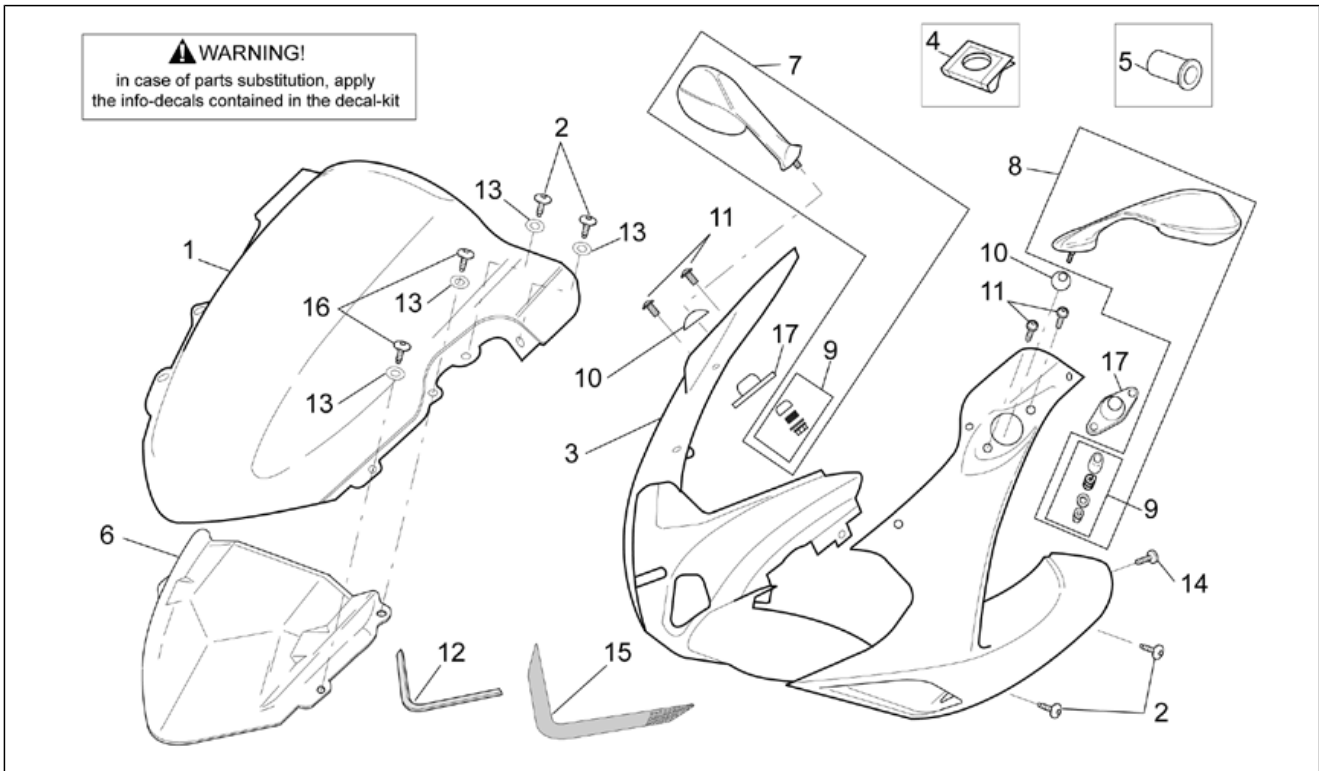
| Pos. | Code | Beschreibung | Menge | Varianten |
|------|-----------|----------------------------|-------|-----------|
| 1 | AP8135924 | Pleuelbolzen L40 | 3 | |
| 2 | AP8110065 | Nadellager | 6 | |
| 3 | AP8146272 | Einfache Pleuelstange | 1 | |
| 4 | AP8123688 | Stoßdämpfer | 1 | |
| 5 | AP8135916 | Doppelte Pleuelstange | 2 | |
| 6 | AP8152322 | TE Schr. m. Flansch M10x65 | 3 | |
| 7 | AP8152301 | Selbstsperrende Mutter | 5 | |
| 8 | AP8150458 | TCEI Schraube M10x63 | 1 | |
| 9 | AP8150457 | TCEI Schraube M10x74 | 1 | |
| 10 | AP8121155 | T-Buchse * | 2 | |
| 11 | AP8110068 | Ölabstreifring D18x24x3 | 6 | |
| 12 | AP8123870 | T-Buchse | 2 | |
| 13 | AP8123860 | O-Ring | 2 | |
| 14 | AP8121437 | Gegenmutter | 1 | |
| 15 | AP8121438 | Nutmutter | 1 | |
| 16 | AP8144314 | Silent-Block | 1 | |

| | |
|---------------------|----------------------|
| Einheit | RAHMEN |
| Code | 28.11 |
| Beschreibung | Frontaufbau - Kuppel |
| Inspektion | 1 |



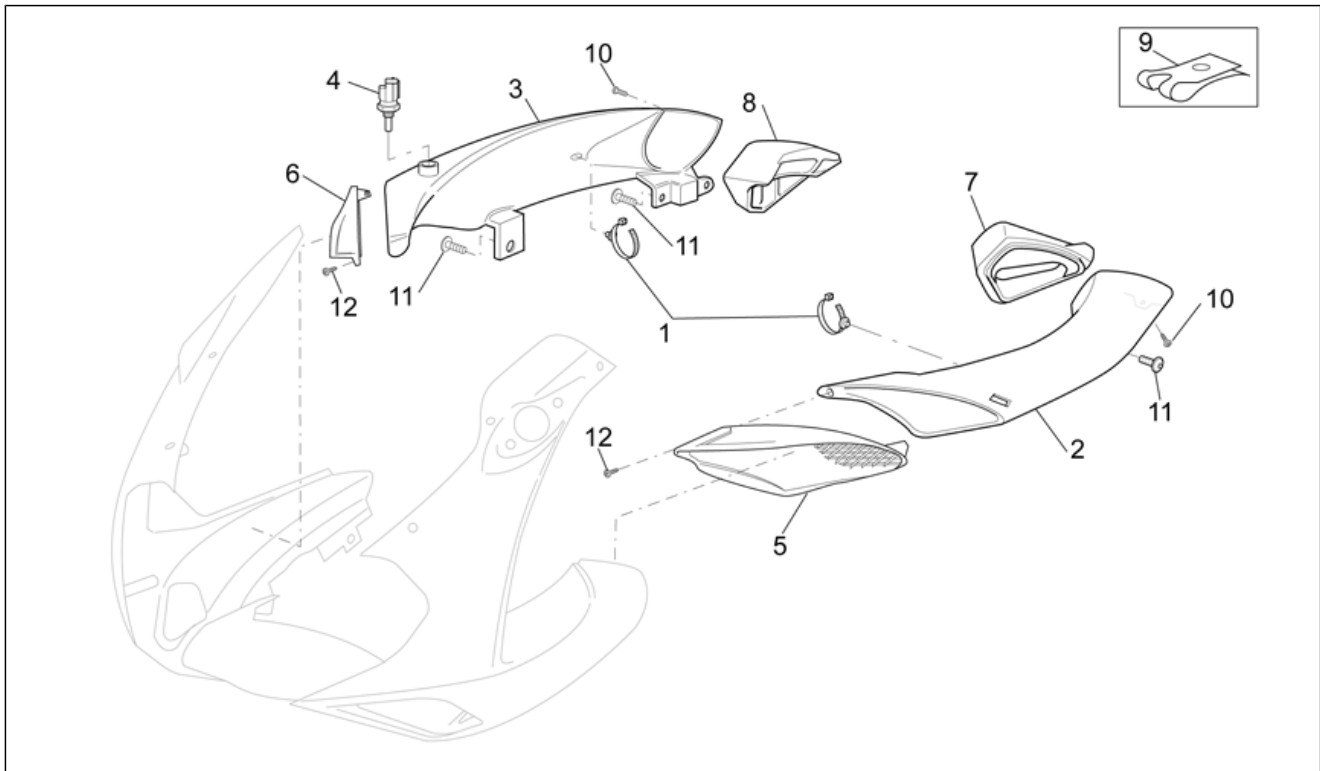
| Pos. | Code | Beschreibung | Menge | Varianten |
|------|-----------|-------------------------------|-------|---|
| 1 | AP8139351 | Windabweiser | 1 | Baujahr: 2003[3] Land: Österreich[A], Belgien[B], Belgien[BB], Schweiz[CH], Deutschland[D], Dänemark[DK], Spanien[E], A, CH, D, DK, GR, E, I, NL, P[EU], Frankreich[F], Frankreich[FF], Griechenland[GR], Italien[I], Japan[J], Japan[JJ], Holland[NL], Portugal[P], Großbritannien[UK] |
| 1 | AP8139351 | Windabweiser | 1 | Baujahr: 2001[1], 2000[Y] Land: Österreich[A], Belgien[B], Belgien[BB], Schweiz[CH], Deutschland[D], Dänemark[DK], Spanien[E], A, CH, D, DK, GR, E, I, NL, P[EU], Frankreich[F], Frankreich[FF], Griechenland[GR], Italien[I], Japan[J], Japan[JJ], Holland[NL], Portugal[P], Großbritannien[UK] |
| 1 | AP8149036 | Windabweiser | 1 | Land: Australien[AA], USA (Zulassung 49 Staaten)[AM], Australien[AUS], USA (Zulassung California)[CF], Vereinigte Staaten von Amerika[USA] |
| 1 | AP8158783 | Windabweiser | 1 | Baujahr: 2002[2] Land: Österreich[A], Belgien[B], Belgien[BB], Schweiz[CH], Deutschland[D], Dänemark[DK], Spanien[E], A, CH, D, DK, GR, E, I, NL, P[EU], Frankreich[F], Frankreich[FF], Griechenland[GR], Italien[I], Japan[J], Japan[JJ], Holland[NL], Portugal[P], Großbritannien[UK] |
| 2 | AP8152298 | TBEI Schraube m.Flansch M5x16 | 6 | |
| 3 | AP8148632 | Front.Verkl. Feuerrot | 1 | Baujahr: 2000[Y] Fahrzeugfarbe: Red fire 2000[f.red] |
| 3 | AP8148645 | Front.Verkl. Schwarz | 1 | Baujahr: 2000[Y] Fahrzeugfarbe: Black Crow 2000[c.bla] |
| 3 | AP8149655 | Front.Verkl.v. gelb.f | 1 | Baujahr: 2001[1] Fahrzeugfarbe: Gelb Flashy 2001[f.yel] |
| 3 | AP8149764 | Vord. Verkleidung, m.grau | 1 | Baujahr: 2001[1] Fahrzeugfarbe: Grau Mercury 2001[m.gre] |
| 3 | AP8149789 | Vord. Verkleidung., blau | 1 | Baujahr: 2001[1] Fahrzeugfarbe: Blau Speed 2001[s.blu] |
| 3 | AP8158763 | Vord. Verkleidung., rot/schw. | 1 | Baujahr: 2002[2] Fahrzeugfarbe: Hot Red / Schwarz Diablo 2002[hr/bd] |

| | |
|---------------------|----------------------|
| Einheit | RAHMEN |
| Code | 28.11 |
| Beschreibung | Frontaufbau - Kuppel |
| Inspektion | 1 |



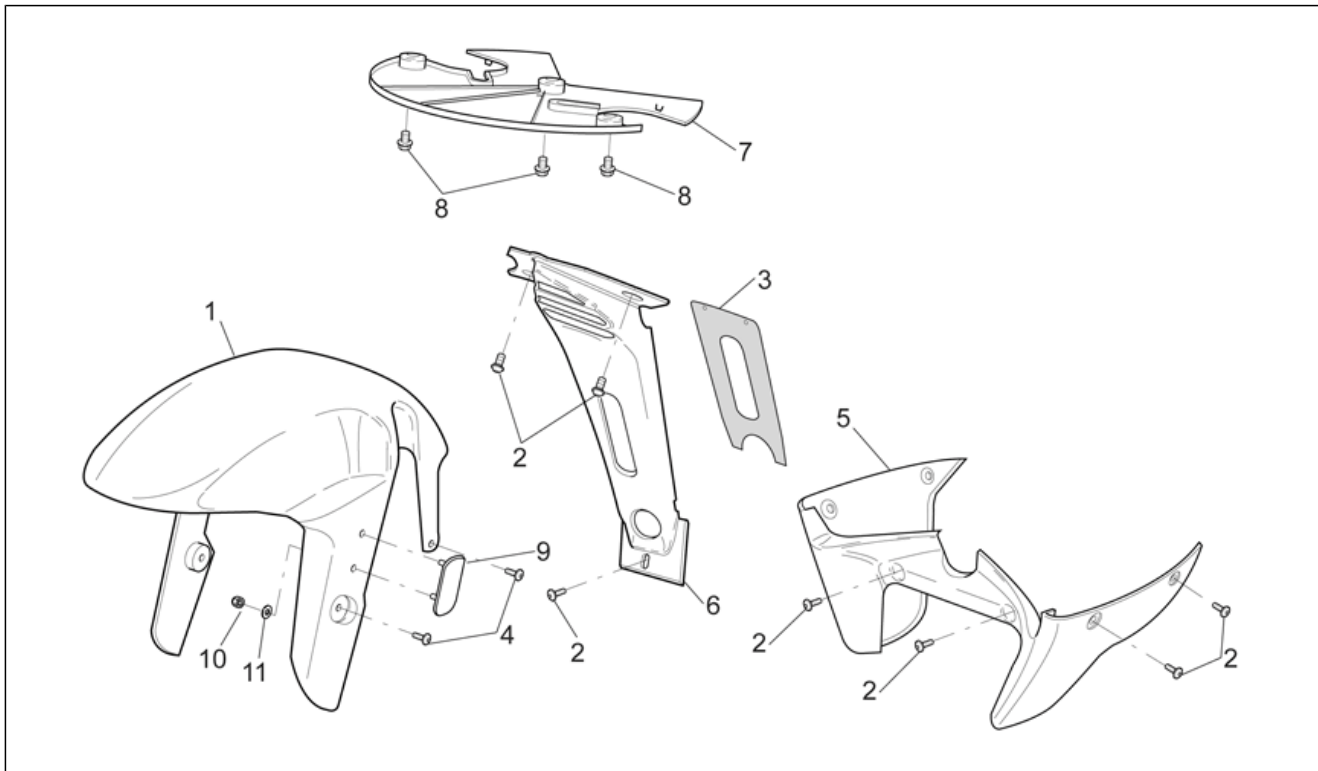
| Pos. | Code | Beschreibung | Menge | Varianten |
|------|-----------|--------------------------------|-------|---|
| 3 | AP8158833 | Vord. Verkleidung., grau/schw. | 1 | Baujahr:2002[2] Fahrzeugfarbe:Bleigrau / Schwarz Diablo 2002[pg/bd] |
| 3 | AP8168956 | Vord. Verkleidung., rot/schw. | 1 | Baujahr:2003[3] Fahrzeugfarbe:Rot Flamingo 2003[fla.r] |
| 3 | AP8168962 | Front.Verkl. Schw./bronze | 1 | Baujahr:2003[3] Fahrzeugfarbe:Bronze Olympic 2003[o.br] |
| 3 | AP8168968 | Front.Verkl. Schw./grün | 1 | Baujahr:2003[3] Fahrzeugfarbe:Grün Oasis 2003[o.gr] |
| 4 | AP8102375 | Klammer M5 | 4 | |
| 5 | AP8120531 | Gummi mit Einsatz | 6 | |
| 6 | AP8139362 | Verschl. Kuppel-Instr.tafel | 1 | |
| 7 | AP8104080 | Rückspiegel rs Schw. | 1 | |
| 8 | AP8104081 | Rückspiegel ls Schw. | 1 | |
| 9 | AP8104155 | Bausatz einbauspiegel | 2 | |
| 10 | AP8102341 | Becher Spiegelgelenk | 2 | |
| 11 | AP8152246 | TBEI Schraube m.Flansch M6x16 | 4 | |
| 12 | AP8144290 | Dichtung | 1 | |
| 13 | AP8120622 | Vord. Staubschutzring | 4 | |
| 14 | AP8152302 | TBEI Schraube m.Flansch M5x12 | 2 | |
| 15 | AP8157716 | Deko. Sportscheibe | 1 | Land:Australien[AA], USA (Zulassung 49 Staaten)[AM], Australien[AUS], USA (Zulassung California)[CF], Vereinigte Staaten von Amerika[USA] |
| 16 | AP8152338 | TBEI Schraube m.Flansch | 4 | |
| 17 | AP8104160 | Kugelhalterung | 2 | |

| | |
|---------------------|-------------------------|
| Einheit | RAHMEN |
| Code | 28.12 |
| Beschreibung | Frontaufbau - Leitblech |
| Inspektion | 1 |



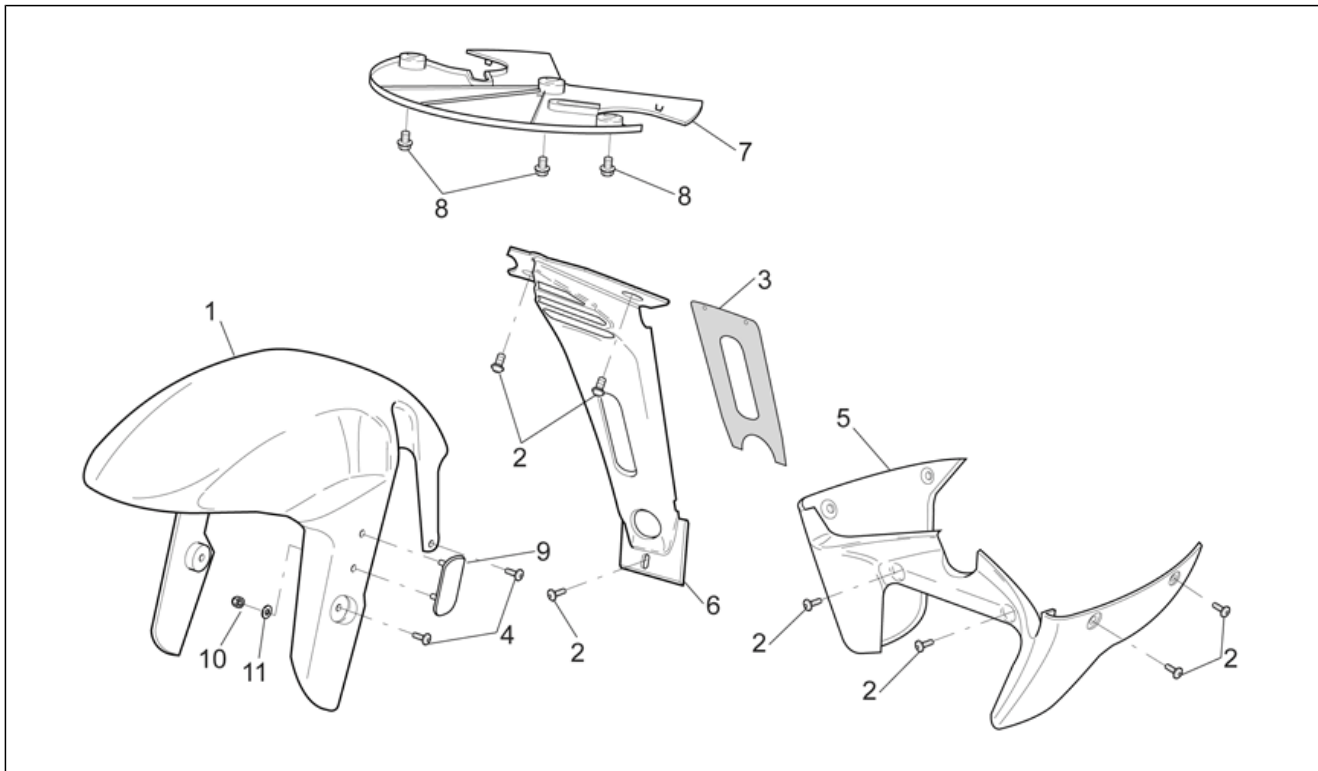
| Pos. | Code | Beschreibung | Menge | Varianten |
|------|-----------|-------------------------------|-------|-----------|
| 1 | AP8201539 | Schelle | 2 | |
| 2 | AP8139364 | int. Leitblech ls. Schw. | 1 | |
| 3 | AP8139363 | int. Leitblech rs. Schw. | 1 | |
| 4 | AP8124300 | Lufttemperaturfühler | 1 | |
| 5 | AP8139633 | Netz Luftschlitz links | 1 | |
| 6 | AP8139634 | Netz Luftschlitz rechts | 1 | |
| 7 | AP8144258 | Dichtung Leitblech ls. | 1 | |
| 8 | AP8104075 | Dichtung Leitblech rs. | 1 | |
| 9 | AP8102375 | Klammer M5 | 6 | |
| 10 | AP8150423 | Linsenschraube 4,2x25* | 2 | |
| 11 | AP8152298 | TBEI Schraube m.Flansch M5x16 | 4 | |
| 12 | AP8150270 | Linsenschraube 4,2x20* | 2 | |

| | |
|---------------------|--------------------------------|
| Einheit | RAHMEN |
| Code | 28.13 |
| Beschreibung | Frontaufbau - Vrd. Schutzblech |
| Inspektion | 1 |



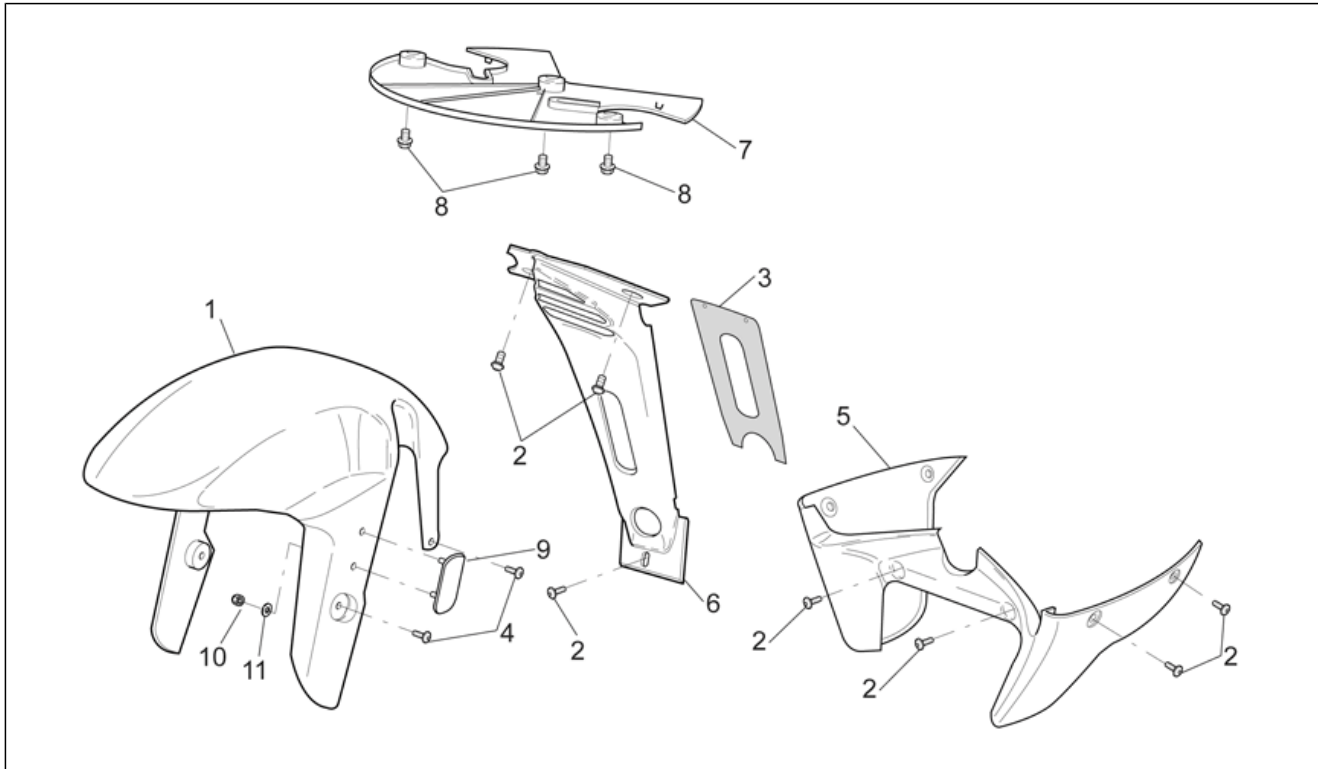
| Pos. | Code | Beschreibung | Menge | Varianten |
|------|-----------|-------------------------|-------|--|
| 1 | AP8126797 | Schutzbl. vorn Feuerrot | 1 | Baujahr: 2000[Y] Fahrzeugfarbe: Red fire 2000[f.red] Land: Österreich[A], Australien[AA], Australien[AUS], Belgien[B], Belgien[BB], Schweiz[CH], Deutschland[D], Dänemark[DK], Spanien[E], A, CH, D, DK, GR, E, I, NL, P[EU], Frankreich[F], Frankreich[FF], Griechenland[GR], Italien[I], Japan[J], Japan[JJ], Holland[NL], Portugal[P], Großbritannien[UK] |
| 1 | AP8126798 | Schutzbl. vorn Schwarz | 1 | Baujahr: 2000[Y] Fahrzeugfarbe: Black Crow 2000[c.bla] Land: Österreich[A], Australien[AA], Australien[AUS], Belgien[B], Belgien[BB], Schweiz[CH], Deutschland[D], Dänemark[DK], Spanien[E], A, CH, D, DK, GR, E, I, NL, P[EU], Frankreich[F], Frankreich[FF], Griechenland[GR], Italien[I], Japan[J], Japan[JJ], Holland[NL], Portugal[P], Großbritannien[UK] |
| 1 | AP8126852 | Schutzbl. vorn Feuerrot | 1 | Baujahr: 2000[Y] Fahrzeugfarbe: Red fire 2000[f.red] Land: USA (Zulassung 49 Staaten)[AM], USA (Zulassung California)[CF], Vereinigte Staaten von Amerika[USA] |
| 1 | AP8126857 | Schutzbl. vorn Schwarz | 1 | Baujahr: 2000[Y] Fahrzeugfarbe: Black Crow 2000[c.bla] Land: USA (Zulassung 49 Staaten)[AM], USA (Zulassung California)[CF], Vereinigte Staaten von Amerika[USA] |
| 1 | AP8126890 | Schutzblech v.gelb | 1 | Baujahr: 2001[1] Fahrzeugfarbe: Gelb Flashy 2001[f.yel] Land: Österreich[A], Australien[AA], Australien[AUS], Belgien[B], Belgien[BB], Schweiz[CH], Deutschland[D], Dänemark[DK], Spanien[E], A, CH, D, DK, GR, E, I, NL, P[EU], Frankreich[F], Frankreich[FF], Griechenland[GR], Italien[I], Japan[J], Japan[JJ], Holland[NL], Portugal[P], Großbritannien[UK] |
| 1 | AP8126891 | Schutzblech v.gelb | 1 | Baujahr: 2001[1] Fahrzeugfarbe: Gelb Flashy 2001[f.yel] Land: USA (Zulassung 49 Staaten)[AM], USA (Zulassung California)[CF], Vereinigte Staaten von Amerika[USA] |

| | |
|---------------------|--------------------------------|
| Einheit | RAHMEN |
| Code | 28.13 |
| Beschreibung | Frontaufbau - Vrd. Schutzblech |
| Inspektion | 1 |



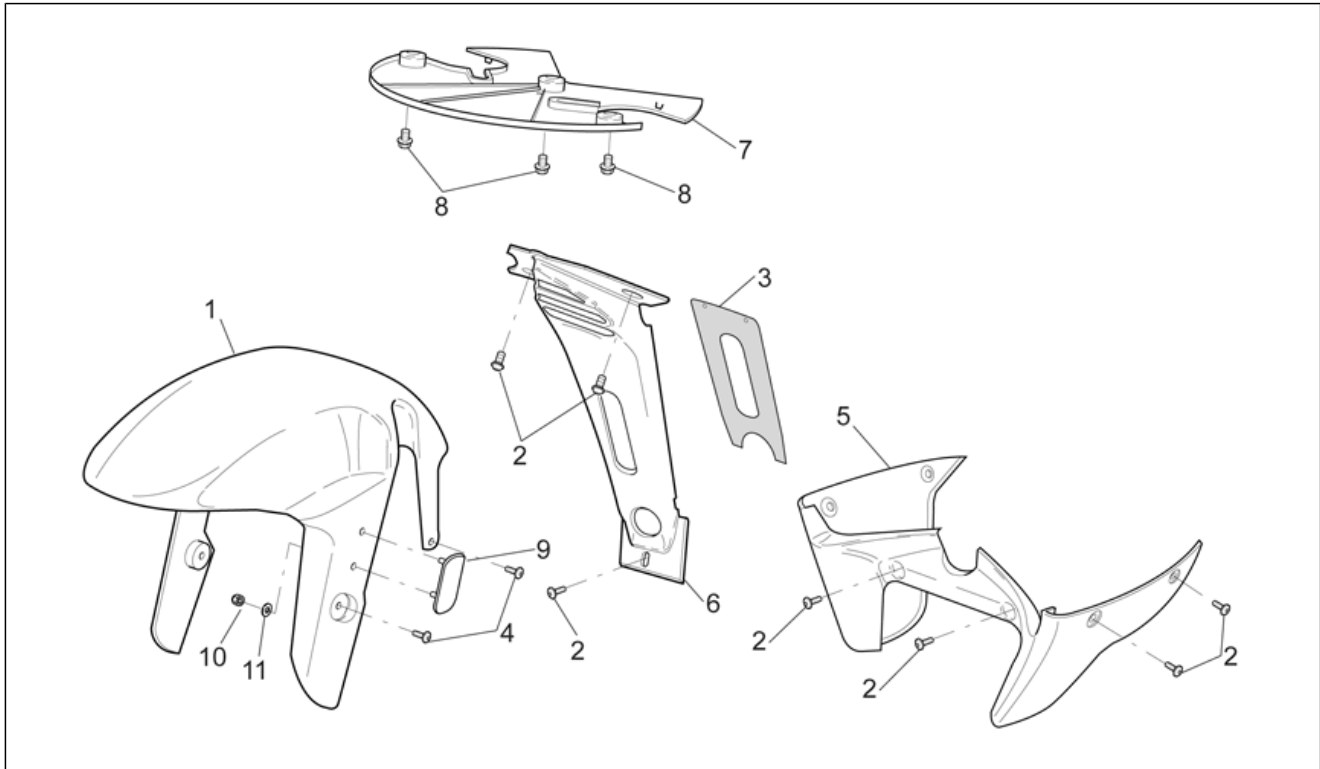
| Pos. | Code | Beschreibung | Menge | Varianten |
|------|-----------|-------------------------|-------|---|
| 1 | AP8126906 | V. Schutzblech, grau | 1 | Baujahr: 2001[1] Fahrzeugfarbe: Grau Mercury 2001[m.gre] Land: Österreich[A], Australien[AA], Australien[AUS], Belgien[B], Belgien[BB], Schweiz[CH], Deutschland[D], Dänemark[DK], Spanien[E], A, CH, D, DK, GR, E, I, NL, P[EU], Frankreich[F], Frankreich[FF], Griechenland[GR], Italien[I], Japan[J], Japan[JJ], Holland[NL], Portugal[P], Großbritannien[UK] |
| 1 | AP8126907 | V. Schutzblech, grau | 1 | Baujahr: 2001[1] Fahrzeugfarbe: Grau Mercury 2001[m.gre] Land: USA (Zulassung 49 Staaten)[AM], USA (Zulassung California)[CF], Vereinigte Staaten von Amerika[USA] |
| 1 | AP8126914 | V. Schutzblech, blau | 1 | Baujahr: 2001[1] Fahrzeugfarbe: Blau Speed 2001[s.blu] Land: Österreich[A], Australien[AA], Australien[AUS], Belgien[B], Belgien[BB], Schweiz[CH], Deutschland[D], Dänemark[DK], Spanien[E], A, CH, D, DK, GR, E, I, NL, P[EU], Frankreich[F], Frankreich[FF], Griechenland[GR], Italien[I], Japan[J], Japan[JJ], Holland[NL], Portugal[P], Großbritannien[UK] |
| 1 | AP8126915 | V. Schutzblech, blau | 1 | Baujahr: 2001[1] Fahrzeugfarbe: Blau Speed 2001[s.blu] Land: USA (Zulassung 49 Staaten)[AM], USA (Zulassung California)[CF], Vereinigte Staaten von Amerika[USA] |
| 1 | AP8126988 | V. Schutzblech, schwarz | 1 | Baujahr: 2002[2] Land: Österreich[A], Australien[AA], Australien[AUS], Belgien[B], Belgien[BB], Schweiz[CH], Deutschland[D], Dänemark[DK], Spanien[E], A, CH, D, DK, GR, E, I, NL, P[EU], Frankreich[F], Frankreich[FF], Griechenland[GR], Italien[I], Japan[J], Japan[JJ], Holland[NL], Portugal[P], Großbritannien[UK] |
| 1 | AP8126989 | V. Schutzblech, schwarz | 1 | Baujahr: 2002[2] Land: USA (Zulassung 49 Staaten)[AM], USA (Zulassung California)[CF], Vereinigte Staaten von Amerika[USA] |
| 1 | AP8156080 | V. Schutzblech, rot | 1 | Baujahr: 2003[3] Fahrzeugfarbe: Rot Flamingo 2003[fla.r] |

| | |
|---------------------|--------------------------------|
| Einheit | RAHMEN |
| Code | 28.13 |
| Beschreibung | Frontaufbau - Vrd. Schutzblech |
| Inspektion | 1 |



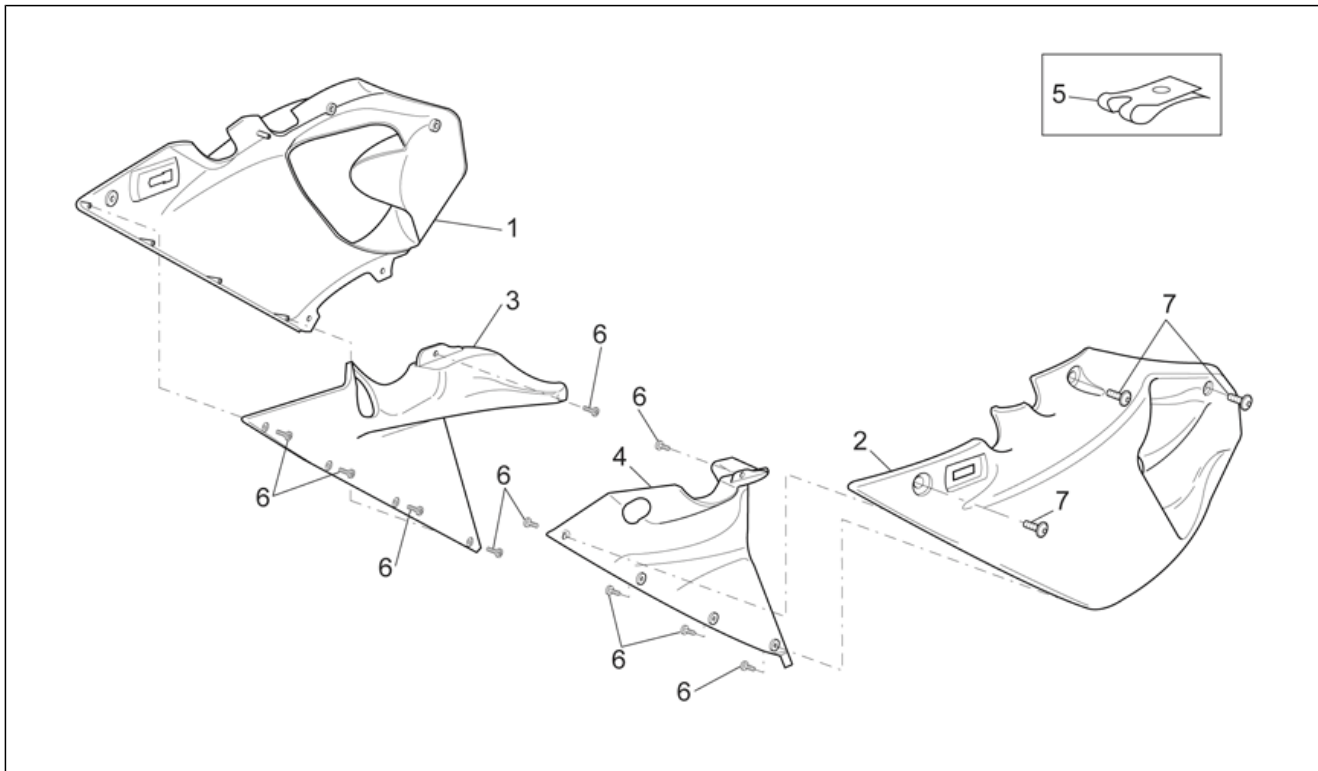
| Pos. | Code | Beschreibung | Menge | Varianten |
|------|-----------|-------------------------------|-------|--|
| | | | | Land: Österreich[A], Australien[AA], Australien[AUS], Belgien[B], Belgien[BB], Schweiz[CH], Deutschland[D], Dänemark[DK], Spanien[E], A, CH, D, DK, GR, E, I, NL, P[EU], Frankreich[F], Frankreich[FF], Griechenland[GR], Italien[I], Japan[J], Japan[JJ], Holland[NL], Portugal[P], Großbritannien[UK] |
| 1 | AP8156081 | V. Schutzblech, rot | 1 | Baujahr: 2003[3] Fahrzeugfarbe: Rot Flamingo 2003[fla.r] Land: USA (Zulassung 49 Staaten)[AM], USA (Zulassung California)[CF], Vereinigte Staaten von Amerika[USA] |
| 1 | AP8156082 | V. Schutzblech, bronze | 1 | Baujahr: 2003[3] Fahrzeugfarbe: Bronze Olympic 2003[o.br] Land: Österreich[A], Australien[AA], Australien[AUS], Belgien[B], Belgien[BB], Schweiz[CH], Deutschland[D], Dänemark[DK], Spanien[E], A, CH, D, DK, GR, E, I, NL, P[EU], Frankreich[F], Frankreich[FF], Griechenland[GR], Italien[I], Japan[J], Japan[JJ], Holland[NL], Portugal[P], Großbritannien[UK] |
| 1 | AP8156083 | V. Schutzblech, bronze | 1 | Baujahr: 2003[3] Fahrzeugfarbe: Bronze Olympic 2003[o.br] Land: USA (Zulassung 49 Staaten)[AM], USA (Zulassung California)[CF], Vereinigte Staaten von Amerika[USA] |
| 1 | AP8156084 | V. Schutzblech, grün | 1 | Baujahr: 2003[3] Fahrzeugfarbe: Grün Oasis 2003[o.gr] Land: Österreich[A], Australien[AA], Australien[AUS], Belgien[B], Belgien[BB], Schweiz[CH], Deutschland[D], Dänemark[DK], Spanien[E], A, CH, D, DK, GR, E, I, NL, P[EU], Frankreich[F], Frankreich[FF], Griechenland[GR], Italien[I], Japan[J], Japan[JJ], Holland[NL], Portugal[P], Großbritannien[UK] |
| 1 | AP8156085 | V. Schutzblech, grün | 1 | Baujahr: 2003[3] Fahrzeugfarbe: Grün Oasis 2003[o.gr] Land: USA (Zulassung 49 Staaten)[AM], USA (Zulassung California)[CF], Vereinigte Staaten von Amerika[USA] |
| 2 | AP8152246 | TBEI Schraube m.Flansch M6x16 | 7 | |

| | |
|---------------------|--------------------------------|
| Einheit | RAHMEN |
| Code | 28.13 |
| Beschreibung | Frontaufbau - Vrd. Schutzblech |
| Inspektion | 1 |



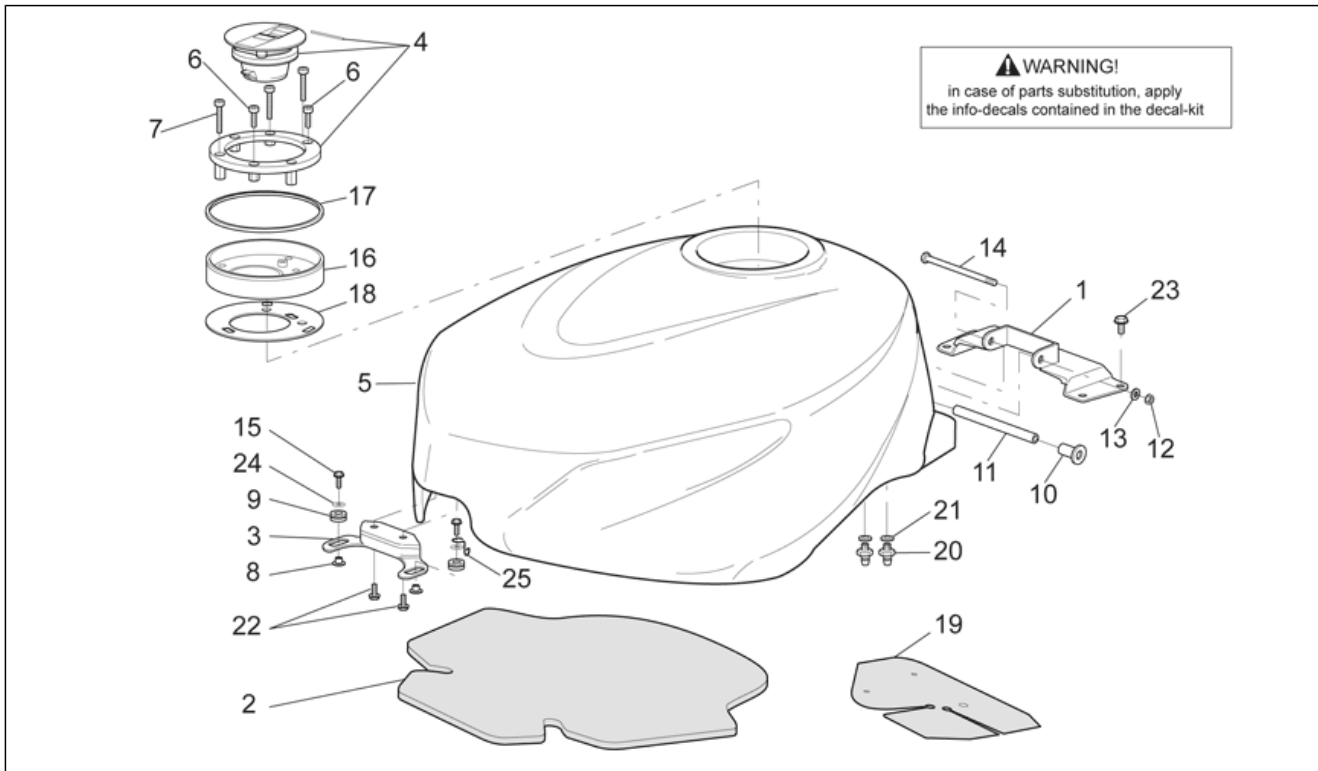
| Pos. | Code | Beschreibung | Menge | Varianten |
|------|-----------|------------------------------|-------|--|
| 3 | AP8117129 | Gelenkplatte Spoiler | 1 | |
| 4 | AP8152339 | TBEI Schraube m.Flansch M5x9 | 4 | |
| 5 | AP8139692 | unt. Verkleidung grau | 1 | Baujahr: 2000[Y] |
| 5 | AP8149666 | unt. Verkleidung grau | 1 | Baujahr: 2001[1] |
| 5 | AP8158773 | unt. Verkleidung schwarz | 1 | Baujahr: 2002[2], 2003[3] |
| 6 | AP8139367 | Kühlerspoiler Grau | 1 | |
| 7 | AP8148551 | Verschl. unt. vorn Verkl. | 1 | |
| 8 | AP8152277 | TE Schr. m. Flansch M6x12 | 3 | |
| 9 | AP8124719 | Rückstrahler, gelb | 1 | Land: USA (Zulassung 49 Staaten)[AM], USA (Zulassung California)[CF], Vereinigte Staaten von Amerika[USA] |
| 10 | AP8150204 | Mutter M4 | 4 | Land: USA (Zulassung 49 Staaten)[AM], USA (Zulassung California)[CF], Vereinigte Staaten von Amerika[USA] |
| 11 | AP8150158 | Ausgleichscheibe 4,3X9X0,8 | 4 | Land: USA (Zulassung 49 Staaten)[AM], USA (Zulassung California)[CF], Vereinigte Staaten von Amerika[USA] |

| | |
|---------------------|---------------------------|
| Einheit | RAHMEN |
| Code | 28.14 |
| Beschreibung | Mittlerer aufbau - Rumpfe |
| Inspektion | 1 |



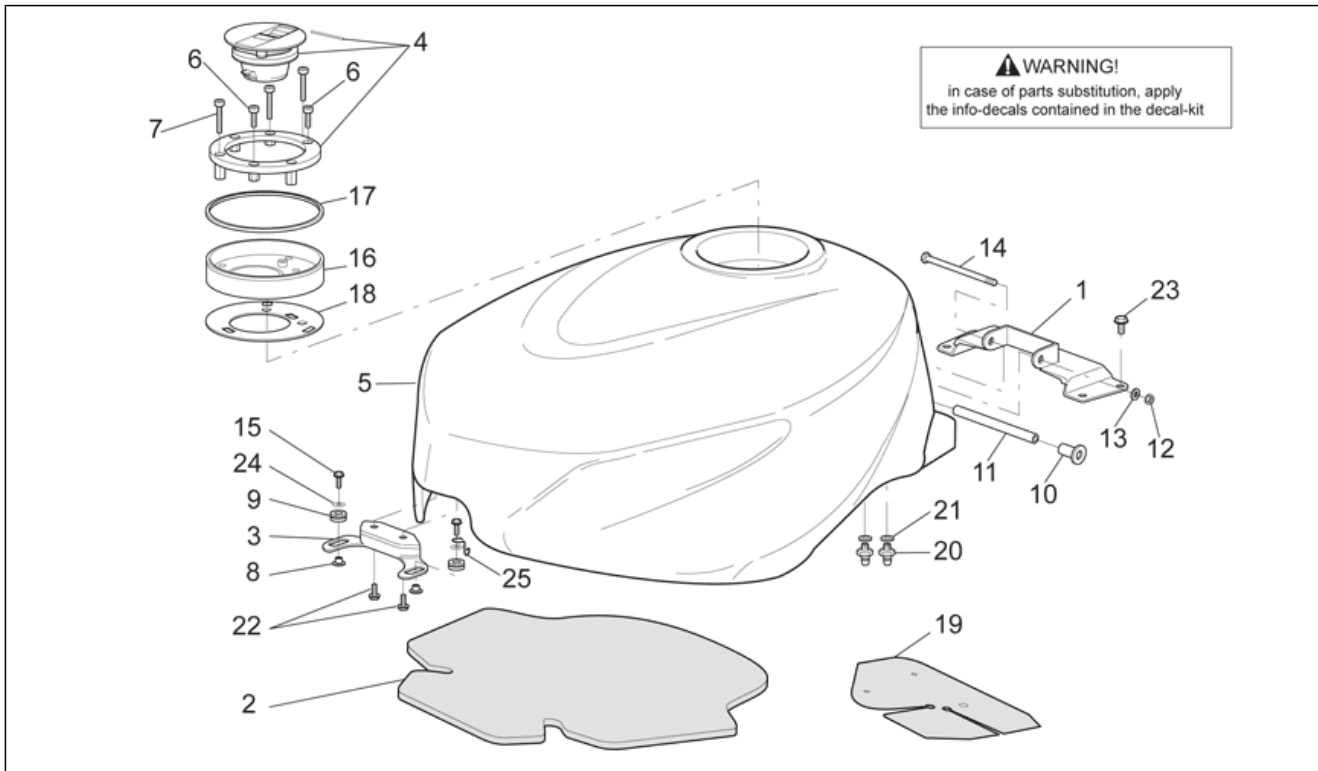
| Pos. | Code | Beschreibung | Menge | Varianten |
|------|-----------|------------------------------|-------|--|
| 1 | AP8148633 | Seit.Verkl. rs. Feuerrot | 1 | Baujahr:2000[Y] Fahrzeugfarbe:Red fire 2000[f.red] |
| 1 | AP8148646 | seit.Verkl. rs. Schwarz | 1 | Baujahr:2000[Y] Fahrzeugfarbe:Black Crow 2000[c.bla] |
| 1 | AP8149656 | seit.Verkl. rechts Schw. | 1 | Baujahr:2001[1] |
| 1 | AP8158764 | seit.Verkl. rechts Schw. | 1 | Baujahr:2002[2] |
| 1 | AP8168957 | seit.Verkl. rechts Schw. | 1 | Baujahr:2003[3] Fahrzeugfarbe:Rot Flamingo 2003[fla.r] |
| 1 | AP8168957 | seit.Verkl. rechts Schw. | 1 | Baujahr:2003[3] Fahrzeugfarbe:Grün Oasis 2003[o.gr] |
| 1 | AP8168963 | seit.Verkl. rechts bronze | 1 | Baujahr:2003[3] Fahrzeugfarbe:Bronze Olympic 2003[o.br] |
| 2 | AP8148634 | Seit.Verkl. ls. Feuerrot | 1 | Baujahr:2000[Y] Fahrzeugfarbe:Red fire 2000[f.red] |
| 2 | AP8148647 | Seit.Verkl. ls. Schwarz | 1 | Baujahr:2000[Y] Fahrzeugfarbe:Black Crow 2000[c.bla] |
| 2 | AP8149657 | Seit.Verkl. links Schw. | 1 | Baujahr:2001[1] |
| 2 | AP8158765 | Seit.Verkl. links Schw. | 1 | Baujahr:2002[2] |
| 2 | AP8168958 | Seit.Verkl. links Schw. | 1 | Baujahr:2003[3] Fahrzeugfarbe:Rot Flamingo 2003[fla.r] |
| 2 | AP8168958 | Seit.Verkl. links Schw. | 1 | Baujahr:2003[3] Fahrzeugfarbe:Grün Oasis 2003[o.gr] |
| 2 | AP8168964 | L. Seitenverkl., bronze | 1 | Baujahr:2003[3] Fahrzeugfarbe:Bronze Olympic 2003[o.br] |
| 3 | AP8139693 | R.inn.Rumpf, schwarz | 1 | |
| 4 | AP8139694 | L.inn.Rumpf, schwarz | 1 | |
| 5 | AP8102375 | Klammer M5 | 4 | |
| 6 | AP8150444 | Gewindeschraube Edelstahl | 10 | |
| 7 | AP8152339 | TBEI Schraube m.Flansch M5x9 | 8 | |

| | |
|---------------------|----------------|
| Einheit | RAHMEN |
| Code | 28.15 |
| Beschreibung | Kraftstofftank |
| Inspektion | 1 |



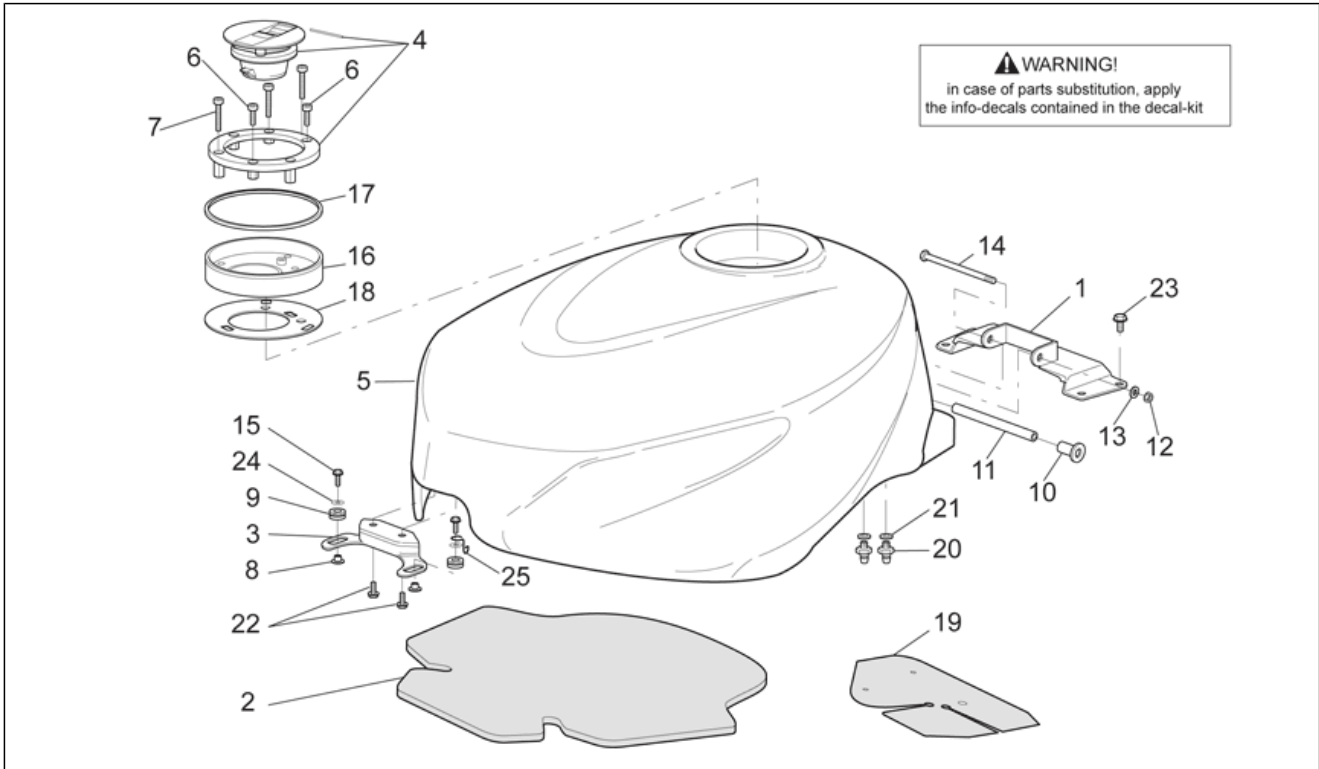
| Pos. | Code | Beschreibung | Menge | Varianten |
|------|-----------|--------------------------|-------|---|
| 1 | AP8134500 | Tankfixierung | 1 | |
| 2 | AP8117127 | Schalldämmpl. Tank | 1 | |
| 3 | AP8121386 | Fixierbügel Tank | 1 | |
| 4 | AP8104262 | Tankfüllschraube | 1 | Baujahr: 2000[Y] Land: USA (Zulassung California)[CF], Vereinigte Staaten von Amerika[USA] Technische Daten: Zulassung California[cal] |
| 4 | AP8104528 | Tankfüllschraube | 1 | Baujahr: 2001[1], 2002[2], 2003[3] Land: USA (Zulassung California)[CF], Vereinigte Staaten von Amerika[USA] Technische Daten: Zulassung California[cal] |
| 4 | AP8104529 | Tankfüllschraube | 1 | Baujahr: 2001[1], 2002[2], 2003[3] Land: Österreich[A], Australien[AA], Australien[AUS], Belgien[B], Belgien[BB], Schweiz[CH], Deutschland[D], Dänemark[DK], Spanien[E], A, CH, D, DK, GR, E, I, NL, P[EU], Frankreich[F], Frankreich[FF], Griechenland[GR], Italien[I], Japan[J], Japan[JJ], Holland[NL], Portugal[P], Großbritannien[UK] |
| 4 | AP8104529 | Tankfüllschraube | 1 | Baujahr: 2001[1], 2002[2], 2003[3] Land: USA (Zulassung 49 Staaten)[AM], Vereinigte Staaten von Amerika[USA] Technische Daten: Zulassung 49 Staaten[49st] |
| 4 | AP8144312 | Tankfüllschraube | 1 | Baujahr: 2000[Y] Land: Österreich[A], Australien[AA], Australien[AUS], Belgien[B], Belgien[BB], Schweiz[CH], Deutschland[D], Dänemark[DK], Spanien[E], A, CH, D, DK, GR, E, I, NL, P[EU], Frankreich[F], Frankreich[FF], Griechenland[GR], Italien[I], Japan[J], Japan[JJ], Holland[NL], Portugal[P], Großbritannien[UK] |
| 4 | AP8144312 | Tankfüllschraube | 1 | Baujahr: 2000[Y] Land: USA (Zulassung 49 Staaten)[AM], Vereinigte Staaten von Amerika[USA] Technische Daten: Zulassung 49 Staaten[49st] |
| 5 | AP8148506 | Kraftstoffstank Feuerrot | 1 | Baujahr: 2000[Y] |

| | |
|---------------------|----------------|
| Einheit | RAHMEN |
| Code | 28.15 |
| Beschreibung | Kraftstofftank |
| Inspektion | 1 |



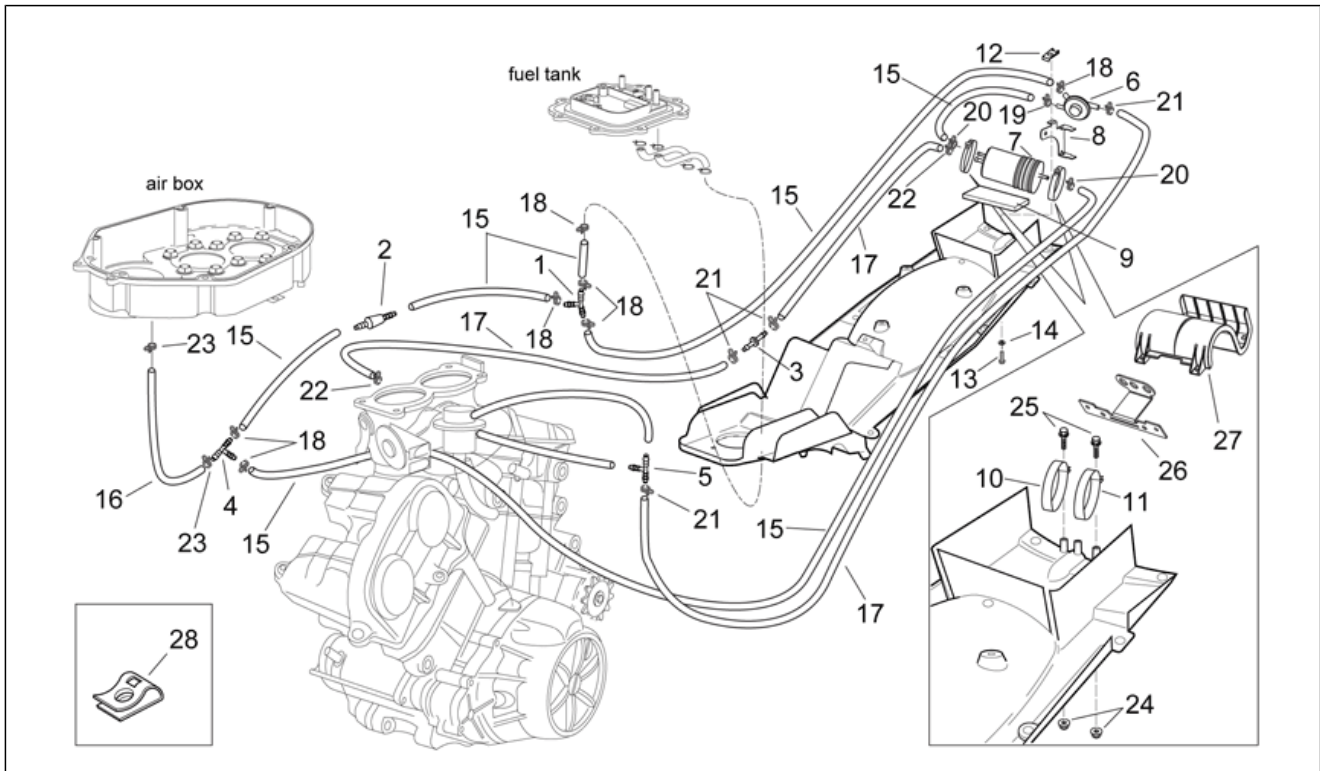
| Pos. | Code | Beschreibung | Menge | Varianten |
|------|-----------|--------------------------------|-------|--|
| | | | | Fahrzeugfarbe: Red fire 2000[f.red] |
| 5 | AP8148644 | Kraftstofftank Schwarz | 1 | Baujahr: 2000[Y] Fahrzeugfarbe: Black Crow 2000[c.bla] |
| 5 | AP8149654 | Tank V. flashygelb | 1 | Baujahr: 2001[1] Fahrzeugfarbe: Gelb Flashy 2001[f.yel] |
| 5 | AP8149763 | Kraftstofftank, grau | 1 | Baujahr: 2001[1] Fahrzeugfarbe: Grau Mercury 2001[m.gre] |
| 5 | AP8149788 | Kraftstofftank, blau | 1 | Baujahr: 2001[1] Fahrzeugfarbe: Blau Speed 2001[s.blu] |
| 5 | AP8158762 | Kraftstofftank, rot/schw. | 1 | Baujahr: 2002[2] Fahrzeugfarbe: Hot Red / Schwarz Diablo 2002[hr/bd] |
| 5 | AP8158832 | Kraftstofftank, grau/schw. | 1 | Baujahr: 2002[2] Fahrzeugfarbe: Bleigrau / Schwarz Diablo 2002[pg/bd] |
| 5 | AP8168955 | Kraftstofftank, rot/schw. | 1 | Baujahr: 2003[3] Fahrzeugfarbe: Rot Flamingo 2003[f fla.r] |
| 5 | AP8168961 | Kraftstofftank, schwarz/bronze | 1 | Baujahr: 2003[3] Fahrzeugfarbe: Bronze Olympic 2003[o.br] |
| 5 | AP8168967 | Kraftstofftank, grün/schwarz | 1 | Baujahr: 2003[3] Fahrzeugfarbe: Grün Oasis 2003[o.gr] |
| 6 | AP8150454 | TCEI Schraube M5x16 | 4 | |
| 7 | AP8150453 | TCEI Schraube M5x30 | 3 | |
| 8 | AP8221023 | T-Buchse | 2 | |
| 9 | AP8120030 | Gummi | 2 | |
| 10 | AP8144062 | Gummi Tankanschluß | 2 | |
| 11 | AP8134419 | Aufnahmebüchse Kraftstofftank | 1 | |
| 12 | AP8152299 | Selbstsperrende Mutter M6 | 1 | |
| 13 | AP8150014 | Ausgleichscheibe 6,4x12,5* | 1 | |
| 14 | AP8150459 | Sechskantschraube M6x90 | 1 | |
| 15 | AP8152277 | TE Schr. m. Flansch M6x12 | 2 | |
| 16 | AP8102535 | Schwimmergehäuse | 1 | |

| | |
|---------------------|----------------|
| Einheit | RAHMEN |
| Code | 28.15 |
| Beschreibung | Kraftstofftank |
| Inspektion | 1 |



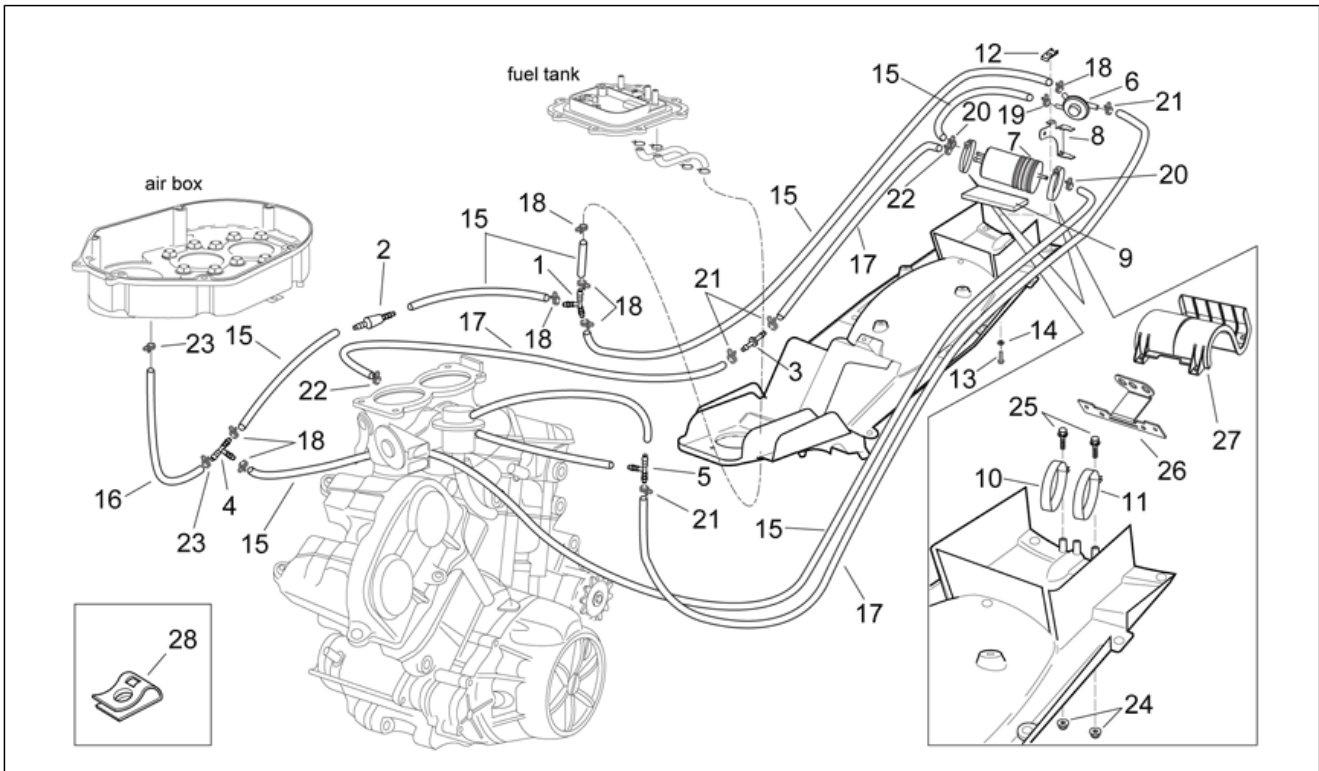
| Pos. | Code | Beschreibung | Menge | Varianten |
|------|-----------|------------------------------|-------|--|
| 17 | AP8120893 | Dichtung | 1 | |
| 18 | AP8120894 | Dichtung Kraftstofftank | 1 | Land: USA (Zulassung 49 Staaten)[AM], Vereinigte Staaten von Amerika[USA] Technische Daten: Zulassung 49 Staaten[49st] |
| 18 | AP8120894 | Dichtung Kraftstofftank | 1 | Land: Österreich[A], Australien[AA], Australien[AUS], Belgien[B], Belgien[BB], Schweiz[CH], Deutschland[D], Dänemark[DK], Spanien[E], A, CH, D, DK, GR, E, I, NL, P[EU], Frankreich[F], Frankreich[FF], Griechenland[GR], Italien[I], Japan[J], Japan[JJ], Holland[NL], Portugal[P], Großbritannien[UK] |
| 18 | AP8144351 | Dichtung Kraftstofftank | 1 | Land: USA (Zulassung California)[CF], Vereinigte Staaten von Amerika[USA] Technische Daten: Zulassung California[cal] |
| 19 | AP8117147 | Hitzeschild Tank | 1 | |
| 20 | AP8102503 | Anschluß Gummihalter | 2 | |
| 21 | AP8120965 | O-Ring 2018 | 2 | |
| 22 | AP8152280 | TE Schr. m. Flansch M6x25 | 2 | |
| 23 | AP8152279 | TE Schr. m. Flansch M6x20 | 2 | |
| 24 | AP8150015 | Ausgleichscheibe 6,6x18x1,6* | 2 | |
| 25 | AP8121889 | Kabelführungs | 1 | |

| | |
|---------------------|--------------------------|
| Einheit | RAHMEN |
| Code | 28.16 |
| Beschreibung | Benzindampfrückf.-Anlage |
| Inspektion | 1 |



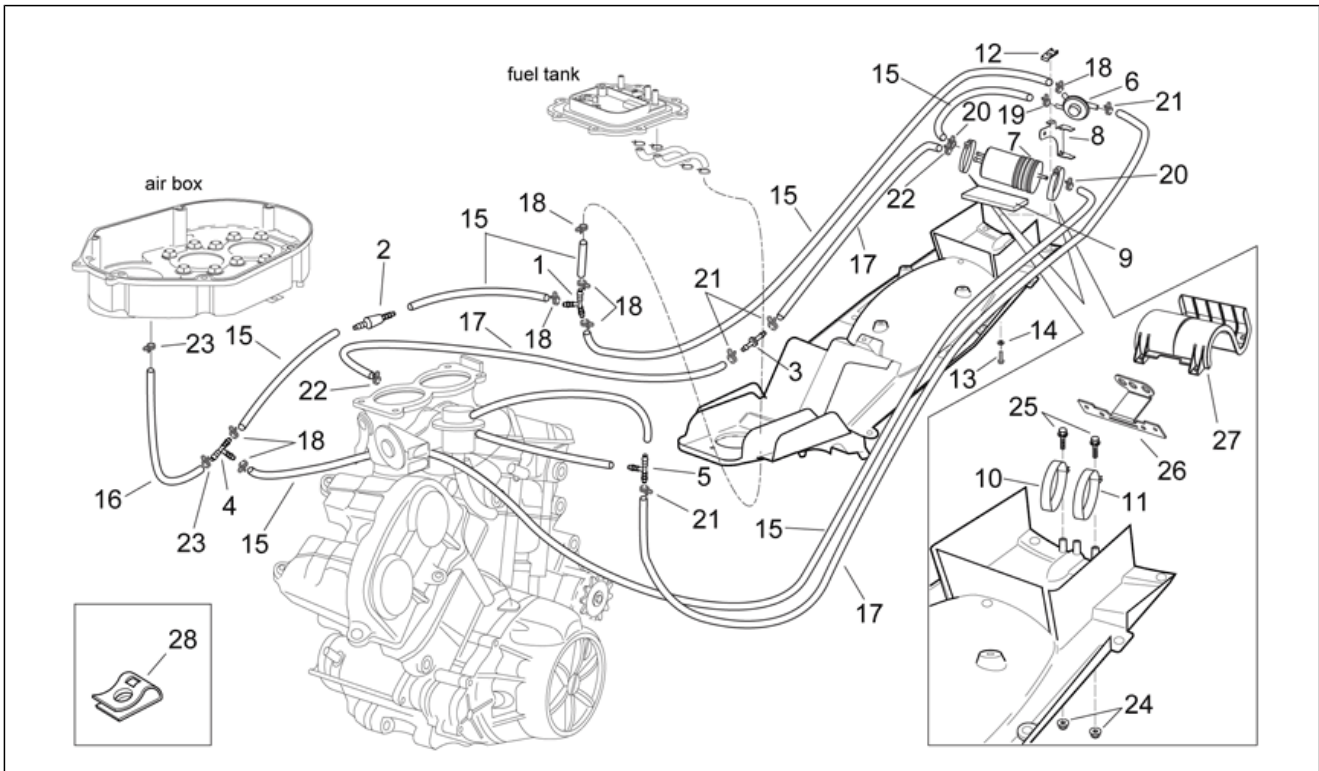
| Pos. | Code | Beschreibung | Menge | Varianten |
|------|-----------|-------------------|-------|--|
| 1 | AP8120116 | 3-Wegeanschluß | 1 | Land: USA (Zulassung California)[CF], Vereinigte Staaten von Amerika[USA] Technische Daten: Zulassung California[cal] |
| 2 | AP8102985 | Rückstauventil | 1 | Land: USA (Zulassung California)[CF], Vereinigte Staaten von Amerika[USA] Technische Daten: Zulassung California[cal] |
| 3 | AP8121267 | Drosselspindel | 1 | Land: USA (Zulassung California)[CF], Vereinigte Staaten von Amerika[USA] Technische Daten: Zulassung California[cal] |
| 4 | AP8202154 | 3-Wegeanschluß | 1 | Land: USA (Zulassung California)[CF], Vereinigte Staaten von Amerika[USA] Technische Daten: Zulassung California[cal] |
| 5 | AP8102727 | 3-Wegeanschluß | 1 | Land: USA (Zulassung California)[CF], Vereinigte Staaten von Amerika[USA] Technische Daten: Zulassung California[cal] |
| 6 | AP8106776 | "Purge" Ventil | 1 | Land: USA (Zulassung California)[CF], Vereinigte Staaten von Amerika[USA] Technische Daten: Zulassung California[cal] |
| 7 | AP8102678 | Kohlefilter | 1 | Land: USA (Zulassung California)[CF], Vereinigte Staaten von Amerika[USA] Technische Daten: Zulassung California[cal] |
| 8 | AP8134659 | Ventilhaltebügel | 1 | Land: USA (Zulassung California)[CF], Vereinigte Staaten von Amerika[USA] Technische Daten: Zulassung California[cal] |
| 9 | AP8117041 | Klebeschwamm 6x30 | 1 | Land: USA (Zulassung California)[CF], Vereinigte Staaten von Amerika[USA] Technische Daten: Zulassung California[cal] |
| 10 | AP8102688 | Schelle d.76 | 1 | Land: USA (Zulassung California)[CF], Vereinigte Staaten von Amerika[USA] Technische Daten: Zulassung California[cal] |
| 11 | AP8102719 | Schelle d.80,5 | 1 | Land: USA (Zulassung California)[CF], Vereinigte Staaten von Amerika[USA] Technische Daten: Zulassung California[cal] |

| | |
|---------------------|--------------------------|
| Einheit | RAHMEN |
| Code | 28.16 |
| Beschreibung | Benzindampfrückf.-Anlage |
| Inspektion | 1 |



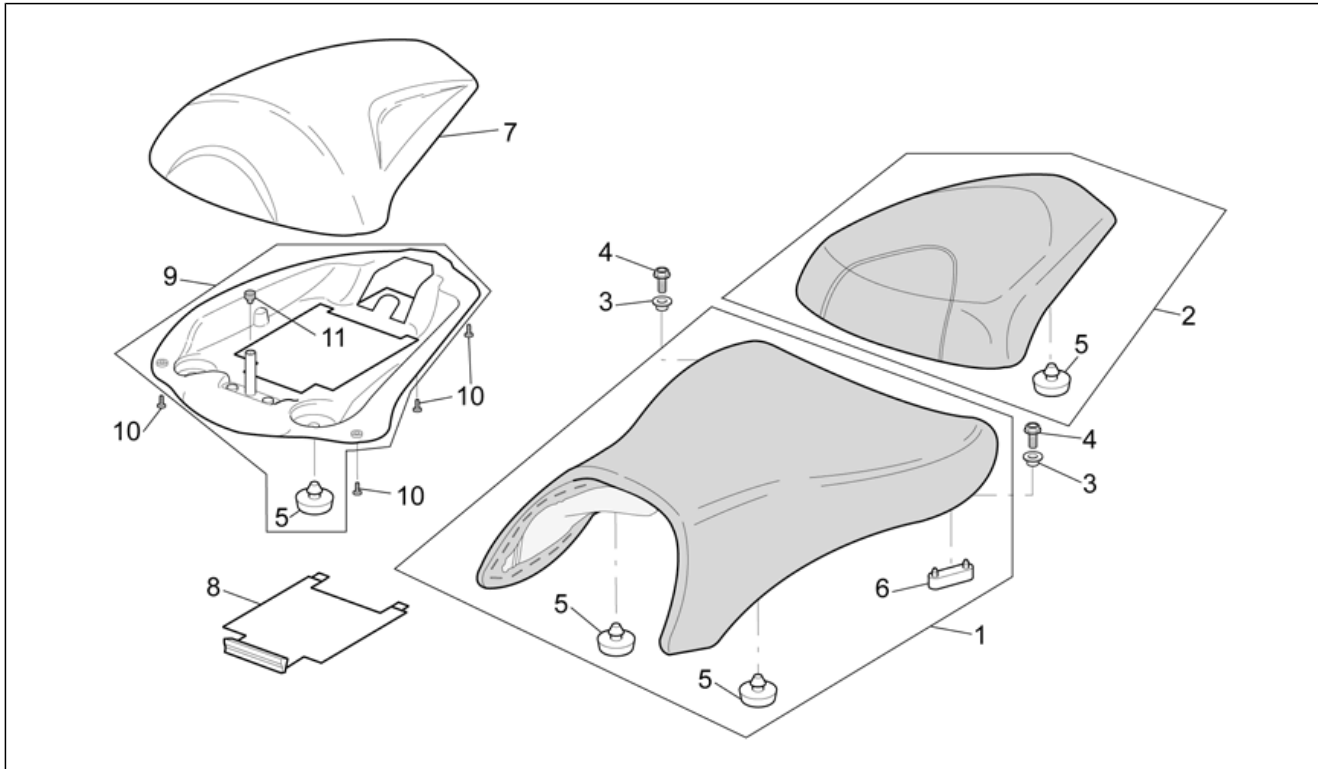
| Pos. | Code | Beschreibung | Menge | Varianten |
|------|-----------|--------------------------------|-------|--|
| 12 | AP8102375 | Klammer M5 | 1 | Land:USA (Zulassung California)[CF], Vereinigte Staaten von Amerika[USA] Technische Daten:Zulassung California[cal] |
| 13 | AP8152273 | Flanschschraube M5x15 | 1 | Land:USA (Zulassung California)[CF], Vereinigte Staaten von Amerika[USA] Technische Daten:Zulassung California[cal] |
| 14 | AP8150013 | Ausgleichscheibe 5,5x15x1,6* | 1 | Land:USA (Zulassung California)[CF], Vereinigte Staaten von Amerika[USA] Technische Daten:Zulassung California[cal] |
| 15 | AP8120952 | Kraftstoffleitung 5,5x10 | 2 | Land:USA (Zulassung California)[CF], Vereinigte Staaten von Amerika[USA] Technische Daten:Zulassung California[cal] |
| 16 | AP8120987 | Leitung 9x14 | 1 | Land:USA (Zulassung California)[CF], Vereinigte Staaten von Amerika[USA] Technische Daten:Zulassung California[cal] |
| 17 | AP8220263 | Entlüftungsschlauch Kühler 4x8 | 2 | Land:USA (Zulassung California)[CF], Vereinigte Staaten von Amerika[USA] Technische Daten:Zulassung California[cal] |
| 18 | AP8101595 | Schelle D10,1 | 7 | Land:USA (Zulassung California)[CF], Vereinigte Staaten von Amerika[USA] Technische Daten:Zulassung California[cal] |
| 19 | AP8102520 | Schlauchschele | 1 | Land:USA (Zulassung California)[CF], Vereinigte Staaten von Amerika[USA] Technische Daten:Zulassung California[cal] |
| 20 | AP8102378 | Schelle D11,3 | 2 | Land:USA (Zulassung California)[CF], Vereinigte Staaten von Amerika[USA] Technische Daten:Zulassung California[cal] |
| 21 | AP8120179 | Schelle D8 | 4 | Land:USA (Zulassung California)[CF], Vereinigte Staaten von Amerika[USA] Technische Daten:Zulassung California[cal] |
| 22 | AP8102377 | Schelle D9,1* | 2 | Land:USA (Zulassung California)[CF], Vereinigte Staaten von Amerika[USA] Technische Daten:Zulassung California[cal] |

| | |
|---------------------|---------------------------|
| Einheit | RAHMEN |
| Code | 28.16 |
| Beschreibung | Benzindampfdruckf.-Anlage |
| Inspektion | 1 |



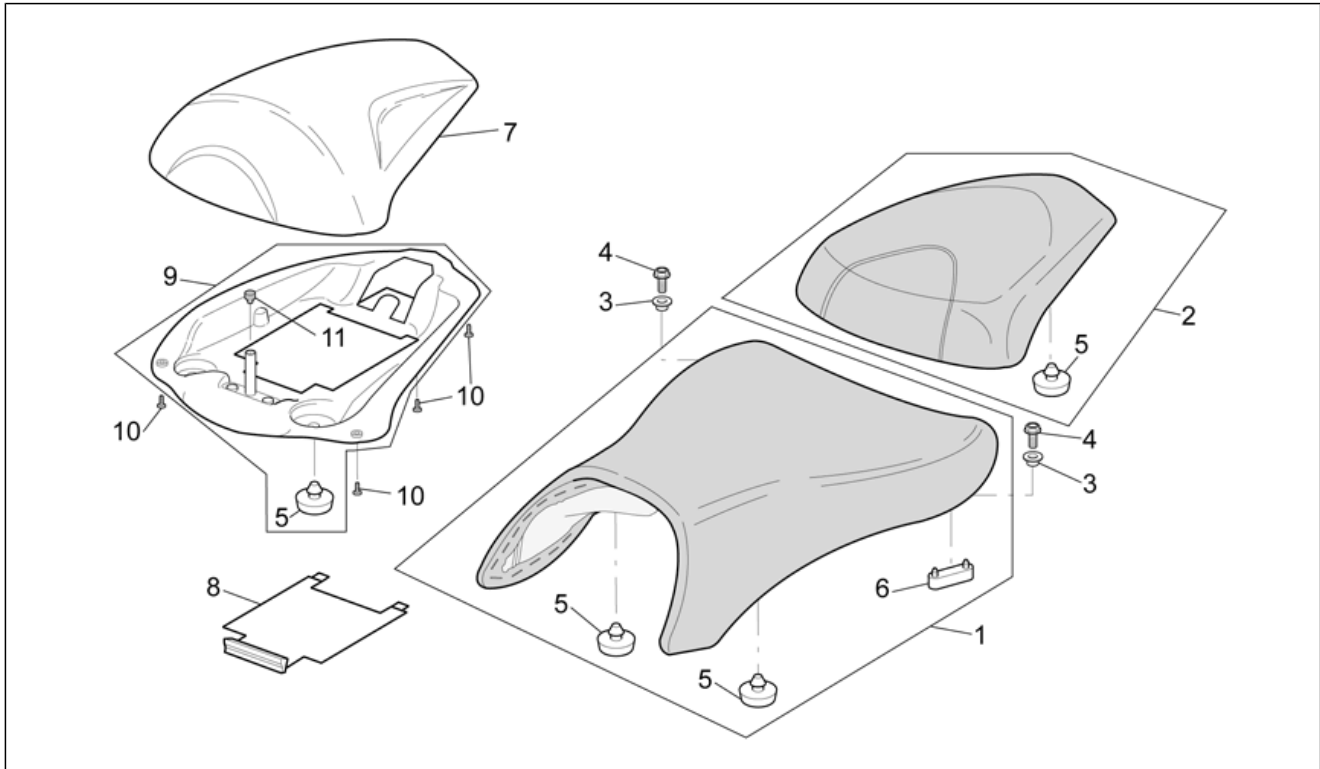
| Pos. | Code | Beschreibung | Menge | Varianten |
|------|-----------|---------------------------|-------|--|
| 23 | AP8102766 | Schelle | 2 | Land:USA (Zulassung California)[CF], Vereinigte Staaten von Amerika[USA] Technische Daten:Zulassung California[cal] |
| 24 | AP8152299 | Selbstsperrende Mutter M6 | 2 | Land:USA (Zulassung California)[CF], Vereinigte Staaten von Amerika[USA] Technische Daten:Zulassung California[cal] |
| 25 | AP8152279 | TE Schr. m. Flansch M6x20 | 2 | Land:USA (Zulassung California)[CF], Vereinigte Staaten von Amerika[USA] Technische Daten:Zulassung California[cal] |
| 26 | AP8104175 | Kohlefilterhalter | 1 | Land:USA (Zulassung California)[CF], Vereinigte Staaten von Amerika[USA] Technische Daten:Zulassung California[cal] |
| 27 | AP8149038 | Filterdeckel | 1 | Land:USA (Zulassung California)[CF], Vereinigte Staaten von Amerika[USA] Technische Daten:Zulassung California[cal] |
| 28 | AP8102376 | Klammer M6 | 1 | |

| | |
|---------------------|--------|
| Einheit | RAHMEN |
| Code | 28.17 |
| Beschreibung | Sitz |
| Inspektion | 1 |



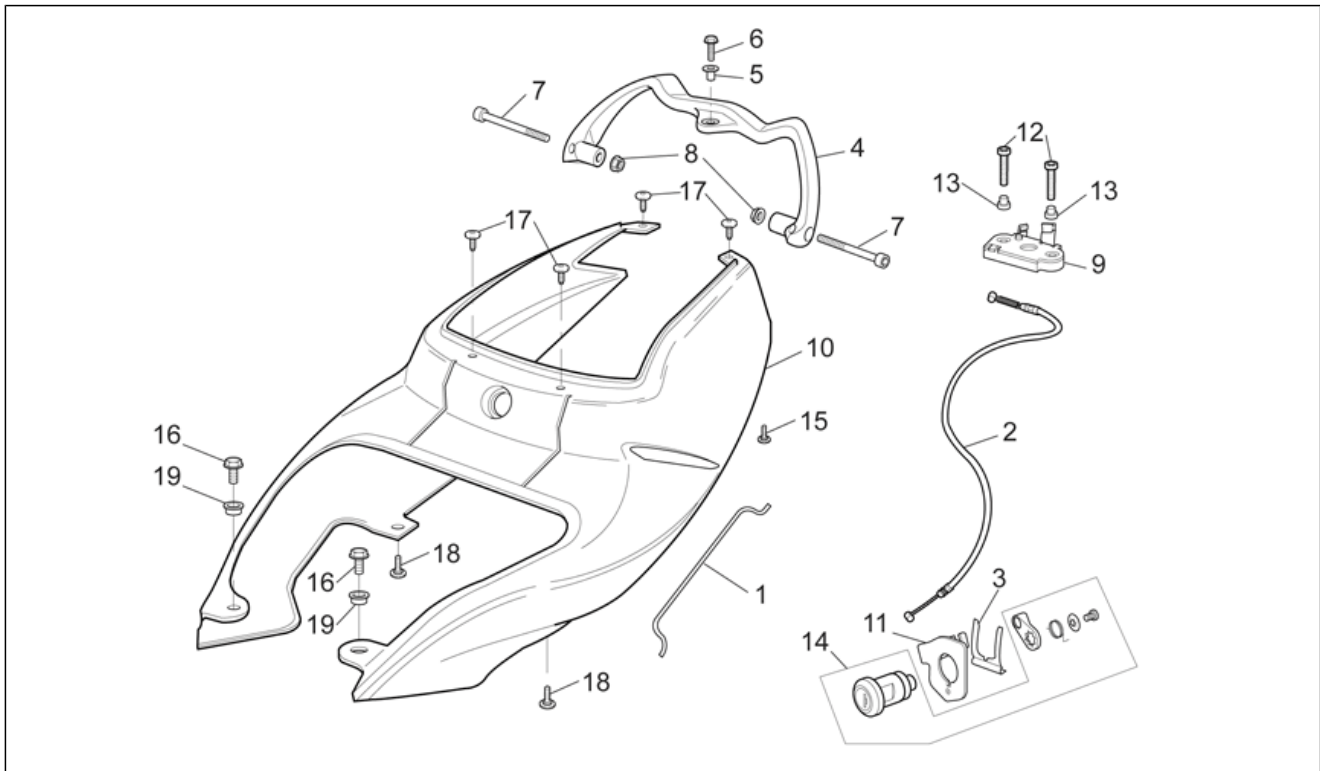
| Pos. | Code | Beschreibung | Menge | Varianten |
|------|-----------|---------------------------|-------|--|
| 1 | AP8129182 | Fahrersitz, schwarz | 1 | Baujahr:2001[1], 2002[2], 2000[Y] |
| 1 | AP8129401 | Fahrersitz, grau/schwarz | 1 | Baujahr:2003[3] Fahrzeugfarbe:Rot Flamingo 2003[fla.r] |
| 1 | AP8129401 | Fahrersitz, grau/schwarz | 1 | Baujahr:2003[3] Fahrzeugfarbe:Grün Oasis 2003[o.gr] |
| 1 | AP8129403 | Fahrersitz, braun | 1 | Baujahr:2003[3] Fahrzeugfarbe:Bronze Olympic 2003[o.br] |
| 2 | AP8129208 | Soziussitz, schwarz | 1 | Baujahr:2001[1], 2002[2], 2000[Y] |
| 2 | AP8129402 | Soziussitz, grau | 1 | Baujahr:2003[3] Fahrzeugfarbe:Rot Flamingo 2003[fla.r] |
| 2 | AP8129402 | Soziussitz, grau | 1 | Baujahr:2003[3] Fahrzeugfarbe:Grün Oasis 2003[o.gr] |
| 2 | AP8129404 | Soziussitz, braun | 1 | Baujahr:2003[3] Fahrzeugfarbe:Bronze Olympic 2003[o.br] |
| 3 | AP8121075 | T-Buchse * | 2 | |
| 4 | AP8150044 | TCEI Schraube M6x20 | 2 | |
| 5 | AP8126702 | Gummi | 6 | |
| 6 | AP8126701 | Sitz-Auflagegummi | 4 | |
| 7 | AP8148508 | Sitzabdeckung Feuerr. | 1 | Baujahr:2000[Y] Fahrzeugfarbe:Red fire 2000[f.red] |
| 7 | AP8148649 | Sitzabdeckung Schw. | 1 | Baujahr:2000[Y] Fahrzeugfarbe:Black Crow 2000[c.bla] |
| 7 | AP8149659 | .Sitzabdeckung V.flashyg. | 1 | Baujahr:2001[1] Fahrzeugfarbe:Gelb Flashy 2001[f.yel] |
| 7 | AP8149766 | Sitzabdeckung, grau | 1 | Baujahr:2001[1] Fahrzeugfarbe:Grau Mercury 2001[m.gre] |
| 7 | AP8149791 | Sitzabdeckung, blau | 1 | Baujahr:2001[1] Fahrzeugfarbe:Blau Speed 2001[s.blu] |
| 7 | AP8158767 | Sitzabdeckung, schwarz | 1 | Baujahr:2002[2] |
| 7 | AP8168960 | Sitzabdeckung, rot | 1 | Baujahr:2003[3] Fahrzeugfarbe:Rot Flamingo 2003[fla.r] |

| | |
|---------------------|--------|
| Einheit | RAHMEN |
| Code | 28.17 |
| Beschreibung | Sitz |
| Inspektion | 1 |



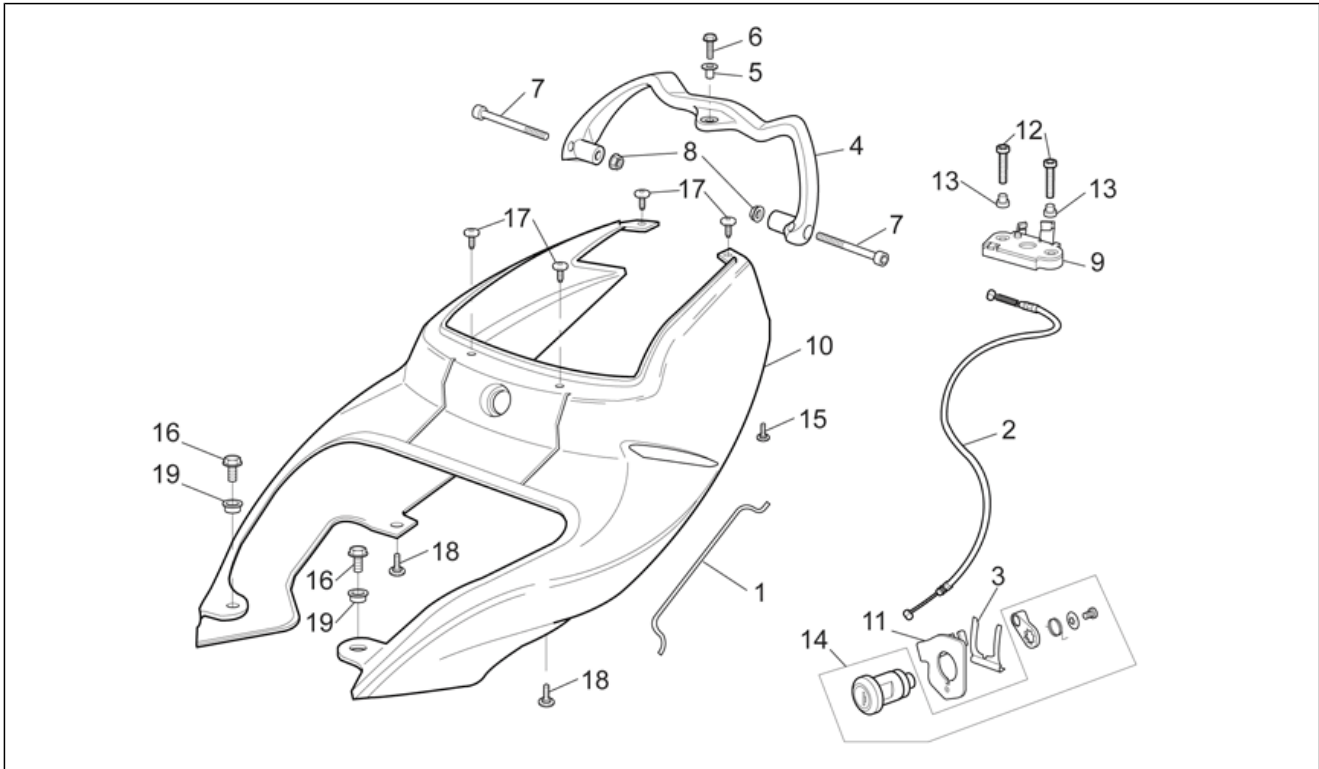
| Pos. | Code | Beschreibung | Menge | Varianten |
|------|-----------|---------------------------|-------|--|
| 7 | AP8168966 | Sitzabdeckung, bronze | 1 | Baujahr:2003[3] Fahrzeugfarbe:Bronze Olympic 2003[o.br] |
| 7 | AP8168970 | Sitzabdeckung, grün | 1 | Baujahr:2003[3] Fahrzeugfarbe:Grün Oasis 2003[o.gr] |
| 8 | AP8138947 | Zugangsklappe Sitzab. | 1 | |
| 9 | AP8139369 | Grundplatte Sitzabdeckung | 1 | |
| 10 | AP8150413 | Gew.schr. 3,9x14 | 6 | |
| 11 | AP8144081 | Gummi | 1 | |

| | |
|---------------------|-------------------|
| Einheit | RAHMEN |
| Code | 28.18 |
| Beschreibung | R.Kar. - R.verkl. |
| Inspektion | 1 |



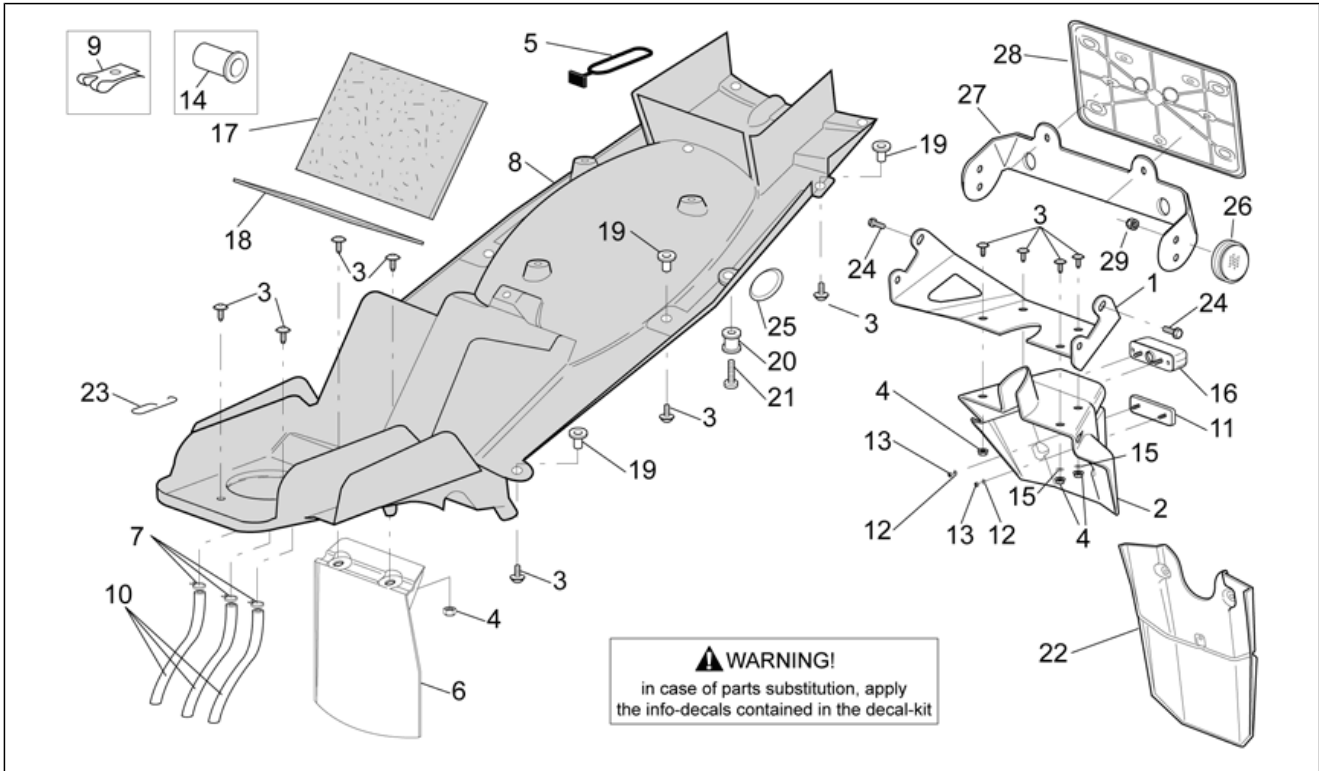
| Pos. | Code | Beschreibung | Menge | Varianten |
|------|-----------|------------------------------|-------|--|
| 1 | AP8134396 | Kraftstoff tankhalter stange | 1 | |
| 2 | AP8114411 | Schloßkabel | 1 | |
| 3 | AP8121420 | Gabelfeder | 1 | |
| 4 | AP8148509 | Soziusgriff, grau | 1 | Baujahr:2000[Y] |
| 4 | AP8149660 | Soziusgriff, grau | 1 | Baujahr:2003[3] |
| 4 | AP8149660 | Soziusgriff, grau | 1 | Baujahr:2001[1] |
| 4 | AP8158768 | Soziusgriff schwarz | 1 | Baujahr:2002[2] |
| 5 | AP8121665 | T-Buchse | 1 | |
| 6 | AP8152281 | TE Schr. m. Flansch M6x30 | 1 | |
| 7 | AP8150388 | TCEI Schraube | 2 | |
| 8 | AP8152300 | Selbstsperrende Mutter M8 | 2 | |
| 9 | AP8102913 | Fixierplatte Soziussitz | 1 | |
| 10 | AP8148507 | Heck Feuerrot | 1 | Baujahr:2000[Y] Fahrzeugfarbe:Red fire 2000[f.red] |
| 10 | AP8148648 | Heck Schwarz | 1 | Baujahr:2000[Y] Fahrzeugfarbe:Black Crow 2000[c.bla] |
| 10 | AP8149658 | Heckteil, flashygelb | 1 | Baujahr:2001[1] Fahrzeugfarbe:Gelb Flashy 2001[f.yel] |
| 10 | AP8149765 | Heckteil, grau | 1 | Baujahr:2001[1] Fahrzeugfarbe:Grau Mercury 2001[m.gre] |
| 10 | AP8149790 | Heckteil, blau | 1 | Baujahr:2001[1] Fahrzeugfarbe:Blau Speed 2001[s.blu] |
| 10 | AP8158766 | Heckteil, schwarz | 1 | Baujahr:2002[2] |
| 10 | AP8168959 | Heck Schwarz/Rot | 1 | Baujahr:2003[3] Fahrzeugfarbe:Rot Flamingo 2003[fla.r] |
| 10 | AP8168965 | Heck Schwarz/bronze | 1 | Baujahr:2003[3] Fahrzeugfarbe:Bronze Olympic 2003[o.br] |
| 10 | AP8168969 | Heck Schwarz/grün | 1 | Baujahr:2003[3] Fahrzeugfarbe:Grün Oasis 2003[o.gr] |
| 11 | AP8134618 | Kabelplatte | 1 | |

| | |
|---------------------|-------------------|
| Einheit | RAHMEN |
| Code | 28.18 |
| Beschreibung | R.Kar. - R.verkl. |
| Inspektion | 1 |



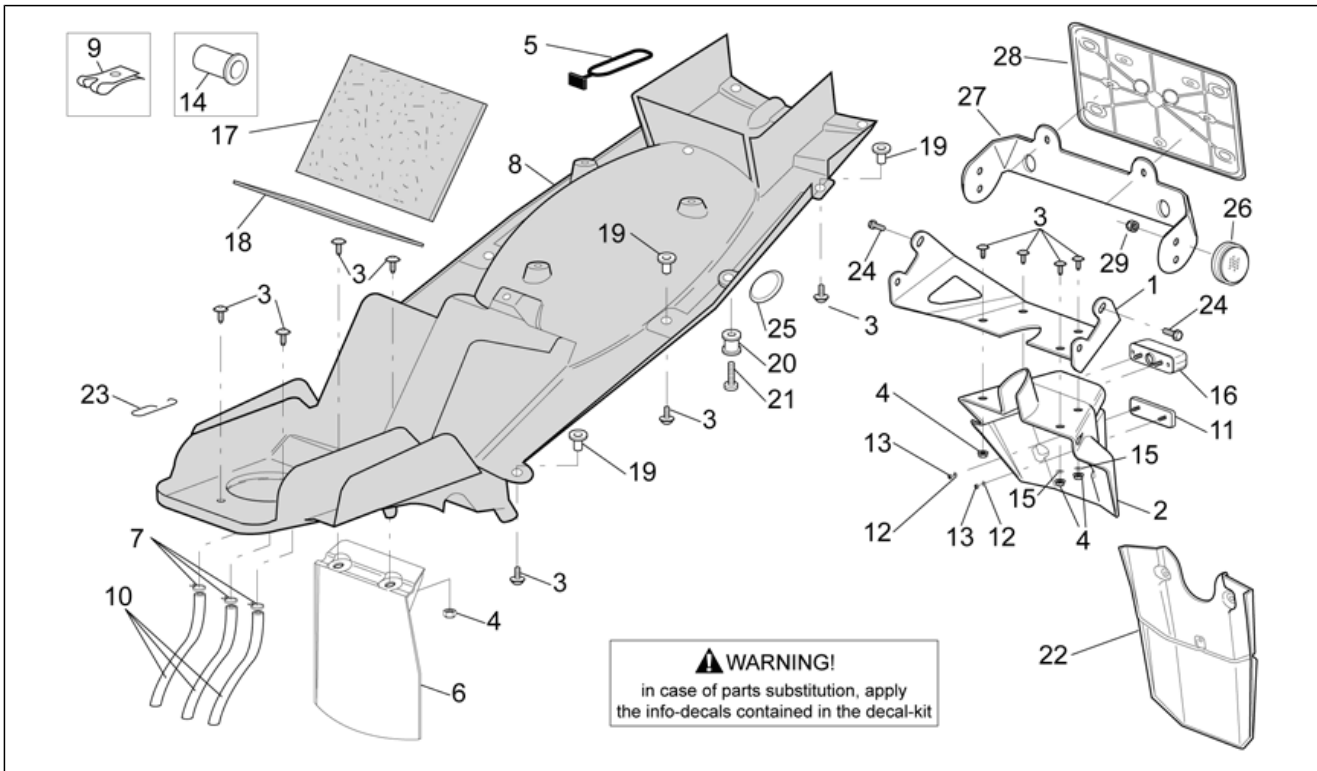
| Pos. | Code | Beschreibung | Menge | Varianten |
|------|-----------|-------------------------------|-------|-----------|
| 12 | AP8150285 | TCEI Schraube M6x35 | 2 | |
| 13 | AP8121728 | T-Buchse | 2 | |
| 14 | AP8104154 | Sitzschloß | 1 | |
| 15 | AP8152339 | TBEI Schraube m.Flansch M5x9 | 2 | |
| 16 | AP8152279 | TE Schr. m. Flansch M6x20 | 2 | |
| 17 | AP8152246 | TBEI Schraube m.Flansch M6x16 | 4 | |
| 18 | AP8152339 | TBEI Schraube m.Flansch M5x9 | 2 | |
| 19 | AP8121032 | Buchse | 2 | |

| | |
|---------------------|--------------------|
| Einheit | RAHMEN |
| Code | 28.19 |
| Beschreibung | R.Kar. - Untersitz |
| Inspektion | 1 |



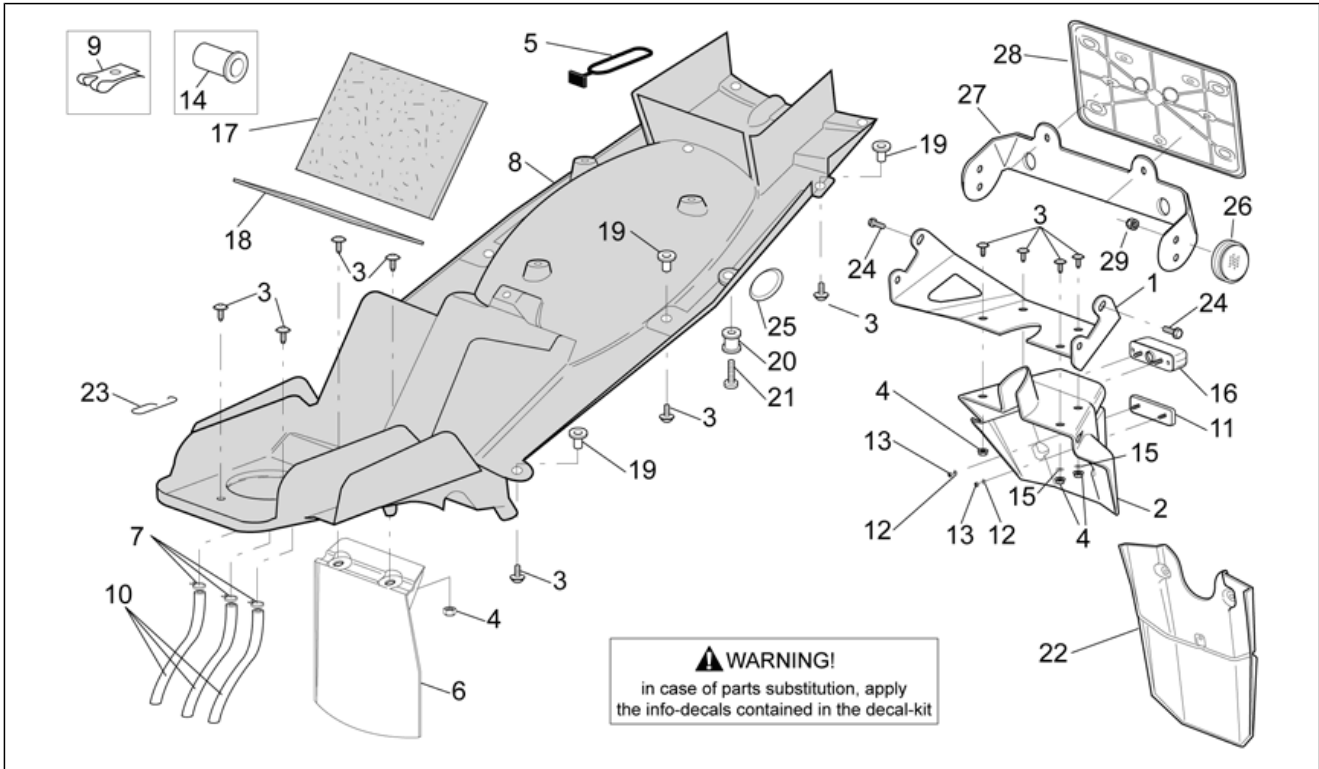
| Pos. | Code | Beschreibung | Menge | Varianten |
|------|-----------|-------------------------|-------|---|
| 1 | AP8126590 | Kennzeichenhalter | 1 | |
| 2 | AP8126766 | H. Schutzblech, grau | 1 | Baujahr: 2000[Y] Land: Österreich[A], USA (Zulassung 49 Staaten)[AM], Belgien[B], Belgien[BB], Schweiz[CH], Deutschland[D], Dänemark[DK], Spanien[E], A, CH, D, DK, GR, E, I, NL, P[EU], Frankreich[F], Frankreich[FF], Griechenland[GR], Italien[I], Japan[J], Japan[JJ], Holland[NL], Portugal[P], Großbritannien[UK], Vereinigte Staaten von Amerika[USA] |
| 2 | AP8126862 | H. Schutzblech, grau | 1 | Baujahr: 2000[Y] Land: Australien[AA], Australien[AUS] |
| 2 | AP8126894 | H. Schutzblech, grau | 1 | Baujahr: 2001[1] Land: Österreich[A], USA (Zulassung 49 Staaten)[AM], Belgien[B], Belgien[BB], Schweiz[CH], Deutschland[D], Dänemark[DK], Spanien[E], A, CH, D, DK, GR, E, I, NL, P[EU], Frankreich[F], Frankreich[FF], Griechenland[GR], Italien[I], Japan[J], Japan[JJ], Holland[NL], Portugal[P], Großbritannien[UK], Vereinigte Staaten von Amerika[USA] |
| 2 | AP8126895 | H. Schutzblech, grau | 1 | Baujahr: 2001[1] Land: Australien[AA], Australien[AUS] |
| 2 | AP8126990 | H. Schutzblech, schwarz | 1 | Baujahr: 2002[2] Land: Österreich[A], USA (Zulassung 49 Staaten)[AM], Belgien[B], Belgien[BB], Schweiz[CH], Deutschland[D], Dänemark[DK], Spanien[E], A, CH, D, DK, GR, E, I, NL, P[EU], Frankreich[F], Frankreich[FF], Griechenland[GR], Italien[I], Japan[J], Japan[JJ], Holland[NL], Portugal[P], Großbritannien[UK], Vereinigte Staaten von Amerika[USA] |
| 2 | AP8126990 | H. Schutzblech, schwarz | 1 | Baujahr: 2003[3] Land: Österreich[A], USA (Zulassung 49 Staaten)[AM], Belgien[B], Belgien[BB], Schweiz[CH], Deutschland[D], Dänemark[DK], Spanien[E], A, CH, D, DK, GR, E, I, NL, P[EU], Frankreich[F], Frankreich[FF], Griechenland[GR], Italien[I], Japan[J], Japan[JJ], Holland[NL], Portugal[P], Großbritannien[UK], Vereinigte Staaten von Amerika[USA] |
| 2 | AP8126991 | H. Schutzblech, schwarz | 1 | Baujahr: 2003[3] Land: Australien[AA], Australien[AUS] |

| | |
|---------------------|--------------------|
| Einheit | RAHMEN |
| Code | 28.19 |
| Beschreibung | R.Kar. - Untersitz |
| Inspektion | 1 |



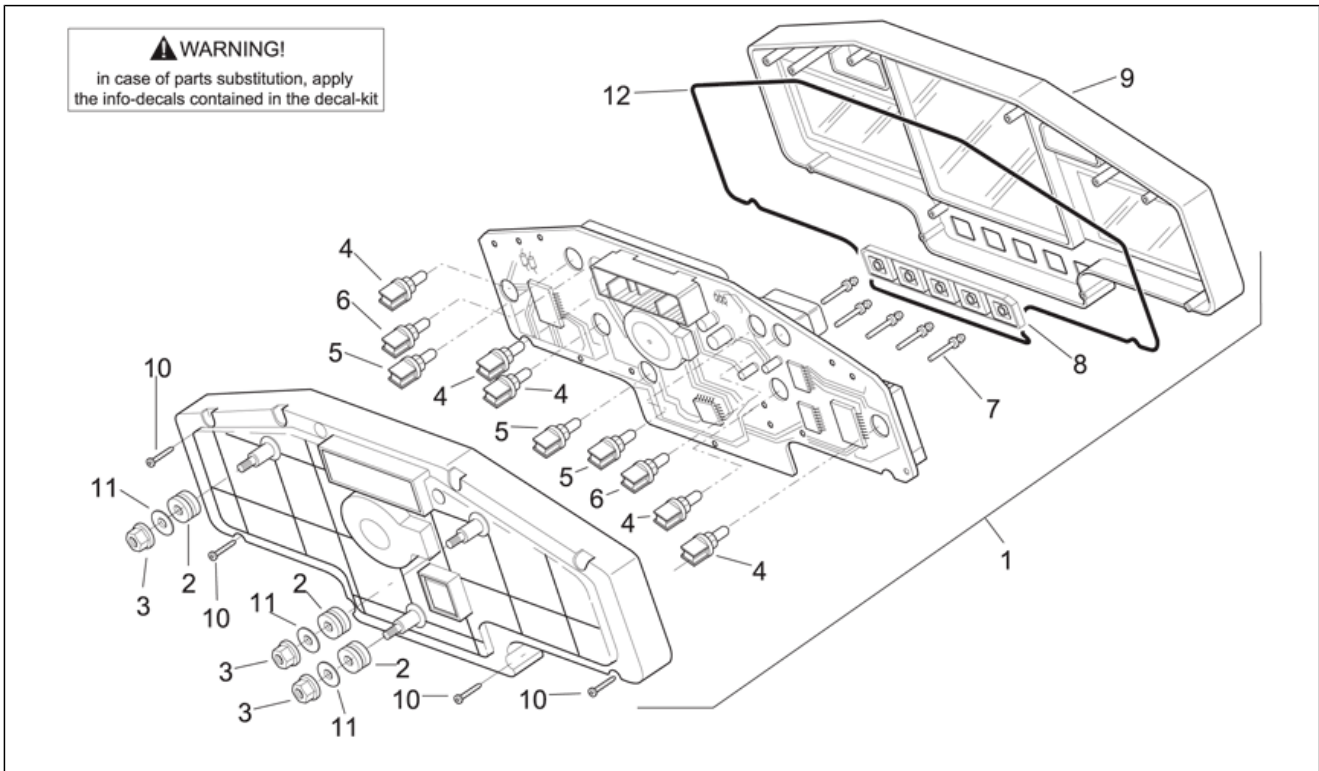
| Pos. | Code | Beschreibung | Menge | Varianten |
|------|-----------|-------------------------------|-------|---|
| 2 | AP8126991 | H. Schutzblech, schwarz | 1 | Baujahr:2002[2] Land:Australien[AA], Australien[AUS] |
| 3 | AP8152246 | TBEI Schraube m.Flansch M6x16 | 14 | |
| 4 | AP8152299 | Selbstsperrende Mutter M6 | 6 | |
| 5 | AP8120177 | Elastic | 1 | |
| 6 | AP8126717 | Stoßdämpferschutz | 1 | Baujahr:2001[1], 2000[Y] |
| 6 | AP8158784 | Stoßdämpferschutz | 1 | Baujahr:2002[2], 2003[3] |
| 7 | AP8101595 | Schelle D10,1 | 3 | |
| 8 | AP8138785 | Unt.Verschl.Sitzhal.grau | 1 | Baujahr:2000[Y] |
| 8 | AP8149665 | Unt.Verschl.Sitzhal.grau | 1 | Baujahr:2001[1] |
| 8 | AP8158771 | Unt.Verschl.Sitzhal.schw. | 1 | Baujahr:2002[2], 2003[3] |
| 9 | AP8102375 | Klammer M5 | 2 | |
| 10 | AP8120952 | Kraftstoffleitung 5,5x10 | 1 | |
| 11 | AP8112916 | Rückstrahler Rücklicht | 1 | |
| 12 | AP8150158 | Ausgleichscheibe 4,3X9X0,8 | 2 | |
| 13 | AP8150204 | Mutter M4 | 2 | |
| 14 | AP8120531 | Gummi mit Einsatz | 5 | |
| 15 | AP8150015 | Ausgleichscheibe 6,6x18x1,6* | 2 | |
| 16 | AP8212702 | Kennzeichenleuchte | 1 | |
| 17 | AP8144288 | seit. Gummiaufl. Batterie | 1 | |
| 18 | AP8144045 | Batterieauflagegummi | 1 | |
| 19 | AP8121032 | Buchse | 6 | |
| 20 | AP8148824 | Halter | 2 | |
| 21 | AP8150468 | Schraube M6x40 | 2 | |
| 22 | AP8126610 | Hinteres, Spritzschutz | 1 | |
| 23 | AP8120512 | Kabelführungs | 1 | |
| 24 | AP8152278 | TE Schr. m. Flansch M6x16 | 4 | |
| 25 | AP8157769 | Deko schutz | 1 | |

| | |
|---------------------|--------------------|
| Einheit | RAHMEN |
| Code | 28.19 |
| Beschreibung | R.Kar. - Untersitz |
| Inspektion | 1 |



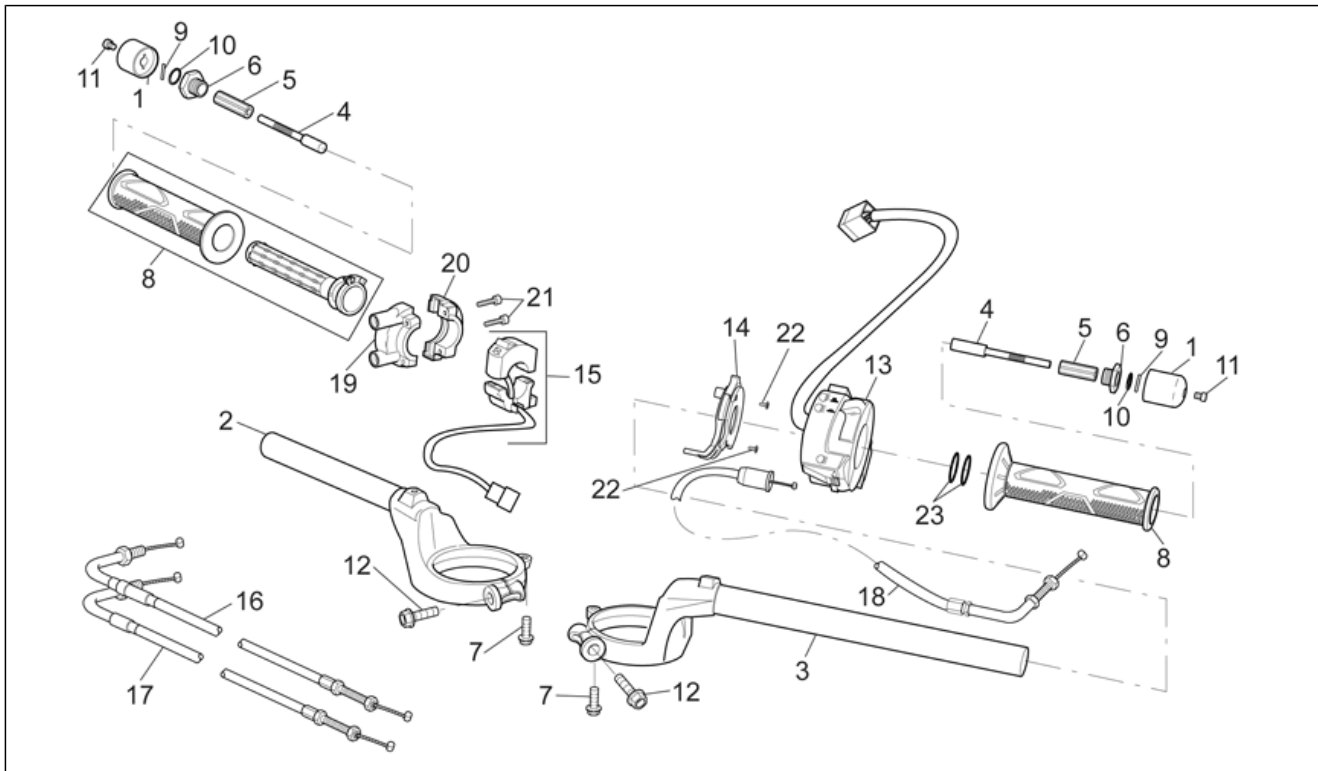
| Pos. | Code | Beschreibung | Menge | Varianten |
|------|-----------|-----------------------------|-------|--|
| 26 | AP8224164 | Rückstrahler Rücklicht, rot | 2 | Land:USA (Zulassung 49 Staaten)[AM], USA (Zulassung California)[CF], Vereinigte Staaten von Amerika[USA] |
| 27 | AP8149037 | H.rückstrahler Support | 1 | Land:USA (Zulassung 49 Staaten)[AM], USA (Zulassung California)[CF], Vereinigte Staaten von Amerika[USA] |
| 28 | AP8149034 | Kennzeichenhalter | 1 | Land:USA (Zulassung 49 Staaten)[AM], USA (Zulassung California)[CF], Vereinigte Staaten von Amerika[USA] |
| 29 | AP8152306 | Selbstsperrende Mutter M5 | 1 | Land:USA (Zulassung 49 Staaten)[AM], USA (Zulassung California)[CF], Vereinigte Staaten von Amerika[USA] |

| | |
|---------------------|-------------------|
| Einheit | RAHMEN |
| Code | 28.20 |
| Beschreibung | Instrumententafel |
| Inspektion | 1 |



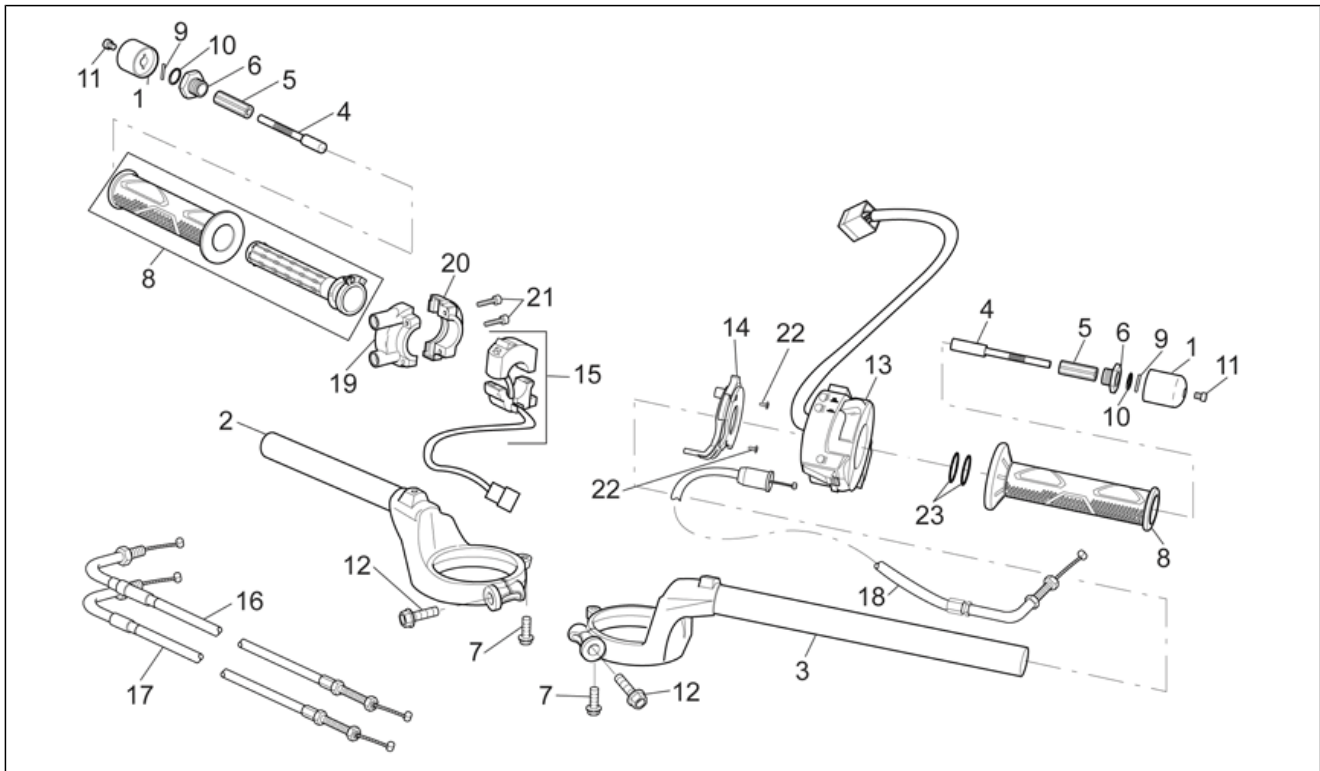
| Pos. | Code | Beschreibung | Menge | Varianten |
|------|-----------|----------------------------|-------|-----------|
| 1 | AP8124294 | Instrum.tafel kplt. | 1 | |
| 2 | AP8112599 | Gummi * | 3 | |
| 3 | AP8152299 | Selbstsperrende Mutter M6 | 3 | |
| 4 | AP8124569 | Lampenhalter kplt. | 5 | |
| 5 | AP8124570 | Lampenhalter kplt. | 3 | |
| 6 | AP8124571 | Lampenhalter kplt. 12V-3W | 2 | |
| 7 | AP8124575 | Kolben Armaturentafel | 5 | |
| 8 | AP8124574 | Gummi | 1 | |
| 9 | AP8124573 | Ob. Armaturenabdeck. | 1 | |
| 10 | AP8124572 | Schraube | 8 | |
| 11 | AP8150014 | Ausgleichscheibe 6,4x12,5* | 3 | |
| 12 | AP8144415 | Dichtung | 1 | |

| | |
|---------------------|------------|
| Einheit | RAHMEN |
| Code | 28.21 |
| Beschreibung | Lenkstange |
| Inspektion | 1 |



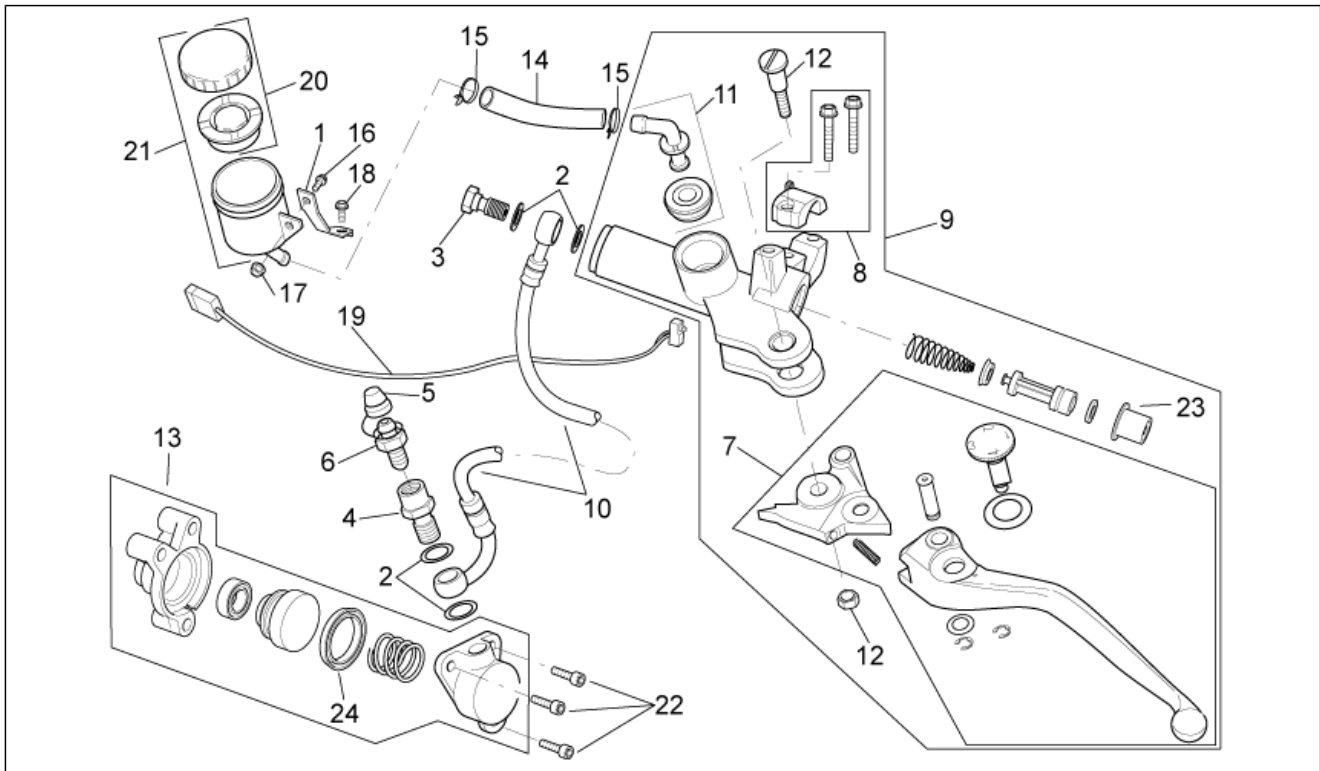
| Pos. | Code | Beschreibung | Menge | Varianten |
|------|-----------|------------------------------|-------|--|
| 1 | AP8102787 | Schwingschutzgewicht schwarz | 2 | |
| 2 | AP8118457 | Halbblenker kpl rechts | 1 | Baujahr:2000[Y] |
| 2 | AP8118603 | Halbblenker kpl rechts | 1 | Baujahr:2001[1], 2002[2], 2003[3] |
| 3 | AP8118458 | Halbblenker kpl links | 1 | Baujahr:2000[Y] |
| 3 | AP8118604 | Halbblenker kpl links | 1 | Baujahr:2001[1], 2002[2], 2003[3] |
| 4 | AP8121262 | Welle Schwingschutz | 2 | |
| 5 | AP8144083 | Gummi | 2 | |
| 6 | AP8121261 | Endstück Schwinggew. | 2 | |
| 7 | AP8152279 | TE Schr. m. Flansch M6x20 | 2 | |
| 8 | AP8118501 | Handgriffe paar, schwarz | 1 | |
| 9 | AP8110074 | Rolle D4x19,8 | 2 | |
| 10 | AP8120178 | O-Ring OR112 | 2 | |
| 11 | AP8152040 | TCEI Schraube | 2 | |
| 12 | AP8152289 | TE Schr. m. Flansch | 2 | |
| 13 | AP8124261 | Linker Lichtschalter | 1 | Baujahr:2000[Y] Land:Österreich[A], Australien[AA], Australien[AUS], Belgien[B], Belgien[BB], Schweiz[CH], Deutschland[D], Dänemark[DK], Spanien[E], A, CH, D, DK, GR, E, I, NL, P[EU], Frankreich[F], Frankreich[FF], Griechenland[GR], Italien[I], Holland[NL], Portugal[P], Großbritannien[UK] |
| 13 | AP8124551 | Linker Lichtschalter | 1 | Baujahr:2000[Y] Land:USA (Zulassung 49 Staaten)[AM], USA (Zulassung California)[CF], Japan[J], Japan[JJ], Vereinigte Staaten von Amerika[USA] |
| 13 | AP8127069 | Linker Lichtschalter | 1 | Baujahr:2001[1], 2002[2], 2003[3] Land:USA (Zulassung 49 Staaten)[AM], USA (Zulassung California)[CF], Japan[J], Japan[JJ], Vereinigte Staaten von Amerika[USA] |
| 13 | AP8127524 | Linker Lichtschalter | 1 | Baujahr:2001[1], 2002[2], 2003[3] Land:Österreich[A], Australien[AA], Australien[AUS], Belgien[B], Belgien[BB], Schweiz[CH], Deutschland[D], Dänemark[DK], Spanien[E], A, CH, D, DK, GR, E, I, NL, P[EU], |

| | |
|---------------------|------------|
| Einheit | RAHMEN |
| Code | 28.21 |
| Beschreibung | Lenkstange |
| Inspektion | 1 |



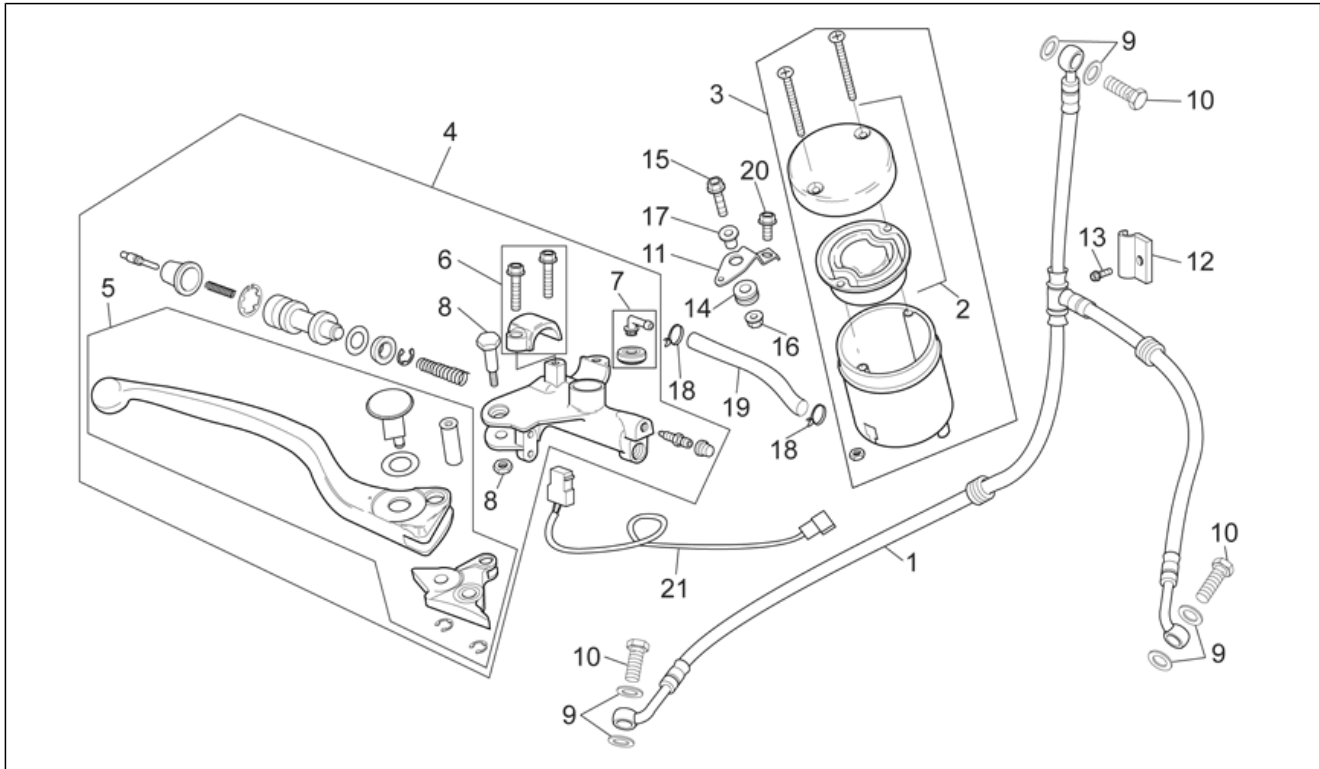
| Pos. | Code | Beschreibung | Menge | Varianten |
|------|-----------|-------------------------------|-------|---|
| | | | | Frankreich[F], Frankreich[FF], Griechenland[GR], Italien[I], Holland[NL], Portugal[P], Großbritannien[UK] |
| 14 | AP8118470 | Starterschaltung | 1 | |
| 15 | AP8118580 | Motor Stop-Start Vorr. | 1 | Baujahr: 2001[1], 2002[2], 2003[3] |
| 15 | AP8124260 | Motor Stop-Start Vorr. | 1 | Baujahr: 2000[Y] |
| 16 | AP8114355 | Gas trasmissione delivery | 1 | |
| 17 | AP8114356 | Gas trasmissione return | 1 | |
| 18 | AP8114369 | Starterzugkabel | 1 | |
| 19 | AP8118566 | Gasschaltung V.Bügelbolzen | 1 | |
| 20 | AP8118567 | Gasschaltung H.Bügelbolzen | 1 | |
| 21 | AP8118492 | Kappenschraube | 2 | |
| 22 | AP8150472 | Edelstahl-Inbusschraube M3x20 | 2 | |
| 23 | AP8120190 | O-Ring 3075 | 2 | |

| | |
|---------------------|----------------|
| Einheit | RAHMEN |
| Code | 28.22 |
| Beschreibung | Kupplungspumpe |
| Inspektion | 1 |



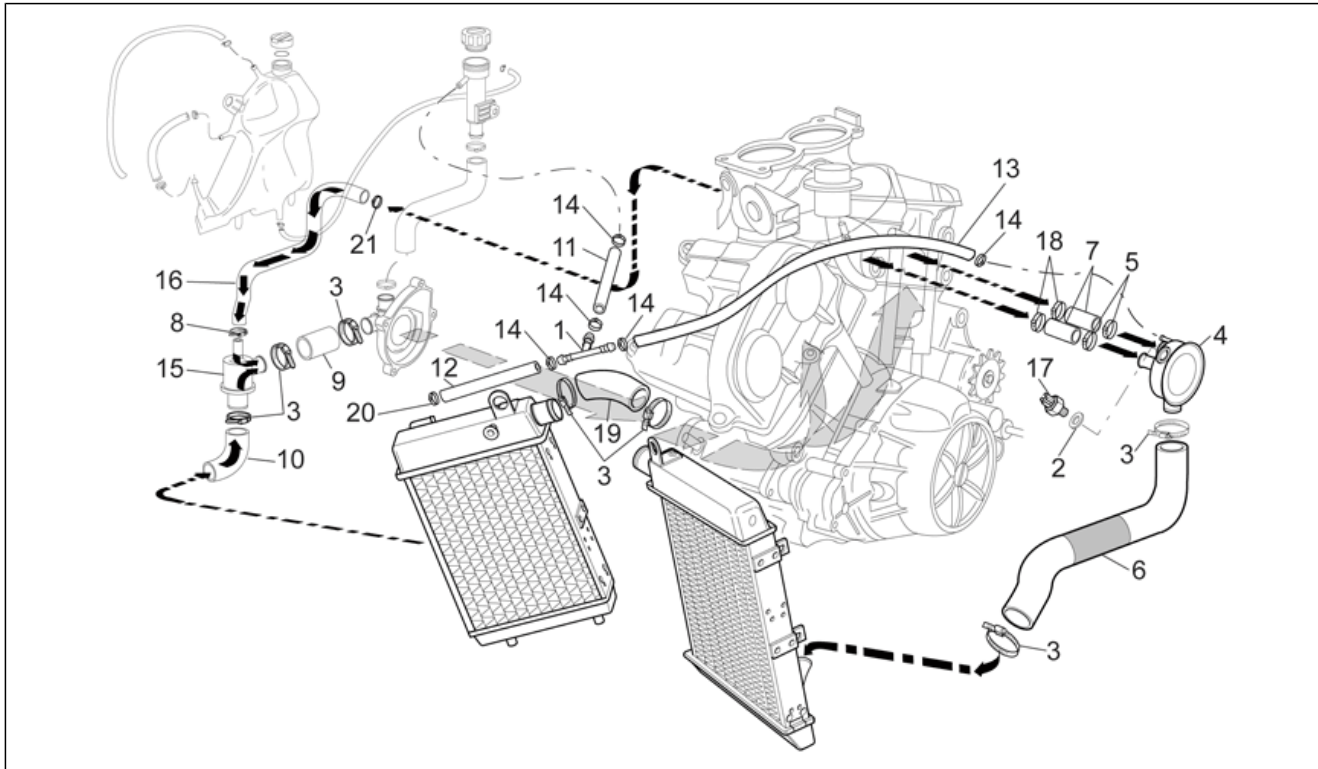
| Pos. | Code | Beschreibung | Menge | Varianten |
|------|-----------|---------------------------|-------|-----------|
| 1 | AP8134394 | Platte f. Ölbehälter | 1 | |
| 2 | AP8121915 | Dichtung | 4 | |
| 3 | AP8113003 | Fixierschraube Ölschlauch | 1 | |
| 4 | AP8113762 | Lochschraube | 1 | |
| 5 | AP8113230 | Entlüftungskappe | 1 | |
| 6 | AP8113761 | Entlüftungsanschluß | 1 | |
| 7 | AP8113758 | Kupplungshebel | 1 | |
| 8 | AP8113759 | Bügelbolzen | 1 | |
| 9 | AP8106384 | Kupplungspumpe | 1 | |
| 10 | AP8113891 | Kupplungsschlauch | 1 | |
| 11 | AP8213057 | Hinterer Pumpenanschluß | 1 | |
| 12 | AP8113719 | Hebelbolzen | 1 | |
| 13 | AP8106381 | Kupplungszyylinder | 1 | |
| 14 | AP8144151 | Gummschlauch | 1 | |
| 15 | AP8101595 | Schelle D10,1 | 2 | |
| 16 | AP8152273 | Flanschschrabe M5x15 | 1 | |
| 17 | AP8152306 | Selbstsperrende Mutter M5 | 1 | |
| 18 | AP8152277 | TE Schr. m. Flansch M6x12 | 1 | |
| 19 | AP8124398 | Kuppl.schalter+Verkab. | 1 | |
| 20 | AP8113553 | Tankverschluß | 1 | |
| 21 | AP8106382 | Öltank kpl | 1 | |
| 22 | AP0241821 | TCEI Schraube M6x45 | 3 | |
| 23 | AP8133522 | Haube | 1 | |
| 24 | AP8106935 | Dichtung | 1 | |

| | |
|---------------------|---------------------|
| Einheit | RAHMEN |
| Code | 28.23 |
| Beschreibung | Vorderradbremspumpe |
| Inspektion | 1 |



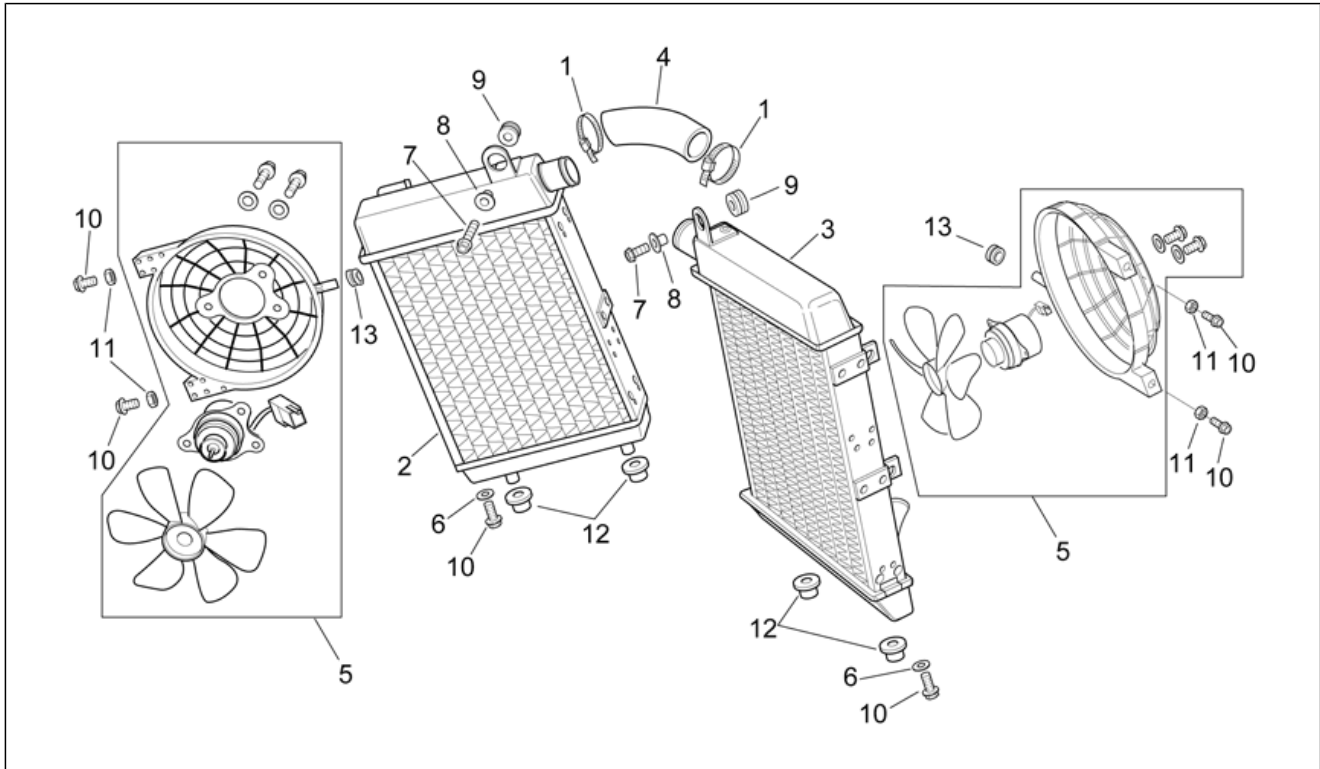
| Pos. | Code | Beschreibung | Menge | Varianten |
|------|-----------|---------------------------|-------|-----------|
| 1 | AP8113896 | Vorderradbremseleitung | 1 | |
| 2 | AP8113598 | Bremsen-Öltankschraube | 1 | |
| 3 | AP8113499 | Öltank Bremsen | 1 | |
| 4 | AP8113763 | Vorderradbremspumpe | 1 | |
| 5 | AP8113757 | Vorderradbremshebel | 1 | |
| 6 | AP8113717 | Bügelbolzen | 1 | |
| 7 | AP8213057 | Hinterer Pumpenanschluß | 1 | |
| 8 | AP8113719 | Hebelbolzen | 1 | |
| 9 | AP8121915 | Dichtung | 6 | |
| 10 | AP8113766 | Lochschraube | 3 | |
| 11 | AP8134383 | Platte f. Ölbehälter | 1 | |
| 12 | AP8134438 | Platte Bremsschlauch | 1 | |
| 13 | AP8152272 | TE Schr. m. Flansch M5x12 | 1 | |
| 14 | AP8120030 | Gummi | 1 | |
| 15 | AP8152280 | TE Schr. m. Flansch M6x25 | 1 | |
| 16 | AP8152299 | Selbstsperrende Mutter M6 | 1 | |
| 17 | AP8221023 | T-Buchse | 1 | |
| 18 | AP8113764 | Schelle | 2 | |
| 19 | AP8144151 | Gummischlauch | 1 | |
| 20 | AP8152277 | TE Schr. m. Flansch M6x12 | 1 | |
| 21 | AP8124288 | Bremslichtschalter | 1 | |

| | |
|---------------------|------------|
| Einheit | RAHMEN |
| Code | 28.24 |
| Beschreibung | Kühlanlage |
| Inspektion | 1 |



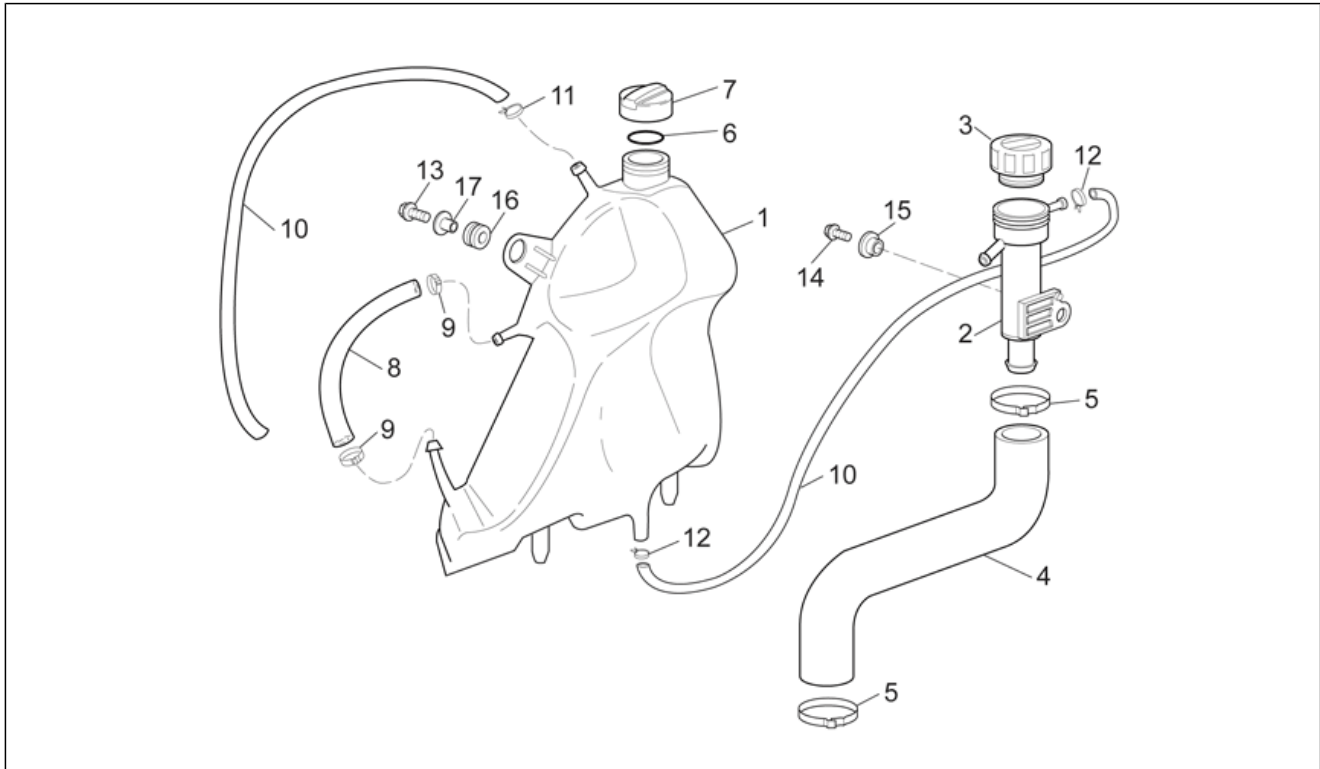
| Pos. | Code | Beschreibung | Menge | Varianten |
|------|-----------|------------------------------|-------|-----------|
| 1 | AP8102431 | 3-Wegeanschluß | 1 | |
| 2 | AP8121837 | Alu-Scheibe | 1 | |
| 3 | AP8104097 | Schlauchschele | 8 | |
| 4 | AP8102677 | 3-Wege-Krümmer | 1 | |
| 5 | AP8102732 | Schelle 17-25 | 2 | |
| 6 | AP8144076 | Kühler-Krümmer Leitung | 1 | |
| 7 | AP8120979 | Schlauch Motor-Krüm. | 2 | |
| 8 | AP8101573 | Schelle D16-24x8* | 1 | |
| 9 | AP8144073 | Schl. Thermostat-Pumpe | 1 | |
| 10 | AP8102773 | Schl. Therm.-Kühl. | 1 | |
| 11 | AP8144308 | Entlüftungsschlauch | 1 | |
| 12 | AP8144309 | Entlüft.schl. Kühler-Ansch. | 1 | |
| 13 | AP8144307 | Entlüft.schl. Anschl.-Krüm. | 1 | |
| 14 | AP8102765 | Schlauchschele weiß D.13,5x6 | 5 | |
| 15 | AP8124929 | Ventil thermostatgruppe 75°C | 1 | |
| 16 | AP8144075 | Schlauch Thermost.-Mot. | 1 | |
| 17 | AP8112939 | Thermoschalter | 1 | |
| 18 | AP8101927 | Schlauchschele D23,5x8* | 2 | |
| 19 | AP8120981 | Wasserschlauch Kühler | 1 | |
| 20 | AP8102764 | Schlauchschele weiß d.13x6 | 1 | |
| 21 | AP8201169 | Schlauchschele D22x8,6* | 1 | |

| | |
|---------------------|--------------|
| Einheit | RAHMEN |
| Code | 28.25 |
| Beschreibung | Wasserkühler |
| Inspektion | 1 |



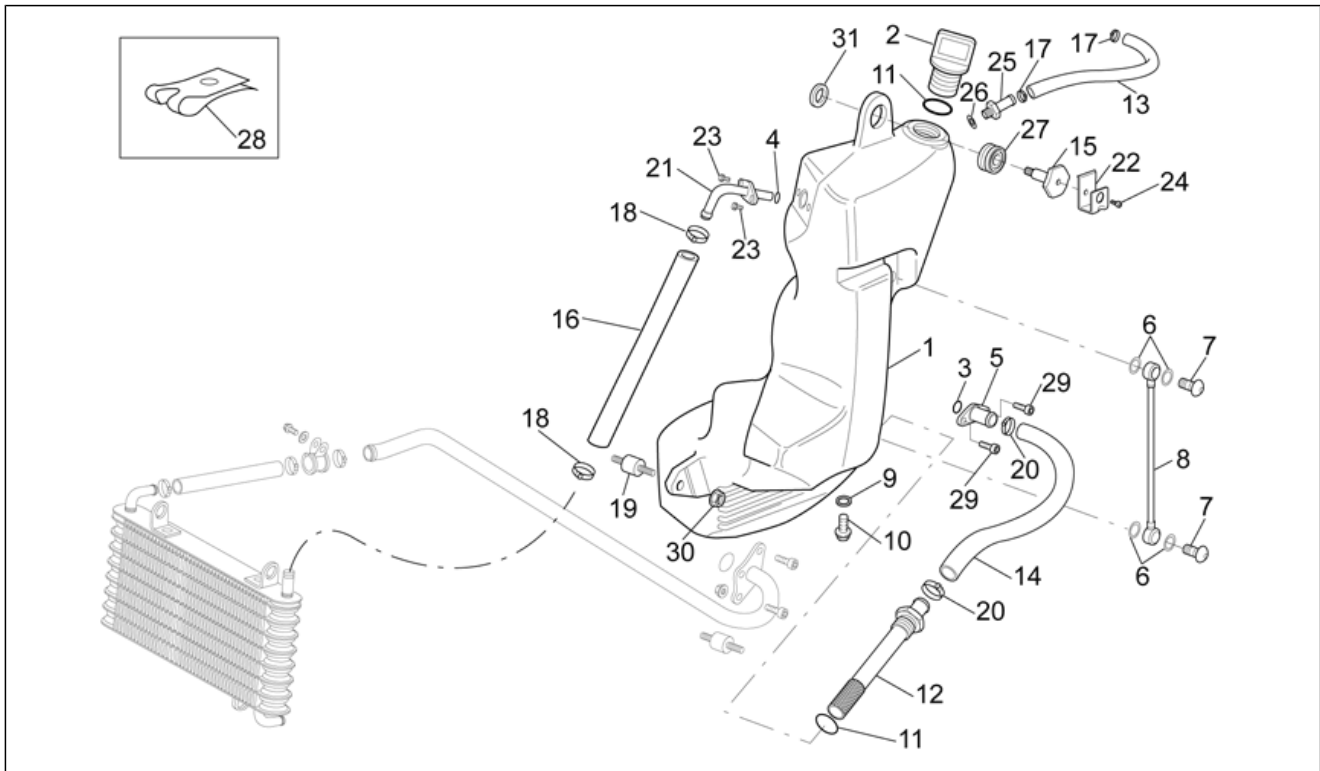
| Pos. | Code | Beschreibung | Menge | Varianten |
|------|-----------|---------------------------|-------|-----------|
| 1 | AP8104097 | Schlauchschelle | 3 | |
| 2 | AP8102952 | Wasserkühler R.schwarz | 1 | |
| 3 | AP8102951 | Wasserkühler L.schwarz | 1 | |
| 4 | AP8120981 | Wasserschlauch Kühler | 1 | |
| 5 | AP8124855 | Ventilator komplett | 2 | |
| 6 | AP8152184 | Ausgleichscheibe 6,4x12* | 2 | |
| 7 | AP8152279 | TE Schr. m. Flansch M6x20 | 2 | |
| 8 | AP8221023 | T-Buchse | 2 | |
| 9 | AP8112600 | Gummi | 2 | |
| 10 | AP8152277 | TE Schr. m. Flansch M6x12 | 6 | |
| 11 | AP8150026 | Mutter M6 | 4 | |
| 12 | AP8101372 | Silent-Block | 4 | |
| 13 | AP8120030 | Gummi | 2 | |

| | |
|---------------------|--------------|
| Einheit | RAHMEN |
| Code | 28.26 |
| Beschreibung | Ausdehngefäß |
| Inspektion | 1 |



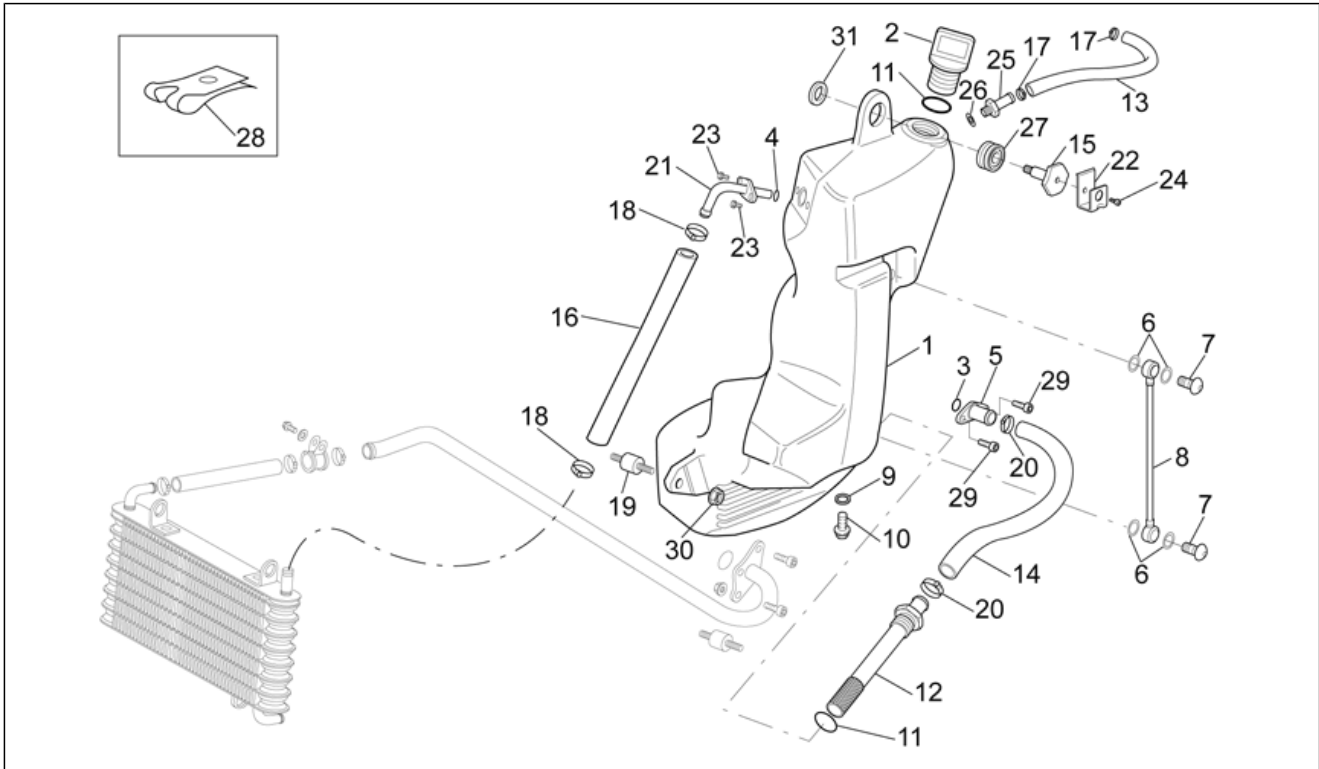
| Pos. | Code | Beschreibung | Menge | Varianten |
|------|-----------|---------------------------------|-------|-----------|
| 1 | AP8138781 | Ausdehngefäß | 1 | |
| 2 | AP8120988 | Tankstutzen | 1 | |
| 3 | AP8102615 | Deckel | 1 | |
| 4 | AP8144032 | Schl. Pumpe-Stutzen | 1 | |
| 5 | AP8101927 | Schlauchschelle D23,5x8* | 2 | |
| 6 | AP8220191 | Dichtung | 1 | |
| 7 | AP8104124 | Ausdehnsg. Schraube | 1 | |
| 8 | AP8106675 | Füllstandschlauch | 1 | |
| 9 | AP8120446 | Schlauchschelle, grün D11x6,6x1 | 2 | |
| 10 | AP8120952 | Kraftstoffleitung 5,5x10 | 1 | |
| 11 | AP8101595 | Schelle D10,1 | 1 | |
| 12 | AP8102738 | Schlauchschelle | 2 | |
| 13 | AP8152279 | TE Schr. m. Flansch M6x20 | 1 | |
| 14 | AP8152273 | Flanschschraube M5x15 | 1 | |
| 15 | AP8120531 | Gummi mit Einsatz | 1 | |
| 16 | AP8120030 | Gummi | 1 | |
| 17 | AP8221023 | T-Buchse | 1 | |

| | |
|---------------------|--------|
| Einheit | RAHMEN |
| Code | 28.27 |
| Beschreibung | Öltank |
| Inspektion | 1 |



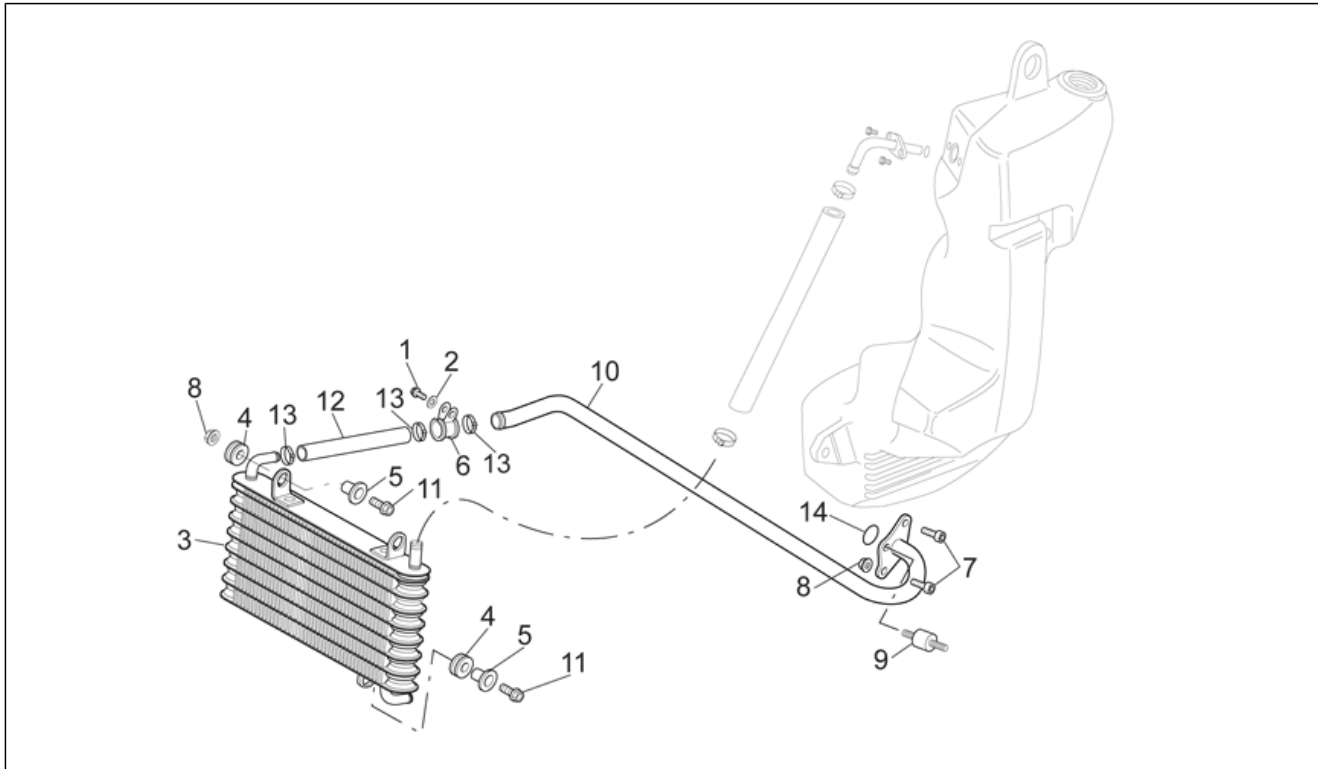
| Pos. | Code | Beschreibung | Menge | Varianten |
|------|-----------|--------------------------------|-------|-----------|
| 1 | AP8138792 | Öltank Grau | 1 | |
| 2 | AP8102618 | Öltankschraube | 1 | |
| 3 | AP8120196 | O-Ring 3056 | 1 | |
| 4 | AP8144008 | O-Ring 115 | 1 | |
| 5 | AP8106387 | Ölschlauch | 1 | |
| 6 | AP8113004 | Ausgleichscheibe 10x14x1,6* | 4 | |
| 7 | AP8121409 | Fixierschraube Ölschlauch | 2 | |
| 8 | AP8144275 | Ölstandschlauch | 1 | |
| 9 | AP8121862 | Ausgleichscheibe D8x16x1,5 | 1 | |
| 10 | AP8152285 | TE Schr. m. Flansch | 1 | |
| 11 | AP8120190 | O-Ring 3075 | 2 | |
| 12 | AP8104049 | Ölfiltersatz kpl. | 1 | |
| 13 | AP8144015 | Ölschlauch 6x12 | 1 | |
| 14 | AP8144148 | Ölschlauch | 1 | |
| 15 | AP8121387 | Fixierplatte Öltank | 1 | |
| 16 | AP8106389 | Ölschlauch 12x19 | 1 | |
| 17 | AP8120446 | Schlauchschele, grün D11x6,6x1 | 2 | |
| 18 | AP8102349 | Schlauchschele weiß D17,5x8 | 2 | |
| 19 | AP8144061 | Silent-Block | 1 | |
| 20 | AP8102786 | Schlauchschele 20x8 | 2 | |
| 21 | AP8106588 | Öleinlaßschlauch | 1 | |
| 22 | AP8134603 | Fixierplatte Verkl. links | 1 | |
| 23 | AP8152277 | TE Schr. m. Flansch M6x12 | 2 | |
| 24 | AP8150050 | TCEI Schraube M5x16 | 1 | |
| 25 | AP8102626 | 2-Wege Anschluß | 1 | |
| 26 | AP8152184 | Ausgleichscheibe 6,4x12* | 1 | |
| 27 | AP8220369 | Gummi | 1 | |
| 28 | AP8102375 | Klammer M5 | 1 | |

| | |
|---------------------|--------|
| Einheit | RAHMEN |
| Code | 28.27 |
| Beschreibung | Öltank |
| Inspektion | 1 |



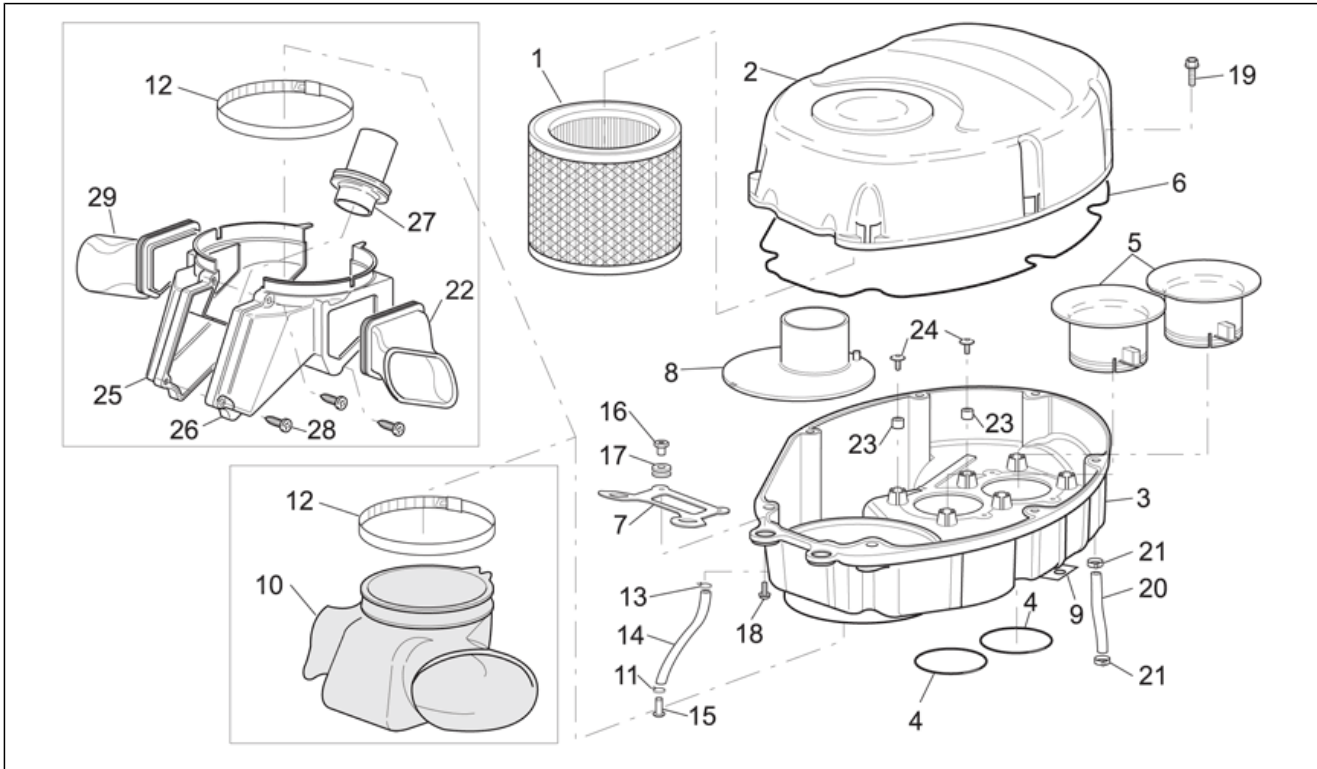
| Pos. | Code | Beschreibung | Menge | Varianten |
|------|-----------|---------------------------|-------|-----------|
| 29 | AP8150137 | TCEI Schraube M6x16 | 2 | |
| 30 | AP8152299 | Selbstsperrende Mutter M6 | 1 | |
| 31 | AP8150018 | Ausgleichscheibe | 1 | |

| | |
|---------------------|----------|
| Einheit | RAHMEN |
| Code | 28.28 |
| Beschreibung | Ölkühler |
| Inspektion | 1 |



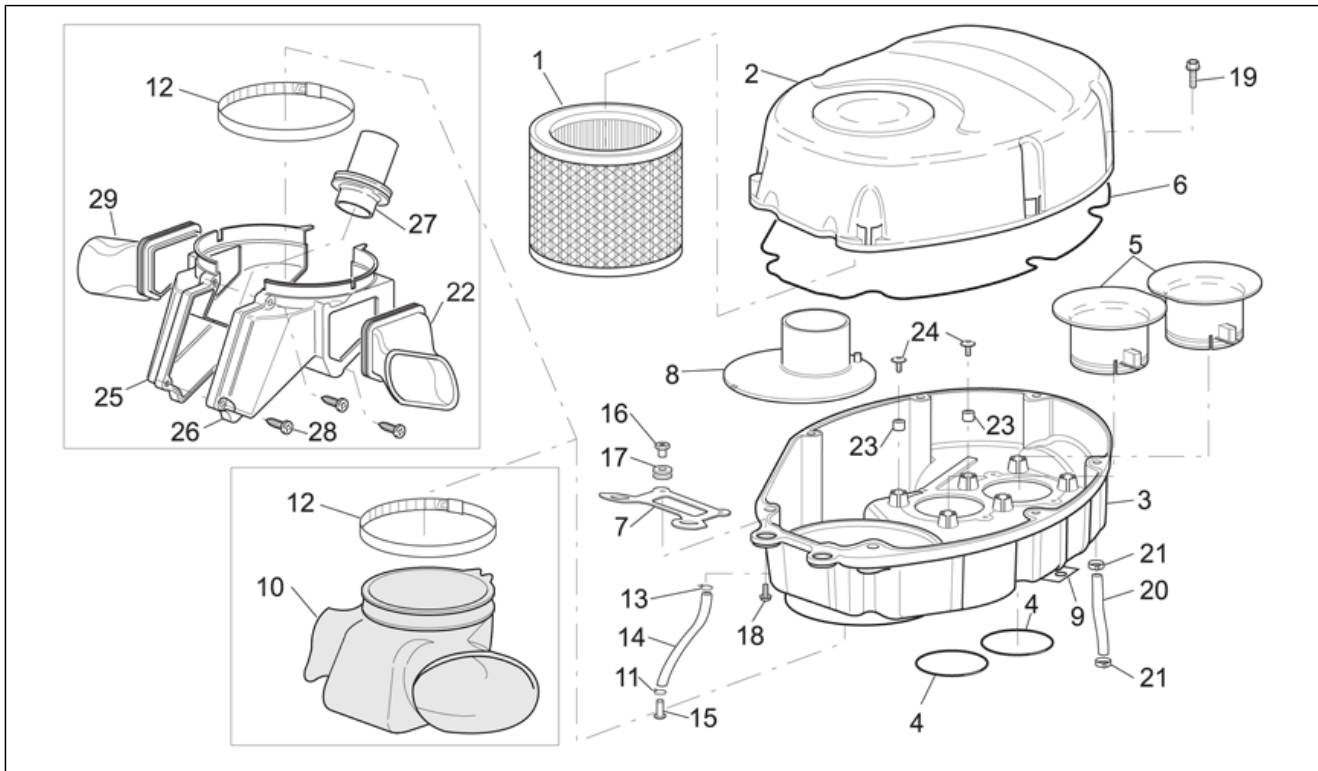
| Pos. | Code | Beschreibung | Menge | Varianten |
|------|-----------|------------------------------|-------|-----------|
| 1 | AP8152278 | TE Schr. m. Flansch M6x16 | 1 | |
| 2 | AP8150015 | Ausgleichscheibe 6,6x18x1,6* | 1 | |
| 3 | AP8102907 | Ölkühler kpl. | 1 | |
| 4 | AP8120030 | Gummi | 3 | |
| 5 | AP8221023 | T-Buchse | 3 | |
| 6 | AP8102731 | Schelle | 1 | |
| 7 | AP8150137 | TCEI Schraube M6x16 | 2 | |
| 8 | AP8152299 | Selbstsperrende Mutter M6 | 4 | |
| 9 | AP8144061 | Silent-Block | 1 | |
| 10 | AP8106388 | Ölschlauch | 1 | |
| 11 | AP8152279 | TE Schr. m. Flansch M6x20 | 3 | |
| 12 | AP8106389 | Ölschlauch 12x19 | 1 | |
| 13 | AP8102349 | Schlauchschelle weiß D17,5x8 | 3 | |
| 14 | AP8144008 | O-Ring 115 | 1 | |

| | |
|---------------------|---------------|
| Einheit | RAHMEN |
| Code | 28.29 |
| Beschreibung | Filtergehäuse |
| Inspektion | 1 |



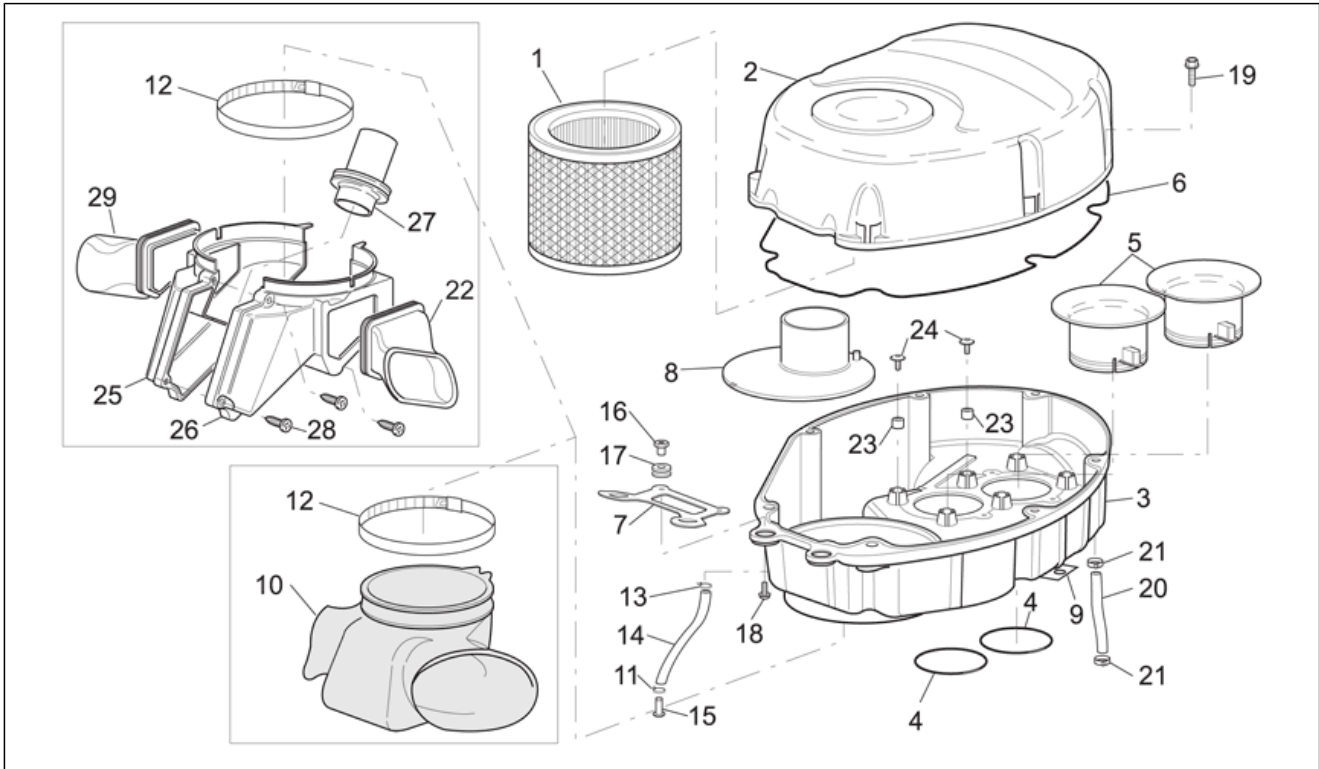
| Pos. | Code | Beschreibung | Menge | Varianten |
|------|-----------|---------------------------|-------|---|
| 1 | AP8102610 | Luftfilter | 1 | |
| 2 | AP8149048 | Oberteil Filtergehäuse | 2 | |
| 3 | AP8149667 | Unterteil Filtergehäuse | 1 | Land: Österreich[A], Australien[AA], Australien[AUS], Belgien[B], Belgien[BB], Schweiz[CH], Deutschland[D], Dänemark[DK], Spanien[E], A, CH, D, DK, GR, E, I, NL, P[EU], Griechenland[GR], Italien[I], Japan[J], Japan[JJ], Holland[NL], Portugal[P], Großbritannien[UK] |
| 3 | AP8149667 | Unterteil Filtergehäuse | 1 | Land: USA (Zulassung 49 Staaten)[AM], Vereinigte Staaten von Amerika[USA] Technische Daten: Zulassung 49 Staaten[49st] |
| 3 | AP8149669 | Unterteil Filtergehäuse | 1 | Land: USA (Zulassung California)[CF], Vereinigte Staaten von Amerika[USA] Technische Daten: Zulassung California[cal] |
| 3 | AP8149723 | Unterteil Filtergehäuse | 1 | Land: Belgien[B], Belgien[BB] Technische Daten: Leistung 78 Kw[78Kw] |
| 3 | AP8149723 | Unterteil Filtergehäuse | 1 | Land: Frankreich[F], Frankreich[FF] Technische Daten: Leistung 78 Kw[78Kw] |
| 4 | AP8144063 | O-Ring 159 | 2 | |
| 5 | AP8106395 | Einlaßöffnung | 2 | |
| 6 | AP8120615 | Dichtung D3 | 1 | |
| 7 | AP8134595 | Fixierung vorn Filtergeh. | 1 | |
| 8 | AP8134399 | Reduziermembran | 1 | Baujahr: 2001[1], 2000[Y] Land: Australien[AA], Australien[AUS] Technische Daten: Version OHNE Katalysator[nocat] |
| 8 | AP8134399 | Reduziermembran | 1 | Land: Österreich[A], Schweiz[CH], Deutschland[D], Dänemark[DK], Spanien[E], A, CH, D, DK, GR, E, I, NL, P[EU], Griechenland[GR], Italien[I], Japan[J], Japan[JJ], Holland[NL], Portugal[P], Großbritannien[UK] Technische Daten: Version OHNE Katalysator[nocat] |
| 8 | AP8134493 | Reduziermembran | 1 | Baujahr: 2001[1], 2000[Y] Land: Australien[AA], Australien[AUS] Technische Daten: Version mit Katalysator[cat] |

| | |
|---------------------|---------------|
| Einheit | RAHMEN |
| Code | 28.29 |
| Beschreibung | Filtergehäuse |
| Inspektion | 1 |



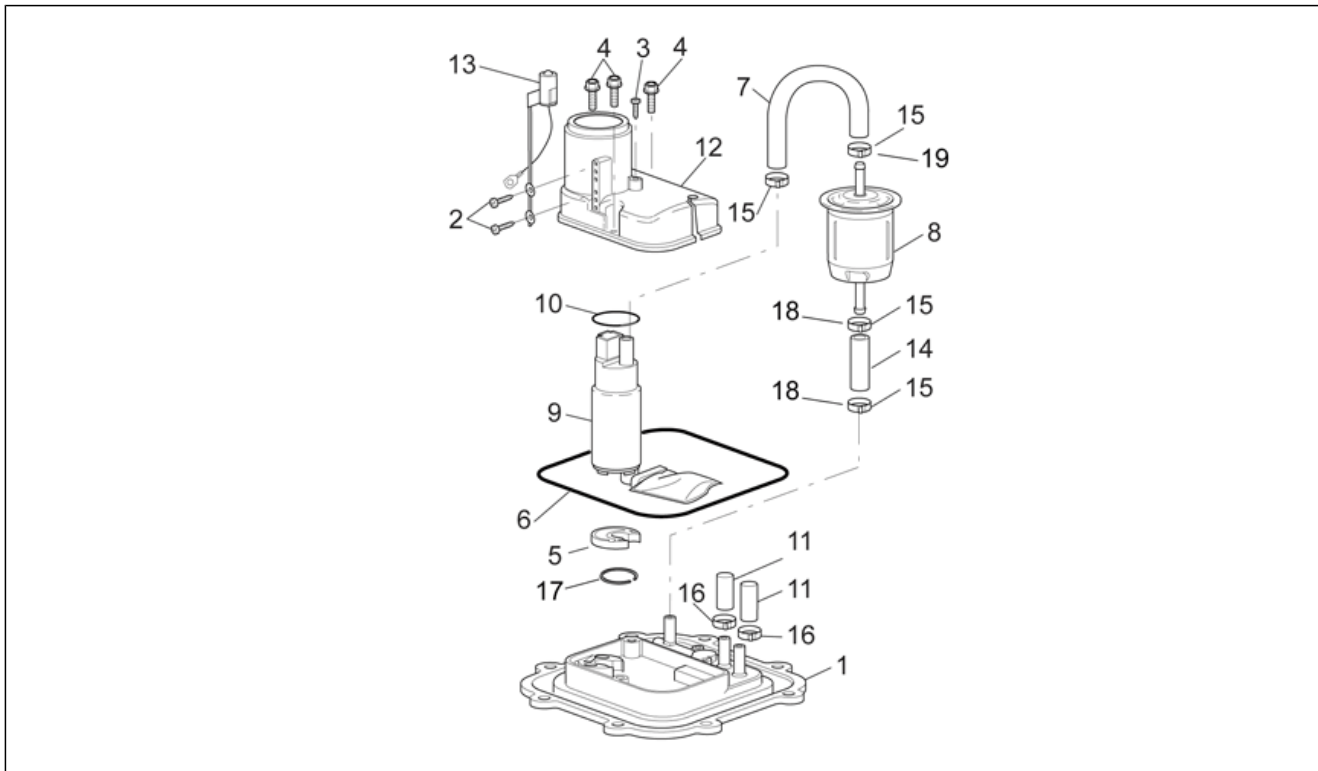
| Pos. | Code | Beschreibung | Menge | Varianten |
|------|-----------|-------------------------------|-------|--|
| 8 | AP8134493 | Reduziermembran | 1 | Land: USA (Zulassung 49 Staaten)[AM], USA (Zulassung California)[CF], Vereinigte Staaten von Amerika[USA] |
| 8 | AP8134493 | Reduziermembran | 1 | Land: Belgien[B], Belgien[BB] Technische Daten: Leistung 72 Kw[72Kw] |
| 8 | AP8134739 | Reduziermembran | 1 | Baujahr: 2002[2], 2003[3] Land: Australien[AA], Australien[AUS] Technische Daten: Version mit Katalysator[cat] |
| 8 | AP8134739 | Reduziermembran | 1 | Land: Österreich[A], Schweiz[CH], Deutschland[D], Dänemark[DK], Spanien[E], A, CH, D, DK, GR, E, I, NL, P[EU], Griechenland[GR], Italien[I], Japan[J], Japan[JJ], Holland[NL], Portugal[P], Großbritannien[UK] Technische Daten: Version mit Katalysator[cat] |
| 9 | AP8134437 | Platte | 1 | |
| 10 | AP8144085 | Ansaugmuffe | 1 | |
| 11 | AP8102377 | Schelle D9,1* | 1 | |
| 12 | AP8102763 | Schelle 100-120 | 1 | |
| 13 | AP8101595 | Schelle D10,1 | 1 | |
| 14 | AP8144038 | Kraftstoffleitung 6x10 | 1 | |
| 15 | AP8120876 | Verschlußschraube | 1 | |
| 16 | AP8121731 | T-Buchse * | 2 | |
| 17 | AP8120030 | Gummi | 2 | |
| 18 | AP8152278 | TE Schr. m. Flansch M6x16 | 2 | |
| 19 | AP8152273 | Flanschschraube M5x15 | 7 | |
| 20 | AP8120987 | Leitung 9x14 | 1 | |
| 21 | AP8102766 | Schelle | 2 | |
| 22 | AP8144411 | Einlaßmuffe links | 1 | |
| 23 | AP8120253 | Distanzscheibe | 6 | |
| 24 | AP8152246 | TBEI Schraube m.Flansch M6x16 | 6 | |
| 25 | AP8106812 | Rechter Ansaugkrümmer | 1 | |
| 26 | AP8106813 | Linker Ansaugkrümmer | 1 | |

| | |
|---------------------|---------------|
| Einheit | RAHMEN |
| Code | 28.29 |
| Beschreibung | Filtergehäuse |
| Inspektion | 1 |



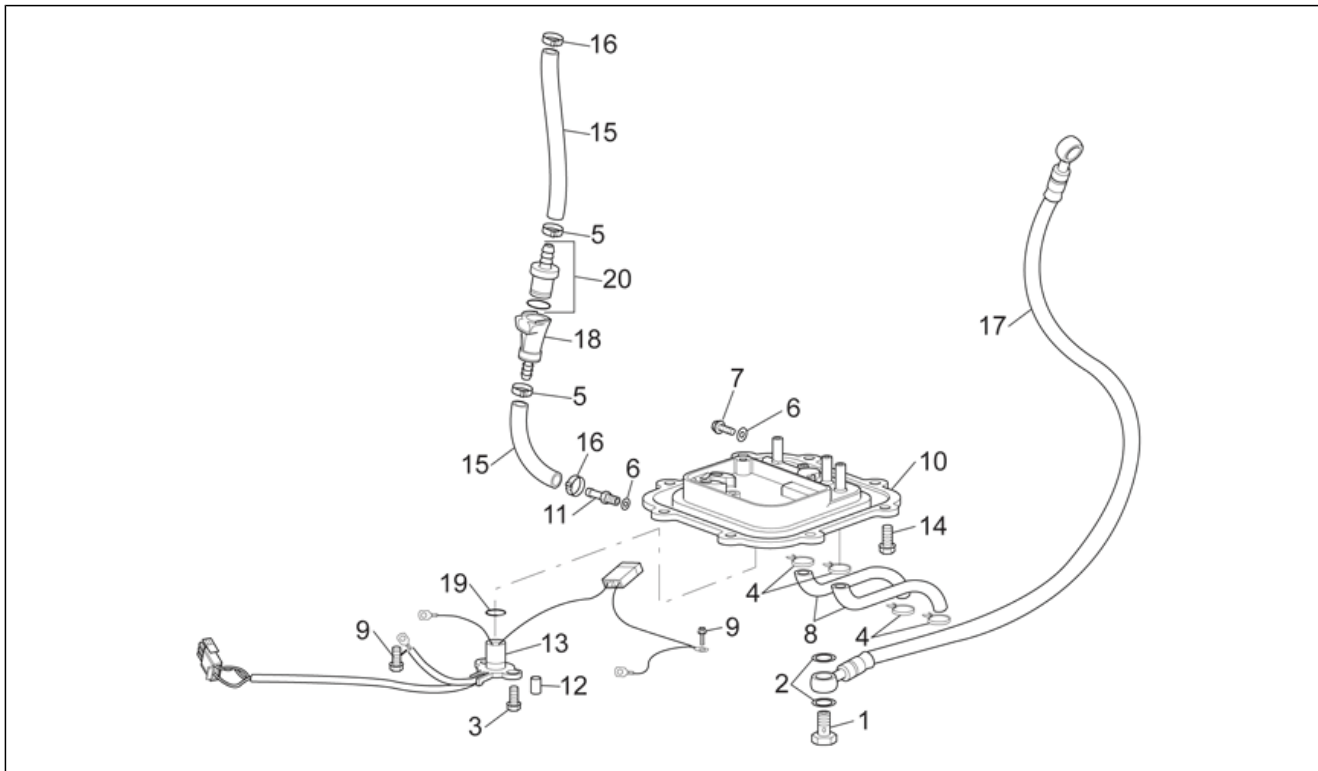
| Pos. | Code | Beschreibung | Menge | Varianten |
|------|-----------|--------------------------------|-------|-----------|
| 27 | AP8144383 | Drosselspindel | 1 | |
| 28 | AP8221242 | Gewindeschraube Spezial 3,5x20 | 3 | |
| 29 | AP8144410 | Einlaßmuffe rechts | 1 | |

| | |
|---------------------|-------------------|
| Einheit | RAHMEN |
| Code | 28.30 |
| Beschreibung | Kraftstoffpumpe I |
| Inspektion | 1 |



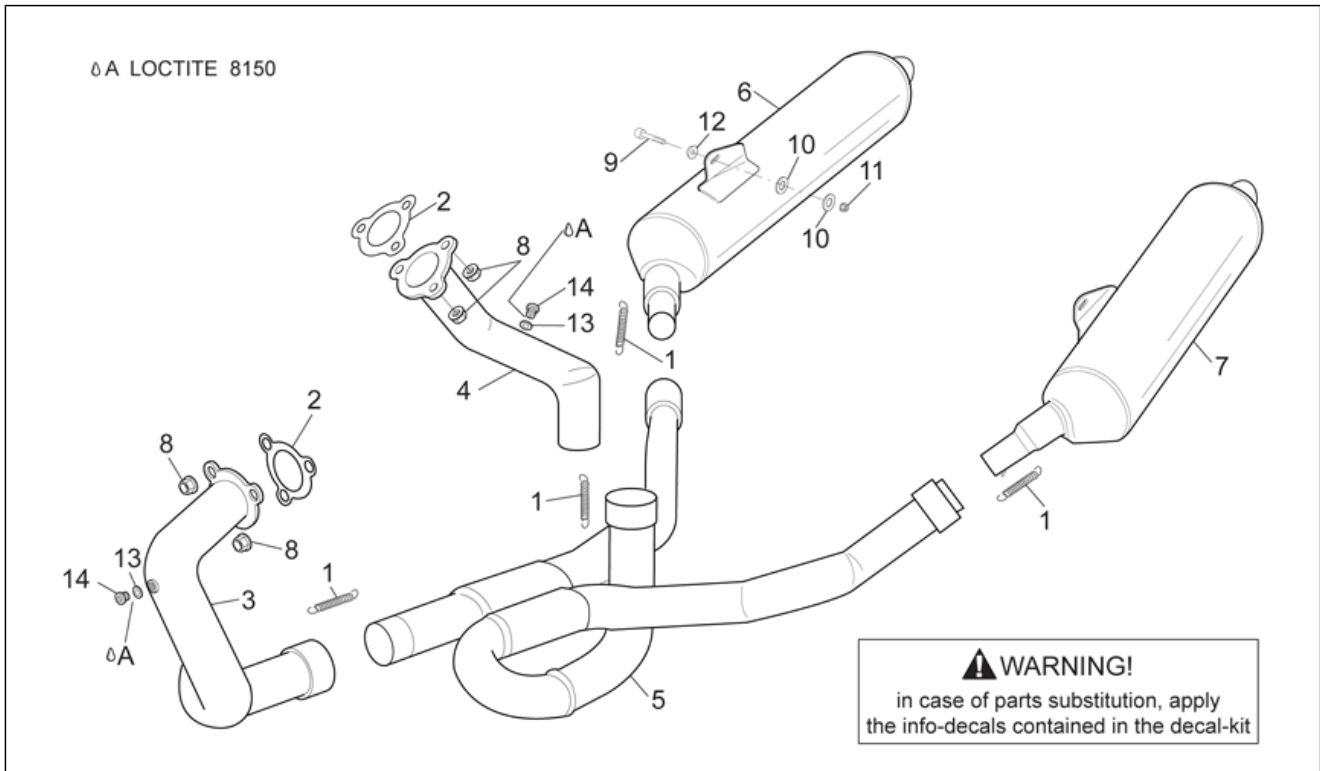
| Pos. | Code | Beschreibung | Menge | Varianten |
|------|-----------|-------------------------------|-------|--------------------------|
| 1 | AP8106386 | Kraftst.pumpen-Verschl. | 1 | |
| 2 | AP8104455 | Gew.schr. 2,9x9,5 | 2 | Baujahr:2002[2], 2003[3] |
| 2 | AP8150421 | Gew.schr. 2,9x12 | 2 | Baujahr:2001[1], 2000[Y] |
| 3 | AP8150413 | Gew.schr. 3,9x14 | 1 | |
| 4 | AP8152273 | Flanschschraube M5x15 | 8 | |
| 5 | AP8144003 | Kraftst.pumpen-Gummi | 1 | Baujahr:2001[1], 2000[Y] |
| 6 | AP8144010 | O-Ring 199 | 1 | Baujahr:2001[1], 2000[Y] |
| 6 | AP8144477 | Gasket ring | 1 | Baujahr:2002[2], 2003[3] |
| 7 | AP8120990 | Kraft.schl. Pumpe-Filter | 1 | Baujahr:2001[1], 2000[Y] |
| 7 | AP8144226 | Kraftstoffleitung | 1 | Baujahr:2002[2], 2003[3] |
| 8 | AP8102627 | Kraftstofffilter | 1 | Baujahr:2001[1], 2000[Y] |
| 8 | AP8102971 | Kraftstofffilter | 1 | Baujahr:2002[2], 2003[3] |
| 9 | AP8106385 | Kraftstoffpumpe | 1 | |
| 10 | AP8144011 | O-Ring 3125 | 1 | Baujahr:2001[1], 2000[Y] |
| 11 | AP8144298 | Entlüftungsschraube | 2 | |
| 12 | AP8104456 | Halter Kraftstoffpumpe | 1 | Baujahr:2002[2], 2003[3] |
| 12 | AP8138624 | Halter Kraftstoffpumpe | 1 | Baujahr:2001[1], 2000[Y] |
| 13 | AP8124297 | Standfühler | 1 | |
| 14 | AP8120991 | Kraftstoffleitung 7,5x14,5 | 1 | Baujahr:2001[1], 2000[Y] |
| 14 | AP8144476 | Kraftstoffleitung | 1 | Baujahr:2002[2], 2003[3] |
| 15 | AP8102765 | Schlauchschelle weiß D.13,5x6 | 4 | Baujahr:2001[1], 2000[Y] |
| 16 | AP8102765 | Schlauchschelle weiß D.13,5x6 | 2 | |
| 17 | AP8104457 | Sprengring | 1 | Baujahr:2002[2], 2003[3] |
| 18 | AP8104459 | Schelle | 2 | Baujahr:2002[2], 2003[3] |
| 19 | AP8104458 | Schelle | 1 | Baujahr:2002[2], 2003[3] |

| | |
|---------------------|--------------------|
| Einheit | RAHMEN |
| Code | 28.31 |
| Beschreibung | Kraftstoffpumpe II |
| Inspektion | 1 |



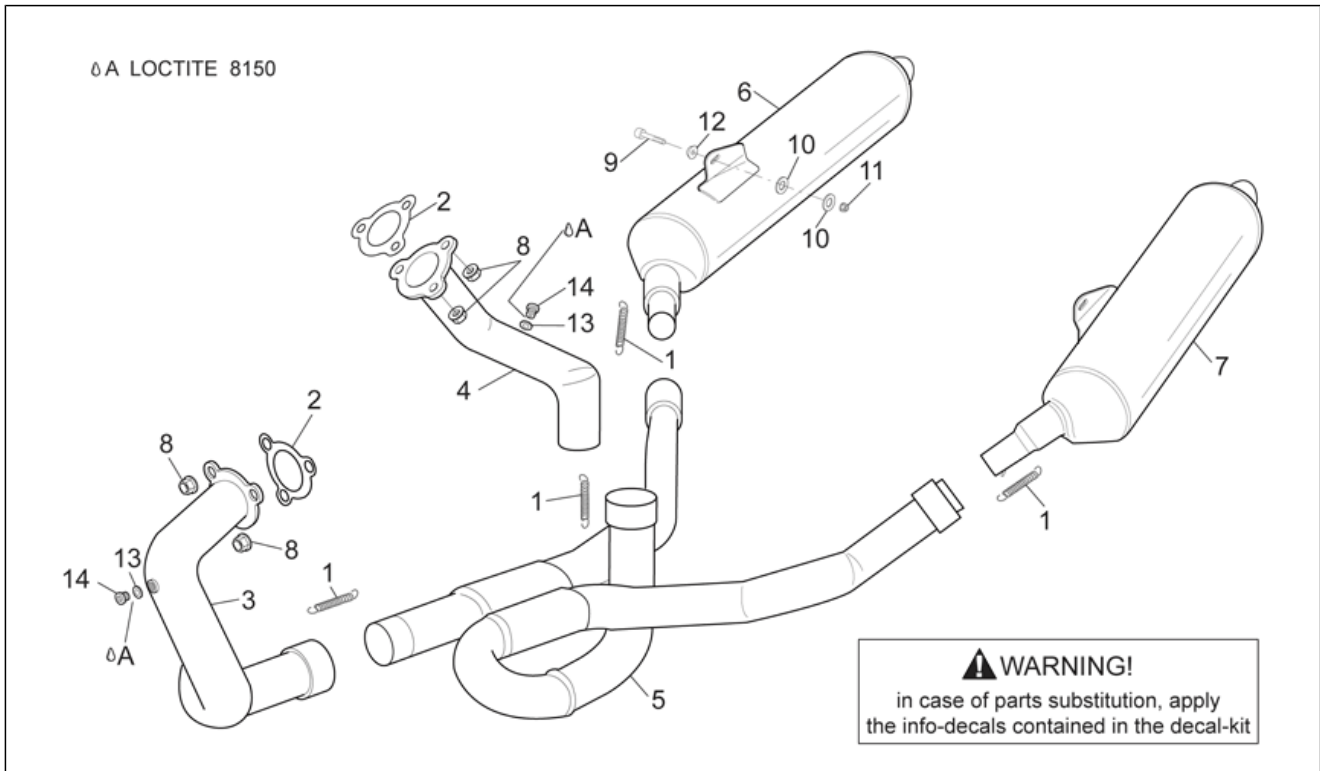
| Pos. | Code | Beschreibung | Menge | Varianten |
|------|-----------|----------------------------|-------|--------------------------|
| 1 | AP8106443 | Lochschraube | 1 | |
| 2 | AP8106444 | Dichtung 18x12,2x1,5 | 2 | |
| 3 | AP8152278 | TE Schr. m. Flansch M6x16 | 2 | |
| 4 | AP8101595 | Schelle D10,1 | 4 | |
| 5 | AP8102764 | Schlauchschele weiß d.13x6 | 2 | |
| 6 | AP8152184 | Ausgleichscheibe 6,4x12* | 2 | |
| 7 | AP8152277 | TE Schr. m. Flansch M6x12 | 1 | |
| 8 | AP8144160 | Entlüftungsschl. Tank | 2 | |
| 9 | AP8152272 | TE Schr. m. Flansch M5x12 | 2 | |
| 10 | AP8106386 | Kraftst.pumpen-Verschl. | 1 | |
| 11 | AP8102626 | 2-Wege Anschluß | 1 | |
| 12 | AP8120253 | Distanzscheibe | 2 | |
| 13 | AP8124529 | Kraftstoffpumpe kabel | 1 | Baujahr:2001[1], 2000[Y] |
| 13 | AP8127321 | Kraftstoffpumpe kabel | 1 | Baujahr:2002[2], 2003[3] |
| 14 | AP8152273 | Flanschschraube M5x15 | 8 | |
| 15 | AP8144069 | Kraftstoffleitung 6x13 | 1 | |
| 16 | AP8102239 | Schelle 12,5x8 | 1 | |
| 17 | AP8120992 | Kraftstoffleitung | 1 | |
| 18 | AP8102829 | Anschluss | 1 | |
| 19 | AP8120285 | O-Ring 123 | 1 | Baujahr:2001[1], 2000[Y] |
| 19 | AP8144475 | Gasket ring | 1 | Baujahr:2002[2], 2003[3] |
| 20 | AP8102873 | Anschluss | 1 | |

| | |
|---------------------|-------------|
| Einheit | RAHMEN |
| Code | 28.33 |
| Beschreibung | Auspuffrohr |
| Inspektion | 1 |



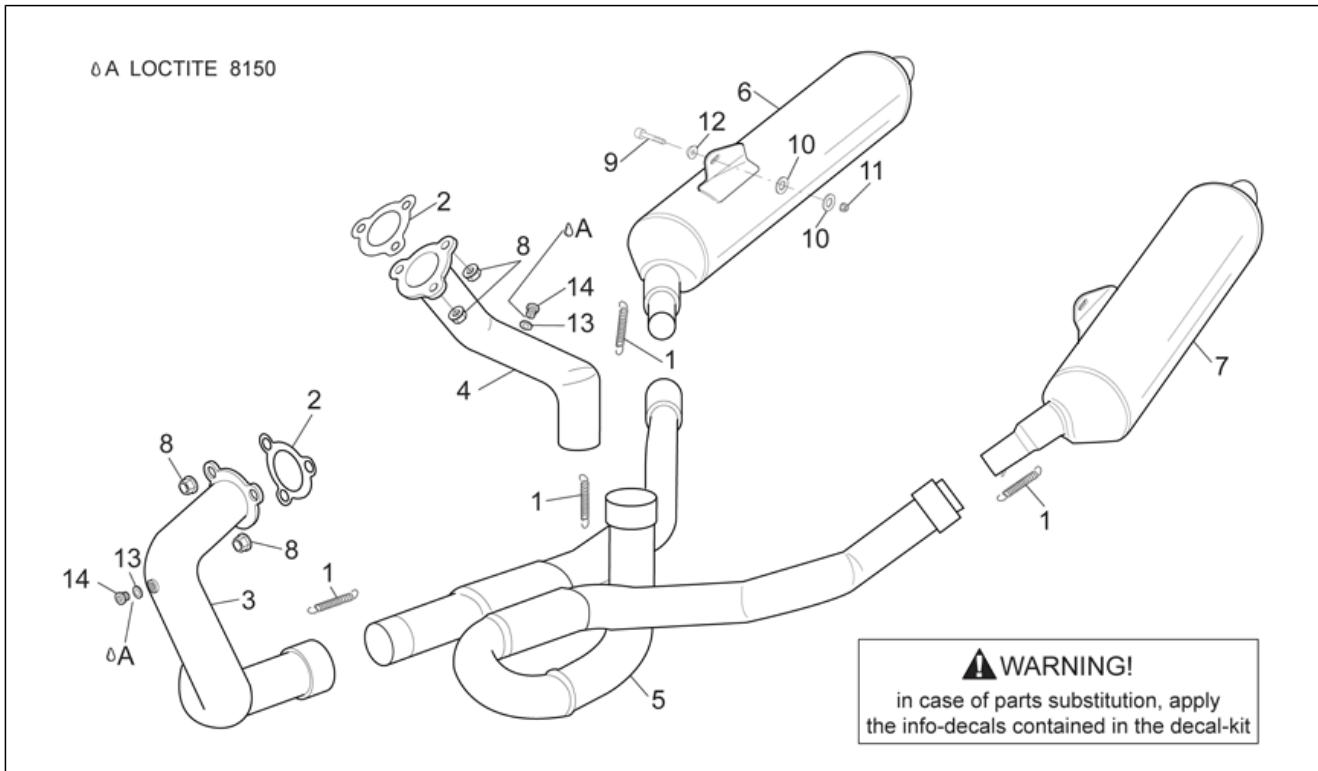
| Pos. | Code | Beschreibung | Menge | Varianten |
|------|-----------|----------------------|-------|---|
| 1 | AP8121355 | Feder Auspuffrohre | 4 | |
| 2 | AP8119414 | Dichtung Auspuffrohr | 2 | |
| 3 | AP8119429 | Auspuffrohr vorn | 1 | |
| 4 | AP8119430 | Auspuffrohr hinten | 1 | |
| 5 | AP8119428 | mitt. Auspuffrohr | 1 | |
| 6 | AP8119431 | Auspufftopf rechts | 1 | Baujahr: 2000[Y] Land: Österreich[A], Australien[AA], Australien[AUS], Belgien[B], Belgien[BB], Schweiz[CH], Deutschland[D], Dänemark[DK], Spanien[E], A, CH, D, DK, GR, E, I, NL, P[EU], Frankreich[F], Frankreich[FF], Griechenland[GR], Italien[I], Japan[J], Japan[JJ], Holland[NL], Portugal[P], Großbritannien[UK] |
| 6 | AP8119583 | Auspufftopf rechts | 1 | Baujahr: 2001[1], 2000[Y] Land: USA (Zulassung 49 Staaten)[AM], Vereinigte Staaten von Amerika[USA] Technische Daten: Zulassung 49 Staaten[49st] |
| 6 | AP8119585 | Auspufftopf rechts | 1 | Baujahr: 2001[1], 2000[Y] Land: USA (Zulassung California)[CF], Vereinigte Staaten von Amerika[USA] Technische Daten: Zulassung California[cal] |
| 6 | AP8119619 | Auspufftopf rechts | 1 | Baujahr: 2000[Y] Land: Österreich[A], Australien[AA], Australien[AUS], Belgien[B], Belgien[BB], Schweiz[CH], Deutschland[D], Dänemark[DK], Spanien[E], A, CH, D, DK, GR, E, I, NL, P[EU], Frankreich[F], Frankreich[FF], Griechenland[GR], Italien[I], Japan[J], Japan[JJ], Holland[NL], Portugal[P], Großbritannien[UK] |
| 6 | AP8119619 | Auspufftopf rechts | 1 | Baujahr: 2001[1] Land: Österreich[A], Australien[AA], Australien[AUS], Belgien[B], Belgien[BB], Schweiz[CH], Deutschland[D], Dänemark[DK], Spanien[E], A, CH, D, DK, GR, E, I, NL, P[EU], Frankreich[F], Frankreich[FF], Griechenland[GR], Italien[I], Japan[J], Japan[JJ], Holland[NL], Portugal[P], Großbritannien[UK] |

| | |
|---------------------|-------------|
| Einheit | RAHMEN |
| Code | 28.33 |
| Beschreibung | Auspuffrohr |
| Inspektion | 1 |



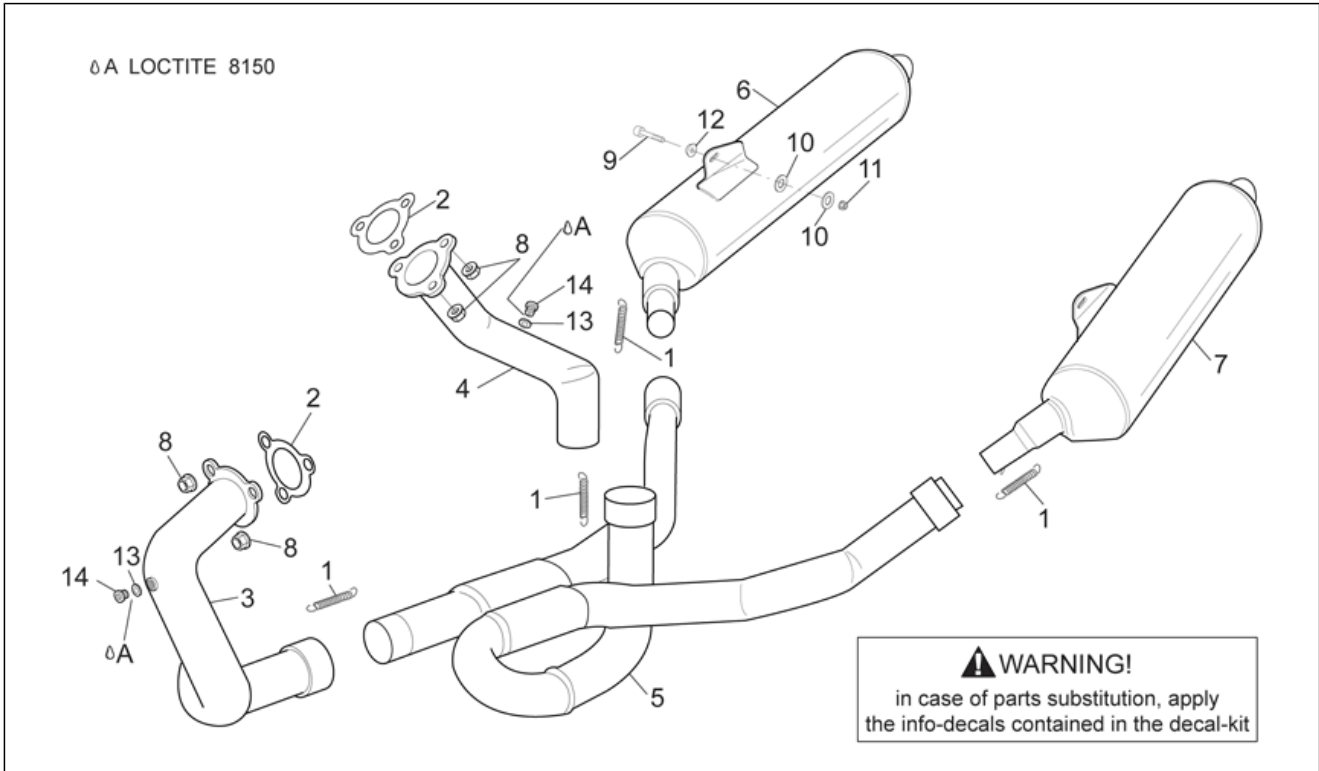
| Pos. | Code | Beschreibung | Menge | Varianten |
|------|-----------|--------------------|-------|---|
| | | | | Technische Daten: Version OHNE Katalysator[nocat] |
| 6 | AP8119634 | Auspufftopf rechts | 1 | Baujahr: 2002[2], 2003[3] Land: Österreich[A], Australien[AA], Australien[AUS], Belgien[B], Belgien[BB], Schweiz[CH], Deutschland[D], Dänemark[DK], Spanien[E], A, CH, D, DK, GR, E, I, NL, P[EU], Frankreich[F], Frankreich[FF], Griechenland[GR], Italien[I], Japan[J], Japan[JJ], Holland[NL], Portugal[P], Großbritannien[UK] Technische Daten: Version mit Katalysator[cat] |
| 6 | AP8119718 | Auspufftopf rechts | 1 | Baujahr: 2002[2], 2003[3] Land: USA (Zulassung 49 Staaten)[AM], Vereinigte Staaten von Amerika[USA] Technische Daten: Zulassung 49 Staaten[49st] |
| 6 | AP8119720 | Auspufftopf rechts | 1 | Baujahr: 2002[2], 2003[3] Land: USA (Zulassung California)[CF], Vereinigte Staaten von Amerika[USA] Technische Daten: Zulassung California[cal] |
| 7 | AP8119443 | Auspufftopf links | 1 | Baujahr: 2000[Y] Land: Österreich[A], Australien[AA], Australien[AUS], Belgien[B], Belgien[BB], Schweiz[CH], Deutschland[D], Dänemark[DK], Spanien[E], A, CH, D, DK, GR, E, I, NL, P[EU], Frankreich[F], Frankreich[FF], Griechenland[GR], Italien[I], Japan[J], Japan[JJ], Holland[NL], Portugal[P], Großbritannien[UK] |
| 7 | AP8119584 | Auspufftopf links | 1 | Baujahr: 2001[1], 2000[Y] Land: USA (Zulassung 49 Staaten)[AM], Vereinigte Staaten von Amerika[USA] Technische Daten: Zulassung 49 Staaten[49st] |
| 7 | AP8119586 | Auspufftopf links | 1 | Baujahr: 2001[1], 2000[Y] Land: USA (Zulassung California)[CF], Vereinigte Staaten von Amerika[USA] Technische Daten: Zulassung California[cal] |
| 7 | AP8119620 | Auspufftopf links | 1 | Baujahr: 2000[Y] Land: Österreich[A], Australien[AA], Australien[AUS], Belgien[B], Belgien[BB], Schweiz[CH], Deutschland[D], |

| | |
|---------------------|-------------|
| Einheit | RAHMEN |
| Code | 28.33 |
| Beschreibung | Auspuffrohr |
| Inspektion | 1 |



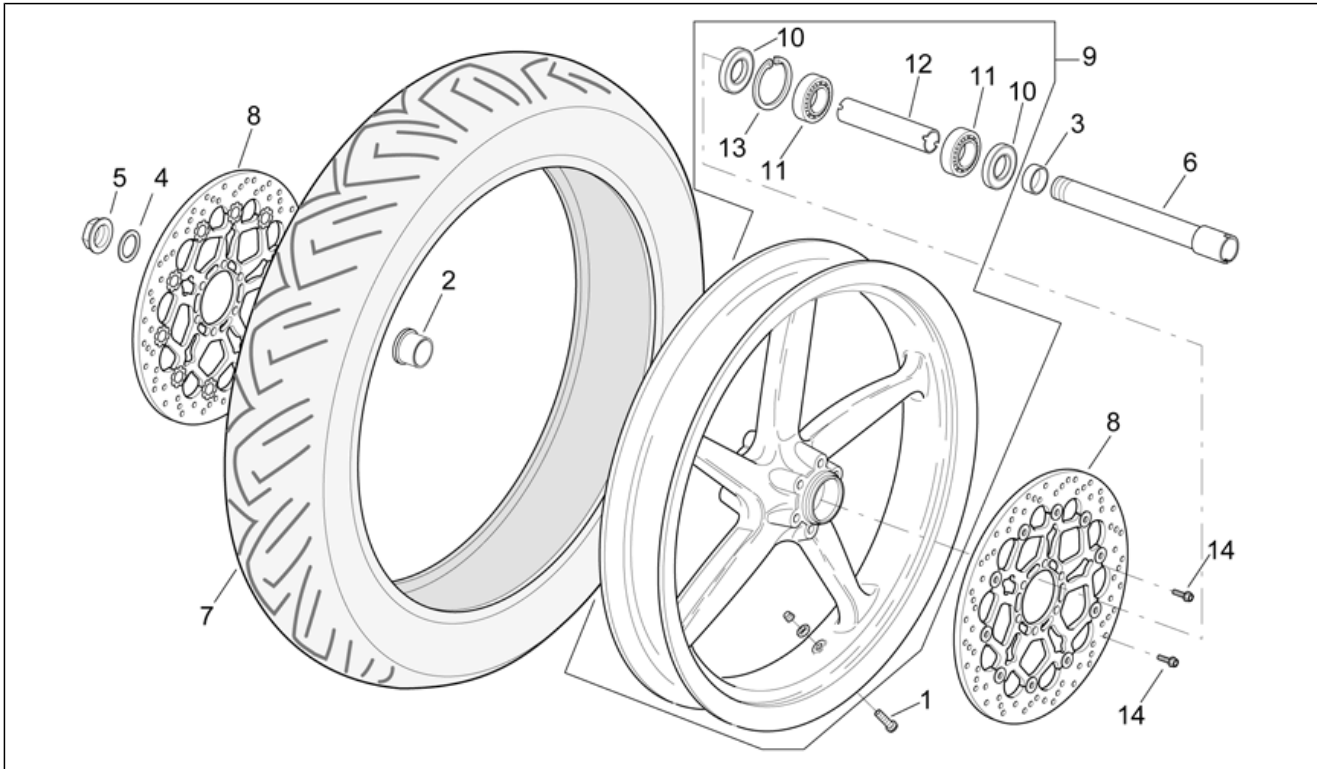
| Pos. | Code | Beschreibung | Menge | Varianten |
|------|-----------|---------------------------|-------|---|
| | | | | Dänemark[DK], Spanien[E], A, CH, D, DK, GR, E, I, NL, P[EU], Frankreich[F], Frankreich[FF], Griechenland[GR], Italien[I], Japan[J], Japan[JJ], Holland[NL], Portugal[P], Großbritannien[UK] |
| 7 | AP8119620 | Auspufftopf links | 1 | Baujahr: 2001[1] Land: Österreich[A], Australien[AA], Australien[AUS], Belgien[B], Belgien[BB], Schweiz[CH], Deutschland[D], Dänemark[DK], Spanien[E], A, CH, D, DK, GR, E, I, NL, P[EU], Frankreich[F], Frankreich[FF], Griechenland[GR], Italien[I], Japan[J], Japan[JJ], Holland[NL], Portugal[P], Großbritannien[UK] Technische Daten: Version OHNE Katalysator[nocat] |
| 7 | AP8119635 | Auspufftopf links | 1 | Baujahr: 2002[2], 2003[3] Land: Österreich[A], Australien[AA], Australien[AUS], Belgien[B], Belgien[BB], Schweiz[CH], Deutschland[D], Dänemark[DK], Spanien[E], A, CH, D, DK, GR, E, I, NL, P[EU], Frankreich[F], Frankreich[FF], Griechenland[GR], Italien[I], Japan[J], Japan[JJ], Holland[NL], Portugal[P], Großbritannien[UK] Technische Daten: Version mit Katalysator[cat] |
| 7 | AP8119719 | Auspufftopf links | 1 | Baujahr: 2002[2], 2003[3] Land: USA (Zulassung 49 Staaten)[AM], Vereinigte Staaten von Amerika[USA] Technische Daten: Zulassung 49 Staaten[49st] |
| 7 | AP8119721 | Auspufftopf links | 1 | Baujahr: 2002[2], 2003[3] Land: USA (Zulassung California)[CF], Vereinigte Staaten von Amerika[USA] Technische Daten: Zulassung California[cal] |
| 8 | AP8150334 | Mutter M8 | 6 | |
| 9 | AP8150277 | TCEI Schraube M8x50 | 2 | |
| 10 | AP8150018 | Ausgleichscheibe | 4 | |
| 11 | AP8152300 | Selbstsperrende Mutter M8 | 2 | |
| 12 | AP8134378 | Fixierhülse Schalldämpfer | 2 | |
| 13 | AP8150489 | Ausgleichscheibe 10x14x1 | 2 | |

| | |
|---------------------|-------------|
| Einheit | RAHMEN |
| Code | 28.33 |
| Beschreibung | Auspuffrohr |
| Inspektion | 1 |



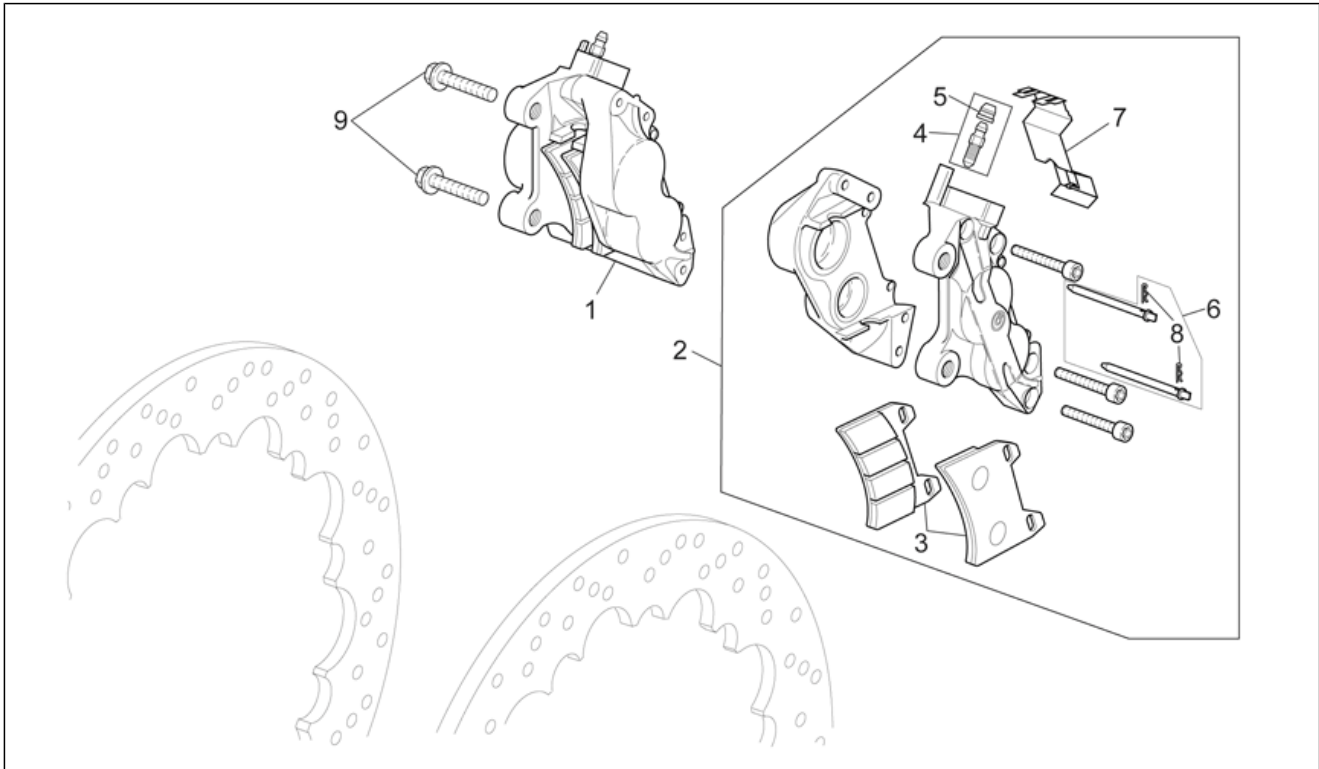
| Pos. | Code | Beschreibung | Menge | Varianten |
|------|-----------|---------------------|-------|-----------|
| 14 | AP8150488 | CO-Anschlußschraube | 1 | |

| | |
|---------------------|-----------|
| Einheit | RAHMEN |
| Code | 28.34 |
| Beschreibung | Vorderrad |
| Inspektion | 1 |



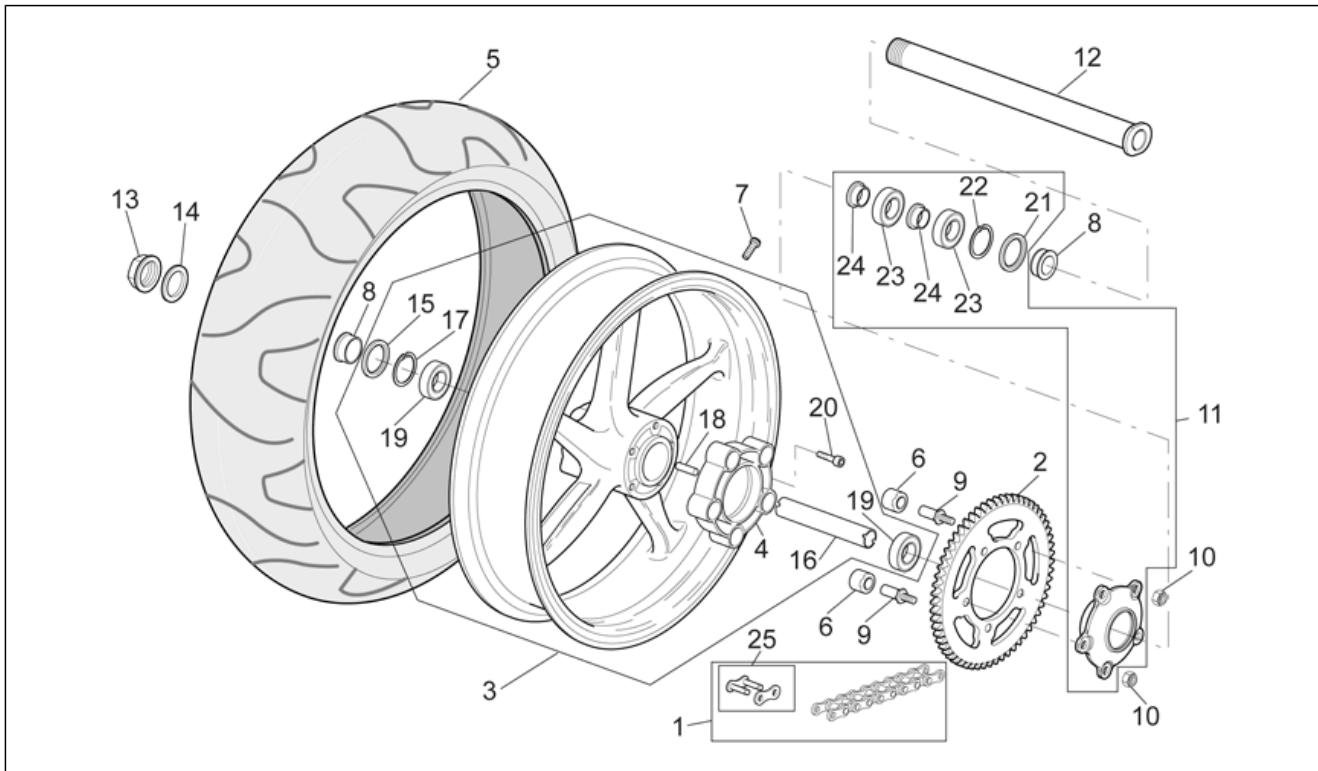
| Pos. | Code | Beschreibung | Menge | Varianten |
|------|-----------|--------------------------------|-------|--|
| 1 | AP8101744 | Schlauchloses Reifenventil | 1 | |
| 2 | AP8125728 | Außen r. V.rad Distanzscheibe | 1 | |
| 3 | AP8125737 | Außen l. V.rad Distanzscheibe | 1 | |
| 4 | AP8152323 | Ausgleichscheibe 25,2x36x1 | 1 | |
| 5 | AP8152335 | Radbolzenmutter | 1 | |
| 6 | AP8125827 | Vorderradbolzen | 1 | |
| 7 | 0000000 | Reifen | 1 | |
| 8 | AP8113607 | Bremsscheibe schwarz | 2 | Baujahr: 2003[3] Fahrzeugfarbe: Rot Flamingo 2003[fla.r], Grün Oasis 2003[o.gr] |
| 8 | AP8113607 | Bremsscheibe schwarz | 2 | Baujahr: 2001[1], 2000[Y] |
| 8 | AP8133535 | Scheibenbr.v.Flansch goldf. | 2 | Baujahr: 2002[2] |
| 8 | AP8133535 | Scheibenbr.v.Flansch goldf. | 2 | Baujahr: 2003[3] Fahrzeugfarbe: Bronze Olympic 2003[o.br] |
| 8 | B044207 | ***Vorderradbremsscheibe d.320 | 2 | Baujahr: 2001[1], 2000[Y] |
| 8 | B044207 | ***Vorderradbremsscheibe d.320 | 2 | Baujahr: 2003[3] Fahrzeugfarbe: Rot Flamingo 2003[fla.r], Grün Oasis 2003[o.gr] |
| 9 | AP8108675 | Vorderrad, grau | 1 | |
| 10 | AP8125773 | Gasket ring 30x47x7 | 2 | |
| 11 | AP8125777 | Kugellager 25x47x12 | 2 | |
| 12 | AP8125778 | Interne Distanzscheibe | 1 | |
| 13 | AP8125779 | Seegerring | 1 | |
| 14 | AP8152286 | TE Schr. m. Flansch M8x20 | 12 | |

| | |
|---------------------|--------------------|
| Einheit | RAHMEN |
| Code | 28.35 |
| Beschreibung | Vorderradbremzange |
| Inspektion | 1 |



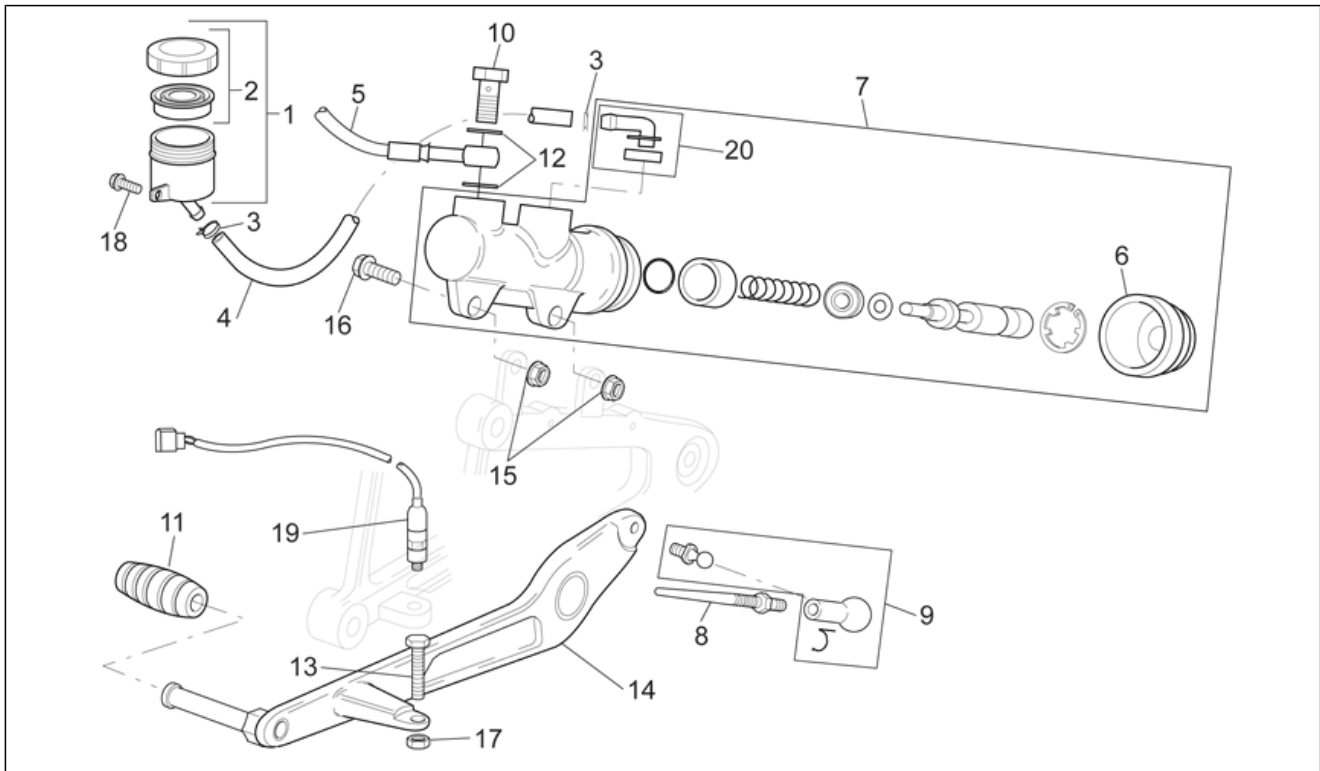
| Pos. | Code | Beschreibung | Menge | Varianten |
|------|-----------|------------------------------|-------|-----------|
| 1 | AP8113892 | Bremszan.vorn rs Gold | 1 | |
| 2 | AP8113893 | Bremszan.vorn ls Gold | 1 | |
| 3 | AP8113754 | Beläge (Paar) | 2 | |
| 4 | AP8213193 | Entlüftungsanschluß | 2 | |
| 5 | AP8113070 | Entlüftungskappe | 2 | |
| 6 | AP8113721 | Stift+Splint Bremse | 2 | |
| 7 | AP8113722 | Feder | 2 | |
| 8 | AP8113723 | Splint | 2 | |
| 9 | AP8152336 | TE Schr. m. Flansch M10x1,25 | 4 | |

| | |
|---------------------|-----------|
| Einheit | RAHMEN |
| Code | 28.36 |
| Beschreibung | Hinterrad |
| Inspektion | 1 |



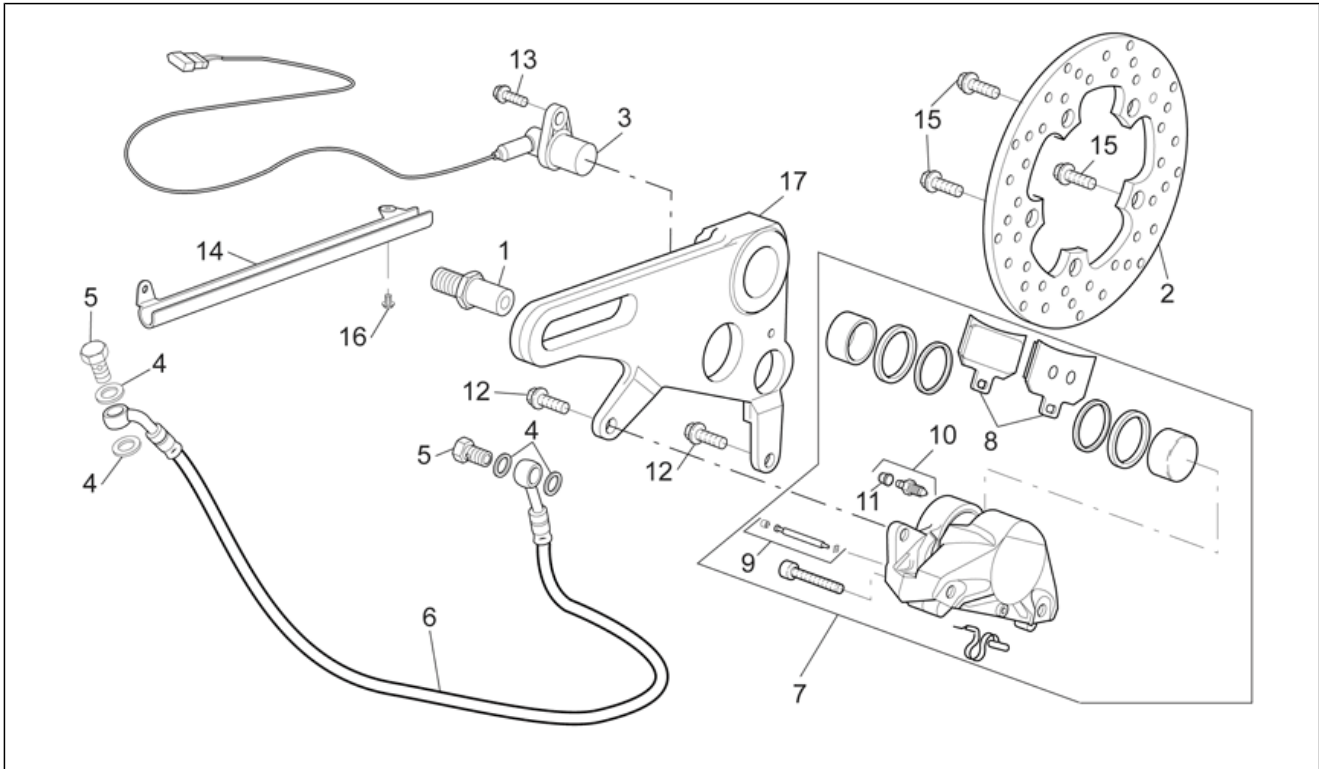
| Pos. | Code | Beschreibung | Menge | Varianten |
|------|-----------|----------------------------|-------|--|
| 1 | AP8107120 | Kette Verbindungsgl. | 1 | Technische Daten: Für Kette mit Schrift D.I.D.[DID] |
| 1 | AP8107149 | Kette Verbindungsgl. | 1 | Technische Daten: Für Kette mit Schrift REGINA[REG] |
| 2 | AP8107119 | Zahnkranz Z=41 | 1 | |
| 3 | AP8108676 | Hinterrad, grau | 1 | |
| 4 | AP8125733 | Elast. Stoßlager Hint.rad | 1 | |
| 5 | 0000000 | Reifen | 1 | |
| 6 | AP8125731 | Stoßschutzgummi | 5 | |
| 7 | AP8101744 | Schlauchloses Reifenventil | 1 | |
| 8 | AP8121225 | Hinterrad Distanzscheibe | 2 | |
| 9 | AP8121408 | Elast. Fixierbuchse | 5 | |
| 10 | AP8150436 | Selbstsperr.mut Unt. | 5 | |
| 11 | AP8125730 | Radkranzhalter kplt. | 1 | |
| 12 | AP8125831 | Hinterradbolzen | 1 | |
| 13 | AP8152324 | Radbolzenmutter M25x1,5 | 1 | |
| 14 | AP8152323 | Ausgleichscheibe 25,2x36x1 | 1 | |
| 15 | AP8125786 | Gasket ring 38x52x7 | 1 | |
| 16 | AP8125787 | Distanzscheibe | 1 | |
| 17 | AP8125788 | Seegerring | 1 | |
| 18 | AP8150463 | Stift 10x20 | 1 | |
| 19 | AP8106806 | Lager 6205-2rs1 25x52x15 | 2 | |
| 20 | AP8150195 | TCEI Schraube M10x30 | 5 | |
| 21 | AP8121213 | Gasket ring 38x55x7 | 1 | |
| 22 | AP8121212 | Seegerring für Bohrung d55 | 1 | |
| 23 | AP8110081 | Lager 30x55x13 | 2 | |
| 24 | AP8125732 | elast. Distanzstück | 2 | |
| 25 | AP8107136 | Verbindungsglied | 1 | Technische Daten: Für Kette mit Schrift D.I.D.[DID] |
| 25 | AP8107150 | Verbindungsglied | 1 | Technische Daten: Für Kette mit Schrift REGINA[REG] |

| | |
|---------------------|---------------------|
| Einheit | RAHMEN |
| Code | 28.37 |
| Beschreibung | Hinterradbremspumpe |
| Inspektion | 1 |



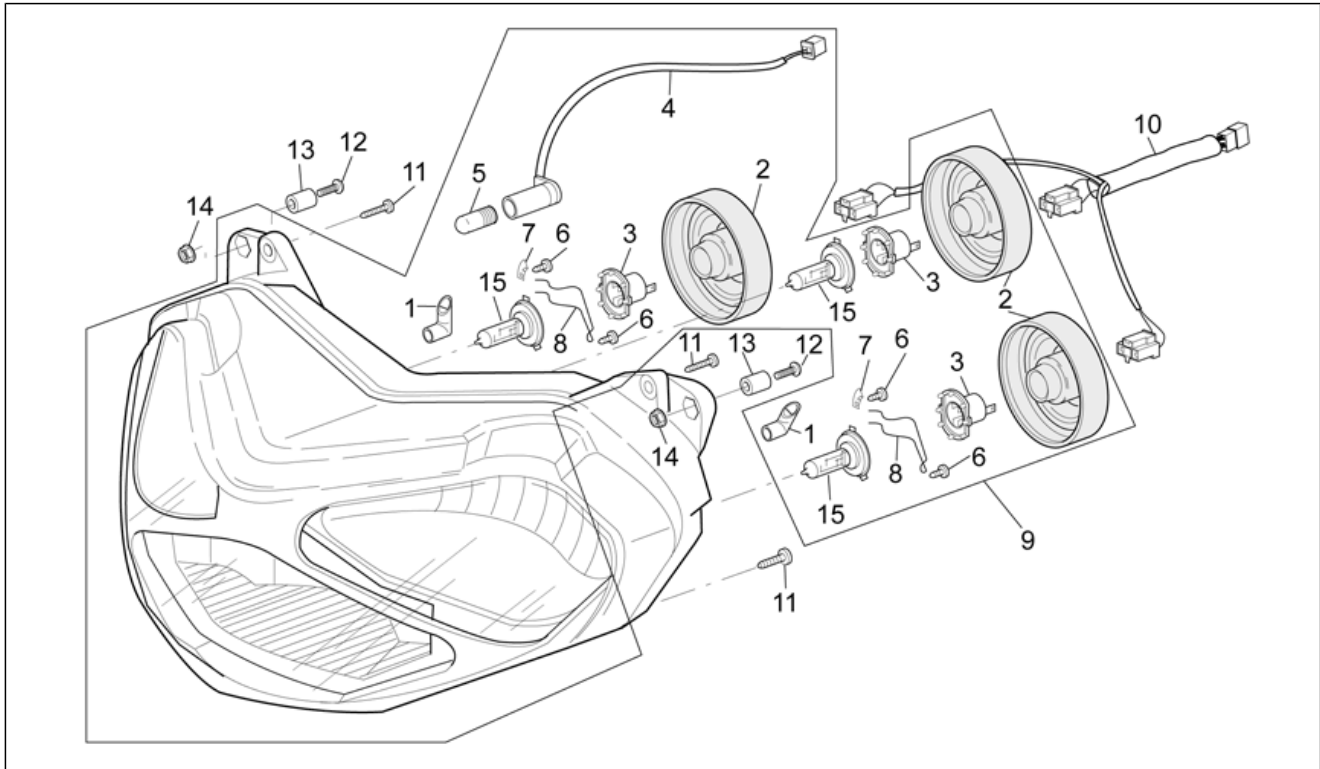
| Pos. | Code | Beschreibung | Menge | Varianten |
|------|-----------|---------------------------|-------|-----------|
| 1 | AP8106382 | Öltank kpl | 1 | |
| 2 | AP8113553 | Tankverschluss | 1 | |
| 3 | AP8101595 | Schelle D10,1 | 2 | |
| 4 | AP8144151 | Gummschlauch | 1 | |
| 5 | AP8113889 | Hinterradbremseleitung | 1 | |
| 6 | AP8113288 | Gummibalg | 1 | |
| 7 | AP8113890 | Hinterradbremspumpe | 1 | |
| 8 | AP8121416 | Pumpenstange bremsen | 1 | |
| 9 | AP8210007 | Kugelgelenk rechts M6 | 1 | |
| 10 | AP8113003 | Fixierschraube Ölschlauch | 1 | |
| 11 | AP8120912 | Gummi für Hebel | 1 | |
| 12 | AP8121915 | Dichtung | 2 | |
| 13 | AP8150072 | Sechskantschraube M6x25 | 1 | |
| 14 | AP8146016 | H.bremshebel | 1 | |
| 15 | AP8152299 | Selbstsperrende Mutter M6 | 2 | |
| 16 | AP8152279 | TE Schr. m. Flansch M6x20 | 2 | |
| 17 | AP8150026 | Mutter M6 | 1 | |
| 18 | AP8152273 | Flanschschraube M5x15 | 1 | |
| 19 | AP8112996 | Mikroschalter | 1 | |
| 20 | AP8213057 | Hinterer Pumpenanschluß | 1 | |

| | |
|---------------------|----------------------|
| Einheit | RAHMEN |
| Code | 28.38 |
| Beschreibung | Hinterradbremsszange |
| Inspektion | 1 |



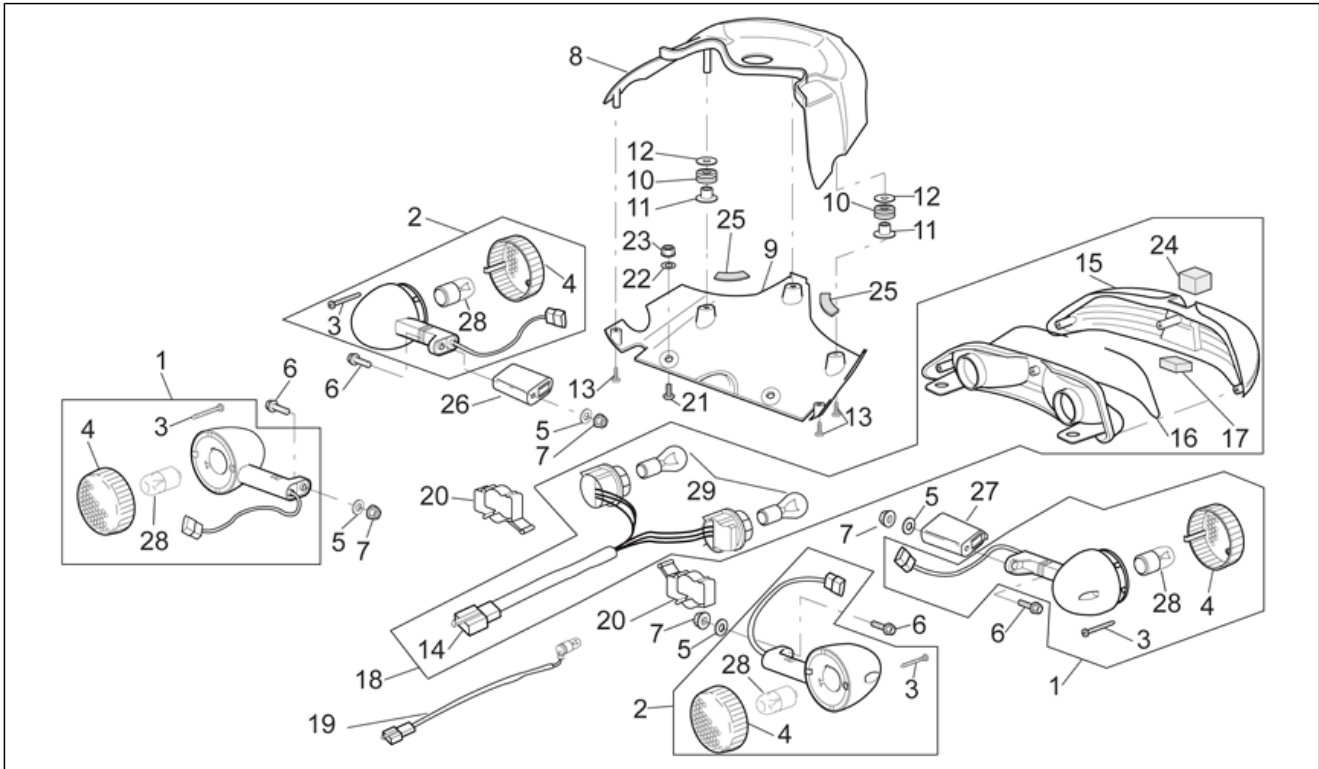
| Pos. | Code | Beschreibung | Menge | Varianten |
|------|-----------|-------------------------------|-------|-----------|
| 1 | AP8121407 | Bremsenhalterbolzen | 1 | |
| 2 | AP8113612 | Vorderradbremsscheibe | 1 | |
| 3 | AP8124528 | Kilom.zählersens. kpl. | 1 | |
| 4 | AP8121915 | Dichtung | 4 | |
| 5 | AP8113003 | Fixierschraube Ölschlauch | 2 | |
| 6 | AP8113889 | Hinterradbremsschlauch | 1 | |
| 7 | AP8113897 | Hinterradbremsszange | 1 | |
| 8 | AP8113898 | Beläge (Paar) | 1 | |
| 9 | AP8113752 | Stift+Splint Bremse | 1 | |
| 10 | AP8113895 | Entlüftungsanschluß | 1 | |
| 11 | AP8113070 | Entlüftungskappe | 1 | |
| 12 | AP8152286 | TE Schr. m. Flansch M8x20 | 2 | |
| 13 | AP8152279 | TE Schr. m. Flansch M6x20 | 1 | |
| 14 | AP8134544 | Fix. Hinterradbremsschl. | 1 | |
| 15 | AP8152286 | TE Schr. m. Flansch M8x20 | 5 | |
| 16 | AP8152298 | TBEI Schraube m.Flansch M5x16 | 2 | |
| 17 | AP8134385 | Fixierplatte | 1 | |

| | |
|---------------------|--------------|
| Einheit | RAHMEN |
| Code | 28.39 |
| Beschreibung | Scheinwerfer |
| Inspektion | 1 |



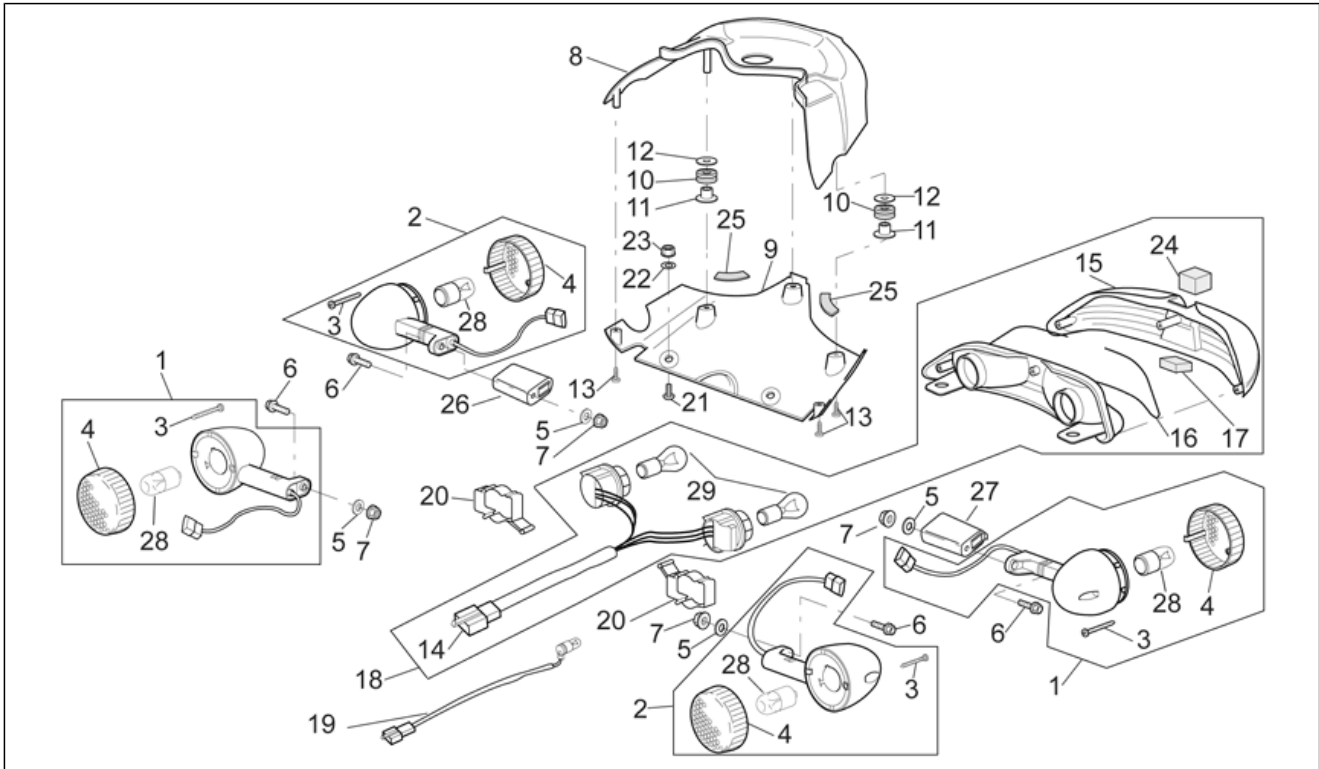
| Pos. | Code | Beschreibung | Menge | Varianten |
|------|-----------|---------------------------|-------|--|
| 1 | AP8124903 | Lüftungsröhrchen | 2 | |
| 2 | AP8124904 | Scheinwerferhaube | 3 | |
| 3 | AP8124905 | Lampenhalter | 3 | |
| 4 | AP8124906 | Kabel Standlicht | 1 | |
| 5 | AP8224393 | Lampen WY5W 12V | 1 | |
| 6 | AP8150486 | Gew.schr. | 6 | |
| 7 | AP8134641 | Halter | 3 | |
| 8 | AP8121436 | Feder | 3 | |
| 9 | AP8124393 | Scheinwerfer | 1 | Land: Österreich[A], Belgien[B], Belgien[BB], Schweiz[CH], Deutschland[D], Dänemark[DK], Spanien[E], A, CH, D, DK, GR, E, I, NL, P[EU], Frankreich[F], Frankreich[FF], Griechenland[GR], Italien[I], Holland[NL], Portugal[P] |
| 9 | AP8124744 | Scheinwerfer | 1 | Land: Australien[AA], Australien[AUS], Japan[J], Japan[JJ], Großbritannien[UK] |
| 9 | AP8124884 | Scheinwerfer | 1 | Land: USA (Zulassung 49 Staaten)[AM], USA (Zulassung California)[CF], Vereinigte Staaten von Amerika[USA] |
| 10 | AP8124763 | Verkabel.Scheinwerf. | 1 | |
| 11 | AP8150282 | Schraube | 4 | |
| 12 | AP8152136 | TBEI Schraube | 2 | |
| 13 | AP8121020 | Distanzscheibe 6,5x10x19* | 2 | |
| 14 | AP8150430 | Selbstsperr.mut Unt. | 2 | |
| 15 | AP8127109 | Lampen H7 12V-55W | 3 | |

| | |
|---------------------|---------------------|
| Einheit | RAHMEN |
| Code | 28.40 |
| Beschreibung | Rücklicht - Blinker |
| Inspektion | 1 |



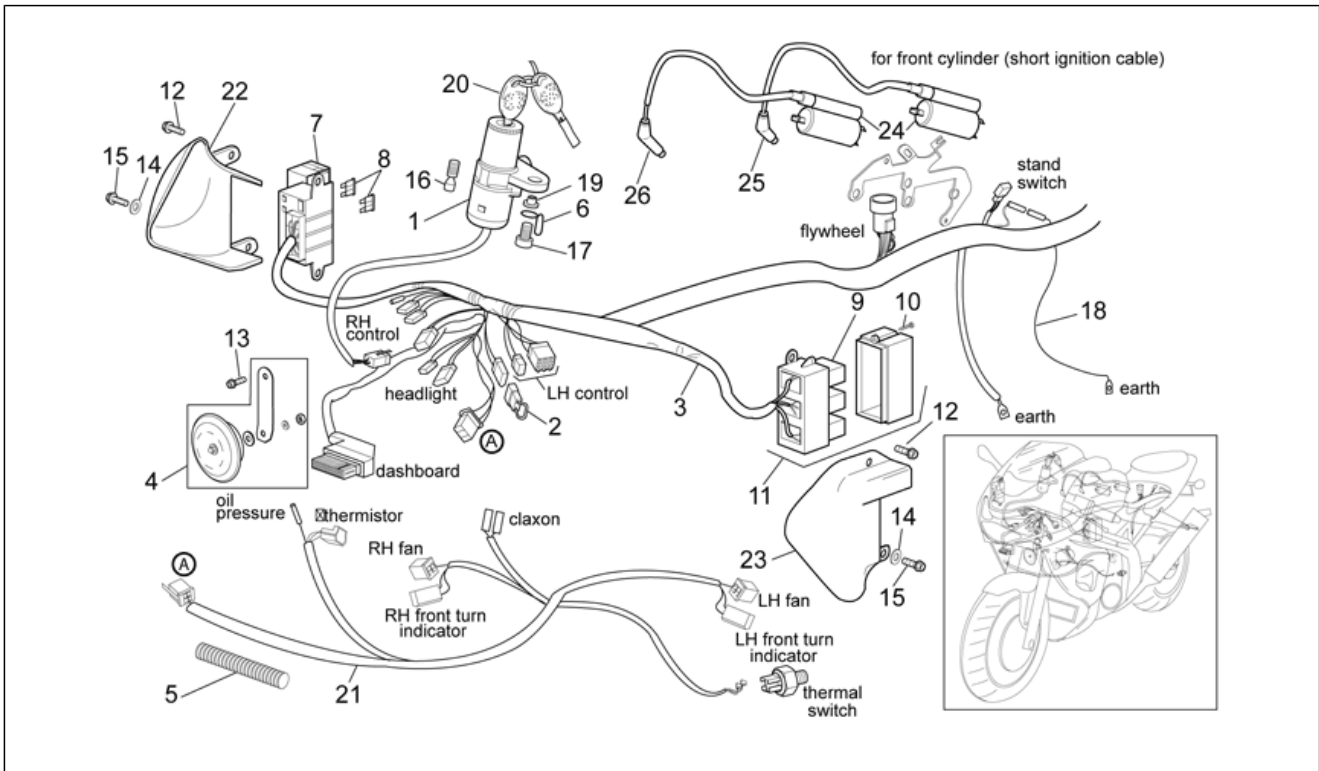
| Pos. | Code | Beschreibung | Menge | Varianten |
|------|-----------|--|-------|-----------------|
| 1 | AP8124456 | Vorderblinker rechts / Hinterblinker links | 2 | |
| 2 | AP8124471 | Vorderblinker links/ Hinterblinker rechts | 2 | |
| 3 | AP8152392 | Gew.schr. 2,9x32 | 4 | |
| 4 | AP8124889 | Blinkerblende | 4 | |
| 5 | AP8150015 | Ausgleichscheibe 6,6x18x1,6* | 4 | |
| 6 | AP8152279 | TE Schr. m. Flansch M6x20 | 4 | |
| 7 | AP8152299 | Selbstsperrende Mutter M6 | 4 | |
| 8 | AP8138788 | Heckrah.Rückl.ob.grau | 1 | Baujahr:2000[Y] |
| 8 | AP8149663 | Heckrah.Rückl.ob.grau | 1 | Baujahr:2001[1] |
| 8 | AP8149663 | Heckrah.Rückl.ob.grau | 1 | Baujahr:2003[3] |
| 8 | AP8158769 | Heckrah.Rückl.ob.schwartz | 1 | Baujahr:2002[2] |
| 9 | AP8148260 | Heckrah.Rückl.unt.grau | 1 | Baujahr:2000[Y] |
| 9 | AP8149664 | Heckrah.Rückl.unt.grau | 1 | Baujahr:2003[3] |
| 9 | AP8149664 | Heckrah.Rückl.unt.grau | 1 | Baujahr:2001[1] |
| 9 | AP8158770 | Heckrah.Rückl.unt.schwartz | 1 | Baujahr:2002[2] |
| 10 | AP8112599 | Gummi * | 2 | |
| 11 | AP8121790 | T-Buchse * | 2 | |
| 12 | AP8150015 | Ausgleichscheibe 6,6x18x1,6* | 2 | |
| 13 | AP8150413 | Gew.schr. 3,9x14 | 5 | |
| 14 | AP8124908 | Verkabelung Rücklicht | 1 | |
| 15 | AP8124909 | Rücklichtblende | 1 | |
| 16 | AP8144313 | Rücklicht dichtung | 1 | |
| 17 | AP8117170 | Schwingschutz unten | 1 | |
| 18 | AP8124395 | Rücklicht | 1 | |
| 19 | AP8124976 | Kennzeich.leuch.Kabel | 1 | |
| 20 | AP8124860 | Buchse Birnenfassung | 2 | |
| 21 | AP8152302 | TBEI Schraube m.Flansch M5x12 | 2 | |
| 22 | AP8150013 | Ausgleichscheibe 5,5x15x1,6* | 2 | |

| | |
|---------------------|---------------------|
| Einheit | RAHMEN |
| Code | 28.40 |
| Beschreibung | Rücklicht - Blinker |
| Inspektion | 1 |



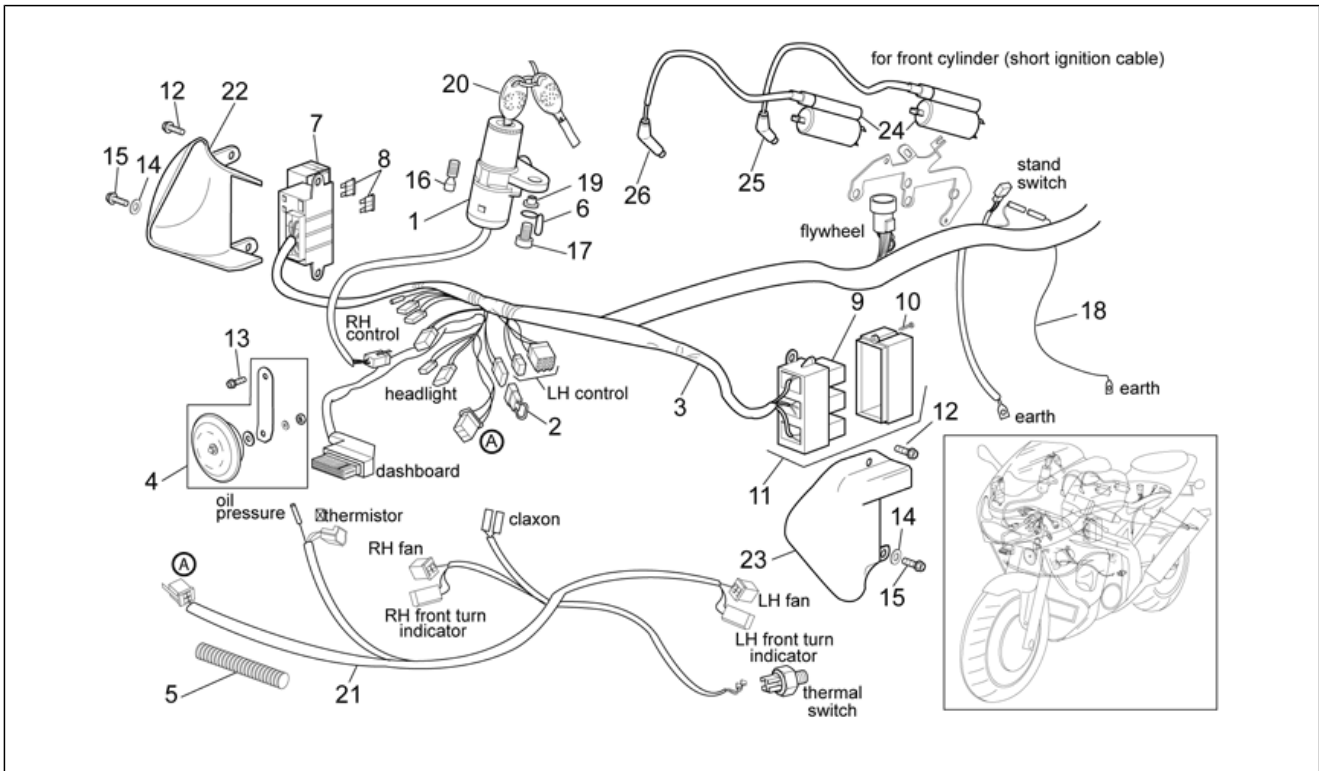
| Pos. | Code | Beschreibung | Menge | Varianten |
|------|-----------|---------------------------|-------|--------------------------------------|
| 23 | AP8152306 | Selbstsperrende Mutter M5 | 2 | |
| 24 | AP8117175 | Schwingschutz oben | 1 | |
| 25 | AP8117033 | Klebeschwamm | 1 | |
| 26 | AP8221303 | Distanzstück v. rs | 2 | Land:Australien[AA], Australien[AUS] |
| 27 | AP8221305 | Distanzstück v. ls | 2 | Land:Australien[AA], Australien[AUS] |
| 28 | AP8224390 | Lampen R10W 12v | 4 | |
| 29 | AP8224389 | Lampen P21/5W 12V | 2 | |

| | |
|---------------------|---------------------------|
| Einheit | RAHMEN |
| Code | 28.41 |
| Beschreibung | Vorder Elektrische Anlage |
| Inspektion | 1 |



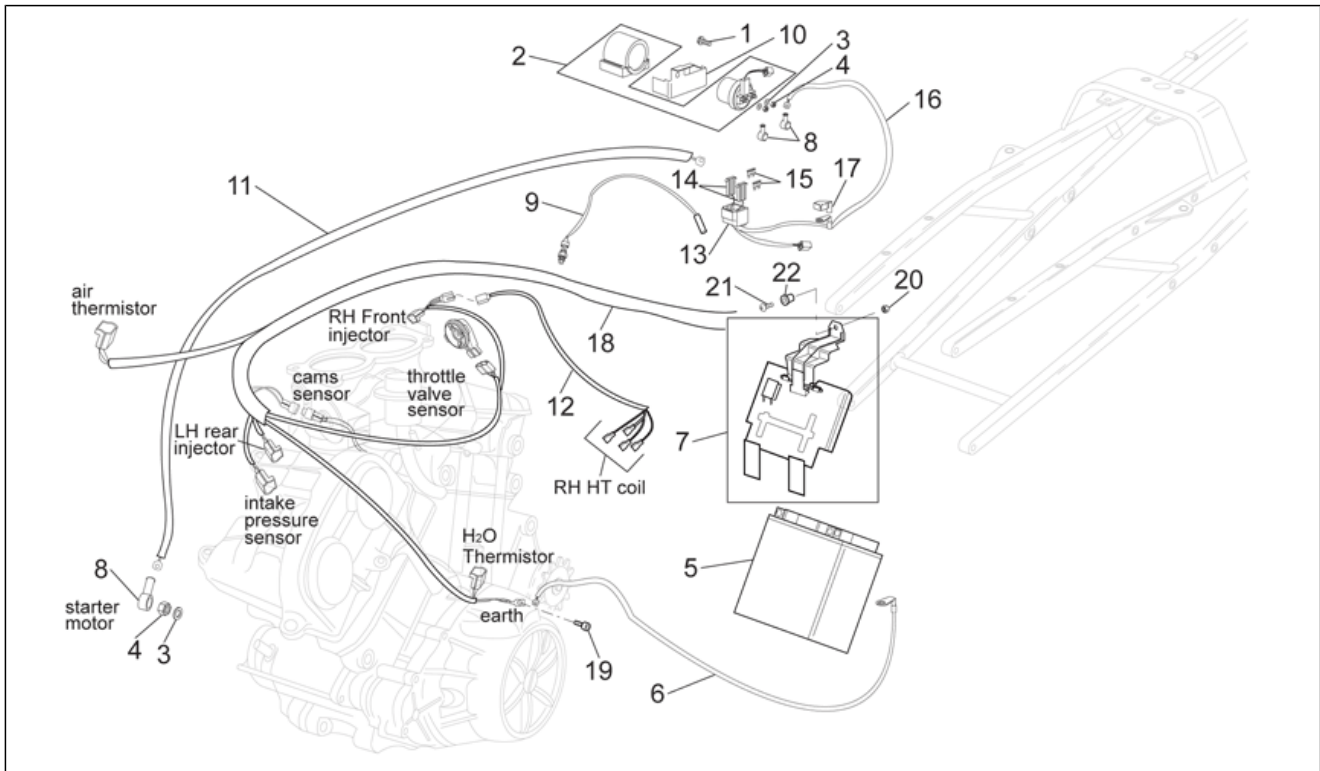
| Pos. | Code | Beschreibung | Menge | Varianten |
|------|-----------|----------------------------|-------|--|
| 1 | AP8124593 | Lenkschloß | 1 | Land:Österreich[A], Australien[AA], Australien[AUS], Belgien[B], Belgien[BB], Schweiz[CH], Deutschland[D], Dänemark[DK], Spanien[E], A, CH, D, DK, GR, E, I, NL, P[EU], Frankreich[F], Frankreich[FF], Griechenland[GR], Italien[I], Japan[J], Japan[JJ], Holland[NL], Portugal[P], Großbritannien[UK] |
| 1 | AP8124895 | Lenkschloß | 1 | Land:USA (Zulassung 49 Staaten)[AM], USA (Zulassung California)[CF], Vereinigte Staaten von Amerika[USA] |
| 2 | AP8212588 | Sicherheitsdiode | 1 | |
| 3 | AP8124523 | Hauptverkabelung | 1 | |
| 4 | AP8127309 | Hupe | 1 | |
| 5 | AP8124856 | Schutzrohr | 1 | |
| 6 | AP8120428 | Kabelführungs | 1 | |
| 7 | AP8124274 | Sicherungskasten | 1 | |
| 8 | AP8112176 | Sicherung 15A | 8 | |
| 9 | AP8124277 | Zündrelais | 3 | |
| 10 | AP8150421 | Gew.schr. 2,9x12 | 2 | |
| 11 | AP8124293 | Relaisträger | 1 | |
| 12 | AP8152279 | TE Schr. m. Flansch M6x20 | 2 | |
| 13 | AP8152285 | TE Schr. m. Flansch | 1 | |
| 14 | AP8150014 | Ausgleichscheibe 6,4x12,5* | 2 | |
| 15 | AP8152280 | TE Schr. m. Flansch M6x25 | 2 | |
| 16 | AP8150349 | Spezialschraube M8x15 | 1 | |
| 17 | AP8152288 | TE Schr. m. Flansch | 1 | |
| 18 | AP8124764 | Kabel Leerlaufschalter | 1 | |
| 19 | AP8121678 | Buchse | 1 | |
| 20 | AP8102880 | Schl. gefr. Aprilia | 1 | |
| 21 | AP8124827 | Kabel Lüfter | 1 | |
| 22 | AP8148662 | Kabelschutz rechts | 1 | |

| | |
|---------------------|---------------------------|
| Einheit | RAHMEN |
| Code | 28.41 |
| Beschreibung | Vorder Elektrische Anlage |
| Inspektion | 1 |



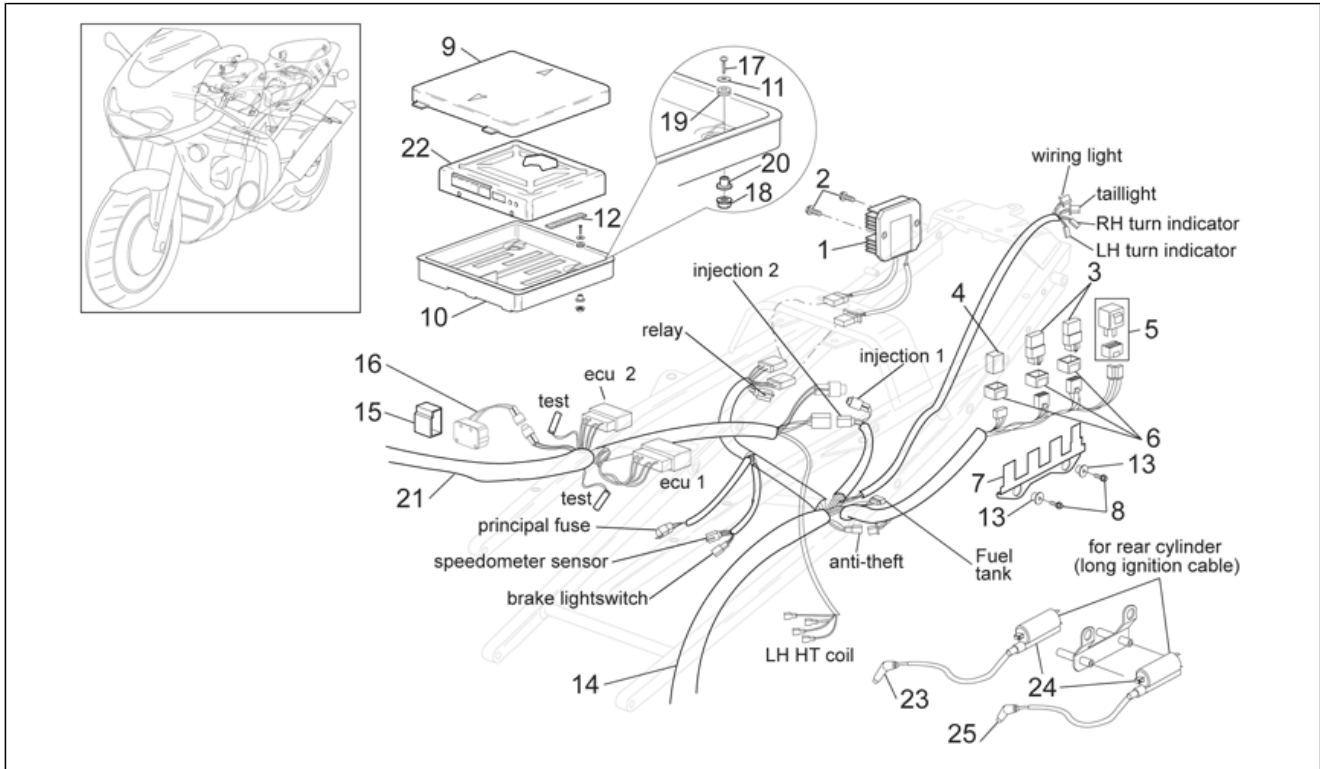
| Pos. | Code | Beschreibung | Menge | Varianten |
|------|-----------|---------------------|-------|-----------|
| 23 | AP8148661 | Kabelschutz links | 1 | |
| 24 | AP0265482 | Zuendtransform.cpl. | 2 | |
| 25 | AP0265244 | Kerzenhaube außen | 1 | |
| 26 | AP0265246 | Kerzenhaube innen | 1 | |

| | |
|---------------------|--------------------------|
| Einheit | RAHMEN |
| Code | 28.42 |
| Beschreibung | Mitt. elektrische Anlage |
| Inspektion | 1 |



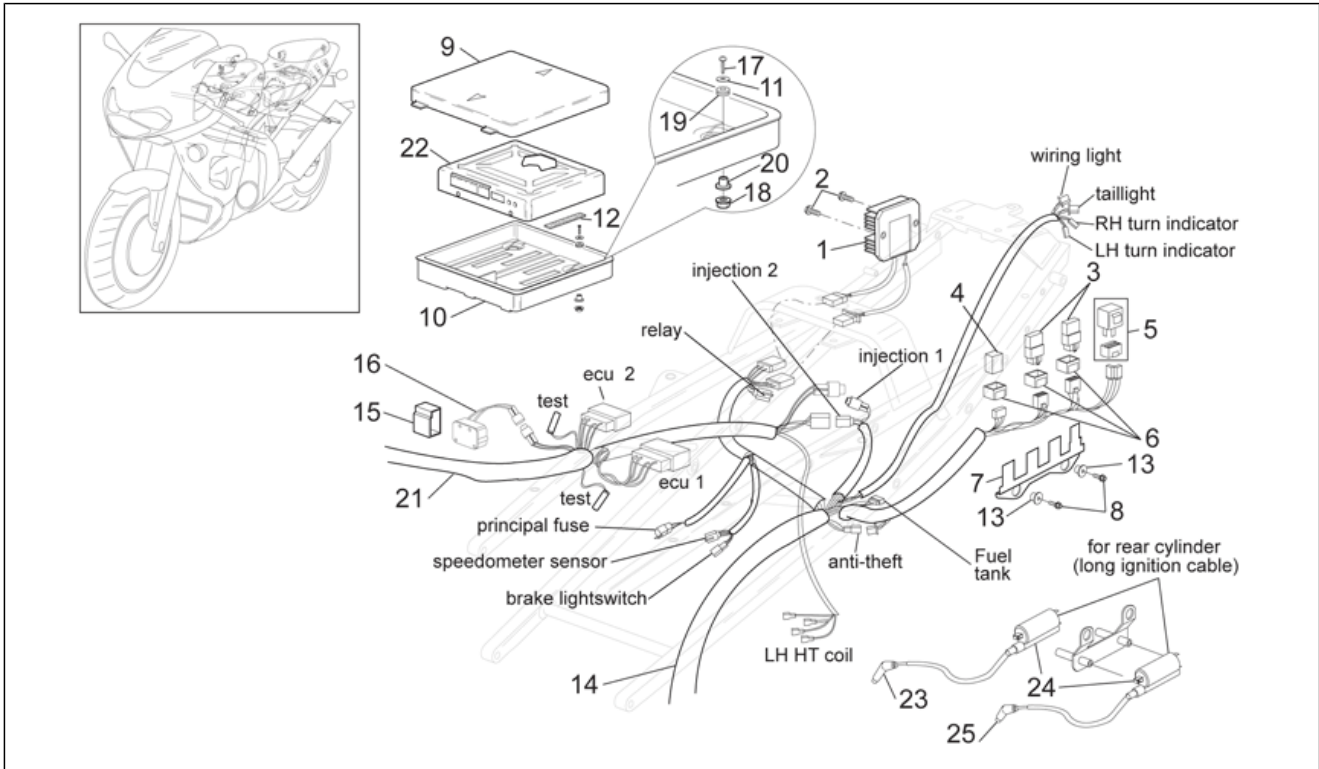
| Pos. | Code | Beschreibung | Menge | Varianten |
|------|-----------|-------------------------------|-------|-----------|
| 1 | AP8152278 | TE Schr. m. Flansch M6x16 | 1 | |
| 2 | AP8124636 | Zündrelais 12V-150A | 1 | |
| 3 | AP8150429 | Sprengscheibe 6,4x11x0,5* | 3 | |
| 4 | AP8150026 | Mutter M6 | 3 | |
| 5 | AP8124284 | Batterie | 1 | |
| 6 | AP8124825 | Masse-Batteriekabel | 1 | |
| 7 | AP8138832 | Batteriedeckel | 1 | |
| 8 | AP8120218 | Klemmenkappe | 3 | |
| 9 | AP8124766 | Kabel Öldruck | 1 | |
| 10 | AP8121411 | Platte Startrelais | 1 | |
| 11 | AP8124454 | Anlasserkabel | 1 | |
| 12 | AP8124557 | HS-Verkabelung | 1 | |
| 13 | AP8112811 | Sicherungsblockgummi | 1 | |
| 14 | AP8120754 | Sicherungsblockgummi | 2 | |
| 15 | AP8124273 | Sicherung 30a | 3 | |
| 16 | AP8124828 | Kabel Hauptsicherungen | 1 | |
| 17 | AP8112940 | Kappe Pluspol | 1 | |
| 18 | AP8124826 | Kabel Einspritzsystem | 1 | |
| 19 | AP8152123 | TCEI Schraube | 1 | |
| 20 | AP8152299 | Selbstsperrende Mutter M6 | 1 | |
| 21 | AP8152246 | TBEI Schraube m.Flansch M6x16 | 1 | |
| 22 | AP8121032 | Buchse | 1 | |

| | |
|---------------------|-------------------------|
| Einheit | RAHMEN |
| Code | 28.43 |
| Beschreibung | Hint.Elektrische Anlage |
| Inspektion | 1 |



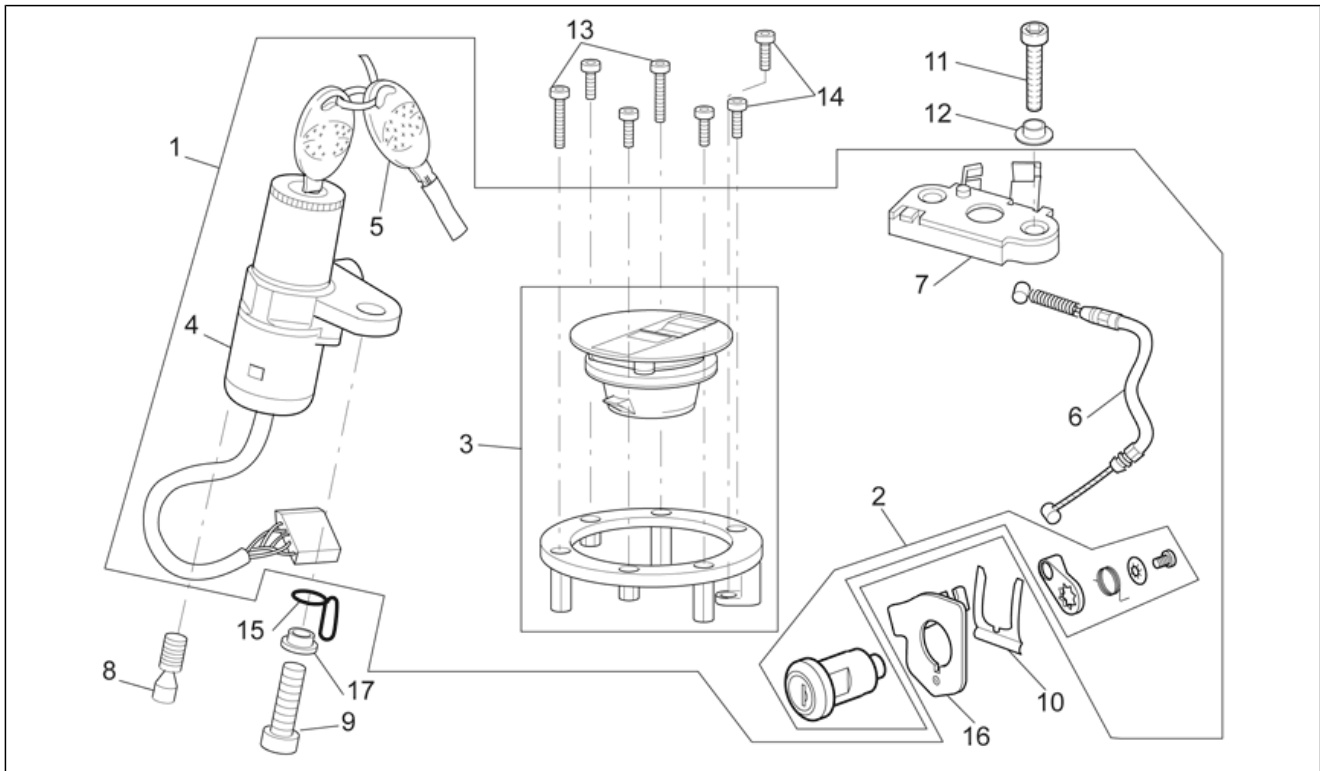
| Pos. | Code | Beschreibung | Menge | Varianten |
|------|-----------|------------------------------|-------|--|
| 1 | AP8124267 | Spannungsregler | 1 | |
| 2 | AP8152282 | TE Schr. m. Flansch M6x35 | 2 | |
| 3 | AP8212469 | Zündrelais 12V-20A | 2 | |
| 4 | AP8124289 | Dioden | 1 | |
| 5 | AP8124235 | Blinken | 1 | |
| 6 | AP8220283 | Gummi * | 3 | |
| 7 | AP8148438 | Relaisträger | 1 | |
| 8 | AP8152278 | TE Schr. m. Flansch M6x16 | 2 | |
| 9 | AP8138596 | Steuergerätdeckel | 1 | |
| 10 | AP8138776 | Schutzkasten Steuerger. | 1 | |
| 11 | AP8150015 | Ausgleichscheibe 6,6x18x1,6* | 3 | |
| 12 | AP8117033 | Klebeschwamm | 1 | |
| 13 | AP8121075 | T-Buchse * | 2 | |
| 14 | AP8124523 | Hauptverkabelung | 1 | Land: Österreich[A], Australien[AA], Australien[AUS], Belgien[B], Belgien[BB], Schweiz[CH], Deutschland[D], Dänemark[DK], Spanien[E], A, CH, D, DK, GR, E, I, NL, P[EU], Frankreich[F], Frankreich[FF], Griechenland[GR], Italien[I], Japan[J], Japan[JJ], Holland[NL], Portugal[P], Großbritannien[UK] |
| 14 | AP8124932 | Hauptverkabelung | 1 | Land: USA (Zulassung 49 Staaten)[AM], USA (Zulassung California)[CF], Vereinigte Staaten von Amerika[USA] |
| 15 | AP8144046 | Sensor halter gummi | 1 | |
| 16 | AP8124266 | Neigungsfühler | 1 | |
| 17 | AP8152117 | TBEI Schraube | 3 | |
| 18 | AP8152299 | Selbstsperrende Mutter M6 | 3 | |
| 19 | AP8220150 | Gummi | 3 | |
| 20 | AP8221097 | T-Buchse * | 3 | |
| 21 | AP8124826 | Kabel Einspritzsystem | 1 | |
| 22 | AP0265472 | Steuergerät | 1 | Baujahr: 2001[1], 2000[Y] |

| | |
|---------------------|-------------------------|
| Einheit | RAHMEN |
| Code | 28.43 |
| Beschreibung | Hint.Elektrische Anlage |
| Inspektion | 1 |



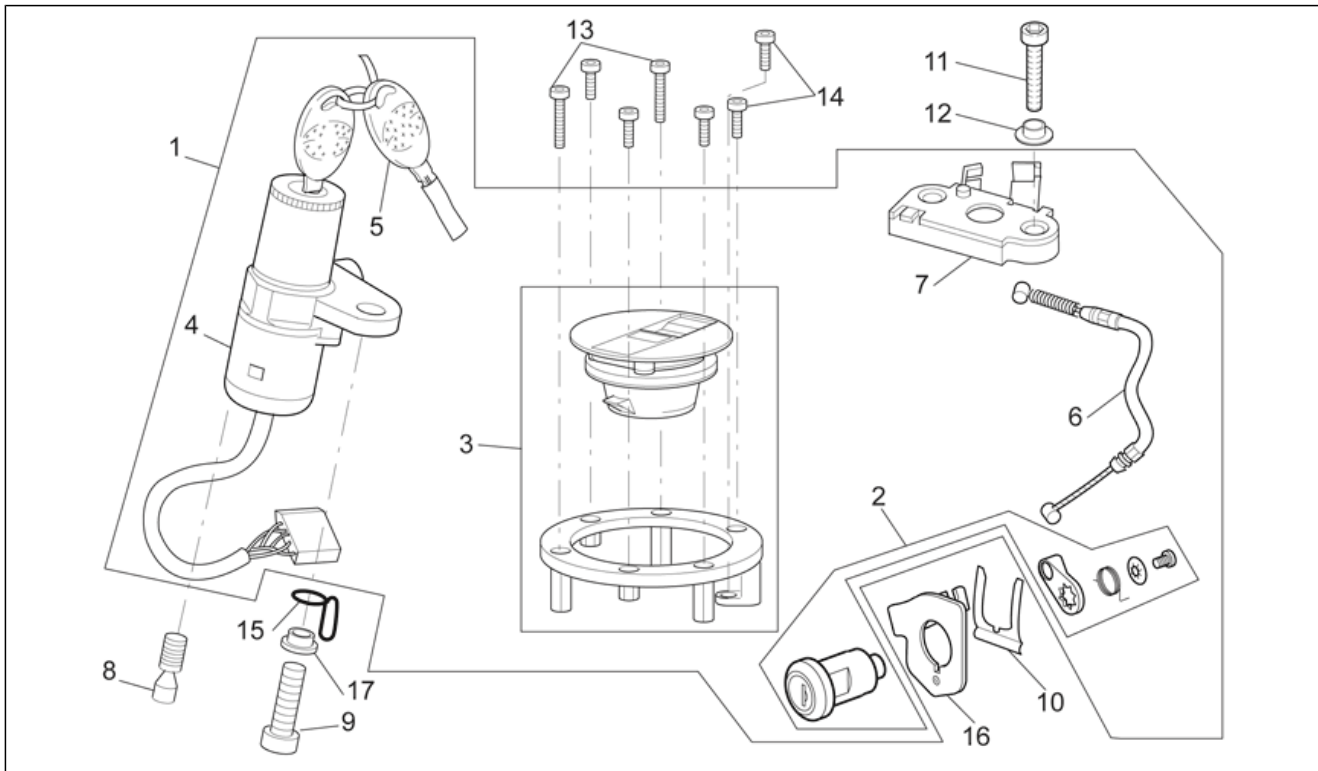
| Pos. | Code | Beschreibung | Menge | Varianten |
|------|-----------|---------------------|-------|--|
| | | | | Land: Österreich[A], Australien[AA], Australien[AUS], Belgien[B], Belgien[BB], Schweiz[CH], Deutschland[D], Dänemark[DK], Spanien[E], A, CH, D, DK, GR, E, I, NL, P[EU], Frankreich[F], Frankreich[FF], Griechenland[GR], Italien[I], Japan[J], Japan[JJ], Holland[NL], Portugal[P], Großbritannien[UK] Technische Daten: Version OHNE Katalysator[nocat] |
| 22 | AP0265673 | Steuergerät | 1 | Baujahr: 2002[2], 2003[3] Land: Österreich[A], Australien[AA], Australien[AUS], Schweiz[CH], Deutschland[D], Dänemark[DK], Spanien[E], A, CH, D, DK, GR, E, I, NL, P[EU], Griechenland[GR], Italien[I], Japan[J], Japan[JJ], Holland[NL], Portugal[P], Großbritannien[UK] Technische Daten: Version mit Katalysator[cat] |
| 22 | AP0265674 | Steuergerät | 1 | Baujahr: 2002[2], 2003[3] Land: Belgien[B], Belgien[BB], Frankreich[F], Frankreich[FF] Technische Daten: Leistung 72 Kw[72Kw], Leistung 78 Kw[78Kw] |
| 22 | AP8124959 | Steuergerät | 1 | Land: USA (Zulassung 49 Staaten)[AM], Vereinigte Staaten von Amerika[USA] Technische Daten: Zulassung 49 Staaten[49st] |
| 22 | AP8124960 | Steuergerät | 1 | Land: USA (Zulassung California)[CF], Vereinigte Staaten von Amerika[USA] Technische Daten: Zulassung California[cal] |
| 23 | AP0265246 | Kerzenhaube innen | 1 | |
| 24 | AP0265480 | Zuendtransform.cpl. | 2 | |
| 25 | AP0265244 | Kerzenhaube außen | 1 | |

| | |
|---------------------|-------------------|
| Einheit | RAHMEN |
| Code | 28.44 |
| Beschreibung | Bausatz Schlösser |
| Inspektion | 1 |



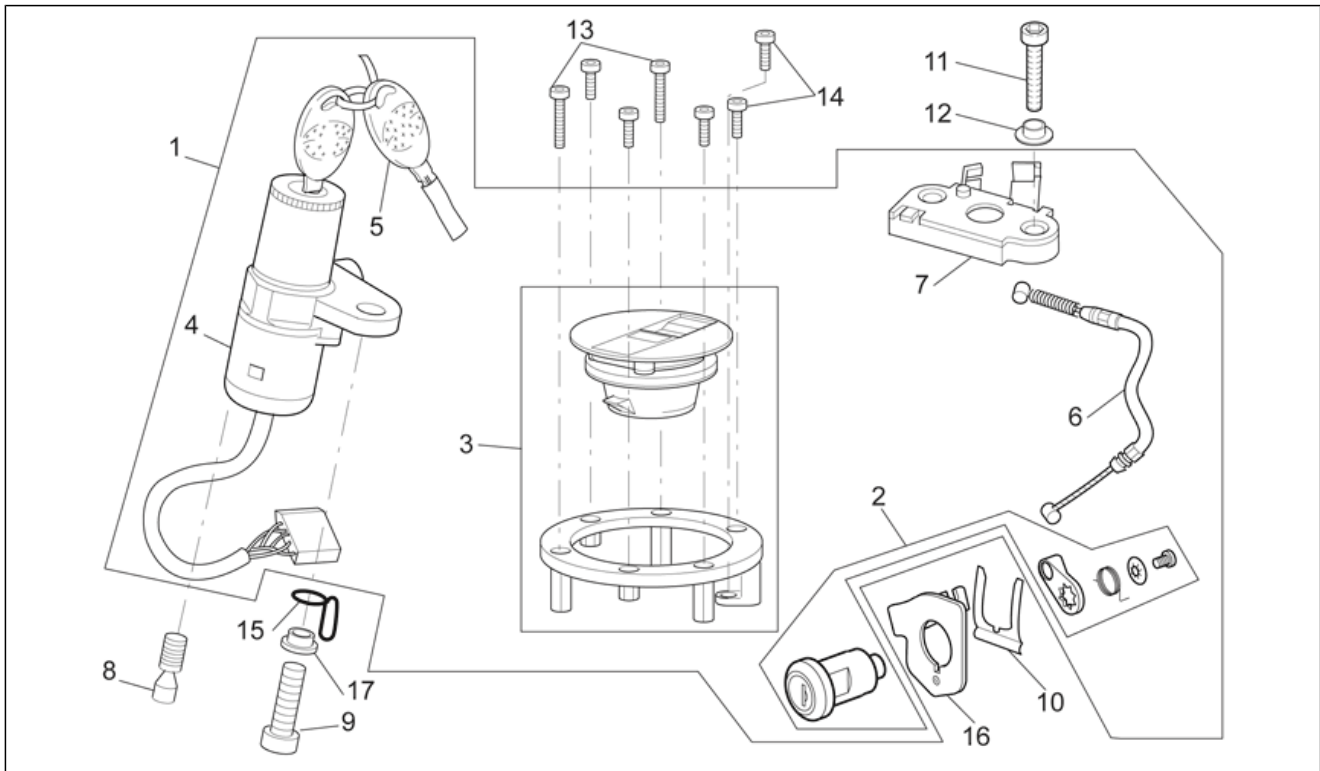
| Pos. | Code | Beschreibung | Menge | Varianten |
|------|-----------|--------------------------|-------|---|
| 1 | AP8102722 | Kit Schließvorrichtungen | 1 | Baujahr: 2000[Y] Land: Österreich[A], Australien[AA], Australien[AUS], Belgien[B], Belgien[BB], Schweiz[CH], Deutschland[D], Dänemark[DK], Spanien[E], A, CH, D, DK, GR, E, I, NL, P[EU], Frankreich[F], Frankreich[FF], Griechenland[GR], Italien[I], Japan[J], Japan[JJ], Holland[NL], Portugal[P], Großbritannien[UK] |
| 1 | AP8104173 | Kit Schließvorrichtungen | 1 | Baujahr: 2000[Y] Land: USA (Zulassung 49 Staaten)[AM], Vereinigte Staaten von Amerika[USA] Technische Daten: Zulassung 49 Staaten[49st] |
| 1 | AP8104213 | Kit Schließvorrichtungen | 1 | Baujahr: 2000[Y] Land: USA (Zulassung California)[CF], Vereinigte Staaten von Amerika[USA] Technische Daten: Zulassung California[cal] |
| 1 | AP8104259 | Kit Schließvorrichtungen | 1 | Baujahr: 2001[1], 2002[2], 2003[3] Land: Österreich[A], Australien[AA], Australien[AUS], Belgien[B], Belgien[BB], Schweiz[CH], Deutschland[D], Dänemark[DK], Spanien[E], A, CH, D, DK, GR, E, I, NL, P[EU], Frankreich[F], Frankreich[FF], Griechenland[GR], Italien[I], Japan[J], Japan[JJ], Holland[NL], Portugal[P], Großbritannien[UK] |
| 1 | AP8104260 | Kit Schließvorrichtungen | 1 | Baujahr: 2001[1], 2002[2], 2003[3] Land: USA (Zulassung 49 Staaten)[AM], Vereinigte Staaten von Amerika[USA] Technische Daten: Zulassung 49 Staaten[49st] |
| 1 | AP8104261 | Kit Schließvorrichtungen | 1 | Baujahr: 2001[1], 2002[2], 2003[3] Land: USA (Zulassung California)[CF], Vereinigte Staaten von Amerika[USA] Technische Daten: Zulassung California[cal] |
| 2 | AP8104154 | Sitzschloß | 1 | |
| 3 | AP8104262 | Tankfüllschraube | 1 | Baujahr: 2000[Y] Land: USA (Zulassung California)[CF], Vereinigte Staaten von Amerika[USA] Technische Daten: Zulassung California[cal] |

| | |
|---------------------|-------------------|
| Einheit | RAHMEN |
| Code | 28.44 |
| Beschreibung | Bausatz Schlösser |
| Inspektion | 1 |



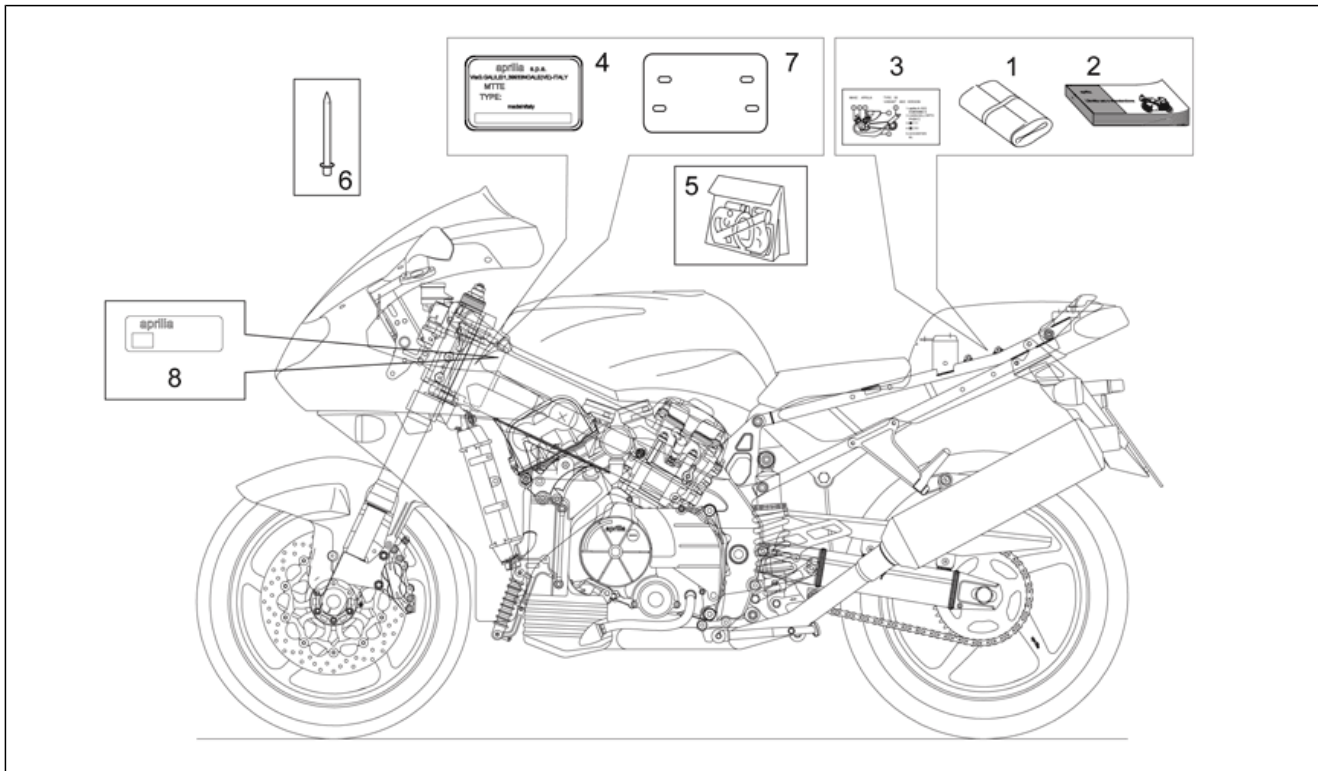
| Pos. | Code | Beschreibung | Menge | Varianten |
|------|-----------|---------------------|-------|---|
| 3 | AP8104528 | Tankfüllschraube | 1 | Baujahr: 2001[1], 2002[2], 2003[3] Land: USA (Zulassung California)[CF], Vereinigte Staaten von Amerika[USA] Technische Daten: Zulassung California[cal] |
| 3 | AP8104529 | Tankfüllschraube | 1 | Baujahr: 2001[1], 2002[2], 2003[3] Land: Österreich[A], Australien[AA], Australien[AUS], Belgien[B], Belgien[BB], Schweiz[CH], Deutschland[D], Dänemark[DK], Spanien[E], A, CH, D, DK, GR, E, I, NL, P[EU], Frankreich[F], Frankreich[FF], Griechenland[GR], Italien[I], Japan[J], Japan[JJ], Holland[NL], Portugal[P], Großbritannien[UK] |
| 3 | AP8104529 | Tankfüllschraube | 1 | Baujahr: 2001[1], 2002[2], 2003[3] Land: USA (Zulassung 49 Staaten)[AM], Vereinigte Staaten von Amerika[USA] Technische Daten: Zulassung 49 Staaten[49st] |
| 3 | AP8144312 | Tankfüllschraube | 1 | Baujahr: 2000[Y] Land: Österreich[A], Australien[AA], Australien[AUS], Belgien[B], Belgien[BB], Schweiz[CH], Deutschland[D], Dänemark[DK], Spanien[E], A, CH, D, DK, GR, E, I, NL, P[EU], Frankreich[F], Frankreich[FF], Griechenland[GR], Italien[I], Japan[J], Japan[JJ], Holland[NL], Portugal[P], Großbritannien[UK] |
| 3 | AP8144312 | Tankfüllschraube | 1 | Baujahr: 2000[Y] Land: USA (Zulassung 49 Staaten)[AM], Vereinigte Staaten von Amerika[USA] Technische Daten: Zulassung 49 Staaten[49st] |
| 4 | AP8124593 | Lenkschloß | 1 | Land: Österreich[A], Australien[AA], Australien[AUS], Belgien[B], Belgien[BB], Schweiz[CH], Deutschland[D], Dänemark[DK], Spanien[E], A, CH, D, DK, GR, E, I, NL, P[EU], Frankreich[F], Frankreich[FF], Griechenland[GR], Italien[I], Japan[J], Japan[JJ], Holland[NL], Portugal[P], Großbritannien[UK] |
| 4 | AP8124895 | Lenkschloß | 1 | Land: USA (Zulassung 49 Staaten)[AM], USA (Zulassung California)[CF], Vereinigte Staaten von Amerika[USA] |
| 5 | AP8102880 | Schl. gefr. Aprilia | 1 | |

| | |
|---------------------|-------------------|
| Einheit | RAHMEN |
| Code | 28.44 |
| Beschreibung | Bausatz Schlösser |
| Inspektion | 1 |



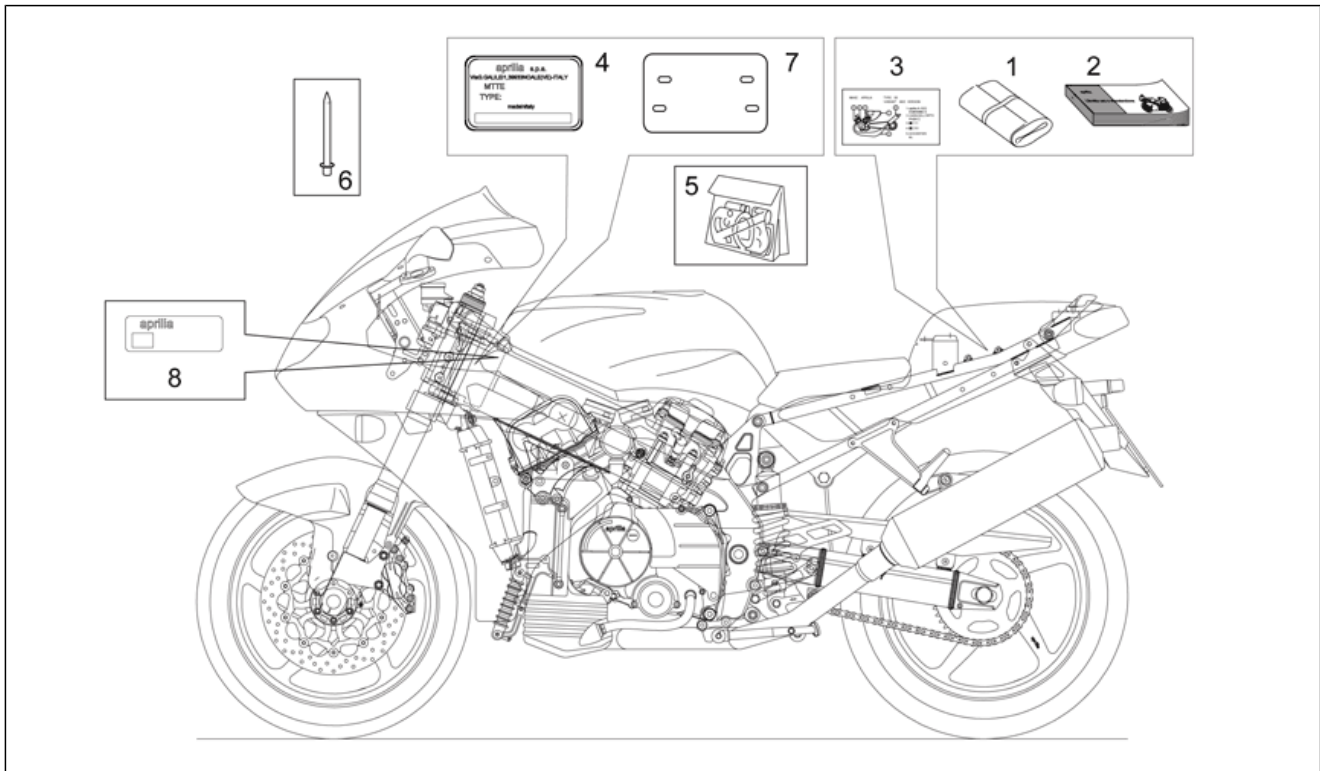
| Pos. | Code | Beschreibung | Menge | Varianten |
|------|-----------|-------------------------|-------|-----------|
| 6 | AP8114411 | Schloßkabel | 1 | |
| 7 | AP8102913 | Fixierplatte Soziussitz | 1 | |
| 8 | AP8150349 | Spezialschraube M8x15 | 1 | |
| 9 | AP8152288 | TE Schr. m. Flansch | 1 | |
| 10 | AP8121420 | Gabelfeder | 1 | |
| 11 | AP8150285 | TCEI Schraube M6x35 | 2 | |
| 12 | AP8121728 | T-Buchse | 2 | |
| 13 | AP8150453 | TCEI Schraube M5x30 | 3 | |
| 14 | AP8150454 | TCEI Schraube M5x16 | 4 | |
| 15 | AP8120428 | Kabelführungs | 1 | |
| 16 | AP8134618 | Kabelplatte | 1 | |
| 17 | AP8121678 | Buchse | 1 | |

| | |
|---------------------|--------------------|
| Einheit | RAHMEN |
| Code | 28.45 |
| Beschreibung | Abzieh. + Schilder |
| Inspektion | 1 |



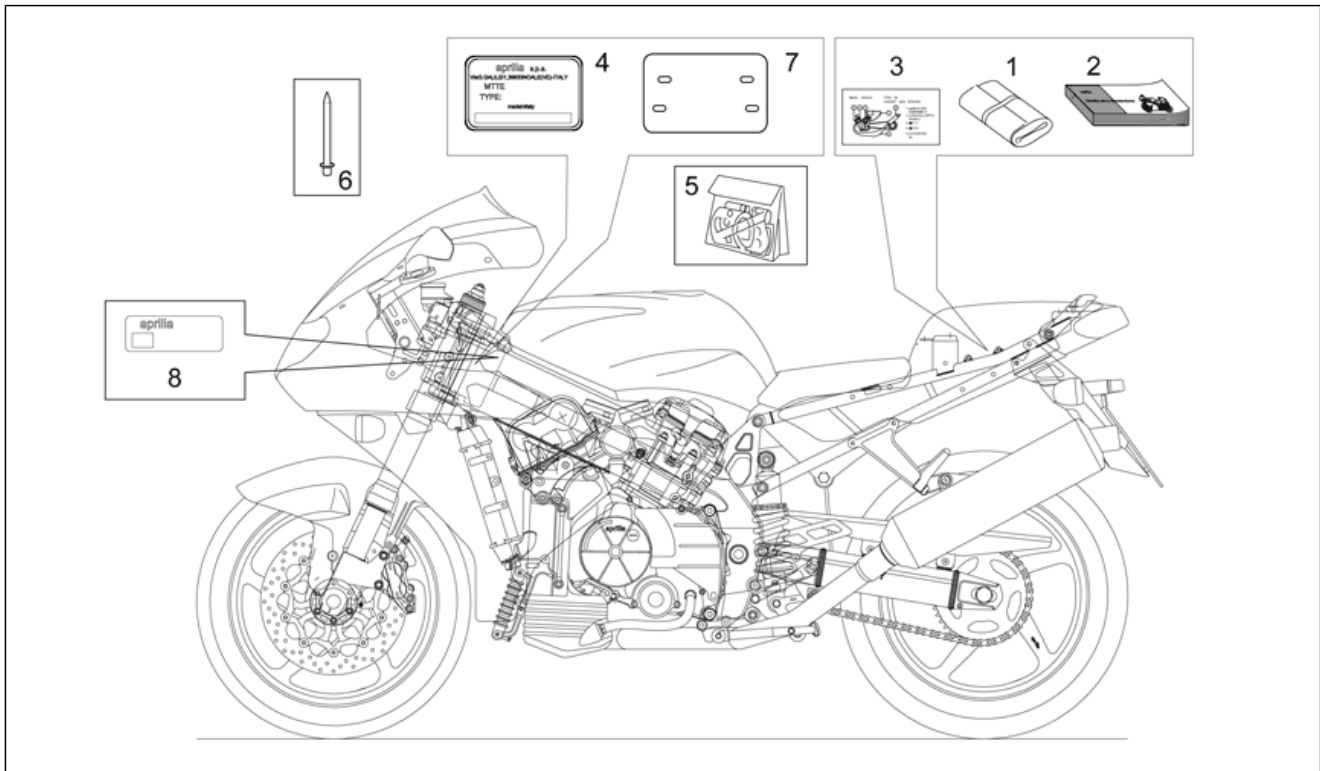
| Pos. | Code | Beschreibung | Menge | Varianten |
|------|-----------|---------------------------|-------|---|
| 1 | AP8102622 | Werkzeugtasche | 1 | |
| 2 | AP8102721 | Bed./Wart.-Anl. I-F-D | 1 | Land: Österreich[A], Belgien[B], Belgien[BB], Schweiz[CH], Deutschland[D], A, CH, D, DK, GR, E, I, NL, P[EU], Frankreich[F], Frankreich[FF], Italien[I] |
| 2 | AP8104125 | Bed./Wart.-Anl. NL-DK-SF | 1 | Land: Belgien[B], Belgien[BB], Dänemark[DK], A, CH, D, DK, GR, E, I, NL, P[EU], Holland[NL] |
| 2 | AP8104126 | Betr./Wart., anl. gr-j-uk | 1 | Land: A, CH, D, DK, GR, E, I, NL, P[EU], Griechenland[GR], Japan[J], Japan[JJ] |
| 2 | AP8104127 | Bed./Wart.-Anl. P-E-UK | 1 | Land: Spanien[E], A, CH, D, DK, GR, E, I, NL, P[EU], Portugal[P], Großbritannien[UK] |
| 2 | AP8104174 | Bed./Wart.-Anleit. | 1 | Land: USA (Zulassung 49 Staaten)[AM], USA (Zulassung California)[CF], Vereinigte Staaten von Amerika[USA] |
| 2 | AP8104176 | Bed./Wart.-Anleit. | 1 | Land: Australien[AA], Australien[AUS] |
| 3 | AP8157650 | Fälschungssicheres Schild | 1 | Land: Frankreich[F], Frankreich[FF] Technische Daten: Leistung 78 Kw[78Kw] |
| 4 | AP8147068 | Herstellerschild | 1 | Baujahr: 2001[1], 2000[Y] Land: Österreich[A], Schweiz[CH], Deutschland[D], Dänemark[DK], Spanien[E], A, CH, D, DK, GR, E, I, NL, P[EU], Griechenland[GR], Italien[I], Japan[J], Japan[JJ], Holland[NL], Portugal[P], Großbritannien[UK] Technische Daten: Version OHNE Katalysator[nocat] |
| 4 | AP8157648 | Herstellerschild | 1 | Baujahr: 2001[1], 2000[Y] Land: Belgien[B], Belgien[BB] Technische Daten: Leistung 72 Kw[72Kw] |
| 4 | AP8157649 | Herstellerschild | 1 | Baujahr: 2001[1], 2000[Y] Land: Frankreich[F], Frankreich[FF] Technische Daten: Leistung 78 Kw[78Kw] |
| 4 | AP8157831 | Herstellerschild | 1 | Land: USA (Zulassung 49 Staaten)[AM], USA (Zulassung California)[CF], Vereinigte Staaten von Amerika[USA] |
| 4 | AP8157838 | Herstellerschild | 1 | Land: Australien[AA], Australien[AUS] |
| 4 | AP8167542 | Herstellerschild | 1 | Baujahr: 2002[2], 2003[3] Land: Belgien[B], Belgien[BB] Technische Daten: Leistung 72 Kw[72Kw] |

| | |
|---------------------|---------------------|
| Einheit | RAHMEN |
| Code | 28.45 |
| Beschreibung | Abziehb. + Schilder |
| Inspektion | 1 |



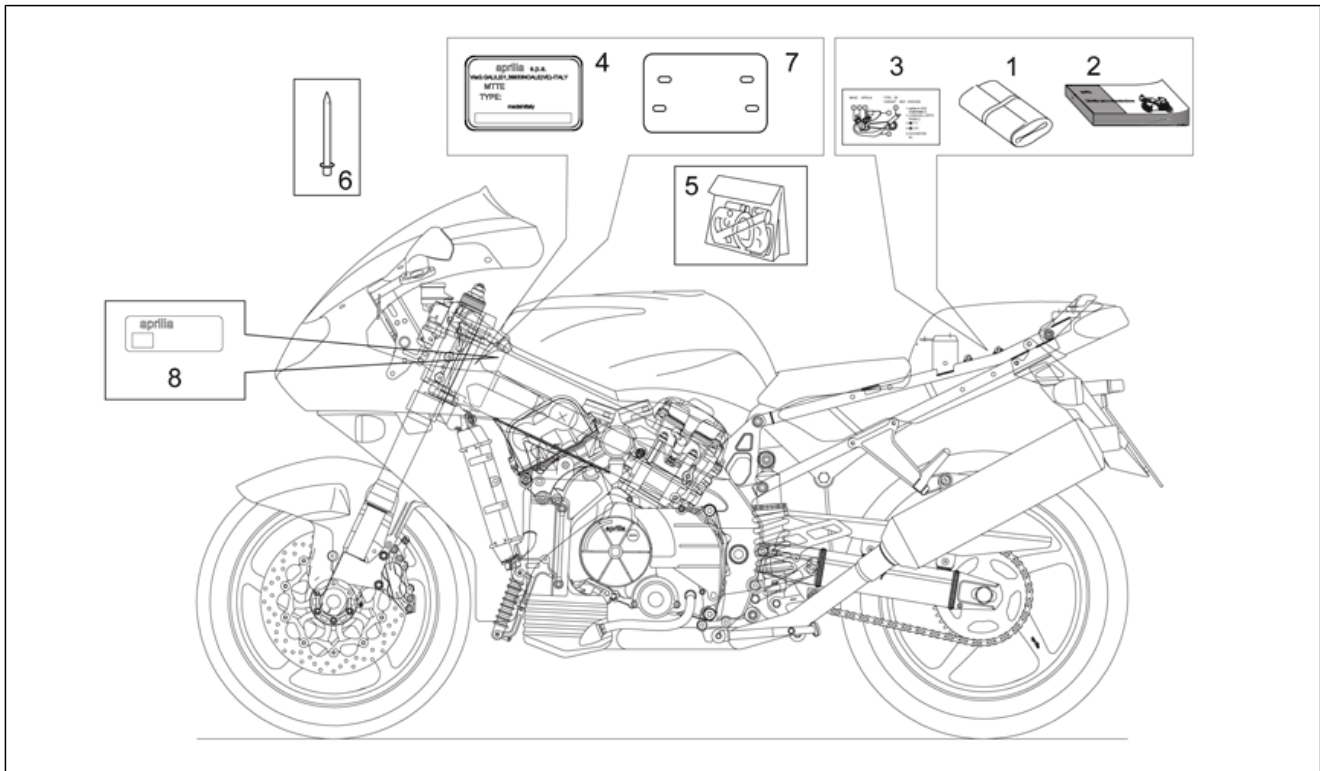
| Pos. | Code | Beschreibung | Menge | Varianten |
|------|-----------|------------------|-------|--|
| 4 | AP8167542 | Herstellerschild | 1 | Baujahr: 2002[2], 2003[3] Land: Frankreich[F], Frankreich[FF] Technische Daten: Leistung 78 Kw[78Kw] |
| 4 | AP8167757 | Herstellerschild | 1 | Baujahr: 2002[2], 2003[3] Land: Österreich[A], Schweiz[CH], Deutschland[D], Dänemark[DK], Spanien[E], A, CH, D, DK, GR, E, I, NL, P[EU], Griechenland[GR], Italien[I], Japan[J], Japan[JJ], Holland[NL], Portugal[P], Großbritannien[UK] Technische Daten: Version mit Katalysator[cat] |
| 5 | AP8157617 | Deko Serie | 1 | Baujahr: 2000[Y] Fahrzeugfarbe: Black Crow 2000[c.bla] Land: Österreich[A], Australien[AUS], Australien[AUS], Belgien[B], Belgien[BB], Schweiz[CH], Deutschland[D], Dänemark[DK], Spanien[E], A, CH, D, DK, GR, E, I, NL, P[EU], Frankreich[F], Frankreich[FF], Griechenland[GR], Italien[I], Japan[J], Japan[JJ], Holland[NL], Portugal[P], Großbritannien[UK] |
| 5 | AP8157646 | Deko Serie | 1 | Baujahr: 2000[Y] Fahrzeugfarbe: Red fire 2000[f.red] Land: Österreich[A], Australien[AUS], Australien[AUS], Belgien[B], Belgien[BB], Schweiz[CH], Deutschland[D], Dänemark[DK], Spanien[E], A, CH, D, DK, GR, E, I, NL, P[EU], Frankreich[F], Frankreich[FF], Griechenland[GR], Italien[I], Japan[J], Japan[JJ], Holland[NL], Portugal[P], Großbritannien[UK] |
| 5 | AP8157833 | Deko Serie | 1 | Baujahr: 2000[Y] Fahrzeugfarbe: Red fire 2000[f.red] Land: USA (Zulassung 49 Staaten)[AM], Vereinigte Staaten von Amerika[USA] Technische Daten: Zulassung 49 Staaten[49st] |
| 5 | AP8157916 | Deko Serie | 1 | Baujahr: 2000[Y] Fahrzeugfarbe: Red fire 2000[f.red] Land: USA (Zulassung California)[CF], Vereinigte Staaten von Amerika[USA] Technische Daten: Zulassung California[cal] |
| 5 | AP8157970 | Deko Serie | 1 | Baujahr: 2000[Y] |

| | |
|---------------------|---------------------|
| Einheit | RAHMEN |
| Code | 28.45 |
| Beschreibung | Abziehb. + Schilder |
| Inspektion | 1 |



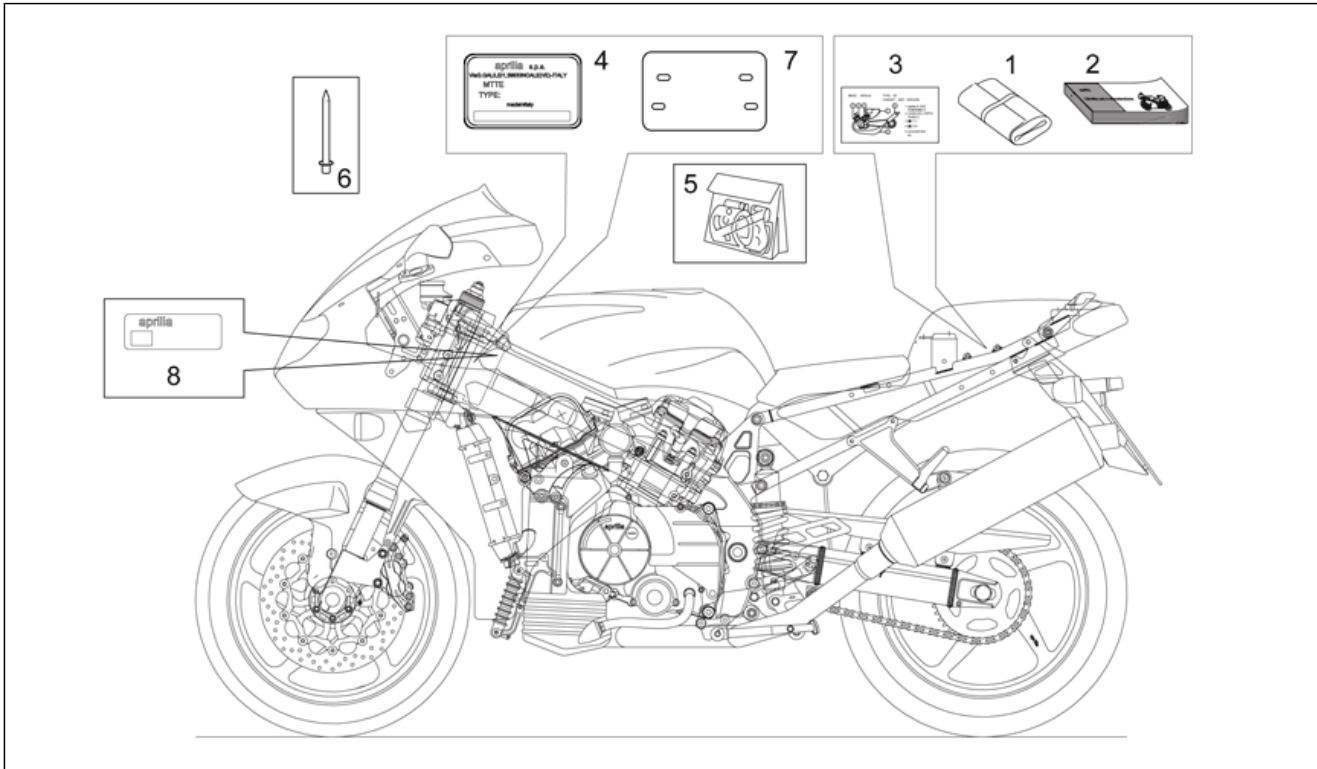
| Pos. | Code | Beschreibung | Menge | Varianten |
|------|-----------|--------------|-------|---|
| | | | | Fahrzeugfarbe: Black Crow 2000[c.bla] Land: USA (Zulassung 49 Staaten)[AM], Vereinigte Staaten von Amerika[USA] Technische Daten: Zulassung 49 Staaten[49st] |
| 5 | AP8157971 | Deko Serie | 1 | Baujahr: 2000[Y] Fahrzeugfarbe: Black Crow 2000[c.bla] Land: USA (Zulassung California)[CF], Vereinigte Staaten von Amerika[USA] Technische Daten: Zulassung California[cal] |
| 5 | AP8167165 | Deko Serie | 1 | Baujahr: 2001[1] Fahrzeugfarbe: Gelb Flashy 2001[f.yel] Land: Österreich[A], Australien[AA], Australien[AUS], Belgien[B], Belgien[BB], Schweiz[CH], Deutschland[D], Dänemark[DK], Spanien[E], A, CH, D, DK, GR, E, I, NL, P[EU], Frankreich[F], Frankreich[FF], Griechenland[GR], Italien[I], Japan[J], Japan[JJ], Holland[NL], Portugal[P], Großbritannien[UK] |
| 5 | AP8167216 | Deko Serie | 1 | Baujahr: 2001[1] Fahrzeugfarbe: Grau Mercury 2001[m.gre], Blau Speed 2001[s.blu] Land: Österreich[A], Australien[AA], Australien[AUS], Belgien[B], Belgien[BB], Schweiz[CH], Deutschland[D], Dänemark[DK], Spanien[E], A, CH, D, DK, GR, E, I, NL, P[EU], Frankreich[F], Frankreich[FF], Griechenland[GR], Italien[I], Japan[J], Japan[JJ], Holland[NL], Portugal[P], Großbritannien[UK] |
| 5 | AP8167337 | Deko Serie | 1 | Baujahr: 2001[1] Fahrzeugfarbe: Gelb Flashy 2001[f.yel] Land: USA (Zulassung 49 Staaten)[AM], USA (Zulassung California)[CF], Vereinigte Staaten von Amerika[USA] |
| 5 | AP8167397 | Deko Serie | 1 | Baujahr: 2001[1] Fahrzeugfarbe: Grau Mercury 2001[m.gre], Blau Speed 2001[s.blu] Land: USA (Zulassung 49 Staaten)[AM], USA (Zulassung California)[CF], Vereinigte Staaten von Amerika[USA] |
| 5 | AP8167956 | Deko Serie | 1 | Baujahr: 2002[2] |

| | |
|---------------------|---------------------|
| Einheit | RAHMEN |
| Code | 28.45 |
| Beschreibung | Abziehb. + Schilder |
| Inspektion | 1 |



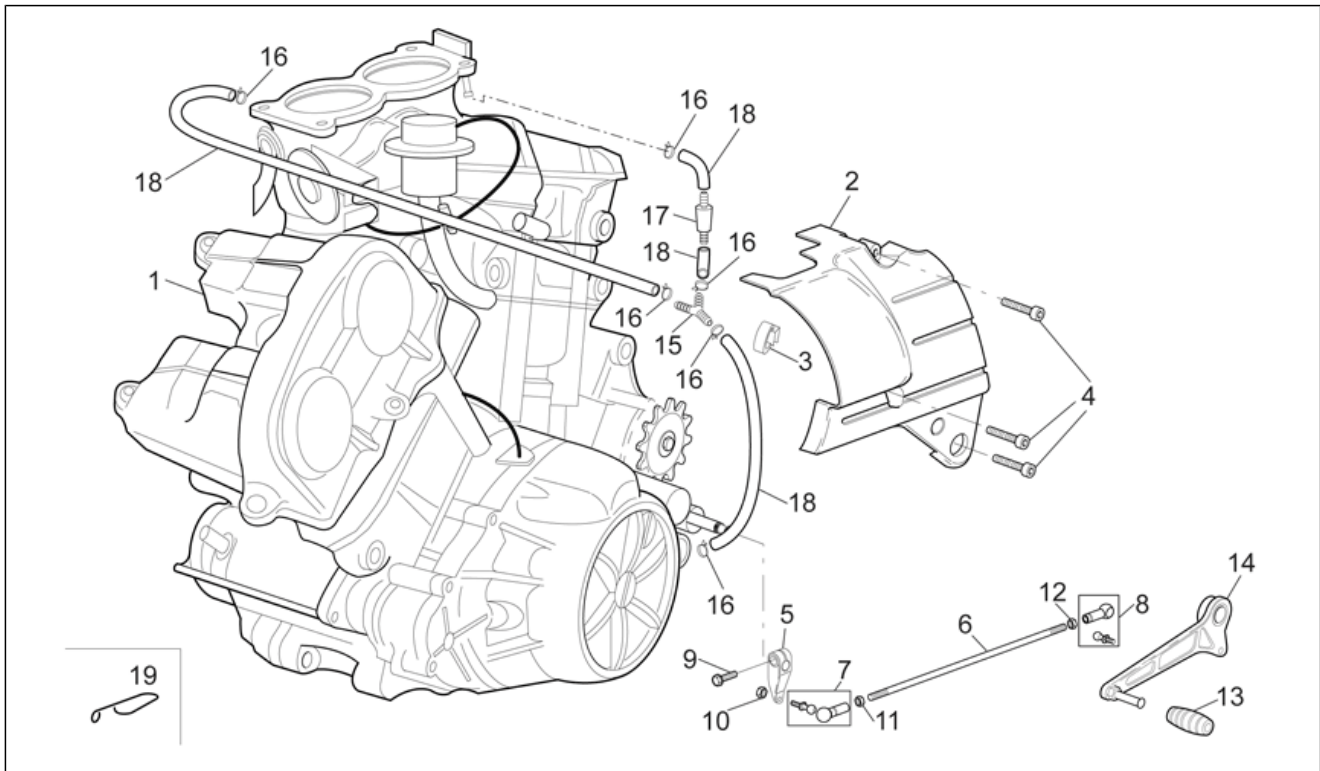
| Pos. | Code | Beschreibung | Menge | Varianten |
|------|-----------|--------------|-------|---|
| | | | | Fahrzeugfarbe: Bleigrau / Schwarz Diablo 2002[pg/bd] Land: Österreich[A], Australien[AA], Australien[AUS], Belgien[B], Belgien[BB], Schweiz[CH], Deutschland[D], Dänemark[DK], Spanien[E], A, CH, D, DK, GR, E, I, NL, P[EU], Frankreich[F], Frankreich[FF], Griechenland[GR], Italien[I], Japan[J], Japan[JJ], Holland[NL], Portugal[P], Großbritannien[UK] |
| 5 | AP8167957 | Deko Serie | 1 | Baujahr: 2002[2] Fahrzeugfarbe: Bleigrau / Schwarz Diablo 2002[pg/bd] Land: USA (Zulassung 49 Staaten)[AM], USA (Zulassung California)[CF], Vereinigte Staaten von Amerika[USA] |
| 5 | AP8167963 | Deko Serie | 1 | Baujahr: 2002[2] Fahrzeugfarbe: Hot Red / Schwarz Diablo 2002[hr/bd] Land: Österreich[A], Australien[AA], Australien[AUS], Belgien[B], Belgien[BB], Schweiz[CH], Deutschland[D], Dänemark[DK], Spanien[E], A, CH, D, DK, GR, E, I, NL, P[EU], Frankreich[F], Frankreich[FF], Griechenland[GR], Italien[I], Japan[J], Japan[JJ], Holland[NL], Portugal[P], Großbritannien[UK] |
| 5 | AP8167964 | Deko Serie | 1 | Baujahr: 2002[2] Fahrzeugfarbe: Hot Red / Schwarz Diablo 2002[hr/bd] Land: USA (Zulassung 49 Staaten)[AM], USA (Zulassung California)[CF], Vereinigte Staaten von Amerika[USA] |
| 5 | AP8177743 | Deko Serie | 1 | Baujahr: 2003[3] Fahrzeugfarbe: Rot Flamingo 2003[fla.r] Land: Österreich[A], Australien[AA], Australien[AUS], Belgien[B], Belgien[BB], Schweiz[CH], Deutschland[D], Dänemark[DK], Spanien[E], A, CH, D, DK, GR, E, I, NL, P[EU], Frankreich[F], Frankreich[FF], Griechenland[GR], Italien[I], Japan[J], Japan[JJ], Holland[NL], Portugal[P], Großbritannien[UK] |
| 5 | AP8177744 | Deko Serie | 1 | Baujahr: 2003[3] Fahrzeugfarbe: Bronze Olympic 2003[o.br] Land: Österreich[A], Australien[AA], Australien[AUS], Belgien[B], Belgien[BB], Schweiz[CH], Deutschland[D], Dänemark[DK], Spanien[E], A, CH, D, DK, GR, E, I, NL, |

| | |
|---------------------|--------------------|
| Einheit | RAHMEN |
| Code | 28.45 |
| Beschreibung | Abzieh. + Schilder |
| Inspektion | 1 |



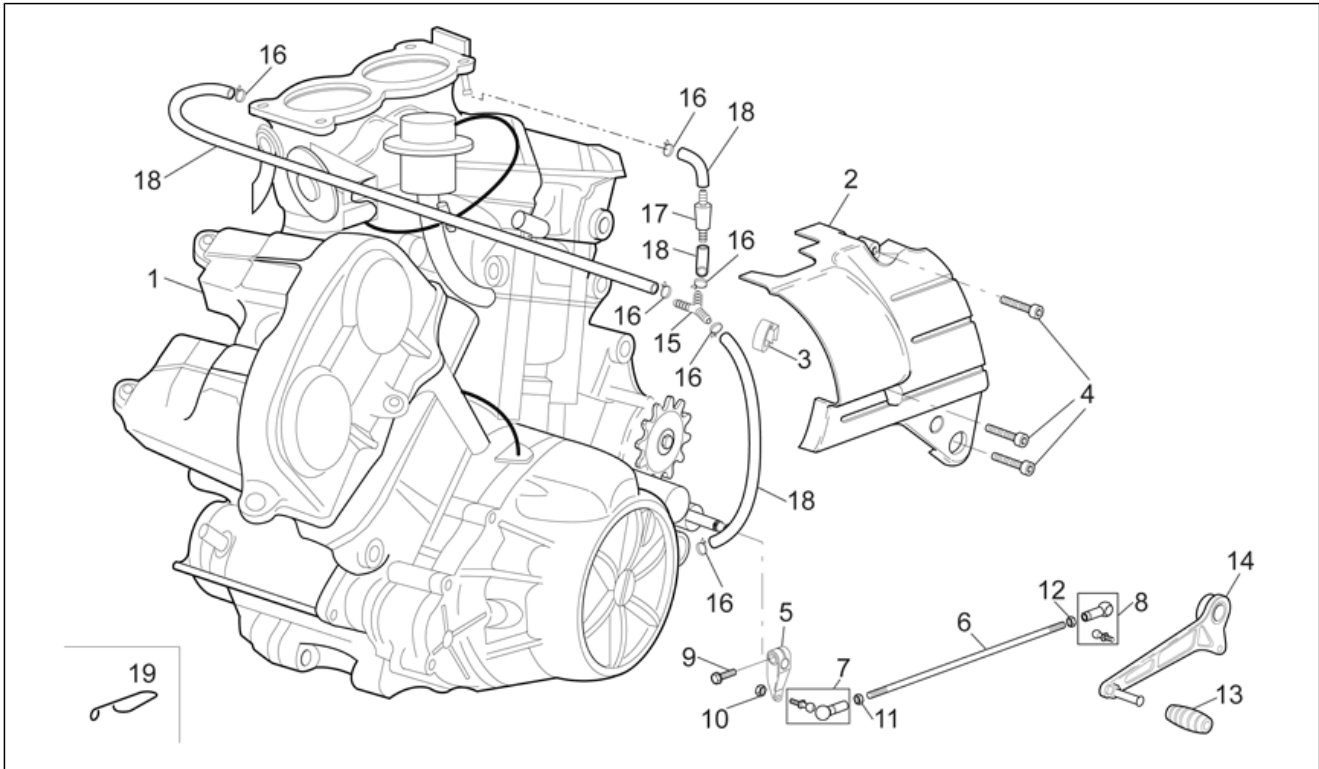
| Pos. | Code | Beschreibung | Menge | Varianten |
|------|-----------|---------------------|-------|--|
| | | | | P[EU], Frankreich[F], Frankreich[FF], Griechenland[GR], Italien[I], Japan[J], Japan[JJ], Holland[NL], Portugal[P], Großbritannien[UK] |
| 5 | AP8177745 | Deko Serie | 1 | Baujahr: 2003[3] Fahrzeugfarbe: Grün Oasis 2003[o.gr] Land: Österreich[A], Australien[AA], Australien[AUS], Belgien[B], Belgien[BB], Schweiz[CH], Deutschland[D], Dänemark[DK], Spanien[E], A, CH, D, DK, GR, E, I, NL, P[EU], Frankreich[F], Frankreich[FF], Griechenland[GR], Italien[I], Japan[J], Japan[JJ], Holland[NL], Portugal[P], Großbritannien[UK] |
| 5 | AP8177844 | Deko Serie | 1 | Baujahr: 2003[3] Fahrzeugfarbe: Bronze Olympic 2003[o.br] Land: USA (Zulassung 49 Staaten)[AM], USA (Zulassung California)[CF], Vereinigte Staaten von Amerika[USA] |
| 6 | AP8102728 | Kunststoffniet 3x11 | 2 | |
| 7 | AP8149311 | Schild Rahmen | 1 | |
| 8 | AP8157821 | ECE Schild | 1 | Land: Australien[AA], Australien[AUS], Japan[J], Japan[JJ] |

| | |
|---------------------|-------|
| Einheit | MOTOR |
| Code | 29.32 |
| Beschreibung | Motor |
| Inspektion | 1 |



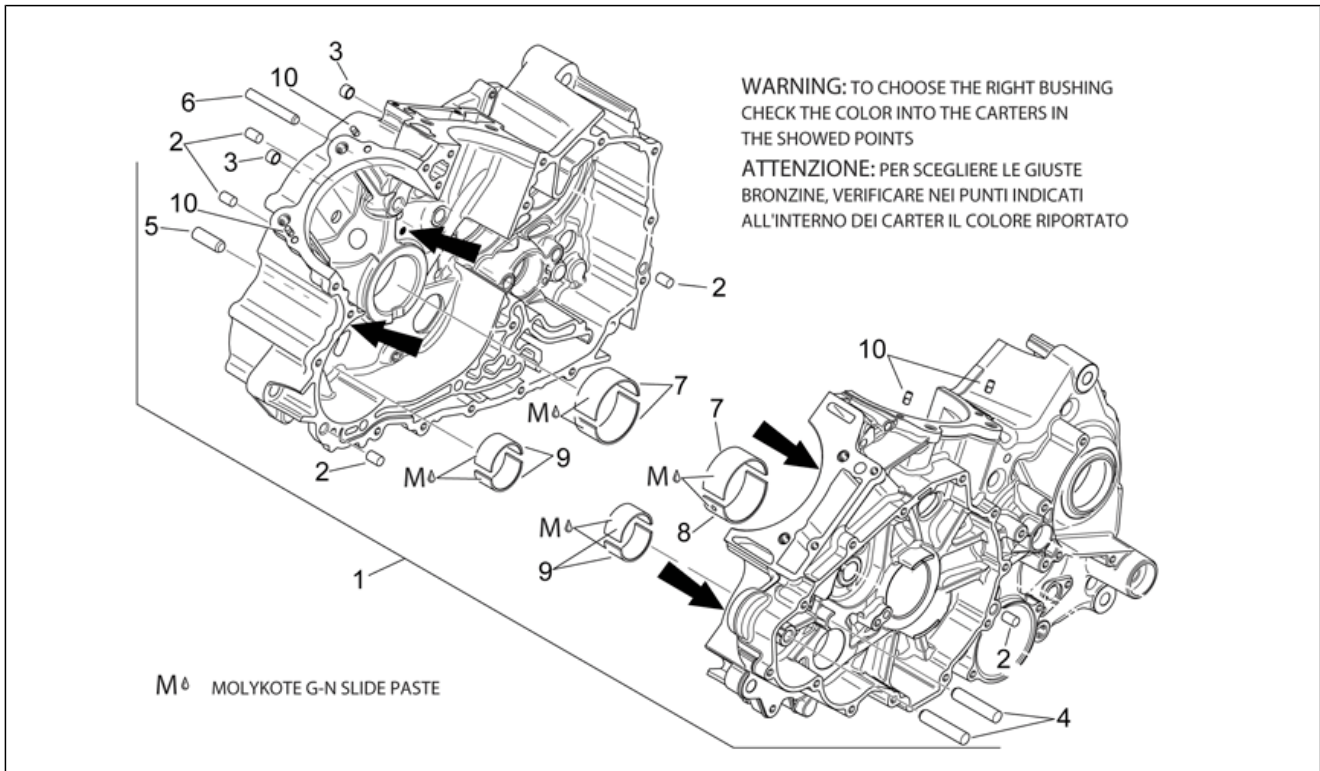
| Pos. | Code | Beschreibung | Menge | Varianten |
|------|-----------|-----------------------------|-------|--|
| 1 | AP8106583 | Motor 990 | 1 | Baujahr: 2001[1], 2000[Y] Land: Österreich[A], Australien[AA], Australien[AUS], Belgien[B], Belgien[BB], Schweiz[CH], Deutschland[D], Dänemark[DK], Spanien[E], A, CH, D, DK, GR, E, I, NL, P[EU], Frankreich[F], Frankreich[FF], Griechenland[GR], Italien[I], Japan[J], Japan[JJ], Holland[NL], Portugal[P], Großbritannien[UK] Technische Daten: Version OHNE Katalysator[nocat] |
| 1 | AP8106758 | Motor | 1 | Land: USA (Zulassung 49 Staaten)[AM], Vereinigte Staaten von Amerika[USA] Technische Daten: Zulassung 49 Staaten[49st] |
| 1 | AP8106759 | Motor | 1 | Land: USA (Zulassung California)[CF], Vereinigte Staaten von Amerika[USA] Technische Daten: Zulassung California[cal] |
| 1 | AP8106868 | Motor | 1 | Baujahr: 2002[2], 2003[3] Land: Belgien[B], Belgien[BB], Frankreich[F], Frankreich[FF] Technische Daten: Leistung 72 Kw[72Kw], Leistung 78 Kw[78Kw] |
| 1 | AP8106869 | Motor 990 | 1 | Baujahr: 2002[2], 2003[3] Land: Österreich[A], Australien[AA], Australien[AUS], Schweiz[CH], Deutschland[D], Dänemark[DK], Spanien[E], A, CH, D, DK, GR, E, I, NL, P[EU], Griechenland[GR], Italien[I], Japan[J], Japan[JJ], Holland[NL], Portugal[P], Großbritannien[UK] Technische Daten: Version mit Katalysator[cat] |
| 2 | AP8106519 | Ritzelkasten, grau | 1 | |
| 3 | AP8201727 | Kabelführungs schw. | 1 | |
| 4 | AP8150220 | TCEI Schraube M6x30 | 3 | |
| 5 | AP8121354 | Umlenkpl.Schaltgetr. | 1 | |
| 6 | AP8121353 | Umlenkstange Schaltgetriebe | 1 | |
| 7 | AP8110053 | Kugelgelenk links M6 | 1 | |
| 8 | AP8210007 | Kugelgelenk rechts M6 | 1 | |
| 9 | AP8152279 | TE Schr. m. Flansch M6x20 | 1 | |

| | |
|---------------------|-------|
| Einheit | MOTOR |
| Code | 29.32 |
| Beschreibung | Motor |
| Inspektion | 1 |



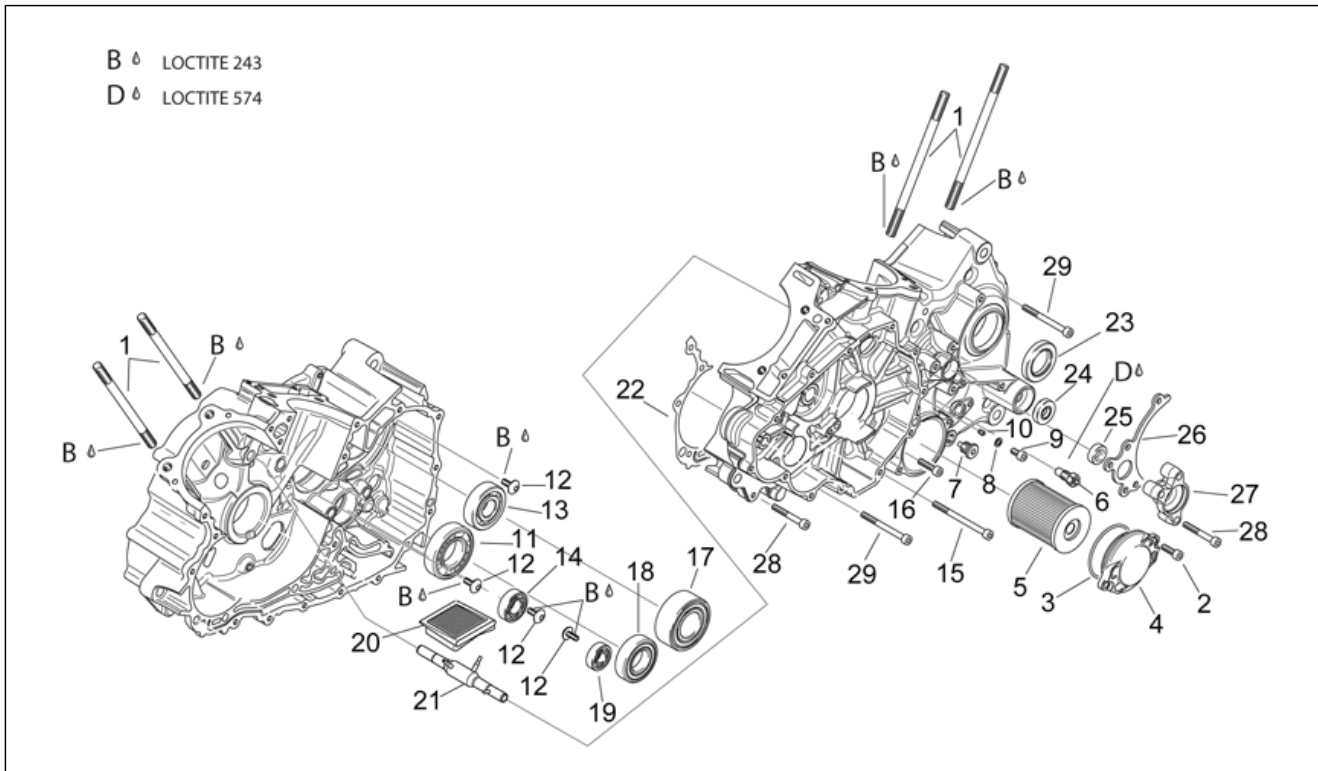
| Pos. | Code | Beschreibung | Menge | Varianten |
|------|-----------|---------------------------------|-------|-----------|
| 10 | AP8150430 | Selbstsperr.mut Unt. | 1 | |
| 11 | AP8152138 | Mutter | 1 | |
| 12 | AP8150026 | Mutter M6 | 1 | |
| 13 | AP8120912 | Gummi für Hebel | 1 | |
| 14 | AP8106420 | Schalthebel | 1 | |
| 15 | AP8120116 | 3-Wegeanschluß | 1 | |
| 16 | AP8120446 | Schlauchschelle, grün D11x6,6x1 | 6 | |
| 17 | AP8102741 | Rückstauventil | 1 | |
| 18 | AP8144015 | Ölschlauch 6x12 | 1 | |
| 19 | AP8144316 | Schutz Bremsschlauch | 1 | |

| | |
|---------------------|-----------|
| Einheit | MOTOR |
| Code | 29.46 |
| Beschreibung | Gehäuse I |
| Inspektion | 1 |



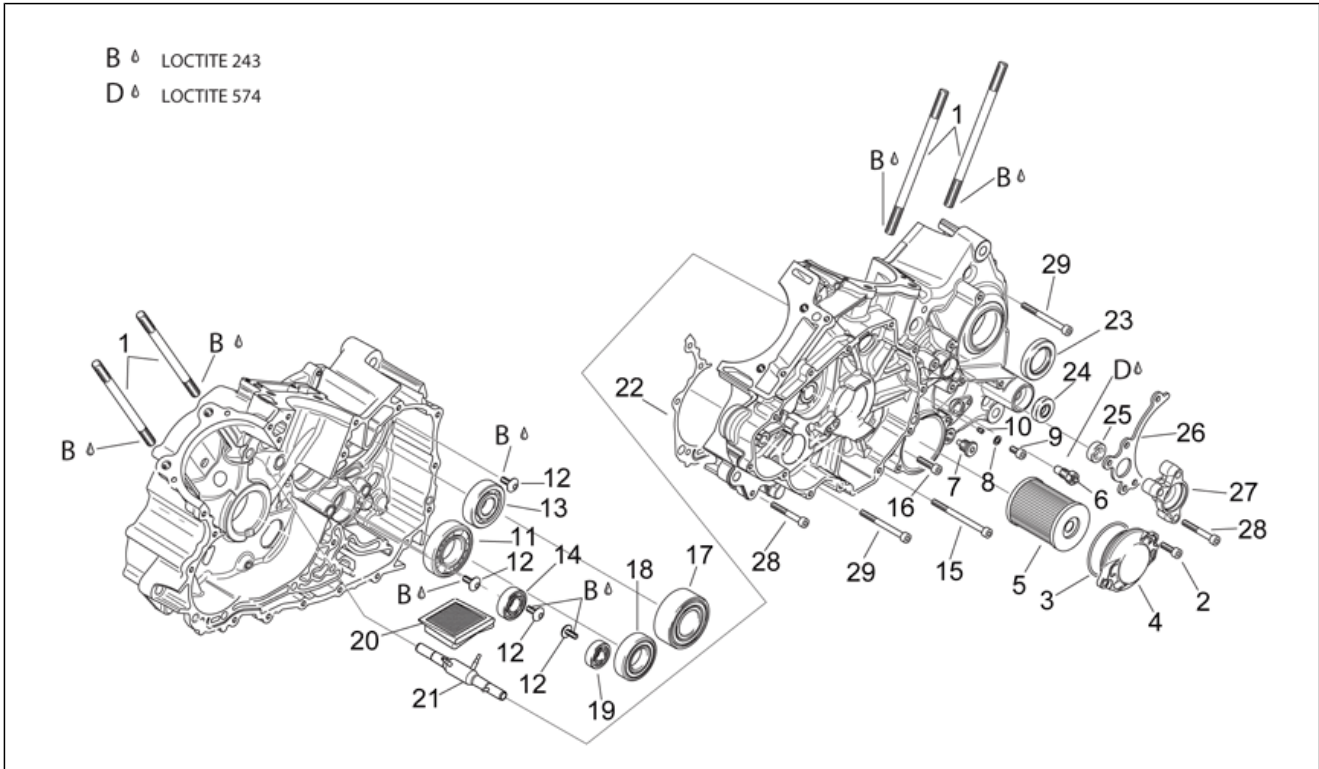
| Pos. | Code | Beschreibung | Menge | Varianten |
|------|-----------|--------------------------|-------|-----------|
| 1 | AP0295653 | Gehäuse-kpl. | 1 | |
| 2 | AP0632010 | Stift M8x12 | 5 | |
| 3 | AP0929500 | Stift 10x8 | 2 | |
| 4 | AP0229301 | Bolzen M6x50 | 2 | |
| 5 | AP0929930 | Bolzen | 1 | |
| 6 | AP0229385 | Bolzen | 1 | |
| 7 | AP0233745 | Halbsch. Bronzebu., blau | 3 | |
| 7 | AP0233746 | Halbsch. Bronzebu., rot | 3 | |
| 7 | AP0233748 | Halbsch. Bronzebu., gelb | 3 | |
| 8 | AP0233740 | Halbsch. Bronzebu., blau | 1 | |
| 8 | AP0233741 | Halbsch. Bronzebu., rot | 1 | |
| 8 | AP0233743 | Halbsch. Bronzebu., gelb | 1 | |
| 9 | AP0233711 | Halbsch. Bronzebu., blau | 4 | |
| 9 | AP0233820 | Halbsch. Bronzebu., rot | 4 | |
| 9 | AP0233822 | Halbsch. Bronzebu., gelb | 4 | |
| 10 | AP0929650 | Stift 5x10 | 4 | |

| | |
|---------------------|------------|
| Einheit | MOTOR |
| Code | 29.47 |
| Beschreibung | Gehäuse II |
| Inspektion | 1 |



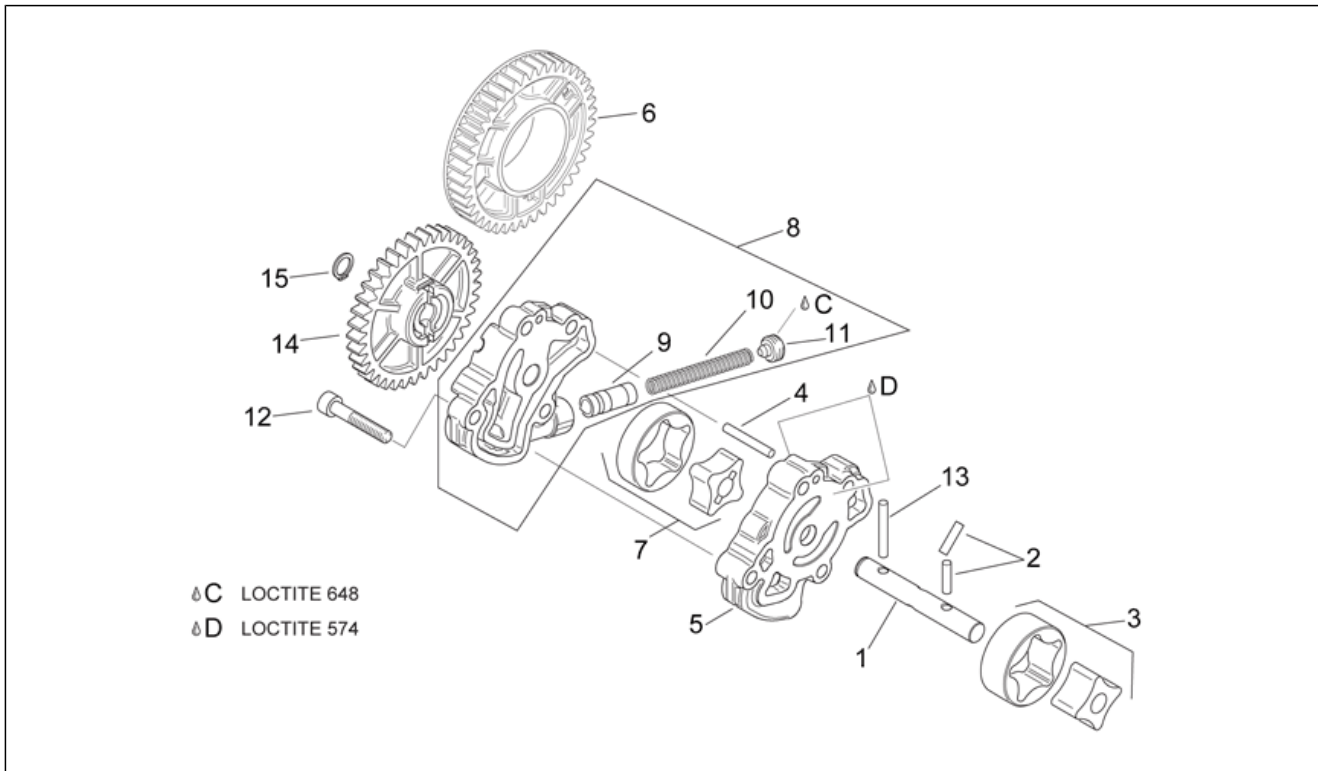
| Pos. | Code | Beschreibung | Menge | Varianten |
|------|-----------|--------------------------|-------|-----------|
| 1 | AP0241580 | Stiftschraube m10x171 | 8 | |
| 2 | AP0241932 | TCEI Schraube | 2 | |
| 3 | AP0650500 | O-Ring 59,52x2,62 | 1 | |
| 4 | AP0210416 | Ölfilterdeckel grau | 1 | |
| 5 | AP0256187 | Ölfiltereinsatz | 1 | |
| 6 | AP0241852 | Kontaktschraube | 1 | |
| 7 | AP0241782 | Magnetschraube M12x1,5 | 1 | |
| 8 | AP0230415 | Gasket ring 6x10 | 1 | |
| 9 | AP0241081 | TCEI Schraube M6x10 | 1 | |
| 10 | AP0268757 | Strahl 75 | 1 | |
| 11 | AP0932585 | Kugellager 6206 | 1 | |
| 12 | AP0241531 | Kurzkopf-Schraube | 4 | |
| 13 | AP0832144 | Kugellager 6304 | 1 | |
| 14 | AP0232625 | Lager 6003 | 1 | |
| 15 | AP0241501 | TCEI Schraube M6x80 | 1 | |
| 16 | AP0840861 | TCEI Schraube M6x25 | 1 | |
| 17 | AP0632124 | Schulterkugellager 3206 | 1 | |
| 18 | AP0932428 | Kugellager 6205 | 1 | |
| 19 | AP0932335 | Kugellager 16101 | 1 | |
| 20 | AP0256497 | Ölnetz | 1 | |
| 21 | AP0256526 | Öl-Einspritzschlauch | 1 | |
| 22 | AP0650335 | Dichtung | 1 | |
| 23 | AP0850050 | Ölabstreifring 40x47x7,5 | 1 | |
| 24 | AP0250450 | Ölabstreifring 12x28x7 | 1 | |
| 25 | AP0650320 | Ölabstreifring 11x22x7 | 1 | |
| 26 | AP0236370 | Kettenführung | 1 | |
| 27 | AP0259500 | Kupplungs-Ausrückfla. | 1 | |
| 28 | AP0241821 | TCEI Schraube M6x45 | 8 | |

| | |
|---------------------|------------|
| Einheit | MOTOR |
| Code | 29.47 |
| Beschreibung | Gehäuse II |
| Inspektion | 1 |



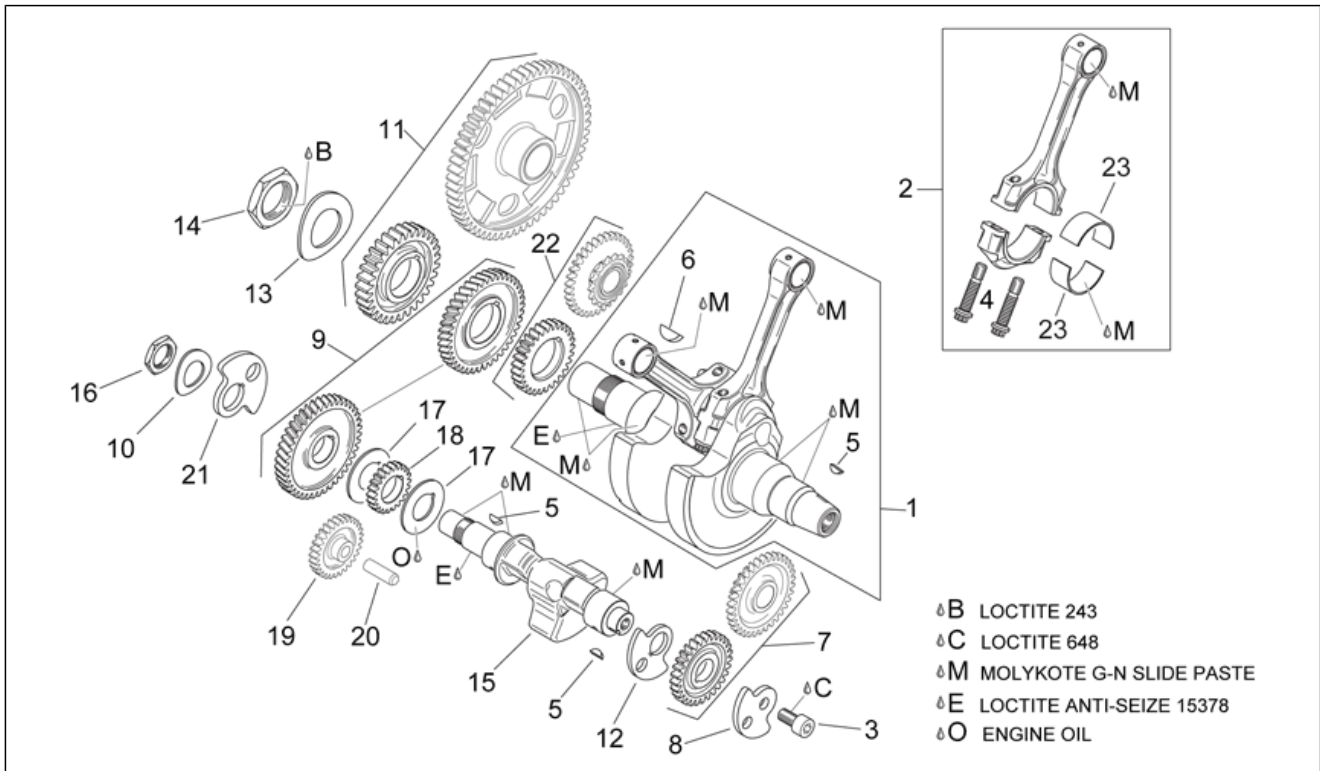
| Pos. | Code | Beschreibung | Menge | Varianten |
|------|-----------|---------------|-------|-----------|
| 29 | AP0241261 | TCEI Schraube | 13 | |

| | |
|---------------------|---------|
| Einheit | MOTOR |
| Code | 29.48 |
| Beschreibung | Ölpumpe |
| Inspektion | 1 |



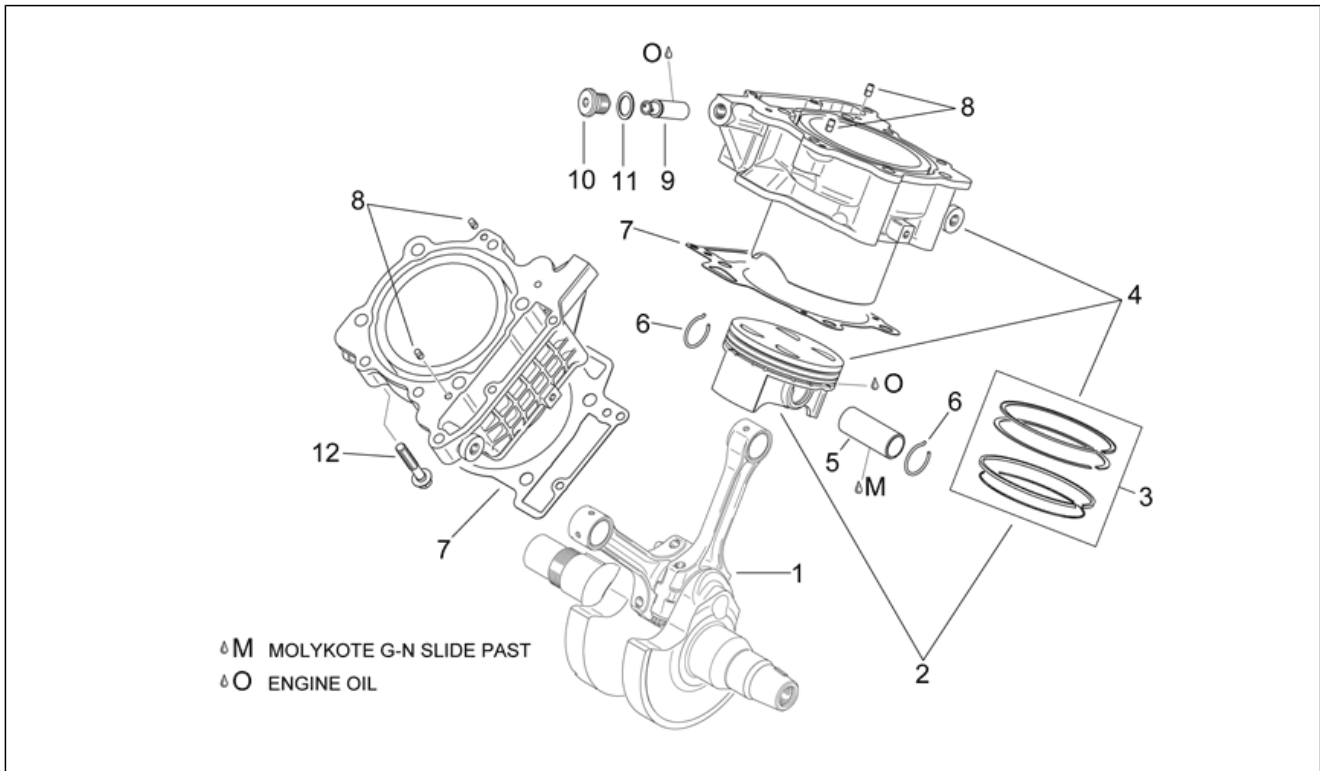
| Pos. | Code | Beschreibung | Menge | Varianten |
|------|-----------|-------------------------------|-------|-----------|
| 1 | AP0220423 | Ölpumpenwelle | 1 | |
| 2 | AP0232730 | Stift 4x15,8 | 2 | |
| 3 | AP0256680 | Innen- und Außenrotor | 1 | |
| 4 | AP0232970 | Bolzen 4x25,8 | 1 | |
| 5 | AP0211620 | Ölpumpengehäuse | 1 | |
| 6 | AP0634470 | Ölpumpen-Zahn. z=42 | 1 | |
| 7 | AP0956275 | Innen- und Außenrotor | 1 | |
| 8 | AP0211631 | Deckel Ölpumpe | 1 | |
| 9 | AP0256510 | Druckregelkolben | 1 | |
| 10 | AP0239449 | Feder | 1 | |
| 11 | AP0241650 | Ventilschließschraube m12x1,5 | 1 | |
| 12 | AP0241821 | TCEI Schraube M6x45 | 4 | |
| 13 | AP0232430 | Stift | 1 | |
| 14 | AP0634483 | Ölpumpen-Zahn. | 1 | |
| 15 | AP0245330 | Seegerring 10x1 | 1 | |

| | |
|---------------------|---------------|
| Einheit | MOTOR |
| Code | 29.49 |
| Beschreibung | Kurbelwelle I |
| Inspektion | 1 |



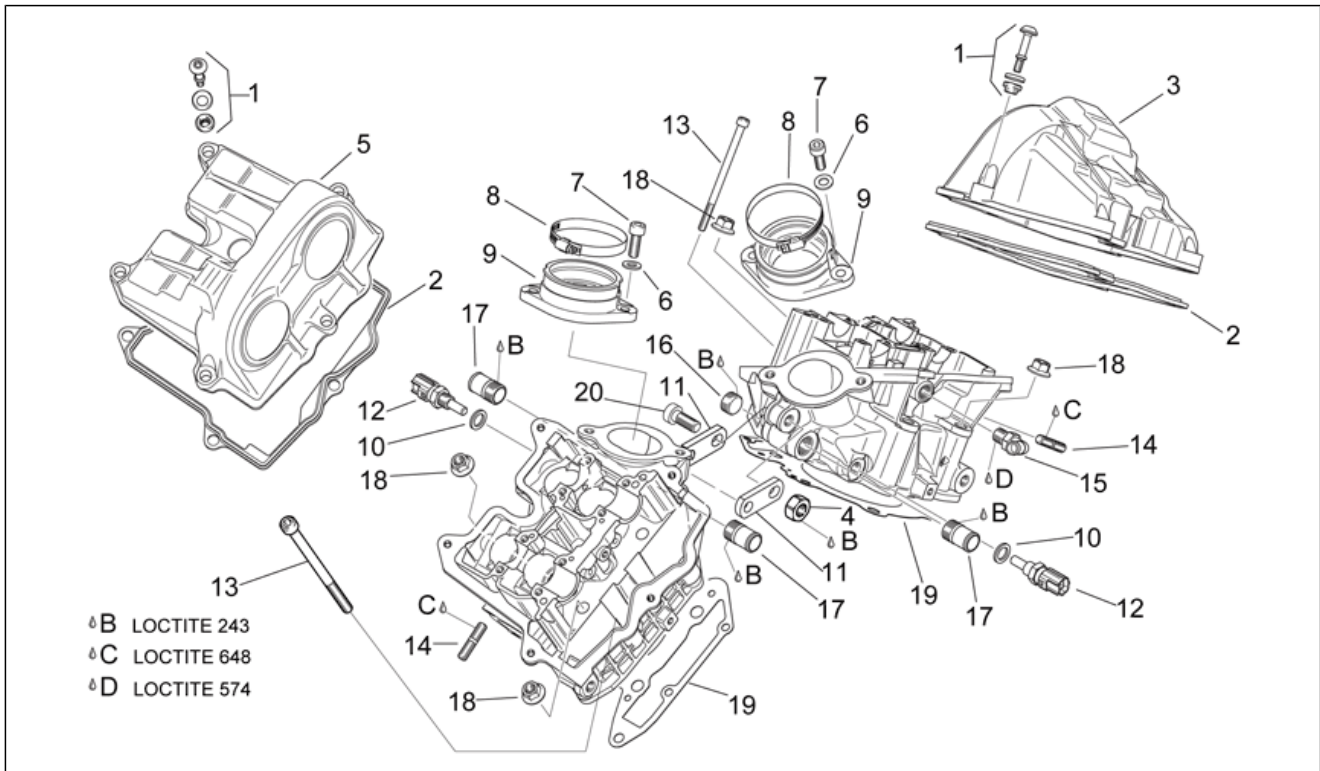
| Pos. | Code | Beschreibung | Menge | Varianten |
|------|-----------|------------------------------|-------|-----------|
| 1 | AP0295662 | Kurbelwelle kpl. | 1 | |
| 2 | AP0217346 | Baugruppe Pleuelstange kplt. | 2 | |
| 3 | AP0440260 | TCEI Schraube | 1 | |
| 4 | AP0640400 | Pleuelschraube | 4 | |
| 5 | AP0246570 | Keil 4x5 | 3 | |
| 6 | AP0946015 | Keil 6x9 | 1 | |
| 7 | AP0295765 | Zahnrad Vent.st. kplt. | 1 | |
| 8 | AP0219365 | Gegengew. Schw.rad a. | 1 | |
| 9 | AP0295770 | Ausgleichsrad kpl. | 1 | |
| 10 | AP0245860 | Sprengscheibe | 1 | |
| 11 | AP0295780 | Zahnrad Hauptgetriebe | 1 | |
| 12 | AP0219360 | Gegengew. Schw.rad i. | 1 | |
| 13 | AP0245840 | Sprengscheibe | 1 | |
| 14 | AP0242940 | Mutter m33x1,5 | 1 | |
| 15 | AP0220372 | Unt. Gegenwelle | 1 | |
| 16 | AP0242874 | Mutter | 1 | |
| 17 | AP0627200 | Ausgleichscheibe 24x54x2 | 2 | |
| 18 | AP0634610 | Wasserpump.-Zahn. | 1 | |
| 19 | AP0634500 | Freilaufgrad | 1 | |
| 20 | AP0929930 | Bolzen | 1 | |
| 21 | AP0219350 | Gegengewicht Kuppl. | 1 | |
| 22 | AP0295760 | Zahnrad Vent.st. kplt. | 1 | |
| 23 | AP0233721 | Bronzebuchse,rot 42x45x19 | 2 | |
| 23 | AP0233722 | Bronzebuchse,blau 42x45x19 | 2 | |
| 23 | AP0233723 | Bronzebuchse,gelb 42x45x19 | 2 | |

| | |
|---------------------|----------------|
| Einheit | MOTOR |
| Code | 29.50 |
| Beschreibung | Kurbelwelle II |
| Inspektion | 1 |



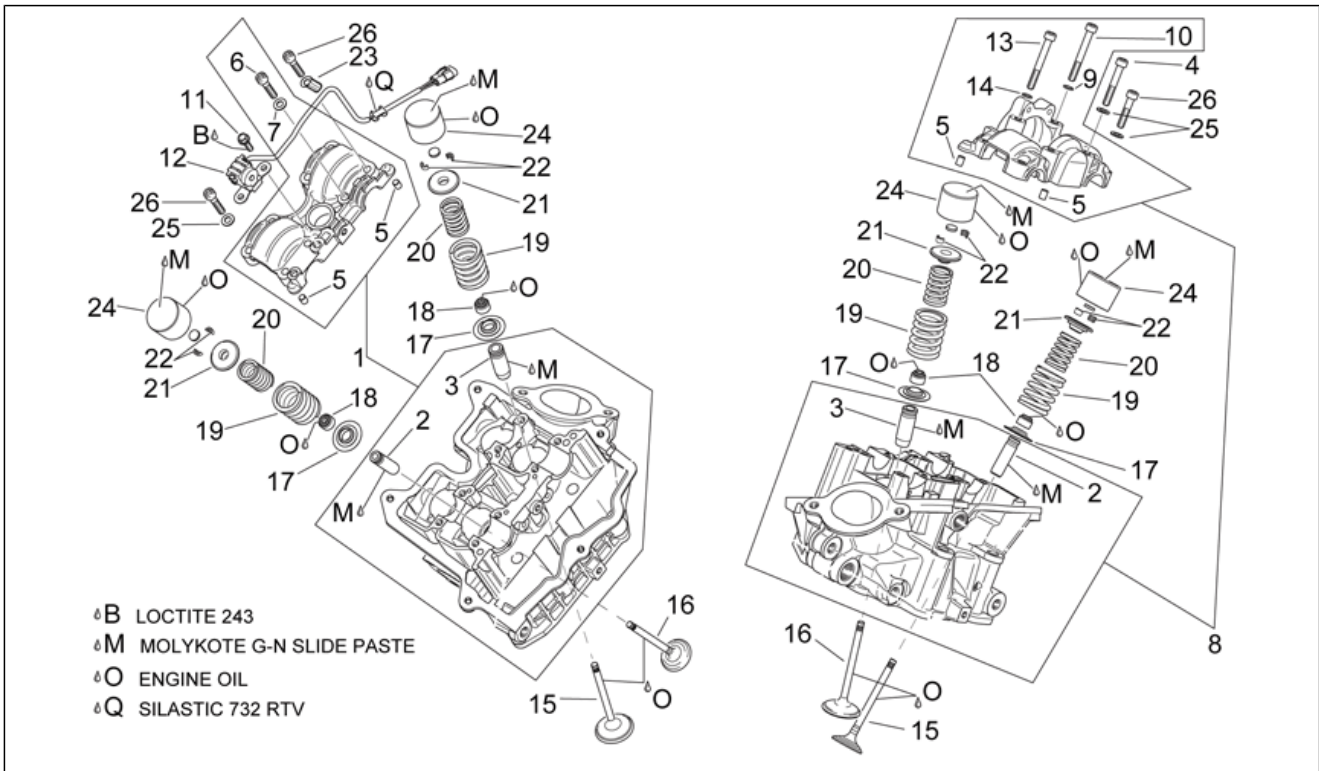
| Pos. | Code | Beschreibung | Menge | Varianten |
|------|-----------|---------------------------|-------|-----------|
| 1 | AP0295662 | Kurbelwelle kpl. | 1 | |
| 2 | AP0684310 | Kolben kpl. 96,944 mm (A) | 2 | |
| 2 | AP0684311 | Kolben kpl. 96,956 mm (B) | 2 | |
| 3 | AP0295858 | Satz Kolbenringe | 2 | |
| 4 | AP0613068 | Kolben + Zylinder | 2 | |
| 5 | AP0216222 | Bolzen 22x14x55 | 2 | |
| 6 | AP0245436 | Sperring 22 | 4 | |
| 7 | AP0650390 | ZYLINDERFUSSDICHTUNG | 2 | |
| 8 | AP0929650 | Stift 5x10 | 4 | |
| 9 | AP0236252 | Kettenspanner | 2 | |
| 10 | AP0640450 | Deckel | 2 | |
| 11 | AP0430622 | Gasket ring 16x22 | 2 | |
| 12 | AP0940637 | TE Schr. m. Flansch | 8 | |

| | |
|---------------------|--------------|
| Einheit | MOTOR |
| Code | 29.51 |
| Beschreibung | Ventildeckel |
| Inspektion | 1 |



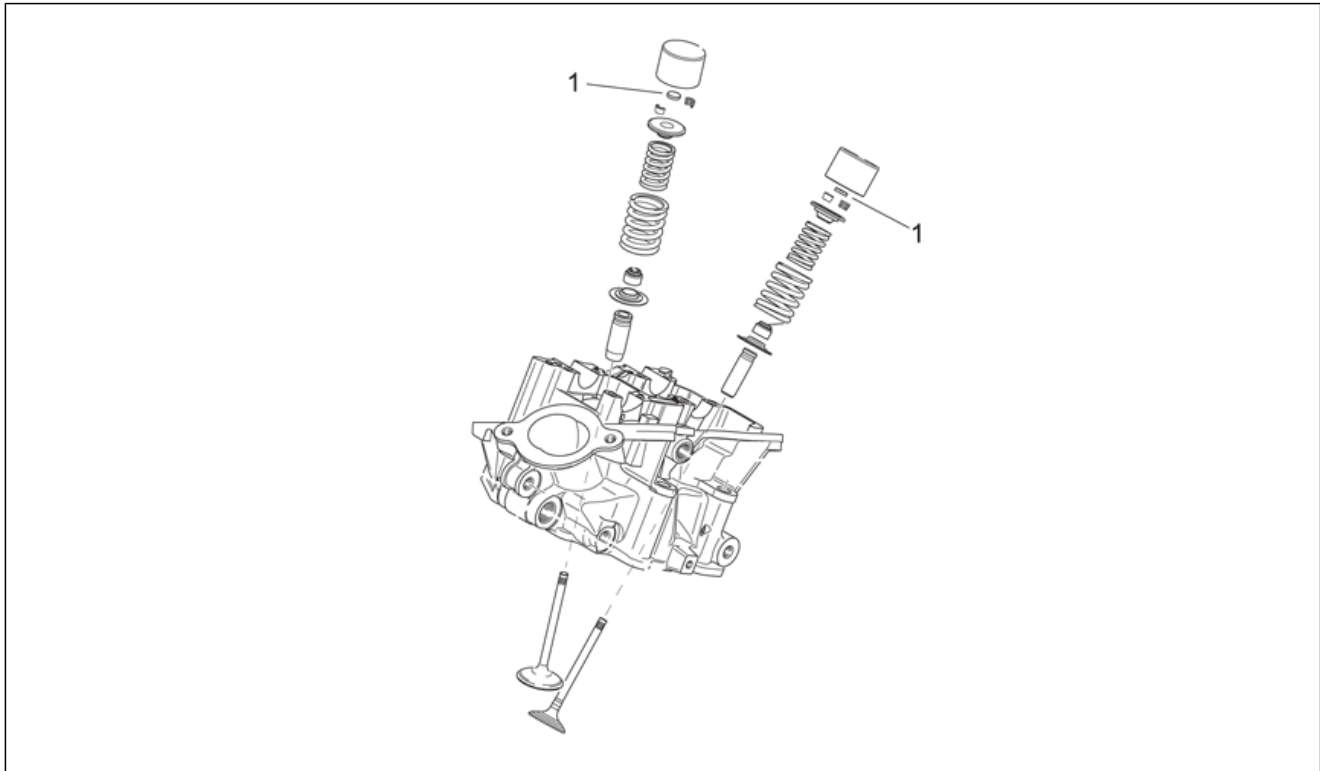
| Pos. | Code | Beschreibung | Menge | Varianten |
|------|-----------|------------------------|-------|-----------|
| 1 | AP0241625 | Distanzschraube kpl. | 10 | |
| 2 | AP0650345 | Dichtung Ventildeckel | 2 | |
| 3 | AP0211666 | Hint. Ventildeckel | 1 | |
| 4 | AP0242091 | Mutter | 2 | |
| 5 | AP0211661 | Vord. Ventildeckel | 1 | |
| 6 | AP0250311 | Ausgleichscheibe 8,4 | 4 | |
| 7 | AP0240081 | TCEI Schraube M8x25 | 4 | |
| 8 | AP0251830 | Schelle 65 | 2 | |
| 9 | AP0267150 | Einlaßflansch | 2 | |
| 10 | AP0250640 | Gasket ring 12x18 | 2 | |
| 11 | AP0251100 | Platte | 2 | |
| 12 | AP0274040 | Temperaturfühler | 2 | |
| 13 | AP0241601 | TCEI Schraube | 4 | |
| 14 | AP0241560 | Stiftschraube | 6 | |
| 15 | AP0922245 | Winkelverbinder | 1 | |
| 16 | AP0240170 | Deckel m18x1,5 | 1 | |
| 17 | AP0224090 | Leitung | 3 | |
| 18 | AP0242851 | Mutter | 8 | |
| 19 | AP0650210 | Dichtung Kopf-Zylinder | 2 | |
| 20 | AP0640581 | TCEI Schraube M10x40 | 2 | |

| | |
|---------------------|--------------------------|
| Einheit | MOTOR |
| Code | 29.52 |
| Beschreibung | Zylinderkopf und Ventile |
| Inspektion | 1 |



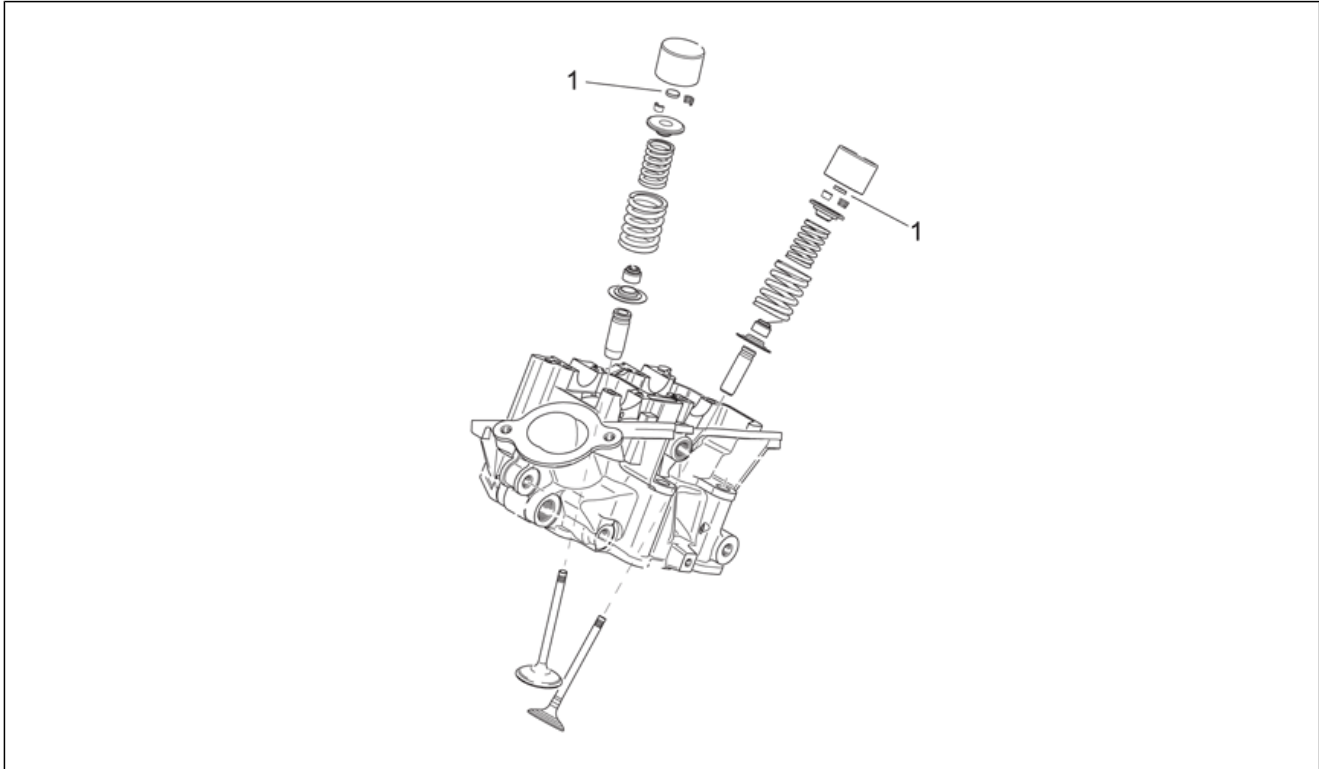
| Pos. | Code | Beschreibung | Menge | Varianten |
|------|-----------|------------------------------|-------|-----------|
| 1 | AP0613056 | Zylinderkopf vorn kplt. | 1 | |
| 2 | AP0253926 | Ventilführung Auslaß | 4 | |
| 3 | AP0253921 | Ventilführung Einlaß | 4 | |
| 4 | AP0241821 | TCEI Schraube M6x45 | 2 | |
| 5 | AP0232210 | Bolzen 6x8 | 4 | |
| 6 | AP0840880 | TCEI Schraube M6x30 | 1 | |
| 7 | AP0927945 | Ausgleichscheibe 6,2x12x1 | 1 | |
| 8 | AP0613058 | Zylinderkopf hinten kplt. | 1 | |
| 9 | AP0927863 | Ausgleichscheibe 6,1x9,8x1 | 1 | |
| 10 | AP0240331 | TCEI Schraube | 1 | |
| 11 | AP0941935 | Gew.schr. M5x12 | 2 | |
| 12 | AP0274060 | Fühler Nockenwelle kp. | 1 | |
| 13 | AP0240331 | TCEI Schraube | 1 | |
| 14 | AP0927863 | Ausgleichscheibe 6,1x9,8x1 | 1 | |
| 15 | AP0254020 | Auslaßventil 31mm | 4 | |
| 16 | AP0254010 | Einlaßventil 36 mm | 4 | |
| 17 | AP0253965 | Ventilfederplatte | 8 | |
| 18 | AP0230510 | Ölabstreifring Ventilführung | 8 | |
| 19 | AP0239520 | Ventilfeder außen | 8 | |
| 20 | AP0239510 | Ventilfeder innen | 8 | |
| 21 | AP0253955 | Ventilfederplatte | 8 | |
| 22 | AP0253645 | Ventilhalbkegel | 16 | |
| 23 | AP0251090 | Kabelschutz | 1 | |
| 24 | AP0253990 | Ventilbecher | 8 | |
| 25 | AP0927945 | Ausgleichscheibe 6,2x12x1 | 12 | |
| 26 | AP0840880 | TCEI Schraube M6x30 | 11 | |

| | |
|---------------------|----------------|
| Einheit | MOTOR |
| Code | 29.53 |
| Beschreibung | Ventilesbeläge |
| Inspektion | 1 |



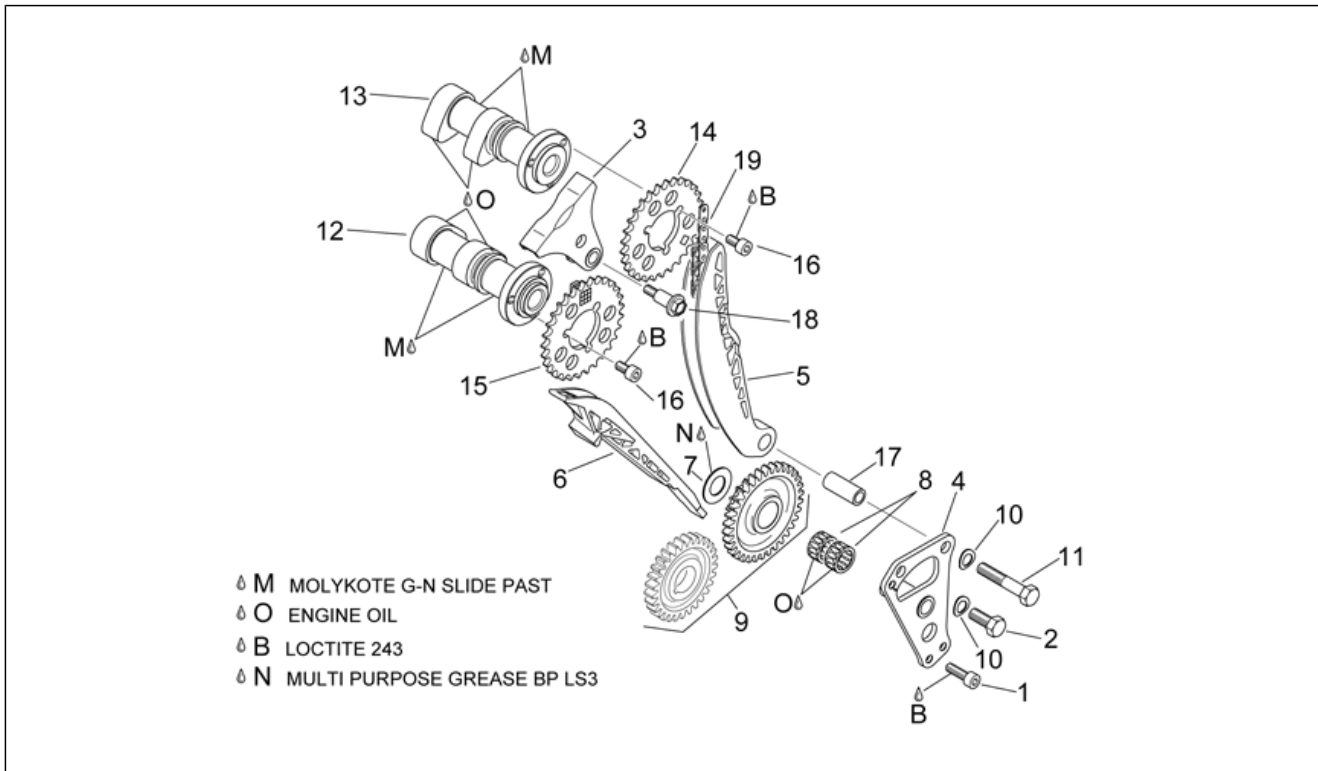
| Pos. | Code | Beschreibung | Menge | Varianten |
|------|-----------|--------------|-------|-----------|
| 1 | AP0253974 | Belag 2,3 | 1 | |
| 1 | AP0253975 | Belag 2,35 | 1 | |
| 1 | AP0253976 | Belag 2,4 | 1 | |
| 1 | AP0253977 | Belag 2,45 | 1 | |
| 1 | AP0253978 | Belag 2,5 | 1 | |
| 1 | AP0253979 | Belag 2,55 | 1 | |
| 1 | AP0253980 | Belag 2,6 | 1 | |
| 1 | AP0253981 | Belag 2,65 | 1 | |
| 1 | AP0253982 | Belag 2,7 | 1 | |
| 1 | AP0253983 | Belag 2,75 | 1 | |
| 1 | AP0253984 | Belag 2,8 | 1 | |
| 1 | AP0253985 | Belag 2,85 | 1 | |
| 1 | AP0253986 | Belag 2,9 | 1 | |
| 1 | AP0253987 | Belag 2,95 | 1 | |
| 1 | AP0253988 | Belag 3,00 | 1 | |
| 1 | AP0254030 | Belag 2,325 | 1 | |
| 1 | AP0254031 | Belag 2,375 | 1 | |
| 1 | AP0254032 | Belag 2,425 | 1 | |
| 1 | AP0254033 | Belag 2,475 | 1 | |
| 1 | AP0254034 | Belag 2,525 | 1 | |
| 1 | AP0254035 | Belag 2,575 | 1 | |
| 1 | AP0254036 | Belag 2,625 | 1 | |
| 1 | AP0254037 | Belag 2,675 | 1 | |
| 1 | AP0254038 | Belag 2,725 | 1 | |
| 1 | AP0254039 | Belag 2,775 | 1 | |
| 1 | AP0254040 | Belag 2,825 | 1 | |
| 1 | AP0254041 | Belag 2,875 | 1 | |
| 1 | AP0254042 | Belag 2,925 | 1 | |

| | |
|---------------------|----------------|
| Einheit | MOTOR |
| Code | 29.53 |
| Beschreibung | Ventilesbeläge |
| Inspektion | 1 |



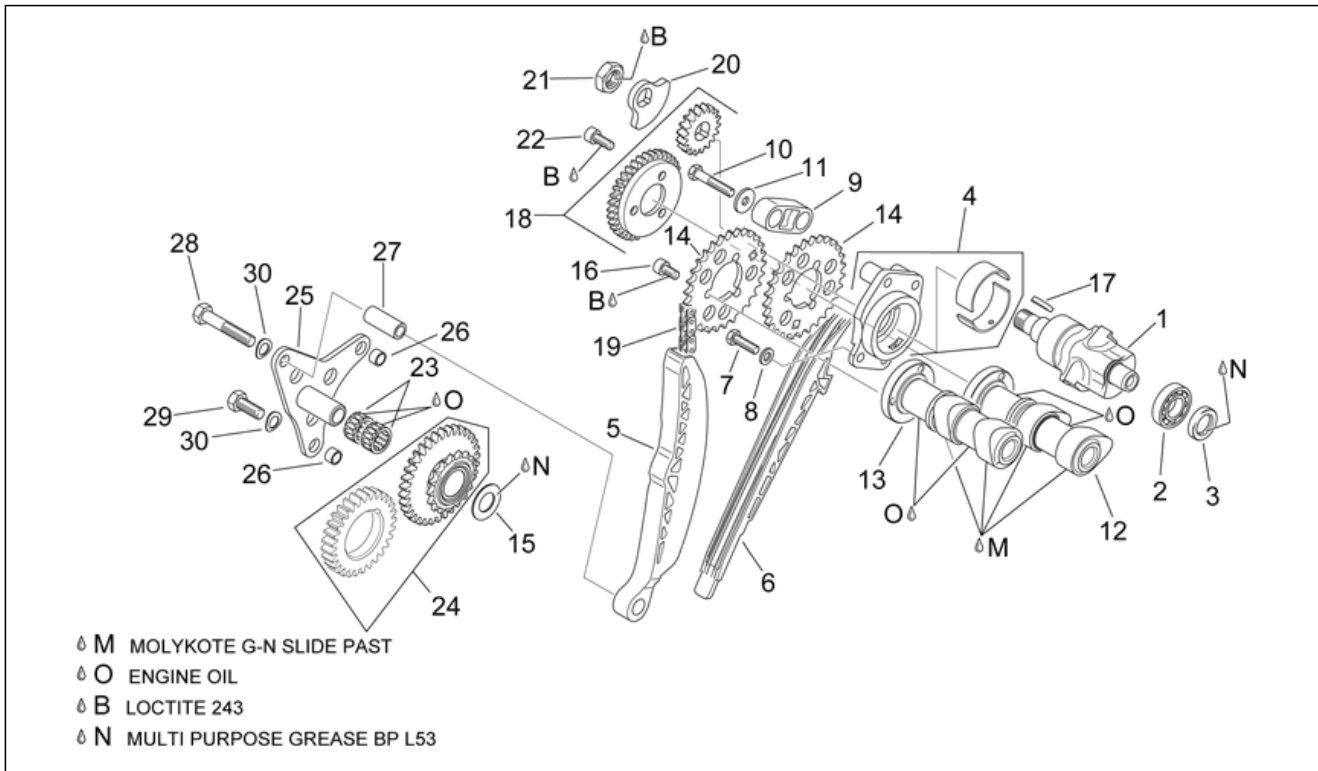
| Pos. | Code | Beschreibung | Menge | Varianten |
|------|-----------|--------------|-------|-----------|
| 1 | AP0254043 | Belag 2,975 | 1 | |

| | |
|---------------------|---------------------|
| Einheit | MOTOR |
| Code | 29.54 |
| Beschreibung | Vrd. Zylindersteuer |
| Inspektion | 1 |



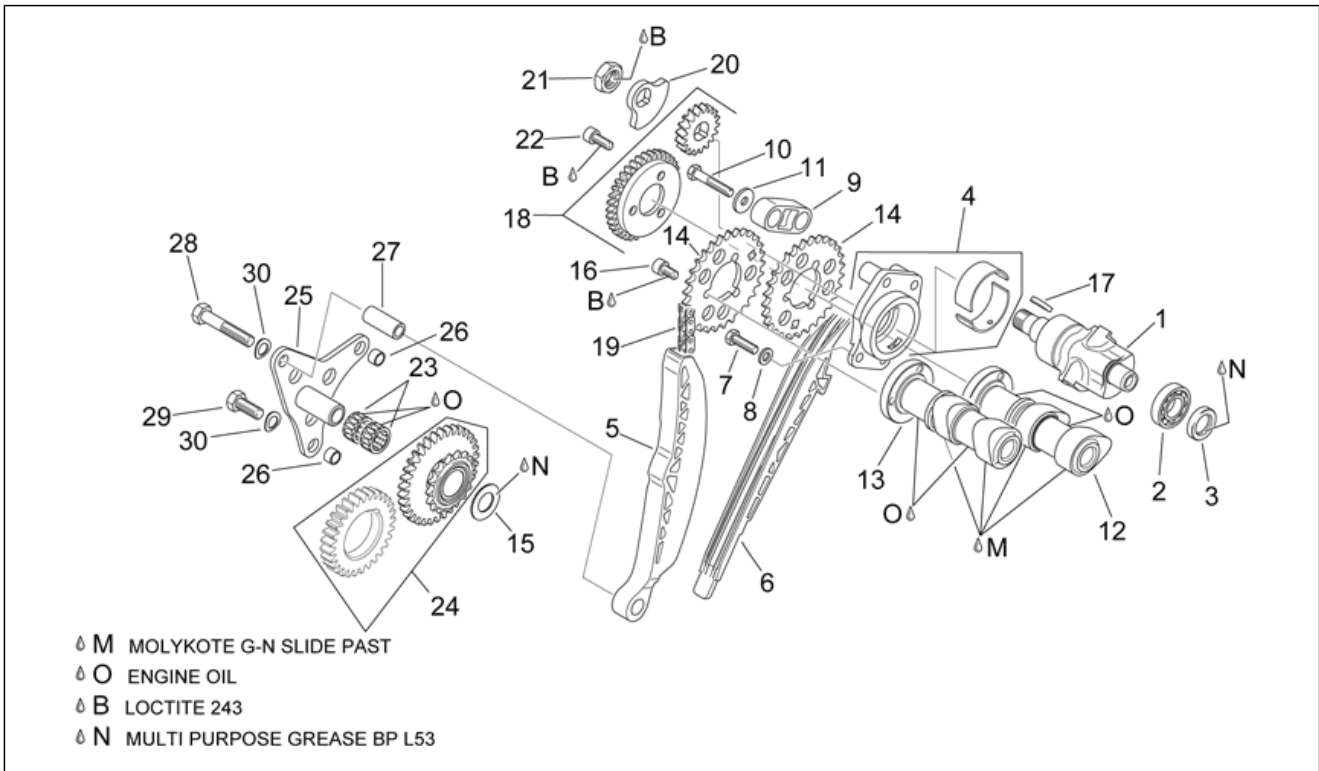
| Pos. | Code | Beschreibung | Menge | Varianten |
|------|-----------|----------------------------|-------|-----------|
| 1 | AP0240400 | TCEI Schraube | 1 | |
| 2 | AP0940590 | Sechskantschraube M8x20 | 1 | |
| 3 | AP0236320 | Kettenführung | 1 | |
| 4 | AP0211766 | Lagerplatte | 1 | |
| 5 | AP0236300 | Kettenführung | 1 | |
| 6 | AP0236310 | Kettenführung | 1 | |
| 7 | AP0627190 | Ausgleichscheibe 16,7x29x1 | 1 | |
| 8 | AP0632161 | Nadelkaefig 16x22x10 | 2 | |
| 9 | AP0295765 | Zahnrad Vent.st. kplt. | 1 | |
| 10 | AP0845030 | Sprengscheibe b8 | 2 | |
| 11 | AP0940631 | Sechskantschraube | 1 | |
| 12 | AP0220385 | Nockenwelle Auslaß | 1 | |
| 13 | AP0220380 | Nockenwelle Einlaß | 1 | |
| 14 | AP0634730 | Zahnrad Ventilsteuerung | 1 | |
| 15 | AP0634735 | Zahnrad Ventilsteuerung | 1 | |
| 16 | AP0840371 | TCEI Schraube M6x11,5 | 6 | |
| 17 | AP0247980 | Buchse 8,2x12x25 | 1 | |
| 18 | AP0240960 | Distanstückschraube | 2 | |
| 19 | AP0297955 | Steuerkette | 1 | |

| | |
|---------------------|----------------------|
| Einheit | MOTOR |
| Code | 29.55 |
| Beschreibung | Hint. Zylindersteuer |
| Inspektion | 1 |



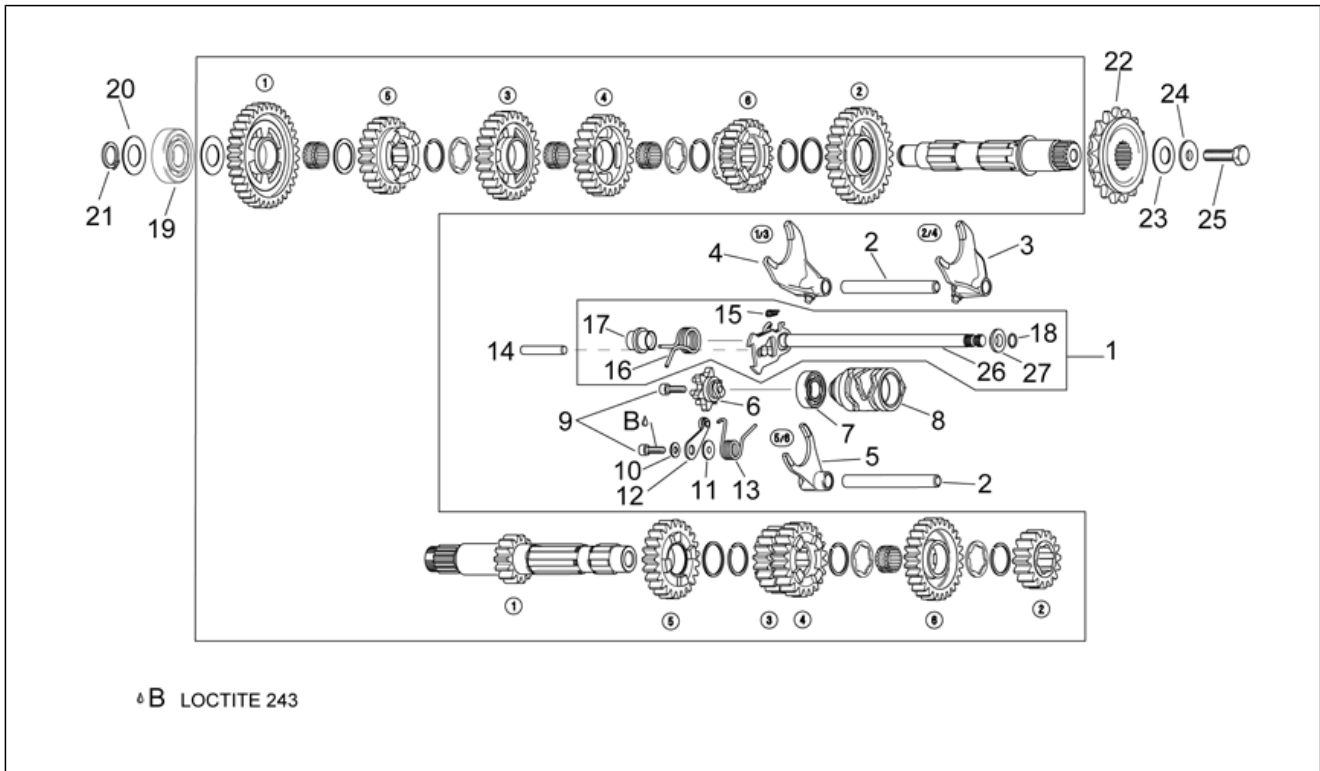
| Pos. | Code | Beschreibung | Menge | Varianten |
|------|-----------|----------------------------|-------|-----------|
| 1 | AP0220440 | Ob. Gegenwelle | 1 | |
| 2 | AP0832360 | Kugellager 16002 | 1 | |
| 3 | AP0250130 | Ölabstreifring 15x24x5 | 1 | |
| 4 | AP0211681 | Buchsenplatte komplett | 1 | |
| 5 | AP0236300 | Kettenführung | 1 | |
| 6 | AP0236310 | Kettenführung | 1 | |
| 7 | AP0940560 | Sechskantschraube | 2 | |
| 8 | AP0244211 | Ausgleichscheibe 6,4 | 2 | |
| 9 | AP0236380 | Kettenführung | 1 | |
| 10 | AP0941121 | Sechskantschraube | 2 | |
| 11 | AP0827305 | Ausgleichscheibe 6,2x18x2 | 2 | |
| 12 | AP0220385 | Nockenwelle Auslaß | 1 | |
| 13 | AP0220380 | Nockenwelle Einlaß | 1 | |
| 14 | AP0634730 | Zahnrad Ventilsteuerung | 2 | |
| 15 | AP0627190 | Ausgleichscheibe 16,7x29x1 | 1 | |
| 16 | AP0840371 | TCEI Schraube M6x11,5 | 3 | |
| 17 | AP0246055 | Keil 3x3,7 | 1 | |
| 18 | AP0295775 | Ausgleichsrad ob.kpl. | 1 | |
| 19 | AP0297955 | Steuerkette | 1 | |
| 20 | AP0219340 | Gegengewicht | 1 | |
| 21 | AP0942570 | Mutter m14 | 1 | |
| 22 | AP0840391 | TCEI Schraube | 3 | |
| 23 | AP0632161 | Nadelkaefig 16x22x10 | 2 | |
| 24 | AP0295760 | Zahnrad Vent.st. kplt. | 1 | |
| 25 | AP0211756 | Platte f. Walzenkäfig | 1 | |
| 26 | AP0929500 | Stift 10x8 | 2 | |
| 27 | AP0247980 | Buchse 8,2x12x25 | 1 | |
| 28 | AP0940631 | Sechskantschraube | 1 | |

| | |
|---------------------|----------------------|
| Einheit | MOTOR |
| Code | 29.55 |
| Beschreibung | Hint. Zylindersteuer |
| Inspektion | 1 |



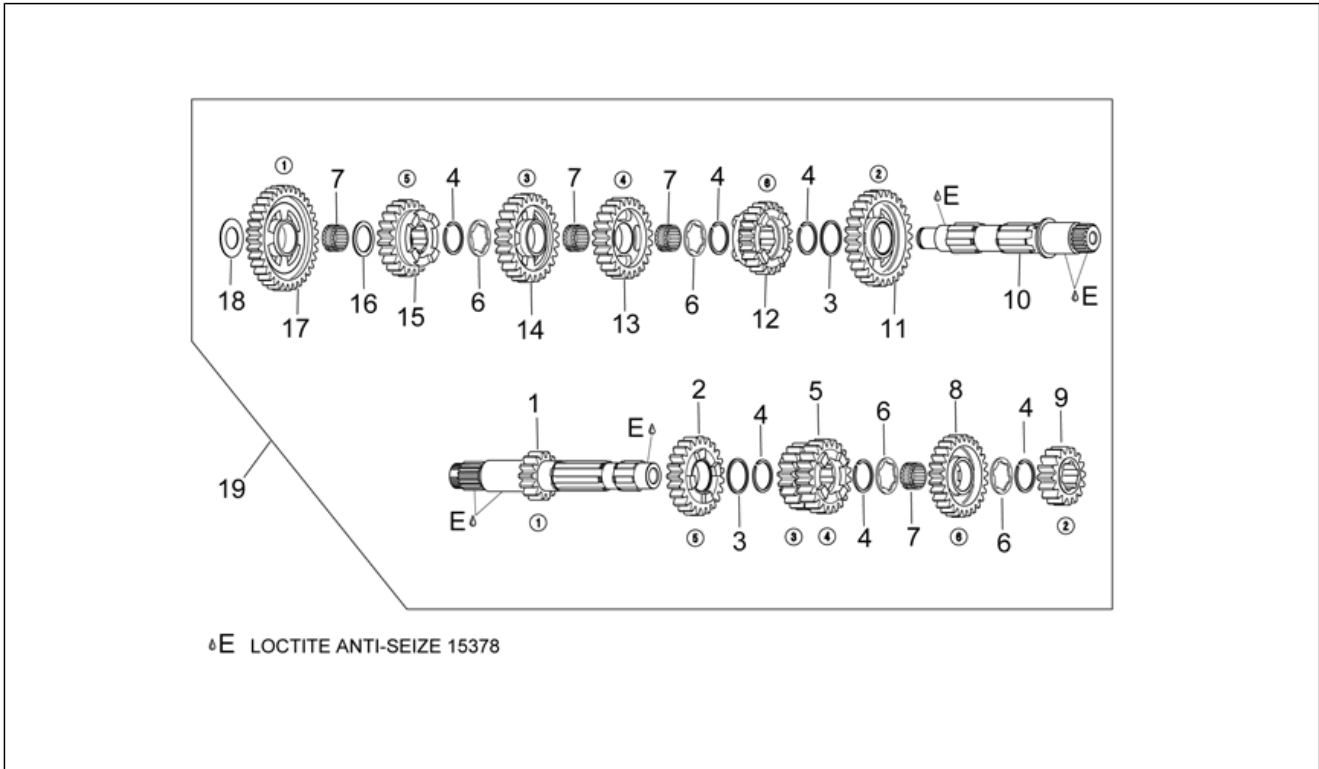
| Pos. | Code | Beschreibung | Menge | Varianten |
|------|-----------|-------------------|-------|-----------|
| 29 | AP0240275 | Sechskantschraube | 2 | |
| 30 | AP0845030 | Sprengscheibe b8 | 3 | |

| | |
|---------------------|-------------|
| Einheit | MOTOR |
| Code | 29.56 |
| Beschreibung | Schaltgabel |
| Inspektion | 1 |



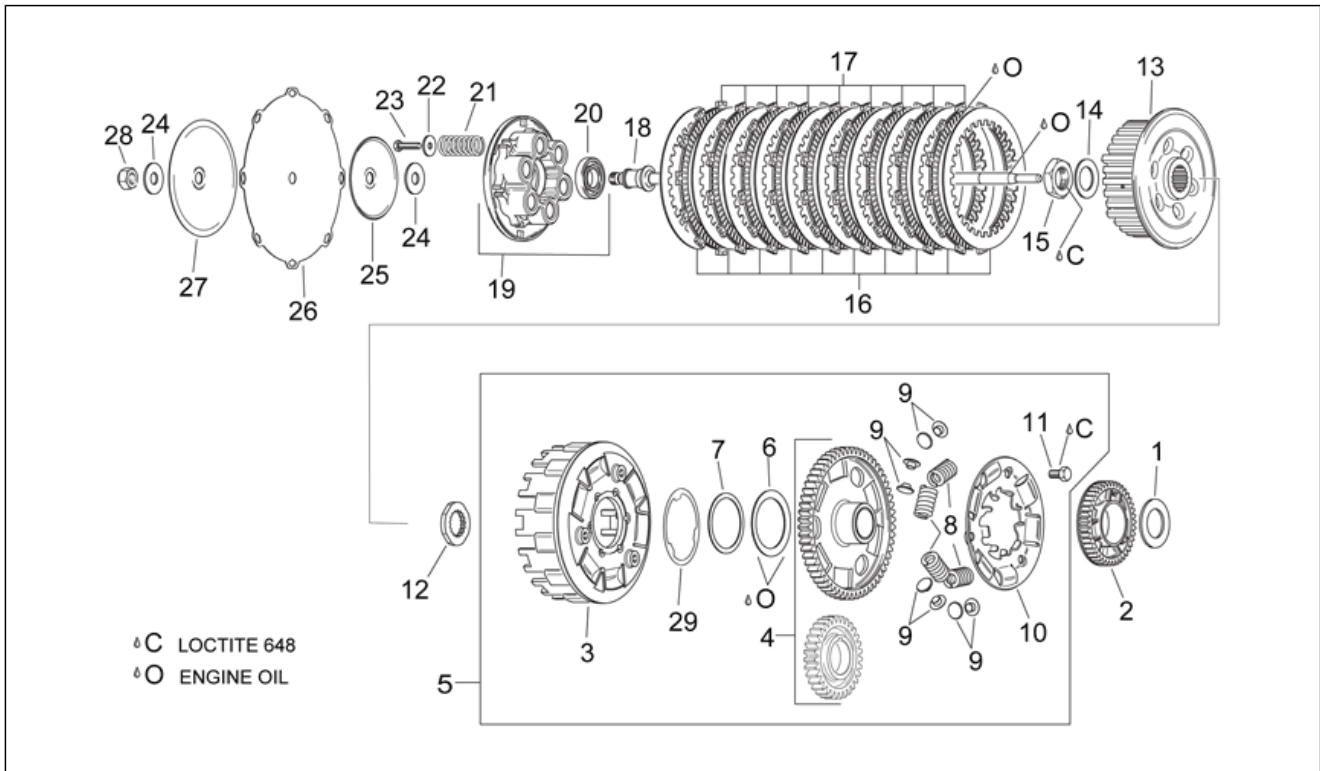
| Pos. | Code | Beschreibung | Menge | Varianten |
|------|-----------|----------------------------|-------|-----------|
| 1 | AP0220437 | Getr.welle + Federsatz | 1 | |
| 2 | AP0258380 | Schaltstange | 2 | |
| 3 | AP0258360 | Schaltgabel | 1 | |
| 4 | AP0258350 | Schaltgabel | 1 | |
| 5 | AP0258375 | Schaltgabel | 1 | |
| 6 | AP0258310 | Index-Platte | 1 | |
| 7 | AP0932335 | Kugellager 16101 | 1 | |
| 8 | AP0258325 | Verschiebenocken | 1 | |
| 9 | AP0241932 | TCEI Schraube | 2 | |
| 10 | AP0244211 | Ausgleichscheibe 6,4 | 1 | |
| 11 | AP0227716 | Ausgleichscheibe | 1 | |
| 12 | AP0248375 | Indexhebel kpl. | 1 | |
| 13 | AP0239247 | Index feder | 1 | |
| 14 | AP0229385 | Bolzen | 1 | |
| 15 | AP0239430 | Feder | 1 | |
| 16 | AP0239420 | Gabelfeder | 1 | |
| 17 | AP0247940 | Buchse | 1 | |
| 18 | AP0245440 | Seegerring | 1 | |
| 19 | AP0832144 | Kugellager 6304 | 1 | |
| 20 | AP0227442 | Ausgleichscheibe 20,2x27,5 | 1 | |
| 21 | AP0945665 | Seegerring 20x1,75 | 1 | |
| 22 | AP0236365 | Gummi-Ritzel | 1 | |
| 23 | AP0239450 | Sprengscheibe 34x16,3 | 1 | |
| 24 | AP0627210 | Ausgleichscheibe | 1 | |
| 25 | AP0940741 | Sechskantschraube | 1 | |
| 26 | AP0220435 | Getr.welle + Gesperre | 1 | |
| 27 | AP0227714 | Ausgleichscheibe | 1 | |

| | |
|---------------------|----------------|
| Einheit | MOTOR |
| Code | 29.57 |
| Beschreibung | Schaltgetriebe |
| Inspektion | 1 |



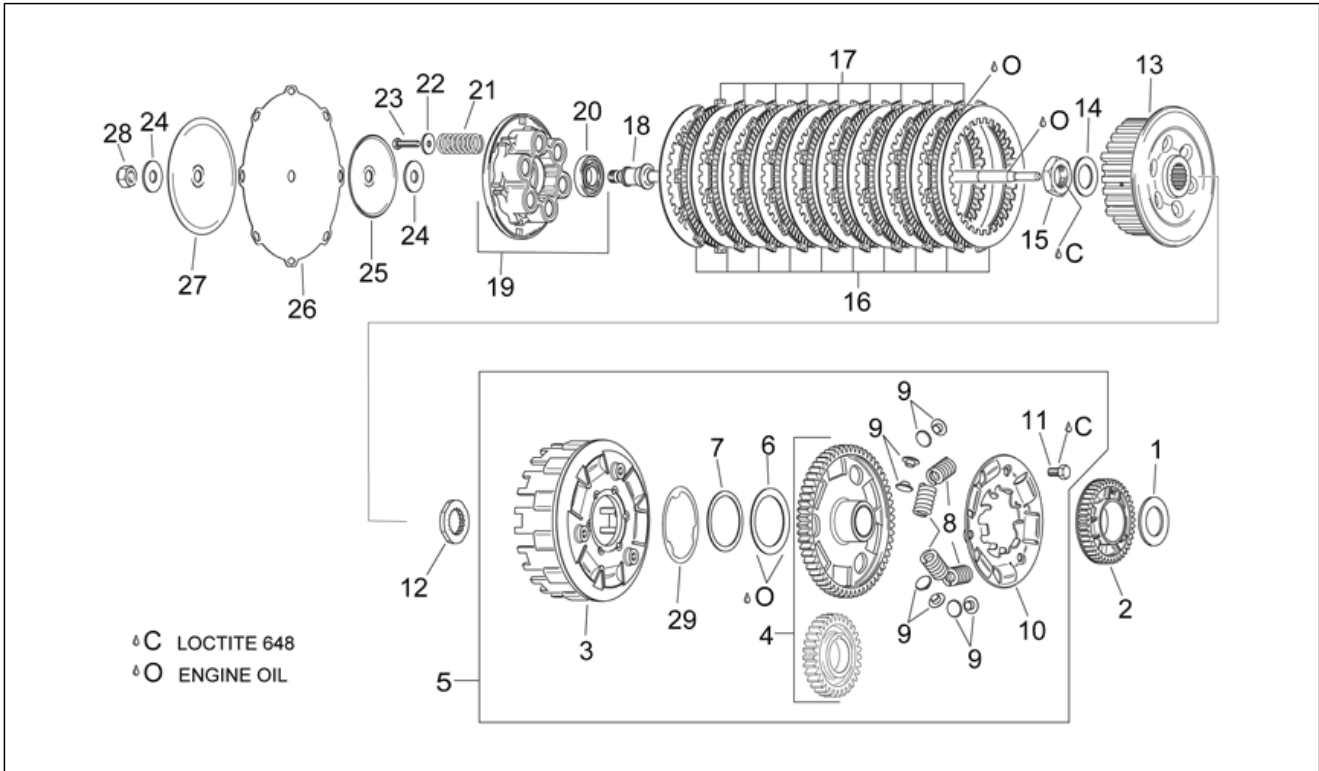
| Pos. | Code | Beschreibung | Menge | Varianten |
|------|-----------|-----------------------------|-------|-----------|
| 1 | AP0220390 | Hauptwelle | 1 | |
| 2 | AP0634695 | Zahnrad 5.Hauptwelle | 1 | |
| 3 | AP0627120 | Ausgleichscheibe 29,2x33,5 | 2 | |
| 4 | AP0245815 | Seegerring 28x2 | 6 | |
| 5 | AP0634660 | Zahnrad 3-4.Hauptwelle | 1 | |
| 6 | AP0627132 | Ausgleichscheibe 25,35x34,5 | 4 | |
| 7 | AP0632070 | Nadelkaefig 25x29x13 | 4 | |
| 8 | AP0634710 | Zahnrad 6.Hauptwelle | 1 | |
| 9 | AP0634640 | Zahnrad 2.Hauptwelle | 1 | |
| 10 | AP0220400 | Festrad | 1 | |
| 11 | AP0634655 | Zahnrad 2.Vorgelegewelle | 1 | |
| 12 | AP0634720 | Zahnrad 6.Vorgelegewelle | 1 | |
| 13 | AP0634670 | Zahnrad 4.Vorgelegewelle | 1 | |
| 14 | AP0634680 | Zahnrad 3.Vorgelegewelle | 1 | |
| 15 | AP0634700 | Zahnrad 5.Vorgelegewelle | 1 | |
| 16 | AP0427106 | Ausgleichscheibe 25,3x33,5 | 1 | |
| 17 | AP0634620 | Zahnrad 1.Vorgelegewelle | 1 | |
| 18 | AP0827110 | Ausgleichscheibe 20,5x37x1 | 1 | |
| 19 | AP0281222 | Schaltgetriebe 6-Gang | 1 | |

| | |
|---------------------|----------|
| Einheit | MOTOR |
| Code | 29.58 |
| Beschreibung | Kupplung |
| Inspektion | 1 |



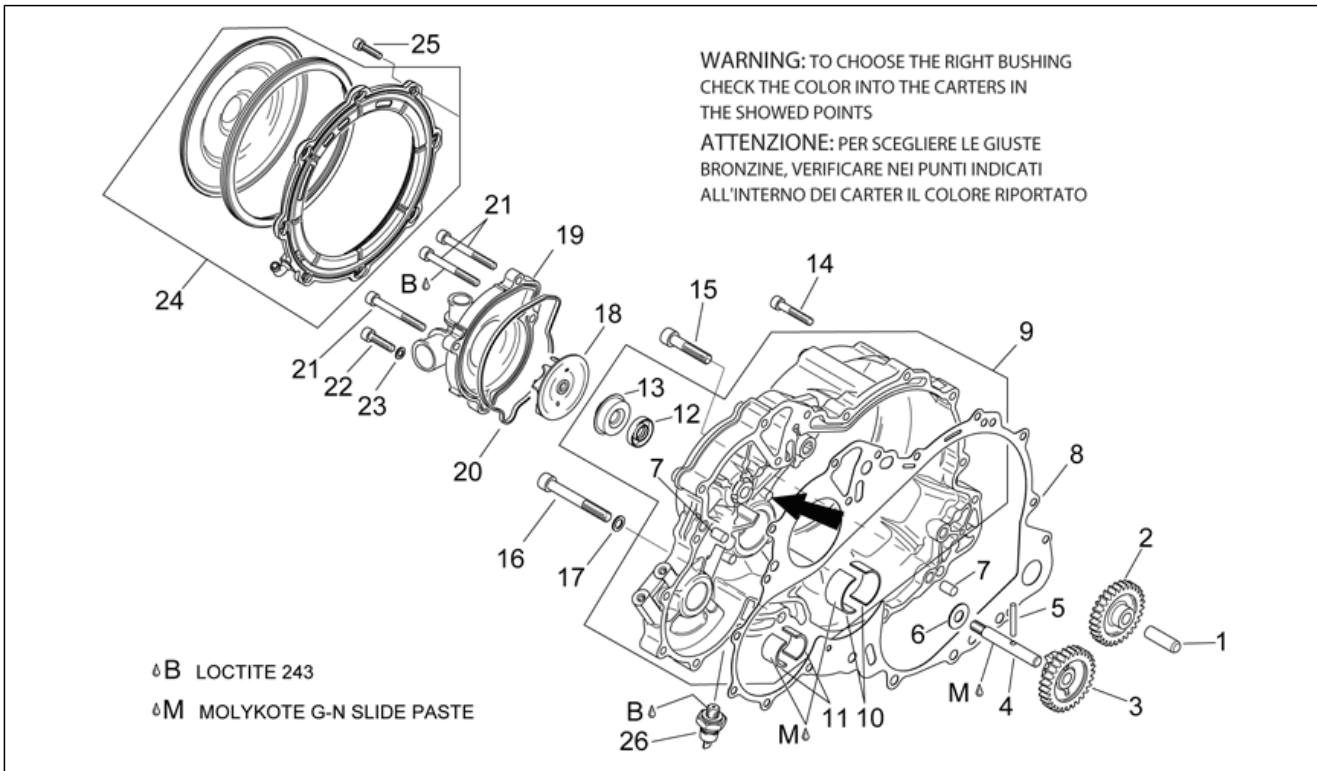
| Pos. | Code | Beschreibung | Menge | Varianten |
|------|-----------|-------------------------------|-------|-----------|
| 1 | AP0627260 | Ausgleichscheibe 30,2x50 | 1 | |
| 2 | AP0634470 | Ölpumpen-Zahn. z=42 | 1 | |
| 3 | AP0259530 | Kupplungsglocke | 1 | |
| 4 | AP0295780 | Zahnrad Hauptgetriebe | 1 | |
| 5 | AP0295790 | Hauptgetriebe | 1 | |
| 6 | AP0239390 | Sprengscheibe 68x52x1,2 | 1 | |
| 7 | AP0627140 | Ausgleichscheibe 52x62x1 | 1 | |
| 8 | AP0239370 | Feder | 6 | |
| 9 | AP0247970 | Buchse | 12 | |
| 10 | AP0259580 | Stuetzteller | 1 | |
| 11 | AP0940580 | Schraube | 3 | |
| 12 | AP0627220 | Ausgleichscheibe 25x44,4x5 | 1 | |
| 13 | AP0259520 | Mitnehmer | 1 | |
| 14 | AP0245830 | Sprengscheibe 24,5x40 | 1 | |
| 15 | AP0242950 | Mutter m24x1,5 | 1 | |
| 16 | AP8106633 | St.Kupplungsscheiben 10 st. | 1 | |
| 17 | AP8106634 | Kasch.Kupplungsscheiben 9 st. | 1 | |
| 18 | AP0220455 | Kupplungswelle Kpl. | 1 | |
| 19 | AP0259515 | Federplatte komplett | 1 | |
| 20 | AP0632130 | Kugellager 16004 | 1 | |
| 21 | AP0239480 | Kupplungsfeder | 6 | |
| 22 | AP0244020 | Ausgleichscheibe d6,5 | 6 | |
| 23 | AP0240036 | Sechskantschraube | 6 | |
| 24 | AP0227180 | Ausgleichscheibe 12,2x32x2 | 2 | |
| 25 | AP0627230 | Lagerscheibe | 1 | |
| 26 | AP0260890 | Membran | 1 | |
| 27 | AP0627280 | Druckplatte | 1 | |
| 28 | AP0442130 | Mutter m12 | 1 | |

| | |
|---------------------|----------|
| Einheit | MOTOR |
| Code | 29.58 |
| Beschreibung | Kupplung |
| Inspektion | 1 |



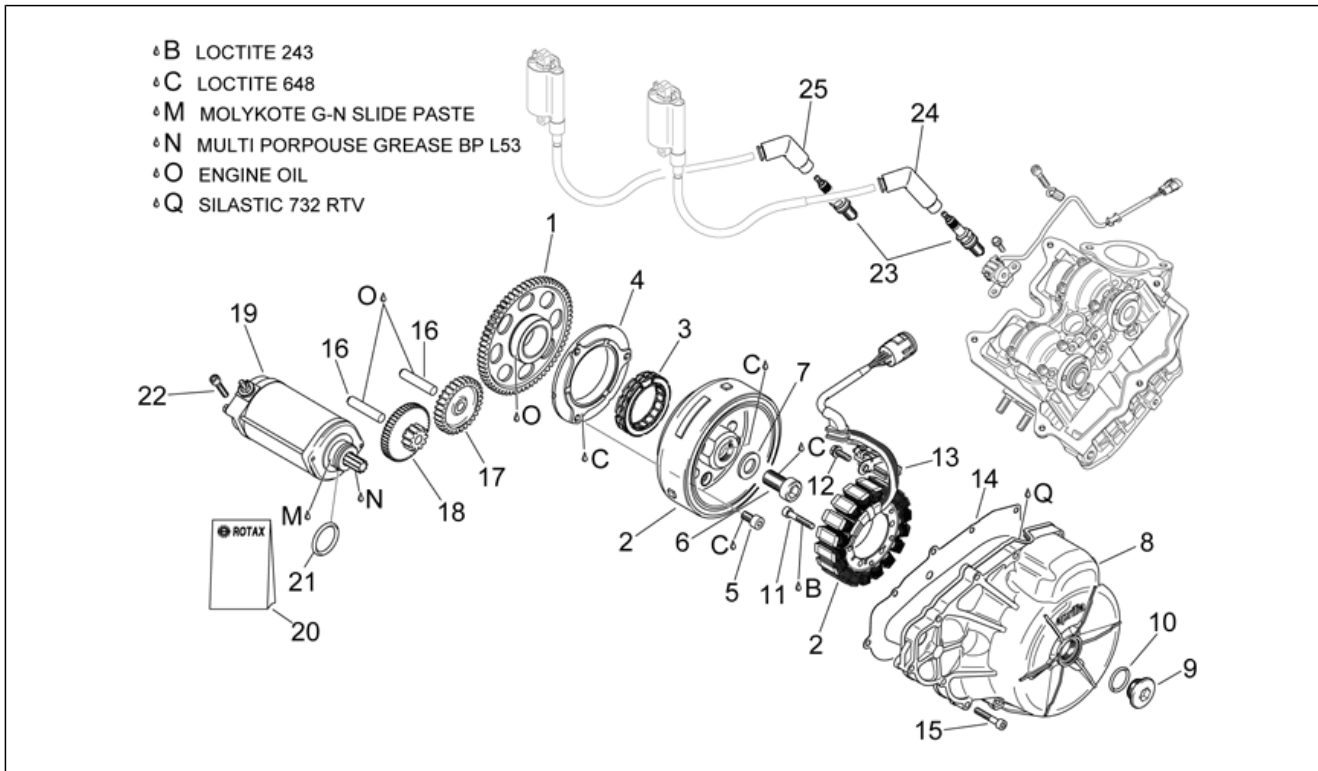
| Pos. | Code | Beschreibung | Menge | Varianten |
|------|-----------|--------------|-------|-----------|
| 29 | AP0627910 | Paßscheibe | 1 | |

| | |
|---------------------|--------------------|
| Einheit | MOTOR |
| Code | 29.59 |
| Beschreibung | Wasserpumpenritzel |
| Inspektion | 1 |



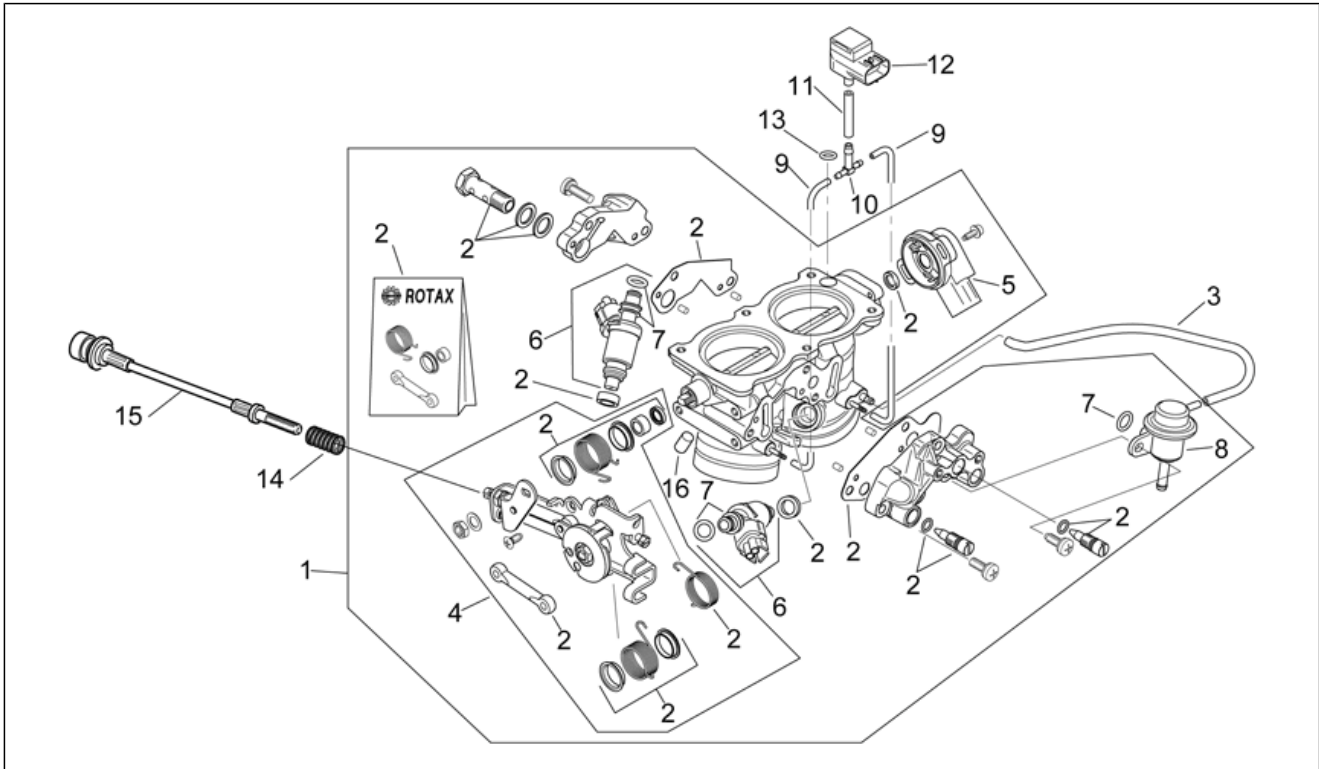
| Pos. | Code | Beschreibung | Menge | Varianten |
|------|-----------|-------------------------------|-------|-----------|
| 1 | AP0929930 | Bolzen | 1 | |
| 2 | AP0634500 | Freilaufgrad | 1 | |
| 3 | AP0634490 | Wasserpump.-Zahn. | 1 | |
| 4 | AP0220410 | Welle Wasserpumpe | 1 | |
| 5 | AP0232430 | Stift | 1 | |
| 6 | AP0227685 | Ausgleichscheibe 10,1x22x1 | 1 | |
| 7 | AP0632010 | Stift M8x12 | 2 | |
| 8 | AP0650330 | Dichtung | 1 | |
| 9 | AP0211643 | Kupplungsdeckel | 1 | |
| 10 | AP0233790 | Halbsch. Bronzebu., blau | 2 | |
| 10 | AP0233791 | Halbsch. Bronzebu., rot | 2 | |
| 10 | AP0233793 | Halbsch. Bronzebu., gelb | 2 | |
| 11 | AP0233780 | Halbsch. Bronzebchs. 20x24x16 | 2 | |
| 12 | AP0650310 | Ölabstreifring 10x25x5 | 1 | |
| 13 | AP0650370 | Pumpe Mechanische Dichtung | 1 | |
| 14 | AP0241811 | TCEI Schraube | 11 | |
| 15 | AP0840681 | TCEI Schraube M8x40 | 3 | |
| 16 | AP0841841 | TCEI Schraube | 1 | |
| 17 | AP0950141 | Gasket ring 8x13 | 1 | |
| 18 | AP0222500 | Läufer | 1 | |
| 19 | AP0222512 | Wasserpumpenkörper | 1 | |
| 20 | AP0650240 | Dichtung | 1 | |
| 21 | AP0240331 | TCEI Schraube | 3 | |
| 22 | AP0840861 | TCEI Schraube M6x25 | 1 | |
| 23 | AP0230415 | Gasket ring 6x10 | 1 | |
| 24 | AP0211778 | Membranscheibe kplt. | 1 | |
| 25 | AP0240181 | TCEI Schraube | 8 | |
| 26 | AP0956169 | Öldruckschalter | 1 | |

| | |
|---------------------|---------|
| Einheit | MOTOR |
| Code | 29.60 |
| Beschreibung | Zündung |
| Inspektion | 1 |



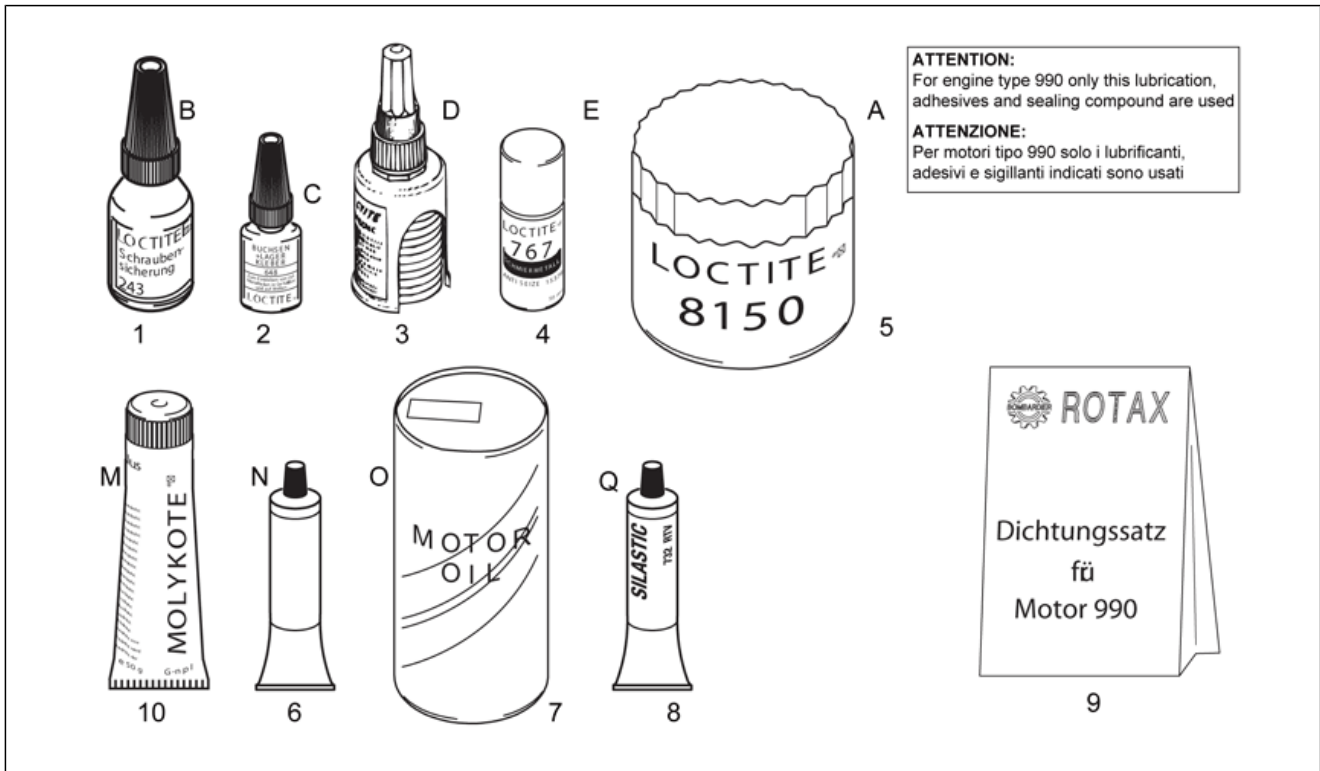
| Pos. | Code | Beschreibung | Menge | Varianten |
|------|-----------|---------------------------|-------|-----------|
| 1 | AP0634595 | Zahnrad Freilaufzahn z=64 | 1 | |
| 2 | AP0295830 | Zündung 12V-380W | 1 | |
| 3 | AP0659110 | Freilaufzahn | 1 | |
| 4 | AP0659120 | Flansch Freilaufzahn | 1 | |
| 5 | AP0641590 | TCEI Schraube | 3 | |
| 6 | AP0241541 | TCEI Schraube m16x30 | 1 | |
| 7 | AP0627270 | Ausgleichscheibe a17 | 1 | |
| 8 | AP0211651 | Zünddeckel | 1 | |
| 9 | AP0241631 | Deckel m24x1,5 | 1 | |
| 10 | AP0430782 | O-Ring 23,3x2,4 | 1 | |
| 11 | AP0241816 | TCEI Schraube M6x40 | 3 | |
| 12 | AP0240580 | TE Schr. m. Flansch | 2 | |
| 13 | AP0260870 | Kabelschutz | 1 | |
| 14 | AP0650340 | Dichtung | 1 | |
| 15 | AP0241811 | TCEI Schraube | 12 | |
| 16 | AP0229301 | Bolzen M6x50 | 2 | |
| 17 | AP0634600 | Freilaufzahn | 1 | |
| 18 | AP0634740 | Doppeltes Zahnrad | 1 | |
| 19 | AP0294356 | Anlasser komplett | 1 | |
| 20 | AP0294352 | Aust.satz Anlasser | 1 | |
| 21 | AP0250140 | O-Ring 24,4x3,1 | 1 | |
| 22 | AP0840882 | TCEI Schraube | 2 | |
| 23 | AP0297942 | Zündkerze DCPR9E | 4 | |
| 24 | AP0265246 | Kerzenhaube innen | 2 | |
| 25 | AP0265244 | Kerzenhaube außen | 2 | |

| | |
|---------------------|---------------|
| Einheit | MOTOR |
| Code | 29.61 |
| Beschreibung | Klappenkörper |
| Inspektion | 1 |



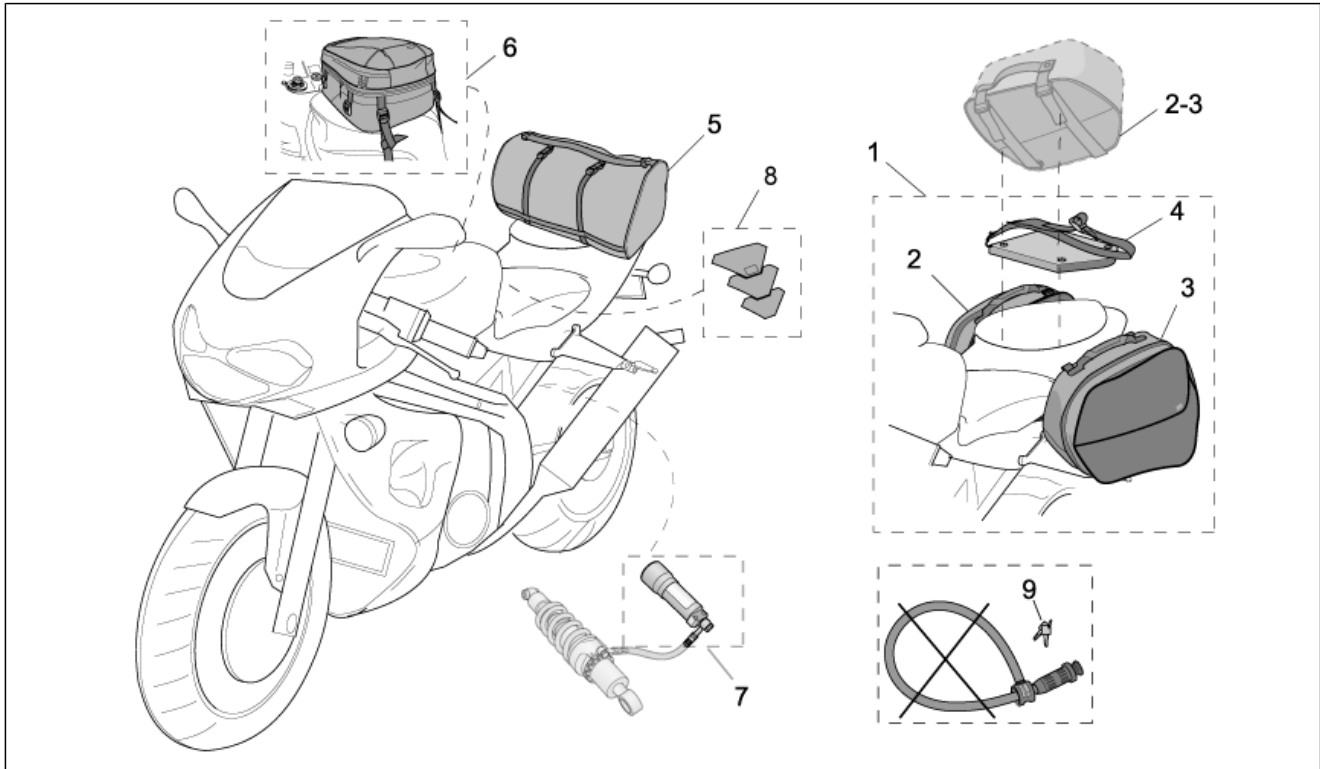
| Pos. | Code | Beschreibung | Menge | Varianten |
|------|-----------|---------------------------|-------|-----------|
| 1 | AP0295696 | Klappenkörper kpl. | 1 | |
| 2 | AP0281241 | Aust.satz Drosselklap. | 1 | |
| 3 | AP0960122 | Fühlerschlauch 110mm | 1 | |
| 4 | AP0661011 | Fixierplatte Gaszug kpl. | 1 | |
| 5 | AP0274030 | Fühler Drosselklappe | 1 | |
| 6 | AP0274010 | Einspritzventil kplt. | 2 | |
| 7 | AP0296180 | Dichtungen - Satz | 1 | |
| 8 | AP0274020 | Kraftstoff-Druckregler | 1 | |
| 9 | AP0960111 | Fühlerschlauch 95 mm | 2 | |
| 10 | AP0874320 | 3-Wegeanschluß | 1 | |
| 11 | AP0960121 | Fühlerschlauch 30 mm | 1 | |
| 12 | AP0274050 | Druckfühler | 1 | |
| 13 | AP8120965 | O-Ring 2018 | 1 | |
| 14 | AP0268010 | Feder | 1 | |
| 15 | AP8114415 | Kabel Leerlaufeinstellung | 1 | |
| 16 | AP0660020 | Kappe | 1 | |

| | |
|---------------------|--------------------|
| Einheit | MOTOR |
| Code | 29.62 |
| Beschreibung | Verbrauchsmaterial |
| Inspektion | 1 |



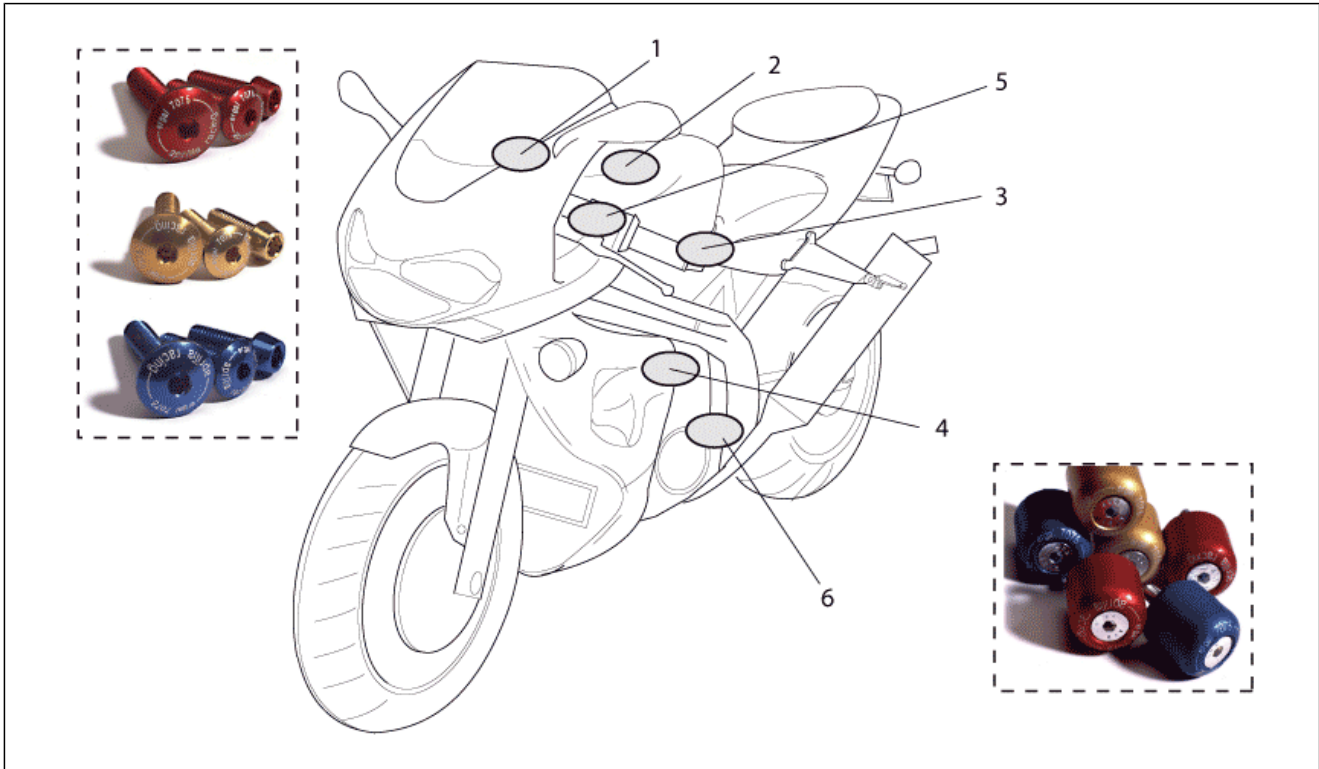
| Pos. | Code | Beschreibung | Menge | Varianten |
|------|-----------|-------------------------------|-------|-----------|
| 1 | AP0897651 | Loctite, blau 243 10cc. | 1 | |
| 2 | AP0899788 | Loctite, grün 648 5gr. | 1 | |
| 3 | AP0899784 | Loctite, orange 574 | 1 | |
| 4 | AP0297434 | Loctite Anti Seize 50ml.15378 | 1 | |
| 5 | AP8116067 | Loctite 8150 | 1 | |
| 6 | 0000000 | Reifen | 1 | |
| 7 | 0000000 | Reifen | 1 | |
| 8 | AP0297386 | Silastic 732 Rtv 100 gr. | 1 | |
| 9 | AP0296170 | Dichtungen - Satz | 1 | |
| 10 | AP0297433 | Molykote G-N 50gr. | 1 | |

| | |
|---------------------|------------------|
| Einheit | ZUBEHÖR |
| Code | 30.63 |
| Beschreibung | Acc. - Sonstiges |
| Inspektion | 1 |



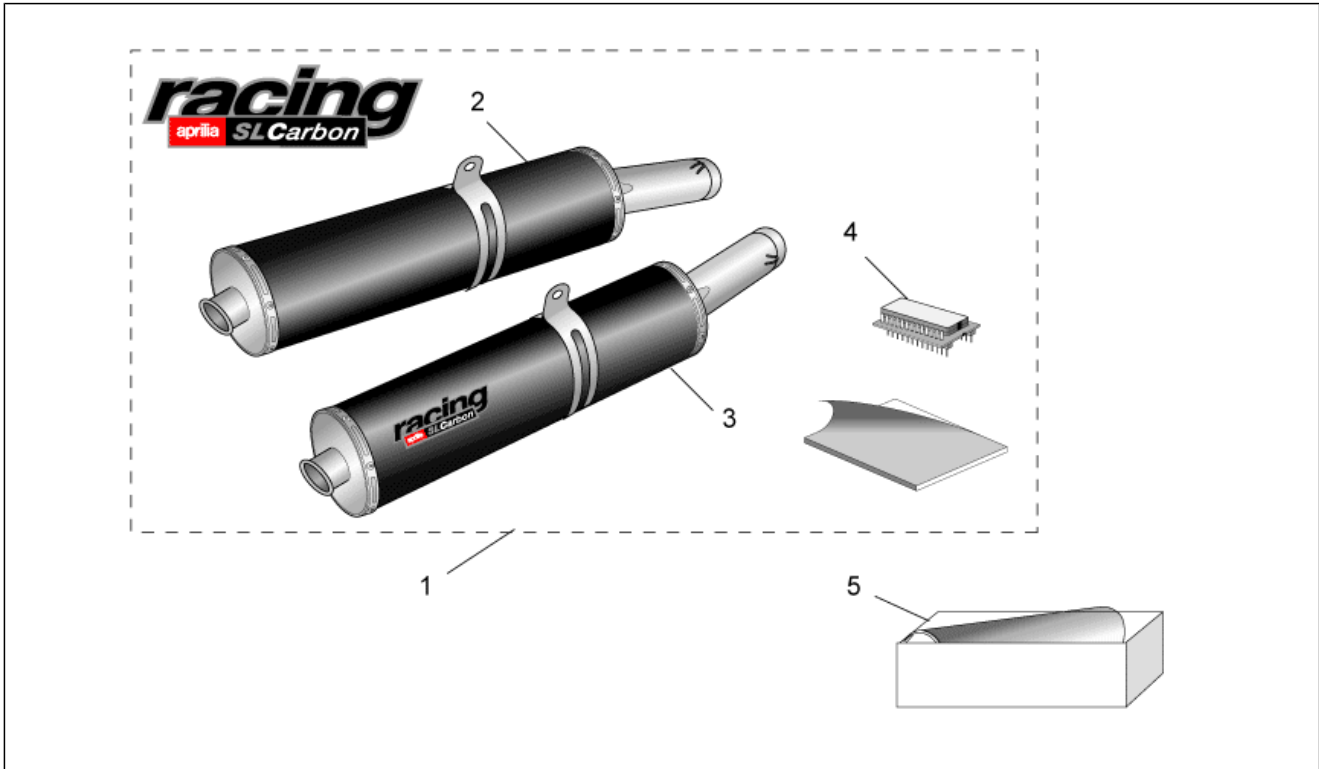
| Pos. | Code | Beschreibung | Menge | Varianten |
|------|-----------|---------------------------------|-------|--|
| 1 | AP8792153 | Seitentaschen kpl.Paar | 1 | Technische Daten:Zubehör[A] |
| 2 | AP8792154 | Seitentasche re. | 1 | Technische Daten:Zubehör[A] |
| 3 | AP8792155 | Seitentasche li. | 1 | Technische Daten:Zubehör[A] |
| 4 | AP8796145 | Kit Satteltaschenbefestig. | 1 | Technische Daten:Zubehör[A] |
| 5 | AP8792152 | Gepäcktasche hi. | 1 | Technische Daten:Zubehör[A] |
| 6 | AP8792156 | Tankrucksack | 1 | Technische Daten:Zubehör[A] |
| 7 | AP8795029 | Kit hi.Stoßdämpferregul. | 1 | Technische Daten:Zubehör[A] |
| 8 | AP8796047 | Kit Aufkleber Tankschutz | 1 | Technische Daten:Zubehör[A] |
| 9 | AP8700792 | Schlüsseleratzdie. B.Guard UK-D | 1 | Land:Deutschland[D], Großbritannien[UK] Technische Daten:Zubehör[A] |
| 9 | AP8700793 | Schlüsseleratzdie. B.Guard F-NL | 1 | Land:Frankreich[F], Holland[NL] Technische Daten:Zubehör[A] |
| 9 | AP8700794 | Schlüsseleratzdie. B.Guard I-E | 1 | Land:Spanien[E], Italien[I] Technische Daten:Zubehör[A] |

| | |
|---------------------|-----------------|
| Einheit | ZUBEHÖR |
| Code | 30.64 |
| Beschreibung | Acc. - Fahrwerk |
| Inspektion | 1 |



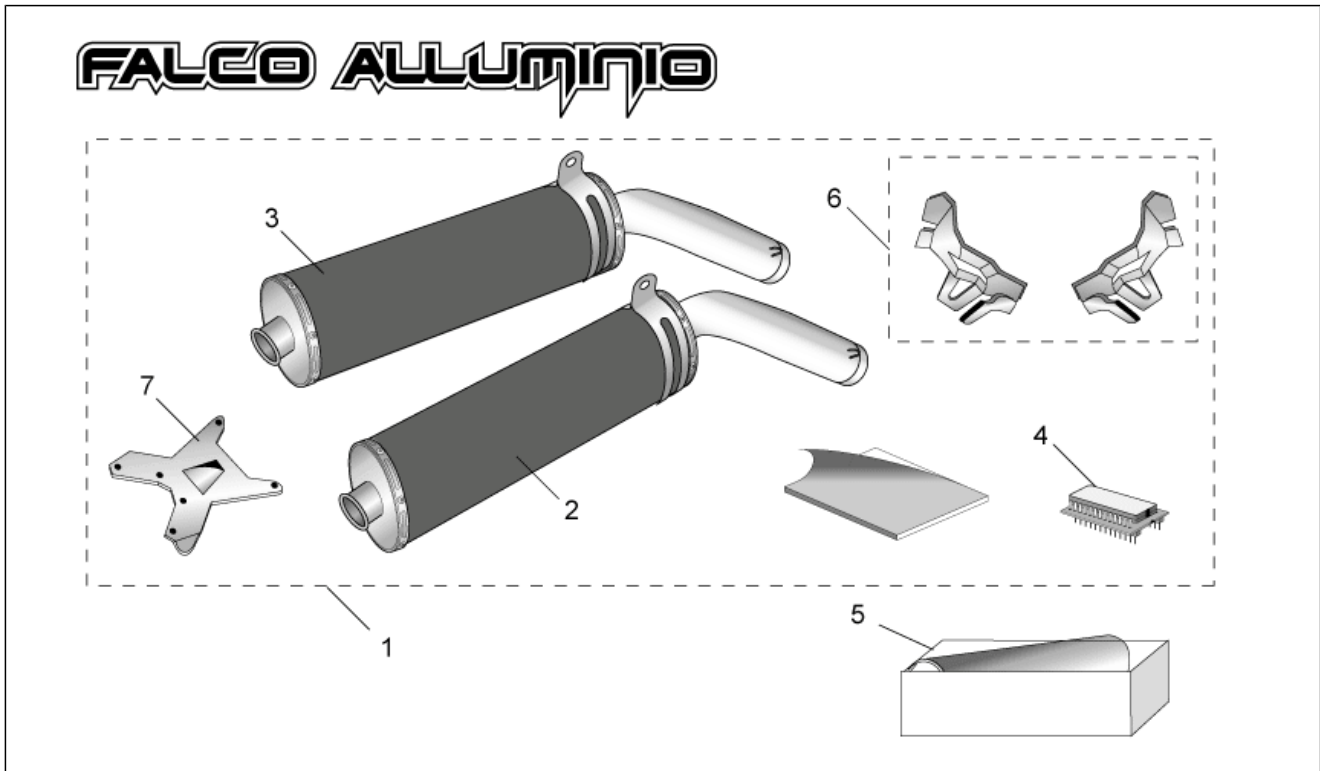
| Pos. | Code | Beschreibung | Menge | Varianten |
|------|-----------|--------------------------------|-------|-----------|
| 1 | AP8140529 | Schrauben Glaskuppel Ergal-Red | 1 | |
| 1 | AP8140530 | Schrauben Glaskup.blau Ergal | 1 | |
| 1 | AP8140531 | Schrauben Glaskup.gold Ergal | 1 | |
| 2 | AP8140451 | Tenkdeckelschrauben rot Ergal | 1 | |
| 2 | AP8140453 | Tankdeckelschrauben gold Ergal | 1 | |
| 3 | AP8140699 | Schwingschutz.Lenk.rot Ergal | 1 | |
| 3 | AP8140700 | Schwingschutz.Lenk.blau Ergal | 1 | |
| 3 | AP8140701 | Schwingschutz.Lenk.gold Ergal | 1 | |
| 4 | AP8140526 | Schrauben Verkleidung r. Ergal | 1 | |
| 4 | AP8140527 | Schrauben Verkleidung b. Ergal | 1 | |
| 4 | AP8140528 | Schrauben verkleidung g. Ergal | 1 | |
| 5 | AP8140532 | Lenkerschrauben rot Ergal | 1 | |
| 5 | AP8140533 | Lenkerschrauben blau Ergal | 1 | |
| 5 | AP8140534 | Lenkerschrauben gold Ergal | 1 | |
| 6 | AP8140505 | Fahrrastensc.-Paar Ergal-Red | 1 | |
| 6 | AP8140506 | Fahrrastensc.-Paar Ergal-Blu | 1 | |
| 6 | AP8140507 | Fahrrastensc.-Paar Ergal-Oro | 1 | |

| | |
|---------------------|----------------------------|
| Einheit | ZUBEHÖR |
| Code | 30.65 |
| Beschreibung | Acc. - Tuning Motorteile I |
| Inspektion | 1 |



| Pos. | Code | Beschreibung | Menge | Varianten |
|------|-----------|--------------------------------|-------|--|
| 1 | AP8796541 | Auslassgruppe KIT Slcarb. | 1 | Technische Daten: Zubehör[A], Nur Einsatz auf geschlossener Rennstrecke[circ] |
| 2 | AP8796544 | Schalld.m/Fixiersch.LI Slcarb. | 1 | Technische Daten: Zubehör[A], Nur Einsatz auf geschlossener Rennstrecke[circ] |
| 3 | AP8796543 | Schalld.m/Fixiersch.RE Slcarb. | 1 | Technische Daten: Zubehör[A], Nur Einsatz auf geschlossener Rennstrecke[circ] |
| 4 | AP8796545 | Eprom Slcarb. | 1 | Technische Daten: Zubehör[A], Nur Einsatz auf geschlossener Rennstrecke[circ] |
| 5 | AP8796493 | Schalldämpfer kpl. | 1 | Technische Daten: Zubehör[A], Nur Einsatz auf geschlossener Rennstrecke[circ] |

| | |
|---------------------|-----------------------------|
| Einheit | ZUBEHÖR |
| Code | 30.66 |
| Beschreibung | Acc. - Tuning Motorteile II |
| Inspektion | 1 |



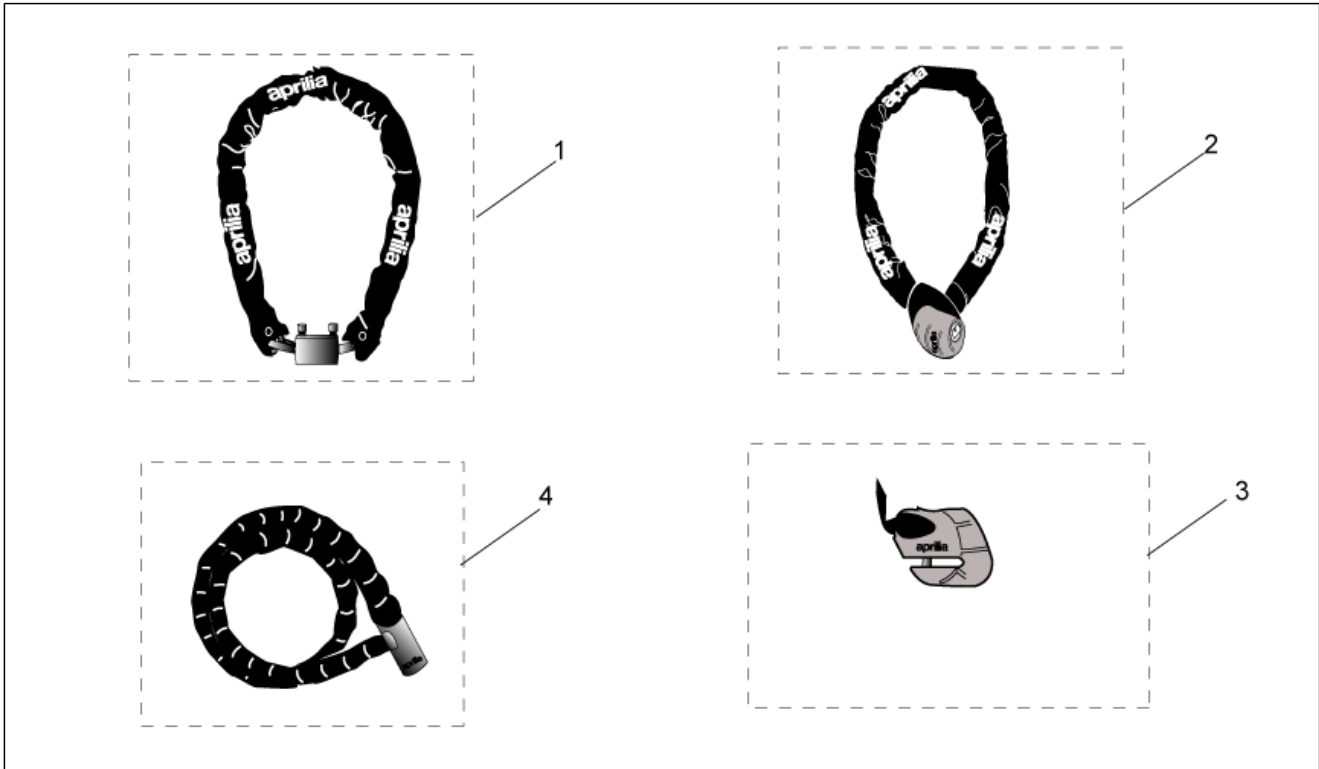
| Pos. | Code | Beschreibung | Menge | Varianten |
|------|-----------|--------------------------------|-------|--|
| 1 | AP8796554 | Kit Auslass alu | 1 | Technische Daten: Zubehör[A], Nur Einsatz auf geschlossener Rennstrecke[circ] |
| 2 | AP8796556 | Schalld.m/Fixierschelle RE alu | 1 | Technische Daten: Zubehör[A], Nur Einsatz auf geschlossener Rennstrecke[circ] |
| 3 | AP8796557 | Schalld.m/Fixiersch.LI alu | 1 | Technische Daten: Zubehör[A], Nur Einsatz auf geschlossener Rennstrecke[circ] |
| 4 | AP8796545 | Eprom SIcarb. | 1 | Technische Daten: Zubehör[A], Nur Einsatz auf geschlossener Rennstrecke[circ] |
| 5 | AP8796555 | Schalldämpfer kpl. | 1 | Technische Daten: Zubehör[A], Nur Einsatz auf geschlossener Rennstrecke[circ] |
| 6 | AP8796558 | Soziusrasten (Paar) | 1 | Technische Daten: Zubehör[A], Nur Einsatz auf geschlossener Rennstrecke[circ] |
| 7 | AP8796552 | Kennzeichenplatte alu | 1 | Technische Daten: Zubehör[A] |

| | |
|---------------------|--------------------------------|
| Einheit | ZUBEHÖR |
| Code | 30.67 |
| Beschreibung | Acc. - Spez. Verkleidungsteile |
| Inspektion | 1 |



| Pos. | Code | Beschreibung | Menge | Varianten |
|------|-----------|---------------------------|-------|--|
| 1 | AP8796547 | Kit vorne alu | 1 | Technische Daten:Zubehör[A] |
| 2 | AP8796548 | Vorderes Schutzblech alu | 1 | Technische Daten:Zubehör[A] |
| 3 | AP8796549 | Kit Leitblech Scheibe alu | 1 | Technische Daten:Zubehör[A] |
| 4 | AP8796550 | Stütze alu | 1 | Technische Daten:Zubehör[A] |
| 5 | AP8796551 | Hinteres Schutzblech alu | 1 | Technische Daten:Zubehör[A] |
| 6 | AP8796553 | Kit 4 Blinker alu | 1 | Technische Daten:Zubehör[A], Nur Einsatz auf geschlossener Rennstrecke[circ] |

| | |
|---------------------|------------------|
| Einheit | ZUBEHÖR |
| Code | 30.68 |
| Beschreibung | Acc. - Diefstahl |
| Inspektion | 1 |



| Pos. | Code | Beschreibung | Menge | Varianten |
|------|-----------|----------------------|-------|-----------------------------|
| 1 | AP8720115 | Iron Guard 10x150 mm | 1 | Technische Daten:Zubehör[A] |
| 2 | AP8720116 | Iron Guard 8x120 mm | 1 | Technische Daten:Zubehör[A] |
| 3 | AP8720117 | Iron Guard Disk 5 mm | 1 | Technische Daten:Zubehör[A] |
| 4 | AP8720118 | Easy Guard 150 mm | 1 | Technische Daten:Zubehör[A] |