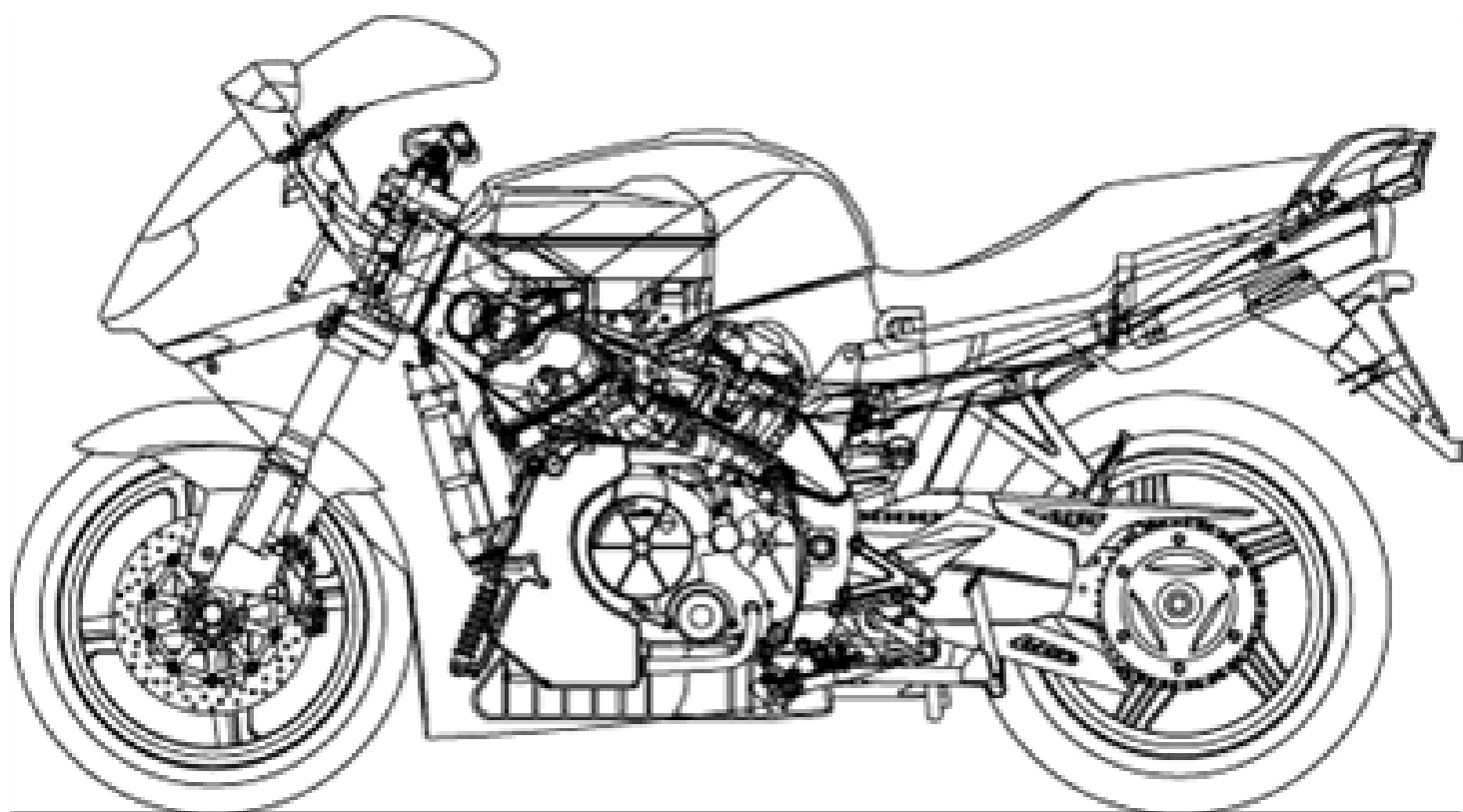


aprilia[®]

ERSATZTEILKATALOG



RST 1000 Futura 2001-2003

Vorsatzcode Fahrgestell: ZD4PW

Vorsatzcode Motor:

Inhaltsverzeichnis

| | |
|---|----|
| Fertige Produkte..... | 4 |
| Alphanumerisches Verzeichnis..... | 7 |
| RAHMEN..... | 14 |
| Tafel 28.01 - Rahmen I..... | 14 |
| Tafel 28.02 - Rahmen II..... | 15 |
| Tafel 28.03 - Fussrasten..... | 16 |
| Tafel 28.04 - Hauptständer..... | 17 |
| Tafel 28.05 - Lenkung..... | 18 |
| Tafel 28.06 - Vorderradgabel I..... | 19 |
| Tafel 28.07 - Showa Gabel - Schaften, Hülsen..... | 20 |
| Tafel 28.08 - Marzocchi Gabel - Schaften, Hülsen..... | 21 |
| Tafel 28.09 - Schwinge..... | 23 |
| Tafel 28.10 - Pleuelstange und Stoßdämpfer..... | 24 |
| Tafel 28.11 - Frontaufbau - Kuppel..... | 25 |
| Tafel 28.12 - Frontaufbau - Verschluss..... | 28 |
| Tafel 28.13 - Frontaufbau - Leitblech..... | 30 |
| Tafel 28.14 - Frontaufbau - Vrd. Schutzblech..... | 31 |
| Tafel 28.15 - Mittlerer aufbau - Oberer Rumpf..... | 33 |
| Tafel 28.16 - Mittlerer aufbau - Unterer Rumpf..... | 35 |
| Tafel 28.17 - Kraftstofftank..... | 38 |
| Tafel 28.18 - Sitz..... | 40 |
| Tafel 28.19 - U. Sitzbank..... | 43 |
| Tafel 28.20 - Heckaufbau..... | 44 |
| Tafel 28.21 - Side cases..... | 46 |
| Tafel 28.22 - Instrumententafel..... | 48 |
| Tafel 28.23 - Lenkstange - Schaltungen..... | 50 |
| Tafel 28.24 - Kupplungspumpe..... | 51 |
| Tafel 28.25 - Vorderradbremspumpe..... | 52 |
| Tafel 28.26 - Vorderradbremzange..... | 53 |
| Tafel 28.27 - Hinterradbremspumpe..... | 54 |
| Tafel 28.28 - Hinterradbremzange..... | 55 |
| Tafel 28.29 - Kühlanlage..... | 56 |
| Tafel 28.30 - Wasserkühler..... | 57 |
| Tafel 28.31 - Ausdehngefäß..... | 58 |
| Tafel 28.32 - Öltank..... | 59 |
| Tafel 28.33 - Benzindampfrückf.-Anlage..... | 61 |
| Tafel 28.34 - Filtergehäuse..... | 63 |
| Tafel 28.35 - Kraftstoffpumpe..... | 65 |
| Tafel 28.37 - Auspuffrohr..... | 66 |
| Tafel 28.38 - Vorderrad..... | 68 |
| Tafel 28.39 - Hinterrad I..... | 69 |
| Tafel 28.40 - Hinterrad II..... | 70 |
| Tafel 28.41 - Scheinwerfer..... | 72 |

| | |
|---|-----|
| Tafel 28.42 - Rücklicht..... | 73 |
| Tafel 28.43 - Vord. elektrische Anlage..... | 74 |
| Tafel 28.44 - Mitt. elektrische Anlage..... | 75 |
| Tafel 28.45 - Hint. elektrische Anlage..... | 76 |
| Tafel 28.46 - Bausatz Schlösser..... | 77 |
| Tafel 28.47 - Aufkleber-Deko..... | 79 |
| MOTOR..... | 82 |
| Tafel 29.36 - Motor..... | 82 |
| Tafel 29.48 - Gehäuse I..... | 84 |
| Tafel 29.49 - Gehäuse II..... | 85 |
| Tafel 29.50 - Ölpumpe..... | 87 |
| Tafel 29.51 - Kurbelwelle..... | 88 |
| Tafel 29.52 - Zylinder - Kolben..... | 89 |
| Tafel 29.53 - Ventildeckel..... | 90 |
| Tafel 29.54 - Zylinderkopf und Ventile..... | 91 |
| Tafel 29.55 - Ventilesbeläge..... | 92 |
| Tafel 29.56 - Vrd. Zylindersteuer..... | 94 |
| Tafel 29.57 - Hint. Zylindersteuer..... | 95 |
| Tafel 29.58 - Schaltgabel..... | 97 |
| Tafel 29.59 - Schaltgetriebe..... | 98 |
| Tafel 29.60 - Kupplung I..... | 99 |
| Tafel 29.61 - Kupplung II..... | 100 |
| Tafel 29.62 - Wasserpumpenritzel..... | 101 |
| Tafel 29.63 - Zündung..... | 102 |
| Tafel 29.64 - Klappenkörper..... | 103 |
| Tafel 29.65 - Verbrauchsmaterial..... | 104 |
| ZUBEHÖR..... | 105 |
| Tafel 30.66 - Acc. - Koffer, Taschen Son..... | 105 |
| Tafel 30.67 - Acc. - Diebstahl..... | 107 |

Fertige Produkte

| Code | Gültigkeit |
|--------------|------------|
| 667A0US01UNC | |
| 667C0US01UNC | |
| 667C0US04UNC | |
| AP60100ES09 | |
| AP60100FR03 | |
| AP66700AT01 | |
| AP66700AT03 | |
| AP66700AU01 | |
| AP66700AU02 | |
| AP66700AU03 | |
| AP66700AU04 | |
| AP66700AU05 | |
| AP66700BE01 | |
| AP66700BE02 | |
| AP66700BE03 | |
| AP66700BE04 | |
| AP66700CH01 | |
| AP66700CH03 | |
| AP66700CZ01 | |
| AP66700CZ02 | |
| AP66700CZ03 | |
| AP66700DE01 | |
| AP66700DE02 | |
| AP66700DE03 | |
| AP66700DE04 | |
| AP66700DE05 | |
| AP66700DE06 | |
| AP66700DK01 | |
| AP66700DK02 | |
| AP66700DK03 | |
| AP66700DK04 | |
| AP66700DK05 | |
| AP66700DK06 | |
| AP66700ES01 | |
| AP66700ES02 | |
| AP66700ES03 | |
| AP66700ES04 | |
| AP66700ES05 | |
| AP66700ES06 | |
| AP66700EU02 | |
| AP66700EU05 | |
| AP66700GB01 | |

| Code | Gültigkeit |
|-------------|------------|
| AP66700GB02 | |
| AP66700GB03 | |
| AP66700GB04 | |
| AP66700GB05 | |
| AP66700GB06 | |
| AP66700IT01 | |
| AP66700IT02 | |
| AP66700IT03 | |
| AP66700IT04 | |
| AP66700IT05 | |
| AP66700IT06 | |
| AP66700JP02 | |
| AP66700JP03 | |
| AP66700JP04 | |
| AP66700NL01 | |
| AP66700NL02 | |
| AP66700NL03 | |
| AP66700NL04 | |
| AP66700NL05 | |
| AP66700PT01 | |
| AP66700PT03 | |
| AP66700US01 | |
| AP66700US02 | |
| AP66700US03 | |
| AP66701BE01 | |
| AP66701FR01 | |
| AP66701FR02 | |
| AP66701FR03 | |
| AP66701FR05 | |
| AP66701FR06 | |
| AP667A0CZ01 | |
| AP667A0CZ02 | |
| AP667A0CZ03 | |
| AP667A0CZ04 | |
| AP667A0US01 | |
| AP667A0US02 | |
| AP667A0US03 | |
| AP667A0US04 | |
| AP667B0CZ01 | |
| AP667B0CZ02 | |
| AP667B0CZ04 | |
| AP667B0US01 | |
| AP667B0US02 | |
| AP667B0US04 | |
| AP667C0CZ01 | |

| Code | Gültigkeit |
|-------------|------------|
| AP667C0CZ02 | |
| AP667C0CZ04 | |
| AP667C0US01 | |
| AP667C0US02 | |
| AP667C0US04 | |
| AP7999028 | |

| Code | Nr. der Tafel | Pos. | Code | Nr. der Tafel | Pos. | Code | Nr. der Tafel | Pos. |
|-----------|---------------|------|-----------|---------------|------|-----------|---------------|------|
| 0000000 | 28.38 | 1 | AP0233780 | 29.62 | 11 | AP0244211 | 29.58 | 10 |
| 0000000 | 28.39 | 1 | AP0233790 | 29.62 | 10 | AP0245330 | 29.50 | 15 |
| 0000000 | 29.65 | 10 | AP0233791 | 29.62 | 10 | AP0245436 | 29.52 | 6 |
| 0000000 | 29.65 | 9 | AP0233793 | 29.62 | 10 | AP0245440 | 29.58 | 18 |
| AP0210415 | 29.49 | 4 | AP0233820 | 29.48 | 9 | AP0245815 | 29.59 | 4 |
| AP0210416 | 29.49 | 4 | AP0233822 | 29.48 | 9 | AP0245830 | 29.60 | 2 |
| AP0211620 | 29.50 | 5 | AP0236252 | 29.52 | 9 | AP0245840 | 29.51 | 13 |
| AP0211631 | 29.50 | 8 | AP0236300 | 29.56 | 5 | AP0245860 | 29.51 | 10 |
| AP0211655 | 29.63 | 8 | AP0236300 | 29.57 | 5 | AP0246055 | 29.57 | 17 |
| AP0211662 | 29.53 | 5 | AP0236310 | 29.56 | 6 | AP0246570 | 29.51 | 5 |
| AP0211663 | 29.53 | 5 | AP0236310 | 29.57 | 6 | AP0247614 | 29.61 | 16 |
| AP0211667 | 29.53 | 3 | AP0236320 | 29.56 | 3 | AP0247940 | 29.58 | 17 |
| AP0211668 | 29.53 | 3 | AP0236365 | 29.58 | 22 | AP0247970 | 29.61 | 9 |
| AP0211681 | 29.57 | 4 | AP0236370 | 29.49 | 26 | AP0247972 | 29.61 | 21 |
| AP0211756 | 29.57 | 25 | AP0236380 | 29.57 | 9 | AP0247974 | 29.61 | 20 |
| AP0211766 | 29.56 | 4 | AP0238130 | 29.61 | 18 | AP0247980 | 29.56 | 17 |
| AP0211778 | 29.62 | 24 | AP0238135 | 29.61 | 19 | AP0247980 | 29.57 | 27 |
| AP0216222 | 29.52 | 5 | AP0238140 | 29.61 | 22 | AP0248375 | 29.58 | 12 |
| AP0217346 | 29.51 | 2 | AP0239247 | 29.58 | 13 | AP0250130 | 29.57 | 3 |
| AP0219340 | 29.57 | 20 | AP0239370 | 29.61 | 8 | AP0250140 | 29.63 | 21 |
| AP0219350 | 29.51 | 21 | AP0239390 | 29.61 | 6 | AP0250311 | 29.53 | 6 |
| AP0219360 | 29.51 | 12 | AP0239420 | 29.58 | 16 | AP0250450 | 29.49 | 24 |
| AP0219365 | 29.51 | 8 | AP0239430 | 29.58 | 15 | AP0250640 | 29.53 | 10 |
| AP0220372 | 29.51 | 15 | AP0239447 | 29.50 | 10 | AP0251100 | 29.53 | 11 |
| AP0220380 | 29.56 | 13 | AP0239450 | 29.58 | 23 | AP0251160 | 29.63 | 13 |
| AP0220380 | 29.57 | 13 | AP0239480 | 29.60 | 9 | AP0251830 | 29.53 | 8 |
| AP0220385 | 29.56 | 12 | AP0239510 | 29.54 | 11 | AP0253645 | 29.54 | 12 |
| AP0220385 | 29.57 | 12 | AP0239520 | 29.54 | 19 | AP0253921 | 29.54 | 3 |
| AP0220390 | 29.59 | 1 | AP0240036 | 29.60 | 11 | AP0253926 | 29.54 | 2 |
| AP0220400 | 29.59 | 10 | AP0240081 | 29.53 | 7 | AP0253956 | 29.54 | 14 |
| AP0220410 | 29.62 | 4 | AP0240170 | 29.53 | 16 | AP0253965 | 29.54 | 17 |
| AP0220423 | 29.50 | 1 | AP0240181 | 29.62 | 25 | AP0253974 | 29.55 | 1 |
| AP0220435 | 29.58 | 26 | AP0240275 | 29.57 | 29 | AP0253975 | 29.55 | 1 |
| AP0220437 | 29.58 | 1 | AP0240331 | 29.54 | 10 | AP0253976 | 29.55 | 1 |
| AP0220440 | 29.57 | 1 | AP0240331 | 29.62 | 21 | AP0253977 | 29.55 | 1 |
| AP0220455 | 29.60 | 6 | AP0240385 | 29.63 | 24 | AP0253978 | 29.55 | 1 |
| AP0222500 | 29.62 | 18 | AP0240400 | 29.56 | 1 | AP0253979 | 29.55 | 1 |
| AP0222512 | 29.62 | 19 | AP0240960 | 29.56 | 18 | AP0253980 | 29.55 | 1 |
| AP0224090 | 29.53 | 17 | AP0241081 | 29.49 | 9 | AP0253981 | 29.55 | 1 |
| AP0227180 | 29.60 | 12 | AP0241261 | 29.49 | 29 | AP0253982 | 29.55 | 1 |
| AP0227442 | 29.58 | 20 | AP0241501 | 29.49 | 15 | AP0253983 | 29.55 | 1 |
| AP0227685 | 29.62 | 6 | AP0241531 | 29.49 | 12 | AP0253984 | 29.55 | 1 |
| AP0227714 | 29.58 | 27 | AP0241541 | 29.63 | 6 | AP0253985 | 29.55 | 1 |
| AP0227716 | 29.58 | 11 | AP0241560 | 29.53 | 14 | AP0253986 | 29.55 | 1 |
| AP0229301 | 29.48 | 4 | AP0241580 | 29.49 | 1 | AP0253987 | 29.55 | 1 |
| AP0229301 | 29.63 | 16 | AP0241601 | 29.53 | 13 | AP0253988 | 29.55 | 1 |
| AP0229385 | 29.48 | 6 | AP0241625 | 29.53 | 1 | AP0253990 | 29.54 | 13 |
| AP0229385 | 29.58 | 14 | AP0241631 | 29.63 | 9 | AP0254011 | 29.54 | 16 |
| AP0230415 | 29.49 | 8 | AP0241650 | 29.50 | 11 | AP0254021 | 29.54 | 15 |
| AP0230415 | 29.62 | 23 | AP0241782 | 29.49 | 7 | AP0254030 | 29.55 | 1 |
| AP0230510 | 29.54 | 18 | AP0241811 | 29.62 | 14 | AP0254031 | 29.55 | 1 |
| AP0232210 | 29.54 | 5 | AP0241811 | 29.63 | 15 | AP0254032 | 29.55 | 1 |
| AP0232430 | 29.50 | 13 | AP0241816 | 29.63 | 11 | AP0254033 | 29.55 | 1 |
| AP0232430 | 29.62 | 5 | AP0241821 | 28.24 | 15 | AP0254034 | 29.55 | 1 |
| AP0232625 | 29.49 | 14 | AP0241821 | 29.49 | 28 | AP0254035 | 29.55 | 1 |
| AP0232730 | 29.50 | 2 | AP0241821 | 29.50 | 12 | AP0254036 | 29.55 | 1 |
| AP0232970 | 29.50 | 4 | AP0241821 | 29.54 | 4 | AP0254037 | 29.55 | 1 |
| AP0233711 | 29.48 | 9 | AP0241854 | 29.49 | 6 | AP0254038 | 29.55 | 1 |
| AP0233721 | 29.51 | 23 | AP0241932 | 29.49 | 2 | AP0254039 | 29.55 | 1 |
| AP0233722 | 29.51 | 23 | AP0241932 | 29.58 | 9 | AP0254040 | 29.55 | 1 |
| AP0233723 | 29.51 | 23 | AP0242091 | 29.53 | 4 | AP0254041 | 29.55 | 1 |
| AP0233740 | 29.48 | 8 | AP0242206 | 29.61 | 15 | AP0254042 | 29.55 | 1 |
| AP0233741 | 29.48 | 8 | AP0242851 | 29.53 | 18 | AP0254043 | 29.55 | 1 |
| AP0233743 | 29.48 | 8 | AP0242874 | 29.51 | 16 | AP0256187 | 29.49 | 5 |
| AP0233745 | 29.48 | 7 | AP0242940 | 29.51 | 14 | AP0256497 | 29.49 | 20 |
| AP0233746 | 29.48 | 7 | AP0242950 | 29.60 | 3 | AP0256510 | 29.50 | 9 |
| AP0233748 | 29.48 | 7 | AP0244211 | 29.57 | 8 | AP0256526 | 29.49 | 21 |

| Code | Nr. der Tafel | Pos. | Code | Nr. der Tafel | Pos. | Code | Nr. der Tafel | Pos. |
|-----------|---------------|------|-----------|---------------|------|-----------|---------------|------|
| AP0256680 | 29.50 | 3 | AP0627270 | 29.63 | 7 | AP0840882 | 29.63 | 22 |
| AP0258310 | 29.58 | 6 | AP0627280 | 29.60 | 15 | AP0841841 | 29.62 | 16 |
| AP0258325 | 29.58 | 8 | AP0627530 | 29.60 | 10 | AP0845030 | 29.56 | 10 |
| AP0258351 | 29.58 | 4 | AP0627910 | 29.61 | 27 | AP0845030 | 29.57 | 30 |
| AP0258361 | 29.58 | 3 | AP0632010 | 29.48 | 2 | AP0850050 | 29.49 | 23 |
| AP0258375 | 29.58 | 5 | AP0632010 | 29.62 | 7 | AP0897651 | 29.65 | 1 |
| AP0258380 | 29.58 | 2 | AP0632070 | 29.59 | 7 | AP0898011 | 29.65 | 7 |
| AP0259500 | 29.49 | 27 | AP0632124 | 29.49 | 17 | AP0899784 | 29.65 | 3 |
| AP0259517 | 29.60 | 7 | AP0632130 | 29.60 | 8 | AP0899788 | 29.65 | 2 |
| AP0259520 | 29.60 | 1 | AP0632161 | 29.56 | 8 | AP0922245 | 29.53 | 15 |
| AP0259530 | 29.61 | 3 | AP0632161 | 29.57 | 23 | AP0927863 | 29.54 | 9 |
| AP0259535 | 29.61 | 26 | AP0634470 | 29.50 | 6 | AP0927945 | 29.54 | 7 |
| AP0259580 | 29.61 | 10 | AP0634470 | 29.61 | 2 | AP0929500 | 29.48 | 3 |
| AP0259582 | 29.61 | 17 | AP0634475 | 29.61 | 14 | AP0929500 | 29.57 | 26 |
| AP0259587 | 29.61 | 25 | AP0634483 | 29.50 | 14 | AP0929650 | 29.48 | 10 |
| AP0260890 | 29.60 | 14 | AP0634490 | 29.62 | 3 | AP0929650 | 29.52 | 8 |
| AP0265040 | 29.63 | 23 | AP0634500 | 29.51 | 19 | AP0929930 | 29.48 | 5 |
| AP0267150 | 29.53 | 9 | AP0634500 | 29.62 | 2 | AP0929930 | 29.51 | 20 |
| AP0268740 | 29.49 | 10 | AP0634595 | 29.63 | 1 | AP0929930 | 29.62 | 1 |
| AP0281222 | 29.59 | 19 | AP0634600 | 29.63 | 17 | AP0932335 | 29.49 | 19 |
| AP0294352 | 29.63 | 20 | AP0634610 | 29.51 | 18 | AP0932335 | 29.58 | 7 |
| AP0294356 | 29.63 | 19 | AP0634620 | 29.59 | 17 | AP0932428 | 29.49 | 18 |
| AP0295662 | 29.51 | 1 | AP0634640 | 29.59 | 9 | AP0932585 | 29.49 | 11 |
| AP0295662 | 29.52 | 1 | AP0634655 | 29.59 | 11 | AP0940560 | 29.57 | 7 |
| AP0295760 | 29.51 | 22 | AP0634660 | 29.59 | 5 | AP0940580 | 29.61 | 11 |
| AP0295760 | 29.57 | 24 | AP0634670 | 29.59 | 13 | AP0940590 | 29.56 | 2 |
| AP0295765 | 29.51 | 7 | AP0634680 | 29.59 | 14 | AP0940631 | 29.56 | 11 |
| AP0295765 | 29.56 | 9 | AP0634695 | 29.59 | 2 | AP0940631 | 29.57 | 28 |
| AP0295770 | 29.51 | 9 | AP0634700 | 29.59 | 15 | AP0940637 | 29.52 | 12 |
| AP0295775 | 29.57 | 18 | AP0634710 | 29.59 | 8 | AP0940741 | 29.58 | 25 |
| AP0295780 | 29.51 | 11 | AP0634720 | 29.59 | 12 | AP0941121 | 29.57 | 10 |
| AP0295780 | 29.61 | 4 | AP0634730 | 29.56 | 14 | AP0941835 | 29.61 | 23 |
| AP0295782 | 29.61 | 24 | AP0634730 | 29.57 | 14 | AP0941935 | 29.63 | 12 |
| AP0295790 | 29.61 | 5 | AP0634735 | 29.56 | 19 | AP0942570 | 29.57 | 21 |
| AP0295792 | 29.61 | 13 | AP0634740 | 29.63 | 18 | AP0945665 | 29.58 | 21 |
| AP0295835 | 29.63 | 2 | AP0640400 | 29.51 | 4 | AP0946015 | 29.51 | 6 |
| AP0295858 | 29.52 | 3 | AP0640450 | 29.52 | 10 | AP0950141 | 29.62 | 17 |
| AP0296170 | 29.65 | 8 | AP0640581 | 29.53 | 20 | AP0956169 | 29.62 | 26 |
| AP0296961 | 29.48 | 1 | AP0641505 | 29.63 | 5 | AP0956275 | 29.50 | 7 |
| AP0297386 | 29.65 | 6 | AP0650210 | 29.53 | 19 | AP8101372 | 28.02 | 9 |
| AP0297433 | 29.65 | 5 | AP0650240 | 29.62 | 20 | AP8101372 | 28.30 | 6 |
| AP0297434 | 29.65 | 4 | AP0650310 | 29.62 | 12 | AP8101595 | 28.27 | 14 |
| AP0297942 | 28.45 | 9 | AP0650320 | 29.49 | 25 | AP8101595 | 28.33 | 9 |
| AP0297955 | 29.56 | 15 | AP0650330 | 29.62 | 8 | AP8101595 | 28.34 | 28 |
| AP0297955 | 29.57 | 19 | AP0650335 | 29.49 | 22 | AP8101595 | 29.36 | 30 |
| AP0427106 | 29.59 | 16 | AP0650340 | 29.63 | 14 | AP8101744 | 28.38 | 3 |
| AP0430622 | 29.52 | 11 | AP0650345 | 29.53 | 2 | AP8101744 | 28.39 | 3 |
| AP0430782 | 29.63 | 10 | AP0650370 | 29.62 | 13 | AP8101861 | 28.03 | 14 |
| AP0440260 | 29.51 | 3 | AP0650390 | 29.52 | 7 | AP8101927 | 28.29 | 17 |
| AP0442130 | 29.60 | 16 | AP0650500 | 29.49 | 3 | AP8101927 | 28.31 | 13 |
| AP0610151 | 29.62 | 9 | AP0659110 | 29.63 | 3 | AP8102349 | 28.32 | 18 |
| AP0613405 | 29.54 | 1 | AP0659125 | 29.63 | 4 | AP8102375 | 28.33 | 16 |
| AP0613406 | 29.54 | 1 | AP0660010 | 29.53 | 21 | AP8102376 | 28.33 | 18 |
| AP0613407 | 29.54 | 8 | AP0684310 | 29.52 | 2 | AP8102377 | 28.33 | 14 |
| AP0613408 | 29.54 | 8 | AP0684311 | 29.52 | 2 | AP8102377 | 29.36 | 31 |
| AP0613417 | 29.52 | 4 | AP0827110 | 29.59 | 18 | AP8102378 | 28.31 | 10 |
| AP0613418 | 29.52 | 4 | AP0827305 | 29.57 | 11 | AP8102378 | 28.33 | 7 |
| AP0627120 | 29.59 | 3 | AP0832144 | 29.49 | 13 | AP8102431 | 28.29 | 3 |
| AP0627132 | 29.59 | 6 | AP0832144 | 29.58 | 19 | AP8102503 | 28.17 | 3 |
| AP0627140 | 29.61 | 7 | AP0832360 | 29.57 | 2 | AP8102504 | 28.11 | 7 |
| AP0627190 | 29.56 | 7 | AP0840371 | 29.56 | 16 | AP8102520 | 28.33 | 8 |
| AP0627190 | 29.57 | 15 | AP0840371 | 29.57 | 16 | AP8102524 | 28.04 | 3 |
| AP0627200 | 29.51 | 17 | AP0840391 | 29.57 | 22 | AP8102535 | 28.17 | 6 |
| AP0627210 | 29.58 | 24 | AP0840681 | 29.62 | 15 | AP8102544 | 28.01 | 6 |
| AP0627220 | 29.61 | 12 | AP0840861 | 29.49 | 16 | AP8102610 | 28.34 | 2 |
| AP0627230 | 29.60 | 13 | AP0840861 | 29.62 | 22 | AP8102615 | 28.31 | 4 |
| AP0627260 | 29.61 | 1 | AP0840880 | 29.54 | 6 | AP8102618 | 28.32 | 4 |

| Code | Nr. der Tafel | Pos. |
|-----------|---------------|------|
| AP8102671 | 28.12 | 8 |
| AP8102677 | 28.29 | 7 |
| AP8102678 | 28.33 | 1 |
| AP8102688 | 28.33 | 21 |
| AP8102719 | 28.33 | 20 |
| AP8102727 | 28.33 | 6 |
| AP8102731 | 28.32 | 15 |
| AP8102732 | 28.29 | 10 |
| AP8102732 | 28.31 | 14 |
| AP8102763 | 28.34 | 32 |
| AP8102765 | 28.29 | 16 |
| AP8102766 | 28.34 | 27 |
| AP8102786 | 28.32 | 26 |
| AP8102787 | 28.23 | 6 |
| AP8102829 | 28.35 | 21 |
| AP8102880 | 28.46 | 2 |
| AP8102902 | 28.01 | 22 |
| AP8102913 | 28.46 | 4 |
| AP8102951 | 28.30 | 2 |
| AP8102952 | 28.30 | 1 |
| AP8102971 | 28.35 | 13 |
| AP8102985 | 28.33 | 4 |
| AP8102993 | 28.47 | 2 |
| AP8104046 | 28.46 | 12 |
| AP8104046 | 28.46 | 12 |
| AP8104097 | 28.29 | 13 |
| AP8104097 | 28.30 | 4 |
| AP8104100 | 28.32 | 2 |
| AP8104124 | 28.31 | 2 |
| AP8104154 | 28.46 | 5 |
| AP8104162 | 28.47 | 2 |
| AP8104163 | 28.47 | 2 |
| AP8104180 | 28.47 | 1 |
| AP8104250 | 28.34 | 21 |
| AP8104251 | 29.36 | 27 |
| AP8104275 | 28.46 | 12 |
| AP8104303 | 28.47 | 2 |
| AP8104322 | 28.47 | 2 |
| AP8104359 | 28.11 | 4 |
| AP8104360 | 28.11 | 5 |
| AP8104368 | 28.11 | 4 |
| AP8104369 | 28.11 | 5 |
| AP8104370 | 28.11 | 4 |
| AP8104371 | 28.11 | 5 |
| AP8104373 | 28.35 | 12 |
| AP8104374 | 28.35 | 7 |
| AP8104375 | 28.35 | 6 |
| AP8104378 | 28.11 | 9 |
| AP8104379 | 28.11 | 10 |
| AP8104430 | 28.47 | 2 |
| AP8104430 | 28.47 | 2 |
| AP8104470 | 28.11 | 4 |
| AP8104471 | 28.11 | 5 |
| AP8104528 | 28.46 | 1 |
| AP8104993 | 28.35 | 26 |
| AP8106375 | 29.36 | 4 |
| AP8106381 | 28.24 | 8 |
| AP8106387 | 28.32 | 11 |
| AP8106388 | 28.32 | 9 |
| AP8106389 | 28.32 | 21 |
| AP8106395 | 28.34 | 12 |
| AP8106443 | 28.35 | 23 |
| AP8106444 | 28.35 | 22 |
| AP8106713 | 28.24 | 1 |
| AP8106747 | 29.36 | 5 |
| AP8106764 | 28.33 | 2 |
| AP8106771 | 29.64 | 4 |

| Code | Nr. der Tafel | Pos. |
|-----------|---------------|------|
| AP8106812 | 28.34 | 7 |
| AP8106813 | 28.34 | 9 |
| AP8106865 | 28.35 | 1 |
| AP8106884 | 29.64 | 5 |
| AP8106888 | 28.35 | 8 |
| AP8106889 | 29.64 | 3 |
| AP8106915 | 29.60 | 17 |
| AP8106919 | 29.36 | 1 |
| AP8106935 | 28.24 | 16 |
| AP8106959 | 29.60 | 4 |
| AP8106960 | 29.60 | 5 |
| AP8107118 | 28.40 | 29 |
| AP8107136 | 28.40 | 28 |
| AP8107138 | 28.40 | 13 |
| AP8107148 | 28.40 | 29 |
| AP8107150 | 28.40 | 28 |
| AP8108821 | 28.39 | 4 |
| AP8108864 | 28.39 | 5 |
| AP8108939 | 28.38 | 8 |
| AP8108965 | 28.39 | 4 |
| AP8108966 | 28.39 | 5 |
| AP8110053 | 29.36 | 6 |
| AP8110065 | 28.10 | 5 |
| AP8110068 | 28.10 | 6 |
| AP8110074 | 28.23 | 12 |
| AP8110077 | 28.05 | 8 |
| AP8110078 | 28.09 | 8 |
| AP8110079 | 28.09 | 9 |
| AP8110091 | 28.40 | 2 |
| AP8110092 | 28.40 | 3 |
| AP8110102 | 28.40 | 10 |
| AP8110103 | 28.10 | 13 |
| AP8112176 | 28.43 | 9 |
| AP8112599 | 28.22 | 4 |
| AP8112600 | 28.30 | 7 |
| AP8112811 | 28.44 | 9 |
| AP8112916 | 28.19 | 5 |
| AP8112996 | 28.27 | 20 |
| AP8113003 | 28.24 | 14 |
| AP8113003 | 28.25 | 9 |
| AP8113003 | 28.26 | 11 |
| AP8113003 | 28.27 | 12 |
| AP8113003 | 28.28 | 8 |
| AP8113004 | 28.32 | 19 |
| AP8113063 | 28.25 | 4 |
| AP8113070 | 28.26 | 5 |
| AP8113230 | 28.24 | 10 |
| AP8113288 | 28.27 | 9 |
| AP8113499 | 28.27 | 17 |
| AP8113548 | 28.28 | 7 |
| AP8113719 | 28.24 | 2 |
| AP8113721 | 28.26 | 6 |
| AP8113722 | 28.26 | 7 |
| AP8113723 | 28.26 | 8 |
| AP8113754 | 28.26 | 3 |
| AP8113756 | 28.28 | 5 |
| AP8113761 | 28.24 | 11 |
| AP8113762 | 28.24 | 12 |
| AP8113803 | 28.25 | 1 |
| AP8113835 | 28.39 | 2 |
| AP8113887 | 28.38 | 2 |
| AP8113993 | 28.25 | 5 |
| AP8113994 | 28.25 | 6 |
| AP8113995 | 28.25 | 3 |
| AP8113996 | 28.24 | 3 |
| AP8113997 | 28.24 | 7 |
| AP8114392 | 28.23 | 5 |

| Code | Nr. der Tafel | Pos. |
|-----------|---------------|------|
| AP8114393 | 28.23 | 4 |
| AP8114441 | 28.46 | 7 |
| AP8117004 | 28.18 | 15 |
| AP8117004 | 28.42 | 10 |
| AP8117033 | 28.31 | 8 |
| AP8117033 | 28.41 | 13 |
| AP8117033 | 28.42 | 11 |
| AP8117127 | 28.17 | 8 |
| AP8117129 | 28.14 | 4 |
| AP8117155 | 28.15 | 6 |
| AP8117156 | 28.15 | 7 |
| AP8117157 | 28.16 | 5 |
| AP8117158 | 28.16 | 6 |
| AP8117163 | 28.19 | 16 |
| AP8117178 | 28.19 | 15 |
| AP8117179 | 28.17 | 2 |
| AP8117180 | 28.19 | 19 |
| AP8117181 | 28.19 | 21 |
| AP8117183 | 28.19 | 20 |
| AP8117184 | 28.19 | 22 |
| AP8117200 | 28.41 | 16 |
| AP8118526 | 28.23 | 2 |
| AP8118527 | 28.23 | 3 |
| AP8118584 | 28.03 | 21 |
| AP8118619 | 28.23 | 1 |
| AP8118659 | 28.24 | 5 |
| AP8119414 | 28.37 | 3 |
| AP8119529 | 28.37 | 2 |
| AP8119530 | 28.37 | 1 |
| AP8119537 | 28.37 | 9 |
| AP8119538 | 28.37 | 10 |
| AP8119575 | 28.37 | 6 |
| AP8119576 | 28.37 | 7 |
| AP8119617 | 28.03 | 9 |
| AP8119647 | 28.37 | 2 |
| AP8119656 | 28.37 | 1 |
| AP8119664 | 28.37 | 18 |
| AP8119665 | 28.37 | 17 |
| AP8119666 | 28.37 | 19 |
| AP8120030 | 28.02 | 10 |
| AP8120030 | 28.02 | 21 |
| AP8120030 | 28.30 | 8 |
| AP8120030 | 28.32 | 7 |
| AP8120116 | 28.33 | 5 |
| AP8120178 | 28.23 | 13 |
| AP8120179 | 28.33 | 10 |
| AP8120190 | 28.23 | 14 |
| AP8120190 | 28.32 | 3 |
| AP8120196 | 28.32 | 10 |
| AP8120218 | 28.44 | 20 |
| AP8120253 | 28.34 | 35 |
| AP8120355 | 28.31 | 3 |
| AP8120405 | 29.36 | 11 |
| AP8120446 | 28.32 | 31 |
| AP8120446 | 28.34 | 30 |
| AP8120446 | 29.36 | 28 |
| AP8120531 | 28.19 | 25 |
| AP8120531 | 28.31 | 16 |
| AP8120531 | 28.44 | 22 |
| AP8120591 | 28.12 | 9 |
| AP8120615 | 28.34 | 4 |
| AP8120750 | 28.44 | 17 |
| AP8120876 | 28.34 | 16 |
| AP8120876 | 29.36 | 32 |
| AP8120893 | 28.17 | 7 |
| AP8120894 | 28.17 | 5 |
| AP8120894 | 28.17 | 5 |

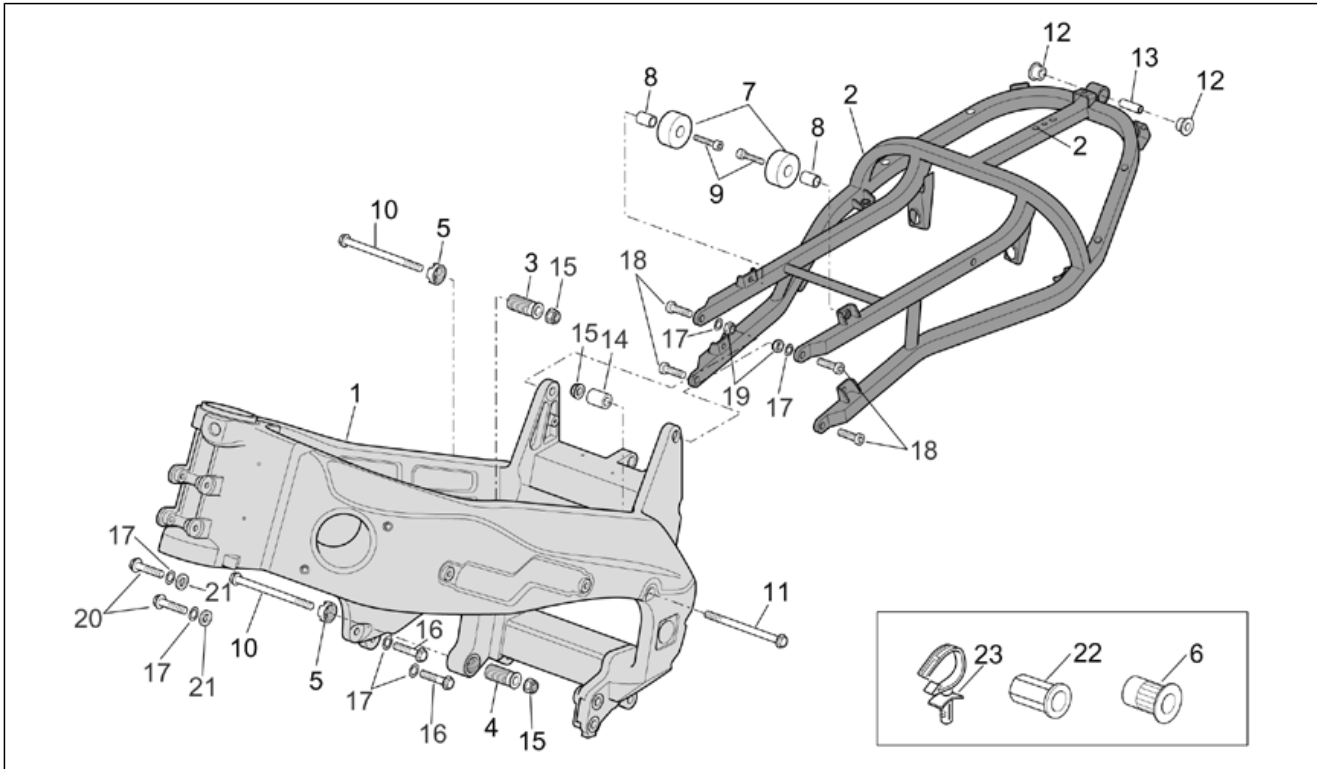
| Code | Nr. der Tafel | Pos. | Code | Nr. der Tafel | Pos. | Code | Nr. der Tafel | Pos. |
|-----------|---------------|------|-----------|---------------|------|-----------|---------------|------|
| AP8120912 | 28.27 | 1 | AP8121508 | 28.09 | 16 | AP8124697 | 28.41 | 1 |
| AP8120912 | 29.36 | 8 | AP8121535 | 28.40 | 21 | AP8124719 | 28.14 | 8 |
| AP8120952 | 28.31 | 7 | AP8121536 | 28.35 | 9 | AP8124748 | 28.44 | 4 |
| AP8120952 | 28.33 | 13 | AP8121537 | 28.35 | 15 | AP8124763 | 28.43 | 3 |
| AP8120955 | 28.34 | 34 | AP8121538 | 28.35 | 19 | AP8124831 | 28.44 | 2 |
| AP8120965 | 28.17 | 4 | AP8121540 | 28.35 | 18 | AP8124855 | 28.30 | 5 |
| AP8120965 | 29.64 | 2 | AP8121548 | 28.27 | 5 | AP8124864 | 28.45 | 3 |
| AP8120978 | 28.29 | 8 | AP8121566 | 28.03 | 13 | AP8124865 | 29.63 | 25 |
| AP8120979 | 28.29 | 2 | AP8121574 | 28.22 | 10 | AP8124866 | 29.64 | 1 |
| AP8120980 | 28.29 | 1 | AP8121582 | 28.08 | 23 | AP8124867 | 28.13 | 7 |
| AP8120981 | 28.29 | 14 | AP8121678 | 28.46 | 11 | AP8124867 | 28.45 | 8 |
| AP8120981 | 28.30 | 3 | AP8121716 | 28.18 | 10 | AP8124868 | 29.53 | 12 |
| AP8120987 | 28.34 | 26 | AP8121725 | 28.20 | 6 | AP8124869 | 28.45 | 10 |
| AP8120988 | 28.31 | 5 | AP8121731 | 28.02 | 13 | AP8124895 | 28.46 | 3 |
| AP8121020 | 29.36 | 14 | AP8121731 | 28.34 | 17 | AP8124899 | 28.19 | 10 |
| AP8121041 | 28.16 | 10 | AP8121764 | 28.01 | 13 | AP8124906 | 28.41 | 15 |
| AP8121133 | 28.03 | 16 | AP8121790 | 28.22 | 3 | AP8124916 | 28.23 | 11 |
| AP8121155 | 28.10 | 11 | AP8121795 | 29.36 | 12 | AP8124917 | 28.23 | 11 |
| AP8121200 | 28.09 | 4 | AP8121811 | 28.02 | 14 | AP8124917 | 28.23 | 11 |
| AP8121201 | 28.09 | 5 | AP8121837 | 28.29 | 18 | AP8124918 | 28.23 | 10 |
| AP8121202 | 28.09 | 6 | AP8121862 | 28.32 | 29 | AP8124920 | 28.44 | 8 |
| AP8121203 | 28.09 | 7 | AP8121882 | 28.09 | 21 | AP8124926 | 28.41 | 1 |
| AP8121204 | 28.09 | 12 | AP8121915 | 28.24 | 13 | AP8124929 | 28.29 | 4 |
| AP8121205 | 28.05 | 9 | AP8121915 | 28.25 | 10 | AP8124936 | 28.11 | 15 |
| AP8121207 | 28.05 | 4 | AP8121915 | 28.26 | 12 | AP8124954 | 28.43 | 5 |
| AP8121223 | 28.27 | 3 | AP8121915 | 28.27 | 13 | AP8124977 | 28.04 | 8 |
| AP8121223 | 29.36 | 19 | AP8121915 | 28.28 | 9 | AP8124981 | 28.34 | 25 |
| AP8121224 | 28.03 | 10 | AP8121994 | 28.04 | 10 | AP8124999 | 28.45 | 4 |
| AP8121250 | 28.12 | 11 | AP8121995 | 28.01 | 5 | AP8125687 | 28.09 | 15 |
| AP8121254 | 28.01 | 21 | AP8121996 | 28.01 | 3 | AP8125727 | 28.38 | 5 |
| AP8121261 | 28.23 | 7 | AP8121997 | 28.01 | 4 | AP8125763 | 28.09 | 14 |
| AP8121262 | 28.23 | 9 | AP8121998 | 28.01 | 14 | AP8125773 | 28.38 | 10 |
| AP8121267 | 28.33 | 3 | AP8123206 | 28.08 | 7 | AP8125777 | 28.38 | 11 |
| AP8121302 | 28.05 | 12 | AP8123216 | 28.08 | 6 | AP8125778 | 28.38 | 12 |
| AP8121354 | 29.36 | 2 | AP8123641 | 28.05 | 7 | AP8125779 | 28.38 | 9 |
| AP8121355 | 28.37 | 11 | AP8123642 | 28.05 | 5 | AP8125806 | 28.39 | 15 |
| AP8121377 | 28.40 | 1 | AP8123643 | 28.05 | 3 | AP8125807 | 28.40 | 12 |
| AP8121409 | 28.32 | 20 | AP8123644 | 28.05 | 6 | AP8125808 | 28.40 | 17 |
| AP8121420 | 28.46 | 6 | AP8123806 | 28.07 | 9 | AP8125809 | 28.40 | 23 |
| AP8121421 | 28.17 | 10 | AP8123810 | 28.06 | 12 | AP8125835 | 28.39 | 10 |
| AP8121433 | 28.28 | 13 | AP8123815 | 28.06 | 11 | AP8125836 | 28.40 | 25 |
| AP8121434 | 28.27 | 2 | AP8123816 | 28.06 | 10 | AP8125853 | 28.28 | 14 |
| AP8121434 | 29.36 | 15 | AP8123819 | 28.06 | 5 | AP8125854 | 28.40 | 27 |
| AP8121435 | 29.36 | 3 | AP8123820 | 28.06 | 6 | AP8125855 | 28.20 | 8 |
| AP8121441 | 28.40 | 5 | AP8123825 | 28.07 | 8 | AP8125856 | 28.29 | 19 |
| AP8121442 | 28.40 | 4 | AP8123826 | 28.07 | 7 | AP8125882 | 28.20 | 10 |
| AP8121443 | 28.40 | 8 | AP8123827 | 28.07 | 6 | AP8125884 | 28.38 | 13 |
| AP8121444 | 28.28 | 12 | AP8123828 | 28.07 | 3 | AP8125885 | 28.38 | 14 |
| AP8121446 | 28.40 | 6 | AP8123834 | 28.06 | 4 | AP8125895 | 28.08 | 24 |
| AP8121448 | 28.40 | 7 | AP8123836 | 28.06 | 9 | AP8125898 | 28.39 | 10 |
| AP8121449 | 28.39 | 14 | AP8123893 | 28.10 | 1 | AP8126757 | 28.19 | 4 |
| AP8121450 | 28.39 | 6 | AP8123897 | 28.07 | 1 | AP8126780 | 28.19 | 2 |
| AP8121451 | 28.39 | 12 | AP8123898 | 28.07 | 2 | AP8126876 | 28.19 | 3 |
| AP8121452 | 28.39 | 7 | AP8123899 | 28.05 | 1 | AP8126923 | 28.14 | 1 |
| AP8121455 | 28.01 | 8 | AP8123964 | 28.05 | 2 | AP8126932 | 28.14 | 1 |
| AP8121457 | 28.39 | 8 | AP8124235 | 28.43 | 2 | AP8126933 | 28.14 | 1 |
| AP8121466 | 28.04 | 19 | AP8124273 | 28.44 | 11 | AP8126946 | 28.14 | 1 |
| AP8121467 | 28.04 | 2 | AP8124289 | 28.45 | 5 | AP8126955 | 28.14 | 1 |
| AP8121476 | 28.10 | 7 | AP8124588 | 28.35 | 10 | AP8126956 | 28.14 | 1 |
| AP8121482 | 28.04 | 5 | AP8124636 | 28.44 | 7 | AP8127063 | 28.19 | 14 |
| AP8121486 | 28.09 | 26 | AP8124664 | 28.35 | 4 | AP8127063 | 28.44 | 21 |
| AP8121498 | 28.40 | 20 | AP8124690 | 28.45 | 1 | AP8127075 | 28.22 | 1 |
| AP8121499 | 28.40 | 19 | AP8124691 | 28.43 | 1 | AP8127106 | 28.41 | 1 |
| AP8121501 | 28.40 | 24 | AP8124691 | 28.44 | 1 | AP8127107 | 28.44 | 14 |
| AP8121502 | 28.40 | 18 | AP8124692 | 28.44 | 10 | AP8127109 | 28.41 | 10 |
| AP8121506 | 28.16 | 7 | AP8124693 | 28.42 | 1 | AP8127155 | 28.22 | 5 |
| AP8121506 | 28.19 | 17 | AP8124696 | 28.22 | 1 | AP8127156 | 28.22 | 6 |

| Code | Nr. der Tafel | Pos. | Code | Nr. der Tafel | Pos. | Code | Nr. der Tafel | Pos. |
|-----------|---------------|------|-----------|---------------|------|-----------|---------------|------|
| AP8127157 | 28.22 | 7 | AP8134688 | 28.02 | 7 | AP8144423 | 28.01 | 12 |
| AP8127158 | 28.22 | 8 | AP8134717 | 28.18 | 2 | AP8144423 | 28.37 | 13 |
| AP8127159 | 28.22 | 9 | AP8134718 | 28.18 | 3 | AP8144424 | 28.39 | 9 |
| AP8127181 | 28.41 | 2 | AP8134719 | 28.02 | 2 | AP8144437 | 28.19 | 18 |
| AP8127182 | 28.41 | 3 | AP8134722 | 28.09 | 19 | AP8144474 | 28.40 | 22 |
| AP8127184 | 28.41 | 4 | AP8134737 | 28.04 | 7 | AP8144475 | 28.35 | 5 |
| AP8127185 | 28.41 | 5 | AP8134739 | 28.34 | 3 | AP8144476 | 28.35 | 16 |
| AP8127186 | 28.41 | 6 | AP8134742 | 28.03 | 17 | AP8144477 | 28.35 | 3 |
| AP8127187 | 28.41 | 7 | AP8134743 | 28.34 | 3 | AP8144483 | 29.64 | 6 |
| AP8127188 | 28.41 | 8 | AP8134748 | 28.37 | 14 | AP8144485 | 29.64 | 7 |
| AP8127189 | 28.41 | 9 | AP8134750 | 28.35 | 2 | AP8144504 | 28.37 | 20 |
| AP8127190 | 28.42 | 2 | AP8134755 | 28.04 | 7 | AP8144550 | 28.02 | 22 |
| AP8127191 | 28.42 | 3 | AP8134798 | 29.36 | 22 | AP8144566 | 28.18 | 19 |
| AP8127192 | 28.42 | 4 | AP8134802 | 28.35 | 14 | AP8144567 | 28.18 | 18 |
| AP8127193 | 28.42 | 5 | AP8134804 | 28.05 | 10 | AP8144568 | 28.18 | 17 |
| AP8127194 | 28.42 | 6 | AP8134808 | 28.33 | 11 | AP8144569 | 28.18 | 16 |
| AP8127195 | 28.42 | 7 | AP8134809 | 28.33 | 19 | AP8146246 | 28.02 | 1 |
| AP8127196 | 28.42 | 8 | AP8134863 | 28.08 | 18 | AP8146247 | 28.01 | 2 |
| AP8127217 | 28.11 | 11 | AP8135923 | 28.09 | 3 | AP8146248 | 28.03 | 3 |
| AP8127218 | 28.11 | 12 | AP8135924 | 28.10 | 4 | AP8146249 | 28.03 | 4 |
| AP8127221 | 28.11 | 14 | AP8138556 | 28.31 | 1 | AP8146250 | 28.09 | 1 |
| AP8127222 | 28.11 | 13 | AP8144005 | 28.09 | 11 | AP8146251 | 28.10 | 2 |
| AP8127224 | 28.24 | 4 | AP8144006 | 28.09 | 10 | AP8146253 | 28.27 | 4 |
| AP8127275 | 28.45 | 12 | AP8144007 | 28.27 | 6 | AP8146273 | 28.01 | 1 |
| AP8127279 | 28.22 | 1 | AP8144008 | 28.32 | 27 | AP8146278 | 28.04 | 1 |
| AP8127326 | 28.22 | 1 | AP8144012 | 28.32 | 24 | AP8146296 | 28.03 | 5 |
| AP8127327 | 28.22 | 1 | AP8144015 | 28.32 | 32 | AP8146297 | 28.03 | 6 |
| AP8127328 | 28.22 | 1 | AP8144015 | 29.36 | 25 | AP8146298 | 28.04 | 6 |
| AP8127336 | 28.44 | 3 | AP8144030 | 28.37 | 4 | AP8146340 | 28.10 | 3 |
| AP8128005 | 28.38 | 8 | AP8144032 | 28.31 | 6 | AP8146467 | 28.03 | 2 |
| AP8129258 | 28.18 | 1 | AP8144033 | 28.29 | 6 | AP8146473 | 28.37 | 12 |
| AP8129395 | 28.18 | 1 | AP8144034 | 28.29 | 5 | AP8146477 | 28.04 | 6 |
| AP8129396 | 28.18 | 1 | AP8144038 | 28.34 | 31 | AP8146524 | 28.03 | 1 |
| AP8133504 | 28.24 | 9 | AP8144038 | 29.36 | 26 | AP8148021 | 28.09 | 23 |
| AP8133505 | 28.25 | 11 | AP8144045 | 28.44 | 6 | AP8148024 | 28.14 | 3 |
| AP8133506 | 28.27 | 15 | AP8144048 | 28.09 | 13 | AP8148027 | 28.13 | 3 |
| AP8133507 | 28.27 | 16 | AP8144059 | 28.32 | 6 | AP8148028 | 28.13 | 4 |
| AP8133508 | 28.28 | 11 | AP8144061 | 28.02 | 8 | AP8148037 | 28.13 | 1 |
| AP8133510 | 28.25 | 2 | AP8144061 | 28.32 | 13 | AP8148038 | 28.13 | 2 |
| AP8133511 | 28.26 | 1 | AP8144063 | 28.34 | 13 | AP8148045 | 28.19 | 1 |
| AP8133512 | 28.26 | 2 | AP8144069 | 28.35 | 25 | AP8148275 | 28.20 | 3 |
| AP8133513 | 28.27 | 8 | AP8144083 | 28.23 | 8 | AP8148551 | 28.14 | 2 |
| AP8133514 | 28.27 | 11 | AP8144092 | 28.29 | 9 | AP8148997 | 28.32 | 1 |
| AP8133515 | 28.28 | 1 | AP8144093 | 28.29 | 11 | AP8149034 | 28.20 | 14 |
| AP8133516 | 28.28 | 2 | AP8144094 | 28.29 | 12 | AP8149048 | 28.34 | 1 |
| AP8133517 | 28.28 | 3 | AP8144109 | 28.11 | 6 | AP8149049 | 28.34 | 14 |
| AP8133518 | 28.28 | 4 | AP8144226 | 28.35 | 11 | AP8149049 | 28.34 | 14 |
| AP8133519 | 28.28 | 6 | AP8144227 | 28.35 | 17 | AP8149050 | 28.16 | 3 |
| AP8133520 | 28.28 | 10 | AP8144242 | 28.09 | 2 | AP8149051 | 28.16 | 4 |
| AP8134380 | 28.02 | 6 | AP8144303 | 28.33 | 17 | AP8149165 | 28.34 | 20 |
| AP8134396 | 28.18 | 9 | AP8144303 | 29.36 | 29 | AP8149304 | 28.18 | 8 |
| AP8134438 | 28.05 | 15 | AP8144314 | 28.10 | 12 | AP8149312 | 28.09 | 24 |
| AP8134451 | 28.03 | 12 | AP8144316 | 28.41 | 14 | AP8149313 | 28.43 | 4 |
| AP8134451 | 28.03 | 15 | AP8144328 | 28.17 | 9 | AP8149487 | 28.09 | 25 |
| AP8134478 | 28.34 | 15 | AP8144351 | 28.17 | 5 | AP8149761 | 28.20 | 3 |
| AP8134573 | 28.19 | 11 | AP8144356 | 28.12 | 5 | AP8149772 | 28.11 | 1 |
| AP8134600 | 28.03 | 18 | AP8144364 | 28.35 | 24 | AP8149963 | 28.17 | 12 |
| AP8134618 | 28.46 | 8 | AP8144381 | 28.34 | 6 | AP8149964 | 28.11 | 3 |
| AP8134638 | 28.02 | 5 | AP8144382 | 28.34 | 11 | AP8149965 | 28.12 | 1 |
| AP8134646 | 28.02 | 3 | AP8144383 | 28.34 | 8 | AP8149967 | 28.12 | 6 |
| AP8134650 | 28.33 | 15 | AP8144401 | 28.43 | 8 | AP8149968 | 28.12 | 7 |
| AP8134653 | 28.45 | 2 | AP8144405 | 28.32 | 23 | AP8149969 | 28.11 | 2 |
| AP8134683 | 28.44 | 5 | AP8144406 | 28.32 | 5 | AP8149970 | 28.15 | 1 |
| AP8134684 | 28.31 | 9 | AP8144414 | 28.34 | 5 | AP8149971 | 28.15 | 2 |
| AP8134685 | 28.02 | 4 | AP8144416 | 28.40 | 9 | AP8149972 | 28.16 | 1 |
| AP8134686 | 28.16 | 8 | AP8144417 | 28.40 | 11 | AP8149972 | 28.16 | 1 |
| AP8134687 | 29.36 | 9 | AP8144420 | 28.32 | 25 | AP8149973 | 28.16 | 2 |

| Code | Nr. der Tafel | Pos. | Code | Nr. der Tafel | Pos. | Code | Nr. der Tafel | Pos. |
|-----------|---------------|------|-----------|---------------|------|-----------|---------------|------|
| AP8149974 | 28.20 | 1 | AP8152184 | 28.30 | 12 | AP8152338 | 28.41 | 12 |
| AP8149975 | 28.20 | 2 | AP8152246 | 28.13 | 9 | AP8152339 | 28.09 | 22 |
| AP8149976 | 28.15 | 3 | AP8152246 | 28.34 | 36 | AP8152342 | 28.37 | 15 |
| AP8149977 | 28.15 | 4 | AP8152267 | 28.09 | 18 | AP8152384 | 28.05 | 11 |
| AP8150011 | 28.19 | 6 | AP8152272 | 28.02 | 18 | AP8152394 | 28.40 | 26 |
| AP8150015 | 28.02 | 19 | AP8152272 | 28.05 | 16 | AP8152404 | 28.40 | 15 |
| AP8150015 | 28.32 | 16 | AP8152272 | 28.35 | 27 | AP8152409 | 28.03 | 11 |
| AP8150020 | 28.27 | 7 | AP8152273 | 28.21 | 14 | AP8156073 | 28.14 | 1 |
| AP8150020 | 29.36 | 20 | AP8152273 | 28.35 | 20 | AP8156074 | 28.14 | 1 |
| AP8150026 | 28.27 | 18 | AP8152275 | 28.19 | 8 | AP8157650 | 28.47 | 5 |
| AP8150026 | 28.30 | 10 | AP8152277 | 28.14 | 6 | AP8157812 | 28.47 | 4 |
| AP8150026 | 28.44 | 15 | AP8152277 | 28.30 | 13 | AP8158012 | 28.34 | 14 |
| AP8150026 | 29.36 | 16 | AP8152277 | 28.32 | 30 | AP8158012 | 28.34 | 14 |
| AP8150045 | 29.36 | 21 | AP8152278 | 28.02 | 20 | AP8158031 | 28.17 | 1 |
| AP8150050 | 28.19 | 12 | AP8152278 | 28.14 | 7 | AP8158055 | 28.17 | 1 |
| AP8150073 | 28.27 | 19 | AP8152278 | 28.30 | 16 | AP8158056 | 28.11 | 2 |
| AP8150114 | 28.19 | 13 | AP8152278 | 28.31 | 15 | AP8158057 | 28.11 | 3 |
| AP8150137 | 28.23 | 16 | AP8152278 | 28.32 | 17 | AP8158058 | 28.15 | 1 |
| AP8150137 | 28.32 | 12 | AP8152278 | 28.34 | 19 | AP8158059 | 28.15 | 2 |
| AP8150158 | 28.14 | 10 | AP8152278 | 28.44 | 18 | AP8158060 | 28.16 | 1 |
| AP8150170 | 28.20 | 5 | AP8152279 | 28.02 | 15 | AP8158060 | 28.16 | 1 |
| AP8150179 | 28.04 | 17 | AP8152279 | 28.30 | 14 | AP8158061 | 28.16 | 2 |
| AP8150196 | 28.04 | 12 | AP8152279 | 28.31 | 12 | AP8158062 | 28.12 | 2 |
| AP8150202 | 28.02 | 12 | AP8152279 | 28.32 | 22 | AP8158063 | 28.18 | 2 |
| AP8150204 | 28.14 | 9 | AP8152280 | 28.20 | 11 | AP8158064 | 28.18 | 3 |
| AP8150204 | 28.19 | 7 | AP8152280 | 28.22 | 2 | AP8158069 | 28.17 | 1 |
| AP8150211 | 28.05 | 14 | AP8152280 | 28.46 | 13 | AP8158070 | 28.11 | 2 |
| AP8150236 | 28.01 | 9 | AP8152281 | 28.17 | 11 | AP8158071 | 28.11 | 3 |
| AP8150272 | 28.21 | 15 | AP8152285 | 28.32 | 28 | AP8158072 | 28.15 | 1 |
| AP8150272 | 28.34 | 29 | AP8152285 | 28.39 | 13 | AP8158073 | 28.15 | 2 |
| AP8150292 | 28.01 | 17 | AP8152285 | 28.44 | 19 | AP8158074 | 28.16 | 1 |
| AP8150292 | 28.04 | 13 | AP8152286 | 28.03 | 19 | AP8158074 | 28.16 | 1 |
| AP8150292 | 28.26 | 10 | AP8152286 | 28.20 | 9 | AP8158075 | 28.16 | 2 |
| AP8150314 | 28.02 | 16 | AP8152286 | 28.38 | 7 | AP8158077 | 28.18 | 2 |
| AP8150334 | 28.37 | 8 | AP8152287 | 28.03 | 20 | AP8158078 | 28.18 | 3 |
| AP8150340 | 28.30 | 11 | AP8152287 | 28.40 | 14 | AP8158159 | 28.11 | 1 |
| AP8150349 | 28.46 | 9 | AP8152288 | 28.46 | 10 | AP8158160 | 28.12 | 3 |
| AP8150400 | 28.04 | 15 | AP8152289 | 28.05 | 13 | AP8158161 | 28.12 | 4 |
| AP8150406 | 28.34 | 24 | AP8152290 | 28.07 | 13 | AP8158164 | 28.46 | 1 |
| AP8150413 | 28.13 | 5 | AP8152290 | 28.23 | 17 | AP8158164 | 28.46 | 1 |
| AP8150413 | 28.34 | 33 | AP8152298 | 28.12 | 10 | AP8158188 | 28.18 | 4 |
| AP8150429 | 28.44 | 16 | AP8152298 | 28.15 | 5 | AP8158189 | 28.18 | 5 |
| AP8150430 | 28.30 | 15 | AP8152298 | 28.19 | 23 | AP8158190 | 28.18 | 6 |
| AP8150430 | 29.36 | 18 | AP8152298 | 28.44 | 12 | AP8158191 | 28.18 | 7 |
| AP8150436 | 28.01 | 19 | AP8152299 | 28.02 | 17 | AP8158213 | 28.18 | 4 |
| AP8150450 | 28.11 | 8 | AP8152299 | 28.11 | 16 | AP8158214 | 28.18 | 5 |
| AP8150453 | 28.16 | 9 | AP8152299 | 28.32 | 14 | AP8158215 | 28.18 | 6 |
| AP8150453 | 28.17 | 14 | AP8152299 | 28.37 | 5 | AP8158216 | 28.18 | 7 |
| AP8150453 | 28.46 | 14 | AP8152300 | 28.20 | 4 | AP8158219 | 28.18 | 4 |
| AP8150454 | 28.17 | 15 | AP8152300 | 28.40 | 16 | AP8158220 | 28.18 | 5 |
| AP8150454 | 28.46 | 15 | AP8152301 | 28.01 | 15 | AP8158221 | 28.18 | 6 |
| AP8150458 | 28.10 | 10 | AP8152301 | 28.04 | 16 | AP8158222 | 28.18 | 7 |
| AP8150469 | 28.01 | 18 | AP8152301 | 28.10 | 9 | AP8158225 | 28.03 | 7 |
| AP8150492 | 28.04 | 9 | AP8152302 | 28.13 | 8 | AP8158226 | 28.03 | 8 |
| AP8150497 | 28.08 | 26 | AP8152302 | 28.14 | 5 | AP8158338 | 28.16 | 1 |
| AP8150498 | 28.08 | 20 | AP8152302 | 28.15 | 8 | AP8158339 | 28.16 | 1 |
| AP8152001 | 28.04 | 11 | AP8152306 | 28.19 | 9 | AP8158340 | 28.16 | 1 |
| AP8152040 | 28.23 | 15 | AP8152306 | 28.20 | 15 | AP8158842 | 28.17 | 1 |
| AP8152043 | 28.25 | 8 | AP8152315 | 28.01 | 11 | AP8158843 | 28.11 | 2 |
| AP8152056 | 28.18 | 11 | AP8152317 | 28.01 | 10 | AP8158844 | 28.11 | 3 |
| AP8152128 | 28.39 | 11 | AP8152318 | 28.01 | 16 | AP8158847 | 28.16 | 1 |
| AP8152137 | 28.04 | 18 | AP8152322 | 28.10 | 8 | AP8158847 | 28.16 | 1 |
| AP8152137 | 28.18 | 14 | AP8152323 | 28.38 | 6 | AP8158848 | 28.16 | 2 |
| AP8152138 | 29.36 | 17 | AP8152325 | 28.01 | 20 | AP8158849 | 28.16 | 1 |
| AP8152171 | 28.17 | 13 | AP8152325 | 28.09 | 20 | AP8158850 | 28.12 | 2 |
| AP8152181 | 28.18 | 13 | AP8152335 | 28.38 | 4 | AP8158851 | 28.12 | 6 |
| AP8152181 | 29.36 | 10 | AP8152336 | 28.26 | 9 | AP8158852 | 28.12 | 7 |

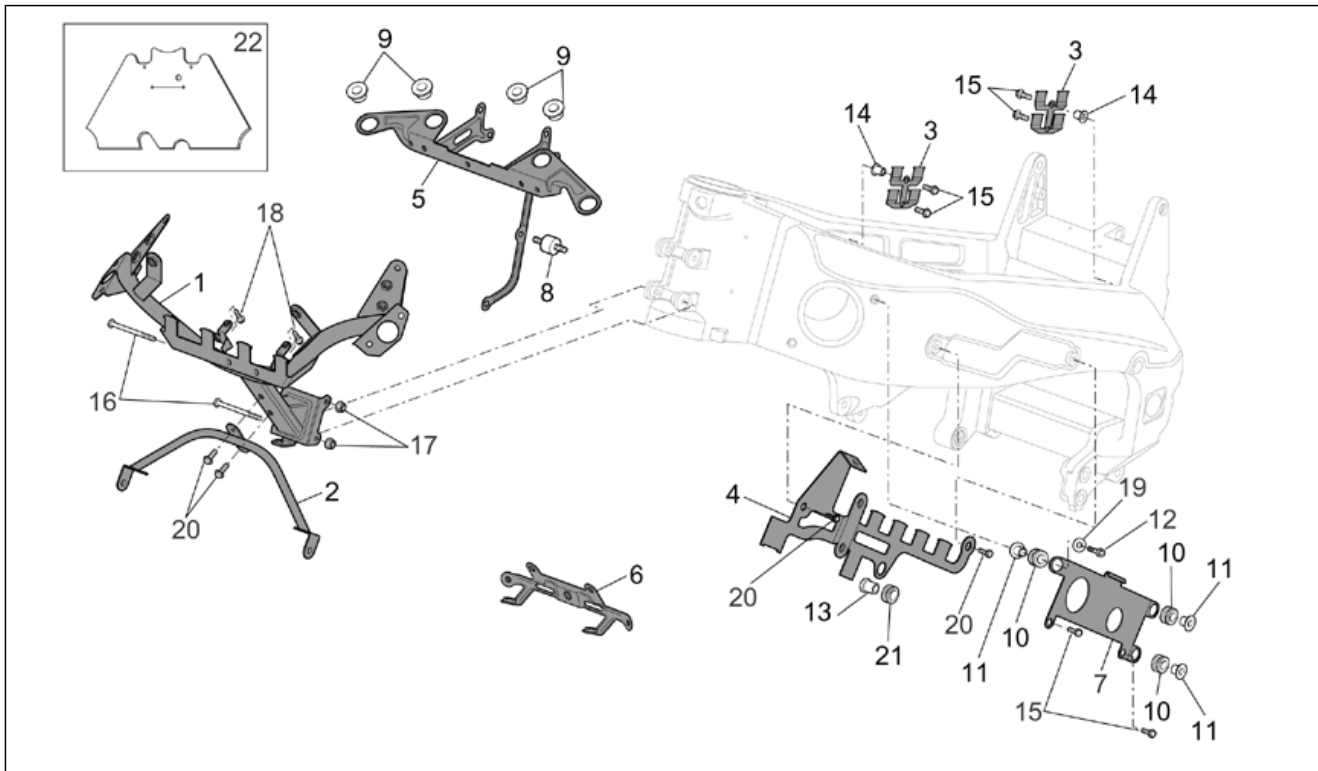
| Code | Nr. der Tafel | Pos. | Code | Nr. der Tafel | Pos. | Code | Nr. der Tafel | Pos. |
|-----------|---------------|------|-----------|---------------|------|-----------|---------------|------|
| AP8158853 | 28.12 | 1 | AP8167960 | 28.47 | 3 | AP8700792 | 30.66 | 12 |
| AP8158854 | 28.12 | 3 | AP8168849 | 28.17 | 1 | AP8700793 | 30.66 | 12 |
| AP8158855 | 28.12 | 4 | AP8168850 | 28.11 | 2 | AP8700794 | 30.66 | 12 |
| AP8158856 | 28.14 | 1 | AP8168851 | 28.11 | 3 | AP8706314 | 28.21 | 10 |
| AP8158857 | 28.14 | 1 | AP8168852 | 28.15 | 1 | AP8706337 | 28.21 | 11 |
| AP8158858 | 28.17 | 12 | AP8168853 | 28.15 | 2 | AP8706338 | 28.21 | 12 |
| AP8158859 | 28.18 | 2 | AP8168854 | 28.16 | 1 | AP8706348 | 28.21 | 3 |
| AP8158860 | 28.18 | 3 | AP8168855 | 28.16 | 2 | AP8706349 | 28.21 | 13 |
| AP8158861 | 28.18 | 4 | AP8168856 | 28.20 | 3 | AP8720115 | 30.67 | 1 |
| AP8158862 | 28.18 | 5 | AP8168857 | 28.20 | 1 | AP8720116 | 30.67 | 2 |
| AP8158865 | 28.43 | 4 | AP8168858 | 28.20 | 2 | AP8720117 | 30.67 | 3 |
| AP8158866 | 28.15 | 1 | AP8168859 | 28.11 | 1 | AP8720118 | 30.67 | 4 |
| AP8158867 | 28.15 | 2 | AP8168861 | 28.18 | 4 | AP8790257 | 30.66 | 1 |
| AP8158868 | 28.18 | 6 | AP8168862 | 28.18 | 5 | AP8790258 | 28.21 | 1 |
| AP8158869 | 28.18 | 7 | AP8168863 | 28.18 | 6 | AP8790258 | 30.66 | 2 |
| AP8163047 | 28.07 | 4 | AP8168864 | 28.18 | 7 | AP8790259 | 28.21 | 2 |
| AP8163048 | 28.07 | 5 | AP8168865 | 28.17 | 1 | AP8790259 | 30.66 | 3 |
| AP8163049 | 28.07 | 10 | AP8168866 | 28.11 | 2 | AP8792152 | 30.66 | 10 |
| AP8163050 | 28.06 | 1 | AP8168867 | 28.11 | 3 | AP8792156 | 28.21 | 4 |
| AP8163051 | 28.06 | 2 | AP8168868 | 28.15 | 1 | AP8792156 | 30.66 | 11 |
| AP8163052 | 28.06 | 3 | AP8168869 | 28.15 | 2 | AP8792176 | 30.66 | 1 |
| AP8163053 | 28.06 | 7 | AP8168870 | 28.18 | 6 | AP8792177 | 30.66 | 1 |
| AP8163054 | 28.06 | 8 | AP8168871 | 28.18 | 7 | AP8792178 | 28.21 | 1 |
| AP8163055 | 28.06 | 13 | AP8177665 | 28.47 | 3 | AP8792178 | 30.66 | 2 |
| AP8163108 | 28.10 | 14 | AP8177666 | 28.47 | 3 | AP8792179 | 28.21 | 2 |
| AP8163109 | 28.07 | 12 | AP8177797 | 28.47 | 4 | AP8792179 | 30.66 | 3 |
| AP8163126 | 28.08 | 4 | AP8177798 | 28.47 | 8 | AP8792180 | 28.21 | 1 |
| AP8163127 | 28.08 | 3 | AP8201124 | 28.01 | 7 | AP8792180 | 30.66 | 2 |
| AP8163128 | 28.08 | 5 | AP8201169 | 28.29 | 15 | AP8792181 | 28.21 | 2 |
| AP8163129 | 28.08 | 8 | AP8201539 | 28.13 | 6 | AP8792181 | 30.66 | 3 |
| AP8163130 | 28.08 | 11 | AP8201727 | 28.19 | 24 | AP8792182 | 28.21 | 1 |
| AP8163131 | 28.08 | 12 | AP8201808 | 29.36 | 24 | AP8792182 | 30.66 | 2 |
| AP8163132 | 28.08 | 13 | AP8202154 | 28.34 | 22 | AP8792183 | 28.21 | 2 |
| AP8163133 | 28.08 | 14 | AP8203794 | 28.07 | 11 | AP8792183 | 30.66 | 3 |
| AP8163134 | 28.08 | 15 | AP8210007 | 29.36 | 7 | AP8792184 | 28.21 | 5 |
| AP8163135 | 28.08 | 16 | AP8212382 | 28.45 | 13 | AP8792184 | 30.66 | 8 |
| AP8163136 | 28.08 | 10 | AP8212469 | 28.45 | 6 | AP8792185 | 28.21 | 6 |
| AP8163137 | 28.08 | 17 | AP8213057 | 28.27 | 10 | AP8792185 | 30.66 | 4 |
| AP8163138 | 28.08 | 22 | AP8213193 | 28.26 | 4 | AP8792186 | 28.21 | 7 |
| AP8163139 | 28.08 | 1 | AP8213243 | 28.24 | 6 | AP8792186 | 30.66 | 5 |
| AP8163140 | 28.08 | 2 | AP8220095 | 28.34 | 23 | AP8792187 | 28.21 | 3 |
| AP8163141 | 28.08 | 27 | AP8220263 | 28.33 | 12 | AP8792187 | 30.66 | 6 |
| AP8163142 | 28.08 | 21 | AP8220283 | 28.45 | 7 | AP8792188 | 28.21 | 9 |
| AP8163143 | 28.08 | 19 | AP8220299 | 28.04 | 14 | AP8792188 | 30.66 | 9 |
| AP8163144 | 28.08 | 9 | AP8220370 | 28.20 | 7 | AP8792230 | 28.21 | 8 |
| AP8163145 | 28.08 | 25 | AP8220370 | 28.34 | 18 | AP8792233 | 28.21 | 1 |
| AP8167213 | 28.15 | 10 | AP8220546 | 28.43 | 7 | AP8792233 | 30.66 | 2 |
| AP8167214 | 28.15 | 9 | AP8220546 | 28.45 | 11 | AP8792234 | 28.21 | 2 |
| AP8167404 | 28.47 | 3 | AP8221023 | 28.02 | 11 | AP8792234 | 30.66 | 3 |
| AP8167405 | 28.47 | 3 | AP8221023 | 28.30 | 9 | AP8792381 | 30.66 | 1 |
| AP8167406 | 28.47 | 3 | AP8221023 | 28.32 | 8 | AP8792382 | 30.66 | 2 |
| AP8167407 | 28.47 | 4 | AP8221046 | 29.36 | 13 | AP8792383 | 30.66 | 3 |
| AP8167407 | 28.47 | 4 | AP8221128 | 28.18 | 12 | AP8792391 | 30.66 | 8 |
| AP8167408 | 28.47 | 4 | AP8221145 | 28.31 | 11 | AP8792392 | 30.66 | 4 |
| AP8167409 | 28.47 | 4 | AP8221172 | 29.36 | 23 | AP8792393 | 30.66 | 5 |
| AP8167409 | 28.47 | 4 | AP8221197 | 28.04 | 4 | AP8792394 | 30.66 | 6 |
| AP8167410 | 28.47 | 7 | AP8221242 | 28.34 | 10 | | | |
| AP8167453 | 28.47 | 4 | AP8221297 | 28.37 | 16 | | | |
| AP8167454 | 28.47 | 8 | AP8221310 | 28.01 | 23 | | | |
| AP8167513 | 28.47 | 4 | AP8224057 | 28.43 | 6 | | | |
| AP8167514 | 28.47 | 3 | AP8224164 | 28.20 | 12 | | | |
| AP8167598 | 28.47 | 6 | AP8224192 | 28.25 | 7 | | | |
| AP8167604 | 28.47 | 6 | AP8224389 | 28.42 | 9 | | | |
| AP8167656 | 28.19 | 26 | AP8224393 | 28.41 | 11 | | | |
| AP8167926 | 28.47 | 3 | AP8224393 | 28.44 | 13 | | | |
| AP8167927 | 28.47 | 3 | AP8234020 | 28.09 | 17 | | | |
| AP8167959 | 28.47 | 3 | AP8258253 | 28.20 | 13 | | | |

| | |
|---------------------|----------|
| Einheit | RAHMEN |
| Code | 28.01 |
| Beschreibung | Rahmen I |
| Inspektion | 1 |



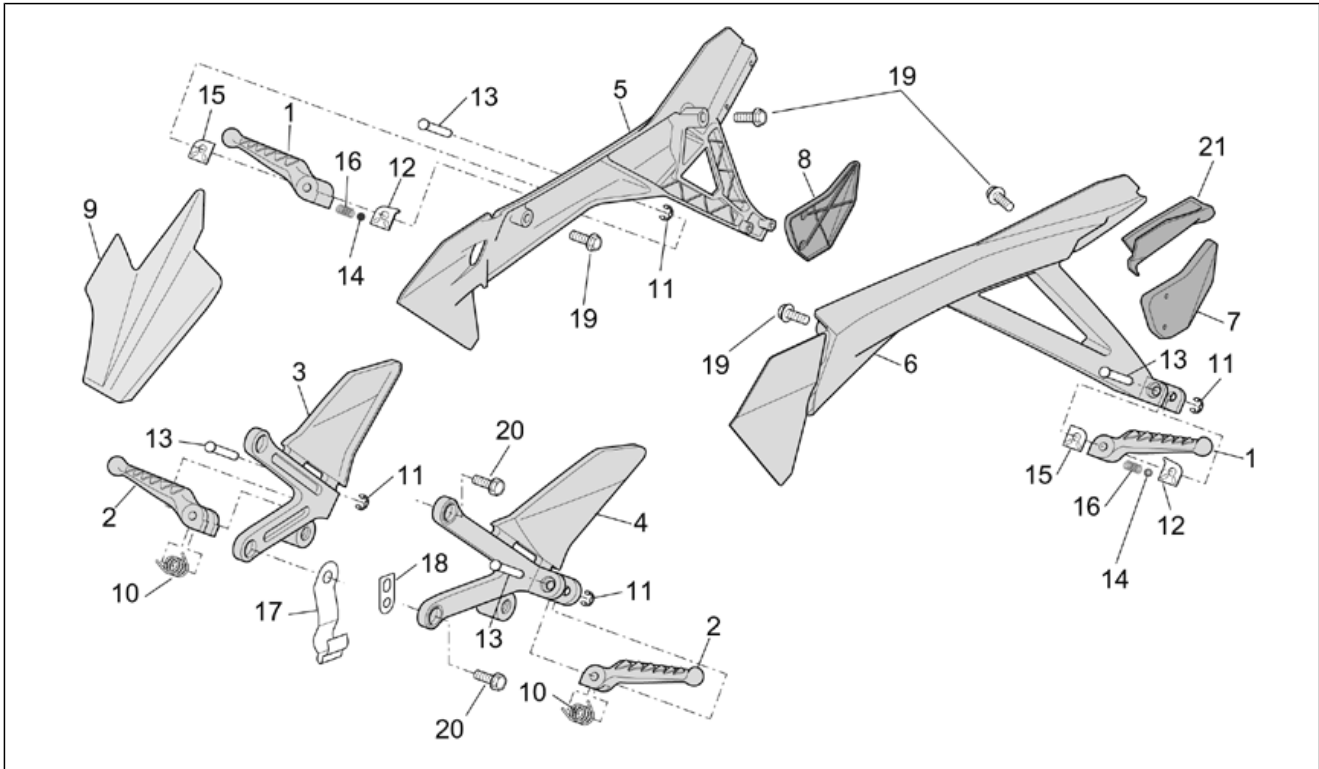
| Pos. | Code | Beschreibung | Menge | Varianten |
|------|-----------|-------------------------------|-------|-----------|
| 1 | AP8146273 | Feinbearb. Rahmen | 1 | |
| 2 | AP8146247 | Sattelstütze | 1 | |
| 3 | AP8121996 | Ob. Einstellbuchse | 1 | |
| 4 | AP8121997 | Unt. Einstellbuchse | 1 | |
| 5 | AP8121995 | Motor-Nutmutter | 2 | |
| 6 | AP8102544 | Geschnitten Kunststoffniet M6 | 19 | |
| 7 | AP8201124 | Gummi * | 2 | |
| 8 | AP8121455 | Distanzbuchse | 2 | |
| 9 | AP8150236 | TCEI Schraube M8x35 | 2 | |
| 10 | AP8152317 | TE Schr. m. Flansch M10x100 | 2 | |
| 11 | AP8152315 | TE Schr. m. Flansch M10x110 | 1 | |
| 12 | AP8144423 | Gummi | 2 | |
| 13 | AP8121764 | Distanzscheibe * | 1 | |
| 14 | AP8121998 | Distanzst. Motorlager | 1 | |
| 15 | AP8152301 | Selbstsperrende Mutter | 4 | |
| 16 | AP8152318 | TE Schr. m. Flansch M10x35 | 2 | |
| 17 | AP8150292 | Gebogene Sprengscheibe * | 4 | |
| 18 | AP8150469 | TCEI Schraube M10x30 | 4 | |
| 19 | AP8150436 | Selbstsperr.mut. Unt. | 2 | |
| 20 | AP8152325 | TE Schr. m. Flansch | 2 | |
| 21 | AP8121254 | V.links Motor Distanzscheibe | 2 | |
| 22 | AP8102902 | Sechss. Geschn. Einsatz | 2 | |
| 23 | AP8221310 | Kabelführungs | 1 | |

| | |
|---------------------|-----------|
| Einheit | RAHMEN |
| Code | 28.02 |
| Beschreibung | Rahmen II |
| Inspektion | 1 |



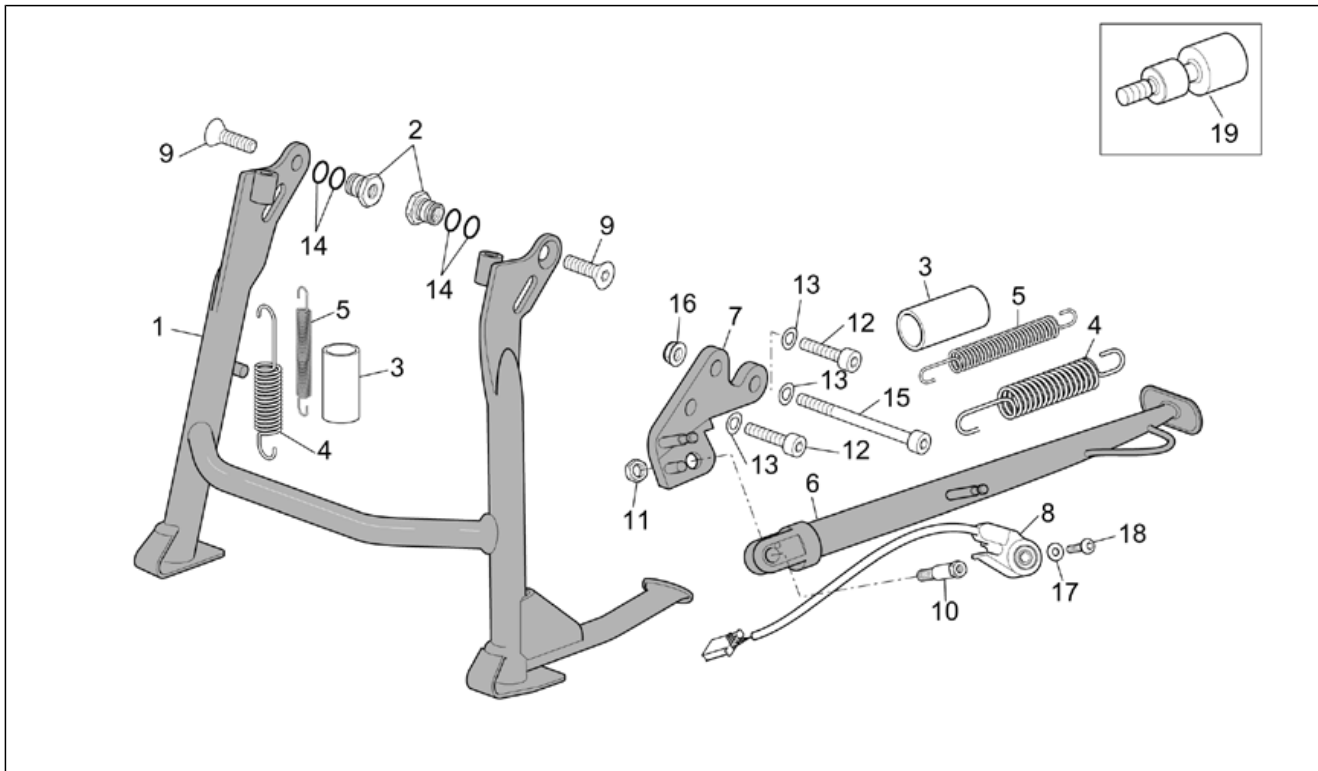
| Pos. | Code | Beschreibung | Menge | Varianten |
|------|-----------|------------------------------|-------|-----------|
| 1 | AP8146246 | Instrumentenrahmen | 1 | |
| 2 | AP8134719 | Fixierplatte Kette | 1 | |
| 3 | AP8134646 | Fixierplatte Spule | 2 | |
| 4 | AP8134685 | Öltankhalter | 1 | |
| 5 | AP8134638 | Unt. Kühlerhalter | 1 | |
| 6 | AP8134380 | Obere Kühlerbefestigung | 1 | |
| 7 | AP8134688 | Fixierplatte Steuergerät | 1 | |
| 8 | AP8144061 | Silent-Block | 1 | |
| 9 | AP8101372 | Silent-Block | 4 | |
| 10 | AP8120030 | Gummi | 3 | |
| 11 | AP8221023 | T-Buchse | 3 | |
| 12 | AP8150202 | TCEI Schraube M6x50 | 1 | |
| 13 | AP8121731 | T-Buchse * | 1 | |
| 14 | AP8121811 | T-Buchse | 2 | |
| 15 | AP8152279 | TE Schr. m. Flansch M6x20 | 4 | |
| 16 | AP8150314 | Sechskantschraube | 2 | |
| 17 | AP8152299 | Selbstsperrende Mutter M6 | 2 | |
| 18 | AP8152272 | TE Schr. m. Flansch M5x12 | 2 | |
| 19 | AP8150015 | Ausgleichscheibe 6,6x18x1,6* | 1 | |
| 20 | AP8152278 | TE Schr. m. Flansch M6x16 | 4 | |
| 21 | AP8120030 | Gummi | 1 | |
| 22 | AP8144550 | Gummischutz | 1 | |

| | |
|---------------------|------------|
| Einheit | RAHMEN |
| Code | 28.03 |
| Beschreibung | Fussrasten |
| Inspektion | 1 |



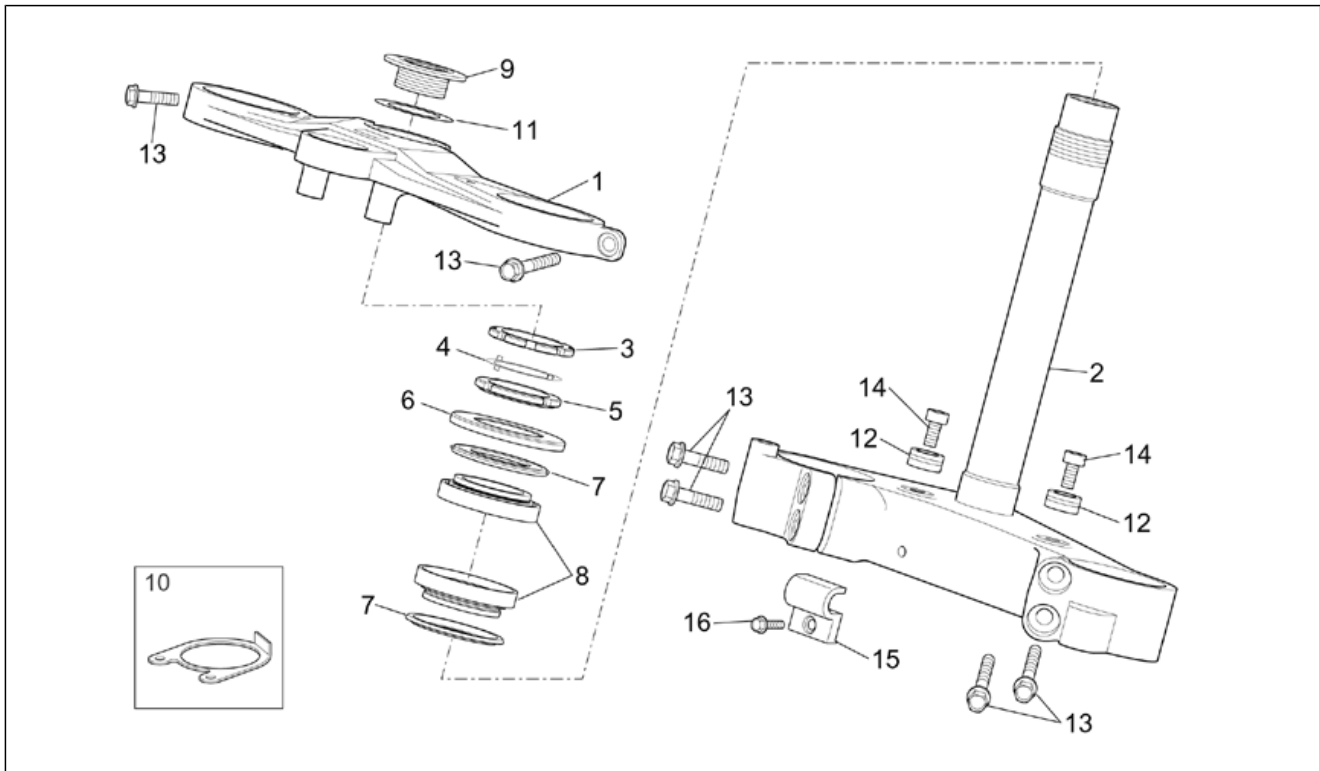
| Pos. | Code | Beschreibung | Menge | Varianten |
|------|-----------|-------------------------------|-------|-----------|
| 1 | AP8146524 | Soziusrasten (Paar) | 1 | |
| 2 | AP8146467 | Fußrasten Fahrer (Paar) | 1 | |
| 3 | AP8146248 | Fußrastenhalter Fahrer rechts | 1 | |
| 4 | AP8146249 | Fußrastenhalter Fahrer links | 1 | |
| 5 | AP8146296 | Halter rechte Soziusfußraste | 1 | |
| 6 | AP8146297 | Halter linke Soziusfußraste | 1 | |
| 7 | AP8158225 | Schutz l. Soziusfußraste | 1 | |
| 8 | AP8158226 | Schutz r. Soziusfußraste | 1 | |
| 9 | AP8119617 | Auspuffroherschutz | 1 | |
| 10 | AP8121224 | Rückholfeder | 2 | |
| 11 | AP8152409 | Sperring | 4 | |
| 12 | AP8134451 | Fixierplatte | 2 | |
| 13 | AP8121566 | Rastenbolzen | 4 | |
| 14 | AP8101861 | Kugel D6,35 | 2 | |
| 15 | AP8134451 | Fixierplatte | 2 | |
| 16 | AP8121133 | Schraubenfederkompr. | 2 | |
| 17 | AP8134742 | Platte Bremsschlauch | 1 | |
| 18 | AP8134600 | Bügel unten Öltank | 1 | |
| 19 | AP8152286 | TE Schr. m. Flansch M8x20 | 4 | |
| 20 | AP8152287 | TE Schr. m. Flansch M8x25 | 4 | |
| 21 | AP8118584 | L. Griff | 1 | |

| | |
|---------------------|--------------|
| Einheit | RAHMEN |
| Code | 28.04 |
| Beschreibung | Hauptständer |
| Inspektion | 1 |



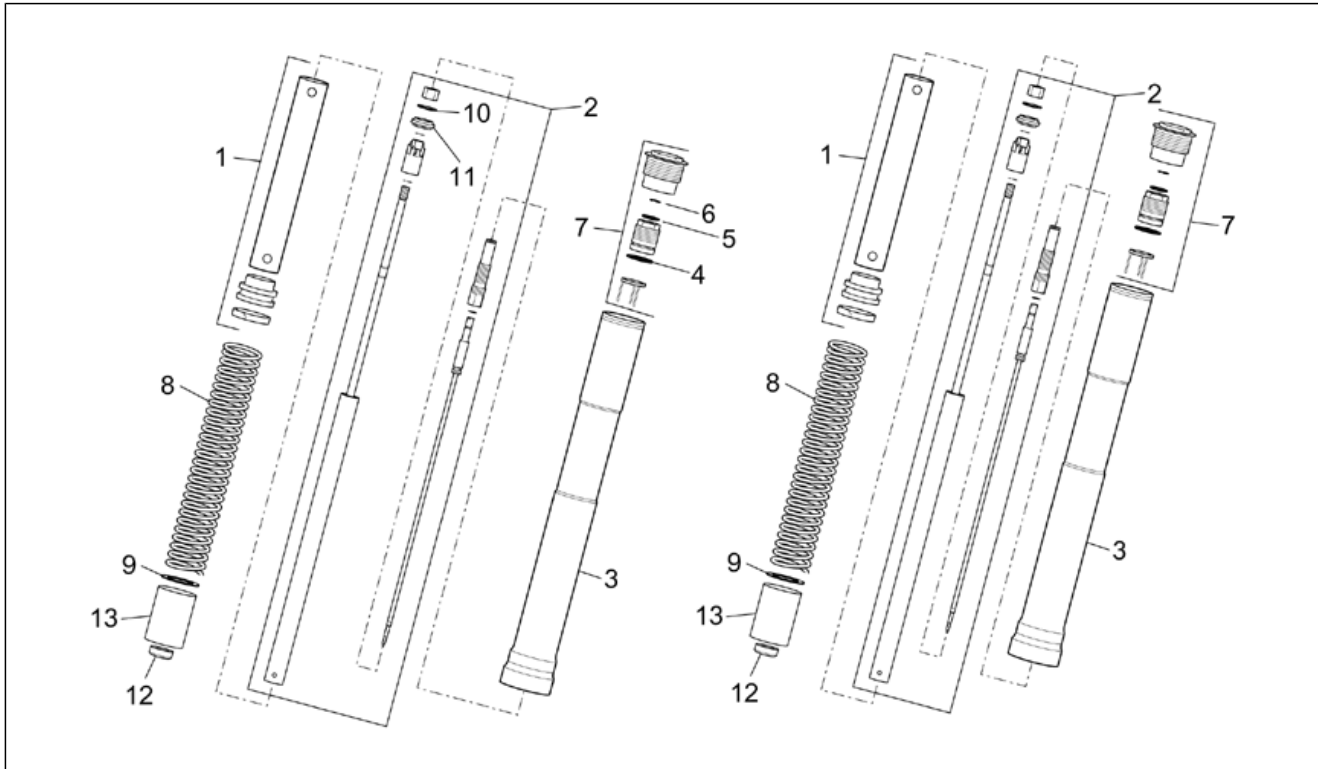
| Pos. | Code | Beschreibung | Menge | Varianten |
|------|-----------|-----------------------------|-------|--|
| 1 | AP8146278 | Hauptständer | 1 | |
| 2 | AP8121467 | Halter | 2 | |
| 3 | AP8102524 | Schutz f. Ständerfeder | 2 | |
| 4 | AP8221197 | Hauptständer Schraubenfeder | 2 | |
| 5 | AP8121482 | Rückholfeder Ständer | 2 | |
| 6 | AP8146298 | Seitenständer | 1 | Land:Österreich[A], Australien[AA], Australien[AUS], Belgien[B], Belgien[BB], Schweiz[CH], Deutschland[D], Dänemark[DK], Spanien[E], A, B, CH, D, DK, E, F, I, NL, P[EU], Frankreich[F], Frankreich[FF], Italien[I], Japan[J], Japan[JJ], Holland[NL], Portugal[P], Großbritannien[UK] |
| 6 | AP8146477 | Seitenständer | 1 | Land:USA (Zulassung 49 Staaten)[AM], USA (Zulassung California)[CF], Vereinigte Staaten von Amerika[USA] |
| 7 | AP8134737 | Hauptständer platte | 1 | Land:Österreich[A], Australien[AA], Australien[AUS], Belgien[B], Belgien[BB], Schweiz[CH], Deutschland[D], Dänemark[DK], Spanien[E], A, B, CH, D, DK, E, F, I, NL, P[EU], Frankreich[F], Frankreich[FF], Italien[I], Japan[J], Japan[JJ], Holland[NL], Portugal[P], Großbritannien[UK] |
| 7 | AP8134755 | Hauptständer platte | 1 | Land:USA (Zulassung 49 Staaten)[AM], USA (Zulassung California)[CF], Vereinigte Staaten von Amerika[USA] |
| 8 | AP8124977 | Schalter | 1 | |
| 9 | AP8150492 | Schraube | 2 | |
| 10 | AP8121994 | Ständerschraube | 1 | |
| 11 | AP8152001 | Mutter unten M10x1,25 | 1 | |
| 12 | AP8150196 | TCEI Schraube | 2 | |
| 13 | AP8150292 | Gebogene Sprengscheibe * | 3 | |
| 14 | AP8220299 | O-Ring 2050 | 4 | |
| 15 | AP8150400 | TCEI Schraube | 1 | |
| 16 | AP8152301 | Selbstsperrende Mutter | 1 | |
| 17 | AP8150179 | Ausgleichscheibe 6,6x18* | 1 | |
| 18 | AP8152137 | TBEI Schraube M6x20 | 1 | |
| 19 | AP8121466 | Stift | 1 | |

| | |
|---------------------|---------|
| Einheit | RAHMEN |
| Code | 28.05 |
| Beschreibung | Lenkung |
| Inspektion | 1 |



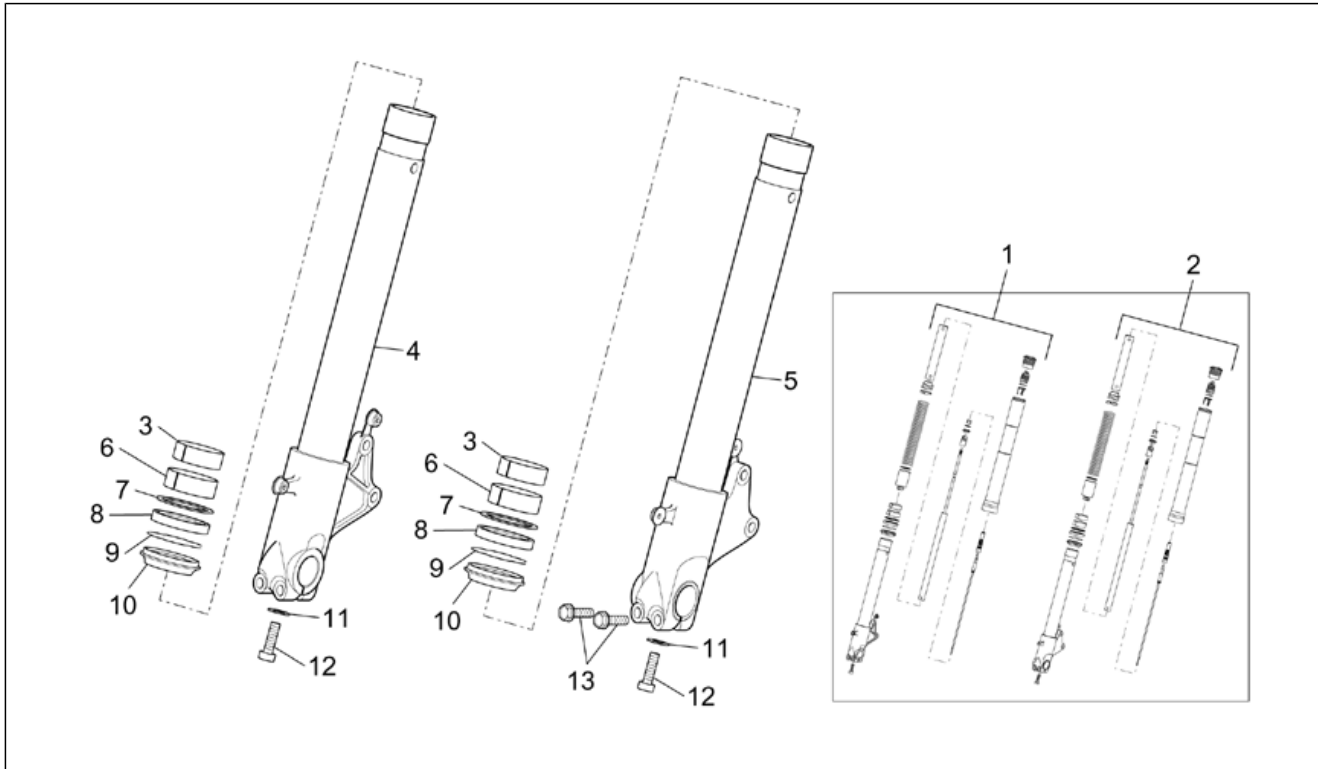
| Pos. | Code | Beschreibung | Menge | Varianten |
|------|-----------|---------------------------|-------|-----------|
| 1 | AP8123899 | Ob. Gabelplatte | 1 | |
| 2 | AP8123964 | Fuß mit Rohr | 1 | |
| 3 | AP8123643 | Gegenmutter | 1 | |
| 4 | AP8121207 | Sicherheitspl. Lenkung | 1 | |
| 5 | AP8123642 | Nutmutter | 1 | |
| 6 | AP8123644 | Staubschutzring | 1 | |
| 7 | AP8123641 | Staubschutzring | 2 | |
| 8 | AP8110077 | Axialkugellager | 2 | |
| 9 | AP8121205 | Fixierbuchse ob. Platte | 1 | |
| 10 | AP8134804 | Platte | 1 | |
| 11 | AP8152384 | Scheibe Lenkkopf | 1 | |
| 12 | AP8121302 | Lenkerhülse | 2 | |
| 13 | AP8152289 | TE Schr. m. Flansch | 6 | |
| 14 | AP8150211 | TCEI Schraube M8x16 | 2 | |
| 15 | AP8134438 | Platte Bremsschlauch | 1 | |
| 16 | AP8152272 | TE Schr. m. Flansch M5x12 | 1 | |

| | |
|---------------------|------------------|
| Einheit | RAHMEN |
| Code | 28.06 |
| Beschreibung | Vorderradgabel I |
| Inspektion | 1 |



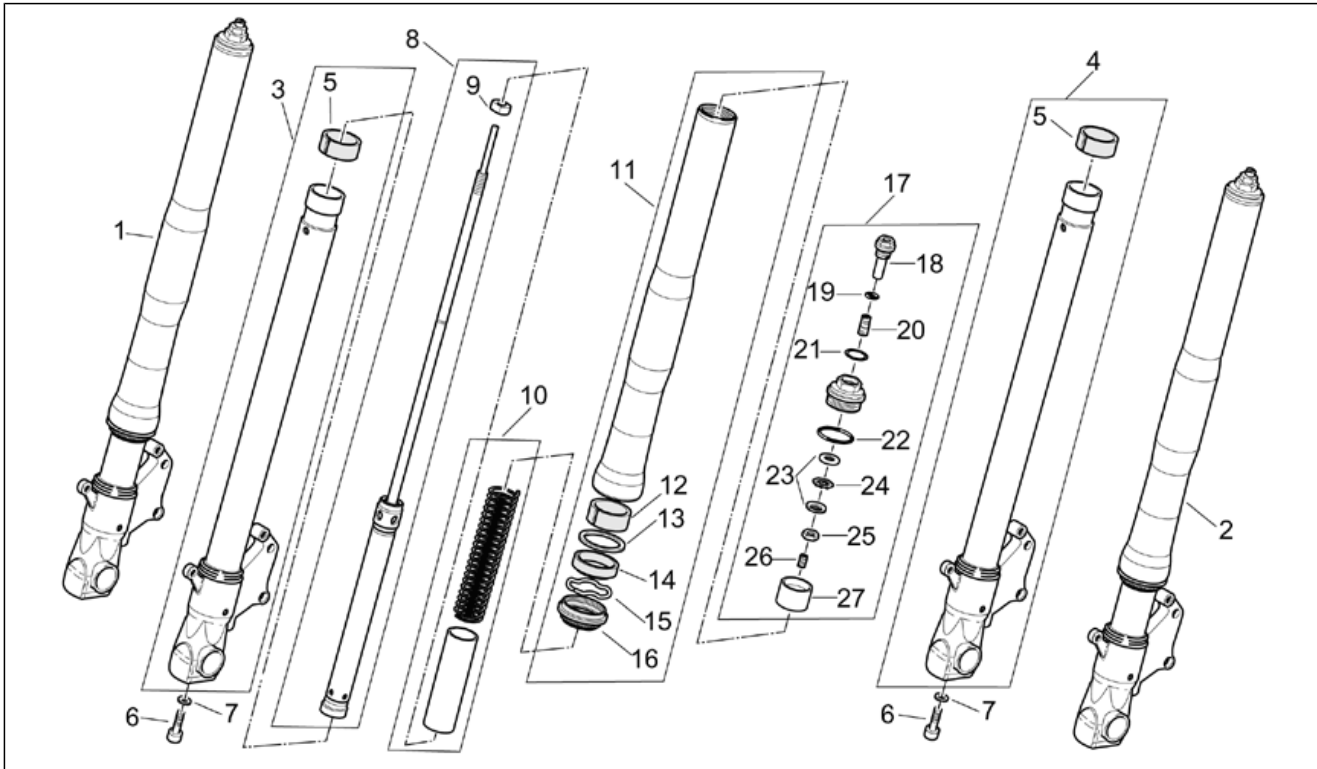
| Pos. | Code | Beschreibung | Menge | Varianten |
|------|-----------|-------------------------|-------|---|
| 1 | AP8163050 | Vorspannschlauch kpl | 2 | Technische Daten: Gabel mit Buchstaben S auf dem Schaft[S] |
| 2 | AP8163051 | Pumpenrad kplt. | 2 | Technische Daten: Gabel mit Buchstaben S auf dem Schaft[S] |
| 3 | AP8163052 | Hülse | 2 | Technische Daten: Gabel mit Buchstaben S auf dem Schaft[S] |
| 4 | AP8123834 | O-Ring | 2 | Technische Daten: Gabel mit Buchstaben S auf dem Schaft[S] |
| 5 | AP8123819 | O-Ring | 2 | Technische Daten: Gabel mit Buchstaben S auf dem Schaft[S] |
| 6 | AP8123820 | O-Ring | 2 | Technische Daten: Gabel mit Buchstaben S auf dem Schaft[S] |
| 7 | AP8163053 | Versch. Schaft kpl. | 2 | Technische Daten: Gabel mit Buchstaben S auf dem Schaft[S] |
| 8 | AP8163054 | Feder | 2 | Technische Daten: Gabel mit Buchstaben S auf dem Schaft[S] |
| 9 | AP8123836 | Ausgleichscheibe | 2 | Technische Daten: Gabel mit Buchstaben S auf dem Schaft[S] |
| 10 | AP8123816 | Ausgleichscheibe | 2 | Technische Daten: Gabel mit Buchstaben S auf dem Schaft[S] |
| 11 | AP8123815 | Ring | 2 | Technische Daten: Gabel mit Buchstaben S auf dem Schaft[S] |
| 12 | AP8123810 | Anschlußhülse Pumpenrad | 2 | Technische Daten: Gabel mit Buchstaben S auf dem Schaft[S] |
| 13 | AP8163055 | Distanzscheibe | 2 | Technische Daten: Gabel mit Buchstaben S auf dem Schaft[S] |

| | |
|---------------------|--------------------------------|
| Einheit | RAHMEN |
| Code | 28.07 |
| Beschreibung | Showa Gabel - Schaften, Hülsen |
| Inspektion | 1 |



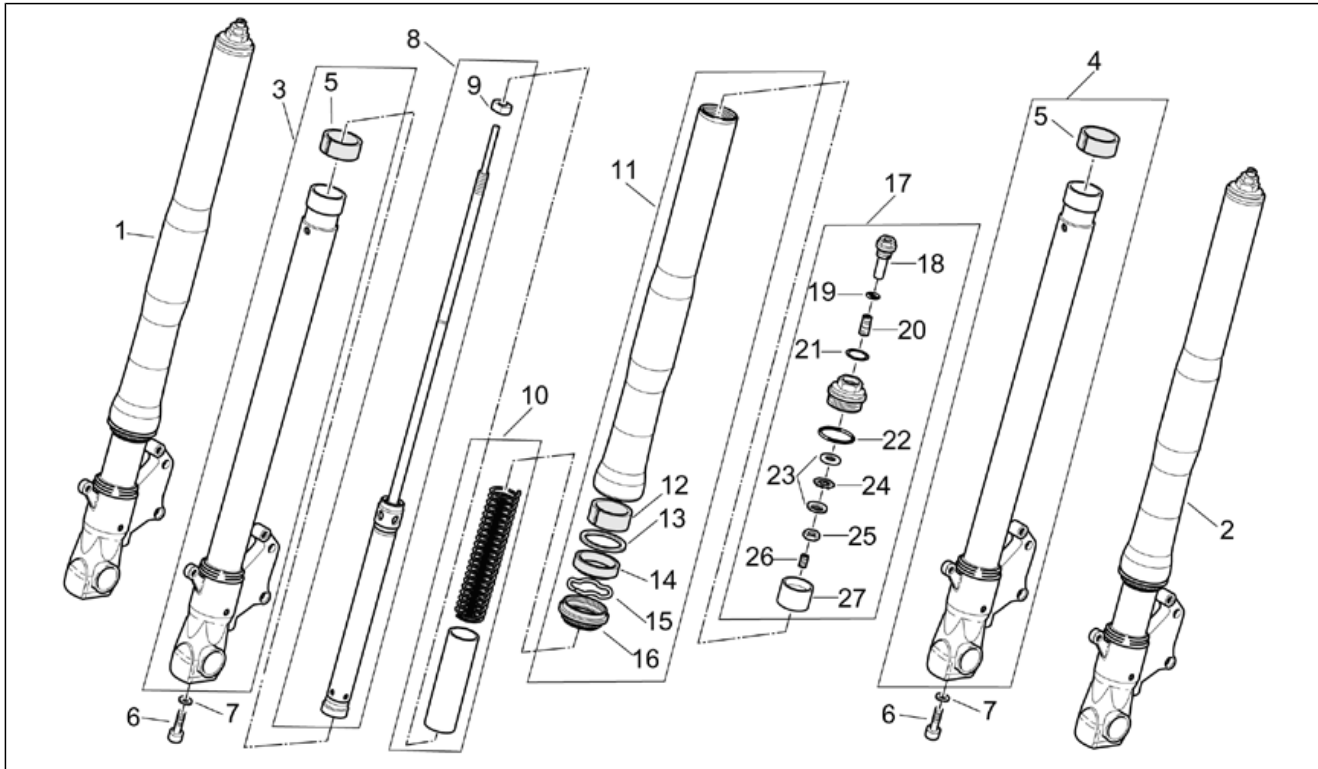
| Pos. | Code | Beschreibung | Menge | Varianten |
|------|-----------|--------------------------------|-------|---|
| 1 | AP8123897 | Kolbenstange rechts | 1 | Technische Daten: Gabel mit Buchstaben S auf dem Schaft[S] |
| 2 | AP8123898 | Kolbenstange links | 1 | Technische Daten: Gabel mit Buchstaben S auf dem Schaft[S] |
| 3 | AP8123828 | Gleitbuchse D.44,5xd.41,1xh.20 | 2 | Technische Daten: Gabel mit Buchstaben S auf dem Schaft[S] |
| 4 | AP8163047 | Klb.st.+ Radhltr. rch. | 1 | Technische Daten: Gabel mit Buchstaben S auf dem Schaft[S] |
| 5 | AP8163048 | Klb.st.+ Radhltr. lks. | 1 | Technische Daten: Gabel mit Buchstaben S auf dem Schaft[S] |
| 6 | AP8123827 | Buchse D.47,1xd.43xh.20 | 2 | Technische Daten: Gabel mit Buchstaben S auf dem Schaft[S] |
| 7 | AP8123826 | Ring | 2 | Technische Daten: Gabel mit Buchstaben S auf dem Schaft[S] |
| 8 | AP8123825 | Ölabstreifring | 2 | Technische Daten: Gabel mit Buchstaben S auf dem Schaft[S] |
| 9 | AP8123806 | Seegerring | 2 | Technische Daten: Gabel mit Buchstaben S auf dem Schaft[S] |
| 10 | AP8163049 | Staubschutz | 2 | Technische Daten: Gabel mit Buchstaben S auf dem Schaft[S] |
| 11 | AP8203794 | Ausgleichscheibe | 2 | Technische Daten: Gabel mit Buchstaben S auf dem Schaft[S] |
| 12 | AP8163109 | Schraube | 2 | Technische Daten: Gabel mit Buchstaben S auf dem Schaft[S] |
| 13 | AP8152290 | TE Schr. m. Flansch M8x40 | 4 | Technische Daten: Gabel mit Buchstaben S auf dem Schaft[S] |

| | |
|---------------------|------------------------------------|
| Einheit | RAHMEN |
| Code | 28.08 |
| Beschreibung | Marzocchi Gabel - Schaften, Hülsen |
| Inspektion | 1 |



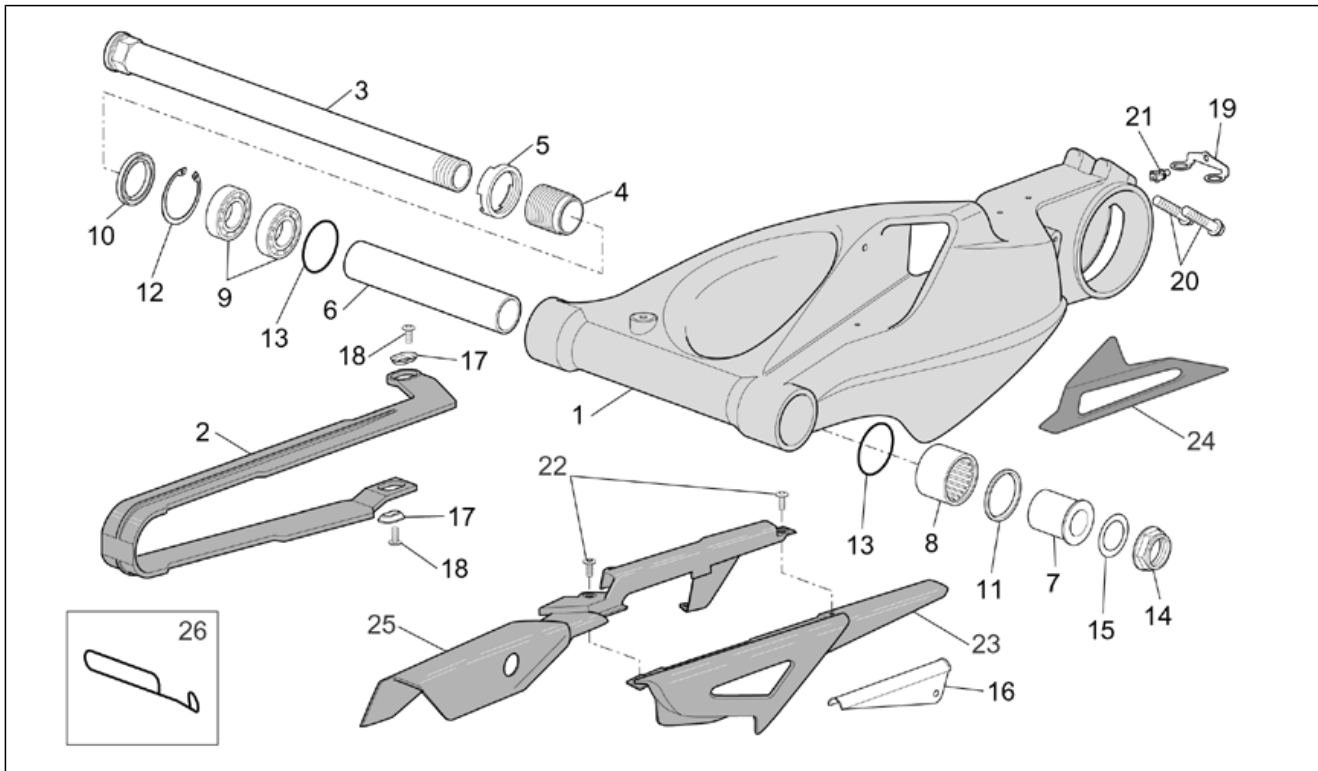
| Pos. | Code | Beschreibung | Menge | Varianten |
|------|-----------|--------------------------|-------|---|
| 1 | AP8163139 | Kolbenstange rechts kpl. | 1 | Technische Daten: Gabel mit Buchstaben M auf dem Schaft[M] |
| 2 | AP8163140 | Kolbenstange links kpl. | 1 | Technische Daten: Gabel mit Buchstaben M auf dem Schaft[M] |
| 3 | AP8163127 | Klb.st.+ Radhltr. rch. | 2 | Technische Daten: Gabel mit Buchstaben M auf dem Schaft[M] |
| 4 | AP8163126 | Klb.st.+ Radhltr. lks. | 2 | Technische Daten: Gabel mit Buchstaben M auf dem Schaft[M] |
| 5 | AP8163128 | Buchse | 2 | Technische Daten: Gabel mit Buchstaben M auf dem Schaft[M] |
| 6 | AP8123216 | Zylinderschraube M10x30 | 2 | Technische Daten: Gabel mit Buchstaben M auf dem Schaft[M] |
| 7 | AP8123206 | Dichtscheibe | 2 | Technische Daten: Gabel mit Buchstaben M auf dem Schaft[M] |
| 8 | AP8163129 | Pumpenrad kplt. | 2 | Technische Daten: Gabel mit Buchstaben M auf dem Schaft[M] |
| 9 | AP8163144 | Mutter M12x1,25 | 2 | Technische Daten: Gabel mit Buchstaben M auf dem Schaft[M] |
| 10 | AP8163136 | Feder+schlauch | 1 | Technische Daten: Gabel mit Buchstaben M auf dem Schaft[M] |
| 11 | AP8163130 | Hülse kplt. | 2 | Technische Daten: Gabel mit Buchstaben M auf dem Schaft[M] |
| 12 | AP8163131 | Buchse | 2 | Technische Daten: Gabel mit Buchstaben M auf dem Schaft[M] |
| 13 | AP8163132 | Ring | 2 | Technische Daten: Gabel mit Buchstaben M auf dem Schaft[M] |
| 14 | AP8163133 | Ölabstreifring | 2 | Technische Daten: Gabel mit Buchstaben M auf dem Schaft[M] |
| 15 | AP8163134 | Seegerring | 2 | Technische Daten: Gabel mit Buchstaben M auf dem Schaft[M] |
| 16 | AP8163135 | Staubschutz | 2 | Technische Daten: Gabel mit Buchstaben M auf dem Schaft[M] |

| | |
|---------------------|------------------------------------|
| Einheit | RAHMEN |
| Code | 28.08 |
| Beschreibung | Marzocchi Gabel - Schaften, Hülsen |
| Inspektion | 1 |



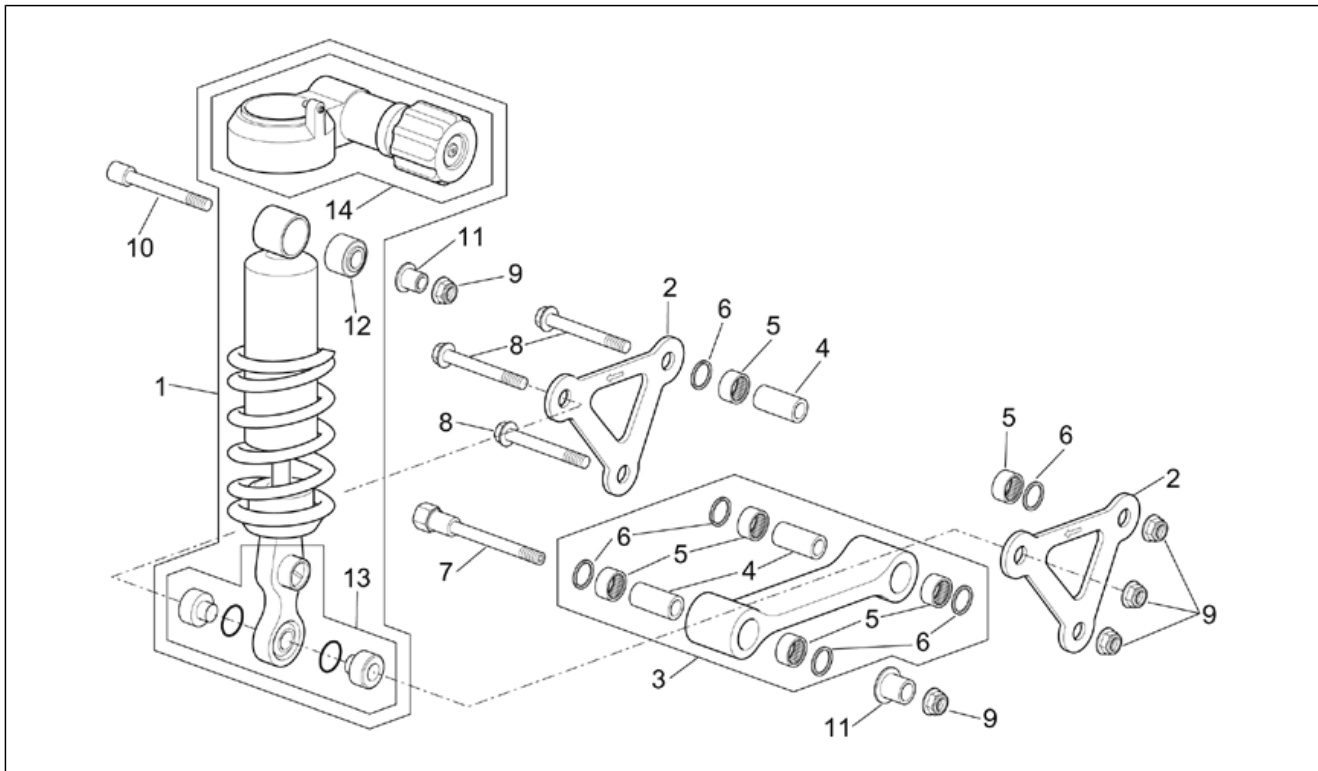
| Pos. | Code | Beschreibung | Menge | Varianten |
|------|-----------|---------------------|-------|---|
| 17 | AP8163137 | Versch. Schaft kpl. | 2 | Technische Daten: Gabel mit Buchstaben M auf dem Schaft[M] |
| 18 | AP8134863 | Bolzen | 2 | Technische Daten: Gabel mit Buchstaben M auf dem Schaft[M] |
| 19 | AP8163143 | O-Ring | 2 | Technische Daten: Gabel mit Buchstaben M auf dem Schaft[M] |
| 20 | AP8150498 | Feststellschraube | 2 | Technische Daten: Gabel mit Buchstaben M auf dem Schaft[M] |
| 21 | AP8163142 | O-Ring | 2 | Technische Daten: Gabel mit Buchstaben M auf dem Schaft[M] |
| 22 | AP8163138 | O-Ring | 2 | Technische Daten: Gabel mit Buchstaben M auf dem Schaft[M] |
| 23 | AP8121582 | Anlaufscheibe | 4 | Technische Daten: Gabel mit Buchstaben M auf dem Schaft[M] |
| 24 | AP8125895 | Lager | 2 | Technische Daten: Gabel mit Buchstaben M auf dem Schaft[M] |
| 25 | AP8163145 | Mutter M17x1 | 2 | Technische Daten: Gabel mit Buchstaben M auf dem Schaft[M] |
| 26 | AP8150497 | Feststellschraube | 2 | Technische Daten: Gabel mit Buchstaben M auf dem Schaft[M] |
| 27 | AP8163141 | Ausgleichscheibe | 2 | Technische Daten: Gabel mit Buchstaben M auf dem Schaft[M] |

| | |
|---------------------|----------|
| Einheit | RAHMEN |
| Code | 28.09 |
| Beschreibung | Schwinge |
| Inspektion | 1 |



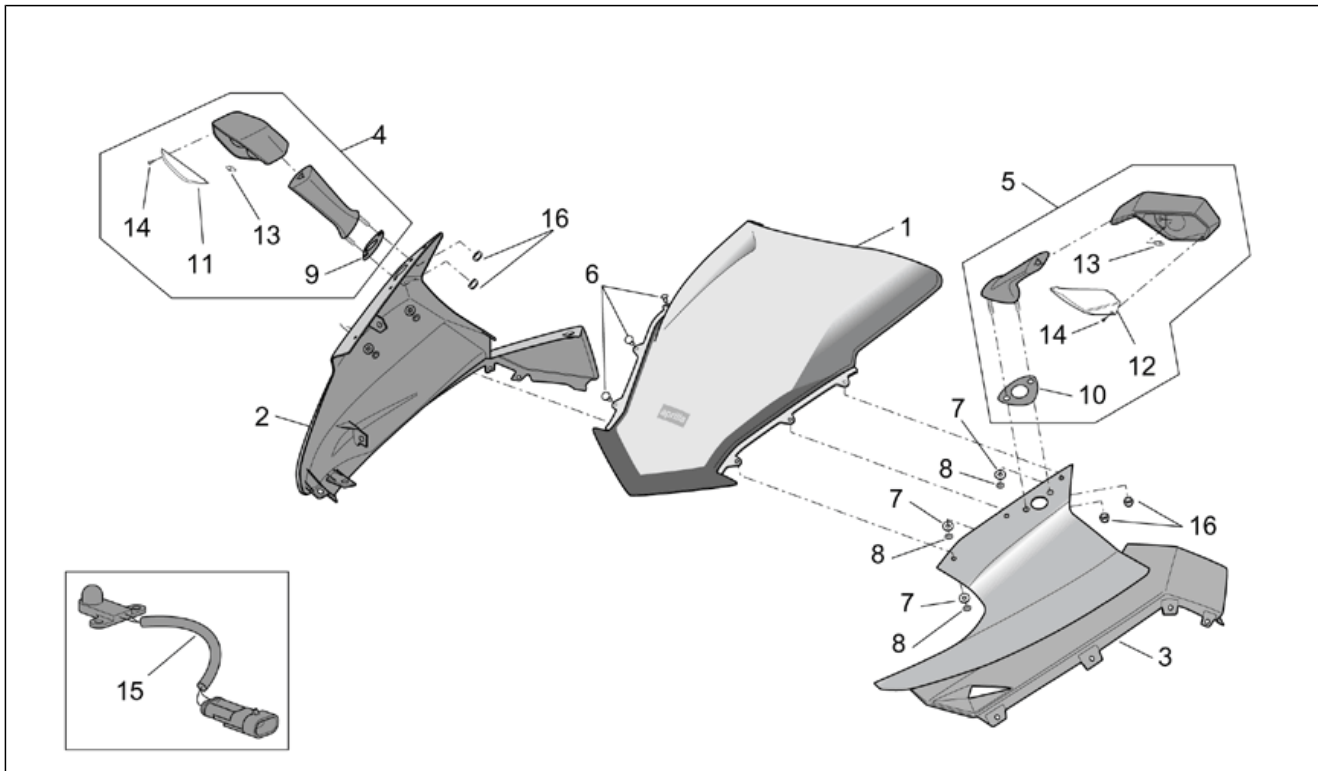
| Pos. | Code | Beschreibung | Menge | Varianten |
|------|-----------|------------------------------|-------|-----------|
| 1 | AP8146250 | Schwinge | 1 | |
| 2 | AP8144242 | Kettengleitführung | 1 | |
| 3 | AP8135923 | Schwingenbolzen | 1 | |
| 4 | AP8121200 | Einstellbuchse | 1 | |
| 5 | AP8121201 | Gabelzapfen-Nutmutter | 1 | |
| 6 | AP8121202 | Interne Distanzscheibe | 1 | |
| 7 | AP8121203 | Buchse Gabelzapfen | 1 | |
| 8 | AP8110078 | Nadellager | 1 | |
| 9 | AP8110079 | Kugellager | 2 | |
| 10 | AP8144006 | Gasket ring | 1 | |
| 11 | AP8144005 | Gasket ring | 1 | |
| 12 | AP8121204 | Seegerring für Bohrung d37 | 1 | |
| 13 | AP8144048 | O-Ring 134 | 2 | |
| 14 | AP8125763 | Hinterradbolzen mut. | 1 | |
| 15 | AP8125687 | U-scheibe Hint.radbolz | 1 | |
| 16 | AP8121508 | Fixierplatte Bremsschlauch | 1 | |
| 17 | AP8234020 | Becher | 2 | |
| 18 | AP8152267 | TBEI Spez.schr. M5x12 | 2 | |
| 19 | AP8134722 | Platte | 1 | |
| 20 | AP8152325 | TE Schr. m. Flansch | 2 | |
| 21 | AP8121882 | Kabelführungs | 1 | |
| 22 | AP8152339 | TBEI Schraube m.Flansch M5x9 | 2 | |
| 23 | AP8148021 | Ob. Kettenkasten, schwarz | 1 | |
| 24 | AP8149312 | Unt. Kettenkasten, schwarz | 1 | |
| 25 | AP8149487 | Inn. Kettenkasten, schwarz | 1 | |
| 26 | AP8121486 | Kabelführung | 1 | |

| | |
|---------------------|------------------------------|
| Einheit | RAHMEN |
| Code | 28.10 |
| Beschreibung | Pleuelstange und Stoßdämpfer |
| Inspektion | 1 |



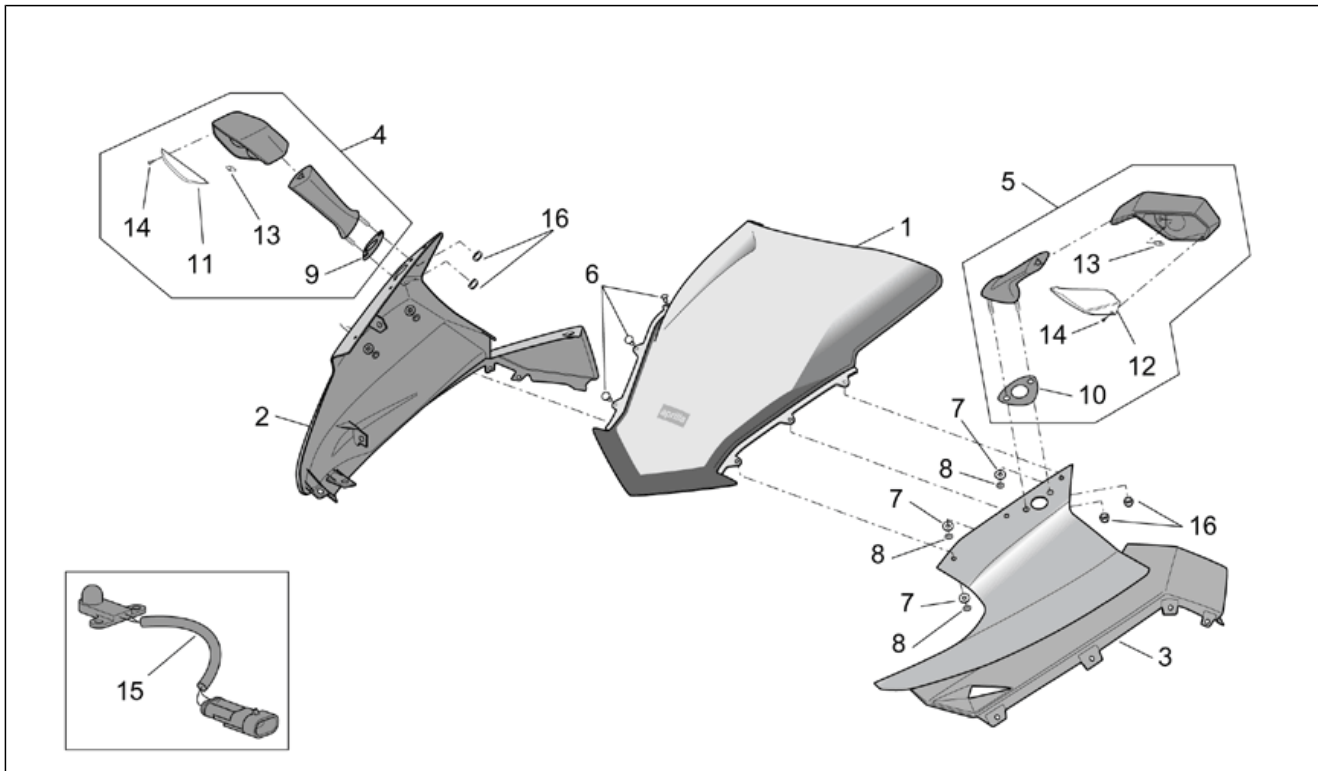
| Pos. | Code | Beschreibung | Menge | Varianten |
|------|-----------|----------------------------|-------|-----------|
| 1 | AP8123893 | Stoßdämpfer | 1 | |
| 2 | AP8146251 | Doppelte Pleuelstange | 2 | |
| 3 | AP8146340 | Einfache Pleuelstange | 1 | |
| 4 | AP8135924 | Pleuelbolzen L40 | 3 | |
| 5 | AP8110065 | Nadellager | 6 | |
| 6 | AP8110068 | Ölabstreifring D18x24x3 | 6 | |
| 7 | AP8121476 | Bolzen | 1 | |
| 8 | AP8152322 | TE Schr. m. Flansch M10x65 | 3 | |
| 9 | AP8152301 | Selbstsperrende Mutter | 5 | |
| 10 | AP8150458 | TCEI Schraube M10x63 | 1 | |
| 11 | AP8121155 | T-Buchse * | 2 | |
| 12 | AP8144314 | Silent-Block | 1 | |
| 13 | AP8110103 | Kugelgelenk | 1 | |
| 14 | AP8163108 | Vorspannung | 1 | |

| | |
|---------------------|----------------------|
| Einheit | RAHMEN |
| Code | 28.11 |
| Beschreibung | Frontaufbau - Kuppel |
| Inspektion | 1 |



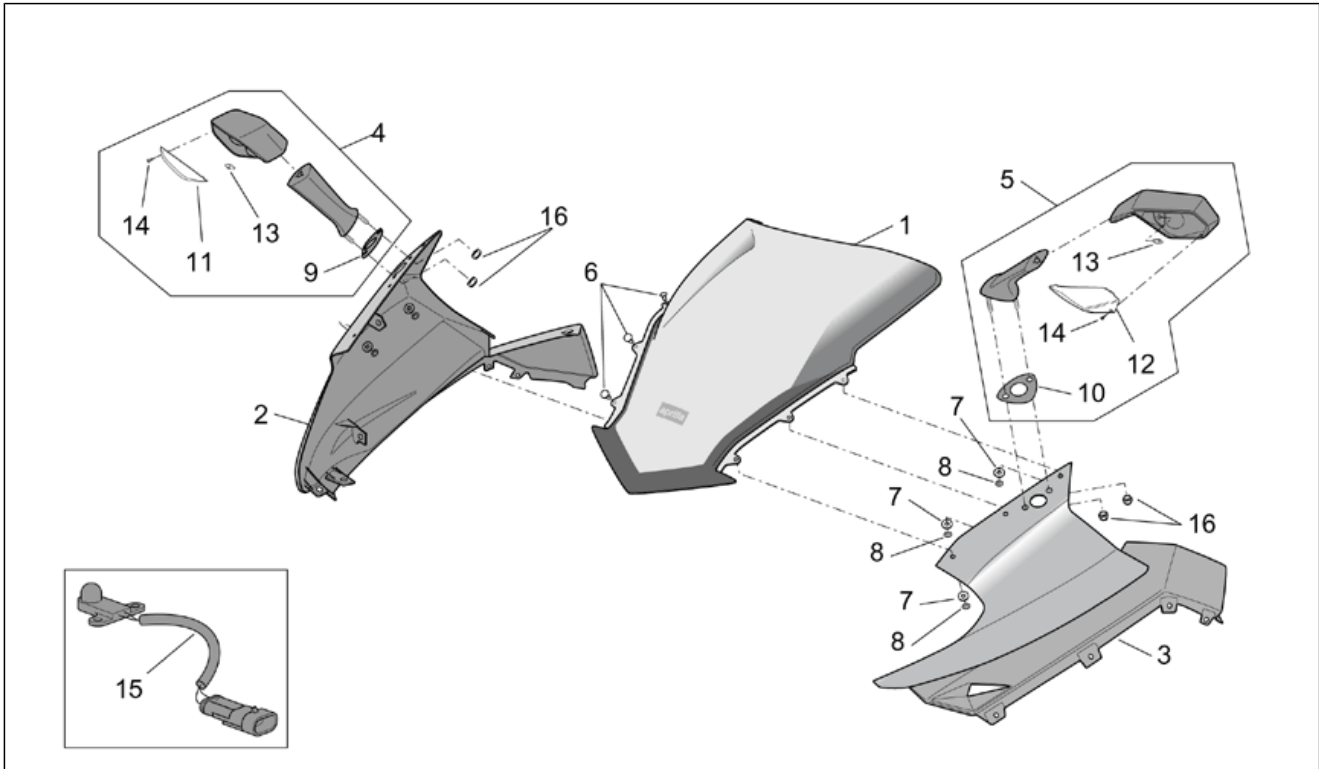
| Pos. | Code | Beschreibung | Menge | Varianten |
|------|-----------|-------------------------------|-------|---|
| 1 | AP8149772 | Windabweiser | 1 | Land:Australien[AA], USA (Zulassung 49 Staaten)[AM], Australien[AUS], USA (Zulassung California)[CF], Vereinigte Staaten von Amerika[USA] |
| 1 | AP8158159 | Windabweiser | 1 | Baujahr:2001[1], 2002[2] Land:Österreich[A], Belgien[B], Belgien[BB], Schweiz[CH], Deutschland[D], Dänemark[DK], Spanien[E], A, B, CH, D, DK, E, F, I, NL, P[EU], Frankreich[F], Frankreich[FF], Italien[I], Japan[J], Japan[JJ], Holland[NL], Portugal[P], Großbritannien[UK] |
| 1 | AP8168859 | Windabweiser | 1 | Baujahr:2003[3] Fahrzeugfarbe:Schwarz Darkness 2003[d.black], Blau Hilton 2003[h.blu] |
| 2 | AP8149969 | VR Verkl., silbergrau | 1 | Baujahr:2001[1], 2002[2] Fahrzeugfarbe:Silber Stream 2001-2002[s.sil] |
| 2 | AP8158056 | VR Verkl., rot | 1 | Baujahr:2001[1], 2002[2] Fahrzeugfarbe:Rot Flame 2001-2002[f.red] |
| 2 | AP8158070 | VR Verkl., blau | 1 | Baujahr:2001[1], 2002[2] Fahrzeugfarbe:Blau Infinity 2001-2002[l.blu] |
| 2 | AP8158843 | VR Verkl., grau | 1 | Baujahr:2002[2] Fahrzeugfarbe:Grau Ash 2002[ash.g] |
| 2 | AP8168850 | Vord. re. Verkleidung schwarz | 1 | Baujahr:2003[3] Fahrzeugfarbe:Schwarz Darkness 2003[d.black] |
| 2 | AP8168866 | VR Verkl., blau | 1 | Baujahr:2003[3] Fahrzeugfarbe:Blau Hilton 2003[h.blu] |
| 3 | AP8149964 | VL Verkl., silbergrau | 1 | Baujahr:2001[1], 2002[2] Fahrzeugfarbe:Silber Stream 2001-2002[s.sil] |
| 3 | AP8158057 | VL Verkl., rot | 1 | Baujahr:2001[1], 2002[2] Fahrzeugfarbe:Rot Flame 2001-2002[f.red] |
| 3 | AP8158071 | VL Verkl., blau | 1 | Baujahr:2001[1], 2002[2] Fahrzeugfarbe:Blau Infinity 2001-2002[l.blu] |
| 3 | AP8158844 | VL Verkl., grau | 1 | Baujahr:2002[2] Fahrzeugfarbe:Grau Ash 2002[ash.g] |
| 3 | AP8168851 | Vord. li. Verkleidung schwarz | 1 | Baujahr:2003[3] |

| | |
|---------------------|----------------------|
| Einheit | RAHMEN |
| Code | 28.11 |
| Beschreibung | Frontaufbau - Kuppel |
| Inspektion | 1 |



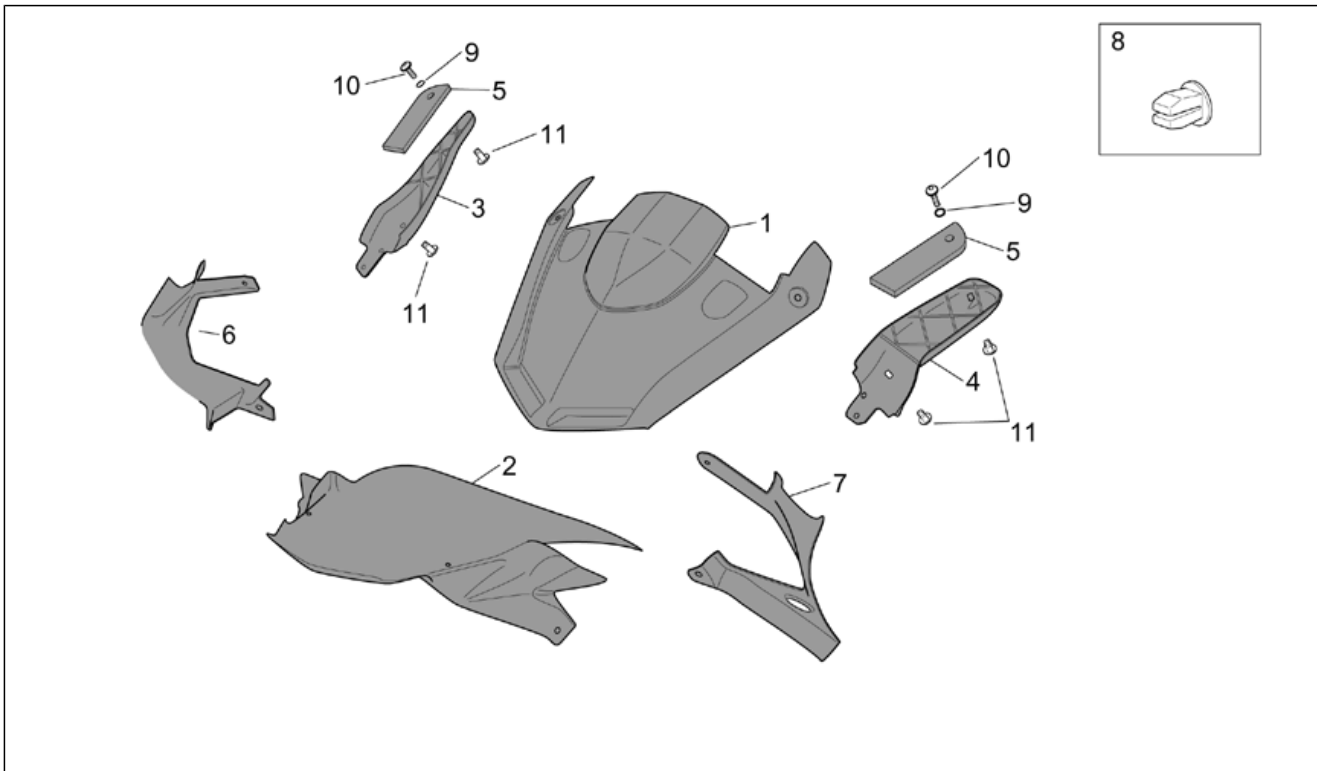
| Pos. | Code | Beschreibung | Menge | Varianten |
|------|-----------|-----------------------------|-------|---|
| | | | | Fahrzeugfarbe: Schwarz Darkness 2003[d.black] |
| 3 | AP8168867 | VL Verkl., blau | 1 | Baujahr: 2003[3] Fahrzeugfarbe: Blau Hilton 2003[h.blu] |
| 4 | AP8104359 | R. Rückspiegel, silbergrau | 1 | Baujahr: 2001[1], 2002[2] Fahrzeugfarbe: Silber Stream 2001-2002[s.sil] |
| 4 | AP8104368 | R. Rückspiegel, rot | 1 | Baujahr: 2001[1], 2002[2] Fahrzeugfarbe: Rot Flame 2001-2002[f.red] |
| 4 | AP8104370 | Rückspiegel rechts, blau | 1 | Baujahr: 2001[1], 2002[2] Fahrzeugfarbe: Blau Infinity 2001-2002[l.blu] |
| 4 | AP8104470 | Rückspiegel rechts, schwarz | 1 | Baujahr: 2002[2], 2003[3] Fahrzeugfarbe: Grau Ash 2002[ash.g], Schwarz Darkness 2003[d.black], Blau Hilton 2003[h.blu] |
| 5 | AP8104360 | L. Rückspiegel, silbergrau | 1 | Baujahr: 2001[1], 2002[2] Fahrzeugfarbe: Silber Stream 2001-2002[s.sil] |
| 5 | AP8104369 | L. Rückspiegel, rot | 1 | Baujahr: 2001[1], 2002[2] Fahrzeugfarbe: Rot Flame 2001-2002[f.red] |
| 5 | AP8104371 | Rückspiegel links, blau | 1 | Baujahr: 2001[1], 2002[2] Fahrzeugfarbe: Blau Infinity 2001-2002[l.blu] |
| 5 | AP8104471 | Rückspiegel links, schwarz | 1 | Baujahr: 2002[2], 2003[3] Fahrzeugfarbe: Grau Ash 2002[ash.g], Schwarz Darkness 2003[d.black], Blau Hilton 2003[h.blu] |
| 6 | AP8144109 | Fixierstift | 6 | |
| 7 | AP8102504 | Gummi | 6 | |
| 8 | AP8150450 | Wellenscheibe D5 | 6 | |
| 9 | AP8104378 | Dichtung r. Rückspiegel | 1 | |
| 10 | AP8104379 | Dichtung l. Rückspiegel | 1 | |
| 11 | AP8127217 | V. Blinkerblende rechts | 1 | |
| 12 | AP8127218 | V. Blinkerblende links | 1 | |
| 13 | AP8127222 | Lampe | 2 | |
| 14 | AP8127221 | Schraube | 2 | |
| 15 | AP8124936 | Lufttemperaturfühler | 1 | |

| | |
|---------------------|----------------------|
| Einheit | RAHMEN |
| Code | 28.11 |
| Beschreibung | Frontaufbau - Kuppel |
| Inspektion | 1 |



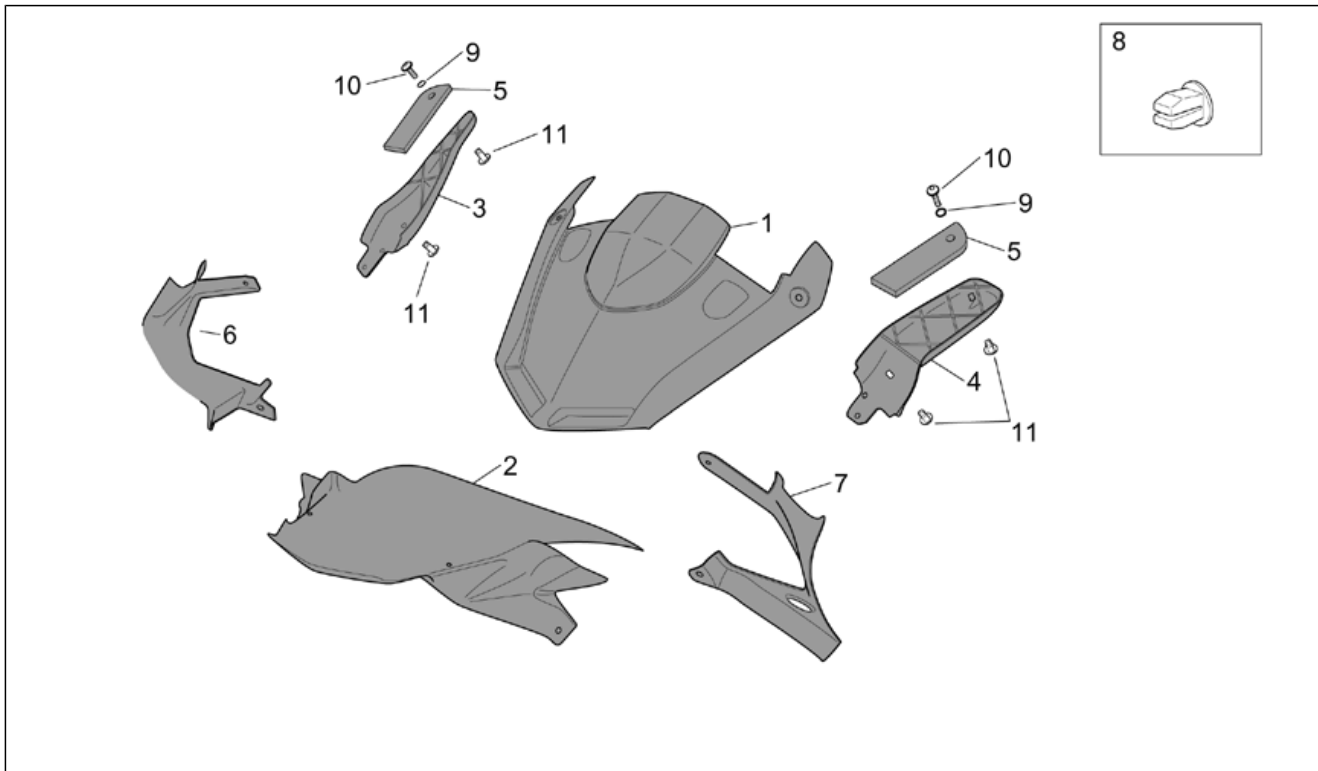
| Pos. | Code | Beschreibung | Menge | Varianten |
|------|-----------|---------------------------|-------|-----------|
| 16 | AP8152299 | Selbstsperrende Mutter M6 | 2 | |

| | |
|---------------------|--------------------------|
| Einheit | RAHMEN |
| Code | 28.12 |
| Beschreibung | Frontaufbau - Verschluss |
| Inspektion | 1 |



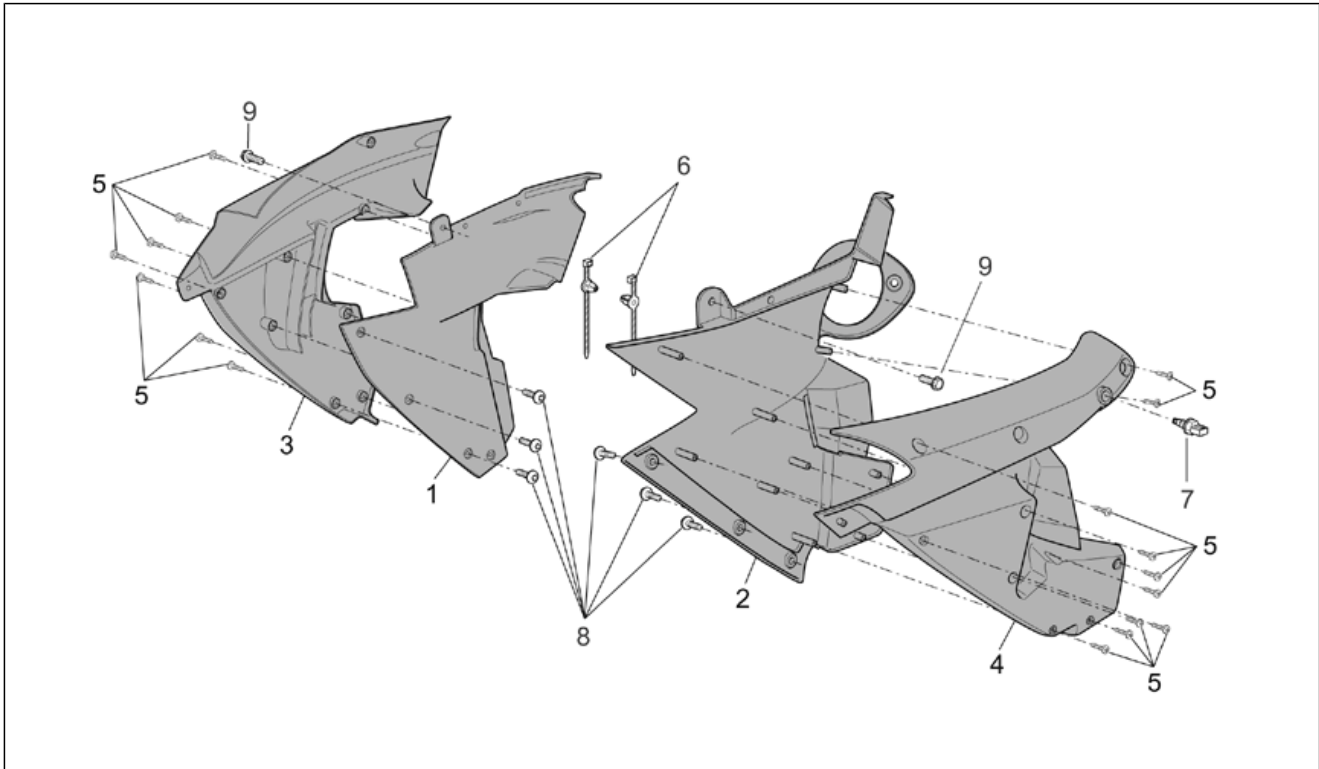
| Pos. | Code | Beschreibung | Menge | Varianten |
|------|-----------|-----------------------------|-------|--|
| 1 | AP8149965 | Verschl. Kuppel-Instr.tafel | 1 | Baujahr: 2001[1], 2002[2] Fahrzeugfarbe: Rot Flame 2001-2002[f.red], Blau Infinity 2001-2002[l.blü], Silber Stream 2001-2002[s.sil] |
| 1 | AP8158853 | Verschl. Kuppel-Instr.tafel | 1 | Baujahr: 2002[2], 2003[3] Fahrzeugfarbe: Grau Ash 2002[ash.g], Schwarz Darkness 2003[d.black], Blau Hilton 2003[h.blü] |
| 2 | AP8158062 | U. Abdeck. Scheinwerfer | 1 | Baujahr: 2001[1], 2002[2] Fahrzeugfarbe: Rot Flame 2001-2002[f.red], Blau Infinity 2001-2002[l.blü], Silber Stream 2001-2002[s.sil] |
| 2 | AP8158850 | U. Abdeck. Scheinwerfer | 1 | Baujahr: 2002[2], 2003[3] Fahrzeugfarbe: Grau Ash 2002[ash.g], Schwarz Darkness 2003[d.black], Blau Hilton 2003[h.blü] |
| 3 | AP8158160 | Hornverschluss r | 1 | Baujahr: 2001[1], 2002[2] Fahrzeugfarbe: Rot Flame 2001-2002[f.red], Blau Infinity 2001-2002[l.blü], Silber Stream 2001-2002[s.sil] |
| 3 | AP8158854 | Hornverschluss r | 1 | Baujahr: 2002[2], 2003[3] Fahrzeugfarbe: Grau Ash 2002[ash.g], Schwarz Darkness 2003[d.black], Blau Hilton 2003[h.blü] |
| 4 | AP8158161 | Hornverschluss l. | 1 | Baujahr: 2001[1], 2002[2] Fahrzeugfarbe: Rot Flame 2001-2002[f.red], Blau Infinity 2001-2002[l.blü], Silber Stream 2001-2002[s.sil] |
| 4 | AP8158855 | Hornverschluss l. | 1 | Baujahr: 2002[2], 2003[3] Fahrzeugfarbe: Grau Ash 2002[ash.g], Schwarz Darkness 2003[d.black], Blau Hilton 2003[h.blü] |
| 5 | AP8144356 | Gummi | 2 | |
| 6 | AP8149967 | Verschl.R.Instrument. | 1 | Baujahr: 2001[1], 2002[2] Fahrzeugfarbe: Rot Flame 2001-2002[f.red], Blau Infinity 2001-2002[l.blü], Silber Stream 2001-2002[s.sil] |
| 6 | AP8158851 | Verschl.R.Instrument. | 1 | Baujahr: 2002[2], 2003[3] Fahrzeugfarbe: Grau Ash 2002[ash.g], Schwarz Darkness 2003[d.black], Blau Hilton 2003[h.blü] |
| 7 | AP8149968 | Verschl.L.Instrument. | 1 | Baujahr: 2001[1], 2002[2] Fahrzeugfarbe: Rot Flame 2001-2002[f.red], Blau Infinity 2001-2002[l.blü], Silber Stream 2001-2002[s.sil] |

| | |
|---------------------|--------------------------|
| Einheit | RAHMEN |
| Code | 28.12 |
| Beschreibung | Frontaufbau - Verschluss |
| Inspektion | 1 |



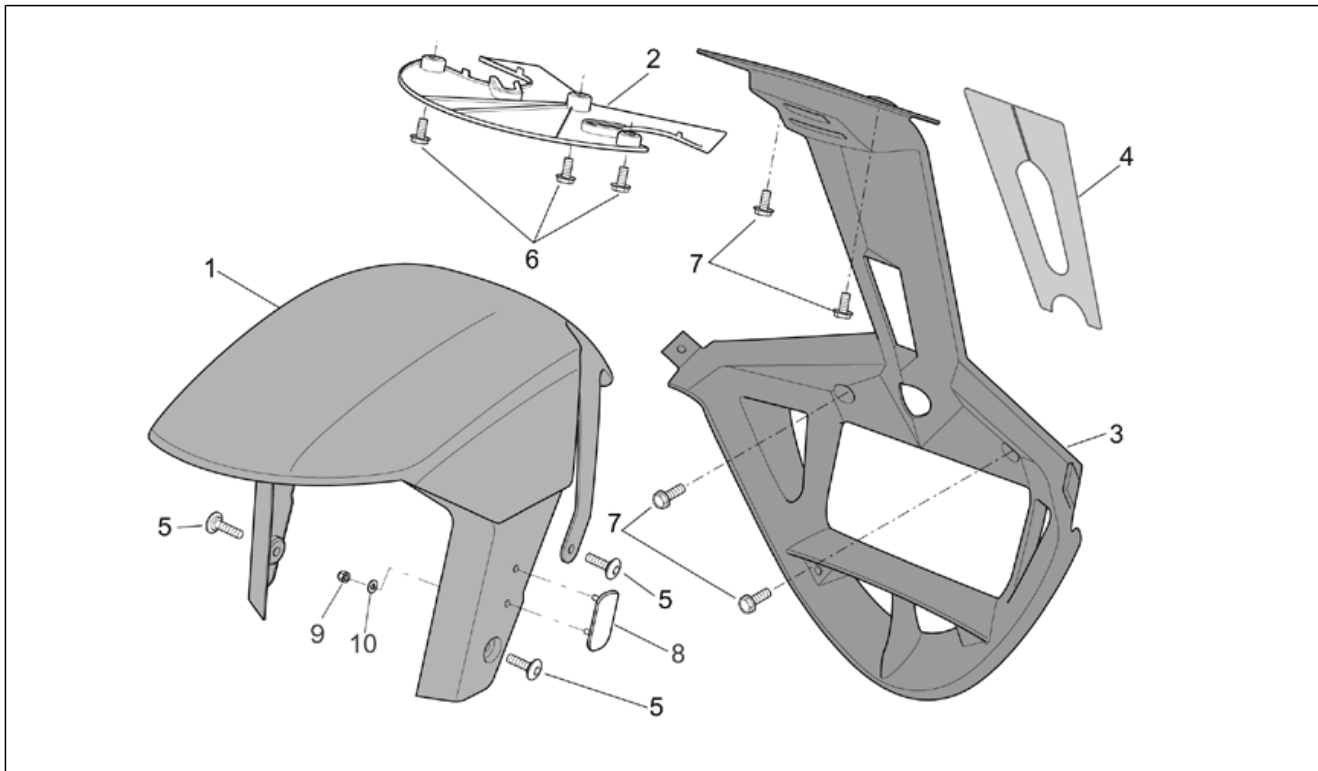
| Pos. | Code | Beschreibung | Menge | Varianten |
|------|-----------|-------------------------------|-------|---|
| 7 | AP8158852 | Verschl.L.Instrument. | 1 | Baujahr: 2002[2], 2003[3] Fahrzeugfarbe: Grau Ash 2002[ash.g], Schwarz Darkness 2003[d.black], Blau Hilton 2003[h.blu] |
| 8 | AP8102671 | Kunststoffniet | 2 | |
| 9 | AP8120591 | Ausgleichscheibe 10x5,3x1* | 2 | |
| 10 | AP8152298 | TBEI Schraube m.Flansch M5x16 | 2 | |
| 11 | AP8121250 | Buchse | 4 | |

| | |
|---------------------|-------------------------|
| Einheit | RAHMEN |
| Code | 28.13 |
| Beschreibung | Frontaufbau - Leitblech |
| Inspektion | 1 |



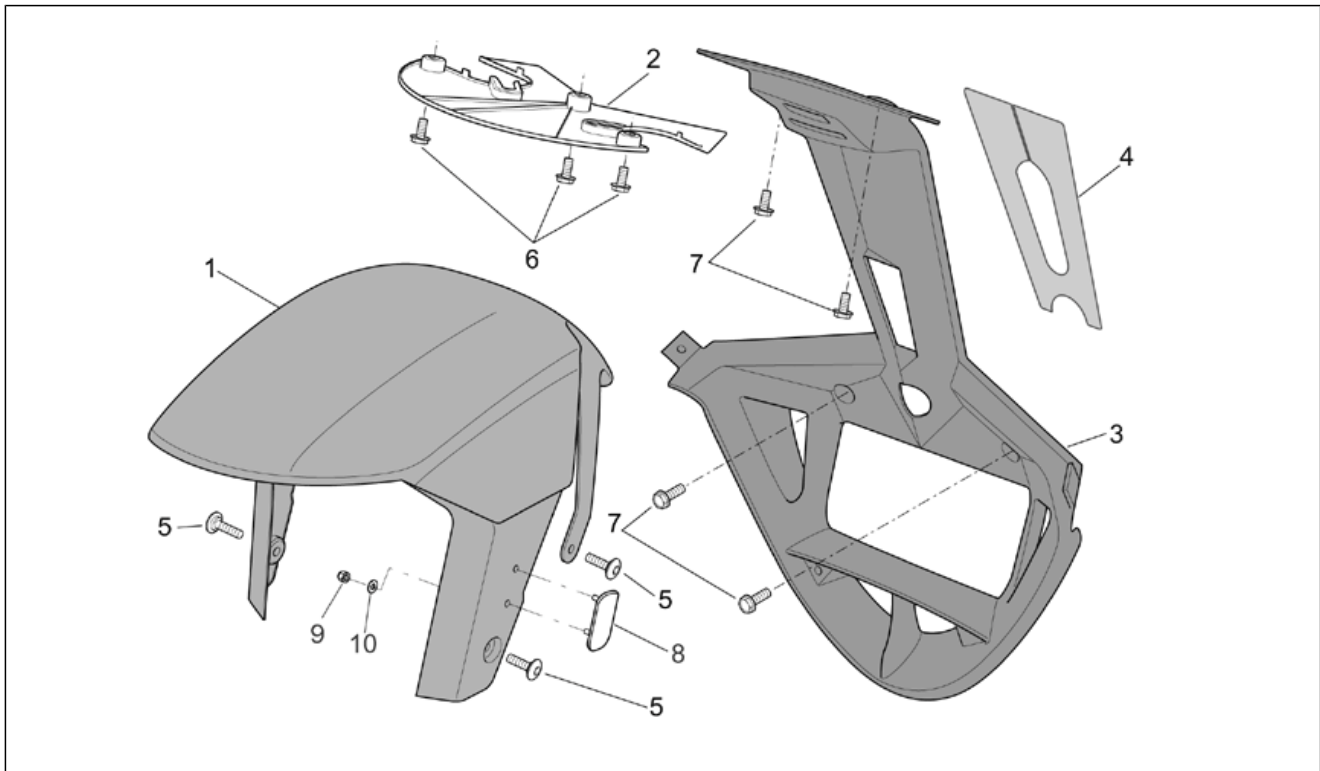
| Pos. | Code | Beschreibung | Menge | Varianten |
|------|-----------|-------------------------------|-------|-----------|
| 1 | AP8148037 | R.inn.Rumpf, schwarz | 1 | |
| 2 | AP8148038 | L.inn.Rumpf, schwarz | 1 | |
| 3 | AP8148027 | Rechtes Leitblech | 1 | |
| 4 | AP8148028 | Linkes Leitblech | 1 | |
| 5 | AP8150413 | Gew.schr. 3,9x14 | 20 | |
| 6 | AP8201539 | Schelle | 2 | |
| 7 | AP8124867 | Lufttemperaturfühler | 1 | |
| 8 | AP8152302 | TBEI Schraube m.Flansch M5x12 | 8 | |
| 9 | AP8152246 | TBEI Schraube m.Flansch M6x16 | 2 | |

| | |
|---------------------|--------------------------------|
| Einheit | RAHMEN |
| Code | 28.14 |
| Beschreibung | Frontaufbau - Vrd. Schutzblech |
| Inspektion | 1 |



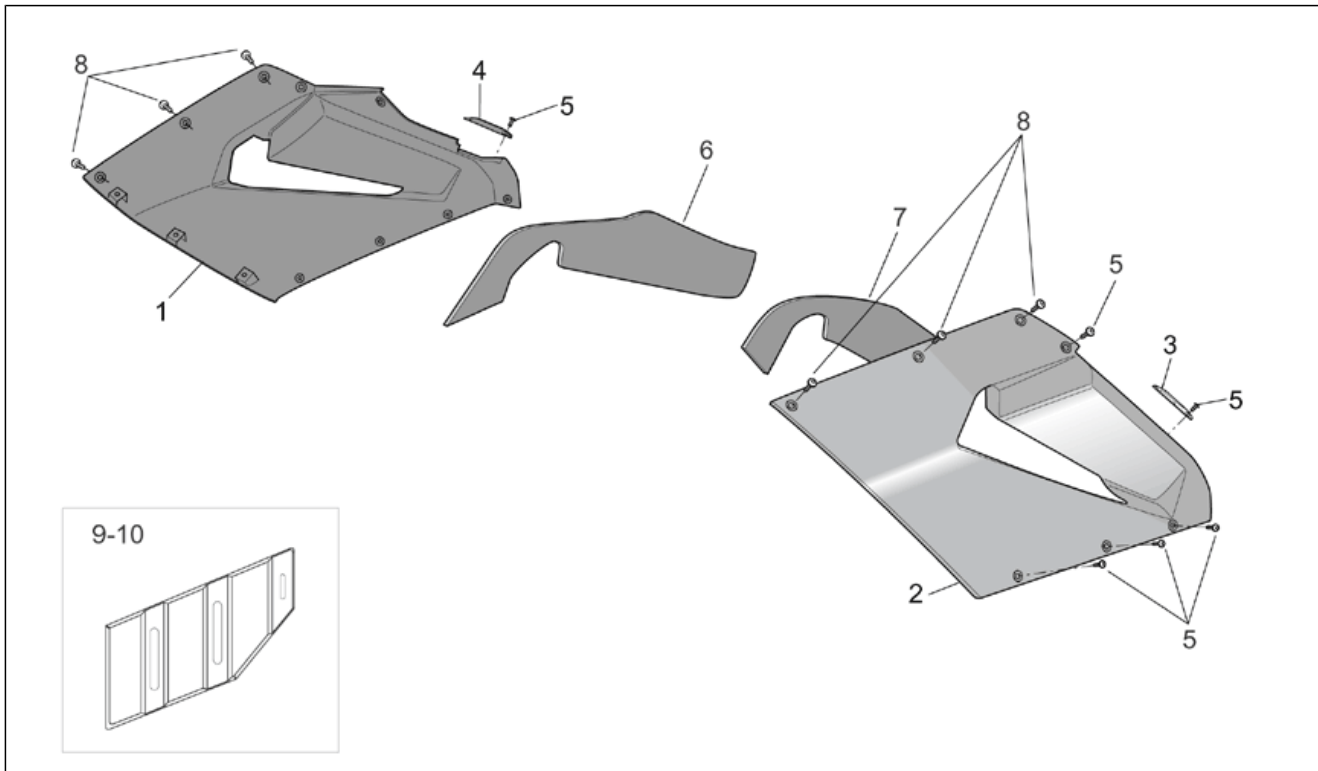
| Pos. | Code | Beschreibung | Menge | Varianten |
|------|-----------|----------------------------|-------|--|
| 1 | AP8126923 | V. Schutzblech, silbergrau | 1 | Baujahr: 2001[1], 2002[2] Fahrzeugfarbe: Silber Stream 2001-2002[s.sil] Land: Österreich[A], Australien[AA], Australien[AUS], Belgien[B], Belgien[BB], Schweiz[CH], Deutschland[D], Dänemark[DK], Spanien[E], A, B, CH, D, DK, E, F, I, NL, P[EU], Frankreich[F], Frankreich[FF], Italien[I], Japan[J], Japan[JJ], Holland[NL], Portugal[P], Großbritannien[UK] |
| 1 | AP8126932 | V. Schutzblech, rot | 1 | Baujahr: 2001[1], 2002[2] Fahrzeugfarbe: Rot Flame 2001-2002[f.red] Land: Österreich[A], Australien[AA], Australien[AUS], Belgien[B], Belgien[BB], Schweiz[CH], Deutschland[D], Dänemark[DK], Spanien[E], A, B, CH, D, DK, E, F, I, NL, P[EU], Frankreich[F], Frankreich[FF], Italien[I], Japan[J], Japan[JJ], Holland[NL], Portugal[P], Großbritannien[UK] |
| 1 | AP8126933 | V. Schutzblech, blau | 1 | Baujahr: 2001[1], 2002[2] Fahrzeugfarbe: Blau Infinity 2001-2002[l.blu] Land: Österreich[A], Australien[AA], Australien[AUS], Belgien[B], Belgien[BB], Schweiz[CH], Deutschland[D], Dänemark[DK], Spanien[E], A, B, CH, D, DK, E, F, I, NL, P[EU], Frankreich[F], Frankreich[FF], Italien[I], Japan[J], Japan[JJ], Holland[NL], Portugal[P], Großbritannien[UK] |
| 1 | AP8126946 | V. Schutzblech, silbergrau | 1 | Baujahr: 2001[1], 2002[2] Fahrzeugfarbe: Silber Stream 2001-2002[s.sil] Land: USA (Zulassung 49 Staaten)[AM], USA (Zulassung California)[CF], Vereinigte Staaten von Amerika[USA] |
| 1 | AP8126955 | V. Schutzblech, rot | 1 | Baujahr: 2001[1], 2002[2] Fahrzeugfarbe: Rot Flame 2001-2002[f.red] Land: USA (Zulassung 49 Staaten)[AM], USA (Zulassung California)[CF], Vereinigte Staaten von Amerika[USA] |
| 1 | AP8126956 | V. Schutzblech, blau | 1 | Baujahr: 2001[1], 2002[2] Fahrzeugfarbe: Blau Infinity 2001-2002[l.blu] Land: USA (Zulassung 49 Staaten)[AM], USA (Zulassung California)[CF], Vereinigte Staaten von Amerika[USA] |
| 1 | AP8156073 | V. Schutzblech, schwarz | 1 | Baujahr: 2003[3] Fahrzeugfarbe: Schwarz Darkness 2003[d.black] |

| | |
|---------------------|--------------------------------|
| Einheit | RAHMEN |
| Code | 28.14 |
| Beschreibung | Frontaufbau - Vrd. Schutzblech |
| Inspektion | 1 |



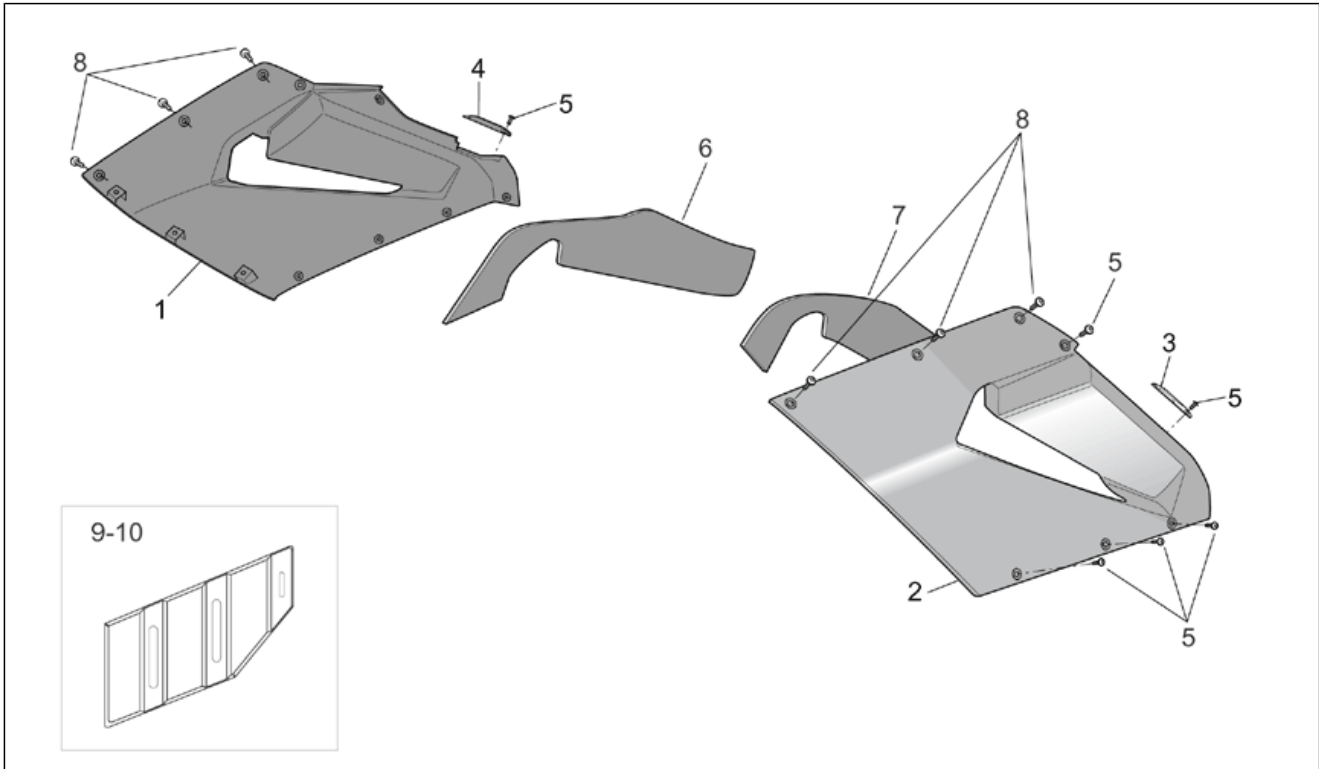
| Pos. | Code | Beschreibung | Menge | Varianten |
|------|-----------|-------------------------------|-------|---|
| 1 | AP8156074 | V. Schutzblech, blau | 1 | Baujahr: 2003[3] Fahrzeugfarbe: Blau Hilton 2003[h.blu] |
| 1 | AP8158856 | V. Schutzblech, grau | 1 | Baujahr: 2002[2] Fahrzeugfarbe: Grau Ash 2002[ash.g] Land: Österreich[A], Australien[AA], Australien[AUS], Belgien[B], Belgien[BB], Schweiz[CH], Deutschland[D], Dänemark[DK], Spanien[E], A, B, CH, D, DK, E, F, I, NL, P[EU], Frankreich[F], Frankreich[FF], Italien[I], Japan[J], Japan[JJ], Holland[NL], Portugal[P], Großbritannien[UK] |
| 1 | AP8158857 | V. Schutzblech, grau | 1 | Baujahr: 2002[2] Fahrzeugfarbe: Grau Ash 2002[ash.g] Land: USA (Zulassung 49 Staaten)[AM], USA (Zulassung California)[CF], Vereinigte Staaten von Amerika[USA] |
| 2 | AP8148551 | Verschl. unt. vorn Verkl. | 1 | |
| 3 | AP8148024 | Stütze | 1 | |
| 4 | AP8117129 | Gelenkplatte Spoiler | 1 | |
| 5 | AP8152302 | TBEI Schraube m.Flansch M5x12 | 4 | |
| 6 | AP8152277 | TE Schr. m. Flansch M6x12 | 2 | |
| 7 | AP8152278 | TE Schr. m. Flansch M6x16 | 4 | |
| 8 | AP8124719 | Rückstrahler, gelb | 2 | Land: USA (Zulassung 49 Staaten)[AM], USA (Zulassung California)[CF], Vereinigte Staaten von Amerika[USA] |
| 9 | AP8150204 | Mutter M4 | 4 | Land: USA (Zulassung 49 Staaten)[AM], USA (Zulassung California)[CF], Vereinigte Staaten von Amerika[USA] |
| 10 | AP8150158 | Ausgleichscheibe 4,3X9X0,8 | 4 | Land: USA (Zulassung 49 Staaten)[AM], USA (Zulassung California)[CF], Vereinigte Staaten von Amerika[USA] |

| | |
|---------------------|---------------------------------|
| Einheit | RAHMEN |
| Code | 28.15 |
| Beschreibung | Mittlerer aufbau - Oberer Rumpf |
| Inspektion | 1 |



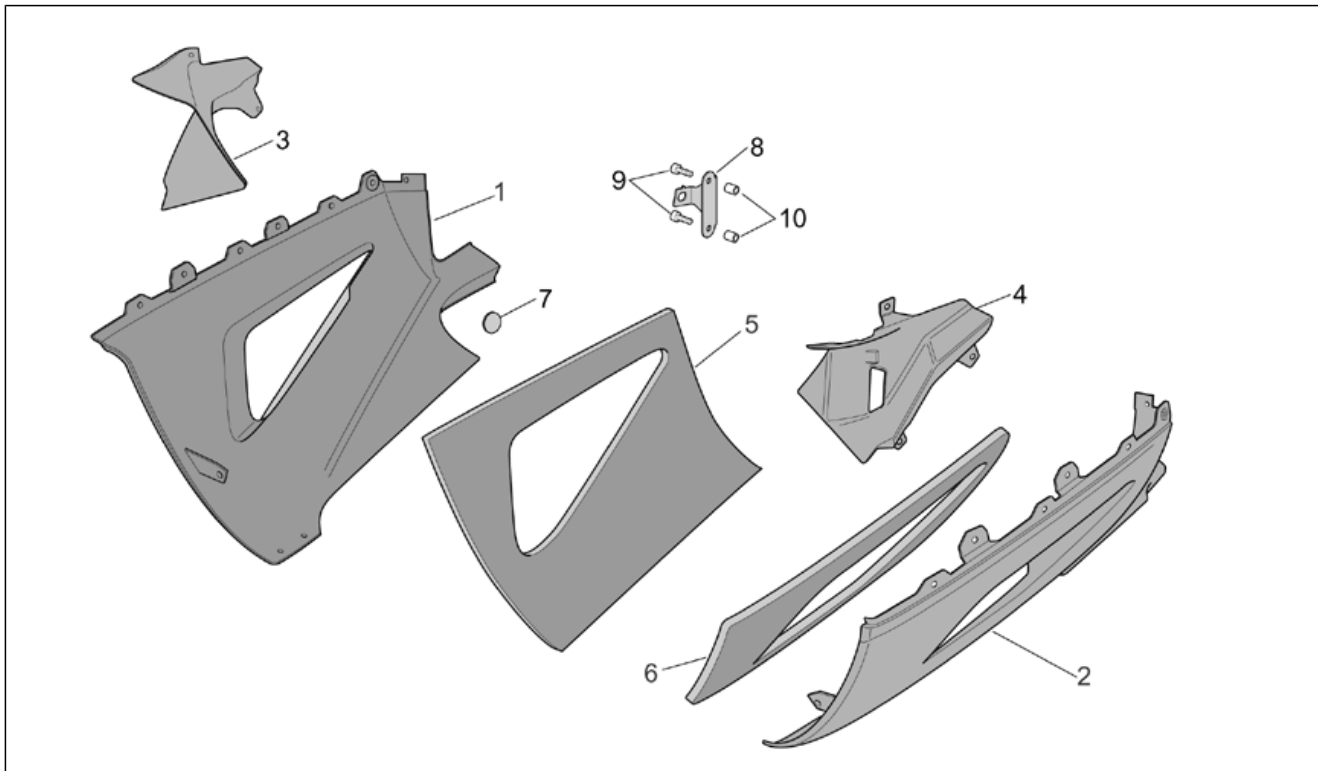
| Pos. | Code | Beschreibung | Menge | Varianten |
|------|-----------|-------------------------------|-------|--|
| 1 | AP8149970 | R. Seitenverkl., silbergrau | 1 | Baujahr:2001[1], 2002[2] Fahrzeugfarbe:Silber Stream 2001-2002[s.sil] |
| 1 | AP8158058 | R. Seitenverkl., rot | 1 | Baujahr:2001[1], 2002[2] Fahrzeugfarbe:Rot Flame 2001-2002[f.red] |
| 1 | AP8158072 | R. Seitenverkl., blau | 1 | Baujahr:2001[1], 2002[2] Fahrzeugfarbe:Blau Infinity 2001-2002[l.blu] |
| 1 | AP8158866 | Verkl. seitr. rechts, grau | 1 | Baujahr:2002[2] Fahrzeugfarbe:Grau Ash 2002[ash.g] |
| 1 | AP8168852 | seit.Verkl. rechts Schw. | 1 | Baujahr:2003[3] Fahrzeugfarbe:Schwarz Darkness 2003[d.black] |
| 1 | AP8168868 | R. Seitenverkl., blau | 1 | Baujahr:2003[3] Fahrzeugfarbe:Blau Hilton 2003[h.blu] |
| 2 | AP8149971 | L. Seitenverkl., silbergrau | 1 | Baujahr:2001[1], 2002[2] Fahrzeugfarbe:Silber Stream 2001-2002[s.sil] |
| 2 | AP8158059 | L. Seitenverkl., rot | 1 | Baujahr:2001[1], 2002[2] Fahrzeugfarbe:Rot Flame 2001-2002[f.red] |
| 2 | AP8158073 | L. Seitenverkl., blau | 1 | Baujahr:2001[1], 2002[2] Fahrzeugfarbe:Blau Infinity 2001-2002[l.blu] |
| 2 | AP8158867 | Verkl. seitr. links, grau | 1 | Baujahr:2002[2] Fahrzeugfarbe:Grau Ash 2002[ash.g] |
| 2 | AP8168853 | Seit.Verkl. links Schw. | 1 | Baujahr:2003[3] Fahrzeugfarbe:Schwarz Darkness 2003[d.black] |
| 2 | AP8168869 | L. Seitenverkl., blau | 1 | Baujahr:2003[3] Fahrzeugfarbe:Blau Hilton 2003[h.blu] |
| 3 | AP8149976 | Ölverschlußdeckel | 1 | |
| 4 | AP8149977 | Wasserverschlußdeckel | 1 | |
| 5 | AP8152298 | TBEI Schraube m.Flansch M5x16 | 10 | |
| 6 | AP8117155 | Schalldämpfpaneel re. | 1 | |
| 7 | AP8117156 | Schalldämpfpaneel li. | 1 | |
| 8 | AP8152302 | TBEI Schraube m.Flansch M5x12 | 6 | |
| 9 | AP8167214 | Schildchen l. Seitenverkl. | 1 | |

| | |
|---------------------|----------------------------------|
| Einheit | RAHMEN |
| Code | 28.15 |
| Beschreibung | Mittlerer aufbau - Oberer Rumpfe |
| Inspektion | 1 |



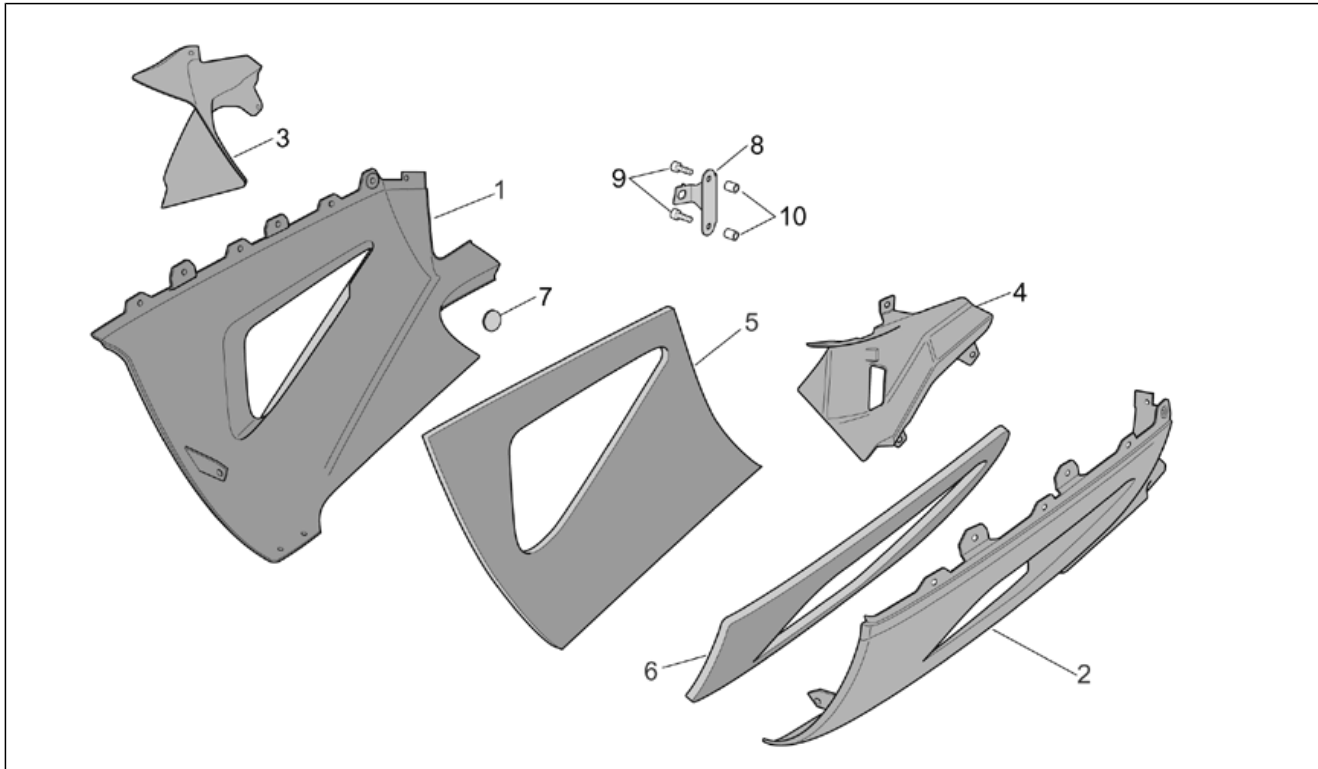
| Pos. | Code | Beschreibung | Menge | Varianten |
|------|-----------|----------------------------|-------|-----------|
| 10 | AP8167213 | Schildchen r. Seitenverkl. | 1 | |

| | |
|---------------------|----------------------------------|
| Einheit | RAHMEN |
| Code | 28.16 |
| Beschreibung | Mittlerer aufbau - Unterer Rumpf |
| Inspektion | 1 |



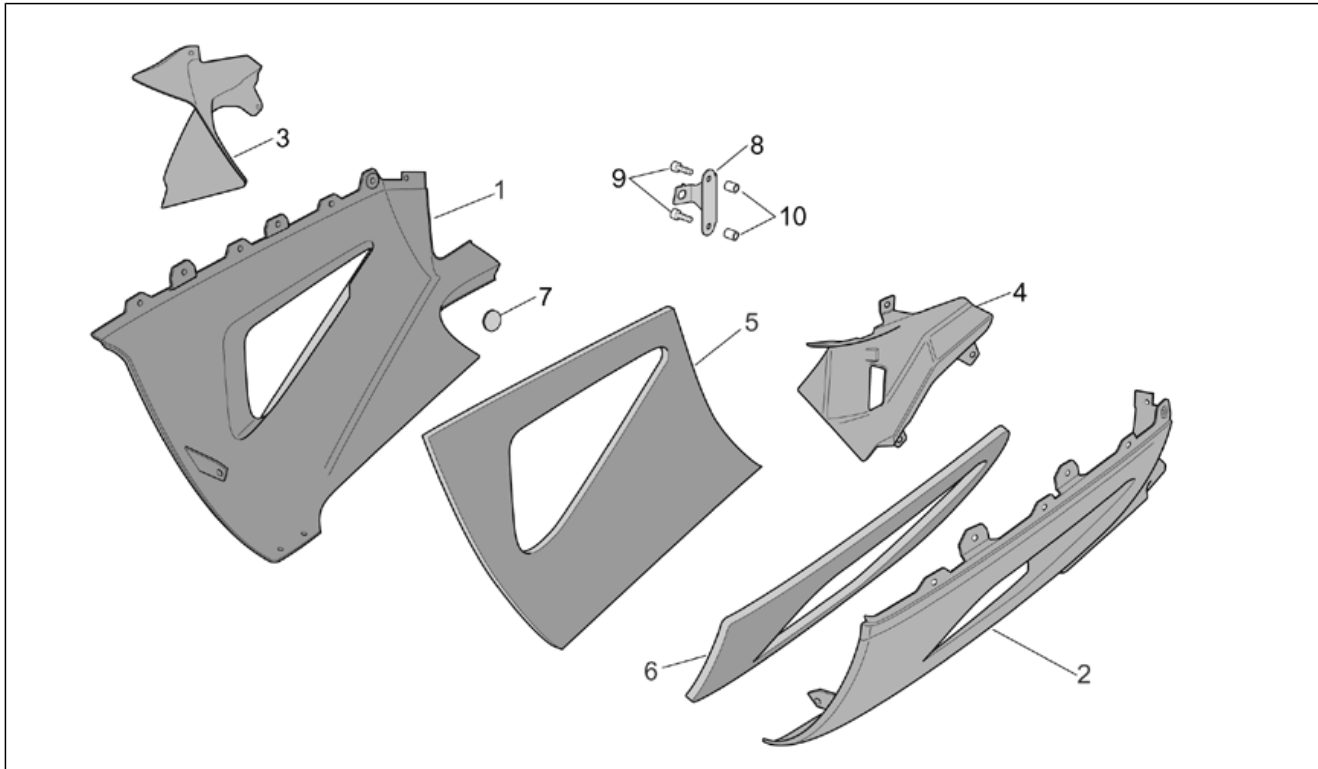
| Pos. | Code | Beschreibung | Menge | Varianten |
|------|-----------|-----------------------|-------|---|
| 1 | AP8149972 | RU Verkl., silbergrau | 1 | Baujahr: 2001[1], 2002[2] Fahrzeugfarbe: Silber Stream 2001-2002[s.sil] Land: Österreich[A], Australien[AA], Australien[AUS], Belgien[B], Belgien[BB], Schweiz[CH], Deutschland[D], Dänemark[DK], Spanien[E], A, B, CH, D, DK, E, F, I, NL, P[EU], Frankreich[F], Frankreich[FF], Italien[I], Japan[J], Japan[J], Holland[NL], Portugal[P], Großbritannien[UK] |
| 1 | AP8149972 | RU Verkl., silbergrau | 1 | Baujahr: 2001[1], 2002[2] Fahrzeugfarbe: Silber Stream 2001-2002[s.sil] Land: USA (Zulassung 49 Staaten)[AM], Vereinigte Staaten von Amerika[USA] Technische Daten: Zulassung 49 Staaten[49st] |
| 1 | AP8158060 | RU Verkl., rot | 1 | Baujahr: 2001[1], 2002[2] Fahrzeugfarbe: Rot Flame 2001-2002[f.red] Land: USA (Zulassung 49 Staaten)[AM], Vereinigte Staaten von Amerika[USA] Technische Daten: Zulassung 49 Staaten[49st] |
| 1 | AP8158060 | RU Verkl., rot | 1 | Baujahr: 2001[1], 2002[2] Fahrzeugfarbe: Rot Flame 2001-2002[f.red] Land: Österreich[A], Australien[AA], Australien[AUS], Belgien[B], Belgien[BB], Schweiz[CH], Deutschland[D], Dänemark[DK], Spanien[E], A, B, CH, D, DK, E, F, I, NL, P[EU], Frankreich[F], Frankreich[FF], Italien[I], Japan[J], Japan[J], Holland[NL], Portugal[P], Großbritannien[UK] |
| 1 | AP8158074 | RU Verkl., blau | 1 | Baujahr: 2001[1], 2002[2] Fahrzeugfarbe: Blau Infinity 2001-2002[l.blu] Land: Österreich[A], Australien[AA], Australien[AUS], Belgien[B], Belgien[BB], Schweiz[CH], Deutschland[D], Dänemark[DK], Spanien[E], A, B, CH, D, DK, E, F, I, NL, P[EU], Frankreich[F], Frankreich[FF], Italien[I], Japan[J], Japan[J], Holland[NL], Portugal[P], Großbritannien[UK] |
| 1 | AP8158074 | RU Verkl., blau | 1 | Baujahr: 2001[1], 2002[2] Fahrzeugfarbe: Blau Infinity 2001-2002[l.blu] Land: USA (Zulassung 49 Staaten)[AM], Vereinigte Staaten von Amerika[USA] Technische Daten: Zulassung 49 Staaten[49st] |

| | |
|---------------------|-----------------------------------|
| Einheit | RAHMEN |
| Code | 28.16 |
| Beschreibung | Mittlerer aufbau - Unterer Rumpfe |
| Inspektion | 1 |



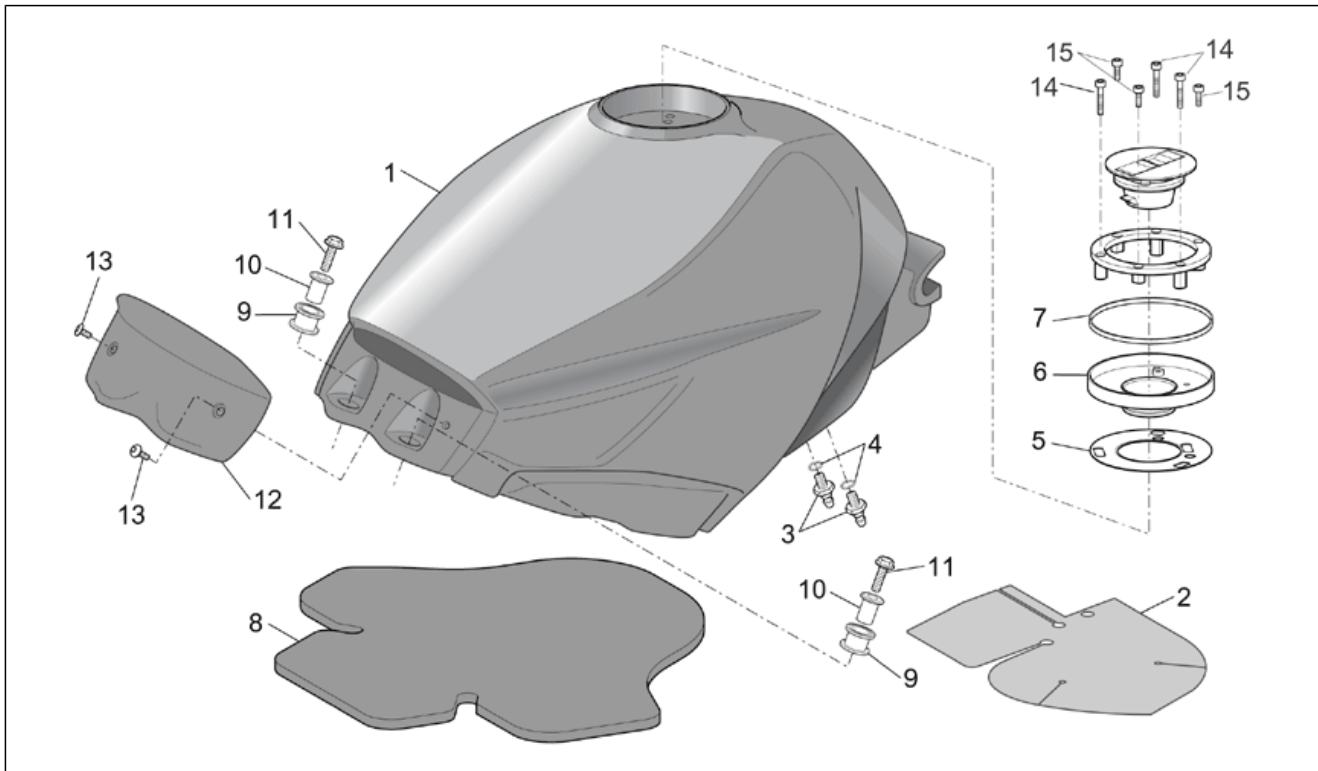
| Pos. | Code | Beschreibung | Menge | Varianten |
|------|-----------|-----------------------|-------|---|
| 1 | AP8158338 | RU Verkl., silbergrau | 1 | Baujahr: 2001[1], 2002[2] Fahrzeugfarbe: Silber Stream 2001-2002[s.sil] Land: USA (Zulassung California)[CF], Vereinigte Staaten von Amerika[USA] Technische Daten: Zulassung California[CAL] |
| 1 | AP8158339 | RU Verkl., rot | 1 | Baujahr: 2001[1], 2002[2] Fahrzeugfarbe: Rot Flame 2001-2002[f.red] Land: USA (Zulassung California)[CF], Vereinigte Staaten von Amerika[USA] Technische Daten: Zulassung California[CAL] |
| 1 | AP8158340 | RU Verkl., blau | 1 | Baujahr: 2001[1], 2002[2] Fahrzeugfarbe: Blau Infinity 2001-2002[i.blu] Land: USA (Zulassung California)[CF], Vereinigte Staaten von Amerika[USA] Technische Daten: Zulassung California[CAL] |
| 1 | AP8158847 | Verkl.unt. re., grau | 1 | Baujahr: 2002[2] Fahrzeugfarbe: Grau Ash 2002[ash.g] Land: USA (Zulassung 49 Staaten)[AM], Vereinigte Staaten von Amerika[USA] Technische Daten: Zulassung 49 Staaten[49st] |
| 1 | AP8158847 | Verkl.unt. re., grau | 1 | Baujahr: 2002[2] Fahrzeugfarbe: Grau Ash 2002[ash.g] Land: Österreich[A], Australien[AA], Australien[AUS], Belgien[B], Belgien[BB], Schweiz[CH], Deutschland[D], Dänemark[DK], Spanien[E], A, B, CH, D, DK, E, F, I, NL, P[EU], Frankreich[F], Frankreich[FF], Italien[I], Japan[J], Japan[JJ], Holland[NL], Portugal[P], Großbritannien[UK] |
| 1 | AP8158849 | Verkl.unt. re., grau | 1 | Baujahr: 2002[2] Fahrzeugfarbe: Grau Ash 2002[ash.g] Land: USA (Zulassung California)[CF], Vereinigte Staaten von Amerika[USA] Technische Daten: Zulassung California[CAL] |
| 1 | AP8168854 | Verkl.unt. re., grau | 1 | Baujahr: 2003[3] Fahrzeugfarbe: Schwarz Darkness 2003[d.black], Blau Hilton 2003[h.blu] |

| | |
|---------------------|----------------------------------|
| Einheit | RAHMEN |
| Code | 28.16 |
| Beschreibung | Mittlerer aufbau - Unterer Rumpf |
| Inspektion | 1 |



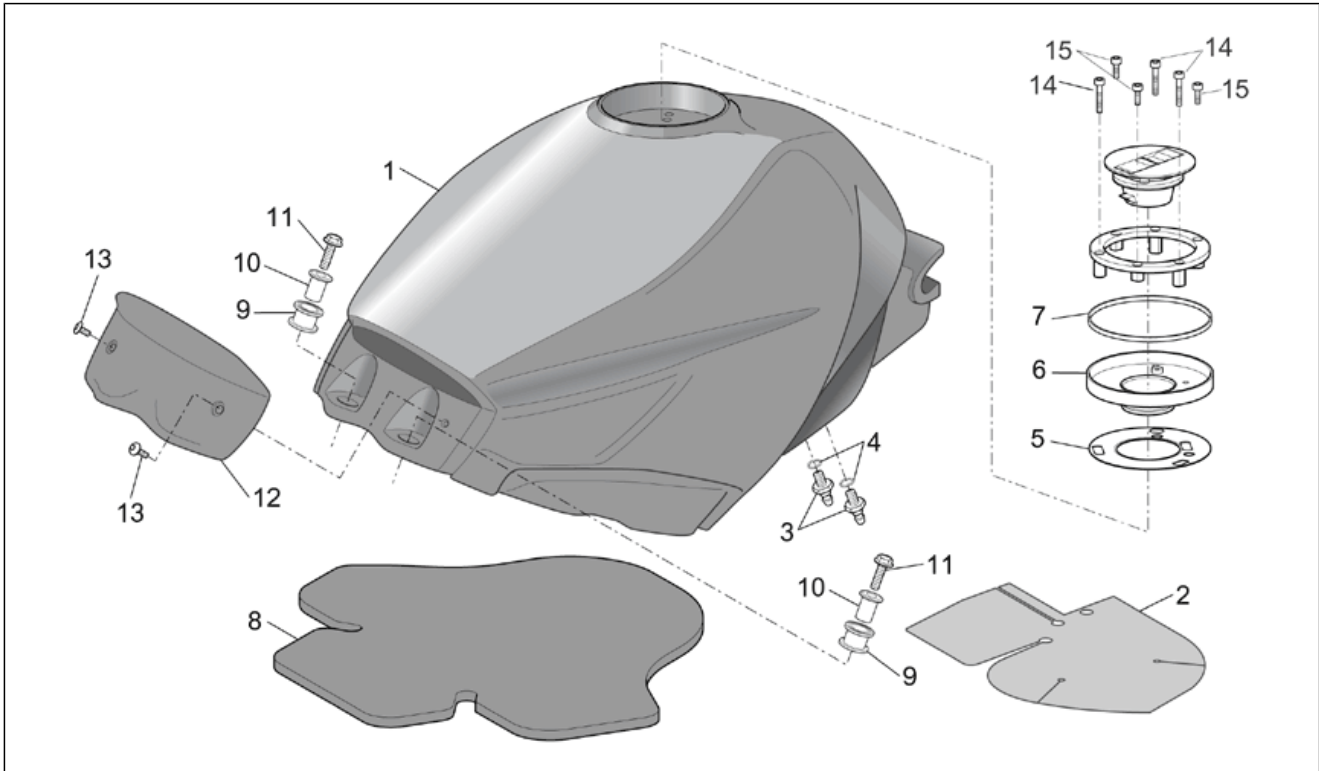
| Pos. | Code | Beschreibung | Menge | Varianten |
|------|-----------|----------------------------|-------|--|
| 2 | AP8149973 | LU Verkl., silbergrau | 1 | Baujahr: 2001[1], 2002[2] Fahrzeugfarbe: Silber Stream 2001-2002[s.sil] |
| 2 | AP8158061 | LU Verkl., rot | 1 | Baujahr: 2001[1], 2002[2] Fahrzeugfarbe: Rot Flame 2001-2002[f.red] |
| 2 | AP8158075 | LU Verkl., blau | 1 | Baujahr: 2001[1], 2002[2] Fahrzeugfarbe: Blau Infinity 2001-2002[l.blu] |
| 2 | AP8158848 | Verkl.unt. links, grau | 1 | Baujahr: 2002[2] Fahrzeugfarbe: Grau Ash 2002[ash.g] |
| 2 | AP8168855 | Verkl.unt. links, grau | 1 | Baujahr: 2003[3] Fahrzeugfarbe: Schwarz Darkness 2003[d.black], Blau Hilton 2003[h.blu] |
| 3 | AP8149050 | Schild r. Lufteinlass | 1 | |
| 4 | AP8149051 | Schild l. Lufteinlass | 1 | |
| 5 | AP8117157 | Schalldämmpl. unt. re. | 1 | |
| 6 | AP8117158 | Schalldämmpl. unt. links | 1 | |
| 7 | AP8121506 | Distanzscheibe Hitzeschutz | 1 | |
| 8 | AP8134686 | Fixierplatte Kette | 1 | |
| 9 | AP8150453 | TCEI Schraube M5x30 | 2 | |
| 10 | AP8121041 | Distanzscheibe * | 2 | |

| | |
|---------------------|----------------|
| Einheit | RAHMEN |
| Code | 28.17 |
| Beschreibung | Kraftstofftank |
| Inspektion | 1 |



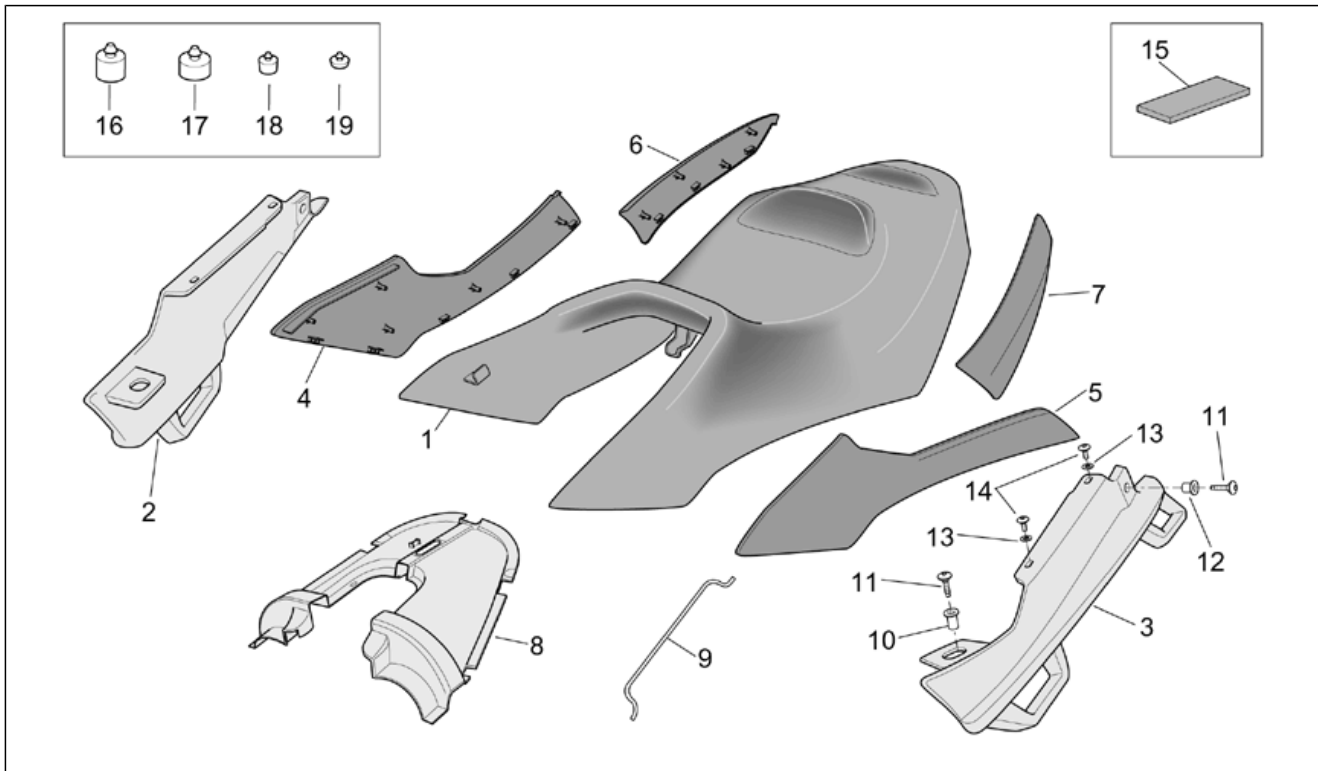
| Pos. | Code | Beschreibung | Menge | Varianten |
|------|-----------|----------------------------|-------|--|
| 1 | AP8158031 | Kraftstofftank, silbergrau | 1 | Baujahr: 2001[1], 2002[2] Fahrzeugfarbe: Silber Stream 2001-2002[s.sil] |
| 1 | AP8158055 | Kraftstofftank, rot | 1 | Baujahr: 2001[1], 2002[2] Fahrzeugfarbe: Rot Flame 2001-2002[f.red] |
| 1 | AP8158069 | Kraftstofftank, blau | 1 | Baujahr: 2001[1], 2002[2] Fahrzeugfarbe: Blau Infinity 2001-2002[l.blu] |
| 1 | AP8158842 | Kraftstofftank, grau | 1 | Baujahr: 2002[2] Fahrzeugfarbe: Grau Ash 2002[ash.g] |
| 1 | AP8168849 | Kraftstofftank, schwarz | 1 | Baujahr: 2003[3] Fahrzeugfarbe: Schwarz Darkness 2003[d.black] |
| 1 | AP8168865 | Kraftstofftank, blau | 1 | Baujahr: 2003[3] Fahrzeugfarbe: Blau Hilton 2003[h.blu] |
| 2 | AP8117179 | Hitzeschild Tank | 1 | |
| 3 | AP8102503 | Anschluß Gummihalter | 2 | |
| 4 | AP8120965 | O-Ring 2018 | 2 | |
| 5 | AP8120894 | Dichtung Kraftstofftank | 1 | Land: Österreich[A], Australien[AA], Australien[AUS], Belgien[B], Belgien[BB], Schweiz[CH], Deutschland[D], Dänemark[DK], Spanien[E], A, B, CH, D, DK, E, F, I, NL, P[EU], Frankreich[F], Frankreich[FF], Italien[I], Japan[J], Japan[JJ], Holland[NL], Portugal[P], Großbritannien[UK] |
| 5 | AP8120894 | Dichtung Kraftstofftank | 1 | Land: USA (Zulassung 49 Staaten)[AM], Vereinigte Staaten von Amerika[USA] Technische Daten: Zulassung 49 Staaten[49st] |
| 5 | AP8144351 | Dichtung Kraftstofftank | 1 | Land: USA (Zulassung California)[CF], Vereinigte Staaten von Amerika[USA] Technische Daten: Zulassung California[CAL] |
| 6 | AP8102535 | Schwimmergehäuse | 1 | |
| 7 | AP8120893 | Dichtung | 1 | |
| 8 | AP8117127 | Schalldämmpl. Tank | 1 | |
| 9 | AP8144328 | Gummi | 2 | |
| 10 | AP8121421 | T-Buchse | 2 | |
| 11 | AP8152281 | TE Schr. m. Flansch M6x30 | 2 | |

| | |
|---------------------|----------------|
| Einheit | RAHMEN |
| Code | 28.17 |
| Beschreibung | Kraftstofftank |
| Inspektion | 1 |



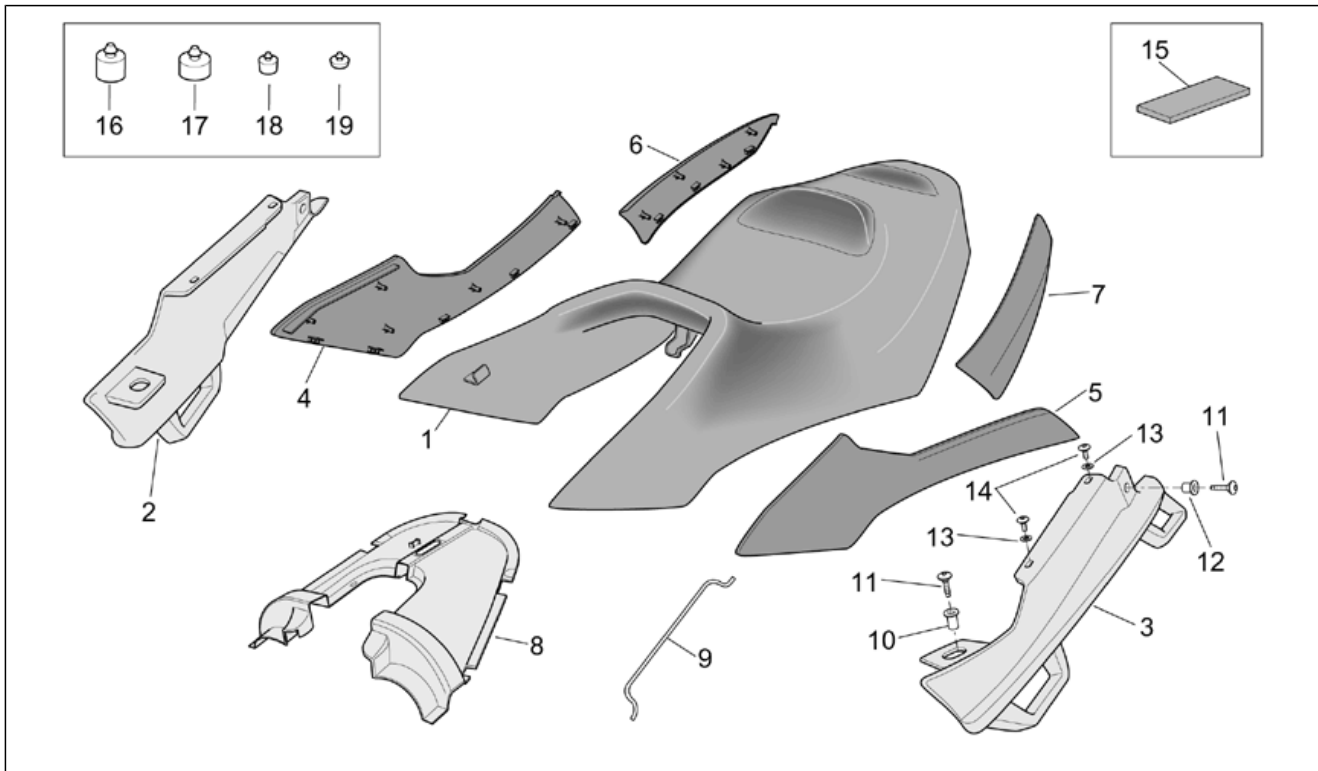
| Pos. | Code | Beschreibung | Menge | Varianten |
|------|-----------|---------------------|-------|--|
| 12 | AP8149963 | Tankdeckel | 1 | Baujahr: 2001[1], 2002[2] Fahrzeugfarbe: Rot Flame 2001-2002[f.red], Blau Infinity 2001-2002[l.blü], Silber Stream 2001-2002[s.sil] |
| 12 | AP8158858 | Tankdeckel | 1 | Baujahr: 2002[2], 2003[3] Fahrzeugfarbe: Grau Ash 2002[ash.g], Schwarz Darkness 2003[d.black], Blau Hilton 2003[h.blü] |
| 13 | AP8152171 | TBEI Schraube | 2 | |
| 14 | AP8150453 | TCEI Schraube M5x30 | 3 | |
| 15 | AP8150454 | TCEI Schraube M5x16 | 3 | |

| | |
|---------------------|--------|
| Einheit | RAHMEN |
| Code | 28.18 |
| Beschreibung | Sitz |
| Inspektion | 1 |



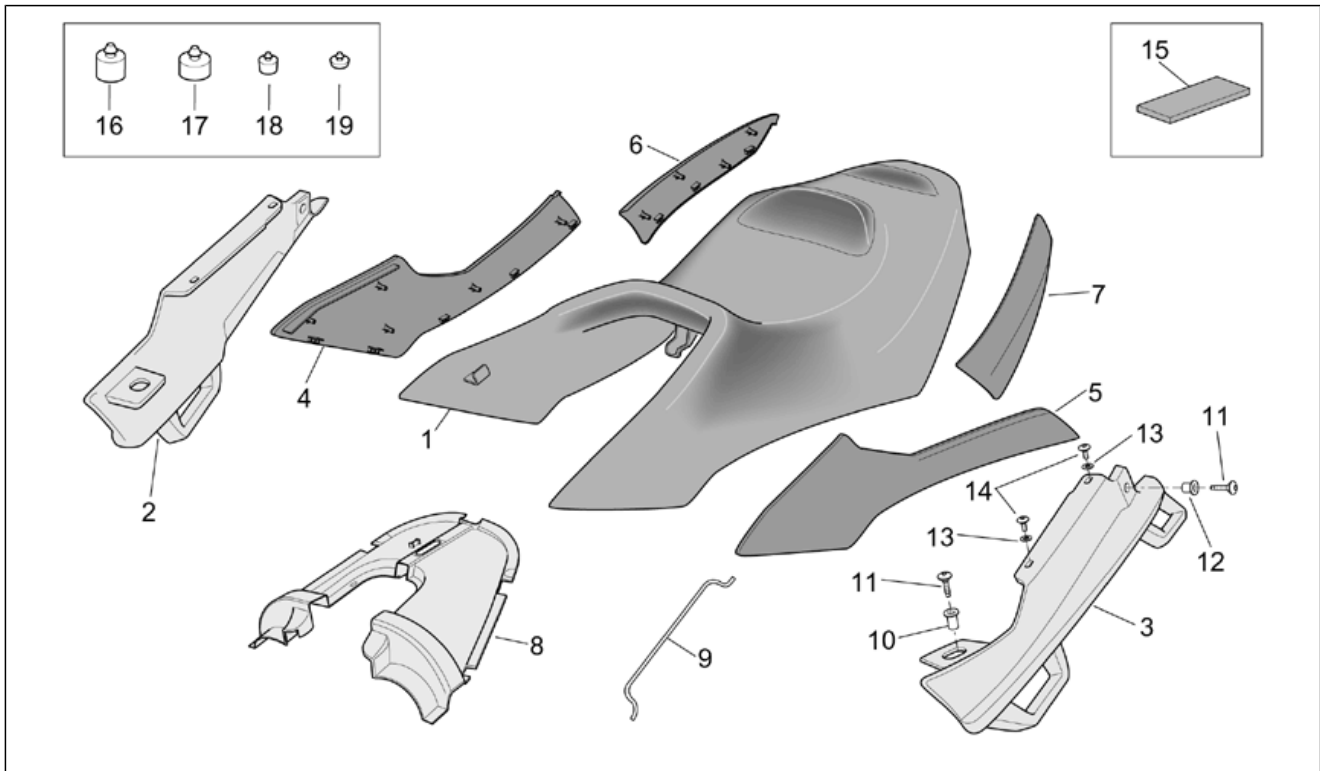
| Pos. | Code | Beschreibung | Menge | Varianten |
|------|-----------|---------------------------------------|-------|---|
| 1 | AP8129258 | Sitz | 1 | Baujahr:2001[1], 2002[2] |
| 1 | AP8129395 | Sitz | 1 | Baujahr:2003[3] Fahrzeugfarbe:Schwarz Darkness 2003[d.black] |
| 1 | AP8129396 | Sitz | 1 | Baujahr:2003[3] Fahrzeugfarbe:Blau Hilton 2003[h.blü] |
| 2 | AP8134717 | OR Gepäcktaschenhalterung, silbergrau | 1 | Baujahr:2001[1], 2002[2] Fahrzeugfarbe:Silber Stream 2001-2002[s.sil] |
| 2 | AP8158063 | OR Gepäcktaschenhalterung, rot | 1 | Baujahr:2001[1], 2002[2] Fahrzeugfarbe:Rot Flame 2001-2002[f.red] |
| 2 | AP8158077 | OR Gepäcktaschenhalterung, blau | 1 | Baujahr:2001[1], 2002[2] Fahrzeugfarbe:Blau Infinity 2001-2002[l.blü] |
| 2 | AP8158859 | RH Side case sup.sup., grey | 1 | Baujahr:2002[2], 2003[3] Fahrzeugfarbe:Grau Ash 2002[ash.g], Schwarz Darkness 2003[d.black], Blau Hilton 2003[h.blü] |
| 3 | AP8134718 | OL Gepäcktaschenhalterung, silbergrau | 1 | Baujahr:2001[1], 2002[2] Fahrzeugfarbe:Silber Stream 2001-2002[s.sil] |
| 3 | AP8158064 | OL Gepäcktaschenhalterung, rot | 1 | Baujahr:2001[1], 2002[2] Fahrzeugfarbe:Rot Flame 2001-2002[f.red] |
| 3 | AP8158078 | OL Gepäcktaschenhalterung, blau | 1 | Baujahr:2001[1], 2002[2] Fahrzeugfarbe:Blau Infinity 2001-2002[l.blü] |
| 3 | AP8158860 | LH Side case sup.sup., grey | 1 | Baujahr:2002[2], 2003[3] Fahrzeugfarbe:Grau Ash 2002[ash.g], Schwarz Darkness 2003[d.black], Blau Hilton 2003[h.blü] |
| 4 | AP8158188 | VR Seitent. Sitz, silbergrau | 1 | Baujahr:2001[1], 2002[2] Fahrzeugfarbe:Silber Stream 2001-2002[s.sil] |
| 4 | AP8158213 | VR Seitent. Sitz, rot | 1 | Baujahr:2001[1], 2002[2] Fahrzeugfarbe:Rot Flame 2001-2002[f.red] |
| 4 | AP8158219 | VR Seitent. Sitz, blau | 1 | Baujahr:2001[1], 2002[2] Fahrzeugfarbe:Blau Infinity 2001-2002[l.blü] |
| 4 | AP8158861 | VR Seitent. Sitz | 1 | Baujahr:2002[2] Fahrzeugfarbe:Grau Ash 2002[ash.g] |
| 4 | AP8168861 | VR Seitent. Sitz | 1 | Baujahr:2003[3] |

| | |
|---------------------|--------|
| Einheit | RAHMEN |
| Code | 28.18 |
| Beschreibung | Sitz |
| Inspektion | 1 |



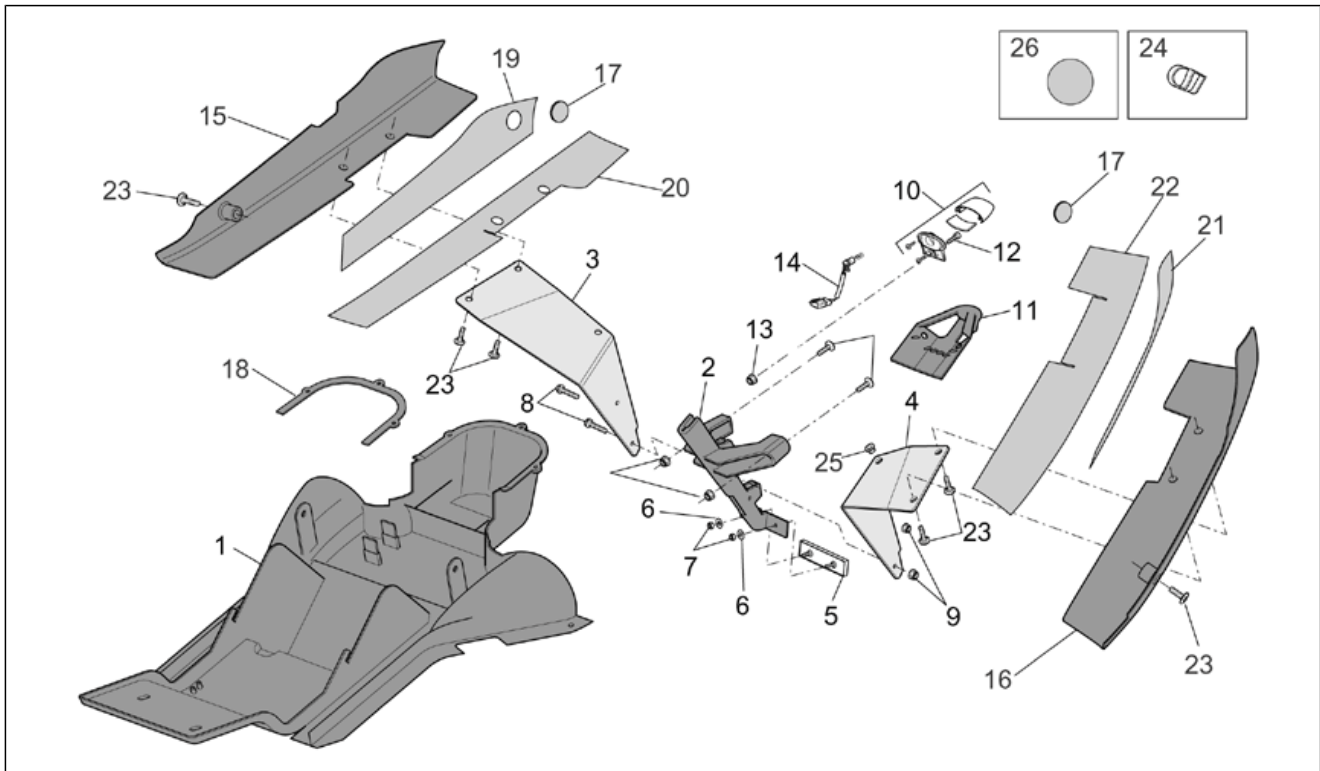
| Pos. | Code | Beschreibung | Menge | Varianten |
|------|-----------|------------------------------|-------|--|
| | | | | Fahrzeugfarbe:Schwarz Darkness 2003[d.black], Blau Hilton 2003[h.blu] |
| 5 | AP8158189 | VL Seitent. Sitz, silbergrau | 1 | Baujahr:2001[1], 2002[2] Fahrzeugfarbe:Silber Stream 2001-2002[s.sil] |
| 5 | AP8158214 | VL Seitent. Sitz, rot | 1 | Baujahr:2001[1], 2002[2] Fahrzeugfarbe:Rot Flame 2001-2002[f.red] |
| 5 | AP8158220 | VL Seitent. Sitz, blau | 1 | Baujahr:2001[1], 2002[2] Fahrzeugfarbe:Blau Infinity 2001-2002[l.blu] |
| 5 | AP8158862 | VL Seitent. Sitz | 1 | Baujahr:2002[2] Fahrzeugfarbe:Grau Ash 2002[ash.g] |
| 5 | AP8168862 | VL Seitent. Sitz | 1 | Baujahr:2003[3] Fahrzeugfarbe:Schwarz Darkness 2003[d.black], Blau Hilton 2003[h.blu] |
| 6 | AP8158190 | HR Seitent. Sitz, silbergrau | 1 | Baujahr:2001[1], 2002[2] Fahrzeugfarbe:Silber Stream 2001-2002[s.sil] |
| 6 | AP8158215 | HR Seitent. Sitz, rot | 1 | Baujahr:2001[1], 2002[2] Fahrzeugfarbe:Rot Flame 2001-2002[f.red] |
| 6 | AP8158221 | HR Seitent. Sitz, blau | 1 | Baujahr:2001[1], 2002[2] Fahrzeugfarbe:Blau Infinity 2001-2002[l.blu] |
| 6 | AP8158868 | HR Seitent. Sitz | 1 | Baujahr:2002[2] Fahrzeugfarbe:Grau Ash 2002[ash.g] |
| 6 | AP8168863 | HR Seitent. Sitz | 1 | Baujahr:2003[3] Fahrzeugfarbe:Schwarz Darkness 2003[d.black] |
| 6 | AP8168870 | HR Seitent. Sitz | 1 | Baujahr:2003[3] Fahrzeugfarbe:Blau Hilton 2003[h.blu] |
| 7 | AP8158191 | HL Seitent. Sitz, silbergrau | 1 | Baujahr:2001[1], 2002[2] Fahrzeugfarbe:Silber Stream 2001-2002[s.sil] |
| 7 | AP8158216 | HL Seitent. Sitz, rot | 1 | Baujahr:2001[1], 2002[2] Fahrzeugfarbe:Rot Flame 2001-2002[f.red] |
| 7 | AP8158222 | HL Seitent. Sitz, blau | 1 | Baujahr:2001[1], 2002[2] Fahrzeugfarbe:Blau Infinity 2001-2002[l.blu] |
| 7 | AP8158869 | HL Seitent. Sitz | 1 | Baujahr:2002[2] Fahrzeugfarbe:Grau Ash 2002[ash.g] |

| | |
|---------------------|--------|
| Einheit | RAHMEN |
| Code | 28.18 |
| Beschreibung | Sitz |
| Inspektion | 1 |



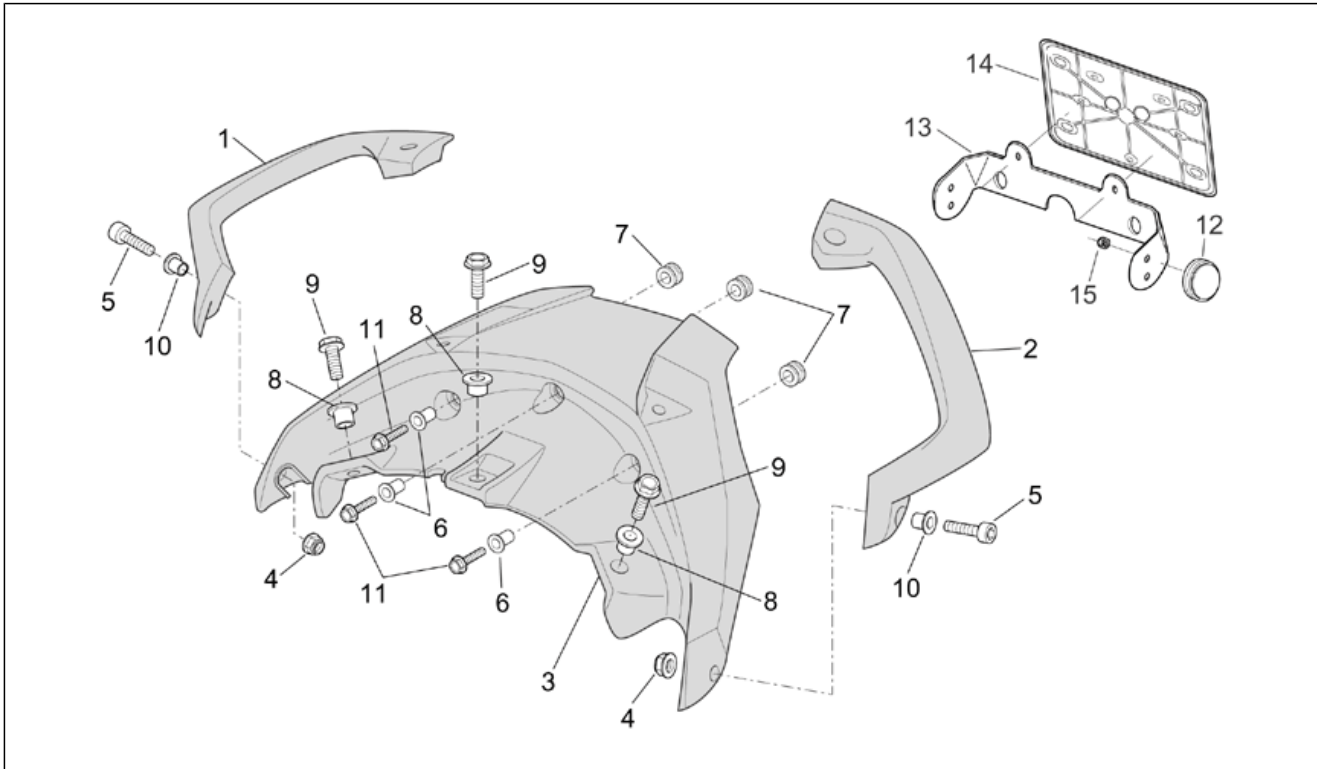
| Pos. | Code | Beschreibung | Menge | Varianten |
|------|-----------|------------------------------|-------|---|
| 7 | AP8168864 | HL Seitent. Sitz | 1 | Baujahr: 2003[3] Fahrzeugfarbe: Schwarz Darkness 2003[d.black] |
| 7 | AP8168871 | HL Seitent. Sitz | 1 | Baujahr: 2003[3] Fahrzeugfarbe: Blau Hilton 2003[h.blau] |
| 8 | AP8149304 | Unt. Verschl. h. Sitzhal. | 1 | |
| 9 | AP8134396 | Kraftstoff tankhalter stange | 1 | |
| 10 | AP8121716 | T-Buchse | 2 | |
| 11 | AP8152056 | TBEI Schraube M8x30 | 4 | |
| 12 | AP8221128 | T-Buchse 8,5x10,7x12 | 2 | |
| 13 | AP8152181 | Scheibe 6,4x15x1 | 4 | |
| 14 | AP8152137 | TBEI Schraube M6x20 | 4 | |
| 15 | AP8117004 | Klebeschwamm 15x8 | 1 | |
| 16 | AP8144569 | Sitz-Auflagegummi | 3 | |
| 17 | AP8144568 | Sitz-Auflagegummi | 2 | |
| 18 | AP8144567 | Sitz-Auflagegummi | 2 | |
| 19 | AP8144566 | Sitz-Auflagegummi | 2 | |

| | |
|---------------------|--------------|
| Einheit | RAHMEN |
| Code | 28.19 |
| Beschreibung | U. Sitzbank. |
| Inspektion | 1 |



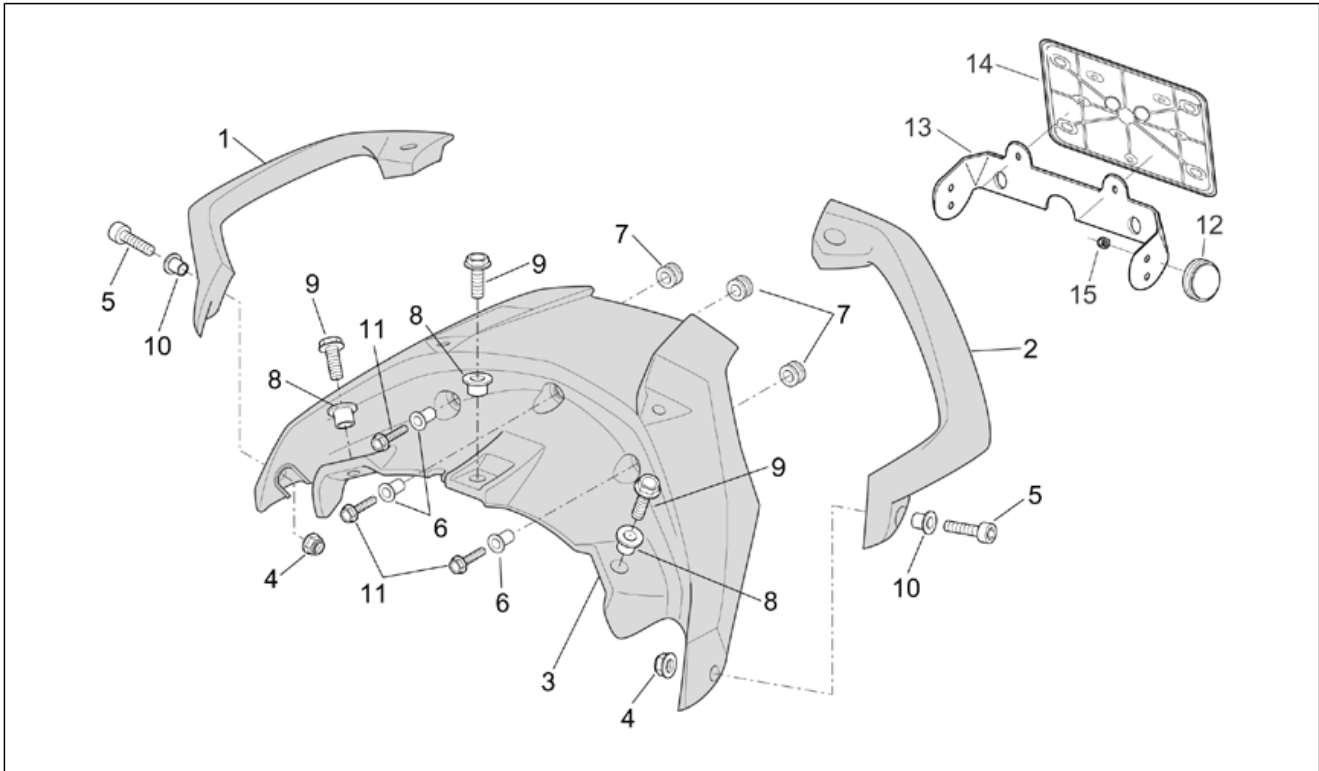
| Pos. | Code | Beschreibung | Menge | Varianten |
|------|-----------|-------------------------------|-------|-----------|
| 1 | AP8148045 | Verschl. unt. vorn Sitz | 1 | |
| 2 | AP8126780 | Kennzeichenplatte, schwarz | 1 | |
| 3 | AP8126876 | R. Ausleger Kennzeichenplatte | 1 | |
| 4 | AP8126757 | L. Ausleger Kennzeichenplatte | 1 | |
| 5 | AP8112916 | Rückstrahler Rücklicht | 1 | |
| 6 | AP8150011 | Ausgleichscheibe 4,3x12x1 | 2 | |
| 7 | AP8150204 | Mutter M4 | 2 | |
| 8 | AP8152275 | TE Schr. m. Flansch M5x25 | 2 | |
| 9 | AP8152306 | Selbstsperrende Mutter M5 | 2 | |
| 10 | AP8124899 | Kennzeichenleuchte Gr. | 1 | |
| 11 | AP8134573 | Halter.K-zeich.-beleu. | 1 | |
| 12 | AP8150050 | TCEI Schraube M5x16 | 1 | |
| 13 | AP8150114 | Selbstsperr.mut Unt. | 1 | |
| 14 | AP8127063 | Kennzeich.leuch.Kabel | 1 | |
| 15 | AP8117178 | R. Hitzeschutz | 1 | |
| 16 | AP8117163 | L. Hitzeschutz | 1 | |
| 17 | AP8121506 | Distanzscheibe Hitzeschutz | 2 | |
| 18 | AP8144437 | Dichtung | 1 | |
| 19 | AP8117180 | RO Hitzeschutz | 1 | |
| 20 | AP8117183 | RU Hitzeschutz | 1 | |
| 21 | AP8117181 | LO Hitzeschutz | 1 | |
| 22 | AP8117184 | LU Hitzeschutz | 1 | |
| 23 | AP8152298 | TBEI Schraube m.Flansch M5x16 | 2 | |
| 24 | AP8201727 | Kabelführungs schw. | 1 | |
| 25 | AP8120531 | Gummi mit Einsatz | 2 | |
| 26 | AP8167656 | Deko schutz | 6 | |

| | |
|---------------------|------------|
| Einheit | RAHMEN |
| Code | 28.20 |
| Beschreibung | Heckaufbau |
| Inspektion | 1 |



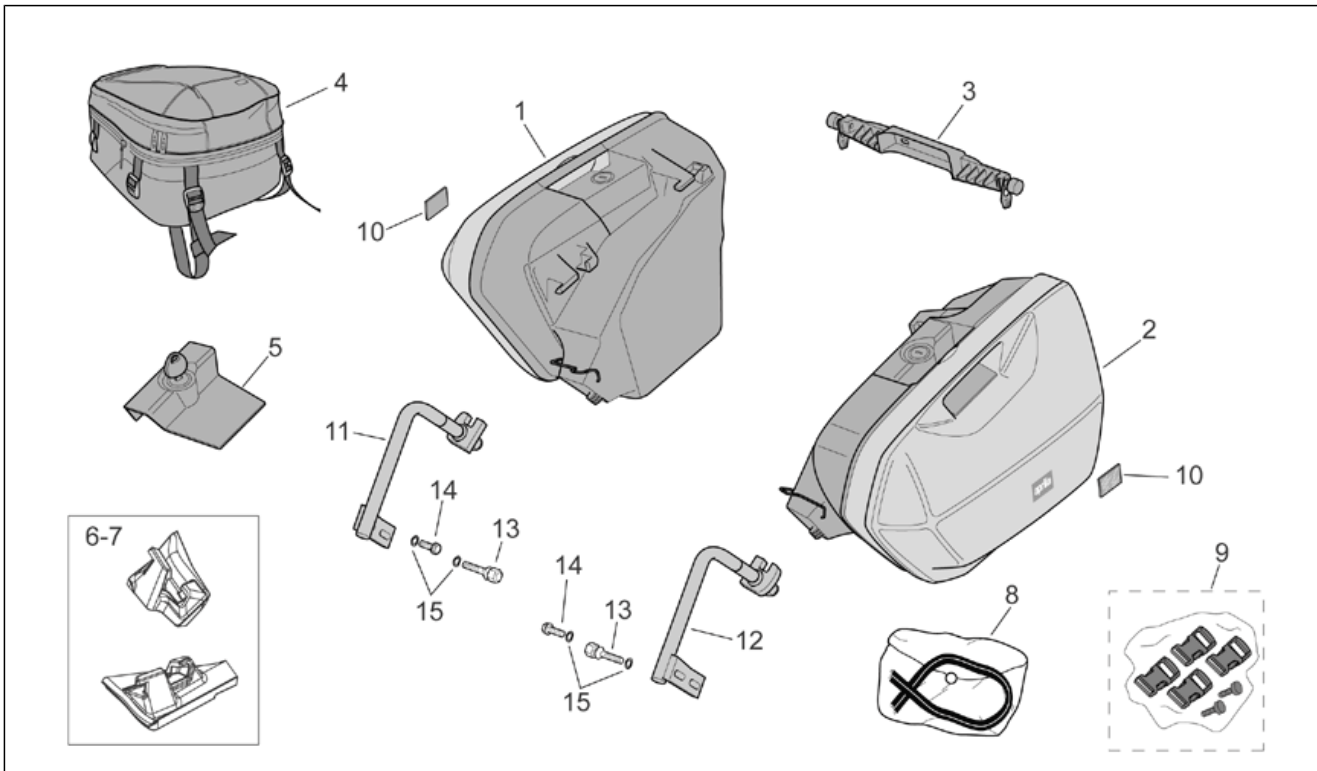
| Pos. | Code | Beschreibung | Menge | Varianten |
|------|-----------|-------------------------------|-------|--|
| 1 | AP8149974 | R. Soziushaltegriff, grau | 1 | Baujahr: 2001[1], 2002[2] Fahrzeugfarbe: Grau Ash 2002[ash.g], Rot Flame 2001-2002[f.red], Blau Infinity 2001-2002[l.blu], Silber Stream 2001-2002[s.sil] |
| 1 | AP8168857 | Soziusgriff dx v.nero | 1 | Baujahr: 2003[3] Fahrzeugfarbe: Schwarz Darkness 2003[d.black], Blau Hilton 2003[h.blu] |
| 2 | AP8149975 | L. Soziushaltegriff, grau | 1 | Baujahr: 2001[1], 2002[2] Fahrzeugfarbe: Grau Ash 2002[ash.g], Rot Flame 2001-2002[f.red], Blau Infinity 2001-2002[l.blu], Silber Stream 2001-2002[s.sil] |
| 2 | AP8168858 | Soziusgriff sx v.nero | 1 | Baujahr: 2003[3] Fahrzeugfarbe: Schwarz Darkness 2003[d.black], Blau Hilton 2003[h.blu] |
| 3 | AP8148275 | Gr. Soziushaltegriff, grau | 1 | Baujahr: 2001[1], 2002[2] Fahrzeugfarbe: Rot Flame 2001-2002[f.red], Blau Infinity 2001-2002[l.blu], Silber Stream 2001-2002[s.sil] |
| 3 | AP8149761 | Gr. Soziushaltegriff, grau | 1 | Baujahr: 2002[2] Fahrzeugfarbe: Grau Ash 2002[ash.g] |
| 3 | AP8168856 | Gr. Soziushaltegriff, schwarz | 1 | Baujahr: 2003[3] Fahrzeugfarbe: Schwarz Darkness 2003[d.black], Blau Hilton 2003[h.blu] |
| 4 | AP8152300 | Selbstsperrende Mutter M8 | 4 | |
| 5 | AP8150170 | TCEI Schraube M8x25 | 4 | |
| 6 | AP8121725 | T-Buchse * | 3 | |
| 7 | AP8220370 | Gummi Filtergehäuse | 3 | |
| 8 | AP8125855 | T-Buchse | 3 | |
| 9 | AP8152286 | TE Schr. m. Flansch M8x20 | 3 | |
| 10 | AP8125882 | T-Buchse | 2 | |
| 11 | AP8152280 | TE Schr. m. Flansch M6x25 | 3 | |
| 12 | AP8224164 | Rückstrahler Rücklicht, rot | 2 | Land: USA (Zulassung 49 Staaten)[AM], USA (Zulassung California)[CF], Vereinigte Staaten von Amerika[USA] |

| | |
|---------------------|------------|
| Einheit | RAHMEN |
| Code | 28.20 |
| Beschreibung | Heckaufbau |
| Inspektion | 1 |



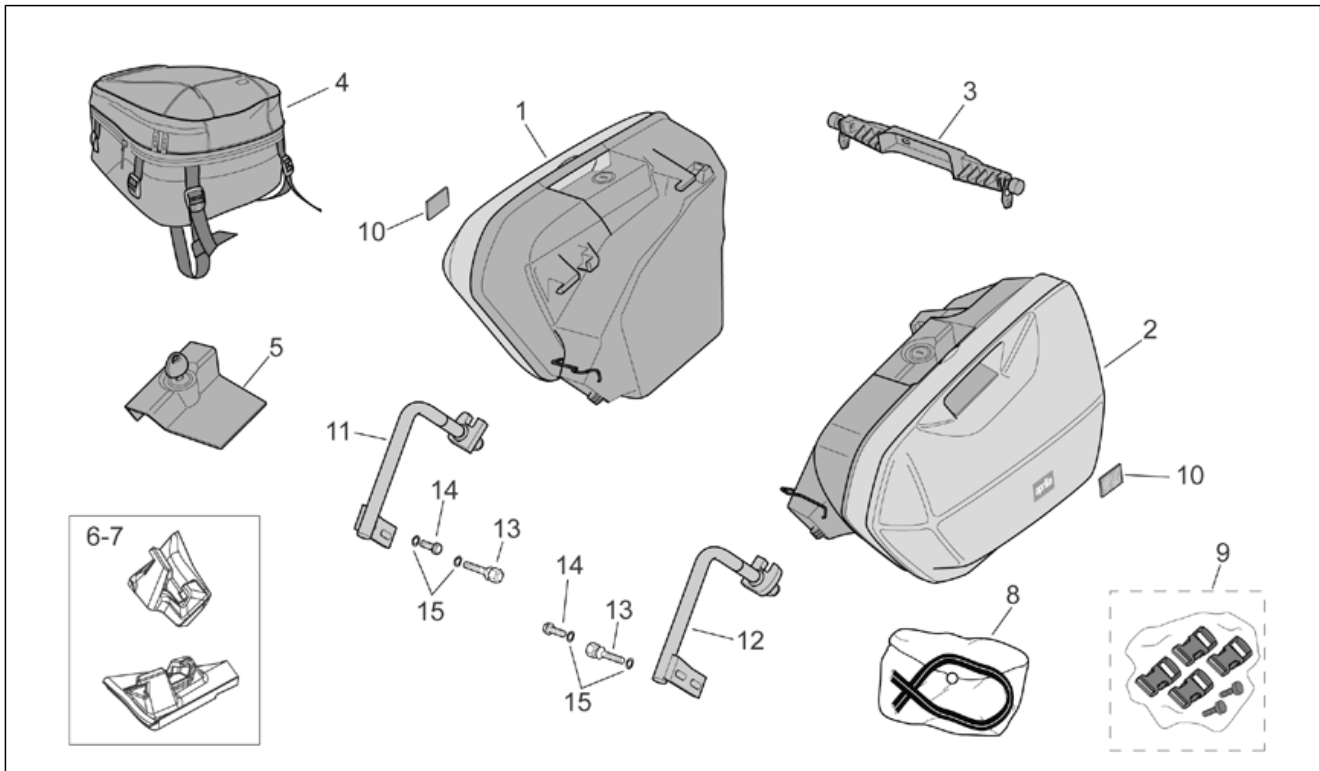
| Pos. | Code | Beschreibung | Menge | Varianten |
|------|-----------|---------------------------|-------|--|
| 13 | AP8258253 | H.rückstrahler Support | 1 | Land:USA (Zulassung 49 Staaten)[AM], USA (Zulassung California)[CF], Vereinigte Staaten von Amerika[USA] |
| 14 | AP8149034 | Kennzeichenhalter | 1 | Land:USA (Zulassung 49 Staaten)[AM], USA (Zulassung California)[CF], Vereinigte Staaten von Amerika[USA] |
| 15 | AP8152306 | Selbstsperrende Mutter M5 | 4 | Land:USA (Zulassung 49 Staaten)[AM], USA (Zulassung California)[CF], Vereinigte Staaten von Amerika[USA] |

| | |
|---------------------|------------|
| Einheit | RAHMEN |
| Code | 28.21 |
| Beschreibung | Side cases |
| Inspektion | 1 |



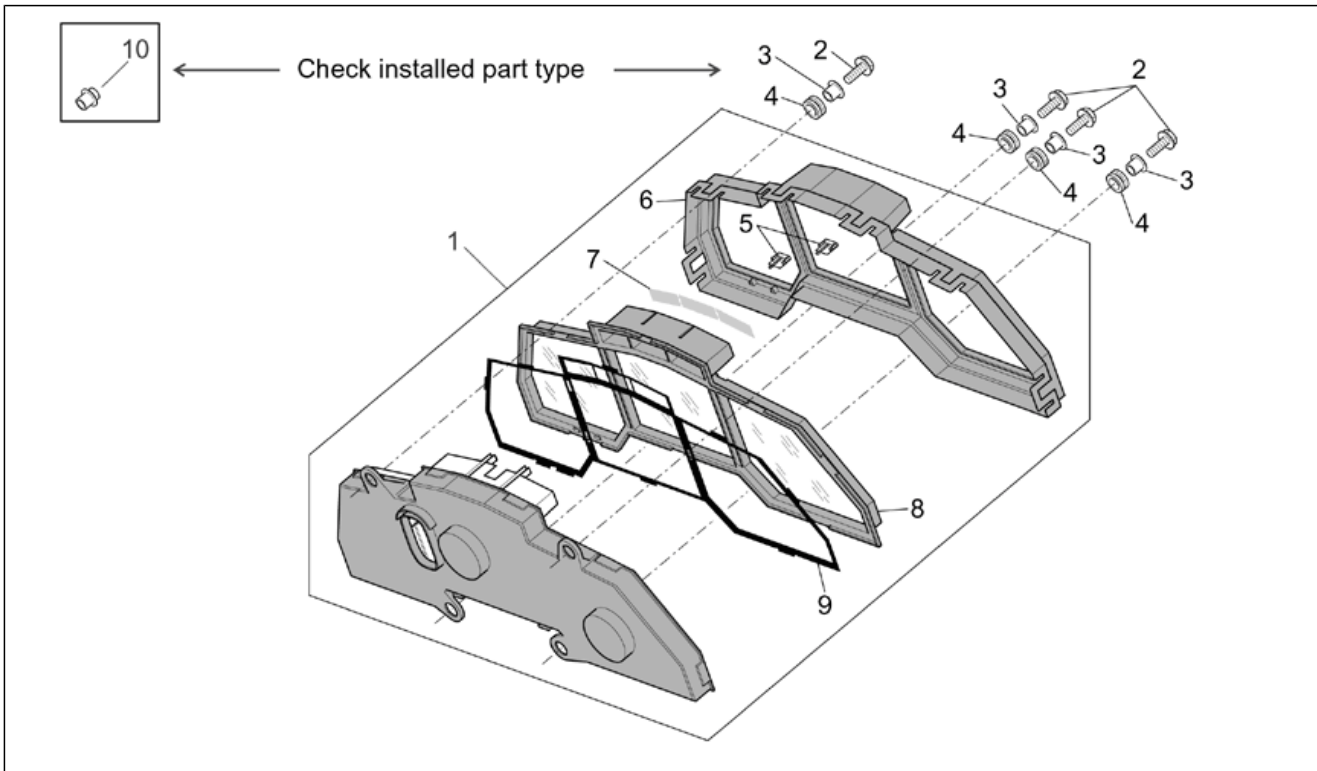
| Pos. | Code | Beschreibung | Menge | Varianten |
|------|-----------|-------------------------------|-------|--|
| 1 | AP8790258 | Koffer re.grau | 1 | Baujahr: 2003[3] Fahrzeugfarbe: Schwarz Darkness 2003[d.black], Blau Hilton 2003[h.blu] |
| 1 | AP8792178 | Koffer re.silber | 1 | Baujahr: 2002[2] Fahrzeugfarbe: Silber Stream 2001-2002[s.sil] |
| 1 | AP8792180 | Koffer re.rot | 1 | Baujahr: 2002[2] Fahrzeugfarbe: Rot Flame 2001-2002[f.red] |
| 1 | AP8792182 | Koffer re.blau | 1 | Baujahr: 2002[2] Fahrzeugfarbe: Blau Infinity 2001-2002[l.blu] |
| 1 | AP8792233 | Koffer re.grau | 1 | Baujahr: 2002[2] Fahrzeugfarbe: Grau Ash 2002[ash.g] |
| 2 | AP8790259 | Koffer li.grau | 1 | Baujahr: 2003[3] Fahrzeugfarbe: Schwarz Darkness 2003[d.black], Blau Hilton 2003[h.blu] |
| 2 | AP8792179 | Koffer li.silber | 1 | Baujahr: 2002[2] Fahrzeugfarbe: Silber Stream 2001-2002[s.sil] |
| 2 | AP8792181 | Koffer li.Rot | 1 | Baujahr: 2002[2] Fahrzeugfarbe: Rot Flame 2001-2002[f.red] |
| 2 | AP8792183 | Koffer li.blau | 1 | Baujahr: 2002[2] Fahrzeugfarbe: Blau Infinity 2001-2002[l.blu] |
| 2 | AP8792234 | Koffer li.grau | 1 | Baujahr: 2002[2] Fahrzeugfarbe: Grau Ash 2002[ash.g] |
| 3 | AP8706348 | Halterbügel | 1 | Baujahr: 2003[3] Fahrzeugfarbe: Schwarz Darkness 2003[d.black], Blau Hilton 2003[h.blu] |
| 3 | AP8792187 | Ständer grau met. | 1 | Baujahr: 2002[2] |
| 4 | AP8792156 | Tankkrucksack | 1 | Baujahr: 2002[2], 2003[3] Land: Italien[I], Italien[II] |
| 5 | AP8792184 | Verschlusshebel Paar kpl.Grey | 1 | Baujahr: 2002[2], 2003[3] |
| 6 | AP8792185 | Kit Halterung ob.re.graemet. | 1 | Baujahr: 2002[2], 2003[3] |
| 7 | AP8792186 | Kit Halterung ob.li.graemet. | 1 | Baujahr: 2002[2], 2003[3] |
| 8 | AP8792230 | Dichtungssatz | 1 | Baujahr: 2002[2], 2003[3] |

| | |
|---------------------|------------|
| Einheit | RAHMEN |
| Code | 28.21 |
| Beschreibung | Side cases |
| Inspektion | 1 |



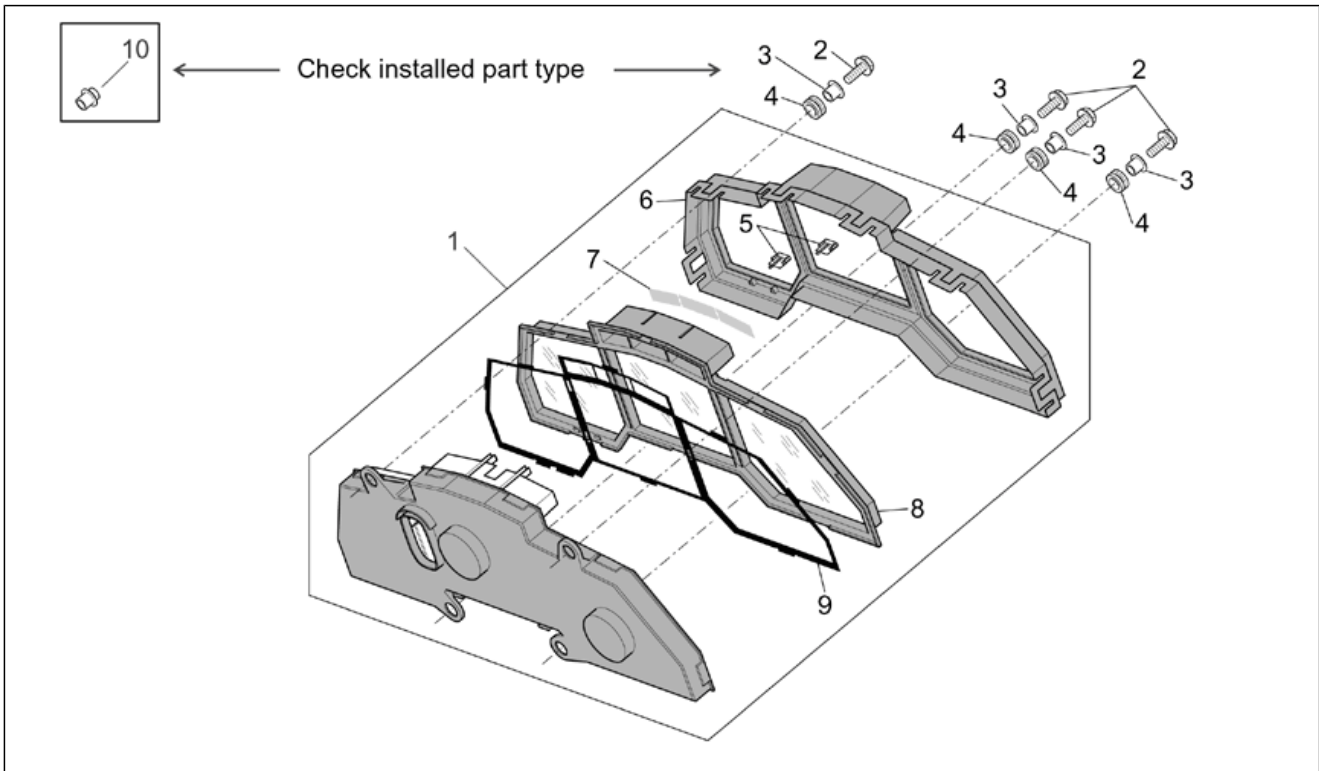
| Pos. | Code | Beschreibung | Menge | Varianten |
|------|-----------|-----------------------------------|-------|--------------------------|
| 9 | AP8792188 | elastic/rubber kit | 1 | Baujahr:2002[2], 2003[3] |
| 10 | AP8706314 | Rückstrahler | 2 | Baujahr:2002[2], 2003[3] |
| 11 | AP8706337 | RH Front suitcase connect. | 1 | Baujahr:2002[2], 2003[3] |
| 12 | AP8706338 | LH Front suitcase connect. | 1 | Baujahr:2002[2], 2003[3] |
| 13 | AP8706349 | Reißschraube | 2 | Baujahr:2002[2], 2003[3] |
| 14 | AP8152273 | Flanschschraube M5x15 | 2 | Baujahr:2002[2], 2003[3] |
| 15 | AP8150272 | Gebogene Sprengscheibe 5,3x10x0,5 | 4 | Baujahr:2002[2], 2003[3] |

| | |
|---------------------|-------------------|
| Einheit | RAHMEN |
| Code | 28.22 |
| Beschreibung | Instrumententafel |
| Inspektion | 1 |



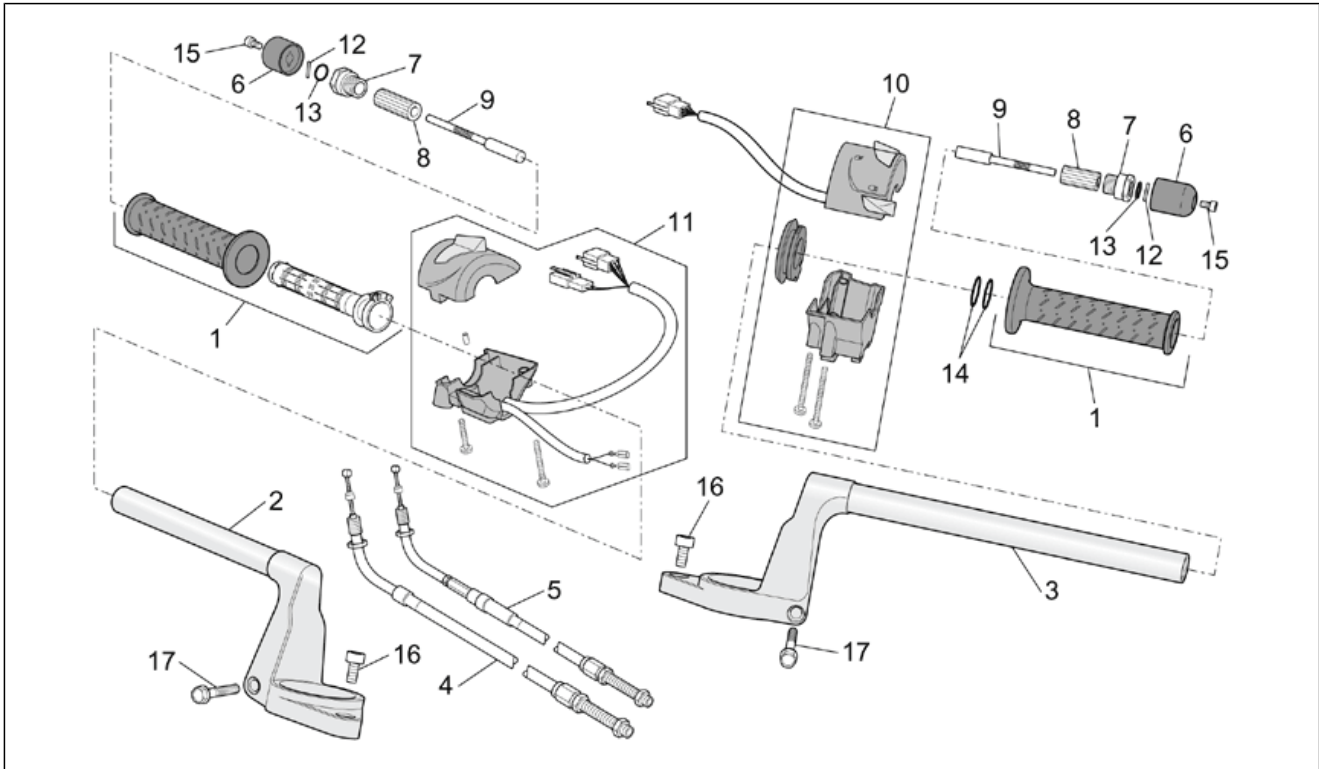
| Pos. | Code | Beschreibung | Menge | Varianten |
|------|-----------|---------------------------|-------|--|
| 1 | AP8124696 | Instrum.tafel kplt. | 1 | Baujahr: 2001[1], 2002[2] Fahrzeugfarbe: Rot Flame 2001-2002[f.red], Blau Infinity 2001-2002[l.blu], Silber Stream 2001-2002[s.sil] Land: Österreich[A], Australien[AA], Australien[AUS], Belgien[B], Belgien[BB], Schweiz[CH], Deutschland[D], Dänemark[DK], Spanien[E], A, B, CH, D, DK, E, F, I, NL, P[EU], Frankreich[F], Frankreich[FF], Italien[I], Japan[J], Japan[JJ], Holland[NL], Portugal[P] |
| 1 | AP8127075 | Instrum.tafel kplt. | 1 | Baujahr: 2001[1], 2002[2] Fahrzeugfarbe: Rot Flame 2001-2002[f.red], Blau Infinity 2001-2002[l.blu], Silber Stream 2001-2002[s.sil] Land: USA (Zulassung 49 Staaten)[AM], USA (Zulassung California)[CF], Vereinigte Staaten von Amerika[USA] |
| 1 | AP8127279 | Instrum.tafel kplt. | 1 | Baujahr: 2001[1], 2002[2] Fahrzeugfarbe: Rot Flame 2001-2002[f.red], Blau Infinity 2001-2002[l.blu], Silber Stream 2001-2002[s.sil] Land: Großbritannien[UK] |
| 1 | AP8127326 | Instrum.tafel kplt. | 1 | Baujahr: 2002[2], 2003[3] Fahrzeugfarbe: Grau Ash 2002[ash.g], Schwarz Darkness 2003[d.black], Blau Hilton 2003[h.blu] Land: Österreich[A], Australien[AA], Australien[AUS], Belgien[B], Belgien[BB], Schweiz[CH], Deutschland[D], Dänemark[DK], Spanien[E], A, B, CH, D, DK, E, F, I, NL, P[EU], Frankreich[F], Frankreich[FF], Italien[I], Japan[J], Japan[JJ], Holland[NL], Portugal[P] |
| 1 | AP8127327 | Instrum.tafel kplt. | 1 | Baujahr: 2002[2], 2003[3] Fahrzeugfarbe: Grau Ash 2002[ash.g], Schwarz Darkness 2003[d.black], Blau Hilton 2003[h.blu] Land: Großbritannien[UK] |
| 1 | AP8127328 | Instrum.tafel kplt. | 1 | Baujahr: 2002[2] Fahrzeugfarbe: Grau Ash 2002[ash.g] Land: USA (Zulassung 49 Staaten)[AM], USA (Zulassung California)[CF], Vereinigte Staaten von Amerika[USA] |
| 2 | AP8152280 | TE Schr. m. Flansch M6x25 | 4 | |
| 3 | AP8121790 | T-Buchse * | 4 | |

| | |
|---------------------|-------------------|
| Einheit | RAHMEN |
| Code | 28.22 |
| Beschreibung | Instrumententafel |
| Inspektion | 1 |



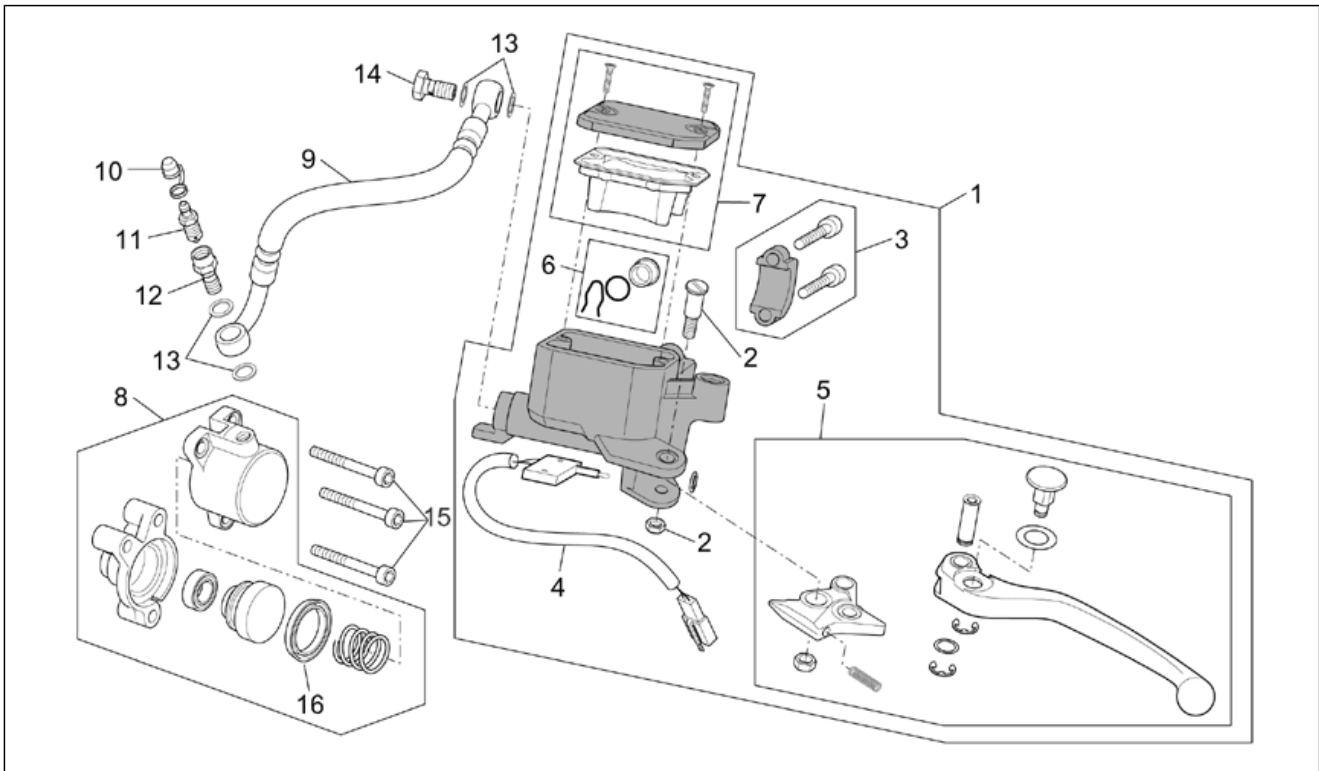
| Pos. | Code | Beschreibung | Menge | Varianten |
|------|-----------|----------------------|-------|-----------|
| 4 | AP8112599 | Gummi * | 4 | |
| 5 | AP8127155 | Kn. Instrum. | 2 | |
| 6 | AP8127156 | Blende | 1 | |
| 7 | AP8127157 | Blende | 1 | |
| 8 | AP8127158 | transparenter Schutz | 1 | |
| 9 | AP8127159 | Dichtung | 1 | |
| 10 | AP8121574 | Fixierstift | 1 | |

| | |
|---------------------|--------------------------|
| Einheit | RAHMEN |
| Code | 28.23 |
| Beschreibung | Lenkstange - Schaltungen |
| Inspektion | 1 |



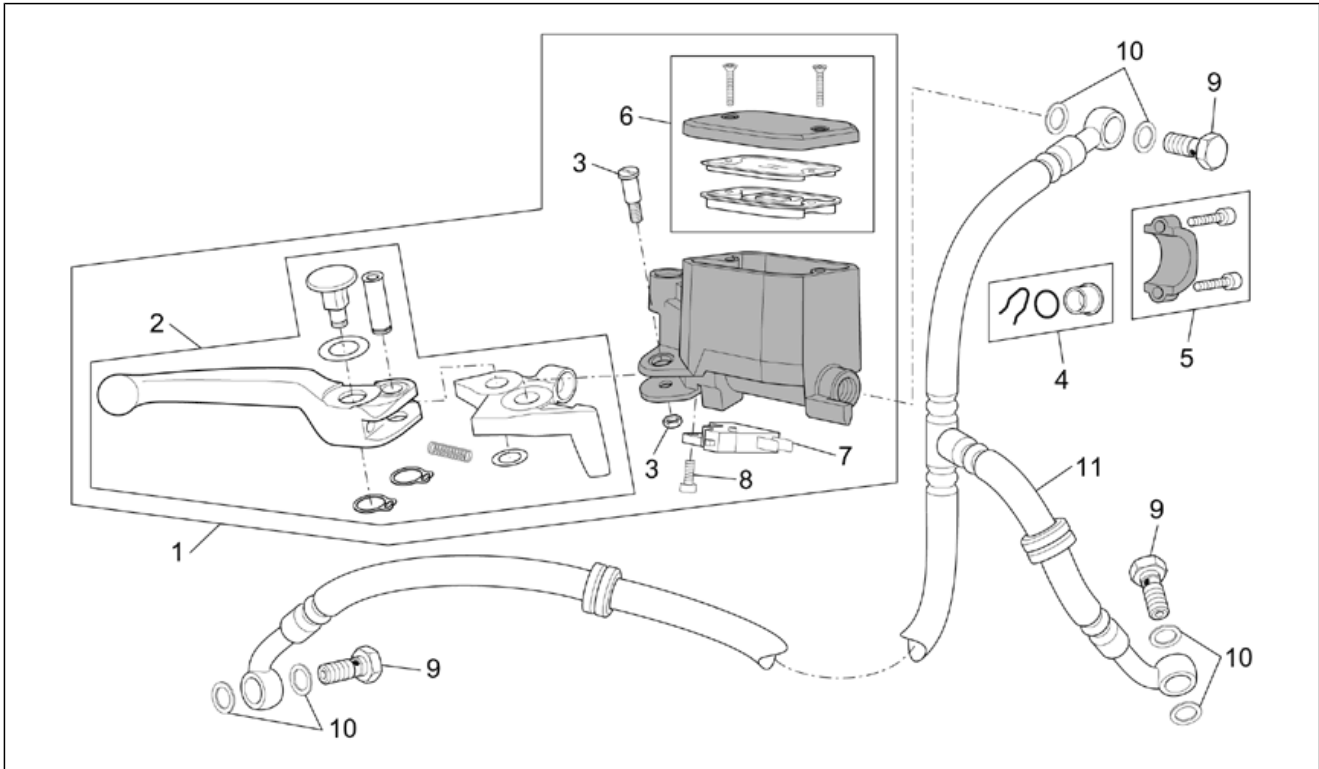
| Pos. | Code | Beschreibung | Menge | Varianten |
|------|-----------|------------------------------|-------|---|
| 1 | AP8118619 | Handgriffe paar, schwarz | 1 | |
| 2 | AP8118526 | Lenkerteil re. | 1 | |
| 3 | AP8118527 | Halbblenker links | 1 | |
| 4 | AP8114393 | Gas trasmission return | 1 | |
| 5 | AP8114392 | Gas trasmission delivery | 1 | |
| 6 | AP8102787 | Schwingschutzgewicht schwarz | 2 | |
| 7 | AP8121261 | Endstück Schwinggew. | 2 | |
| 8 | AP8144083 | Gummi | 2 | |
| 9 | AP8121262 | Welle Schwingchutz | 2 | |
| 10 | AP8124918 | Linker Lichtschalter | 1 | |
| 11 | AP8124916 | Rechter Lichtschalter | 1 | Baujahr: 2001[1], 2002[2] Land: Österreich[A], Australien[AA], Australien[AUS], Belgien[B], Belgien[BB], Schweiz[CH], Deutschland[D], Dänemark[DK], Spanien[E], A, B, CH, D, DK, E, F, I, NL, P[EU], Frankreich[F], Frankreich[FF], Italien[I], Holland[NL], Portugal[P] |
| 11 | AP8124917 | Rechter Lichtschalter | 1 | Baujahr: 2003[3] |
| 11 | AP8124917 | Rechter Lichtschalter | 1 | Baujahr: 2001[1], 2002[2] Land: USA (Zulassung 49 Staaten)[AM], USA (Zulassung California)[CF], Japan[J], Japan[JJ], Vereinigte Staaten von Amerika[USA] |
| 12 | AP8110074 | Rolle D4x19,8 | 2 | |
| 13 | AP8120178 | O-Ring OR112 | 2 | |
| 14 | AP8120190 | O-Ring 3075 | 2 | |
| 15 | AP8152040 | TCEI Schraube | 2 | |
| 16 | AP8150137 | TCEI Schraube M6x16 | 2 | |
| 17 | AP8152290 | TE Schr. m. Flansch M8x40 | 2 | |

| | |
|---------------------|----------------|
| Einheit | RAHMEN |
| Code | 28.24 |
| Beschreibung | Kupplungspumpe |
| Inspektion | 1 |



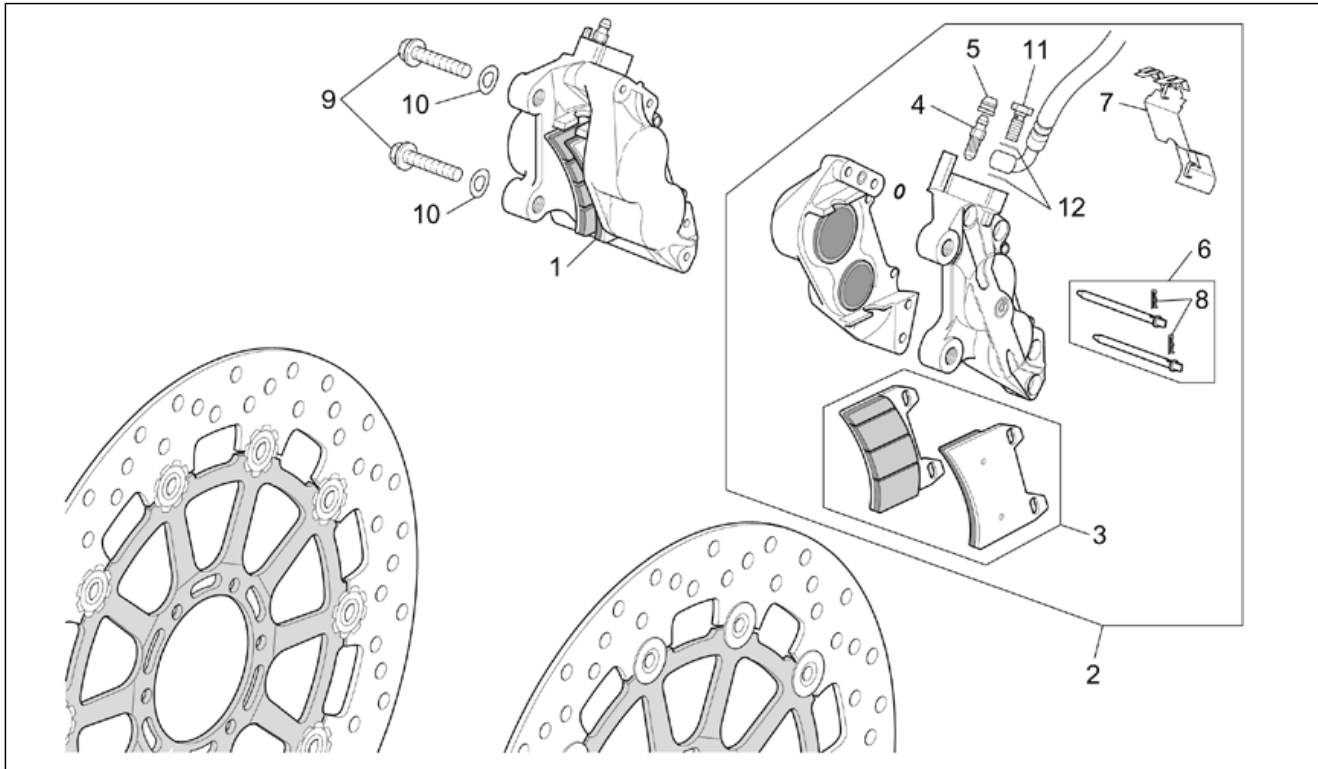
| Pos. | Code | Beschreibung | Menge | Varianten |
|------|-----------|---------------------------|-------|-----------|
| 1 | AP8106713 | Kupplungspumpe | 1 | |
| 2 | AP8113719 | Hebelbolzen | 1 | |
| 3 | AP8113996 | Bügelbolzen | 1 | |
| 4 | AP8127224 | Mikroschalter | 1 | |
| 5 | AP8118659 | Kupplungshebel | 1 | |
| 6 | AP8213243 | Schauglas Bremspumpe | 1 | |
| 7 | AP8113997 | Tankverschluß | 1 | |
| 8 | AP8106381 | Kupplungszylinder | 1 | |
| 9 | AP8133504 | Kupplungsschlauch | 1 | |
| 10 | AP8113230 | Entlüftungskappe | 1 | |
| 11 | AP8113761 | Entlüftungsanschluß | 1 | |
| 12 | AP8113762 | Lochschraube | 1 | |
| 13 | AP8121915 | Dichtung | 4 | |
| 14 | AP8113003 | Fixierschraube Ölschlauch | 1 | |
| 15 | AP0241821 | TCEI Schraube M6x45 | 3 | |
| 16 | AP8106935 | Dichtung | 1 | |

| | |
|---------------------|---------------------|
| Einheit | RAHMEN |
| Code | 28.25 |
| Beschreibung | Vorderradbremspumpe |
| Inspektion | 1 |



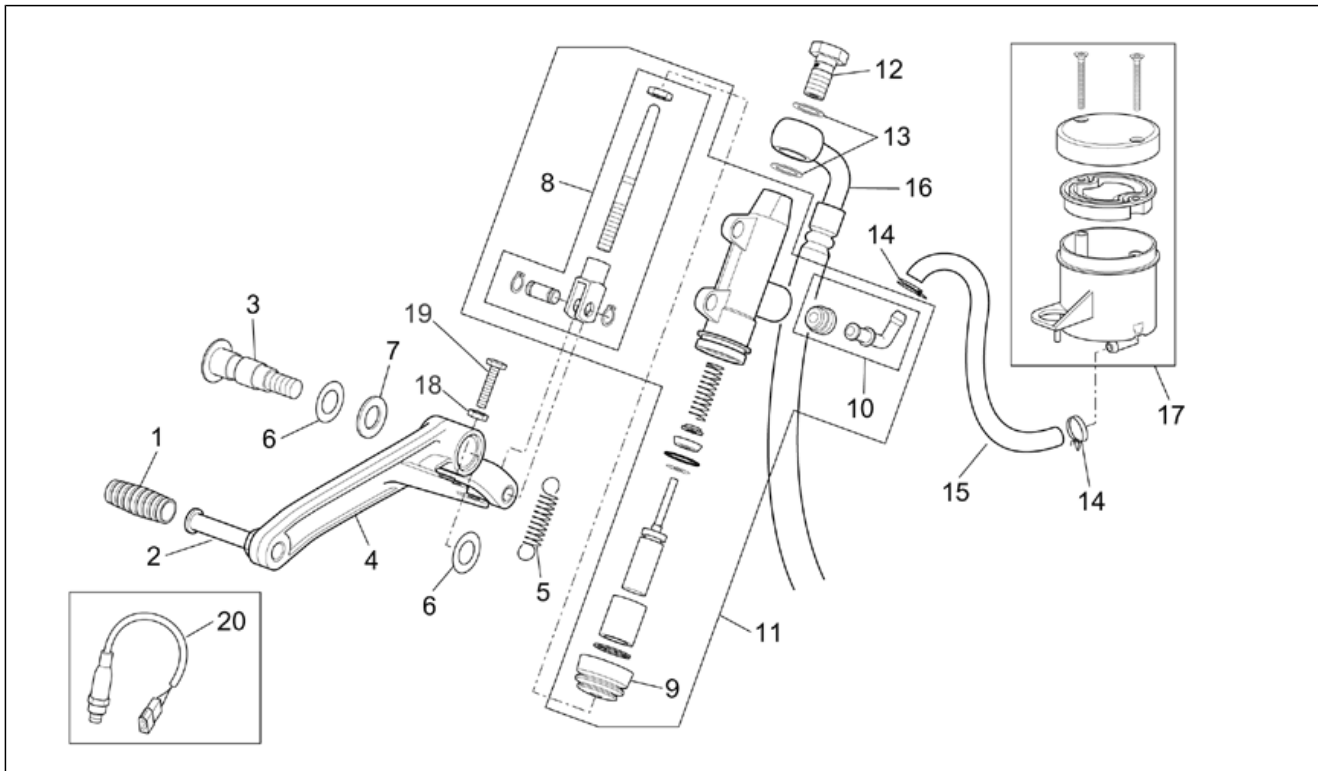
| Pos. | Code | Beschreibung | Menge | Varianten |
|------|-----------|------------------------------|-------|-----------|
| 1 | AP8113803 | Vorderradbremspumpe | 1 | |
| 2 | AP8133510 | Vorderradbremshebel | 1 | |
| 3 | AP8113995 | Hebelbolzen | 1 | |
| 4 | AP8113063 | Schauglas Bremspumpe | 1 | |
| 5 | AP8113993 | Bügelbolzen | 1 | |
| 6 | AP8113994 | Tankverschluss | 1 | |
| 7 | AP8224192 | Bremslichtschalter mit Gummi | 1 | |
| 8 | AP8152043 | TCEI Schraube M4x10 | 1 | |
| 9 | AP8113003 | Fixierschraube Ölschlauch | 3 | |
| 10 | AP8121915 | Dichtung | 6 | |
| 11 | AP8133505 | Vorderradbremseleitung | 1 | |

| | |
|---------------------|--------------------|
| Einheit | RAHMEN |
| Code | 28.26 |
| Beschreibung | Vorderradbremzange |
| Inspektion | 1 |



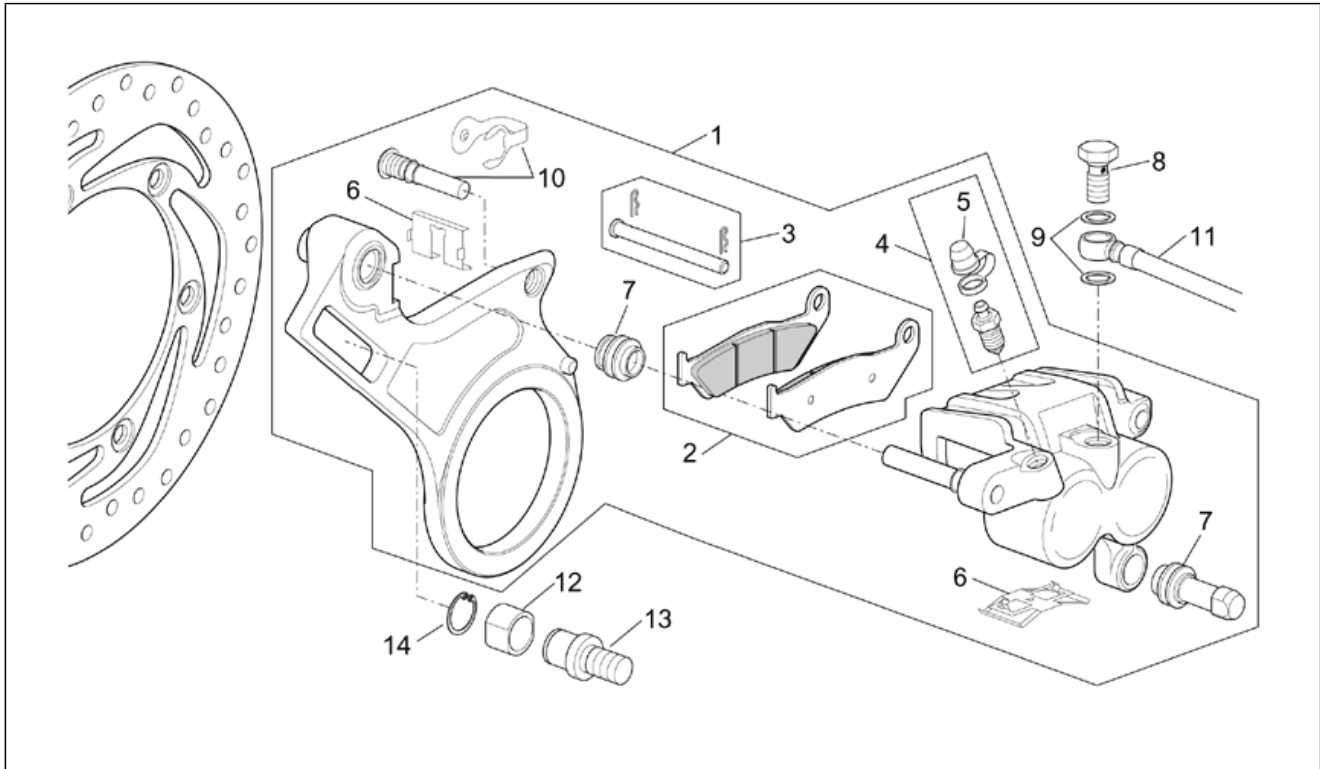
| Pos. | Code | Beschreibung | Menge | Varianten |
|------|-----------|------------------------------|-------|-----------|
| 1 | AP8133511 | Vorderradbremzange r. | 1 | |
| 2 | AP8133512 | Vorderradbremzange l. | 1 | |
| 3 | AP8113754 | Beläge (Paar) | 2 | |
| 4 | AP8213193 | Entlüftungsanschluß | 2 | |
| 5 | AP8113070 | Entlüftungskappe | 2 | |
| 6 | AP8113721 | Stift+Splint Bremse | 2 | |
| 7 | AP8113722 | Feder | 2 | |
| 8 | AP8113723 | Splint | 4 | |
| 9 | AP8152336 | TE Schr. m. Flansch M10x1,25 | 4 | |
| 10 | AP8150292 | Gebogene Sprengscheibe * | 4 | |
| 11 | AP8113003 | Fixierschraube Ölschlauch | 2 | |
| 12 | AP8121915 | Dichtung | 4 | |

| | |
|---------------------|---------------------|
| Einheit | RAHMEN |
| Code | 28.27 |
| Beschreibung | Hinterradbremspumpe |
| Inspektion | 1 |



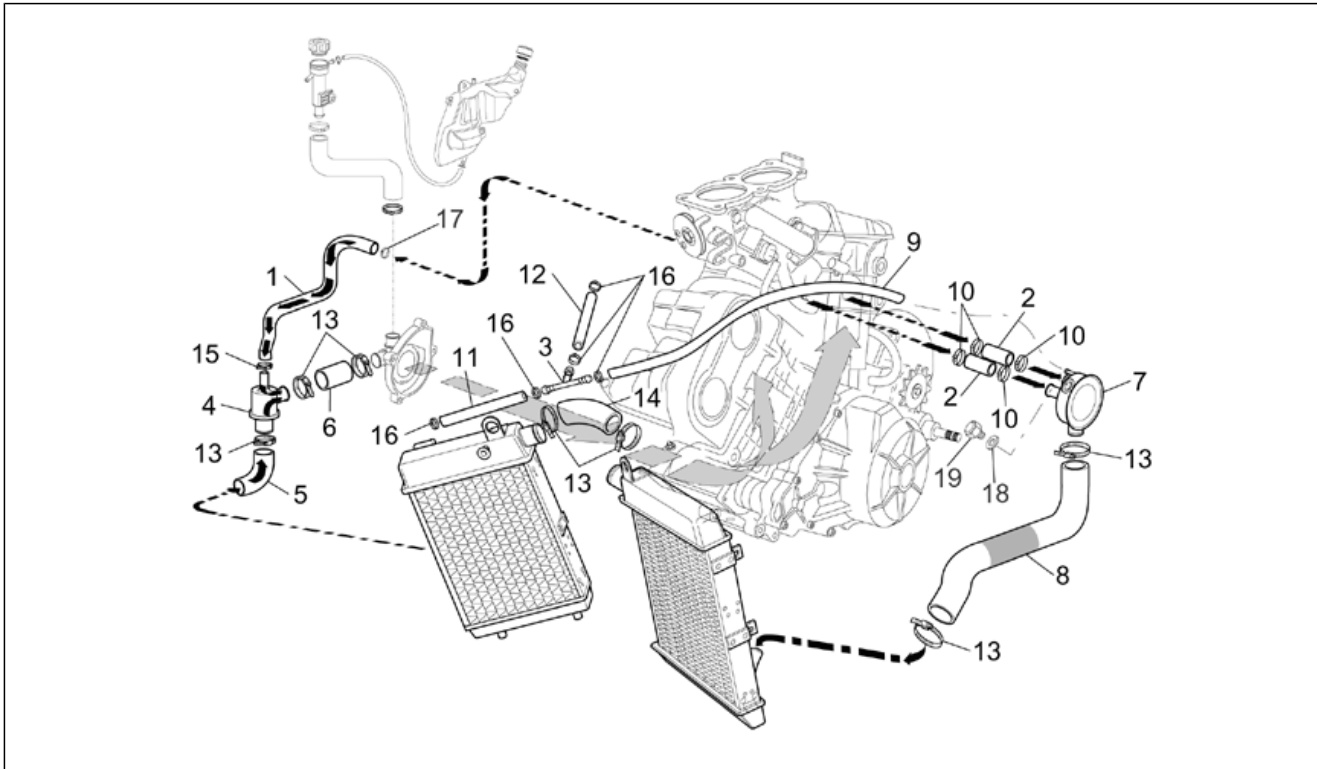
| Pos. | Code | Beschreibung | Menge | Varianten |
|------|-----------|-----------------------------|-------|-----------|
| 1 | AP8120912 | Gummi für Hebel | 1 | |
| 2 | AP8121434 | Stift Bremshebel | 1 | |
| 3 | AP8121223 | Stift Hinterradbremsheb. | 1 | |
| 4 | AP8146253 | H.bremshebel | 1 | |
| 5 | AP8121548 | Feder Hinterradbremsh. | 1 | |
| 6 | AP8144007 | O-Ring 11,11x1,78 | 2 | |
| 7 | AP8150020 | Ausgleichscheibe 10,5x21x2* | 1 | |
| 8 | AP8133513 | Pumpenstange brems | 1 | |
| 9 | AP8113288 | Gummibalg | 1 | |
| 10 | AP8213057 | Hinterer Pumpenanschluß | 1 | |
| 11 | AP8133514 | Hinterradbremspumpe | 1 | |
| 12 | AP8113003 | Fixierschraube Ölschlauch | 2 | |
| 13 | AP8121915 | Dichtung | 4 | |
| 14 | AP8101595 | Schelle D10,1 | 2 | |
| 15 | AP8133506 | Leitung | 1 | |
| 16 | AP8133507 | Radbremsleitung | 1 | |
| 17 | AP8113499 | Öltank Bremsen | 1 | |
| 18 | AP8150026 | Mutter M6 | 1 | |
| 19 | AP8150073 | Sechskantschraube M6x30 | 1 | |
| 20 | AP8112996 | Mikroschalter | 1 | |

| | |
|---------------------|--------------------|
| Einheit | RAHMEN |
| Code | 28.28 |
| Beschreibung | Hinterradbremzange |
| Inspektion | 1 |



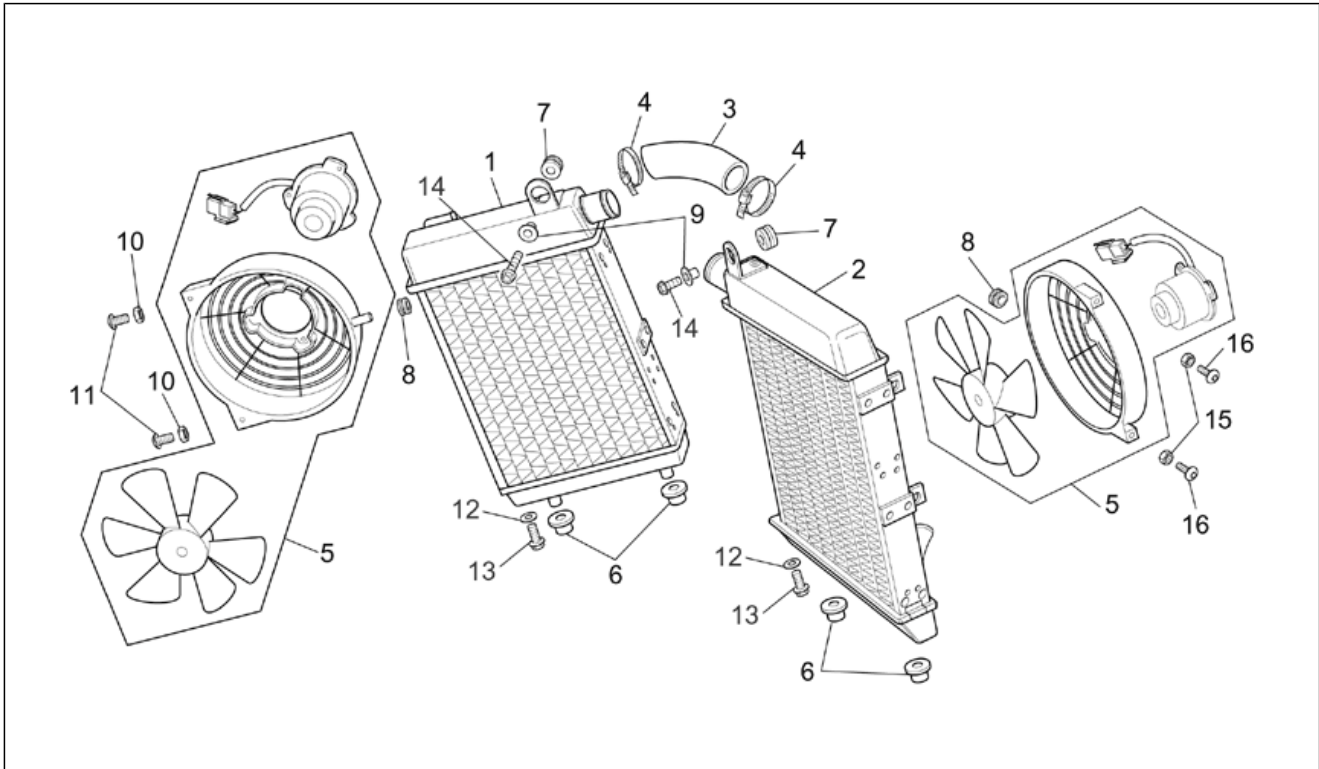
| Pos. | Code | Beschreibung | Menge | Varianten |
|------|-----------|---------------------------|-------|-----------|
| 1 | AP8133515 | Hinterradbremzange | 1 | |
| 2 | AP8133516 | Beläge (Paar) | 1 | |
| 3 | AP8133517 | Splintbolzen | 1 | |
| 4 | AP8133518 | Entlüftungsanschluß | 1 | |
| 5 | AP8113756 | Entlüftungskappe 20 st. | 1 | |
| 6 | AP8133519 | Feder | 1 | |
| 7 | AP8113548 | Haube | 1 | |
| 8 | AP8113003 | Fixierschraube Ölschlauch | 2 | |
| 9 | AP8121915 | Dichtung | 4 | |
| 10 | AP8133520 | Splintbolzen | 1 | |
| 11 | AP8133508 | Radbremsleitung | 1 | |
| 12 | AP8121444 | Buchse | 1 | |
| 13 | AP8121433 | Bolzen | 1 | |
| 14 | AP8125853 | Seegerring D.15 | 1 | |

| | |
|---------------------|------------|
| Einheit | RAHMEN |
| Code | 28.29 |
| Beschreibung | Kühlanlage |
| Inspektion | 1 |



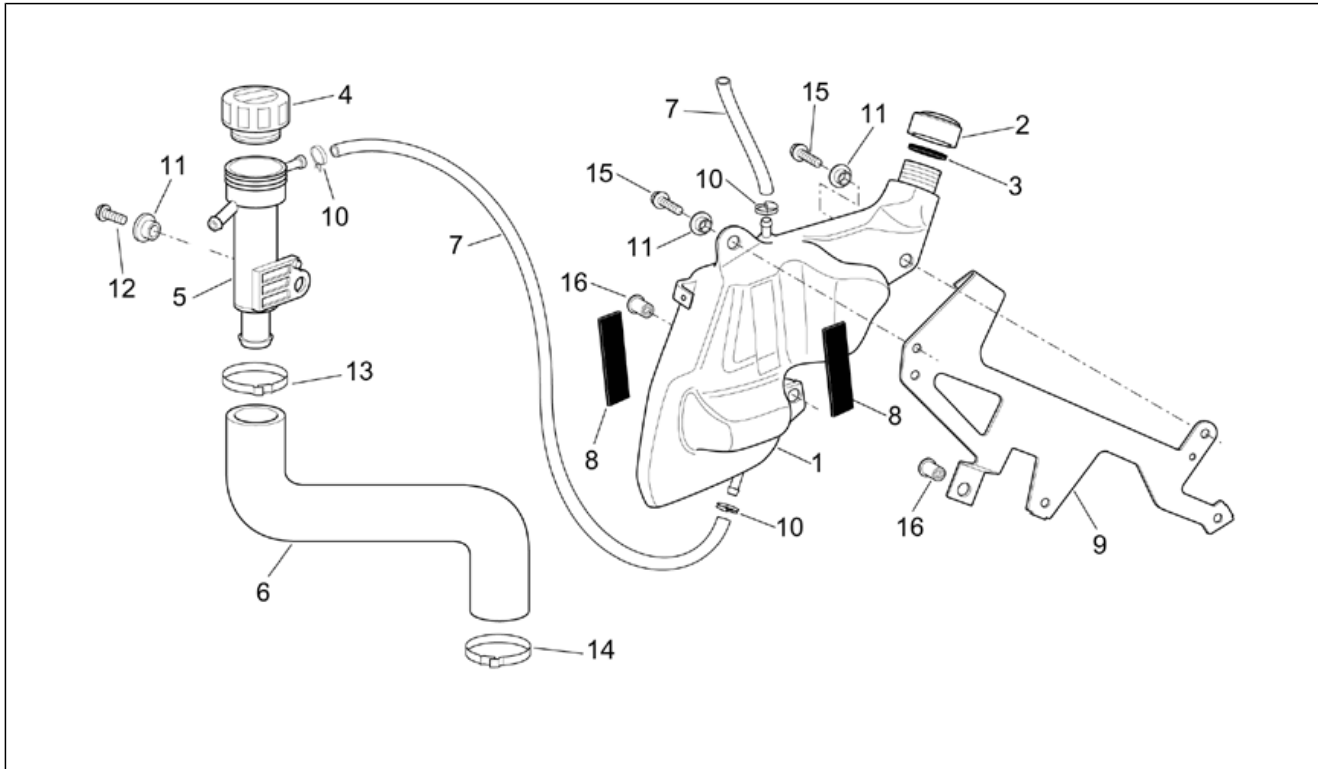
| Pos. | Code | Beschreibung | Menge | Varianten |
|------|-----------|------------------------------|-------|-----------|
| 1 | AP8120980 | Schlauch Thermost.-Mot. | 1 | |
| 2 | AP8120979 | Schlauch Motor-Krümm. | 2 | |
| 3 | AP8102431 | 3-Wegeanschluß | 1 | |
| 4 | AP8124929 | Ventil thermostatgruppe 75°C | 1 | |
| 5 | AP8144034 | Schl. Therm.-Kühl. | 1 | |
| 6 | AP8144033 | Schl. Thermostat-Pumpe | 1 | |
| 7 | AP8102677 | 3-Wege-Krümm. | 1 | |
| 8 | AP8120978 | Wasserschl. Krüm.-Kühl. | 1 | |
| 9 | AP8144092 | Entlüftungsschlauch | 1 | |
| 10 | AP8102732 | Schelle 17-25 | 4 | |
| 11 | AP8144093 | Entftt.schl. Kühler-Ansch. | 1 | |
| 12 | AP8144094 | Entftt.schl. Anschl.-Krüm. | 1 | |
| 13 | AP8104097 | Schlauschelle | 8 | |
| 14 | AP8120981 | Wasserschlauch Kühler | 1 | |
| 15 | AP8201169 | Schlauschelle D22x8,6* | 1 | |
| 16 | AP8102765 | Schlauschelle weiß D.13,5x6 | 5 | |
| 17 | AP8101927 | Schlauschelle D23,5x8* | 3 | |
| 18 | AP8121837 | Alu-Scheibe | 1 | |
| 19 | AP8125856 | Deckel | 1 | |

| | |
|---------------------|--------------|
| Einheit | RAHMEN |
| Code | 28.30 |
| Beschreibung | Wasserkühler |
| Inspektion | 1 |



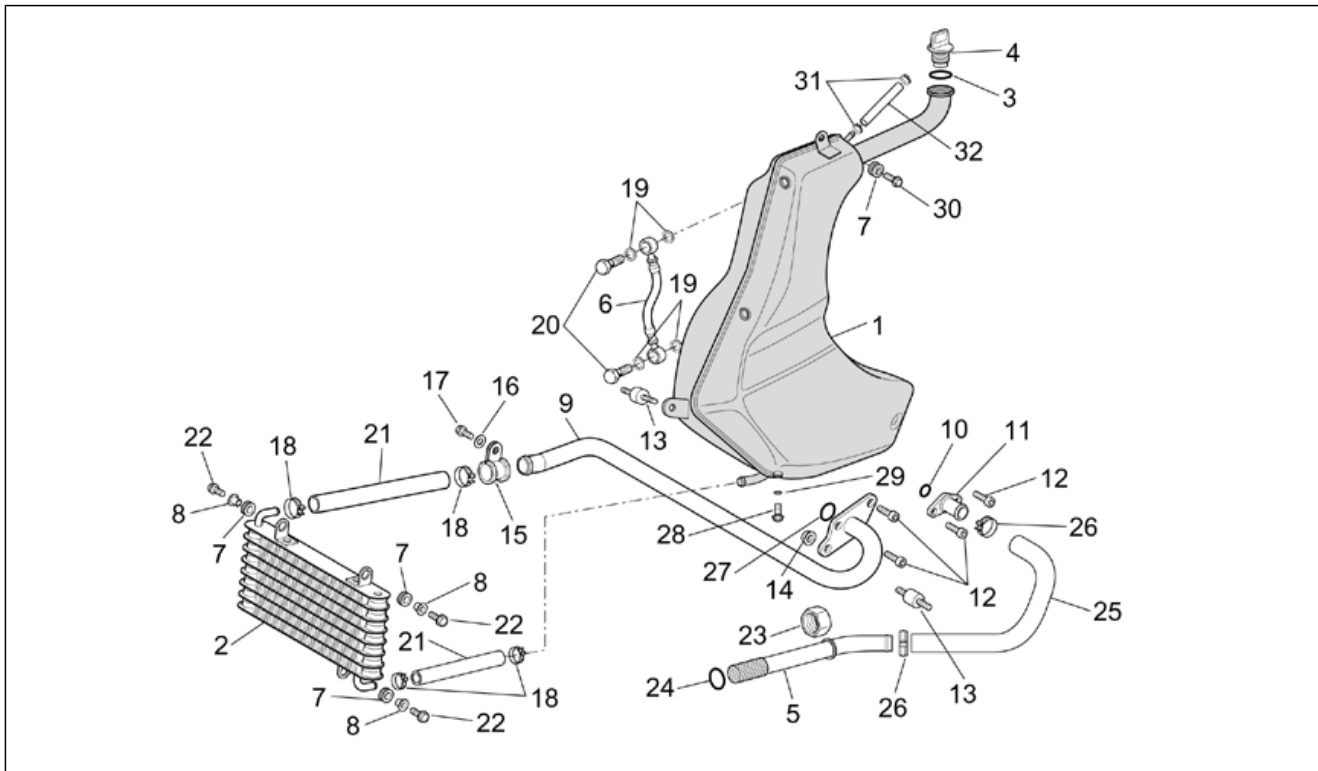
| Pos. | Code | Beschreibung | Menge | Varianten |
|------|-----------|---------------------------|-------|-----------|
| 1 | AP8102952 | Wasserkühler R.schwarz | 1 | |
| 2 | AP8102951 | Wasserkühler L.schwarz | 1 | |
| 3 | AP8120981 | Wasserschlauch Kühler | 1 | |
| 4 | AP8104097 | Schlauchschele | 2 | |
| 5 | AP8124855 | Ventilator komplett | 2 | |
| 6 | AP8101372 | Silent-Block | 4 | |
| 7 | AP8112600 | Gummi | 2 | |
| 8 | AP8120030 | Gummi | 2 | |
| 9 | AP8221023 | T-Buchse | 2 | |
| 10 | AP8150026 | Mutter M6 | 2 | |
| 11 | AP8150340 | TBEI Schraube | 2 | |
| 12 | AP8152184 | Ausgleichscheibe 6,4x12* | 2 | |
| 13 | AP8152277 | TE Schr. m. Flansch M6x12 | 2 | |
| 14 | AP8152279 | TE Schr. m. Flansch M6x20 | 2 | |
| 15 | AP8150430 | Selbstsperr.mut Unt. | 2 | |
| 16 | AP8152278 | TE Schr. m. Flansch M6x16 | 2 | |

| | |
|---------------------|--------------|
| Einheit | RAHMEN |
| Code | 28.31 |
| Beschreibung | Ausdehngefäß |
| Inspektion | 1 |



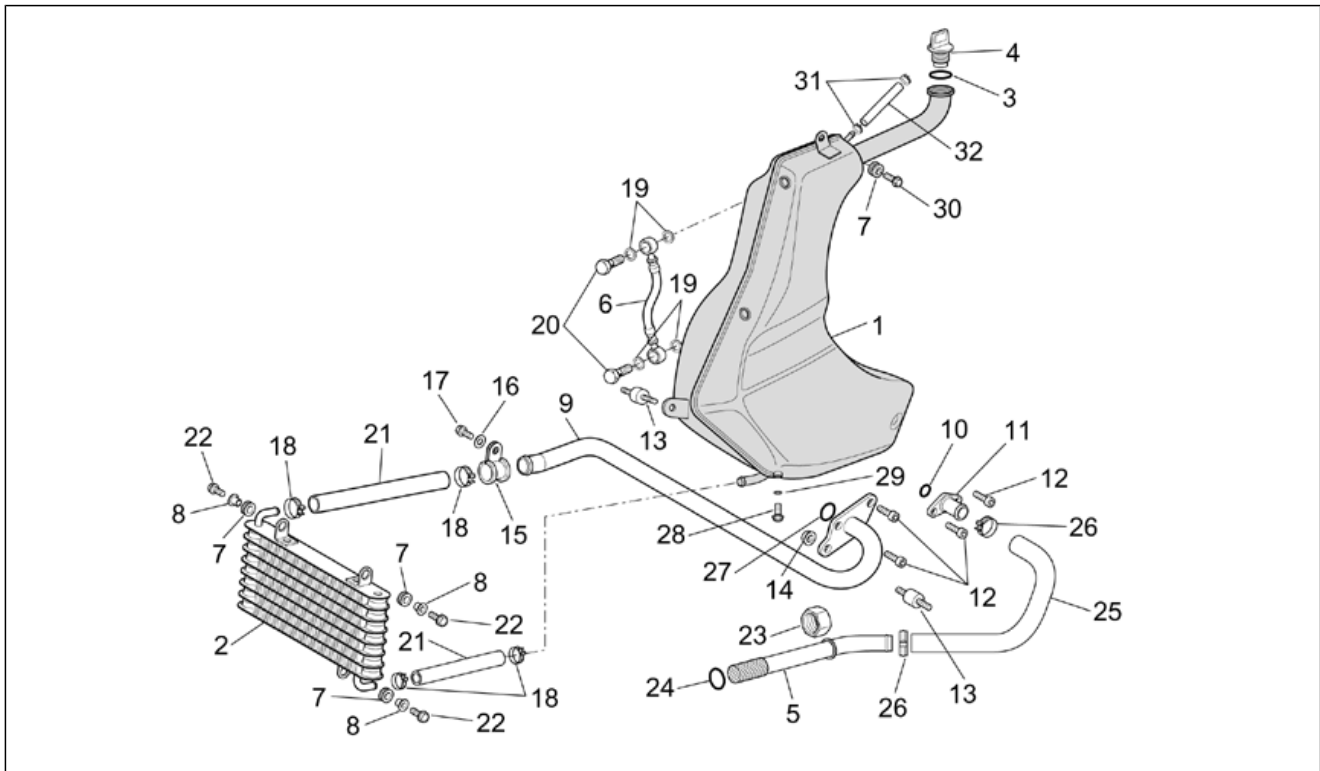
| Pos. | Code | Beschreibung | Menge | Varianten |
|------|-----------|-----------------------------|-------|-----------|
| 1 | AP8138556 | Ausdehngefäß | 1 | |
| 2 | AP8104124 | Ausdehnsg. Schraube | 1 | |
| 3 | AP8120355 | Ölschraubelochstäl dichtung | 1 | |
| 4 | AP8102615 | Deckel | 1 | |
| 5 | AP8120988 | Tankstutzen | 1 | |
| 6 | AP8144032 | Schl. Pumpe-Stutzen | 1 | |
| 7 | AP8120952 | Kraftstoffleitung 5,5x10 | 1 | |
| 8 | AP8117033 | Klebeschwamm | 1 | |
| 9 | AP8134684 | Aufnahme Expansionsgef. | 1 | |
| 10 | AP8102378 | Schelle D11,3 | 2 | |
| 11 | AP8221145 | T-Buchse * | 3 | |
| 12 | AP8152279 | TE Schr. m. Flansch M6x20 | 1 | |
| 13 | AP8101927 | Schlauchschelle D23,5x8* | 1 | |
| 14 | AP8102732 | Schelle 17-25 | 1 | |
| 15 | AP8152278 | TE Schr. m. Flansch M6x16 | 2 | |
| 16 | AP8120531 | Gummi mit Einsatz | 2 | |

| | |
|---------------------|--------|
| Einheit | RAHMEN |
| Code | 28.32 |
| Beschreibung | Öltank |
| Inspektion | 1 |



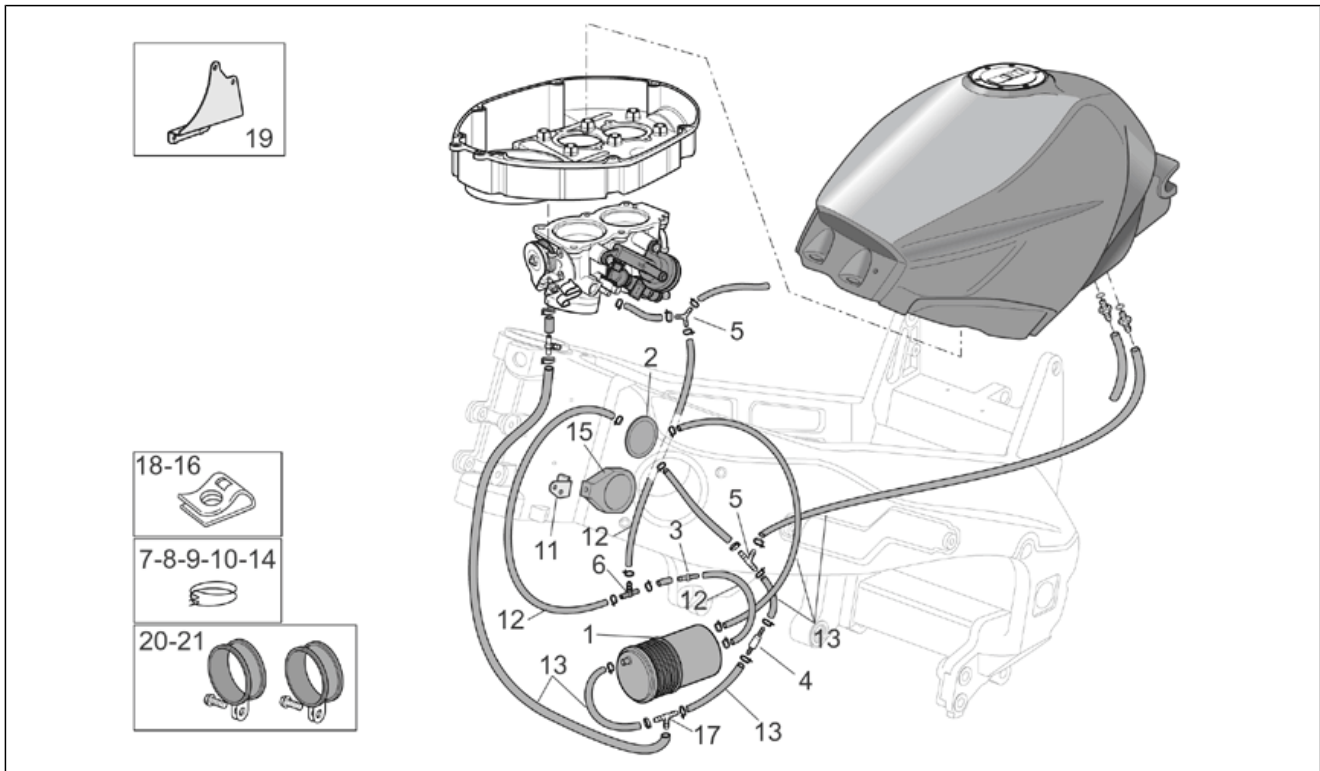
| Pos. | Code | Beschreibung | Menge | Varianten |
|------|-----------|------------------------------|-------|-----------|
| 1 | AP8148997 | Öltank | 1 | |
| 2 | AP8104100 | Ölkühler schwarz | 1 | |
| 3 | AP8120190 | O-Ring 3075 | 1 | |
| 4 | AP8102618 | Öltankschraube | 1 | |
| 5 | AP8144406 | Ölfiltereinsatz | 1 | |
| 6 | AP8144059 | Ölstandsrohr | 1 | |
| 7 | AP8120030 | Gummi | 4 | |
| 8 | AP8221023 | T-Buchse | 3 | |
| 9 | AP8106388 | Ölschlauch | 1 | |
| 10 | AP8120196 | O-Ring 3056 | 1 | |
| 11 | AP8106387 | Ölschlauch | 1 | |
| 12 | AP8150137 | TCEI Schraube M6x16 | 4 | |
| 13 | AP8144061 | Silent-Block | 1 | |
| 14 | AP8152299 | Selbstsperrende Mutter M6 | 1 | |
| 15 | AP8102731 | Schelle | 1 | |
| 16 | AP8150015 | Ausgleichscheibe 6,6x18x1,6* | 1 | |
| 17 | AP8152278 | TE Schr. m. Flansch M6x16 | 1 | |
| 18 | AP8102349 | Schlauchschelle weiß D17,5x8 | 4 | |
| 19 | AP8113004 | Ausgleichscheibe 10x14x1,6* | 4 | |
| 20 | AP8121409 | Fixierschraube Ölschlauch | 2 | |
| 21 | AP8106389 | Ölschlauch 12x19 | 1 | |
| 22 | AP8152279 | TE Schr. m. Flansch M6x20 | 3 | |
| 23 | AP8144405 | Anschluss | 1 | |
| 24 | AP8144012 | O-Ring 121 | 1 | |
| 25 | AP8144420 | Ölschlauch | 1 | |
| 26 | AP8102786 | Schlauchschelle 20x8 | 2 | |
| 27 | AP8144008 | O-Ring 115 | 1 | |
| 28 | AP8152285 | TE Schr. m. Flansch | 1 | |

| | |
|---------------------|--------|
| Einheit | RAHMEN |
| Code | 28.32 |
| Beschreibung | Öltank |
| Inspektion | 1 |



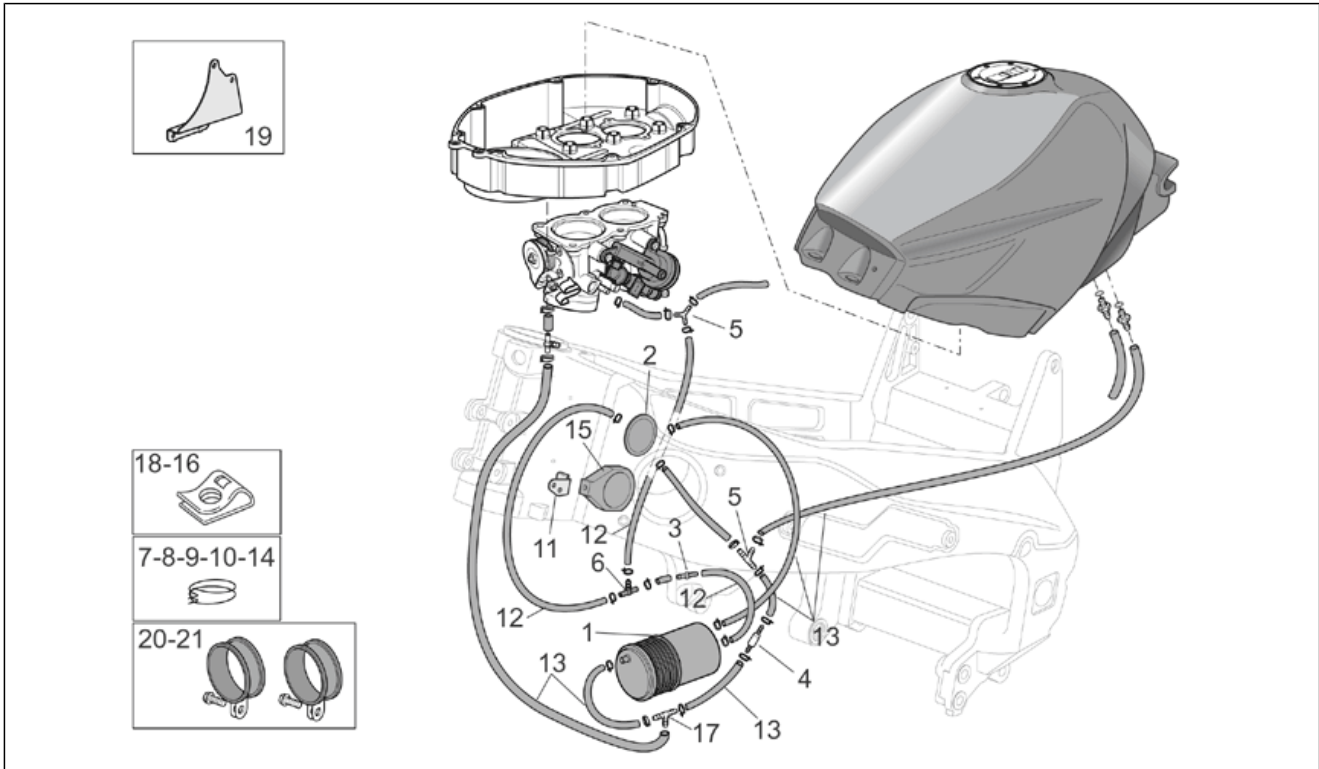
| Pos. | Code | Beschreibung | Menge | Varianten |
|------|-----------|---------------------------------|-------|-----------|
| 29 | AP8121862 | Ausgleichscheibe D8x16x1,5 | 1 | |
| 30 | AP8152277 | TE Schr. m. Flansch M6x12 | 1 | |
| 31 | AP8120446 | Schlauchschelle, grün D11x6,6x1 | 2 | |
| 32 | AP8144015 | Ölschlauch 6x12 | 1 | |

| | |
|---------------------|--------------------------|
| Einheit | RAHMEN |
| Code | 28.33 |
| Beschreibung | Benzindampfrückf.-Anlage |
| Inspektion | 1 |



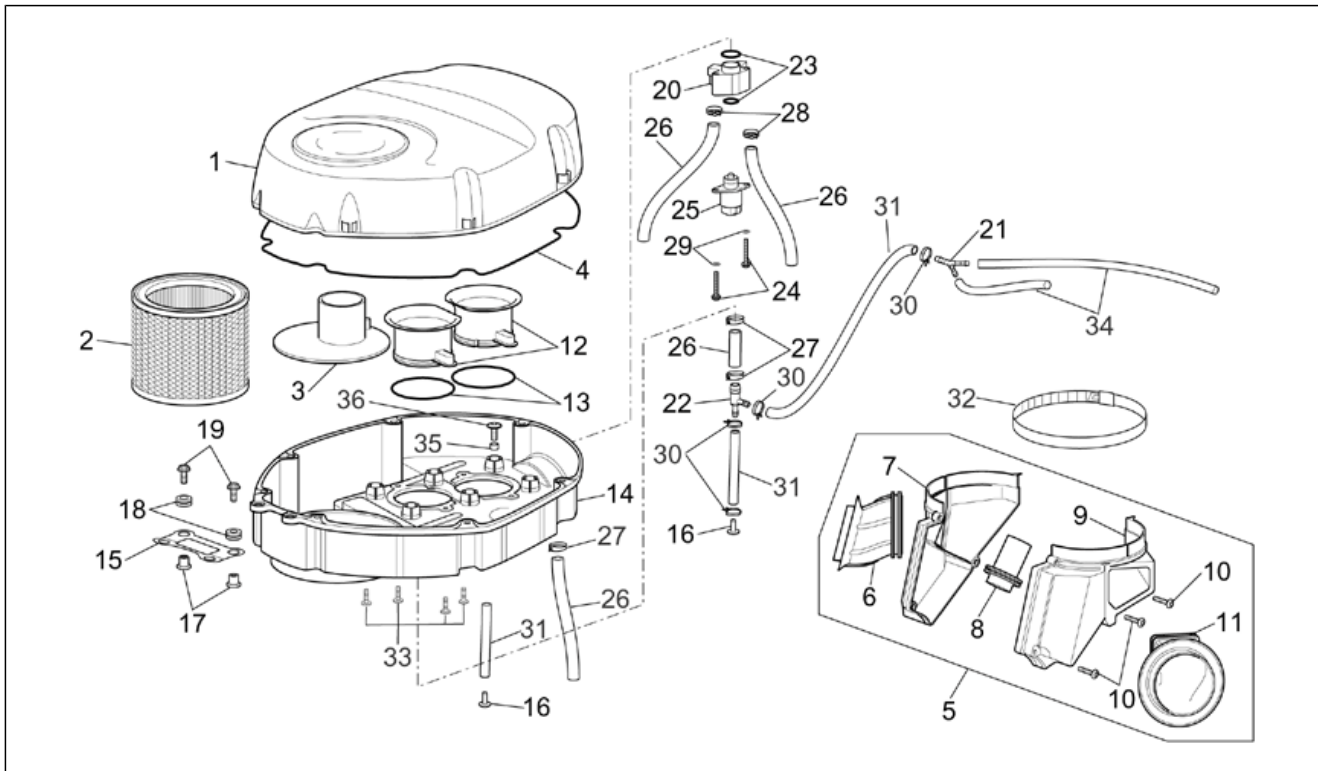
| Pos. | Code | Beschreibung | Menge | Varianten |
|------|-----------|--------------------|-------|--|
| 1 | AP8102678 | Kohlefilter | 1 | Land: USA (Zulassung California)[CF], Vereinigte Staaten von Amerika[USA] Technische Daten: Zulassung California[CAL] |
| 2 | AP8106764 | "Purge" Ventil | 1 | Land: USA (Zulassung California)[CF], Vereinigte Staaten von Amerika[USA] Technische Daten: Zulassung California[CAL] |
| 3 | AP8121267 | Drosselspindel | 1 | Land: USA (Zulassung California)[CF], Vereinigte Staaten von Amerika[USA] Technische Daten: Zulassung California[CAL] |
| 4 | AP8102985 | Rückstauventil | 1 | Land: USA (Zulassung California)[CF], Vereinigte Staaten von Amerika[USA] Technische Daten: Zulassung California[CAL] |
| 5 | AP8120116 | 3-Wegeanschluß | 2 | Land: USA (Zulassung California)[CF], Vereinigte Staaten von Amerika[USA] Technische Daten: Zulassung California[CAL] |
| 6 | AP8102727 | 3-Wegeanschluß | 1 | Land: USA (Zulassung California)[CF], Vereinigte Staaten von Amerika[USA] Technische Daten: Zulassung California[CAL] |
| 7 | AP8102378 | Schelle D11,3 | 2 | Land: USA (Zulassung California)[CF], Vereinigte Staaten von Amerika[USA] Technische Daten: Zulassung California[CAL] |
| 8 | AP8102520 | Schlauchschelle | 1 | Land: USA (Zulassung California)[CF], Vereinigte Staaten von Amerika[USA] Technische Daten: Zulassung California[CAL] |
| 9 | AP8101595 | Schelle D10,1 | 12 | Land: USA (Zulassung California)[CF], Vereinigte Staaten von Amerika[USA] Technische Daten: Zulassung California[CAL] |
| 10 | AP8120179 | Schelle D8 | 6 | Land: USA (Zulassung California)[CF], Vereinigte Staaten von Amerika[USA] Technische Daten: Zulassung California[CAL] |
| 11 | AP8134808 | Halteplatte ventil | 1 | Land: USA (Zulassung California)[CF], Vereinigte Staaten von Amerika[USA] Technische Daten: Zulassung California[CAL] |

| | |
|---------------------|--------------------------|
| Einheit | RAHMEN |
| Code | 28.33 |
| Beschreibung | Benzindampfrückf.-Anlage |
| Inspektion | 1 |



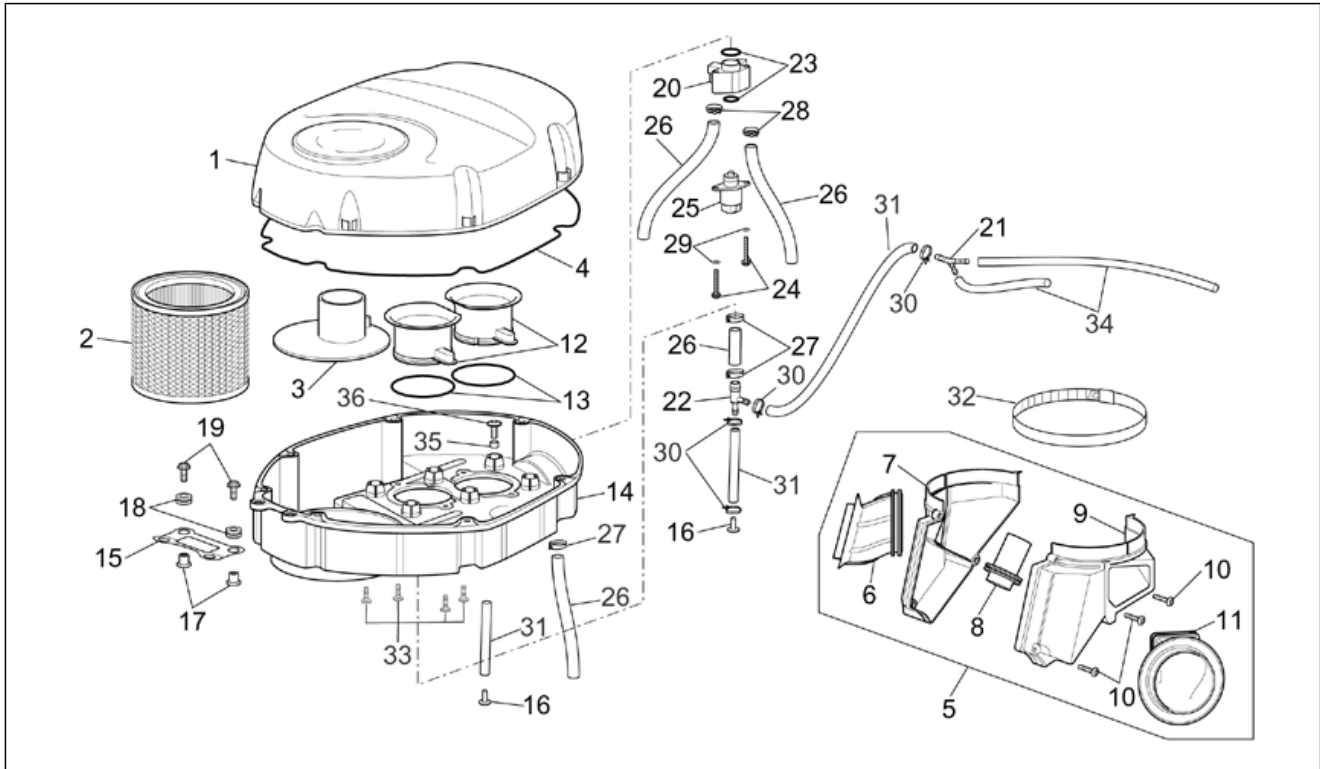
| Pos. | Code | Beschreibung | Menge | Varianten |
|------|-----------|--------------------------------|-------|--|
| 12 | AP8220263 | Entlüftungsschlauch Kühler 4x8 | 1 | Land: USA (Zulassung California)[CF], Vereinigte Staaten von Amerika[USA] Technische Daten: Zulassung California[CAL] |
| 13 | AP8120952 | Kraftstoffleitung 5,5x10 | 1 | Land: USA (Zulassung California)[CF], Vereinigte Staaten von Amerika[USA] Technische Daten: Zulassung California[CAL] |
| 14 | AP8102377 | Schelle D9,1* | 1 | Land: USA (Zulassung California)[CF], Vereinigte Staaten von Amerika[USA] Technische Daten: Zulassung California[CAL] |
| 15 | AP8134650 | Ventilhaltebügel | 1 | Land: USA (Zulassung California)[CF], Vereinigte Staaten von Amerika[USA] Technische Daten: Zulassung California[CAL] |
| 16 | AP8102375 | Klammer M5 | 1 | Land: USA (Zulassung California)[CF], Vereinigte Staaten von Amerika[USA] Technische Daten: Zulassung California[CAL] |
| 17 | AP8144303 | 3-Wegeanschluß | 1 | Land: USA (Zulassung California)[CF], Vereinigte Staaten von Amerika[USA] Technische Daten: Zulassung California[CAL] |
| 18 | AP8102376 | Klammer M6 | 2 | Land: USA (Zulassung California)[CF], Vereinigte Staaten von Amerika[USA] Technische Daten: Zulassung California[CAL] |
| 19 | AP8134809 | Canister halteplatte | 1 | Land: USA (Zulassung California)[CF], Vereinigte Staaten von Amerika[USA] Technische Daten: Zulassung California[CAL] |
| 20 | AP8102719 | Schelle d.80,5 | 1 | Land: USA (Zulassung California)[CF], Vereinigte Staaten von Amerika[USA] Technische Daten: Zulassung California[CAL] |
| 21 | AP8102688 | Schelle d.76 | 1 | Land: USA (Zulassung California)[CF], Vereinigte Staaten von Amerika[USA] Technische Daten: Zulassung California[CAL] |

| | |
|---------------------|---------------|
| Einheit | RAHMEN |
| Code | 28.34 |
| Beschreibung | Filtergehäuse |
| Inspektion | 1 |



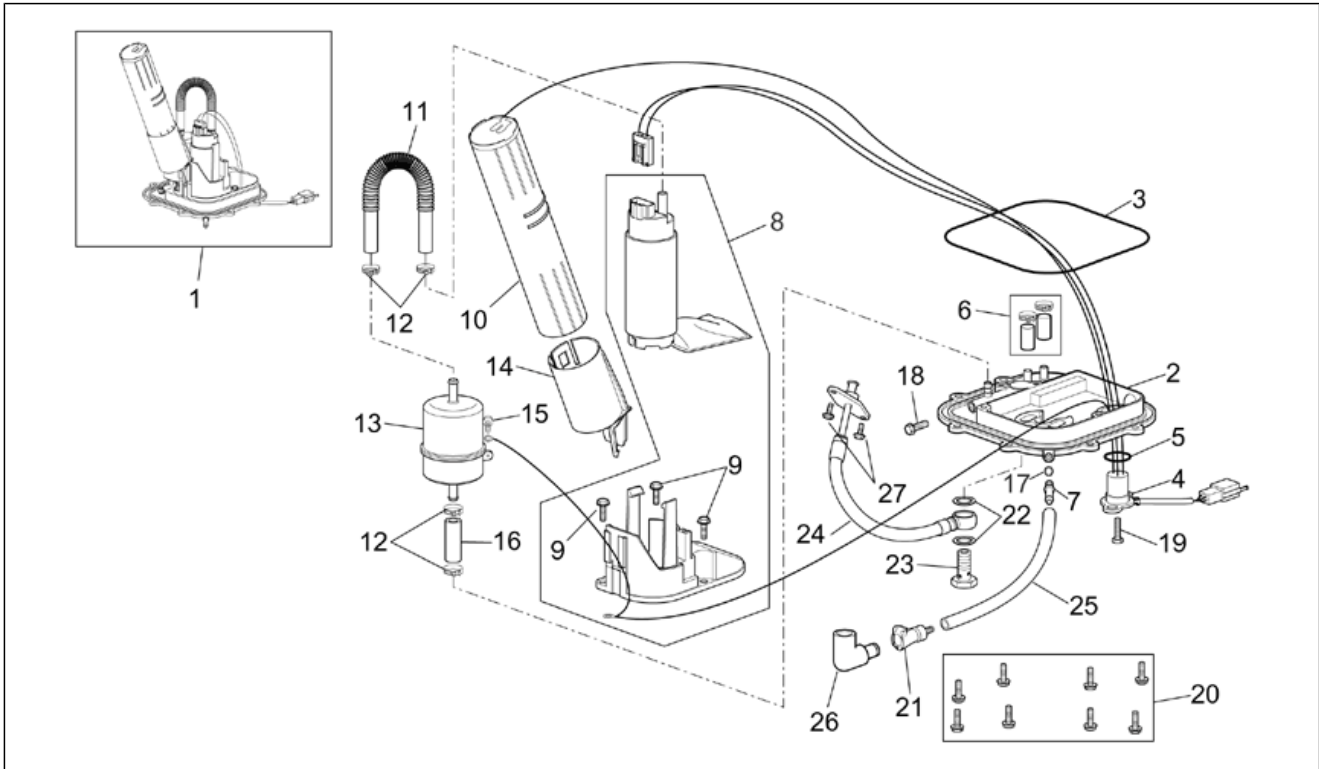
| Pos. | Code | Beschreibung | Menge | Varianten |
|------|-----------|--------------------------------|-------|---|
| 1 | AP8149048 | Oberteil Filtergehäuse | 1 | |
| 2 | AP8102610 | Luftfilter | 1 | |
| 3 | AP8134739 | Reduziermembran | 1 | Land: Österreich[A], Australien[AA], USA (Zulassung 49 Staaten)[AM], Australien[AUS], USA (Zulassung California)[CF], Schweiz[CH], Deutschland[D], Dänemark[DK], Spanien[E], A, B, CH, D, DK, E, F, I, NL, P[EU], Italien[I], Japan[J], Japan[JJ], Holland[NL], Portugal[P], Großbritannien[UK], Vereinigte Staaten von Amerika[USA] |
| 3 | AP8134743 | Reduziermembran | 1 | Land: Belgien[B], Belgien[BB] Technische Daten: Version mit Leistungsminderung 72 Kw[72kw] |
| 4 | AP8120615 | Dichtung D3 | 1 | |
| 5 | AP8144414 | Ansaugmuffe | 1 | |
| 6 | AP8144381 | Einlaßmuffe rechts | 1 | |
| 7 | AP8106812 | Rechter Ansaugkrümmer | 1 | |
| 8 | AP8144383 | Drosselspindel | 1 | |
| 9 | AP8106813 | Linker Ansaugkrümmer | 1 | |
| 10 | AP8221242 | Gewindeschraube Spezial 3,5x20 | 3 | |
| 11 | AP8144382 | Einlaßmuffe links | 1 | |
| 12 | AP8106395 | Einlaßöffnung | 2 | |
| 13 | AP8144063 | O-Ring 159 | 2 | |
| 14 | AP8149049 | Unterteil Filtergehäuse | 1 | Land: Dänemark[DK], Spanien[E], A, B, CH, D, DK, E, F, I, NL, P[EU], Italien[I], Japan[J], Japan[JJ], Holland[NL], Portugal[P], Großbritannien[UK], Vereinigte Staaten von Amerika[USA] |
| 14 | AP8149049 | Unterteil Filtergehäuse | 1 | Land: Österreich[A], Australien[AA], USA (Zulassung 49 Staaten)[AM], Australien[AUS], Belgien[B], Belgien[BB], USA (Zulassung California)[CF], Schweiz[CH], Deutschland[D] |
| 14 | AP8158012 | Unterteil Filtergehäuse | 1 | Land: Belgien[B], A, B, CH, D, DK, E, F, I, NL, P[EU] |

| | |
|---------------------|---------------|
| Einheit | RAHMEN |
| Code | 28.34 |
| Beschreibung | Filtergehäuse |
| Inspektion | 1 |



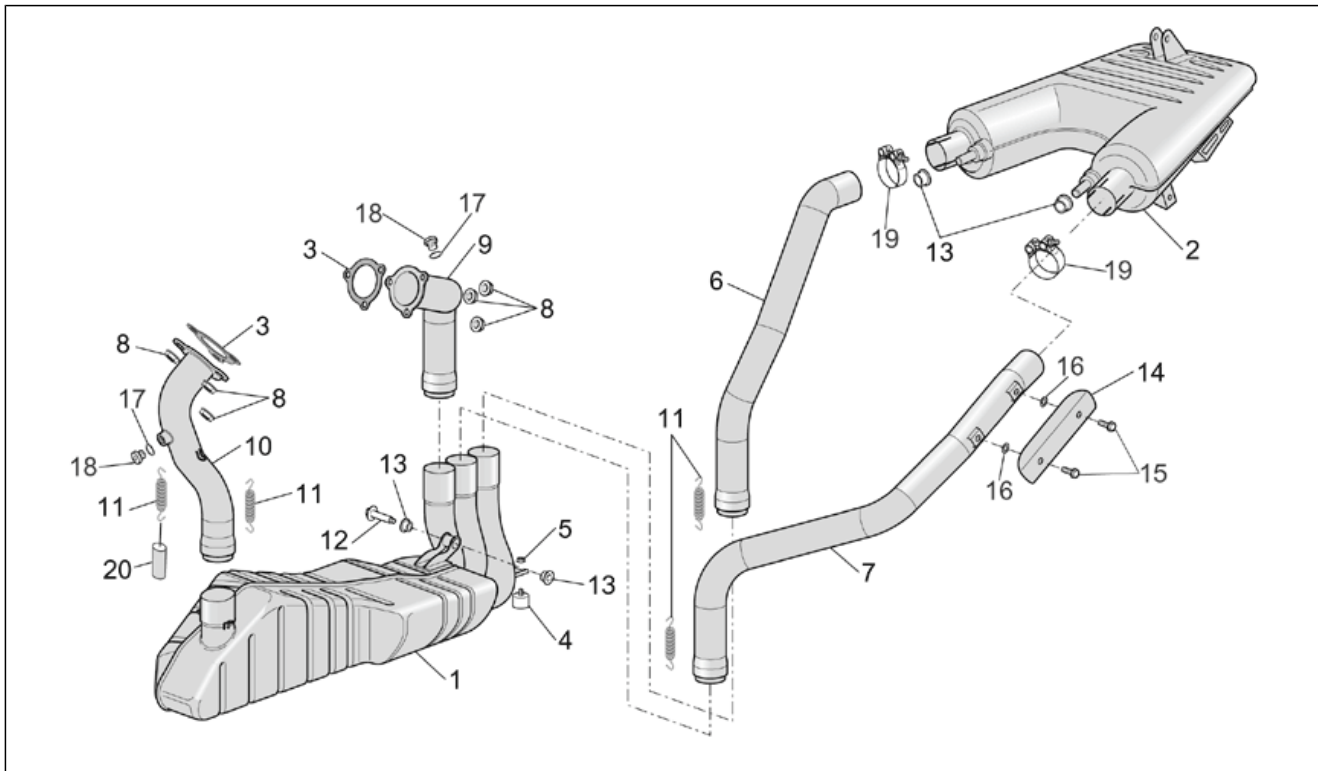
| Pos. | Code | Beschreibung | Menge | Varianten |
|------|-----------|-----------------------------------|-------|---|
| | | | | Technische Daten: Version mit Leistungsminderung 78 Kw[78kw] |
| 14 | AP8158012 | Unterteil Filtergehäuse | 1 | Land: Frankreich[F], Frankreich[FF] Technische Daten: Version mit Leistungsminderung 78 Kw[78kw] |
| 15 | AP8134478 | Fixierung vorn Filtergeh. | 1 | |
| 16 | AP8120876 | Verschlusschraube | 4 | |
| 17 | AP8121731 | T-Buchse * | 2 | |
| 18 | AP8220370 | Gummi Filtergehäuse | 2 | |
| 19 | AP8152278 | TE Schr. m. Flansch M6x16 | 2 | |
| 20 | AP8149165 | Ventil Standgaseinstellung | 1 | |
| 21 | AP8104250 | Anschluss "y" | 1 | |
| 22 | AP8202154 | 3-Wegeanschluß | 1 | |
| 23 | AP8220095 | O-Ring | 2 | |
| 24 | AP8150406 | Linsenschraube | 2 | |
| 25 | AP8124981 | Elektromotor Standgaseinstellung | 1 | |
| 26 | AP8120987 | Leitung 9x14 | 2 | |
| 27 | AP8102766 | Schelle | 3 | |
| 28 | AP8101595 | Schelle D10,1 | 3 | |
| 29 | AP8150272 | Gebogene Sprengscheibe 5,3x10x0,5 | 4 | |
| 30 | AP8120446 | Schlauchschele, grün D11x6,6x1 | 8 | |
| 31 | AP8144038 | Kraftstoffleitung 6x10 | 1 | |
| 32 | AP8102763 | Schelle 100-120 | 1 | |
| 33 | AP8150413 | Gew.schr. 3,9x14 | 5 | |
| 34 | AP8120955 | Leitung grau 3x8 | 1 | |
| 35 | AP8120253 | Distanzscheibe | 6 | |
| 36 | AP8152246 | TBEI Schraube m.Flansch M6x16 | 6 | |

| | |
|---------------------|-----------------|
| Einheit | RAHMEN |
| Code | 28.35 |
| Beschreibung | Kraftstoffpumpe |
| Inspektion | 1 |



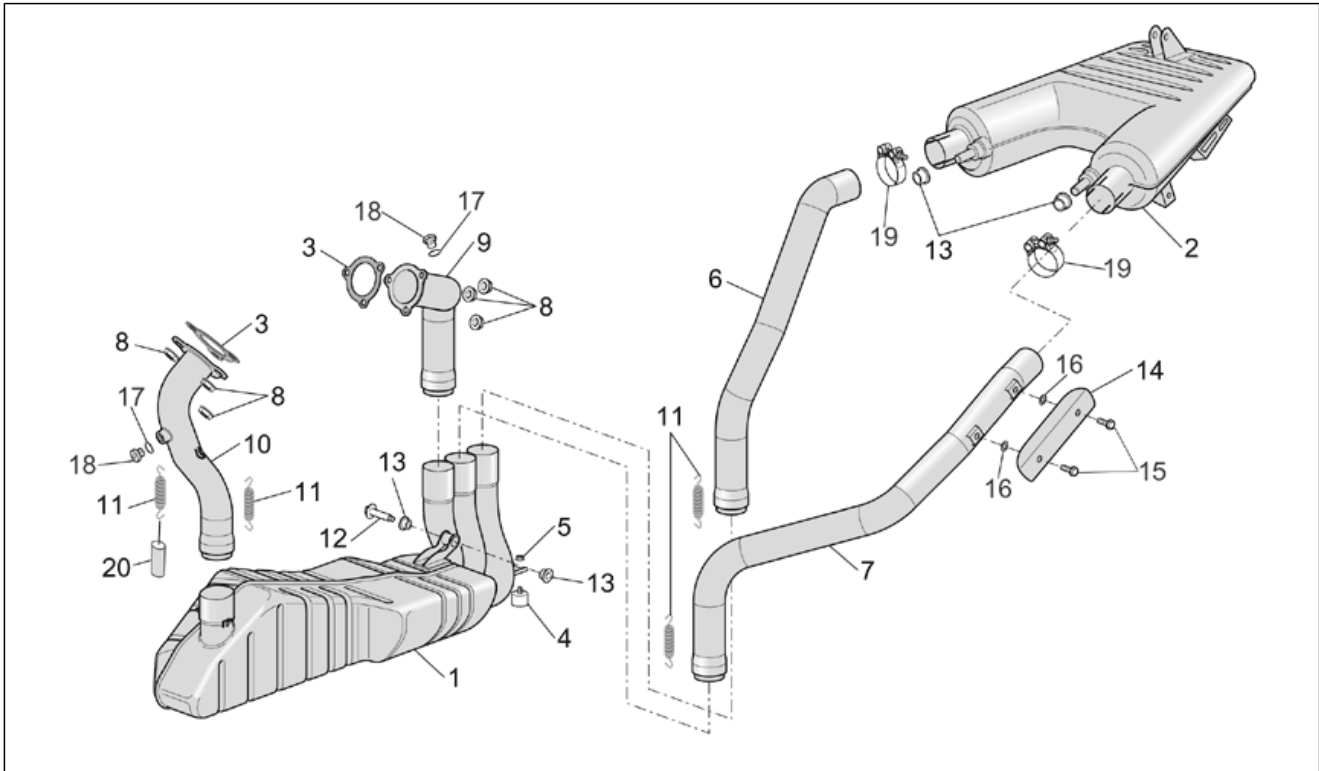
| Pos. | Code | Beschreibung | Menge | Varianten |
|------|-----------|-------------------------------|-------|-----------|
| 1 | AP8106865 | Benzinpumpe kpl. | 1 | |
| 2 | AP8134750 | Kraftst.pumpen-Verschl. | 1 | |
| 3 | AP8144477 | Gasket ring | 1 | |
| 4 | AP8124664 | Kraftstoffpumpe kabel | 1 | |
| 5 | AP8144475 | Gasket ring | 1 | |
| 6 | AP8104375 | Kit Rohrverschluss Entlüftung | 1 | |
| 7 | AP8104374 | Anschluss | 1 | |
| 8 | AP8106888 | Kraftstoffpumpe | 1 | |
| 9 | AP8121536 | Schraube | 3 | |
| 10 | AP8124588 | Standfühler | 1 | |
| 11 | AP8144226 | Kraftstoffleitung | 1 | |
| 12 | AP8104373 | Schelle | 4 | |
| 13 | AP8102971 | Kraftstofffilter | 1 | |
| 14 | AP8134802 | Halter Standfühler | 1 | |
| 15 | AP8121537 | Gew.schr. | 1 | |
| 16 | AP8144476 | Kraftstoffleitung | 1 | |
| 17 | AP8144227 | Dichtung | 1 | |
| 18 | AP8121540 | Schraube | 1 | |
| 19 | AP8121538 | Schraube | 2 | |
| 20 | AP8152273 | Flanschschraube M5x15 | 8 | |
| 21 | AP8102829 | Anschluss | 1 | |
| 22 | AP8106444 | Dichtung 18x12,2x1,5 | 2 | |
| 23 | AP8106443 | Lochschraube | 1 | |
| 24 | AP8144364 | Kraftstoffleitung | 1 | |
| 25 | AP8144069 | Kraftstoffleitung 6x13 | 1 | |
| 26 | AP8104993 | Anschluss | 1 | |
| 27 | AP8152272 | TE Schr. m. Flansch M5x12 | 2 | |

| | |
|---------------------|-------------|
| Einheit | RAHMEN |
| Code | 28.37 |
| Beschreibung | Auspuffrohr |
| Inspektion | 1 |



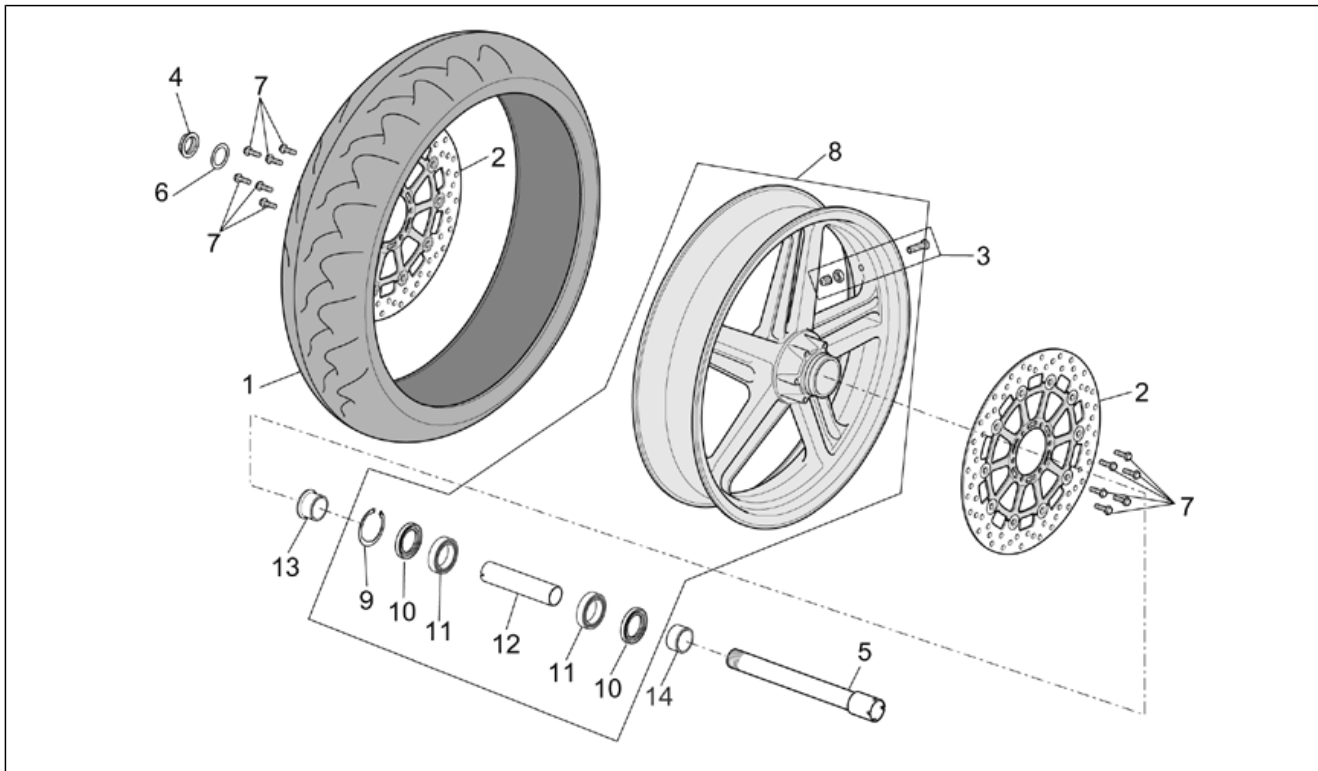
| Pos. | Code | Beschreibung | Menge | Varianten |
|------|-----------|---------------------------|-------|--|
| 1 | AP8119530 | Zentr. Vorschalldämpfer | 1 | Land:Österreich[A], Australien[AA], Australien[AUS], Belgien[B], Belgien[BB], Schweiz[CH], Deutschland[D], Dänemark[DK], Spanien[E], A, B, CH, D, DK, E, F, I, NL, P[EU], Frankreich[F], Frankreich[FF], Italien[I], Japan[J], Japan[JJ], Holland[NL], Portugal[P], Großbritannien[UK] |
| 1 | AP8119656 | Zentr. Vorschalldämpfer | 1 | Land:USA (Zulassung 49 Staaten)[AM], USA (Zulassung California)[CF], Vereinigte Staaten von Amerika[USA] |
| 2 | AP8119529 | Schalldämpfer | 1 | Land:Österreich[A], Australien[AA], Australien[AUS], Belgien[B], Belgien[BB], Schweiz[CH], Deutschland[D], Dänemark[DK], Spanien[E], A, B, CH, D, DK, E, F, I, NL, P[EU], Frankreich[F], Frankreich[FF], Italien[I], Japan[J], Japan[JJ], Holland[NL], Portugal[P], Großbritannien[UK] |
| 2 | AP8119647 | Schalldämpfer | 1 | Land:USA (Zulassung 49 Staaten)[AM], USA (Zulassung California)[CF], Vereinigte Staaten von Amerika[USA] |
| 3 | AP8119414 | Dichtung Auspuffrohr | 2 | |
| 4 | AP8144030 | Anschlagstopfen Ständer | 1 | |
| 5 | AP8152299 | Selbstsperrende Mutter M6 | 1 | |
| 6 | AP8119575 | RH Auspuffrohr | 1 | |
| 7 | AP8119576 | LH Auspuffrohr | 1 | |
| 8 | AP8150334 | Mutter M8 | 6 | |
| 9 | AP8119537 | Auspuffrohr hinten | 1 | |
| 10 | AP8119538 | Auspuffrohr vorn | 1 | |
| 11 | AP8121355 | Feder Auspuffrohre | 5 | |
| 12 | AP8146473 | Halter Vorschalldämpfer | 1 | |
| 13 | AP8144423 | Gummi | 4 | |
| 14 | AP8134748 | Griffschutz | 1 | |
| 15 | AP8152342 | TE Schr. m. Flansch M6x12 | 2 | |
| 16 | AP8221297 | Isolierscheibe | 2 | |
| 17 | AP8119665 | Kupferscheibe | 2 | |
| 18 | AP8119664 | Deckel | 2 | |
| 19 | AP8119666 | Schlauchklemmen | 2 | |

| | |
|---------------------|-------------|
| Einheit | RAHMEN |
| Code | 28.37 |
| Beschreibung | Auspuffrohr |
| Inspektion | 1 |



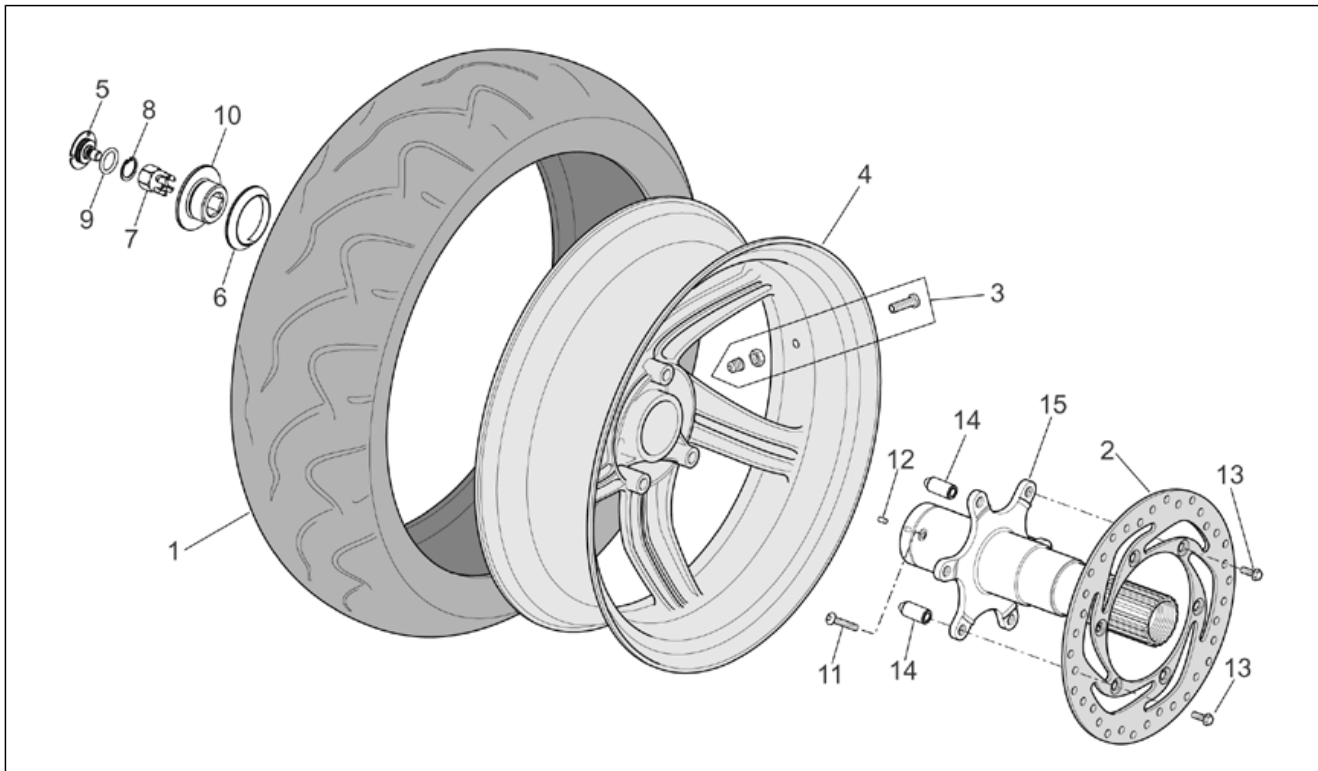
| Pos. | Code | Beschreibung | Menge | Varianten |
|------|-----------|--------------|-------|-----------|
| 20 | AP8144504 | Schutzhuelse | 5 | |

| | |
|---------------------|-----------|
| Einheit | RAHMEN |
| Code | 28.38 |
| Beschreibung | Vorderrad |
| Inspektion | 1 |



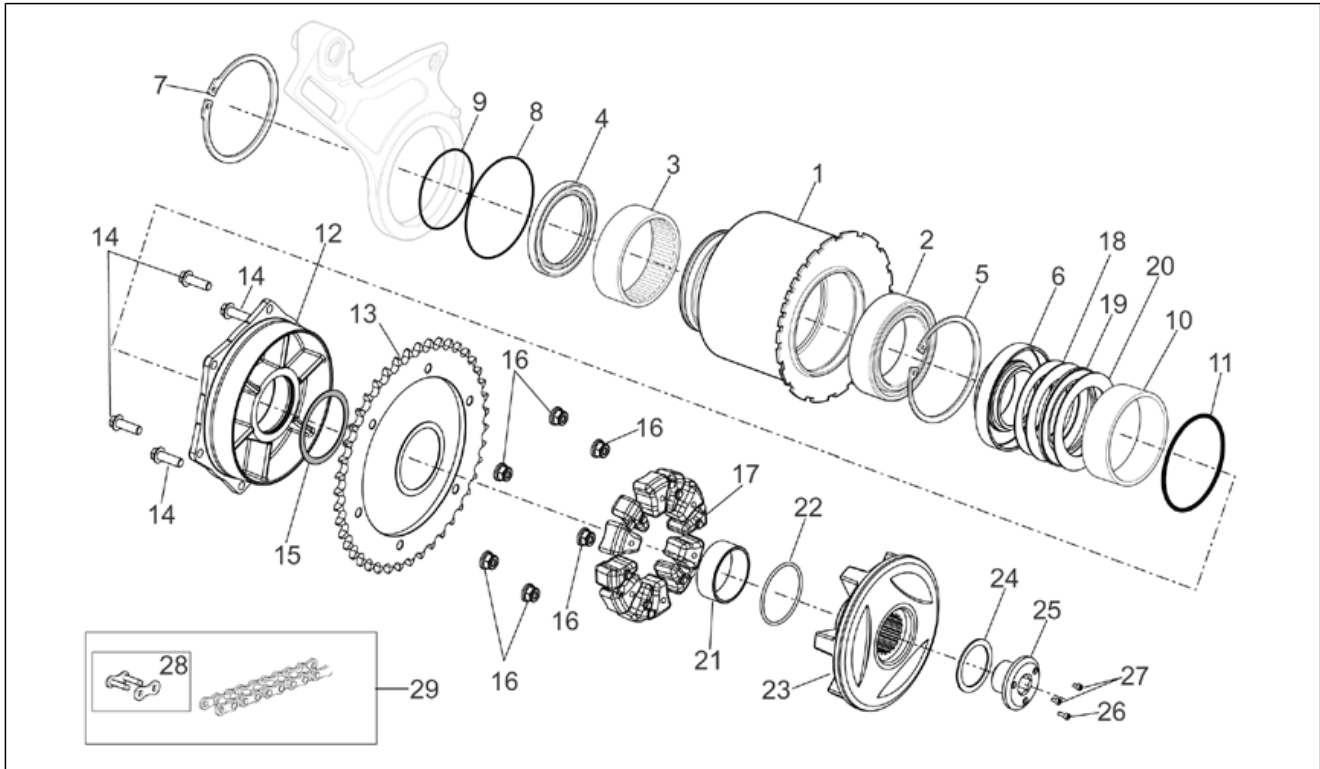
| Pos. | Code | Beschreibung | Menge | Varianten |
|------|-----------|-----------------------------|-------|--|
| 1 | 0000000 | Reifen | 1 | |
| 2 | AP8113887 | Vorderradbremsscheibe d.298 | 2 | |
| 3 | AP8101744 | Schlauchloses Reifenventil | 1 | |
| 4 | AP8152335 | Radbolzenmutter | 1 | |
| 5 | AP8125727 | Vorderradbolzen | 1 | |
| 6 | AP8152323 | Ausgleichscheibe 25,2x36x1 | 1 | |
| 7 | AP8152286 | TE Schr. m. Flansch M8x20 | 12 | |
| 8 | AP8108939 | Vorderrad | 1 | Fahrzeugfarbe: Rot Flame 2001-2002[f.red], Blau Infinity 2001-2002[l.blu], Silber Stream 2001-2002[s.sil] |
| 8 | AP8128005 | Vorderrad | 1 | Fahrzeugfarbe: Grau Ash 2002[ash.g], Schwarz Darkness 2003[d.black], Blau Hilton 2003[h.blu] |
| 9 | AP8125779 | Seegerring | 1 | |
| 10 | AP8125773 | Gasket ring 30x47x7 | 2 | |
| 11 | AP8125777 | Kugellager 25x47x12 | 2 | |
| 12 | AP8125778 | Interne Distanzscheibe | 1 | |
| 13 | AP8125884 | R. Distanzscheibe Vorderrad | 1 | |
| 14 | AP8125885 | L. Distanzscheibe Vorderrad | 1 | |

| | |
|---------------------|-------------|
| Einheit | RAHMEN |
| Code | 28.39 |
| Beschreibung | Hinterrad I |
| Inspektion | 1 |



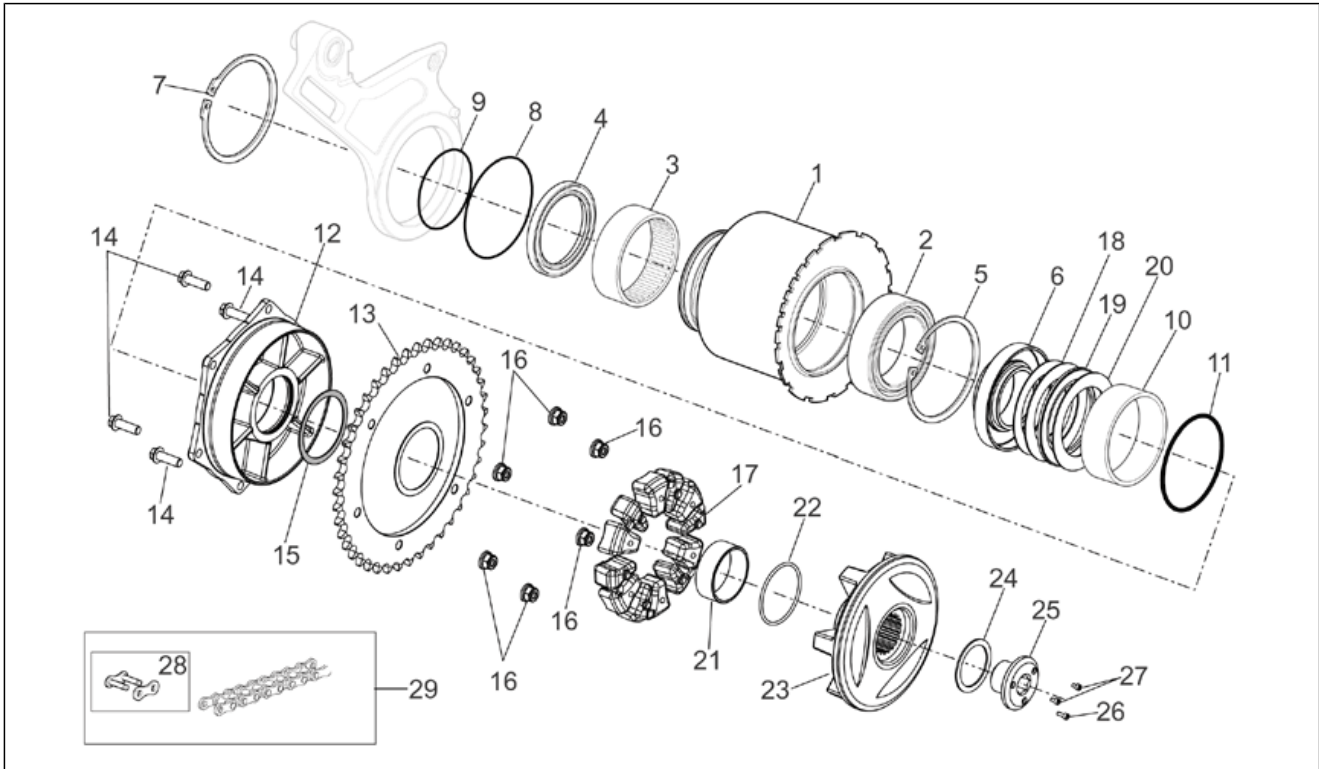
| Pos. | Code | Beschreibung | Menge | Varianten |
|------|-----------|----------------------------|-------|--|
| 1 | 0000000 | Reifen | 1 | |
| 2 | AP8113835 | Vorderradbremsscheibe | 1 | |
| 3 | AP8101744 | Schlauchloses Reifenventil | 1 | |
| 4 | AP8108821 | Hinterrad ohne Scheibe | 1 | Fahrzeugfarbe: Rot Flame 2001-2002[f.red], Blau Infinity 2001-2002[l.blu], Silber Stream 2001-2002[s.sil] |
| 4 | AP8108965 | Hinterrad | 1 | Fahrzeugfarbe: Grau Ash 2002[ash.g], Schwarz Darkness 2003[d.black], Blau Hilton 2003[h.blu] |
| 5 | AP8108864 | Staubdeckel Radschraube | 1 | Baujahr: 2001[1], 2002[2] Fahrzeugfarbe: Rot Flame 2001-2002[f.red], Blau Infinity 2001-2002[l.blu], Silber Stream 2001-2002[s.sil] |
| 5 | AP8108966 | Staubdeckel Radschraube | 1 | Baujahr: 2002[2], 2003[3] Fahrzeugfarbe: Grau Ash 2002[ash.g], Schwarz Darkness 2003[d.black], Blau Hilton 2003[h.blu] |
| 6 | AP8121450 | Radkonus | 1 | |
| 7 | AP8121452 | Schraubensicherung | 1 | |
| 8 | AP8121457 | Seegerring | 1 | |
| 9 | AP8144424 | O-Ring 4075 | 1 | |
| 10 | AP8125835 | Rad Schraube | 1 | Baujahr: 2001[1], 2002[2] Fahrzeugfarbe: Rot Flame 2001-2002[f.red], Blau Infinity 2001-2002[l.blu], Silber Stream 2001-2002[s.sil] |
| 10 | AP8125898 | Rad Schraube | 1 | Baujahr: 2002[2], 2003[3] Fahrzeugfarbe: Grau Ash 2002[ash.g], Schwarz Darkness 2003[d.black], Blau Hilton 2003[h.blu] |
| 11 | AP8152128 | TBEI Schraube M6x30 | 1 | |
| 12 | AP8121451 | Lasche | 1 | |
| 13 | AP8152285 | TE Schr. m. Flansch | 6 | |
| 14 | AP8121449 | Bolzen | 3 | |
| 15 | AP8125806 | Nabe hinten | 1 | |

| | |
|---------------------|--------------|
| Einheit | RAHMEN |
| Code | 28.40 |
| Beschreibung | Hinterrad II |
| Inspektion | 1 |



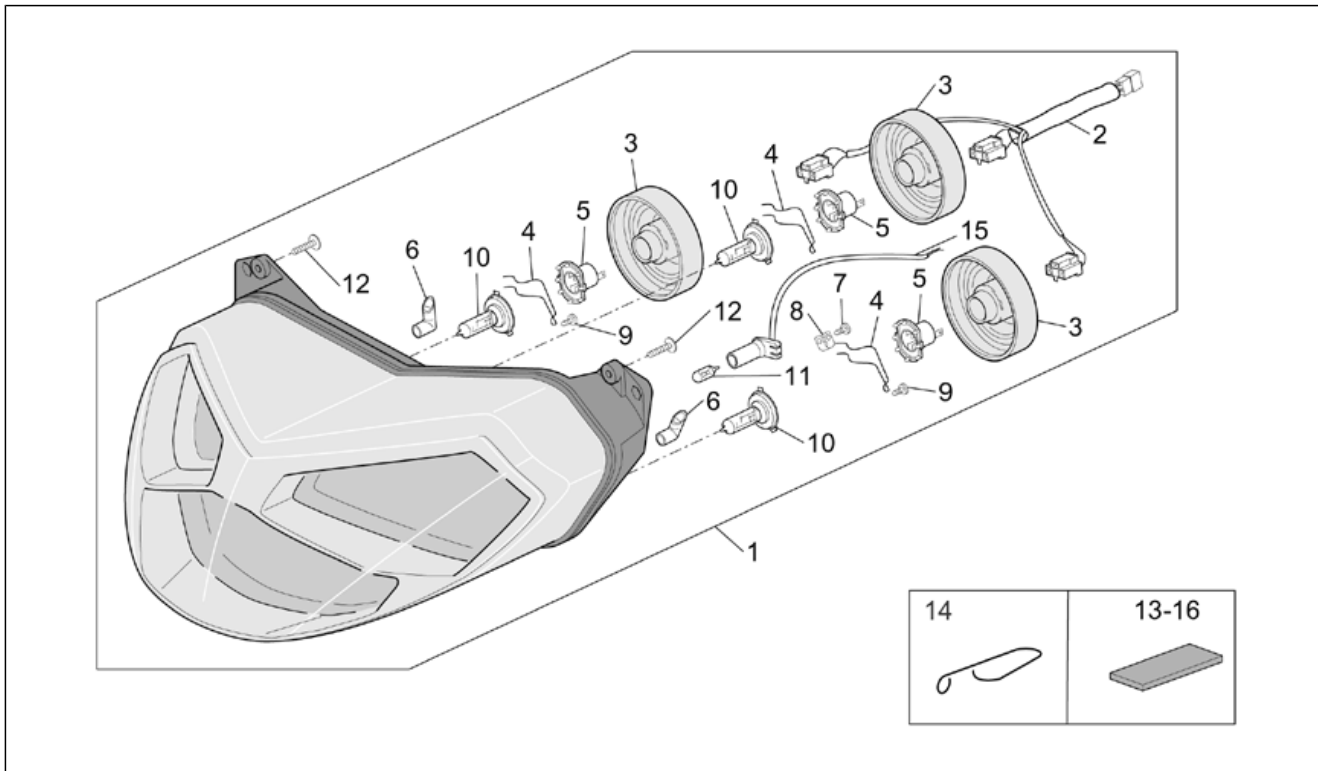
| Pos. | Code | Beschreibung | Menge | Varianten |
|------|-----------|--------------------------------|-------|--|
| 1 | AP8121377 | Exzenter | 1 | |
| 2 | AP8110091 | Lager | 1 | |
| 3 | AP8110092 | Nadellager | 1 | |
| 4 | AP8121442 | Gasket ring | 2 | |
| 5 | AP8121441 | Seegerring | 1 | |
| 6 | AP8121446 | Distanzscheibe Kugeldrucklager | 1 | |
| 7 | AP8121448 | Seegerring | 1 | |
| 8 | AP8121443 | O-Ring | 1 | |
| 9 | AP8144416 | O-Ring 2150 | 1 | |
| 10 | AP8110102 | Nadellager | 1 | |
| 11 | AP8144417 | O-Ring 3256 | 1 | |
| 12 | AP8125807 | Zahnkranzhalter | 1 | |
| 13 | AP8107138 | Zahnkranz | 1 | |
| 14 | AP8152287 | TE Schr. m. Flansch M8x25 | 6 | |
| 15 | AP8152404 | Paßscheibe 60x72x1 | 1 | |
| 16 | AP8152300 | Selbstsperrende Mutter M8 | 6 | |
| 17 | AP8125808 | Gummipuffer Torsionsdämpfer | 6 | |
| 18 | AP8121502 | Tellerfeder | 1 | |
| 19 | AP8121499 | Nadelkaefig | 1 | |
| 20 | AP8121498 | Anlaufscheibe | 2 | |
| 21 | AP8121535 | Ring | 1 | |
| 22 | AP8144474 | O-Ring 3218 | 1 | |
| 23 | AP8125809 | Halter Torsionsdämpfer | 1 | |
| 24 | AP8121501 | Tellerfeder 40,5x51,5x1,5 | 1 | |
| 25 | AP8125836 | Schraube | 1 | |
| 26 | AP8152394 | TCEI Schraube M3x8 | 1 | |
| 27 | AP8125854 | TCEI Schraube m3x5 | 2 | |
| 28 | AP8107136 | Verbindungsglied | 1 | Technische Daten: Für Kette mit Schrift D.I.D.[DID] |

| | |
|---------------------|--------------|
| Einheit | RAHMEN |
| Code | 28.40 |
| Beschreibung | Hinterrad II |
| Inspektion | 1 |



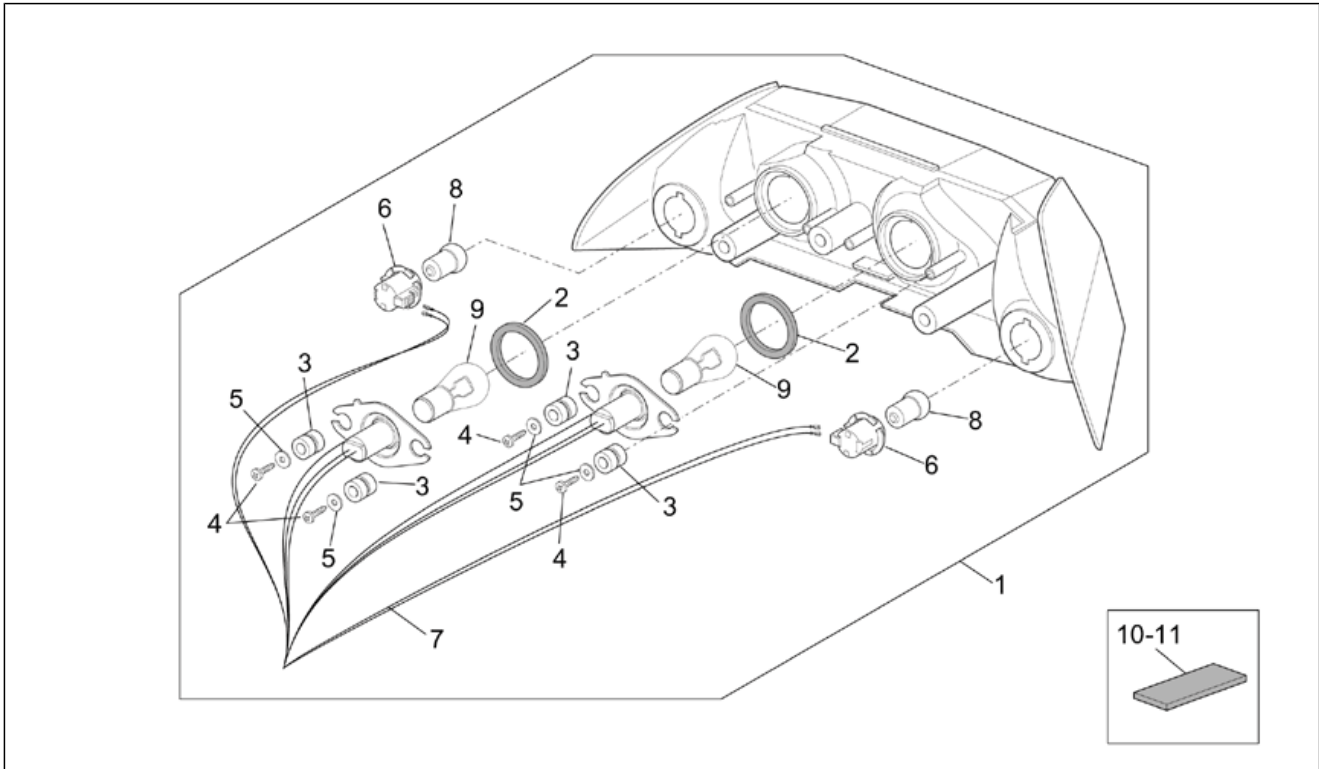
| Pos. | Code | Beschreibung | Menge | Varianten |
|------|-----------|----------------------|-------|--|
| 28 | AP8107150 | Verbindungsglied | 1 | Technische Daten: Für Kette mit Schrift REGINA[REG] |
| 29 | AP8107118 | Kette Verbindungsgl. | 1 | Technische Daten: Für Kette mit Schrift D.I.D.[DID] |
| 29 | AP8107148 | Kette Verbindungsgl. | 1 | Technische Daten: Für Kette mit Schrift REGINA[REG] |

| | |
|---------------------|--------------|
| Einheit | RAHMEN |
| Code | 28.41 |
| Beschreibung | Scheinwerfer |
| Inspektion | 1 |



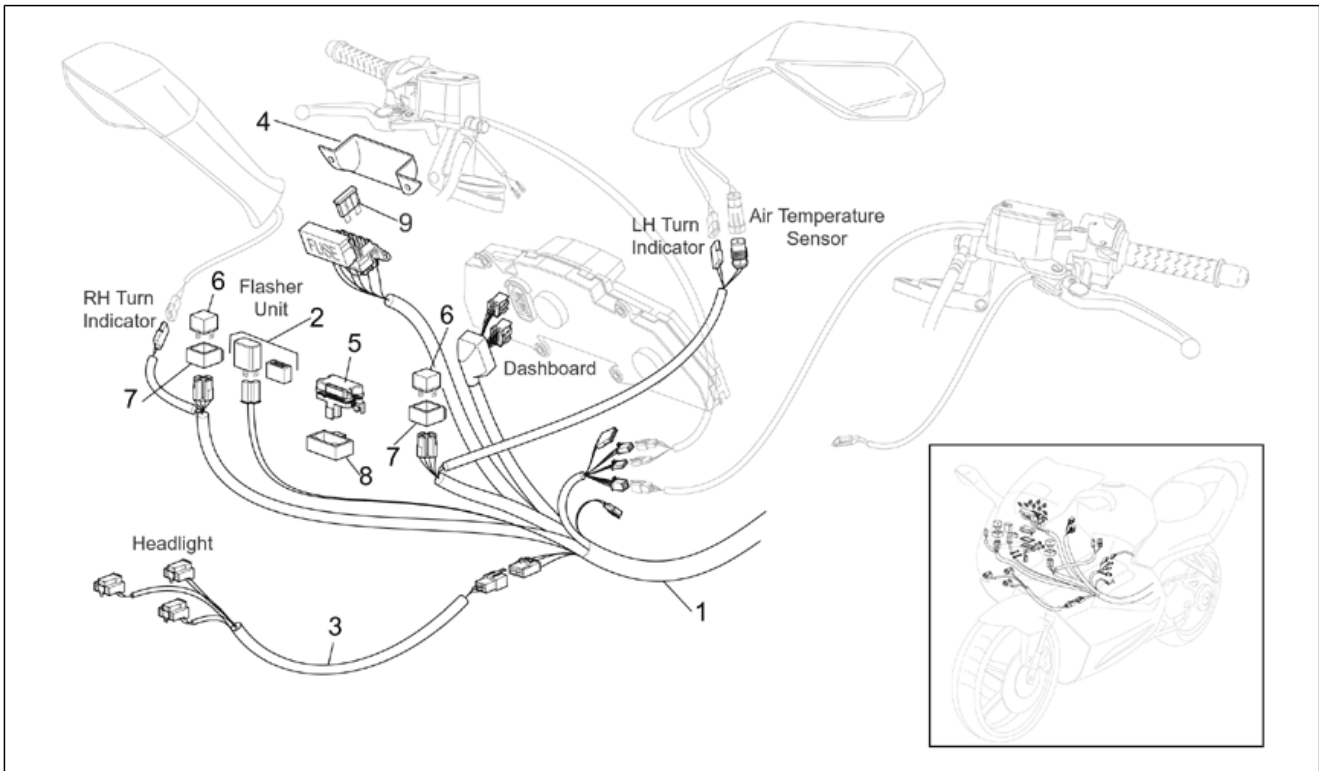
| Pos. | Code | Beschreibung | Menge | Varianten |
|------|-----------|-------------------------|-------|--|
| 1 | AP8124697 | Scheinwerfer | 1 | Land:Österreich[A], Belgien[B], Belgien[BB], Schweiz[CH], Deutschland[D], Dänemark[DK], Spanien[E], A, B, CH, D, DK, E, F, I, NL, P[EU], Frankreich[F], Frankreich[FF], Italien[I], Holland[NL], Portugal[P] |
| 1 | AP8124926 | Scheinwerfer | 1 | Land:Australien[AA], Australien[AUS], Japan[J], Japan[JJ], Großbritannien[UK] |
| 1 | AP8127106 | Scheinwerfer | 1 | Land:USA (Zulassung 49 Staaten)[AM], USA (Zulassung California)[CF], Vereinigte Staaten von Amerika[USA] |
| 2 | AP8127181 | Verkabel.Scheinwerf. | 1 | |
| 3 | AP8127182 | Scheinwerferhaube | 3 | |
| 4 | AP8127184 | Kleine Feder | 3 | |
| 5 | AP8127185 | Lampenhalter | 3 | |
| 6 | AP8127186 | Lüftungsröhrchen | 2 | |
| 7 | AP8127187 | Schraube | 1 | |
| 8 | AP8127188 | Fixierung | 1 | |
| 9 | AP8127189 | Schraube | 2 | |
| 10 | AP8127109 | Lampen H7 12V-55W | 3 | |
| 11 | AP8224393 | Lampen WY5W 12V | 1 | |
| 12 | AP8152338 | TBEI Schraube m.Flansch | 4 | |
| 13 | AP8117033 | Klebeschwamm | 2 | |
| 14 | AP8144316 | Schutz Bremsschlauch | 2 | |
| 15 | AP8124906 | Kabel Standlicht | 1 | |
| 16 | AP8117200 | Klebeschwamm | 3 | |

| | |
|---------------------|-----------|
| Einheit | RAHMEN |
| Code | 28.42 |
| Beschreibung | Rücklicht |
| Inspektion | 1 |



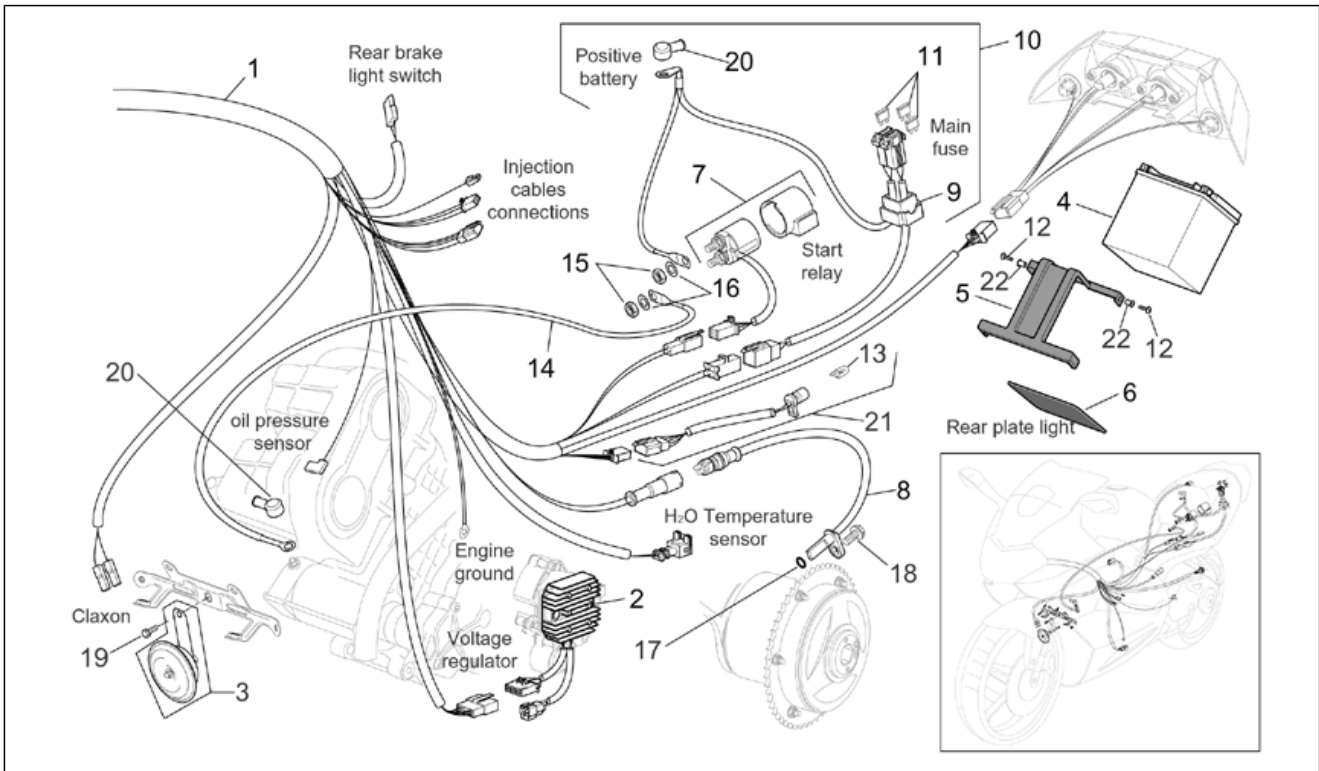
| Pos. | Code | Beschreibung | Menge | Varianten |
|------|-----------|-------------------|-------|-----------|
| 1 | AP8124693 | Rücklicht | 1 | |
| 2 | AP8127190 | Dichtung | 2 | |
| 3 | AP8127191 | Gummi | 4 | |
| 4 | AP8127192 | Schraube | 4 | |
| 5 | AP8127193 | Ausgleichscheibe | 4 | |
| 6 | AP8127194 | Lampenhalter | 2 | |
| 7 | AP8127195 | Verkabelung | 1 | |
| 8 | AP8127196 | Lampen | 2 | |
| 9 | AP8224389 | Lampen P21/5W 12V | 2 | |
| 10 | AP8117004 | Klebeschwamm 15x8 | 1 | |
| 11 | AP8117033 | Klebeschwamm | 1 | |

| | |
|---------------------|--------------------------|
| Einheit | RAHMEN |
| Code | 28.43 |
| Beschreibung | Vord. elektrische Anlage |
| Inspektion | 1 |



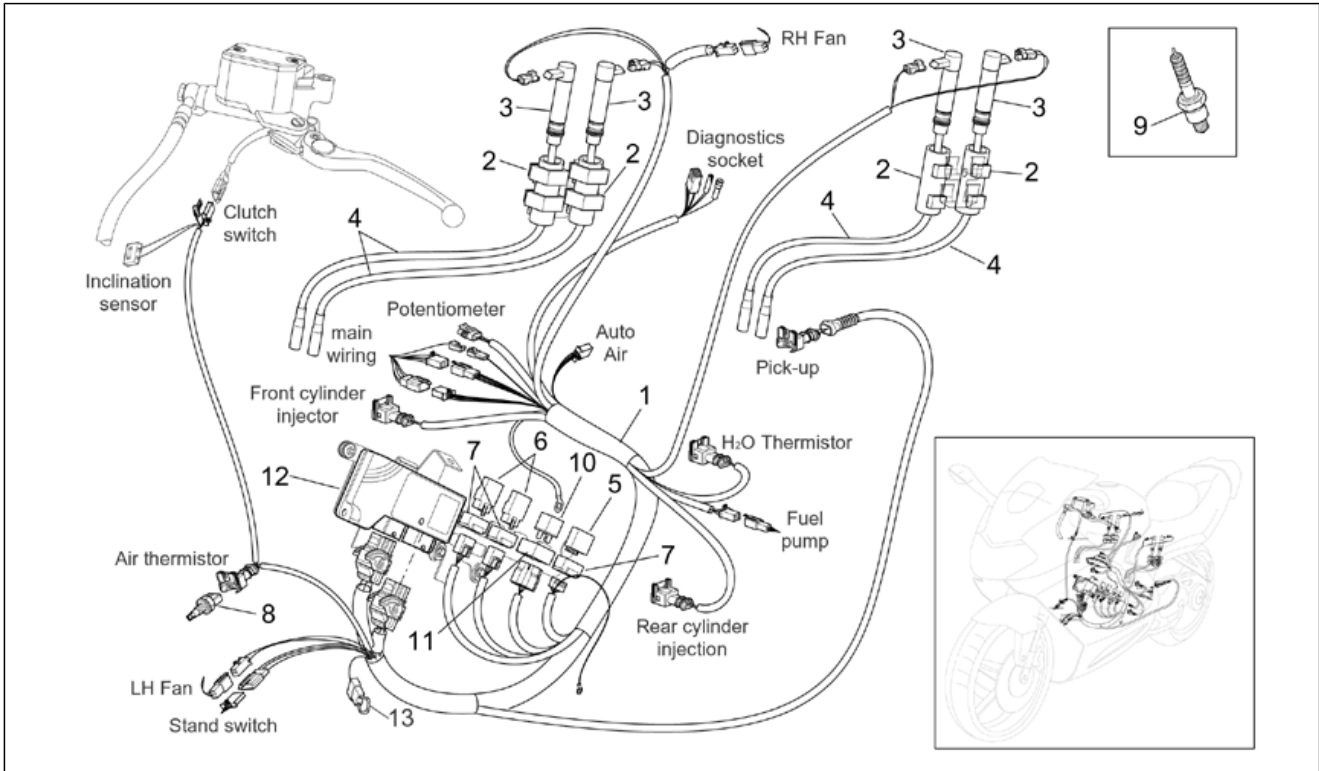
| Pos. | Code | Beschreibung | Menge | Varianten |
|------|-----------|----------------------|-------|--|
| 1 | AP8124691 | Hauptverkabelung | 1 | |
| 2 | AP8124235 | Blinken | 1 | |
| 3 | AP8124763 | Verkabel.Scheinwerf. | 1 | |
| 4 | AP8149313 | Deckel | 1 | Baujahr: 2001[1], 2002[2] Fahrzeugfarbe: Rot Flame 2001-2002[f.red], Blau Infinity 2001-2002[l.blu], Silber Stream 2001-2002[s.sil] |
| 4 | AP8158865 | Deckel | 1 | Baujahr: 2002[2], 2003[3] Fahrzeugfarbe: Grau Ash 2002[ash.g], Schwarz Darkness 2003[d.black], Blau Hilton 2003[h.blu] |
| 5 | AP8124954 | Neigungsfühler | 1 | |
| 6 | AP8224057 | Zündrelais | 2 | |
| 7 | AP8220546 | Auflagegummi Relais | 2 | |
| 8 | AP8144401 | Sensor halter | 1 | |
| 9 | AP8112176 | Sicherung 15A | 8 | |

| | |
|---------------------|--------------------------|
| Einheit | RAHMEN |
| Code | 28.44 |
| Beschreibung | Mitt. elektrische Anlage |
| Inspektion | 1 |



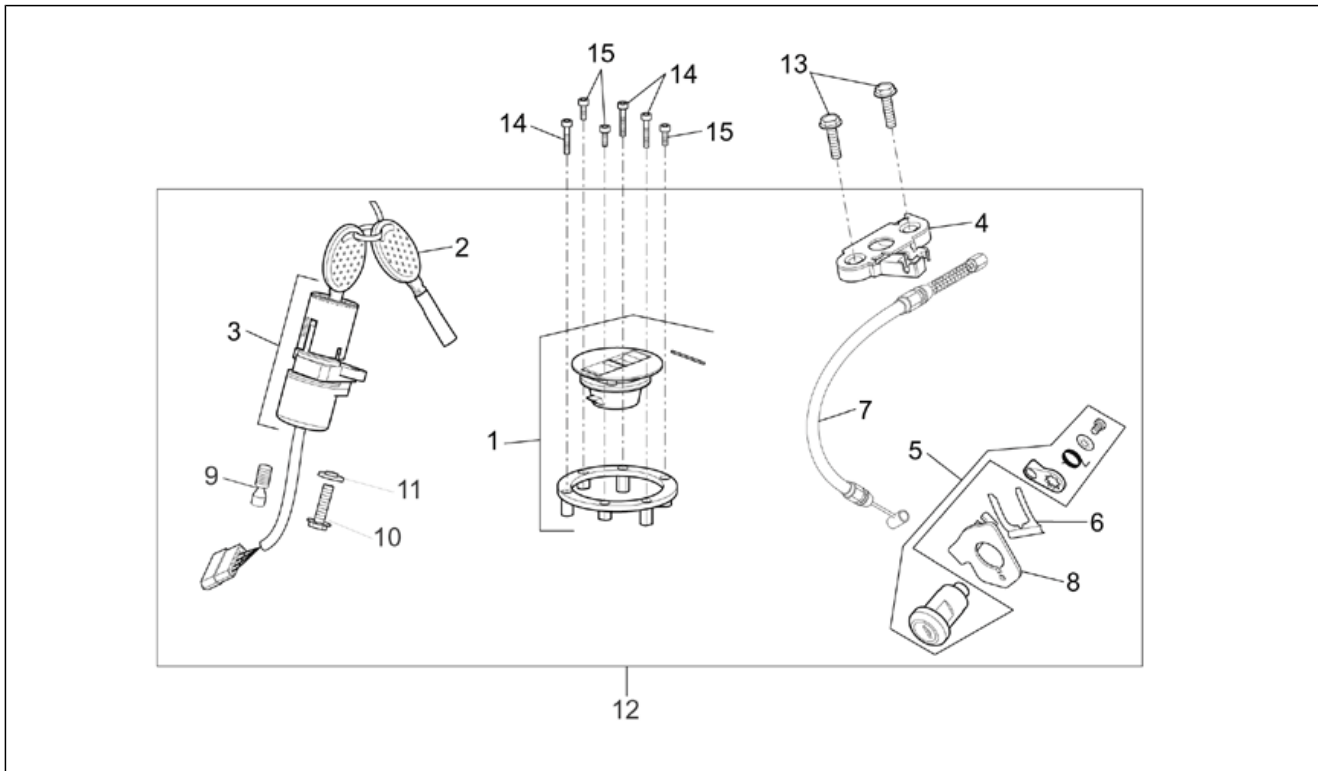
| Pos. | Code | Beschreibung | Menge | Varianten |
|------|-----------|-------------------------------|-------|-----------|
| 1 | AP8124691 | Hauptverkabelung | 1 | |
| 2 | AP8124831 | Spannungsregler | 1 | |
| 3 | AP8127336 | Hupe | 1 | |
| 4 | AP8124748 | Batterie YTX12-BS | 1 | |
| 5 | AP8134683 | Bügel | 1 | |
| 6 | AP8144045 | Batterieauflegegummi | 1 | |
| 7 | AP8124636 | Zündrelais 12V-150A | 1 | |
| 8 | AP8124920 | Geschwindig.sensor | 1 | |
| 9 | AP8112811 | Sicherungsblockgummi | 1 | |
| 10 | AP8124692 | Verkabelung Sicherungen | 1 | |
| 11 | AP8124273 | Sicherung 30a | 3 | |
| 12 | AP8152298 | TBEI Schraube m.Flansch M5x16 | 2 | |
| 13 | AP8224393 | Lampen WY5W 12V | 1 | |
| 14 | AP8127107 | Verkabelung Starter | 1 | |
| 15 | AP8150026 | Mutter M6 | 2 | |
| 16 | AP8150429 | Sprengscheibe 6,4x11x0,5* | 2 | |
| 17 | AP8120750 | O-Ring 2037 | 1 | |
| 18 | AP8152278 | TE Schr. m. Flansch M6x16 | 1 | |
| 19 | AP8152285 | TE Schr. m. Flansch | 1 | |
| 20 | AP8120218 | Klemmenkappe | 2 | |
| 21 | AP8127063 | Kennzeich.leuch.Kabel | 1 | |
| 22 | AP8120531 | Gummi mit Einsatz | 2 | |

| | |
|---------------------|--------------------------|
| Einheit | RAHMEN |
| Code | 28.45 |
| Beschreibung | Hint. elektrische Anlage |
| Inspektion | 1 |



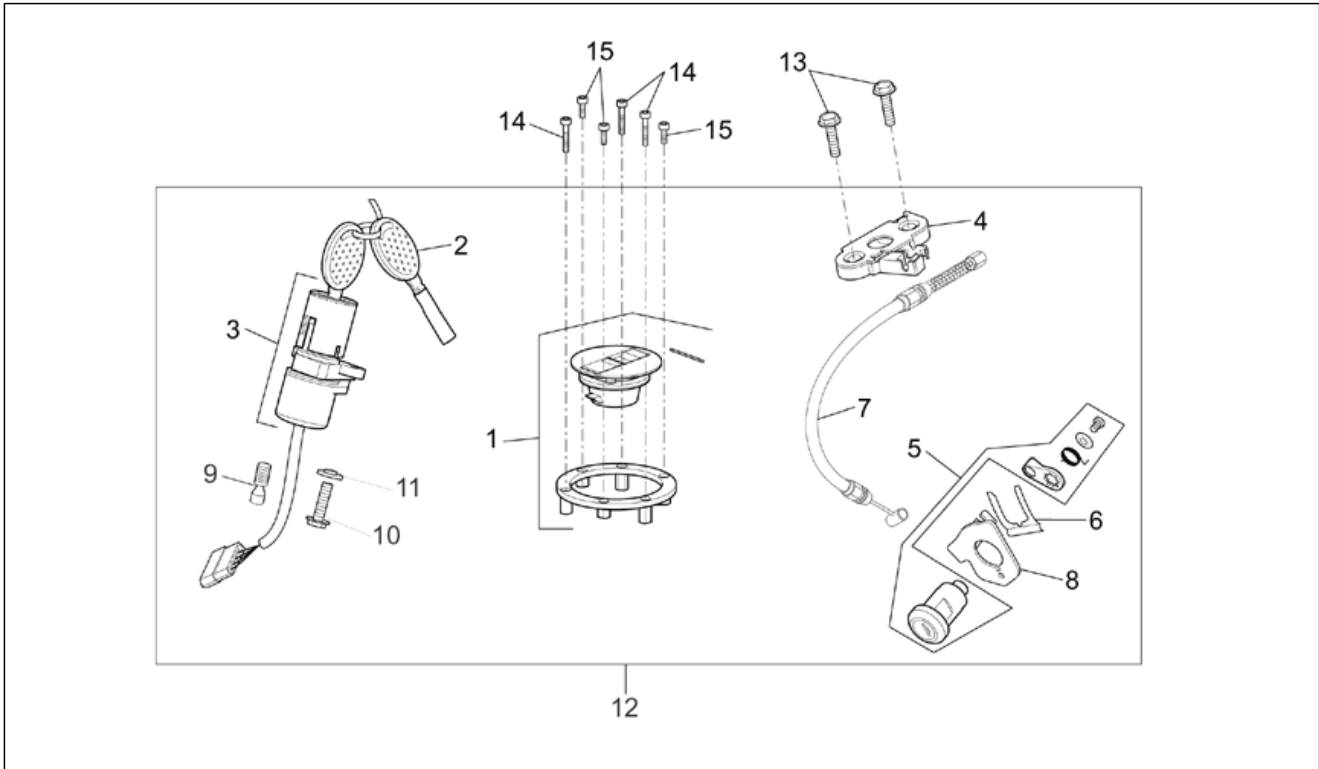
| Pos. | Code | Beschreibung | Menge | Varianten |
|------|-----------|---------------------------|-------|-----------|
| 1 | AP8124690 | Kabel Einspritzsystem | 1 | |
| 2 | AP8134653 | Halter Steuergerät | 4 | |
| 3 | AP8124864 | Spule | 4 | |
| 4 | AP8124999 | Zuendkabel | 4 | |
| 5 | AP8124289 | Dioden | 1 | |
| 6 | AP8212469 | Zündrelais 12V-20A | 2 | |
| 7 | AP8220283 | Gummi * | 3 | |
| 8 | AP8124867 | Lufttemperaturfühler | 1 | |
| 9 | AP0297942 | Zündkerze DCPR9E | 4 | |
| 10 | AP8124869 | Relais Einspritzung | 1 | |
| 11 | AP8220546 | Auflagegummi Relais | 1 | |
| 12 | AP8127275 | Steuergerät ohne Diagramm | 1 | |
| 13 | AP8212382 | Diode | 1 | |

| | |
|---------------------|-------------------|
| Einheit | RAHMEN |
| Code | 28.46 |
| Beschreibung | Bausatz Schlösser |
| Inspektion | 1 |



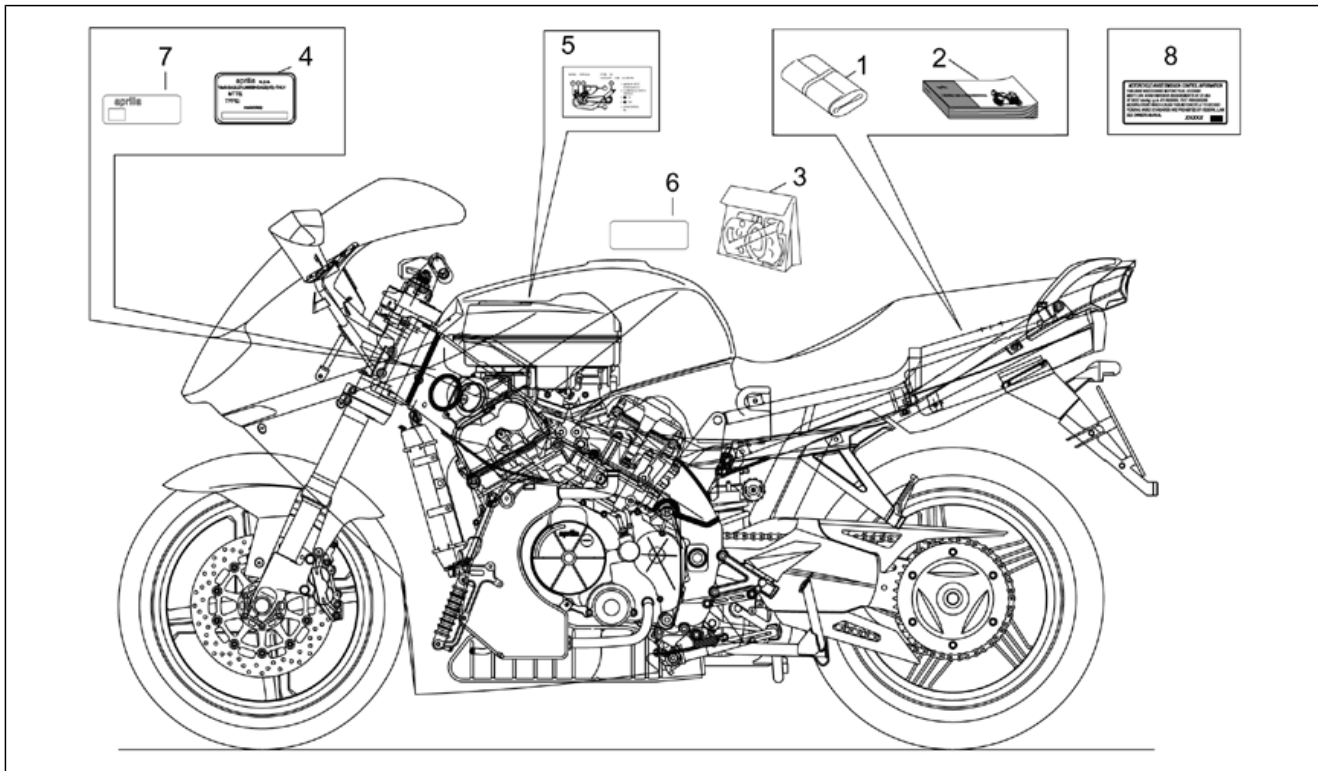
| Pos. | Code | Beschreibung | Menge | Varianten |
|------|-----------|--------------------------|-------|--|
| 1 | AP8104528 | Tankfüllschraube | 1 | Land: USA (Zulassung California)[CF], Vereinigte Staaten von Amerika[USA] Technische Daten: Zulassung California[CAL] |
| 1 | AP8158164 | Tankfüllschraube | 1 | Land: Österreich[A], Australien[AA], Australien[AUS], Belgien[B], Belgien[BB], Schweiz[CH], Deutschland[D], Dänemark[DK], Spanien[E], A, B, CH, D, DK, E, F, I, NL, P[EU], Frankreich[F], Frankreich[FF], Italien[I], Japan[J], Japan[JJ], Holland[NL], Portugal[P], Großbritannien[UK] |
| 1 | AP8158164 | Tankfüllschraube | 1 | Land: USA (Zulassung 49 Staaten)[AM], Vereinigte Staaten von Amerika[USA] Technische Daten: Zulassung 49 Staaten[49st] |
| 2 | AP8102880 | Schl. gefr. Aprilia | 1 | |
| 3 | AP8124895 | Lenkschloß | 1 | |
| 4 | AP8102913 | Fixierplatte Soziussitz | 1 | |
| 5 | AP8104154 | Sitzschloß | 1 | |
| 6 | AP8121420 | Gabelfeder | 1 | |
| 7 | AP8114441 | Schloßkabel | 1 | |
| 8 | AP8134618 | Kabelplatte | 1 | |
| 9 | AP8150349 | Spezialschraube M8x15 | 1 | |
| 10 | AP8152288 | TE Schr. m. Flansch | 1 | |
| 11 | AP8121678 | Buchse | 1 | |
| 12 | AP8104046 | Kit Schließvorrichtungen | 1 | Land: Österreich[A], Australien[AA], Australien[AUS], Belgien[B], Belgien[BB], Schweiz[CH], Deutschland[D], Dänemark[DK], Spanien[E], A, B, CH, D, DK, E, F, I, NL, P[EU], Frankreich[F], Frankreich[FF], Italien[I], Japan[J], Japan[JJ], Holland[NL], Portugal[P], Großbritannien[UK] |
| 12 | AP8104046 | Kit Schließvorrichtungen | 1 | Land: USA (Zulassung 49 Staaten)[AM], Vereinigte Staaten von Amerika[USA] Technische Daten: Zulassung 49 Staaten[49st] |
| 12 | AP8104275 | Kit Schließvorrichtungen | 1 | Land: USA (Zulassung California)[CF], Vereinigte Staaten von Amerika[USA] Technische Daten: Zulassung California[CAL] |

| | |
|---------------------|-------------------|
| Einheit | RAHMEN |
| Code | 28.46 |
| Beschreibung | Bausatz Schlösser |
| Inspektion | 1 |



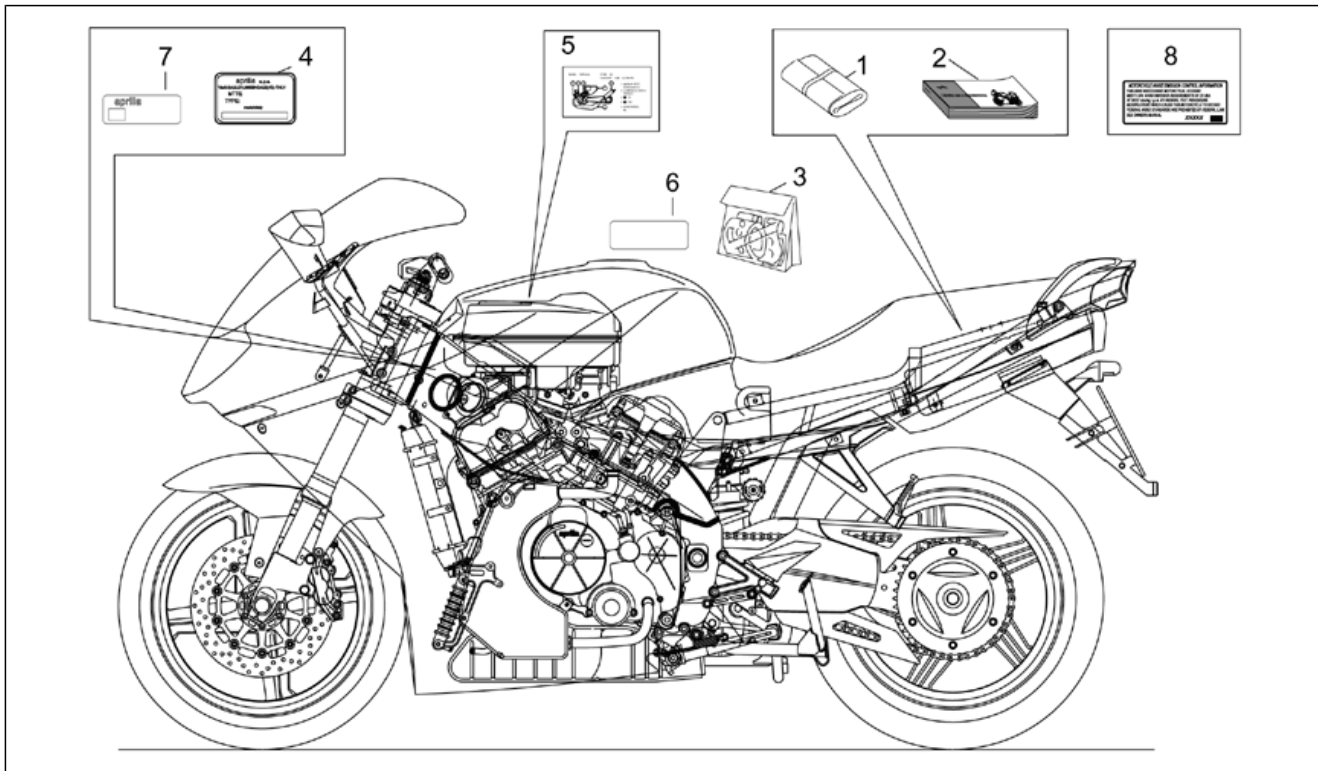
| Pos. | Code | Beschreibung | Menge | Varianten |
|------|-----------|---------------------------|-------|-----------|
| 13 | AP8152280 | TE Schr. m. Flansch M6x25 | 2 | |
| 14 | AP8150453 | TCEI Schraube M5x30 | 3 | |
| 15 | AP8150454 | TCEI Schraube M5x16 | 3 | |

| | |
|---------------------|----------------|
| Einheit | RAHMEN |
| Code | 28.47 |
| Beschreibung | Aufkleber-Deko |
| Inspektion | 1 |



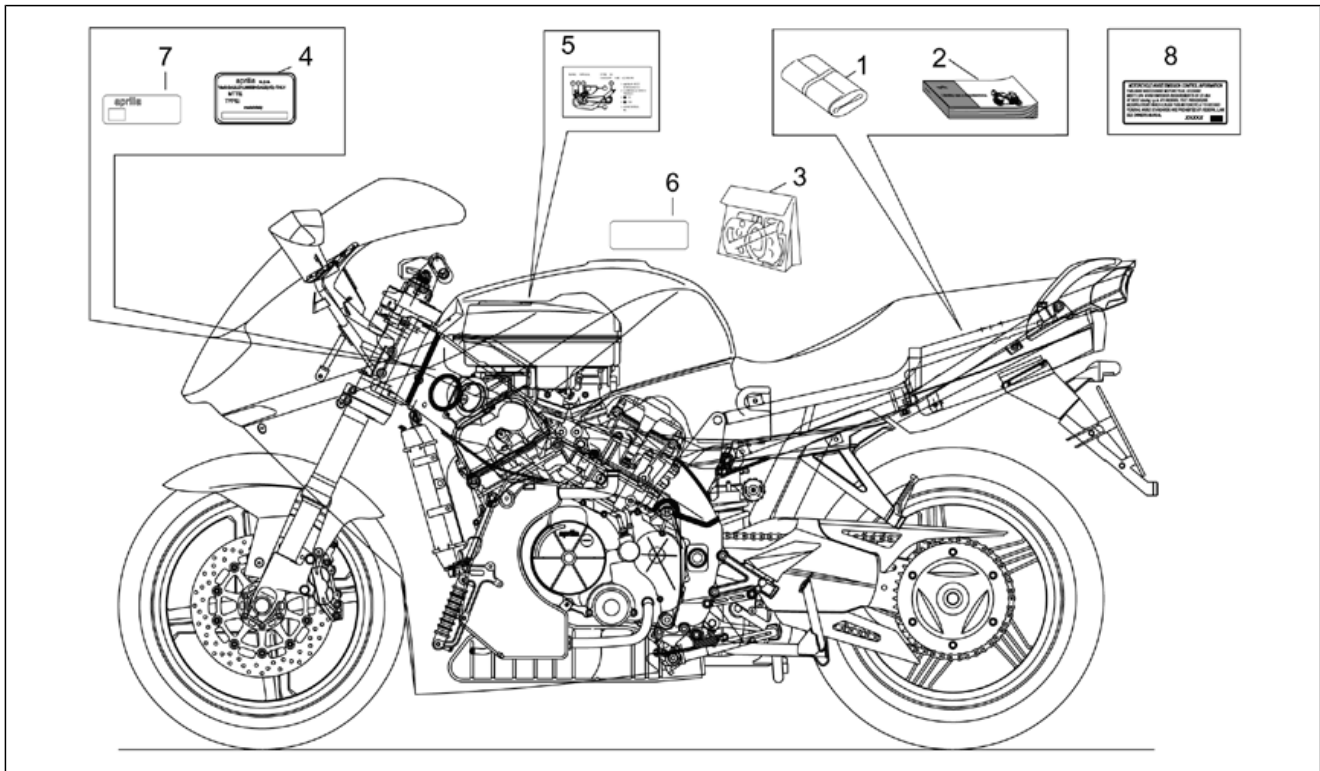
| Pos. | Code | Beschreibung | Menge | Varianten |
|------|-----------|-----------------------------|-------|--|
| 1 | AP8104180 | Werkzeugtasche | 1 | |
| 2 | AP8102993 | Gebrauchsanleitung I-F-D | 1 | Land: Österreich[A], Belgien[B], Belgien[BB], Schweiz[CH], Deutschland[D], A, B, CH, D, DK, E, F, I, NL, P[EU], Frankreich[F], Frankreich[FF], Italien[I], Italien[II] |
| 2 | AP8104162 | Gebrauchsanleitung NL-DK-GR | 1 | Land: Dänemark[DK], A, B, CH, D, DK, E, F, I, NL, P[EU], Holland[NL] |
| 2 | AP8104163 | Gebrauchsanleitung P-E-UK | 1 | Land: Spanien[E], A, B, CH, D, DK, E, F, I, NL, P[EU], Portugal[P], Großbritannien[UK] |
| 2 | AP8104303 | Gebrauchsanleitung AUS | 1 | Land: Australien[AA], Australien[AUS] |
| 2 | AP8104322 | Gebrauchsanleitung J | 1 | Land: Japan[J], Japan[JJ] |
| 2 | AP8104430 | Bed./Wart.-Anl. -USA- | 1 | Land: USA (Zulassung California)[CF], Vereinigte Staaten von Amerika[USA] Technische Daten: Zulassung California[CAL] |
| 2 | AP8104430 | Bed./Wart.-Anl. -USA- | 1 | Land: USA (Zulassung 49 Staaten)[AM], Vereinigte Staaten von Amerika[USA] Technische Daten: Zulassung 49 Staaten[49st] |
| 3 | AP8167404 | Deko Serie | 1 | Baujahr: 2001[1], 2002[2] Fahrzeugfarbe: Silber Stream 2001-2002[s.sil] Land: Österreich[A], Australien[AA], Australien[AUS], Belgien[B], Belgien[BB], Schweiz[CH], Deutschland[D], Dänemark[DK], Spanien[E], A, B, CH, D, DK, E, F, I, NL, P[EU], Frankreich[F], Frankreich[FF], Italien[I], Japan[J], Japan[JJ], Holland[NL], Portugal[P], Großbritannien[UK] |
| 3 | AP8167405 | Deko Serie | 1 | Baujahr: 2001[1], 2002[2] Fahrzeugfarbe: Rot Flame 2001-2002[f.red] Land: Österreich[A], Australien[AA], Australien[AUS], Belgien[B], Belgien[BB], Schweiz[CH], Deutschland[D], Dänemark[DK], Spanien[E], A, B, CH, D, DK, E, F, I, NL, P[EU], Frankreich[F], Frankreich[FF], Italien[I], Japan[J], Japan[JJ], Holland[NL], Portugal[P], Großbritannien[UK] |
| 3 | AP8167406 | Deko Serie | 1 | Baujahr: 2001[1], 2002[2] Fahrzeugfarbe: Blau Infinity 2001-2002[l.blu] Land: Österreich[A], Australien[AA], Australien[AUS], Belgien[B], Belgien[BB], Schweiz[CH], Deutschland[D], |

| | |
|---------------------|----------------|
| Einheit | RAHMEN |
| Code | 28.47 |
| Beschreibung | Aufkleber-Deko |
| Inspektion | 1 |



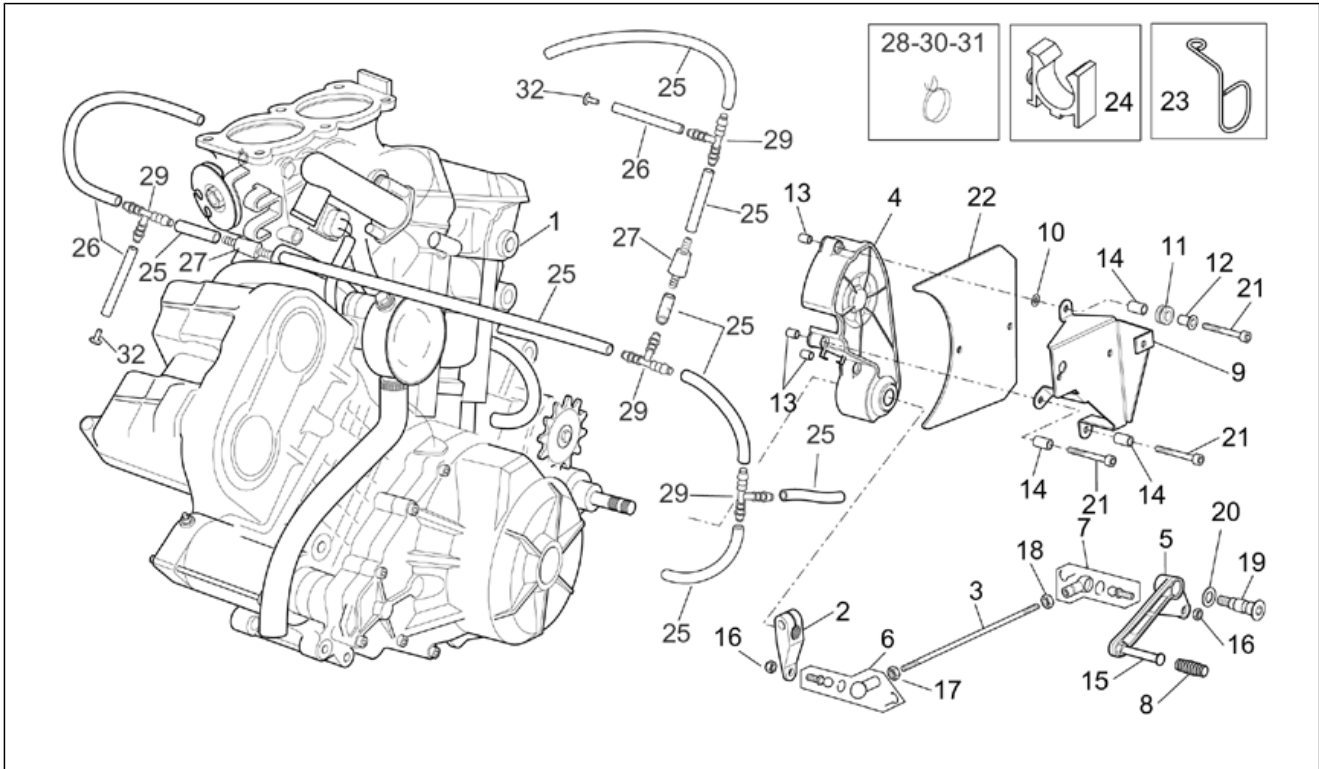
| Pos. | Code | Beschreibung | Menge | Varianten |
|------|-----------|------------------|-------|---|
| | | | | Dänemark[DK], Spanien[E], A, B, CH, D, DK, E, F, I, NL, P[EU], Frankreich[F], Frankreich[FF], Italien[I], Japan[J], Japan[JJ], Holland[NL], Portugal[P], Großbritannien[UK] |
| 3 | AP8167514 | Deko Serie | 1 | Baujahr: 2001[1], 2002[2] Fahrzeugfarbe: Silber Stream 2001-2002[s.sil] Land: USA (Zulassung 49 Staaten)[AM], USA (Zulassung California)[CF], Vereinigte Staaten von Amerika[USA] |
| 3 | AP8167926 | Deko Serie | 1 | Baujahr: 2001[1], 2002[2] Fahrzeugfarbe: Rot Flame 2001-2002[f.red] Land: USA (Zulassung 49 Staaten)[AM], USA (Zulassung California)[CF], Vereinigte Staaten von Amerika[USA] |
| 3 | AP8167927 | Deko Serie | 1 | Baujahr: 2001[1], 2002[2] Fahrzeugfarbe: Blau Infinity 2001-2002[l.blu] Land: USA (Zulassung 49 Staaten)[AM], USA (Zulassung California)[CF], Vereinigte Staaten von Amerika[USA] |
| 3 | AP8167959 | Deko Serie | 1 | Baujahr: 2002[2] Fahrzeugfarbe: Grau Ash 2002[ash.g] Land: Österreich[A], Australien[AA], Australien[AUS], Belgien[B], Belgien[BB], Schweiz[CH], Deutschland[D], Dänemark[DK], Spanien[E], A, B, CH, D, DK, E, F, I, NL, P[EU], Frankreich[F], Frankreich[FF], Italien[I], Japan[J], Japan[JJ], Holland[NL], Portugal[P], Großbritannien[UK] |
| 3 | AP8167960 | Deko Serie | 1 | Baujahr: 2002[2] Fahrzeugfarbe: Grau Ash 2002[ash.g] Land: USA (Zulassung 49 Staaten)[AM], USA (Zulassung California)[CF], Vereinigte Staaten von Amerika[USA] |
| 3 | AP8177665 | Deko Serie | 1 | Baujahr: 2003[3] Fahrzeugfarbe: Schwarz Darkness 2003[d.black] |
| 3 | AP8177666 | Deko Serie | 1 | Baujahr: 2003[3] Fahrzeugfarbe: Blau Hilton 2003[h.blu] |
| 4 | AP8157812 | Herstellerschild | 1 | Land: Frankreich[F], Frankreich[FF] Technische Daten: Version mit voller Leistung[f.p.] |
| 4 | AP8167407 | Herstellerschild | 1 | Land: Belgien[B], Belgien[BB] Technische Daten: Version mit voller Leistung[f.p.] |

| | |
|---------------------|----------------|
| Einheit | RAHMEN |
| Code | 28.47 |
| Beschreibung | Aufkleber-Deko |
| Inspektion | 1 |



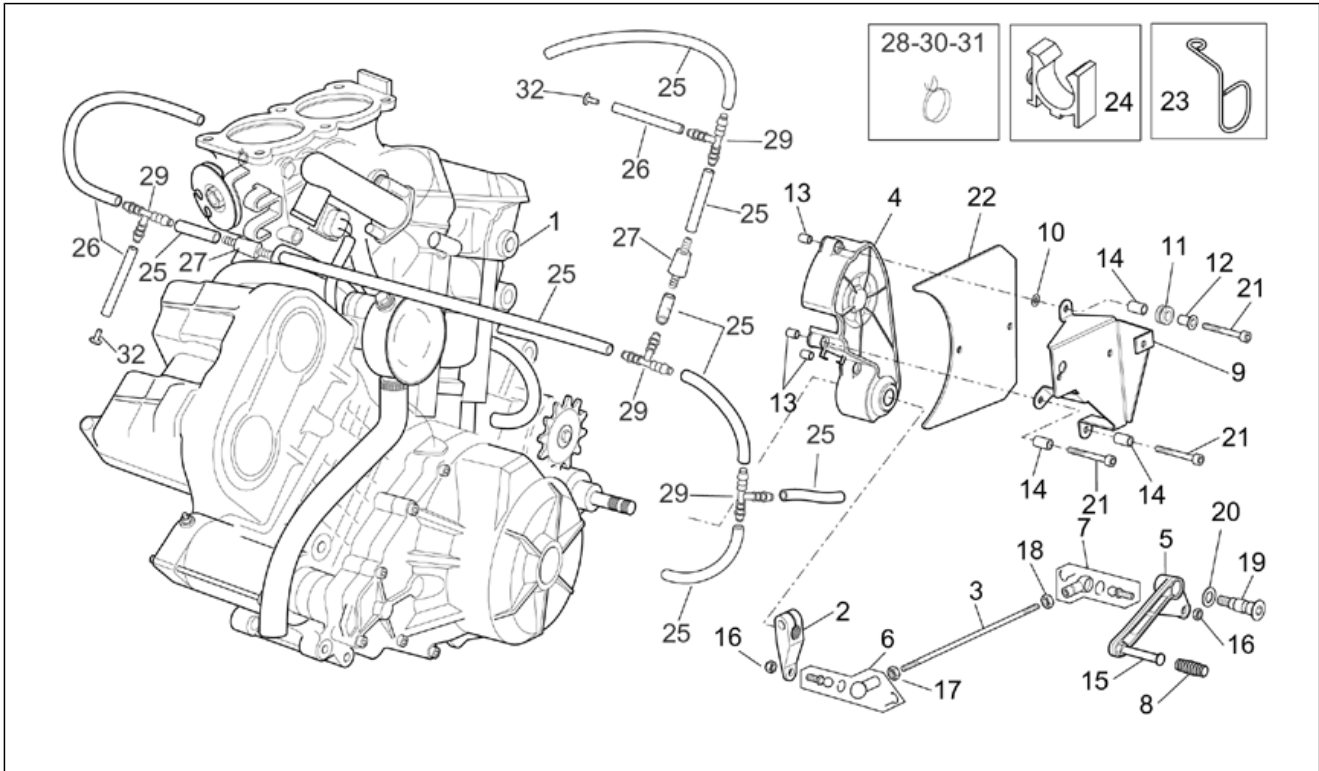
| Pos. | Code | Beschreibung | Menge | Varianten |
|------|-----------|-----------------------------|-------|---|
| 4 | AP8167407 | Herstellerschild | 1 | Land:Österreich[A], Schweiz[CH], Deutschland[D], Dänemark[DK], Spanien[E], Italien[I], Japan[J], Japan[JJ], Holland[NL], Portugal[P], Großbritannien[UK] |
| 4 | AP8167408 | Herstellerschild | 1 | Land:Belgien[B], Belgien[BB] Technische Daten:Version mit Leistungsminderung 72 Kw[72kw] |
| 4 | AP8167409 | Herstellerschild | 1 | Land:Belgien[B], A, B, CH, D, DK, E, F, I, NL, P[EU] Technische Daten:Version mit Leistungsminderung 78 Kw[78kw] |
| 4 | AP8167409 | Herstellerschild | 1 | Land:Frankreich[F], Frankreich[FF] Technische Daten:Version mit Leistungsminderung 78 Kw[78kw] |
| 4 | AP8167453 | Herstellerschild | 1 | Baujahr:2001[1], 2002[2] Land:Australien[AA], Australien[AUS] |
| 4 | AP8167513 | Herstellerschild | 1 | Land:USA (Zulassung 49 Staaten)[AM], USA (Zulassung California)[CF], Vereinigte Staaten von Amerika[USA] |
| 4 | AP8177797 | Herstellerschild | 1 | Baujahr:2003[3] Land:Australien[AA], Australien[AUS] |
| 5 | AP8157650 | Fälschungssicheres Schild | 1 | Land:Frankreich[F], Frankreich[FF] |
| 6 | AP8167598 | Zündkerze schild | 4 | Land:Italien[I] |
| 6 | AP8167604 | Zündkerze schild | 4 | Land:Australien[AA], USA (Zulassung 49 Staaten)[AM], Australien[AUS], USA (Zulassung California)[CF], Großbritannien[UK], Vereinigte Staaten von Amerika[USA] |
| 7 | AP8167410 | ECE Schild | 1 | Land:Australien[AA], Australien[AUS], Japan[J], Japan[JJ] |
| 8 | AP8167454 | Lautherausgabe selbstkleber | 1 | Baujahr:2001[1], 2002[2] Land:Australien[AA], Australien[AUS] |
| 8 | AP8177798 | Lautherausgabe selbstkleber | 1 | Baujahr:2003[3] Land:Australien[AA], Australien[AUS] |

| | |
|---------------------|-------|
| Einheit | MOTOR |
| Code | 29.36 |
| Beschreibung | Motor |
| Inspektion | 1 |



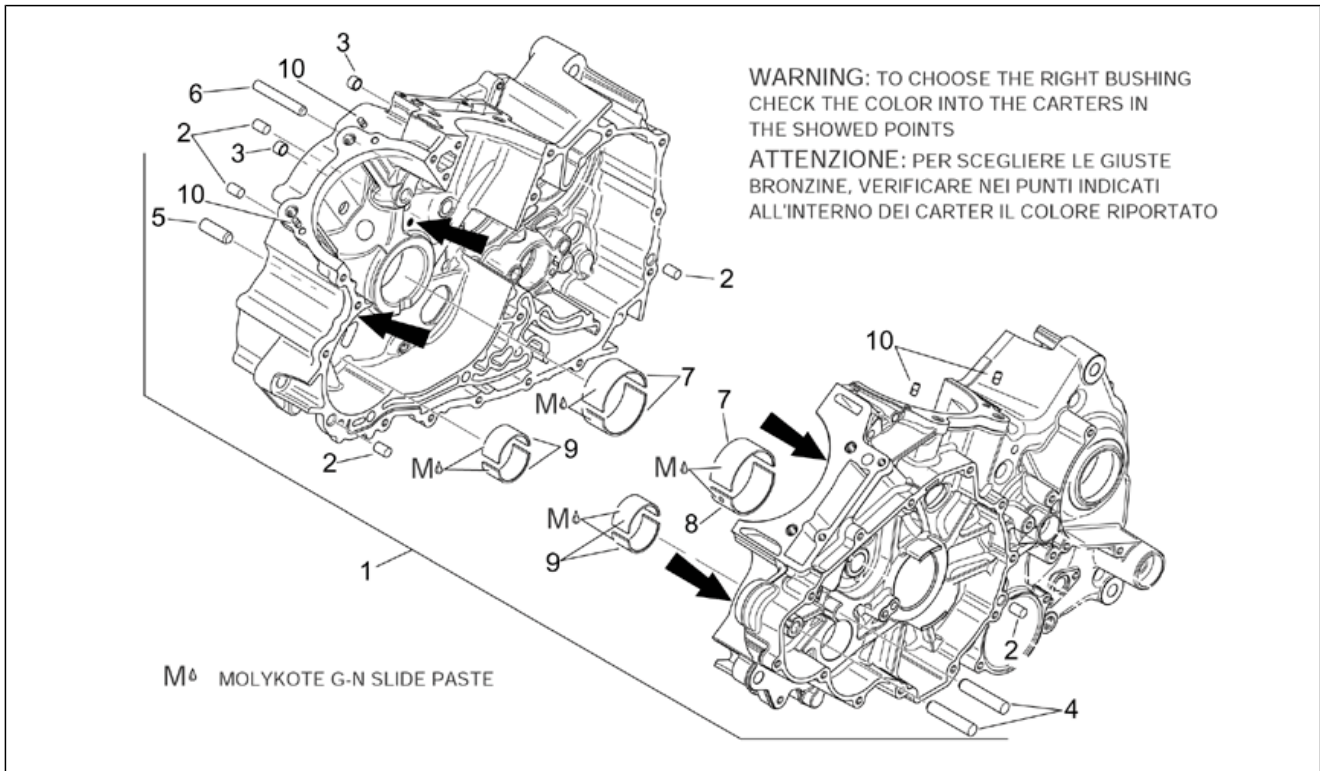
| Pos. | Code | Beschreibung | Menge | Varianten |
|------|-----------|---------------------------------|-------|-----------|
| 1 | AP8106919 | Motor | 1 | |
| 2 | AP8121354 | Umlenkpl. Schaltgetr. | 1 | |
| 3 | AP8121435 | Umlenkstange Schaltgetriebe | 1 | |
| 4 | AP8106375 | Ritzelkasten, alu. 180 | 1 | |
| 5 | AP8106747 | Schalthebel | 1 | |
| 6 | AP8110053 | Kugelgelenk links M6 | 1 | |
| 7 | AP8210007 | Kugelgelenk rechts M6 | 1 | |
| 8 | AP8120912 | Gummi für Hebel | 1 | |
| 9 | AP8134687 | Befestig.blech Karosseriet.re. | 1 | |
| 10 | AP8152181 | Scheibe 6,4x15x1 | 3 | |
| 11 | AP8120405 | Gummi | 3 | |
| 12 | AP8121795 | T-Buchse | 3 | |
| 13 | AP8221046 | Distanzscheibe D6x8x13,5* | 3 | |
| 14 | AP8121020 | Distanzscheibe 6,5x10x19* | 3 | |
| 15 | AP8121434 | Stift Bremshebel | 1 | |
| 16 | AP8150026 | Mutter M6 | 2 | |
| 17 | AP8152138 | Mutter | 1 | |
| 18 | AP8150430 | Selbstsperr.mut Unt. | 1 | |
| 19 | AP8121223 | Stift Hinterradbremshel. | 1 | |
| 20 | AP8150020 | Ausgleichscheibe 10,5x21x2* | 1 | |
| 21 | AP8150045 | TCEI Schraube M6x55 | 3 | |
| 22 | AP8134798 | Platte | 1 | |
| 23 | AP8221172 | Kabelführungs | 1 | |
| 24 | AP8201808 | Kabelführungs D8 | 2 | |
| 25 | AP8144015 | Ölschlauch 6x12 | 1 | |
| 26 | AP8144038 | Kraftstoffleitung 6x10 | 1 | |
| 27 | AP8104251 | Ölablaßventil | 2 | |
| 28 | AP8120446 | Schlauchschelle, grün D11x6,6x1 | 12 | |

| | |
|---------------------|-------|
| Einheit | MOTOR |
| Code | 29.36 |
| Beschreibung | Motor |
| Inspektion | 1 |



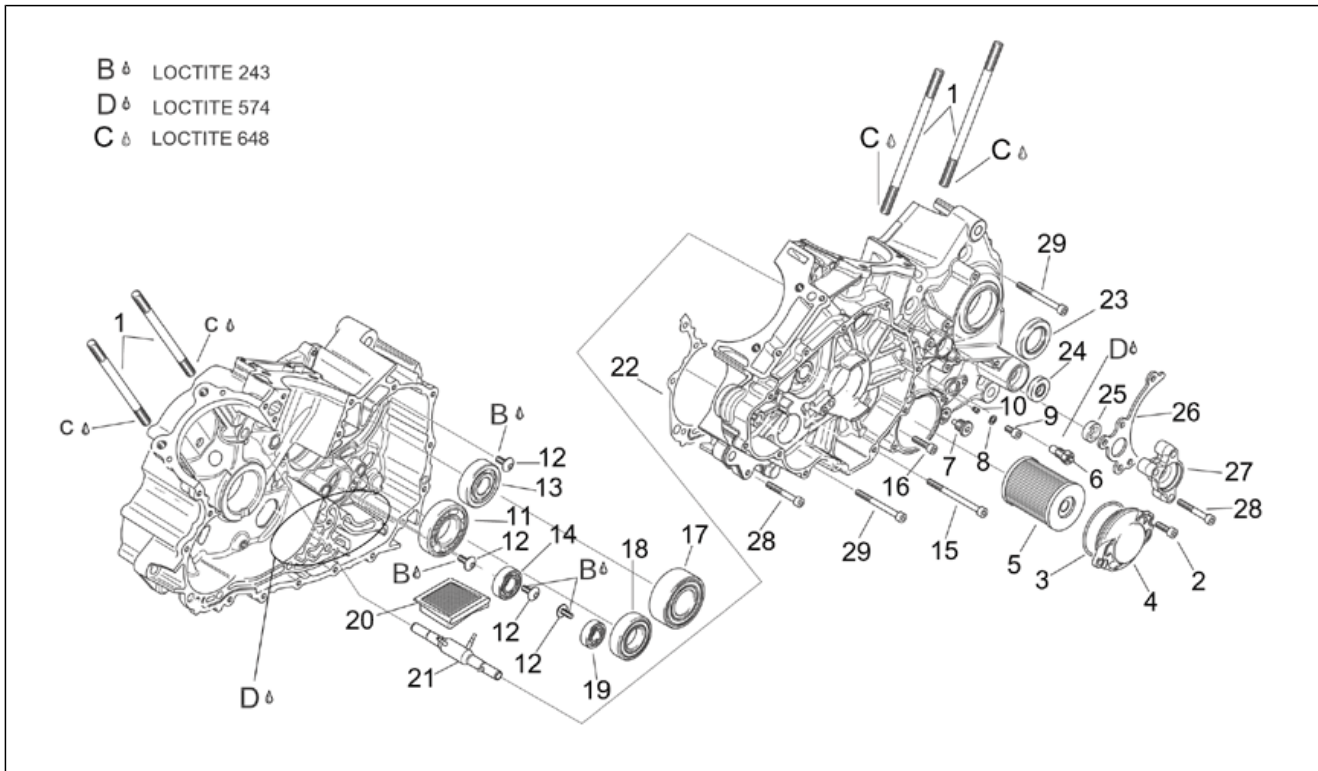
| Pos. | Code | Beschreibung | Menge | Varianten |
|------|-----------|-------------------|-------|-----------|
| 29 | AP8144303 | 3-Wegeanschluß | 4 | |
| 30 | AP8101595 | Schelle D10,1 | 4 | |
| 31 | AP8102377 | Schelle D9,1* | 2 | |
| 32 | AP8120876 | Verschlußschraube | 2 | |

| | |
|---------------------|-----------|
| Einheit | MOTOR |
| Code | 29.48 |
| Beschreibung | Gehäuse I |
| Inspektion | 1 |



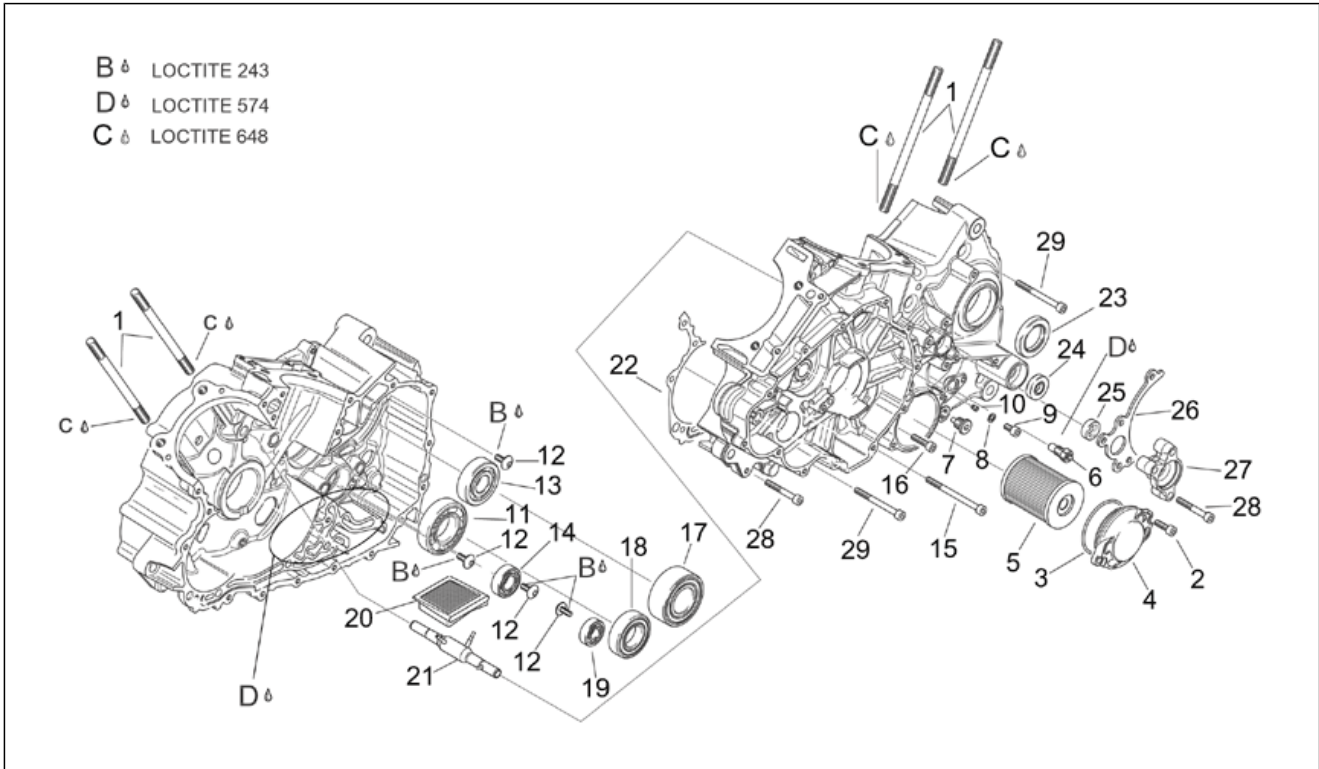
| Pos. | Code | Beschreibung | Menge | Varianten |
|------|-----------|--------------------------|-------|-----------|
| 1 | AP0296961 | Gehäuse-kpl. | 1 | |
| 2 | AP0632010 | Stift M8x12 | 5 | |
| 3 | AP0929500 | Stift 10x8 | 2 | |
| 4 | AP0229301 | Bolzen M6x50 | 2 | |
| 5 | AP0929930 | Bolzen | 1 | |
| 6 | AP0229385 | Bolzen | 1 | |
| 7 | AP0233745 | Halbsch. Bronzebu., blau | 3 | |
| 7 | AP0233746 | Halbsch. Bronzebu., rot | 3 | |
| 7 | AP0233748 | Halbsch. Bronzebu., gelb | 3 | |
| 8 | AP0233740 | Halbsch. Bronzebu., blau | 1 | |
| 8 | AP0233741 | Halbsch. Bronzebu., rot | 1 | |
| 8 | AP0233743 | Halbsch. Bronzebu., gelb | 1 | |
| 9 | AP0233711 | Halbsch. Bronzebu., blau | 4 | |
| 9 | AP0233820 | Halbsch. Bronzebu., rot | 4 | |
| 9 | AP0233822 | Halbsch. Bronzebu., gelb | 4 | |
| 10 | AP0929650 | Stift 5x10 | 4 | |

| | |
|---------------------|------------|
| Einheit | MOTOR |
| Code | 29.49 |
| Beschreibung | Gehäuse II |
| Inspektion | 1 |



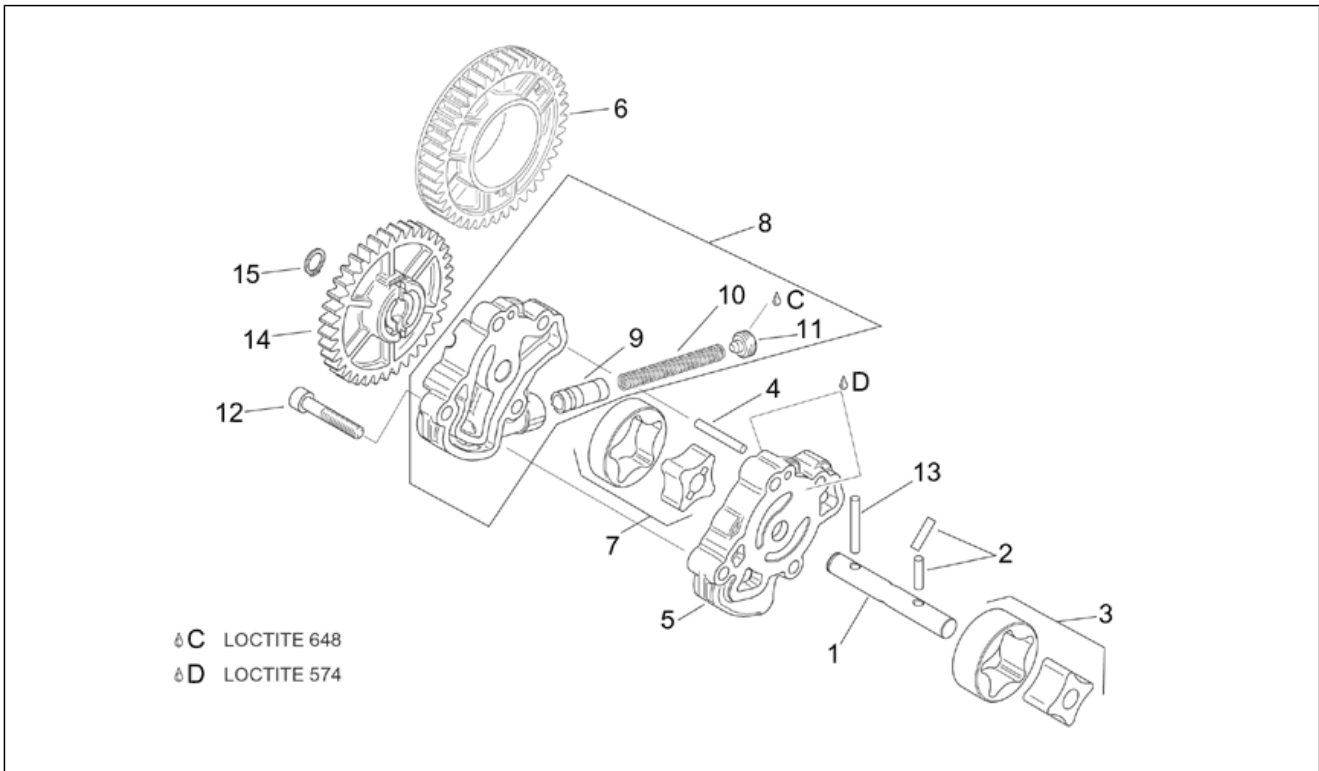
| Pos. | Code | Beschreibung | Menge | Varianten |
|------|-----------|--------------------------|-------|-----------|
| 1 | AP0241580 | Stiftschraube m10x171 | 8 | |
| 2 | AP0241932 | TCEI Schraube | 2 | |
| 3 | AP0650500 | O-Ring 59,52x2,62 | 1 | |
| 4 | AP0210415 | Ölfilterdeckel | 1 | |
| 4 | AP0210416 | Ölfilterdeckel grau | 1 | |
| 5 | AP0256187 | Ölfiltereinsatz | 1 | |
| 6 | AP0241854 | Schalter Lerrlktr. | 1 | |
| 7 | AP0241782 | Magnetschraube M12x1,5 | 1 | |
| 8 | AP0230415 | Gasket ring 6x10 | 1 | |
| 9 | AP0241081 | TCEI Schraube M6x10 | 1 | |
| 10 | AP0268740 | Strahl 60 | 1 | |
| 11 | AP0932585 | Kugellager 6206 | 1 | |
| 12 | AP0241531 | Kurzkopf-Schraube | 4 | |
| 13 | AP0832144 | Kugellager 6304 | 1 | |
| 14 | AP0232625 | Lager 6003 | 1 | |
| 15 | AP0241501 | TCEI Schraube M6x80 | 1 | |
| 16 | AP0840861 | TCEI Schraube M6x25 | 1 | |
| 17 | AP0632124 | Schulterkugellager 3206 | 1 | |
| 18 | AP0932428 | Kugellager 6205 | 1 | |
| 19 | AP0932335 | Kugellager 16101 | 1 | |
| 20 | AP0256497 | Ölnetz | 1 | |
| 21 | AP0256526 | Öl-Einspritzschlauch | 1 | |
| 22 | AP0650335 | Dichtung | 1 | |
| 23 | AP0850050 | Ölabstreifring 40x47x7,5 | 1 | |
| 24 | AP0250450 | Ölabstreifring 12x28x7 | 1 | |
| 25 | AP0650320 | Ölabstreifring 11x22x7 | 1 | |
| 26 | AP0236370 | Kettenführung | 1 | |
| 27 | AP0259500 | Kupplungs-Ausrückfla. | 1 | |

| | |
|---------------------|------------|
| Einheit | MOTOR |
| Code | 29.49 |
| Beschreibung | Gehäuse II |
| Inspektion | 1 |



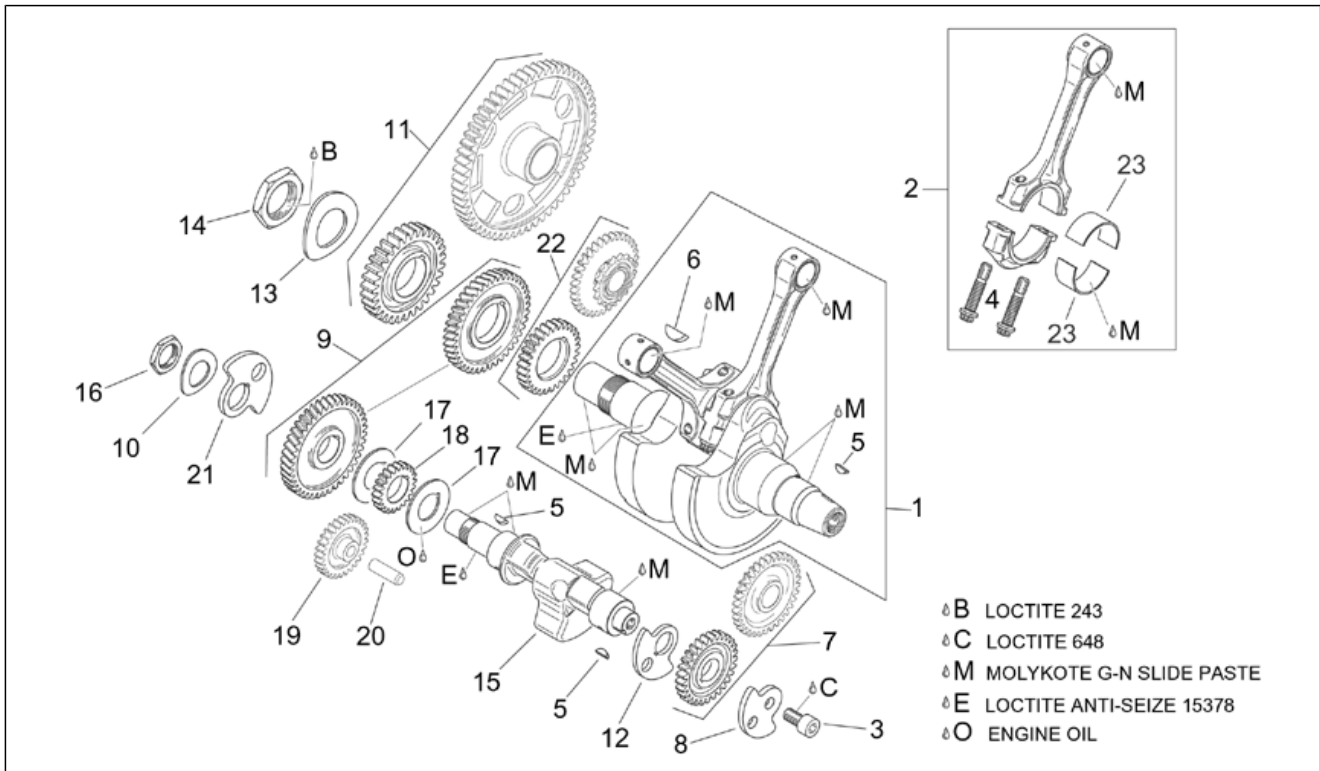
| Pos. | Code | Beschreibung | Menge | Varianten |
|------|-----------|---------------------|-------|-----------|
| 28 | AP0241821 | TCEI Schraube M6x45 | 8 | |
| 29 | AP0241261 | TCEI Schraube | 13 | |

| | |
|---------------------|---------|
| Einheit | MOTOR |
| Code | 29.50 |
| Beschreibung | Ölpumpe |
| Inspektion | 1 |



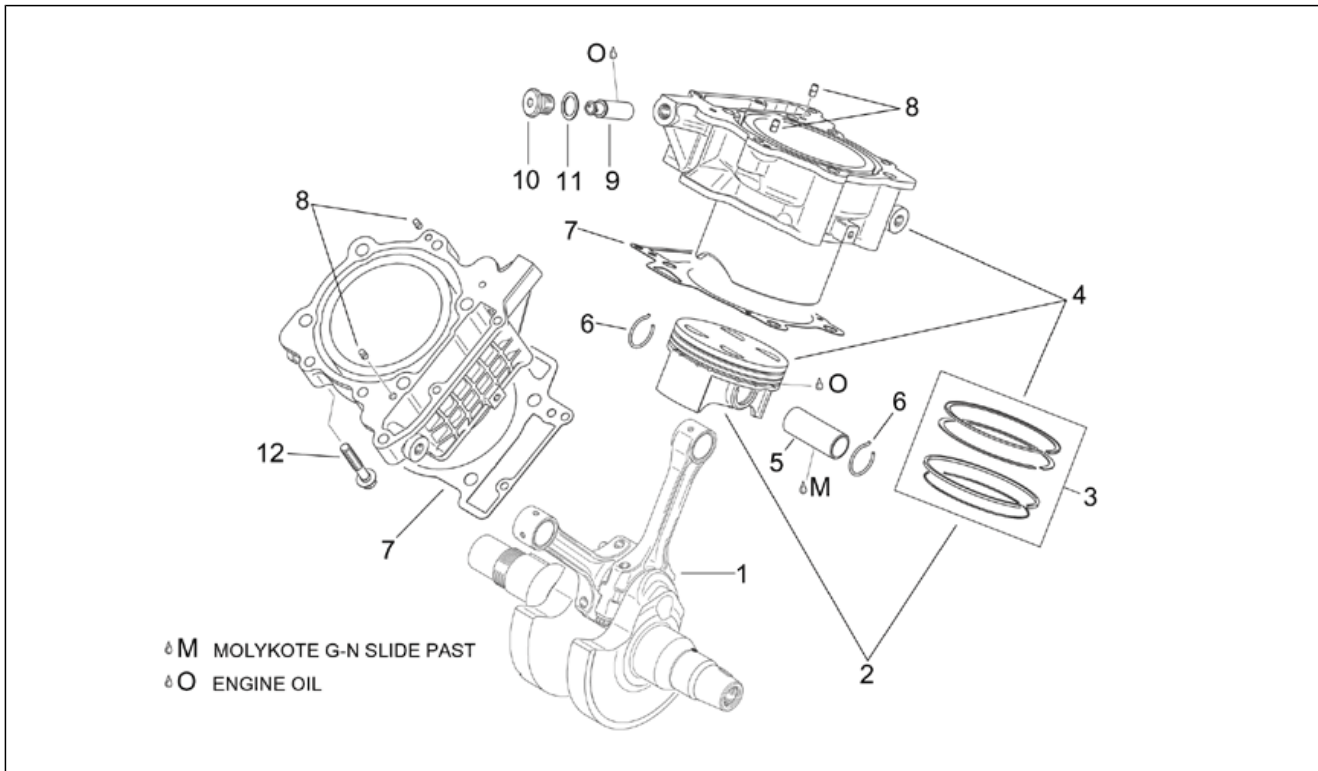
| Pos. | Code | Beschreibung | Menge | Varianten |
|------|-----------|-------------------------------|-------|-----------|
| 1 | AP0220423 | Ölpumpenwelle | 1 | |
| 2 | AP0232730 | Stift 4x15,8 | 2 | |
| 3 | AP0256680 | Innen- und Außenrotor | 1 | |
| 4 | AP0232970 | Bolzen 4x25,8 | 1 | |
| 5 | AP0211620 | Ölpumpengehäuse | 1 | |
| 6 | AP0634470 | Ölpumpen-Zahn. z=42 | 1 | |
| 7 | AP0956275 | Innen- und Außenrotor | 1 | |
| 8 | AP0211631 | Deckel Ölpumpe | 1 | |
| 9 | AP0256510 | Druckregelkolben | 1 | |
| 10 | AP0239447 | Feder | 1 | |
| 11 | AP0241650 | Ventilschließschraube m12x1,5 | 1 | |
| 12 | AP0241821 | TCEI Schraube M6x45 | 4 | |
| 13 | AP0232430 | Stift | 1 | |
| 14 | AP0634483 | Ölpumpen-Zahn. | 1 | |
| 15 | AP0245330 | Seegerring 10x1 | 1 | |

| | |
|---------------------|-------------|
| Einheit | MOTOR |
| Code | 29.51 |
| Beschreibung | Kurbelwelle |
| Inspektion | 1 |



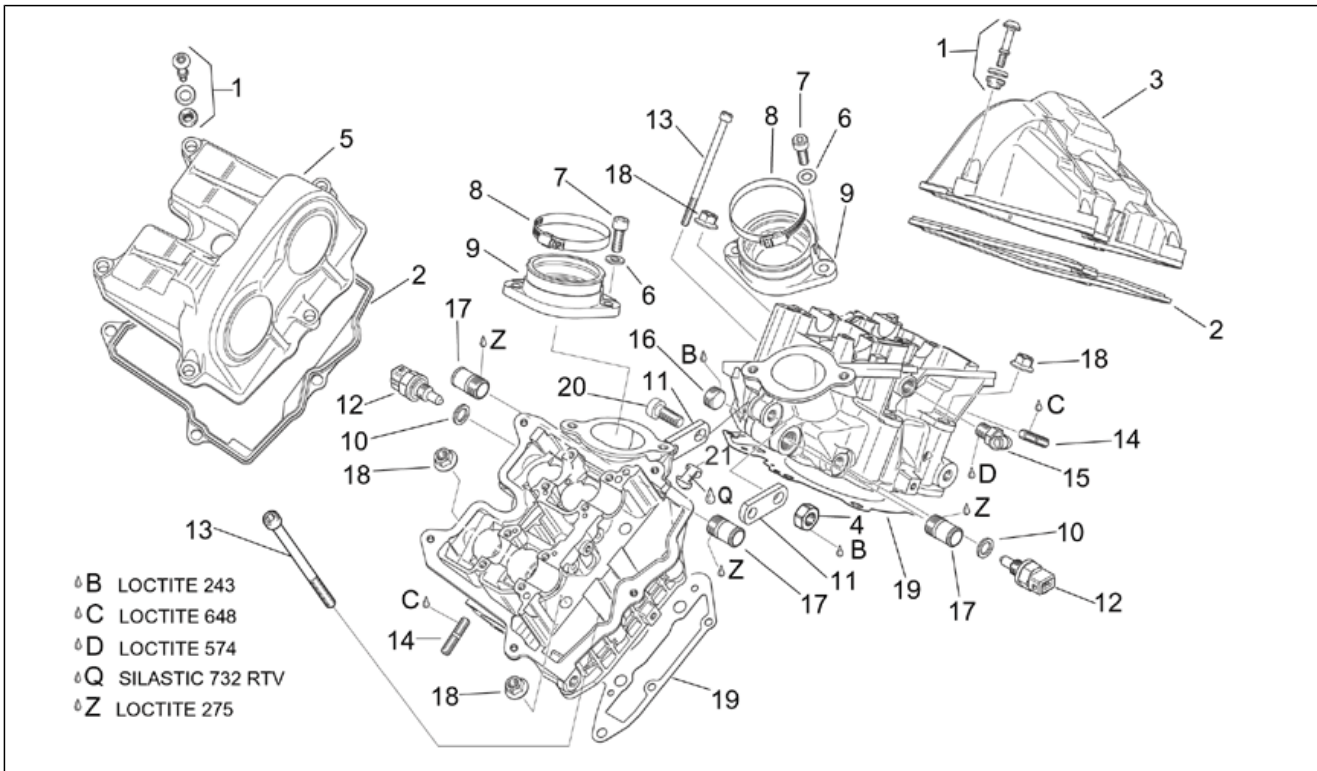
| Pos. | Code | Beschreibung | Menge | Varianten |
|------|-----------|------------------------------|-------|-----------|
| 1 | AP0295662 | Kurbelwelle kpl. | 1 | |
| 2 | AP0217346 | Baugruppe Pleuelstange kplt. | 2 | |
| 3 | AP0440260 | TCEI Schraube | 1 | |
| 4 | AP0640400 | Pleuelschraube | 4 | |
| 5 | AP0246570 | Keil 4x5 | 3 | |
| 6 | AP0946015 | Keil 6x9 | 1 | |
| 7 | AP0295765 | Zahnrad Vent.st. kplt. | 1 | |
| 8 | AP0219365 | Gegengew. Schw.rad a. | 1 | |
| 9 | AP0295770 | Ausgleichsrad kpl. | 1 | |
| 10 | AP0245860 | Sprengscheibe | 1 | |
| 11 | AP0295780 | Zahnrad Hauptgetriebe | 1 | |
| 12 | AP0219360 | Gegengew. Schw.rad i. | 1 | |
| 13 | AP0245840 | Sprengscheibe | 1 | |
| 14 | AP0242940 | Mutter m33x1,5 | 1 | |
| 15 | AP0220372 | Unt. Gegenwelle | 1 | |
| 16 | AP0242874 | Mutter | 1 | |
| 17 | AP0627200 | Ausgleichscheibe 24x54x2 | 2 | |
| 18 | AP0634610 | Wasserpump.-Zahn. | 1 | |
| 19 | AP0634500 | Freilaufgrad | 1 | |
| 20 | AP0929930 | Bolzen | 1 | |
| 21 | AP0219350 | Gegengewicht Kuppl. | 1 | |
| 22 | AP0295760 | Zahnrad Vent.st. kplt. | 1 | |
| 23 | AP0233721 | Bronzebuchse,rot 42x45x19 | 2 | |
| 23 | AP0233722 | Bronzebuchse,blau 42x45x19 | 2 | |
| 23 | AP0233723 | Bronzebuchse,gelb 42x45x19 | 2 | |

| | |
|---------------------|-------------------|
| Einheit | MOTOR |
| Code | 29.52 |
| Beschreibung | Zylinder - Kolben |
| Inspektion | 1 |



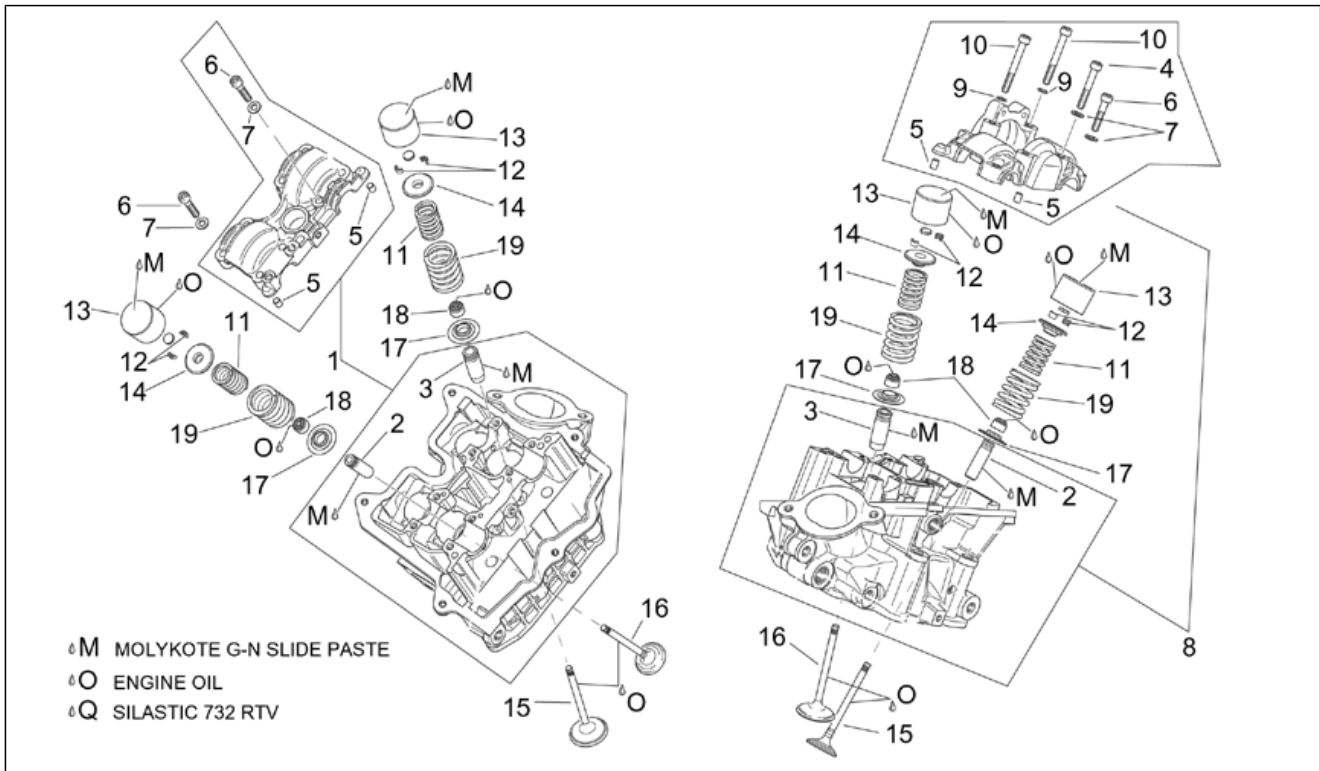
| Pos. | Code | Beschreibung | Menge | Varianten |
|------|-----------|---------------------------|-------|-----------|
| 1 | AP0295662 | Kurbelwelle kpl. | 1 | |
| 2 | AP0684310 | Kolben kpl. 96,944 mm (A) | 2 | |
| 2 | AP0684311 | Kolben kpl. 96,956 mm (B) | 2 | |
| 3 | AP0295858 | Satz Kolbenringe | 2 | |
| 4 | AP0613417 | Zylinder+Kolben, grau | 2 | |
| 4 | AP0613418 | Kolben + Zylinder | 2 | |
| 5 | AP0216222 | Bolzen 22x14x55 | 2 | |
| 6 | AP0245436 | Sperring 22 | 4 | |
| 7 | AP0650390 | ZYLINDERFUSSDICHTUNG | 2 | |
| 8 | AP0929650 | Stift 5x10 | 4 | |
| 9 | AP0236252 | Kettenspanner | 2 | |
| 10 | AP0640450 | Deckel | 2 | |
| 11 | AP0430622 | Gasket ring 16x22 | 2 | |
| 12 | AP0940637 | TE Schr. m. Flansch | 8 | |

| | |
|---------------------|--------------|
| Einheit | MOTOR |
| Code | 29.53 |
| Beschreibung | Ventildeckel |
| Inspektion | 1 |



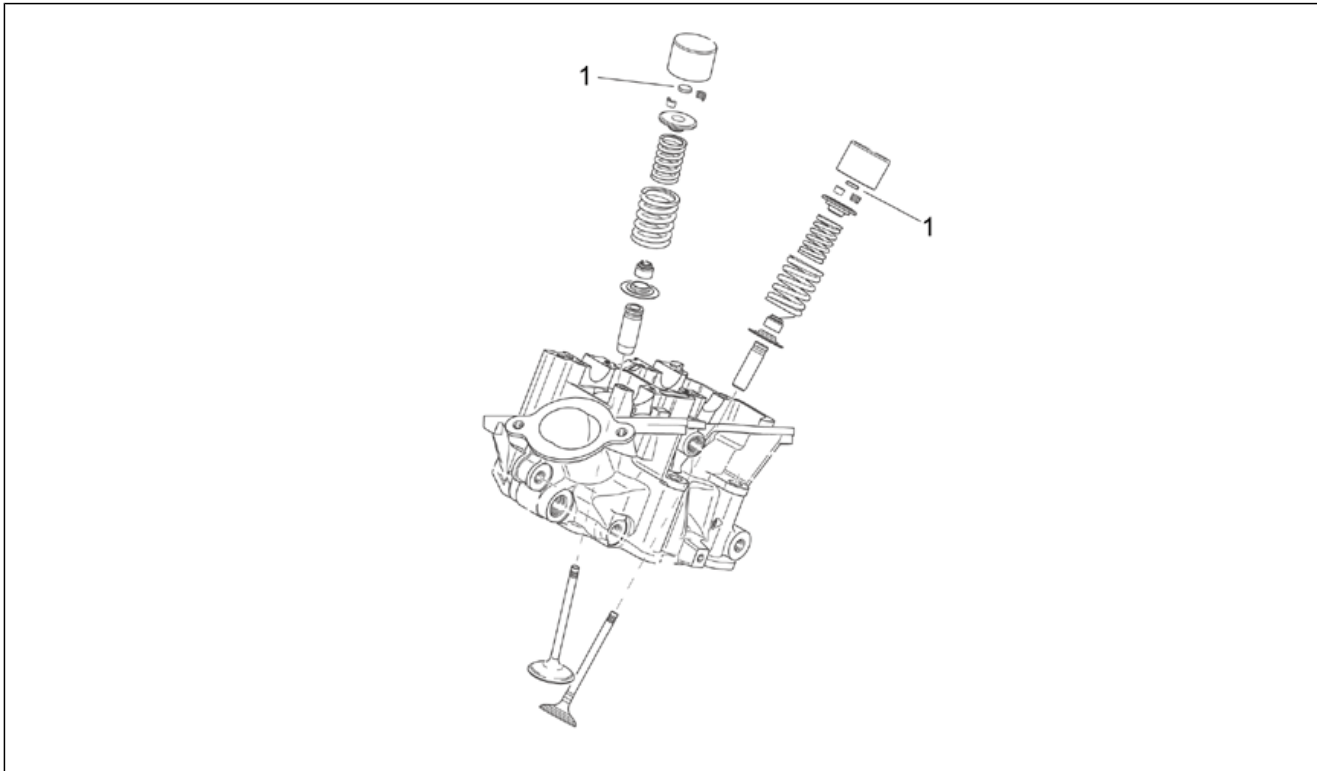
| Pos. | Code | Beschreibung | Menge | Varianten |
|------|-----------|--------------------------|-------|-----------|
| 1 | AP0241625 | Distanzst.schraube kpl. | 10 | |
| 2 | AP0650345 | Dichtung Ventildeckel | 2 | |
| 3 | AP0211667 | Hint. Ventildeckel | 1 | |
| 3 | AP0211668 | Hint. Ventildeckel, grau | 1 | |
| 4 | AP0242091 | Mutter | 2 | |
| 5 | AP0211662 | Vord. Ventildeckel | 1 | |
| 5 | AP0211663 | Vord. Ventildeckel, grau | 1 | |
| 6 | AP0250311 | Ausgleichscheibe 8,4 | 4 | |
| 7 | AP0240081 | TCEI Schraube M8x25 | 4 | |
| 8 | AP0251830 | Schelle 65 | 2 | |
| 9 | AP0267150 | Einlaßflansch | 2 | |
| 10 | AP0250640 | Gasket ring 12x18 | 2 | |
| 11 | AP0251100 | Platte | 2 | |
| 12 | AP8124868 | Temperaturfühler | 2 | |
| 13 | AP0241601 | TCEI Schraube | 4 | |
| 14 | AP0241560 | Stiftschraube | 6 | |
| 15 | AP0922245 | Winkelverbinder | 1 | |
| 16 | AP0240170 | Deckel m18x1,5 | 1 | |
| 17 | AP0224090 | Leitung | 3 | |
| 18 | AP0242851 | Mutter | 8 | |
| 19 | AP0650210 | Dichtung Kopf-Zylinder | 2 | |
| 20 | AP0640581 | TCEI Schraube M10x40 | 2 | |
| 21 | AP0660010 | Deckel | 1 | |

| | |
|---------------------|--------------------------|
| Einheit | MOTOR |
| Code | 29.54 |
| Beschreibung | Zylinderkopf und Ventile |
| Inspektion | 1 |



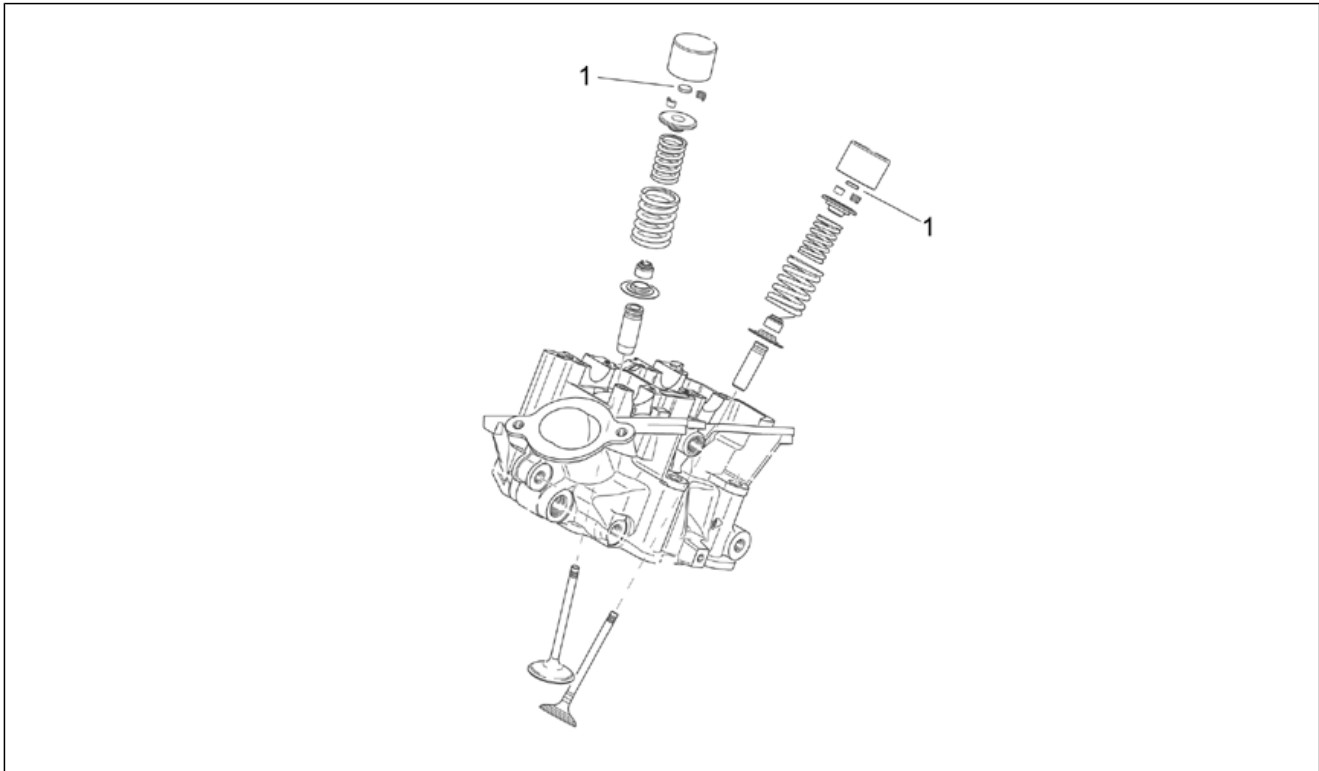
| Pos. | Code | Beschreibung | Menge | Varianten |
|------|-----------|-------------------------------|-------|-----------|
| 1 | AP0613405 | Zylinderkopf vorn kplt. | 1 | |
| 1 | AP0613406 | Zylinderkopf vorn kplt.grau | 1 | |
| 2 | AP0253926 | Ventilführung Auslaß | 4 | |
| 3 | AP0253921 | Ventilführung Einlaß | 4 | |
| 4 | AP0241821 | TCEI Schraube M6x45 | 2 | |
| 5 | AP0232210 | Bolzen 6x8 | 2 | |
| 6 | AP0840880 | TCEI Schraube M6x30 | 8 | |
| 7 | AP0927945 | Ausgleichscheibe 6,2x12x1 | 8 | |
| 8 | AP0613407 | Zylinderkopf hinten kplt. | 1 | |
| 8 | AP0613408 | Zylinderkopf hinten kplt.grau | 1 | |
| 9 | AP0927863 | Ausgleichscheibe 6,1x9,8x1 | 2 | |
| 10 | AP0240331 | TCEI Schraube | 2 | |
| 11 | AP0239510 | Ventilfeder innen | 8 | |
| 12 | AP0253645 | Ventilhalbkegel | 16 | |
| 13 | AP0253990 | Ventilbecher | 8 | |
| 14 | AP0253956 | Ventilfederplatte | 8 | |
| 15 | AP0254021 | Auslaßventil 31mm | 4 | |
| 16 | AP0254011 | Einlaßventil 36 mm | 4 | |
| 17 | AP0253965 | Ventilfederplatte | 8 | |
| 18 | AP0230510 | Ölabstreifring Ventilführung | 8 | |
| 19 | AP0239520 | Ventilfeder außen | 8 | |

| | |
|---------------------|----------------|
| Einheit | MOTOR |
| Code | 29.55 |
| Beschreibung | Ventilesbeläge |
| Inspektion | 1 |



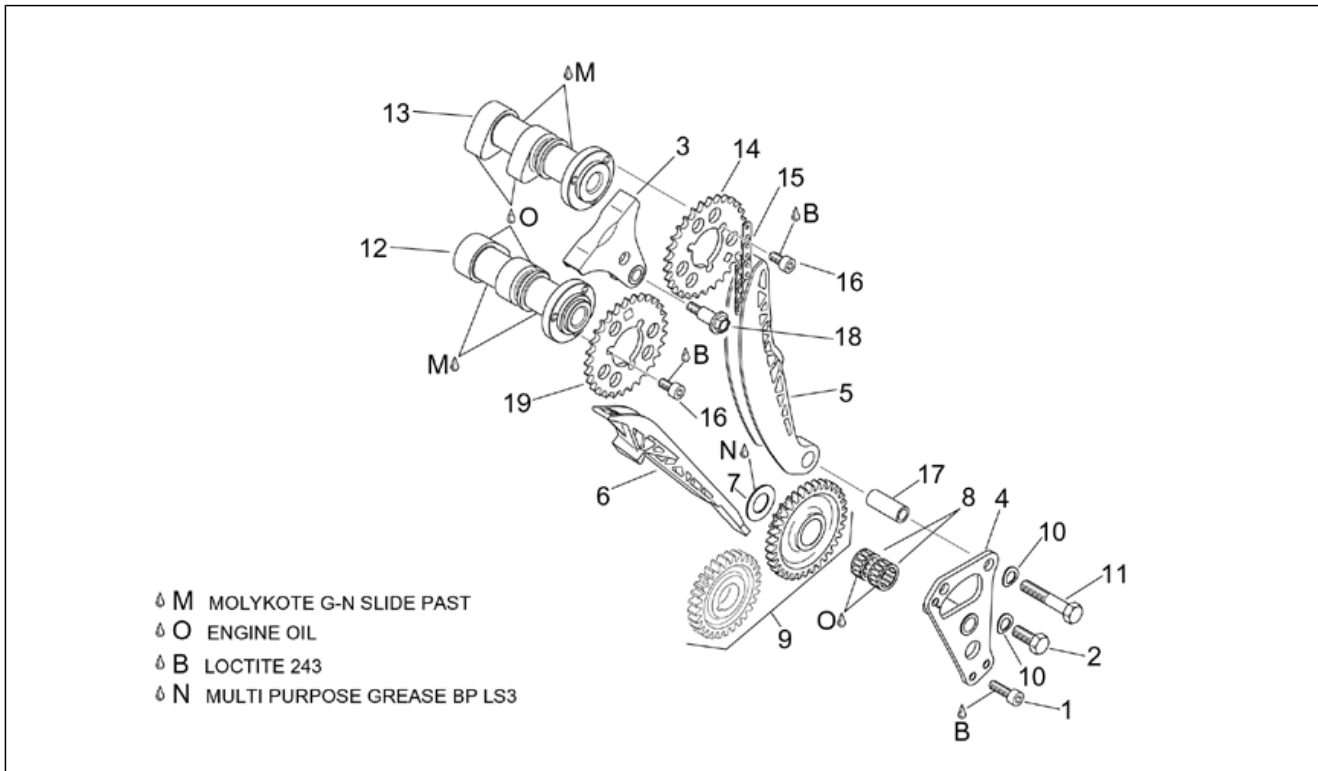
| Pos. | Code | Beschreibung | Menge | Varianten |
|------|-----------|--------------|-------|-----------|
| 1 | AP0253974 | Belag 2,3 | 1 | |
| 1 | AP0253975 | Belag 2,35 | 1 | |
| 1 | AP0253976 | Belag 2,4 | 1 | |
| 1 | AP0253977 | Belag 2,45 | 1 | |
| 1 | AP0253978 | Belag 2,5 | 1 | |
| 1 | AP0253979 | Belag 2,55 | 1 | |
| 1 | AP0253980 | Belag 2,6 | 1 | |
| 1 | AP0253981 | Belag 2,65 | 1 | |
| 1 | AP0253982 | Belag 2,7 | 1 | |
| 1 | AP0253983 | Belag 2,75 | 1 | |
| 1 | AP0253984 | Belag 2,8 | 1 | |
| 1 | AP0253985 | Belag 2,85 | 1 | |
| 1 | AP0253986 | Belag 2,9 | 1 | |
| 1 | AP0253987 | Belag 2,95 | 1 | |
| 1 | AP0253988 | Belag 3,00 | 1 | |
| 1 | AP0254030 | Belag 2,325 | 1 | |
| 1 | AP0254031 | Belag 2,375 | 1 | |
| 1 | AP0254032 | Belag 2,425 | 1 | |
| 1 | AP0254033 | Belag 2,475 | 1 | |
| 1 | AP0254034 | Belag 2,525 | 1 | |
| 1 | AP0254035 | Belag 2,575 | 1 | |
| 1 | AP0254036 | Belag 2,625 | 1 | |
| 1 | AP0254037 | Belag 2,675 | 1 | |
| 1 | AP0254038 | Belag 2,725 | 1 | |
| 1 | AP0254039 | Belag 2,775 | 1 | |
| 1 | AP0254040 | Belag 2,825 | 1 | |
| 1 | AP0254041 | Belag 2,875 | 1 | |
| 1 | AP0254042 | Belag 2,925 | 1 | |

| | |
|---------------------|----------------|
| Einheit | MOTOR |
| Code | 29.55 |
| Beschreibung | Ventilesbeläge |
| Inspektion | 1 |



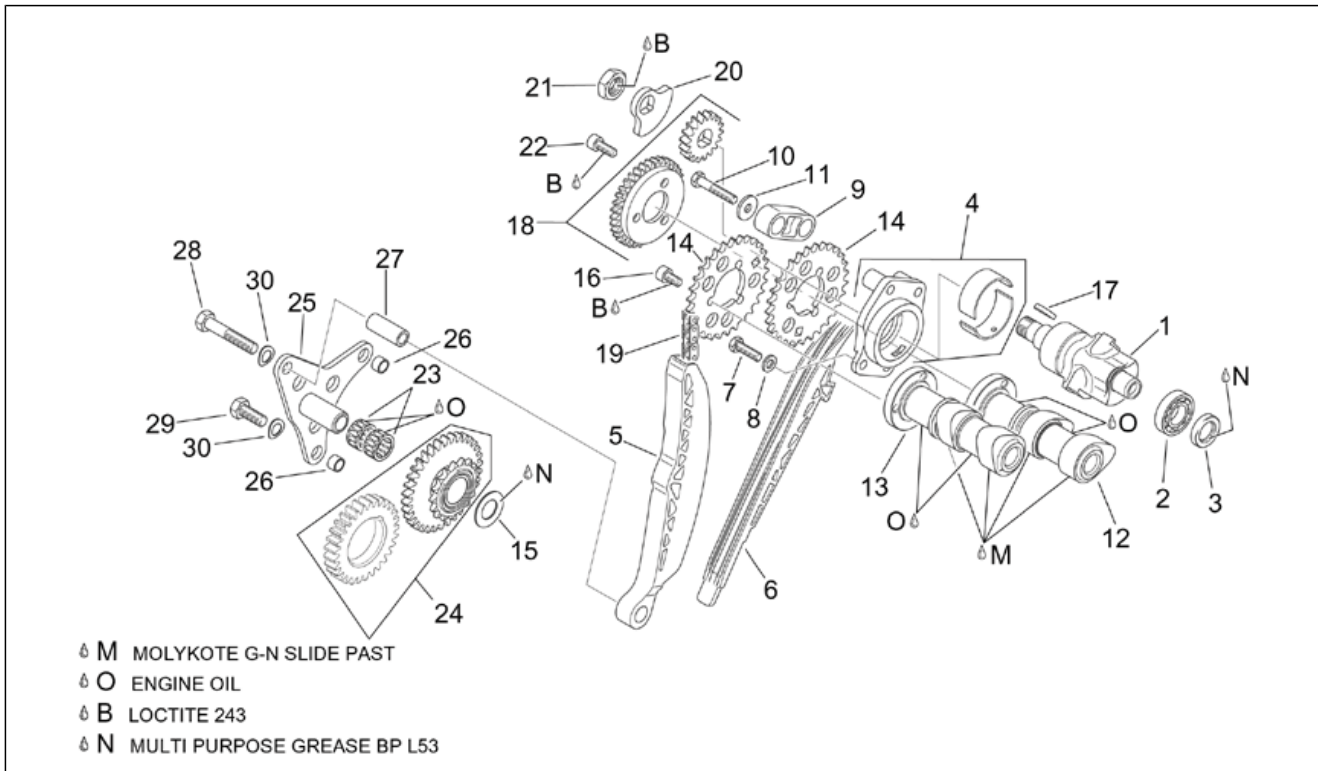
| Pos. | Code | Beschreibung | Menge | Varianten |
|------|-----------|--------------|-------|-----------|
| 1 | AP0254043 | Belag 2,975 | 1 | |

| | |
|---------------------|---------------------|
| Einheit | MOTOR |
| Code | 29.56 |
| Beschreibung | Vrd. Zylindersteuer |
| Inspektion | 1 |



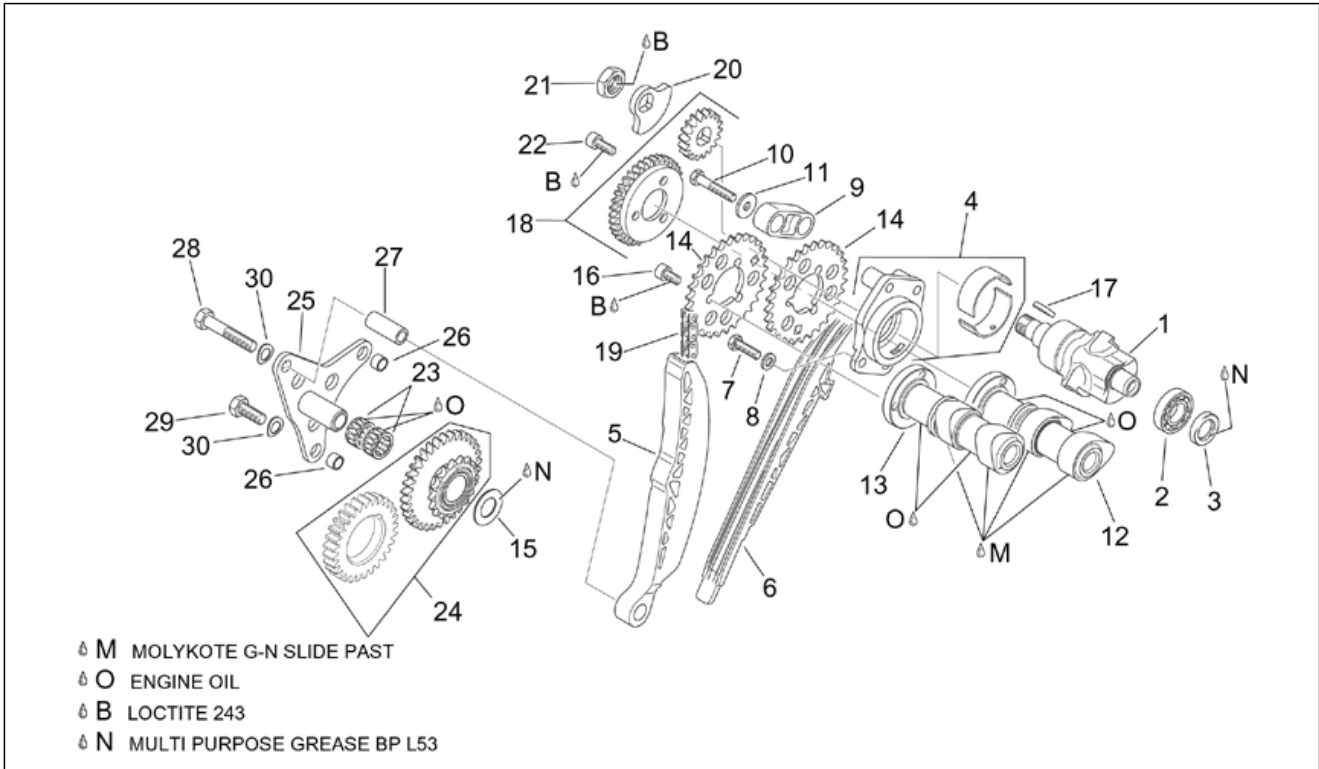
| Pos. | Code | Beschreibung | Menge | Varianten |
|------|-----------|----------------------------|-------|-----------|
| 1 | AP0240400 | TCEI Schraube | 1 | |
| 2 | AP0940590 | Sechskantschraube M8x20 | 1 | |
| 3 | AP0236320 | Kettenführung | 1 | |
| 4 | AP0211766 | Lagerplatte | 1 | |
| 5 | AP0236300 | Kettenführung | 1 | |
| 6 | AP0236310 | Kettenführung | 1 | |
| 7 | AP0627190 | Ausgleichscheibe 16,7x29x1 | 1 | |
| 8 | AP0632161 | Nadelkaefig 16x22x10 | 2 | |
| 9 | AP0295765 | Zahnrad Vent.st. kplt. | 1 | |
| 10 | AP0845030 | Sprengscheibe b8 | 2 | |
| 11 | AP0940631 | Sechskantschraube | 1 | |
| 12 | AP0220385 | Nockenwelle Auslaß | 1 | |
| 13 | AP0220380 | Nockenwelle Einlaß | 1 | |
| 14 | AP0634730 | Zahnrad Ventilsteuerung | 3 | |
| 15 | AP0297955 | Steuerkette | 1 | |
| 16 | AP0840371 | TCEI Schraube M6x11,5 | 6 | |
| 17 | AP0247980 | Buchse 8,2x12x25 | 1 | |
| 18 | AP0240960 | Distanstückschraube | 2 | |
| 19 | AP0634735 | Zahnrad Ventilsteuerung | 1 | |

| | |
|---------------------|----------------------|
| Einheit | MOTOR |
| Code | 29.57 |
| Beschreibung | Hint. Zylindersteuer |
| Inspektion | 1 |



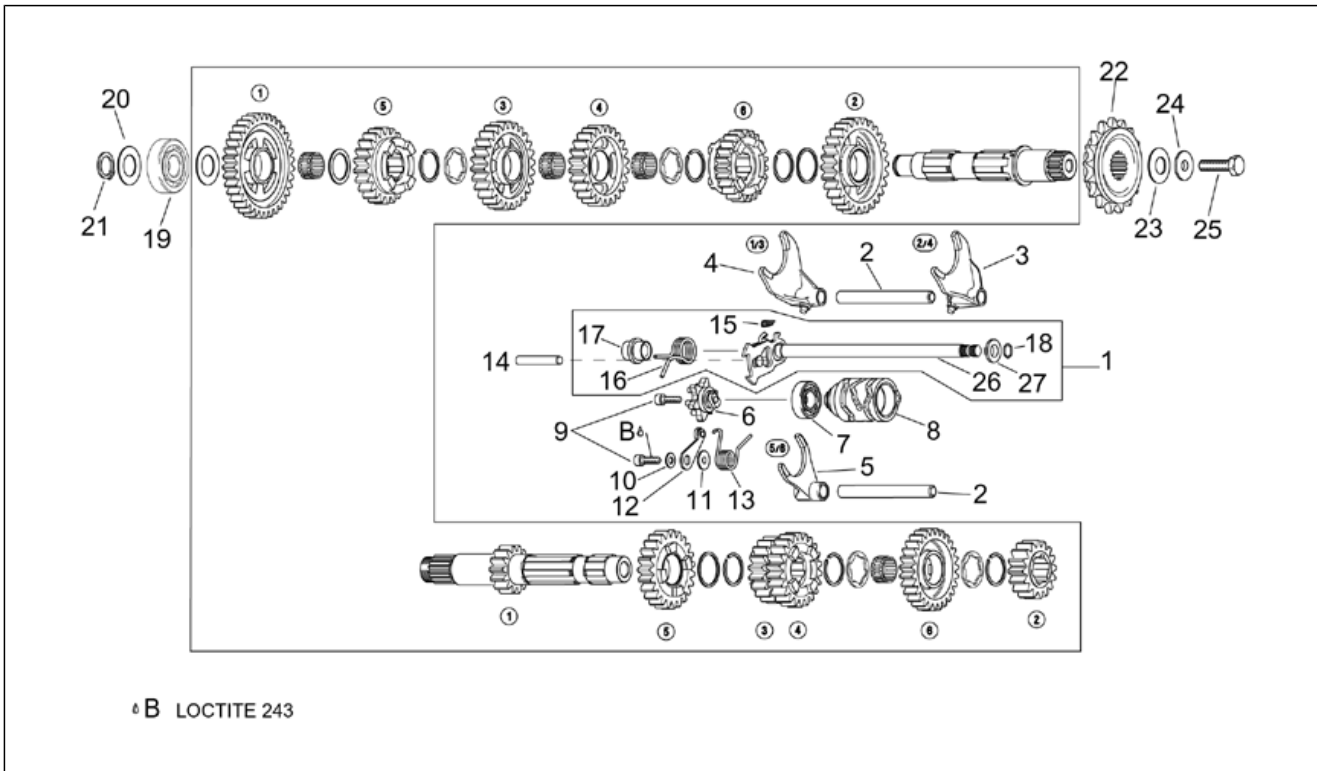
| Pos. | Code | Beschreibung | Menge | Varianten |
|------|-----------|----------------------------|-------|-----------|
| 1 | AP0220440 | Ob. Gegenwelle | 1 | |
| 2 | AP0832360 | Kugellager 16002 | 1 | |
| 3 | AP0250130 | Ölabstreifring 15x24x5 | 1 | |
| 4 | AP0211681 | Buchsenplatte komplett | 1 | |
| 5 | AP0236300 | Kettenführung | 1 | |
| 6 | AP0236310 | Kettenführung | 1 | |
| 7 | AP0940560 | Sechskantschraube | 2 | |
| 8 | AP0244211 | Ausgleichscheibe 6,4 | 2 | |
| 9 | AP0236380 | Kettenführung | 1 | |
| 10 | AP0941121 | Sechskantschraube | 2 | |
| 11 | AP0827305 | Ausgleichscheibe 6,2x18x2 | 2 | |
| 12 | AP0220385 | Nockenwelle Auslaß | 1 | |
| 13 | AP0220380 | Nockenwelle Einlaß | 1 | |
| 14 | AP0634730 | Zahnrad Ventilsteuerung | 2 | |
| 15 | AP0627190 | Ausgleichscheibe 16,7x29x1 | 1 | |
| 16 | AP0840371 | TCEI Schraube M6x11,5 | 3 | |
| 17 | AP0246055 | Keil 3x3,7 | 1 | |
| 18 | AP0295775 | Ausgleichsrad ob.kpl. | 1 | |
| 19 | AP0297955 | Steuerkette | 1 | |
| 20 | AP0219340 | Gegengewicht | 1 | |
| 21 | AP0942570 | Mutter m14 | 1 | |
| 22 | AP0840391 | TCEI Schraube | 3 | |
| 23 | AP0632161 | Nadelkaefig 16x22x10 | 2 | |
| 24 | AP0295760 | Zahnrad Vent.st. kplt. | 1 | |
| 25 | AP0211756 | Platte f. Walzenkäfig | 1 | |
| 26 | AP0929500 | Stift 10x8 | 2 | |
| 27 | AP0247980 | Buchse 8,2x12x25 | 1 | |
| 28 | AP0940631 | Sechskantschraube | 1 | |

| | |
|---------------------|----------------------|
| Einheit | MOTOR |
| Code | 29.57 |
| Beschreibung | Hint. Zylindersteuer |
| Inspektion | 1 |



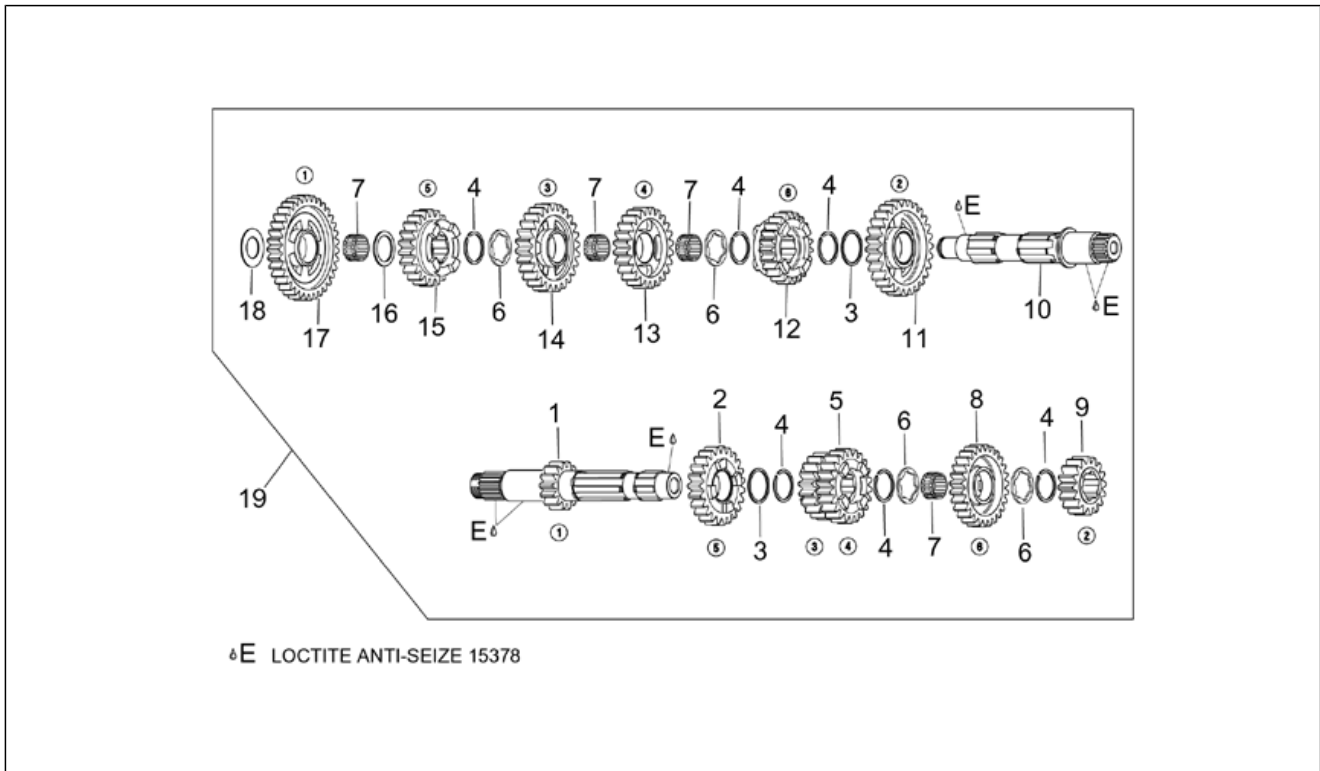
| Pos. | Code | Beschreibung | Menge | Varianten |
|------|-----------|-------------------|-------|-----------|
| 29 | AP0240275 | Sechskantschraube | 2 | |
| 30 | AP0845030 | Sprengscheibe b8 | 3 | |

| | |
|---------------------|-------------|
| Einheit | MOTOR |
| Code | 29.58 |
| Beschreibung | Schaltgabel |
| Inspektion | 1 |



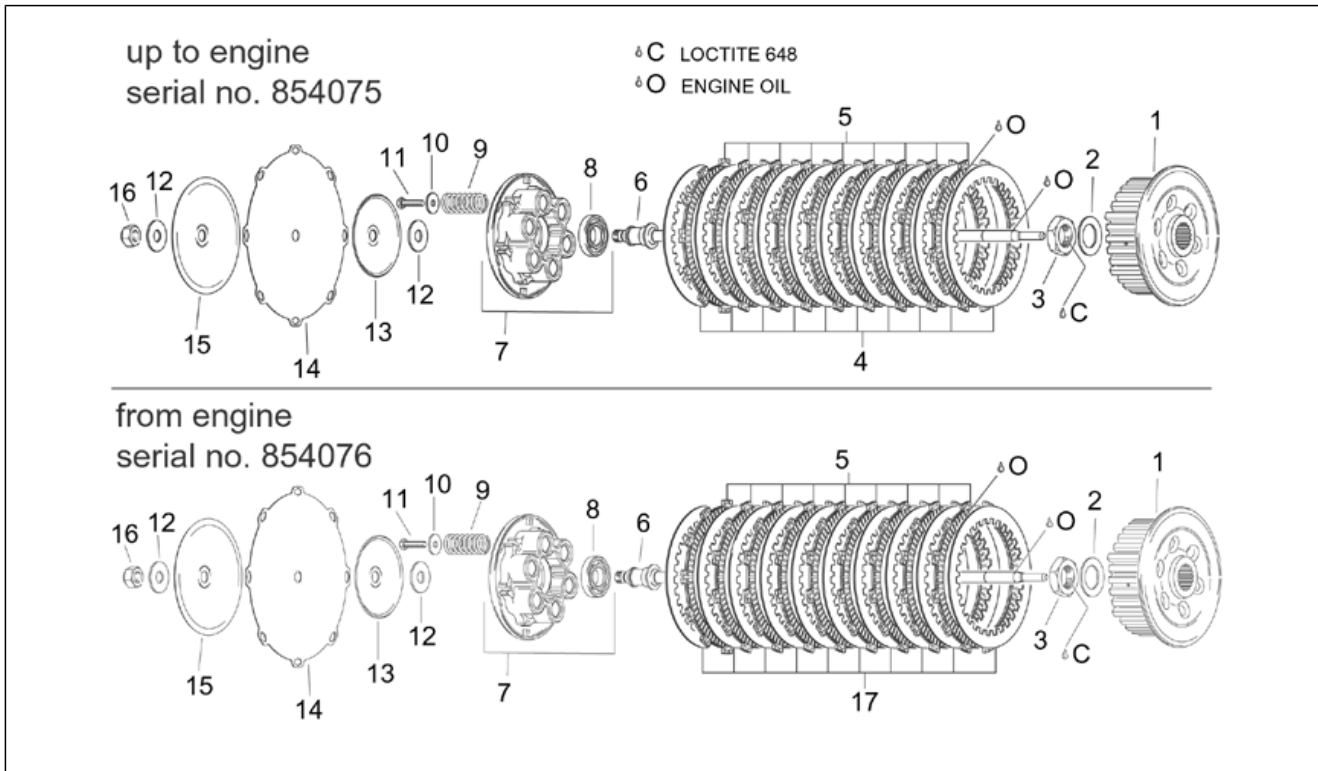
| Pos. | Code | Beschreibung | Menge | Varianten |
|------|-----------|----------------------------|-------|-----------|
| 1 | AP0220437 | Getr.welle + Federsatz | 1 | |
| 2 | AP0258380 | Schaltstange | 2 | |
| 3 | AP0258361 | Schaltgabel | 1 | |
| 4 | AP0258351 | Schaltgabel | 1 | |
| 5 | AP0258375 | Schaltgabel | 1 | |
| 6 | AP0258310 | Index-Platte | 1 | |
| 7 | AP0932335 | Kugellager 16101 | 1 | |
| 8 | AP0258325 | Verschiebenocken | 1 | |
| 9 | AP0241932 | TCEI Schraube | 2 | |
| 10 | AP0244211 | Ausgleichscheibe 6,4 | 1 | |
| 11 | AP0227716 | Ausgleichscheibe | 1 | |
| 12 | AP0248375 | Indexhebel kpl. | 1 | |
| 13 | AP0239247 | Index feder | 1 | |
| 14 | AP0229385 | Bolzen | 1 | |
| 15 | AP0239430 | Feder | 1 | |
| 16 | AP0239420 | Gabelfeder | 1 | |
| 17 | AP0247940 | Buchse | 1 | |
| 18 | AP0245440 | Seegerring | 1 | |
| 19 | AP0832144 | Kugellager 6304 | 1 | |
| 20 | AP0227442 | Ausgleichscheibe 20,2x27,5 | 1 | |
| 21 | AP0945665 | Seegerring 20x1,75 | 1 | |
| 22 | AP0236365 | Gummi-Ritzel | 1 | |
| 23 | AP0239450 | Sprengscheibe 34x16,3 | 1 | |
| 24 | AP0627210 | Ausgleichscheibe | 1 | |
| 25 | AP0940741 | Sechskantschraube | 1 | |
| 26 | AP0220435 | Getr.welle + Gesperre | 1 | |
| 27 | AP0227714 | Ausgleichscheibe | 1 | |

| | |
|---------------------|----------------|
| Einheit | MOTOR |
| Code | 29.59 |
| Beschreibung | Schaltgetriebe |
| Inspektion | 1 |



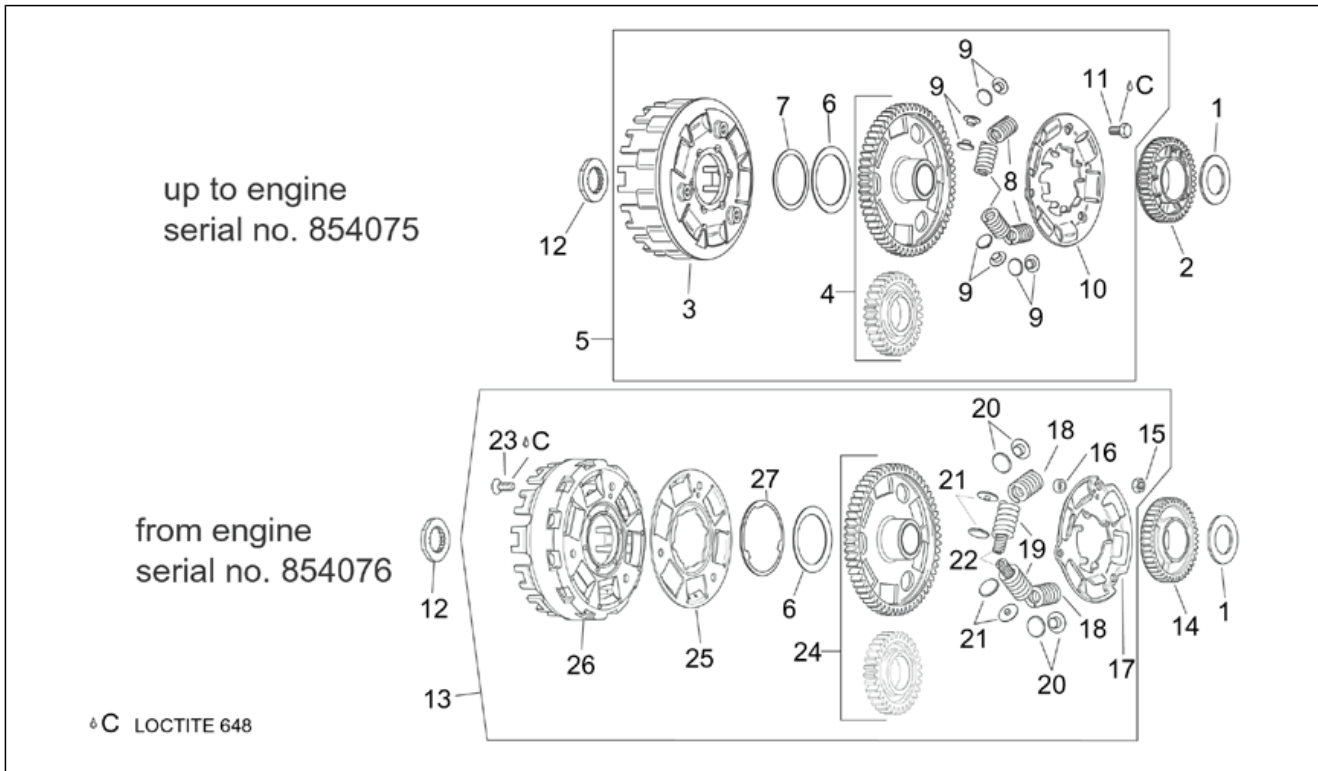
| Pos. | Code | Beschreibung | Menge | Varianten |
|------|-----------|-----------------------------|-------|-----------|
| 1 | AP0220390 | Hauptwelle | 1 | |
| 2 | AP0634695 | Zahnrad 5.Hauptwelle | 1 | |
| 3 | AP0627120 | Ausgleichscheibe 29,2x33,5 | 2 | |
| 4 | AP0245815 | Seegerring 28x2 | 6 | |
| 5 | AP0634660 | Zahnrad 3-4.Hauptwelle | 1 | |
| 6 | AP0627132 | Ausgleichscheibe 25,35x34,5 | 4 | |
| 7 | AP0632070 | Nadelkaefig 25x29x13 | 4 | |
| 8 | AP0634710 | Zahnrad 6.Hauptwelle | 1 | |
| 9 | AP0634640 | Zahnrad 2.Hauptwelle | 1 | |
| 10 | AP0220400 | Festrads | 1 | |
| 11 | AP0634655 | Zahnrad 2.Vorgelegewelle | 1 | |
| 12 | AP0634720 | Zahnrad 6.Vorgelegewelle | 1 | |
| 13 | AP0634670 | Zahnrad 4.Vorgelegewelle | 1 | |
| 14 | AP0634680 | Zahnrad 3.Vorgelegewelle | 1 | |
| 15 | AP0634700 | Zahnrad 5.Vorgelegewelle | 1 | |
| 16 | AP0427106 | Ausgleichscheibe 25,3x33,5 | 1 | |
| 17 | AP0634620 | Zahnrad 1.Vorgelegewelle | 1 | |
| 18 | AP0827110 | Ausgleichscheibe 20,5x37x1 | 1 | |
| 19 | AP0281222 | Schaltgetriebe 6-Gang | 1 | |

| | |
|---------------------|------------|
| Einheit | MOTOR |
| Code | 29.60 |
| Beschreibung | Kupplung I |
| Inspektion | 1 |



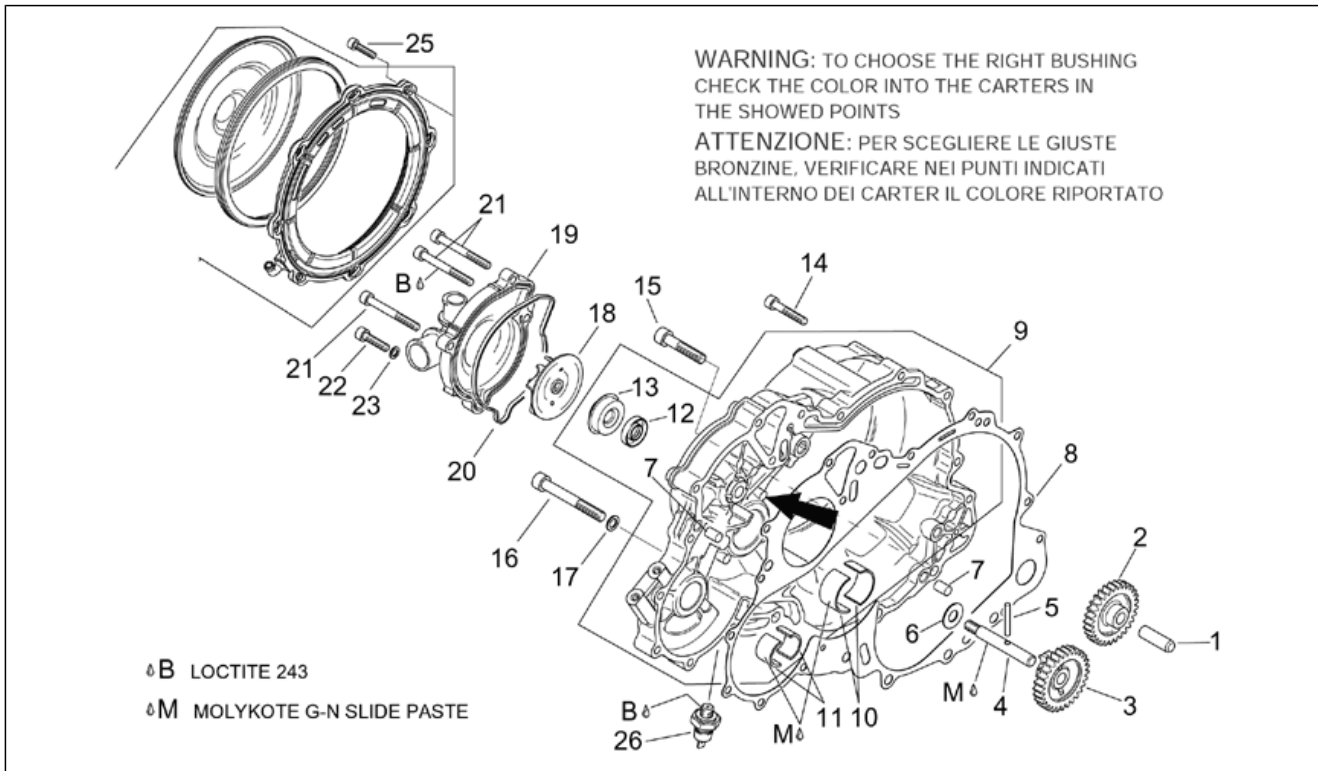
| Pos. | Code | Beschreibung | Menge | Varianten |
|------|-----------|-----------------------------|-------|-----------|
| 1 | AP0259520 | Mitnehmer | 1 | |
| 2 | AP0245830 | Sprengscheibe 24,5x40 | 1 | |
| 3 | AP0242950 | Mutter m24x1,5 | 1 | |
| 4 | AP8106959 | Kupplungsscheibe St. 9 pz. | 1 | |
| 5 | AP8106960 | Belaglamelle 8 pz. | 1 | |
| 6 | AP0220455 | Kupplungswelle Kpl. | 1 | |
| 7 | AP0259517 | Federplatte komplett | 1 | |
| 8 | AP0632130 | Kugellager 16004 | 1 | |
| 9 | AP0239480 | Kupplungsfeder | 6 | |
| 10 | AP0627530 | Ausgleichscheibe | 6 | |
| 11 | AP0240036 | Sechskantschraube | 6 | |
| 12 | AP0227180 | Ausgleichscheibe 12,2x32x2 | 2 | |
| 13 | AP0627230 | Lagerscheibe | 1 | |
| 14 | AP0260890 | Membran | 1 | |
| 15 | AP0627280 | Druckplatte | 1 | |
| 16 | AP0442130 | Mutter m12 | 1 | |
| 17 | AP8106915 | St.Kupplungsscheiben 10 st. | 1 | |

| | |
|---------------------|-------------|
| Einheit | MOTOR |
| Code | 29.61 |
| Beschreibung | Kupplung II |
| Inspektion | 1 |



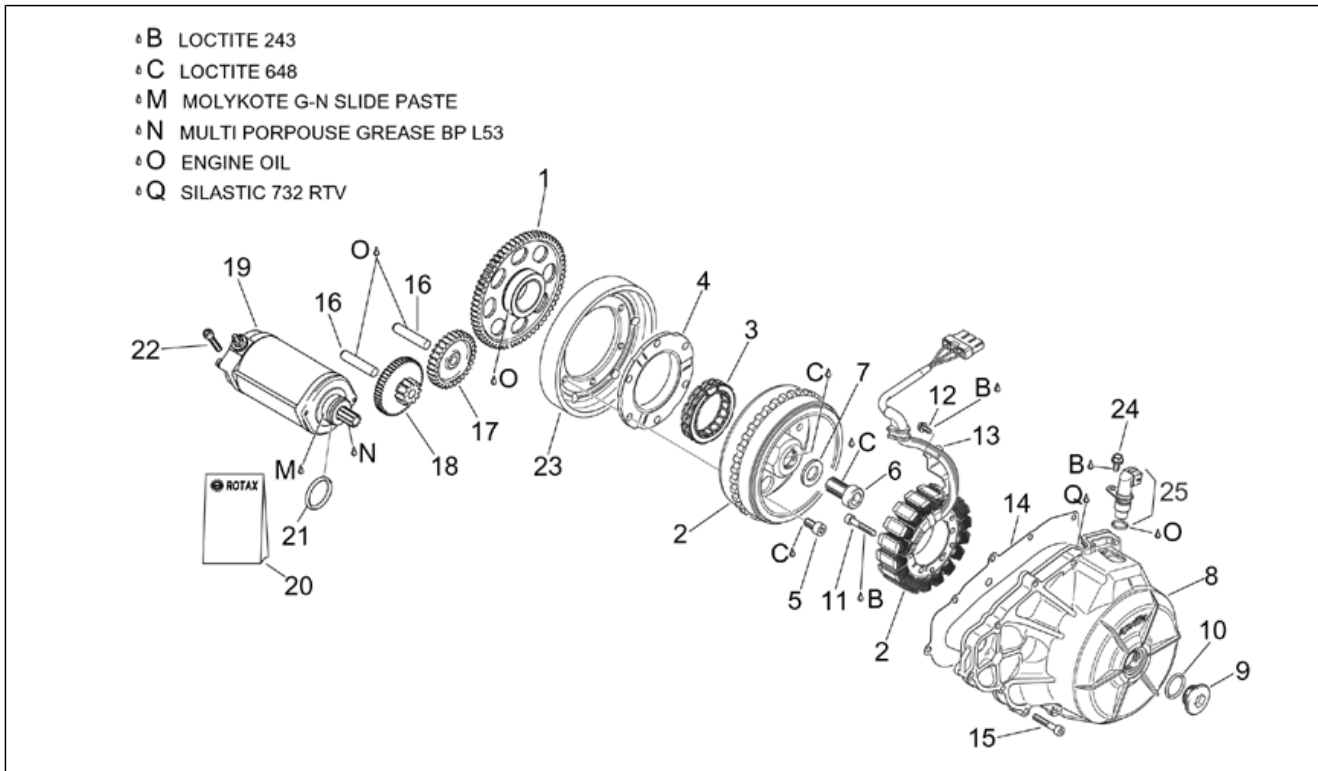
| Pos. | Code | Beschreibung | Menge | Varianten |
|------|-----------|----------------------------|-------|-----------|
| 1 | AP0627260 | Ausgleichscheibe 30,2x50 | 1 | |
| 2 | AP0634470 | Ölpumpen-Zahn. z=42 | 1 | |
| 3 | AP0259530 | Kupplungsglocke | 1 | |
| 4 | AP0295780 | Zahnrad Hauptgetriebe | 1 | |
| 5 | AP0295790 | Hauptgetriebe | 1 | |
| 6 | AP0239390 | Sprengscheibe 68x52x1,2 | 1 | |
| 7 | AP0627140 | Ausgleichscheibe 52x62x1 | 1 | |
| 8 | AP0239370 | Feder | 6 | |
| 9 | AP0247970 | Buchse | 12 | |
| 10 | AP0259580 | Stuetzteller | 1 | |
| 11 | AP0940580 | Schraube | 3 | |
| 12 | AP0627220 | Ausgleichscheibe 25x44,4x5 | 1 | |
| 13 | AP0295792 | Hauptgetriebe | 1 | |
| 14 | AP0634475 | Ölpumpen-Zahn. z=42 | 1 | |
| 15 | AP0242206 | Mutter M8 | 3 | |
| 16 | AP0247614 | Distanzscheibe | 3 | |
| 17 | AP0259582 | Stuetzteller | 1 | |
| 18 | AP0238130 | Feder | 2 | |
| 19 | AP0238135 | Feder | 4 | |
| 20 | AP0247974 | Buchse D11,5 | 4 | |
| 21 | AP0247972 | Buchse D5,5 | 4 | |
| 22 | AP0238140 | Feder | 4 | |
| 23 | AP0941835 | Schraube M8x25 | 3 | |
| 24 | AP0295782 | Zahnrad Hauptgetriebe | 1 | |
| 25 | AP0259587 | Stuetzteller | 1 | |
| 26 | AP0259535 | Kupplungsglocke | 1 | |
| 27 | AP0627910 | Paßscheibe | 1 | |

| | |
|---------------------|--------------------|
| Einheit | MOTOR |
| Code | 29.62 |
| Beschreibung | Wasserpumpenritzel |
| Inspektion | 1 |



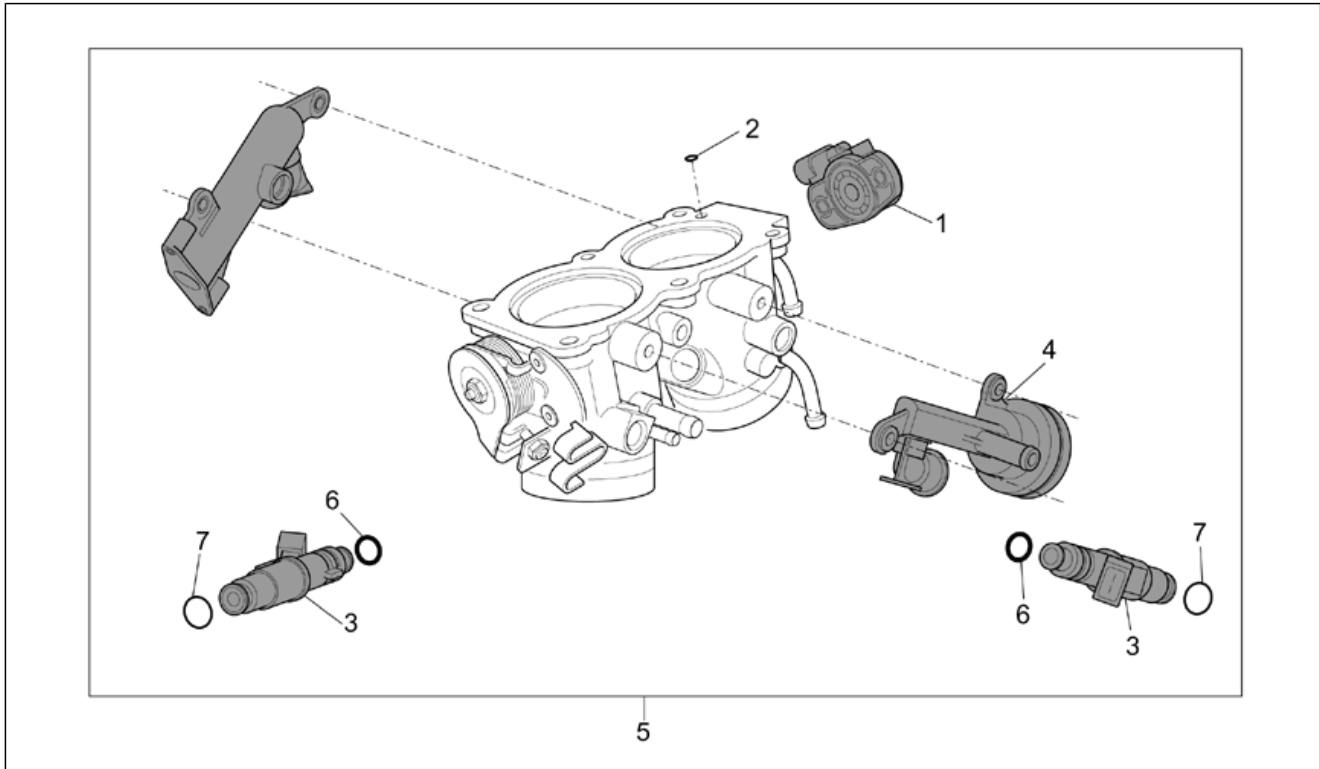
| Pos. | Code | Beschreibung | Menge | Varianten |
|------|-----------|-------------------------------|-------|-----------|
| 1 | AP0929930 | Bolzen | 1 | |
| 2 | AP0634500 | Freilaufgrad | 1 | |
| 3 | AP0634490 | Wasserpump.-Zahn. | 1 | |
| 4 | AP0220410 | Welle Wasserpumpe | 1 | |
| 5 | AP0232430 | Stift | 1 | |
| 6 | AP0227685 | Ausgleichscheibe 10,1x22x1 | 1 | |
| 7 | AP0632010 | Stift M8x12 | 2 | |
| 8 | AP0650330 | Dichtung | 1 | |
| 9 | AP0610151 | Kupplungsdeckel | 1 | |
| 10 | AP0233790 | Halbsch. Bronzebu., blau | 2 | |
| 10 | AP0233791 | Halbsch. Bronzebu., rot | 2 | |
| 10 | AP0233793 | Halbsch. Bronzebu., gelb | 2 | |
| 11 | AP0233780 | Halbsch. Bronzebchs. 20x24x16 | 2 | |
| 12 | AP0650310 | Ölabstreifring 10x25x5 | 1 | |
| 13 | AP0650370 | Pumpe Mechanische Dichtung | 1 | |
| 14 | AP0241811 | TCEI Schraube | 11 | |
| 15 | AP0840681 | TCEI Schraube M8x40 | 3 | |
| 16 | AP0841841 | TCEI Schraube | 1 | |
| 17 | AP0950141 | Gasket ring 8x13 | 1 | |
| 18 | AP0222500 | Läufer | 1 | |
| 19 | AP0222512 | Wasserpumpenkörper | 1 | |
| 20 | AP0650240 | Dichtung | 1 | |
| 21 | AP0240331 | TCEI Schraube | 3 | |
| 22 | AP0840861 | TCEI Schraube M6x25 | 1 | |
| 23 | AP0230415 | Gasket ring 6x10 | 1 | |
| 24 | AP0211778 | Membranscheibe kplt. | 1 | |
| 25 | AP0240181 | TCEI Schraube | 8 | |
| 26 | AP0956169 | Öldruckschalter | 1 | |

| | |
|---------------------|---------|
| Einheit | MOTOR |
| Code | 29.63 |
| Beschreibung | Zündung |
| Inspektion | 1 |



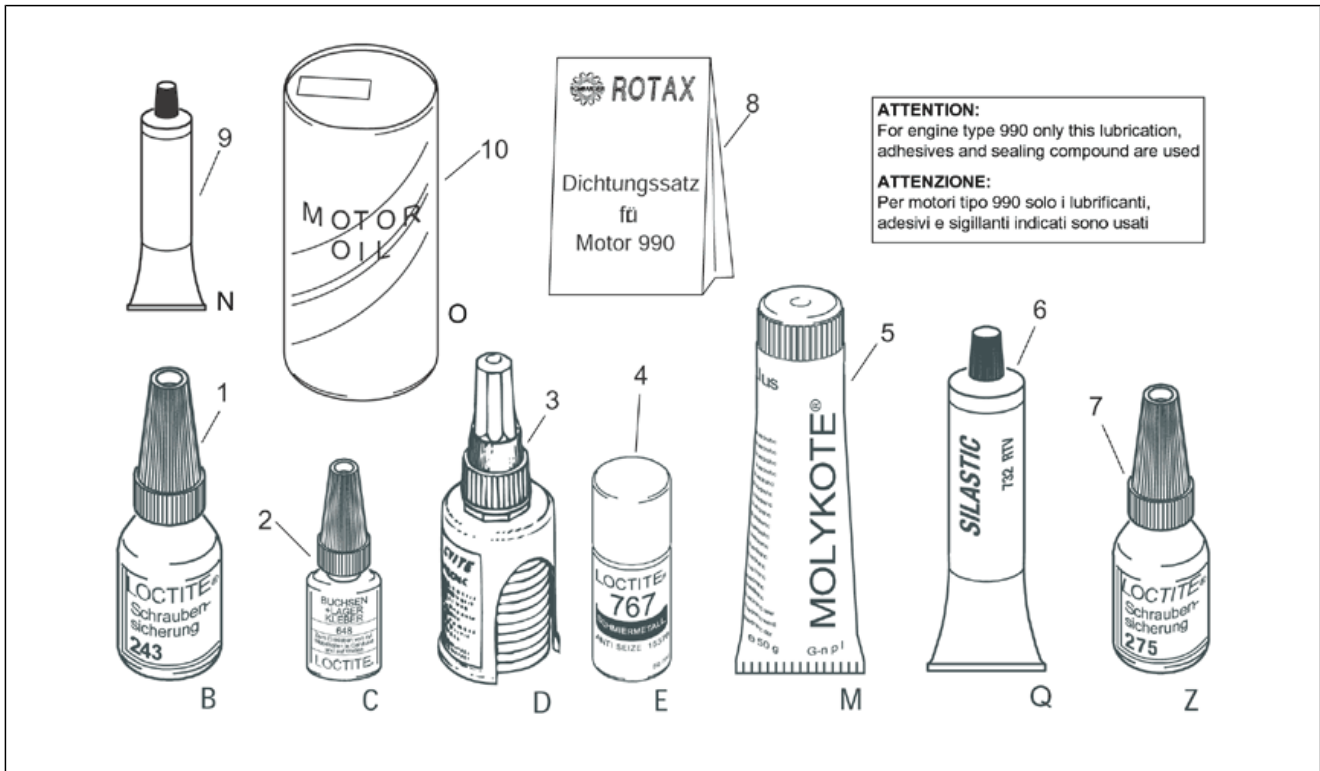
| Pos. | Code | Beschreibung | Menge | Varianten |
|------|-----------|---------------------------|-------|-----------|
| 1 | AP0634595 | Zahnrad Freilaufzrad z=64 | 1 | |
| 2 | AP0295835 | Zündung 12V-420W | 1 | |
| 3 | AP0659110 | Freilaufzrad | 1 | |
| 4 | AP0659125 | Flansch Freilaufzrad | 1 | |
| 5 | AP0641505 | TCEI Schraube | 6 | |
| 6 | AP0241541 | TCEI Schraube m16x30 | 1 | |
| 7 | AP0627270 | Ausgleichscheibe a17 | 1 | |
| 8 | AP0211655 | Zünddeckel | 1 | |
| 9 | AP0241631 | Deckel m24x1,5 | 1 | |
| 10 | AP0430782 | O-Ring 23,3x2,4 | 1 | |
| 11 | AP0241816 | TCEI Schraube M6x40 | 3 | |
| 12 | AP0941935 | Gew.schr. M5x12 | 1 | |
| 13 | AP0251160 | Kabelschutz | 1 | |
| 14 | AP0650340 | Dichtung | 1 | |
| 15 | AP0241811 | TCEI Schraube | 12 | |
| 16 | AP0229301 | Bolzen M6x50 | 2 | |
| 17 | AP0634600 | Freilaufzrad | 1 | |
| 18 | AP0634740 | Doppeltes Zahnrad | 1 | |
| 19 | AP0294356 | Anlasser komplett | 1 | |
| 20 | AP0294352 | Aust.satz Anlasser | 1 | |
| 21 | AP0250140 | O-Ring 24,4x3,1 | 1 | |
| 22 | AP0840882 | TCEI Schraube | 2 | |
| 23 | AP0265040 | Schwungradrotor | 1 | |
| 24 | AP0240385 | TE Schr. m. Flansch | 1 | |
| 25 | AP8124865 | kurbelwelle fühler | 1 | |

| | |
|---------------------|---------------|
| Einheit | MOTOR |
| Code | 29.64 |
| Beschreibung | Klappenkörper |
| Inspektion | 1 |



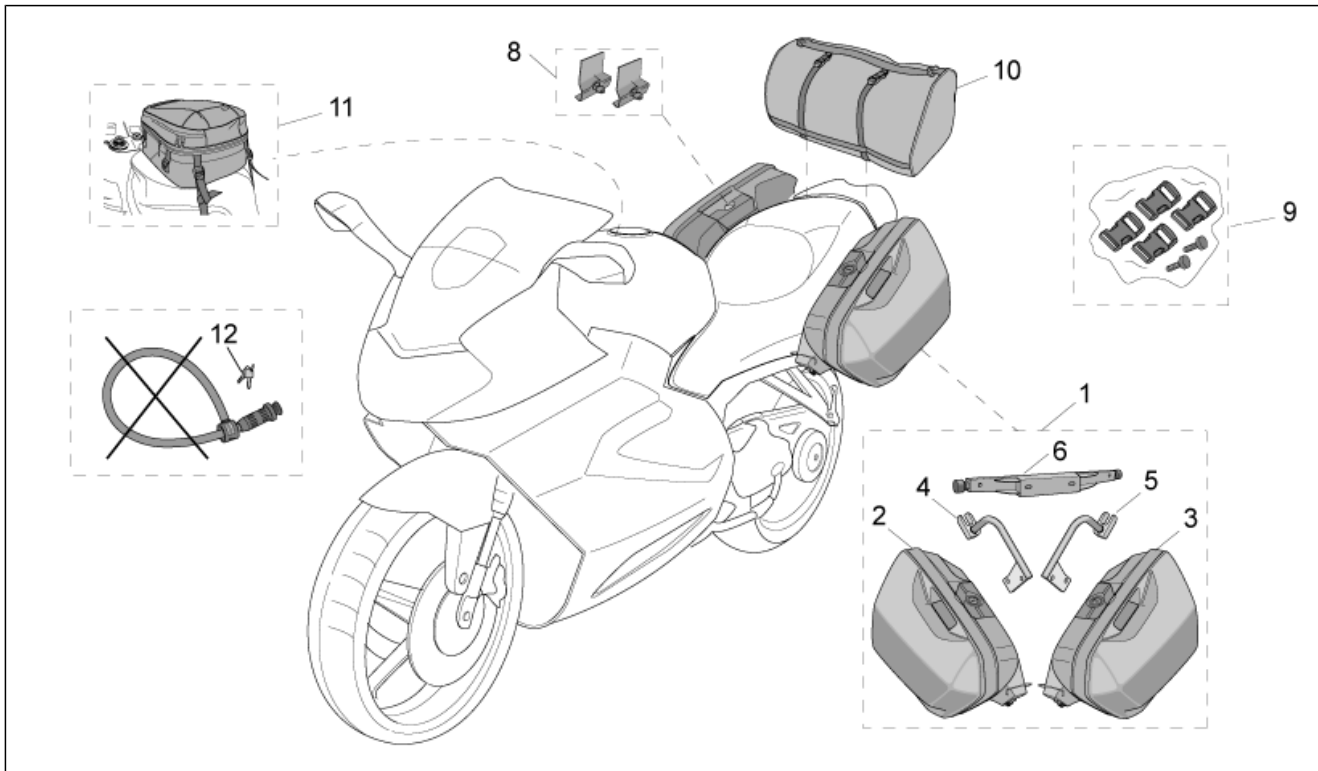
| Pos. | Code | Beschreibung | Menge | Varianten |
|------|-----------|------------------------|-------|-----------|
| 1 | AP8124866 | Fühler Drosselklappe | 1 | |
| 2 | AP8120965 | O-Ring 2018 | 1 | |
| 3 | AP8106889 | Einspritzventil kplt. | 2 | |
| 4 | AP8106771 | Kraftstoff-Druckregler | 1 | |
| 5 | AP8106884 | Klappenkörper kpl. | 1 | |
| 6 | AP8144483 | O-Ring | 2 | |
| 7 | AP8144485 | O-Ring | 2 | |

| | |
|---------------------|--------------------|
| Einheit | MOTOR |
| Code | 29.65 |
| Beschreibung | Verbrauchsmaterial |
| Inspektion | 1 |



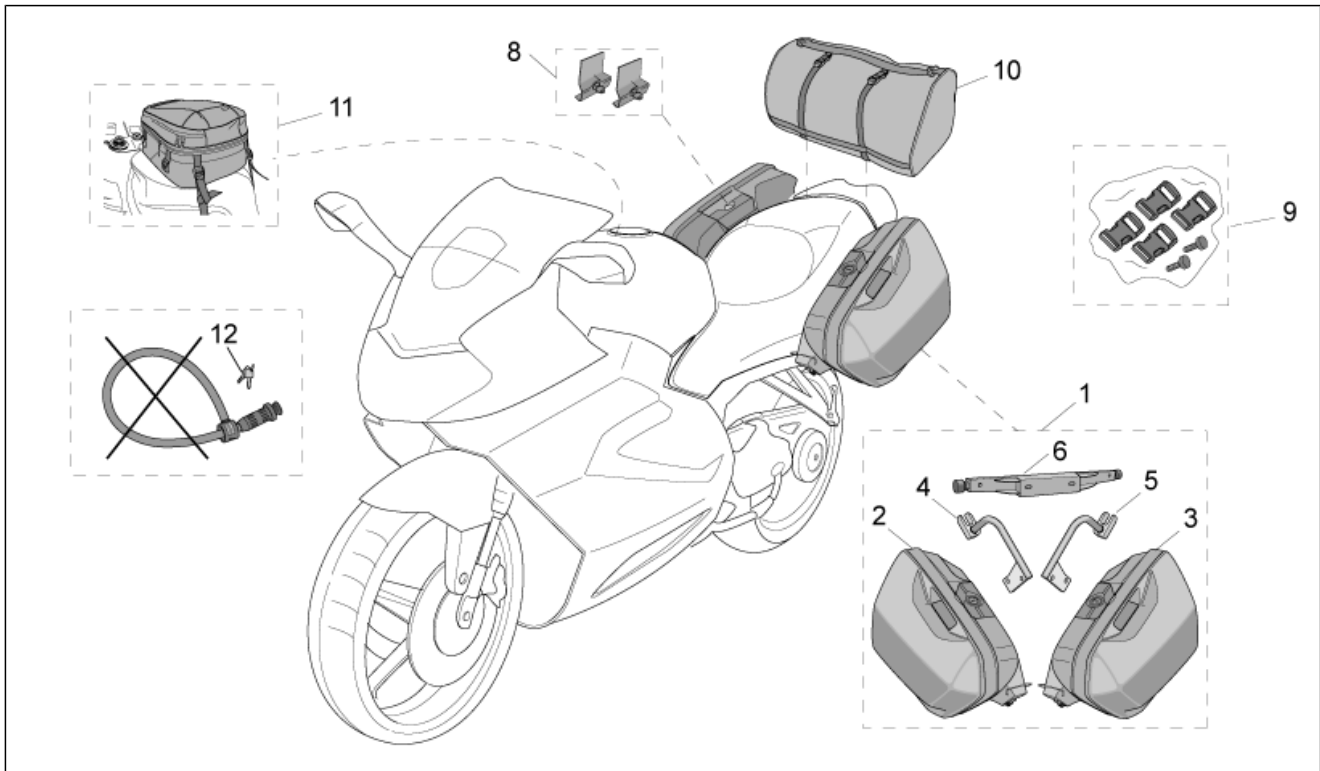
| Pos. | Code | Beschreibung | Menge | Varianten |
|------|-----------|-------------------------------|-------|-----------|
| 1 | AP0897651 | Loctite, blau 243 10cc. | 1 | |
| 2 | AP0899788 | Loctite, grün 648 5gr. | 1 | |
| 3 | AP0899784 | Loctite, orange 574 | 1 | |
| 4 | AP0297434 | Loctite Anti Seize 50ml.15378 | 1 | |
| 5 | AP0297433 | Molykote G-N 50gr. | 1 | |
| 6 | AP0297386 | Silastic 732 Rtv 100 gr. | 1 | |
| 7 | AP0898011 | Loctite 275 | 1 | |
| 8 | AP0296170 | Dichtungen - Satz | 1 | |
| 9 | 0000000 | Reifen | 1 | |
| 10 | 0000000 | Reifen | 1 | |

| | |
|---------------------|-----------------------------|
| Einheit | ZUBEHÖR |
| Code | 30.66 |
| Beschreibung | Acc. - Koffer, Taschen Son. |
| Inspektion | 1 |



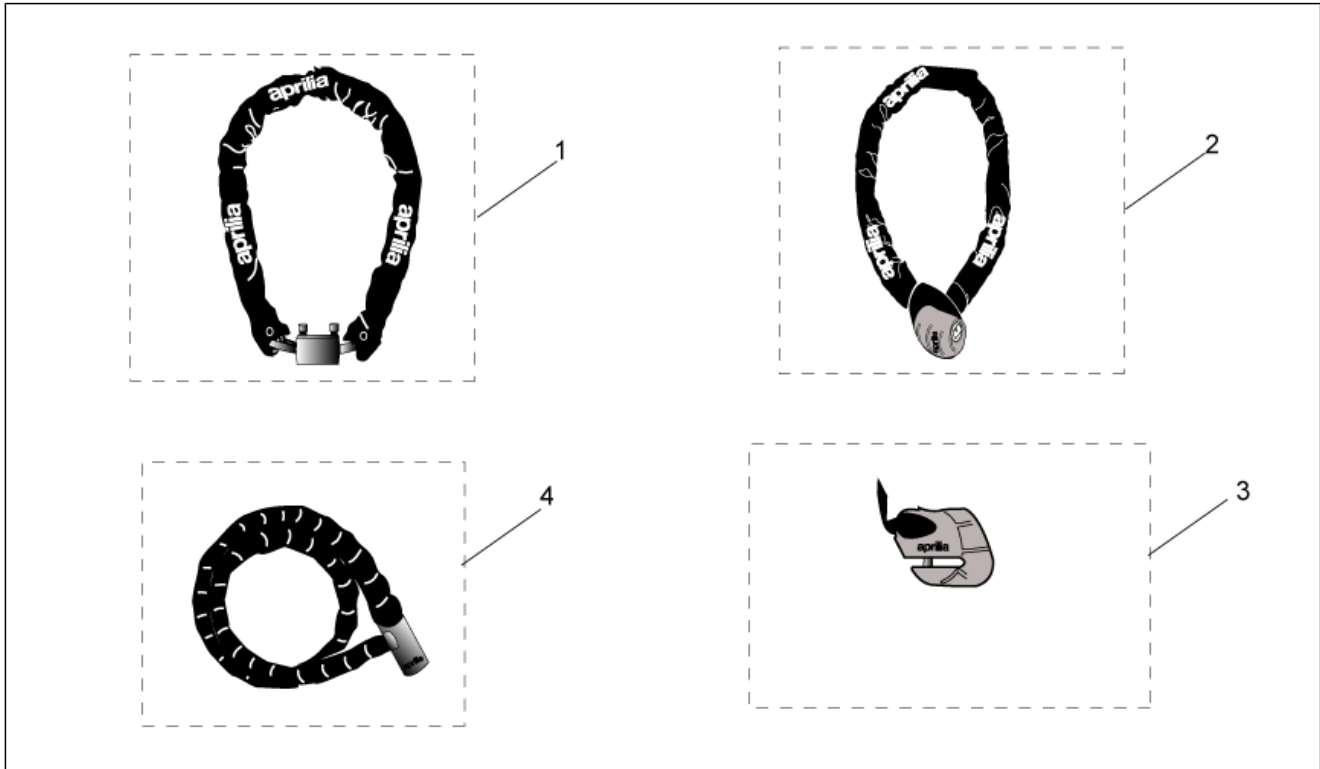
| Pos. | Code | Beschreibung | Menge | Varianten |
|------|-----------|-----------------------------|-------|---|
| 1 | AP8790257 | Koffer-Paar kpl.grau | 1 | Baujahr:2003[3] Technische Daten:Zubehör[A] |
| 1 | AP8792176 | Koffer-Paar kpl.Rot | 1 | Baujahr:2001[1], 2002[2] Technische Daten:Zubehör[A] |
| 1 | AP8792177 | Koffer-Paar kpl.blau | 1 | Baujahr:2001[1], 2002[2] Technische Daten:Zubehör[A] |
| 1 | AP8792381 | Koffer kpl.Paar p.black | 1 | Technische Daten:Zubehör[A] |
| 2 | AP8790258 | Koffer re.grau | 1 | Baujahr:2003[3] Technische Daten:Zubehör[A] |
| 2 | AP8792178 | Koffer re.silber | 1 | Baujahr:2001[1], 2002[2] Technische Daten:Zubehör[A] |
| 2 | AP8792180 | Koffer re.rot | 1 | Baujahr:2001[1], 2002[2] Technische Daten:Zubehör[A] |
| 2 | AP8792182 | Koffer re.blau | 1 | Baujahr:2001[1], 2002[2] Technische Daten:Zubehör[A] |
| 2 | AP8792233 | Koffer re.grau | 1 | Baujahr:2002[2] Technische Daten:Zubehör[A] |
| 2 | AP8792382 | Koffer re.p.black | 1 | Technische Daten:Zubehör[A] |
| 3 | AP8790259 | Koffer li.grau | 1 | Baujahr:2003[3] Technische Daten:Zubehör[A] |
| 3 | AP8792179 | Koffer li.silber | 1 | Baujahr:2001[1], 2002[2] Technische Daten:Zubehör[A] |
| 3 | AP8792181 | Koffer li.Rot | 1 | Baujahr:2001[1], 2002[2] Technische Daten:Zubehör[A] |
| 3 | AP8792183 | Koffer li.blau | 1 | Baujahr:2001[1], 2002[2] Technische Daten:Zubehör[A] |
| 3 | AP8792234 | Koffer li.grau | 1 | Baujahr:2002[2] Technische Daten:Zubehör[A] |
| 3 | AP8792383 | Koffer li.p.black | 1 | Technische Daten:Zubehör[A] |
| 4 | AP8792185 | Kit Halterung ob.re.graومت. | 1 | Technische Daten:Zubehör[A] |
| 4 | AP8792392 | RH top support kit, p.black | 1 | Technische Daten:Zubehör[A] |

| | |
|---------------------|-----------------------------|
| Einheit | ZUBEHÖR |
| Code | 30.66 |
| Beschreibung | Acc. - Koffer, Taschen Son. |
| Inspektion | 1 |



| Pos. | Code | Beschreibung | Menge | Varianten |
|------|-----------|---------------------------------|-------|-----------------------------|
| 5 | AP8792186 | Kit Halterung ob.li.graumet. | 1 | Technische Daten:Zubehör[A] |
| 5 | AP8792393 | Kit Halterung ob.p.black | 1 | Technische Daten:Zubehör[A] |
| 6 | AP8792187 | Ständer grau met. | 1 | Technische Daten:Zubehör[A] |
| 6 | AP8792394 | Ständer p.black | 1 | Technische Daten:Zubehör[A] |
| 8 | AP8792184 | Verschlusshebel Paar kpl.Grey | 1 | Technische Daten:Zubehör[A] |
| 8 | AP8792391 | Verschlusshebel Paar kpl.p.b. | 1 | Technische Daten:Zubehör[A] |
| 9 | AP8792188 | elastic/rubber kit | 1 | Technische Daten:Zubehör[A] |
| 10 | AP8792152 | Gepäcktasche hi. | 1 | Technische Daten:Zubehör[A] |
| 11 | AP8792156 | Tankrucksack | 1 | Technische Daten:Zubehör[A] |
| 12 | AP8700792 | Schlüsslersatzdie. B.Guard UK-D | 1 | Technische Daten:Zubehör[A] |
| 12 | AP8700793 | Schlüsslersatzdie. B.Guard F-NL | 1 | Technische Daten:Zubehör[A] |
| 12 | AP8700794 | Schlüsslersatzdie. B.Guard I-E | 1 | Technische Daten:Zubehör[A] |

| | |
|---------------------|------------------|
| Einheit | ZUBEHÖR |
| Code | 30.67 |
| Beschreibung | Acc. - Diefstahl |
| Inspektion | 1 |



| Pos. | Code | Beschreibung | Menge | Varianten |
|------|-----------|----------------------|-------|-----------------------------|
| 1 | AP8720115 | Iron Guard 10x150 mm | 1 | Technische Daten:Zubehör[A] |
| 2 | AP8720116 | Iron Guard 8x120 mm | 1 | Technische Daten:Zubehör[A] |
| 3 | AP8720117 | Iron Guard Disk 5 mm | 1 | Technische Daten:Zubehör[A] |
| 4 | AP8720118 | Easy Guard 150 mm | 1 | Technische Daten:Zubehör[A] |