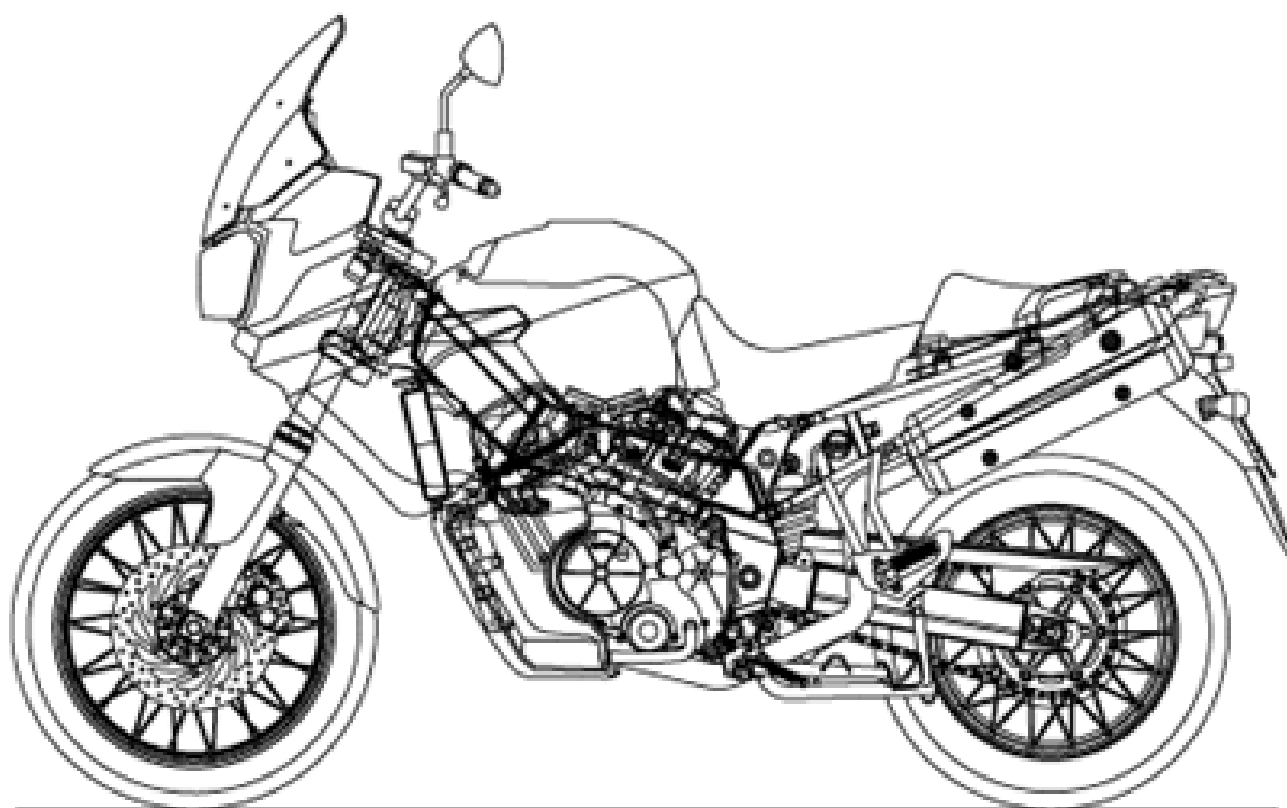


aprilia[®]

ERSATZTEILKATALOG



ETV 1000 Capo Nord 2004-2007

Vorsatzcode Fahrgestell: ZD4PS004

Vorsatzcode Motor:

Inhaltsverzeichnis

Fertige Produkte.....	4
Alphanumerisches Verzeichnis.....	5
RAHMEN.....	12
Tafel 28.01 - Rahmen I.....	12
Tafel 28.02 - Rahmen II.....	13
Tafel 28.03 - Fussrasten.....	15
Tafel 28.04 - Hauptständer.....	16
Tafel 28.05 - Lenkung.....	17
Tafel 28.06 - Vorderradgabel.....	18
Tafel 28.07 - Schwinge.....	19
Tafel 28.08 - Pleuelstange und hinterer Stoßdämpfer.....	20
Tafel 28.09 - Frontaufbau I.....	21
Tafel 28.10 - Frontaufbau II.....	23
Tafel 28.11 - Frontaufbau III.....	25
Tafel 28.12 - Mittlerer Aufbau.....	26
Tafel 28.13 - Kraftstofftank.....	27
Tafel 28.14 - Sitz.....	29
Tafel 28.15 - Heckaufbau.....	30
Tafel 28.16 - U. Sitzbank.....	32
Tafel 28.17 - Instrumententafel.....	33
Tafel 28.18 - Lenkstange.....	34
Tafel 28.19 - Bremsanlage ABS.....	36
Tafel 28.20 - Kupplungspumpe.....	37
Tafel 28.21 - Vorderradbremspumpe.....	38
Tafel 28.22 - Kühlanlage.....	39
Tafel 28.23 - Ausdehngefäß.....	40
Tafel 28.24 - Öltank.....	41
Tafel 28.25 - Ölkühler.....	42
Tafel 28.26 - Benzindampfrückf.-Anlage.....	43
Tafel 28.27 - Filtergehäuse I.....	44
Tafel 28.28 - Filtergehäuse I.....	45
Tafel 28.29 - Kraftstoffpumpe I.....	46
Tafel 28.30 - Kraftstoffpumpe II.....	47
Tafel 28.32 - Auspuffrohr.....	48
Tafel 28.33 - Vorderrad.....	49
Tafel 28.34 - Vorderradbremzange.....	51
Tafel 28.35 - Hinterrad.....	52
Tafel 28.36 - Hinterradbremspumpe.....	55
Tafel 28.37 - Hinterradbremzange.....	56
Tafel 28.38 - Vorderer lichter.....	57
Tafel 28.39 - Hinterer lichter.....	58
Tafel 28.40 - Elektrische anlage I.....	59
Tafel 28.41 - Elektrische anlage II.....	60

Tafel 28.42 - Elektrische Anlage III.....	61
Tafel 28.43 - Bausatz Schlösser.....	62
Tafel 28.44 - Abzieh. + Schilder.....	63
MOTOR.....	64
Tafel 29.31 - Motor.....	64
Tafel 29.45 - Gehäuse I.....	65
Tafel 29.46 - Gehäuse II.....	66
Tafel 29.47 - Ölpumpe.....	68
Tafel 29.48 - Kurbelwelle I.....	69
Tafel 29.49 - Kurbelwelle II.....	70
Tafel 29.50 - Ventildeckel.....	71
Tafel 29.51 - Zylinderkopf und Ventile.....	72
Tafel 29.52 - Ventilesbeläge.....	73
Tafel 29.53 - Vrd. Zylindersteuer.....	75
Tafel 29.54 - Hint. Zylindersteuer.....	76
Tafel 29.55 - Schaltgabel.....	78
Tafel 29.56 - Schaltgetriebe.....	79
Tafel 29.57 - Kupplung I.....	80
Tafel 29.58 - Kupplung II.....	81
Tafel 29.59 - Wasserpumpenritzel.....	82
Tafel 29.60 - Zündung.....	83
Tafel 29.61 - Klappenkörper.....	84
Tafel 29.62 - Verbrauchsmaterial.....	85
ZUBEHÖR.....	86
Tafel 30.63 - Acc. - Koffer, Taschen.....	86
Tafel 30.64 - Taschen Alu.....	88
Tafel 30.65 - Acc. - Fahrwerk.....	89
Tafel 30.66 - Acc. - Sonstiges.....	90
Tafel 30.67 - Acc. - Diebstahl.....	91

Fertige Produkte

Code	Gültigkeit
AP6146000ES401	
AP6146000EU403	
AP6146000IT401	
AP6146000NL403	
AP6146001BE504	
AP6146001DK401	
AP6146001DK403	
AP6146001DK504	
AP6146001EB504	
AP6146001EB605	
AP6146001EC504	
AP6146001EC605	
AP6146001EL401	
AP6146001EL504	
AP6146001EL605	
AP6146001ES401	
AP6146001ES402	
AP6146001ES403	
AP6146001ES504	
AP6146001ES605	
AP6146001EU401	
AP6146001EU403	
AP6146001EU504	
AP6146001EU605	
AP6146001GB401	
AP6146001GB504	
AP6146001IT401	
AP6146001IT402	
AP6146001IT403	
AP6146001IT504	
AP6146001IT605	
AP6146001UB504	
AP6146001UK504	
AP6146001ZA401	
AP6146001ZA403	
AP68203EU01	
AP68203EU06	
AP68203IT06	

Code	Nr. der Tafel	Pos.	Code	Nr. der Tafel	Pos.	Code	Nr. der Tafel	Pos.
0000000	28.33	12	AP0233820	29.45	9	AP0245815	29.56	4
0000000	28.35	12	AP0233822	29.45	9	AP0245830	29.57	2
0000000	29.62	6	AP0236252	29.49	9	AP0245840	29.48	13
0000000	29.62	7	AP0236300	29.53	5	AP0245860	29.48	10
AP0210415	29.46	4	AP0236300	29.54	5	AP0246055	29.54	17
AP0211620	29.47	5	AP0236310	29.53	6	AP0246570	29.48	5
AP0211632	29.47	8	AP0236310	29.54	6	AP0247614	29.58	17
AP0211655	29.60	15	AP0236320	29.53	3	AP0247940	29.55	17
AP0211662	29.50	5	AP0236366	29.55	22	AP0247972	29.58	14
AP0211667	29.50	3	AP0236375	29.46	26	AP0247974	29.58	9
AP0211683	29.54	4	AP0236380	29.54	9	AP0247980	29.53	17
AP0211756	29.54	25	AP0238130	29.58	15	AP0247980	29.54	27
AP0211766	29.53	4	AP0238135	29.58	8	AP0248375	29.55	12
AP0211778	29.59	24	AP0238140	29.58	13	AP0250130	29.54	3
AP0216222	29.49	5	AP0239247	29.55	13	AP0250140	29.60	2
AP0217346	29.48	2	AP0239390	29.58	6	AP0250311	29.50	6
AP0219340	29.54	20	AP0239420	29.55	16	AP0250450	29.46	24
AP0219350	29.48	21	AP0239430	29.55	15	AP0250640	29.50	10
AP0219360	29.48	12	AP0239449	29.47	10	AP0251100	29.50	11
AP0219365	29.48	8	AP0239450	29.55	23	AP0251160	29.60	17
AP0220372	29.48	15	AP0239480	29.57	9	AP0251830	29.50	8
AP0220382	29.53	13	AP0239510	29.51	20	AP0253645	29.51	22
AP0220382	29.54	13	AP0239520	29.51	19	AP0253921	29.51	3
AP0220387	29.53	12	AP0240036	29.57	11	AP0253926	29.51	2
AP0220387	29.54	12	AP0240081	29.50	7	AP0253956	29.51	21
AP0220390	29.56	1	AP0240170	29.50	16	AP0253965	29.51	17
AP0220400	29.56	10	AP0240181	29.59	25	AP0253974	29.52	1
AP0220410	29.59	4	AP0240275	29.54	29	AP0253975	29.52	1
AP0220423	29.47	1	AP0240331	29.51	10	AP0253976	29.52	1
AP0220437	29.55	1	AP0240331	29.59	21	AP0253977	29.52	1
AP0220440	29.54	1	AP0240385	29.60	21	AP0253978	29.52	1
AP0220455	29.57	6	AP0240400	29.53	1	AP0253979	29.52	1
AP0222500	29.59	18	AP0240960	29.53	18	AP0253980	29.52	1
AP0222512	29.59	19	AP0241081	29.46	9	AP0253981	29.52	1
AP0224090	29.50	17	AP0241081	29.60	18	AP0253982	29.52	1
AP0224690	29.50	22	AP0241261	29.46	29	AP0253983	29.52	1
AP0227180	29.57	12	AP0241501	29.46	15	AP0253984	29.52	1
AP0227442	29.55	20	AP0241531	29.46	12	AP0253985	29.52	1
AP0227685	29.59	6	AP0241540	29.60	14	AP0253986	29.52	1
AP0227714	29.55	27	AP0241560	29.50	14	AP0253987	29.52	1
AP0227716	29.55	11	AP0241580	29.46	1	AP0253988	29.52	1
AP0227980	29.51	11	AP0241601	29.50	13	AP0253990	29.51	12
AP0229301	29.45	4	AP0241625	29.50	1	AP0254011	29.51	16
AP0229301	29.60	4	AP0241631	29.60	25	AP0254027	29.51	15
AP0229385	29.45	6	AP0241650	29.47	11	AP0254030	29.52	1
AP0229385	29.55	14	AP0241782	29.46	7	AP0254031	29.52	1
AP0230510	29.51	18	AP0241811	29.59	14	AP0254032	29.52	1
AP0232210	29.51	5	AP0241811	29.60	23	AP0254033	29.52	1
AP0232430	29.47	13	AP0241816	29.60	16	AP0254034	29.52	1
AP0232430	29.59	5	AP0241821	28.20	15	AP0254035	29.52	1
AP0232625	29.46	14	AP0241821	29.46	28	AP0254036	29.52	1
AP0232730	29.47	2	AP0241821	29.47	12	AP0254037	29.52	1
AP0232970	29.47	4	AP0241821	29.51	4	AP0254038	29.52	1
AP0233711	29.45	9	AP0241854	29.46	6	AP0254039	29.52	1
AP0233721	29.48	23	AP0241932	29.46	2	AP0254040	29.52	1
AP0233722	29.48	23	AP0241932	29.55	9	AP0254041	29.52	1
AP0233723	29.48	23	AP0242091	29.50	4	AP0254042	29.52	1
AP0233740	29.45	8	AP0242206	29.58	11	AP0254043	29.52	1
AP0233741	29.45	8	AP0242851	29.50	18	AP0256187	29.46	5
AP0233743	29.45	8	AP0242874	29.48	16	AP0256497	29.46	20
AP0233745	29.45	7	AP0242940	29.48	14	AP0256510	29.47	9
AP0233746	29.45	7	AP0242950	29.57	3	AP0256526	29.46	21
AP0233748	29.45	7	AP0244211	29.54	8	AP0256680	29.47	3
AP0233780	29.59	11	AP0244211	29.55	10	AP0258310	29.55	6
AP0233790	29.59	10	AP0245330	29.47	15	AP0258325	29.55	8
AP0233791	29.59	10	AP0245436	29.49	6	AP0258351	29.55	4
AP0233793	29.59	10	AP0245440	29.55	18	AP0258361	29.55	3

Code	Nr. der Tafel	Pos.	Code	Nr. der Tafel	Pos.	Code	Nr. der Tafel	Pos.
AP0258376	29.55	5	AP0634475	29.58	2	AP0929500	29.45	3
AP0258380	29.55	2	AP0634483	29.47	14	AP0929500	29.54	26
AP0259500	29.46	27	AP0634490	29.59	3	AP0929650	29.45	10
AP0259517	29.57	7	AP0634500	29.48	19	AP0929650	29.49	8
AP0259520	29.57	1	AP0634500	29.59	2	AP0929930	29.45	5
AP0259535	29.58	3	AP0634595	29.60	7	AP0929930	29.48	20
AP0259583	29.58	10	AP0634600	29.60	6	AP0929930	29.59	1
AP0259587	29.58	7	AP0634610	29.48	18	AP0932335	29.46	19
AP0260890	29.57	14	AP0634620	29.56	17	AP0932335	29.55	7
AP0265040	29.60	11	AP0634640	29.56	9	AP0932428	29.46	18
AP0267150	29.50	9	AP0634655	29.56	11	AP0932585	29.46	11
AP0268740	29.46	10	AP0634660	29.56	5	AP0940560	29.54	7
AP0281222	29.56	19	AP0634670	29.56	13	AP0940590	29.53	2
AP0294354	29.60	20	AP0634680	29.56	14	AP0940631	29.53	11
AP0294356	29.60	1	AP0634695	29.56	2	AP0940631	29.54	28
AP0295663	29.48	1	AP0634700	29.56	15	AP0940637	29.49	12
AP0295663	29.49	1	AP0634710	29.56	8	AP0940741	29.55	25
AP0295760	29.48	22	AP0634720	29.56	12	AP0941121	29.54	10
AP0295760	29.54	24	AP0634730	29.53	14	AP0941835	29.58	16
AP0295765	29.48	7	AP0634730	29.54	14	AP0942570	29.54	21
AP0295765	29.53	9	AP0634740	29.60	5	AP0945665	29.55	21
AP0295770	29.48	9	AP0640400	29.48	4	AP0946015	29.48	6
AP0295775	29.54	18	AP0640450	29.49	10	AP0950141	29.46	8
AP0295780	29.48	11	AP0640581	29.50	20	AP0950141	29.59	17
AP0295783	29.58	4	AP0641505	29.60	12	AP0950141	29.59	23
AP0295795	29.58	5	AP0650210	29.50	19	AP0956169	29.59	26
AP0295835	29.60	8	AP0650240	29.59	20	AP0956275	29.47	7
AP0295858	29.49	3	AP0650315	29.59	12	AP8101108	28.02	27
AP0296170	29.62	9	AP0650320	29.46	25	AP8101372	28.22	6
AP0296961	29.45	1	AP0650330	29.59	8	AP8101595	28.28	23
AP0297386	29.62	8	AP0650337	29.46	22	AP8101595	28.36	21
AP0297433	29.62	5	AP0650340	29.60	22	AP8101595	29.31	14
AP0297434	29.62	4	AP0650345	29.50	2	AP8101743	28.22	21
AP0297942	29.60	26	AP0650370	29.59	13	AP8101744	28.33	9
AP0297957	29.53	15	AP0650390	29.49	7	AP8101744	28.35	7
AP0297957	29.54	19	AP0650500	29.46	3	AP8101927	28.22	17
AP0427106	29.56	16	AP0659110	29.60	9	AP8102239	28.22	18
AP0430622	29.49	11	AP0659125	29.60	10	AP8102239	28.30	2
AP0430782	29.60	24	AP0660010	29.50	21	AP8102348	28.16	12
AP0440260	29.48	3	AP0684315	29.49	2	AP8102349	28.25	5
AP0442130	29.57	16	AP0684316	29.49	2	AP8102375	28.02	18
AP0610151	29.59	9	AP0827110	29.56	18	AP8102375	28.11	2
AP0613405	29.51	1	AP0827305	29.54	11	AP8102375	28.12	4
AP0613511	29.49	4	AP0832144	29.46	13	AP8102375	28.15	5
AP0620235	29.55	26	AP0832144	29.55	19	AP8102375	28.23	8
AP0623153	29.51	8	AP0832360	29.54	2	AP8102376	28.01	5
AP0627120	29.56	3	AP0840371	29.53	16	AP8102376	28.16	1
AP0627132	29.56	6	AP0840371	29.54	16	AP8102376	28.23	16
AP0627190	29.53	7	AP0840391	29.54	22	AP8102376	28.25	17
AP0627190	29.54	15	AP0840681	29.59	15	AP8102376	28.32	11
AP0627200	29.48	17	AP0840861	29.46	16	AP8102377	28.28	21
AP0627210	29.55	24	AP0840861	29.59	22	AP8102378	28.26	12
AP0627220	29.58	12	AP0840880	29.51	14	AP8102381	28.09	10
AP0627230	29.57	13	AP0840880	29.51	6	AP8102503	28.13	3
AP0627260	29.58	1	AP0840882	29.60	3	AP8102524	28.04	1
AP0627270	29.60	13	AP0841841	29.59	16	AP8102525	28.28	14
AP0627280	29.57	15	AP0845030	29.53	10	AP8102535	28.13	8
AP0627530	29.57	10	AP0845030	29.54	30	AP8102544	28.01	9
AP0627910	29.58	18	AP0850050	29.46	23	AP8102618	28.24	2
AP0632010	29.45	2	AP0897651	29.62	1	AP8102678	28.26	5
AP0632010	29.59	7	AP0898011	29.62	10	AP8102688	28.26	13
AP0632070	29.56	7	AP0899784	29.62	3	AP8102728	28.44	5
AP0632124	29.46	17	AP0899788	29.62	2	AP8102731	28.25	8
AP0632130	29.57	8	AP0922245	29.50	15	AP8102738	28.23	13
AP0632161	29.53	8	AP0927863	29.51	9	AP8102766	28.26	14
AP0632161	29.54	23	AP0927945	29.51	13	AP8102766	28.28	24
AP0634470	29.47	6	AP0927945	29.51	7	AP8102771	28.22	2

Code	Nr. der Tafel	Pos.
AP8102786	28.24	19
AP8102828	28.24	12
AP8102829	28.30	3
AP8102902	28.01	10
AP8102902	28.02	15
AP8102903	29.31	12
AP8102913	28.14	2
AP8102913	28.43	5
AP8102915	28.22	1
AP8102918	28.25	1
AP8102920	28.44	2
AP8102971	28.29	5
AP8102974	28.43	1
AP8104097	28.22	16
AP8104154	28.12	10
AP8104154	28.43	4
AP8104168	28.27	12
AP8104169	28.27	9
AP8104185	28.40	5
AP8104185	28.43	7
AP8104251	28.26	3
AP8104251	29.31	9
AP8104345	28.14	1
AP8104345	28.43	6
AP8104373	28.29	11
AP8104374	28.30	9
AP8104388	28.43	1
AP8104390	28.01	9
AP8104390	28.07	14
AP8104475	28.26	9
AP8104529	28.13	13
AP8104529	28.43	3
AP8104556	28.18	12
AP8104595	28.44	3
AP8104613	28.05	24
AP8104627	28.18	5
AP8104628	30.64	1
AP8104629	30.64	2
AP8104680	30.63	12
AP8104680	30.64	16
AP8104706	30.64	15
AP8104707	30.64	14
AP8104716	28.10	8
AP8104781	28.44	3
AP8104918	28.44	3
AP8104941	28.05	23
AP8104941	28.40	4
AP8104941	28.43	2
AP8106381	28.20	9
AP8106387	28.24	15
AP8106388	28.25	6
AP8106389	28.25	11
AP8106593	29.31	2
AP8106594	29.31	5
AP8106597	28.29	1
AP8106629	28.29	3
AP8106713	28.20	13
AP8106738	28.26	8
AP8106776	28.26	10
AP8106807	28.29	15
AP8106807	28.30	11
AP8106824	28.26	7
AP8106883	29.61	6
AP8106889	29.61	2
AP8106911	28.18	13
AP8106918	29.31	1
AP8106935	28.20	16

Code	Nr. der Tafel	Pos.
AP8106959	29.57	4
AP8106960	29.57	5
AP8107129	28.35	1
AP8107130	28.35	22
AP8107150	28.35	40
AP8108784	28.33	8
AP8108785	28.33	18
AP8108787	28.35	8
AP8108788	28.35	10
AP8108805	28.35	9
AP8108953	28.33	11
AP8108953	28.35	11
AP8110066	28.07	2
AP8110066	28.08	2
AP8110068	28.08	1
AP8110077	28.05	22
AP8110079	28.07	5
AP8112176	28.40	8
AP8112599	28.17	8
AP8112811	28.41	5
AP8112916	28.39	7
AP8112927	28.41	12
AP8112940	28.41	8
AP8112996	28.03	7
AP8113003	28.19	6
AP8113003	28.20	2
AP8113003	28.21	3
AP8113003	28.34	15
AP8113003	28.36	20
AP8113004	28.24	9
AP8113063	28.20	8
AP8113063	28.21	8
AP8113070	28.34	4
AP8113070	28.37	4
AP8113081	28.36	11
AP8113082	28.36	12
AP8113230	28.20	12
AP8113241	28.36	4
AP8113288	28.36	2
AP8113548	28.34	6
AP8113549	28.34	3
AP8113553	28.36	5
AP8113719	28.20	7
AP8113752	28.37	5
AP8113761	28.20	11
AP8113762	28.20	10
AP8113803	28.21	9
AP8113805	28.33	6
AP8113805	28.34	9
AP8113806	28.33	7
AP8113806	28.34	10
AP8113807	28.21	1
AP8113807	28.34	11
AP8113808	28.35	5
AP8113808	28.35	5
AP8113808	28.37	10
AP8113809	28.36	17
AP8113810	28.37	1
AP8113881	28.20	1
AP8113895	28.37	3
AP8113939	28.36	18
AP8113988	28.34	5
AP8113989	28.34	12
AP8113990	28.34	13
AP8113993	28.20	4
AP8113993	28.21	5
AP8113994	28.21	6

Code	Nr. der Tafel	Pos.
AP8113995	28.21	7
AP8113997	28.20	5
AP8113998	28.20	6
AP8113998	28.40	6
AP8114375	28.18	7
AP8114376	28.18	8
AP8117033	28.09	19
AP8117041	28.09	20
AP8117073	28.17	10
AP8117151	28.27	13
AP8117153	28.28	5
AP8117201	28.14	14
AP8117203	28.32	23
AP8117204	28.32	24
AP8117205	28.10	9
AP8117206	28.10	10
AP8118619	28.18	11
AP8118659	28.20	14
AP8118691	28.18	1
AP8119414	28.32	17
AP8119523	28.32	14
AP8119664	28.32	20
AP8119669	28.32	1
AP8119700	28.32	2
AP8119712	28.32	15
AP8119713	28.32	18
AP8119714	28.32	19
AP8119786	28.32	12
AP8119787	28.32	12
AP8120001	28.16	21
AP8120030	28.22	3
AP8120030	28.23	5
AP8120030	28.25	2
AP8120030	28.28	3
AP8120116	28.26	11
AP8120116	29.31	8
AP8120179	28.26	15
AP8120190	28.24	20
AP8120190	28.24	3
AP8120196	28.24	16
AP8120218	28.41	9
AP8120223	28.09	13
AP8120253	28.27	6
AP8120313	28.09	16
AP8120314	28.32	27
AP8120317	28.16	13
AP8120317	28.19	13
AP8120354	28.23	2
AP8120355	28.23	3
AP8120405	28.39	13
AP8120416	28.40	16
AP8120416	28.41	13
AP8120416	28.42	10
AP8120428	28.05	13
AP8120446	28.24	17
AP8120446	28.26	16
AP8120446	29.31	17
AP8120508	28.16	9
AP8120531	28.18	24
AP8120615	28.27	14
AP8120712	28.11	11
AP8120754	28.41	6
AP8120772	28.28	25
AP8120876	28.26	20
AP8120876	28.28	22
AP8120876	29.31	10
AP8120893	28.13	9

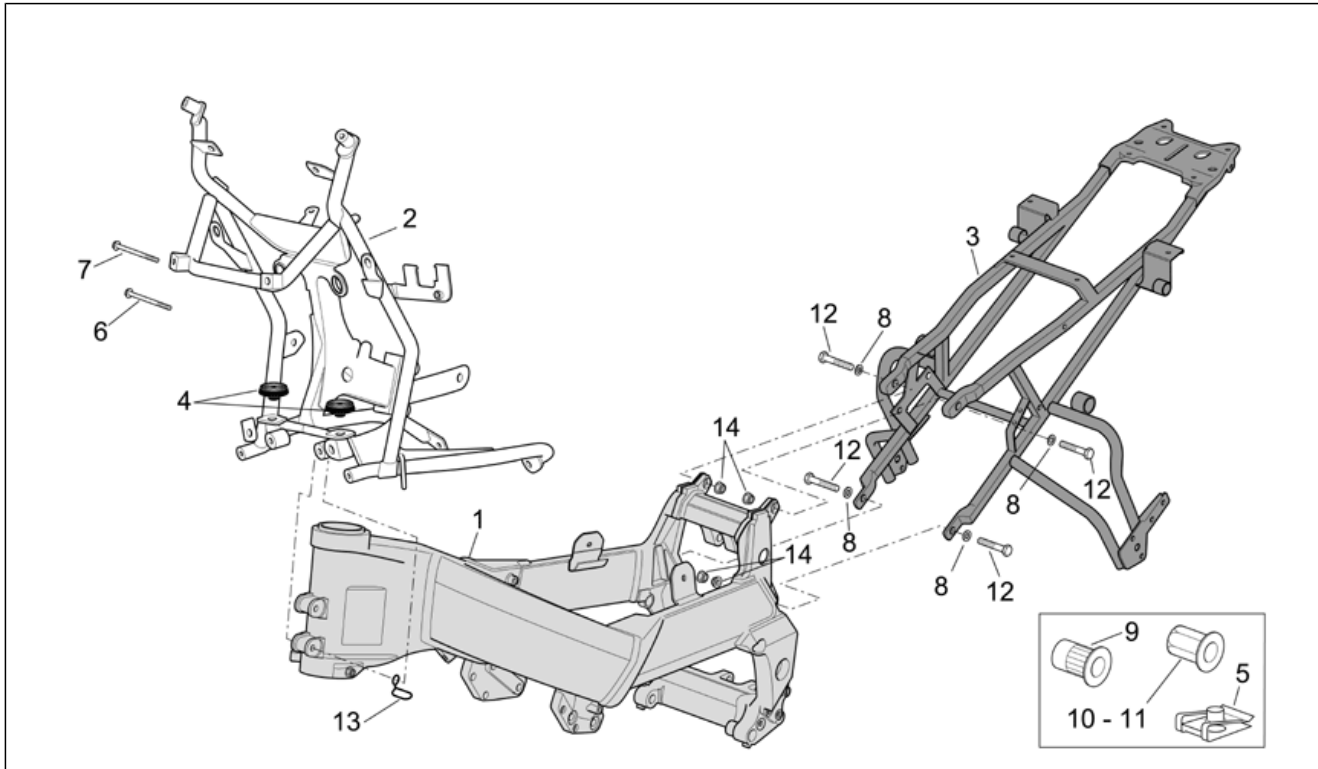
Code	Nr. der Tafel	Pos.	Code	Nr. der Tafel	Pos.	Code	Nr. der Tafel	Pos.
AP8120894	28.13	10	AP8121862	28.24	24	AP8125796	28.35	19
AP8120912	29.31	6	AP8121889	28.01	13	AP8125798	28.35	18
AP8120952	28.23	14	AP8121915	28.19	7	AP8125799	28.35	24
AP8120952	28.26	4	AP8121915	28.20	3	AP8125800	28.35	25
AP8120955	28.28	7	AP8121915	28.21	2	AP8125848	28.22	8
AP8120965	28.13	4	AP8121915	28.34	14	AP8125849	28.36	16
AP8120965	29.61	4	AP8121915	28.36	19	AP8125868	28.33	13
AP8120972	28.02	32	AP8121928	28.03	1	AP8125869	28.33	14
AP8120987	28.28	8	AP8121929	28.38	17	AP8125870	28.33	15
AP8121032	28.09	15	AP8121929	28.39	24	AP8125871	28.33	17
AP8121032	28.11	12	AP8121991	28.16	15	AP8125872	28.35	27
AP8121032	28.12	6	AP8121994	28.04	7	AP8125873	28.35	28
AP8121032	28.16	10	AP8121995	28.02	11	AP8125874	28.35	29
AP8121032	28.23	11	AP8121996	28.02	9	AP8125875	28.35	30
AP8121032	28.28	6	AP8121997	28.02	10	AP8125876	28.35	31
AP8121092	28.02	31	AP8121998	28.02	7	AP8125877	28.35	23
AP8121155	28.08	14	AP8123206	28.06	4	AP8125878	28.35	14
AP8121170	28.32	3	AP8123511	28.05	8	AP8125879	28.35	15
AP8121200	28.07	7	AP8123512	28.05	9	AP8125880	28.35	16
AP8121201	28.07	8	AP8123513	28.05	4	AP8125881	28.35	17
AP8121202	28.07	3	AP8123641	28.05	18	AP8125883	28.33	10
AP8121203	28.07	12	AP8123642	28.05	19	AP8125907	28.35	26
AP8121204	28.07	9	AP8123643	28.05	20	AP8125910	28.33	10
AP8121205	28.05	15	AP8123644	28.05	21	AP8125911	28.35	26
AP8121207	28.05	17	AP8123883	28.05	3	AP8126702	28.01	4
AP8121223	28.36	9	AP8123884	28.05	1	AP8126706	28.16	7
AP8121254	28.02	29	AP8123886	28.05	5	AP8126717	28.16	2
AP8121313	28.25	13	AP8124235	28.40	3	AP8126870	28.06	23
AP8121315	28.08	4	AP8124266	28.40	1	AP8126997	28.11	1
AP8121409	28.24	11	AP8124273	28.41	7	AP8126998	28.11	1
AP8121420	28.12	8	AP8124274	28.40	7	AP8127071	28.42	12
AP8121421	28.13	5	AP8124277	28.40	11	AP8127072	28.39	15
AP8121454	28.05	25	AP8124284	28.42	11	AP8127110	28.18	9
AP8121464	28.22	7	AP8124289	28.42	8	AP8127111	28.38	8
AP8121470	28.02	3	AP8124293	28.40	9	AP8127115	28.42	4
AP8121471	28.02	28	AP8124454	28.41	15	AP8127121	28.38	7
AP8121473	28.23	10	AP8124579	28.41	4	AP8127124	28.38	8
AP8121474	28.02	19	AP8124583	28.39	6	AP8127155	28.17	1
AP8121504	28.36	24	AP8124587	28.38	8	AP8127157	28.17	4
AP8121509	28.15	10	AP8124588	28.29	4	AP8127158	28.17	5
AP8121510	28.15	11	AP8124664	28.29	8	AP8127159	28.17	6
AP8121511	28.14	7	AP8124719	28.11	14	AP8127160	28.38	1
AP8121513	28.32	9	AP8124768	28.12	3	AP8127161	28.38	2
AP8121520	28.18	17	AP8124831	28.41	1	AP8127162	28.38	3
AP8121536	28.29	12	AP8124864	28.42	3	AP8127163	28.38	4
AP8121537	28.29	14	AP8124865	29.60	19	AP8127164	28.38	6
AP8121538	28.30	10	AP8124866	29.61	1	AP8127165	28.38	9
AP8121539	28.29	16	AP8124867	28.28	9	AP8127166	28.39	2
AP8121545	28.29	17	AP8124868	29.50	12	AP8127170	28.39	1
AP8121549	28.05	6	AP8124869	28.42	9	AP8127171	28.39	3
AP8121566	28.03	5	AP8124895	28.05	23	AP8127172	28.39	4
AP8121567	28.03	4	AP8124895	28.40	4	AP8127235	28.42	1
AP8121575	28.11	15	AP8124895	28.43	2	AP8127295	28.32	22
AP8121576	28.32	25	AP8124929	28.22	13	AP8127297	28.42	1
AP8121607	28.04	7	AP8124930	28.22	11	AP8127298	28.40	15
AP8121640	28.33	20	AP8124936	28.09	1	AP8127298	28.41	3
AP8121640	28.35	36	AP8124977	28.04	4	AP8127343	28.42	15
AP8121640	28.35	36	AP8124981	28.28	17	AP8127425	28.17	7
AP8121641	28.33	21	AP8124984	28.18	10	AP8127426	28.17	7
AP8121641	28.35	37	AP8124985	28.37	9	AP8127427	28.17	7
AP8121641	28.35	37	AP8125687	28.07	17	AP8127467	28.41	4
AP8121661	28.07	27	AP8125687	28.35	21	AP8127468	28.40	15
AP8121678	28.05	14	AP8125763	28.07	13	AP8127468	28.41	3
AP8121773	28.32	8	AP8125763	28.35	20	AP8127469	28.33	22
AP8121790	28.09	14	AP8125790	28.33	2	AP8127469	28.35	34
AP8121790	28.17	2	AP8125791	28.33	1	AP8127470	28.40	17
AP8121819	28.18	18	AP8125794	28.35	13	AP8127471	28.41	16

Code	Nr. der Tafel	Pos.	Code	Nr. der Tafel	Pos.	Code	Nr. der Tafel	Pos.
AP8127472	28.19	10	AP8139619	28.29	2	AP8146475	28.03	11
AP8127491	28.40	18	AP8139628	28.11	9	AP8146476	28.03	12
AP8127506	28.19	4	AP8139630	28.15	9	AP8146534	28.03	8
AP8127509	28.40	12	AP8139631	28.07	20	AP8146563	28.03	10
AP8127514	28.38	16	AP8139797	28.05	10	AP8146594	28.01	3
AP8127514	28.39	23	AP8139799	28.16	14	AP8146626	28.04	10
AP8127515	28.38	15	AP8139902	28.24	1	AP8146737	28.01	3
AP8127515	28.39	22	AP8144005	28.07	11	AP8146755	28.01	2
AP8127525	28.38	5	AP8144006	28.07	10	AP8146761	30.64	3
AP8127552	28.38	14	AP8144007	28.36	10	AP8146762	30.64	4
AP8127552	28.39	21	AP8144008	28.25	7	AP8146809	28.03	9
AP8128004	28.33	23	AP8144015	28.24	18	AP8146866	28.04	10
AP8128004	28.35	33	AP8144015	28.26	18	AP8146867	28.03	10
AP8128103	28.35	23	AP8144015	29.31	11	AP8146871	28.01	1
AP8128104	28.33	17	AP8144038	28.26	19	AP8146871	28.01	1
AP8129241	28.14	12	AP8144038	28.28	13	AP8146876	28.07	1
AP8129251	28.14	13	AP8144038	29.31	16	AP8146900	28.37	7
AP8129463	28.14	12	AP8144045	28.16	6	AP8146900	28.37	7
AP8129464	28.14	13	AP8144046	28.40	2	AP8146964	28.01	1
AP8133510	28.21	4	AP8144048	28.07	4	AP8148337	28.36	23
AP8133542	28.37	2	AP8144061	28.24	6	AP8148588	28.11	16
AP8133547	28.33	6	AP8144063	28.27	5	AP8148589	28.11	17
AP8133548	28.33	7	AP8144069	28.22	19	AP8149020	28.27	8
AP8133622	28.34	1	AP8144069	28.30	4	AP8149021	28.27	11
AP8133623	28.34	2	AP8144071	28.32	7	AP8149022	28.27	2
AP8133637	28.19	1	AP8144087	28.19	12	AP8149034	28.16	20
AP8133638	28.19	3	AP8144151	28.36	22	AP8149165	28.28	15
AP8133639	28.19	2	AP8144158	28.13	16	AP8149292	28.11	6
AP8133640	28.19	5	AP8144164	28.27	1	AP8149293	28.10	1
AP8133643	28.36	18	AP8144165	28.22	20	AP8149294	28.10	2
AP8133644	28.19	8	AP8144166	28.22	15	AP8149296	28.16	4
AP8133645	28.19	9	AP8144168	28.07	18	AP8149424	28.23	17
AP8133746	28.35	5	AP8144197	28.22	14	AP8150014	28.42	13
AP8133746	28.35	5	AP8144200	28.24	10	AP8150015	28.04	5
AP8133748	28.37	1	AP8144220	28.07	23	AP8150017	30.64	6
AP8134167	28.11	5	AP8144221	28.07	24	AP8150018	28.02	24
AP8134248	28.36	3	AP8144222	28.05	7	AP8150018	28.19	15
AP8134534	28.37	7	AP8144226	28.29	6	AP8150018	28.32	4
AP8134552	28.11	10	AP8144227	28.30	8	AP8150019	28.02	24
AP8134553	28.02	12	AP8144288	28.16	5	AP8150020	28.02	2
AP8134557	28.23	4	AP8144303	28.26	2	AP8150020	28.02	30
AP8134567	28.28	10	AP8144321	28.07	28	AP8150026	28.36	13
AP8134598	28.02	13	AP8144328	28.13	6	AP8150026	28.41	10
AP8134598	28.24	4	AP8144348	28.27	4	AP8150044	28.25	3
AP8134618	28.12	9	AP8144349	28.22	12	AP8150044	28.38	12
AP8134650	28.26	21	AP8144350	28.13	2	AP8150044	28.39	19
AP8134653	28.42	2	AP8144351	28.13	10	AP8150044	29.31	7
AP8134676	28.07	22	AP8144408	29.31	13	AP8150045	28.23	12
AP8134678	28.24	8	AP8144420	28.24	13	AP8150064	28.29	9
AP8134678	28.40	14	AP8144431	28.30	5	AP8150072	28.36	14
AP8134681	28.25	12	AP8144436	28.30	1	AP8150086	28.02	1
AP8134714	28.02	16	AP8144461	28.14	10	AP8150137	28.24	14
AP8134744	28.23	15	AP8144462	28.14	11	AP8150137	28.25	10
AP8134745	28.25	9	AP8144466	28.08	17	AP8150158	28.39	8
AP8134838	28.03	15	AP8144475	28.29	10	AP8150159	28.22	10
AP8134844	28.26	22	AP8144476	28.29	13	AP8150165	28.02	14
AP8134845	28.26	23	AP8144478	28.29	7	AP8150165	28.08	15
AP8134846	28.16	19	AP8144483	29.61	5	AP8150165	28.24	5
AP8134848	28.26	24	AP8144485	29.61	3	AP8150170	28.18	2
AP8134933	28.37	7	AP8144610	28.02	23	AP8150170	30.64	8
AP8134941	28.18	19	AP8144617	28.09	18	AP8150179	28.14	3
AP8134942	28.18	20	AP8144623	28.30	7	AP8150199	28.38	10
AP8134944	30.64	5	AP8146045	28.03	6	AP8150204	28.39	9
AP8134950	28.19	11	AP8146192	28.08	6	AP8150220	29.31	3
AP8135608	28.08	5	AP8146193	28.08	7	AP8150221	28.02	25
AP8135923	28.07	6	AP8146196	28.36	15	AP8150248	28.09	22
AP8135924	28.08	3	AP8146388	28.07	15	AP8150270	28.22	9

Code	Nr. der Tafel	Pos.	Code	Nr. der Tafel	Pos.	Code	Nr. der Tafel	Pos.
AP8150272	28.28	19	AP8152279	28.25	16	AP8158035	28.16	17
AP8150285	28.14	6	AP8152279	28.35	38	AP8158036	28.16	16
AP8150292	28.01	8	AP8152279	28.42	16	AP8158254	28.27	15
AP8150292	28.04	8	AP8152280	28.17	9	AP8158632	28.11	10
AP8150292	28.08	13	AP8152280	28.36	6	AP8158759	28.20	17
AP8150292	28.34	8	AP8152281	28.13	7	AP8158886	28.15	2
AP8150292	28.35	4	AP8152281	28.22	5	AP8158887	28.15	1
AP8150334	28.07	26	AP8152281	28.24	21	AP8161025	28.35	39
AP8150334	28.19	14	AP8152281	28.25	15	AP8161025	28.35	39
AP8150334	28.32	16	AP8152281	28.41	2	AP8163066	28.06	5
AP8150342	28.18	6	AP8152283	28.01	7	AP8163067	28.06	6
AP8150378	28.02	21	AP8152284	28.01	6	AP8163068	28.06	7
AP8150382	28.28	11	AP8152285	28.24	23	AP8163069	28.06	8
AP8150382	28.39	12	AP8152285	28.33	5	AP8163070	28.06	9
AP8150388	30.64	7	AP8152285	28.35	6	AP8163071	28.06	10
AP8150406	28.28	18	AP8152285	28.35	6	AP8163072	28.06	11
AP8150413	28.28	12	AP8152285	28.35	6	AP8163073	28.06	12
AP8150421	28.40	10	AP8152285	28.40	13	AP8163074	28.06	13
AP8150429	28.36	25	AP8152286	28.16	8	AP8163075	28.06	14
AP8150429	28.41	11	AP8152286	28.37	6	AP8163076	28.06	15
AP8150430	28.14	4	AP8152287	28.15	7	AP8163077	28.06	16
AP8150430	28.25	14	AP8152288	28.03	13	AP8163078	28.06	17
AP8150430	28.36	8	AP8152288	28.05	11	AP8163079	28.06	18
AP8150430	28.38	13	AP8152289	28.05	2	AP8163080	28.06	19
AP8150430	28.39	20	AP8152290	28.15	8	AP8163081	28.06	20
AP8150430	30.64	10	AP8152292	28.32	5	AP8163082	28.06	21
AP8150431	30.64	11	AP8152293	28.32	26	AP8163083	28.06	22
AP8150436	28.01	14	AP8152299	28.16	3	AP8163084	28.08	18
AP8150444	28.10	3	AP8152299	28.24	7	AP8163218	28.18	3
AP8150451	28.39	11	AP8152299	28.41	14	AP8163335	28.06	1
AP8150453	28.13	12	AP8152299	28.42	17	AP8163336	28.06	2
AP8150454	28.13	11	AP8152300	28.02	26	AP8163341	28.06	17
AP8150458	28.08	10	AP8152300	28.03	14	AP8163371	28.06	1
AP8150489	28.32	21	AP8152300	28.32	6	AP8163378	28.08	16
AP8150491	28.33	19	AP8152301	28.02	5	AP8163446	28.06	21
AP8150491	28.35	32	AP8152301	28.08	9	AP8163447	28.06	18
AP8150493	28.09	12	AP8152302	28.07	19	AP8166233	28.44	4
AP8150510	28.33	5	AP8152302	28.09	8	AP8166235	28.44	4
AP8150510	28.35	6	AP8152302	28.11	3	AP8166239	28.44	4
AP8150510	28.35	6	AP8152302	28.12	7	AP8166491	28.44	4
AP8150513	28.02	20	AP8152302	28.15	6	AP8166613	28.44	7
AP8152001	28.04	9	AP8152302	28.18	23	AP8166614	28.44	8
AP8152043	28.21	11	AP8152302	28.23	9	AP8166788	28.10	11
AP8152117	28.14	5	AP8152305	28.07	25	AP8166789	28.10	12
AP8152123	28.42	14	AP8152315	28.02	6	AP8166790	28.15	12
AP8152137	30.64	9	AP8152316	28.02	4	AP8166791	28.13	17
AP8152147	28.08	12	AP8152317	28.02	8	AP8167651	28.44	1
AP8152184	30.64	12	AP8152318	28.34	7	AP8167753	28.44	1
AP8152229	28.05	12	AP8152318	28.35	2	AP8168317	28.14	15
AP8152242	28.35	3	AP8152320	28.03	2	AP8168318	28.14	16
AP8152246	28.12	5	AP8152323	28.33	4	AP8168468	28.17	3
AP8152246	28.16	11	AP8152325	28.01	12	AP8168743	28.23	1
AP8152246	28.27	7	AP8152329	28.27	10	AP8168916	28.09	7
AP8152246	28.28	2	AP8152329	28.28	1	AP8177086	28.44	6
AP8152246	28.32	28	AP8152335	28.33	3	AP8177757	28.44	7
AP8152246	28.33	24	AP8152338	28.09	17	AP8177895	28.44	1
AP8152246	28.35	35	AP8152339	28.07	21	AP8178368	28.09	2
AP8152272	28.30	6	AP8152339	28.09	11	AP8178369	28.09	6
AP8152274	28.27	3	AP8152339	28.10	7	AP8178370	28.09	21
AP8152275	28.11	4	AP8152342	28.32	10	AP8178391	28.13	1
AP8152277	28.02	17	AP8152384	28.05	16	AP8178393	28.10	5
AP8152278	28.24	22	AP8152396	28.08	11	AP8178394	28.10	6
AP8152278	28.36	7	AP8152397	28.08	8	AP8178395	28.09	3
AP8152278	28.37	8	AP8152409	28.03	3	AP8178396	28.09	4
AP8152279	28.04	6	AP8156065	30.65	6	AP8178397	28.18	21
AP8152279	28.11	7	AP8157001	28.44	9	AP8178398	28.18	22
AP8152279	28.23	7	AP8157770	28.18	4	AP8178399	28.15	3

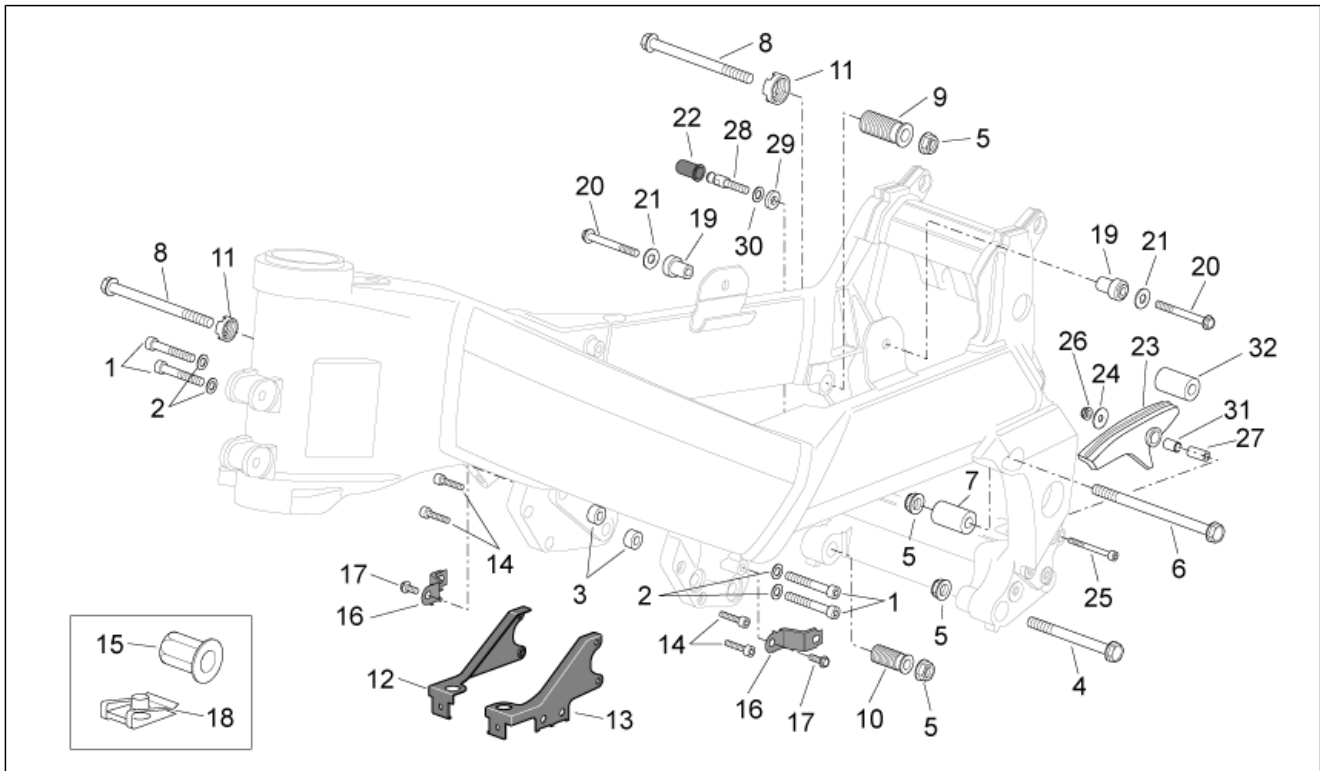
Code	Nr. der Tafel	Pos.	Code	Nr. der Tafel	Pos.
AP8178400	28.15	4	AP8213057	28.36	1
AP8178401	28.12	1	AP8220095	28.28	16
AP8178402	28.12	2	AP8220150	28.38	11
AP8178403	28.13	1	AP8220150	28.39	17
AP8178405	28.10	5	AP8220162	28.10	4
AP8178406	28.10	6	AP8220263	28.13	14
AP8178407	28.09	3	AP8220263	28.26	1
AP8178408	28.09	4	AP8220263	28.28	4
AP8178409	28.18	21	AP8220283	28.42	5
AP8178409	28.18	21	AP8220349	28.14	8
AP8178409	28.18	21	AP8220460	28.02	22
AP8178410	28.18	22	AP8220517	28.14	9
AP8178410	28.18	22	AP8220546	28.42	6
AP8178410	28.18	22	AP8221007	28.09	16
AP8178411	28.15	3	AP8221017	28.39	18
AP8178412	28.15	4	AP8221023	28.22	4
AP8178413	28.12	1	AP8221023	28.25	4
AP8178414	28.12	2	AP8221036	28.39	14
AP8178418	28.09	6	AP8221046	29.31	4
AP8178420	28.09	3	AP8221145	28.11	8
AP8178422	28.09	4	AP8221150	28.11	13
AP8178424	28.09	5	AP8221204	28.04	3
AP8178425	28.13	1	AP8221211	28.04	2
AP8178426	28.10	5	AP8221310	28.07	16
AP8178427	28.10	6	AP8224164	28.16	18
AP8178428	28.18	21	AP8224192	28.21	10
AP8178429	28.18	22	AP8224389	28.39	5
AP8178430	28.15	3	AP8224393	28.39	16
AP8178431	28.15	4	AP8224462	28.42	7
AP8178432	28.12	1	AP8225369	28.09	17
AP8178433	28.12	2	AP8700792	30.66	5
AP8178977	28.13	1	AP8700793	30.66	5
AP8178978	28.10	5	AP8700794	30.66	5
AP8178979	28.10	6	AP8720115	30.67	1
AP8178980	28.09	3	AP8720116	30.67	2
AP8178981	28.09	4	AP8720117	30.67	3
AP8178982	28.15	3	AP8720118	30.67	4
AP8178983	28.15	4	AP8790114	30.64	13
AP8178984	28.12	1	AP8791235	30.65	3
AP8178985	28.12	2	AP8791236	30.65	2
AP8179134	28.13	1	AP8791237	30.65	1
AP8179135	28.09	2	AP8792152	30.63	10
AP8179370	28.13	1	AP8792172	30.63	8
AP8179371	28.13	1	AP8792173	30.63	7
AP8179374	28.09	3	AP8792174	30.63	9
AP8179375	28.09	4	AP8792184	30.63	6
AP8179378	28.12	1	AP8792198	30.63	4
AP8179379	28.12	2	AP8792199	30.63	5
AP8179382	28.10	5	AP8792288	30.63	8
AP8179383	28.10	6	AP8792331	30.63	11
AP8179384	28.15	3	AP8792375	30.63	1
AP8179385	28.15	4	AP8792376	30.63	2
AP8201225	28.13	15	AP8792377	30.63	3
AP8201358	28.26	17	AP8792378	30.63	1
AP8201727	28.23	6	AP8792379	30.63	2
AP8201755	28.01	11	AP8792380	30.63	3
AP8201763	28.09	9	AP8792391	30.63	6
AP8201808	29.31	15	AP8793056	30.66	1
AP8201842	28.18	15	AP8793057	30.66	1
AP8201843	28.18	14	AP8793683	30.66	2
AP8201856	28.18	16	AP8793684	30.66	3
AP8202154	28.26	6	AP8793685	30.66	1
AP8202154	28.28	20	AP8795035	30.65	7
AP8203074	28.33	16	AP8795038	30.65	5
AP8203200	28.06	3	AP8796733	30.66	4
AP8212382	28.42	18	AP8796735	30.65	4
AP8212702	28.39	10			

Einheit	RAHMEN
Code	28.01
Beschreibung	Rahmen I
Inspektion	1



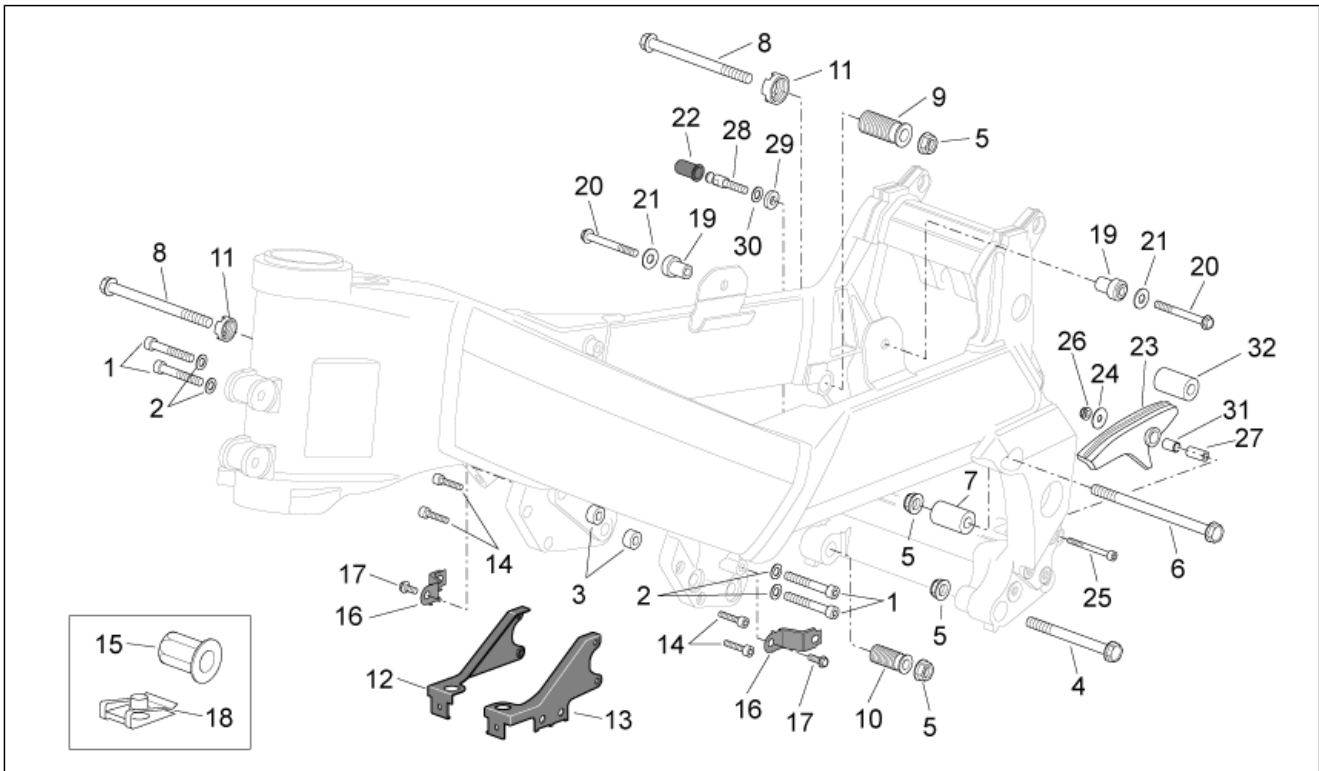
Pos.	Code	Beschreibung	Menge	Varianten
1	AP8146871	Rahmen	1	Baujahr: 2006[6], 2007[7] Fahrzeugfarbe: Weiß Venice 2006 (t.B.15105)[v.white]
1	AP8146871	Rahmen	1	Baujahr: 2004[4], 2005[5] Fahrzeugfarbe: Grau Dust 2004[d.grey], Blau Hilton 2004[h.blü], Grau Titan 2004-2005[t.grey]
1	AP8146964	Rahmen	1	Baujahr: 2005[5], 2006[6] Fahrzeugfarbe: Schwarz Aprilia 2005 -2006 (t.B.14761) [a.blk]
2	AP8146755	Instrumentenrahmen	1	
3	AP8146594	Sattelstütze	1	Technische Daten: Version ETV Capo Nord Standard[std]
3	AP8146737	Sattelstütze	1	Technische Daten: Version ETV Capo Nord mit ABS[abs]
4	AP8126702	Gummi	2	
5	AP8102376	Klammer M6	8	
6	AP8152284	TE Schr. m. Flansch	1	
7	AP8152283	TE Schr. m. Flansch	1	
8	AP8150292	Gebogene Sprengscheibe *	4	
9	AP8102544	Geschnitten Kunststoffniet M6	4	
9	AP8104390	Geschnitten Kunststoffniet	4	
10	AP8102902	Sechss. Geschn. Einsatz	4	
11	AP8201755	Geschnitten Kunststoffniet	4	
12	AP8152325	TE Schr. m. Flansch	4	
13	AP8121889	Kabelführungs	1	
14	AP8150436	Selbstsperr.mut Unt.	4	

Einheit	RAHMEN
Code	28.02
Beschreibung	Rahmen II
Inspektion	1



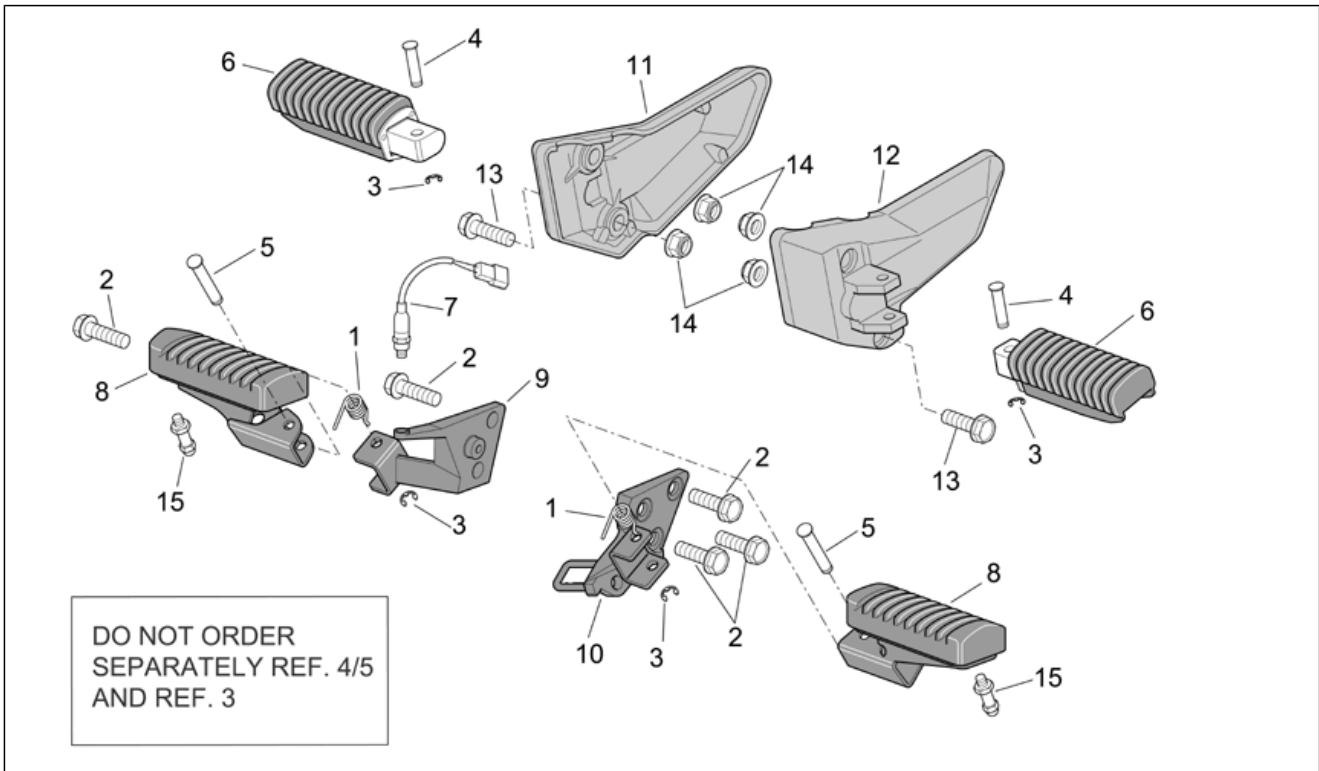
Pos.	Code	Beschreibung	Menge	Varianten
1	AP8150086	TCEI Schraube	4	
2	AP8150020	Ausgleichscheibe 10,5x21x2*	4	
3	AP8121470	V.links Motor Distanzscheibe	2	
4	AP8152316	TE Schr. m. Flansch M10x75	1	
5	AP8152301	Selbstsperrende Mutter	4	
6	AP8152315	TE Schr. m. Flansch M10x110	1	
7	AP8121998	Distanzst. Motorlager	1	
8	AP8152317	TE Schr. m. Flansch M10x100	2	
9	AP8121996	Ob. Einstellbuchse	1	
10	AP8121997	Unt. Einstellbuchse	1	
11	AP8121995	Motor-Nutmutter	2	
12	AP8134553	Unt. Kühlerhalter rechts	1	
13	AP8134598	Unt. Kühlerhalter links	1	
14	AP8150165	TCEI Schraube M6x25	4	
15	AP8102902	Sechss. Geschn. Einsatz	2	
16	AP8134714	Fixierplatte Kette	2	
17	AP8152277	TE Schr. m. Flansch M6x12	2	
18	AP8102375	Klammer M5	2	
19	AP8121474	Tank Distanzscheibe	2	
20	AP8150513	TBCE Schraube M6x40	2	
21	AP8150378	Ausgleichscheibe 6,4x18x2	2	
22	AP8220460	Gummibecher	1	
23	AP8144610	Kettenspanner Gleitbacke	1	Land:Australien[AA], Irland[EI], DK, E, I[EU], Großbritannien[UK]
24	AP8150018	Ausgleichscheibe	1	Land:Australien[AA], Irland[EI], DK, E, I[EU], Großbritannien[UK]
24	AP8150019	Ausgleichscheibe 8,4x32x2,5	1	Land:Vereinigte Staaten von Amerika[USA]
25	AP8150221	TCEI Schraube M8x70	1	

Einheit	RAHMEN
Code	28.02
Beschreibung	Rahmen II
Inspektion	1



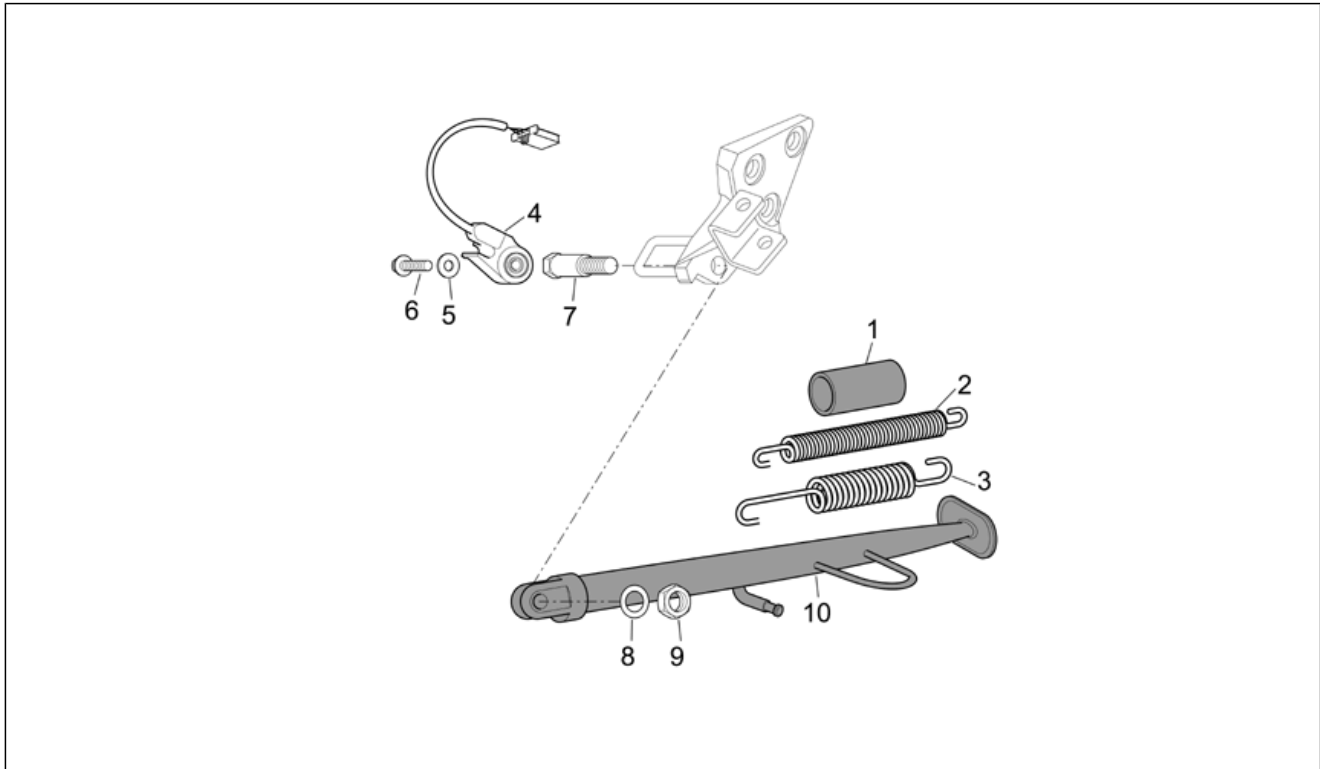
Pos.	Code	Beschreibung	Menge	Varianten
26	AP8152300	Selbstsperrende Mutter M8	1	
27	AP8101108	Distanzscheibe *	1	
28	AP8121471	Schloßbolzen	1	
29	AP8121254	V.links Motor Distanzscheibe	1	
30	AP8150020	Ausgleichscheibe 10,5x21x2*	1	
31	AP8121092	Distanzscheibe *	1	
32	AP8120972	Kettenspannrolle	1	Land: Vereinigte Staaten von Amerika [USA]

Einheit	RAHMEN
Code	28.03
Beschreibung	Fussrasten
Inspektion	1



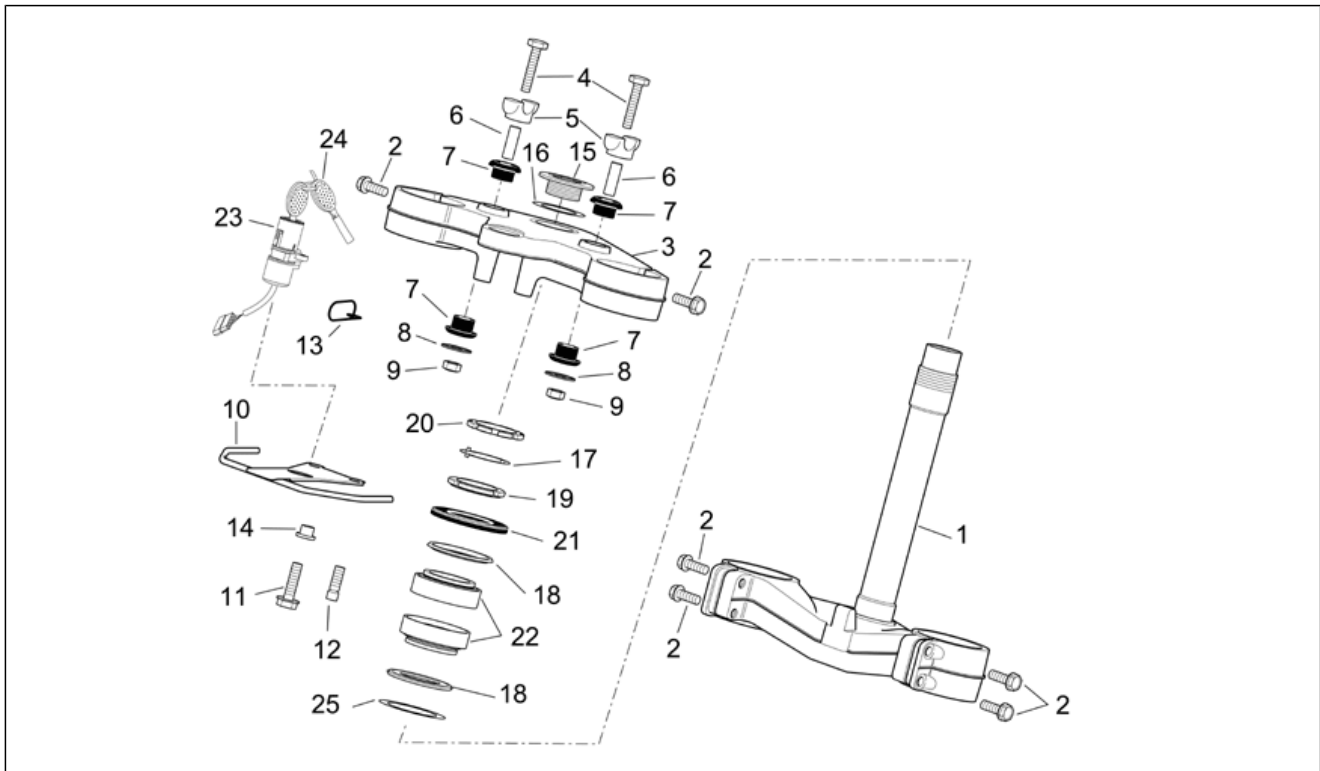
Pos.	Code	Beschreibung	Menge	Varianten
1	AP8121928	Rückholfeder	2	
2	AP8152320	TE Schr. m. Flansch	5	
3	AP8152409	Sperring	4	
4	AP8121567	Bolzen	2	
5	AP8121566	Rastenbolzen	2	
6	AP8146045	Soziusrasten (Paar)	1	
7	AP8112996	Mikroschalter	1	
8	AP8146534	Fußrasten Fahrer (Paar)	1	
9	AP8146809	Fußrastenhalter Fahrer rechts	1	
10	AP8146563	Fußrastenhalter Fahrer links	1	Land: Vereinigte Staaten von Amerika[USA]
10	AP8146867	Fußrastenhalter Fahrer links	1	Land: Australien[AA], Irland[EI], DK, E, I[EU], Großbritannien[UK]
11	AP8146475	Halter rechte Soziusfußraste	1	
12	AP8146476	Halter linke Soziusfußraste	1	
13	AP8152288	TE Schr. m. Flansch	2	
14	AP8152300	Selbstsperrende Mutter M8	4	
15	AP8134838	Rastenbolzen	2	

Einheit	RAHMEN
Code	28.04
Beschreibung	Hauptständer
Inspektion	1



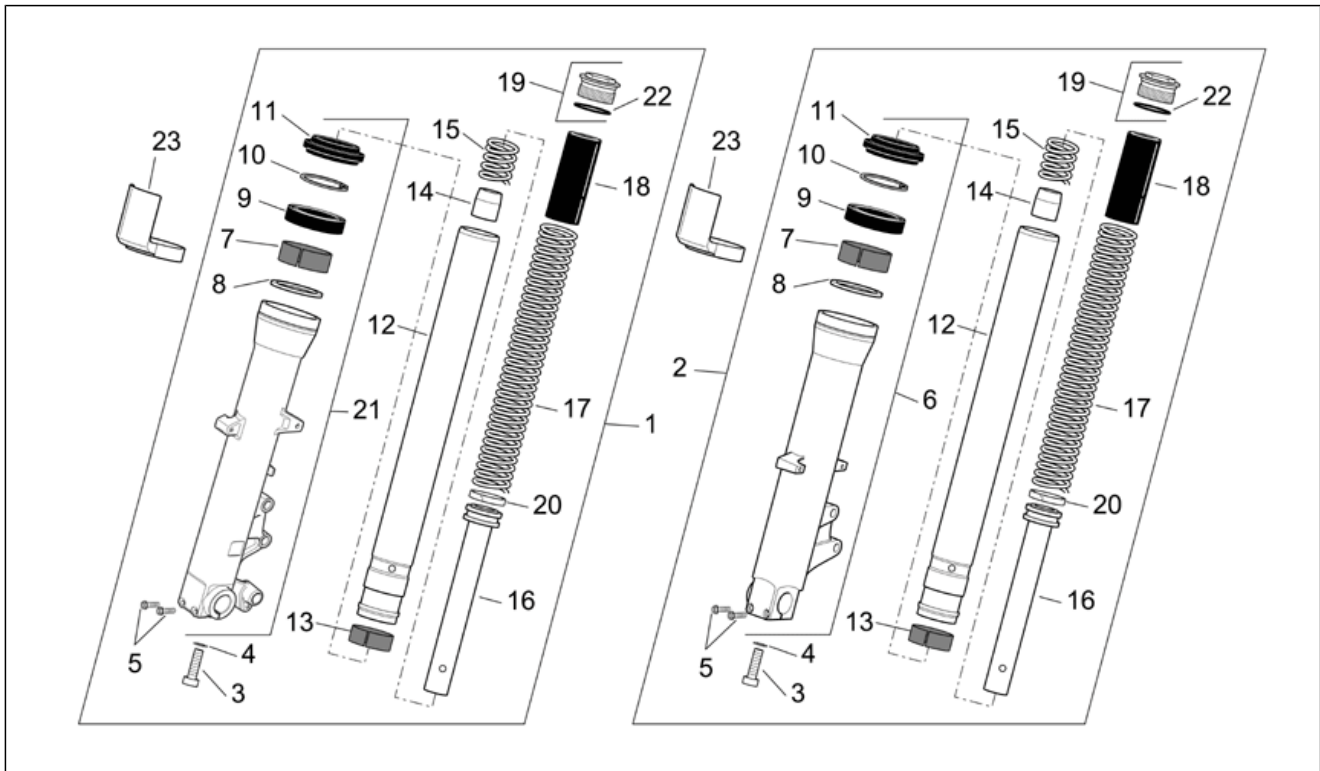
Pos.	Code	Beschreibung	Menge	Varianten
1	AP8102524	Schutz f. Ständerfeder	1	
2	AP8221211	Rückholfeder Ständer	1	
3	AP8221204	Hauptständer Schraubenfeder	1	
4	AP8124977	Schalter	1	
5	AP8150015	Ausgleichscheibe 6,6x18x1,6*	1	
6	AP8152279	TE Schr. m. Flansch M6x20	1	
7	AP8121607	Ständerschraube	1	Land:Vereinigte Staaten von Amerika[USA]
7	AP8121994	Ständerschraube	1	Land:Australien[AA], Irland[EI], DK, E, I[EU], Großbritannien[UK]
8	AP8150292	Gebogene Sprengscheibe *	1	
9	AP8152001	Mutter unten M10x1,25	1	
10	AP8146626	Seitenständer	1	Land:Vereinigte Staaten von Amerika[USA]
10	AP8146866	Seitenständer	1	Land:Australien[AA], Irland[EI], DK, E, I[EU], Großbritannien[UK]

Einheit	RAHMEN
Code	28.05
Beschreibung	Lenkung
Inspektion	1



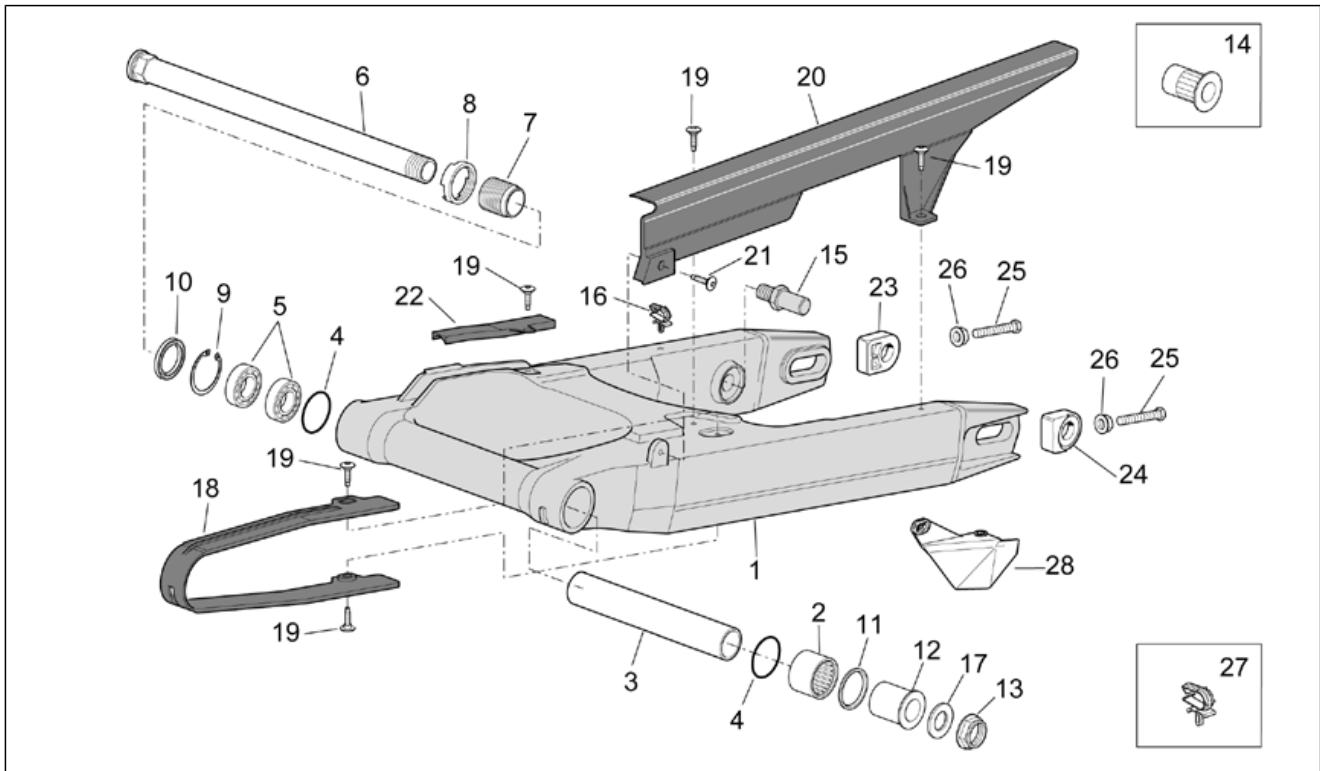
Pos.	Code	Beschreibung	Menge	Varianten
1	AP8123884	Fuß mit Rohr	1	
2	AP8152289	TE Schr. m. Flansch	6	
3	AP8123883	Ob. Gabelplatte	1	
4	AP8123513	Schraube	2	
5	AP8123886	Bügelbolzen	2	
6	AP8121549	Distanzscheibe	2	
7	AP8144222	Gummi	4	
8	AP8123511	Becher	2	
9	AP8123512	Mutter	2	
10	AP8139797	Lenkschloßschutz	1	
11	AP8152288	TE Schr. m. Flansch	1	
12	AP8152229	Reißschraube M8x20	1	
13	AP8120428	Kabelführungs	1	
14	AP8121678	Buchse	1	
15	AP8121205	Fixierbuchse ob. Platte	1	
16	AP8152384	Scheibe Lenkkopf	1	
17	AP8121207	Sicherheitspl. Lenkung	1	
18	AP8123641	Staubschutzring	2	
19	AP8123642	Nutmutter	1	
20	AP8123643	Gegenmutter	1	
21	AP8123644	Staubschutzring	1	
22	AP8110077	Axialkugellager	2	
23	AP8104941	Lenkschloß	1	Land:Vereinigte Staaten von Amerika[USA]
23	AP8124895	Lenkschloß	1	Land:Australien[AA], Irland[EI], DK, E, I[EU], Großbritannien[UK]
24	AP8104613	"Aprilia" schlüssel ohne tran.	1	
25	AP8121454	Ausgleichscheibe	1	

Einheit	RAHMEN
Code	28.06
Beschreibung	Vorderradgabel
Inspektion	1



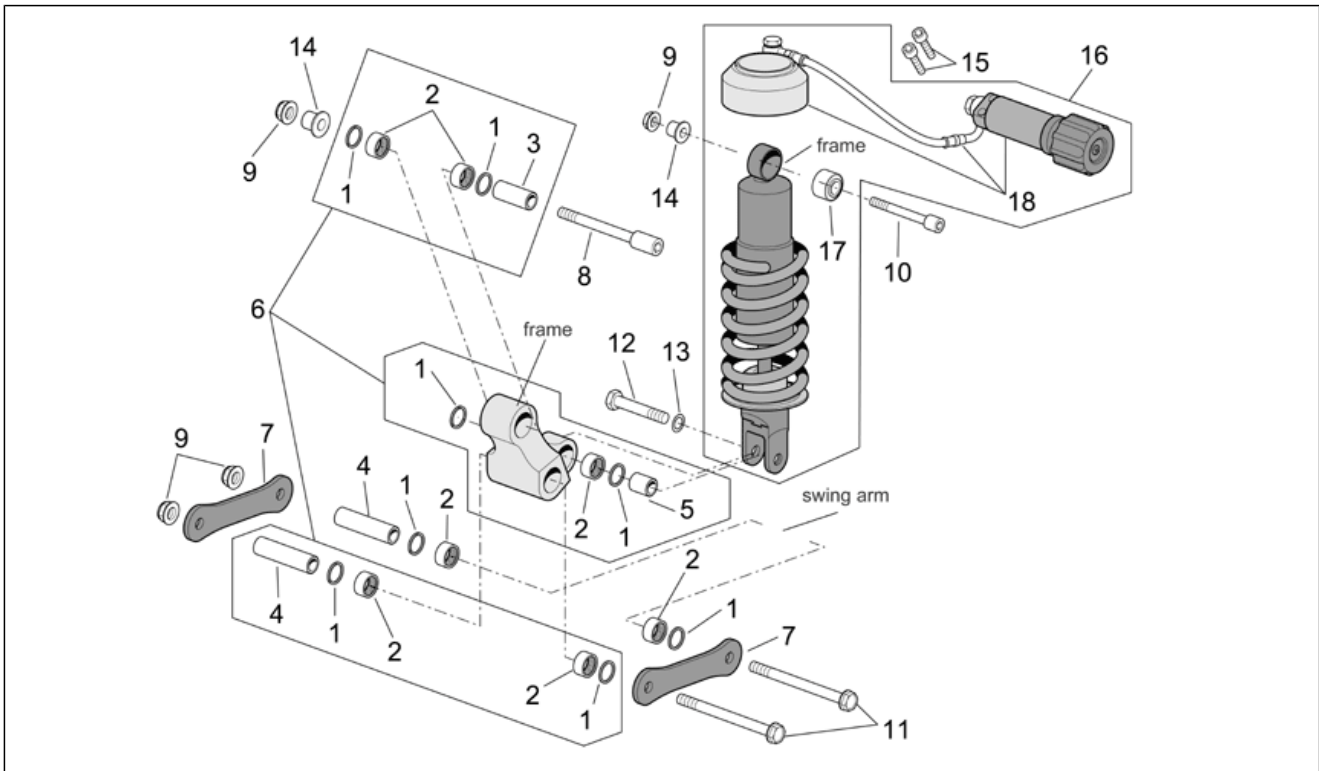
Pos.	Code	Beschreibung	Menge	Varianten
1	AP8163335	Kolbenstange rechts	1	Technische Daten: Version ETV Capo Nord mit ABS[abs]
1	AP8163371	Kolbenstange rechts	1	Technische Daten: Version ETV Capo Nord Standard[std]
2	AP8163336	Kolbenstange links	1	
3	AP8203200	TCEI Schraube	2	
4	AP8123206	Dichtscheibe	2	
5	AP8163066	TE Schr. m. Flansch M6x35	4	
6	AP8163067	Linke Hülse	1	
7	AP8163068	Buchse	2	
8	AP8163069	Ring	2	
9	AP8163070	Ölabstreifring	2	
10	AP8163071	Sperring	2	
11	AP8163072	Staubschutz	2	
12	AP8163073	Schaft	2	
13	AP8163074	Buchse	2	
14	AP8163075	Bodenstopfen	2	
15	AP8163076	Gegenfeder	2	
16	AP8163077	Stoßdämpfer	2	
17	AP8163078	Feder	2	Technische Daten: Version ETV Capo Nord Standard[std]
17	AP8163341	Feder	2	Technische Daten: Version ETV Capo Nord mit ABS[abs]
18	AP8163079	Distanzscheibe 43x3x130	2	Technische Daten: Version ETV Capo Nord Standard[std]
18	AP8163447	Distanzscheibe 43x3x135	2	Technische Daten: Version ETV Capo Nord mit ABS[abs]
19	AP8163080	Verschlussschraube	2	
20	AP8163081	Ring	2	
21	AP8163082	Rechte Hülse	1	Technische Daten: Version ETV Capo Nord Standard[std]
21	AP8163446	Rechte Hülse	1	Technische Daten: Version ETV Capo Nord mit ABS[abs]
22	AP8163083	O-Ring	2	
23	AP8126870	Stangenschutz	2	

Einheit	RAHMEN
Code	28.07
Beschreibung	Schwinge
Inspektion	1



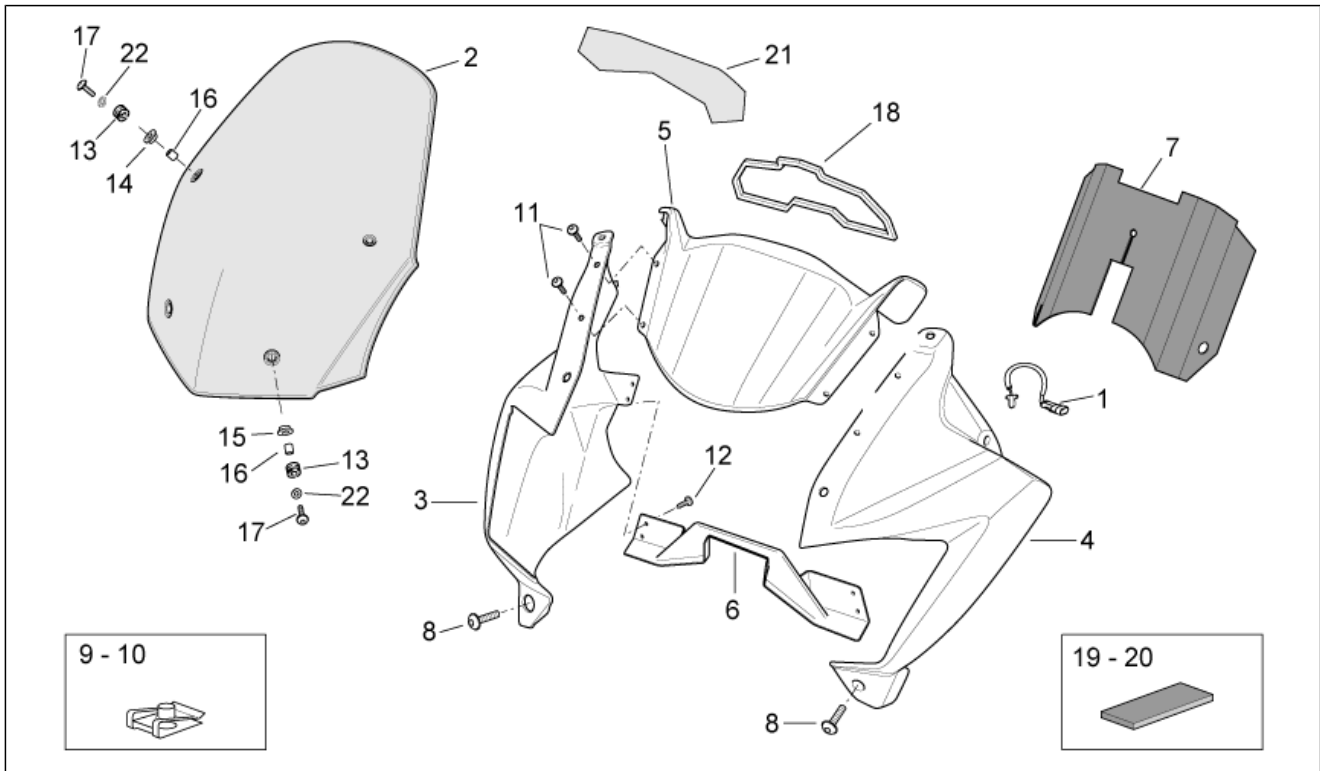
Pos.	Code	Beschreibung	Menge	Varianten
1	AP8146876	Schwinge	1	
2	AP8110066	Nadellager	1	
3	AP8121202	Interne Distanzscheibe	1	
4	AP8144048	O-Ring 134	2	
5	AP8110079	Kugellager	2	
6	AP8135923	Schwingenbolzen	1	
7	AP8121200	Einstellbuchse	1	
8	AP8121201	Gabelzapfen-Nutmutter	1	
9	AP8121204	Seegerring für Bohrung d37	1	
10	AP8144006	Gasket ring	1	
11	AP8144005	Gasket ring	1	
12	AP8121203	Buchse Gabelzapfen	1	
13	AP8125763	Hinterradbolzen mut.	1	
14	AP8104390	Geschnitten Kunststoffniet	1	
15	AP8146388	Bremsenhalterbolzen	1	
16	AP8221310	Kabelführungs	1	
17	AP8125687	U-scheibe Hint.radbolz	1	
18	AP8144168	Kettengleitführung	1	
19	AP8152302	TBEI Schraube m.Flansch M5x12	5	
20	AP8139631	Kettenkasten	1	
21	AP8152339	TBEI Schraube m.Flansch M5x9	1	
22	AP8134676	Bügel	1	
23	AP8144220	Kettenführung rechts	1	
24	AP8144221	Kettenführung links	1	
25	AP8152305	Kettenspanner Schraube	2	
26	AP8150334	Mutter M8	2	
27	AP8121661	Kabelführungs	1	
28	AP8144321	Kettengleitführung	1	Land:Vereinigte Staaten von Amerika[USA]

Einheit	RAHMEN
Code	28.08
Beschreibung	Pleuelstange und hinterer Stoßdämpfer
Inspektion	1



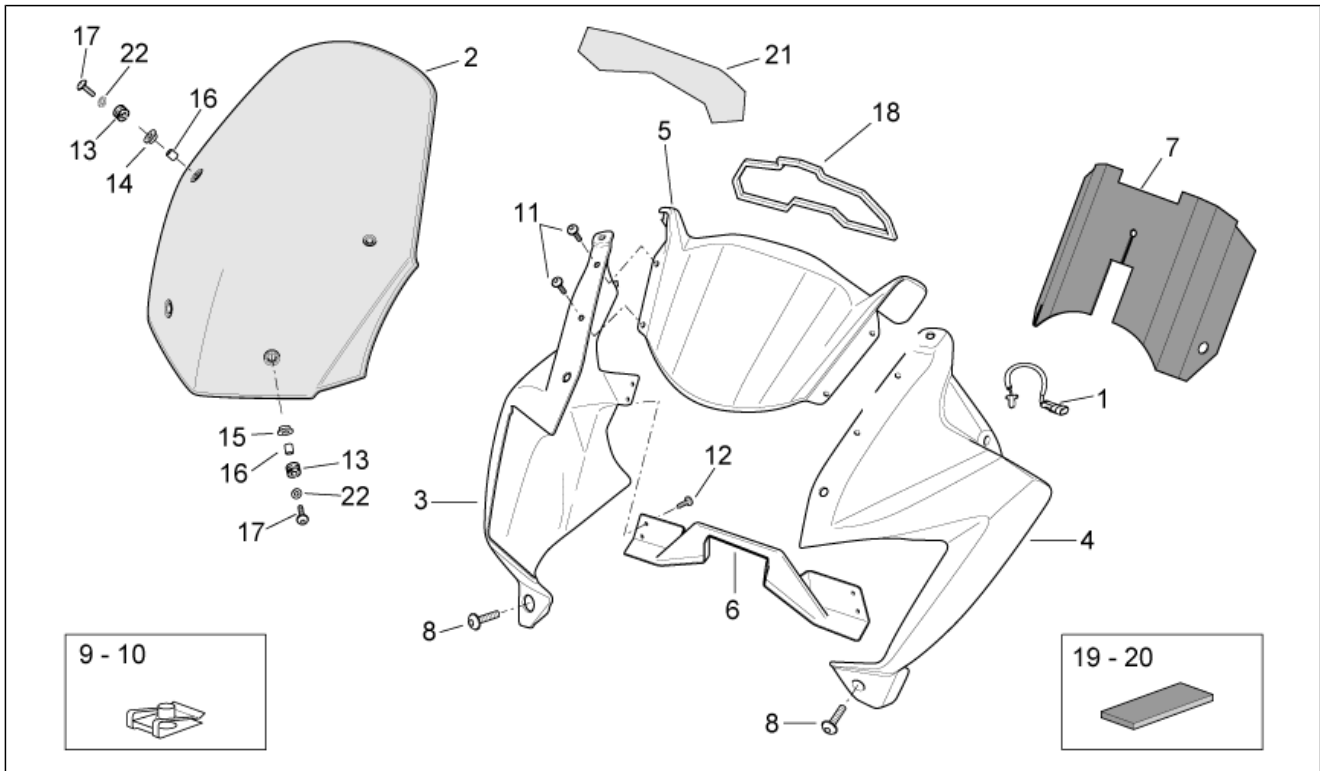
Pos.	Code	Beschreibung	Menge	Varianten
1	AP8110068	Ölabstreifring D18x24x3	8	
2	AP8110066	Nadellager	7	
3	AP8135924	Pleuelbolzen L40	1	
4	AP8121315	Pleuelbolzen	2	
5	AP8135608	Pleuelbolzen L25	1	
6	AP8146192	Doppelte Pleuelstange	1	
7	AP8146193	Einfache Pleuelstange	2	
8	AP8152397	TCEI Schraube M10x82	1	
9	AP8152301	Selbstsperrende Mutter	4	
10	AP8150458	TCEI Schraube M10x63	1	
11	AP8152396	TE Schr. m. Flansch M10x95	2	
12	AP8152147	Sechskantschraube M10x47	1	
13	AP8150292	Gebogene Sprengscheibe *	1	
14	AP8121155	T-Buchse *	2	
15	AP8150165	TCEI Schraube M6x25	2	
16	AP8163378	Stoßdämpfer	1	
17	AP8144466	Silent-Block	1	
18	AP8163084	Vorspannung	1	

Einheit	RAHMEN
Code	28.09
Beschreibung	Frontaufbau I
Inspektion	1



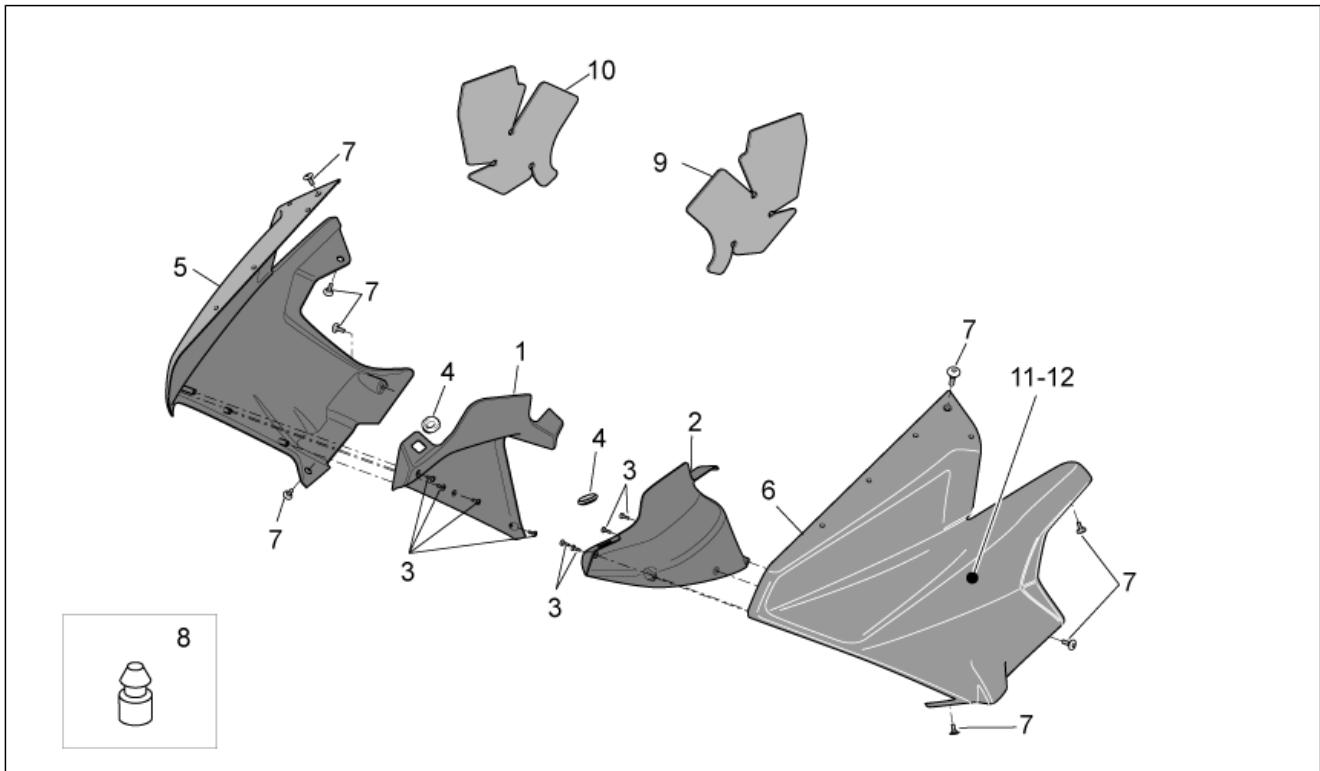
Pos.	Code	Beschreibung	Menge	Varianten
1	AP8124936	Lufttemperaturfühler	1	
2	AP8178368	Windabweiser	1	Land:Irland[EI], DK, E, I[EU], Großbritannien[UK]
2	AP8179135	Windabweiser	1	Land:Australien[AA], Vereinigte Staaten von Amerika[USA]
3	AP8178395	R.Kuppel, blau	1	Baujahr:2004[4] Fahrzeugfarbe:Blau Hilton 2004[h.blu]
3	AP8178407	R.Kuppel, grau	1	Baujahr:2004[4] Fahrzeugfarbe:Grau Dust 2004[d.grey]
3	AP8178420	R.Kuppel, grau	1	Baujahr:2004[4], 2005[5] Fahrzeugfarbe:Grau Titan 2004-2005[t.grey]
3	AP8178980	R.Kuppel, schwarz	1	Baujahr:2005[5], 2006[6] Fahrzeugfarbe:Schwarz Aprilia 2005 -2006 (t.B.14761) [a.blk]
3	AP8179374	R.Kuppel, grau	1	Baujahr:2006[6], 2007[7] Fahrzeugfarbe:Weiß Venice 2006 (t.B.15105)[v.white]
4	AP8178396	L.Kuppel, blau	1	Baujahr:2004[4] Fahrzeugfarbe:Blau Hilton 2004[h.blu]
4	AP8178408	L.Kuppel, grau	1	Baujahr:2004[4] Fahrzeugfarbe:Grau Dust 2004[d.grey]
4	AP8178422	L.Kuppel, grau	1	Baujahr:2004[4], 2005[5] Fahrzeugfarbe:Grau Titan 2004-2005[t.grey]
4	AP8178981	L.Kuppel, schwarz	1	Baujahr:2005[5], 2006[6] Fahrzeugfarbe:Schwarz Aprilia 2005 -2006 (t.B.14761) [a.blk]
4	AP8179375	L.Kuppel, grau	1	Baujahr:2006[6], 2007[7] Fahrzeugfarbe:Weiß Venice 2006 (t.B.15105)[v.white]
5	AP8178424	Schutzabdeckung	1	
6	AP8178369	Sicherungsdeckel	1	Technische Daten:Version ETV Capo Nord mit ABS[abs]
6	AP8178418	Sicherungsdeckel	1	Technische Daten:Version ETV Capo Nord Standard[std]
7	AP8168916	Instrumentenafel verschl. Verl.	1	
8	AP8152302	TBEI Schraube m.Flansch M5x12	4	
9	AP8201763	Clip f. Blechschr. D5,5*	6	

Einheit	RAHMEN
Code	28.09
Beschreibung	Frontaufbau I
Inspektion	1



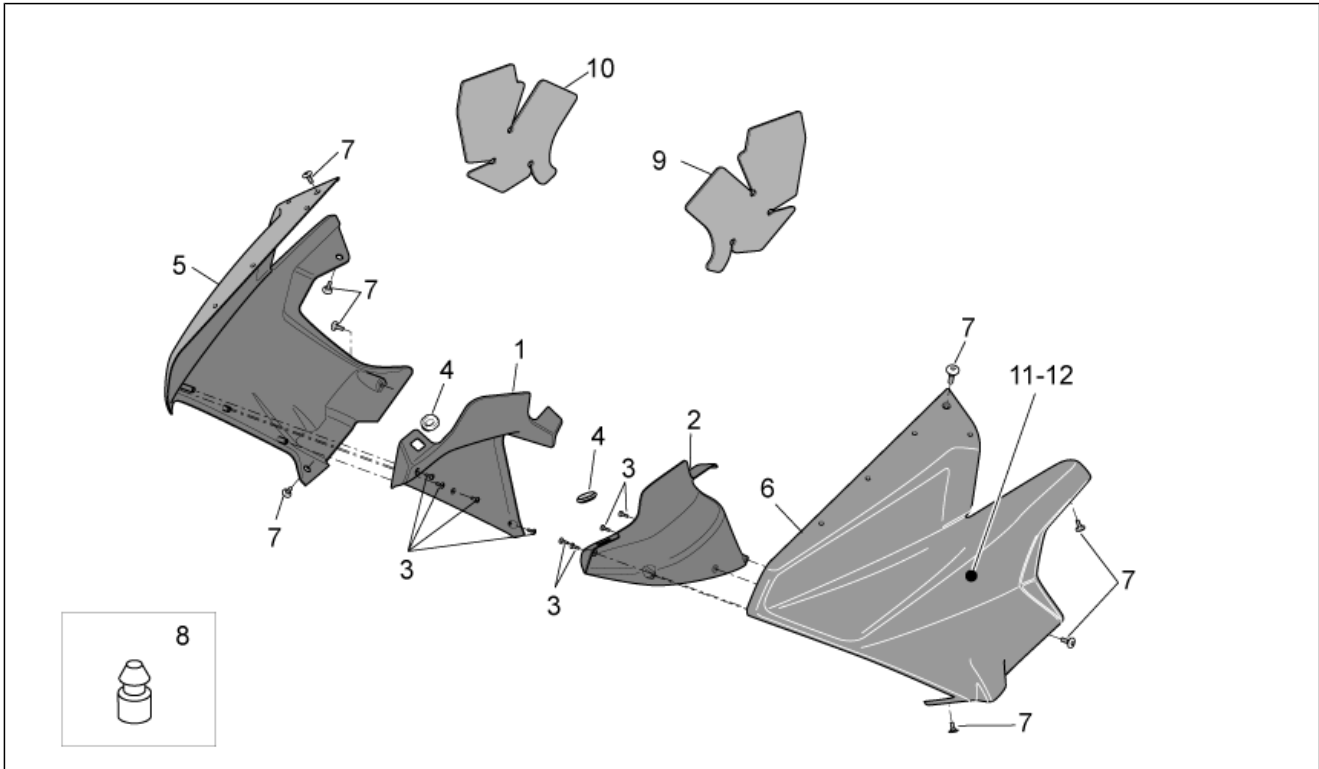
Pos.	Code	Beschreibung	Menge	Varianten
10	AP8102381	Klammer M4	4	
11	AP8152339	TBEI Schraube m.Flansch M5x9	4	
12	AP8150493	TBEI Schraube M4x16	4	
13	AP8120223	Gummi *	4	
14	AP8121790	T-Buchse *	2	Land:Australien[AA], Irland[EI], DK, E, I[EU], Großbritannien[UK]
15	AP8121032	Buchse	2	
16	AP8120313	Distanzscheibe H11,5	4	Land:Australien[AA], Irland[EI], DK, E, I[EU], Großbritannien[UK]
16	AP8221007	Distanzscheibe 6,5X10X11*	4	Land:Vereinigte Staaten von Amerika[USA]
17	AP8152338	TBEI Schraube m.Flansch	4	Land:Australien[AA], Irland[EI], DK, E, I[EU], Großbritannien[UK]
17	AP8225369	TBEI Schraube	4	Land:Vereinigte Staaten von Amerika[USA]
18	AP8144617	Dichtung	1	
19	AP8117033	Klebeschwamm	1	
20	AP8117041	Klebeschwamm 6x30	1	
21	AP8178370	Front lockup	1	
22	AP8150248	Ausgleichscheibe 5,5x15x1,6	4	

Einheit	RAHMEN
Code	28.10
Beschreibung	Frontaufbau II
Inspektion	1



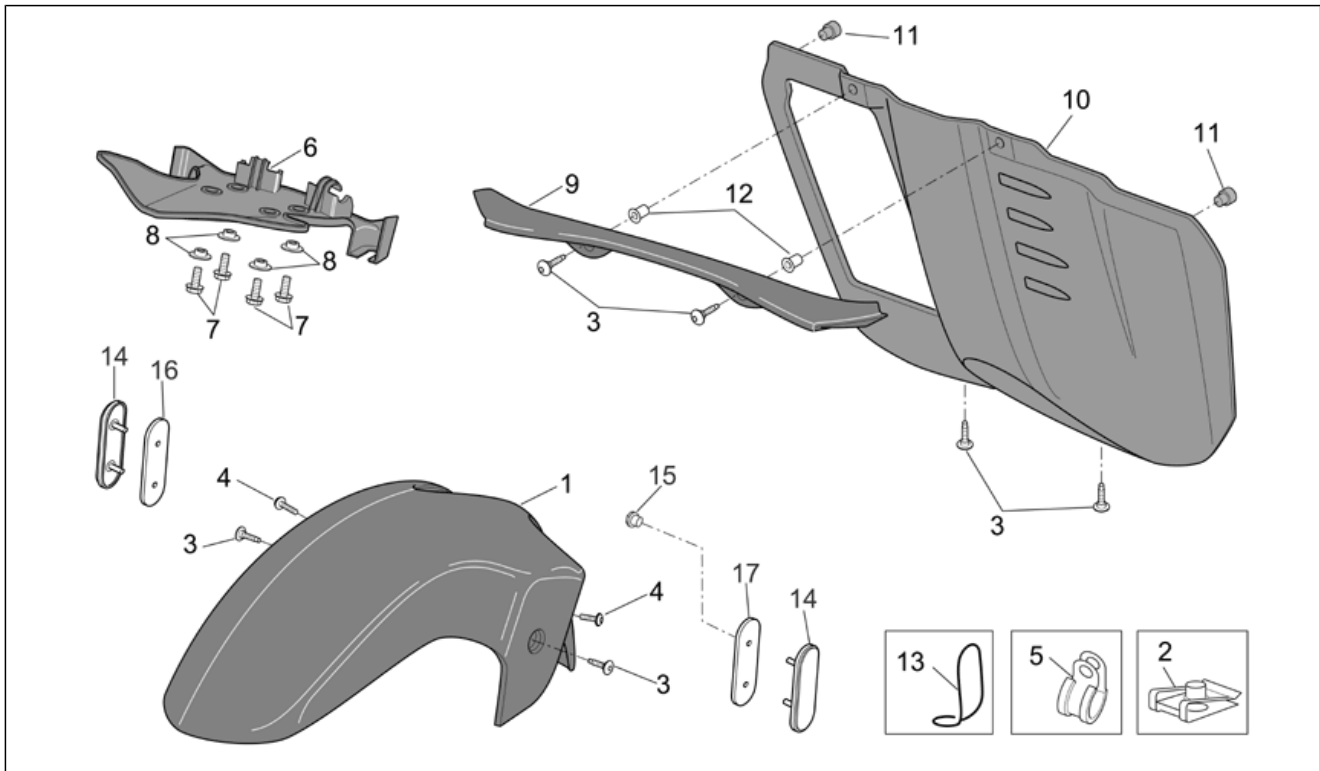
Pos.	Code	Beschreibung	Menge	Varianten
1	AP8149293	Rechtes Leitblech	1	
2	AP8149294	Linkes Leitblech	1	
3	AP8150444	Gewindeschraube Edelstahl	8	
4	AP8220162	Gummi	2	
5	AP8178393	R. Seitenverkl., blau	1	Baujahr: 2004[4] Fahrzeugfarbe: Blau Hilton 2004[h.blu]
5	AP8178405	Verkl. seitl. rechts, grau	1	Baujahr: 2004[4] Fahrzeugfarbe: Grau Dust 2004[d.grey]
5	AP8178426	Verkl. seitl. rechts, grau	1	Baujahr: 2004[4], 2005[5] Fahrzeugfarbe: Grau Titan 2004-2005[t.grey]
5	AP8178978	seit.Verkl. rechts Schw.	1	Baujahr: 2005[5], 2006[6] Fahrzeugfarbe: Schwarz Aprilia 2005 -2006 (t.B.14761) [a.blk]
5	AP8179382	Seitenverkl.re.weiß lack.	1	Baujahr: 2006[6], 2007[7] Fahrzeugfarbe: Weiß Venice 2006 (t.B.15105)[v.white] Technische Daten: Nicht abgepaustes Einzelteil[ND]
6	AP8178394	L. Seitenverkl., blau	1	Baujahr: 2004[4] Fahrzeugfarbe: Blau Hilton 2004[h.blu]
6	AP8178406	Verkl. seitl. links, grau	1	Baujahr: 2004[4] Fahrzeugfarbe: Grau Dust 2004[d.grey]
6	AP8178427	Verkl. seitl. links, grau	1	Baujahr: 2004[4], 2005[5] Fahrzeugfarbe: Grau Titan 2004-2005[t.grey]
6	AP8178979	Seit.Verkl. links Schw.	1	Baujahr: 2005[5], 2006[6] Fahrzeugfarbe: Schwarz Aprilia 2005 -2006 (t.B.14761) [a.blk]
6	AP8179383	Seitenverkl.li.weiß lack.	1	Baujahr: 2006[6], 2007[7] Fahrzeugfarbe: Weiß Venice 2006 (t.B.15105)[v.white] Technische Daten: Nicht abgepaustes Einzelteil[ND]
7	AP8152339	TBEI Schraube m.Flansch M5x9	8	
8	AP8104716	Deckel	1	
9	AP8117205	Linke Wärmeschutzplatte	1	
10	AP8117206	Rechte Wärmeschutzplatte	1	

Einheit	RAHMEN
Code	28.10
Beschreibung	Frontaufbau II
Inspektion	1



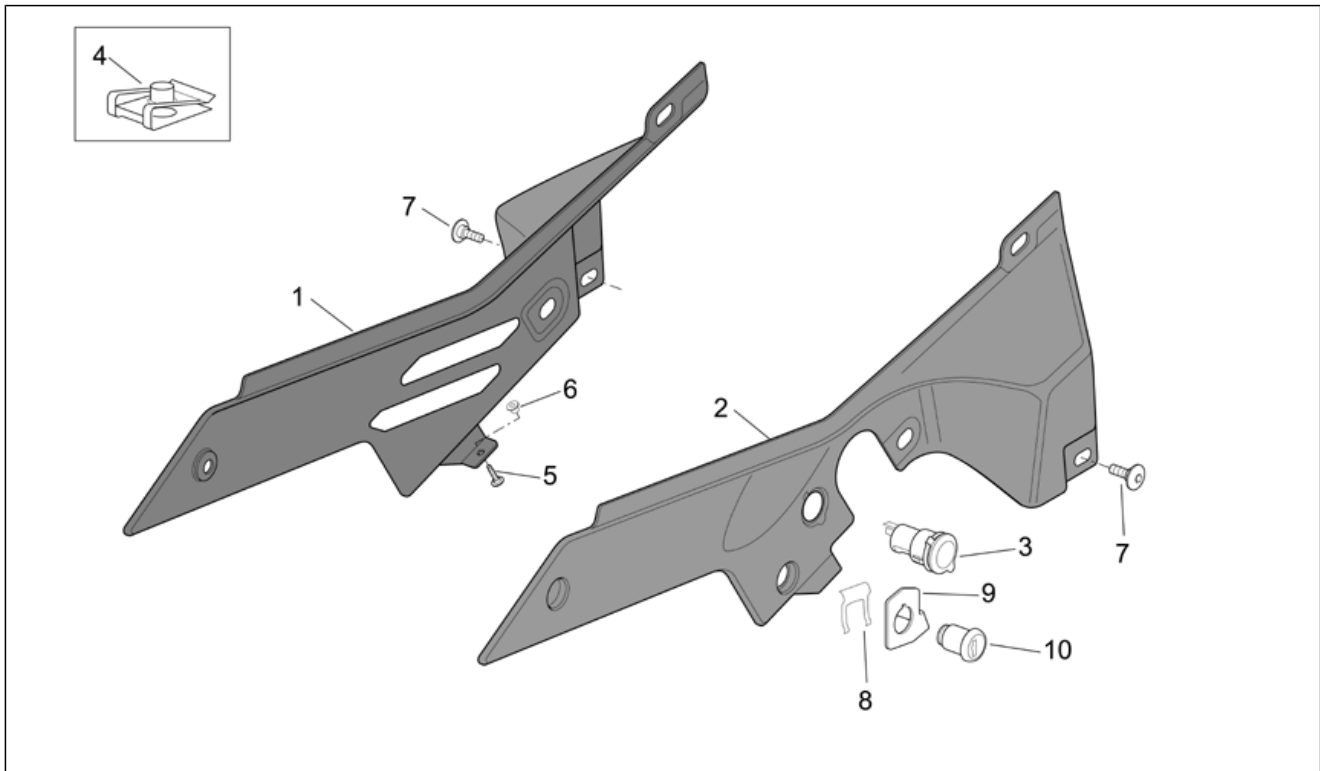
Pos.	Code	Beschreibung	Menge	Varianten
11	AP8166788	Aufkleber R. Caponord	1	Baujahr:2006[6], 2007[7] Fahrzeugfarbe:Weiß Venice 2006 (t.B.15105)[v.white]
12	AP8166789	Aufkleber L. Caponord	1	Baujahr:2006[6], 2007[7] Fahrzeugfarbe:Weiß Venice 2006 (t.B.15105)[v.white]

Einheit	RAHMEN
Code	28.11
Beschreibung	Frontaufbau III
Inspektion	1



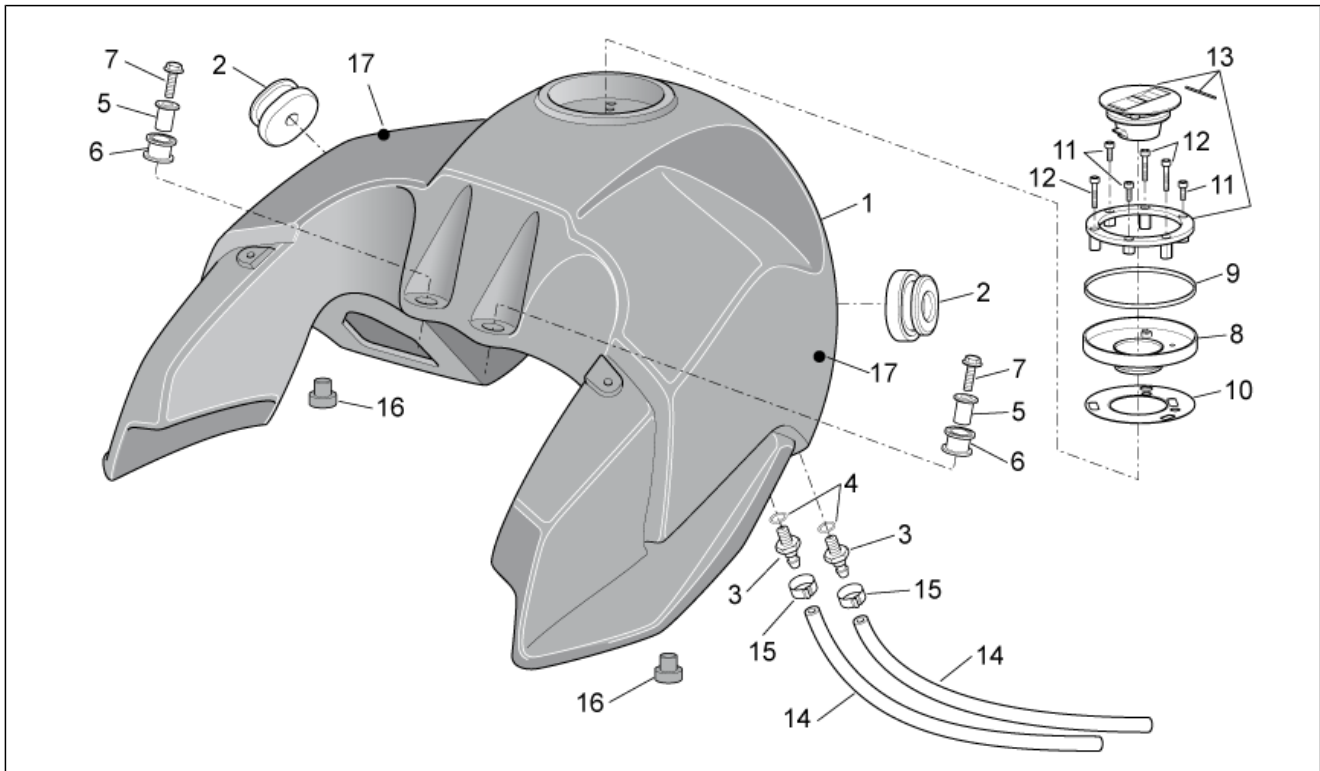
Pos.	Code	Beschreibung	Menge	Varianten
1	AP8126997	Vorderes Schutzblech	1	Land:Australien[AA], Irland[EI], DK, E, I[EU], Großbritannien[UK]
1	AP8126998	Vorderes Schutzblech	1	Land:Vereinigte Staaten von Amerika[USA]
2	AP8102375	Klammer M5	8	
3	AP8152302	TBEI Schraube m.Flansch M5x12	6	
4	AP8152275	TE Schr. m. Flansch M5x25	2	
5	AP8134167	Platte Bremsschlauch	2	
6	AP8149292	Unt. Abschlussblende, schwarz	1	
7	AP8152279	TE Schr. m. Flansch M6x20	4	
8	AP8221145	T-Buchse *	4	
9	AP8139628	Kühlerspoiler Grau	1	
10	AP8134552	Wannenschutz, grau	1	Land:Australien[AA], Irland[EI], DK, E, I[EU], Großbritannien[UK]
10	AP8158632	Wannenschutz, grau	1	Land:Vereinigte Staaten von Amerika[USA]
11	AP8120712	Gummi	2	
12	AP8121032	Buchse	2	
13	AP8221150	Kabelführungs	1	
14	AP8124719	Rückstrahler, gelb	2	Land:Vereinigte Staaten von Amerika[USA]
15	AP8121575	Mutter	4	Land:Vereinigte Staaten von Amerika[USA]
16	AP8148588	Rückstr.halter v. rs.	1	Land:Vereinigte Staaten von Amerika[USA]
17	AP8148589	Rückstr.halter v. ls.	1	Land:Vereinigte Staaten von Amerika[USA]

Einheit	RAHMEN
Code	28.12
Beschreibung	Mittlerer Aufbau
Inspektion	1



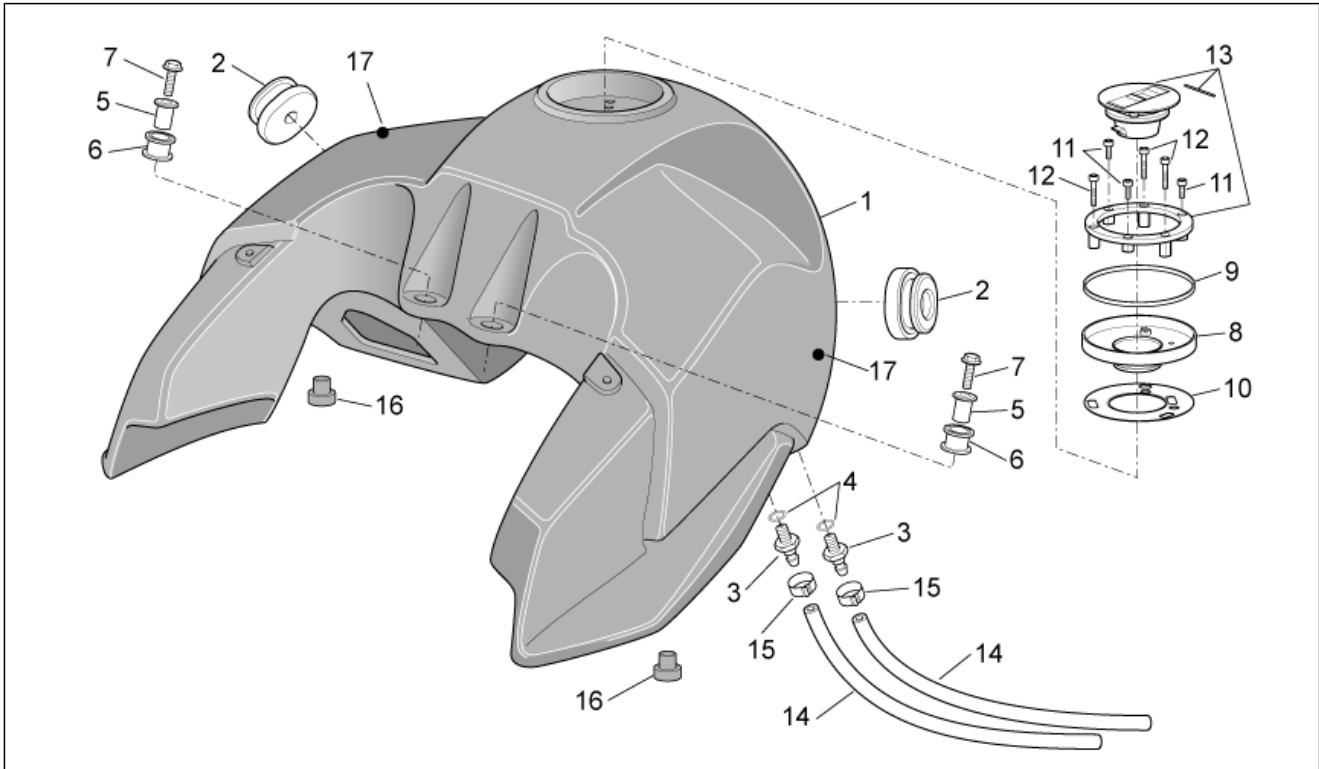
Pos.	Code	Beschreibung	Menge	Varianten
1	AP8178401	R. Seitent., blau	1	Baujahr: 2004[4] Fahrzeugfarbe: Blau Hilton 2004[h.blu]
1	AP8178413	Seitenteil r.V. grau	1	Baujahr: 2004[4] Fahrzeugfarbe: Grau Dust 2004[d.grey]
1	AP8178432	Seitenteil r.V. grau	1	Baujahr: 2004[4], 2005[5] Fahrzeugfarbe: Grau Titan 2004-2005[t.grey]
1	AP8178984	Seitenteil r.V. grau	1	Baujahr: 2005[5], 2006[6] Fahrzeugfarbe: Schwarz Aprilia 2005 -2006 (t.B.14761) [a.blk]
1	AP8179378	Seitenteil r.V. grau	1	Baujahr: 2006[6], 2007[7] Fahrzeugfarbe: Weiß Venice 2006 (t.B.15105)[v.white]
2	AP8178402	L. Seitent., blau	1	Baujahr: 2004[4] Fahrzeugfarbe: Blau Hilton 2004[h.blu]
2	AP8178414	Seitenteil l.V. grau	1	Baujahr: 2004[4] Fahrzeugfarbe: Grau Dust 2004[d.grey]
2	AP8178433	Seitenteil l.V. grau	1	Baujahr: 2004[4], 2005[5] Fahrzeugfarbe: Grau Titan 2004-2005[t.grey]
2	AP8178985	Seitenteil l.V. grau	1	Baujahr: 2005[5], 2006[6] Fahrzeugfarbe: Schwarz Aprilia 2005 -2006 (t.B.14761) [a.blk]
2	AP8179379	Seitenteil l.V. grau	1	Baujahr: 2006[6], 2007[7] Fahrzeugfarbe: Weiß Venice 2006 (t.B.15105)[v.white]
3	AP8124768	Strombuchse kpl.	1	
4	AP8102375	Klammer M5	2	
5	AP8152246	TBEI Schraube m.Flansch M6x16	2	
6	AP8121032	Buchse	2	
7	AP8152302	TBEI Schraube m.Flansch M5x12	6	
8	AP8121420	Gabelfeder	1	
9	AP8134618	Kabelplatte	1	
10	AP8104154	Sitzschloß	1	

Einheit	RAHMEN
Code	28.13
Beschreibung	Kraftstofftank
Inspektion	1



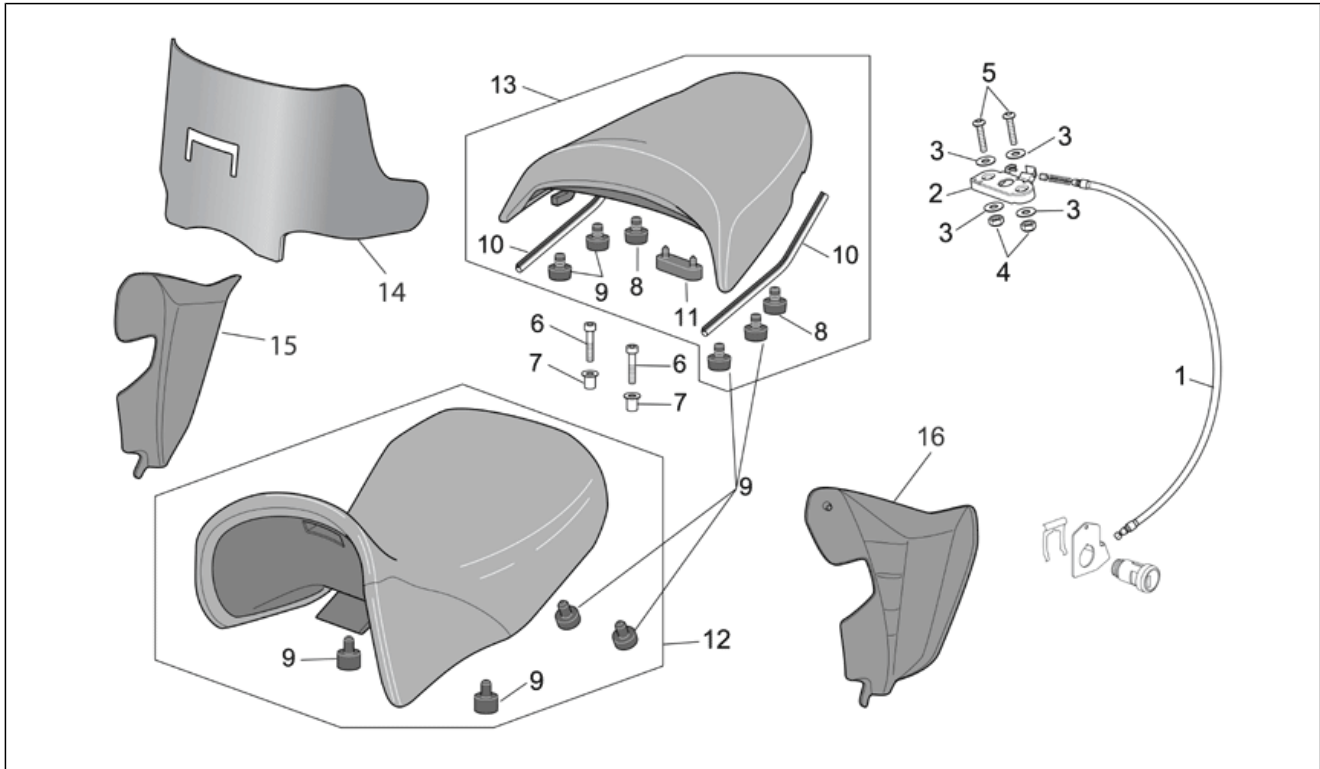
Pos.	Code	Beschreibung	Menge	Varianten
1	AP8178391	Kraftstofftank, blau	1	Baujahr: 2004[4] Fahrzeugfarbe: Blau Hilton 2004[h.blu]
1	AP8178403	Kraftstofftank, grau	1	Baujahr: 2004[4] Fahrzeugfarbe: Grau Dust 2004[d.grey]
1	AP8178425	Kraftstofftank, grau	1	Baujahr: 2004[4], 2005[5] Fahrzeugfarbe: Grau Titan 2004-2005[t.grey]
1	AP8178977	Kraftstofftank swz./grau lack.	1	Baujahr: 2005[5] Fahrzeugfarbe: Schwarz Aprilia 2005 -2006 (t.B.14761) [a.blk] Land: Australien[AA], Irland[EI], DK, E, I[EU], Großbritannien[UK]
1	AP8179134	Kraftstofftank swz./grau lack.	1	Baujahr: 2006[6] Fahrzeugfarbe: Schwarz Aprilia 2005 -2006 (t.B.14761) [a.blk] Land: Vereinigte Staaten von Amerika[USA]
1	AP8179370	Kraftstofftank weiß/grau	1	Baujahr: 2006[6] Fahrzeugfarbe: Weiß Venice 2006 (t.B.15105)[v.white] Land: Australien[AA], Irland[EI], DK, E, I[EU], Großbritannien[UK] Technische Daten: Einzelteil mit Aufkleber[D]
1	AP8179371	Kraftstofftank weiß/grau	1	Baujahr: 2006[6], 2007[7] Fahrzeugfarbe: Weiß Venice 2006 (t.B.15105)[v.white] Land: Vereinigte Staaten von Amerika[USA] Technische Daten: Einzelteil mit Aufkleber[D]
2	AP8144350	Gummi	2	
3	AP8102503	Anschluß Gummihalter	2	
4	AP8120965	O-Ring 2018	2	
5	AP8121421	T-Buchse	2	
6	AP8144328	Gummi	2	
7	AP8152281	TE Schr. m. Flansch M6x30	2	
8	AP8102535	Schwimmergehäuse	1	
9	AP8120893	Dichtung	1	

Einheit	RAHMEN
Code	28.13
Beschreibung	Kraftstofftank
Inspektion	1



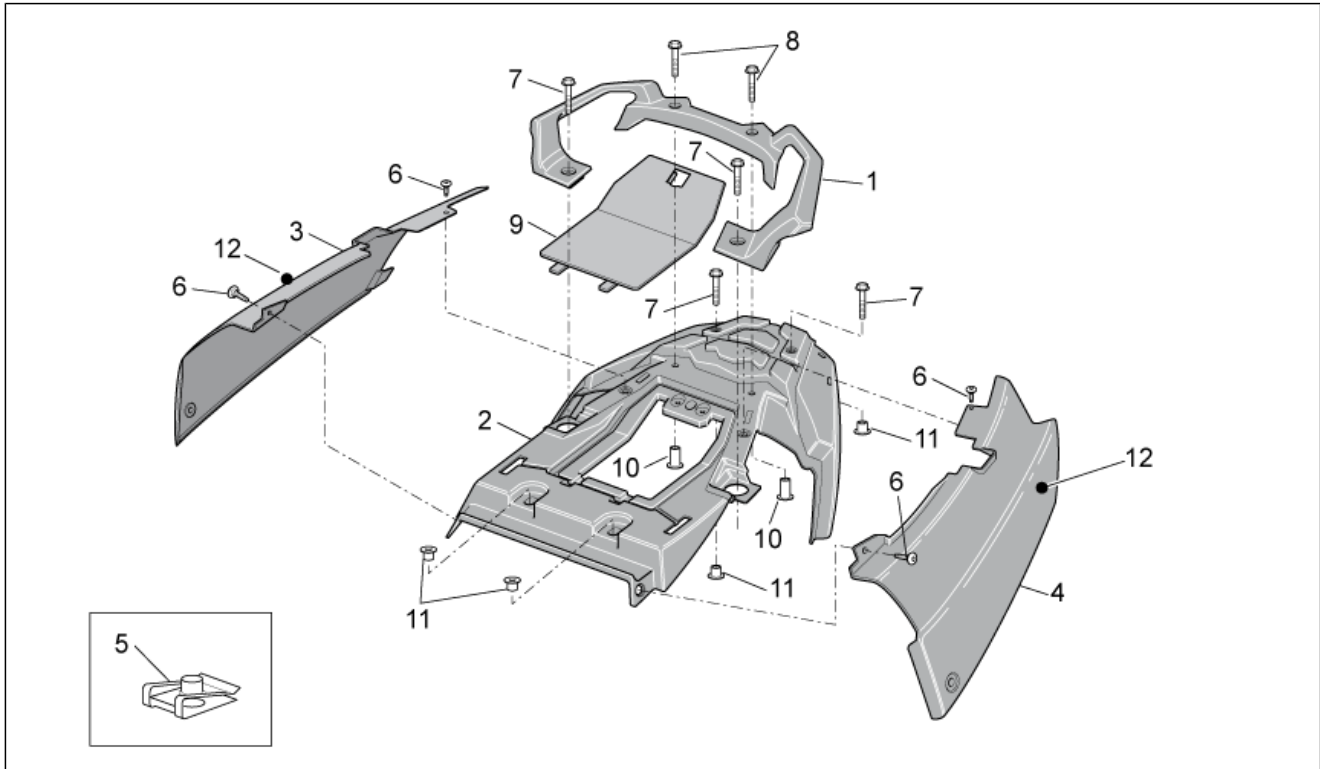
Pos.	Code	Beschreibung	Menge	Varianten
10	AP8120894	Dichtung Kraftstofftank	1	Land:Australien[AA], Irland[EI], DK, E, I[EU], Großbritannien[UK]
10	AP8144351	Dichtung Kraftstofftank	1	Land:Vereinigte Staaten von Amerika[USA]
11	AP8150454	TCEI Schraube M5x16	4	
12	AP8150453	TCEI Schraube M5x30	3	
13	AP8104529	Tankfüllschraube	1	
14	AP8220263	Entlüftungsschlauch Kühler 4x8	2	
15	AP8201225	Schlauchschelle D8,5x5,5	2	
16	AP8144158	Gummi	2	
17	AP8166791	Deko	2	Baujahr:2006[6], 2007[7] Fahrzeugfarbe:Weiß Venice 2006 (t.B.15105)[v.white]

Einheit	RAHMEN
Code	28.14
Beschreibung	Sitz
Inspektion	1



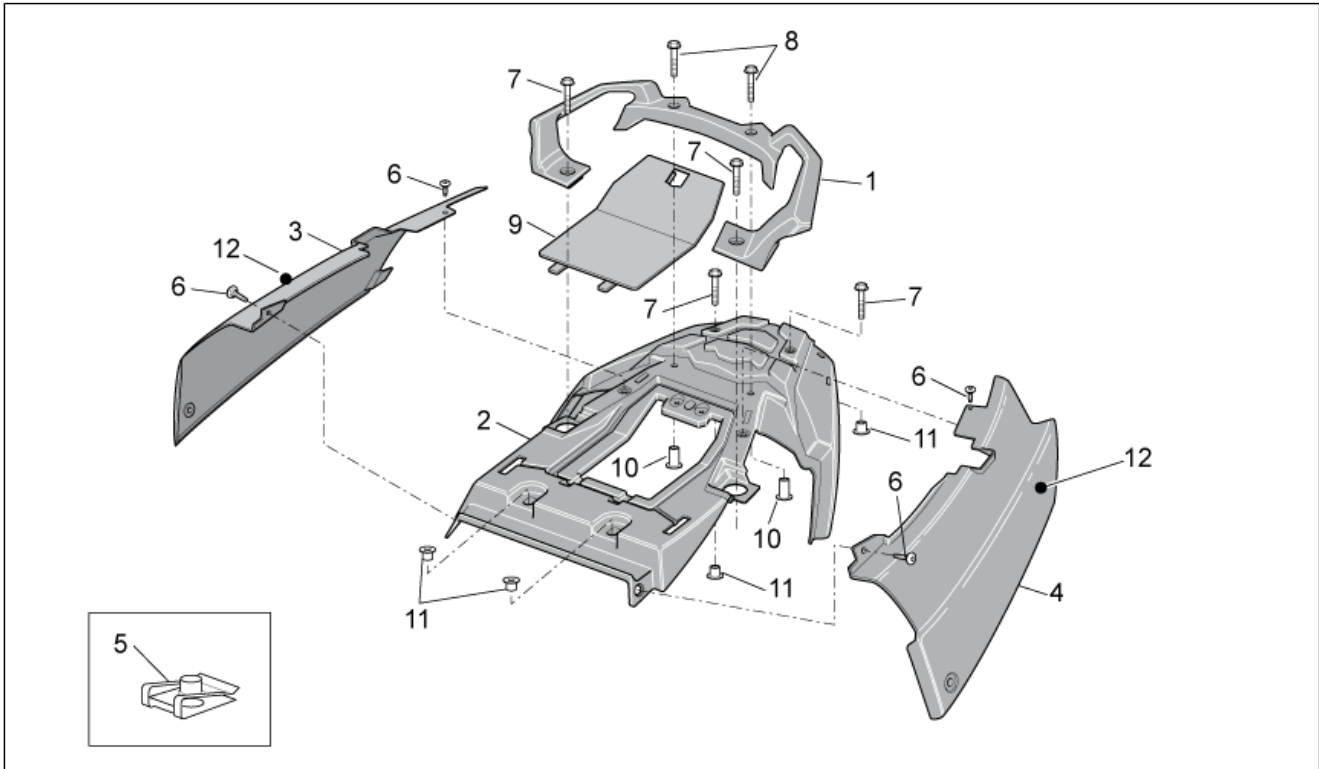
Pos.	Code	Beschreibung	Menge	Varianten
1	AP8104345	Schloßkabel	1	
2	AP8102913	Fixierplatte Soziussitz	1	
3	AP8150179	Ausgleichscheibe 6,6x18*	4	
4	AP8150430	Selbstsperr.mut Unt.	2	
5	AP8152117	TBEI Schraube	2	
6	AP8150285	TCEI Schraube M6x35	2	
7	AP8121511	Buchse	2	
8	AP8220349	Gummi	2	
9	AP8220517	Sitz-Auflagegummi	8	
10	AP8144461	Dichtung	2	
11	AP8144462	Sitz-Auflagegummi	1	
12	AP8129241	Fahrersitz, schwarz	1	
12	AP8129463	Fahrersitz, blau	1	Baujahr: 2006[6], 2007[7] Fahrzeugfarbe: Weiß Venice 2006 (t.B.15105)[v.white]
13	AP8129251	Soziussitz, schwarz	1	
13	AP8129464	Soziussitz, blau	1	Baujahr: 2006[6], 2007[7] Fahrzeugfarbe: Weiß Venice 2006 (t.B.15105)[v.white]
14	AP8117201	Wärmeschutz	1	
15	AP8168317	R. Deflektor	1	
16	AP8168318	L. Deflektor	1	

Einheit	RAHMEN
Code	28.15
Beschreibung	Heckaufbau
Inspektion	1



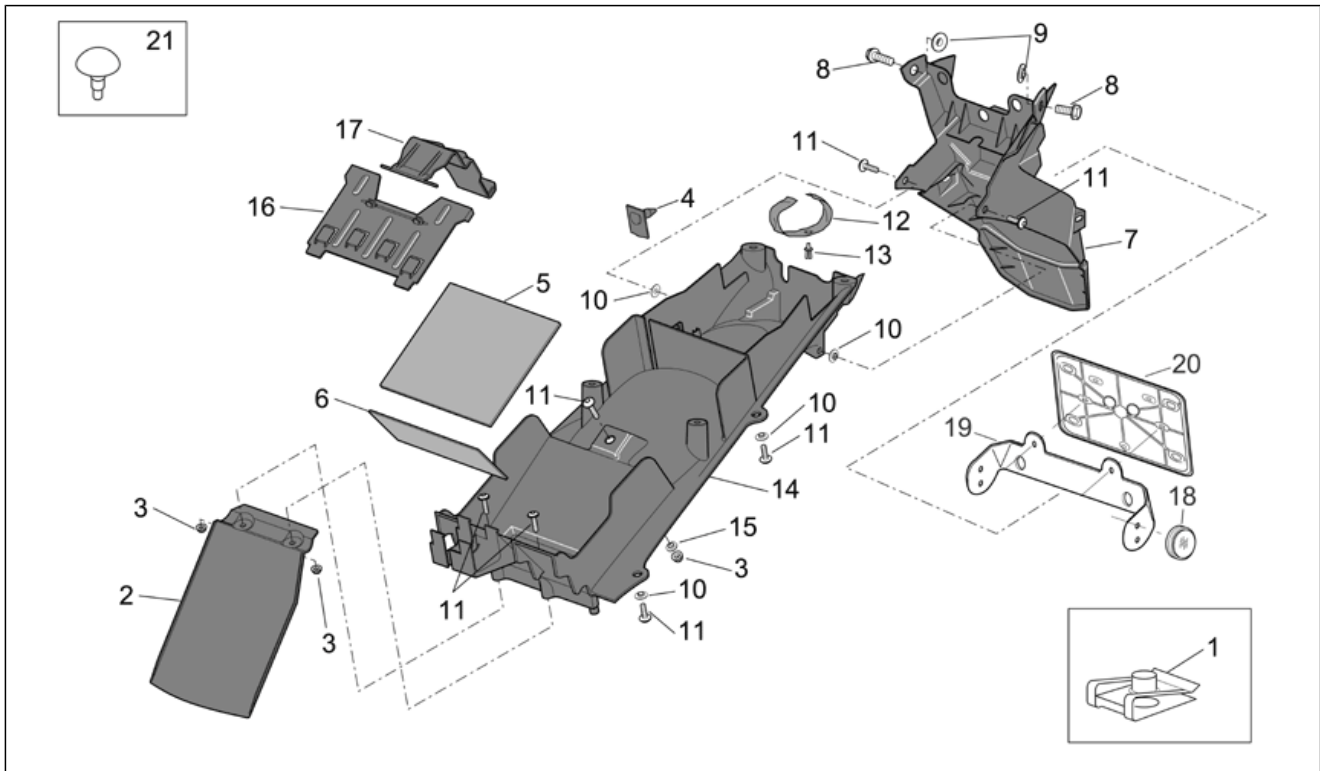
Pos.	Code	Beschreibung	Menge	Varianten
1	AP8158887	Soziusgriff	1	
2	AP8158886	Gepäckträger, grau	1	
3	AP8178399	R. kl. Seitenteil, blau	1	Baujahr: 2004[4] Fahrzeugfarbe: Blau Hilton 2004[h.blu]
3	AP8178411	R. kl. Seitenteil, grau	1	Baujahr: 2004[4] Fahrzeugfarbe: Grau Dust 2004[d.grey]
3	AP8178430	R. kl. Seitenteil, grau	1	Baujahr: 2004[4], 2005[5] Fahrzeugfarbe: Grau Titan 2004-2005[t.grey]
3	AP8178982	R. kl. Seitenteil, grau	1	Baujahr: 2005[5], 2006[6] Fahrzeugfarbe: Schwarz Aprilia 2005 -2006 (t.B.14761) [a.blk]
3	AP8179384	R. kl. Seitenteil, grau	1	Baujahr: 2006[6], 2007[7] Fahrzeugfarbe: Weiß Venice 2006 (t.B.15105)[v.white] Technische Daten: Nicht abgepaustes Einzelteil[ND]
4	AP8178400	L. kl. Seitenteil, blau	1	Baujahr: 2004[4] Fahrzeugfarbe: Blau Hilton 2004[h.blu]
4	AP8178412	L. kl. Seitenteil, grau	1	Baujahr: 2004[4] Fahrzeugfarbe: Grau Dust 2004[d.grey]
4	AP8178431	L. kl. Seitenteil, grau	1	Baujahr: 2004[4], 2005[5] Fahrzeugfarbe: Grau Titan 2004-2005[t.grey]
4	AP8178983	L. kl. Seitenteil, grau	1	Baujahr: 2005[5], 2006[6] Fahrzeugfarbe: Schwarz Aprilia 2005 -2006 (t.B.14761) [a.blk]
4	AP8179385	L. kl. Seitenteil, grau	1	Baujahr: 2006[6], 2007[7] Fahrzeugfarbe: Weiß Venice 2006 (t.B.15105)[v.white] Technische Daten: Nicht abgepaustes Einzelteil[ND]
5	AP8102375	Klammer M5	4	
6	AP8152302	TBEI Schraube m.Flansch M5x12	4	
7	AP8152287	TE Schr. m. Flansch M8x25	4	
8	AP8152290	TE Schr. m. Flansch M8x40	2	
9	AP8139630	Objektr.deck.grau	1	
10	AP8121509	Buchse	2	

Einheit	RAHMEN
Code	28.15
Beschreibung	Heckaufbau
Inspektion	1



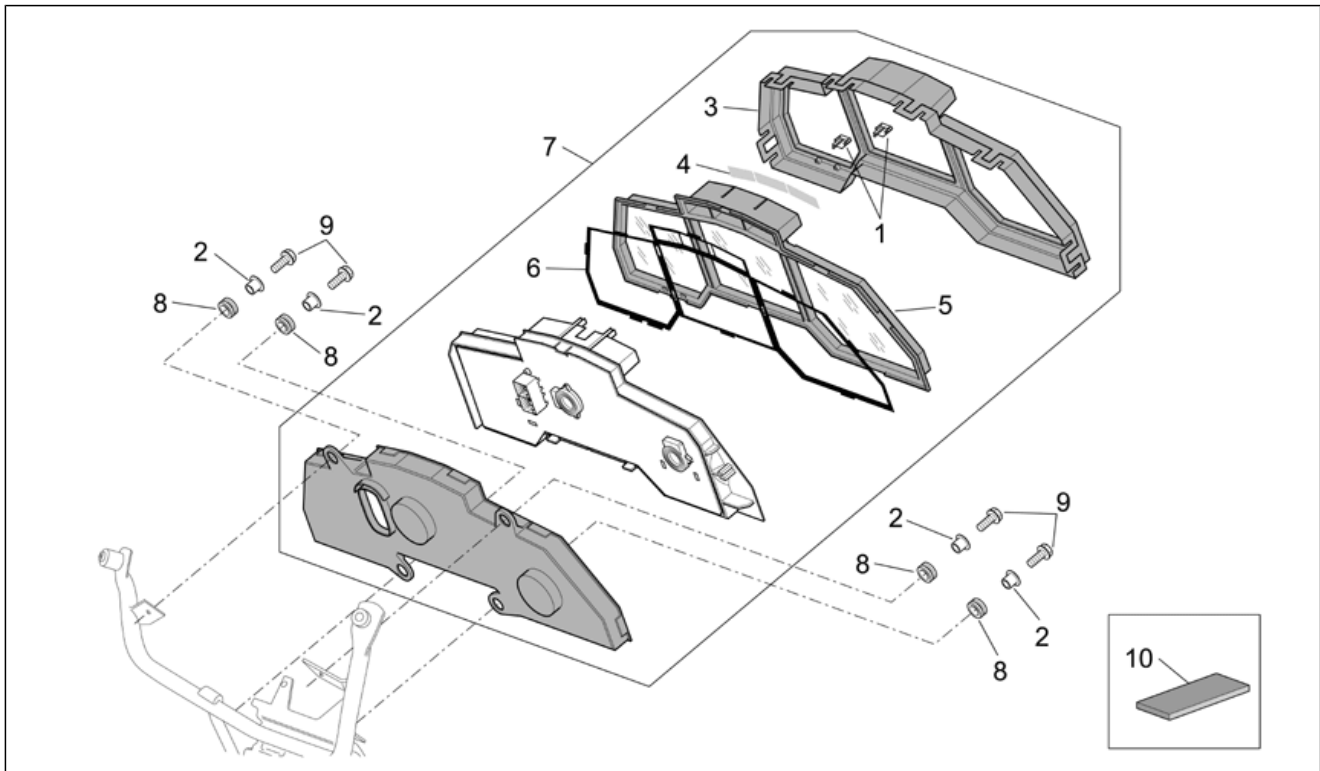
Pos.	Code	Beschreibung	Menge	Varianten
11	AP8121510	Buchse	4	
12	AP8166790	Deko ETV 1000	2	Baujahr:2006[6], 2007[7] Fahrzeugfarbe:Weiß Venice 2006 (t.B.15105)[v.white]

Einheit	RAHMEN
Code	28.16
Beschreibung	U. Sitzbank.
Inspektion	1



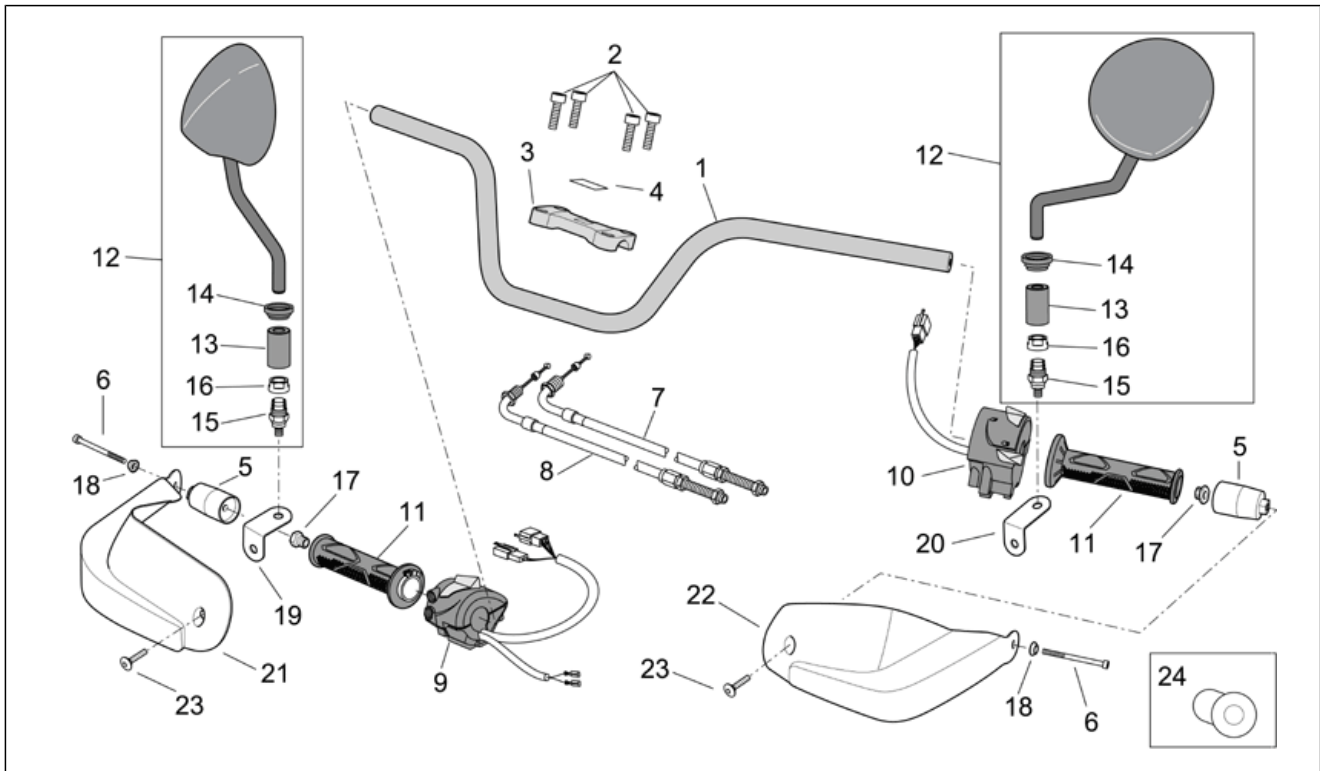
Pos.	Code	Beschreibung	Menge	Varianten
1	AP8102376	Klammer M6	2	
2	AP8126717	Stoßdämpferschutz	1	
3	AP8152299	Selbstsperrende Mutter M6	4	
4	AP8149296	Befestigungsbolzen	1	
5	AP8144288	seit. Gummiaufkl. Batterie	1	
6	AP8144045	Batterieauflagegummi	1	
7	AP8126706	Kennzeichenplatte, grau	1	
8	AP8152286	TE Schr. m. Flansch M8x20	2	
9	AP8120508	T-Buchse *	2	
10	AP8121032	Buchse	8	
11	AP8152246	TBEI Schraube m.Flansch M6x16	11	
12	AP8102348	Fixierschelle Tasche	1	
13	AP8120317	Schwarzer Kunststoffniet	1	
14	AP8139799	Unt.Verschl.Sitzhal.schw.	1	
15	AP8121991	Buchse	1	
16	AP8158036	Batteriedeckel	1	
17	AP8158035	Bügel	1	
18	AP8224164	Rückstrahler Rücklicht, rot	2	Land:Vereinigte Staaten von Amerika[USA]
19	AP8134846	H.rückstrahler Support	1	Land:Vereinigte Staaten von Amerika[USA]
20	AP8149034	Kennzeichenhalter	1	Land:Vereinigte Staaten von Amerika[USA]
21	AP8120001	Gummi	1	Land:Vereinigte Staaten von Amerika[USA]

Einheit	RAHMEN
Code	28.17
Beschreibung	Instrumententafel
Inspektion	1



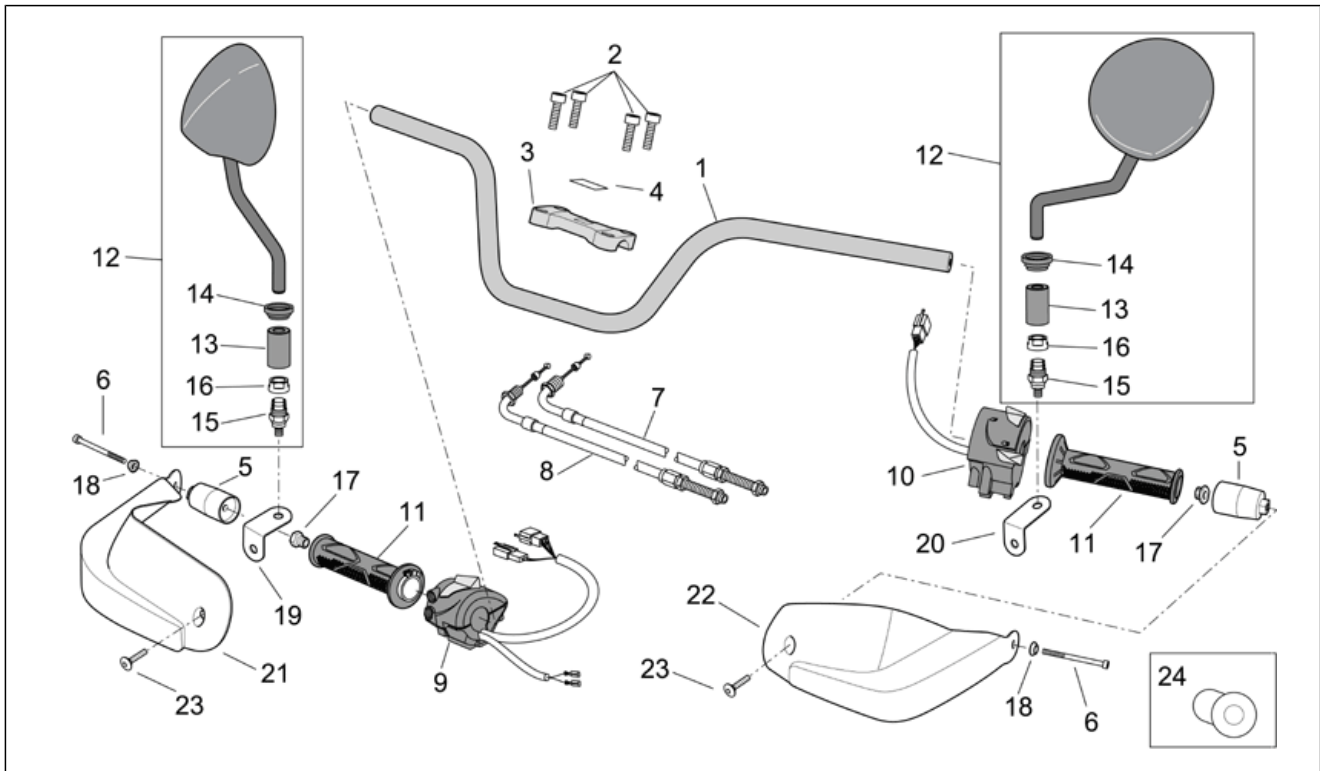
Pos.	Code	Beschreibung	Menge	Varianten
1	AP8127155	Kn. Instrum.	2	
2	AP8121790	T-Buchse *	4	
3	AP8168468	Blende	1	
4	AP8127157	Blende	1	
5	AP8127158	transparenter Schutz	1	
6	AP8127159	Dichtung	1	
7	AP8127425	Instrum.tafel kplt.	1	Land: Australien[AA], Irland[EI], DK, E, I[EU]
7	AP8127426	Instrum.tafel kplt.	1	Land: Großbritannien[UK]
7	AP8127427	Instrum.tafel kplt.	1	Land: Vereinigte Staaten von Amerika[USA]
8	AP8112599	Gummi *	4	
9	AP8152280	TE Schr. m. Flansch M6x25	4	
10	AP8117073	Klebeschwamm	1	

Einheit	RAHMEN
Code	28.18
Beschreibung	Lenkstange
Inspektion	1



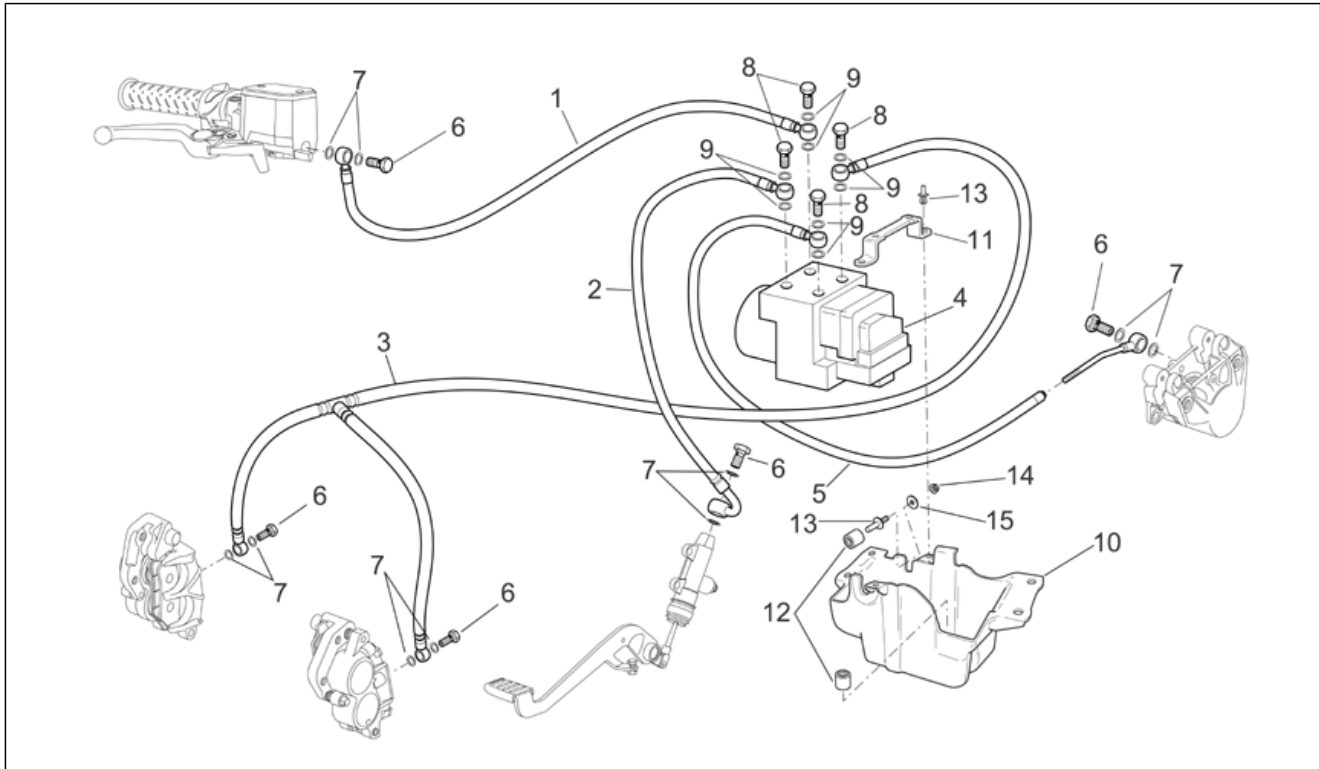
Pos.	Code	Beschreibung	Menge	Varianten
1	AP8118691	Lenkstange	1	
2	AP8150170	TCEI Schraube M8x25	4	
3	AP8163218	Bügelbolzen oben	2	
4	AP8157770	Schild "Aprilia"	1	
5	AP8104627	Schwingschutzgewicht schwarz	2	
6	AP8150342	TCEI Schraube M6x70	2	
7	AP8114375	Gas trasmission delivery	1	
8	AP8114376	Gas trasmission return	1	
9	AP8127110	Rechter Lichtschalter	1	
10	AP8124984	Linker Lichtschalter	1	
11	AP8118619	Handgriffe paar, schwarz	1	
12	AP8104556	Rückspiegel	2	
13	AP8106911	Gummi Spiegel	2	
14	AP8201843	Klemmschutz	2	
15	AP8201842	Spiegelbefestigung Feder	2	
16	AP8201856	Nutmutter für Klemme	2	
17	AP8121520	Endstück Schwinggew.	2	
18	AP8121819	Ausgleichscheibe 6,5x12,5*	2	
19	AP8134941	Plättchen rechts	1	
20	AP8134942	Plättchen links	1	
21	AP8178397	Handschutz rechts, blau	1	Baujahr: 2004[4] Fahrzeugfarbe: Blau Hilton 2004[h.blu]
21	AP8178409	Handschutz rechts, grau	1	Baujahr: 2006[6], 2007[7] Fahrzeugfarbe: Weiß Venice 2006 (t.B.15105)[v.white]
21	AP8178409	Handschutz rechts, grau	1	Baujahr: 2005[5], 2006[6] Fahrzeugfarbe: Schwarz Aprilia 2005 -2006 (t.B.14761) [a.blk]
21	AP8178409	Handschutz rechts, grau	1	Baujahr: 2004[4] Fahrzeugfarbe: Grau Dust 2004[d.grey]

Einheit	RAHMEN
Code	28.18
Beschreibung	Lenkstange
Inspektion	1



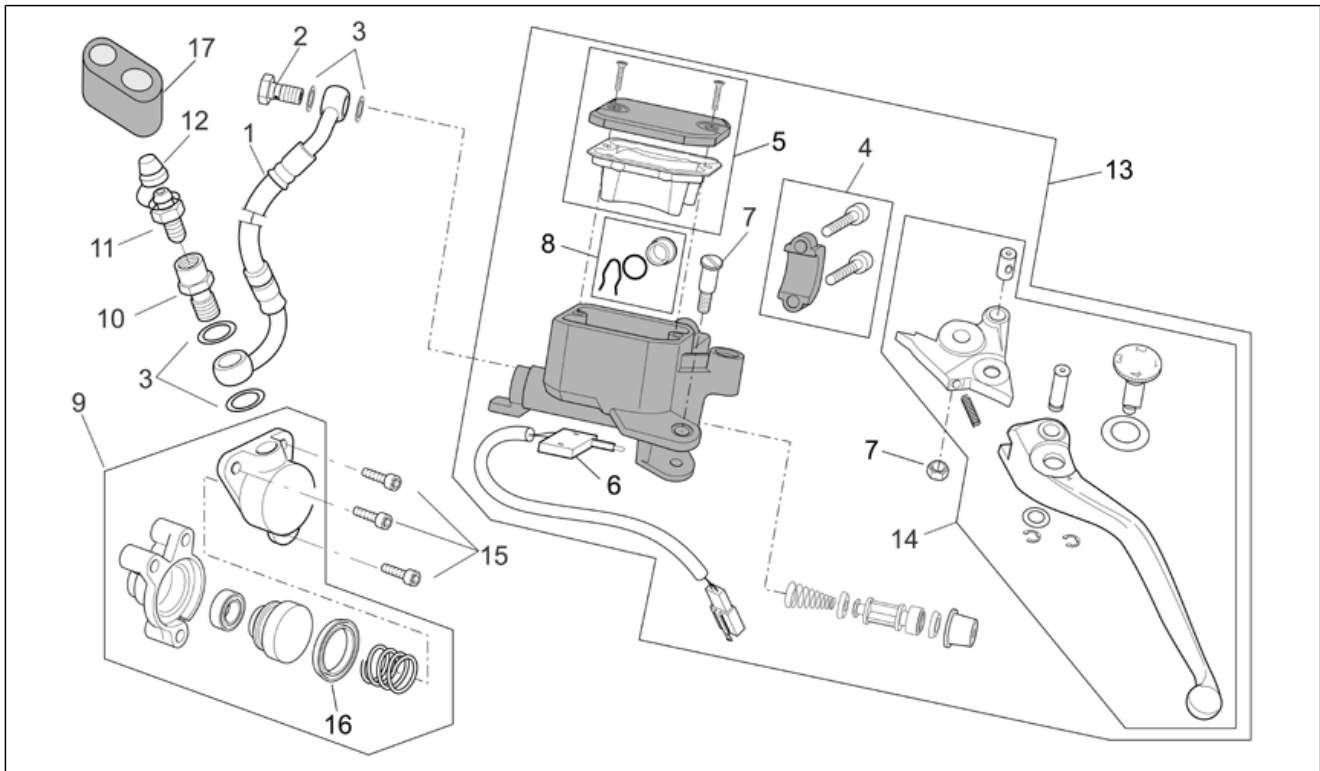
Pos.	Code	Beschreibung	Menge	Varianten
21	AP8178428	Handschutz rechts, grau	1	Baujahr: 2004[4], 2005[5] Fahrzeugfarbe: Grau Titan 2004-2005[t.grey]
22	AP8178398	Handschutz links, blau	1	Baujahr: 2004[4] Fahrzeugfarbe: Blau Hilton 2004[h.blu]
22	AP8178410	Handschutz links, grau	1	Baujahr: 2005[5], 2006[6] Fahrzeugfarbe: Schwarz Aprilia 2005 -2006 (t.B.14761) [a.blk]
22	AP8178410	Handschutz links, grau	1	Baujahr: 2006[6], 2007[7] Fahrzeugfarbe: Weiß Venice 2006 (t.B.15105)[v.white]
22	AP8178410	Handschutz links, grau	1	Baujahr: 2004[4] Fahrzeugfarbe: Grau Dust 2004[d.grey]
22	AP8178429	Handschutz links, grau	1	Baujahr: 2004[4], 2005[5] Fahrzeugfarbe: Grau Titan 2004-2005[t.grey]
23	AP8152302	TBEI Schraube m.Flansch M5x12	2	
24	AP8120531	Gummi mit Einsatz	1	

Einheit	RAHMEN
Code	28.19
Beschreibung	Bremsanlage ABS
Inspektion	1



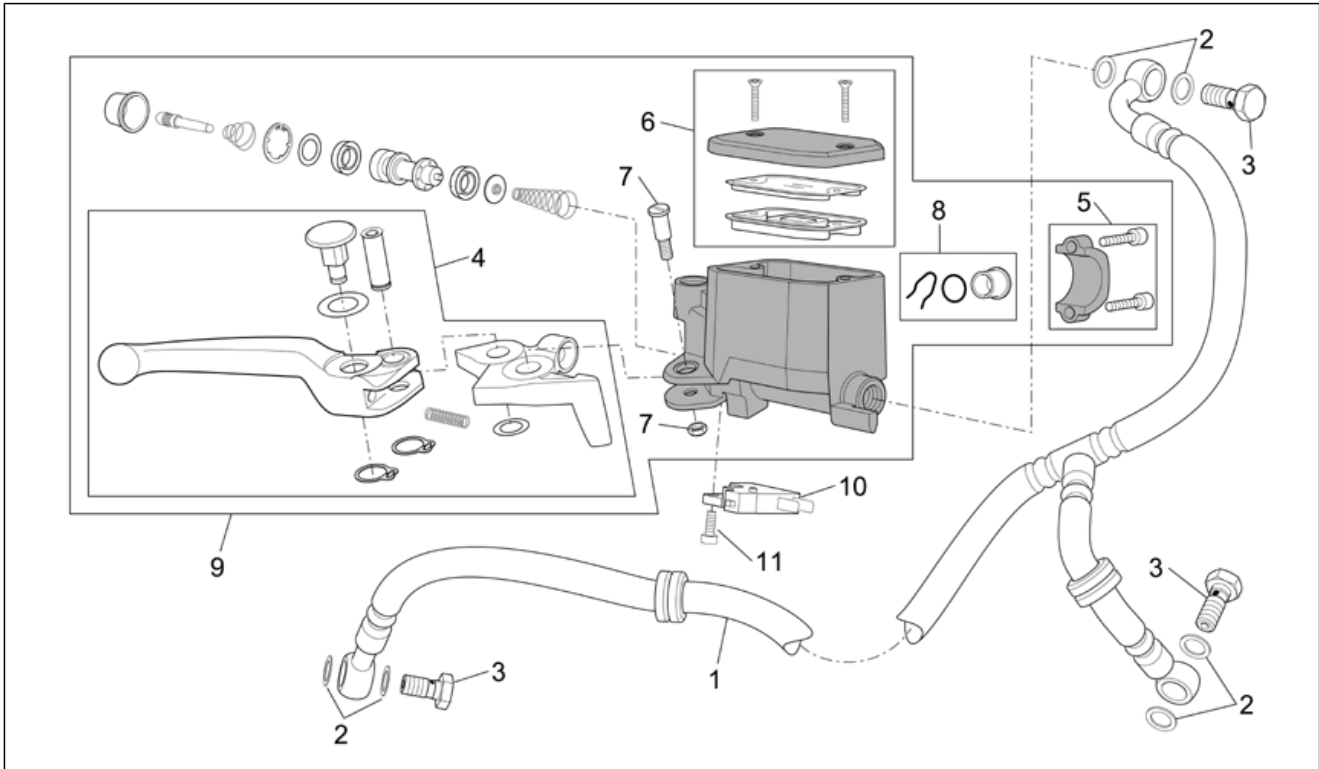
Pos.	Code	Beschreibung	Menge	Varianten
1	AP8133637	Vorderradbremseleitung	1	Technische Daten: Version ETV Capo Nord mit ABS[abs]
2	AP8133639	Hinterradbremseleitung	1	Technische Daten: Version ETV Capo Nord mit ABS[abs]
3	AP8133638	Vorderradbremseleitung	1	Technische Daten: Version ETV Capo Nord mit ABS[abs]
4	AP8127506	Steuergerät/Pumpe ABS	1	Technische Daten: Version ETV Capo Nord mit ABS[abs]
5	AP8133640	Radbremsleitung	1	Technische Daten: Version ETV Capo Nord mit ABS[abs]
6	AP8113003	Fixierschraube Ölschlauch	3	Technische Daten: Version ETV Capo Nord mit ABS[abs]
7	AP8121915	Dichtung	5	Technische Daten: Version ETV Capo Nord mit ABS[abs]
8	AP8133644	Schraube	2	Technische Daten: Version ETV Capo Nord mit ABS[abs]
9	AP8133645	Dichtung	4	Technische Daten: Version ETV Capo Nord mit ABS[abs]
10	AP8127472	Deckel	1	Technische Daten: Version ETV Capo Nord mit ABS[abs]
11	AP8134950	Platte	1	Technische Daten: Version ETV Capo Nord mit ABS[abs]
12	AP8144087	Gummi	2	Technische Daten: Version ETV Capo Nord mit ABS[abs]
13	AP8120317	Schwarzer Kunststoffniet	2	Technische Daten: Version ETV Capo Nord mit ABS[abs]
14	AP8150334	Mutter M8	2	Technische Daten: Version ETV Capo Nord mit ABS[abs]
15	AP8150018	Ausgleichscheibe	2	Technische Daten: Version ETV Capo Nord mit ABS[abs]

Einheit	RAHMEN
Code	28.20
Beschreibung	Kupplungspumpe
Inspektion	1



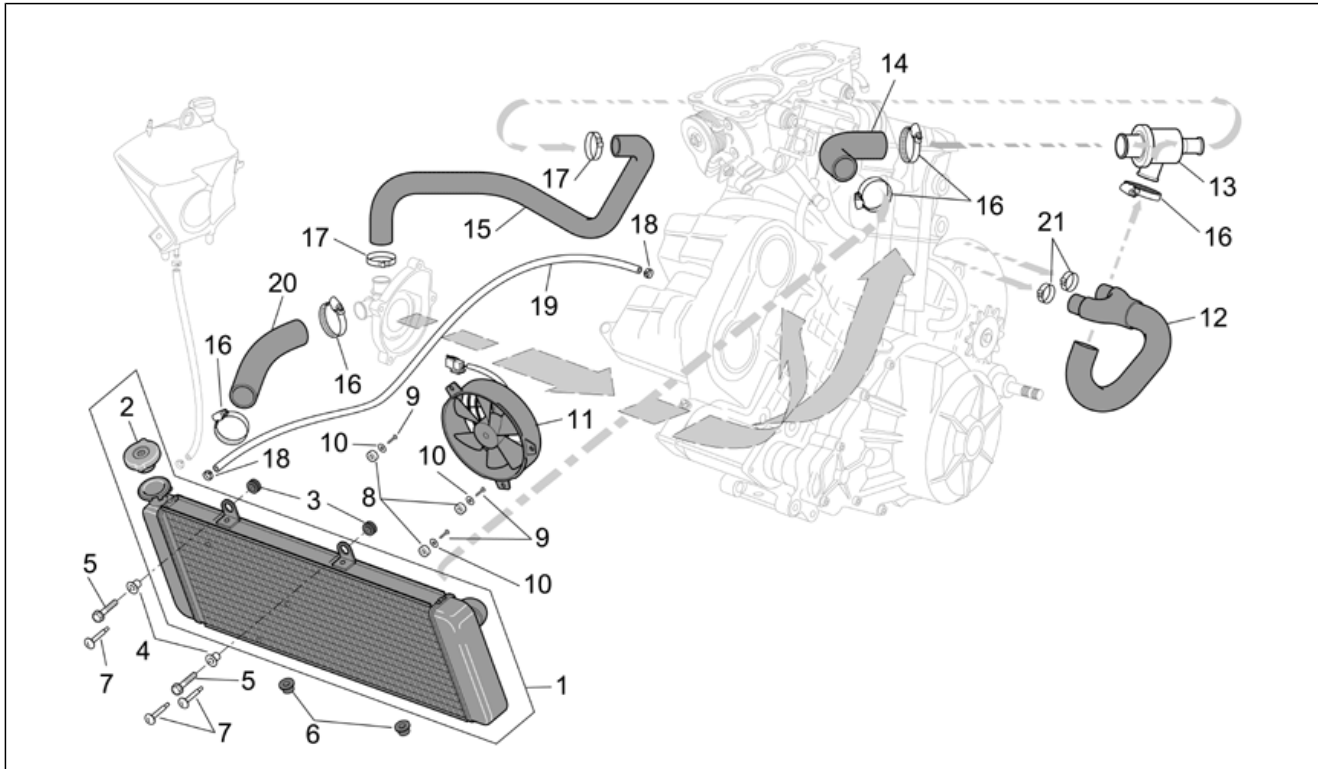
Pos.	Code	Beschreibung	Menge	Varianten
1	AP8113881	Kupplungsschlauch	1	
2	AP8113003	Fixierschraube Ölschlauch	1	
3	AP8121915	Dichtung	4	
4	AP8113993	Bügelbolzen	1	
5	AP8113997	Tankverschluß	1	
6	AP8113998	Mikroschalter	1	
7	AP8113719	Hebelbolzen	1	
8	AP8113063	Schauglas Bremspumpe	1	
9	AP8106381	Kupplungszylinder	1	
10	AP8113762	Lochschraube	1	
11	AP8113761	Entlüftungsanschluß	1	
12	AP8113230	Entlüftungskappe	1	
13	AP8106713	Kupplungspumpe	1	
14	AP8118659	Kupplungshebel	1	
15	AP0241821	TCEI Schraube M6x45	3	
16	AP8106935	Dichtung	1	
17	AP8158759	Entlüftungsanschlußschutz	1	

Einheit	RAHMEN
Code	28.21
Beschreibung	Vorderradbremspumpe
Inspektion	1



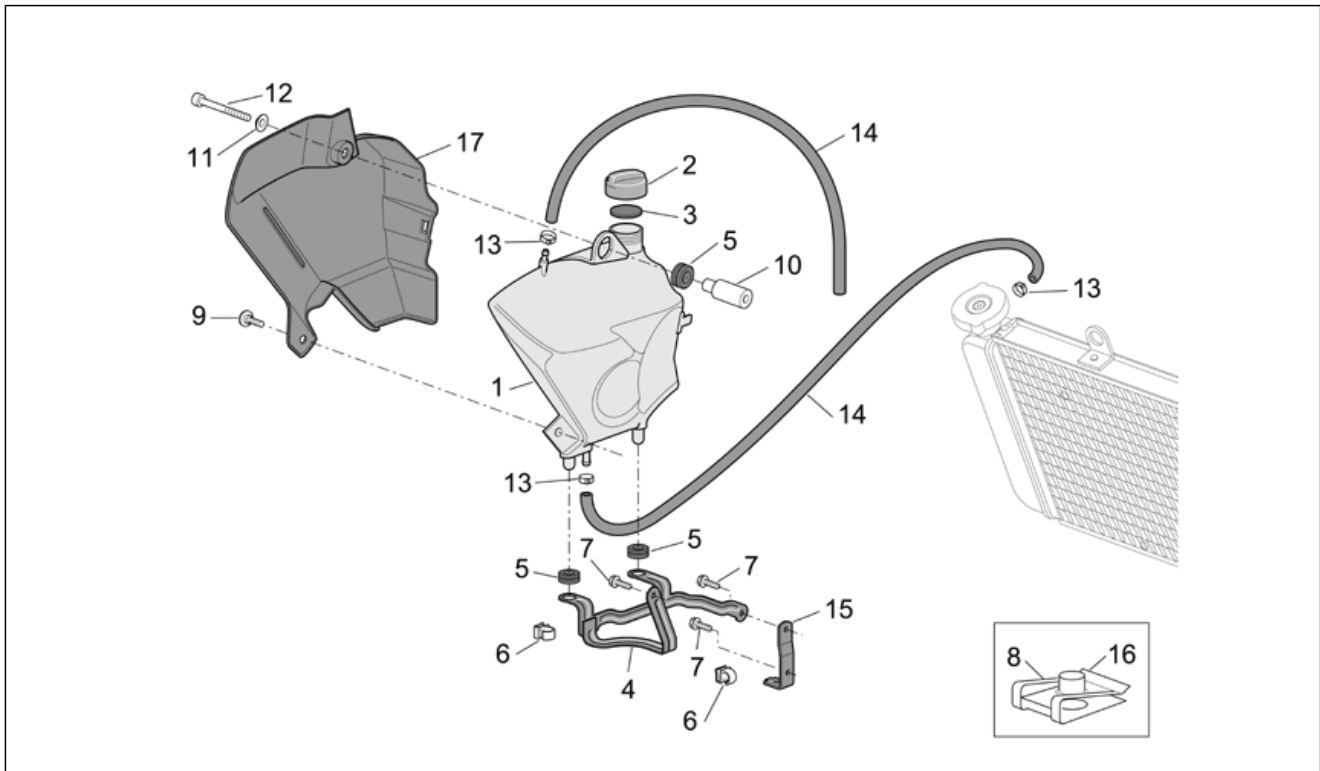
Pos.	Code	Beschreibung	Menge	Varianten
1	AP8113807	Vorderradbremseleitung	1	Technische Daten: Version ETV Capo Nord Standard[std]
2	AP8121915	Dichtung	6	
3	AP8113003	Fixierschraube Ölschlauch	3	
4	AP8133510	Vorderradbremshebel	1	
5	AP8113993	Bügelbolzen	1	
6	AP8113994	Tankverschluß	1	
7	AP8113995	Hebelbolzen	1	
8	AP8113063	Schauglas Bremspumpe	1	
9	AP8113803	Vorderradbremspumpe	1	
10	AP8224192	Bremslichtschalter mit Gummi	1	
11	AP8152043	TCEI Schraube M4x10	1	

Einheit	RAHMEN
Code	28.22
Beschreibung	Kühlanlage
Inspektion	1



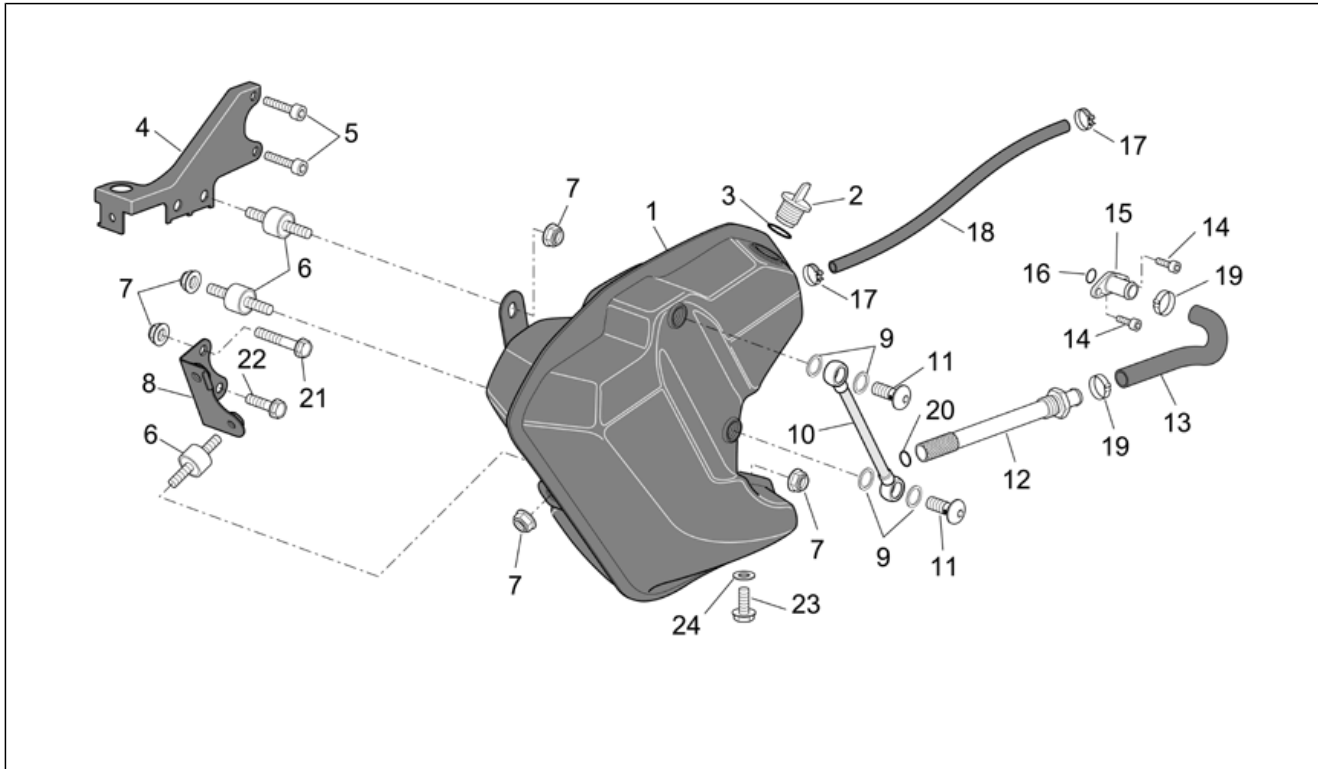
Pos.	Code	Beschreibung	Menge	Varianten
1	AP8102915	Kühler mit Verschlusschraube	1	
2	AP8102771	Kühlerschraube	1	
3	AP8120030	Gummi	2	
4	AP8221023	T-Buchse	2	
5	AP8152281	TE Schr. m. Flansch M6x30	2	
6	AP8101372	Silent-Block	2	
7	AP8121464	Stift	3	
8	AP8125848	Distanzscheibe	3	
9	AP8150270	Linsenschraube 4,2x20*	3	
10	AP8150159	Ausgleichscheibe 4,3x16*	3	
11	AP8124930	Ventilator komplett	1	
12	AP8144349	Leitung 3 vie	1	
13	AP8124929	Ventil thermostatgruppe 75°C	1	
14	AP8144197	Schlauch Kühler-Thermostat	1	
15	AP8144166	Schlauch Motor-Thermostat	1	
16	AP8104097	Schlauchschele	5	
17	AP8101927	Schlauchschele D23,5x8*	2	
18	AP8102239	Schele 12,5x8	2	
19	AP8144069	Kraftstoffleitung 6x13	1	
20	AP8144165	Schlauch Kühler-Motor	1	
21	AP8101743	Schlauchschele D23,5x8*	2	

Einheit	RAHMEN
Code	28.23
Beschreibung	Ausdehngefäß
Inspektion	1



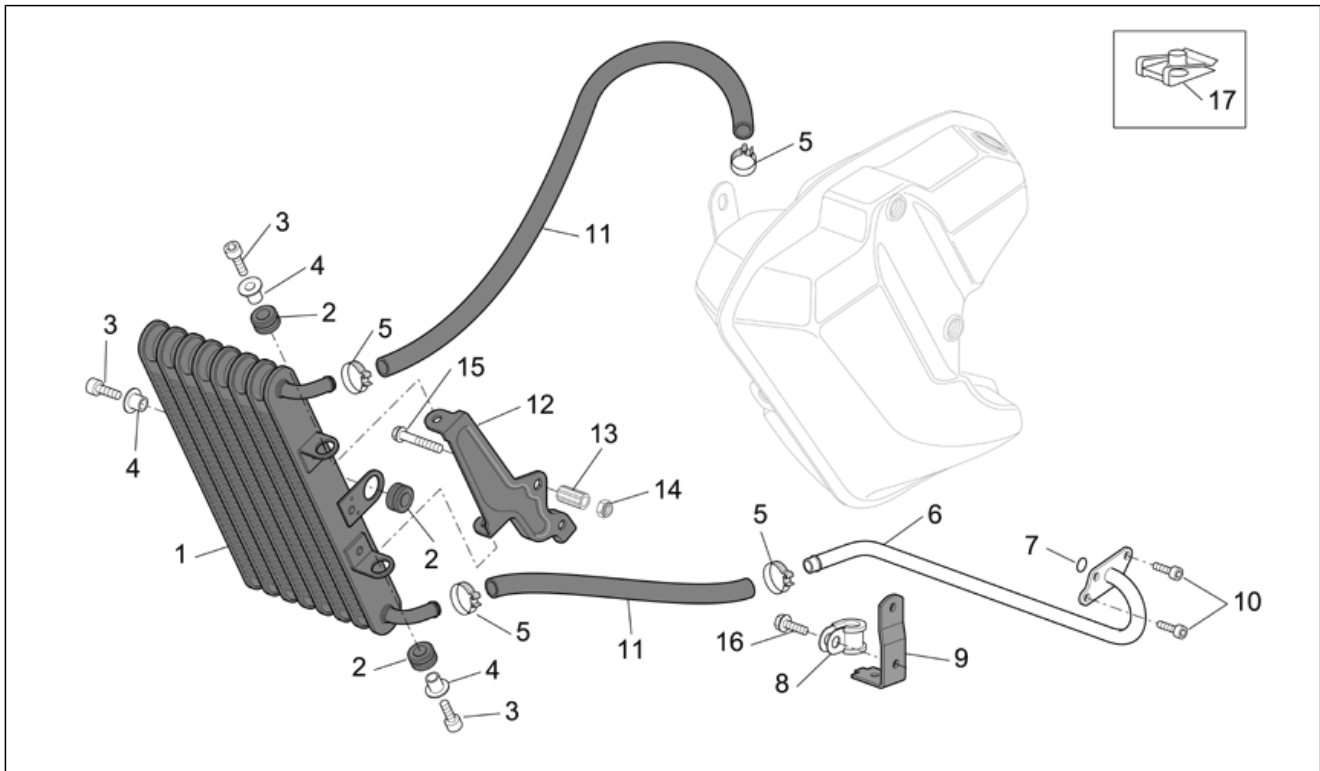
Pos.	Code	Beschreibung	Menge	Varianten
1	AP8168743	Ausdehngefäß	1	
2	AP8120354	Deckel	1	
3	AP8120355	Ölschraubelochstal dichtung	1	
4	AP8134557	Aufnahme Expansionsgef.	1	
5	AP8120030	Gummi	3	
6	AP8201727	Kabelführungs schw.	2	
7	AP8152279	TE Schr. m. Flansch M6x20	3	
8	AP8102375	Klammer M5	3	
9	AP8152302	TBEI Schraube m.Flansch M5x12	1	
10	AP8121473	Distanzscheibe	1	
11	AP8121032	Buchse	1	
12	AP8150045	TCEI Schraube M6x55	1	
13	AP8102738	Schlauchschelle	3	
14	AP8120952	Kraftstoffleitung 5,5x10	2	
15	AP8134744	Platte	1	
16	AP8102376	Klammer M6	1	
17	AP8149424	Expansionsgefass schutz	1	

Einheit	RAHMEN
Code	28.24
Beschreibung	Öltank
Inspektion	1



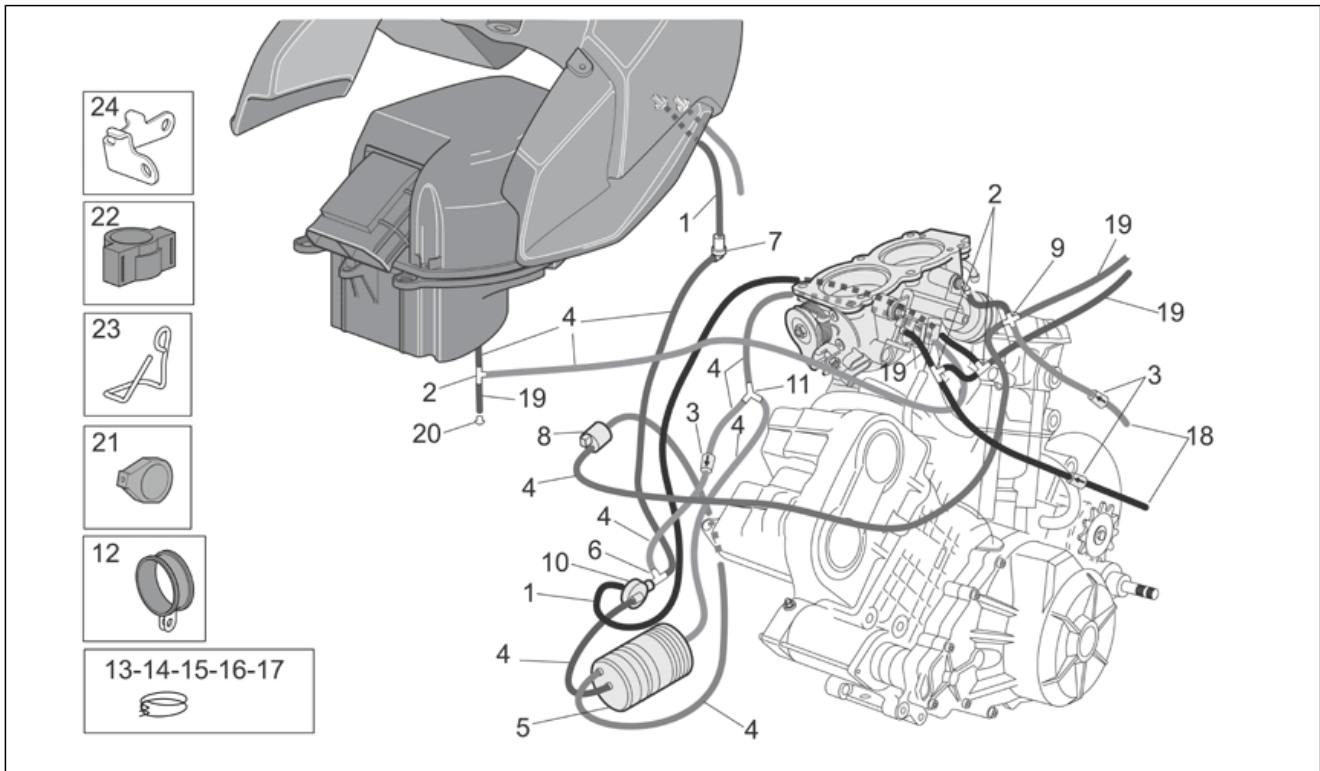
Pos.	Code	Beschreibung	Menge	Varianten
1	AP8139902	Öltank	1	
2	AP8102618	Öltankschraube	1	
3	AP8120190	O-Ring 3075	2	
4	AP8134598	Unt. Kühlerhalter links	1	
5	AP8150165	TCEI Schraube M6x25	2	
6	AP8144061	Silent-Block	3	
7	AP8152299	Selbstsperrende Mutter M6	5	
8	AP8134678	Platte	1	
9	AP8113004	Ausgleichscheibe 10x14x1,6*	4	
10	AP8144200	Ölstandschlauch	1	
11	AP8121409	Fixierschraube Ölschlauch	2	
12	AP8102828	Ölfiltereinsatz kpl.	1	
13	AP8144420	Ölschlauch	1	
14	AP8150137	TCEI Schraube M6x16	2	
15	AP8106387	Ölschlauch	1	
16	AP8120196	O-Ring 3056	1	
17	AP8120446	Schlauchschele, grün D11x6,6x1	1	
18	AP8144015	Ölschlauch 6x12	1	
19	AP8102786	Schlauchschele 20x8	2	
20	AP8120190	O-Ring 3075	1	
21	AP8152281	TE Schr. m. Flansch M6x30	1	
22	AP8152278	TE Schr. m. Flansch M6x16	1	
23	AP8152285	TE Schr. m. Flansch	1	
24	AP8121862	Ausgleichscheibe D8x16x1,5	1	

Einheit	RAHMEN
Code	28.25
Beschreibung	Ölkühler
Inspektion	1



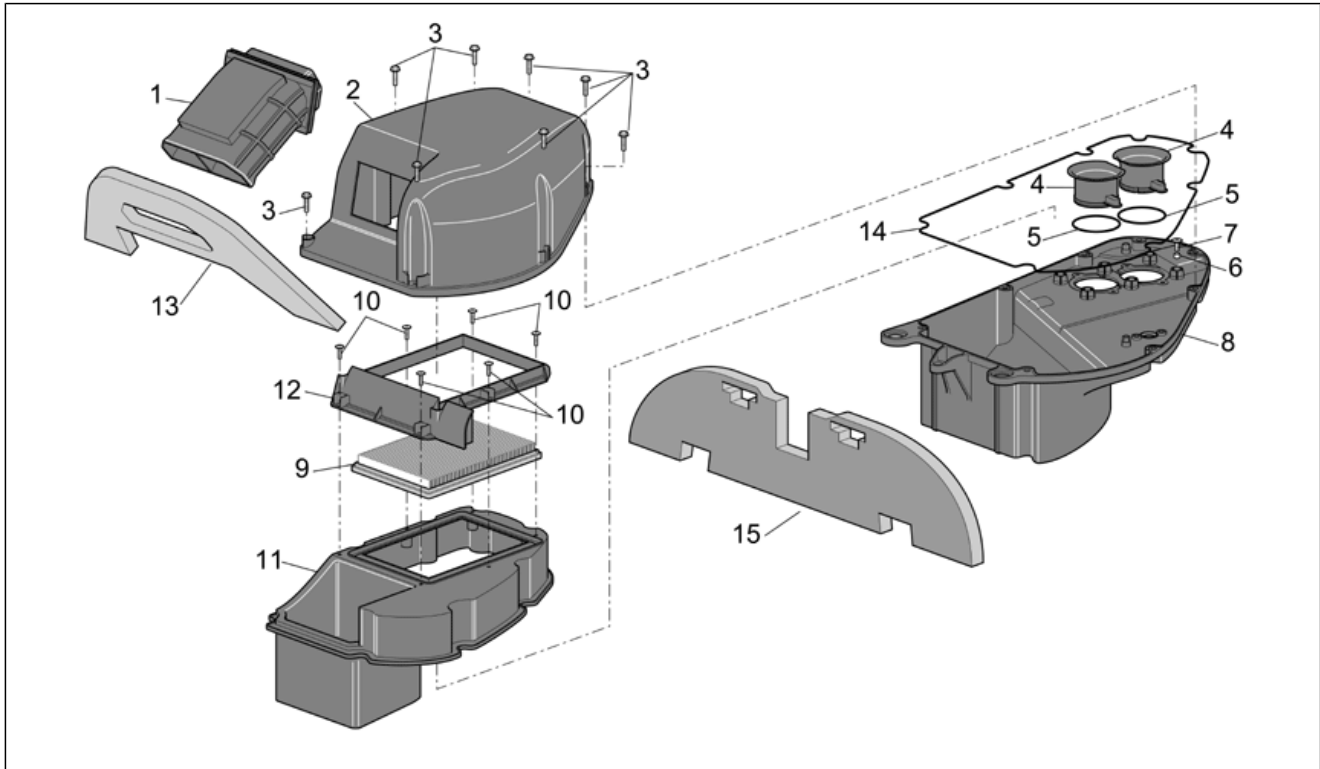
Pos.	Code	Beschreibung	Menge	Varianten
1	AP8102918	Ölkühler kpl.	1	
2	AP8120030	Gummi	3	
3	AP8150044	TCEI Schraube M6x20	3	
4	AP8221023	T-Buchse	3	
5	AP8102349	Schlauchschelle weiß D17,5x8	4	
6	AP8106388	Ölschlauch	1	
7	AP8144008	O-Ring 115	1	
8	AP8102731	Schelle	1	
9	AP8134745	Platte	1	
10	AP8150137	TCEI Schraube M6x16	2	
11	AP8106389	Ölschlauch 12x19	1	
12	AP8134681	Platte	1	
13	AP8121313	Konischebuchse	1	
14	AP8150430	Selbstsperr.mut Unt.	1	
15	AP8152281	TE Schr. m. Flansch M6x30	1	
16	AP8152279	TE Schr. m. Flansch M6x20	1	
17	AP8102376	Klammer M6	1	

Einheit	RAHMEN
Code	28.26
Beschreibung	Benzindampfrückf.-Anlage
Inspektion	1



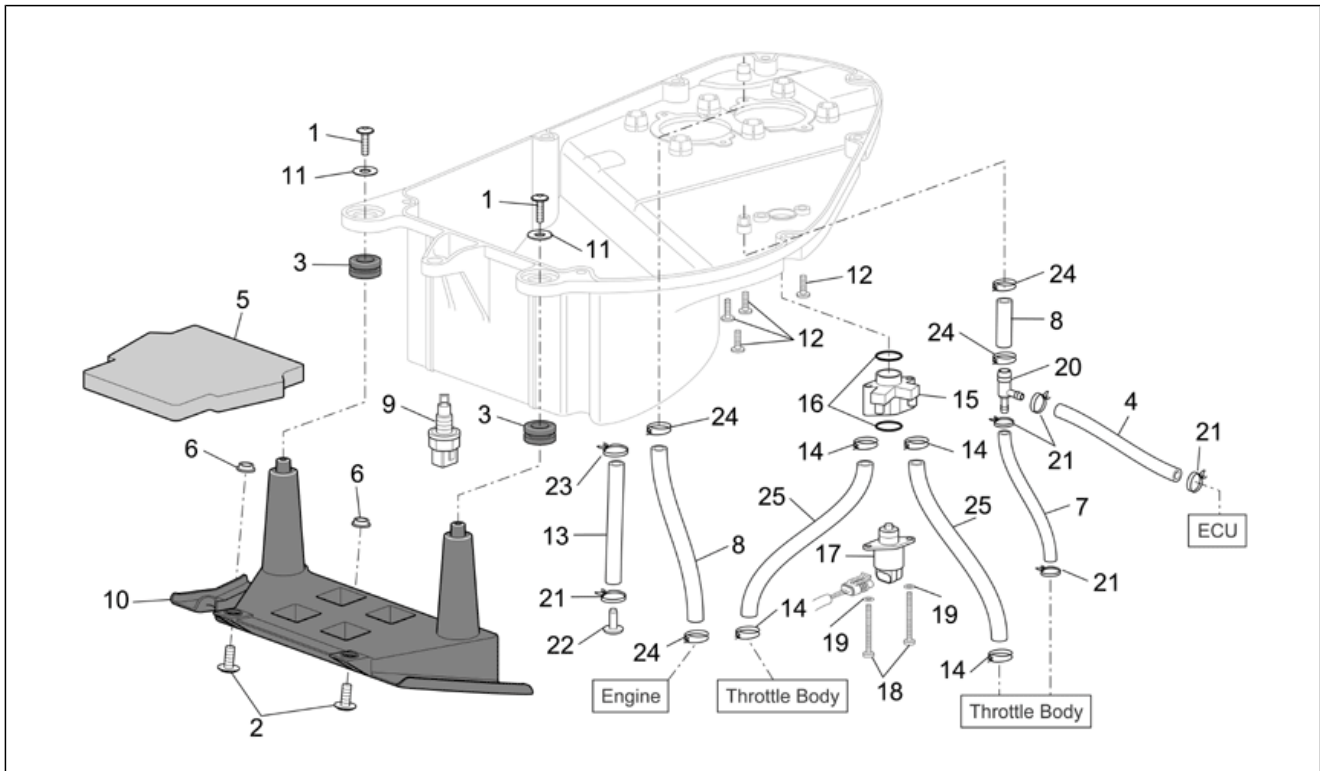
Pos.	Code	Beschreibung	Menge	Varianten
1	AP8220263	Entlüftungsschlauch Kühler 4x8	1	
2	AP8144303	3-Wegeanschluß	3	
3	AP8104251	Ölablaßventil	3	
4	AP8120952	Kraftstoffleitung 5,5x10	1	
5	AP8102678	Kohlefilter	1	
6	AP8202154	3-Wegeanschluß	1	
7	AP8106824	"Roll-over" Ventil	1	
8	AP8106738	"Purge" Ventil	1	
9	AP8104475	Anschluss	1	
10	AP8106776	"Purge" Ventil	1	
11	AP8120116	3-Wegeanschluß	1	
12	AP8102378	Schelle D11,3	1	
13	AP8102688	Schelle d.76	2	
14	AP8102766	Schelle	2	
15	AP8120179	Schelle D8	1	
16	AP8120446	Schlauchschele, grün D11x6,6x1	2	
17	AP8201358	Schelle D 11,9	1	
18	AP8144015	Ölschlauch 6x12	2	
19	AP8144038	Kraftstoffleitung 6x10	4	
20	AP8120876	Verschlussschraube	1	
21	AP8134650	Ventilhaltebügel	1	
22	AP8134844	Halter	1	
23	AP8134845	Halter	1	
24	AP8134848	Halter	1	

Einheit	RAHMEN
Code	28.27
Beschreibung	Filtergehäuse I
Inspektion	1



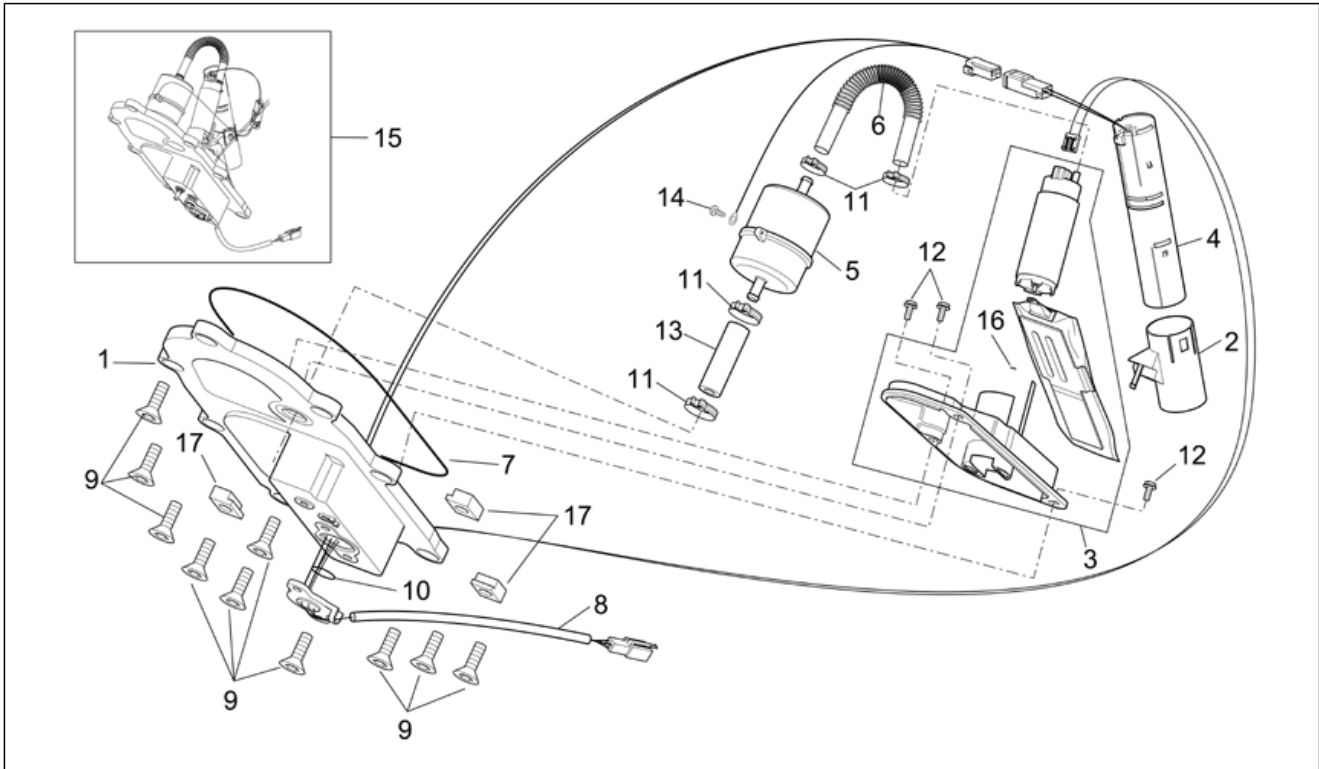
Pos.	Code	Beschreibung	Menge	Varianten
1	AP8144164	Ansaugmuffe	1	
2	AP8149022	Oberteil Filtergehäuse	1	
3	AP8152274	TE Schr. m. Flansch M5x20	8	
4	AP8144348	Einlaßöffnung	2	
5	AP8144063	O-Ring 159	2	
6	AP8120253	Distanzscheibe	6	
7	AP8152246	TBEI Schraube m.Flansch M6x16	6	
8	AP8149020	Unterteil Filtergehäuse	1	
9	AP8104169	Luftfilter	1	
10	AP8152329	Kreuz.schl.flnschschr. M5x20	6	
11	AP8149021	Filterhalter	1	
12	AP8104168	Filtergehäuse	1	
13	AP8117151	Schalldämmplatte	1	
14	AP8120615	Dichtung D3	1	
15	AP8158254	Abschlussblende	1	

Einheit	RAHMEN
Code	28.28
Beschreibung	Filtergehäuse I
Inspektion	1



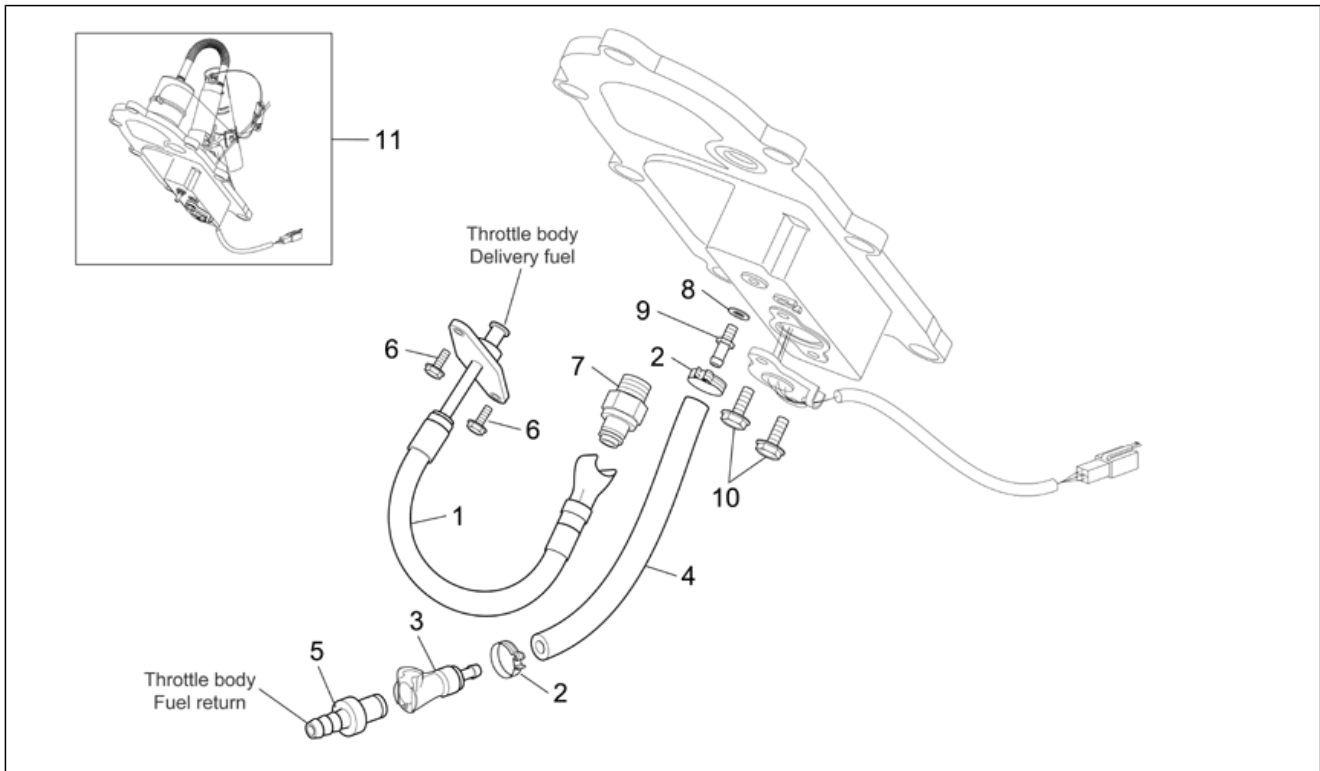
Pos.	Code	Beschreibung	Menge	Varianten
1	AP8152329	Kreuz.schl.flnschschr. M5x20	2	
2	AP8152246	TBEI Schraube m.Flansch M6x16	2	
3	AP8120030	Gummi	2	
4	AP8220263	Entlüftungsschlauch Kühler 4x8	1	
5	AP8117153	Schalldämmplatte	1	
6	AP8121032	Buchse	2	
7	AP8120955	Leitung grau 3x8	1	
8	AP8120987	Leitung 9x14	1	
9	AP8124867	Lufttemperaturfühler	1	
10	AP8134567	Fixierung vorn Filtergeh.	1	
11	AP8150382	Ausgleichscheibe 15x5,5X1,2	2	
12	AP8150413	Gew.schr. 3,9x14	4	
13	AP8144038	Kraftstoffleitung 6x10	1	
14	AP8102525	Hahnschelle	4	
15	AP8149165	Ventil Standgaseinstellung	1	
16	AP8220095	O-Ring	2	
17	AP8124981	Elektromotor Standgaseinstellung	1	
18	AP8150406	Linsenschraube	2	
19	AP8150272	Gebogene Sprengscheibe 5,3x10x0,5	2	
20	AP8202154	3-Wegeanschluß	1	
21	AP8102377	Schelle D9,1*	4	
22	AP8120876	Verschlussschraube	1	
23	AP8101595	Schelle D10,1	1	
24	AP8102766	Schelle	4	
25	AP8120772	Entlüftungsschlauch Kühler	1	

Einheit	RAHMEN
Code	28.29
Beschreibung	Kraftstoffpumpe I
Inspektion	1



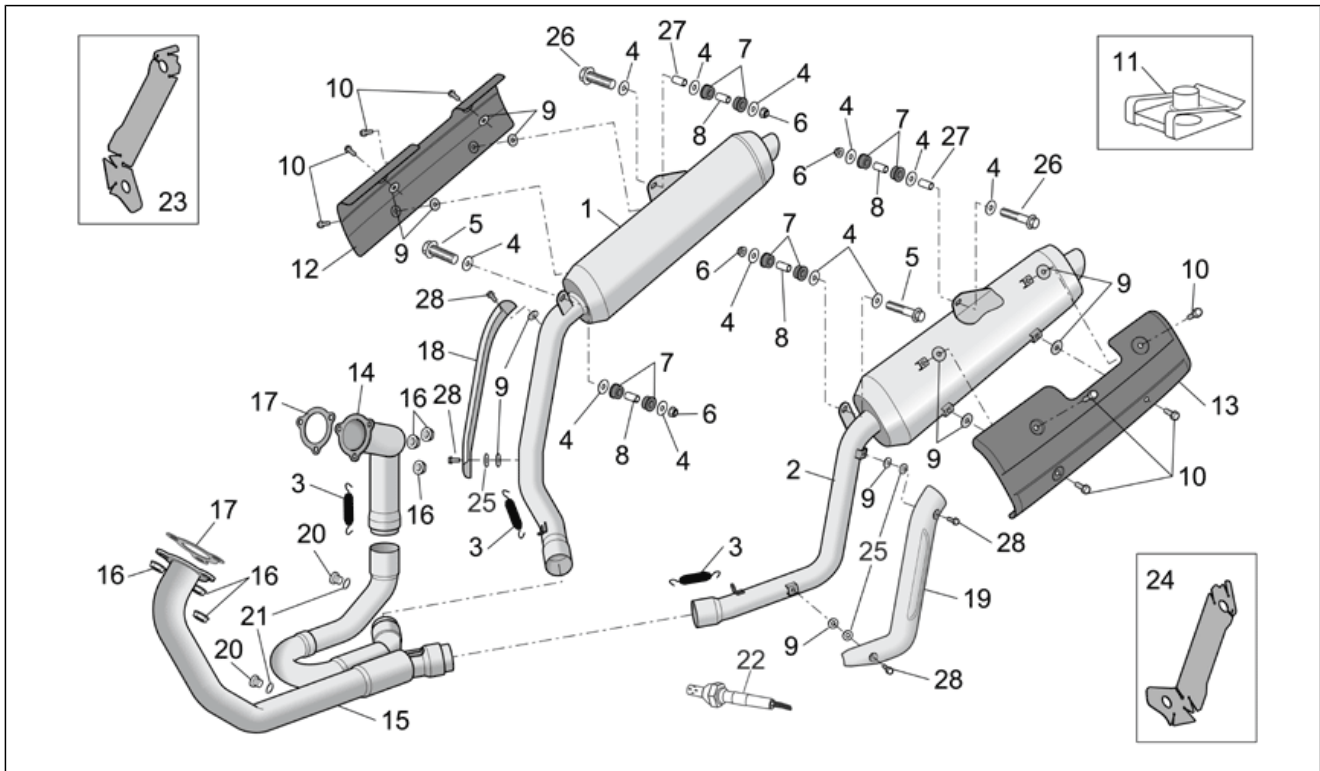
Pos.	Code	Beschreibung	Menge	Varianten
1	AP8106597	Kraftst.pumpen-Verschl.	1	
2	AP8139619	Halter Standfühler	1	
3	AP8106629	Kraftstoffpumpe	1	
4	AP8124588	Standfühler	1	
5	AP8102971	Kraftstofffilter	1	
6	AP8144226	Kraftstoffleitung	1	
7	AP8144478	Gasket ring	1	
8	AP8124664	Kraftstoffpumpe kabel	1	
9	AP8150064	Schraube	10	
10	AP8144475	Gasket ring	1	
11	AP8104373	Schelle	4	
12	AP8121536	Schraube	3	
13	AP8144476	Kraftstoffleitung	1	
14	AP8121537	Gew.schr.	1	
15	AP8106807	Kraftstoffpumpe kplt.	1	
16	AP8121539	Sprengring	1	
17	AP8121545	Steckverbindung	3	

Einheit	RAHMEN
Code	28.30
Beschreibung	Kraftstoffpumpe II
Inspektion	1



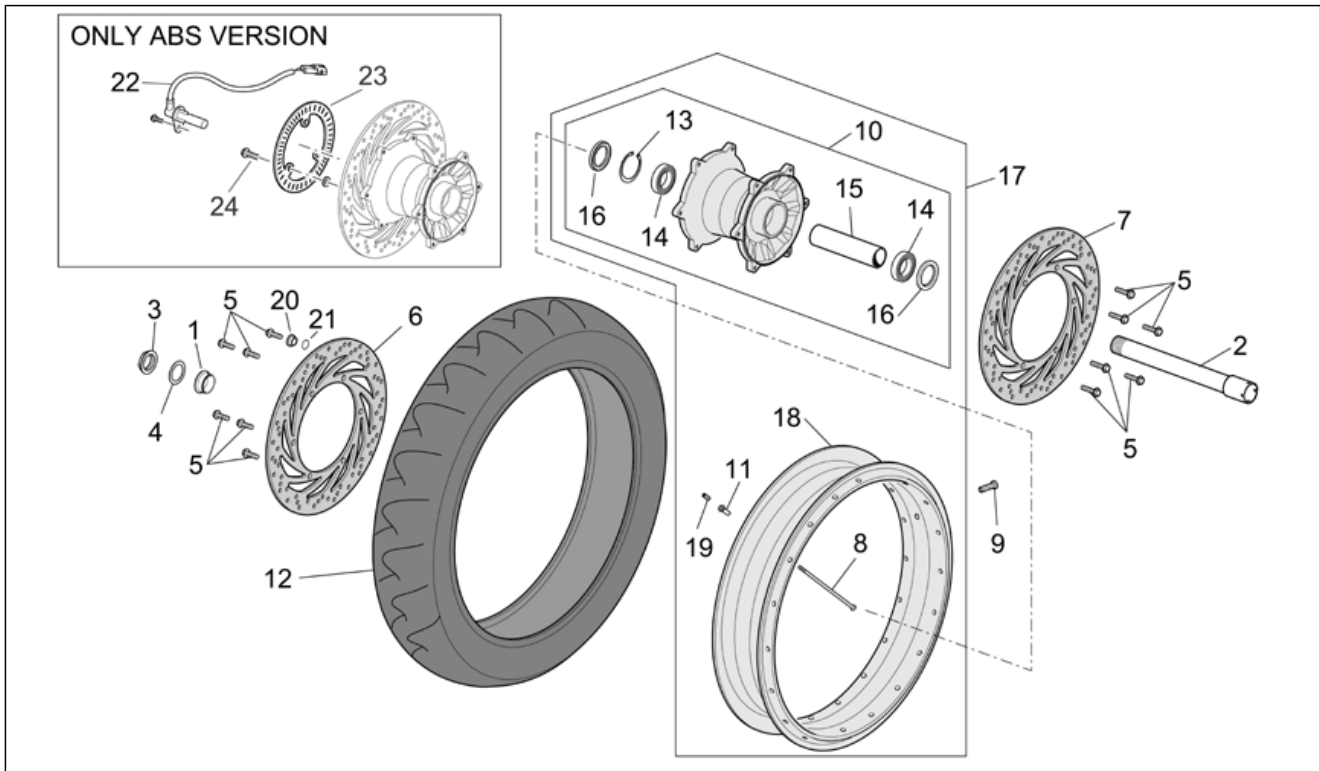
Pos.	Code	Beschreibung	Menge	Varianten
1	AP8144436	Benzinleitung	1	
2	AP8102239	Schelle 12,5x8	2	
3	AP8102829	Anschluss	1	
4	AP8144069	Kraftstoffleitung 6x13	1	
5	AP8144431	Anschluss	1	
6	AP8152272	TE Schr. m. Flansch M5x12	2	
7	AP8144623	Anschluss	1	
8	AP8144227	Dichtung	1	
9	AP8104374	Anschluss	1	
10	AP8121538	Schraube	2	
11	AP8106807	Kraftstoffpumpe kplt.	1	

Einheit	RAHMEN
Code	28.32
Beschreibung	Auspuffrohr
Inspektion	1



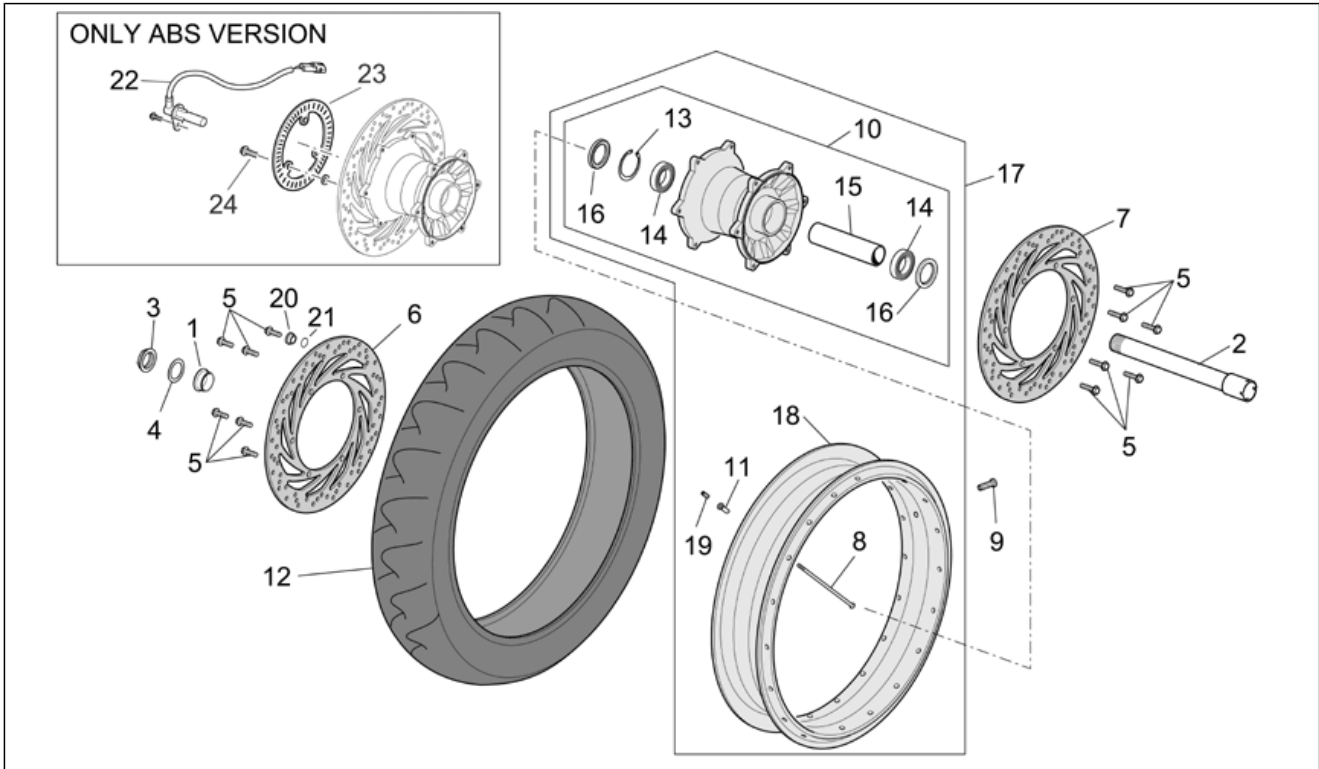
Pos.	Code	Beschreibung	Menge	Varianten
1	AP8119669	Auspufftopf rechts	1	
2	AP8119700	Auspufftopf links	1	
3	AP8121170	Feder	3	
4	AP8150018	Ausgleichscheibe	12	
5	AP8152292	TE Schr. m. Flansch	2	
6	AP8152300	Selbstsperrende Mutter M8	4	
7	AP8144071	Gummi auspuffrohr	8	
8	AP8121773	Distanzscheibe *	4	
9	AP8121513	Ausgleichscheibe 5,5X20X1	12	
10	AP8152342	TE Schr. m. Flansch M6x12	8	
11	AP8102376	Klammer M6	12	
12	AP8119786	R.Schalldämpferschutz	1	
12	AP8119787	L.Schalldämpferschutz	1	
14	AP8119523	Auspuffrohr hinten	1	
15	AP8119712	Auspuffrohr vorn	1	
16	AP8150334	Mutter M8	6	
17	AP8119414	Dichtung Auspuffrohr	2	
18	AP8119713	Hitzeschutz r. Auspuffrohr	1	
19	AP8119714	Hitzeschutz l. Auspuffrohr	1	
20	AP8119664	Deckel	2	
21	AP8150489	Ausgleichscheibe 10x14x1	2	
22	AP8127295	Lamdasonde	1	
23	AP8117203	Rechte Wärmeschutzplatte	1	
24	AP8117204	Linke Wärmeschutzplatte	1	
25	AP8121576	Scheibe	4	
26	AP8152293	TE Schr. m. Flansch	2	
27	AP8120314	Distanzbuchse	2	
28	AP8152246	TBEI Schraube m.Flansch M6x16	4	

Einheit	RAHMEN
Code	28.33
Beschreibung	Vorderrad
Inspektion	1



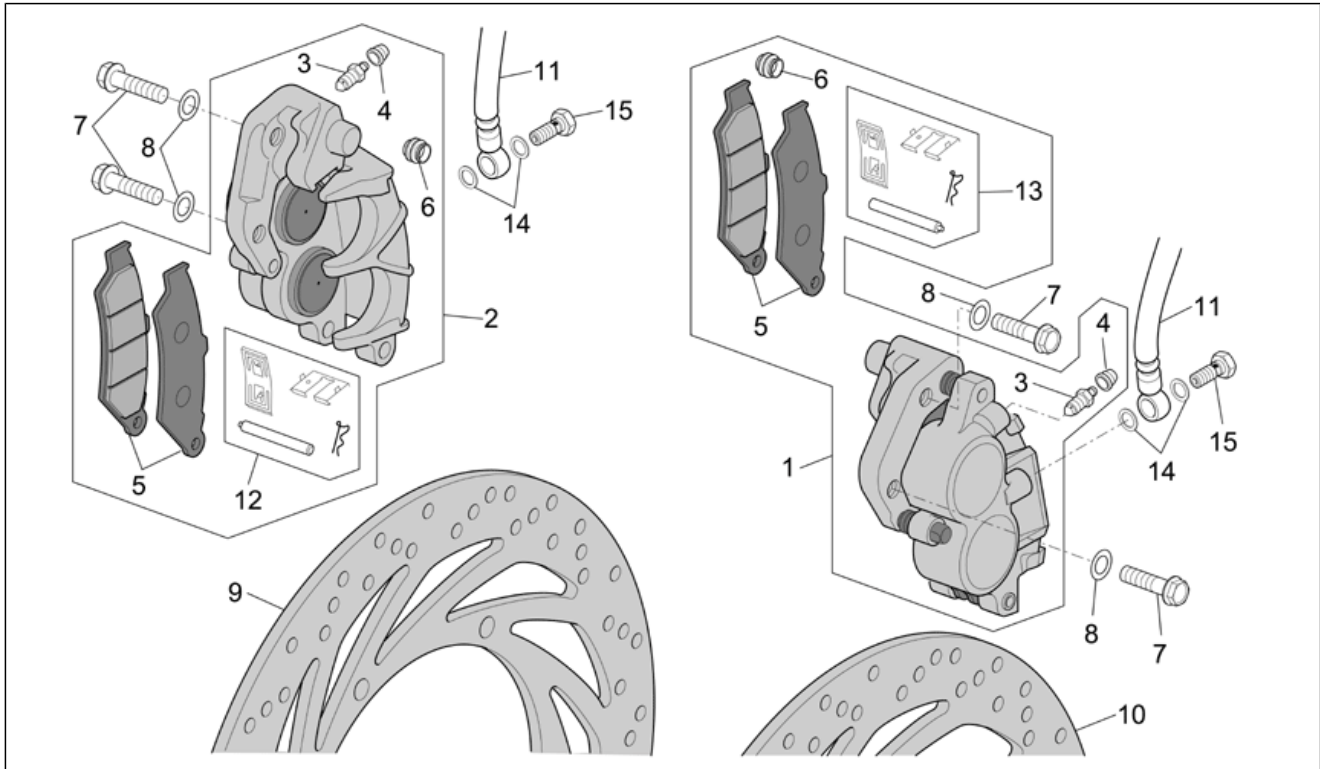
Pos.	Code	Beschreibung	Menge	Varianten
1	AP8125791	Distanzscheibe	1	
2	AP8125790	Vorderradbolzen	1	
3	AP8152335	Radbolzenmutter	1	
4	AP8152323	Ausgleichscheibe 25,2x36x1	1	
5	AP8150510	Schraube	12	Technische Daten: Version ETV Capo Nord mit ABS[abs]
5	AP8152285	TE Schr. m. Flansch	12	Technische Daten: Version ETV Capo Nord Standard[std]
6	AP8113805	Vorderradbremsscheibe	1	Technische Daten: Version ETV Capo Nord Standard[std]
6	AP8133547	Vorderradbremsscheibe	1	Technische Daten: Version ETV Capo Nord mit ABS[abs]
7	AP8113806	L. Vorderradbremsscheibe	1	Technische Daten: Version ETV Capo Nord Standard[std]
7	AP8133548	L. Vorderradbremsscheibe	1	Technische Daten: Version ETV Capo Nord mit ABS[abs]
8	AP8108784	Speiche	36	
9	AP8101744	Schlauchloses Reifenventil	1	
10	AP8125883	Nabe vorne	1	Technische Daten: Version ETV Capo Nord Standard[std]
10	AP8125910	Nabe vorne	1	Technische Daten: Version ETV Capo Nord mit ABS[abs]
11	AP8108953	Nippel	36	
12	0000000	Reifen	1	
13	AP8125868	Seegerring für Bohrung D47	1	
14	AP8125869	Lager 6005-2rs 25x47x12	2	
15	AP8125870	Interne Distanzscheibe	1	
16	AP8203074	Gasket ring	2	
17	AP8125871	Vorderrad kpl	1	Technische Daten: Version ETV Capo Nord Standard[std]
17	AP8128104	Vorderrad kpl	1	Technische Daten: Version ETV Capo Nord mit ABS[abs]
18	AP8108785	Felge D19"	1	
19	AP8150491	Feststellschraube	36	
20	AP8121640	Buchse	12	
21	AP8121641	Ring	12	
22	AP8127469	Sensor abs	1	Technische Daten: Version ETV Capo Nord mit ABS[abs]
23	AP8128004	Phonic wheel	1	Technische Daten: Version ETV Capo Nord mit ABS[abs]

Einheit	RAHMEN
Code	28.33
Beschreibung	Vorderrad
Inspektion	1



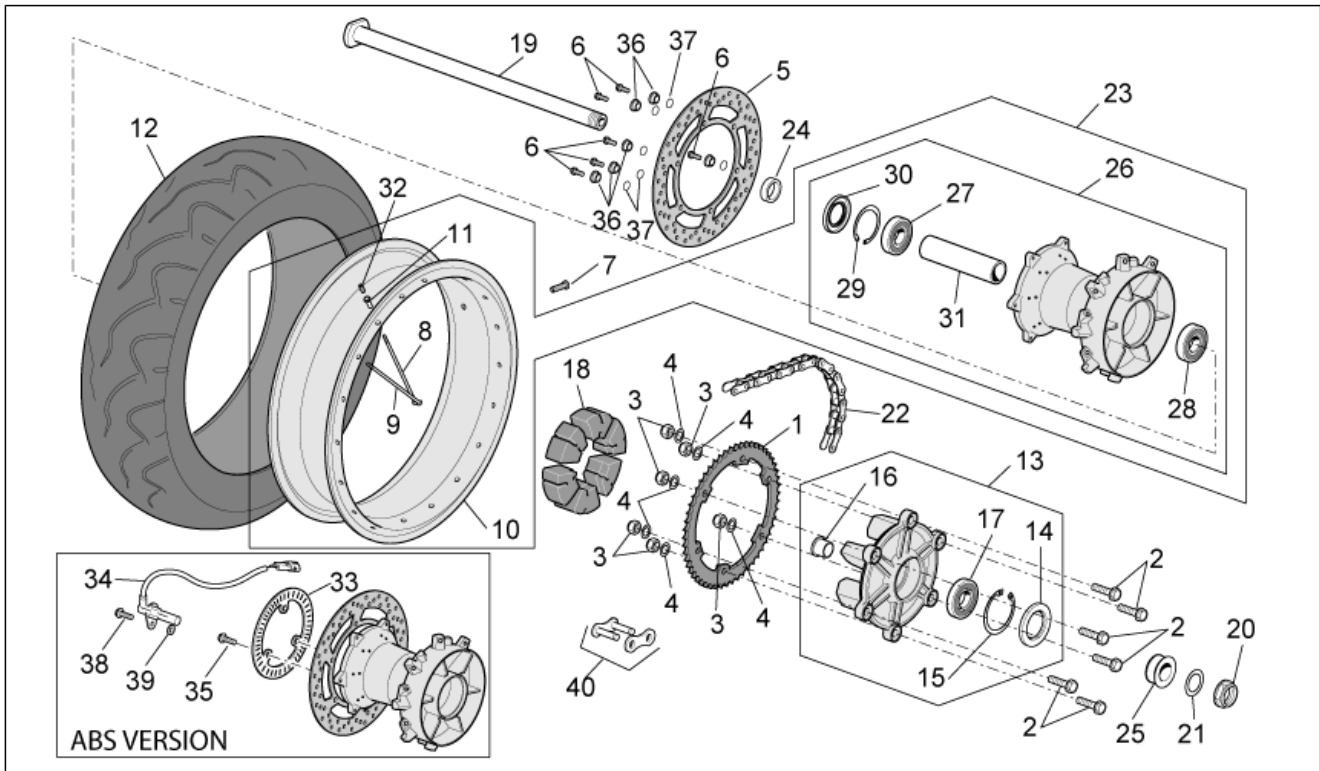
Pos.	Code	Beschreibung	Menge	Varianten
24	AP8152246	TBEI Schraube m.Flansch M6x16	3	Technische Daten:Version ETV Capo Nord mit ABS[abs]

Einheit	RAHMEN
Code	28.34
Beschreibung	Vorderradbremzange
Inspektion	1



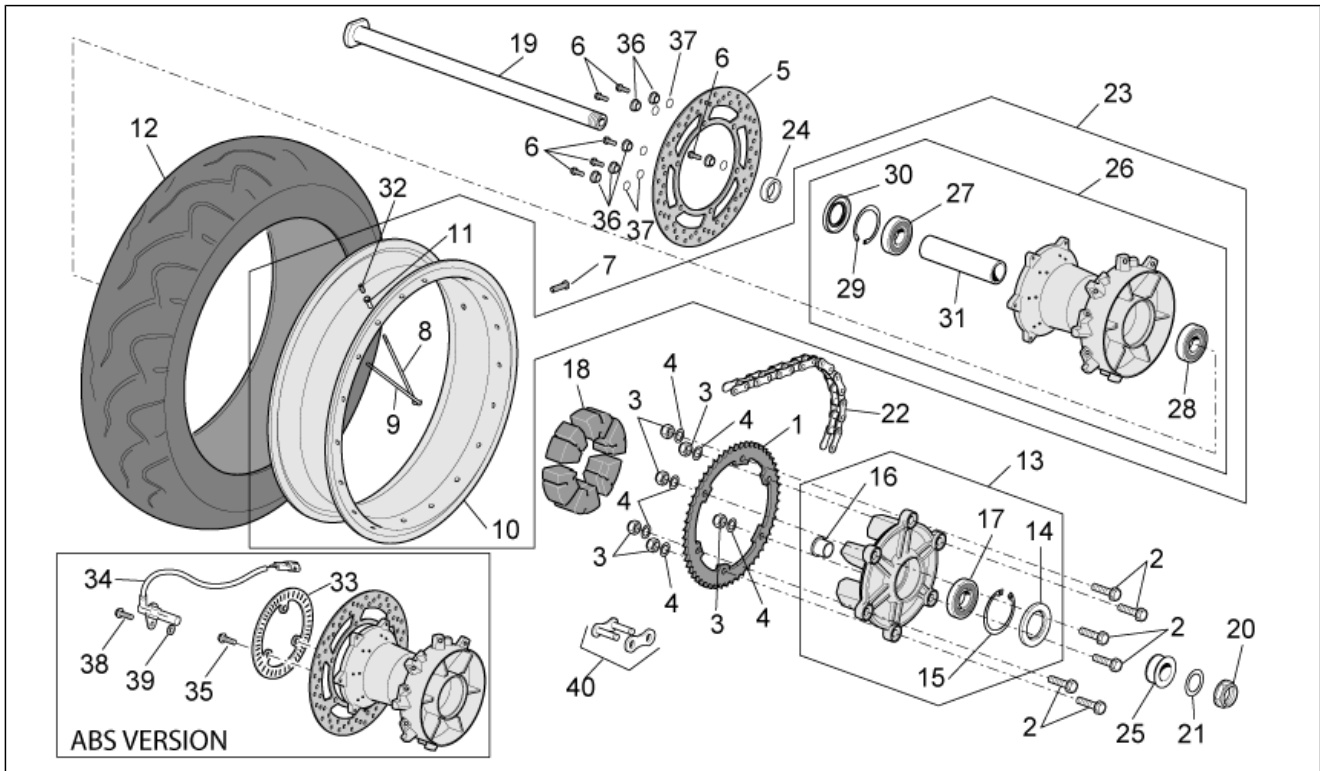
Pos.	Code	Beschreibung	Menge	Varianten
1	AP8133622	Vorderradbremzange l.	1	
2	AP8133623	Vorderradbremzange r.	1	
3	AP8113549	Entlüftungsanschluß	2	
4	AP8113070	Entlüftungskappe	2	
5	AP8113988	Beläge (Paar)	2	
6	AP8113548	Haube	2	
7	AP8152318	TE Schr. m. Flansch M10x35	4	
8	AP8150292	Gebogene Sprengscheibe *	4	
9	AP8113805	Vorderradbremsscheibe	1	
10	AP8113806	L. Vorderradbremsscheibe	1	
11	AP8113807	Vorderradbremtleitung	1	Technische Daten: Version ETV Capo Nord Standard[std]
12	AP8113989	R. Bolzen+Bremzangenfeder	1	
13	AP8113990	L. Bolzen+Bremzangenfeder	1	
14	AP8121915	Dichtung	4	
15	AP8113003	Fixierschraube Ölschlauch	2	

Einheit	RAHMEN
Code	28.35
Beschreibung	Hinterrad
Inspektion	1



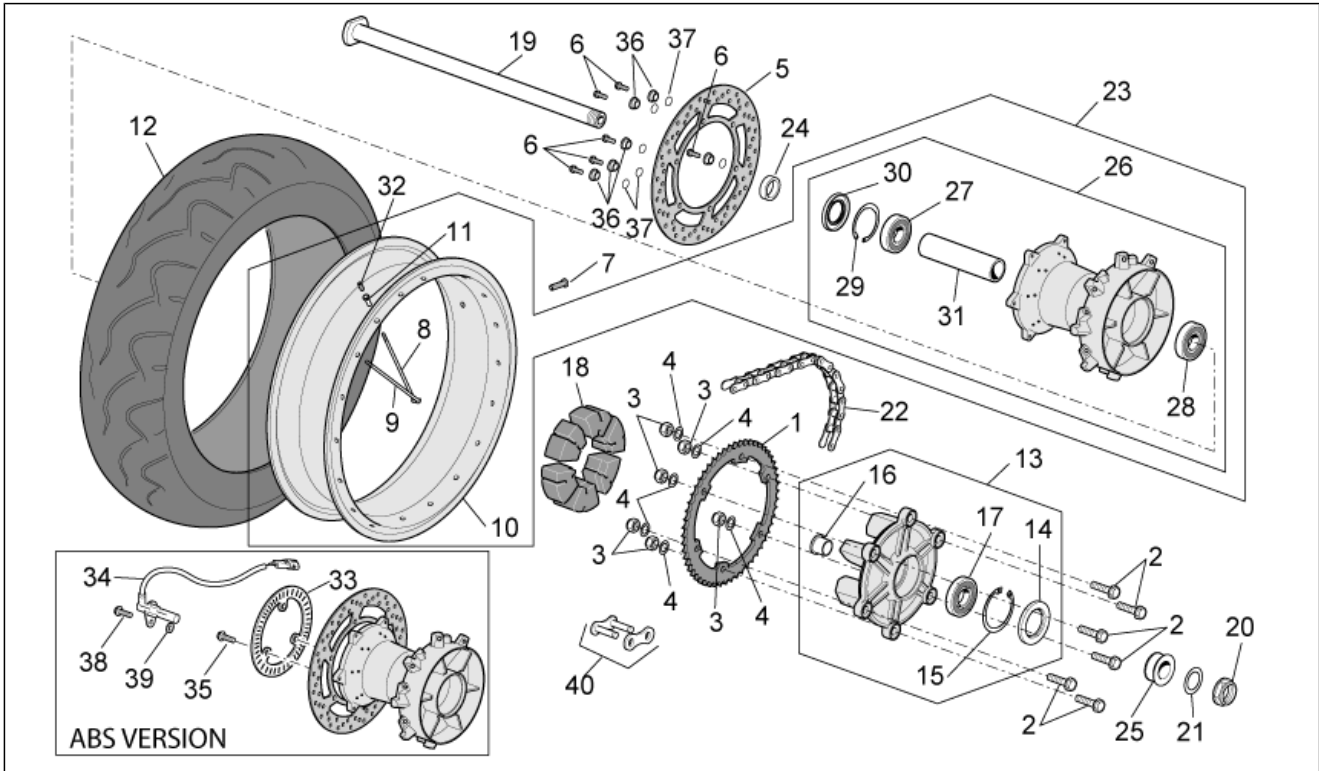
Pos.	Code	Beschreibung	Menge	Varianten
1	AP8107129	Zahnkranz	1	
2	AP8152318	TE Schr. m. Flansch M10x35	6	
3	AP8152242	Mutter	6	
4	AP8150292	Gebogene Sprengscheibe *	6	
5	AP8113808	Vorderradbremsscheibe	1	Baujahr: 2004[4] Technische Daten: Version ETV Capo Nord mit ABS[abs]
5	AP8113808	Vorderradbremsscheibe	1	Technische Daten: Version ETV Capo Nord Standard[std]
5	AP8133746	Vorderradbremsscheibe	1	Baujahr: 2005[5], 2006[6], 2007[7] Technische Daten: Version ETV Capo Nord mit ABS[abs]
5	AP8133746	Vorderradbremsscheibe	1	Baujahr: 2004[4] Technische Daten: Version ETV Capo Nord mit ABS[abs]
6	AP8150510	Schraube	6	Baujahr: 2005[5], 2006[6], 2007[7] Technische Daten: Version ETV Capo Nord mit ABS[abs]
6	AP8150510	Schraube	6	Baujahr: 2004[4] Technische Daten: Version ETV Capo Nord mit ABS[abs]
6	AP8152285	TE Schr. m. Flansch	6	Baujahr: 2004[4] Technische Daten: Version ETV Capo Nord mit ABS[abs]
6	AP8152285	TE Schr. m. Flansch	6	Technische Daten: Version ETV Capo Nord Standard[std]
6	AP8152285	TE Schr. m. Flansch	6	Baujahr: 2005[5], 2006[6], 2007[7] Technische Daten: Version ETV Capo Nord mit ABS[abs]
7	AP8101744	Schlauchloses Reifenventil	1	
8	AP8108787	Speiche 3,5	18	
9	AP8108805	Speiche	18	
10	AP8108788	Felge D17"	1	
11	AP8108953	Nippel	36	
12	0000000	Reifen	1	
13	AP8125794	Radkranzhalter kplt.	1	
14	AP8125878	Gasket ring	1	
15	AP8125879	Seegerring	1	
16	AP8125880	Distanzscheibe	1	

Einheit	RAHMEN
Code	28.35
Beschreibung	Hinterrad
Inspektion	1



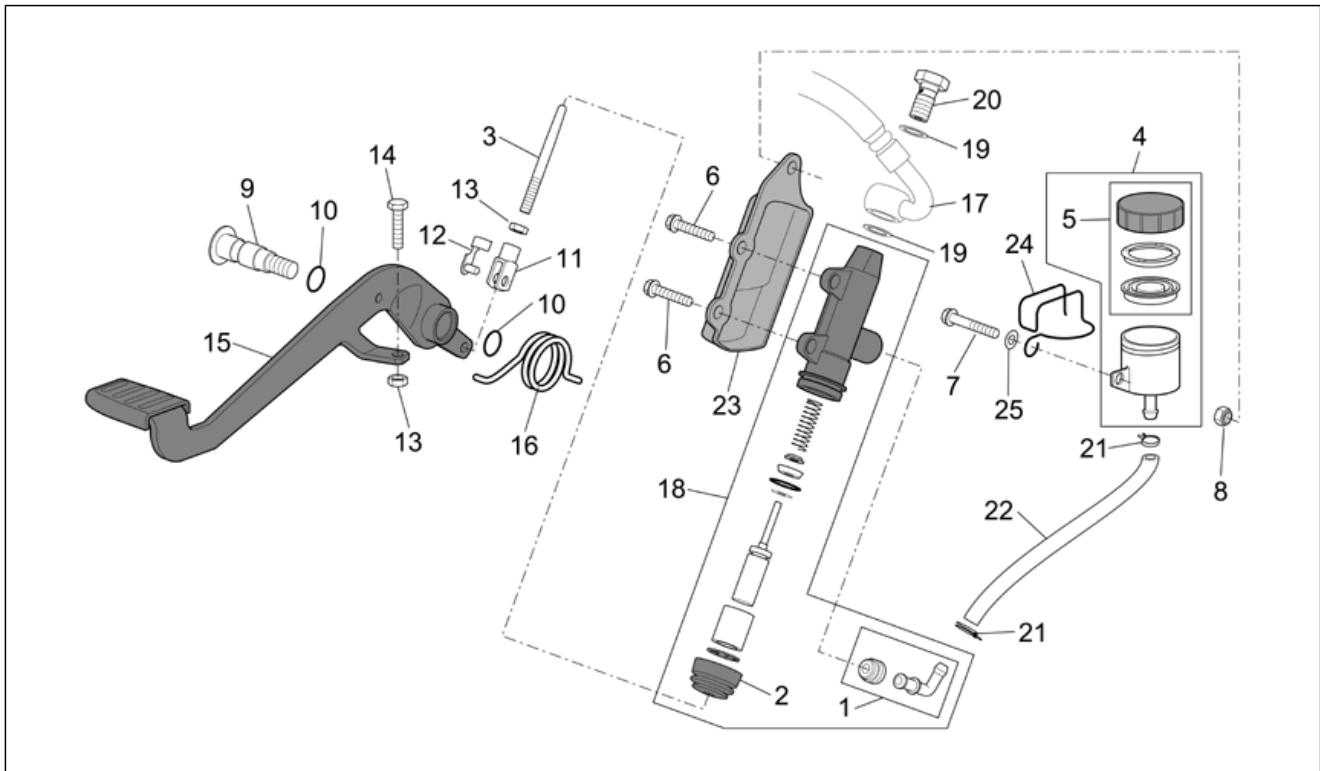
Pos.	Code	Beschreibung	Menge	Varianten
17	AP8125881	Lager	1	
18	AP8125798	Stoßschutzgummi	6	
19	AP8125796	Hinterradbolzen	1	
20	AP8125763	Hinterradbolzen mut.	1	
21	AP8125687	U-scheibe Hint.radbolz	1	
22	AP8107130	Kette	1	
23	AP8125877	Hinterrad kpl	1	Technische Daten: Version ETV Capo Nord Standard[std]
23	AP8128103	Hinterrad kpl	1	Technische Daten: Version ETV Capo Nord mit ABS[abs]
24	AP8125799	Distanzscheibe	1	
25	AP8125800	Distanzscheibe	1	
26	AP8125907	Nabe hinten	1	Technische Daten: Version ETV Capo Nord Standard[std]
26	AP8125911	Nabe hinten	1	Technische Daten: Version ETV Capo Nord mit ABS[abs]
27	AP8125872	Lager 6304-2RS 20x52x15	1	
28	AP8125873	Lager 6204-2RS 20x47x14	1	
29	AP8125874	Seegerring für Bohrung D52	1	
30	AP8125875	Ölabstreifring 30x52x7	1	
31	AP8125876	Distanzscheibe	1	
32	AP8150491	Feststellschraube	36	
33	AP8128004	Phonic wheel	1	Technische Daten: Version ETV Capo Nord mit ABS[abs]
34	AP8127469	Sensor abs	1	Technische Daten: Version ETV Capo Nord mit ABS[abs]
35	AP8152246	TBEI Schraube m.Flansch M6x16	3	Technische Daten: Version ETV Capo Nord mit ABS[abs]
36	AP8121640	Buchse	6	Baujahr: 2004[4] Technische Daten: Version ETV Capo Nord mit ABS[abs]
36	AP8121640	Buchse	6	Baujahr: 2005[5], 2006[6], 2007[7] Technische Daten: Version ETV Capo Nord mit ABS[abs]
37	AP8121641	Ring	6	Baujahr: 2005[5], 2006[6], 2007[7] Technische Daten: Version ETV Capo Nord mit ABS[abs]
37	AP8121641	Ring	6	Baujahr: 2004[4] Technische Daten: Version ETV Capo Nord mit ABS[abs]

Einheit	RAHMEN
Code	28.35
Beschreibung	Hinterrad
Inspektion	1



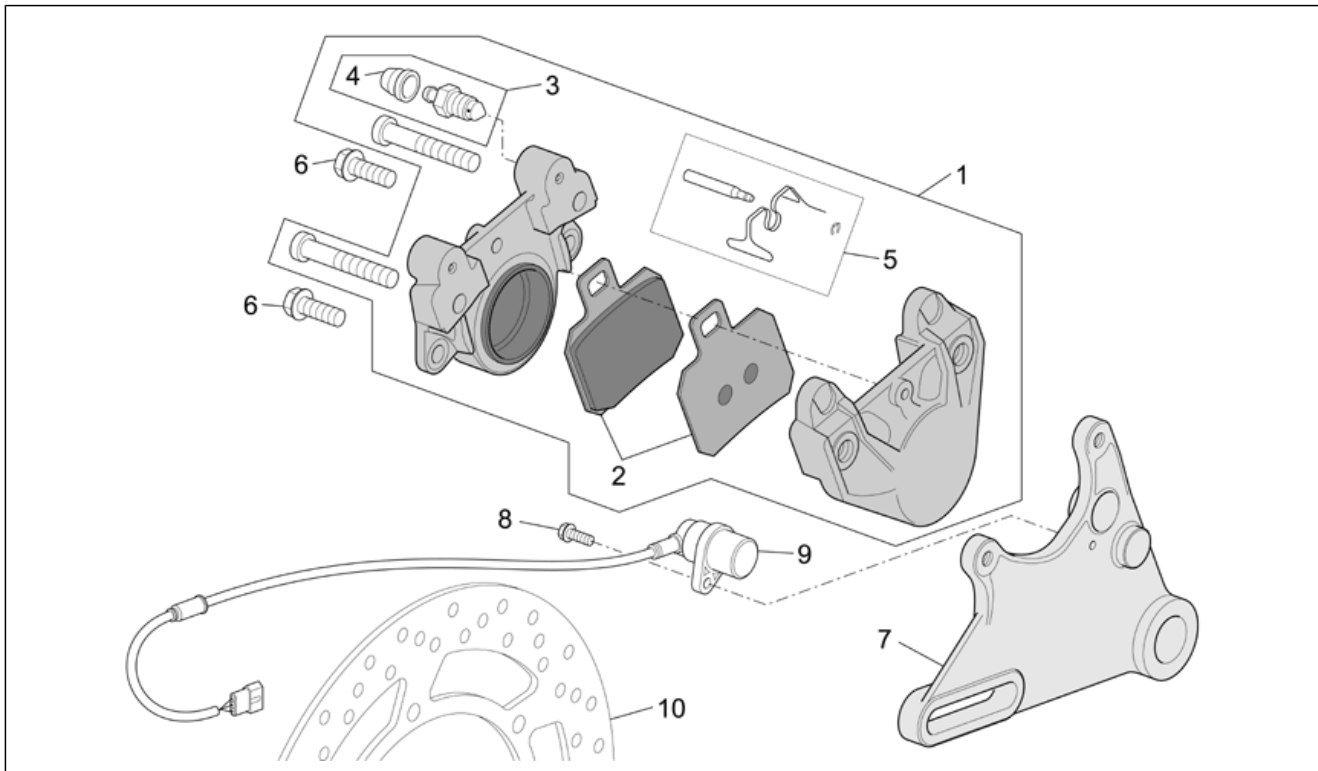
Pos.	Code	Beschreibung	Menge	Varianten
38	AP8152279	TE Schr. m. Flansch M6x20	1	Technische Daten: Version ETV Capo Nord mit ABS[abs]
39	AP8161025	Paßscheibe	1	Baujahr: 2004[4] Technische Daten: Version ETV Capo Nord mit ABS[abs]
39	AP8161025	Paßscheibe	1	Baujahr: 2005[5], 2006[6], 2007[7] Technische Daten: Version ETV Capo Nord mit ABS[abs]
40	AP8107150	Verbindungsglied	1	

Einheit	RAHMEN
Code	28.36
Beschreibung	Hinterradbremspumpe
Inspektion	1



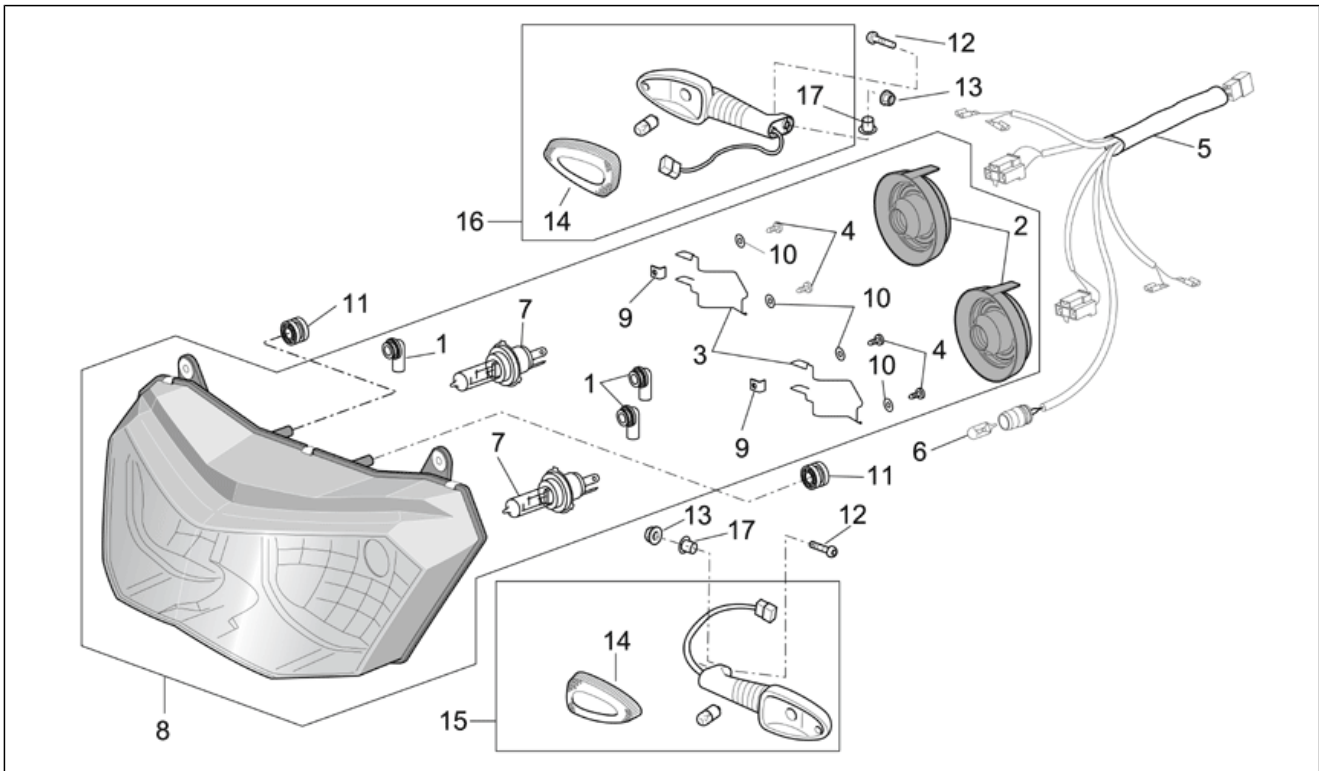
Pos.	Code	Beschreibung	Menge	Varianten
1	AP8213057	Hinterer Pumpenanschluß	1	
2	AP8113288	Gummibalg	1	
3	AP8134248	Pumpenstange brems	1	
4	AP8113241	Bremsöltank	1	
5	AP8113553	Tankverschluß	1	
6	AP8152280	TE Schr. m. Flansch M6x25	4	
7	AP8152278	TE Schr. m. Flansch M6x16	1	
8	AP8150430	Selbstsperr.mut Unt.	1	
9	AP8121223	Stift Hinterradbremsh.	1	
10	AP8144007	O-Ring 11,11x1,78	2	
11	AP8113081	Schaltgabel	1	
12	AP8113082	Klemmen für Schaltgabel	1	
13	AP8150026	Mutter M6	2	
14	AP8150072	Sechskantschraube M6x25	1	
15	AP8146196	H.bremshebel	1	
16	AP8125849	Bremshebelfeder	1	
17	AP8113809	Hinterradbremseleitung	1	Technische Daten: Version ETV Capo Nord Standard[std]
18	AP8113939	Hinterradbremspumpe	1	Technische Daten: Version ETV Capo Nord Standard[std]
18	AP8133643	Hinterradbremspumpe	1	Technische Daten: Version ETV Capo Nord mit ABS[abs]
19	AP8121915	Dichtung	2	
20	AP8113003	Fixierschraube Ölschlauch	1	
21	AP8101595	Schelle D10,1	2	
22	AP8144151	Gummischlauch	1	
23	AP8148337	Bremse pumpenschutz	1	
24	AP8121504	Verschlussdeckel	1	
25	AP8150429	Sprengscheibe 6,4x11x0,5*	1	

Einheit	RAHMEN
Code	28.37
Beschreibung	Hinterradbremzange
Inspektion	1



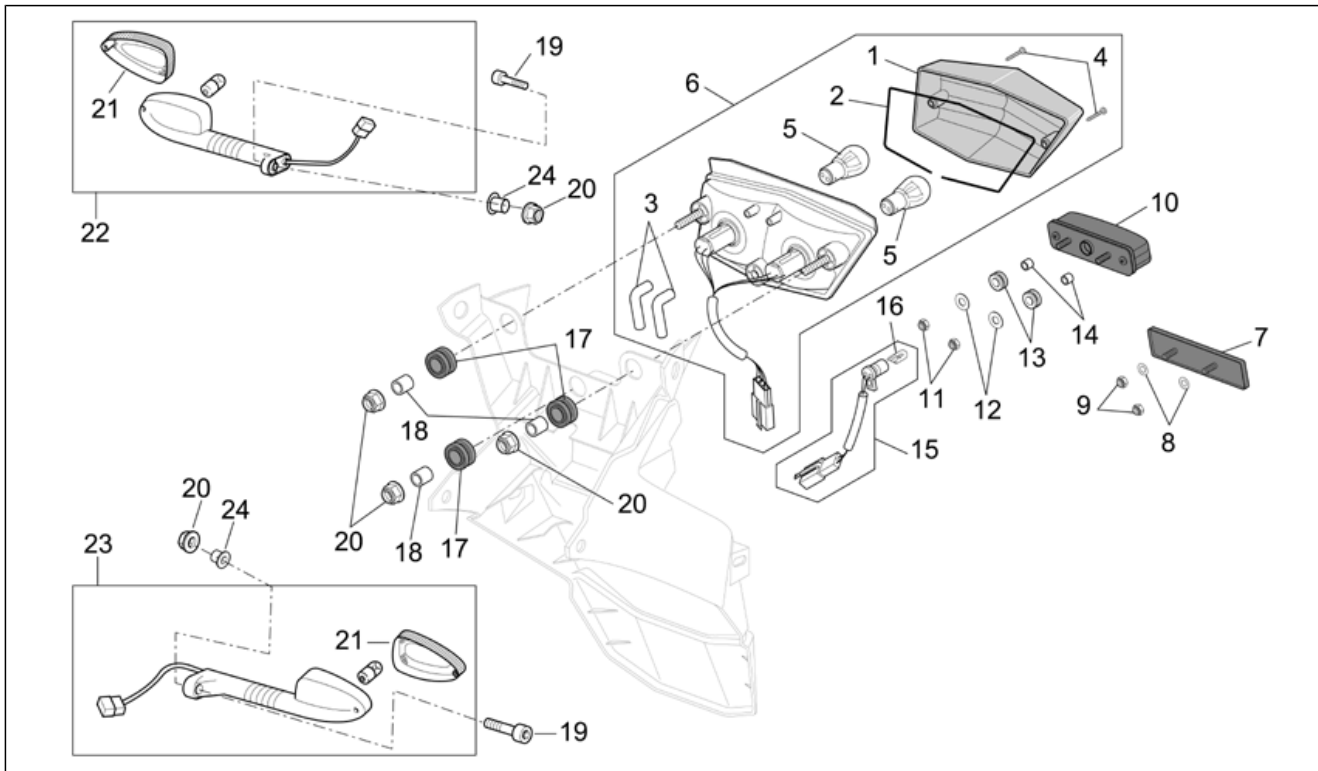
Pos.	Code	Beschreibung	Menge	Varianten
1	AP8113810	Hinterradbremzange	1	Technische Daten: Version ETV Capo Nord Standard[std]
1	AP8133748	Hinterradbremzange	1	Technische Daten: Version ETV Capo Nord mit ABS[abs]
2	AP8133542	Beläge (Paar)	1	
3	AP8113895	Entlüftungsanschluß	1	
4	AP8113070	Entlüftungskappe	1	
5	AP8113752	Stift+Splint Bremse	1	
6	AP8152286	TE Schr. m. Flansch M8x20	2	
7	AP8134534	Fixierplatte	1	Technische Daten: Version ETV Capo Nord Standard[std]
7	AP8134933	Fixierplatte	1	Baujahr: 2004[4] Technische Daten: Version ETV Capo Nord mit ABS[abs]
7	AP8146900	Fixierplatte	1	Baujahr: 2005[5], 2006[6], 2007[7] Technische Daten: Version ETV Capo Nord mit ABS[abs]
7	AP8146900	Fixierplatte	1	Baujahr: 2004[4] Technische Daten: Version ETV Capo Nord mit ABS[abs]
8	AP8152278	TE Schr. m. Flansch M6x16	1	
9	AP8124985	Kilom.zählersens. kpl.	1	
10	AP8113808	Vorderradbremsscheibe	1	

Einheit	RAHMEN
Code	28.38
Beschreibung	Vorderer Lichter
Inspektion	1



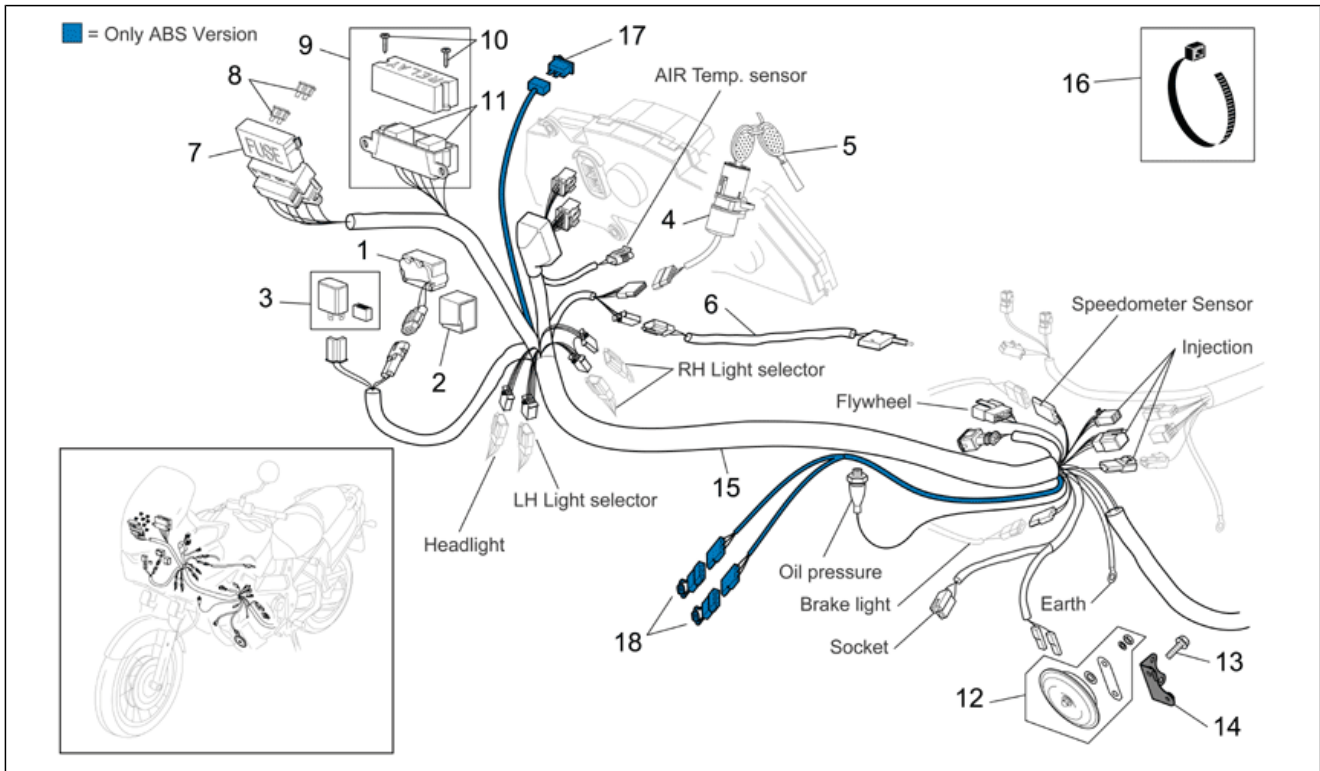
Pos.	Code	Beschreibung	Menge	Varianten
1	AP8127160	Kondensschutzgummi	3	
2	AP8127161	Scheinwerferhaube	2	
3	AP8127162	Feder	2	
4	AP8127163	Schraube	4	
5	AP8127525	Verkabel.Scheinwerf.	1	
6	AP8127164	Lampen W3W 12V	1	
7	AP8127121	Lampen H4 12V-60/55W	2	
8	AP8124587	Scheinwerfer	1	Land:DK, E, I[EU]
8	AP8127111	Scheinwerfer	1	Land:Australien[AA], Irland[EI], Großbritannien[UK]
8	AP8127124	Scheinwerfer	1	Land:Vereinigte Staaten von Amerika[USA]
9	AP8127165	Anschlagplatte	2	
10	AP8150199	Scheibe	4	
11	AP8220150	Gummi	2	
12	AP8150044	TCEI Schraube M6x20	2	
13	AP8150430	Selbstsperr.mut Unt.	2	
14	AP8127552	Blinkerblende	1	
15	AP8127515	Vorderblinker links	1	
16	AP8127514	Vorderblinker rechts	1	
17	AP8121929	T-Buchse 6,5x8,6x9	2	

Einheit	RAHMEN
Code	28.39
Beschreibung	Hinterer Lichter
Inspektion	1



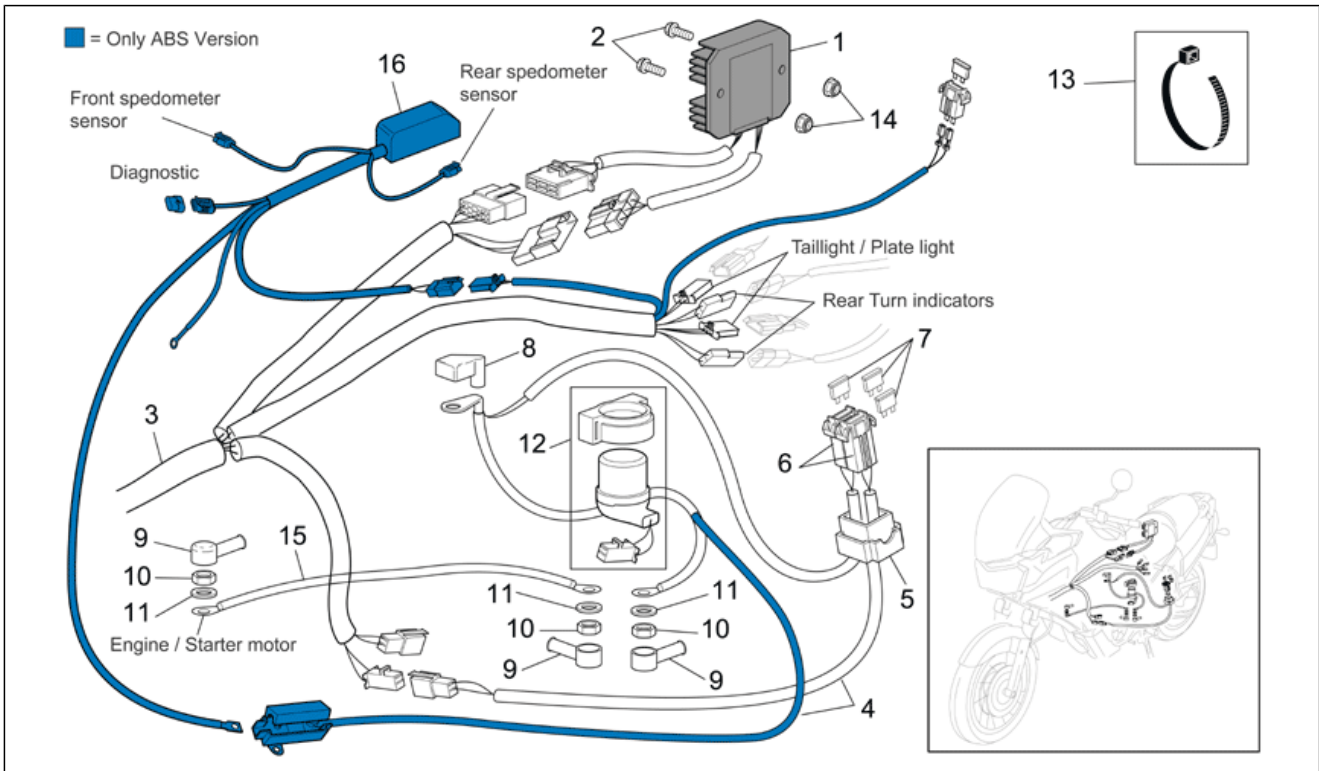
Pos.	Code	Beschreibung	Menge	Varianten
1	AP8127170	Rücklichtblende	1	
2	AP8127166	Dichtung D3	1	
3	AP8127171	Lüftungsröhrchen	2	
4	AP8127172	Gew.schr. 3,5x19	2	
5	AP8224389	Lampen P21/5W 12V	2	
6	AP8124583	Rücklicht	1	
7	AP8112916	Rückstrahler Rücklicht	1	
8	AP8150158	Ausgleichscheibe 4,3X9X0,8	2	
9	AP8150204	Mutter M4	2	
10	AP8212702	Kennzeichenleuchte	1	
11	AP8150451	Selbstsperr.mut Unt.	2	
12	AP8150382	Ausgleichscheibe 15x5,5X1,2	2	
13	AP8120405	Gummi	2	
14	AP8221036	Buchse 5,3x8x7,1	2	
15	AP8127072	Kennzeich.leuch.Kabel	1	
16	AP8224393	Lampen WY5W 12V	1	
17	AP8220150	Gummi	3	
18	AP8221017	Distanzscheibe	3	
19	AP8150044	TCEI Schraube M6x20	2	
20	AP8150430	Selbstsperr.mut Unt.	2	
21	AP8127552	Blinkerblende	1	
22	AP8127515	Vorderblinker links	1	
23	AP8127514	Vorderblinker rechts	1	
24	AP8121929	T-Buchse 6,5x8,6x9	2	

Einheit	RAHMEN
Code	28.40
Beschreibung	Elektrische anlage I
Inspektion	1



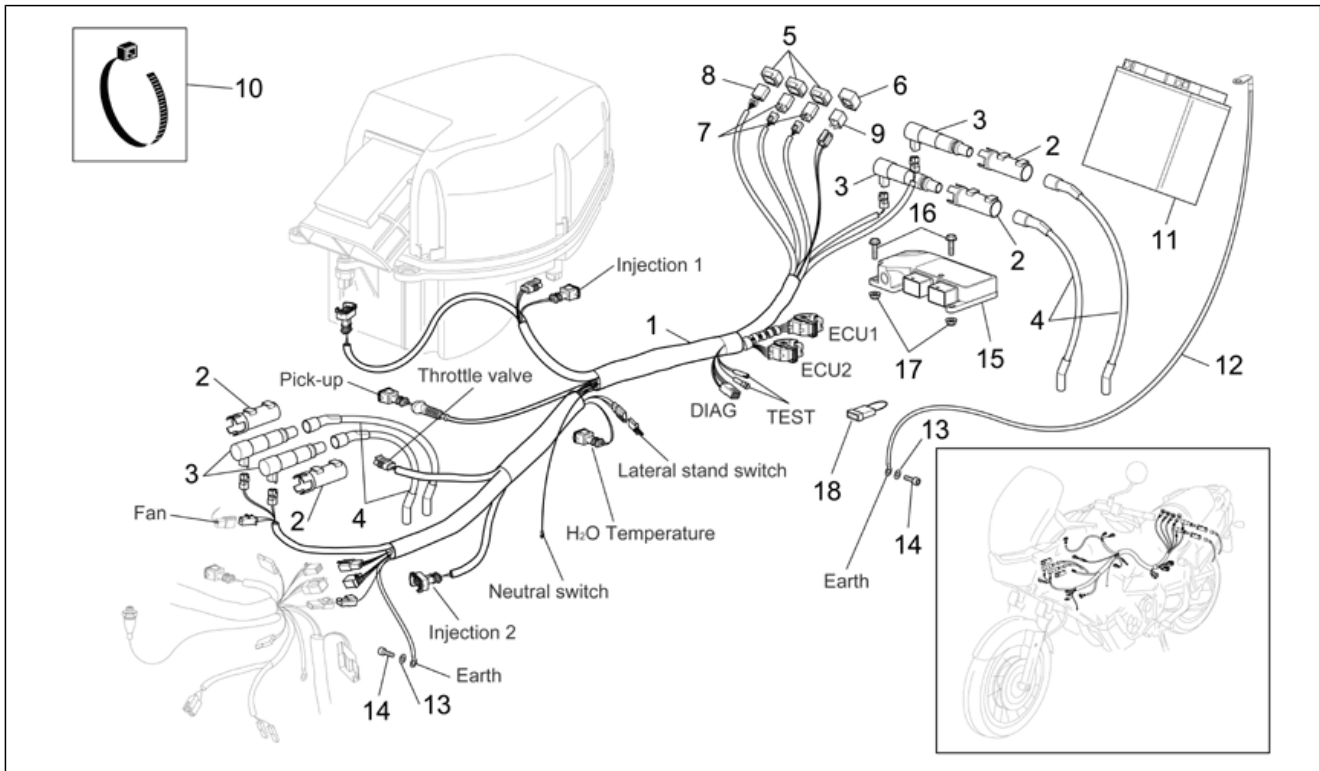
Pos.	Code	Beschreibung	Menge	Varianten
1	AP8124266	Neigungsfühler	1	
2	AP8144046	Sensor halter gummi	1	
3	AP8124235	Blinken	1	
4	AP8104941	Lenkschloß	1	Land: Vereinigte Staaten von Amerika[USA]
4	AP8124895	Lenkschloß	1	Land: Australien[AA], Irland[EI], DK, E, I[EU], Großbritannien[UK]
5	AP8104185	Schl. gefr. Aprilia	1	
6	AP8113998	Mikroschalter	1	
7	AP8124274	Sicherungskasten	1	
8	AP8112176	Sicherung 15A	8	
9	AP8124293	Relaisträger	1	
10	AP8150421	Gew.schr. 2,9x12	2	
11	AP8124277	Zündrelais	2	
12	AP8127509	Hupe	1	
13	AP8152285	TE Schr. m. Flansch	1	
14	AP8134678	Platte	1	
15	AP8127298	Hauptverkabelung	1	Technische Daten: Version ETV Capo Nord Standard[std]
15	AP8127468	Hauptverkabelung	1	Technische Daten: Version ETV Capo Nord mit ABS[abs]
16	AP8120416	Schelle schwarz 178x4	20	
17	AP8127470	Knopf	1	Technische Daten: Version ETV Capo Nord mit ABS[abs]
18	AP8127491	Diode	2	Technische Daten: Version ETV Capo Nord mit ABS[abs]

Einheit	RAHMEN
Code	28.41
Beschreibung	Elektrische anlage II
Inspektion	1



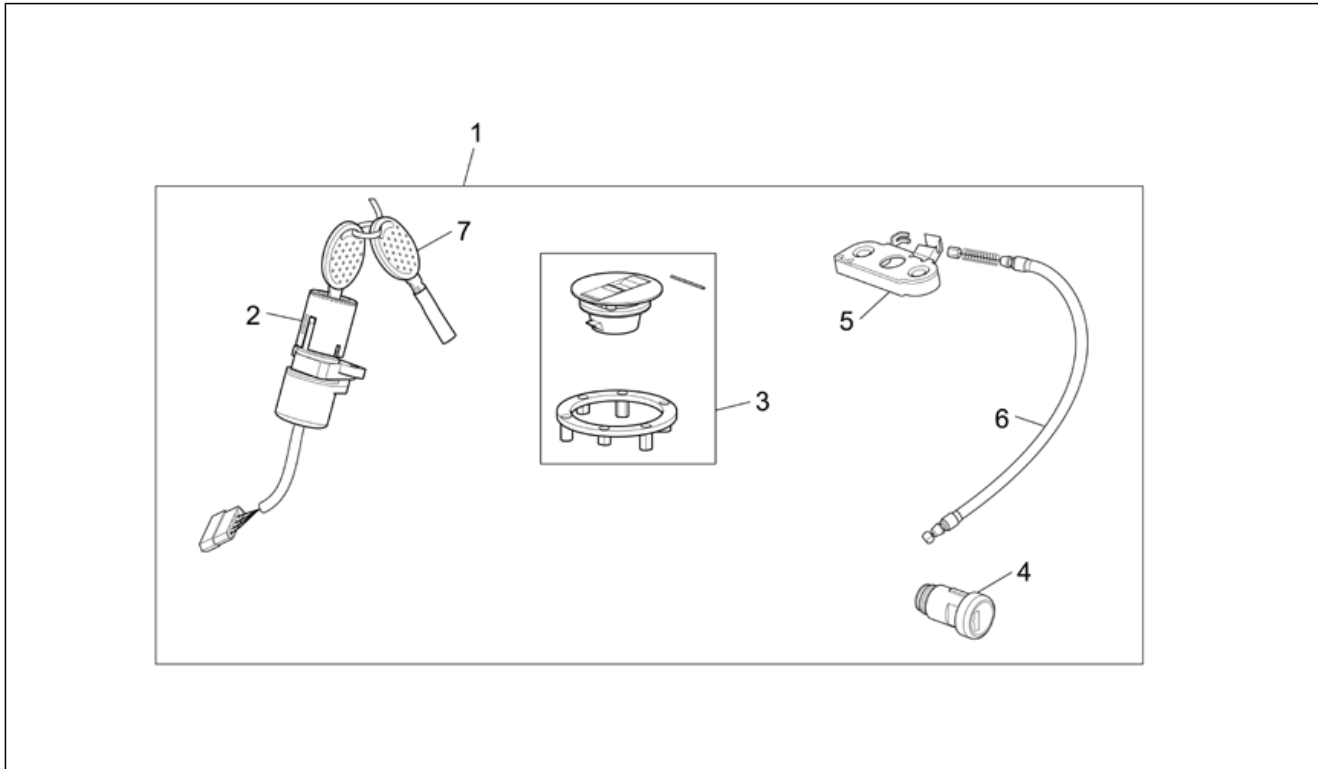
Pos.	Code	Beschreibung	Menge	Varianten
1	AP8124831	Spannungsregler	1	
2	AP8152281	TE Schr. m. Flansch M6x30	2	
3	AP8127298	Hauptverkabelung	1	Technische Daten: Version ETV Capo Nord Standard[std]
3	AP8127468	Hauptverkabelung	1	Technische Daten: Version ETV Capo Nord mit ABS[abs]
4	AP8124579	Verkabelung Sicherungen	1	Technische Daten: Version ETV Capo Nord Standard[std]
4	AP8127467	Verkabelung Sicherungen	1	Technische Daten: Version ETV Capo Nord mit ABS[abs]
5	AP8112811	Sicherungsblockgummi	1	
6	AP8120754	Sicherungsblockgummi	2	
7	AP8124273	Sicherung 30a	3	
8	AP8112940	Kappe Pluspol	1	
9	AP8120218	Klemmenkappe	3	
10	AP8150026	Mutter M6	3	
11	AP8150429	Sprengscheibe 6,4x11x0,5*	3	
12	AP8112927	Zündrelais 12V-150A	1	
13	AP8120416	Schelle schwarz 178x4	20	
14	AP8152299	Selbstsperrende Mutter M6	2	
15	AP8124454	Anlasserkabel	1	
16	AP8127471	Kabel Steuereinheit	1	Technische Daten: Version ETV Capo Nord mit ABS[abs]

Einheit	RAHMEN
Code	28.42
Beschreibung	Elektrische Anlage III
Inspektion	1



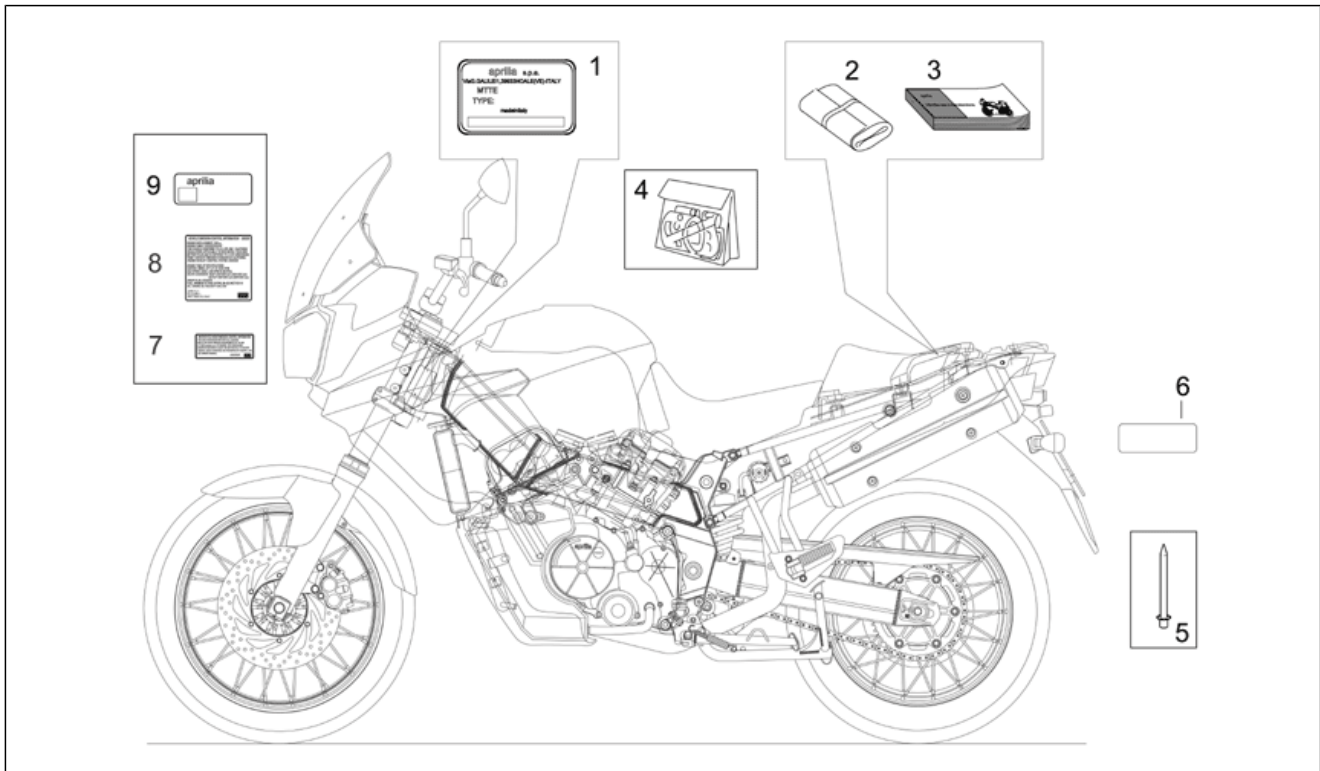
Pos.	Code	Beschreibung	Menge	Varianten
1	AP8127235	Kabel Einspritzsystem	1	Land:Vereinigte Staaten von Amerika[USA]
1	AP8127297	Kabel Einspritzsystem	1	Land:Australien[AA], Irland[EI], DK, E, I[EU], Großbritannien[UK]
2	AP8134653	Halter Steuergerät	4	
3	AP8124864	Spule	4	
4	AP8127115	Zuendkabel	4	
5	AP8220283	Gummi *	3	
6	AP8220546	Auflagegummi Relais	1	
7	AP8224462	Zündrelais 12V-30A	2	
8	AP8124289	Dioden	1	
9	AP8124869	Relais Einspritzung	1	
10	AP8120416	Schelle schwarz 178x4	20	
11	AP8124284	Batterie	1	
12	AP8127071	Masse-Batteriekabel	1	
13	AP8150014	Ausgleichscheibe 6,4x12,5*	2	
14	AP8152123	TCEI Schraube	2	
15	AP8127343	Steuergerät	1	
16	AP8152279	TE Schr. m. Flansch M6x20	2	
17	AP8152299	Selbstsperrende Mutter M6	2	
18	AP8212382	Diode	1	

Einheit	RAHMEN
Code	28.43
Beschreibung	Bausatz Schlösser
Inspektion	1



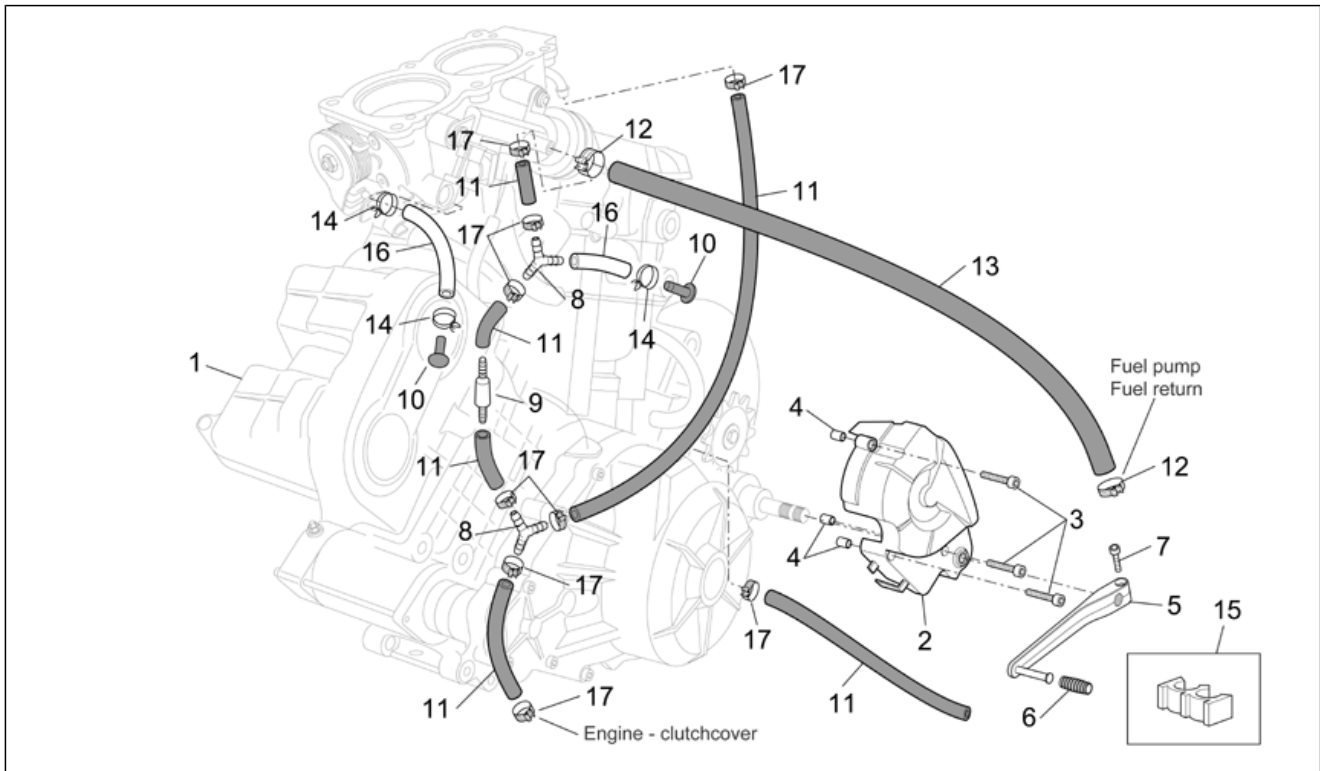
Pos.	Code	Beschreibung	Menge	Varianten
1	AP8102974	Kit Schließvorrichtungen	1	Land: Australien[AA], Irland[EI], DK, E, I[EU], Großbritannien[UK]
1	AP8104388	Kit Schließvorrichtungen	1	Land: Vereinigte Staaten von Amerika[USA]
2	AP8104941	Lenkschloß	1	Land: Vereinigte Staaten von Amerika[USA]
2	AP8124895	Lenkschloß	1	Land: Australien[AA], Irland[EI], DK, E, I[EU], Großbritannien[UK]
3	AP8104529	Tankfüllschraube	1	
4	AP8104154	Sitzschloß	1	
5	AP8102913	Fixierplatte Soziussitz	1	
6	AP8104345	Schloßkabel	1	
7	AP8104185	Schl. gefr. Aprilia	1	

Einheit	RAHMEN
Code	28.44
Beschreibung	Abzieh. + Schilder
Inspektion	1



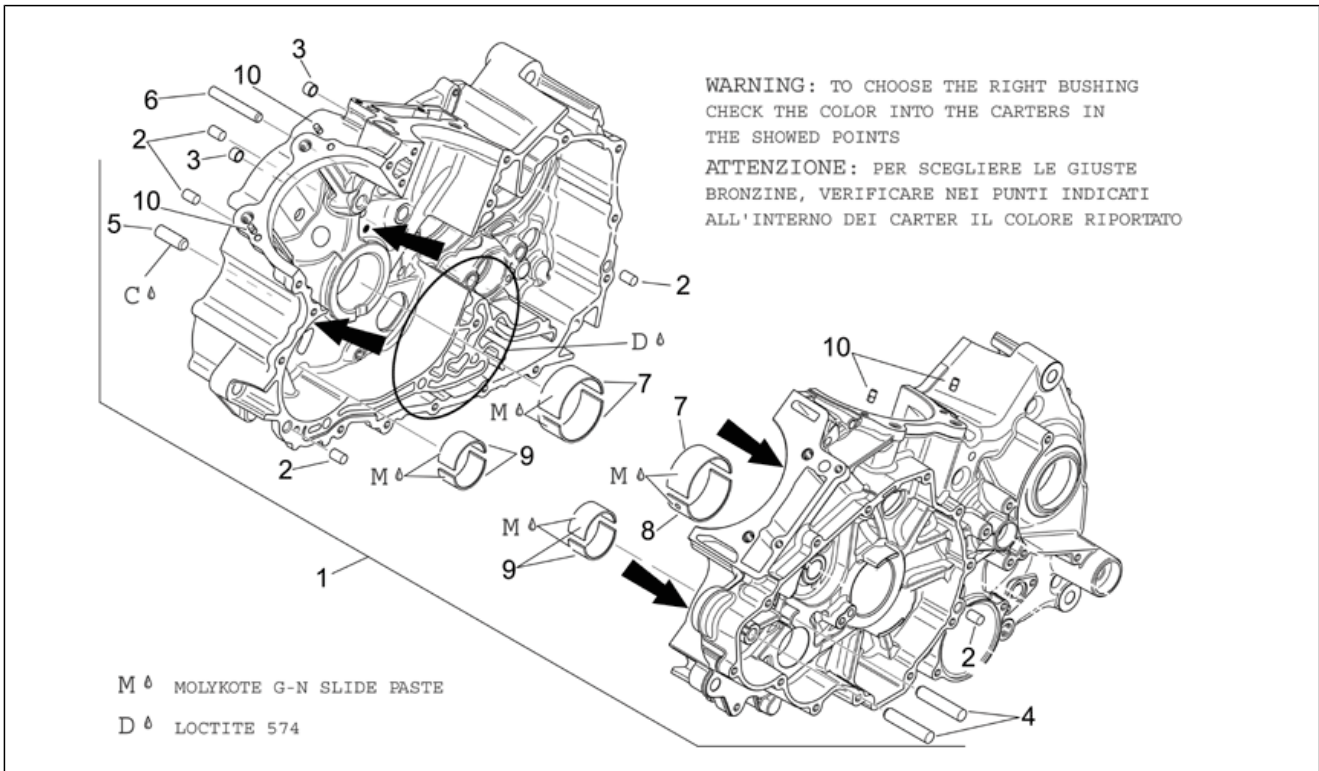
Pos.	Code	Beschreibung	Menge	Varianten
1	AP8167651	Herstellerschild	1	Land:Vereinigte Staaten von Amerika[USA]
1	AP8167753	Herstellerschild	1	
1	AP8177895	Herstellerschild	1	Land:Australien[AA]
2	AP8102920	Werkzeugtasche	1	
3	AP8104595	Bed./Wart.-Anleit.	1	Land:DK, E, I[EU]
3	AP8104781	Bed./Wart.-Anleit.	1	Land:Australien[AA], Irland[EI], Großbritannien[UK]
3	AP8104918	Bed./Wart.-Anleit.	1	Land:Vereinigte Staaten von Amerika[USA]
4	AP8166233	Deko Serie	1	Baujahr:2004[4] Fahrzeugfarbe:Blau Hilton 2004[h.blu]
4	AP8166235	Deko Serie	1	Baujahr:2004[4] Fahrzeugfarbe:Grau Dust 2004[d.grey]
4	AP8166239	Deko Serie	1	Baujahr:2004[4], 2005[5] Fahrzeugfarbe:Grau Titan 2004-2005[t.grey]
4	AP8166491	Deko Serie	1	Baujahr:2005[5], 2006[6] Fahrzeugfarbe:Schwarz Aprilia 2005 -2006 (t.B.14761) [a.blk]
5	AP8102728	Kunststoffniet 3x11	2	
6	AP8177086	Zündkerze schild	4	
7	AP8166613	Lautherausgabe selbstkleber	1	Land:Vereinigte Staaten von Amerika[USA]
7	AP8177757	Lautherausgabe selbstkleber	1	Land:Australien[AA]
8	AP8166614	Emission control sticker	1	Land:Vereinigte Staaten von Amerika[USA]
9	AP8157001	ECE Schild	1	Land:Australien[AA]

Einheit	MOTOR
Code	29.31
Beschreibung	Motor
Inspektion	1



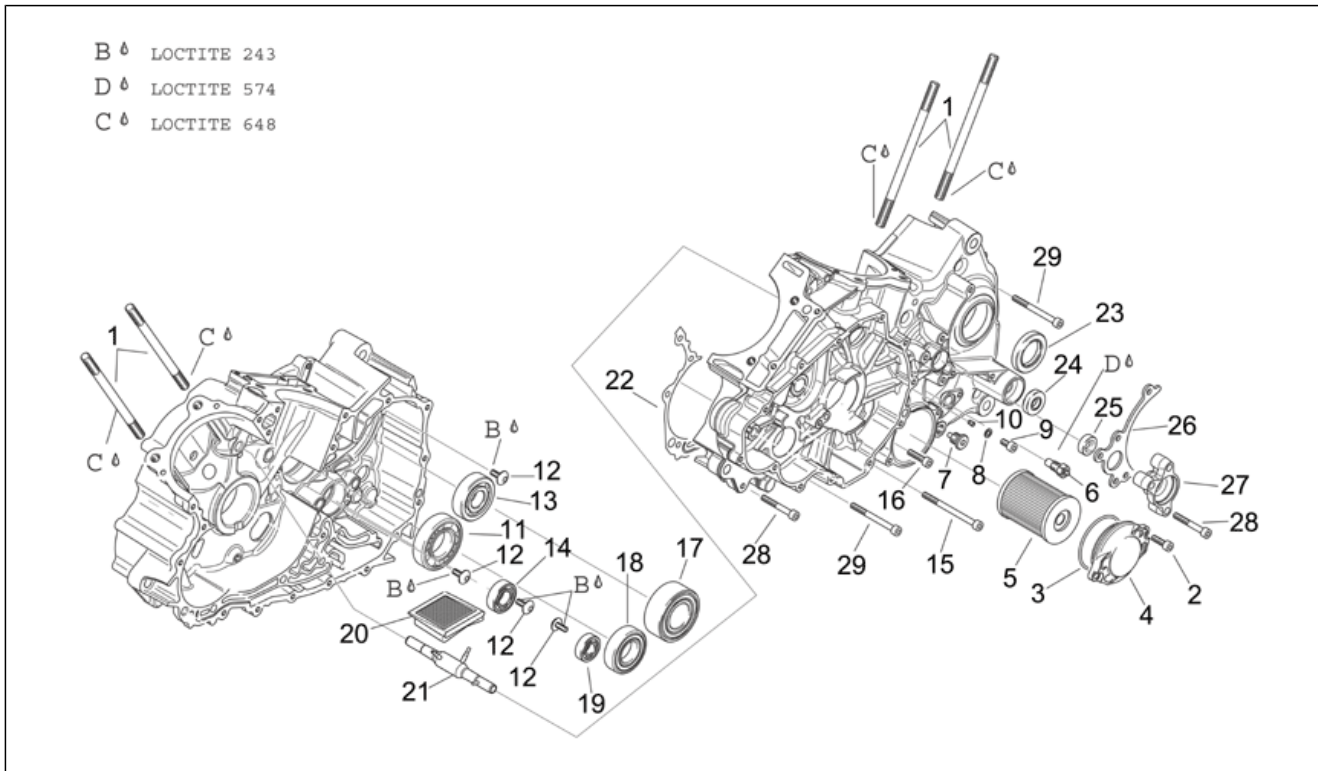
Pos.	Code	Beschreibung	Menge	Varianten
1	AP8106918	Motor	1	
2	AP8106593	Ritzelkasten, schwarz	1	
3	AP8150220	TCEI Schraube M6x30	3	
4	AP8221046	Distanzscheibe D6x8x13,5*	3	
5	AP8106594	Schalthebel	1	
6	AP8120912	Gummi für Hebel	1	
7	AP8150044	TCEI Schraube M6x20	1	
8	AP8120116	3-Wegeanschluß	2	
9	AP8104251	Ölablaßventil	1	
10	AP8120876	Verschlussschraube	2	
11	AP8144015	Ölschlauch 6x12	1	
12	AP8102903	Schlauchschelle D16,5X6,6	2	
13	AP8144408	Kraftstoffleitung 10x18	1	
14	AP8101595	Schelle D10,1	3	
15	AP8201808	Kabelführungs D8	2	
16	AP8144038	Kraftstoffleitung 6x10	1	
17	AP8120446	Schlauchschelle, grün D11x6,6x1	9	

Einheit	MOTOR
Code	29.45
Beschreibung	Gehäuse I
Inspektion	1



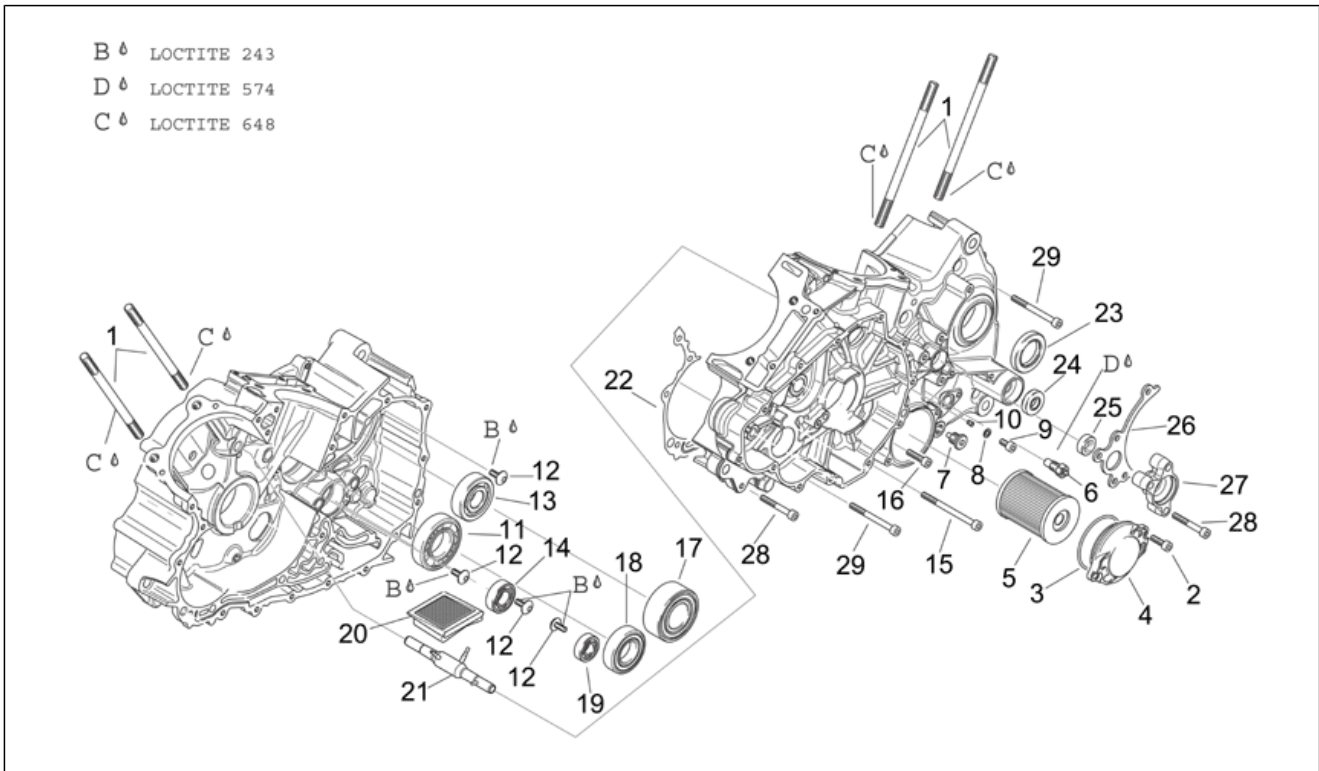
Pos.	Code	Beschreibung	Menge	Varianten
1	AP0296961	Gehäuse-kpl.	1	
2	AP0632010	Stift M8x12	5	
3	AP0929500	Stift 10x8	2	
4	AP0229301	Bolzen M6x50	2	
5	AP0929930	Bolzen	1	
6	AP0229385	Bolzen	1	
7	AP0233745	Halbsch. Bronzebu., blau	3	
7	AP0233746	Halbsch. Bronzebu., rot	3	
7	AP0233748	Halbsch. Bronzebu., gelb	3	
8	AP0233740	Halbsch. Bronzebu., blau	1	
8	AP0233741	Halbsch. Bronzebu., rot	1	
8	AP0233743	Halbsch. Bronzebu., gelb	1	
9	AP0233711	Halbsch. Bronzebu., blau	4	
9	AP0233820	Halbsch. Bronzebu., rot	4	
9	AP0233822	Halbsch. Bronzebu., gelb	4	
10	AP0929650	Stift 5x10	4	

Einheit	MOTOR
Code	29.46
Beschreibung	Gehäuse II
Inspektion	1



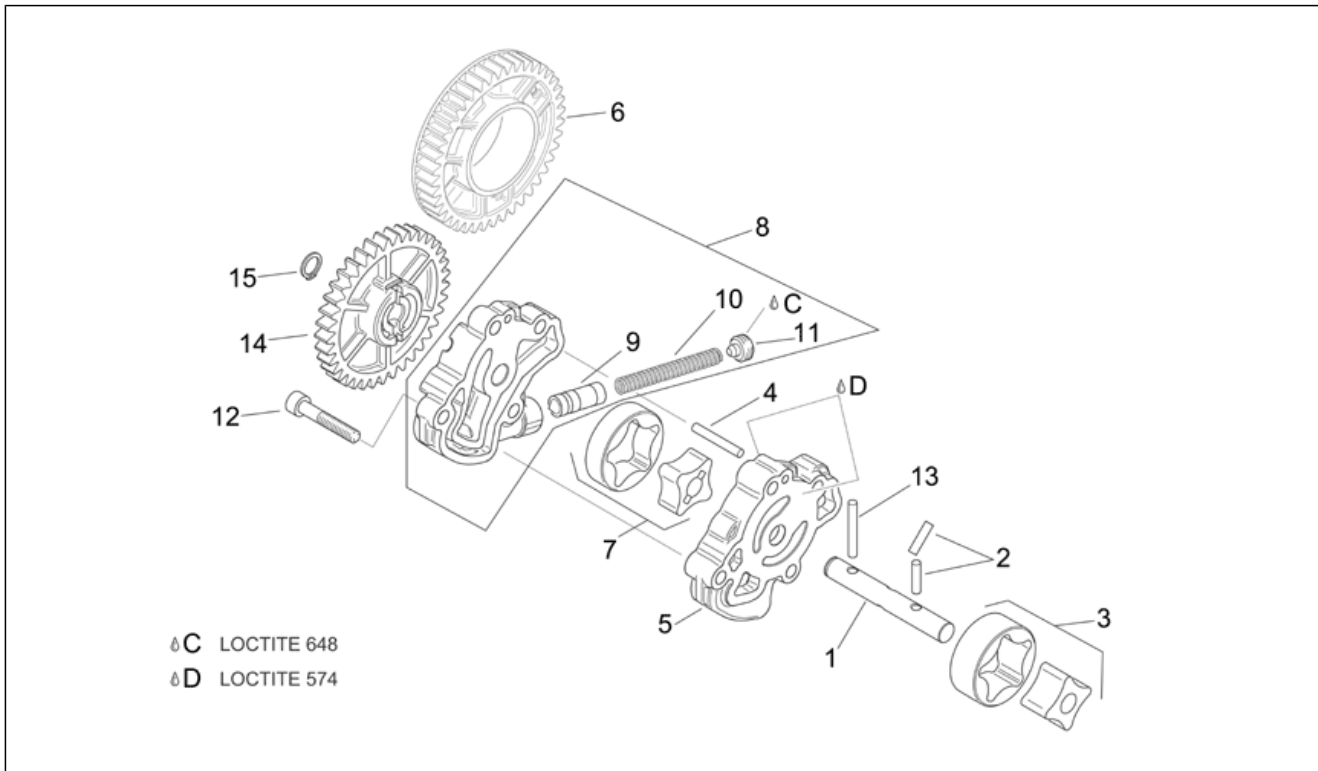
Pos.	Code	Beschreibung	Menge	Varianten
1	AP0241580	Stiftschraube m10x171	8	
2	AP0241932	TCEI Schraube	2	
3	AP0650500	O-Ring 59,52x2,62	1	
4	AP0210415	Ölfilterdeckel	1	
5	AP0256187	Ölfiltereinsatz	1	
6	AP0241854	Schalter Lerrlktr.	1	
7	AP0241782	Magnetschraube M12x1,5	1	
8	AP0950141	Gasket ring 8x13	1	
9	AP0241081	TCEI Schraube M6x10	1	
10	AP0268740	Strahl 60	1	
11	AP0932585	Kugellager 6206	1	
12	AP0241531	Kurzkopf-Schraube	4	
13	AP0832144	Kugellager 6304	1	
14	AP0232625	Lager 6003	1	
15	AP0241501	TCEI Schraube M6x80	1	
16	AP0840861	TCEI Schraube M6x25	1	
17	AP0632124	Schulterkugellager 3206	1	
18	AP0932428	Kugellager 6205	1	
19	AP0932335	Kugellager 16101	1	
20	AP0256497	Ölnetz	1	
21	AP0256526	Öl-Einspritzschlauch	1	
22	AP0650337	Dichtung	1	
23	AP0850050	Ölabstreifring 40x47x7,5	1	
24	AP0250450	Ölabstreifring 12x28x7	1	
25	AP0650320	Ölabstreifring 11x22x7	1	
26	AP0236375	Kettenführung	1	
27	AP0259500	Kupplungs-Ausrückfla.	1	
28	AP0241821	TCEI Schraube M6x45	8	

Einheit	MOTOR
Code	29.46
Beschreibung	Gehäuse II
Inspektion	1



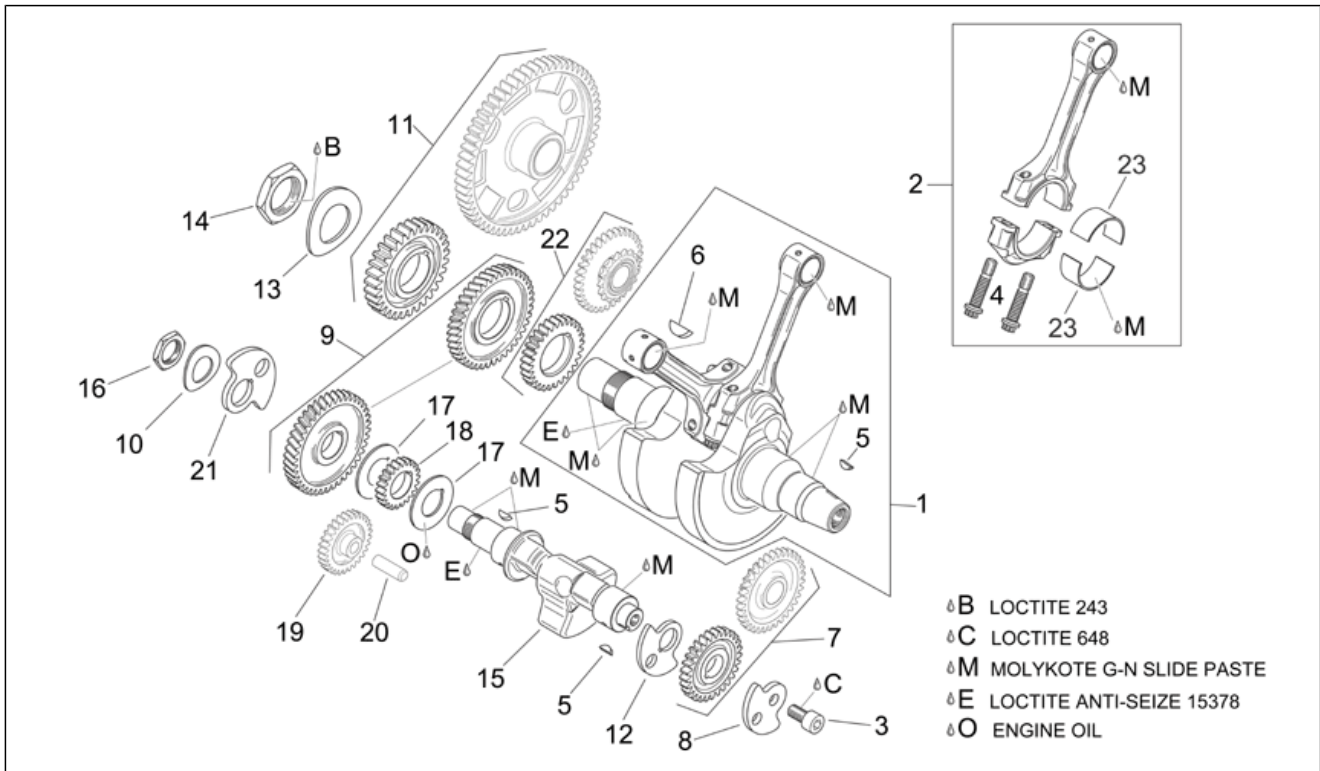
Pos.	Code	Beschreibung	Menge	Varianten
29	AP0241261	TCEI Schraube	13	

Einheit	MOTOR
Code	29.47
Beschreibung	Ölpumpe
Inspektion	1



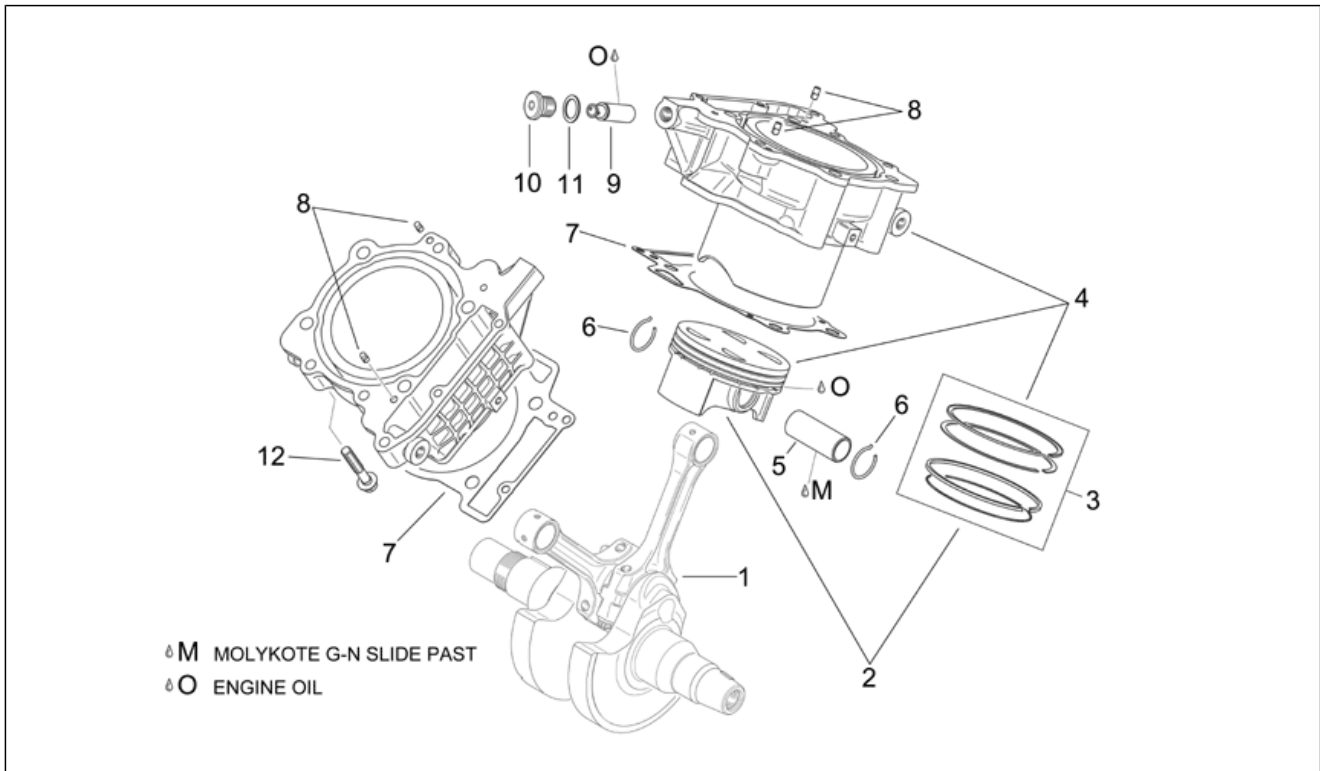
Pos.	Code	Beschreibung	Menge	Varianten
1	AP0220423	Ölpumpenwelle	1	
2	AP0232730	Stift 4x15,8	2	
3	AP0256680	Innen- und Außenrotor	1	
4	AP0232970	Bolzen 4x25,8	1	
5	AP0211620	Ölpumpengehäuse	1	
6	AP0634470	Ölpumpen-Zahn. z=42	1	
7	AP0956275	Innen- und Außenrotor	1	
8	AP0211632	Deckel Ölpumpe	1	
9	AP0256510	Druckregelkolben	1	
10	AP0239449	Feder	1	
11	AP0241650	Ventilschließschraube m12x1,5	1	
12	AP0241821	TCEI Schraube M6x45	4	
13	AP0232430	Stift	1	
14	AP0634483	Ölpumpen-Zahn.	1	
15	AP0245330	Seegerring 10x1	1	

Einheit	MOTOR
Code	29.48
Beschreibung	Kurbelwelle I
Inspektion	1



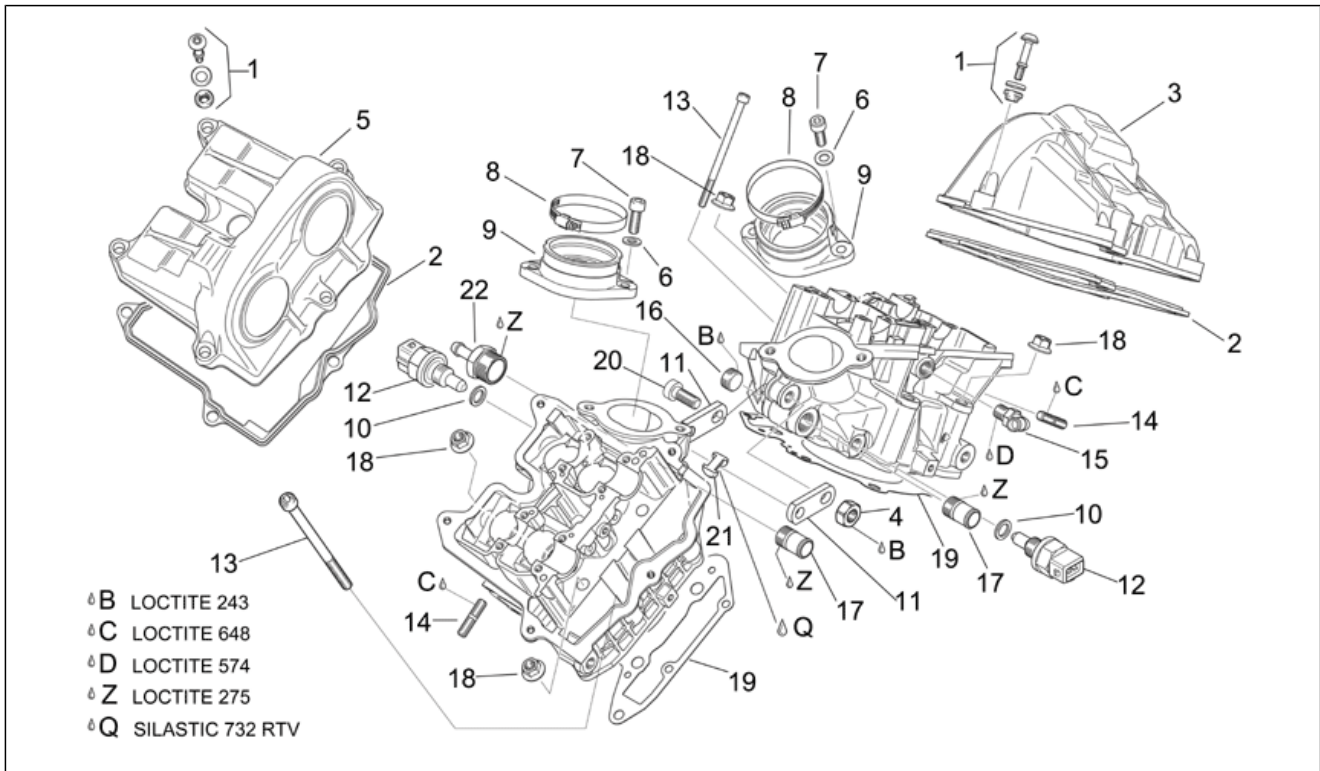
Pos.	Code	Beschreibung	Menge	Varianten
1	AP0295663	Kurbelwelle kpl.	1	
2	AP0217346	Baugruppe Pleuelstange kplt.	2	
3	AP0440260	TCEI Schraube	1	
4	AP0640400	Pleuelschraube	4	
5	AP0246570	Keil 4x5	3	
6	AP0946015	Keil 6x9	1	
7	AP0295765	Zahnrad Vent.st. kplt.	1	
8	AP0219365	Gegengew. Schw.rad a.	1	
9	AP0295770	Ausgleichsrad kpl.	1	
10	AP0245860	Sprengscheibe	1	
11	AP0295780	Zahnrad Hauptgetriebe	1	
12	AP0219360	Gegengew. Schw.rad i.	1	
13	AP0245840	Sprengscheibe	1	
14	AP0242940	Mutter m33x1,5	1	
15	AP0220372	Unt. Gegenwelle	1	
16	AP0242874	Mutter	1	
17	AP0627200	Ausgleichscheibe 24x54x2	2	
18	AP0634610	Wasserpump.-Zahn.	1	
19	AP0634500	Freilaufgrad	1	
20	AP0929930	Bolzen	1	
21	AP0219350	Gegengewicht Kuppl.	1	
22	AP0295760	Zahnrad Vent.st. kplt.	1	
23	AP0233721	Bronzebuchse,rot 42x45x19	2	
23	AP0233722	Bronzebuchse,blau 42x45x19	2	
23	AP0233723	Bronzebuchse,gelb 42x45x19	2	

Einheit	MOTOR
Code	29.49
Beschreibung	Kurbelwelle II
Inspektion	1



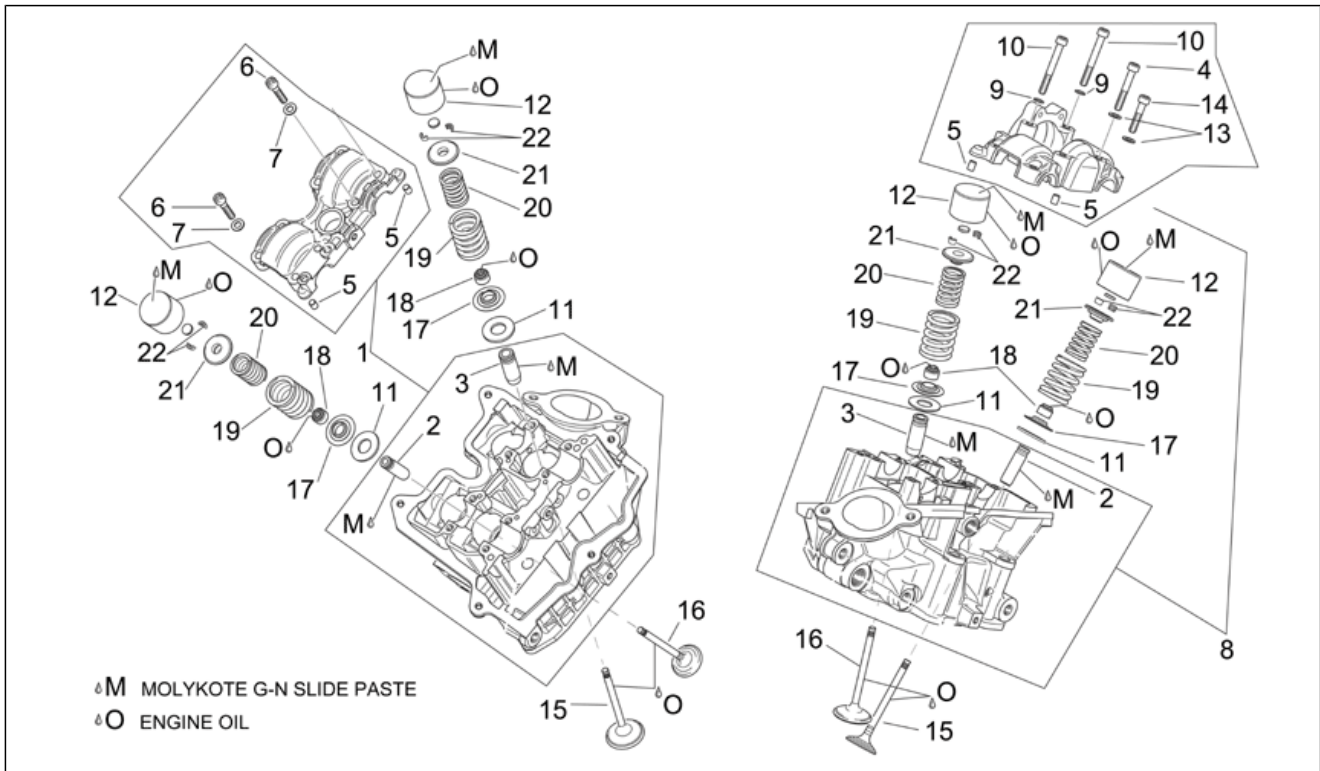
Pos.	Code	Beschreibung	Menge	Varianten
1	AP0295663	Kurbelwelle kpl.	1	
2	AP0684315	Kolben kpl. 96,944 mm (A)	2	
2	AP0684316	Kolben kpl. 96,956 mm (B)	2	
3	AP0295858	Satz Kolbenringe	2	
4	AP0613511	Kolben + Zylinder	2	
5	AP0216222	Bolzen 22x14x55	2	
6	AP0245436	Sperring 22	4	
7	AP0650390	ZYLINDERFUSSDICHTUNG	2	
8	AP0929650	Stift 5x10	4	
9	AP0236252	Kettenspanner	2	
10	AP0640450	Deckel	2	
11	AP0430622	Gasket ring 16x22	2	
12	AP0940637	TE Schr. m. Flansch	8	

Einheit	MOTOR
Code	29.50
Beschreibung	Ventildeckel
Inspektion	1



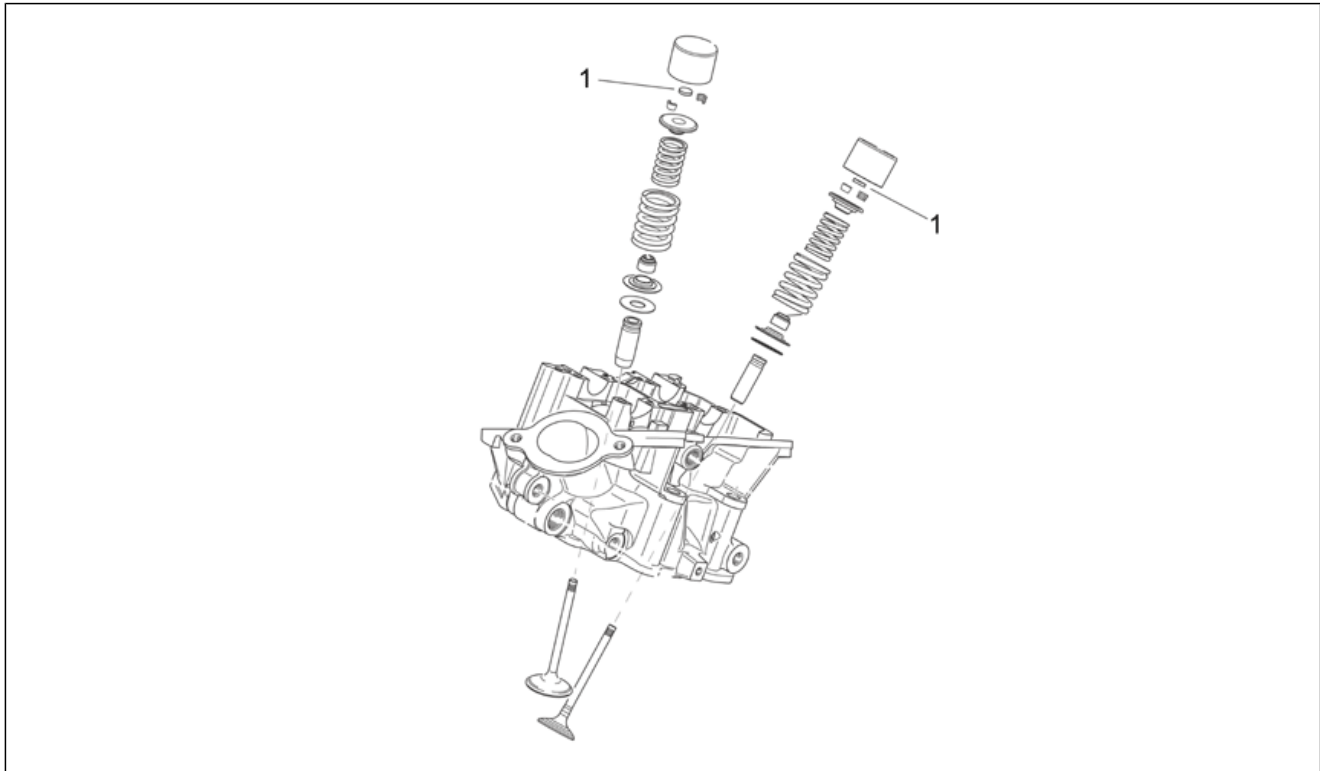
Pos.	Code	Beschreibung	Menge	Varianten
1	AP0241625	Distanzschraube kpl.	10	
2	AP0650345	Dichtung Ventildeckel	2	
3	AP0211667	Hint. Ventildeckel	1	
4	AP0242091	Mutter	2	
5	AP0211662	Vord. Ventildeckel	1	
6	AP0250311	Ausgleichscheibe 8,4	4	
7	AP0240081	TCEI Schraube M8x25	4	
8	AP0251830	Schelle 65	2	
9	AP0267150	Einlaßflansch	2	
10	AP0250640	Gasket ring 12x18	2	
11	AP0251100	Platte	2	
12	AP8124868	Temperaturfühler	2	
13	AP0241601	TCEI Schraube	4	
14	AP0241560	Stiftschraube	6	
15	AP0922245	Winkelverbinder	1	
16	AP0240170	Deckel m18x1,5	1	
17	AP0224090	Leitung	2	
18	AP0242851	Mutter	8	
19	AP0650210	Dichtung Kopf-Zylinder	2	
20	AP0640581	TCEI Schraube M10x40	2	
21	AP0660010	Deckel	1	
22	AP0224690	Entlüftungsniessel	1	

Einheit	MOTOR
Code	29.51
Beschreibung	Zylinderkopf und Ventile
Inspektion	1



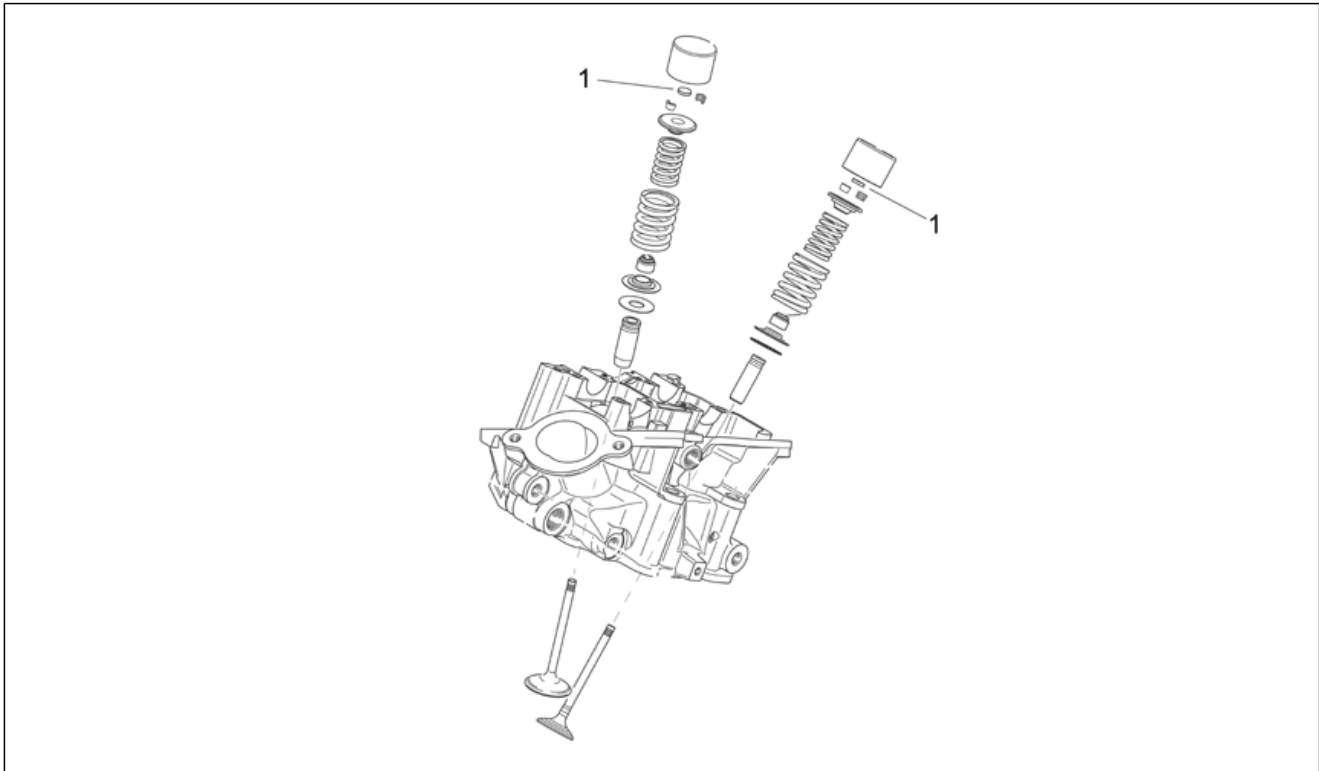
Pos.	Code	Beschreibung	Menge	Varianten
1	AP0613405	Zylinderkopf vorn kplt.	1	
2	AP0253926	Ventilführung Auslaß	4	
3	AP0253921	Ventilführung Einlaß	4	
4	AP0241821	TCEI Schraube M6x45	2	
5	AP0232210	Bolzen 6x8	4	
6	AP0840880	TCEI Schraube M6x30	8	
7	AP0927945	Ausgleichscheibe 6,2x12x1	8	
8	AP0623153	Zylinderkopf hinten kplt.	1	
9	AP0927863	Ausgleichscheibe 6,1x9,8x1	2	
10	AP0240331	TCEI Schraube	2	
11	AP0227980	Paßscheibe	8	
12	AP0253990	Ventilbecher	8	
13	AP0927945	Ausgleichscheibe 6,2x12x1	6	
14	AP0840880	TCEI Schraube M6x30	4	
15	AP0254027	Auslaßventil 31mm	4	
16	AP0254011	Einlaßventil 36 mm	4	
17	AP0253965	Ventilfederplatte	8	
18	AP0230510	Ölabstreifring Ventilführung	8	
19	AP0239520	Ventilfeder außen	8	
20	AP0239510	Ventilfeder innen	8	
21	AP0253956	Ventilfederplatte	8	
22	AP0253645	Ventilhalbkegel	16	

Einheit	MOTOR
Code	29.52
Beschreibung	Ventilesbeläge
Inspektion	1



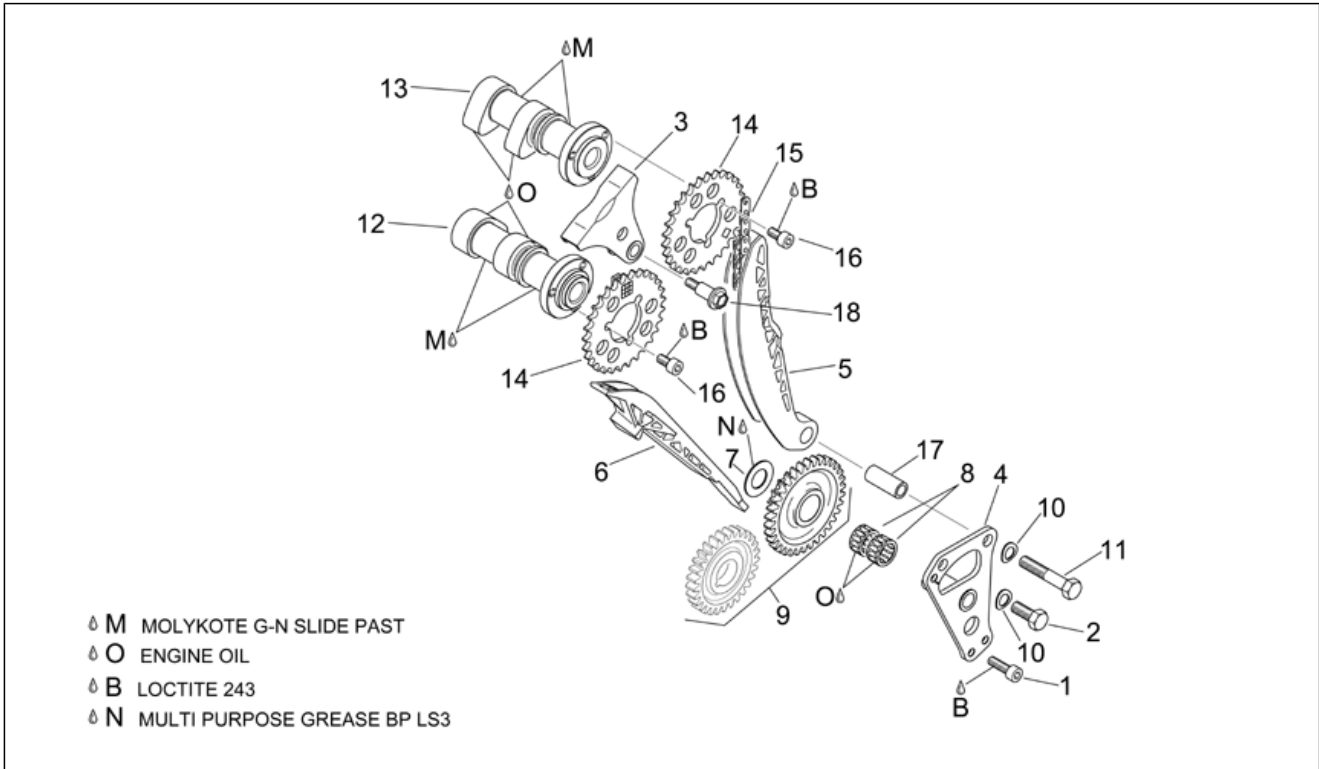
Pos.	Code	Beschreibung	Menge	Varianten
1	AP0253974	Belag 2,3	1	
1	AP0253975	Belag 2,35	1	
1	AP0253976	Belag 2,4	1	
1	AP0253977	Belag 2,45	1	
1	AP0253978	Belag 2,5	1	
1	AP0253979	Belag 2,55	1	
1	AP0253980	Belag 2,6	1	
1	AP0253981	Belag 2,65	1	
1	AP0253982	Belag 2,7	1	
1	AP0253983	Belag 2,75	1	
1	AP0253984	Belag 2,8	1	
1	AP0253985	Belag 2,85	1	
1	AP0253986	Belag 2,9	1	
1	AP0253987	Belag 2,95	1	
1	AP0253988	Belag 3,00	1	
1	AP0254030	Belag 2,325	1	
1	AP0254031	Belag 2,375	1	
1	AP0254032	Belag 2,425	1	
1	AP0254033	Belag 2,475	1	
1	AP0254034	Belag 2,525	1	
1	AP0254035	Belag 2,575	1	
1	AP0254036	Belag 2,625	1	
1	AP0254037	Belag 2,675	1	
1	AP0254038	Belag 2,725	1	
1	AP0254039	Belag 2,775	1	
1	AP0254040	Belag 2,825	1	
1	AP0254041	Belag 2,875	1	
1	AP0254042	Belag 2,925	1	

Einheit	MOTOR
Code	29.52
Beschreibung	Ventilesbeläge
Inspektion	1



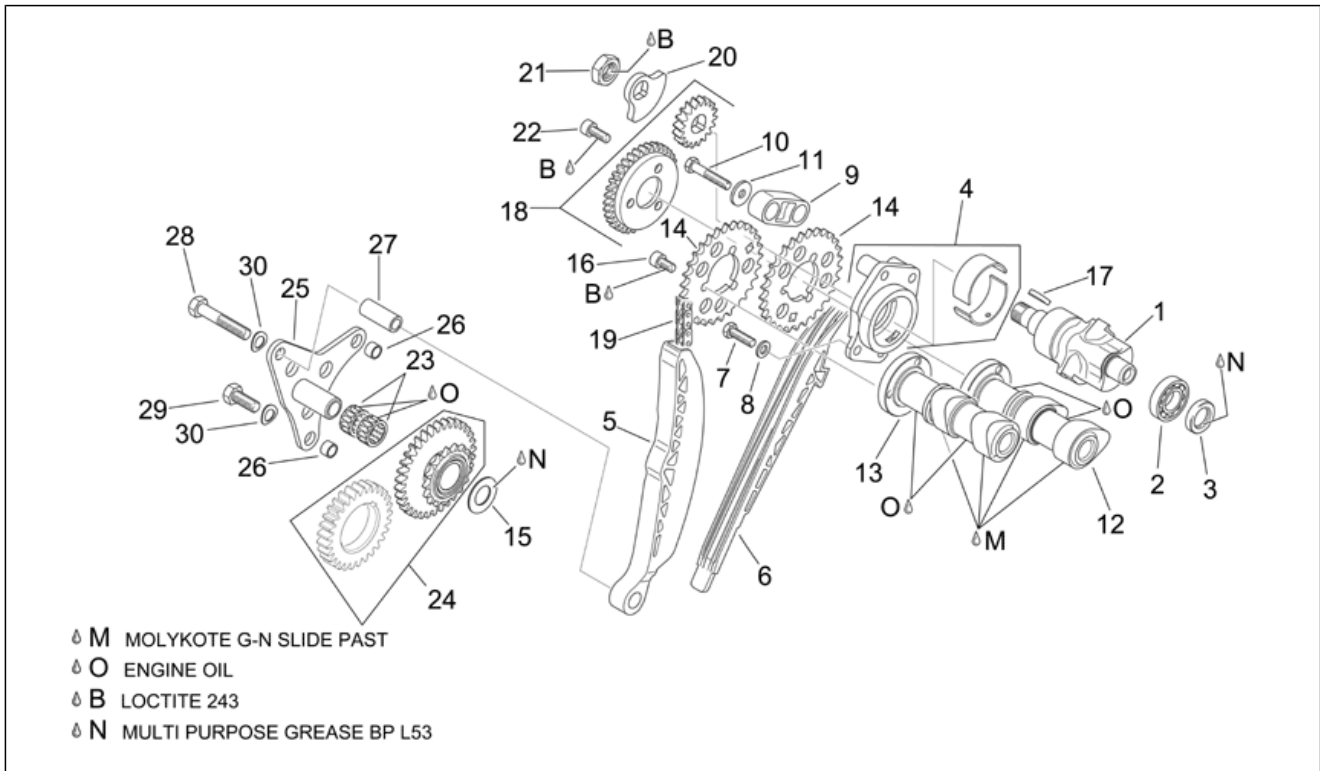
Pos.	Code	Beschreibung	Menge	Varianten
1	AP0254043	Belag 2,975	1	

Einheit	MOTOR
Code	29.53
Beschreibung	Vrd. Zylindersteuer
Inspektion	1



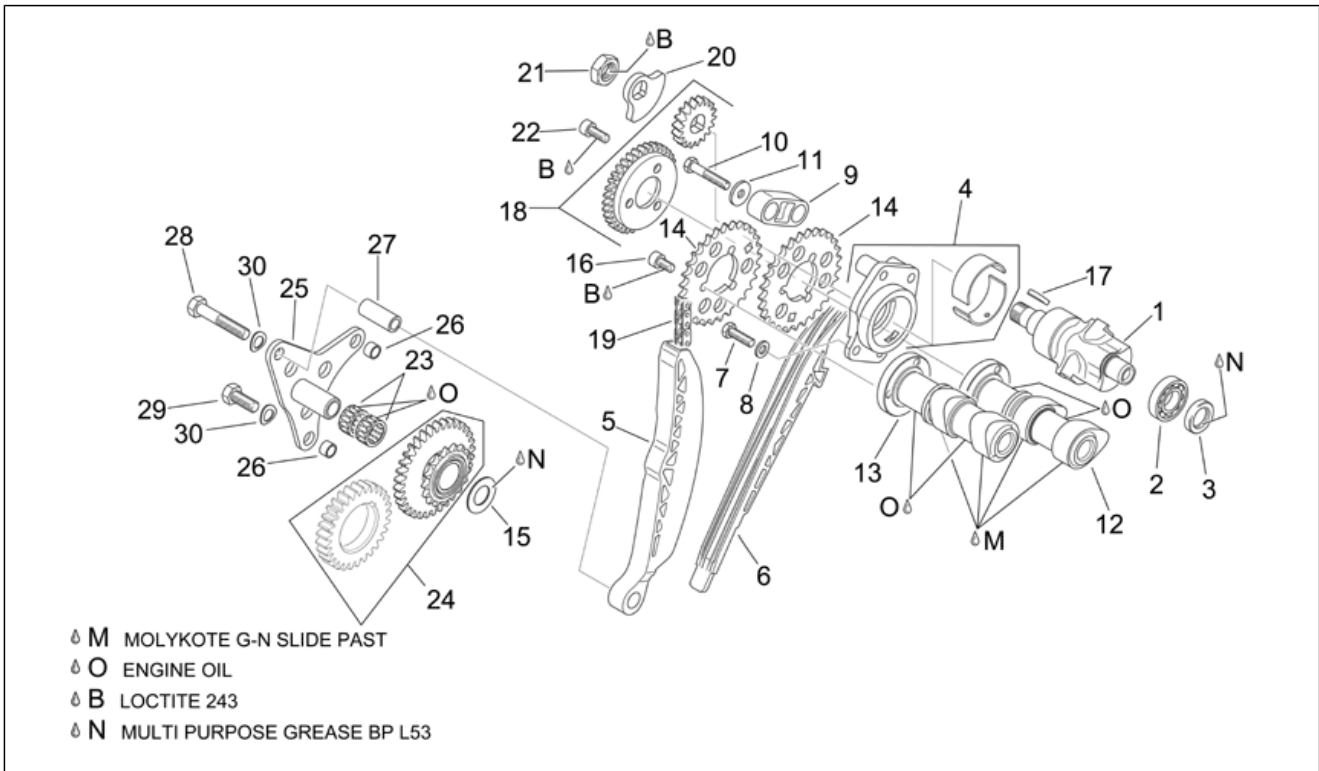
Pos.	Code	Beschreibung	Menge	Varianten
1	AP0240400	TCEI Schraube	1	
2	AP0940590	Sechskantschraube M8x20	1	
3	AP0236320	Kettenführung	1	
4	AP0211766	Lagerplatte	1	
5	AP0236300	Kettenführung	1	
6	AP0236310	Kettenführung	1	
7	AP0627190	Ausgleichscheibe 16,7x29x1	1	
8	AP0632161	Nadelkaefig 16x22x10	2	
9	AP0295765	Zahnrad Vent.st. kplt.	1	
10	AP0845030	Sprengscheibe b8	2	
11	AP0940631	Sechskantschraube	1	
12	AP0220387	Nockenwelle Auslaß	1	
13	AP0220382	Nockenwelle Einlaß	1	
14	AP0634730	Zahnrad Ventilsteuerung	2	
15	AP0297957	Steuerkette	1	
16	AP0840371	TCEI Schraube M6x11,5	6	
17	AP0247980	Buchse 8,2x12x25	1	
18	AP0240960	Distanstückschraube	2	

Einheit	MOTOR
Code	29.54
Beschreibung	Hint. Zylindersteuer
Inspektion	1



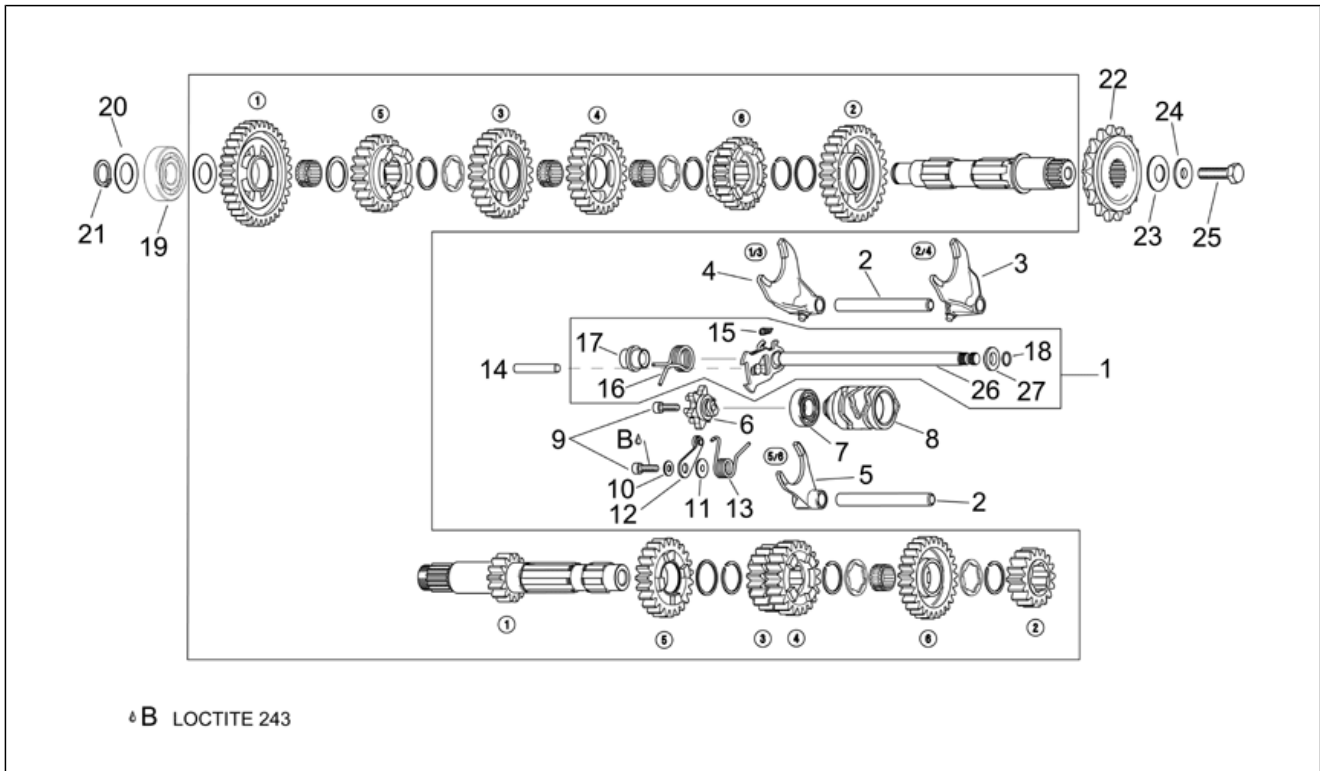
Pos.	Code	Beschreibung	Menge	Varianten
1	AP0220440	Ob. Gegenwelle	1	
2	AP0832360	Kugellager 16002	1	
3	AP0250130	Ölabstreifring 15x24x5	1	
4	AP0211683	Buchsenplatte komplett	1	
5	AP0236300	Kettenführung	1	
6	AP0236310	Kettenführung	1	
7	AP0940560	Sechskantschraube	2	
8	AP0244211	Ausgleichscheibe 6,4	2	
9	AP0236380	Kettenführung	1	
10	AP0941121	Sechskantschraube	2	
11	AP0827305	Ausgleichscheibe 6,2x18x2	2	
12	AP0220387	Nockenwelle Auslaß	1	
13	AP0220382	Nockenwelle Einlaß	1	
14	AP0634730	Zahnrad Ventilsteuerung	2	
15	AP0627190	Ausgleichscheibe 16,7x29x1	1	
16	AP0840371	TCEI Schraube M6x11,5	3	
17	AP0246055	Keil 3x3,7	1	
18	AP0295775	Ausgleichsrad ob.kpl.	1	
19	AP0297957	Steuerkette	1	
20	AP0219340	Gegengewicht	1	
21	AP0942570	Mutter m14	1	
22	AP0840391	TCEI Schraube	3	
23	AP0632161	Nadelkaefig 16x22x10	2	
24	AP0295760	Zahnrad Vent.st. kplt.	1	
25	AP0211756	Platte f. Walzenkäfig	1	
26	AP0929500	Stift 10x8	2	
27	AP0247980	Buchse 8,2x12x25	1	
28	AP0940631	Sechskantschraube	1	

Einheit	MOTOR
Code	29.54
Beschreibung	Hint. Zylindersteuer
Inspektion	1



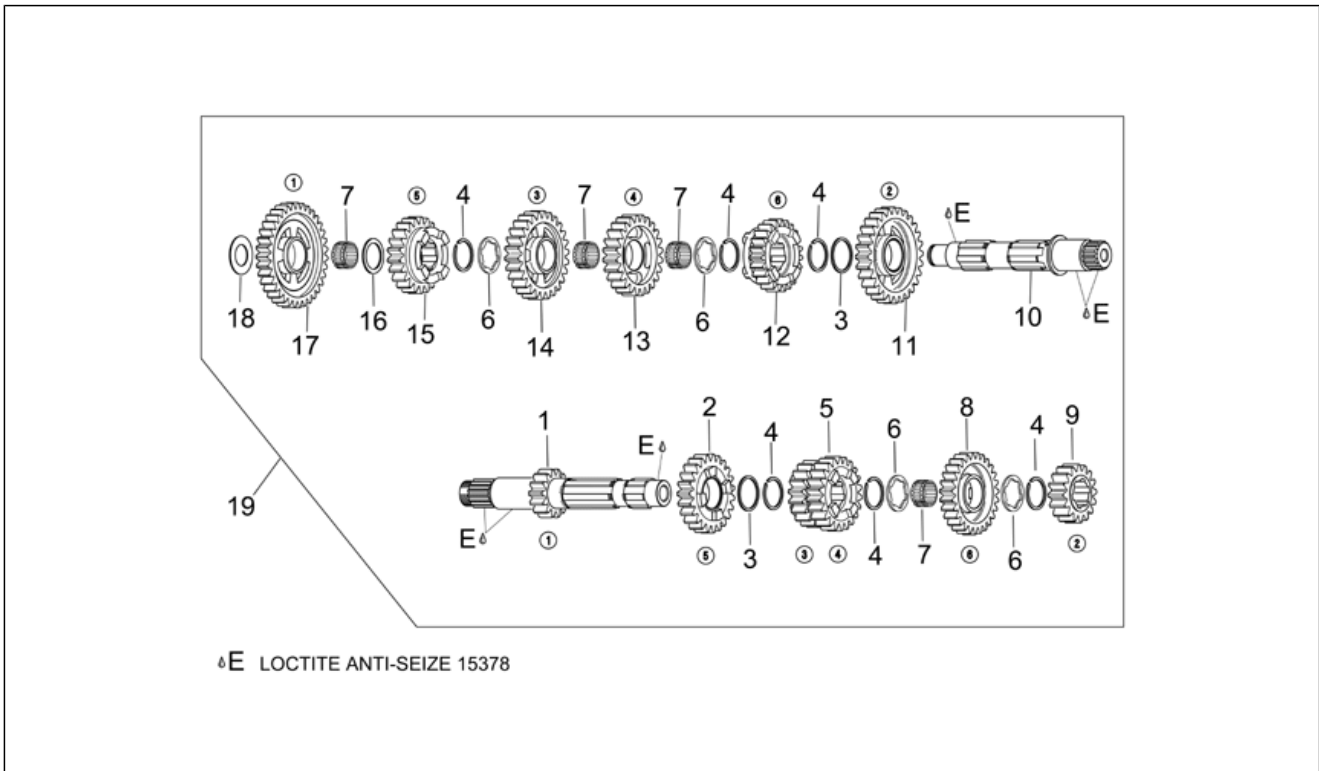
Pos.	Code	Beschreibung	Menge	Varianten
29	AP0240275	Sechskantschraube	2	
30	AP0845030	Sprengscheibe b8	3	

Einheit	MOTOR
Code	29.55
Beschreibung	Schaltgabel
Inspektion	1



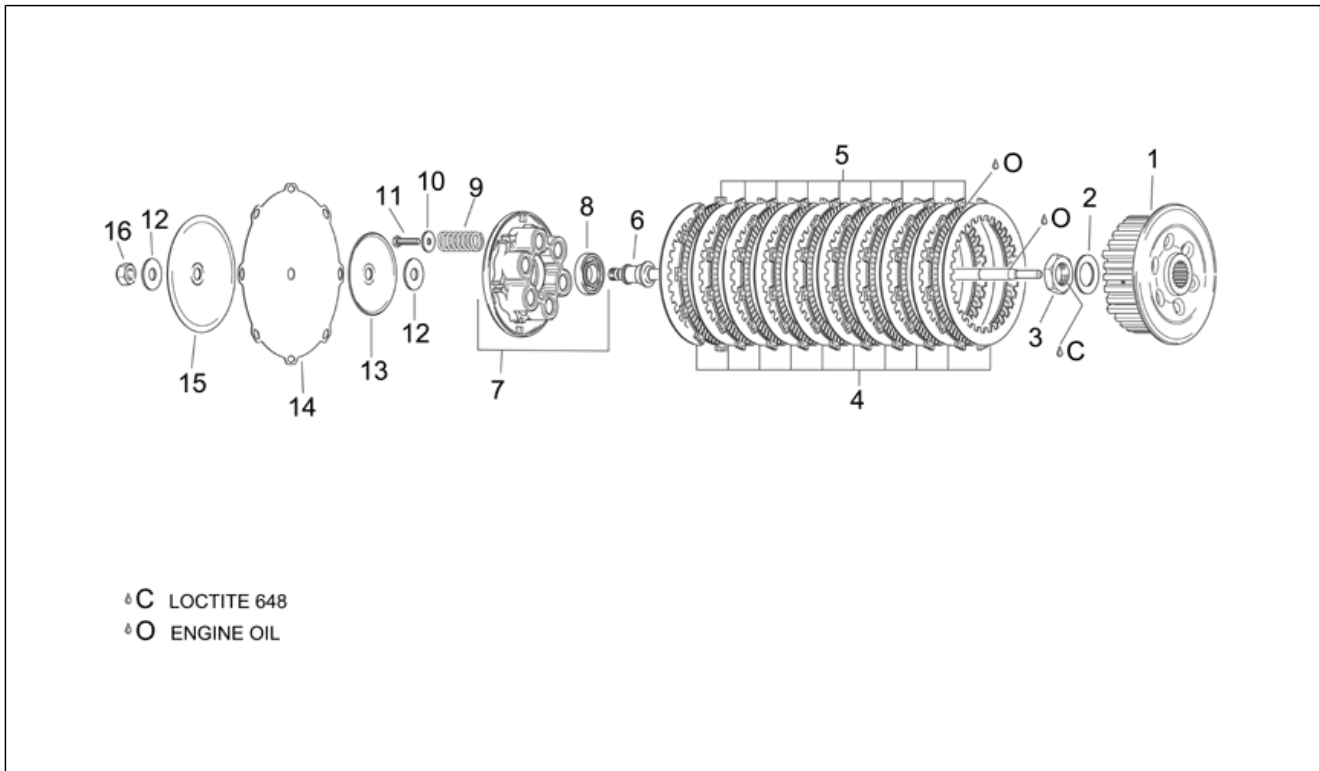
Pos.	Code	Beschreibung	Menge	Varianten
1	AP0220437	Getr.welle + Federsatz	1	
2	AP0258380	Schaltstange	2	
3	AP0258361	Schaltgabel	1	
4	AP0258351	Schaltgabel	1	
5	AP0258376	Schaltgabel	1	
6	AP0258310	Index-Platte	1	
7	AP0932335	Kugellager 16101	1	
8	AP0258325	Verschiebenocken	1	
9	AP0241932	TCEI Schraube	2	
10	AP0244211	Ausgleichscheibe 6,4	1	
11	AP0227716	Ausgleichscheibe	1	
12	AP0248375	Indexhebel kpl.	1	
13	AP0239247	Index feder	1	
14	AP0229385	Bolzen	1	
15	AP0239430	Feder	1	
16	AP0239420	Gabelfeder	1	
17	AP0247940	Buchse	1	
18	AP0245440	Seegerring	1	
19	AP0832144	Kugellager 6304	1	
20	AP0227442	Ausgleichscheibe 20,2x27,5	1	
21	AP0945665	Seegerring 20x1,75	1	
22	AP0236366	Gummi-Ritzel	1	
23	AP0239450	Sprengscheibe 34x16,3	1	
24	AP0627210	Ausgleichscheibe	1	
25	AP0940741	Sechskantschraube	1	
26	AP0620235	Getr.welle + Federsatz	1	
27	AP0227714	Ausgleichscheibe	1	

Einheit	MOTOR
Code	29.56
Beschreibung	Schaltgetriebe
Inspektion	1



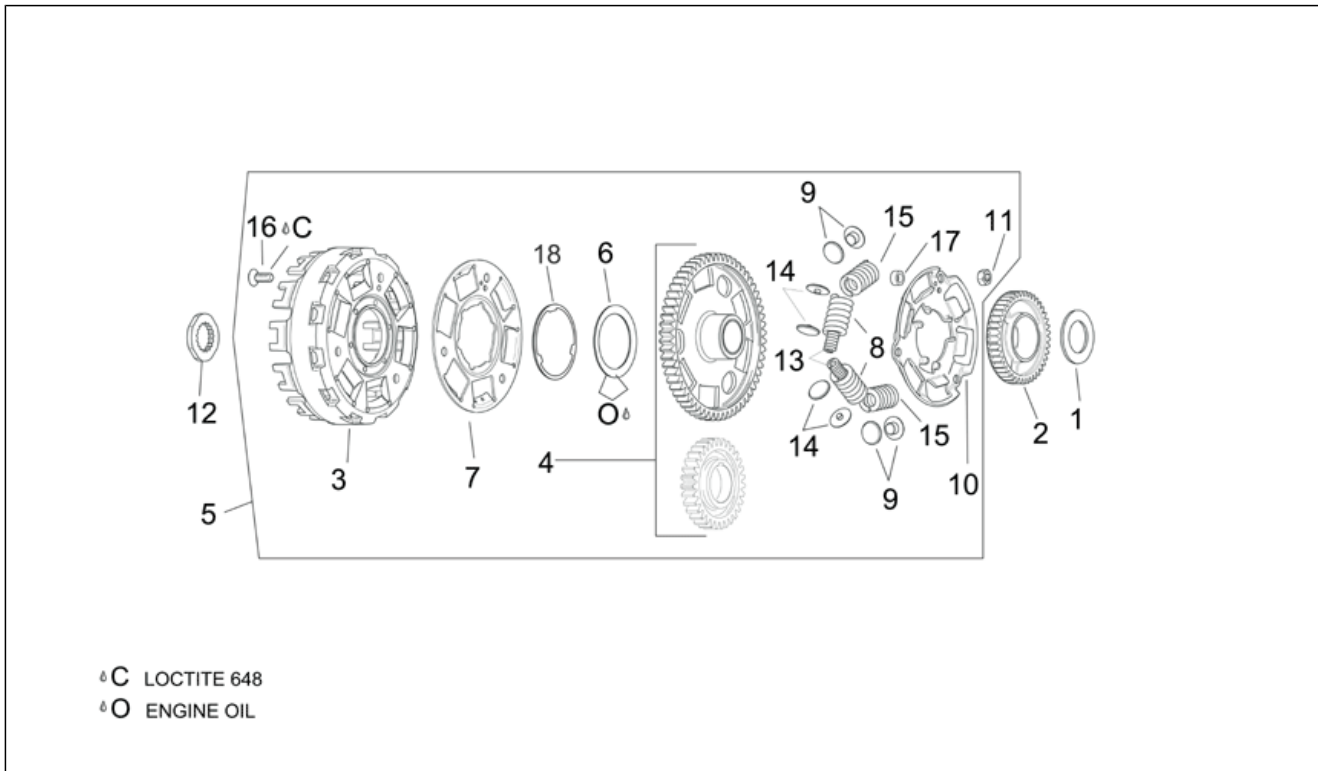
Pos.	Code	Beschreibung	Menge	Varianten
1	AP0220390	Hauptwelle	1	
2	AP0634695	Zahnrad 5.Hauptwelle	1	
3	AP0627120	Ausgleichscheibe 29,2x33,5	2	
4	AP0245815	Seegerring 28x2	6	
5	AP0634660	Zahnrad 3-4.Hauptwelle	1	
6	AP0627132	Ausgleichscheibe 25,35x34,5	4	
7	AP0632070	Nadelkaefig 25x29x13	4	
8	AP0634710	Zahnrad 6.Hauptwelle	1	
9	AP0634640	Zahnrad 2.Hauptwelle	1	
10	AP0220400	Festrads	1	
11	AP0634655	Zahnrad 2.Vorgelegewelle	1	
12	AP0634720	Zahnrad 6.Vorgelegewelle	1	
13	AP0634670	Zahnrad 4.Vorgelegewelle	1	
14	AP0634680	Zahnrad 3.Vorgelegewelle	1	
15	AP0634700	Zahnrad 5.Vorgelegewelle	1	
16	AP0427106	Ausgleichscheibe 25,3x33,5	1	
17	AP0634620	Zahnrad 1.Vorgelegewelle	1	
18	AP0827110	Ausgleichscheibe 20,5x37x1	1	
19	AP0281222	Schaltgetriebe 6-Gang	1	

Einheit	MOTOR
Code	29.57
Beschreibung	Kupplung I
Inspektion	1



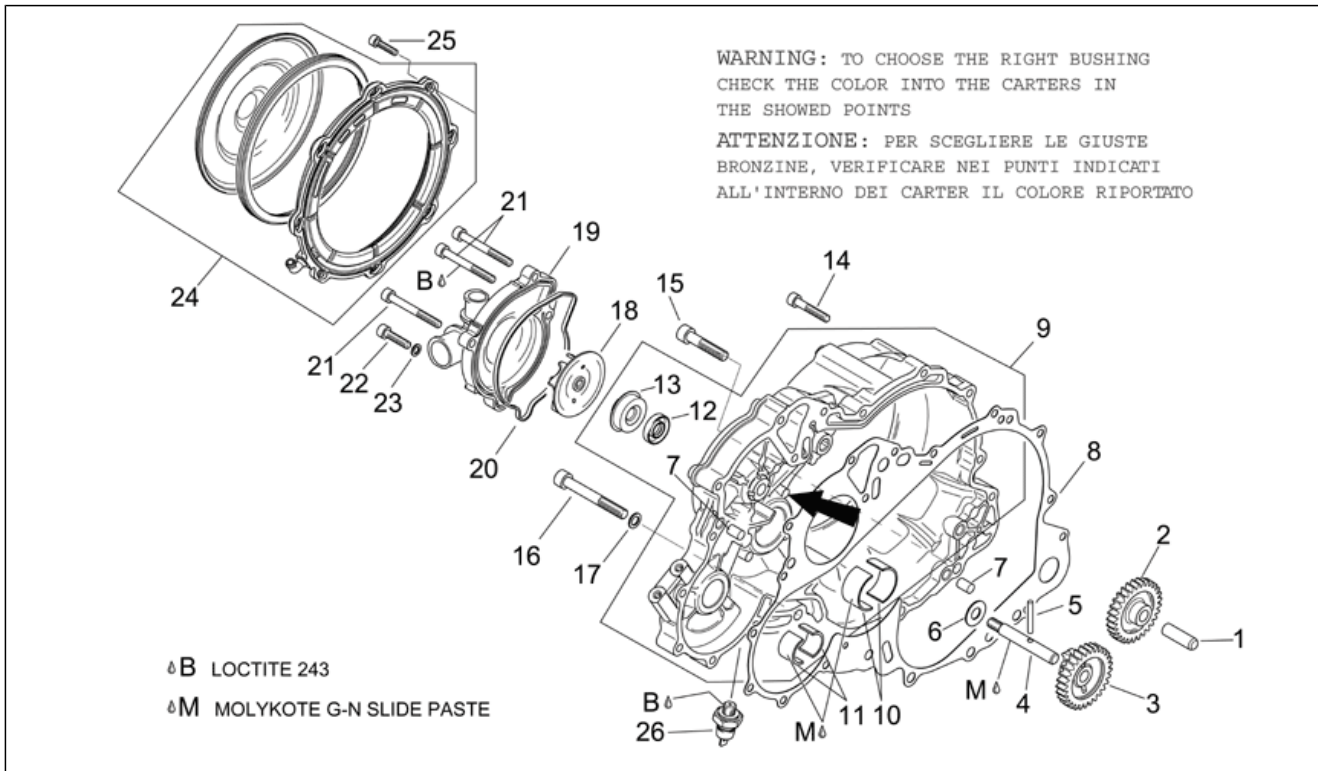
Pos.	Code	Beschreibung	Menge	Varianten
1	AP0259520	Mitnehmer	1	
2	AP0245830	Sprengscheibe 24,5x40	1	
3	AP0242950	Mutter m24x1,5	1	
4	AP8106959	Kupplungsscheibe St. 9 pz.	1	
5	AP8106960	Belaglamelle 8 pz.	1	
6	AP0220455	Kupplungswelle Kpl.	1	
7	AP0259517	Federplatte komplett	1	
8	AP0632130	Kugellager 16004	1	
9	AP0239480	Kupplungsfeder	6	
10	AP0627530	Ausgleichscheibe	6	
11	AP0240036	Sechskantschraube	6	
12	AP0227180	Ausgleichscheibe 12,2x32x2	2	
13	AP0627230	Lagerscheibe	1	
14	AP0260890	Membran	1	
15	AP0627280	Druckplatte	1	
16	AP0442130	Mutter m12	1	

Einheit	MOTOR
Code	29.58
Beschreibung	Kupplung II
Inspektion	1



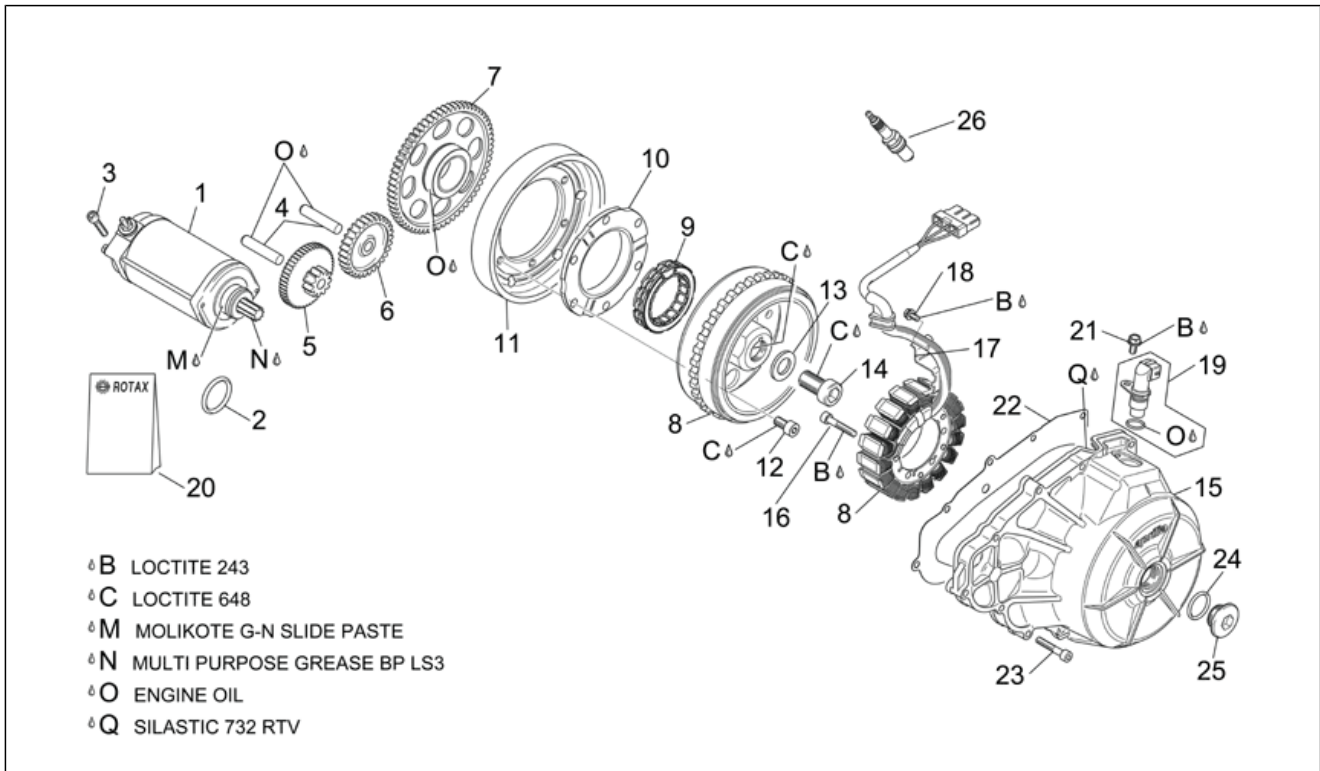
Pos.	Code	Beschreibung	Menge	Varianten
1	AP0627260	Ausgleichs Scheibe 30,2x50	1	
2	AP0634475	Ölpumpen-Zahn. z=42	1	
3	AP0259535	Kupplungsglocke	1	
4	AP0295783	Zahnrad Hauptgetriebe	1	
5	AP0295795	Hauptgetriebe	1	
6	AP0239390	Sprengscheibe 68x52x1,2	1	
7	AP0259587	Stuetzteller	1	
8	AP0238135	Feder	4	
9	AP0247974	Buchse D11,5	4	
10	AP0259583	Stuetzteller	1	
11	AP0242206	Mutter M8	3	
12	AP0627220	Ausgleichs Scheibe 25x44,4x5	1	
13	AP0238140	Feder	4	
14	AP0247972	Buchse D5,5	8	
15	AP0238130	Feder	2	
16	AP0941835	Schraube M8x25	3	
17	AP0247614	Distanzscheibe	3	
18	AP0627910	Paßscheibe	1	

Einheit	MOTOR
Code	29.59
Beschreibung	Wasserpumpenritzel
Inspektion	1



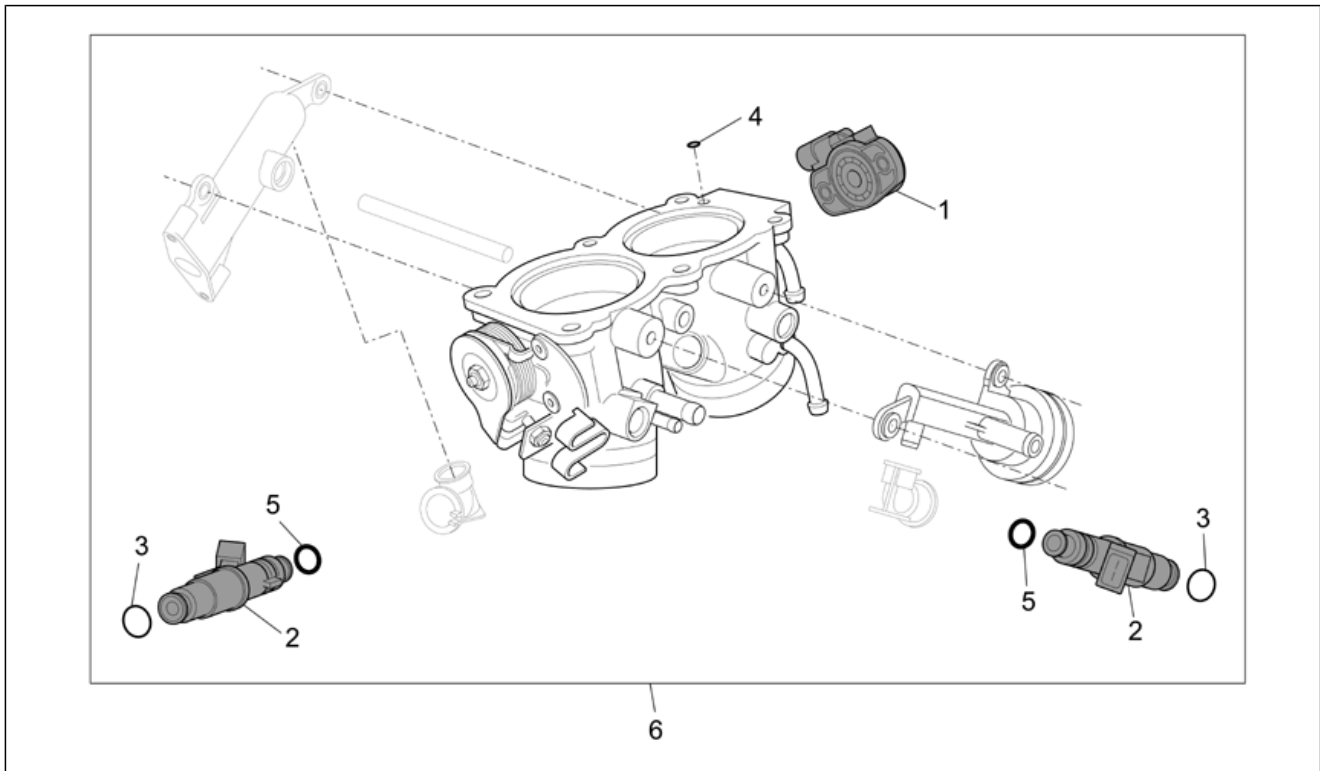
Pos.	Code	Beschreibung	Menge	Varianten
1	AP0929930	Bolzen	1	
2	AP0634500	Freilaufgrad	1	
3	AP0634490	Wasserpump.-Zahn.	1	
4	AP0220410	Welle Wasserpumpe	1	
5	AP0232430	Stift	1	
6	AP0227685	Ausgleichscheibe 10,1x22x1	1	
7	AP0632010	Stift M8x12	2	
8	AP0650330	Dichtung	1	
9	AP0610151	Kupplungsdeckel	1	
10	AP0233790	Halbsch. Bronzebu., blau	2	
10	AP0233791	Halbsch. Bronzebu., rot	2	
10	AP0233793	Halbsch. Bronzebu., gelb	2	
11	AP0233780	Halbsch. Bronzebchs. 20x24x16	2	
12	AP0650315	Ölabstreifring 10x25x5	1	
13	AP0650370	Pumpe Mechanische Dichtung	1	
14	AP0241811	TCEI Schraube	11	
15	AP0840681	TCEI Schraube M8x40	3	
16	AP0841841	TCEI Schraube	1	
17	AP0950141	Gasket ring 8x13	1	
18	AP0222500	Läufer	1	
19	AP0222512	Wasserpumpenkörper	1	
20	AP0650240	Dichtung	1	
21	AP0240331	TCEI Schraube	3	
22	AP0840861	TCEI Schraube M6x25	1	
23	AP0950141	Gasket ring 8x13	1	
24	AP0211778	Membranscheibe kplt.	1	
25	AP0240181	TCEI Schraube	8	
26	AP0956169	Öldruckschalter	1	

Einheit	MOTOR
Code	29.60
Beschreibung	Zündung
Inspektion	1



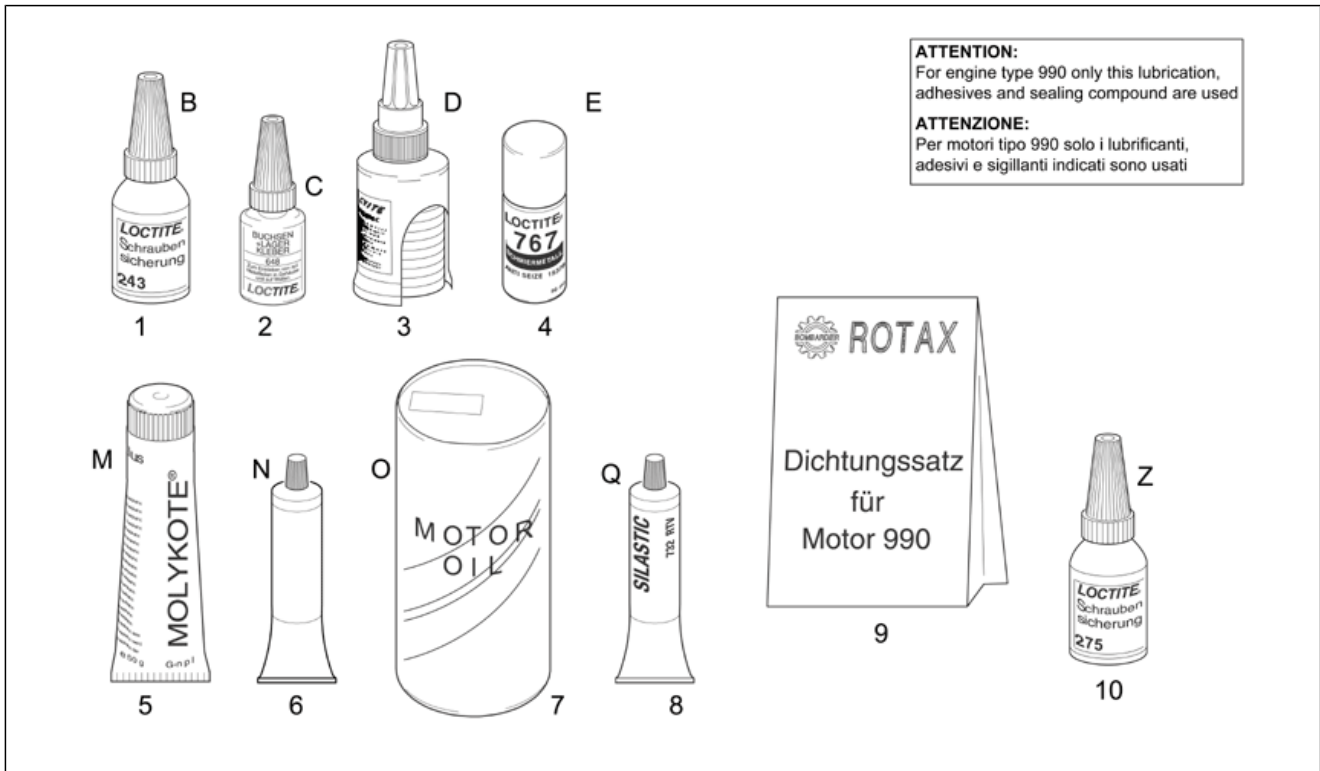
Pos.	Code	Beschreibung	Menge	Varianten
1	AP0294356	Anlasser komplett	1	
2	AP0250140	O-Ring 24,4x3,1	1	
3	AP0840882	TCEI Schraube	2	
4	AP0229301	Bolzen M6x50	2	
5	AP0634740	Doppeltes Zahn.	1	
6	AP0634600	Freilauftrad	1	
7	AP0634595	Zahnrad Freilauftrad z=64	1	
8	AP0295835	Zündung 12V-420W	1	
9	AP0659110	Freilauftrad	1	
10	AP0659125	Flansch Freilauftrad	1	
11	AP0265040	Schwungradrotor	1	
12	AP0641505	TCEI Schraube	6	
13	AP0627270	Ausgleichscheibe a17	1	
14	AP0241540	TCEI Schraube	1	
15	AP0211655	Zünddeckel	1	
16	AP0241816	TCEI Schraube M6x40	3	
17	AP0251160	Kabelschutz	1	
18	AP0241081	TCEI Schraube M6x10	1	
19	AP8124865	kurbelwelle fñhler	1	
20	AP0294354	Aust.satz Anlasser	1	
21	AP0240385	TE Schr. m. Flansch	1	
22	AP0650340	Dichtung	1	
23	AP0241811	TCEI Schraube	12	
24	AP0430782	O-Ring 23,3x2,4	1	
25	AP0241631	Deckel m24x1,5	1	
26	AP0297942	Zündkerze DCPR9E	4	

Einheit	MOTOR
Code	29.61
Beschreibung	Klappenkörper
Inspektion	1



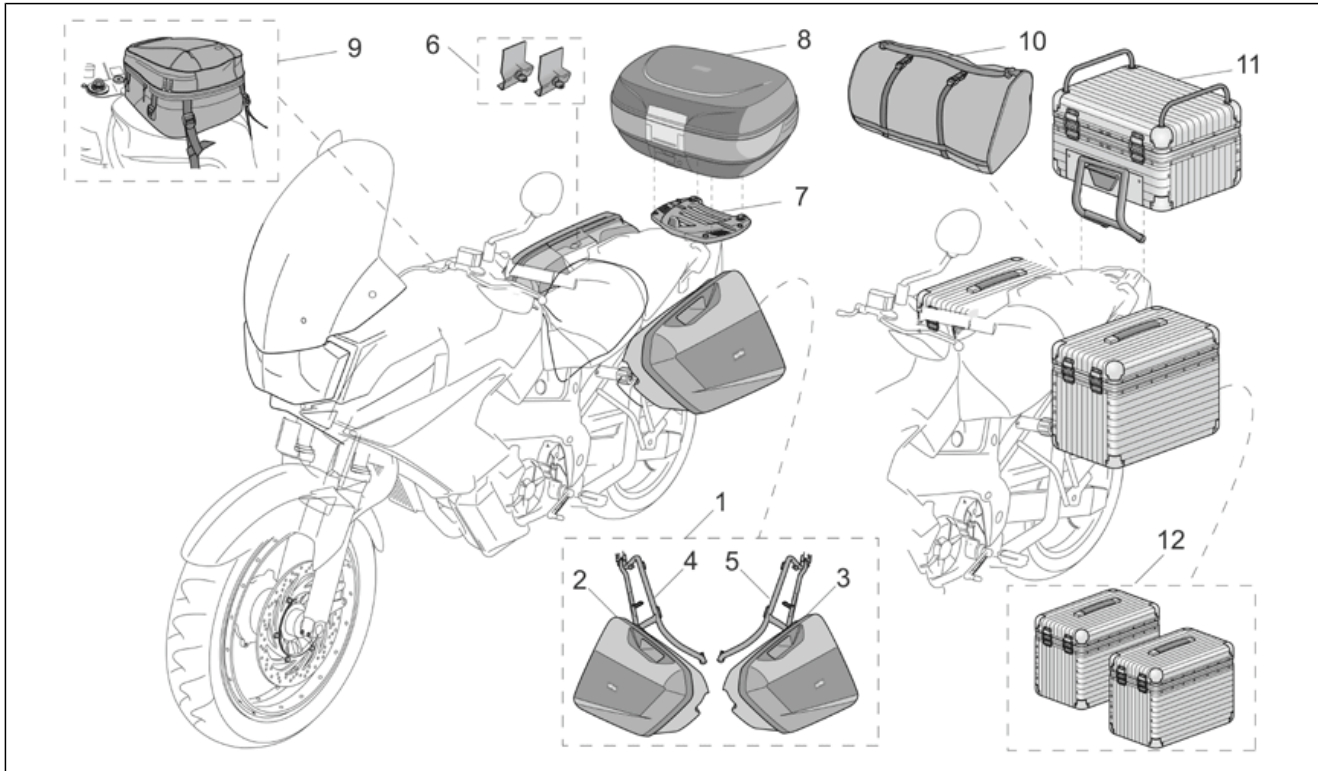
Pos.	Code	Beschreibung	Menge	Varianten
1	AP8124866	Fühler Drosselklappe	1	
2	AP8106889	Einspritzventil kplt.	2	
3	AP8144485	O-Ring	2	
4	AP8120965	O-Ring 2018	1	
5	AP8144483	O-Ring	2	
6	AP8106883	Klappenkörper kpl.	1	

Einheit	MOTOR
Code	29.62
Beschreibung	Verbrauchsmaterial
Inspektion	1



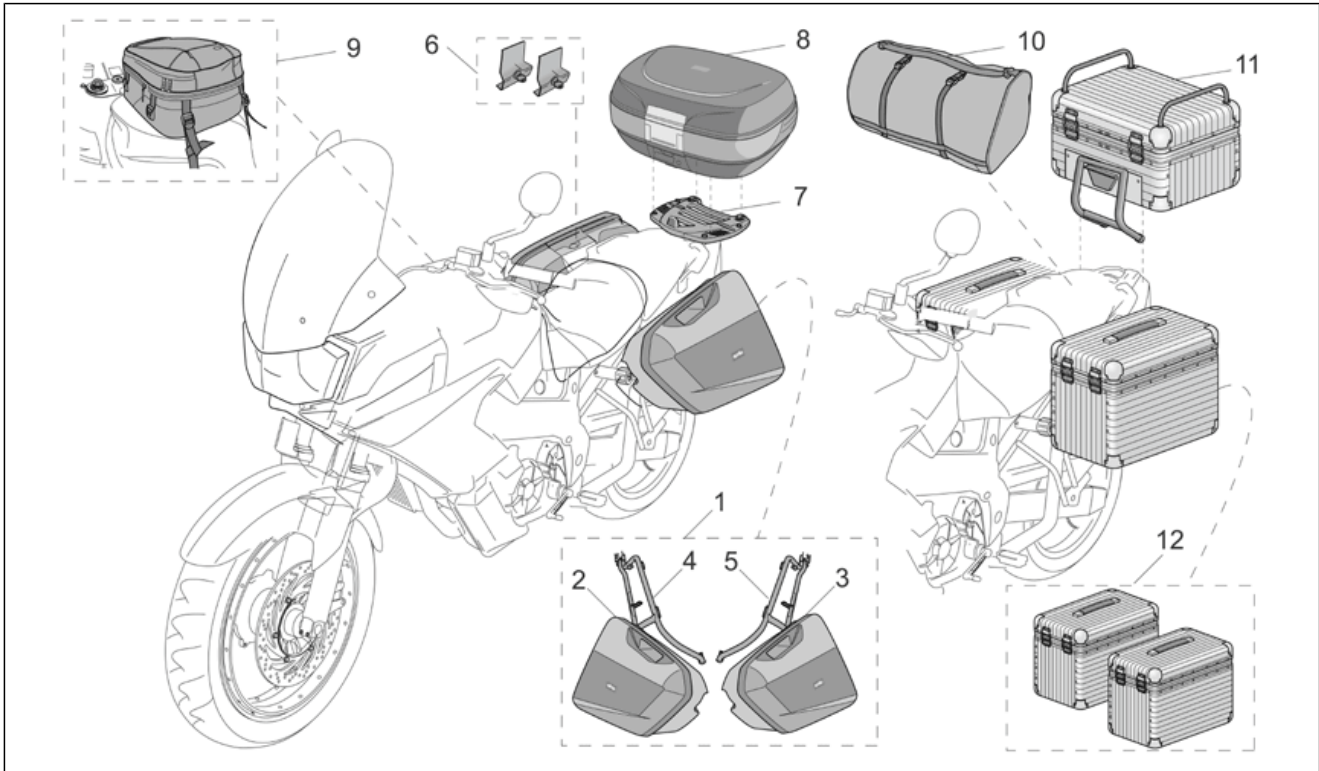
Pos.	Code	Beschreibung	Menge	Varianten
1	AP0897651	Loctite, blau 243 10cc.	1	
2	AP0899788	Loctite, grün 648 5gr.	1	
3	AP0899784	Loctite, orange 574	1	
4	AP0297434	Loctite Anti Seize 50ml.15378	1	
5	AP0297433	Molykote G-N 50gr.	1	
6	0000000	Reifen	1	
7	0000000	Reifen	1	
8	AP0297386	Silastic 732 Rtv 100 gr.	1	
9	AP0296170	Dichtungen - Satz	1	
10	AP0898011	Loctite 275	1	

Einheit	ZUBEHÖR
Code	30.63
Beschreibung	Acc. - Koffer, Taschen
Inspektion	1



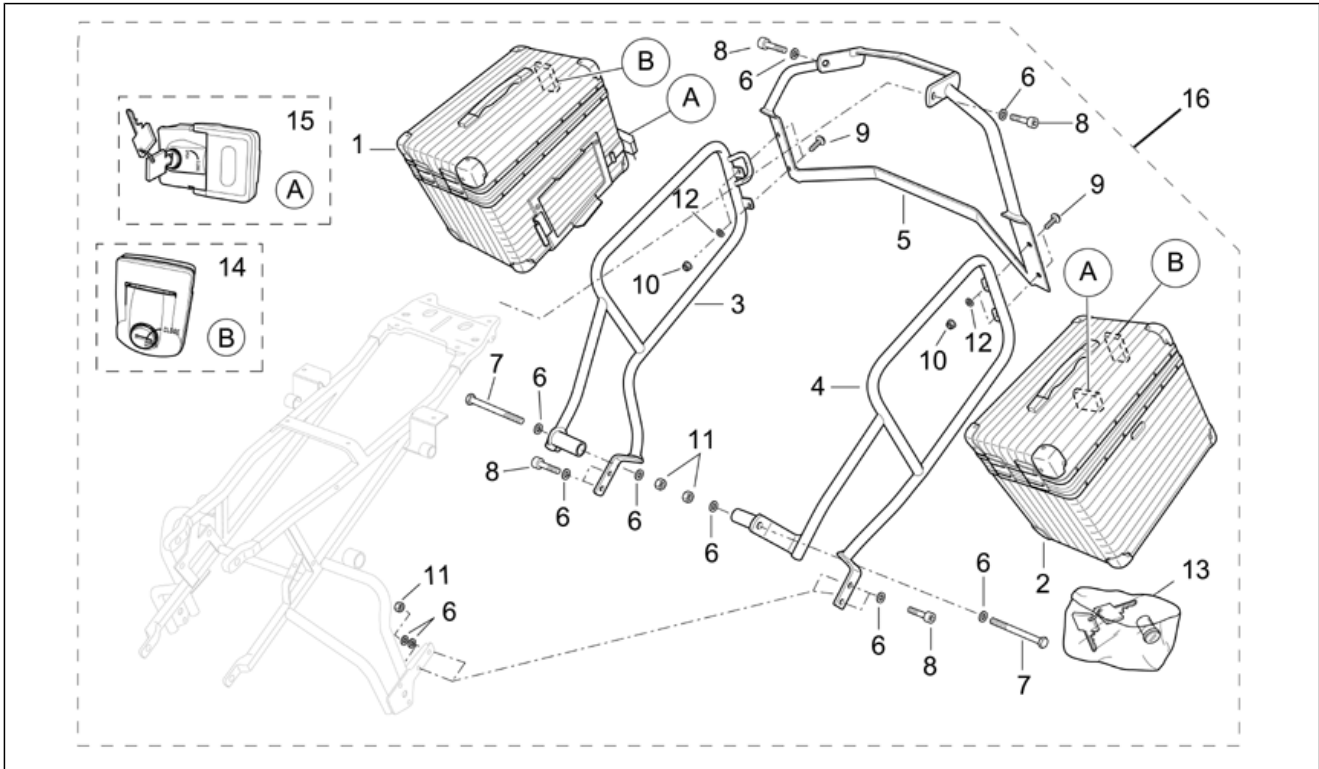
Pos.	Code	Beschreibung	Menge	Varianten
1	AP8792375	Koffer kpl.Paar p.black	1	Fahrzeugfarbe: Pastell-Schwarz[p.black] Land: Deutschland[D], Spanien[E], Irland[EI], DK, E, I[EU], Frankreich[F], Italien[I], Holland[NL], Großbritannien[UK] Technische Daten: Zubehör[A]
1	AP8792378	Koffer kpl.Paar p.black	1	Fahrzeugfarbe: Pastell-Schwarz[p.black] Land: Vereinigte Staaten von Amerika[USA] Technische Daten: Zubehör[A]
2	AP8792376	Koffer re.p.black	1	Fahrzeugfarbe: Pastell-Schwarz[p.black] Land: Deutschland[D], Spanien[E], Irland[EI], DK, E, I[EU], Frankreich[F], Italien[I], Holland[NL], Großbritannien[UK] Technische Daten: Zubehör[A]
2	AP8792379	Koffer re.p.black	1	Fahrzeugfarbe: Pastell-Schwarz[p.black] Land: Vereinigte Staaten von Amerika[USA] Technische Daten: Zubehör[A]
3	AP8792377	Koffer li.p.black	1	Fahrzeugfarbe: Pastell-Schwarz[p.black] Land: Deutschland[D], Spanien[E], Irland[EI], DK, E, I[EU], Frankreich[F], Italien[I], Holland[NL], Großbritannien[UK] Technische Daten: Zubehör[A]
3	AP8792380	Koffer li.p.black	1	Fahrzeugfarbe: Pastell-Schwarz[p.black] Land: Vereinigte Staaten von Amerika[USA] Technische Daten: Zubehör[A]
4	AP8792198	Kit Seitenkofferhalterung re.	1	Technische Daten: Zubehör[A]
5	AP8792199	Kit Seitenkofferhalterung li.	1	Technische Daten: Zubehör[A]
6	AP8792184	Verschlusshebel Paar kpl.Grey	1	Technische Daten: Zubehör[A]
6	AP8792391	Verschlusshebel Paar kpl.p.b.	1	Fahrzeugfarbe: Pastell-Schwarz[p.black] Technische Daten: Zubehör[A]
7	AP8792173	Kit Kofferhalterung 50L	1	Technische Daten: Zubehör[A]
8	AP8792172	Koffer grau/rot X-Box Dark	1	Technische Daten: Zubehör[A]
8	AP8792288	Koffer grau extrast. X-Box50L	1	Technische Daten: Zubehör[A]
9	AP8792174	Tankkrucksack	1	Technische Daten: Zubehör[A]
10	AP8792152	Gepäcktasche hi.	1	Technische Daten: Zubehör[A]
11	AP8792331	Koffer m/Halterung Aluminium	1	Technische Daten: Zubehör[A]

Einheit	ZUBEHÖR
Code	30.63
Beschreibung	Acc. - Koffer, Taschen
Inspektion	1



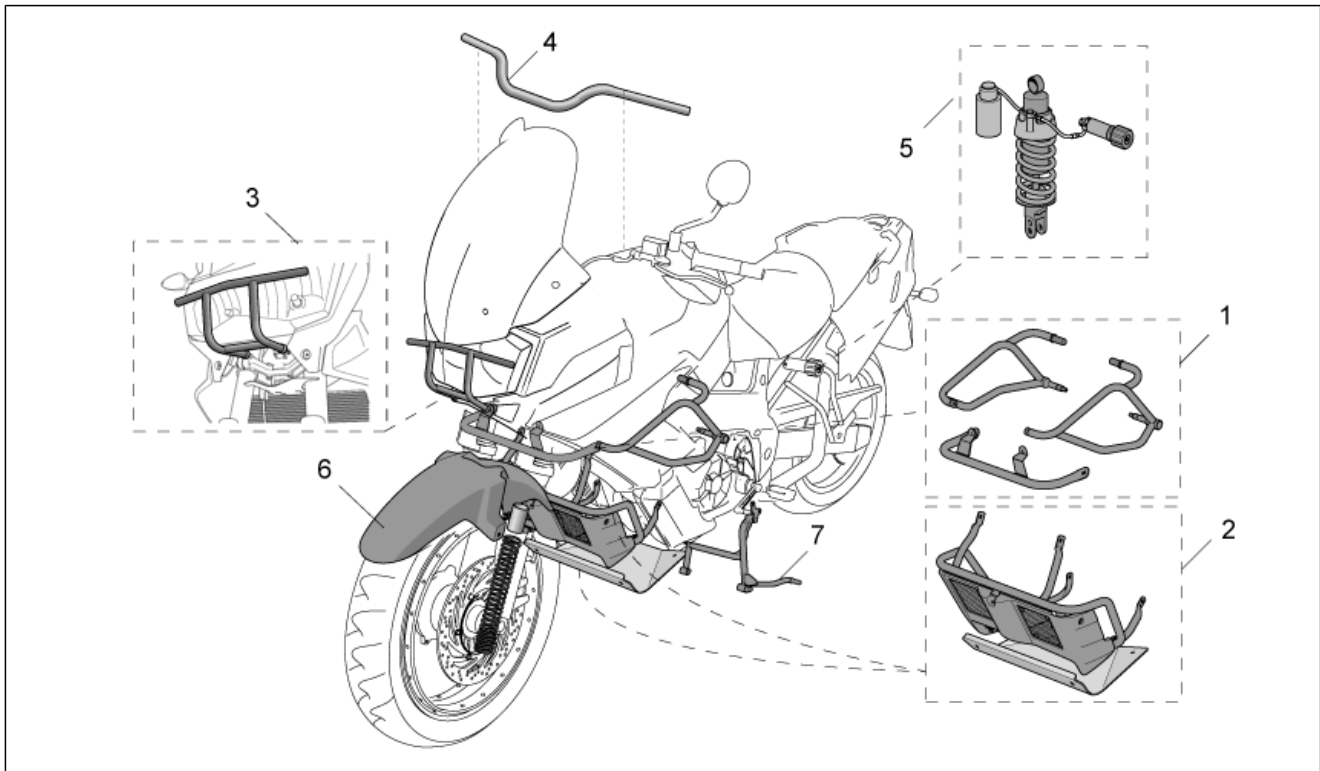
Pos.	Code	Beschreibung	Menge	Varianten
12	AP8104680	Koffer kpl.-Paar alu	1	Technische Daten:Zubehör[A]

Einheit	ZUBEHÖR
Code	30.64
Beschreibung	Taschen Alu
Inspektion	1



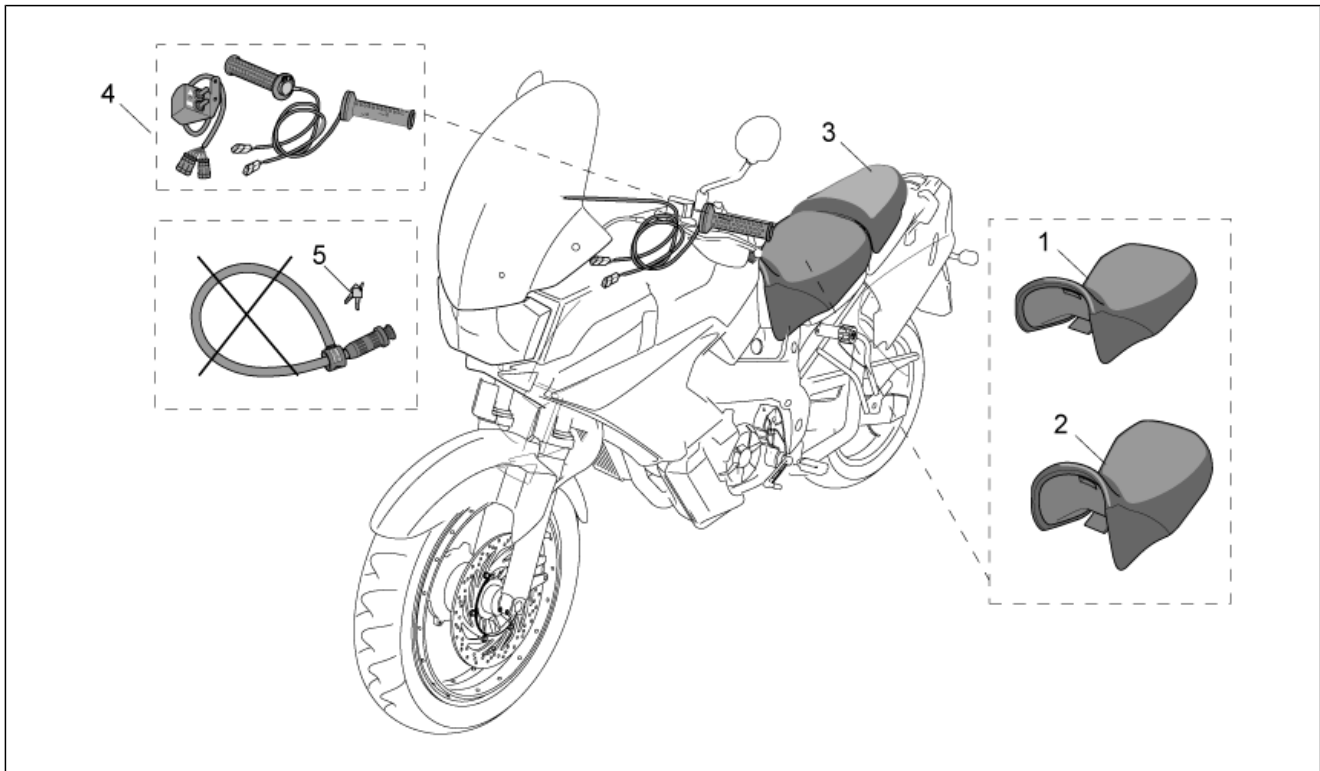
Pos.	Code	Beschreibung	Menge	Varianten
1	AP8104628	RH suitcase	1	Technische Daten:Zubehör[A]
2	AP8104629	LH suitcase	1	Technische Daten:Zubehör[A]
3	AP8146761	Halter rechts	1	Technische Daten:Zubehör[A]
4	AP8146762	Halter links	1	Technische Daten:Zubehör[A]
5	AP8134944	Bügel	1	Technische Daten:Zubehör[A]
6	AP8150017	Ausgleichscheibe 8,4x16x1,6	12	Technische Daten:Zubehör[A]
7	AP8150388	TCEI Schraube	2	Technische Daten:Zubehör[A]
8	AP8150170	TCEI Schraube M8x25	6	Technische Daten:Zubehör[A]
9	AP8152137	TBEI Schraube M6x20	4	Technische Daten:Zubehör[A]
10	AP8150430	Selbstsperr.mut Unt.	4	Technische Daten:Zubehör[A]
11	AP8150431	Mutter unten M8	4	Technische Daten:Zubehör[A]
12	AP8152184	Ausgleichscheibe 6,4x12*	8	Technische Daten:Zubehör[A]
13	AP8790114	Rotor kit with key	1	Technische Daten:Zubehör[A]
14	AP8104707	Schloss	1	Technische Daten:Zubehör[A]
15	AP8104706	Schloss	1	Technische Daten:Zubehör[A]
16	AP8104680	Koffer kpl.-Paar alu	1	Technische Daten:Zubehör[A]

Einheit	ZUBEHÖR
Code	30.65
Beschreibung	Acc. - Fahrwerk
Inspektion	1



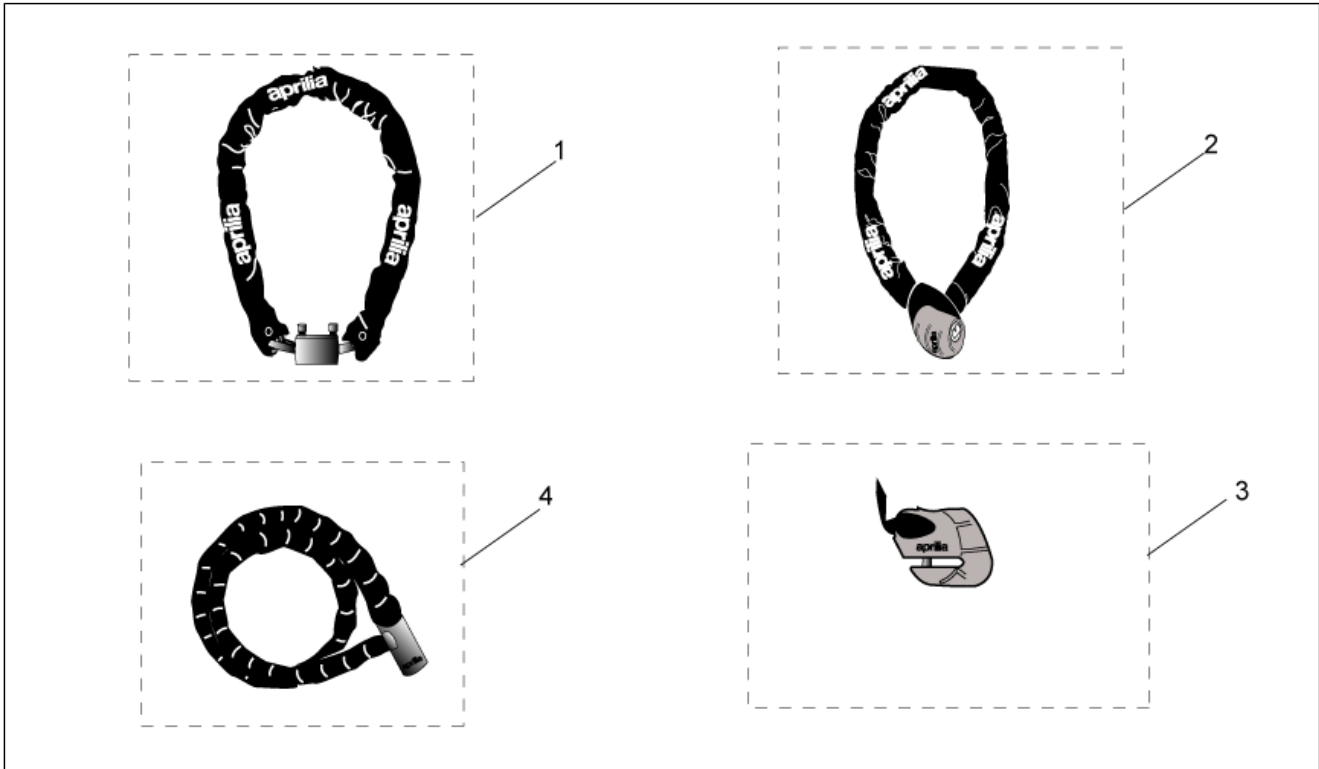
Pos.	Code	Beschreibung	Menge	Varianten
1	AP8791237	Kit vo.Verkl.schutz	1	Technische Daten:Zubehör[A]
2	AP8791236	Wannenschutz Alu/Carb.	1	Technische Daten:Zubehör[A]
3	AP8791235	Scheinwerferschutz	1	Technische Daten:Zubehör[A]
4	AP8796735	Kit dopp.konischer Lenker alu	1	Technische Daten:Zubehör[A]
5	AP8795038	Hinterer Stoßdämpfer	1	Technische Daten:Zubehör[A]
6	AP8156065	V. Schutzblech, grau	1	Technische Daten:Zubehör[A]
7	AP8795035	Hauptständer	1	Technische Daten:Zubehör[A]

Einheit	ZUBEHÖR
Code	30.66
Beschreibung	Acc. - Sonstiges
Inspektion	1



Pos.	Code	Beschreibung	Menge	Varianten
1	AP8793056	Fahrersitz flach schwarz	1	Technische Daten:Zubehör[A]
1	AP8793057	Fahrersitz flach braun	1	Technische Daten:Zubehör[A]
1	AP8793685	Fahrersitz flach braun	1	Technische Daten:Zubehör[A]
2	AP8793683	Hoch Fahrersitz, schwarz rally	1	Technische Daten:Zubehör[A]
3	AP8793684	Hoch Soziussitz, schwarz rally	1	Technische Daten:Zubehör[A]
4	AP8796733	Beheizte Handgrif.m/Blin.Paar	1	Technische Daten:Zubehör[A]
5	AP8700792	Schlüsslersatzdie. B.Guard UK-D	1	Technische Daten:Zubehör[A]
5	AP8700793	Schlüsslersatzdie. B.Guard F-NL	1	Technische Daten:Zubehör[A]
5	AP8700794	Schlüsslersatzdie. B.Guard I-E	1	Technische Daten:Zubehör[A]

Einheit	ZUBEHÖR
Code	30.67
Beschreibung	Acc. - Diefstahl
Inspektion	1



Pos.	Code	Beschreibung	Menge	Varianten
1	AP8720115	Iron Guard 10x150 mm	1	Technische Daten:Zubehör[A]
2	AP8720116	Iron Guard 8x120 mm	1	Technische Daten:Zubehör[A]
3	AP8720117	Iron Guard Disk 5 mm	1	Technische Daten:Zubehör[A]
4	AP8720118	Easy Guard 150 mm	1	Technische Daten:Zubehör[A]