

**aprilia**<sup>®</sup>

## ERSATZTEILKATALOG



### **Caponord 1200 Rally E3 ABS 2016 (NAFTA)**

Vorsatzcode Fahrgestell: ZD4VKU00

Vorsatzcode Motor:

## Inhaltsverzeichnis

|  |    |
|--|----|
| Fertige Produkte.....  | 4  |
| Alphanumerisches Verzeichnis.....                            | 5  |
| Rahmen.....  | 12 |
| Tafel 01.010 - Rahmen.....                                   | 12 |
| Tafel 01.020 - Fussrasten.....                               | 14 |
| Tafel 01.030 - Hauptständer.....                             | 16 |
| Tafel 01.040 - Schutz.....                                   | 18 |
| Tafel 01.050 - Schwinge.....                                 | 19 |
| Aufbau.....  | 21 |
| Tafel 02.030 - Vorderes Schutzblech-Stütze.....              | 21 |
| Tafel 02.040 - Verkl.....                                    | 23 |
| Tafel 02.050 - Windschild / Windschutzscheibe.....           | 24 |
| Tafel 02.070 - Leitblech.....                                | 25 |
| Tafel 02.080 - Seitenverkl.....                              | 27 |
| Tafel 02.090 - Tankabdeckung.....                            | 29 |
| Tafel 02.100 - Mittlerer Aufbau.....                         | 30 |
| Tafel 02.120 - Sitz.....                                     | 31 |
| Tafel 02.130 - Staufach.....                                 | 32 |
| Tafel 02.140 - Heckaufbau.....                               | 33 |
| Tafel 02.150 - Hinteres Schutzblech.....                     | 34 |
| Tafel 02.160 - Gepäckträger.....                             | 35 |
| Tafel 02.165 - Side cases.....                               | 36 |
| Tafel 02.170 - Schlösser.....                                | 37 |
| Tafel 02.180 - Schilden.....                                 | 38 |
| Tafel 02.190 - Deko.....                                     | 39 |
| Motor.....   | 40 |
| Tafel 03.010 - Motor-Fertigstellung.....                     | 40 |
| Tafel 03.020 - Schalthebel.....                              | 41 |
| Tafel 03.030 - Gehäuse I.....                                | 42 |
| Tafel 03.040 - Gehäuse I.....                                | 44 |
| Tafel 03.050 - Filtergehäuse.....                            | 45 |
| Tafel 03.060 - Klappenkörper.....                            | 46 |
| Tafel 03.090 - Kopfdeckel.....                               | 47 |
| Tafel 03.100 - Zylinderkopf - ventile.....                   | 48 |
| Tafel 03.110 - Belag.....                                    | 49 |
| Tafel 03.130 - Vrd. Zylindersteuer.....                      | 50 |
| Tafel 03.140 - Hint. Zylindersteuer.....                     | 52 |
| Tafel 03.150 - Zylinder - Kolben.....                        | 54 |
| Tafel 03.160 - Kurbelwelle.....                              | 55 |
| Tafel 03.170 - Schaltgetriebe / Schaltgabel / Desmodrom..... | 56 |
| Tafel 03.180 - Schaltgetriebe - Zahnräder.....               | 57 |
| Tafel 03.196 - Anlage Blow-by.....                           | 58 |
| Tafel 03.200 - Ölpumpe.....                                  | 59 |

|  |    |
|--|----|
| Tafel 03.210 - Wasserpumpenritzel.....                   | 60 |
| Tafel 03.220 - Kupplungsdeckel.....                      | 61 |
| Tafel 03.230 - Kupplung.....                             | 62 |
| Tafel 03.300 - Schwungmagnetstarter / Zündung.....       | 63 |
| Tafel 03.330 - Auspuffrohr.....                          | 64 |
| Radaufhängungen.....                                     | 66 |
| Tafel 04.080 - Stoßdämpfer.....                          | 66 |
| Tafel 04.090 - Vorderradgabel Dynamic Damping Sachs..... | 67 |
| Räder.....   | 69 |
| Tafel 05.010 - Vorderrad.....                            | 69 |
| Tafel 05.020 - Hinterrad.....                            | 70 |
| Bremsanlage .....  | 72 |
| Tafel 06.010 - Vorderradbremspumpe.....                  | 72 |
| Tafel 06.020 - Vorderradbremsszange.....                 | 73 |
| Tafel 06.030 - Hinterradbremspumpe.....                  | 74 |
| Tafel 06.040 - Hinterradbremsszange.....                 | 75 |
| Tafel 06.050 - Bremsanlage ABS.....                      | 76 |
| Lenkstange - Schaltungen.....                            | 77 |
| Tafel 07.010 - Lenkung.....                              | 77 |
| Tafel 07.020 - Lenkstange - Schaltungen.....             | 78 |
| Tafel 07.030 - Kupplungssteuerung.....                   | 79 |
| Vorderer lichter - Instrumente.....                      | 80 |
| Tafel 08.010 - Vorderer lichter.....                     | 80 |
| Tafel 08.020 - Instrumente.....                          | 81 |
| Tafel 08.030 - Hinterer lichter.....                     | 82 |
| Tank.....  | 83 |
| Tafel 09.010 - Kraftstofftank.....                       | 83 |
| Tafel 09.020 - Benzindampfdruckf.-Anlage.....            | 84 |
| Kühlanlage.....  | 85 |
| Tafel 10.010 - Ölkühler.....                             | 85 |
| Tafel 10.020 - Kühlanlage.....                           | 86 |
| Elektrische Anlage.....                                  | 88 |
| Tafel 11.010 - Vorder Elektrische Anlage.....            | 88 |
| Tafel 11.020 - Mitt. elektrische Anlage.....             | 90 |
| Tafel 11.030 - Hint.Elektrische Anlage.....              | 92 |

## Fertige Produkte

| Code           | Gültigkeit |
|----------------|------------|
| AP6148800CCG01 |            |
| AP6148800CCG02 |            |
| AP6148800CCG03 |            |
| AP6148800YCG01 |            |
| AP6148800YCG02 |            |
| AP6148800YCG03 |            |

| Code        | Nr. der Tafel | Pos. | Code     | Nr. der Tafel | Pos. | Code      | Nr. der Tafel | Pos. |
|-------------|---------------|------|----------|---------------|------|-----------|---------------|------|
| 000267      | 03.300        | 16   | 2B000099 | 07.010        | 8    | 2B001265  | 05.020        | 5    |
| 002383      | 03.020        | 15   | 2B000100 | 07.010        | 15   | 2B001266  | 05.020        | 6    |
| 003058      | 02.165        | 9    | 2B000102 | 02.160        | 5    | 2B001267  | 05.020        | 7    |
| 006429      | 03.130        | 20   | 2B000115 | 11.020        | 33   | 2B001270  | 05.020        | 2    |
| 006429      | 03.140        | 20   | 2B000117 | 02.170        | 10   | 2B001280  | 06.050        | 2    |
| 006450      | 03.200        | 2    | 2B000124 | 06.030        | 23   | 2B001285  | 06.050        | 21   |
| 006642      | 03.030        | 21   | 2B000125 | 03.050        | 12   | 2B001352  | 07.010        | 21   |
| 00H01802081 | 02.030        | 29   | 2B000128 | 11.020        | 16   | 2B001353  | 02.040        | 7    |
| 015935      | 03.300        | 11   | 2B000136 | 03.060        | 11   | 2B001405  | 08.010        | 15   |
| 018536      | 02.040        | 10   | 2B000148 | 11.020        | 22   | 2B001414  | 05.020        | 1    |
| 018639      | 03.060        | 16   | 2B000149 | 11.020        | 21   | 2B001415  | 05.010        | 2    |
| 122671      | 03.030        | 8    | 2B000174 | 10.020        | 20   | 2B001416  | 01.020        | 26   |
| 194945      | 01.040        | 7    | 2B000175 | 10.020        | 22   | 2B001432  | 02.070        | 10   |
| 195482      | 03.300        | 27   | 2B000186 | 03.050        | 1    | 2B001434  | 02.030        | 36   |
| 195483      | 01.010        | 25   | 2B000198 | 03.196        | 3    | 2B001435  | 06.030        | 5    |
| 197551      | 02.090        | 2    | 2B000199 | 03.196        | 7    | 2B001441  | 05.010        | 18   |
| 1A000220    | 03.150        | 1    | 2B000200 | 03.196        | 8    | 2B001445  | 05.010        | 1    |
| 1A0002210A  | 03.150        | 2    | 2B000214 | 06.020        | 3    | 2B001455  | 05.010        | 12   |
| 1A0002210B  | 03.150        | 2    | 2B000220 | 03.010        | 2    | 2B001456  | 05.020        | 15   |
| 1A0002210C  | 03.150        | 2    | 2B000221 | 11.010        | 6    | 2B001460  | 02.165        | 5    |
| 1A0002210D  | 03.150        | 2    | 2B000242 | 03.330        | 34   | 2B001461  | 06.050        | 16   |
| 1A000423    | 03.030        | 19   | 2B000245 | 03.330        | 5    | 2B001515  | 02.030        | 33   |
| 1A0005391A  | 03.030        | 1    | 2B000251 | 02.030        | 15   | 2B001516  | 02.030        | 26   |
| 1A0005392A  | 03.030        | 1    | 2B000252 | 02.030        | 19   | 2B001517  | 02.030        | 34   |
| 1A000758    | 03.130        | 30   | 2B000255 | 02.180        | 4    | 2B001518  | 02.030        | 25   |
| 1A000759    | 03.140        | 30   | 2B000276 | 11.010        | 7    | 2B001590  | 08.030        | 1    |
| 1A002951    | 03.300        | 10   | 2B000286 | 02.100        | 5    | 2B001596  | 01.040        | 3    |
| 1A003074    | 03.220        | 14   | 2B000303 | 01.020        | 14   | 2B001622  | 01.010        | 18   |
| 1A003275    | 03.100        | 2    | 2B000307 | 01.050        | 33   | 2B001659  | 05.010        | 7    |
| 1A003276    | 03.100        | 3    | 2B000362 | 09.010        | 20   | 2B001692  | 02.030        | 38   |
| 1A004211    | 03.300        | 9    | 2B000374 | 01.030        | 1    | 2B001777  | 04.080        | 17   |
| 1A004441    | 03.150        | 5    | 2B000457 | 03.060        | 7    | 2B001782  | 03.330        | 1    |
| 1A004602    | 03.230        | 10   | 2B000477 | 09.010        | 17   | 2B001881  | 01.020        | 27   |
| 1A004603    | 03.230        | 11   | 2B000487 | 08.010        | 18   | 2B001882  | 01.020        | 1    |
| 1A004625    | 03.230        | 5    | 2B000502 | 02.170        | 15   | 2B001883  | 01.020        | 2    |
| 1A006352    | 03.130        | 24   | 2B000523 | 09.010        | 21   | 2B001923  | 02.180        | 2    |
| 1A006352    | 03.140        | 24   | 2B000550 | 10.010        | 9    | 2B001994  | 02.140        | 7    |
| 1B001591    | 11.030        | 6    | 2B000577 | 01.050        | 28   | 2B002000  | 08.010        | 16   |
| 224035      | 03.040        | 10   | 2B000578 | 01.050        | 27   | 2B002098  | 02.165        | 12   |
| 224035      | 03.180        | 26   | 2B000588 | 02.050        | 18   | 2B002142  | 02.030        | 37   |
| 224035      | 03.210        | 7    | 2B000589 | 02.050        | 17   | 2B002243  | 02.165        | 1    |
| 239388      | 03.040        | 6    | 2B000633 | 03.060        | 1    | 2B002394  | 02.165        | 11   |
| 248419      | 02.070        | 15   | 2B000653 | 03.330        | 4    | 2B002416  | 05.010        | 15   |
| 248419      | 02.140        | 4    | 2B000663 | 02.130        | 1    | 2B002418  | 05.010        | 17   |
| 248419      | 08.020        | 18   | 2B000696 | 03.196        | 1    | 2B0024475 | 02.030        | 1    |
| 255638      | 01.050        | 24   | 2B000828 | 02.140        | 10   | 2B002490  | 02.165        | 8    |
| 269787      | 02.050        | 4    | 2B000896 | 10.010        | 1    | 2B002494  | 02.165        | 10   |
| 271740      | 01.010        | 12   | 2B000918 | 03.330        | 35   | 2B002505  | 02.165        | 13   |
| 271740      | 01.010        | 16   | 2B001102 | 10.020        | 1    | 2B002506  | 02.165        | 6    |
| 274369      | 04.090        | 32   | 2B001106 | 05.010        | 5    | 2B002514  | 03.330        | 36   |
| 277916      | 03.210        | 18   | 2B001115 | 04.090        | 1    | 2B003120  | 02.165        | 2    |
| 277916      | 03.300        | 22   | 2B001116 | 04.090        | 21   | 2B003807  | 06.010        | 18   |
| 287073      | 03.130        | 9    | 2B001126 | 05.010        | 13   | 2D000001  | 11.020        | 1    |
| 287073      | 03.140        | 9    | 2B001127 | 05.010        | 14   | 2D000012  | 02.170        | 3    |
| 292022      | 08.030        | 11   | 2B001130 | 05.010        | 6    | 2D000013  | 02.170        | 4    |
| 2A000021    | 03.060        | 4    | 2B001142 | 06.050        | 17   | 2D000064  | 03.330        | 9    |
| 2A000042    | 03.060        | 5    | 2B001143 | 06.050        | 18   | 2D000098  | 11.030        | 7    |
| 2A000045    | 03.050        | 11   | 2B001144 | 06.050        | 1    | 2D000107  | 08.020        | 1    |
| 2A000165    | 03.150        | 9    | 2B001145 | 06.050        | 6    | 2D000112  | 07.020        | 15   |
| 2B000037    | 09.010        | 6    | 2B001160 | 05.010        | 19   | 2D000117  | 11.010        | 25   |
| 2B000054    | 10.020        | 25   | 2B001164 | 01.040        | 8    | 2D000193  | 06.050        | 9    |
| 2B000055    | 10.020        | 24   | 2B001165 | 01.040        | 1    | 2G000102  | 02.190        | 14   |
| 2B000068    | 10.010        | 11   | 2B001166 | 01.040        | 2    | 2G000103  | 02.190        | 17   |
| 2B000069    | 10.010        | 13   | 2B001237 | 02.165        | 4    | 2G000104  | 02.190        | 15   |
| 2B000077    | 10.010        | 3    | 2B001238 | 02.165        | 3    | 2G000105  | 02.190        | 16   |
| 2B000078    | 10.010        | 7    | 2B001260 | 05.020        | 3    | 2H000481  | 02.190        | 12   |
| 2B000087    | 03.020        | 12   | 2B001264 | 05.020        | 4    | 2H000618  | 02.190        | 6    |

| Code           | Nr. der Tafel | Pos. | Code        | Nr. der Tafel | Pos. | Code        | Nr. der Tafel | Pos. |
|----------------|---------------|------|-------------|---------------|------|-------------|---------------|------|
| 2H000619       | 02.190        | 5    | 597565      | 03.170        | 19   | 851784      | 01.010        | 15   |
| 2H000620       | 02.190        | 3    | 598839      | 01.020        | 36   | 851790      | 01.030        | 17   |
| 2H000621       | 02.190        | 2    | 598839      | 07.010        | 18   | 852093      | 01.030        | 29   |
| 2H000626000XV7 | 02.080        | 2    | 598839      | 09.020        | 4    | 852165      | 01.010        | 11   |
| 2H000627000XV7 | 02.080        | 1    | 620344      | 08.010        | 12   | 85221R      | 07.030        | 20   |
| 2H000628000XG8 | 02.080        | 4    | 622055      | 10.020        | 5    | 852480      | 03.020        | 7    |
| 2H000628000XHA | 02.080        | 4    | 623673      | 10.020        | 17   | 85256R      | 08.030        | 3    |
| 2H000628000XV7 | 02.080        | 4    | 638733      | 11.030        | 1    | 853036      | 01.010        | 13   |
| 2H000629000XG8 | 02.080        | 3    | 639687      | 11.010        | 24   | 853037      | 01.010        | 10   |
| 2H000629000XHA | 02.080        | 3    | 640485      | 03.100        | 20   | 854555      | 08.010        | 1    |
| 2H000629000XV7 | 02.080        | 3    | 640754      | 08.010        | 6    | 854556      | 08.010        | 2    |
| 2H000630       | 02.050        | 1    | 641541      | 03.200        | 10   | 854811      | 11.020        | 15   |
| 2H000636       | 02.190        | 8    | 641652      | 02.150        | 2    | 854815      | 07.010        | 12   |
| 2H000637       | 02.190        | 9    | 642248      | 11.030        | 10   | 854815      | 07.020        | 6    |
| 2H000667       | 02.190        | 1    | 642302      | 03.060        | 15   | 854937      | 09.010        | 8    |
| 2H000696000XG8 | 02.080        | 2    | 642569      | 11.010        | 27   | 855031      | 03.210        | 22   |
| 2H000696000XHA | 02.080        | 2    | 643277      | 11.030        | 5    | 855799      | 03.100        | 16   |
| 2H000697000XG8 | 02.080        | 1    | 658778      | 03.220        | 11   | 856062      | 09.020        | 10   |
| 2H000697000XHA | 02.080        | 1    | 658830      | 06.010        | 15   | 856063      | 09.020        | 11   |
| 2H000698       | 02.190        | 3    | 680167      | 11.010        | 1    | 856069      | 03.010        | 6    |
| 2H000699       | 02.190        | 2    | 680199      | 03.300        | 7    | 85623200ZEN | 01.050        | 1    |
| 2H000700       | 02.190        | 8    | 680200      | 03.300        | 6    | 856787      | 01.050        | 22   |
| 2H000701       | 02.190        | 9    | 709099      | 03.200        | 14   | 856805      | 05.020        | 24   |
| 2H001177       | 02.190        | 6    | 825577      | 03.030        | 12   | 856808      | 06.030        | 11   |
| 2H001178       | 02.190        | 5    | 825577      | 03.220        | 19   | 857082      | 03.210        | 20   |
| 2L000005       | 02.190        | 10   | 825597      | 03.150        | 14   | 857265      | 03.170        | 22   |
| 2L000030       | 02.190        | 13   | 825694      | 03.100        | 19   | 858539      | 07.020        | 14   |
| 2L000032       | 04.090        | 37   | 825725      | 03.300        | 18   | 858840      | 02.140        | 12   |
| 2L000036       | 02.130        | 3    | 82697R      | 03.300        | 1    | 858842      | 02.140        | 13   |
| 2Q000095       | 02.180        | 1    | 828909      | 03.060        | 10   | 858867      | 08.010        | 14   |
| 2R000016       | 04.090        | 24   | 82897R      | 03.030        | 14   | 859754      | 05.020        | 25   |
| 2R000017       | 04.090        | 22   | 829122      | 03.030        | 2    | 859789      | 06.050        | 10   |
| 2R000021       | 04.090        | 2    | 82960R      | 03.200        | 12   | 859792      | 04.090        | 33   |
| 2R000022       | 04.090        | 4    | 830249      | 03.090        | 4    | 859792      | 05.020        | 20   |
| 2R000025       | 04.080        | 20   | 830389      | 03.300        | 5    | 859919      | 01.020        | 5    |
| 2R000026       | 04.080        | 14   | 830390      | 03.300        | 4    | 859920      | 01.020        | 11   |
| 2R000027       | 04.080        | 12   | 834038      | 03.060        | 20   | 859921      | 01.020        | 8    |
| 2R000028       | 04.080        | 13   | 834232      | 10.020        | 26   | 859929      | 01.050        | 18   |
| 2R000029       | 04.080        | 15   | 834951      | 03.210        | 17   | 859946      | 06.030        | 16   |
| 2R000030       | 04.080        | 9    | 842291      | 03.090        | 3    | 859949      | 07.020        | 22   |
| 2R000031       | 04.080        | 16   | 846624      | 03.210        | 8    | 860138      | 09.020        | 12   |
| 2R000032       | 04.080        | 18   | 847906      | 03.160        | 4    | 860628      | 02.030        | 20   |
| 2R000033       | 04.080        | 10   | 847915      | 03.160        | 8    | 860628      | 02.070        | 18   |
| 2R000034       | 04.080        | 8    | 848474      | 03.030        | 11   | 860662      | 04.080        | 5    |
| 2R000035       | 04.080        | 11   | 848647      | 03.300        | 21   | 860667      | 02.030        | 14   |
| 2R000036       | 04.080        | 19   | 848650      | 03.030        | 6    | 860744      | 07.020        | 17   |
| 2R000075       | 04.090        | 38   | 848714      | 03.300        | 3    | 860898      | 01.050        | 19   |
| 2R000161       | 08.010        | 4    | 848845      | 03.300        | 19   | 860899      | 01.050        | 20   |
| 2R000246       | 03.010        | 3    | 849131      | 03.160        | 3    | 860900      | 01.050        | 21   |
| 2R000249       | 04.090        | 20   | 849308      | 03.180        | 19   | 871609      | 03.220        | 12   |
| 2R000250       | 04.090        | 26   | 849308      | 03.180        | 9    | 871640      | 03.100        | 5    |
| 2R000251       | 04.090        | 25   | 849309      | 03.180        | 23   | 871640      | 03.110        | 2    |
| 2R000252       | 04.090        | 18   | 849310      | 03.180        | 20   | 871642      | 03.100        | 4    |
| 2R000253       | 04.090        | 7    | 849311      | 03.180        | 24   | 871649      | 03.170        | 8    |
| 2R000254       | 04.080        | 1    | 849424      | 03.180        | 6    | 8716754     | 03.300        | 13   |
| 411311         | 03.100        | 21   | 849426      | 03.180        | 7    | 871798      | 03.130        | 21   |
| 414838         | 03.130        | 29   | 849718      | 03.130        | 18   | 871798      | 03.140        | 21   |
| 414838         | 03.140        | 29   | 849718      | 03.140        | 18   | 871901      | 03.170        | 24   |
| 414838         | 03.220        | 17   | 849720      | 03.130        | 19   | 872033      | 03.030        | 5    |
| 430136         | 03.030        | 15   | 849720      | 03.140        | 19   | 872154      | 03.170        | 5    |
| 478533         | 11.030        | 9    | 849817      | 03.130        | 25   | 872182      | 03.040        | 5    |
| 484123         | 03.200        | 21   | 849817      | 03.140        | 25   | 872230      | 03.060        | 2    |
| 484706         | 03.100        | 10   | 851049      | 06.030        | 17   | 872264      | 03.060        | 3    |
| 487073         | 03.030        | 17   | 85153600XNB | 01.010        | 8    | 872421      | 03.220        | 2    |
| 560173         | 02.050        | 2    | 85153700XNB | 01.010        | 9    | 872560      | 03.170        | 14   |
| 563984         | 01.030        | 7    | 851541      | 01.010        | 29   | 872807      | 03.100        | 11   |
| 575249         | 02.140        | 15   | 851628      | 07.020        | 7    | 873131      | 03.110        | 1    |

| Code    | Nr. der Tafel | Pos. | Code       | Nr. der Tafel | Pos. | Code   | Nr. der Tafel | Pos. |
|---------|---------------|------|------------|---------------|------|--------|---------------|------|
| 873233  | 03.130        | 26   | 876559     | 03.180        | 13   | 880064 | 03.140        | 6    |
| 873233  | 03.140        | 26   | 876561     | 03.180        | 12   | 880079 | 03.150        | 8    |
| 873268  | 07.030        | 23   | 876568     | 03.180        | 2    | 880194 | 03.180        | 3    |
| 873543  | 03.220        | 8    | 876569     | 03.180        | 14   | 880195 | 03.180        | 4    |
| 873718  | 03.230        | 7    | 876631     | 03.060        | 17   | 880196 | 03.180        | 5    |
| 873719  | 03.230        | 4    | 8766665001 | 03.160        | 2    | 880197 | 03.180        | 15   |
| 873772  | 03.170        | 4    | 8766665002 | 03.160        | 2    | 880198 | 03.180        | 16   |
| 873863  | 03.200        | 5    | 876707     | 03.150        | 6    | 880199 | 03.180        | 17   |
| 873866  | 03.200        | 4    | 876954     | 03.300        | 2    | 880200 | 03.180        | 18   |
| 873905  | 03.030        | 9    | 877069     | 03.210        | 13   | 880231 | 03.130        | 22   |
| 873906  | 03.200        | 8    | 877135     | 03.200        | 24   | 880231 | 03.140        | 22   |
| 873928  | 03.030        | 25   | 877193     | 03.220        | 10   | 880235 | 03.150        | 11   |
| 873974  | 03.200        | 7    | 877195     | 03.220        | 20   | 880646 | 03.210        | 15   |
| 874037  | 07.030        | 22   | 877424     | 03.220        | 5    | 880689 | 03.050        | 9    |
| 874191  | 03.220        | 13   | 877441     | 03.170        | 21   | 880701 | 03.210        | 23   |
| 874546  | 03.040        | 11   | 877814     | 03.040        | 2    | 880734 | 03.090        | 5    |
| 874548  | 03.040        | 4    | 877829     | 03.130        | 11   | 880798 | 03.210        | 21   |
| 874549  | 03.150        | 12   | 877829     | 03.140        | 11   | 880871 | 03.230        | 1    |
| 874549  | 03.210        | 12   | 877850     | 03.210        | 11   | 884033 | 06.030        | 12   |
| 874551  | 03.210        | 14   | 877884     | 03.130        | 8    | 886078 | 02.050        | 6    |
| 874551  | 03.300        | 12   | 877884     | 03.140        | 8    | 886079 | 02.050        | 7    |
| 874554  | 03.150        | 10   | 877885     | 03.130        | 7    | 886195 | 02.050        | 13   |
| 874554  | 03.300        | 23   | 877885     | 03.140        | 7    | 886196 | 02.050        | 14   |
| 874554  | 11.010        | 21   | 8781140001 | 03.160        | 5    | 886197 | 02.050        | 15   |
| 874555  | 03.060        | 18   | 8781140002 | 03.160        | 5    | 886198 | 02.050        | 16   |
| 874555  | 11.010        | 23   | 8781140003 | 03.160        | 5    | 886236 | 02.050        | 8    |
| 874557  | 03.100        | 14   | 8781140004 | 03.160        | 5    | 890002 | 01.050        | 7    |
| 874558  | 03.100        | 12   | 878115     | 03.210        | 5    | 890126 | 01.050        | 10   |
| 874567  | 03.150        | 7    | 878296     | 03.160        | 9    | 890499 | 09.020        | 2    |
| 874598  | 03.040        | 1    | 8783940001 | 03.030        | 22   | 890509 | 07.030        | 8    |
| 874599  | 03.170        | 2    | 8783940002 | 03.030        | 22   | 890721 | 11.010        | 13   |
| 874660  | 03.220        | 3    | 8783940003 | 03.030        | 22   | 890760 | 11.020        | 31   |
| 874744  | 03.130        | 14   | 8783940004 | 03.030        | 22   | 890933 | 11.010        | 14   |
| 874744  | 03.140        | 14   | 878401     | 03.200        | 20   | 890960 | 05.020        | 17   |
| 874746  | 03.100        | 18   | 878434     | 03.040        | 7    | 893073 | 05.020        | 21   |
| 874751  | 03.130        | 13   | 878523     | 03.200        | 15   | 893102 | 02.190        | 7    |
| 874752  | 03.140        | 13   | 878567     | 03.030        | 16   | 893132 | 02.070        | 30   |
| 875222  | 03.230        | 12   | 878705     | 03.100        | 17   | 893132 | 03.050        | 10   |
| 875223  | 03.230        | 9    | 878734     | 03.210        | 2    | 893255 | 02.030        | 35   |
| 875224  | 03.230        | 8    | 878806     | 03.100        | 8    | 893255 | 02.070        | 17   |
| 875358  | 03.200        | 16   | 878807     | 03.100        | 9    | 893513 | 10.020        | 8    |
| 875373  | 03.140        | 4    | 878808     | 03.100        | 6    | 893514 | 10.020        | 10   |
| 875397  | 03.150        | 13   | 878809     | 03.100        | 7    | 893823 | 10.020        | 9    |
| 875411  | 03.130        | 27   | 878845     | 03.230        | 3    | 893929 | 08.010        | 7    |
| 875411  | 03.140        | 27   | 878867     | 03.170        | 9    | 893930 | 08.010        | 5    |
| 8756994 | 03.130        | 28   | 878868     | 03.130        | 23   | 894505 | 05.020        | 19   |
| 8756994 | 03.140        | 28   | 878868     | 03.140        | 23   | 894511 | 10.020        | 27   |
| 875796  | 03.170        | 1    | 878870     | 03.170        | 13   | 894512 | 10.020        | 28   |
| 875814  | 03.210        | 16   | 878871     | 03.200        | 6    | 894566 | 08.030        | 7    |
| 875838  | 03.030        | 4    | 878872     | 03.300        | 20   | 894603 | 11.020        | 2    |
| 875878  | 03.130        | 15   | 879127     | 03.100        | 3    | 894621 | 05.020        | 22   |
| 875878  | 03.140        | 15   | 879176     | 03.230        | 6    | 894657 | 02.140        | 14   |
| 875880  | 03.140        | 30   | 879250     | 03.200        | 23   | 894704 | 03.330        | 17   |
| 875914  | 11.010        | 20   | 879320     | 03.210        | 24   | 894796 | 08.010        | 8    |
| 875935  | 03.030        | 26   | 8793650001 | 03.030        | 23   | 895349 | 01.050        | 30   |
| 875936  | 03.030        | 3    | 8793650002 | 03.030        | 23   | 895481 | 11.010        | 4    |
| 876087  | 03.130        | 3    | 8793650003 | 03.030        | 23   | 895571 | 06.040        | 1    |
| 876087  | 03.140        | 3    | 8793650004 | 03.030        | 23   | 895807 | 11.010        | 11   |
| 876113  | 03.130        | 4    | 879523     | 03.130        | 10   | 895836 | 03.330        | 8    |
| 876171  | 03.130        | 6    | 879523     | 03.140        | 10   | 895839 | 02.190        | 11   |
| 876296  | 03.220        | 6    | 879532     | 03.090        | 2    | 895907 | 11.020        | 11   |
| 876320  | 03.030        | 24   | 879550     | 03.200        | 13   | 895916 | 02.030        | 7    |
| 876455  | 11.010        | 22   | 879554     | 03.170        | 3    | 896013 | 05.020        | 18   |
| 876486  | 03.200        | 9    | 879855     | 03.090        | 6    | 896014 | 01.010        | 14   |
| 876529  | 03.210        | 3    | 879858     | 03.100        | 2    | 896107 | 07.020        | 16   |
| 876538  | 03.210        | 6    | 879883     | 03.090        | 1    | 896110 | 03.330        | 3    |
| 876546  | 03.180        | 25   | 879948     | 03.090        | 7    | 896174 | 02.030        | 27   |

| Code      | Nr. der Tafel | Pos. | Code      | Nr. der Tafel | Pos. | Code      | Nr. der Tafel | Pos. |
|-----------|---------------|------|-----------|---------------|------|-----------|---------------|------|
| 896174    | 02.140        | 3    | AP8102029 | 02.130        | 8    | AP8113771 | 06.010        | 7    |
| 896236    | 03.050        | 5    | AP8102239 | 03.196        | 13   | AP8117258 | 08.030        | 4    |
| 896237    | 03.050        | 4    | AP8102239 | 09.020        | 15   | AP8118579 | 07.020        | 11   |
| 896254    | 06.040        | 2    | AP8102349 | 03.196        | 4    | AP8120001 | 01.010        | 22   |
| 896256    | 06.010        | 1    | AP8102375 | 01.010        | 2    | AP8120001 | 02.120        | 2    |
| 896259    | 07.030        | 1    | AP8102375 | 01.010        | 23   | AP8120001 | 02.130        | 5    |
| 896544    | 09.010        | 4    | AP8102375 | 01.050        | 29   | AP8120001 | 09.010        | 12   |
| 896663    | 07.020        | 13   | AP8102375 | 02.030        | 17   | AP8120030 | 06.010        | 14   |
| 896715    | 11.010        | 5    | AP8102375 | 02.040        | 13   | AP8120030 | 06.050        | 13   |
| 897035    | 10.020        | 13   | AP8102375 | 02.040        | 5    | AP8120030 | 08.010        | 9    |
| 897036    | 10.020        | 12   | AP8102375 | 02.070        | 23   | AP8120030 | 10.010        | 2    |
| 897328    | 04.090        | 11   | AP8102375 | 02.080        | 12   | AP8120030 | 10.020        | 2    |
| 897329    | 04.090        | 6    | AP8102375 | 02.080        | 8    | AP8120030 | 11.020        | 18   |
| 897331    | 04.090        | 8    | AP8102375 | 02.090        | 4    | AP8120030 | 11.020        | 25   |
| 897333    | 04.090        | 10   | AP8102375 | 02.130        | 9    | AP8120178 | 06.030        | 20   |
| 897335    | 04.090        | 23   | AP8102375 | 02.140        | 8    | AP8120223 | 03.330        | 28   |
| 897335    | 04.090        | 3    | AP8102375 | 08.020        | 10   | AP8120223 | 08.010        | 19   |
| 897336    | 04.090        | 5    | AP8102375 | 08.030        | 24   | AP8120253 | 03.330        | 32   |
| 897337    | 04.090        | 16   | AP8102376 | 03.330        | 22   | AP8120253 | 07.020        | 23   |
| 897339    | 04.090        | 15   | AP8102386 | 02.030        | 9    | AP8120416 | 06.050        | 20   |
| 897340    | 04.090        | 9    | AP8102386 | 08.030        | 21   | AP8120416 | 07.020        | 18   |
| 897341    | 04.090        | 17   | AP8102504 | 02.030        | 30   | AP8120446 | 03.150        | 15   |
| 897342    | 04.090        | 12   | AP8102504 | 02.040        | 2    | AP8120446 | 03.196        | 16   |
| 897343    | 04.090        | 13   | AP8102504 | 02.080        | 5    | AP8120446 | 09.020        | 14   |
| 897344    | 04.090        | 14   | AP8102520 | 03.050        | 17   | AP8120455 | 09.010        | 13   |
| 897351    | 03.196        | 5    | AP8102520 | 09.020        | 3    | AP8120531 | 01.010        | 19   |
| 898060    | 10.020        | 29   | AP8102523 | 02.170        | 9    | AP8120573 | 01.020        | 25   |
| 898126    | 11.010        | 13   | AP8102678 | 09.020        | 1    | AP8120615 | 03.050        | 6    |
| 898247    | 09.020        | 6    | AP8102688 | 09.020        | 8    | AP8120657 | 08.030        | 12   |
| 898368    | 01.020        | 18   | AP8102719 | 09.020        | 9    | AP8120712 | 03.196        | 12   |
| 898396    | 11.020        | 43   | AP8102764 | 09.020        | 13   | AP8120712 | 11.020        | 24   |
| 898397    | 11.020        | 42   | AP8102786 | 03.196        | 9    | AP8120712 | 11.020        | 9    |
| 898639    | 01.020        | 13   | AP8102902 | 01.010        | 6    | AP8120912 | 03.020        | 14   |
| 899064    | 10.010        | 12   | AP8102903 | 03.196        | 6    | AP8120937 | 09.010        | 22   |
| 899064    | 10.010        | 14   | AP8102913 | 02.170        | 11   | AP8121032 | 02.070        | 27   |
| 899524    | 03.330        | 31   | AP8104606 | 11.010        | 13   | AP8121032 | 07.020        | 25   |
| 899811    | 06.050        | 7    | AP8104996 | 03.196        | 15   | AP8121096 | 11.010        | 10   |
| 969323    | 03.200        | 19   | AP8106382 | 07.030        | 10   | AP8121126 | 06.030        | 15   |
| 969973    | 03.040        | 8    | AP8108953 | 05.010        | 4    | AP8121133 | 01.020        | 23   |
| 971718    | 03.170        | 12   | AP8108953 | 05.020        | 8    | AP8121155 | 04.080        | 7    |
| 974033    | 03.300        | 8    | AP8110053 | 03.020        | 5    | AP8121170 | 03.330        | 6    |
| 974051    | 03.030        | 20   | AP8110077 | 07.010        | 4    | AP8121200 | 01.050        | 4    |
| 974112    | 03.030        | 13   | AP8110078 | 01.050        | 11   | AP8121201 | 01.050        | 3    |
| 974129    | 03.030        | 7    | AP8110081 | 05.020        | 28   | AP8121203 | 01.050        | 13   |
| 974130    | 03.170        | 25   | AP8110093 | 05.020        | 11   | AP8121204 | 01.050        | 6    |
| 974157    | 03.200        | 3    | AP8110094 | 05.010        | 8    | AP8121212 | 05.020        | 29   |
| 974162    | 03.180        | 11   | AP8110110 | 01.020        | 24   | AP8121213 | 05.020        | 30   |
| 974163    | 03.180        | 8    | AP8112600 | 02.030        | 24   | AP8121221 | 03.020        | 10   |
| 974165    | 03.180        | 10   | AP8112600 | 02.070        | 19   | AP8121225 | 05.020        | 16   |
| 974166    | 03.180        | 22   | AP8112600 | 02.100        | 7    | AP8121332 | 01.030        | 26   |
| 974167    | 03.180        | 21   | AP8112600 | 08.030        | 6    | AP8121420 | 02.170        | 14   |
| 974219    | 03.300        | 14   | AP8112600 | 08.030        | 9    | AP8121428 | 10.010        | 16   |
| 974290    | 03.200        | 18   | AP8112811 | 11.030        | 3    | AP8121510 | 02.160        | 13   |
| 974320    | 03.220        | 9    | AP8112916 | 08.030        | 2    | AP8121520 | 07.020        | 21   |
| 974320    | 03.230        | 2    | AP8113003 | 06.050        | 5    | AP8121570 | 01.050        | 9    |
| 974361    | 03.220        | 7    | AP8113003 | 07.030        | 18   | AP8121665 | 08.020        | 15   |
| 974517    | 03.200        | 1    | AP8113004 | 06.050        | 4    | AP8121716 | 08.020        | 14   |
| 974558    | 03.170        | 23   | AP8113004 | 07.030        | 19   | AP8121718 | 09.010        | 14   |
| 977681    | 02.050        | 5    | AP8113070 | 06.040        | 7    | AP8121725 | 03.330        | 29   |
| AP8101595 | 06.010        | 8    | AP8113288 | 06.030        | 2    | AP8121728 | 03.060        | 14   |
| AP8101595 | 06.030        | 4    | AP8113499 | 06.010        | 9    | AP8121773 | 03.330        | 15   |
| AP8101595 | 07.030        | 9    | AP8113548 | 06.040        | 5    | AP8121790 | 08.010        | 20   |
| AP8101595 | 09.010        | 2    | AP8113553 | 07.030        | 11   | AP8121795 | 02.030        | 23   |
| AP8101744 | 05.010        | 11   | AP8113598 | 06.010        | 10   | AP8121795 | 02.070        | 20   |
| AP8101744 | 05.020        | 14   | AP8113719 | 06.010        | 3    | AP8121795 | 08.030        | 23   |
| AP8101890 | 02.030        | 5    | AP8113719 | 07.030        | 3    | AP8121811 | 03.010        | 7    |
| AP8101968 | 06.030        | 9    | AP8113758 | 07.030        | 2    | AP8121811 | 04.090        | 29   |



| Code      | Nr. der Tafel | Pos. |
|-----------|---------------|------|
| AP8121889 | 03.010        | 4    |
| AP8121889 | 09.010        | 3    |
| AP8121890 | 01.050        | 23   |
| AP8121929 | 11.010        | 28   |
| AP8123511 | 07.010        | 10   |
| AP8123511 | 07.020        | 5    |
| AP8123641 | 07.010        | 5    |
| AP8123642 | 07.010        | 19   |
| AP8123644 | 07.010        | 3    |
| AP8124293 | 11.020        | 10   |
| AP8125687 | 01.050        | 14   |
| AP8125732 | 05.020        | 27   |
| AP8125763 | 01.050        | 15   |
| AP8125838 | 05.020        | 13   |
| AP8125839 | 05.020        | 12   |
| AP8125841 | 05.010        | 10   |
| AP8125842 | 05.010        | 9    |
| AP8126702 | 09.010        | 19   |
| AP8127489 | 08.010        | 3    |
| AP8127489 | 08.030        | 17   |
| AP8127803 | 08.030        | 15   |
| AP8127804 | 08.030        | 16   |
| AP8127856 | 01.030        | 15   |
| AP8128004 | 05.010        | 16   |
| AP8128170 | 05.020        | 10   |
| AP8133502 | 06.040        | 6    |
| AP8133522 | 07.030        | 6    |
| AP8133827 | 06.040        | 4    |
| AP8133873 | 06.030        | 6    |
| AP8133907 | 06.040        | 3    |
| AP8133945 | 06.050        | 3    |
| AP8133945 | 07.030        | 21   |
| AP8134378 | 02.165        | 7    |
| AP8134378 | 03.330        | 12   |
| AP8134451 | 01.020        | 22   |
| AP8134898 | 07.030        | 12   |
| AP8134899 | 06.010        | 11   |
| AP8134948 | 02.170        | 8    |
| AP8140711 | 02.170        | 5    |
| AP8144005 | 01.050        | 12   |
| AP8144006 | 01.050        | 5    |
| AP8144007 | 03.020        | 11   |
| AP8144007 | 06.030        | 13   |
| AP8144015 | 03.196        | 14   |
| AP8144048 | 01.050        | 8    |
| AP8144071 | 03.330        | 14   |
| AP8144081 | 02.030        | 32   |
| AP8144081 | 02.100        | 6    |
| AP8144081 | 07.020        | 24   |
| AP8144168 | 01.050        | 16   |
| AP8144222 | 07.010        | 11   |
| AP8144222 | 07.020        | 4    |
| AP8144328 | 09.010        | 11   |
| AP8144506 | 10.020        | 11   |
| AP8144553 | 02.130        | 11   |
| AP8144558 | 03.330        | 25   |
| AP8144563 | 02.070        | 13   |
| AP8144563 | 02.070        | 24   |
| AP8144563 | 02.070        | 3    |
| AP8144563 | 02.100        | 3    |
| AP8144563 | 02.140        | 6    |
| AP8144616 | 02.070        | 14   |
| AP8144616 | 02.070        | 25   |
| AP8144616 | 02.070        | 4    |
| AP8144616 | 02.100        | 4    |
| AP8144616 | 02.140        | 5    |
| AP8145008 | 01.020        | 16   |

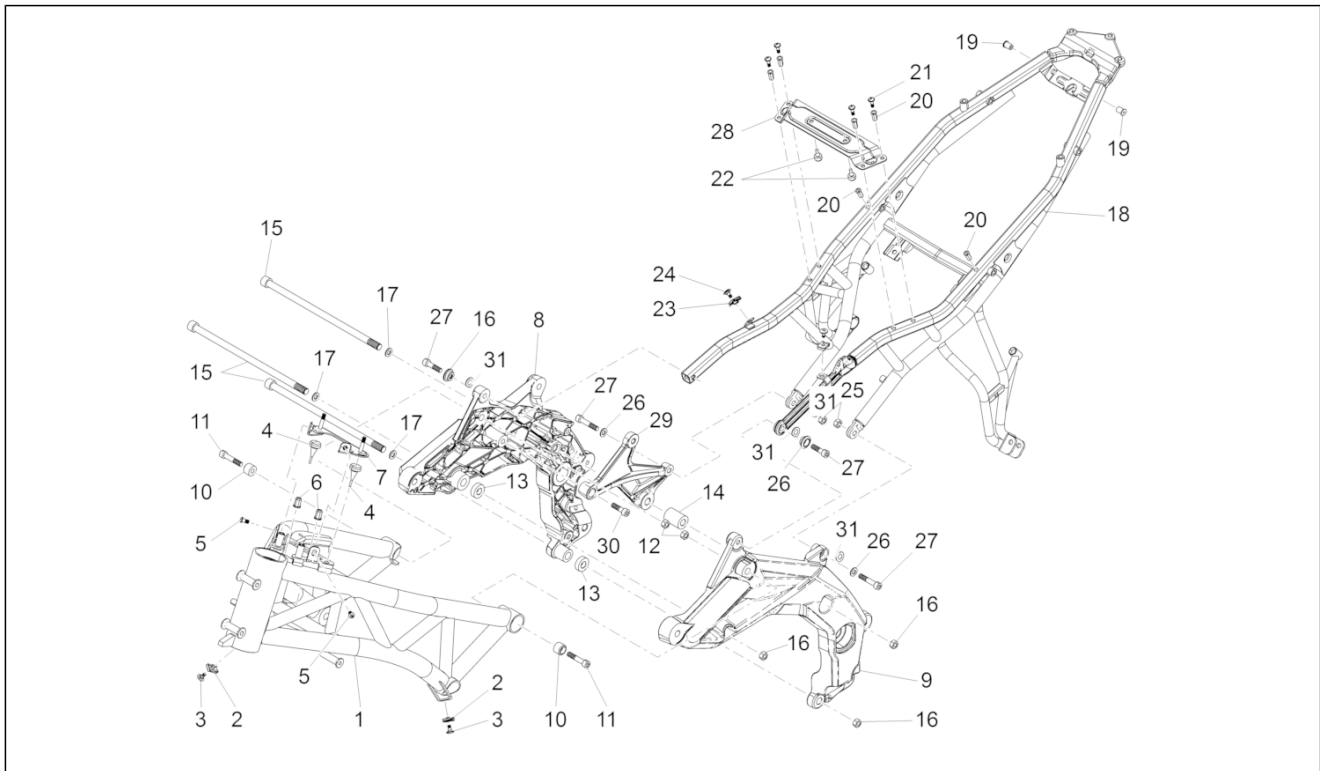
| Code      | Nr. der Tafel | Pos. |
|-----------|---------------|------|
| AP8145009 | 01.020        | 17   |
| AP8145022 | 06.010        | 2    |
| AP8150011 | 02.130        | 7    |
| AP8150011 | 10.020        | 7    |
| AP8150013 | 10.020        | 19   |
| AP8150015 | 03.060        | 13   |
| AP8150015 | 06.050        | 12   |
| AP8150016 | 09.010        | 16   |
| AP8150017 | 01.010        | 26   |
| AP8150017 | 01.030        | 27   |
| AP8150018 | 03.330        | 13   |
| AP8150020 | 06.030        | 14   |
| AP8150026 | 03.020        | 4    |
| AP8150026 | 06.030        | 8    |
| AP8150026 | 11.020        | 44   |
| AP8150044 | 09.010        | 18   |
| AP8150050 | 08.030        | 18   |
| AP8150086 | 01.040        | 5    |
| AP8150088 | 07.010        | 9    |
| AP8150088 | 07.020        | 3    |
| AP8150101 | 01.010        | 17   |
| AP8150101 | 01.030        | 9    |
| AP8150107 | 03.330        | 23   |
| AP8150137 | 03.020        | 6    |
| AP8150137 | 03.020        | 9    |
| AP8150137 | 06.030        | 18   |
| AP8150158 | 08.030        | 14   |
| AP8150171 | 01.020        | 3    |
| AP8150177 | 01.030        | 13   |
| AP8150177 | 02.030        | 28   |
| AP8150177 | 08.030        | 20   |
| AP8150178 | 08.010        | 17   |
| AP8150179 | 08.010        | 21   |
| AP8150179 | 11.010        | 29   |
| AP8150182 | 03.300        | 26   |
| AP8150195 | 01.010        | 30   |
| AP8150204 | 02.030        | 8    |
| AP8150204 | 08.030        | 13   |
| AP8150204 | 10.020        | 6    |
| AP8150236 | 01.010        | 27   |
| AP8150236 | 07.010        | 16   |
| AP8150248 | 02.030        | 4    |
| AP8150255 | 08.020        | 7    |
| AP8150255 | 09.010        | 10   |
| AP8150265 | 11.010        | 15   |
| AP8150272 | 01.010        | 31   |
| AP8150272 | 06.030        | 25   |
| AP8150272 | 07.030        | 14   |
| AP8150272 | 11.020        | 40   |
| AP8150277 | 03.330        | 11   |
| AP8150292 | 01.030        | 18   |
| AP8150311 | 01.020        | 33   |
| AP8150311 | 01.030        | 12   |
| AP8150311 | 02.030        | 41   |
| AP8150324 | 07.020        | 26   |
| AP8150329 | 04.080        | 2    |
| AP8150334 | 01.050        | 26   |
| AP8150376 | 03.330        | 19   |
| AP8150382 | 08.010        | 11   |
| AP8150382 | 11.010        | 12   |
| AP8150382 | 11.020        | 19   |
| AP8150413 | 02.030        | 18   |
| AP8150413 | 02.160        | 2    |
| AP8150413 | 11.020        | 17   |
| AP8150413 | 11.020        | 27   |
| AP8150413 | 11.020        | 36   |
| AP8150413 | 11.020        | 8    |

| Code      | Nr. der Tafel | Pos. |
|-----------|---------------|------|
| AP8150421 | 03.050        | 15   |
| AP8150430 | 06.030        | 19   |
| AP8150432 | 01.030        | 8    |
| AP8150444 | 02.140        | 11   |
| AP8150444 | 02.140        | 9    |
| AP8150450 | 02.030        | 31   |
| AP8150450 | 02.040        | 4    |
| AP8150450 | 02.080        | 6    |
| AP8150451 | 01.020        | 15   |
| AP8150451 | 11.010        | 19   |
| AP8150454 | 07.010        | 20   |
| AP8150462 | 03.020        | 8    |
| AP8150468 | 03.020        | 17   |
| AP8150474 | 06.010        | 16   |
| AP8150491 | 05.010        | 3    |
| AP8150491 | 05.020        | 9    |
| AP8150493 | 02.030        | 6    |
| AP8150500 | 01.010        | 3    |
| AP8150500 | 01.050        | 17   |
| AP8150500 | 01.050        | 32   |
| AP8150500 | 02.030        | 2    |
| AP8150500 | 02.070        | 16   |
| AP8150500 | 02.080        | 7    |
| AP8150500 | 02.090        | 3    |
| AP8150500 | 02.130        | 14   |
| AP8150500 | 02.150        | 3    |
| AP8150500 | 08.020        | 9    |
| AP8150509 | 02.160        | 12   |
| AP8150509 | 08.010        | 10   |
| AP8150509 | 08.020        | 6    |
| AP8150509 | 10.020        | 18   |
| AP8150509 | 11.020        | 12   |
| AP8150509 | 11.020        | 14   |
| AP8150520 | 02.160        | 10   |
| AP8150520 | 03.330        | 20   |
| AP8150522 | 08.030        | 5    |
| AP8150537 | 01.010        | 5    |
| AP8150537 | 06.030        | 7    |
| AP8150538 | 06.030        | 24   |
| AP8150538 | 07.030        | 13   |
| AP8150539 | 07.030        | 15   |
| AP8152001 | 01.030        | 30   |
| AP8152043 | 04.090        | 36   |
| AP8152055 | 03.010        | 9    |
| AP8152058 | 01.020        | 28   |
| AP8152105 | 02.050        | 10   |
| AP8152108 | 01.040        | 4    |
| AP8152128 | 11.010        | 2    |
| AP8152138 | 03.020        | 3    |
| AP8152154 | 02.030        | 3    |
| AP8152176 | 04.080        | 3    |
| AP8152187 | 07.010        | 2    |
| AP8152238 | 02.170        | 6    |
| AP8152246 | 02.030        | 22   |
| AP8152246 | 03.196        | 11   |
| AP8152246 | 03.330        | 21   |
| AP8152246 | 07.020        | 27   |
| AP8152267 | 02.040        | 3    |
| AP8152267 | 11.020        | 39   |
| AP8152268 | 02.040        | 12   |
| AP8152268 | 02.070        | 22   |
| AP8152268 | 02.080        | 11   |
| AP8152268 | 11.010        | 18   |
| AP8152270 | 01.020        | 32   |
| AP8152273 | 04.090        | 34   |
| AP8152273 | 05.020        | 32   |
| AP8152273 | 11.030        | 8    |

| Code      | Nr. der Tafel | Pos. | Code      | Nr. der Tafel | Pos. | Code         | Nr. der Tafel | Pos. |
|-----------|---------------|------|-----------|---------------|------|--------------|---------------|------|
| AP8152277 | 01.020        | 20   | AP8168501 | 06.010        | 4    | B013608      | 03.030        | 10   |
| AP8152277 | 02.030        | 21   | AP8168501 | 07.030        | 5    | B013744      | 03.100        | 15   |
| AP8152277 | 03.010        | 8    | AP8181139 | 01.020        | 37   | B013745      | 03.300        | 25   |
| AP8152277 | 10.010        | 15   | AP8201169 | 03.196        | 10   | B013928      | 03.170        | 7    |
| AP8152279 | 01.020        | 29   | AP8201301 | 06.030        | 10   | B013936      | 03.180        | 27   |
| AP8152279 | 02.030        | 11   | AP8201431 | 01.020        | 10   | B013937      | 03.180        | 1    |
| AP8152279 | 02.070        | 26   | AP8201727 | 01.030        | 11   | B0142585     | 03.210        | 4    |
| AP8152279 | 03.060        | 12   | AP8201749 | 02.030        | 39   | B014437      | 03.170        | 10   |
| AP8152279 | 11.020        | 28   | AP8201755 | 01.010        | 20   | B014440      | 03.170        | 11   |
| AP8152280 | 02.030        | 12   | AP8210007 | 03.020        | 2    | B014598      | 03.130        | 12   |
| AP8152280 | 02.050        | 9    | AP8213057 | 06.010        | 6    | B014598      | 03.140        | 12   |
| AP8152280 | 06.050        | 11   | AP8213057 | 06.030        | 3    | B0149334     | 03.100        | 1    |
| AP8152280 | 10.010        | 6    | AP8213057 | 07.030        | 4    | B015050      | 03.220        | 4    |
| AP8152280 | 10.020        | 4    | AP8213299 | 06.010        | 5    | B015555      | 03.130        | 5    |
| AP8152282 | 02.030        | 13   | AP8213299 | 07.030        | 7    | B015556      | 03.140        | 5    |
| AP8152282 | 03.330        | 33   | AP8220150 | 08.020        | 5    | B015563      | 03.300        | 17   |
| AP8152282 | 11.020        | 29   | AP8220238 | 01.010        | 4    | B015604      | 03.130        | 16   |
| AP8152286 | 11.010        | 8    | AP8221007 | 06.050        | 14   | B015604      | 03.140        | 16   |
| AP8152287 | 01.030        | 28   | AP8221017 | 11.020        | 30   | B016455      | 03.060        | 8    |
| AP8152287 | 08.020        | 13   | AP8221023 | 06.010        | 13   | B016792      | 03.210        | 19   |
| AP8152291 | 01.030        | 23   | AP8221023 | 10.010        | 5    | B016796      | 03.170        | 20   |
| AP8152298 | 01.010        | 21   | AP8221023 | 10.020        | 3    | B016797      | 02.170        | 12   |
| AP8152299 | 02.170        | 13   | AP8221023 | 11.020        | 26   | B017636      | 03.100        | 13   |
| AP8152299 | 06.050        | 15   | AP8221036 | 01.030        | 14   | B017809      | 03.170        | 15   |
| AP8152299 | 08.010        | 13   | AP8221114 | 03.010        | 5    | B0179045     | 03.130        | 1    |
| AP8152299 | 08.020        | 16   | AP8221204 | 01.030        | 3    | B0179075     | 03.130        | 2    |
| AP8152299 | 09.010        | 15   | AP8221206 | 02.130        | 4    | B017909      | 03.140        | 1    |
| AP8152299 | 09.020        | 7    | AP8221211 | 01.030        | 4    | B017912      | 03.140        | 2    |
| AP8152299 | 10.010        | 4    | AP8224462 | 11.010        | 26   | B018916      | 03.130        | 17   |
| AP8152299 | 11.010        | 3    | AP8224462 | 11.020        | 32   | B018916      | 03.140        | 17   |
| AP8152299 | 11.010        | 9    | AP8224470 | 02.070        | 21   | B0191060A    | 03.160        | 1    |
| AP8152300 | 03.330        | 18   | AP8224470 | 04.090        | 28   | B043044      | 01.030        | 19   |
| AP8152301 | 01.040        | 6    | AP8224470 | 06.010        | 12   | B043864      | 02.170        | 7    |
| AP8152301 | 04.080        | 6    | AP8224470 | 06.030        | 21   | B044216      | 01.010        | 18   |
| AP8152301 | 05.020        | 31   | AP8225369 | 01.030        | 16   | B044246      | 08.020        | 2    |
| AP8152302 | 02.120        | 4    | AP8234094 | 11.010        | 17   | B044247      | 08.020        | 3    |
| AP8152302 | 02.130        | 12   | AP8267147 | 02.180        | 3    | B044248      | 08.020        | 4    |
| AP8152302 | 08.020        | 17   | AP8706087 | 06.050        | 19   | B044265      | 02.130        | 10   |
| AP8152305 | 01.050        | 25   | AP9100053 | 07.010        | 22   | B044278      | 05.020        | 18   |
| AP8152306 | 02.070        | 32   | AP9100175 | 01.030        | 20   | B044314      | 04.090        | 35   |
| AP8152306 | 07.010        | 17   | AP9100195 | 01.020        | 12   | B044414      | 11.020        | 13   |
| AP8152306 | 08.030        | 19   | AP9100196 | 01.020        | 7    | B044415      | 01.030        | 10   |
| AP8152306 | 08.030        | 8    | AP9100197 | 01.020        | 6    | B044478      | 07.020        | 1    |
| AP8152306 | 11.010        | 16   | AP9100487 | 11.030        | 2    | B044510      | 06.010        | 17   |
| AP8152323 | 05.010        | 20   | AP9100519 | 06.050        | 8    | B044511      | 07.030        | 16   |
| AP8152323 | 05.020        | 34   | AP9150064 | 03.170        | 17   | B04456600C2  | 02.120        | 1    |
| AP8152324 | 05.020        | 35   | AP9150069 | 03.170        | 16   | B04456700C2  | 02.120        | 5    |
| AP8152329 | 02.130        | 6    | AP9150070 | 03.170        | 18   | B044598      | 06.020        | 4    |
| AP8152329 | 03.050        | 3    | AP9150356 | 03.220        | 16   | B044621      | 01.030        | 6    |
| AP8152329 | 03.196        | 2    | AP9150395 | 09.020        | 5    | B044622      | 01.030        | 5    |
| AP8152329 | 08.020        | 11   | AP9150410 | 03.220        | 15   | B044716      | 08.030        | 10   |
| AP8152329 | 11.020        | 20   | AP9150472 | 03.200        | 11   | B044762      | 02.130        | 2    |
| AP8152329 | 11.020        | 34   | B013000   | 03.210        | 1    | B044763      | 03.020        | 13   |
| AP8152335 | 05.010        | 21   | B013063   | 03.040        | 9    | B044819      | 02.040        | 8    |
| AP8152338 | 08.030        | 22   | B013068   | 03.210        | 9    | B044820      | 02.040        | 9    |
| AP8152339 | 01.010        | 24   | B013071   | 03.300        | 24   | B044822      | 02.080        | 10   |
| AP8152339 | 02.030        | 16   | B013074   | 03.220        | 1    | B044823      | 02.080        | 9    |
| AP8152348 | 02.070        | 31   | B013207   | 03.300        | 15   | B04482400XG8 | 02.040        | 1    |
| AP8152411 | 04.080        | 4    | B013265   | 03.150        | 3    | B04482400XHA | 02.040        | 1    |
| AP8152414 | 06.020        | 5    | B013266   | 03.150        | 4    | B04482400XV7 | 02.040        | 1    |
| AP8152486 | 07.020        | 8    | B013306   | 03.170        | 6    | B044829      | 02.070        | 8    |
| AP8158359 | 09.010        | 7    | B013349   | 03.030        | 18   | B044830      | 02.070        | 7    |
| AP8161054 | 03.050        | 16   | B013373   | 03.160        | 7    | B044831      | 02.070        | 6    |
| AP8161074 | 01.030        | 22   | B013438   | 03.060        | 19   | B044832      | 02.070        | 5    |
| AP8161076 | 01.030        | 21   | B013505   | 03.060        | 21   | B044834      | 02.070        | 11   |
| AP8161127 | 09.010        | 9    | B013527   | 03.210        | 10   | B044835      | 07.020        | 19   |
| AP8163165 | 01.020        | 9    | B013607   | 03.220        | 18   | B044836      | 07.020        | 20   |

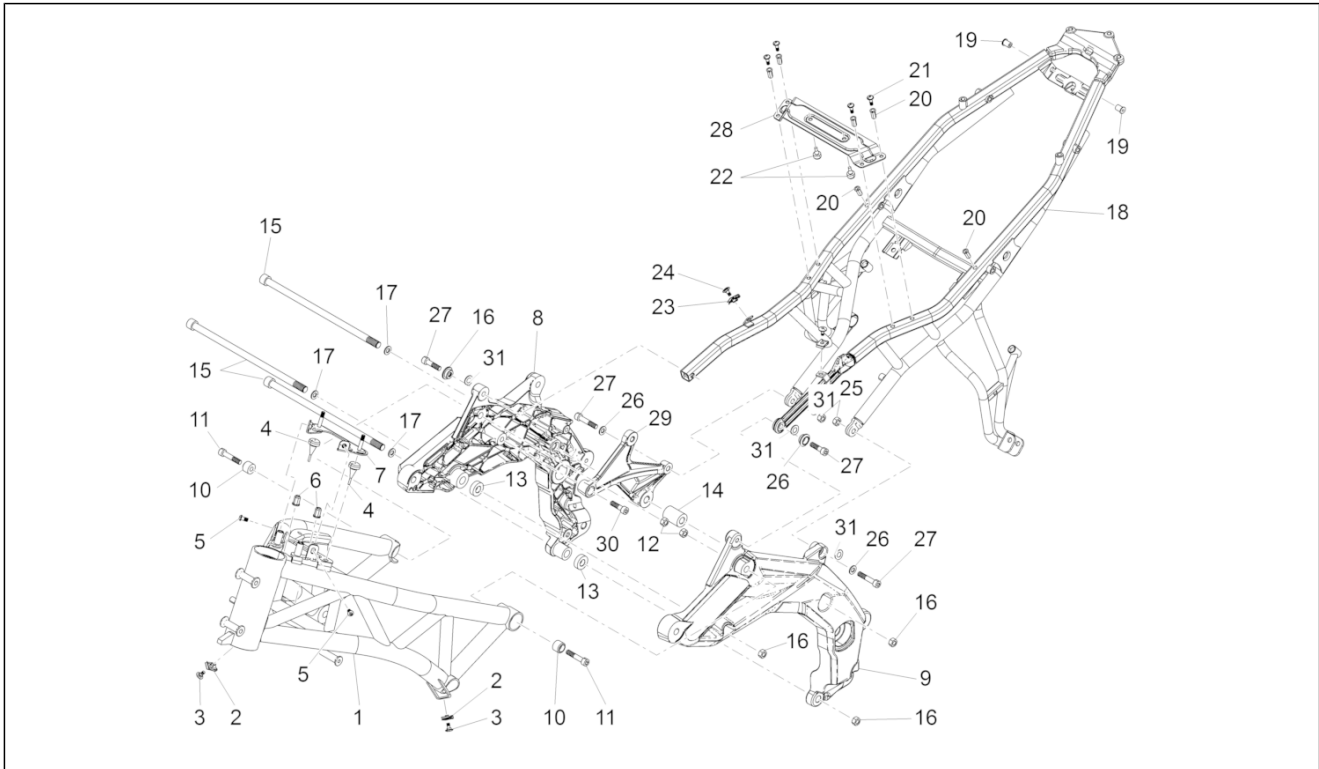
| Code         | Nr. der Tafel | Pos. | Code      | Nr. der Tafel | Pos. | Code       | Nr. der Tafel | Pos. |
|--------------|---------------|------|-----------|---------------|------|------------|---------------|------|
| B044837      | 02.090        | 1    | B046010   | 01.030        | 24   | CM226908   | 10.020        | 35   |
| B04483800XG8 | 02.090        | 6    | B046021   | 01.050        | 31   | CM226909   | 10.020        | 31   |
| B04483800XHA | 02.090        | 6    | B046023   | 11.020        | 41   | CM228232   | 11.020        | 23   |
| B04483800XV7 | 02.090        | 6    | B046048   | 04.090        | 27   | CM228401   | 01.020        | 21   |
| B04483900XG8 | 02.090        | 5    | B046057   | 07.010        | 14   | GU01154230 | 03.200        | 22   |
| B04483900XHA | 02.090        | 5    | B046057   | 07.020        | 2    | GU01154230 | 03.200        | 25   |
| B04483900XV7 | 02.090        | 5    | B046079   | 02.070        | 29   | GU01154230 | 10.010        | 10   |
| B044840      | 02.100        | 2    | B046080   | 02.070        | 28   | GU01161331 | 03.200        | 17   |
| B044841      | 02.100        | 1    | B046081   | 02.070        | 12   | GU01161331 | 10.010        | 8    |
| B044842      | 01.020        | 30   | B046124   | 04.090        | 31   | GU01603480 | 07.020        | 12   |
| B044843      | 01.020        | 34   | B046127   | 06.030        | 22   | GU05124230 | 01.040        | 9    |
| B044844      | 01.020        | 31   | B046153   | 03.050        | 7    | GU14615901 | 02.050        | 11   |
| B044845      | 01.020        | 35   | B046190   | 02.030        | 40   | GU30027931 | 03.050        | 14   |
| B044846      | 02.130        | 13   | B046196   | 03.060        | 9    | GU30729330 | 03.050        | 13   |
| B04484700XG8 | 02.140        | 2    | B046197   | 03.050        | 8    | GU32441210 | 01.020        | 19   |
| B04484700XHA | 02.140        | 2    | B046222   | 03.020        | 16   | GU92630207 | 08.010        | 22   |
| B04484700XV7 | 02.140        | 2    | B046223   | 03.020        | 1    | GU92660021 | 03.330        | 16   |
| B04484800XG8 | 02.140        | 1    | B046225   | 11.020        | 6    | GU95005310 | 02.050        | 12   |
| B04484800XHA | 02.140        | 1    | B046226   | 11.020        | 7    | GU98257618 | 02.050        | 3    |
| B04484800XV7 | 02.140        | 1    | B046343   | 07.010        | 6    | GU98682650 | 01.030        | 2    |
| B044852      | 02.160        | 1    | B064023   | 02.120        | 3    | GU98682650 | 01.030        | 25   |
| B044853      | 02.160        | 3    | B064023   | 02.120        | 6    | GU98690445 | 02.160        | 11   |
| B044854      | 02.160        | 4    | B064070   | 04.090        | 19   | GU98692420 | 02.160        | 9    |
| B044855      | 02.070        | 2    | CM001901  | 10.020        | 14   |            |               |      |
| B044856      | 02.070        | 1    | CM001903  | 10.020        | 15   |            |               |      |
| B045014      | 02.040        | 6    | CM017403  | 02.040        | 11   |            |               |      |
| B045015      | 08.020        | 8    | CM017403  | 08.020        | 12   |            |               |      |
| B045034      | 02.150        | 1    | CM074706  | 03.060        | 6    |            |               |      |
| B045069      | 02.170        | 1    | CM157201  | 03.110        | 3    |            |               |      |
| B045075      | 10.020        | 16   | CM157202  | 03.110        | 3    |            |               |      |
| B045103      | 02.070        | 9    | CM157203  | 03.110        | 3    |            |               |      |
| B04511400X11 | 01.010        | 1    | CM157204  | 03.110        | 3    |            |               |      |
| B045135      | 05.020        | 26   | CM157205  | 03.110        | 3    |            |               |      |
| B045183      | 02.190        | 4    | CM157206  | 03.110        | 3    |            |               |      |
| B045215      | 03.330        | 10   | CM157207  | 03.110        | 3    |            |               |      |
| B045246      | 03.330        | 7    | CM157208  | 03.110        | 3    |            |               |      |
| B045249      | 03.330        | 26   | CM157209  | 03.110        | 3    |            |               |      |
| B045250      | 03.330        | 27   | CM157210  | 03.110        | 3    |            |               |      |
| B045254      | 07.010        | 1    | CM157211  | 03.110        | 3    |            |               |      |
| B045255      | 07.010        | 13   | CM157212  | 03.110        | 3    |            |               |      |
| B045316      | 01.010        | 28   | CM157213  | 03.110        | 3    |            |               |      |
| B045320      | 09.010        | 5    | CM157214  | 03.110        | 3    |            |               |      |
| B045351      | 02.030        | 10   | CM157215  | 03.110        | 3    |            |               |      |
| B045392      | 07.010        | 7    | CM157216  | 03.110        | 3    |            |               |      |
| B045399      | 11.020        | 37   | CM157217  | 03.110        | 3    |            |               |      |
| B045400      | 04.090        | 30   | CM157218  | 03.110        | 3    |            |               |      |
| B045418      | 06.030        | 1    | CM157219  | 03.110        | 3    |            |               |      |
| B045422      | 05.020        | 33   | CM157220  | 03.110        | 3    |            |               |      |
| B045424      | 01.050        | 2    | CM157221  | 03.110        | 3    |            |               |      |
| B045427      | 03.330        | 30   | CM159101  | 03.160        | 6    |            |               |      |
| B045479      | 03.330        | 2    | CM159601  | 03.040        | 3    |            |               |      |
| B045513      | 03.330        | 24   | CM159602  | 03.040        | 3    |            |               |      |
| B045614      | 07.020        | 9    | CM159603  | 03.040        | 3    |            |               |      |
| B045615      | 07.020        | 10   | CM159604  | 03.040        | 3    |            |               |      |
| B045626      | 09.010        | 1    | CM1607085 | 03.010        | 1    |            |               |      |
| B045735      | 06.020        | 1    | CM179301  | 03.090        | 8    |            |               |      |
| B045736      | 06.020        | 2    | CM221705  | 05.020        | 23   |            |               |      |
| B045761      | 02.160        | 6    | CM225607  | 11.020        | 4    |            |               |      |
| B045762      | 02.160        | 7    | CM225610  | 11.020        | 3    |            |               |      |
| B045763      | 02.160        | 8    | CM225615  | 11.020        | 5    |            |               |      |
| B045827      | 03.050        | 2    | CM225730  | 11.030        | 4    |            |               |      |
| B045837      | 01.020        | 4    | CM226901  | 10.020        | 21   |            |               |      |
| B045845      | 02.170        | 2    | CM226901  | 10.020        | 30   |            |               |      |
| B045999      | 07.030        | 17   | CM226902  | 10.020        | 23   |            |               |      |
| B046007      | 11.020        | 38   | CM226903  | 10.020        | 33   |            |               |      |
| B046008      | 11.020        | 35   | CM226905  | 10.020        | 32   |            |               |      |
| B046009      | 01.010        | 7    | CM226906  | 10.020        | 34   |            |               |      |

|                     |        |
|---------------------|--------|
| <b>Einheit</b>      | Rahmen |
| <b>Code</b>         | 01.010 |
| <b>Beschreibung</b> | Rahmen |
| <b>Inspektion</b>   | 1      |



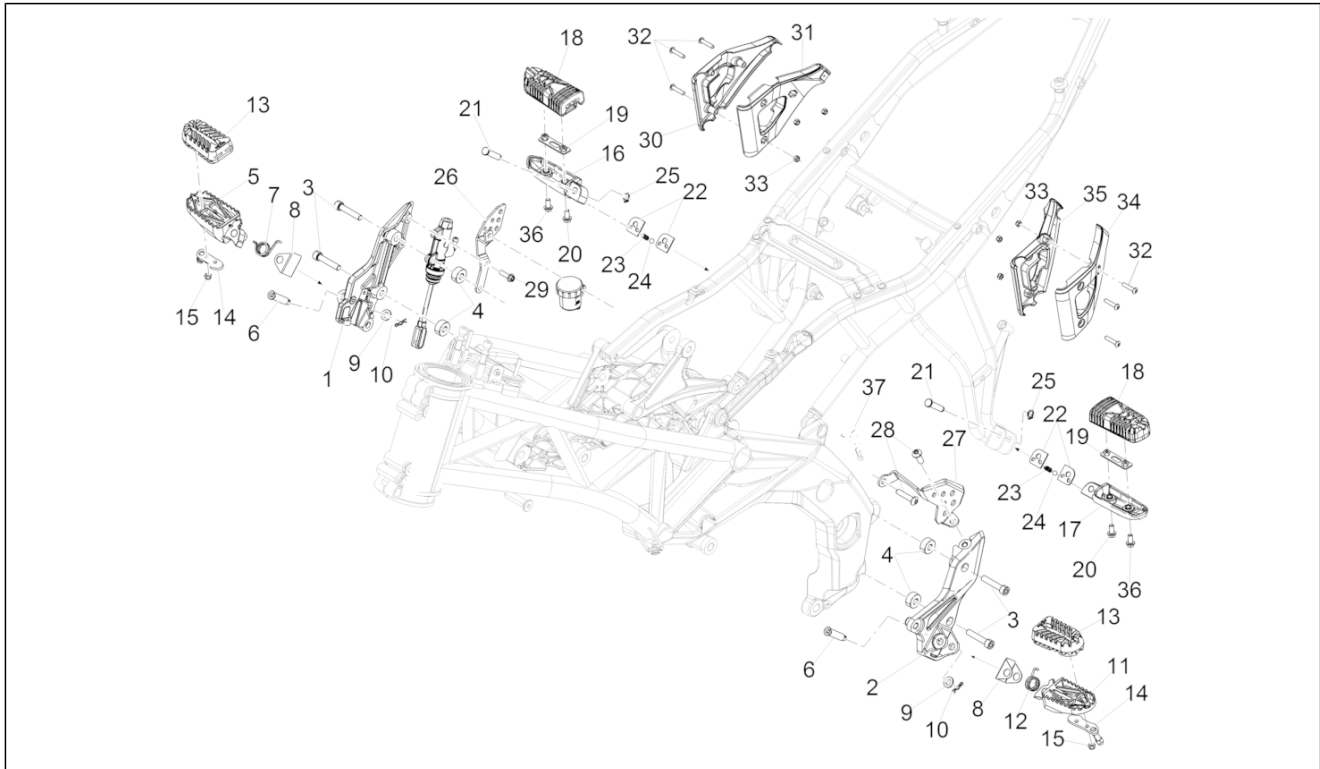
| Pos. | Code        | Beschreibung                  | Menge | Varianten          |
|------|-------------|-------------------------------|-------|--------------------|
| 1    | B04511400X1 | Rahmen                        | 1     |                    |
| 2    | AP8102375   | Klammer M5                    | 2     |                    |
| 3    | AP8150500   | TBEI Schraube M5x9            | 2     |                    |
| 4    | AP8220238   | Gummi                         | 2     |                    |
| 5    | AP8150537   | TBEI Schraube M6x12           | 2     |                    |
| 6    | AP8102902   | Sechss. Geschn. Einsatz       | 2     |                    |
| 7    | B046009     | Vorderer Steigbügel           | 1     |                    |
| 8    | 85153600XNB | Rahmen seitlich RE,schwarz    | 1     |                    |
| 9    | 85153700XNB | Li. Seitenteil schwarz        | 1     |                    |
| 10   | 853037      | Buchse                        | 4     |                    |
| 11   | 852165      | Schraube                      | 4     |                    |
| 12   | 271740      | Mutter M12                    | 4     |                    |
| 13   | 853036      | Distanzscheibe                | 3     |                    |
| 14   | 896014      | Distanzscheibe                | 1     |                    |
| 15   | 851784      | Bolzen Motor                  | 3     |                    |
| 16   | 271740      | Mutter M12                    | 3     |                    |
| 17   | AP8150101   | Ausgleichscheibe 13x24x2,5*   | 3     |                    |
| 18   | B044216     | Sattelstütze                  | 1     | Baujahr:[ C ][ D ] |
| 18   | 2B001622    | Sattelstütze                  | 1     | Baujahr:[ E ]      |
| 19   | AP8120531   | Gummi mit Einsatz             | 2     |                    |
| 20   | AP8201755   | Geschnitten Kunststoffniet    | 6     |                    |
| 21   | AP8152298   | TBEI Schraube m.Flansch M5x16 | 4     |                    |
| 22   | AP8120001   | Gummi                         | 2     |                    |
| 23   | AP8102375   | Klammer M5                    | 2     |                    |
| 24   | AP8152339   | TBEI Schraube m.Flansch M5x9  | 2     |                    |
| 25   | 195483      | Mutter, selbstsichernd M8     | 2     |                    |
| 26   | AP8150017   | Ausgleichscheibe 8,4x16x1,6   | 4     |                    |
| 27   | AP8150236   | TCEI Schraube M8x35           | 4     |                    |

|                     |        |
|---------------------|--------|
| <b>Einheit</b>      | Rahmen |
| <b>Code</b>         | 01.010 |
| <b>Beschreibung</b> | Rahmen |
| <b>Inspektion</b>   | 1      |



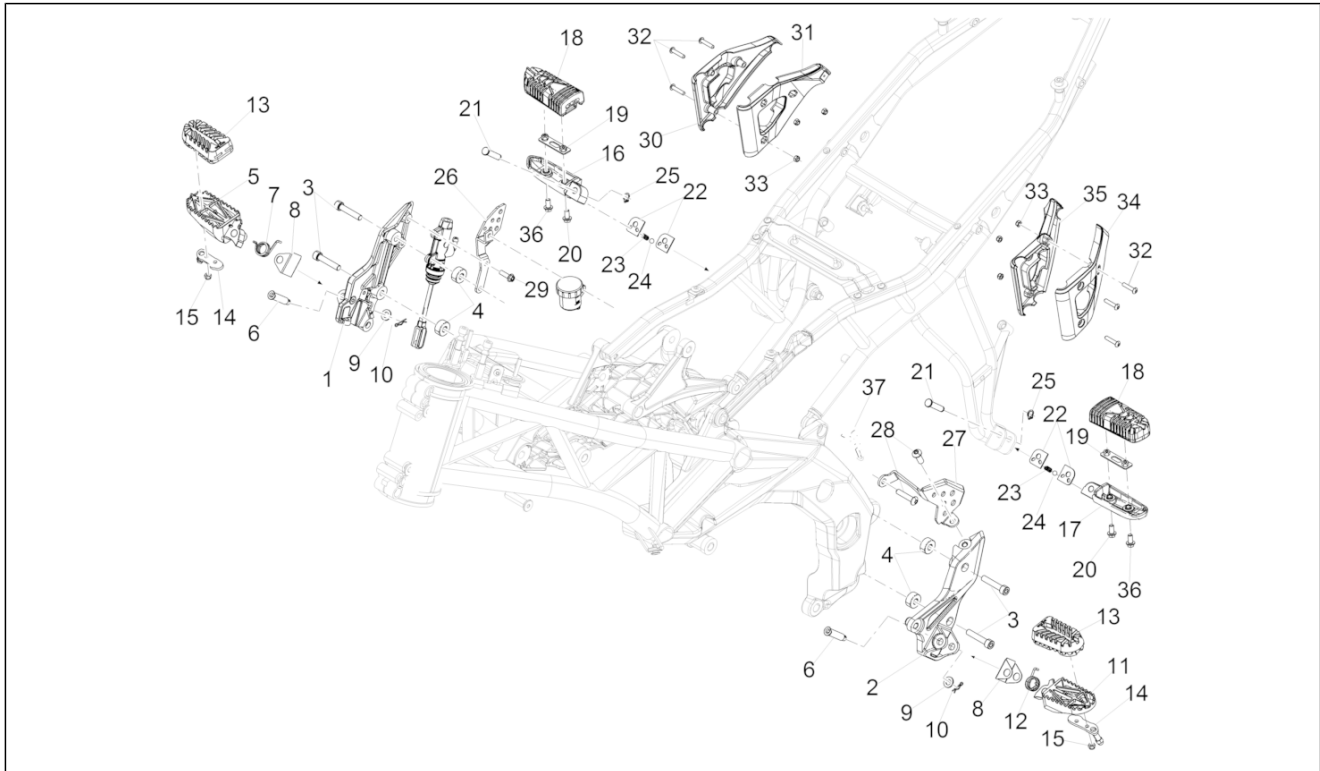
| Pos. | Code      | Beschreibung                      | Menge | Varianten |
|------|-----------|-----------------------------------|-------|-----------|
| 28   | B045316   | Halterbügel                       | 1     |           |
| 29   | 851541    | Platte Stoßdämpfer                | 1     |           |
| 30   | AP8150195 | TCEI Schraube M10x30              | 1     |           |
| 31   | AP8150272 | Gebogene Sprengscheibe 5,3x10x0,5 | 4     |           |

|                     |            |
|---------------------|------------|
| <b>Einheit</b>      | Rahmen     |
| <b>Code</b>         | 01.020     |
| <b>Beschreibung</b> | Fussrasten |
| <b>Inspektion</b>   | 1          |



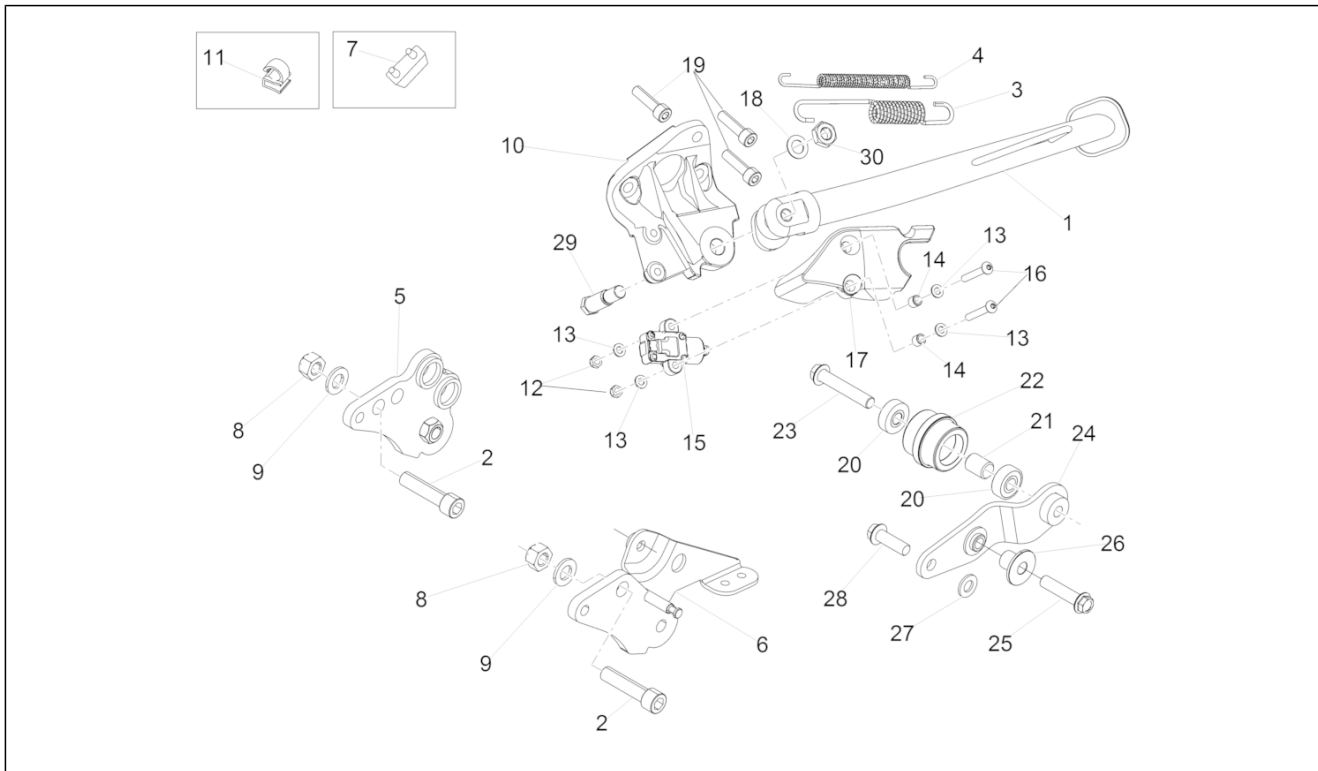
| Pos. | Code       | Beschreibung                  | Menge | Varianten |
|------|------------|-------------------------------|-------|-----------|
| 1    | 2B001882   | Fußrastenhalter Fahrer rechts | 1     |           |
| 2    | 2B001883   | Fußrastenhalter Fahrer links  | 1     |           |
| 3    | AP8150171  | TCEI Schraube M8x40           | 4     |           |
| 4    | B045837    | Buchse                        | 4     |           |
| 5    | 859919     | Fussrasten r.                 | 1     |           |
| 6    | AP9100197  | Bolzen                        | 1     |           |
| 7    | AP9100196  | Feder rechts                  | 1     |           |
| 8    | 859921     | Auflageplatte                 | 2     |           |
| 9    | AP8163165  | U-scheibe Inox 16x8.4x1.6     | 2     |           |
| 10   | AP8201431  | Splint *                      | 2     |           |
| 11   | 859920     | Fussrasten l.                 | 1     |           |
| 12   | AP9100195  | Feder links                   | 1     |           |
| 13   | 898639     | Gummiraste                    | 2     |           |
| 14   | 2B000303   | Platte Fahrertrittbrett       | 2     |           |
| 15   | AP8150451  | Selbstsperr.mut Unt.          | 4     |           |
| 16   | AP8145008  | Soziusraste rechts            | 1     |           |
| 17   | AP8145009  | Soziusraste links             | 1     |           |
| 18   | 898368     | Gummiraste                    | 2     |           |
| 19   | GU32441210 | Platte                        | 2     |           |
| 20   | AP8152277  | TE Schr. m. Flansch M6x12     | 2     |           |
| 21   | CM228401   | Rastenbolzen                  | 1     |           |
| 22   | AP8134451  | Fixierplatte                  | 4     |           |
| 23   | AP8121133  | Schraubenfederkompr.          | 2     |           |
| 24   | AP8110110  | Kugel d.7                     | 2     |           |
| 25   | AP8120573  | Sperring                      | 2     |           |
| 26   | 2B001416   | Absatzschutz rechts           | 1     |           |
| 27   | 2B001881   | Absatzschutz links            | 1     |           |
| 28   | AP8152058  | TBEI Schraube M8x20           | 2     |           |

|                     |            |
|---------------------|------------|
| <b>Einheit</b>      | Rahmen     |
| <b>Code</b>         | 01.020     |
| <b>Beschreibung</b> | Fussrasten |
| <b>Inspektion</b>   | 1          |



| Pos. | Code      | Beschreibung              | Menge | Varianten |
|------|-----------|---------------------------|-------|-----------|
| 29   | AP8152279 | TE Schr. m. Flansch M6x20 | 2     |           |
| 30   | B044842   | Absatzschutz außen rechts | 1     |           |
| 31   | B044844   | Absatzschutz innen rechts | 1     |           |
| 32   | AP8152270 | TBEI Schraube M5x25       | 6     |           |
| 33   | AP8150311 | Selbstsperr.mut Unt.      | 6     |           |
| 34   | B044843   | Absatzschutz außen links  | 1     |           |
| 35   | B044845   | Absatzschutz innen links  | 1     |           |
| 36   | 598839    | TE Schr. m. Flansch       | 2     |           |
| 37   | AP8181139 | Kabelführung              | 1     |           |

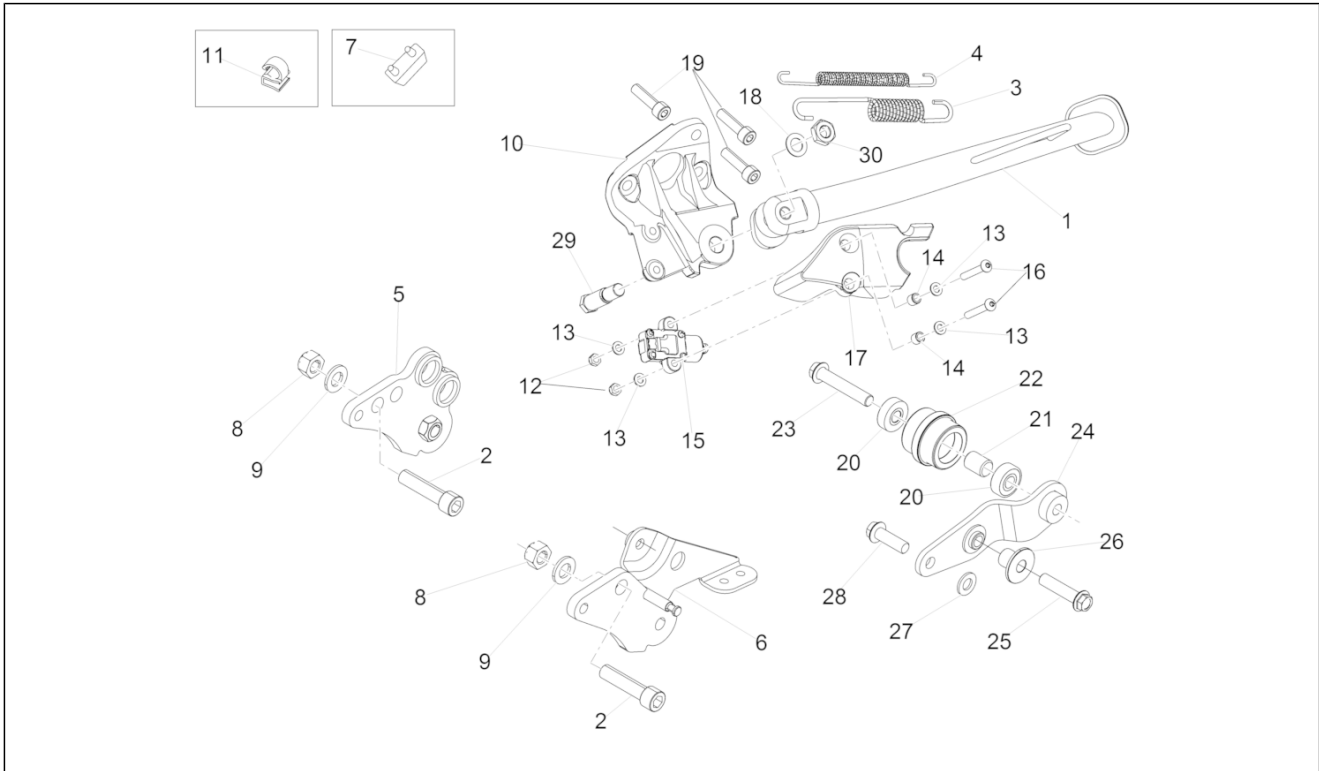
|                     |              |
|---------------------|--------------|
| <b>Einheit</b>      | Rahmen       |
| <b>Code</b>         | 01.030       |
| <b>Beschreibung</b> | Hauptständer |
| <b>Inspektion</b>   | 1            |



| Pos. | Code       | Beschreibung                       | Menge | Varianten |
|------|------------|------------------------------------|-------|-----------|
| 1    | 2B000374   | Seitenständer                      | 1     |           |
| 2    | GU98682650 | TCEI Schraube M12x50               | 1     |           |
| 3    | AP8221204  | Hauptständer Schraubenfeder        | 1     |           |
| 4    | AP8221211  | Rückhofeder Ständer                | 1     |           |
| 5    | B044622    | Halter rechts                      | 1     |           |
| 6    | B044621    | Halter links                       | 1     |           |
| 7    | 563984     | Puffer                             | 1     |           |
| 8    | AP8150432  | Selbstsperr.mut Unt. M12*          | 1     |           |
| 9    | AP8150101  | Ausgleichscheibe 13x24x2,5*        | 2     |           |
| 10   | B044415    | Hauptständer platte                | 1     |           |
| 11   | AP8201727  | Kabelführungs schw.                | 1     |           |
| 12   | AP8150311  | Selbstsperr.mut Unt.               | 2     |           |
| 13   | AP8150177  | Ausgleichscheibe 5,3X10X1          | 2     |           |
| 14   | AP8221036  | Buchse 5,3x8x7,1                   | 2     |           |
| 15   | AP8127856  | Ständer lichtschalter              | 1     |           |
| 16   | AP8225369  | TBEI Schraube                      | 2     |           |
| 17   | 851790     | Hauptständer deckel                | 1     |           |
| 18   | AP8150292  | Gebogene Sprengscheibe *           | 1     |           |
| 19   | B043044    | Schraube TCEI M8x30 vorimprägniert | 3     |           |
| 20   | AP9100175  | Kugellager 8x22x7                  | 2     |           |
| 21   | AP8161076  | Distanzscheibe                     | 1     |           |
| 22   | AP8161074  | Kettenrolle schwarz                | 1     |           |
| 23   | AP8152291  | TE Schr. m. Flansch                | 1     |           |
| 24   | B046010    | Halterbügel                        | 1     |           |
| 25   | GU98682650 | TCEI Schraube M12x50               | 1     |           |
| 26   | AP8121332  | Buchse                             | 1     |           |
| 27   | AP8150017  | Ausgleichscheibe 8,4x16x1,6        | 1     |           |
| 28   | AP8152287  | TE Schr. m. Flansch M8x25          | 1     |           |

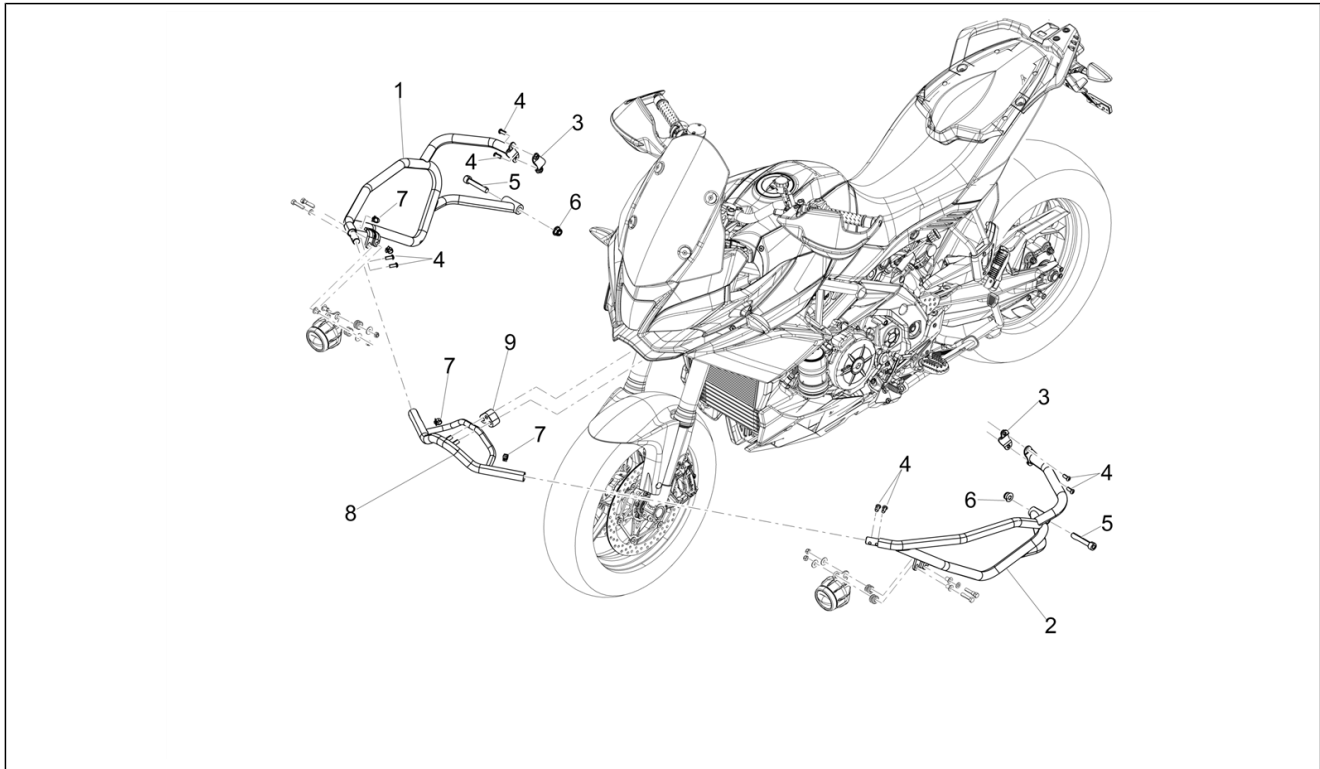


|                     |              |
|---------------------|--------------|
| <b>Einheit</b>      | Rahmen       |
| <b>Code</b>         | 01.030       |
| <b>Beschreibung</b> | Hauptständer |
| <b>Inspektion</b>   | 1            |



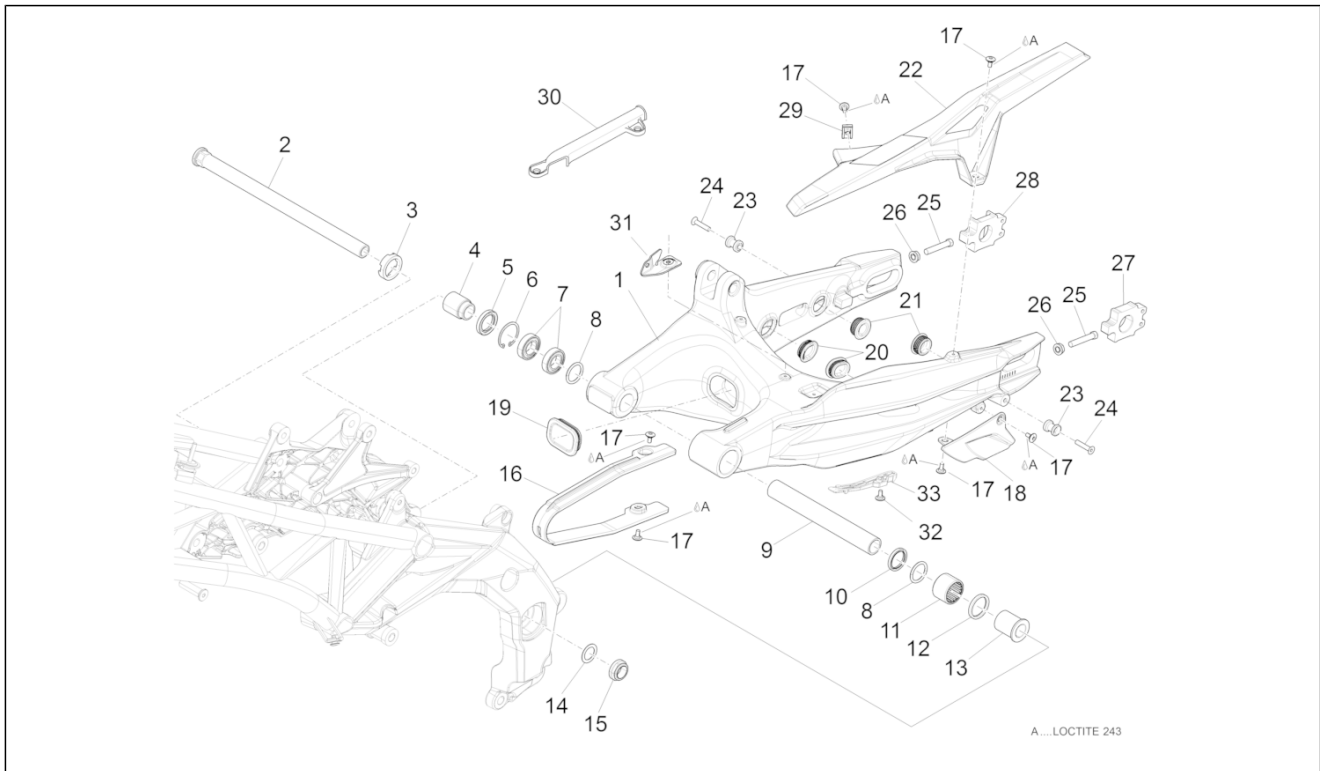
| Pos. | Code      | Beschreibung          | Menge | Varianten |
|------|-----------|-----------------------|-------|-----------|
| 29   | 852093    | Bolzen                | 1     |           |
| 30   | AP8152001 | Mutter unten M10x1,25 | 1     |           |

|                     |        |
|---------------------|--------|
| <b>Einheit</b>      | Rahmen |
| <b>Code</b>         | 01.040 |
| <b>Beschreibung</b> | Schutz |
| <b>Inspektion</b>   | 1      |



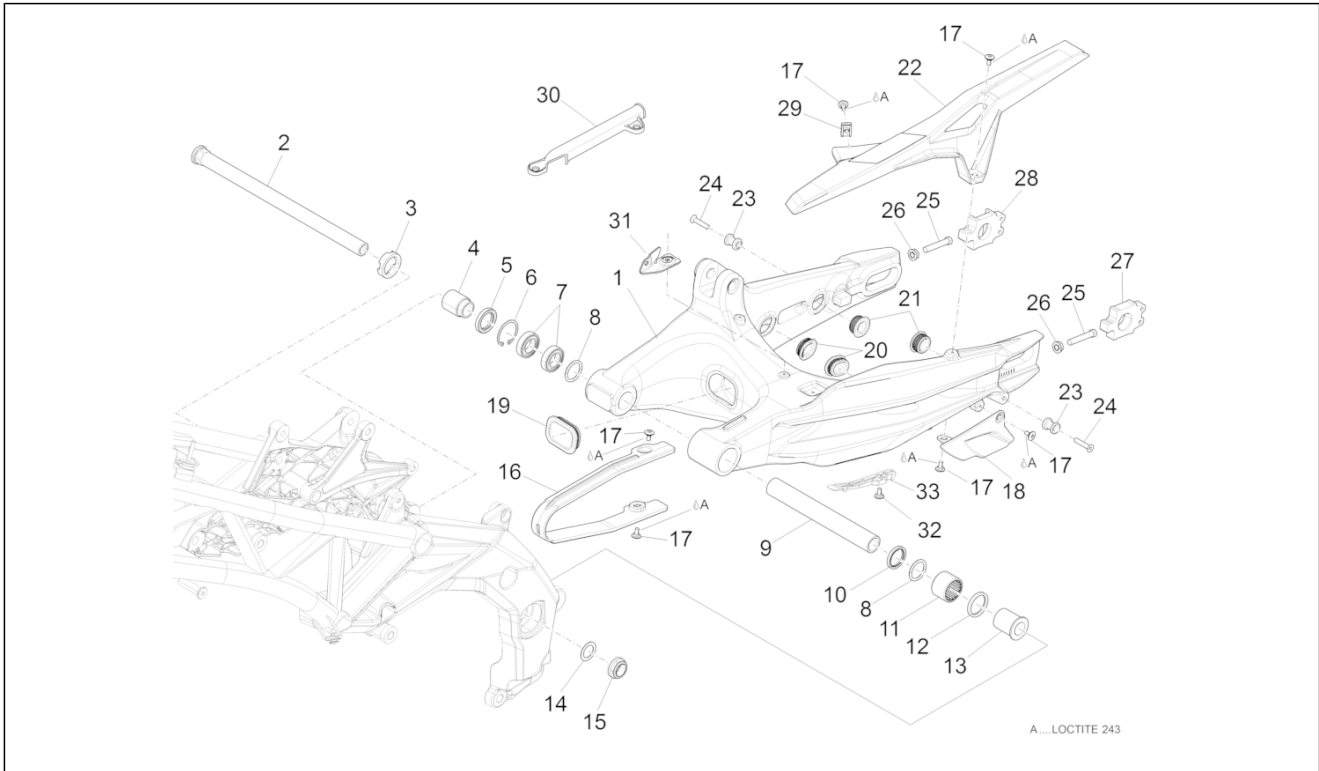
| Pos. | Code       | Beschreibung                 | Menge | Varianten |
|------|------------|------------------------------|-------|-----------|
| 1    | 2B001165   | Seitlicher Stoßfänger rechts | 1     |           |
| 2    | 2B001166   | Seitlicher Stoßfänger links  | 1     |           |
| 3    | 2B001596   | Halterbügel                  | 2     |           |
| 4    | AP8152108  | TBEI Schraube                | 8     |           |
| 5    | AP8150086  | TCEI Schraube                | 2     |           |
| 6    | AP8152301  | Selbstsperrende Mutter       | 2     |           |
| 7    | 194945     | Kleine Feder                 | 6     |           |
| 8    | 2B001164   | Stoßschutz                   | 1     |           |
| 9    | GU05124230 | Gummi                        | 1     |           |

|                     |          |
|---------------------|----------|
| <b>Einheit</b>      | Rahmen   |
| <b>Code</b>         | 01.050   |
| <b>Beschreibung</b> | Schwinge |
| <b>Inspektion</b>   | 1        |



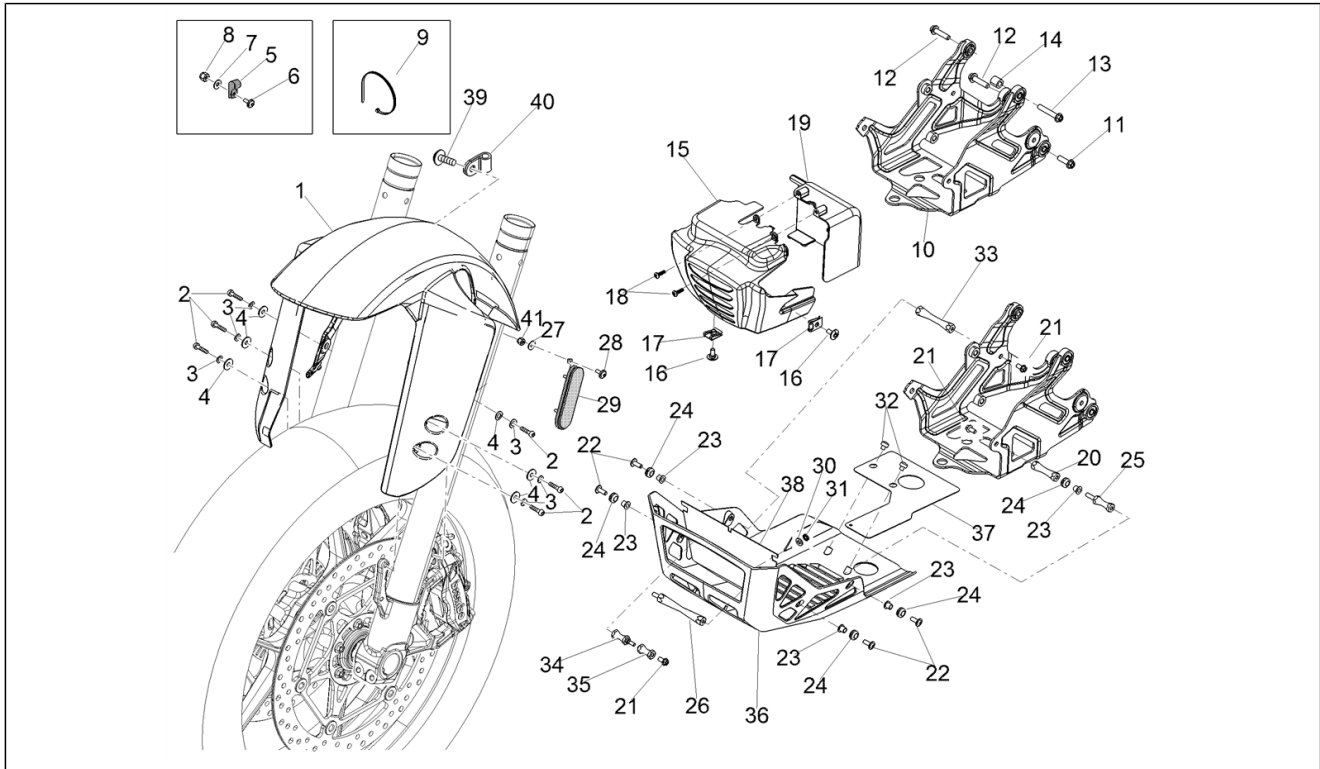
| Pos. | Code        | Beschreibung               | Menge | Varianten |
|------|-------------|----------------------------|-------|-----------|
| 1    | 85623200ZEN | Schwinge                   | 1     |           |
| 2    | B045424     | Schwingenbolzen            | 1     |           |
| 3    | AP8121201   | Gabelzapfen-Nutmutter      | 1     |           |
| 4    | AP8121200   | Einstellbuchse             | 1     |           |
| 5    | AP8144006   | Gasket ring                | 1     |           |
| 6    | AP8121204   | Seegerring für Bohrung d37 | 1     |           |
| 7    | 890002      | Kugellager 61904-2RS1      | 2     |           |
| 8    | AP8144048   | O-Ring 134                 | 2     |           |
| 9    | AP8121570   | Interne Distanzscheibe     | 1     |           |
| 10   | 890126      | Gasket ring                | 1     |           |
| 11   | AP8110078   | Nadellager                 | 1     |           |
| 12   | AP8144005   | Gasket ring                | 1     |           |
| 13   | AP8121203   | Buchse Gabelzapfen         | 1     |           |
| 14   | AP8125687   | U-scheibe Hint.radbolz     | 1     |           |
| 15   | AP8125763   | Hinterradbolzen mut.       | 1     |           |
| 16   | AP8144168   | Kettengleitführung         | 1     |           |
| 17   | AP8150500   | TBEI Schraube M5x9         | 6     |           |
| 18   | 859929      | Kettengleitführung         | 1     |           |
| 19   | 860898      | Deckel                     | 1     |           |
| 20   | 860899      | Deckel                     | 2     |           |
| 21   | 860900      | Deckel                     | 2     |           |
| 22   | 856787      | Kettenkasten               | 1     |           |
| 23   | AP8121890   | Buchse                     | 2     |           |
| 24   | 255638      | Schraube                   | 2     |           |
| 25   | AP8152305   | Kettenspanner Schraube     | 2     |           |
| 26   | AP8150334   | Mutter M8                  | 2     |           |
| 27   | 2B000578    | Kettenspanner li.          | 1     |           |
| 28   | 2B000577    | Kettenspanner re.          | 1     |           |

|                     |          |
|---------------------|----------|
| <b>Einheit</b>      | Rahmen   |
| <b>Code</b>         | 01.050   |
| <b>Beschreibung</b> | Schwinge |
| <b>Inspektion</b>   | 1        |



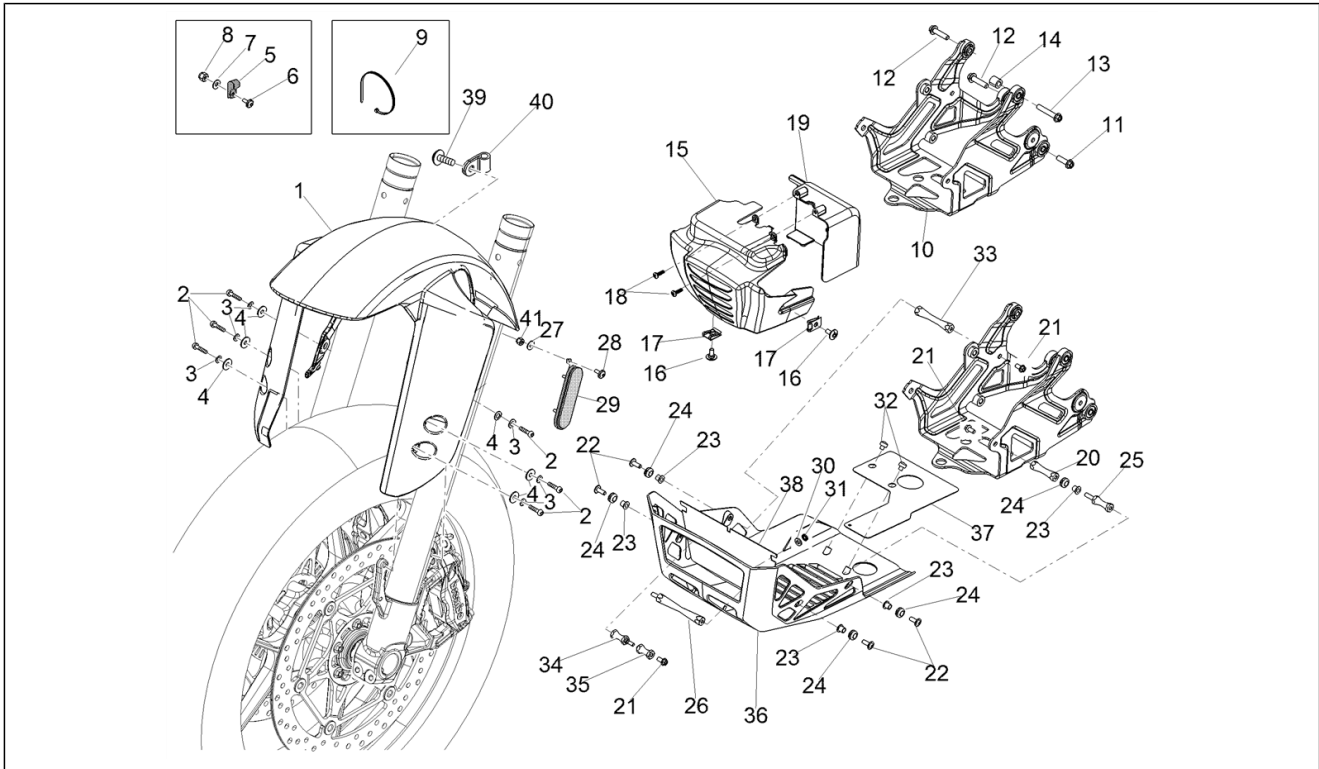
| Pos. | Code      | Beschreibung         | Menge | Varianten |
|------|-----------|----------------------|-------|-----------|
| 29   | AP8102375 | Klammer M5           | 1     |           |
| 30   | 895349    | Schutz Bremsschlauch | 1     |           |
| 31   | B046021   | Fixierplatte         | 1     |           |
| 32   | AP8150500 | TBEI Schraube M5x9   | 1     |           |
| 33   | 2B000307  | Kettenspanner        | 1     |           |

|                     |                             |
|---------------------|-----------------------------|
| <b>Einheit</b>      | Aufbau                      |
| <b>Code</b>         | 02.030                      |
| <b>Beschreibung</b> | Vorderes Schutzblech-Stütze |
| <b>Inspektion</b>   | 1                           |



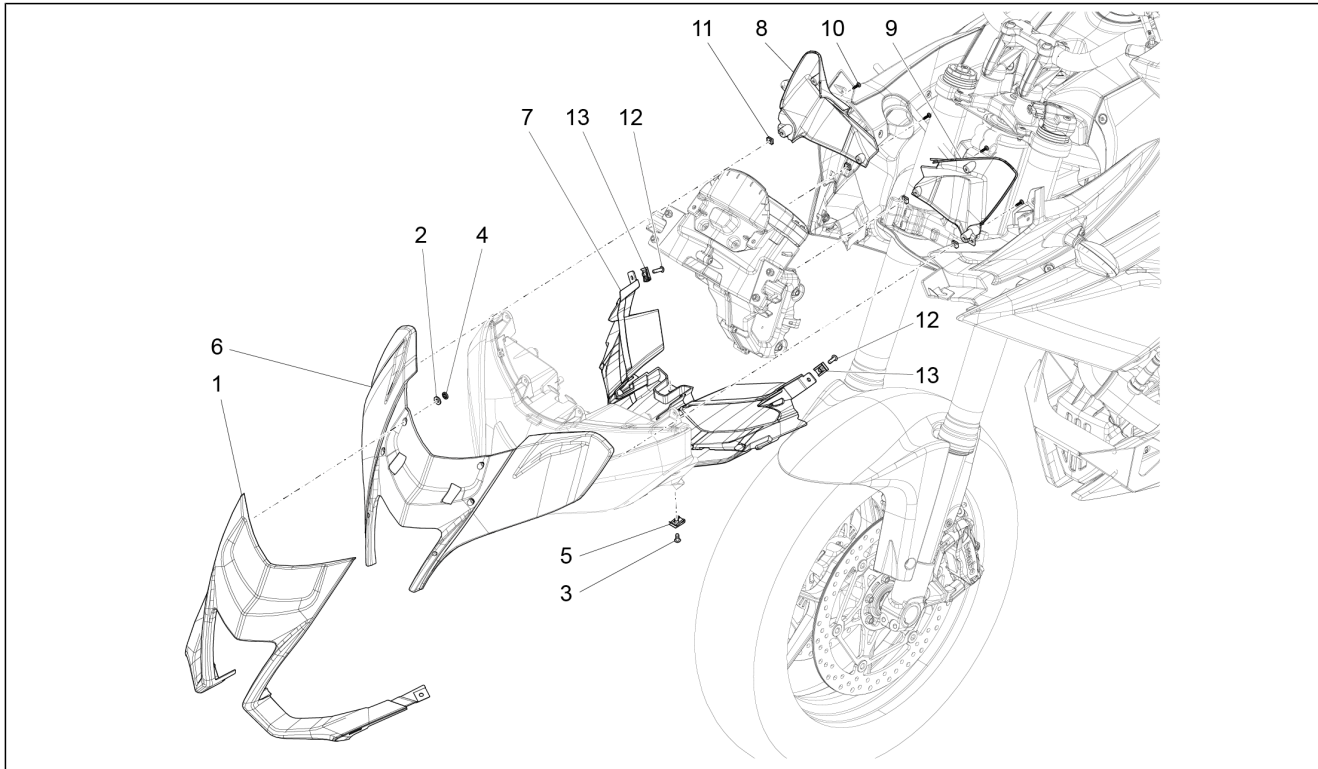
| Pos. | Code      | Beschreibung                  | Menge | Varianten |
|------|-----------|-------------------------------|-------|-----------|
| 1    | 2B0024475 | Vorderes Schutzblech          | 1     |           |
| 2    | AP8150500 | TBEI Schraube M5x9            | 6     |           |
| 3    | AP8152154 | Ausgleichscheibe 8,4x13*      | 6     |           |
| 4    | AP8150248 | Ausgleichscheibe 5,5x15x1,6   | 6     |           |
| 5    | AP8101890 | Schelle schwarz D8            | 1     |           |
| 6    | AP8150493 | TBEI Schraube M4x16           | 1     |           |
| 7    | 895916    | Plastikscheibe                | 1     |           |
| 8    | AP8150204 | Mutter M4                     | 1     |           |
| 9    | AP8102386 | Schelle 155x2                 | 1     |           |
| 10   | B045351   | Halterung ABS                 | 1     |           |
| 11   | AP8152279 | TE Schr. m. Flansch M6x20     | 1     |           |
| 12   | AP8152280 | TE Schr. m. Flansch M6x25     | 2     |           |
| 13   | AP8152282 | TE Schr. m. Flansch M6x35     | 1     |           |
| 14   | 860667    | Distanzscheibe                | 1     |           |
| 15   | 2B000251  | Frontblende vorne             | 1     |           |
| 16   | AP8152339 | TBEI Schraube m.Flansch M5x9  | 2     |           |
| 17   | AP8102375 | Klammer M5                    | 2     |           |
| 18   | AP8150413 | Gew.schr. 3,9x14              | 2     |           |
| 19   | 2B000252  | Frontblende hinten            | 1     |           |
| 20   | 860628    | Distanzscheibe                | 1     |           |
| 21   | AP8152277 | TE Schr. m. Flansch M6x12     | 3     |           |
| 22   | AP8152246 | TBEI Schraube m.Flansch M6x16 | 4     |           |
| 23   | AP8121795 | T-Buchse                      | 5     |           |
| 24   | AP8112600 | Gummi                         | 5     |           |
| 25   | 2B001518  | Distanzscheibe                | 1     |           |
| 26   | 2B001516  | Distanzscheibe                | 1     |           |
| 27   | 896174    | Schraube TBEI Schwarz M5x12   | 2     |           |
| 28   | AP8150177 | Ausgleichscheibe 5,3X10X1     | 2     |           |

|                     |                             |
|---------------------|-----------------------------|
| <b>Einheit</b>      | Aufbau                      |
| <b>Code</b>         | 02.030                      |
| <b>Beschreibung</b> | Vorderes Schutzblech-Stütze |
| <b>Inspektion</b>   | 1                           |



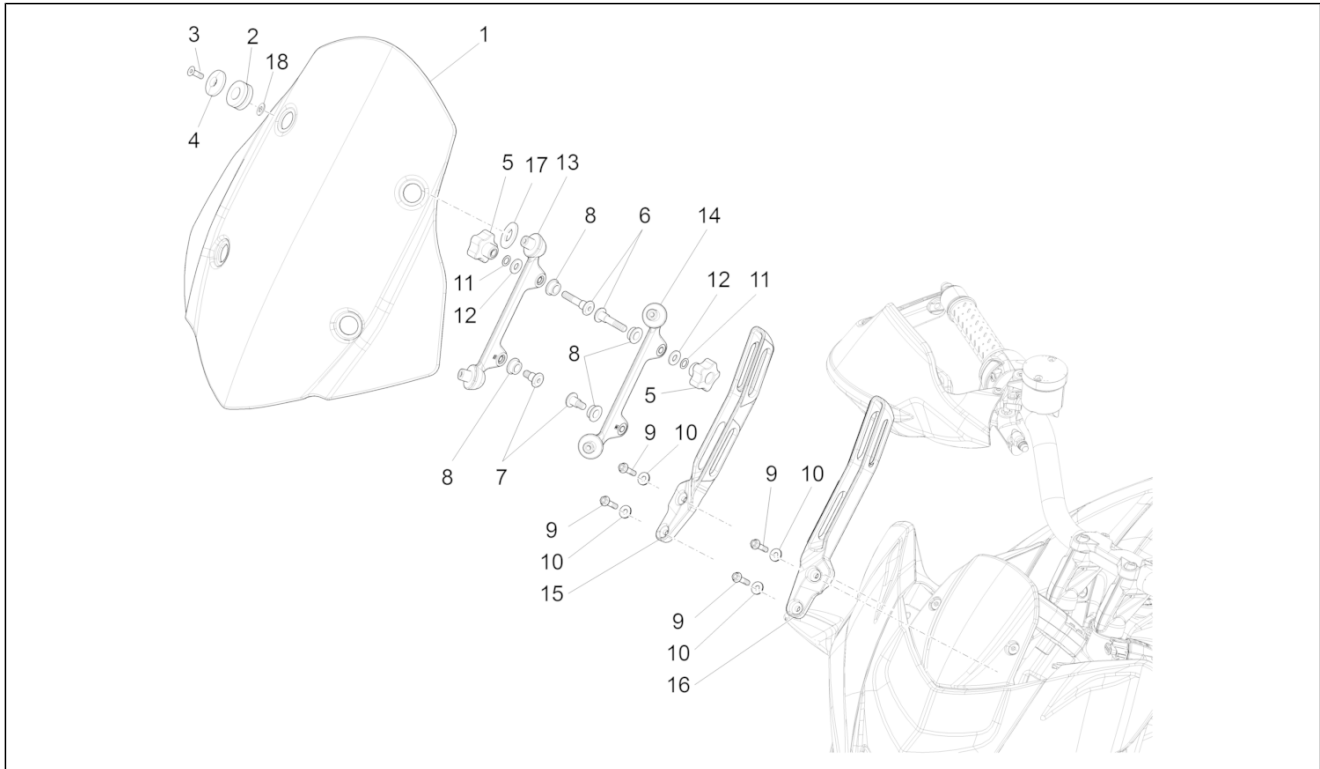
| Pos. | Code        | Beschreibung         | Menge | Varianten |
|------|-------------|----------------------|-------|-----------|
| 29   | 00H01802081 | Rückstrahler         | 2     |           |
| 30   | AP8102504   | Gummi                | 8     |           |
| 31   | AP8150450   | Wellenscheibe D5     | 8     |           |
| 32   | AP8144081   | Gummi                | 1     |           |
| 33   | 2B001515    | Distanzscheibe       | 1     |           |
| 34   | 2B001517    | Distanzscheibe       | 1     |           |
| 35   | 893255      | Distanzscheibe       | 1     |           |
| 36   | 2B001434    | Motorverkleidung     | 1     |           |
| 37   | 2B002142    | Schutz               | 1     |           |
| 38   | 2B001692    | Kühlgitter           | 1     |           |
| 39   | AP8201749   | Linsenschraube M4x6  | 1     |           |
| 40   | B046190     | Kabelführung         | 1     |           |
| 41   | AP8150311   | Selbstsperr.mut Unt. | 2     |           |

|                     |        |
|---------------------|--------|
| <b>Einheit</b>      | Aufbau |
| <b>Code</b>         | 02.040 |
| <b>Beschreibung</b> | Verkl. |
| <b>Inspektion</b>   | 1      |



| Pos. | Code         | Beschreibung                | Menge | Varianten |
|------|--------------|-----------------------------|-------|-----------|
| 1    | B04482400XG8 | Vord. Verkleidung gelb      | 1     |           |
| 1    | B04482400XHA | Vord. Verkleidung, grau     | 1     |           |
| 1    | B04482400XV7 | Vord.Verkleidung grün lack. | 1     |           |
| 2    | AP8102504    | Gummi                       | 10    |           |
| 3    | AP8152267    | TBEI Spez.schr. M5x12       | 1     |           |
| 4    | AP8150450    | Wellenscheibe D5            | 12    |           |
| 5    | AP8102375    | Klammer M5                  | 1     |           |
| 6    | B045014      | Frontspoiler                | 1     |           |
| 7    | 2B001353     | ***Spoiler                  | 1     |           |
| 8    | B044819      | Instrumententafel DX        | 1     |           |
| 9    | B044820      | Instrumententafel SX        | 1     |           |
| 10   | 018536       | Gew.schr. 3,5x13            | 6     |           |
| 11   | CM017403     | Plattchen                   | 6     |           |
| 12   | AP8152268    | TBEI Spez.schr. M5x16       | 2     |           |
| 13   | AP8102375    | Klammer M5                  | 2     |           |

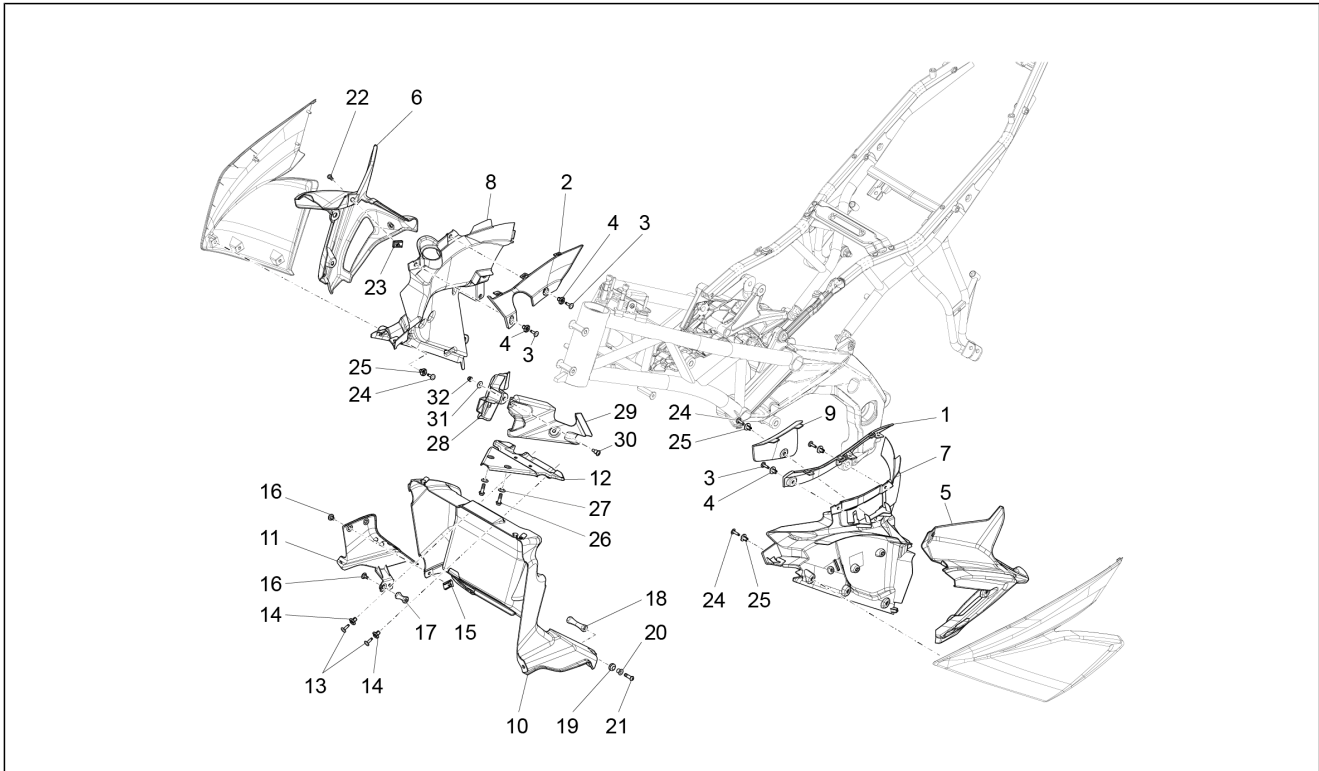
|                     |                                |
|---------------------|--------------------------------|
| <b>Einheit</b>      | Aufbau                         |
| <b>Code</b>         | 02.050                         |
| <b>Beschreibung</b> | Windschild / Windschutzscheibe |
| <b>Inspektion</b>   | 1                              |



| Pos. | Code       | Beschreibung                | Menge | Varianten   |
|------|------------|-----------------------------|-------|---|
| 1    | 2H000630   | Wetterschutz                | 1     | <b>Technische Spezifikationen:</b> Mit Aufkleber[D] |
| 2    | 560173     | Gummi                       | 4     |   |
| 3    | GU98257618 | Schraube M6x18              | 4     |   |
| 4    | 269787     | Spezial-U-scheibe nero      | 4     |   |
| 5    | 977681     | Griff                       | 2     |   |
| 6    | 886078     | Aufnahmebolzen              | 2     |   |
| 7    | 886079     | Aufnahmebolzen              | 2     |   |
| 8    | 886236     | T-Buchse                    | 4     |   |
| 9    | AP8152280  | TE Schr. m. Flansch M6x25   | 4     |   |
| 10   | AP8152105  | Ausgleichscheibe 6,4x10x,7* | 4     |   |
| 11   | GU14615901 | Ausgleichscheibe 8,4X13X0,8 | 2     |   |
| 12   | GU95005310 | Ausgleichscheibe 8,4x18x2   | 2     |   |
| 13   | 886195     | Halter rechts               | 1     |   |
| 14   | 886196     | Halter links                | 1     |   |
| 15   | 886197     | Rechtes bügel               | 1     |   |
| 16   | 886198     | Linkes bügel                | 1     |   |
| 17   | 2B000589   | Unterlegscheibe             | 2     |   |
| 18   | 2B000588   | Unterlegscheibe             | 2     |   |

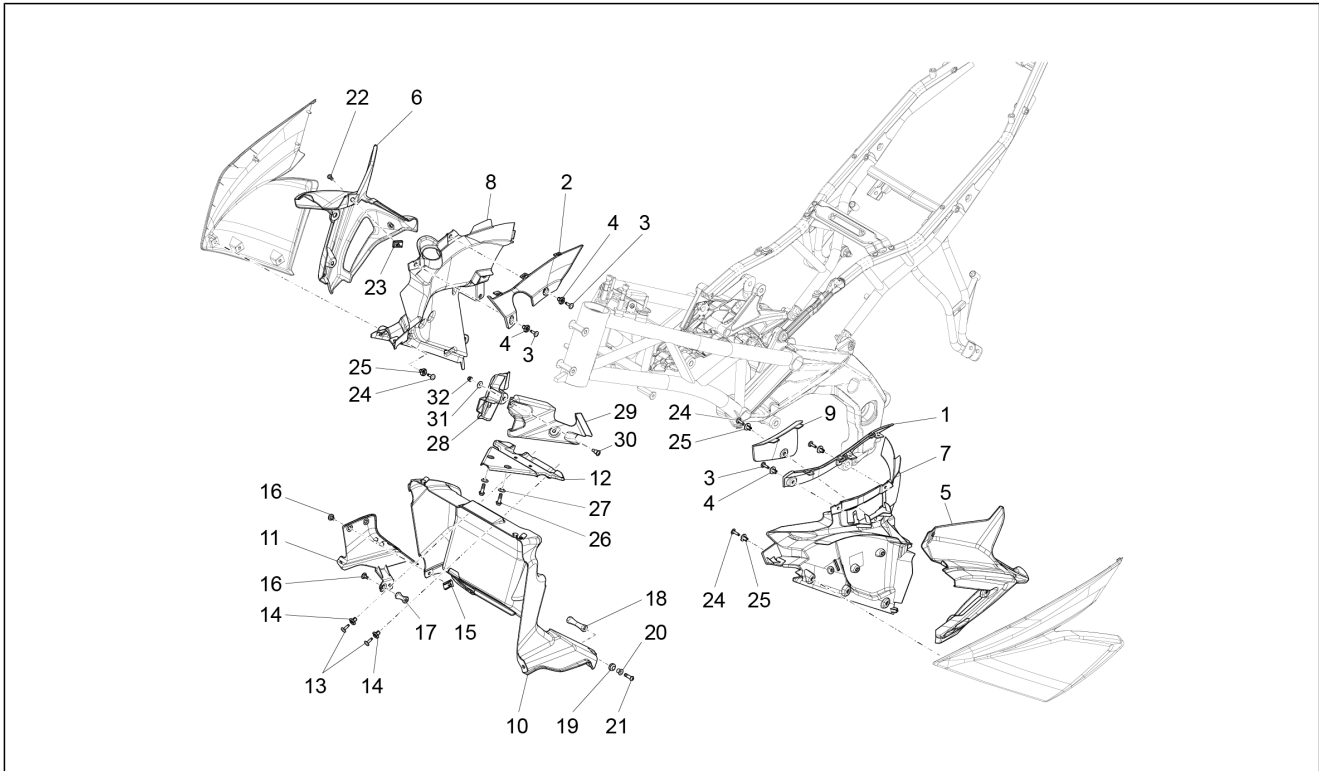


|                     |           |
|---------------------|-----------|
| <b>Einheit</b>      | Aufbau    |
| <b>Code</b>         | 02.070    |
| <b>Beschreibung</b> | Leitblech |
| <b>Inspektion</b>   | 1         |



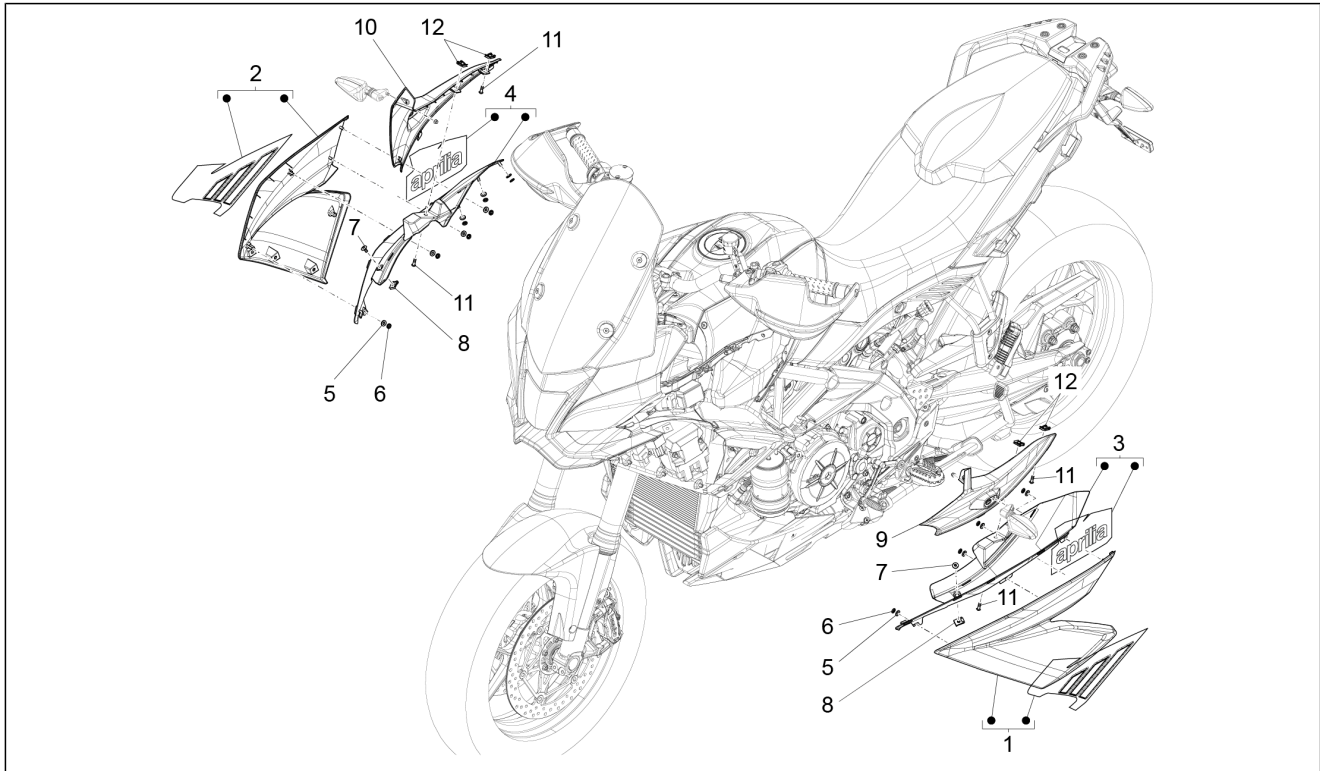
| Pos. | Code      | Beschreibung                | Menge | Varianten |
|------|-----------|-----------------------------|-------|-----------|
| 1    | B044856   | Verschluss Seitenteil li    | 1     |           |
| 2    | B044855   | Verschluss Seitenteil re    | 1     |           |
| 3    | AP8144563 | Kunststoffniet, mann        | 4     |           |
| 4    | AP8144616 | Kunststoffniet, frau        | 4     |           |
| 5    | B044832   | Luftleitblech Kühler SX     | 1     |           |
| 6    | B044831   | Luftleitblech Kühler rechts | 1     |           |
| 7    | B044830   | Seitenteil innen li         | 1     |           |
| 8    | B044829   | Seitenteil innen re         | 1     |           |
| 9    | B045103   | Sicherungsdeckel            | 1     |           |
| 10   | 2B001432  | Kühlerschutz                | 1     |           |
| 11   | B044834   | Leitblech Schott SX         | 1     |           |
| 12   | B046081   | Unterer Schutz              | 1     |           |
| 13   | AP8144563 | Kunststoffniet, mann        | 2     |           |
| 14   | AP8144616 | Kunststoffniet, frau        | 2     |           |
| 15   | 248419    | Plattchen M5                | 2     |           |
| 16   | AP8150500 | TBEI Schraube M5x9          | 3     |           |
| 17   | 893255    | Distanzscheibe              | 1     |           |
| 18   | 860628    | Distanzscheibe              | 1     |           |
| 19   | AP8112600 | Gummi                       | 1     |           |
| 20   | AP8121795 | T-Buchse                    | 1     |           |
| 21   | AP8224470 | TBEI Schraube M6x20         | 1     |           |
| 22   | AP8152268 | TBEI Spez.schr. M5x16       | 1     |           |
| 23   | AP8102375 | Klammer M5                  | 1     |           |
| 24   | AP8144563 | Kunststoffniet, mann        | 7     |           |
| 25   | AP8144616 | Kunststoffniet, frau        | 7     |           |
| 26   | AP8152279 | TE Schr. m. Flansch M6x20   | 2     |           |
| 27   | AP8121032 | Buchse                      | 2     |           |
| 28   | B046080   | Rechter schutz              | 1     |           |

|                     |           |
|---------------------|-----------|
| <b>Einheit</b>      | Aufbau    |
| <b>Code</b>         | 02.070    |
| <b>Beschreibung</b> | Leitblech |
| <b>Inspektion</b>   | 1         |



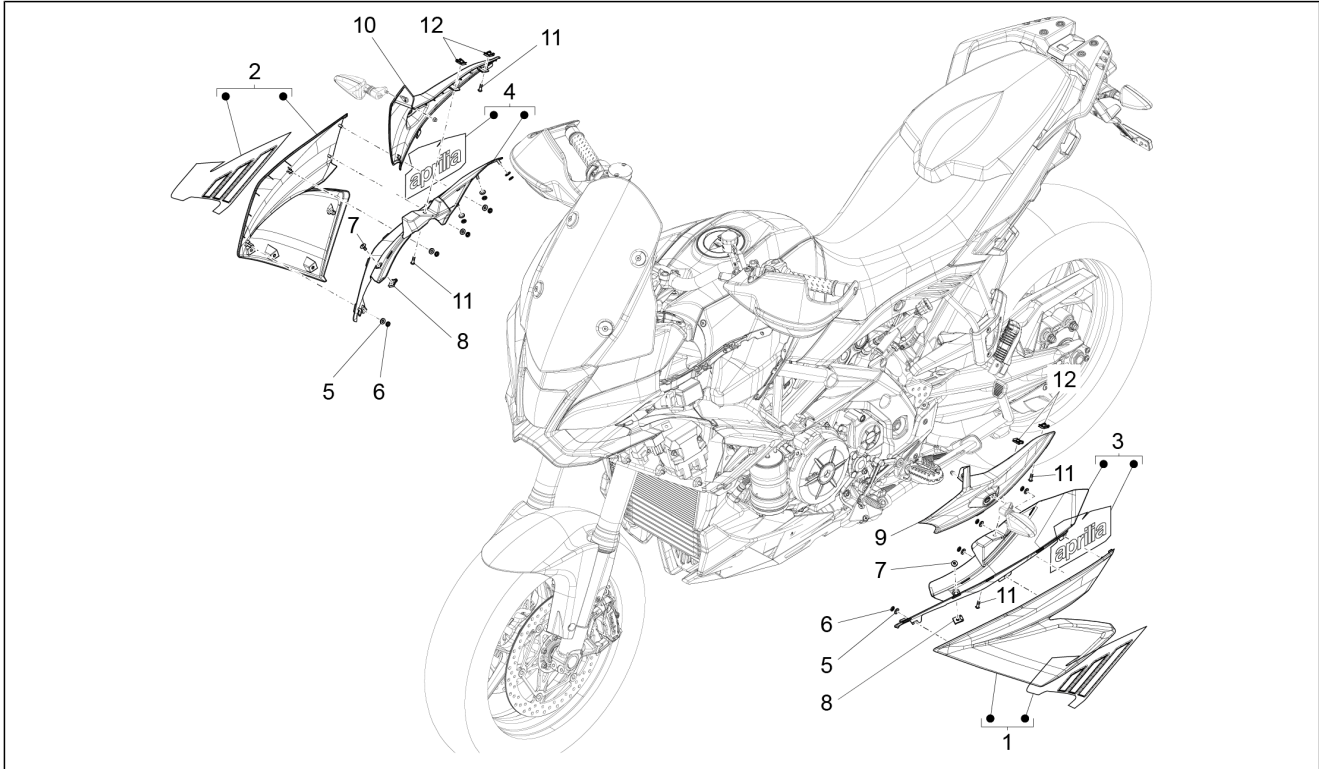
| Pos. | Code      | Beschreibung              | Menge | Varianten |
|------|-----------|---------------------------|-------|-----------|
| 29   | B046079   | Linker schutz             | 1     |           |
| 30   | 893132    | Schraube                  | 1     |           |
| 31   | AP8152348 | Distanzscheibe            | 1     |           |
| 32   | AP8152306 | Selbstsperrende Mutter M5 | 1     |           |

|                     |             |
|---------------------|-------------|
| <b>Einheit</b>      | Aufbau      |
| <b>Code</b>         | 02.080      |
| <b>Beschreibung</b> | Seitenverkl |
| <b>Inspektion</b>   | 1           |



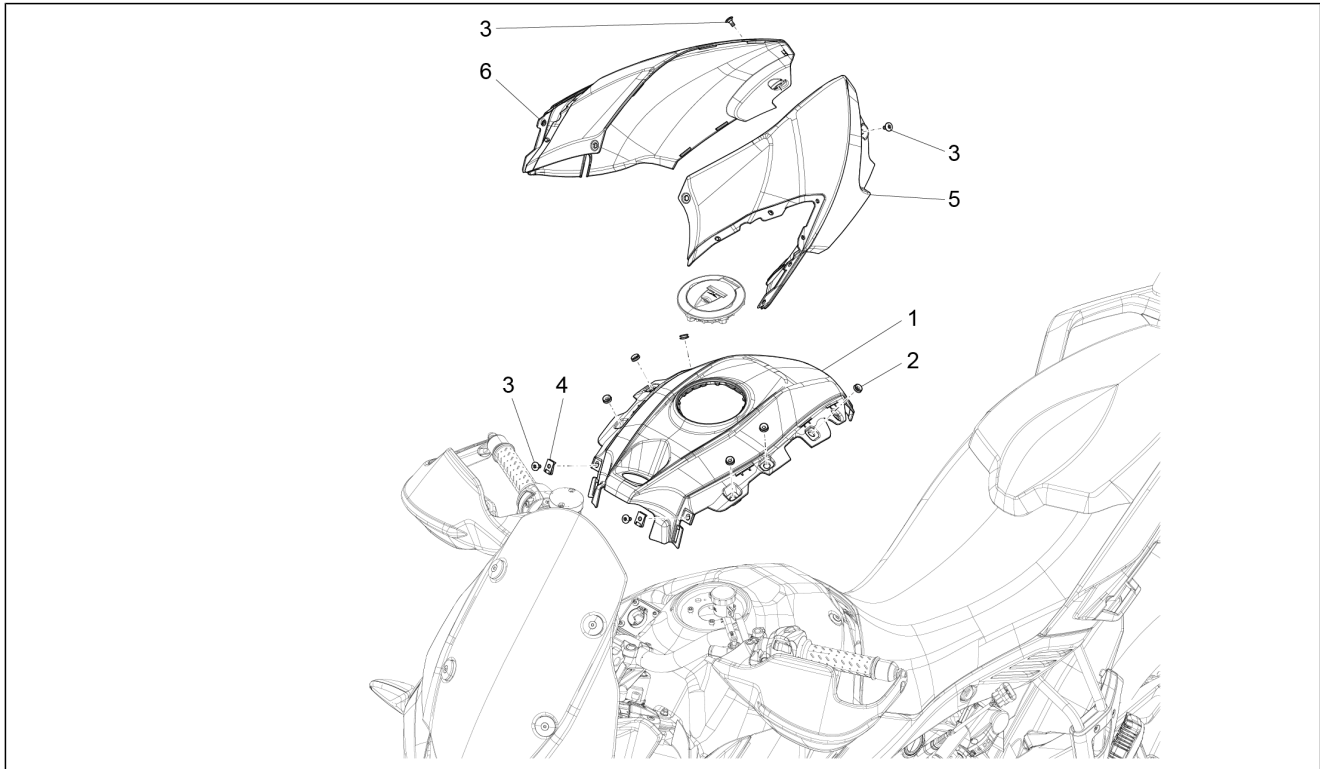
| Pos. | Code           | Beschreibung                   | Menge | Varianten  |
|------|----------------|--------------------------------|-------|--|
| 1    | 2H000697000XHA | Seitenteil l.V. grau           | 1     | <b>Farbe:</b> Grau Safari[Gray]<br><b>Technische Spezifikationen:</b> Mit Aufkleber[D] |
| 1    | 2H000627000XV7 | Seitenteil links, grün         | 1     | <b>Farbe:</b> ARMY GRÜN[Green]<br><b>Technische Spezifikationen:</b> Mit Aufkleber[D]  |
| 1    | 2H000697000XG8 | Seitenteil links               | 1     | <b>Farbe:</b> Gelb Dune[Yellow]<br><b>Technische Spezifikationen:</b> Mit Aufkleber[D] |
| 2    | 2H000696000XHA | Seitenteil r.V. grau           | 1     | <b>Farbe:</b> Grau Safari[Gray]<br><b>Technische Spezifikationen:</b> Mit Aufkleber[D] |
| 2    | 2H000696000XG8 | Seitenteil rechts              | 1     | <b>Farbe:</b> Gelb Dune[Yellow]<br><b>Technische Spezifikationen:</b> Mit Aufkleber[D] |
| 2    | 2H000626000XV7 | Seitenteil rechts grün         | 1     | <b>Farbe:</b> ARMY GRÜN[Green]<br><b>Technische Spezifikationen:</b> Mit Aufkleber[D]  |
| 3    | 2H000629000XHA | Verschluss Seitenteil li       | 1     | <b>Farbe:</b> Grau Safari[Gray]<br><b>Technische Spezifikationen:</b> Mit Aufkleber[D] |
| 3    | 2H000629000XG8 | Verschluss Seitenteil li       | 1     | <b>Farbe:</b> Gelb Dune[Yellow]<br><b>Technische Spezifikationen:</b> Mit Aufkleber[D] |
| 3    | 2H000629000XV7 | Verschluss Seitenteil li Green | 1     | <b>Farbe:</b> ARMY GRÜN[Green]<br><b>Technische Spezifikationen:</b> Mit Aufkleber[D]  |
| 4    | 2H000628000XG8 | Verschluss Seitenteil re       | 1     | <b>Farbe:</b> Gelb Dune[Yellow]<br><b>Technische Spezifikationen:</b> Mit Aufkleber[D] |
| 4    | 2H000628000XV7 | Verschluss Seitenteil re Green | 1     | <b>Farbe:</b> ARMY GRÜN[Green]<br><b>Technische Spezifikationen:</b> Mit Aufkleber[D]  |
| 4    | 2H000628000XHA | Verschluss Seitenteil re       | 1     | <b>Farbe:</b> Grau Safari[Gray]<br><b>Technische Spezifikationen:</b> Mit Aufkleber[D] |
| 5    | AP8102504      | Gummi                          | 16    |  |
| 6    | AP8150450      | Wellenscheibe D5               | 16    |  |
| 7    | AP8150500      | TBEI Schraube M5x9             | 2     |  |
| 8    | AP8102375      | Klammer M5                     | 2     |  |
| 9    | B044823        | Li.Seitenteil ober             | 1     |  |
| 10   | B044822        | Re.Seitenteil ober             | 1     |  |
| 11   | AP8152268      | TBEI Spez.schr. M5x16          | 4     |  |

|                     |             |
|---------------------|-------------|
| <b>Einheit</b>      | Aufbau      |
| <b>Code</b>         | 02.080      |
| <b>Beschreibung</b> | Seitenverkl |
| <b>Inspektion</b>   | 1           |



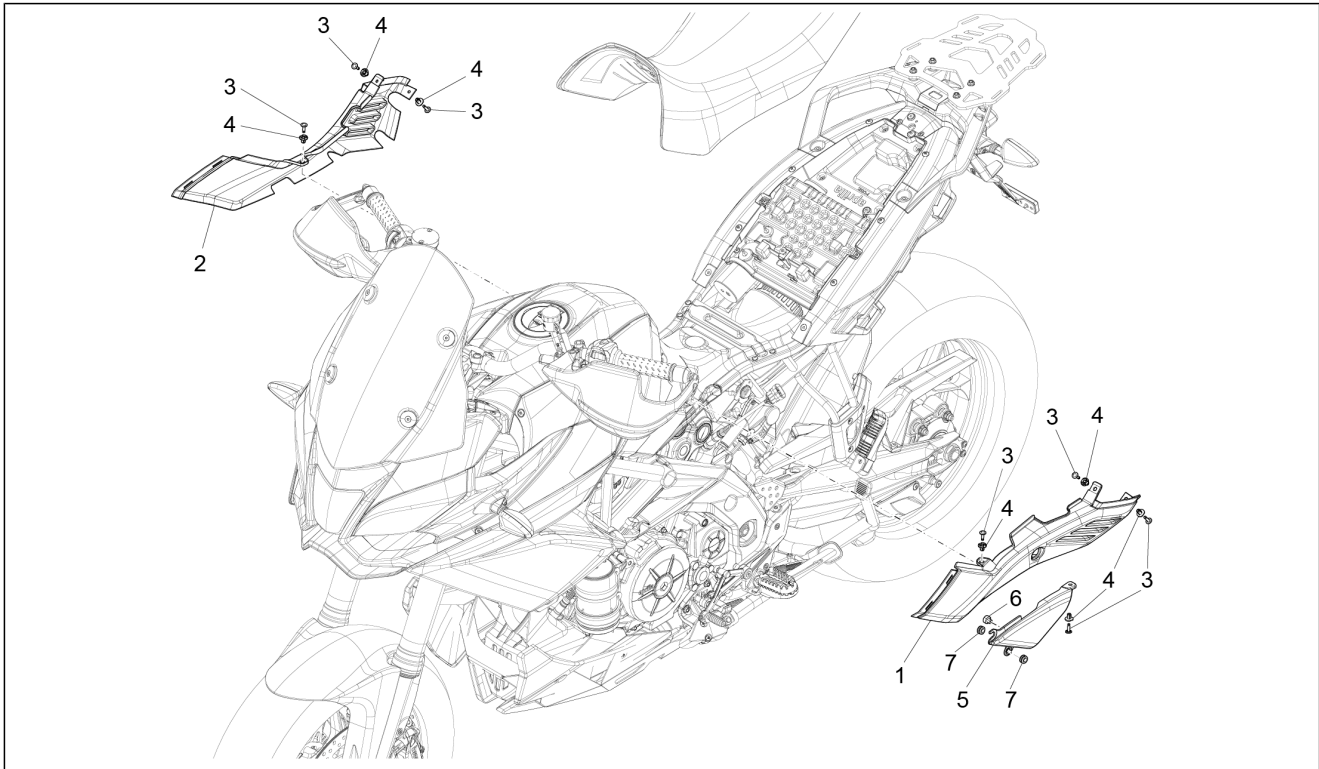
| Pos. | Code      | Beschreibung | Menge | Varianten |
|------|-----------|--------------|-------|-----------|
| 12   | AP8102375 | Klammer M5   | 4     |           |

|                     |               |
|---------------------|---------------|
| <b>Einheit</b>      | Aufbau        |
| <b>Code</b>         | 02.090        |
| <b>Beschreibung</b> | Tankabdeckung |
| <b>Inspektion</b>   | 1             |



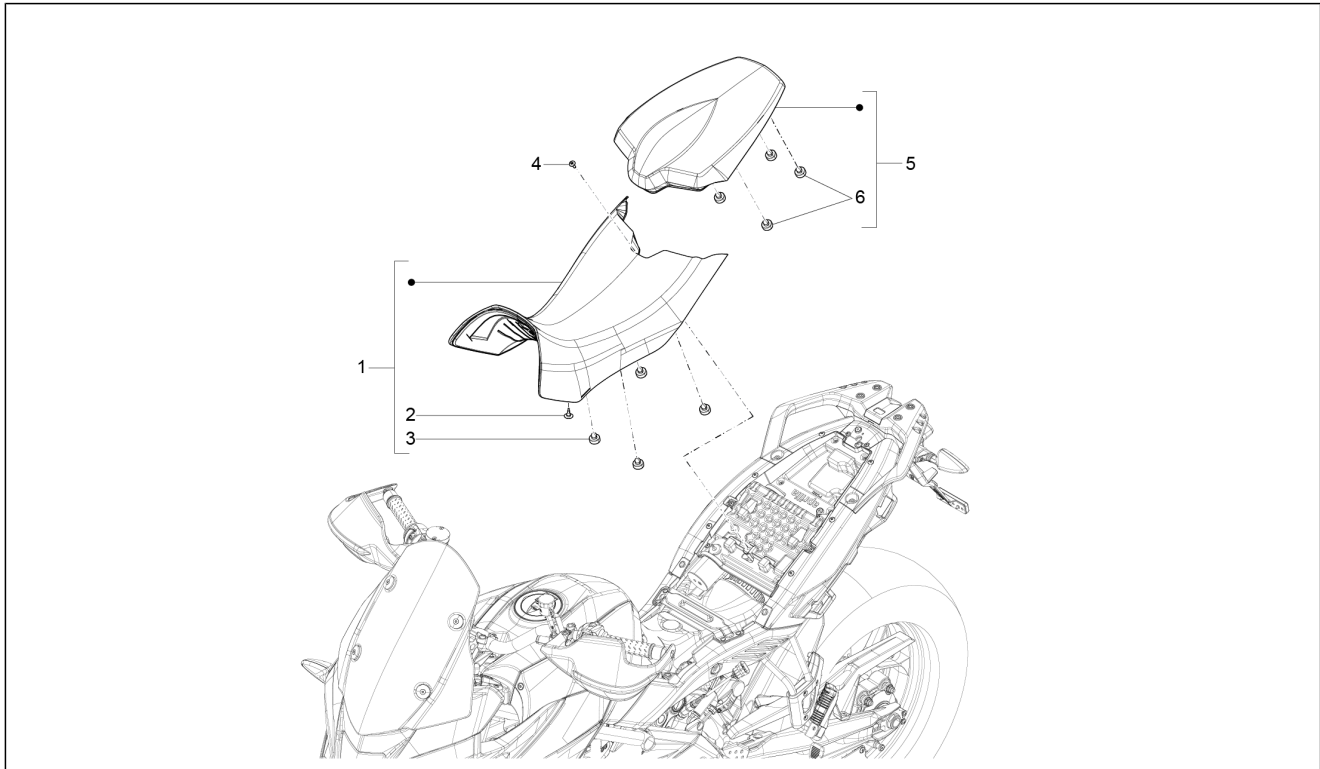
| Pos. | Code         | Beschreibung         | Menge | Varianten               |
|------|--------------|----------------------|-------|-------------------------|
| 1    | B044837      | Mittere verkleidung  | 1     |                         |
| 2    | 197551       | Deckel               | 6     |                         |
| 3    | AP8150500    | TBEI Schraube M5x9   | 4     |                         |
| 4    | AP8102375    | Klammer M5           | 2     |                         |
| 5    | B04483900XV7 | Seitenverkleidung LI | 1     | Farbe:ARMY GRÜN[Green]  |
| 5    | B04483900XHA | Seitenverkleidung LI | 1     | Farbe:Grau Safari[Gray] |
| 5    | B04483900XG8 | Seitenverkleidung LI | 1     | Farbe:Gelb Dune[Yellow] |
| 6    | B04483800XG8 | Seitenverkleidung RE | 1     | Farbe:Gelb Dune[Yellow] |
| 6    | B04483800XHA | Seitenverkleidung RE | 1     | Farbe:Grau Safari[Gray] |
| 6    | B04483800XV7 | Seitenverkleidung RE | 1     | Farbe:ARMY GRÜN[Green]  |

|                     |                  |
|---------------------|------------------|
| <b>Einheit</b>      | Aufbau           |
| <b>Code</b>         | 02.100           |
| <b>Beschreibung</b> | Mittlerer Aufbau |
| <b>Inspektion</b>   | 1                |



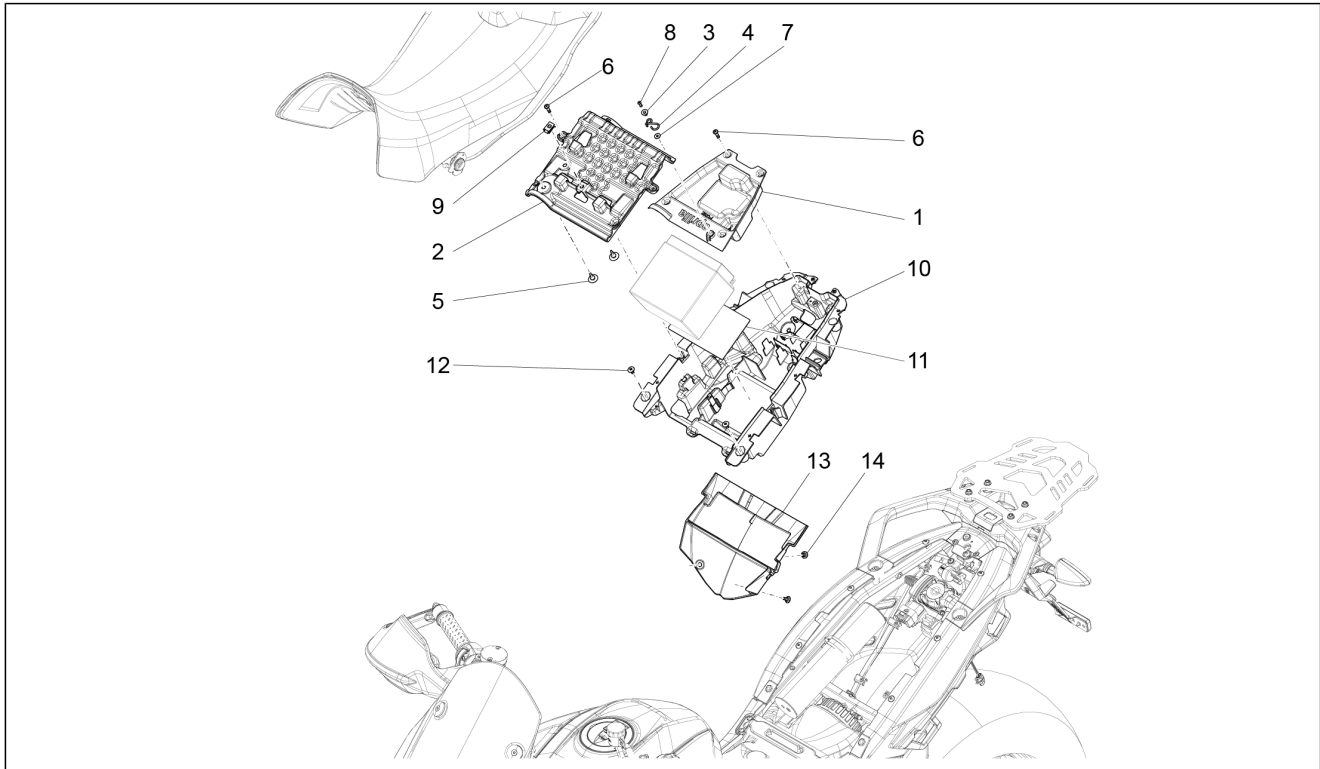
| Pos. | Code      | Beschreibung         | Menge | Varianten |
|------|-----------|----------------------|-------|-----------|
| 1    | B044841   | Seitenwand SX        | 1     |           |
| 2    | B044840   | Seitenwand DX        | 1     |           |
| 3    | AP8144563 | Kunststoffniet, mann | 7     |           |
| 4    | AP8144616 | Kunststoffniet, frau | 7     |           |
| 5    | 2B000286  | Li.Seitenteil unten  | 1     |           |
| 6    | AP8144081 | Gummi                | 1     |           |
| 7    | AP8112600 | Gummi                | 2     |           |

|                     |        |
|---------------------|--------|
| <b>Einheit</b>      | Aufbau |
| <b>Code</b>         | 02.120 |
| <b>Beschreibung</b> | Sitz   |
| <b>Inspektion</b>   | 1      |



| Pos. | Code        | Beschreibung                  | Menge | Varianten |
|------|-------------|-------------------------------|-------|-----------|
| 1    | B04456600C2 | Fahrersitz                    | 1     |           |
| 2    | AP8120001   | Gummi                         | 1     |           |
| 3    | B064023     | Sitz-Auflagegummi             | 4     |           |
| 4    | AP8152302   | TBEI Schraube m.Flansch M5x12 | 1     |           |
| 5    | B04456700C2 | Soziussitz                    | 1     |           |
| 6    | B064023     | Sitz-Auflagegummi             | 4     |           |

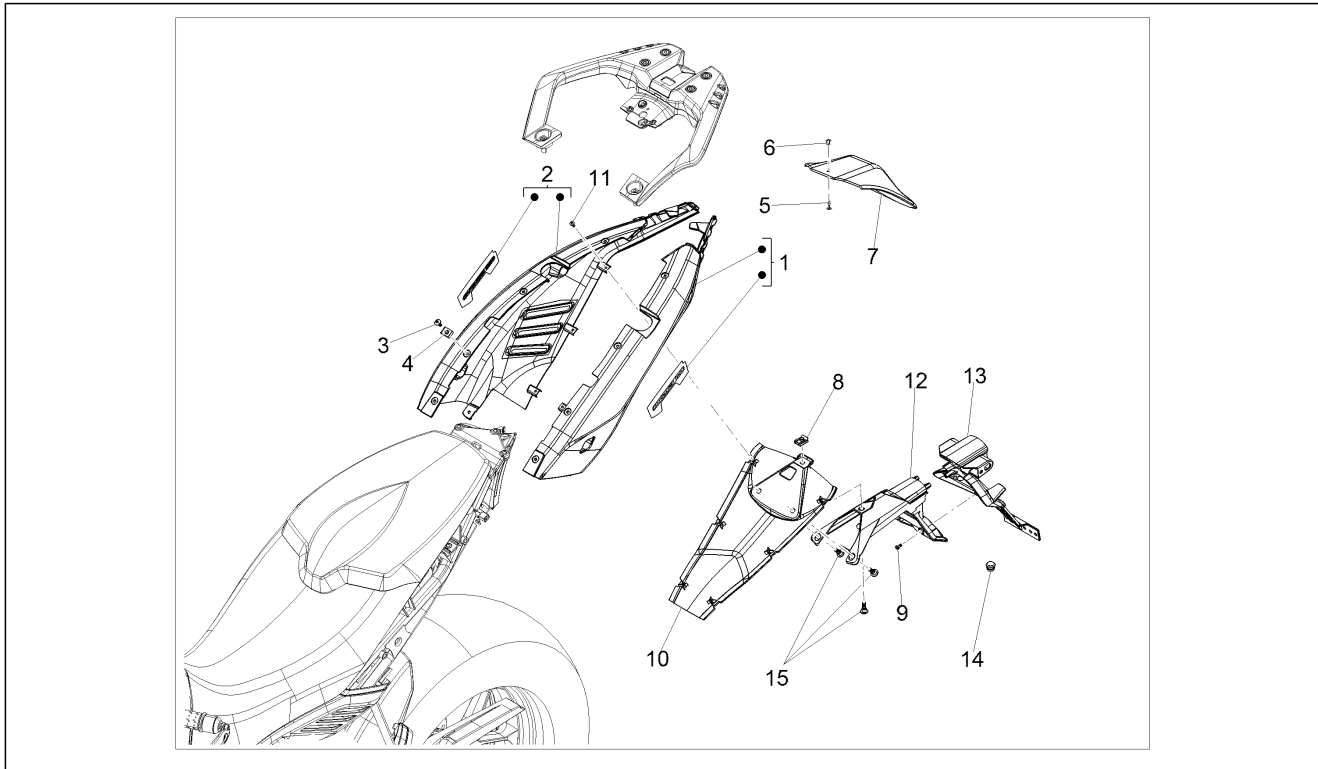
|                     |          |
|---------------------|----------|
| <b>Einheit</b>      | Aufbau   |
| <b>Code</b>         | 02.130   |
| <b>Beschreibung</b> | Staufach |
| <b>Inspektion</b>   | 1        |



| Pos. | Code      | Beschreibung                  | Menge | Varianten |
|------|-----------|-------------------------------|-------|-----------|
| 1    | 2B000663  | Sicherungsdeckel              | 1     |           |
| 2    | B044762   | Batteriedeckel                | 1     |           |
| 3    | 2L000036  | T-Buchse                      | 1     |           |
| 4    | AP8221206 | Sturzhelmhaken                | 1     |           |
| 5    | AP8120001 | Gummi                         | 2     |           |
| 6    | AP8152329 | Kreuz.schl.flnschschr. M5x20  | 8     |           |
| 7    | AP8150011 | Ausgleichscheibe 4,3x12x1     | 1     |           |
| 8    | AP8102029 | Kunststoffniet                | 1     |           |
| 9    | AP8102375 | Klammer M5                    | 2     |           |
| 10   | B044265   | Staufach                      | 1     |           |
| 11   | AP8144553 | Gummi für Haterung            | 1     |           |
| 12   | AP8152302 | TBEI Schraube m.Flansch M5x12 | 2     |           |
| 13   | B044846   | Tankschutz                    | 1     |           |
| 14   | AP8150500 | TBEI Schraube M5x9            | 2     |           |

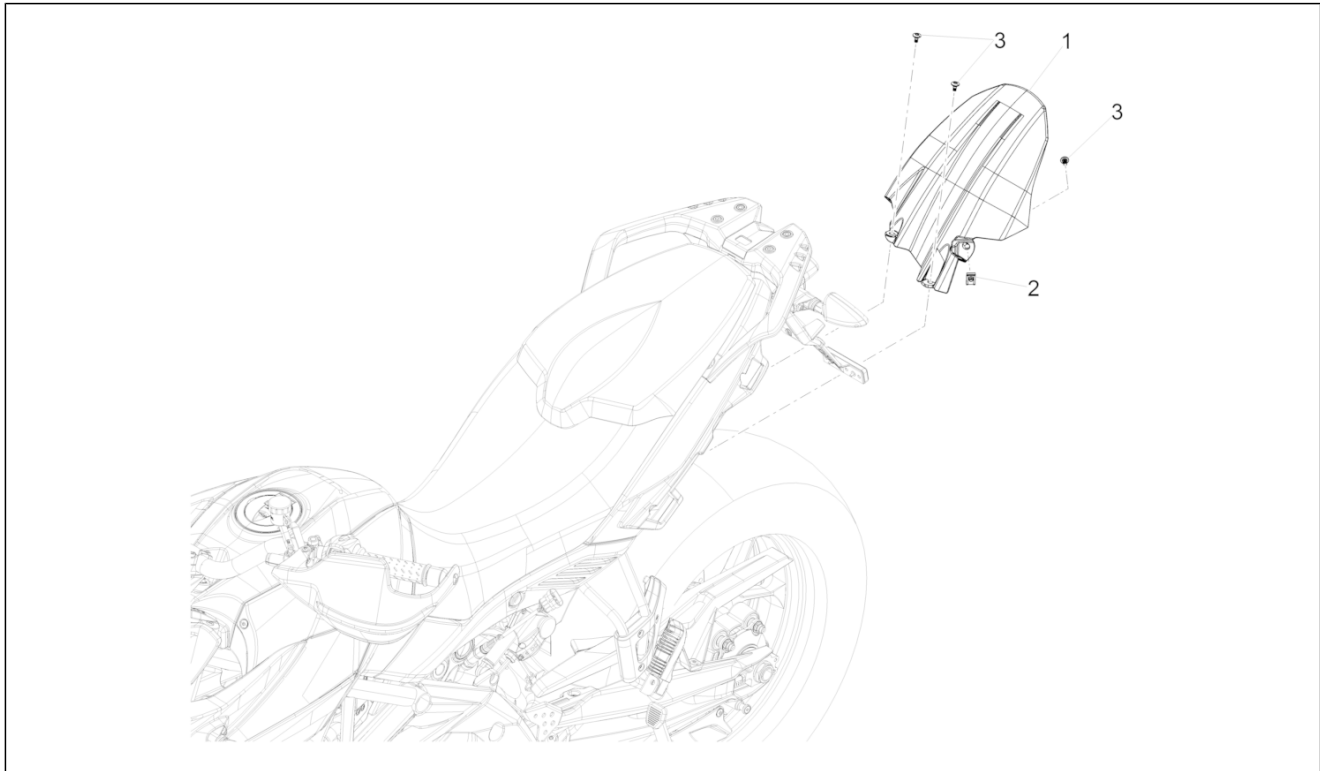


|                     |            |
|---------------------|------------|
| <b>Einheit</b>      | Aufbau     |
| <b>Code</b>         | 02.140     |
| <b>Beschreibung</b> | Heckaufbau |
| <b>Inspektion</b>   | 1          |



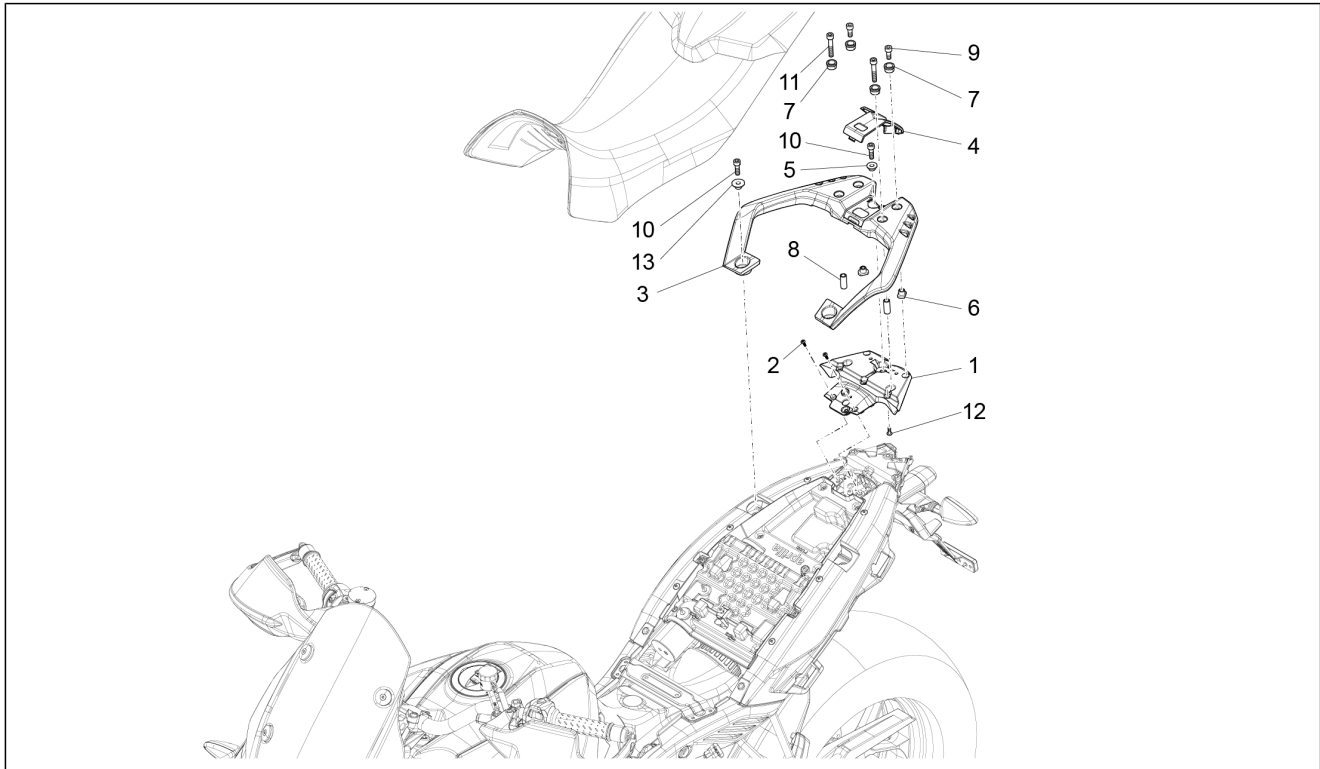
| Pos. | Code         | Beschreibung                 | Menge | Varianten               |
|------|--------------|------------------------------|-------|-------------------------|
| 1    | B04484800XG8 | Heckteil li                  | 1     | Farbe:Gelb Dune[Yellow] |
| 1    | B04484800XHA | Heckteil l., grau            | 1     | Farbe:Grau Safari[Gray] |
| 1    | B04484800XV7 | Heckteil l., grün            | 1     | Farbe:ARMY GRÜN[Green]  |
| 2    | B04484700XV7 | Heckteil r., grün            | 1     | Farbe:ARMY GRÜN[Green]  |
| 2    | B04484700XHA | Heckteil r., grau            | 1     | Farbe:Grau Safari[Gray] |
| 2    | B04484700XG8 | Heckteil re                  | 1     | Farbe:Gelb Dune[Yellow] |
| 3    | 896174       | Schraube TBEI Schwarz M5x12  | 6     |                         |
| 4    | 248419       | Plattchen M5                 | 6     |                         |
| 5    | AP8144616    | Kunststoffniet, frau         | 1     |                         |
| 6    | AP8144563    | Kunststoffniet, mann         | 1     |                         |
| 7    | 2B001994     | Hinteres, Spritzschutz       | 1     |                         |
| 8    | AP8102375    | Klammer M5                   | 1     |                         |
| 9    | AP8150444    | Gewindeschraube Edelstahl    | 4     |                         |
| 10   | 2B000828     | Verschluss Sitzbankhalterung | 1     |                         |
| 11   | AP8150444    | Gewindeschraube Edelstahl    | 6     |                         |
| 12   | 858840       | Ob. Kennzeichenplatte        | 1     |                         |
| 13   | 858842       | Unten Kennzeichenplatte      | 1     |                         |
| 14   | 894657       | Deckel                       | 1     |                         |
| 15   | 575249       | Metrische Schraube TBC       | 3     |                         |

|                     |                      |
|---------------------|----------------------|
| <b>Einheit</b>      | Aufbau               |
| <b>Code</b>         | 02.150               |
| <b>Beschreibung</b> | Hinteres schutzblech |
| <b>Inspektion</b>   | 1                    |



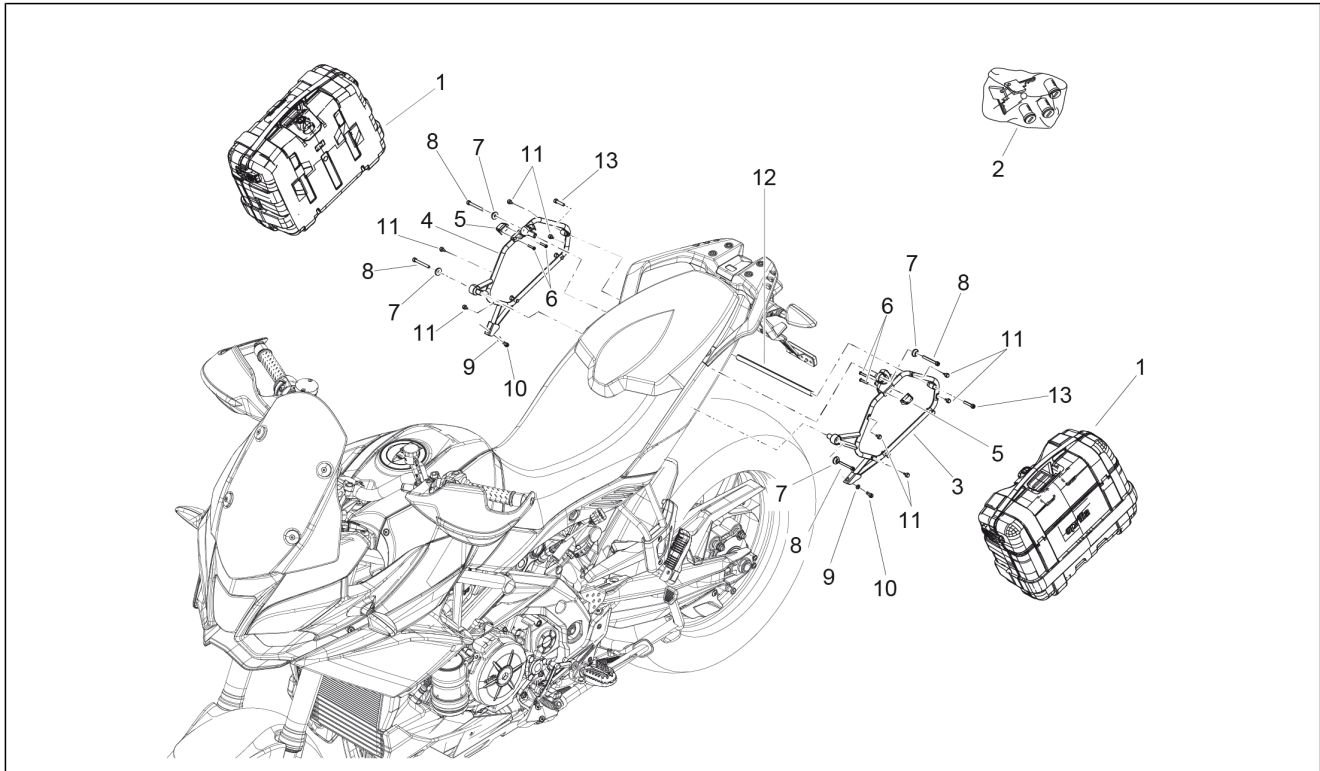
| Pos. | Code      | Beschreibung         | Menge | Varianten |
|------|-----------|----------------------|-------|-----------|
| 1    | B045034   | Hinteres schutzblech | 1     |           |
| 2    | 641652    | Kleine Feder         | 1     |           |
| 3    | AP8150500 | TBEI Schraube M5x9   | 3     |           |

|                     |              |
|---------------------|--------------|
| <b>Einheit</b>      | Aufbau       |
| <b>Code</b>         | 02.160       |
| <b>Beschreibung</b> | Gepäckträger |
| <b>Inspektion</b>   | 1            |



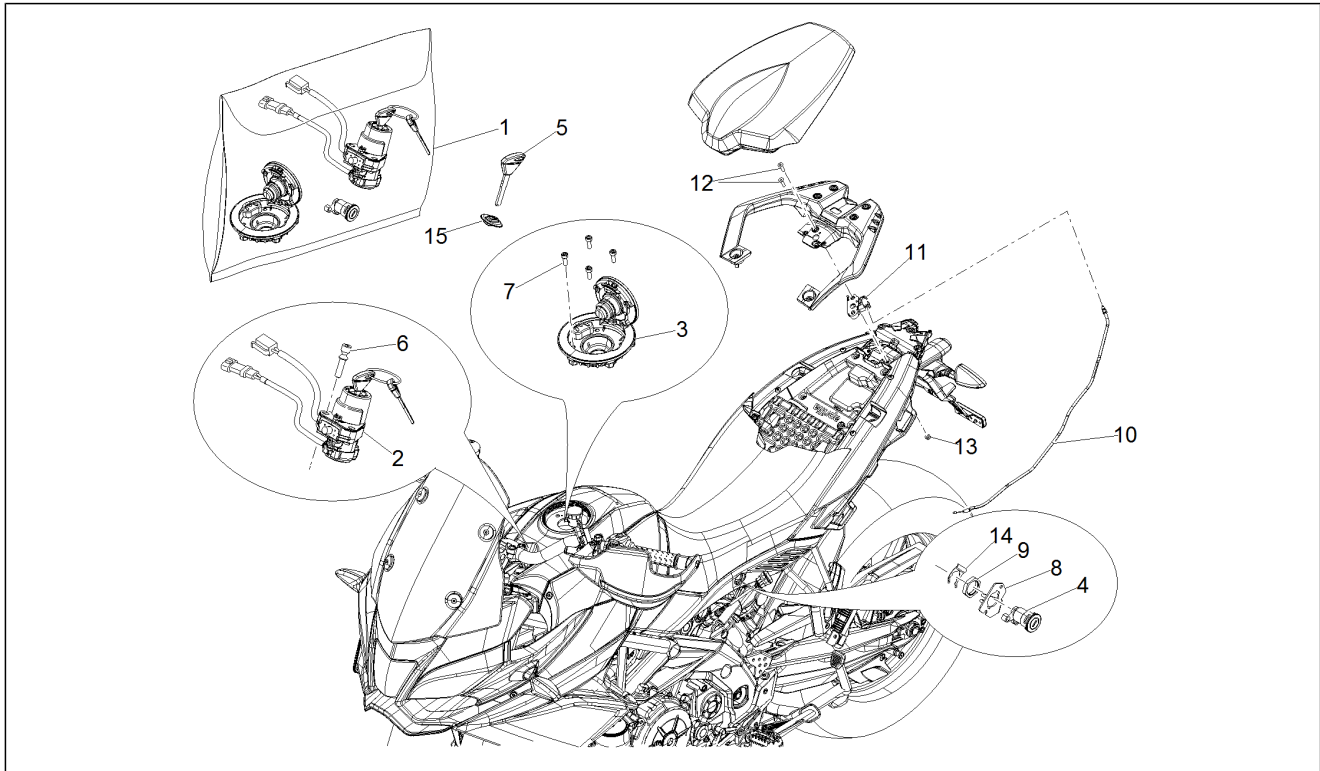
| Pos. | Code       | Beschreibung        | Menge | Varianten |
|------|------------|---------------------|-------|-----------|
| 1    | B044852    | Gepäckträgersockel  | 1     |           |
| 2    | AP8150413  | Gew.schr. 3,9x14    | 2     |           |
| 3    | B044853    | Gepäckträger        | 1     |           |
| 4    | B044854    | Objektr.deck.       | 1     |           |
| 5    | 2B000102   | Buchse              | 1     |           |
| 6    | B045761    | Buchse              | 2     |           |
| 7    | B045762    | Buchse              | 4     |           |
| 8    | B045763    | Buchse              | 2     |           |
| 9    | GU98692420 | TCEI Schraube M8x20 | 2     |           |
| 10   | AP8150520  | TCEI Schraube M8x25 | 3     |           |
| 11   | GU98690445 | Schraube M8x45      | 2     |           |
| 12   | AP8150509  | Gew.schr. 5x14      | 5     |           |
| 13   | AP8121510  | Buchse              | 2     |           |

|                     |            |
|---------------------|------------|
| <b>Einheit</b>      | Aufbau     |
| <b>Code</b>         | 02.165     |
| <b>Beschreibung</b> | Side cases |
| <b>Inspektion</b>   | 1          |



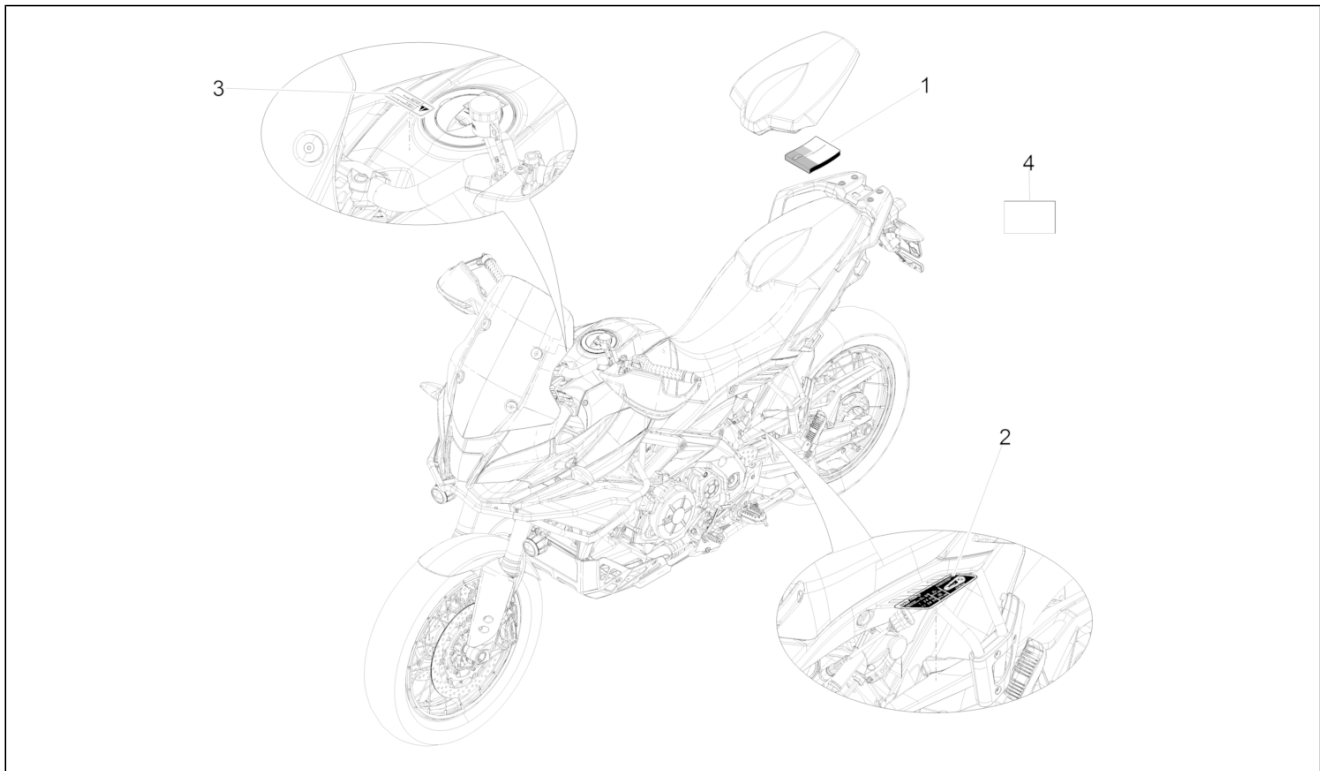
| Pos. | Code      | Beschreibung                 | Menge | Varianten |
|------|-----------|------------------------------|-------|-----------|
| 1    | 2B002243  | Seitentasche                 | 2     |           |
| 2    | 2B003120  | ***LOCK CYLINDER WITH KEYS   | 1     |           |
| 3    | 2B001238  | Halter links                 | 1     |           |
| 4    | 2B001237  | Halter rechts                | 1     |           |
| 5    | 2B001460  | Haken Taschenhalter          | 2     |           |
| 6    | 2B002506  | ***TBEI Schraube             | 4     |           |
| 7    | AP8134378 | Fixierhülse Schalldämpfer    | 4     |           |
| 8    | 2B002490  | ***TCEI Schraube             | 4     |           |
| 9    | 003058    | Flachscheibe 15x8,4x1,5      | 2     |           |
| 10   | 2B002494  | ***TCEI Schraube             | 2     |           |
| 11   | 2B002394  | ***Puffer                    | 8     |           |
| 12   | 2B002098  | Trägertraverse Taschenhalter | 1     |           |
| 13   | 2B002505  | ***TBEI Schraube             | 1     |           |

|                     |           |
|---------------------|-----------|
| <b>Einheit</b>      | Aufbau    |
| <b>Code</b>         | 02.170    |
| <b>Beschreibung</b> | Schlösser |
| <b>Inspektion</b>   | 1         |



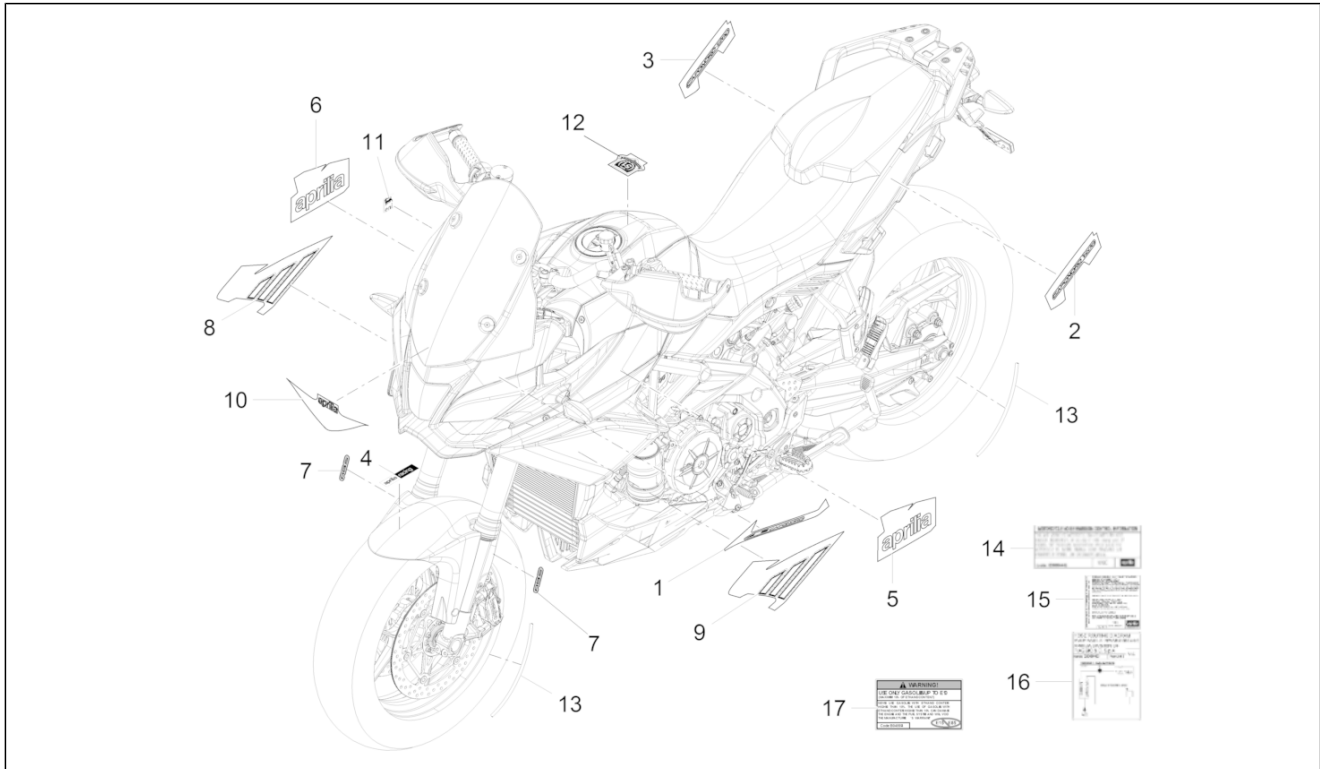
| Pos. | Code      | Beschreibung                  | Menge | Varianten |
|------|-----------|-------------------------------|-------|-----------|
| 1    | B045069   | Kit Schließvorrichtungen      | 1     |           |
| 2    | B045845   | Lenkschloß                    | 1     |           |
| 3    | 2D000012  | Tankfüllschraube              | 1     |           |
| 4    | 2D000013  | Sitzschloß                    | 1     |           |
| 5    | AP8140711 | "Aprilia" schlüssel mit tran. | 1     |           |
| 6    | AP8152238 | Reißschraube M8x28            | 2     |           |
| 7    | B043864   | TCEI Schraube M5x14           | 4     |           |
| 8    | AP8134948 | Platte                        | 1     |           |
| 9    | AP8102523 | Schloß mutter M22x1,5         | 1     |           |
| 10   | 2B000117  | Sitz-Einkupplungsvorrichtung  | 1     |           |
| 11   | AP8102913 | Fixierplatte Soziussitz       | 1     |           |
| 12   | B016797   | Schraube M6x25                | 2     |           |
| 13   | AP8152299 | Selbstsperrende Mutter M6     | 2     |           |
| 14   | AP8121420 | Gabelfeder                    | 1     |           |
| 15   | 2B000502  | Balg                          | 2     |           |

|                     |          |
|---------------------|----------|
| <b>Einheit</b>      | Aufbau   |
| <b>Code</b>         | 02.180   |
| <b>Beschreibung</b> | Schilden |
| <b>Inspektion</b>   | 1        |



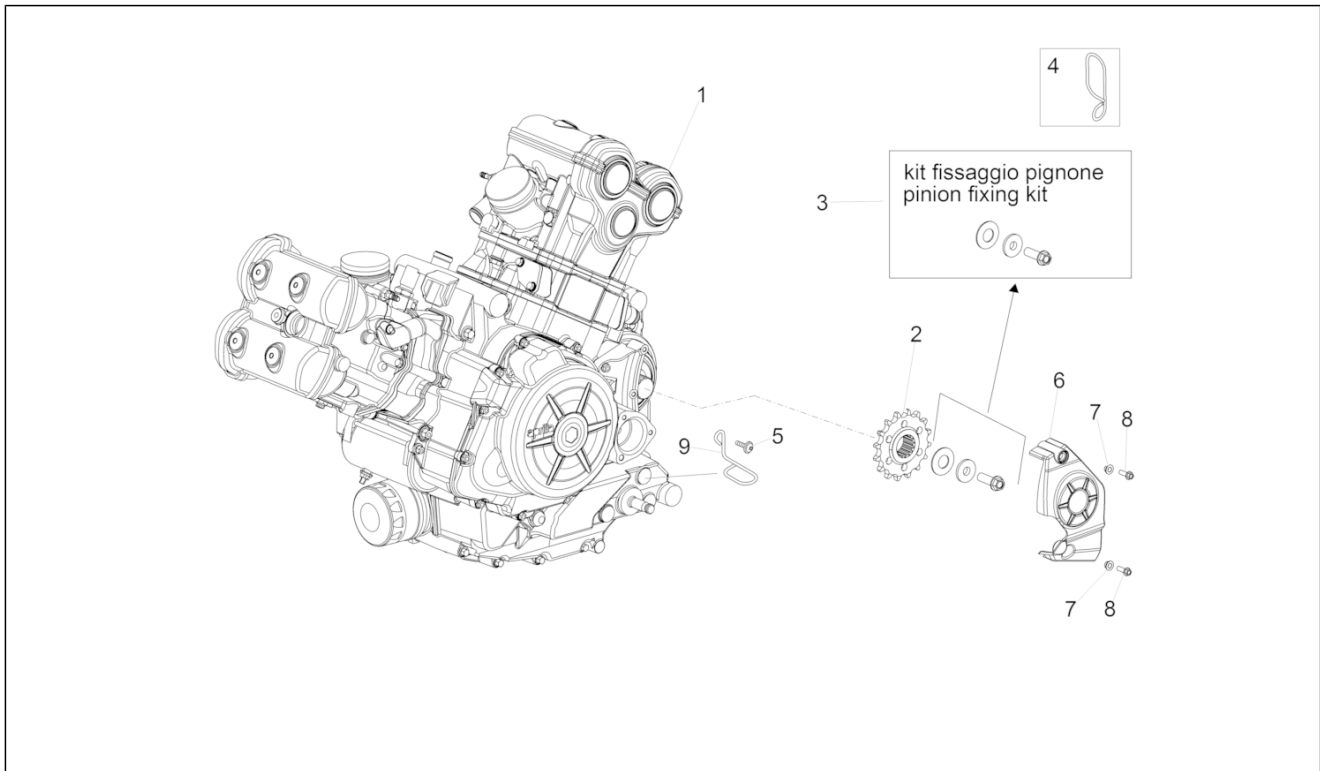
| Pos. | Code      | Beschreibung          | Menge | Varianten |
|------|-----------|-----------------------|-------|-----------|
| 1    | 2Q000095  | ***                   | 1     |           |
| 2    | 2B001923  | Aufkleber Reifendruck | 1     |           |
| 3    | AP8267147 | Deko Benzin           | 1     |           |
| 4    | 2B000255  | Werkzeugtasche        | 1     |           |

|                     |        |
|---------------------|--------|
| <b>Einheit</b>      | Aufbau |
| <b>Code</b>         | 02.190 |
| <b>Beschreibung</b> | Deko   |
| <b>Inspektion</b>   | 1      |



| Pos. | Code     | Beschreibung                             | Menge | Varianten                                 |
|------|----------|--|-------|---|
| 1    | 2H000667 | Aufkleber Windschutzsch. Caponord Italia | 1     |   |
| 2    | 2H000621 | Li. Verkl.deko "Caponord Rally"          | 1     | Farbe:ARMY GRÜN[Green]                    |
| 2    | 2H000699 | Li. Verkl.deko "Caponord Rally"          | 1     | Farbe:Gelb Dune[Yellow] Grau Safari[Gray] |
| 3    | 2H000698 | Re. Verkl.deko "Caponord Rally"          | 1     | Farbe:Gelb Dune[Yellow] Grau Safari[Gray] |
| 3    | 2H000620 | Re. Verkl.deko "Caponord Rally"          | 1     | Farbe:ARMY GRÜN[Green]                    |
| 4    | B045183  | Aufkleber Schutzblech v. Aprilia Racing  | 1     |   |
| 5    | 2H000619 | Aufkl. Seitenteil li. "APRILIA"          | 1     | Farbe:ARMY GRÜN[Green] Grau Safari[Gray]  |
| 5    | 2H001178 | Aufkl. Seitenteil li. Aprilia            | 1     | Farbe:Gelb Dune[Yellow]                   |
| 6    | 2H000618 | Aufkl. Seitenteil re. "APRILIA"          | 1     | Farbe:ARMY GRÜN[Green] Grau Safari[Gray]  |
| 6    | 2H001177 | Aufkl. Seitenteil re. Aprilia            | 1     | Farbe:Gelb Dune[Yellow]                   |
| 7    | 893102   | Aufkleber Schutzblech v. ABS             | 2     |   |
| 8    | 2H000636 | Aufkleber Seitenteil vorn.re             | 1     | Farbe:ARMY GRÜN[Green]                    |
| 8    | 2H000700 | Aufkl. Streifen Seitenteil rechts        | 1     | Farbe:Grau Safari[Gray] Gelb Dune[Yellow] |
| 9    | 2H000637 | Aufkleber Seitenteil vorn.li             | 1     | Farbe:ARMY GRÜN[Green]                    |
| 9    | 2H000701 | Aufkl. Streifen Seitenteil links         | 1     | Farbe:Grau Safari[Gray] Gelb Dune[Yellow] |
| 10   | 2L000005 | Aufkleber Windschutzsch.                 | 1     |   |
| 11   | 895839   | "Schild ""Eni"""                         | 2     |   |
| 12   | 2H000481 | Deko 52 WORLD CHAMPIONSHIPS              | 1     |   |
| 13   | 2L000030 | Vorderradgabel Deko "ADD" dx-sx          | 2     |   |
| 14   | 2G000102 | ***Aufkleber "Lautstaerke" MY16          | 1     |   |
| 15   | 2G000104 | Emission control sticker                 | 1     |   |
| 16   | 2G000105 | Carbon filter sticker                    | 1     |   |
| 17   | 2G000103 | Aufkleber Reifendruck                    | 1     |   |

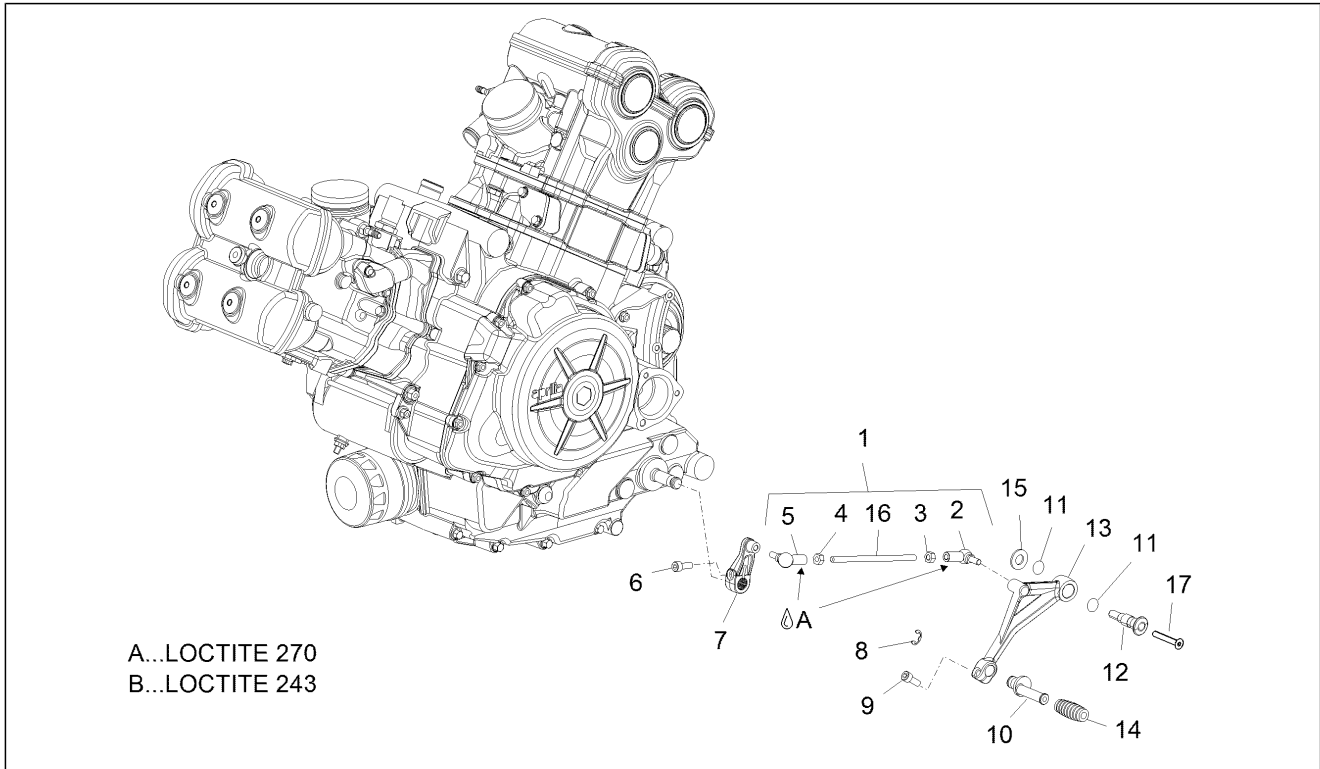
|                     |                      |
|---------------------|----------------------|
| <b>Einheit</b>      | Motor                |
| <b>Code</b>         | 03.010               |
| <b>Beschreibung</b> | Motor-Fertigstellung |
| <b>Inspektion</b>   | 1                    |



| Pos. | Code      | Beschreibung                      | Menge | Varianten |
|------|-----------|-----------------------------------|-------|-----------|
| 1    | CM1607085 | ***Motor 1200 CP MY 15 USA X RIC. | 1     |           |
| 2    | 2B000220  | Ritzel Z=17                       | 1     |           |
| 3    | 2R000246  | Befestigungskit Ritzel            | 1     |           |
| 4    | AP8121889 | Kabelführungs                     | 2     |           |
| 5    | AP8221114 | Kabelführungs                     | 1     |           |
| 6    | 856069    | Ritzelkasten                      | 1     |           |
| 7    | AP8121811 | T-Buchse                          | 2     |           |
| 8    | AP8152277 | TE Schr. m. Flansch M6x12         | 2     |           |
| 9    | AP8152055 | TBEI Schraube M8x12               | 1     |           |

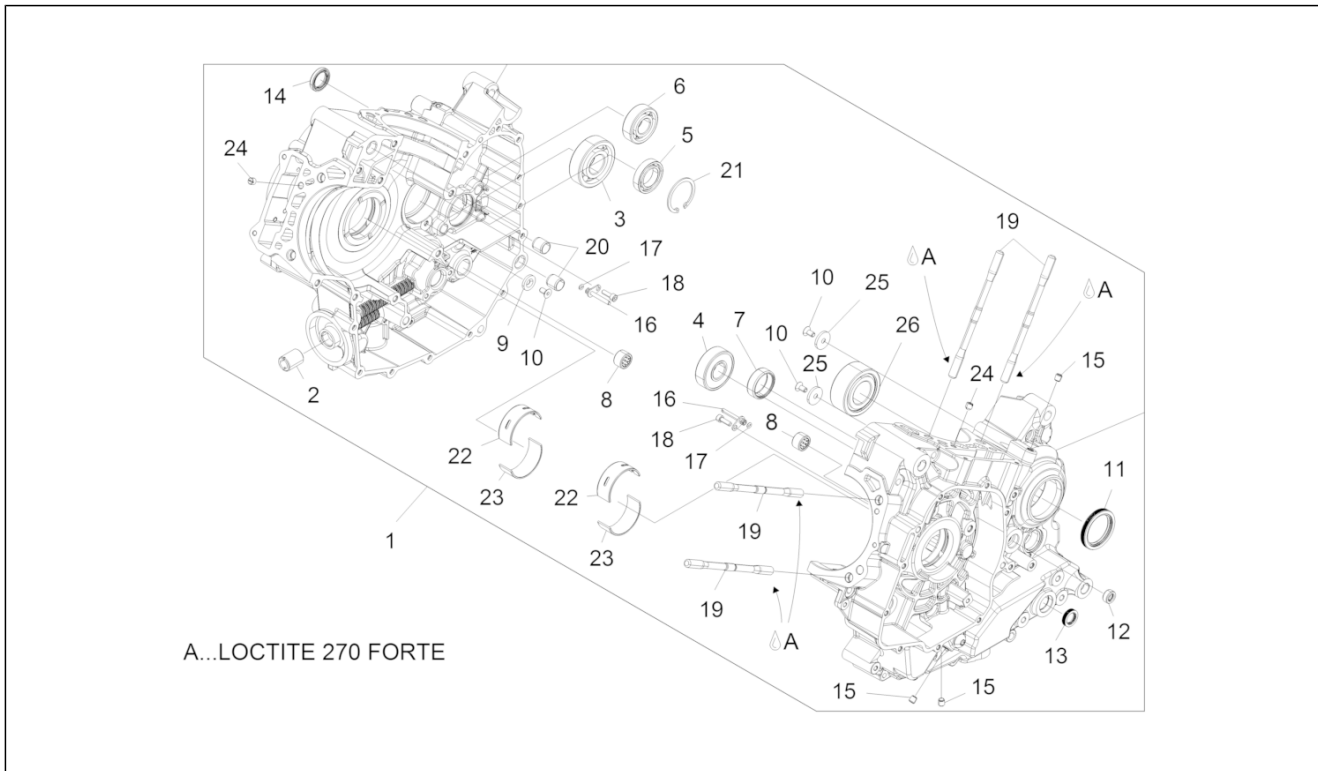


|                     |             |
|---------------------|-------------|
| <b>Einheit</b>      | Motor       |
| <b>Code</b>         | 03.020      |
| <b>Beschreibung</b> | Schalthebel |
| <b>Inspektion</b>   | 1           |



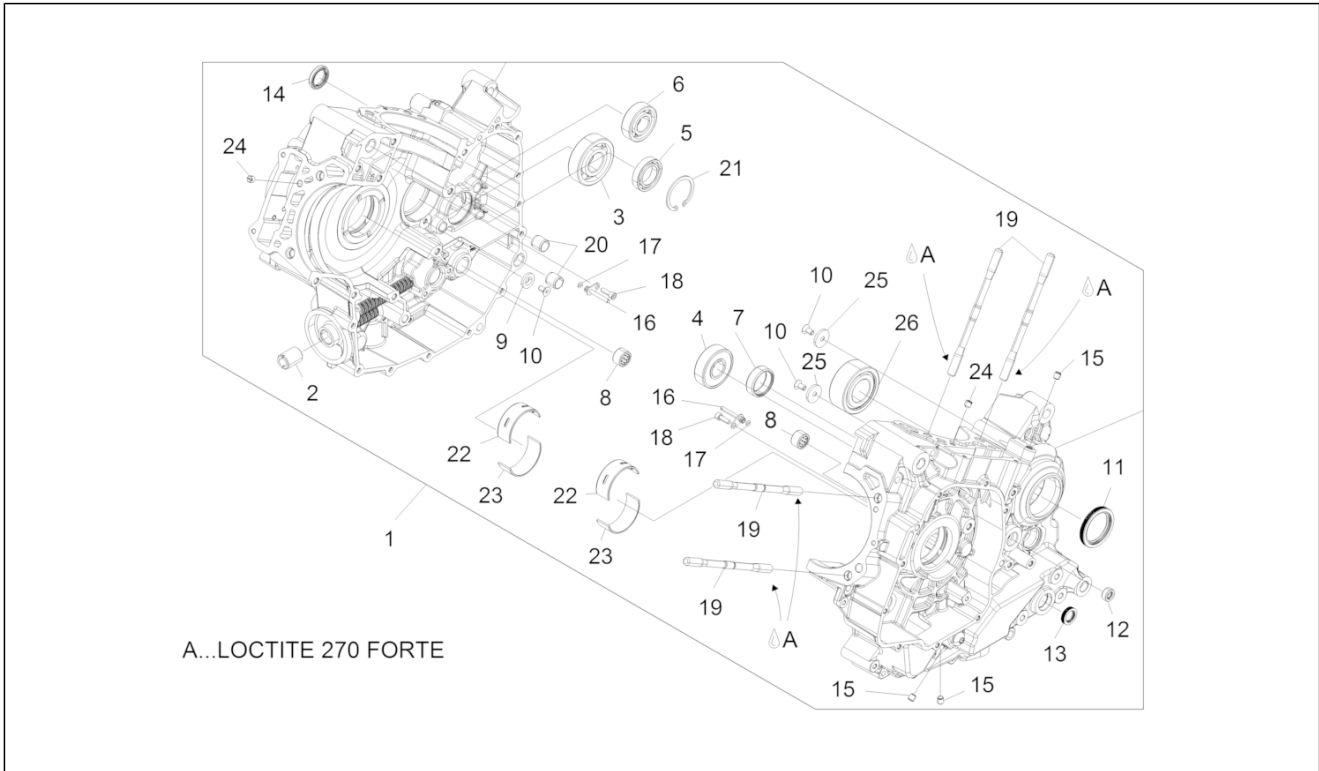
| Pos. | Code      | Beschreibung               | Menge | Varianten |
|------|-----------|----------------------------|-------|-----------|
| 1    | B046223   | Getriebschaltung           | 1     |           |
| 2    | AP8210007 | Kugelgelenk rechts M6      | 1     |           |
| 3    | AP8152138 | Mutter                     | 1     |           |
| 4    | AP8150026 | Mutter M6                  | 1     |           |
| 5    | AP8110053 | Kugelgelenk links M6       | 1     |           |
| 6    | AP8150137 | TCEI Schraube M6x16        | 1     |           |
| 7    | 852480    | Schalthebel                | 1     |           |
| 8    | AP8150462 | Seegerring d9              | 1     |           |
| 9    | AP8150137 | TCEI Schraube M6x16        | 2     |           |
| 10   | AP8121221 | Stift Bremshebel           | 1     |           |
| 11   | AP8144007 | O-Ring 11,11x1,78          | 2     |           |
| 12   | 2B000087  | Stift Hinterradbremsh. eb. | 1     |           |
| 13   | B044763   | Schalthebel kpl.           | 1     |           |
| 14   | AP8120912 | Gummi für Hebel            | 1     |           |
| 15   | 002383    | Unterlegscheibe M20x8.5x2  | 1     |           |
| 16   | B046222   | Zugstange Schaltzug        | 1     |           |
| 17   | AP8150468 | Schraube M6x40             | 1     |           |

|                     |           |
|---------------------|-----------|
| <b>Einheit</b>      | Motor     |
| <b>Code</b>         | 03.030    |
| <b>Beschreibung</b> | Gehäuse I |
| <b>Inspektion</b>   | 1         |



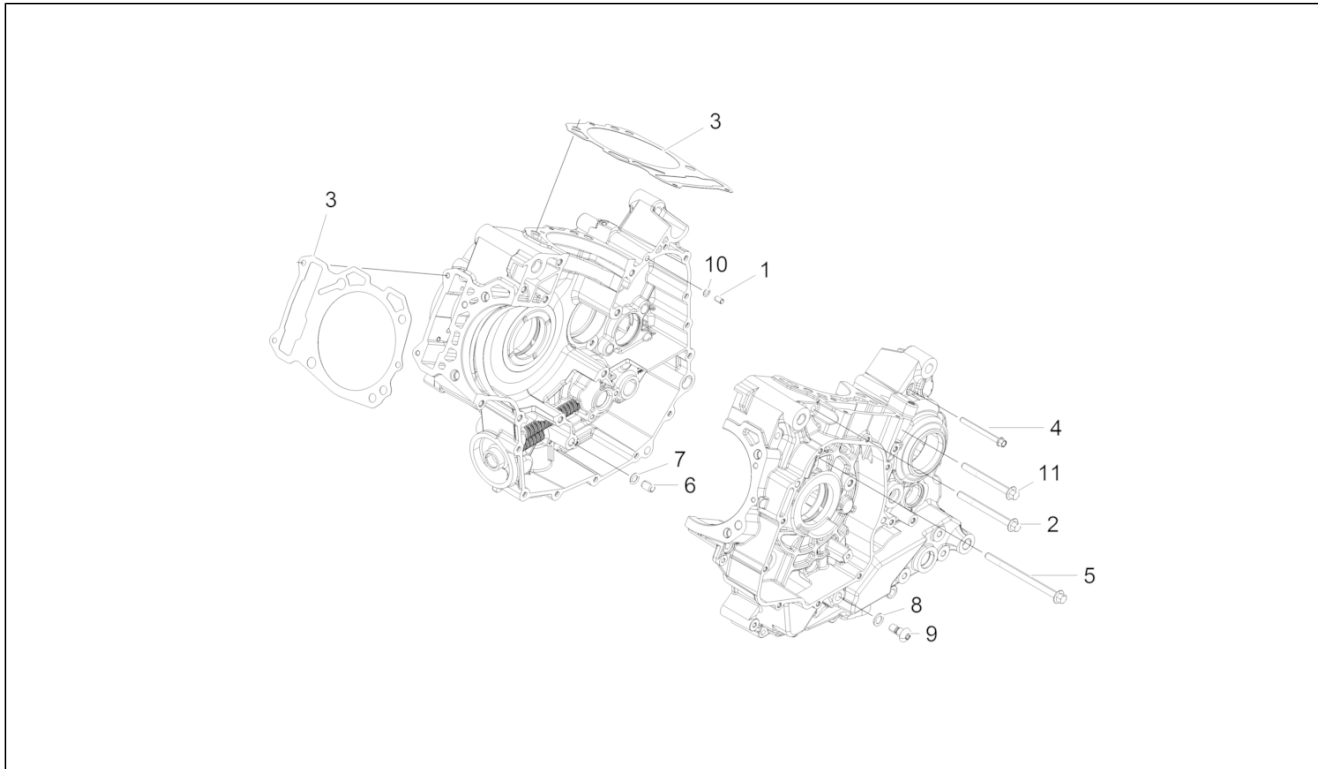
| Pos. | Code       | Beschreibung                     | Menge | Varianten |
|------|------------|----------------------------------|-------|-----------|
| 1    | 1A0005392A | Not available 2A                 | 0     |           |
| 1    | 1A0005391A | Not available 1A                 | 1     |           |
| 2    | 829122     | Ölfilteranschluss                | 1     |           |
| 3    | 875936     | Kugellager 25x62x17              | 1     |           |
| 4    | 875838     | Kugellager 20X52X15              | 1     |           |
| 5    | 872033     | Kugellager 25x42x9               | 1     |           |
| 6    | 848650     | Kugellager 20x47x14              | 1     |           |
| 7    | 974129     | Nadellager 30x37x12              | 1     |           |
| 8    | 122671     | Nadellager                       | 2     |           |
| 9    | 873905     | Unterlegscheibe                  | 1     |           |
| 10   | B013608    | Schraube                         | 3     |           |
| 11   | 848474     | Gasket ring                      | 1     |           |
| 12   | 825577     | Gasket ring 8x16x7               | 1     |           |
| 13   | 974112     | Dichtring 14x22x5                | 1     |           |
| 14   | 82897R     | Gasket ring 20x30x5              | 1     |           |
| 15   | 430136     | Verschlußschraube                | 3     |           |
| 16   | 878567     | Strahl                           | 2     |           |
| 17   | 487073     | Gasket ring                      | 2     |           |
| 18   | B013349    | Zylinderschraube                 | 2     |           |
| 19   | 1A000423   | Stiftschraube M10X1.25X166       | 8     |           |
| 20   | 974051     | Haltestein (D.15,8)              | 2     |           |
| 21   | 006642     | Seegerring                       | 1     |           |
| 22   | 8783940004 | Bronzebuchse, grün cat D         | 2     |           |
| 22   | 8783940003 | Bronzebuchse, gelb cat C         | 2     |           |
| 22   | 8783940002 | Bronzebuchse, blau cat B         | 2     |           |
| 22   | 8783940001 | Bronzebuchse, rot cat A          | 2     |           |
| 23   | 8793650003 | Halbsch. Bronzebchs. catC giallo | 2     |           |
| 23   | 8793650001 | Halbsch. Bronzebchs. catA rosso  | 2     |           |

|                     |           |
|---------------------|-----------|
| <b>Einheit</b>      | Motor     |
| <b>Code</b>         | 03.030    |
| <b>Beschreibung</b> | Gehäuse I |
| <b>Inspektion</b>   | 1         |



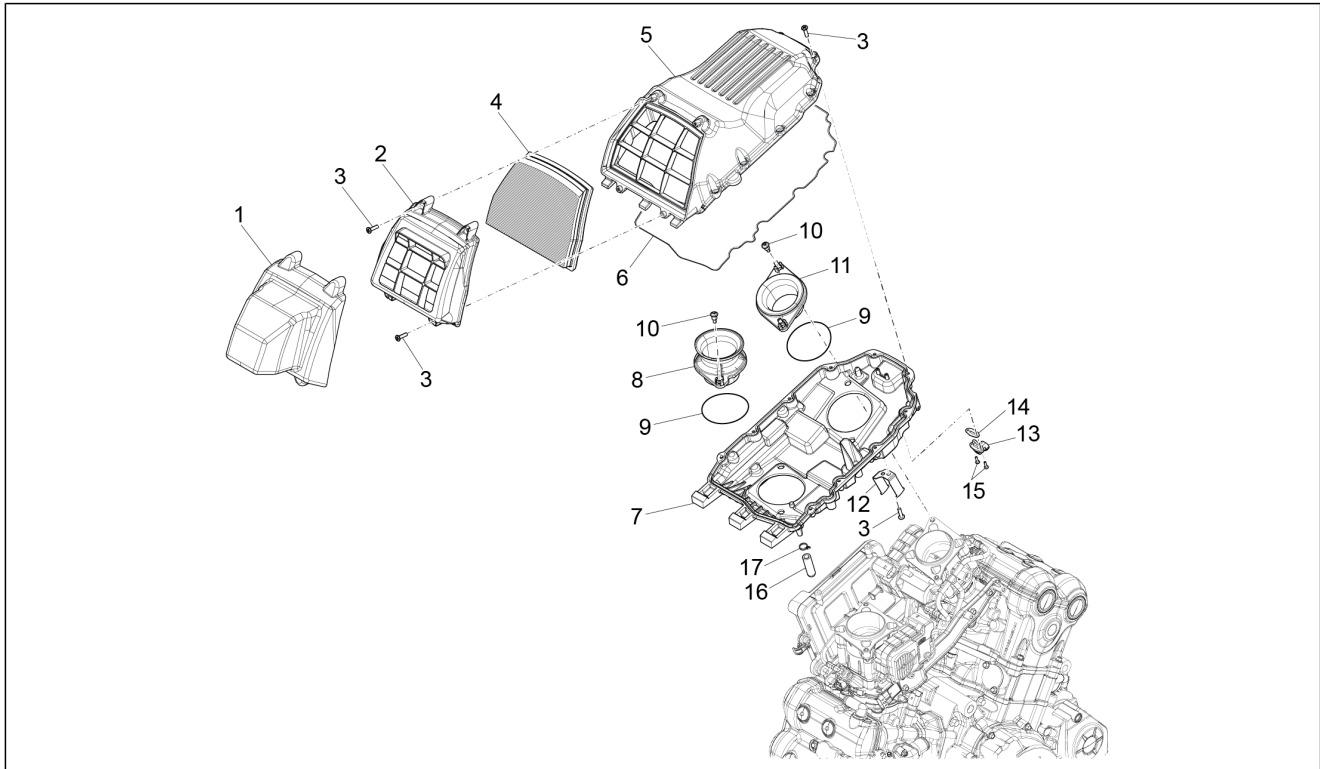
| Pos. | Code       | Beschreibung                    | Menge | Varianten |
|------|------------|---------------------------------|-------|-----------|
| 23   | 8793650004 | Halbsch. Bronzebchs. catE verde | 2     |           |
| 23   | 8793650002 | Halbsch. Bronzebchs. catB blu   | 2     |           |
| 24   | 876320     | Kalibriertstift 1.8             | 2     |           |
| 25   | 873928     | Unterlegscheibe                 | 2     |           |
| 26   | 875935     | Radialkugellager                | 1     |           |

|                     |           |
|---------------------|-----------|
| <b>Einheit</b>      | Motor     |
| <b>Code</b>         | 03.040    |
| <b>Beschreibung</b> | Gehäuse I |
| <b>Inspektion</b>   | 1         |



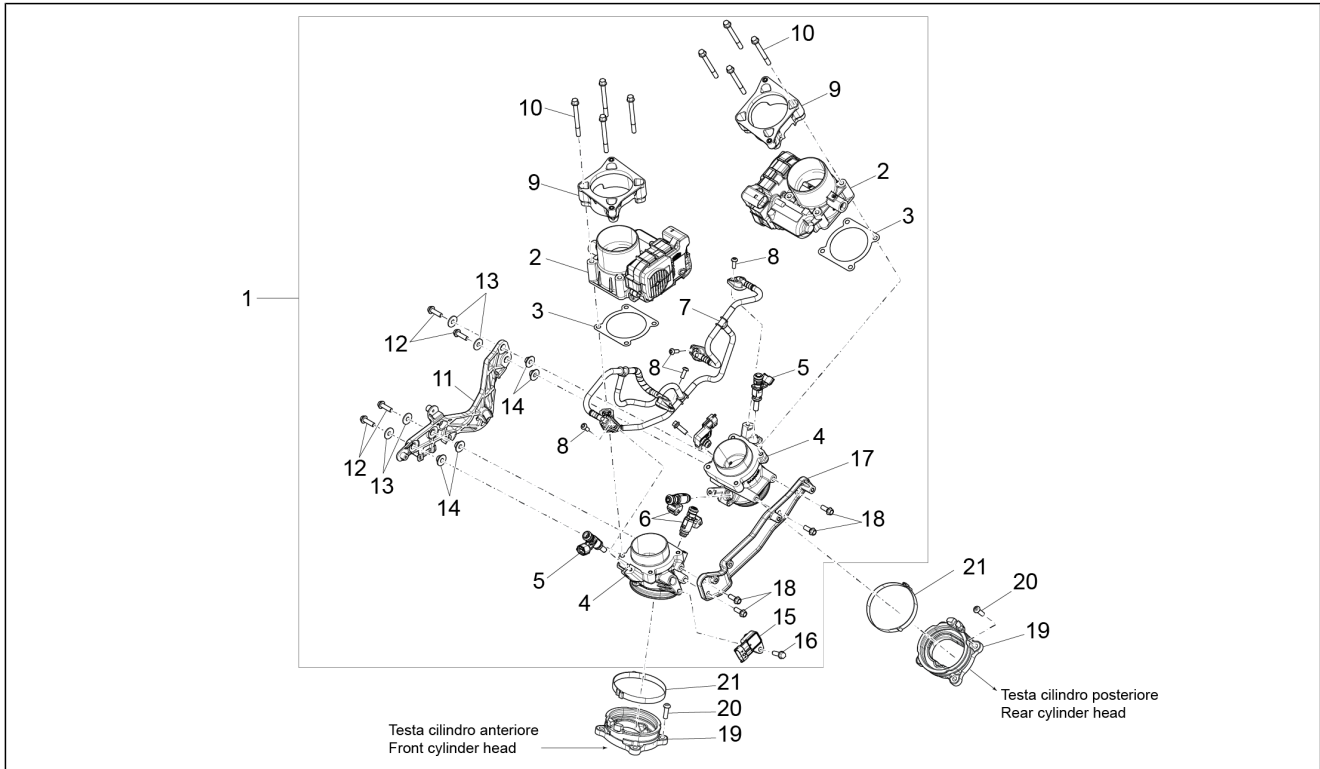
| Pos. | Code     | Beschreibung                      | Menge | Varianten |
|------|----------|-----------------------------------|-------|-----------|
| 1    | 874598   | Haltestein D6                     | 1     |           |
| 2    | 877814   | ***Schraube                       | 2     |           |
| 3    | CM159601 | ZYLINDERFUSSDICHTUNG dicke 0,4    | 1     |           |
| 3    | CM159603 | ZYLINDERFUSSDICHTUNG 0,6          | 1     |           |
| 3    | CM159602 | ZYLINDERFUSSDICHTUNG dicke 0,5    | 1     |           |
| 3    | CM159604 | Dichtung Gehäuse - Zylinder S 0.7 | 1     |           |
| 4    | 874548   | TE Schr. m. Flansch M6x65         | 11    |           |
| 5    | 872182   | Sechskantschraube M8x120          | 1     |           |
| 6    | 239388   | Passhülse 6,5x9,5x15              | 1     |           |
| 7    | 878434   | O-Ring                            | 1     |           |
| 8    | 969973   | Ausgleichscheibe                  | 1     |           |
| 9    | B013063  | Spezialschraube                   | 1     |           |
| 10   | 224035   | O-Ring                            | 1     |           |
| 11   | 874546   | Sechskantschraube M8x80           | 6     |           |

|                     |               |
|---------------------|---------------|
| <b>Einheit</b>      | Motor         |
| <b>Code</b>         | 03.050        |
| <b>Beschreibung</b> | Filtergehäuse |
| <b>Inspektion</b>   | 1             |



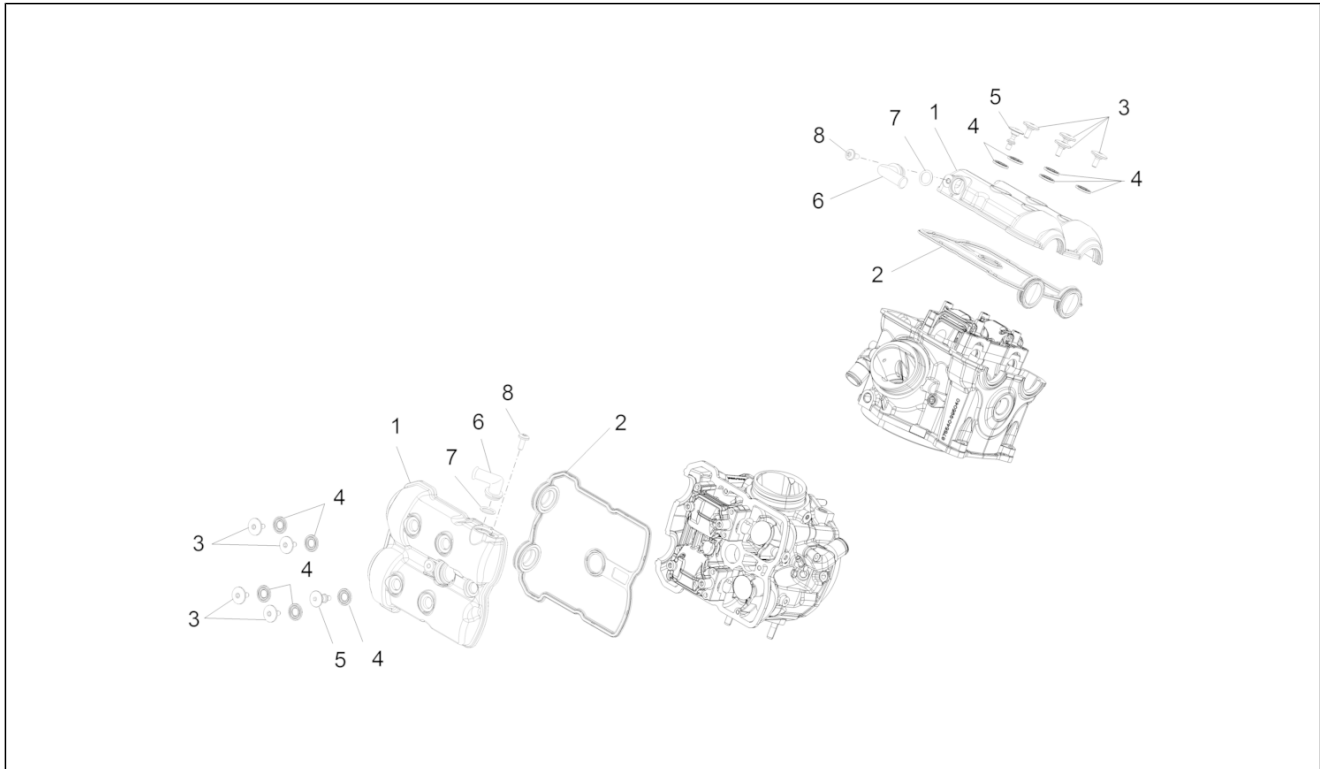
| Pos. | Code       | Beschreibung                 | Menge | Varianten |
|------|------------|------------------------------|-------|-----------|
| 1    | 2B000186   | Einlassschutz                | 1     |           |
| 2    | B045827    | Luftfilterdeck               | 1     |           |
| 3    | AP8152329  | Kreuz.schl.flnschschr. M5x20 | 15    |           |
| 4    | 896237     | Filtereinsatz                | 1     |           |
| 5    | 896236     | Deckel Filtergehäuse         | 1     |           |
| 6    | AP8120615  | Dichtung D3                  | 1     |           |
| 7    | B046153    | Boden Filtergehäuse          | 1     |           |
| 8    | B046197    | Saugrohr Einlass             | 1     |           |
| 9    | 880689     | O-Ring                       | 2     |           |
| 10   | 893132     | Schraube                     | 4     |           |
| 11   | 2A000045   | Saugrohr Einlass H.13        | 1     |           |
| 12   | 2B000125   | Halterbügel Tank SX          | 1     |           |
| 13   | GU30729330 | Lufttemperaturfühler         | 1     |           |
| 14   | GU30027931 | Dichtung                     | 1     |           |
| 15   | AP8150421  | Gew.schr. 2,9x12             | 2     |           |
| 16   | AP8161054  | Kappe                        | 1     |           |
| 17   | AP8102520  | Schlauchselle                | 1     |           |

|                     |               |
|---------------------|---------------|
| <b>Einheit</b>      | Motor         |
| <b>Code</b>         | 03.060        |
| <b>Beschreibung</b> | Klappenkörper |
| <b>Inspektion</b>   | 1             |



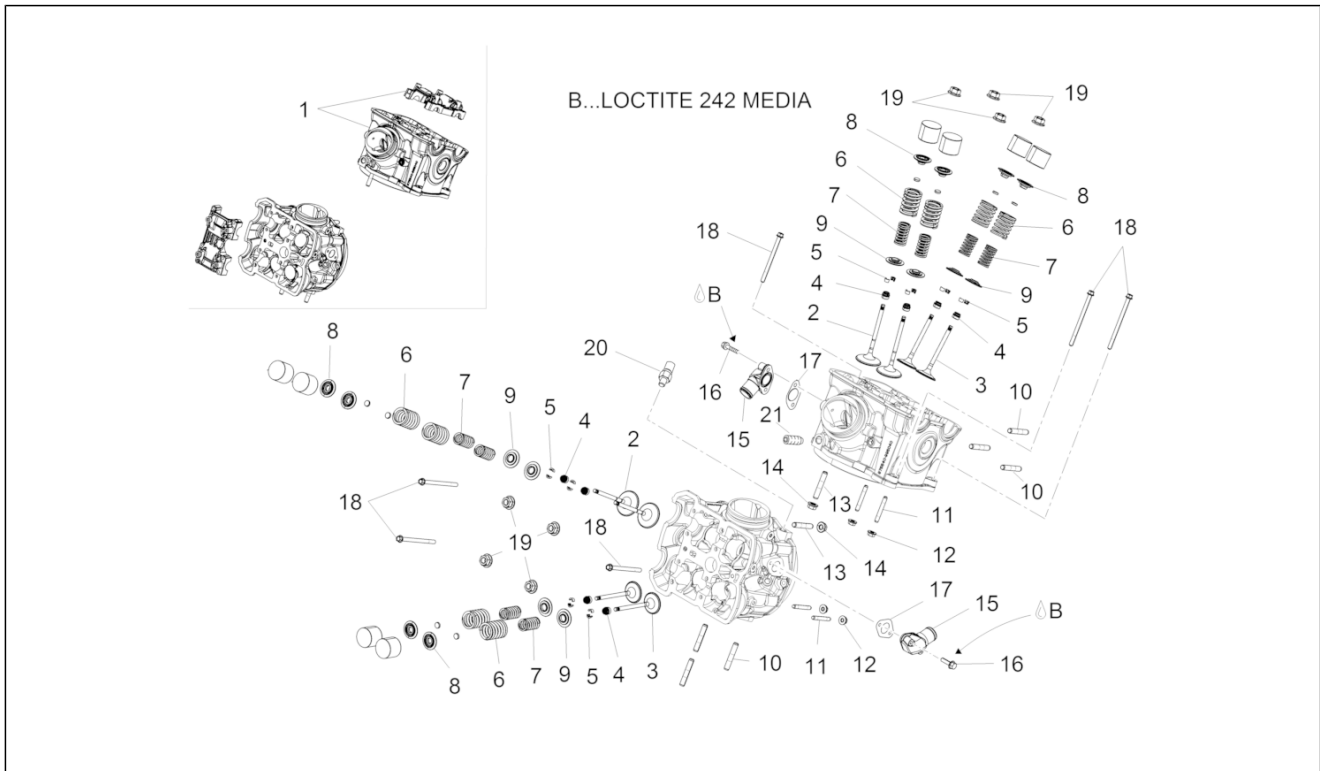
| Pos. | Code      | Beschreibung                 | Menge | Varianten |
|------|-----------|------------------------------|-------|-----------|
| 1    | 2B000633  | Klappenkörper kpl.           | 1     |           |
| 2    | 872230    | Klappenkörper                | 2     |           |
| 3    | 872264    | Dichtung                     | 2     |           |
| 4    | 2A000021  | Anschluß                     | 2     |           |
| 5    | 2A000042  | Kompl.Satz.f.Spritzdüsel     | 2     |           |
| 6    | CM074706  | Kompl.Satz.f.Spritzdüsel     | 2     |           |
| 7    | 2B000457  | Rohr                         | 1     |           |
| 8    | B016455   | TBEI Schraube M5x14          | 4     |           |
| 9    | B046196   | Filtergehäusehalter          | 2     |           |
| 10   | 828909    | TE Schr. m. Flansch M6x65    | 8     |           |
| 11   | 2B000136  | Haltebügel                   | 1     |           |
| 12   | AP8152279 | TE Schr. m. Flansch M6x20    | 4     |           |
| 13   | AP8150015 | Ausgleichscheibe 6,6x18x1,6* | 4     |           |
| 14   | AP8121728 | T-Buchse                     | 4     |           |
| 15   | 642302    | Druckfühler                  | 2     |           |
| 16   | 018639    | Sechskantschraube M6x20      | 2     |           |
| 17   | 876631    | Haltebügel                   | 1     |           |
| 18   | 874555    | TE Schr. m. Flansch M6x16    | 4     |           |
| 19   | B013438   | Halteung Einlassanschlüsse   | 2     |           |
| 20   | 834038    | Sk-Schraube                  | 2     |           |
| 21   | B013505   | Schlauchschele R96           | 2     |           |

|                     |            |
|---------------------|------------|
| <b>Einheit</b>      | Motor      |
| <b>Code</b>         | 03.090     |
| <b>Beschreibung</b> | Kopfdeckel |
| <b>Inspektion</b>   | 1          |



| Pos. | Code     | Beschreibung         | Menge | Varianten |
|------|----------|----------------------|-------|-----------|
| 1    | 879883   | Kopfdeckel           | 2     |           |
| 2    | 879532   | Kopf Deckel Dichtung | 2     |           |
| 3    | 842291   | Spezialschraube      | 8     |           |
| 4    | 830249   | Stopfen dämpfer      | 5     |           |
| 5    | 880734   | Spezialschraube      | 2     |           |
| 6    | 879855   | Anschluß für Ölablaß | 2     |           |
| 7    | 879948   | O-Ring               | 2     |           |
| 8    | CM179301 | Schraube M6x16       | 2     |           |

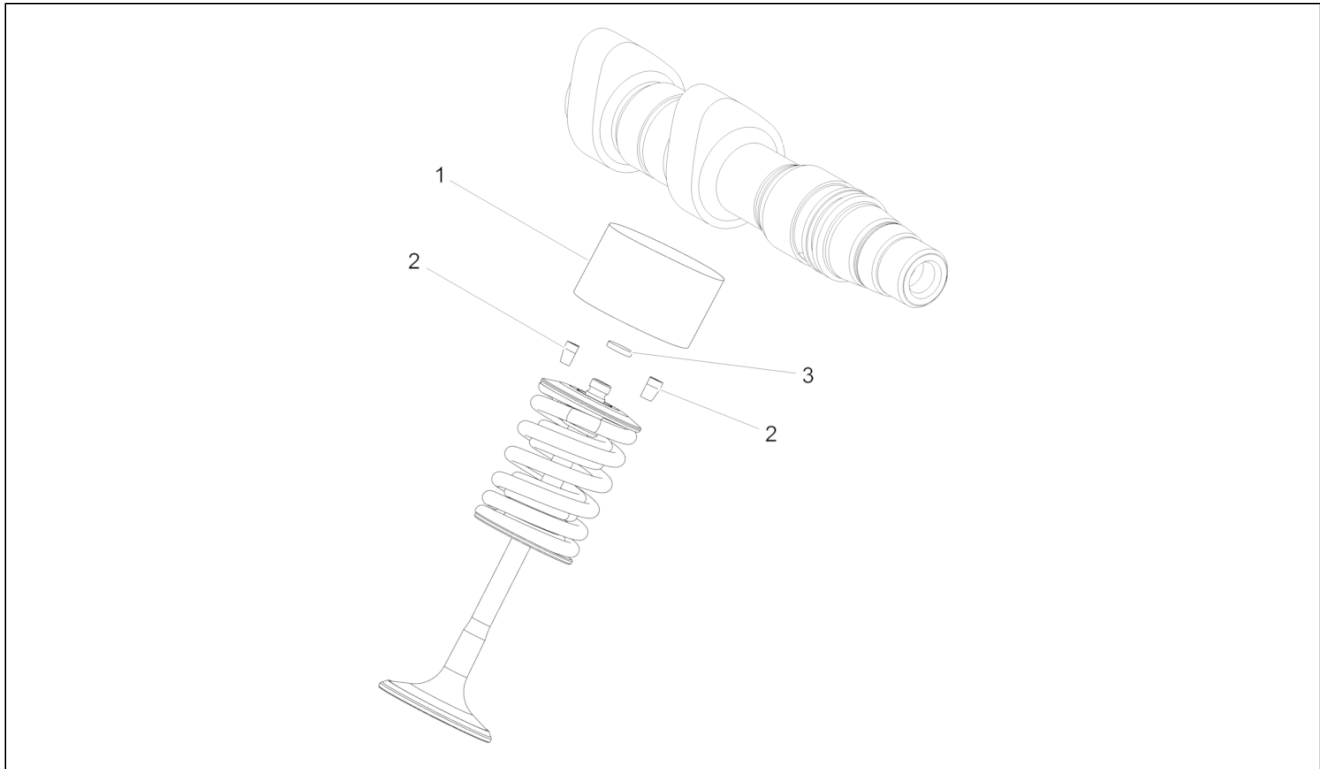
|                     |                        |
|---------------------|------------------------|
| <b>Einheit</b>      | Motor                  |
| <b>Code</b>         | 03.100                 |
| <b>Beschreibung</b> | Zylinderkopf - ventile |
| <b>Inspektion</b>   | 1                      |



| Pos. | Code     | Beschreibung               | Menge | Varianten |
|------|----------|----------------------------|-------|-----------|
| 1    | B0149334 | Zylinderkopf               | 2     |           |
| 2    | 1A003275 | Ein. ventil                | 1     |           |
| 2    | 879858   | Einlaßventil               | 4     |           |
| 3    | 879127   | Auslassventil              | 4     |           |
| 3    | 1A003276 | Auslassventil              | 1     |           |
| 4    | 871642   | Ventil Dichtring           | 8     |           |
| 5    | 871640   | Halbkegel                  | 16    |           |
| 6    | 878808   | Ventilfeder außen          | 8     |           |
| 7    | 878809   | Ventilfeder innen          | 8     |           |
| 8    | 878806   | Federteller oben           | 8     |           |
| 9    | 878807   | Federteller unten          | 8     |           |
| 10   | 484706   | Stiftschraube              | 6     |           |
| 11   | 872807   | Stiftschraube              | 4     |           |
| 12   | 874558   | Geflanschte Mutter         | 4     |           |
| 13   | B017636  | Auspufftopf Stiftschraube  | 2     |           |
| 14   | 874557   | Geflanschte Mutter M8x1,25 | 2     |           |
| 15   | B013744  | Anschl. Wasseraus.         | 1     |           |
| 16   | 855799   | TE Schr. m. Flansch        | 2     |           |
| 17   | 878705   | Dichtung                   | 1     |           |
| 18   | 874746   | TE Schr. m. Flansch M6x90  | 6     |           |
| 19   | 825694   | Mutter M10x1,25            | 8     |           |
| 20   | 640485   | Temperaturfühler           | 1     |           |
| 21   | 411311   | Verschlusschraube M12x1,5  | 1     |           |

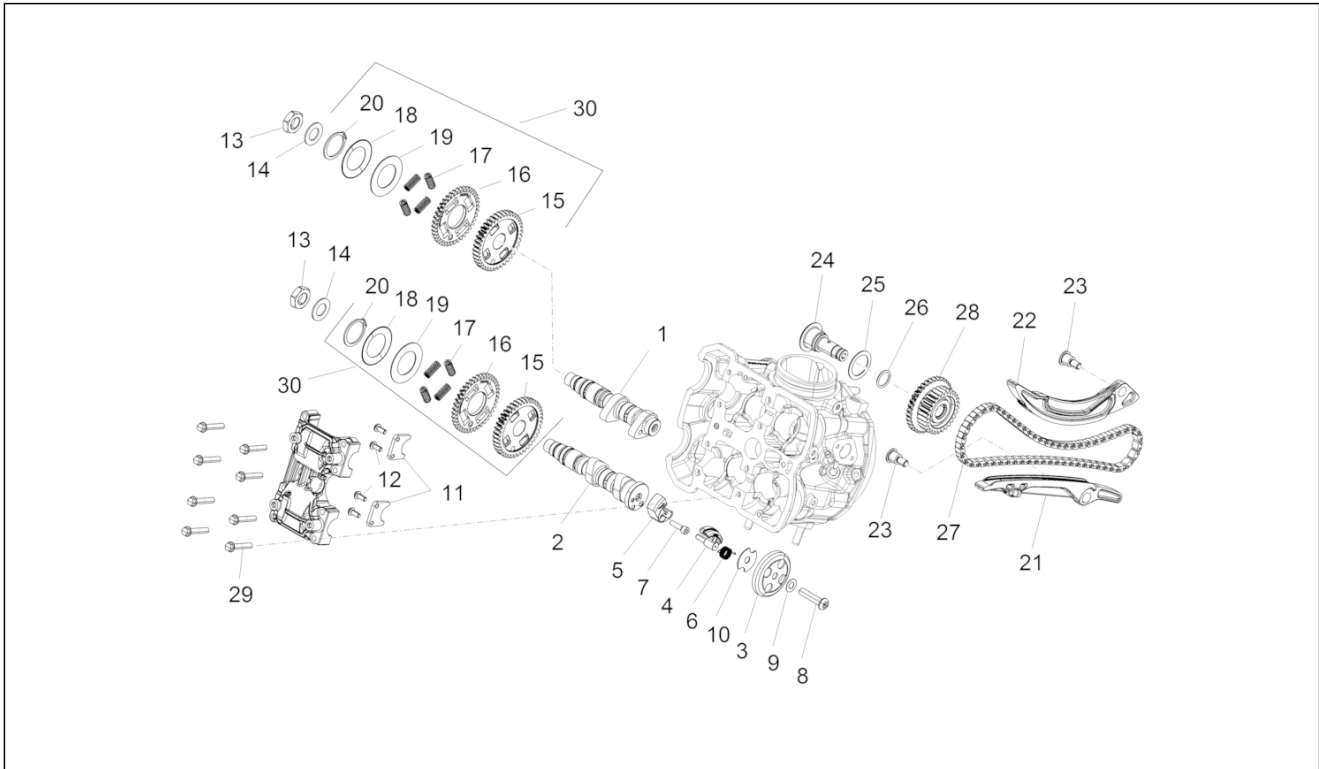


|                     |        |
|---------------------|--------|
| <b>Einheit</b>      | Motor  |
| <b>Code</b>         | 03.110 |
| <b>Beschreibung</b> | Belag  |
| <b>Inspektion</b>   | 1      |



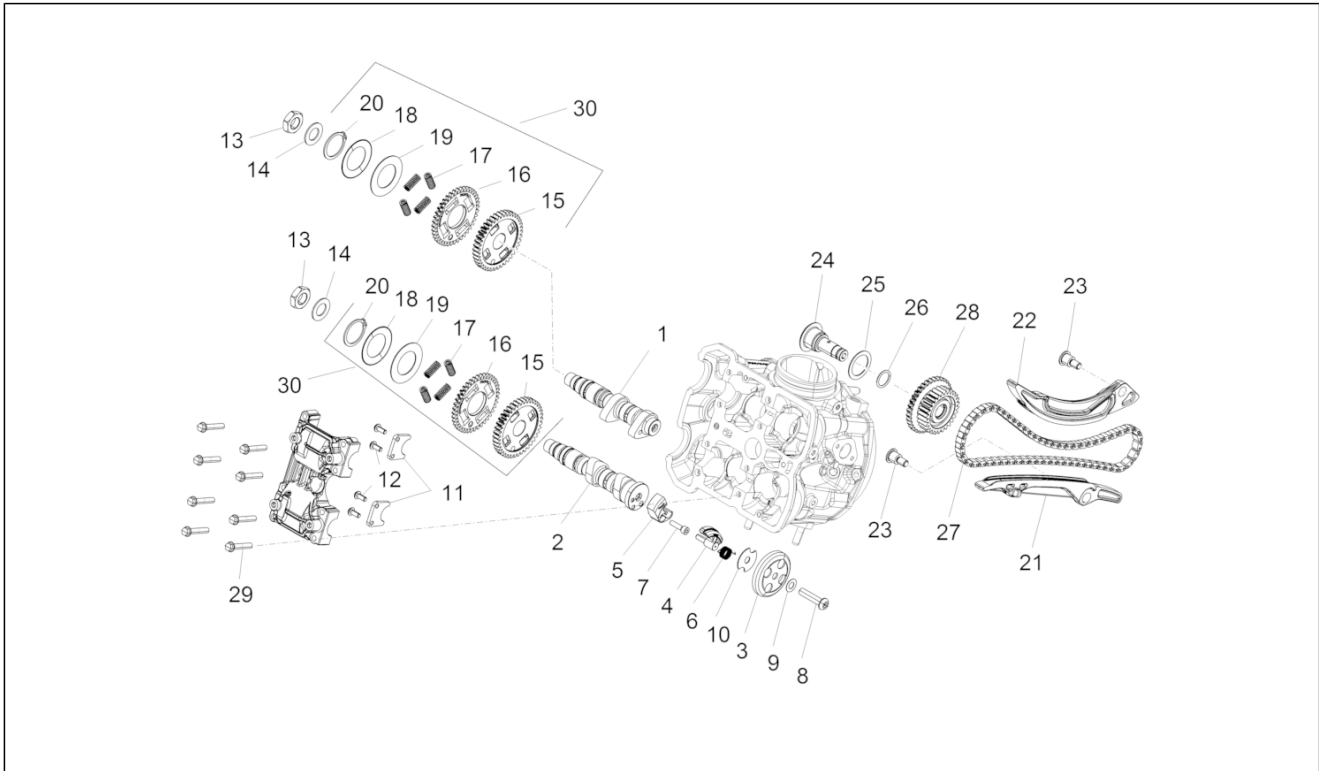
| Pos. | Code     | Beschreibung           | Menge | Varianten |
|------|----------|------------------------|-------|-----------|
| 1    | 873131   | Ventilbecher           | 4     |           |
| 2    | 871640   | Halbkegel              | 16    |           |
| 3    | CM157209 | Calibrated tablet 3.00 | 1     |           |
| 3    | CM157204 | Calibrated tablet 2.75 | 1     |           |
| 3    | CM157207 | Calibrated tablet 2.90 | 1     |           |
| 3    | CM157205 | Calibrated tablet 2.80 | 1     |           |
| 3    | CM157210 | Calibrated tablet 3.05 | 1     |           |
| 3    | CM157219 | Calibrated tablet 2.50 | 1     |           |
| 3    | CM157216 | Calibrated tablet 3.35 | 1     |           |
| 3    | CM157218 | Calibrated tablet 2.55 | 1     |           |
| 3    | CM157214 | Calibrated tablet 3.25 | 1     |           |
| 3    | CM157201 | Calibrated tablet 2.60 | 1     |           |
| 3    | CM157211 | Calibrated tablet 3.10 | 1     |           |
| 3    | CM157221 | Calibrated tablet 2.40 | 1     |           |
| 3    | CM157208 | Calibrated tablet 2.95 | 1     |           |
| 3    | CM157203 | Calibrated tablet 2.70 | 1     |           |
| 3    | CM157220 | Calibrated tablet 2.45 | 1     |           |
| 3    | CM157206 | Calibrated tablet 2.85 | 1     |           |
| 3    | CM157213 | Calibrated tablet 3.20 | 1     |           |
| 3    | CM157202 | Calibrated tablet 2.65 | 1     |           |
| 3    | CM157212 | Calibrated tablet 3.15 | 1     |           |
| 3    | CM157215 | Calibrated tablet 3.30 | 1     |           |
| 3    | CM157217 | Calibrated tablet 3.40 | 1     |           |

|                     |                     |
|---------------------|---------------------|
| <b>Einheit</b>      | Motor               |
| <b>Code</b>         | 03.130              |
| <b>Beschreibung</b> | Vrd. Zylindersteuer |
| <b>Inspektion</b>   | 1                   |



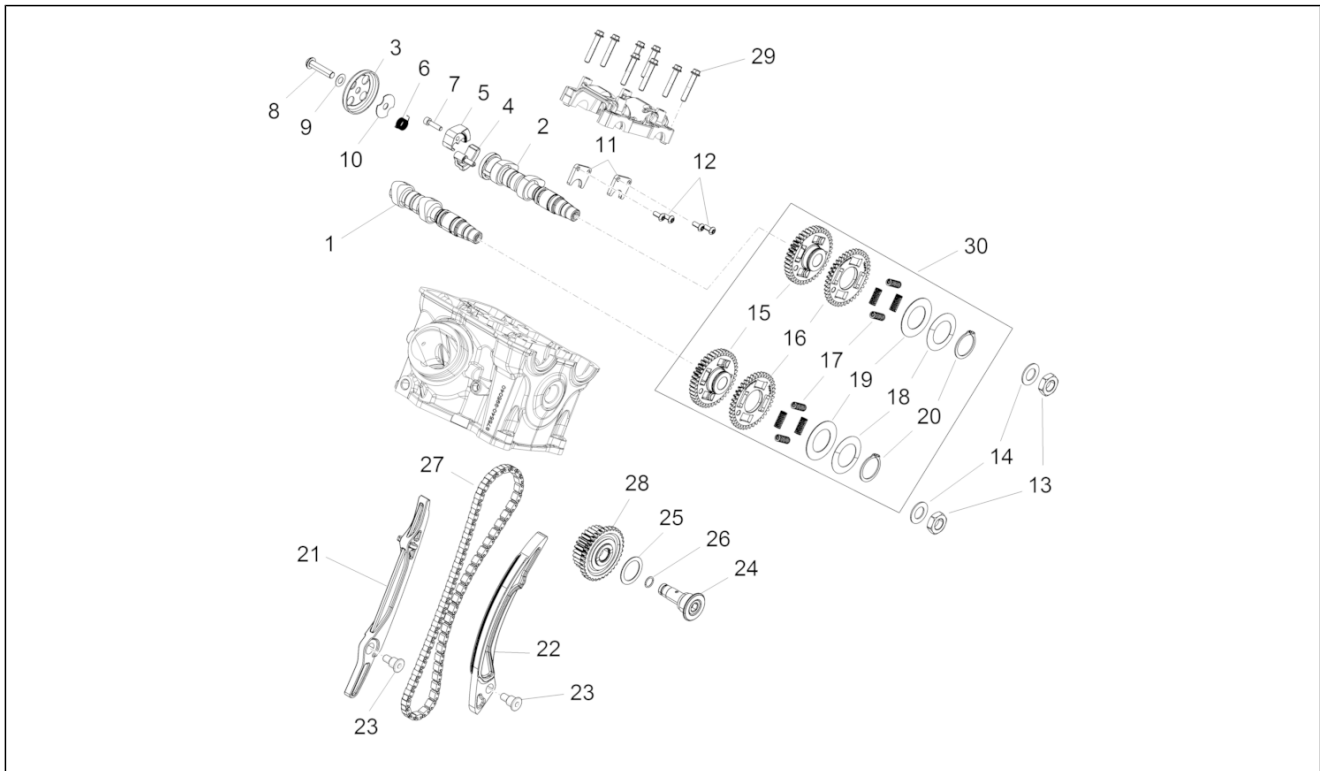
| Pos. | Code     | Beschreibung                           | Menge | Varianten |
|------|----------|--|-------|-----------|
| 1    | B0179045 | Nockenwelle Einl.                      | 1     |           |
| 2    | B0179075 | Nockenwelle Auslass                    | 1     |           |
| 3    | 876087   | Dekompressionskorb                     | 1     |           |
| 4    | 876113   | Dekompressionsmasse                    | 1     |           |
| 5    | B015555  | Gegengewicht Dekompressionsvorrichtung | 1     |           |
| 6    | 876171   | Dekompressionsfeder                    | 1     |           |
| 7    | 877885   | TCEI Schraube                          | 1     |           |
| 8    | 877884   | Linsenkopfschraube Torx                | 1     |           |
| 9    | 287073   | Abstreifscheibe                        | 1     |           |
| 10   | 879523   | Spezial-U-scheibe                      | 1     |           |
| 11   | 877829   | Axiales Befestigungselement            | 2     |           |
| 12   | B014598  | Torx Schraube M5x12                    | 4     |           |
| 13   | 874751   | Mutter M15x1 DX                        | 2     |           |
| 14   | 874744   | Zwischenlegscheibe                     | 2     |           |
| 15   | 875878   | Zahnräder Nockenwelle                  | 2     |           |
| 16   | B015604  | Zahnräder Verteiler Nockenwelle        | 2     |           |
| 17   | B018916  | Feder                                  | 8     |           |
| 18   | 849718   | Tellerfeder                            | 2     |           |
| 19   | 849720   | Ausgleichscheibe                       | 2     |           |
| 20   | 006429   | Sprengring                             | 2     |           |
| 21   | 871798   | Kettengleitführung                     | 2     |           |
| 22   | 880231   | Kettenspanner Stange                   | 2     |           |
| 23   | 878868   | Distanzschraube M8                     | 4     |           |
| 24   | 1A006352 | Spezialschraube                        | 2     |           |
| 25   | 849817   | Sicherungsblech                        | 2     |           |
| 26   | 873233   | Gasket ring                            | 2     |           |
| 27   | 875411   | Kette 114 Glieder                      | 2     |           |
| 28   | 8756994  | Zahnrad Steuer.                        | 2     |           |

|                     |                     |
|---------------------|---------------------|
| <b>Einheit</b>      | Motor               |
| <b>Code</b>         | 03.130              |
| <b>Beschreibung</b> | Vrd. Zylindersteuer |
| <b>Inspektion</b>   | 1                   |



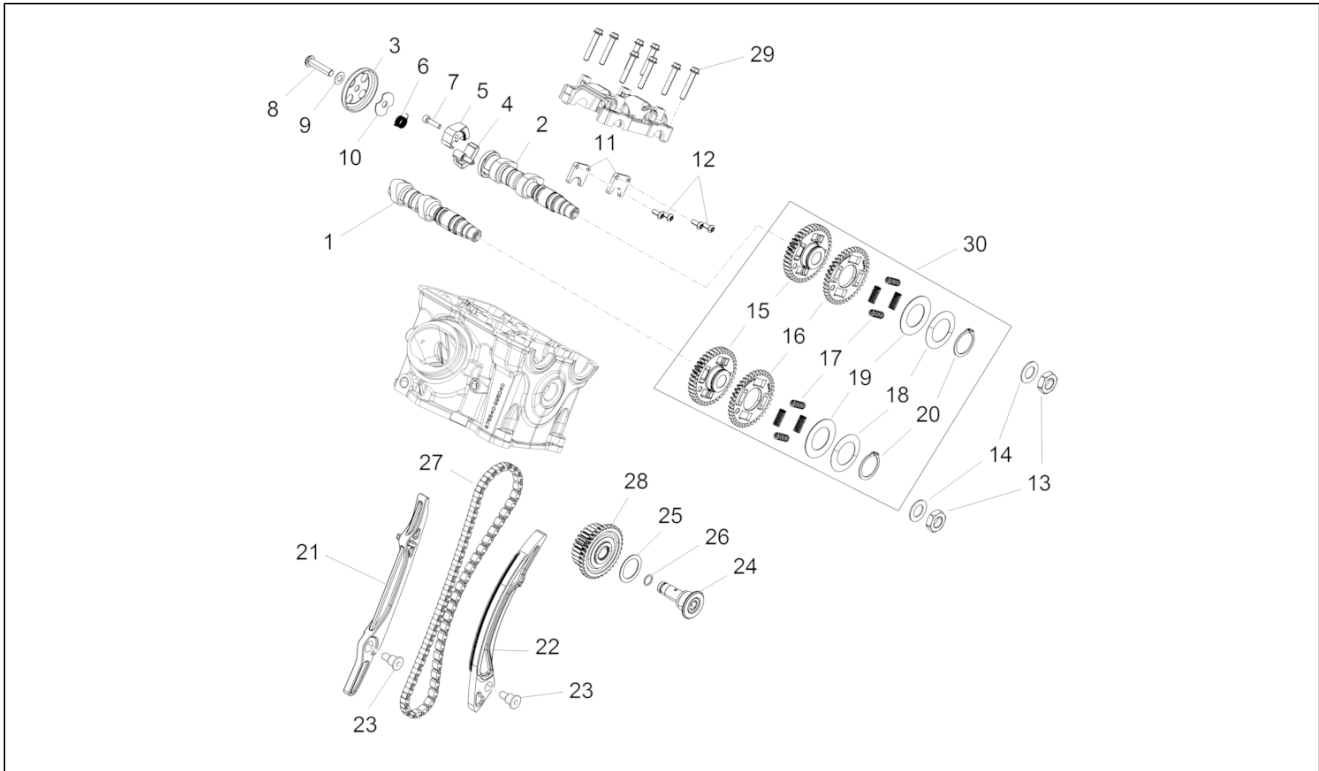
| Pos. | Code     | Beschreibung                       | Menge | Varianten |
|------|----------|------------------------------------|-------|-----------|
| 29   | 414838   | Schraube M6x35                     | 16    |           |
| 30   | 1A000758 | Zahnräder Nockenwelle vorne kompl. | 2     |           |

|                     |                      |
|---------------------|----------------------|
| <b>Einheit</b>      | Motor                |
| <b>Code</b>         | 03.140               |
| <b>Beschreibung</b> | Hint. Zylindersteuer |
| <b>Inspektion</b>   | 1                    |



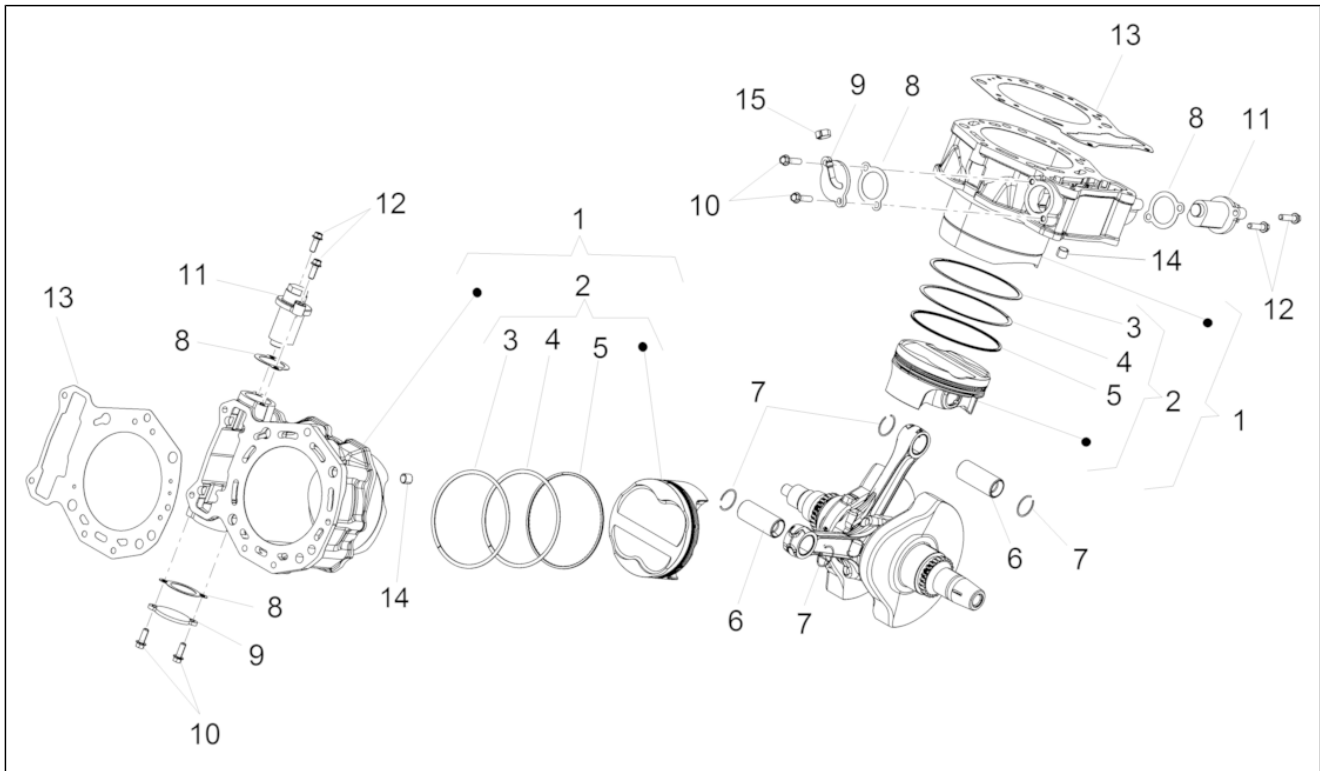
| Pos. | Code     | Beschreibung                           | Menge | Varianten |
|------|----------|--|-------|-----------|
| 1    | B017909  | Nockenwelle Einl.                      | 1     |           |
| 2    | B017912  | Nockenwelle Auslass                    | 1     |           |
| 3    | 876087   | Dekompressionskorb                     | 1     |           |
| 4    | 875373   | Dekompressionsmasse                    | 1     |           |
| 5    | B015556  | Gegengewicht Dekompressionsvorrichtung | 1     |           |
| 6    | 880064   | Dekompressionsfeder                    | 1     |           |
| 7    | 877885   | TCEI Schraube                          | 1     |           |
| 8    | 877884   | Linsenkopfschraube Torx                | 1     |           |
| 9    | 287073   | Abstreifscheibe                        | 1     |           |
| 10   | 879523   | Spezial-U-scheibe                      | 1     |           |
| 11   | 877829   | Axiales Befestigungselement            | 2     |           |
| 12   | B014598  | Torx Schraube M5x12                    | 4     |           |
| 13   | 874752   | Mutter M15x1 SX                        | 2     |           |
| 14   | 874744   | Zwischenlegscheibe                     | 2     |           |
| 15   | 875878   | Zahnräder Nockenwelle                  | 2     |           |
| 16   | B015604  | Zahnräder Verteiler Nockenwelle        | 2     |           |
| 17   | B018916  | Feder                                  | 8     |           |
| 18   | 849718   | Tellerfeder                            | 2     |           |
| 19   | 849720   | Ausgleichscheibe                       | 2     |           |
| 20   | 006429   | Sprengring                             | 2     |           |
| 21   | 871798   | Kettengleitführung                     | 2     |           |
| 22   | 880231   | Kettenspanner Stange                   | 2     |           |
| 23   | 878868   | Distanstückschraube M8                 | 4     |           |
| 24   | 1A006352 | Spezialschraube                        | 2     |           |
| 25   | 849817   | Sicherungsblech                        | 2     |           |
| 26   | 873233   | Gasket ring                            | 2     |           |
| 27   | 875411   | Kette 114 Glieder                      | 2     |           |
| 28   | 8756994  | Zahnrad Steuer.                        | 2     |           |

|                     |                      |
|---------------------|----------------------|
| <b>Einheit</b>      | Motor                |
| <b>Code</b>         | 03.140               |
| <b>Beschreibung</b> | Hint. Zylindersteuer |
| <b>Inspektion</b>   | 1                    |



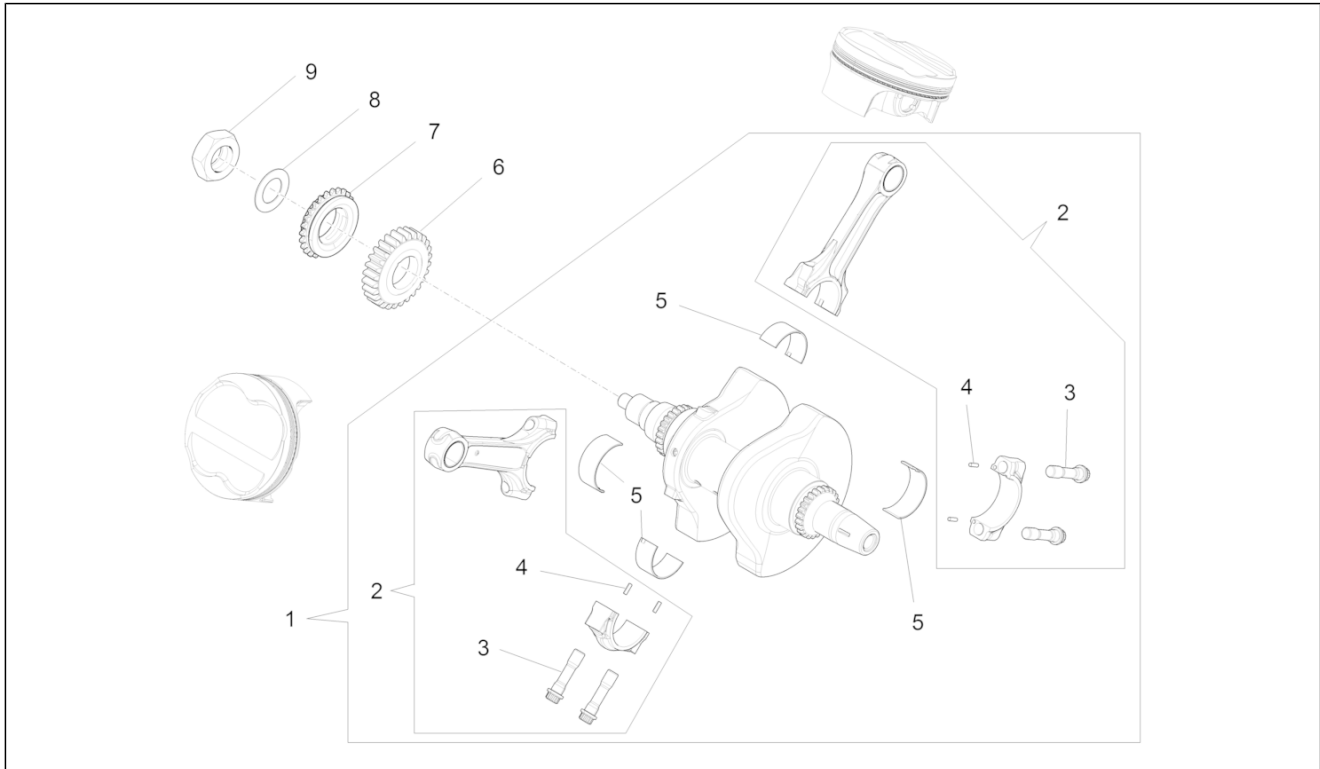
| Pos. | Code     | Beschreibung                | Menge | Varianten |
|------|----------|-----------------------------|-------|-----------|
| 29   | 414838   | Schraube M6x35              | 16    |           |
| 30   | 875880   | Zahnräder Nockenwelle post. | 2     |           |
| 30   | 1A000759 | Zahnräder Nockenwelle post. | 2     |           |

|                     |                   |
|---------------------|-------------------|
| <b>Einheit</b>      | Motor             |
| <b>Code</b>         | 03.150            |
| <b>Beschreibung</b> | Zylinder - Kolben |
| <b>Inspektion</b>   | 1                 |



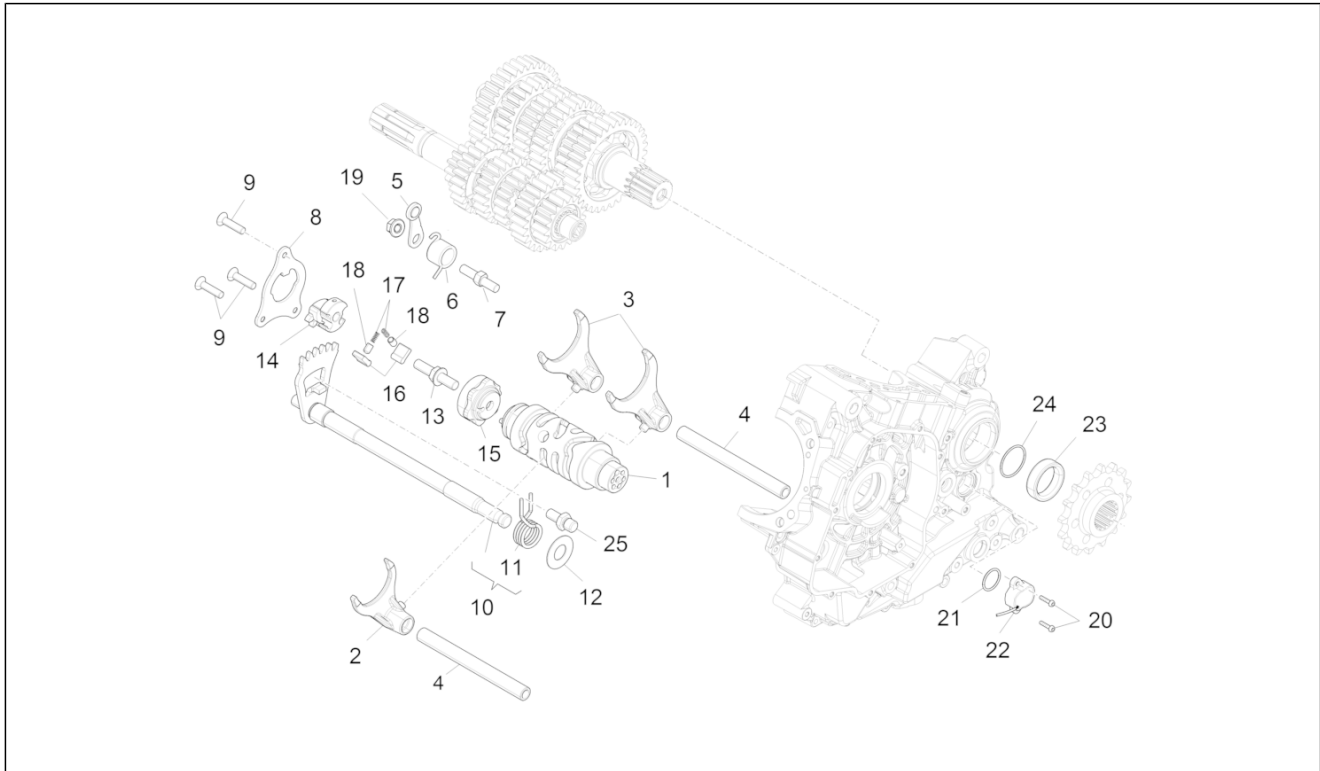
| Pos. | Code       | Beschreibung                    | Menge | Varianten |
|------|------------|---------------------------------|-------|-----------|
| 1    | 1A000220   | Zylinder kpl.                   | 1     |           |
| 2    | 1A0002210D | Kolben kpl.                     | 1     |           |
| 2    | 1A0002210C | Kolben kpl. "C"                 | 1     |           |
| 2    | 1A0002210A | Kolben kpl.                     | 1     |           |
| 2    | 1A0002210B | Kolben kpl.                     | 1     |           |
| 3    | B013265    | Ring                            | 2     |           |
| 4    | B013266    | Ölabstreifer                    | 2     |           |
| 5    | 1A004441   | Ölabstreifer                    | 2     |           |
| 6    | 876707     | Bolzen                          | 2     |           |
| 7    | 874567     | Sperring                        | 4     |           |
| 8    | 880079     | Dichtung                        | 2     |           |
| 9    | 2A000165   | Platte                          | 2     |           |
| 10   | 874554     | TE Schr. m. Flansch M6x14       | 4     |           |
| 11   | 880235     | Halter                          | 2     |           |
| 12   | 874549     | TE Schr. m. Flansch             | 4     |           |
| 13   | 875397     | Dichtung Kopf-Zylinder          | 2     |           |
| 14   | 825597     | Stift 11,8X10                   | 6     |           |
| 15   | AP8120446  | Schlauchschelle, grün D11x6,6x1 | 3     |           |

|                     |             |
|---------------------|-------------|
| <b>Einheit</b>      | Motor       |
| <b>Code</b>         | 03.160      |
| <b>Beschreibung</b> | Kurbelwelle |
| <b>Inspektion</b>   | 1           |



| Pos. | Code       | Beschreibung               | Menge | Varianten |
|------|------------|----------------------------|-------|-----------|
| 1    | B0191060A  | ***Kurbelwelle kpl.        | 1     |           |
| 2    | 8766665002 | Pleuelstange cat B         | 2     |           |
| 2    | 8766665001 | Pleuelstange cat A         | 2     |           |
| 3    | 849131     | Pleuelschraube             | 4     |           |
| 4    | 847906     | Rolle                      | 4     |           |
| 5    | 8781140003 | Bronzebuchse,blau "B"      | 4     |           |
| 5    | 8781140001 | Bronzebuchse, grün "E"     | 4     |           |
| 5    | 8781140002 | Bronzebuchse,rot "A"       | 4     |           |
| 5    | 8781140004 | Bronzebuchse,gelb "C"      | 4     |           |
| 6    | CM159101   | Zahnrad Hauptgetriebe Z=40 | 1     |           |
| 7    | B013373    | Wasserpumpenritzel         | 1     |           |
| 8    | 847915     | Flachscheibe               | 1     |           |
| 9    | 878296     | Mutter                     | 1     |           |

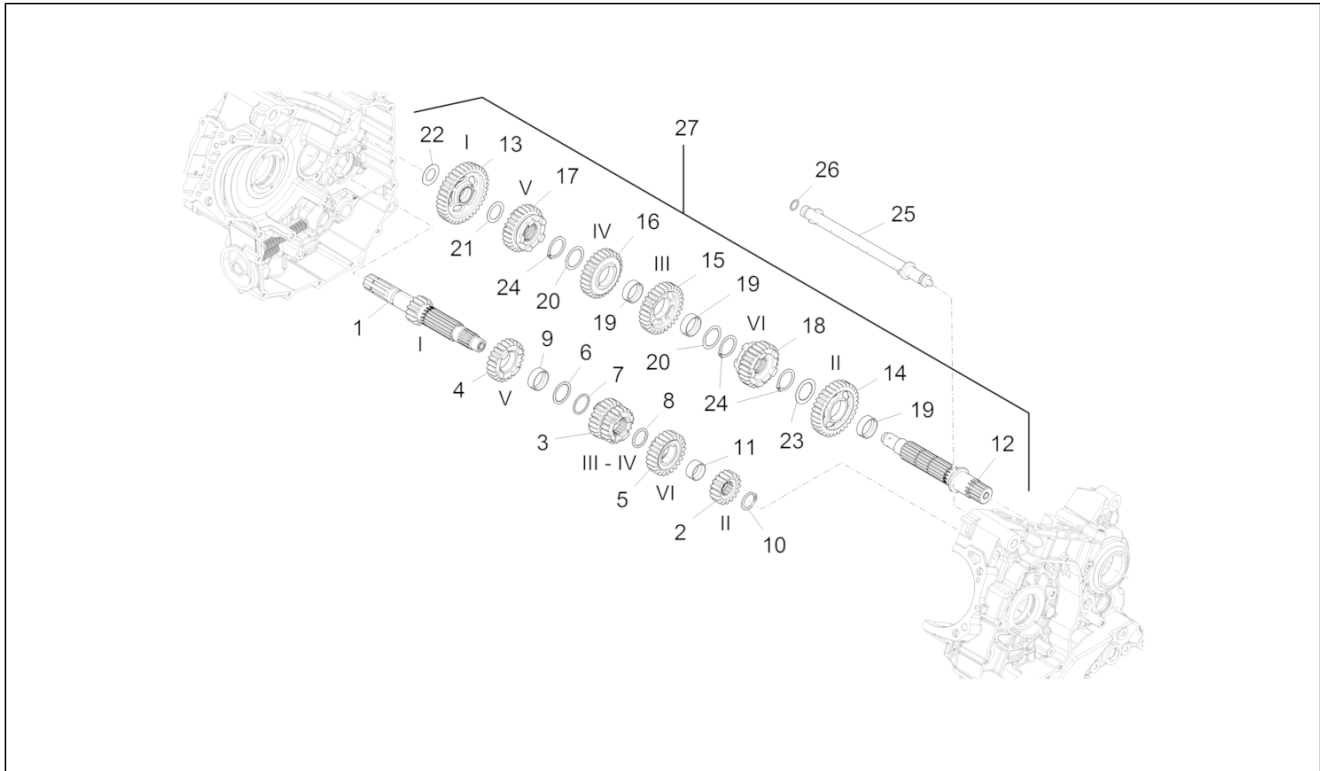
|                     |   |
|---------------------|---|
| <b>Einheit</b>      | Motor                                     |
| <b>Code</b>         | 03.170                                    |
| <b>Beschreibung</b> | Schaltgetriebe / Schaltgabel / Desmodrom. |
| <b>Inspektion</b>   | 1   |



| Pos. | Code      | Beschreibung                 | Menge | Varianten |
|------|-----------|------------------------------|-------|-----------|
| 1    | 875796    | Verschiebenocken kplt.       | 1     |           |
| 2    | 874599    | Schaltgabel                  | 1     |           |
| 3    | 879554    | Schaltgabel                  | 2     |           |
| 4    | 873772    | Schaltstange                 | 2     |           |
| 5    | 872154    | Indexhebel kplt.             | 1     |           |
| 6    | B013306   | Feder Hebel Gangfeststellung | 1     |           |
| 7    | B013928   | Aufnahmebolzen               | 1     |           |
| 8    | 871649    | Platte schaltgabel stopper   | 1     |           |
| 9    | 878867    | Schraube                     | 3     |           |
| 10   | B014437   | Schaltwelle                  | 1     |           |
| 11   | B014440   | Feder                        | 1     |           |
| 12   | 971718    | Flachscheibe 14x30x1         | 1     |           |
| 13   | 878870    | Aufnahmebolzen M8x1,25       | 1     |           |
| 14   | 872560    | Desmodrom.Platte             | 1     |           |
| 15   | B017809   | Schaltgabel Trommel          | 1     |           |
| 16   | AP9150069 | Hebel                        | 2     |           |
| 17   | AP9150064 | Feder                        | 2     |           |
| 18   | AP9150070 | Federstütze                  | 2     |           |
| 19   | 597565    | Mutter, selbstsichernd       | 1     |           |
| 20   | B016796   | Linsenkopfschraube Torx      | 2     |           |
| 21   | 877441    | Dichtung                     | 1     |           |
| 22   | 857265    | Gear position sensor         | 1     |           |
| 23   | 974558    | Distanzscheibe               | 1     |           |
| 24   | 871901    | Dichtung OR                  | 1     |           |
| 25   | 974130    | Schaltgabel stopper          | 1     |           |

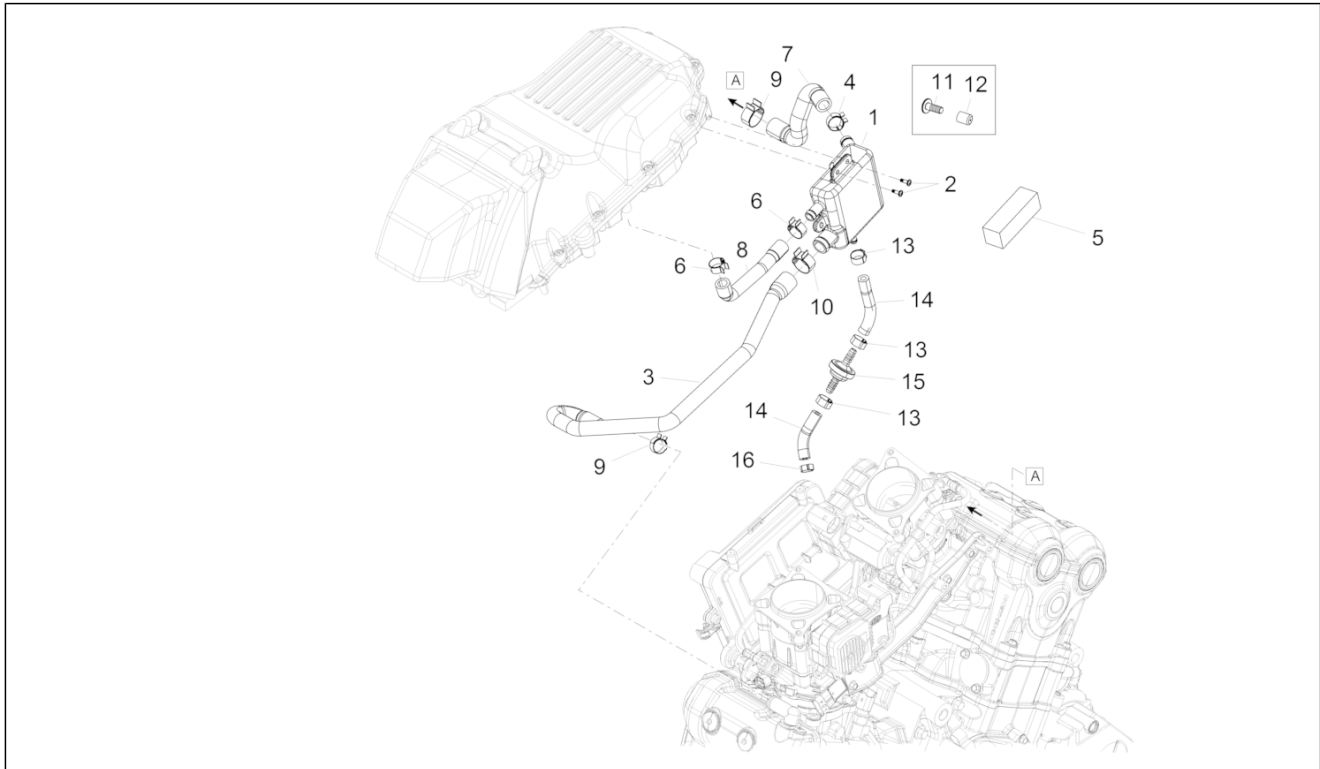


|                     |                            |
|---------------------|----------------------------|
| <b>Einheit</b>      | Motor                      |
| <b>Code</b>         | 03.180                     |
| <b>Beschreibung</b> | Schaltgetriebe - Zahnräder |
| <b>Inspektion</b>   | 1                          |



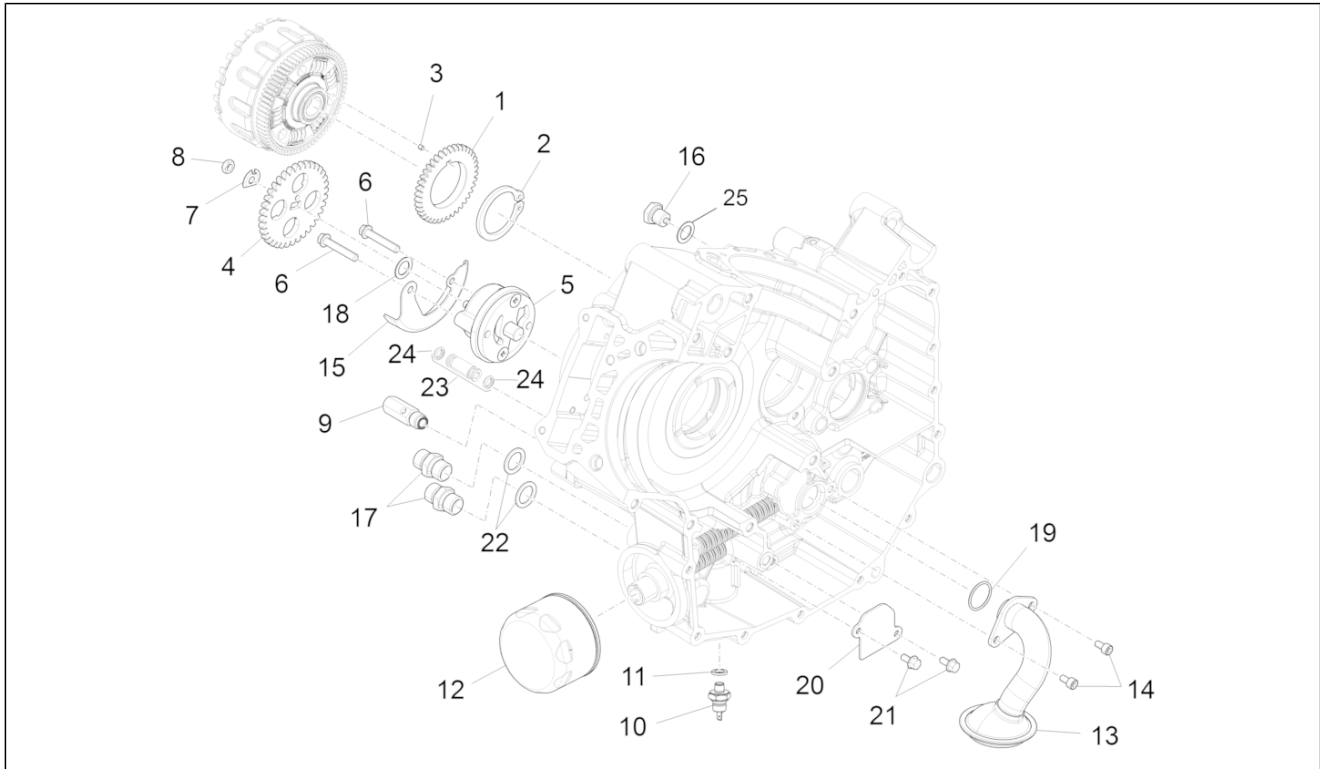
| Pos. | Code    | Beschreibung             | Menge | Varianten |
|------|---------|--------------------------|-------|-----------|
| 1    | 8013937 | Vorgelegewelle           | 1     |           |
| 2    | 876568  | Zahnrad 2.Hauptwelle     | 1     |           |
| 3    | 880194  | Zahnrad 3-4.Hauptwelle   | 1     |           |
| 4    | 880195  | Zahnrad 5.Hauptwelle     | 1     |           |
| 5    | 880196  | Zahnrad 6.Hauptwelle     | 1     |           |
| 6    | 849424  | Bundscheibe              | 1     |           |
| 7    | 849426  | Sprengring               | 1     |           |
| 8    | 974163  | Bundscheibe              | 1     |           |
| 9    | 849308  | Buchse Beweglich         | 1     |           |
| 10   | 974165  | Sprengring               | 1     |           |
| 11   | 974162  | Buchse Beweglich         | 1     |           |
| 12   | 876561  | Festrad                  | 1     |           |
| 13   | 876559  | Zahnrad 1.Vorgelegewelle | 1     |           |
| 14   | 876569  | Zahnrad 2.Vorgelegewelle | 1     |           |
| 15   | 880197  | Zahnrad 3.Vorgelegewelle | 1     |           |
| 16   | 880198  | Zahnrad 4.Vorgelegewelle | 1     |           |
| 17   | 880199  | Zahnrad 5.Vorgelegewelle | 1     |           |
| 18   | 880200  | Zahnrad 6.Vorgelegewelle | 1     |           |
| 19   | 849308  | Buchse Beweglich         | 3     |           |
| 20   | 849310  | Bundscheibe              | 2     |           |
| 21   | 974167  | Bundscheibe              | 1     |           |
| 22   | 974166  | Bundscheibe              | 1     |           |
| 23   | 849309  | Bundscheibe              | 1     |           |
| 24   | 849311  | Sprengring               | 3     |           |
| 25   | 876546  | Schmierung               | 1     |           |
| 26   | 224035  | O-Ring                   | 1     |           |
| 27   | 8013936 | Schaltgetriebe kpl.      | 1     |           |

|                     |                |
|---------------------|----------------|
| <b>Einheit</b>      | Motor          |
| <b>Code</b>         | 03.196         |
| <b>Beschreibung</b> | Anlage Blow-by |
| <b>Inspektion</b>   | 1              |



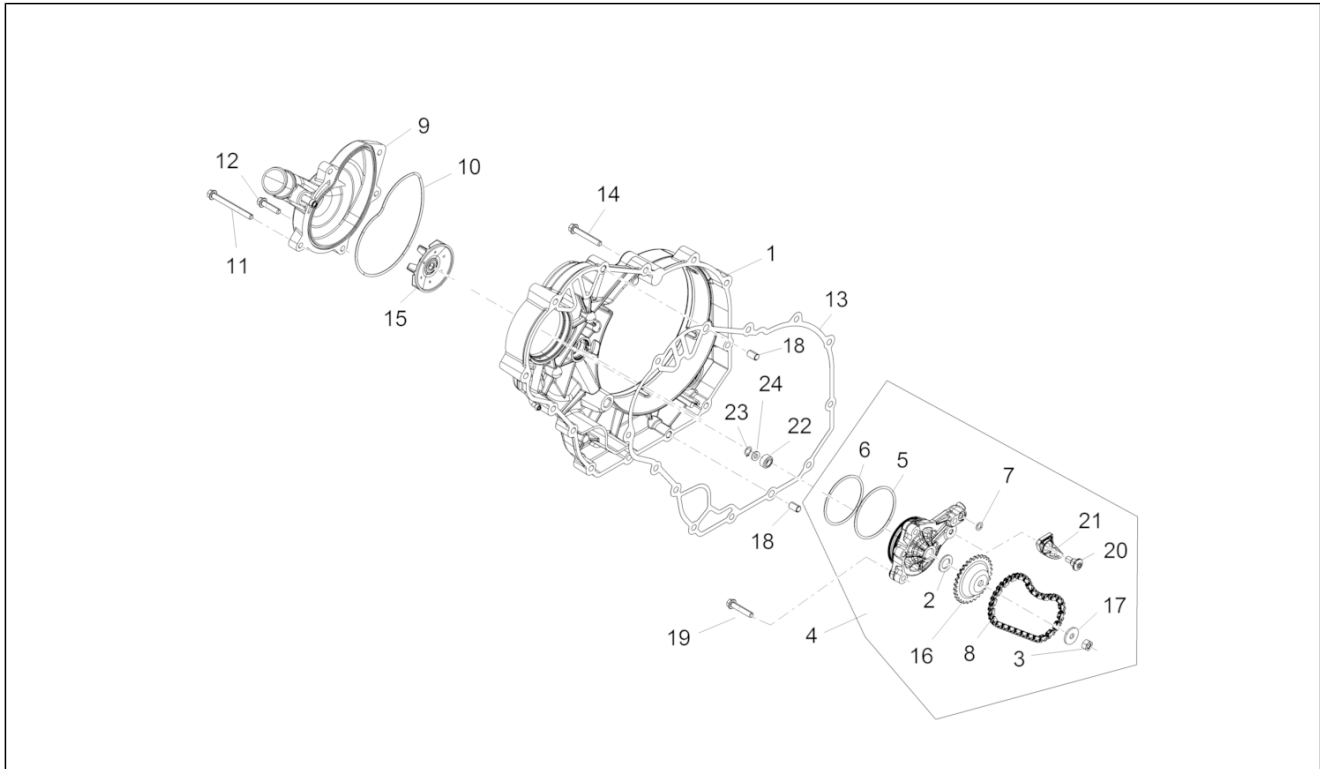
| Pos. | Code      | Beschreibung                     | Menge | Varianten |
|------|-----------|----------------------------------|-------|-----------|
| 1    | 2B000696  | Blow-By-Tank                     | 1     |           |
| 2    | AP8152329 | Kreuz.schl.flnschschr. M5x20     | 2     |           |
| 3    | 2B000198  | Entlüftungsleitung Blow-By vorn. | 1     |           |
| 4    | AP8102349 | Schlauschelle weiß D17,5x8       | 1     |           |
| 5    | 897351    | Blow-By-Filter                   | 4     |           |
| 6    | AP8102903 | Schlauschelle D16,5X6,6          | 2     |           |
| 7    | 2B000199  | Entlüftungsleitung Blow-By hint. | 1     |           |
| 8    | 2B000200  | Entlüftungsleitung Blow-By       | 1     |           |
| 9    | AP8102786 | Schlauschelle 20x8               | 2     |           |
| 10   | AP8201169 | Schlauschelle D22x8,6*           | 1     |           |
| 11   | AP8152246 | TBEI Schraube m.Flansch M6x16    | 1     |           |
| 12   | AP8120712 | Gummi                            | 1     |           |
| 13   | AP8102239 | Schelle 12,5x8                   | 3     |           |
| 14   | AP8144015 | Ölschlauch 6x12                  | 2     |           |
| 15   | AP8104996 | Rückstauventil                   | 1     |           |
| 16   | AP8120446 | Schlauschelle, grün D11x6,6x1    | 1     |           |

|                     |         |
|---------------------|---------|
| <b>Einheit</b>      | Motor   |
| <b>Code</b>         | 03.200  |
| <b>Beschreibung</b> | Ölpumpe |
| <b>Inspektion</b>   | 1       |



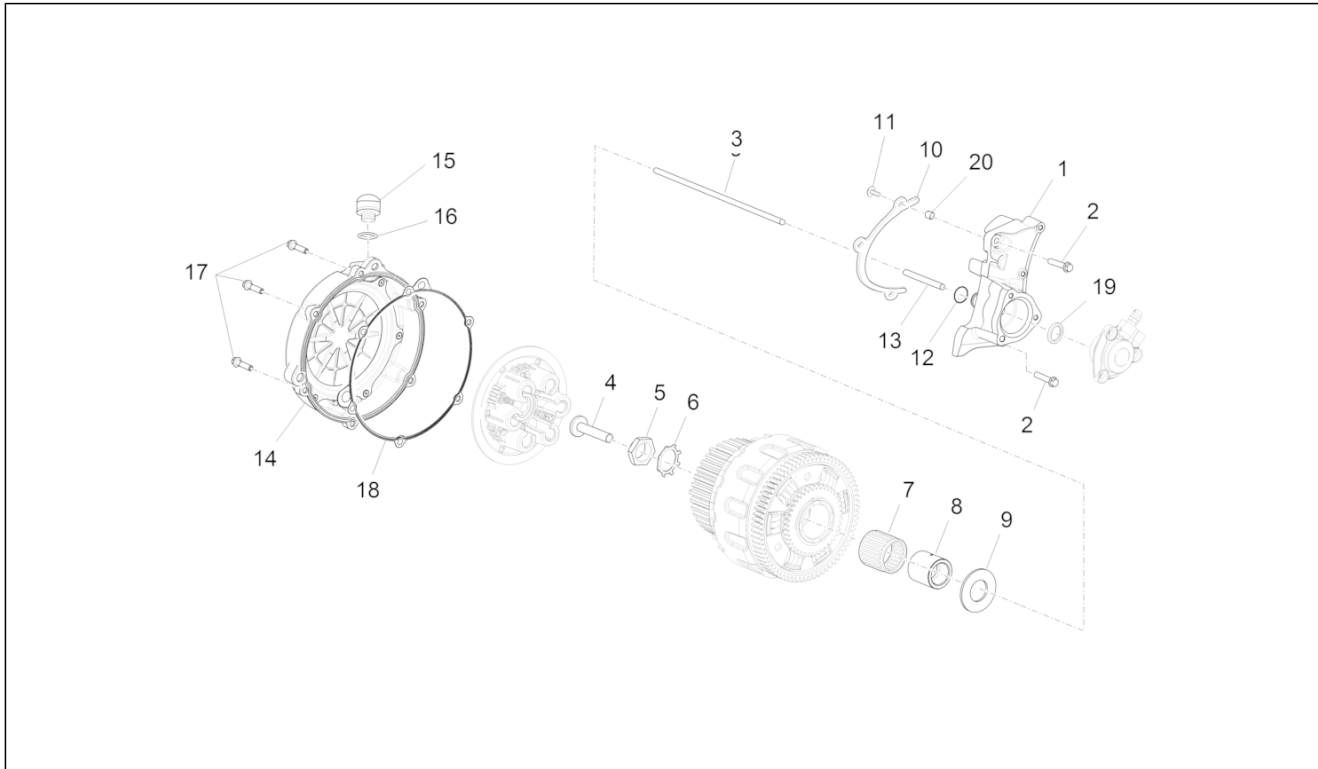
| Pos. | Code       | Beschreibung                 | Menge | Varianten |
|------|------------|------------------------------|-------|-----------|
| 1    | 974517     | Ölpumpen-Zahn.               | 1     |           |
| 2    | 006450     | Sprengring                   | 1     |           |
| 3    | 974157     | Rolle                        | 1     |           |
| 4    | 873866     | Zahnrad Ölpumpe              | 1     |           |
| 5    | 873863     | Ölpumpe                      | 1     |           |
| 6    | 878871     | TE Schr. m. Flansch          | 2     |           |
| 7    | 873974     | Sicherungsblech              | 1     |           |
| 8    | 873906     | Mutter unten                 | 1     |           |
| 9    | 876486     | Öl-druckreglerventil         | 1     |           |
| 10   | 641541     | Öldrucksensor                | 1     |           |
| 11   | AP9150472  | Ausgleichscheibe 10,5x17x1,5 | 1     |           |
| 12   | 82960R     | Ölfiltereinsatz              | 1     |           |
| 13   | 879550     | -                            | 1     |           |
| 14   | 709099     | TCEI Schraube M6x16          | 2     |           |
| 15   | 878523     | Trennwand Ölpumpe            | 1     |           |
| 16   | 875358     | Ölablaßschraube              | 1     |           |
| 17   | GU01161331 | Übersetzung                  | 2     |           |
| 18   | 974290     | Abstreifscheibe              | 1     |           |
| 19   | 969323     | O-Ring                       | 1     |           |
| 20   | 878401     | Platte BY-Pass               | 1     |           |
| 21   | 484123     | TE Schr. m. Flansch          | 2     |           |
| 22   | GU01154230 | Dichtung                     | 2     |           |
| 23   | 879250     | Röhrchen                     | 1     |           |
| 24   | 877135     | Dichtungsring O-Ring         | 2     |           |
| 25   | GU01154230 | Dichtung                     | 1     |           |

|                     |                    |
|---------------------|--------------------|
| <b>Einheit</b>      | Motor              |
| <b>Code</b>         | 03.210             |
| <b>Beschreibung</b> | Wasserpumpenritzel |
| <b>Inspektion</b>   | 1                  |



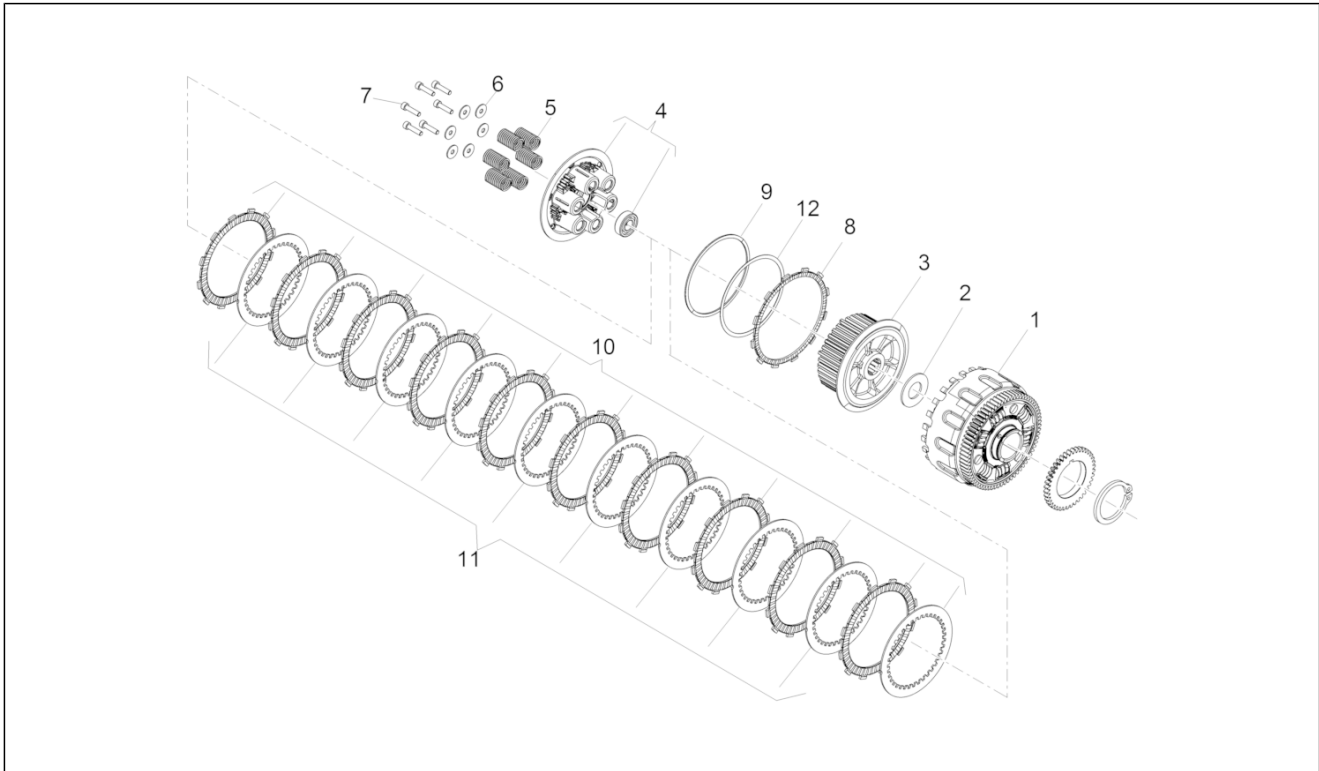
| Pos. | Code     | Beschreibung                     | Menge | Varianten |
|------|----------|----------------------------------|-------|-----------|
| 1    | B013000  | Kupplungsseite Deckel            | 1     |           |
| 2    | 878734   | Abstreifscheibe                  | 1     |           |
| 3    | 876529   | Mutter M6                        | 1     |           |
| 4    | B0142585 | Wasserpumpe komplett             | 1     |           |
| 5    | 878115   | O-Ring                           | 1     |           |
| 6    | 876538   | O-Ring                           | 1     |           |
| 7    | 224035   | O-Ring                           | 1     |           |
| 8    | 846624   | Kette 52                         | 1     |           |
| 9    | B013068  | Deckel Wasserpumpe grigio zenith | 1     |           |
| 10   | B013527  | Dichtung Wasserpumpenkörper      | 1     |           |
| 11   | 877850   | TE Schr. m. Flansch              | 2     |           |
| 12   | 874549   | TE Schr. m. Flansch              | 3     |           |
| 13   | 877069   | Dichtung Wasserpumpendeckel      | 1     |           |
| 14   | 874551   | TE Schr. m. Flansch              | 6     |           |
| 15   | 880646   | Wasserpumpenrad                  | 1     |           |
| 16   | 875814   | Zahnkranz                        | 1     |           |
| 17   | 834951   | Kegelscheibe                     | 1     |           |
| 18   | 277916   | Haltestein Ø7,5x12               | 4     |           |
| 19   | B016792  | TE Schr. m. Flansch M6x30        | 3     |           |
| 20   | 857082   | TE Schr. m. Flansch M6x12        | 1     |           |
| 21   | 880798   | Gleitschuh Wasserpumpe           | 1     |           |
| 22   | 855031   | Ölabstreifring D12x22x6          | 1     |           |
| 23   | 880701   | Seegerring                       | 1     |           |
| 24   | 879320   | Distanzscheibe                   | 1     |           |

|                     |                 |
|---------------------|-----------------|
| <b>Einheit</b>      | Motor           |
| <b>Code</b>         | 03.220          |
| <b>Beschreibung</b> | Kupplungsdeckel |
| <b>Inspektion</b>   | 1               |



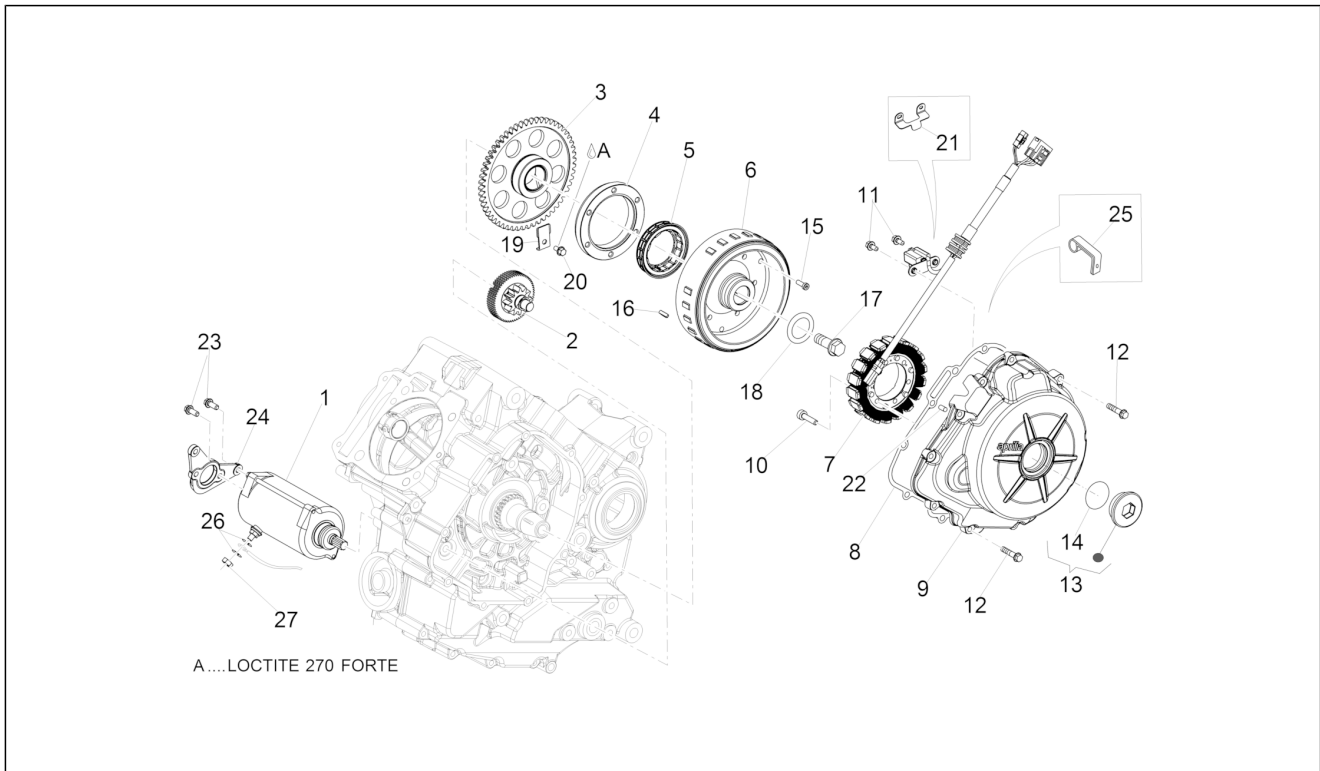
| Pos. | Code      | Beschreibung                | Menge | Varianten |
|------|-----------|-----------------------------|-------|-----------|
| 1    | B013074   | Kupplungs-Ausrückfla. BLACK | 1     |           |
| 2    | 872421    | TE Schr. m. Flansch         | 2     |           |
| 3    | 874660    | Kupplungswelle              | 1     |           |
| 4    | B015050   | Stange                      | 1     |           |
| 5    | 877424    | Mutter                      | 1     |           |
| 6    | 876296    | Sicherungsblech             | 1     |           |
| 7    | 974361    | Nadelkaefig 35X40X35,8      | 1     |           |
| 8    | 873543    | Distanzscheibe              | 1     |           |
| 9    | 974320    | Unterlegscheibe             | 1     |           |
| 10   | 877193    | Schutzblech Kette           | 1     |           |
| 11   | 658778    | Schraube TSPEI M5x20        | 3     |           |
| 12   | 871609    | Gasket ring "OR"            | 1     |           |
| 13   | 874191    | Kupplung Klinke             | 1     |           |
| 14   | 1A003074  | Kupplungsdeckel             | 1     |           |
| 15   | AP9150410 | Ölschraube M20x1,5          | 1     |           |
| 16   | AP9150356 | O-Ring D18,72x2,62          | 1     |           |
| 17   | 414838    | Schraube M6x35              | 6     |           |
| 18   | B013607   | Dicht. Kuppl.gehäu.         | 1     |           |
| 19   | 825577    | Gasket ring 8x16x7          | 1     |           |
| 20   | 877195    | Distanzscheibe              | 3     |           |

|                     |          |
|---------------------|----------|
| <b>Einheit</b>      | Motor    |
| <b>Code</b>         | 03.230   |
| <b>Beschreibung</b> | Kupplung |
| <b>Inspektion</b>   | 1        |



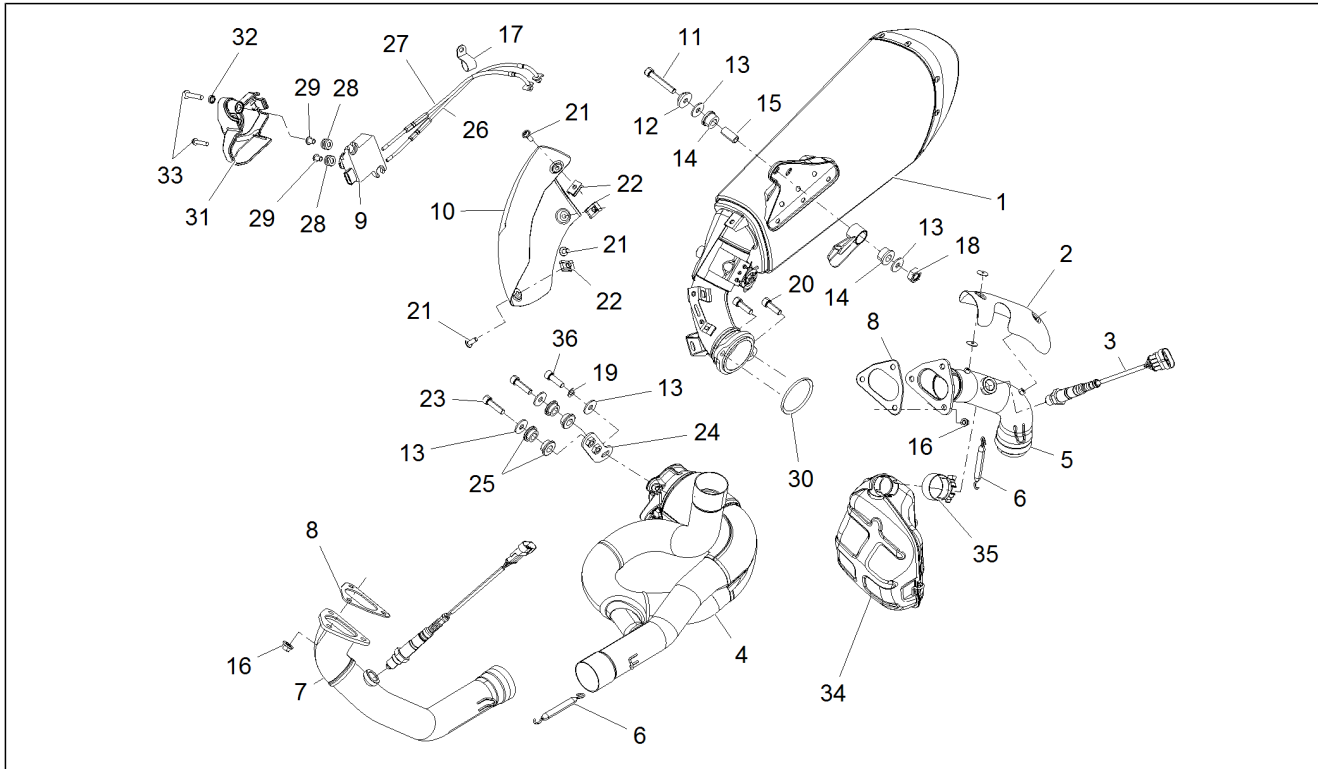
| Pos. | Code     | Beschreibung                  | Menge | Varianten |
|------|----------|-------------------------------|-------|-----------|
| 1    | 880871   | Baugruppe Kupplungskasten     | 1     |           |
| 2    | 974320   | Unterlegscheibe               | 1     |           |
| 3    | 878845   | Mitnehmer                     | 1     |           |
| 4    | 873719   | Andrückfeder Kupplungsscheibe | 1     |           |
| 5    | 1A004625 | Feder Druckscheibe            | 6     |           |
| 6    | 879176   | Becher                        | 6     |           |
| 7    | 873718   | TCEI Schraube M6              | 6     |           |
| 8    | 875224   | Treibende Kuppl.scheibe gedr. | 1     |           |
| 9    | 875223   | Tellerfeder                   | 1     |           |
| 10   | 1A004602 | Treibende Kuppl.scheibe       | 10    |           |
| 11   | 1A004603 | Getriebene Kuppl.scheibe      | 10    |           |
| 12   | 875222   | Unterlegscheibe Becherfeder   | 1     |           |

|                     |                                |
|---------------------|--------------------------------|
| <b>Einheit</b>      | Motor                          |
| <b>Code</b>         | 03.300                         |
| <b>Beschreibung</b> | Schwungmagnetstarter / Zündung |
| <b>Inspektion</b>   | 1                              |



| Pos. | Code      | Beschreibung                           | Menge | Varianten |
|------|-----------|--|-------|-----------|
| 1    | 82697R    | Startermotor                           | 1     |           |
| 2    | 876954    | Torque limiter                         | 1     |           |
| 3    | 848714    | Zahnkranz Starter                      | 1     |           |
| 4    | 830390    | Flansch Freilauftrad                   | 1     |           |
| 5    | 830389    | Freilauftrad                           | 1     |           |
| 6    | 680200    | Rotor kpl.                             | 1     |           |
| 7    | 680199    | Stator kpl                             | 1     |           |
| 8    | 974033    | Dichtg. Schwgrdabd.                    | 1     |           |
| 9    | 1A004211  | Schwungradsseite Deckel                | 1     |           |
| 10   | 1A002951  | TCEI Schraube M6X30                    | 3     |           |
| 11   | 015935    | Schraube TBCIC M5x12                   | 2     |           |
| 12   | 874551    | TE Schr. m. Flansch                    | 6     |           |
| 13   | 8716754   | Deckel                                 | 1     |           |
| 14   | 974219    | Dichtung                               | 1     |           |
| 15   | B013207   | TCEI Schraube M6x18                    | 6     |           |
| 16   | 000267    | Keil                                   | 1     |           |
| 17   | B015563   | TE Schr. m. Flansch M14x30             | 1     |           |
| 18   | 825725    | Flachscheibe 14.1x30x3                 | 1     |           |
| 19   | 848845    | Platte                                 | 1     |           |
| 20   | 878872    | TE Schr. m. Flansch                    | 1     |           |
| 21   | 848647    | Platte                                 | 1     |           |
| 22   | 277916    | Haltestein $\varnothing 7,5 \times 12$ | 4     |           |
| 23   | 874554    | TE Schr. m. Flansch M6x14              | 2     |           |
| 24   | B013071   | Halterbügel                            | 1     |           |
| 25   | B013745   | Schelle                                | 1     |           |
| 26   | AP8150182 | Gebogene Sprengscheibe *               | 2     |           |
| 27   | 195482    | Mutter, selbstsichernd M6              | 1     |           |

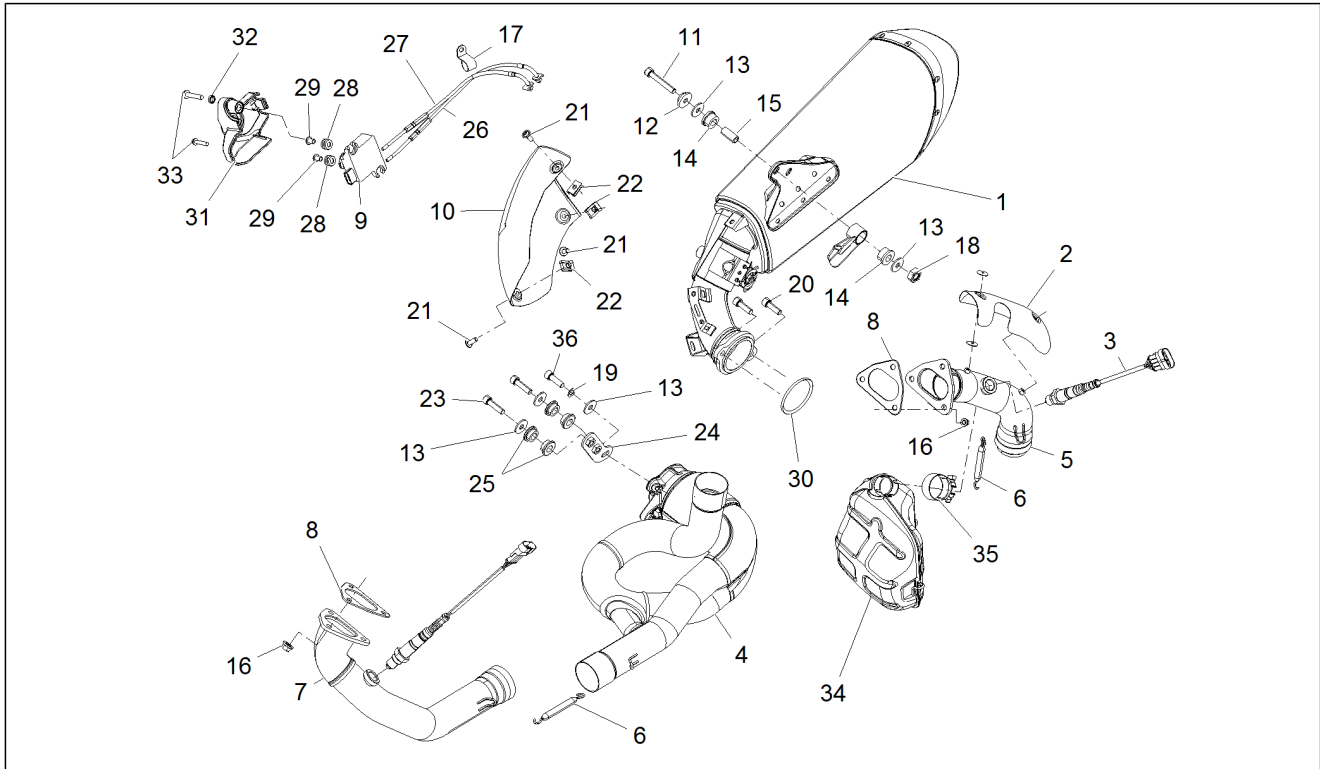
|                     |             |
|---------------------|-------------|
| <b>Einheit</b>      | Motor       |
| <b>Code</b>         | 03.330      |
| <b>Beschreibung</b> | Auspuffrohr |
| <b>Inspektion</b>   | 1           |



| Pos. | Code       | Beschreibung                  | Menge | Varianten |
|------|------------|-------------------------------|-------|-----------|
| 1    | 2B001782   | Auspuff                       | 1     |           |
| 2    | B045479    | Auspuffrohr Wärmeschutz       | 1     |           |
| 3    | 896110     | Lamdasonde l.660 mm           | 2     |           |
| 4    | 2B000653   | Mittlerer Auslaßkrümm.        | 1     |           |
| 5    | 2B000245   | Auspuffkrümmer hint.          | 1     |           |
| 6    | AP8121170  | Feder                         | 1     |           |
| 7    | B045246    | Auspuffkrümmer vorn.          | 1     |           |
| 8    | 895836     | Dichtung Auspuffrohr          | 2     |           |
| 9    | 2D000064   | Exhaust valve actuator        | 1     |           |
| 10   | B045215    | Auspuffrohrschutz             | 1     |           |
| 11   | AP8150277  | TCEI Schraube M8x50           | 1     |           |
| 12   | AP8134378  | Fixierhülse Schalldämpfer     | 1     |           |
| 13   | AP8150018  | Ausgleichscheibe              | 5     |           |
| 14   | AP8144071  | Gummi auspuffrohr             | 2     |           |
| 15   | AP8121773  | Distanzscheibe *              | 1     |           |
| 16   | GU92660021 | Geflanschte Mutter M8         | 6     |           |
| 17   | 894704     | Kabelführung                  | 1     |           |
| 18   | AP8152300  | Selbstsperrende Mutter M8     | 1     |           |
| 19   | AP8150376  | Ausgleichscheibe 8,5x15x0,8   | 1     |           |
| 20   | AP8150520  | TCEI Schraube M8x25           | 3     |           |
| 21   | AP8152246  | TBEI Schraube m.Flansch M6x16 | 3     |           |
| 22   | AP8102376  | Klammer M6                    | 3     |           |
| 23   | AP8150107  | TCEI Schraube M8x30           | 2     |           |
| 24   | B045513    | Befestigungsbügel Krümmer     | 1     |           |
| 25   | AP8144558  | Gummi                         | 4     |           |
| 26   | B045249    | Gas trasmission return        | 1     |           |
| 27   | B045250    | Gas trasmission delivery      | 1     |           |
| 28   | AP8120223  | Gummi *                       | 2     |           |

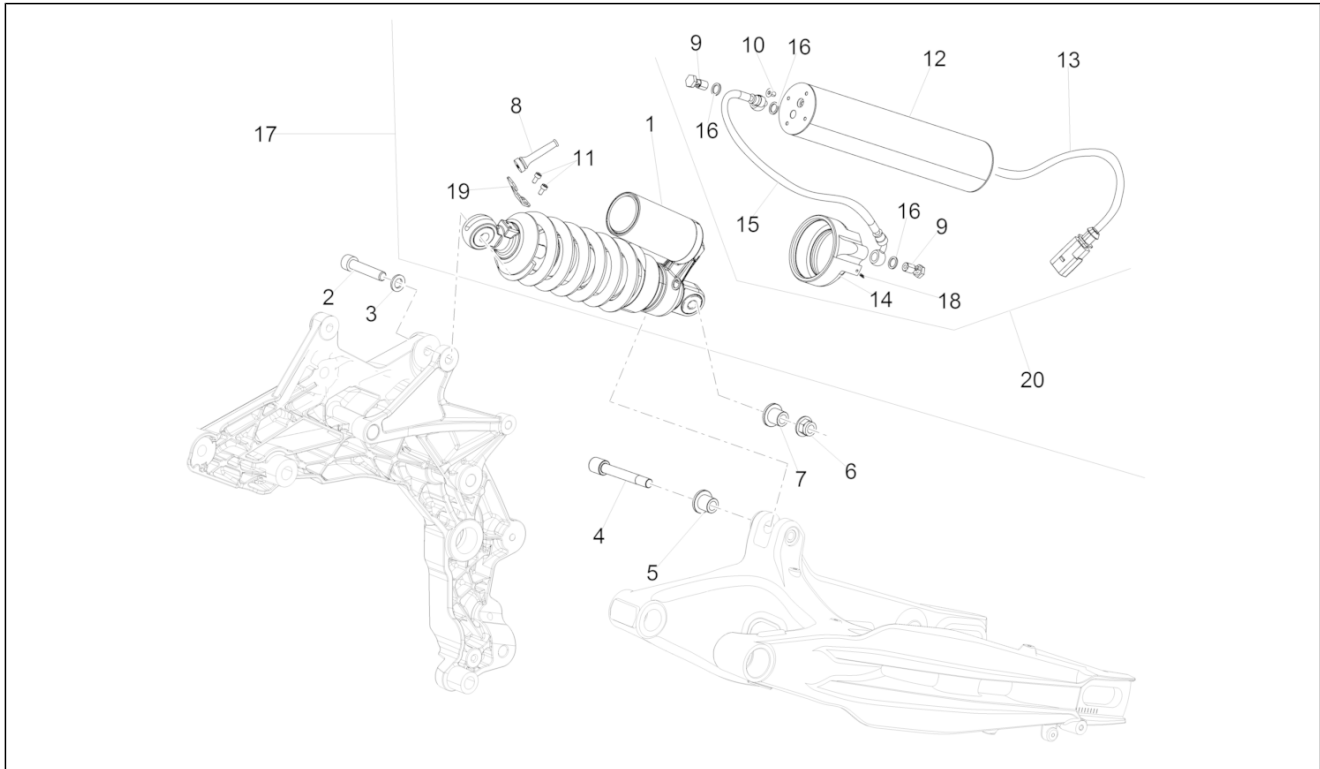


|                     |             |
|---------------------|-------------|
| <b>Einheit</b>      | Motor       |
| <b>Code</b>         | 03.330      |
| <b>Beschreibung</b> | Auspuffrohr |
| <b>Inspektion</b>   | 1           |



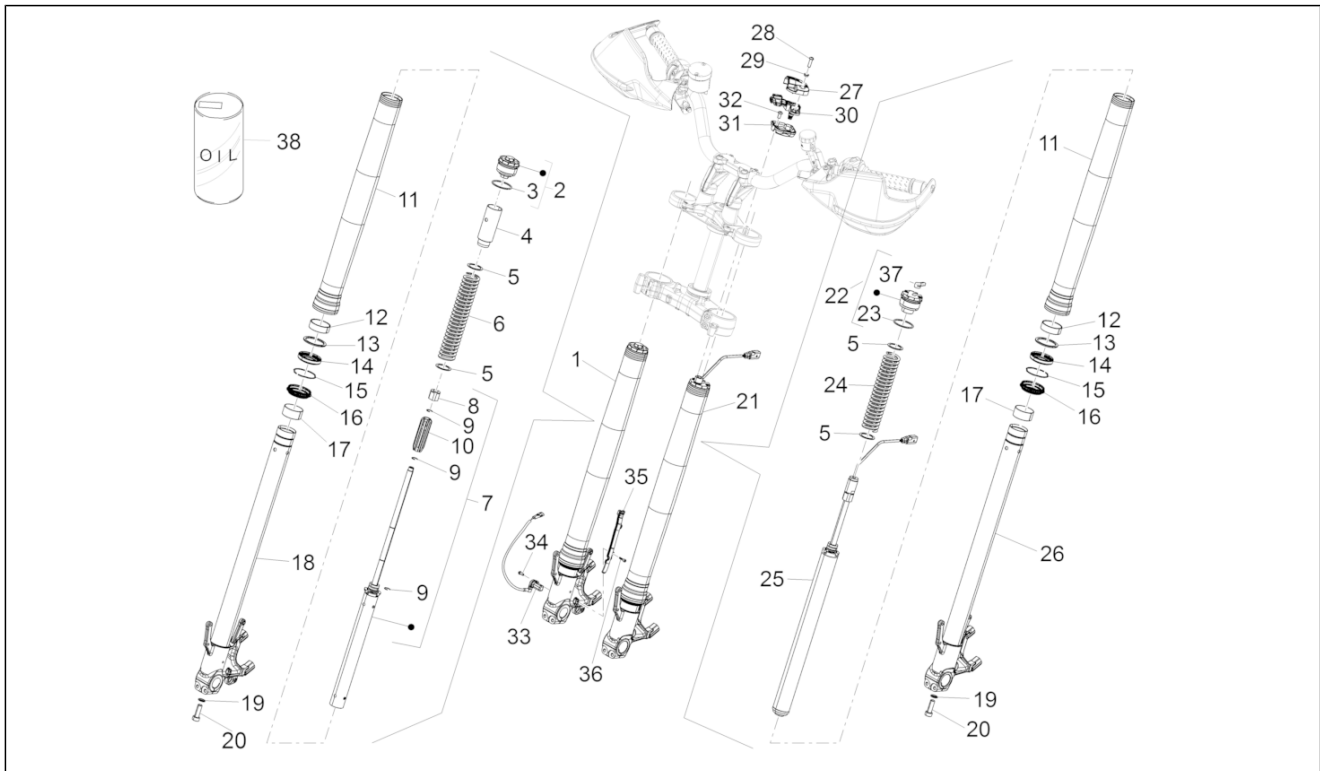
| Pos. | Code      | Beschreibung                               | Menge | Varianten |
|------|-----------|--|-------|-----------|
| 29   | AP8121725 | T-Buchse *                                 | 2     |           |
| 30   | B045427   | Dichtung Auspuffkrümmer                    | 1     |           |
| 31   | 899524    | Deckel Stellvorrichtung des Auspuffventils | 1     |           |
| 32   | AP8120253 | Distanzscheibe                             | 2     |           |
| 33   | AP8152282 | TE Schr. m. Flansch M6x35                  | 1     |           |
| 34   | 2B000242  | Box  | 1     |           |
| 35   | 2B000918  | Schlauchselle 32 mm                        | 1     |           |
| 36   | 2B002514  | Schraube TCEI M8X25 vorimprägniert         | 1     |           |

|                     |                 |
|---------------------|-----------------|
| <b>Einheit</b>      | Radaufhängungen |
| <b>Code</b>         | 04.080          |
| <b>Beschreibung</b> | Stoßdämpfer     |
| <b>Inspektion</b>   | 1               |



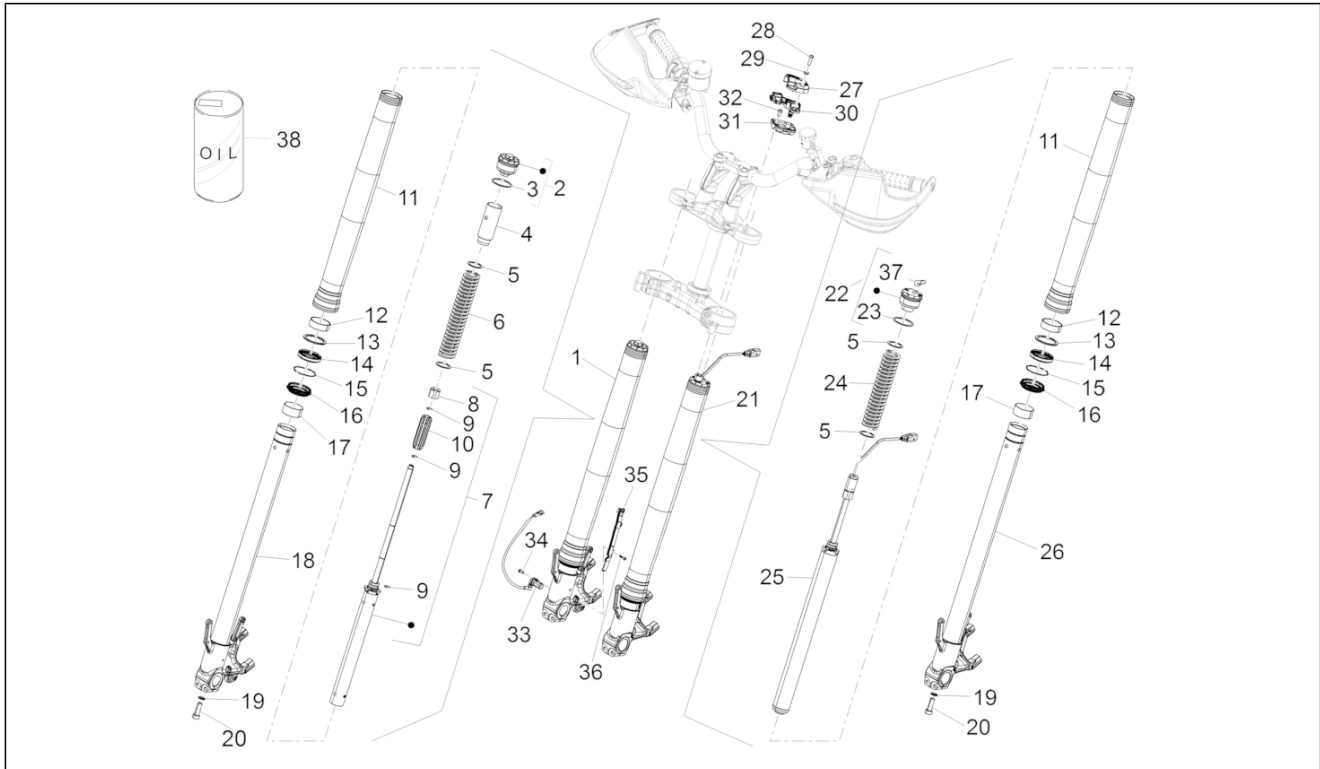
| Pos. | Code      | Beschreibung                | Menge | Varianten |
|------|-----------|-----------------------------|-------|-----------|
| 1    | 2R000254  | Hinterer Stoßdämpfer        | 1     |           |
| 2    | AP8150329 | TCEI Schraube               | 1     |           |
| 3    | AP8152176 | Ausgleichscheibe 10,5X18X2* | 2     |           |
| 4    | AP8152411 | TCEI Schraube M10x59        | 1     |           |
| 5    | 860662    | Nutmutter                   | 1     |           |
| 6    | AP8152301 | Selbstsperrende Mutter      | 1     |           |
| 7    | AP8121155 | T-Buchse *                  | 1     |           |
| 8    | 2R000034  | Kabelführung                | 1     |           |
| 9    | 2R000030  | Schraube                    | 2     |           |
| 10   | 2R000033  | Schraube                    | 2     |           |
| 11   | 2R000035  | Oberschraube                | 2     |           |
| 12   | 2R000027  | Vorspannrohr                | 1     |           |
| 13   | 2R000028  | Verkabelung                 | 1     |           |
| 14   | 2R000026  | Vorspannung                 | 1     |           |
| 15   | 2R000029  | Verbindungsleitung          | 1     |           |
| 16   | 2R000031  | Unterlegscheibe             | 3     |           |
| 17   | 2B001777  | Stossdämpfer hinten         | 1     |           |
| 18   | 2R000032  | Schraube                    | 1     |           |
| 19   | 2R000036  | Platte                      | 0     |           |
| 20   | 2R000025  | Vorspanngruppe CPL          | 1     |           |

|                     |                                      |
|---------------------|--------------------------------------|
| <b>Einheit</b>      | Radaufhängungen                      |
| <b>Code</b>         | 04.090                               |
| <b>Beschreibung</b> | Vorderradgabel Dynamic Damping Sachs |
| <b>Inspektion</b>   | 1                                    |



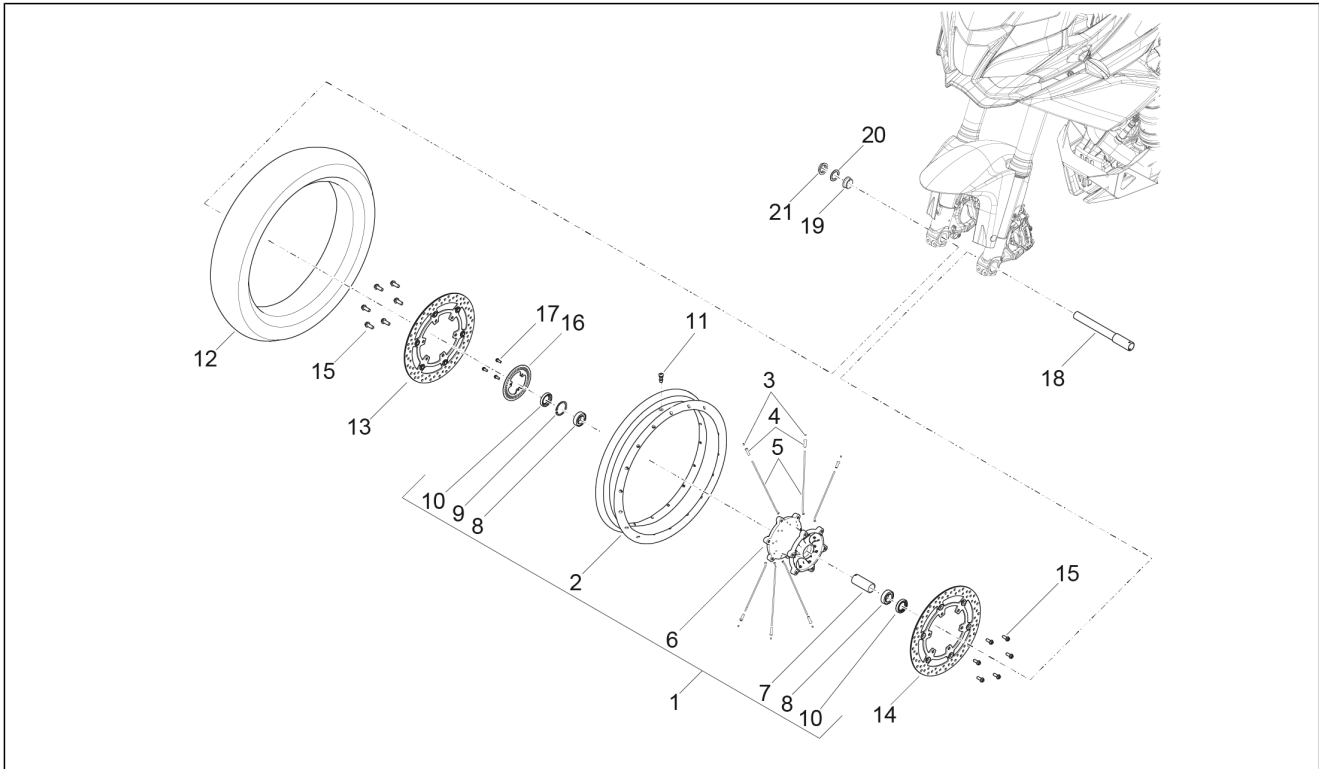
| Pos. | Code      | Beschreibung             | Menge | Varianten |
|------|-----------|--------------------------|-------|-----------|
| 1    | 2B001115  | Kolbenstange rechts kpl. | 1     |           |
| 2    | 2R000021  | R.Geflanschte Mutter     | 1     |           |
| 3    | 897335    | O-Ring                   | 1     |           |
| 4    | 2R000022  | Vorspannrohr             | 1     |           |
| 5    | 897336    | Ausgleichscheibe         | 1     |           |
| 6    | 897329    | Feder                    | 1     |           |
| 7    | 2R000253  | Pumpenrad r. kplt.       | 1     |           |
| 8    | 897331    | Mutter                   | 1     |           |
| 9    | 897340    | Sperring                 | 1     |           |
| 10   | 897333    | Federführ                | 1     |           |
| 11   | 897328    | Hülse                    | 1     |           |
| 12   | 897342    | Gleitbuchse              | 1     |           |
| 13   | 897343    | Spezial-U-scheibe        | 1     |           |
| 14   | 897344    | Ölabstreifring           | 1     |           |
| 15   | 897339    | Seegerring               | 1     |           |
| 16   | 897337    | Staubschutz              | 1     |           |
| 17   | 897341    | Fuehrungshulse           | 1     |           |
| 18   | 2R000252  | Klb.st.+ Radhltr. rch.   | 1     |           |
| 19   | B064070   | Ausgleichscheibe         | 1     |           |
| 20   | 2R000249  | Schraube                 | 2     |           |
| 21   | 2B001116  | Kolbenstange links kpl.  | 1     |           |
| 22   | 2R000017  | Verschlussschraube kplt. | 1     |           |
| 23   | 897335    | O-Ring                   | 1     |           |
| 24   | 2R000016  | Feder                    | 1     |           |
| 25   | 2R000251  | Pumpenrad l. kplt.       | 1     |           |
| 26   | 2R000250  | Klb.st.+ Radhltr. lks.   | 1     |           |
| 27   | B046048   | Sensordeckel             | 1     |           |
| 28   | AP8224470 | TBEI Schraube M6x20      | 1     |           |

|                     |                                      |
|---------------------|--------------------------------------|
| <b>Einheit</b>      | Radaufhängungen                      |
| <b>Code</b>         | 04.090                               |
| <b>Beschreibung</b> | Vorderradgabel Dynamic Damping Sachs |
| <b>Inspektion</b>   | 1                                    |



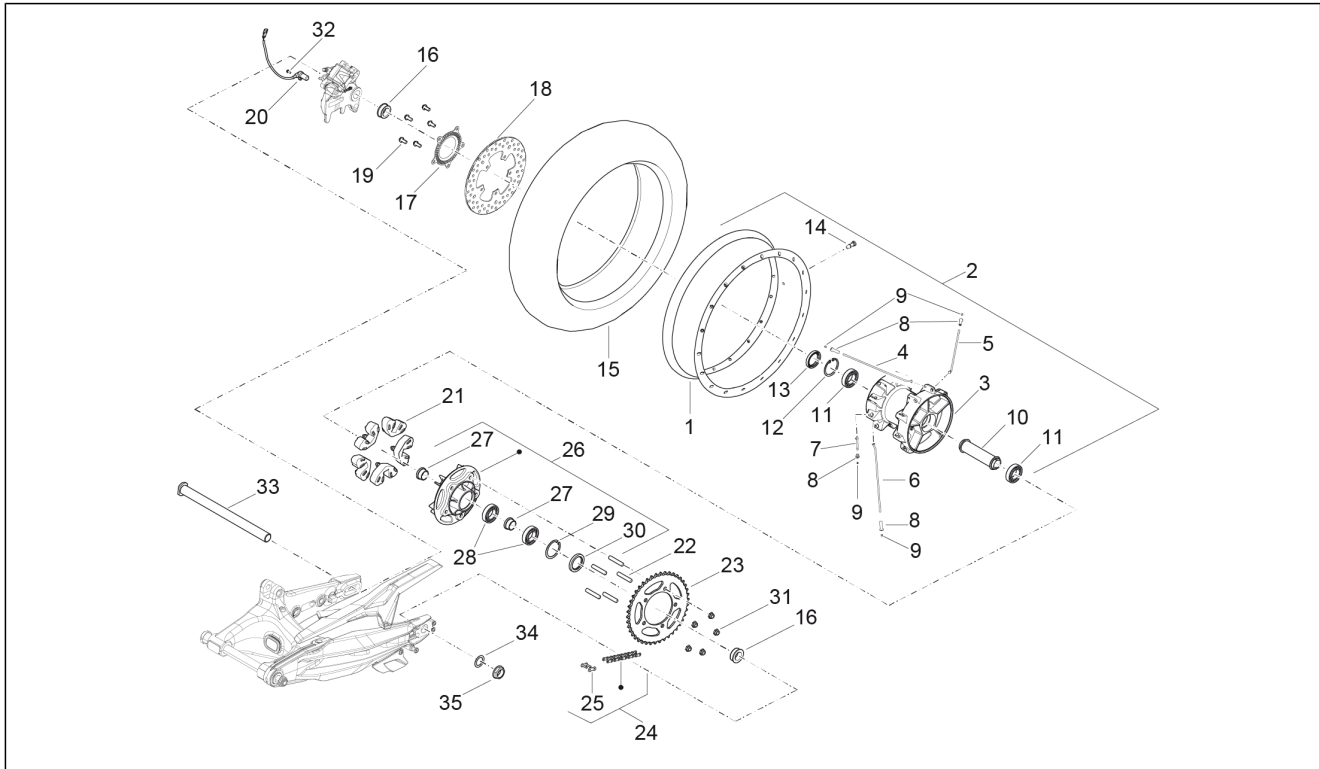
| Pos. | Code      | Beschreibung                    | Menge | Varianten |
|------|-----------|---------------------------------|-------|-----------|
| 29   | AP8121811 | T-Buchse                        | 1     |           |
| 30   | B045400   | Druck- und Lufttemperatursensor | 1     |           |
| 31   | B046124   | Halter                          | 1     |           |
| 32   | 274369    | TBEI Schraube M6x12             | 1     |           |
| 33   | 859792    | Sensor ABS                      | 2     |           |
| 34   | AP8152273 | Flanschschraube M5x15           | 1     |           |
| 35   | B044314   | Kabelschiene ABS-Sensor vorne   | 1     |           |
| 36   | AP8152043 | TCEI Schraube M4x10             | 1     |           |
| 37   | 2L000032  | Deckel CDCI                     | 1     |           |
| 38   | 2R000075  | Öl                              | 0     |           |

|                     |           |
|---------------------|-----------|
| <b>Einheit</b>      | Räder     |
| <b>Code</b>         | 05.010    |
| <b>Beschreibung</b> | Vorderrad |
| <b>Inspektion</b>   | 1         |



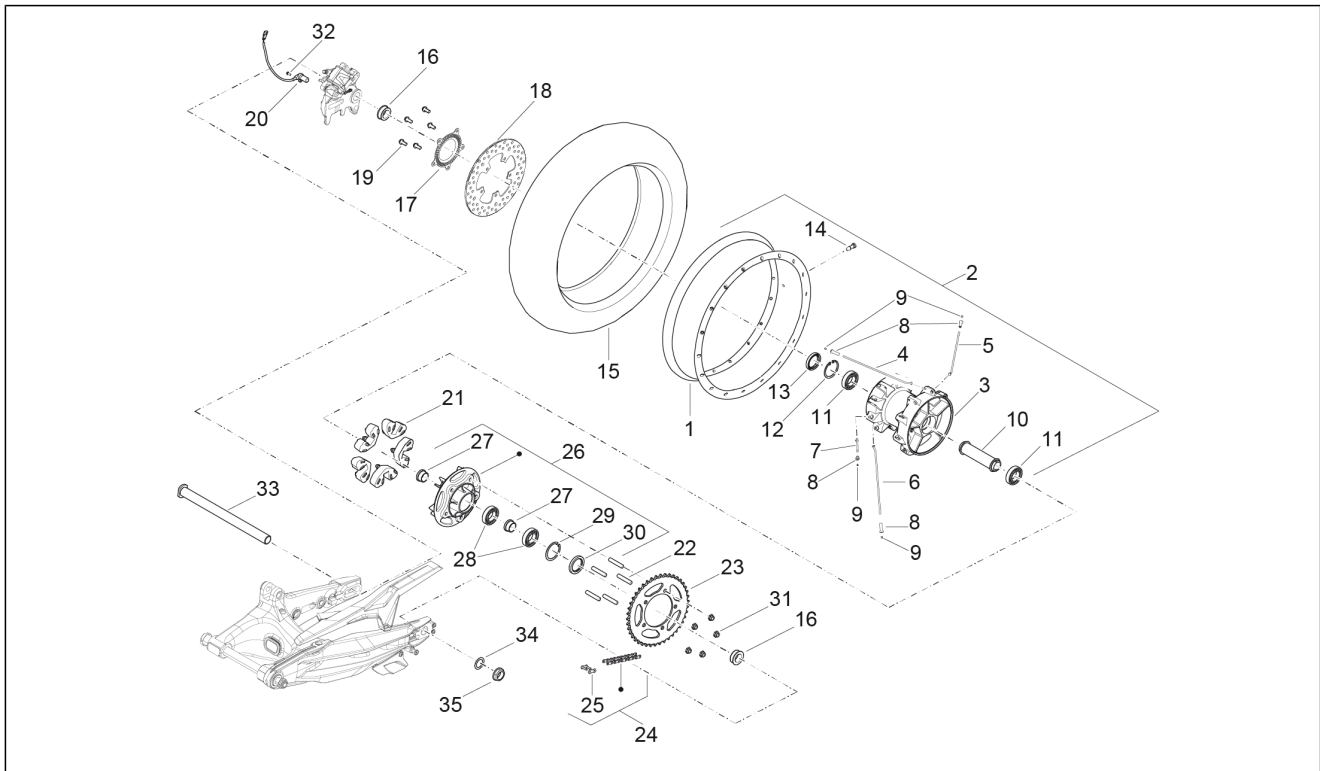
| Pos. | Code      | Beschreibung               | Menge | Varianten |
|------|-----------|----------------------------|-------|-----------|
| 1    | 2B001445  | Vorderrad 3.00x19"         | 1     |           |
| 2    | 2B001415  | Radfelge 3.00x19"          | 1     |           |
| 3    | AP8150491 | Feststellschraube          | 36    |           |
| 4    | AP8108953 | Nippel                     | 36    |           |
| 5    | 2B001106  | Speiche                    | 36    |           |
| 6    | 2B001130  | Nabe                       | 1     |           |
| 7    | 2B001659  | Interne Distanzscheibe     | 1     |           |
| 8    | AP8110094 | Lager 25x47x12             | 2     |           |
| 9    | AP8125842 | Sprengring d47             | 1     |           |
| 10   | AP8125841 | Gasket ring 30x47x7        | 2     |           |
| 11   | AP8101744 | Schlauchloses Reifenventil | 1     |           |
| 12   | 2B001455  | Vorderreifen 120/70-19"    | 1     |           |
| 13   | 2B001126  | Vorderradbremsscheibe      | 1     |           |
| 14   | 2B001127  | L. Vorderradbremsscheibe   | 1     |           |
| 15   | 2B002416  | TE Schr. m. Flansch M8x20  | 12    |           |
| 16   | AP8128004 | Phonic wheel               | 1     |           |
| 17   | 2B002418  | TE Schr. m. Flansch M6x16  | 3     |           |
| 18   | 2B001441  | Vorderradbolzen            | 1     |           |
| 19   | 2B001160  | Äußerer Abstandhalter      | 1     |           |
| 20   | AP8152323 | Ausgleichscheibe 25,2x36x1 | 1     |           |
| 21   | AP8152335 | Radbolzenmutter            | 1     |           |

|                     |           |
|---------------------|-----------|
| <b>Einheit</b>      | Räder     |
| <b>Code</b>         | 05.020    |
| <b>Beschreibung</b> | Hinterrad |
| <b>Inspektion</b>   | 1         |



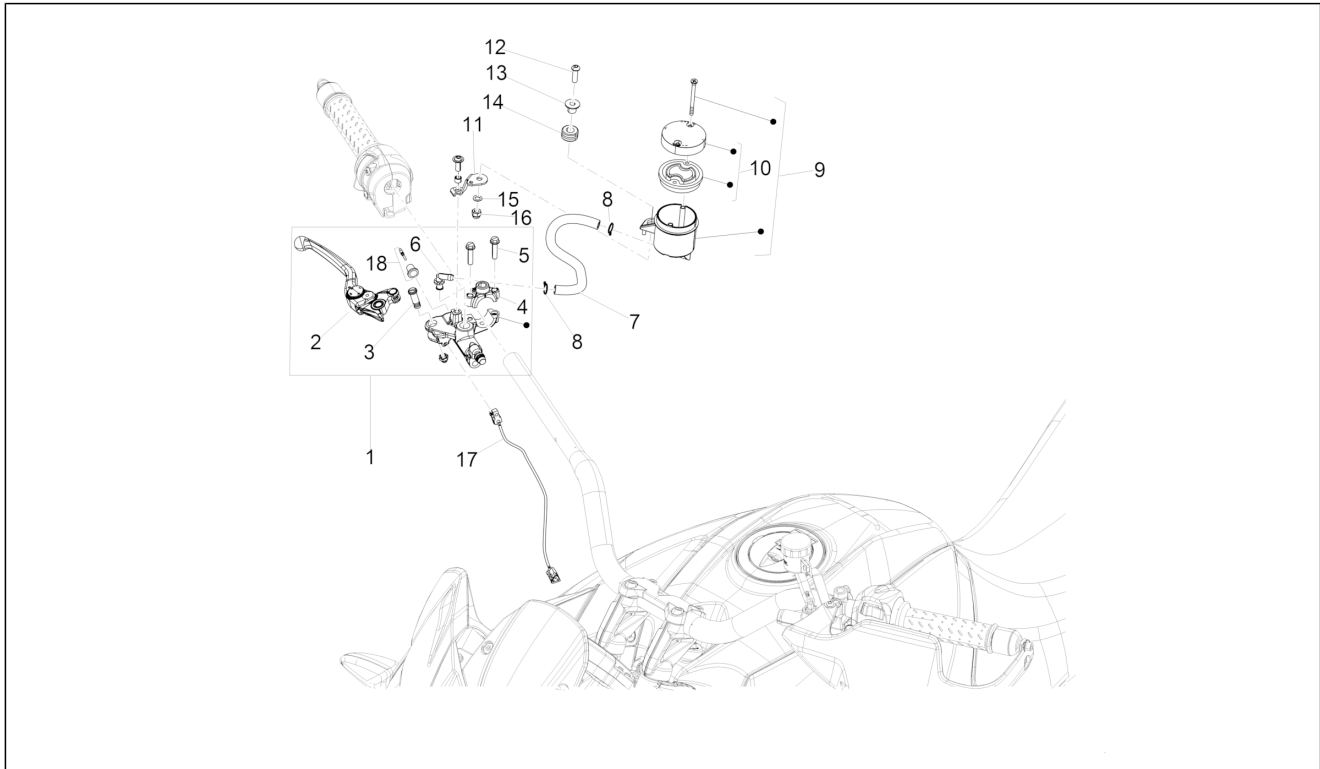
| Pos. | Code      | Beschreibung                | Menge | Varianten |
|------|-----------|-----------------------------|-------|-----------|
| 1    | 2B001414  | H.Felge R17                 | 1     |           |
| 2    | 2B001270  | Hinterrad                   | 1     |           |
| 3    | 2B001260  | Nabe hinten                 | 1     |           |
| 4    | 2B001264  | Speiche M4 L202.5           | 4     |           |
| 5    | 2B001265  | Speiche M4 L211             | 4     |           |
| 6    | 2B001266  | Speiche M4 L181             | 4     |           |
| 7    | 2B001267  | Speiche M4 L191             | 4     |           |
| 8    | AP8108953 | Nippel                      | 36    |           |
| 9    | AP8150491 | Feststellschraube           | 36    |           |
| 10   | AP8128170 | Interne Distanzscheibe      | 1     |           |
| 11   | AP8110093 | Lager 6205-2rs1 25x52x15    | 2     |           |
| 12   | AP8125839 | Sprengring d52              | 1     |           |
| 13   | AP8125838 | Gasket ring 38x52x7         | 1     |           |
| 14   | AP8101744 | Schlauchloses Reifenventil  | 1     |           |
| 15   | 2B001456  | ***Reifen hinten 170/60 R17 | 1     |           |
| 16   | AP8121225 | Hinterrad Distanzscheibe    | 2     |           |
| 17   | 890960    | Phonic wheel ABS            | 1     |           |
| 18   | 896013    | Vorderradbremsscheibe d.240 | 1     |           |
| 18   | B044278   | Vorderradbremsscheibe d.240 | 1     |           |
| 19   | 894505    | TE Schr. m. Flansch M8x18   | 5     |           |
| 20   | 859792    | Sensor ABS                  | 1     |           |
| 21   | 893073    | Gummipuffer Torsionsdämpfer | 5     |           |
| 22   | 894621    | Stiftschraube               | 5     |           |
| 23   | CM221705  | Zahnkranz Z=42              | 1     |           |
| 24   | 856805    | Kette 525                   | 1     |           |
| 25   | 859754    | Verbindungsglied            | 1     |           |
| 26   | B045135   | Radkranzhalter kplt.        | 1     |           |
| 27   | AP8125732 | elast. Distanzstück         | 2     |           |

|                     |           |
|---------------------|-----------|
| <b>Einheit</b>      | Räder     |
| <b>Code</b>         | 05.020    |
| <b>Beschreibung</b> | Hinterrad |
| <b>Inspektion</b>   | 1         |



| Pos. | Code      | Beschreibung               | Menge | Varianten |
|------|-----------|----------------------------|-------|-----------|
| 28   | AP8110081 | Lager 30x55x13             | 2     |           |
| 29   | AP8121212 | Seegerring für Bohrung d55 | 1     |           |
| 30   | AP8121213 | Gasket ring 38x55x7        | 1     |           |
| 31   | AP8152301 | Selbstsperrende Mutter     | 5     |           |
| 32   | AP8152273 | Flanschschraube M5x15      | 1     |           |
| 33   | B045422   | Radachse                   | 1     |           |
| 34   | AP8152323 | Ausgleichscheibe 25,2x36x1 | 1     |           |
| 35   | AP8152324 | Radbolzenmutter M25x1,5    | 1     |           |

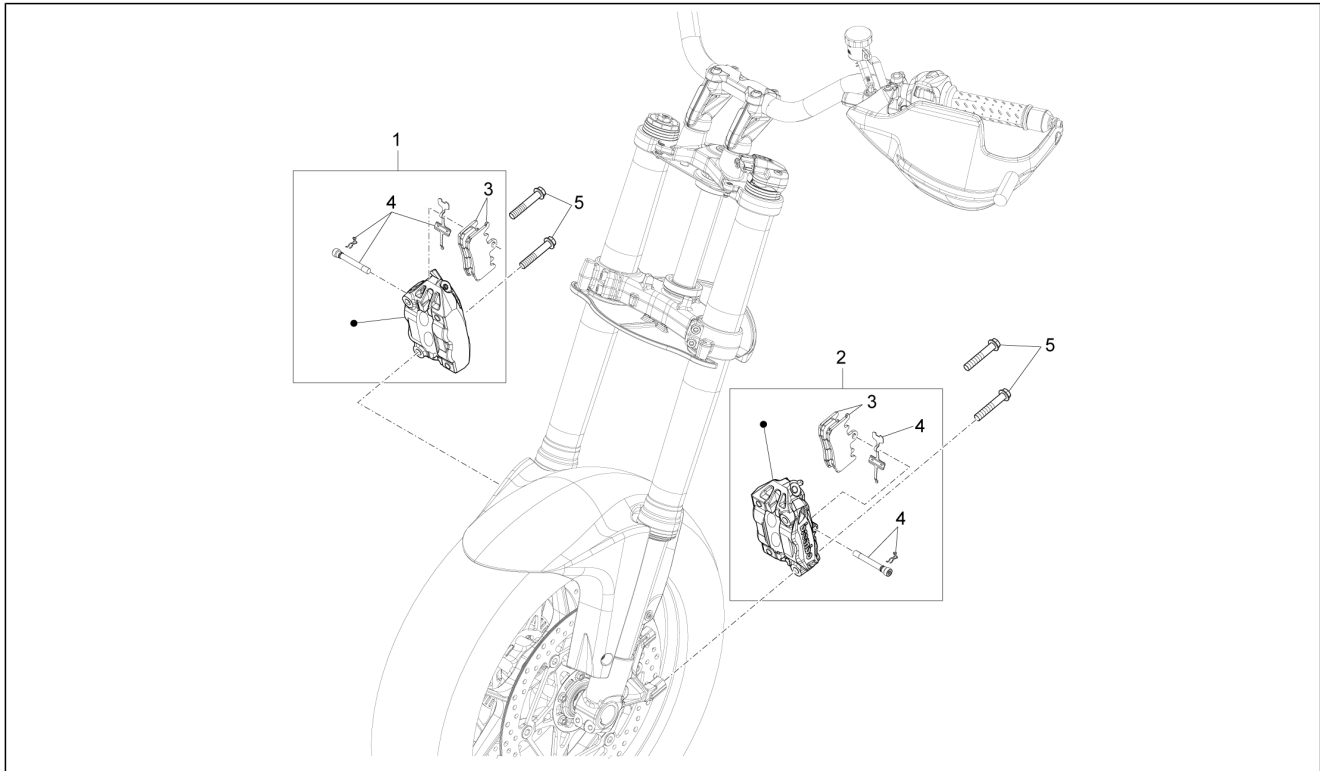
|                     |                     |
|---------------------|---------------------|
| <b>Einheit</b>      | Bremsanlage         |
| <b>Code</b>         | 06.010              |
| <b>Beschreibung</b> | Vorderradbremspumpe |
| <b>Inspektion</b>   | 1                   |



| Pos. | Code      | Beschreibung                | Menge | Varianten |
|------|-----------|-----------------------------|-------|-----------|
| 1    | 896256    | Vorderradbremspumpe         | 1     |           |
| 2    | AP8145022 | Vorderradbremshebel         | 1     |           |
| 3    | AP8113719 | Hebelbolzen                 | 1     |           |
| 4    | AP8168501 | Grundplatte Rückspg.        | 1     |           |
| 5    | AP8213299 | Kappenschraube              | 2     |           |
| 6    | AP8213057 | Hinterer Pumpenanschluß     | 1     |           |
| 7    | AP8113771 | Leitung                     | 1     |           |
| 8    | AP8101595 | Schelle D10,1               | 2     |           |
| 9    | AP8113499 | Öltank Bremsen              | 1     |           |
| 10   | AP8113598 | Bremsen-Öltankschraube      | 1     |           |
| 11   | AP8134899 | Platte f. Ölbehälter        | 1     |           |
| 12   | AP8224470 | TBEI Schraube M6x20         | 1     |           |
| 13   | AP8221023 | T-Buchse                    | 1     |           |
| 14   | AP8120030 | Gummi                       | 1     |           |
| 15   | 658830    | Gebogene Sprengscheibe 6x12 | 1     |           |
| 16   | AP8150474 | Hutmutter Edelstahl M6      | 1     |           |
| 17   | B044510   | V. Schalter Stopp           | 1     |           |
| 18   | 2B003807  | Bausatz Pumpenüberholung    | 1     |           |

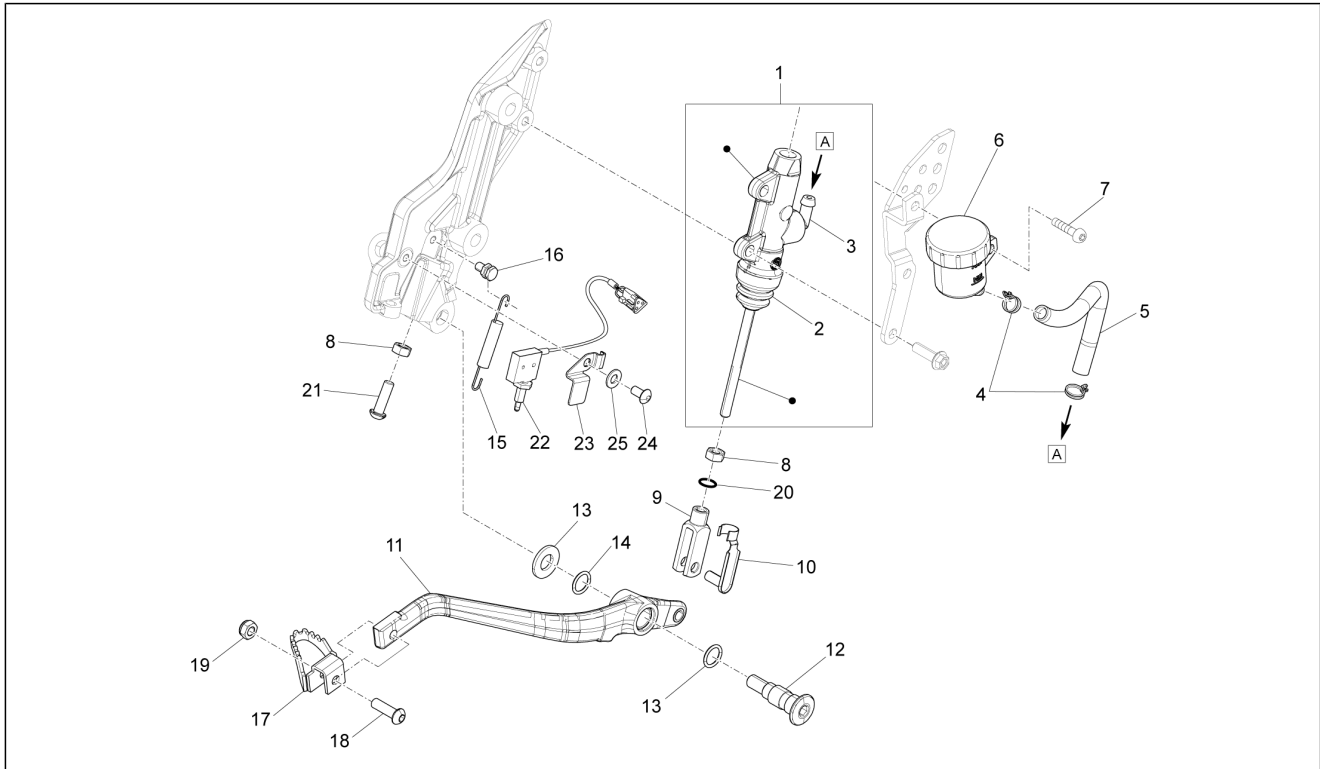


|                     |                    |
|---------------------|--------------------|
| <b>Einheit</b>      | Bremsanlage        |
| <b>Code</b>         | 06.020             |
| <b>Beschreibung</b> | Vorderradbremzange |
| <b>Inspektion</b>   | 1                  |



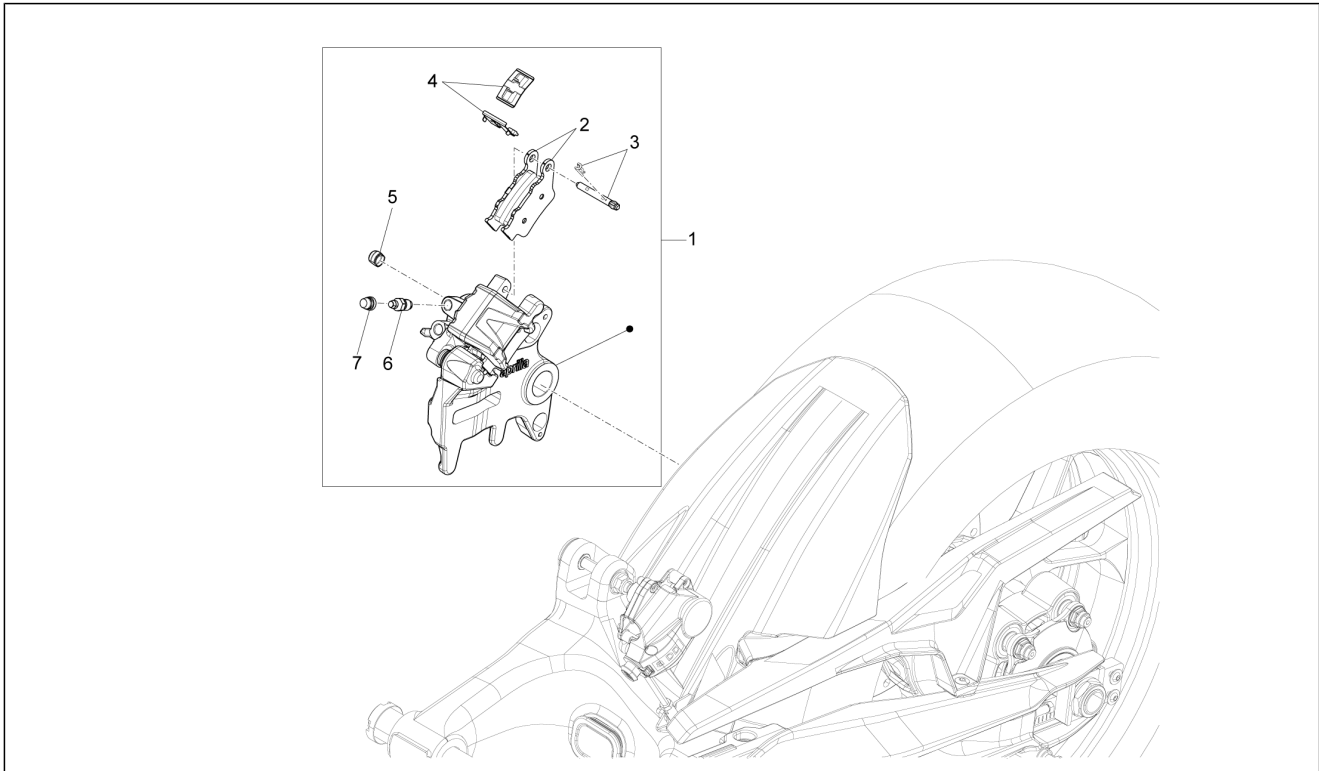
| Pos. | Code      | Beschreibung               | Menge | Varianten |
|------|-----------|----------------------------|-------|-----------|
| 1    | B045735   | Vorderradbremzange r.      | 1     |           |
| 2    | B045736   | Vorderradbremzange l.      | 1     |           |
| 3    | 2B000214  | Beläge (paar)              | 1     |           |
| 4    | B044598   | Kit Zapfen+Feder+Splint    | 1     |           |
| 5    | AP8152414 | TE Schr. m. Flansch M10x55 | 4     |           |

|                     |                     |
|---------------------|---------------------|
| <b>Einheit</b>      | Bremsanlage         |
| <b>Code</b>         | 06.030              |
| <b>Beschreibung</b> | Hinterradbremspumpe |
| <b>Inspektion</b>   | 1                   |



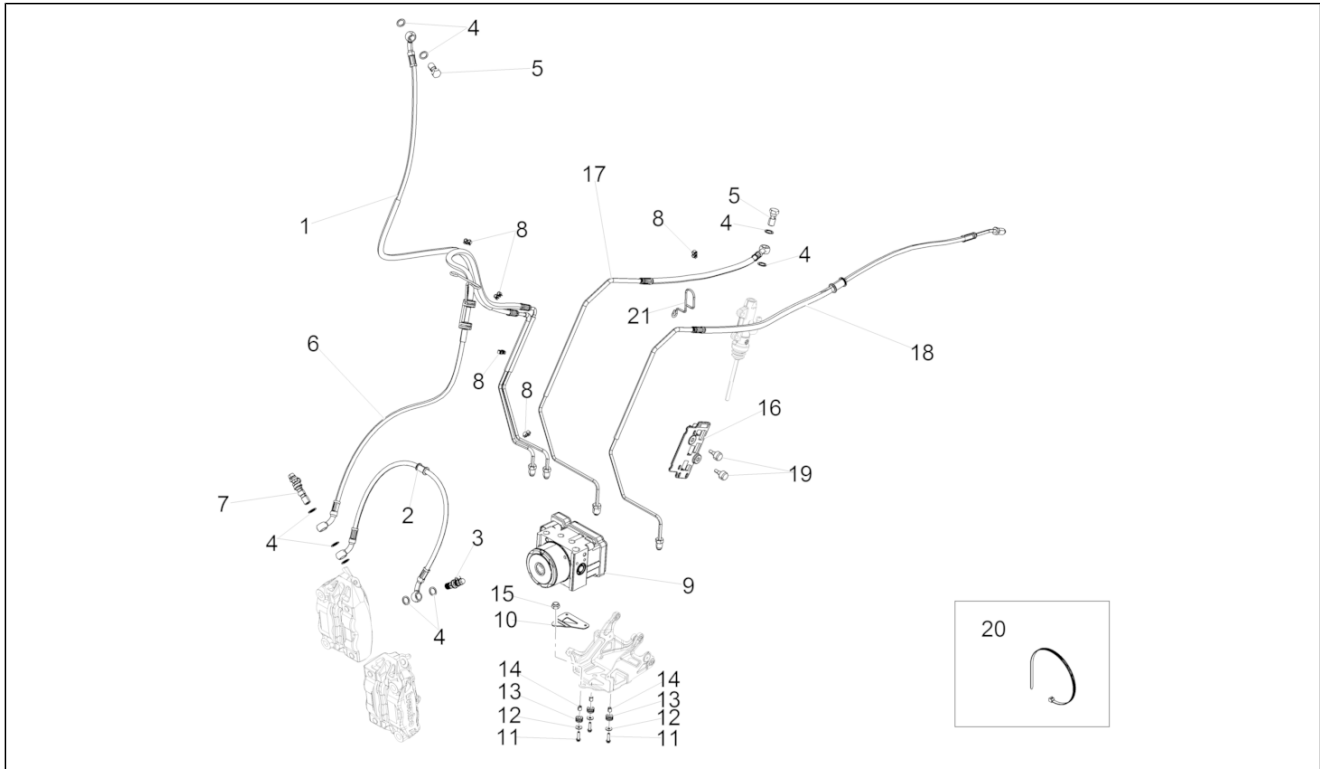
| Pos. | Code      | Beschreibung                      | Menge | Varianten |
|------|-----------|-----------------------------------|-------|-----------|
| 1    | B045418   | Hinterradbremspumpe               | 1     |           |
| 2    | AP8113288 | Gummibalg                         | 1     |           |
| 3    | AP8213057 | Hinterer Pumpenanschluß           | 1     |           |
| 4    | AP8101595 | Schelle D10,1                     | 2     |           |
| 5    | 2B001435  | Ölschlauch                        | 1     |           |
| 6    | AP8133873 | Bremsöltank                       | 1     |           |
| 7    | AP8150537 | TBEI Schraube M6x12               | 1     |           |
| 8    | AP8150026 | Mutter M6                         | 2     |           |
| 9    | AP8101968 | Schaltgabel                       | 1     |           |
| 10   | AP8201301 | Klemmen für Schaltgabel           | 1     |           |
| 11   | 856808    | H.bremshebel                      | 1     |           |
| 12   | 884033    | Hebelbolzen                       | 1     |           |
| 13   | AP8144007 | O-Ring 11,11x1,78                 | 2     |           |
| 14   | AP8150020 | Ausgleichscheibe 10,5x21x2*       | 1     |           |
| 15   | AP8121126 | Feder Hinterradbremsh.            | 1     |           |
| 16   | 859946    | Befestigungsbolzen                | 1     |           |
| 17   | 851049    | Rear Brake lever push             | 1     |           |
| 18   | AP8150137 | TCEI Schraube M6x16               | 1     |           |
| 19   | AP8150430 | Selbstsperr.mut Unt.              | 1     |           |
| 20   | AP8120178 | O-Ring OR112                      | 1     |           |
| 21   | AP8224470 | TBEI Schraube M6x20               | 1     |           |
| 22   | B046127   | ***Schalter                       | 1     |           |
| 23   | 2B000124  | ***Abdeckungsblech                | 1     |           |
| 24   | AP8150538 | TBEI Schraube M5x10               | 1     |           |
| 25   | AP8150272 | Gebogene Sprengscheibe 5,3x10x0,5 | 1     |           |

|                     |                    |
|---------------------|--------------------|
| <b>Einheit</b>      | Bremsanlage        |
| <b>Code</b>         | 06.040             |
| <b>Beschreibung</b> | Hinterradbremzange |
| <b>Inspektion</b>   | 1                  |



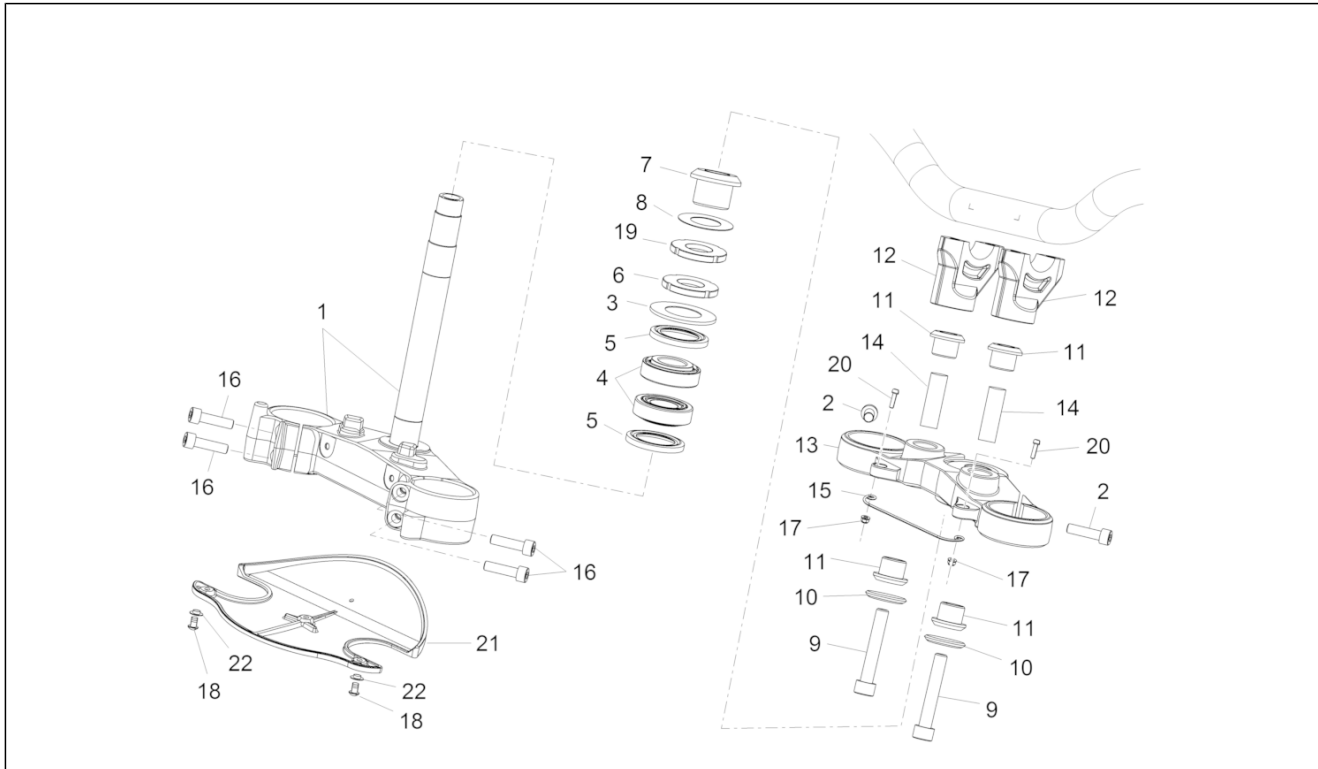
| Pos. | Code      | Beschreibung        | Menge | Varianten |
|------|-----------|---------------------|-------|-----------|
| 1    | 895571    | Hinterradbremzange  | 1     |           |
| 2    | 896254    | Beläge (Paar)       | 1     |           |
| 3    | AP8133907 | Stift+Splint Bremse | 2     |           |
| 4    | AP8133827 | Feder+platte        | 1     |           |
| 5    | AP8113548 | Haube               | 1     |           |
| 6    | AP8133502 | Entlüftungsanschluß | 1     |           |
| 7    | AP8113070 | Entlüftungskappe    | 1     |           |

|                     |                 |
|---------------------|-----------------|
| <b>Einheit</b>      | Bremsanlage     |
| <b>Code</b>         | 06.050          |
| <b>Beschreibung</b> | Bremsanlage ABS |
| <b>Inspektion</b>   | 1               |



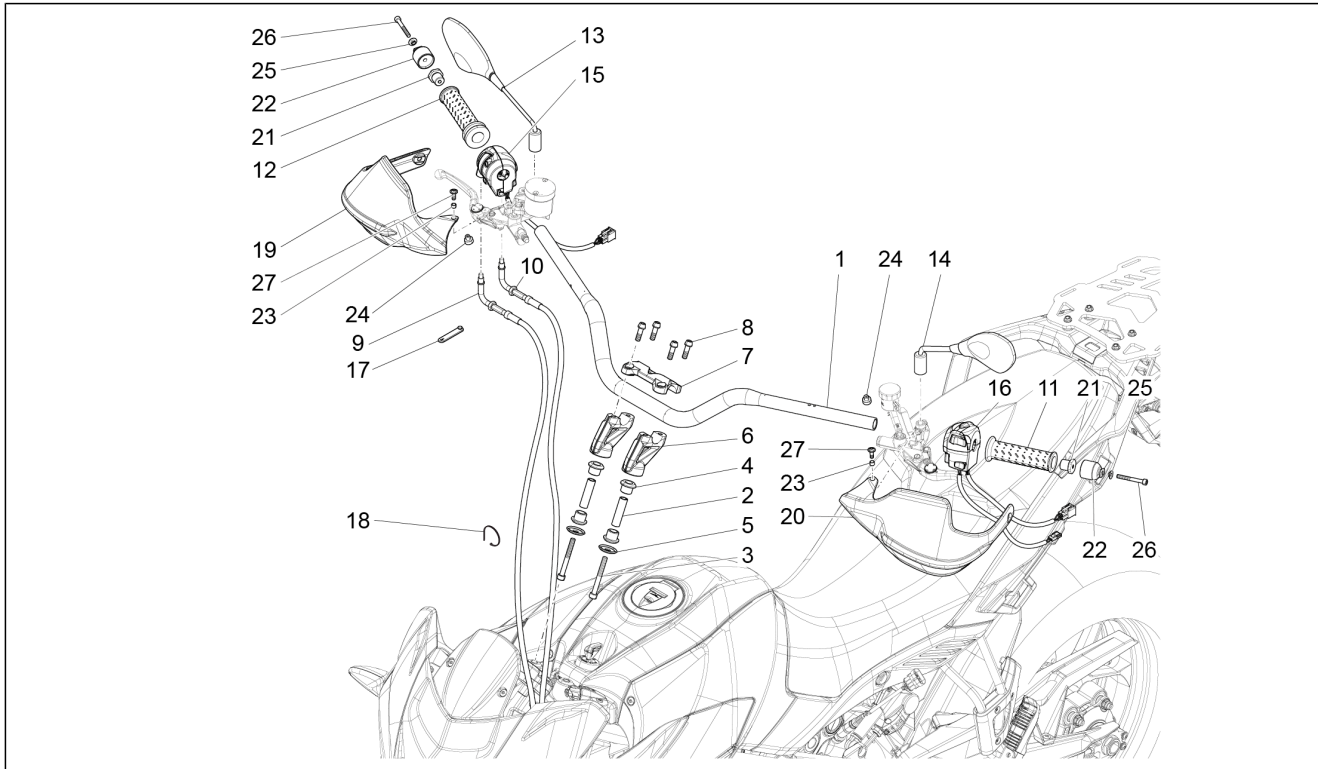
| Pos. | Code      | Beschreibung                                      | Menge | Varianten |
|------|-----------|---|-------|-----------|
| 1    | 2B001144  | Leitung Hauptbremszylinder re ABS-Einheit         | 1     |           |
| 2    | 2B001280  | Vorderradbremleit. Sattel-Sattel                  | 1     |           |
| 3    | AP8133945 | Bausatz Entlüftungsüberh.                         | 2     |           |
| 4    | AP8113004 | Ausgleichscheibe 10x14x1,6*                       | 10    |           |
| 5    | AP8113003 | Fixierschraube Ölschlauch                         | 2     |           |
| 6    | 2B001145  | Leitung ABS-Einheit - Bremssattel Vorderradbremse | 1     |           |
| 7    | 899811    | Befestigungsschraube leitungen                    | 1     |           |
| 8    | AP9100519 | Kleine Feder                                      | 4     |           |
| 9    | 2D000193  | Steuergerät ABS Cluster                           | 1     |           |
| 10   | 859789    | Platte  | 1     |           |
| 11   | AP8152280 | TE Schr. m. Flansch M6x25                         | 3     |           |
| 12   | AP8150015 | Ausgleichscheibe 6,6x18x1,6*                      | 3     |           |
| 13   | AP8120030 | Gummi   | 3     |           |
| 14   | AP8221007 | Distanzscheibe 6,5X10X11*                         | 3     |           |
| 15   | AP8152299 | Selbstsperrende Mutter M6                         | 1     |           |
| 16   | 2B001461  | Halteplatte Bremsschlauch                         | 1     |           |
| 17   | 2B001142  | Leitung Hauptbremszylinder re ABS-Einheit         | 1     |           |
| 18   | 2B001143  | Bremsleitung hinterradbremse                      | 1     |           |
| 19   | AP8706087 | Gummi   | 2     |           |
| 20   | AP8120416 | Schelle schwarz 178x4                             | 1     |           |
| 21   | 2B001285  | Kabelführung                                      | 1     |           |

|                     |                          |
|---------------------|--------------------------|
| <b>Einheit</b>      | Lenkstange - Schaltungen |
| <b>Code</b>         | 07.010                   |
| <b>Beschreibung</b> | Lenkung                  |
| <b>Inspektion</b>   | 1                        |



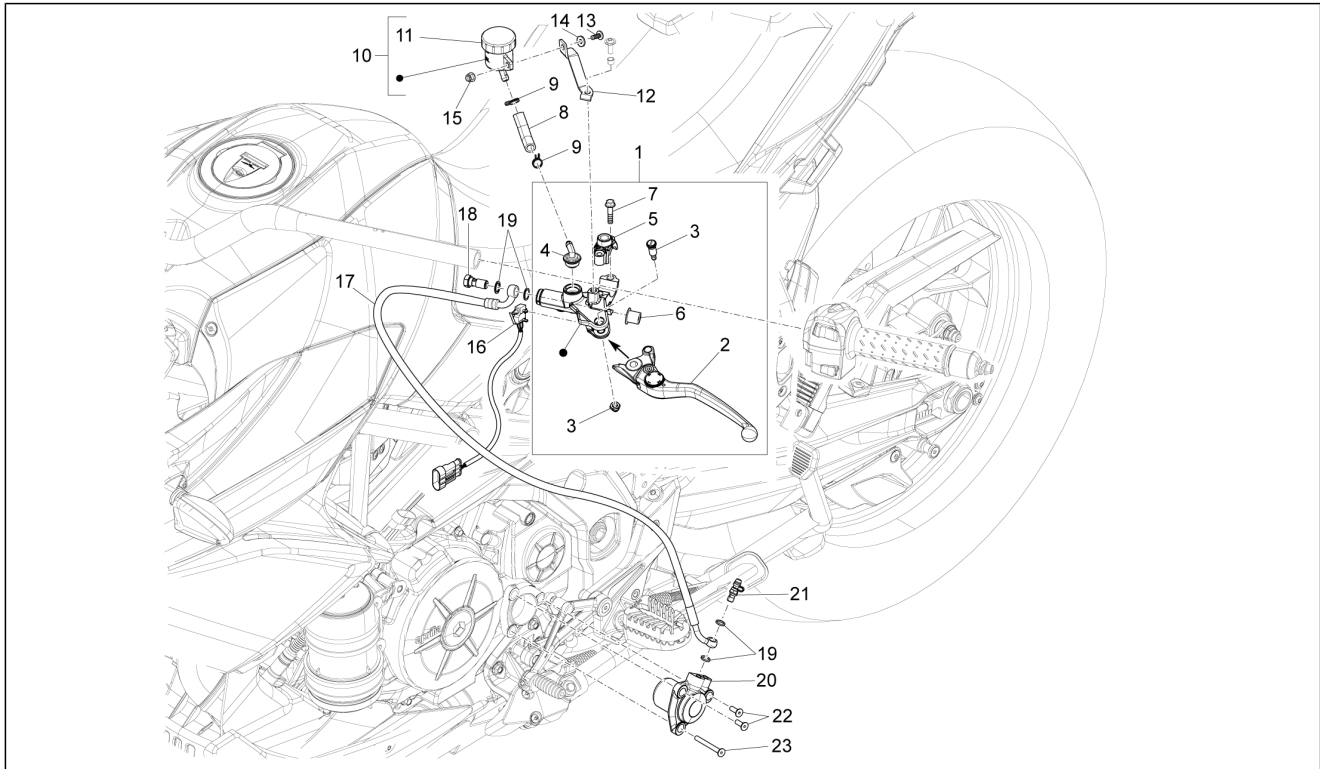
| Pos. | Code      | Beschreibung                  | Menge | Varianten |
|------|-----------|-------------------------------|-------|-----------|
| 1    | B045254   | U. Platte Gabel               | 1     |           |
| 2    | AP8152187 | Flache Innensechskantschraube | 2     |           |
| 3    | AP8123644 | Staubschutzring               | 1     |           |
| 4    | AP8110077 | Axialkugellager               | 2     |           |
| 5    | AP8123641 | Staubschutzring               | 2     |           |
| 6    | B046343   | Nutmutter M35X1               | 1     |           |
| 7    | B045392   | Schraube Lenkstangenplatte    | 1     |           |
| 8    | 2B000099  | Flachscheibe                  | 1     |           |
| 9    | AP8150088 | TCEI Schraube M10x70          | 2     |           |
| 10   | AP8123511 | Becher                        | 2     |           |
| 11   | AP8144222 | Gummi                         | 4     |           |
| 12   | 854815    | Unter.Bügelbolzen             | 2     |           |
| 13   | B045255   | Ob. Gabelplatte               | 1     |           |
| 14   | B046057   | Distanzscheibe                | 2     |           |
| 15   | 2B000100  | Kabelführung                  | 1     |           |
| 16   | AP8150236 | TCEI Schraube M8x35           | 4     |           |
| 17   | AP8152306 | Selbstsperrende Mutter M5     | 2     |           |
| 18   | 598839    | TE Schr. m. Flansch           | 2     |           |
| 19   | AP8123642 | Nutmutter                     | 1     |           |
| 20   | AP8150454 | TCEI Schraube M5x16           | 2     |           |
| 21   | 2B001352  | Plattenverkleidung            | 1     |           |
| 22   | AP9100053 | Buchse d.10-h.3,5             | 2     |           |

|                     |                          |
|---------------------|--------------------------|
| <b>Einheit</b>      | Lenkstange - Schaltungen |
| <b>Code</b>         | 07.020                   |
| <b>Beschreibung</b> | Lenkstange - Schaltungen |
| <b>Inspektion</b>   | 1                        |



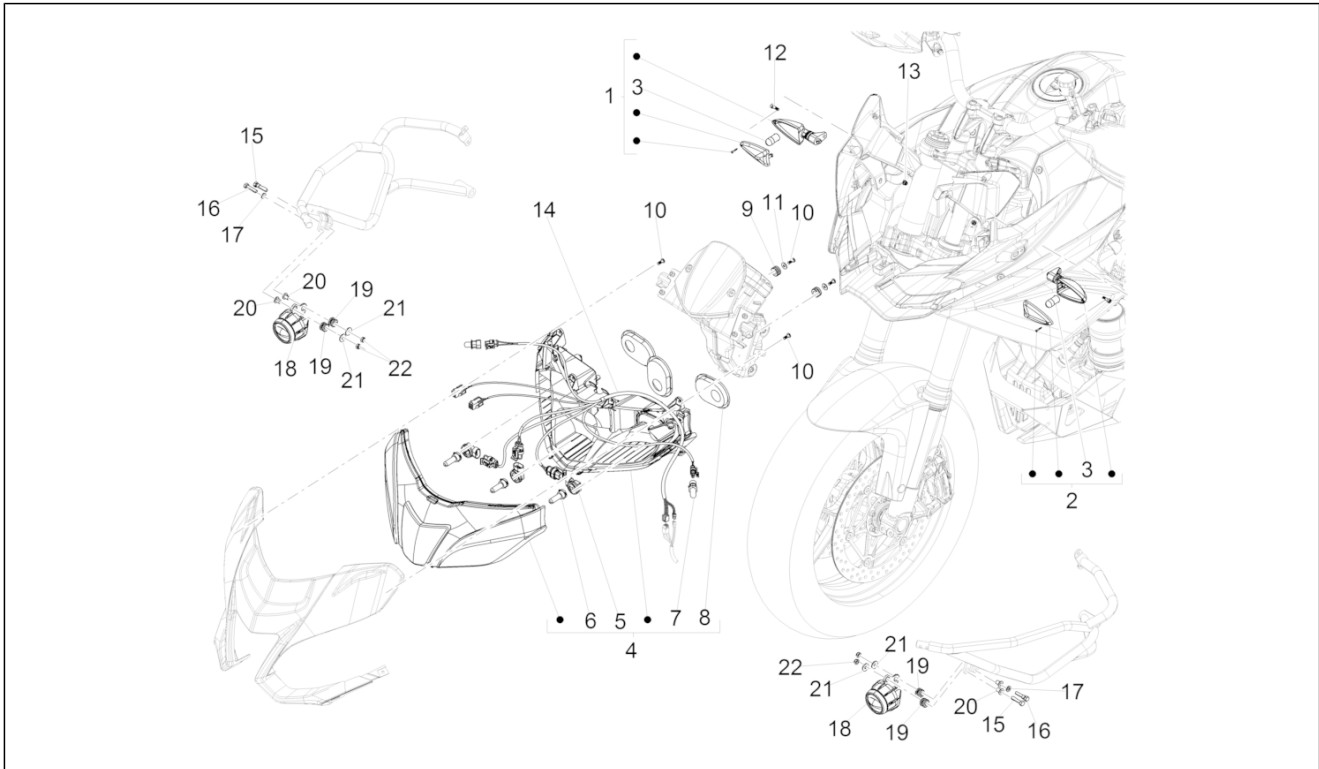
| Pos. | Code       | Beschreibung                  | Menge | Varianten |
|------|------------|-------------------------------|-------|-----------|
| 1    | B044478    | Lenkstange                    | 1     |           |
| 2    | B046057    | Distanzscheibe                | 2     |           |
| 3    | AP8150088  | TCEI Schraube M10x70          | 2     |           |
| 4    | AP8144222  | Gummi                         | 4     |           |
| 5    | AP8123511  | Becher                        | 2     |           |
| 6    | 854815     | Unter.Bügelbolzen             | 2     |           |
| 7    | 851628     | Bügelbolzen oben              | 1     |           |
| 8    | AP8152486  | Zylinderschraube M8x25 INOX   | 4     |           |
| 9    | B045614    | Öffnungswinkel Gaszugkabel    | 1     |           |
| 10   | B045615    | Verschuß Gaszugkabel          | 1     |           |
| 11   | AP8118579  | Links griff                   | 1     |           |
| 12   | GU01603480 | Gasschaltung mit griff        | 1     |           |
| 13   | 896663     | Rechter rückspiegel           | 1     |           |
| 14   | 858539     | Linker rückspiegel            | 1     |           |
| 15   | 2D000112   | Rechter Lichtschalter         | 1     |           |
| 16   | 896107     | Linker Lichtschalter          | 1     |           |
| 17   | 860744     | Schelle                       | 1     |           |
| 18   | AP8120416  | Schelle schwarz 178x4         | 1     |           |
| 19   | B044835    | Handschutz rechts             | 1     |           |
| 20   | B044836    | Handschutz links              | 1     |           |
| 21   | AP8121520  | Endstück Schwinggew.          | 2     |           |
| 22   | 859949     | Schwingschutzgewicht schwarz  | 2     |           |
| 23   | AP8120253  | Distanzscheibe                | 1     |           |
| 24   | AP8144081  | Gummi                         | 2     |           |
| 25   | AP8121032  | Buchse                        | 2     |           |
| 26   | AP8150324  | TCEI Schraube M6x50           | 2     |           |
| 27   | AP8152246  | TBEI Schraube m.Flansch M6x16 | 2     |           |

|                     |                          |
|---------------------|--------------------------|
| <b>Einheit</b>      | Lenkstange - Schaltungen |
| <b>Code</b>         | 07.030                   |
| <b>Beschreibung</b> | Kupplungssteuerung       |
| <b>Inspektion</b>   | 1                        |



| Pos. | Code      | Beschreibung                      | Menge | Varianten |
|------|-----------|-----------------------------------|-------|-----------|
| 1    | 896259    | Kupplungspumpe                    | 1     |           |
| 2    | AP8113758 | Kupplungshebel                    | 1     |           |
| 3    | AP8113719 | Hebelbolzen                       | 1     |           |
| 4    | AP8213057 | Hinterer Pumpenanschluß           | 1     |           |
| 5    | AP8168501 | Grundplatte Rückspg.              | 1     |           |
| 6    | AP8133522 | Haube                             | 1     |           |
| 7    | AP8213299 | Kappenschraube                    | 1     |           |
| 8    | 890509    | Gummischlauch                     | 1     |           |
| 9    | AP8101595 | Schelle D10,1                     | 2     |           |
| 10   | AP8106382 | Öltank kpl                        | 1     |           |
| 11   | AP8113553 | Tankverschluß                     | 1     |           |
| 12   | AP8134898 | Platte f. Ölbehälter              | 1     |           |
| 13   | AP8150538 | TBEI Schraube M5x10               | 1     |           |
| 14   | AP8150272 | Gebogene Sprengscheibe 5,3x10x0,5 | 1     |           |
| 15   | AP8150539 | Hutmutter                         | 1     |           |
| 16   | B044511   | Kupplungsschalter                 | 1     |           |
| 17   | B045999   | Kupplungsschlauch                 | 1     |           |
| 18   | AP8113003 | Fixierschraube Ölschlauch         | 1     |           |
| 19   | AP8113004 | Ausgleichscheibe 10x14x1,6*       | 4     |           |
| 20   | 85221R    | Kupplungszylinder                 | 1     |           |
| 21   | AP8133945 | Bausatz Entlüftungsüberh.         | 1     |           |
| 22   | 874037    | Schraube                          | 2     |           |
| 23   | 873268    | Schraube                          | 1     |           |

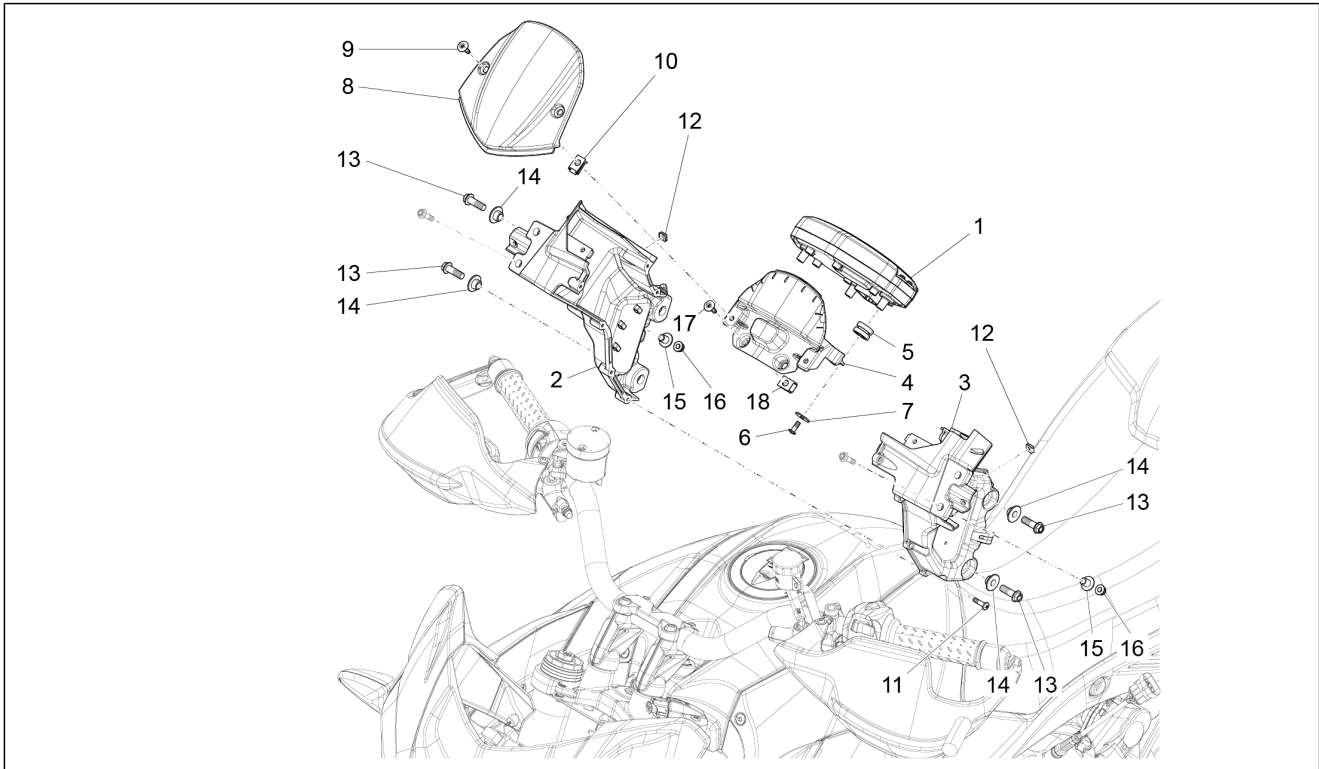
|                     |                                |
|---------------------|--------------------------------|
| <b>Einheit</b>      | Vorderer Lichter - Instrumente |
| <b>Code</b>         | 08.010                         |
| <b>Beschreibung</b> | Vorderer Lichter               |
| <b>Inspektion</b>   | 1                              |



| Pos. | Code       | Beschreibung                | Menge | Varianten |
|------|------------|-----------------------------|-------|-----------|
| 1    | 854555     | Vorderblinker rechts        | 2     |           |
| 2    | 854556     | Vorderblinker links         | 2     |           |
| 3    | AP8127489  | Lampen RY10W 12V            | 1     |           |
| 4    | 2R000161   | Kit Frontscheinwerfer       | 1     |           |
| 5    | 893930     | Lampenhalter                | 2     |           |
| 6    | 640754     | Lampen H11 12V-55W          | 3     |           |
| 7    | 893929     | Lampen H8 12V 35W           | 2     |           |
| 8    | 894796     | Scheinwerferhaube           | 3     |           |
| 9    | AP8120030  | Gummi                       | 3     |           |
| 10   | AP8150509  | Gew.schr. 5x14              | 6     |           |
| 11   | AP8150382  | Ausgleichscheibe 15x5,5X1,2 | 2     |           |
| 12   | 620344     | TCEI Schraube M6x20         | 2     |           |
| 13   | AP8152299  | Selbstsperrende Mutter M6   | 2     |           |
| 14   | 858867     | Verkabel.Scheinwerf.        | 1     |           |
| 15   | 2B001405   | Schraube, einstell          | 2     |           |
| 16   | 2B002000   | Schraube, einstell          | 2     |           |
| 17   | AP8150178  | Ausgleichscheibe 6,4x12,5*  | 2     |           |
| 18   | 2B000487   | Nebelscheinwerfer           | 2     |           |
| 19   | AP8120223  | Gummi *                     | 4     |           |
| 20   | AP8121790  | T-Buchse *                  | 4     |           |
| 21   | AP8150179  | Ausgleichscheibe 6,6x18*    | 4     |           |
| 22   | GU92630207 | Mutter                      | 4     |           |

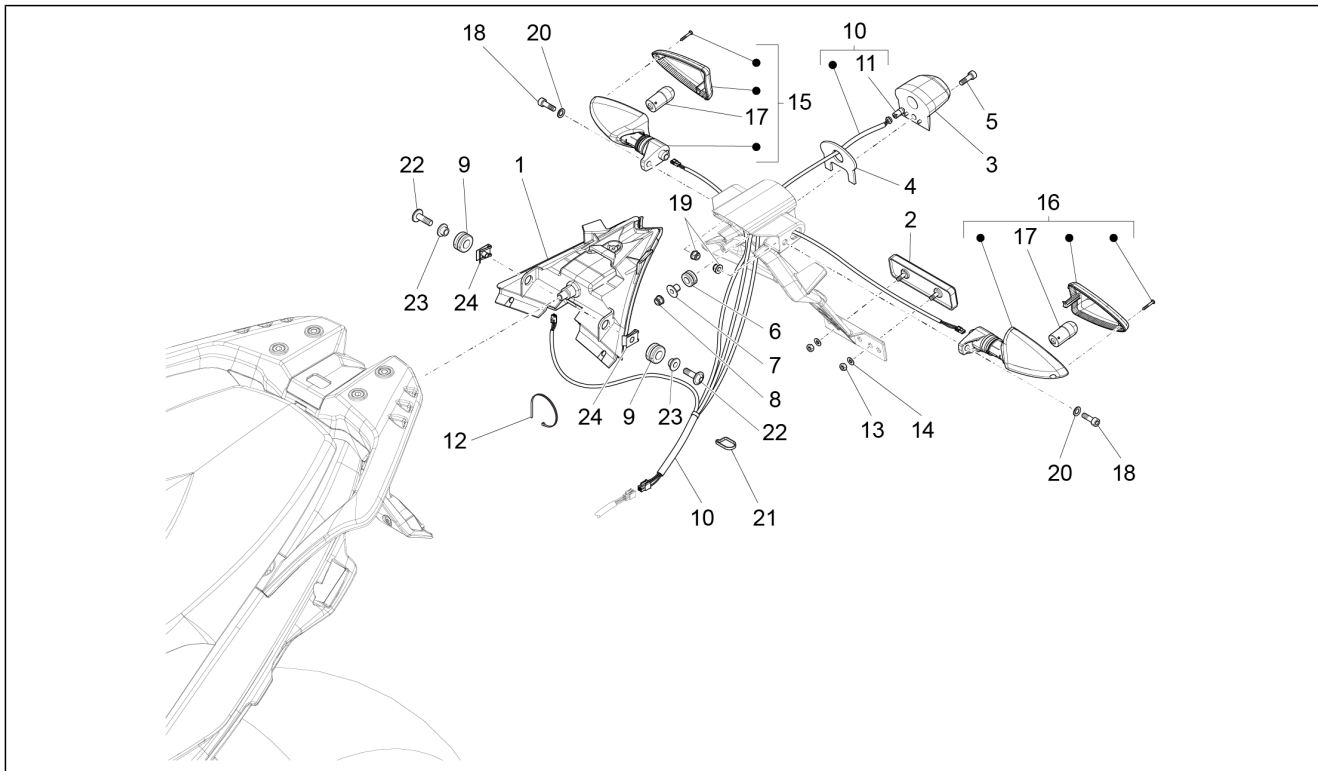


|                     |                                |
|---------------------|--------------------------------|
| <b>Einheit</b>      | Vorderer Lichter - Instrumente |
| <b>Code</b>         | 08.020                         |
| <b>Beschreibung</b> | Instrumente                    |
| <b>Inspektion</b>   | 1                              |



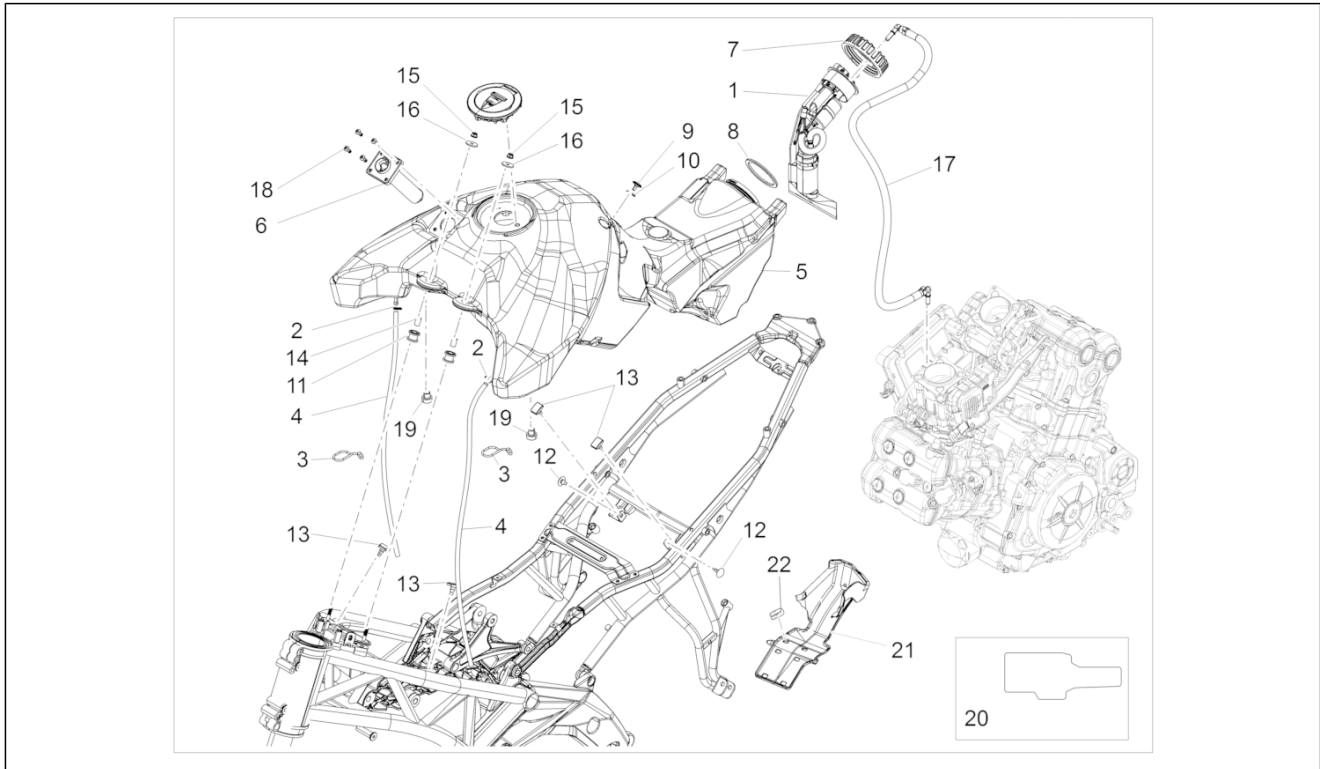
| Pos. | Code      | Beschreibung                  | Menge | Varianten |
|------|-----------|-------------------------------|-------|-----------|
| 1    | 2D000107  | Instrumententafel             | 1     |           |
| 2    | B044246   | Halterung Armaturen Brett re  | 1     |           |
| 3    | B044247   | Halterung Armaturen Brett re  | 1     |           |
| 4    | B044248   | Verschl. Instr.tafel          | 1     |           |
| 5    | AP8220150 | Gummi                         | 3     |           |
| 6    | AP8150509 | Gew.schr. 5x14                | 3     |           |
| 7    | AP8150255 | Ausgleichscheibe 5x20x1,5     | 3     |           |
| 8    | B045015   | Randleiste Instrumenten.      | 1     |           |
| 9    | AP8150500 | TBEI Schraube M5x9            | 2     |           |
| 10   | AP8102375 | Klammer M5                    | 2     |           |
| 11   | AP8152329 | Kreuz.schl.flnschschr. M5x20  | 6     |           |
| 12   | CM017403  | Plattchen                     | 2     |           |
| 13   | AP8152287 | TE Schr. m. Flansch M8x25     | 4     |           |
| 14   | AP8121716 | T-Buchse                      | 4     |           |
| 15   | AP8121665 | T-Buchse                      | 4     |           |
| 16   | AP8152299 | Selbstsperrende Mutter M6     | 4     |           |
| 17   | AP8152302 | TBEI Schraube m.Flansch M5x12 | 2     |           |
| 18   | 248419    | Plattchen M5                  | 2     |           |

|                     |                                |
|---------------------|--------------------------------|
| <b>Einheit</b>      | Vorderer Lichter - Instrumente |
| <b>Code</b>         | 08.030                         |
| <b>Beschreibung</b> | Hinterer Lichter               |
| <b>Inspektion</b>   | 1                              |



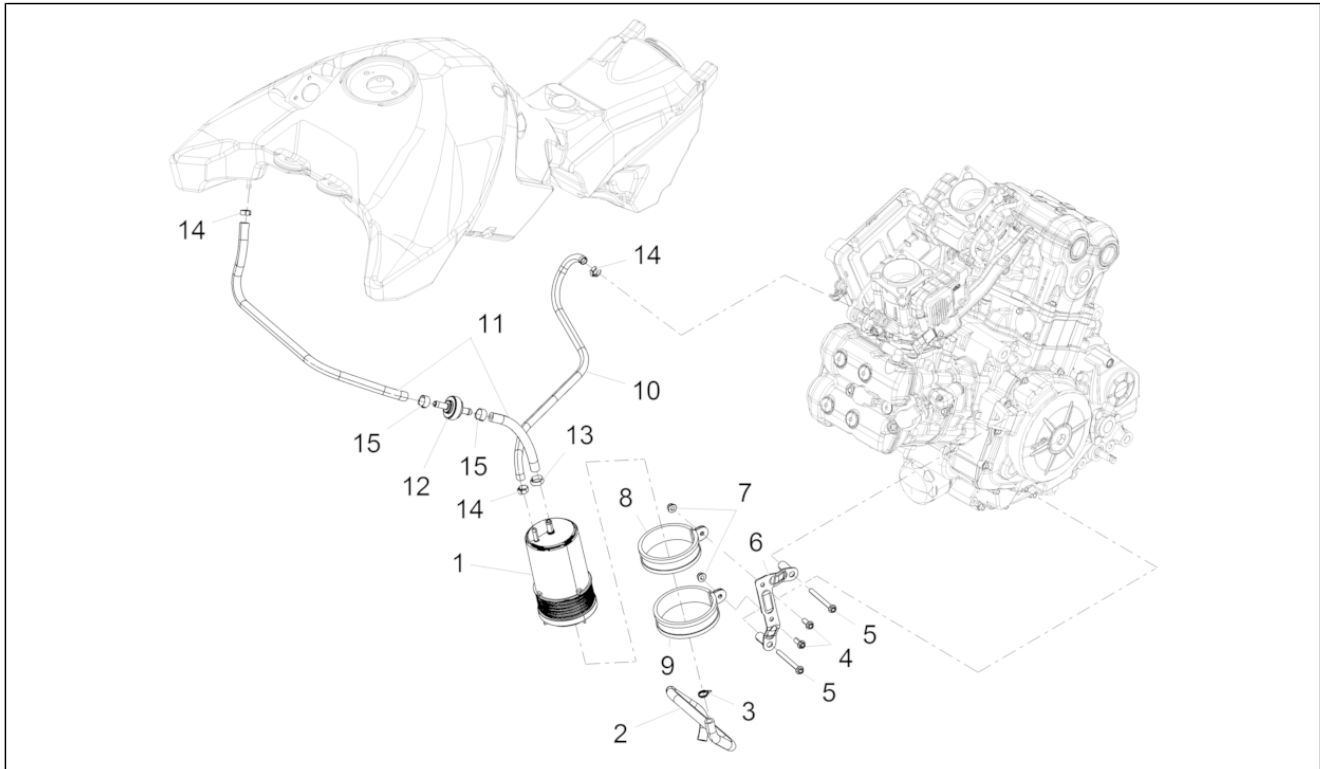
| Pos. | Code      | Beschreibung                               | Menge | Varianten |
|------|-----------|--|-------|-----------|
| 1    | 2B001590  | Rücklicht                                  | 1     |           |
| 2    | AP8112916 | Rückstrahler Rücklicht                     | 1     |           |
| 3    | 85256R    | Kennzeichenleuchte                         | 1     |           |
| 4    | AP8117258 | Schwingungsdämpfergummi                    | 1     |           |
| 5    | AP8150522 | Linsenschraube 4,2x16                      | 1     |           |
| 6    | AP8112600 | Gummi                                      | 1     |           |
| 7    | 894566    | T-Buchse                                   | 1     |           |
| 8    | AP8152306 | Selbstsperrende Mutter M5                  | 1     |           |
| 9    | AP8112600 | Gummi                                      | 2     |           |
| 10   | B044716   | Verkabelung Rücklicht                      | 1     |           |
| 11   | 292022    | Lampen 12V-5W                              | 1     |           |
| 12   | AP8120657 | Schelle                                    | 1     |           |
| 13   | AP8150204 | Mutter M4                                  | 2     |           |
| 14   | AP8150158 | Ausgleichscheibe 4,3X9X0,8                 | 2     |           |
| 15   | AP8127803 | Vorderblinker links/ Hinterblinker rechts  | 1     |           |
| 16   | AP8127804 | Vorderblinker rechts / Hinterblinker links | 1     |           |
| 17   | AP8127489 | Lampen RY10W 12V                           | 1     |           |
| 18   | AP8150050 | TCEI Schraube M5x16                        | 2     |           |
| 19   | AP8152306 | Selbstsperrende Mutter M5                  | 2     |           |
| 20   | AP8150177 | Ausgleichscheibe 5,3X10X1                  | 2     |           |
| 21   | AP8102386 | Schelle 155x2                              | 1     |           |
| 22   | AP8152338 | TBEI Schraube m.Flansch                    | 2     |           |
| 23   | AP8121795 | T-Buchse                                   | 2     |           |
| 24   | AP8102375 | Klammer M5                                 | 2     |           |

|                     |                |
|---------------------|----------------|
| <b>Einheit</b>      | Tank           |
| <b>Code</b>         | 09.010         |
| <b>Beschreibung</b> | Kraftstofftank |
| <b>Inspektion</b>   | 1              |



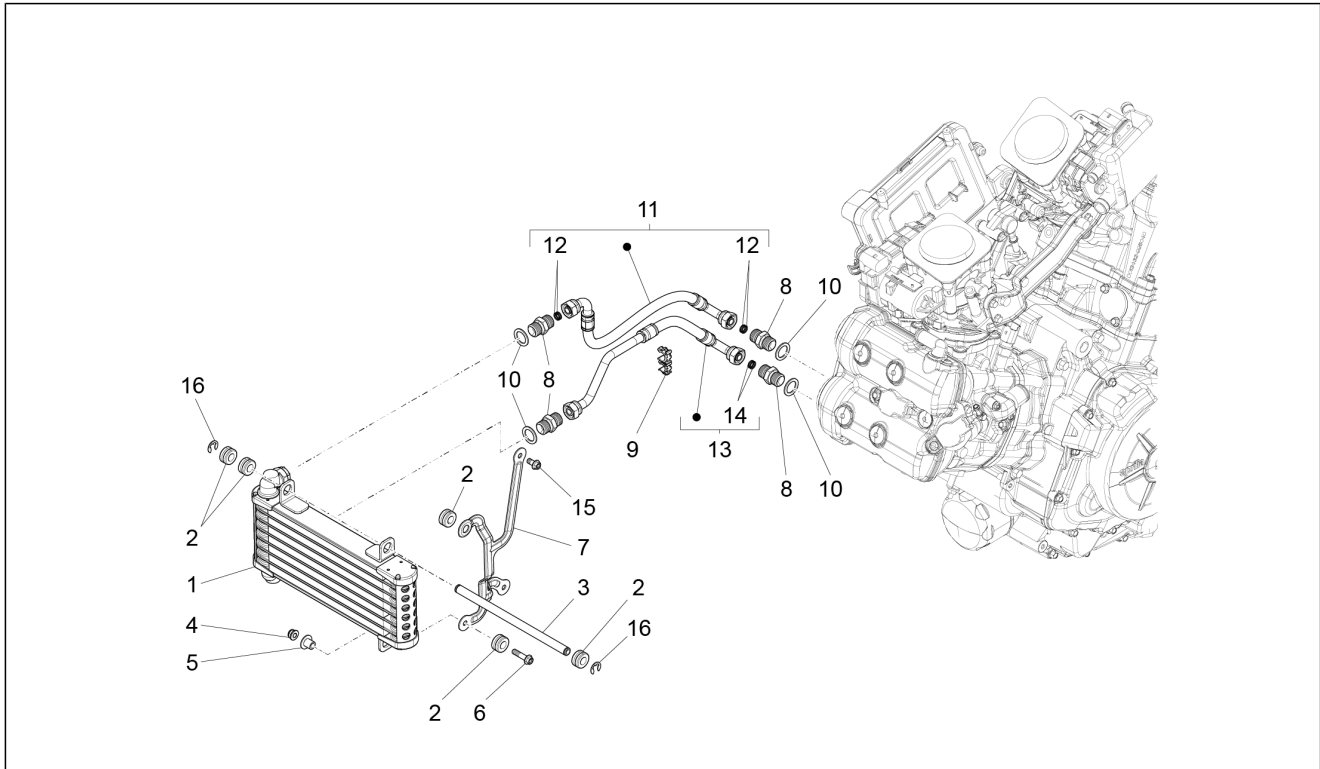
| Pos. | Code      | Beschreibung              | Menge | Varianten |
|------|-----------|---------------------------|-------|-----------|
| 1    | B045626   | Kraftstoffpumpe           | 1     |           |
| 2    | AP8101595 | Schelle D10,1             | 2     |           |
| 3    | AP8121889 | Kabelführungs             | 2     |           |
| 4    | 896544    | Kraftstoffleitung 5,5x10  | 2     |           |
| 5    | B045320   | Kraftstofftank            | 1     |           |
| 6    | 2B000037  | Benzinanzeiger            | 1     |           |
| 7    | AP8158359 | Nutmutter                 | 1     |           |
| 8    | 854937    | Dichtung                  | 1     |           |
| 9    | AP8161127 | Fixierstift               | 1     |           |
| 10   | AP8150255 | Ausgleichscheibe 5x20x1,5 | 1     |           |
| 11   | AP8144328 | Gummi                     | 2     |           |
| 12   | AP8120001 | Gummi                     | 2     |           |
| 13   | AP8120455 | Gummi                     | 4     |           |
| 14   | AP8121718 | Buchse                    | 2     |           |
| 15   | AP8152299 | Selbstsperrende Mutter M6 | 2     |           |
| 16   | AP8150016 | Scheibe 6,6x18x1,6        | 2     |           |
| 17   | 2B000477  | Kraftstoffschlauch        | 1     |           |
| 18   | AP8150044 | TCEI Schraube M6x20       | 4     |           |
| 19   | AP8126702 | Gummi                     | 2     |           |
| 20   | 2B000362  | Schutz                    | 1     |           |
| 21   | 2B000523  | Tankschutz                | 1     |           |
| 22   | AP8120937 | Gummi kühlerbefestigung   | 6     |           |

|                     |                          |
|---------------------|--------------------------|
| <b>Einheit</b>      | Tank                     |
| <b>Code</b>         | 09.020                   |
| <b>Beschreibung</b> | Benzindampfrückf.-Anlage |
| <b>Inspektion</b>   | 1                        |



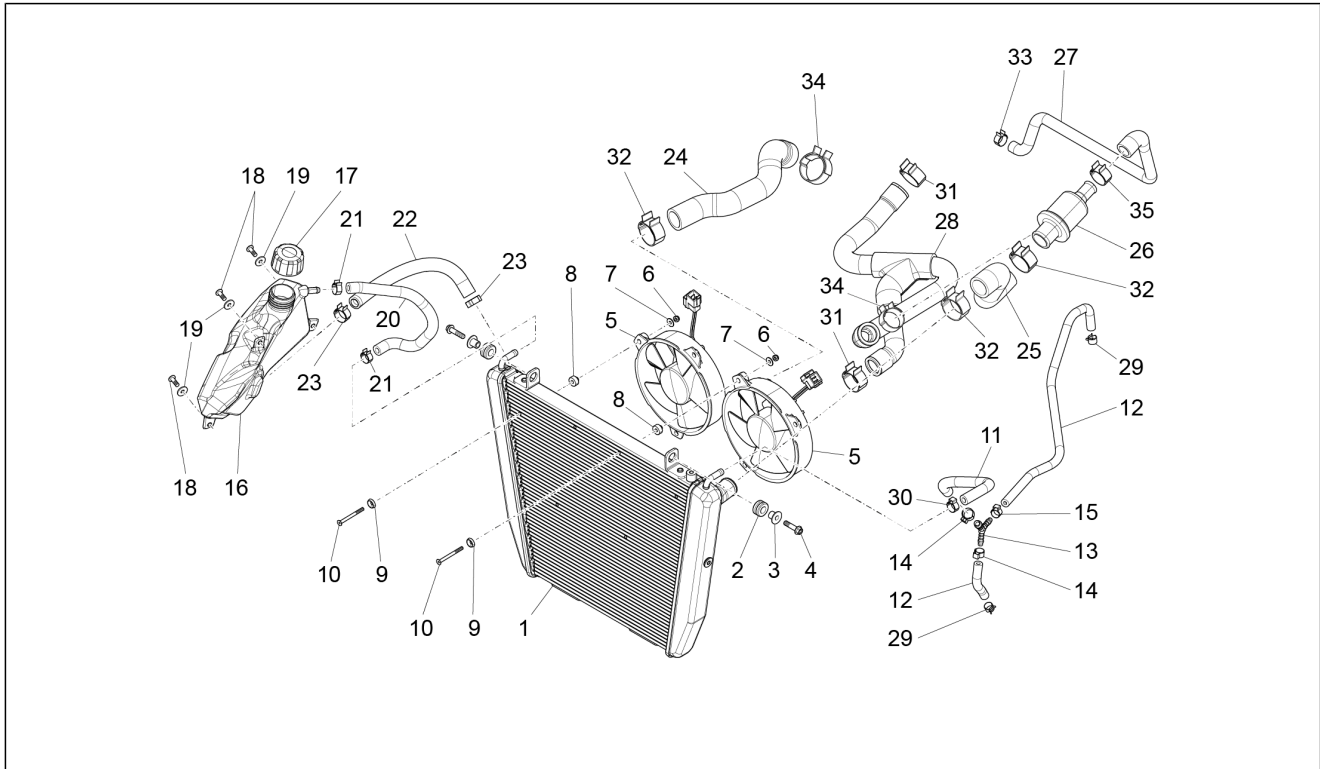
| Pos. | Code      | Beschreibung                    | Menge | Varianten |
|------|-----------|---------------------------------|-------|-----------|
| 1    | AP8102678 | Kohlefilter                     | 1     |           |
| 2    | 890499    | Kraftstoffleitung 8x13          | 1     |           |
| 3    | AP8102520 | Schlauchschelle                 | 1     |           |
| 4    | 598839    | TE Schr. m. Flansch             | 2     |           |
| 5    | AP9150395 | TE Schr. m. Flansch M6x60       | 2     |           |
| 6    | 898247    | Canister halte USA              | 1     |           |
| 7    | AP8152299 | Selbstsperrende Mutter M6       | 2     |           |
| 8    | AP8102688 | Schelle d.76                    | 1     |           |
| 9    | AP8102719 | Schelle d.80,5                  | 1     |           |
| 10   | 856062    | Leitung SAE 30 d.11,11x4,8      | 1     |           |
| 11   | 856063    | Leitung SAE 30 d.12,7x6,35      | 1     |           |
| 12   | 860138    | Ventil                          | 1     |           |
| 13   | AP8102764 | Schlauchschelle weiß d.13x6     | 1     |           |
| 14   | AP8120446 | Schlauchschelle, grün D11x6,6x1 | 3     |           |
| 15   | AP8102239 | Schelle 12,5x8                  | 2     |           |

|                     |            |
|---------------------|------------|
| <b>Einheit</b>      | Kühlanlage |
| <b>Code</b>         | 10.010     |
| <b>Beschreibung</b> | Ölkühler   |
| <b>Inspektion</b>   | 1          |



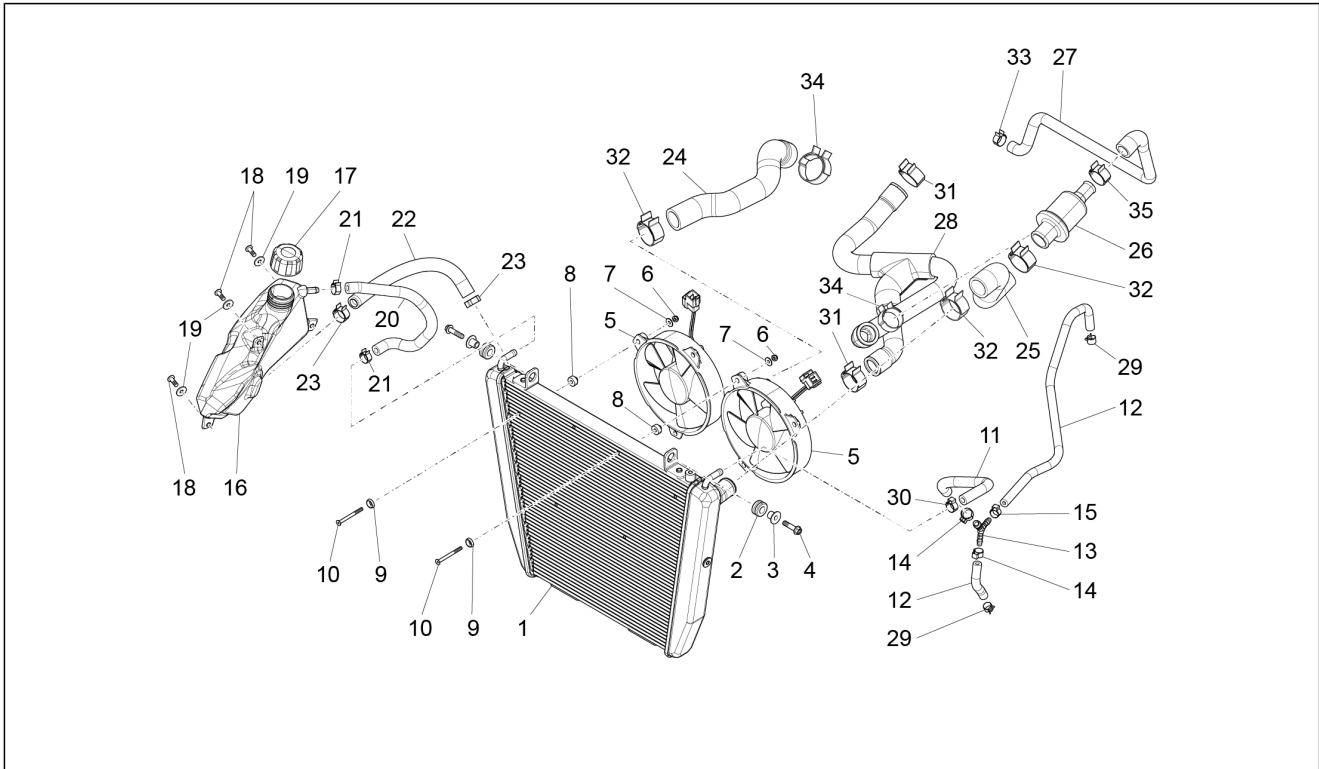
| Pos. | Code       | Beschreibung              | Menge | Varianten |
|------|------------|---------------------------|-------|-----------|
| 1    | 2B000896   | Ölkühler                  | 1     |           |
| 2    | AP8120030  | Gummi                     | 5     |           |
| 3    | 2B000077   | Distanzscheibe            | 1     |           |
| 4    | AP8152299  | Selbstsperrende Mutter M6 | 1     |           |
| 5    | AP8221023  | T-Buchse                  | 1     |           |
| 6    | AP8152280  | TE Schr. m. Flansch M6x25 | 1     |           |
| 7    | 2B000078   | Kühlerbefestigung         | 1     |           |
| 8    | GU01161331 | Übersetzung               | 4     |           |
| 9    | 2B000550   | Kabelführung doppelt D12  | 1     |           |
| 10   | GU01154230 | Dichtung                  | 4     |           |
| 11   | 2B000068   | Ölschlauch                | 1     |           |
| 12   | 899064     | O-Ring                    | 4     |           |
| 13   | 2B000069   | Ölschlauch                | 1     |           |
| 14   | 899064     | O-Ring                    | 2     |           |
| 15   | AP8152277  | TE Schr. m. Flansch M6x12 | 1     |           |
| 16   | AP8121428  | Seegerring d8             | 2     |           |

|                     |            |
|---------------------|------------|
| <b>Einheit</b>      | Kühlanlage |
| <b>Code</b>         | 10.020     |
| <b>Beschreibung</b> | Kühlanlage |
| <b>Inspektion</b>   | 1          |



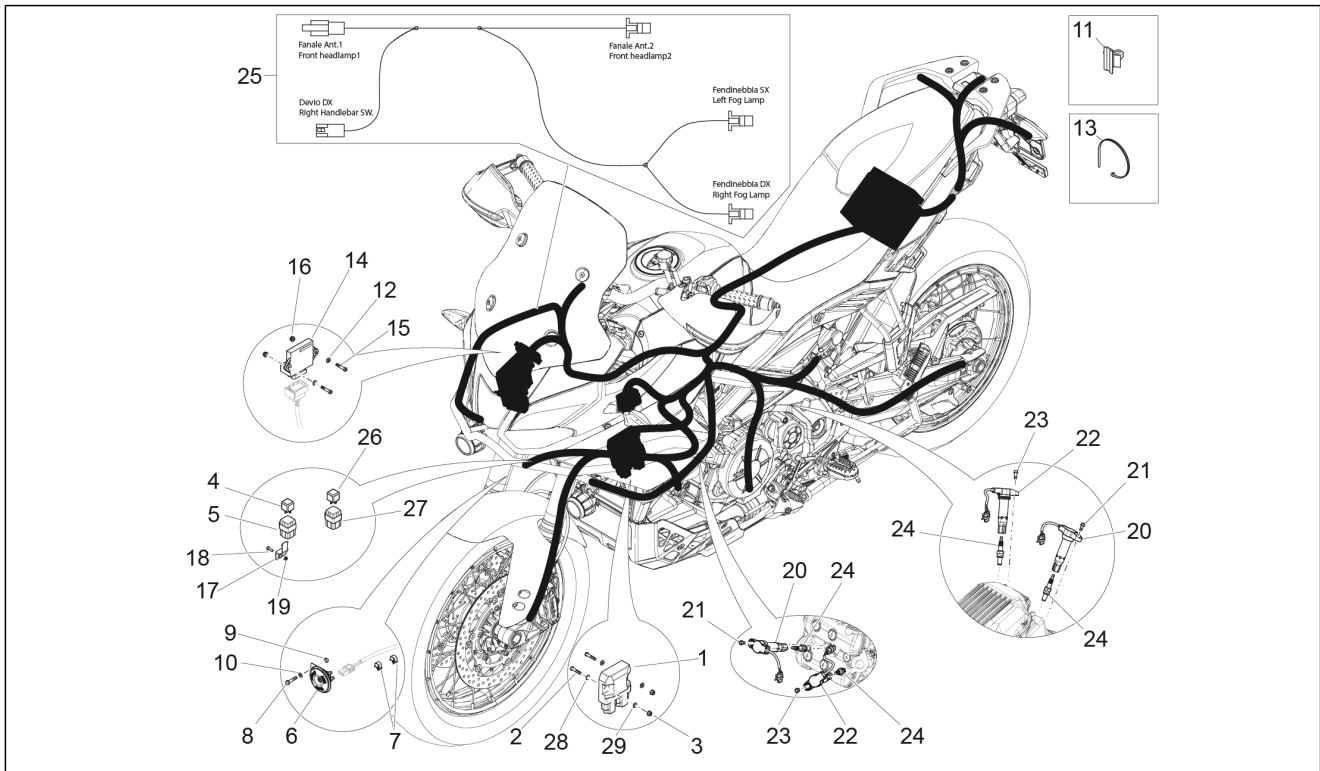
| Pos. | Code      | Beschreibung                       | Menge | Varianten |
|------|-----------|------------------------------------|-------|-----------|
| 1    | 2B001102  | Kühler                             | 1     |           |
| 2    | AP8120030 | Gummi                              | 2     |           |
| 3    | AP8221023 | T-Buchse                           | 2     |           |
| 4    | AP8152280 | TE Schr. m. Flansch M6x25          | 2     |           |
| 5    | 622055    | Ventilator komplett                | 2     |           |
| 6    | AP8150204 | Mutter M4                          | 6     |           |
| 7    | AP8150011 | Ausgleichscheibe 4,3x12x1          | 6     |           |
| 8    | 893513    | Distanzscheibe                     | 6     |           |
| 9    | 893823    | Ausgleichscheibe d4,5              | 6     |           |
| 10   | 893514    | Schraube                           | 6     |           |
| 11   | AP8144506 | Entlüftungsschlauch Kühler 7,5X3,5 | 1     |           |
| 12   | 897036    | Entlüftungsschlauch Kühler         | 2     |           |
| 13   | 897035    | Y-förmiger Anschluß                | 1     |           |
| 14   | CM001901  | Schlauchschele                     | 2     |           |
| 15   | CM001903  | Schlauchschele                     | 1     |           |
| 16   | B045075   | Ausdehngefäß                       | 1     |           |
| 17   | 623673    | Ausdehnsg. Schraube                | 1     |           |
| 18   | AP8150509 | Gew.schr. 5x14                     | 3     |           |
| 19   | AP8150013 | Ausgleichscheibe 5,5x15x1,6*       | 3     |           |
| 20   | 2B000174  | Entlüftungsschlauch Kühler         | 1     |           |
| 21   | CM226901  | Federschele 15/12                  | 2     |           |
| 22   | 2B000175  | Kühlerschlauch                     | 1     |           |
| 23   | CM226902  | Federschele 19/12                  | 2     |           |
| 24   | 2B000055  | Verbindungsleitung                 | 1     |           |
| 25   | 2B000054  | Cooler pipe                        | 1     |           |
| 26   | 834232    | Ventil thermostatgruppe 85°C       | 1     |           |
| 27   | 894511    | Pump-Motorventilleitung            | 1     |           |
| 28   | 894512    | 3-Wege-Leitung                     | 1     |           |

|                     |            |
|---------------------|------------|
| <b>Einheit</b>      | Kühlanlage |
| <b>Code</b>         | 10.020     |
| <b>Beschreibung</b> | Kühlanlage |
| <b>Inspektion</b>   | 1          |



| Pos. | Code     | Beschreibung       | Menge | Varianten |
|------|----------|--------------------|-------|-----------|
| 29   | 898060   | Schlauchschelle    | 2     |           |
| 30   | CM226901 | Federschelle 15/12 | 1     |           |
| 31   | CM226909 | Federschelle 29/12 | 2     |           |
| 32   | CM226905 | Federschelle 32/12 | 3     |           |
| 33   | CM226903 | Federschelle 22/12 | 1     |           |
| 34   | CM226906 | Federschelle 35/12 | 2     |           |
| 35   | CM226908 | Federschelle 15/12 | 1     |           |

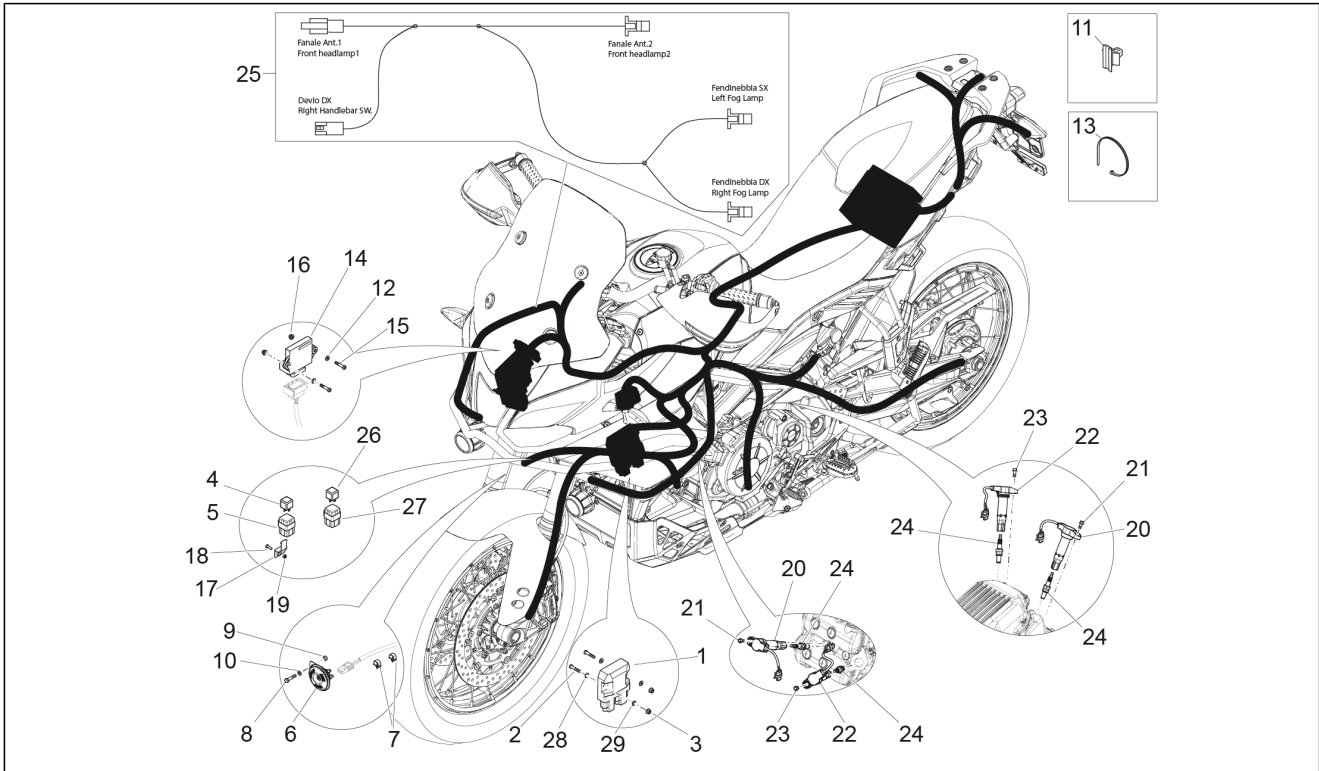
|                     |                           |
|---------------------|---------------------------|
| <b>Einheit</b>      | Elektrische Anlage        |
| <b>Code</b>         | 11.010                    |
| <b>Beschreibung</b> | Vorder Elektrische Anlage |
| <b>Inspektion</b>   | 1                         |



| Pos. | Code      | Beschreibung                | Menge | Varianten |
|------|-----------|-----------------------------|-------|-----------|
| 1    | 680167    | Spannungsregler             | 1     |           |
| 2    | AP8152128 | TBEI Schraube M6x30         | 2     |           |
| 3    | AP8152299 | Selbstsperrende Mutter M6   | 2     |           |
| 4    | 895481    | Relais Einspritzung 12V-40W | 1     |           |
| 5    | 896715    | Auflagegummi Relais         | 1     |           |
| 6    | 2B000221  | Hupe                        | 1     |           |
| 7    | 2B000276  | Klammer                     | 2     |           |
| 8    | AP8152286 | TE Schr. m. Flansch M8x20   | 1     |           |
| 9    | AP8152299 | Selbstsperrende Mutter M6   | 1     |           |
| 10   | AP8121096 | T-Buchse 8,2x12x4           | 1     |           |
| 11   | 895807    | Halterung Instrumente       | 1     |           |
| 12   | AP8150382 | Ausgleichscheibe 15x5,5X1,2 | 1     |           |
| 13   | 898126    | Schelle                     | 1     |           |
| 13   | 890721    | Kabelschelle                | 1     |           |
| 13   | AP8104606 | Schelle                     | 1     |           |
| 14   | 890933    | Steuergerät VCU             | 1     |           |
| 15   | AP8150265 | TCEI Schraube M5x30         | 2     |           |
| 16   | AP8152306 | Selbstsperrende Mutter M5   | 2     |           |
| 17   | AP8234094 | Hltr. Sicherungsblock       | 1     |           |
| 18   | AP8152268 | TBEI Spez.schr. M5x16       | 1     |           |
| 19   | AP8150451 | Selbstsperr.mut Unt.        | 1     |           |
| 20   | 875914    | Zuendtransform.cpl.         | 2     |           |
| 21   | 874554    | TE Schr. m. Flansch M6x14   | 2     |           |
| 22   | 876455    | Zuendtransform.cpl.         | 2     |           |
| 23   | 874555    | TE Schr. m. Flansch M6x16   | 2     |           |
| 24   | 639687    | Zündkerze CR8EKB            | 4     |           |
| 25   | 2D000117  | Verkabelung Kit Fendinebbia | 1     |           |
| 26   | AP8224462 | Zündrelais 12V-30A          | 1     |           |

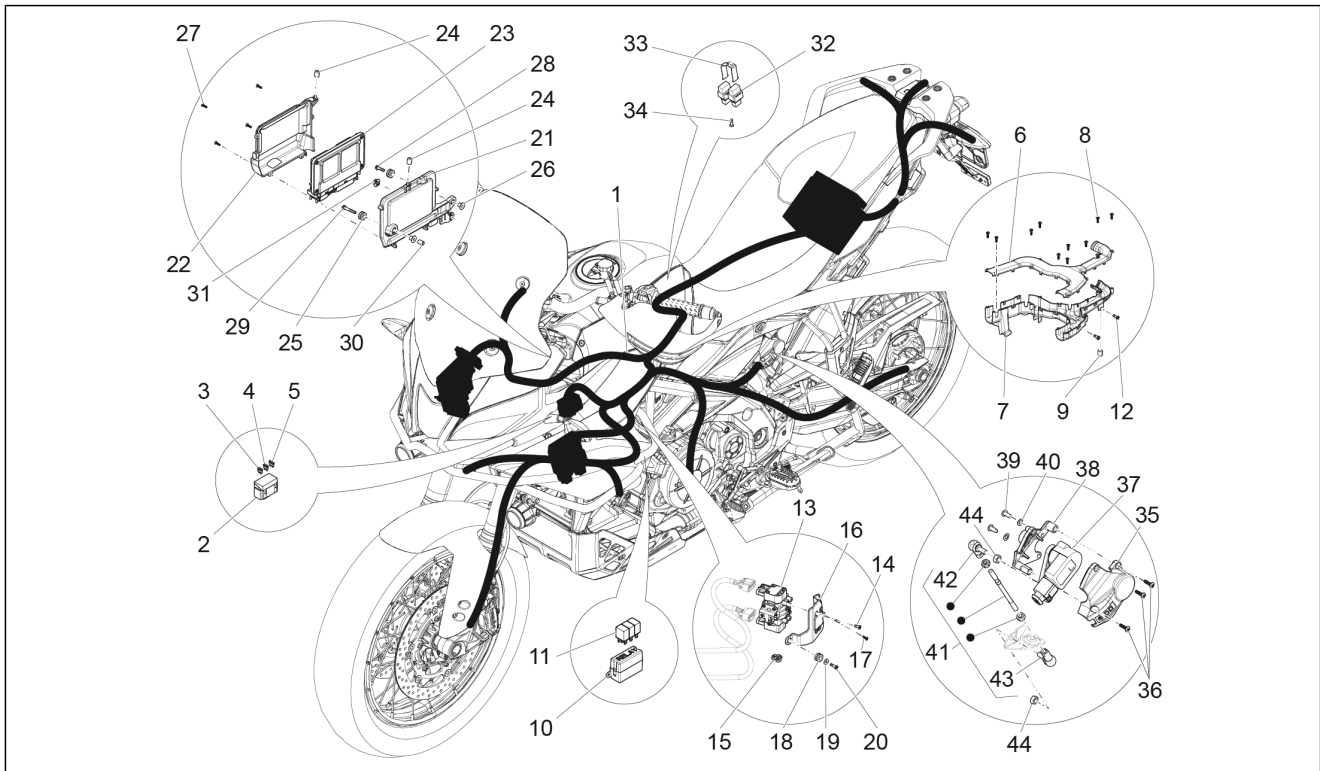


|                     |                           |
|---------------------|---------------------------|
| <b>Einheit</b>      | Elektrische Anlage        |
| <b>Code</b>         | 11.010                    |
| <b>Beschreibung</b> | Vorder Elektrische Anlage |
| <b>Inspektion</b>   | 1                         |



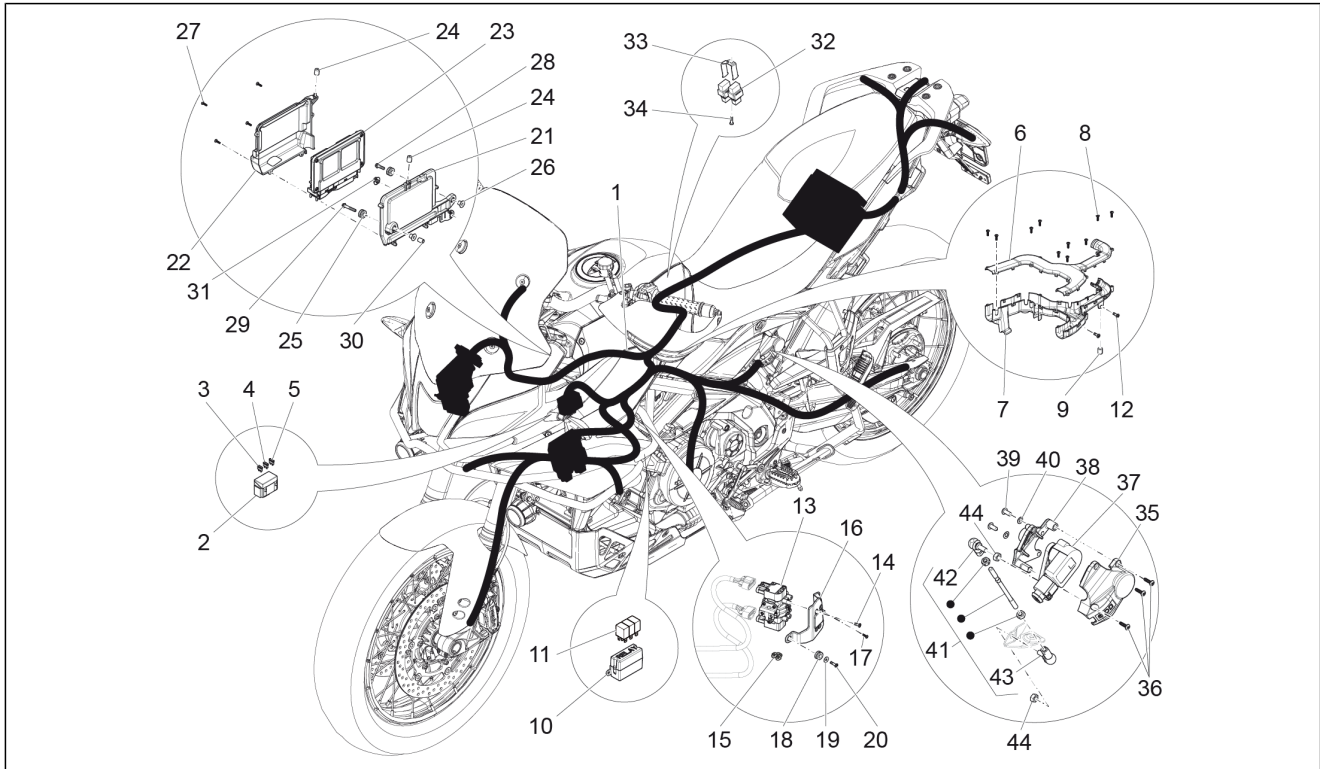
| Pos. | Code      | Beschreibung             | Menge | Varianten |
|------|-----------|--------------------------|-------|-----------|
| 27   | 642569    | Relaisträger elastico    | 1     |           |
| 28   | AP8121929 | T-Buchse 6,5x8,6x9       | 2     |           |
| 29   | AP8150179 | Ausgleichscheibe 6,6x18* | 2     |           |

|                     |                          |
|---------------------|--------------------------|
| <b>Einheit</b>      | Elektrische Anlage       |
| <b>Code</b>         | 11.020                   |
| <b>Beschreibung</b> | Mitt. elektrische Anlage |
| <b>Inspektion</b>   | 1                        |



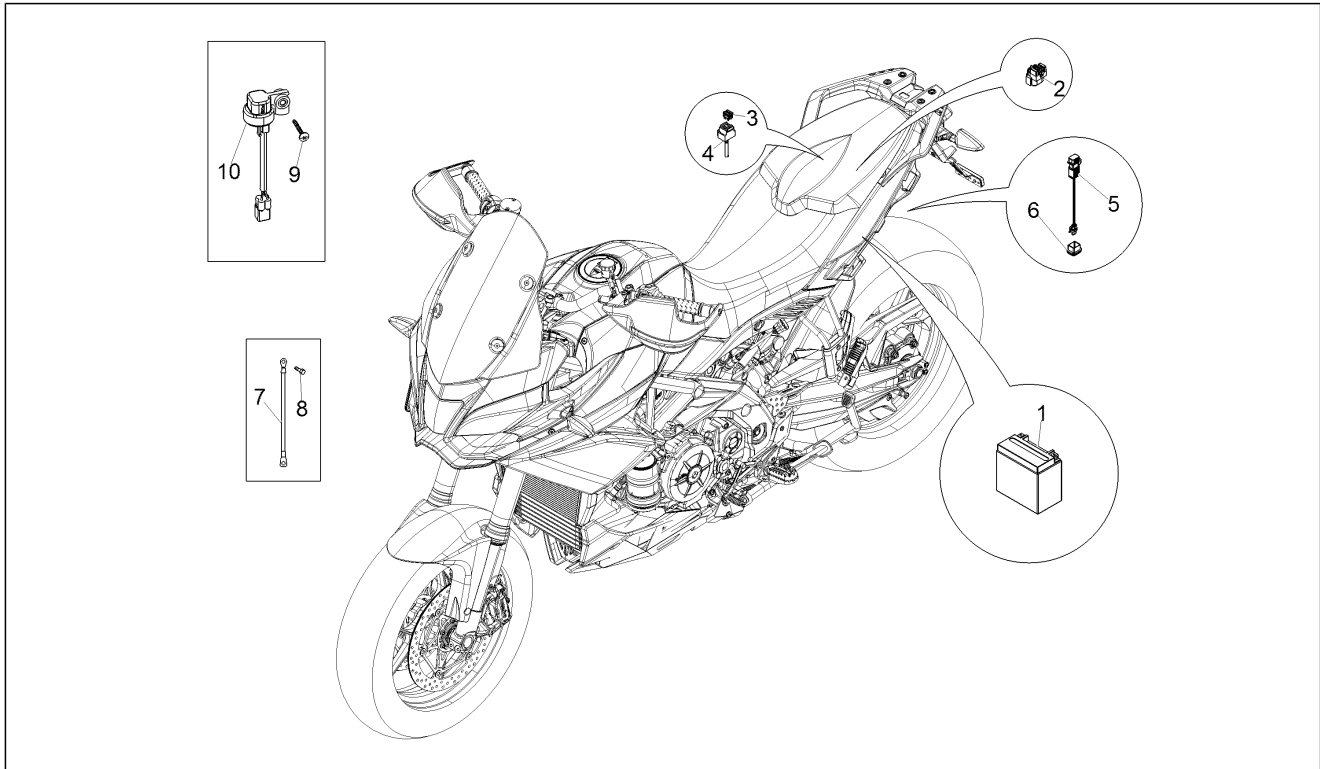
| Pos. | Code      | Beschreibung                 | Menge | Varianten |
|------|-----------|------------------------------|-------|-----------|
| 1    | 2D000001  | Kabelast                     | 1     |           |
| 2    | 894603    | Sicherungskasten             | 1     |           |
| 3    | CM225610  | Sicherung 10A                | 1     |           |
| 4    | CM225607  | Sicherung 7,5A               | 2     |           |
| 5    | CM225615  | Sicherung 15A                | 4     |           |
| 6    | B046225   | Deckel Kabelkanal            | 1     |           |
| 7    | B046226   | Sockel Kabelkanal            | 1     |           |
| 8    | AP8150413 | Gew.schr. 3,9x14             | 11    |           |
| 9    | AP8120712 | Gummi                        | 1     |           |
| 10   | AP8124293 | Relaisträger                 | 1     |           |
| 11   | 895907    | Zündrelais 20A               | 3     |           |
| 12   | AP8150509 | Gew.schr. 5x14               | 2     |           |
| 13   | B044414   | Positionssensor Gasgriff     | 1     |           |
| 14   | AP8150509 | Gew.schr. 5x14               | 4     |           |
| 15   | 854811    | Gummi                        | 1     |           |
| 16   | 2B000128  | Haltebügel                   | 1     |           |
| 17   | AP8150413 | Gew.schr. 3,9x14             | 1     |           |
| 18   | AP8120030 | Gummi                        | 3     |           |
| 19   | AP8150382 | Ausgleichscheibe 15x5,5X1,2  | 3     |           |
| 20   | AP8152329 | Kreuz.schl.flnschschr. M5x20 | 3     |           |
| 21   | 2B000149  | Halteung                     | 1     |           |
| 22   | 2B000148  | Deckel Steuergerät           | 1     |           |
| 23   | CM228232  | Elektronisches steuergerät   | 1     |           |
| 24   | AP8120712 | Gummi                        | 2     |           |
| 25   | AP8120030 | Gummi                        | 2     |           |
| 26   | AP8221023 | T-Buchse                     | 2     |           |
| 27   | AP8150413 | Gew.schr. 3,9x14             | 4     |           |
| 28   | AP8152279 | TE Schr. m. Flansch M6x20    | 1     |           |

|                     |                          |
|---------------------|--------------------------|
| <b>Einheit</b>      | Elektrische Anlage       |
| <b>Code</b>         | 11.020                   |
| <b>Beschreibung</b> | Mitt. elektrische Anlage |
| <b>Inspektion</b>   | 1                        |



| Pos. | Code      | Beschreibung                      | Menge | Varianten |
|------|-----------|-----------------------------------|-------|-----------|
| 29   | AP8152282 | TE Schr. m. Flansch M6x35         | 1     |           |
| 30   | AP8221017 | Distanzscheibe                    | 1     |           |
| 31   | 890760    | Halterung Instrumente             | 2     |           |
| 32   | AP8224462 | Zündrelais 12V-30A                | 5     |           |
| 33   | 2B000115  | Relaisträger                      | 1     |           |
| 34   | AP8152329 | Kreuz.schl.flnschschr. M5x20      | 1     |           |
| 35   | B046008   | Deckel Drehsensor                 | 1     |           |
| 36   | AP8150413 | Gew.schr. 3,9x14                  | 3     |           |
| 37   | B045399   | Drehsensor                        | 1     |           |
| 38   | B046007   | Halter Sensor                     | 1     |           |
| 39   | AP8152267 | TBEI Spez.schr. M5x12             | 2     |           |
| 40   | AP8150272 | Gebogene Sprengscheibe 5,3x10x0,5 | 2     |           |
| 41   | B046023   | Reaktionsstange kompl.            | 1     |           |
| 42   | 898397    | Kugelgelenk links M6              | 1     |           |
| 43   | 898396    | Kugelgelenk rechts M6             | 1     |           |
| 44   | AP8150026 | Mutter M6                         | 2     |           |

|                     |                         |
|---------------------|-------------------------|
| <b>Einheit</b>      | Elektrische Anlage      |
| <b>Code</b>         | 11.030                  |
| <b>Beschreibung</b> | Hint.Elektrische Anlage |
| <b>Inspektion</b>   | 1                       |



| Pos. | Code      | Beschreibung                                  | Menge | Varianten |
|------|-----------|---|-------|-----------|
| 1    | 638733    | Batterie Yuasa YTX14-BS 12V-12Ah (150x87x145) | 1     |           |
| 2    | AP9100487 | Zündrelais                                    | 1     |           |
| 3    | AP8112811 | Sicherungsblockgummi                          | 1     |           |
| 4    | CM225730  | Sicherung 30A                                 | 2     |           |
| 5    | 643277    | Klemmbrett USB                                | 1     |           |
| 6    | 1B001591  | Kabelführung                                  | 1     |           |
| 7    | 2D000098  | Batteriekabel massa                           | 1     |           |
| 8    | AP8152273 | Flanschschraube M5x15                         | 1     |           |
| 9    | 478533    | Gew.schr.                                     | 1     |           |
| 10   | 642248    | Kippsensor                                    | 1     |           |