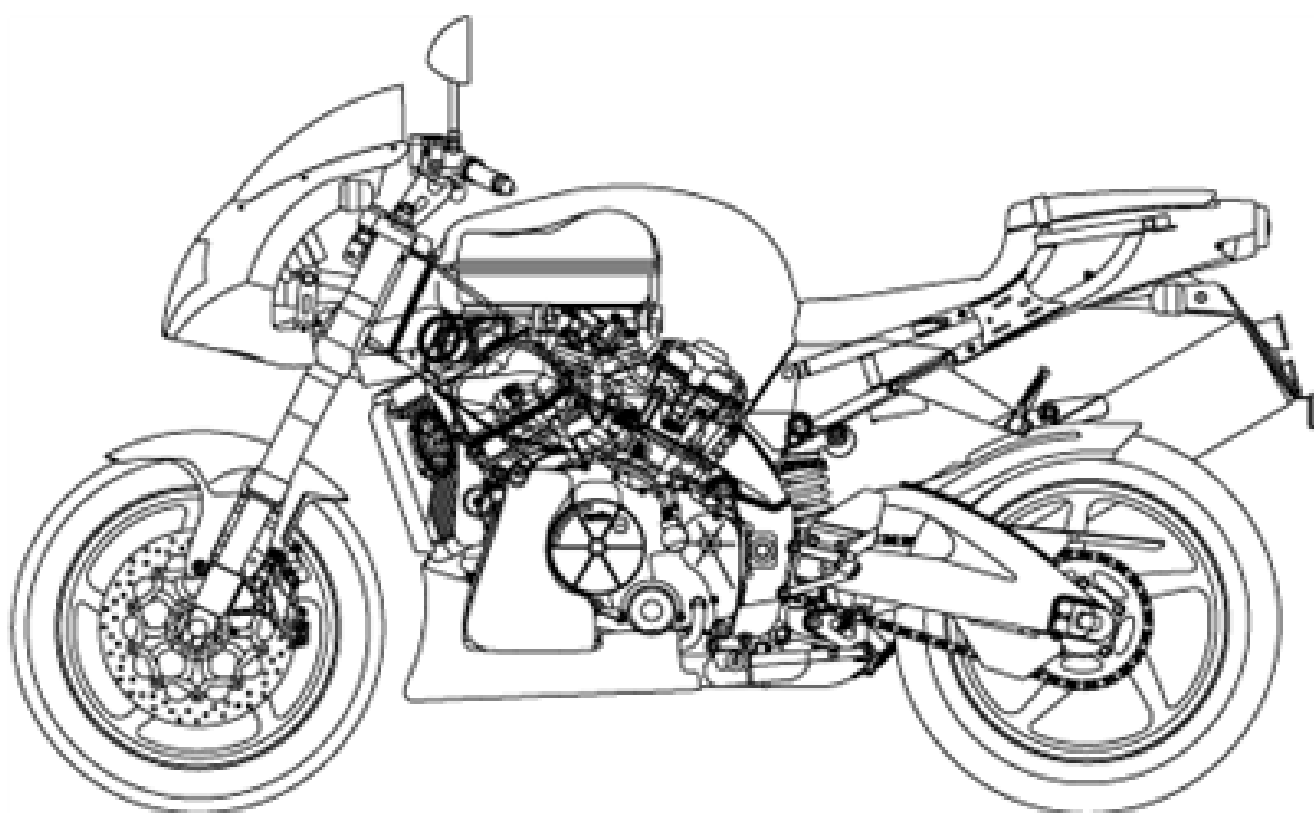


aprilia[®]

ERSATZTEILKATALOG



RSV 1000 Tuono 2002-2005

Vorsatzcode Fahrgestell: ZD4RPB, ZD4RPC04, ZD4RPC05, ZD4RPU04
Vorsatzcode Motor:

Inhaltsverzeichnis

Fertige Produkte.....	4
Alphanumerisches Verzeichnis.....	5
RAHMEN.....	15
Tafel 28.01 - Rahmen I.....	15
Tafel 28.02 - Rahmen II.....	16
Tafel 28.03 - Rahmen III.....	19
Tafel 28.04 - Fussrasten.....	22
Tafel 28.05 - Hauptständer.....	24
Tafel 28.06 - Lenkung.....	26
Tafel 28.07 - Vorderradgabel I.....	28
Tafel 28.08 - Vorderradgabel II.....	31
Tafel 28.09 - Schwinge.....	34
Tafel 28.10 - Pleuelstange und Stoßdämpfer.....	36
Tafel 28.11 - Frontaufbau - Kuppel.....	37
Tafel 28.12 - Frontaufbau - Vrd. Schutzblech.....	40
Tafel 28.13 - Karosserie v.-Verschlüsse.....	45
Tafel 28.14 - Mittlerer aufbau - Oberer Rumpf.....	47
Tafel 28.15 - Kraftstofftank.....	49
Tafel 28.16 - Benzindampfrückf.-Anlage.....	53
Tafel 28.17 - Sitz.....	56
Tafel 28.18 - R.Kar. - R.verkl.....	60
Tafel 28.19 - U. Sitzbank.....	63
Tafel 28.20 - Hinteres Schutzblech.....	64
Tafel 28.21 - Instrumententafel.....	67
Tafel 28.22 - Lenkstange.....	68
Tafel 28.23 - Kupplungspumpe.....	70
Tafel 28.24 - Vorderradbremspumpe.....	72
Tafel 28.25 - Kühlanlage.....	74
Tafel 28.26 - Wasserkühler.....	75
Tafel 28.27 - Ausdehngefäß.....	77
Tafel 28.28 - Ölbehälter.....	79
Tafel 28.29 - Filtergehäuse.....	81
Tafel 28.30 - Kraftstoffpumpe I.....	83
Tafel 28.31 - Kraftstoffpumpe II.....	86
Tafel 28.32 - Racing 2003 Kraftstoffpumpe.....	89
Tafel 28.34 - Auspuffrohr.....	92
Tafel 28.35 - Vorderrad Vers. ST-RS.....	94
Tafel 28.36 - Vorderrad Vers. R-RF.....	96
Tafel 28.37 - ST-RS vers.Vorderradbremzange.....	98
Tafel 28.38 - R-RF vers.Vorderradbremzange.....	99
Tafel 28.39 - Hinterrad Vers. ST-RS.....	101
Tafel 28.40 - Hinterrad Vers. R-RF.....	104
Tafel 28.41 - Hinterradbremspumpe.....	107

Tafel 28.42 - Hinterradbremzange.....	109
Tafel 28.43 - Scheinwerfer.....	110
Tafel 28.44 - Blinker.....	111
Tafel 28.45 - Rücklicht.....	113
Tafel 28.46 - Vorder Elektrische Anlage.....	114
Tafel 28.47 - Mitt. elektrische Anlage.....	116
Tafel 28.48 - Hint.Elektrische Anlage.....	118
Tafel 28.49 - Bausatz Schlösser.....	120
Tafel 28.50 - Deko Anleitung Schilder.....	124
MOTOR.....	128
Tafel 29.33 - Motor.....	128
Tafel 29.51 - Gehäuse I.....	132
Tafel 29.52 - Gehäuse II.....	133
Tafel 29.53 - Ölpumpe.....	135
Tafel 29.54 - Kurbelwelle I.....	136
Tafel 29.55 - Kurbelwelle II.....	137
Tafel 29.56 - Ventildeckel.....	138
Tafel 29.57 - Zylinderkopf und Ventile.....	139
Tafel 29.58 - Ventilesbeläge.....	140
Tafel 29.59 - Vrd. Zylindersteuer.....	142
Tafel 29.60 - Hint. Zylindersteuer.....	143
Tafel 29.61 - Schaltgabel.....	145
Tafel 29.62 - Schaltgetriebe.....	147
Tafel 29.63 - Kupplung I.....	150
Tafel 29.64 - Kupplung II.....	151
Tafel 29.65 - Wasserpumpenritzel.....	152
Tafel 29.66 - Zündgruppe.....	154
Tafel 29.67 - Klappenkörper.....	155
ZUBEHÖR.....	156
Tafel 30.69 - Acc. - Fahrwerk.....	156
Tafel 30.70 - Acc. - Fahrwerk II.....	157
Tafel 30.71 - Acc. - Spez. Verkleidungsteile.....	158
Tafel 30.72 - Acc. - Tuning Motorteile I.....	160
Tafel 30.73 - Acc. - Tuning Motorteile II.....	161
Tafel 30.74 - Acc. - Tuning Motorteile III.....	162
Tafel 30.75 - Acc. - Tuning Motorteile IV.....	163
Tafel 30.76 - Acc. - Sonstiges.....	164
Tafel 30.77 - Acc. - Diebstahl.....	165
VERBRAUCHSMATERIAL.....	166
Tafel 32.68 - Verbrauchsmaterial.....	166

Fertige Produkte

Code	Gültigkeit
6126000CZ403UNC	
6126000CZ405UNC	
6126002CZ503UNC	
6126002CZ505UNC	
6126102CZ401UNC	
AP60100EL04	
AP60100EL05	
AP60100EL07	
AP60100FR07	
AP6126000CZ403	
AP6126000CZ405	
AP6126002CF505	
AP6126002CZ503	
AP6126002CZ504	
AP6126102CZ401	
AP6126102CZ501	
AP66F01CZ01	

Code	Nr. der Tafel	Pos.	Code	Nr. der Tafel	Pos.	Code	Nr. der Tafel	Pos.
0000000	28.35	7	AP0233745	29.51	7	AP0242940	29.54	14
0000000	28.36	7	AP0233746	29.51	7	AP0242950	29.63	3
0000000	28.39	5	AP0233748	29.51	7	AP0244211	29.60	8
0000000	28.40	5	AP0233780	29.65	11	AP0244211	29.61	10
0000000	32.68	6	AP0233790	29.65	10	AP0245330	29.53	15
0000000	32.68	7	AP0233791	29.65	10	AP0245436	29.55	6
856152	28.21	13	AP0233793	29.65	10	AP0245440	29.61	18
AP0210415	29.52	4	AP0233820	29.51	9	AP0245815	29.62	4
AP0211620	29.53	5	AP0233822	29.51	9	AP0245830	29.63	2
AP0211632	29.53	8	AP0236252	29.55	9	AP0245840	29.54	13
AP0211651	29.66	8	AP0236300	29.59	5	AP0245860	29.54	10
AP0211662	29.56	5	AP0236300	29.60	5	AP0246055	29.60	17
AP0211667	29.56	3	AP0236310	29.59	6	AP0246570	29.54	5
AP0211681	29.60	4	AP0236310	29.60	6	AP0247614	29.64	14
AP0211756	29.60	25	AP0236320	29.59	3	AP0247940	29.61	17
AP0211766	29.59	4	AP0236366	29.61	22	AP0247972	29.64	9
AP0216222	29.55	5	AP0236370	29.52	26	AP0247974	29.64	10
AP0217346	29.54	2	AP0236380	29.60	9	AP0247980	29.59	17
AP0219340	29.60	20	AP0238130	29.64	18	AP0247980	29.60	27
AP0219350	29.54	21	AP0238135	29.64	11	AP0248375	29.61	12
AP0219360	29.54	12	AP0238140	29.64	15	AP0250130	29.60	3
AP0219365	29.54	8	AP0239247	29.61	13	AP0250140	29.66	21
AP0220372	29.54	15	AP0239390	29.64	6	AP0250311	29.56	6
AP0220384	29.59	13	AP0239420	29.61	16	AP0250450	29.52	24
AP0220384	29.60	13	AP0239430	29.61	15	AP0250640	29.56	10
AP0220385	29.59	12	AP0239447	29.53	10	AP0251090	29.57	23
AP0220385	29.60	12	AP0239450	29.61	23	AP0251100	29.56	11
AP0220390	29.62	1	AP0239480	29.63	9	AP0251830	29.56	8
AP0220390	29.62	1	AP0239510	29.57	20	AP0253645	29.57	22
AP0220392	29.62	1	AP0239520	29.57	19	AP0253921	29.57	3
AP0220392	29.62	1	AP0240081	29.56	7	AP0253926	29.57	2
AP0220400	29.62	10	AP0240170	29.56	16	AP0253956	29.57	21
AP0220410	29.65	4	AP0240181	29.65	25	AP0253965	29.57	17
AP0220423	29.53	1	AP0240275	29.60	29	AP0253974	29.58	1
AP0220435	29.61	26	AP0240331	29.57	10	AP0253975	29.58	1
AP0220437	29.61	1	AP0240331	29.65	21	AP0253976	29.58	1
AP0220440	29.60	1	AP0240400	29.59	1	AP0253977	29.58	1
AP0220455	29.63	6	AP0240580	29.66	12	AP0253978	29.58	1
AP0222500	29.65	18	AP0240960	29.59	18	AP0253979	29.58	1
AP0222512	29.65	19	AP0241081	29.52	9	AP0253980	29.58	1
AP0224090	29.56	17	AP0241081	29.52	9	AP0253981	29.58	1
AP0227180	29.63	12	AP0241261	29.52	29	AP0253982	29.58	1
AP0227442	29.61	20	AP0241501	29.52	15	AP0253983	29.58	1
AP0227685	29.65	6	AP0241531	29.52	12	AP0253984	29.58	1
AP0227714	29.61	27	AP0241541	29.66	6	AP0253985	29.58	1
AP0227716	29.61	11	AP0241560	29.56	14	AP0253986	29.58	1
AP0229301	29.51	4	AP0241580	29.52	1	AP0253987	29.58	1
AP0229301	29.66	16	AP0241601	29.56	13	AP0253988	29.58	1
AP0229385	29.51	6	AP0241625	29.56	1	AP0253989	29.58	1
AP0229385	29.61	14	AP0241631	29.66	9	AP0253990	29.57	24
AP0230415	29.52	8	AP0241650	29.53	11	AP0254021	29.57	15
AP0230415	29.52	8	AP0241761	29.65	27	AP0254030	29.58	1
AP0230415	29.65	23	AP0241782	29.52	7	AP0254031	29.58	1
AP0230510	29.57	18	AP0241811	29.65	14	AP0254032	29.58	1
AP0232210	29.57	5	AP0241811	29.66	15	AP0254033	29.58	1
AP0232430	29.53	13	AP0241816	29.66	11	AP0254034	29.58	1
AP0232430	29.65	5	AP0241821	28.23	22	AP0254035	29.58	1
AP0232625	29.52	14	AP0241821	29.52	28	AP0254036	29.58	1
AP0232730	29.53	2	AP0241821	29.53	12	AP0254037	29.58	1
AP0232970	29.53	4	AP0241821	29.57	4	AP0254038	29.58	1
AP0233711	29.51	9	AP0241854	29.52	6	AP0254039	29.58	1
AP0233721	29.54	23	AP0241932	29.52	2	AP0254040	29.58	1
AP0233722	29.54	23	AP0241932	29.61	9	AP0254041	29.58	1
AP0233723	29.54	23	AP0242091	29.56	4	AP0254042	29.58	1
AP0233740	29.51	8	AP0242206	29.64	13	AP0254043	29.58	1
AP0233741	29.51	8	AP0242851	29.56	18	AP0254044	29.58	1
AP0233743	29.51	8	AP0242874	29.54	16	AP0254295	29.57	16

Code	Nr. der Tafel	Pos.
AP0256187	29.52	5
AP0256497	29.52	20
AP0256510	29.53	9
AP0256526	29.52	21
AP0256680	29.53	3
AP0258310	29.61	6
AP0258328	29.61	8
AP0258351	29.61	4
AP0258361	29.61	3
AP0258375	29.61	5
AP0258380	29.61	2
AP0259500	29.52	27
AP0259517	29.63	7
AP0259520	29.63	1
AP0259535	29.64	7
AP0259583	29.64	5
AP0259587	29.64	16
AP0260870	29.66	13
AP0260890	29.63	14
AP0265244	28.47	4
AP0265244	29.66	25
AP0265246	28.47	19
AP0265246	29.66	24
AP0265480	28.47	2
AP0265480	29.66	26
AP0266190	28.48	19
AP0266194	28.48	19
AP0266196	28.48	19
AP0267150	29.56	9
AP0268010	29.67	14
AP0268740	29.52	10
AP0274010	29.67	6
AP0274020	29.67	8
AP0274030	29.67	5
AP0274040	29.56	12
AP0274050	29.67	12
AP0274060	29.57	12
AP0281222	29.62	19
AP0281222	29.62	19
AP0281223	29.62	19
AP0281241	29.67	2
AP0294352	29.66	20
AP0294356	29.66	19
AP0295662	29.54	1
AP0295663	29.55	1
AP0295696	29.67	1
AP0295760	29.54	22
AP0295760	29.60	24
AP0295765	29.54	7
AP0295765	29.59	9
AP0295770	29.54	9
AP0295775	29.60	18
AP0295783	29.54	11
AP0295783	29.64	4
AP0295795	29.64	8
AP0295830	29.66	2
AP0295858	29.55	3
AP0296170	32.68	9
AP0296180	29.67	7
AP0296961	29.51	1
AP0296975	30.75	2
AP0297386	32.68	8
AP0297616	32.68	4
AP0297942	29.66	23
AP0297957	29.59	19
AP0297957	29.60	19

Code	Nr. der Tafel	Pos.
AP0427106	29.62	16
AP0430622	29.55	11
AP0430782	29.66	10
AP0440101	29.65	15
AP0440260	29.54	3
AP0442130	29.63	16
AP0610151	29.65	9
AP0610990	29.65	24
AP0613418	29.55	4
AP0613491	29.57	1
AP0613496	29.57	8
AP0627120	29.62	3
AP0627132	29.62	6
AP0627190	29.59	7
AP0627190	29.60	15
AP0627200	29.54	17
AP0627210	29.61	24
AP0627220	29.64	12
AP0627230	29.63	13
AP0627260	29.64	1
AP0627270	29.66	7
AP0627280	29.63	15
AP0627530	29.63	10
AP0627910	29.64	3
AP0632010	29.51	2
AP0632010	29.65	7
AP0632070	29.62	7
AP0632124	29.52	17
AP0632130	29.63	8
AP0632161	29.59	8
AP0632161	29.60	23
AP0634475	29.53	6
AP0634475	29.64	2
AP0634483	29.53	14
AP0634490	29.65	3
AP0634500	29.54	19
AP0634500	29.65	2
AP0634595	29.66	1
AP0634600	29.66	17
AP0634610	29.54	18
AP0634620	29.62	17
AP0634620	29.62	17
AP0634622	29.62	17
AP0634622	29.62	17
AP0634640	29.62	9
AP0634640	29.62	9
AP0634642	29.62	9
AP0634642	29.62	9
AP0634655	29.62	11
AP0634655	29.62	11
AP0634657	29.62	11
AP0634657	29.62	11
AP0634660	29.62	5
AP0634660	29.62	5
AP0634662	29.62	5
AP0634662	29.62	5
AP0634662	29.62	5
AP0634670	29.62	13
AP0634680	29.62	14
AP0634680	29.62	14
AP0634682	29.62	14
AP0634682	29.62	14
AP0634682	29.62	14
AP0634695	29.62	2
AP0634695	29.62	2
AP0634697	29.62	2
AP0634697	29.62	2
AP0634700	29.62	15
AP0634700	29.62	15

Code	Nr. der Tafel	Pos.
AP0634702	29.62	15
AP0634702	29.62	15
AP0634710	29.62	8
AP0634710	29.62	8
AP0634712	29.62	8
AP0634712	29.62	8
AP0634720	29.62	12
AP0634720	29.62	12
AP0634721	29.62	12
AP0634732	29.59	14
AP0634732	29.60	14
AP0634737	29.59	15
AP0634740	29.66	18
AP0640400	29.54	4
AP0640450	29.55	10
AP0640581	29.56	20
AP0641590	29.66	5
AP0650210	29.56	19
AP0650240	29.65	20
AP0650310	29.65	12
AP0650320	29.52	25
AP0650330	29.65	8
AP0650335	29.52	22
AP0650340	29.66	14
AP0650345	29.56	2
AP0650370	29.65	13
AP0650390	29.55	7
AP0650500	29.52	3
AP0650670	29.67	13
AP0659110	29.66	3
AP0659120	29.66	4
AP0660020	29.67	16
AP0661011	29.67	4
AP0684310	29.55	2
AP0684311	29.55	2
AP0827110	29.62	18
AP0827305	29.60	11
AP0832144	29.52	13
AP0832144	29.61	19
AP0832360	29.60	2
AP0840371	29.59	16
AP0840371	29.60	16
AP0840391	29.60	22
AP0840861	29.52	16
AP0840861	29.65	22
AP0840880	29.57	14
AP0840880	29.57	26
AP0840880	29.57	6
AP0840882	29.66	22
AP0841521	29.52	9
AP0841521	29.52	9
AP0841841	29.65	16
AP0845030	29.59	10
AP0845030	29.60	30
AP0850050	29.52	23
AP0860662	29.67	3
AP0874320	29.67	10
AP0897651	32.68	1
AP0899784	32.68	3
AP0899788	32.68	2
AP0922245	29.56	15
AP0927863	29.57	9
AP0927945	29.57	13
AP0927945	29.57	25
AP0927945	29.57	7
AP0929500	29.51	3

Code	Nr. der Tafel	Pos.	Code	Nr. der Tafel	Pos.	Code	Nr. der Tafel	Pos.
AP0929500	29.60	26	AP8102535	28.15	22	AP8104265	28.49	1
AP0929650	29.51	10	AP8102544	28.01	2	AP8104265	28.49	1
AP0929650	29.55	8	AP8102544	28.02	5	AP8104287	28.15	17
AP0929930	29.51	5	AP8102544	28.03	18	AP8104287	28.15	17
AP0929930	29.54	20	AP8102544	28.13	18	AP8104287	28.49	3
AP0929930	29.65	1	AP8102600	28.19	13	AP8104287	28.49	3
AP0932335	29.52	19	AP8102615	28.27	16	AP8104288	28.15	17
AP0932335	29.61	7	AP8102618	28.28	2	AP8104288	28.15	17
AP0932428	29.52	18	AP8102622	28.50	1	AP8104288	28.15	17
AP0932585	29.52	11	AP8102626	28.31	11	AP8104288	28.15	17
AP0940560	29.60	7	AP8102626	28.31	11	AP8104288	28.49	3
AP0940590	29.59	2	AP8102626	28.32	17	AP8104288	28.49	3
AP0940631	29.59	11	AP8102677	28.25	4	AP8104288	28.49	3
AP0940631	29.60	28	AP8102678	28.16	7	AP8104288	28.49	3
AP0940637	29.55	12	AP8102688	28.16	10	AP8104455	28.30	2
AP0940741	29.61	25	AP8102719	28.16	11	AP8104455	28.30	2
AP0941121	29.60	10	AP8102727	28.16	5	AP8104455	28.32	2
AP0941506	29.63	11	AP8102728	28.50	6	AP8104456	28.30	12
AP0941835	29.64	17	AP8102731	28.28	24	AP8104456	28.30	12
AP0941935	29.57	11	AP8102732	28.25	5	AP8104457	28.30	10
AP0942570	29.60	21	AP8102732	28.27	4	AP8104457	28.30	10
AP0945665	29.61	21	AP8102763	28.29	12	AP8104457	28.30	10
AP0946015	29.54	6	AP8102764	28.25	14	AP8104458	28.30	15
AP0950141	29.52	8	AP8102764	28.31	5	AP8104458	28.32	11
AP0950141	29.52	8	AP8102764	28.31	5	AP8104458	28.32	11
AP0950141	29.65	17	AP8102764	28.31	5	AP8104459	28.30	11
AP0950141	29.65	17	AP8102764	28.32	15	AP8104459	28.30	11
AP0956169	29.65	26	AP8102765	28.32	3	AP8104500	28.23	8
AP0956275	29.53	7	AP8102766	28.16	23	AP8104500	28.24	6
AP0960111	29.67	9	AP8102766	28.16	23	AP8104506	28.50	2
AP0960121	29.67	11	AP8102786	28.28	20	AP8104507	28.50	2
AP8101372	28.26	12	AP8102828	28.28	12	AP8104508	28.50	2
AP8101595	28.16	18	AP8102829	28.31	18	AP8104509	28.22	1
AP8101595	28.19	2	AP8102829	28.31	18	AP8104511	28.22	3
AP8101595	28.24	18	AP8102829	28.32	25	AP8104512	28.49	1
AP8101595	28.29	13	AP8102873	28.31	10	AP8104539	28.30	18
AP8101595	28.31	4	AP8102873	28.31	10	AP8104539	28.30	18
AP8101595	28.31	4	AP8102873	28.31	10	AP8104539	28.30	18
AP8101595	28.31	4	AP8102873	28.32	19	AP8104551	28.15	17
AP8101744	28.35	1	AP8102880	28.49	5	AP8104551	28.49	3
AP8101744	28.39	7	AP8102902	28.03	22	AP8104551	28.49	3
AP8101861	28.04	12	AP8102910	28.49	4	AP8104564	28.49	1
AP8101927	28.25	8	AP8102910	28.49	4	AP8104566	28.22	3
AP8101927	28.27	5	AP8102910	28.49	4	AP8104585	28.15	17
AP8101968	28.41	9	AP8102910	28.49	4	AP8104585	28.49	3
AP8102239	28.31	16	AP8102910	28.49	4	AP8104700	28.50	2
AP8102239	28.31	16	AP8102911	28.18	4	AP8104701	28.50	2
AP8102239	28.32	23	AP8102911	28.49	2	AP8104702	28.50	2
AP8102349	28.28	18	AP8102913	28.18	7	AP8104703	28.50	2
AP8102375	28.02	8	AP8102913	28.49	7	AP8104728	28.40	7
AP8102375	28.03	8	AP8102914	28.18	8	AP8104728	28.40	7
AP8102375	28.13	15	AP8102914	28.18	8	AP8104899	28.50	2
AP8102375	28.16	12	AP8102914	28.49	6	AP8106379	29.33	3
AP8102375	28.19	11	AP8102951	28.26	3	AP8106381	28.23	13
AP8102376	28.02	9	AP8102952	28.26	2	AP8106382	28.23	24
AP8102376	28.03	9	AP8102971	28.30	8	AP8106382	28.23	24
AP8102376	28.19	12	AP8102971	28.30	8	AP8106384	28.23	9
AP8102376	28.43	10	AP8102971	28.32	8	AP8106385	28.30	9
AP8102377	28.16	22	AP8104097	28.25	3	AP8106385	28.30	9
AP8102377	28.29	11	AP8104097	28.26	1	AP8106387	28.28	29
AP8102378	28.16	20	AP8104100	28.28	3	AP8106388	28.28	14
AP8102378	28.27	3	AP8104124	28.27	13	AP8106388	28.28	14
AP8102431	28.25	1	AP8104151	28.49	1	AP8106389	28.28	31
AP8102498	28.02	6	AP8104151	28.49	1	AP8106395	28.29	5
AP8102503	28.15	15	AP8104151	28.49	1	AP8106443	28.31	1
AP8102504	28.11	5	AP8104151	28.49	1	AP8106443	28.31	1
AP8102504	28.13	13	AP8104183	28.36	1	AP8106443	28.32	5
AP8102520	28.16	19	AP8104183	28.40	7	AP8106444	28.31	2
AP8102524	28.05	7	AP8104183	28.40	7	AP8106444	28.31	2
			AP8104211	28.29	1	AP8106444	28.32	10
			AP8104251	28.16	2	AP8106764	28.16	6
			AP8104251	29.33	13	AP8106806	28.39	19
			AP8104263	28.49	1			

Code	Nr. der Tafel	Pos.
AP8106812	28.29	25
AP8106813	28.29	10
AP8106867	29.63	5
AP8106915	29.63	4
AP8106935	28.23	18
AP8106967	29.33	1
AP8106967	29.33	1
AP8106968	29.33	2
AP8106974	29.61	22
AP8106979	29.33	1
AP8106979	29.33	1
AP8106980	29.33	1
AP8106980	29.33	1
AP8106986	29.33	1
AP8106986	29.33	1
AP8107118	28.39	1
AP8107118	28.40	1
AP8107122	28.39	2
AP8107122	28.40	2
AP8107136	28.39	25
AP8107136	28.40	4
AP8107148	28.39	1
AP8107148	28.40	1
AP8107150	28.39	25
AP8107150	28.40	4
AP8108675	28.35	9
AP8108675	28.35	9
AP8108676	28.39	3
AP8108676	28.39	3
AP8108975	28.36	9
AP8108977	28.40	3
AP8108994	28.36	9
AP8110065	28.10	2
AP8110068	28.10	11
AP8110077	28.06	1
AP8110078	28.09	11
AP8110079	28.09	1
AP8110081	28.39	23
AP8110081	28.40	20
AP8110093	28.40	19
AP8110094	28.36	11
AP8112176	28.46	8
AP8112599	28.21	2
AP8112599	28.45	7
AP8112600	28.26	9
AP8112811	28.48	21
AP8112832	28.47	16
AP8112939	28.25	17
AP8112940	28.48	7
AP8112996	28.47	17
AP8113003	28.23	3
AP8113003	28.24	10
AP8113003	28.24	22
AP8113003	28.24	22
AP8113003	28.28	7
AP8113003	28.42	5
AP8113004	28.28	6
AP8113004	28.34	15
AP8113070	28.37	5
AP8113070	28.42	11
AP8113230	28.23	5
AP8113230	28.42	20
AP8113288	28.41	6
AP8113499	28.24	3
AP8113553	28.23	23
AP8113553	28.41	2
AP8113598	28.24	2

Code	Nr. der Tafel	Pos.
AP8113612	28.42	2
AP8113719	28.23	12
AP8113719	28.24	8
AP8113721	28.37	6
AP8113722	28.37	7
AP8113723	28.37	8
AP8113751	28.42	8
AP8113752	28.42	9
AP8113754	28.37	3
AP8113756	28.38	5
AP8113757	28.24	5
AP8113758	28.23	7
AP8113761	28.23	6
AP8113761	28.42	19
AP8113762	28.23	4
AP8113762	28.42	18
AP8113764	28.23	15
AP8113764	28.41	3
AP8113765	28.41	4
AP8113771	28.24	19
AP8113773	28.23	14
AP8113774	28.37	1
AP8113775	28.37	2
AP8113776	28.42	7
AP8113873	28.42	6
AP8113895	28.42	10
AP8113897	28.42	7
AP8113898	28.42	8
AP8113926	28.35	8
AP8113926	28.36	8
AP8113926	28.37	9
AP8113926	28.38	7
AP8113969	28.24	4
AP8113970	28.38	1
AP8113971	28.38	2
AP8113973	28.38	4
AP8113974	28.38	6
AP8114342	30.75	4
AP8114343	30.75	5
AP8114359	28.22	18
AP8114404	28.22	17
AP8114405	28.22	16
AP8114420	29.67	15
AP8116067	32.68	5
AP8116071	28.07	20
AP8116071	28.08	17
AP8117004	28.11	8
AP8117033	28.09	27
AP8117033	28.27	12
AP8117033	28.47	21
AP8117041	28.16	9
AP8117125	28.17	18
AP8117128	28.15	4
AP8117129	28.13	3
AP8117174	28.15	2
AP8117232	28.20	17
AP8117233	28.09	31
AP8118470	28.22	14
AP8118492	28.22	10
AP8118501	28.22	8
AP8118566	28.22	12
AP8118567	28.22	11
AP8118580	28.22	15
AP8118678	28.22	2
AP8119414	28.34	2
AP8119497	28.34	14
AP8119578	28.34	4

Code	Nr. der Tafel	Pos.
AP8119579	28.34	3
AP8119581	28.34	5
AP8119629	28.34	6
AP8119629	28.34	6
AP8119630	28.34	18
AP8119706	28.34	6
AP8119706	28.34	6
AP8119737	28.34	16
AP8119749	28.34	6
AP8119752	28.34	6
AP8119752	28.34	6
AP8119827	28.34	6
AP8120001	28.19	7
AP8120030	28.13	16
AP8120030	28.24	14
AP8120030	28.28	4
AP8120030	28.29	21
AP8120116	28.16	1
AP8120116	29.33	11
AP8120178	28.41	10
AP8120179	28.16	21
AP8120190	28.28	11
AP8120196	28.28	27
AP8120218	28.47	1
AP8120218	28.48	1
AP8120253	28.29	22
AP8120253	28.31	12
AP8120253	28.31	12
AP8120355	28.27	10
AP8120405	28.47	13
AP8120446	28.28	17
AP8120446	29.33	12
AP8120531	28.12	7
AP8120573	28.04	4
AP8120615	28.29	6
AP8120754	28.48	4
AP8120876	28.29	15
AP8120893	28.15	21
AP8120894	28.15	20
AP8120912	28.41	11
AP8120912	29.33	4
AP8120952	28.16	15
AP8120952	28.19	3
AP8120952	28.27	11
AP8120965	28.15	16
AP8120978	28.25	6
AP8120979	28.25	7
AP8120980	28.25	16
AP8120981	28.26	4
AP8120985	28.09	3
AP8120986	28.09	4
AP8120987	28.16	16
AP8120987	28.29	24
AP8120988	28.27	15
AP8120992	28.31	17
AP8120992	28.31	17
AP8120992	28.32	24
AP8120995	28.09	22
AP8121014	28.05	4
AP8121041	28.06	14
AP8121041	28.06	14
AP8121075	28.09	29
AP8121133	28.04	11
AP8121135	28.04	2
AP8121155	28.10	10
AP8121170	28.34	1
AP8121178	28.08	19

Code	Nr. der Tafel	Pos.
AP8121200	28.09	5
AP8121201	28.09	6
AP8121202	28.09	7
AP8121203	28.09	8
AP8121204	28.09	15
AP8121207	28.06	4
AP8121212	28.39	22
AP8121212	28.40	22
AP8121213	28.39	21
AP8121213	28.40	21
AP8121221	28.41	12
AP8121221	29.33	5
AP8121222	28.41	8
AP8121223	28.41	13
AP8121224	28.04	3
AP8121225	28.39	8
AP8121225	28.40	8
AP8121233	28.06	22
AP8121234	28.42	1
AP8121235	28.06	25
AP8121236	28.06	19
AP8121254	28.03	23
AP8121267	28.16	3
AP8121302	28.06	9
AP8121313	28.03	19
AP8121346	28.06	8
AP8121375	28.05	8
AP8121408	28.39	9
AP8121408	28.40	9
AP8121421	28.15	6
AP8121428	28.02	4
AP8121429	28.05	8
AP8121520	28.22	6
AP8121536	28.32	4
AP8121608	28.22	4
AP8121622	28.22	4
AP8121622	28.22	4
AP8121725	28.45	4
AP8121731	28.28	22
AP8121731	28.29	16
AP8121736	28.47	14
AP8121773	28.34	13
AP8121795	28.27	6
AP8121795	28.41	28
AP8121811	28.17	9
AP8121837	28.25	2
AP8121862	28.28	9
AP8121882	28.01	4
AP8121890	28.09	9
AP8121915	28.23	2
AP8121915	28.24	9
AP8121915	28.42	4
AP8121927	28.41	14
AP8121991	28.17	14
AP8121995	28.03	17
AP8121996	28.03	16
AP8121997	28.03	14
AP8121998	28.03	10
AP8123637	28.07	1
AP8123637	28.08	1
AP8123638	28.07	2
AP8123638	28.08	2
AP8123640	28.06	3
AP8123641	28.06	11
AP8123642	28.06	5
AP8123643	28.06	6
AP8123644	28.06	7

Code	Nr. der Tafel	Pos.
AP8123645	28.06	15
AP8123806	28.08	7
AP8123810	28.07	4
AP8123811	28.08	12
AP8123812	28.08	13
AP8123815	28.07	11
AP8123816	28.07	10
AP8123819	28.07	14
AP8123820	28.07	15
AP8123821	28.07	16
AP8123822	28.08	4
AP8123823	28.08	5
AP8123824	28.08	6
AP8123825	28.08	8
AP8123826	28.08	11
AP8123827	28.08	9
AP8123828	28.08	10
AP8123829	28.07	3
AP8123831	28.07	5
AP8123832	28.07	6
AP8123833	28.07	12
AP8123834	28.07	13
AP8123835	28.07	7
AP8123836	28.07	8
AP8123859	28.10	12
AP8123860	28.10	13
AP8123864	28.06	21
AP8123865	28.06	18
AP8123866	28.06	24
AP8123870	28.10	14
AP8123928	28.06	3
AP8123934	28.15	8
AP8123942	28.10	4
AP8123970	28.07	1
AP8123970	28.08	1
AP8123971	28.07	2
AP8123971	28.08	2
AP8123972	28.06	15
AP8123972	30.69	6
AP8123973	28.10	4
AP8123975	28.07	17
AP8123975	28.08	14
AP8123977	28.07	19
AP8123977	28.08	16
AP8124235	28.46	5
AP8124266	28.48	8
AP8124267	28.47	7
AP8124269	28.47	15
AP8124269	28.48	15
AP8124273	28.48	20
AP8124274	28.46	7
AP8124277	28.46	9
AP8124288	28.24	20
AP8124289	28.48	14
AP8124293	28.46	11
AP8124297	28.30	13
AP8124297	28.30	13
AP8124300	28.46	16
AP8124300	28.47	25
AP8124398	28.23	21
AP8124439	28.48	5
AP8124528	28.42	3
AP8124558	28.45	2
AP8124559	28.45	3
AP8124561	28.45	5
AP8124562	28.45	6
AP8124569	28.21	4

Code	Nr. der Tafel	Pos.
AP8124570	28.21	5
AP8124571	28.21	6
AP8124572	28.21	10
AP8124573	28.21	9
AP8124574	28.21	8
AP8124575	28.21	7
AP8124636	28.48	12
AP8124719	28.12	13
AP8124748	28.47	20
AP8124855	28.26	5
AP8124895	28.49	4
AP8124895	28.49	4
AP8124895	28.49	4
AP8124895	28.49	4
AP8124901	28.43	1
AP8124929	28.25	15
AP8124945	28.43	1
AP8124946	28.43	1
AP8124977	28.05	13
AP8124978	28.45	1
AP8124979	28.44	2
AP8124979	28.44	2
AP8124980	28.44	1
AP8124980	28.44	1
AP8124990	28.21	1
AP8125687	28.09	17
AP8125728	28.35	2
AP8125728	28.36	2
AP8125730	28.39	11
AP8125730	28.40	11
AP8125731	28.39	6
AP8125731	28.40	6
AP8125732	28.39	24
AP8125732	28.40	18
AP8125733	28.39	4
AP8125763	28.09	13
AP8125773	28.35	10
AP8125777	28.35	11
AP8125778	28.35	12
AP8125779	28.35	13
AP8125786	28.39	15
AP8125787	28.39	16
AP8125788	28.39	17
AP8125827	28.35	6
AP8125827	28.36	6
AP8125830	28.09	2
AP8125831	28.39	12
AP8125831	28.40	12
AP8125838	28.40	15
AP8125839	28.40	17
AP8125840	28.40	16
AP8125841	28.36	10
AP8125842	28.36	13
AP8125843	28.36	12
AP8125900	28.40	11
AP8126579	28.20	2
AP8126579	28.20	2
AP8126591	28.20	6
AP8126701	28.17	24
AP8126701	28.17	7
AP8126702	28.17	8
AP8126775	28.20	1
AP8126775	28.20	1
AP8126775	28.20	1
AP8127069	28.22	13
AP8127070	28.45	1
AP8127109	28.43	11

Code	Nr. der Tafel	Pos.	Code	Nr. der Tafel	Pos.	Code	Nr. der Tafel	Pos.
AP8127109	28.43	13	AP8133590	28.38	2	AP8134892	28.03	28
AP8127116	28.43	9	AP8133590	28.38	2	AP8134893	28.03	27
AP8127117	28.43	8	AP8133591	28.38	1	AP8134894	28.13	7
AP8127118	28.43	2	AP8133591	28.38	1	AP8134895	28.13	8
AP8127119	28.43	14	AP8133592	28.38	3	AP8134896	28.44	10
AP8127119	28.43	5	AP8133594	28.24	22	AP8134897	28.44	9
AP8127120	28.43	6	AP8133594	28.24	22	AP8134898	28.23	1
AP8127122	28.44	3	AP8133595	28.38	4	AP8134899	28.24	11
AP8127122	28.44	3	AP8133595	28.38	4	AP8134900	28.42	17
AP8127123	28.44	4	AP8133596	28.38	5	AP8134907	28.22	5
AP8127321	28.31	13	AP8133596	28.38	5	AP8134907	28.22	5
AP8127321	28.31	13	AP8133597	28.38	9	AP8134912	28.04	7
AP8127321	28.32	20	AP8133612	28.37	1	AP8134913	28.04	8
AP8127364	28.14	3	AP8133613	28.37	2	AP8134914	28.04	13
AP8127374	28.34	17	AP8133614	28.37	3	AP8134915	28.04	14
AP8127391	28.46	4	AP8133615	28.24	1	AP8134922	28.14	3
AP8127396	28.46	3	AP8133620	28.24	4	AP8134923	28.14	12
AP8127396	28.47	3	AP8133620	28.24	4	AP8135909	28.04	7
AP8127396	28.48	6	AP8133751	28.35	8	AP8135910	28.04	8
AP8127428	28.46	3	AP8133751	28.36	8	AP8135924	28.10	1
AP8127428	28.47	3	AP8133751	28.37	9	AP8135925	28.41	23
AP8127428	28.48	6	AP8133751	28.38	7	AP8138556	28.27	14
AP8127465	28.46	3	AP8133871	28.41	7	AP8138558	28.28	1
AP8127465	28.47	3	AP8133872	28.41	5	AP8138593	28.09	23
AP8127465	28.48	6	AP8133873	28.41	1	AP8138596	28.48	11
AP8127492	28.46	3	AP8134370	28.15	1	AP8138776	28.48	10
AP8127492	28.47	3	AP8134373	28.05	3	AP8138947	28.17	23
AP8127492	28.48	6	AP8134378	28.34	10	AP8140451	30.70	1
AP8127496	28.45	11	AP8134379	28.03	11	AP8140453	30.70	1
AP8127538	28.22	13	AP8134379	28.03	11	AP8140496	30.70	2
AP8127540	28.32	13	AP8134380	28.03	12	AP8140497	30.70	2
AP8127613	28.44	1	AP8134384	28.41	25	AP8140498	30.70	2
AP8127614	28.44	2	AP8134385	28.42	17	AP8140499	30.70	3
AP8127633	28.44	3	AP8134389	28.02	1	AP8140500	30.70	3
AP8128036	28.36	9	AP8134390	28.02	2	AP8140501	30.70	3
AP8128036	28.36	9	AP8134390	28.02	2	AP8140505	30.70	4
AP8128037	28.40	3	AP8134390	28.02	2	AP8140506	30.70	4
AP8128037	28.40	3	AP8134396	28.18	1	AP8140507	30.70	4
AP8128044	28.40	3	AP8134415	28.41	24	AP8140532	30.70	6
AP8128086	28.35	9	AP8134419	28.15	9	AP8140533	30.70	6
AP8128087	28.39	3	AP8134437	28.29	9	AP8140534	30.70	6
AP8129283	28.17	1	AP8134438	28.24	12	AP8140699	30.70	7
AP8129343	28.17	1	AP8134443	28.42	14	AP8140700	30.70	7
AP8129343	30.71	18	AP8134448	28.20	3	AP8140701	30.70	7
AP8129344	28.17	2	AP8134451	28.04	1	AP8140702	30.70	2
AP8129345	28.17	3	AP8134452	28.01	3	AP8140703	30.70	3
AP8129362	28.17	2	AP8134541	28.13	17	AP8140704	28.49	16
AP8129363	28.17	3	AP8134609	28.34	19	AP8140707	30.70	5
AP8129373	28.17	1	AP8134625	28.29	7	AP8140708	30.70	5
AP8129373	28.17	1	AP8134635	28.02	2	AP8140709	30.70	5
AP8129373	28.17	1	AP8134635	28.02	2	AP8144005	28.09	16
AP8129374	28.17	2	AP8134635	28.02	2	AP8144006	28.09	12
AP8129374	28.17	2	AP8134635	28.02	2	AP8144007	28.41	15
AP8129374	28.17	2	AP8134638	28.03	11	AP8144008	28.28	28
AP8129375	28.17	3	AP8134638	28.03	11	AP8144015	28.28	13
AP8129375	28.17	3	AP8134638	28.03	11	AP8144015	29.33	10
AP8129375	28.17	3	AP8134650	28.16	8	AP8144032	28.27	8
AP8129426	28.17	1	AP8134651	28.04	13	AP8144033	28.25	9
AP8129427	28.17	2	AP8134652	28.04	14	AP8144034	28.25	10
AP8129428	28.17	3	AP8134654	28.17	17	AP8144038	28.29	14
AP8129439	28.17	1	AP8134674	28.02	14	AP8144045	28.47	24
AP8129439	28.17	1	AP8134739	28.29	8	AP8144046	28.48	9
AP8133522	28.23	20	AP8134749	28.05	3	AP8144048	28.09	14
AP8133574	28.23	10	AP8134750	28.30	1	AP8144061	28.28	19
AP8133575	28.24	1	AP8134750	28.30	1	AP8144063	28.29	4
AP8133575	28.24	1	AP8134750	28.32	1	AP8144069	28.31	15
AP8133575	28.24	1	AP8134891	28.22	5	AP8144069	28.31	15

Code	Nr. der Tafel	Pos.	Code	Nr. der Tafel	Pos.	Code	Nr. der Tafel	Pos.
AP8144069	28.32	22	AP8146709	28.04	9	AP8150236	28.49	9
AP8144071	28.34	11	AP8146710	28.04	10	AP8150272	28.12	19
AP8144081	28.17	27	AP8146711	28.02	13	AP8150277	28.34	8
AP8144092	28.25	13	AP8146711	28.03	13	AP8150277	28.41	27
AP8144093	28.25	12	AP8146712	28.02	13	AP8150285	28.18	3
AP8144094	28.25	11	AP8146712	28.02	13	AP8150287	28.05	15
AP8144109	28.11	4	AP8146712	28.03	13	AP8150292	28.03	6
AP8144109	28.13	12	AP8146712	28.03	13	AP8150292	28.05	12
AP8144109	28.14	10	AP8146764	28.09	10	AP8150314	28.02	16
AP8144151	28.24	19	AP8146766	28.04	9	AP8150329	28.03	4
AP8144158	28.15	14	AP8146767	28.04	10	AP8150334	28.09	19
AP8144158	28.23	19	AP8146773	28.02	13	AP8150334	28.34	7
AP8144226	28.30	7	AP8146773	28.02	13	AP8150340	28.20	15
AP8144226	28.30	7	AP8146773	28.03	13	AP8150378	28.27	2
AP8144226	28.32	7	AP8146773	28.03	13	AP8150382	28.12	18
AP8144275	28.28	8	AP8146774	28.09	10	AP8150403	28.41	26
AP8144281	28.01	6	AP8146774	28.09	10	AP8150413	28.29	18
AP8144284	28.09	28	AP8148587	28.20	12	AP8150413	28.30	3
AP8144288	28.48	23	AP8148588	28.12	14	AP8150413	28.30	3
AP8144319	28.31	8	AP8148589	28.12	15	AP8150413	28.43	3
AP8144319	28.31	8	AP8148660	28.47	22	AP8150413	28.48	22
AP8144328	28.15	7	AP8148825	28.29	2	AP8150421	28.46	10
AP8144351	28.15	20	AP8148834	28.13	6	AP8150429	28.04	17
AP8144381	28.29	29	AP8149033	28.19	1	AP8150429	28.47	9
AP8144382	28.29	30	AP8149034	28.20	13	AP8150429	28.48	17
AP8144383	28.29	27	AP8149287	28.17	5	AP8150436	28.39	10
AP8144414	28.29	26	AP8149288	28.17	6	AP8150436	28.40	10
AP8144415	28.21	11	AP8149667	28.29	3	AP8150450	28.11	6
AP8144475	28.31	19	AP8149667	28.29	3	AP8150450	28.13	14
AP8144475	28.31	19	AP8149667	28.29	3	AP8150450	28.14	11
AP8144475	28.32	26	AP8149669	28.29	3	AP8150450	28.17	10
AP8144476	28.30	5	AP8149669	28.29	3	AP8150450	28.18	17
AP8144476	28.30	5	AP8149723	28.29	3	AP8150450	28.18	17
AP8144476	28.32	14	AP8150011	28.17	28	AP8150451	28.47	11
AP8144477	28.30	6	AP8150012	28.47	12	AP8150453	28.15	19
AP8144477	28.30	6	AP8150012	28.47	12	AP8150453	28.49	13
AP8144564	28.11	5	AP8150013	28.16	14	AP8150454	28.15	18
AP8144564	28.18	10	AP8150013	28.42	15	AP8150454	28.49	14
AP8144588	28.12	8	AP8150014	28.15	11	AP8150457	28.10	9
AP8144589	28.12	9	AP8150014	28.21	12	AP8150458	28.10	8
AP8144603	28.12	8	AP8150014	28.46	14	AP8150459	28.15	12
AP8144604	28.12	9	AP8150015	28.05	11	AP8150462	28.41	19
AP8144604	28.12	9	AP8150015	28.19	6	AP8150462	29.33	6
AP8144608	28.28	30	AP8150018	28.34	12	AP8150463	28.39	18
AP8146300	28.04	9	AP8150020	28.05	16	AP8150468	28.09	18
AP8146301	28.04	10	AP8150020	28.41	16	AP8150469	28.01	5
AP8146340	28.10	3	AP8150026	28.26	11	AP8150469	28.14	7
AP8146409	28.10	5	AP8150026	28.41	17	AP8150472	28.22	9
AP8146457	28.01	1	AP8150026	28.47	8	AP8150480	28.05	6
AP8146466	28.04	15	AP8150026	28.48	16	AP8150490	28.06	17
AP8146467	28.04	5	AP8150038	28.03	3	AP8150490	28.06	17
AP8146627	28.02	3	AP8150040	28.03	25	AP8150507	28.49	8
AP8146631	28.02	13	AP8150044	28.41	18	AP8150508	28.22	7
AP8146631	28.03	13	AP8150044	29.33	9	AP8152001	28.05	6
AP8146632	28.01	1	AP8150137	28.20	7	AP8152013	28.03	2
AP8146635	28.04	9	AP8150137	28.28	23	AP8152040	28.06	20
AP8146636	28.04	10	AP8150137	28.44	5	AP8152043	28.17	29
AP8146639	28.09	10	AP8150159	28.43	4	AP8152123	28.47	6
AP8146648	28.10	5	AP8150159	28.48	3	AP8152137	28.17	19
AP8146657	28.05	1	AP8150165	28.49	11	AP8152166	28.44	11
AP8146676	28.05	2	AP8150170	28.22	19	AP8152181	28.17	20
AP8146677	28.05	1	AP8150192	28.03	24	AP8152181	28.28	25
AP8146687	28.05	2	AP8150195	28.39	20	AP8152184	28.26	6
AP8146699	28.02	13	AP8150196	28.05	5	AP8152184	28.31	6
AP8146699	28.02	13	AP8150204	28.12	16	AP8152184	28.31	6
AP8146699	28.03	13	AP8150210	28.05	17	AP8152184	28.32	16
AP8146699	28.03	13	AP8150211	28.06	10	AP8152246	28.03	7
AP8146700	28.02	3	AP8150220	29.33	8	AP8152246	28.13	2

Code	Nr. der Tafel	Pos.
AP8152246	28.13	9
AP8152246	28.17	12
AP8152246	28.19	8
AP8152246	28.29	20
AP8152246	28.43	7
AP8152246	28.44	6
AP8152267	28.09	26
AP8152267	28.20	5
AP8152272	28.02	10
AP8152272	28.24	13
AP8152272	28.31	9
AP8152272	28.31	9
AP8152272	28.42	16
AP8152273	28.16	13
AP8152273	28.23	16
AP8152273	28.29	19
AP8152273	28.30	4
AP8152273	28.30	4
AP8152273	28.31	14
AP8152273	28.31	14
AP8152273	28.32	21
AP8152275	28.41	20
AP8152275	28.45	9
AP8152275	28.47	18
AP8152277	28.04	16
AP8152277	28.13	1
AP8152277	28.26	10
AP8152277	28.28	15
AP8152277	28.29	17
AP8152277	28.31	7
AP8152277	28.31	7
AP8152277	28.32	18
AP8152277	28.47	5
AP8152278	28.02	17
AP8152278	28.03	15
AP8152278	28.15	3
AP8152278	28.18	5
AP8152278	28.19	5
AP8152278	28.27	7
AP8152278	28.28	26
AP8152278	28.31	3
AP8152278	28.31	3
AP8152278	28.32	12
AP8152278	28.47	23
AP8152278	28.49	10
AP8152279	28.05	10
AP8152279	28.16	25
AP8152279	28.17	4
AP8152279	28.18	12
AP8152279	28.26	7
AP8152279	28.27	7
AP8152279	28.27	9
AP8152279	28.28	16
AP8152279	28.41	22
AP8152279	28.42	13
AP8152279	28.46	12
AP8152280	28.24	15
AP8152280	28.26	15
AP8152280	28.46	15
AP8152281	28.03	21
AP8152281	28.06	13
AP8152281	28.06	13
AP8152281	28.15	13
AP8152282	28.47	10
AP8152285	28.28	10
AP8152285	28.46	13
AP8152286	28.35	3

Code	Nr. der Tafel	Pos.
AP8152286	28.36	3
AP8152286	28.42	12
AP8152288	28.04	6
AP8152289	28.06	12
AP8152289	28.06	12
AP8152290	28.08	3
AP8152298	28.11	7
AP8152298	28.12	10
AP8152298	28.20	10
AP8152298	28.20	14
AP8152299	28.02	7
AP8152299	28.03	20
AP8152299	28.08	18
AP8152299	28.15	10
AP8152299	28.16	24
AP8152299	28.19	10
AP8152299	28.20	9
AP8152299	28.21	3
AP8152299	28.24	16
AP8152299	28.28	21
AP8152299	28.44	7
AP8152300	28.34	9
AP8152301	28.03	1
AP8152301	28.05	14
AP8152301	28.10	7
AP8152302	28.09	25
AP8152302	28.12	12
AP8152302	28.14	5
AP8152302	28.14	6
AP8152302	28.18	13
AP8152302	28.18	14
AP8152305	28.09	20
AP8152306	28.20	16
AP8152306	28.20	8
AP8152306	28.23	17
AP8152306	28.45	8
AP8152320	28.05	5
AP8152320	28.22	20
AP8152322	28.10	5
AP8152323	28.35	4
AP8152323	28.36	4
AP8152323	28.39	14
AP8152323	28.40	14
AP8152324	28.39	13
AP8152324	28.40	13
AP8152335	28.35	5
AP8152335	28.36	5
AP8152384	28.06	16
AP8152385	28.37	10
AP8152385	28.38	8
AP8152413	28.10	6
AP8152415	28.11	4
AP8152415	28.18	11
AP8152416	28.12	12
AP8152416	28.18	13
AP8152416	28.19	9
AP8152416	28.20	5
AP8152417	28.02	11
AP8152417	28.12	10
AP8152418	28.20	10
AP8152418	28.45	9
AP8152419	28.04	16
AP8152420	28.13	9
AP8152420	28.14	5
AP8152420	28.20	7
AP8152420	28.44	6
AP8152421	28.11	7

Code	Nr. der Tafel	Pos.
AP8152421	28.17	12
AP8152422	28.26	15
AP8152423	28.12	11
AP8152424	28.02	11
AP8152424	28.14	6
AP8152425	28.44	5
AP8152426	28.41	18
AP8152426	28.46	12
AP8152426	29.33	9
AP8152427	28.22	19
AP8152428	28.04	6
AP8152430	28.14	7
AP8152435	28.49	15
AP8152436	28.26	16
AP8156006	28.12	6
AP8156007	28.20	1
AP8156008	28.20	2
AP8156024	28.12	6
AP8156039	28.12	6
AP8156043	28.12	6
AP8156054	28.12	6
AP8156057	28.12	6
AP8156070	28.12	6
AP8156070	28.12	6
AP8156076	28.12	6
AP8156078	28.20	2
AP8156113	28.12	6
AP8156115	28.12	6
AP8156117	28.12	6
AP8156192	28.20	2
AP8156193	28.12	6
AP8156194	28.12	6
AP8163034	28.07	9
AP8163057	28.07	18
AP8163057	28.08	15
AP8163062	28.07	1
AP8163062	28.07	1
AP8163062	28.08	1
AP8163062	28.08	1
AP8163062	28.08	1
AP8163063	28.07	2
AP8163063	28.08	2
AP8163063	28.08	2
AP8163063	28.08	2
AP8163192	28.06	2
AP8163193	28.14	4
AP8163208	28.06	2
AP8163208	28.06	2
AP8163265	28.06	2
AP8163265	28.06	2
AP8163476	28.07	2
AP8163476	28.08	2
AP8163477	28.07	1
AP8163477	28.08	1
AP8163481	28.08	20
AP8166133	28.50	7
AP8166134	28.50	7
AP8166135	28.50	7
AP8166232	28.50	7
AP8166355	28.50	7
AP8166355	28.50	7
AP8166355	28.50	7
AP8166356	28.50	7
AP8166356	28.50	7
AP8166357	28.50	7
AP8166357	28.50	7
AP8166573	28.50	7
AP8166688	28.50	7
AP8167282	28.50	3

Code	Nr. der Tafel	Pos.
AP8167311	28.50	5
AP8168057	28.27	14
AP8168058	28.46	1
AP8168059	28.46	6
AP8168060	28.28	1
AP8168061	28.15	5
AP8168062	28.13	5
AP8168063	28.11	2
AP8168064	28.13	4
AP8168067	28.26	13
AP8168068	28.26	14
AP8168069	28.11	1
AP8168070	28.11	3
AP8168070	28.11	3
AP8168071	28.14	1
AP8168072	28.14	2
AP8168073	28.12	1
AP8168074	28.12	2
AP8168075	28.12	3
AP8168076	28.12	4
AP8168077	28.18	6
AP8168093	28.18	9
AP8168108	28.17	22
AP8168168	28.27	17
AP8168217	28.23	8
AP8168218	28.15	5
AP8168219	28.13	5
AP8168220	28.13	10
AP8168221	28.13	11
AP8168222	28.12	5
AP8168224	28.26	13
AP8168224	28.26	13
AP8168225	28.26	14
AP8168225	28.26	14
AP8168226	28.11	1
AP8168227	28.14	1
AP8168227	28.14	1
AP8168228	28.14	2
AP8168228	28.14	2
AP8168229	28.12	1
AP8168229	28.12	1
AP8168230	28.12	2
AP8168230	28.12	2
AP8168231	28.12	3
AP8168232	28.12	4
AP8168234	28.18	15
AP8168280	28.17	13
AP8168281	28.17	11
AP8168380	28.11	3
AP8168380	28.11	3
AP8168455	28.11	2
AP8168455	28.11	2
AP8168456	28.14	8
AP8168457	28.14	9
AP8168459	28.18	6
AP8168484	28.20	18
AP8168484	28.20	18
AP8168485	28.11	3
AP8168485	28.11	3
AP8168486	28.27	17
AP8168486	28.27	17
AP8168487	28.17	13
AP8168488	28.17	11
AP8168499	28.18	16
AP8168501	28.24	6
AP8168512	28.15	5
AP8168513	28.11	1

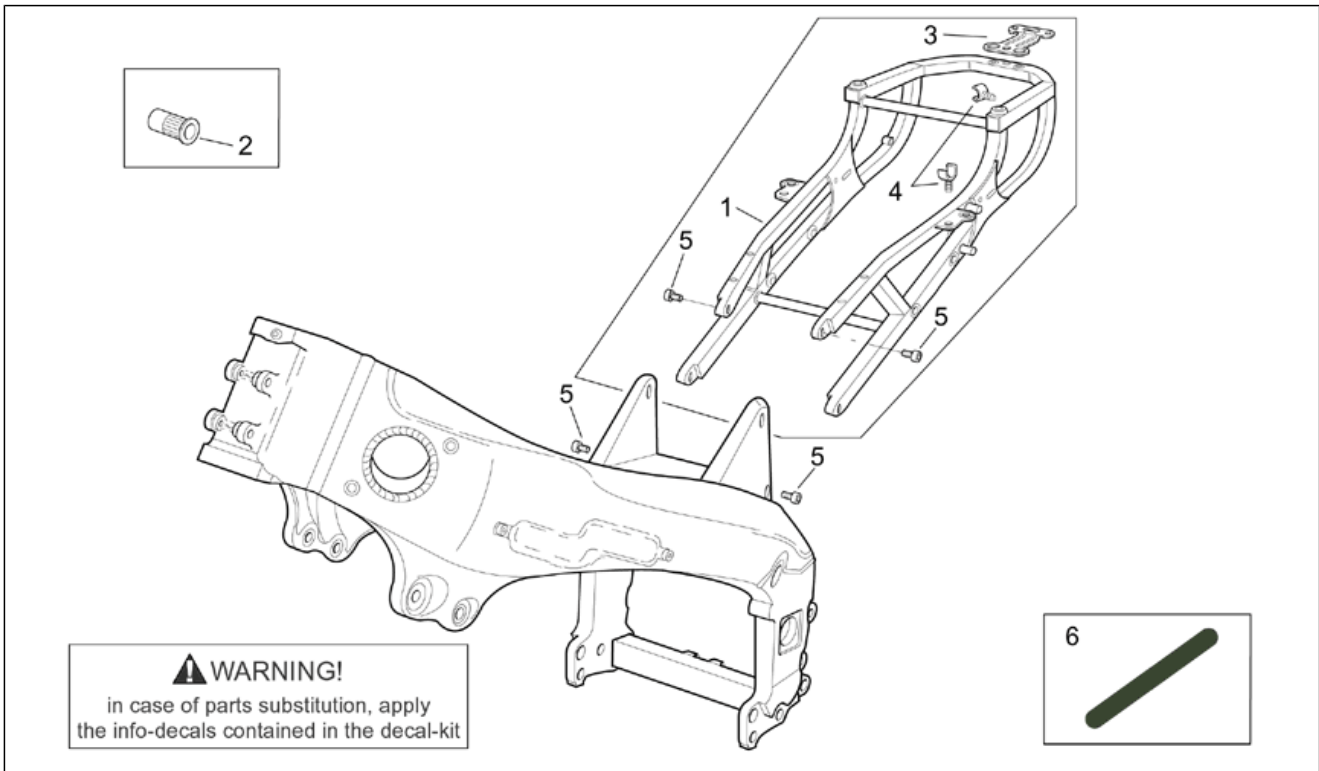
Code	Nr. der Tafel	Pos.
AP8168514	28.18	6
AP8168601	28.11	3
AP8168601	28.11	3
AP8168602	28.18	15
AP8168710	28.09	30
AP8168710	28.09	30
AP8168710	28.09	30
AP8168796	28.09	30
AP8168796	28.09	30
AP8168797	28.20	18
AP8168797	28.20	18
AP8168798	28.15	5
AP8168798	28.15	5
AP8168799	28.11	1
AP8168799	28.11	1
AP8168800	28.14	1
AP8168801	28.14	2
AP8168802	28.12	3
AP8168803	28.12	4
AP8168804	28.26	13
AP8168804	28.26	13
AP8168805	28.26	14
AP8168805	28.26	14
AP8168806	28.17	21
AP8168807	28.18	6
AP8168807	28.18	6
AP8168808	28.13	5
AP8168809	28.11	9
AP8168906	28.13	5
AP8168906	28.13	5
AP8168907	28.11	2
AP8168907	28.11	2
AP8168908	28.12	1
AP8168908	28.12	1
AP8168909	28.12	2
AP8168909	28.12	2
AP8168910	28.27	17
AP8168911	28.18	9
AP8168911	28.18	9
AP8176032	28.32	6
AP8176050	28.23	9
AP8176052	29.33	1
AP8176053	29.33	1
AP8176053	29.33	1
AP8176053	29.33	1
AP8176054	29.33	1
AP8176054	29.33	1
AP8176054	29.33	1
AP8176055	29.33	1
AP8176055	29.33	1
AP8176055	29.33	1
AP8176078	28.32	9
AP8177082	28.50	4
AP8177099	28.50	7
AP8177181	28.50	11
AP8177225	28.50	4
AP8177226	28.50	10
AP8177226	28.50	10
AP8177227	28.50	9
AP8177227	28.50	9
AP8177228	28.50	8
AP8177228	28.50	8
AP8177230	28.50	4
AP8177233	28.50	10
AP8177243	28.50	7
AP8177244	28.50	7
AP8177269	28.50	8

Code	Nr. der Tafel	Pos.
AP8177419	28.50	7
AP8177459	28.50	7
AP8177462	28.50	7
AP8177567	28.50	7
AP8178242	28.15	5
AP8178243	28.11	1
AP8178244	28.12	3
AP8178245	28.12	4
AP8178246	28.13	5
AP8178247	28.13	10
AP8178248	28.13	11
AP8178249	28.18	6
AP8178250	28.18	15
AP8178253	28.15	5
AP8178254	28.11	1
AP8178255	28.18	6
AP8178256	28.18	15
AP8178257	28.15	5
AP8178258	28.11	1
AP8178259	28.18	6
AP8178260	28.18	15
AP8178434	28.12	3
AP8178435	28.12	4
AP8178710	28.15	5
AP8178710	28.15	5
AP8178711	28.15	5
AP8178711	28.15	5
AP8178712	28.15	5
AP8178712	28.15	5
AP8179014	28.11	1
AP8179015	28.18	6
AP8179016	28.17	21
AP8179026	28.09	30
AP8179027	28.20	18
AP8179028	28.12	3
AP8179029	28.12	4
AP8179030	28.14	1
AP8179030	28.14	1
AP8179031	28.14	2
AP8179031	28.14	2
AP8179032	28.26	13
AP8179033	28.26	14
AP8179034	28.13	5
AP8179035	28.18	9
AP8179036	28.04	9
AP8179037	28.04	10
AP8179038	28.11	2
AP8179039	28.27	17
AP8179040	28.12	1
AP8179041	28.12	2
AP8201301	28.41	21
AP8201539	28.02	15
AP8201539	28.19	4
AP8201727	28.03	26
AP8201755	28.09	21
AP8202154	28.16	4
AP8212588	28.46	2
AP8213057	28.23	11
AP8213057	28.24	7
AP8213193	28.37	4
AP8213299	28.23	25
AP8213299	28.24	21
AP8220149	28.06	23
AP8220150	28.48	2
AP8220238	28.17	25
AP8220263	28.16	17
AP8220269	28.02	12

Code	Nr. der Tafel	Pos.
AP8220269	28.03	5
AP8220283	28.48	18
AP8220349	28.17	16
AP8220349	28.17	26
AP8221017	28.12	17
AP8221023	28.24	17
AP8221023	28.26	8
AP8221023	28.28	5
AP8221046	29.33	7
AP8221129	28.18	2
AP8221129	28.49	12
AP8221145	28.17	15
AP8221145	28.27	18
AP8221145	28.27	6
AP8221197	28.05	9
AP8221242	28.29	28
AP8221310	28.16	26
AP8224164	28.20	11
AP8224164	28.20	4
AP8224389	28.45	10
AP8224390	28.44	8
AP8224393	28.43	12
AP8224462	28.48	13
AP8224470	28.27	1
AP8234020	28.09	24
AP8700792	30.76	2
AP8700793	30.76	2
AP8700794	30.76	2
AP8705021	30.76	4
AP8720115	30.77	1
AP8720116	30.77	2
AP8720117	30.77	3
AP8720118	30.77	4
AP8791213	30.71	12
AP8791214	30.71	13
AP8791215	30.71	14
AP8791216	30.71	15
AP8791217	30.71	16
AP8791218	30.71	17
AP8791219	30.71	19
AP8791220	30.69	5
AP8791221	30.71	1
AP8791222	30.71	2
AP8791223	30.71	3
AP8791224	30.71	4
AP8791225	30.71	5
AP8791226	30.71	6
AP8791227	30.71	7
AP8791228	30.71	8
AP8791229	30.71	9
AP8791230	30.71	10
AP8791231	30.71	11
AP8792152	30.76	5
AP8792156	30.76	3
AP8796046	30.76	6
AP8796047	30.76	1
AP8796196	30.69	1
AP8796197	30.69	2
AP8796263	30.69	1
AP8796264	30.69	2
AP8796492	30.74	2
AP8796493	30.74	1
AP8796498	30.74	4
AP8796499	30.74	5
AP8796500	30.74	6
AP8796501	30.74	7
AP8796506	30.73	19

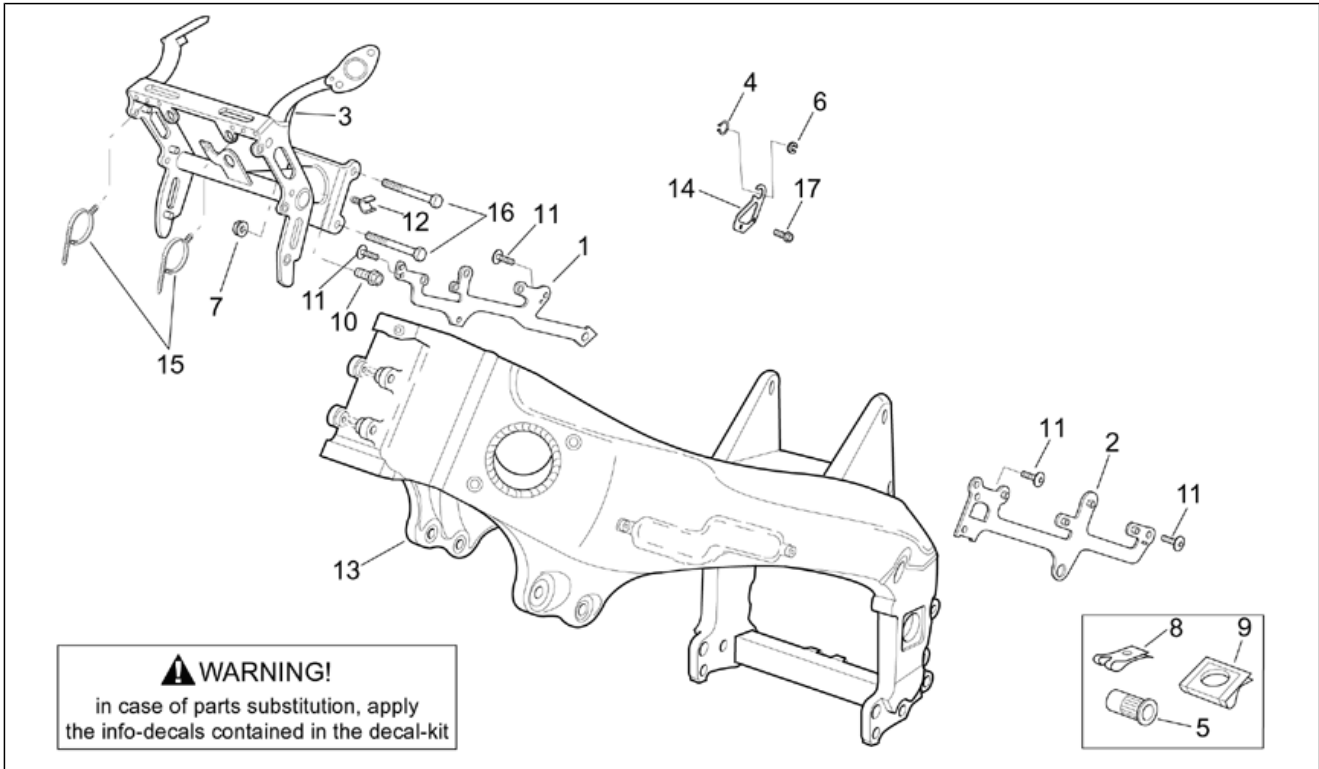
Code	Nr. der Tafel	Pos.
AP8796507	30.73	10
AP8796508	30.73	11
AP8796509	30.73	8
AP8796510	30.73	14
AP8796513	30.73	15
AP8796514	30.73	4
AP8796515	30.73	5
AP8796516	30.73	7
AP8796517	30.73	9
AP8796518	30.73	6
AP8796519	30.72	6
AP8796519	30.73	12
AP8796530	29.33	14
AP8796530	30.69	3
AP8796531	30.69	4
AP8796539	30.72	4
AP8796539	30.74	3
AP8796941	30.75	1
AP8796942	30.73	1
AP8797156	30.73	2
AP8797157	30.73	2
AP8797158	30.73	18
AP8797159	30.73	17
AP8797160	30.73	13
AP8797166	30.73	16
AP8797168	30.75	7
AP8797215	30.72	7
AP8797215	30.73	20
AP8797220	30.72	1
AP8797227	30.72	2
AP8797228	30.72	3
AP8797229	30.72	5
AP8797230	30.72	8
AP8798002	30.75	6
AP8798003	30.75	3

Einheit	RAHMEN
Code	28.01
Beschreibung	Rahmen I
Inspektion	1



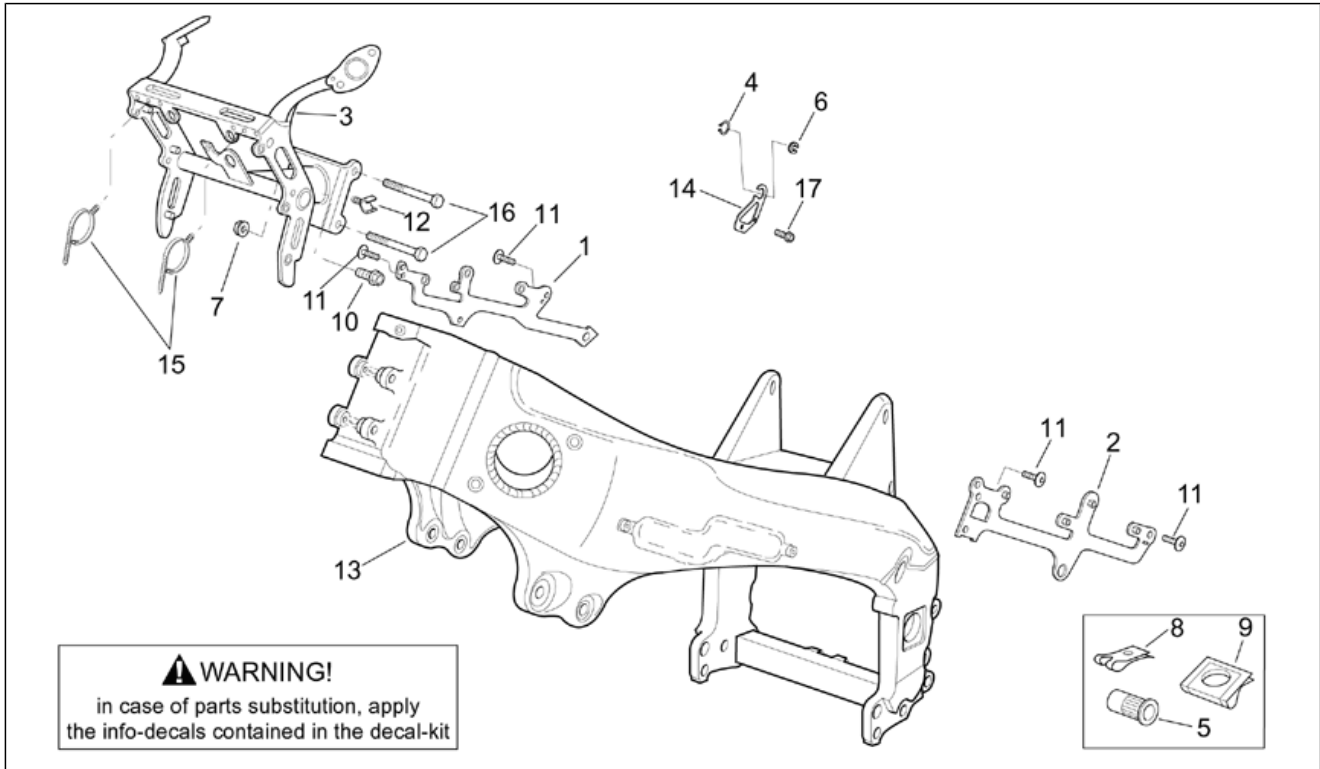
Pos.	Code	Beschreibung	Menge	Varianten
1	AP8146457	Sattelstütze	1	Technische Daten: "Version ""R - Standard"" 2004-2005"[RS], "Version ""Base"" 2002-2003"[ST]
1	AP8146632	Sattelstütze	1	Technische Daten: "Version ""R"" 2002-2003"[R], "Version ""R - Factory"" 2004-2005"[RF]
2	AP8102544	Geschnitten Kunststoffniet M6	13	
3	AP8134452	Fixierung Heckteil	1	
4	AP8121882	Kabelführungs	2	
5	AP8150469	TCEI Schraube M10x30	4	
6	AP8144281	Dichtung Sportsch.	1	

Einheit	RAHMEN
Code	28.02
Beschreibung	Rahmen II
Inspektion	1



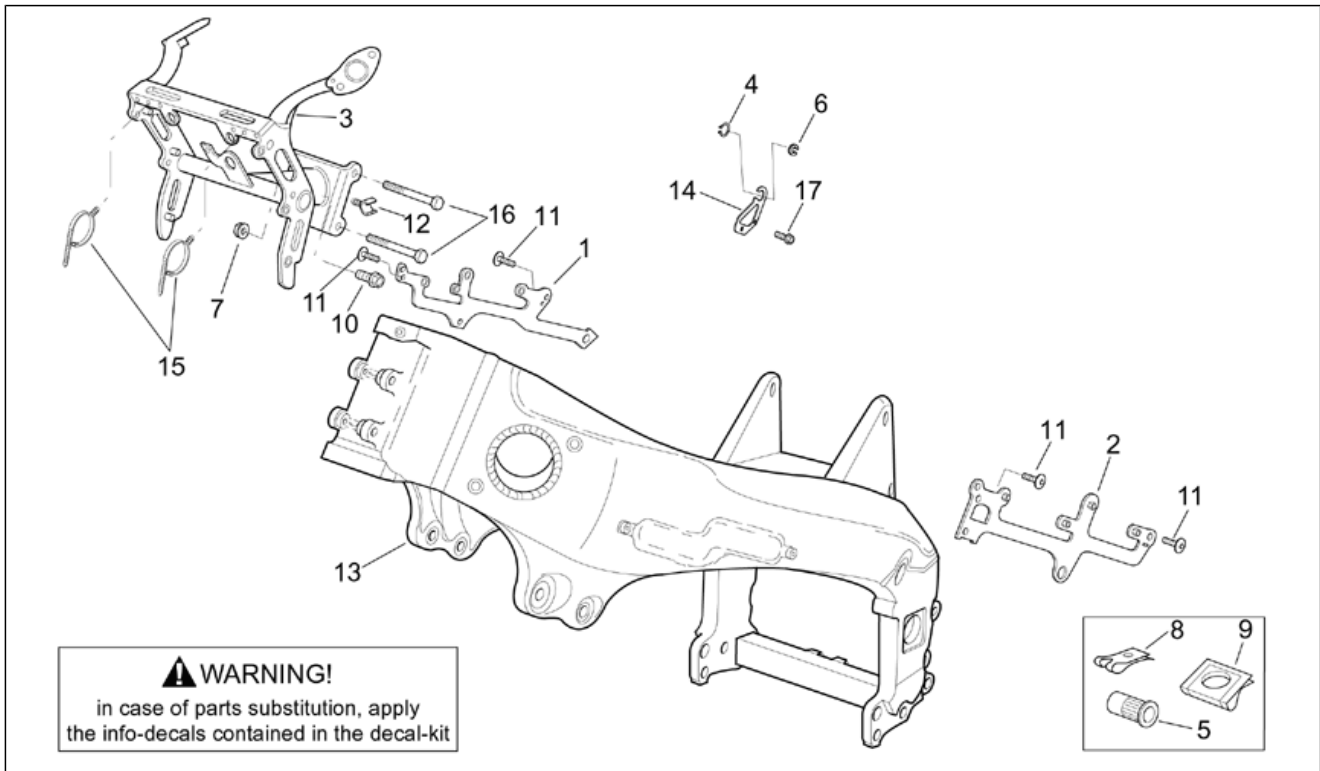
Pos.	Code	Beschreibung	Menge	Varianten
1	AP8134389	Fixierung rechts Spulen	1	
2	AP8134390	Fixierung links Spulen	1	Baujahr: 2003[3] Land: Österreich[A], Australien[AA], Australien[AUS], Belgien[B], Schweiz[CH], Deutschland[D], Dänemark[DK], Spanien[E], I, E, NL[EU], Frankreich[F], Italien[I], Japan[J], J[JJ], Mexiko[ME], ME[MX], Holland[NL], Spanien[SP], Großbritannien[UK] Technische Daten: "Version ""Base"" 2002-2003"[ST]
2	AP8134390	Fixierung links Spulen	1	Baujahr: 2003[3] Land: Österreich[A], Australien[AA], Australien[AUS], Belgien[B], Schweiz[CH], Deutschland[D], Dänemark[DK], Spanien[E], I, E, NL[EU], Frankreich[F], Italien[I], Japan[J], J[JJ], Mexiko[ME], ME[MX], Holland[NL], Spanien[SP], Großbritannien[UK] Technische Daten: "Version ""Base"" 2002-2003"[ST]
2	AP8134390	Fixierung links Spulen	1	Baujahr: 2002[2] Land: Österreich[A], Australien[AA], Australien[AUS], Belgien[B], Schweiz[CH], Deutschland[D], Dänemark[DK], Spanien[E], I, E, NL[EU], Frankreich[F], Italien[I], Japan[J], J[JJ], Mexiko[ME], ME[MX], Holland[NL], Spanien[SP], Großbritannien[UK] Technische Daten: "Version ""Base"" 2002-2003"[ST]
2	AP8134635	Fixierung links Spulen	1	Baujahr: 2002[2], 2003[3] Technische Daten: "Version ""R"" 2002-2003"[R]
2	AP8134635	Fixierung links Spulen	1	Baujahr: 2004[4], 2005[5]
2	AP8134635	Fixierung links Spulen	1	Baujahr: 2002[2], 2003[3] Land: USA (Zulassung 49 Staaten)[AM], USA (Zulassung California)[CF], Vereinigte Staaten von Amerika[USA] Technische Daten: "Version ""Base"" 2002-2003"[ST]
2	AP8134635	Fixierung links Spulen	1	Baujahr: 2003[3] Land: Österreich[A], Australien[AA], Australien[AUS], Belgien[B], Schweiz[CH], Deutschland[D], Dänemark[DK], Spanien[E], I, E, NL[EU], Frankreich[F], Italien[I], Japan[J], J[JJ], Mexiko[ME], ME[MX], Holland[NL], Spanien[SP], Großbritannien[UK]

Einheit	RAHMEN
Code	28.02
Beschreibung	Rahmen II
Inspektion	1



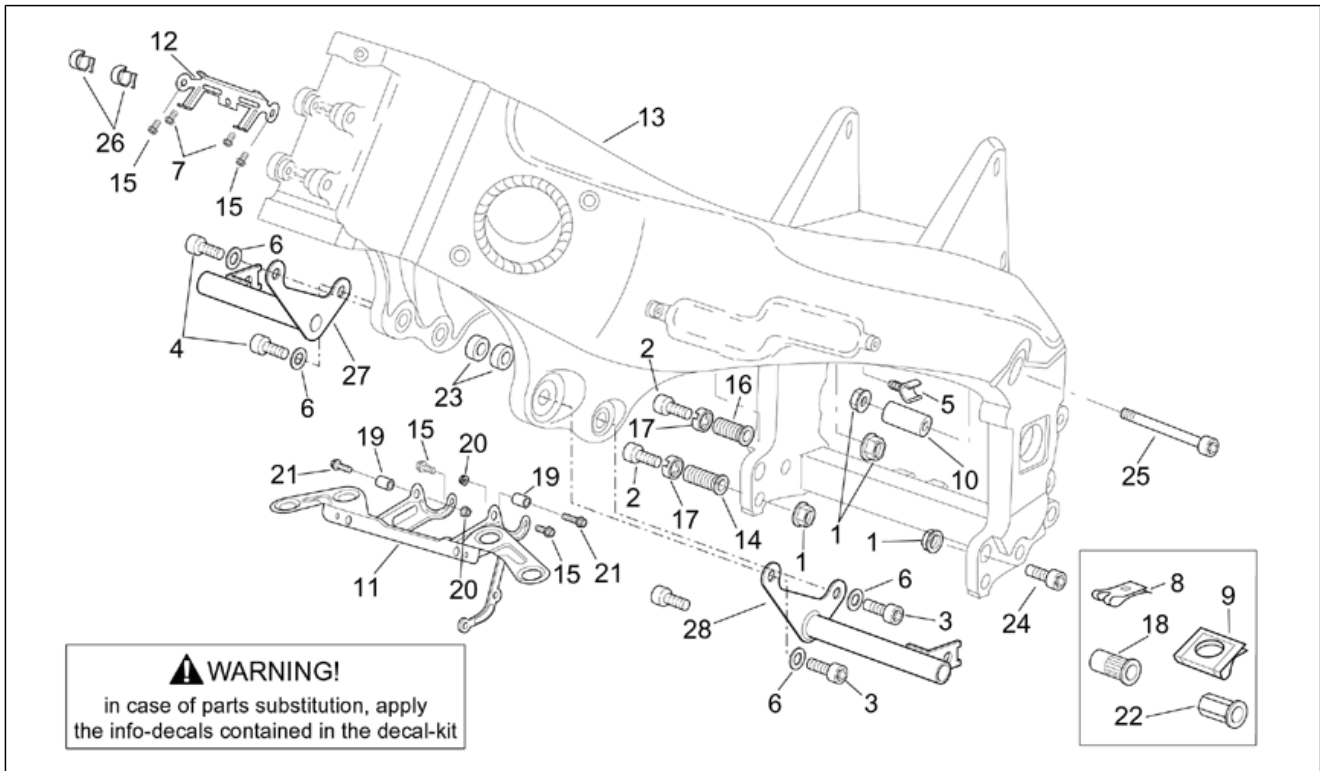
Pos.	Code	Beschreibung	Menge	Varianten
				Technische Daten: "Version ""Base"" 2002-2003"[ST]
3	AP8146627	Instrumentenrahmen	1	Baujahr: 2002[2]
3	AP8146700	Instrumentenrahmen	1	Baujahr: 2003[3], 2004[4], 2005[5]
4	AP8121428	Seegerring d8	1	
5	AP8102544	Geschnitten Kunststoffniet M6	12	
6	AP8102498	Sprengring	1	
7	AP8152299	Selbstsperrende Mutter M6	2	
8	AP8102375	Klammer M5	2	
9	AP8102376	Klammer M6	2	
10	AP8152272	TE Schr. m. Flansch M5x12	1	
11	AP8152417	TCCCE Schraube	4	Baujahr: 2003[3], 2004[4], 2005[5]
11	AP8152424	TCCCE Schraube M6x50	4	Baujahr: 2002[2] Technische Daten: "Version ""R"" 2002-2003"[R]
12	AP8220269	Kabelführungs	2	
13	AP8146631	Feinbearb. Rahmen	1	Baujahr: 2002[2] Fahrzeugfarbe: "Schwarz Diablo ""Racing"" 2002"[rac] Technische Daten: "Version ""R"" 2002-2003"[R]
13	AP8146699	Feinbearb. Rahmen	1	Baujahr: 2003[3] Land: Österreich[A], Australien[AA], Australien[AUS], Belgien[B], Schweiz[CH], Deutschland[D], Dänemark[DK], Spanien[E], I, E, NL[EU], Frankreich[F], Italien[I], Japan[J], J[JJ], Mexiko[ME], ME[MX], Holland[NL], Spanien[SP], Großbritannien[UK] Technische Daten: "Version ""Base"" 2002-2003"[ST]
13	AP8146699	Feinbearb. Rahmen	1	Baujahr: 2002[2] Land: Österreich[A], Australien[AA], Australien[AUS], Belgien[B], Schweiz[CH], Deutschland[D], Dänemark[DK], Spanien[E], I, E, NL[EU], Frankreich[F], Italien[I], Japan[J], J[JJ], Mexiko[ME], ME[MX], Holland[NL], Spanien[SP], Großbritannien[UK] Technische Daten: "Version ""Base"" 2002-2003"[ST]
13	AP8146711	Feinbearb. Rahmen	1	Baujahr: 2003[3]

Einheit	RAHMEN
Code	28.02
Beschreibung	Rahmen II
Inspektion	1



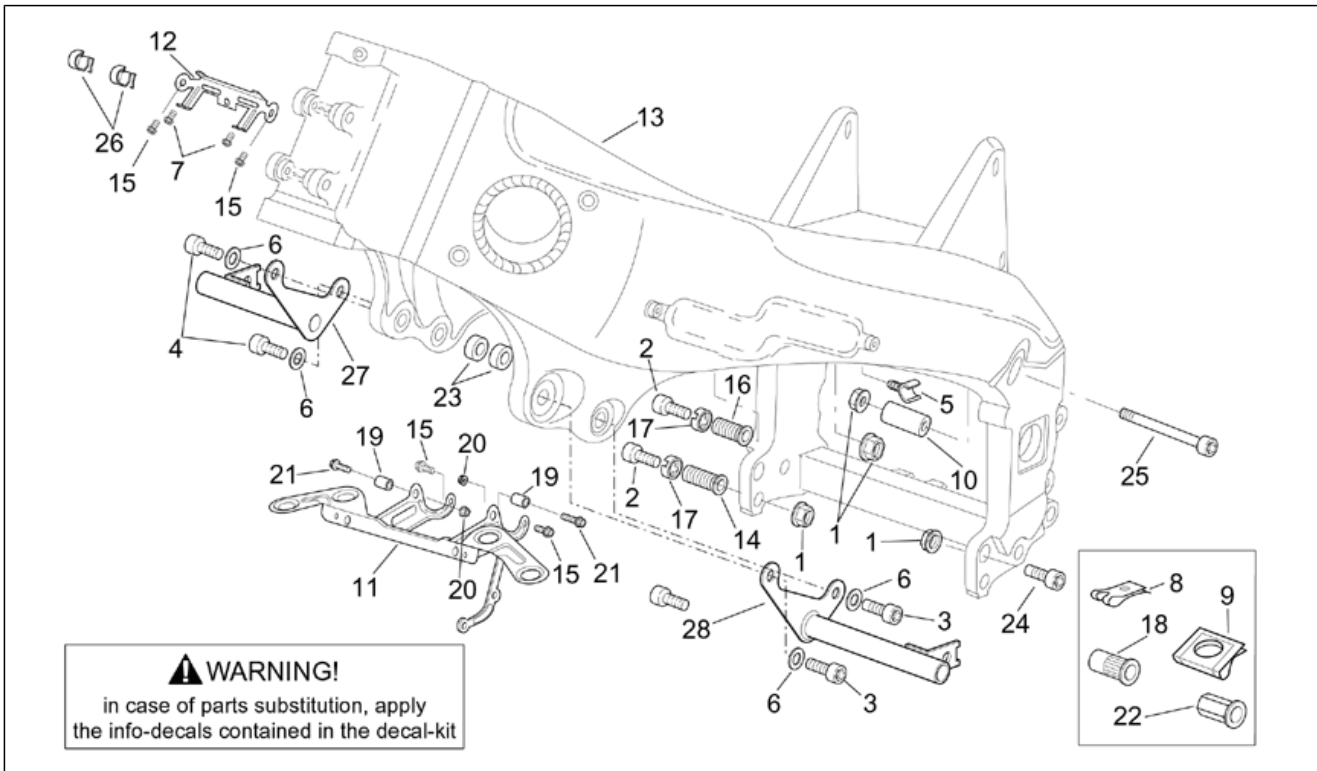
Pos.	Code	Beschreibung	Menge	Varianten
				Land: Österreich[A], Australien[AA], Australien[AUS], Belgien[B], Schweiz[CH], Deutschland[D], Dänemark[DK], Spanien[E], I, E, NL[EU], Frankreich[F], Italien[I], Japan[J], J[JJ], Mexiko[ME], ME[MX], Holland[NL], Spanien[SP], Großbritannien[UK] Technische Daten: "Version ""Base"" 2002-2003"[ST]
13	AP8146712	Feinbearb. Rahmen	1	Baujahr: 2002[2], 2003[3] Land: USA (Zulassung 49 Staaten)[AM], USA (Zulassung California)[CF], Vereinigte Staaten von Amerika[USA] Technische Daten: "Version ""Base"" 2002-2003"[ST]
13	AP8146712	Feinbearb. Rahmen	1	Baujahr: 2003[3] Land: Österreich[A], Australien[AA], Australien[AUS], Belgien[B], Schweiz[CH], Deutschland[D], Dänemark[DK], Spanien[E], I, E, NL[EU], Frankreich[F], Italien[I], Japan[J], J[JJ], Mexiko[ME], ME[MX], Holland[NL], Spanien[SP], Großbritannien[UK] Technische Daten: "Version ""Base"" 2002-2003"[ST]
13	AP8146773	Rahmen I.	1	Baujahr: 2003[3] Technische Daten: "Version ""R"" 2002-2003"[R], Racing GARA 2003[RG]
13	AP8146773	Rahmen I.	1	Baujahr: 2004[4], 2005[5]
14	AP8134674	Platte Leerlaufkabel	1	
15	AP8201539	Schelle	2	
16	AP8150314	Sechskantschraube	2	
17	AP8152278	TE Schr. m. Flansch M6x16	1	

Einheit	RAHMEN
Code	28.03
Beschreibung	Rahmen III
Inspektion	1



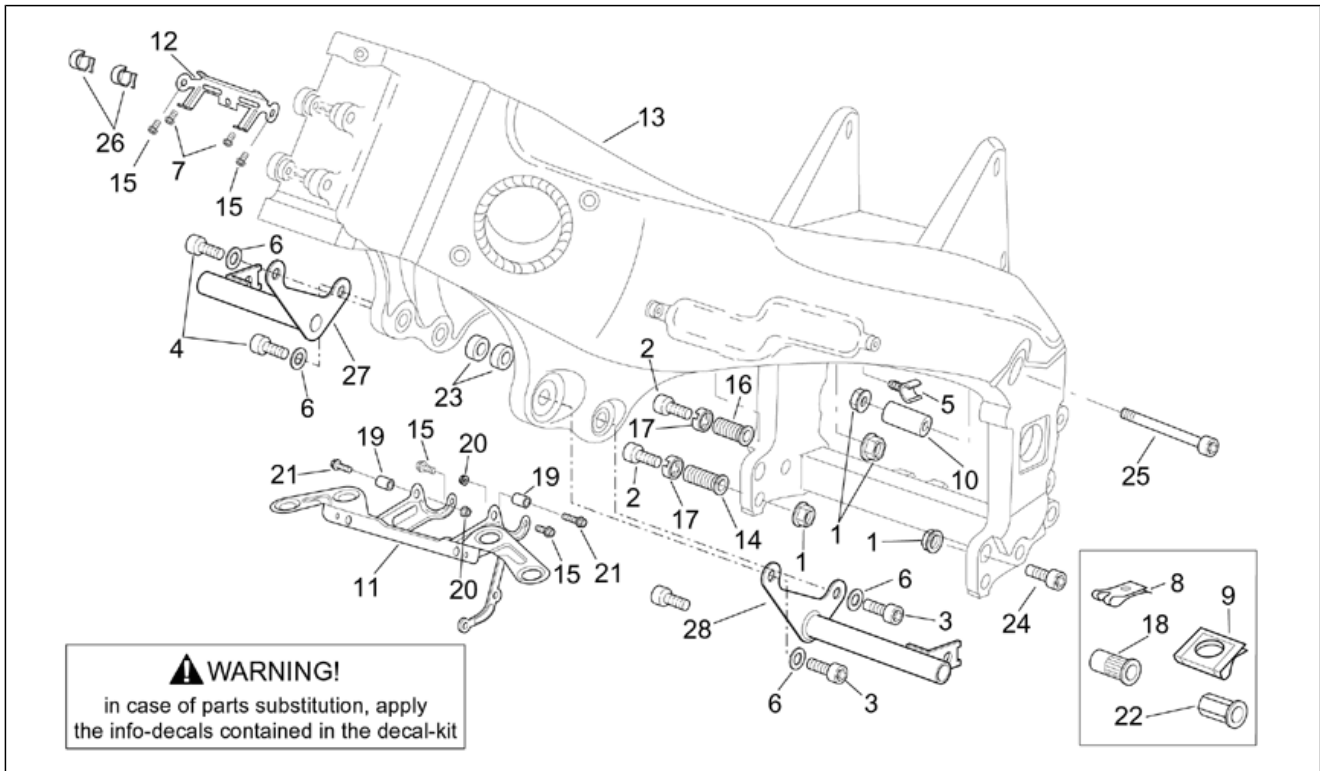
Pos.	Code	Beschreibung	Menge	Varianten
1	AP8152301	Selbstsperrende Mutter	4	
2	AP8152013	TCEI Schraube M10x105	2	
3	AP8150038	TCEI Schraube M10x45	2	
4	AP8150329	TCEI Schraube	2	
5	AP8220269	Kabelführungs	1	
6	AP8150292	Gebogene Sprengscheibe *	4	
7	AP8152246	TBEI Schraube m.Flansch M6x16	2	
8	AP8102375	Klammer M5	2	
9	AP8102376	Klammer M6	2	
10	AP8121998	Distanzst. Motorlager	1	
11	AP8134379	Unt. Kühlerhalter	1	Baujahr: 2003[3] Land: Österreich[A], Australien[AA], Australien[AUS], Belgien[B], Schweiz[CH], Deutschland[D], Dänemark[DK], Spanien[E], I, E, NL[EU], Frankreich[F], Italien[I], Japan[J], J[JJ], Mexiko[ME], ME[MX], Holland[NL], Spanien[SP], Großbritannien[UK] Technische Daten: "Version ""Base"" 2002-2003"[ST]
11	AP8134379	Unt. Kühlerhalter	1	Baujahr: 2003[3] Land: Österreich[A], Australien[AA], Australien[AUS], Belgien[B], Schweiz[CH], Deutschland[D], Dänemark[DK], Spanien[E], I, E, NL[EU], Frankreich[F], Italien[I], Japan[J], J[JJ], Mexiko[ME], ME[MX], Holland[NL], Spanien[SP], Großbritannien[UK] Technische Daten: "Version ""Base"" 2002-2003"[ST]
11	AP8134638	Unt. Kühlerhalter	1	Baujahr: 2003[3] Land: Österreich[A], Australien[AA], Australien[AUS], Belgien[B], Schweiz[CH], Deutschland[D], Dänemark[DK], Spanien[E], I, E, NL[EU], Frankreich[F], Italien[I], Japan[J], J[JJ], Mexiko[ME], ME[MX], Holland[NL], Spanien[SP], Großbritannien[UK] Technische Daten: "Version ""R - Standard"" 2004-2005"[RS], "Version ""Base"" 2002-2003"[ST]

Einheit	RAHMEN
Code	28.03
Beschreibung	Rahmen III
Inspektion	1



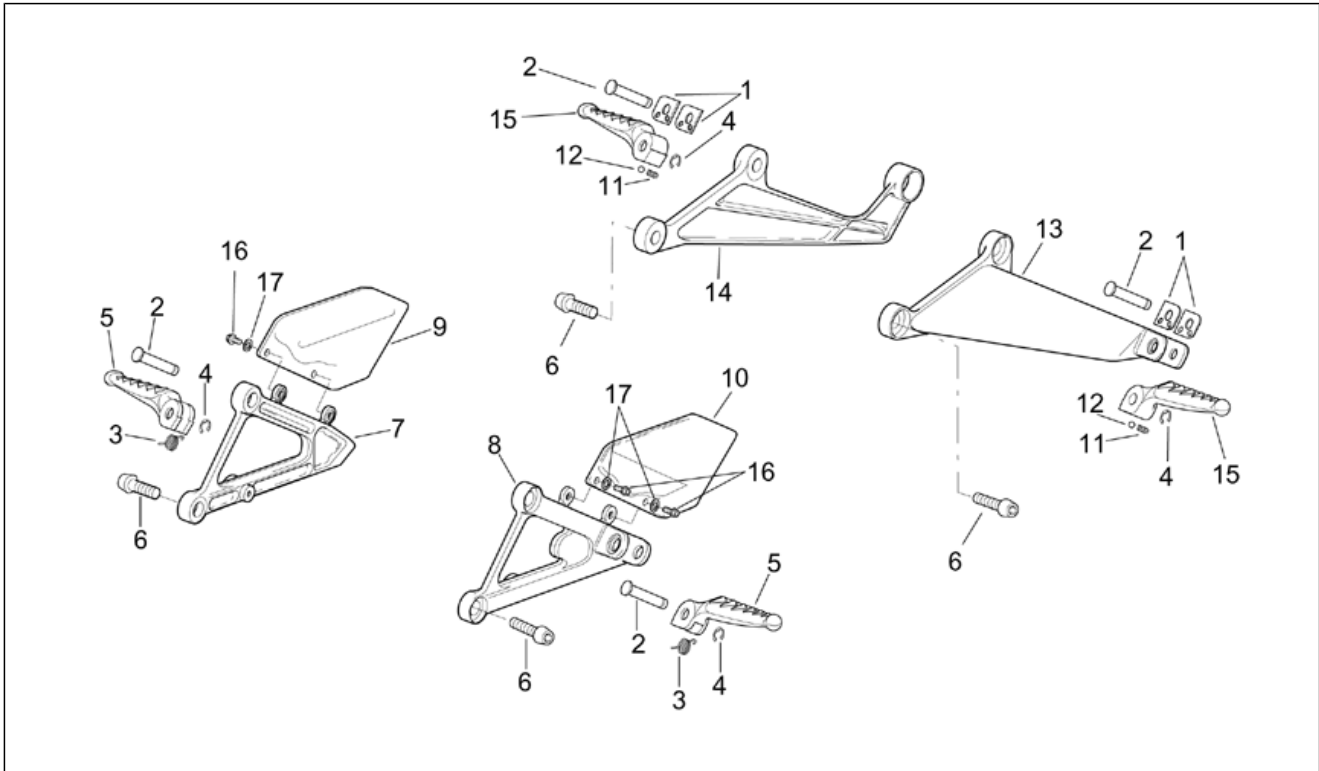
Pos.	Code	Beschreibung	Menge	Varianten
11	AP8134638	Unt. Kühlerhalter	1	Land: USA (Zulassung 49 Staaten)[AM], USA (Zulassung California)[CF], Vereinigte Staaten von Amerika[USA] Technische Daten: "Version ""R - Standard"" 2004-2005"[RS], "Version ""Base"" 2002-2003"[ST]
11	AP8134638	Unt. Kühlerhalter	1	Technische Daten: "Version ""R"" 2002-2003"[R], "Version ""R - Factory"" 2004-2005"[RF]
12	AP8134380	Obere Kühlerbefestigung	1	
13	AP8146631	Feinbearb. Rahmen	1	Baujahr: 2002[2] Fahrzeugfarbe: "Schwarz Diablo ""Racing"" 2002"[rac] Technische Daten: "Version ""R"" 2002-2003"[R]
13	AP8146699	Feinbearb. Rahmen	1	Baujahr: 2003[3] Land: Österreich[A], Australien[AA], Australien[AUS], Belgien[B], Schweiz[CH], Deutschland[D], Dänemark[DK], Spanien[E], I, E, NL[EU], Frankreich[F], Italien[I], Japan[J], J[JJ], Mexiko[ME], ME[MX], Holland[NL], Spanien[SP], Großbritannien[UK] Technische Daten: "Version ""Base"" 2002-2003"[ST]
13	AP8146699	Feinbearb. Rahmen	1	Baujahr: 2002[2] Land: Österreich[A], Australien[AA], Australien[AUS], Belgien[B], Schweiz[CH], Deutschland[D], Dänemark[DK], Spanien[E], I, E, NL[EU], Frankreich[F], Italien[I], Japan[J], J[JJ], Mexiko[ME], ME[MX], Holland[NL], Spanien[SP], Großbritannien[UK] Technische Daten: "Version ""Base"" 2002-2003"[ST]
13	AP8146711	Feinbearb. Rahmen	1	Baujahr: 2003[3] Land: Österreich[A], Australien[AA], Australien[AUS], Belgien[B], Schweiz[CH], Deutschland[D], Dänemark[DK], Spanien[E], I, E, NL[EU], Frankreich[F], Italien[I], Japan[J], J[JJ], Mexiko[ME], ME[MX], Holland[NL], Spanien[SP], Großbritannien[UK] Technische Daten: "Version ""Base"" 2002-2003"[ST]
13	AP8146712	Feinbearb. Rahmen	1	Baujahr: 2002[2], 2003[3] Land: USA (Zulassung 49 Staaten)[AM], USA (Zulassung California)[CF], Vereinigte Staaten von Amerika[USA] Technische Daten: "Version ""Base"" 2002-2003"[ST]

Einheit	RAHMEN
Code	28.03
Beschreibung	Rahmen III
Inspektion	1



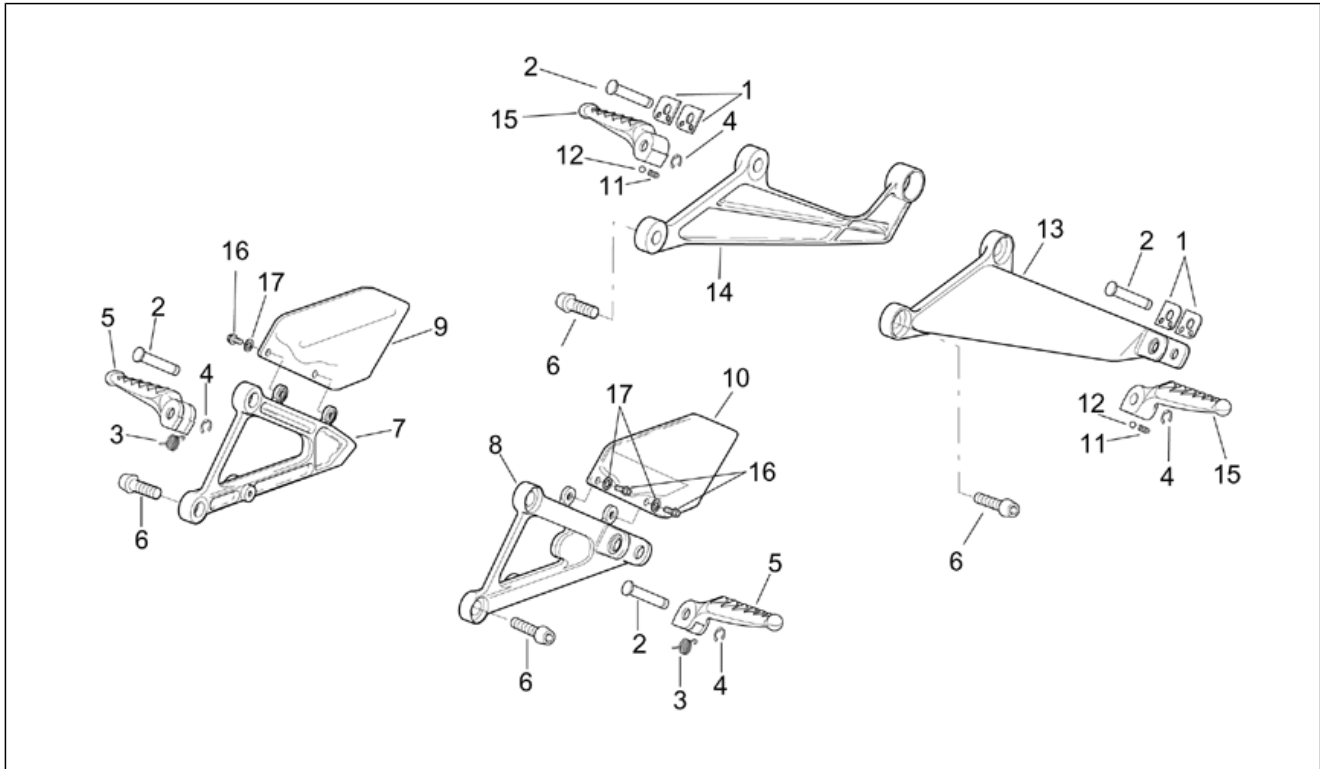
Pos.	Code	Beschreibung	Menge	Varianten
13	AP8146712	Feinbearb. Rahmen	1	Baujahr: 2003[3] Land: Österreich[A], Australien[AA], Australien[AUS], Belgien[B], Schweiz[CH], Deutschland[D], Dänemark[DK], Spanien[E], I, E, NL[EU], Frankreich[F], Italien[I], Japan[J], J[JJ], Mexiko[ME], ME[MX], Holland[NL], Spanien[SP], Großbritannien[UK] Technische Daten: "Version ""Base"" 2002-2003"[ST]
13	AP8146773	Rahmen I.	1	Baujahr: 2004[4], 2005[5]
13	AP8146773	Rahmen I.	1	Baujahr: 2003[3] Technische Daten: "Version ""R"" 2002-2003"[R], Racing GARA 2003[RG]
14	AP8121997	Unt. Einstellbuchse	1	
15	AP8152278	TE Schr. m. Flansch M6x16	4	
16	AP8121996	Ob. Einstellbuchse	1	
17	AP8121995	Motor-Nutmutter	2	
18	AP8102544	Geschnitten Kunststoffniet M6	10	
19	AP8121313	Konischebuchse	2	
20	AP8152299	Selbstsperrende Mutter M6	2	
21	AP8152281	TE Schr. m. Flansch M6x30	2	
22	AP8102902	Sechss. Geschn. Einsatz	3	
23	AP8121254	V.links Motor Distanzscheibe	2	
24	AP8150192	TCEI Schraube M10x80	1	Land: Österreich[A], Australien[AA], Australien[AUS], Belgien[B], Schweiz[CH], Deutschland[D], Dänemark[DK], Spanien[E], I, E, NL[EU], Frankreich[F], Griechenland[GR], Italien[I], Japan[J], J[JJ], Mexiko[ME], ME[MX], Holland[NL], Spanien[SP], Großbritannien[UK]
25	AP8150040	TCEI Schraube M10x110*	1	
26	AP8201727	Kabelführungs schw.	2	
27	AP8134893	R.fixierplatte Kette	1	
28	AP8134892	L.fixierplatte Kette	1	

Einheit	RAHMEN
Code	28.04
Beschreibung	Fussrasten
Inspektion	1



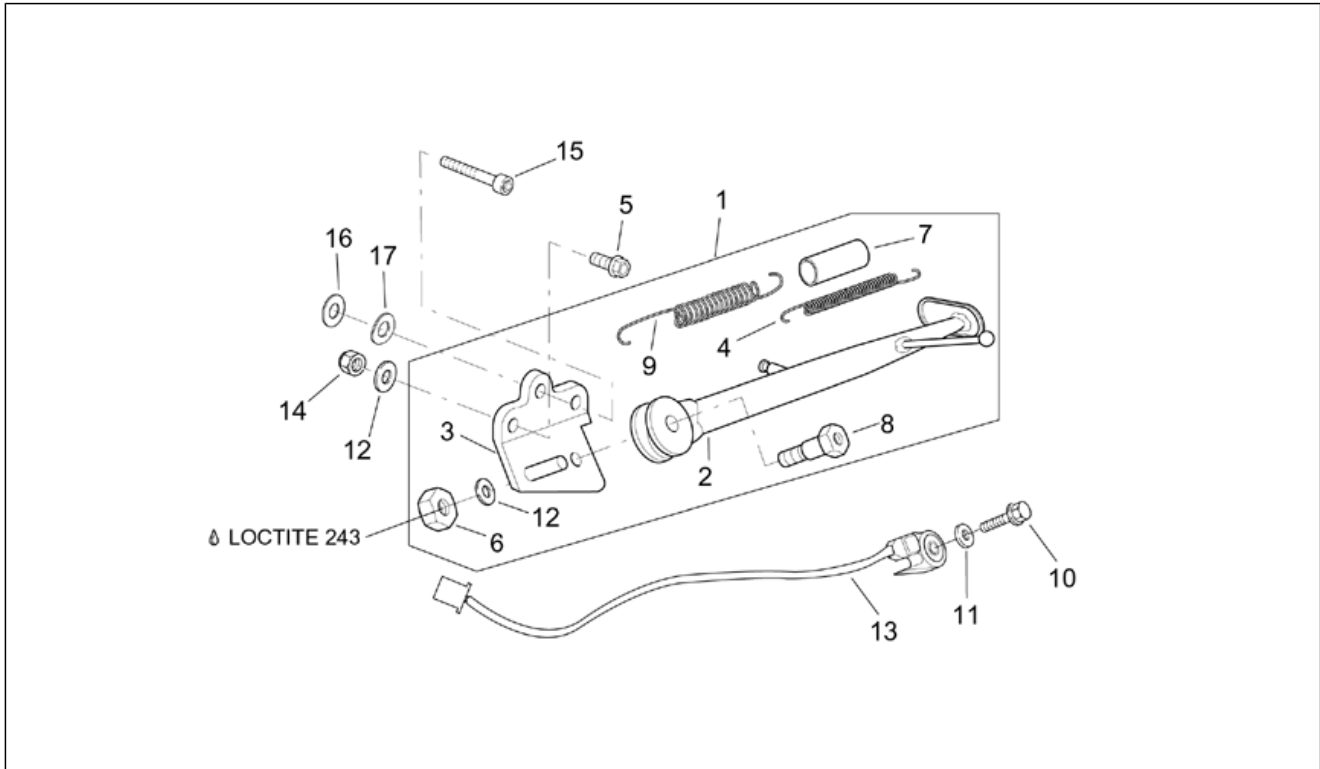
Pos.	Code	Beschreibung	Menge	Varianten
1	AP8134451	Fixierplatte	4	
2	AP8121135	Rastenbolzen	4	
3	AP8121224	Rückholfeder	2	
4	AP8120573	Sperring	4	
5	AP8146467	Fußrasten Fahrer (Paar)	1	
6	AP8152288	TE Schr. m. Flansch	8	Technische Daten: "Version ""R - Standard"" 2004-2005"[RS], "Version ""Base"" 2002-2003"[ST]
6	AP8152428	Zylinderschraube M8x30	8	Technische Daten: "Version ""R"" 2002-2003"[R], "Version ""R - Factory"" 2004-2005"[RF]
7	AP8134912	Fußrastenhalter Fahrer rechts	1	Technische Daten: "Version ""R"" 2002-2003"[R], "Version ""R - Factory"" 2004-2005"[RF]
7	AP8135909	Fußrastenhalter Fahrer rechts	1	Technische Daten: "Version ""R - Standard"" 2004-2005"[RS], "Version ""Base"" 2002-2003"[ST]
8	AP8134913	Fußrastenhalter Fahrer links	1	Technische Daten: "Version ""R"" 2002-2003"[R], "Version ""R - Factory"" 2004-2005"[RF]
8	AP8135910	Fußrastenhalter Fahrer links	1	Technische Daten: "Version ""R - Standard"" 2004-2005"[RS], "Version ""Base"" 2002-2003"[ST]
9	AP8146300	Schutz Fahrerrast.rs.	1	Baujahr: 2004[4]
9	AP8146635	Schutz Fahrerrast.rs.Koh.	1	Baujahr: 2002[2] Fahrzeugfarbe: "Schwarz Diablo ""Racing"" 2002"[rac] Technische Daten: "Version ""R"" 2002-2003"[R]
9	AP8146709	Schutz Fahrerrast.rs.	1	Baujahr: 2002[2], 2003[3] Technische Daten: "Version ""Base"" 2002-2003"[ST]
9	AP8146766	Schutz Fahrerrast.rs.Koh.	1	Baujahr: 2003[3] Technische Daten: "Version ""R"" 2002-2003"[R], Racing GARA 2003[RG]
9	AP8179036	Schutz Fahrerrast.rs.Koh.	1	Baujahr: 2005[5] Technische Daten: "Version ""R - Factory"" 2004-2005"[RF]
10	AP8146301	Schutz Fahrerrast.l.	1	Baujahr: 2004[4]
10	AP8146636	Schutz Fahrerrast.ls.Koh.	1	Baujahr: 2002[2] Fahrzeugfarbe: "Schwarz Diablo ""Racing"" 2002"[rac] Technische Daten: "Version ""R"" 2002-2003"[R]

Einheit	RAHMEN
Code	28.04
Beschreibung	Fussrasten
Inspektion	1



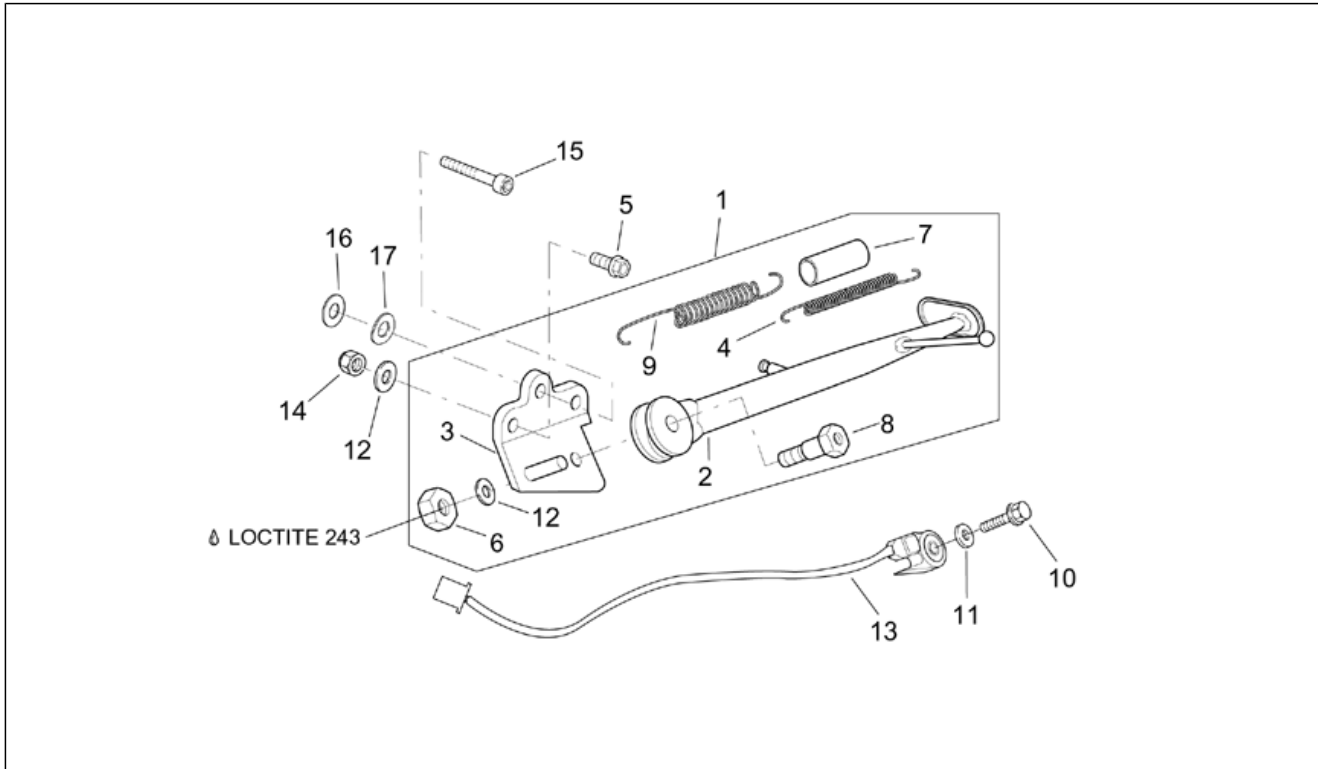
Pos.	Code	Beschreibung	Menge	Varianten
10	AP8146710	Schutz Fahrerrast.l.	1	Baujahr: 2002[2], 2003[3] Technische Daten: "Version ""Base"" 2002-2003"[ST]
10	AP8146767	Schutz Fahrerrast.l.s.Koh.	1	Baujahr: 2003[3] Technische Daten: "Version ""R"" 2002-2003"[R], Racing GARA 2003[RG]
10	AP8179037	Schutz Fahrerrast.l.s.Koh.	1	Baujahr: 2005[5] Technische Daten: "Version ""R - Factory"" 2004-2005"[RF]
11	AP8121133	Schraubenfederkompr.	2	
12	AP8101861	Kugel D6,35	2	
13	AP8134651	Halter linke Soziusfußraste	1	Technische Daten: "Version ""R - Standard"" 2004-2005"[RS], "Version ""Base"" 2002-2003"[ST]
13	AP8134914	Halter linke Soziusfußraste	1	Technische Daten: "Version ""R"" 2002-2003"[R], "Version ""R - Factory"" 2004-2005"[RF]
14	AP8134652	Halter rechte Soziusfußraste	1	Technische Daten: "Version ""R - Standard"" 2004-2005"[RS], "Version ""Base"" 2002-2003"[ST]
14	AP8134915	Halter rechte Soziusfußraste	1	Technische Daten: "Version ""R"" 2002-2003"[R], "Version ""R - Factory"" 2004-2005"[RF]
15	AP8146466	Soziusrasten (Paar)	1	
16	AP8152277	TE Schr. m. Flansch M6x12	4	Technische Daten: "Version ""R - Standard"" 2004-2005"[RS], "Version ""Base"" 2002-2003"[ST]
16	AP8152419	TCCCE Schraube M6x10	4	Technische Daten: "Version ""R"" 2002-2003"[R], "Version ""R - Factory"" 2004-2005"[RF]
17	AP8150429	Sprengscheibe 6,4x11x0,5*	4	Land: Österreich[A], Australien[AA], Australien[AUS], Belgien[B], Schweiz[CH], Deutschland[D], Dänemark[DK], Spanien[E], I, E, NL[EU], Frankreich[F], Griechenland[GR], Italien[I], Japan[J], J[JJ], Mexiko[ME], ME[MX], Holland[NL], Spanien[SP], Großbritannien[UK] Technische Daten: "Version ""R - Standard"" 2004-2005"[RS], "Version ""Base"" 2002-2003"[ST]

Einheit	RAHMEN
Code	28.05
Beschreibung	Hauptständer
Inspektion	1



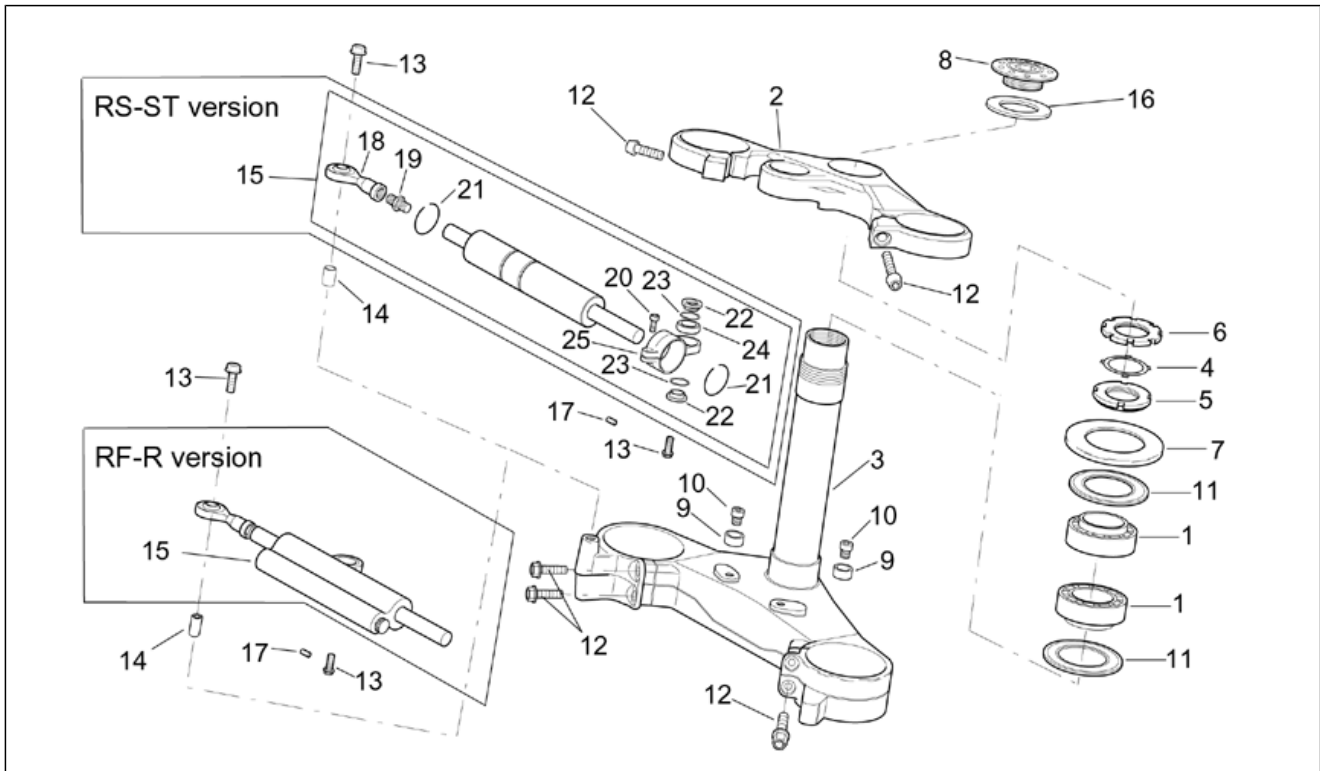
Pos.	Code	Beschreibung	Menge	Varianten
1	AP8146657	Hauptständer Kpl.	1	Land: Österreich[A], Australien[AA], Australien[AUS], Belgien[B], Schweiz[CH], Deutschland[D], Dänemark[DK], Spanien[E], I, E, NL[EU], Frankreich[F], Griechenland[GR], Italien[I], Japan[J], J[JJ], Mexiko[ME], ME[MX], Holland[NL], Spanien[SP], Großbritannien[UK]
1	AP8146677	Hauptständer Kpl.	1	Land: USA (Zulassung 49 Staaten)[AM], USA (Zulassung California)[CF], Vereinigte Staaten von Amerika[USA]
2	AP8146676	Seitenständer	1	Land: USA (Zulassung 49 Staaten)[AM], USA (Zulassung California)[CF], Vereinigte Staaten von Amerika[USA]
2	AP8146687	Seitenständer	1	Land: Österreich[A], Australien[AA], Australien[AUS], Belgien[B], Schweiz[CH], Deutschland[D], Dänemark[DK], Spanien[E], I, E, NL[EU], Frankreich[F], Griechenland[GR], Italien[I], Japan[J], J[JJ], Mexiko[ME], ME[MX], Holland[NL], Spanien[SP], Großbritannien[UK]
3	AP8134373	Hauptständer platte	1	Land: Österreich[A], Australien[AA], Australien[AUS], Belgien[B], Schweiz[CH], Deutschland[D], Dänemark[DK], Spanien[E], I, E, NL[EU], Frankreich[F], Griechenland[GR], Italien[I], Japan[J], J[JJ], Mexiko[ME], ME[MX], Holland[NL], Spanien[SP], Großbritannien[UK]
3	AP8134749	Hauptständer platte	1	Land: USA (Zulassung 49 Staaten)[AM], USA (Zulassung California)[CF], Vereinigte Staaten von Amerika[USA]
4	AP8121014	Schraubenfeder	1	
5	AP8150196	TCEI Schraube	2	Land: USA (Zulassung 49 Staaten)[AM], USA (Zulassung California)[CF], Vereinigte Staaten von Amerika[USA]
5	AP8152320	TE Schr. m. Flansch	2	Land: Österreich[A], Australien[AA], Australien[AUS], Belgien[B], Schweiz[CH], Deutschland[D], Dänemark[DK], Spanien[E], I, E, NL[EU], Frankreich[F], Griechenland[GR], Italien[I], Japan[J], J[JJ], Mexiko[ME], ME[MX], Holland[NL], Spanien[SP], Großbritannien[UK]
6	AP8150480	Selbstsperr.Mut.Unt. M10x1,25	1	Land: Österreich[A], Australien[AA], Australien[AUS], Belgien[B], Schweiz[CH], Deutschland[D], Dänemark[DK], Spanien[E], I, E, NL[EU], Frankreich[F], Griechenland[GR], Italien[I], Japan[J], J[JJ], Mexiko[ME], ME[MX], Holland[NL], Spanien[SP], Großbritannien[UK]

Einheit	RAHMEN
Code	28.05
Beschreibung	Hauptständer
Inspektion	1



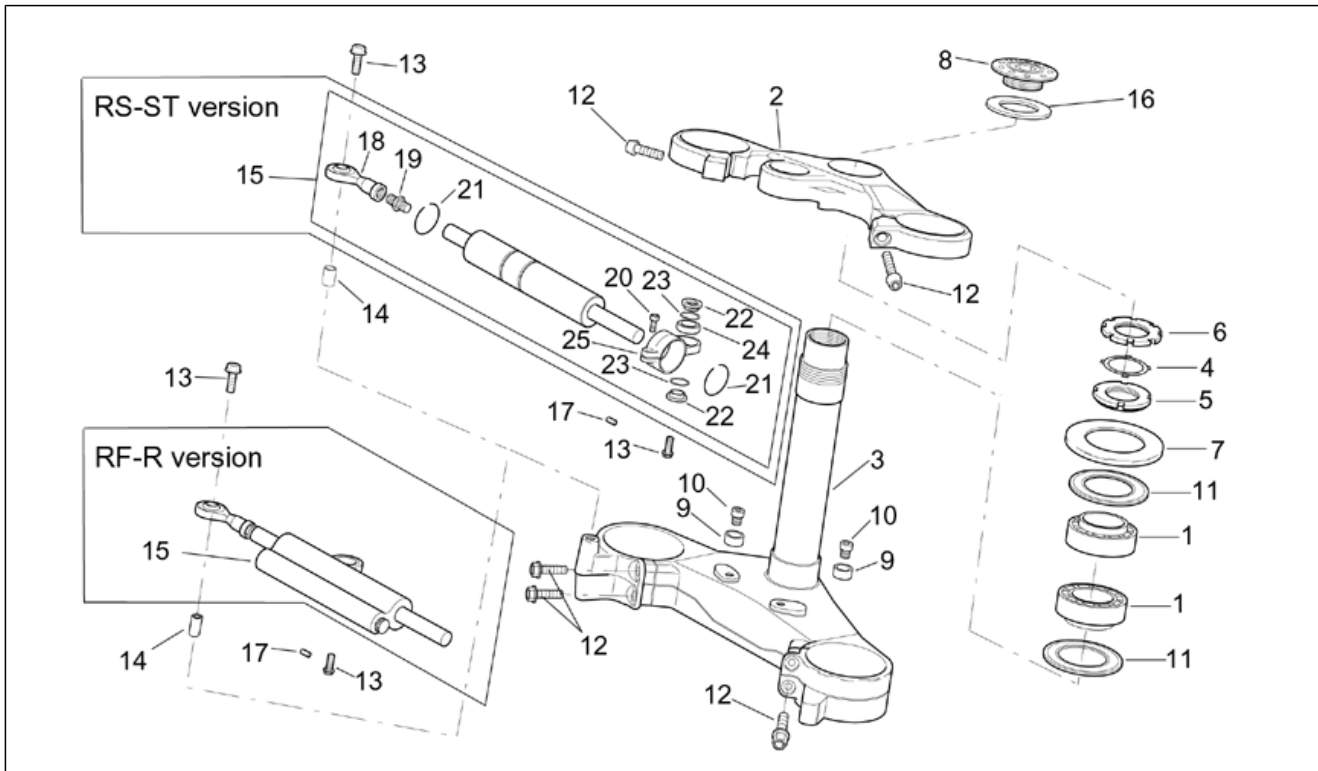
Pos.	Code	Beschreibung	Menge	Varianten
6	AP8152001	Mutter unten M10x1,25	1	Land:USA (Zulassung 49 Staaten)[AM], USA (Zulassung California)[CF], Vereinigte Staaten von Amerika[USA]
7	AP8102524	Schutz f. Ständerfeder	1	
8	AP8121375	Ständerschraube	1	Land:Österreich[A], Australien[AA], Australien[AUS], Belgien[B], Schweiz[CH], Deutschland[D], Dänemark[DK], Spanien[E], I, E, NL[EU], Frankreich[F], Griechenland[GR], Italien[I], Japan[J], J[JJ], Mexiko[ME], ME[MX], Holland[NL], Spanien[SP], Großbritannien[UK]
8	AP8121429	Ständerschraube	1	Land:USA (Zulassung 49 Staaten)[AM], USA (Zulassung California)[CF], Vereinigte Staaten von Amerika[USA]
9	AP8221197	Hauptständer Schraubenfeder	1	
10	AP8152279	TE Schr. m. Flansch M6x20	1	
11	AP8150015	Ausgleichscheibe 6,6x18x1,6*	1	
12	AP8150292	Gebogene Sprengscheibe *	3	
13	AP8124977	Schalter	1	
14	AP8152301	Selbstsperrende Mutter	1	Land:USA (Zulassung 49 Staaten)[AM], USA (Zulassung California)[CF], Vereinigte Staaten von Amerika[USA]
15	AP8150287	TCEI Schraube M10x90	1	Land:USA (Zulassung 49 Staaten)[AM], USA (Zulassung California)[CF], Vereinigte Staaten von Amerika[USA]
16	AP8150020	Ausgleichscheibe 10,5x21x2*	1	Land:USA (Zulassung 49 Staaten)[AM], USA (Zulassung California)[CF], Vereinigte Staaten von Amerika[USA]
17	AP8150210	Gebogene Sprengscheibe *	1	Land:USA (Zulassung 49 Staaten)[AM], USA (Zulassung California)[CF], Vereinigte Staaten von Amerika[USA]

Einheit	RAHMEN
Code	28.06
Beschreibung	Lenkung
Inspektion	1



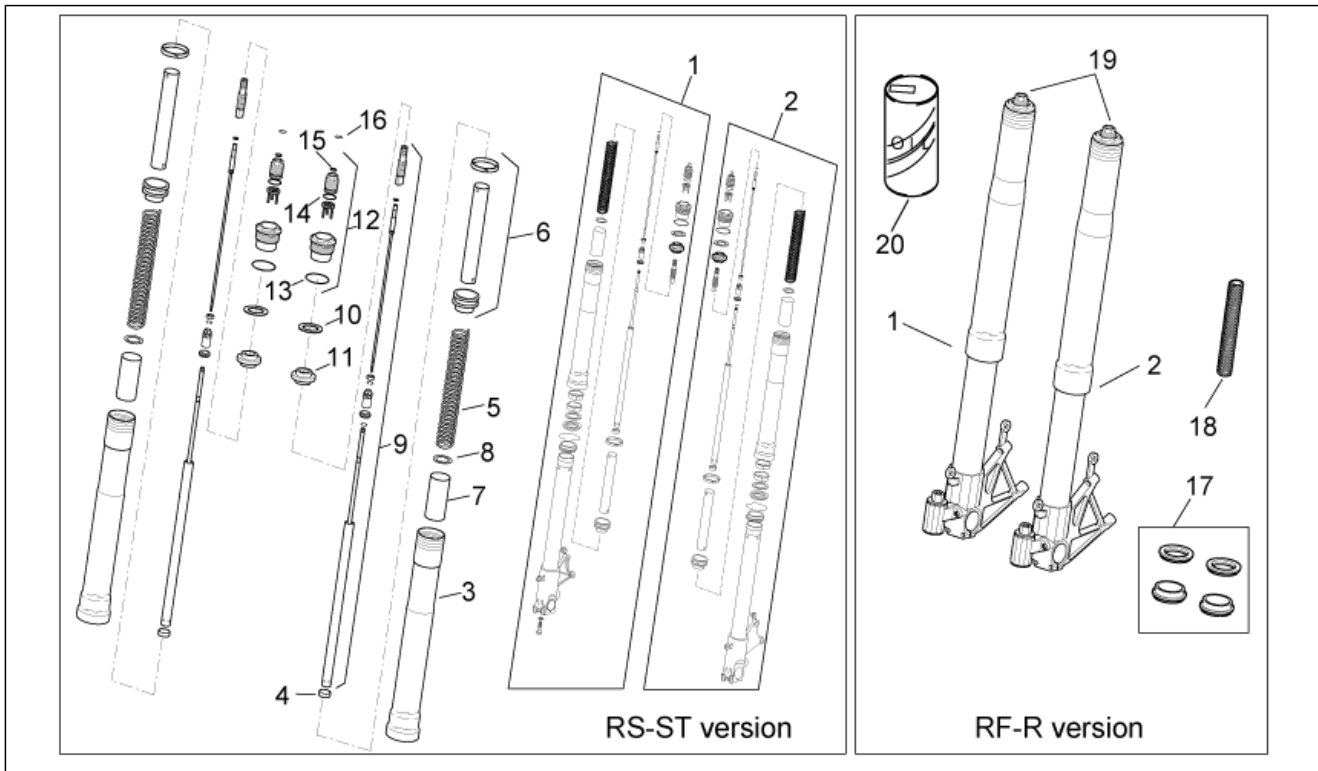
Pos.	Code	Beschreibung	Menge	Varianten
1	AP8110077	Axialkugellager	2	
2	AP8163192	Ob. Gabelplatte	1	Baujahr: 2002[2] Fahrzeugfarbe: "Schwarz Diablo ""Racing"" 2002"[rac] Technische Daten: "Version ""R"" 2002-2003"[R]
2	AP8163208	Ob. Gabelplatte	1	Baujahr: 2004[4]
2	AP8163208	Ob. Gabelplatte	1	Baujahr: 2002[2], 2003[3] Technische Daten: "Version ""Base"" 2002-2003"[ST]
2	AP8163265	Ob. Gabelplatte	1	Baujahr: 2005[5] Technische Daten: "Version ""R - Factory"" 2004-2005"[RF]
2	AP8163265	Ob. Gabelplatte	1	Baujahr: 2003[3] Technische Daten: "Version ""R"" 2002-2003"[R], Racing GARA 2003[RG]
3	AP8123640	Fuß mit Rohr	1	Technische Daten: "Version ""R - Standard"" 2004-2005"[RS], "Version ""Base"" 2002-2003"[ST]
3	AP8123928	Fuß mit Rohr	1	Technische Daten: "Version ""R"" 2002-2003"[R], "Version ""R - Factory"" 2004-2005"[RF]
4	AP8121207	Sicherheitspl. Lenkung	1	
5	AP8123642	Nutmutter	1	
6	AP8123643	Gegenmutter	1	
7	AP8123644	Staubschutzring	1	
8	AP8121346	Fixierbuchse ob. Platte	1	
9	AP8121302	Lenkerhülse	2	
10	AP8150211	TCEI Schraube M8x16	2	
11	AP8123641	Staubschutzring	2	
12	AP8152289	TE Schr. m. Flansch	6	Technische Daten: "Version ""R"" 2002-2003"[R], "Version ""R - Factory"" 2004-2005"[RF]
12	AP8152289	TE Schr. m. Flansch	6	Technische Daten: "Version ""R - Standard"" 2004-2005"[RS], "Version ""Base"" 2002-2003"[ST]
13	AP8152281	TE Schr. m. Flansch M6x30	2	Technische Daten: "Version ""R - Standard"" 2004-2005"[RS], "Version ""Base"" 2002-2003"[ST]

Einheit	RAHMEN
Code	28.06
Beschreibung	Lenkung
Inspektion	1



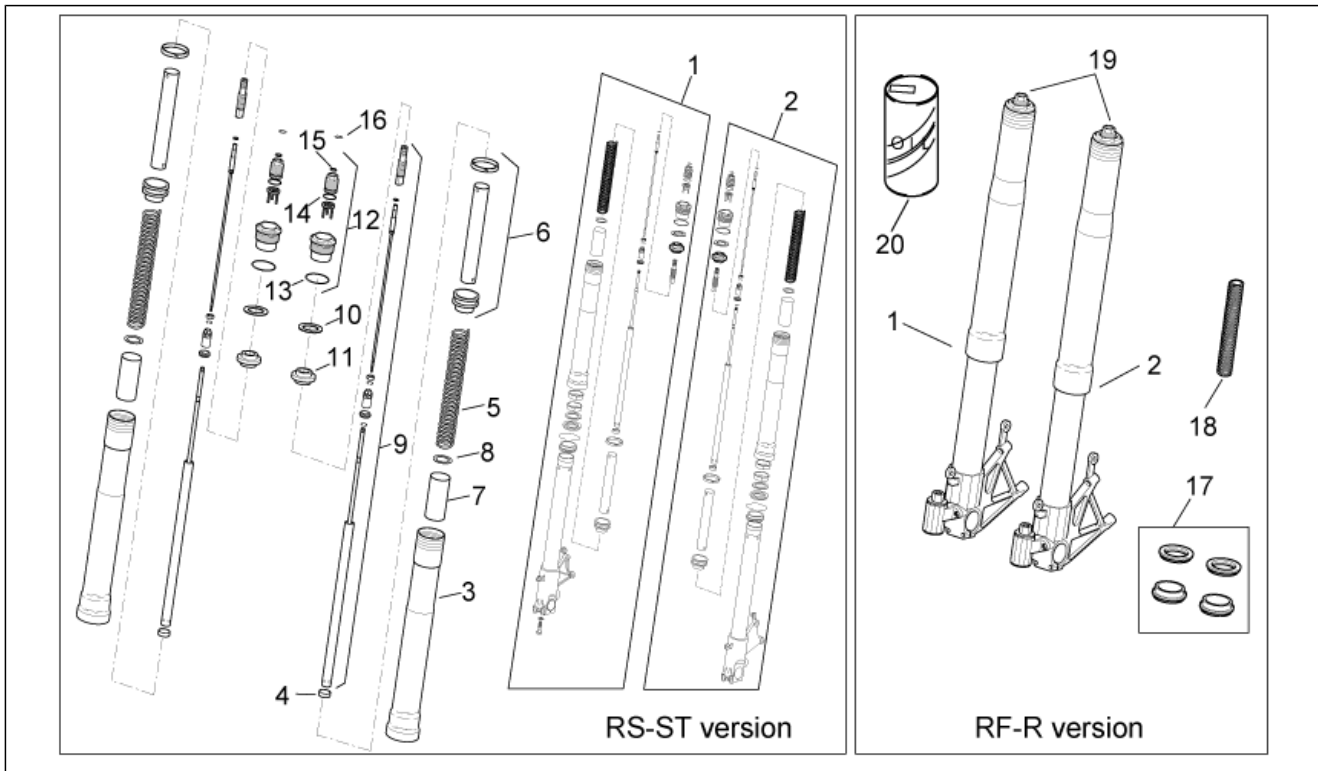
Pos.	Code	Beschreibung	Menge	Varianten
13	AP8152281	TE Schr. m. Flansch M6x30	2	Technische Daten: "Version ""R"" 2002-2003"[R], "Version ""R - Factory"" 2004-2005"[RF]
14	AP8121041	Distanzscheibe *	1	Technische Daten: "Version ""R - Standard"" 2004-2005"[RS], "Version ""Base"" 2002-2003"[ST]
14	AP8121041	Distanzscheibe *	1	Technische Daten: "Version ""R"" 2002-2003"[R], "Version ""R - Factory"" 2004-2005"[RF]
15	AP8123645	Lenk Stoßdämpfer Sachs	1	Technische Daten: "Version ""R - Standard"" 2004-2005"[RS], "Version ""Base"" 2002-2003"[ST]
15	AP8123972	Lenk Stoßdämpfer Ohlin	1	Technische Daten: "Version ""R"" 2002-2003"[R], "Version ""R - Factory"" 2004-2005"[RF]
16	AP8152384	Scheibe Lenkkopf	1	
17	AP8150490	Feststellschraube	1	Technische Daten: "Version ""R - Standard"" 2004-2005"[RS], "Version ""Base"" 2002-2003"[ST]
17	AP8150490	Feststellschraube	1	Technische Daten: "Version ""R"" 2002-2003"[R], "Version ""R - Factory"" 2004-2005"[RF]
18	AP8123865	Gelenkkopf	1	Technische Daten: "Version ""R - Standard"" 2004-2005"[RS], "Version ""Base"" 2002-2003"[ST]
19	AP8121236	Verbinder Lenkdämpf.	1	Technische Daten: "Version ""R - Standard"" 2004-2005"[RS], "Version ""Base"" 2002-2003"[ST]
20	AP8152040	TCEI Schraube	1	Technische Daten: "Version ""R - Standard"" 2004-2005"[RS], "Version ""Base"" 2002-2003"[ST]
21	AP8123864	Seegerring	2	Technische Daten: "Version ""R - Standard"" 2004-2005"[RS], "Version ""Base"" 2002-2003"[ST]
22	AP8121233	T-Buchse	2	Technische Daten: "Version ""R - Standard"" 2004-2005"[RS], "Version ""Base"" 2002-2003"[ST]
23	AP8220149	O-Ring 119	2	Technische Daten: "Version ""R - Standard"" 2004-2005"[RS], "Version ""Base"" 2002-2003"[ST]
24	AP8123866	Kugelgelenk	1	Technische Daten: "Version ""R - Standard"" 2004-2005"[RS], "Version ""Base"" 2002-2003"[ST]
25	AP8121235	Lenk Stoßdämpfer Bundring	1	Technische Daten: "Version ""R - Standard"" 2004-2005"[RS], "Version ""Base"" 2002-2003"[ST]

Einheit	RAHMEN
Code	28.07
Beschreibung	Vorderradgabel I
Inspektion	1



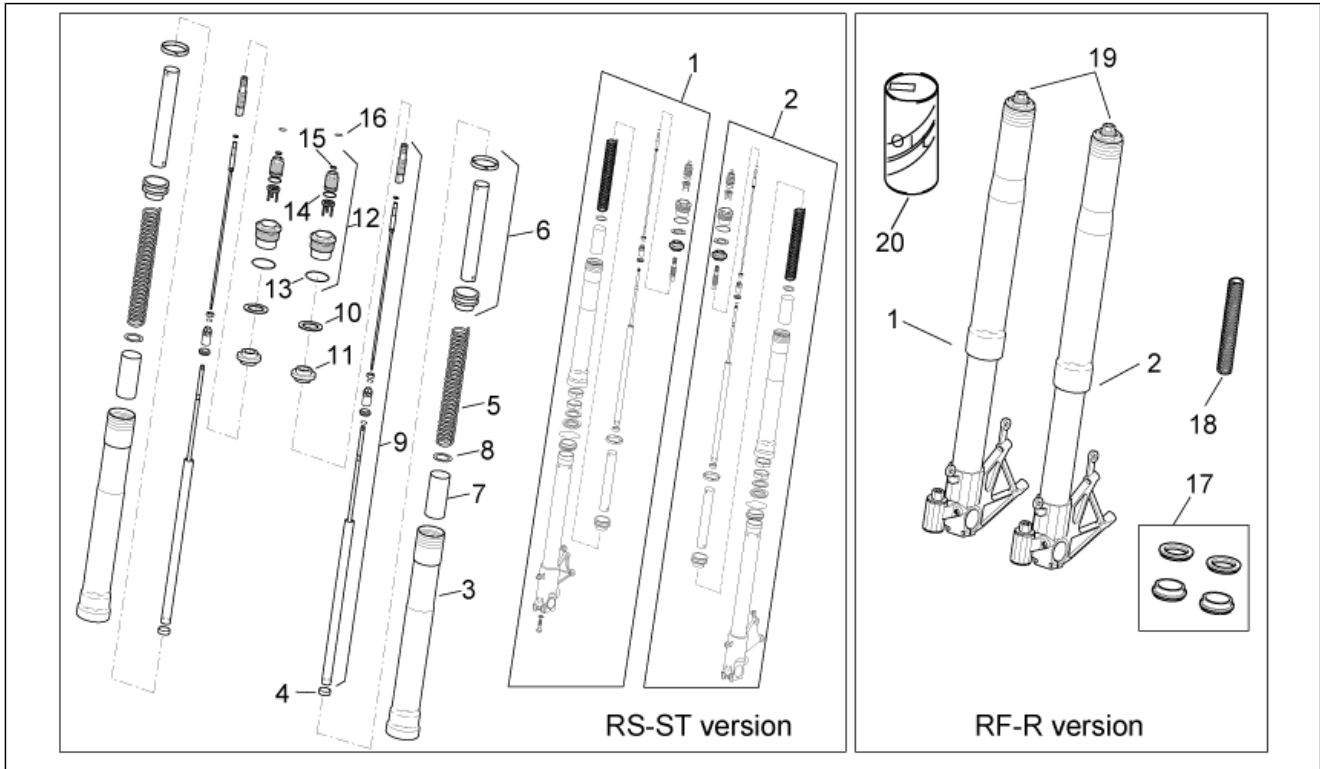
Pos.	Code	Beschreibung	Menge	Varianten
1	AP8123637	Kolbenstange rechts kpl.	1	Technische Daten: "Version ""R - Standard"" 2004-2005"[RS], Gabel mit Buchstaben S auf dem Schaft[S], "Version ""Base"" 2002-2003"[ST]
1	AP8123970	Kolbenstange rechts kpl.	1	Baujahr: 2002[2] Technische Daten: "Version ""R"" 2002-2003"[R]
1	AP8163062	Kolbenstange rechts kpl.	1	Baujahr: 2003[3] Technische Daten: "Version ""R"" 2002-2003"[R]
1	AP8163062	Kolbenstange rechts kpl.	1	Baujahr: 2004[4] Technische Daten: "Version ""R"" 2002-2003"[R], "Version ""R - Factory"" 2004-2005"[RF]
1	AP8163477	Kolbenstange rechts kpl.	1	Baujahr: 2005[5] Technische Daten: "Version ""R - Factory"" 2004-2005"[RF]
2	AP8123638	Kolbenstange links kpl.	1	Technische Daten: "Version ""R - Standard"" 2004-2005"[RS], Gabel mit Buchstaben S auf dem Schaft[S], "Version ""Base"" 2002-2003"[ST]
2	AP8123971	Kolbenstange links kpl.	1	Baujahr: 2002[2] Technische Daten: "Version ""R"" 2002-2003"[R]
2	AP8163063	Kolbenstange links kpl.	1	Baujahr: 2003[3] Technische Daten: "Version ""R"" 2002-2003"[R]
2	AP8163063	Kolbenstange links kpl.	1	Baujahr: 2004[4] Technische Daten: "Version ""R"" 2002-2003"[R], "Version ""R - Factory"" 2004-2005"[RF]
2	AP8163476	Kolbenstange links kpl.	1	Baujahr: 2005[5] Technische Daten: "Version ""R - Factory"" 2004-2005"[RF]
3	AP8123829	Hülse	2	Technische Daten: "Version ""R - Standard"" 2004-2005"[RS], Gabel mit Buchstaben S auf dem Schaft[S], "Version ""Base"" 2002-2003"[ST]
4	AP8123810	Anschlußhülse Pumpenrad	2	Technische Daten: "Version ""R - Standard"" 2004-2005"[RS], Gabel mit Buchstaben S auf dem Schaft[S], "Version ""Base"" 2002-2003"[ST]
5	AP8123831	Feder	2	Technische Daten: "Version ""R - Standard"" 2004-2005"[RS], Gabel mit Buchstaben S auf dem Schaft[S], "Version ""Base"" 2002-2003"[ST]

Einheit	RAHMEN
Code	28.07
Beschreibung	Vorderradgabel I
Inspektion	1



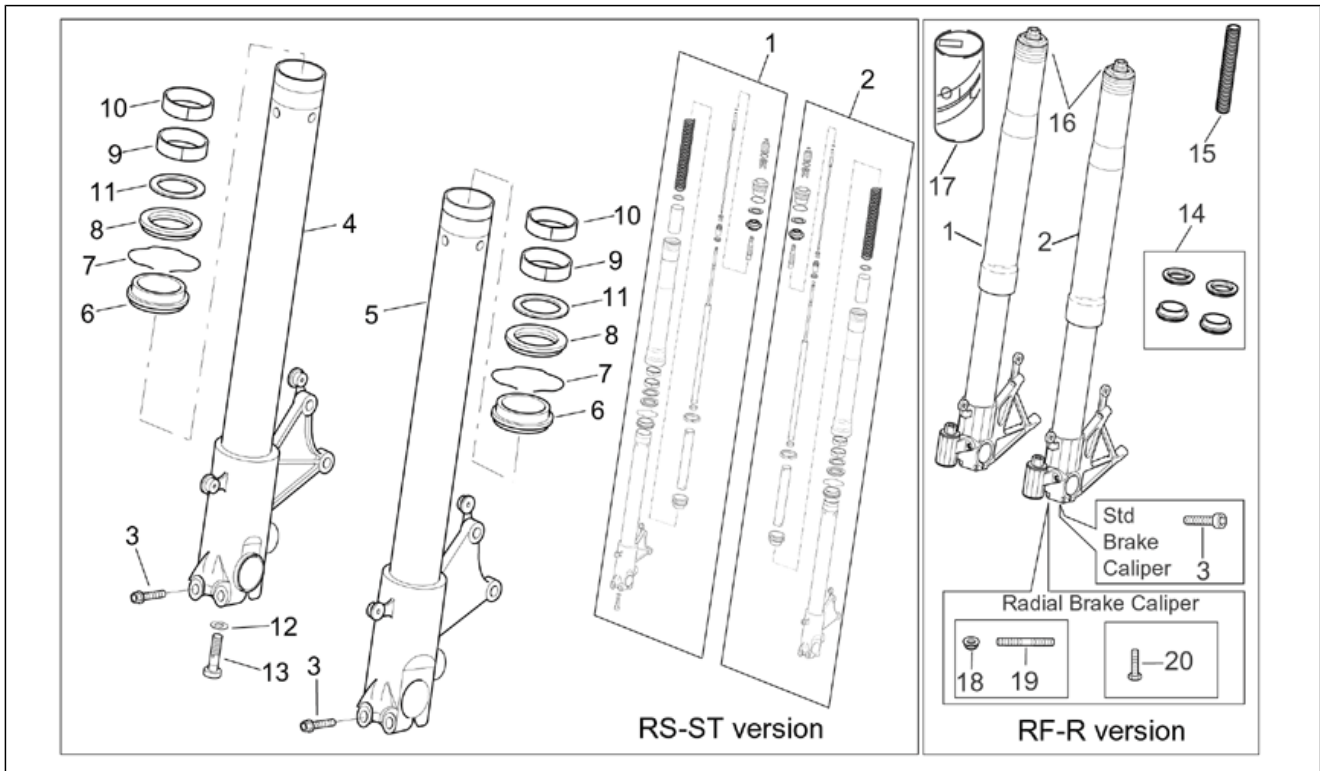
Pos.	Code	Beschreibung	Menge	Varianten
6	AP8123832	Vorspannschlauch kpl	2	Technische Daten: "Version ""R - Standard"" 2004-2005"[RS], Gabel mit Buchstaben S auf dem Schaft[S], "Version ""Base"" 2002-2003"[ST]
7	AP8123835	Distanzscheibe	2	Technische Daten: "Version ""R - Standard"" 2004-2005"[RS], Gabel mit Buchstaben S auf dem Schaft[S], "Version ""Base"" 2002-2003"[ST]
8	AP8123836	Ausgleichscheibe	2	Technische Daten: "Version ""R - Standard"" 2004-2005"[RS], Gabel mit Buchstaben S auf dem Schaft[S], "Version ""Base"" 2002-2003"[ST]
9	AP8163034	Pumpenrad kplt.	2	Technische Daten: "Version ""R - Standard"" 2004-2005"[RS], Gabel mit Buchstaben S auf dem Schaft[S], "Version ""Base"" 2002-2003"[ST]
10	AP8123816	Ausgleichscheibe	2	Technische Daten: "Version ""R - Standard"" 2004-2005"[RS], Gabel mit Buchstaben S auf dem Schaft[S], "Version ""Base"" 2002-2003"[ST]
11	AP8123815	Ring	2	Technische Daten: "Version ""R - Standard"" 2004-2005"[RS], Gabel mit Buchstaben S auf dem Schaft[S], "Version ""Base"" 2002-2003"[ST]
12	AP8123833	Versch. Schaft kpl.	2	Technische Daten: "Version ""R - Standard"" 2004-2005"[RS], Gabel mit Buchstaben S auf dem Schaft[S], "Version ""Base"" 2002-2003"[ST]
13	AP8123834	O-Ring	2	Technische Daten: "Version ""R - Standard"" 2004-2005"[RS], Gabel mit Buchstaben S auf dem Schaft[S], "Version ""Base"" 2002-2003"[ST]
14	AP8123819	O-Ring	2	Technische Daten: "Version ""R - Standard"" 2004-2005"[RS], Gabel mit Buchstaben S auf dem Schaft[S], "Version ""Base"" 2002-2003"[ST]
15	AP8123820	O-Ring	2	Technische Daten: "Version ""R - Standard"" 2004-2005"[RS], Gabel mit Buchstaben S auf dem Schaft[S], "Version ""Base"" 2002-2003"[ST]
16	AP8123821	Sperring	2	Technische Daten: "Version ""R - Standard"" 2004-2005"[RS], Gabel mit Buchstaben S auf dem Schaft[S], "Version ""Base"" 2002-2003"[ST]

Einheit	RAHMEN
Code	28.07
Beschreibung	Vorderradgabel I
Inspektion	1



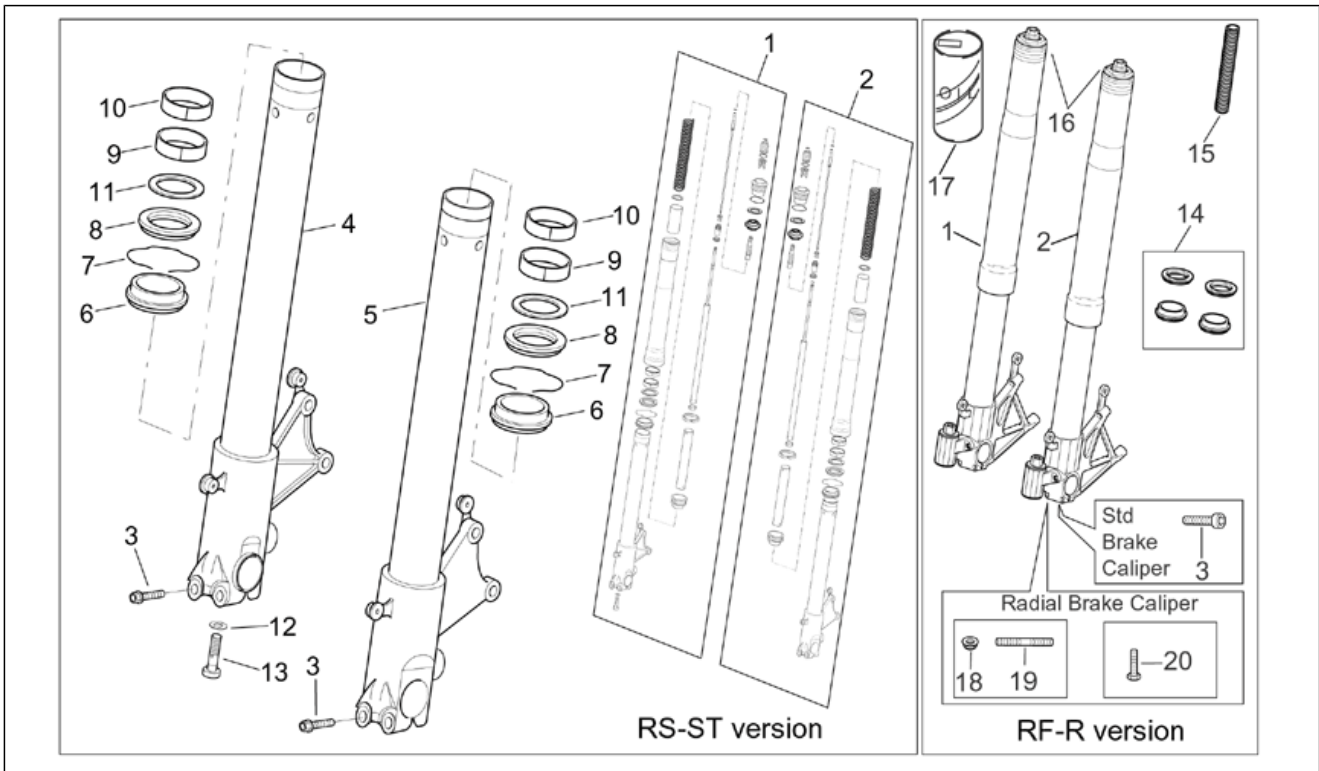
Pos.	Code	Beschreibung	Menge	Varianten
17	AP8123975	Aust.satz Vorderradgabel	1	Technische Daten: "Version ""R"" 2002-2003"[R], "Version ""R - Factory"" 2004-2005"[RF]
18	AP8163057	Feder	2	Technische Daten: "Version ""R"" 2002-2003"[R], "Version ""R - Factory"" 2004-2005"[RF]
19	AP8123977	Verschlußschraube kplt.	2	Technische Daten: "Version ""R"" 2002-2003"[R], "Version ""R - Factory"" 2004-2005"[RF]
20	AP8116071	Stoßdämpfer Öl 1 lt.	1	Technische Daten: "Version ""R"" 2002-2003"[R], "Version ""R - Factory"" 2004-2005"[RF]

Einheit	RAHMEN
Code	28.08
Beschreibung	Vorderradgabel II
Inspektion	1



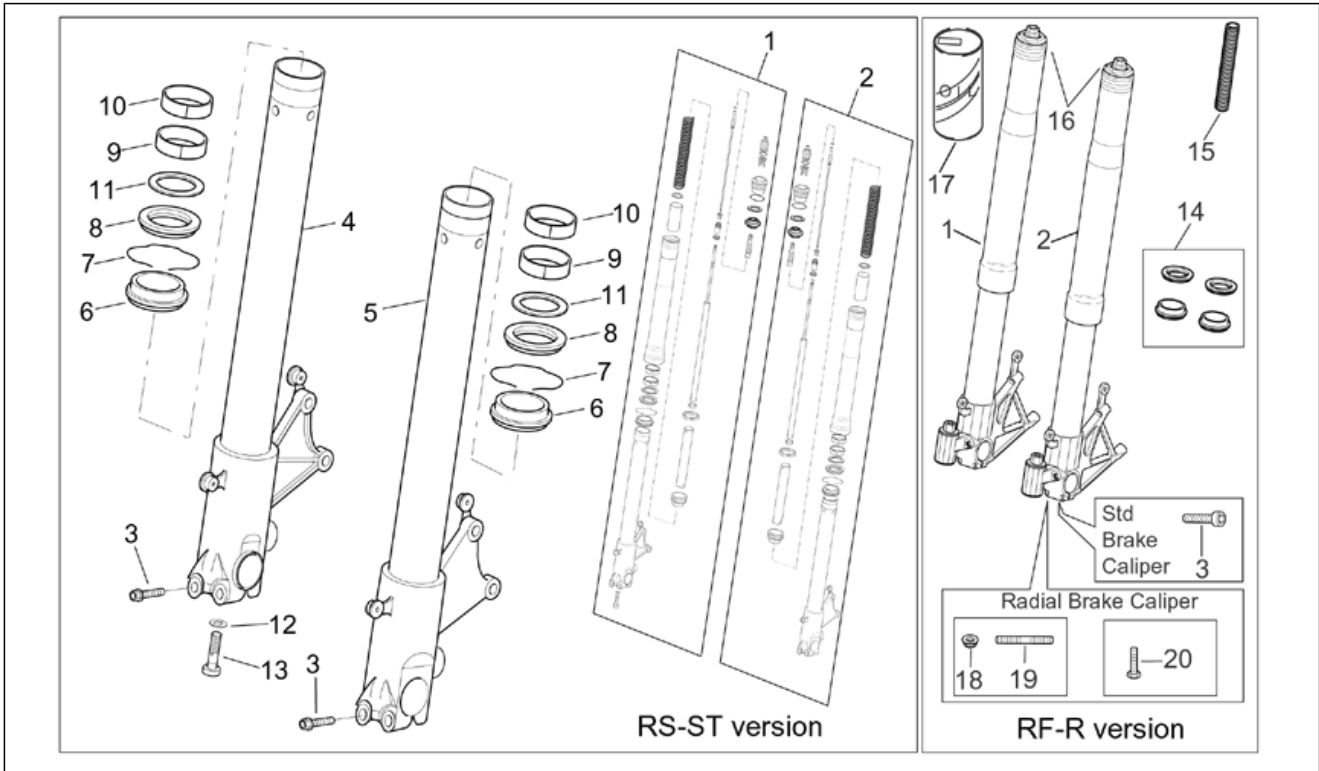
Pos.	Code	Beschreibung	Menge	Varianten
1	AP8123637	Kolbenstange rechts kpl.	1	Technische Daten: "Version ""R - Standard"" 2004-2005"[RS], Gabel mit Buchstaben S auf dem Schaft[S], "Version ""Base"" 2002-2003"[ST]
1	AP8123970	Kolbenstange rechts kpl.	1	Baujahr: 2002[2] Technische Daten: "Version ""R"" 2002-2003"[R]
1	AP8163062	Kolbenstange rechts kpl.	1	Baujahr: 2004[4] Technische Daten: "Version ""R"" 2002-2003"[R], "Version ""R - Factory"" 2004-2005"[RF]
1	AP8163062	Kolbenstange rechts kpl.	1	Baujahr: 2003[3] Technische Daten: "Version ""R"" 2002-2003"[R]
1	AP8163477	Kolbenstange rechts kpl.	1	Baujahr: 2005[5] Technische Daten: "Version ""R - Factory"" 2004-2005"[RF]
2	AP8123638	Kolbenstange links kpl.	1	Technische Daten: "Version ""R - Standard"" 2004-2005"[RS], Gabel mit Buchstaben S auf dem Schaft[S], "Version ""Base"" 2002-2003"[ST]
2	AP8123971	Kolbenstange links kpl.	1	Baujahr: 2002[2] Technische Daten: "Version ""R"" 2002-2003"[R]
2	AP8163063	Kolbenstange links kpl.	1	Baujahr: 2004[4] Technische Daten: "Version ""R"" 2002-2003"[R], "Version ""R - Factory"" 2004-2005"[RF]
2	AP8163063	Kolbenstange links kpl.	1	Baujahr: 2003[3] Technische Daten: "Version ""R"" 2002-2003"[R]
2	AP8163476	Kolbenstange links kpl.	1	Baujahr: 2005[5] Technische Daten: "Version ""R - Factory"" 2004-2005"[RF]
3	AP8152290	TE Schr. m. Flansch M8x40	4	Technische Daten: "Version ""R - Standard"" 2004-2005"[RS], Gabel mit Buchstaben S auf dem Schaft[S], "Version ""Base"" 2002-2003"[ST]
4	AP8123822	Klb.st.+ Radhltr. rch.	1	Technische Daten: "Version ""R - Standard"" 2004-2005"[RS], Gabel mit Buchstaben S auf dem Schaft[S], "Version ""Base"" 2002-2003"[ST]
5	AP8123823	Klb.st.+ Radhltr. lks.	1	Technische Daten: "Version ""R - Standard"" 2004-2005"[RS], Gabel mit Buchstaben S auf dem Schaft[S], "Version ""Base"" 2002-2003"[ST]

Einheit	RAHMEN
Code	28.08
Beschreibung	Vorderradgabel II
Inspektion	1



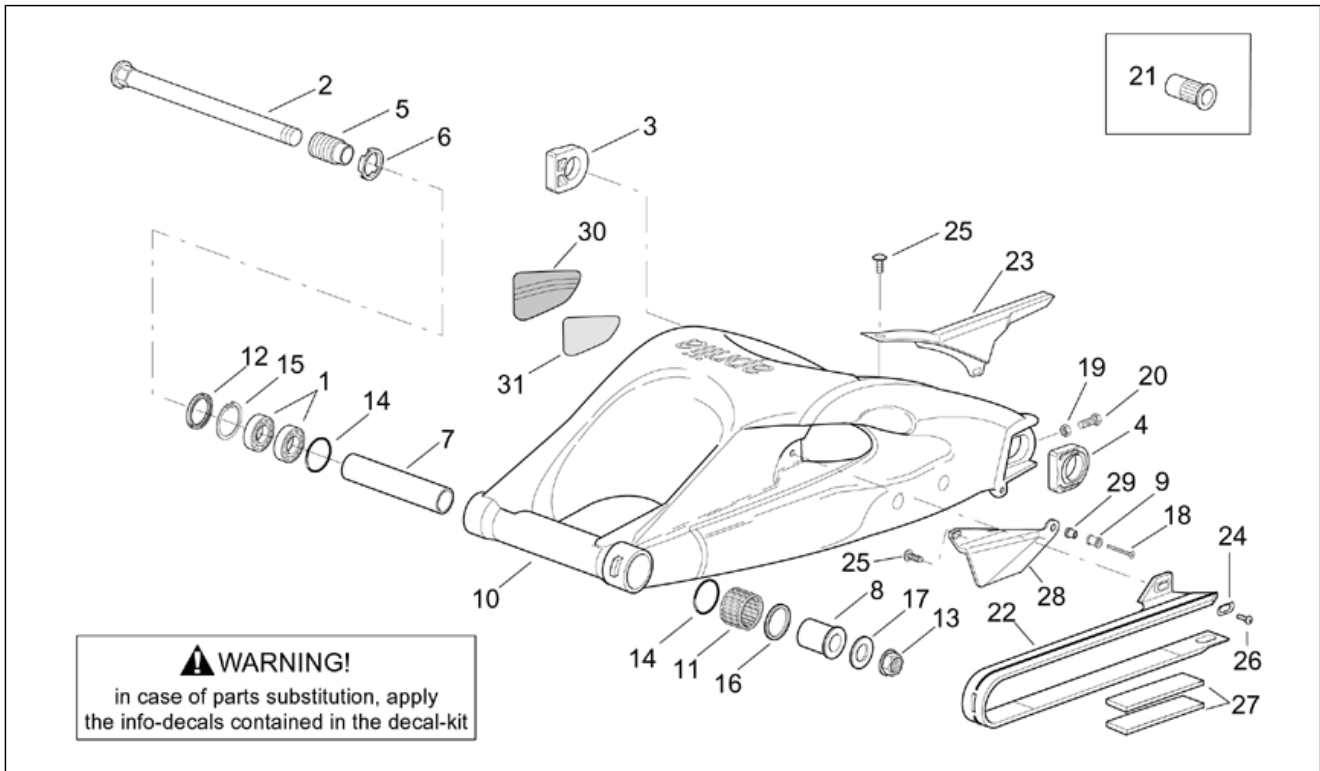
Pos.	Code	Beschreibung	Menge	Varianten
6	AP8123824	Staubschutz	2	Technische Daten: "Version ""R - Standard"" 2004-2005"[RS], Gabel mit Buchstaben S auf dem Schaft[S], "Version ""Base"" 2002-2003"[ST]
7	AP8123806	Seegerring	2	Technische Daten: "Version ""R - Standard"" 2004-2005"[RS], Gabel mit Buchstaben S auf dem Schaft[S], "Version ""Base"" 2002-2003"[ST]
8	AP8123825	Ölabstreifring	2	Technische Daten: "Version ""R - Standard"" 2004-2005"[RS], Gabel mit Buchstaben S auf dem Schaft[S], "Version ""Base"" 2002-2003"[ST]
9	AP8123827	Buchse D.47,1xd.43xh.20	2	Technische Daten: "Version ""R - Standard"" 2004-2005"[RS], Gabel mit Buchstaben S auf dem Schaft[S], "Version ""Base"" 2002-2003"[ST]
10	AP8123828	Gleitbuchse D.44,5xd.41,1xh.20	2	Technische Daten: "Version ""R - Standard"" 2004-2005"[RS], Gabel mit Buchstaben S auf dem Schaft[S], "Version ""Base"" 2002-2003"[ST]
11	AP8123826	Ring	2	Technische Daten: "Version ""R - Standard"" 2004-2005"[RS], Gabel mit Buchstaben S auf dem Schaft[S], "Version ""Base"" 2002-2003"[ST]
12	AP8123811	Spezial-U-scheibe	2	Technische Daten: "Version ""R - Standard"" 2004-2005"[RS], Gabel mit Buchstaben S auf dem Schaft[S], "Version ""Base"" 2002-2003"[ST]
13	AP8123812	Schraube M10x1,5	2	Technische Daten: "Version ""R - Standard"" 2004-2005"[RS], Gabel mit Buchstaben S auf dem Schaft[S], "Version ""Base"" 2002-2003"[ST]
14	AP8123975	Aust.satz Vorderradgabel	1	Technische Daten: "Version ""R"" 2002-2003"[R], "Version ""R - Factory"" 2004-2005"[RF]
15	AP8163057	Feder	2	Technische Daten: "Version ""R"" 2002-2003"[R], "Version ""R - Factory"" 2004-2005"[RF]
16	AP8123977	Verschlussschraube kplt.	2	Technische Daten: "Version ""R"" 2002-2003"[R], "Version ""R - Factory"" 2004-2005"[RF]
17	AP8116071	Stoßdämpfer Öl 1 lt.	1	Technische Daten: "Version ""R"" 2002-2003"[R], "Version ""R - Factory"" 2004-2005"[RF]

Einheit	RAHMEN
Code	28.08
Beschreibung	Vorderradgabel II
Inspektion	1



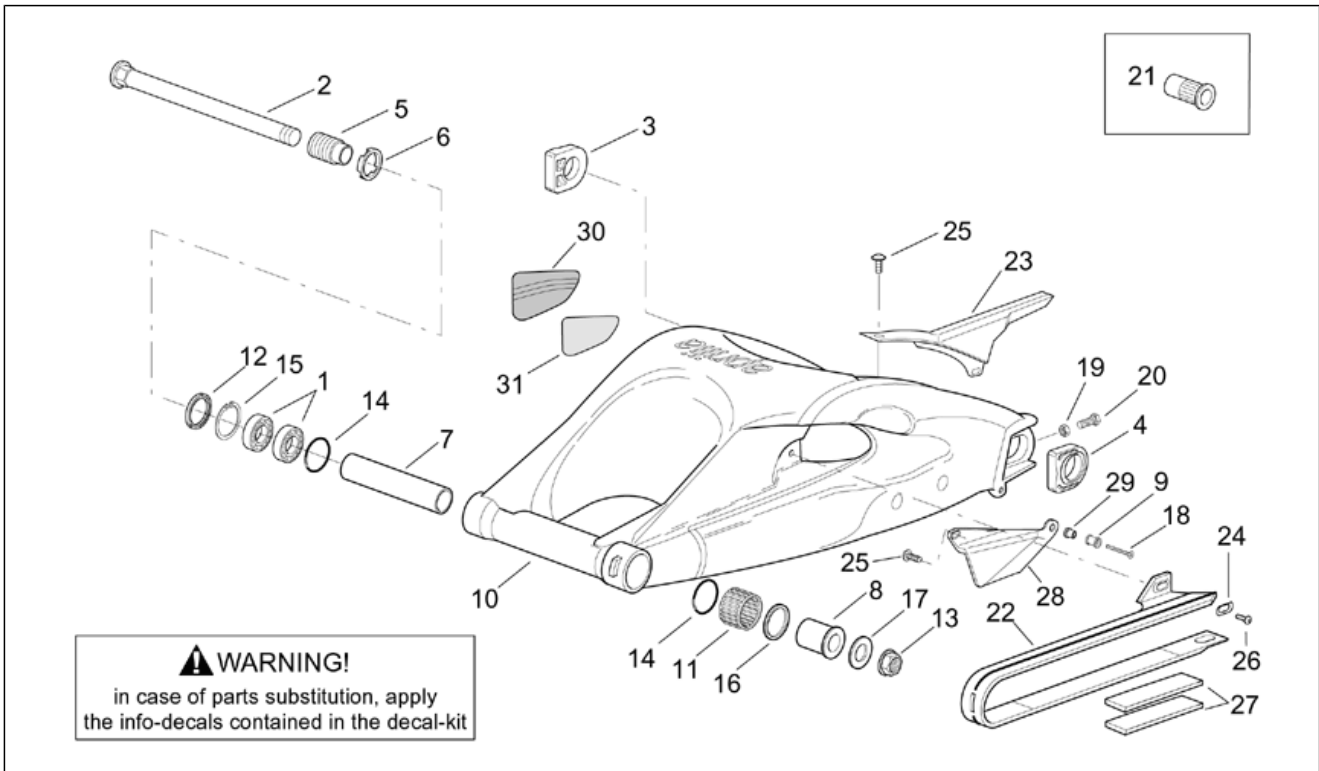
Pos.	Code	Beschreibung	Menge	Varianten
18	AP8152299	Selbstsperrende Mutter M6	4	Technische Daten: "Version ""R"" 2002-2003"[R], "Version ""R - Factory"" 2004-2005"[RF]
19	AP8121178	Stiftschraube	4	Technische Daten: "Version ""R"" 2002-2003"[R], "Version ""R - Factory"" 2004-2005"[RF]
20	AP8163481	Schraube	4	Technische Daten: "Version ""R"" 2002-2003"[R], "Version ""R - Factory"" 2004-2005"[RF]

Einheit	RAHMEN
Code	28.09
Beschreibung	Schwinge
Inspektion	1



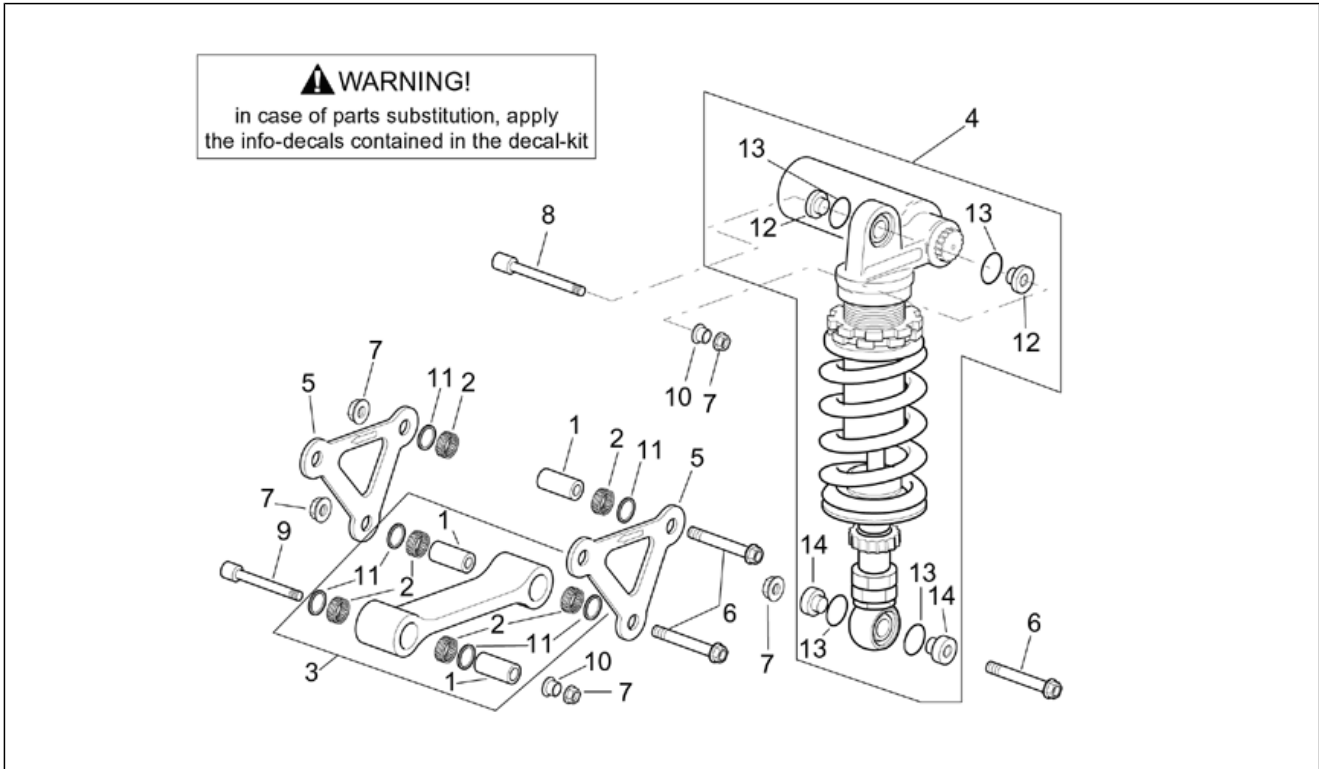
Pos.	Code	Beschreibung	Menge	Varianten
1	AP8110079	Kugellager	2	
2	AP8125830	Schwingenbolzen	1	
3	AP8120985	Kettenführung rechts	1	
4	AP8120986	Kettenführung links	1	
5	AP8121200	Einstellbuchse	1	
6	AP8121201	Gabelzapfen-Nutmutter	1	
7	AP8121202	Interne Distanzscheibe	1	
8	AP8121203	Buchse Gabelzapfen	1	
9	AP8121890	Buchse	2	
10	AP8146639	Schwinge	1	Baujahr: 2002[2] Fahrzeugfarbe: "Schwarz Diablo ""Racing"" 2002"[rac] Technische Daten: "Version ""R"" 2002-2003"[R]
10	AP8146764	Schwinge	1	Baujahr: 2002[2], 2003[3] Technische Daten: "Version ""Base"" 2002-2003"[ST]
10	AP8146774	Schwinge, grau	1	Baujahr: 2004[4], 2005[5]
10	AP8146774	Schwinge, grau	1	Baujahr: 2003[3] Technische Daten: "Version ""R"" 2002-2003"[R], Racing GARA 2003[RG]
11	AP8110078	Nadellager	1	
12	AP8144006	Gasket ring	1	
13	AP8125763	Hinterradbolzen mut.	1	
14	AP8144048	O-Ring 134	2	
15	AP8121204	Seegerring für Bohrung d37	1	
16	AP8144005	Gasket ring	1	
17	AP8125687	U-scheibe Hint.radbolz	1	
18	AP8150468	Schraube M6x40	2	
19	AP8150334	Mutter M8	2	
20	AP8152305	Kettenspanner Schraube	2	
21	AP8201755	Geschnitten Kunststoffniet	2	

Einheit	RAHMEN
Code	28.09
Beschreibung	Schwinge
Inspektion	1



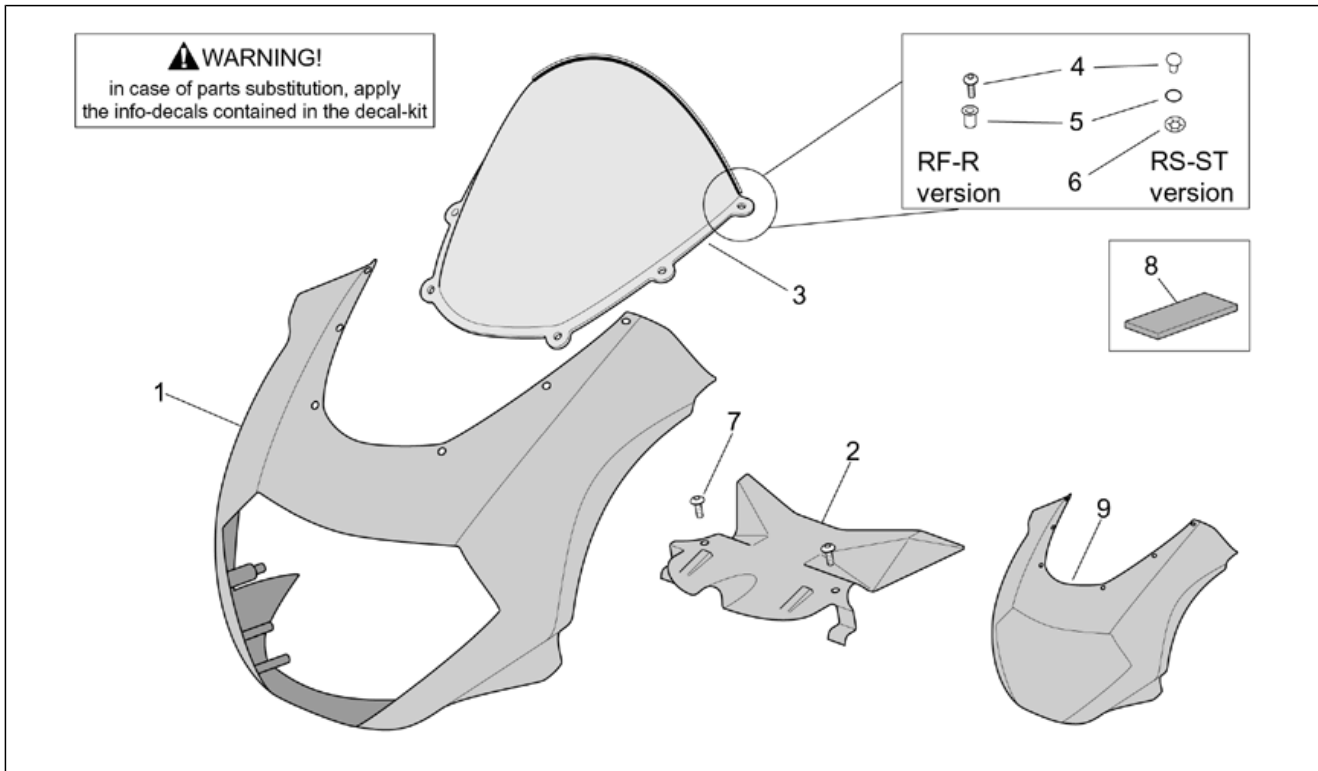
Pos.	Code	Beschreibung	Menge	Varianten
22	AP8120995	Kettengleitführung	1	
23	AP8138593	Kettenkasten	1	
24	AP8234020	Becher	2	
25	AP8152302	TBEI Schraube m.Flansch M5x12	2	
26	AP8152267	TBEI Spez.schr. M5x12	2	
27	AP8117033	Klebeschwamm	2	
28	AP8144284	Kettengleitführung	1	
29	AP8121075	T-Buchse *	2	
30	AP8168710	Scwingschutz rechts	1	Baujahr: 2002[2] Fahrzeugfarbe: "Schwarz Diablo ""Racing"" 2002"[rac] Technische Daten: "Version ""R"" 2002-2003"[R]
30	AP8168710	Scwingschutz rechts	1	Baujahr: 2003[3] Technische Daten: "Version ""Base"" 2002-2003"[ST]
30	AP8168710	Scwingschutz rechts	1	Baujahr: 2004[4], 2005[5] Technische Daten: "Version ""R - Standard"" 2004-2005"[RS]
30	AP8168796	Scwingschutz rechts carb.	1	Baujahr: 2004[4] Technische Daten: "Version ""R - Factory"" 2004-2005"[RF]
30	AP8168796	Scwingschutz rechts carb.	1	Baujahr: 2003[3] Technische Daten: "Version ""R"" 2002-2003"[R], Racing GARA 2003[RG]
30	AP8179026	Scwingschutz rechts	1	Baujahr: 2005[5] Technische Daten: "Version ""R - Factory"" 2004-2005"[RF]
31	AP8117233	Biadhesive	1	

Einheit	RAHMEN
Code	28.10
Beschreibung	Pleuelstange und Stoßdämpfer
Inspektion	1



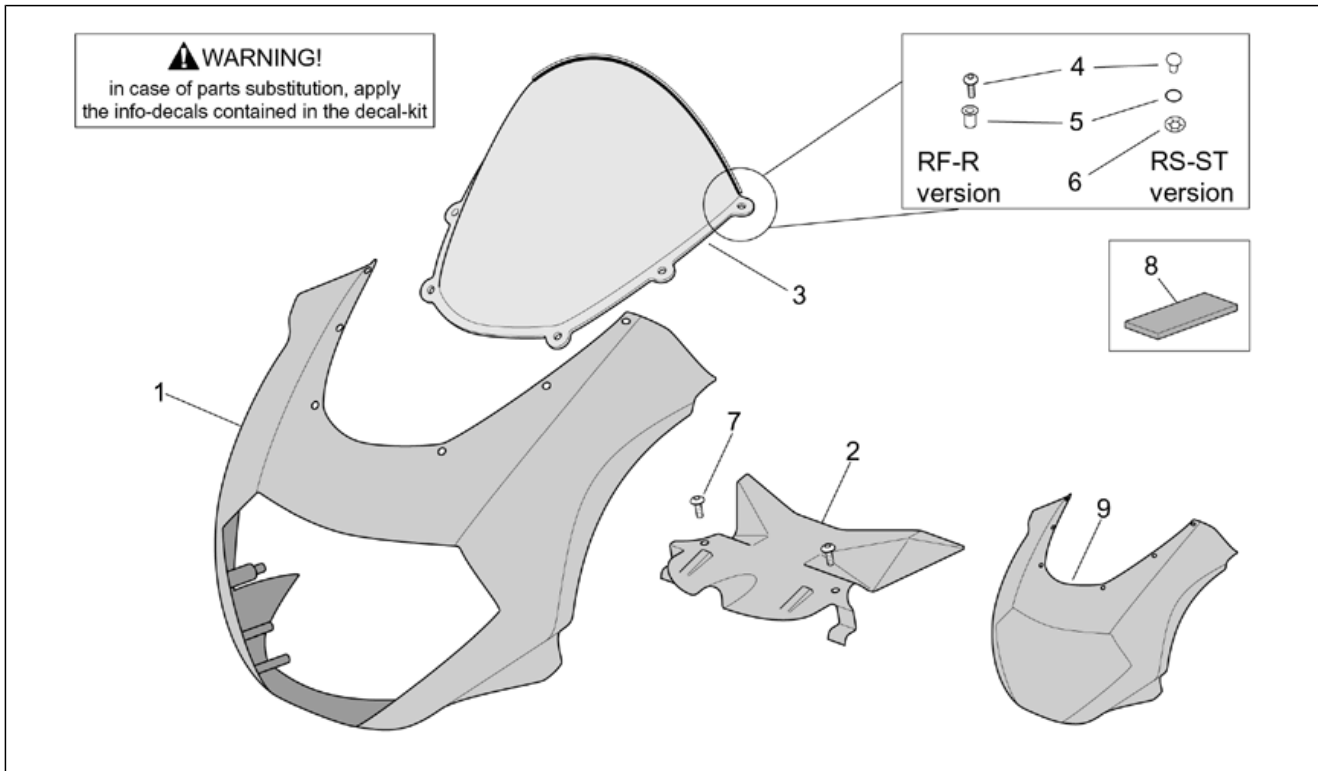
Pos.	Code	Beschreibung	Menge	Varianten
1	AP8135924	Pleuelbolzen L40	2	
2	AP8110065	Nadellager	6	
3	AP8146340	Einfache Pleuelstange	1	
4	AP8123942	Stoßdämpfer	1	Technische Daten: "Version ""R - Standard"" 2004-2005"[RS], "Version ""Base"" 2002-2003"[ST]
4	AP8123973	Stoßdämpfer	1	Technische Daten: "Version ""R"" 2002-2003"[R], "Version ""R - Factory"" 2004-2005"[RF]
5	AP8146409	Doppelte Pleuelstange	2	Technische Daten: "Version ""R"" 2002-2003"[R], "Version ""R - Factory"" 2004-2005"[RF]
5	AP8146648	Doppelte Pleuelstange	2	Technische Daten: "Version ""R - Standard"" 2004-2005"[RS], "Version ""Base"" 2002-2003"[ST]
5	AP8152322	TE Schr. m. Flansch M10x65	3	Technische Daten: "Version ""R"" 2002-2003"[R], "Version ""R - Factory"" 2004-2005"[RF]
6	AP8152413	TE Schr. m. Flansch M10x61	3	Technische Daten: "Version ""R - Standard"" 2004-2005"[RS], "Version ""Base"" 2002-2003"[ST]
7	AP8152301	Selbstsperrende Mutter	5	
8	AP8150458	TCEI Schraube M10x63	1	
9	AP8150457	TCEI Schraube M10x74	1	
10	AP8121155	T-Buchse *	2	
11	AP8110068	Ölabstreifring D18x24x3	6	
12	AP8123859	T-Buchse	2	Technische Daten: "Version ""R - Standard"" 2004-2005"[RS], "Version ""Base"" 2002-2003"[ST]
13	AP8123860	O-Ring	4	Technische Daten: "Version ""R - Standard"" 2004-2005"[RS], "Version ""Base"" 2002-2003"[ST]
14	AP8123870	T-Buchse	2	Technische Daten: "Version ""R - Standard"" 2004-2005"[RS], "Version ""Base"" 2002-2003"[ST]

Einheit	RAHMEN
Code	28.11
Beschreibung	Frontaufbau - Kuppel
Inspektion	1



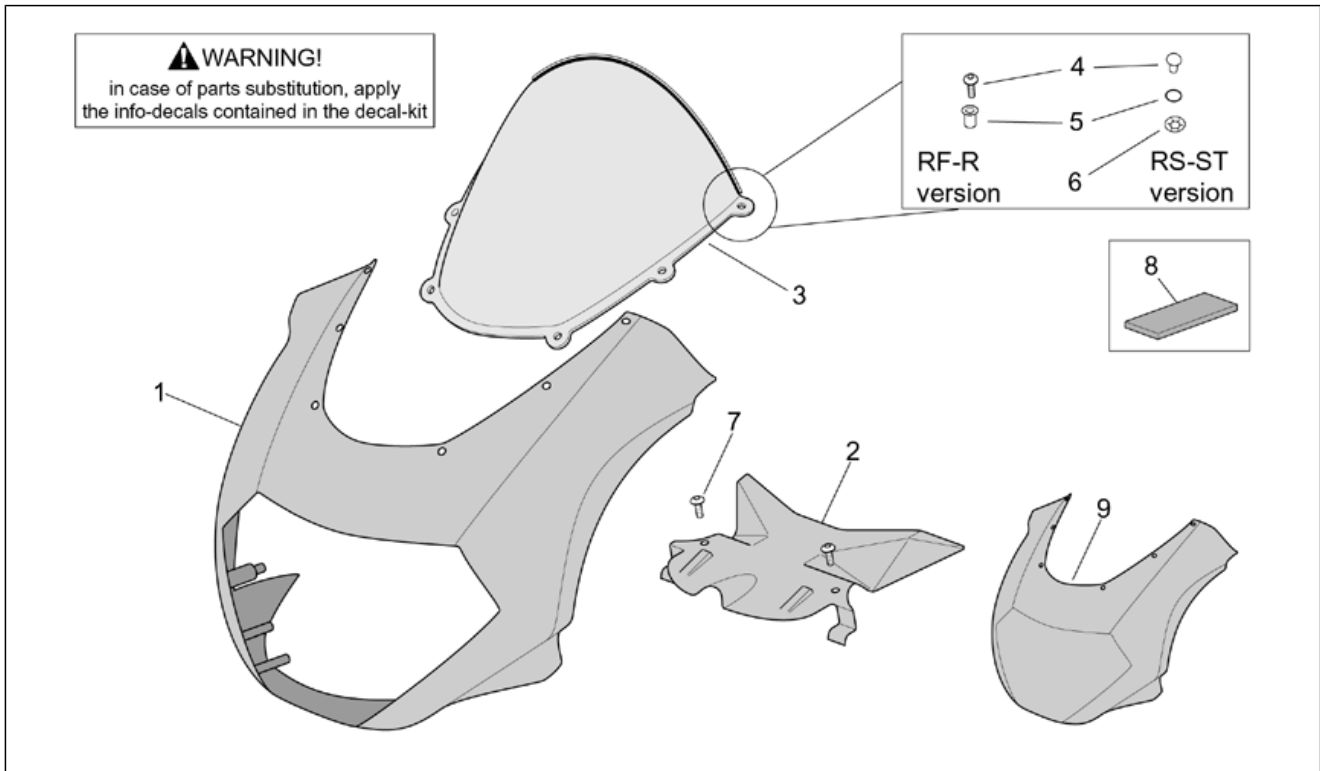
Pos.	Code	Beschreibung	Menge	Varianten
1	AP8168069	Verkl., carb.	1	Baujahr: 2002[2] Fahrzeugfarbe: "Schwarz Diablo ""Racing"" 2002"[rac] Technische Daten: "Version ""R"" 2002-2003"[R]
1	AP8168226	Verkl.	1	Baujahr: 2003[3] Fahrzeugfarbe: Rot Tulip 2002[t.red] Technische Daten: "Version ""Base"" 2002-2003"[ST]
1	AP8168513	Verkl.	1	Baujahr: 2003[3] Fahrzeugfarbe: Grau Magnet 2003[m.grey] Technische Daten: "Version ""Base"" 2002-2003"[ST]
1	AP8168799	Verkl.	1	Baujahr: 2003[3] Technische Daten: Racing GARA 2003[RG]
1	AP8168799	Verkl.	1	Baujahr: 2004[4] Technische Daten: "Version ""R - Factory"" 2004-2005"[RF]
1	AP8178243	Vord. Verkleidung, schwarz	1	Baujahr: 2004[4], 2005[5] Fahrzeugfarbe: Schwarz Darkness 2004[d.bla] Technische Daten: "Version ""R - Standard"" 2004-2005"[RS]
1	AP8178254	Front fairing, silver	1	Baujahr: 2004[4], 2005[5] Fahrzeugfarbe: Silver Mirror 2004[s.mir] Technische Daten: "Version ""R - Standard"" 2004-2005"[RS]
1	AP8178258	Vord. Verkleidung, rot	1	Baujahr: 2004[4], 2005[5] Fahrzeugfarbe: Rot Fluo 2004[f.red] Technische Daten: "Version ""R - Standard"" 2004-2005"[RS]
1	AP8179014	Verkl.	1	Baujahr: 2005[5] Technische Daten: "Version ""R - Factory"" 2004-2005"[RF]
2	AP8168063	Verschl. Kuppel-Instr.tafel	1	Baujahr: 2002[2] Fahrzeugfarbe: "Schwarz Diablo ""Racing"" 2002"[rac] Technische Daten: "Version ""R"" 2002-2003"[R]
2	AP8168455	Verschl. Kuppel-Instr.tafel	1	Baujahr: 2004[4] Technische Daten: "Version ""R - Standard"" 2004-2005"[RS]
2	AP8168455	Verschl. Kuppel-Instr.tafel	1	Baujahr: 2003[3]

Einheit	RAHMEN
Code	28.11
Beschreibung	Frontaufbau - Kuppel
Inspektion	1



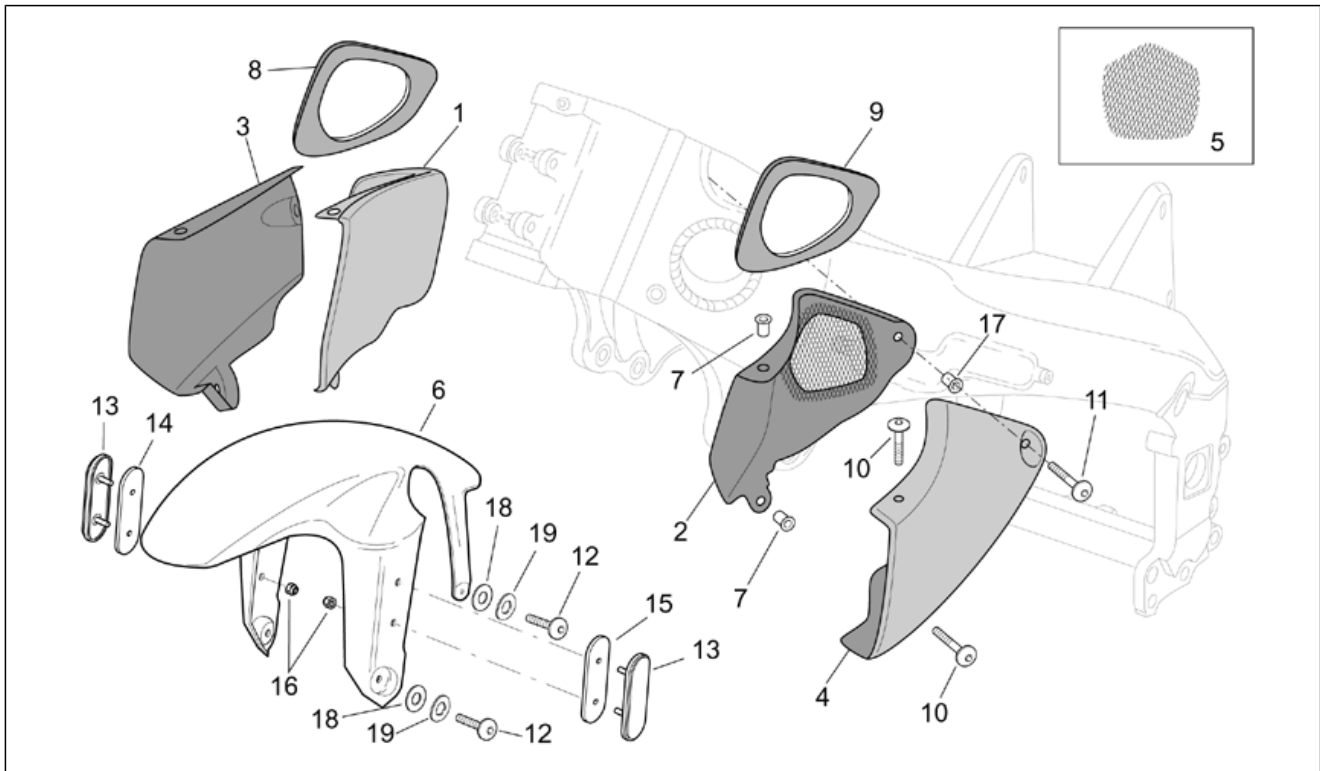
Pos.	Code	Beschreibung	Menge	Varianten
				Fahrzeugfarbe: Grau Magnet 2003[m.grey], Rot Tulip 2002[t.red] Technische Daten: "Version ""Base"" 2002-2003"[ST]
2	AP8168907	Verschl. Kuppel-Instr.tafel	1	Baujahr: 2004[4] Technische Daten: "Version ""R - Factory"" 2004-2005"[RF]
2	AP8168907	Verschl. Kuppel-Instr.tafel	1	Baujahr: 2003[3] Technische Daten: Racing GARA 2003[RG]
2	AP8179038	Verschl. Kuppel-Instr.tafel	1	Baujahr: 2005[5] Technische Daten: "Version ""R - Factory"" 2004-2005"[RF]
3	AP8168070	Windabweiser	1	Land: Deutschland[D], Spanien[E], I, E, NL[EU], Frankreich[F], Griechenland[GR], Italien[I], Holland[NL], Finnland[SF], Großbritannien[UK] Technische Daten: "Version ""R - Factory"" 2004-2005"[RF]
3	AP8168070	Windabweiser	1	Fahrzeugfarbe: "Schwarz Diablo ""Racing"" 2002"[rac] Land: Deutschland[D], Spanien[E], I, E, NL[EU], Frankreich[F], Italien[I], Holland[NL], Großbritannien[UK] Technische Daten: "Version ""R"" 2002-2003"[R], Racing GARA 2003[RG]
3	AP8168380	Windabweiser	1	Land: Australien[AA], Australien[AUS], USA (Zulassung California)[CF], Vereinigte Staaten von Amerika[USA] Technische Daten: "Version ""R - Factory"" 2004-2005"[RF]
3	AP8168380	Windabweiser	1	Fahrzeugfarbe: "Schwarz Diablo ""Racing"" 2002"[rac] Land: Australien[AA], Australien[AUS], USA (Zulassung California)[CF], Vereinigte Staaten von Amerika[USA] Technische Daten: "Version ""R"" 2002-2003"[R], Racing GARA 2003[RG]
3	AP8168485	Windabweiser	1	Land: Belgien[B], Schweiz[CH], Deutschland[D], Dänemark[DK], Spanien[E], I, E, NL[EU], Frankreich[F], Griechenland[GR], Italien[I], Japan[J], JJJ, Mexiko[ME], ME[MX], Holland[NL], Finnland[SF], Spanien[SP], Großbritannien[UK] Technische Daten: "Version ""R - Standard"" 2004-2005"[RS]
3	AP8168485	Windabweiser	1	Fahrzeugfarbe: Grau Magnet 2003[m.grey], Rot Tulip 2002[t.red]

Einheit	RAHMEN
Code	28.11
Beschreibung	Frontaufbau - Kuppel
Inspektion	1



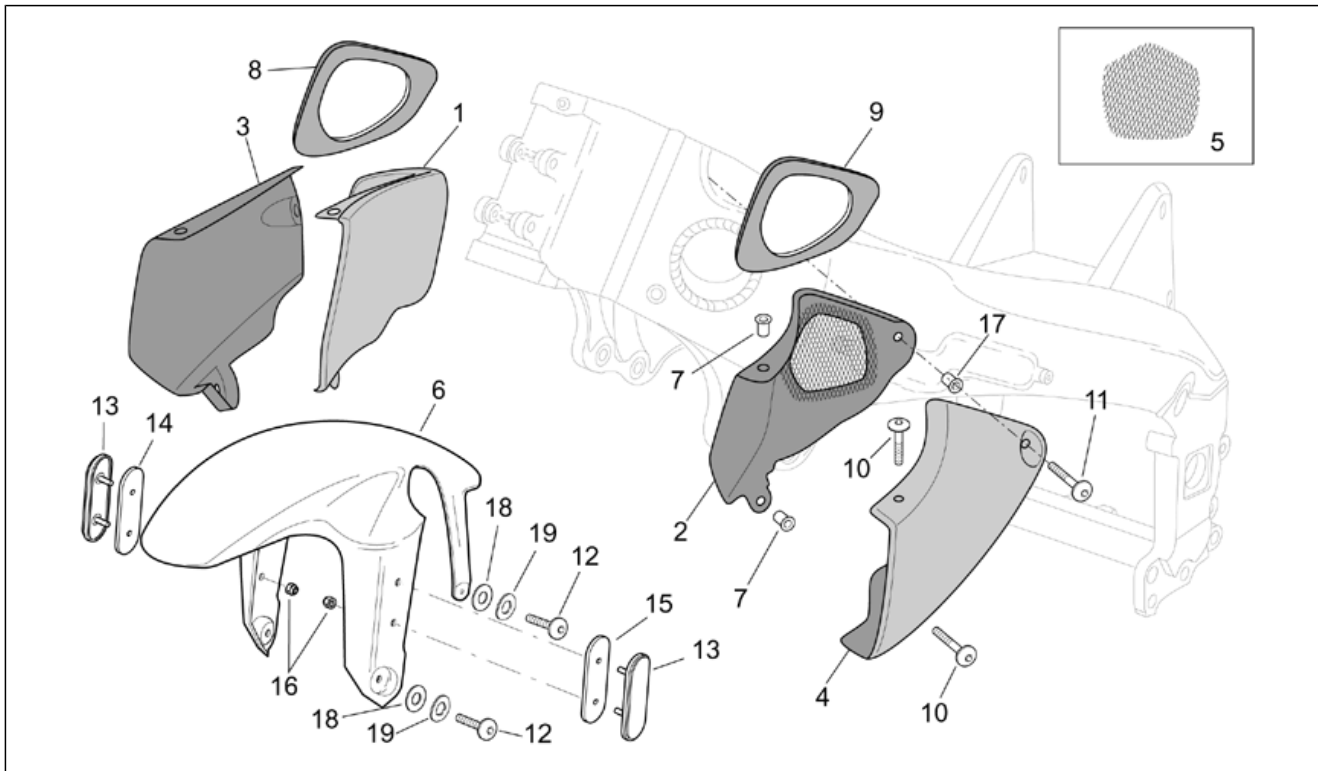
Pos.	Code	Beschreibung	Menge	Varianten
				Land: Belgien[B], Schweiz[CH], Deutschland[D], Dänemark[DK], Spanien[E], I, E, NL[EU], Frankreich[F], Italien[I], Japan[J], J[JJ], Mexiko[ME], ME[MX], Holland[NL], Spanien[SP], Großbritannien[UK] Technische Daten: "Version ""Base"" 2002-2003"[ST]
3	AP8168601	Windabweiser	1	Fahrzeugfarbe: Grau Magnet 2003[m.grey], Rot Tulip 2002[t.red] Land: Australien[AA], USA (Zulassung 49 Staaten)[AM], Australien[AUS], USA (Zulassung California)[CF], Vereinigte Staaten von Amerika[USA] Technische Daten: "Version ""Base"" 2002-2003"[ST]
3	AP8168601	Windabweiser	1	Land: Australien[AA], USA (Zulassung 49 Staaten)[AM], Australien[AUS], USA (Zulassung California)[CF], Vereinigte Staaten von Amerika[USA] Technische Daten: "Version ""R - Standard"" 2004-2005"[RS]
4	AP8144109	Fixierstift	6	Technische Daten: "Version ""R - Standard"" 2004-2005"[RS], "Version ""Base"" 2002-2003"[ST]
4	AP8152415	TCCCE Schraube M4x10	6	Technische Daten: "Version ""R"" 2002-2003"[R], "Version ""R - Factory"" 2004-2005"[RF]
5	AP8102504	Gummi	6	Technische Daten: "Version ""R - Standard"" 2004-2005"[RS], "Version ""Base"" 2002-2003"[ST]
5	AP8144564	Gummi mit Einsatz M4	6	Technische Daten: "Version ""R"" 2002-2003"[R], "Version ""R - Factory"" 2004-2005"[RF]
6	AP8150450	Wellenscheibe D5	6	Technische Daten: "Version ""R - Standard"" 2004-2005"[RS], "Version ""Base"" 2002-2003"[ST]
7	AP8152298	TBEI Schraube m.Flansch M5x16	2	Technische Daten: "Version ""R - Standard"" 2004-2005"[RS], "Version ""Base"" 2002-2003"[ST]
7	AP8152421	TCCCE Schraube M6x20	2	Technische Daten: "Version ""R"" 2002-2003"[R], "Version ""R - Factory"" 2004-2005"[RF]
8	AP8117004	Klebeschwamm 15x8	2	
9	AP8168809	Verkl., carb.	1	Baujahr: 2003[3] Technische Daten: Renn-Kit für Version Racing 2003[kit]

Einheit	RAHMEN
Code	28.12
Beschreibung	Frontaufbau - Vrd. Schutzblech
Inspektion	1



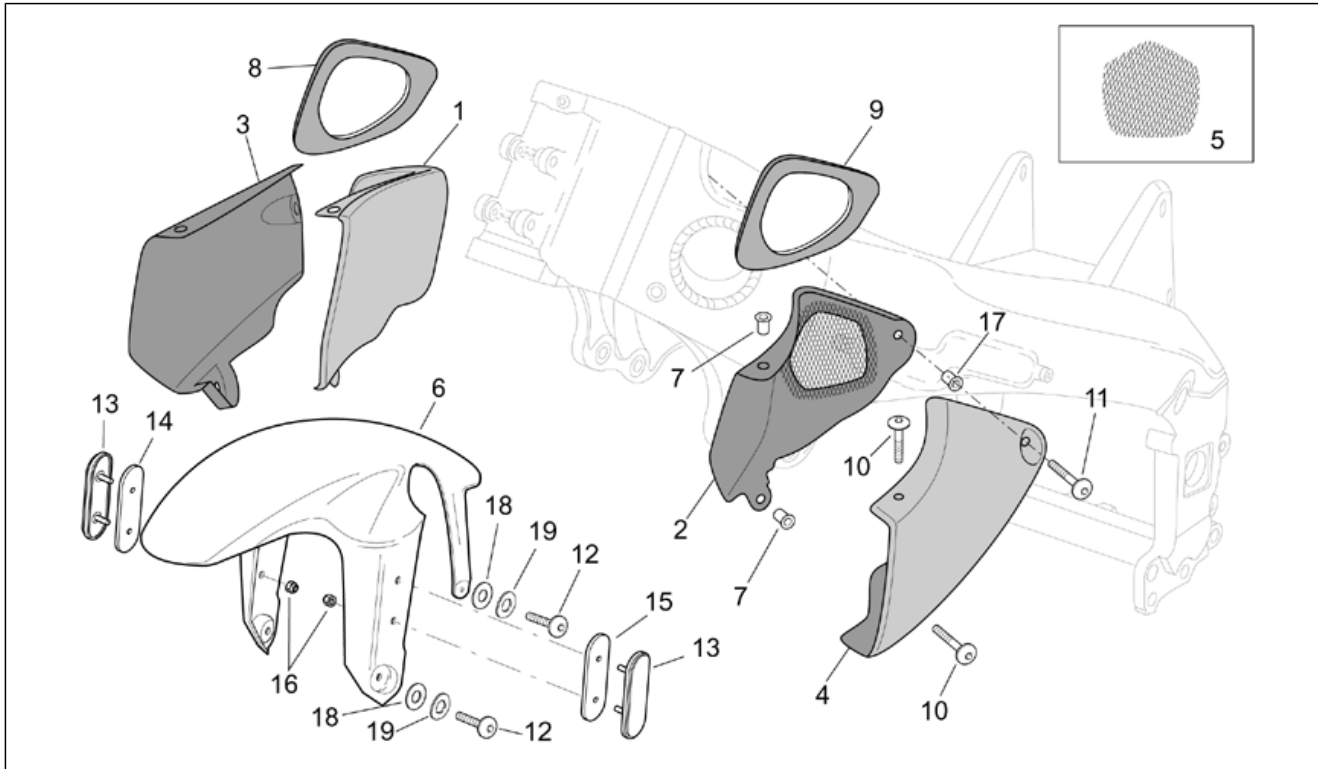
Pos.	Code	Beschreibung	Menge	Varianten
1	AP8168073	Rechtes Leitblech, c.	1	Baujahr: 2002[2] Fahrzeugfarbe: "Schwarz Diablo ""Racing"" 2002"[rac] Technische Daten: "Version ""R"" 2002-2003"[R]
1	AP8168229	Rechtes Leitblech	1	Baujahr: 2003[3] Fahrzeugfarbe: Grau Magnet 2003[m.grey], Rot Tulip 2002[t.red] Technische Daten: "Version ""Base"" 2002-2003"[ST]
1	AP8168229	Rechtes Leitblech	1	Baujahr: 2004[4], 2005[5] Technische Daten: "Version ""R - Standard"" 2004-2005"[RS]
1	AP8168908	Rechtes Leitblech, c.	1	Baujahr: 2004[4] Technische Daten: "Version ""R - Factory"" 2004-2005"[RF]
1	AP8168908	Rechtes Leitblech, c.	1	Baujahr: 2003[3] Technische Daten: Racing GARA 2003[RG]
1	AP8179040	Rechtes Leitblech, c.	1	Baujahr: 2005[5] Technische Daten: "Version ""R - Factory"" 2004-2005"[RF]
2	AP8168074	Linkes Leitblech, c.	1	Baujahr: 2002[2] Fahrzeugfarbe: "Schwarz Diablo ""Racing"" 2002"[rac] Technische Daten: "Version ""R"" 2002-2003"[R]
2	AP8168230	Linkes Leitblech	1	Baujahr: 2004[4], 2005[5] Technische Daten: "Version ""R - Standard"" 2004-2005"[RS]
2	AP8168230	Linkes Leitblech	1	Baujahr: 2003[3] Fahrzeugfarbe: Grau Magnet 2003[m.grey], Rot Tulip 2002[t.red] Technische Daten: "Version ""Base"" 2002-2003"[ST]
2	AP8168909	Linkes Leitblech, c.	1	Baujahr: 2004[4] Technische Daten: "Version ""R - Factory"" 2004-2005"[RF]
2	AP8168909	Linkes Leitblech, c.	1	Baujahr: 2003[3] Technische Daten: Racing GARA 2003[RG]
2	AP8179041	Linkes Leitblech, c.	1	Baujahr: 2005[5] Technische Daten: "Version ""R - Factory"" 2004-2005"[RF]
3	AP8168075	Rechtes Leitblech, c.	1	Baujahr: 2002[2]

Einheit	RAHMEN
Code	28.12
Beschreibung	Frontaufbau - Vrd. Schutzblech
Inspektion	1



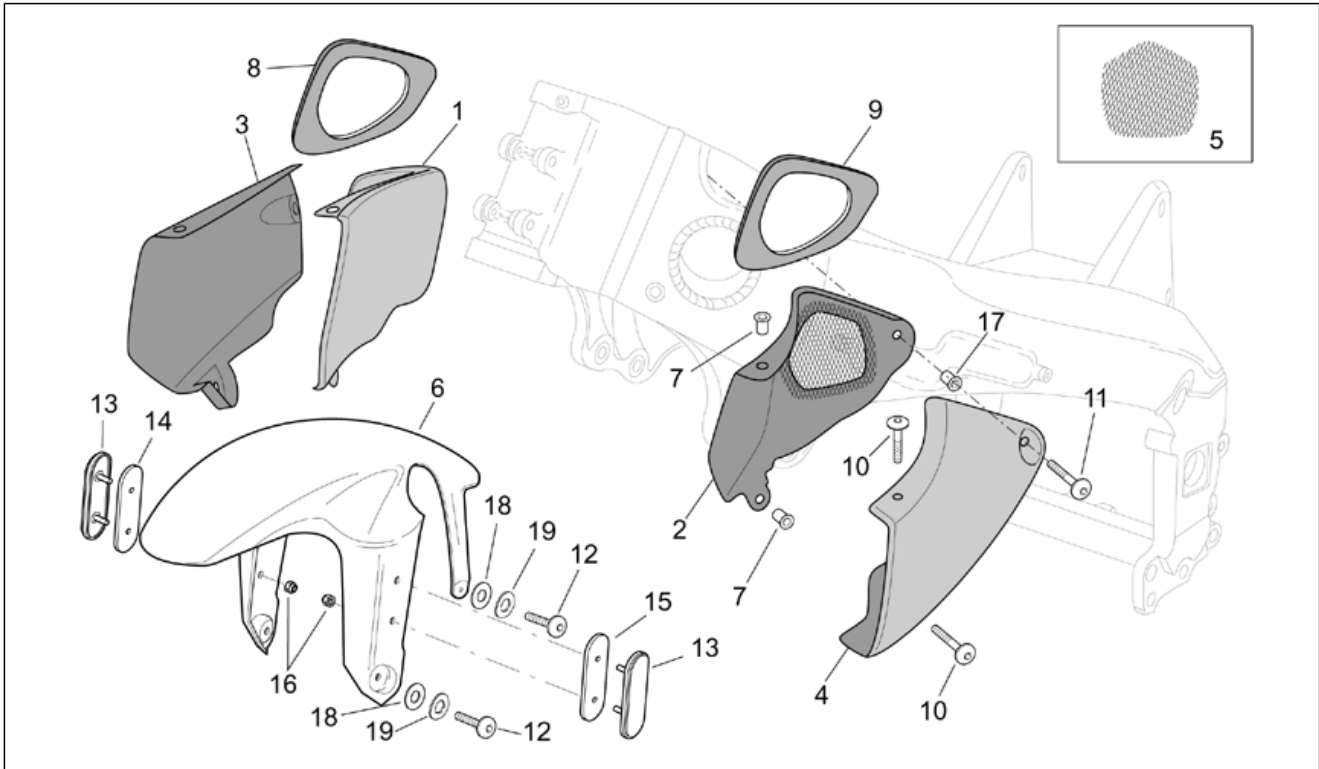
Pos.	Code	Beschreibung	Menge	Varianten
				Fahrzeugfarbe: "Schwarz Diablo ""Racing"" 2002"[rac] Technische Daten: "Version ""R"" 2002-2003"[R]
3	AP8168231	Rechtes Leitblech	1	Baujahr: 2003[3] Fahrzeugfarbe: Grau Magnet 2003[m.grey], Rot Tulip 2002[t.red] Technische Daten: "Version ""Base"" 2002-2003"[ST]
3	AP8168802	Rechtes Leitblech, c.	1	Baujahr: 2003[3] Technische Daten: Racing GARA 2003[RG]
3	AP8178244	Rechtes Leitblech	1	Baujahr: 2004[4], 2005[5] Technische Daten: "Version ""R - Standard"" 2004-2005"[RS]
3	AP8178434	Rechtes Leitblech, c.	1	Baujahr: 2004[4] Technische Daten: "Version ""R - Factory"" 2004-2005"[RF]
3	AP8179028	Rechtes Leitblech, c.	1	Baujahr: 2005[5] Technische Daten: "Version ""R - Factory"" 2004-2005"[RF]
4	AP8168076	Linkes Leitblech, c.	1	Baujahr: 2002[2] Fahrzeugfarbe: "Schwarz Diablo ""Racing"" 2002"[rac] Technische Daten: "Version ""R"" 2002-2003"[R]
4	AP8168232	Linkes Leitblech	1	Baujahr: 2003[3] Fahrzeugfarbe: Grau Magnet 2003[m.grey], Rot Tulip 2002[t.red] Technische Daten: "Version ""Base"" 2002-2003"[ST]
4	AP8168803	Linkes Leitblech, c.	1	Baujahr: 2003[3] Technische Daten: Racing GARA 2003[RG]
4	AP8178245	Linkes Leitblech	1	Baujahr: 2004[4], 2005[5] Technische Daten: "Version ""R - Standard"" 2004-2005"[RS]
4	AP8178435	Linkes Leitblech, c.	1	Baujahr: 2004[4] Technische Daten: "Version ""R - Factory"" 2004-2005"[RF]
4	AP8179029	Linkes Leitblech, c.	1	Baujahr: 2005[5] Technische Daten: "Version ""R - Factory"" 2004-2005"[RF]
5	AP8168222	Net Lufteinlaß	2	Technische Daten: "Version ""R - Standard"" 2004-2005"[RS], "Version ""Base"" 2002-2003"[ST]

Einheit	RAHMEN
Code	28.12
Beschreibung	Frontaufbau - Vrd. Schutzblech
Inspektion	1



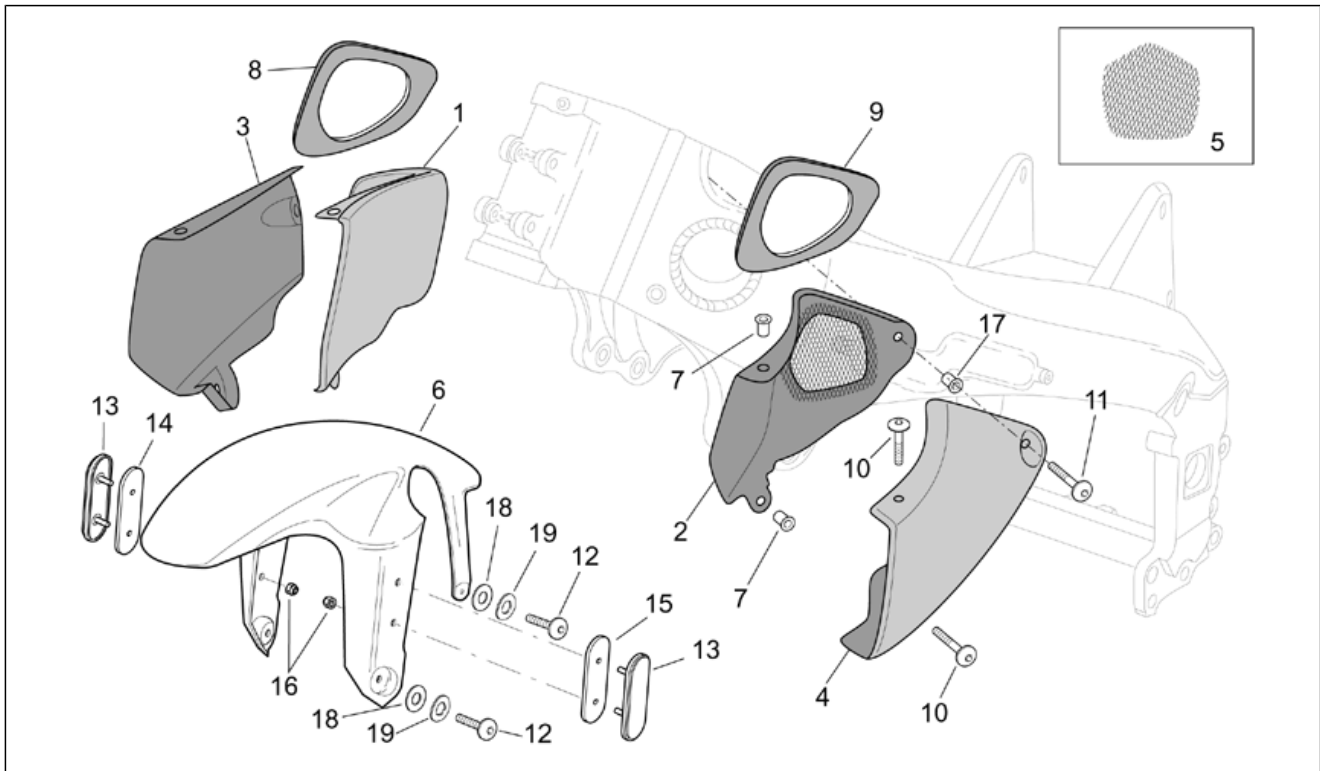
Pos.	Code	Beschreibung	Menge	Varianten
6	AP8156006	Schutzblech vorn Kohl.	1	Baujahr: 2002[2] Fahrzeugfarbe: "Schwarz Diablo ""Racing"" 2002"[rac] Land: Australien[AA], Australien[AUS], Deutschland[D], Spanien[E], I, E, NL[EU], Frankreich[F], Italien[I], Holland[NL], Großbritannien[UK]
6	AP8156024	Vorderes Schutzblech	1	Baujahr: 2003[3] Fahrzeugfarbe: Rot Tulip 2002[t.red] Land: Österreich[A], Australien[AA], Australien[AUS], Belgien[B], Schweiz[CH], Deutschland[D], Dänemark[DK], Spanien[E], I, E, NL[EU], Frankreich[F], Italien[I], Japan[J], J[JJ], Mexiko[ME], ME[MX], Holland[NL], Spanien[SP], Großbritannien[UK]
6	AP8156039	Schutzblech vorn Kohl.	1	Baujahr: 2002[2] Fahrzeugfarbe: "Schwarz Diablo ""Racing"" 2002"[rac] Land: USA (Zulassung California)[CF], Vereinigte Staaten von Amerika[USA]
6	AP8156043	Vorderes Schutzblech	1	Baujahr: 2003[3] Fahrzeugfarbe: Grau Magnet 2003[m.grey] Land: Österreich[A], Australien[AA], Australien[AUS], Belgien[B], Schweiz[CH], Deutschland[D], Dänemark[DK], Spanien[E], I, E, NL[EU], Frankreich[F], Italien[I], Japan[J], J[JJ], Mexiko[ME], ME[MX], Holland[NL], Spanien[SP], Großbritannien[UK]
6	AP8156054	Vorderes Schutzblech	1	Baujahr: 2003[3] Fahrzeugfarbe: Rot Tulip 2002[t.red] Land: USA (Zulassung 49 Staaten)[AM], USA (Zulassung California)[CF], Vereinigte Staaten von Amerika[USA]
6	AP8156057	Vorderes Schutzblech	1	Baujahr: 2003[3] Fahrzeugfarbe: Grau Magnet 2003[m.grey] Land: USA (Zulassung 49 Staaten)[AM], USA (Zulassung California)[CF], Vereinigte Staaten von Amerika[USA]
6	AP8156070	Schutzblech vorn Kohl.	1	Baujahr: 2003[3] Land: Australien[AA], Australien[AUS], Deutschland[D], Spanien[E], I, E, NL[EU], Frankreich[F], Italien[I], Holland[NL], Großbritannien[UK] Technische Daten: Racing GARA 2003[RG]

Einheit	RAHMEN
Code	28.12
Beschreibung	Frontaufbau - Vrd. Schutzblech
Inspektion	1



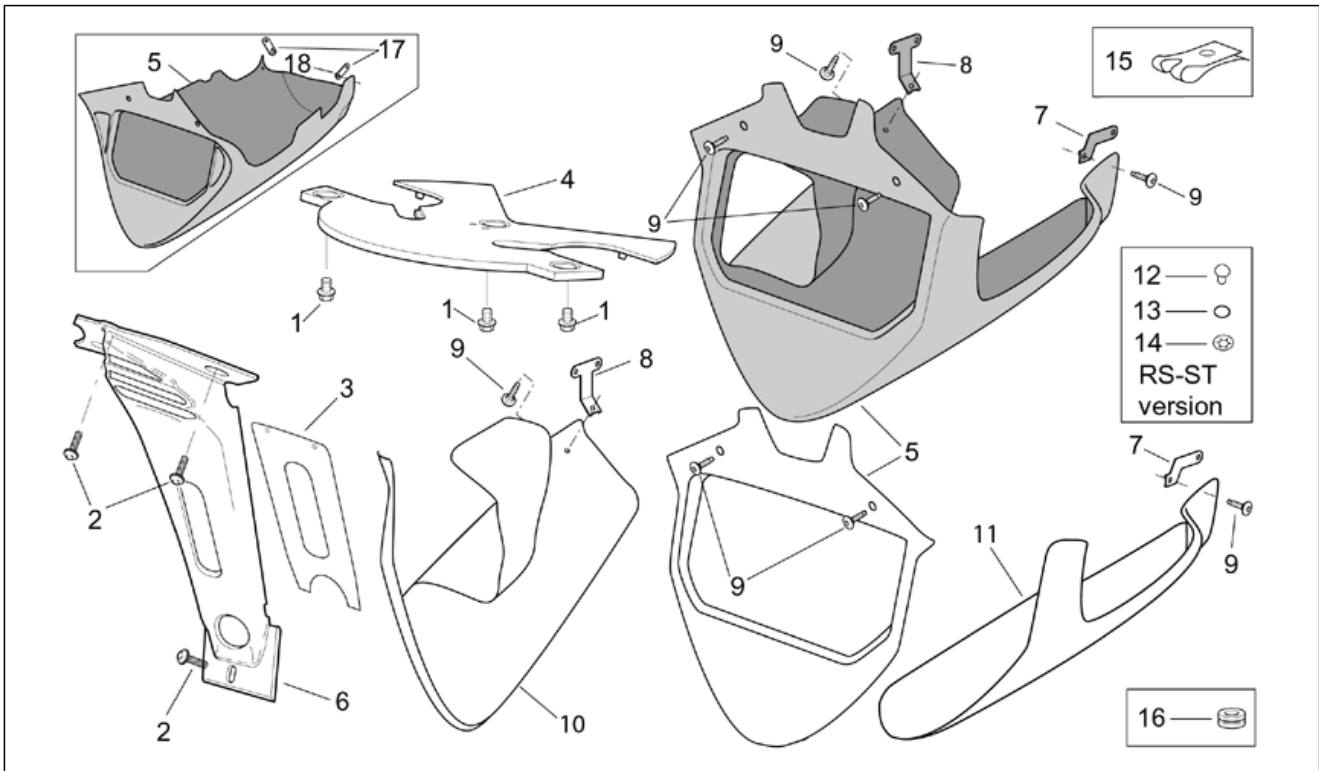
Pos.	Code	Beschreibung	Menge	Varianten
6	AP8156070	Schutzblech vorn Kohl.	1	Baujahr: 2004[4] Technische Daten: "Version ""R - Factory"" 2004-2005"[RF]
6	AP8156076	Schutzblech vorn Kohl.	1	Baujahr: 2003[3] Land: USA (Zulassung California)[CF], Vereinigte Staaten von Amerika[USA] Technische Daten: Racing GARA 2003[RG]
6	AP8156113	Kotflügel v. schwarz	1	Baujahr: 2004[4], 2005[5] Fahrzeugfarbe: Schwarz Darkness 2004[d.bla] Technische Daten: "Version ""R - Standard"" 2004-2005"[RS]
6	AP8156115	V. Schutzblech, silver	1	Baujahr: 2004[4], 2005[5] Fahrzeugfarbe: Silver Mirror 2004[s.mir] Technische Daten: "Version ""R - Standard"" 2004-2005"[RS]
6	AP8156117	V. Schutzblech, rot	1	Baujahr: 2004[4], 2005[5] Fahrzeugfarbe: Rot Fluo 2004[f.red] Technische Daten: "Version ""R - Standard"" 2004-2005"[RS]
6	AP8156193	Schutzblech vorn Kohl.	1	Baujahr: 2005[5] Land: Österreich[A], Australien[AA], Australien[AUS], Belgien[B], Schweiz[CH], Deutschland[D], Dänemark[DK], Spanien[E], I, E, NL[EU], Frankreich[F], Griechenland[GR], Italien[I], Japan[J], J[JJ], Mexiko[ME], ME[MX], Holland[NL], Spanien[SP], Großbritannien[UK] Technische Daten: "Version ""R - Factory"" 2004-2005"[RF]
6	AP8156194	Schutzblech vorn Kohl.	1	Baujahr: 2005[5] Land: USA (Zulassung California)[CF], Vereinigte Staaten von Amerika[USA] Technische Daten: "Version ""R - Factory"" 2004-2005"[RF]
7	AP8120531	Gummi mit Einsatz	4	
8	AP8144588	Dichtung Leitblech rs.	1	Technische Daten: "Version ""R"" 2002-2003"[R], "Version ""R - Factory"" 2004-2005"[RF]
8	AP8144603	Dichtung Leitblech rs.	1	Technische Daten: "Version ""R - Standard"" 2004-2005"[RS], "Version ""Base"" 2002-2003"[ST]

Einheit	RAHMEN
Code	28.12
Beschreibung	Frontaufbau - Vrd. Schutzblech
Inspektion	1



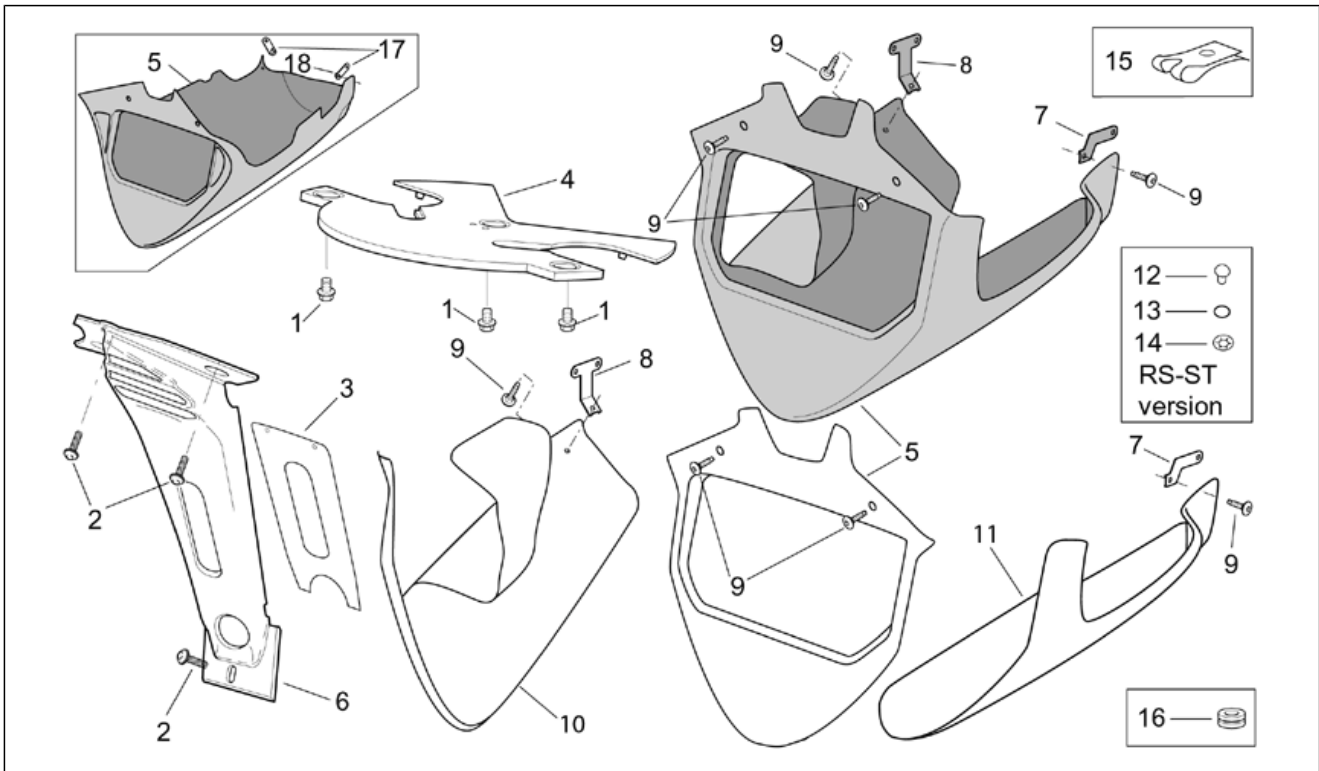
Pos.	Code	Beschreibung	Menge	Varianten
9	AP8144589	Dichtung Leitblech ls.	1	Technische Daten: "Version ""R"" 2002-2003"[R], "Version ""R - Factory"" 2004-2005"[RF]
9	AP8144604	Dichtung Leitblech ls.	1	Technische Daten: "Version ""R - Standard"" 2004-2005"[RS], "Version ""Base"" 2002-2003"[ST]
10	AP8152298	TBEI Schraube m.Flansch M5x16	4	Technische Daten: "Version ""R - Standard"" 2004-2005"[RS], "Version ""Base"" 2002-2003"[ST]
10	AP8152417	TCCCE Schraube	4	Technische Daten: "Version ""R"" 2002-2003"[R], "Version ""R - Factory"" 2004-2005"[RF]
11	AP8152423	TCCCE Schraube M6x30	2	
12	AP8152302	TBEI Schraube m.Flansch M5x12	4	Technische Daten: "Version ""R - Standard"" 2004-2005"[RS], "Version ""Base"" 2002-2003"[ST]
12	AP8152416	TCCCE Schraube	4	Technische Daten: "Version ""R"" 2002-2003"[R], "Version ""R - Factory"" 2004-2005"[RF]
13	AP8124719	Rückstrahler, gelb	2	Land: USA (Zulassung 49 Staaten)[AM], USA (Zulassung California)[CF], Vereinigte Staaten von Amerika[USA]
14	AP8148588	Rückstr.halter v. rs.	1	Land: USA (Zulassung 49 Staaten)[AM], USA (Zulassung California)[CF], Vereinigte Staaten von Amerika[USA]
15	AP8148589	Rückstr.halter v. ls.	1	Land: USA (Zulassung 49 Staaten)[AM], USA (Zulassung California)[CF], Vereinigte Staaten von Amerika[USA]
16	AP8150204	Mutter M4	4	Land: USA (Zulassung 49 Staaten)[AM], USA (Zulassung California)[CF], Vereinigte Staaten von Amerika[USA]
17	AP8221017	Distanzscheibe	2	
18	AP8150382	Ausgleichscheibe 15x5,5X1,2	4	
19	AP8150272	Gebogene Sprengscheibe 5,3x10x0,5	4	

Einheit	RAHMEN
Code	28.13
Beschreibung	Karosserie v.-Verschlüsse
Inspektion	1



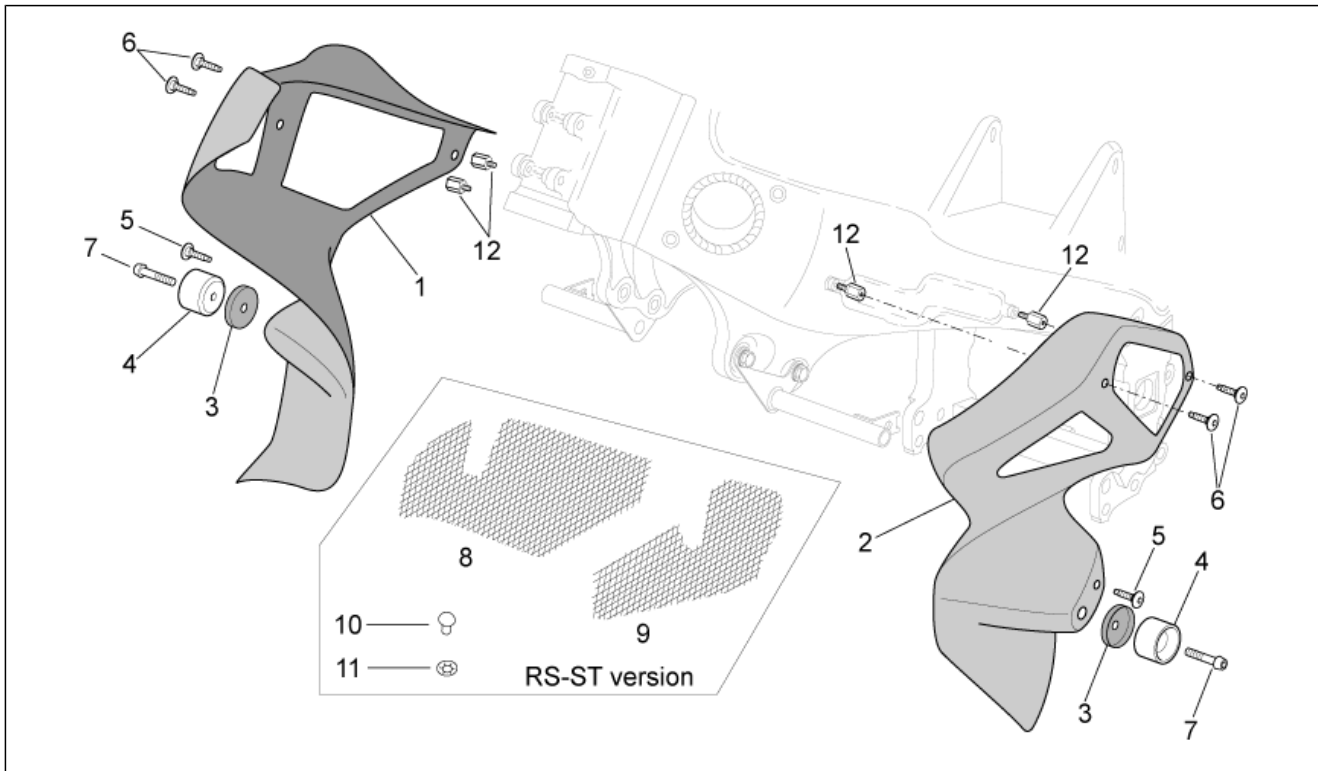
Pos.	Code	Beschreibung	Menge	Varianten
1	AP8152277	TE Schr. m. Flansch M6x12	3	
2	AP8152246	TBEI Schraube m.Flansch M6x16	5	
3	AP8117129	Gelenkplatte Spoiler	1	
4	AP8168064	Verschl. unt. vorn Verkl., c.	1	
5	AP8168062	Verkl.stütze, carb.	1	Baujahr: 2002[2] Fahrzeugfarbe: "Schwarz Diablo ""Racing"" 2002"[rac] Technische Daten: "Version ""R"" 2002-2003"[R]
5	AP8168219	Stütze	1	Baujahr: 2003[3] Fahrzeugfarbe: Grau Magnet 2003[m.grey], Rot Tulip 2002[t.red] Technische Daten: "Version ""Base"" 2002-2003"[ST]
5	AP8168808	Verkl.stütze, carb.	1	Baujahr: 2003[3] Technische Daten: Renn-Kit für Version Racing 2003[kit]
5	AP8168906	Verkl.stütze, carb.	1	Baujahr: 2004[4] Technische Daten: "Version ""R - Factory"" 2004-2005"[RF]
5	AP8168906	Verkl.stütze, carb.	1	Baujahr: 2003[3] Technische Daten: "Version ""R"" 2002-2003"[R], Racing GARA 2003[RG]
5	AP8178246	Stütze	1	Baujahr: 2004[4], 2005[5] Technische Daten: "Version ""R - Standard"" 2004-2005"[RS]
5	AP8179034	Verkl.stütze, carb.	1	Baujahr: 2005[5] Technische Daten: "Version ""R - Factory"" 2004-2005"[RF]
6	AP8148834	Kühlerspoiler schwarz	1	
7	AP8134894	Halter links	1	
8	AP8134895	Halter rechts	1	
9	AP8152246	TBEI Schraube m.Flansch M6x16	4	Technische Daten: "Version ""R - Standard"" 2004-2005"[RS], "Version ""Base"" 2002-2003"[ST]
9	AP8152420	TCCCE Schraube M6x15	4	Technische Daten: "Version ""R"" 2002-2003"[R], "Version ""R - Factory"" 2004-2005"[RF]
10	AP8168220	Verkl.dx	1	Baujahr: 2003[3]

Einheit	RAHMEN
Code	28.13
Beschreibung	Karosserie v.-Verschlüsse
Inspektion	1



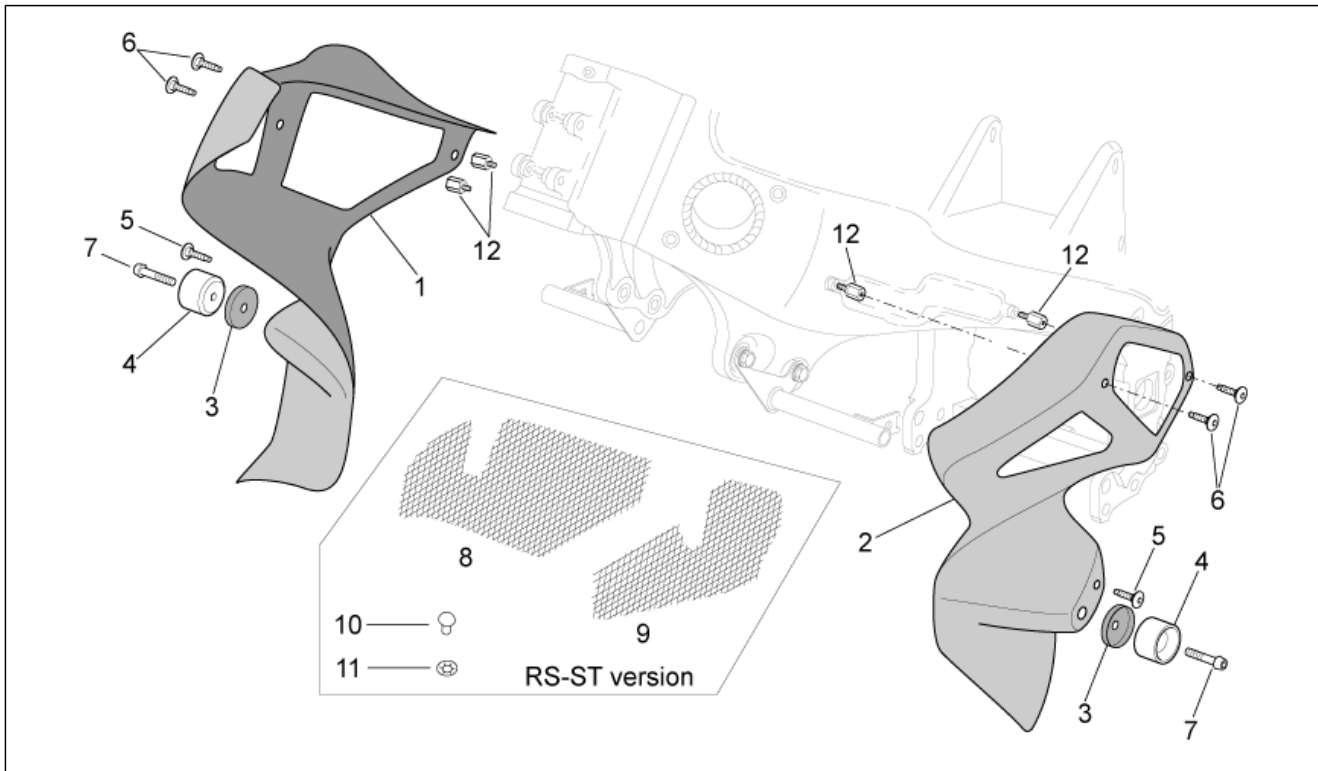
Pos.	Code	Beschreibung	Menge	Varianten
				Fahrzeugfarbe: Grau Magnet 2003[m.grey], Rot Tulip 2002[t.red] Technische Daten: "Version ""Base"" 2002-2003"[ST]
10	AP8178247	Verkl.dx	1	Baujahr: 2004[4], 2005[5] Technische Daten: "Version ""R - Standard"" 2004-2005"[RS]
11	AP8168221	Verkl.sx	1	Baujahr: 2003[3] Fahrzeugfarbe: Grau Magnet 2003[m.grey], Rot Tulip 2002[t.red] Technische Daten: "Version ""Base"" 2002-2003"[ST]
11	AP8178248	Verkl.sx	1	Baujahr: 2004[4], 2005[5] Technische Daten: "Version ""R - Standard"" 2004-2005"[RS]
12	AP8144109	Fixierstift	8	Technische Daten: "Version ""R - Standard"" 2004-2005"[RS], "Version ""Base"" 2002-2003"[ST]
13	AP8102504	Gummi	8	Technische Daten: "Version ""R - Standard"" 2004-2005"[RS], "Version ""Base"" 2002-2003"[ST]
14	AP8150450	Wellenscheibe D5	8	Technische Daten: "Version ""R - Standard"" 2004-2005"[RS], "Version ""Base"" 2002-2003"[ST]
15	AP8102375	Klammer M5	2	
16	AP8120030	Gummi	1	
17	AP8134541	Seitenteilen Fixierplatte	1	Baujahr: 2003[3] Technische Daten:
18	AP8102544	Geschnitten Kunststoffniet M6	2	

Einheit	RAHMEN
Code	28.14
Beschreibung	Mittlerer aufbau - Oberer Rumpf
Inspektion	1



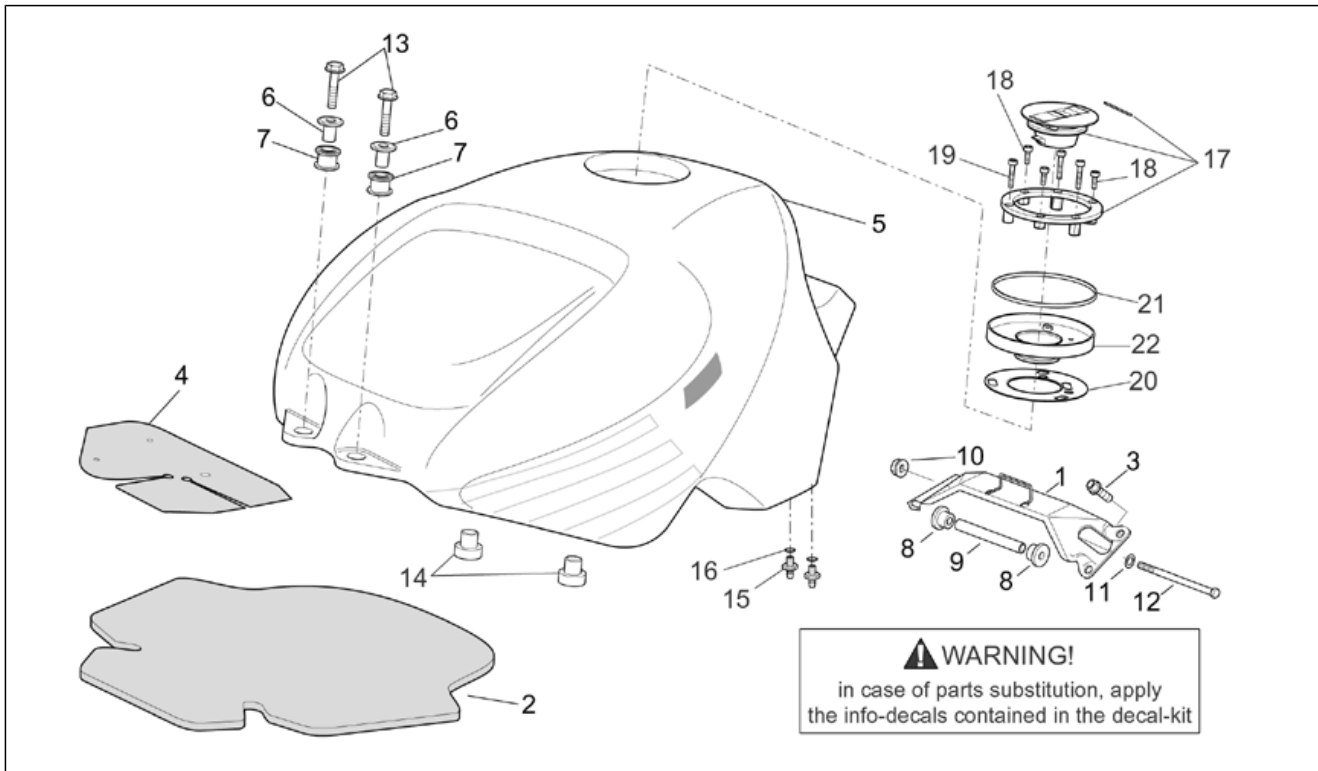
Pos.	Code	Beschreibung	Menge	Varianten
1	AP8168071	R. Seitenverkl., carb.	1	Baujahr: 2002[2] Fahrzeugfarbe: "Schwarz Diablo ""Racing"" 2002"[rac] Technische Daten: "Version ""R"" 2002-2003"[R]
1	AP8168227	R. Seitenverkl.	1	Baujahr: 2003[3] Fahrzeugfarbe: Grau Magnet 2003[m.grey], Rot Tulip 2002[t.red] Technische Daten: "Version ""Base"" 2002-2003"[ST]
1	AP8168227	R. Seitenverkl.	1	Baujahr: 2004[4], 2005[5] Technische Daten: "Version ""R - Standard"" 2004-2005"[RS]
1	AP8168800	R. Seitenverkl., carb.	1	Baujahr: 2003[3] Technische Daten: Racing GARA 2003[RG]
1	AP8179030	R. Seitenverkl., carb.	1	Baujahr: 2004[4] Technische Daten: "Version ""R - Factory"" 2004-2005"[RF]
1	AP8179030	R. Seitenverkl., carb.	1	Baujahr: 2005[5] Technische Daten: "Version ""R - Factory"" 2004-2005"[RF]
2	AP8168072	L. Seitenverkl., carb.	1	Baujahr: 2002[2] Fahrzeugfarbe: "Schwarz Diablo ""Racing"" 2002"[rac] Technische Daten: "Version ""R"" 2002-2003"[R]
2	AP8168228	L. Seitenverkl.	1	Baujahr: 2004[4], 2005[5] Technische Daten: "Version ""R - Standard"" 2004-2005"[RS]
2	AP8168228	L. Seitenverkl.	1	Baujahr: 2003[3] Fahrzeugfarbe: Grau Magnet 2003[m.grey], Rot Tulip 2002[t.red] Technische Daten: "Version ""Base"" 2002-2003"[ST]
2	AP8168801	L. Seitenverkl., carb.	1	Baujahr: 2003[3] Technische Daten: Racing GARA 2003[RG]
2	AP8179031	L. Seitenverkl., carb.	1	Baujahr: 2004[4] Technische Daten: "Version ""R - Factory"" 2004-2005"[RF]
2	AP8179031	L. Seitenverkl., carb.	1	Baujahr: 2005[5] Technische Daten: "Version ""R - Factory"" 2004-2005"[RF]
3	AP8127364	Boden	2	Baujahr: 2002[2]

Einheit	RAHMEN
Code	28.14
Beschreibung	Mittlerer aufbau - Oberer Rumpf
Inspektion	1



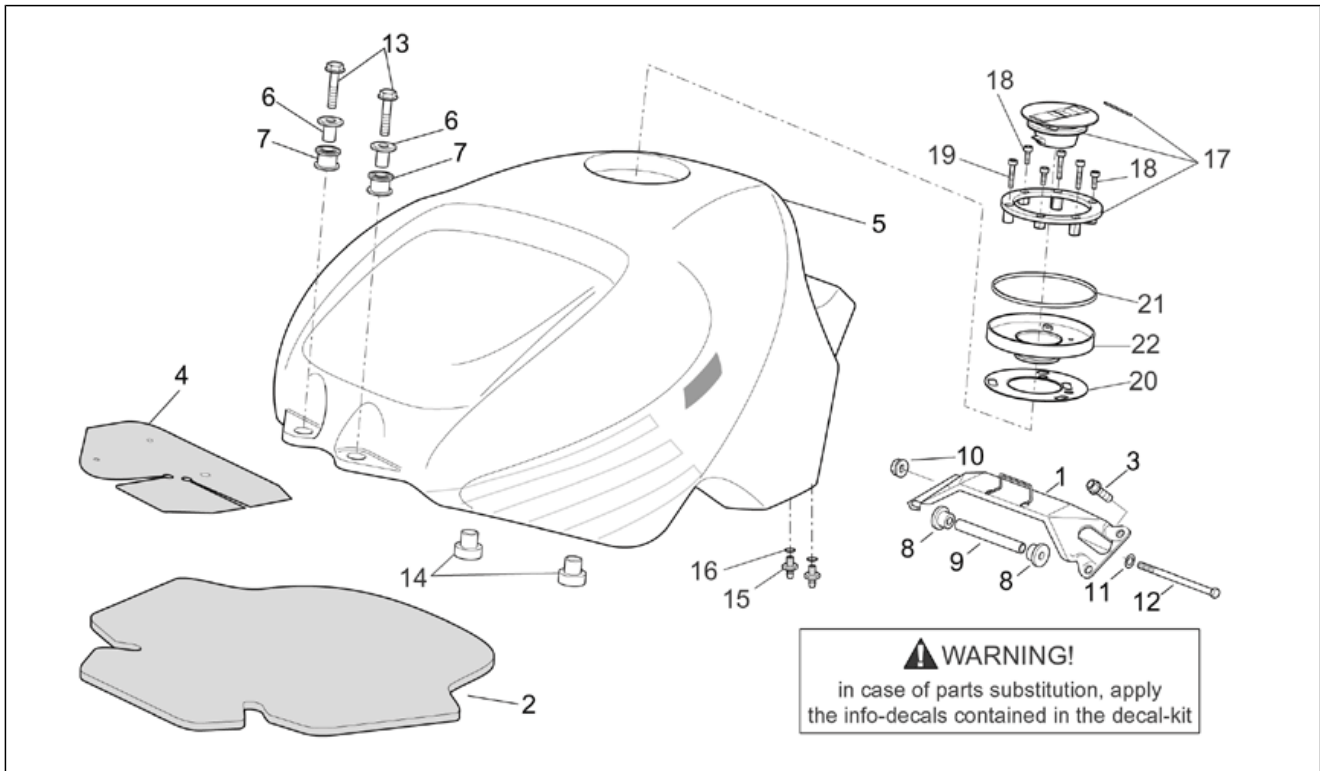
Pos.	Code	Beschreibung	Menge	Varianten
3	AP8134922	Boden	2	Baujahr:2003[3], 2004[4], 2005[5]
4	AP8163193	Puffer	2	
5	AP8152302	TBEI Schraube m.Flansch M5x12	2	Technische Daten:"Version ""R - Standard"" 2004-2005"[RS], "Version ""Base"" 2002-2003"[ST]
5	AP8152420	TCCCE Schraube M6x15	2	Technische Daten:"Version ""R"" 2002-2003"[R], "Version ""R - Factory"" 2004-2005"[RF]
6	AP8152302	TBEI Schraube m.Flansch M5x12	4	Technische Daten:"Version ""R - Standard"" 2004-2005"[RS], "Version ""Base"" 2002-2003"[ST]
6	AP8152424	TCCCE Schraube M6x50	4	Technische Daten:"Version ""R"" 2002-2003"[R], "Version ""R - Factory"" 2004-2005"[RF]
7	AP8150469	TCEI Schraube M10x30	2	Technische Daten:"Version ""R - Standard"" 2004-2005"[RS], "Version ""Base"" 2002-2003"[ST]
7	AP8152430	Zylinderschraube M10x30	2	Technische Daten:"Version ""R"" 2002-2003"[R], "Version ""R - Factory"" 2004-2005"[RF]
8	AP8168456	Netz Luftschlitz rechts	1	Baujahr:2003[3] Fahrzeugfarbe:Grau Magnet 2003[m.grey], Rot Tulip 2002[t.red] Technische Daten:"Version ""Base"" 2002-2003"[ST]
9	AP8168457	Netz Luftschlitz links	1	Baujahr:2003[3] Fahrzeugfarbe:Grau Magnet 2003[m.grey], Rot Tulip 2002[t.red] Technische Daten:"Version ""Base"" 2002-2003"[ST]
10	AP8144109	Fixierstift	16	Technische Daten:"Version ""R - Standard"" 2004-2005"[RS], "Version ""Base"" 2002-2003"[ST]
11	AP8150450	Wellenscheibe D5	16	Technische Daten:"Version ""R - Standard"" 2004-2005"[RS], "Version ""Base"" 2002-2003"[ST]
12	AP8134923	Halterung Radverkleidung	4	

Einheit	RAHMEN
Code	28.15
Beschreibung	Kraftstofftank
Inspektion	1



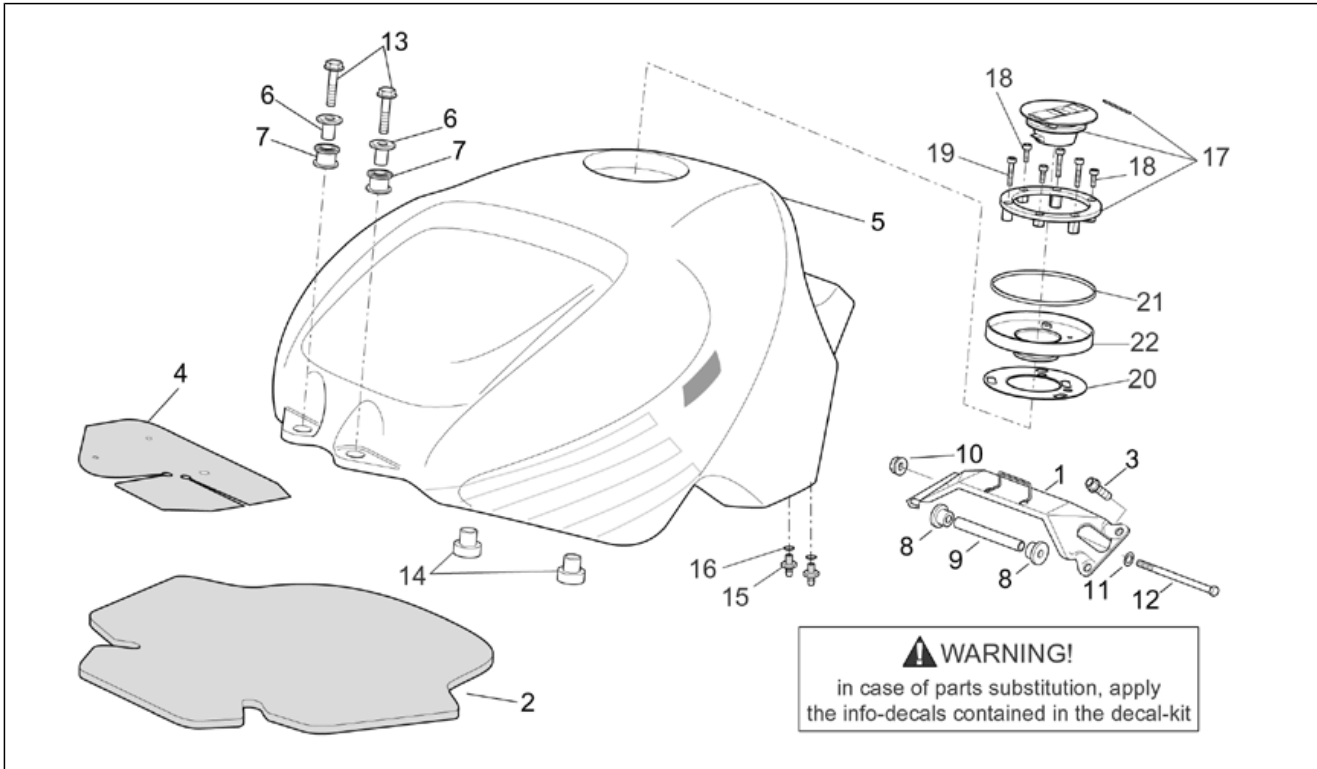
Pos.	Code	Beschreibung	Menge	Varianten
1	AP8134370	Tankfixierung	1	
2	AP8117174	Schalldämmpl. Tank	1	
3	AP8152278	TE Schr. m. Flansch M6x16	4	
4	AP8117128	Hitzeschild Tank	1	
5	AP8168061	Kraftstofftank, schwarz	1	Baujahr: 2002[2] Fahrzeugfarbe: "Schwarz Diablo "" Racing "" 2002"[rac] Technische Daten: "Version ""R"" 2002-2003"[R]
5	AP8168218	Kraftstofftank, rot	1	Baujahr: 2003[3] Fahrzeugfarbe: Rot Tulip 2002[t.red] Technische Daten: "Version ""Base"" 2002-2003"[ST]
5	AP8168512	Kraftstofftank, grau	1	Baujahr: 2003[3] Fahrzeugfarbe: Grau Magnet 2003[m.grey] Technische Daten: "Version ""Base"" 2002-2003"[ST]
5	AP8168798	Kraftstofftank, schwarz	1	Baujahr: 2003[3] Technische Daten: Racing GARA 2003[RG]
5	AP8168798	Kraftstofftank, schwarz	1	Baujahr: 2004[4], 2005[5] Technische Daten: "Version ""R - Factory"" 2004-2005"[RF]
5	AP8178242	Kraftstofftank, schwarz	1	Baujahr: 2004[4] Fahrzeugfarbe: Schwarz Darkness 2004[d.bla] Technische Daten: "Version ""R - Standard"" 2004-2005"[RS]
5	AP8178253	Kraftstofftank, silver	1	Baujahr: 2004[4] Fahrzeugfarbe: Silver Mirror 2004[s.mir] Technische Daten: "Version ""R - Standard"" 2004-2005"[RS]
5	AP8178257	Kraftstofftank, rot	1	Baujahr: 2004[4] Fahrzeugfarbe: Rot Fluo 2004[f.red] Technische Daten: "Version ""R - Standard"" 2004-2005"[RS]
5	AP8178710	Kraftstofftank, schwarz	1	Baujahr: 2005[5] Fahrzeugfarbe: Schwarz Darkness 2004[d.bla] Technische Daten: "Version ""R - Standard"" 2004-2005"[RS]

Einheit	RAHMEN
Code	28.15
Beschreibung	Kraftstofftank
Inspektion	1



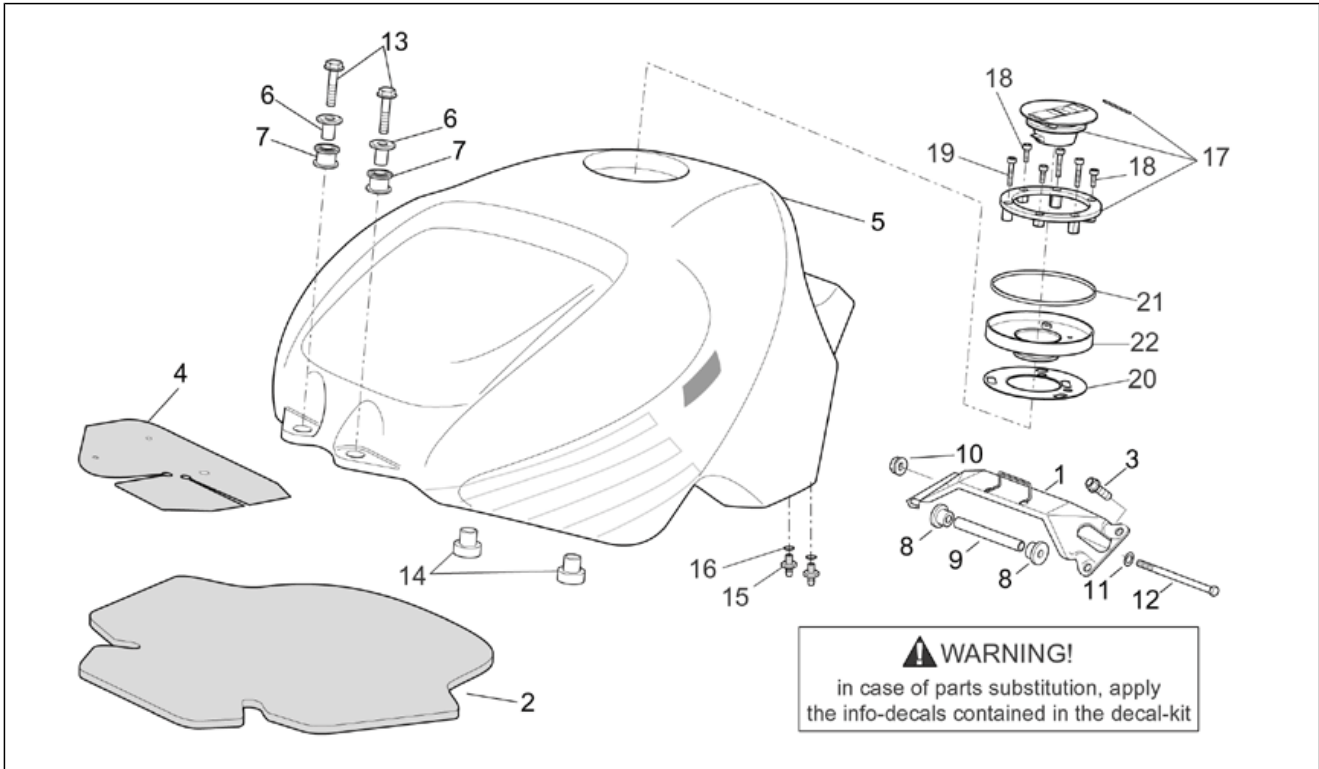
Pos.	Code	Beschreibung	Menge	Varianten
5	AP8178710	Kraftstofftank, schwarz	1	Baujahr: 2004[4] Fahrzeugfarbe: Schwarz Darkness 2004[d.bla] Technische Daten: "Version ""R - Standard"" 2004-2005"[RS]
5	AP8178711	Kraftstofftank, silver	1	Baujahr: 2004[4] Fahrzeugfarbe: Silver Mirror 2004[s.mir] Technische Daten: "Version ""R - Standard"" 2004-2005"[RS]
5	AP8178711	Kraftstofftank, silver	1	Baujahr: 2005[5] Fahrzeugfarbe: Silver Mirror 2004[s.mir] Technische Daten: "Version ""R - Standard"" 2004-2005"[RS]
5	AP8178712	Kraftstofftank, rot	1	Baujahr: 2005[5] Fahrzeugfarbe: Rot Fluo 2004[f.red] Technische Daten: "Version ""R - Standard"" 2004-2005"[RS]
5	AP8178712	Kraftstofftank, rot	1	Baujahr: 2004[4] Fahrzeugfarbe: Rot Fluo 2004[f.red] Technische Daten: "Version ""R - Standard"" 2004-2005"[RS]
6	AP8121421	T-Buchse	2	
7	AP8144328	Gummi	2	
8	AP8123934	Gummi	2	
9	AP8134419	Aufnahmebüchse Kraftstofftank	1	
10	AP8152299	Selbstsperrende Mutter M6	1	
11	AP8150014	Ausgleichscheibe 6,4x12,5*	1	
12	AP8150459	Sechskantschraube M6x90	1	
13	AP8152281	TE Schr. m. Flansch M6x30	2	
14	AP8144158	Gummi	2	
15	AP8102503	Anschluß Gummihalter	2	
16	AP8120965	O-Ring 2018	2	
17	AP8104287	Tankfüllschraube	1	Baujahr: 2003[3]

Einheit	RAHMEN
Code	28.15
Beschreibung	Kraftstofftank
Inspektion	1



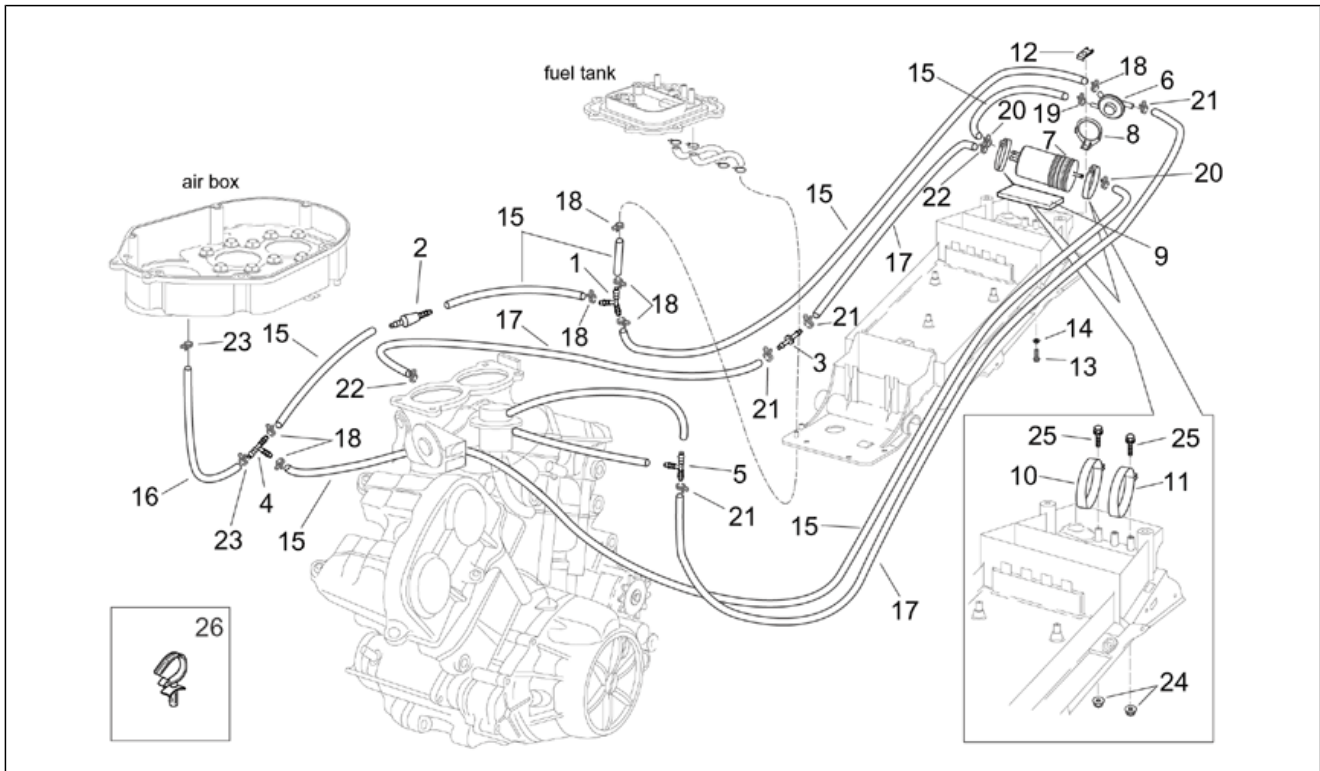
Pos.	Code	Beschreibung	Menge	Varianten
				Land: USA (Zulassung California)[CF], Vereinigte Staaten von Amerika[USA] Technische Daten: Racing GARA 2003[RG]
17	AP8104287	Tankfüllschraube	1	Baujahr: 2003[3] Fahrzeugfarbe: Grau Magnet 2003[m.grey], Rot Tulip 2002[t.red] Land: USA (Zulassung California)[CF], Vereinigte Staaten von Amerika[USA] Technische Daten: "Version ""Base"" 2002-2003"[ST]
17	AP8104288	Tankfüllschraube	1	Baujahr: 2003[3] Land: Österreich[A], Australien[AA], Australien[AUS], Belgien[B], Schweiz[CH], Deutschland[D], Dänemark[DK], Spanien[E], I, E, NL[EU], Frankreich[F], Italien[I], Japan[J], J[JJ], Mexiko[ME], ME[MX], Holland[NL], Spanien[SP], Großbritannien[UK] Technische Daten: Racing GARA 2003[RG]
17	AP8104288	Tankfüllschraube	1	Baujahr: 2003[3] Fahrzeugfarbe: Grau Magnet 2003[m.grey], Rot Tulip 2002[t.red] Land: USA (Zulassung 49 Staaten)[AM], Vereinigte Staaten von Amerika[USA] Technische Daten: "Version ""Base"" 2002-2003"[ST]
17	AP8104288	Tankfüllschraube	1	Baujahr: 2003[3] Fahrzeugfarbe: Grau Magnet 2003[m.grey], Rot Tulip 2002[t.red] Land: Österreich[A], Australien[AA], Australien[AUS], Belgien[B], Schweiz[CH], Deutschland[D], Dänemark[DK], Spanien[E], I, E, NL[EU], Frankreich[F], Italien[I], Japan[J], J[JJ], Mexiko[ME], ME[MX], Holland[NL], Spanien[SP], Großbritannien[UK] Technische Daten: "Version ""Base"" 2002-2003"[ST]
17	AP8104288	Tankfüllschraube	1	Baujahr: 2004[4], 2005[5]
17	AP8104551	Tankfüllschraube	1	Baujahr: 2002[2] Fahrzeugfarbe: "Schwarz Diablo ""Racing"" 2002"[rac]

Einheit	RAHMEN
Code	28.15
Beschreibung	Kraftstofftank
Inspektion	1



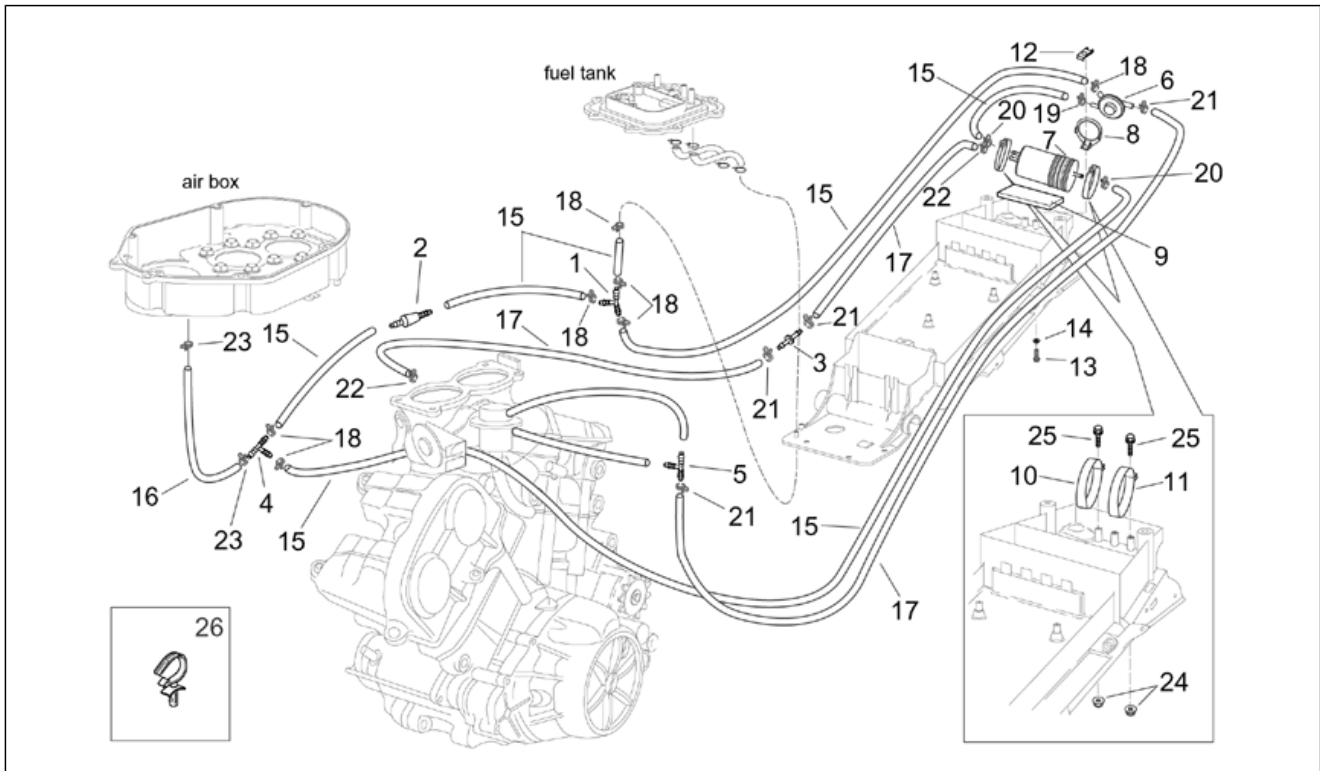
Pos.	Code	Beschreibung	Menge	Varianten
				Land:Australien[AA], Australien[AUS], Deutschland[D], Spanien[E], I, E, NL[EU], Frankreich[F], Italien[I], Holland[NL], Großbritannien[UK] Technische Daten:"Version ""R"" 2002-2003"[R]
17	AP8104585	Tankfüllschraube	1	Baujahr:2002[2] Fahrzeugfarbe:"Schwarz Diablo ""Racing"" 2002"[rac] Land:USA (Zulassung California)[CF], Vereinigte Staaten von Amerika[USA] Technische Daten:"Version ""R"" 2002-2003"[R]
18	AP8150454	TCEI Schraube M5x16	4	
19	AP8150453	TCEI Schraube M5x30	3	
20	AP8120894	Dichtung Kraftstofftank	1	Land:Österreich[A], Australien[AA], Australien[AUS], Belgien[B], Schweiz[CH], Deutschland[D], Dänemark[DK], Spanien[E], I, E, NL[EU], Frankreich[F], Griechenland[GR], Italien[I], Japan[J], J[JJ], Mexiko[ME], ME[MX], Holland[NL], Spanien[SP], Großbritannien[UK]
20	AP8144351	Dichtung Kraftstofftank	1	Land:USA (Zulassung 49 Staaten)[AM], USA (Zulassung California)[CF], Vereinigte Staaten von Amerika[USA]
21	AP8120893	Dichtung	1	
22	AP8102535	Schwimmergehäuse	1	

Einheit	RAHMEN
Code	28.16
Beschreibung	Benzindampfdruckf.-Anlage
Inspektion	1



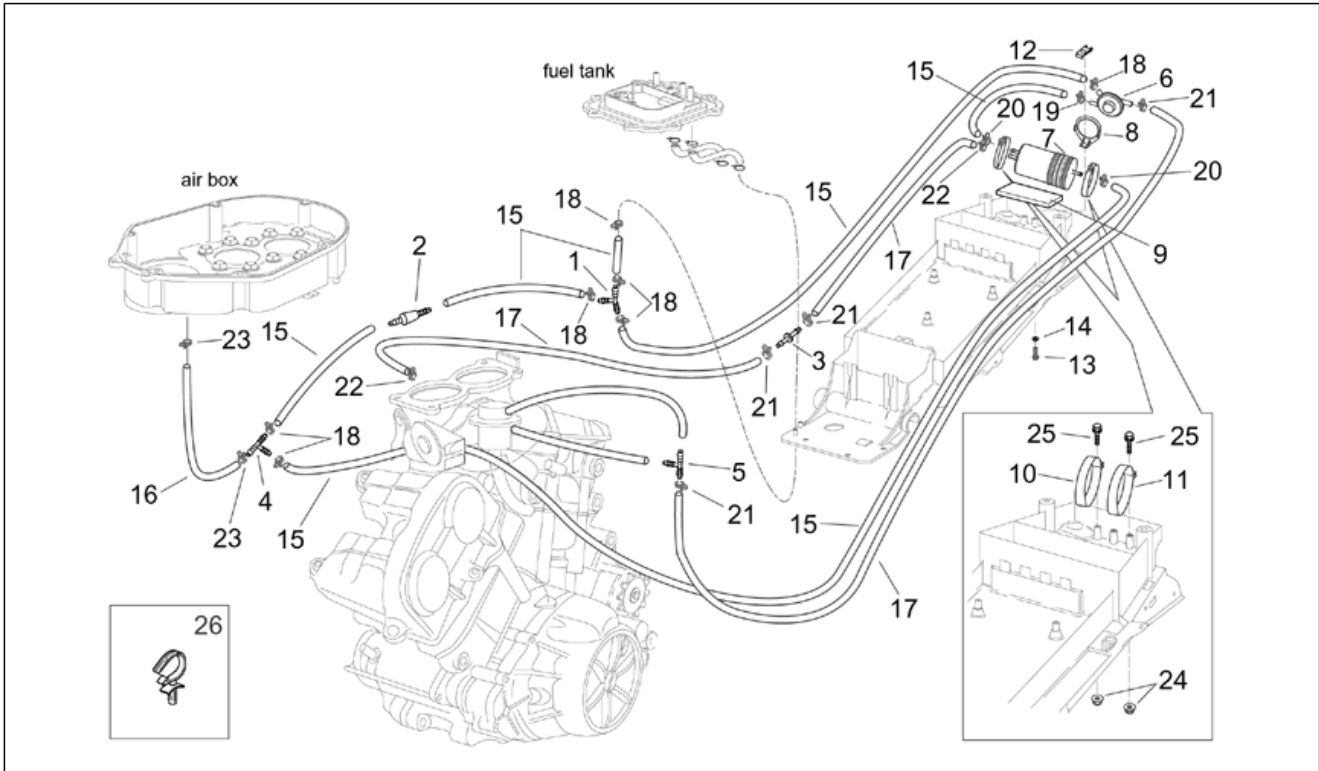
Pos.	Code	Beschreibung	Menge	Varianten
1	AP8120116	3-Wegeanschluß	1	Land: USA (Zulassung California)[CF], Vereinigte Staaten von Amerika[USA] Technische Daten: Zulassung California[cal]
2	AP8104251	Ölablaßventil	1	Land: USA (Zulassung California)[CF], Vereinigte Staaten von Amerika[USA] Technische Daten: Zulassung California[cal]
3	AP8121267	Drosselspindel	1	Land: USA (Zulassung California)[CF], Vereinigte Staaten von Amerika[USA] Technische Daten: Zulassung California[cal]
4	AP8202154	3-Wegeanschluß	1	Land: USA (Zulassung California)[CF], Vereinigte Staaten von Amerika[USA] Technische Daten: Zulassung California[cal]
5	AP8102727	3-Wegeanschluß	1	Land: USA (Zulassung California)[CF], Vereinigte Staaten von Amerika[USA] Technische Daten: Zulassung California[cal]
6	AP8106764	"Purge" Ventil	1	Land: USA (Zulassung California)[CF], Vereinigte Staaten von Amerika[USA] Technische Daten: Zulassung California[cal]
7	AP8102678	Kohlefilter	1	Land: USA (Zulassung California)[CF], Vereinigte Staaten von Amerika[USA] Technische Daten: Zulassung California[cal]
8	AP8134650	Ventilhaltebügel	1	Land: USA (Zulassung California)[CF], Vereinigte Staaten von Amerika[USA] Technische Daten: Zulassung California[cal]
9	AP8117041	Klebeschwamm 6x30	1	Land: USA (Zulassung California)[CF], Vereinigte Staaten von Amerika[USA] Technische Daten: Zulassung California[cal]
10	AP8102688	Schelle d.76	1	Land: USA (Zulassung California)[CF], Vereinigte Staaten von Amerika[USA] Technische Daten: Zulassung California[cal]
11	AP8102719	Schelle d.80,5	1	Land: USA (Zulassung California)[CF], Vereinigte Staaten von Amerika[USA] Technische Daten: Zulassung California[cal]

Einheit	RAHMEN
Code	28.16
Beschreibung	Benzindampfrückf.-Anlage
Inspektion	1



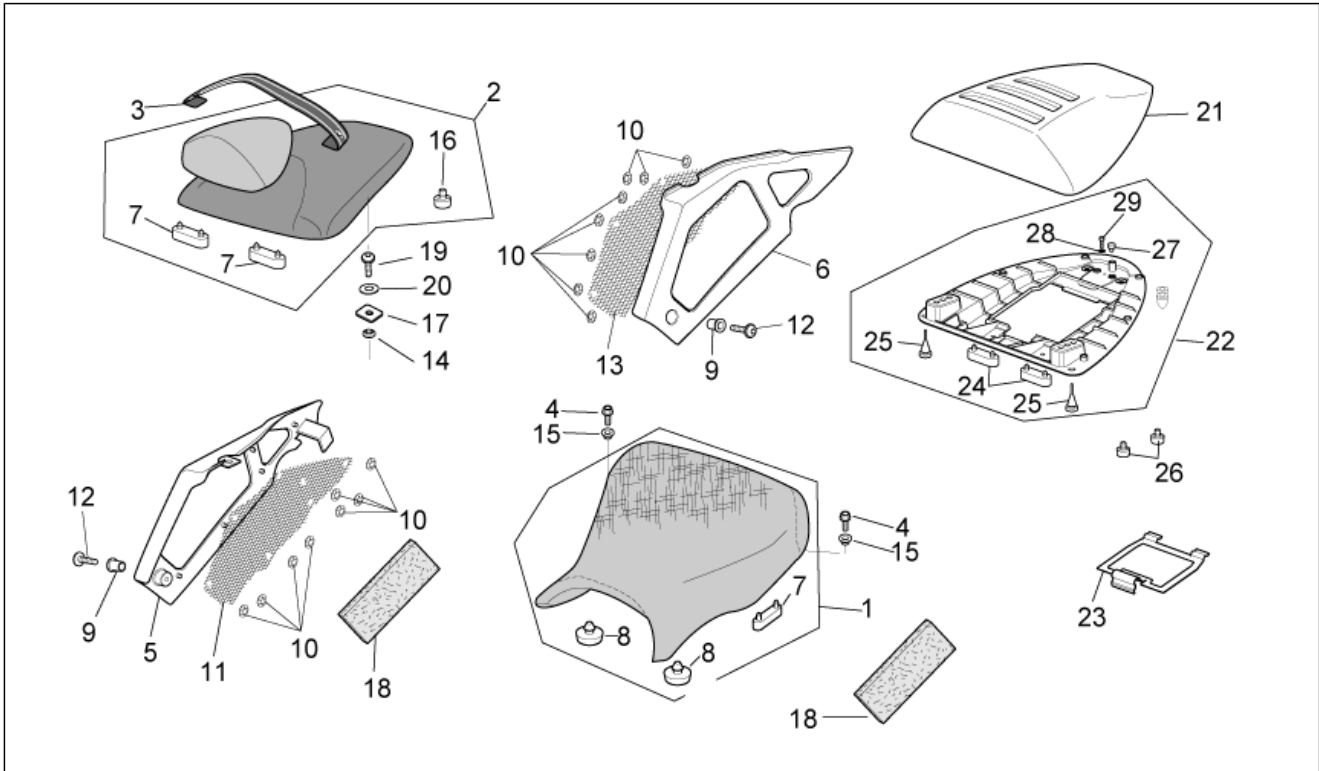
Pos.	Code	Beschreibung	Menge	Varianten
12	AP8102375	Klammer M5	1	Land: USA (Zulassung California)[CF], Vereinigte Staaten von Amerika[USA] Technische Daten: Zulassung California[cal]
13	AP8152273	Flanschschraube M5x15	1	Land: USA (Zulassung California)[CF], Vereinigte Staaten von Amerika[USA] Technische Daten: Zulassung California[cal]
14	AP8150013	Ausgleichscheibe 5,5x15x1,6*	1	Land: USA (Zulassung California)[CF], Vereinigte Staaten von Amerika[USA] Technische Daten: Zulassung California[cal]
15	AP8120952	Kraftstoffleitung 5,5x10	2	Land: USA (Zulassung California)[CF], Vereinigte Staaten von Amerika[USA] Technische Daten: Zulassung California[cal]
16	AP8120987	Leitung 9x14	1	Land: USA (Zulassung California)[CF], Vereinigte Staaten von Amerika[USA] Technische Daten: Zulassung California[cal]
17	AP8220263	Entlüftungsschlauch Kühler 4x8	2	Land: USA (Zulassung California)[CF], Vereinigte Staaten von Amerika[USA] Technische Daten: Zulassung California[cal]
18	AP8101595	Schelle D10,1	7	Land: USA (Zulassung California)[CF], Vereinigte Staaten von Amerika[USA] Technische Daten: Zulassung California[cal]
19	AP8102520	Schlauchschele	1	Land: USA (Zulassung California)[CF], Vereinigte Staaten von Amerika[USA] Technische Daten: Zulassung California[cal]
20	AP8102378	Schelle D11,3	2	Land: USA (Zulassung California)[CF], Vereinigte Staaten von Amerika[USA] Technische Daten: Zulassung California[cal]
21	AP8120179	Schelle D8	4	Land: USA (Zulassung California)[CF], Vereinigte Staaten von Amerika[USA] Technische Daten: Zulassung California[cal]
22	AP8102377	Schelle D9,1*	2	Land: USA (Zulassung California)[CF], Vereinigte Staaten von Amerika[USA] Technische Daten: Zulassung California[cal]

Einheit	RAHMEN
Code	28.16
Beschreibung	Benzindampfdruckf.-Anlage
Inspektion	1



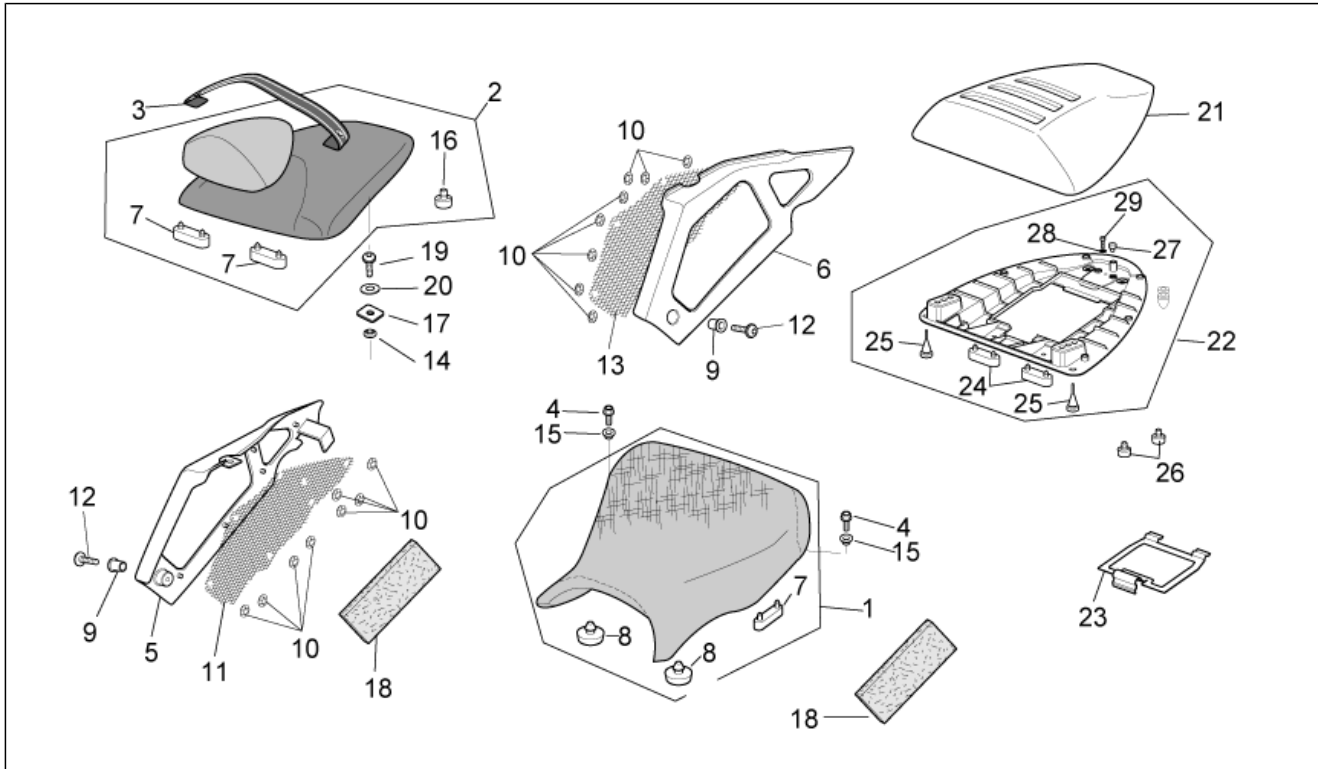
Pos.	Code	Beschreibung	Menge	Varianten
23	AP8102766	Schelle	2	Land:USA (Zulassung California)[CF], Vereinigte Staaten von Amerika[USA] Technische Daten:Zulassung California[cal]
24	AP8152299	Selbstsperrende Mutter M6	2	Land:USA (Zulassung California)[CF], Vereinigte Staaten von Amerika[USA] Technische Daten:Zulassung California[cal]
25	AP8152279	TE Schr. m. Flansch M6x20	2	Land:USA (Zulassung California)[CF], Vereinigte Staaten von Amerika[USA] Technische Daten:Zulassung California[cal]
26	AP8221310	Kabelführungs	2	Land:USA (Zulassung California)[CF], Vereinigte Staaten von Amerika[USA] Technische Daten:Zulassung California[cal]

Einheit	RAHMEN
Code	28.17
Beschreibung	Sitz
Inspektion	1



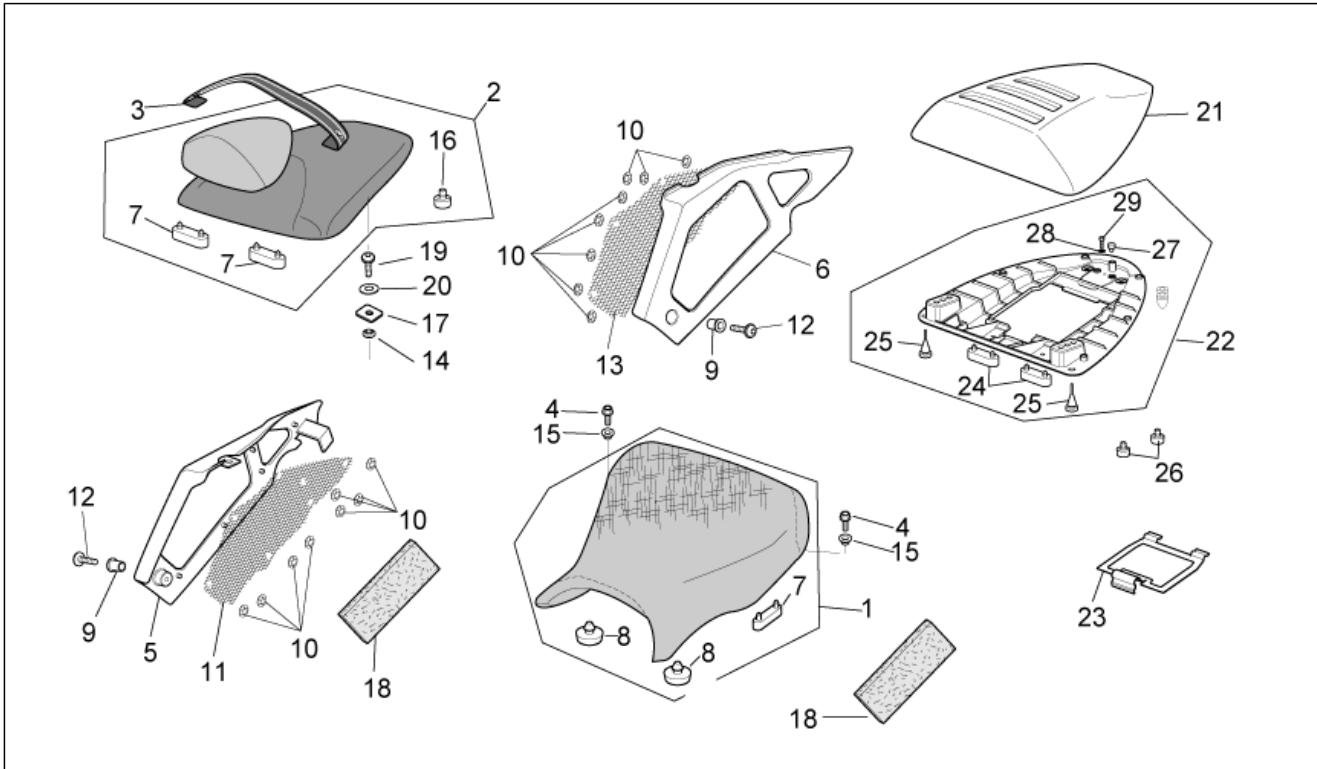
Pos.	Code	Beschreibung	Menge	Varianten
1	AP8129283	Fahrersitz, schwarz	1	Baujahr: 2002[2] Fahrzeugfarbe: "Schwarz Diablo ""Racing"" 2002"[rac] Technische Daten: "Version ""R"" 2002-2003"[R]
1	AP8129343	Fahrersitz, gelb kevlar	1	Baujahr: 2002[2] Fahrzeugfarbe: "Schwarz Diablo ""Racing"" 2002"[rac] Technische Daten: "Version ""R"" 2002-2003"[R]
1	AP8129373	Fahrersitz, schwarz	1	Baujahr: 2004[4], 2005[5] Technische Daten: "Version ""R - Factory"" 2004-2005"[RF]
1	AP8129373	Fahrersitz, schwarz	1	Baujahr: 2003[3] Technische Daten: Racing GARA 2003[RG]
1	AP8129373	Fahrersitz, schwarz	1	Baujahr: 2003[3] Fahrzeugfarbe: Grau Magnet 2003[m.grey], Rot Tulip 2002[t.red] Technische Daten: "Version ""Base"" 2002-2003"[ST]
1	AP8129426	Fahrersitz, rot/swz	1	Baujahr: 2004[4] Technische Daten: "Version ""R - Standard"" 2004-2005"[RS]
1	AP8129439	Fahrersitz, schwarz	1	Baujahr: 2004[4] Technische Daten: "Version ""R - Standard"" 2004-2005"[RS]
1	AP8129439	Fahrersitz, schwarz	1	Baujahr: 2005[5] Technische Daten: "Version ""R - Standard"" 2004-2005"[RS]
2	AP8129344	Soziussitz, gelb kevlar	1	Baujahr: 2002[2] Fahrzeugfarbe: "Schwarz Diablo ""Racing"" 2002"[rac]
2	AP8129362	Soziussitz, schwarz	1	Baujahr: 2002[2] Fahrzeugfarbe: "Schwarz Diablo ""Racing"" 2002"[rac]
2	AP8129374	Soziussitz, schwarz	1	Baujahr: 2004[4], 2005[5] Technische Daten: "Version ""R - Factory"" 2004-2005"[RF]
2	AP8129374	Soziussitz, schwarz	1	Baujahr: 2003[3] Technische Daten: Racing GARA 2003[RG]
2	AP8129374	Soziussitz, schwarz	1	Baujahr: 2003[3]

Einheit	RAHMEN
Code	28.17
Beschreibung	Sitz
Inspektion	1



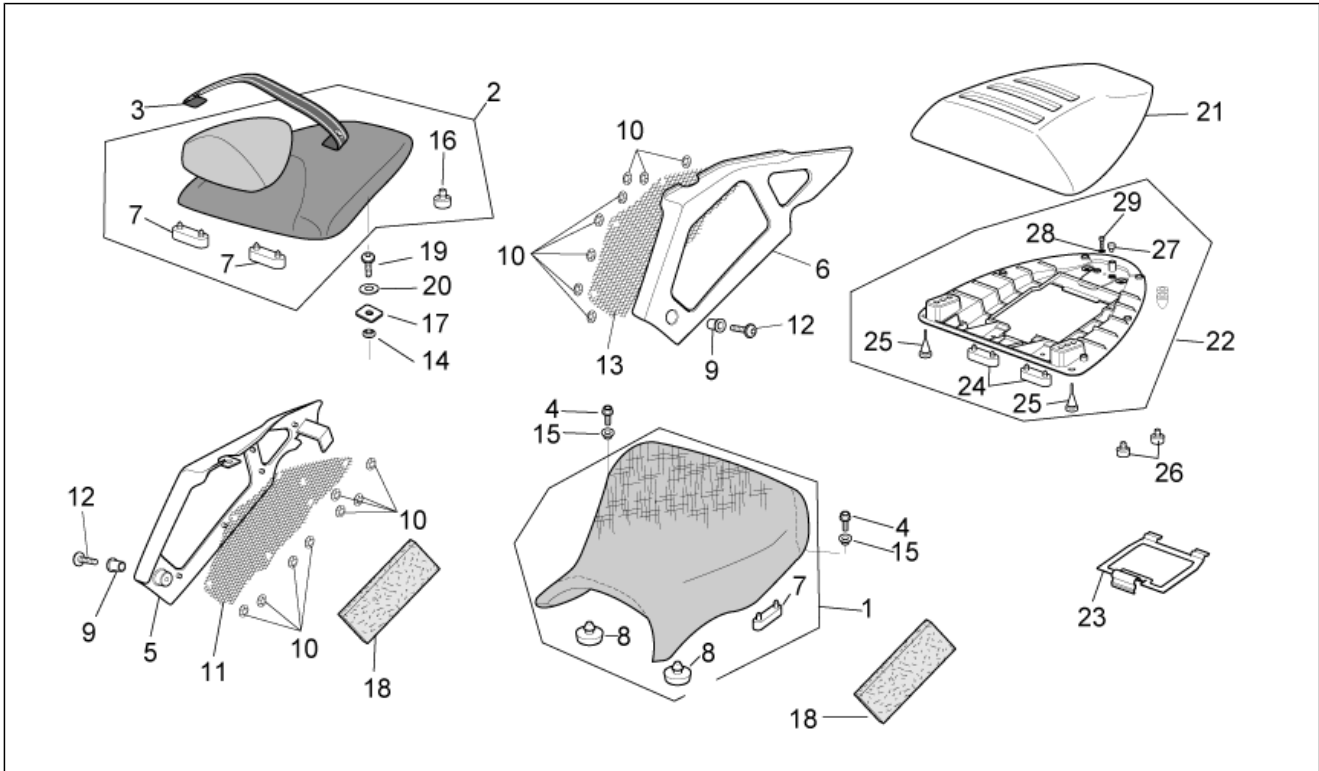
Pos.	Code	Beschreibung	Menge	Varianten
				Fahrzeugfarbe:Grau Magnet 2003[m.grey], Rot Tulip 2002[t.red] Technische Daten:"Version ""Base"" 2002-2003"[ST]
2	AP8129427	Soziussitz, schwarz	1	Baujahr:2004[4], 2005[5] Technische Daten:"Version ""R - Standard"" 2004-2005"[RS]
3	AP8129345	Soziusriemen schwarz kevlar	1	Baujahr:2002[2] Fahrzeugfarbe:"Schwarz Diablo ""Racing"" 2002"[rac]
3	AP8129363	Soziusriemen schwarz	1	Baujahr:2002[2] Fahrzeugfarbe:"Schwarz Diablo ""Racing"" 2002"[rac]
3	AP8129375	Soziusriemen schwarz	1	Baujahr:2004[4], 2005[5] Technische Daten:"Version ""R - Factory"" 2004-2005"[RF]
3	AP8129375	Soziusriemen schwarz	1	Baujahr:2003[3] Fahrzeugfarbe:Grau Magnet 2003[m.grey], Rot Tulip 2002[t.red] Technische Daten:"Version ""Base"" 2002-2003"[ST]
3	AP8129375	Soziusriemen schwarz	1	Baujahr:2003[3] Technische Daten:Racing GARA 2003[RG]
3	AP8129428	Soziusriemen schwarz	1	Baujahr:2004[4], 2005[5] Technische Daten:"Version ""R - Standard"" 2004-2005"[RS]
4	AP8152279	TE Schr. m. Flansch M6x20	2	
5	AP8149287	Seitenteil rechts	1	
6	AP8149288	Seitenteil links	1	
7	AP8126701	Sitz-Auflagegummi	6	
8	AP8126702	Gummi	2	
9	AP8121811	T-Buchse	2	
10	AP8150450	Wellenscheibe D5	16	
11	AP8168281	Netz Luftschlitz rechts	1	Technische Daten:"Version ""R"" 2002-2003"[R], "Version ""R - Factory"" 2004-2005"[RF]
11	AP8168488	Netz Luftschlitz rechts	1	Technische Daten:"Version ""R - Standard"" 2004-2005"[RS], "Version ""Base"" 2002-2003"[ST]

Einheit	RAHMEN
Code	28.17
Beschreibung	Sitz
Inspektion	1



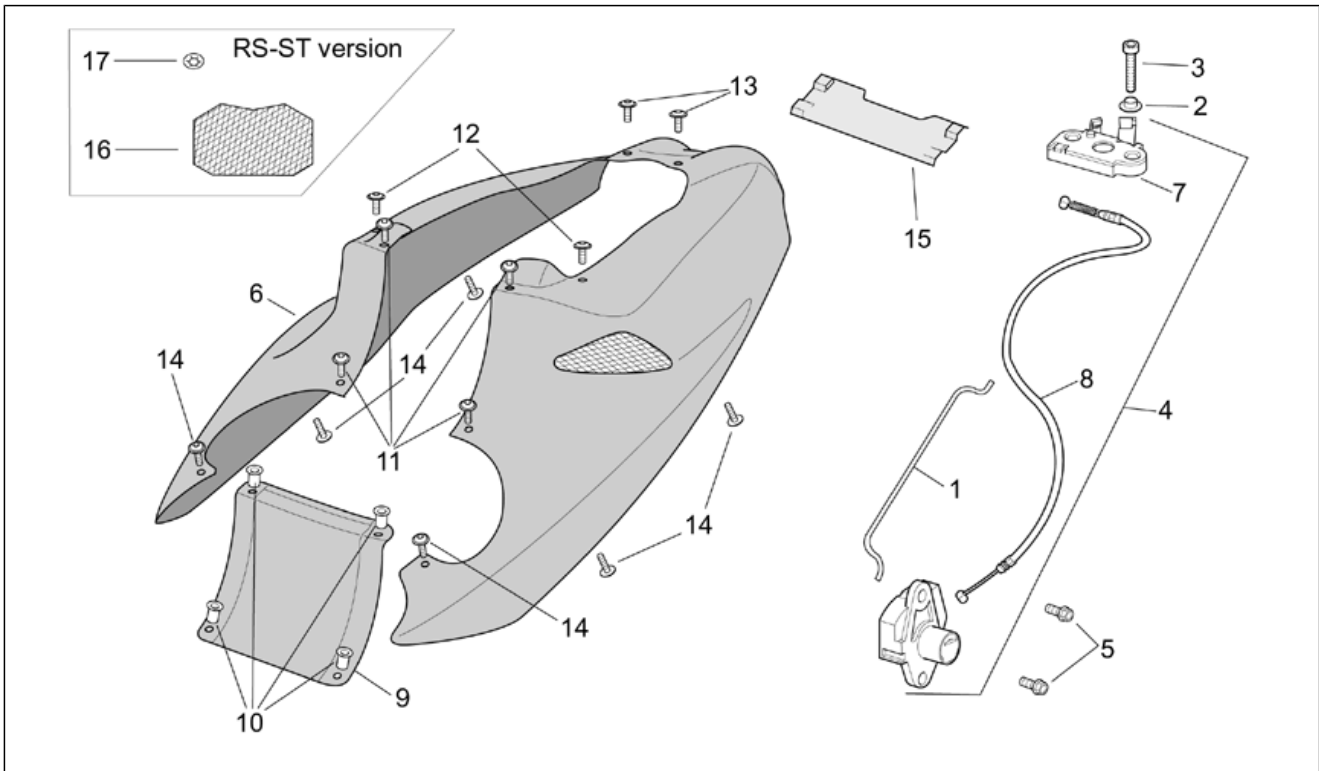
Pos.	Code	Beschreibung	Menge	Varianten
12	AP8152246	TBEI Schraube m.Flansch M6x16	2	Technische Daten: "Version ""R - Standard"" 2004-2005"[RS], "Version ""Base"" 2002-2003"[ST]
12	AP8152421	TCCCE Schraube M6x20	2	Technische Daten: "Version ""R"" 2002-2003"[R], "Version ""R - Factory"" 2004-2005"[RF]
13	AP8168280	Netz Luftschlitz links	1	Technische Daten: "Version ""R"" 2002-2003"[R], "Version ""R - Factory"" 2004-2005"[RF]
13	AP8168487	Netz Luftschlitz links	1	Technische Daten: "Version ""R - Standard"" 2004-2005"[RS], "Version ""Base"" 2002-2003"[ST]
14	AP8121991	Buchse	2	
15	AP8221145	T-Buchse *	2	
16	AP8220349	Gummi	4	
17	AP8134654	Platte	2	
18	AP8117125	Klebeschwamm	2	Technische Daten: "Version ""R"" 2002-2003"[R], "Version ""R - Factory"" 2004-2005"[RF]
19	AP8152137	TBEI Schraube M6x20	2	
20	AP8152181	Scheibe 6,4x15x1	2	
21	AP8168806	Beifahrersitzabdeck.,carb.	1	Baujahr: 2003[3] Technische Daten: Renn-Kit für Version Racing 2003[kit]
21	AP8179016	Beifahrersitzabdeck.,carb.	1	Baujahr: 2005[5] Technische Daten: "Version ""R - Factory"" 2004-2005"[RF]
22	AP8168108	Grundplatte Sitzabdeckung	1	Baujahr: 2003[3] Technische Daten: Renn-Kit für Version Racing 2003[kit]
23	AP8138947	Zugangsklappe Sitzab.	1	Baujahr: 2003[3] Technische Daten: Renn-Kit für Version Racing 2003[kit]
24	AP8126701	Sitz-Auflagegummi	6	Baujahr: 2003[3] Technische Daten: Renn-Kit für Version Racing 2003[kit]
25	AP8220238	Gummi	2	Baujahr: 2003[3] Technische Daten: Renn-Kit für Version Racing 2003[kit]
26	AP8220349	Gummi	4	Baujahr: 2003[3] Technische Daten: Renn-Kit für Version Racing 2003[kit]
27	AP8144081	Gummi	1	

Einheit	RAHMEN
Code	28.17
Beschreibung	Sitz
Inspektion	1



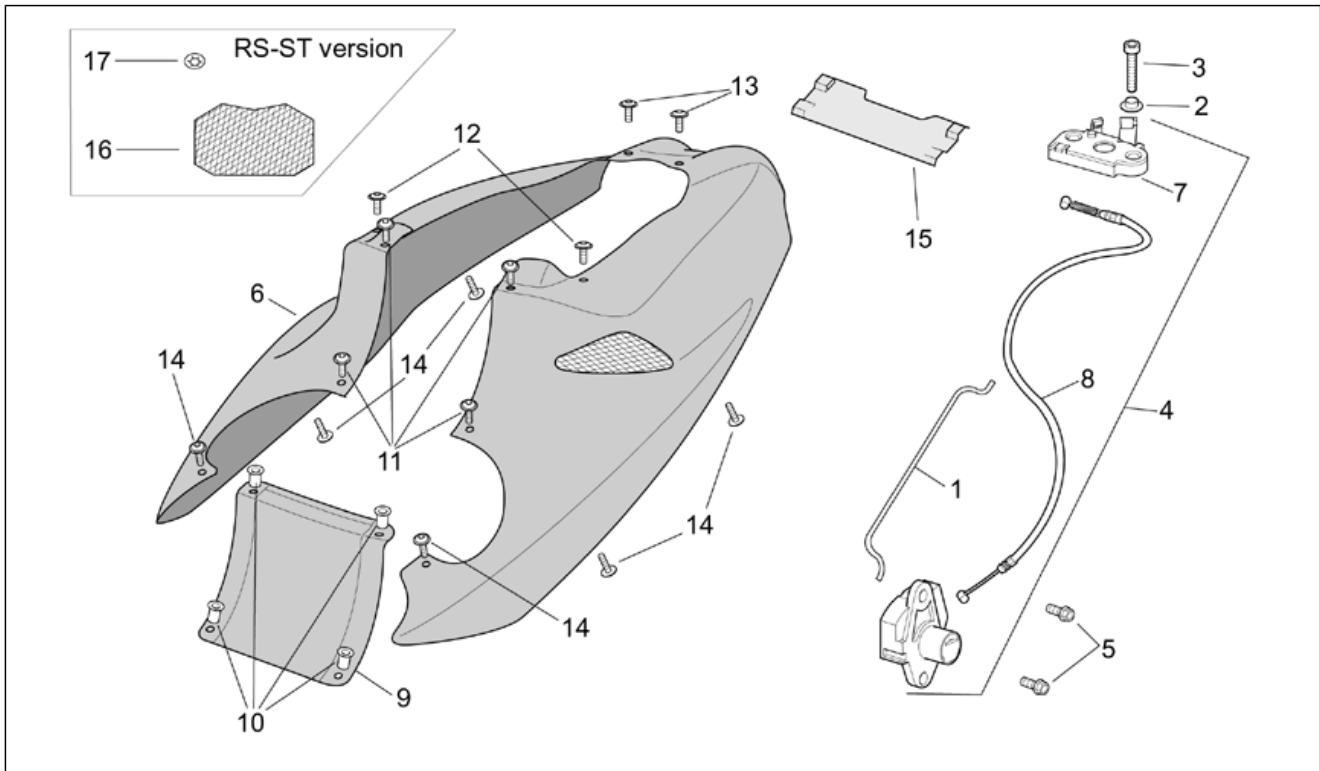
Pos.	Code	Beschreibung	Menge	Varianten
28	AP8150011	Ausgleichscheibe 4,3x12x1	1	
29	AP8152043	TCEI Schraube M4x10	1	

Einheit	RAHMEN
Code	28.18
Beschreibung	R.Kar. - R.verkl.
Inspektion	1



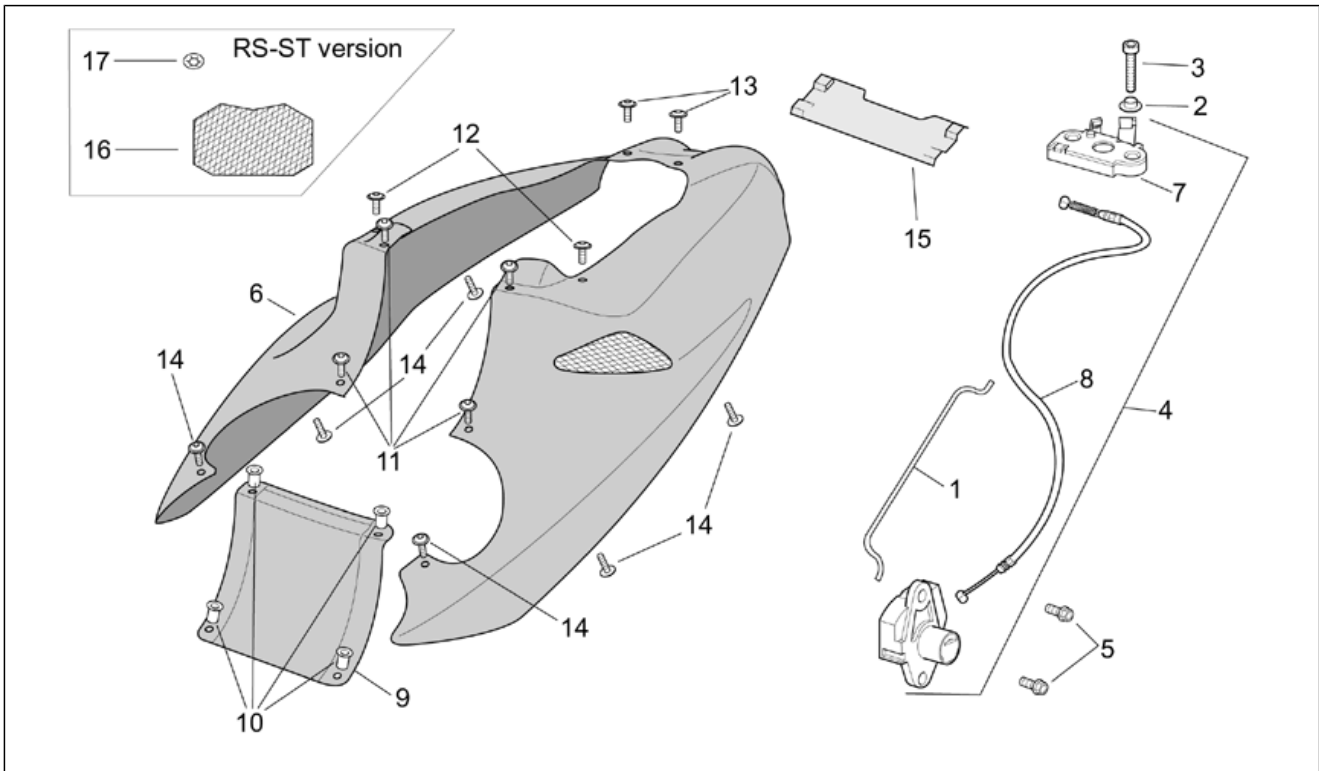
Pos.	Code	Beschreibung	Menge	Varianten
1	AP8134396	Kraftstoff tankhalter stange	1	
2	AP8221129	Buchse	2	
3	AP8150285	TCEI Schraube M6x35	2	
4	AP8102911	Sitzschloß komplett	1	
5	AP8152278	TE Schr. m. Flansch M6x16	2	
6	AP8168077	Heckteil, carb.	1	Baujahr: 2002[2] Fahrzeugfarbe: "Schwarz Diablo ""Racing"" 2002"[rac] Technische Daten: "Version ""R"" 2002-2003"[R]
6	AP8168459	Heckteil	1	Baujahr: 2003[3] Fahrzeugfarbe: Rot Tulip 2002[t.red] Technische Daten: "Version ""Base"" 2002-2003"[ST]
6	AP8168514	Heckteil	1	Baujahr: 2003[3] Fahrzeugfarbe: Grau Magnet 2003[m.grey] Technische Daten: "Version ""Base"" 2002-2003"[ST]
6	AP8168807	Heckteil, carb.	1	Baujahr: 2003[3] Technische Daten: "Version ""R"" 2002-2003"[R], Racing GARA 2003[RG]
6	AP8168807	Heckteil, carb.	1	Baujahr: 2004[4] Technische Daten: "Version ""R - Factory"" 2004-2005"[RF]
6	AP8178249	Heckteil	1	Baujahr: 2004[4], 2005[5] Fahrzeugfarbe: Schwarz Darkness 2004[d.bla] Technische Daten: "Version ""R - Standard"" 2004-2005"[RS]
6	AP8178255	Heckteil	1	Baujahr: 2004[4], 2005[5] Fahrzeugfarbe: Silver Mirror 2004[s.mir] Technische Daten: "Version ""R - Standard"" 2004-2005"[RS]
6	AP8178259	Heckteil	1	Baujahr: 2004[4], 2005[5] Fahrzeugfarbe: Rot Fluo 2004[f.red] Technische Daten: "Version ""R - Standard"" 2004-2005"[RS]
6	AP8179015	Heckteil, carb.	1	Baujahr: 2005[5] Technische Daten: "Version ""R - Factory"" 2004-2005"[RF]

Einheit	RAHMEN
Code	28.18
Beschreibung	R.Kar. - R.verkl.
Inspektion	1



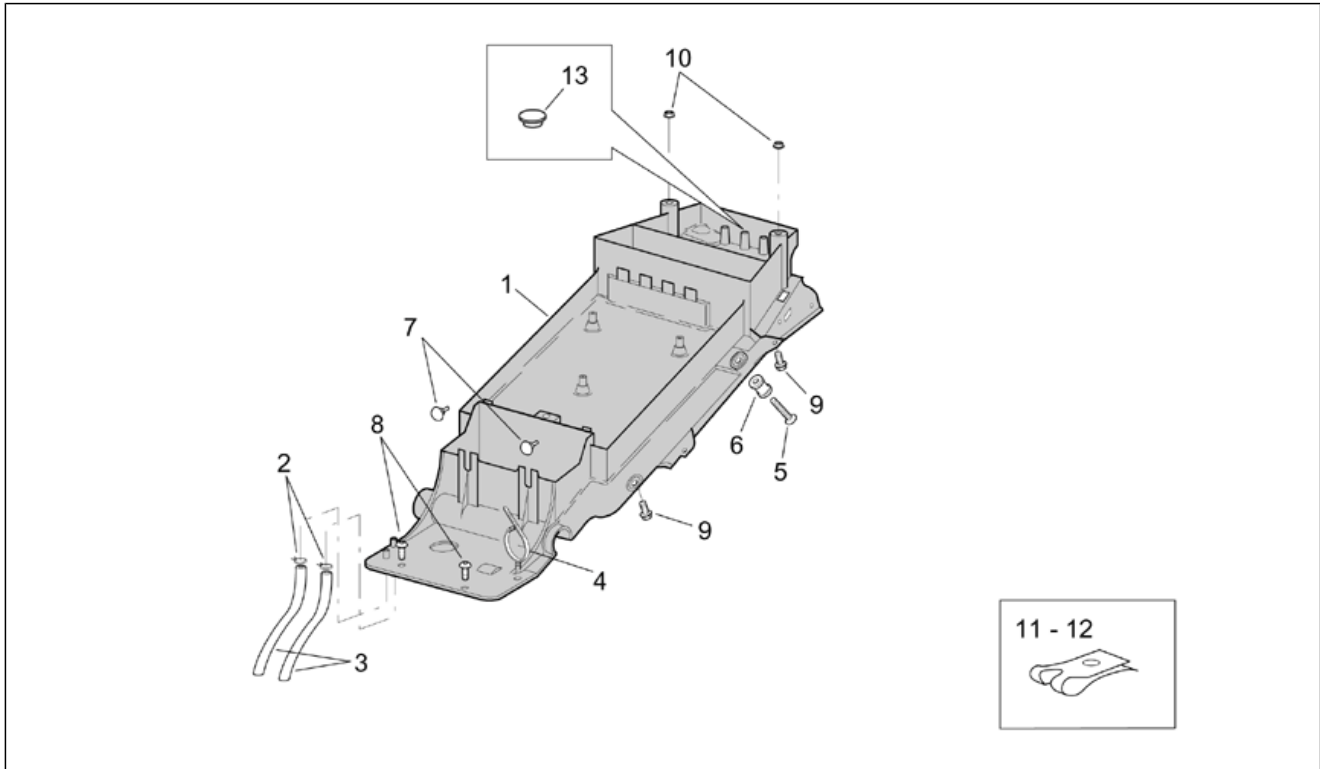
Pos.	Code	Beschreibung	Menge	Varianten
7	AP8102913	Fixierplatte Soziussitz	1	
8	AP8102914	Sitz-Einkupplungsvorrichtung	1	
9	AP8168093	Verschl.schw., carb.	1	Baujahr: 2002[2] Fahrzeugfarbe: "Schwarz Diablo "" Racing "" 2002"[rac] Technische Daten: "Version "" R "" 2002-2003"[R]
9	AP8168911	Verschl.schw., carb.	1	Baujahr: 2004[4] Technische Daten: "Version "" R - Factory "" 2004-2005"[RF]
9	AP8168911	Verschl.schw., carb.	1	Baujahr: 2003[3] Technische Daten: "Version "" R "" 2002-2003"[R], Racing GARA 2003[RG]
9	AP8179035	Verschl.schw., carb.	1	Baujahr: 2005[5] Technische Daten: "Version "" R - Factory "" 2004-2005"[RF]
10	AP8144564	Gummi mit Einsatz M4	4	Technische Daten: "Version "" R "" 2002-2003"[R], "Version "" R - Factory "" 2004-2005"[RF]
11	AP8152415	TCCCE Schraube M4x10	4	Technische Daten: "Version "" R "" 2002-2003"[R], "Version "" R - Factory "" 2004-2005"[RF]
12	AP8152279	TE Schr. m. Flansch M6x20	2	
13	AP8152302	TBEI Schraube m.Flansch M5x12	2	Technische Daten: "Version "" R - Standard "" 2004-2005"[RS], "Version "" Base "" 2002-2003"[ST]
13	AP8152416	TCCCE Schraube	2	Technische Daten: "Version "" R "" 2002-2003"[R], "Version "" R - Factory "" 2004-2005"[RF]
14	AP8152302	TBEI Schraube m.Flansch M5x12	8	
15	AP8168234	Verschl.hinterer	1	Baujahr: 2003[3] Fahrzeugfarbe: Rot Tulip 2002[t.red] Technische Daten: "Version "" R - Standard "" 2004-2005"[RS], "Version "" Base "" 2002-2003"[ST]
15	AP8168602	Verschl.hinterer	1	Baujahr: 2003[3] Fahrzeugfarbe: Grau Magnet 2003[m.grey] Technische Daten: "Version "" R - Standard "" 2004-2005"[RS], "Version "" Base "" 2002-2003"[ST]
15	AP8178250	Verschl.hinterer	1	Baujahr: 2004[4], 2005[5] Fahrzeugfarbe: Schwarz Darkness 2004[d.bla]

Einheit	RAHMEN
Code	28.18
Beschreibung	R.Kar. - R.verkl.
Inspektion	1



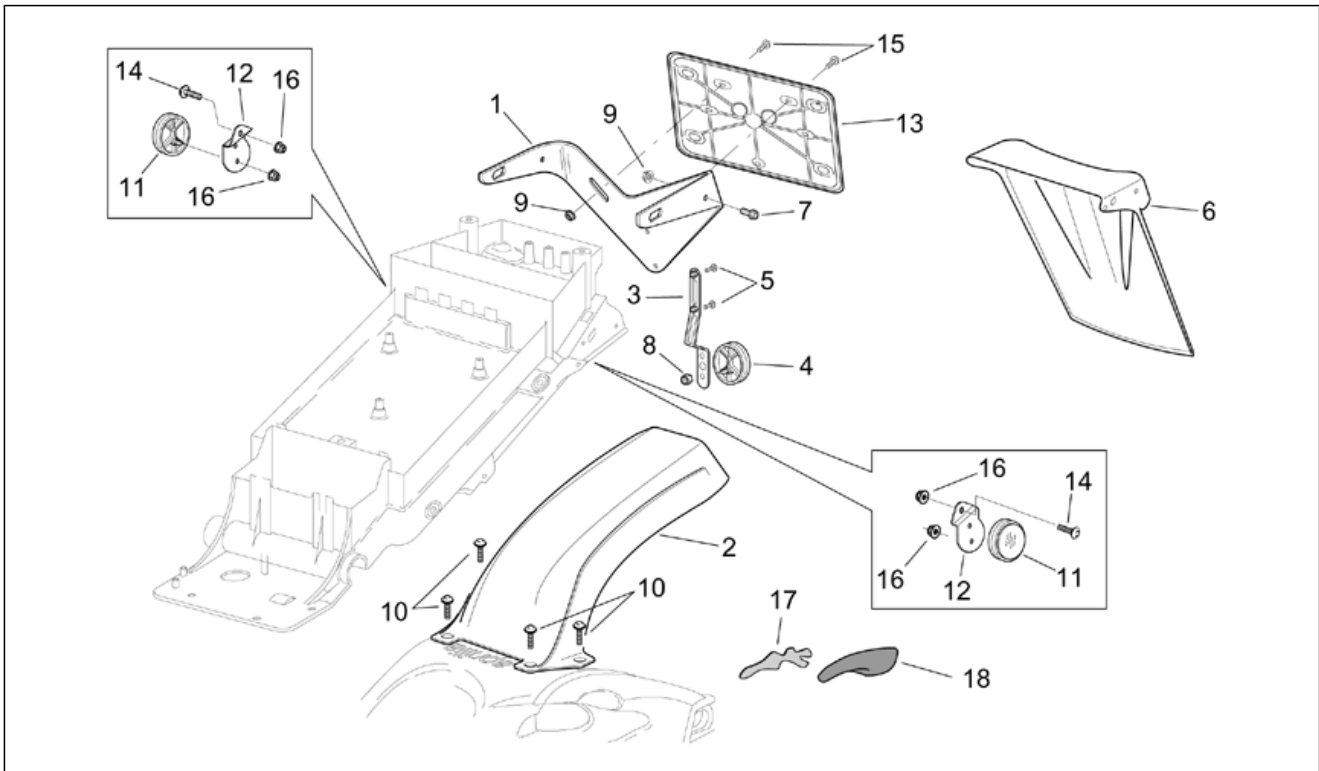
Pos.	Code	Beschreibung	Menge	Varianten
				Technische Daten: "Version ""R - Standard"" 2004-2005"[RS]
15	AP8178256	Verschl.hinterer	1	Baujahr: 2004[4], 2005[5] Fahrzeugfarbe: Silver Mirror 2004[s.mir] Technische Daten: "Version ""R - Standard"" 2004-2005"[RS]
15	AP8178260	Verschl.hinterer	1	Baujahr: 2004[4], 2005[5] Fahrzeugfarbe: Rot Fluo 2004[f.red] Technische Daten: "Version ""R - Standard"" 2004-2005"[RS]
16	AP8168499	Net Lufteinlaß	2	Baujahr: 2003[3] Fahrzeugfarbe: Grau Magnet 2003[m.grey], Rot Tulip 2002[t.red] Technische Daten: "Version ""Base"" 2002-2003"[ST]
17	AP8150450	Wellenscheibe D5	12	Technische Daten: "Version ""R - Standard"" 2004-2005"[RS], "Version ""Base"" 2002-2003"[ST]

Einheit	RAHMEN
Code	28.19
Beschreibung	U. Sitzbank.
Inspektion	1



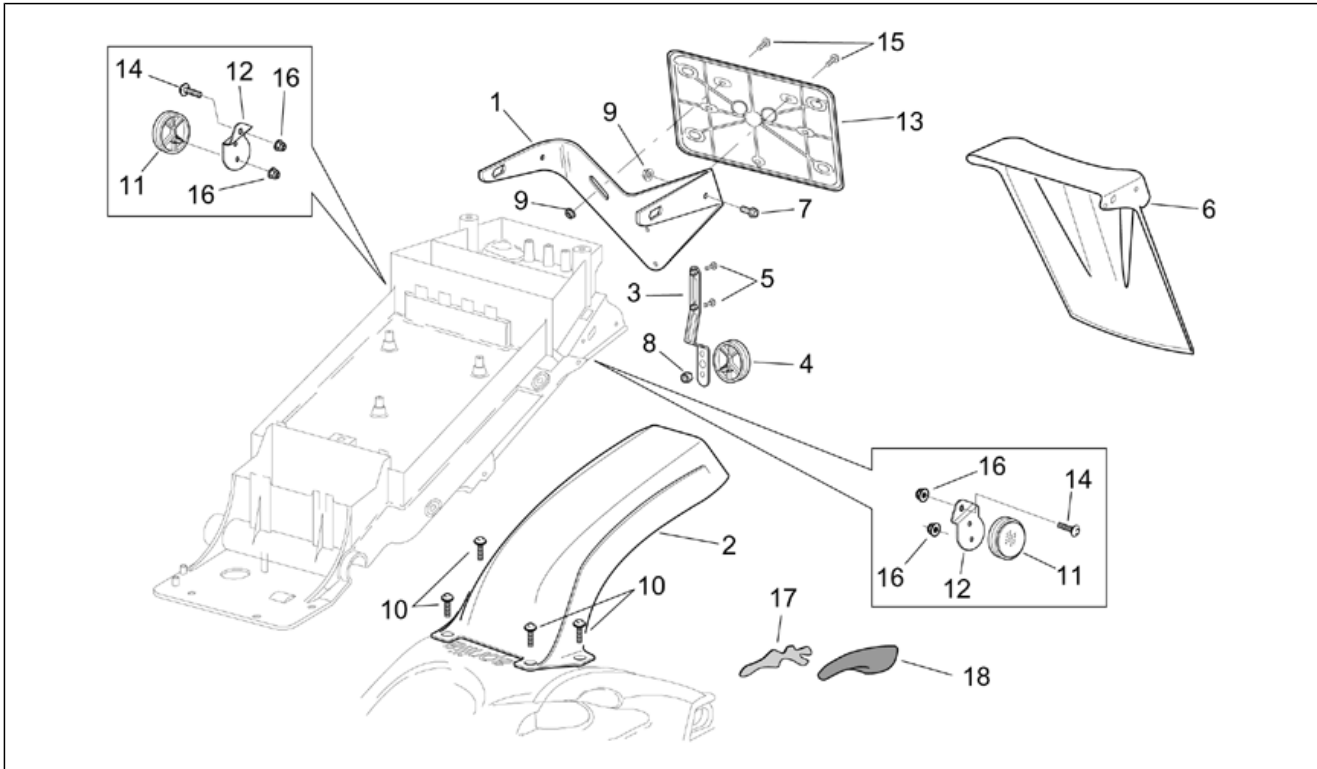
Pos.	Code	Beschreibung	Menge	Varianten
1	AP8149033	Verschl. unt. vorn Sitz	1	
2	AP8101595	Schelle D10,1	2	
3	AP8120952	Kraftstoffleitung 5,5x10	1	
4	AP8201539	Schelle	1	
5	AP8152278	TE Schr. m. Flansch M6x16	2	
6	AP8150015	Ausgleichscheibe 6,6x18x1,6*	2	
7	AP8120001	Gummi	2	
8	AP8152246	TBEI Schraube m.Flansch M6x16	4	
9	AP8152416	TCCCE Schraube	4	
10	AP8152299	Selbstsperrende Mutter M6	2	
11	AP8102375	Klammer M5	8	
12	AP8102376	Klammer M6	1	
13	AP8102600	Deckel	3	

Einheit	RAHMEN
Code	28.20
Beschreibung	Hinteres Schutzblech
Inspektion	1



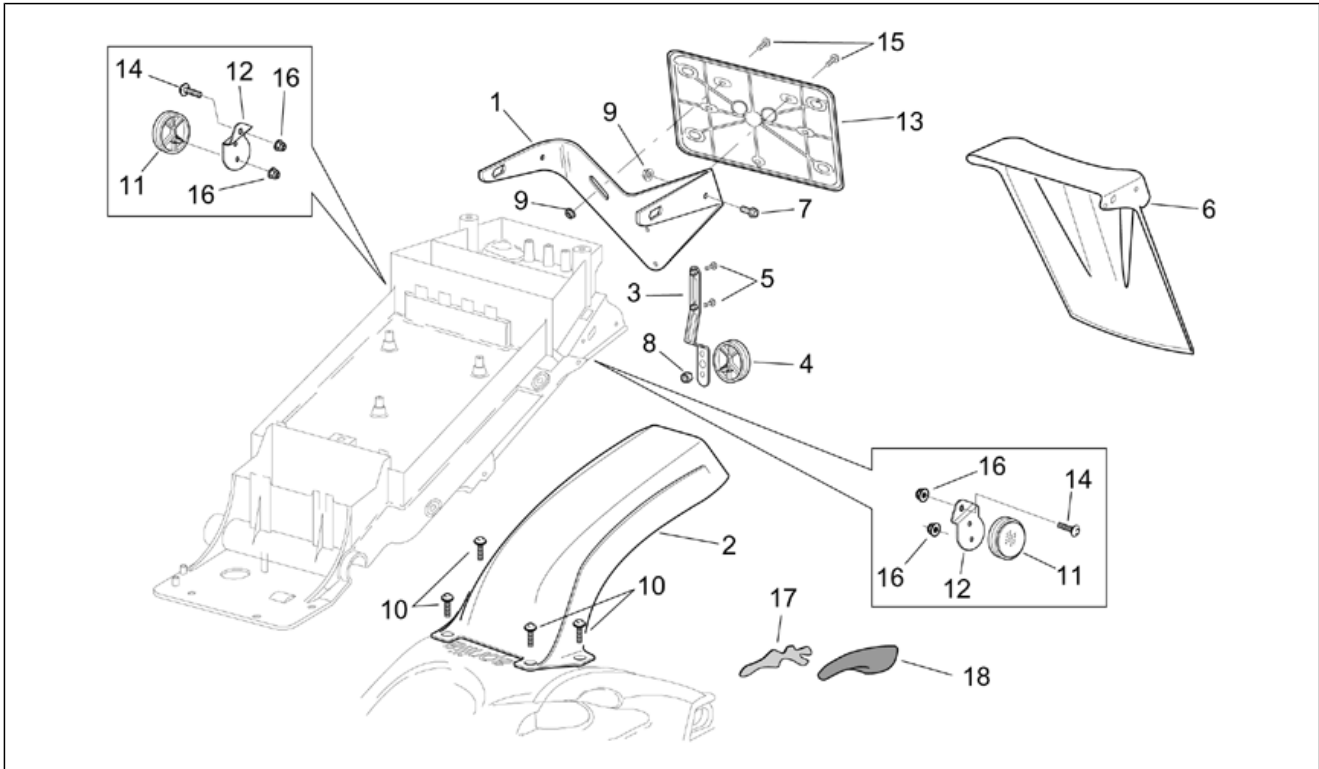
Pos.	Code	Beschreibung	Menge	Varianten
1	AP8126775	Kennzeichenhalter	1	Baujahr:2004[4], 2005[5]
1	AP8126775	Kennzeichenhalter	1	Baujahr:2003[3] Technische Daten:Racing GARA 2003[RG]
1	AP8126775	Kennzeichenhalter	1	Baujahr:2003[3] Fahrzeugfarbe:Grau Magnet 2003[m.grey], Rot Tulip 2002[t.red] Technische Daten:"Version ""Base"" 2002-2003"[ST]
1	AP8156007	Kennzeichenhalter	1	Baujahr:2002[2] Fahrzeugfarbe:"Schwarz Diablo ""Racing"" 2002"[rac] Technische Daten:"Version ""R"" 2002-2003"[R]
2	AP8126579	H. Schutzblech, tief	1	Baujahr:2004[4]
2	AP8126579	H. Schutzblech, tief	1	Baujahr:2003[3] Fahrzeugfarbe:Grau Magnet 2003[m.grey], Rot Tulip 2002[t.red] Technische Daten:"Version ""Base"" 2002-2003"[ST]
2	AP8156008	Schutzblech hinten Kohl.	1	Baujahr:2002[2] Fahrzeugfarbe:"Schwarz Diablo ""Racing"" 2002"[rac] Technische Daten:"Version ""R"" 2002-2003"[R]
2	AP8156078	Schutzblech hinten Kohl.	1	Baujahr:2003[3] Technische Daten:Racing GARA 2003[RG]
2	AP8156192	Schutzblech hinten Kohl.	1	Baujahr:2005[5] Technische Daten:"Version ""R - Factory"" 2004-2005"[RF]
3	AP8134448	Rückstrahler-Fixierung	1	
4	AP8224164	Rückstrahler Rücklicht, rot	1	
5	AP8152267	TBEI Spez.schr. M5x12	2	Technische Daten:"Version ""R - Standard"" 2004-2005"[RS], "Version ""Base"" 2002-2003"[ST]
5	AP8152416	TCCCE Schraube	2	Technische Daten:"Version ""R"" 2002-2003"[R], "Version ""R - Factory"" 2004-2005"[RF]
6	AP8126591	Verl. Nummernsch.bef.	1	
7	AP8150137	TCEI Schraube M6x16	2	Technische Daten:"Version ""R - Standard"" 2004-2005"[RS], "Version ""Base"" 2002-2003"[ST]

Einheit	RAHMEN
Code	28.20
Beschreibung	Hinteres Schutzblech
Inspektion	1



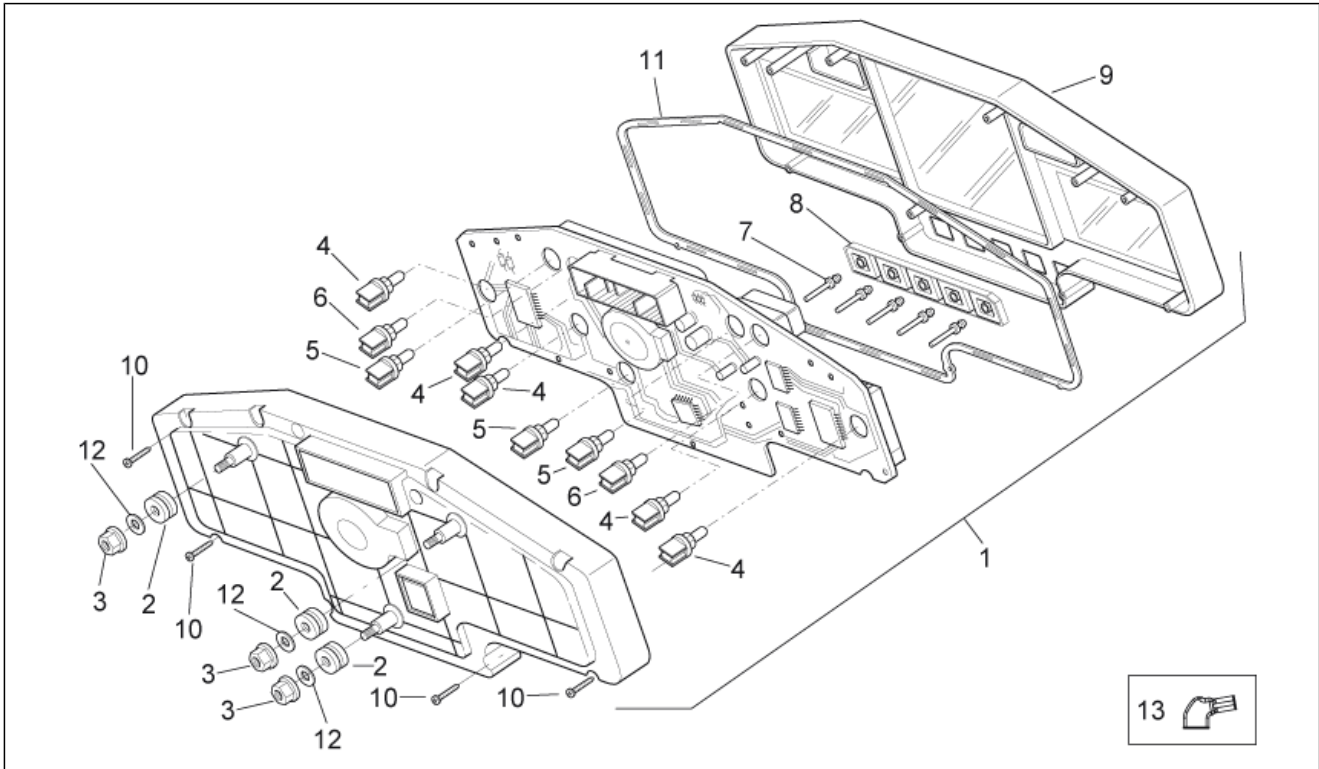
Pos.	Code	Beschreibung	Menge	Varianten
7	AP8152420	TCCCE Schraube M6x15	2	Technische Daten: "Version ""R"" 2002-2003"[R], "Version ""R - Factory"" 2004-2005"[RF]
8	AP8152306	Selbstsperrende Mutter M5	4	
9	AP8152299	Selbstsperrende Mutter M6	6	
10	AP8152298	TBEI Schraube m.Flansch M5x16	4	Technische Daten: "Version ""R - Standard"" 2004-2005"[RS], "Version ""Base"" 2002-2003"[ST]
10	AP8152418	TCCCE Schraube	4	Technische Daten: "Version ""R"" 2002-2003"[R], "Version ""R - Factory"" 2004-2005"[RF], Racing GARA 2003[RG]
11	AP8224164	Rückstrahler Rücklicht, rot	2	Land: USA (Zulassung 49 Staaten)[AM], USA (Zulassung California)[CF], Vereinigte Staaten von Amerika[USA]
12	AP8148587	Rückstrahler-Fixierung	2	Land: USA (Zulassung 49 Staaten)[AM], USA (Zulassung California)[CF], Vereinigte Staaten von Amerika[USA]
13	AP8149034	Kennzeichenhalter	1	Land: USA (Zulassung 49 Staaten)[AM], USA (Zulassung California)[CF], Vereinigte Staaten von Amerika[USA]
14	AP8152298	TBEI Schraube m.Flansch M5x16	2	Land: USA (Zulassung 49 Staaten)[AM], USA (Zulassung California)[CF], Vereinigte Staaten von Amerika[USA]
15	AP8150340	TBEI Schraube	2	Land: USA (Zulassung 49 Staaten)[AM], USA (Zulassung California)[CF], Vereinigte Staaten von Amerika[USA]
16	AP8152306	Selbstsperrende Mutter M5	4	Land: USA (Zulassung 49 Staaten)[AM], USA (Zulassung California)[CF], Vereinigte Staaten von Amerika[USA]
17	AP8117232	Biadhesive	1	Baujahr: 2003[3] Fahrzeugfarbe: Grau Magnet 2003[m.grey], Rot Tulip 2002[t.red] Technische Daten: "Version ""Base"" 2002-2003"[ST]
18	AP8168484	Schwingschutz links	1	Baujahr: 2003[3] Fahrzeugfarbe: Grau Magnet 2003[m.grey], Rot Tulip 2002[t.red] Technische Daten: "Version ""Base"" 2002-2003"[ST]
18	AP8168484	Schwingschutz links	1	Baujahr: 2004[4], 2005[5] Technische Daten: "Version ""R - Standard"" 2004-2005"[RS]
18	AP8168797	Schwingschutz links carb.	1	Baujahr: 2004[4] Technische Daten: "Version ""R - Factory"" 2004-2005"[RF]

Einheit	RAHMEN
Code	28.20
Beschreibung	Hinteres Schutzblech
Inspektion	1



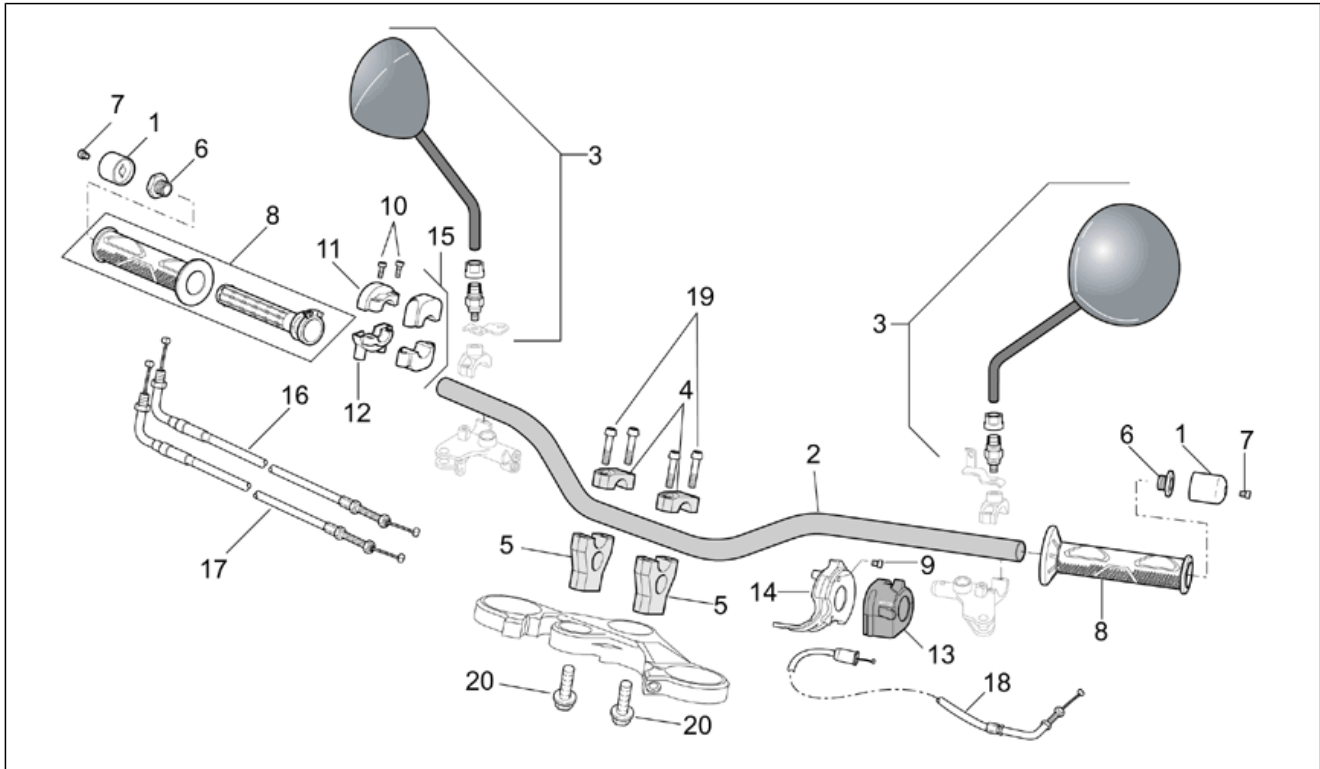
Pos.	Code	Beschreibung	Menge	Varianten
18	AP8168797	Schwingschutz links carb.	1	Baujahr: 2003[3] Technische Daten: "Version ""R"" 2002-2003"[R], Racing GARA 2003[RG]
18	AP8179027	Schwingschutz links	1	Baujahr: 2005[5] Technische Daten: "Version ""R - Factory"" 2004-2005"[RF]

Einheit	RAHMEN
Code	28.21
Beschreibung	Instrumententafel
Inspektion	1



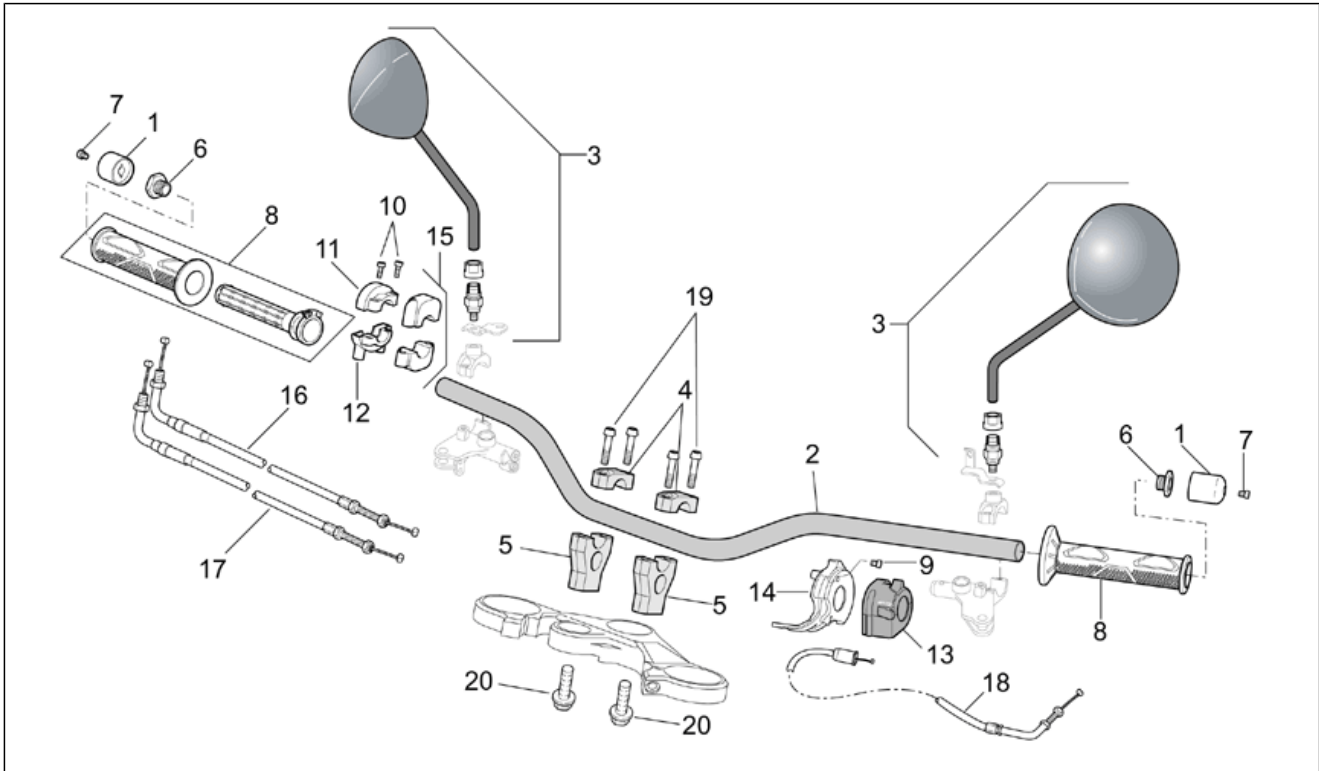
Pos.	Code	Beschreibung	Menge	Varianten
1	AP8124990	Instrum.tafel kplt.	1	
2	AP8112599	Gummi *	3	
3	AP8152299	Selbstsperrende Mutter M6	3	
4	AP8124569	Lampenhalter kplt.	5	
5	AP8124570	Lampenhalter kplt.	3	
6	AP8124571	Lampenhalter kplt. 12V-3W	2	
7	AP8124575	Kolben Armaturentafel	5	
8	AP8124574	Gummi	1	
9	AP8124573	Ob. Armaturenabdeck.	1	
10	AP8124572	Schraube	8	
11	AP8144415	Dichtung	1	
12	AP8150014	Ausgleichscheibe 6,4x12,5*	3	
13	856152	Isolierhaube	1	

Einheit	RAHMEN
Code	28.22
Beschreibung	Lenkstange
Inspektion	1



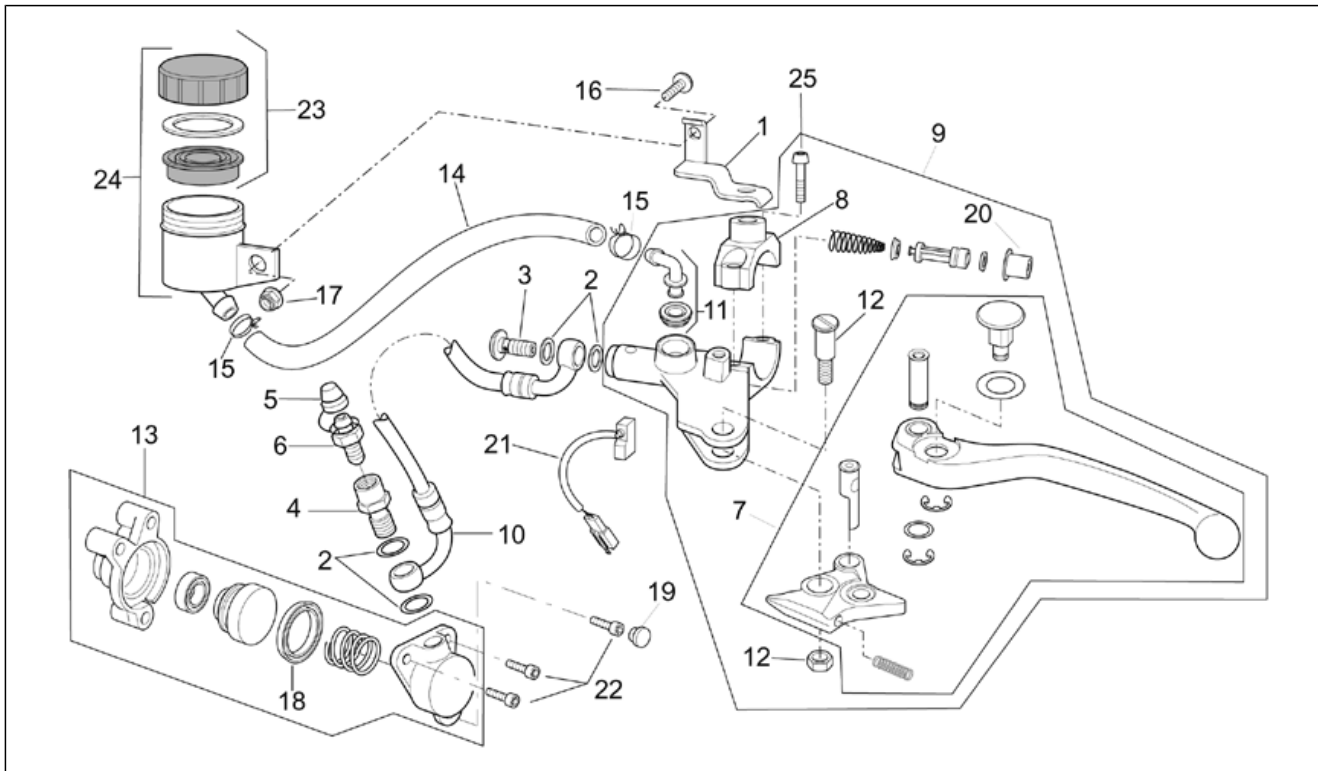
Pos.	Code	Beschreibung	Menge	Varianten
1	AP8104509	Schwingschutzgewicht schwarz	2	
2	AP8118678	Lenkstange, gold	1	
3	AP8104511	Rückspiegel	2	Technische Daten: "Version ""R"" 2002-2003"[R], "Version ""R - Factory"" 2004-2005"[RF]
3	AP8104566	Rückspiegel	2	Technische Daten: "Version ""R - Standard"" 2004-2005"[RS], "Version ""Base"" 2002-2003"[ST]
4	AP8121608	Bundring	2	Baujahr: 2002[2] Technische Daten: "Version ""R"" 2002-2003"[R]
4	AP8121622	Bundring	2	Baujahr: 2003[3], 2004[4], 2005[5]
4	AP8121622	Bundring	2	Baujahr: 2005[5] Technische Daten: "Version ""R - Factory"" 2004-2005"[RF]
5	AP8134891	Lenkerhalter Ergal	2	Baujahr: 2002[2] Technische Daten: "Version ""R"" 2002-2003"[R]
5	AP8134907	Lenkerhalter	2	Baujahr: 2005[5] Technische Daten: "Version ""R - Factory"" 2004-2005"[RF]
5	AP8134907	Lenkerhalter	2	Baujahr: 2003[3], 2004[4], 2005[5]
6	AP8121520	Endstück Schwinggew.	2	
7	AP8150508	TCEI Schraube M6x45	2	
8	AP8118501	Handgriffe paar, schwarz	1	
9	AP8150472	Edelstahl-Inbusschraube M3x20	2	
10	AP8118492	Kappenschraube	2	
11	AP8118567	Gasschaltung H.Bügelbolzen	1	
12	AP8118566	Gasschaltung V.Bügelbolzen	1	
13	AP8127069	Linker Lichtschalter	1	Baujahr: 2003[3], 2004[4], 2005[5]
13	AP8127538	Linker Lichtschalter	1	Baujahr: 2002[2]
14	AP8118470	Starterschaltung	1	
15	AP8118580	Motor Stop-Start Vorr.	1	
16	AP8114405	Gas trasmission return	1	
17	AP8114404	Gas trasmission delivery	1	

Einheit	RAHMEN
Code	28.22
Beschreibung	Lenkstange
Inspektion	1



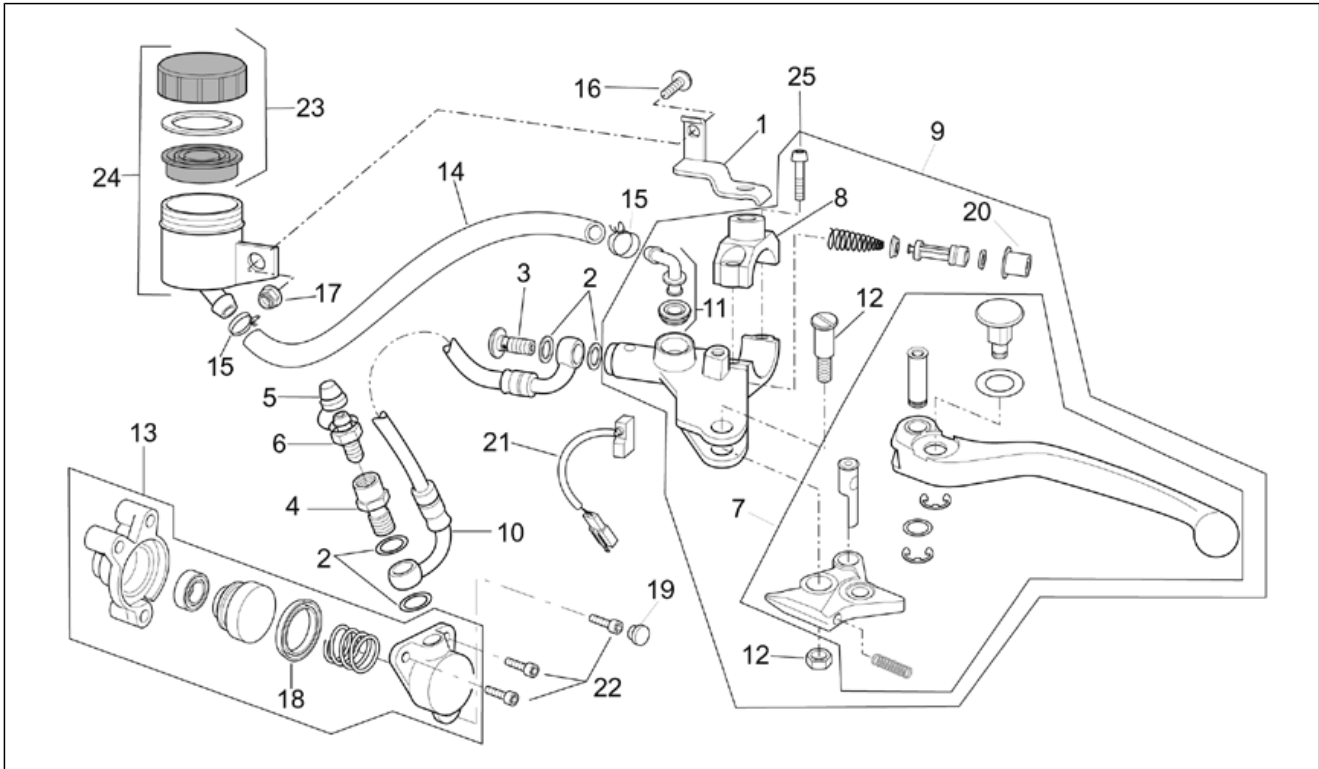
Pos.	Code	Beschreibung	Menge	Varianten
18	AP8114359	Starterzugkabel	1	
19	AP8150170	TCEI Schraube M8x25	4	Technische Daten: "Version ""R - Standard"" 2004-2005"[RS], "Version ""Base"" 2002-2003"[ST]
19	AP8152427	Zylinderschraube M8x25	4	Technische Daten: "Version ""R"" 2002-2003"[R], "Version ""R - Factory"" 2004-2005"[RF]
20	AP8152320	TE Schr. m. Flansch	2	

Einheit	RAHMEN
Code	28.23
Beschreibung	Kupplungspumpe
Inspektion	1



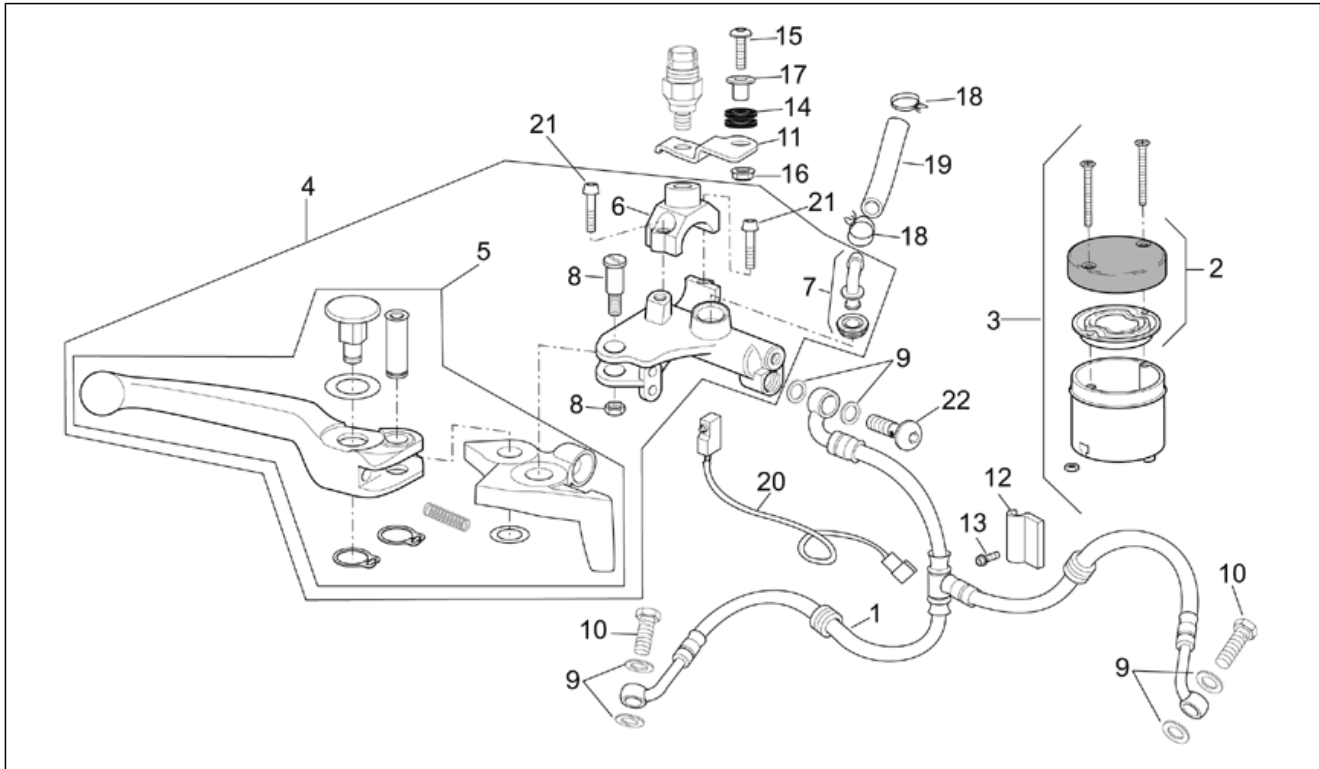
Pos.	Code	Beschreibung	Menge	Varianten
1	AP8134898	Platte f. Ölbehälter	1	
2	AP8121915	Dichtung	4	
3	AP8113003	Fixierschraube Ölschlauch	1	
4	AP8113762	Lochschraube	1	
5	AP8113230	Entlüftungskappe	1	
6	AP8113761	Entlüftungsanschluß	1	
7	AP8113758	Kupplungshebel	1	
8	AP8104500	Grundplatte Rückspg. *	1	Technische Daten: Aus vollem Teil gearbeitet[LP], "Version ""R"" 2002-2003"[R], "Version ""R - Factory"" 2004-2005"[RF]
8	AP8168217	Grundplatte Rückspg.	1	Technische Daten: Spritzguss[PF], "Version ""R - Standard"" 2004-2005"[RS], "Version ""Base"" 2002-2003"[ST]
9	AP8106384	Kupplungspumpe	1	Technische Daten: "Version ""R"" 2002-2003"[R], "Version ""R - Factory"" 2004-2005"[RF]
9	AP8176050	Kupplungspumpe	1	Technische Daten: "Version ""R - Standard"" 2004-2005"[RS], "Version ""Base"" 2002-2003"[ST]
10	AP8133574	Kupplungsschlauch	1	
11	AP8213057	Hinterer Pumpenanschluß	1	
12	AP8113719	Hebelbolzen	1	
13	AP8106381	Kupplungszylinder	1	
14	AP8113773	Leitung	1	
15	AP8113764	Schelle	2	
16	AP8152273	Flanschschraube M5x15	1	
17	AP8152306	Selbstsperrende Mutter M5	1	
18	AP8106935	Dichtung	1	
19	AP8144158	Gummi	1	
20	AP8133522	Haube	1	
21	AP8124398	Kuppl.schalter+Verkab.	1	
22	AP0241821	TCEI Schraube M6x45	3	

Einheit	RAHMEN
Code	28.23
Beschreibung	Kupplungspumpe
Inspektion	1



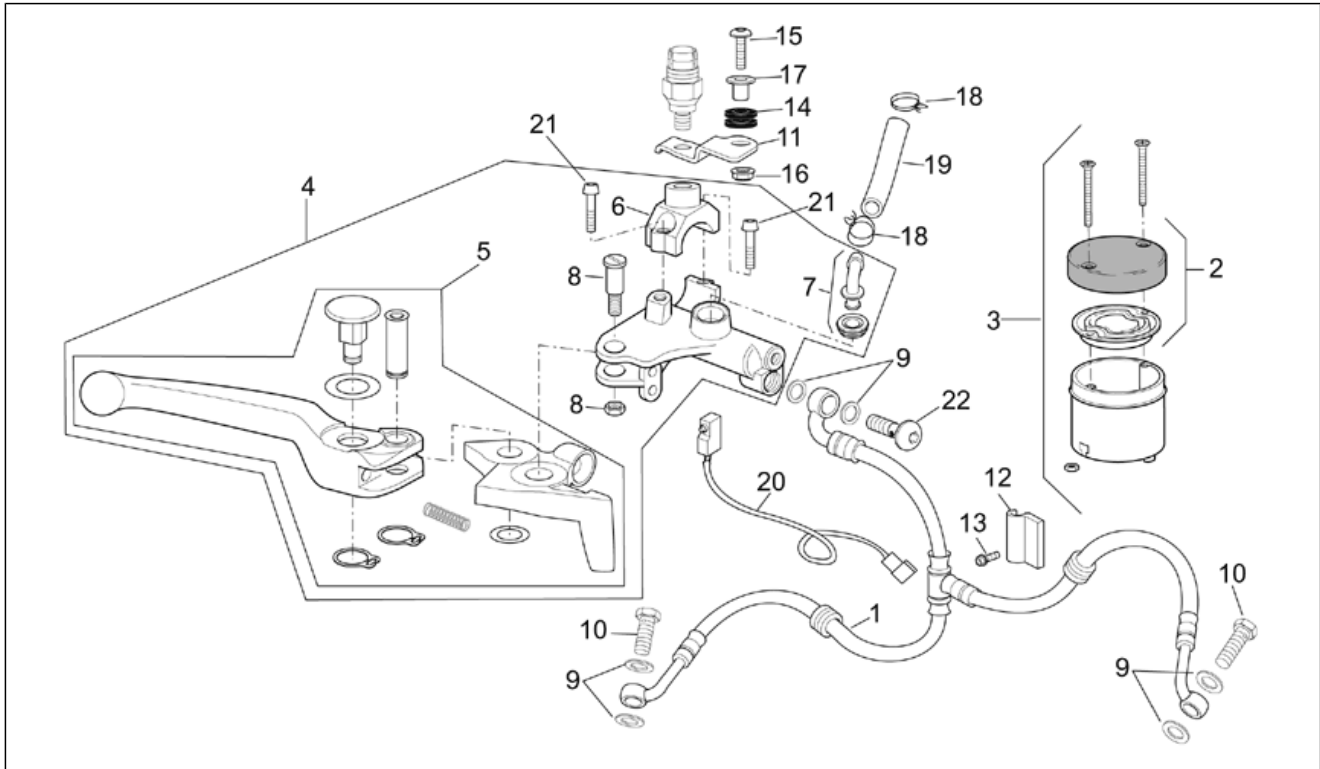
Pos.	Code	Beschreibung	Menge	Varianten
23	AP8113553	Tankverschluss	1	
24	AP8106382	Öltank kpl	1	
25	AP8213299	Kappenschraube	2	

Einheit	RAHMEN
Code	28.24
Beschreibung	Vorderradbremspumpe
Inspektion	1



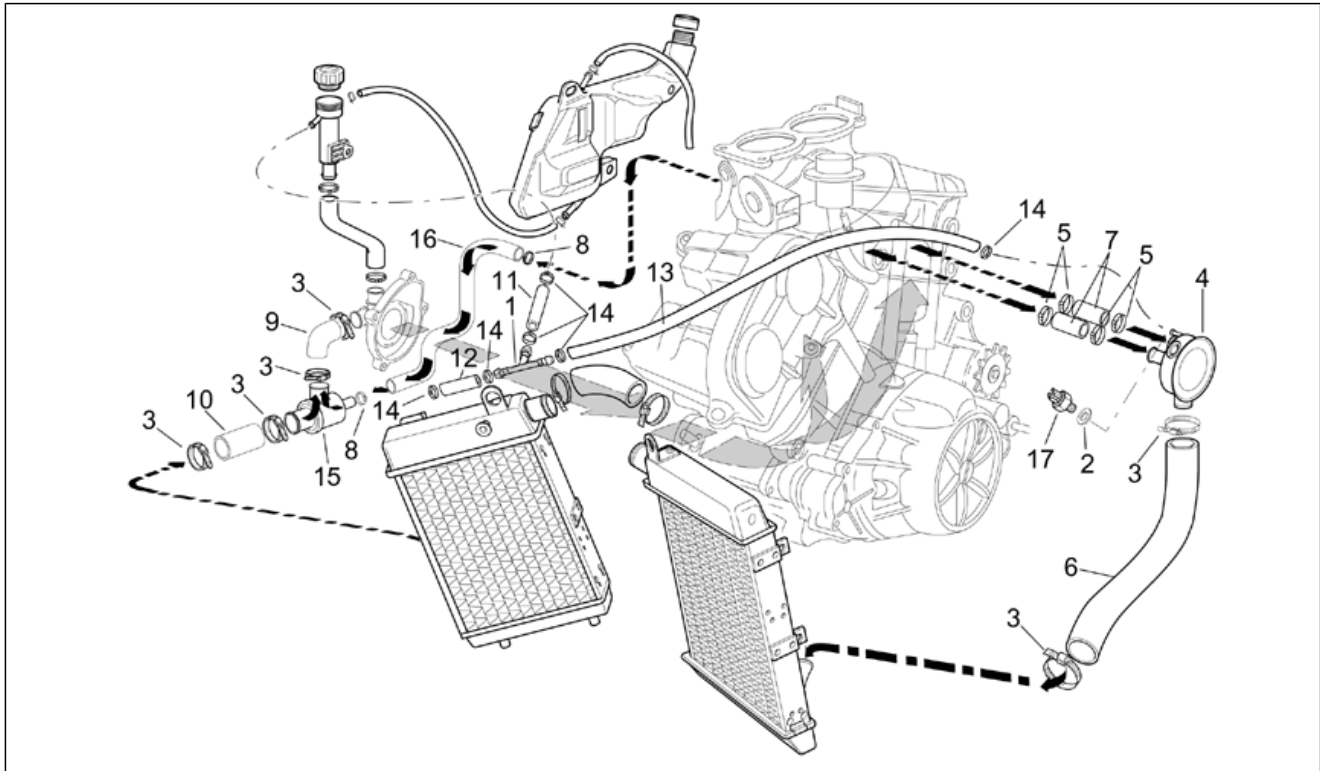
Pos.	Code	Beschreibung	Menge	Varianten
1	AP8133575	Vorderradbremssleitung	1	Baujahr: 2002[2] Technische Daten: Für radial verschraubten Bremsattel[rc]
1	AP8133575	Vorderradbremssleitung	1	Baujahr: 2002[2], 2003[3] Technische Daten: Für radial verschraubten Bremsattel[rc]
1	AP8133575	Vorderradbremssleitung	1	Baujahr: 2003[3] Technische Daten: Für radial verschraubten Bremsattel[rc]
1	AP8133615	Vorderradbremssleitung	1	Baujahr: 2004[4], 2005[5] Technische Daten: Für Standardbremsattel[sc]
2	AP8113598	Bremsen-Öltankschraube	1	
3	AP8113499	Öltank Bremsen	1	
4	AP8113969	Vorderradbremspumpe	1	Baujahr: 2003[3], 2004[4], 2005[5] Technische Daten: "Version ""R"" 2002-2003"[R], "Version ""R - Factory"" 2004-2005"[RF]
4	AP8133620	Vorderradbremspumpe	1	Baujahr: 2002[2] Technische Daten: "Version ""R"" 2002-2003"[R]
4	AP8133620	Vorderradbremspumpe	1	Baujahr: 2003[3], 2004[4], 2005[5] Technische Daten: "Version ""R - Standard"" 2004-2005"[RS], "Version ""Base"" 2002-2003"[ST]
5	AP8113757	Vorderradbremsshebel	1	
6	AP8104500	Grundplatte Rückspg. *	1	Technische Daten: "Version ""R"" 2002-2003"[R], "Version ""R - Factory"" 2004-2005"[RF]
6	AP8168501	Grundplatte Rückspg.	1	Technische Daten: Spritzguss[PF], "Version ""R - Standard"" 2004-2005"[RS], "Version ""Base"" 2002-2003"[ST]
7	AP8213057	Hinterer Pumpenanschluß	1	
8	AP8113719	Hebelbolzen	1	
9	AP8121915	Dichtung	6	
10	AP8113003	Fixierschraube Ölschlauch	3	
11	AP8134899	Platte f. Ölbehälter	1	
12	AP8134438	Platte Bremsschlauch	1	
13	AP8152272	TE Schr. m. Flansch M5x12	1	
14	AP8120030	Gummi	1	

Einheit	RAHMEN
Code	28.24
Beschreibung	Vorderradbremspumpe
Inspektion	1



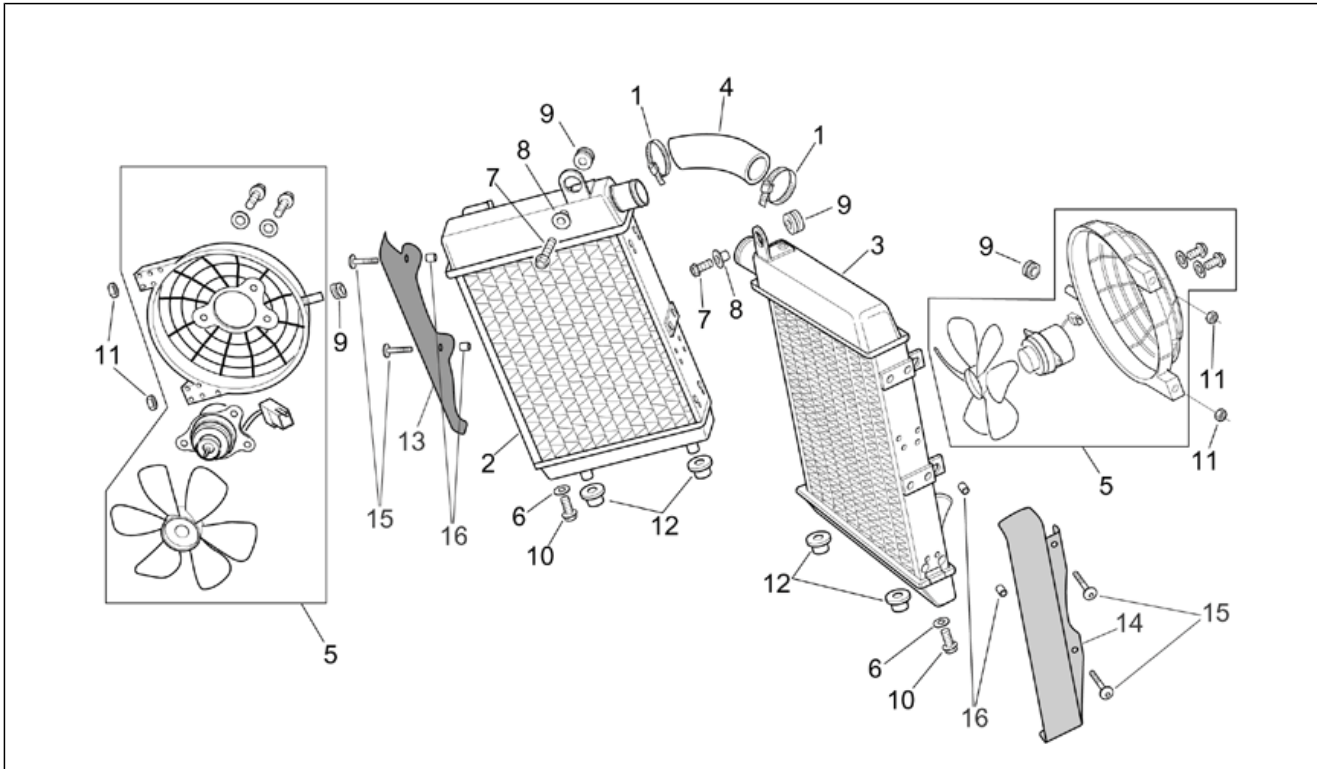
Pos.	Code	Beschreibung	Menge	Varianten
15	AP8152280	TE Schr. m. Flansch M6x25	1	
16	AP8152299	Selbstsperrende Mutter M6	1	
17	AP8221023	T-Buchse	1	
18	AP8101595	Schelle D10,1	2	
19	AP8113771	Leitung	1	Technische Daten: "Version ""R"" 2002-2003"[R], "Version ""R - Factory"" 2004-2005"[RF]
19	AP8144151	Gummschlauch	1	Technische Daten: "Version ""R - Standard"" 2004-2005"[RS], "Version ""Base"" 2002-2003"[ST]
20	AP8124288	Bremslichtschalter	1	
21	AP8213299	Kappenschraube	2	
22	AP8113003	Fixierschraube Ölschlauch	1	Baujahr: 2002[2] Technische Daten: "Version ""R"" 2002-2003"[R]
22	AP8113003	Fixierschraube Ölschlauch	1	Technische Daten: "Version ""R - Standard"" 2004-2005"[RS], "Version ""Base"" 2002-2003"[ST]
22	AP8133594	Fixierschraube Ölschlauch	1	Baujahr: 2004[4], 2005[5] Technische Daten: "Version ""R - Factory"" 2004-2005"[RF]
22	AP8133594	Fixierschraube Ölschlauch	1	Baujahr: 2003[3] Technische Daten: "Version ""R"" 2002-2003"[R]

Einheit	RAHMEN
Code	28.25
Beschreibung	Kühlanlage
Inspektion	1



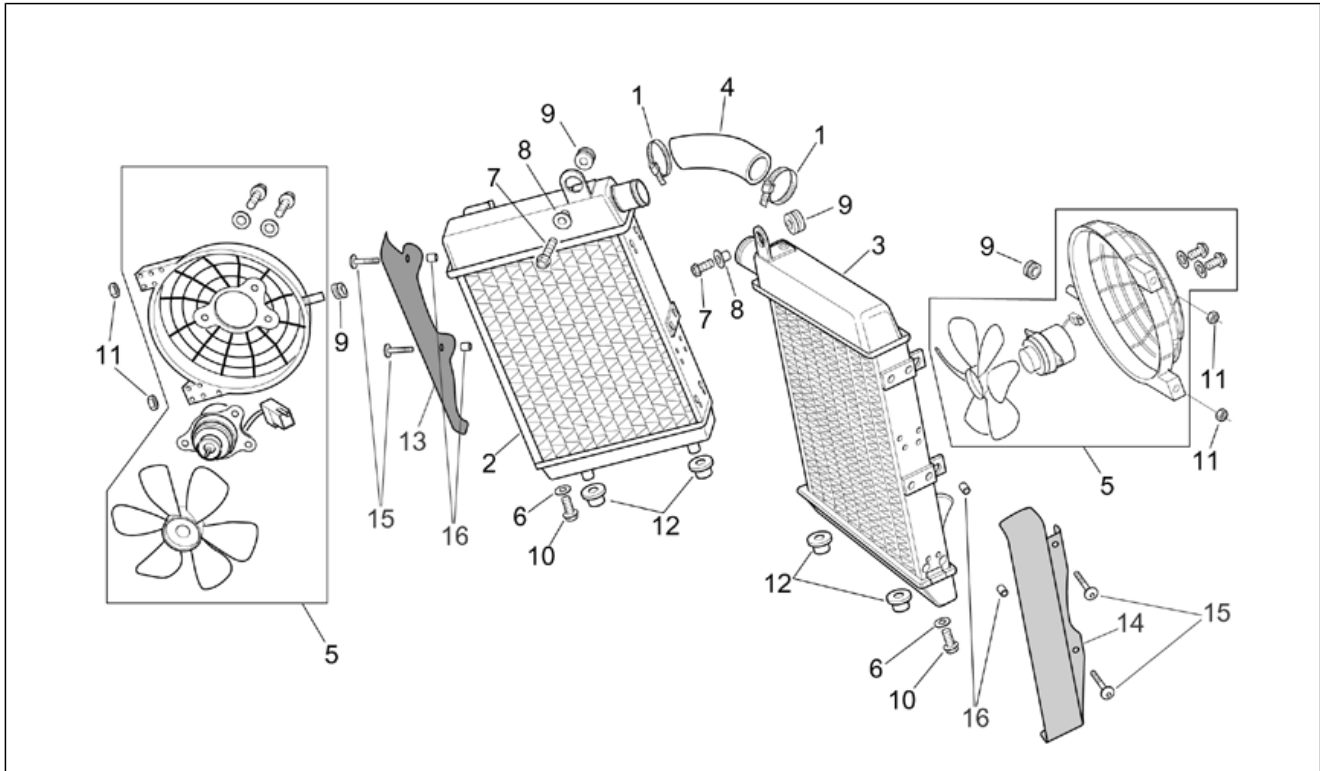
Pos.	Code	Beschreibung	Menge	Varianten
1	AP8102431	3-Wegeanschluß	1	
2	AP8121837	Alu-Scheibe	1	
3	AP8104097	Schlauschelle	6	
4	AP8102677	3-Wege-Krümmmer	1	
5	AP8102732	Schelle 17-25	4	
6	AP8120978	Wasserschl. Krüm.-Kühl.	1	
7	AP8120979	Schlauch Motor-Krüm.	2	
8	AP8101927	Schlauschelle D23,5x8*	2	
9	AP8144033	Schl. Thermostat-Pumpe	1	
10	AP8144034	Schl. Therm.-Kühl.	1	
11	AP8144094	Entlft.schl. Anschl.-Krüm.	1	
12	AP8144093	Entlft.schl. Kühler-Ansch.	1	
13	AP8144092	Entlüftungsschlauch	1	
14	AP8102764	Schlauschelle weiß d.13x6	6	
15	AP8124929	Ventil thermostatgruppe 75°C	1	
16	AP8120980	Schlauch Thermost.-Mot.	1	
17	AP8112939	Thermoschalter	1	

Einheit	RAHMEN
Code	28.26
Beschreibung	Wasserkühler
Inspektion	1



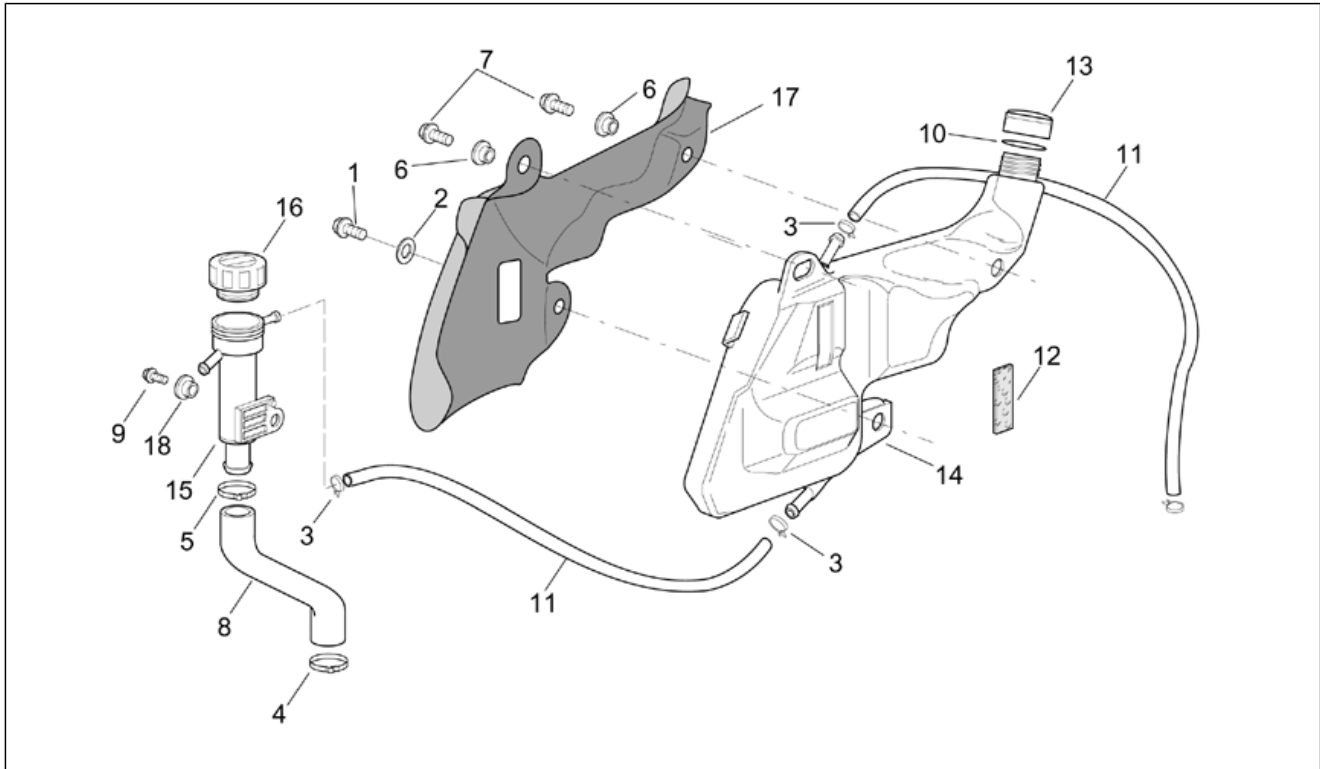
Pos.	Code	Beschreibung	Menge	Varianten
1	AP8104097	Schlauchschele	2	
2	AP8102952	Wasserkühler R.schwarz	1	
3	AP8102951	Wasserkühler L.schwarz	1	
4	AP8120981	Wasserschlauch Kühler	1	
5	AP8124855	Ventilator komplett	2	
6	AP8152184	Ausgleichscheibe 6,4x12*	2	
7	AP8152279	TE Schr. m. Flansch M6x20	2	
8	AP8221023	T-Buchse	2	
9	AP8112600	Gummi	2	
10	AP8152277	TE Schr. m. Flansch M6x12	6	
11	AP8150026	Mutter M6	4	
12	AP8101372	Silent-Block	4	
13	AP8168067	R.Kühler schutz, c.	1	Baujahr: 2002[2] Fahrzeugfarbe: "Schwarz Diablo ""Racing"" 2002"[rac] Technische Daten: "Version ""R"" 2002-2003"[R]
13	AP8168224	R.Kühler schutz	1	Baujahr: 2004[4], 2005[5] Technische Daten: "Version ""R - Standard"" 2004-2005"[RS]
13	AP8168224	R.Kühler schutz	1	Baujahr: 2003[3] Fahrzeugfarbe: Grau Magnet 2003[m.grey], Rot Tulip 2002[t.red] Technische Daten: "Version ""Base"" 2002-2003"[ST]
13	AP8168804	R.Kühler schutz, c.	1	Baujahr: 2003[3] Technische Daten: Racing GARA 2003[RG]
13	AP8168804	R.Kühler schutz, c.	1	Baujahr: 2004[4] Technische Daten: "Version ""R - Factory"" 2004-2005"[RF]
13	AP8179032	R.Kühler schutz, c.	1	Baujahr: 2005[5] Technische Daten: "Version ""R - Factory"" 2004-2005"[RF]
14	AP8168068	L.Kühler schutz, c.	1	Baujahr: 2002[2] Fahrzeugfarbe: "Schwarz Diablo ""Racing"" 2002"[rac] Technische Daten: "Version ""R"" 2002-2003"[R]

Einheit	RAHMEN
Code	28.26
Beschreibung	Wasserkühler
Inspektion	1



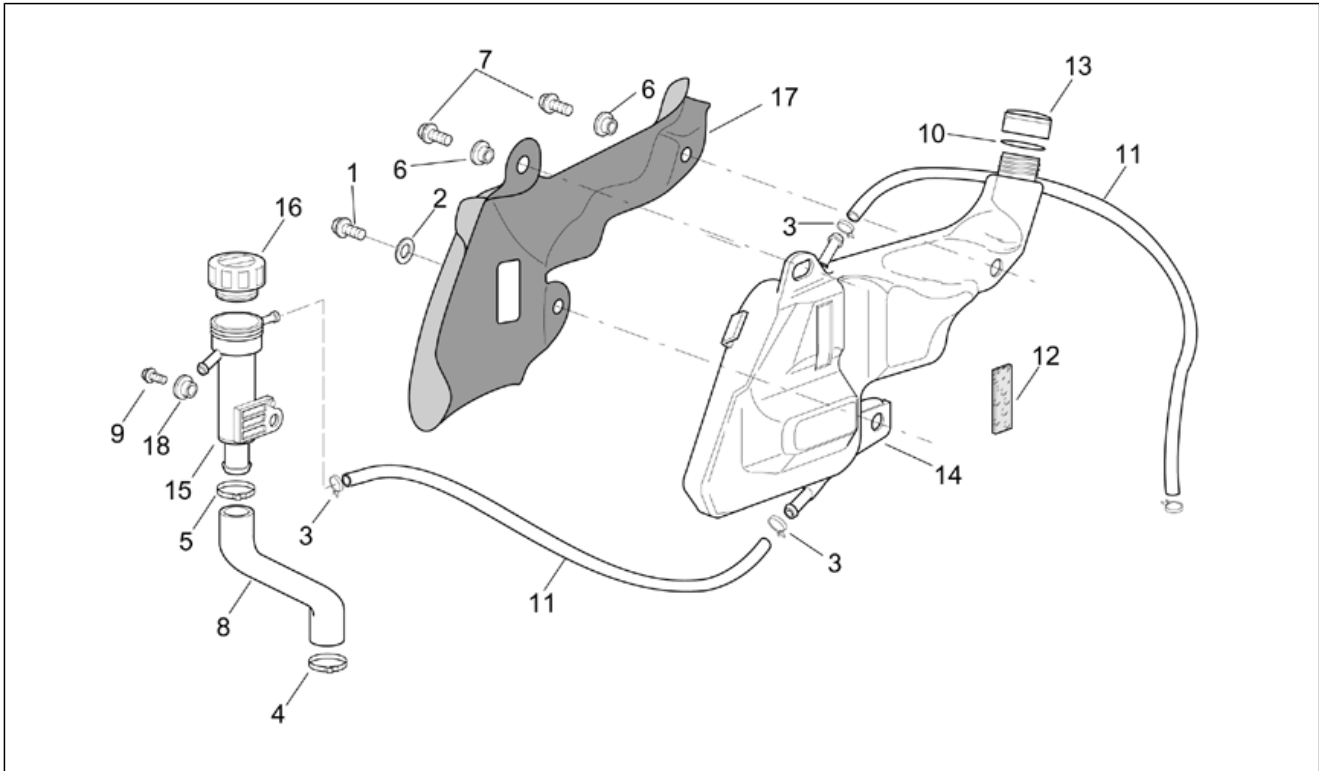
Pos.	Code	Beschreibung	Menge	Varianten
14	AP8168225	L.Kühler schutz	1	Baujahr: 2004[4], 2005[5] Technische Daten: "Version ""R - Standard"" 2004-2005"[RS]
14	AP8168225	L.Kühler schutz	1	Baujahr: 2003[3] Fahrzeugfarbe: Grau Magnet 2003[m.grey], Rot Tulip 2002[t.red] Technische Daten: "Version ""Base"" 2002-2003"[ST]
14	AP8168805	L.Kühler schutz, c.	1	Baujahr: 2003[3] Technische Daten: Racing GARA 2003[RG]
14	AP8168805	L.Kühler schutz, c.	1	Baujahr: 2004[4] Technische Daten: "Version ""R - Factory"" 2004-2005"[RF]
14	AP8179033	L.Kühler schutz, c.	1	Baujahr: 2005[5] Technische Daten: "Version ""R - Factory"" 2004-2005"[RF]
15	AP8152280	TE Schr. m. Flansch M6x25	4	Technische Daten: "Version ""R - Standard"" 2004-2005"[RS], "Version ""Base"" 2002-2003"[ST]
15	AP8152422	TCCCE Schraube M6x25	4	Technische Daten: "Version ""R"" 2002-2003"[R], "Version ""R - Factory"" 2004-2005"[RF]
16	AP8152436	Buchse	4	

Einheit	RAHMEN
Code	28.27
Beschreibung	Ausdehngefäß
Inspektion	1



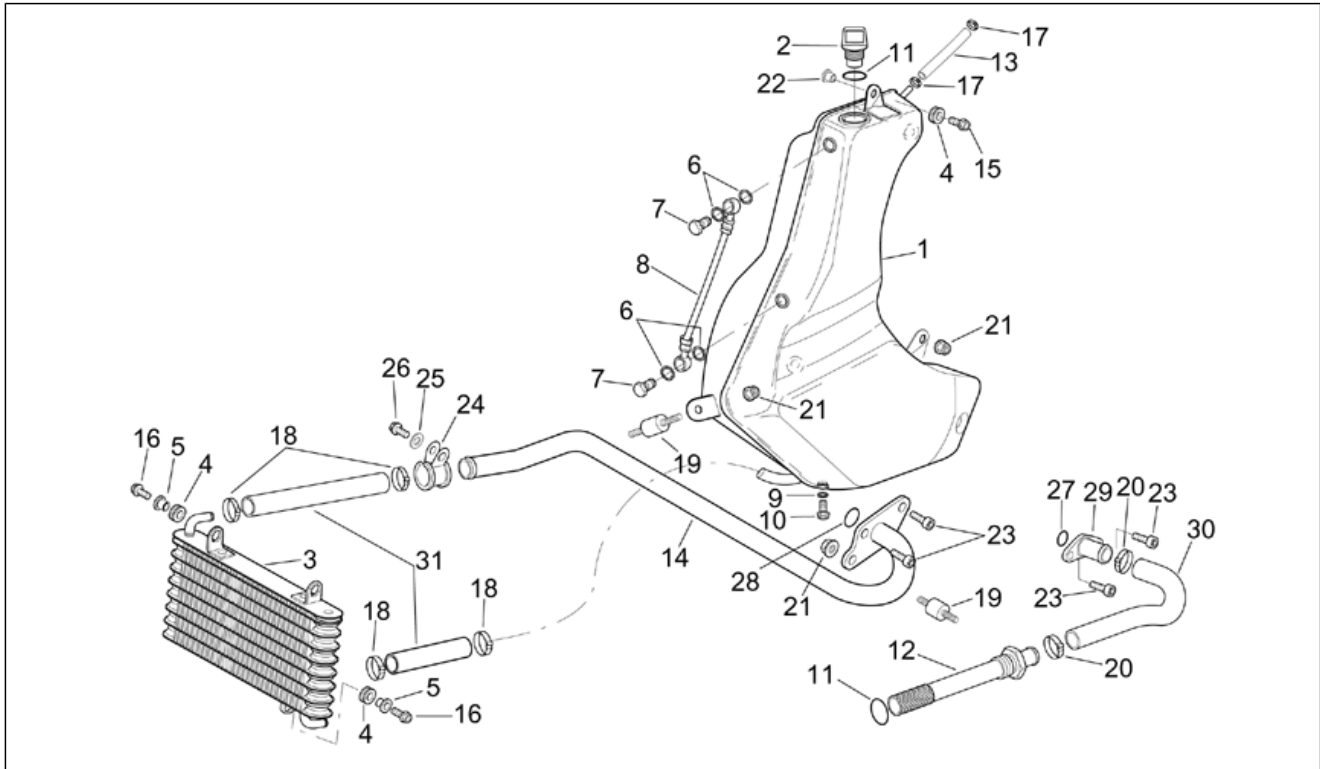
Pos.	Code	Beschreibung	Menge	Varianten
1	AP8224470	TBEI Schraube M6x20	1	
2	AP8150378	Ausgleichscheibe 6,4x18x2	1	
3	AP8102378	Schelle D11,3	3	
4	AP8102732	Schelle 17-25	1	
5	AP8101927	Schlauchschelle D23,5x8*	1	
6	AP8121795	T-Buchse	2	Technische Daten: "Version ""R - Standard"" 2004-2005"[RS], "Version ""Base"" 2002-2003"[ST]
6	AP8221145	T-Buchse *	2	Technische Daten: "Version ""R"" 2002-2003"[R], "Version ""R - Factory"" 2004-2005"[RF]
7	AP8152278	TE Schr. m. Flansch M6x16	2	Technische Daten: "Version ""R"" 2002-2003"[R], "Version ""R - Factory"" 2004-2005"[RF]
7	AP8152279	TE Schr. m. Flansch M6x20	2	Technische Daten: "Version ""R - Standard"" 2004-2005"[RS], "Version ""Base"" 2002-2003"[ST]
8	AP8144032	Schl. Pumpe-Stutzen	1	
9	AP8152279	TE Schr. m. Flansch M6x20	1	
10	AP8120355	Ölschraubelochstaldichtung	1	
11	AP8120952	Kraftstoffleitung 5,5x10	1	
12	AP8117033	Klebeschwamm	1	
13	AP8104124	Ausdehnngs. Schraube	1	
14	AP8138556	Ausdehngefäß	1	Technische Daten: "Version ""R"" 2002-2003"[R], "Version ""R - Factory"" 2004-2005"[RF]
14	AP8168057	Ausdehngefäß	1	Technische Daten: "Version ""R - Standard"" 2004-2005"[RS], "Version ""Base"" 2002-2003"[ST]
15	AP8120988	Tankstutzen	1	
16	AP8102615	Deckel	1	
17	AP8168168	Schutzabdeckung	1	Baujahr: 2002[2] Fahrzeugfarbe: "Schwarz Diablo""Racing"" 2002"[rac] Technische Daten: "Version ""R"" 2002-2003"[R]
17	AP8168486	Schutzabdeckung	1	Baujahr: 2004[4]
17	AP8168486	Schutzabdeckung	1	Baujahr: 2003[3]

Einheit	RAHMEN
Code	28.27
Beschreibung	Ausdehngefäß
Inspektion	1



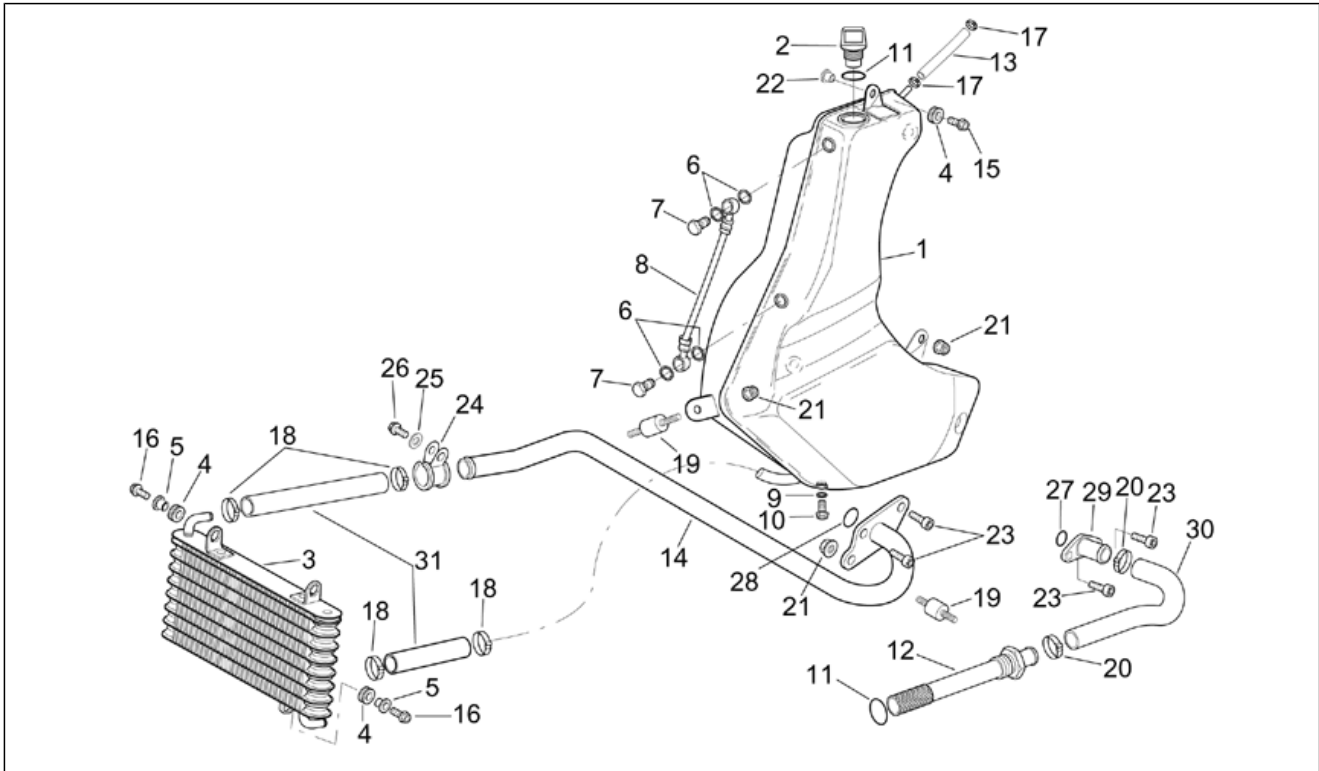
Pos.	Code	Beschreibung	Menge	Varianten
				Technische Daten: "Version ""R - Standard"" 2004-2005"[RS], "Version ""Base"" 2002-2003"[ST]
17	AP8168910	Schutzabdeckung	1	Baujahr: 2003[3] Technische Daten: "Version ""R"" 2002-2003"[R], Racing GARA 2003[RG]
17	AP8179039	Schutzabdeckung	1	Baujahr: 2005[5] Technische Daten: "Version ""R - Factory"" 2004-2005"[RF]
18	AP8221145	T-Buchse *	1	

Einheit	RAHMEN
Code	28.28
Beschreibung	Ölbehälter
Inspektion	1



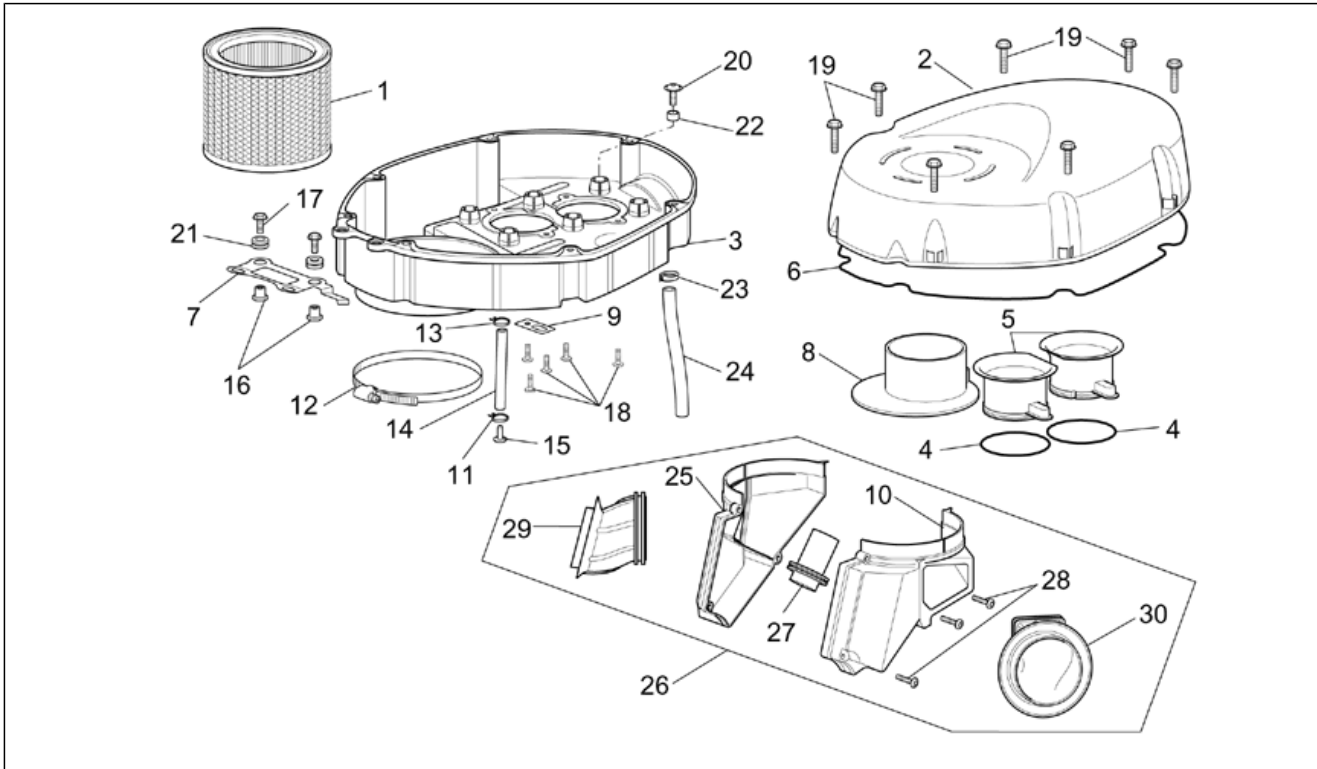
Pos.	Code	Beschreibung	Menge	Varianten
1	AP8138558	Öltank	1	Baujahr:2003[3], 2004[4], 2005[5]
1	AP8168060	Öltank	1	Baujahr:2002[2]
2	AP8102618	Öltankschraube	1	
3	AP8104100	Ölkühler schwarz	1	
4	AP8120030	Gummi	4	
5	AP8221023	T-Buchse	3	
6	AP8113004	Ausgleichscheibe 10x14x1,6*	4	
7	AP8113003	Fixierschraube Ölschlauch	2	
8	AP8144275	Ölstandschlauch	1	
9	AP8121862	Ausgleichscheibe D8x16x1,5	1	
10	AP8152285	TE Schr. m. Flansch	1	
11	AP8120190	O-Ring 3075	2	
12	AP8102828	Ölfiltereinsatz kpl.	1	
13	AP8144015	Ölschlauch 6x12	1	
14	AP8106388	Ölschlauch	1	
15	AP8152277	TE Schr. m. Flansch M6x12	1	
16	AP8152279	TE Schr. m. Flansch M6x20	3	
17	AP8120446	Schlauchschele, grün D11x6,6x1	2	
18	AP8102349	Schlauchschele weiß D17,5x8	4	
19	AP8144061	Silent-Block	2	
20	AP8102786	Schlauchschele 20x8	2	
21	AP8152299	Selbstsperrende Mutter M6	3	
22	AP8121731	T-Buchse *	1	
23	AP8150137	TCEI Schraube M6x16	4	
24	AP8102731	Schele	1	
25	AP8152181	Scheibe 6,4x15x1	2	
26	AP8152278	TE Schr. m. Flansch M6x16	1	
27	AP8120196	O-Ring 3056	1	

Einheit	RAHMEN
Code	28.28
Beschreibung	Ölbehälter
Inspektion	1



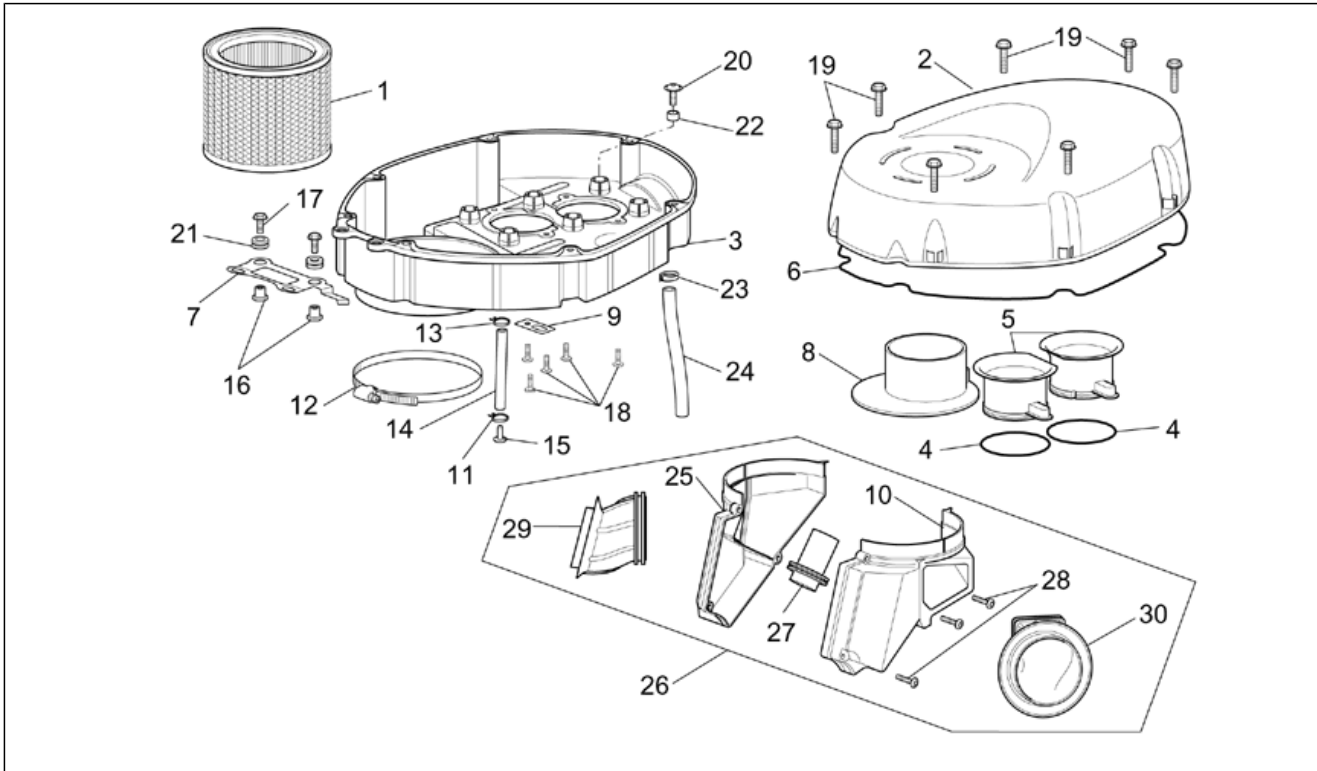
Pos.	Code	Beschreibung	Menge	Varianten
28	AP8144008	O-Ring 115	1	
29	AP8106387	Ölschlauch	1	
30	AP8144608	Ölschlauch	1	
31	AP8106389	Ölschlauch 12x19	1	

Einheit	RAHMEN
Code	28.29
Beschreibung	Filtergehäuse
Inspektion	1



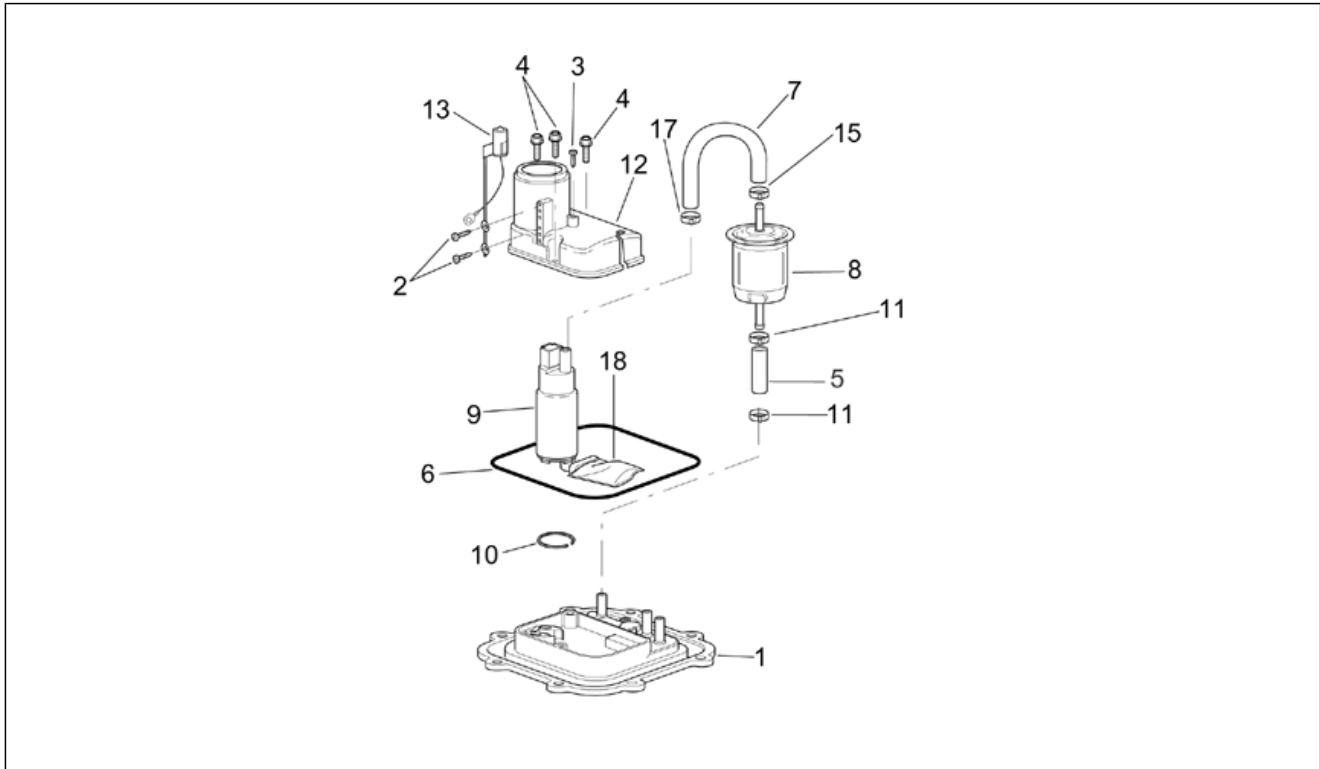
Pos.	Code	Beschreibung	Menge	Varianten
1	AP8104211	Luftfilter	1	
2	AP8148825	Oberteil Filtergehäuse	1	
3	AP8149667	Unterteil Filtergehäuse	1	Baujahr: 2003[3] Land: USA (Zulassung 49 Staaten)[AM], Vereinigte Staaten von Amerika[USA] Technische Daten: "Version ""Base"" 2002-2003"[ST]
3	AP8149667	Unterteil Filtergehäuse	1	Baujahr: 2002[2], 2003[3] Land: Österreich[A], Australien[AA], Australien[AUS], Schweiz[CH], Deutschland[D], Dänemark[DK], Spanien[E], I, E, NL[EU], Italien[I], Japan[J], J[JJ], Mexiko[ME], ME[MX], Holland[NL], Spanien[SP], Großbritannien[UK]
3	AP8149667	Unterteil Filtergehäuse	1	Baujahr: 2004[4], 2005[5] Land: Österreich[A], Australien[AA], Australien[AUS], Schweiz[CH], Deutschland[D], Dänemark[DK], Spanien[E], I, E, NL[EU], Griechenland[GR], Italien[I], Japan[J], J[JJ], Mexiko[ME], ME[MX], Holland[NL], Finnland[SF], Spanien[SP], Großbritannien[UK] Technische Daten: "Version ""R - Factory"" 2004-2005"[RF], "Version ""R - Standard"" 2004-2005"[RS]
3	AP8149669	Unterteil Filtergehäuse	1	Baujahr: 2003[3] Land: USA (Zulassung California)[CF], Vereinigte Staaten von Amerika[USA] Technische Daten: "Version ""Base"" 2002-2003"[ST]
3	AP8149669	Unterteil Filtergehäuse	1	Land: USA (Zulassung California)[CF], Vereinigte Staaten von Amerika[USA] Technische Daten: "Version ""R"" 2002-2003"[R]
3	AP8149723	Unterteil Filtergehäuse	1	Baujahr: 2002[2], 2003[3], 2004[4] Land: Belgien[B], I, E, NL[EU], Frankreich[F] Technische Daten: Version mit Leistungsminderung 78 Kw[78]
4	AP8144063	O-Ring 159	2	
5	AP8106395	Einlaßöffnung	2	
6	AP8120615	Dichtung D3	1	
7	AP8134625	Fixierung vorn Filtergeh.	1	

Einheit	RAHMEN
Code	28.29
Beschreibung	Filtergehäuse
Inspektion	1



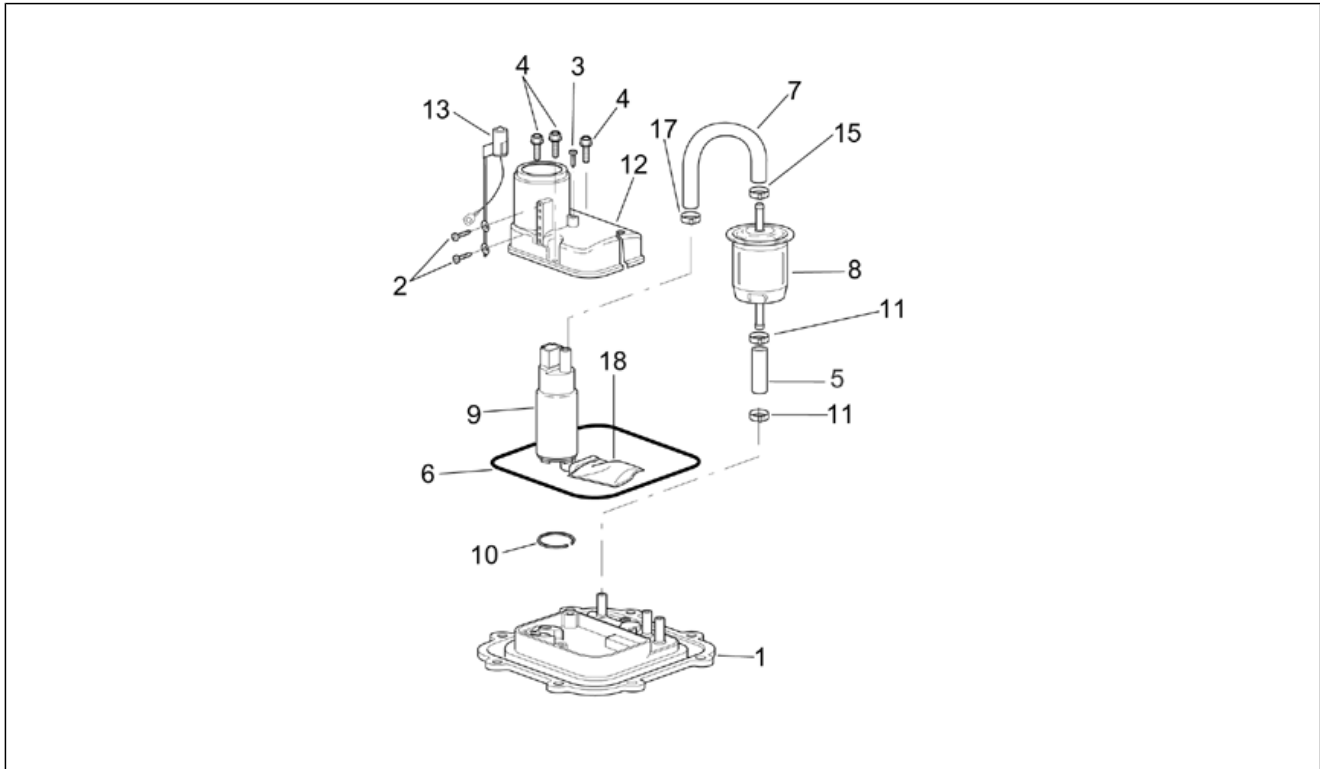
Pos.	Code	Beschreibung	Menge	Varianten
8	AP8134739	Reduziermembran	1	Land:Österreich[A], Australien[AA], USA (Zulassung 49 Staaten)[AM], Australien[AUS], USA (Zulassung California)[CF], Schweiz[CH], Deutschland[D], Dänemark[DK], Spanien[E], I, E, NL[EU], Italien[I], Japan[J], J[JJ], Mexiko[ME], ME[MX], Holland[NL], Großbritannien[UK], Vereinigte Staaten von Amerika[USA]
9	AP8134437	Platte	1	
10	AP8106813	Linker Ansaugkrümmer	1	
11	AP8102377	Schelle D9,1*	1	
12	AP8102763	Schelle 100-120	1	
13	AP8101595	Schelle D10,1	1	
14	AP8144038	Kraftstoffleitung 6x10	1	
15	AP8120876	Verschlusschraube	1	
16	AP8121731	T-Buchse *	2	
17	AP8152277	TE Schr. m. Flansch M6x12	2	
18	AP8150413	Gew.schr. 3,9x14	8	
19	AP8152273	Flanschschraube M5x15	7	
20	AP8152246	TBEI Schraube m.Flansch M6x16	6	
21	AP8120030	Gummi	2	
22	AP8120253	Distanzscheibe	6	
23	AP8102766	Schelle	2	
24	AP8120987	Leitung 9x14	1	
25	AP8106812	Rechter Ansaugkrümmer	1	
26	AP8144414	Ansaugmuffe	1	
27	AP8144383	Drosselspindel	1	
28	AP8221242	Gewindeschraube Spezial 3,5x20	3	
29	AP8144381	Einlaßmuffe rechts	1	
30	AP8144382	Einlaßmuffe links	1	

Einheit	RAHMEN
Code	28.30
Beschreibung	Kraftstoffpumpe I
Inspektion	1



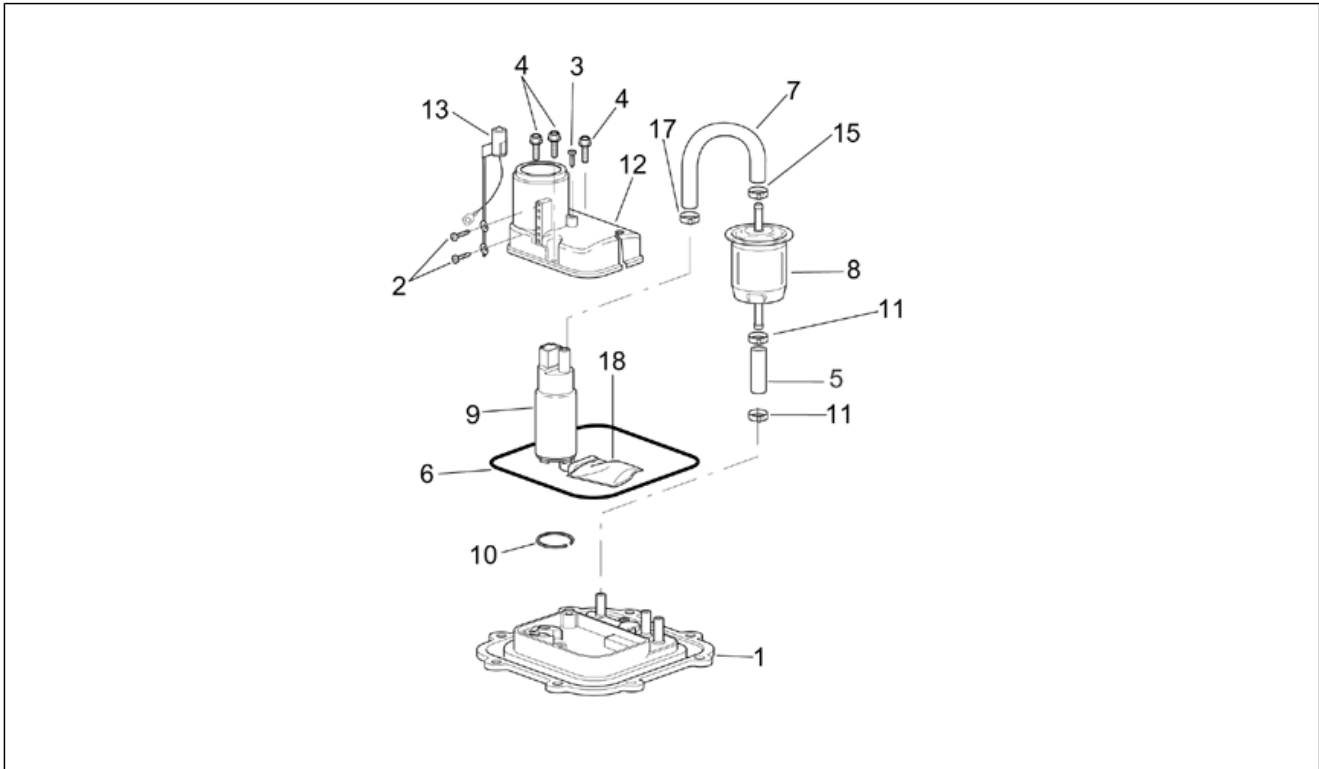
Pos.	Code	Beschreibung	Menge	Varianten
1	AP8134750	Kraftst.pumpen-Verschl.	1	Baujahr: 2002[2] Technische Daten: "Version ""R"" 2002-2003"[R]
1	AP8134750	Kraftst.pumpen-Verschl.	1	Baujahr: 2003[3], 2004[4], 2005[5] Technische Daten: "Version ""R - Standard"" 2004-2005"[RS], "Version ""Base"" 2002-2003"[ST]
2	AP8104455	Gew.schr. 2,9x9,5	2	Baujahr: 2002[2] Technische Daten: "Version ""R"" 2002-2003"[R]
2	AP8104455	Gew.schr. 2,9x9,5	2	Baujahr: 2003[3], 2004[4], 2005[5] Technische Daten: "Version ""R - Standard"" 2004-2005"[RS], "Version ""Base"" 2002-2003"[ST]
3	AP8150413	Gew.schr. 3,9x14	1	Baujahr: 2002[2] Technische Daten: "Version ""R"" 2002-2003"[R]
3	AP8150413	Gew.schr. 3,9x14	1	Baujahr: 2003[3], 2004[4], 2005[5] Technische Daten: "Version ""R - Standard"" 2004-2005"[RS], "Version ""Base"" 2002-2003"[ST]
4	AP8152273	Flanschschraube M5x15	8	Baujahr: 2002[2] Technische Daten: "Version ""R"" 2002-2003"[R]
4	AP8152273	Flanschschraube M5x15	8	Baujahr: 2003[3], 2004[4], 2005[5] Technische Daten: "Version ""R - Standard"" 2004-2005"[RS], "Version ""Base"" 2002-2003"[ST]
5	AP8144476	Kraftstoffleitung	1	Baujahr: 2002[2] Technische Daten: "Version ""R"" 2002-2003"[R]
5	AP8144476	Kraftstoffleitung	1	Baujahr: 2003[3], 2004[4], 2005[5] Technische Daten: "Version ""R - Standard"" 2004-2005"[RS], "Version ""Base"" 2002-2003"[ST]
6	AP8144477	Gasket ring	1	Baujahr: 2002[2] Technische Daten: "Version ""R"" 2002-2003"[R]
6	AP8144477	Gasket ring	1	Baujahr: 2003[3], 2004[4], 2005[5] Technische Daten: "Version ""R - Standard"" 2004-2005"[RS], "Version ""Base"" 2002-2003"[ST]
7	AP8144226	Kraftstoffleitung	1	Baujahr: 2002[2] Technische Daten: "Version ""R"" 2002-2003"[R]
7	AP8144226	Kraftstoffleitung	1	Baujahr: 2003[3], 2004[4], 2005[5]

Einheit	RAHMEN
Code	28.30
Beschreibung	Kraftstoffpumpe I
Inspektion	1



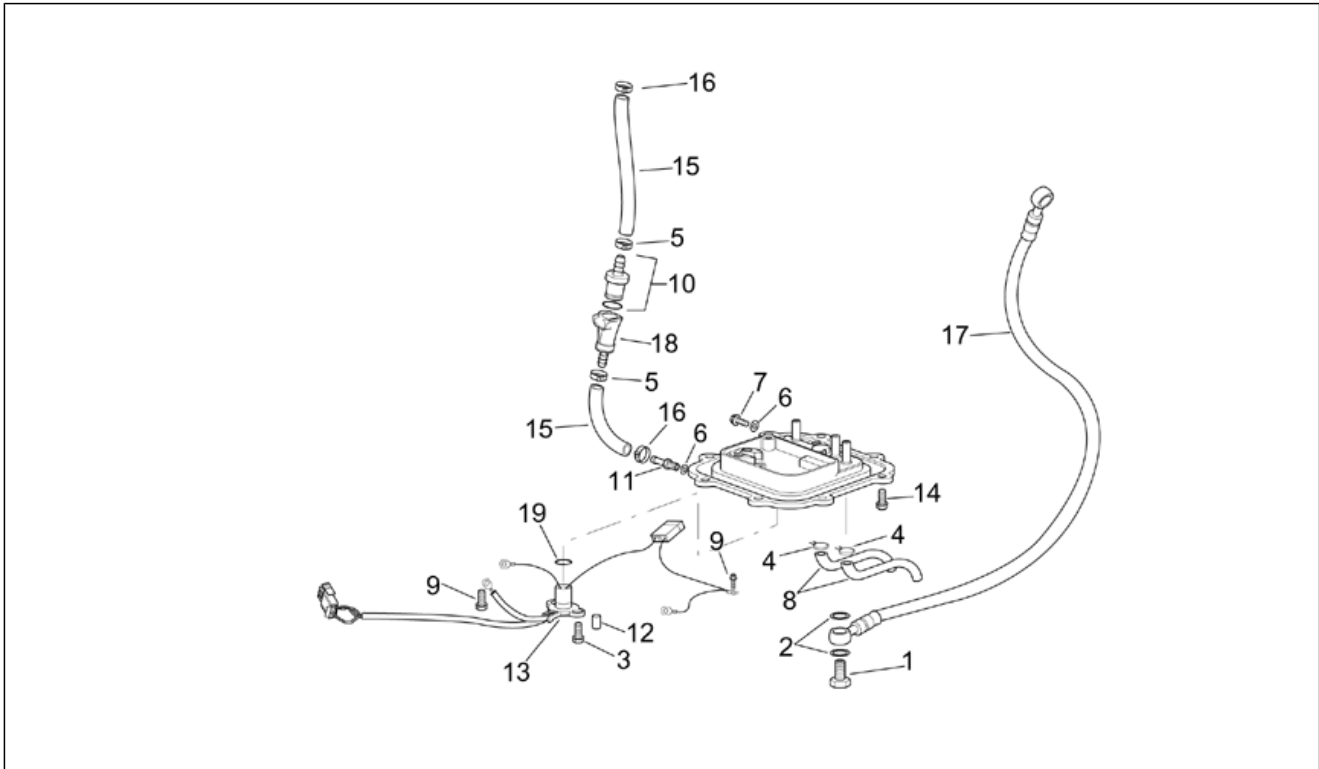
Pos.	Code	Beschreibung	Menge	Varianten
				Technische Daten: "Version ""R - Standard"" 2004-2005"[RS], "Version ""Base"" 2002-2003"[ST]
8	AP8102971	Kraftstofffilter	1	Baujahr: 2003[3], 2004[4], 2005[5] Technische Daten: "Version ""R - Standard"" 2004-2005"[RS], "Version ""Base"" 2002-2003"[ST]
8	AP8102971	Kraftstofffilter	1	Baujahr: 2002[2] Technische Daten: "Version ""R"" 2002-2003"[R]
9	AP8106385	Kraftstoffpumpe	1	Baujahr: 2002[2] Technische Daten: "Version ""R"" 2002-2003"[R]
9	AP8106385	Kraftstoffpumpe	1	Baujahr: 2003[3], 2004[4], 2005[5] Technische Daten: "Version ""R - Standard"" 2004-2005"[RS], "Version ""Base"" 2002-2003"[ST]
10	AP8104457	Sprengring	1	Baujahr: 2002[2] Technische Daten: "Version ""R"" 2002-2003"[R]
10	AP8104457	Sprengring	1	Baujahr: 2003[3], 2004[4], 2005[5] Technische Daten: "Version ""R - Standard"" 2004-2005"[RS], "Version ""Base"" 2002-2003"[ST]
11	AP8104459	Schelle	1	Baujahr: 2002[2] Technische Daten: "Version ""R"" 2002-2003"[R]
11	AP8104459	Schelle	1	Baujahr: 2003[3], 2004[4], 2005[5] Technische Daten: "Version ""R - Standard"" 2004-2005"[RS], "Version ""Base"" 2002-2003"[ST]
12	AP8104456	Halter Kraftstoffpumpe	1	Baujahr: 2002[2] Technische Daten: "Version ""R"" 2002-2003"[R]
12	AP8104456	Halter Kraftstoffpumpe	1	Baujahr: 2003[3], 2004[4], 2005[5] Technische Daten: "Version ""R - Standard"" 2004-2005"[RS], "Version ""Base"" 2002-2003"[ST]
13	AP8124297	Standfühler	1	Baujahr: 2002[2] Technische Daten: "Version ""R"" 2002-2003"[R]
13	AP8124297	Standfühler	1	Baujahr: 2003[3], 2004[4], 2005[5] Technische Daten: "Version ""R - Standard"" 2004-2005"[RS], "Version ""Base"" 2002-2003"[ST]
15	AP8104458	Schelle	1	Baujahr: 2003[3], 2004[4], 2005[5]

Einheit	RAHMEN
Code	28.30
Beschreibung	Kraftstoffpumpe I
Inspektion	1



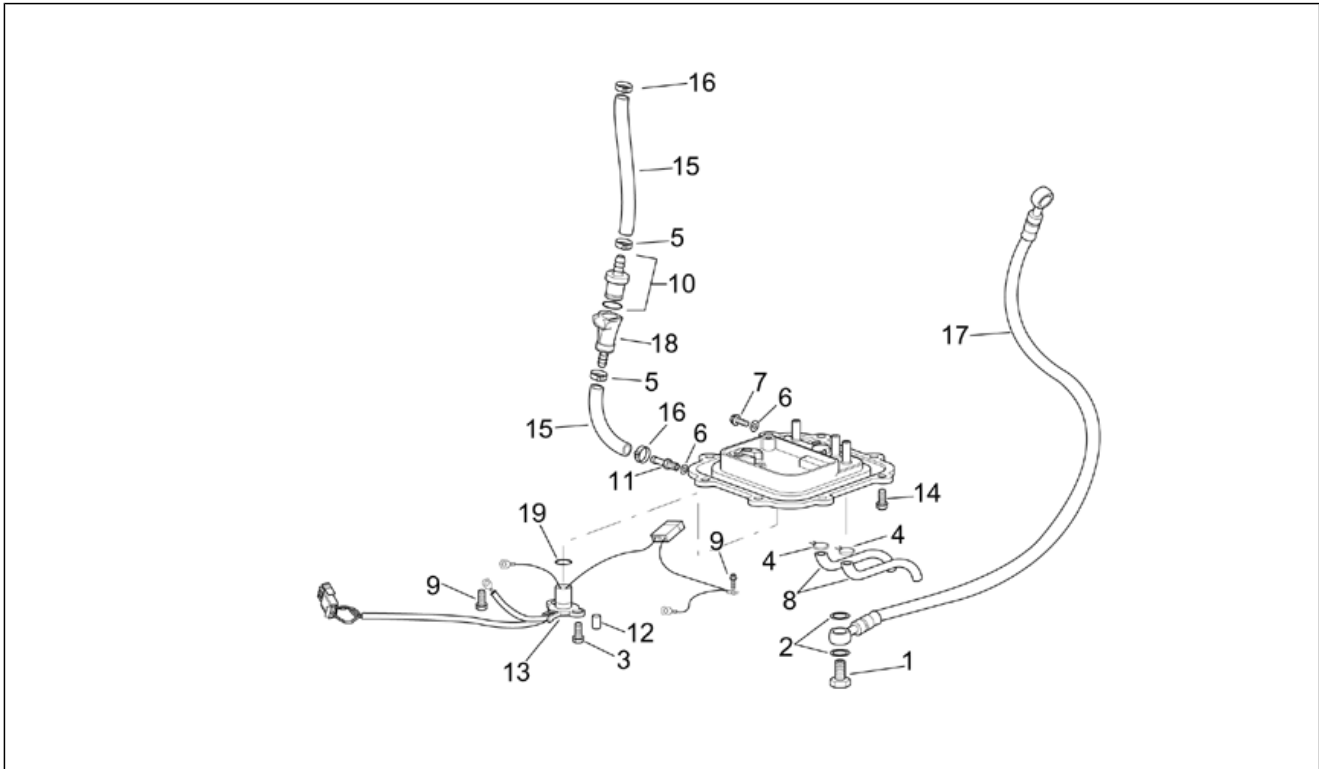
Pos.	Code	Beschreibung	Menge	Varianten
				Technische Daten: "Version ""R - Standard"" 2004-2005"[RS], "Version ""Base"" 2002-2003"[ST]
15	AP8104458	Schelle	1	Baujahr: 2002[2] Technische Daten: "Version ""R"" 2002-2003"[R]
18	AP8104539	Kraftstofffilter	1	Baujahr: 2003[3], 2004[4], 2005[5] Technische Daten: "Version ""R - Standard"" 2004-2005"[RS], "Version ""Base"" 2002-2003"[ST]
18	AP8104539	Kraftstofffilter	1	Baujahr: 2002[2] Technische Daten: "Version ""R"" 2002-2003"[R]

Einheit	RAHMEN
Code	28.31
Beschreibung	Kraftstoffpumpe II
Inspektion	1



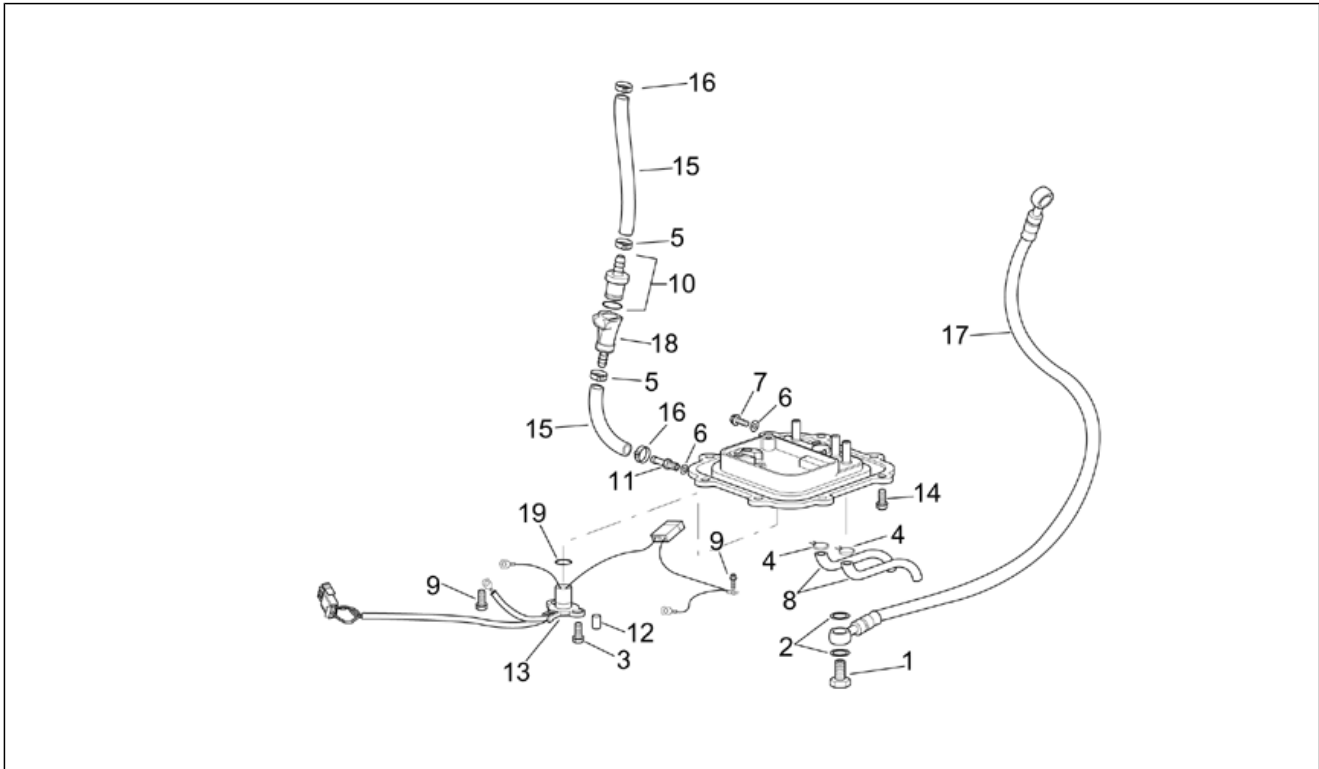
Pos.	Code	Beschreibung	Menge	Varianten
1	AP8106443	Lochschraube	2	Baujahr: 2003[3], 2004[4], 2005[5] Technische Daten: "Version ""R - Standard"" 2004-2005"[RS], "Version ""Base"" 2002-2003"[ST]
1	AP8106443	Lochschraube	2	Baujahr: 2002[2] Technische Daten: "Version ""R"" 2002-2003"[R]
2	AP8106444	Dichtung 18x12,2x1,5	4	Baujahr: 2003[3], 2004[4], 2005[5] Technische Daten: "Version ""R - Standard"" 2004-2005"[RS], "Version ""Base"" 2002-2003"[ST]
2	AP8106444	Dichtung 18x12,2x1,5	4	Baujahr: 2002[2] Technische Daten: "Version ""R"" 2002-2003"[R]
3	AP8152278	TE Schr. m. Flansch M6x16	2	Baujahr: 2003[3], 2004[4], 2005[5] Technische Daten: "Version ""R - Standard"" 2004-2005"[RS], "Version ""Base"" 2002-2003"[ST]
3	AP8152278	TE Schr. m. Flansch M6x16	2	Baujahr: 2002[2] Technische Daten: "Version ""R"" 2002-2003"[R]
4	AP8101595	Schelle D10,1	2	Baujahr: 2002[2] Technische Daten: "Version ""R"" 2002-2003"[R]
4	AP8101595	Schelle D10,1	2	Baujahr: 2003[3], 2004[4], 2005[5] Technische Daten: "Version ""R - Standard"" 2004-2005"[RS], "Version ""Base"" 2002-2003"[ST]
5	AP8102764	Schlauchschele weiß d.13x6	2	Baujahr: 2003[3], 2004[4], 2005[5] Technische Daten: "Version ""R - Standard"" 2004-2005"[RS], "Version ""Base"" 2002-2003"[ST]
5	AP8102764	Schlauchschele weiß d.13x6	2	Baujahr: 2002[2] Technische Daten: "Version ""R"" 2002-2003"[R]
6	AP8152184	Ausgleichscheibe 6,4x12*	2	Baujahr: 2003[3], 2004[4], 2005[5] Technische Daten: "Version ""R - Standard"" 2004-2005"[RS], "Version ""Base"" 2002-2003"[ST]
6	AP8152184	Ausgleichscheibe 6,4x12*	2	Baujahr: 2002[2] Technische Daten: "Version ""R"" 2002-2003"[R]
7	AP8152277	TE Schr. m. Flansch M6x12	1	Baujahr: 2003[3], 2004[4], 2005[5] Technische Daten: "Version ""R - Standard"" 2004-2005"[RS], "Version ""Base"" 2002-2003"[ST]

Einheit	RAHMEN
Code	28.31
Beschreibung	Kraftstoffpumpe II
Inspektion	1



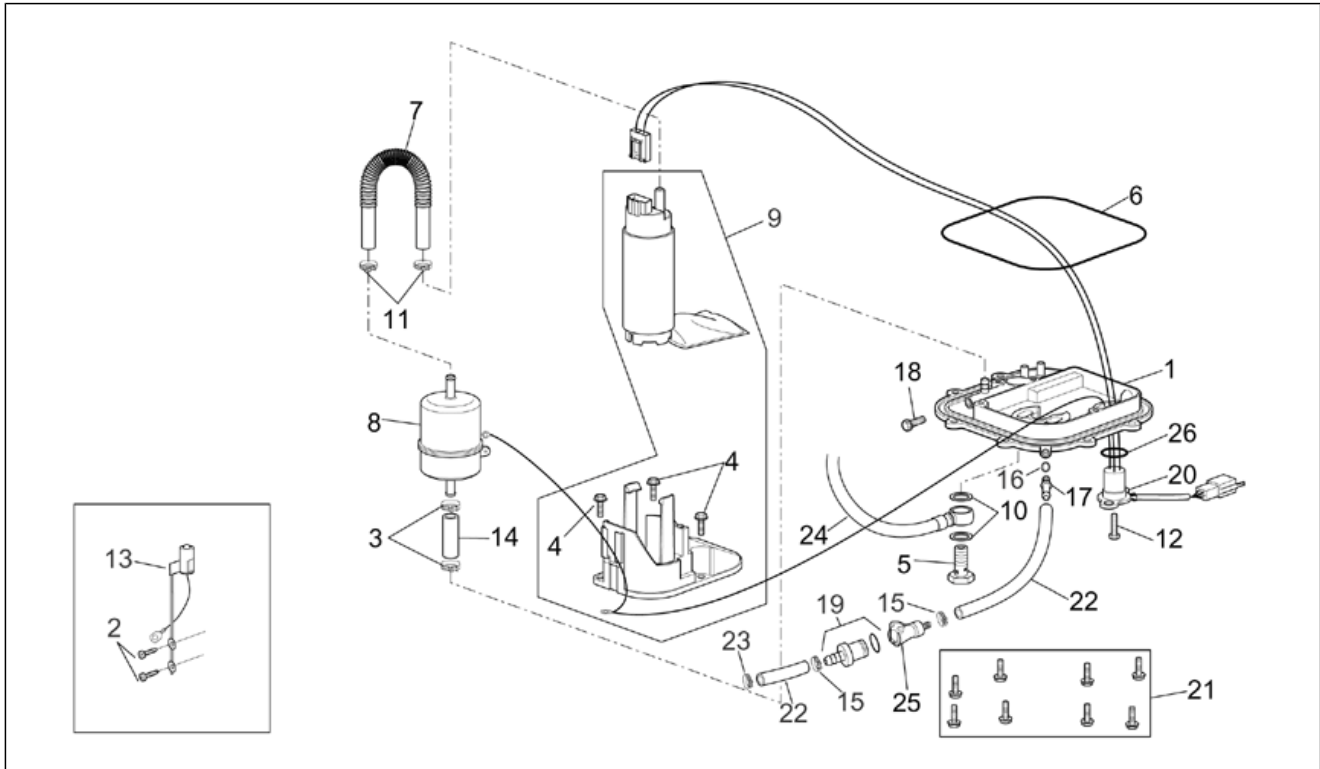
Pos.	Code	Beschreibung	Menge	Varianten
7	AP8152277	TE Schr. m. Flansch M6x12	1	Baujahr: 2002[2] Technische Daten: "Version ""R"" 2002-2003"[R]
8	AP8144319	Entlüftungsschl. Tank	2	Baujahr: 2003[3], 2004[4], 2005[5] Technische Daten: "Version ""R - Standard"" 2004-2005"[RS], "Version ""Base"" 2002-2003"[ST]
8	AP8144319	Entlüftungsschl. Tank	2	Baujahr: 2002[2] Technische Daten: "Version ""R"" 2002-2003"[R]
9	AP8152272	TE Schr. m. Flansch M5x12	2	Baujahr: 2002[2] Technische Daten: "Version ""R"" 2002-2003"[R]
9	AP8152272	TE Schr. m. Flansch M5x12	2	Baujahr: 2003[3], 2004[4], 2005[5] Technische Daten: "Version ""R - Standard"" 2004-2005"[RS], "Version ""Base"" 2002-2003"[ST]
10	AP8102873	Anschluss	1	Baujahr: 2003[3], 2004[4], 2005[5] Technische Daten: "Version ""R - Standard"" 2004-2005"[RS], "Version ""Base"" 2002-2003"[ST]
10	AP8102873	Anschluss	1	Baujahr: 2002[2] Technische Daten: "Version ""R"" 2002-2003"[R]
11	AP8102626	2-Wege Anschluß	1	Baujahr: 2002[2] Technische Daten: "Version ""R"" 2002-2003"[R]
11	AP8102626	2-Wege Anschluß	1	Baujahr: 2003[3], 2004[4], 2005[5] Technische Daten: "Version ""R - Standard"" 2004-2005"[RS], "Version ""Base"" 2002-2003"[ST]
12	AP8120253	Distanzscheibe	2	Baujahr: 2003[3], 2004[4], 2005[5] Technische Daten: "Version ""R - Standard"" 2004-2005"[RS], "Version ""Base"" 2002-2003"[ST]
12	AP8120253	Distanzscheibe	2	Baujahr: 2002[2] Technische Daten: "Version ""R"" 2002-2003"[R]
13	AP8127321	Kraftstoffpumpe kabel	1	Baujahr: 2002[2] Technische Daten: "Version ""R"" 2002-2003"[R]
13	AP8127321	Kraftstoffpumpe kabel	1	Baujahr: 2003[3], 2004[4], 2005[5] Technische Daten: "Version ""R - Standard"" 2004-2005"[RS], "Version ""Base"" 2002-2003"[ST]
14	AP8152273	Flanschschraube M5x15	8	Baujahr: 2003[3], 2004[4], 2005[5]

Einheit	RAHMEN
Code	28.31
Beschreibung	Kraftstoffpumpe II
Inspektion	1



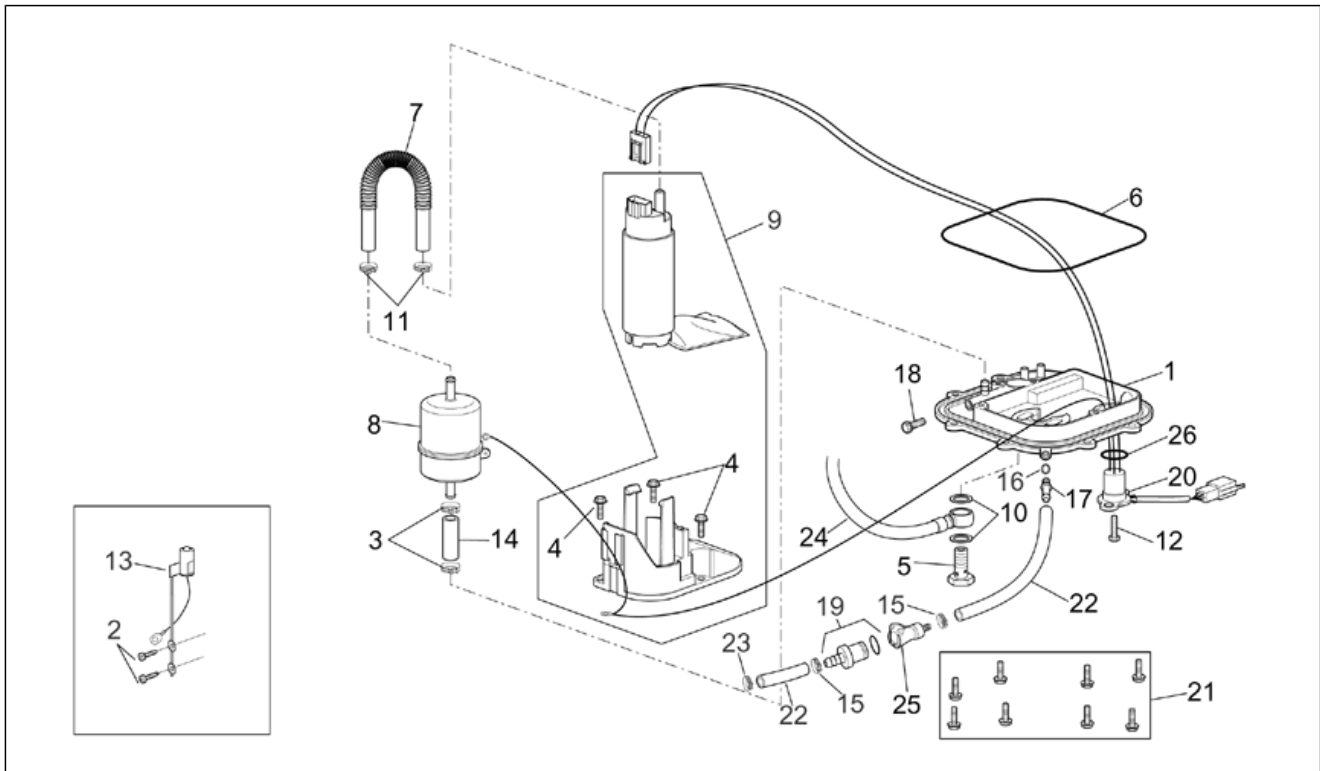
Pos.	Code	Beschreibung	Menge	Varianten
				Technische Daten: "Version ""R - Standard"" 2004-2005"[RS], "Version ""Base"" 2002-2003"[ST]
14	AP8152273	Flanschschraube M5x15	8	Baujahr: 2002[2] Technische Daten: "Version ""R"" 2002-2003"[R]
15	AP8144069	Kraftstoffleitung 6x13	1	Baujahr: 2003[3], 2004[4], 2005[5] Technische Daten: "Version ""R - Standard"" 2004-2005"[RS], "Version ""Base"" 2002-2003"[ST]
15	AP8144069	Kraftstoffleitung 6x13	1	Baujahr: 2002[2] Technische Daten: "Version ""R"" 2002-2003"[R]
16	AP8102239	Schelle 12,5x8	2	Baujahr: 2003[3], 2004[4], 2005[5] Technische Daten: "Version ""R - Standard"" 2004-2005"[RS], "Version ""Base"" 2002-2003"[ST]
16	AP8102239	Schelle 12,5x8	2	Baujahr: 2002[2] Technische Daten: "Version ""R"" 2002-2003"[R]
17	AP8120992	Kraftstoffleitung	1	Baujahr: 2002[2] Technische Daten: "Version ""R"" 2002-2003"[R]
17	AP8120992	Kraftstoffleitung	1	Baujahr: 2003[3], 2004[4], 2005[5] Technische Daten: "Version ""R - Standard"" 2004-2005"[RS], "Version ""Base"" 2002-2003"[ST]
18	AP8102829	Anschluss	1	Baujahr: 2002[2] Technische Daten: "Version ""R"" 2002-2003"[R]
18	AP8102829	Anschluss	1	Baujahr: 2003[3], 2004[4], 2005[5] Technische Daten: "Version ""R - Standard"" 2004-2005"[RS], "Version ""Base"" 2002-2003"[ST]
19	AP8144475	Gasket ring	1	Baujahr: 2003[3], 2004[4], 2005[5] Technische Daten: "Version ""R - Standard"" 2004-2005"[RS], "Version ""Base"" 2002-2003"[ST]
19	AP8144475	Gasket ring	1	Baujahr: 2002[2] Technische Daten: "Version ""R"" 2002-2003"[R]

Einheit	RAHMEN
Code	28.32
Beschreibung	Racing 2003 Kraftstoffpumpe
Inspektion	1



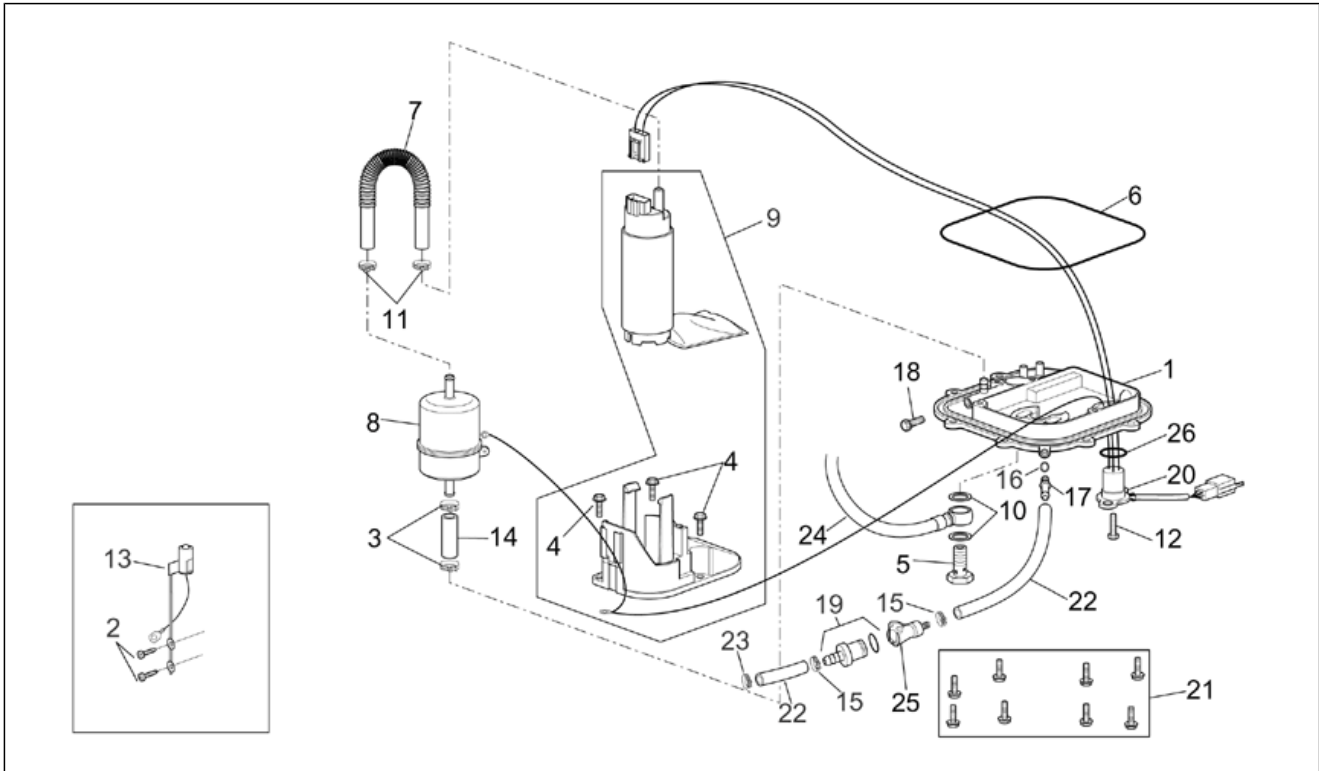
Pos.	Code	Beschreibung	Menge	Varianten
1	AP8134750	Kraftst.pumpen-Versch.	1	Baujahr: 2003[3], 2004[4], 2005[5] Technische Daten: "Version ""R"" 2002-2003"[R], "Version ""R - Factory"" 2004-2005"[RF]
2	AP8104455	Gew.schr. 2,9x9,5	2	Baujahr: 2003[3], 2004[4], 2005[5] Technische Daten: "Version ""R"" 2002-2003"[R], "Version ""R - Factory"" 2004-2005"[RF]
3	AP8102765	Schlauchschelle weiß D.13,5x6	2	Baujahr: 2003[3], 2004[4], 2005[5] Technische Daten: "Version ""R"" 2002-2003"[R], "Version ""R - Factory"" 2004-2005"[RF]
4	AP8121536	Schraube	8	Baujahr: 2003[3], 2004[4], 2005[5] Technische Daten: "Version ""R"" 2002-2003"[R], "Version ""R - Factory"" 2004-2005"[RF]
5	AP8106443	Lochschaube	2	Baujahr: 2003[3], 2004[4], 2005[5] Technische Daten: "Version ""R"" 2002-2003"[R], "Version ""R - Factory"" 2004-2005"[RF]
6	AP8176032	Gasket ring	1	Baujahr: 2003[3], 2004[4], 2005[5] Technische Daten: "Version ""R"" 2002-2003"[R], "Version ""R - Factory"" 2004-2005"[RF]
7	AP8144226	Kraftstoffleitung	1	Baujahr: 2003[3], 2004[4], 2005[5] Technische Daten: "Version ""R"" 2002-2003"[R], "Version ""R - Factory"" 2004-2005"[RF]
8	AP8102971	Kraftstofffilter	1	Baujahr: 2003[3], 2004[4], 2005[5] Technische Daten: "Version ""R"" 2002-2003"[R], "Version ""R - Factory"" 2004-2005"[RF]
9	AP8176078	Kraftst.pumpen-kit	1	Baujahr: 2003[3], 2004[4], 2005[5] Technische Daten: "Version ""R"" 2002-2003"[R], "Version ""R - Factory"" 2004-2005"[RF]
10	AP8106444	Dichtung 18x12,2x1,5	4	Baujahr: 2003[3], 2004[4], 2005[5] Technische Daten: "Version ""R"" 2002-2003"[R], "Version ""R - Factory"" 2004-2005"[RF]
11	AP8104458	Schelle	1	Baujahr: 2003[3], 2004[4], 2005[5] Technische Daten: "Version ""R"" 2002-2003"[R], "Version ""R - Factory"" 2004-2005"[RF]
12	AP8152278	TE Schr. m. Flansch M6x16	2	Baujahr: 2003[3], 2004[4], 2005[5]

Einheit	RAHMEN
Code	28.32
Beschreibung	Racing 2003 Kraftstoffpumpe
Inspektion	1



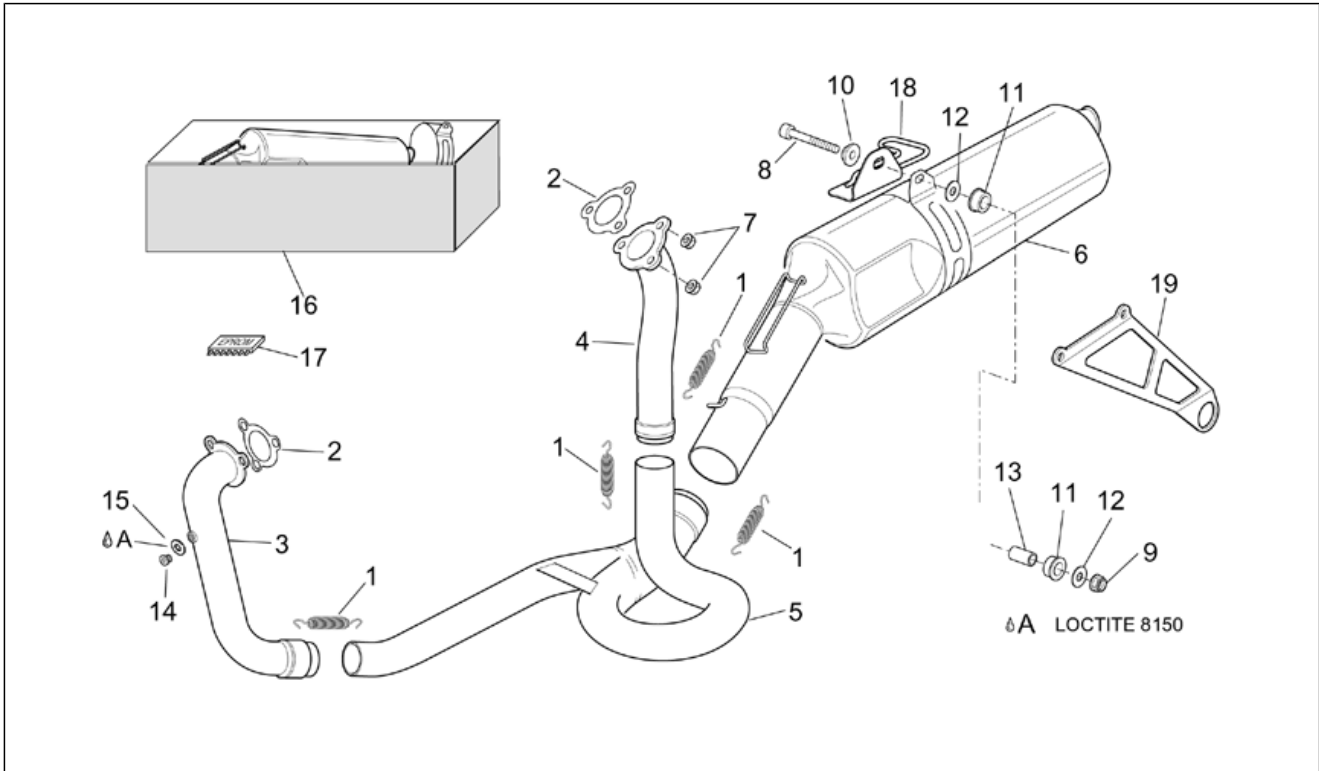
Pos.	Code	Beschreibung	Menge	Varianten
				Technische Daten: "Version ""R"" 2002-2003"[R], "Version ""R - Factory"" 2004-2005"[RF]
13	AP8127540	Standfühler	1	Baujahr: 2003[3], 2004[4], 2005[5] Technische Daten: "Version ""R"" 2002-2003"[R], "Version ""R - Factory"" 2004-2005"[RF]
14	AP8144476	Kraftstoffleitung	1	Baujahr: 2003[3], 2004[4], 2005[5] Technische Daten: "Version ""R"" 2002-2003"[R], "Version ""R - Factory"" 2004-2005"[RF]
15	AP8102764	Schlauchschelle weiß d.13x6	2	Baujahr: 2003[3], 2004[4], 2005[5] Technische Daten: "Version ""R"" 2002-2003"[R], "Version ""R - Factory"" 2004-2005"[RF]
16	AP8152184	Ausgleichscheibe 6,4x12*	2	Baujahr: 2003[3], 2004[4], 2005[5] Technische Daten: "Version ""R"" 2002-2003"[R], "Version ""R - Factory"" 2004-2005"[RF]
17	AP8102626	2-Wege Anschluß	1	Baujahr: 2003[3], 2004[4], 2005[5] Technische Daten: "Version ""R"" 2002-2003"[R], "Version ""R - Factory"" 2004-2005"[RF]
18	AP8152277	TE Schr. m. Flansch M6x12	1	Baujahr: 2003[3], 2004[4], 2005[5] Technische Daten: "Version ""R"" 2002-2003"[R], "Version ""R - Factory"" 2004-2005"[RF]
19	AP8102873	Anschluss	1	Baujahr: 2003[3], 2004[4], 2005[5] Technische Daten: "Version ""R"" 2002-2003"[R], "Version ""R - Factory"" 2004-2005"[RF]
20	AP8127321	Kraftstoffpumpe kabel	1	Baujahr: 2003[3], 2004[4], 2005[5] Technische Daten: "Version ""R"" 2002-2003"[R], "Version ""R - Factory"" 2004-2005"[RF]
21	AP8152273	Flanschschraube M5x15	8	Baujahr: 2003[3], 2004[4], 2005[5] Technische Daten: "Version ""R"" 2002-2003"[R], "Version ""R - Factory"" 2004-2005"[RF]
22	AP8144069	Kraftstoffleitung 6x13	1	Baujahr: 2003[3], 2004[4], 2005[5] Technische Daten: "Version ""R"" 2002-2003"[R], "Version ""R - Factory"" 2004-2005"[RF]
23	AP8102239	Schelle 12,5x8	2	Baujahr: 2003[3], 2004[4], 2005[5]

Einheit	RAHMEN
Code	28.32
Beschreibung	Racing 2003 Kraftstoffpumpe
Inspektion	1



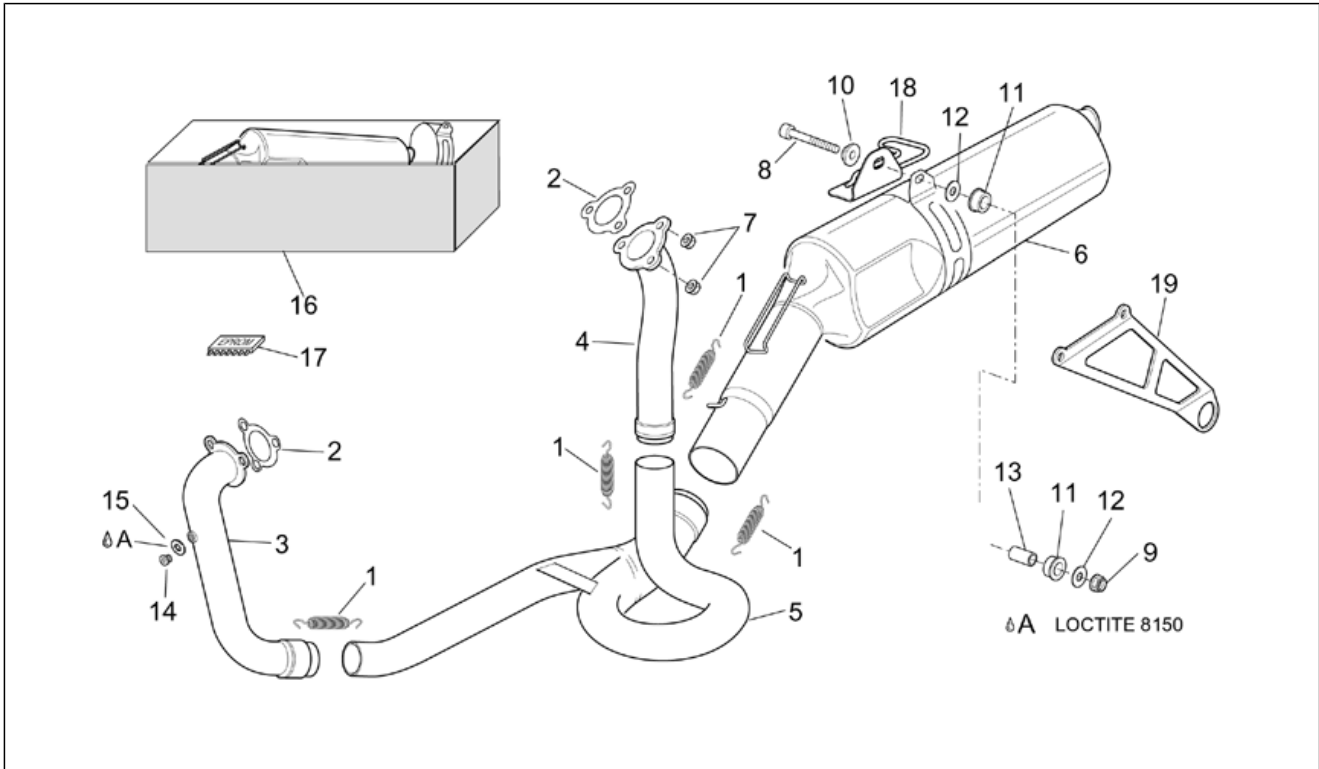
Pos.	Code	Beschreibung	Menge	Varianten
				Technische Daten: "Version ""R"" 2002-2003"[R], "Version ""R - Factory"" 2004-2005"[RF]
24	AP8120992	Kraftstoffleitung	1	Baujahr: 2003[3], 2004[4], 2005[5] Technische Daten: "Version ""R"" 2002-2003"[R], "Version ""R - Factory"" 2004-2005"[RF]
25	AP8102829	Anschluss	1	Baujahr: 2003[3], 2004[4], 2005[5] Technische Daten: "Version ""R"" 2002-2003"[R], "Version ""R - Factory"" 2004-2005"[RF]
26	AP8144475	Gasket ring	1	Baujahr: 2003[3], 2004[4], 2005[5] Technische Daten: "Version ""R"" 2002-2003"[R], "Version ""R - Factory"" 2004-2005"[RF]

Einheit	RAHMEN
Code	28.34
Beschreibung	Auspuffrohr
Inspektion	1



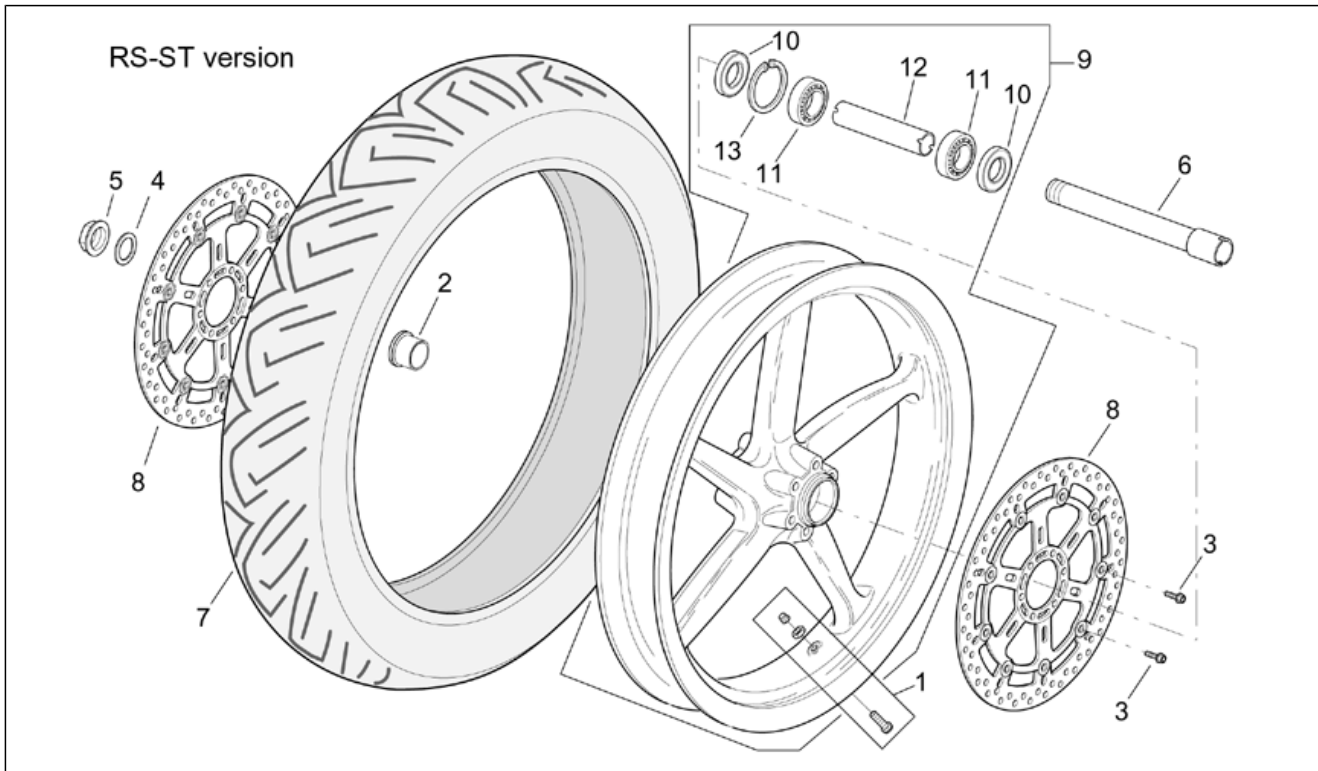
Pos.	Code	Beschreibung	Menge	Varianten
1	AP8121170	Feder	4	
2	AP8119414	Dichtung Auspuffrohr	2	
3	AP8119579	Auspuffrohr vorn	1	
4	AP8119578	Auspuffrohr hinten	1	
5	AP8119581	Mittlerer Auslaßkrümm.	1	
6	AP8119629	Auspuff	1	Baujahr: 2002[2] Technische Daten: Version OHNE Katalysator[nc], "Version ""R"" 2002-2003"[R]
6	AP8119629	Auspuff	1	Baujahr: 2003[3] Technische Daten: Version OHNE Katalysator[nc], "Version ""Base"" 2002-2003"[ST]
6	AP8119706	Auspuff	1	Baujahr: 2002[2] Technische Daten: Version mit Katalysator[c], "Version ""R"" 2002-2003"[R]
6	AP8119706	Auspuff	1	Baujahr: 2003[3] Technische Daten: Version mit Katalysator[c], "Version ""Base"" 2002-2003"[ST]
6	AP8119749	Auspuff	1	Baujahr: 2003[3] Technische Daten: Version OHNE Katalysator[nc], "Version ""R"" 2002-2003"[R]
6	AP8119752	Auspuff	1	Baujahr: 2003[3] Technische Daten: Version mit Katalysator[c], "Version ""R"" 2002-2003"[R]
6	AP8119752	Auspuff	1	Baujahr: 2004[4], 2005[5] Land: USA (Zulassung 49 Staaten)[AM], USA (Zulassung California)[CF], Vereinigte Staaten von Amerika[USA] Technische Daten: Version mit Katalysator[c]
6	AP8119827	Auspuff	1	Baujahr: 2004[4], 2005[5] Land: Österreich[A], Australien[AA], Australien[AUS], Belgien[B], Schweiz[CH], Deutschland[D], Dänemark[DK], Spanien[E], I, E, NL[EU], Frankreich[F], Griechenland[GR], Italien[I], Japan[J], J[JJ], Mexiko[ME], ME[MX], Holland[NL], Spanien[SP], Großbritannien[UK]

Einheit	RAHMEN
Code	28.34
Beschreibung	Auspuffrohr
Inspektion	1



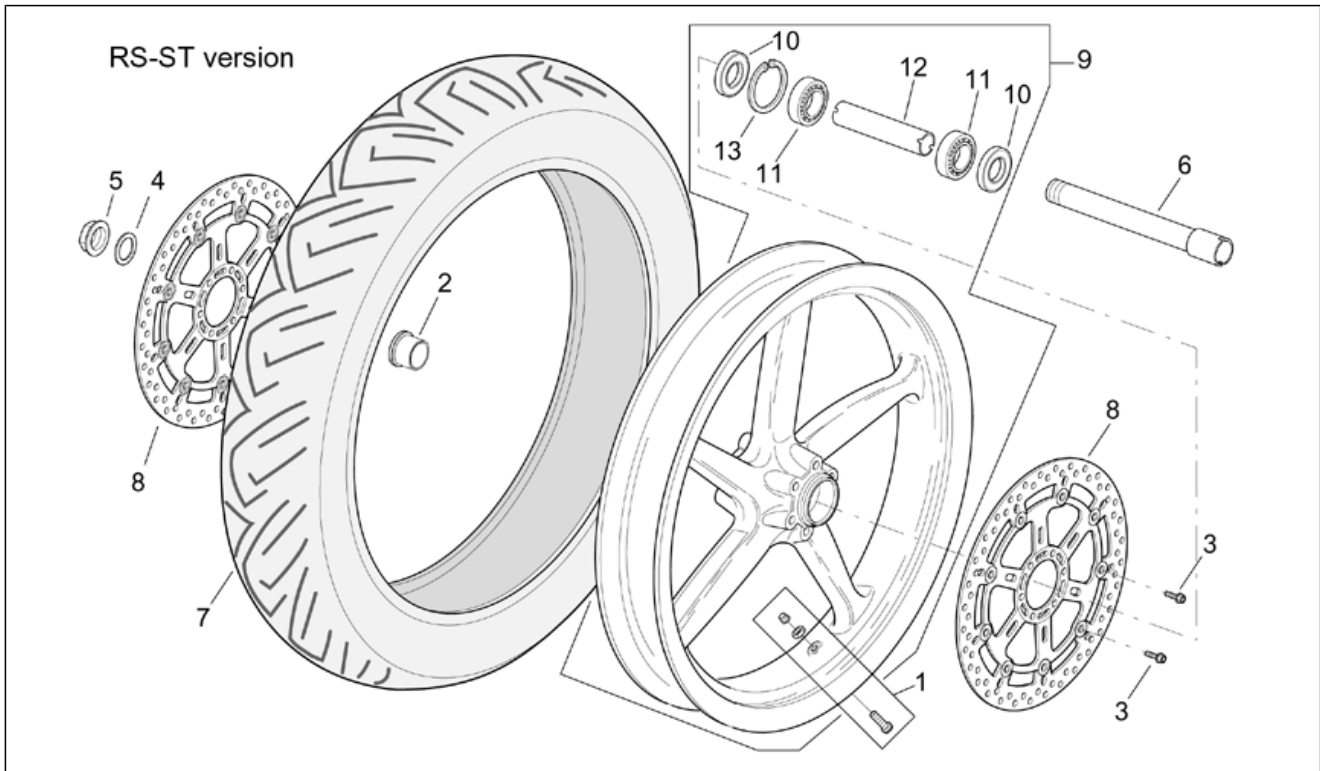
Pos.	Code	Beschreibung	Menge	Varianten
				Technische Daten: Version mit Katalysator[c]
7	AP8150334	Mutter M8	6	
8	AP8150277	TCEI Schraube M8x50	1	
9	AP8152300	Selbstsperrende Mutter M8	1	
10	AP8134378	Fixierhülse Schalldämpfer	1	
11	AP8144071	Gummi auspuffrohr	2	
12	AP8150018	Ausgleichscheibe	2	
13	AP8121773	Distanzscheibe *	1	
14	AP8119497	CO-Anschlußschraube	2	
15	AP8113004	Ausgleichscheibe 10x14x1,6*	2	
16	AP8119737	Schalldämpfer kit	1	Technische Daten: Renn-Kit für Version Racing 2003[kit]
17	AP8127374	Eprom	1	Technische Daten: Renn-Kit für Version Racing 2003[kit]
18	AP8119630	Auspuffrohr Wärmeschutz	1	Land: USA (Zulassung 49 Staaten)[AM], USA (Zulassung California)[CF], Vereinigte Staaten von Amerika[USA]
19	AP8134609	Bügel Auspuffrohr	1	Technische Daten: Renn-Kit für Version Racing 2003[kit]

Einheit	RAHMEN
Code	28.35
Beschreibung	Vorderrad Vers. ST-RS
Inspektion	1



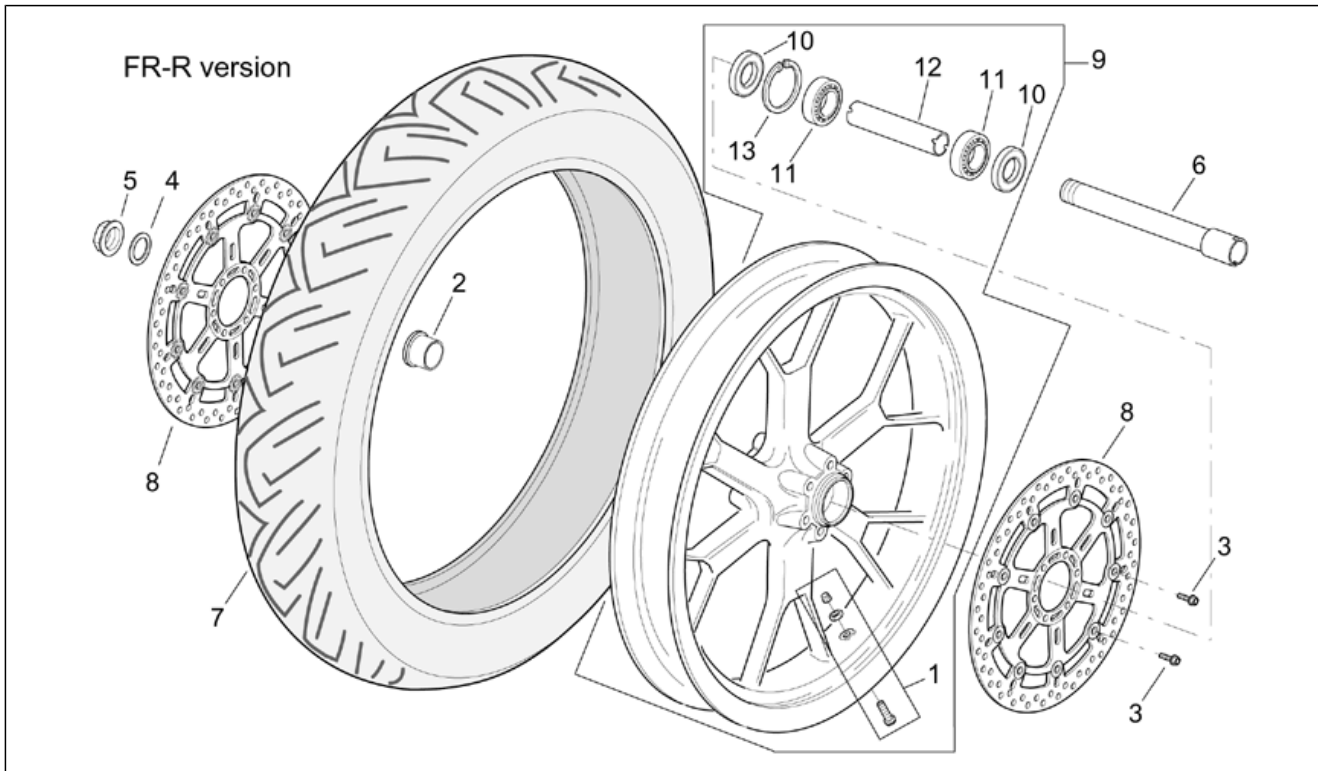
Pos.	Code	Beschreibung	Menge	Varianten
1	AP8101744	Schlauchloses Reifenventil	1	Technische Daten: "Version ""R - Standard"" 2004-2005"[RS], "Version ""Base"" 2002-2003"[ST]
2	AP8125728	Außen r. V.rad Distanzscheibe	1	Technische Daten: "Version ""R - Standard"" 2004-2005"[RS], "Version ""Base"" 2002-2003"[ST]
3	AP8152286	TE Schr. m. Flansch M8x20	12	Technische Daten: "Version ""R - Standard"" 2004-2005"[RS], "Version ""Base"" 2002-2003"[ST]
4	AP8152323	Ausgleichscheibe 25,2x36x1	1	Technische Daten: "Version ""R - Standard"" 2004-2005"[RS], "Version ""Base"" 2002-2003"[ST]
5	AP8152335	Radbolzenmutter	1	Technische Daten: "Version ""R - Standard"" 2004-2005"[RS], "Version ""Base"" 2002-2003"[ST]
6	AP8125827	Vorderradbolzen	1	Technische Daten: "Version ""R - Standard"" 2004-2005"[RS], "Version ""Base"" 2002-2003"[ST]
7	0000000	Reifen	1	Technische Daten: "Version ""R - Standard"" 2004-2005"[RS], "Version ""Base"" 2002-2003"[ST]
8	AP8113926	Vorderradbremsscheibe 320	2	Technische Daten: Brembo[B], "Version ""R - Standard"" 2004-2005"[RS], "Version ""Base"" 2002-2003"[ST]
8	AP8133751	Vorderradbremsscheibe	2	Technische Daten: "Version ""R - Standard"" 2004-2005"[RS], "Version ""Base"" 2002-2003"[ST], Unisunstar[U]
9	AP8108675	Vorderrad, grau	1	Baujahr: 2002[2], 2003[3] Technische Daten: "Version ""Base"" 2002-2003"[ST]
9	AP8108675	Vorderrad, grau	1	Baujahr: 2004[4], 2005[5] Fahrzeugfarbe: Rot Fluo 2004[f.red] Technische Daten: "Version ""R - Standard"" 2004-2005"[RS]
9	AP8128086	Vorderrad, rot	1	Baujahr: 2004[4], 2005[5] Fahrzeugfarbe: Schwarz Darkness 2004[d.bla], Silver Mirror 2004[s.mir] Technische Daten: "Version ""R - Standard"" 2004-2005"[RS]
10	AP8125773	Gasket ring 30x47x7	2	Technische Daten: "Version ""R - Standard"" 2004-2005"[RS], "Version ""Base"" 2002-2003"[ST]

Einheit	RAHMEN
Code	28.35
Beschreibung	Vorderrad Vers. ST-RS
Inspektion	1



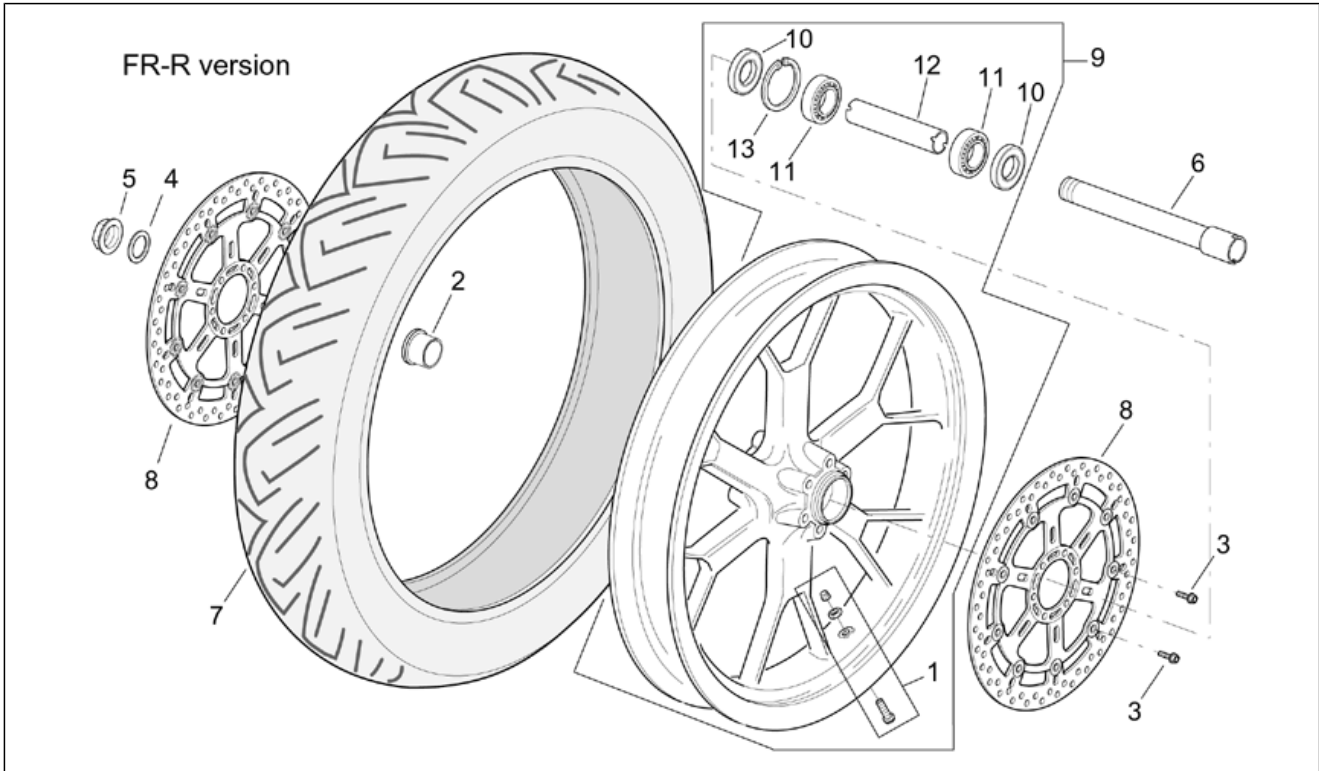
Pos.	Code	Beschreibung	Menge	Varianten
11	AP8125777	Kugellager 25x47x12	2	Technische Daten: "Version ""R - Standard"" 2004-2005"[RS], "Version ""Base"" 2002-2003"[ST]
12	AP8125778	Interne Distanzscheibe	1	Technische Daten: "Version ""R - Standard"" 2004-2005"[RS], "Version ""Base"" 2002-2003"[ST]
13	AP8125779	Seegerring	1	Technische Daten: "Version ""R - Standard"" 2004-2005"[RS], "Version ""Base"" 2002-2003"[ST]

Einheit	RAHMEN
Code	28.36
Beschreibung	Vorderrad Vers. R-RF
Inspektion	1



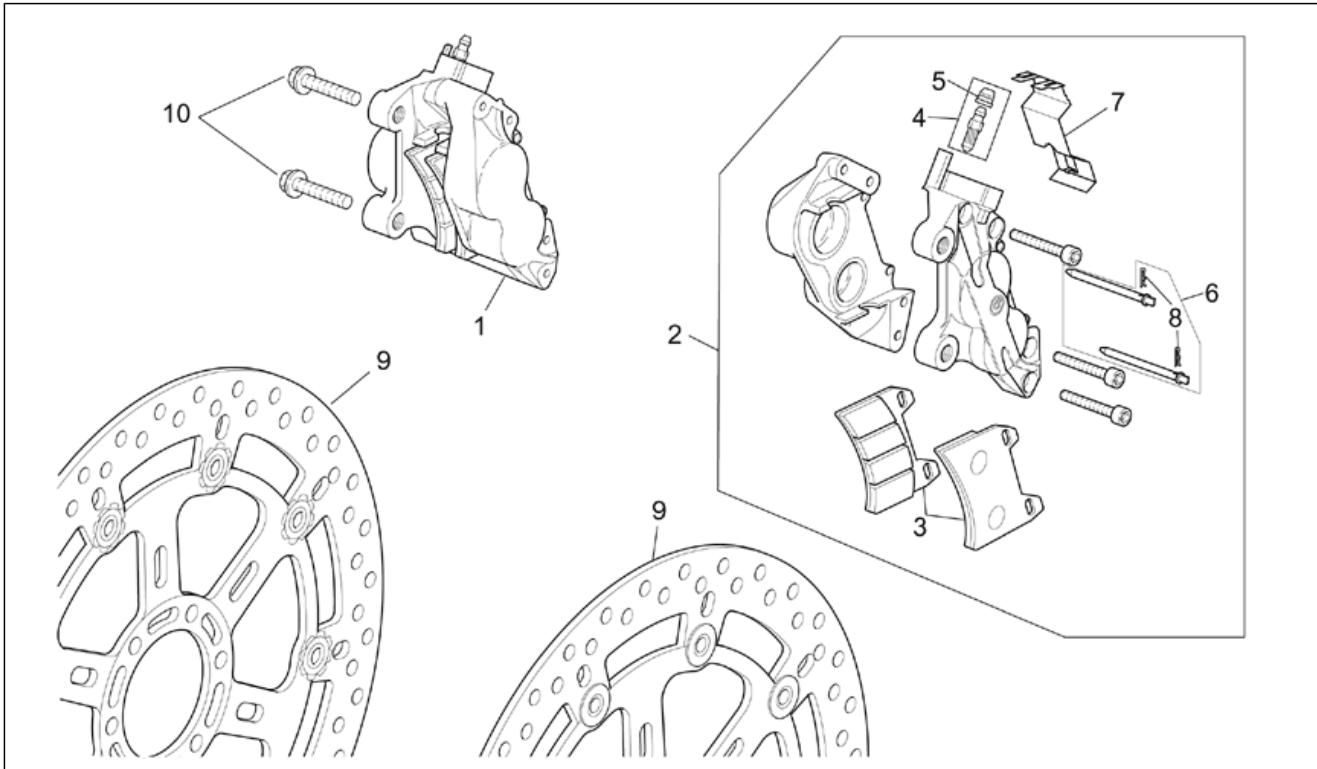
Pos.	Code	Beschreibung	Menge	Varianten
1	AP8104183	Schlauchloses Reifenventil	1	Technische Daten: "Version ""R"" 2002-2003"[R], "Version ""R - Factory"" 2004-2005"[RF]
2	AP8125728	Außen r. V.rad Distanzscheibe	1	Technische Daten: "Version ""R"" 2002-2003"[R], "Version ""R - Factory"" 2004-2005"[RF]
3	AP8152286	TE Schr. m. Flansch M8x20	12	Technische Daten: "Version ""R"" 2002-2003"[R], "Version ""R - Factory"" 2004-2005"[RF]
4	AP8152323	Ausgleichscheibe 25,2x36x1	1	Technische Daten: "Version ""R"" 2002-2003"[R], "Version ""R - Factory"" 2004-2005"[RF]
5	AP8152335	Radbolzenmutter	1	Technische Daten: "Version ""R"" 2002-2003"[R], "Version ""R - Factory"" 2004-2005"[RF]
6	AP8125827	Vorderradbolzen	1	Technische Daten: "Version ""R"" 2002-2003"[R], "Version ""R - Factory"" 2004-2005"[RF]
7	0000000	Reifen	1	Technische Daten: "Version ""R"" 2002-2003"[R], "Version ""R - Factory"" 2004-2005"[RF]
8	AP8113926	Vorderradbremsscheibe 320	2	Technische Daten: Brembo[B], "Version ""R"" 2002-2003"[R], "Version ""R - Factory"" 2004-2005"[RF]
8	AP8133751	Vorderradbremsscheibe	2	Technische Daten: "Version ""R"" 2002-2003"[R], "Version ""R - Factory"" 2004-2005"[RF], Unisunstar[U]
9	AP8108975	Vorderrad	1	Baujahr: 2002[2] Fahrzeugfarbe: "Schwarz Diablo ""Racing"" 2002"[rac] Technische Daten: "Version ""R"" 2002-2003"[R]
9	AP8108994	Vorderrad, blau OZ-Alu	1	Baujahr: 2005[5] Technische Daten: "Version ""R - Factory"" 2004-2005"[RF]
9	AP8128036	Vorderrad	1	Baujahr: 2003[3] Technische Daten: "Version ""R"" 2002-2003"[R], Racing GARA 2003[RG]
9	AP8128036	Vorderrad	1	Baujahr: 2004[4] Technische Daten: "Version ""R - Factory"" 2004-2005"[RF]
10	AP8125841	Gasket ring 30x47x7	2	Technische Daten: "Version ""R"" 2002-2003"[R], "Version ""R - Factory"" 2004-2005"[RF]
11	AP8110094	Lager 25x47x12	2	Technische Daten: "Version ""R"" 2002-2003"[R], "Version ""R - Factory"" 2004-2005"[RF]

Einheit	RAHMEN
Code	28.36
Beschreibung	Vorderrad Vers. R-RF
Inspektion	1



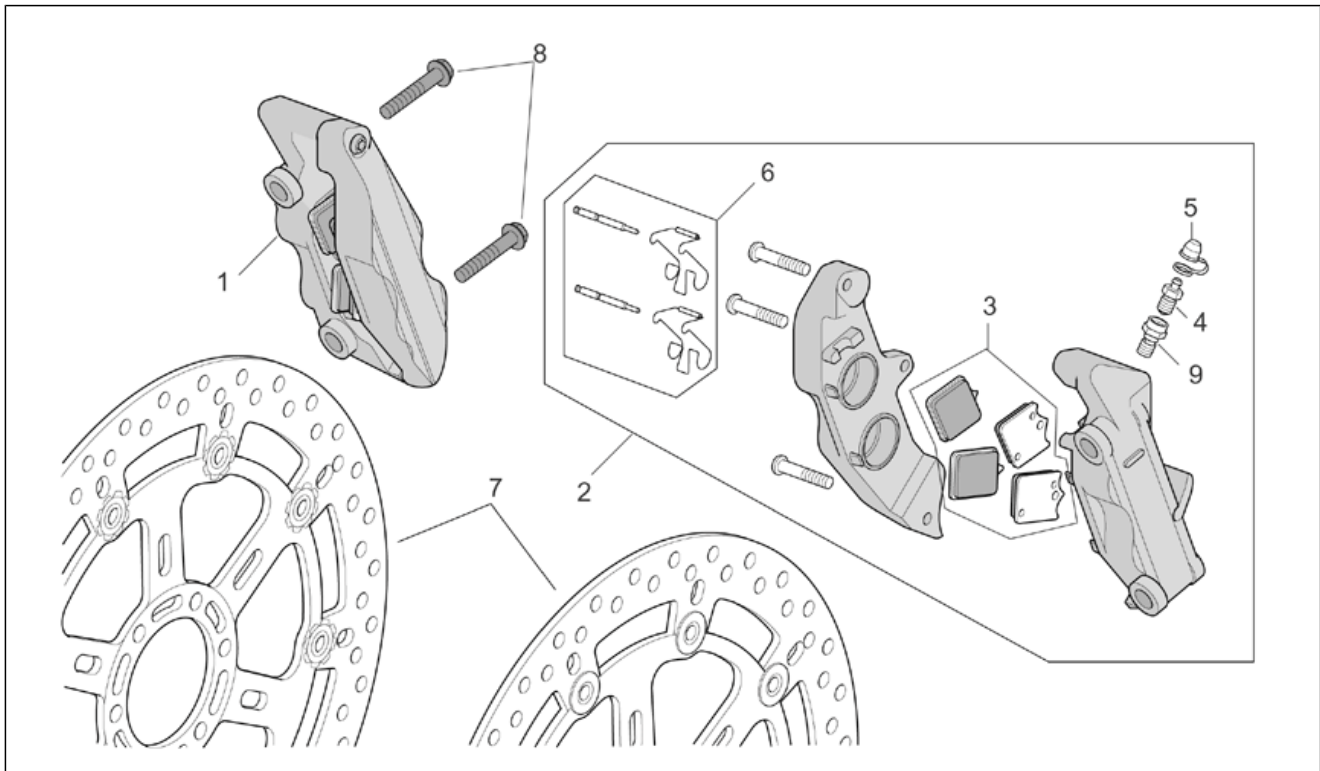
Pos.	Code	Beschreibung	Menge	Varianten
12	AP8125843	Interne Distanzscheibe	1	Technische Daten: "Version ""R"" 2002-2003"[R], "Version ""R - Factory"" 2004-2005"[RF]
13	AP8125842	Sprengring d47	1	Technische Daten: "Version ""R"" 2002-2003"[R], "Version ""R - Factory"" 2004-2005"[RF]

Einheit	RAHMEN
Code	28.37
Beschreibung	ST-RS vers.Vorderradbremzange
Inspektion	1



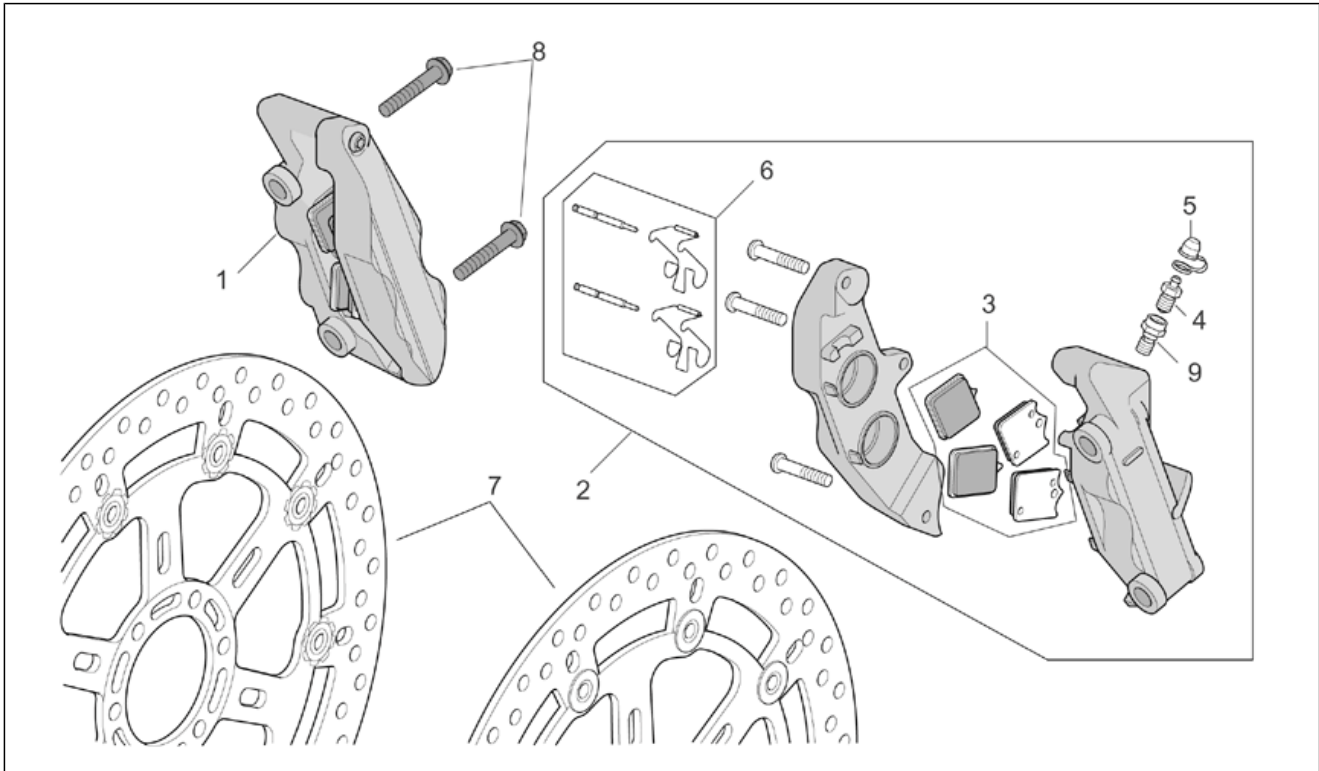
Pos.	Code	Beschreibung	Menge	Varianten
1	AP8113774	Vorderradbremzange r., rot	1	Technische Daten: Für Standardbremssattel[sc]
1	AP8133612	Bremsan.vorn rs Gold	1	Technische Daten: Für Standardbremssattel[sc]
2	AP8113775	Vorderradbremzange l., rot	1	Technische Daten: Für Standardbremssattel[sc]
2	AP8133613	Bremsan.vorn ls Gold	1	Technische Daten: Für Standardbremssattel[sc]
3	AP8113754	Beläge (Paar)	1	Technische Daten: Für Standardbremssattel[sc]
3	AP8133614	Beläge (Paar)	2	Technische Daten: Für Standardbremssattel[sc]
4	AP8213193	Entlüftungsanschluß	2	Technische Daten: Für Standardbremssattel[sc]
5	AP8113070	Entlüftungskappe	2	Technische Daten: Für Standardbremssattel[sc]
6	AP8113721	Stift+Splint Bremse	2	Technische Daten: Für Standardbremssattel[sc]
7	AP8113722	Feder	2	Technische Daten: Für Standardbremssattel[sc]
8	AP8113723	Splint	2	Technische Daten: Für Standardbremssattel[sc]
9	AP8113926	Vorderradbremsscheibe 320	2	Technische Daten: Für Standardbremssattel[sc]
9	AP8133751	Vorderradbremsscheibe	2	Technische Daten: Für Standardbremssattel[sc]
10	AP8152385	TCEI Schraube M10x1,25	4	Technische Daten: Für Standardbremssattel[sc]

Einheit	RAHMEN
Code	28.38
Beschreibung	R-RF vers.Vorderradbremsszange
Inspektion	1



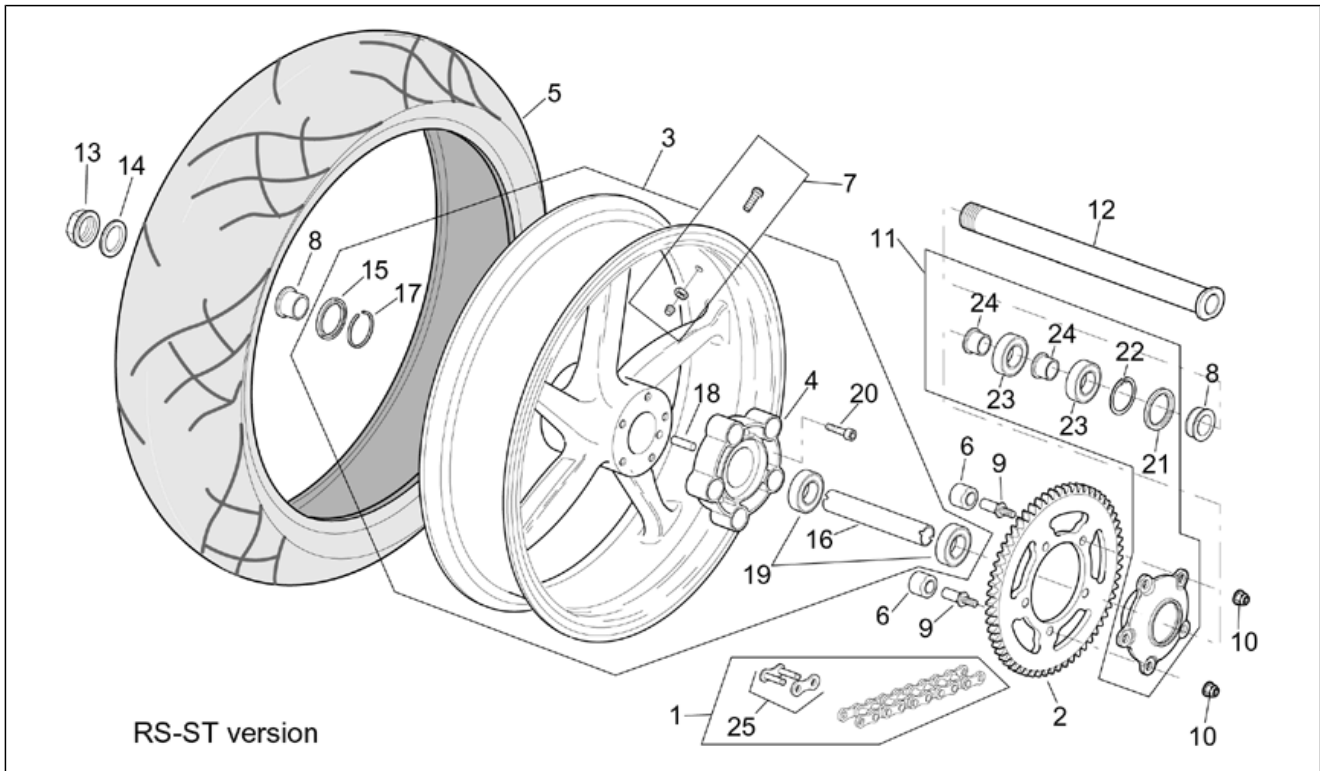
Pos.	Code	Beschreibung	Menge	Varianten
1	AP8113970	Bremszan.vorn rs Gold	1	Baujahr: 2002[2] Technische Daten: Für radial verschraubten Bremssattel[rc]
1	AP8133591	Bremszan.vorn rs Gold	1	Baujahr: 2004[4], 2005[5] Technische Daten: Für radial verschraubten Bremssattel[rc]
1	AP8133591	Bremszan.vorn rs Gold	1	Baujahr: 2003[3] Technische Daten: Für radial verschraubten Bremssattel[rc]
2	AP8113971	Bremszan.vorn ls Gold	1	Baujahr: 2002[2] Technische Daten: Für radial verschraubten Bremssattel[rc]
2	AP8133590	Bremszan.vorn ls Gold	1	Baujahr: 2004[4], 2005[5] Technische Daten: Für radial verschraubten Bremssattel[rc]
2	AP8133590	Bremszan.vorn ls Gold	1	Baujahr: 2003[3] Technische Daten: Für radial verschraubten Bremssattel[rc]
3	AP8133592	Beläge 4 st.	2	Technische Daten: Für radial verschraubten Bremssattel[rc]
4	AP8113973	Entlüftungsanschluß	2	Baujahr: 2002[2] Technische Daten: Für radial verschraubten Bremssattel[rc]
4	AP8133595	Entlüftungsanschluß	2	Baujahr: 2004[4], 2005[5] Technische Daten: Für radial verschraubten Bremssattel[rc]
4	AP8133595	Entlüftungsanschluß	2	Baujahr: 2003[3] Technische Daten: Für radial verschraubten Bremssattel[rc]
5	AP8113756	Entlüftungskappe 20 st.	2	Baujahr: 2002[2] Technische Daten: Für radial verschraubten Bremssattel[rc]
5	AP8133596	Entlüftungskappe 20 st.	2	Baujahr: 2003[3] Technische Daten: Für radial verschraubten Bremssattel[rc]
5	AP8133596	Entlüftungskappe 20 st.	2	Baujahr: 2004[4], 2005[5] Technische Daten: Für radial verschraubten Bremssattel[rc]
6	AP8113974	Bolzen+Bremse Felder	2	Technische Daten: Für radial verschraubten Bremssattel[rc]
7	AP8113926	Vorderradbremsscheibe 320	2	Technische Daten: Brembo[B], Für radial verschraubten Bremssattel[rc]
7	AP8133751	Vorderradbremsscheibe	2	Technische Daten: Für radial verschraubten Bremssattel[rc], Unisunstar[U]
8	AP8152385	TCEI Schraube M10x1,25	4	Technische Daten: Für radial verschraubten Bremssattel[rc]
9	AP8133597	Schraube	2	Baujahr: 2003[3], 2004[4], 2005[5]

Einheit	RAHMEN
Code	28.38
Beschreibung	R-RF vers.Vorderradbremsszange
Inspektion	1



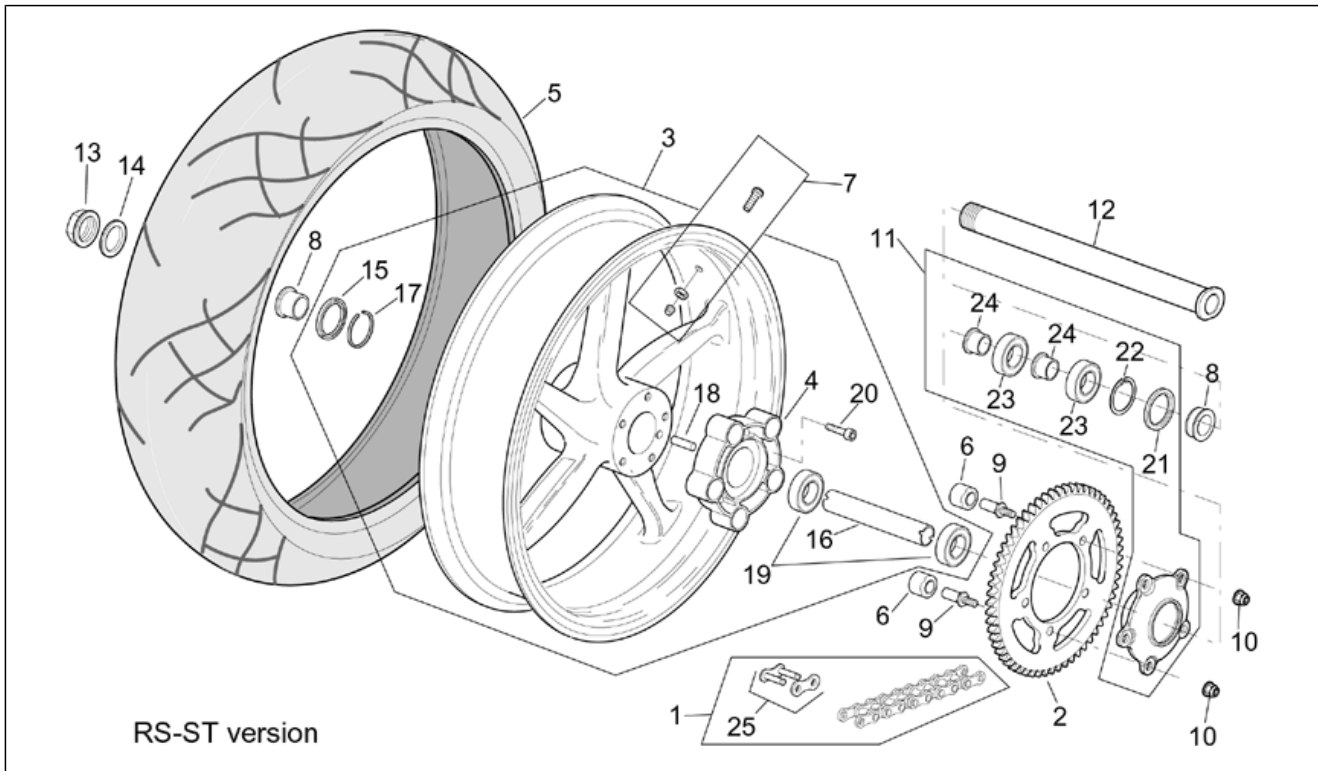
Pos.	Code	Beschreibung	Menge	Varianten
				Technische Daten:Für radial verschraubten Bremssattel[rc]

Einheit	RAHMEN
Code	28.39
Beschreibung	Hinterrad Vers. ST-RS
Inspektion	1



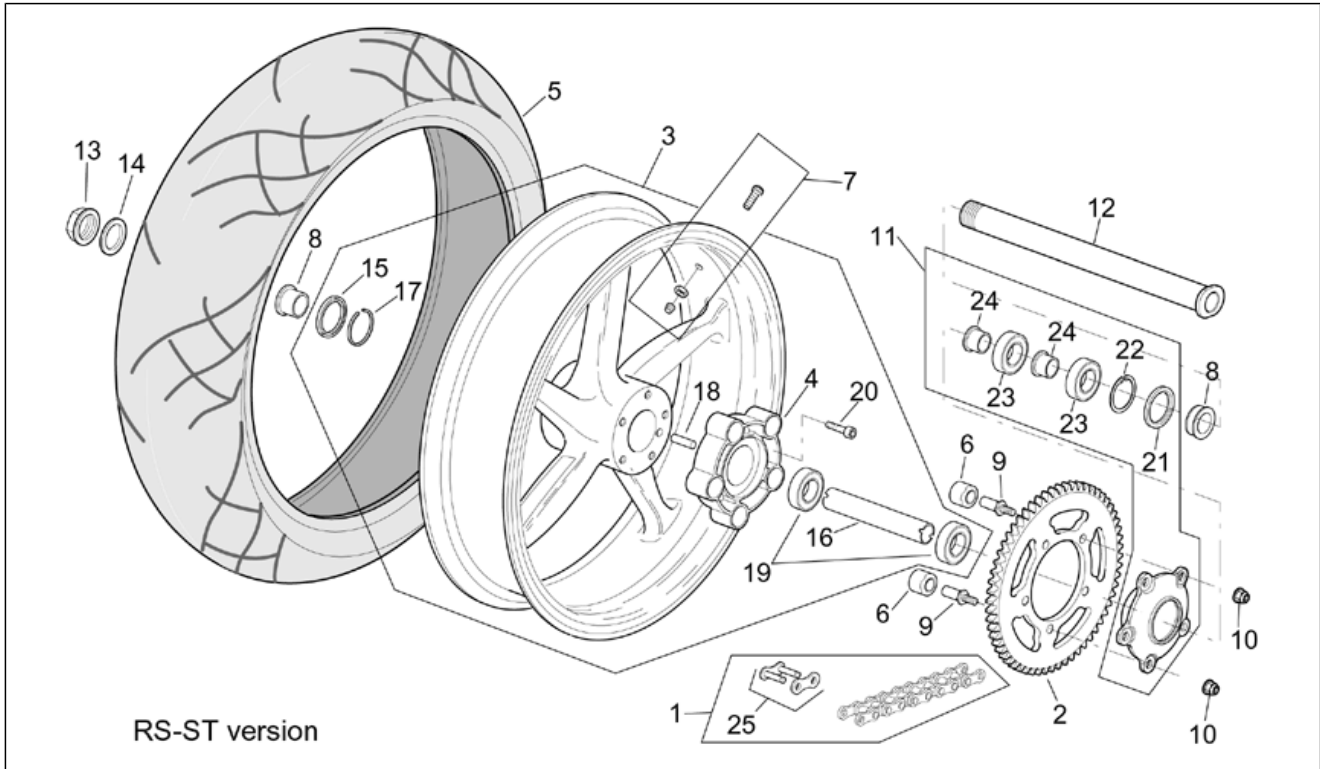
Pos.	Code	Beschreibung	Menge	Varianten
1	AP8107118	Kette Verbindungsgl.	1	Technische Daten: Für Kette mit Schrift D.I.D.[DID], "Version ""Base"" 2002-2003"[ST]
1	AP8107148	Kette Verbindungsgl.	1	Technische Daten: Für Kette mit Schrift REGINA[REG], "Version ""R - Standard"" 2004-2005"[RS], "Version ""Base"" 2002-2003"[ST]
2	AP8107122	Zahnkranz Z=42	1	Technische Daten: "Version ""R - Standard"" 2004-2005"[RS], "Version ""Base"" 2002-2003"[ST]
3	AP8108676	Hinterrad, grau	1	Baujahr: 2004[4], 2005[5] Fahrzeugfarbe: Rot Fluo 2004[f.red] Technische Daten: "Version ""R - Standard"" 2004-2005"[RS]
3	AP8108676	Hinterrad, grau	1	Baujahr: 2002[2], 2003[3] Technische Daten: "Version ""Base"" 2002-2003"[ST]
3	AP8128087	Hinterrad, rot	1	Baujahr: 2004[4], 2005[5] Fahrzeugfarbe: Schwarz Darkness 2004[d.bla], Silver Mirror 2004[s.mir] Technische Daten: "Version ""R - Standard"" 2004-2005"[RS]
4	AP8125733	Elast. Stoßlager Hint.rad	1	Baujahr: 2002[2], 2003[3] Technische Daten: "Version ""Base"" 2002-2003"[ST]
5	0000000	Reifen	1	Technische Daten: "Version ""R - Standard"" 2004-2005"[RS], "Version ""Base"" 2002-2003"[ST]
6	AP8125731	Stoßschutzgummi	5	Technische Daten: "Version ""R - Standard"" 2004-2005"[RS], "Version ""Base"" 2002-2003"[ST]
7	AP8101744	Schlauchloses Reifenventil	1	Technische Daten: "Version ""R - Standard"" 2004-2005"[RS], "Version ""Base"" 2002-2003"[ST]
8	AP8121225	Hinterrad Distanzscheibe	2	Technische Daten: "Version ""R - Standard"" 2004-2005"[RS], "Version ""Base"" 2002-2003"[ST]
9	AP8121408	Elast. Fixierbuchse	5	Technische Daten: "Version ""R - Standard"" 2004-2005"[RS], "Version ""Base"" 2002-2003"[ST]
10	AP8150436	Selbstsperr.mut Unt.	5	Technische Daten: "Version ""R - Standard"" 2004-2005"[RS], "Version ""Base"" 2002-2003"[ST]

Einheit	RAHMEN
Code	28.39
Beschreibung	Hinterrad Vers. ST-RS
Inspektion	1



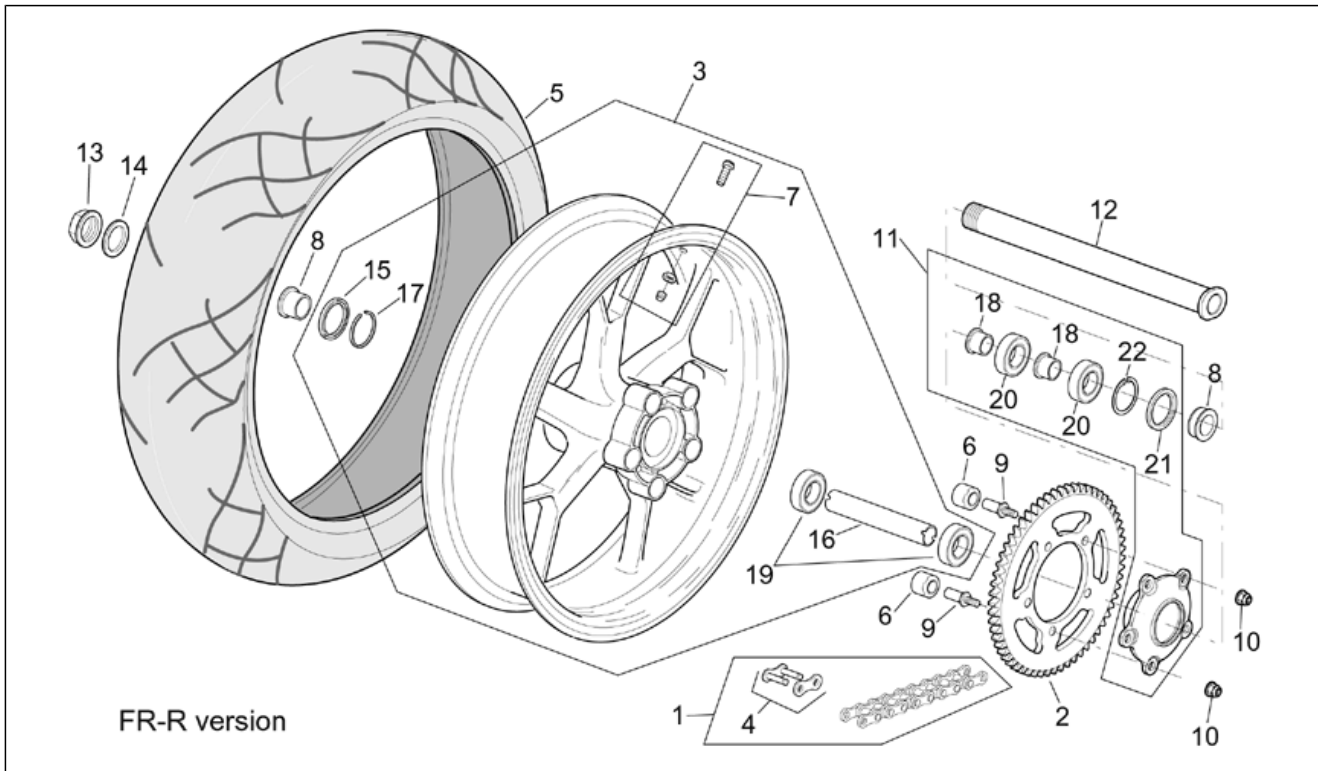
Pos.	Code	Beschreibung	Menge	Varianten
11	AP8125730	Radkranzhalter kplt.	1	Technische Daten: "Version ""R - Standard"" 2004-2005"[RS], "Version ""Base"" 2002-2003"[ST]
12	AP8125831	Hinterradbolzen	1	Technische Daten: "Version ""R - Standard"" 2004-2005"[RS], "Version ""Base"" 2002-2003"[ST]
13	AP8152324	Radbolzenmutter M25x1,5	1	Technische Daten: "Version ""R - Standard"" 2004-2005"[RS], "Version ""Base"" 2002-2003"[ST]
14	AP8152323	Ausgleichscheibe 25,2x36x1	1	Technische Daten: "Version ""R - Standard"" 2004-2005"[RS], "Version ""Base"" 2002-2003"[ST]
15	AP8125786	Gasket ring 38x52x7	1	Technische Daten: "Version ""R - Standard"" 2004-2005"[RS], "Version ""Base"" 2002-2003"[ST]
16	AP8125787	Distanzscheibe	1	Technische Daten: "Version ""R - Standard"" 2004-2005"[RS], "Version ""Base"" 2002-2003"[ST]
17	AP8125788	Seegerring	1	Technische Daten: "Version ""R - Standard"" 2004-2005"[RS], "Version ""Base"" 2002-2003"[ST]
18	AP8150463	Stift 10x20	1	Technische Daten: "Version ""R - Standard"" 2004-2005"[RS], "Version ""Base"" 2002-2003"[ST]
19	AP8106806	Lager 6205-2rs1 25x52x15	2	Technische Daten: "Version ""R - Standard"" 2004-2005"[RS], "Version ""Base"" 2002-2003"[ST]
20	AP8150195	TCEI Schraube M10x30	5	Technische Daten: "Version ""R - Standard"" 2004-2005"[RS], "Version ""Base"" 2002-2003"[ST]
21	AP8121213	Gasket ring 38x55x7	1	Technische Daten: "Version ""R - Standard"" 2004-2005"[RS], "Version ""Base"" 2002-2003"[ST]
22	AP8121212	Seegerring für Bohrung d55	1	Technische Daten: "Version ""R - Standard"" 2004-2005"[RS], "Version ""Base"" 2002-2003"[ST]
23	AP8110081	Lager 30x55x13	2	Technische Daten: "Version ""R - Standard"" 2004-2005"[RS], "Version ""Base"" 2002-2003"[ST]
24	AP8125732	elast. Distanzstück	2	Technische Daten: "Version ""R - Standard"" 2004-2005"[RS], "Version ""Base"" 2002-2003"[ST]
25	AP8107136	Verbindungsglied	1	Technische Daten: Für Kette mit Schrift D.I.D.[DID], "Version ""Base"" 2002-2003"[ST]

Einheit	RAHMEN
Code	28.39
Beschreibung	Hinterrad Vers. ST-RS
Inspektion	1



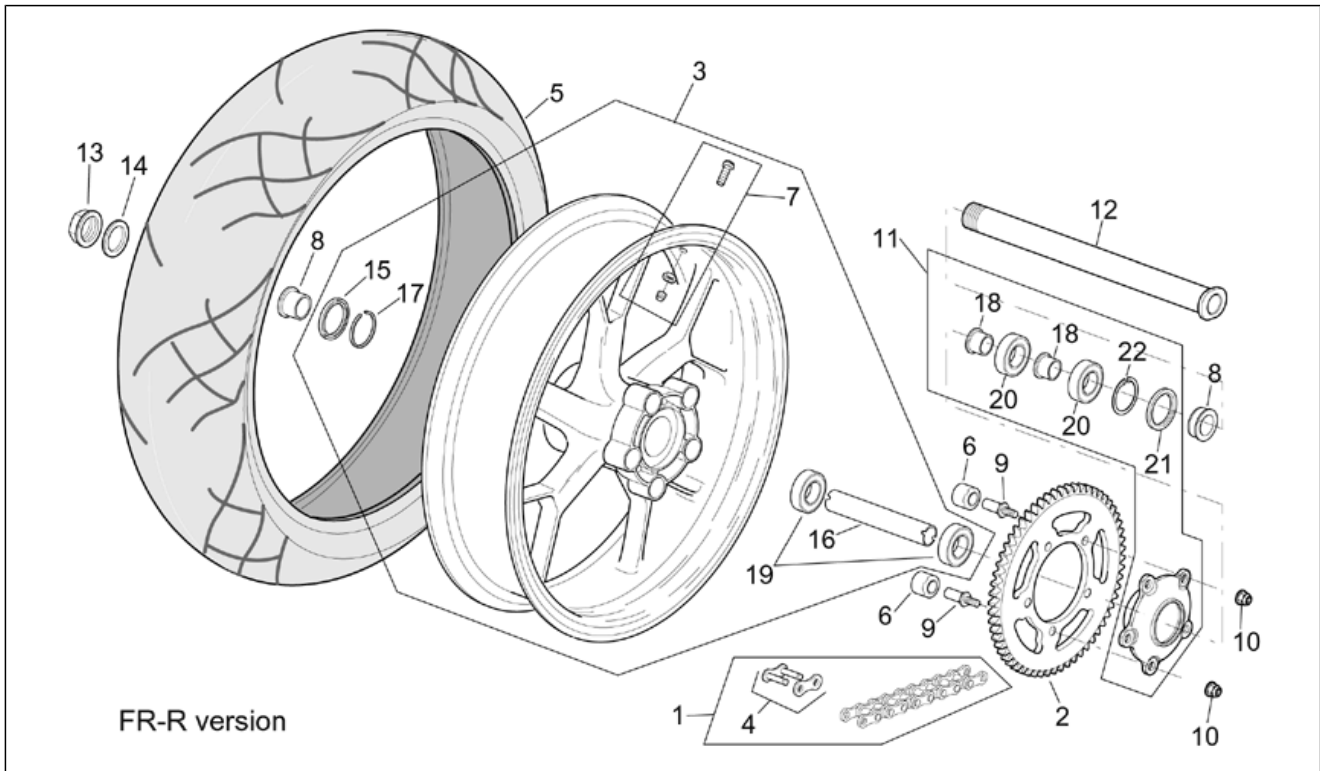
Pos.	Code	Beschreibung	Menge	Varianten
25	AP8107150	Verbindungsglied	1	Technische Daten: Für Kette mit Schrift REGINA[REG], "Version ""R - Standard"" 2004-2005"[RS], "Version ""Base"" 2002-2003"[ST]

Einheit	RAHMEN
Code	28.40
Beschreibung	Hinterrad Vers. R-RF
Inspektion	1



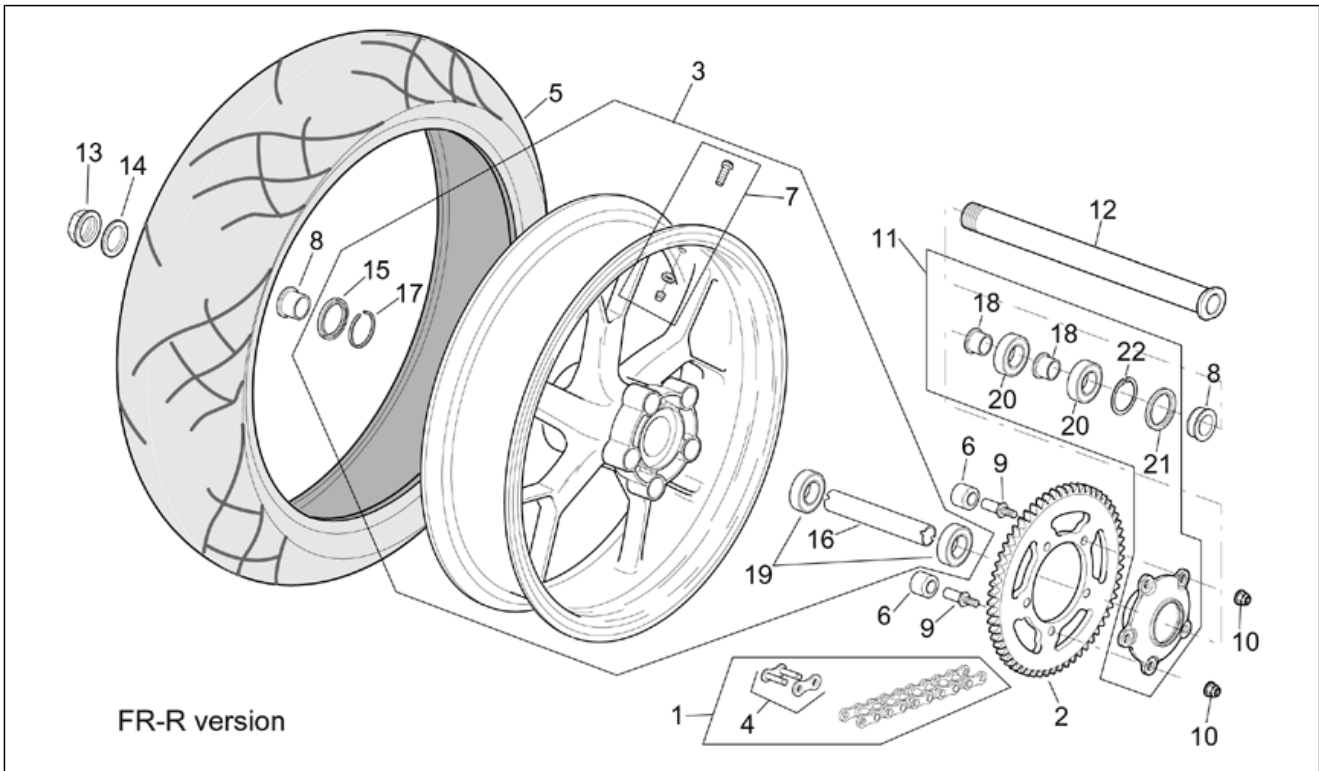
Pos.	Code	Beschreibung	Menge	Varianten
1	AP8107118	Kette Verbindungsgl.	1	Technische Daten: Für Kette mit Schrift D.I.D.[DID], "Version ""R"" 2002-2003"[R]
1	AP8107148	Kette Verbindungsgl.	1	Technische Daten: "Version ""R"" 2002-2003"[R], Für Kette mit Schrift REGINA[REG], "Version ""R - Factory"" 2004-2005"[RF]
2	AP8107122	Zahnkranz Z=42	1	Technische Daten: "Version ""R"" 2002-2003"[R], "Version ""R - Factory"" 2004-2005"[RF]
3	AP8108977	Hinterrad ohne Scheibe	1	Baujahr: 2002[2] Fahrzeugfarbe: "Schwarz Diablo ""Racing"" 2002"[rac] Technische Daten: "Version ""R"" 2002-2003"[R]
3	AP8128037	Hinterrad ohne Scheibe	1	Baujahr: 2004[4] Technische Daten: "Version ""R"" 2002-2003"[R], "Version ""R - Factory"" 2004-2005"[RF]
3	AP8128037	Hinterrad ohne Scheibe	1	Baujahr: 2003[3] Technische Daten: "Version ""R"" 2002-2003"[R], Racing GARA 2003[RG]
3	AP8128044	Hinterrad, blau	1	Baujahr: 2005[5] Technische Daten: "Version ""R - Factory"" 2004-2005"[RF]
4	AP8107136	Verbindungsglied	1	Technische Daten: Für Kette mit Schrift D.I.D.[DID], "Version ""R"" 2002-2003"[R]
4	AP8107150	Verbindungsglied	1	Technische Daten: "Version ""R"" 2002-2003"[R], Für Kette mit Schrift REGINA[REG], "Version ""R - Factory"" 2004-2005"[RF]
5	0000000	Reifen	1	Technische Daten: "Version ""R"" 2002-2003"[R], "Version ""R - Factory"" 2004-2005"[RF]
6	AP8125731	Stoßschutzgummi	5	Technische Daten: "Version ""R"" 2002-2003"[R], "Version ""R - Factory"" 2004-2005"[RF]
7	AP8104183	Schlauchloses Reifenventil	1	Baujahr: 2002[2] Fahrzeugfarbe: "Schwarz Diablo ""Racing"" 2002"[rac] Technische Daten: "Version ""R"" 2002-2003"[R]
7	AP8104728	Schlauchloses Reifenventil 90°	1	Baujahr: 2003[3] Technische Daten: "Version ""R"" 2002-2003"[R], Racing GARA 2003[RG]

Einheit	RAHMEN
Code	28.40
Beschreibung	Hinterrad Vers. R-RF
Inspektion	1



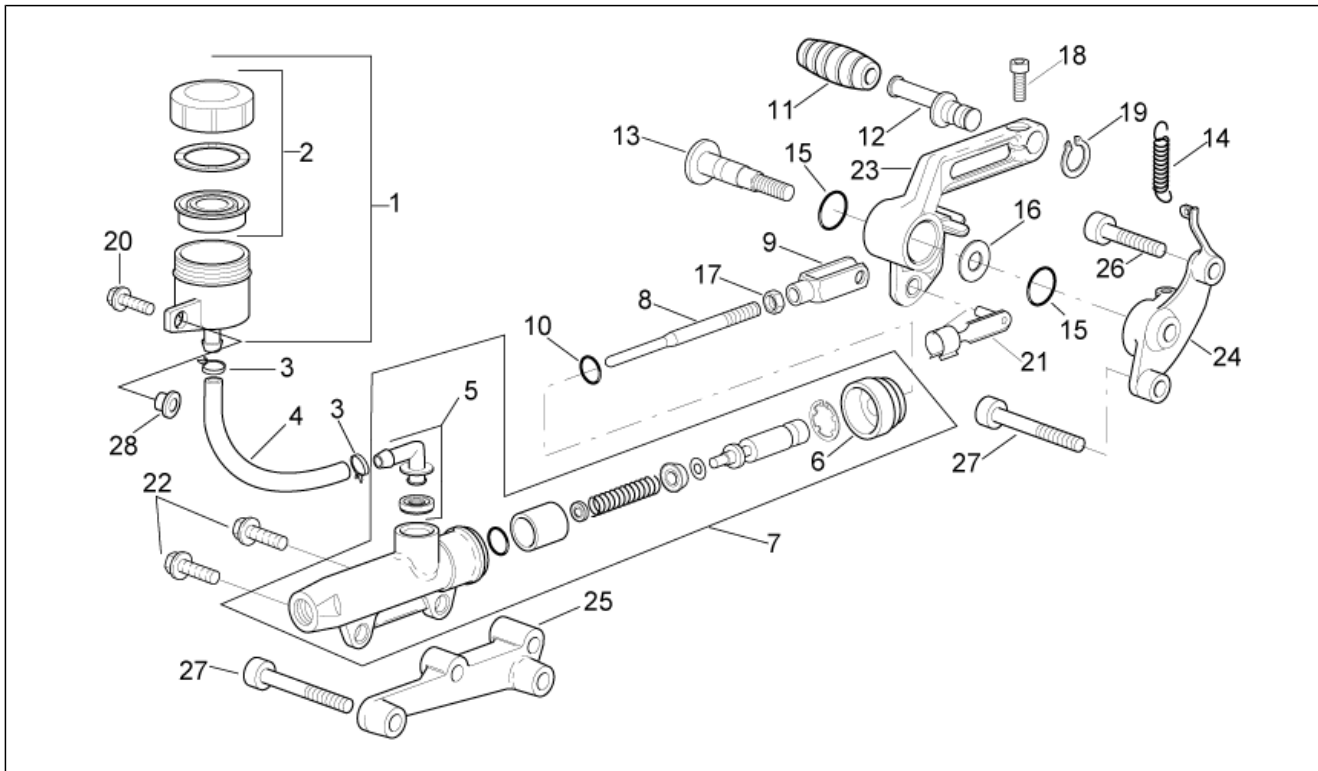
Pos.	Code	Beschreibung	Menge	Varianten
7	AP8104728	Schlauchloses Reifenventil 90°	1	Baujahr: 2004[4], 2005[5] Technische Daten: "Version ""R - Factory"" 2004-2005"[RF]
8	AP8121225	Hinterrad Distanzscheibe	2	Technische Daten: "Version ""R"" 2002-2003"[R], "Version ""R - Factory"" 2004-2005"[RF]
9	AP8121408	Elast. Fixierbuchse	5	Technische Daten: "Version ""R"" 2002-2003"[R], "Version ""R - Factory"" 2004-2005"[RF]
10	AP8150436	Selbstsperr.mut Unt.	5	Technische Daten: "Version ""R"" 2002-2003"[R], "Version ""R - Factory"" 2004-2005"[RF]
11	AP8125730	Radkranzhalter kplt.	1	Baujahr: 2003[3], 2004[4], 2005[5] Technische Daten: "Version ""R"" 2002-2003"[R], "Version ""R - Factory"" 2004-2005"[RF]
11	AP8125900	Radkranzhalter kplt.	1	Baujahr: 2002[2] Technische Daten: "Version ""R"" 2002-2003"[R]
12	AP8125831	Hinterradbolzen	1	Technische Daten: "Version ""R"" 2002-2003"[R], "Version ""R - Factory"" 2004-2005"[RF]
13	AP8152324	Radbolzenmutter M25x1,5	1	Technische Daten: "Version ""R"" 2002-2003"[R], "Version ""R - Factory"" 2004-2005"[RF]
14	AP8152323	Ausgleichscheibe 25,2x36x1	1	Technische Daten: "Version ""R"" 2002-2003"[R], "Version ""R - Factory"" 2004-2005"[RF]
15	AP8125838	Gasket ring 38x52x7	1	Technische Daten: "Version ""R"" 2002-2003"[R], "Version ""R - Factory"" 2004-2005"[RF]
16	AP8125840	Distanzscheibe	1	Technische Daten: "Version ""R"" 2002-2003"[R], "Version ""R - Factory"" 2004-2005"[RF]
17	AP8125839	Sprengtring d52	1	Technische Daten: "Version ""R"" 2002-2003"[R], "Version ""R - Factory"" 2004-2005"[RF]
18	AP8125732	elast. Distanzstück	2	Technische Daten: "Version ""R"" 2002-2003"[R], "Version ""R - Factory"" 2004-2005"[RF]
19	AP8110093	Lager 6205-2rs1 25x52x15	2	Technische Daten: "Version ""R"" 2002-2003"[R], "Version ""R - Factory"" 2004-2005"[RF]
20	AP8110081	Lager 30x55x13	2	Technische Daten: "Version ""R"" 2002-2003"[R], "Version ""R - Factory"" 2004-2005"[RF]

Einheit	RAHMEN
Code	28.40
Beschreibung	Hinterrad Vers. R-RF
Inspektion	1



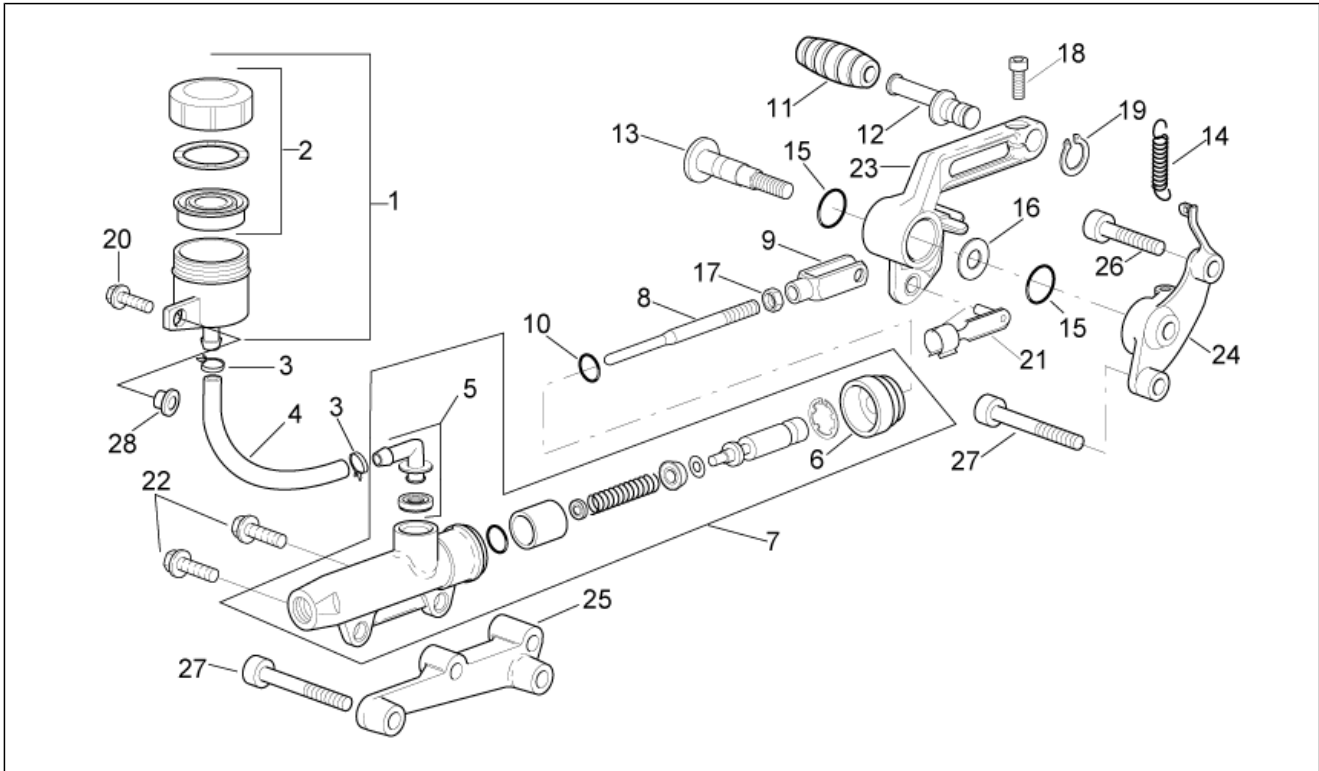
Pos.	Code	Beschreibung	Menge	Varianten
21	AP8121213	Gasket ring 38x55x7	1	Technische Daten:"Version ""R"" 2002-2003"[R], "Version ""R - Factory"" 2004-2005"[RF]
22	AP8121212	Seegerring für Bohrung d55	1	Technische Daten:"Version ""R"" 2002-2003"[R], "Version ""R - Factory"" 2004-2005"[RF]

Einheit	RAHMEN
Code	28.41
Beschreibung	Hinterradbremspumpe
Inspektion	1



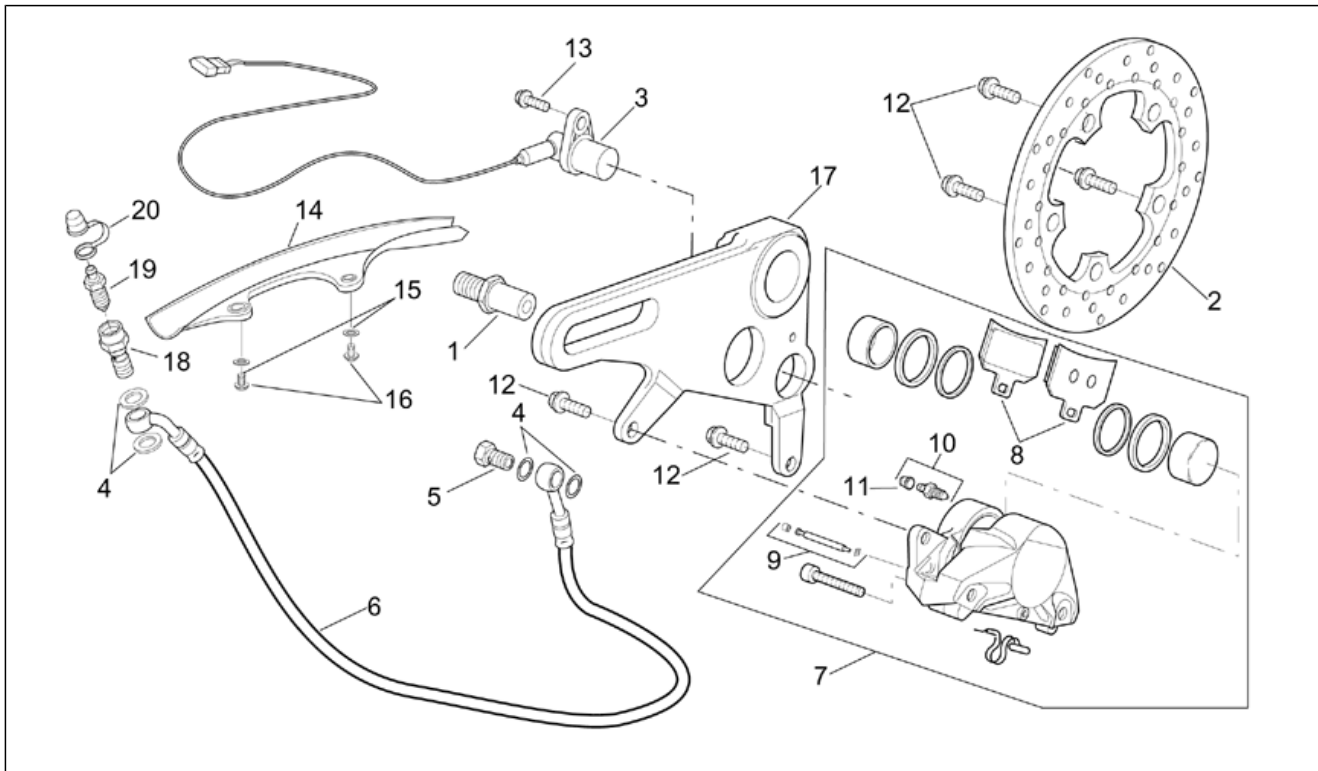
Pos.	Code	Beschreibung	Menge	Varianten
1	AP8133873	Bremsöltank	1	
2	AP8113553	Tankverschluß	1	
3	AP8113764	Schelle	2	
4	AP8113765	Hinterradbremseleitung	1	
5	AP8133872	Hinterer Pumpenanschluß	1	
6	AP8113288	Gummibalg	1	
7	AP8133871	Hinterradbremspumpe	1	
8	AP8121222	Pumpenstange brems	1	
9	AP8101968	Schaltgabel	1	
10	AP8120178	O-Ring OR112	1	
11	AP8120912	Gummi für Hebel	1	
12	AP8121221	Stift Bremshebel	1	
13	AP8121223	Stift Hinterradbremsheb.	1	
14	AP8121927	Feder Hinterradbremsh.	1	
15	AP8144007	O-Ring 11,11x1,78	2	
16	AP8150020	Ausgleichscheibe 10,5x21x2*	1	
17	AP8150026	Mutter M6	1	
18	AP8150044	TCEI Schraube M6x20	1	Technische Daten: "Version ""R - Standard"" 2004-2005"[RS], "Version ""Base"" 2002-2003"[ST]
18	AP8152426	Zylinderschraube M6x20	1	Technische Daten: "Version ""R"" 2002-2003"[R], "Version ""R - Factory"" 2004-2005"[RF]
19	AP8150462	Seegerring d9	1	
20	AP8152275	TE Schr. m. Flansch M5x25	1	
21	AP8201301	Klemmen für Schaltgabel	1	
22	AP8152279	TE Schr. m. Flansch M6x20	2	
23	AP8135925	H.bremshebel	1	
24	AP8134415	Fixierung Bremshebel	1	
25	AP8134384	Fix. Hinterradbremszyl.	1	

Einheit	RAHMEN
Code	28.41
Beschreibung	Hinterradbremspumpe
Inspektion	1



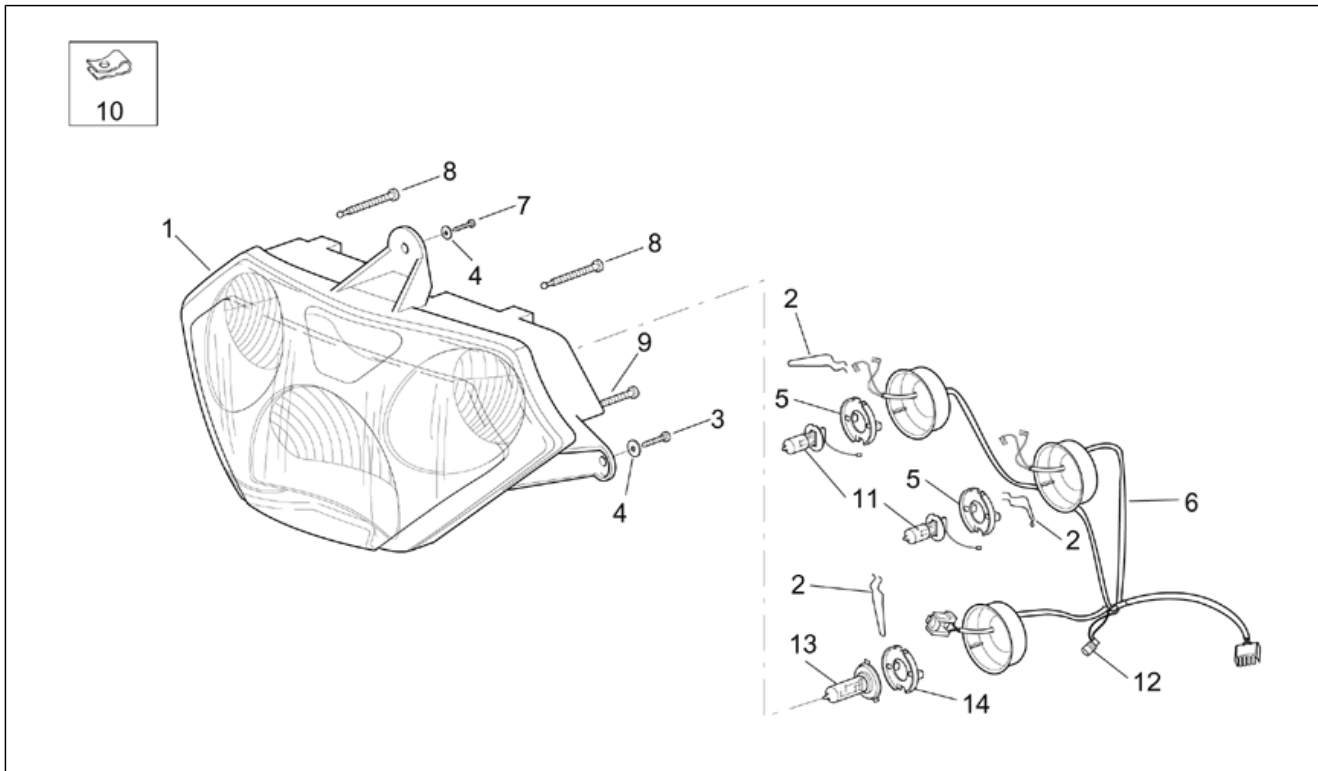
Pos.	Code	Beschreibung	Menge	Varianten
26	AP8150403	TCEI Schraube M6x45	1	
27	AP8150277	TCEI Schraube M8x50	3	
28	AP8121795	T-Buchse	1	Technische Daten: "Version ""R - Standard"" 2004-2005"[RS], "Version ""Base"" 2002-2003"[ST]

Einheit	RAHMEN
Code	28.42
Beschreibung	Hinterradbremzange
Inspektion	1



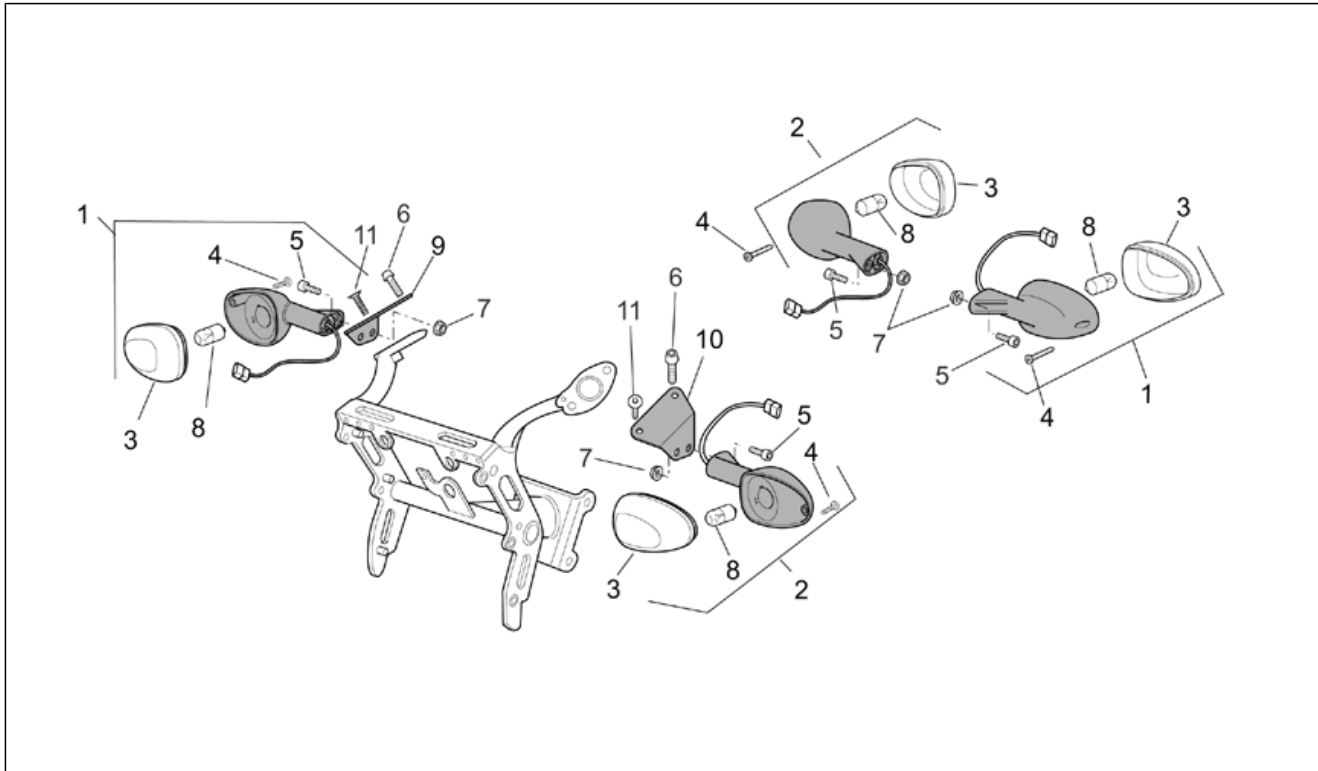
Pos.	Code	Beschreibung	Menge	Varianten
1	AP8121234	Bremsenhalterbolzen	1	
2	AP8113612	Vorderradbremsscheibe	1	
3	AP8124528	Kilom.zählersens. kpl.	1	
4	AP8121915	Dichtung	4	
5	AP8113003	Fixierschraube Ölschlauch	1	
6	AP8113873	Hinterradbremzange	1	
7	AP8113776	Hinterradbremzange, rot	1	
7	AP8113897	Hinterradbremzange	1	
8	AP8113751	Beläge (Paar)	1	Technische Daten: Für Bremssattel Farbe Rot[cR]
8	AP8113898	Beläge (Paar)	1	Technische Daten: Für Bremssattel Farbe Gold[cO]
9	AP8113752	Stift+Splint Bremse	1	
10	AP8113895	Entlüftungsanschluß	1	
11	AP8113070	Entlüftungskappe	1	
12	AP8152286	TE Schr. m. Flansch M8x20	7	
13	AP8152279	TE Schr. m. Flansch M6x20	1	
14	AP8134443	Fix. Hinterradbremsschl.	1	
15	AP8150013	Ausgleichscheibe 5,5x15x1,6*	2	
16	AP8152272	TE Schr. m. Flansch M5x12	2	
17	AP8134385	Fixierplatte	1	Baujahr: 2003[3], 2004[4], 2005[5]
17	AP8134900	Fixierplatte	1	Baujahr: 2002[2]
18	AP8113762	Lochschraube	1	
19	AP8113761	Entlüftungsanschluß	1	
20	AP8113230	Entlüftungskappe	1	

Einheit	RAHMEN
Code	28.43
Beschreibung	Scheinwerfer
Inspektion	1



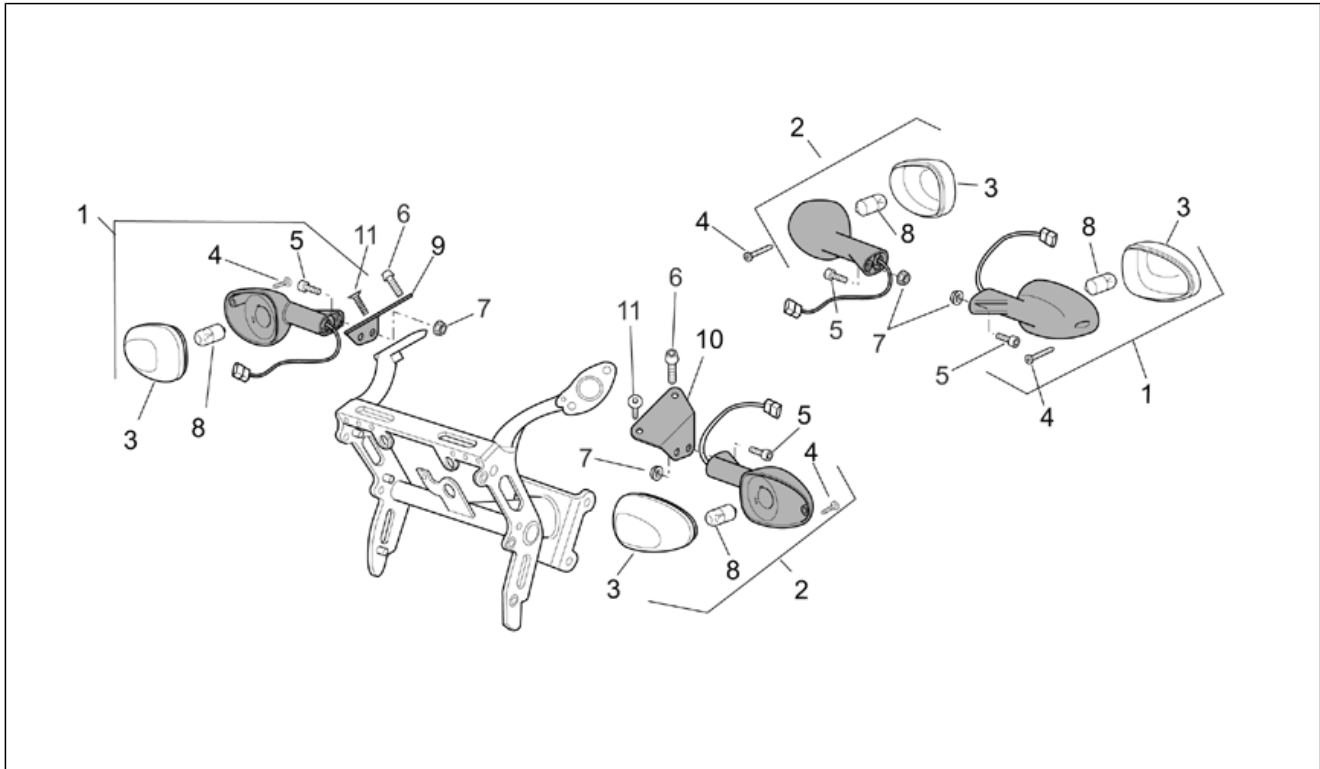
Pos.	Code	Beschreibung	Menge	Varianten
1	AP8124901	Scheinwerfer	1	Land:Österreich[A], Belgien[B], Schweiz[CH], Deutschland[D], Dänemark[DK], Spanien[E], I, E, NL[EU], Frankreich[F], Griechenland[GR], Italien[I], Mexiko[ME], ME[MX], Holland[NL], Finnland[SF], Spanien[SP]
1	AP8124945	Scheinwerfer	1	Land:Australien[AA], Australien[AUS], Japan[J], J[JJ], Großbritannien[UK]
1	AP8124946	Scheinwerfer	1	Land:USA (Zulassung 49 Staaten)[AM], USA (Zulassung California)[CF], Vereinigte Staaten von Amerika[USA]
2	AP8127118	Kleine Feder	3	
3	AP8150413	Gew.schr. 3,9x14	3	
4	AP8150159	Ausgleichscheibe 4,3x16*	3	
5	AP8127119	Lampenhalter	2	
6	AP8127120	Kabel Scheinw.	1	
7	AP8152246	TBEI Schraube m.Flansch M6x16	1	
8	AP8127117	Regelschraube	2	
9	AP8127116	Regelschraube	1	
10	AP8102376	Klammer M6	2	
11	AP8127109	Lampen H7 12V-55W	2	
12	AP8224393	Lampen WY5W 12V	1	
13	AP8127109	Lampen H7 12V-55W	1	
14	AP8127119	Lampenhalter	1	

Einheit	RAHMEN
Code	28.44
Beschreibung	Blinker
Inspektion	1



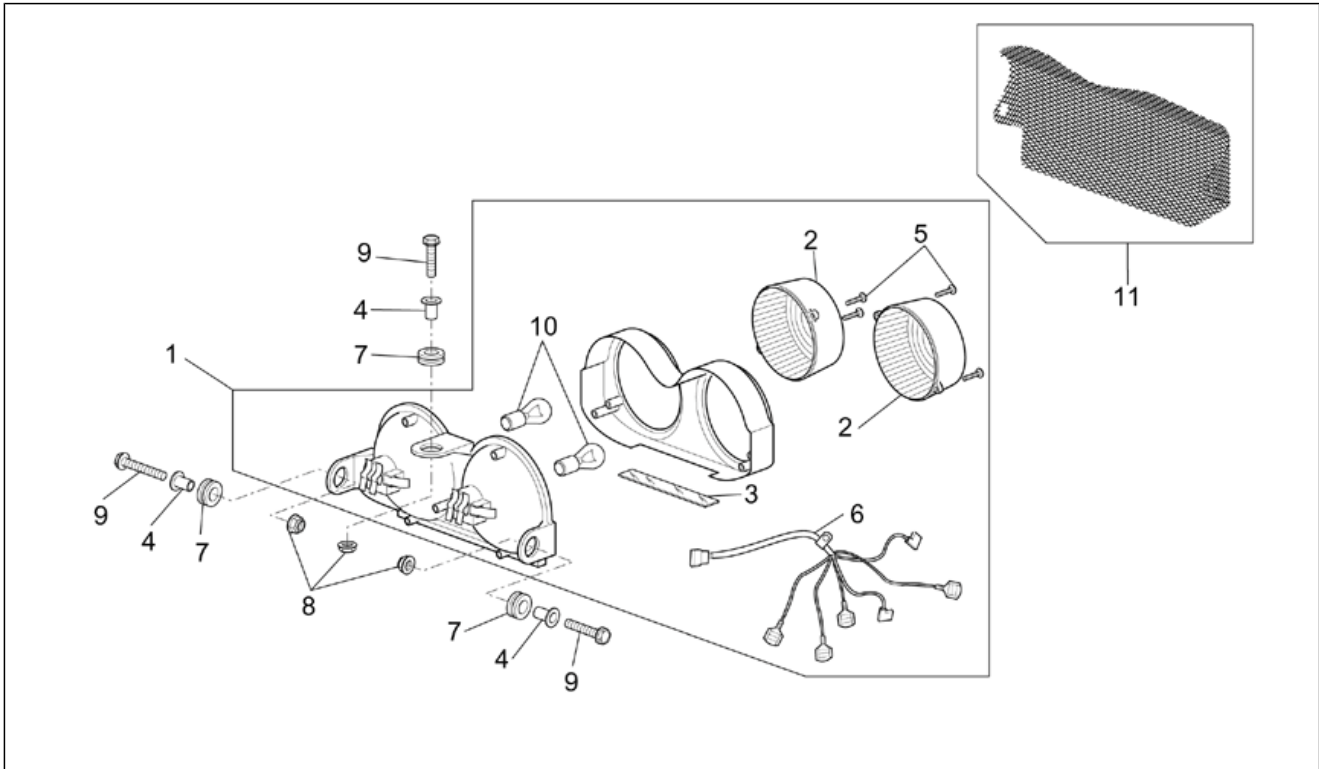
Pos.	Code	Beschreibung	Menge	Varianten
1	AP8124980	Vorderblinker rechts / Hinterblinker links	2	Baujahr: 2004[4], 2005[5] Land: USA (Zulassung 49 Staaten)[AM], USA (Zulassung California)[CF], Vereinigte Staaten von Amerika[USA]
1	AP8124980	Vorderblinker rechts / Hinterblinker links	2	Baujahr: 2002[2], 2003[3]
1	AP8127613	Vorderblinker rechts / Hinterblinker links	2	Baujahr: 2004[4], 2005[5] Land: Österreich[A], Australien[AA], Australien[AUS], Belgien[B], Schweiz[CH], Deutschland[D], Dänemark[DK], Spanien[E], I, E, NL[EU], Frankreich[F], Griechenland[GR], Italien[I], Japan[J], J[JJ], Mexiko[ME], ME[MX], Holland[NL], Spanien[SP], Großbritannien[UK]
2	AP8124979	Vorderblinker links/ Hinterblinker rechts	2	Baujahr: 2002[2], 2003[3]
2	AP8124979	Vorderblinker links/ Hinterblinker rechts	2	Baujahr: 2004[4], 2005[5] Land: USA (Zulassung 49 Staaten)[AM], USA (Zulassung California)[CF], Vereinigte Staaten von Amerika[USA]
2	AP8127614	Vorderblinker links/ Hinterblinker rechts	2	Baujahr: 2004[4], 2005[5] Land: Österreich[A], Australien[AA], Australien[AUS], Belgien[B], Schweiz[CH], Deutschland[D], Dänemark[DK], Spanien[E], I, E, NL[EU], Frankreich[F], Griechenland[GR], Italien[I], Japan[J], J[JJ], Mexiko[ME], ME[MX], Holland[NL], Spanien[SP], Großbritannien[UK]
3	AP8127122	Blinkerblende	4	Baujahr: 2004[4], 2005[5] Land: USA (Zulassung 49 Staaten)[AM], USA (Zulassung California)[CF], Vereinigte Staaten von Amerika[USA]
3	AP8127122	Blinkerblende	4	Baujahr: 2002[2], 2003[3]
3	AP8127633	Blinkerblende	4	Baujahr: 2004[4], 2005[5] Land: Österreich[A], Australien[AA], Australien[AUS], Belgien[B], Schweiz[CH], Deutschland[D], Dänemark[DK], Spanien[E], I, E, NL[EU], Frankreich[F], Griechenland[GR], Italien[I], Japan[J], J[JJ], Mexiko[ME], ME[MX], Holland[NL], Spanien[SP], Großbritannien[UK]
4	AP8127123	Schraube TBC 2,9x13	4	
5	AP8150137	TCEI Schraube M6x16	2	Technische Daten: "Version ""R - Standard"" 2004-2005"[RS], "Version ""Base"" 2002-2003"[ST]

Einheit	RAHMEN
Code	28.44
Beschreibung	Blinker
Inspektion	1



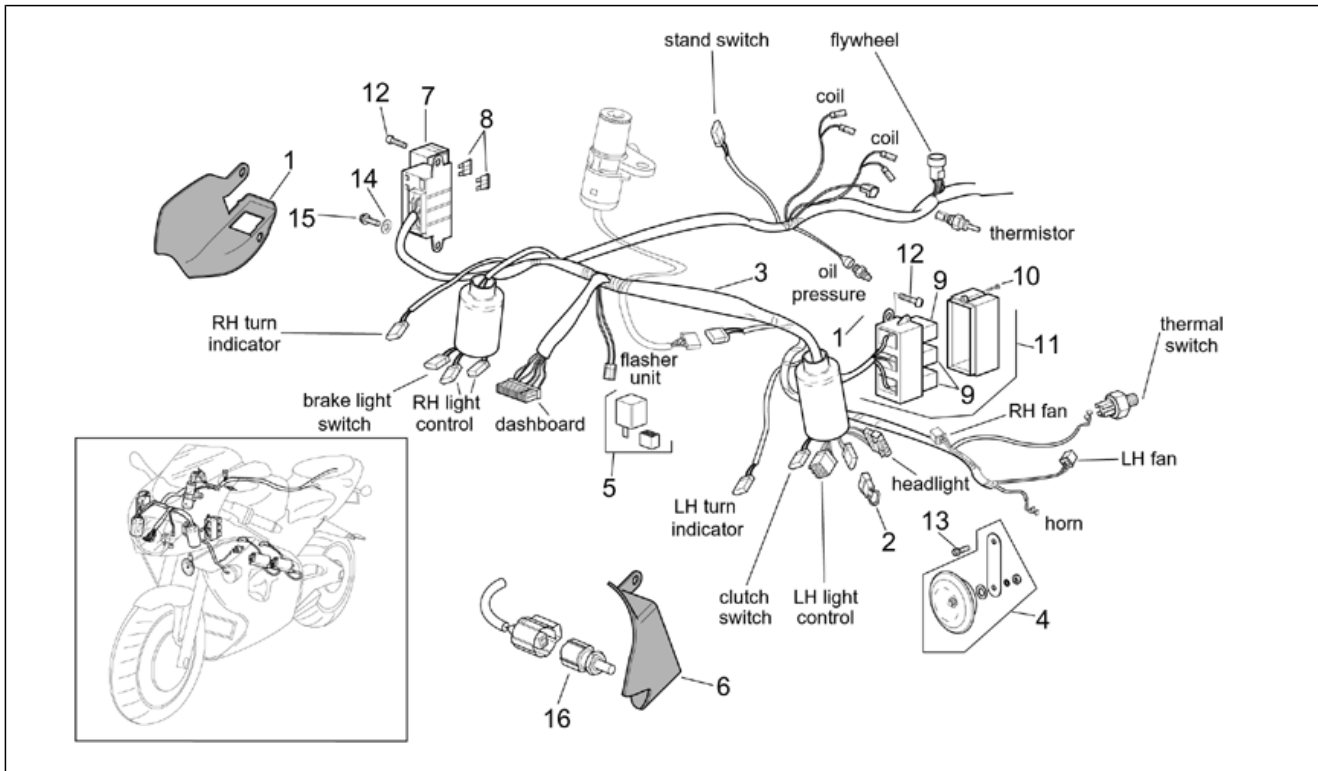
Pos.	Code	Beschreibung	Menge	Varianten
5	AP8152425	Zylinderschraube M6x15	2	Technische Daten: "Version ""R"" 2002-2003"[R], "Version ""R - Factory"" 2004-2005"[RF]
6	AP8152246	TBEI Schraube m.Flansch M6x16	2	Technische Daten: "Version ""R - Standard"" 2004-2005"[RS], "Version ""Base"" 2002-2003"[ST]
6	AP8152420	TCCCE Schraube M6x15	2	Technische Daten: "Version ""R"" 2002-2003"[R], "Version ""R - Factory"" 2004-2005"[RF]
7	AP8152299	Selbstsperrende Mutter M6	4	
8	AP8224390	Lampen R10W 12v	4	
9	AP8134897	R.Blinkerhalterung	1	
10	AP8134896	L.Blinkerhalterung	1	
11	AP8152166	Schraube M6x16	2	

Einheit	RAHMEN
Code	28.45
Beschreibung	Rücklicht
Inspektion	1



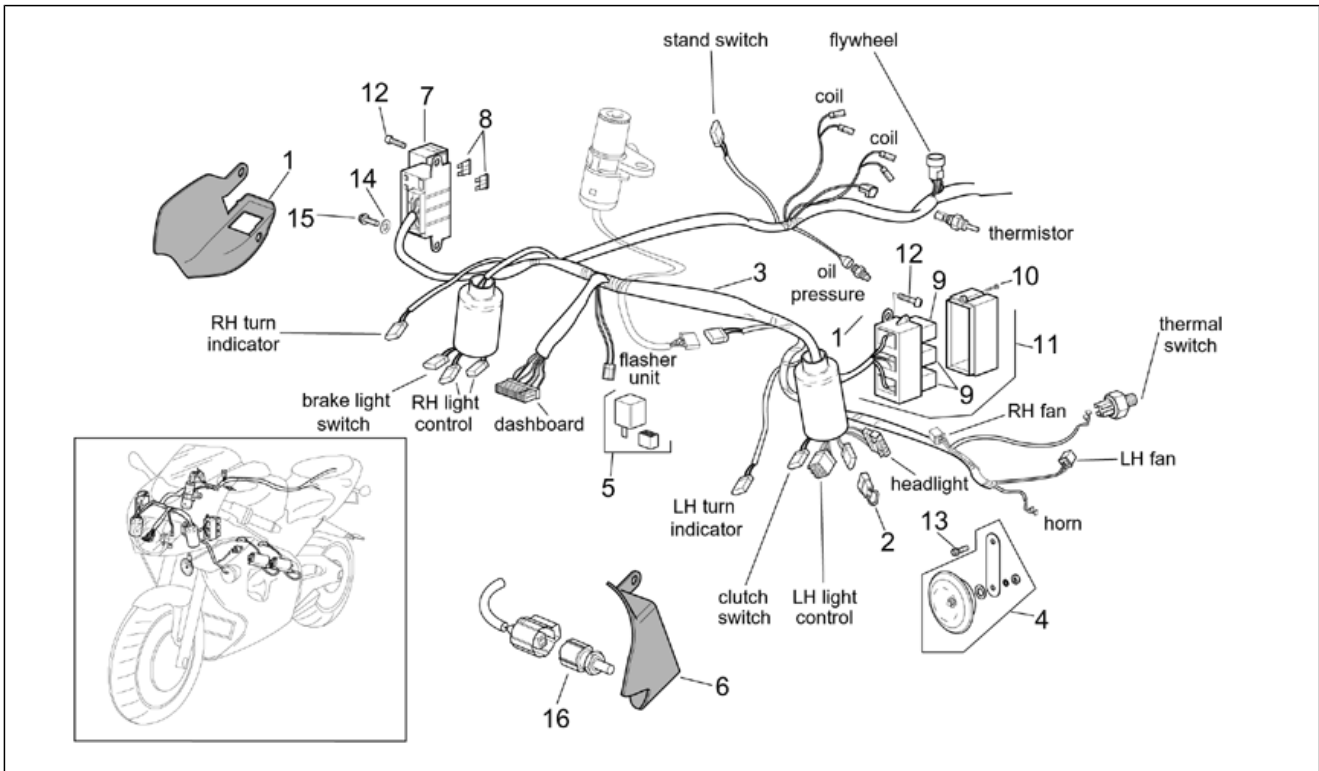
Pos.	Code	Beschreibung	Menge	Varianten
1	AP8124978	Rücklicht	1	Land: Österreich[A], Australien[AA], Australien[AUS], Belgien[B], Schweiz[CH], Deutschland[D], Dänemark[DK], Spanien[E], I, E, NL[EU], Frankreich[F], Griechenland[GR], Italien[I], Japan[J], J[J], Mexiko[ME], ME[MX], Holland[NL], Spanien[SP], Großbritannien[UK]
1	AP8127070	Rücklicht	1	Land: USA (Zulassung 49 Staaten)[AM], USA (Zulassung California)[CF], Vereinigte Staaten von Amerika[USA]
2	AP8124558	Rücklichtblende	2	
3	AP8124559	Blende Kennzeich.leuch.	1	
4	AP8121725	T-Buchse *	3	
5	AP8124561	Spezialschraube 3,5x20	4	
6	AP8124562	Verkabelung Rücklicht	1	
7	AP8112599	Gummi *	3	
8	AP8152306	Selbstsperrende Mutter M5	3	
9	AP8152275	TE Schr. m. Flansch M5x25	3	Technische Daten: "Version ""R - Standard"" 2004-2005"[RS], "Version ""Base"" 2002-2003"[ST]
9	AP8152418	TCCCE Schraube	3	Technische Daten: "Version ""R"" 2002-2003"[R], "Version ""R - Factory"" 2004-2005"[RF]
10	AP8224389	Lampen P21/5W 12V	2	
11	AP8127496	R. Scheinw.abd.	1	Baujahr: 2003{3} Technische Daten: Renn-Kit für Version Racing 2003[kit]

Einheit	RAHMEN
Code	28.46
Beschreibung	Vorder Elektrische Anlage
Inspektion	1



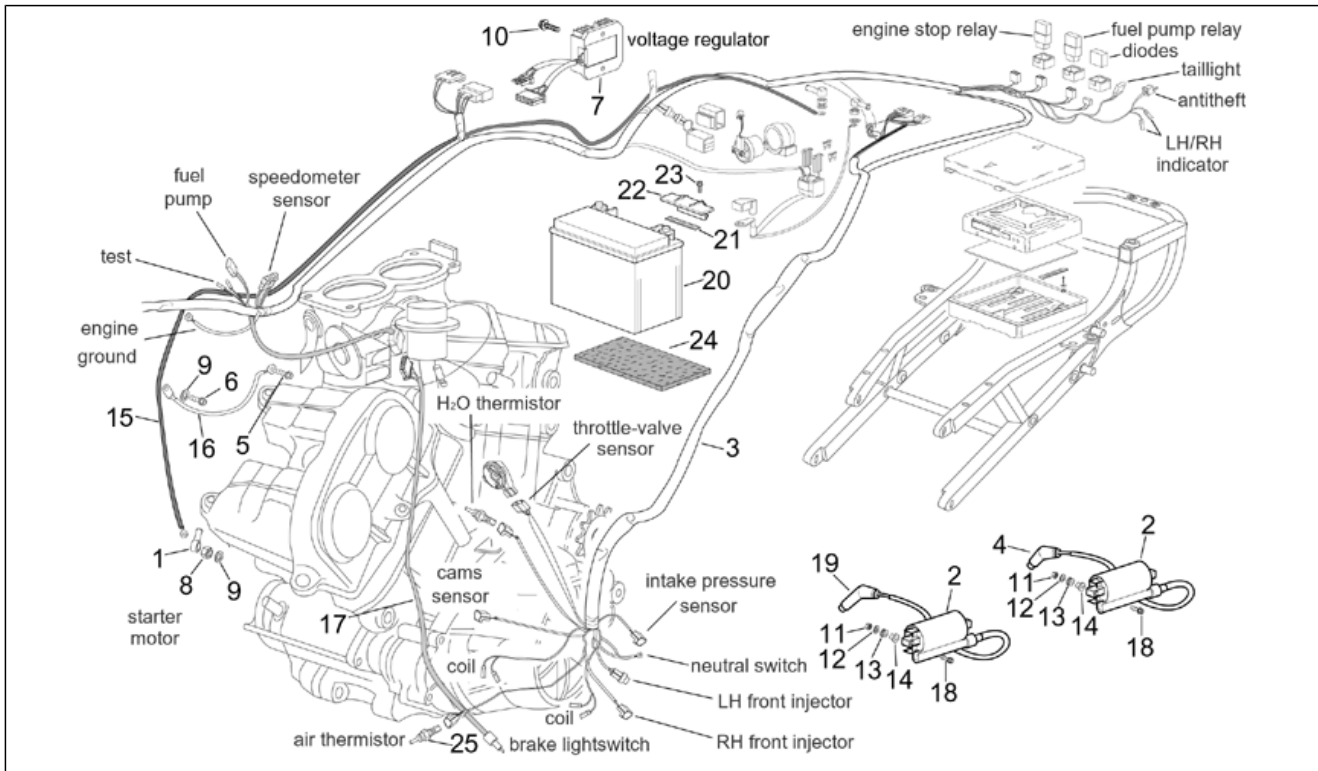
Pos.	Code	Beschreibung	Menge	Varianten
1	AP8168058	Kabelschutz rechts	1	
2	AP8212588	Sicherheitsdiode	1	
3	AP8127396	Hauptverkabelung	1	Baujahr: 2002[2] Land: Australien[AA], Australien[AUS], Deutschland[D], Spanien[E], I, E, NL[EU], Frankreich[F], Italien[I], Holland[NL], Großbritannien[UK] Technische Daten: "Version ""R"" 2002-2003"[R]
3	AP8127428	Hauptverkabelung	1	Baujahr: 2002[2] Land: USA (Zulassung California)[CF], Vereinigte Staaten von Amerika[USA] Technische Daten: "Version ""R"" 2002-2003"[R]
3	AP8127465	Hauptverkabelung	1	Baujahr: 2003[3], 2004[4], 2005[5] Land: USA (Zulassung 49 Staaten)[AM], USA (Zulassung California)[CF], Vereinigte Staaten von Amerika[USA]
3	AP8127492	Hauptverkabelung	1	Baujahr: 2003[3], 2004[4], 2005[5] Land: Österreich[A], Australien[AA], Australien[AUS], Belgien[B], Schweiz[CH], Deutschland[D], Dänemark[DK], Spanien[E], I, E, NL[EU], Frankreich[F], Griechenland[GR], Italien[I], Japan[J], J[JJ], Mexiko[ME], ME[MX], Holland[NL], Spanien[SP], Großbritannien[UK]
4	AP8127391	Hupe	1	
5	AP8124235	Blinken	1	
6	AP8168059	Kabelschutz links	1	
7	AP8124274	Sicherungskasten	1	
8	AP8112176	Sicherung 15A	8	
9	AP8124277	Zündrelais	3	
10	AP8150421	Gew.schr. 2,9x12	2	
11	AP8124293	Relaisträger	1	
12	AP8152279	TE Schr. m. Flansch M6x20	4	Technische Daten: "Version ""R - Standard"" 2004-2005"[RS], "Version ""Base"" 2002-2003"[ST]
12	AP8152426	Zylinderschraube M6x20	4	Technische Daten: "Version ""R"" 2002-2003"[R], "Version ""R - Factory"" 2004-2005"[RF]

Einheit	RAHMEN
Code	28.46
Beschreibung	Vorder Elektrische Anlage
Inspektion	1



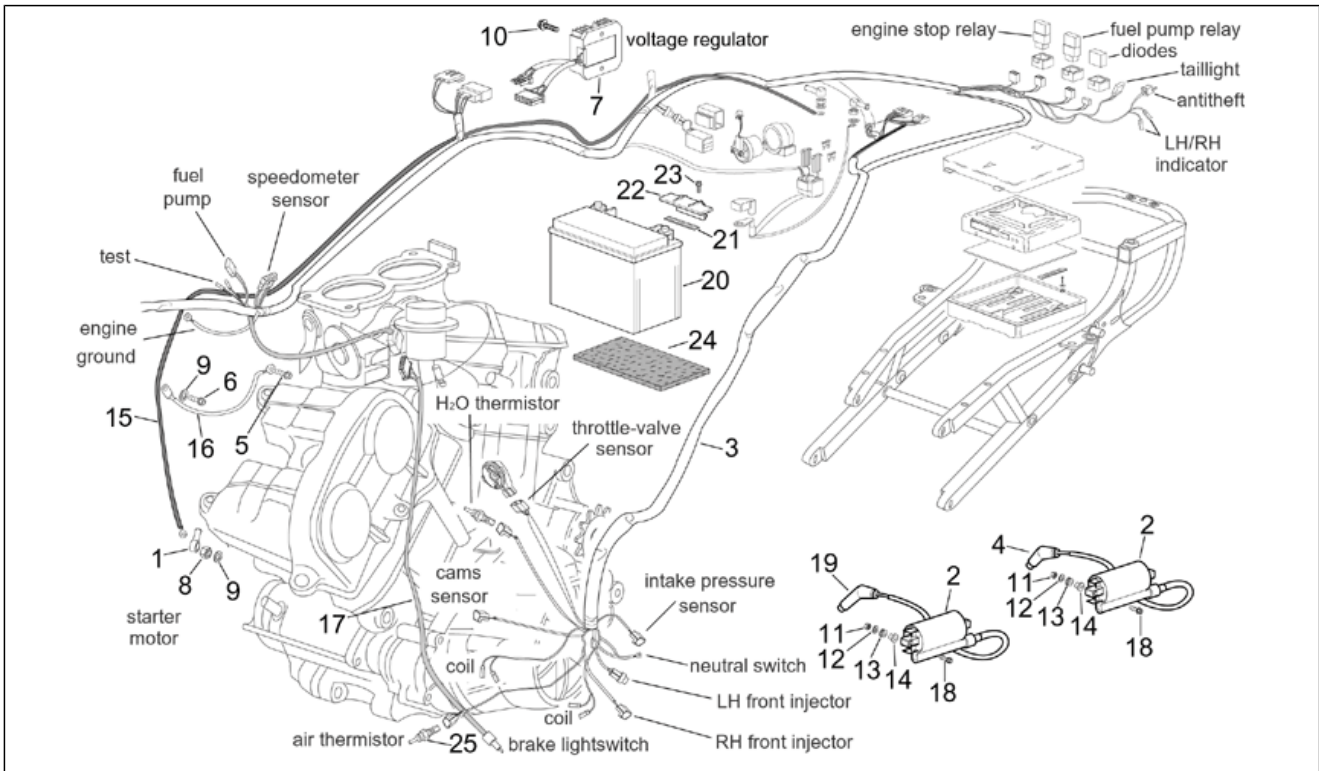
Pos.	Code	Beschreibung	Menge	Varianten
13	AP8152285	TE Schr. m. Flansch	1	
14	AP8150014	Ausgleichscheibe 6,4x12,5*	2	
15	AP8152280	TE Schr. m. Flansch M6x25	1	
16	AP8124300	Lufttemperaturfühler	1	

Einheit	RAHMEN
Code	28.47
Beschreibung	Mitt. elektrische Anlage
Inspektion	1



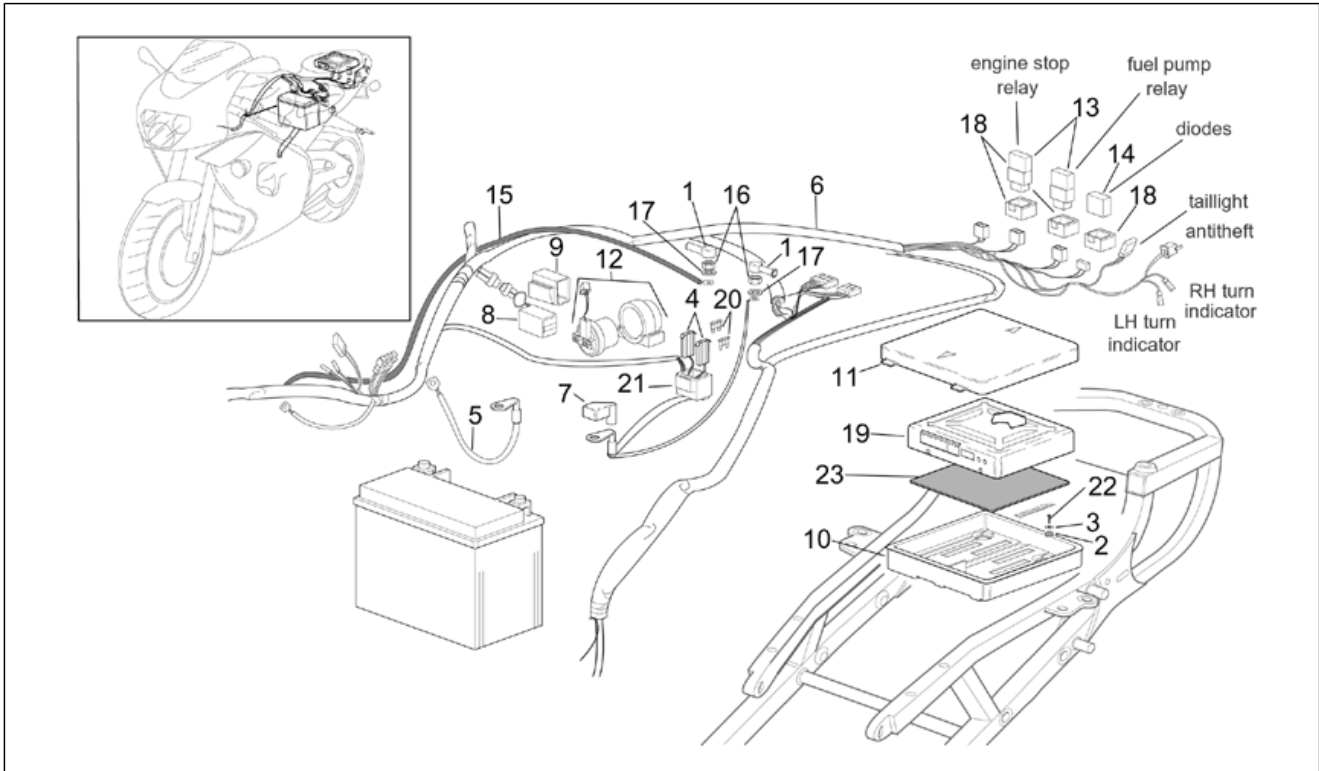
Pos.	Code	Beschreibung	Menge	Varianten
1	AP8120218	Klemmenkappe	1	
2	AP0265480	Zuendtransform.cpl.	2	
3	AP8127396	Hauptverkabelung	1	Baujahr: 2002[2] Land: Australien[AA], Australien[AUS], Deutschland[D], Spanien[E], I, E, NL[EU], Frankreich[F], Italien[I], Holland[NL], Großbritannien[UK] Technische Daten: "Version ""R"" 2002-2003"[R]
3	AP8127428	Hauptverkabelung	1	Baujahr: 2002[2] Land: USA (Zulassung California)[CF], Vereinigte Staaten von Amerika[USA] Technische Daten: "Version ""R"" 2002-2003"[R]
3	AP8127465	Hauptverkabelung	1	Baujahr: 2003[3], 2004[4], 2005[5] Land: USA (Zulassung 49 Staaten)[AM], USA (Zulassung California)[CF], Vereinigte Staaten von Amerika[USA]
3	AP8127492	Hauptverkabelung	1	Baujahr: 2003[3], 2004[4], 2005[5] Land: Österreich[A], Australien[AA], Australien[AUS], Belgien[B], Schweiz[CH], Deutschland[D], Dänemark[DK], Spanien[E], I, E, NL[EU], Frankreich[F], Griechenland[GR], Italien[I], Japan[J], J[JJ], Mexiko[ME], ME[MX], Holland[NL], Spanien[SP], Großbritannien[UK]
4	AP0265244	Kerzenhaube außen	1	
5	AP8152277	TE Schr. m. Flansch M6x12	1	
6	AP8152123	TCEI Schraube	1	
7	AP8124267	Spannungsregler	1	
8	AP8150026	Mutter M6	1	
9	AP8150429	Sprengscheibe 6,4x11x0,5*	2	
10	AP8152282	TE Schr. m. Flansch M6x35	2	
11	AP8150451	Selbstsperr.mut Unt.	4	
12	AP8150012	Ausgleichscheibe 5,3x10x1*	4	
13	AP8120405	Gummi	4	
14	AP8121736	T-Buchse	4	
15	AP8124269	Anlasserkabel	1	

Einheit	RAHMEN
Code	28.47
Beschreibung	Mitt. elektrische Anlage
Inspektion	1



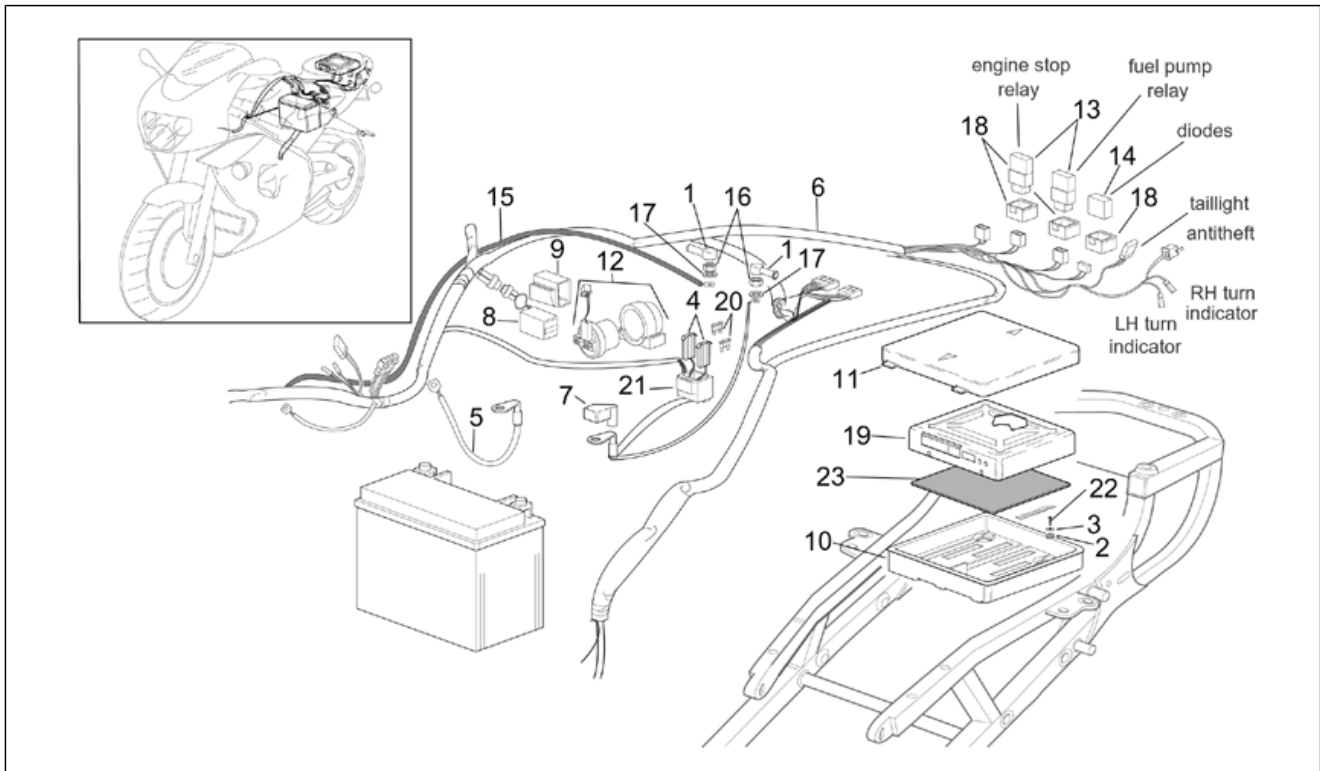
Pos.	Code	Beschreibung	Menge	Varianten
16	AP8112832	Masse-Batteriekabel	1	
17	AP8112996	Mikroschalter	1	
18	AP8152275	TE Schr. m. Flansch M5x25	4	
19	AP0265246	Kerzenhaube innen	1	
20	AP8124748	Batterie YTX12-BS	1	
21	AP8117033	Klebeschwamm	1	
22	AP8148660	Fixierplatte Batterie	1	
23	AP8152278	TE Schr. m. Flansch M6x16	1	
24	AP8144045	Batterieaufleg gummi	1	
25	AP8124300	Lufttemperaturfühler	1	

Einheit	RAHMEN
Code	28.48
Beschreibung	Hint.Elektrische Anlage
Inspektion	1



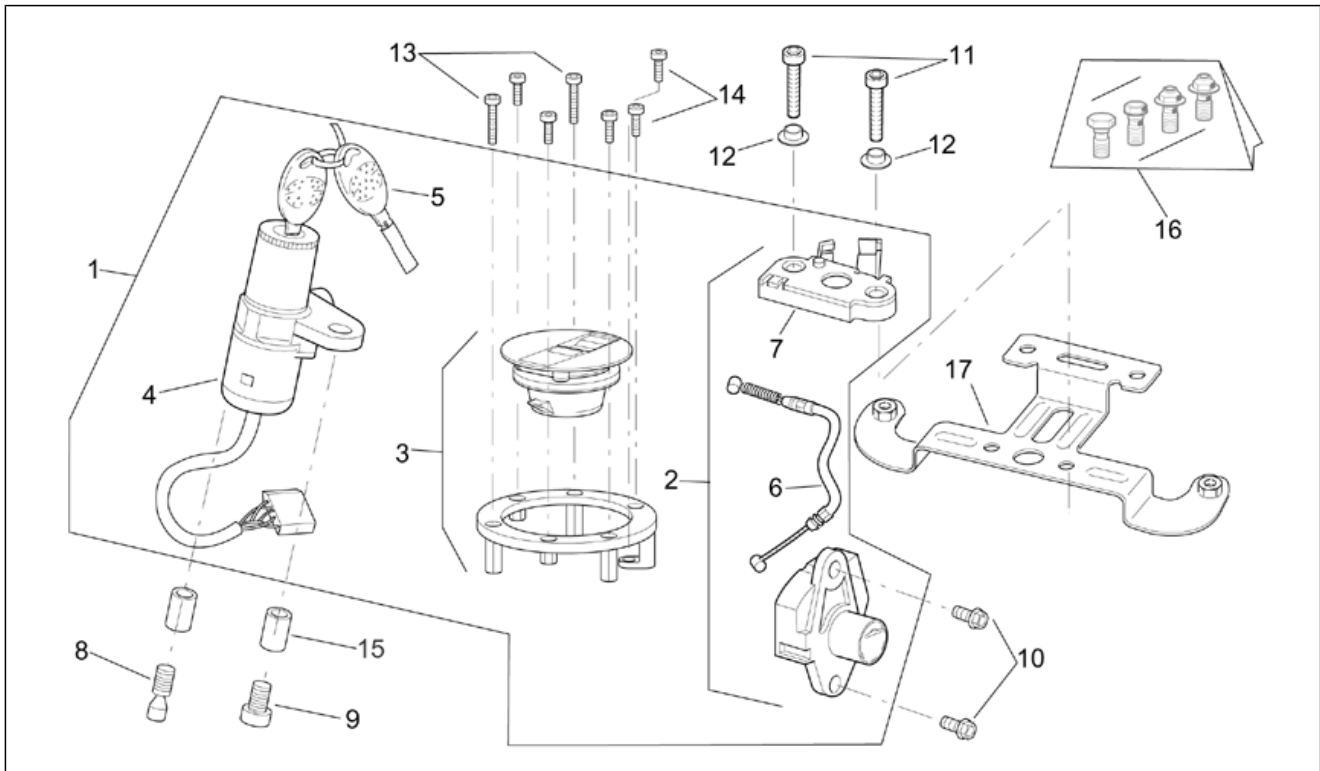
Pos.	Code	Beschreibung	Menge	Varianten
1	AP8120218	Klemmenkappe	2	
2	AP8220150	Gummi	3	
3	AP8150159	Ausgleichscheibe 4,3x16*	3	
4	AP8120754	Sicherungsblockgummi	2	
5	AP8124439	Masse-Batteriekabel	1	
6	AP8127396	Hauptverkabelung	1	Baujahr: 2002[2] Land: Australien[AA], Australien[AUS], Deutschland[D], Spanien[E], I, E, NL[EU], Frankreich[F], Italien[I], Holland[NL], Großbritannien[UK] Technische Daten: "Version ""R"" 2002-2003"[R]
6	AP8127428	Hauptverkabelung	1	Baujahr: 2002[2] Land: USA (Zulassung California)[CF], Vereinigte Staaten von Amerika[USA] Technische Daten: "Version ""R"" 2002-2003"[R]
6	AP8127465	Hauptverkabelung	1	Baujahr: 2003[3], 2004[4], 2005[5] Land: USA (Zulassung 49 Staaten)[AM], USA (Zulassung California)[CF], Vereinigte Staaten von Amerika[USA]
6	AP8127492	Hauptverkabelung	1	Baujahr: 2003[3], 2004[4], 2005[5] Land: Österreich[A], Australien[AA], Australien[AUS], Belgien[B], Schweiz[CH], Deutschland[D], Dänemark[DK], Spanien[E], I, E, NL[EU], Frankreich[F], Griechenland[GR], Italien[I], Japan[J], J[JJ], Mexiko[ME], ME[MX], Holland[NL], Spanien[SP], Großbritannien[UK]
7	AP8112940	Kappe Pluspol	1	
8	AP8124266	Neigungsfühler	1	
9	AP8144046	Sensor halter gummi	1	
10	AP8138776	Schutzkasten Steuerger.	1	
11	AP8138596	Steuergerätecover	1	
12	AP8124636	Zündrelais 12V-150A	1	
13	AP8224462	Zündrelais 12V-30A	2	
14	AP8124289	Dioden	1	
15	AP8124269	Anlasserkabel	1	

Einheit	RAHMEN
Code	28.48
Beschreibung	Hint.Elektrische Anlage
Inspektion	1



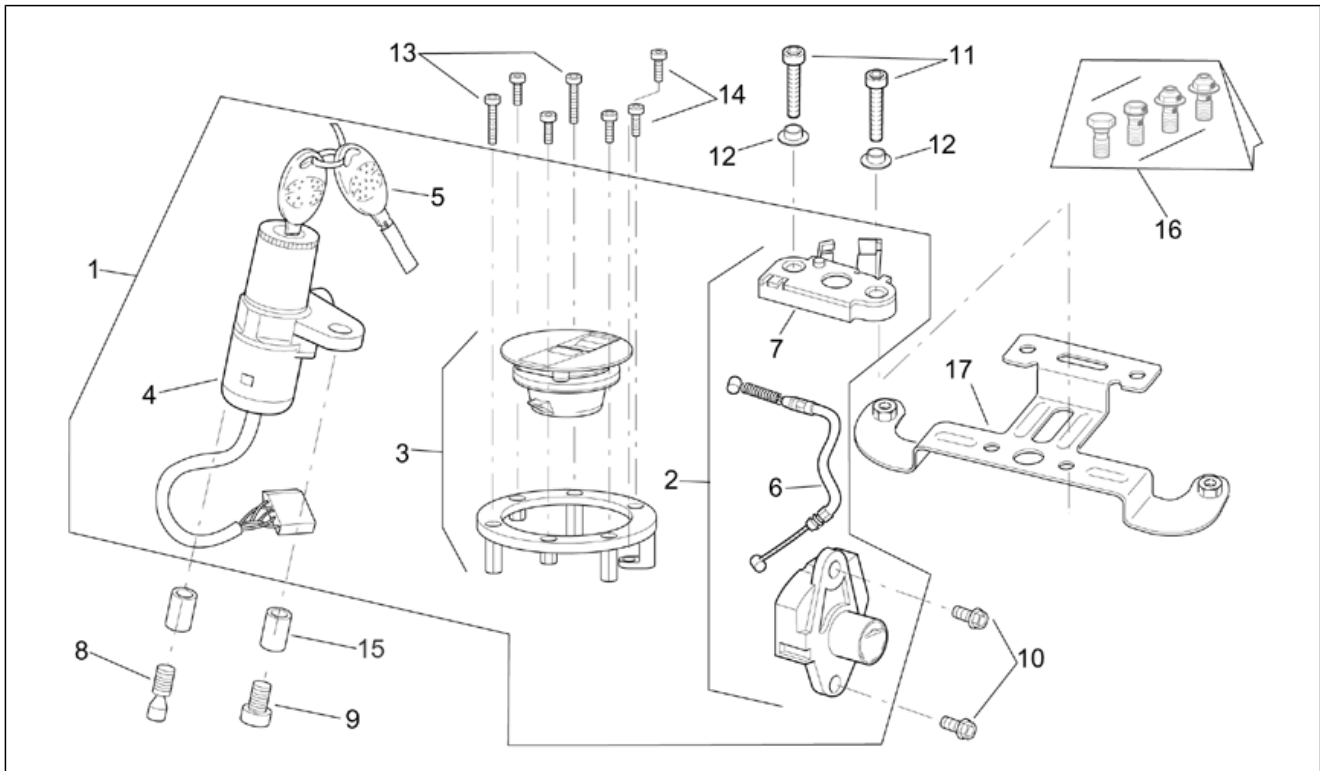
Pos.	Code	Beschreibung	Menge	Varianten
16	AP8150026	Mutter M6	2	
17	AP8150429	Sprengscheibe 6,4x11x0,5*	2	
18	AP8220283	Gummi *	3	
19	AP0266190	Steuergerät	1	Land: USA (Zulassung 49 Staaten)[AM], USA (Zulassung California)[CF], Vereinigte Staaten von Amerika[USA]
19	AP0266194	Steuergerät	1	Land: Österreich[A], Australien[AA], Australien[AUS], Schweiz[CH], Deutschland[D], Dänemark[DK], Spanien[E], I, E, NL[EU], Griechenland[GR], Italien[I], Japan[J], J[J], Mexiko[ME], ME[MX], Holland[NL], Finnland[SF], Spanien[SP], Großbritannien[UK]
19	AP0266196	Steuergerät	1	Land: Belgien[B], I, E, NL[EU], Frankreich[F] Technische Daten: Version mit Leistungsminderung 78 Kw[78]
20	AP8124273	Sicherung 30a	3	
21	AP8112811	Sicherungsblockgummi	1	
22	AP8150413	Gew.schr. 3,9x14	3	
23	AP8144288	seit. Gummiaufl. Batterie	1	

Einheit	RAHMEN
Code	28.49
Beschreibung	Bausatz Schlösser
Inspektion	1



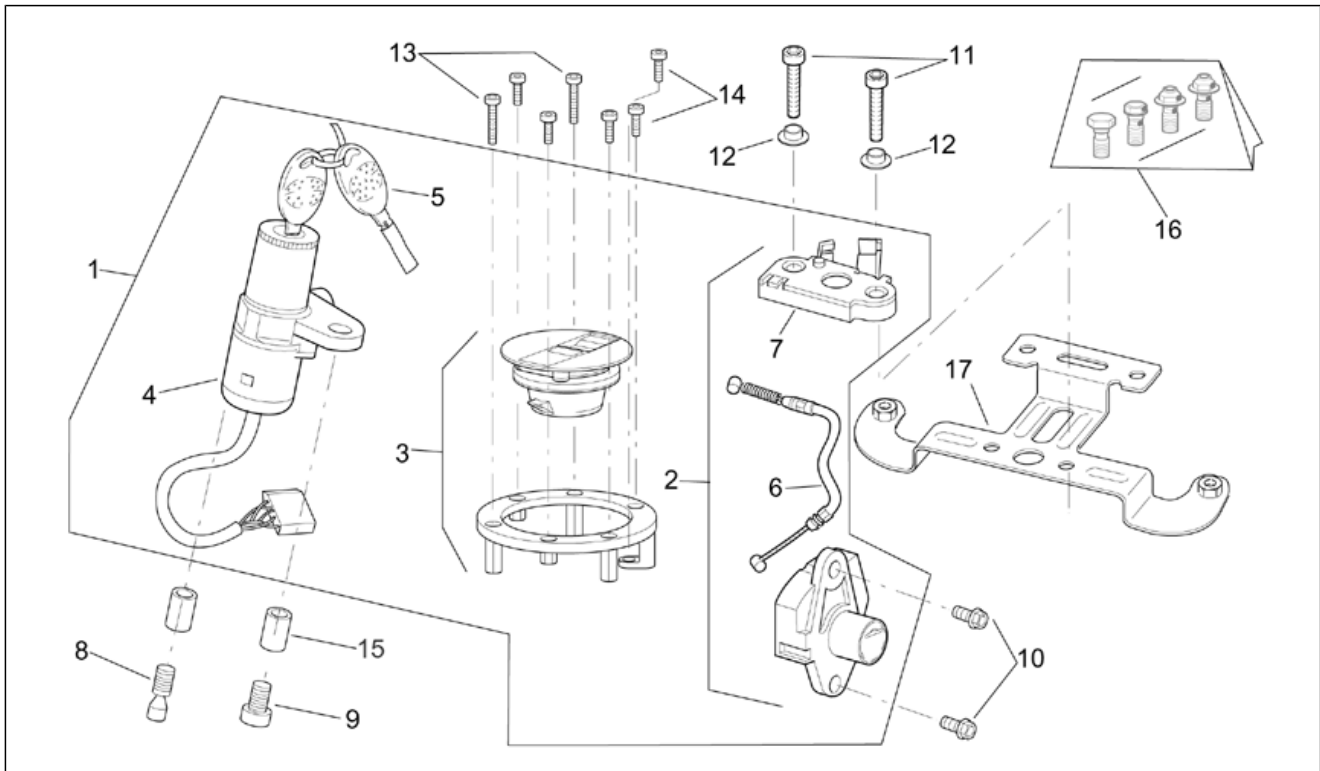
Pos.	Code	Beschreibung	Menge	Varianten
1	AP8104151	Kit Schließvorrichtungen	1	Baujahr: 2004[4], 2005[5]
1	AP8104151	Kit Schließvorrichtungen	1	Baujahr: 2003[3] Fahrzeugfarbe: Grau Magnet 2003[m.grey], Rot Tulip 2002[t.red] Land: Österreich[A], Australien[AA], Australien[AUS], Belgien[B], Schweiz[CH], Deutschland[D], Dänemark[DK], Spanien[E], I, E, NL[EU], Frankreich[F], Italien[I], Japan[J], J[JJ], Mexiko[ME], ME[MX], Holland[NL], Spanien[SP], Großbritannien[UK]
1	AP8104151	Kit Schließvorrichtungen	1	Baujahr: 2003[3] Land: Österreich[A], Australien[AA], Australien[AUS], Belgien[B], Schweiz[CH], Deutschland[D], Dänemark[DK], Spanien[E], I, E, NL[EU], Frankreich[F], Italien[I], Japan[J], J[JJ], Mexiko[ME], ME[MX], Holland[NL], Spanien[SP], Großbritannien[UK] Technische Daten: Racing GARA 2003[RG]
1	AP8104263	Kit Schließvorrichtungen	1	Baujahr: 2003[3] Fahrzeugfarbe: Grau Magnet 2003[m.grey], Rot Tulip 2002[t.red] Land: USA (Zulassung 49 Staaten)[AM], Vereinigte Staaten von Amerika[USA]
1	AP8104265	Kit Schließvorrichtungen	1	Baujahr: 2003[3] Fahrzeugfarbe: Grau Magnet 2003[m.grey], Rot Tulip 2002[t.red] Land: USA (Zulassung California)[CF], Vereinigte Staaten von Amerika[USA]
1	AP8104265	Kit Schließvorrichtungen	1	Baujahr: 2003[3] Land: USA (Zulassung California)[CF], Vereinigte Staaten von Amerika[USA] Technische Daten: Racing GARA 2003[RG]
1	AP8104512	Kit Schließvorrichtungen	1	Baujahr: 2002[2] Fahrzeugfarbe: "Schwarz Diablo ""Racing"" 2002"[rac] Land: Australien[AA], Australien[AUS], Deutschland[D], Spanien[E], I, E, NL[EU], Frankreich[F], Italien[I], Holland[NL], Großbritannien[UK]

Einheit	RAHMEN
Code	28.49
Beschreibung	Bausatz Schlösser
Inspektion	1



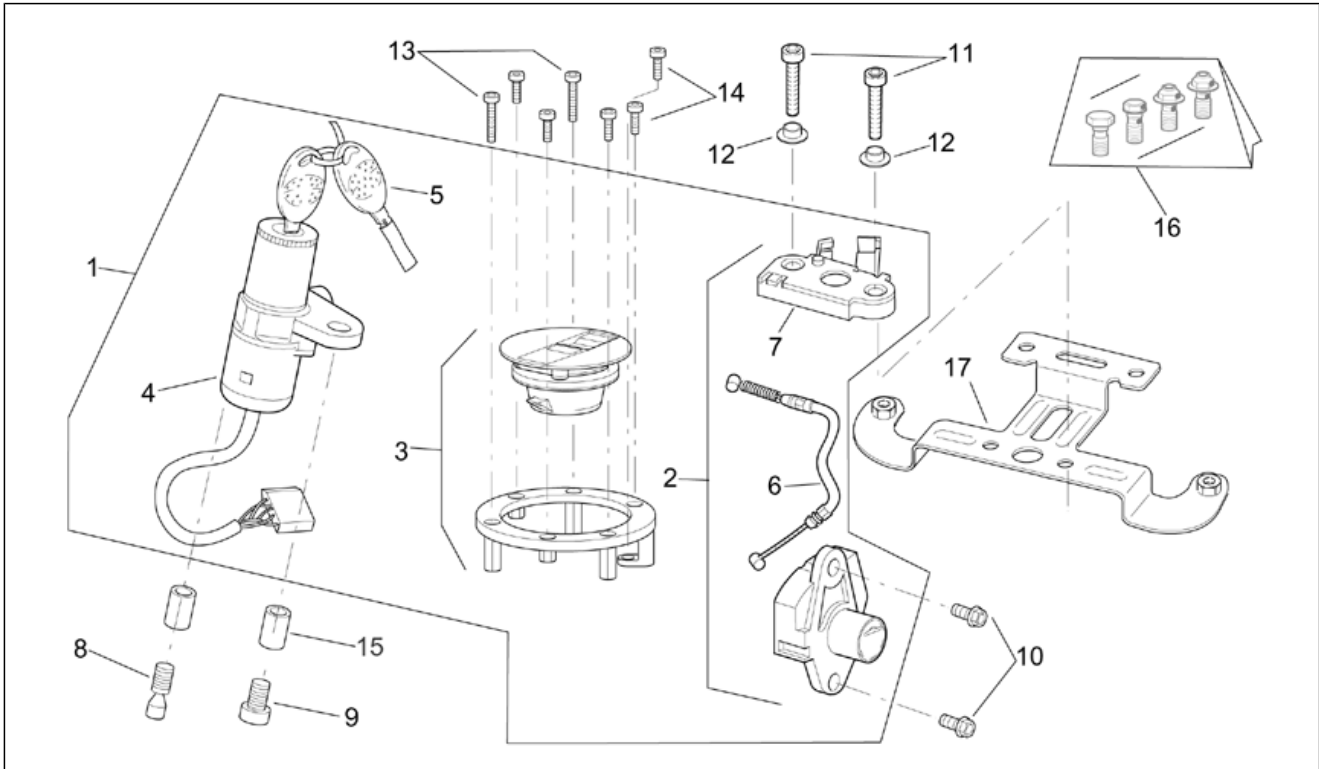
Pos.	Code	Beschreibung	Menge	Varianten
1	AP8104564	Kit Schließvorrichtungen	1	Baujahr: 2002[2] Fahrzeugfarbe: "Schwarz Diablo ""Racing"" 2002"[rac] Land: USA (Zulassung California)[CF], Vereinigte Staaten von Amerika[USA]
2	AP8102911	Sitzschloß komplett	1	
3	AP8104287	Tankfüllschraube	1	Baujahr: 2003[3] Fahrzeugfarbe: Grau Magnet 2003[m.grey], Rot Tulip 2002[t.red] Land: USA (Zulassung California)[CF], Vereinigte Staaten von Amerika[USA]
3	AP8104287	Tankfüllschraube	1	Baujahr: 2003[3] Land: USA (Zulassung California)[CF], Vereinigte Staaten von Amerika[USA] Technische Daten: Racing GARA 2003[RG]
3	AP8104288	Tankfüllschraube	1	Baujahr: 2003[3] Fahrzeugfarbe: Grau Magnet 2003[m.grey], Rot Tulip 2002[t.red] Land: USA (Zulassung 49 Staaten)[AM], Vereinigte Staaten von Amerika[USA]
3	AP8104288	Tankfüllschraube	1	Baujahr: 2003[3] Fahrzeugfarbe: Grau Magnet 2003[m.grey], Rot Tulip 2002[t.red] Land: Österreich[A], Australien[AA], Australien[AUS], Belgien[B], Schweiz[CH], Deutschland[D], Dänemark[DK], Spanien[E], I, E, NL[EU], Frankreich[F], Italien[I], Japan[J], J[JJ], Mexiko[ME], ME[MX], Holland[NL], Spanien[SP], Großbritannien[UK]
3	AP8104288	Tankfüllschraube	1	Baujahr: 2003[3] Land: Österreich[A], Australien[AA], Australien[AUS], Belgien[B], Schweiz[CH], Deutschland[D], Dänemark[DK], Spanien[E], I, E, NL[EU], Frankreich[F], Italien[I], Japan[J], J[JJ], Mexiko[ME], ME[MX], Holland[NL], Spanien[SP], Großbritannien[UK] Technische Daten: Racing GARA 2003[RG]
3	AP8104288	Tankfüllschraube	1	Baujahr: 2004[4], 2005[5]

Einheit	RAHMEN
Code	28.49
Beschreibung	Bausatz Schlösser
Inspektion	1



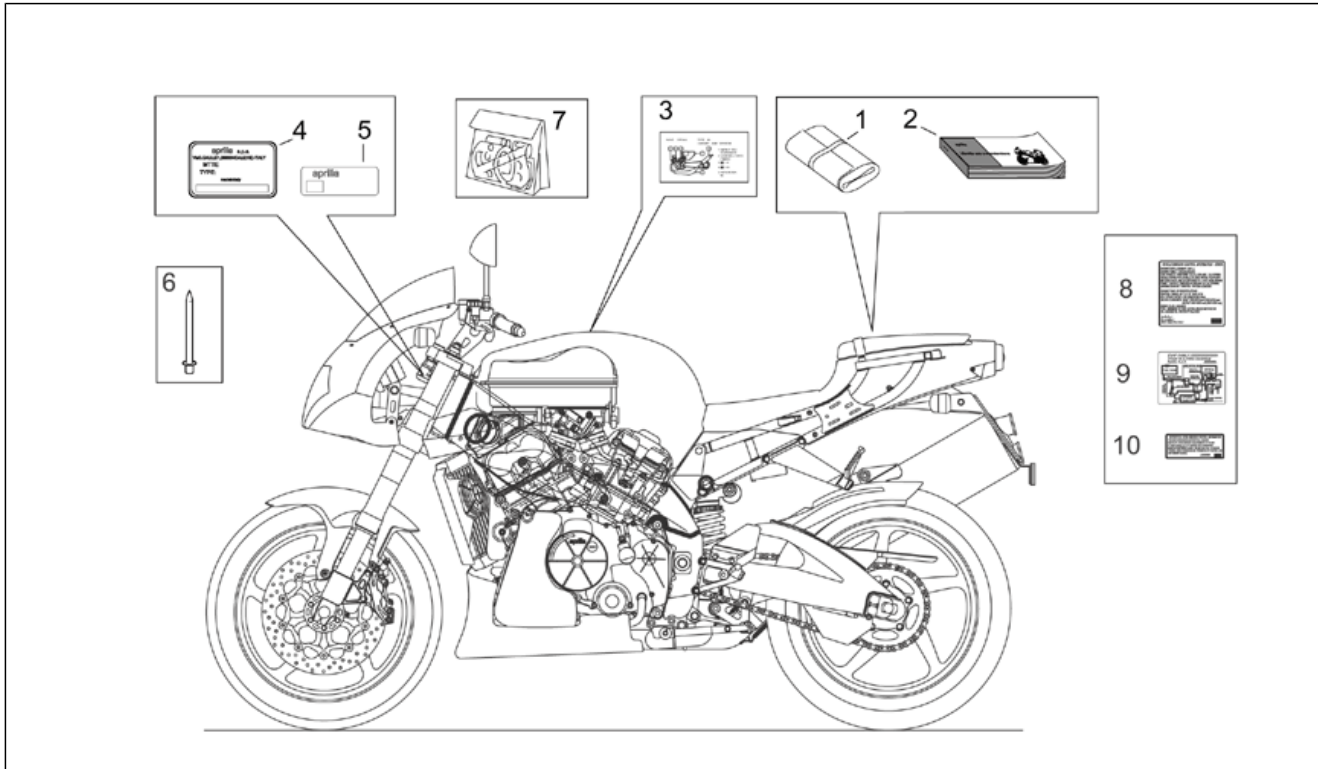
Pos.	Code	Beschreibung	Menge	Varianten
3	AP8104551	Tankfüllschraube	1	Baujahr: 2002[2] Fahrzeugfarbe: "Schwarz Diablo ""Racing"" 2002"[rac] Land: Australien[AA], Australien[AUS], Deutschland[D], Spanien[E], I, E, NL[EU], Frankreich[F], Italien[I], Holland[NL], Großbritannien[UK]
3	AP8104585	Tankfüllschraube	1	Baujahr: 2002[2] Fahrzeugfarbe: "Schwarz Diablo ""Racing"" 2002"[rac] Land: USA (Zulassung California)[CF], Vereinigte Staaten von Amerika[USA]
4	AP8102910	Lenkschloß	1	Baujahr: 2002[2] Fahrzeugfarbe: "Schwarz Diablo ""Racing"" 2002"[rac] Land: Australien[AA], Australien[AUS], Deutschland[D], Spanien[E], I, E, NL[EU], Frankreich[F], Italien[I], Holland[NL], Großbritannien[UK]
4	AP8102910	Lenkschloß	1	Baujahr: 2003[3] Fahrzeugfarbe: Grau Magnet 2003[m.grey], Rot Tulip 2002[t.red] Land: Österreich[A], Australien[AA], Australien[AUS], Belgien[B], Schweiz[CH], Deutschland[D], Dänemark[DK], Spanien[E], I, E, NL[EU], Frankreich[F], Italien[I], Japan[J], J[JJ], Mexiko[ME], ME[MX], Holland[NL], Spanien[SP], Großbritannien[UK]
4	AP8102910	Lenkschloß	1	Baujahr: 2003[3] Land: Österreich[A], Australien[AA], Australien[AUS], Belgien[B], Schweiz[CH], Deutschland[D], Dänemark[DK], Spanien[E], I, E, NL[EU], Frankreich[F], Italien[I], Japan[J], J[JJ], Mexiko[ME], ME[MX], Holland[NL], Spanien[SP], Großbritannien[UK] Technische Daten: Racing GARA 2003[RG]
4	AP8102910	Lenkschloß	1	Baujahr: 2004[4], 2005[5]
4	AP8124895	Lenkschloß	1	Baujahr: 2003[3] Land: USA (Zulassung California)[CF], Vereinigte Staaten von Amerika[USA] Technische Daten: Racing GARA 2003[RG]
4	AP8124895	Lenkschloß	1	Baujahr: 2003[3]

Einheit	RAHMEN
Code	28.49
Beschreibung	Bausatz Schlösser
Inspektion	1



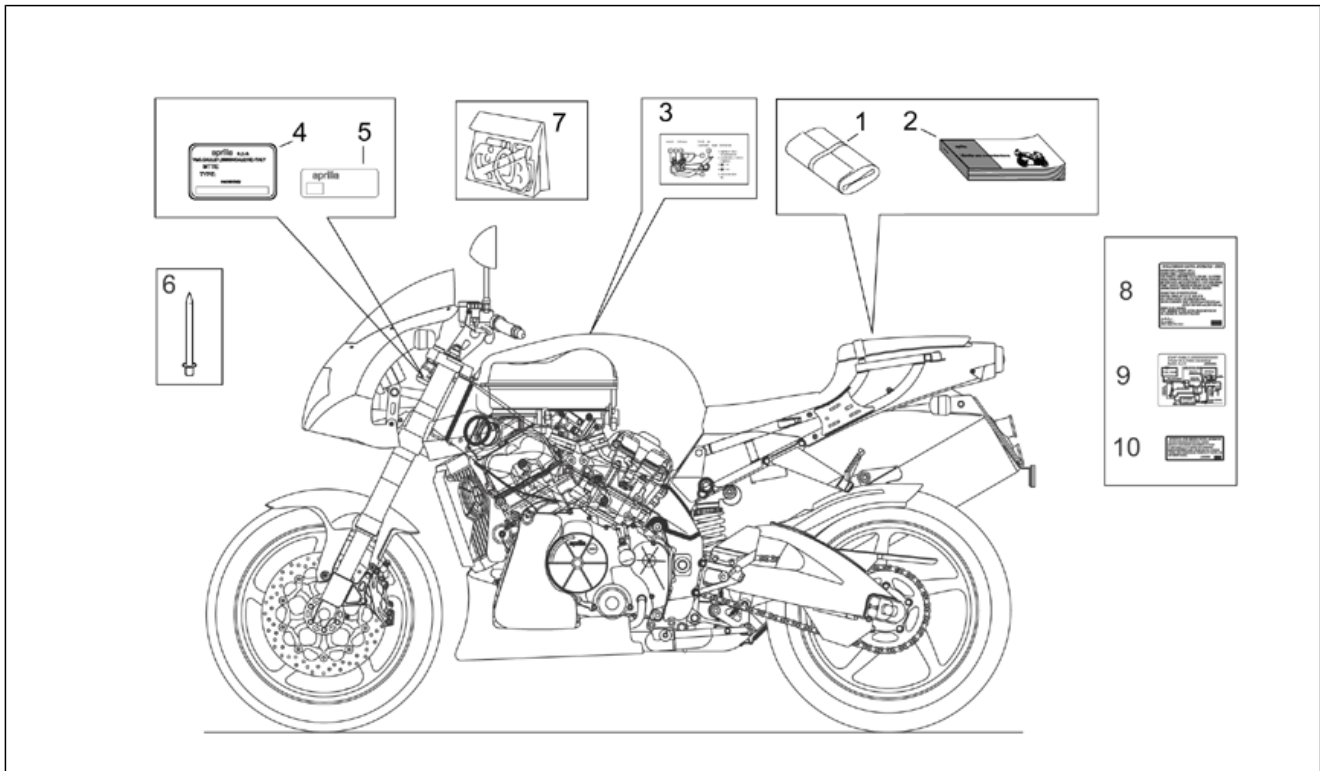
Pos.	Code	Beschreibung	Menge	Varianten
				Fahrzeugfarbe: Grau Magnet 2003[m.grey], Rot Tulip 2002[t.red] Land: USA (Zulassung California)[CF], Vereinigte Staaten von Amerika[USA]
4	AP8124895	Lenkschloß	1	Baujahr: 2003[3] Fahrzeugfarbe: Grau Magnet 2003[m.grey], Rot Tulip 2002[t.red] Land: USA (Zulassung 49 Staaten)[AM], Vereinigte Staaten von Amerika[USA]
4	AP8124895	Lenkschloß	1	Baujahr: 2002[2] Fahrzeugfarbe: "Schwarz Diablo ""Racing"" 2002"[rac] Land: USA (Zulassung California)[CF], Vereinigte Staaten von Amerika[USA]
5	AP8102880	Schl. gefr. Aprilia	1	
6	AP8102914	Sitz-Einkupplungsvorrichtung	1	
7	AP8102913	Fixierplatte Soziussitz	1	
8	AP8150507	Reißschraube	1	
9	AP8150236	TCEI Schraube M8x35	1	
10	AP8152278	TE Schr. m. Flansch M6x16	2	
11	AP8150165	TCEI Schraube M6x25	2	
12	AP8221129	Buchse	2	
13	AP8150453	TCEI Schraube M5x30	3	
14	AP8150454	TCEI Schraube M5x16	4	
15	AP8152435	Buchse	2	
16	AP8140704	Einstellschr.	1	Baujahr: 2003[3] Technische Daten: Renn-Kit für Version Racing 2003[kit]

Einheit	RAHMEN
Code	28.50
Beschreibung	Deko Anleitung Schilder
Inspektion	1



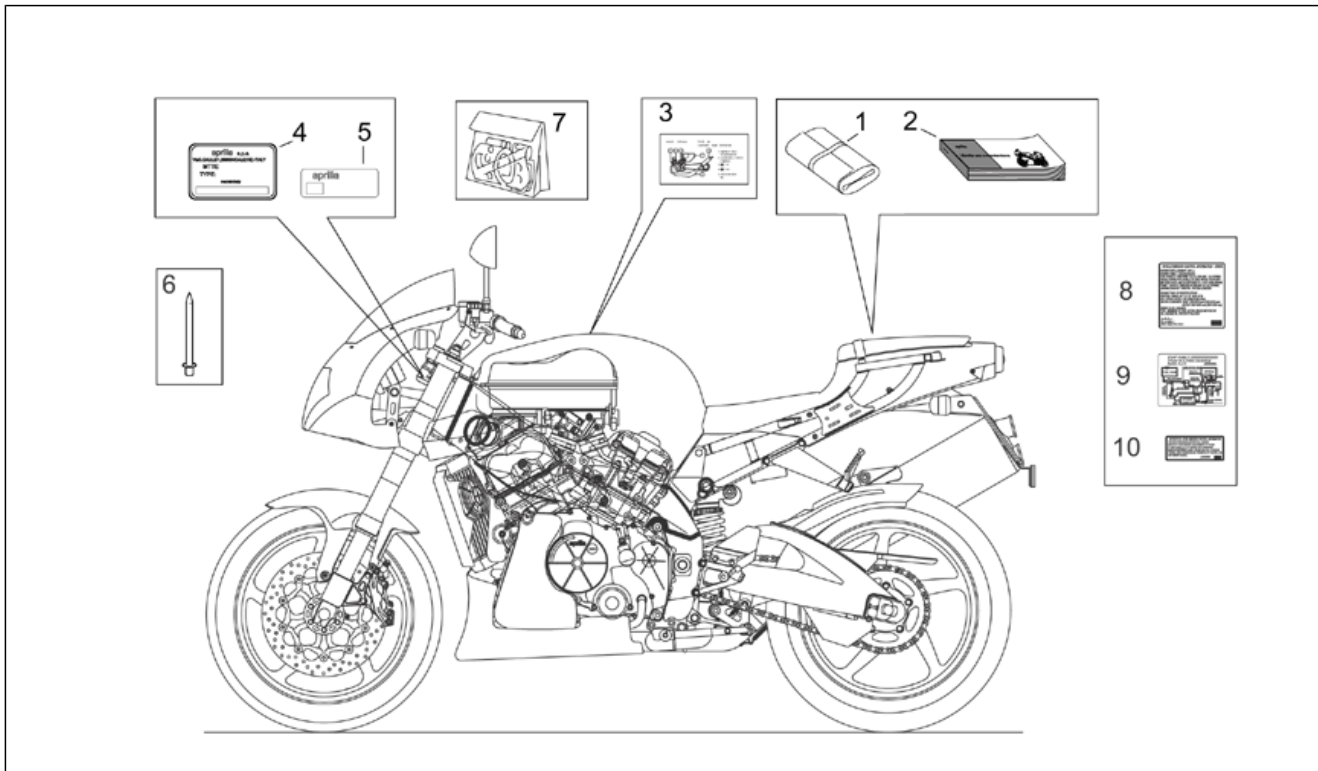
Pos.	Code	Beschreibung	Menge	Varianten
1	AP8102622	Werkzeugtasche	1	
2	AP8104506	Bed./Wart.-Anl. I-F-D	1	Baujahr: 2002[2]
2	AP8104507	Bed./Wart.-Anleit. -NL-E-UK-	1	Baujahr: 2002[2]
2	AP8104508	Bed./Wart.-Anl. -USA-	1	Baujahr: 2002[2]
2	AP8104700	Bed./Wart.-Anl. I-F-D	1	Baujahr: 2003[3], 2004[4], 2005[5]
2	AP8104701	Bed./Wart.-Anleit. -NL-E-UK-	1	Baujahr: 2003[3], 2004[4], 2005[5]
2	AP8104702	Bed./Wart.-Anl. -USA-	1	Baujahr: 2003[3], 2004[4], 2005[5]
2	AP8104703	Bed./Wart.-Anleit. -J-	1	Baujahr: 2003[3], 2004[4], 2005[5]
2	AP8104899	Gebrauchsanleitung -SF-GR-J	1	Baujahr: 2003[3], 2004[4], 2005[5]
3	AP8167282	Fälschungssicheres Schild	1	Land: I, E, NL[EU], Frankreich[F] Technische Daten: Version mit Katalysator[c]
4	AP8177082	Herstellerschild	1	Land: Österreich[A], Belgien[B], Schweiz[CH], Deutschland[D], Dänemark[DK], Spanien[E], I, E, NL[EU], Frankreich[F], Griechenland[GR], Italien[I], Japan[J], J[J], Mexiko[ME], ME[MX], Holland[NL], Finnland[SF], Spanien[SP], Großbritannien[UK]
4	AP8177225	Herstellerschild	1	Land: USA (Zulassung 49 Staaten)[AM], USA (Zulassung California)[CF], Vereinigte Staaten von Amerika[USA]
4	AP8177230	Herstellerschild	1	Land: Australien[AA], Australien[AUS]
5	AP8167311	ECE Schild	1	Land: Australien[AA], Australien[AUS], Japan[J], J[J]
6	AP8102728	Kunststoffniet 3x11	2	
7	AP8166133	Deko Serie	1	Baujahr: 2004[4] Fahrzeugfarbe: Schwarz Darkness 2004[d.bla] Technische Daten: "Version ""R - Standard"" 2004-2005"[RS]
7	AP8166134	Deko Serie	1	Baujahr: 2004[4] Fahrzeugfarbe: Silver Mirror 2004[s.mir] Technische Daten: "Version ""R - Standard"" 2004-2005"[RS]
7	AP8166135	Deko Serie	1	Baujahr: 2004[4] Fahrzeugfarbe: Rot Fluo 2004[f.red]

Einheit	RAHMEN
Code	28.50
Beschreibung	Deko Anleitung Schilder
Inspektion	1



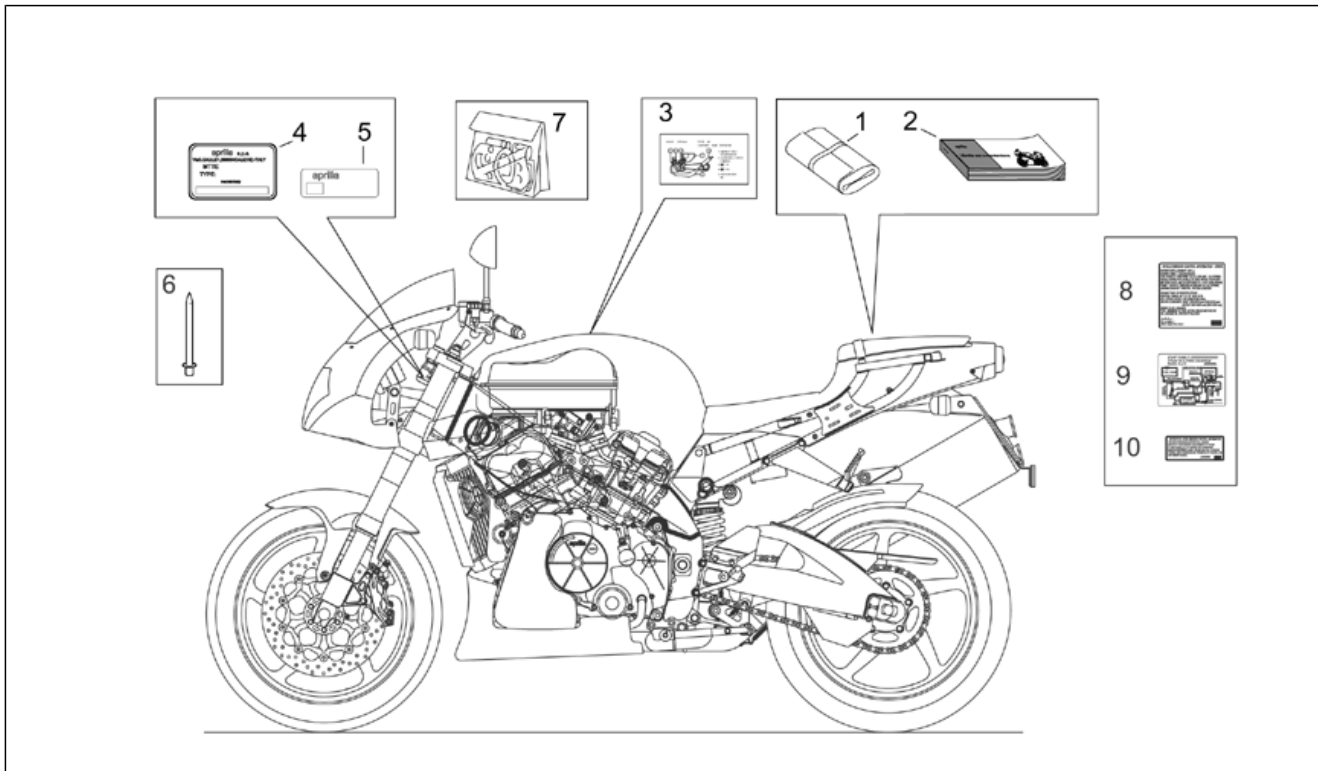
Pos.	Code	Beschreibung	Menge	Varianten
				Technische Daten: "Version ""R - Standard"" 2004-2005"[RS]
7	AP8166232	Deko Serie	1	Baujahr: 2004[4] Technische Daten: "Version ""R - Factory"" 2004-2005"[RF]
7	AP8166355	Deko Serie	1	Baujahr: 2005[5] Fahrzeugfarbe: Schwarz Darkness 2004[d.bla] Technische Daten: "Version ""R - Standard"" 2004-2005"[RS]
7	AP8166355	Deko Serie	1	Baujahr: 2004[4] Fahrzeugfarbe: Schwarz Darkness 2004[d.bla] Technische Daten: "Version ""R - Standard"" 2004-2005"[RS]
7	AP8166356	Deko Serie	1	Baujahr: 2005[5] Fahrzeugfarbe: Silver Mirror 2004[s.mir] Technische Daten: "Version ""R - Standard"" 2004-2005"[RS]
7	AP8166356	Deko Serie	1	Baujahr: 2004[4] Fahrzeugfarbe: Silver Mirror 2004[s.mir] Technische Daten: "Version ""R - Standard"" 2004-2005"[RS]
7	AP8166357	Deko Serie	1	Baujahr: 2005[5] Fahrzeugfarbe: Rot Fluo 2004[f.red] Technische Daten: "Version ""R - Standard"" 2004-2005"[RS]
7	AP8166357	Deko Serie	1	Baujahr: 2004[4] Fahrzeugfarbe: Rot Fluo 2004[f.red] Technische Daten: "Version ""R - Standard"" 2004-2005"[RS]
7	AP8166573	Deko Serie	1	Baujahr: 2005[5] Technische Daten: "Version ""R - Factory"" 2004-2005"[RF]
7	AP8166688	Deko kit no.	1	Baujahr: 2005[5] Technische Daten: "Version ""R - Factory"" 2004-2005"[RF]
7	AP8177099	Deko Serie	1	Baujahr: 2002[2] Fahrzeugfarbe: "Schwarz Diablo ""Racing"" 2002"[rac]

Einheit	RAHMEN
Code	28.50
Beschreibung	Deko Anleitung Schilder
Inspektion	1



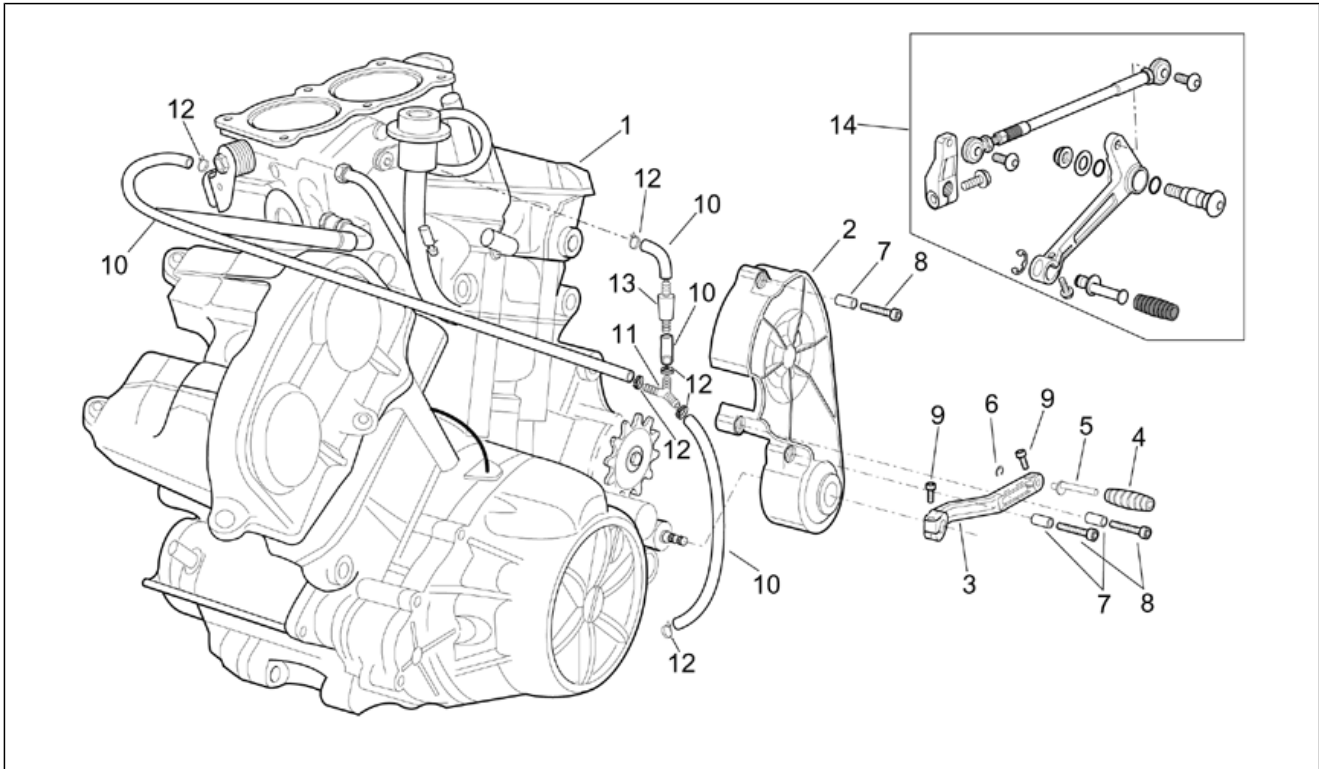
Pos.	Code	Beschreibung	Menge	Varianten
				Land: Australien[AA], Australien[AUS], Deutschland[D], Spanien[E], I, E, NL[EU], Frankreich[F], Italien[I], Holland[NL], Großbritannien[UK]
7	AP8177243	Deko Serie	1	Baujahr: 2002[2] Fahrzeugfarbe: "Schwarz Diablo ""Racing"" 2002"[rac] Land: USA (Zulassung California)[CF], Vereinigte Staaten von Amerika[USA]
7	AP8177244	Deko Serie	1	Baujahr: 2003[3] Fahrzeugfarbe: Rot Tulip 2002[t.red] Land: Österreich[A], Australien[AA], Australien[AUS], Belgien[B], Schweiz[CH], Deutschland[D], Dänemark[DK], Spanien[E], I, E, NL[EU], Frankreich[F], Italien[I], Japan[J], J[JJ], Mexiko[ME], ME[MX], Holland[NL], Spanien[SP], Großbritannien[UK]
7	AP8177419	Deko Serie	1	Baujahr: 2003[3] Fahrzeugfarbe: Rot Tulip 2002[t.red] Land: USA (Zulassung 49 Staaten)[AM], USA (Zulassung California)[CF], Vereinigte Staaten von Amerika[USA]
7	AP8177459	Deko Serie	1	Baujahr: 2003[3] Fahrzeugfarbe: Grau Magnet 2003[m.grey] Land: Österreich[A], Australien[AA], Australien[AUS], Belgien[B], Schweiz[CH], Deutschland[D], Dänemark[DK], Spanien[E], I, E, NL[EU], Frankreich[F], Italien[I], Japan[J], J[JJ], Mexiko[ME], ME[MX], Holland[NL], Spanien[SP], Großbritannien[UK]
7	AP8177462	Deko Serie	1	Baujahr: 2003[3] Fahrzeugfarbe: Grau Magnet 2003[m.grey] Land: USA (Zulassung 49 Staaten)[AM], USA (Zulassung California)[CF], Vereinigte Staaten von Amerika[USA]
7	AP8177567	Deko Serie	1	Baujahr: 2003[3] Technische Daten: Racing GARA 2003[RG]
8	AP8177228	Emission control sticker	1	Land: USA (Zulassung California)[CF], Vereinigte Staaten von Amerika[USA] Technische Daten: "Version ""R"" 2002-2003"[R]

Einheit	RAHMEN
Code	28.50
Beschreibung	Deko Anleitung Schilder
Inspektion	1



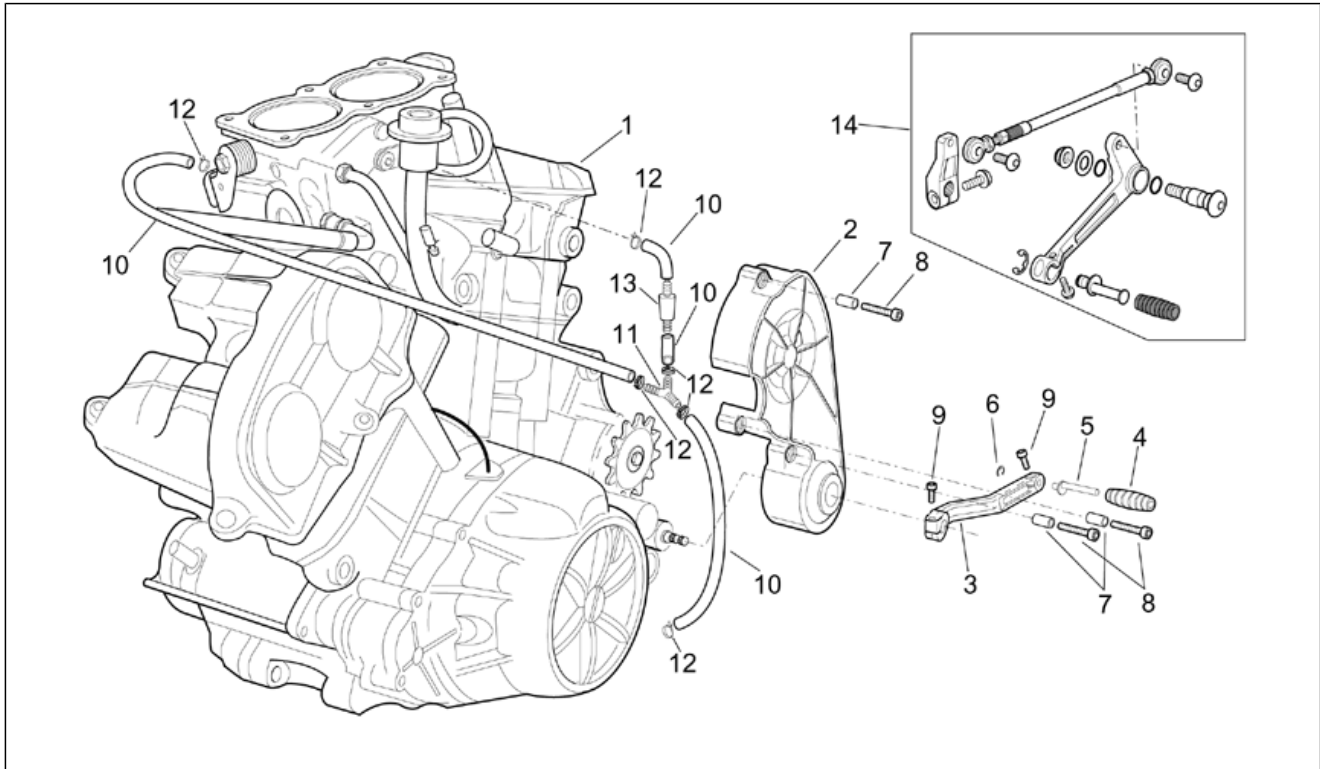
Pos.	Code	Beschreibung	Menge	Varianten
8	AP8177228	Emission control sticker	1	Land: USA (Zulassung California)[CF], Vereinigte Staaten von Amerika[USA] Technische Daten: "Version ""Base"" 2002-2003"[ST]
8	AP8177269	Emission control sticker	1	Land: USA (Zulassung 49 Staaten)[AM], Vereinigte Staaten von Amerika[USA] Technische Daten: "Version ""R - Standard"" 2004-2005"[RS], "Version ""Base"" 2002-2003"[ST]
9	AP8177227	Carbon filter sticker	1	Land: USA (Zulassung California)[CF], Vereinigte Staaten von Amerika[USA] Technische Daten: "Version ""R"" 2002-2003"[R]
9	AP8177227	Carbon filter sticker	1	Land: USA (Zulassung California)[CF], Vereinigte Staaten von Amerika[USA] Technische Daten: "Version ""R - Standard"" 2004-2005"[RS], "Version ""Base"" 2002-2003"[ST]
10	AP8177226	Lautherausgabe selbstkleber	1	Land: USA (Zulassung 49 Staaten)[AM], USA (Zulassung California)[CF], Vereinigte Staaten von Amerika[USA] Technische Daten: "Version ""R - Standard"" 2004-2005"[RS], "Version ""Base"" 2002-2003"[ST]
10	AP8177226	Lautherausgabe selbstkleber	1	Land: USA (Zulassung California)[CF], Vereinigte Staaten von Amerika[USA] Technische Daten: "Version ""R"" 2002-2003"[R]
10	AP8177233	Lautherausgabe selbstkleber	1	Baujahr: 2003[3] Land: Australien[AA], Australien[AUS]
11	AP8177181	Schild	1	Baujahr: 2003[3] Technische Daten: Racing GARA 2003[RG]

Einheit	MOTOR
Code	29.33
Beschreibung	Motor
Inspektion	1



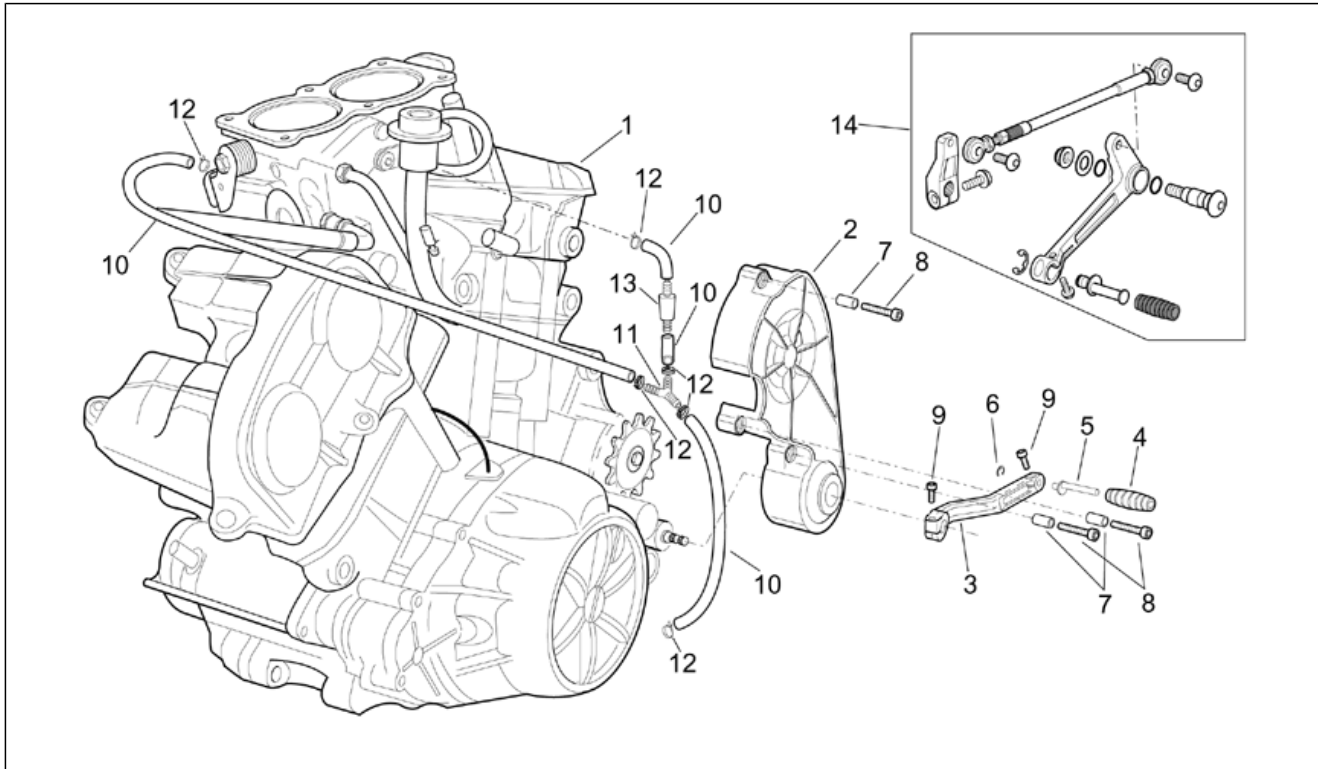
Pos.	Code	Beschreibung	Menge	Varianten
1	AP8106967	Motor 990	1	Baujahr: 2003[3] Land: Australien[AA], Australien[AUS], Schweiz[CH], Dänemark[DK], Spanien[E], I, E, NL[EU], Italien[I], Japan[J], J[J], Mexiko[ME], ME[MX], Holland[NL], Spanien[SP], Großbritannien[UK] Technische Daten: Version OHNE Katalysator[nc], "Version ""Base"" 2002-2003"[ST]
1	AP8106967	Motor 990	1	Baujahr: 2002[2] Land: Australien[AA], Australien[AUS], Schweiz[CH], Dänemark[DK], Spanien[E], I, E, NL[EU], Italien[I], Japan[J], J[J], Mexiko[ME], ME[MX], Holland[NL], Spanien[SP], Großbritannien[UK] Technische Daten: Version OHNE Katalysator[nc], "Version ""R"" 2002-2003"[R]
1	AP8106979	Motor 990	1	Baujahr: 2003[3] Land: Österreich[A], Deutschland[D], Spanien[E], I, E, NL[EU] Technische Daten: Version mit Katalysator[c], Version mit voller Leistung[fp], "Version ""Base"" 2002-2003"[ST]
1	AP8106979	Motor 990	1	Baujahr: 2002[2] Land: Österreich[A], Deutschland[D], Spanien[E], I, E, NL[EU] Technische Daten: Version mit Katalysator[c], "Version ""R"" 2002-2003"[R]
1	AP8106980	Motor 990	1	Baujahr: 2003[3] Land: Belgien[B], I, E, NL[EU], Frankreich[F] Technische Daten: Version mit Leistungsminderung 78 Kw[78], Version mit Katalysator[c], "Version ""Base"" 2002-2003"[ST]
1	AP8106980	Motor 990	1	Baujahr: 2002[2] Land: Belgien[B], I, E, NL[EU], Frankreich[F] Technische Daten: Version mit Katalysator[c], "Version ""R"" 2002-2003"[R]
1	AP8106986	Motor 990	1	Baujahr: 2002[2] Land: USA (Zulassung 49 Staaten)[AM], USA (Zulassung California)[CF], Vereinigte Staaten von Amerika[USA]

Einheit	MOTOR
Code	29.33
Beschreibung	Motor
Inspektion	1



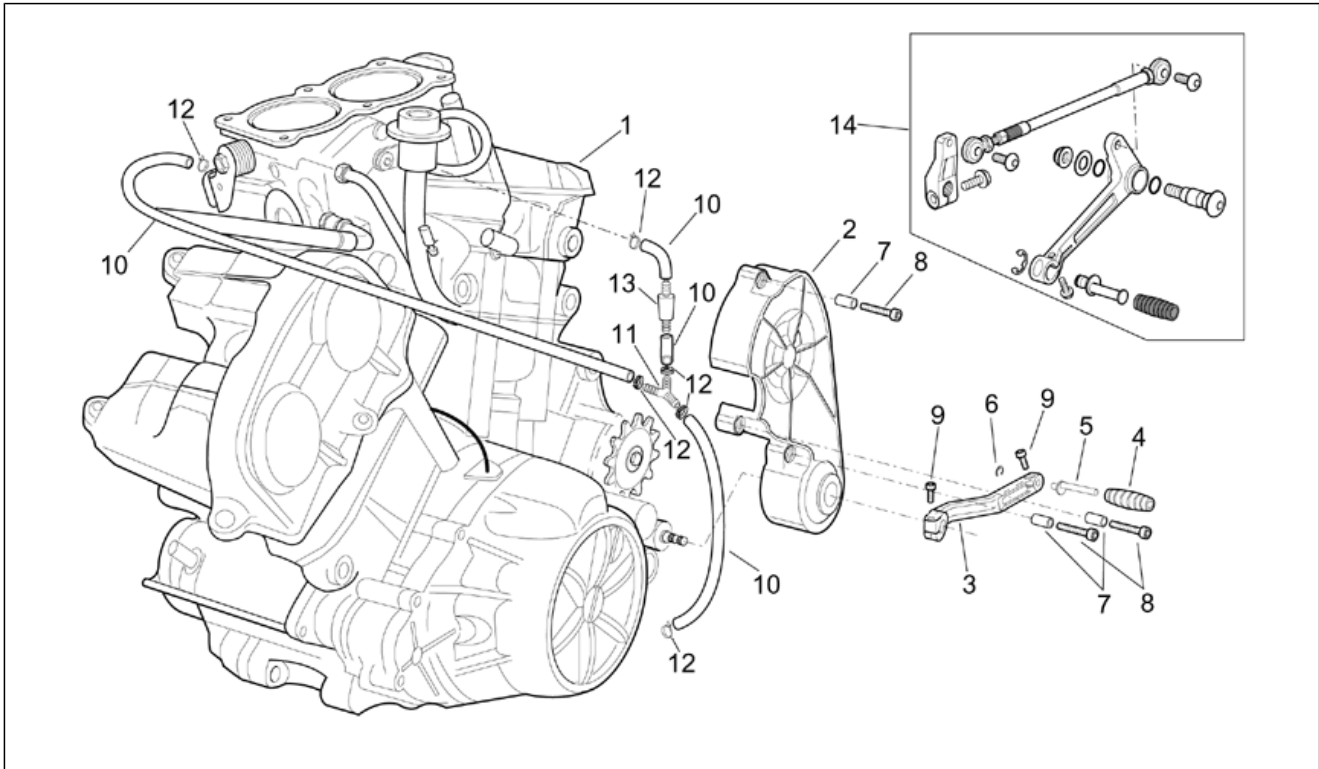
Pos.	Code	Beschreibung	Menge	Varianten
				Technische Daten: Version mit Katalysator[c], "Version ""R"" 2002-2003"[R]
1	AP8106986	Motor 990	1	Baujahr: 2003[3] Land: USA (Zulassung 49 Staaten)[AM], USA (Zulassung California)[CF], Vereinigte Staaten von Amerika[USA] Technische Daten: Version mit Katalysator[c], "Version ""Base"" 2002-2003"[ST]
1	AP8176052	Motor	1	Baujahr: 2003[3] Land: Australien[AA], Australien[AUS], Schweiz[CH], Dänemark[DK], I, E, NL[EU], Griechenland[GR], Italien[I], Japan[J], J[JJ], Holland[NL], Großbritannien[UK] Technische Daten: Version OHNE Katalysator[nc], Racing GARA 2003[RG]
1	AP8176053	Motor	1	Baujahr: 2003[3] Land: Österreich[A], Deutschland[D], Spanien[E], I, E, NL[EU], Spanien[SP] Technische Daten: Version mit Katalysator[c], Racing GARA 2003[RG]
1	AP8176053	Motor	1	Baujahr: 2004[4] Land: Australien[AA], Australien[AUS], Spanien[E], I, E, NL[EU], Italien[I], Japan[J], J[JJ], Mexiko[ME], ME[MX], Holland[NL], Spanien[SP], Großbritannien[UK] Technische Daten: Version mit Katalysator[c], "Version ""R - Standard"" 2004-2005"[RS]
1	AP8176053	Motor	1	Baujahr: 2004[4], 2005[5] Land: Australien[AA], Australien[AUS], Spanien[E], I, E, NL[EU], Griechenland[GR], Italien[I], Japan[J], J[JJ], Finnland[SF], Großbritannien[UK] Technische Daten: Version mit Katalysator[c], "Version ""R - Factory"" 2004-2005"[RF]
1	AP8176054	Motor	1	Baujahr: 2004[4], 2005[5] Land: I, E, NL[EU] Technische Daten: Version mit Leistungsminderung 78 Kw[78], Version mit Katalysator[c], "Version ""R - Standard"" 2004-2005"[RS]

Einheit	MOTOR
Code	29.33
Beschreibung	Motor
Inspektion	1



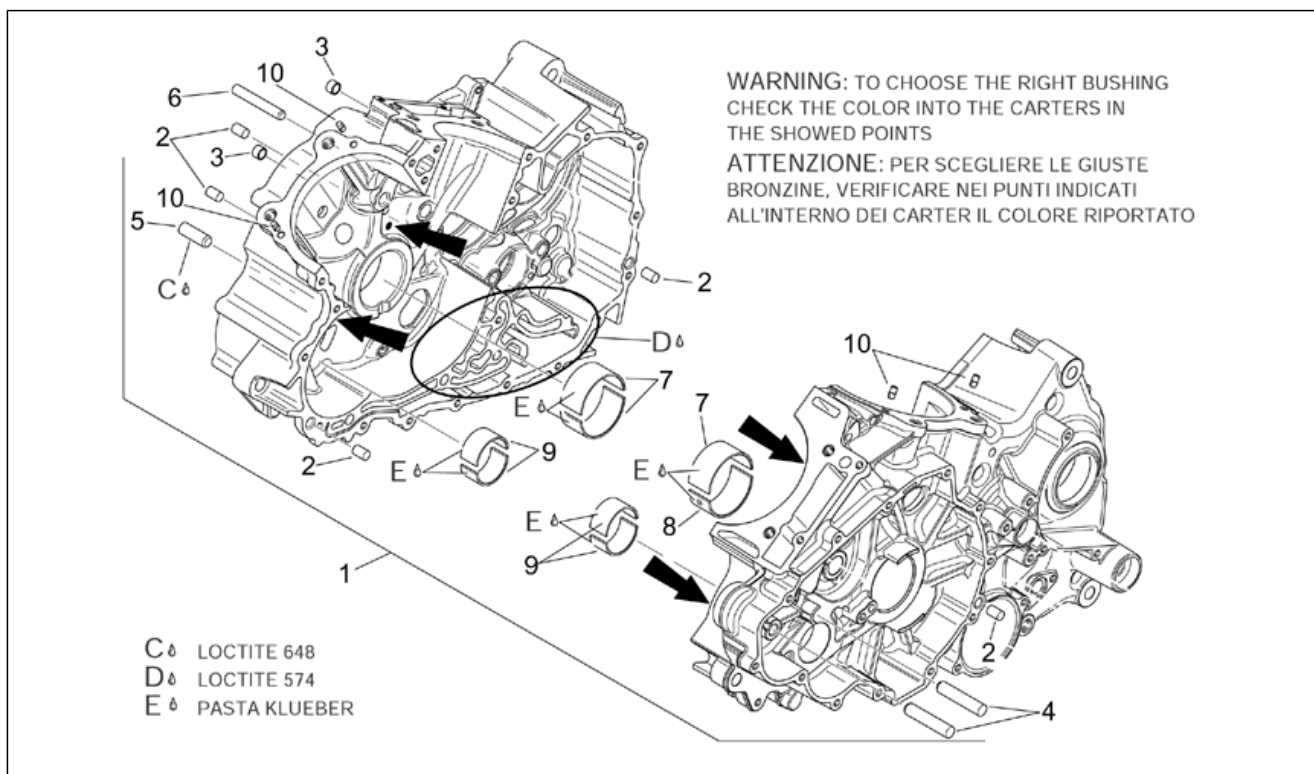
Pos.	Code	Beschreibung	Menge	Varianten
1	AP8176054	Motor	1	Baujahr: 2004[4] Land: Belgien[B], I, E, NL[EU], Frankreich[F] Technische Daten: Version mit Leistungsminderung 78 Kw[78], Version mit Katalysator[c], "Version ""R - Factory"" 2004-2005"[RF]
1	AP8176054	Motor	1	Baujahr: 2003[3] Land: Belgien[B], I, E, NL[EU], Frankreich[F], F[FF] Technische Daten: Version mit Leistungsminderung 78 Kw[78], Version mit Katalysator[c], Racing GARA 2003[RG]
1	AP8176055	Motor	1	Baujahr: 2004[4] Land: USA (Zulassung 49 Staaten)[AM], USA (Zulassung California)[CF], Vereinigte Staaten von Amerika[USA] Technische Daten: Version mit Katalysator[c], "Version ""R - Standard"" 2004-2005"[RS]
1	AP8176055	Motor	1	Baujahr: 2004[4], 2005[5] Land: USA (Zulassung 49 Staaten)[AM], USA (Zulassung California)[CF], Vereinigte Staaten von Amerika[USA] Technische Daten: Version mit Katalysator[c], "Version ""R - Factory"" 2004-2005"[RF]
1	AP8176055	Motor	1	Baujahr: 2003[3] Land: USA (Zulassung 49 Staaten)[AM], USA (Zulassung California)[CF], Vereinigte Staaten von Amerika[USA] Technische Daten: Version mit Katalysator[c], Racing GARA 2003[RG]
2	AP8106968	Ritzelkasten, grau	1	
3	AP8106379	Schalthebel	1	
4	AP8120912	Gummi für Hebel	1	
5	AP8121221	Stift Bremshebel	1	
6	AP8150462	Seegerring d9	1	
7	AP8221046	Distanzscheibe D6x8x13,5*	3	
8	AP8150220	TCEI Schraube M6x30	3	
9	AP8150044	TCEI Schraube M6x20	2	Technische Daten: "Version ""R - Standard"" 2004-2005"[RS], "Version ""Base"" 2002-2003"[ST]

Einheit	MOTOR
Code	29.33
Beschreibung	Motor
Inspektion	1



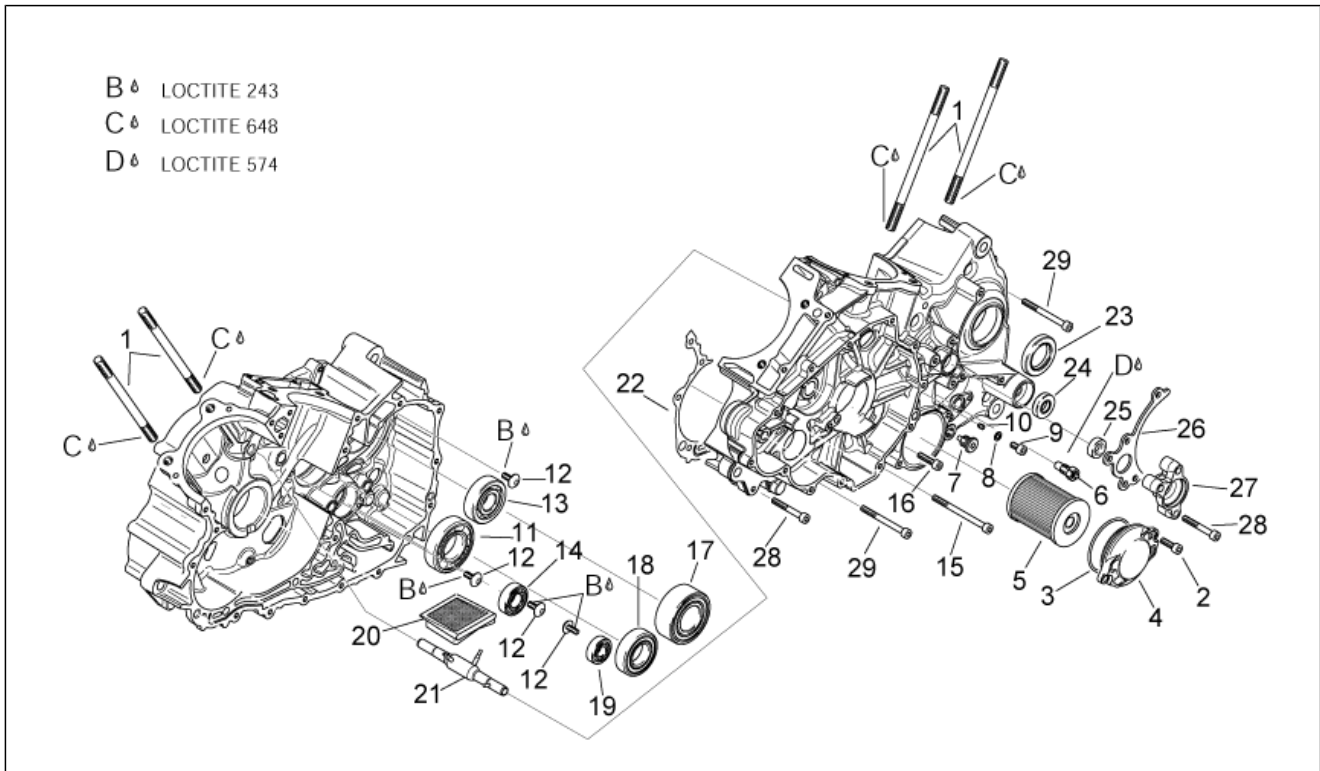
Pos.	Code	Beschreibung	Menge	Varianten
9	AP8152426	Zylinderschraube M6x20	2	Technische Daten: "Version ""R"" 2002-2003"[R], "Version ""R - Factory"" 2004-2005"[RF]
10	AP8144015	Ölschlauch 6x12	1	
11	AP8120116	3-Wegeanschluß	1	
12	AP8120446	Schlauchschelle, grün D11x6,6x1	6	
13	AP8104251	Ölablaßventil	1	
14	AP8796530	Schaltheb. ERGAL	1	Baujahr: 2003[3] Technische Daten: Renn-Kit für Version Racing 2003[kit]

Einheit	MOTOR
Code	29.51
Beschreibung	Gehäuse I
Inspektion	1



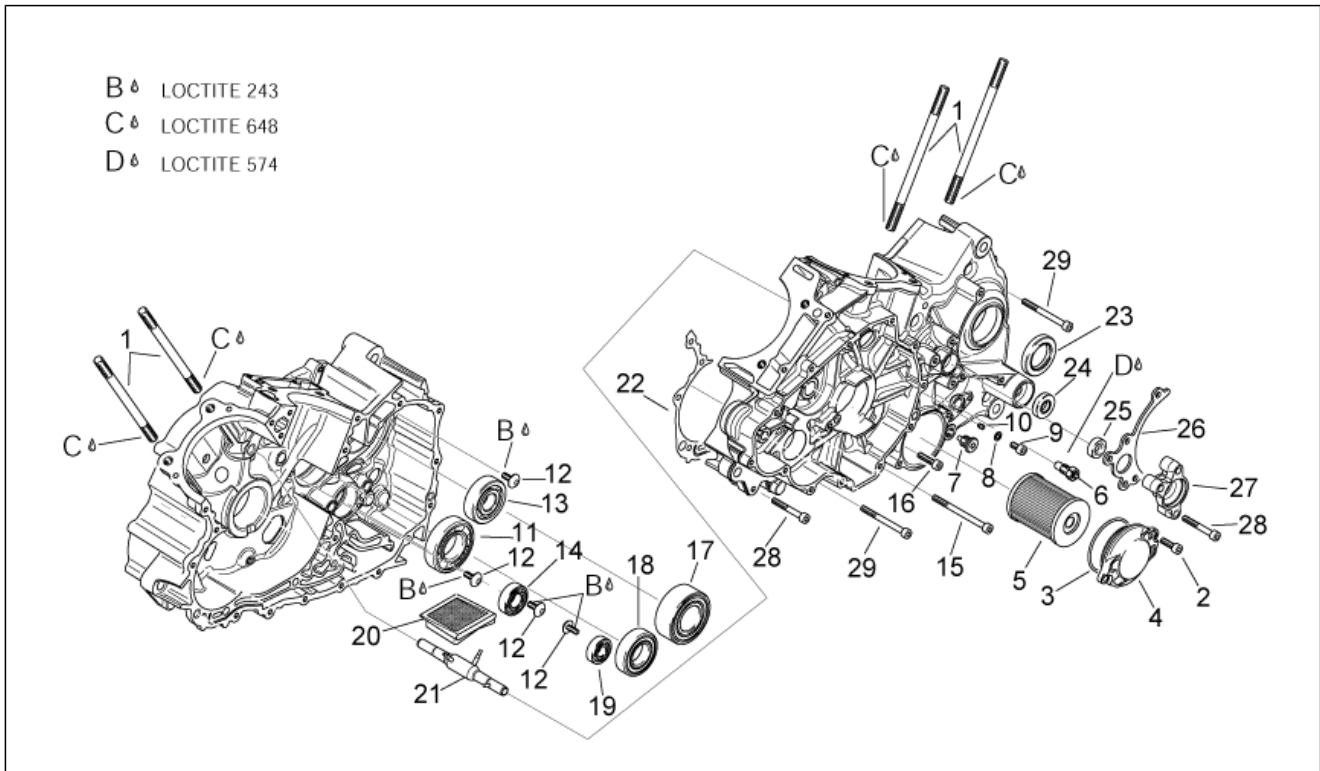
Pos.	Code	Beschreibung	Menge	Varianten
1	AP0296961	Gehäuse-kpl.	1	
2	AP0632010	Stift M8x12	5	
3	AP0929500	Stift 10x8	2	
4	AP0229301	Bolzen M6x50	2	
5	AP0929930	Bolzen	1	
6	AP0229385	Bolzen	1	
7	AP0233745	Halbsch. Bronzebu., blau	3	
7	AP0233746	Halbsch. Bronzebu., rot	3	
7	AP0233748	Halbsch. Bronzebu., gelb	3	
8	AP0233740	Halbsch. Bronzebu., blau	1	
8	AP0233741	Halbsch. Bronzebu., rot	1	
8	AP0233743	Halbsch. Bronzebu., gelb	1	
9	AP0233711	Halbsch. Bronzebu., blau	4	
9	AP0233820	Halbsch. Bronzebu., rot	4	
9	AP0233822	Halbsch. Bronzebu., gelb	4	
10	AP0929650	Stift 5x10	4	

Einheit	MOTOR
Code	29.52
Beschreibung	Gehäuse II
Inspektion	1



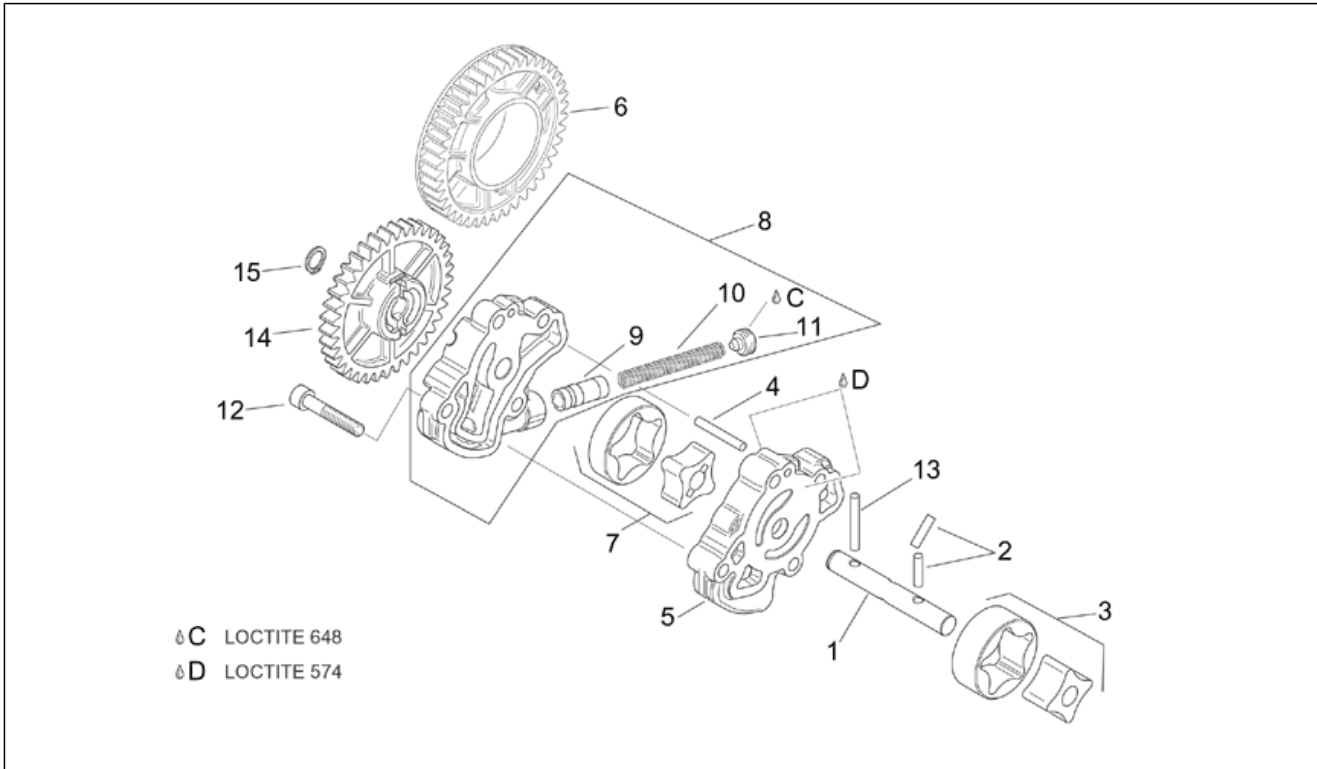
Pos.	Code	Beschreibung	Menge	Varianten
1	AP0241580	Stiftschraube m10x171	8	
2	AP0241932	TCEI Schraube	2	
3	AP0650500	O-Ring 59,52x2,62	1	
4	AP0210415	Ölfilterdeckel	1	
5	AP0256187	Ölfiltereinsatz	1	
6	AP0241854	Schalter Lerrlktr.	1	
7	AP0241782	Magnetschraube M12x1,5	1	
8	AP0230415	Gasket ring 6x10	1	Baujahr: 2002[2]
8	AP0230415	Gasket ring 6x10	1	Baujahr: 2003[3] Technische Daten: "Version ""Base"" 2002-2003"[ST]
8	AP0950141	Gasket ring 8x13	1	Baujahr: 2003[3] Technische Daten: Racing GARA 2003[RG]
8	AP0950141	Gasket ring 8x13	1	Baujahr: 2004[4], 2005[5]
9	AP0241081	TCEI Schraube M6x10	1	Baujahr: 2003[3] Technische Daten: "Version ""Base"" 2002-2003"[ST]
9	AP0241081	TCEI Schraube M6x10	1	Baujahr: 2002[2]
9	AP0841521	TCEI Schraube	1	Baujahr: 2004[4], 2005[5]
9	AP0841521	TCEI Schraube	1	Baujahr: 2003[3] Technische Daten: Racing GARA 2003[RG]
10	AP0268740	Strahl 60	1	
11	AP0932585	Kugellager 6206	1	
12	AP0241531	Kurzkopf-Schraube	4	
13	AP0832144	Kugellager 6304	1	
14	AP0232625	Lager 6003	1	
15	AP0241501	TCEI Schraube M6x80	1	
16	AP0840861	TCEI Schraube M6x25	1	
17	AP0632124	Schulterkugellager 3206	1	
18	AP0932428	Kugellager 6205	1	
19	AP0932335	Kugellager 16101	1	

Einheit	MOTOR
Code	29.52
Beschreibung	Gehäuse II
Inspektion	1



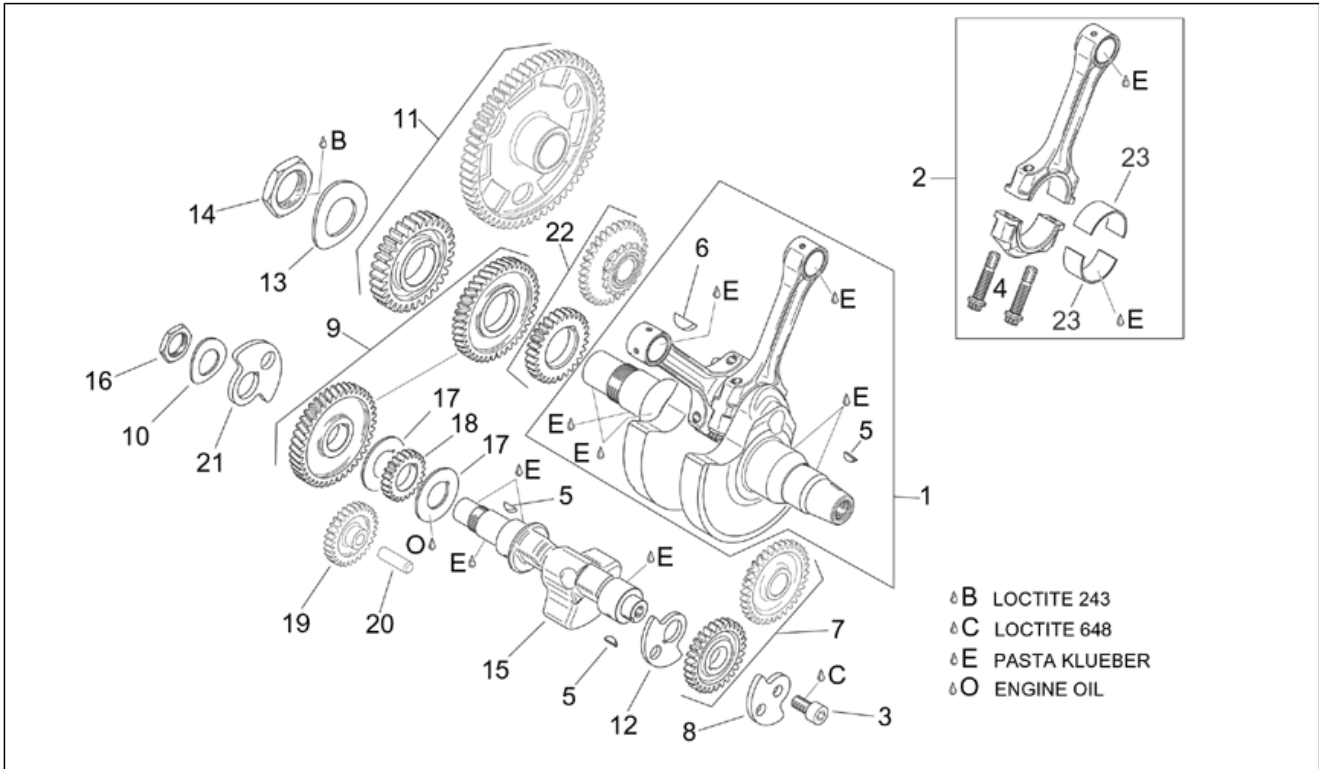
Pos.	Code	Beschreibung	Menge	Varianten
20	AP0256497	Ölnetz	1	
21	AP0256526	Öl-Einspritzschlauch	1	
22	AP0650335	Dichtung	1	
23	AP0850050	Ölabstreifring 40x47x7,5	1	
24	AP0250450	Ölabstreifring 12x28x7	1	
25	AP0650320	Ölabstreifring 11x22x7	1	
26	AP0236370	Kettenführung	1	
27	AP0259500	Kupplungs-Ausrückfla.	1	
28	AP0241821	TCEI Schraube M6x45	8	
29	AP0241261	TCEI Schraube	13	

Einheit	MOTOR
Code	29.53
Beschreibung	Ölpumpe
Inspektion	1



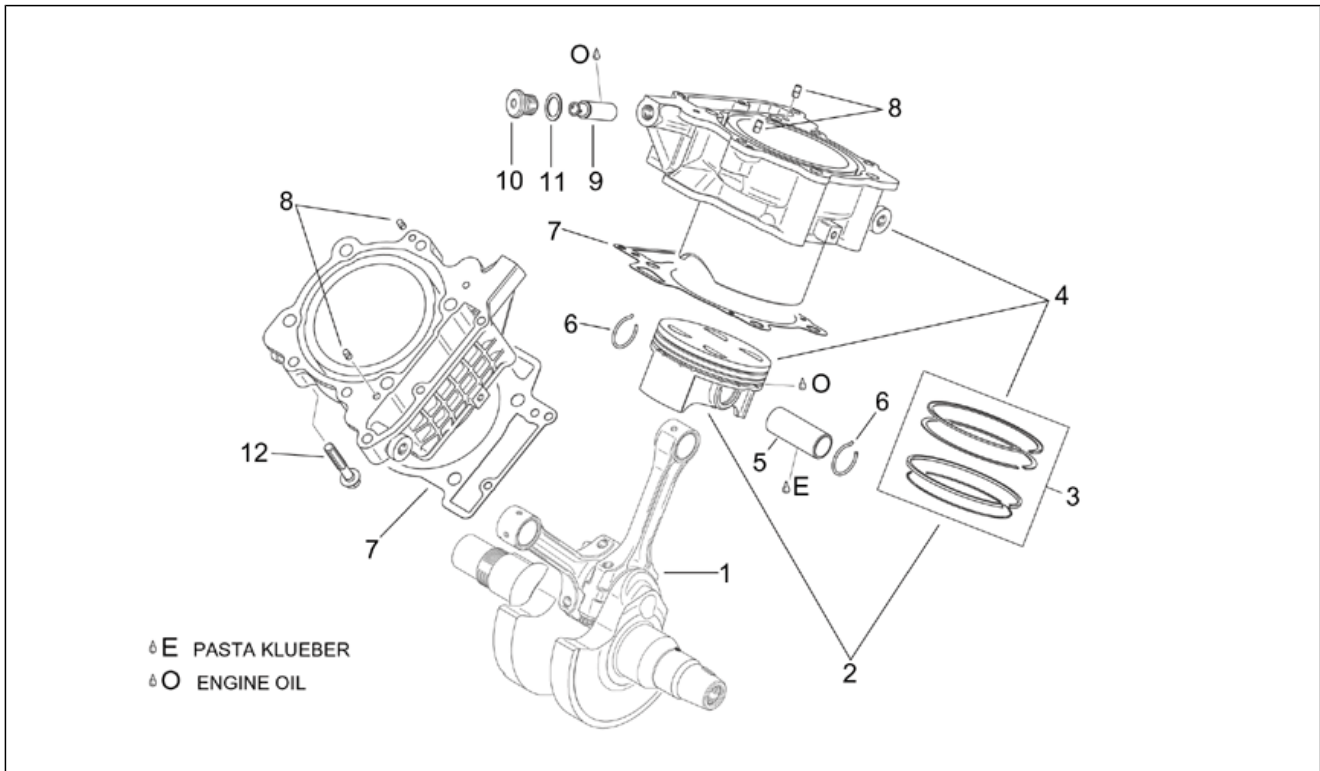
Pos.	Code	Beschreibung	Menge	Varianten
1	AP0220423	Ölpumpenwelle	1	
2	AP0232730	Stift 4x15,8	2	
3	AP0256680	Innen- und Außenrotor	1	
4	AP0232970	Bolzen 4x25,8	1	
5	AP0211620	Ölpumpengehäuse	1	
6	AP0634475	Ölpumpen-Zahn. z=42	1	
7	AP0956275	Innen- und Außenrotor	1	
8	AP0211632	Deckel Ölpumpe	1	
9	AP0256510	Druckregelkolben	1	
10	AP0239447	Feder	1	
11	AP0241650	Ventilschließschraube m12x1,5	1	
12	AP0241821	TCEI Schraube M6x45	4	
13	AP0232430	Stift	1	
14	AP0634483	Ölpumpen-Zahn.	1	
15	AP0245330	Seegerring 10x1	1	

Einheit	MOTOR
Code	29.54
Beschreibung	Kurbelwelle I
Inspektion	1



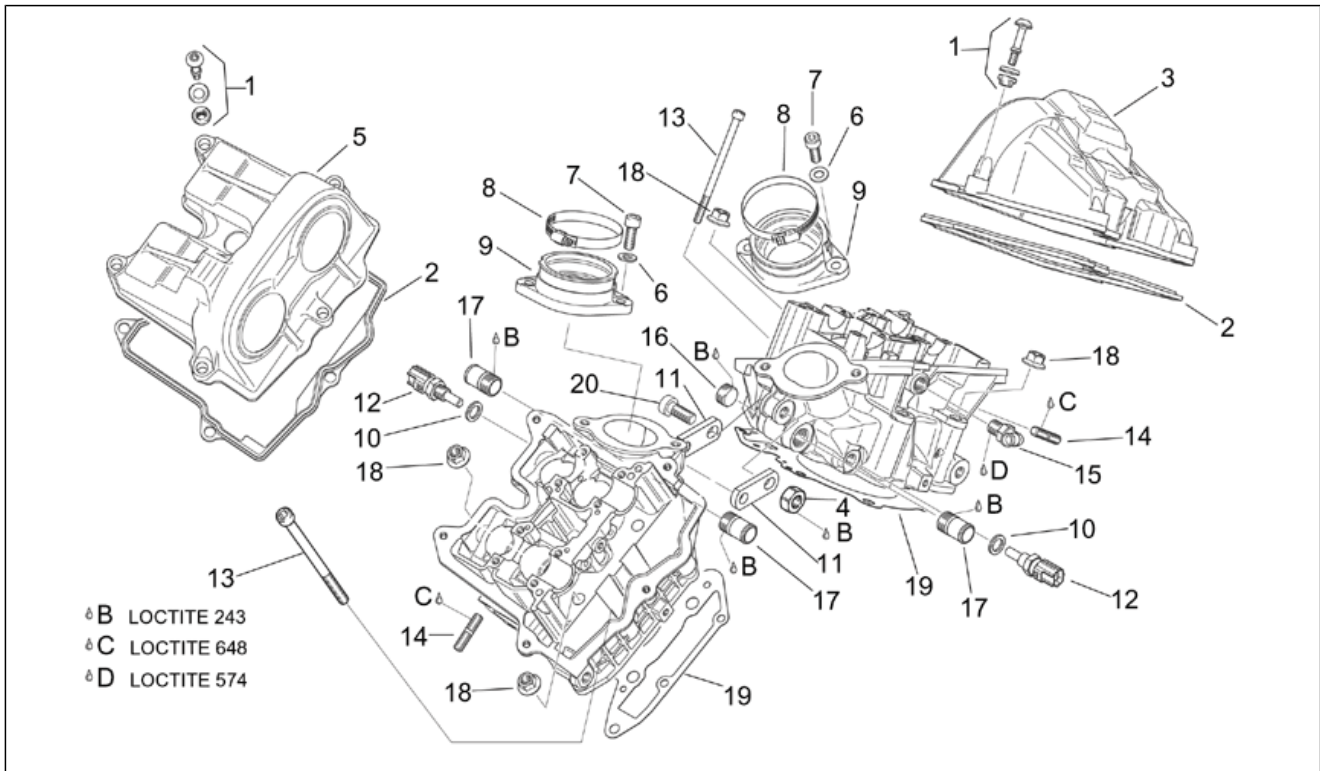
Pos.	Code	Beschreibung	Menge	Varianten
1	AP0295662	Kurbelwelle kpl.	1	
2	AP0217346	Baugruppe Pleuelstange kplt.	2	
3	AP0440260	TCEI Schraube	1	
4	AP0640400	Pleuelschraube	4	
5	AP0246570	Keil 4x5	3	
6	AP0946015	Keil 6x9	1	
7	AP0295765	Zahnrad Vent.st. kplt.	1	
8	AP0219365	Gegengew. Schw.rad a.	1	
9	AP0295770	Ausgleichsrad kpl.	1	
10	AP0245860	Sprengscheibe	1	
11	AP0295783	Zahnrad Hauptgetriebe	1	
12	AP0219360	Gegengew. Schw.rad i.	1	
13	AP0245840	Sprengscheibe	1	
14	AP0242940	Mutter m33x1,5	1	
15	AP0220372	Unt. Gegenwelle	1	
16	AP0242874	Mutter	1	
17	AP0627200	Ausgleichscheibe 24x54x2	2	
18	AP0634610	Wasserpump.-Zahn.	1	
19	AP0634500	Freilaufgrad	1	
20	AP0929930	Bolzen	1	
21	AP0219350	Gegengewicht Kuppl.	1	
22	AP0295760	Zahnrad Vent.st. kplt.	1	
23	AP0233721	Bronzebuchse,rot 42x45x19	2	
23	AP0233722	Bronzebuchse,blau 42x45x19	2	
23	AP0233723	Bronzebuchse,gelb 42x45x19	2	

Einheit	MOTOR
Code	29.55
Beschreibung	Kurbelwelle II
Inspektion	1



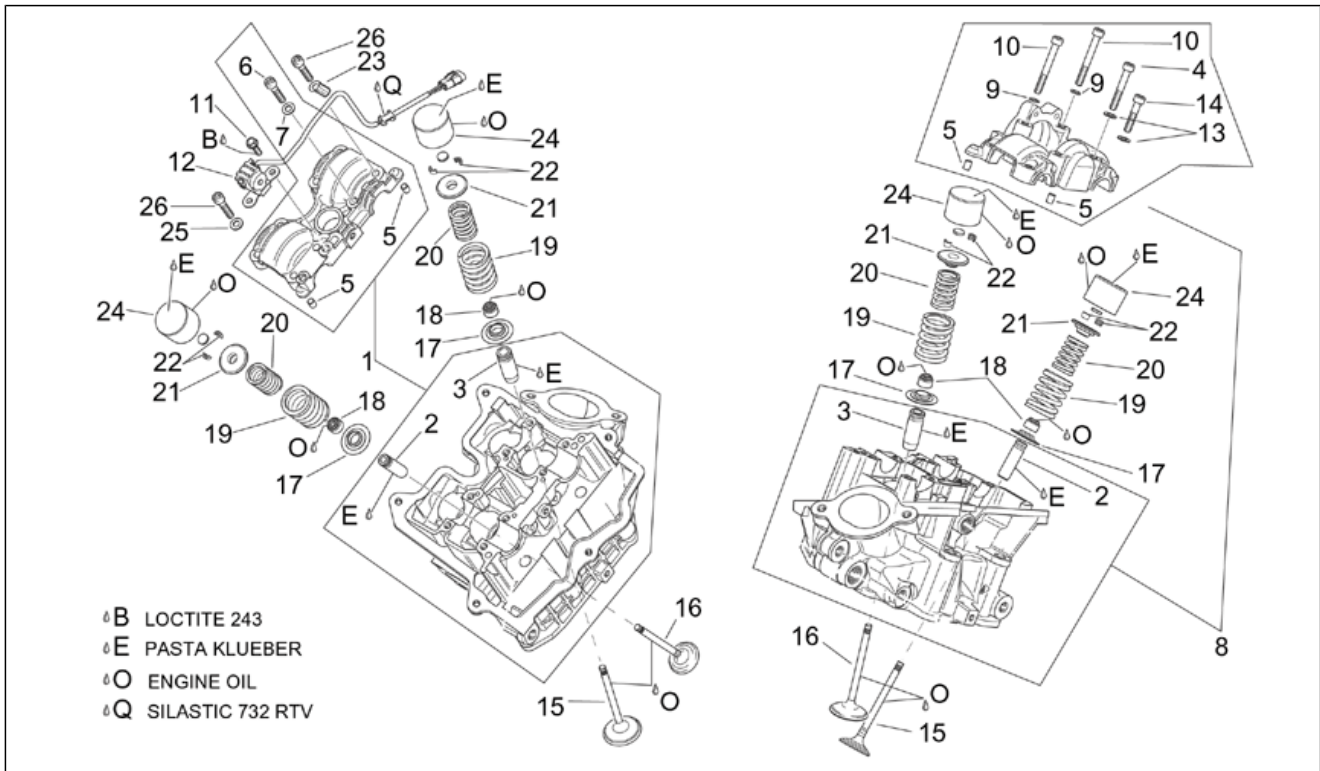
Pos.	Code	Beschreibung	Menge	Varianten
1	AP0295663	Kurbelwelle kpl.	1	
2	AP0684310	Kolben kpl. 96,944 mm (A)	2	
2	AP0684311	Kolben kpl. 96,956 mm (B)	2	
3	AP0295858	Satz Kolbenringe	2	
4	AP0613418	Kolben + Zylinder	2	
5	AP0216222	Bolzen 22x14x55	2	
6	AP0245436	Sperring 22	4	
7	AP0650390	ZYLINDERFUSSDICHTUNG	2	
8	AP0929650	Stift 5x10	4	
9	AP0236252	Kettenspanner	2	
10	AP0640450	Deckel	2	
11	AP0430622	Gasket ring 16x22	2	
12	AP0940637	TE Schr. m. Flansch	8	

Einheit	MOTOR
Code	29.56
Beschreibung	Ventildeckel
Inspektion	1



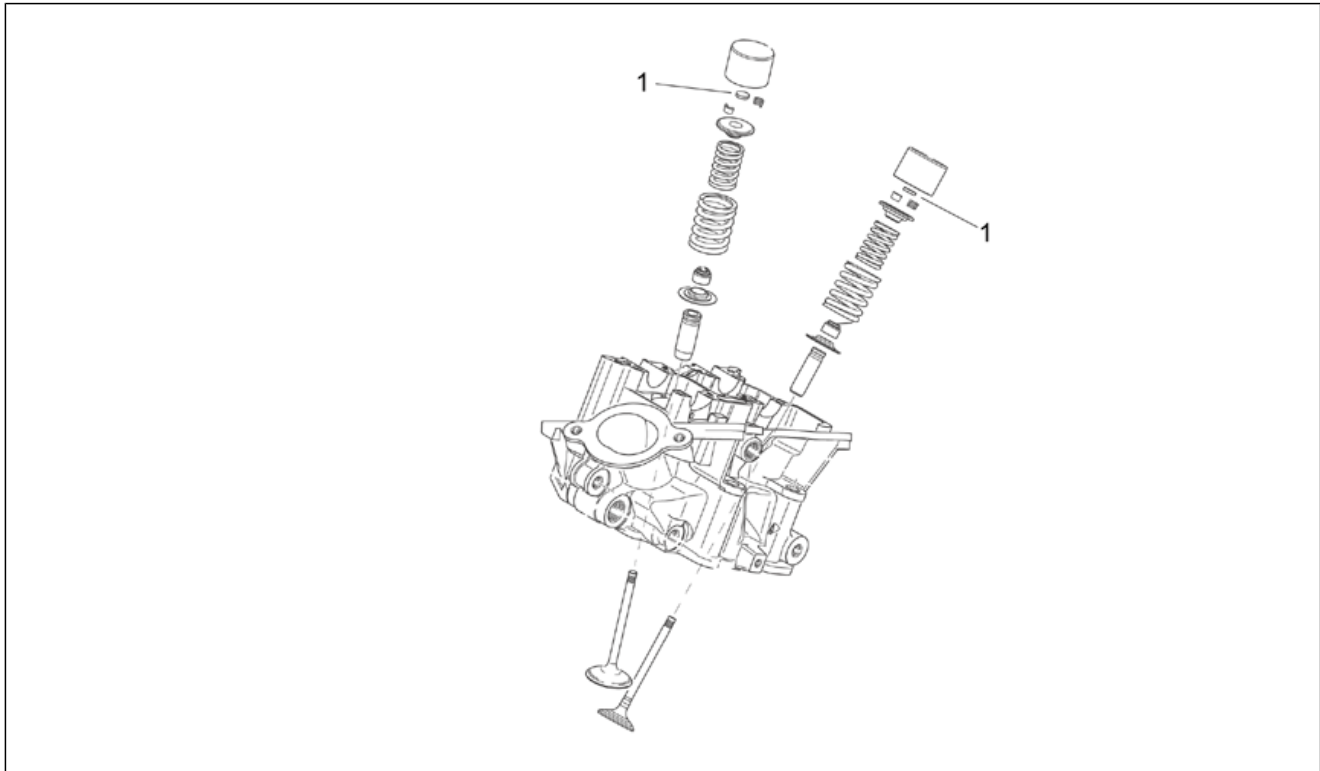
Pos.	Code	Beschreibung	Menge	Varianten
1	AP0241625	Distanzst.schraube kpl.	10	
2	AP0650345	Dichtung Ventildeckel	2	
3	AP0211667	Hint. Ventildeckel	1	
4	AP0242091	Mutter	2	
5	AP0211662	Vord. Ventildeckel	1	
6	AP0250311	Ausgleichscheibe 8,4	4	
7	AP0240081	TCEI Schraube M8x25	4	
8	AP0251830	Schelle 65	2	
9	AP0267150	Einlaßflansch	2	
10	AP0250640	Gasket ring 12x18	2	
11	AP0251100	Platte	2	
12	AP0274040	Temperaturfühler	2	
13	AP0241601	TCEI Schraube	4	
14	AP0241560	Stiftschraube	6	
15	AP0922245	Winkelverbinder	1	
16	AP0240170	Deckel m18x1,5	1	
17	AP0224090	Leitung	3	
18	AP0242851	Mutter	8	
19	AP0650210	Dichtung Kopf-Zylinder	2	
20	AP0640581	TCEI Schraube M10x40	2	

Einheit	MOTOR
Code	29.57
Beschreibung	Zylinderkopf und Ventile
Inspektion	1



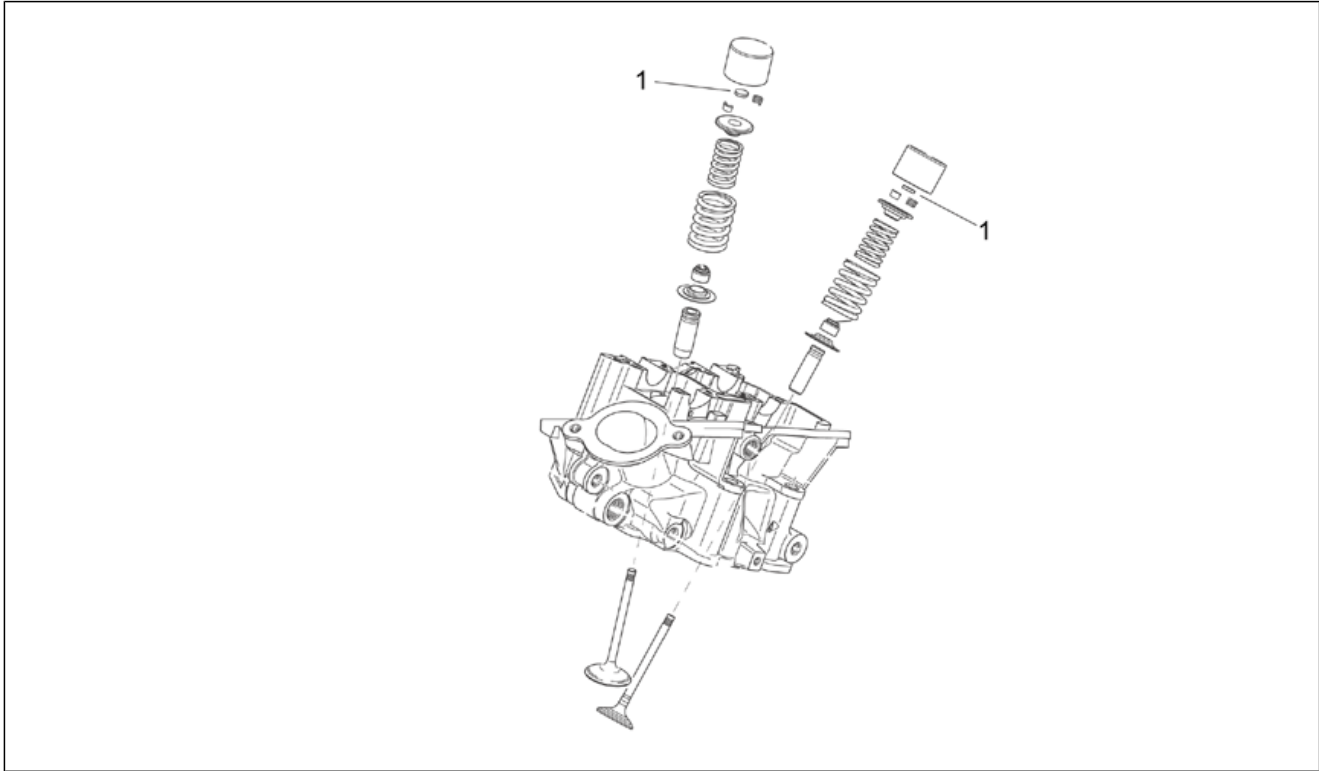
Pos.	Code	Beschreibung	Menge	Varianten
1	AP0613491	Zylinderkopf vorn kplt.	1	
2	AP0253926	Ventilführung Auslaß	4	
3	AP0253921	Ventilführung Einlaß	4	
4	AP0241821	TCEI Schraube M6x45	2	
5	AP0232210	Bolzen 6x8	2	
6	AP0840880	TCEI Schraube M6x30	1	
7	AP0927945	Ausgleichscheibe 6,2x12x1	1	
8	AP0613496	Zylinderkopf hinten kplt.	1	
9	AP0927863	Ausgleichscheibe 6,1x9,8x1	2	
10	AP0240331	TCEI Schraube	2	
11	AP0941935	Gew.schr. M5x12	2	
12	AP0274060	Fühler Nockenwelle kp.	1	
13	AP0927945	Ausgleichscheibe 6,2x12x1	6	
14	AP0840880	TCEI Schraube M6x30	4	
15	AP0254021	Auslaßventil 31mm	4	
16	AP0254295	Einlaßventil 38 mm	4	
17	AP0253965	Ventilfederplatte	8	
18	AP0230510	Ölabstreifring Ventilführung	8	
19	AP0239520	Ventilfeder außen	8	
20	AP0239510	Ventilfeder innen	8	
21	AP0253956	Ventilfederplatte	8	
22	AP0253645	Ventilhalbkegel	16	
23	AP0251090	Kabelschutz	1	
24	AP0253990	Ventilbecher	8	
25	AP0927945	Ausgleichscheibe 6,2x12x1	7	
26	AP0840880	TCEI Schraube M6x30	7	

Einheit	MOTOR
Code	29.58
Beschreibung	Ventilesbeläge
Inspektion	1



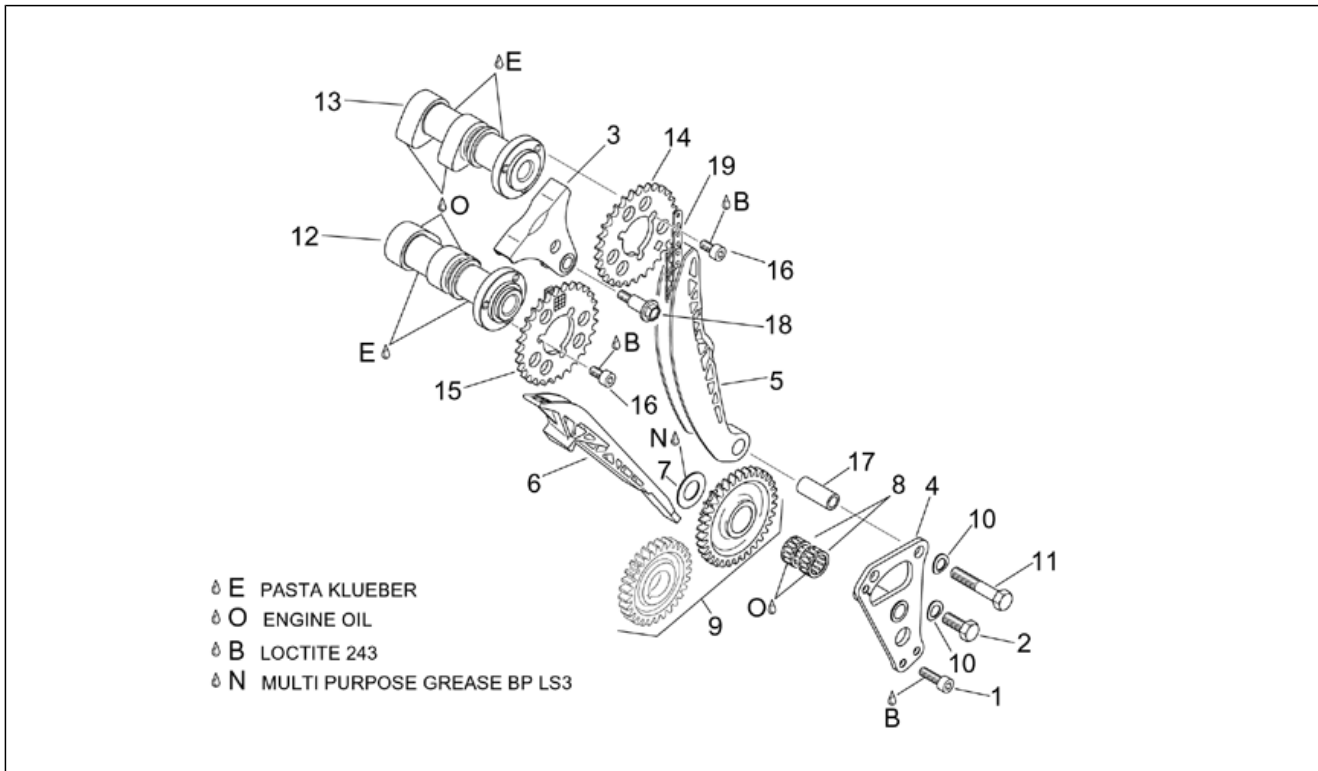
Pos.	Code	Beschreibung	Menge	Varianten
1	AP0253974	Belag 2,3	1	
1	AP0253975	Belag 2,35	1	
1	AP0253976	Belag 2,4	1	
1	AP0253977	Belag 2,45	1	
1	AP0253978	Belag 2,5	1	
1	AP0253979	Belag 2,55	1	
1	AP0253980	Belag 2,6	1	
1	AP0253981	Belag 2,65	1	
1	AP0253982	Belag 2,7	1	
1	AP0253983	Belag 2,75	1	
1	AP0253984	Belag 2,8	1	
1	AP0253985	Belag 2,85	1	
1	AP0253986	Belag 2,9	1	
1	AP0253987	Belag 2,95	1	
1	AP0253988	Belag 3,00	1	
1	AP0253989	Belag 3,050	1	
1	AP0254030	Belag 2,325	1	
1	AP0254031	Belag 2,375	1	
1	AP0254032	Belag 2,425	1	
1	AP0254033	Belag 2,475	1	
1	AP0254034	Belag 2,525	1	
1	AP0254035	Belag 2,575	1	
1	AP0254036	Belag 2,625	1	
1	AP0254037	Belag 2,675	1	
1	AP0254038	Belag 2,725	1	
1	AP0254039	Belag 2,775	1	
1	AP0254040	Belag 2,825	1	
1	AP0254041	Belag 2,875	1	

Einheit	MOTOR
Code	29.58
Beschreibung	Ventilesbeläge
Inspektion	1



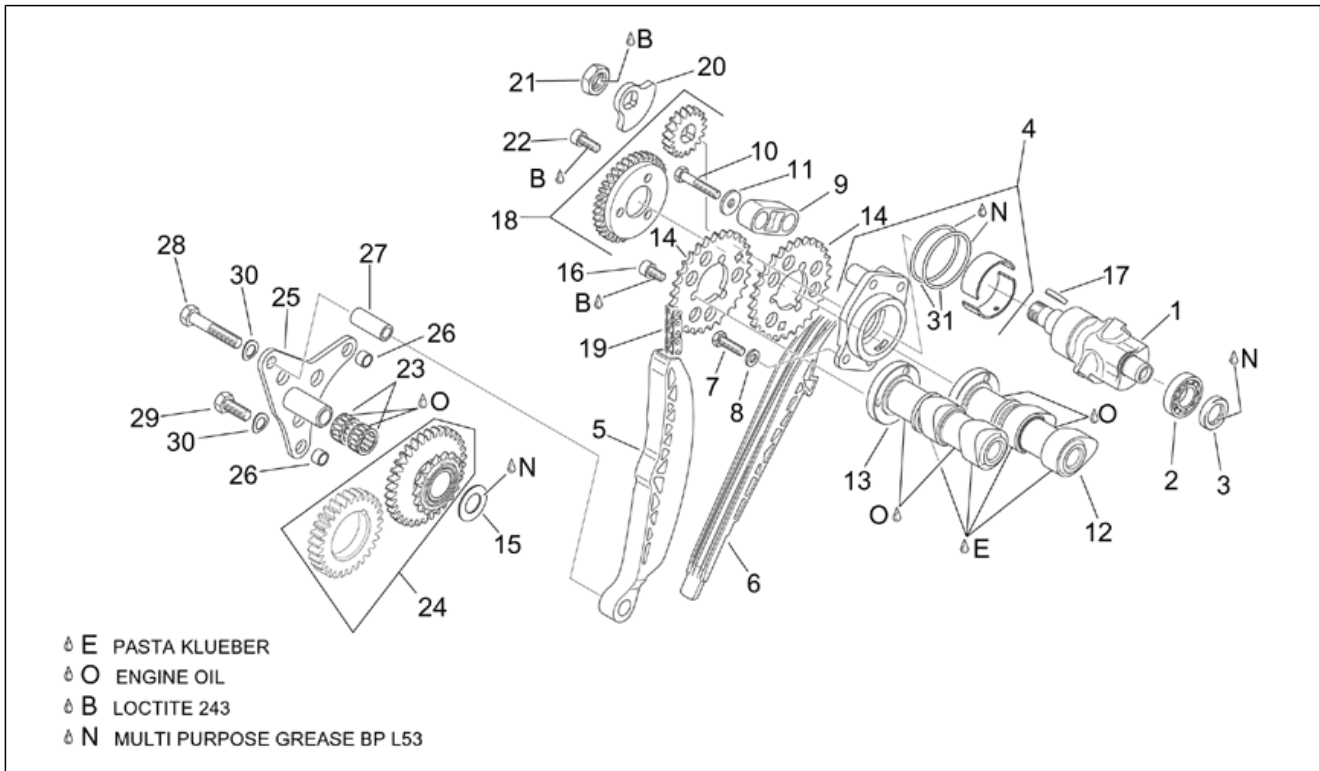
Pos.	Code	Beschreibung	Menge	Varianten
1	AP0254042	Belag 2,925	1	
1	AP0254043	Belag 2,975	1	
1	AP0254044	Belag 3,025	1	

Einheit	MOTOR
Code	29.59
Beschreibung	Vrd. Zylindersteuer
Inspektion	1



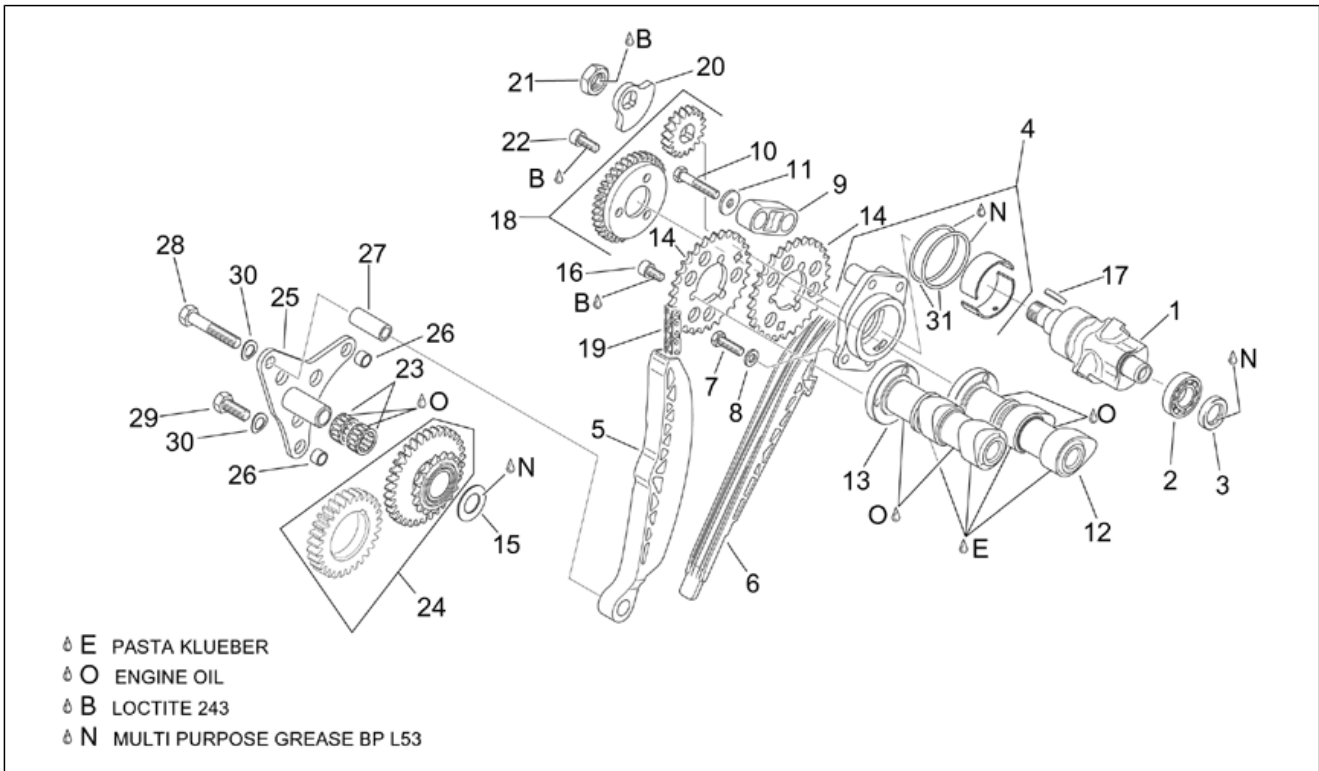
Pos.	Code	Beschreibung	Menge	Varianten
1	AP0240400	TCEI Schraube	1	
2	AP0940590	Sechskantschraube M8x20	1	
3	AP0236320	Kettenführung	1	
4	AP0211766	Lagerplatte	1	
5	AP0236300	Kettenführung	1	
6	AP0236310	Kettenführung	1	
7	AP0627190	Ausgleichscheibe 16,7x29x1	1	
8	AP0632161	Nadelkaefig 16x22x10	2	
9	AP0295765	Zahnrad Vent.st. kplt.	1	
10	AP0845030	Sprengscheibe b8	2	
11	AP0940631	Sechskantschraube	1	
12	AP0220385	Nockenwelle Auslaß	1	
13	AP0220384	Nockenwelle Einlaß	1	
14	AP0634732	Zahnrad Ventilsteuerung	1	
15	AP0634737	Zahnrad Ventilsteuerung	1	
16	AP0840371	TCEI Schraube M6x11,5	6	
17	AP0247980	Buchse 8,2x12x25	1	
18	AP0240960	Distanstückschraube	2	
19	AP0297957	Steuerkette	1	

Einheit	MOTOR
Code	29.60
Beschreibung	Hint. Zylindersteuer
Inspektion	1



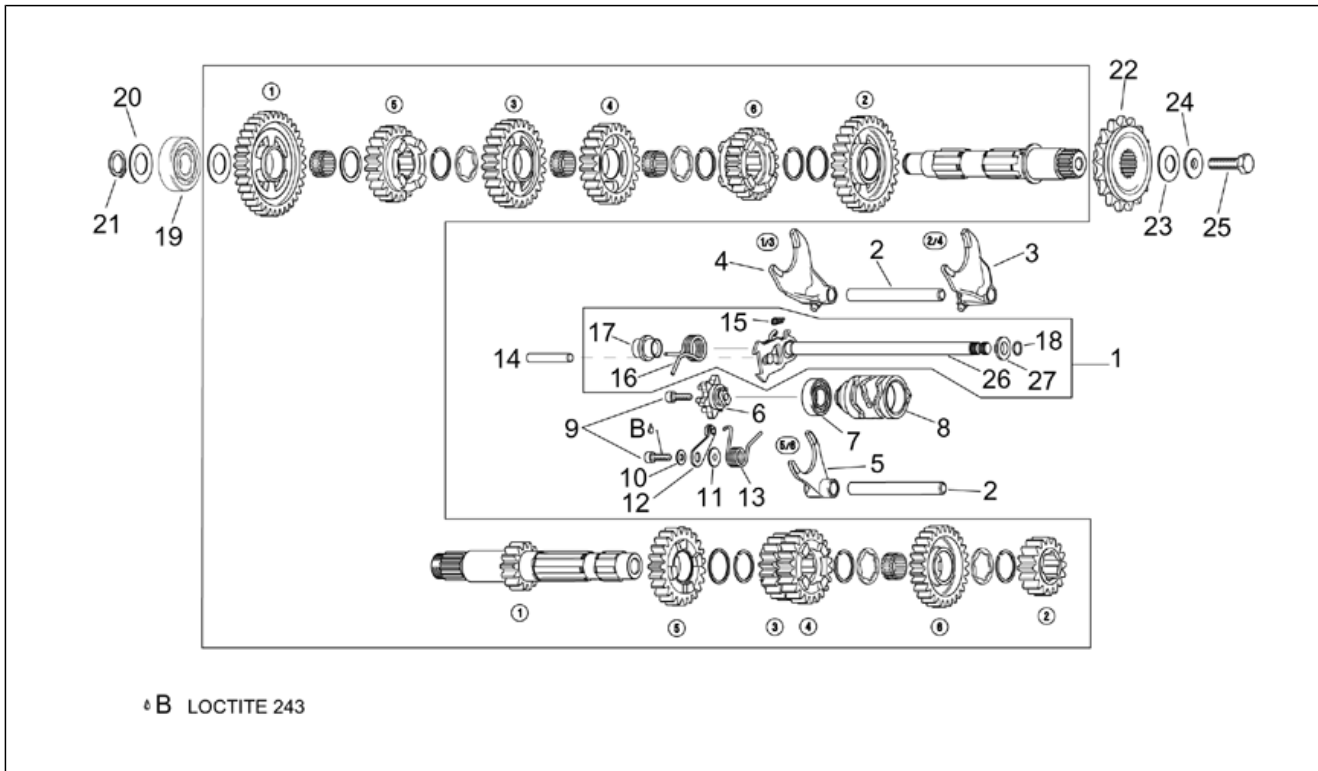
Pos.	Code	Beschreibung	Menge	Varianten
1	AP0220440	Ob. Gegenwelle	1	
2	AP0832360	Kugellager 16002	1	
3	AP0250130	Ölabstreifring 15x24x5	1	
4	AP0211681	Buchsenplatte komplett	1	
5	AP0236300	Kettenführung	1	
6	AP0236310	Kettenführung	1	
7	AP0940560	Sechskantschraube	2	
8	AP0244211	Ausgleichscheibe 6,4	2	
9	AP0236380	Kettenführung	1	
10	AP0941121	Sechskantschraube	2	
11	AP0827305	Ausgleichscheibe 6,2x18x2	2	
12	AP0220385	Nockenwelle Auslaß	1	
13	AP0220384	Nockenwelle Einlaß	1	
14	AP0634732	Zahnrad Ventilsteuerung	2	
15	AP0627190	Ausgleichscheibe 16,7x29x1	1	
16	AP0840371	TCEI Schraube M6x11,5	3	
17	AP0246055	Keil 3x3,7	1	
18	AP0295775	Ausgleichsrad ob.kpl.	1	
19	AP0297957	Steuerkette	1	
20	AP0219340	Gegengewicht	1	
21	AP0942570	Mutter m14	1	
22	AP0840391	TCEI Schraube	3	
23	AP0632161	Nadelkaefig 16x22x10	2	
24	AP0295760	Zahnrad Vent.st. kplt.	1	
25	AP0211756	Platte f. Walzenkäfig	1	
26	AP0929500	Stift 10x8	2	
27	AP0247980	Buchse 8,2x12x25	1	
28	AP0940631	Sechskantschraube	1	

Einheit	MOTOR
Code	29.60
Beschreibung	Hint. Zylindersteuer
Inspektion	1



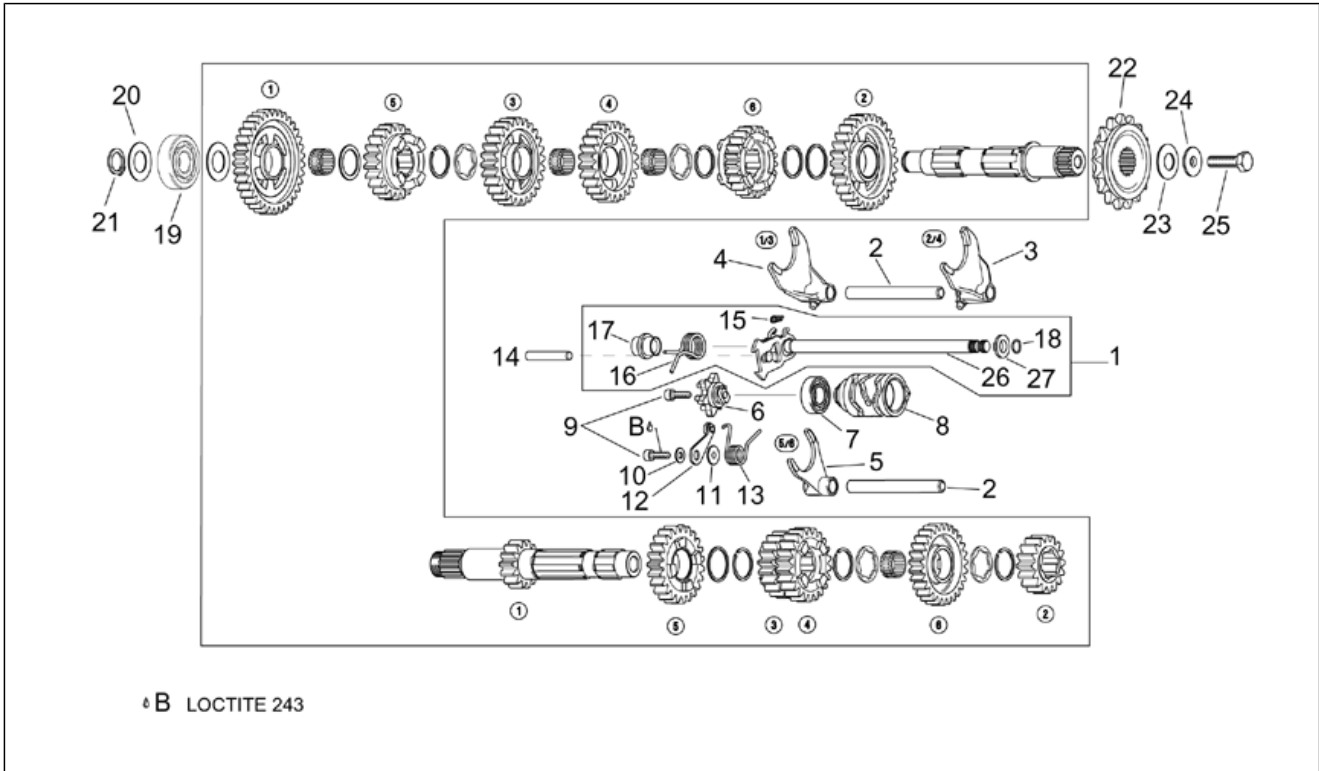
Pos.	Code	Beschreibung	Menge	Varianten
29	AP0240275	Sechskantschraube	2	
30	AP0845030	Sprengscheibe b8	3	

Einheit	MOTOR
Code	29.61
Beschreibung	Schaltgabel
Inspektion	1



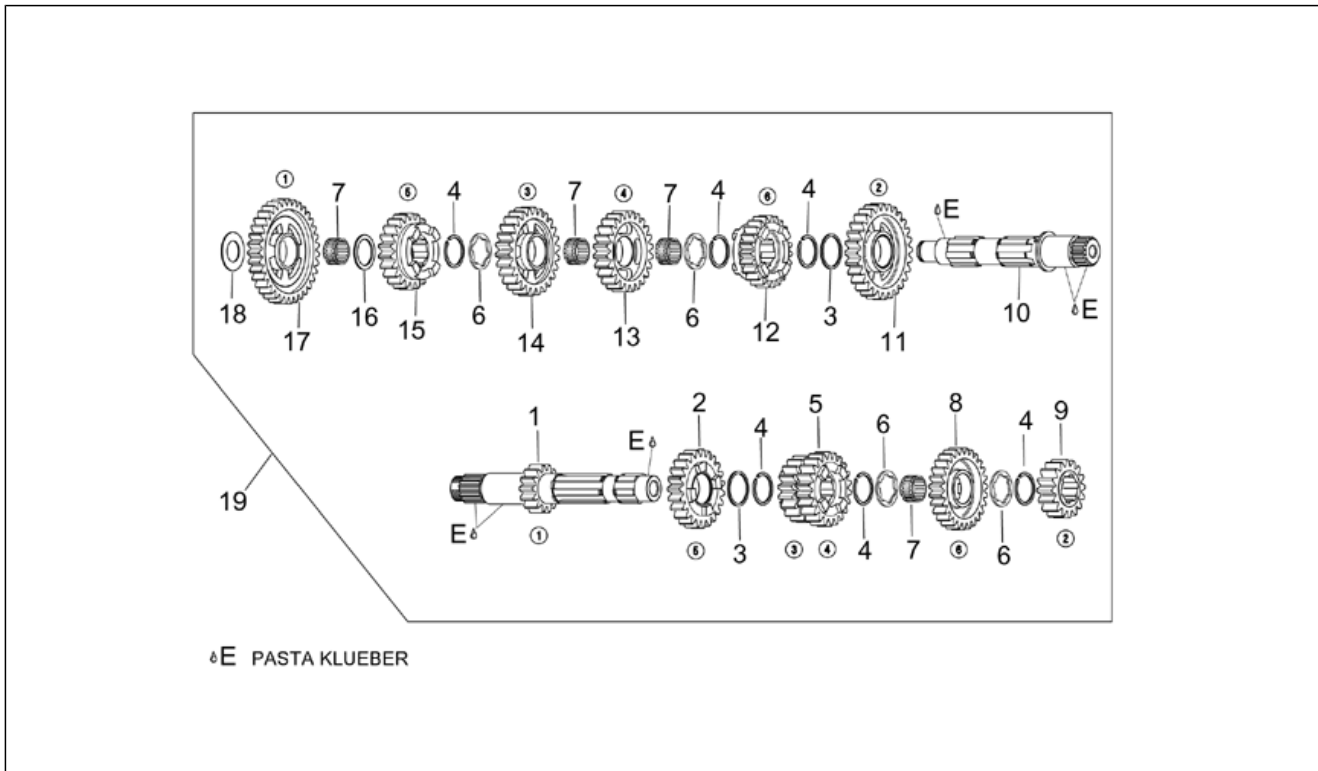
Pos.	Code	Beschreibung	Menge	Varianten
1	AP0220437	Getr.welle + Federsatz	1	
2	AP0258380	Schaltstange	2	
3	AP0258361	Schaltgabel	1	
4	AP0258351	Schaltgabel	1	
5	AP0258375	Schaltgabel	1	
6	AP0258310	Index-Platte	1	
7	AP0932335	Kugellager 16101	1	
8	AP0258328	Verschiebenocken	1	
9	AP0241932	TCEI Schraube	2	
10	AP0244211	Ausgleichscheibe 6,4	1	
11	AP0227716	Ausgleichscheibe	1	
12	AP0248375	Indexhebel kpl.	1	
13	AP0239247	Index feder	1	
14	AP0229385	Bolzen	1	
15	AP0239430	Feder	1	
16	AP0239420	Gabelfeder	1	
17	AP0247940	Buchse	1	
18	AP0245440	Seegerring	1	
19	AP0832144	Kugellager 6304	1	
20	AP0227442	Ausgleichscheibe 20,2x27,5	1	
21	AP0945665	Seegerring 20x1,75	1	
22	AP0236366	Gummi-Ritzel	1	Technische Daten: "Version ""R"" 2002-2003"[R], "Version ""R - Factory"" 2004-2005"[RF], "Version ""R - Standard"" 2004-2005"[RS], "Version ""Base"" 2002-2003"[ST]
22	AP8106974	Gummi-Ritzel	1	Technische Daten: Renn-Kit für Version Racing 2003[kit]
23	AP0239450	Sprengscheibe 34x16,3	1	
24	AP0627210	Ausgleichscheibe	1	
25	AP0940741	Sechskantschraube	1	

Einheit	MOTOR
Code	29.61
Beschreibung	Schaltgabel
Inspektion	1



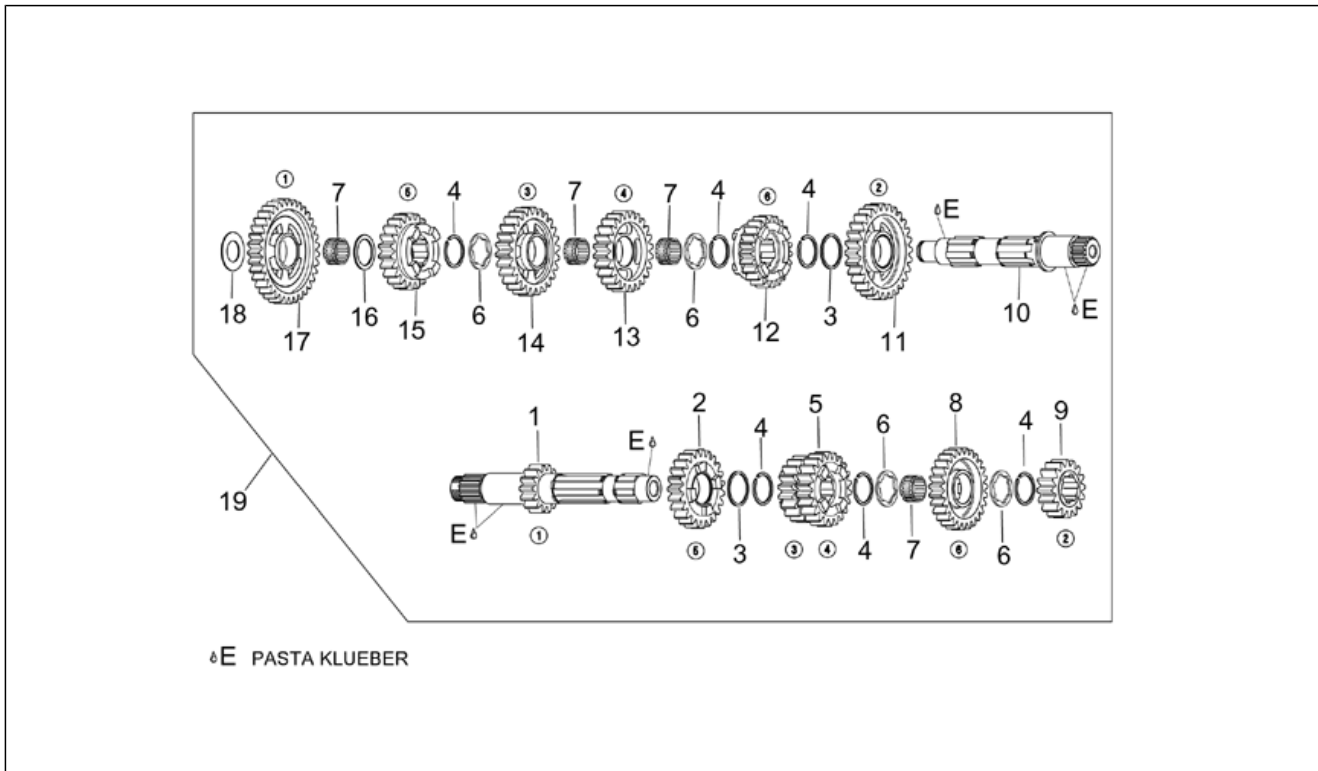
Pos.	Code	Beschreibung	Menge	Varianten
26	AP0220435	Getr.welle + Gesperre	1	
27	AP0227714	Ausgleichscheibe	1	

Einheit	MOTOR
Code	29.62
Beschreibung	Schaltgetriebe
Inspektion	1



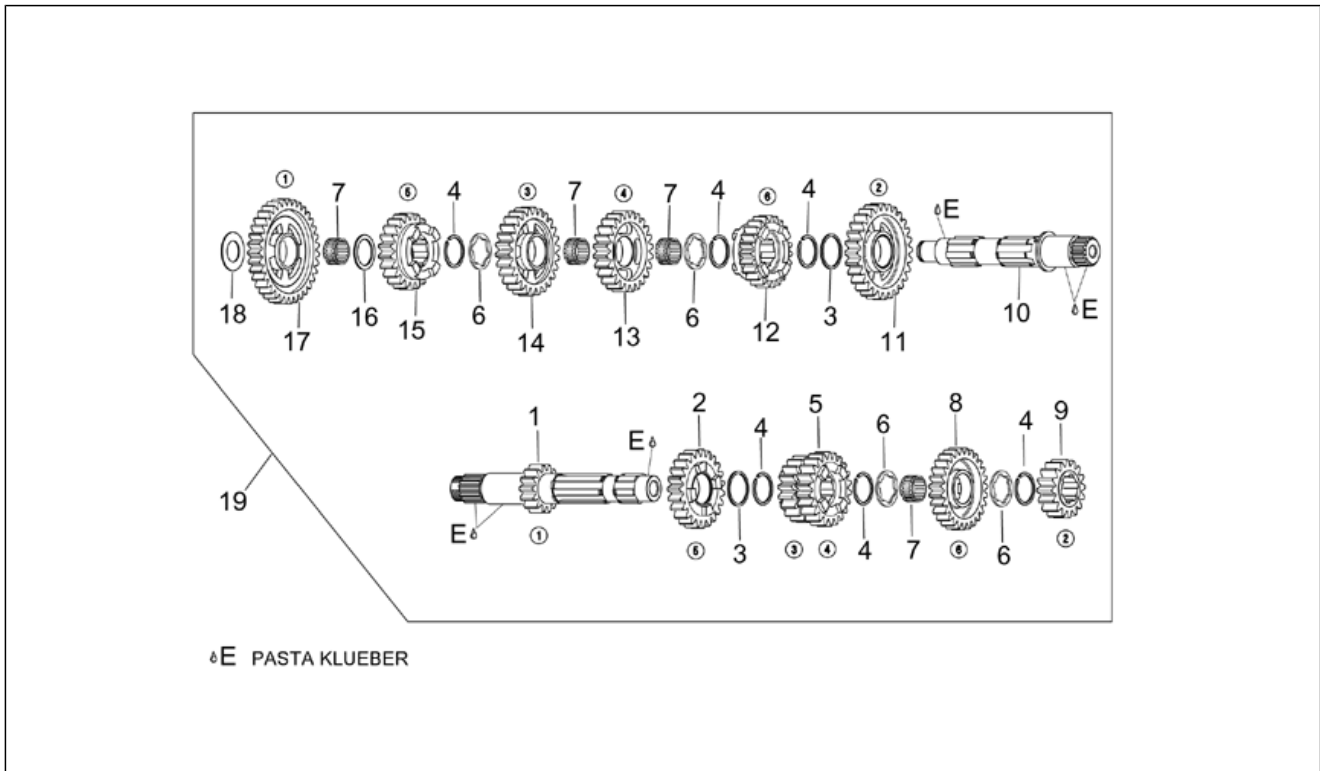
Pos.	Code	Beschreibung	Menge	Varianten
1	AP0220390	Hauptwelle	1	Baujahr:2003[3] Technische Daten:"Version ""Base"" 2002-2003"[ST]
1	AP0220390	Hauptwelle	1	Baujahr:2002[2]
1	AP0220392	Hauptwelle	1	Baujahr:2003[3] Technische Daten:Racing GARA 2003[RG]
1	AP0220392	Hauptwelle	1	Baujahr:2004[4], 2005[5]
2	AP0634695	Zahnrad 5.Hauptwelle	1	Baujahr:2002[2]
2	AP0634695	Zahnrad 5.Hauptwelle	1	Baujahr:2003[3] Technische Daten:"Version ""Base"" 2002-2003"[ST]
2	AP0634697	Zahnrad 5.Hauptwelle	1	Baujahr:2004[4], 2005[5]
2	AP0634697	Zahnrad 5.Hauptwelle	1	Baujahr:2003[3] Technische Daten:Racing GARA 2003[RG]
3	AP0627120	Ausgleichscheibe 29,2x33,5	2	
4	AP0245815	Seegerring 28x2	6	
5	AP0634660	Zahnrad 3-4.Hauptwelle	1	Baujahr:2003[3] Technische Daten:"Version ""Base"" 2002-2003"[ST]
5	AP0634660	Zahnrad 3-4.Hauptwelle	1	Baujahr:2002[2]
5	AP0634662	Zahnrad 3-4.Hauptwelle	1	Baujahr:2003[3] Technische Daten:Racing GARA 2003[RG]
5	AP0634662	Zahnrad 3-4.Hauptwelle	1	Baujahr:2004[4], 2005[5]
6	AP0627132	Ausgleichscheibe 25,35x34,5	4	
7	AP0632070	Nadelkaefig 25x29x13	4	
8	AP0634710	Zahnrad 6.Hauptwelle	1	Baujahr:2003[3] Technische Daten:"Version ""Base"" 2002-2003"[ST]
8	AP0634710	Zahnrad 6.Hauptwelle	1	Baujahr:2002[2]
8	AP0634712	Zahnrad 6.Hauptwelle	1	Baujahr:2003[3] Technische Daten:Racing GARA 2003[RG]
8	AP0634712	Zahnrad 6.Hauptwelle	1	Baujahr:2004[4], 2005[5]
9	AP0634640	Zahnrad 2.Hauptwelle	1	Baujahr:2003[3] Technische Daten:"Version ""Base"" 2002-2003"[ST]

Einheit	MOTOR
Code	29.62
Beschreibung	Schaltgetriebe
Inspektion	1



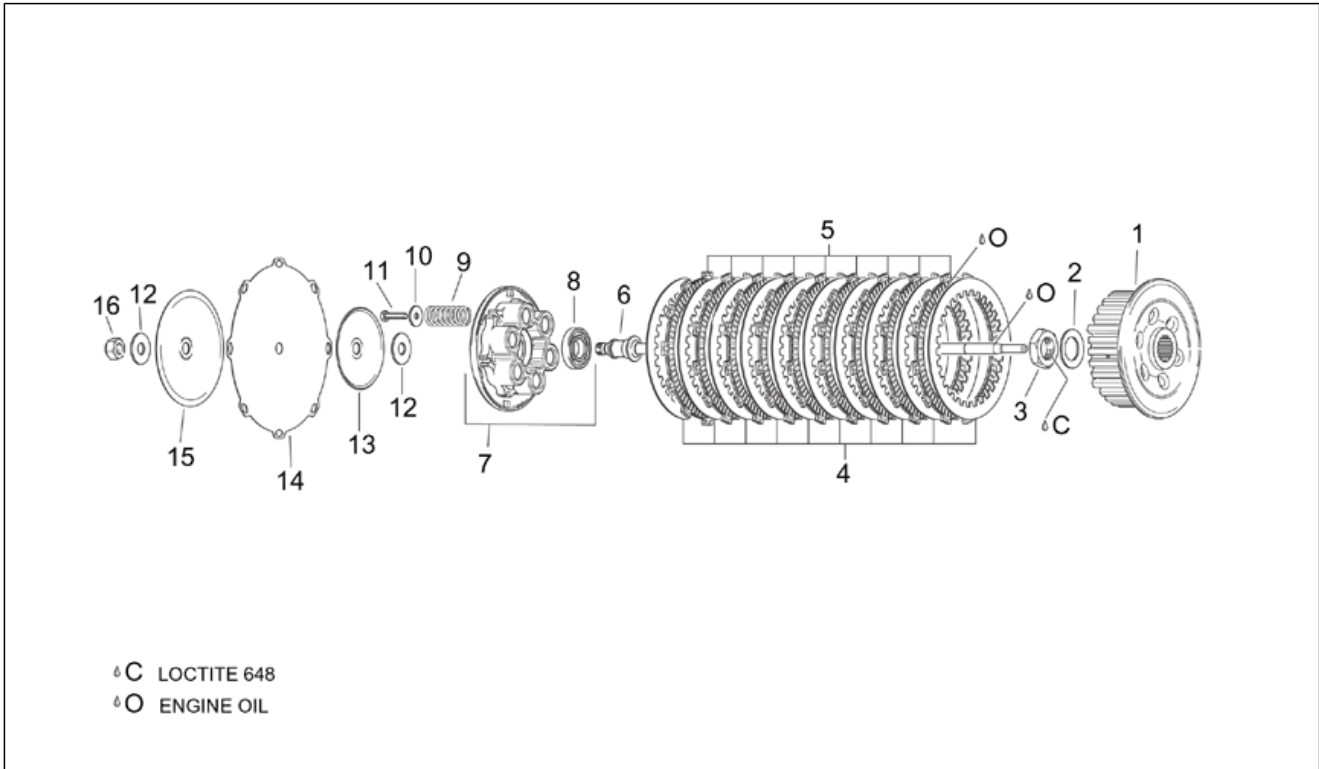
Pos.	Code	Beschreibung	Menge	Varianten
9	AP0634640	Zahnrad 2.Hauptwelle	1	Baujahr:2002[2]
9	AP0634642	Zahnrad 2.Hauptwelle	1	Baujahr:2003[3] Technische Daten:Racing GARA 2003[RG]
9	AP0634642	Zahnrad 2.Hauptwelle	1	Baujahr:2004[4], 2005[5]
10	AP0220400	Festrad	1	
11	AP0634655	Zahnrad 2.Vorgelegewelle	1	Baujahr:2002[2]
11	AP0634655	Zahnrad 2.Vorgelegewelle	1	Baujahr:2003[3] Technische Daten:"Version ""Base"" 2002-2003"[ST]
11	AP0634657	Zahnrad 2.Vorgelegewelle	1	Baujahr:2004[4], 2005[5]
11	AP0634657	Zahnrad 2.Vorgelegewelle	1	Baujahr:2003[3] Technische Daten:Racing GARA 2003[RG]
12	AP0634720	Zahnrad 6.Vorgelegewelle	1	Baujahr:2002[2]
12	AP0634720	Zahnrad 6.Vorgelegewelle	1	Baujahr:2003[3] Technische Daten:"Version ""Base"" 2002-2003"[ST]
12	AP0634721	Zahnrad 6.Vorgelegewelle	1	Baujahr:2003[3] Technische Daten:Racing GARA 2003[RG]
12	AP0634721	Zahnrad 6.Vorgelegewelle	1	Baujahr:2004[4], 2005[5]
13	AP0634670	Zahnrad 4.Vorgelegewelle	1	
14	AP0634680	Zahnrad 3.Vorgelegewelle	1	Baujahr:2003[3] Technische Daten:"Version ""Base"" 2002-2003"[ST]
14	AP0634680	Zahnrad 3.Vorgelegewelle	1	Baujahr:2002[2]
14	AP0634682	Zahnrad 3.Vorgelegewelle	1	Baujahr:2004[4], 2005[5]
14	AP0634682	Zahnrad 3.Vorgelegewelle	1	Baujahr:2003[3] Technische Daten:Racing GARA 2003[RG]
15	AP0634700	Zahnrad 5.Vorgelegewelle	1	Baujahr:2002[2]
15	AP0634700	Zahnrad 5.Vorgelegewelle	1	Baujahr:2003[3] Technische Daten:"Version ""Base"" 2002-2003"[ST]
15	AP0634702	Zahnrad 5.Vorgelegewelle	1	Baujahr:2004[4], 2005[5]
15	AP0634702	Zahnrad 5.Vorgelegewelle	1	Baujahr:2003[3] Technische Daten:Racing GARA 2003[RG]

Einheit	MOTOR
Code	29.62
Beschreibung	Schaltgetriebe
Inspektion	1



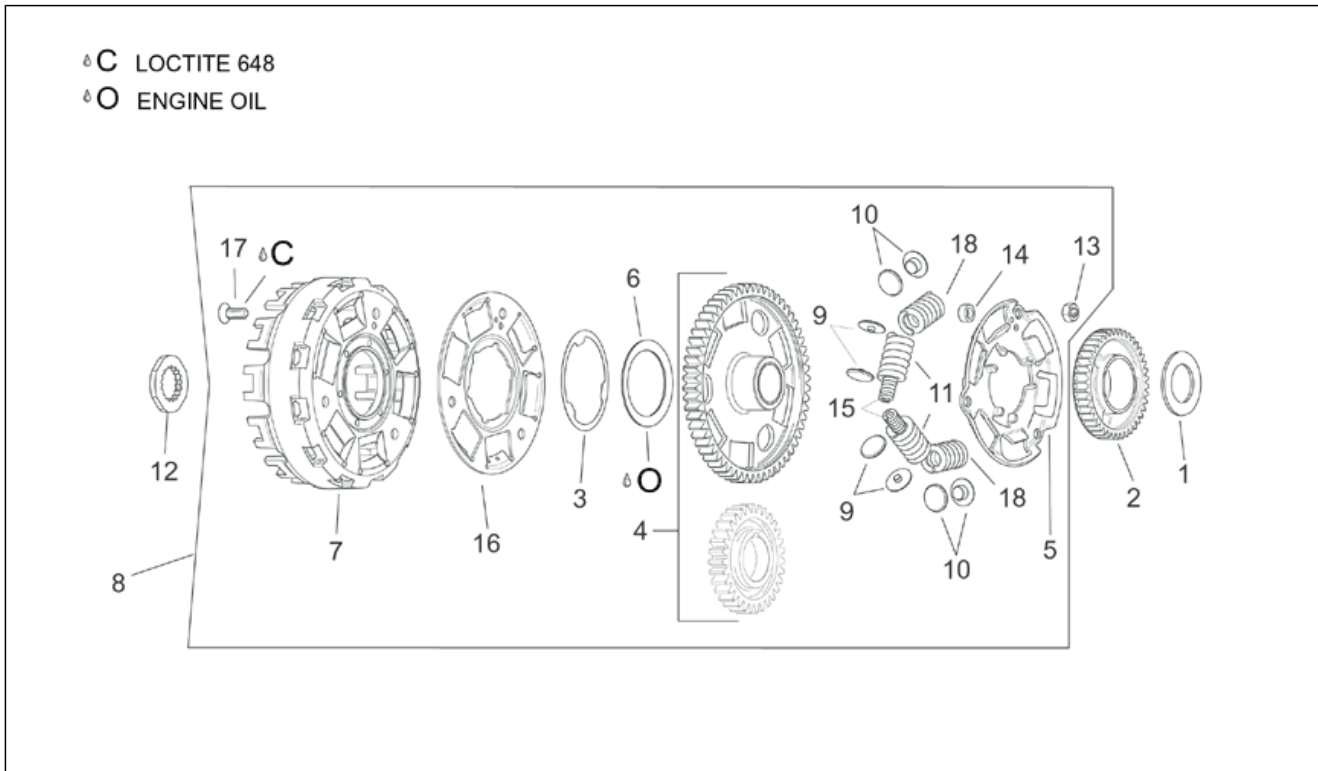
Pos.	Code	Beschreibung	Menge	Varianten
16	AP0427106	Ausgleichscheibe 25,3x33,5	1	
17	AP0634620	Zahnrad 1.Vorgelegewelle	1	Baujahr:2002[2]
17	AP0634620	Zahnrad 1.Vorgelegewelle	1	Baujahr:2003[3] Technische Daten:"Version ""Base"" 2002-2003"[ST]
17	AP0634622	Zahnrad 1.Vorgelegewelle	1	Baujahr:2004[4], 2005[5]
17	AP0634622	Zahnrad 1.Vorgelegewelle	1	Baujahr:2003[3] Technische Daten:Racing GARA 2003[RG]
18	AP0827110	Ausgleichscheibe 20,5x37x1	1	
19	AP0281222	Schaltgetriebe 6-Gang	1	Baujahr:2003[3] Technische Daten:"Version ""Base"" 2002-2003"[ST]
19	AP0281222	Schaltgetriebe 6-Gang	1	Baujahr:2002[2]
19	AP0281223	Schaltgetriebe 6-Gang	1	Baujahr:2003[3] Technische Daten:Racing GARA 2003[RG]
19	AP0281223	Schaltgetriebe 6-Gang	1	Baujahr:2004[4], 2005[5]

Einheit	MOTOR
Code	29.63
Beschreibung	Kupplung I
Inspektion	1



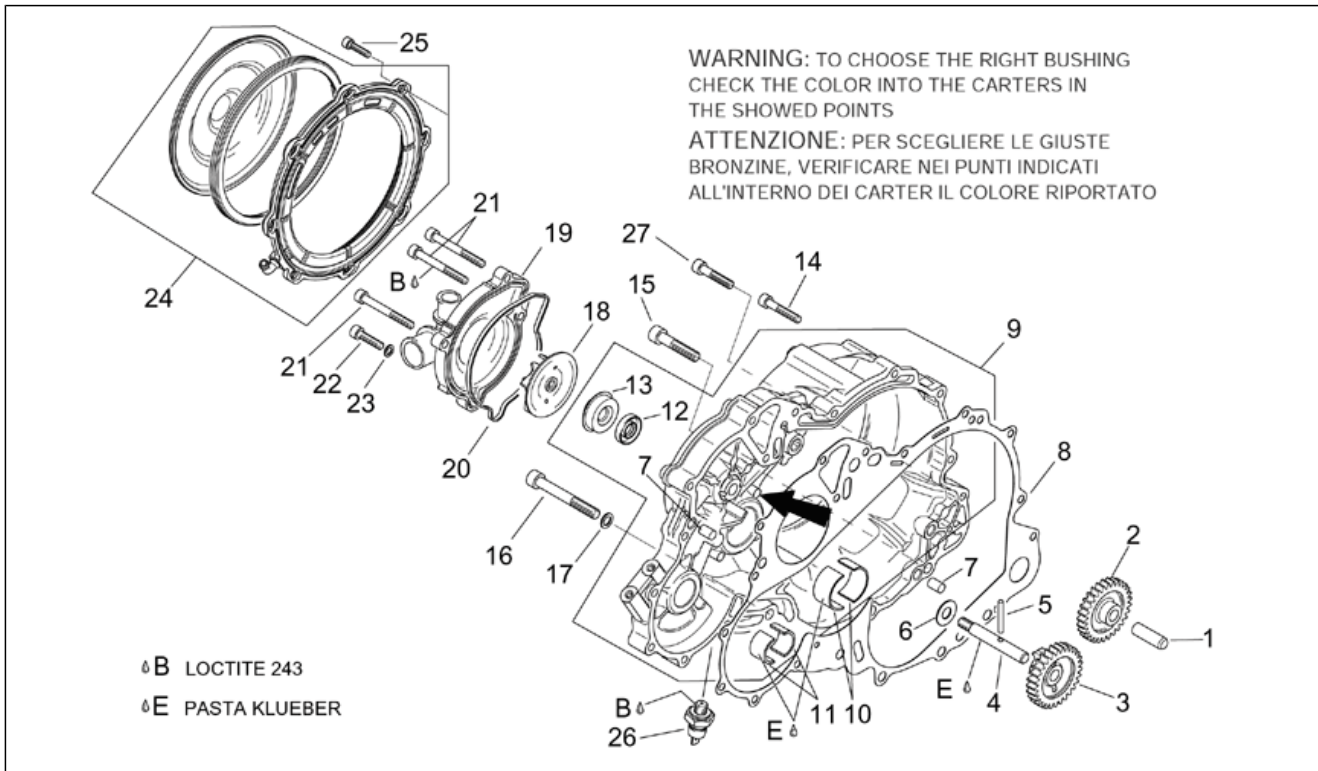
Pos.	Code	Beschreibung	Menge	Varianten
1	AP0259520	Mitnehmer	1	
2	AP0245830	Sprengscheibe 24,5x40	1	
3	AP0242950	Mutter m24x1,5	1	
4	AP8106915	St.Kupplungsscheiben 10 st.	1	
5	AP8106867	Belaglamelle	1	
6	AP0220455	Kupplungswelle Kpl.	1	
7	AP0259517	Federplatte komplett	1	
8	AP0632130	Kugellager 16004	1	
9	AP0239480	Kupplungsfeder	6	
10	AP0627530	Ausgleichscheibe	6	
11	AP0941506	Sechskantschraube	6	
12	AP0227180	Ausgleichscheibe 12,2x32x2	2	
13	AP0627230	Lagerscheibe	1	
14	AP0260890	Membran	1	
15	AP0627280	Druckplatte	1	
16	AP0442130	Mutter m12	1	

Einheit	MOTOR
Code	29.64
Beschreibung	Kupplung II
Inspektion	1



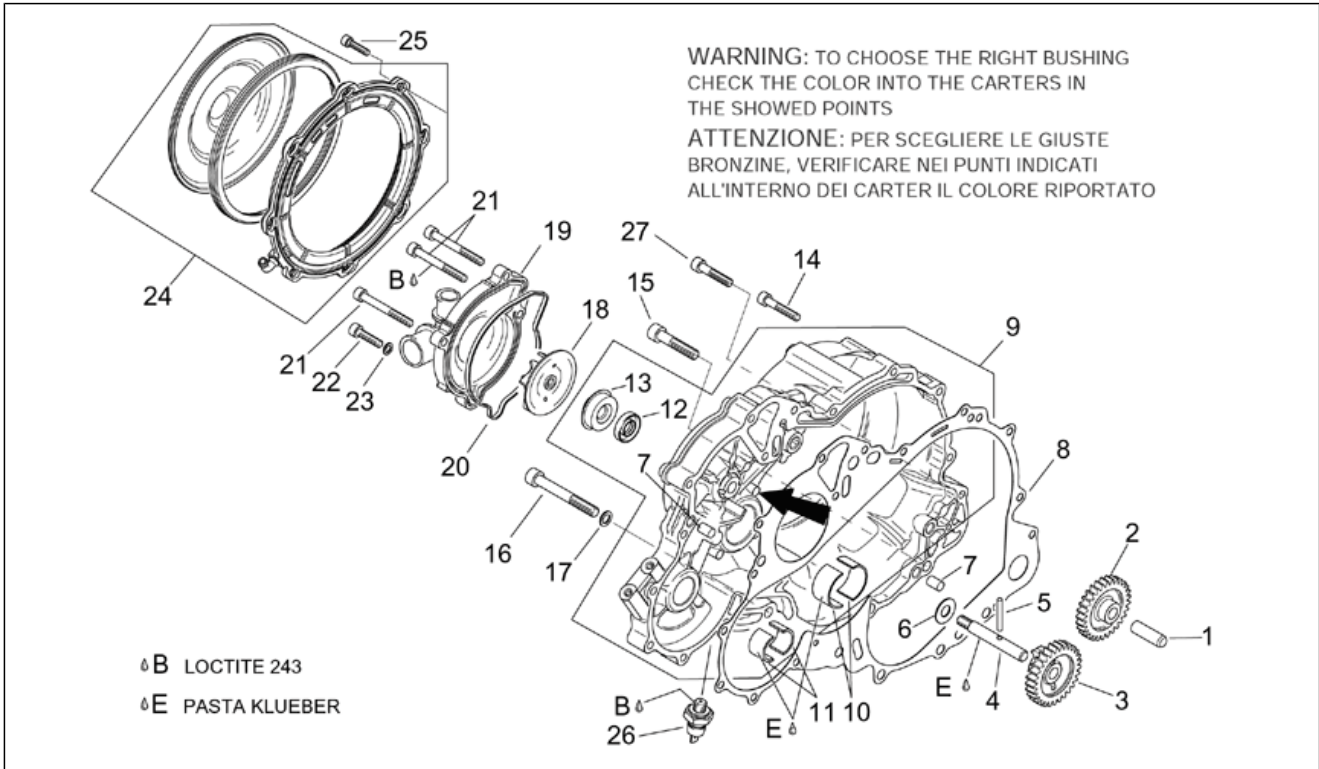
Pos.	Code	Beschreibung	Menge	Varianten
1	AP0627260	Ausgleichscheibe 30,2x50	1	
2	AP0634475	Ölpumpen-Zahn. z=42	1	
3	AP0627910	Paßscheibe	1	
4	AP0295783	Zahnrad Hauptgetriebe	1	
5	AP0259583	Stuetzteller	1	
6	AP0239390	Sprengscheibe 68x52x1,2	1	
7	AP0259535	Kupplungsglocke	1	
8	AP0295795	Hauptgetriebe	1	
9	AP0247972	Buchse D5,5	8	
10	AP0247974	Buchse D11,5	4	
11	AP0238135	Feder	4	
12	AP0627220	Ausgleichscheibe 25x44,4x5	1	
13	AP0242206	Mutter M8	3	
14	AP0247614	Distanzscheibe	3	
15	AP0238140	Feder	4	
16	AP0259587	Stuetzteller	1	
17	AP0941835	Schraube M8x25	3	
18	AP0238130	Feder	2	

Einheit	MOTOR
Code	29.65
Beschreibung	Wasserpumpenritzel
Inspektion	1



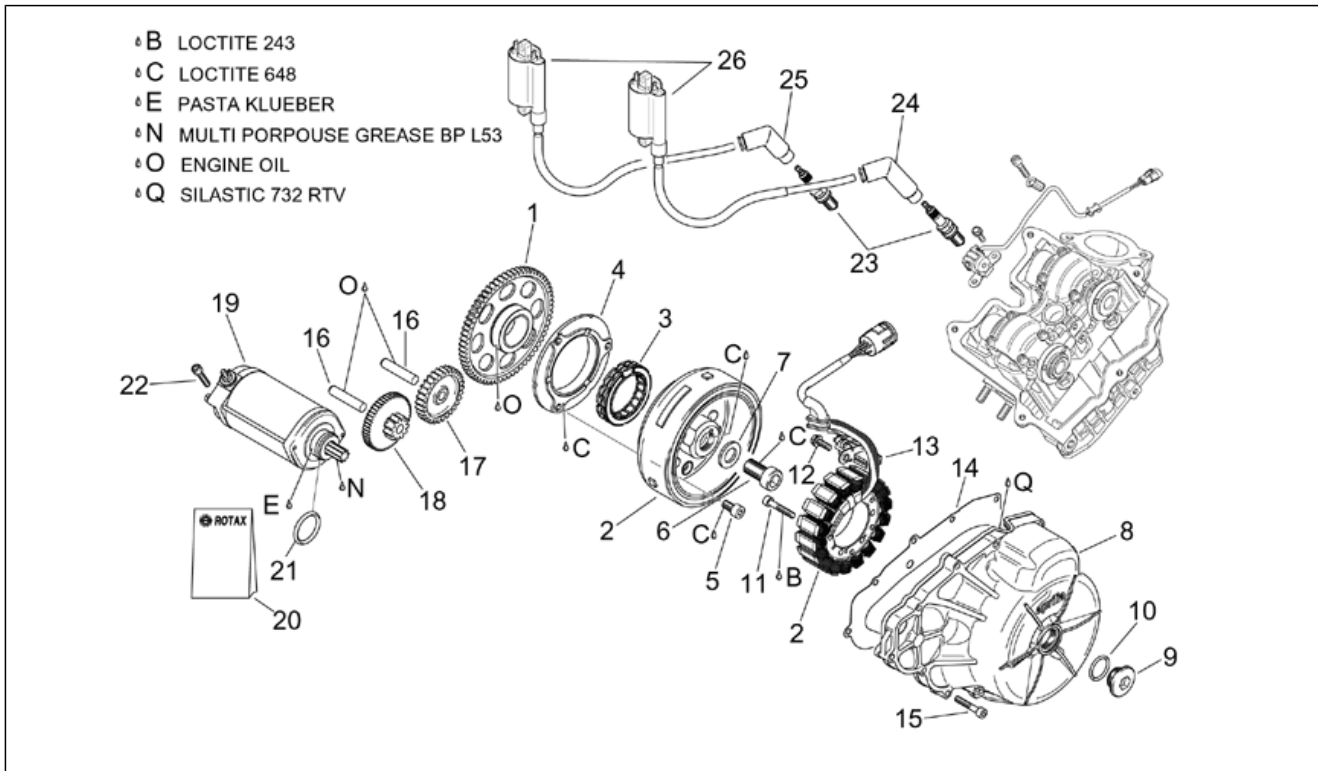
Pos.	Code	Beschreibung	Menge	Varianten
1	AP0929930	Bolzen	1	
2	AP0634500	Freilaufgrad	1	
3	AP0634490	Wasserpump.-Zahn.	1	
4	AP0220410	Welle Wasserpumpe	1	
5	AP0232430	Stift	1	
6	AP0227685	Ausgleichscheibe 10,1x22x1	1	
7	AP0632010	Stift M8x12	2	
8	AP0650330	Dichtung	1	
9	AP0610151	Kupplungsdeckel	1	
10	AP0233790	Halbsch. Bronzebu., blau	2	
10	AP0233791	Halbsch. Bronzebu., rot	2	
10	AP0233793	Halbsch. Bronzebu., gelb	2	
11	AP0233780	Halbsch. Bronzebchs. 20x24x16	2	
12	AP0650310	Ölabstreifring 10x25x5	1	
13	AP0650370	Pumpe Mechanische Dichtung	1	
14	AP0241811	TCEI Schraube	10	
15	AP0440101	TCEI Schraube	3	
16	AP0841841	TCEI Schraube	1	
17	AP0950141	Gasket ring 8x13	1	
18	AP0222500	Läufer	1	
19	AP0222512	Wasserpumpenkörper	1	
20	AP0650240	Dichtung	1	
21	AP0240331	TCEI Schraube	3	
22	AP0840861	TCEI Schraube M6x25	1	
23	AP0230415	Gasket ring 6x10	1	
24	AP0610990	Membranscheibe kplt.	1	
25	AP0240181	TCEI Schraube	8	
26	AP0956169	Öldruckschalter	1	

Einheit	MOTOR
Code	29.65
Beschreibung	Wasserpumpenritzel
Inspektion	1



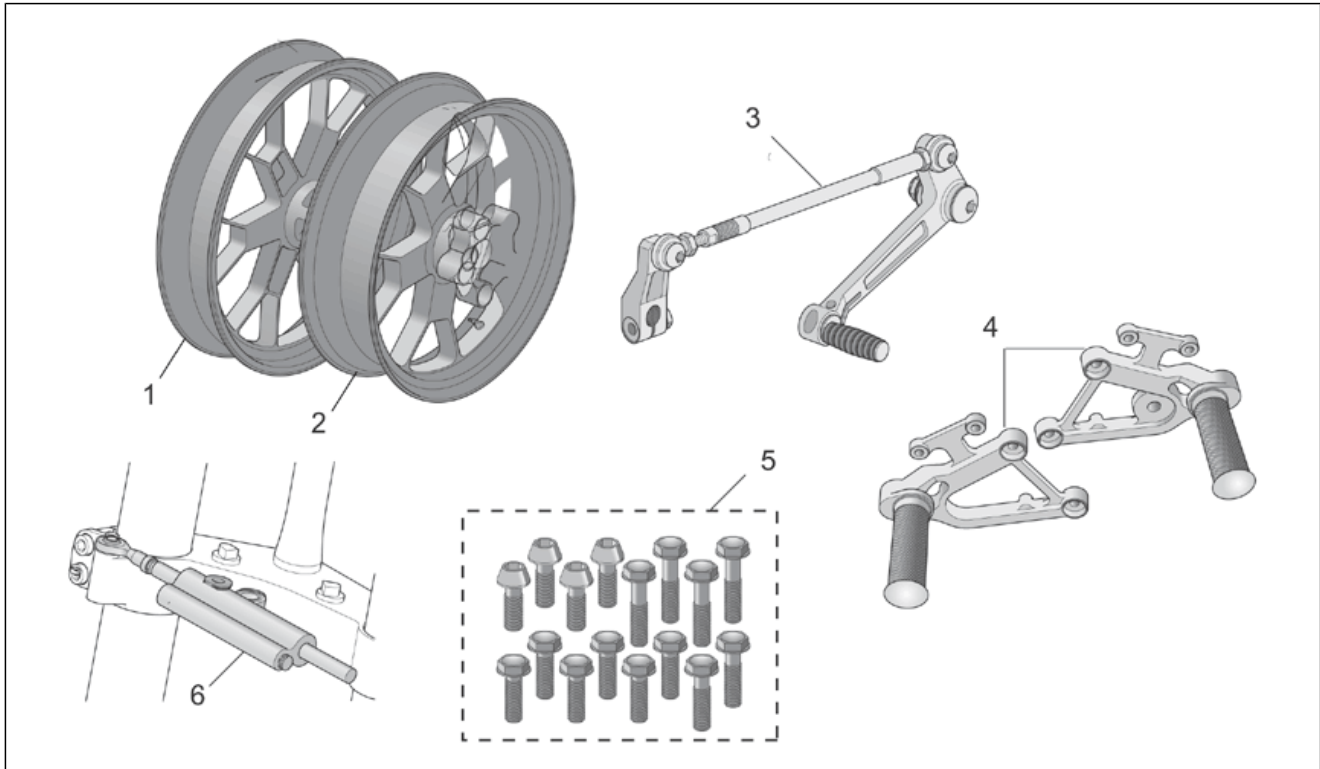
Pos.	Code	Beschreibung	Menge	Varianten
27	AP0241761	TCEI Schraube	1	

Einheit	MOTOR
Code	29.66
Beschreibung	Zündgruppe
Inspektion	1



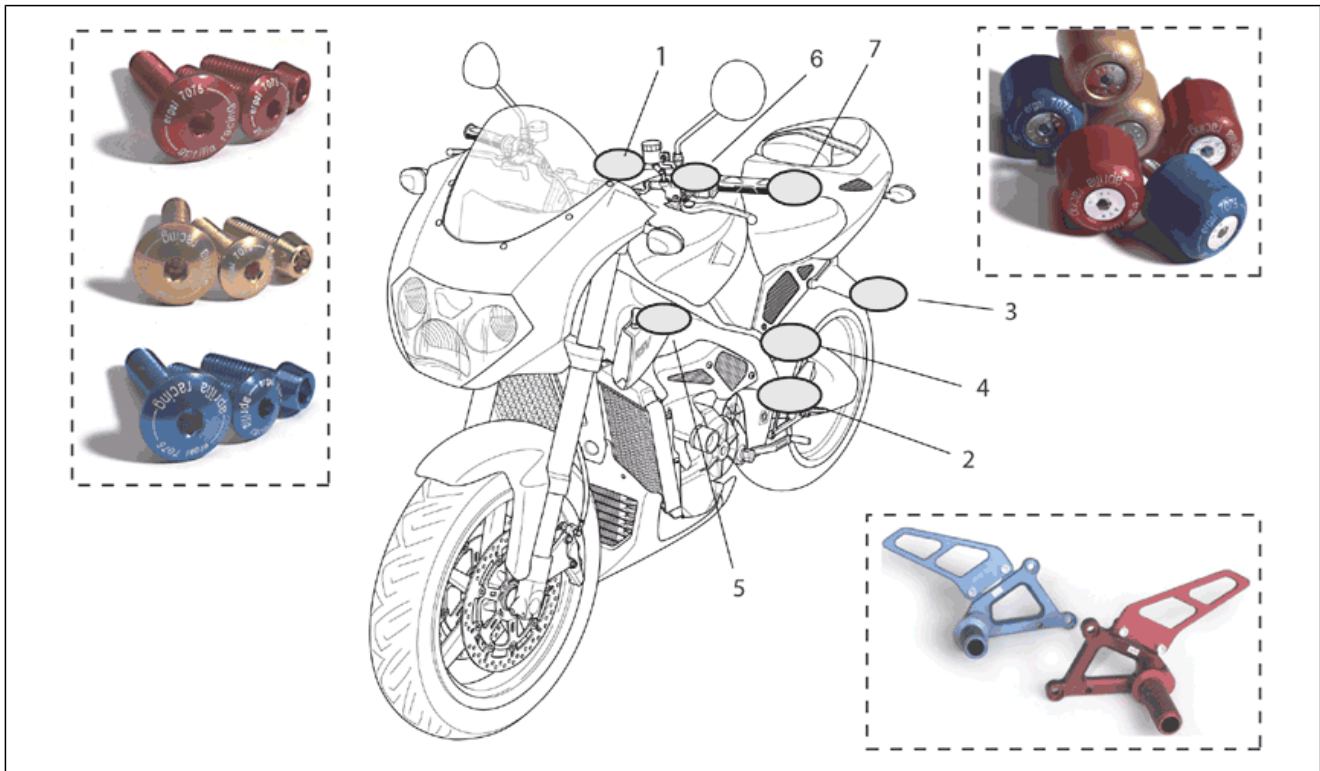
Pos.	Code	Beschreibung	Menge	Varianten
1	AP0634595	Zahnrad Freilaufzrad z=64	1	
2	AP0295830	Zündung 12V-380W	1	
3	AP0659110	Freilaufzrad	1	
4	AP0659120	Flansch Freilaufzrad	1	
5	AP0641590	TCEI Schraube	3	
6	AP0241541	TCEI Schraube m16x30	1	
7	AP0627270	Ausgleichscheibe a17	1	
8	AP0211651	Zünddeckel	1	
9	AP0241631	Deckel m24x1,5	1	
10	AP0430782	O-Ring 23,3x2,4	1	
11	AP0241816	TCEI Schraube M6x40	3	
12	AP0240580	TE Schr. m. Flansch	2	
13	AP0260870	Kabelschutz	1	
14	AP0650340	Dichtung	1	
15	AP0241811	TCEI Schraube	12	
16	AP0229301	Bolzen M6x50	2	
17	AP0634600	Freilaufzrad	1	
18	AP0634740	Doppeltes Zahnrad	1	
19	AP0294356	Anlasser komplett	1	
20	AP0294352	Aust.satz Anlasser	1	
21	AP0250140	O-Ring 24,4x3,1	1	
22	AP0840882	TCEI Schraube	2	
23	AP0297942	Zündkerze DCPR9E	4	
24	AP0265246	Kerzenhaube innen	2	
25	AP0265244	Kerzenhaube außen	2	
26	AP0265480	Zuendtransform.cpl.	2	

Einheit	ZUBEHÖR
Code	30.69
Beschreibung	Acc. - Fahrwerk
Inspektion	1



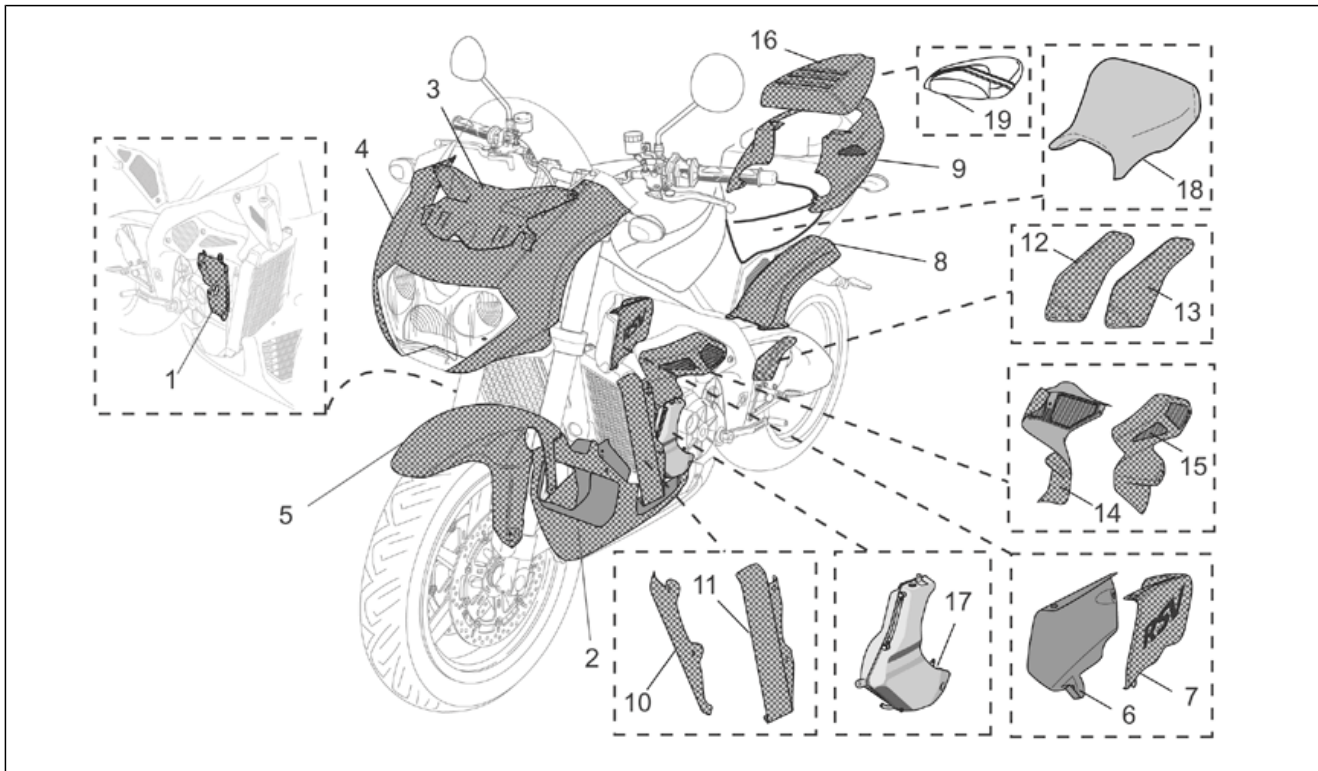
Pos.	Code	Beschreibung	Menge	Varianten
1	AP8796196	Vorderrad geschm.blau l. OZ-Alu	1	Fahrzeugfarbe: "Schwarz Diablo ""Racing"" 2002"[rac] Technische Daten: Zubehör[A], "Version ""R - Standard"" 2004-2005"[RS], "Version ""Base"" 2002-2003"[ST]
1	AP8796263	Vorderrad geschm.sil.l. OZ-Alu	1	Fahrzeugfarbe: "Schwarz Diablo ""Racing"" 2002"[rac] Technische Daten: Zubehör[A], "Version ""R - Standard"" 2004-2005"[RS], "Version ""Base"" 2002-2003"[ST]
2	AP8796197	Hinterrad geschm.blau l. OZ-Alu	1	Fahrzeugfarbe: "Schwarz Diablo ""Racing"" 2002"[rac] Technische Daten: Zubehör[A], "Version ""R - Standard"" 2004-2005"[RS], "Version ""Base"" 2002-2003"[ST]
2	AP8796264	Hinterrad geschm.silber OZ-Alu	1	Fahrzeugfarbe: "Schwarz Diablo ""Racing"" 2002"[rac] Technische Daten: Zubehör[A], "Version ""R - Standard"" 2004-2005"[RS], "Version ""Base"" 2002-2003"[ST]
3	AP8796530	Schaltheb. ERGAL	1	Technische Daten: Zubehör[A]
4	AP8796531	Rasten verstellbar Alu	1	Technische Daten: Zubehör[A]
5	AP8791220	Kit Schrauben 66 Stck. Inox	1	Technische Daten: Zubehör[A], "Version ""R - Standard"" 2004-2005"[RS], "Version ""Base"" 2002-2003"[ST]
6	AP8123972	Lenk Stoßdämpfer Ohlin	1	Technische Daten: Zubehör[A], "Version ""R - Standard"" 2004-2005"[RS], "Version ""Base"" 2002-2003"[ST]

Einheit	ZUBEHÖR
Code	30.70
Beschreibung	Acc. - Fahrwerk II
Inspektion	1



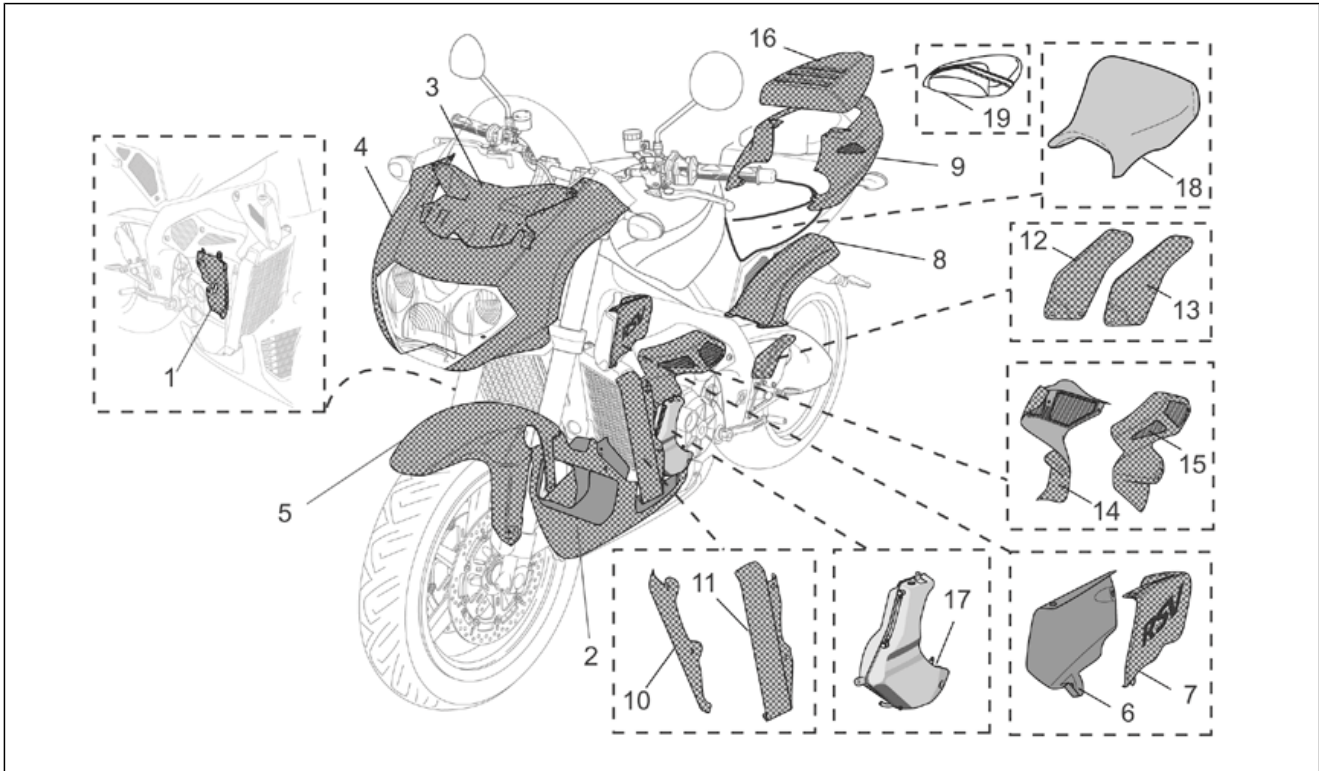
Pos.	Code	Beschreibung	Menge	Varianten
1	AP8140451	Tenckdeckelschrauben rot Ergal	1	
1	AP8140453	Tankdeckelschrauben gold Ergal	1	
2	AP8140496	Fahrerpedalreg.Paar Ergal-Red	1	
2	AP8140497	Fahrerpedalreg.Paar Ergal-Blu	1	
2	AP8140498	Fahrerpedalreg.Paar Ergal-Oro	1	
2	AP8140702	Fahrerpedalreg.Paar swz. Ergal	1	
3	AP8140499	Soziusrasten (Paar) Ergal-Red	1	
3	AP8140500	Soziusrasten (Paar) Ergal-Blu	1	
3	AP8140501	Soziusrasten (Paar) Ergal-Oro	1	
3	AP8140703	Soziusraste - Paar swz. Ergal	1	
4	AP8140505	Fahrerrastensc.-Paar Ergal-Red	1	
4	AP8140506	Fahrerrastensc.-Paar Ergal-Blu	1	
4	AP8140507	Fahrerrastensc.-Paar Ergal-Oro	1	
5	AP8140707	Schrauben Verkleidung r. Ergal	1	
5	AP8140708	Schrauben Verkleidung b. Ergal	1	
5	AP8140709	Schrauben verkleidung g. Ergal	1	
6	AP8140532	Lenkerschrauben rot Ergal	1	
6	AP8140533	Lenkerschrauben blau Ergal	1	
6	AP8140534	Lenkerschrauben gold Ergal	1	
7	AP8140699	Schwingschutz.Lenk.rot Ergal	1	
7	AP8140700	Schwingschutz.Lenk.blau Ergal	1	
7	AP8140701	Schwingschutz.Lenk.gold Ergal	1	

Einheit	ZUBEHÖR
Code	30.71
Beschreibung	Acc. - Spez. Verkleidungsteile
Inspektion	1



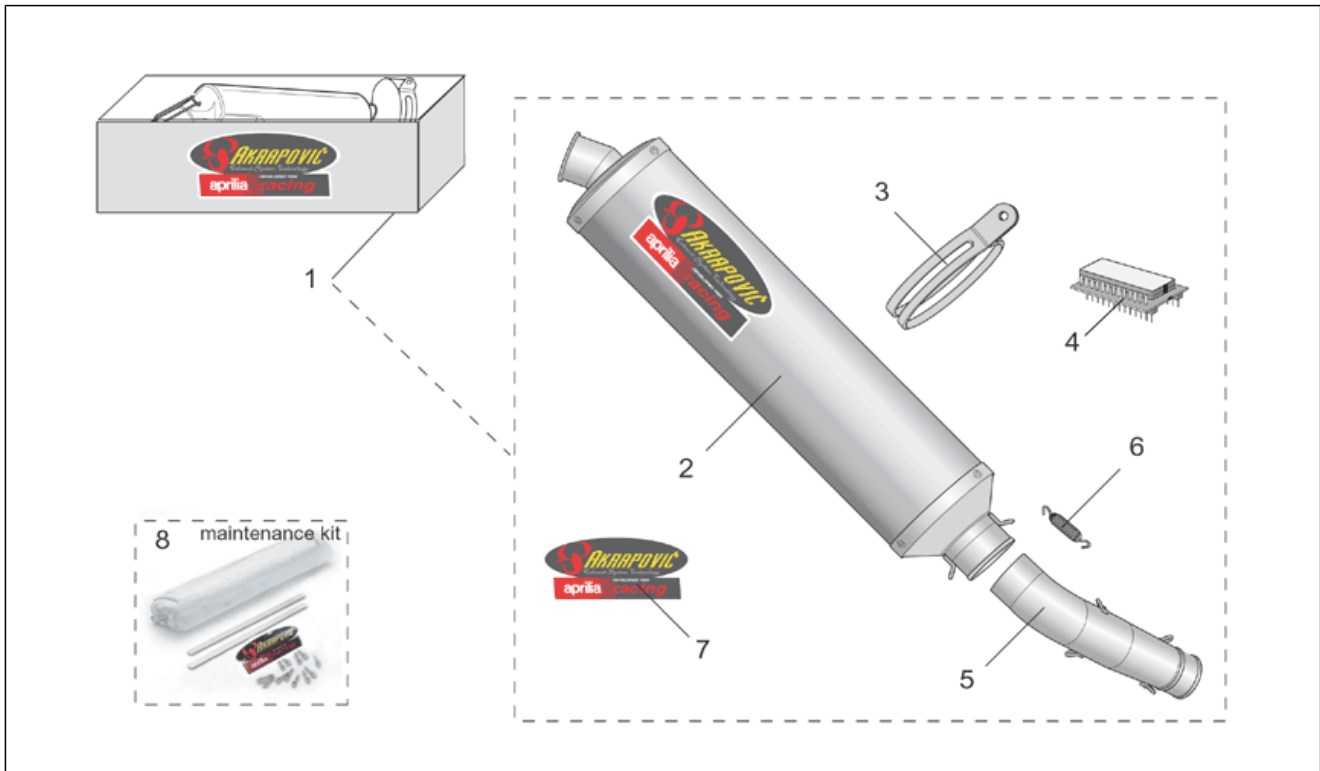
Pos.	Code	Beschreibung	Menge	Varianten
1	AP8791221	Schutz Ausdehngefäß Carb.	1	Technische Daten: Zubehör[A], "Version ""R - Standard"" 2004-2005"[RS], "Version ""Base"" 2002-2003"[ST]
2	AP8791222	Verkl.stütze, carb.	1	Technische Daten: Zubehör[A], "Version ""R - Standard"" 2004-2005"[RS], "Version ""Base"" 2002-2003"[ST]
3	AP8791223	Verschl.Kuppel/Ins.tafel Carb.	1	Technische Daten: Zubehör[A], "Version ""R - Standard"" 2004-2005"[RS], "Version ""Base"" 2002-2003"[ST]
4	AP8791224	Verkl., carb.	1	Technische Daten: Zubehör[A], "Version ""R - Standard"" 2004-2005"[RS], "Version ""Base"" 2002-2003"[ST]
5	AP8791225	Schutzblech vorn Kohl.	1	Technische Daten: Zubehör[A], "Version ""R - Standard"" 2004-2005"[RS], "Version ""Base"" 2002-2003"[ST]
6	AP8791226	Rechtes Leitblech Carb.	1	Technische Daten: Zubehör[A], "Version ""R - Standard"" 2004-2005"[RS], "Version ""Base"" 2002-2003"[ST]
7	AP8791227	Linkes Leitblech Carb.	1	Technische Daten: Zubehör[A], "Version ""R - Standard"" 2004-2005"[RS], "Version ""Base"" 2002-2003"[ST]
8	AP8791228	Schutzblech hinten Kohl.	1	Technische Daten: Zubehör[A], "Version ""R - Standard"" 2004-2005"[RS], "Version ""Base"" 2002-2003"[ST]
9	AP8791229	Heck kpl. Carb.	1	Technische Daten: Zubehör[A], "Version ""R - Standard"" 2004-2005"[RS], "Version ""Base"" 2002-2003"[ST]
10	AP8791230	Kühlerschutz re. Carb./Kevlar	1	Technische Daten: Zubehör[A], "Version ""R - Standard"" 2004-2005"[RS], "Version ""Base"" 2002-2003"[ST]
11	AP8791231	Kühlerschutz li. Carb./Kevlar	1	Technische Daten: Zubehör[A], "Version ""R - Standard"" 2004-2005"[RS], "Version ""Base"" 2002-2003"[ST]
12	AP8791213	Schutz Fahrerrast.rs. Ca/Kv	1	Technische Daten: Zubehör[A], "Version ""R - Standard"" 2004-2005"[RS], "Version ""Base"" 2002-2003"[ST]
13	AP8791214	Schutz Fahrerrast.l. Ca/Kv	1	Technische Daten: Zubehör[A], "Version ""R - Standard"" 2004-2005"[RS], "Version ""Base"" 2002-2003"[ST]
14	AP8791215	Seitenverkleid.re Carb./Kevlar	1	Technische Daten: Zubehör[A], "Version ""R - Standard"" 2004-2005"[RS], "Version ""Base"" 2002-2003"[ST]
15	AP8791216	Seitenverkleid.l. Carb./Kevlar	1	Technische Daten: Zubehör[A], "Version ""R - Standard"" 2004-2005"[RS], "Version ""Base"" 2002-2003"[ST]
16	AP8791217	Sitzabdeckung Carb.	1	Technische Daten: Zubehör[A]
17	AP8791218	Öltank mattiert Inox	1	Technische Daten: Zubehör[A]

Einheit	ZUBEHÖR
Code	30.71
Beschreibung	Acc. - Spez. Verkleidungsteile
Inspektion	1



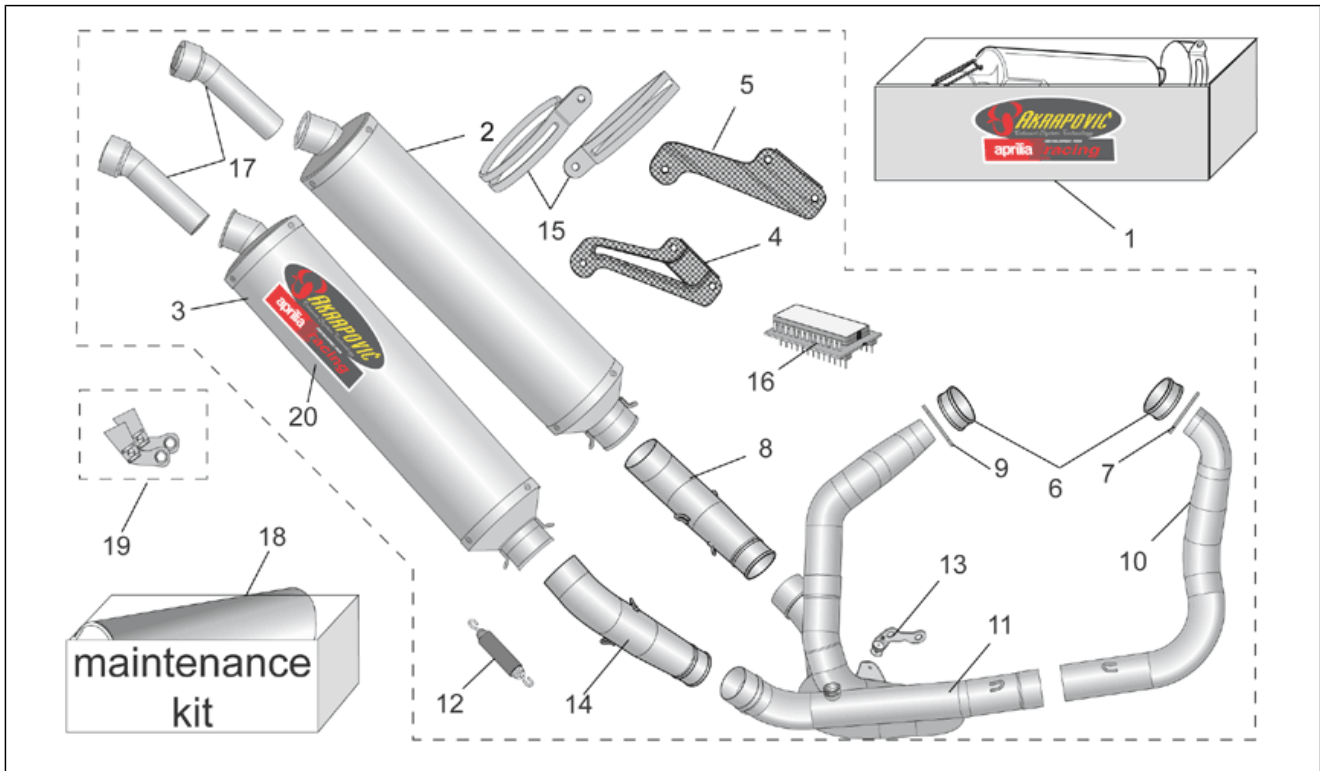
Pos.	Code	Beschreibung	Menge	Varianten
18	AP8129343	Fahrersitz, gelb kevlar	1	Technische Daten:Zubehör[A]
19	AP8791219	Soziussitz m/Schn. Skay Kevlar	1	Technische Daten:Zubehör[A]

Einheit	ZUBEHÖR
Code	30.72
Beschreibung	Acc. - Tuning Motorteile I
Inspektion	1



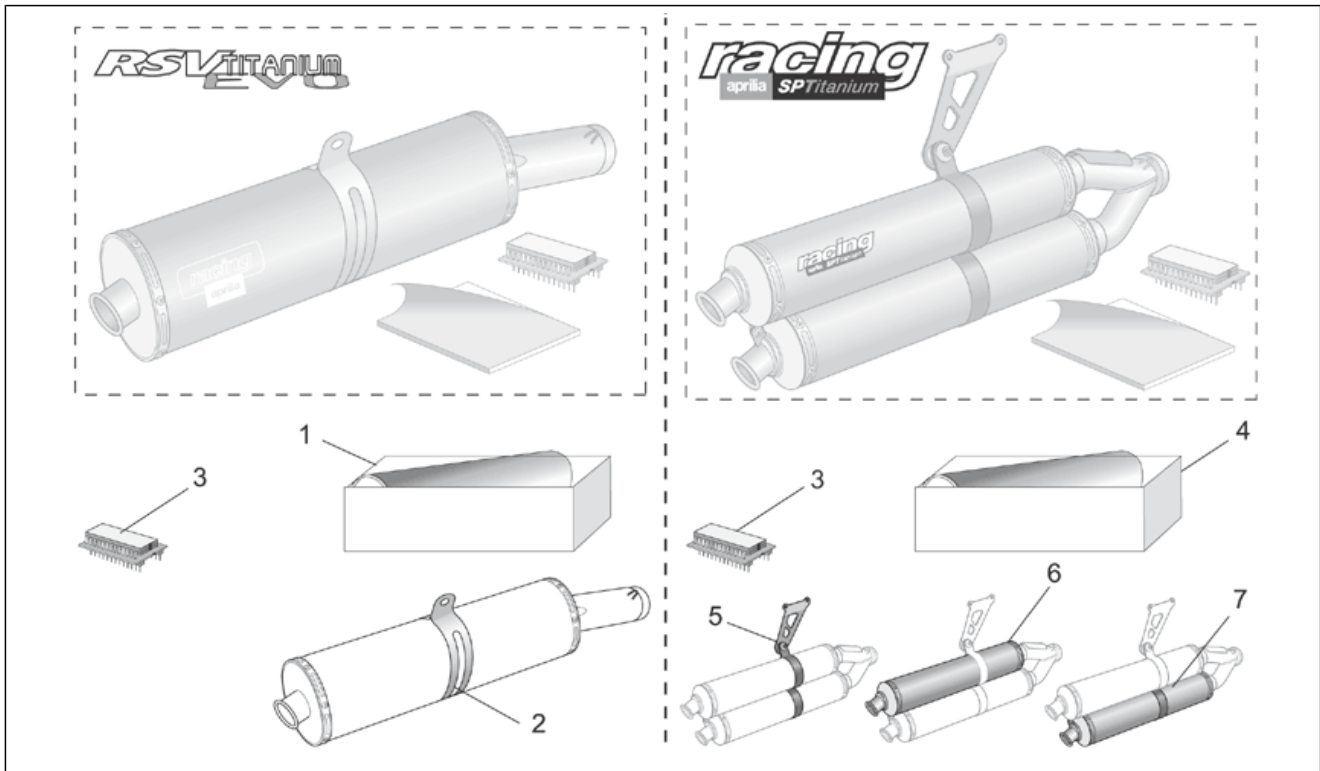
Pos.	Code	Beschreibung	Menge	Varianten
1	AP8797220	Auslassgruppe KIT Akra Mono	1	Technische Daten: Zubehör[A], Nur Einsatz auf geschlossener Rennstrecke[Circ]
2	AP8797227	Schalldämpfer Titan	1	Technische Daten: Zubehör[A], Nur Einsatz auf geschlossener Rennstrecke[Circ]
3	AP8797228	Schelle m/Halterung	1	Technische Daten: Zubehör[A], Nur Einsatz auf geschlossener Rennstrecke[Circ]
4	AP8796539	Eprom Titan-Evo	1	Technische Daten: Zubehör[A], Nur Einsatz auf geschlossener Rennstrecke[Circ]
5	AP8797229	Auspuffrohr Inox	1	Technische Daten: Zubehör[A], Nur Einsatz auf geschlossener Rennstrecke[Circ]
6	AP8796519	Feder Auspuffrohre	4	Technische Daten: Zubehör[A]
7	AP8797215	Aufkleber	1	Technische Daten: Zubehör[A], Nur Einsatz auf geschlossener Rennstrecke[Circ]
8	AP8797230	Bausatz Entlüftungsüberh. Akra	1	Technische Daten: Zubehör[A], Nur Einsatz auf geschlossener Rennstrecke[Circ]

Einheit	ZUBEHÖR
Code	30.73
Beschreibung	Acc. - Tuning Motorteile II
Inspektion	1



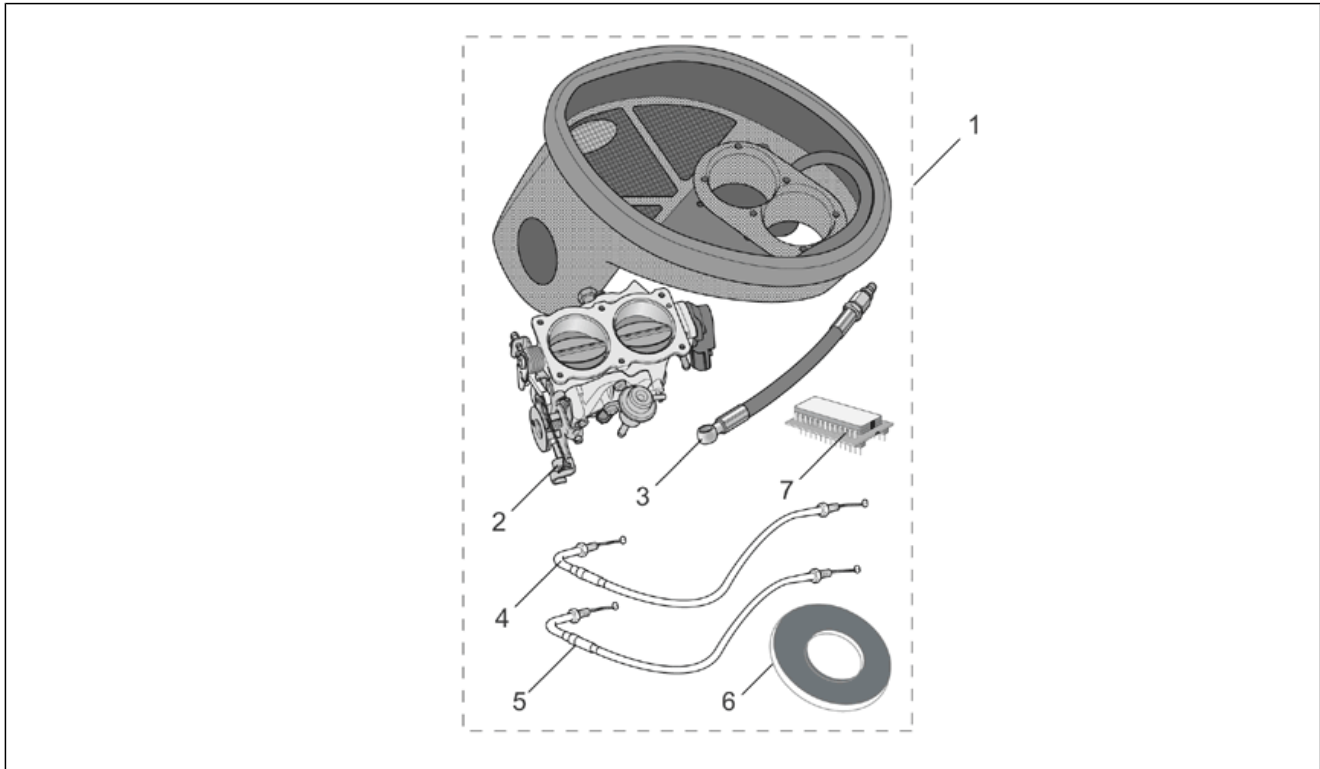
Pos.	Code	Beschreibung	Menge	Varianten
1	AP8796942	Kit Auslass kpl. Akrapovic	1	Technische Daten: Zubehör[A], Alle Länder mit Zul.CEE-E1 0489[Om]
2	AP8797156	Auspufftopf links titan	1	Technische Daten: Zubehör[A], Alle Länder mit Zul.CEE-E1 0489[Om]
2	AP8797157	Auspufftopf rechts titan	1	Technische Daten: Zubehör[A], Alle Länder mit Zul.CEE-E1 0489[Om]
4	AP8796514	Linkes bügel, carb. Carb.	1	Technische Daten: Zubehör[A]
5	AP8796515	Rechtes bügel, carb. Carb.	1	Technische Daten: Zubehör[A]
6	AP8796518	Dichtung Auspuffrohr	1	Technische Daten: Zubehör[A]
7	AP8796516	Fordere Flansch	1	Technische Daten: Zubehör[A]
8	AP8796509	Linkes Auspuffrohr Inox	1	Technische Daten: Zubehör[A]
9	AP8796517	Hintere Flansch	1	Technische Daten: Zubehör[A]
10	AP8796507	Auspuffrohr vorn Inox	1	Technische Daten: Zubehör[A]
11	AP8796508	mitt. Auspuffrohr Inox	1	Technische Daten: Zubehör[A]
12	AP8796519	Feder Auspuffrohre	11	Technische Daten: Zubehör[A]
13	AP8797160	Halterbügel Inox	1	Technische Daten: Zubehör[A]
14	AP8796510	R. Auspuffrohr Inox	1	Technische Daten: Zubehör[A]
15	AP8796513	Fixierschelle Schalldämpfer Titan-Carb	1	Technische Daten: Zubehör[A]
16	AP8797166	Eprom	1	Technische Daten: Zubehör[A]
17	AP8797159	Übersetzung Auslassgruppe Akra.	1	Technische Daten: Zubehör[A], Alle Länder mit Zul.CEE-E1 0489[Om]
18	AP8797158	Bausatz Entlüftungsüberh. Ak.	2	Technische Daten: Zubehör[A], Alle Länder mit Zul.CEE-E1 0489[Om]
19	AP8796506	Halter Soziesfußraste KIT	1	Technische Daten: Zubehör[A]
20	AP8797215	Aufkleber	1	Technische Daten: Zubehör[A], Alle Länder mit Zul.CEE-E1 0489[Om]

Einheit	ZUBEHÖR
Code	30.74
Beschreibung	Acc. - Tuning Motorteile III
Inspektion	1



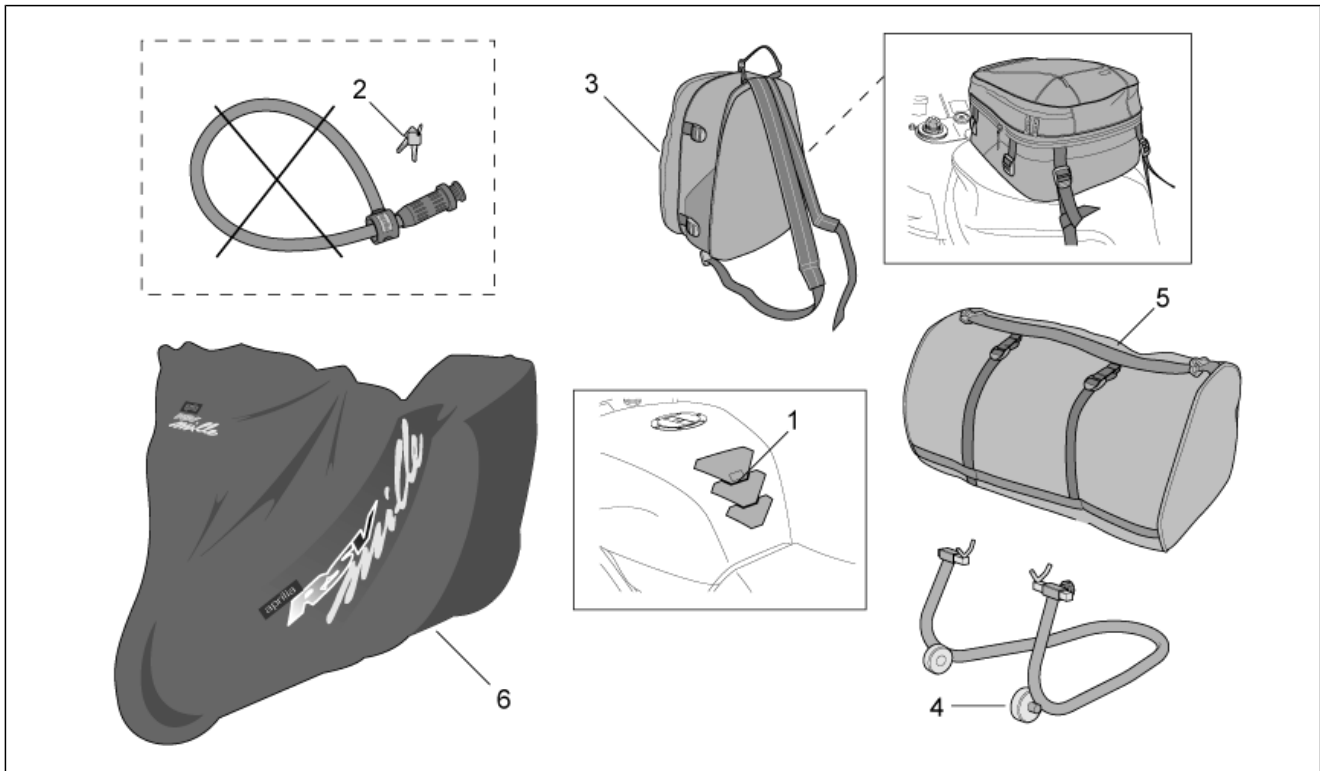
Pos.	Code	Beschreibung	Menge	Varianten
1	AP8796493	Schalldämpfer kpl.	1	Technische Daten: Zubehör[A], Nur Einsatz auf geschlossener Rennstrecke[Circ]
2	AP8796492	Fixierschelle	1	Technische Daten: Zubehör[A], Nur Einsatz auf geschlossener Rennstrecke[Circ]
3	AP8796539	Eprom Titan-Evo	1	Technische Daten: Zubehör[A], Nur Einsatz auf geschlossener Rennstrecke[Circ]
4	AP8796498	Schalldämpfer - Paar kpl.	1	Technische Daten: Zubehör[A], Nur Einsatz auf geschlossener Rennstrecke[Circ]
5	AP8796499	Schelle m/Halterung Carb.	1	Technische Daten: Zubehör[A], Nur Einsatz auf geschlossener Rennstrecke[Circ]
6	AP8796500	O.Schalldämpfer SPTitan	1	Technische Daten: Zubehör[A], Nur Einsatz auf geschlossener Rennstrecke[Circ]
7	AP8796501	U.Schalldämpfer SPTitan	1	Technische Daten: Zubehör[A], Nur Einsatz auf geschlossener Rennstrecke[Circ]

Einheit	ZUBEHÖR
Code	30.75
Beschreibung	Acc. - Tuning Motorteile IV
Inspektion	1



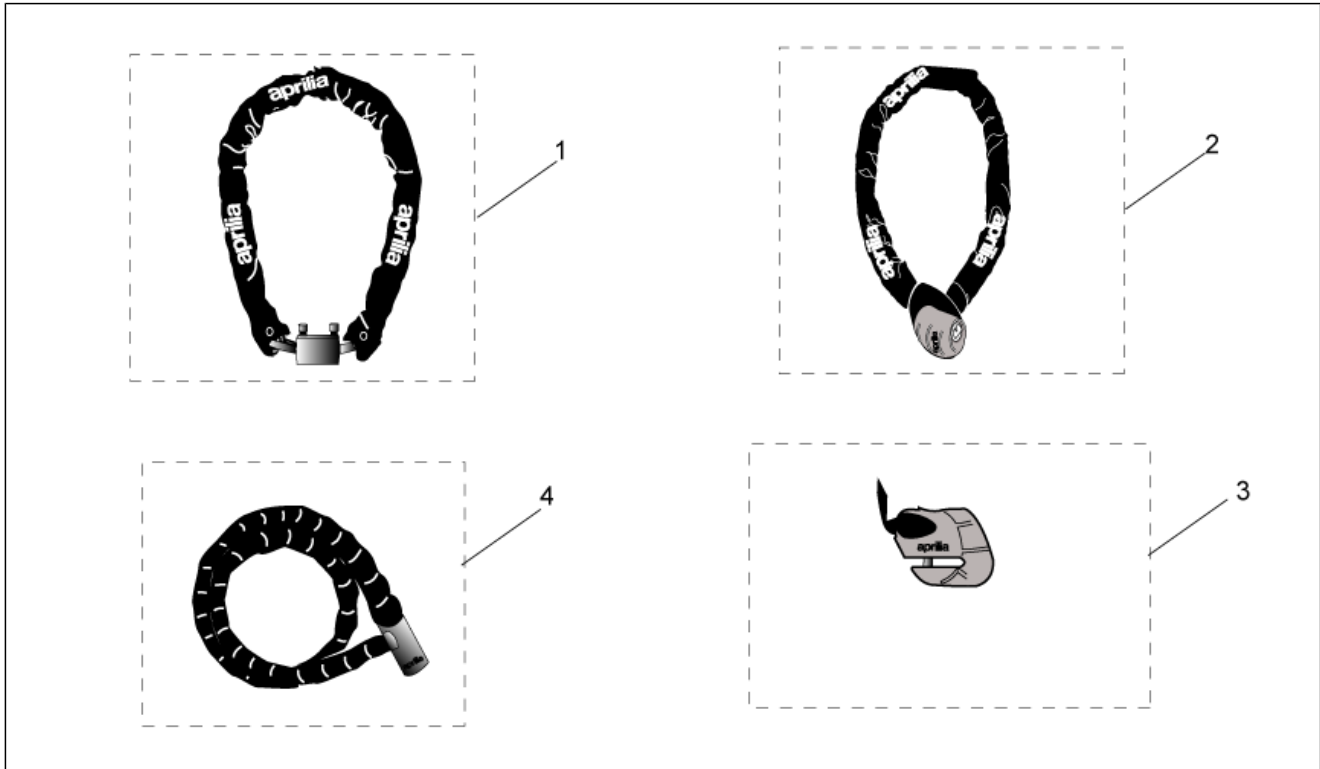
Pos.	Code	Beschreibung	Menge	Varianten
1	AP8796941	Klappenkörper KIT Rac.D57	1	Technische Daten:Zubehör[A]
2	AP0296975	Klappenkörper kpl. D.57	1	Technische Daten:"Version ""R"" 2002-2003"[R]
3	AP8798003	Hochdruck Leitung	1	Technische Daten:Zubehör[A]
4	AP8114342	Gas trasmission delivery	1	Technische Daten:"Version ""R"" 2002-2003"[R]
5	AP8114343	Gas trasmission return	1	Technische Daten:"Version ""R"" 2002-2003"[R]
6	AP8798002	Dichtung airbox	1	Technische Daten:Zubehör[A]
7	AP8797168	Eprom	1	Technische Daten:Zubehör[A]

Einheit	ZUBEHÖR
Code	30.76
Beschreibung	Acc. - Sonstiges
Inspektion	1



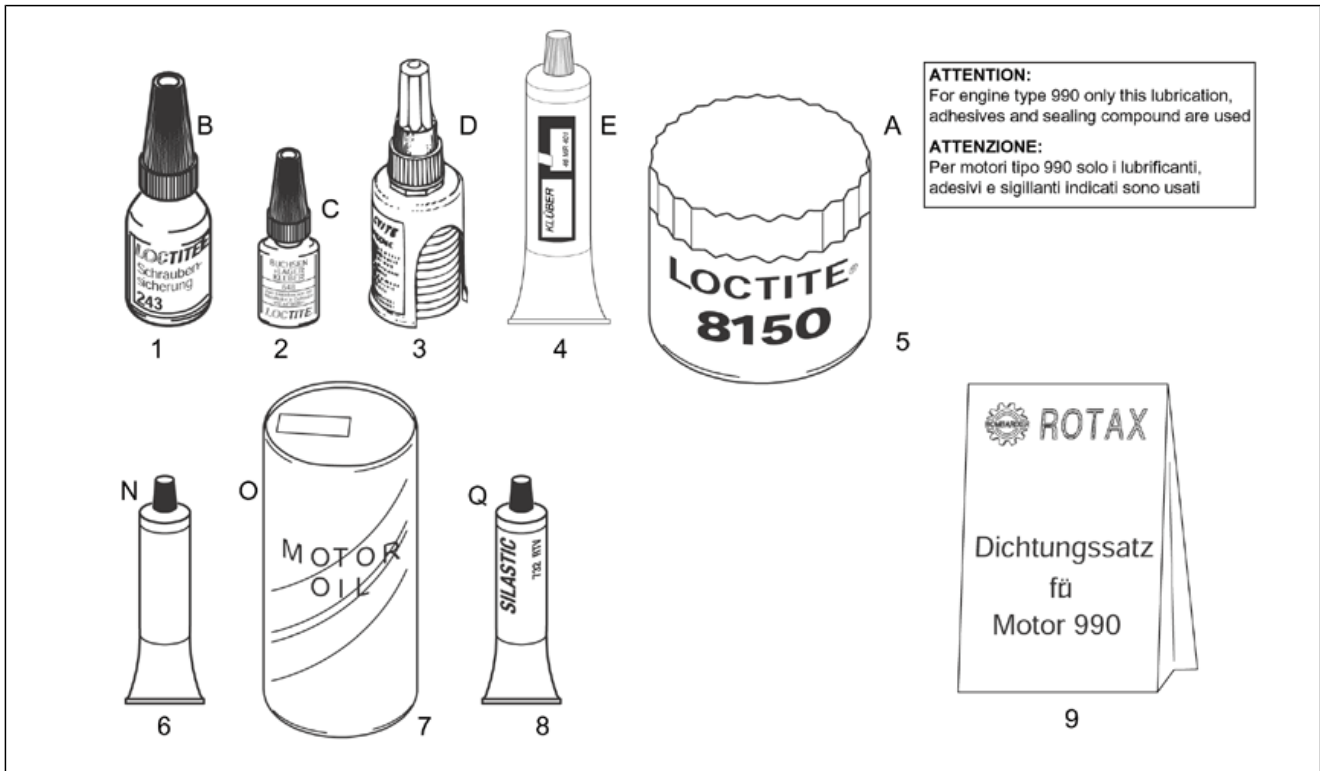
Pos.	Code	Beschreibung	Menge	Varianten
1	AP8796047	Kit Aufkleber Tankschutz	1	Technische Daten: Zubehör[A]
2	AP8700792	Schlüssellersatzdie. B.Guard UK-D	1	Land: Deutschland[D], Großbritannien[UK] Technische Daten: Zubehör[A]
2	AP8700793	Schlüssellersatzdie. B.Guard F-NL	1	Land: Frankreich[F], Holland[NL] Technische Daten: Zubehör[A]
2	AP8700794	Schlüssellersatzdie. B.Guard I-E	1	Land: Spanien[E], Italien[I] Technische Daten: Zubehör[A]
3	AP8792156	Tankrucksack	1	Technische Daten: Zubehör[A]
4	AP8705021	Hauptständer hi.Werkstatt	1	Technische Daten: Zubehör[A]
5	AP8792152	Gepäcktasche hi.	1	Technische Daten: Zubehör[A]
6	AP8796046	Abdeckplane	1	Technische Daten: Zubehör[A]

Einheit	ZUBEHÖR
Code	30.77
Beschreibung	Acc. - Diefstahl
Inspektion	1



Pos.	Code	Beschreibung	Menge	Varianten
1	AP8720115	Iron Guard 10x150 mm	1	Technische Daten:Zubehör[A]
2	AP8720116	Iron Guard 8x120 mm	1	Technische Daten:Zubehör[A]
3	AP8720117	Iron Guard Disk 5 mm	1	Technische Daten:Zubehör[A]
4	AP8720118	Easy Guard 150 mm	1	Technische Daten:Zubehör[A]

Einheit	VERBRAUCHSMATERIAL
Code	32.68
Beschreibung	Verbrauchsmaterial
Inspektion	1



Pos.	Code	Beschreibung	Menge	Varianten
1	AP0897651	Loctite, blau 243 10cc.	1	
2	AP0899788	Loctite, grün 648 5gr.	1	
3	AP0899784	Loctite, orange 574	1	
4	AP0297616	Klueberpaste 60 g	1	
5	AP8116067	Loctite 8150	1	
6	0000000	Reifen	1	
7	0000000	Reifen	1	
8	AP0297386	Silastic 732 Rtv 100 gr.	1	
9	AP0296170	Dichtungen - Satz	1	