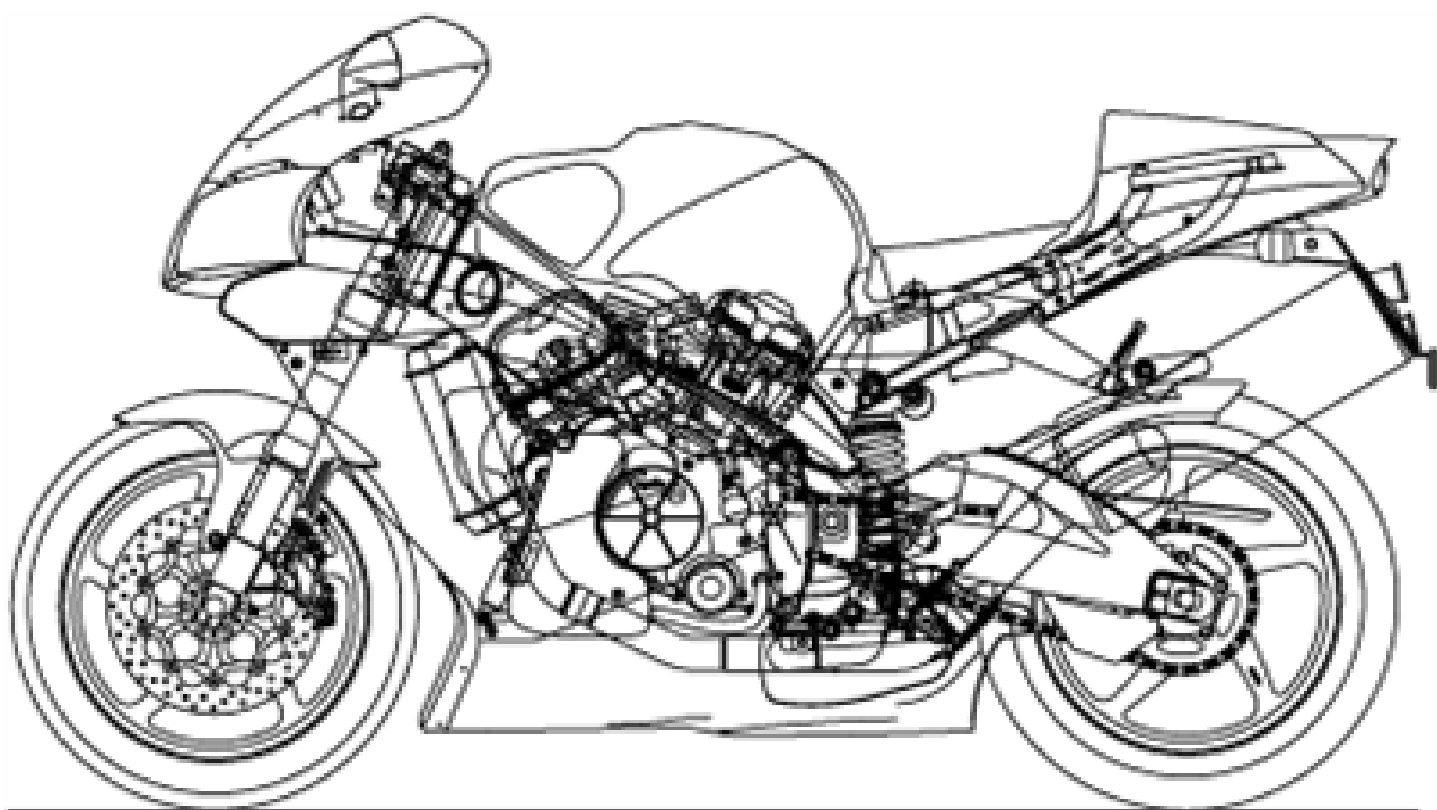


aprilia[®]

ERSATZTEILKATALOG



RSV 1000 2003

Vorsatzcode Fahrgestell: ZD4RP012, ZD4RP013,
ZD4RP014, ZD4RP015, ZD4RP016, ZD4RP017, ZD4RP018,
ZD4RP019, ZD4RPC02, ZD4RPC03, ZD4RPU02, ZD4RPU03



Vorsatzcode Motor:

Inhaltsverzeichnis

| | |
|--|----|
| Fertige Produkte..... | 5 |
| Alphanumerisches Verzeichnis..... | 6 |
| RAHMEN..... | 15 |
| Tafel 28.09 - Rahmen I..... | 15 |
| Tafel 28.10 - Rahmen II..... | 16 |
| Tafel 28.11 - Rahmen III..... | 17 |
| Tafel 28.12 - Fussrasten..... | 19 |
| Tafel 28.13 - Hauptständer..... | 20 |
| Tafel 28.14 - Lenkung..... | 22 |
| Tafel 28.15 - Vorderradgabel I..... | 23 |
| Tafel 28.16 - Vorderradgabel II..... | 24 |
| Tafel 28.17 - Schwinge..... | 26 |
| Tafel 28.18 - Pleuelstange und Stoßdämpfer..... | 28 |
| Tafel 28.19 - Frontaufbau - Kuppel..... | 29 |
| Tafel 28.20 - Frontaufbau - Leitblech..... | 33 |
| Tafel 28.21 - Frontaufbau - Vrd. Schutzblech..... | 36 |
| Tafel 28.22 - Karosserie v.-Verschlüsse..... | 38 |
| Tafel 28.23 - Mittlerer aufbau - Oberer Rumpf..... | 39 |
| Tafel 28.24 - Karosserie zent.-Verkl.rs..... | 44 |
| Tafel 28.25 - Karosserie zent.-Verkl.l..... | 45 |
| Tafel 28.26 - Kraftstofftank I..... | 49 |
| Tafel 28.27 - Kraftstofftank II..... | 51 |
| Tafel 28.28 - Benzindampfrückf.-Anlage..... | 53 |
| Tafel 28.29 - Sitz..... | 56 |
| Tafel 28.30 - R.Kar. - R.verkl..... | 57 |
| Tafel 28.31 - U. Sitzbank..... | 59 |
| Tafel 28.32 - Hinteres Schutzblech..... | 60 |
| Tafel 28.33 - Instrumententafel..... | 61 |
| Tafel 28.34 - Lenkstange..... | 62 |
| Tafel 28.35 - Kupplungspumpe..... | 63 |
| Tafel 28.36 - Vorderradbremspumpe..... | 64 |
| Tafel 28.37 - Kühlanlage..... | 65 |
| Tafel 28.38 - Wasserkühler..... | 66 |
| Tafel 28.39 - Ausdehngefäß..... | 67 |
| Tafel 28.40 - Ölbehälter..... | 68 |
| Tafel 28.41 - Filtergehäuse..... | 70 |
| Tafel 28.42 - Kraftstoffpumpe..... | 74 |
| Tafel 28.44 - Auspuffrohr..... | 75 |
| Tafel 28.45 - Vorderrad Vers.RSV Mille..... | 77 |
| Tafel 28.46 - Vorderrad Vers.RSV Mille "R"..... | 78 |
| Tafel 28.47 - Vorderradbremzange..... | 79 |
| Tafel 28.48 - Vorderradbremzange..... | 80 |
| Tafel 28.49 - Hinterrad Vers. RSV Mille "R"..... | 81 |

| | |
|---|------------|
| Tafel 28.50 - Hinterrad Vers. RSV Mille "R"..... | 83 |
| Tafel 28.51 - Hinterradbremspumpe..... | 85 |
| Tafel 28.52 - Hinterradbremzange..... | 87 |
| Tafel 28.53 - Scheinwerfer..... | 88 |
| Tafel 28.54 - Blinker..... | 90 |
| Tafel 28.55 - Rücklicht..... | 91 |
| Tafel 28.56 - Vorder Elektrische Anlage..... | 92 |
| Tafel 28.57 - Mitt. elektrische Anlage..... | 94 |
| Tafel 28.58 - Hint.Elektrische Anlage..... | 96 |
| Tafel 28.59 - Bausatz Schlösser..... | 98 |
| Tafel 28.60 - Deko..... | 102 |
| Tafel 28.61 - Schilder und Anleit..... | 112 |
| MOTOR..... | 113 |
| Tafel 29.43 - Motor..... | 113 |
| Tafel 29.62 - Gehäuse I..... | 115 |
| Tafel 29.63 - Gehäuse II..... | 116 |
| Tafel 29.64 - Ölpumpe..... | 118 |
| Tafel 29.65 - Kurbelwelle I..... | 119 |
| Tafel 29.66 - Kurbelwelle II..... | 121 |
| Tafel 29.67 - Ventildeckel..... | 122 |
| Tafel 29.68 - Zylinderkopf und Ventile..... | 123 |
| Tafel 29.69 - Ventilesbeläge..... | 124 |
| Tafel 29.70 - Vrd. Zylindersteuer..... | 126 |
| Tafel 29.71 - Hint. Zylindersteuer..... | 127 |
| Tafel 29.72 - Schaltgabel..... | 129 |
| Tafel 29.73 - Schaltgetriebe..... | 130 |
| Tafel 29.74 - Kupplung I..... | 131 |
| Tafel 29.75 - Kupplung II..... | 132 |
| Tafel 29.76 - Wasserpumpenritzel..... | 133 |
| Tafel 29.77 - Zündgruppe..... | 135 |
| Tafel 29.78 - Klappenkörper..... | 136 |
| Tafel 29.79 - Verbrauchsmaterial..... | 138 |
| ZUBEHÖR..... | 139 |
| Tafel 30.01 - Acc. - Fahrwerk I..... | 139 |
| Tafel 30.02 - Acc. - Fahrwerk II..... | 140 |
| Tafel 30.03 - Acc. - Spez. Verkleidungsteile..... | 141 |
| Tafel 30.04 - Acc. - Tuning Motorteile I..... | 142 |
| Tafel 30.05 - Acc. - Tuning Motorteile II..... | 143 |
| Tafel 30.06 - Acc. - Tuning Motorteile III..... | 145 |
| Tafel 30.07 - Acc. - Tuning Motorteile IV..... | 146 |
| Tafel 30.08 - Acc. - Sonstiges..... | 147 |
| Tafel 30.80 - Acc. - Diebstahl..... | 148 |



RSV 2 1000
3963 - RSV 1000 2003

Vorsatzcode Fahrgestell: ZD4RP012,
ZD4RP013, ZD4RP014, ZD4RP015,
ZD4RP016, ZD4RP017, ZD4RP018,
ZD4RP019, ZD4RPC02, ZD4RPC03,
ZD4RPU02, ZD4RPU03
Vorsatzcode Motor:

Fertige Produkte

| Code | Gültigkeit |
|-------------|------------|
| AP66A00IT02 | |

| Code | Nr. der Tafel | Pos. | Code | Nr. der Tafel | Pos. | Code | Nr. der Tafel | Pos. |
|-----------|---------------|------|-----------|---------------|------|-----------|---------------|------|
| 0000000 | 28.45 | 7 | AP0233746 | 29.62 | 7 | AP0244211 | 29.71 | 8 |
| 0000000 | 28.46 | 7 | AP0233748 | 29.62 | 7 | AP0244211 | 29.72 | 10 |
| 0000000 | 28.49 | 5 | AP0233780 | 29.76 | 11 | AP0245330 | 29.64 | 15 |
| 0000000 | 28.50 | 5 | AP0233790 | 29.76 | 10 | AP0245436 | 29.66 | 6 |
| 0000000 | 29.78 | 19 | AP0233791 | 29.76 | 10 | AP0245440 | 29.72 | 18 |
| 0000000 | 29.79 | 6 | AP0233793 | 29.76 | 10 | AP0245815 | 29.73 | 4 |
| 0000000 | 29.79 | 7 | AP0233820 | 29.62 | 9 | AP0245830 | 29.74 | 2 |
| 890435 | 28.42 | 2 | AP0233822 | 29.62 | 9 | AP0245840 | 29.65 | 13 |
| AP0210415 | 29.63 | 4 | AP0236252 | 29.66 | 9 | AP0245860 | 29.65 | 10 |
| AP0211620 | 29.64 | 5 | AP0236300 | 29.70 | 5 | AP0246055 | 29.71 | 17 |
| AP0211632 | 29.64 | 8 | AP0236300 | 29.71 | 5 | AP0246570 | 29.65 | 5 |
| AP0211651 | 29.77 | 8 | AP0236310 | 29.70 | 6 | AP0247614 | 29.75 | 14 |
| AP0211662 | 29.67 | 5 | AP0236310 | 29.71 | 6 | AP0247940 | 29.72 | 17 |
| AP0211667 | 29.67 | 3 | AP0236320 | 29.70 | 3 | AP0247972 | 29.75 | 9 |
| AP0211681 | 29.71 | 4 | AP0236366 | 29.72 | 22 | AP0247974 | 29.75 | 10 |
| AP0211756 | 29.71 | 25 | AP0236370 | 29.63 | 26 | AP0247980 | 29.70 | 17 |
| AP0211766 | 29.70 | 4 | AP0236380 | 29.71 | 9 | AP0247980 | 29.71 | 27 |
| AP0211778 | 29.76 | 24 | AP0238130 | 29.75 | 18 | AP0248375 | 29.72 | 12 |
| AP0216222 | 29.66 | 5 | AP0238135 | 29.75 | 11 | AP0250130 | 29.71 | 3 |
| AP0217346 | 29.65 | 2 | AP0238140 | 29.75 | 15 | AP0250140 | 29.77 | 21 |
| AP0217486 | 29.65 | 2 | AP0239247 | 29.72 | 13 | AP0250311 | 29.67 | 6 |
| AP0219340 | 29.71 | 20 | AP0239390 | 29.75 | 6 | AP0250450 | 29.63 | 24 |
| AP0219350 | 29.65 | 21 | AP0239420 | 29.72 | 16 | AP0250640 | 29.67 | 10 |
| AP0219360 | 29.65 | 12 | AP0239430 | 29.72 | 15 | AP0251090 | 29.68 | 23 |
| AP0219365 | 29.65 | 8 | AP0239447 | 29.64 | 10 | AP0251100 | 29.67 | 11 |
| AP0220372 | 29.65 | 15 | AP0239450 | 29.72 | 23 | AP0251830 | 29.67 | 8 |
| AP0220384 | 29.70 | 13 | AP0239480 | 29.74 | 9 | AP0253645 | 29.68 | 22 |
| AP0220384 | 29.71 | 13 | AP0239510 | 29.68 | 20 | AP0253921 | 29.68 | 3 |
| AP0220385 | 29.70 | 12 | AP0239520 | 29.68 | 19 | AP0253926 | 29.68 | 2 |
| AP0220385 | 29.71 | 12 | AP0240081 | 29.67 | 7 | AP0253956 | 29.68 | 21 |
| AP0220392 | 29.73 | 1 | AP0240170 | 29.67 | 16 | AP0253965 | 29.68 | 17 |
| AP0220400 | 29.73 | 10 | AP0240181 | 29.76 | 25 | AP0253974 | 29.69 | 1 |
| AP0220410 | 29.76 | 4 | AP0240275 | 29.71 | 29 | AP0253975 | 29.69 | 1 |
| AP0220423 | 29.64 | 1 | AP0240331 | 29.68 | 10 | AP0253976 | 29.69 | 1 |
| AP0220435 | 29.72 | 26 | AP0240331 | 29.76 | 21 | AP0253977 | 29.69 | 1 |
| AP0220437 | 29.72 | 1 | AP0240400 | 29.70 | 1 | AP0253978 | 29.69 | 1 |
| AP0220440 | 29.71 | 1 | AP0240580 | 29.77 | 12 | AP0253979 | 29.69 | 1 |
| AP0220455 | 29.74 | 6 | AP0240960 | 29.70 | 18 | AP0253980 | 29.69 | 1 |
| AP0222500 | 29.76 | 18 | AP0241081 | 29.63 | 9 | AP0253981 | 29.69 | 1 |
| AP0222512 | 29.76 | 19 | AP0241261 | 29.63 | 29 | AP0253982 | 29.69 | 1 |
| AP0224090 | 29.67 | 17 | AP0241501 | 29.63 | 15 | AP0253983 | 29.69 | 1 |
| AP0227180 | 29.74 | 12 | AP0241531 | 29.63 | 12 | AP0253984 | 29.69 | 1 |
| AP0227442 | 29.72 | 20 | AP0241541 | 29.77 | 6 | AP0253985 | 29.69 | 1 |
| AP0227685 | 29.76 | 6 | AP0241560 | 29.67 | 14 | AP0253986 | 29.69 | 1 |
| AP0227714 | 29.72 | 27 | AP0241580 | 29.63 | 1 | AP0253987 | 29.69 | 1 |
| AP0227716 | 29.72 | 11 | AP0241601 | 29.67 | 13 | AP0253988 | 29.69 | 1 |
| AP0229301 | 29.62 | 4 | AP0241625 | 29.67 | 1 | AP0253990 | 29.68 | 24 |
| AP0229301 | 29.77 | 16 | AP0241631 | 29.77 | 9 | AP0254021 | 29.68 | 15 |
| AP0229385 | 29.62 | 6 | AP0241650 | 29.64 | 11 | AP0254030 | 29.69 | 1 |
| AP0229385 | 29.72 | 14 | AP0241761 | 29.76 | 27 | AP0254031 | 29.69 | 1 |
| AP0230415 | 29.63 | 8 | AP0241782 | 29.63 | 7 | AP0254032 | 29.69 | 1 |
| AP0230415 | 29.76 | 23 | AP0241811 | 29.76 | 14 | AP0254033 | 29.69 | 1 |
| AP0230510 | 29.68 | 18 | AP0241811 | 29.77 | 15 | AP0254034 | 29.69 | 1 |
| AP0232210 | 29.68 | 5 | AP0241816 | 29.77 | 11 | AP0254035 | 29.69 | 1 |
| AP0232430 | 29.64 | 13 | AP0241821 | 28.35 | 22 | AP0254036 | 29.69 | 1 |
| AP0232430 | 29.76 | 5 | AP0241821 | 29.63 | 28 | AP0254037 | 29.69 | 1 |
| AP0232625 | 29.63 | 14 | AP0241821 | 29.64 | 12 | AP0254038 | 29.69 | 1 |
| AP0232730 | 29.64 | 2 | AP0241821 | 29.68 | 4 | AP0254039 | 29.69 | 1 |
| AP0232970 | 29.64 | 4 | AP0241854 | 29.63 | 6 | AP0254040 | 29.69 | 1 |
| AP0233711 | 29.62 | 9 | AP0241932 | 29.63 | 2 | AP0254041 | 29.69 | 1 |
| AP0233721 | 29.65 | 23 | AP0241932 | 29.72 | 9 | AP0254042 | 29.69 | 1 |
| AP0233722 | 29.65 | 23 | AP0242091 | 29.67 | 4 | AP0254043 | 29.69 | 1 |
| AP0233723 | 29.65 | 23 | AP0242206 | 29.75 | 13 | AP0254295 | 29.68 | 16 |
| AP0233740 | 29.62 | 8 | AP0242851 | 29.67 | 18 | AP0256187 | 29.63 | 5 |
| AP0233741 | 29.62 | 8 | AP0242874 | 29.65 | 16 | AP0256497 | 29.63 | 20 |
| AP0233743 | 29.62 | 8 | AP0242940 | 29.65 | 14 | AP0256510 | 29.64 | 9 |
| AP0233745 | 29.62 | 7 | AP0242950 | 29.74 | 3 | AP0256526 | 29.63 | 21 |

| Code | Nr. der Tafel | Pos. | Code | Nr. der Tafel | Pos. | Code | Nr. der Tafel | Pos. |
|-----------|---------------|------|-----------|---------------|------|-----------|---------------|------|
| AP0256529 | 29.63 | 21 | AP0296975 | 30.07 | 2 | AP0650330 | 29.76 | 8 |
| AP0256680 | 29.64 | 3 | AP0297386 | 29.79 | 5 | AP0650337 | 29.63 | 22 |
| AP0258310 | 29.72 | 6 | AP0297616 | 29.79 | 4 | AP0650340 | 29.77 | 14 |
| AP0258327 | 29.72 | 8 | AP0297942 | 29.77 | 23 | AP0650345 | 29.67 | 2 |
| AP0258351 | 29.72 | 4 | AP0297955 | 29.70 | 19 | AP0650370 | 29.76 | 13 |
| AP0258361 | 29.72 | 3 | AP0297955 | 29.71 | 19 | AP0650390 | 29.66 | 7 |
| AP0258375 | 29.72 | 5 | AP0427106 | 29.73 | 16 | AP0650500 | 29.63 | 3 |
| AP0258380 | 29.72 | 2 | AP0430622 | 29.66 | 11 | AP0650670 | 29.78 | 13 |
| AP0259500 | 29.63 | 27 | AP0430782 | 29.77 | 10 | AP0659110 | 29.77 | 3 |
| AP0259517 | 29.74 | 7 | AP0440101 | 29.76 | 15 | AP0659120 | 29.77 | 4 |
| AP0259520 | 29.74 | 1 | AP0440260 | 29.65 | 3 | AP0659121 | 29.77 | 4 |
| AP0259535 | 29.75 | 7 | AP0442130 | 29.74 | 16 | AP0660020 | 29.78 | 16 |
| AP0259582 | 29.75 | 5 | AP0610151 | 29.76 | 9 | AP0661011 | 29.78 | 4 |
| AP0259583 | 29.75 | 5 | AP0613418 | 29.66 | 4 | AP0684310 | 29.66 | 2 |
| AP0259587 | 29.75 | 16 | AP0613491 | 29.68 | 1 | AP0684311 | 29.66 | 2 |
| AP0259588 | 29.75 | 16 | AP0613496 | 29.68 | 8 | AP0827110 | 29.73 | 18 |
| AP0260870 | 29.77 | 13 | AP0627120 | 29.73 | 3 | AP0827305 | 29.71 | 11 |
| AP0260890 | 29.74 | 14 | AP0627132 | 29.73 | 6 | AP0831160 | 29.71 | 31 |
| AP0265244 | 28.57 | 4 | AP0627190 | 29.70 | 7 | AP0832144 | 29.63 | 13 |
| AP0265244 | 29.77 | 25 | AP0627190 | 29.71 | 15 | AP0832144 | 29.72 | 19 |
| AP0265246 | 28.57 | 19 | AP0627200 | 29.65 | 17 | AP0832360 | 29.71 | 2 |
| AP0265246 | 29.77 | 24 | AP0627210 | 29.72 | 24 | AP0840371 | 29.70 | 16 |
| AP0265480 | 28.57 | 2 | AP0627220 | 29.75 | 12 | AP0840371 | 29.71 | 16 |
| AP0265480 | 29.77 | 26 | AP0627230 | 29.74 | 13 | AP0840391 | 29.71 | 22 |
| AP0265671 | 28.58 | 19 | AP0627260 | 29.75 | 1 | AP0840861 | 29.63 | 16 |
| AP0265671 | 28.58 | 19 | AP0627270 | 29.77 | 7 | AP0840861 | 29.76 | 22 |
| AP0265672 | 28.58 | 19 | AP0627280 | 29.74 | 15 | AP0840880 | 29.68 | 14 |
| AP0265672 | 28.58 | 19 | AP0627530 | 29.74 | 10 | AP0840880 | 29.68 | 26 |
| AP0265675 | 28.58 | 19 | AP0627910 | 29.75 | 3 | AP0840880 | 29.68 | 6 |
| AP0266210 | 28.58 | 19 | AP0632010 | 29.62 | 2 | AP0840882 | 29.77 | 22 |
| AP0267150 | 29.67 | 9 | AP0632010 | 29.76 | 7 | AP0841841 | 29.76 | 16 |
| AP0268010 | 29.78 | 14 | AP0632070 | 29.73 | 7 | AP0845030 | 29.70 | 10 |
| AP0268740 | 29.63 | 10 | AP0632124 | 29.63 | 17 | AP0845030 | 29.71 | 30 |
| AP0274010 | 29.78 | 6 | AP0632130 | 29.74 | 8 | AP0850050 | 29.63 | 23 |
| AP0274020 | 29.78 | 8 | AP0632161 | 29.70 | 8 | AP0874320 | 29.78 | 10 |
| AP0274030 | 29.78 | 5 | AP0632161 | 29.71 | 23 | AP0897651 | 29.79 | 1 |
| AP0274040 | 29.67 | 12 | AP0634475 | 29.64 | 6 | AP0899784 | 29.79 | 3 |
| AP0274050 | 29.78 | 12 | AP0634475 | 29.75 | 2 | AP0899788 | 29.79 | 2 |
| AP0274060 | 29.68 | 12 | AP0634483 | 29.64 | 14 | AP0922245 | 29.67 | 15 |
| AP0281223 | 29.73 | 19 | AP0634490 | 29.76 | 3 | AP0927863 | 29.68 | 9 |
| AP0281241 | 29.78 | 2 | AP0634500 | 29.65 | 19 | AP0927945 | 29.68 | 13 |
| AP0294352 | 29.77 | 20 | AP0634500 | 29.76 | 2 | AP0927945 | 29.68 | 25 |
| AP0294356 | 29.77 | 19 | AP0634595 | 29.77 | 1 | AP0927945 | 29.68 | 7 |
| AP0295656 | 29.62 | 1 | AP0634600 | 29.77 | 17 | AP0929500 | 29.62 | 3 |
| AP0295662 | 29.65 | 1 | AP0634610 | 29.65 | 18 | AP0929500 | 29.71 | 26 |
| AP0295662 | 29.66 | 1 | AP0634622 | 29.73 | 17 | AP0929650 | 29.62 | 10 |
| AP0295667 | 29.65 | 1 | AP0634642 | 29.73 | 9 | AP0929650 | 29.66 | 8 |
| AP0295667 | 29.66 | 1 | AP0634657 | 29.73 | 11 | AP0929930 | 29.62 | 5 |
| AP0295696 | 29.78 | 1 | AP0634662 | 29.73 | 5 | AP0929930 | 29.65 | 20 |
| AP0295696 | 29.78 | 1 | AP0634670 | 29.73 | 13 | AP0929930 | 29.76 | 1 |
| AP0295760 | 29.65 | 22 | AP0634682 | 29.73 | 14 | AP0932335 | 29.63 | 19 |
| AP0295760 | 29.71 | 24 | AP0634697 | 29.73 | 2 | AP0932335 | 29.72 | 7 |
| AP0295765 | 29.65 | 7 | AP0634702 | 29.73 | 15 | AP0932428 | 29.63 | 18 |
| AP0295765 | 29.70 | 9 | AP0634712 | 29.73 | 8 | AP0932585 | 29.63 | 11 |
| AP0295770 | 29.65 | 9 | AP0634721 | 29.73 | 12 | AP0940560 | 29.71 | 7 |
| AP0295775 | 29.71 | 18 | AP0634732 | 29.70 | 14 | AP0940590 | 29.70 | 2 |
| AP0295782 | 29.65 | 11 | AP0634732 | 29.71 | 14 | AP0940631 | 29.70 | 11 |
| AP0295782 | 29.75 | 4 | AP0634737 | 29.70 | 15 | AP0940631 | 29.71 | 28 |
| AP0295783 | 29.65 | 11 | AP0634740 | 29.77 | 18 | AP0940637 | 29.66 | 12 |
| AP0295783 | 29.75 | 4 | AP0640400 | 29.65 | 4 | AP0940741 | 29.72 | 25 |
| AP0295793 | 29.75 | 8 | AP0640450 | 29.66 | 10 | AP0941121 | 29.71 | 10 |
| AP0295794 | 29.75 | 8 | AP0640581 | 29.67 | 20 | AP0941506 | 29.74 | 11 |
| AP0295830 | 29.77 | 2 | AP0641590 | 29.77 | 5 | AP0941835 | 29.75 | 17 |
| AP0295858 | 29.66 | 3 | AP0650210 | 29.67 | 19 | AP0941935 | 29.68 | 11 |
| AP0296170 | 29.79 | 8 | AP0650240 | 29.76 | 20 | AP0942570 | 29.71 | 21 |
| AP0296180 | 29.78 | 7 | AP0650310 | 29.76 | 12 | AP0945665 | 29.72 | 21 |
| AP0296975 | 29.78 | 1 | AP0650320 | 29.63 | 25 | AP0946015 | 29.65 | 6 |

| Code | Nr. der Tafel | Pos. | Code | Nr. der Tafel | Pos. | Code | Nr. der Tafel | Pos. |
|-----------|---------------|------|-----------|---------------|------|-----------|---------------|------|
| AP0950141 | 29.76 | 17 | AP8102732 | 28.39 | 4 | AP8106712 | 28.19 | 14 |
| AP0956169 | 29.76 | 26 | AP8102763 | 28.41 | 12 | AP8106764 | 28.28 | 6 |
| AP0956275 | 29.64 | 7 | AP8102764 | 28.37 | 14 | AP8106806 | 28.49 | 19 |
| AP0960111 | 29.78 | 9 | AP8102764 | 28.42 | 9 | AP8106812 | 28.41 | 25 |
| AP0960121 | 29.78 | 11 | AP8102766 | 28.28 | 23 | AP8106813 | 28.41 | 10 |
| AP0960122 | 29.78 | 3 | AP8102766 | 28.41 | 23 | AP8106867 | 29.74 | 5 |
| AP8101372 | 28.38 | 12 | AP8102786 | 28.40 | 20 | AP8106881 | 28.42 | 19 |
| AP8101595 | 28.28 | 18 | AP8102828 | 28.40 | 12 | AP8106915 | 29.74 | 4 |
| AP8101595 | 28.31 | 2 | AP8102829 | 28.42 | 17 | AP8106935 | 28.35 | 26 |
| AP8101595 | 28.36 | 18 | AP8102831 | 28.20 | 14 | AP8106970 | 29.43 | 1 |
| AP8101595 | 28.41 | 13 | AP8102873 | 28.42 | 12 | AP8106975 | 29.43 | 1 |
| AP8101744 | 28.45 | 1 | AP8102880 | 28.59 | 5 | AP8107118 | 28.49 | 1 |
| AP8101744 | 28.49 | 7 | AP8102880 | 28.59 | 5 | AP8107118 | 28.50 | 1 |
| AP8101861 | 28.12 | 12 | AP8102902 | 28.11 | 22 | AP8107122 | 28.49 | 2 |
| AP8101927 | 28.37 | 8 | AP8102909 | 28.19 | 10 | AP8107122 | 28.50 | 2 |
| AP8101927 | 28.39 | 5 | AP8102910 | 28.59 | 4 | AP8107136 | 28.49 | 25 |
| AP8101968 | 28.51 | 9 | AP8102911 | 28.30 | 4 | AP8107136 | 28.50 | 4 |
| AP8101985 | 28.24 | 10 | AP8102911 | 28.59 | 2 | AP8107148 | 28.49 | 1 |
| AP8101985 | 28.25 | 10 | AP8102911 | 28.59 | 2 | AP8107148 | 28.50 | 1 |
| AP8102159 | 29.43 | 14 | AP8102913 | 28.30 | 7 | AP8107150 | 28.49 | 25 |
| AP8102239 | 28.42 | 15 | AP8102913 | 28.59 | 7 | AP8107150 | 28.50 | 4 |
| AP8102341 | 28.19 | 7 | AP8102914 | 28.30 | 8 | AP8108675 | 28.45 | 9 |
| AP8102349 | 28.40 | 18 | AP8102914 | 28.59 | 6 | AP8108676 | 28.49 | 3 |
| AP8102375 | 28.10 | 8 | AP8102951 | 28.38 | 3 | AP8108932 | 28.46 | 9 |
| AP8102375 | 28.11 | 8 | AP8102952 | 28.38 | 2 | AP8108979 | 28.50 | 3 |
| AP8102375 | 28.20 | 10 | AP8102985 | 28.28 | 2 | AP8108994 | 28.46 | 9 |
| AP8102375 | 28.28 | 12 | AP8104097 | 28.37 | 3 | AP8110065 | 28.18 | 2 |
| AP8102375 | 28.31 | 11 | AP8104097 | 28.38 | 1 | AP8110068 | 28.18 | 11 |
| AP8102376 | 28.10 | 9 | AP8104100 | 28.40 | 3 | AP8110077 | 28.14 | 1 |
| AP8102376 | 28.11 | 9 | AP8104124 | 28.39 | 13 | AP8110078 | 28.17 | 11 |
| AP8102376 | 28.24 | 5 | AP8104124 | 28.39 | 13 | AP8110079 | 28.17 | 1 |
| AP8102376 | 28.25 | 5 | AP8104151 | 28.59 | 1 | AP8110081 | 28.49 | 23 |
| AP8102376 | 28.31 | 12 | AP8104211 | 28.41 | 1 | AP8110081 | 28.50 | 20 |
| AP8102376 | 28.53 | 10 | AP8104251 | 29.43 | 13 | AP8110093 | 28.50 | 19 |
| AP8102377 | 28.28 | 22 | AP8104263 | 28.59 | 1 | AP8110094 | 28.46 | 11 |
| AP8102377 | 28.41 | 11 | AP8104265 | 28.59 | 1 | AP8112176 | 28.56 | 8 |
| AP8102378 | 28.28 | 20 | AP8104287 | 28.27 | 7 | AP8112599 | 28.33 | 2 |
| AP8102378 | 28.39 | 3 | AP8104287 | 28.59 | 3 | AP8112599 | 28.55 | 7 |
| AP8102431 | 28.37 | 1 | AP8104288 | 28.27 | 7 | AP8112600 | 28.38 | 9 |
| AP8102498 | 28.10 | 6 | AP8104288 | 28.27 | 7 | AP8112811 | 28.58 | 21 |
| AP8102503 | 28.27 | 4 | AP8104288 | 28.59 | 3 | AP8112832 | 28.57 | 16 |
| AP8102504 | 28.19 | 5 | AP8104288 | 28.59 | 3 | AP8112939 | 28.37 | 17 |
| AP8102504 | 28.24 | 8 | AP8104455 | 28.42 | 1 | AP8112940 | 28.58 | 7 |
| AP8102504 | 28.25 | 8 | AP8104509 | 28.34 | 1 | AP8112996 | 28.57 | 17 |
| AP8102520 | 28.28 | 19 | AP8104537 | 28.61 | 2 | AP8113003 | 28.35 | 3 |
| AP8102524 | 28.13 | 7 | AP8104557 | 28.61 | 2 | AP8113003 | 28.36 | 10 |
| AP8102535 | 28.27 | 3 | AP8104558 | 28.61 | 2 | AP8113003 | 28.40 | 7 |
| AP8102544 | 28.09 | 2 | AP8104559 | 28.61 | 2 | AP8113003 | 28.47 | 11 |
| AP8102544 | 28.10 | 18 | AP8104560 | 28.61 | 2 | AP8113003 | 28.52 | 5 |
| AP8102544 | 28.11 | 18 | AP8104561 | 28.61 | 2 | AP8113004 | 28.40 | 6 |
| AP8102544 | 28.12 | 19 | AP8104623 | 28.59 | 1 | AP8113004 | 28.44 | 15 |
| AP8102600 | 28.31 | 13 | AP8104676 | 28.59 | 2 | AP8113070 | 28.52 | 11 |
| AP8102600 | 28.31 | 13 | AP8104728 | 28.46 | 1 | AP8113230 | 28.35 | 5 |
| AP8102615 | 28.39 | 16 | AP8104728 | 28.50 | 7 | AP8113230 | 28.51 | 32 |
| AP8102618 | 28.40 | 2 | AP8106379 | 29.43 | 3 | AP8113230 | 28.52 | 20 |
| AP8102622 | 28.61 | 1 | AP8106381 | 28.35 | 13 | AP8113288 | 28.51 | 6 |
| AP8102626 | 28.42 | 11 | AP8106382 | 28.35 | 24 | AP8113324 | 28.51 | 7 |
| AP8102632 | 28.19 | 8 | AP8106384 | 28.35 | 9 | AP8113499 | 28.36 | 3 |
| AP8102633 | 28.19 | 9 | AP8106387 | 28.40 | 29 | AP8113553 | 28.35 | 23 |
| AP8102677 | 28.37 | 4 | AP8106388 | 28.40 | 14 | AP8113553 | 28.51 | 2 |
| AP8102678 | 28.28 | 7 | AP8106389 | 28.40 | 31 | AP8113598 | 28.36 | 2 |
| AP8102688 | 28.28 | 10 | AP8106395 | 28.41 | 5 | AP8113612 | 28.52 | 2 |
| AP8102719 | 28.28 | 11 | AP8106395 | 28.41 | 5 | AP8113717 | 28.36 | 6 |
| AP8102727 | 28.28 | 5 | AP8106443 | 28.42 | 3 | AP8113719 | 28.35 | 12 |
| AP8102728 | 28.61 | 4 | AP8106444 | 28.42 | 5 | AP8113719 | 28.36 | 8 |
| AP8102731 | 28.40 | 24 | AP8106672 | 28.35 | 10 | AP8113752 | 28.52 | 9 |
| AP8102732 | 28.37 | 5 | AP8106687 | 29.43 | 2 | AP8113756 | 28.47 | 5 |

| Code | Nr. der Tafel | Pos. | Code | Nr. der Tafel | Pos. | Code | Nr. der Tafel | Pos. |
|-----------|---------------|------|-----------|---------------|------|-----------|---------------|------|
| AP8113757 | 28.36 | 5 | AP8119581 | 28.44 | 5 | AP8121207 | 28.14 | 4 |
| AP8113758 | 28.35 | 7 | AP8119630 | 28.44 | 16 | AP8121212 | 28.49 | 22 |
| AP8113759 | 28.35 | 8 | AP8119749 | 28.44 | 6 | AP8121212 | 28.50 | 22 |
| AP8113761 | 28.35 | 6 | AP8119752 | 28.44 | 6 | AP8121213 | 28.49 | 21 |
| AP8113761 | 28.51 | 31 | AP8119752 | 28.44 | 6 | AP8121213 | 28.50 | 21 |
| AP8113761 | 28.52 | 19 | AP8119785 | 28.44 | 6 | AP8121221 | 28.51 | 12 |
| AP8113762 | 28.35 | 4 | AP8120001 | 28.31 | 7 | AP8121221 | 29.43 | 5 |
| AP8113762 | 28.51 | 30 | AP8120030 | 28.36 | 14 | AP8121222 | 28.51 | 8 |
| AP8113762 | 28.52 | 18 | AP8120030 | 28.40 | 4 | AP8121223 | 28.51 | 13 |
| AP8113764 | 28.35 | 15 | AP8120030 | 28.41 | 21 | AP8121224 | 28.12 | 3 |
| AP8113764 | 28.51 | 3 | AP8120116 | 28.28 | 1 | AP8121225 | 28.49 | 8 |
| AP8113765 | 28.51 | 4 | AP8120116 | 29.43 | 11 | AP8121225 | 28.50 | 8 |
| AP8113773 | 28.35 | 14 | AP8120178 | 28.51 | 10 | AP8121231 | 28.44 | 1 |
| AP8113873 | 28.52 | 6 | AP8120179 | 28.28 | 21 | AP8121234 | 28.52 | 1 |
| AP8113874 | 28.36 | 1 | AP8120190 | 28.34 | 4 | AP8121253 | 28.23 | 13 |
| AP8113874 | 28.48 | 8 | AP8120190 | 28.40 | 11 | AP8121254 | 28.11 | 23 |
| AP8113895 | 28.52 | 10 | AP8120196 | 28.40 | 27 | AP8121267 | 28.28 | 3 |
| AP8113897 | 28.52 | 7 | AP8120218 | 28.57 | 1 | AP8121293 | 28.35 | 20 |
| AP8113898 | 28.52 | 8 | AP8120218 | 28.58 | 1 | AP8121297 | 28.20 | 7 |
| AP8113926 | 28.45 | 8 | AP8120253 | 28.41 | 22 | AP8121302 | 28.14 | 9 |
| AP8113926 | 28.46 | 8 | AP8120354 | 28.39 | 13 | AP8121313 | 28.11 | 19 |
| AP8113926 | 28.47 | 7 | AP8120405 | 28.57 | 13 | AP8121346 | 28.14 | 8 |
| AP8113926 | 28.48 | 7 | AP8120428 | 28.59 | 15 | AP8121375 | 28.13 | 8 |
| AP8113969 | 28.36 | 4 | AP8120446 | 28.40 | 17 | AP8121408 | 28.49 | 9 |
| AP8113973 | 28.47 | 4 | AP8120446 | 29.43 | 12 | AP8121408 | 28.50 | 9 |
| AP8113974 | 28.47 | 6 | AP8120531 | 28.19 | 17 | AP8121421 | 28.26 | 6 |
| AP8113976 | 28.36 | 1 | AP8120531 | 28.23 | 2 | AP8121428 | 28.10 | 4 |
| AP8113976 | 28.47 | 9 | AP8120531 | 28.39 | 2 | AP8121429 | 28.13 | 8 |
| AP8114342 | 30.07 | 4 | AP8120573 | 28.12 | 4 | AP8121520 | 28.34 | 6 |
| AP8114343 | 30.07 | 5 | AP8120582 | 28.11 | 5 | AP8121678 | 28.59 | 16 |
| AP8114359 | 28.34 | 18 | AP8120615 | 28.41 | 6 | AP8121725 | 28.55 | 4 |
| AP8114404 | 28.34 | 16 | AP8120622 | 28.23 | 10 | AP8121731 | 28.40 | 22 |
| AP8114405 | 28.34 | 17 | AP8120754 | 28.58 | 4 | AP8121731 | 28.41 | 16 |
| AP8114420 | 29.78 | 15 | AP8120876 | 28.41 | 15 | AP8121736 | 28.57 | 14 |
| AP8116071 | 28.15 | 20 | AP8120893 | 28.27 | 1 | AP8121773 | 28.44 | 13 |
| AP8116071 | 28.16 | 17 | AP8120894 | 28.27 | 2 | AP8121790 | 28.55 | 4 |
| AP8117033 | 28.17 | 27 | AP8120894 | 28.27 | 2 | AP8121811 | 28.29 | 20 |
| AP8117033 | 28.39 | 12 | AP8120912 | 28.51 | 11 | AP8121837 | 28.37 | 2 |
| AP8117033 | 28.57 | 21 | AP8120912 | 29.43 | 4 | AP8121862 | 28.40 | 9 |
| AP8117041 | 28.28 | 9 | AP8120952 | 28.28 | 15 | AP8121882 | 28.09 | 4 |
| AP8117125 | 28.29 | 18 | AP8120952 | 28.31 | 3 | AP8121890 | 28.17 | 9 |
| AP8117128 | 28.26 | 4 | AP8120952 | 28.39 | 11 | AP8121890 | 28.31 | 6 |
| AP8117129 | 28.22 | 3 | AP8120965 | 28.27 | 5 | AP8121915 | 28.35 | 2 |
| AP8117132 | 28.24 | 3 | AP8120978 | 28.37 | 6 | AP8121915 | 28.36 | 9 |
| AP8117132 | 28.25 | 2 | AP8120979 | 28.37 | 7 | AP8121915 | 28.47 | 10 |
| AP8117133 | 28.24 | 11 | AP8120980 | 28.37 | 16 | AP8121915 | 28.48 | 10 |
| AP8117133 | 28.25 | 11 | AP8120981 | 28.38 | 4 | AP8121915 | 28.51 | 28 |
| AP8117168 | 28.23 | 11 | AP8120985 | 28.17 | 3 | AP8121915 | 28.52 | 4 |
| AP8117169 | 28.23 | 12 | AP8120986 | 28.17 | 4 | AP8121927 | 28.51 | 14 |
| AP8117174 | 28.26 | 2 | AP8120987 | 28.28 | 16 | AP8121991 | 28.29 | 14 |
| AP8118470 | 28.34 | 14 | AP8120987 | 28.41 | 24 | AP8121995 | 28.11 | 17 |
| AP8118492 | 28.34 | 9 | AP8120988 | 28.39 | 15 | AP8121996 | 28.11 | 16 |
| AP8118501 | 28.34 | 8 | AP8120992 | 28.42 | 16 | AP8121997 | 28.11 | 14 |
| AP8118566 | 28.34 | 19 | AP8120995 | 28.17 | 22 | AP8121998 | 28.11 | 10 |
| AP8118567 | 28.34 | 10 | AP8121014 | 28.13 | 4 | AP8123637 | 28.15 | 1 |
| AP8118580 | 28.34 | 15 | AP8121020 | 28.56 | 1 | AP8123637 | 28.16 | 1 |
| AP8118590 | 28.34 | 2 | AP8121041 | 28.14 | 14 | AP8123638 | 28.15 | 2 |
| AP8118591 | 28.34 | 3 | AP8121075 | 28.17 | 29 | AP8123638 | 28.16 | 2 |
| AP8118592 | 28.34 | 2 | AP8121133 | 28.12 | 11 | AP8123640 | 28.14 | 3 |
| AP8118593 | 28.34 | 3 | AP8121135 | 28.12 | 2 | AP8123641 | 28.14 | 11 |
| AP8119414 | 28.44 | 2 | AP8121155 | 28.18 | 10 | AP8123642 | 28.14 | 5 |
| AP8119497 | 28.44 | 14 | AP8121178 | 28.16 | 19 | AP8123643 | 28.14 | 6 |
| AP8119578 | 28.44 | 4 | AP8121200 | 28.17 | 5 | AP8123644 | 28.14 | 7 |
| AP8119578 | 28.44 | 4 | AP8121201 | 28.17 | 6 | AP8123806 | 28.16 | 7 |
| AP8119579 | 28.44 | 3 | AP8121202 | 28.17 | 7 | AP8123810 | 28.15 | 4 |
| AP8119579 | 28.44 | 3 | AP8121203 | 28.17 | 8 | AP8123811 | 28.16 | 12 |
| AP8119581 | 28.44 | 5 | AP8121204 | 28.17 | 15 | AP8123812 | 28.16 | 13 |

| Code | Nr. der Tafel | Pos. | Code | Nr. der Tafel | Pos. | Code | Nr. der Tafel | Pos. |
|-----------|---------------|------|-----------|---------------|------|-----------|---------------|------|
| AP8123815 | 28.15 | 11 | AP8124895 | 28.59 | 4 | AP8127321 | 28.42 | 13 |
| AP8123816 | 28.15 | 10 | AP8124901 | 28.53 | 1 | AP8127391 | 28.56 | 4 |
| AP8123819 | 28.15 | 14 | AP8124929 | 28.37 | 15 | AP8127540 | 28.42 | 7 |
| AP8123820 | 28.15 | 15 | AP8124945 | 28.53 | 1 | AP8127541 | 28.59 | 4 |
| AP8123821 | 28.15 | 16 | AP8124946 | 28.53 | 1 | AP8128044 | 28.50 | 3 |
| AP8123822 | 28.16 | 4 | AP8124977 | 28.13 | 13 | AP8129283 | 28.29 | 1 |
| AP8123823 | 28.16 | 5 | AP8124978 | 28.55 | 1 | AP8129355 | 28.29 | 2 |
| AP8123824 | 28.16 | 6 | AP8124979 | 28.54 | 2 | AP8129356 | 28.29 | 3 |
| AP8123825 | 28.16 | 8 | AP8124980 | 28.54 | 1 | AP8133522 | 28.35 | 25 |
| AP8123826 | 28.16 | 11 | AP8124990 | 28.33 | 1 | AP8133590 | 28.48 | 2 |
| AP8123827 | 28.16 | 9 | AP8125687 | 28.17 | 17 | AP8133591 | 28.48 | 1 |
| AP8123828 | 28.16 | 10 | AP8125728 | 28.45 | 2 | AP8133592 | 28.47 | 3 |
| AP8123829 | 28.15 | 3 | AP8125728 | 28.46 | 2 | AP8133592 | 28.48 | 3 |
| AP8123831 | 28.15 | 5 | AP8125730 | 28.49 | 11 | AP8133593 | 28.48 | 6 |
| AP8123832 | 28.15 | 6 | AP8125730 | 28.50 | 11 | AP8133595 | 28.48 | 4 |
| AP8123833 | 28.15 | 12 | AP8125731 | 28.49 | 6 | AP8133596 | 28.48 | 5 |
| AP8123834 | 28.15 | 13 | AP8125731 | 28.50 | 6 | AP8133597 | 28.48 | 9 |
| AP8123835 | 28.15 | 7 | AP8125732 | 28.49 | 24 | AP8133751 | 28.45 | 8 |
| AP8123836 | 28.15 | 8 | AP8125732 | 28.50 | 18 | AP8133751 | 28.46 | 8 |
| AP8123859 | 28.18 | 12 | AP8125733 | 28.49 | 4 | AP8133751 | 28.47 | 7 |
| AP8123860 | 28.18 | 13 | AP8125763 | 28.17 | 13 | AP8133751 | 28.48 | 7 |
| AP8123870 | 28.18 | 14 | AP8125773 | 28.45 | 10 | AP8133872 | 28.51 | 5 |
| AP8123927 | 28.14 | 2 | AP8125777 | 28.45 | 11 | AP8133873 | 28.51 | 1 |
| AP8123928 | 28.14 | 3 | AP8125778 | 28.45 | 12 | AP8134370 | 28.26 | 1 |
| AP8123932 | 28.14 | 2 | AP8125779 | 28.45 | 13 | AP8134373 | 28.13 | 3 |
| AP8123934 | 28.26 | 8 | AP8125786 | 28.49 | 15 | AP8134378 | 28.44 | 10 |
| AP8123942 | 28.18 | 4 | AP8125787 | 28.49 | 16 | AP8134380 | 28.11 | 12 |
| AP8123972 | 28.14 | 15 | AP8125788 | 28.49 | 17 | AP8134383 | 28.36 | 11 |
| AP8123972 | 30.01 | 8 | AP8125827 | 28.45 | 6 | AP8134384 | 28.51 | 25 |
| AP8123973 | 28.18 | 4 | AP8125827 | 28.46 | 6 | AP8134385 | 28.52 | 17 |
| AP8123975 | 28.15 | 17 | AP8125830 | 28.17 | 2 | AP8134389 | 28.10 | 1 |
| AP8123975 | 28.16 | 14 | AP8125831 | 28.49 | 12 | AP8134394 | 28.35 | 1 |
| AP8123977 | 28.15 | 19 | AP8125831 | 28.50 | 12 | AP8134396 | 28.30 | 1 |
| AP8123977 | 28.16 | 16 | AP8125838 | 28.50 | 15 | AP8134415 | 28.51 | 24 |
| AP8124235 | 28.56 | 5 | AP8125839 | 28.50 | 17 | AP8134419 | 28.26 | 9 |
| AP8124266 | 28.58 | 8 | AP8125840 | 28.50 | 16 | AP8134436 | 28.10 | 5 |
| AP8124267 | 28.57 | 7 | AP8125841 | 28.46 | 10 | AP8134437 | 28.41 | 9 |
| AP8124269 | 28.57 | 15 | AP8125842 | 28.46 | 13 | AP8134438 | 28.36 | 12 |
| AP8124269 | 28.58 | 15 | AP8125843 | 28.46 | 12 | AP8134443 | 28.52 | 14 |
| AP8124273 | 28.58 | 20 | AP8126579 | 28.32 | 2 | AP8134448 | 28.32 | 3 |
| AP8124274 | 28.56 | 7 | AP8126591 | 28.32 | 6 | AP8134451 | 28.12 | 17 |
| AP8124277 | 28.56 | 9 | AP8126650 | 28.32 | 2 | AP8134452 | 28.09 | 3 |
| AP8124288 | 28.36 | 21 | AP8126701 | 28.29 | 9 | AP8134480 | 28.56 | 6 |
| AP8124289 | 28.58 | 14 | AP8126702 | 28.29 | 10 | AP8134493 | 28.41 | 8 |
| AP8124293 | 28.56 | 11 | AP8126775 | 28.32 | 1 | AP8134541 | 28.12 | 1 |
| AP8124297 | 28.42 | 7 | AP8127022 | 28.56 | 3 | AP8134608 | 28.09 | 6 |
| AP8124300 | 28.20 | 2 | AP8127022 | 28.57 | 3 | AP8134608 | 28.59 | 17 |
| AP8124300 | 28.57 | 25 | AP8127022 | 28.58 | 6 | AP8134609 | 28.44 | 18 |
| AP8124398 | 28.35 | 21 | AP8127039 | 28.56 | 3 | AP8134625 | 28.41 | 7 |
| AP8124439 | 28.58 | 5 | AP8127039 | 28.57 | 3 | AP8134632 | 28.56 | 6 |
| AP8124528 | 28.52 | 3 | AP8127039 | 28.58 | 6 | AP8134635 | 28.10 | 2 |
| AP8124558 | 28.55 | 2 | AP8127069 | 28.34 | 13 | AP8134638 | 28.11 | 11 |
| AP8124559 | 28.55 | 3 | AP8127069 | 28.34 | 13 | AP8134650 | 28.28 | 8 |
| AP8124561 | 28.55 | 5 | AP8127070 | 28.55 | 1 | AP8134651 | 28.12 | 13 |
| AP8124562 | 28.55 | 6 | AP8127109 | 28.53 | 11 | AP8134652 | 28.12 | 14 |
| AP8124568 | 28.53 | 14 | AP8127109 | 28.53 | 13 | AP8134654 | 28.29 | 19 |
| AP8124569 | 28.33 | 4 | AP8127116 | 28.53 | 9 | AP8134674 | 28.10 | 14 |
| AP8124570 | 28.33 | 5 | AP8127117 | 28.53 | 8 | AP8134739 | 28.41 | 8 |
| AP8124571 | 28.33 | 6 | AP8127118 | 28.53 | 2 | AP8134739 | 28.41 | 8 |
| AP8124572 | 28.33 | 10 | AP8127118 | 28.53 | 2 | AP8134739 | 28.41 | 8 |
| AP8124573 | 28.33 | 9 | AP8127119 | 28.53 | 14 | AP8134739 | 28.41 | 8 |
| AP8124574 | 28.33 | 8 | AP8127119 | 28.53 | 5 | AP8134749 | 28.13 | 3 |
| AP8124575 | 28.33 | 7 | AP8127120 | 28.53 | 6 | AP8135905 | 28.10 | 3 |
| AP8124636 | 28.58 | 12 | AP8127121 | 28.53 | 13 | AP8135909 | 28.12 | 7 |
| AP8124719 | 28.21 | 2 | AP8127122 | 28.54 | 3 | AP8135910 | 28.12 | 8 |
| AP8124748 | 28.57 | 20 | AP8127123 | 28.54 | 4 | AP8135924 | 28.18 | 1 |
| AP8124855 | 28.38 | 5 | AP8127138 | 28.53 | 6 | AP8135925 | 28.51 | 23 |

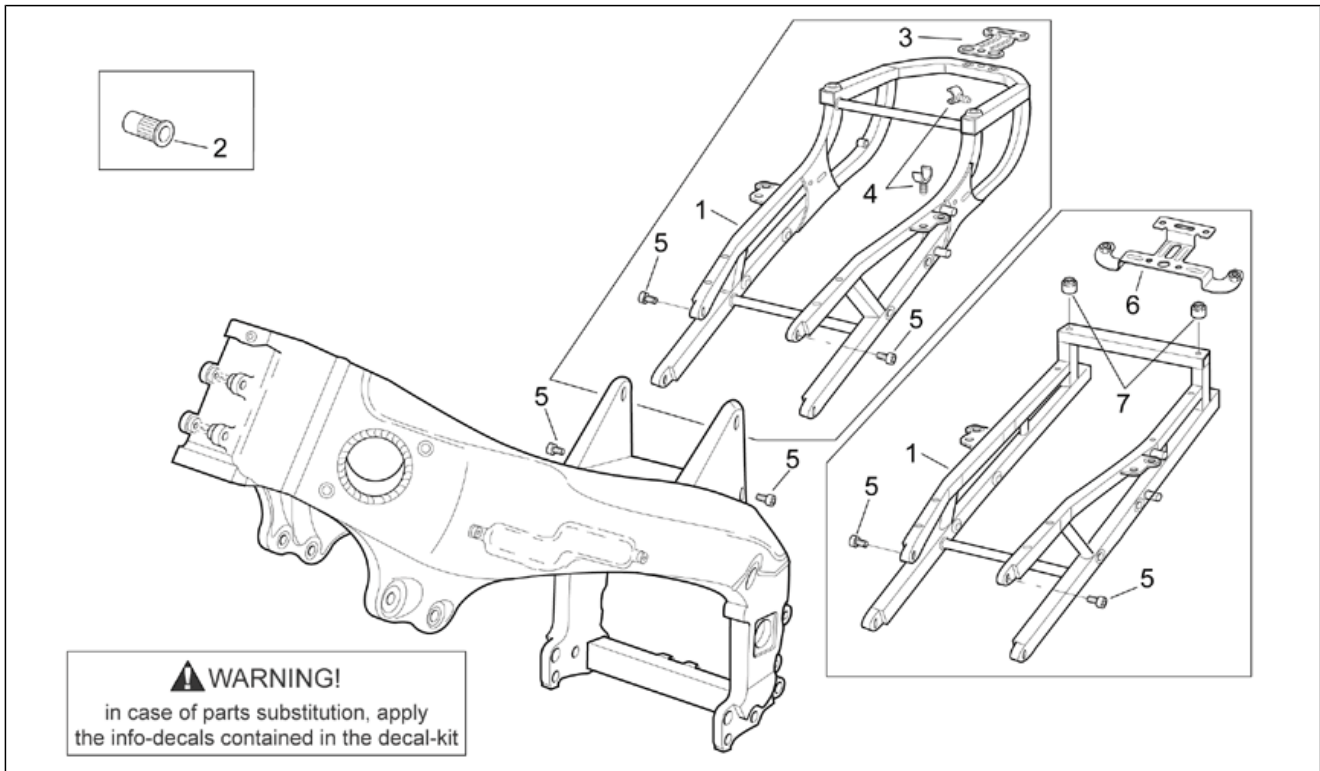
| Code | Nr. der Tafel | Pos. | Code | Nr. der Tafel | Pos. | Code | Nr. der Tafel | Pos. |
|-----------|---------------|------|-----------|---------------|------|-----------|---------------|------|
| AP8138555 | 28.41 | 31 | AP8144109 | 28.24 | 7 | AP8148916 | 28.23 | 9 |
| AP8138556 | 28.39 | 14 | AP8144109 | 28.25 | 7 | AP8148945 | 28.20 | 13 |
| AP8138558 | 28.40 | 1 | AP8144151 | 28.36 | 19 | AP8148946 | 28.20 | 1 |
| AP8138565 | 28.24 | 1 | AP8144158 | 28.27 | 6 | AP8148949 | 28.23 | 8 |
| AP8138565 | 28.25 | 1 | AP8144158 | 28.35 | 19 | AP8148950 | 28.23 | 9 |
| AP8138591 | 28.31 | 1 | AP8144176 | 28.41 | 32 | AP8149033 | 28.31 | 1 |
| AP8138593 | 28.17 | 23 | AP8144275 | 28.40 | 8 | AP8149034 | 28.32 | 10 |
| AP8138596 | 28.58 | 11 | AP8144281 | 28.19 | 13 | AP8149270 | 28.19 | 12 |
| AP8138776 | 28.58 | 10 | AP8144284 | 28.17 | 28 | AP8149282 | 28.23 | 15 |
| AP8138947 | 28.29 | 17 | AP8144288 | 28.58 | 23 | AP8149282 | 28.23 | 15 |
| AP8139414 | 28.20 | 13 | AP8144328 | 28.26 | 7 | AP8149282 | 28.23 | 15 |
| AP8139414 | 28.20 | 13 | AP8144351 | 28.27 | 2 | AP8149282 | 28.23 | 15 |
| AP8139414 | 28.20 | 13 | AP8144381 | 28.41 | 29 | AP8149283 | 28.23 | 16 |
| AP8139415 | 28.20 | 1 | AP8144382 | 28.41 | 30 | AP8149283 | 28.23 | 16 |
| AP8139415 | 28.20 | 1 | AP8144383 | 28.41 | 27 | AP8149283 | 28.23 | 16 |
| AP8139415 | 28.20 | 1 | AP8144414 | 28.41 | 26 | AP8149283 | 28.23 | 16 |
| AP8140451 | 30.02 | 1 | AP8144415 | 28.33 | 11 | AP8149285 | 28.19 | 15 |
| AP8140453 | 30.02 | 1 | AP8144475 | 28.42 | 18 | AP8149286 | 28.19 | 16 |
| AP8140496 | 30.02 | 2 | AP8144476 | 28.42 | 8 | AP8149287 | 28.29 | 7 |
| AP8140497 | 30.02 | 2 | AP8144627 | 28.27 | 7 | AP8149288 | 28.29 | 8 |
| AP8140498 | 30.02 | 2 | AP8144627 | 28.59 | 3 | AP8149341 | 28.19 | 3 |
| AP8140499 | 30.02 | 3 | AP8146295 | 28.17 | 10 | AP8149341 | 28.19 | 3 |
| AP8140500 | 30.02 | 3 | AP8146334 | 28.10 | 13 | AP8149354 | 28.29 | 22 |
| AP8140501 | 30.02 | 3 | AP8146334 | 28.11 | 13 | AP8149667 | 28.41 | 3 |
| AP8140505 | 30.02 | 4 | AP8146409 | 28.18 | 5 | AP8149667 | 28.41 | 3 |
| AP8140506 | 30.02 | 4 | AP8146457 | 28.09 | 1 | AP8149669 | 28.41 | 3 |
| AP8140507 | 30.02 | 4 | AP8146466 | 28.12 | 15 | AP8149669 | 28.41 | 3 |
| AP8140520 | 30.02 | 5 | AP8146467 | 28.12 | 5 | AP8149723 | 28.41 | 3 |
| AP8140521 | 30.02 | 5 | AP8146503 | 28.12 | 9 | AP8149843 | 28.19 | 3 |
| AP8140522 | 30.02 | 5 | AP8146504 | 28.12 | 10 | AP8149843 | 28.19 | 3 |
| AP8140523 | 30.02 | 6 | AP8146648 | 28.18 | 5 | AP8150011 | 28.29 | 26 |
| AP8140524 | 30.02 | 6 | AP8146652 | 28.13 | 1 | AP8150012 | 28.57 | 12 |
| AP8140525 | 30.02 | 6 | AP8146658 | 28.13 | 2 | AP8150013 | 28.28 | 14 |
| AP8140532 | 30.02 | 7 | AP8146676 | 28.13 | 2 | AP8150013 | 28.52 | 15 |
| AP8140533 | 30.02 | 7 | AP8146677 | 28.13 | 1 | AP8150014 | 28.26 | 11 |
| AP8140534 | 30.02 | 7 | AP8146679 | 28.09 | 1 | AP8150014 | 28.33 | 12 |
| AP8140699 | 30.02 | 8 | AP8146681 | 28.18 | 3 | AP8150014 | 28.56 | 14 |
| AP8140700 | 30.02 | 8 | AP8146692 | 28.10 | 13 | AP8150015 | 28.13 | 11 |
| AP8140701 | 30.02 | 8 | AP8146692 | 28.11 | 13 | AP8150015 | 28.31 | 6 |
| AP8140702 | 30.02 | 2 | AP8146739 | 28.17 | 10 | AP8150018 | 28.44 | 12 |
| AP8140703 | 30.02 | 3 | AP8146773 | 28.10 | 13 | AP8150020 | 28.51 | 16 |
| AP8140710 | 28.59 | 5 | AP8146773 | 28.11 | 13 | AP8150026 | 28.38 | 11 |
| AP8144005 | 28.17 | 16 | AP8146774 | 28.17 | 10 | AP8150026 | 28.51 | 17 |
| AP8144006 | 28.17 | 12 | AP8148350 | 28.20 | 4 | AP8150026 | 28.57 | 8 |
| AP8144007 | 28.51 | 15 | AP8148351 | 28.20 | 5 | AP8150026 | 28.58 | 16 |
| AP8144008 | 28.40 | 28 | AP8148427 | 28.40 | 1 | AP8150044 | 28.51 | 18 |
| AP8144015 | 28.40 | 13 | AP8148483 | 28.23 | 6 | AP8150044 | 28.54 | 6 |
| AP8144015 | 29.43 | 10 | AP8148484 | 28.23 | 7 | AP8150044 | 29.43 | 9 |
| AP8144032 | 28.39 | 8 | AP8148529 | 28.23 | 8 | AP8150137 | 28.40 | 23 |
| AP8144033 | 28.37 | 9 | AP8148529 | 28.23 | 8 | AP8150137 | 28.54 | 5 |
| AP8144034 | 28.37 | 10 | AP8148529 | 28.23 | 8 | AP8150159 | 28.53 | 4 |
| AP8144038 | 28.41 | 14 | AP8148530 | 28.23 | 9 | AP8150159 | 28.58 | 3 |
| AP8144045 | 28.57 | 24 | AP8148530 | 28.23 | 9 | AP8150165 | 28.59 | 11 |
| AP8144046 | 28.58 | 9 | AP8148530 | 28.23 | 9 | AP8150177 | 28.32 | 9 |
| AP8144048 | 28.17 | 14 | AP8148551 | 28.22 | 4 | AP8150195 | 28.49 | 20 |
| AP8144061 | 28.40 | 19 | AP8148587 | 28.32 | 16 | AP8150196 | 28.13 | 5 |
| AP8144063 | 28.41 | 4 | AP8148588 | 28.21 | 6 | AP8150204 | 28.21 | 3 |
| AP8144069 | 28.42 | 14 | AP8148589 | 28.21 | 5 | AP8150204 | 28.32 | 8 |
| AP8144071 | 28.44 | 11 | AP8148660 | 28.57 | 22 | AP8150211 | 28.14 | 10 |
| AP8144081 | 28.24 | 4 | AP8148825 | 28.41 | 2 | AP8150220 | 29.43 | 8 |
| AP8144081 | 28.25 | 4 | AP8148829 | 28.19 | 3 | AP8150277 | 28.44 | 8 |
| AP8144081 | 28.29 | 11 | AP8148830 | 28.19 | 12 | AP8150277 | 28.51 | 27 |
| AP8144090 | 28.40 | 30 | AP8148834 | 28.22 | 6 | AP8150285 | 28.30 | 3 |
| AP8144092 | 28.37 | 13 | AP8148852 | 28.29 | 21 | AP8150285 | 28.59 | 11 |
| AP8144093 | 28.37 | 12 | AP8148911 | 28.20 | 13 | AP8150287 | 28.13 | 15 |
| AP8144094 | 28.37 | 11 | AP8148912 | 28.20 | 1 | AP8150292 | 28.11 | 6 |
| AP8144109 | 28.19 | 4 | AP8148915 | 28.23 | 8 | AP8150292 | 28.13 | 12 |

| Code | Nr. der Tafel | Pos. | Code | Nr. der Tafel | Pos. | Code | Nr. der Tafel | Pos. |
|-----------|---------------|------|-----------|---------------|------|-----------|---------------|------|
| AP8150314 | 28.10 | 16 | AP8152275 | 28.55 | 9 | AP8152299 | 28.40 | 21 |
| AP8150334 | 28.17 | 19 | AP8152275 | 28.57 | 18 | AP8152299 | 28.54 | 7 |
| AP8150334 | 28.44 | 7 | AP8152277 | 28.12 | 16 | AP8152300 | 28.44 | 9 |
| AP8150340 | 28.32 | 7 | AP8152277 | 28.22 | 1 | AP8152301 | 28.11 | 1 |
| AP8150349 | 28.59 | 8 | AP8152277 | 28.35 | 18 | AP8152301 | 28.13 | 14 |
| AP8150382 | 28.21 | 7 | AP8152277 | 28.36 | 20 | AP8152301 | 28.18 | 7 |
| AP8150403 | 28.51 | 26 | AP8152277 | 28.38 | 10 | AP8152302 | 28.17 | 25 |
| AP8150413 | 28.20 | 6 | AP8152277 | 28.40 | 15 | AP8152302 | 28.21 | 4 |
| AP8150413 | 28.29 | 13 | AP8152277 | 28.41 | 17 | AP8152302 | 28.23 | 14 |
| AP8150413 | 28.41 | 18 | AP8152277 | 28.57 | 5 | AP8152302 | 28.30 | 6 |
| AP8150413 | 28.53 | 3 | AP8152278 | 28.10 | 11 | AP8152305 | 28.17 | 20 |
| AP8150413 | 28.58 | 22 | AP8152278 | 28.11 | 15 | AP8152306 | 28.32 | 14 |
| AP8150421 | 28.23 | 3 | AP8152278 | 28.12 | 6 | AP8152306 | 28.32 | 5 |
| AP8150421 | 28.56 | 10 | AP8152278 | 28.26 | 3 | AP8152306 | 28.35 | 17 |
| AP8150429 | 28.57 | 9 | AP8152278 | 28.30 | 5 | AP8152306 | 28.55 | 8 |
| AP8150429 | 28.58 | 17 | AP8152278 | 28.31 | 5 | AP8152315 | 28.11 | 25 |
| AP8150436 | 28.49 | 10 | AP8152278 | 28.31 | 9 | AP8152316 | 28.11 | 24 |
| AP8150436 | 28.50 | 10 | AP8152278 | 28.32 | 13 | AP8152317 | 28.11 | 2 |
| AP8150450 | 28.19 | 6 | AP8152278 | 28.39 | 7 | AP8152318 | 28.11 | 3 |
| AP8150450 | 28.23 | 1 | AP8152278 | 28.40 | 26 | AP8152320 | 28.13 | 5 |
| AP8150450 | 28.24 | 9 | AP8152278 | 28.42 | 6 | AP8152322 | 28.18 | 6 |
| AP8150450 | 28.25 | 9 | AP8152278 | 28.57 | 23 | AP8152323 | 28.45 | 4 |
| AP8150450 | 28.29 | 23 | AP8152278 | 28.59 | 10 | AP8152323 | 28.46 | 4 |
| AP8150451 | 28.57 | 11 | AP8152279 | 28.10 | 7 | AP8152323 | 28.49 | 14 |
| AP8150453 | 28.27 | 9 | AP8152279 | 28.13 | 10 | AP8152323 | 28.50 | 14 |
| AP8150453 | 28.59 | 13 | AP8152279 | 28.20 | 3 | AP8152324 | 28.49 | 13 |
| AP8150454 | 28.27 | 8 | AP8152279 | 28.28 | 25 | AP8152324 | 28.50 | 13 |
| AP8150454 | 28.59 | 14 | AP8152279 | 28.29 | 4 | AP8152325 | 28.11 | 4 |
| AP8150457 | 28.18 | 9 | AP8152279 | 28.34 | 7 | AP8152335 | 28.45 | 5 |
| AP8150458 | 28.18 | 8 | AP8152279 | 28.38 | 7 | AP8152335 | 28.46 | 5 |
| AP8150459 | 28.26 | 12 | AP8152279 | 28.39 | 9 | AP8152336 | 28.47 | 8 |
| AP8150462 | 28.51 | 19 | AP8152279 | 28.40 | 16 | AP8152384 | 28.14 | 16 |
| AP8150462 | 29.43 | 6 | AP8152279 | 28.51 | 22 | AP8152386 | 28.09 | 7 |
| AP8150463 | 28.49 | 18 | AP8152279 | 28.52 | 13 | AP8152397 | 28.18 | 9 |
| AP8150468 | 28.17 | 18 | AP8152279 | 28.56 | 12 | AP8152398 | 28.11 | 24 |
| AP8150468 | 28.31 | 5 | AP8152280 | 28.36 | 15 | AP8152413 | 28.18 | 6 |
| AP8150469 | 28.09 | 5 | AP8152280 | 28.56 | 15 | AP8152414 | 28.48 | 11 |
| AP8150472 | 28.34 | 5 | AP8152281 | 28.11 | 21 | AP8156012 | 28.21 | 1 |
| AP8150480 | 28.13 | 6 | AP8152281 | 28.14 | 13 | AP8156031 | 28.21 | 1 |
| AP8150490 | 28.14 | 18 | AP8152281 | 28.26 | 13 | AP8156040 | 28.21 | 1 |
| AP8150507 | 28.59 | 8 | AP8152282 | 28.57 | 10 | AP8156041 | 28.21 | 1 |
| AP8150508 | 28.34 | 11 | AP8152283 | 28.56 | 12 | AP8156088 | 28.32 | 2 |
| AP8152001 | 28.13 | 6 | AP8152285 | 28.40 | 10 | AP8157770 | 28.14 | 17 |
| AP8152043 | 28.29 | 25 | AP8152285 | 28.56 | 13 | AP8158568 | 28.23 | 15 |
| AP8152123 | 28.57 | 6 | AP8152286 | 28.45 | 3 | AP8158568 | 28.23 | 15 |
| AP8152181 | 28.40 | 25 | AP8152286 | 28.46 | 3 | AP8158568 | 28.23 | 15 |
| AP8152184 | 28.38 | 6 | AP8152286 | 28.52 | 12 | AP8158569 | 28.23 | 16 |
| AP8152184 | 28.42 | 10 | AP8152288 | 28.12 | 18 | AP8158569 | 28.23 | 16 |
| AP8152246 | 28.11 | 7 | AP8152288 | 28.44 | 17 | AP8158569 | 28.23 | 16 |
| AP8152246 | 28.19 | 2 | AP8152288 | 28.59 | 9 | AP8158573 | 28.20 | 13 |
| AP8152246 | 28.22 | 2 | AP8152289 | 28.14 | 12 | AP8158573 | 28.20 | 13 |
| AP8152246 | 28.24 | 6 | AP8152289 | 28.34 | 12 | AP8158574 | 28.20 | 1 |
| AP8152246 | 28.25 | 6 | AP8152290 | 28.16 | 3 | AP8158574 | 28.20 | 1 |
| AP8152246 | 28.29 | 12 | AP8152298 | 28.19 | 1 | AP8158579 | 28.23 | 9 |
| AP8152246 | 28.31 | 8 | AP8152298 | 28.20 | 8 | AP8158579 | 28.23 | 9 |
| AP8152246 | 28.41 | 20 | AP8152298 | 28.21 | 4 | AP8158581 | 28.23 | 8 |
| AP8152246 | 28.53 | 7 | AP8152298 | 28.32 | 11 | AP8158581 | 28.23 | 8 |
| AP8152267 | 28.17 | 26 | AP8152298 | 28.32 | 17 | AP8158669 | 28.17 | 30 |
| AP8152267 | 28.32 | 15 | AP8152299 | 28.10 | 17 | AP8163034 | 28.15 | 9 |
| AP8152272 | 28.10 | 10 | AP8152299 | 28.11 | 20 | AP8163057 | 28.15 | 18 |
| AP8152272 | 28.36 | 13 | AP8152299 | 28.16 | 18 | AP8163057 | 28.16 | 15 |
| AP8152272 | 28.52 | 16 | AP8152299 | 28.26 | 10 | AP8163062 | 28.15 | 1 |
| AP8152273 | 28.28 | 13 | AP8152299 | 28.28 | 24 | AP8163062 | 28.16 | 1 |
| AP8152273 | 28.35 | 16 | AP8152299 | 28.31 | 10 | AP8163063 | 28.15 | 2 |
| AP8152273 | 28.39 | 1 | AP8152299 | 28.32 | 12 | AP8163063 | 28.16 | 2 |
| AP8152273 | 28.41 | 19 | AP8152299 | 28.33 | 3 | AP8163240 | 28.14 | 2 |
| AP8152273 | 28.51 | 20 | AP8152299 | 28.36 | 16 | AP8163481 | 28.16 | 20 |

| Code | Nr. der Tafel | Pos. | Code | Nr. der Tafel | Pos. | Code | Nr. der Tafel | Pos. |
|-----------|---------------|------|-----------|---------------|------|-----------|---------------|------|
| AP8167282 | 28.61 | 5 | AP8168446 | 28.23 | 4 | AP8177436 | 28.60 | 5 |
| AP8167457 | 28.60 | 1 | AP8168447 | 28.23 | 5 | AP8177437 | 28.60 | 5 |
| AP8167932 | 28.60 | 1 | AP8168448 | 28.24 | 2 | AP8177438 | 28.60 | 5 |
| AP8167933 | 28.60 | 1 | AP8168449 | 28.25 | 3 | AP8177439 | 28.60 | 5 |
| AP8168108 | 28.29 | 6 | AP8168450 | 28.25 | 3 | AP8177440 | 28.60 | 5 |
| AP8168109 | 28.30 | 10 | AP8168451 | 28.20 | 12 | AP8177469 | 28.60 | 5 |
| AP8168110 | 28.29 | 5 | AP8168452 | 28.20 | 11 | AP8177470 | 28.60 | 5 |
| AP8168111 | 28.30 | 9 | AP8168453 | 28.22 | 5 | AP8177471 | 28.60 | 5 |
| AP8168112 | 28.30 | 11 | AP8168453 | 28.22 | 5 | AP8177472 | 28.60 | 5 |
| AP8168381 | 28.25 | 3 | AP8168454 | 28.30 | 10 | AP8177473 | 28.60 | 5 |
| AP8168382 | 28.25 | 3 | AP8168470 | 28.30 | 10 | AP8177578 | 28.60 | 2 |
| AP8168384 | 28.26 | 5 | AP8168470 | 28.30 | 10 | AP8177579 | 28.60 | 3 |
| AP8168386 | 28.19 | 11 | AP8168759 | 28.20 | 14 | AP8177580 | 28.60 | 5 |
| AP8168387 | 28.19 | 15 | AP8168760 | 28.20 | 15 | AP8177581 | 28.60 | 3 |
| AP8168388 | 28.19 | 16 | AP8168761 | 28.41 | 3 | AP8177582 | 28.60 | 3 |
| AP8168389 | 28.23 | 4 | AP8168761 | 28.41 | 3 | AP8177583 | 28.60 | 3 |
| AP8168390 | 28.23 | 5 | AP8168810 | 28.26 | 5 | AP8177584 | 28.60 | 3 |
| AP8168391 | 28.24 | 2 | AP8168812 | 28.19 | 11 | AP8177585 | 28.60 | 3 |
| AP8168392 | 28.25 | 3 | AP8168814 | 28.23 | 4 | AP8177586 | 28.60 | 4 |
| AP8168394 | 28.20 | 12 | AP8168815 | 28.23 | 5 | AP8177587 | 28.60 | 4 |
| AP8168395 | 28.20 | 11 | AP8168816 | 28.24 | 2 | AP8177588 | 28.60 | 4 |
| AP8168397 | 28.22 | 5 | AP8168817 | 28.25 | 3 | AP8177589 | 28.60 | 4 |
| AP8168398 | 28.26 | 5 | AP8168818 | 28.25 | 3 | AP8177590 | 28.60 | 4 |
| AP8168398 | 28.26 | 5 | AP8168819 | 28.20 | 12 | AP8177607 | 28.61 | 3 |
| AP8168400 | 28.19 | 11 | AP8168820 | 28.20 | 11 | AP8177747 | 28.60 | 1 |
| AP8168401 | 28.19 | 15 | AP8168895 | 28.26 | 5 | AP8177748 | 28.60 | 1 |
| AP8168401 | 28.19 | 15 | AP8168896 | 28.24 | 2 | AP8177749 | 28.60 | 2 |
| AP8168402 | 28.19 | 16 | AP8168897 | 28.25 | 3 | AP8177750 | 28.60 | 2 |
| AP8168402 | 28.19 | 16 | AP8168899 | 28.23 | 4 | AP8177751 | 28.60 | 3 |
| AP8168403 | 28.19 | 3 | AP8168900 | 28.23 | 5 | AP8177752 | 28.60 | 3 |
| AP8168404 | 28.23 | 4 | AP8168901 | 28.20 | 12 | AP8177753 | 28.60 | 4 |
| AP8168405 | 28.23 | 5 | AP8168902 | 28.20 | 11 | AP8177754 | 28.60 | 4 |
| AP8168406 | 28.24 | 2 | AP8168903 | 28.30 | 10 | AP8177755 | 28.60 | 5 |
| AP8168407 | 28.25 | 3 | AP8168904 | 28.29 | 5 | AP8177756 | 28.60 | 5 |
| AP8168409 | 28.20 | 12 | AP8168905 | 28.30 | 9 | AP8177845 | 28.61 | 3 |
| AP8168410 | 28.20 | 11 | AP8168913 | 28.19 | 11 | AP8201301 | 28.51 | 21 |
| AP8168411 | 28.22 | 5 | AP8168939 | 28.25 | 3 | AP8201539 | 28.10 | 15 |
| AP8168412 | 28.26 | 5 | AP8168991 | 28.19 | 3 | AP8201539 | 28.31 | 4 |
| AP8168414 | 28.19 | 11 | AP8176032 | 28.42 | 4 | AP8201727 | 28.11 | 26 |
| AP8168415 | 28.19 | 15 | AP8176033 | 28.47 | 1 | AP8201755 | 28.17 | 21 |
| AP8168416 | 28.19 | 16 | AP8176034 | 28.47 | 2 | AP8202154 | 28.28 | 4 |
| AP8168418 | 28.23 | 4 | AP8176044 | 29.43 | 1 | AP8212588 | 28.56 | 2 |
| AP8168419 | 28.23 | 5 | AP8176046 | 28.41 | 5 | AP8213057 | 28.35 | 11 |
| AP8168420 | 28.24 | 2 | AP8176046 | 28.41 | 5 | AP8213057 | 28.36 | 7 |
| AP8168421 | 28.25 | 3 | AP8176047 | 28.41 | 8 | AP8220150 | 28.58 | 2 |
| AP8168422 | 28.25 | 3 | AP8176047 | 28.41 | 8 | AP8220191 | 28.39 | 10 |
| AP8168423 | 28.20 | 12 | AP8176062 | 29.78 | 17 | AP8220238 | 28.29 | 24 |
| AP8168424 | 28.20 | 11 | AP8176063 | 29.78 | 18 | AP8220263 | 28.28 | 17 |
| AP8168425 | 28.22 | 5 | AP8176066 | 29.43 | 1 | AP8220269 | 28.10 | 12 |
| AP8168426 | 28.30 | 10 | AP8176078 | 28.42 | 19 | AP8220269 | 28.11 | 5 |
| AP8168429 | 28.19 | 11 | AP8177082 | 28.61 | 3 | AP8220269 | 28.11 | 5 |
| AP8168430 | 28.19 | 15 | AP8177231 | 28.61 | 3 | AP8220269 | 28.20 | 9 |
| AP8168431 | 28.19 | 16 | AP8177421 | 28.60 | 2 | AP8220283 | 28.58 | 18 |
| AP8168432 | 28.23 | 4 | AP8177422 | 28.60 | 2 | AP8220349 | 28.29 | 16 |
| AP8168433 | 28.23 | 5 | AP8177423 | 28.60 | 2 | AP8220471 | 28.41 | 33 |
| AP8168434 | 28.24 | 2 | AP8177424 | 28.60 | 2 | AP8221023 | 28.36 | 17 |
| AP8168435 | 28.25 | 3 | AP8177425 | 28.60 | 2 | AP8221023 | 28.38 | 8 |
| AP8168436 | 28.25 | 3 | AP8177426 | 28.60 | 3 | AP8221023 | 28.40 | 5 |
| AP8168437 | 28.20 | 12 | AP8177427 | 28.60 | 3 | AP8221046 | 29.43 | 7 |
| AP8168438 | 28.20 | 11 | AP8177428 | 28.60 | 3 | AP8221129 | 28.30 | 2 |
| AP8168439 | 28.22 | 5 | AP8177429 | 28.60 | 3 | AP8221129 | 28.59 | 12 |
| AP8168439 | 28.22 | 5 | AP8177430 | 28.60 | 3 | AP8221145 | 28.29 | 15 |
| AP8168440 | 28.30 | 10 | AP8177431 | 28.60 | 4 | AP8221145 | 28.39 | 6 |
| AP8168441 | 28.26 | 5 | AP8177432 | 28.60 | 4 | AP8221197 | 28.13 | 9 |
| AP8168443 | 28.19 | 11 | AP8177433 | 28.60 | 4 | AP8221242 | 28.41 | 28 |
| AP8168444 | 28.19 | 15 | AP8177434 | 28.60 | 4 | AP8221310 | 28.28 | 26 |
| AP8168445 | 28.19 | 16 | AP8177435 | 28.60 | 4 | AP8224164 | 28.32 | 4 |

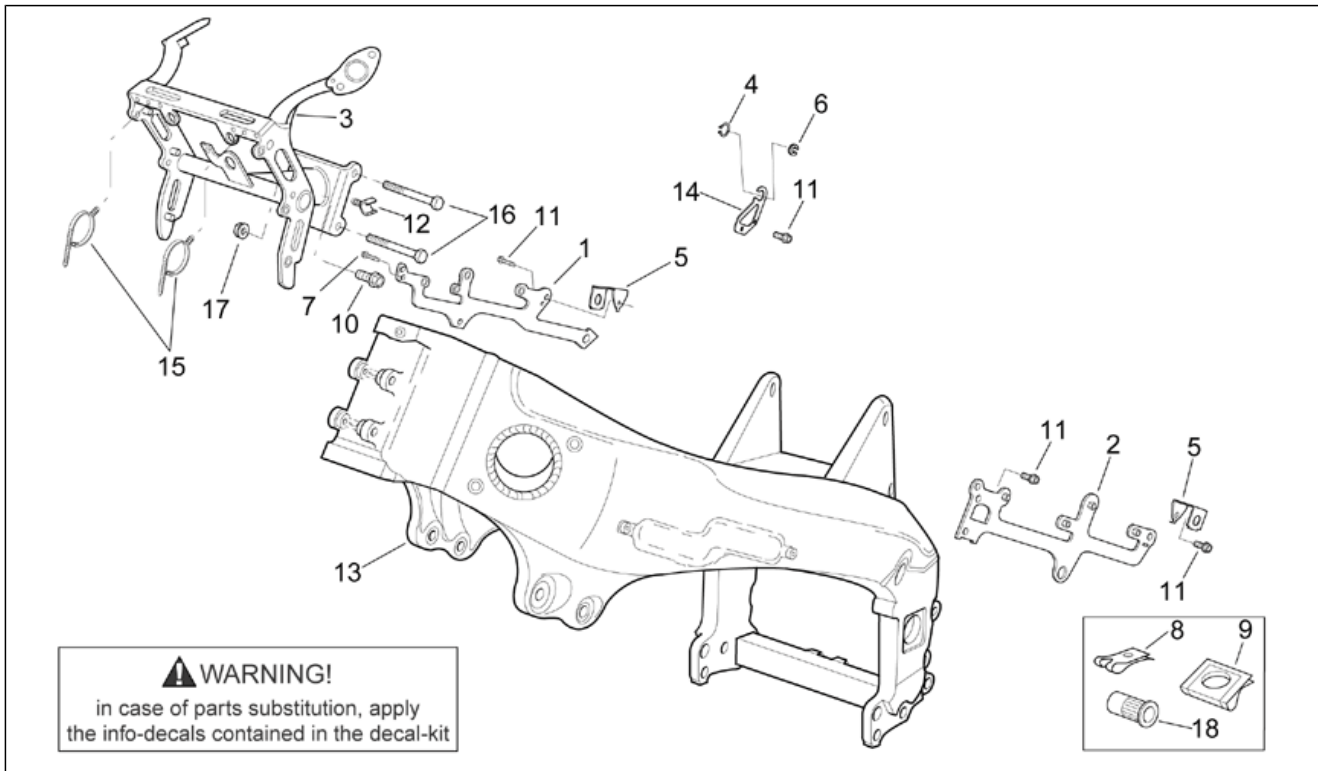
| Code | Nr. der Tafel | Pos. | Code | Nr. der Tafel | Pos. |
|-----------|---------------|------|-----------|---------------|------|
| AP8224164 | 28.32 | 4 | AP8796535 | 30.01 | 2 |
| AP8224389 | 28.55 | 10 | AP8796705 | 28.17 | 31 |
| AP8224390 | 28.54 | 8 | AP8796738 | 30.07 | 1 |
| AP8224393 | 28.53 | 12 | AP8796739 | 30.07 | 7 |
| AP8224462 | 28.58 | 13 | AP8797006 | 30.05 | 1 |
| AP8234020 | 28.17 | 24 | AP8797156 | 30.05 | 2 |
| AP8700792 | 30.08 | 2 | AP8797157 | 30.05 | 3 |
| AP8700793 | 30.08 | 2 | AP8797158 | 30.05 | 19 |
| AP8700794 | 30.08 | 2 | AP8797159 | 30.05 | 18 |
| AP8701093 | 30.07 | 8 | AP8797160 | 30.05 | 13 |
| AP8705021 | 30.08 | 4 | AP8797165 | 30.05 | 17 |
| AP8720115 | 30.80 | 1 | AP8797215 | 30.04 | 7 |
| AP8720116 | 30.80 | 2 | AP8797215 | 30.05 | 16 |
| AP8720117 | 30.80 | 3 | AP8797219 | 30.04 | 1 |
| AP8720118 | 30.80 | 4 | AP8797227 | 30.04 | 2 |
| AP8791048 | 30.03 | 6 | AP8797228 | 30.04 | 3 |
| AP8791052 | 30.03 | 10 | AP8797229 | 30.04 | 5 |
| AP8791053 | 30.03 | 11 | AP8797230 | 30.04 | 8 |
| AP8791055 | 30.03 | 9 | AP8798001 | 30.05 | 19 |
| AP8791058 | 30.03 | 5 | AP8798002 | 30.07 | 6 |
| AP8791233 | 30.03 | 2 | AP8798003 | 30.07 | 3 |
| AP8792152 | 30.08 | 5 | | | |
| AP8792156 | 30.08 | 3 | | | |
| AP8796046 | 30.08 | 6 | | | |
| AP8796047 | 30.08 | 1 | | | |
| AP8796050 | 30.01 | 7 | | | |
| AP8796055 | 30.03 | 1 | | | |
| AP8796196 | 30.01 | 3 | | | |
| AP8796197 | 30.01 | 4 | | | |
| AP8796200 | 30.03 | 7 | | | |
| AP8796201 | 30.03 | 12 | | | |
| AP8796202 | 30.03 | 13 | | | |
| AP8796208 | 30.03 | 8 | | | |
| AP8796209 | 30.03 | 3 | | | |
| AP8796210 | 30.03 | 4 | | | |
| AP8796263 | 30.01 | 3 | | | |
| AP8796264 | 30.01 | 4 | | | |
| AP8796492 | 30.06 | 2 | | | |
| AP8796493 | 30.06 | 1 | | | |
| AP8796495 | 30.04 | 4 | | | |
| AP8796495 | 30.06 | 3 | | | |
| AP8796498 | 30.06 | 4 | | | |
| AP8796499 | 30.06 | 5 | | | |
| AP8796500 | 30.06 | 6 | | | |
| AP8796501 | 30.06 | 7 | | | |
| AP8796505 | 30.05 | 17 | | | |
| AP8796506 | 30.05 | 20 | | | |
| AP8796507 | 30.05 | 10 | | | |
| AP8796508 | 30.05 | 11 | | | |
| AP8796509 | 30.05 | 8 | | | |
| AP8796510 | 30.05 | 14 | | | |
| AP8796511 | 30.05 | 2 | | | |
| AP8796512 | 30.05 | 3 | | | |
| AP8796513 | 30.05 | 15 | | | |
| AP8796514 | 30.05 | 4 | | | |
| AP8796515 | 30.05 | 5 | | | |
| AP8796516 | 30.05 | 7 | | | |
| AP8796517 | 30.05 | 9 | | | |
| AP8796518 | 30.05 | 6 | | | |
| AP8796519 | 30.04 | 6 | | | |
| AP8796519 | 30.05 | 12 | | | |
| AP8796520 | 30.05 | 16 | | | |
| AP8796530 | 30.01 | 5 | | | |
| AP8796531 | 30.01 | 6 | | | |
| AP8796532 | 30.01 | 1 | | | |
| AP8796533 | 30.01 | 2 | | | |
| AP8796534 | 30.01 | 1 | | | |

| | |
|---------------------|----------|
| Einheit | RAHMEN |
| Code | 28.09 |
| Beschreibung | Rahmen I |
| Inspektion | 1 |



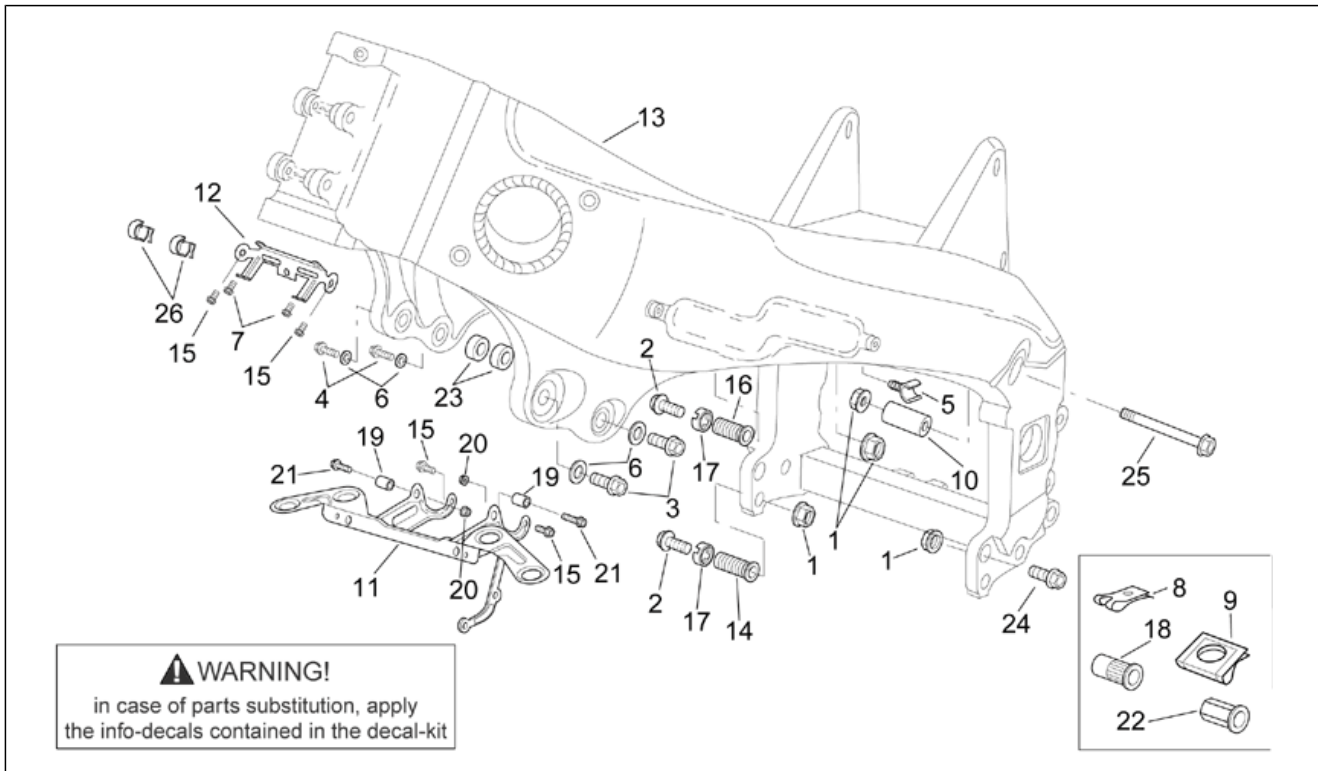
| Pos. | Code | Beschreibung | Menge | Varianten |
|------|-----------|-------------------------------|-------|---|
| 1 | AP8146457 | Sattelstütze | 1 | Technische Daten: Zweisitzerversion[Bip] |
| 1 | AP8146679 | Sattelstütze | 1 | Technische Daten: Einsitzerversion[Mono] |
| 2 | AP8102544 | Geschnitten Kunststoffniet M6 | 13 | |
| 3 | AP8134452 | Fixierung Heckteil | 1 | Technische Daten: Zweisitzerversion[Bip] |
| 4 | AP8121882 | Kabelführungs | 2 | |
| 5 | AP8150469 | TCEI Schraube M10x30 | 4 | |
| 6 | AP8134608 | Sitzschloß halter | 1 | Technische Daten: Einsitzerversion[Mono] |
| 7 | AP8152386 | Distanzscheibe | 2 | Technische Daten: Einsitzerversion[Mono] |

| | |
|---------------------|-----------|
| Einheit | RAHMEN |
| Code | 28.10 |
| Beschreibung | Rahmen II |
| Inspektion | 1 |



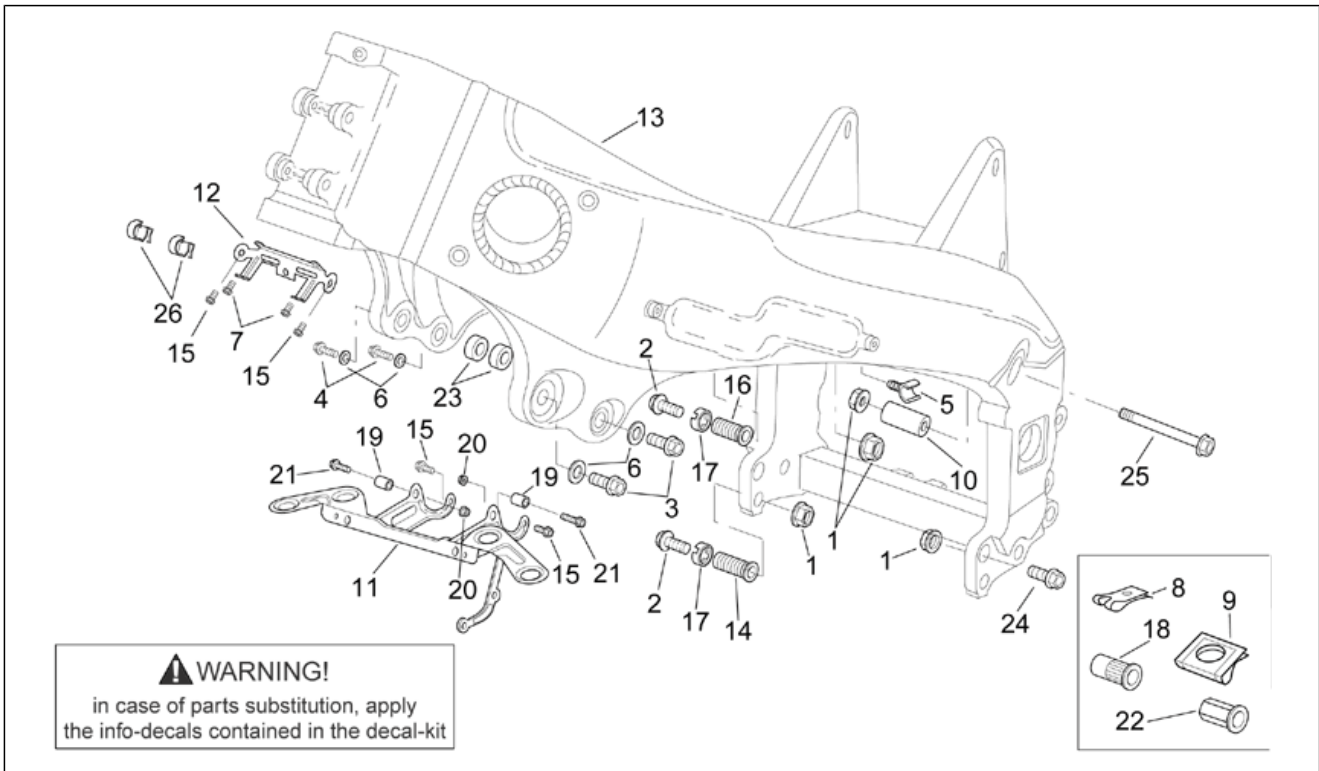
| Pos. | Code | Beschreibung | Menge | Varianten |
|------|-----------|-------------------------------|-------|---|
| 1 | AP8134389 | Fixierung rechts Spulen | 1 | |
| 2 | AP8134635 | Fixierung links Spulen | 1 | |
| 3 | AP8135905 | Instrumentenrahmen | 1 | |
| 4 | AP8121428 | Seegerring d8 | 1 | |
| 5 | AP8134436 | Fixierplatte Kette | 2 | |
| 6 | AP8102498 | Sprengring | 1 | |
| 7 | AP8152279 | TE Schr. m. Flansch M6x20 | 1 | |
| 8 | AP8102375 | Klammer M5 | 2 | |
| 9 | AP8102376 | Klammer M6 | 2 | |
| 10 | AP8152272 | TE Schr. m. Flansch M5x12 | 1 | |
| 11 | AP8152278 | TE Schr. m. Flansch M6x16 | 20 | |
| 12 | AP8220269 | Kabelführungs | 1 | |
| 13 | AP8146334 | Rahmen elox. | 1 | Technische Daten: Version RSV Mille[STD] |
| 13 | AP8146692 | Rahmen, schwarz | 1 | Technische Daten: "Version RSV Mille ""R""acing"[R] |
| 13 | AP8146773 | Rahmen I. | 1 | Technische Daten: "Version ""R""acing GP1 Limited Ed."[RL] |
| 14 | AP8134674 | Platte Leerlaufkabel | 1 | |
| 15 | AP8201539 | Schelle | 2 | |
| 16 | AP8150314 | Sechskantschraube | 2 | |
| 17 | AP8152299 | Selbstsperrende Mutter M6 | 2 | |
| 18 | AP8102544 | Geschnitten Kunststoffniet M6 | 12 | |

| | |
|---------------------|------------|
| Einheit | RAHMEN |
| Code | 28.11 |
| Beschreibung | Rahmen III |
| Inspektion | 1 |



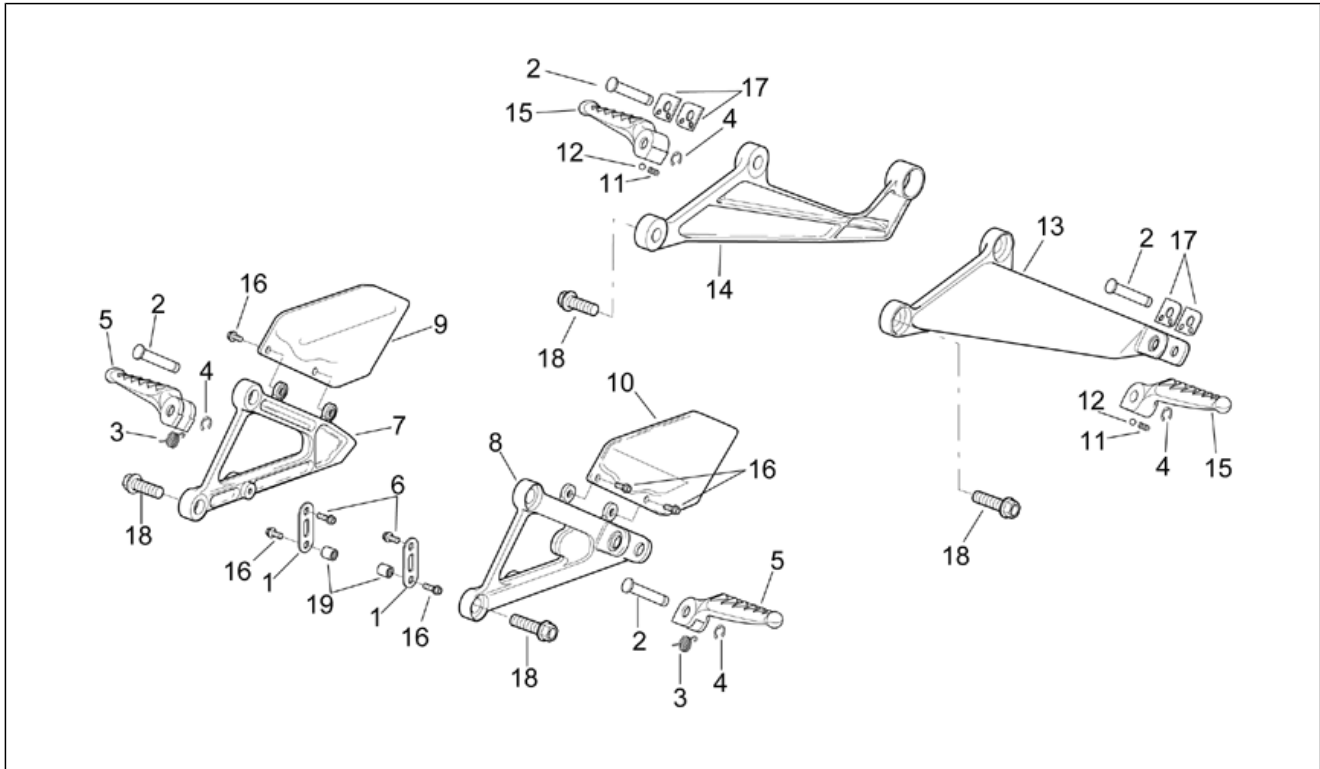
| Pos. | Code | Beschreibung | Menge | Varianten |
|------|-----------|-------------------------------|-------|--|
| 1 | AP8152301 | Selbstsperrende Mutter | 4 | |
| 2 | AP8152317 | TE Schr. m. Flansch M10x100 | 2 | |
| 3 | AP8152318 | TE Schr. m. Flansch M10x35 | 2 | |
| 4 | AP8152325 | TE Schr. m. Flansch | 2 | |
| 5 | AP8120582 | Kabelführungs | 1 | Land: USA (Zulassung California)[CF], Vereinigte Staaten von Amerika[USA] Technische Daten: Zulassung California[cal] |
| 5 | AP8220269 | Kabelführungs | 1 | Land: Österreich[A], Australien[AA], Australien[AUS], Belgien[B], Belgien[BB], Schweiz[CH], Deutschland[D], Dänemark[DK], Spanien[E], A, CH, D, DK, GR, E, I, NL, P[EU], Frankreich[F], Frankreich[FF], Griechenland[GR], Italien[I], Japan[J], Japan[JJ], Holland[NL], Portugal[P], Großbritannien[UK] |
| 5 | AP8220269 | Kabelführungs | 1 | Land: USA (Zulassung 49 Staaten)[AM], Vereinigte Staaten von Amerika[USA] Technische Daten: Zulassung 49 Staaten[49st] |
| 6 | AP8150292 | Gebogene Sprengscheibe * | 4 | |
| 7 | AP8152246 | TBEI Schraube m.Flansch M6x16 | 2 | |
| 8 | AP8102375 | Klammer M5 | 2 | |
| 9 | AP8102376 | Klammer M6 | 2 | |
| 10 | AP8121998 | Distanzst. Motorlager | 1 | |
| 11 | AP8134638 | Unt. Kühlerhalter | 1 | |
| 12 | AP8134380 | Obere Kühlerbefestigung | 1 | |
| 13 | AP8146334 | Rahmen elox. | 1 | Technische Daten: Version RSV Mille[STD] |
| 13 | AP8146692 | Rahmen, schwarz | 1 | Technische Daten: "Version RSV Mille ""R""acing"[R] |
| 13 | AP8146773 | Rahmen l. | 1 | Technische Daten: "Version ""R""acing GP1 Limited Ed."[RL] |
| 14 | AP8121997 | Unt. Einstellbuchse | 1 | |
| 15 | AP8152278 | TE Schr. m. Flansch M6x16 | 4 | |
| 16 | AP8121996 | Ob. Einstellbuchse | 1 | |
| 17 | AP8121995 | Motor-Nutmutter | 2 | |

| | |
|---------------------|------------|
| Einheit | RAHMEN |
| Code | 28.11 |
| Beschreibung | Rahmen III |
| Inspektion | 1 |



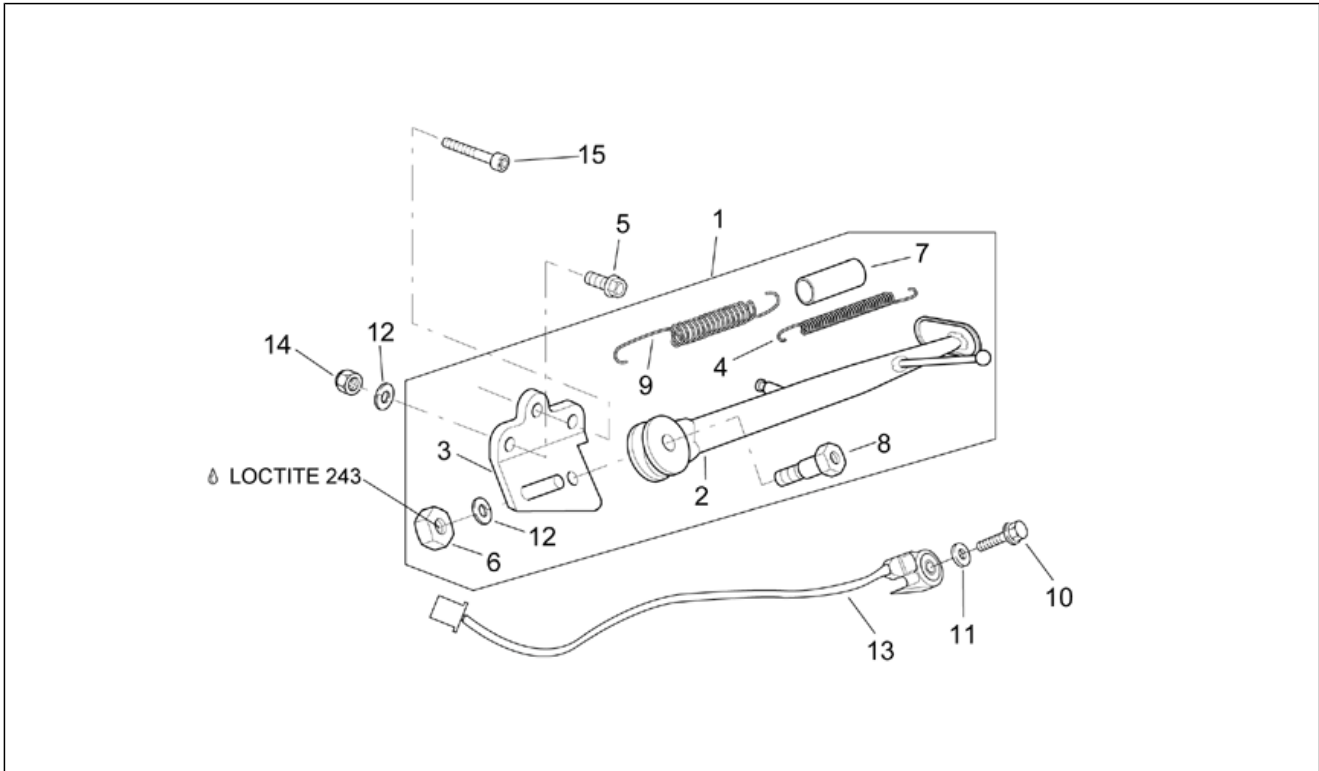
| Pos. | Code | Beschreibung | Menge | Varianten |
|------|-----------|-------------------------------|-------|-----------|
| 18 | AP8102544 | Geschnitten Kunststoffniet M6 | 10 | |
| 19 | AP8121313 | Konischebuchse | 2 | |
| 20 | AP8152299 | Selbstsperrende Mutter M6 | 2 | |
| 21 | AP8152281 | TE Schr. m. Flansch M6x30 | 2 | |
| 22 | AP8102902 | Sechss. Geschn. Einsatz | 3 | |
| 23 | AP8121254 | V.links Motor Distanzscheibe | 2 | |
| 24 | AP8152316 | TE Schr. m. Flansch M10x75 | 1 | |
| 24 | AP8152398 | TE Schr. m. Flansch M10x80 | 1 | |
| 25 | AP8152315 | TE Schr. m. Flansch M10x110 | 1 | |
| 26 | AP8201727 | Kabelführungs schw. | 2 | |

| | |
|---------------------|-----------|
| Einheit | RAHMEN |
| Code | 28.12 |
| Beschreibung | Fußrasten |
| Inspektion | 1 |



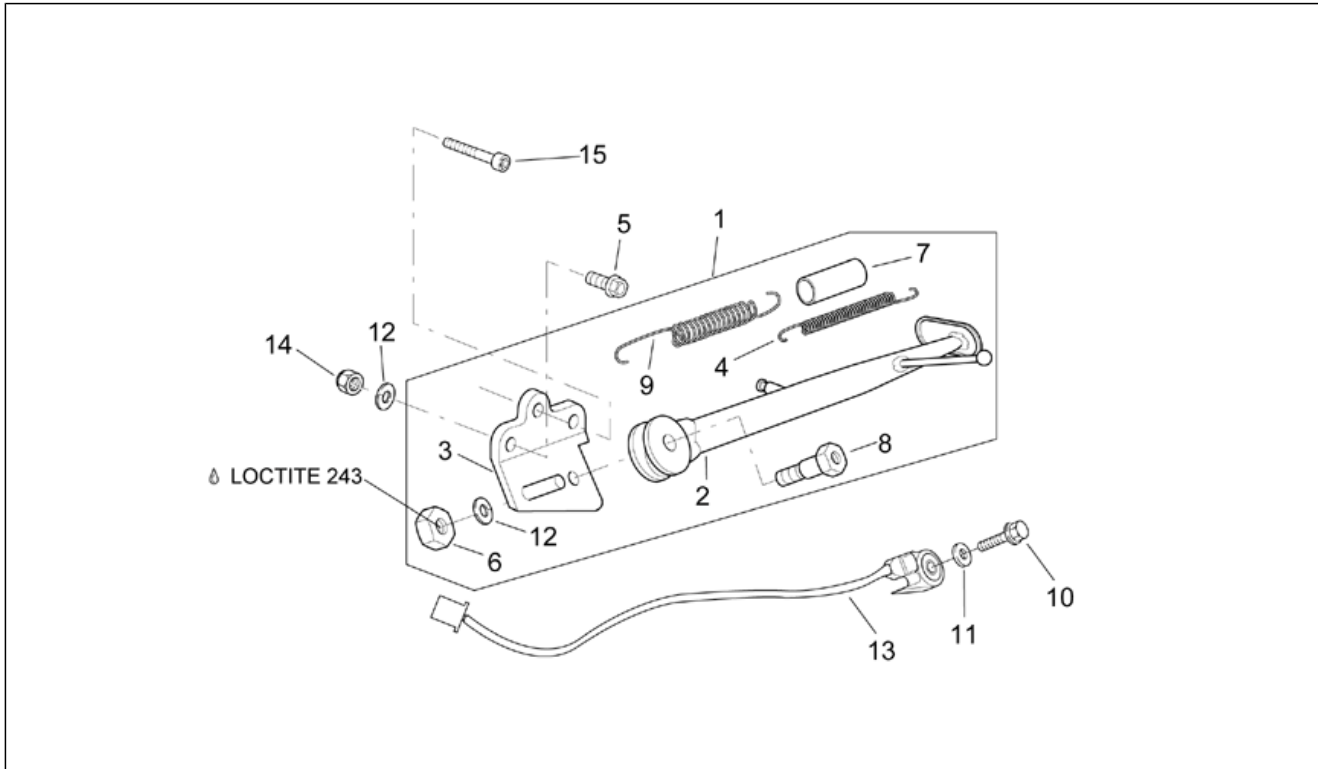
| Pos. | Code | Beschreibung | Menge | Varianten |
|------|-----------|-------------------------------|-------|--------------------------------------|
| 1 | AP8134541 | Seitenteilen Fixierplatte | 2 | |
| 2 | AP8121135 | Rastenbolzen | 4 | |
| 3 | AP8121224 | Rückholfeder | 2 | |
| 4 | AP8120573 | Sperring | 4 | |
| 5 | AP8146467 | Fußrasten Fahrer (Paar) | 1 | |
| 6 | AP8152278 | TE Schr. m. Flansch M6x16 | 3 | |
| 7 | AP8135909 | Fußrastenhalter Fahrer rechts | 1 | |
| 8 | AP8135910 | Fußrastenhalter Fahrer links | 1 | |
| 9 | AP8146503 | Schutz Fahrerrast.rs. | 1 | |
| 10 | AP8146504 | Schutz Fahrerrast.l. | 1 | |
| 11 | AP8121133 | Schraubenfederkompr. | 2 | Technische Daten:Zweisitversion[Bip] |
| 12 | AP8101861 | Kugel D6,35 | 2 | Technische Daten:Zweisitversion[Bip] |
| 13 | AP8134651 | Halter linke Soziesfußraste | 1 | Technische Daten:Zweisitversion[Bip] |
| 14 | AP8134652 | Halter rechte Soziesfußraste | 1 | Technische Daten:Zweisitversion[Bip] |
| 15 | AP8146466 | Soziesrasten (Paar) | 1 | Technische Daten:Zweisitversion[Bip] |
| 16 | AP8152277 | TE Schr. m. Flansch M6x12 | 6 | |
| 17 | AP8134451 | Fixierplatte | 4 | Technische Daten:Zweisitversion[Bip] |
| 18 | AP8152288 | TE Schr. m. Flansch | 8 | |
| 19 | AP8102544 | Geschnitten Kunststoffniet M6 | 2 | |

| | |
|---------------------|--------------|
| Einheit | RAHMEN |
| Code | 28.13 |
| Beschreibung | Hauptständer |
| Inspektion | 1 |



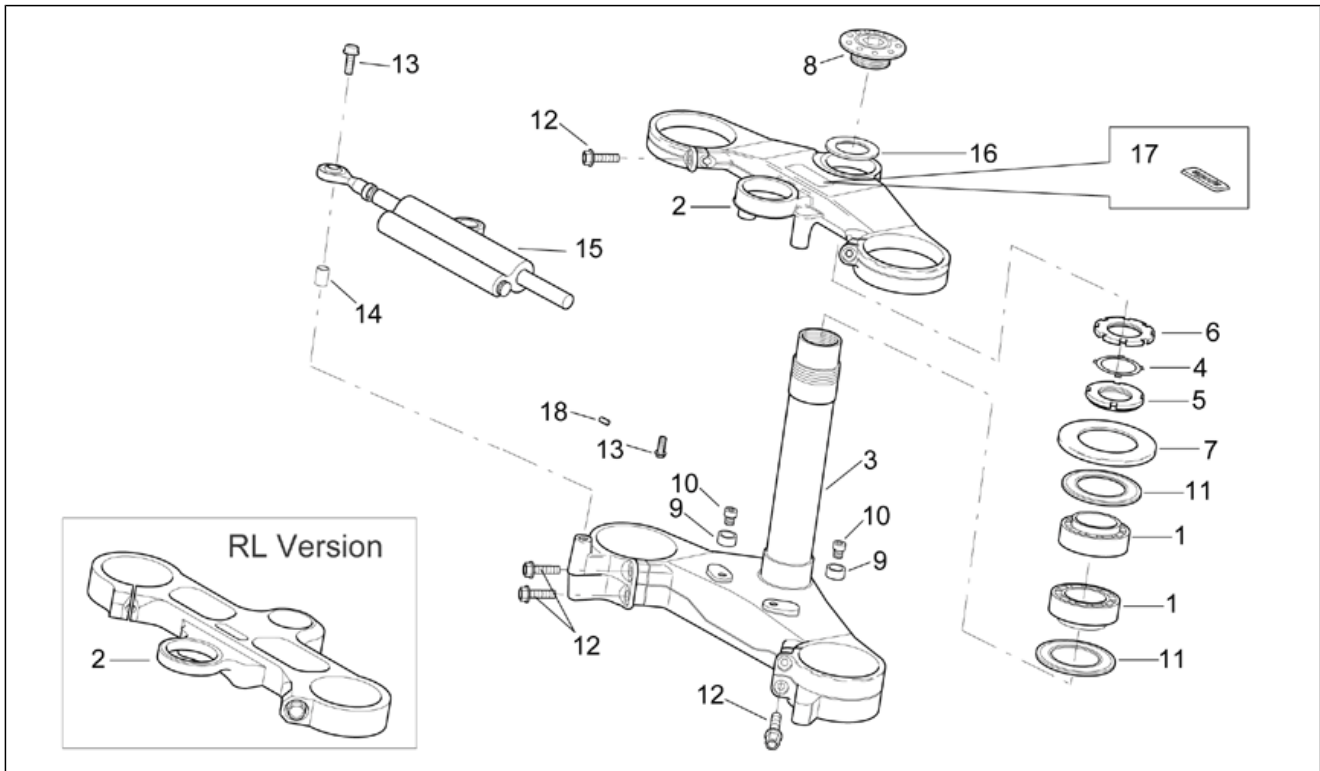
| Pos. | Code | Beschreibung | Menge | Varianten |
|------|-----------|---------------------|-------|--|
| 1 | AP8146652 | Hauptständer Kpl. | 1 | Land: Österreich[A], Australien[AA], Australien[AUS], Belgien[B], Belgien[BB], Schweiz[CH], Deutschland[D], Dänemark[DK], Spanien[E], A, CH, D, DK, GR, E, I, NL, P[EU], Frankreich[F], Frankreich[FF], Griechenland[GR], Italien[I], Japan[J], Japan[JJ], Holland[NL], Portugal[P], Großbritannien[UK] |
| 1 | AP8146677 | Hauptständer Kpl. | 1 | Land: USA (Zulassung 49 Staaten)[AM], USA (Zulassung California)[CF], Vereinigte Staaten von Amerika[USA] |
| 2 | AP8146658 | Seitenständer | 1 | Land: Österreich[A], Australien[AA], Australien[AUS], Belgien[B], Belgien[BB], Schweiz[CH], Deutschland[D], Dänemark[DK], Spanien[E], A, CH, D, DK, GR, E, I, NL, P[EU], Frankreich[F], Frankreich[FF], Griechenland[GR], Italien[I], Japan[J], Japan[JJ], Holland[NL], Portugal[P], Großbritannien[UK] |
| 2 | AP8146676 | Seitenständer | 1 | Land: USA (Zulassung 49 Staaten)[AM], USA (Zulassung California)[CF], Vereinigte Staaten von Amerika[USA] |
| 3 | AP8134373 | Hauptständer platte | 1 | Land: Österreich[A], Australien[AA], Australien[AUS], Belgien[B], Belgien[BB], Schweiz[CH], Deutschland[D], Dänemark[DK], Spanien[E], A, CH, D, DK, GR, E, I, NL, P[EU], Frankreich[F], Frankreich[FF], Griechenland[GR], Italien[I], Japan[J], Japan[JJ], Holland[NL], Portugal[P], Großbritannien[UK] |
| 3 | AP8134749 | Hauptständer platte | 1 | Land: USA (Zulassung 49 Staaten)[AM], USA (Zulassung California)[CF], Vereinigte Staaten von Amerika[USA] |
| 4 | AP8121014 | Schraubenfeder | 1 | |
| 5 | AP8150196 | TCEI Schraube | 2 | Land: USA (Zulassung 49 Staaten)[AM], USA (Zulassung California)[CF], Vereinigte Staaten von Amerika[USA] |
| 5 | AP8152320 | TE Schr. m. Flansch | 2 | Land: Österreich[A], Australien[AA], Australien[AUS], Belgien[B], Belgien[BB], Schweiz[CH], Deutschland[D], Dänemark[DK], Spanien[E], A, CH, D, DK, GR, E, I, NL, P[EU], Frankreich[F], Frankreich[FF], Griechenland[GR], Italien[I], Japan[J], Japan[JJ], Holland[NL], Portugal[P], Großbritannien[UK] |

| | |
|---------------------|--------------|
| Einheit | RAHMEN |
| Code | 28.13 |
| Beschreibung | Hauptständer |
| Inspektion | 1 |



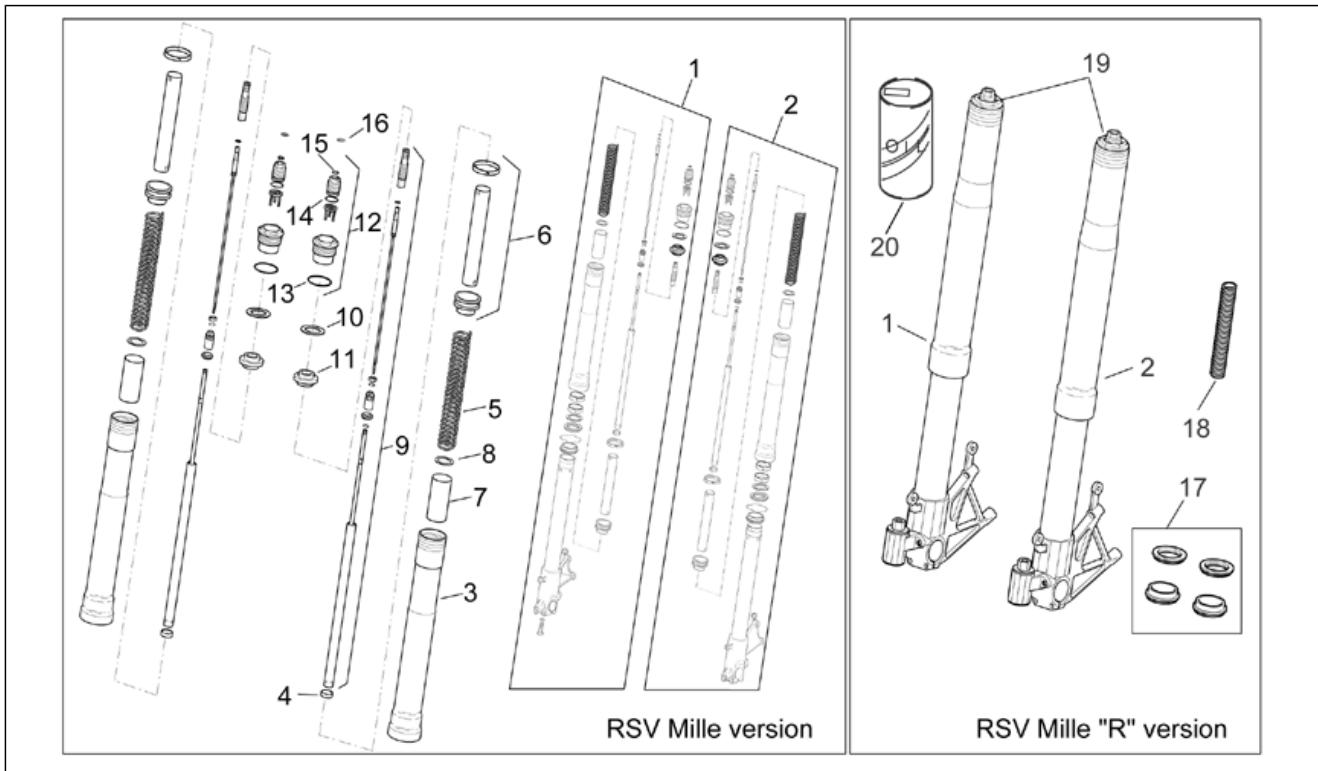
| Pos. | Code | Beschreibung | Menge | Varianten |
|------|-----------|-------------------------------|-------|--|
| 6 | AP8150480 | Selbstsperr.Mut.Unt. M10x1,25 | 1 | Land:Österreich[A], Australien[AA], Australien[AUS], Belgien[B], Belgien[BB], Schweiz[CH], Deutschland[D], Dänemark[DK], Spanien[E], A, CH, D, DK, GR, E, I, NL, P[EU], Frankreich[F], Frankreich[FF], Griechenland[GR], Italien[I], Japan[J], Japan[JJ], Holland[NL], Portugal[P], Großbritannien[UK] |
| 6 | AP8152001 | Mutter unten M10x1,25 | 1 | Land:USA (Zulassung 49 Staaten)[AM], USA (Zulassung California)[CF], Vereinigte Staaten von Amerika[USA] |
| 7 | AP8102524 | Schutz f. Ständerfeder | 1 | |
| 8 | AP8121375 | Ständerschraube | 1 | Land:Österreich[A], Australien[AA], Australien[AUS], Belgien[B], Belgien[BB], Schweiz[CH], Deutschland[D], Dänemark[DK], Spanien[E], A, CH, D, DK, GR, E, I, NL, P[EU], Frankreich[F], Frankreich[FF], Griechenland[GR], Italien[I], Japan[J], Japan[JJ], Holland[NL], Portugal[P], Großbritannien[UK] |
| 8 | AP8121429 | Ständerschraube | 1 | Land:USA (Zulassung 49 Staaten)[AM], USA (Zulassung California)[CF], Vereinigte Staaten von Amerika[USA] |
| 9 | AP8221197 | Hauptständer Schraubenfeder | 1 | |
| 10 | AP8152279 | TE Schr. m. Flansch M6x20 | 1 | |
| 11 | AP8150015 | Ausgleichscheibe 6,6x18x1,6* | 1 | |
| 12 | AP8150292 | Gebogene Sprengscheibe * | 3 | |
| 13 | AP8124977 | Schalter | 1 | |
| 14 | AP8152301 | Selbstsperrende Mutter | 1 | Land:USA (Zulassung 49 Staaten)[AM], USA (Zulassung California)[CF], Vereinigte Staaten von Amerika[USA] |
| 15 | AP8150287 | TCEI Schraube M10x90 | 1 | Land:USA (Zulassung 49 Staaten)[AM], USA (Zulassung California)[CF], Vereinigte Staaten von Amerika[USA] |

| | |
|---------------------|---------|
| Einheit | RAHMEN |
| Code | 28.14 |
| Beschreibung | Lenkung |
| Inspektion | 1 |



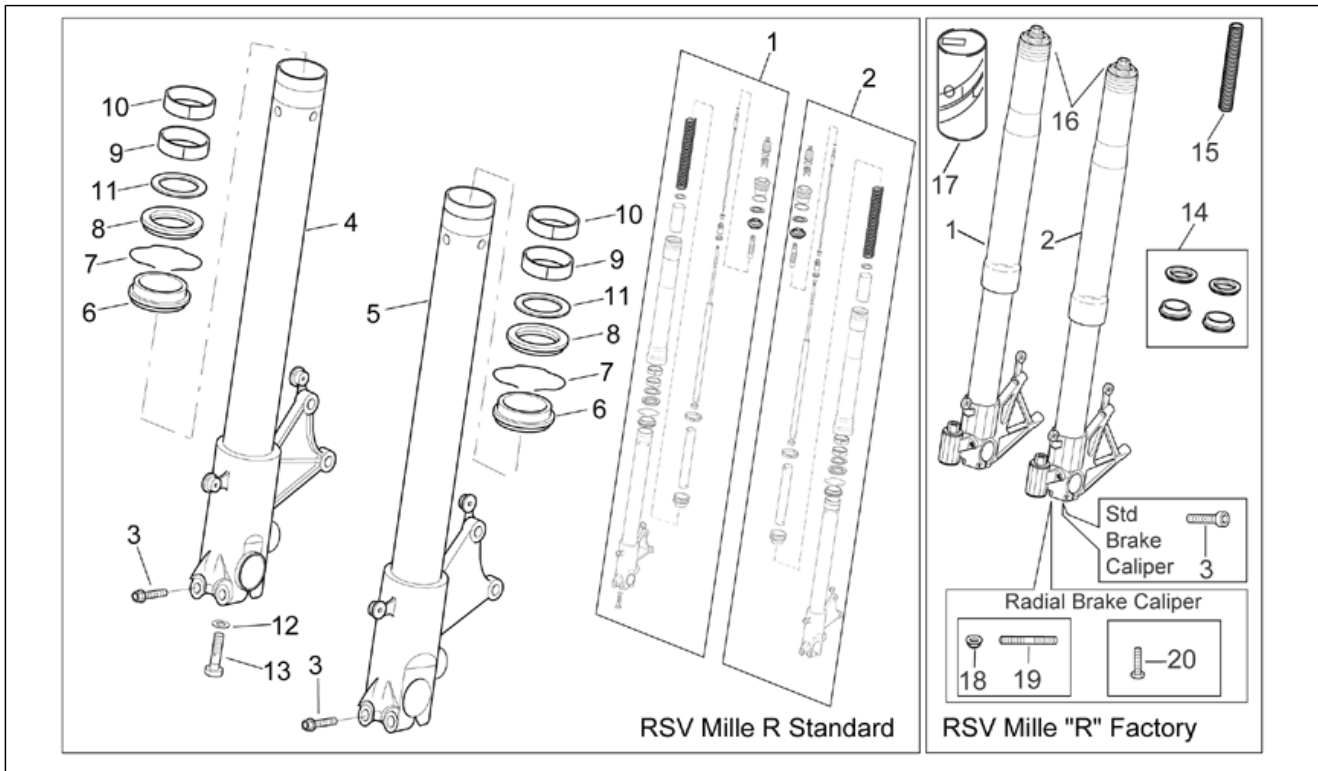
| Pos. | Code | Beschreibung | Menge | Varianten |
|------|-----------|---------------------------|-------|---|
| 1 | AP8110077 | Axialkugellager | 2 | |
| 2 | AP8123927 | Ob. Gabelplatte | 1 | Technische Daten: "Version RSV Mille ""R""acing"[R] |
| 2 | AP8123932 | Ob. Gabelplatte | 1 | Technische Daten: Version RSV Mille[STD] |
| 2 | AP8163240 | Ob. Gabelplatte | 1 | Technische Daten: "Version ""R""acing GP1 Limited Ed."[RL] |
| 3 | AP8123640 | Fuß mit Rohr | 1 | Technische Daten: Version RSV Mille[STD] |
| 3 | AP8123928 | Fuß mit Rohr | 1 | Technische Daten: "Version RSV Mille ""R""acing"[R], "Version ""R""acing GP1 Limited Ed."[RL] |
| 4 | AP8121207 | Sicherheitspl. Lenkung | 1 | |
| 5 | AP8123642 | Nutmutter | 1 | |
| 6 | AP8123643 | Gegenmutter | 1 | |
| 7 | AP8123644 | Staubschutzring | 1 | |
| 8 | AP8121346 | Fixierbuchse ob. Platte | 1 | |
| 9 | AP8121302 | Lenkerhülse | 2 | |
| 10 | AP8150211 | TCEI Schraube M8x16 | 2 | |
| 11 | AP8123641 | Staubschutzring | 2 | |
| 12 | AP8152289 | TE Schr. m. Flansch | 6 | |
| 13 | AP8152281 | TE Schr. m. Flansch M6x30 | 2 | Technische Daten: "Version RSV Mille ""R""acing"[R], "Version ""R""acing GP1 Limited Ed."[RL] |
| 14 | AP8121041 | Distanzscheibe * | 1 | Technische Daten: "Version RSV Mille ""R""acing"[R], "Version ""R""acing GP1 Limited Ed."[RL] |
| 15 | AP8123972 | Lenk Stoßdämpfer Ohlin | 1 | Technische Daten: "Version RSV Mille ""R""acing"[R], "Version ""R""acing GP1 Limited Ed."[RL] |
| 16 | AP8152384 | Scheibe Lenkkopf | 1 | |
| 17 | AP8157770 | Schild "Aprilia" | 1 | |
| 18 | AP8150490 | Feststellschraube | 1 | Technische Daten: "Version RSV Mille ""R""acing"[R], "Version ""R""acing GP1 Limited Ed."[RL] |

| | |
|---------------------|------------------|
| Einheit | RAHMEN |
| Code | 28.15 |
| Beschreibung | Vorderradgabel I |
| Inspektion | 1 |



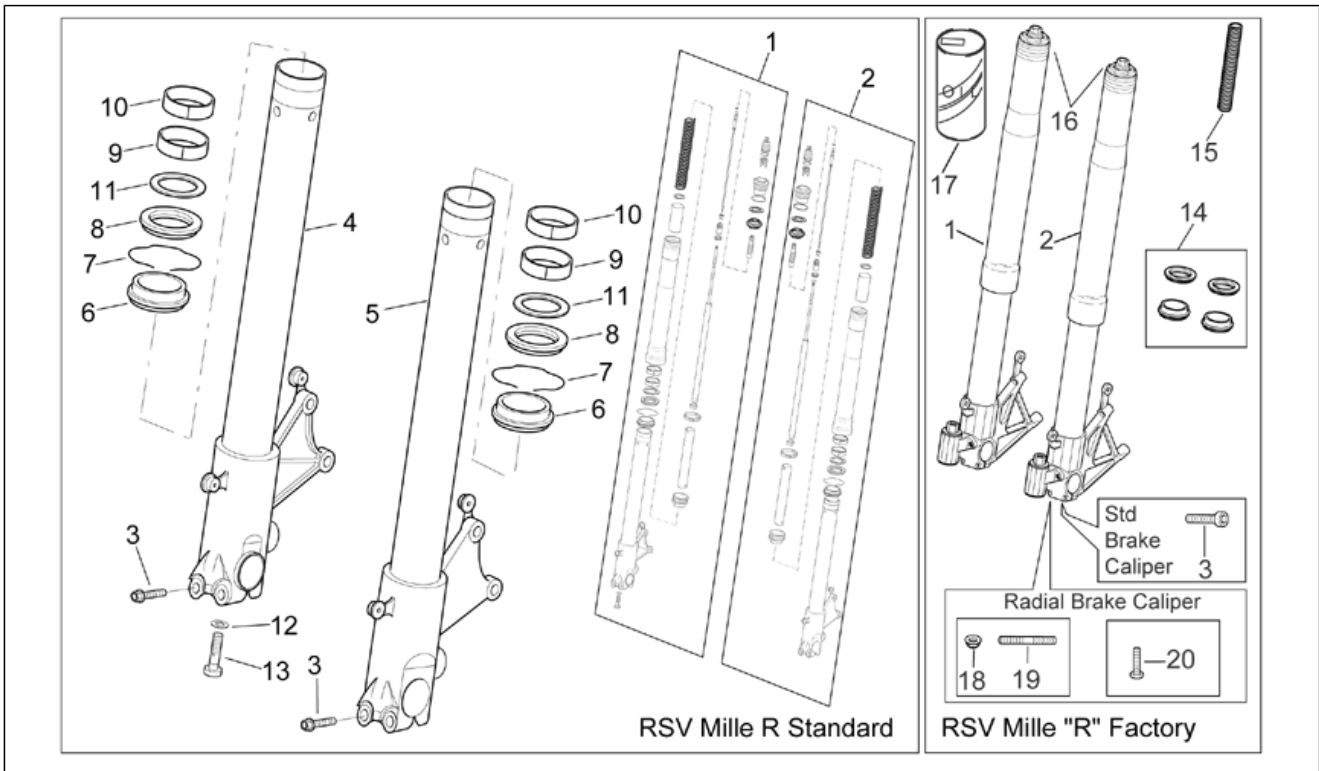
| Pos. | Code | Beschreibung | Menge | Varianten |
|------|-----------|--------------------------|-------|---|
| 1 | AP8123637 | Kolbenstange rechts kpl. | 1 | Technische Daten: Version RSV Mille[STD] |
| 1 | AP8163062 | Kolbenstange rechts kpl. | 1 | Technische Daten: "Version RSV Mille ""R""acing"[R], "Version ""R""acing GP1 Limited Ed."[RL] |
| 2 | AP8123638 | Kolbenstange links kpl. | 1 | Technische Daten: Version RSV Mille[STD] |
| 2 | AP8163063 | Kolbenstange links kpl. | 1 | Technische Daten: "Version RSV Mille ""R""acing"[R], "Version ""R""acing GP1 Limited Ed."[RL] |
| 3 | AP8123829 | Hülse | 2 | Technische Daten: Version RSV Mille[STD] |
| 4 | AP8123810 | Anschlußhülse Pumpenrad | 2 | Technische Daten: Version RSV Mille[STD] |
| 5 | AP8123831 | Feder | 2 | Technische Daten: Version RSV Mille[STD] |
| 6 | AP8123832 | Vorspannschlauch kpl | 2 | Technische Daten: Version RSV Mille[STD] |
| 7 | AP8123835 | Distanzscheibe | 2 | Technische Daten: Version RSV Mille[STD] |
| 8 | AP8123836 | Ausgleichscheibe | 2 | Technische Daten: Version RSV Mille[STD] |
| 9 | AP8163034 | Pumpenrad kplt. | 2 | Technische Daten: Version RSV Mille[STD] |
| 10 | AP8123816 | Ausgleichscheibe | 2 | Technische Daten: Version RSV Mille[STD] |
| 11 | AP8123815 | Ring | 2 | Technische Daten: Version RSV Mille[STD] |
| 12 | AP8123833 | Versch. Schaft kpl. | 2 | Technische Daten: Version RSV Mille[STD] |
| 13 | AP8123834 | O-Ring | 2 | Technische Daten: Version RSV Mille[STD] |
| 14 | AP8123819 | O-Ring | 2 | Technische Daten: Version RSV Mille[STD] |
| 15 | AP8123820 | O-Ring | 2 | Technische Daten: Version RSV Mille[STD] |
| 16 | AP8123821 | Sperring | 2 | Technische Daten: Version RSV Mille[STD] |
| 17 | AP8123975 | Aust.satz Vorderradgabel | 1 | Technische Daten: "Version RSV Mille ""R""acing"[R], "Version ""R""acing GP1 Limited Ed."[RL] |
| 18 | AP8163057 | Feder | 2 | Technische Daten: "Version RSV Mille ""R""acing"[R], "Version ""R""acing GP1 Limited Ed."[RL] |
| 19 | AP8123977 | Verschlußschraube kplt. | 2 | Technische Daten: "Version RSV Mille ""R""acing"[R], "Version ""R""acing GP1 Limited Ed."[RL] |
| 20 | AP8116071 | Stoßdämpfer Öl 1 lt. | 1 | Technische Daten: "Version RSV Mille ""R""acing"[R], "Version ""R""acing GP1 Limited Ed."[RL] |

| | |
|---------------------|-------------------|
| Einheit | RAHMEN |
| Code | 28.16 |
| Beschreibung | Vorderradgabel II |
| Inspektion | 1 |



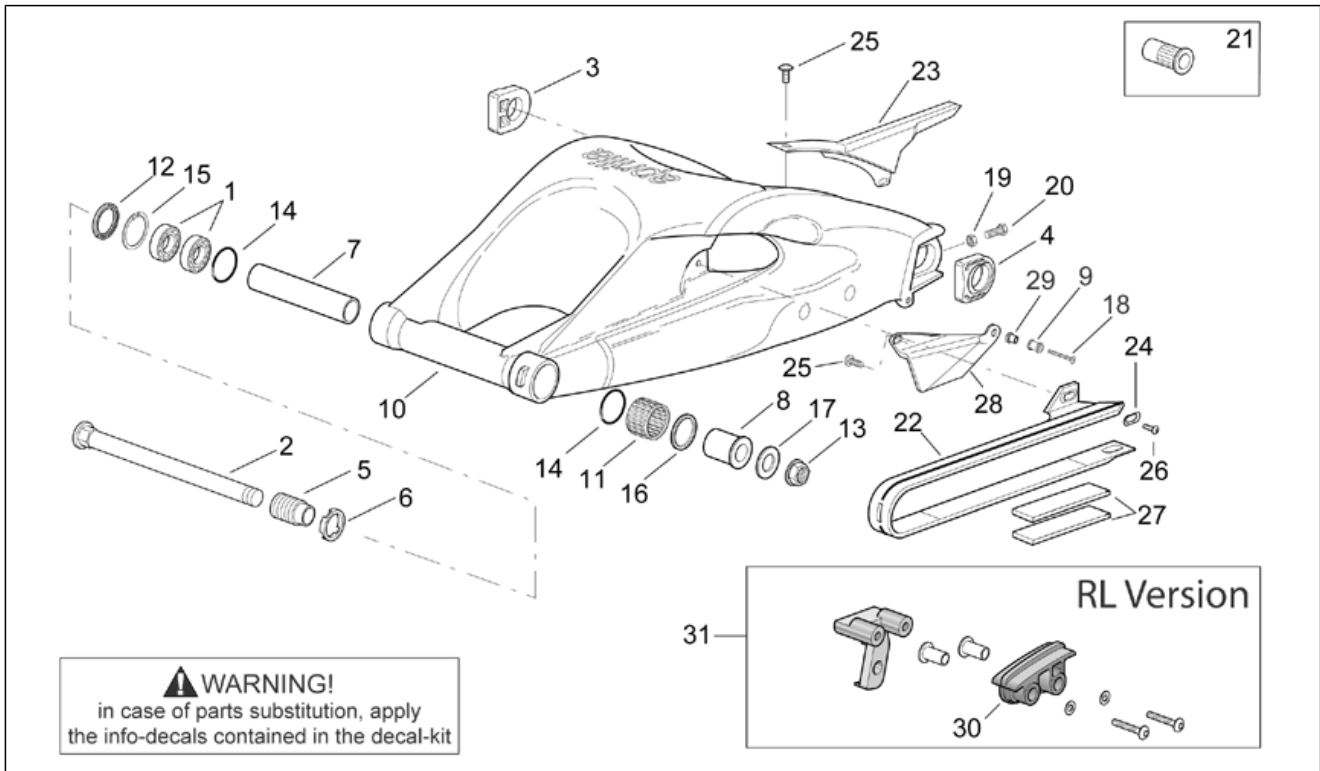
| Pos. | Code | Beschreibung | Menge | Varianten |
|------|-----------|--------------------------------|-------|--|
| 1 | AP8123637 | Kolbenstange rechts kpl. | 1 | Technische Daten: Version RSV Mille[STD] |
| 1 | AP8163062 | Kolbenstange rechts kpl. | 1 | Technische Daten: "Version RSV Mille ""R""acing"[R], "Version ""R""acing GP1 Limited Ed."[RL] |
| 2 | AP8123638 | Kolbenstange links kpl. | 1 | Technische Daten: Version RSV Mille[STD] |
| 2 | AP8163063 | Kolbenstange links kpl. | 1 | Technische Daten: "Version RSV Mille ""R""acing"[R], "Version ""R""acing GP1 Limited Ed."[RL] |
| 3 | AP8152290 | TE Schr. m. Flansch M8x40 | 4 | Technische Daten: Version RSV Mille[STD] |
| 4 | AP8123822 | Klb.st.+ Radhltr. rch. | 1 | Technische Daten: Version RSV Mille[STD] |
| 5 | AP8123823 | Klb.st.+ Radhltr. lks. | 1 | Technische Daten: Version RSV Mille[STD] |
| 6 | AP8123824 | Staubschutz | 2 | Technische Daten: Version RSV Mille[STD] |
| 7 | AP8123806 | Seegerring | 2 | Technische Daten: Version RSV Mille[STD] |
| 8 | AP8123825 | Ölabstreifring | 2 | Technische Daten: Version RSV Mille[STD] |
| 9 | AP8123827 | Buchse D.47,1xd.43xh.20 | 2 | Technische Daten: Version RSV Mille[STD] |
| 10 | AP8123828 | Gleitbuchse D.44,5xd.41,1xh.20 | 2 | Technische Daten: Version RSV Mille[STD] |
| 11 | AP8123826 | Ring | 2 | Technische Daten: Version RSV Mille[STD] |
| 12 | AP8123811 | Spezial-U-scheibe | 2 | Technische Daten: Version RSV Mille[STD] |
| 13 | AP8123812 | Schraube M10x1,5 | 2 | Technische Daten: Version RSV Mille[STD] |
| 14 | AP8123975 | Aust.satz Vorderradgabel | 1 | Technische Daten: "Version RSV Mille ""R""acing"[R], "Version ""R""acing GP1 Limited Ed."[RL] |
| 15 | AP8163057 | Feder | 2 | Technische Daten: "Version RSV Mille ""R""acing"[R], "Version ""R""acing GP1 Limited Ed."[RL] |
| 16 | AP8123977 | Verschlußschraube kplt. | 2 | Technische Daten: "Version RSV Mille ""R""acing"[R], "Version ""R""acing GP1 Limited Ed."[RL] |
| 17 | AP8116071 | Stoßdämpfer Öl 1 lt. | 1 | Technische Daten: "Version RSV Mille ""R""acing"[R], "Version ""R""acing GP1 Limited Ed."[RL] |
| 18 | AP8152299 | Selbstsperrende Mutter M6 | 4 | Technische Daten: "Version RSV Mille ""R""acing"[R], "Version ""R""acing GP1 Limited Ed."[RL] |
| 19 | AP8121178 | Stiftschraube | 4 | Technische Daten: "Version RSV Mille ""R""acing"[R], "Version ""R""acing GP1 Limited Ed."[RL] |

| | |
|---------------------|-------------------|
| Einheit | RAHMEN |
| Code | 28.16 |
| Beschreibung | Vorderradgabel II |
| Inspektion | 1 |



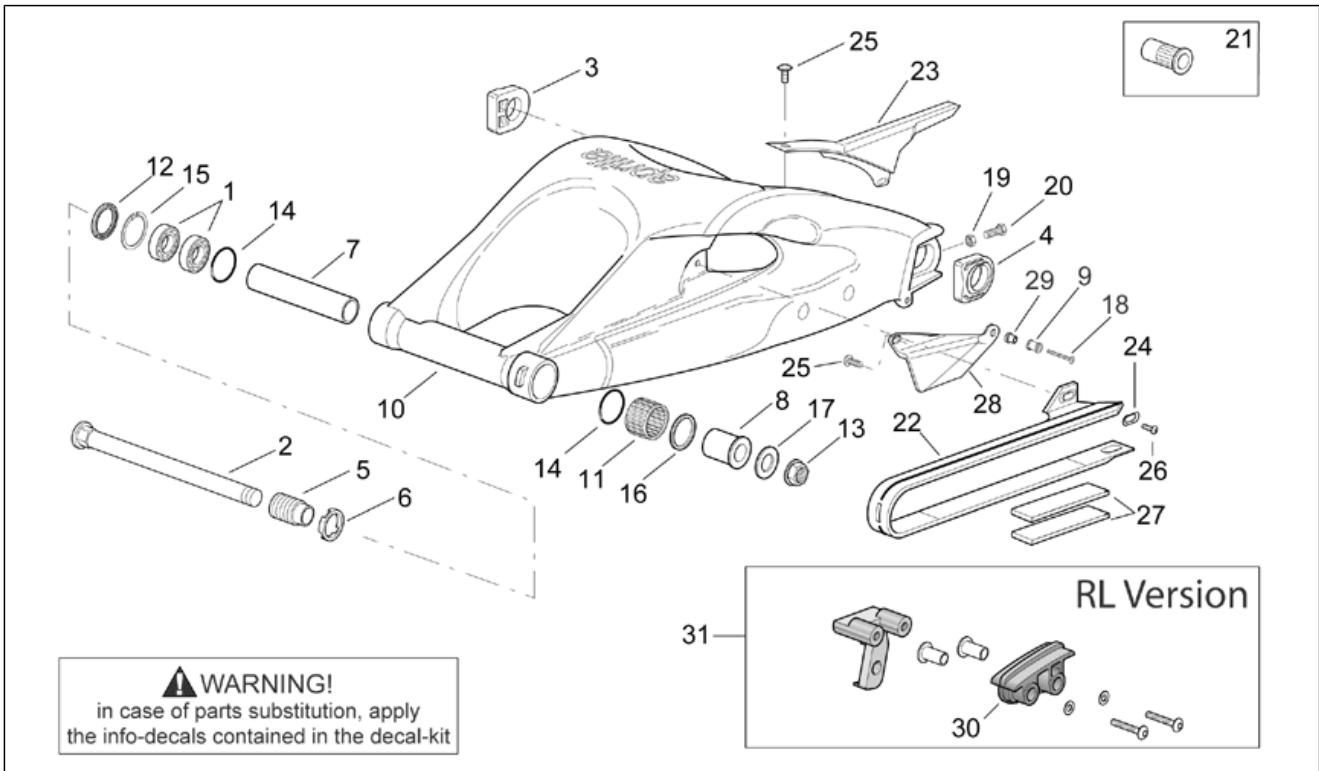
| Pos. | Code | Beschreibung | Menge | Varianten |
|------|-----------|--------------|-------|---|
| 20 | AP8163481 | Schraube | 4 | Technische Daten: "Version RSV Mille ""R""acing [R], "Version ""R""acing GP1 Limited Ed." [RL] |

| | |
|---------------------|----------|
| Einheit | RAHMEN |
| Code | 28.17 |
| Beschreibung | Schwinge |
| Inspektion | 1 |



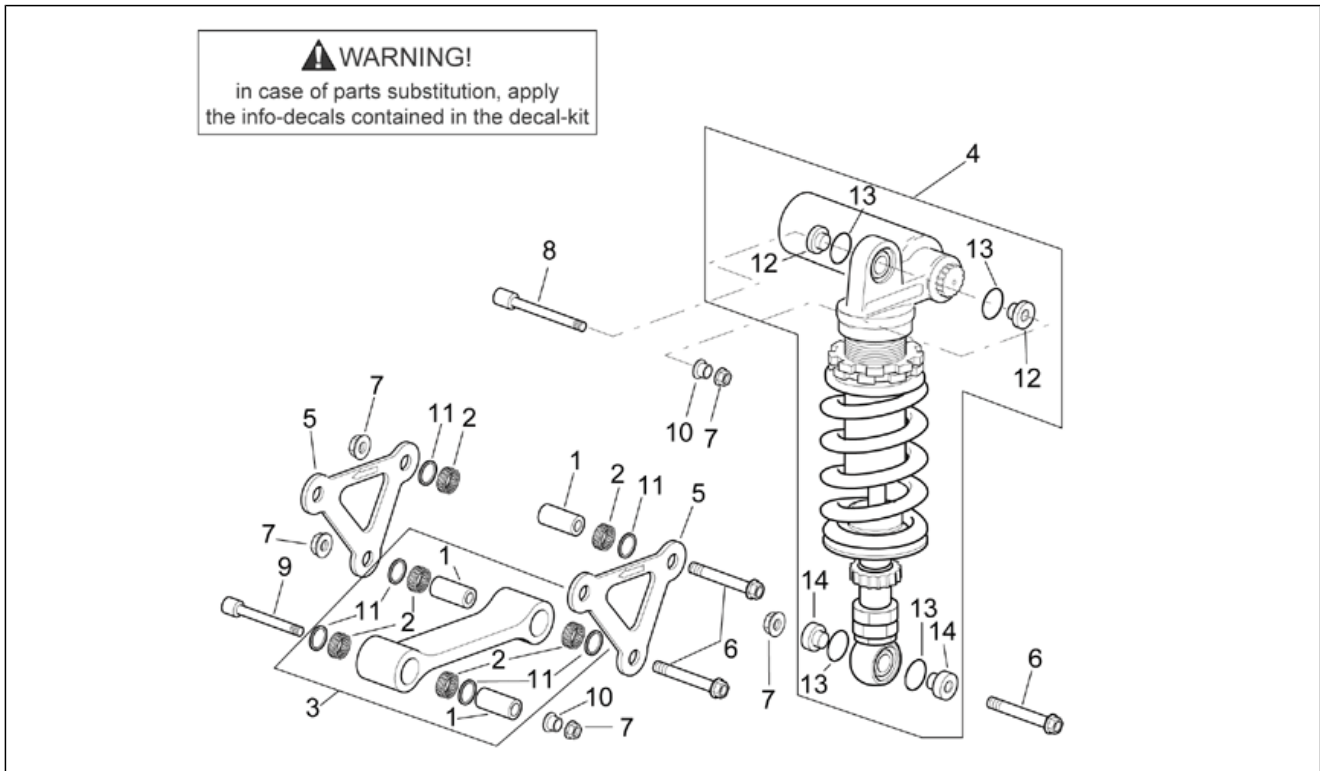
| Pos. | Code | Beschreibung | Menge | Varianten |
|------|-----------|-------------------------------|-------|---|
| 1 | AP8110079 | Kugellager | 2 | |
| 2 | AP8125830 | Schwingenbolzen | 1 | |
| 3 | AP8120985 | Kettenführung rechts | 1 | |
| 4 | AP8120986 | Kettenführung links | 1 | |
| 5 | AP8121200 | Einstellbuchse | 1 | |
| 6 | AP8121201 | Gabelzapfen-Nutmutter | 1 | |
| 7 | AP8121202 | Interne Distanzscheibe | 1 | |
| 8 | AP8121203 | Buchse Gabelzapfen | 1 | |
| 9 | AP8121890 | Buchse | 2 | |
| 10 | AP8146295 | Hintere Schwinge elox. | 1 | Technische Daten: Version RSV Mille[STD] |
| 10 | AP8146739 | Schwinge, schwarz | 1 | Technische Daten: "Version RSV Mille ""R""acing"[R] |
| 10 | AP8146774 | Schwinge, grau | 1 | Technische Daten: "Version ""R""acing GP1 Limited Ed."[RL] |
| 11 | AP8110078 | Nadellager | 1 | |
| 12 | AP8144006 | Gasket ring | 1 | |
| 13 | AP8125763 | Hinterradbolzen mut. | 1 | |
| 14 | AP8144048 | O-Ring 134 | 2 | |
| 15 | AP8121204 | Seegerring für Bohrung d37 | 1 | |
| 16 | AP8144005 | Gasket ring | 1 | |
| 17 | AP8125687 | U-scheibe Hint.radbolz | 1 | |
| 18 | AP8150468 | Schraube M6x40 | 2 | |
| 19 | AP8150334 | Mutter M8 | 2 | |
| 20 | AP8152305 | Kettenspanner Schraube | 2 | |
| 21 | AP8201755 | Geschnitten Kunststoffniet | 2 | |
| 22 | AP8120995 | Kettengleitführung | 1 | |
| 23 | AP8138593 | Kettenkasten | 1 | |
| 24 | AP8234020 | Becher | 2 | |
| 25 | AP8152302 | TBEI Schraube m.Flansch M5x12 | 2 | |
| 26 | AP8152267 | TBEI Spez.schr. M5x12 | 2 | |

| | |
|---------------------|----------|
| Einheit | RAHMEN |
| Code | 28.17 |
| Beschreibung | Schwinge |
| Inspektion | 1 |



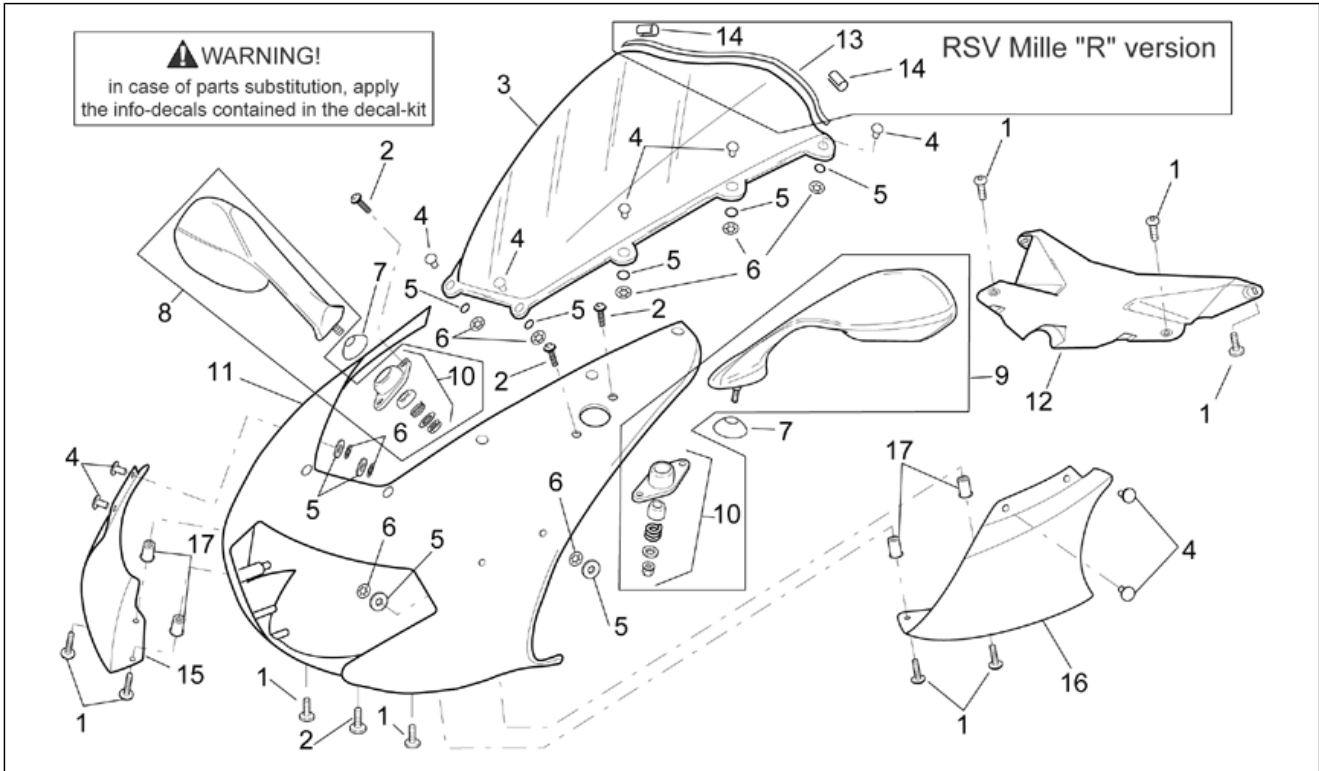
| Pos. | Code | Beschreibung | Menge | Varianten |
|------|-----------|--------------------|-------|---|
| 27 | AP8117033 | Klebeschwamm | 2 | |
| 28 | AP8144284 | Kettengleitführung | 1 | |
| 29 | AP8121075 | T-Buchse * | 2 | |
| 30 | AP8158669 | Kettengleitführung | 1 | Technische Daten: "Version ""R""acing GP1 Limited Ed."[RL] |
| 31 | AP8796705 | Gleitbacke, kit | 1 | Technische Daten: "Version ""R""acing GP1 Limited Ed."[RL] |

| | |
|---------------------|------------------------------|
| Einheit | RAHMEN |
| Code | 28.18 |
| Beschreibung | Pleuelstange und Stoßdämpfer |
| Inspektion | 1 |



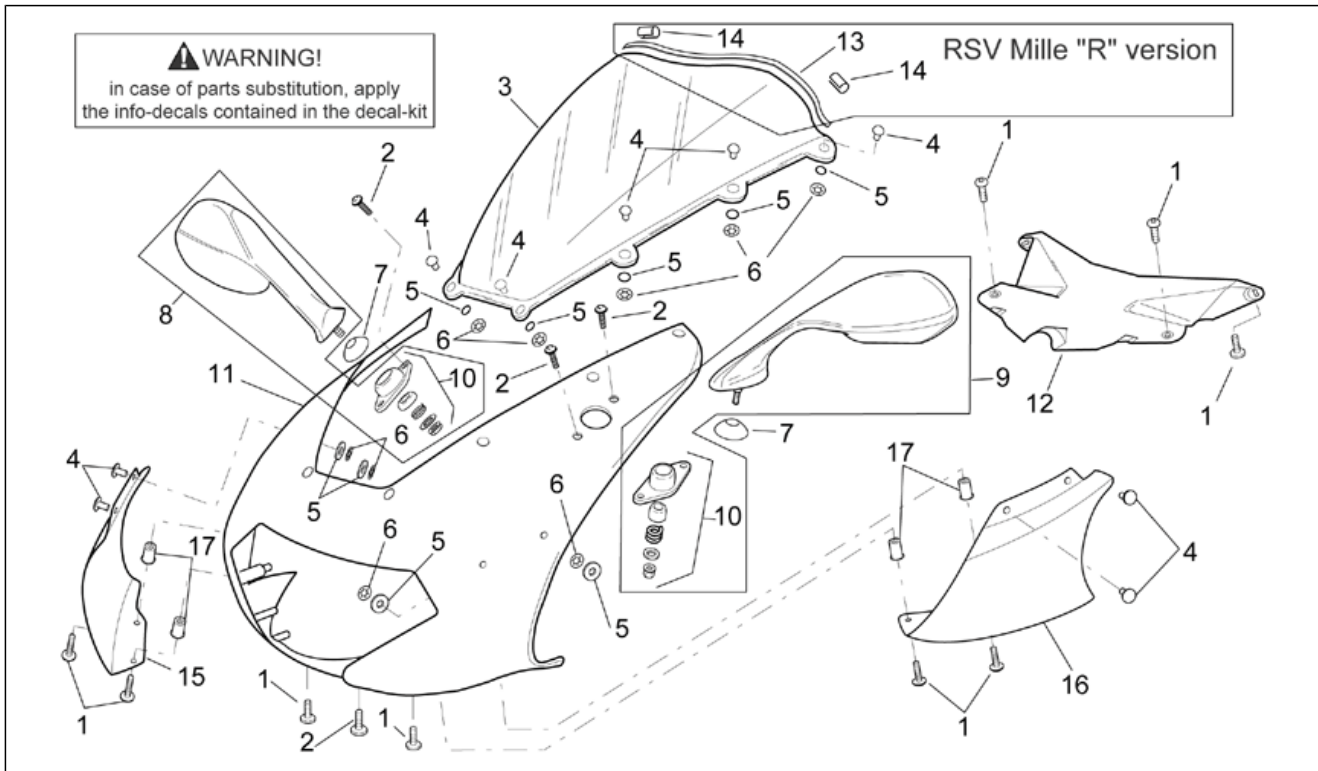
| Pos. | Code | Beschreibung | Menge | Varianten |
|------|-----------|----------------------------|-------|---|
| 1 | AP8135924 | Pleuelbolzen L40 | 2 | |
| 2 | AP8110065 | Nadellager | 6 | |
| 3 | AP8146681 | Einfache Pleuelstange | 1 | |
| 4 | AP8123942 | Stoßdämpfer | 1 | Technische Daten: Version RSV Mille[STD] |
| 4 | AP8123973 | Stoßdämpfer | 1 | Technische Daten: "Version RSV Mille ""R""acing"[R], "Version ""R""acing GP1 Limited Ed."[RL] |
| 5 | AP8146409 | Doppelte Pleuelstange | 2 | Technische Daten: "Version RSV Mille ""R""acing"[R], "Version ""R""acing GP1 Limited Ed."[RL] |
| 5 | AP8146648 | Doppelte Pleuelstange | 2 | Technische Daten: Version RSV Mille[STD] |
| 6 | AP8152322 | TE Schr. m. Flansch M10x65 | 3 | Technische Daten: "Version RSV Mille ""R""acing"[R], "Version ""R""acing GP1 Limited Ed."[RL] |
| 6 | AP8152413 | TE Schr. m. Flansch M10x61 | 3 | Technische Daten: Version RSV Mille[STD] |
| 7 | AP8152301 | Selbstsperrende Mutter | 5 | |
| 8 | AP8150458 | TCEI Schraube M10x63 | 1 | |
| 9 | AP8150457 | TCEI Schraube M10x74 | 1 | Technische Daten: "Version RSV Mille ""R""acing"[R], Version RSV Mille[STD] |
| 9 | AP8152397 | TCEI Schraube M10x82 | 1 | Technische Daten: "Version ""R""acing GP1 Limited Ed."[RL] |
| 10 | AP8121155 | T-Buchse * | 2 | |
| 11 | AP8110068 | Ölabstreifring D18x24x3 | 6 | |
| 12 | AP8123859 | T-Buchse | 2 | Technische Daten: Version RSV Mille[STD] |
| 13 | AP8123860 | O-Ring | 4 | Technische Daten: Version RSV Mille[STD] |
| 14 | AP8123870 | T-Buchse | 2 | Technische Daten: Version RSV Mille[STD] |

| | |
|---------------------|----------------------|
| Einheit | RAHMEN |
| Code | 28.19 |
| Beschreibung | Frontaufbau - Kuppel |
| Inspektion | 1 |



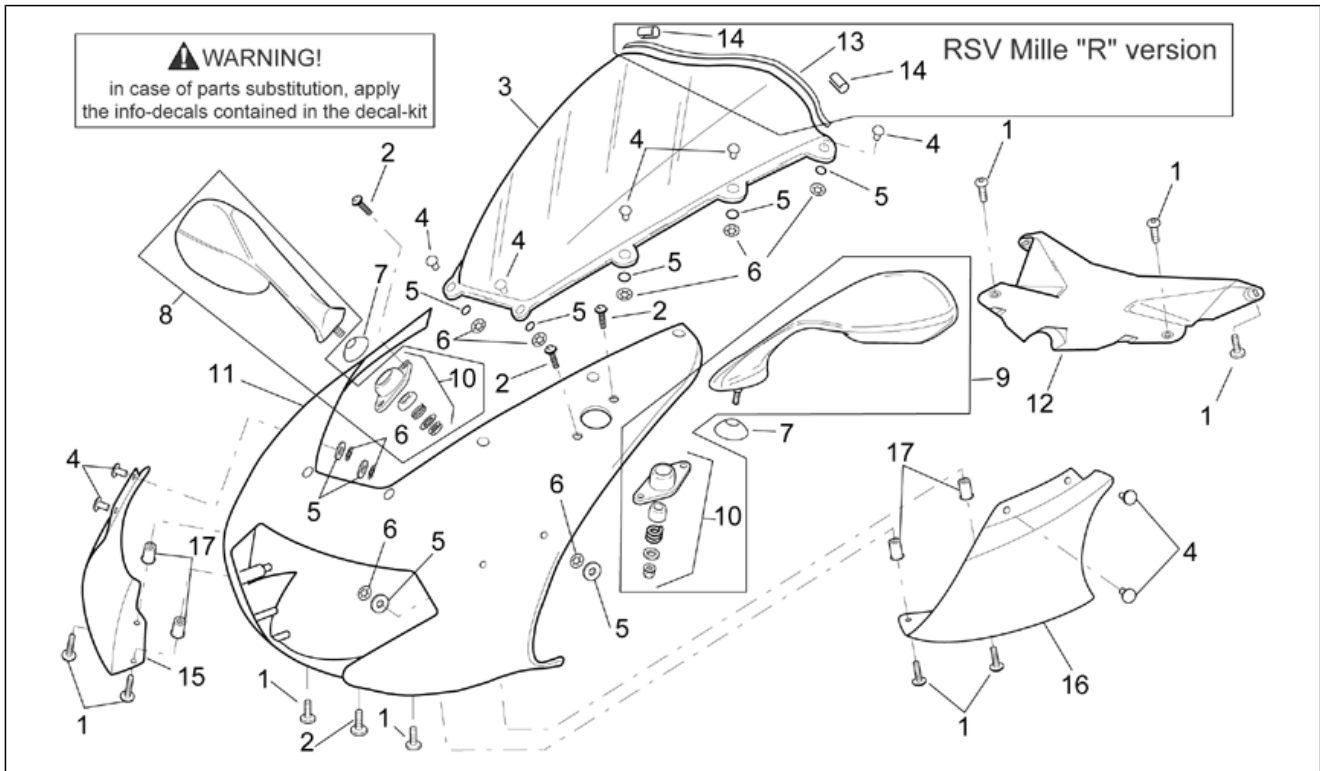
| Pos. | Code | Beschreibung | Menge | Varianten |
|------|-----------|-------------------------------|-------|---|
| 1 | AP8152298 | TBEI Schraube m.Flansch M5x16 | 10 | |
| 2 | AP8152246 | TBEI Schraube m.Flansch M6x16 | 5 | |
| 3 | AP8148829 | Windabweiser | 1 | Baujahr: 2003[3] Land: Österreich[A], Belgien[B], Belgien[BB], Schweiz[CH], Deutschland[D], Dänemark[DK], Spanien[E], A, CH, D, DK, GR, E, I, NL, P[EU], Frankreich[F], Frankreich[FF], Griechenland[GR], Italien[I], Japan[J], Japan[JJ], Holland[NL], Portugal[P], Großbritannien[UK] Technische Daten: Version RSV Mille[STD] |
| 3 | AP8149341 | Windabweiser | 1 | Baujahr: 2003[3] Fahrzeugfarbe: Racing GP1 2003[gp1] Land: Australien[AA], USA (Zulassung 49 Staaten)[AM], Australien[AUS], USA (Zulassung California)[CF], Vereinigte Staaten von Amerika[USA] Technische Daten: "Version ""R""acing GP1 Limited Ed."[RL] |
| 3 | AP8149341 | Windabweiser | 1 | Baujahr: 2003[3] Land: Australien[AA], USA (Zulassung 49 Staaten)[AM], Australien[AUS], USA (Zulassung California)[CF], Vereinigte Staaten von Amerika[USA] Technische Daten: Version RSV Mille[STD] |
| 3 | AP8149843 | Windabweiser | 1 | Baujahr: 2003[3] Fahrzeugfarbe: Racing Gelb Flashy 2003[yell] Technische Daten: "Version RSV Mille ""R""acing"[R] |
| 3 | AP8149843 | Windabweiser | 1 | Baujahr: 2003[3] Fahrzeugfarbe: Racing Bleigrau 2003[p.g] Technische Daten: "Version RSV Mille ""R""acing"[R] |
| 3 | AP8168403 | Windabweiser | 1 | Baujahr: 2003[3] Fahrzeugfarbe: Schwarz Aprilia 2003[black] Technische Daten: "Version RSV Mille ""R""acing"[R] |
| 3 | AP8168991 | Windabweiser | 1 | Baujahr: 2003[3] Fahrzeugfarbe: Racing GP1 2003[gp1] Land: Österreich[A], Belgien[B], Belgien[BB], Schweiz[CH], Deutschland[D], Dänemark[DK], Spanien[E], A, CH, D, DK, GR, E, I, NL, P[EU], Frankreich[F], Frankreich[FF], |

| | |
|---------------------|----------------------|
| Einheit | RAHMEN |
| Code | 28.19 |
| Beschreibung | Frontaufbau - Kuppel |
| Inspektion | 1 |



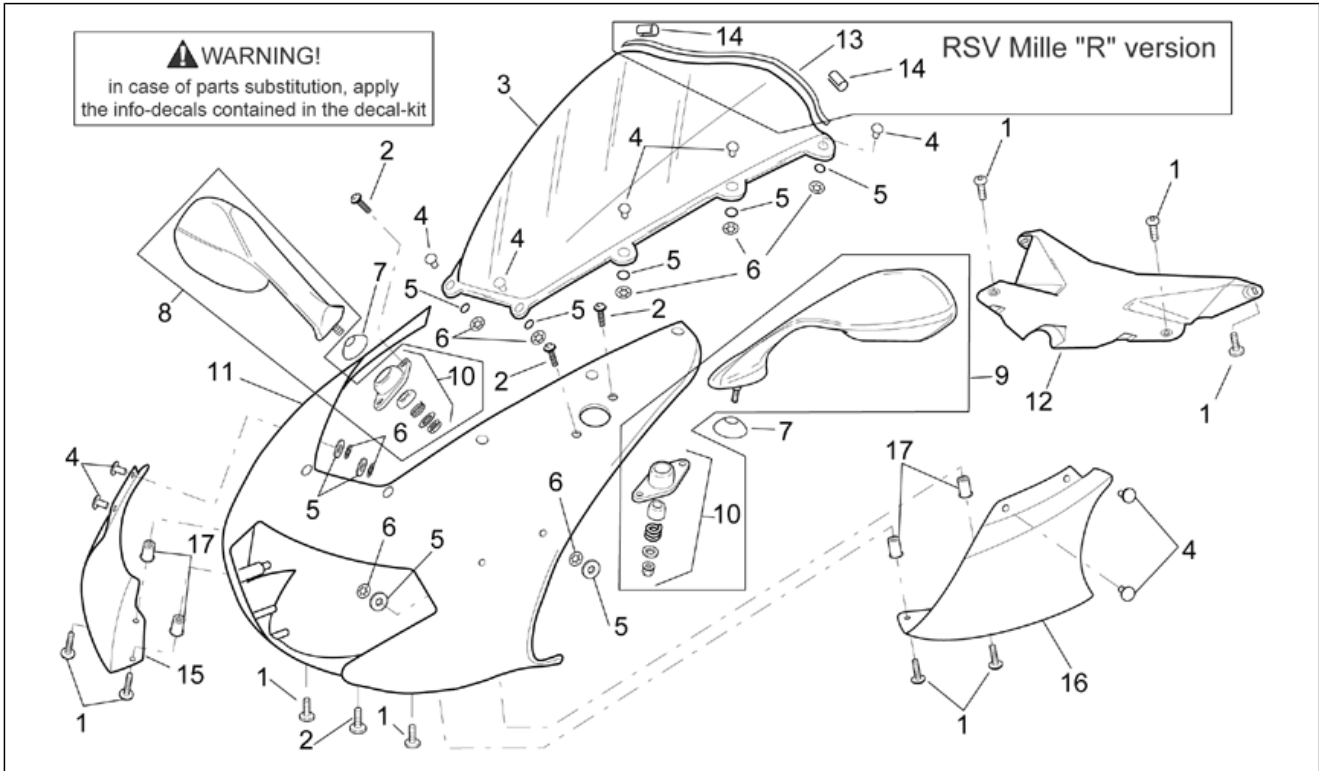
| Pos. | Code | Beschreibung | Menge | Varianten |
|------|-----------|-----------------------------|-------|---|
| | | | | Griechenland[GR], Italien[I], Japan[J], Japan[JJ], Holland[NL], Portugal[P], Großbritannien[UK] Technische Daten: "Version ""R""acing GP1 Limited Ed."[RL] |
| 4 | AP8144109 | Fixierstift | 12 | |
| 5 | AP8102504 | Gummi | 12 | |
| 6 | AP8150450 | Wellenscheibe D5 | 12 | |
| 7 | AP8102341 | Becher Spiegelgelenk | 2 | |
| 8 | AP8102632 | Rückspiegel rechts | 1 | |
| 9 | AP8102633 | Rückspiegel links | 1 | |
| 10 | AP8102909 | Bausatz einbauspiegel | 2 | |
| 11 | AP8168386 | Front.Verkl. V.hellrot | 1 | Baujahr: 2003[3] Fahrzeugfarbe: Hot red 2003[red] Technische Daten: Version RSV Mille[STD] |
| 11 | AP8168400 | Vord. Verkleidung, schwarz | 1 | Baujahr: 2003[3] Fahrzeugfarbe: Racing Schwarz Aprilia 2003[rac] Technische Daten: "Version RSV Mille ""R""acing"[R] |
| 11 | AP8168414 | Front.Verkl.V. gelb.f | 1 | Baujahr: 2003[3] Fahrzeugfarbe: Racing Gelb Flashy 2003[yell] Technische Daten: "Version RSV Mille ""R""acing"[R] |
| 11 | AP8168429 | Front.Verkl.V.apriliaschw. | 1 | Baujahr: 2003[3] Fahrzeugfarbe: Schwarz Aprilia 2003[black] Technische Daten: Version RSV Mille[STD] |
| 11 | AP8168443 | Vord. Verkleidung, grau | 1 | Baujahr: 2003[3] Fahrzeugfarbe: Bleigrau 2003[grey] Technische Daten: Version RSV Mille[STD] |
| 11 | AP8168812 | Vord. Verkleidung, grau | 1 | Baujahr: 2003[3] Fahrzeugfarbe: Racing Bleigrau 2003[p.g] Technische Daten: "Version RSV Mille ""R""acing"[R] |
| 11 | AP8168913 | Vord. Verkleidung, schwarz | 1 | Baujahr: 2003[3] Fahrzeugfarbe: Racing GP1 2003[gp1] Technische Daten: "Version ""R""acing GP1 Limited Ed."[RL] |
| 12 | AP8148830 | Verschl. Kuppel-Instr.tafel | 1 | Baujahr: 2003[3] Technische Daten: Version RSV Mille[STD] |

| | |
|---------------------|----------------------|
| Einheit | RAHMEN |
| Code | 28.19 |
| Beschreibung | Frontaufbau - Kuppel |
| Inspektion | 1 |



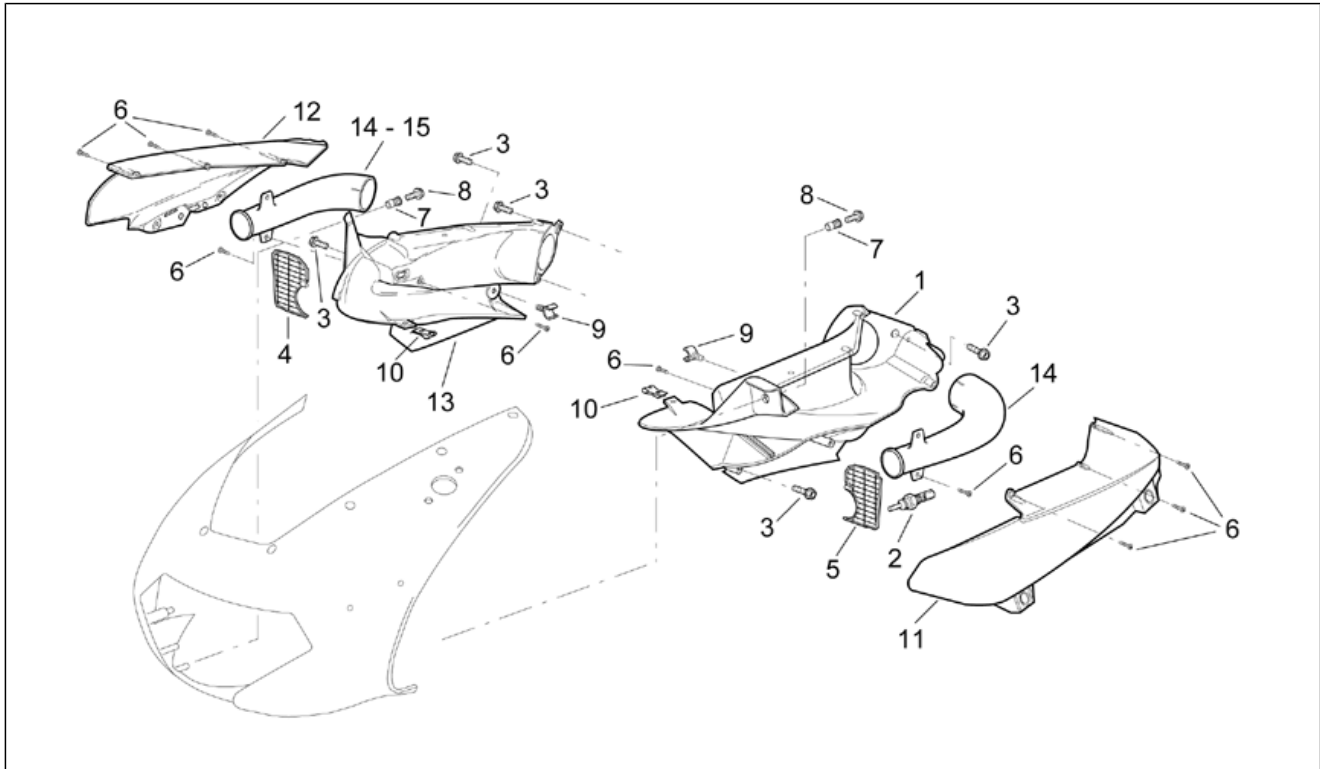
| Pos. | Code | Beschreibung | Menge | Varianten |
|------|-----------|-----------------------------|-------|---|
| 12 | AP8149270 | Verschl. Kuppel-Instr.tafel | 1 | Baujahr: 2003[3] Technische Daten: "Version RSV Mille ""R""acing"[R], "Version ""R""acing GP1 Limited Ed."[RL] |
| 13 | AP8144281 | Dichtung Sportsch. | 1 | Technische Daten: "Version RSV Mille ""R""acing"[R], "Version ""R""acing GP1 Limited Ed."[RL] |
| 14 | AP8106712 | Klammer | 2 | Technische Daten: "Version RSV Mille ""R""acing"[R], "Version ""R""acing GP1 Limited Ed."[RL] |
| 15 | AP8149285 | Deflektor r. kohl. | 1 | Baujahr: 2003[3] Fahrzeugfarbe: Racing GP1 2003[gp1] Technische Daten: "Version ""R""acing GP1 Limited Ed."[RL] |
| 15 | AP8168387 | Deflektor r.v.hellrot | 1 | Baujahr: 2003[3] Fahrzeugfarbe: Hot red 2003[red] Technische Daten: Version RSV Mille[STD] |
| 15 | AP8168401 | R. Deflektor | 1 | Baujahr: 2003[3] Fahrzeugfarbe: Racing Bleigrau 2003[p.g] Technische Daten: "Version RSV Mille ""R""acing"[R] |
| 15 | AP8168401 | R. Deflektor | 1 | Baujahr: 2003[3] Fahrzeugfarbe: Racing Schwarz Aprilia 2003[rac] Technische Daten: "Version RSV Mille ""R""acing"[R] |
| 15 | AP8168415 | R. Deflektor | 1 | Baujahr: 2003[3] Fahrzeugfarbe: Racing Gelb Flashy 2003[yell] Technische Daten: "Version RSV Mille ""R""acing"[R] |
| 15 | AP8168430 | Deflektor r.schwarz | 1 | Baujahr: 2003[3] Fahrzeugfarbe: Schwarz Aprilia 2003[black] Technische Daten: Version RSV Mille[STD] |
| 15 | AP8168444 | R. Deflektor, grau | 1 | Baujahr: 2003[3] Fahrzeugfarbe: Bleigrau 2003[grey] Technische Daten: Version RSV Mille[STD] |
| 16 | AP8149286 | Deflektor links, kohl. | 1 | Baujahr: 2003[3] Fahrzeugfarbe: Racing GP1 2003[gp1] Technische Daten: "Version ""R""acing GP1 Limited Ed."[RL] |
| 16 | AP8168388 | Deflektor l. V.hellrot | 1 | Baujahr: 2003[3] Fahrzeugfarbe: Hot red 2003[red] Technische Daten: Version RSV Mille[STD] |

| | |
|---------------------|----------------------|
| Einheit | RAHMEN |
| Code | 28.19 |
| Beschreibung | Frontaufbau - Kuppel |
| Inspektion | 1 |



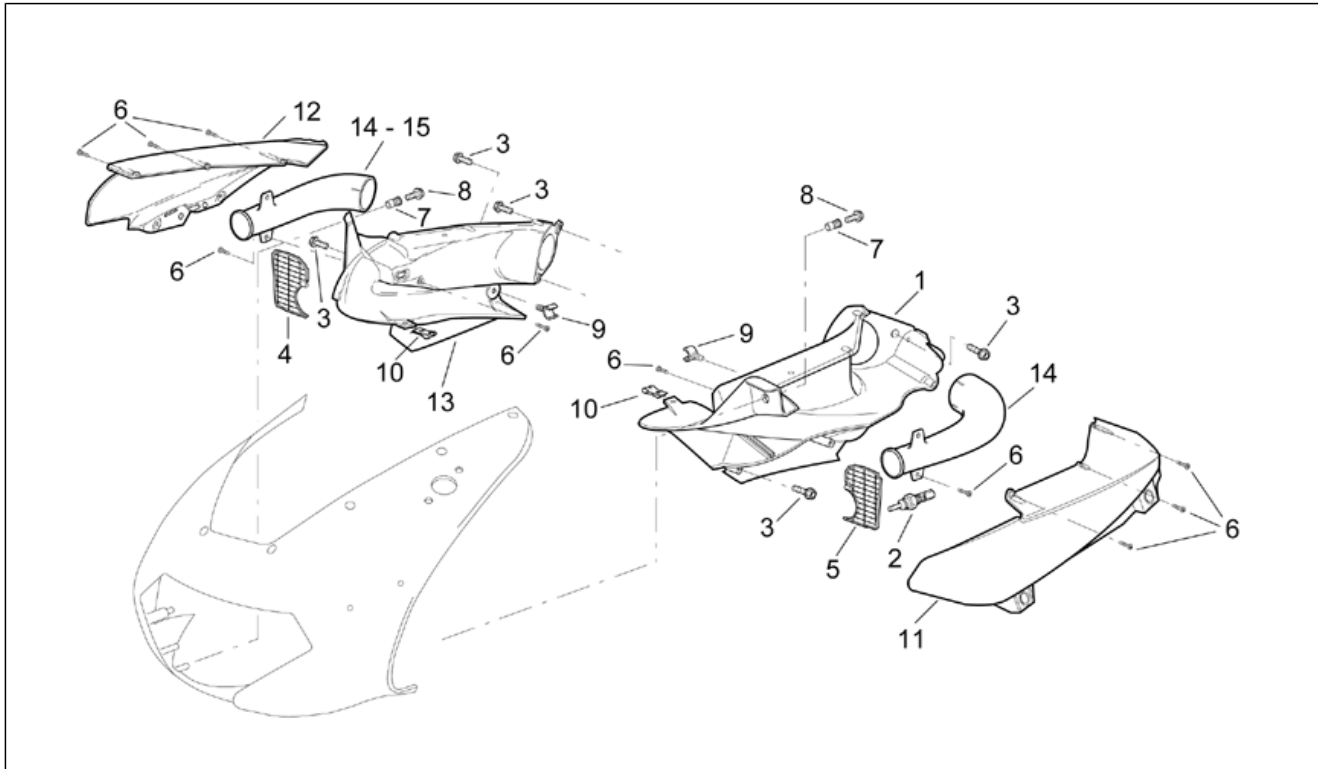
| Pos. | Code | Beschreibung | Menge | Varianten |
|------|-----------|---------------------|-------|---|
| 16 | AP8168402 | L. Deflektor | 1 | Baujahr: 2003[3] Fahrzeugfarbe: Racing Schwarz Aprilia 2003[rac] Technische Daten: "Version RSV Mille ""R""acing"[R] |
| 16 | AP8168402 | L. Deflektor | 1 | Baujahr: 2003[3] Fahrzeugfarbe: Racing Bleigrau 2003[p.g.] Technische Daten: "Version RSV Mille ""R""acing"[R] |
| 16 | AP8168416 | L. Deflektor | 1 | Baujahr: 2003[3] Fahrzeugfarbe: Racing Gelb Flashy 2003[yell] Technische Daten: "Version RSV Mille ""R""acing"[R] |
| 16 | AP8168431 | Deflektor l.schwarz | 1 | Baujahr: 2003[3] Fahrzeugfarbe: Schwarz Aprilia 2003[black] Technische Daten: Version RSV Mille[STD] |
| 16 | AP8168445 | L. Deflektor, grau | 1 | Baujahr: 2003[3] Fahrzeugfarbe: Bleigrau 2003[grey] Technische Daten: Version RSV Mille[STD] |
| 17 | AP8120531 | Gummi mit Einsatz | 4 | |

| | |
|---------------------|-------------------------|
| Einheit | RAHMEN |
| Code | 28.20 |
| Beschreibung | Frontaufbau - Leitblech |
| Inspektion | 1 |



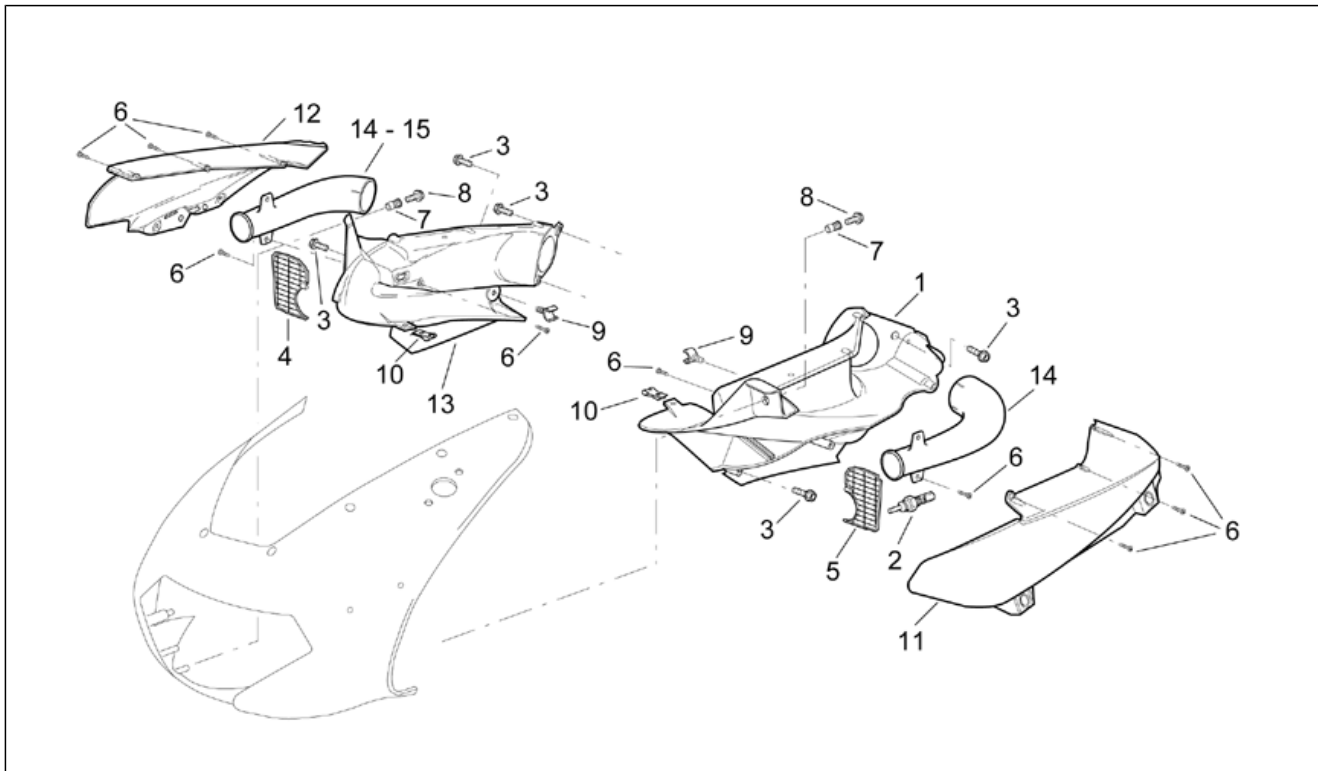
| Pos. | Code | Beschreibung | Menge | Varianten |
|------|-----------|-------------------------------|-------|---|
| 1 | AP8139415 | L. inn. Leitblech, schwarz | 1 | Baujahr: 2003[3] Fahrzeugfarbe: Racing Schwarz Aprilia 2003[rac] Technische Daten: "Version RSV Mille ""R""acing"[R] |
| 1 | AP8139415 | L. inn. Leitblech, schwarz | 1 | Baujahr: 2003[3] Fahrzeugfarbe: Schwarz Aprilia 2003[black] Technische Daten: Version RSV Mille[STD] |
| 1 | AP8139415 | L. inn. Leitblech, schwarz | 1 | Baujahr: 2003[3] Fahrzeugfarbe: Racing GP1 2003[gp1] Technische Daten: "Version ""R""acing GP1 Limited Ed."[RL] |
| 1 | AP8148912 | int.Leitblech I.V.hellrot | 1 | Baujahr: 2003[3] Fahrzeugfarbe: Hot red 2003[red] Technische Daten: Version RSV Mille[STD] |
| 1 | AP8148946 | int. Leitblech I. V. gelb | 1 | Baujahr: 2003[3] Fahrzeugfarbe: Racing Gelb Flashy 2003[yell] Technische Daten: "Version RSV Mille ""R""acing"[R] |
| 1 | AP8158574 | int. Leitblech I. V.grau | 1 | Baujahr: 2003[3] Fahrzeugfarbe: Racing Bleigrau 2003[p.g] Technische Daten: "Version RSV Mille ""R""acing"[R] |
| 1 | AP8158574 | int. Leitblech I. V.grau | 1 | Baujahr: 2003[3] Fahrzeugfarbe: Bleigrau 2003[grey] Technische Daten: Version RSV Mille[STD] |
| 2 | AP8124300 | Lufttemperaturfühler | 1 | |
| 3 | AP8152279 | TE Schr. m. Flansch M6x20 | 6 | |
| 4 | AP8148350 | Netz Luftschlitz rechts | 1 | |
| 5 | AP8148351 | Netz Luftschlitz links | 1 | |
| 6 | AP8150413 | Gew.schr. 3,9x14 | 20 | |
| 7 | AP8121297 | Dehneinsatz M5 | 2 | |
| 8 | AP8152298 | TBEI Schraube m.Flansch M5x16 | 2 | |
| 9 | AP8220269 | Kabelführungs | 2 | |
| 10 | AP8102375 | Klammer M5 | 2 | |
| 11 | AP8168395 | ext. Leitblech I.V.hellrot | 1 | Baujahr: 2003[3] Fahrzeugfarbe: Hot red 2003[red] |

| | |
|---------------------|-------------------------|
| Einheit | RAHMEN |
| Code | 28.20 |
| Beschreibung | Frontaufbau - Leitblech |
| Inspektion | 1 |



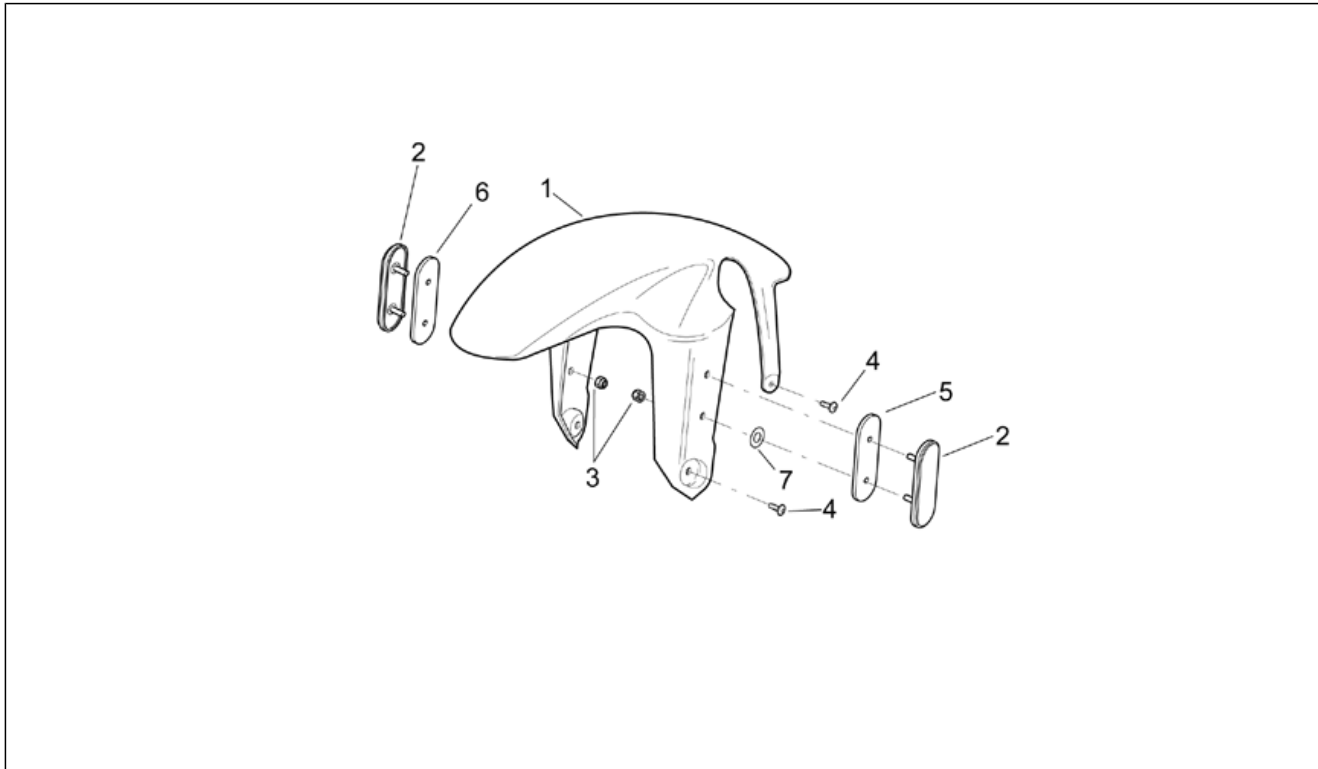
| Pos. | Code | Beschreibung | Menge | Varianten |
|------|-----------|-----------------------------|-------|---|
| | | | | Technische Daten: Version RSV Mille[STD] |
| 11 | AP8168410 | ext. Leitblech ls. Schw. | 1 | Baujahr: 2003[3] Fahrzeugfarbe: Racing Schwarz Aprilia 2003[rac] Technische Daten: "Version RSV Mille ""R""acing"[R] |
| 11 | AP8168424 | ext. Leitblech l.V.gelb | 1 | Baujahr: 2003[3] Fahrzeugfarbe: Racing Gelb Flashy 2003[yell] Technische Daten: "Version RSV Mille ""R""acing"[R] |
| 11 | AP8168438 | ext. Leitblech ls. Schw. | 1 | Baujahr: 2003[3] Fahrzeugfarbe: Schwarz Aprilia 2003[black] Technische Daten: Version RSV Mille[STD] |
| 11 | AP8168452 | ext. Leitblech l.V.grau | 1 | Baujahr: 2003[3] Fahrzeugfarbe: Bleigrau 2003[grey] Technische Daten: Version RSV Mille[STD] |
| 11 | AP8168820 | ext. Leitblech l.V.grau | 1 | Baujahr: 2003[3] Fahrzeugfarbe: Racing Bleigrau 2003[p.g] Technische Daten: "Version RSV Mille ""R""acing"[R] |
| 11 | AP8168902 | ext. Leitblech ls. Schw. | 1 | Baujahr: 2003[3] Fahrzeugfarbe: Racing GP1 2003[gp1] Technische Daten: "Version ""R""acing GP1 Limited Ed."[RL] |
| 12 | AP8168394 | ext. Leitblech rs.v.hellrot | 1 | Baujahr: 2003[3] Fahrzeugfarbe: Hot red 2003[red] Technische Daten: Version RSV Mille[STD] |
| 12 | AP8168409 | ext. Leitblech rs Schw. | 1 | Baujahr: 2003[3] Fahrzeugfarbe: Racing Schwarz Aprilia 2003[rac] Technische Daten: "Version RSV Mille ""R""acing"[R] |
| 12 | AP8168423 | ext. Leitblech rs.v.gelb | 1 | Baujahr: 2003[3] Fahrzeugfarbe: Racing Gelb Flashy 2003[yell] Technische Daten: "Version RSV Mille ""R""acing"[R] |
| 12 | AP8168437 | ext. Leitblech rs Schw. | 1 | Baujahr: 2003[3] Fahrzeugfarbe: Schwarz Aprilia 2003[black] Technische Daten: Version RSV Mille[STD] |
| 12 | AP8168451 | ext. Leitblech rs.v.grau | 1 | Baujahr: 2003[3] Fahrzeugfarbe: Bleigrau 2003[grey] Technische Daten: Version RSV Mille[STD] |

| | |
|---------------------|-------------------------|
| Einheit | RAHMEN |
| Code | 28.20 |
| Beschreibung | Frontaufbau - Leitblech |
| Inspektion | 1 |



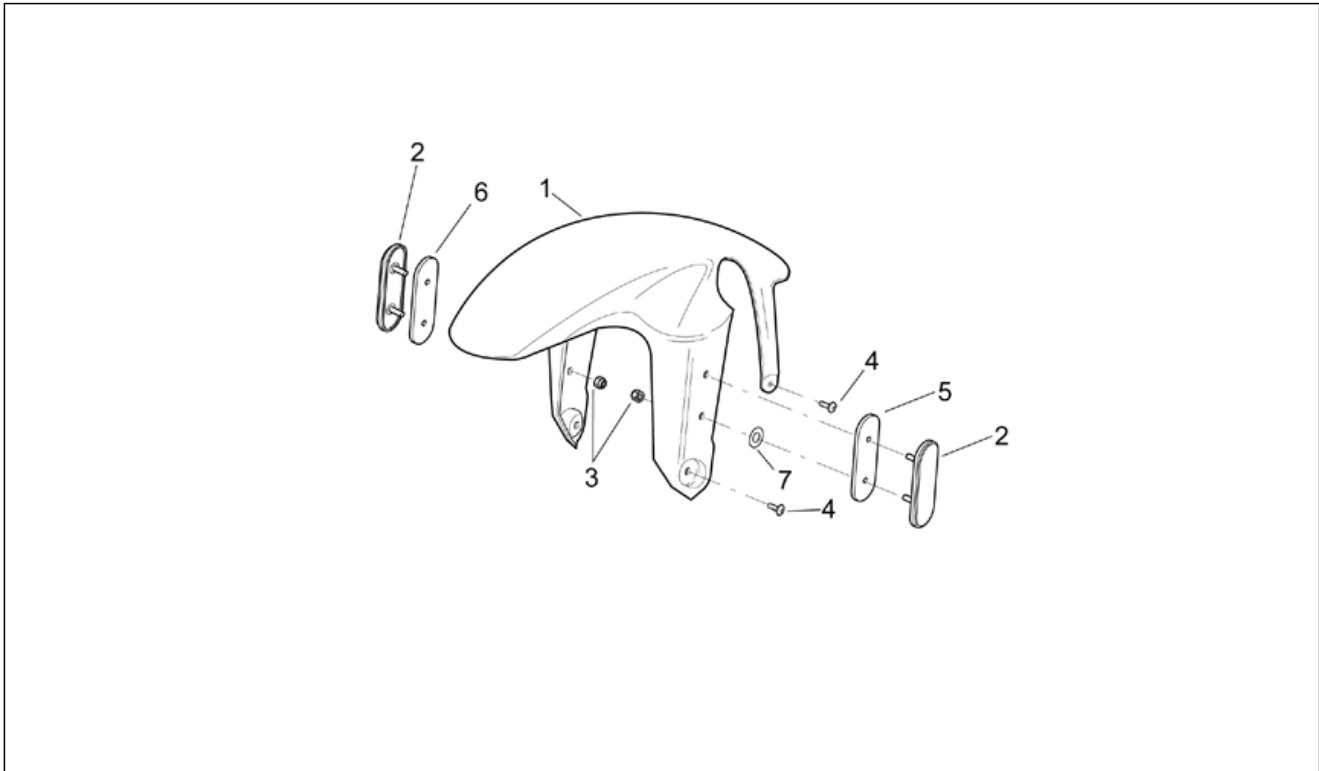
| Pos. | Code | Beschreibung | Menge | Varianten |
|------|-----------|----------------------------|-------|---|
| 12 | AP8168819 | ext. Leitblech rs.V.grau | 1 | Baujahr: 2003[3] Fahrzeugfarbe: Racing Bleigrau 2003[p.g] Technische Daten: "Version RSV Mille ""R""acing"[R] |
| 12 | AP8168901 | ext. Leitblech rs.Schw. | 1 | Baujahr: 2003[3] Fahrzeugfarbe: Racing GP1 2003[gp1] Technische Daten: "Version ""R""acing GP1 Limited Ed."[RL] |
| 13 | AP8139414 | R. inn. Leitblech, schwarz | 1 | Baujahr: 2003[3] Fahrzeugfarbe: Schwarz Aprilia 2003[black] Technische Daten: Version RSV Mille[STD] |
| 13 | AP8139414 | R. inn. Leitblech, schwarz | 1 | Baujahr: 2003[3] Fahrzeugfarbe: Racing Schwarz Aprilia 2003[rac] Technische Daten: "Version RSV Mille ""R""acing"[R] |
| 13 | AP8139414 | R. inn. Leitblech, schwarz | 1 | Baujahr: 2003[3] Fahrzeugfarbe: Racing GP1 2003[gp1] Technische Daten: "Version ""R""acing GP1 Limited Ed."[RL] |
| 13 | AP8148911 | int.Leitbl.rs.V.hellrot | 1 | Baujahr: 2003[3] Fahrzeugfarbe: Hot red 2003[red] Technische Daten: Version RSV Mille[STD] |
| 13 | AP8148945 | int. Leitblech rs.V.gelb | 1 | Baujahr: 2003[3] Fahrzeugfarbe: Racing Gelb Flashy 2003[yell] Technische Daten: "Version RSV Mille ""R""acing"[R] |
| 13 | AP8158573 | R. inn. Leitblech, grau | 1 | Baujahr: 2003[3] Fahrzeugfarbe: Racing Bleigrau 2003[p.g] Technische Daten: "Version RSV Mille ""R""acing"[R] |
| 13 | AP8158573 | R. inn. Leitblech, grau | 1 | Baujahr: 2003[3] Fahrzeugfarbe: Bleigrau 2003[grey] Technische Daten: Version RSV Mille[STD] |
| 14 | AP8102831 | Leitblech | 2 | Technische Daten: "Version RSV Mille ""R""acing"[R], Version RSV Mille[STD] |
| 14 | AP8168759 | Linkes Leitblech | 1 | Technische Daten: "Version ""R""acing GP1 Limited Ed."[RL] |
| 15 | AP8168760 | Rechtes Leitblech | 1 | Technische Daten: "Version ""R""acing GP1 Limited Ed."[RL] |

| | |
|---------------------|--------------------------------|
| Einheit | RAHMEN |
| Code | 28.21 |
| Beschreibung | Frontaufbau - Vrd. Schutzblech |
| Inspektion | 1 |



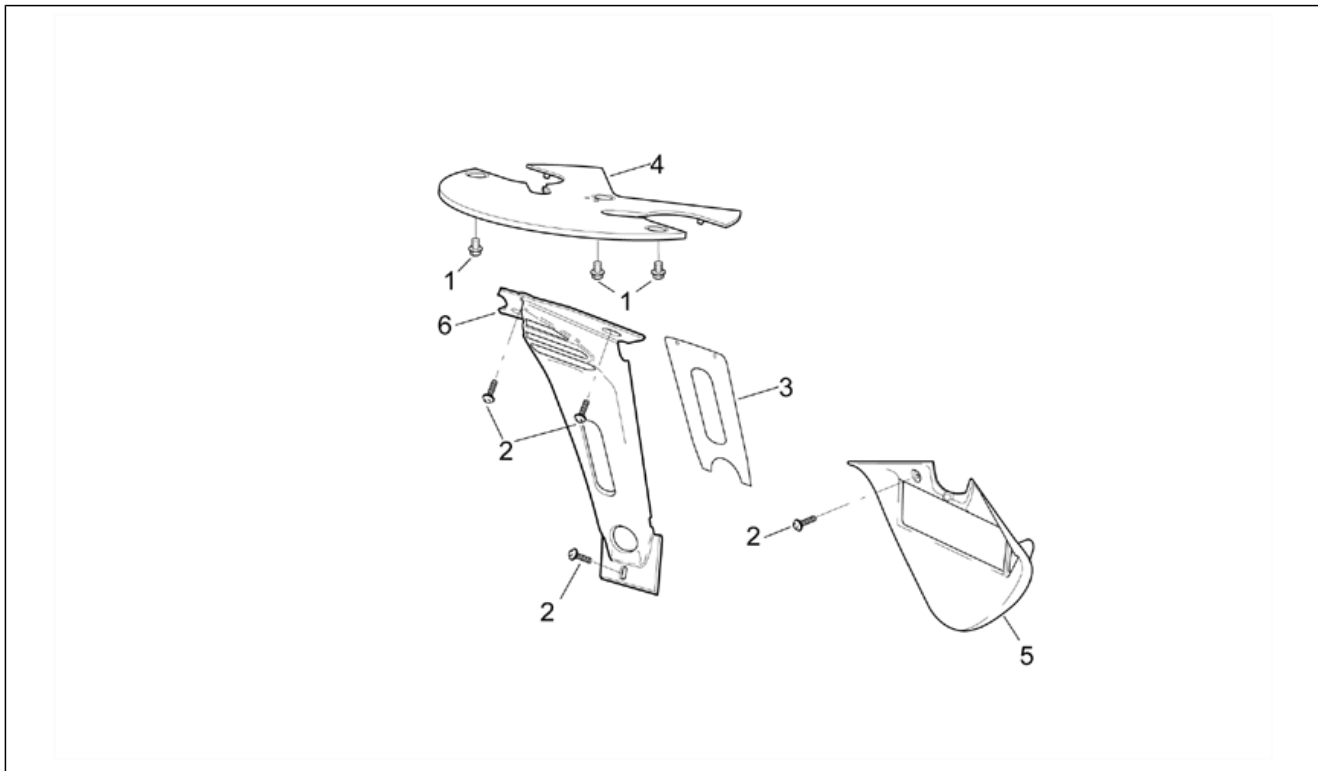
| Pos. | Code | Beschreibung | Menge | Varianten |
|------|-----------|-------------------------------|-------|---|
| 1 | AP8156012 | Schutzblech vorn Kohl. | 1 | Baujahr: 2003[3] Land: Österreich[A], Australien[AA], Australien[AUS], Belgien[B], Belgien[BB], Schweiz[CH], Deutschland[D], Dänemark[DK], Spanien[E], A, CH, D, DK, GR, E, I, NL, P[EU], Frankreich[F], Frankreich[FF], Griechenland[GR], Italien[I], Japan[J], Japan[JJ], Holland[NL], Portugal[P], Großbritannien[UK] Technische Daten: "Version RSV Mille ""R""acing"[R], "Version ""R""acing GP1 Limited Ed."[RL] |
| 1 | AP8156031 | V. Schutzblech, schwarz | 1 | Baujahr: 2003[3] Land: Österreich[A], Australien[AA], Australien[AUS], Belgien[B], Belgien[BB], Schweiz[CH], Deutschland[D], Dänemark[DK], Spanien[E], A, CH, D, DK, GR, E, I, NL, P[EU], Frankreich[F], Frankreich[FF], Griechenland[GR], Italien[I], Japan[J], Japan[JJ], Holland[NL], Portugal[P], Großbritannien[UK] Technische Daten: Version RSV Mille[STD] |
| 1 | AP8156040 | V. Schutzblech, schwarz | 1 | Baujahr: 2003[3] Land: USA (Zulassung 49 Staaten)[AM], USA (Zulassung California)[CF], Vereinigte Staaten von Amerika[USA] Technische Daten: Version RSV Mille[STD] |
| 1 | AP8156041 | Schutzblech vorn Kohl. | 1 | Baujahr: 2003[3] Land: USA (Zulassung 49 Staaten)[AM], USA (Zulassung California)[CF], Vereinigte Staaten von Amerika[USA] Technische Daten: "Version RSV Mille ""R""acing"[R], "Version ""R""acing GP1 Limited Ed."[RL] |
| 2 | AP8124719 | Rückstrahler, gelb | 2 | Land: USA (Zulassung 49 Staaten)[AM], USA (Zulassung California)[CF], Vereinigte Staaten von Amerika[USA] |
| 3 | AP8150204 | Mutter M4 | 4 | Land: USA (Zulassung 49 Staaten)[AM], USA (Zulassung California)[CF], Vereinigte Staaten von Amerika[USA] |
| 4 | AP8152298 | TBEI Schraube m.Flansch M5x16 | 4 | Technische Daten: "Version RSV Mille ""R""acing"[R], "Version ""R""acing GP1 Limited Ed."[RL] |
| 4 | AP8152302 | TBEI Schraube m.Flansch M5x12 | 4 | Technische Daten: Version RSV Mille[STD] |
| 5 | AP8148589 | Rückstr.halter v. ls. | 1 | Land: USA (Zulassung 49 Staaten)[AM], USA (Zulassung California)[CF], Vereinigte Staaten von Amerika[USA] |

| | |
|---------------------|--------------------------------|
| Einheit | RAHMEN |
| Code | 28.21 |
| Beschreibung | Frontaufbau - Vrd. Schutzblech |
| Inspektion | 1 |



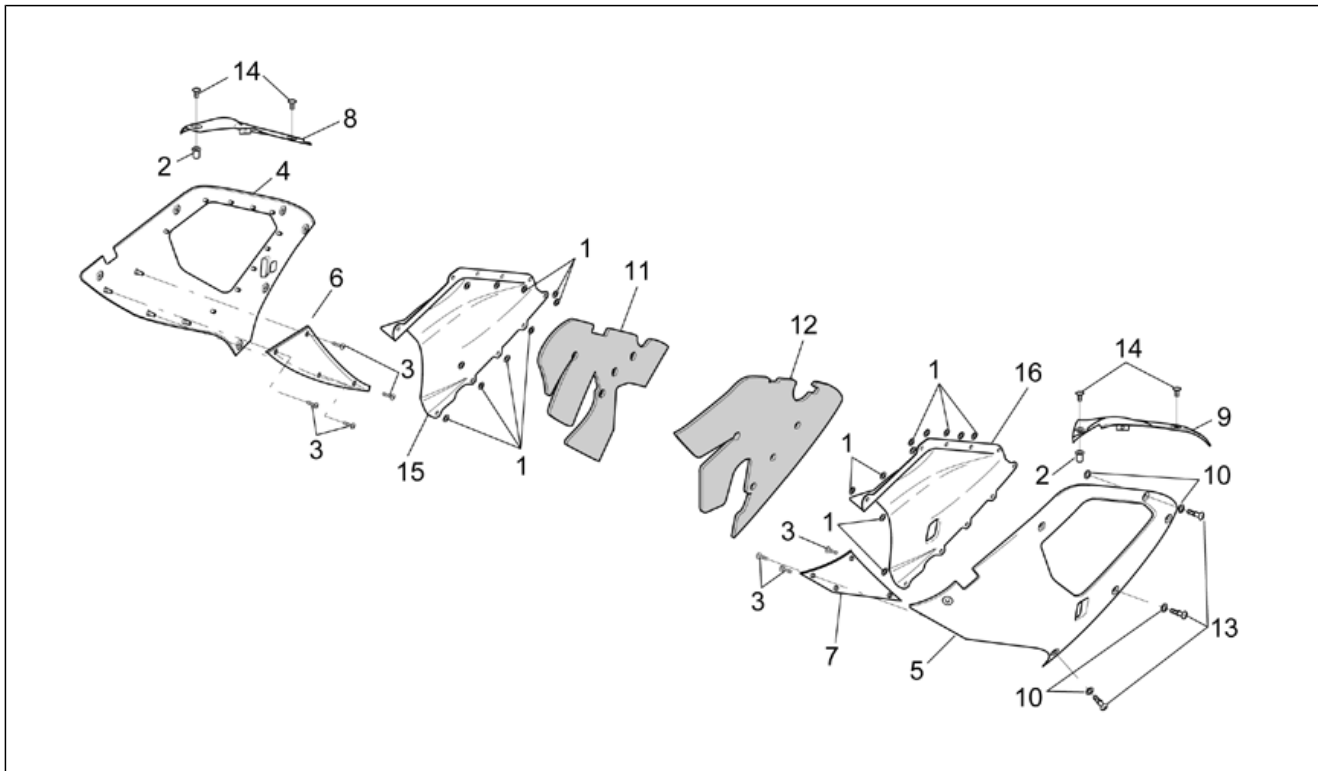
| Pos. | Code | Beschreibung | Menge | Varianten |
|------|-----------|-----------------------------|-------|--|
| 6 | AP8148588 | Rückstr.halter v. rs. | 1 | Land:USA (Zulassung 49 Staaten)[AM], USA (Zulassung California)[CF], Vereinigte Staaten von Amerika[USA] |
| 7 | AP8150382 | Ausgleichscheibe 15x5,5X1,2 | 4 | |

| | |
|---------------------|---------------------------|
| Einheit | RAHMEN |
| Code | 28.22 |
| Beschreibung | Karosserie v.-Verschlüsse |
| Inspektion | 1 |



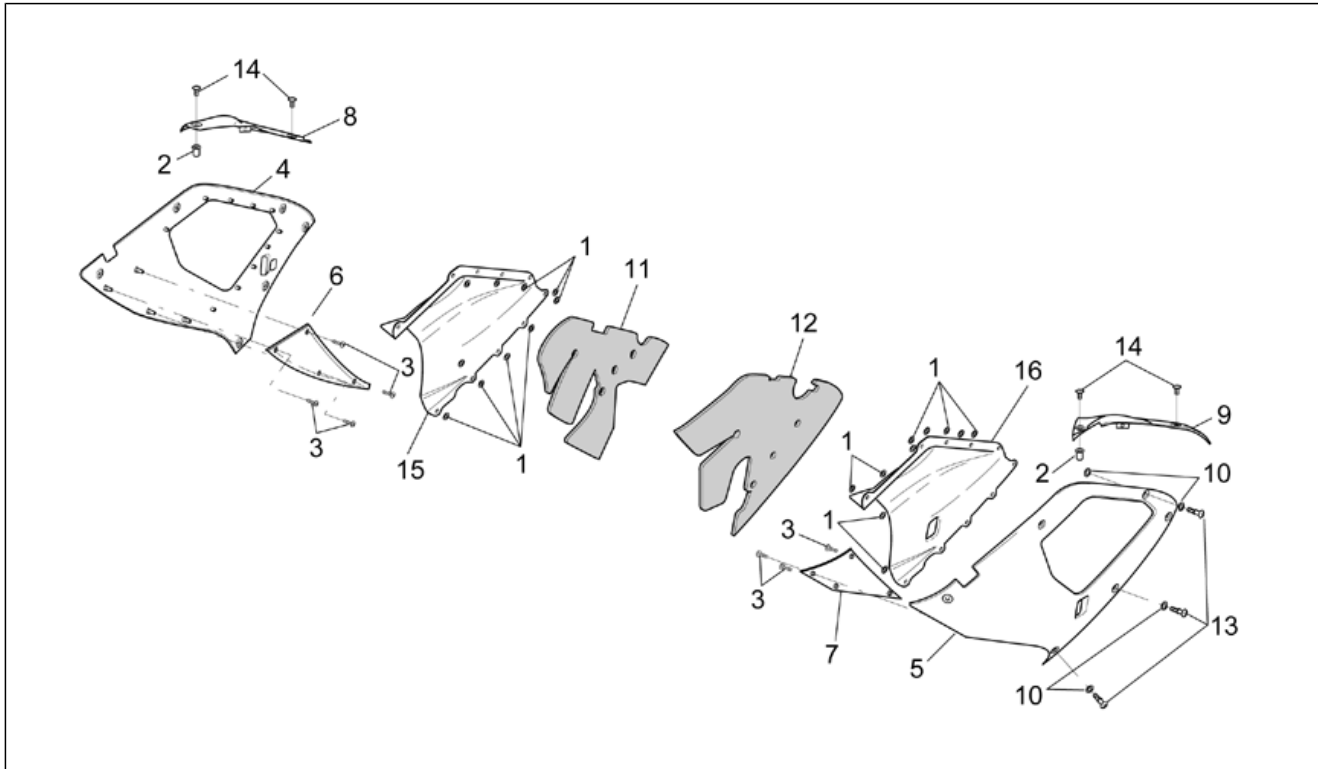
| Pos. | Code | Beschreibung | Menge | Varianten |
|------|-----------|-------------------------------|-------|---|
| 1 | AP8152277 | TE Schr. m. Flansch M6x12 | 3 | |
| 2 | AP8152246 | TBEI Schraube m.Flansch M6x16 | 5 | |
| 3 | AP8117129 | Gelenkplatte Spoiler | 1 | |
| 4 | AP8148551 | Verschl. unt. vorn Verkl. | 1 | |
| 5 | AP8168397 | Verkl.stütze hot | 1 | Baujahr: 2003[3] Fahrzeugfarbe: Hot red 2003[red] Technische Daten: Version RSV Mille[STD] |
| 5 | AP8168411 | Verkl.stange schwarz | 1 | Baujahr: 2003[3] Fahrzeugfarbe: Racing Schwarz Aprilia 2003[rac] Technische Daten: "Version RSV Mille ""R""acing"[R] |
| 5 | AP8168425 | Verkl.stange gelb | 1 | Baujahr: 2003[3] Fahrzeugfarbe: Racing Gelb Flashy 2003[yell] Technische Daten: "Version RSV Mille ""R""acing"[R] |
| 5 | AP8168439 | Verkl.stange schwarz | 1 | Baujahr: 2003[3] Fahrzeugfarbe: Racing GP1 2003[gp1] Technische Daten: "Version ""R""acing GP1 Limited Ed."[RL] |
| 5 | AP8168439 | Verkl.stange schwarz | 1 | Baujahr: 2003[3] Fahrzeugfarbe: Schwarz Aprilia 2003[black] Technische Daten: Version RSV Mille[STD] |
| 5 | AP8168453 | Verkl.stütze grau | 1 | Baujahr: 2003[3] Fahrzeugfarbe: Bleigrau 2003[grey] Technische Daten: Version RSV Mille[STD] |
| 5 | AP8168453 | Verkl.stütze grau | 1 | Baujahr: 2003[3] Fahrzeugfarbe: Racing Bleigrau 2003[p.g] Technische Daten: "Version RSV Mille ""R""acing"[R] |
| 6 | AP8148834 | Kühlerspoiler schwarz | 1 | |

| | |
|---------------------|----------------------------------|
| Einheit | RAHMEN |
| Code | 28.23 |
| Beschreibung | Mittlerer aufbau - Oberer Rumpfe |
| Inspektion | 1 |



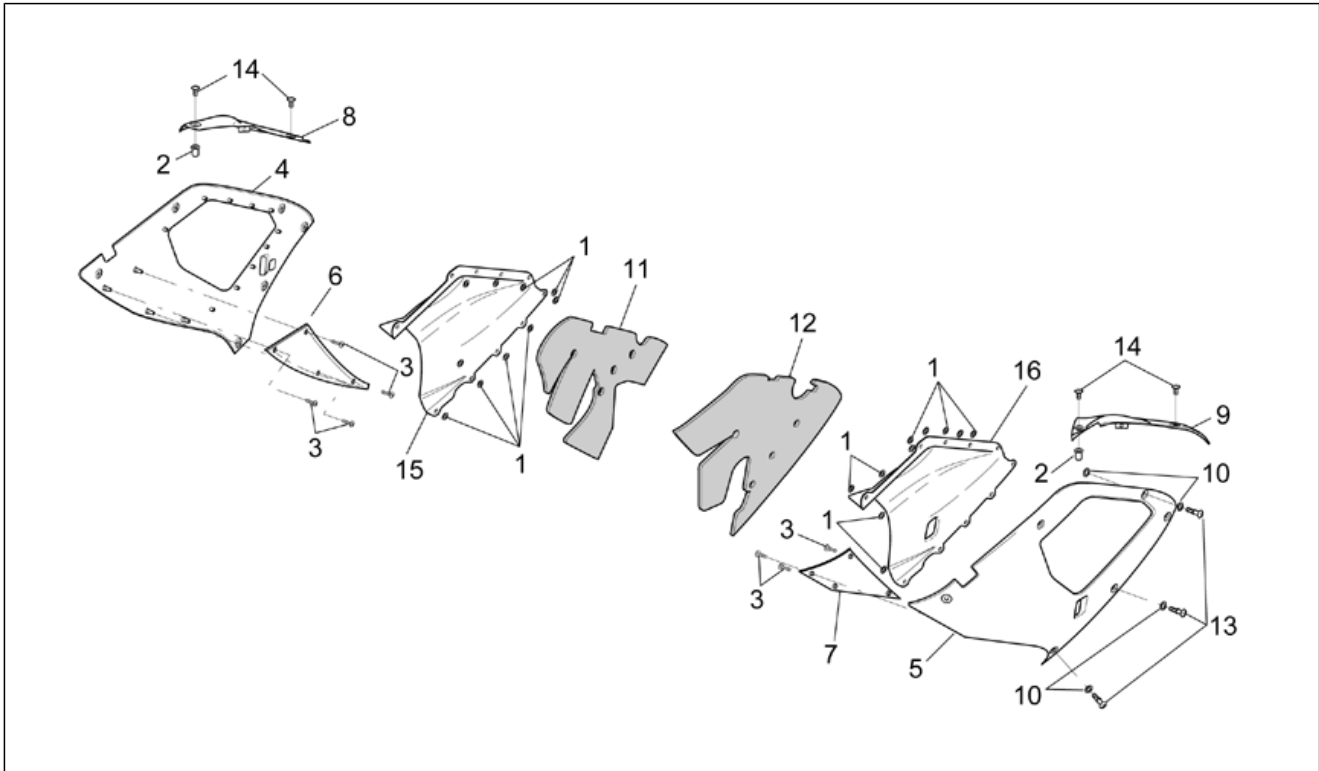
| Pos. | Code | Beschreibung | Menge | Varianten |
|------|-----------|----------------------------|-------|---|
| 1 | AP8150450 | Wellenscheibe D5 | 20 | |
| 2 | AP8120531 | Gummi mit Einsatz | 2 | |
| 3 | AP8150421 | Gew.schr. 2,9x12 | 8 | |
| 4 | AP8168389 | Seitenverkl. r. V. hellrot | 1 | Baujahr: 2003[3] Fahrzeugfarbe: Hot red 2003[red] Technische Daten: Version RSV Mille[STD] |
| 4 | AP8168404 | seit.Verkl. rechts Schw. | 1 | Baujahr: 2003[3] Fahrzeugfarbe: Racing Schwarz Aprilia 2003[rac] Technische Daten: "Version RSV Mille ""R""acing"[R] |
| 4 | AP8168418 | Seitenverkl. r V. gelb f. | 1 | Baujahr: 2003[3] Fahrzeugfarbe: Racing Gelb Flashy 2003[yell] Technische Daten: "Version RSV Mille ""R""acing"[R] |
| 4 | AP8168432 | Seit.Verkl.rs.ap.schwarz | 1 | Baujahr: 2003[3] Fahrzeugfarbe: Schwarz Aprilia 2003[black] Technische Daten: Version RSV Mille[STD] |
| 4 | AP8168446 | Verkl. seitl. rechts, grau | 1 | Baujahr: 2003[3] Fahrzeugfarbe: Bleigrau 2003[grey] Technische Daten: Version RSV Mille[STD] |
| 4 | AP8168814 | Verkl. seitl. rechts, grau | 1 | Baujahr: 2003[3] Fahrzeugfarbe: Racing Bleigrau 2003[p.g] Technische Daten: "Version RSV Mille ""R""acing"[R] |
| 4 | AP8168899 | seit.Verkl. rechts Schw. | 1 | Baujahr: 2003[3] Fahrzeugfarbe: Racing GP1 2003[gp1] Technische Daten: "Version ""R""acing GP1 Limited Ed."[RL] |
| 5 | AP8168390 | Seitenverkl. l. V.hellrot | 1 | Baujahr: 2003[3] Fahrzeugfarbe: Hot red 2003[red] Technische Daten: Version RSV Mille[STD] |
| 5 | AP8168405 | Seit.Verkl. links Schw. | 1 | Baujahr: 2003[3] Fahrzeugfarbe: Racing Schwarz Aprilia 2003[rac] Technische Daten: "Version RSV Mille ""R""acing"[R] |
| 5 | AP8168419 | Seitenverkl. l. V.gelb f. | 1 | Baujahr: 2003[3] Fahrzeugfarbe: Racing Gelb Flashy 2003[yell] Technische Daten: "Version RSV Mille ""R""acing"[R] |

| | |
|---------------------|----------------------------------|
| Einheit | RAHMEN |
| Code | 28.23 |
| Beschreibung | Mittlerer aufbau - Oberer Rumpfe |
| Inspektion | 1 |



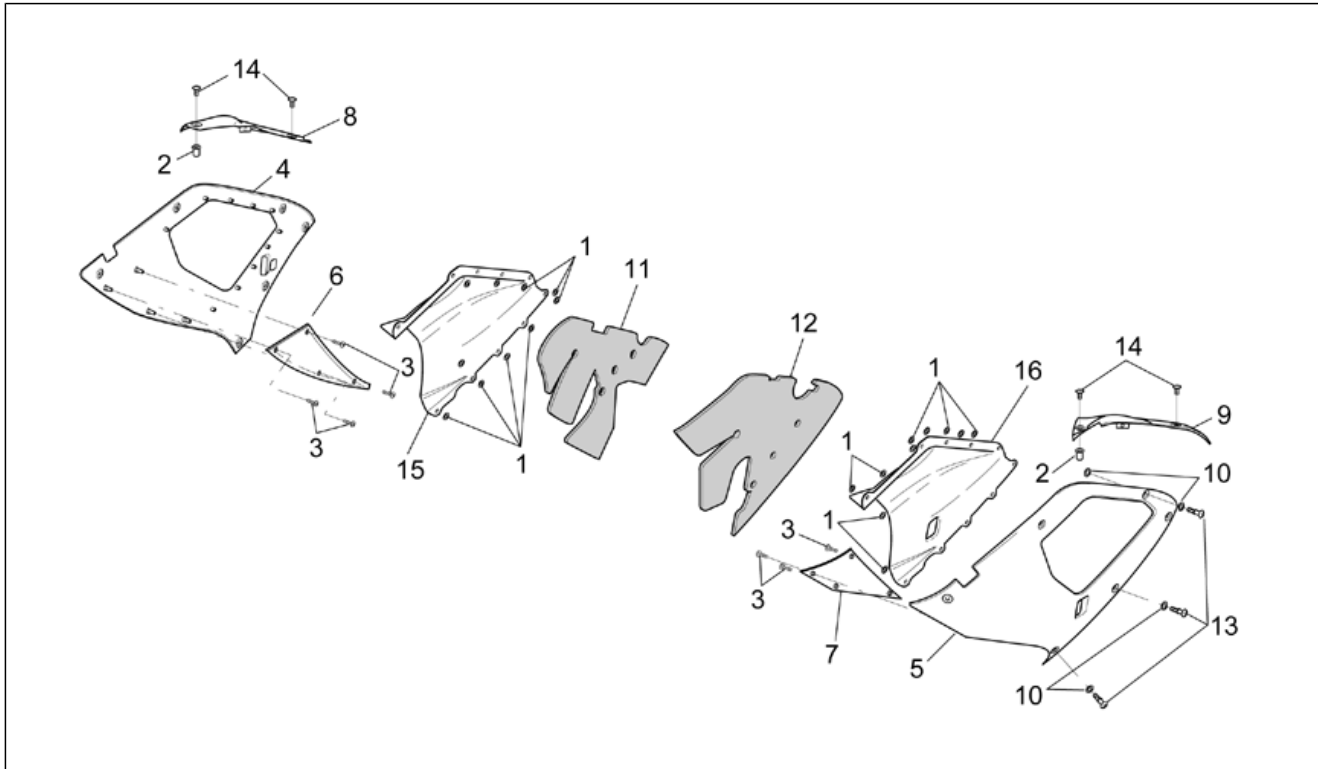
| Pos. | Code | Beschreibung | Menge | Varianten |
|------|-----------|--------------------------------|-------|---|
| 5 | AP8168433 | Seit.Verkl.ls.ap.schwarz | 1 | Baujahr: 2003[3] Fahrzeugfarbe: Schwarz Aprilia 2003[black] Technische Daten: Version RSV Mille[STD] |
| 5 | AP8168447 | Verkl. seitr. links, grau | 1 | Baujahr: 2003[3] Fahrzeugfarbe: Bleigrau 2003[grey] Technische Daten: Version RSV Mille[STD] |
| 5 | AP8168815 | Verkl. seitr. links, grau | 1 | Baujahr: 2003[3] Fahrzeugfarbe: Racing Bleigrau 2003[p.g] Technische Daten: "Version RSV Mille ""R""acing"[R] |
| 5 | AP8168900 | Seit.Verkl. links Schw. | 1 | Baujahr: 2003[3] Fahrzeugfarbe: Racing GP1 2003[gp1] Technische Daten: "Version ""R""acing GP1 Limited Ed."[RL] |
| 6 | AP8148483 | R.inn.Rumpf, schwarz | 1 | |
| 7 | AP8148484 | L.inn.Rumpf, schwarz | 1 | |
| 8 | AP8148529 | Verschl. Verkl.ob.r.V.schw. | 1 | Baujahr: 2003[3] Fahrzeugfarbe: Racing GP1 2003[gp1] Technische Daten: "Version ""R""acing GP1 Limited Ed."[RL] |
| 8 | AP8148529 | Verschl. Verkl.ob.r.V.schw. | 1 | Baujahr: 2003[3] Fahrzeugfarbe: Schwarz Aprilia 2003[black] Technische Daten: Version RSV Mille[STD] |
| 8 | AP8148529 | Verschl. Verkl.ob.r.V.schw. | 1 | Baujahr: 2003[3] Fahrzeugfarbe: Racing Schwarz Aprilia 2003[rac] Technische Daten: "Version RSV Mille ""R""acing"[R] |
| 8 | AP8148915 | Verschl. Verkl.ob.r.V.rot | 1 | Baujahr: 2003[3] Fahrzeugfarbe: Hot red 2003[red] Technische Daten: Version RSV Mille[STD] |
| 8 | AP8148949 | Verschl. Verkl.ob.r.V.gelb | 1 | Baujahr: 2003[3] Fahrzeugfarbe: Racing Gelb Flashy 2003[yell] Technische Daten: "Version RSV Mille ""R""acing"[R] |
| 8 | AP8158581 | Verkl.verschl. Ob.rechts, grau | 1 | Baujahr: 2003[3] Fahrzeugfarbe: Racing Bleigrau 2003[p.g] Technische Daten: "Version RSV Mille ""R""acing"[R] |
| 8 | AP8158581 | Verkl.verschl. Ob.rechts, grau | 1 | Baujahr: 2003[3] |

| | |
|---------------------|----------------------------------|
| Einheit | RAHMEN |
| Code | 28.23 |
| Beschreibung | Mittlerer aufbau - Oberer Rumpfe |
| Inspektion | 1 |



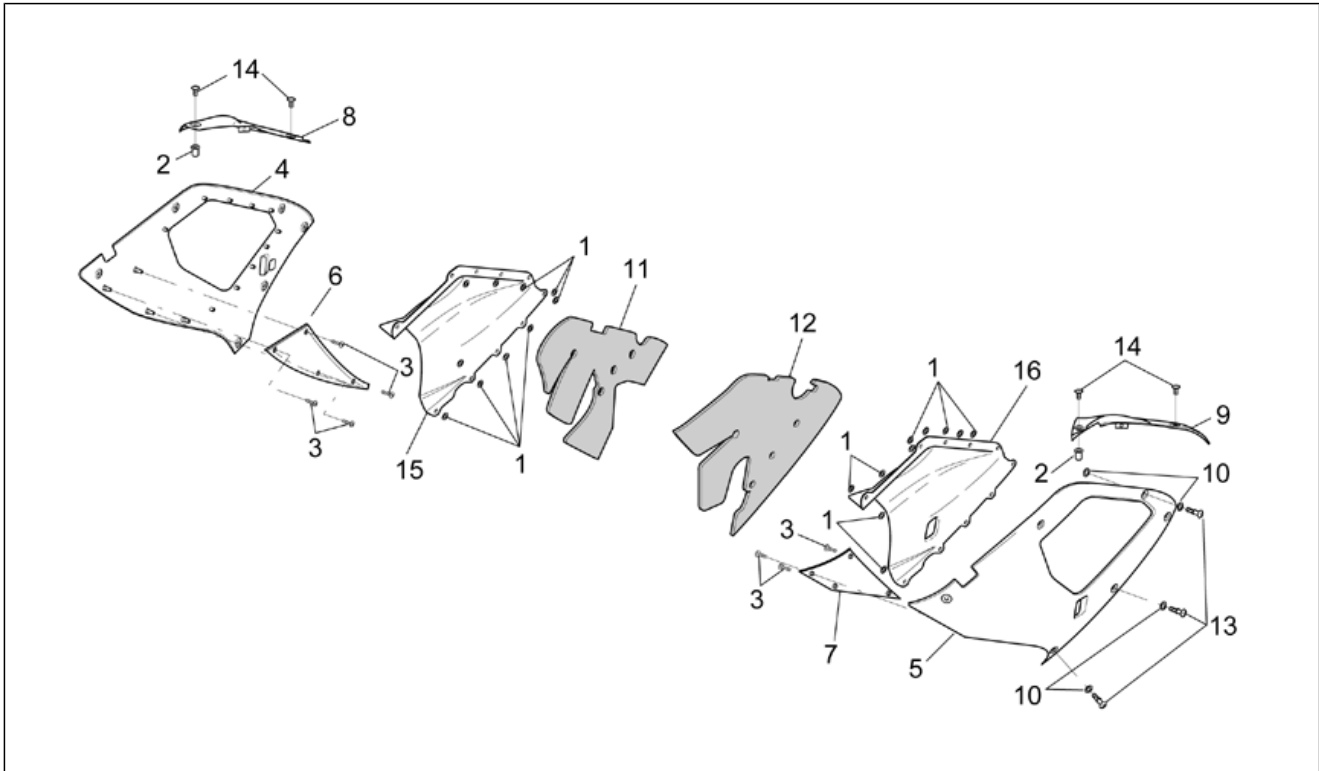
| Pos. | Code | Beschreibung | Menge | Varianten |
|------|-----------|-------------------------------|-------|---|
| | | | | Fahrzeugfarbe:Bleigrau 2003[grey] Technische Daten:Version RSV Mille[STD] |
| 9 | AP8148530 | Verschl.Verkl.ob.l.V.schw. | 1 | Baujahr:2003[3] Fahrzeugfarbe:Racing Schwarz Aprilia 2003[rac] Technische Daten:"Version RSV Mille ""R""acing"[R] |
| 9 | AP8148530 | Verschl.Verkl.ob.l.V.schw. | 1 | Baujahr:2003[3] Fahrzeugfarbe:Racing GP1 2003[gp1] Technische Daten:"Version ""R""acing GP1 Limited Ed."[RL] |
| 9 | AP8148530 | Verschl.Verkl.ob.l.V.schw. | 1 | Baujahr:2003[3] Fahrzeugfarbe:Schwarz Aprilia 2003[black] Technische Daten:Version RSV Mille[STD] |
| 9 | AP8148916 | Verschl. Verkl.ob.l.V.rot | 1 | Baujahr:2003[3] Fahrzeugfarbe:Hot red 2003[red] Technische Daten:Version RSV Mille[STD] |
| 9 | AP8148950 | Verschl. Verkl.ob.r.V.gelb | 1 | Baujahr:2003[3] Fahrzeugfarbe:Racing Gelb Flashy 2003[yell] Technische Daten:"Version RSV Mille ""R""acing"[R] |
| 9 | AP8158579 | Verkl.verschl. Ob.links, grau | 1 | Baujahr:2003[3] Fahrzeugfarbe:Racing Bleigrau 2003[p.g] Technische Daten:"Version RSV Mille ""R""acing"[R] |
| 9 | AP8158579 | Verkl.verschl. Ob.links, grau | 1 | Baujahr:2003[3] Fahrzeugfarbe:Bleigrau 2003[grey] Technische Daten:Version RSV Mille[STD] |
| 10 | AP8120622 | Vord. Staubschutzring | 24 | |
| 11 | AP8117168 | Schalldämmpl. ob. re. | 1 | |
| 12 | AP8117169 | Schalldämmpl. ob. links | 1 | |
| 13 | AP8121253 | Bolzen | 12 | |
| 14 | AP8152302 | TBEI Schraube m.Flansch M5x12 | 4 | |
| 15 | AP8149282 | Abzieher rechts, kohl. | 1 | Baujahr:2003[3] Fahrzeugfarbe:Racing Bleigrau 2003[p.g] Technische Daten:"Version RSV Mille ""R""acing"[R] |
| 15 | AP8149282 | Abzieher rechts, kohl. | 1 | Baujahr:2003[3] Fahrzeugfarbe:Racing Gelb Flashy 2003[yell] |

| | |
|---------------------|----------------------------------|
| Einheit | RAHMEN |
| Code | 28.23 |
| Beschreibung | Mittlerer aufbau - Oberer Rumpfe |
| Inspektion | 1 |



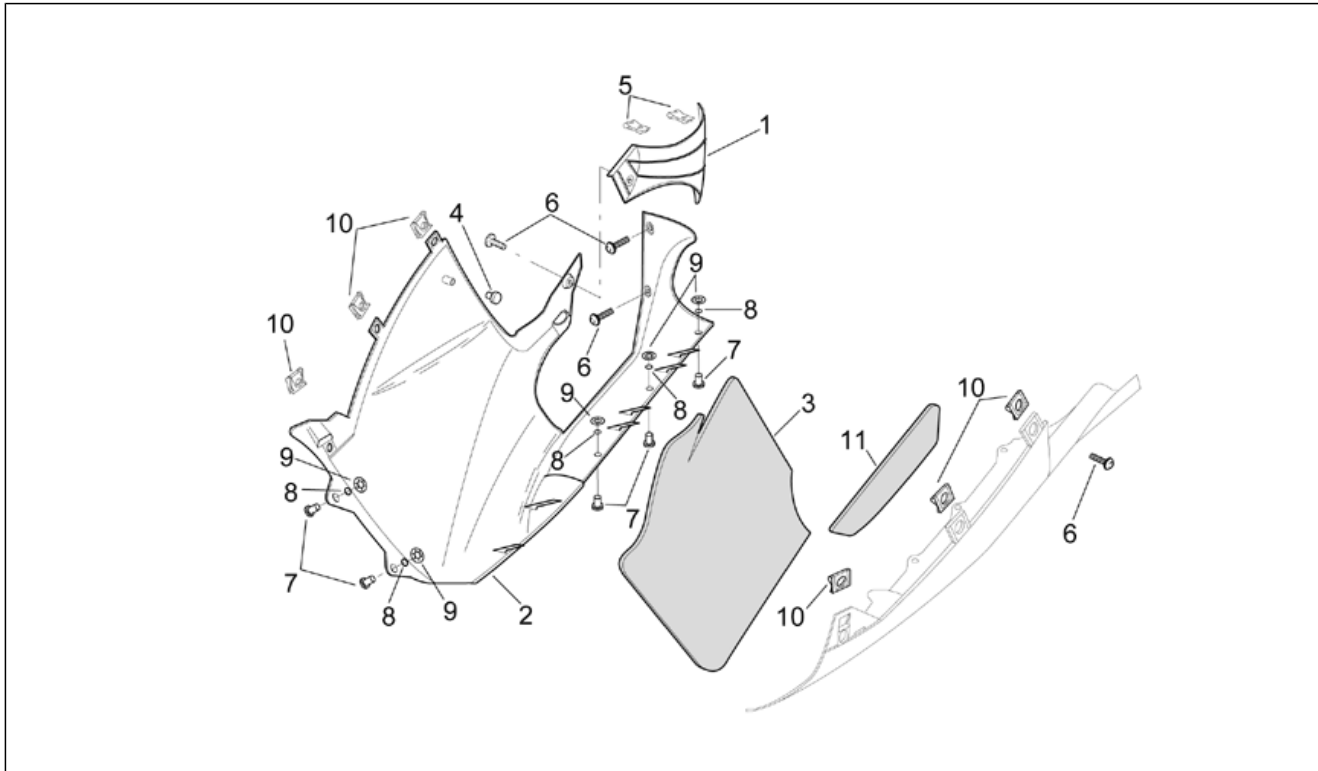
| Pos. | Code | Beschreibung | Menge | Varianten |
|------|-----------|--------------------------|-------|---|
| | | | | Technische Daten: "Version RSV Mille ""R""acing"[R] |
| 15 | AP8149282 | Abzieher rechts, kohl. | 1 | Baujahr: 2003[3] Fahrzeugfarbe: Racing Schwarz Aprilia 2003[rac] Technische Daten: "Version RSV Mille ""R""acing"[R] |
| 15 | AP8149282 | Abzieher rechts, kohl. | 1 | Baujahr: 2003[3] Fahrzeugfarbe: Racing GP1 2003[gp1] Technische Daten: "Version ""R""acing GP1 Limited Ed."[RL] |
| 15 | AP8158568 | Abzieher rechts, schwarz | 1 | Baujahr: 2003[3] Fahrzeugfarbe: Hot red 2003[red] Technische Daten: Version RSV Mille[STD] |
| 15 | AP8158568 | Abzieher rechts, schwarz | 1 | Baujahr: 2003[3] Fahrzeugfarbe: Bleigrau 2003[grey] Technische Daten: Version RSV Mille[STD] |
| 15 | AP8158568 | Abzieher rechts, schwarz | 1 | Baujahr: 2003[3] Fahrzeugfarbe: Schwarz Aprilia 2003[black] Technische Daten: Version RSV Mille[STD] |
| 16 | AP8149283 | Abzieher links, kohl. | 1 | Baujahr: 2003[3] Fahrzeugfarbe: Racing Bleigrau 2003[p.g] Technische Daten: "Version RSV Mille ""R""acing"[R] |
| 16 | AP8149283 | Abzieher links, kohl. | 1 | Baujahr: 2003[3] Fahrzeugfarbe: Racing GP1 2003[gp1] Technische Daten: "Version ""R""acing GP1 Limited Ed."[RL] |
| 16 | AP8149283 | Abzieher links, kohl. | 1 | Baujahr: 2003[3] Fahrzeugfarbe: Racing Schwarz Aprilia 2003[rac] Technische Daten: "Version RSV Mille ""R""acing"[R] |
| 16 | AP8149283 | Abzieher links, kohl. | 1 | Baujahr: 2003[3] Fahrzeugfarbe: Racing Gelb Flashy 2003[yell] Technische Daten: "Version RSV Mille ""R""acing"[R] |
| 16 | AP8158569 | Abzieher links, schwarz | 1 | Baujahr: 2003[3] Fahrzeugfarbe: Schwarz Aprilia 2003[black] Technische Daten: Version RSV Mille[STD] |
| 16 | AP8158569 | Abzieher links, schwarz | 1 | Baujahr: 2003[3] Fahrzeugfarbe: Hot red 2003[red] Technische Daten: Version RSV Mille[STD] |

| | |
|---------------------|----------------------------------|
| Einheit | RAHMEN |
| Code | 28.23 |
| Beschreibung | Mittlerer aufbau - Oberer Rumpfe |
| Inspektion | 1 |



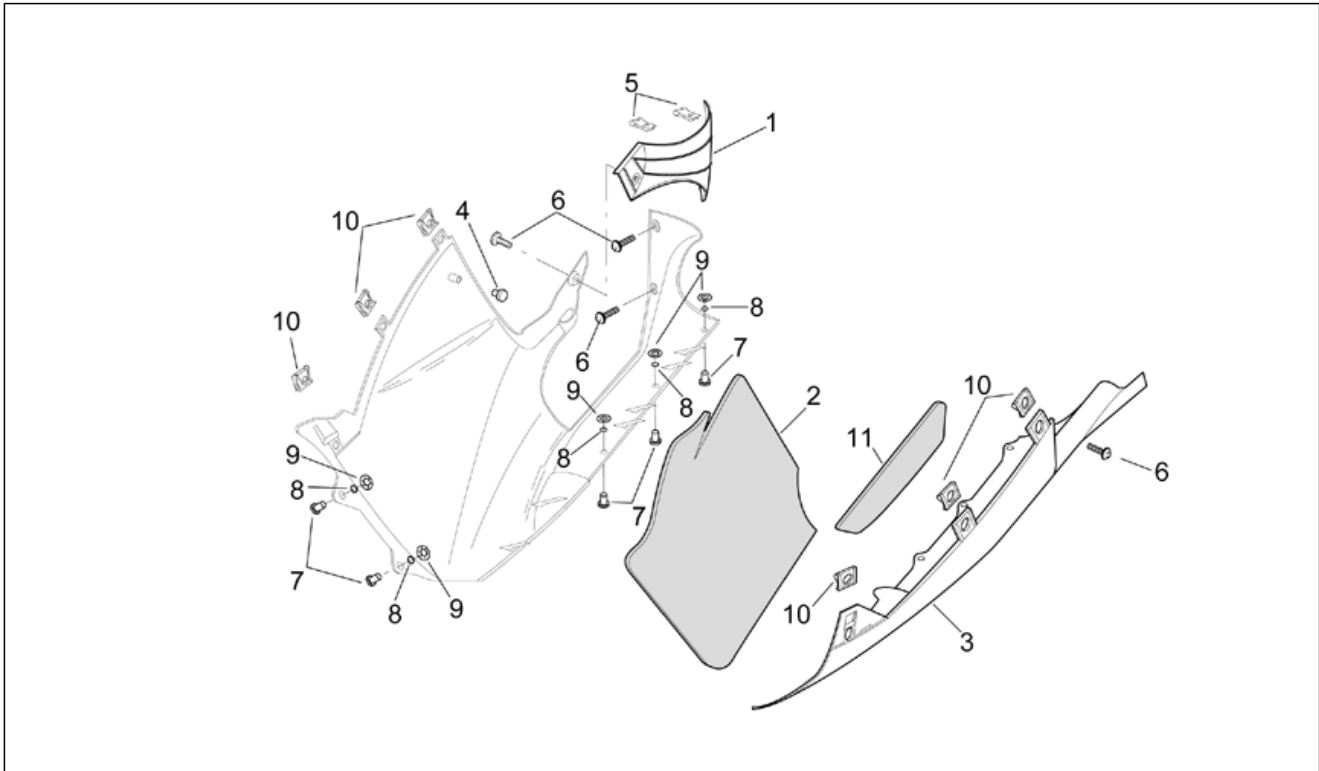
| Pos. | Code | Beschreibung | Menge | Varianten |
|------|-----------|-------------------------|-------|---|
| 16 | AP8158569 | Abzieher links, schwarz | 1 | Baujahr:2003[3] Fahrzeugfarbe:Bleigrau 2003[grey] Technische Daten:Version RSV Mille[STD] |

| | |
|---------------------|----------------------------|
| Einheit | RAHMEN |
| Code | 28.24 |
| Beschreibung | Karosserie zent.-Verkl.rs. |
| Inspektion | 1 |



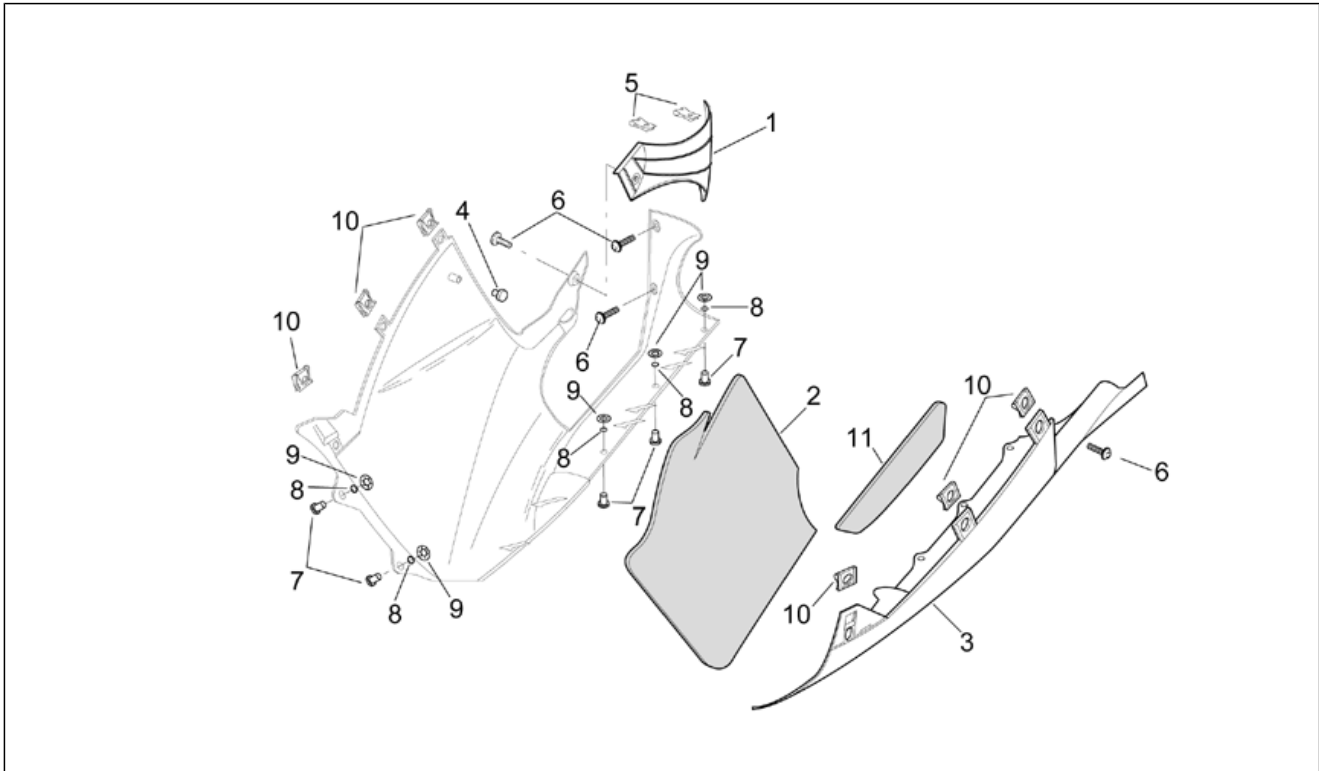
| Pos. | Code | Beschreibung | Menge | Varianten |
|------|-----------|-------------------------------|-------|---|
| 1 | AP8138565 | Schalldämpferschutz | 1 | |
| 2 | AP8168391 | RU Verkl., hot | 1 | Baujahr: 2003[3] Fahrzeugfarbe: Hot red 2003[red] Technische Daten: Version RSV Mille[STD] |
| 2 | AP8168406 | Verkl.unten rs.schwarz | 1 | Baujahr: 2003[3] Fahrzeugfarbe: Racing Schwarz Aprilia 2003[rac] Technische Daten: "Version RSV Mille ""R""acing"[R] |
| 2 | AP8168420 | RU Verkl., gelb | 1 | Baujahr: 2003[3] Fahrzeugfarbe: Racing Gelb Flashy 2003[yell] Technische Daten: "Version RSV Mille ""R""acing"[R] |
| 2 | AP8168434 | Verkl.unten rs.schwarz | 1 | Baujahr: 2003[3] Fahrzeugfarbe: Schwarz Aprilia 2003[black] Technische Daten: Version RSV Mille[STD] |
| 2 | AP8168448 | Verkl.unt. re., grau | 1 | Baujahr: 2003[3] Fahrzeugfarbe: Bleigrau 2003[grey] Technische Daten: Version RSV Mille[STD] |
| 2 | AP8168816 | Verkl.unt. re., grau | 1 | Baujahr: 2003[3] Fahrzeugfarbe: Racing Bleigrau 2003[p.g] Technische Daten: "Version RSV Mille ""R""acing"[R] |
| 2 | AP8168896 | Verkl.unten rs.schwarz | 1 | Baujahr: 2003[3] Fahrzeugfarbe: Racing GP1 2003[gp1] Technische Daten: "Version ""R""acing GP1 Limited Ed."[RL] |
| 3 | AP8117132 | Schalldämmpl. unt. re. | 1 | |
| 4 | AP8144081 | Gummi | 1 | |
| 5 | AP8102376 | Klammer M6 | 2 | |
| 6 | AP8152246 | TBEI Schraube m.Flansch M6x16 | 4 | |
| 7 | AP8144109 | Fixierstift | 12 | |
| 8 | AP8102504 | Gummi | 12 | |
| 9 | AP8150450 | Wellenscheibe D5 | 12 | |
| 10 | AP8101985 | Spezialklammer | 12 | |
| 11 | AP8117133 | Schalldämmpl. unt. links | 1 | |

| | |
|---------------------|---------------------------|
| Einheit | RAHMEN |
| Code | 28.25 |
| Beschreibung | Karosserie zent.-Verkl.I. |
| Inspektion | 1 |



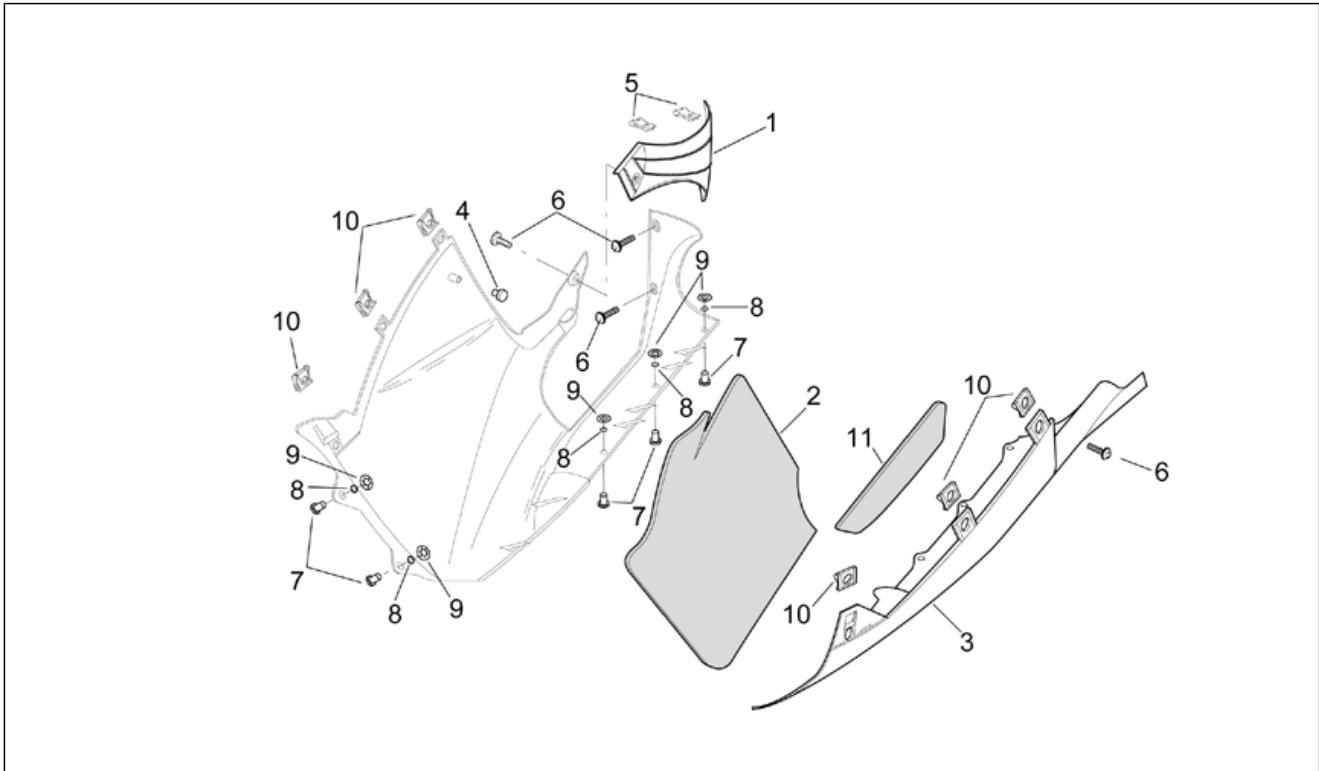
| Pos. | Code | Beschreibung | Menge | Varianten |
|------|-----------|------------------------|-------|---|
| 1 | AP8138565 | Schalldämpferschutz | 1 | |
| 2 | AP8117132 | Schalldämmpl. unt. re. | 1 | |
| 3 | AP8168381 | Verkl.unten ls.hot | 1 | Baujahr: 2003[3] Fahrzeugfarbe: Hot red 2003[red] Land: USA (Zulassung 49 Staaten)[AM], USA (Zulassung California)[CF], Vereinigte Staaten von Amerika[USA] Technische Daten: Version RSV Mille[STD] |
| 3 | AP8168382 | Verkl.unten ls.schwarz | 1 | Baujahr: 2003[3] Fahrzeugfarbe: Racing Schwarz Aprilia 2003[rac] Land: USA (Zulassung 49 Staaten)[AM], USA (Zulassung California)[CF], Vereinigte Staaten von Amerika[USA] Technische Daten: "Version RSV Mille ""R""acing"[R] |
| 3 | AP8168392 | Verkl.unten ls.hot | 1 | Baujahr: 2003[3] Fahrzeugfarbe: Hot red 2003[red] Land: Österreich[A], Australien[AA], Australien[AUS], Belgien[B], Belgien[BB], Schweiz[CH], Deutschland[D], Dänemark[DK], Spanien[E], A, CH, D, DK, GR, E, I, NL, P[EU], Frankreich[F], Frankreich[FF], Griechenland[GR], Italien[I], Japan[J], Japan[JJ], Holland[NL], Portugal[P], Großbritannien[UK] Technische Daten: Version RSV Mille[STD] |
| 3 | AP8168407 | Verkl.unten ls.schwarz | 1 | Baujahr: 2003[3] Fahrzeugfarbe: Racing Schwarz Aprilia 2003[rac] Land: Österreich[A], Australien[AA], Australien[AUS], Belgien[B], Belgien[BB], Schweiz[CH], Deutschland[D], Dänemark[DK], Spanien[E], A, CH, D, DK, GR, E, I, NL, P[EU], Frankreich[F], Frankreich[FF], Griechenland[GR], Italien[I], Japan[J], Japan[JJ], Holland[NL], Portugal[P], Großbritannien[UK] Technische Daten: "Version RSV Mille ""R""acing"[R] |
| 3 | AP8168421 | Verkl.unten ls.gelb | 1 | Baujahr: 2003[3] Fahrzeugfarbe: Racing Gelb Flashy 2003[yeII] Land: Österreich[A], Australien[AA], Australien[AUS], Belgien[B], Belgien[BB], Schweiz[CH], Deutschland[D], Dänemark[DK], Spanien[E], A, CH, D, DK, GR, E, I, NL, P[EU], Frankreich[F], Frankreich[FF], Griechenland[GR], |

| | |
|---------------------|---------------------------|
| Einheit | RAHMEN |
| Code | 28.25 |
| Beschreibung | Karosserie zent.-Verkl.l. |
| Inspektion | 1 |



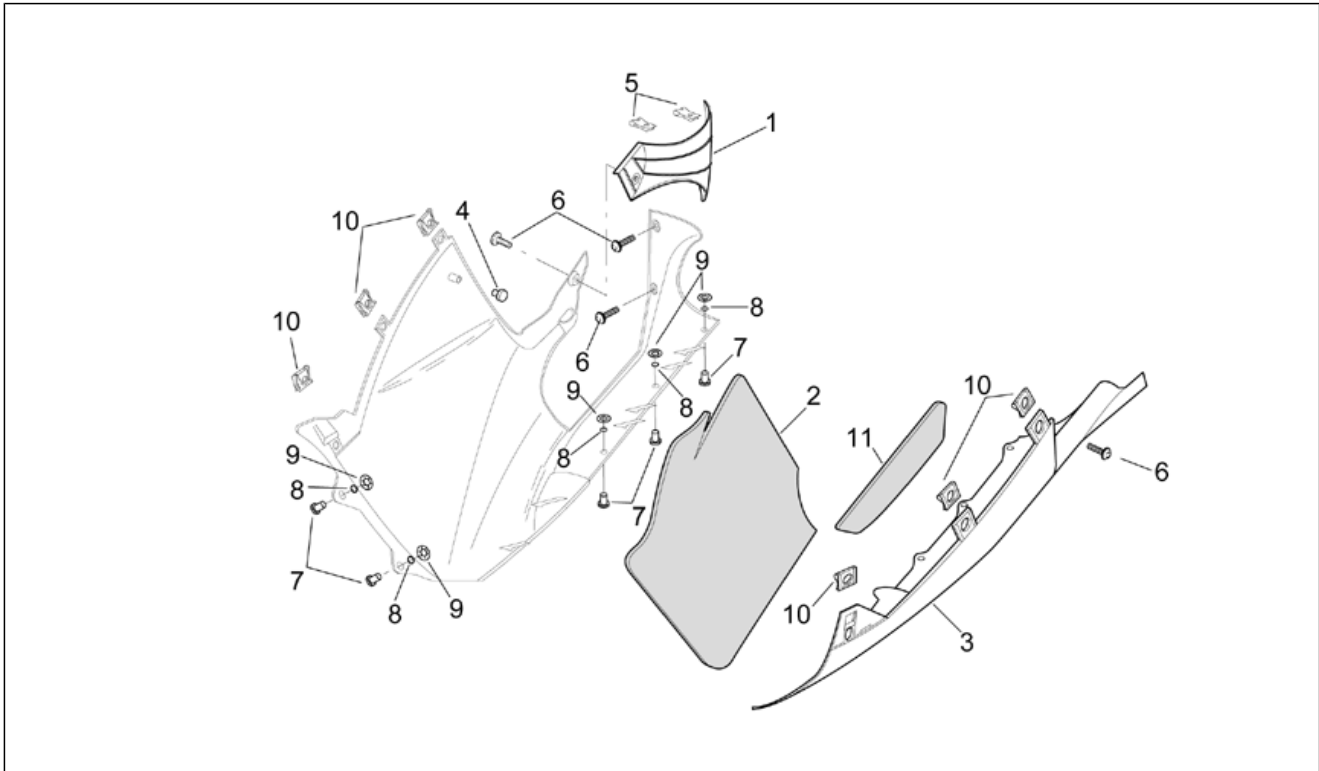
| Pos. | Code | Beschreibung | Menge | Varianten |
|------|-----------|------------------------|-------|---|
| | | | | Italien[I], Japan[J], Japan[JJ], Holland[NL], Portugal[P], Großbritannien[UK] Technische Daten: "Version RSV Mille ""R""acing"[R] |
| 3 | AP8168422 | Verkl.unten ls.gelb | 1 | Baujahr: 2003[3] Fahrzeugfarbe: Racing Gelb Flashy 2003[yell] Land: USA (Zulassung 49 Staaten)[AM], USA (Zulassung California)[CF], Vereinigte Staaten von Amerika[USA] Technische Daten: "Version RSV Mille ""R""acing"[R] |
| 3 | AP8168435 | Verkl.unten ls.schwarz | 1 | Baujahr: 2003[3] Fahrzeugfarbe: Schwarz Aprilia 2003[black] Land: Österreich[A], Australien[AA], Australien[AUS], Belgien[B], Belgien[BB], Schweiz[CH], Deutschland[D], Dänemark[DK], Spanien[E], A, CH, D, DK, GR, E, I, NL, P[EU], Frankreich[F], Frankreich[FF], Griechenland[GR], Italien[I], Japan[J], Japan[JJ], Holland[NL], Portugal[P], Großbritannien[UK] Technische Daten: Version RSV Mille[STD] |
| 3 | AP8168436 | Verkl.unten ls.schwarz | 1 | Baujahr: 2003[3] Fahrzeugfarbe: Schwarz Aprilia 2003[black] Land: USA (Zulassung 49 Staaten)[AM], USA (Zulassung California)[CF], Vereinigte Staaten von Amerika[USA] Technische Daten: Version RSV Mille[STD] |
| 3 | AP8168449 | Verkl.unt. links, grau | 1 | Baujahr: 2003[3] Fahrzeugfarbe: Bleigrau 2003[grey] Land: Österreich[A], Australien[AA], Australien[AUS], Belgien[B], Belgien[BB], Schweiz[CH], Deutschland[D], Dänemark[DK], Spanien[E], A, CH, D, DK, GR, E, I, NL, P[EU], Frankreich[F], Frankreich[FF], Griechenland[GR], Italien[I], Japan[J], Japan[JJ], Holland[NL], Portugal[P], Großbritannien[UK] Technische Daten: Version RSV Mille[STD] |
| 3 | AP8168450 | Verkl.unt. links, grau | 1 | Baujahr: 2003[3] Fahrzeugfarbe: Bleigrau 2003[grey] Land: USA (Zulassung 49 Staaten)[AM], USA (Zulassung California)[CF], Vereinigte Staaten von Amerika[USA] Technische Daten: Version RSV Mille[STD] |

| | |
|---------------------|---------------------------|
| Einheit | RAHMEN |
| Code | 28.25 |
| Beschreibung | Karosserie zent.-Verkl.l. |
| Inspektion | 1 |



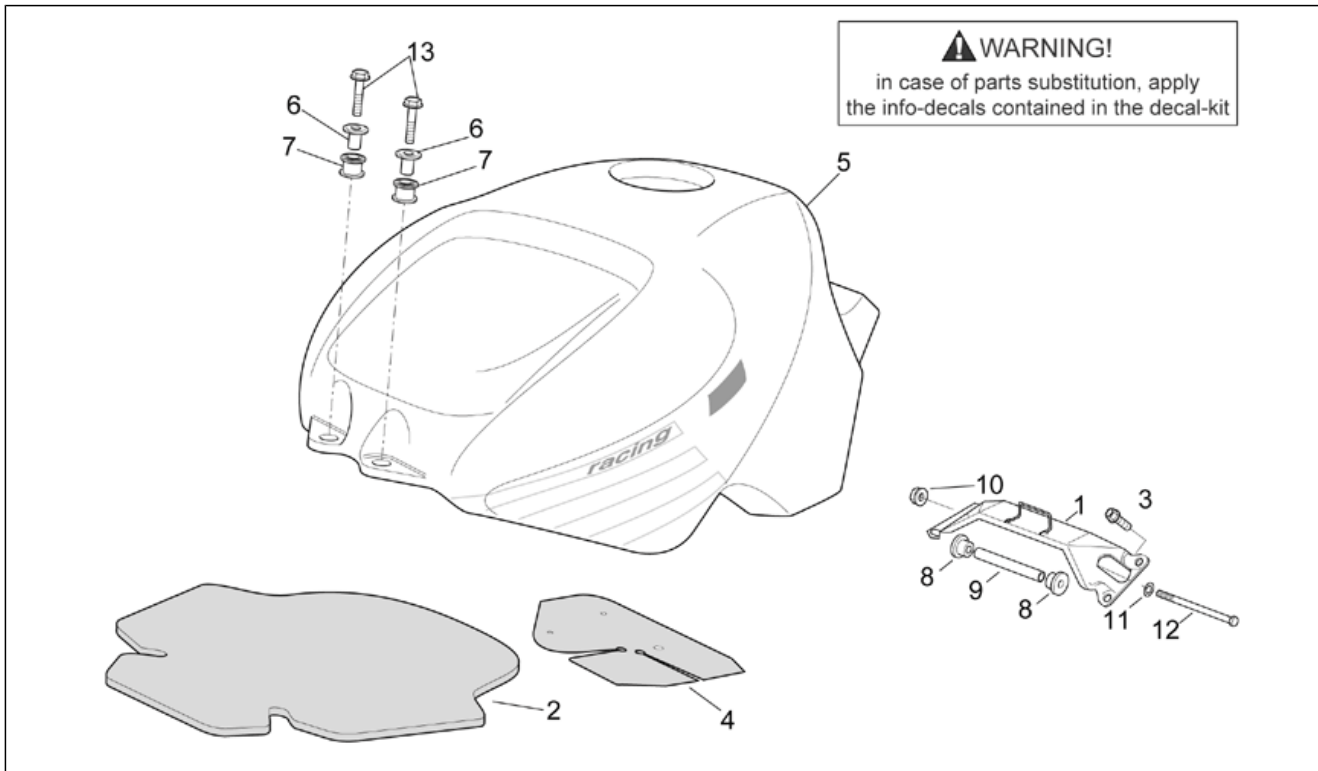
| Pos. | Code | Beschreibung | Menge | Varianten |
|------|-----------|-------------------------------|-------|--|
| 3 | AP8168817 | Verkl.unt. links, grau | 1 | Baujahr: 2003[3] Fahrzeugfarbe: Racing Bleigrau 2003[p.g] Land: Österreich[A], Australien[AA], Australien[AUS], Belgien[B], Belgien[BB], Schweiz[CH], Deutschland[D], Dänemark[DK], Spanien[E], A, CH, D, DK, GR, E, I, NL, P[EU], Frankreich[F], Frankreich[FF], Griechenland[GR], Italien[I], Japan[J], Japan[JJ], Holland[NL], Portugal[P], Großbritannien[UK] Technische Daten: "Version RSV Mille ""R""acing"[R] |
| 3 | AP8168818 | Verkl.unt. links, grau | 1 | Baujahr: 2003[3] Fahrzeugfarbe: Racing Bleigrau 2003[p.g] Land: USA (Zulassung 49 Staaten)[AM], USA (Zulassung California)[CF], Vereinigte Staaten von Amerika[USA] Technische Daten: "Version RSV Mille ""R""acing"[R] |
| 3 | AP8168897 | Verkl.unten ls.schwarz | 1 | Baujahr: 2003[3] Fahrzeugfarbe: Racing GP1 2003[gp1] Land: Österreich[A], Australien[AA], Australien[AUS], Belgien[B], Belgien[BB], Schweiz[CH], Deutschland[D], Dänemark[DK], Spanien[E], A, CH, D, DK, GR, E, I, NL, P[EU], Frankreich[F], Frankreich[FF], Griechenland[GR], Italien[I], Japan[J], Japan[JJ], Holland[NL], Portugal[P], Großbritannien[UK] Technische Daten: "Version ""R""acing GP1 Limited Ed."[RL] |
| 3 | AP8168939 | Verkl.unten ls.schwarz | 1 | Baujahr: 2003[3] Fahrzeugfarbe: Racing GP1 2003[gp1] Land: USA (Zulassung 49 Staaten)[AM], USA (Zulassung California)[CF], Vereinigte Staaten von Amerika[USA] Technische Daten: "Version ""R""acing GP1 Limited Ed."[RL] |
| 4 | AP8144081 | Gummi | 1 | |
| 5 | AP8102376 | Klammer M6 | 2 | |
| 6 | AP8152246 | TBEI Schraube m.Flansch M6x16 | 4 | |
| 7 | AP8144109 | Fixierstift | 12 | |
| 8 | AP8102504 | Gummi | 12 | |
| 9 | AP8150450 | Wellenscheibe D5 | 12 | |

| | |
|---------------------|---------------------------|
| Einheit | RAHMEN |
| Code | 28.25 |
| Beschreibung | Karosserie zent.-Verkl.l. |
| Inspektion | 1 |



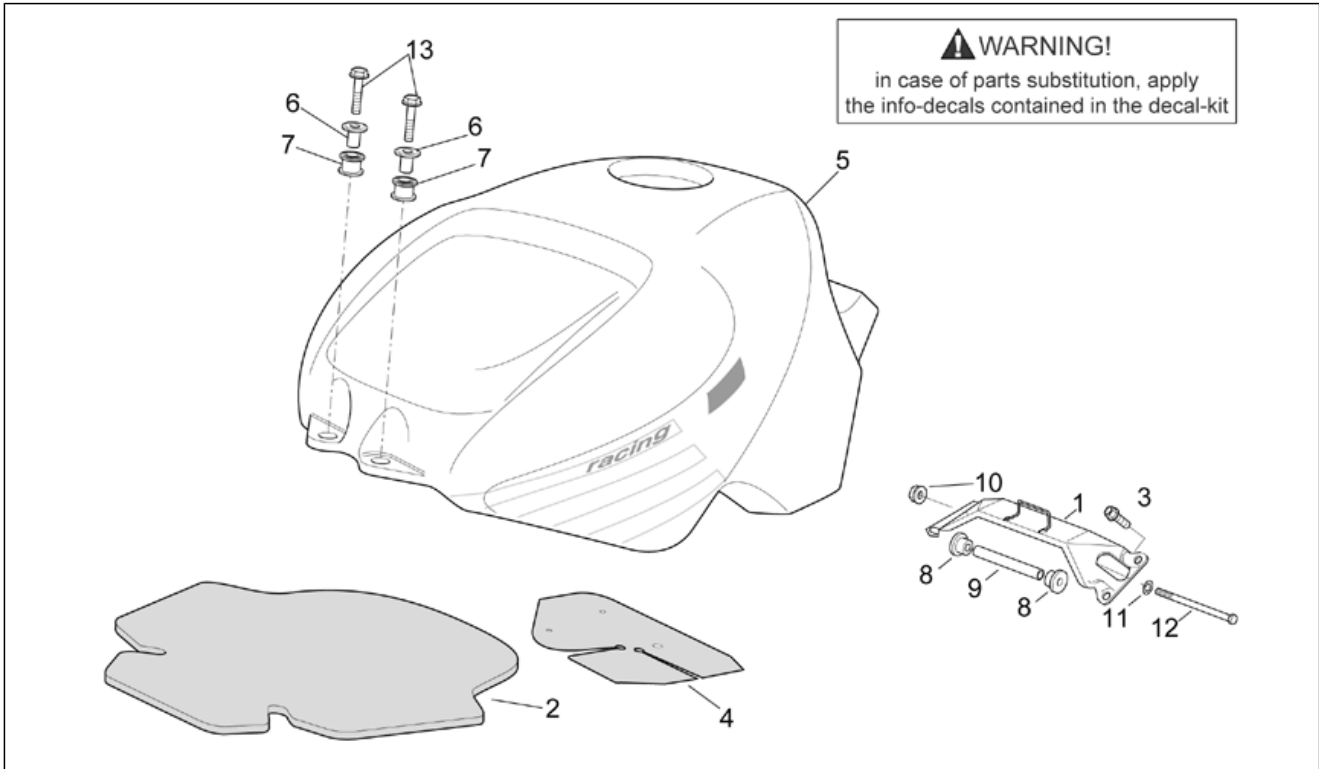
| Pos. | Code | Beschreibung | Menge | Varianten |
|------|-----------|--------------------------|-------|-----------|
| 10 | AP8101985 | Spezialklammer | 12 | |
| 11 | AP8117133 | Schalldämmpl. unt. links | 1 | |

| | |
|---------------------|------------------|
| Einheit | RAHMEN |
| Code | 28.26 |
| Beschreibung | Kraftstofftank I |
| Inspektion | 1 |



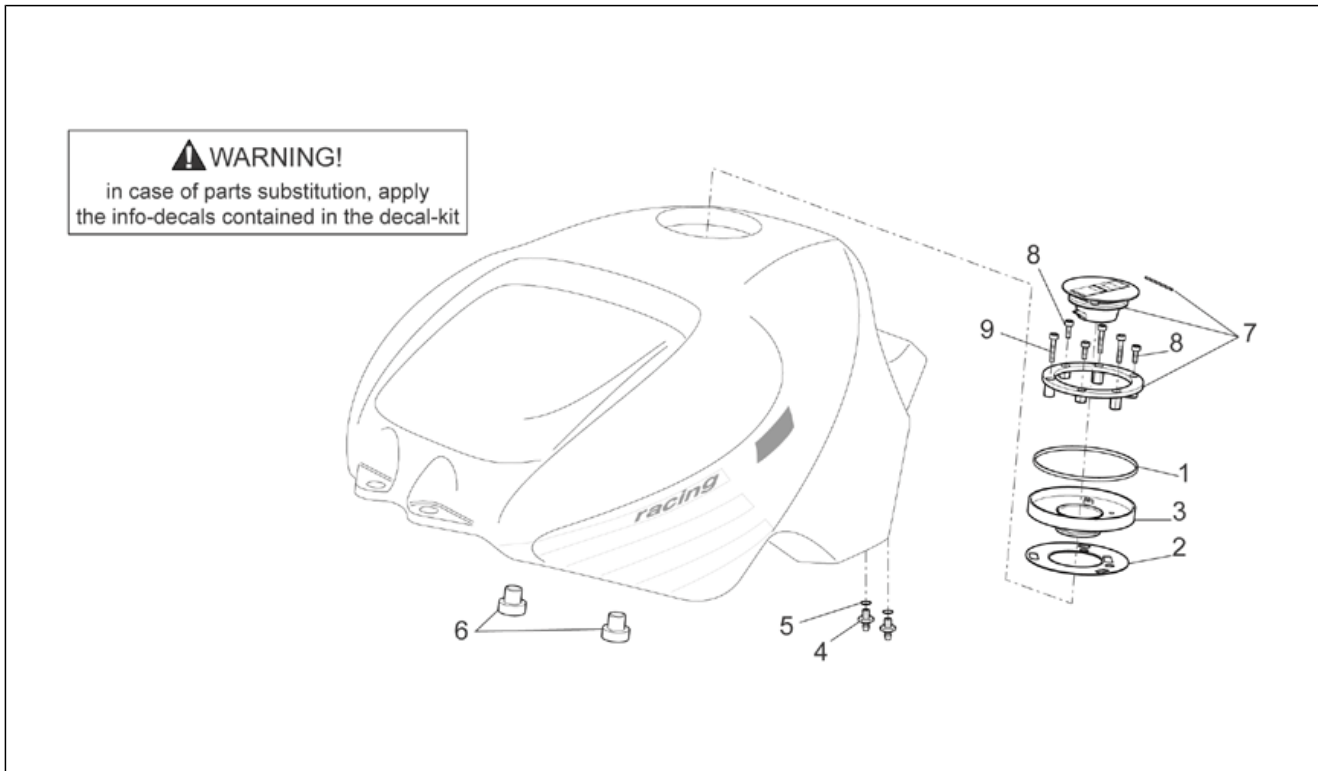
| Pos. | Code | Beschreibung | Menge | Varianten |
|------|-----------|-------------------------------|-------|---|
| 1 | AP8134370 | Tankfixierung | 1 | |
| 2 | AP8117174 | Schalldämmpl. Tank | 1 | |
| 3 | AP8152278 | TE Schr. m. Flansch M6x16 | 4 | |
| 4 | AP8117128 | Hitzeschild Tank | 1 | |
| 5 | AP8168384 | Tank V. hellrot | 1 | Baujahr: 2003[3] Fahrzeugfarbe: Hot red 2003[red] Technische Daten: Version RSV Mille[STD] |
| 5 | AP8168398 | Kraftstofftank, schw. ap. | 1 | Baujahr: 2003[3] Fahrzeugfarbe: Racing Schwarz Aprilia 2003[rac] Technische Daten: "Version RSV Mille ""R""acing"[R] |
| 5 | AP8168398 | Kraftstofftank, schw. ap. | 1 | Baujahr: 2003[3] Fahrzeugfarbe: Schwarz Aprilia 2003[black] Technische Daten: Version RSV Mille[STD] |
| 5 | AP8168412 | Tank V. flashygelb | 1 | Baujahr: 2003[3] Fahrzeugfarbe: Racing Gelb Flashy 2003[yell] Technische Daten: "Version RSV Mille ""R""acing"[R] |
| 5 | AP8168441 | Kraftstofftank, grau | 1 | Baujahr: 2003[3] Fahrzeugfarbe: Bleigrau 2003[grey] Technische Daten: Version RSV Mille[STD] |
| 5 | AP8168810 | Kraftstofftank, grau | 1 | Baujahr: 2003[3] Fahrzeugfarbe: Racing Bleigrau 2003[p.g] Technische Daten: "Version RSV Mille ""R""acing"[R] |
| 5 | AP8168895 | Kraftstofftank, schwarz | 1 | Baujahr: 2003[3] Fahrzeugfarbe: Racing GP1 2003[gp1] Technische Daten: "Version ""R""acing GP1 Limited Ed."[RL] |
| 6 | AP8121421 | T-Buchse | 2 | |
| 7 | AP8144328 | Gummi | 2 | |
| 8 | AP8123934 | Gummi | 2 | |
| 9 | AP8134419 | Aufnahmebüchse Kraftstofftank | 1 | |
| 10 | AP8152299 | Selbstsperrende Mutter M6 | 1 | |
| 11 | AP8150014 | Ausgleichscheibe 6,4x12,5* | 1 | |
| 12 | AP8150459 | Sechskantschraube M6x90 | 1 | |

| | |
|---------------------|------------------|
| Einheit | RAHMEN |
| Code | 28.26 |
| Beschreibung | Kraftstofftank I |
| Inspektion | 1 |



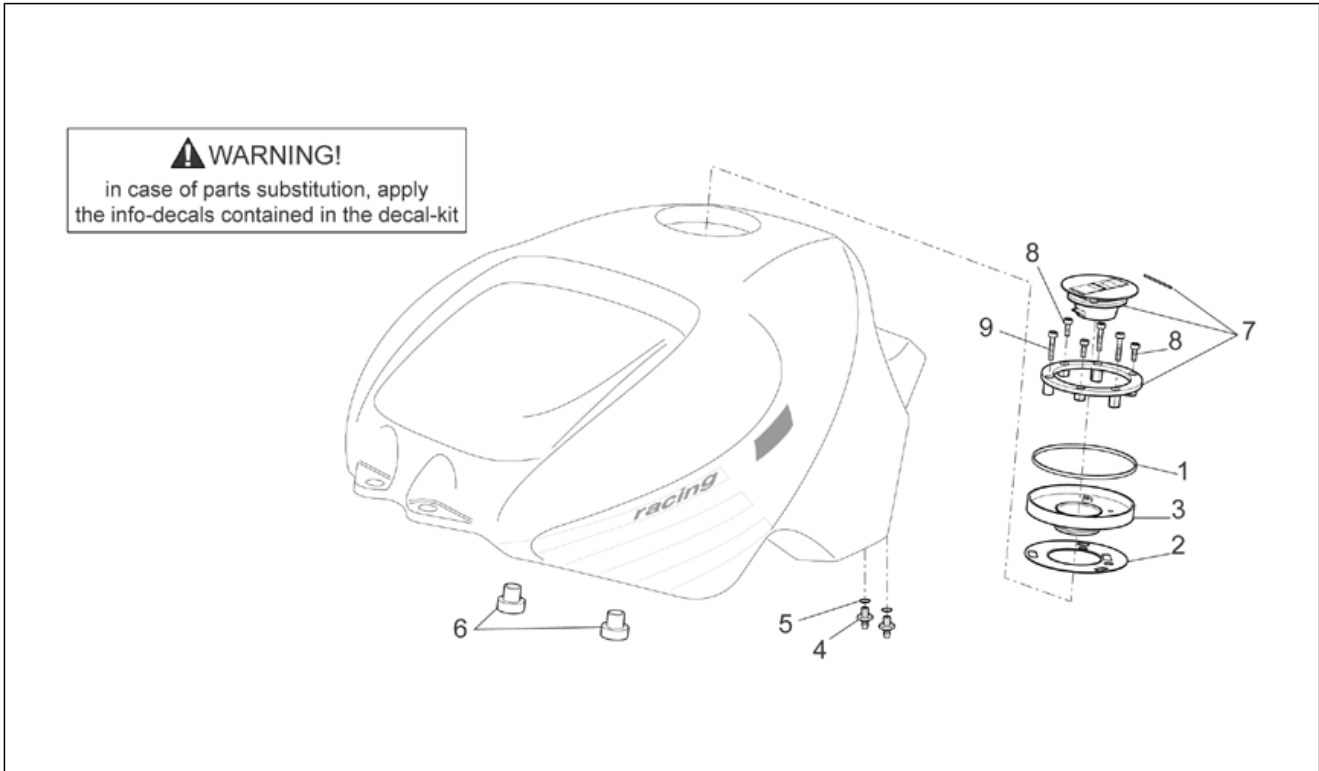
| Pos. | Code | Beschreibung | Menge | Varianten |
|------|-----------|---------------------------|-------|-----------|
| 13 | AP8152281 | TE Schr. m. Flansch M6x30 | 2 | |

| | |
|---------------------|-------------------|
| Einheit | RAHMEN |
| Code | 28.27 |
| Beschreibung | Kraftstofftank II |
| Inspektion | 1 |



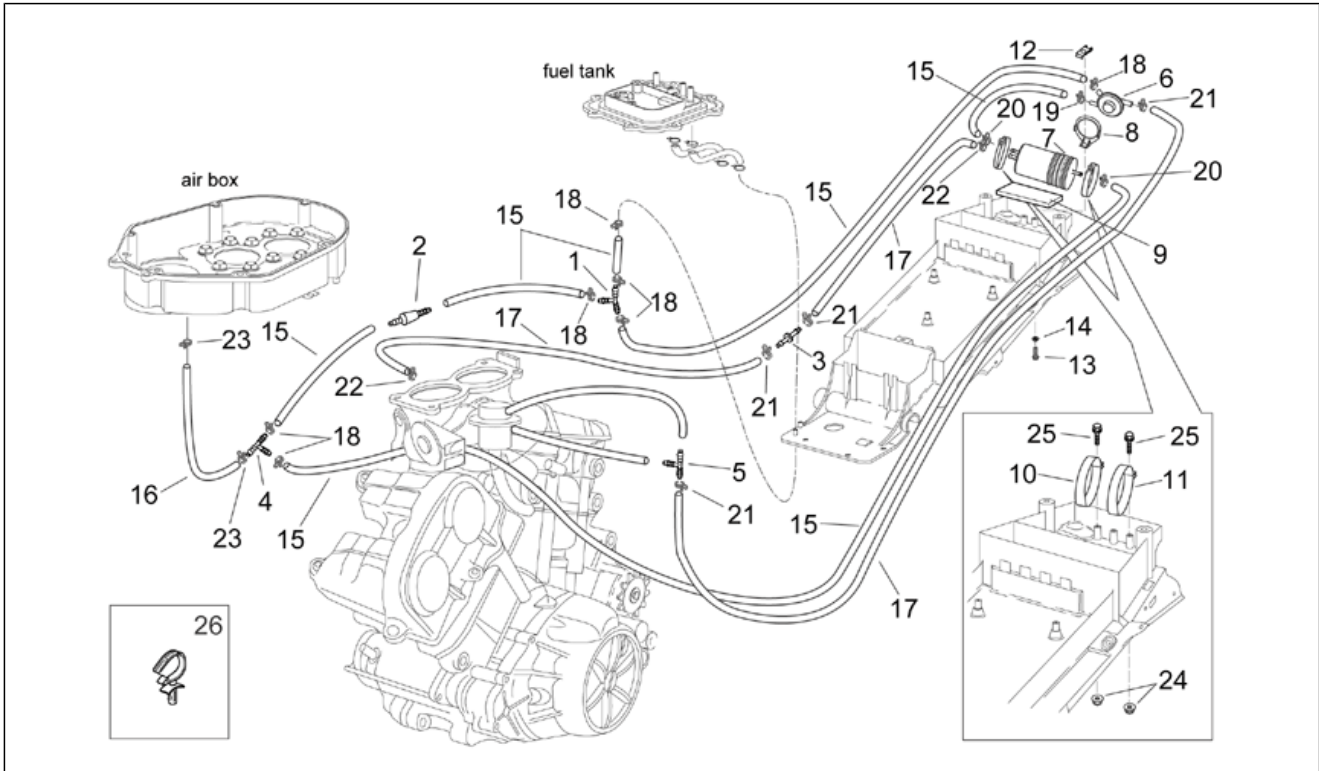
| Pos. | Code | Beschreibung | Menge | Varianten |
|------|-----------|-------------------------|-------|--|
| 1 | AP8120893 | Dichtung | 1 | |
| 2 | AP8120894 | Dichtung Kraftstofftank | 1 | Land: Österreich[A], Australien[AA], Australien[AUS], Belgien[B], Belgien[BB], Schweiz[CH], Deutschland[D], Dänemark[DK], Spanien[E], A, CH, D, DK, GR, E, I, NL, P[EU], Frankreich[F], Frankreich[FF], Griechenland[GR], Italien[I], Japan[J], Japan[JJ], Holland[NL], Portugal[P], Großbritannien[UK] |
| 2 | AP8120894 | Dichtung Kraftstofftank | 1 | Land: USA (Zulassung California)[CF], Vereinigte Staaten von Amerika[USA] Technische Daten: Zulassung 49 Staaten[49st] |
| 2 | AP8144351 | Dichtung Kraftstofftank | 1 | Land: USA (Zulassung 49 Staaten)[AM], Vereinigte Staaten von Amerika[USA] Technische Daten: Zulassung California[cal] |
| 3 | AP8102535 | Schwimmergehäuse | 1 | |
| 4 | AP8102503 | Anschluß Gummihalter | 2 | |
| 5 | AP8120965 | O-Ring 2018 | 2 | |
| 6 | AP8144158 | Gummi | 2 | |
| 7 | AP8104287 | Tankfüllschraube | 1 | Land: USA (Zulassung 49 Staaten)[AM], Vereinigte Staaten von Amerika[USA] Technische Daten: Zulassung California[cal] |
| 7 | AP8104288 | Tankfüllschraube | 1 | Land: USA (Zulassung California)[CF], Vereinigte Staaten von Amerika[USA] Technische Daten: Zulassung 49 Staaten[49st] |
| 7 | AP8104288 | Tankfüllschraube | 1 | Land: Österreich[A], Australien[AA], Australien[AUS], Belgien[B], Belgien[BB], Schweiz[CH], Deutschland[D], Dänemark[DK], Spanien[E], A, CH, D, DK, GR, E, I, NL, P[EU], Frankreich[F], Frankreich[FF], Griechenland[GR], Italien[I], Japan[J], Japan[JJ], Holland[NL], Portugal[P], Großbritannien[UK] Technische Daten: "Version RSV Mille ""R""acing"[R], Version RSV Mille[STD] |
| 7 | AP8144627 | Tankfüllschraube | 1 | Land: Österreich[A], Australien[AA], Australien[AUS], Belgien[B], Belgien[BB], Schweiz[CH], Deutschland[D], Dänemark[DK], Spanien[E], A, CH, D, DK, GR, E, I, NL, |

| | |
|---------------------|-------------------|
| Einheit | RAHMEN |
| Code | 28.27 |
| Beschreibung | Kraftstofftank II |
| Inspektion | 1 |



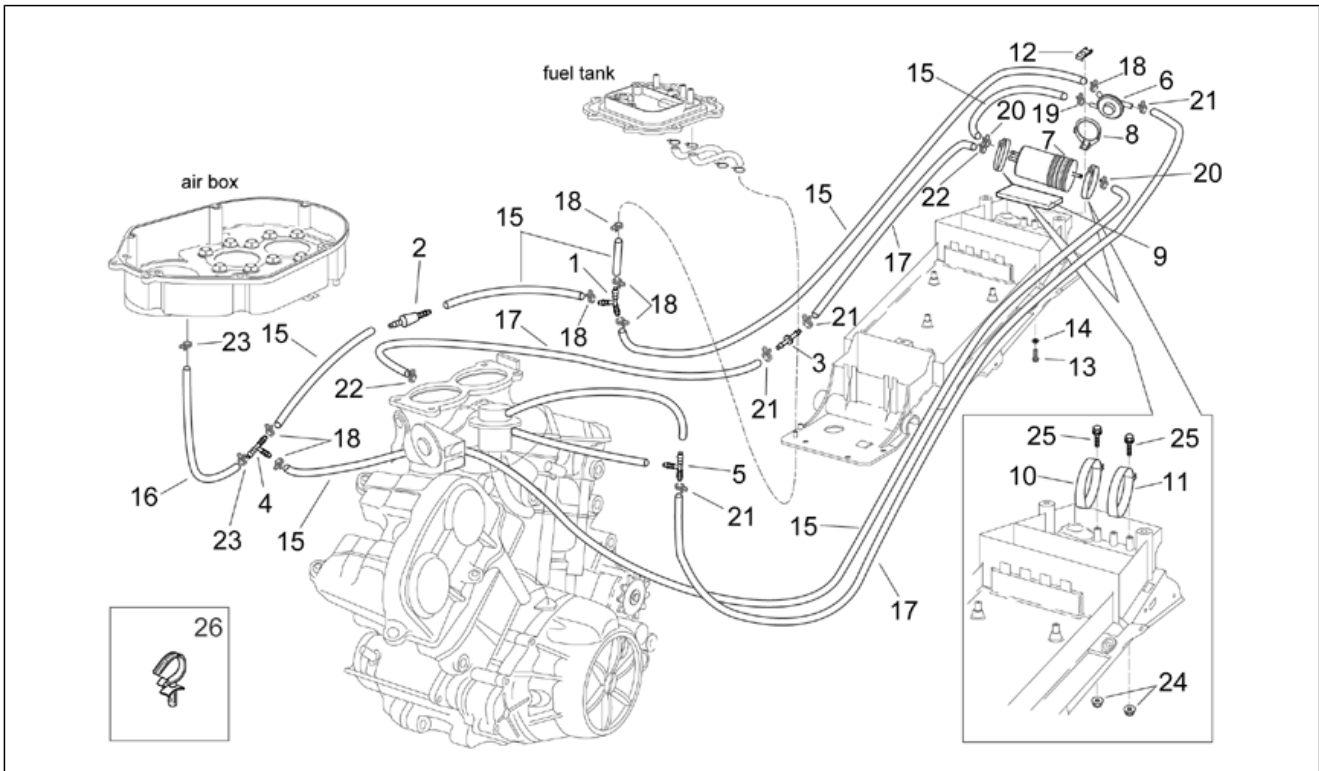
| Pos. | Code | Beschreibung | Menge | Varianten |
|------|-----------|---------------------|-------|--|
| | | | | P[EU], Frankreich[F], Frankreich[FF], Griechenland[GR], Italien[I], Japan[J], Japan[JJ], Holland[NL], Portugal[P], Großbritannien[UK] Technische Daten: "Version ""R""acing GP1 Limited Ed."[RL] |
| 8 | AP8150454 | TCEI Schraube M5x16 | 4 | |
| 9 | AP8150453 | TCEI Schraube M5x30 | 3 | |

| | |
|---------------------|--------------------------|
| Einheit | RAHMEN |
| Code | 28.28 |
| Beschreibung | Benzindampfrückf.-Anlage |
| Inspektion | 1 |



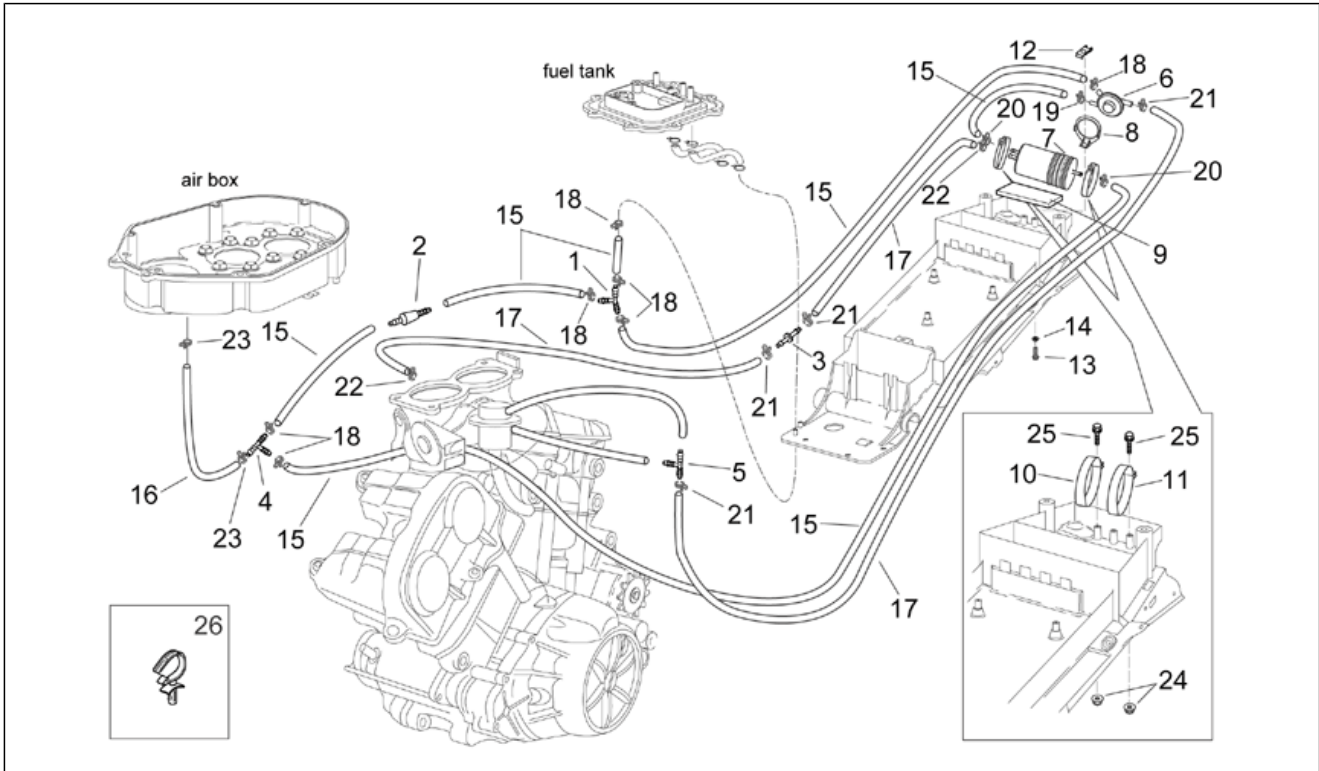
| Pos. | Code | Beschreibung | Menge | Varianten |
|------|-----------|-------------------|-------|--|
| 1 | AP8120116 | 3-Wegeanschluß | 1 | Land: USA (Zulassung 49 Staaten)[AM], Vereinigte Staaten von Amerika[USA] Technische Daten: Zulassung California[cal] |
| 2 | AP8102985 | Rückstauventil | 1 | Land: USA (Zulassung 49 Staaten)[AM], Vereinigte Staaten von Amerika[USA] Technische Daten: Zulassung California[cal] |
| 3 | AP8121267 | Drosselspindel | 1 | Land: USA (Zulassung 49 Staaten)[AM], Vereinigte Staaten von Amerika[USA] Technische Daten: Zulassung California[cal] |
| 4 | AP8202154 | 3-Wegeanschluß | 1 | Land: USA (Zulassung 49 Staaten)[AM], Vereinigte Staaten von Amerika[USA] Technische Daten: Zulassung California[cal] |
| 5 | AP8102727 | 3-Wegeanschluß | 1 | Land: USA (Zulassung 49 Staaten)[AM], Vereinigte Staaten von Amerika[USA] Technische Daten: Zulassung California[cal] |
| 6 | AP8106764 | "Purge" Ventil | 1 | Land: USA (Zulassung 49 Staaten)[AM], Vereinigte Staaten von Amerika[USA] Technische Daten: Zulassung California[cal] |
| 7 | AP8102678 | Kohlefilter | 1 | Land: USA (Zulassung 49 Staaten)[AM], Vereinigte Staaten von Amerika[USA] Technische Daten: Zulassung California[cal] |
| 8 | AP8134650 | Ventilhaltebügel | 1 | Land: USA (Zulassung 49 Staaten)[AM], Vereinigte Staaten von Amerika[USA] Technische Daten: Zulassung California[cal] |
| 9 | AP8117041 | Klebeschwamm 6x30 | 1 | Land: USA (Zulassung 49 Staaten)[AM], Vereinigte Staaten von Amerika[USA] Technische Daten: Zulassung California[cal] |
| 10 | AP8102688 | Schelle d.76 | 1 | Land: USA (Zulassung 49 Staaten)[AM], Vereinigte Staaten von Amerika[USA] Technische Daten: Zulassung California[cal] |
| 11 | AP8102719 | Schelle d.80,5 | 1 | Land: USA (Zulassung 49 Staaten)[AM], Vereinigte Staaten von Amerika[USA] Technische Daten: Zulassung California[cal] |

| | |
|---------------------|--------------------------|
| Einheit | RAHMEN |
| Code | 28.28 |
| Beschreibung | Benzindampfrückf.-Anlage |
| Inspektion | 1 |



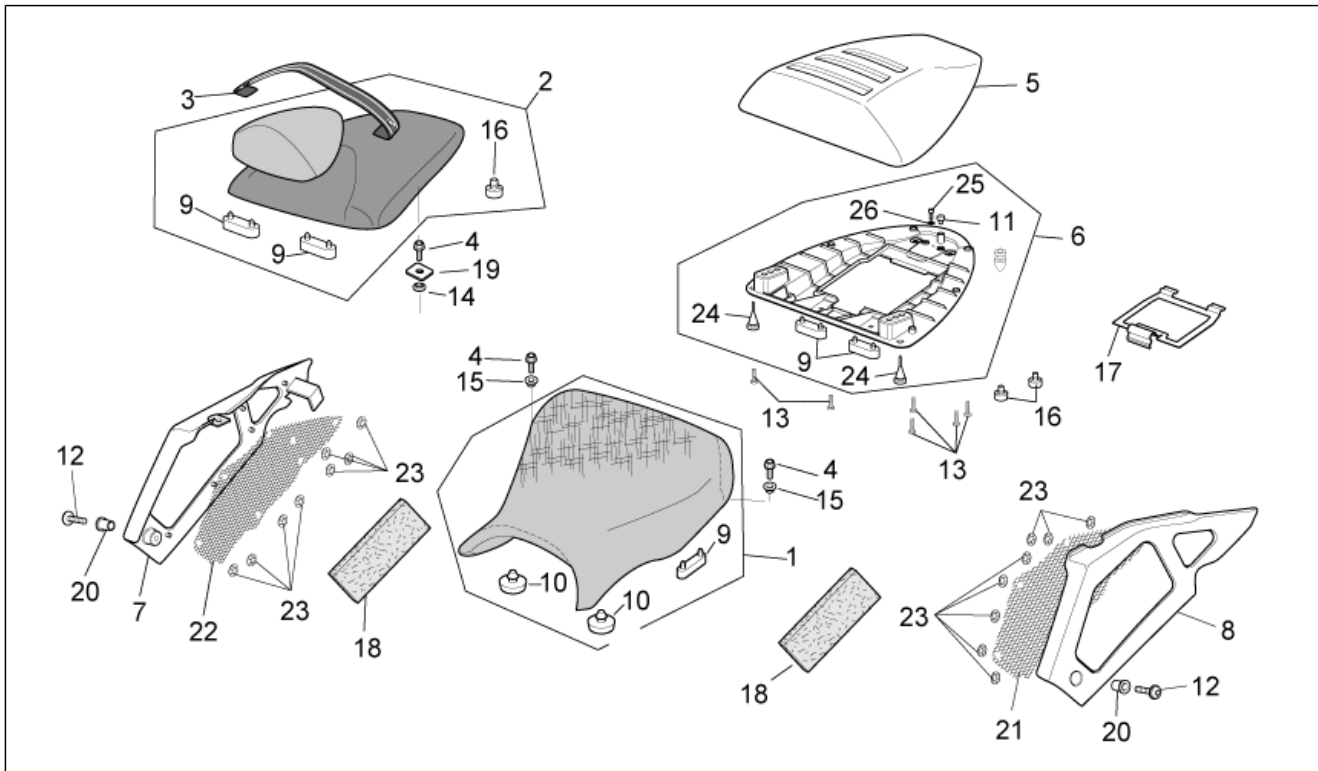
| Pos. | Code | Beschreibung | Menge | Varianten |
|------|-----------|--------------------------------|-------|--|
| 12 | AP8102375 | Klammer M5 | 1 | Land:USA (Zulassung 49 Staaten)[AM], Vereinigte Staaten von Amerika[USA] Technische Daten:Zulassung California[cal] |
| 13 | AP8152273 | Flanschschraube M5x15 | 1 | Land:USA (Zulassung 49 Staaten)[AM], Vereinigte Staaten von Amerika[USA] Technische Daten:Zulassung California[cal] |
| 14 | AP8150013 | Ausgleichscheibe 5,5x15x1,6* | 1 | Land:USA (Zulassung 49 Staaten)[AM], Vereinigte Staaten von Amerika[USA] Technische Daten:Zulassung California[cal] |
| 15 | AP8120952 | Kraftstoffleitung 5,5x10 | 2 | Land:USA (Zulassung 49 Staaten)[AM], Vereinigte Staaten von Amerika[USA] Technische Daten:Zulassung California[cal] |
| 16 | AP8120987 | Leitung 9x14 | 1 | Land:USA (Zulassung 49 Staaten)[AM], Vereinigte Staaten von Amerika[USA] Technische Daten:Zulassung California[cal] |
| 17 | AP8220263 | Entlüftungsschlauch Kühler 4x8 | 2 | Land:USA (Zulassung 49 Staaten)[AM], Vereinigte Staaten von Amerika[USA] Technische Daten:Zulassung California[cal] |
| 18 | AP8101595 | Schelle D10,1 | 7 | Land:USA (Zulassung 49 Staaten)[AM], Vereinigte Staaten von Amerika[USA] Technische Daten:Zulassung California[cal] |
| 19 | AP8102520 | Schlauchschele | 1 | Land:USA (Zulassung 49 Staaten)[AM], Vereinigte Staaten von Amerika[USA] Technische Daten:Zulassung California[cal] |
| 20 | AP8102378 | Schelle D11,3 | 2 | Land:USA (Zulassung 49 Staaten)[AM], Vereinigte Staaten von Amerika[USA] Technische Daten:Zulassung California[cal] |
| 21 | AP8120179 | Schelle D8 | 4 | Land:USA (Zulassung 49 Staaten)[AM], Vereinigte Staaten von Amerika[USA] Technische Daten:Zulassung California[cal] |
| 22 | AP8102377 | Schelle D9,1* | 2 | Land:USA (Zulassung 49 Staaten)[AM], Vereinigte Staaten von Amerika[USA] Technische Daten:Zulassung California[cal] |

| | |
|---------------------|---------------------------|
| Einheit | RAHMEN |
| Code | 28.28 |
| Beschreibung | Benzindampfdruckf.-Anlage |
| Inspektion | 1 |



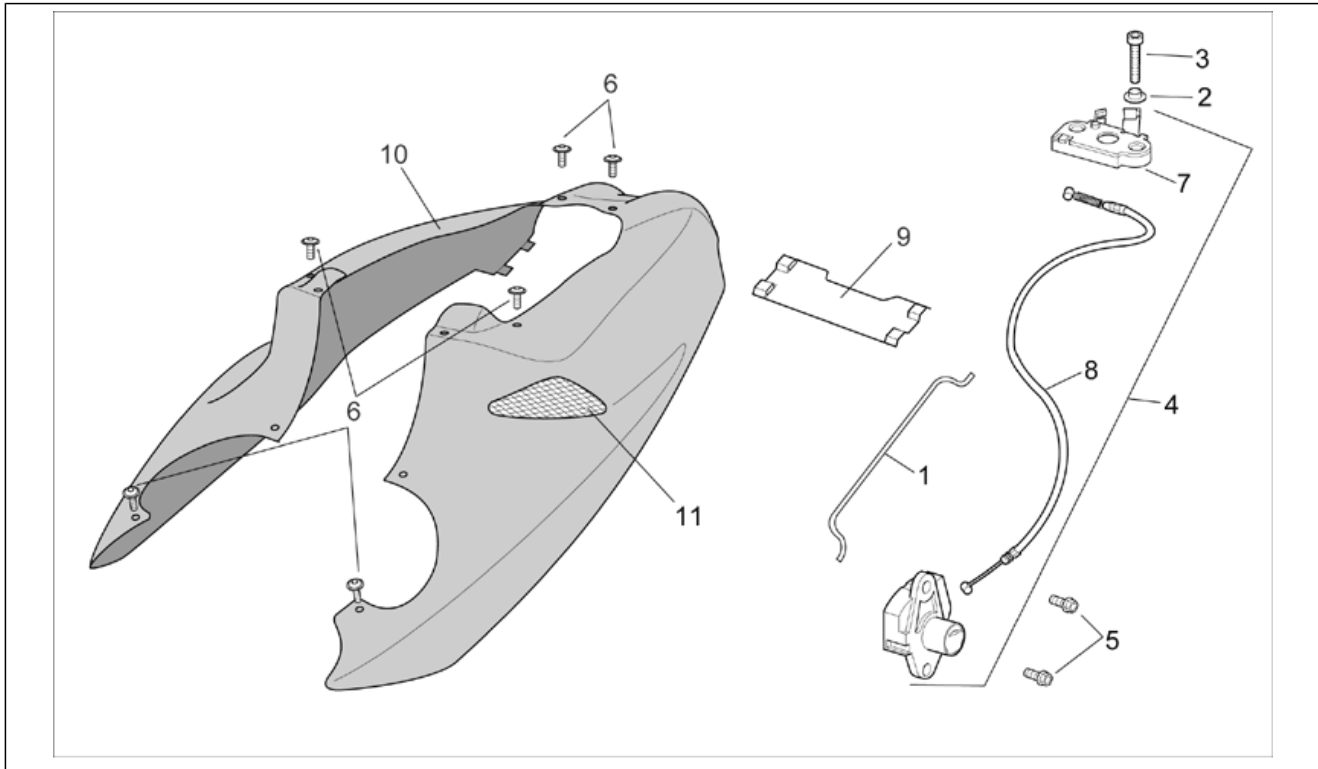
| Pos. | Code | Beschreibung | Menge | Varianten |
|------|-----------|---------------------------|-------|--|
| 23 | AP8102766 | Schelle | 2 | Land:USA (Zulassung 49 Staaten)[AM], Vereinigte Staaten von Amerika[USA] Technische Daten:Zulassung California[cal] |
| 24 | AP8152299 | Selbstsperrende Mutter M6 | 2 | Land:USA (Zulassung 49 Staaten)[AM], Vereinigte Staaten von Amerika[USA] Technische Daten:Zulassung California[cal] |
| 25 | AP8152279 | TE Schr. m. Flansch M6x20 | 2 | Land:USA (Zulassung 49 Staaten)[AM], Vereinigte Staaten von Amerika[USA] Technische Daten:Zulassung California[cal] |
| 26 | AP8221310 | Kabelführungs | 2 | Land:USA (Zulassung 49 Staaten)[AM], Vereinigte Staaten von Amerika[USA] Technische Daten:Zulassung California[cal] |

| | |
|---------------------|--------|
| Einheit | RAHMEN |
| Code | 28.29 |
| Beschreibung | Sitz |
| Inspektion | 1 |



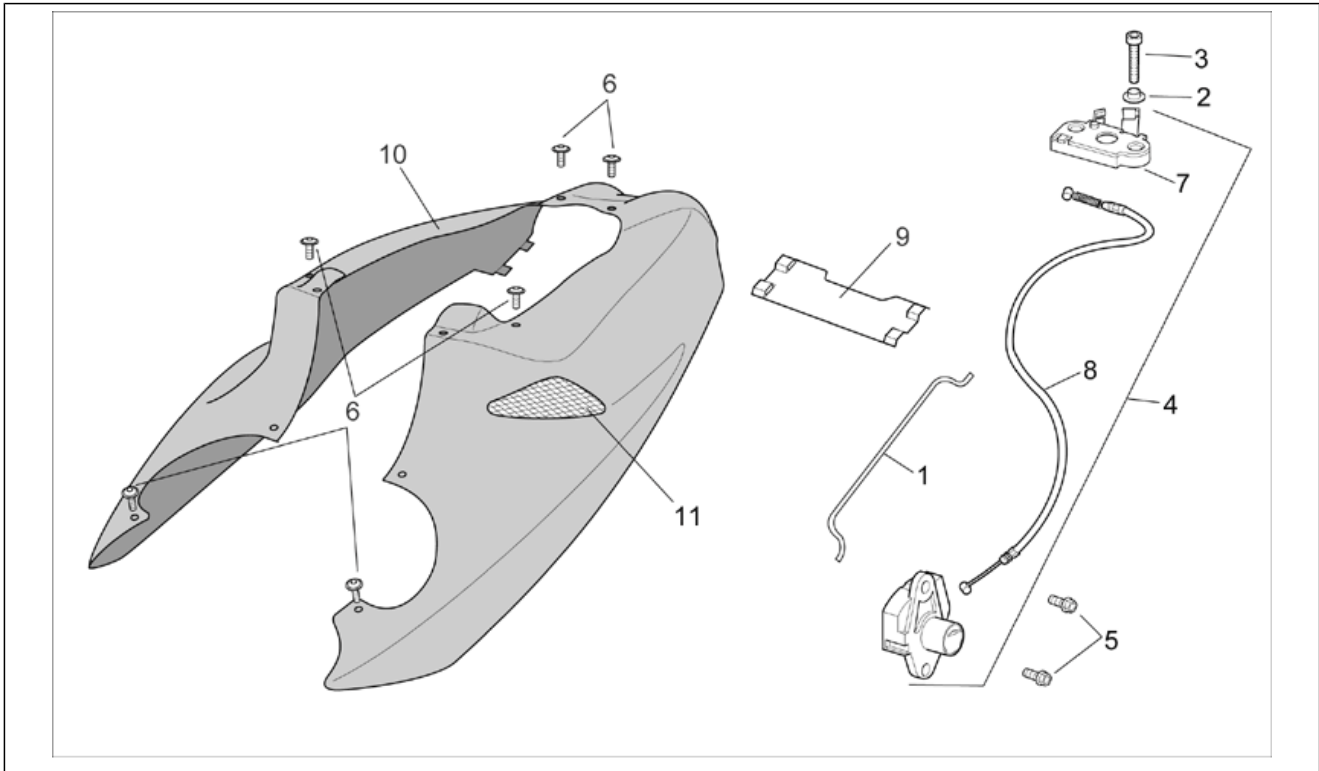
| Pos. | Code | Beschreibung | Menge | Varianten |
|------|-----------|-------------------------------|-------|---|
| 1 | AP8129283 | Fahrersitz, schwarz | 1 | |
| 2 | AP8129355 | Soziussitz | 1 | Technische Daten: Zweisitversion[Bip] |
| 3 | AP8129356 | Soziusriemen | 1 | Technische Daten: Zweisitversion[Bip] |
| 4 | AP8152279 | TE Schr. m. Flansch M6x20 | 4 | |
| 5 | AP8168110 | Sitzabdeckung, schwarz | 1 | Technische Daten: "Version RSV Mille ""R""acing"[R], Version RSV Mille[STD] |
| 5 | AP8168904 | Sitzabdeckung, schwarz | 1 | Technische Daten: "Version ""R""acing GP1 Limited Ed."[RL] |
| 6 | AP8168108 | Grundplatte Sitzabdeckung | 1 | |
| 7 | AP8149287 | Seitenteil rechts | 1 | |
| 8 | AP8149288 | Seitenteil links | 1 | |
| 9 | AP8126701 | Sitz-Auflagegummi | 6 | |
| 10 | AP8126702 | Gummi | 2 | |
| 11 | AP8144081 | Gummi | 1 | |
| 12 | AP8152246 | TBEI Schraube m.Flansch M6x16 | 4 | |
| 13 | AP8150413 | Gew.schr. 3,9x14 | 6 | |
| 14 | AP8121991 | Buchse | 2 | |
| 15 | AP8221145 | T-Buchse * | 2 | |
| 16 | AP8220349 | Gummi | 4 | |
| 17 | AP8138947 | Zugangsklappe Sitzab. | 1 | |
| 18 | AP8117125 | Klebeschwamm | 2 | |
| 19 | AP8134654 | Platte | 2 | Technische Daten: Zweisitversion[Bip] |
| 20 | AP8121811 | T-Buchse | 2 | |
| 21 | AP8148852 | Netz Luftschlitz links | 1 | |
| 22 | AP8149354 | Netz Luftschlitz rechts | 1 | |
| 23 | AP8150450 | Wellenscheibe D5 | 16 | |
| 24 | AP8220238 | Gummi | 2 | |
| 25 | AP8152043 | TCEI Schraube M4x10 | 1 | |
| 26 | AP8150011 | Ausgleichscheibe 4,3x12x1 | 1 | |

| | |
|---------------------|-------------------|
| Einheit | RAHMEN |
| Code | 28.30 |
| Beschreibung | R.Kar. - R.verkl. |
| Inspektion | 1 |



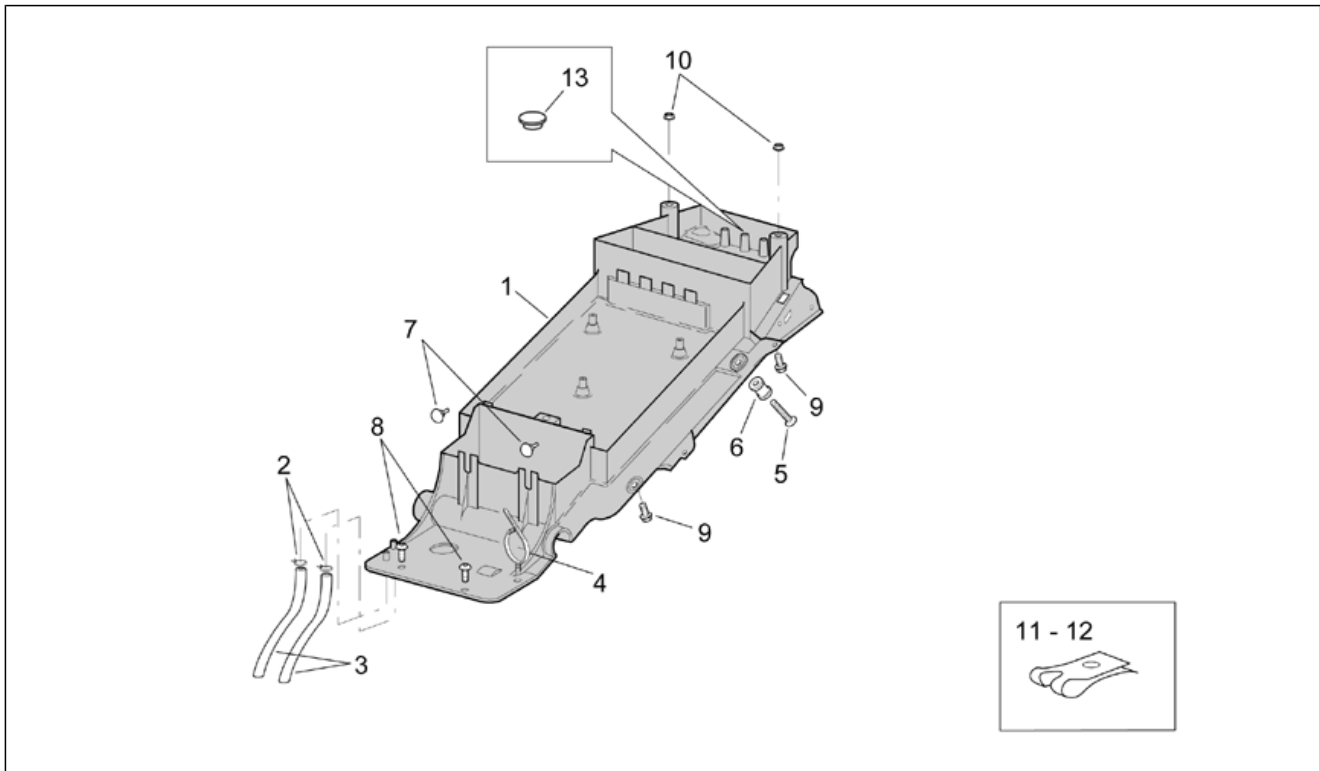
| Pos. | Code | Beschreibung | Menge | Varianten |
|------|-----------|-------------------------------|-------|---|
| 1 | AP8134396 | Kraftstoff tankhalter stange | 1 | |
| 2 | AP8221129 | Buchse | 2 | |
| 3 | AP8150285 | TCEI Schraube M6x35 | 2 | |
| 4 | AP8102911 | Sitzschloß komplett | 1 | |
| 5 | AP8152278 | TE Schr. m. Flansch M6x16 | 2 | |
| 6 | AP8152302 | TBEI Schraube m.Flansch M5x12 | 10 | |
| 7 | AP8102913 | Fixierplatte Soziussitz | 1 | |
| 8 | AP8102914 | Sitz-Einkupplungsvorrichtung | 1 | |
| 9 | AP8168111 | Versch. R.verk. sch. | 1 | Technische Daten: "Version RSV Mille ""R""acing"[R], Version RSV Mille[STD] |
| 9 | AP8168905 | Versch. R.verk. sch. | 1 | Technische Daten: "Version ""R""acing GP1 Limited Ed."[RL] |
| 10 | AP8168109 | Heckteil, schwarz | 1 | Baujahr: 2003[3] Fahrzeugfarbe: Hot red 2003[red] Technische Daten: Version RSV Mille[STD] |
| 10 | AP8168426 | Heckteil, schwarz | 1 | Baujahr: 2003[3] Fahrzeugfarbe: Racing Gelb Flashy 2003[yell] Technische Daten: "Version RSV Mille ""R""acing"[R] |
| 10 | AP8168440 | Heckteil, schwarz | 1 | Baujahr: 2003[3] Fahrzeugfarbe: Schwarz Aprilia 2003[black] Technische Daten: Version RSV Mille[STD] |
| 10 | AP8168454 | Heckteil, schwarz | 1 | Baujahr: 2003[3] Fahrzeugfarbe: Bleigrau 2003[grey] Technische Daten: Version RSV Mille[STD] |
| 10 | AP8168470 | Heckteil, schwarz | 1 | Baujahr: 2003[3] Fahrzeugfarbe: Racing Bleigrau 2003[p.g] Technische Daten: "Version RSV Mille ""R""acing"[R] |
| 10 | AP8168470 | Heckteil, schwarz | 1 | Baujahr: 2003[3] Fahrzeugfarbe: Racing Schwarz Aprilia 2003[rac] Technische Daten: "Version RSV Mille ""R""acing"[R] |
| 10 | AP8168903 | Heckteil, schwarz | 1 | Baujahr: 2003[3] Fahrzeugfarbe: Racing GP1 2003[gp1] Technische Daten: "Version ""R""acing GP1 Limited Ed."[RL] |

| | |
|---------------------|-------------------|
| Einheit | RAHMEN |
| Code | 28.30 |
| Beschreibung | R.Kar. - R.verkl. |
| Inspektion | 1 |



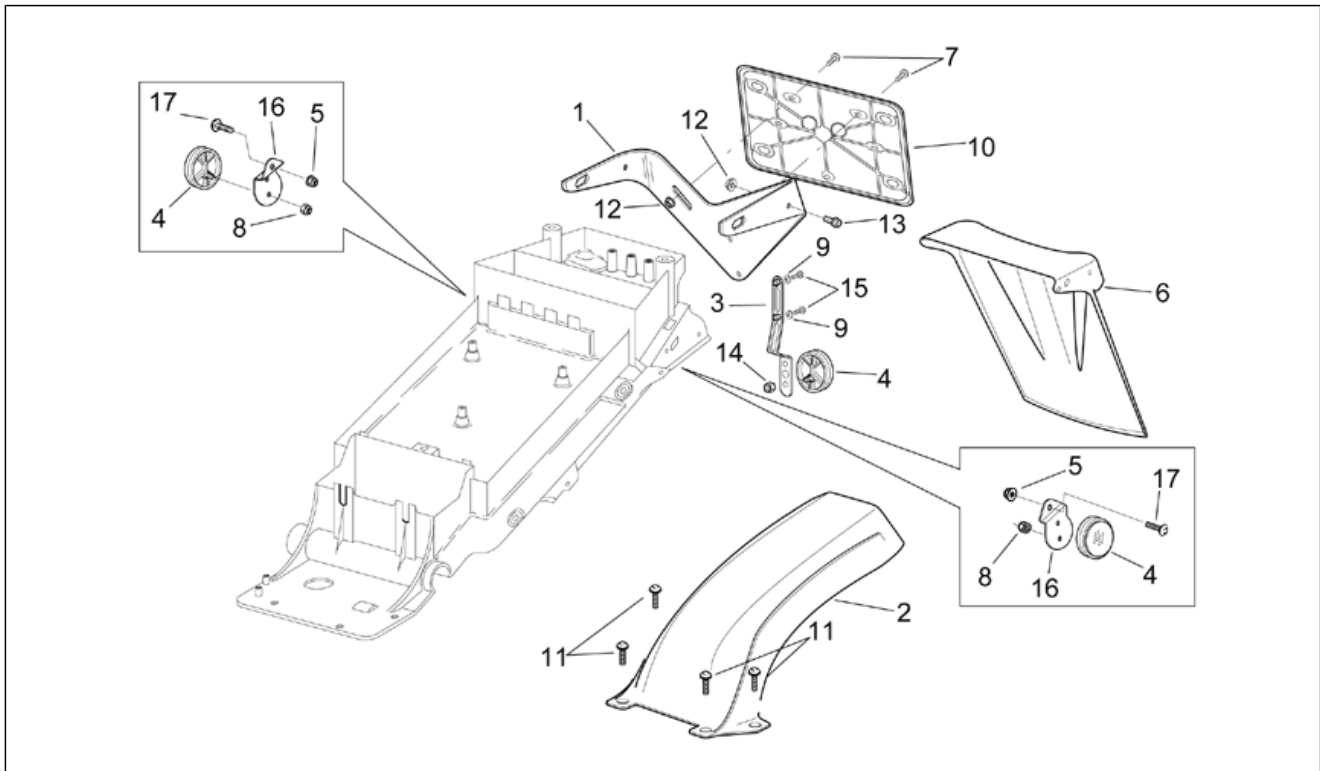
| Pos. | Code | Beschreibung | Menge | Varianten |
|------|-----------|----------------|-------|-----------|
| 11 | AP8168112 | Net Lufteinlaß | 2 | |

| | |
|---------------------|--------------|
| Einheit | RAHMEN |
| Code | 28.31 |
| Beschreibung | U. Sitzbank. |
| Inspektion | 1 |



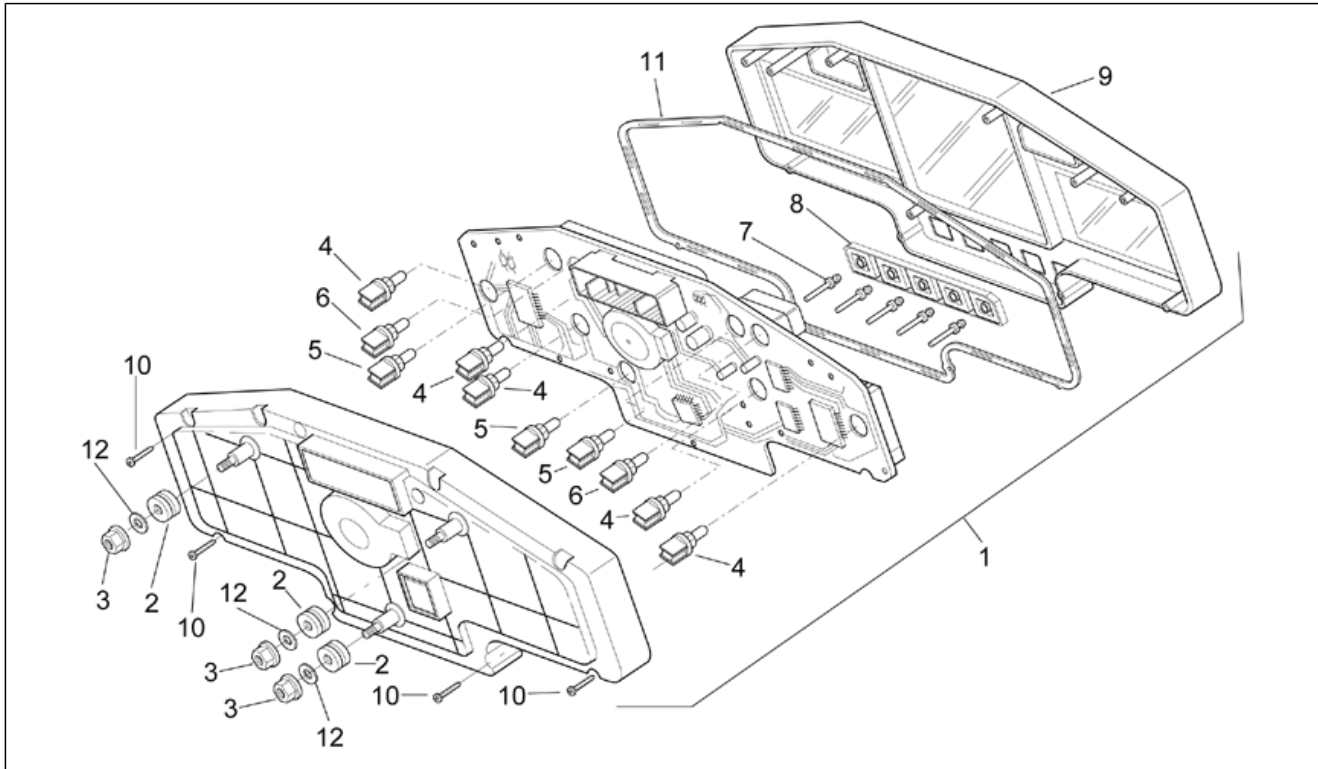
| Pos. | Code | Beschreibung | Menge | Varianten |
|------|-----------|-------------------------------|-------|--|
| 1 | AP8138591 | Verschl. unt. vorn Sitz | 1 | Land: Österreich[A], Australien[AA], Australien[AUS], Belgien[B], Belgien[BB], Schweiz[CH], Deutschland[D], Dänemark[DK], Spanien[E], A, CH, D, DK, GR, E, I, NL, P[EU], Frankreich[F], Griechenland[GR], Italien[I], Japan[J], Japan[JJ], Holland[NL], Portugal[P], Großbritannien[UK] |
| 1 | AP8149033 | Verschl. unt. vorn Sitz | 1 | Land: USA (Zulassung 49 Staaten)[AM], USA (Zulassung California)[CF], Vereinigte Staaten von Amerika[USA] |
| 2 | AP8101595 | Schelle D10,1 | 2 | |
| 3 | AP8120952 | Kraftstoffleitung 5,5x10 | 1 | |
| 4 | AP8201539 | Schelle | 1 | |
| 5 | AP8150468 | Schraube M6x40 | 2 | Technische Daten: Version RSV Mille[STD] |
| 5 | AP8152278 | TE Schr. m. Flansch M6x16 | 2 | Technische Daten: "Version RSV Mille ""R""acing"[R], "Version ""R""acing GP1 Limited Ed."[RL] |
| 6 | AP8121890 | Buchse | 2 | Technische Daten: Version RSV Mille[STD] |
| 6 | AP8150015 | Ausgleichscheibe 6,6x18x1,6* | 2 | Technische Daten: "Version RSV Mille ""R""acing"[R], "Version ""R""acing GP1 Limited Ed."[RL] |
| 7 | AP8120001 | Gummi | 2 | |
| 8 | AP8152246 | TBEI Schraube m.Flansch M6x16 | 4 | |
| 9 | AP8152278 | TE Schr. m. Flansch M6x16 | 6 | |
| 10 | AP8152299 | Selbstsperrende Mutter M6 | 2 | |
| 11 | AP8102375 | Klammer M5 | 8 | |
| 12 | AP8102376 | Klammer M6 | 1 | |
| 13 | AP8102600 | Deckel | 3 | Land: USA (Zulassung 49 Staaten)[AM], Vereinigte Staaten von Amerika[USA] Technische Daten: Zulassung 49 Staaten[49st] |
| 13 | AP8102600 | Deckel | 3 | Land: Österreich[A], Australien[AA], Australien[AUS], Belgien[B], Belgien[BB], Schweiz[CH], Deutschland[D], Dänemark[DK], Spanien[E], A, CH, D, DK, GR, E, I, NL, P[EU], Frankreich[F], Frankreich[FF], Griechenland[GR], Italien[I], Japan[J], Japan[JJ], Holland[NL], Portugal[P], Großbritannien[UK] |

| | |
|---------------------|----------------------|
| Einheit | RAHMEN |
| Code | 28.32 |
| Beschreibung | Hinteres Schutzblech |
| Inspektion | 1 |



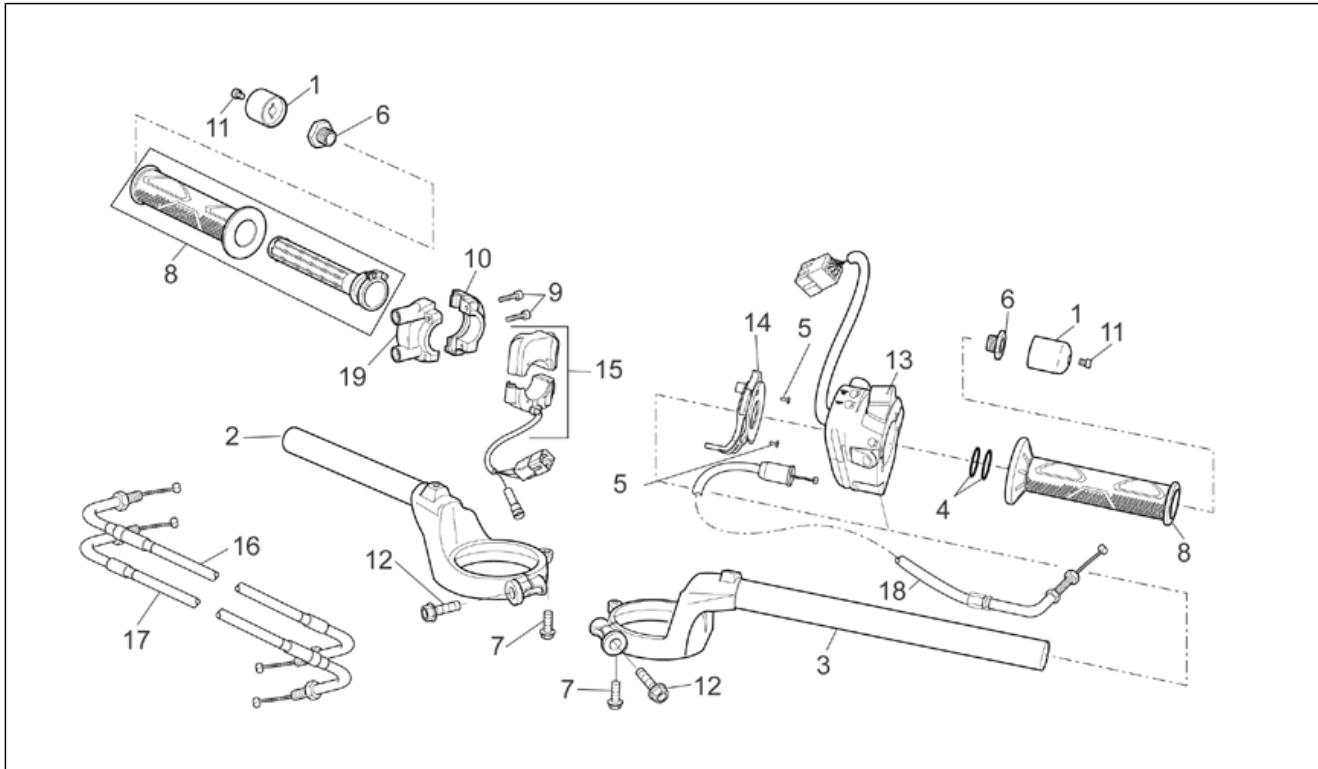
| Pos. | Code | Beschreibung | Menge | Varianten |
|------|-----------|-------------------------------|-------|--|
| 1 | AP8126775 | Kennzeichenhalter | 1 | |
| 2 | AP8126579 | H. Schutzblech, tief | 1 | Technische Daten: Version RSV Mille[STD] |
| 2 | AP8126650 | Schutzblech hinten Kohl. | 1 | Technische Daten: "Version RSV Mille ""R""acing"[R] |
| 2 | AP8156088 | Hinteres Schutzblech | 1 | Technische Daten: "Version ""R""acing GP1 Limited Ed."[RL] |
| 3 | AP8134448 | Rückstrahler-Fixierung | 1 | |
| 4 | AP8224164 | Rückstrahler Rücklicht, rot | 1 | Land: Österreich[A], Australien[AA], Australien[AUS], Belgien[B], Belgien[BB], Schweiz[CH], Deutschland[D], Dänemark[DK], Spanien[E], A, CH, D, DK, GR, E, I, NL, P[EU], Frankreich[F], Frankreich[FF], Griechenland[GR], Italien[I], Japan[J], Japan[JJ], Holland[NL], Portugal[P], Großbritannien[UK] |
| 4 | AP8224164 | Rückstrahler Rücklicht, rot | 3 | Land: USA (Zulassung 49 Staaten)[AM], USA (Zulassung California)[CF], Vereinigte Staaten von Amerika[USA] |
| 5 | AP8152306 | Selbstsperrende Mutter M5 | 2 | Land: USA (Zulassung 49 Staaten)[AM], USA (Zulassung California)[CF], Vereinigte Staaten von Amerika[USA] |
| 6 | AP8126591 | Verl. Nummernsch.bef. | 1 | |
| 7 | AP8150340 | TBEI Schraube | 2 | |
| 8 | AP8150204 | Mutter M4 | 4 | Land: USA (Zulassung 49 Staaten)[AM], USA (Zulassung California)[CF], Vereinigte Staaten von Amerika[USA] |
| 9 | AP8150177 | Ausgleichscheibe 5,3X10X1 | 2 | |
| 10 | AP8149034 | Kennzeichenhalter | 1 | Land: USA (Zulassung 49 Staaten)[AM], USA (Zulassung California)[CF], Vereinigte Staaten von Amerika[USA] |
| 11 | AP8152298 | TBEI Schraube m.Flansch M5x16 | 4 | |
| 12 | AP8152299 | Selbstsperrende Mutter M6 | 4 | |
| 13 | AP8152278 | TE Schr. m. Flansch M6x16 | 2 | |
| 14 | AP8152306 | Selbstsperrende Mutter M5 | 1 | |
| 15 | AP8152267 | TBEI Spez.schr. M5x12 | 2 | |
| 16 | AP8148587 | Rückstrahler-Fixierung | 2 | Land: USA (Zulassung 49 Staaten)[AM], USA (Zulassung California)[CF], Vereinigte Staaten von Amerika[USA] |
| 17 | AP8152298 | TBEI Schraube m.Flansch M5x16 | 2 | Land: USA (Zulassung 49 Staaten)[AM], USA (Zulassung California)[CF], Vereinigte Staaten von Amerika[USA] |

| | |
|---------------------|-------------------|
| Einheit | RAHMEN |
| Code | 28.33 |
| Beschreibung | Instrumententafel |
| Inspektion | 1 |



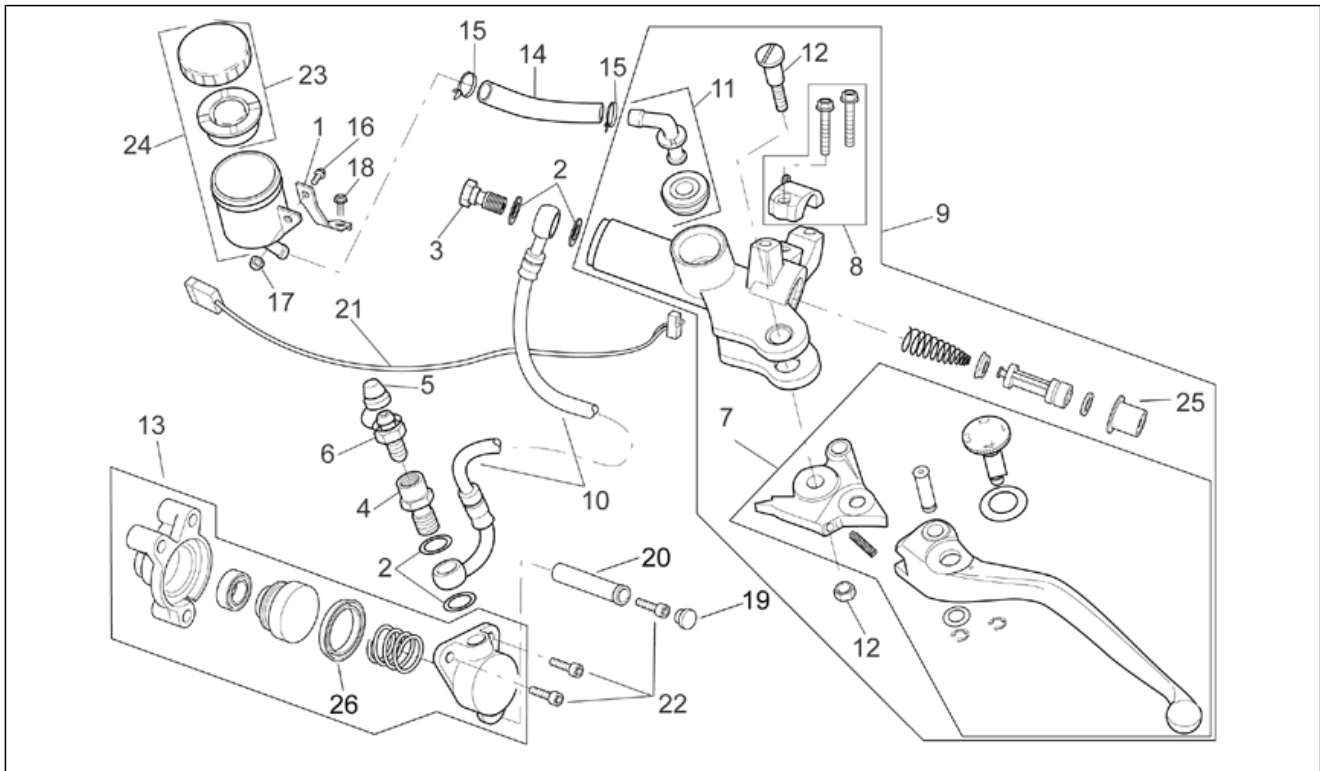
| Pos. | Code | Beschreibung | Menge | Varianten |
|------|-----------|----------------------------|-------|-----------|
| 1 | AP8124990 | Instrum.tafel kplt. | 1 | |
| 2 | AP8112599 | Gummi * | 3 | |
| 3 | AP8152299 | Selbstsperrende Mutter M6 | 3 | |
| 4 | AP8124569 | Lampenhalter kplt. | 5 | |
| 5 | AP8124570 | Lampenhalter kplt. | 3 | |
| 6 | AP8124571 | Lampenhalter kplt. 12V-3W | 2 | |
| 7 | AP8124575 | Kolben Armaturentafel | 5 | |
| 8 | AP8124574 | Gummi | 1 | |
| 9 | AP8124573 | Ob. Armaturenabdeck. | 1 | |
| 10 | AP8124572 | Schraube | 8 | |
| 11 | AP8144415 | Dichtung | 1 | |
| 12 | AP8150014 | Ausgleichscheibe 6,4x12,5* | 3 | |

| | |
|---------------------|------------|
| Einheit | RAHMEN |
| Code | 28.34 |
| Beschreibung | Lenkstange |
| Inspektion | 1 |



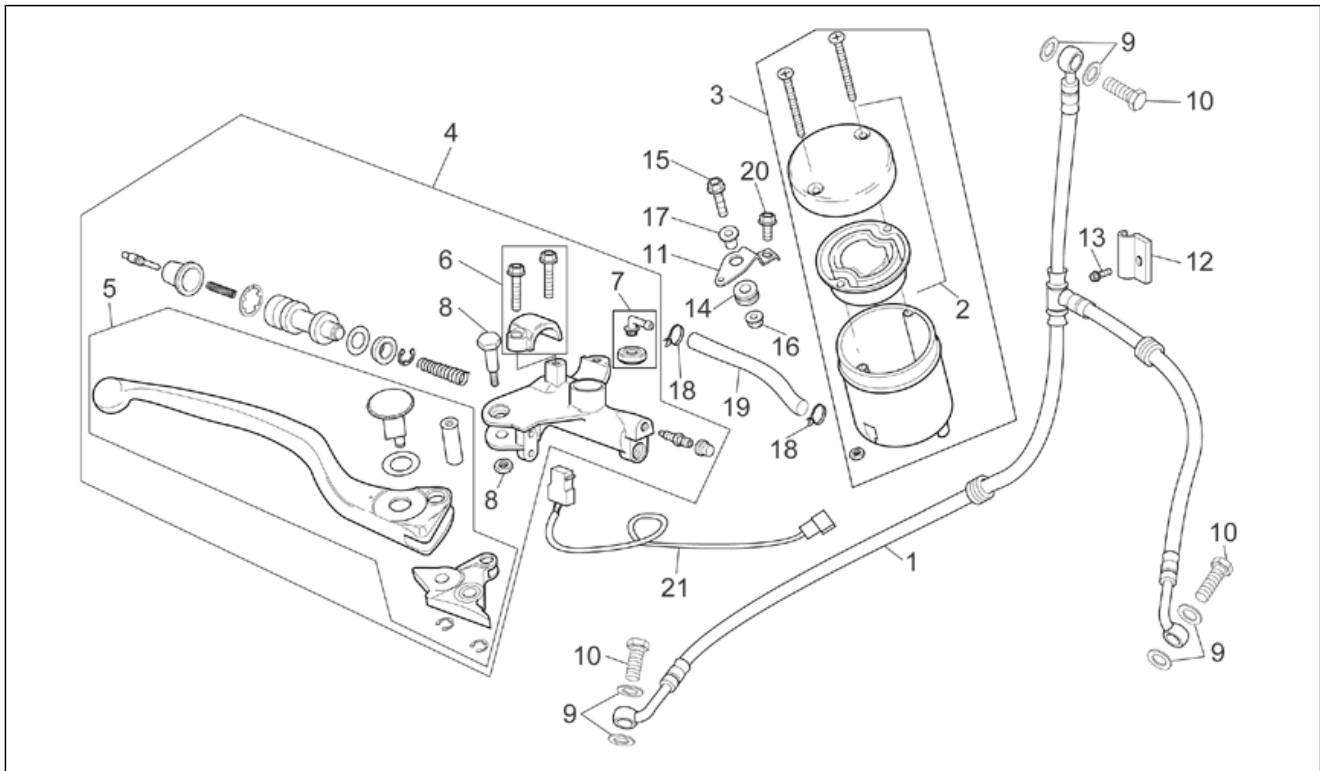
| Pos. | Code | Beschreibung | Menge | Varianten |
|------|-----------|-------------------------------|-------|---|
| 1 | AP8104509 | Schwingschutzgewicht schwarz | 2 | |
| 2 | AP8118590 | Halbblenker kpl rechts d.53 | 1 | Technische Daten: Version RSV Mille[STD] |
| 2 | AP8118592 | Halbblenker kpl rechts d.51,1 | 1 | Technische Daten: "Version RSV Mille ""R""acing"[R], "Version ""R""acing GP1 Limited Ed."[RL] |
| 3 | AP8118591 | Halbblenker kpl links d.53 | 1 | Technische Daten: Version RSV Mille[STD] |
| 3 | AP8118593 | Halbblenker kpl links d.51,1 | 1 | Technische Daten: "Version RSV Mille ""R""acing"[R], "Version ""R""acing GP1 Limited Ed."[RL] |
| 4 | AP8120190 | O-Ring 3075 | 1 | |
| 5 | AP8150472 | Edelstahl-Inbusschraube M3x20 | 2 | |
| 6 | AP8121520 | Endstück Schwinggew. | 2 | |
| 7 | AP8152279 | TE Schr. m. Flansch M6x20 | 2 | |
| 8 | AP8118501 | Handgriffe paar, schwarz | 1 | |
| 9 | AP8118492 | Kappenschraube | 2 | |
| 10 | AP8118567 | Gasschaltung H.Bügelbolzen | 1 | |
| 11 | AP8150508 | TCEI Schraube M6x45 | 2 | |
| 12 | AP8152289 | TE Schr. m. Flansch | 2 | |
| 13 | AP8127069 | Linker Lichtschalter | 1 | Land: Österreich[A], Australien[AA], Australien[AUS], Belgien[B], Belgien[BB], Schweiz[CH], Deutschland[D], Dänemark[DK], Spanien[E], A, CH, D, DK, GR, E, I, NL, P[EU], Frankreich[F], Frankreich[FF], Griechenland[GR], Italien[I], Holland[NL], Portugal[P], Großbritannien[UK] |
| 13 | AP8127069 | Linker Lichtschalter | 1 | Land: USA (Zulassung 49 Staaten)[AM], USA (Zulassung California)[CF], Japan[J], Japan[JJ], Vereinigte Staaten von Amerika[USA] |
| 14 | AP8118470 | Starterschaltung | 1 | |
| 15 | AP8118580 | Motor Stop-Start Vorr. | 1 | |
| 16 | AP8114404 | Gas trasmission delivery | 1 | |
| 17 | AP8114405 | Gas trasmission return | 1 | |
| 18 | AP8114359 | Starterzugkabel | 1 | |
| 19 | AP8118566 | Gasschaltung V.Bügelbolzen | 1 | |

| | |
|---------------------|----------------|
| Einheit | RAHMEN |
| Code | 28.35 |
| Beschreibung | Kupplungspumpe |
| Inspektion | 1 |



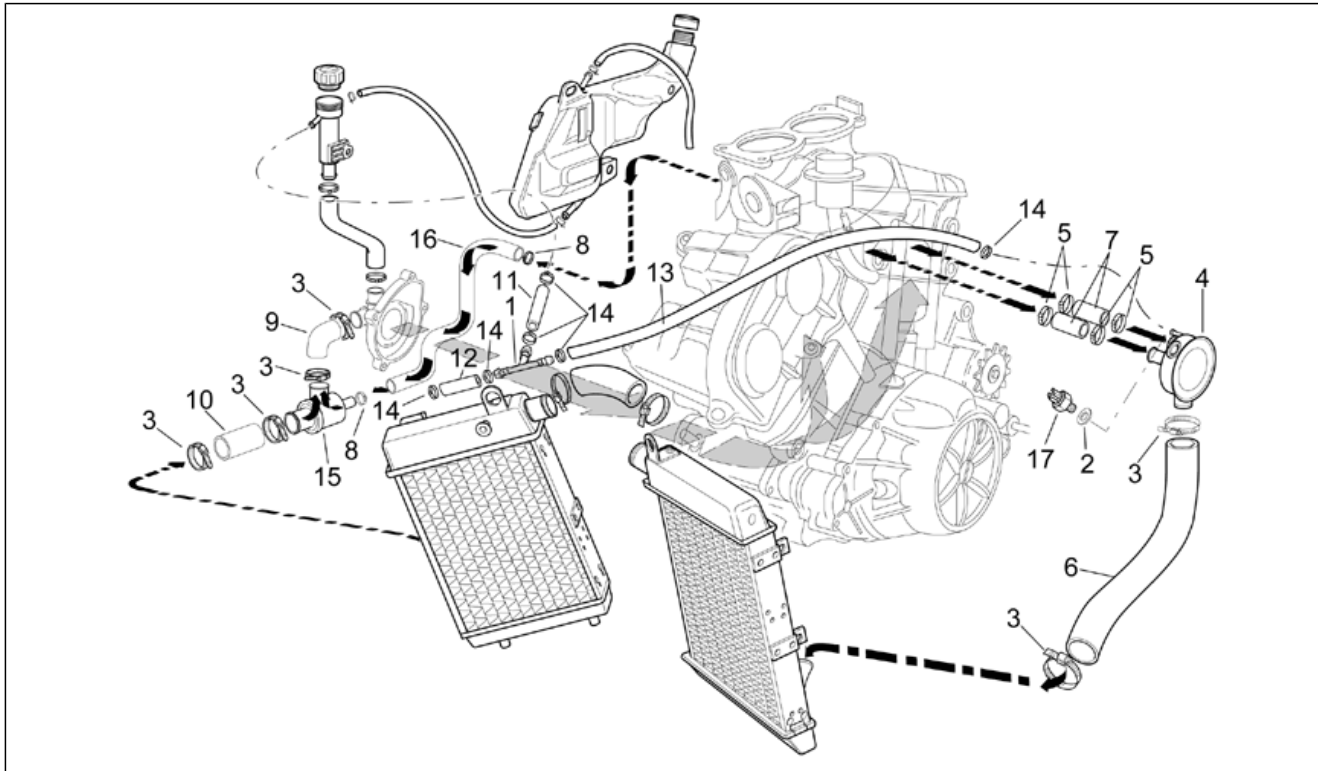
| Pos. | Code | Beschreibung | Menge | Varianten |
|------|-----------|---------------------------|-------|-----------|
| 1 | AP8134394 | Platte f. Ölbehälter | 1 | |
| 2 | AP8121915 | Dichtung | 4 | |
| 3 | AP8113003 | Fixierschraube Ölschlauch | 1 | |
| 4 | AP8113762 | Lochschraube | 1 | |
| 5 | AP8113230 | Entlüftungskappe | 1 | |
| 6 | AP8113761 | Entlüftungsanschluß | 1 | |
| 7 | AP8113758 | Kupplungshebel | 1 | |
| 8 | AP8113759 | Bügelbolzen | 1 | |
| 9 | AP8106384 | Kupplungspumpe | 1 | |
| 10 | AP8106672 | Kupplungsschlauch | 1 | |
| 11 | AP8213057 | Hinterer Pumpenanschluß | 1 | |
| 12 | AP8113719 | Hebelbolzen | 1 | |
| 13 | AP8106381 | Kupplungszylinder | 1 | |
| 14 | AP8113773 | Leitung | 1 | |
| 15 | AP8113764 | Schelle | 2 | |
| 16 | AP8152273 | Flanschschraube M5x15 | 1 | |
| 17 | AP8152306 | Selbstsperrende Mutter M5 | 1 | |
| 18 | AP8152277 | TE Schr. m. Flansch M6x12 | 1 | |
| 19 | AP8144158 | Gummi | 1 | |
| 20 | AP8121293 | Distanzsch. Kettengummi | 1 | |
| 21 | AP8124398 | Kuppl.schalter+Verkab. | 1 | |
| 22 | AP0241821 | TCEI Schraube M6x45 | 1 | |
| 23 | AP8113553 | Tankverschluß | 1 | |
| 24 | AP8106382 | Öltank kpl | 1 | |
| 25 | AP8133522 | Haube | 1 | |
| 26 | AP8106935 | Dichtung | 1 | |

| | |
|---------------------|---------------------|
| Einheit | RAHMEN |
| Code | 28.36 |
| Beschreibung | Vorderradbremspumpe |
| Inspektion | 1 |



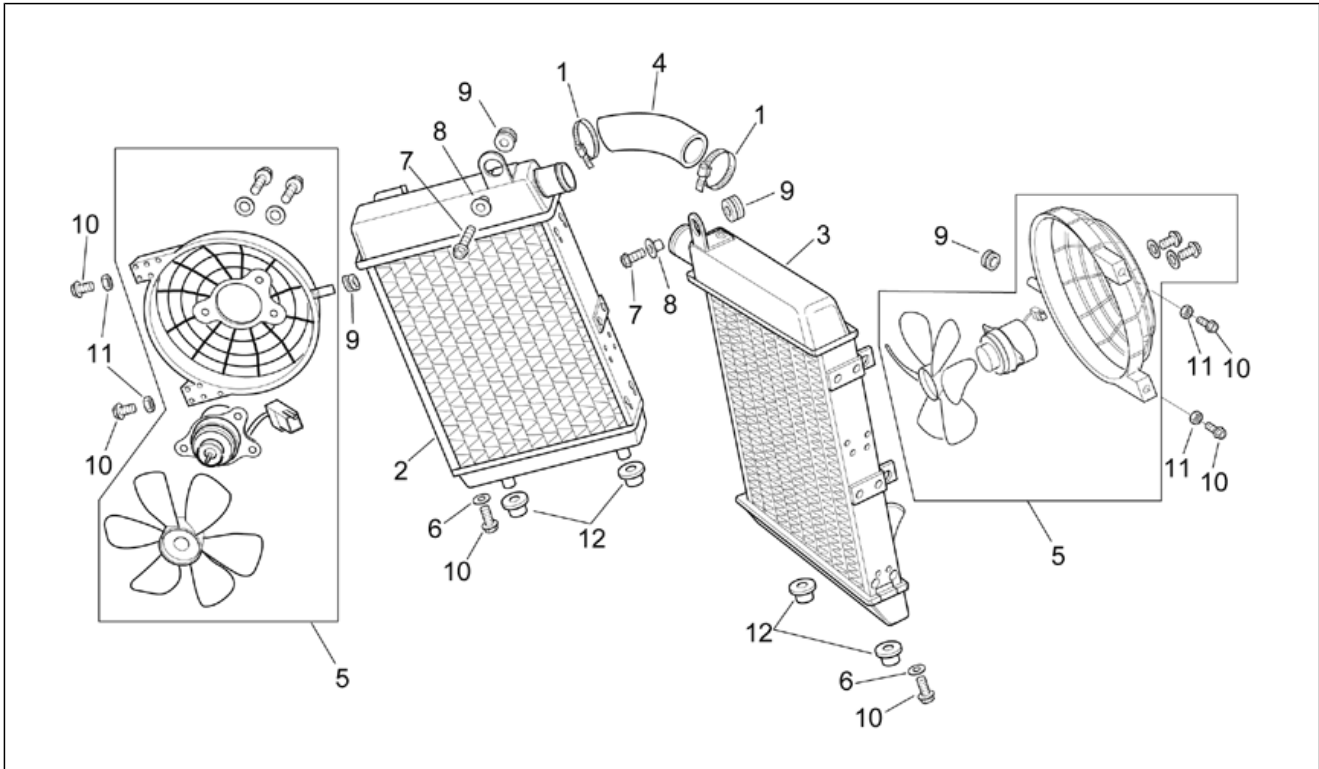
| Pos. | Code | Beschreibung | Menge | Varianten |
|------|-----------|---------------------------|-------|---|
| 1 | AP8113874 | Vorderradbremsschlauch | 1 | Technische Daten: "Version RSV Mille ""R""acing"[R], "Version ""R""acing GP1 Limited Ed."[RL] |
| 1 | AP8113976 | Vorderradbremsschlauch | 1 | Technische Daten: Version RSV Mille[STD] |
| 2 | AP8113598 | Bremsen-Öltankschraube | 1 | |
| 3 | AP8113499 | Öltank Bremsen | 1 | |
| 4 | AP8113969 | Vorderradbremspumpe | 1 | |
| 5 | AP8113757 | Vorderradbremsschleifer | 1 | |
| 6 | AP8113717 | Bügelbolzen | 1 | |
| 7 | AP8213057 | Hinterer Pumpenanschluß | 1 | |
| 8 | AP8113719 | Hebelbolzen | 1 | |
| 9 | AP8121915 | Dichtung | 6 | |
| 10 | AP8113003 | Fixierschraube Ölschlauch | 3 | |
| 11 | AP8134383 | Platte f. Ölbehälter | 1 | |
| 12 | AP8134438 | Platte Bremsschlauch | 1 | |
| 13 | AP8152272 | TE Schr. m. Flansch M5x12 | 1 | |
| 14 | AP8120030 | Gummi | 1 | |
| 15 | AP8152280 | TE Schr. m. Flansch M6x25 | 1 | |
| 16 | AP8152299 | Selbstsperrende Mutter M6 | 1 | |
| 17 | AP8221023 | T-Buchse | 1 | |
| 18 | AP8101595 | Schelle D10,1 | 2 | |
| 19 | AP8144151 | Gummischlauch | 1 | |
| 20 | AP8152277 | TE Schr. m. Flansch M6x12 | 1 | |
| 21 | AP8124288 | Bremslichtschalter | 1 | |

| | |
|---------------------|------------|
| Einheit | RAHMEN |
| Code | 28.37 |
| Beschreibung | Kühlanlage |
| Inspektion | 1 |



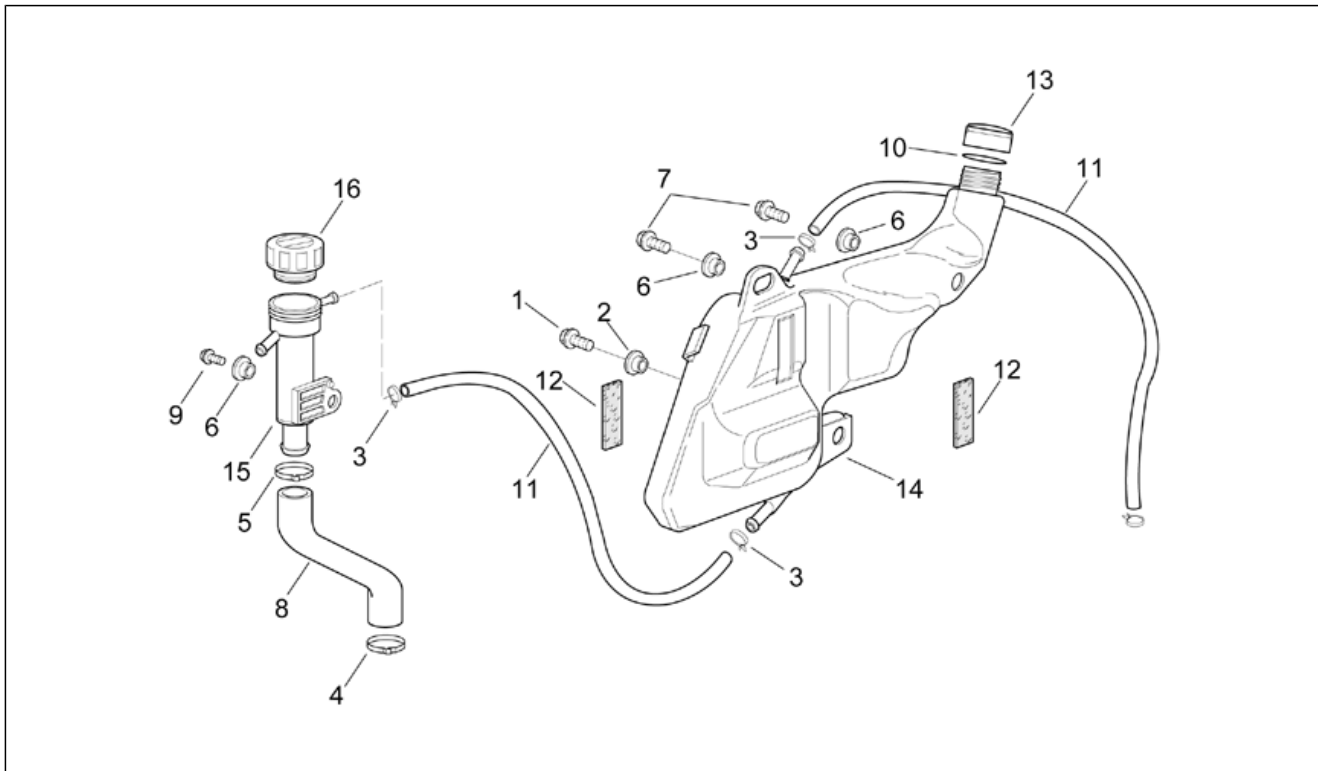
| Pos. | Code | Beschreibung | Menge | Varianten |
|------|-----------|------------------------------|-------|-----------|
| 1 | AP8102431 | 3-Wegeanschluß | 1 | |
| 2 | AP8121837 | Alu-Scheibe | 1 | |
| 3 | AP8104097 | Schlauchschelle | 6 | |
| 4 | AP8102677 | 3-Wege-Krümmer | 1 | |
| 5 | AP8102732 | Schelle 17-25 | 4 | |
| 6 | AP8120978 | Wasserschl. Krüm.-Kühl. | 1 | |
| 7 | AP8120979 | Schlauch Motor-Krüm. | 2 | |
| 8 | AP8101927 | Schlauchschelle D23,5x8* | 2 | |
| 9 | AP8144033 | Schl. Thermostat-Pumpe | 1 | |
| 10 | AP8144034 | Schl. Therm.-Kühl. | 1 | |
| 11 | AP8144094 | Entlft.schl. Anschl.-Krüm. | 1 | |
| 12 | AP8144093 | Entlft.schl. Kühler-Ansch. | 1 | |
| 13 | AP8144092 | Entlüftungsschlauch | 1 | |
| 14 | AP8102764 | Schlauchschelle weiß d.13x6 | 6 | |
| 15 | AP8124929 | Ventil thermostatgruppe 75°C | 1 | |
| 16 | AP8120980 | Schlauch Thermost.-Mot. | 1 | |
| 17 | AP8112939 | Thermoschalter | 1 | |

| | |
|---------------------|--------------|
| Einheit | RAHMEN |
| Code | 28.38 |
| Beschreibung | Wasserkühler |
| Inspektion | 1 |



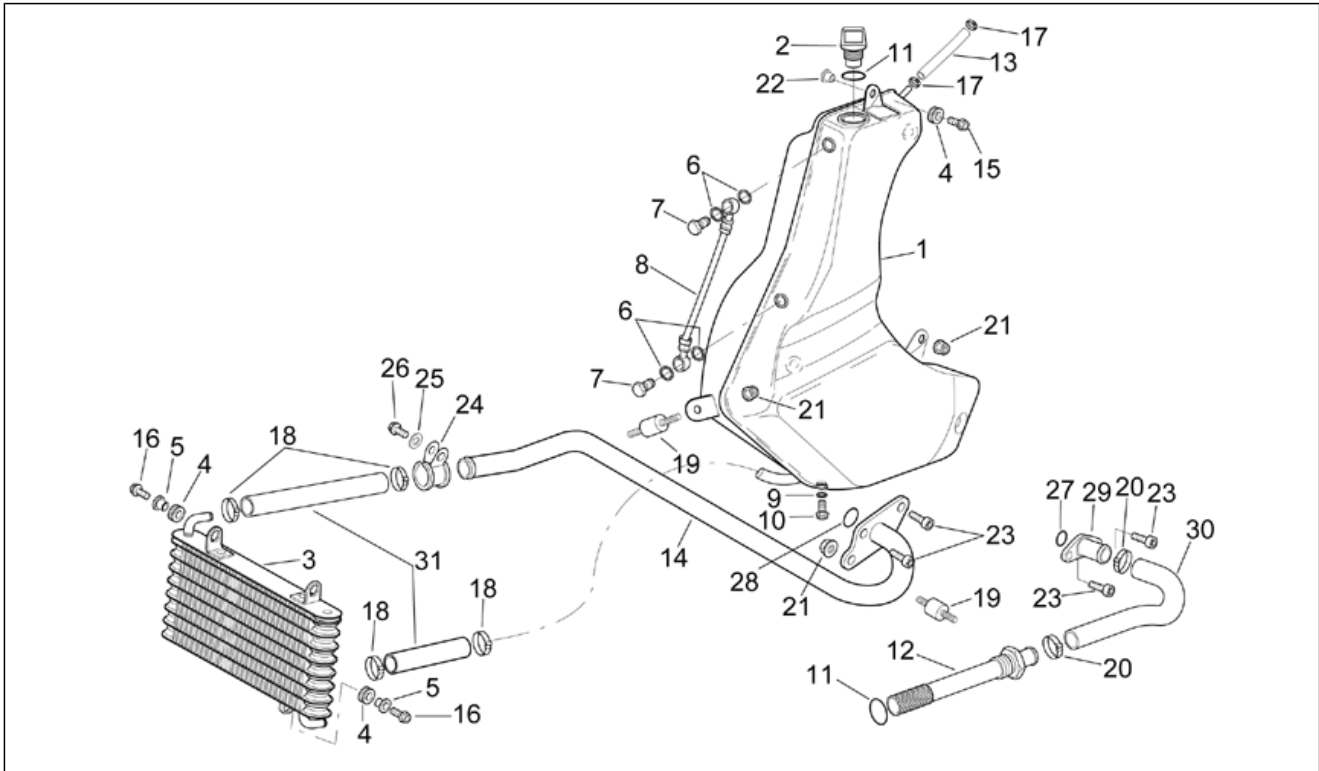
| Pos. | Code | Beschreibung | Menge | Varianten |
|------|-----------|---------------------------|-------|-----------|
| 1 | AP8104097 | Schlauchschelle | 2 | |
| 2 | AP8102952 | Wasserkühler R.schwarz | 1 | |
| 3 | AP8102951 | Wasserkühler L.schwarz | 1 | |
| 4 | AP8120981 | Wasserschlauch Kühler | 1 | |
| 5 | AP8124855 | Ventilator komplett | 2 | |
| 6 | AP8152184 | Ausgleichscheibe 6,4x12* | 2 | |
| 7 | AP8152279 | TE Schr. m. Flansch M6x20 | 2 | |
| 8 | AP8221023 | T-Buchse | 2 | |
| 9 | AP8112600 | Gummi | 2 | |
| 10 | AP8152277 | TE Schr. m. Flansch M6x12 | 6 | |
| 11 | AP8150026 | Mutter M6 | 4 | |
| 12 | AP8101372 | Silent-Block | 4 | |

| | |
|---------------------|--------------|
| Einheit | RAHMEN |
| Code | 28.39 |
| Beschreibung | Ausdehngefäß |
| Inspektion | 1 |



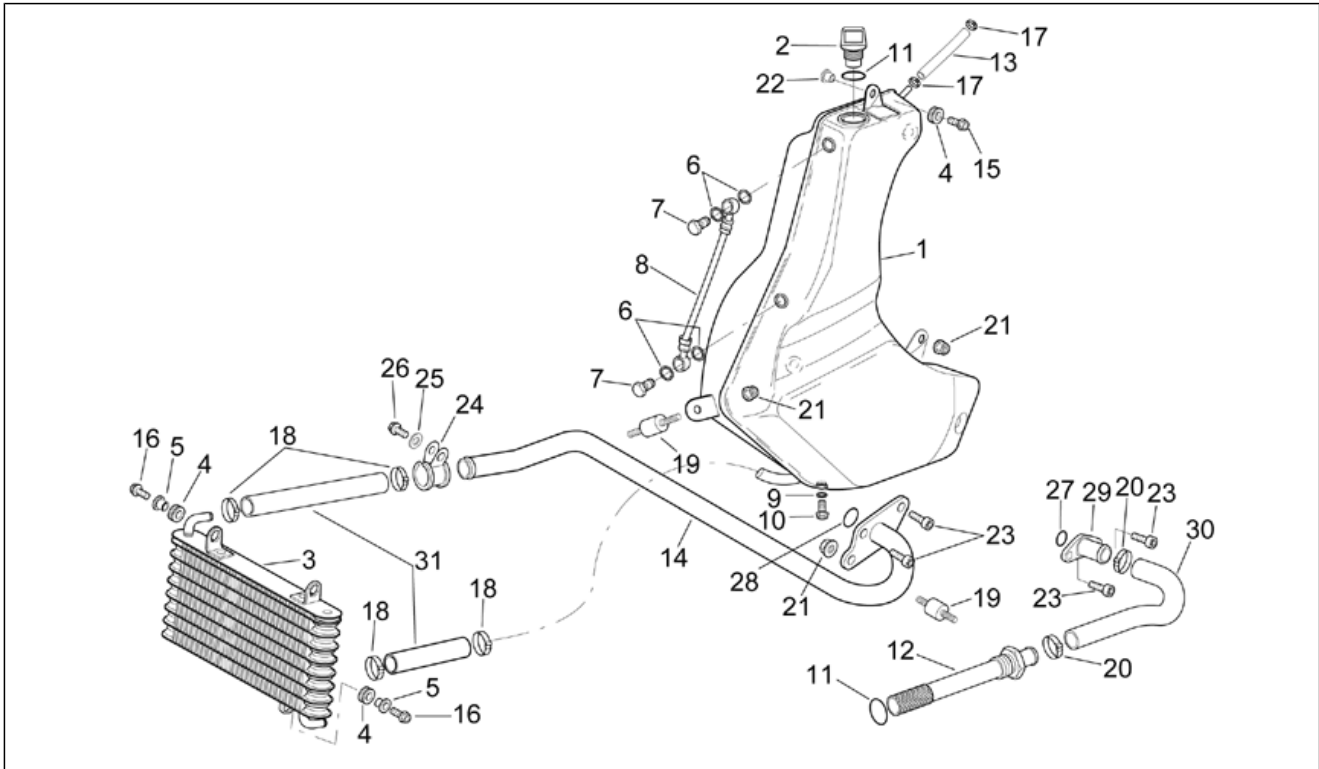
| Pos. | Code | Beschreibung | Menge | Varianten |
|------|-----------|---------------------------|-------|--|
| 1 | AP8152273 | Flanschschraube M5x15 | 1 | |
| 2 | AP8120531 | Gummi mit Einsatz | 1 | |
| 3 | AP8102378 | Schelle D11,3 | 3 | |
| 4 | AP8102732 | Schelle 17-25 | 1 | |
| 5 | AP8101927 | Schlauchschelle D23,5x8* | 1 | |
| 6 | AP8221145 | T-Buchse * | 3 | |
| 7 | AP8152278 | TE Schr. m. Flansch M6x16 | 2 | |
| 8 | AP8144032 | Schl. Pumpe-Stutzen | 1 | |
| 9 | AP8152279 | TE Schr. m. Flansch M6x20 | 1 | |
| 10 | AP8220191 | Dichtung | 1 | |
| 11 | AP8120952 | Kraftstoffleitung 5,5x10 | 1 | |
| 12 | AP8117033 | Klebeschwamm | 1 | |
| 13 | AP8104124 | Ausdehnngs. Schraube | 1 | Land: Österreich[A], Australien[AA], Australien[AUS], Belgien[B], Belgien[BB], Schweiz[CH], Deutschland[D], Dänemark[DK], Spanien[E], A, CH, D, DK, GR, E, I, NL, P[EU], Frankreich[F], Frankreich[FF], Griechenland[GR], Italien[I], Japan[J], Japan[JJ], Holland[NL], Portugal[P], Großbritannien[UK] |
| 13 | AP8104124 | Ausdehnngs. Schraube | 1 | Land: USA (Zulassung 49 Staaten)[AM], Vereinigte Staaten von Amerika[USA] Technische Daten: Zulassung 49 Staaten[49st] |
| 13 | AP8120354 | Deckel | 1 | Land: USA (Zulassung California)[CF], Vereinigte Staaten von Amerika[USA] Technische Daten: Zulassung California[cal] |
| 14 | AP8138556 | Ausdehngefäß | 1 | |
| 15 | AP8120988 | Tankstutzen | 1 | |
| 16 | AP8102615 | Deckel | 1 | |

| | |
|---------------------|------------|
| Einheit | RAHMEN |
| Code | 28.40 |
| Beschreibung | Ölbehälter |
| Inspektion | 1 |



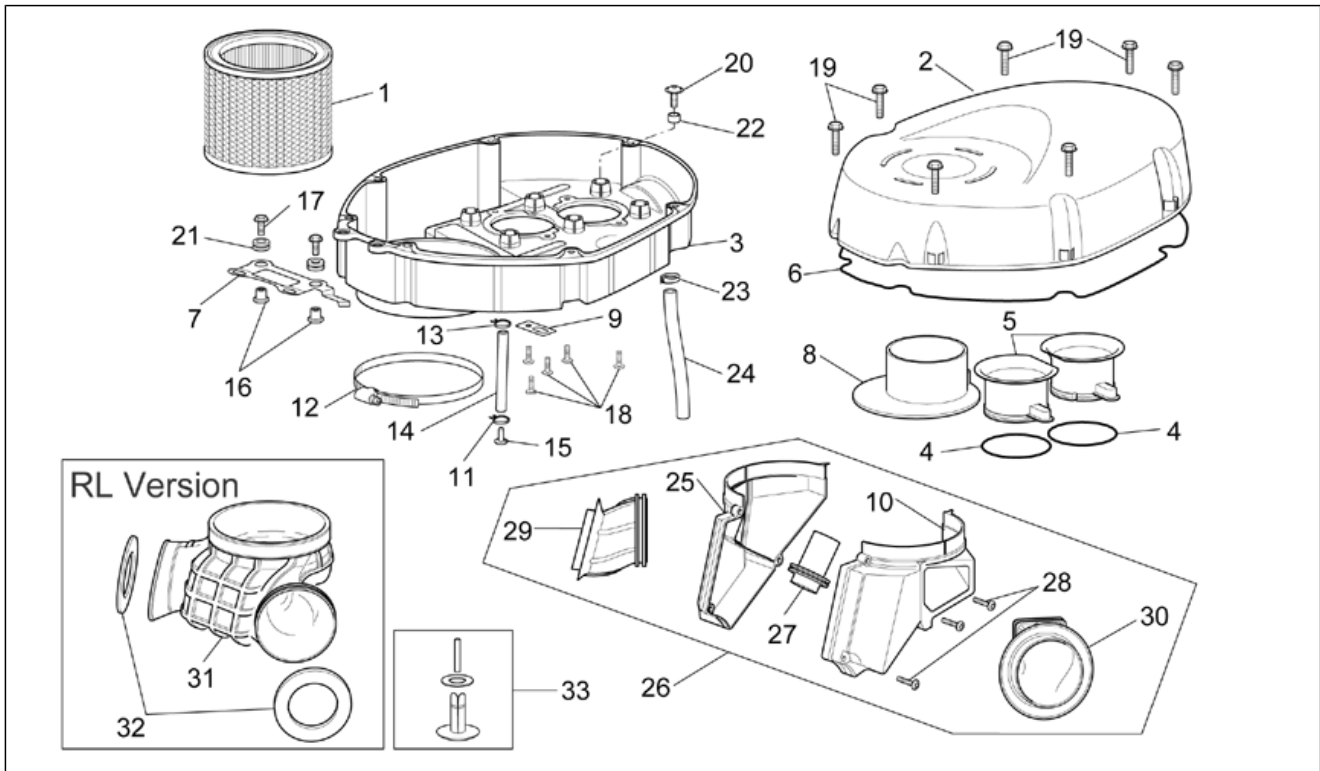
| Pos. | Code | Beschreibung | Menge | Varianten |
|------|-----------|--------------------------------|-------|---|
| 1 | AP8138558 | Öltank | 1 | Technische Daten: Version RSV Mille[STD] |
| 1 | AP8148427 | Öltank | 1 | Technische Daten: "Version RSV Mille ""R""acing"[R], "Version ""R""acing GP1 Limited Ed."[RL] |
| 2 | AP8102618 | Öltankschraube | 1 | |
| 3 | AP8104100 | Ölkühler schwarz | 1 | |
| 4 | AP8120030 | Gummi | 4 | |
| 5 | AP8221023 | T-Buchse | 3 | |
| 6 | AP8113004 | Ausgleichscheibe 10x14x1,6* | 4 | |
| 7 | AP8113003 | Fixierschraube Ölschlauch | 2 | |
| 8 | AP8144275 | Ölstandschlauch | 1 | |
| 9 | AP8121862 | Ausgleichscheibe D8x16x1,5 | 1 | |
| 10 | AP8152285 | TE Schr. m. Flansch | 1 | |
| 11 | AP8120190 | O-Ring 3075 | 2 | |
| 12 | AP8102828 | Ölfiltereinsatz kpl. | 1 | |
| 13 | AP8144015 | Ölschlauch 6x12 | 1 | |
| 14 | AP8106388 | Ölschlauch | 1 | |
| 15 | AP8152277 | TE Schr. m. Flansch M6x12 | 1 | |
| 16 | AP8152279 | TE Schr. m. Flansch M6x20 | 3 | |
| 17 | AP8120446 | Schlauchschele, grün D11x6,6x1 | 2 | |
| 18 | AP8102349 | Schlauchschele weiß D17,5x8 | 4 | |
| 19 | AP8144061 | Silent-Block | 2 | |
| 20 | AP8102786 | Schlauchschele 20x8 | 2 | |
| 21 | AP8152299 | Selbstsperrende Mutter M6 | 3 | |
| 22 | AP8121731 | T-Buchse * | 1 | |
| 23 | AP8150137 | TCEI Schraube M6x16 | 4 | |
| 24 | AP8102731 | Schelle | 1 | |
| 25 | AP8152181 | Scheibe 6,4x15x1 | 2 | |
| 26 | AP8152278 | TE Schr. m. Flansch M6x16 | 1 | |

| | |
|---------------------|------------|
| Einheit | RAHMEN |
| Code | 28.40 |
| Beschreibung | Ölbehälter |
| Inspektion | 1 |



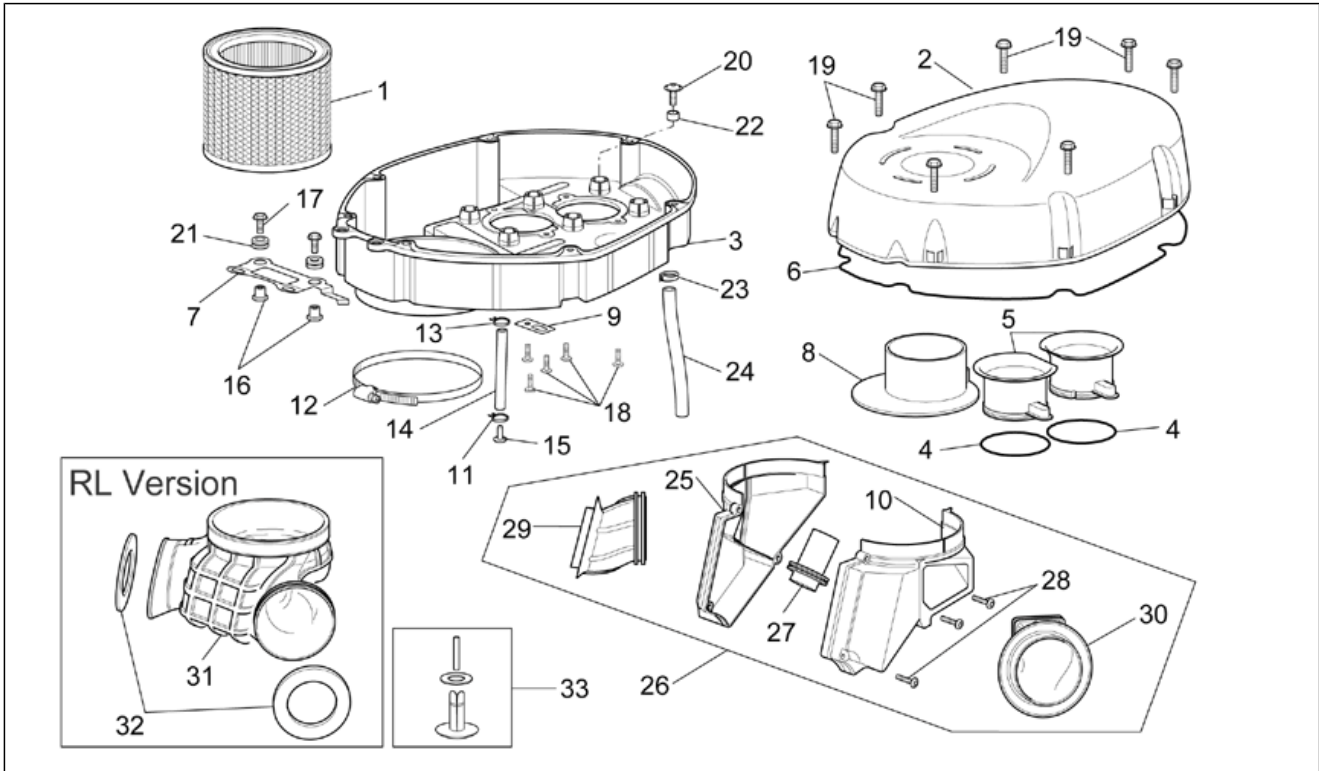
| Pos. | Code | Beschreibung | Menge | Varianten |
|------|-----------|------------------|-------|-----------|
| 27 | AP8120196 | O-Ring 3056 | 1 | |
| 28 | AP8144008 | O-Ring 115 | 1 | |
| 29 | AP8106387 | Ölschlauch | 1 | |
| 30 | AP8144090 | Ölschlauch | 1 | |
| 31 | AP8106389 | Ölschlauch 12x19 | 1 | |

| | |
|---------------------|---------------|
| Einheit | RAHMEN |
| Code | 28.41 |
| Beschreibung | Filtergehäuse |
| Inspektion | 1 |

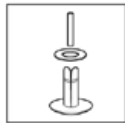
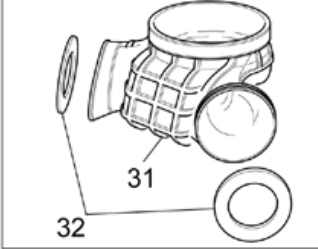


| Pos. | Code | Beschreibung | Menge | Varianten |
|------|-----------|-------------------------|-------|---|
| 1 | AP8104211 | Luftfilter | 1 | |
| 2 | AP8148825 | Oberteil Filtergehäuse | 1 | |
| 3 | AP8149667 | Unterteil Filtergehäuse | 1 | Land: USA (Zulassung California)[CF], Vereinigte Staaten von Amerika[USA] Technische Daten: Zulassung 49 Staaten[49st], "Version RSV Mille ""R""acing"[R], Version RSV Mille[STD] |
| 3 | AP8149667 | Unterteil Filtergehäuse | 1 | Land: Österreich[A], Australien[AA], Australien[AUS], Belgien[B], Belgien[BB], Schweiz[CH], Deutschland[D], Dänemark[DK], Spanien[E], A, CH, D, DK, GR, E, I, NL, P[EU], Griechenland[GR], Italien[I], Japan[J], Japan[JJ], Holland[NL], Portugal[P], Großbritannien[UK] Technische Daten: "Version RSV Mille ""R""acing"[R], Version RSV Mille[STD] |
| 3 | AP8149669 | Unterteil Filtergehäuse | 1 | Land: USA (Zulassung California)[CF], Vereinigte Staaten von Amerika[USA] Technische Daten: "Version ""R""acing GP1 Limited Ed."[RL], Serienmäßig[S] |
| 3 | AP8149669 | Unterteil Filtergehäuse | 1 | Land: USA (Zulassung 49 Staaten)[AM], Vereinigte Staaten von Amerika[USA] Technische Daten: Zulassung California[cal], "Version RSV Mille ""R""acing"[R], Version RSV Mille[STD] |
| 3 | AP8149723 | Unterteil Filtergehäuse | 1 | Land: Frankreich[F], Frankreich[FF] Technische Daten: "Version RSV Mille ""R""acing"[R], Version RSV Mille[STD] |
| 3 | AP8168761 | Unterteil Filtergehäuse | 1 | Land: Österreich[A], Australien[AA], Australien[AUS], Belgien[B], Belgien[BB], Schweiz[CH], Deutschland[D], Dänemark[DK], Spanien[E], A, CH, D, DK, GR, E, I, NL, P[EU], Griechenland[GR], Italien[I], Japan[J], Japan[JJ], Holland[NL], Portugal[P], Großbritannien[UK] Technische Daten: "Version ""R""acing GP1 Limited Ed."[RL] |
| 3 | AP8168761 | Unterteil Filtergehäuse | 1 | Land: USA (Zulassung California)[CF], Vereinigte Staaten von Amerika[USA] Technische Daten: Version für Leistungssteigerungskit[K], "Version ""R""acing GP1 Limited Ed."[RL] |

| | |
|---------------------|---------------|
| Einheit | RAHMEN |
| Code | 28.41 |
| Beschreibung | Filtergehäuse |
| Inspektion | 1 |

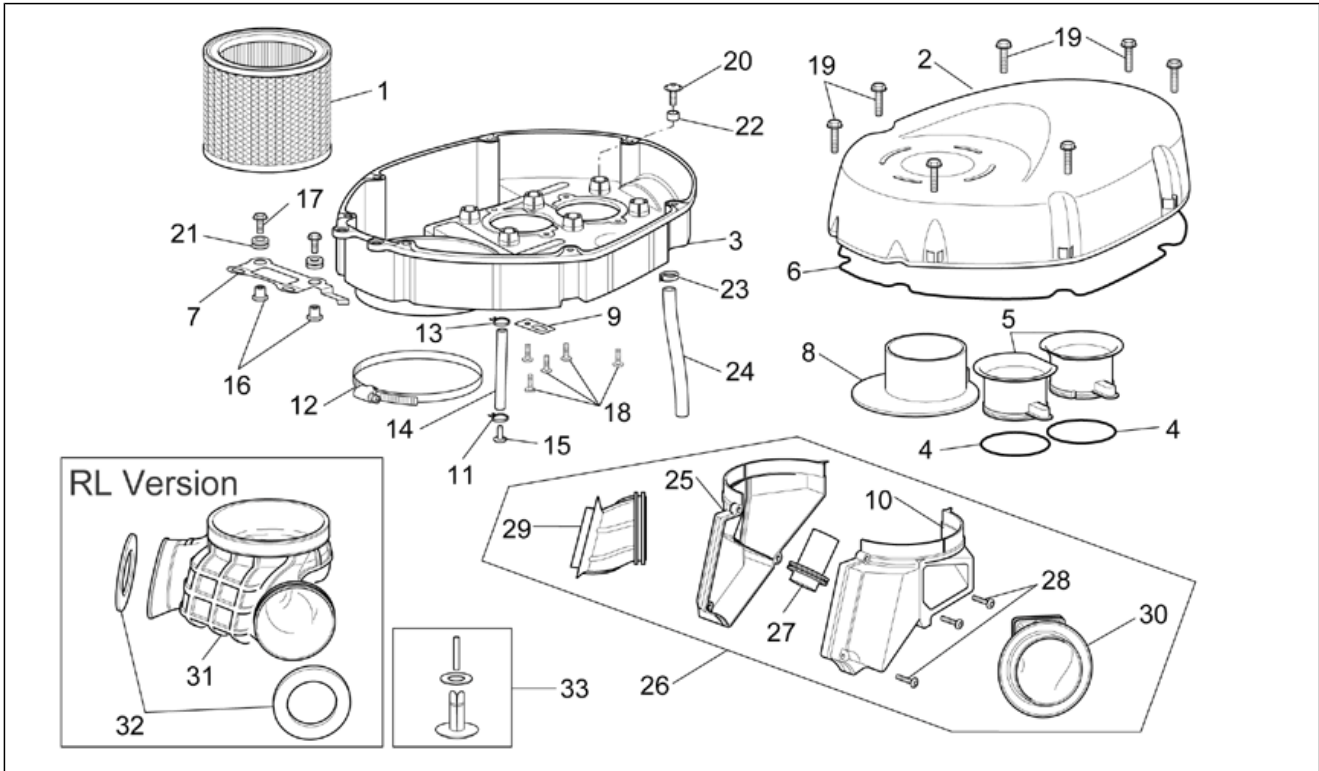


RL Version



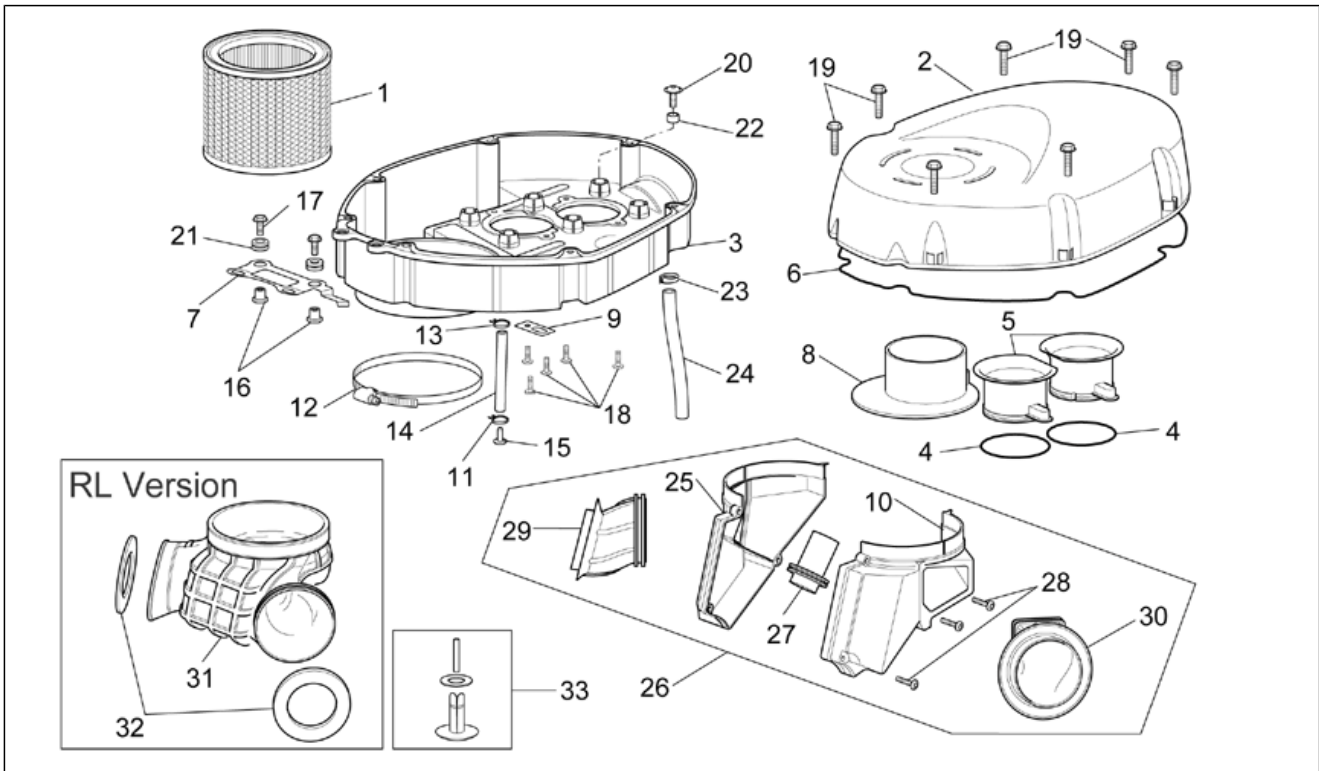
| Pos. | Code | Beschreibung | Menge | Varianten |
|------|-----------|---------------------------|-------|---|
| 4 | AP8144063 | O-Ring 159 | 2 | |
| 5 | AP8106395 | Einlaßöffnung | 2 | Land: USA (Zulassung California)[CF], Vereinigte Staaten von Amerika[USA] Technische Daten: "Version ""R""acing GP1 Limited Ed."[RL], Serienmäßig[S] |
| 5 | AP8106395 | Einlaßöffnung | 2 | Technische Daten: "Version RSV Mille ""R""acing"[R], Version RSV Mille[STD] |
| 5 | AP8176046 | Einlaßöffnung | 2 | Land: USA (Zulassung California)[CF], Vereinigte Staaten von Amerika[USA] Technische Daten: Version für Leistungssteigerungskit[K], "Version ""R""acing GP1 Limited Ed."[RL] |
| 5 | AP8176046 | Einlaßöffnung | 2 | Land: Österreich[A], Australien[AA], Australien[AUS], Belgien[B], Belgien[BB], Schweiz[CH], Deutschland[D], Dänemark[DK], Spanien[E], A, CH, D, DK, GR, E, I, NL, P[EU], Griechenland[GR], Italien[I], Japan[J], Japan[J], Holland[NL], Portugal[P], Großbritannien[UK] Technische Daten: "Version ""R""acing GP1 Limited Ed."[RL] |
| 6 | AP8120615 | Dichtung D3 | 1 | |
| 7 | AP8134625 | Fixierung vorn Filtergeh. | 1 | |
| 8 | AP8134493 | Reduziermembran | 1 | Land: Australien[AA], Australien[AUS] Technische Daten: Leistung 72 Kw[72Kw], "Version RSV Mille ""R""acing"[R], Version RSV Mille[STD] |
| 8 | AP8134739 | Reduziermembran | 1 | Land: USA (Zulassung California)[CF], Vereinigte Staaten von Amerika[USA] Technische Daten: "Version ""R""acing GP1 Limited Ed."[RL], Serienmäßig[S] |
| 8 | AP8134739 | Reduziermembran | 1 | Land: USA (Zulassung 49 Staaten)[AM], Belgien[B], Belgien[BB], USA (Zulassung California)[CF], Vereinigte Staaten von Amerika[USA] Technische Daten: "Version RSV Mille ""R""acing"[R], Version RSV Mille[STD] |
| 8 | AP8134739 | Reduziermembran | 1 | Land: Australien[AA], Australien[AUS] Technische Daten: Version mit voller Leistung[F.P.], "Version RSV Mille ""R""acing"[R], Version RSV Mille[STD] |

| | |
|---------------------|---------------|
| Einheit | RAHMEN |
| Code | 28.41 |
| Beschreibung | Filtergehäuse |
| Inspektion | 1 |



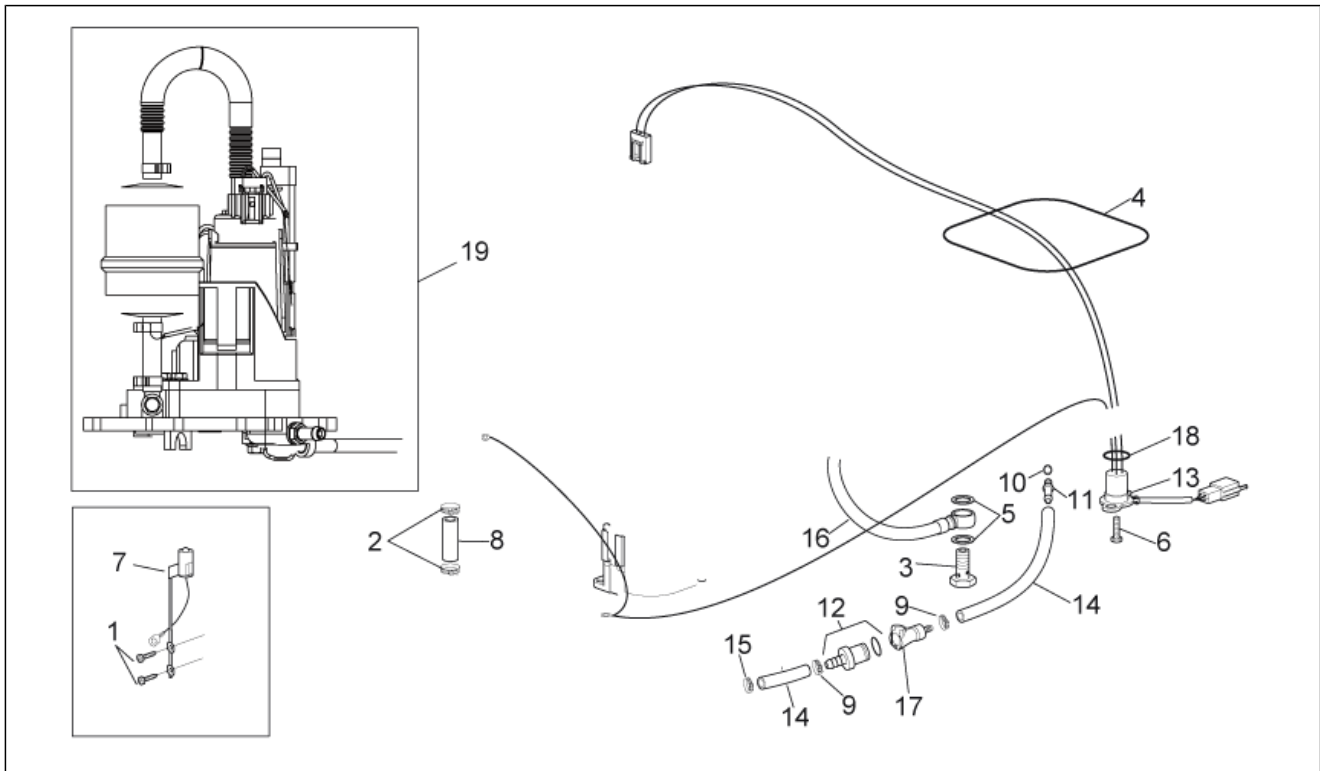
| Pos. | Code | Beschreibung | Menge | Varianten |
|------|-----------|-------------------------------|-------|---|
| 8 | AP8134739 | Reduziermembran | 1 | Land:Österreich[A], Schweiz[CH], Deutschland[D], Dänemark[DK], Spanien[E], A, CH, D, DK, GR, E, I, NL, P[EU], Griechenland[GR], Italien[I], Japan[J], Japan[JJ], Holland[NL], Portugal[P], Großbritannien[UK] Technische Daten: "Version RSV Mille ""R""acing"[R], Version RSV Mille[STD] |
| 8 | AP8176047 | Reduziermembran | 1 | Land:USA (Zulassung California)[CF], Vereinigte Staaten von Amerika[USA] Technische Daten: Version für Leistungssteigerungskit[K], "Version ""R""acing GP1 Limited Ed."[RL] |
| 8 | AP8176047 | Reduziermembran | 1 | Land:Österreich[A], Schweiz[CH], Deutschland[D], Dänemark[DK], Spanien[E], A, CH, D, DK, GR, E, I, NL, P[EU], Griechenland[GR], Italien[I], Japan[J], Japan[JJ], Holland[NL], Portugal[P], Großbritannien[UK] Technische Daten: "Version ""R""acing GP1 Limited Ed."[RL] |
| 9 | AP8134437 | Platte | 1 | |
| 10 | AP8106813 | Linker Ansaugkrümmer | 1 | |
| 11 | AP8102377 | Schelle D9,1* | 1 | |
| 12 | AP8102763 | Schelle 100-120 | 1 | |
| 13 | AP8101595 | Schelle D10,1 | 1 | |
| 14 | AP8144038 | Kraftstoffleitung 6x10 | 1 | |
| 15 | AP8120876 | Verschlussschraube | 1 | |
| 16 | AP8121731 | T-Buchse * | 2 | |
| 17 | AP8152277 | TE Schr. m. Flansch M6x12 | 2 | |
| 18 | AP8150413 | Gew.schr. 3,9x14 | 8 | |
| 19 | AP8152273 | Flanschschraube M5x15 | 7 | |
| 20 | AP8152246 | TBEI Schraube m.Flansch M6x16 | 6 | |
| 21 | AP8120030 | Gummi | 2 | |
| 22 | AP8120253 | Distanzscheibe | 6 | |
| 23 | AP8102766 | Schelle | 2 | |
| 24 | AP8120987 | Leitung 9x14 | 1 | |

| | |
|---------------------|---------------|
| Einheit | RAHMEN |
| Code | 28.41 |
| Beschreibung | Filtergehäuse |
| Inspektion | 1 |



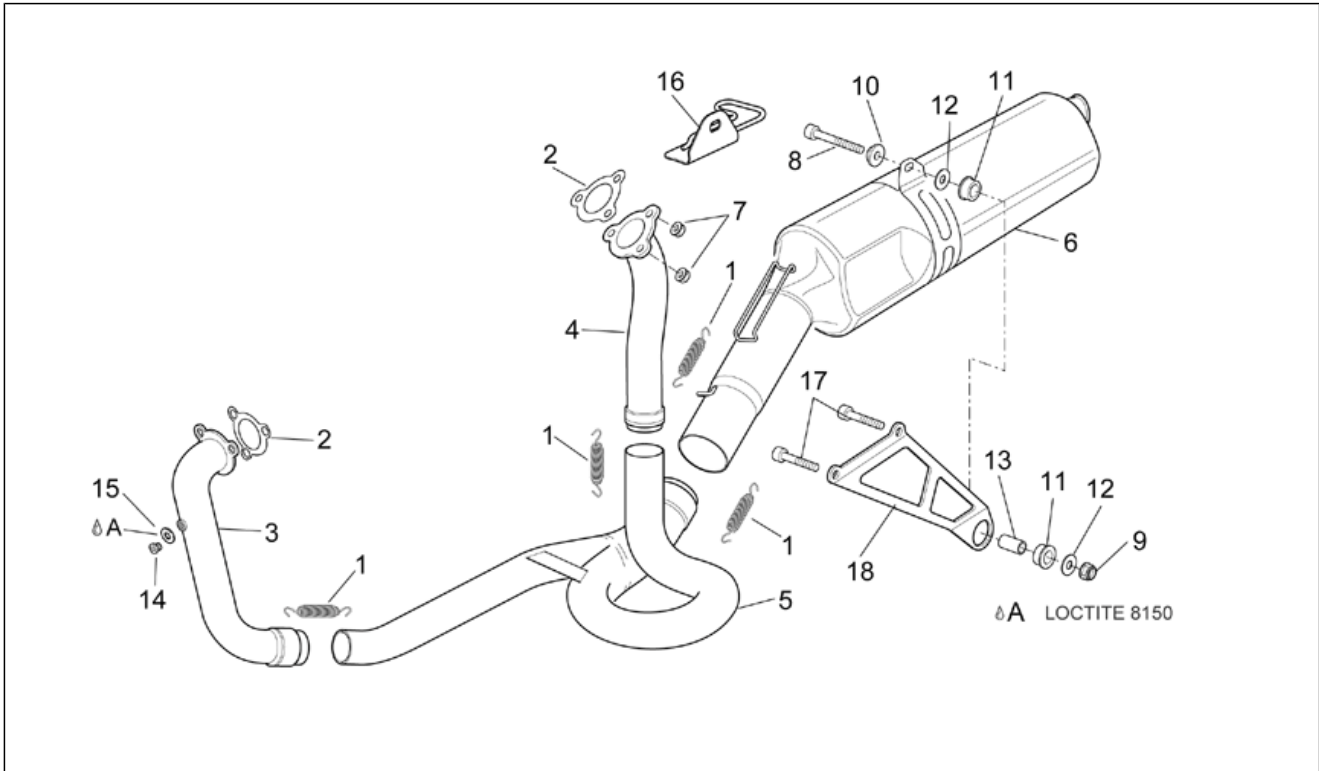
| Pos. | Code | Beschreibung | Menge | Varianten |
|------|-----------|--------------------------------|-------|---|
| 25 | AP8106812 | Rechter Ansaugkrümmer | 1 | |
| 26 | AP8144414 | Ansaugmuffe | 1 | |
| 27 | AP8144383 | Drosselspindel | 1 | |
| 28 | AP8221242 | Gewindeschraube Spezial 3,5x20 | 3 | |
| 29 | AP8144381 | Einlaßmuffe rechts | 1 | |
| 30 | AP8144382 | Einlaßmuffe links | 1 | |
| 31 | AP8138555 | Ansaugmuffe | 1 | Technische Daten: "Version ""R""acing GP1 Limited Ed."[RL] |
| 32 | AP8144176 | Dichtung Einlaßhülse | 2 | Technische Daten: "Version ""R""acing GP1 Limited Ed."[RL] |
| 33 | AP8220471 | Kunststoffniet | 1 | Technische Daten: "Version ""R""acing GP1 Limited Ed."[RL] |

| | |
|---------------------|-----------------|
| Einheit | RAHMEN |
| Code | 28.42 |
| Beschreibung | Kraftstoffpumpe |
| Inspektion | 1 |



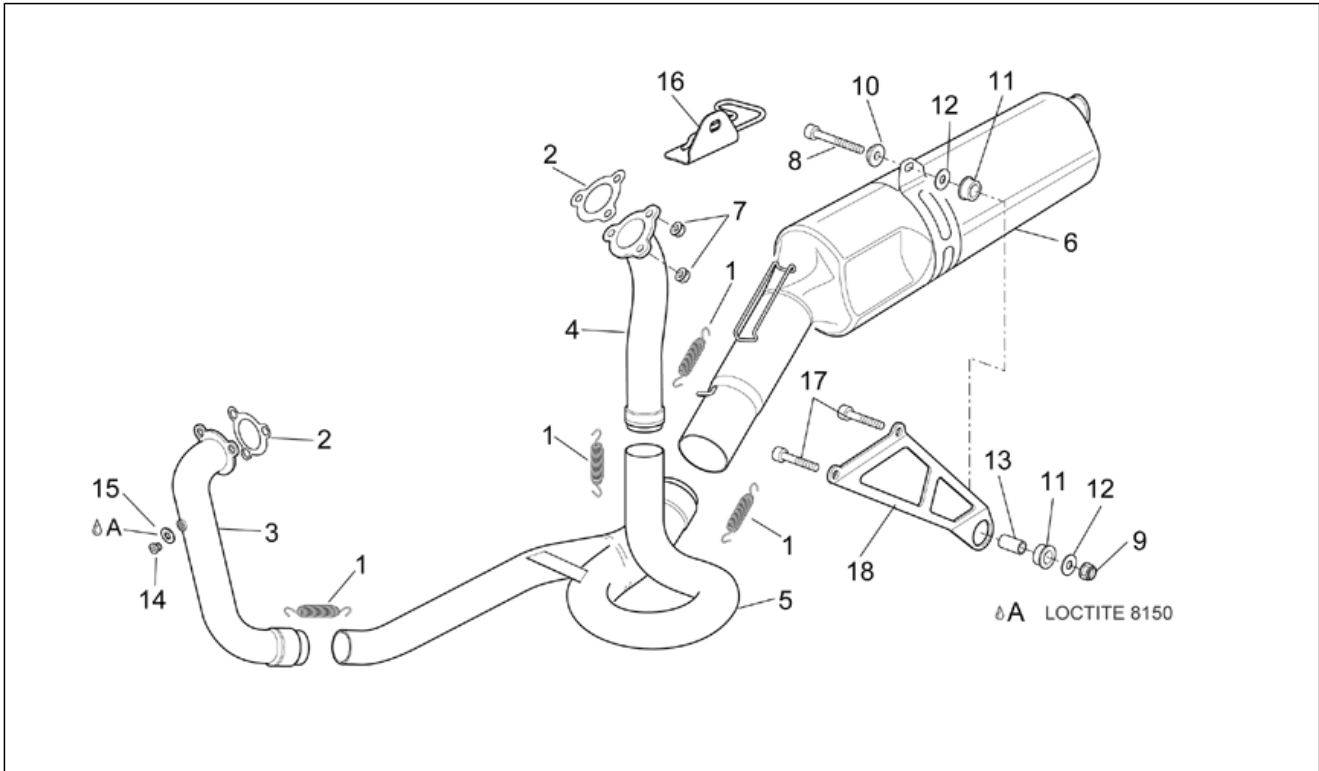
| Pos. | Code | Beschreibung | Menge | Varianten |
|------|-----------|-----------------------------|-------|---|
| 1 | AP8104455 | Gew.schr. 2,9x9,5 | 2 | |
| 2 | 890435 | Schelle | 2 | |
| 3 | AP8106443 | Lochschraube | 2 | |
| 4 | AP8176032 | Gasket ring | 1 | |
| 5 | AP8106444 | Dichtung 18x12,2x1,5 | 4 | |
| 6 | AP8152278 | TE Schr. m. Flansch M6x16 | 2 | |
| 7 | AP8124297 | Standfühler | 1 | Technische Daten: "Version RSV Mille ""R""acing"[R], Version RSV Mille[STD] |
| 7 | AP8127540 | Standfühler | 1 | Technische Daten: "Version ""R""acing GP1 Limited Ed."[RL] |
| 8 | AP8144476 | Kraftstoffleitung | 1 | |
| 9 | AP8102764 | Schlauchschelle weiß d.13x6 | 2 | |
| 10 | AP8152184 | Ausgleichscheibe 6,4x12* | 2 | |
| 11 | AP8102626 | 2-Wege Anschluss | 1 | |
| 12 | AP8102873 | Anschluss | 1 | |
| 13 | AP8127321 | Kraftstoffpumpe kabel | 1 | |
| 14 | AP8144069 | Kraftstoffleitung 6x13 | 1 | |
| 15 | AP8102239 | Schelle 12,5x8 | 2 | |
| 16 | AP8120992 | Kraftstoffleitung | 1 | |
| 17 | AP8102829 | Anschluss | 1 | |
| 18 | AP8144475 | Gasket ring | 1 | |
| 19 | AP8106881 | Benzinpumpe kpl. | 1 | Technische Daten: "Version RSV Mille ""R""acing"[R], Version RSV Mille[STD] |
| 19 | AP8176078 | Kraftst.pumpen-kit | 1 | Technische Daten: "Version ""R""acing GP1 Limited Ed."[RL] |

| | |
|---------------------|-------------|
| Einheit | RAHMEN |
| Code | 28.44 |
| Beschreibung | Auspuffrohr |
| Inspektion | 1 |



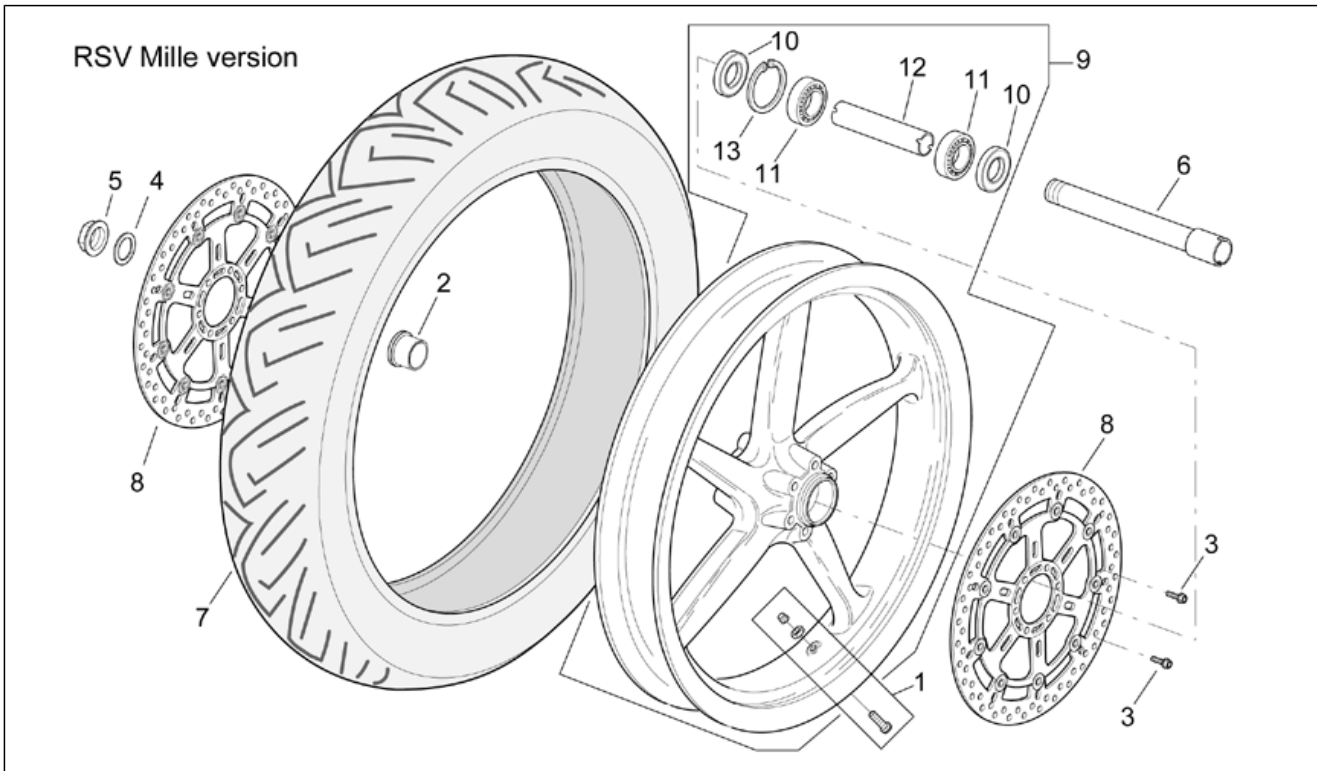
| Pos. | Code | Beschreibung | Menge | Varianten |
|------|-----------|------------------------|-------|---|
| 1 | AP8121231 | Feder Auspuffrohre | 4 | |
| 2 | AP8119414 | Dichtung Auspuffrohr | 2 | |
| 3 | AP8119579 | Auspuffrohr vorn | 1 | Land: Österreich[A], Australien[AA], Australien[AUS], Belgien[B], Belgien[BB], Schweiz[CH], Deutschland[D], Dänemark[DK], Spanien[E], A, CH, D, DK, GR, E, I, NL, P[EU], Frankreich[F], Griechenland[GR], Italien[I], Japan[J], Japan[J], Holland[NL], Portugal[P], Großbritannien[UK] |
| 3 | AP8119579 | Auspuffrohr vorn | 1 | Land: USA (Zulassung 49 Staaten)[AM], USA (Zulassung California)[CF], Vereinigte Staaten von Amerika[USA] |
| 4 | AP8119578 | Auspuffrohr hinten | 1 | Land: Österreich[A], Australien[AA], Australien[AUS], Belgien[B], Belgien[BB], Schweiz[CH], Deutschland[D], Dänemark[DK], Spanien[E], A, CH, D, DK, GR, E, I, NL, P[EU], Frankreich[F], Griechenland[GR], Italien[I], Japan[J], Japan[J], Holland[NL], Portugal[P], Großbritannien[UK] |
| 4 | AP8119578 | Auspuffrohr hinten | 1 | Land: USA (Zulassung 49 Staaten)[AM], USA (Zulassung California)[CF], Vereinigte Staaten von Amerika[USA] |
| 5 | AP8119581 | Mittlerer Auslaßkrümm. | 1 | Land: Österreich[A], Australien[AA], Australien[AUS], Belgien[B], Belgien[BB], Schweiz[CH], Deutschland[D], Dänemark[DK], Spanien[E], A, CH, D, DK, GR, E, I, NL, P[EU], Frankreich[F], Griechenland[GR], Italien[I], Japan[J], Japan[J], Holland[NL], Portugal[P], Großbritannien[UK] |
| 5 | AP8119581 | Mittlerer Auslaßkrümm. | 1 | Land: USA (Zulassung 49 Staaten)[AM], USA (Zulassung California)[CF], Vereinigte Staaten von Amerika[USA] |
| 6 | AP8119749 | Auspuff | 1 | Technische Daten: Version ohne Katalysator[nocat], "Version RSV Mille ""R""acing"[R], Version RSV Mille[STD] |
| 6 | AP8119752 | Auspuff | 1 | Technische Daten: Version mit Katalysator[cat], "Version RSV Mille ""R""acing"[R], Version RSV Mille[STD] |
| 6 | AP8119752 | Auspuff | 1 | Land: USA (Zulassung California)[CF], Vereinigte Staaten von Amerika[USA] Technische Daten: Version mit Katalysator[cat], "Version ""R""acing GP1 Limited Ed."[RL] |
| 6 | AP8119785 | Auspuff | 1 | Land: Österreich[A], Australien[AA], Australien[AUS], Belgien[B], Belgien[BB], Schweiz[CH], Deutschland[D], Dänemark[DK], Spanien[E], A, CH, D, DK, GR, E, I, NL, |

| | |
|---------------------|-------------|
| Einheit | RAHMEN |
| Code | 28.44 |
| Beschreibung | Auspuffrohr |
| Inspektion | 1 |



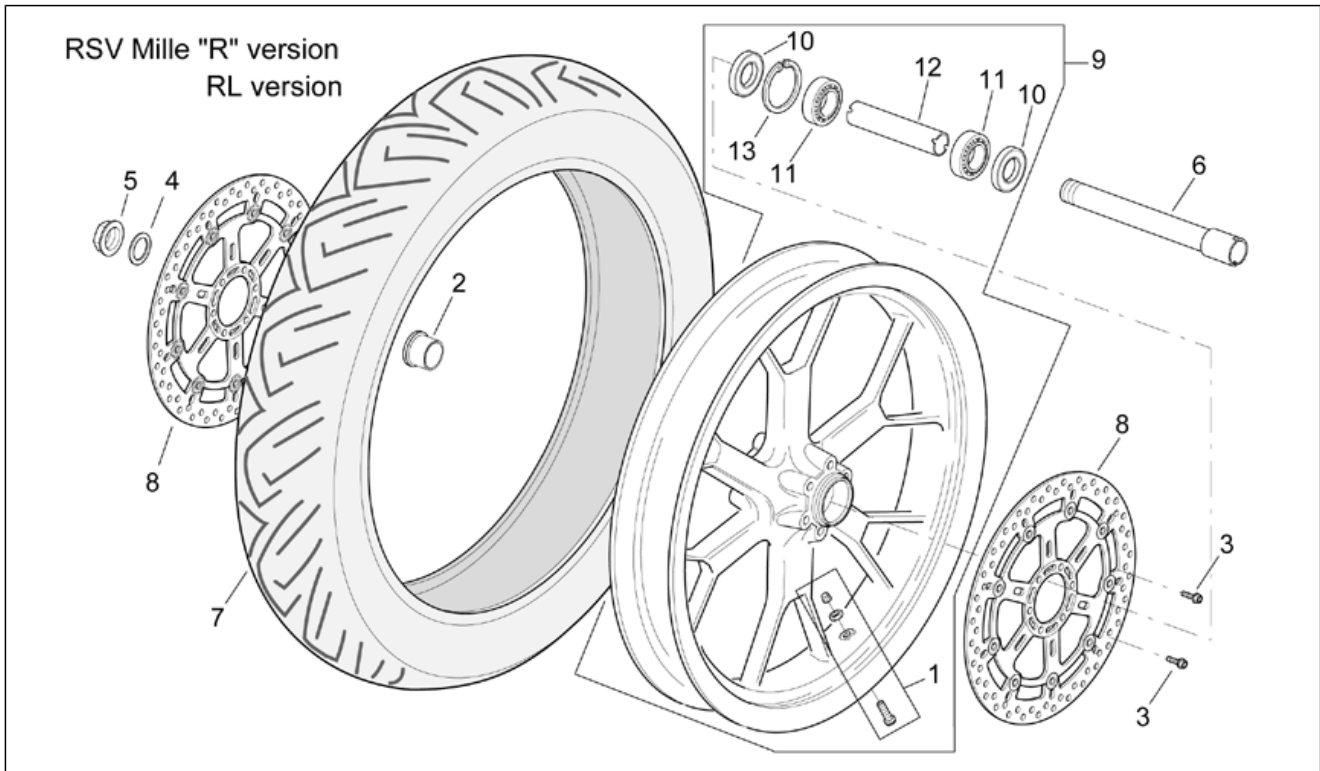
| Pos. | Code | Beschreibung | Menge | Varianten |
|------|-----------|-----------------------------|-------|---|
| | | | | P[EU], Frankreich[F], Griechenland[GR], Italien[I], Japan[J], Japan[J], Holland[NL], Portugal[P], Großbritannien[UK] Technische Daten: Version mit Katalysator[cat], "Version ""R""acing GP1 Limited Ed."[RL] |
| 7 | AP8150334 | Mutter M8 | 6 | |
| 8 | AP8150277 | TCEI Schraube M8x50 | 1 | |
| 9 | AP8152300 | Selbstsperrende Mutter M8 | 1 | |
| 10 | AP8134378 | Fixierhülse Schalldämpfer | 1 | |
| 11 | AP8144071 | Gummi auspuffrohr | 2 | |
| 12 | AP8150018 | Ausgleichscheibe | 2 | |
| 13 | AP8121773 | Distanzscheibe * | 1 | |
| 14 | AP8119497 | CO-Anschlußschraube | 2 | |
| 15 | AP8113004 | Ausgleichscheibe 10x14x1,6* | 2 | |
| 16 | AP8119630 | Auspuffrohr Wärmeschutz | 1 | Land: USA (Zulassung 49 Staaten)[AM], USA (Zulassung California)[CF], Vereinigte Staaten von Amerika[USA] Technische Daten: Version RSV Mille[STD] |
| 17 | AP8152288 | TE Schr. m. Flansch | 2 | |
| 18 | AP8134609 | Bügel Auspuffrohr | 1 | Technische Daten: "Version RSV Mille ""R""acing"[R], "Version ""R""acing GP1 Limited Ed."[RL] |

| | |
|---------------------|--------------------------|
| Einheit | RAHMEN |
| Code | 28.45 |
| Beschreibung | Vorderrad Vers.RSV Mille |
| Inspektion | 1 |



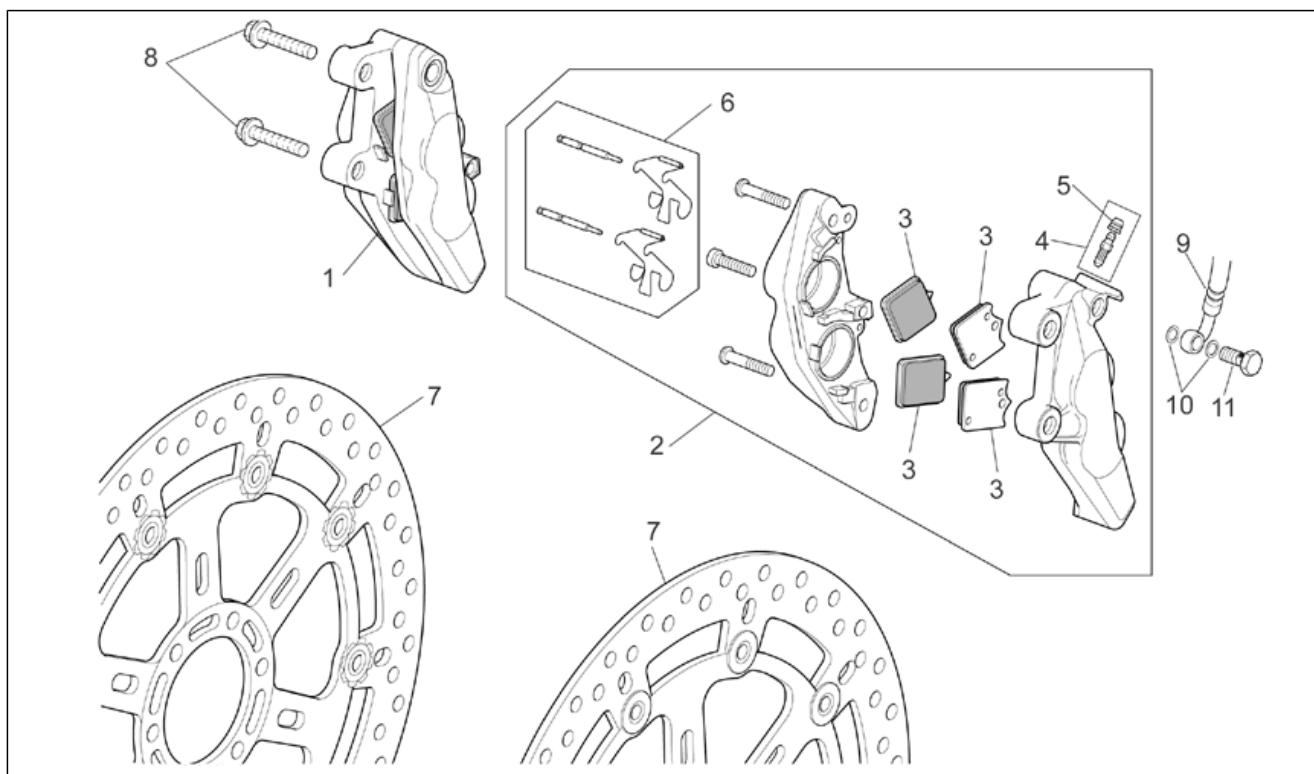
| Pos. | Code | Beschreibung | Menge | Varianten |
|------|-----------|-------------------------------|-------|--|
| 1 | AP8101744 | Schlauchloses Reifenventil | 1 | Technische Daten:Version RSV Mille[STD] |
| 2 | AP8125728 | Außen r. V.rad Distanzscheibe | 1 | Technische Daten:Version RSV Mille[STD] |
| 3 | AP8152286 | TE Schr. m. Flansch M8x20 | 12 | Technische Daten:Version RSV Mille[STD] |
| 4 | AP8152323 | Ausgleichscheibe 25,2x36x1 | 1 | Technische Daten:Version RSV Mille[STD] |
| 5 | AP8152335 | Radbolzenmutter | 1 | Technische Daten:Version RSV Mille[STD] |
| 6 | AP8125827 | Vorderradbolzen | 1 | Technische Daten:Version RSV Mille[STD] |
| 7 | 0000000 | Reifen | 1 | Technische Daten:Version RSV Mille[STD] |
| 8 | AP8113926 | Vorderradbremsscheibe 320 | 2 | Technische Daten:Brembo[B], Version RSV Mille[STD] |
| 8 | AP8133751 | Vorderradbremsscheibe | 2 | Technische Daten:Version RSV Mille[STD], Unisunstar[U] |
| 9 | AP8108675 | Vorderrad, grau | 1 | Technische Daten:Version RSV Mille[STD] |
| 10 | AP8125773 | Gasket ring 30x47x7 | 2 | Technische Daten:Version RSV Mille[STD] |
| 11 | AP8125777 | Kugellager 25x47x12 | 2 | Technische Daten:Version RSV Mille[STD] |
| 12 | AP8125778 | Interne Distanzscheibe | 1 | Technische Daten:Version RSV Mille[STD] |
| 13 | AP8125779 | Seegerring | 1 | Technische Daten:Version RSV Mille[STD] |

| | |
|---------------------|------------------------------|
| Einheit | RAHMEN |
| Code | 28.46 |
| Beschreibung | Vorderrad Vers.RSV Mille "R" |
| Inspektion | 1 |



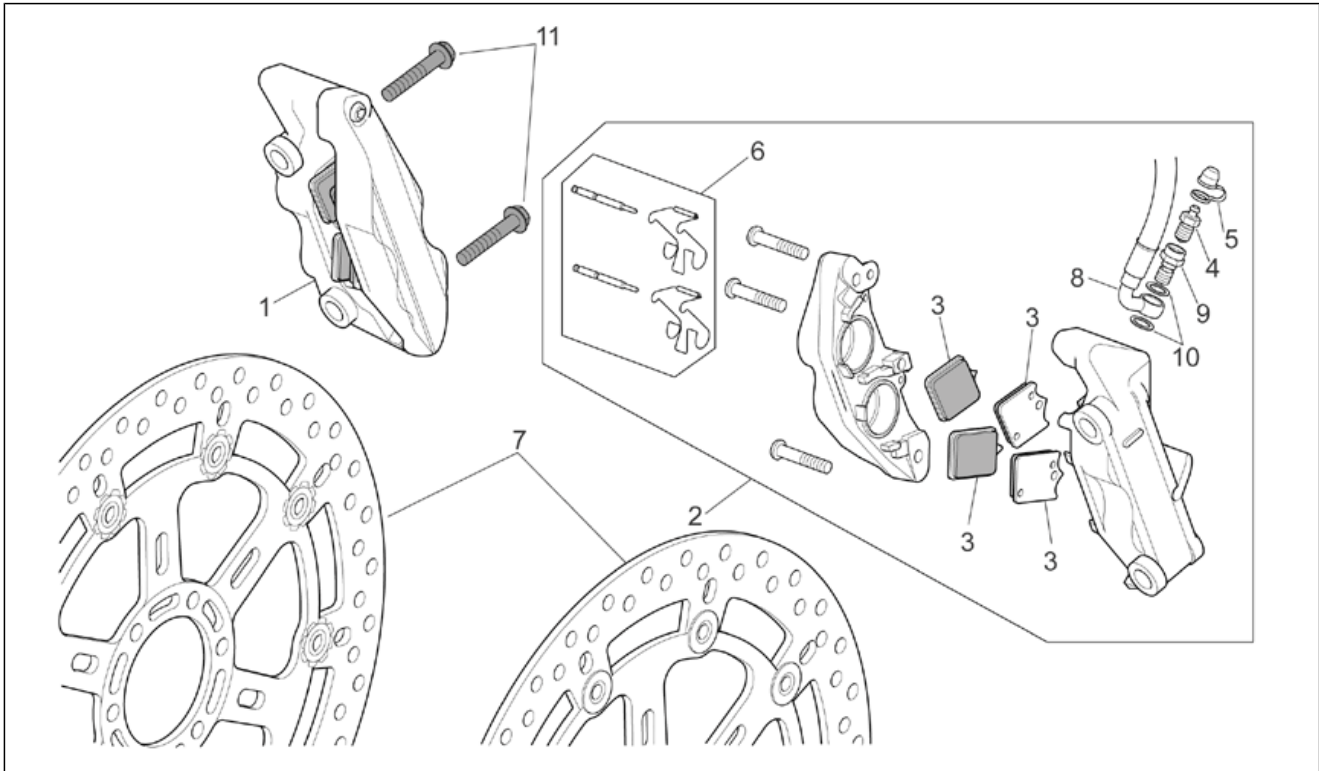
| Pos. | Code | Beschreibung | Menge | Varianten |
|------|-----------|--------------------------------|-------|---|
| 1 | AP8104728 | Schlauchloses Reifenventil 90° | 1 | Technische Daten: "Version RSV Mille ""R""acing"[R], "Version ""R""acing GP1 Limited Ed."[RL] |
| 2 | AP8125728 | Außen r. V.rad Distanzscheibe | 1 | Technische Daten: "Version RSV Mille ""R""acing"[R], "Version ""R""acing GP1 Limited Ed."[RL] |
| 3 | AP8152286 | TE Schr. m. Flansch M8x20 | 12 | Technische Daten: "Version RSV Mille ""R""acing"[R], "Version ""R""acing GP1 Limited Ed."[RL] |
| 4 | AP8152323 | Ausgleichscheibe 25,2x36x1 | 1 | Technische Daten: "Version RSV Mille ""R""acing"[R], "Version ""R""acing GP1 Limited Ed."[RL] |
| 5 | AP8152335 | Radbolzenmutter | 1 | Technische Daten: "Version RSV Mille ""R""acing"[R], "Version ""R""acing GP1 Limited Ed."[RL] |
| 6 | AP8125827 | Vorderradbolzen | 1 | Technische Daten: "Version RSV Mille ""R""acing"[R], "Version ""R""acing GP1 Limited Ed."[RL] |
| 7 | 0000000 | Reifen | 1 | Technische Daten: "Version RSV Mille ""R""acing"[R], "Version ""R""acing GP1 Limited Ed."[RL] |
| 8 | AP8113926 | Vorderradbremsscheibe 320 | 2 | Technische Daten: Brembo[B], "Version RSV Mille ""R""acing"[R], "Version ""R""acing GP1 Limited Ed."[RL] |
| 8 | AP8133751 | Vorderradbremsscheibe | 2 | Technische Daten: "Version RSV Mille ""R""acing"[R], "Version ""R""acing GP1 Limited Ed."[RL], Unisunstar[U] |
| 9 | AP8108932 | Vorderrad gold | 1 | Technische Daten: "Version RSV Mille ""R""acing"[R] |
| 9 | AP8108994 | Vorderrad, blau OZ-Alu | 1 | Technische Daten: "Version ""R""acing GP1 Limited Ed."[RL] |
| 10 | AP8125841 | Gasket ring 30x47x7 | 2 | Technische Daten: "Version RSV Mille ""R""acing"[R], "Version ""R""acing GP1 Limited Ed."[RL] |
| 11 | AP8110094 | Lager 25x47x12 | 2 | Technische Daten: "Version RSV Mille ""R""acing"[R], "Version ""R""acing GP1 Limited Ed."[RL] |
| 12 | AP8125843 | Interne Distanzscheibe | 1 | Technische Daten: "Version RSV Mille ""R""acing"[R], "Version ""R""acing GP1 Limited Ed."[RL] |
| 13 | AP8125842 | Sprengring d47 | 1 | Technische Daten: "Version RSV Mille ""R""acing"[R], "Version ""R""acing GP1 Limited Ed."[RL] |

| | |
|---------------------|----------------------|
| Einheit | RAHMEN |
| Code | 28.47 |
| Beschreibung | Vorderradbremsszange |
| Inspektion | 1 |



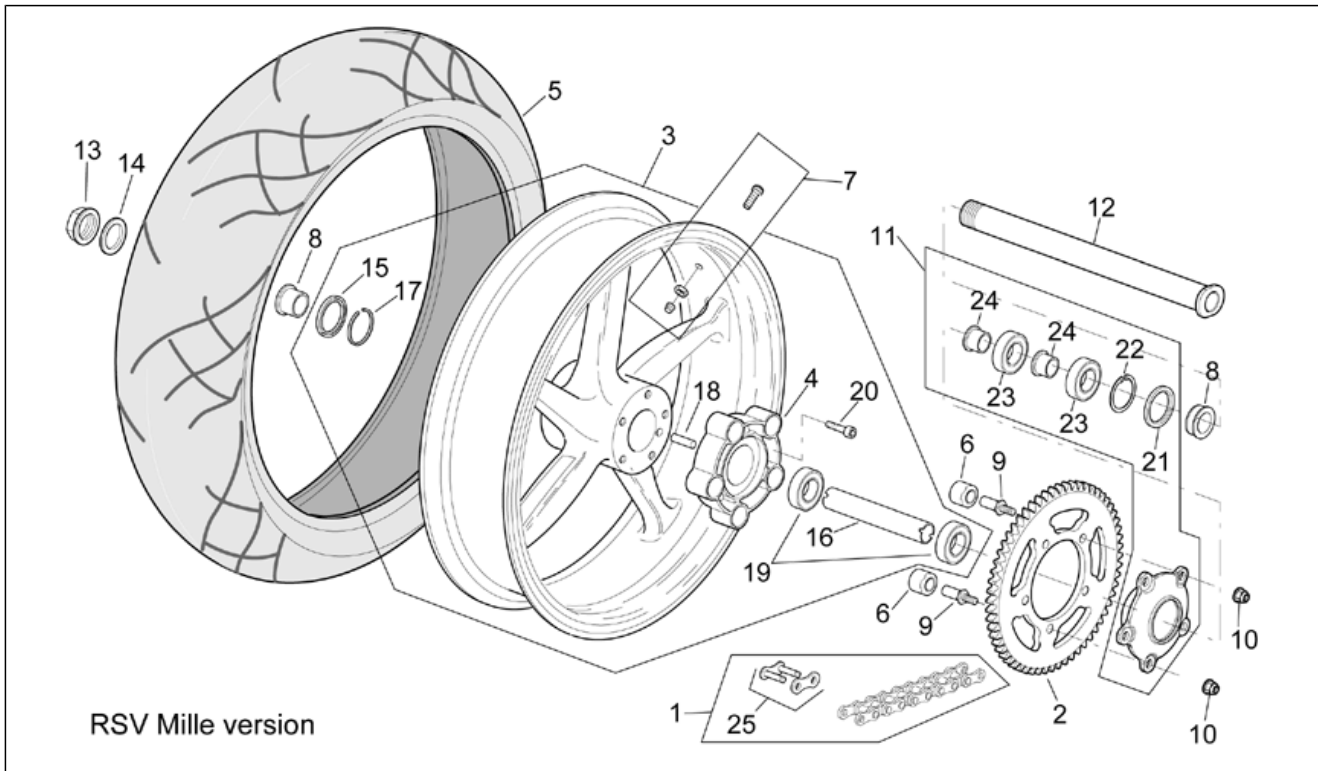
| Pos. | Code | Beschreibung | Menge | Varianten |
|------|-----------|------------------------------|-------|--|
| 1 | AP8176033 | Bremszan.vorn rs Gold | 1 | Technische Daten:Version RSV Mille[STD] |
| 2 | AP8176034 | Bremszan.vorn ls Gold | 1 | Technische Daten:Version RSV Mille[STD] |
| 3 | AP8133592 | Beläge 4 st. | 2 | Technische Daten:Version RSV Mille[STD] |
| 4 | AP8113973 | Entlüftungsanschluß | 2 | Technische Daten:Version RSV Mille[STD] |
| 5 | AP8113756 | Entlüftungskappe 20 st. | 2 | Technische Daten:Version RSV Mille[STD] |
| 6 | AP8113974 | Bolzen+Bremse Felder | 2 | Technische Daten:Version RSV Mille[STD] |
| 7 | AP8113926 | Vorderradbremsscheibe 320 | 2 | Technische Daten:Brembo[B], Version RSV Mille[STD] |
| 7 | AP8133751 | Vorderradbremsscheibe | 2 | Technische Daten:Version RSV Mille[STD], Unisunstar[U] |
| 8 | AP8152336 | TE Schr. m. Flansch M10x1,25 | 4 | Technische Daten:Version RSV Mille[STD] |
| 9 | AP8113976 | Vorderradbremsschlauch | 1 | Technische Daten:Version RSV Mille[STD] |
| 10 | AP8121915 | Dichtung | 4 | Technische Daten:Version RSV Mille[STD] |
| 11 | AP8113003 | Fixierschraube Ölschlauch | 3 | Technische Daten:Version RSV Mille[STD] |

| | |
|---------------------|----------------------|
| Einheit | RAHMEN |
| Code | 28.48 |
| Beschreibung | Vorderradbremsszange |
| Inspektion | 1 |



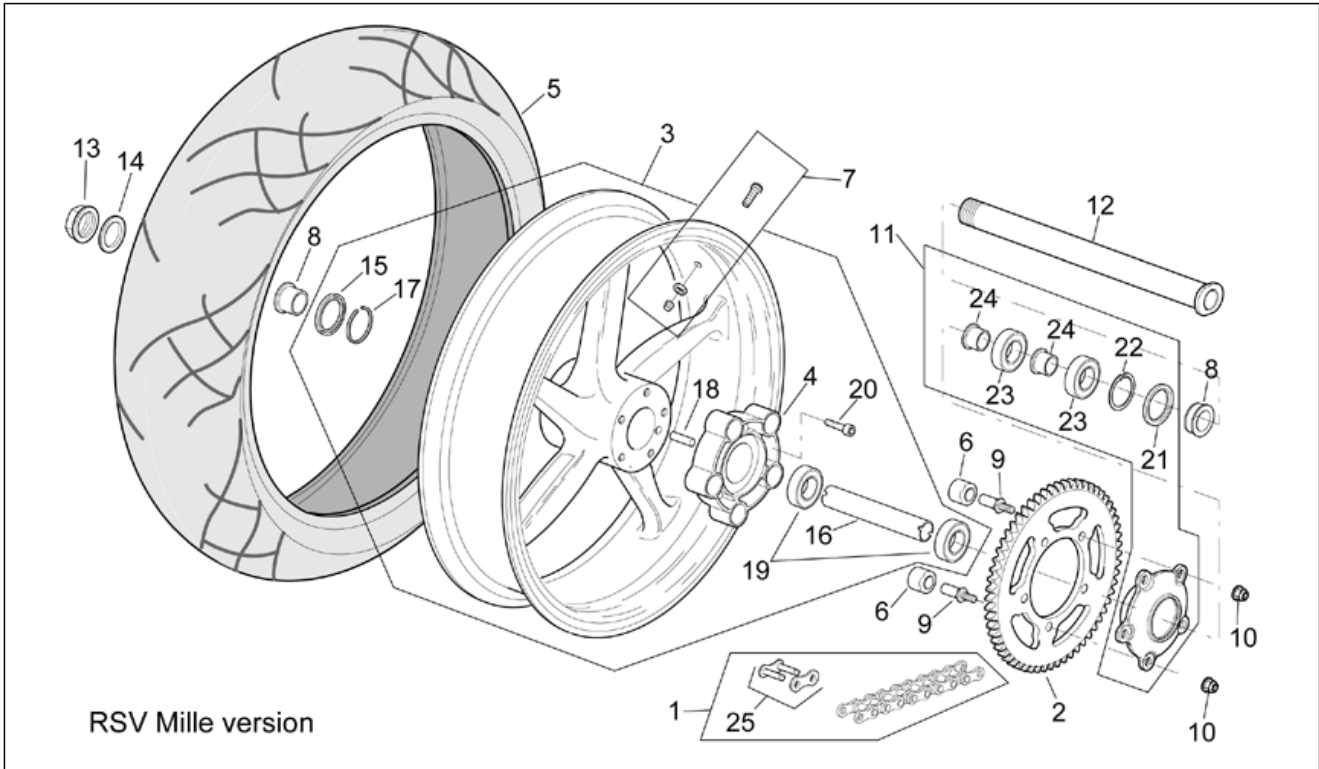
| Pos. | Code | Beschreibung | Menge | Varianten |
|------|-----------|----------------------------|-------|---|
| 1 | AP8133591 | Bremsan.vorn rs Gold | 1 | Technische Daten: "Version RSV Mille ""R""acing"[R], "Version ""R""acing GP1 Limited Ed."[RL] |
| 2 | AP8133590 | Bremsan.vorn ls Gold | 1 | Technische Daten: "Version RSV Mille ""R""acing"[R], "Version ""R""acing GP1 Limited Ed."[RL] |
| 3 | AP8133592 | Beläge 4 st. | 2 | Technische Daten: "Version RSV Mille ""R""acing"[R], "Version ""R""acing GP1 Limited Ed."[RL] |
| 4 | AP8133595 | Entlüftungsanschluß | 2 | Technische Daten: "Version RSV Mille ""R""acing"[R], "Version ""R""acing GP1 Limited Ed."[RL] |
| 5 | AP8133596 | Entlüftungskappe 20 st. | 2 | Technische Daten: "Version RSV Mille ""R""acing"[R], "Version ""R""acing GP1 Limited Ed."[RL] |
| 6 | AP8133593 | Bolzen+Bremse Felder | 2 | Technische Daten: "Version RSV Mille ""R""acing"[R], "Version ""R""acing GP1 Limited Ed."[RL] |
| 7 | AP8113926 | Vorderradbremsscheibe 320 | 2 | Technische Daten: Brembo[B], "Version RSV Mille ""R""acing"[R], "Version ""R""acing GP1 Limited Ed."[RL] |
| 7 | AP8133751 | Vorderradbremsscheibe | 2 | Technische Daten: "Version RSV Mille ""R""acing"[R], "Version ""R""acing GP1 Limited Ed."[RL], Unisunstar[U] |
| 8 | AP8113874 | Vorderradbremslleitung | 1 | Technische Daten: "Version RSV Mille ""R""acing"[R], "Version ""R""acing GP1 Limited Ed."[RL] |
| 9 | AP8133597 | Schraube | 2 | Technische Daten: "Version RSV Mille ""R""acing"[R], "Version ""R""acing GP1 Limited Ed."[RL] |
| 10 | AP8121915 | Dichtung | 4 | Technische Daten: "Version RSV Mille ""R""acing"[R], "Version ""R""acing GP1 Limited Ed."[RL] |
| 11 | AP8152414 | TE Schr. m. Flansch M10x55 | 4 | Technische Daten: "Version RSV Mille ""R""acing"[R], "Version ""R""acing GP1 Limited Ed."[RL] |

| | |
|---------------------|-------------------------------|
| Einheit | RAHMEN |
| Code | 28.49 |
| Beschreibung | Hinterrad Vers. RSV Mille "R" |
| Inspektion | 1 |



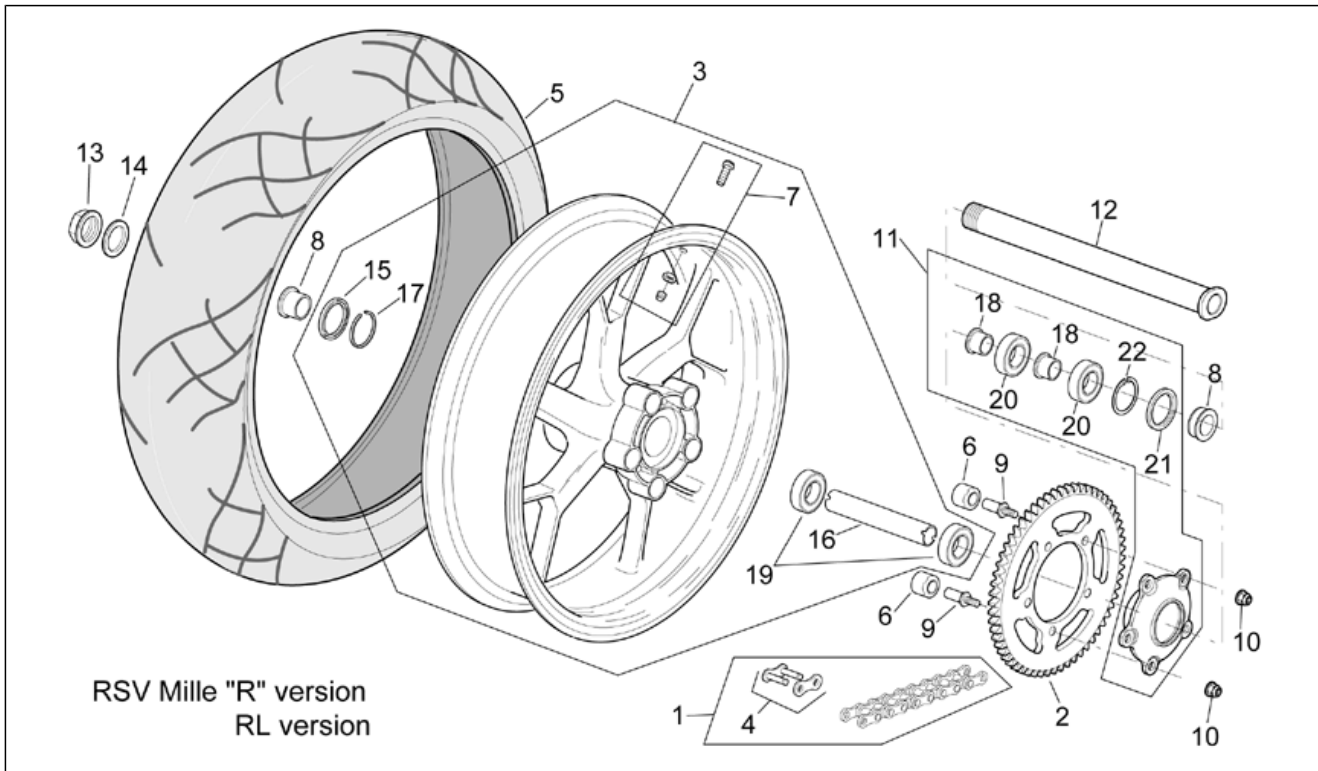
| Pos. | Code | Beschreibung | Menge | Varianten |
|------|-----------|----------------------------|-------|--|
| 1 | AP8107118 | Kette Verbindungsgl. | 1 | Technische Daten: Für Kette mit Schrift D.I.D.[DID], Version RSV Mille[STD] |
| 1 | AP8107148 | Kette Verbindungsgl. | 1 | Technische Daten: Für Kette mit Schrift REGINA[REG], Version RSV Mille[STD] |
| 2 | AP8107122 | Zahnkranz Z=42 | 1 | Technische Daten: Version RSV Mille[STD] |
| 3 | AP8108676 | Hinterrad, grau | 1 | Technische Daten: Version RSV Mille[STD] |
| 4 | AP8125733 | Elast. Stoßlager Hint.rad | 1 | Technische Daten: Version RSV Mille[STD] |
| 5 | 0000000 | Reifen | 1 | Technische Daten: Version RSV Mille[STD] |
| 6 | AP8125731 | Stoßschutzgummi | 5 | Technische Daten: Version RSV Mille[STD] |
| 7 | AP8101744 | Schlauchloses Reifenventil | 1 | Technische Daten: Version RSV Mille[STD] |
| 8 | AP8121225 | Hinterrad Distanzscheibe | 2 | Technische Daten: Version RSV Mille[STD] |
| 9 | AP8121408 | Elast. Fixierbuchse | 5 | Technische Daten: Version RSV Mille[STD] |
| 10 | AP8150436 | Selbstsperr.mut Unt. | 5 | Technische Daten: Version RSV Mille[STD] |
| 11 | AP8125730 | Radkranzhalter kplt. | 1 | Technische Daten: Version RSV Mille[STD] |
| 12 | AP8125831 | Hinterradbolzen | 1 | Technische Daten: Version RSV Mille[STD] |
| 13 | AP8152324 | Radbolzenmutter M25x1,5 | 1 | Technische Daten: Version RSV Mille[STD] |
| 14 | AP8152323 | Ausgleichscheibe 25,2x36x1 | 1 | Technische Daten: Version RSV Mille[STD] |
| 15 | AP8125786 | Gasket ring 38x52x7 | 1 | Technische Daten: Version RSV Mille[STD] |
| 16 | AP8125787 | Distanzscheibe | 1 | Technische Daten: Version RSV Mille[STD] |
| 17 | AP8125788 | Seegerring | 1 | Technische Daten: Version RSV Mille[STD] |
| 18 | AP8150463 | Stift 10x20 | 1 | Technische Daten: Version RSV Mille[STD] |
| 19 | AP8106806 | Lager 6205-2rs1 25x52x15 | 2 | Technische Daten: Version RSV Mille[STD] |
| 20 | AP8150195 | TCEI Schraube M10x30 | 5 | Technische Daten: Version RSV Mille[STD] |
| 21 | AP8121213 | Gasket ring 38x55x7 | 1 | Technische Daten: Version RSV Mille[STD] |
| 22 | AP8121212 | Seegerring für Bohrung d55 | 1 | Technische Daten: Version RSV Mille[STD] |
| 23 | AP8110081 | Lager 30x55x13 | 2 | Technische Daten: Version RSV Mille[STD] |
| 24 | AP8125732 | elast. Distanzstück | 2 | Technische Daten: Version RSV Mille[STD] |
| 25 | AP8107136 | Verbindungsglied | 1 | Technische Daten: Für Kette mit Schrift D.I.D.[DID], Version RSV Mille[STD] |

| | |
|---------------------|-------------------------------|
| Einheit | RAHMEN |
| Code | 28.49 |
| Beschreibung | Hinterrad Vers. RSV Mille "R" |
| Inspektion | 1 |



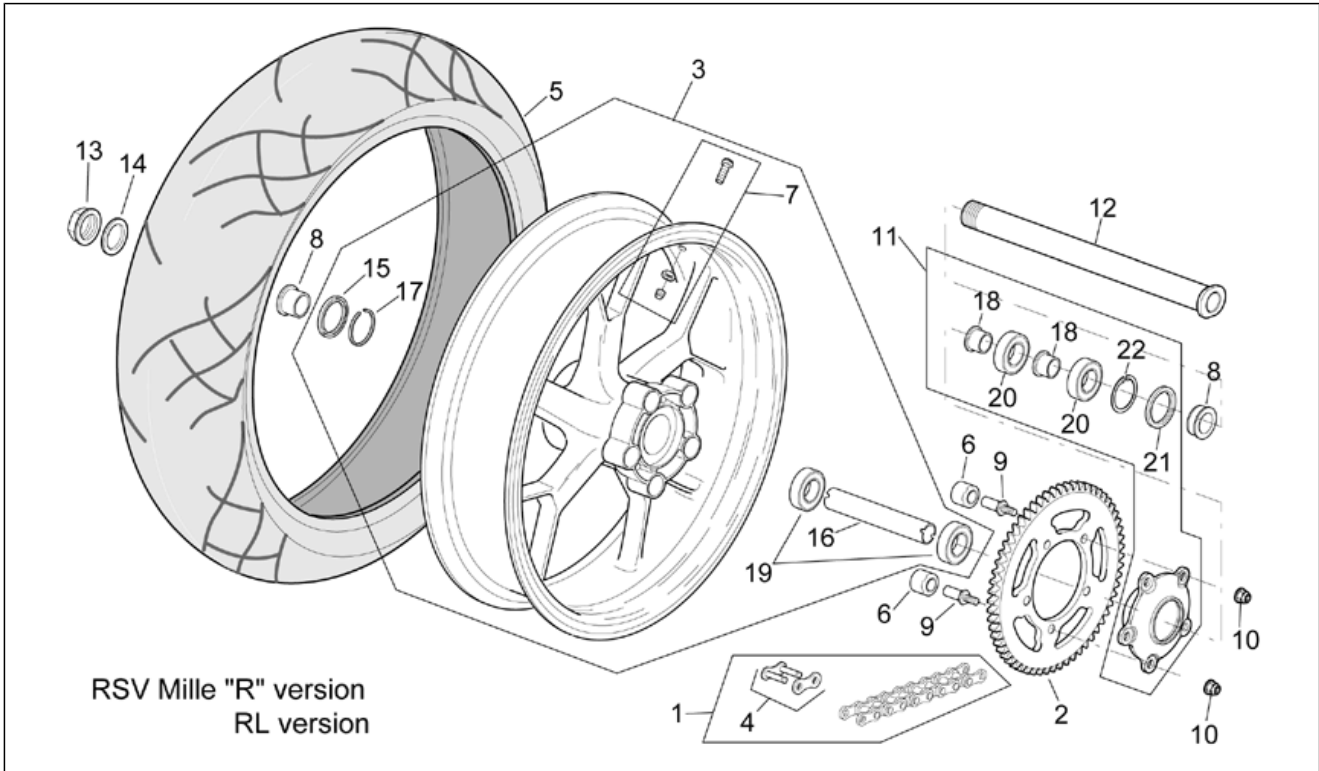
| Pos. | Code | Beschreibung | Menge | Varianten |
|------|-----------|------------------|-------|---|
| 25 | AP8107150 | Verbindungsglied | 1 | Technische Daten: Für Kette mit Schrift REGINA[REG], Version RSV Mille[STD] |

| | |
|---------------------|-------------------------------|
| Einheit | RAHMEN |
| Code | 28.50 |
| Beschreibung | Hinterrad Vers. RSV Mille "R" |
| Inspektion | 1 |



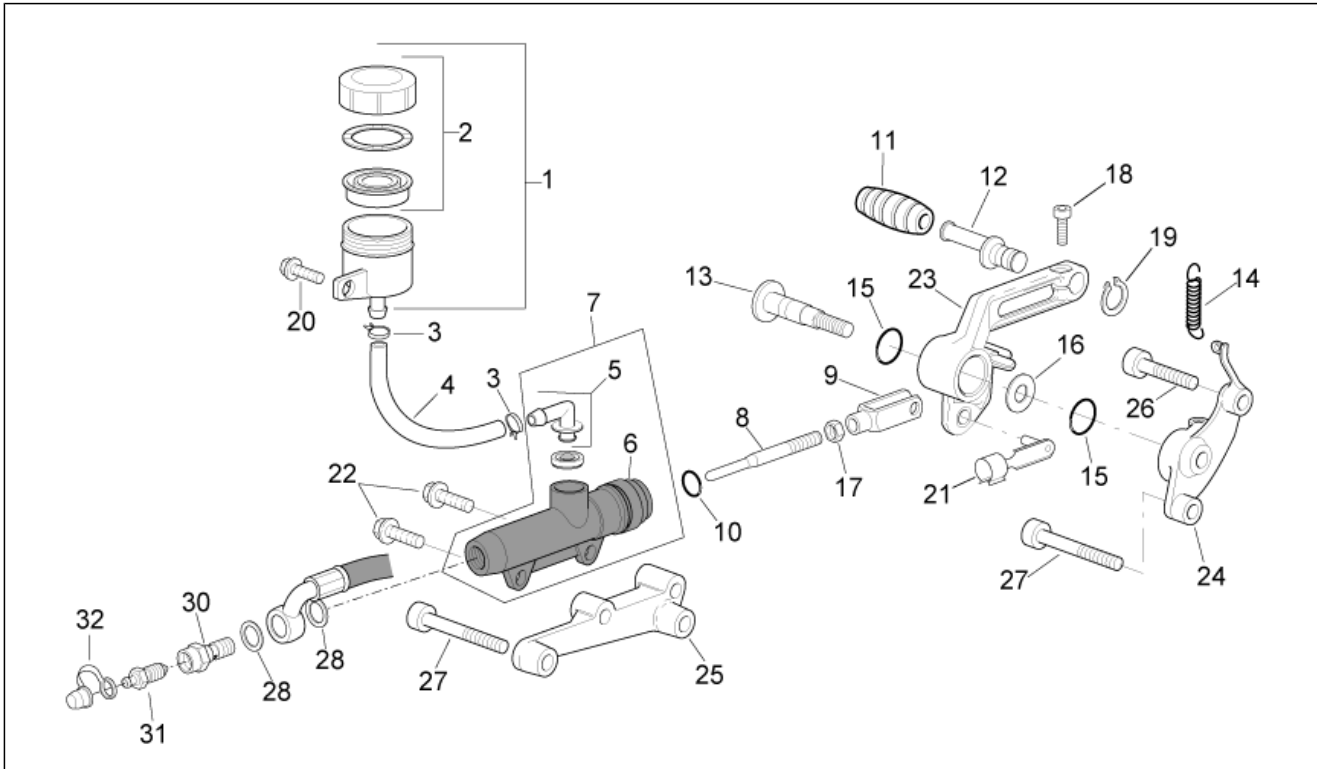
| Pos. | Code | Beschreibung | Menge | Varianten |
|------|-----------|--------------------------------|-------|---|
| 1 | AP8107118 | Kette Verbindungsgl. | 1 | Technische Daten: Für Kette mit Schrift D.I.D.[DID], "Version RSV Mille ""R""acing"[R], "Version ""R""acing GP1 Limited Ed."[RL] |
| 1 | AP8107148 | Kette Verbindungsgl. | 1 | Technische Daten: "Version RSV Mille ""R""acing"[R], Für Kette mit Schrift REGINA[REG], "Version ""R""acing GP1 Limited Ed."[RL] |
| 2 | AP8107122 | Zahnkranz Z=42 | 1 | Technische Daten: "Version RSV Mille ""R""acing"[R], "Version ""R""acing GP1 Limited Ed."[RL] |
| 3 | AP8108979 | Hinterrad ohne Scheibe | 1 | Technische Daten: "Version RSV Mille ""R""acing"[R] |
| 3 | AP8128044 | Hinterrad, blau | 1 | Technische Daten: "Version ""R""acing GP1 Limited Ed."[RL] |
| 4 | AP8107136 | Verbindungsglied | 1 | Technische Daten: Für Kette mit Schrift D.I.D.[DID], "Version RSV Mille ""R""acing"[R], "Version ""R""acing GP1 Limited Ed."[RL] |
| 4 | AP8107150 | Verbindungsglied | 1 | Technische Daten: "Version RSV Mille ""R""acing"[R], Für Kette mit Schrift REGINA[REG], "Version ""R""acing GP1 Limited Ed."[RL] |
| 5 | 0000000 | Reifen | 1 | Technische Daten: "Version RSV Mille ""R""acing"[R], "Version ""R""acing GP1 Limited Ed."[RL] |
| 6 | AP8125731 | Stoßschutzgummi | 5 | Technische Daten: "Version RSV Mille ""R""acing"[R], "Version ""R""acing GP1 Limited Ed."[RL] |
| 7 | AP8104728 | Schlauchloses Reifenventil 90° | 1 | Technische Daten: "Version RSV Mille ""R""acing"[R], "Version ""R""acing GP1 Limited Ed."[RL] |
| 8 | AP8121225 | Hinterrad Distanzscheibe | 2 | Technische Daten: "Version RSV Mille ""R""acing"[R], "Version ""R""acing GP1 Limited Ed."[RL] |
| 9 | AP8121408 | Elast. Fixierbuchse | 5 | Technische Daten: "Version RSV Mille ""R""acing"[R], "Version ""R""acing GP1 Limited Ed."[RL] |
| 10 | AP8150436 | Selbstsperr.mut Unt. | 5 | Technische Daten: "Version RSV Mille ""R""acing"[R], "Version ""R""acing GP1 Limited Ed."[RL] |
| 11 | AP8125730 | Radkranzhalter kplt. | 1 | Technische Daten: "Version RSV Mille ""R""acing"[R], "Version ""R""acing GP1 Limited Ed."[RL] |
| 12 | AP8125831 | Hinterradbolzen | 1 | Technische Daten: "Version RSV Mille ""R""acing"[R], "Version ""R""acing GP1 Limited Ed."[RL] |

| | |
|---------------------|-------------------------------|
| Einheit | RAHMEN |
| Code | 28.50 |
| Beschreibung | Hinterrad Vers. RSV Mille "R" |
| Inspektion | 1 |



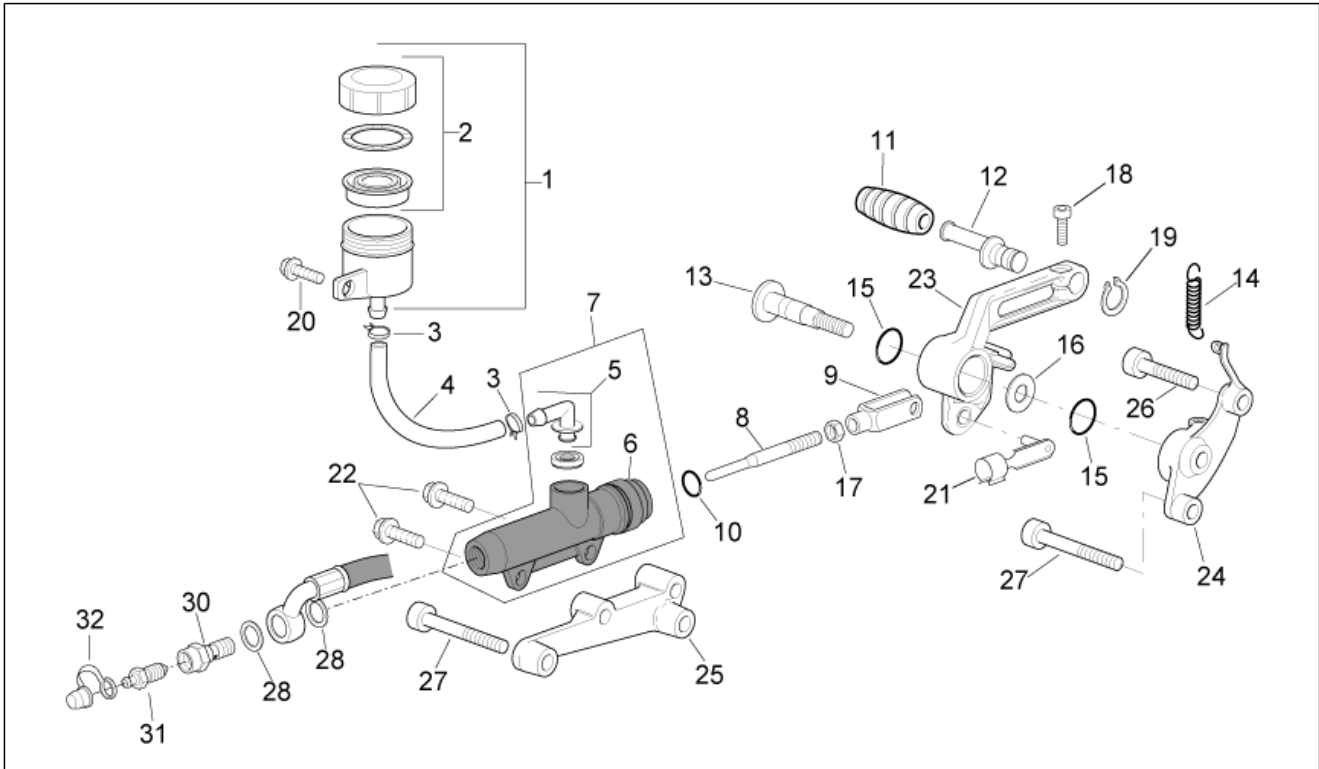
| Pos. | Code | Beschreibung | Menge | Varianten |
|------|-----------|----------------------------|-------|--|
| 13 | AP8152324 | Radbolzenmutter M25x1,5 | 1 | Technische Daten: "Version RSV Mille ""R""acing"[R], "Version ""R""acing GP1 Limited Ed."[RL] |
| 14 | AP8152323 | Ausgleichscheibe 25,2x36x1 | 1 | Technische Daten: "Version RSV Mille ""R""acing"[R], "Version ""R""acing GP1 Limited Ed."[RL] |
| 15 | AP8125838 | Gasket ring 38x52x7 | 1 | Technische Daten: "Version RSV Mille ""R""acing"[R], "Version ""R""acing GP1 Limited Ed."[RL] |
| 16 | AP8125840 | Distanzscheibe | 1 | Technische Daten: "Version RSV Mille ""R""acing"[R], "Version ""R""acing GP1 Limited Ed."[RL] |
| 17 | AP8125839 | Sprengring d52 | 1 | Technische Daten: "Version RSV Mille ""R""acing"[R], "Version ""R""acing GP1 Limited Ed."[RL] |
| 18 | AP8125732 | elast. Distanzstück | 2 | Technische Daten: "Version RSV Mille ""R""acing"[R], "Version ""R""acing GP1 Limited Ed."[RL] |
| 19 | AP8110093 | Lager 6205-2rs1 25x52x15 | 2 | Technische Daten: "Version RSV Mille ""R""acing"[R], "Version ""R""acing GP1 Limited Ed."[RL] |
| 20 | AP8110081 | Lager 30x55x13 | 2 | Technische Daten: "Version RSV Mille ""R""acing"[R], "Version ""R""acing GP1 Limited Ed."[RL] |
| 21 | AP8121213 | Gasket ring 38x55x7 | 1 | Technische Daten: "Version RSV Mille ""R""acing"[R], "Version ""R""acing GP1 Limited Ed."[RL] |
| 22 | AP8121212 | Seegerring für Bohrung d55 | 1 | Technische Daten: "Version RSV Mille ""R""acing"[R], "Version ""R""acing GP1 Limited Ed."[RL] |

| | |
|---------------------|---------------------|
| Einheit | RAHMEN |
| Code | 28.51 |
| Beschreibung | Hinterradbremspumpe |
| Inspektion | 1 |



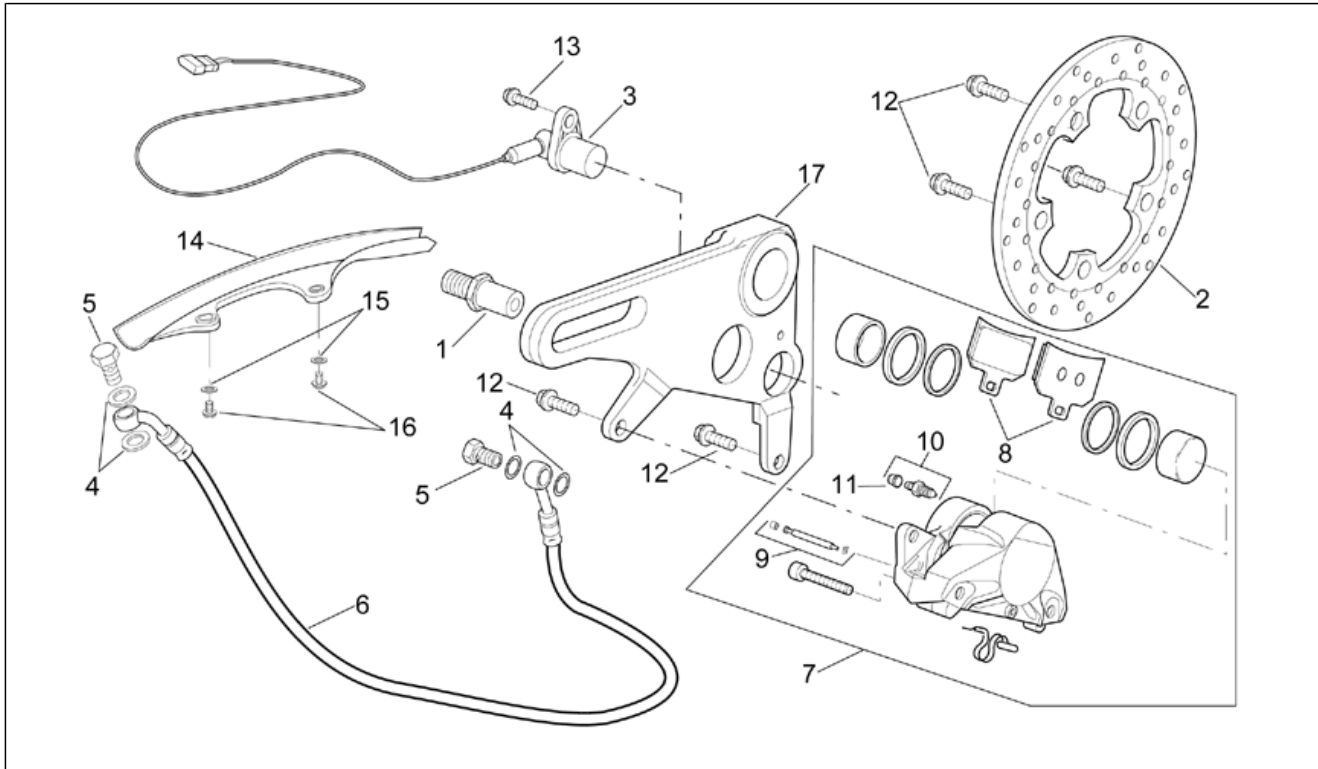
| Pos. | Code | Beschreibung | Menge | Varianten |
|------|-----------|-----------------------------|-------|-----------|
| 1 | AP8133873 | Bremsöltank | 1 | |
| 2 | AP8113553 | Tankverschluß | 1 | |
| 3 | AP8113764 | Schelle | 2 | |
| 4 | AP8113765 | Hinterradbremseleitung | 1 | |
| 5 | AP8133872 | Hinterer Pumpenanschluß | 1 | |
| 6 | AP8113288 | Gummibalg | 1 | |
| 7 | AP8113324 | Hinterradbremspumpe | 1 | |
| 8 | AP8121222 | Pumpenstange brems | 1 | |
| 9 | AP8101968 | Schaltgabel | 1 | |
| 10 | AP8120178 | O-Ring OR112 | 1 | |
| 11 | AP8120912 | Gummi für Hebel | 1 | |
| 12 | AP8121221 | Stift Bremshebel | 1 | |
| 13 | AP8121223 | Stift Hinterradbremsh. | 1 | |
| 14 | AP8121927 | Feder Hinterradbremsh. | 1 | |
| 15 | AP8144007 | O-Ring 11,11x1,78 | 2 | |
| 16 | AP8150020 | Ausgleichscheibe 10,5x21x2* | 1 | |
| 17 | AP8150026 | Mutter M6 | 1 | |
| 18 | AP8150044 | TCEI Schraube M6x20 | 1 | |
| 19 | AP8150462 | Seegerring d9 | 1 | |
| 20 | AP8152273 | Flanschschraube M5x15 | 1 | |
| 21 | AP8201301 | Klemmen für Schaltgabel | 1 | |
| 22 | AP8152279 | TE Schr. m. Flansch M6x20 | 2 | |
| 23 | AP8135925 | H.bremsh. Hebel | 1 | |
| 24 | AP8134415 | Fixierung Bremshebel | 1 | |
| 25 | AP8134384 | Fix. Hinterradbremszyl. | 1 | |
| 26 | AP8150403 | TCEI Schraube M6x45 | 1 | |
| 27 | AP8150277 | TCEI Schraube M8x50 | 3 | |
| 28 | AP8121915 | Dichtung | 2 | |

| | |
|---------------------|---------------------|
| Einheit | RAHMEN |
| Code | 28.51 |
| Beschreibung | Hinterradbremspumpe |
| Inspektion | 1 |



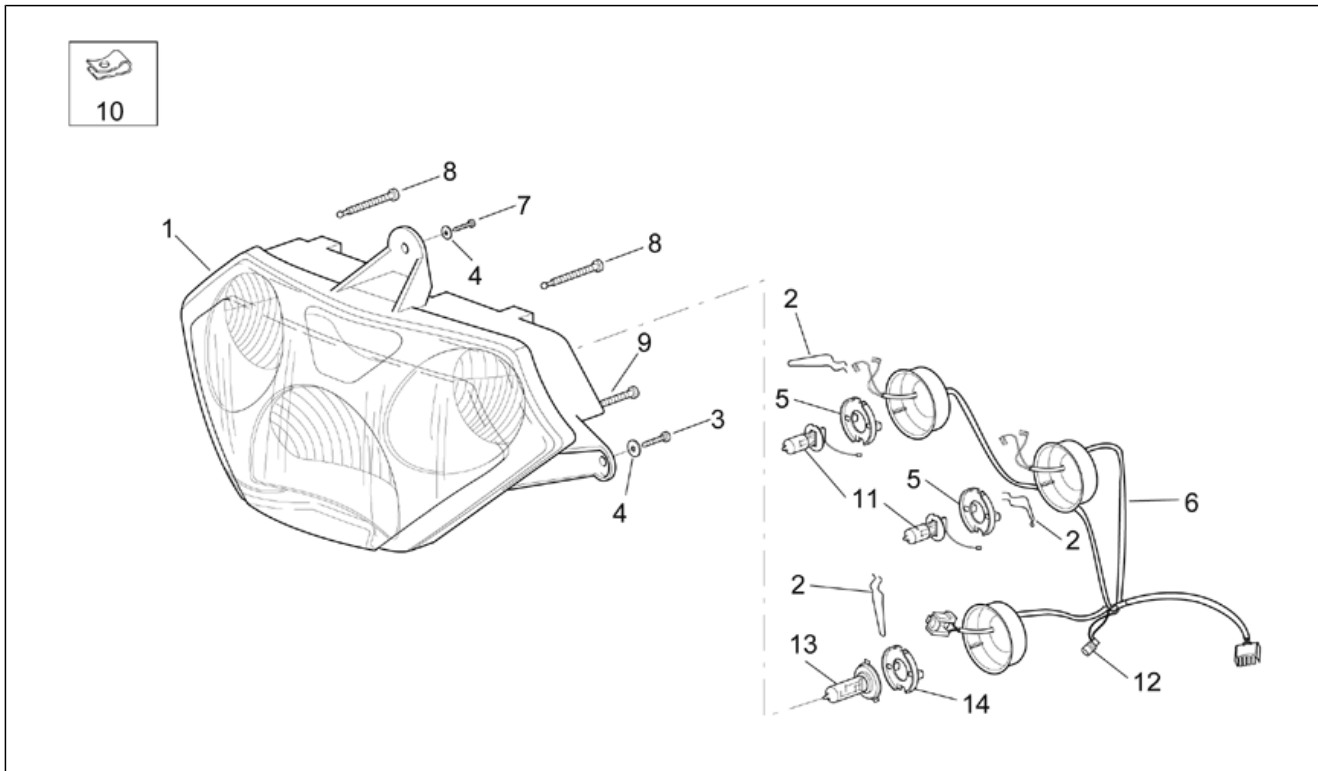
| Pos. | Code | Beschreibung | Menge | Varianten |
|------|-----------|---------------------|-------|-----------|
| 30 | AP8113762 | Lochschaube | 1 | |
| 31 | AP8113761 | Entlüftungsanschluß | 1 | |
| 32 | AP8113230 | Entlüftungskappe | 1 | |

| | |
|---------------------|--------------------|
| Einheit | RAHMEN |
| Code | 28.52 |
| Beschreibung | Hinterradbremzange |
| Inspektion | 1 |



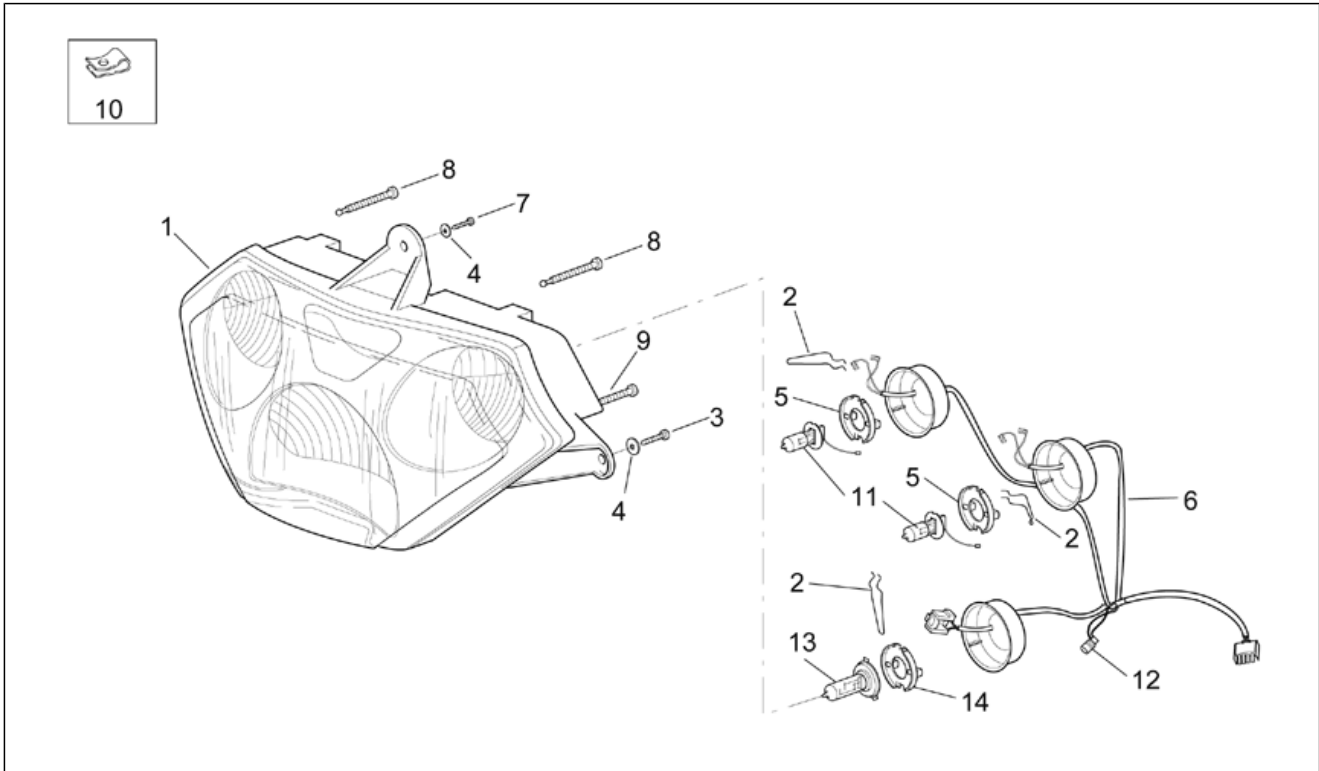
| Pos. | Code | Beschreibung | Menge | Varianten |
|------|-----------|------------------------------|-------|-----------|
| 1 | AP8121234 | Bremsenhalterbolzen | 1 | |
| 2 | AP8113612 | Vorderradbremsscheibe | 1 | |
| 3 | AP8124528 | Kilom.zählersens. kpl. | 1 | |
| 4 | AP8121915 | Dichtung | 2 | |
| 5 | AP8113003 | Fixierschraube Ölschlauch | 1 | |
| 6 | AP8113873 | Hinterradbremseleitung | 1 | |
| 7 | AP8113897 | Hinterradbremzange | 1 | |
| 8 | AP8113898 | Beläge (Paar) | 1 | |
| 9 | AP8113752 | Stift+Splint Bremse | 1 | |
| 10 | AP8113895 | Entlüftungsanschluß | 1 | |
| 11 | AP8113070 | Entlüftungskappe | 1 | |
| 12 | AP8152286 | TE Schr. m. Flansch M8x20 | 7 | |
| 13 | AP8152279 | TE Schr. m. Flansch M6x20 | 1 | |
| 14 | AP8134443 | Fix. Hinterradbremsschl. | 1 | |
| 15 | AP8150013 | Ausgleichscheibe 5,5x15x1,6* | 2 | |
| 16 | AP8152272 | TE Schr. m. Flansch M5x12 | 2 | |
| 17 | AP8134385 | Fixierplatte | 1 | |
| 18 | AP8113762 | Lochschraube | 1 | |
| 19 | AP8113761 | Entlüftungsanschluß | 1 | |
| 20 | AP8113230 | Entlüftungskappe | 1 | |

| | |
|---------------------|--------------|
| Einheit | RAHMEN |
| Code | 28.53 |
| Beschreibung | Scheinwerfer |
| Inspektion | 1 |



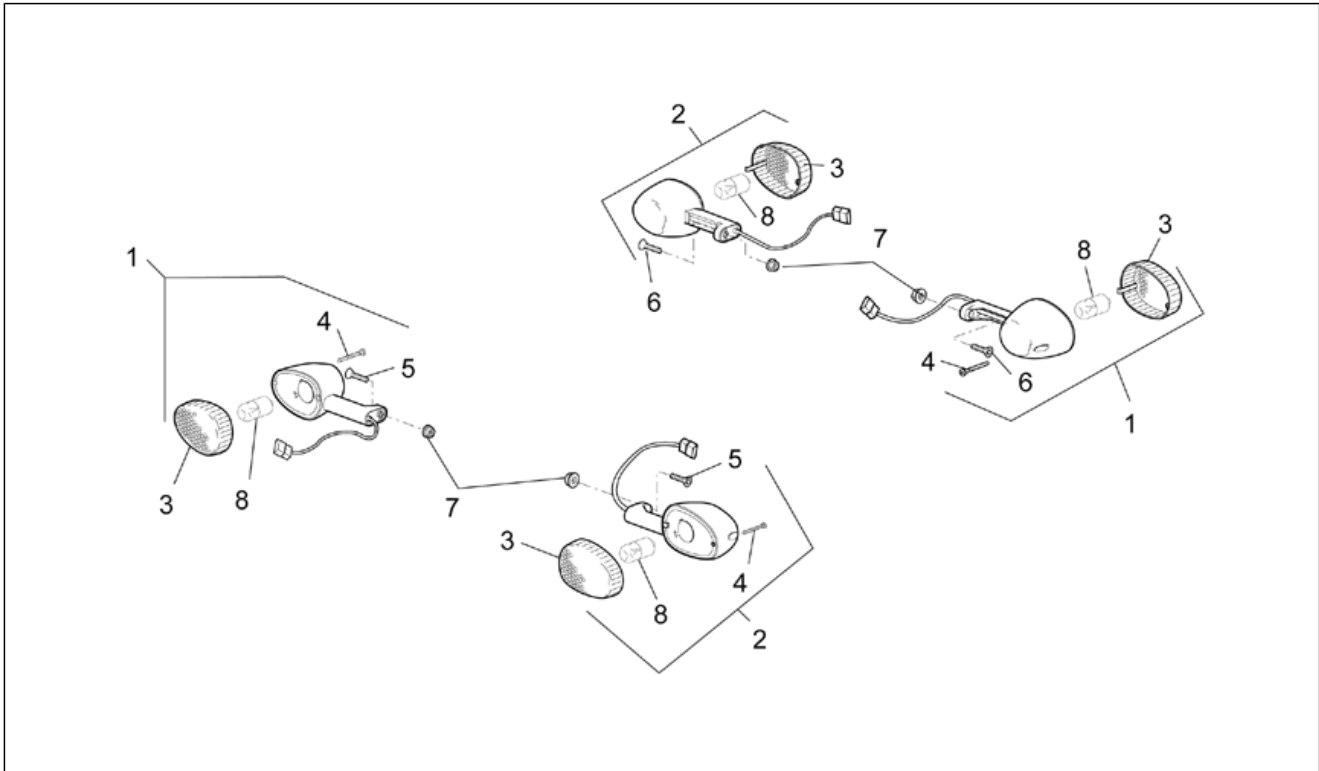
| Pos. | Code | Beschreibung | Menge | Varianten |
|------|-----------|-------------------------------|-------|--|
| 1 | AP8124901 | Scheinwerfer | 1 | Land: Österreich[A], Belgien[B], Belgien[BB], Schweiz[CH], Deutschland[D], Dänemark[DK], Spanien[E], A, CH, D, DK, GR, E, I, NL, P[EU], Frankreich[F], Frankreich[FF], Griechenland[GR], Italien[I], Holland[NL], Portugal[P] |
| 1 | AP8124945 | Scheinwerfer | 1 | Land: Australien[AA], Australien[AUS], Japan[J], Japan[JJ], Großbritannien[UK] |
| 1 | AP8124946 | Scheinwerfer | 1 | Land: USA (Zulassung 49 Staaten)[AM], USA (Zulassung California)[CF], Vereinigte Staaten von Amerika[USA] |
| 2 | AP8127118 | Kleine Feder | 2 | Land: USA (Zulassung 49 Staaten)[AM], USA (Zulassung California)[CF], Vereinigte Staaten von Amerika[USA] |
| 2 | AP8127118 | Kleine Feder | 3 | Land: Österreich[A], Australien[AA], Australien[AUS], Belgien[B], Belgien[BB], Schweiz[CH], Deutschland[D], Dänemark[DK], Spanien[E], A, CH, D, DK, GR, E, I, NL, P[EU], Frankreich[F], Frankreich[FF], Griechenland[GR], Italien[I], Japan[J], Japan[JJ], Holland[NL], Portugal[P], Großbritannien[UK] |
| 3 | AP8150413 | Gew.schr. 3,9x14 | 3 | |
| 4 | AP8150159 | Ausgleichscheibe 4,3x16* | 3 | |
| 5 | AP8127119 | Lampenhalter | 2 | |
| 6 | AP8127120 | Kabel Scheinw. | 1 | Land: Österreich[A], Australien[AA], Australien[AUS], Belgien[B], Belgien[BB], Schweiz[CH], Deutschland[D], Dänemark[DK], Spanien[E], A, CH, D, DK, GR, E, I, NL, P[EU], Frankreich[F], Frankreich[FF], Griechenland[GR], Italien[I], Japan[J], Japan[JJ], Holland[NL], Portugal[P], Großbritannien[UK] |
| 6 | AP8127138 | Kabel Scheinw. | 1 | Land: USA (Zulassung 49 Staaten)[AM], USA (Zulassung California)[CF], Vereinigte Staaten von Amerika[USA] |
| 7 | AP8152246 | TBEI Schraube m.Flansch M6x16 | 1 | |
| 8 | AP8127117 | Regelschraube | 2 | |
| 9 | AP8127116 | Regelschraube | 1 | |
| 10 | AP8102376 | Klammer M6 | 2 | |
| 11 | AP8127109 | Lampen H7 12V-55W | 2 | |

| | |
|---------------------|--------------|
| Einheit | RAHMEN |
| Code | 28.53 |
| Beschreibung | Scheinwerfer |
| Inspektion | 1 |



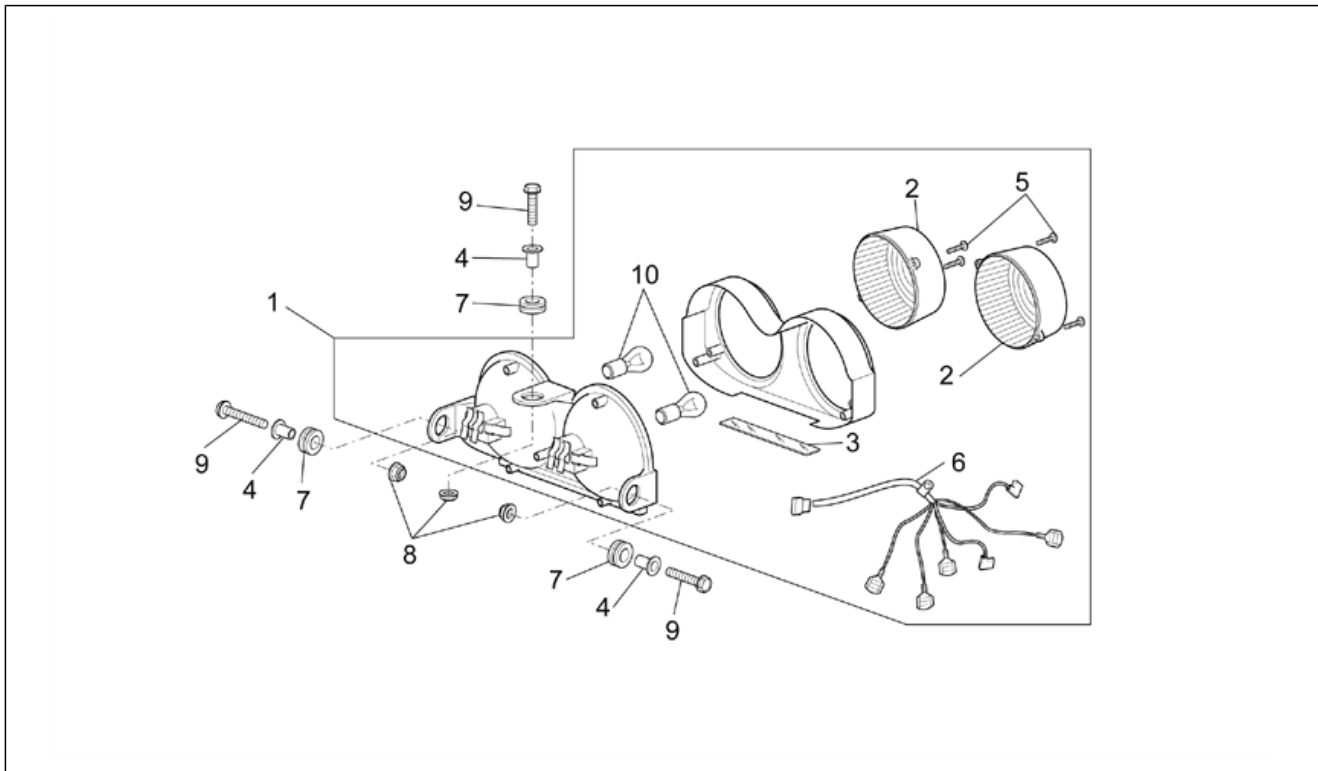
| Pos. | Code | Beschreibung | Menge | Varianten |
|------|-----------|----------------------|-------|--|
| 12 | AP8224393 | Lampen WY5W 12V | 1 | |
| 13 | AP8127109 | Lampen H7 12V-55W | 1 | Land: Österreich[A], Australien[AA], Australien[AUS], Belgien[B], Belgien[BB], Schweiz[CH], Deutschland[D], Dänemark[DK], Spanien[E], A, CH, D, DK, GR, E, I, NL, P[EU], Frankreich[F], Frankreich[FF], Griechenland[GR], Italien[I], Japan[J], Japan[JJ], Holland[NL], Portugal[P], Großbritannien[UK] |
| 13 | AP8127121 | Lampen H4 12V-60/55W | 1 | Land: USA (Zulassung 49 Staaten)[AM], USA (Zulassung California)[CF], Vereinigte Staaten von Amerika[USA] |
| 14 | AP8124568 | Lampenhalter | 1 | Land: USA (Zulassung 49 Staaten)[AM], USA (Zulassung California)[CF], Vereinigte Staaten von Amerika[USA] |
| 14 | AP8127119 | Lampenhalter | 1 | Land: Österreich[A], Australien[AA], Australien[AUS], Belgien[B], Belgien[BB], Schweiz[CH], Deutschland[D], Dänemark[DK], Spanien[E], A, CH, D, DK, GR, E, I, NL, P[EU], Frankreich[F], Frankreich[FF], Griechenland[GR], Italien[I], Japan[J], Japan[JJ], Holland[NL], Portugal[P], Großbritannien[UK] |

| | |
|---------------------|---------|
| Einheit | RAHMEN |
| Code | 28.54 |
| Beschreibung | Blinker |
| Inspektion | 1 |



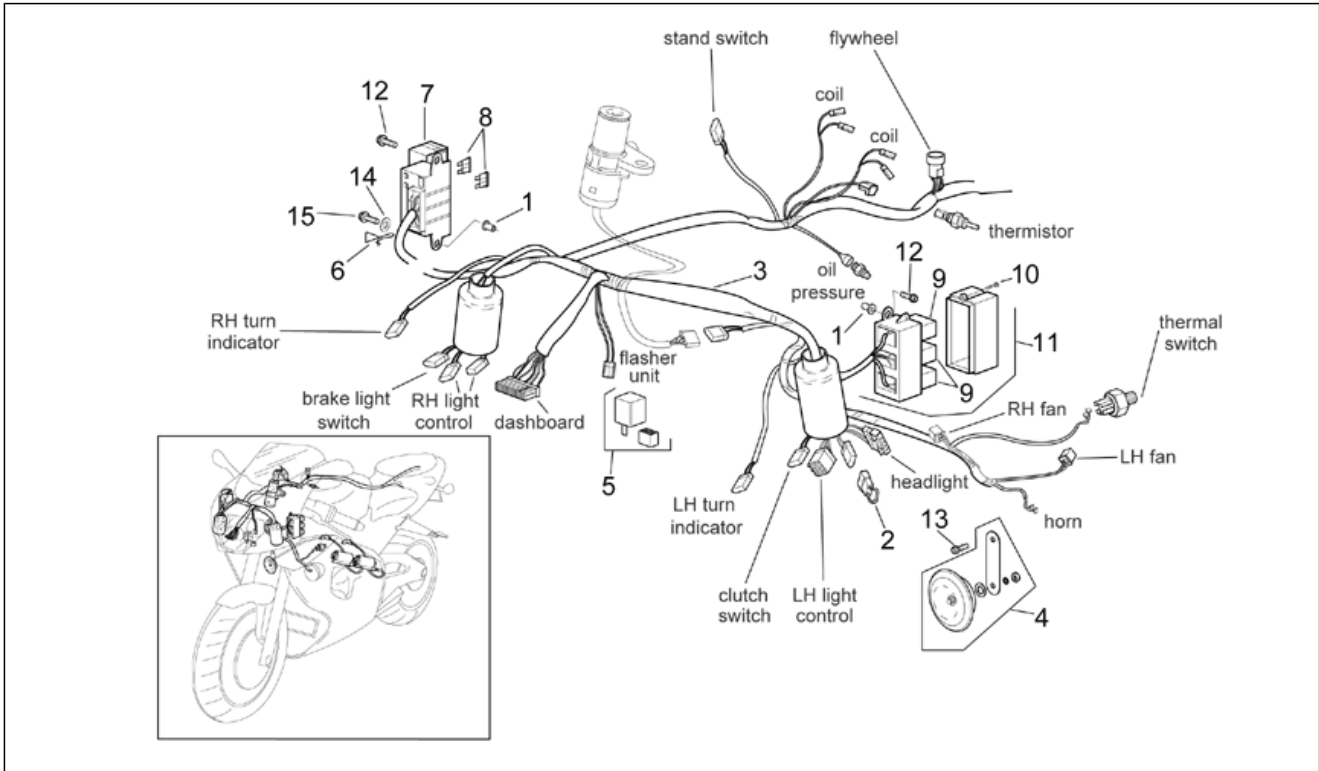
| Pos. | Code | Beschreibung | Menge | Varianten |
|------|-----------|--|-------|-----------|
| 1 | AP8124980 | Vorderblinker rechts / Hinterblinker links | 2 | |
| 2 | AP8124979 | Vorderblinker links/ Hinterblinker rechts | 2 | |
| 3 | AP8127122 | Blinkerblende | 4 | |
| 4 | AP8127123 | Schraube TBC 2,9x13 | 4 | |
| 5 | AP8150137 | TCEI Schraube M6x16 | 2 | |
| 6 | AP8150044 | TCEI Schraube M6x20 | 2 | |
| 7 | AP8152299 | Selbstsperrende Mutter M6 | 4 | |
| 8 | AP8224390 | Lampen R10W 12v | 4 | |

| | |
|---------------------|-----------|
| Einheit | RAHMEN |
| Code | 28.55 |
| Beschreibung | Rücklicht |
| Inspektion | 1 |



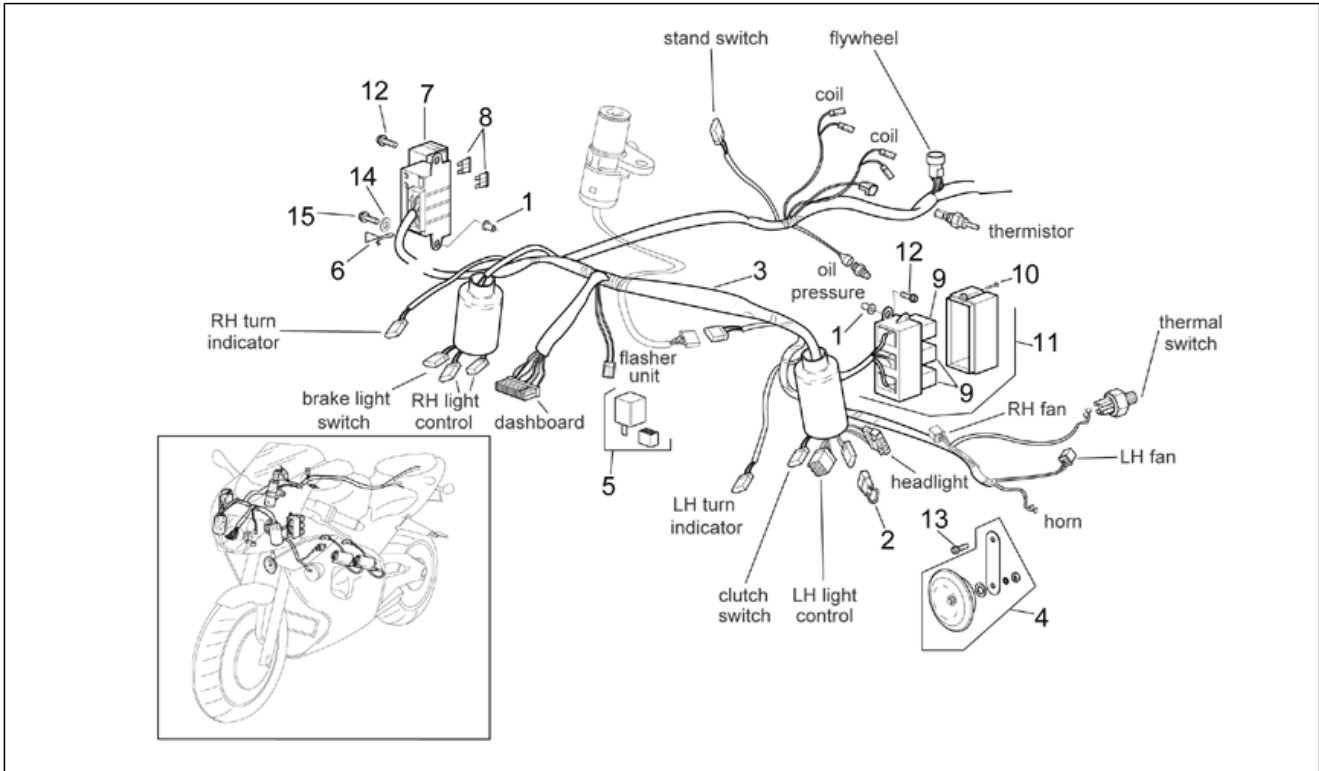
| Pos. | Code | Beschreibung | Menge | Varianten |
|------|-----------|---------------------------|-------|--|
| 1 | AP8124978 | Rücklicht | 1 | Land: Österreich[A], Australien[AA], Australien[AUS], Belgien[B], Belgien[BB], Schweiz[CH], Deutschland[D], Dänemark[DK], Spanien[E], A, CH, D, DK, GR, E, I, NL, P[EU], Frankreich[F], Frankreich[FF], Griechenland[GR], Italien[I], Japan[J], Japan[JJ], Holland[NL], Portugal[P], Großbritannien[UK] |
| 1 | AP8127070 | Rücklicht | 1 | Land: USA (Zulassung 49 Staaten)[AM], USA (Zulassung California)[CF], Vereinigte Staaten von Amerika[USA] |
| 2 | AP8124558 | Rücklichtblende | 2 | |
| 3 | AP8124559 | Blende Kennzeich.leuch. | 1 | |
| 4 | AP8121725 | T-Buchse * | 3 | Land: Österreich[A], Australien[AA], Australien[AUS], Belgien[B], Belgien[BB], Schweiz[CH], Deutschland[D], Dänemark[DK], Spanien[E], A, CH, D, DK, GR, E, I, NL, P[EU], Frankreich[F], Frankreich[FF], Griechenland[GR], Italien[I], Japan[J], Japan[JJ], Holland[NL], Portugal[P], Großbritannien[UK] |
| 4 | AP8121790 | T-Buchse * | 3 | Land: USA (Zulassung 49 Staaten)[AM], USA (Zulassung California)[CF], Vereinigte Staaten von Amerika[USA] |
| 5 | AP8124561 | Spezialschraube 3,5x20 | 4 | |
| 6 | AP8124562 | Verkabelung Rücklicht | 1 | |
| 7 | AP8112599 | Gummi * | 3 | |
| 8 | AP8152306 | Selbstsperrende Mutter M5 | 3 | |
| 9 | AP8152275 | TE Schr. m. Flansch M5x25 | 3 | |
| 10 | AP8224389 | Lampen P21/5W 12V | 2 | |

| | |
|---------------------|---------------------------|
| Einheit | RAHMEN |
| Code | 28.56 |
| Beschreibung | Vorder Elektrische Anlage |
| Inspektion | 1 |



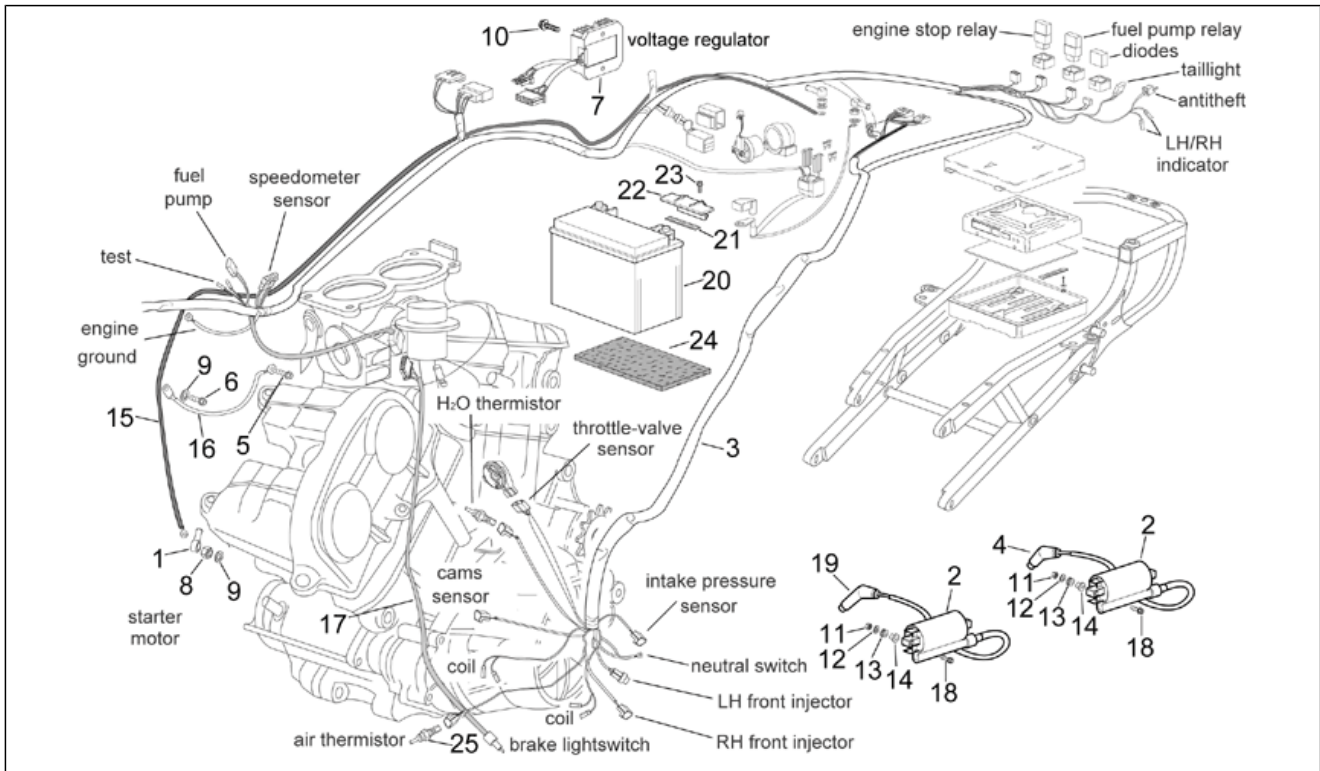
| Pos. | Code | Beschreibung | Menge | Varianten |
|------|-----------|---------------------------|-------|--|
| 1 | AP8121020 | Distanzscheibe 6,5x10x19* | 4 | Land:USA (Zulassung 49 Staaten)[AM], USA (Zulassung California)[CF], Vereinigte Staaten von Amerika[USA] |
| 2 | AP8212588 | Sicherheitsdiode | 1 | |
| 3 | AP8127022 | Hauptverkabelung | 1 | Land:Österreich[A], Australien[AA], Australien[AUS], Belgien[B], Belgien[BB], Schweiz[CH], Deutschland[D], Dänemark[DK], Spanien[E], A, CH, D, DK, GR, E, I, NL, P[EU], Frankreich[F], Frankreich[FF], Griechenland[GR], Italien[I], Japan[J], Japan[JJ], Holland[NL], Portugal[P], Großbritannien[UK] |
| 3 | AP8127039 | Hauptverkabelung | 1 | Land:USA (Zulassung 49 Staaten)[AM], USA (Zulassung California)[CF], Vereinigte Staaten von Amerika[USA] |
| 4 | AP8127391 | Hupe | 1 | |
| 5 | AP8124235 | Blinken | 1 | |
| 6 | AP8134480 | Sicherungshaken | 1 | Land:Österreich[A], Australien[AA], Australien[AUS], Belgien[B], Belgien[BB], Schweiz[CH], Deutschland[D], Dänemark[DK], Spanien[E], A, CH, D, DK, GR, E, I, NL, P[EU], Frankreich[F], Frankreich[FF], Griechenland[GR], Italien[I], Japan[J], Japan[JJ], Holland[NL], Portugal[P], Großbritannien[UK] |
| 6 | AP8134632 | Sicherungshaken | 1 | Land:USA (Zulassung 49 Staaten)[AM], USA (Zulassung California)[CF], Vereinigte Staaten von Amerika[USA] |
| 7 | AP8124274 | Sicherungskasten | 1 | |
| 8 | AP8112176 | Sicherung 15A | 8 | |
| 9 | AP8124277 | Zündrelais | 3 | |
| 10 | AP8150421 | Gew.schr. 2,9x12 | 2 | |
| 11 | AP8124293 | Relaisträger | 1 | |
| 12 | AP8152279 | TE Schr. m. Flansch M6x20 | 3 | Land:Österreich[A], Australien[AA], Australien[AUS], Belgien[B], Belgien[BB], Schweiz[CH], Deutschland[D], Dänemark[DK], Spanien[E], A, CH, D, DK, GR, E, I, NL, P[EU], Frankreich[F], Frankreich[FF], Griechenland[GR], Italien[I], Japan[J], Japan[JJ], Holland[NL], Portugal[P], Großbritannien[UK] |

| | |
|---------------------|---------------------------|
| Einheit | RAHMEN |
| Code | 28.56 |
| Beschreibung | Vorder Elektrische Anlage |
| Inspektion | 1 |



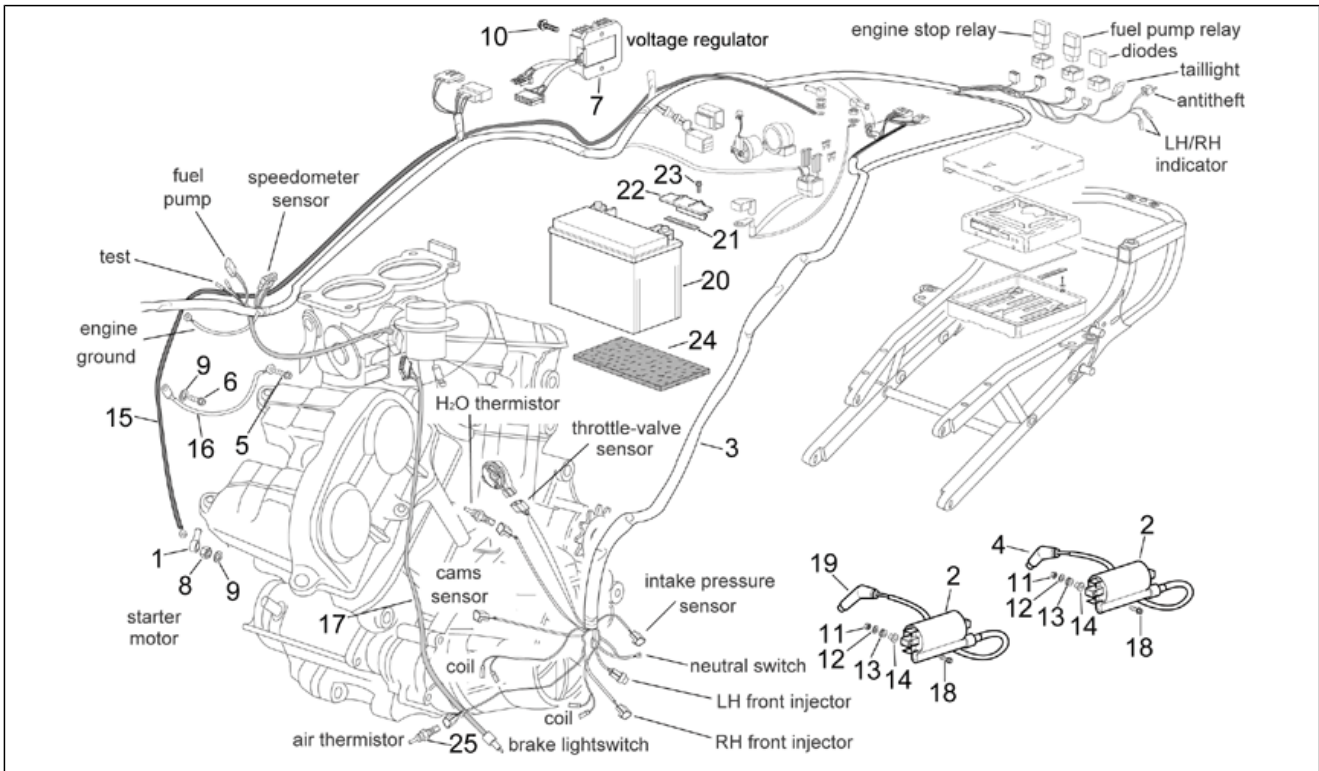
| Pos. | Code | Beschreibung | Menge | Varianten |
|------|-----------|----------------------------|-------|--|
| 12 | AP8152283 | TE Schr. m. Flansch | 4 | Land:USA (Zulassung 49 Staaten)[AM], USA (Zulassung California)[CF], Vereinigte Staaten von Amerika[USA] |
| 13 | AP8152285 | TE Schr. m. Flansch | 1 | |
| 14 | AP8150014 | Ausgleichscheibe 6,4x12,5* | 2 | |
| 15 | AP8152280 | TE Schr. m. Flansch M6x25 | 1 | |

| | |
|---------------------|--------------------------|
| Einheit | RAHMEN |
| Code | 28.57 |
| Beschreibung | Mitt. elektrische Anlage |
| Inspektion | 1 |



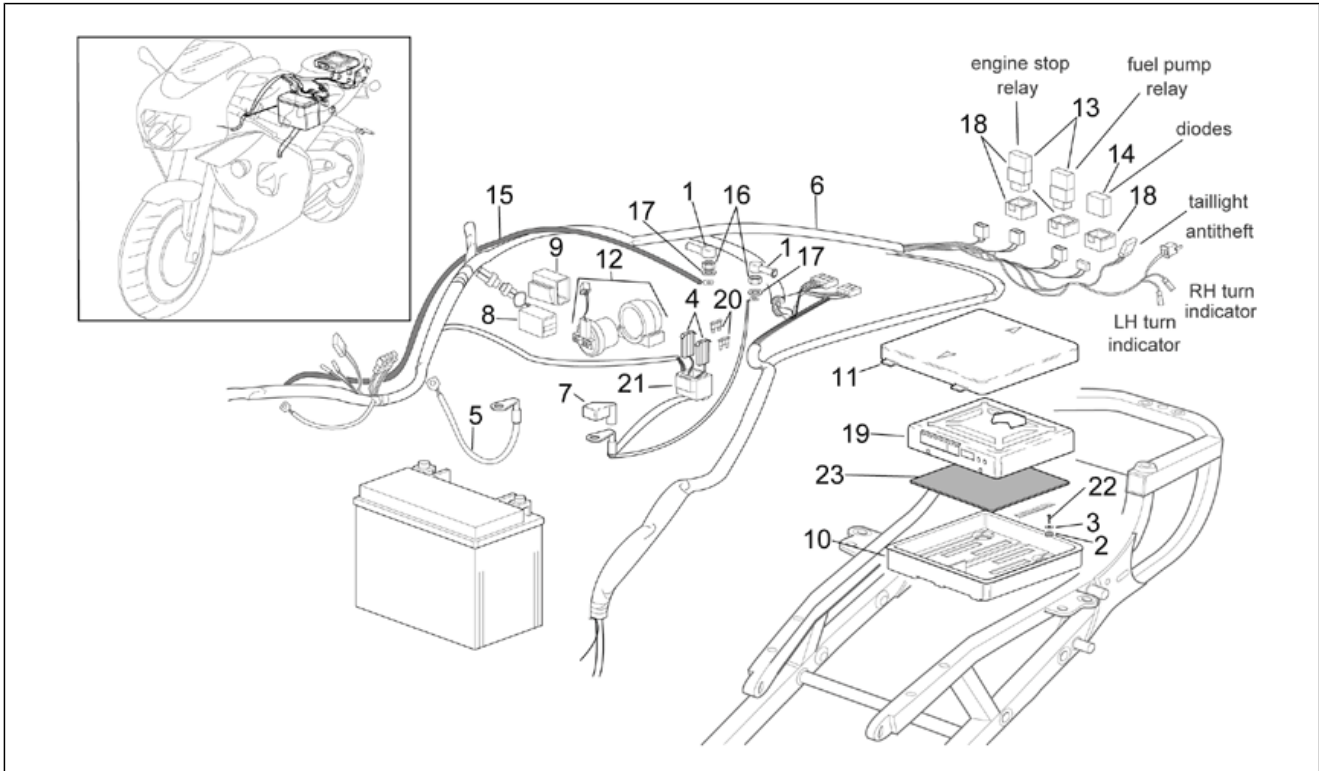
| Pos. | Code | Beschreibung | Menge | Varianten |
|------|-----------|----------------------------|-------|--|
| 1 | AP8120218 | Klemmenkappe | 1 | |
| 2 | AP0265480 | Zuendtransform.cpl. | 2 | |
| 3 | AP8127022 | Hauptverkabelung | 1 | Land: Österreich[A], Australien[AA], Australien[AUS], Belgien[B], Belgien[BB], Schweiz[CH], Deutschland[D], Dänemark[DK], Spanien[E], A, CH, D, DK, GR, E, I, NL, P[EU], Frankreich[F], Frankreich[FF], Griechenland[GR], Italien[I], Japan[J], Japan[JJ], Holland[NL], Portugal[P], Großbritannien[UK] |
| 3 | AP8127039 | Hauptverkabelung | 1 | Land: USA (Zulassung 49 Staaten)[AM], USA (Zulassung California)[CF], Vereinigte Staaten von Amerika[USA] |
| 4 | AP0265244 | Kerzenhaube außen | 1 | |
| 5 | AP8152277 | TE Schr. m. Flansch M6x12 | 1 | |
| 6 | AP8152123 | TCEI Schraube | 1 | |
| 7 | AP8124267 | Spannungsregler | 1 | |
| 8 | AP8150026 | Mutter M6 | 1 | |
| 9 | AP8150429 | Sprengscheibe 6,4x11x0,5* | 2 | |
| 10 | AP8152282 | TE Schr. m. Flansch M6x35 | 2 | |
| 11 | AP8150451 | Selbstsperr.mut Unt. | 4 | |
| 12 | AP8150012 | Ausgleichscheibe 5,3x10x1* | 4 | |
| 13 | AP8120405 | Gummi | 4 | |
| 14 | AP8121736 | T-Buchse | 4 | |
| 15 | AP8124269 | Anlasserkabel | 1 | |
| 16 | AP8112832 | Masse-Batterie Kabel | 1 | |
| 17 | AP8112996 | Mikroschalter | 1 | |
| 18 | AP8152275 | TE Schr. m. Flansch M5x25 | 4 | |
| 19 | AP0265246 | Kerzenhaube innen | 1 | |
| 20 | AP8124748 | Batterie YTX12-BS | 1 | |
| 21 | AP8117033 | Klebeschwamm | 1 | |
| 22 | AP8148660 | Fixierplatte Batterie | 1 | |

| | |
|---------------------|--------------------------|
| Einheit | RAHMEN |
| Code | 28.57 |
| Beschreibung | Mitt. elektrische Anlage |
| Inspektion | 1 |



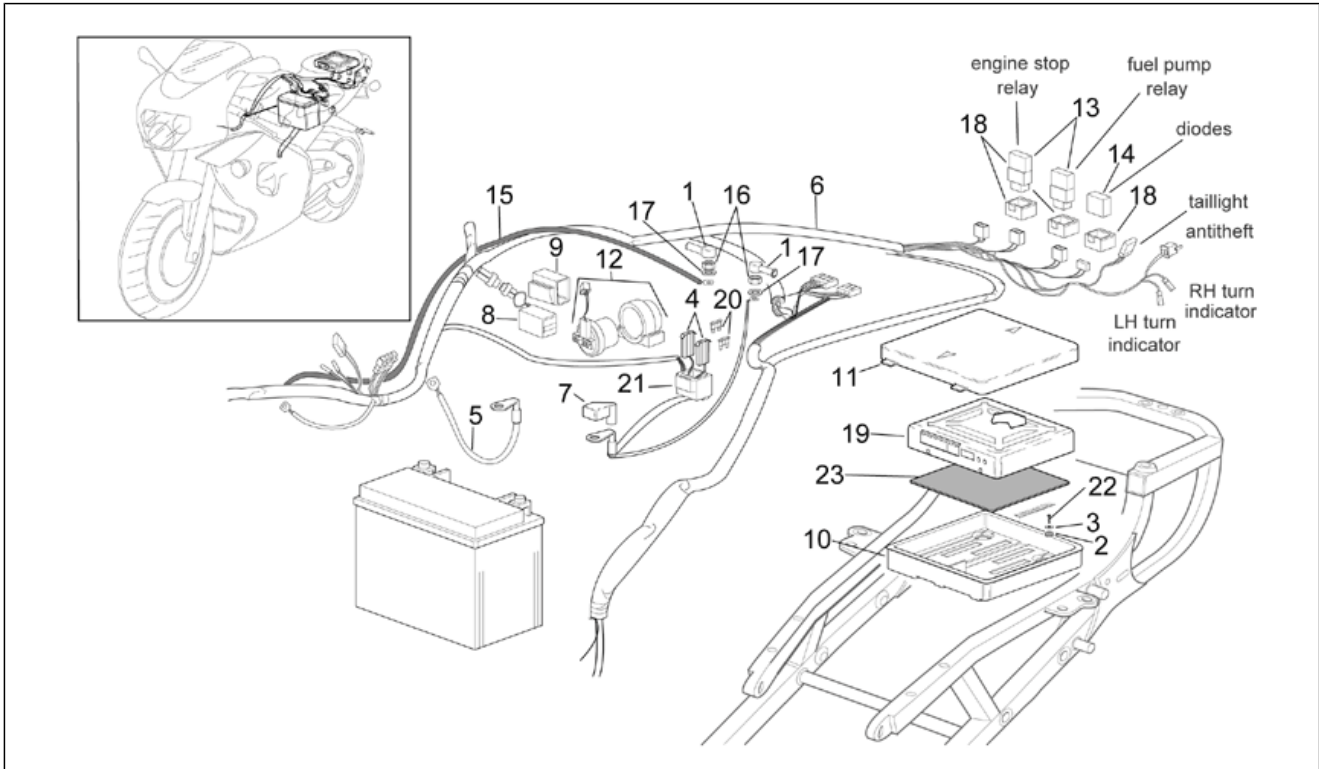
| Pos. | Code | Beschreibung | Menge | Varianten |
|------|-----------|---------------------------|-------|-----------|
| 23 | AP8152278 | TE Schr. m. Flansch M6x16 | 1 | |
| 24 | AP8144045 | Batterieaufleg gummi | 1 | |
| 25 | AP8124300 | Lufttemperaturfühler | 1 | |

| | |
|---------------------|-------------------------|
| Einheit | RAHMEN |
| Code | 28.58 |
| Beschreibung | Hint.Elektrische Anlage |
| Inspektion | 1 |



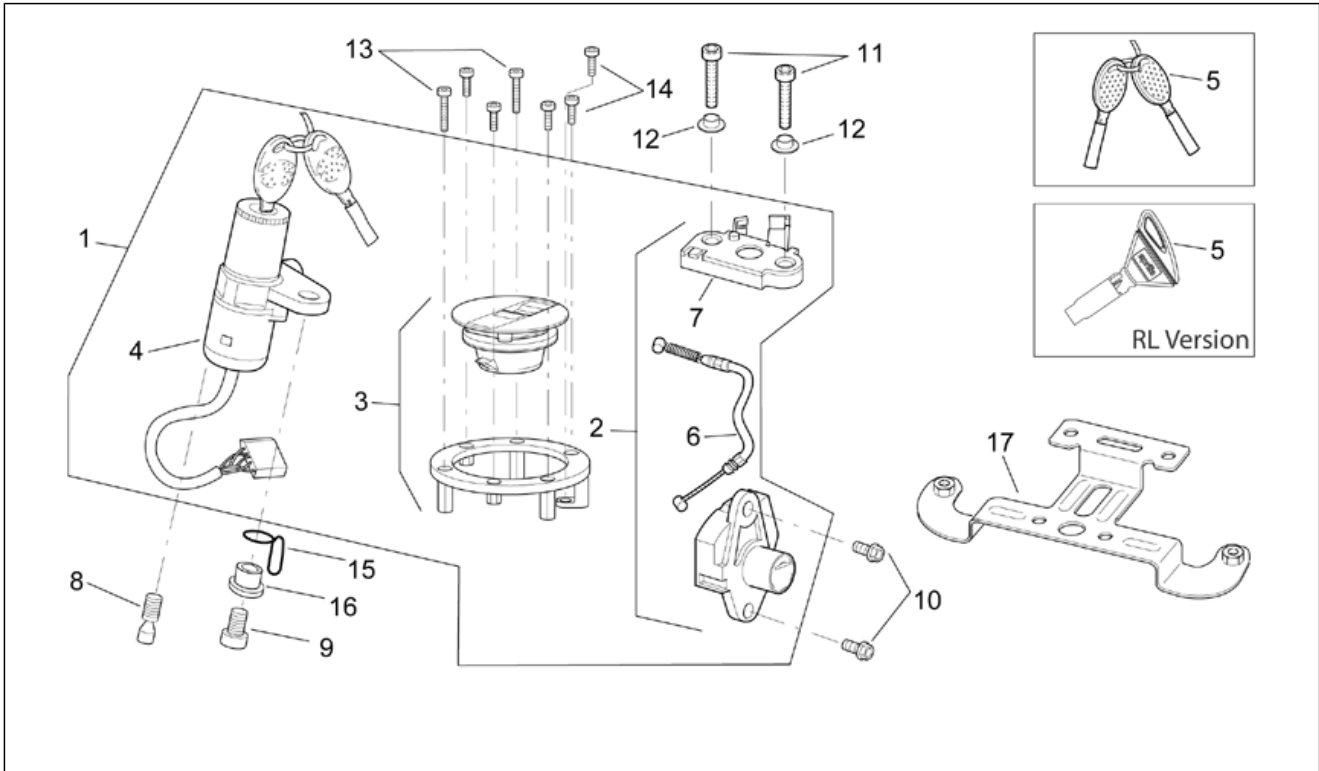
| Pos. | Code | Beschreibung | Menge | Varianten |
|------|-----------|---------------------------|-------|--|
| 1 | AP8120218 | Klemmenkappe | 2 | |
| 2 | AP8220150 | Gummi | 3 | |
| 3 | AP8150159 | Ausgleichscheibe 4,3x16* | 3 | |
| 4 | AP8120754 | Sicherungsblockgummi | 2 | |
| 5 | AP8124439 | Masse-Batteriekabel | 1 | |
| 6 | AP8127022 | Hauptverkabelung | 1 | Land:Österreich[A], Australien[AA], Australien[AUS], Belgien[B], Belgien[BB], Schweiz[CH], Deutschland[D], Dänemark[DK], Spanien[E], A, CH, D, DK, GR, E, I, NL, P[EU], Frankreich[F], Frankreich[FF], Griechenland[GR], Italien[I], Japan[J], Japan[JJ], Holland[NL], Portugal[P], Großbritannien[UK] |
| 6 | AP8127039 | Hauptverkabelung | 1 | Land:USA (Zulassung 49 Staaten)[AM], USA (Zulassung California)[CF], Vereinigte Staaten von Amerika[USA] |
| 7 | AP8112940 | Kappe Pluspol | 1 | |
| 8 | AP8124266 | Neigungsfühler | 1 | |
| 9 | AP8144046 | Sensor halter gummi | 1 | |
| 10 | AP8138776 | Schutzkasten Steuerger. | 1 | |
| 11 | AP8138596 | Steuergerätdeckel | 1 | |
| 12 | AP8124636 | Zündrelais 12V-150A | 1 | |
| 13 | AP8224462 | Zündrelais 12V-30A | 2 | |
| 14 | AP8124289 | Diode | 1 | |
| 15 | AP8124269 | Anlasserkabel | 1 | |
| 16 | AP8150026 | Mutter M6 | 2 | |
| 17 | AP8150429 | Sprengscheibe 6,4x11x0,5* | 2 | |
| 18 | AP8220283 | Gummi * | 3 | |
| 19 | AP0265671 | Steuergerät | 1 | Land:Österreich[A], Schweiz[CH], Deutschland[D], Dänemark[DK], Spanien[E], A, CH, D, DK, GR, E, I, NL, P[EU], Frankreich[F], Frankreich[FF], Griechenland[GR], Italien[I], Japan[J], Japan[JJ], Holland[NL], Portugal[P], Großbritannien[UK] |

| | |
|---------------------|-------------------------|
| Einheit | RAHMEN |
| Code | 28.58 |
| Beschreibung | Hint.Elektrische Anlage |
| Inspektion | 1 |



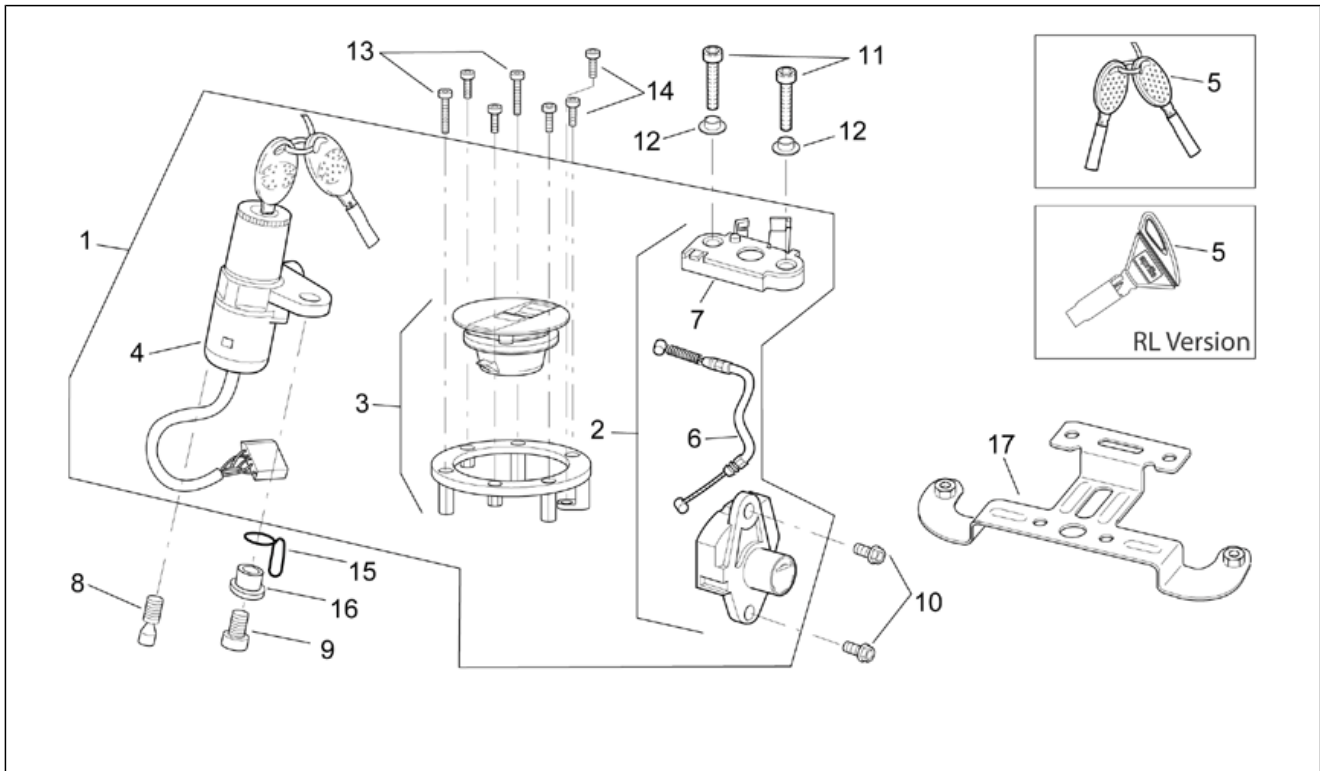
| Pos. | Code | Beschreibung | Menge | Varianten |
|------|-----------|---------------------------|-------|---|
| | | | | Technische Daten: "Version RSV Mille ""R""acing"[R], Version RSV Mille[STD] |
| 19 | AP0265671 | Steuergerät | 1 | Land: Australien[AA], Australien[AUS] Technische Daten: Version mit voller Leistung[F.P.] |
| 19 | AP0265672 | Steuergerät | 1 | Land: Australien[AA], Australien[AUS] Technische Daten: Leistung 72 Kw[72Kw] |
| 19 | AP0265672 | Steuergerät | 1 | Land: Belgien[B], Belgien[BB] |
| 19 | AP0265675 | Steuergerät | 1 | Land: USA (Zulassung 49 Staaten)[AM], USA (Zulassung California)[CF], Vereinigte Staaten von Amerika[USA] |
| 19 | AP0266210 | Steuergerät | 1 | Land: Österreich[A], Schweiz[CH], Deutschland[D], Dänemark[DK], Spanien[E], A, CH, D, DK, GR, E, I, NL, P[EU], Frankreich[F], Frankreich[FF], Griechenland[GR], Italien[I], Japan[J], Japan[JJ], Holland[NL], Portugal[P], Großbritannien[UK] Technische Daten: "Version ""R""acing GP1 Limited Ed."[RL] |
| 20 | AP8124273 | Sicherung 30a | 3 | |
| 21 | AP8112811 | Sicherungsblockgummi | 1 | |
| 22 | AP8150413 | Gew.schr. 3,9x14 | 3 | |
| 23 | AP8144288 | seit. Gummiaufl. Batterie | 1 | |

| | |
|---------------------|-------------------|
| Einheit | RAHMEN |
| Code | 28.59 |
| Beschreibung | Bausatz Schlösser |
| Inspektion | 1 |



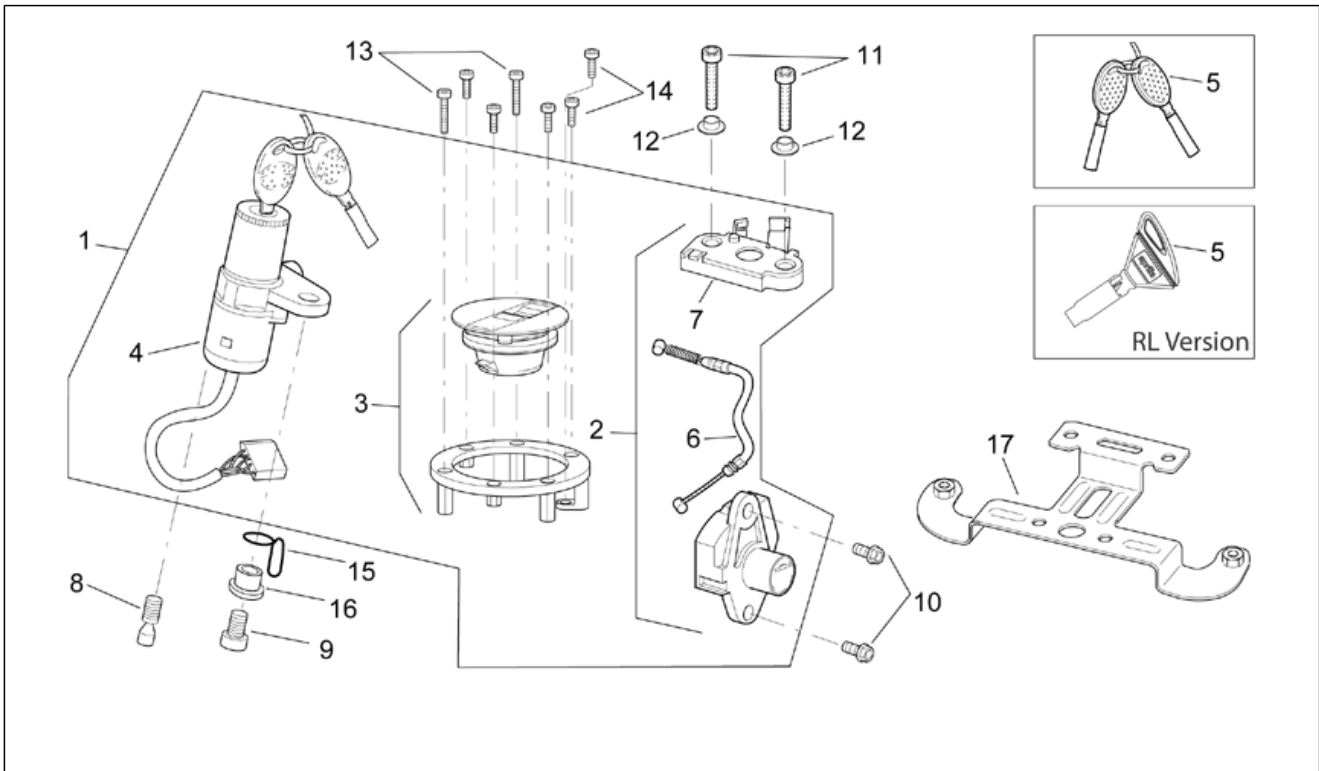
| Pos. | Code | Beschreibung | Menge | Varianten |
|------|-----------|--------------------------|-------|--|
| 1 | AP8104151 | Kit Schließvorrichtungen | 1 | Land: Österreich[A], Australien[AA], Australien[AUS], Belgien[B], Belgien[BB], Schweiz[CH], Deutschland[D], Dänemark[DK], Spanien[E], A, CH, D, DK, GR, E, I, NL, P[EU], Frankreich[F], Frankreich[FF], Griechenland[GR], Italien[I], Japan[J], Japan[JJ], Holland[NL], Portugal[P], Großbritannien[UK] Technische Daten: "Version RSV Mille ""R""acing"[R], Version RSV Mille[STD] |
| 1 | AP8104263 | Kit Schließvorrichtungen | 1 | Land: USA (Zulassung 49 Staaten)[AM], Vereinigte Staaten von Amerika[USA] Technische Daten: Zulassung 49 Staaten[49st] |
| 1 | AP8104265 | Kit Schließvorrichtungen | 1 | Land: USA (Zulassung California)[CF], Vereinigte Staaten von Amerika[USA] Technische Daten: Zulassung California[cal] |
| 1 | AP8104623 | Kit Schließvorrichtungen | 1 | Land: Österreich[A], Australien[AA], Australien[AUS], Belgien[B], Belgien[BB], Schweiz[CH], Deutschland[D], Dänemark[DK], Spanien[E], A, CH, D, DK, GR, E, I, NL, P[EU], Frankreich[F], Frankreich[FF], Griechenland[GR], Italien[I], Japan[J], Japan[JJ], Holland[NL], Portugal[P], Großbritannien[UK] Technische Daten: "Version ""R""acing GP1 Limited Ed."[RL] |
| 2 | AP8102911 | Sitzschloß komplett | 1 | Land: USA (Zulassung California)[CF], Vereinigte Staaten von Amerika[USA] |
| 2 | AP8102911 | Sitzschloß komplett | 1 | Land: Österreich[A], Australien[AA], Australien[AUS], Belgien[B], Belgien[BB], Schweiz[CH], Deutschland[D], Dänemark[DK], Spanien[E], A, CH, D, DK, GR, E, I, NL, P[EU], Frankreich[F], Frankreich[FF], Griechenland[GR], Italien[I], Japan[J], Japan[JJ], Holland[NL], Portugal[P], Großbritannien[UK] Technische Daten: "Version RSV Mille ""R""acing"[R], Version RSV Mille[STD] |
| 2 | AP8104676 | Sitzschloß komplett | 1 | Land: Österreich[A], Australien[AA], Australien[AUS], Belgien[B], Belgien[BB], Schweiz[CH], Deutschland[D], Dänemark[DK], Spanien[E], A, CH, D, DK, GR, E, I, NL, P[EU], Frankreich[F], Frankreich[FF], Griechenland[GR], |

| | |
|---------------------|-------------------|
| Einheit | RAHMEN |
| Code | 28.59 |
| Beschreibung | Bausatz Schlösser |
| Inspektion | 1 |



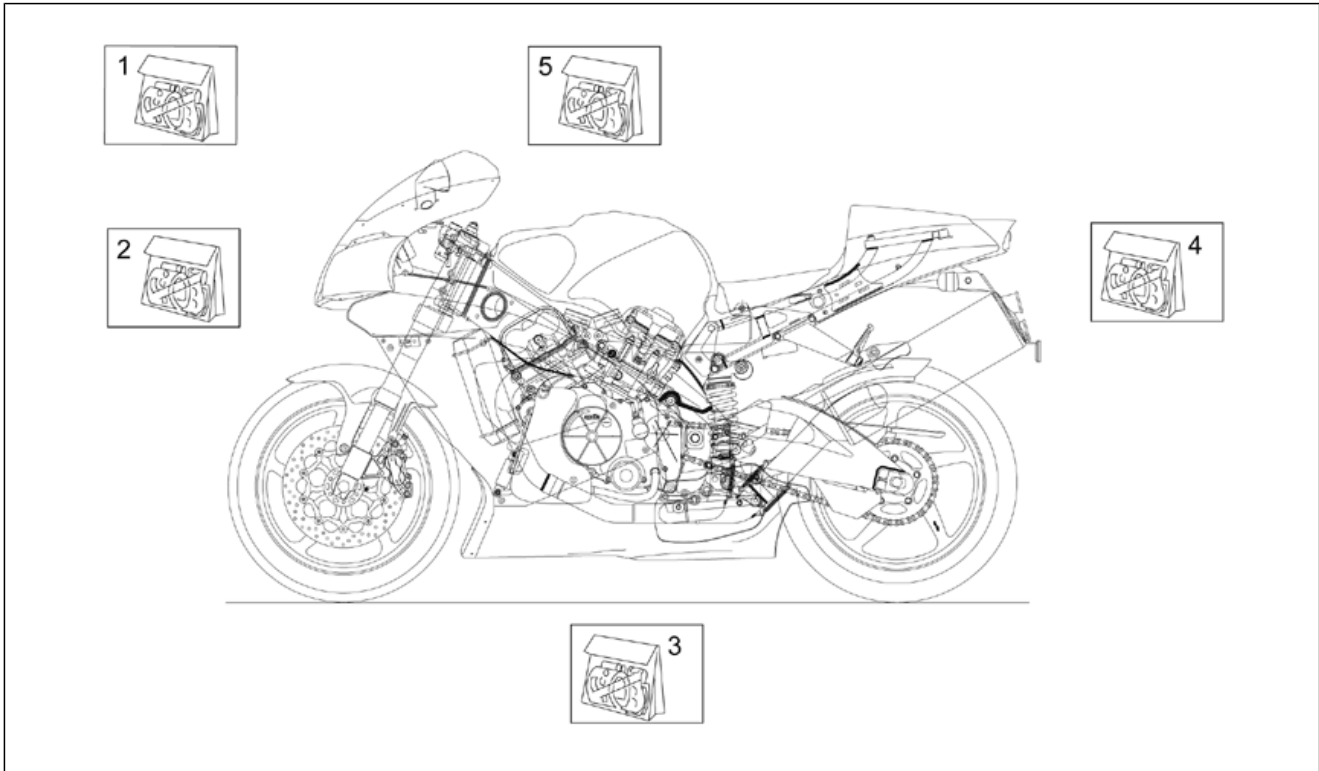
| Pos. | Code | Beschreibung | Menge | Varianten |
|------|-----------|------------------|-------|--|
| | | | | Italien[I], Japan[J], Japan[JJ], Holland[NL], Portugal[P], Großbritannien[UK] Technische Daten: "Version ""R""acing GP1 Limited Ed."[RL] |
| 3 | AP8104287 | Tankfüllschraube | 1 | Land: USA (Zulassung California)[CF], Vereinigte Staaten von Amerika[USA] Technische Daten: Zulassung California[cal] |
| 3 | AP8104288 | Tankfüllschraube | 1 | Land: Österreich[A], Australien[AA], Australien[AUS], Belgien[B], Belgien[BB], Schweiz[CH], Deutschland[D], Dänemark[DK], Spanien[E], A, CH, D, DK, GR, E, I, NL, P[EU], Frankreich[F], Frankreich[FF], Griechenland[GR], Italien[I], Japan[J], Japan[JJ], Holland[NL], Portugal[P], Großbritannien[UK] Technische Daten: "Version RSV Mille ""R""acing"[R], Version RSV Mille[STD] |
| 3 | AP8104288 | Tankfüllschraube | 1 | Land: USA (Zulassung 49 Staaten)[AM], Vereinigte Staaten von Amerika[USA] Technische Daten: Zulassung 49 Staaten[49st] |
| 3 | AP8144627 | Tankfüllschraube | 1 | Land: Österreich[A], Australien[AA], Australien[AUS], Belgien[B], Belgien[BB], Schweiz[CH], Deutschland[D], Dänemark[DK], Spanien[E], A, CH, D, DK, GR, E, I, NL, P[EU], Frankreich[F], Frankreich[FF], Griechenland[GR], Italien[I], Japan[J], Japan[JJ], Holland[NL], Portugal[P], Großbritannien[UK] Technische Daten: "Version ""R""acing GP1 Limited Ed."[RL] |
| 4 | AP8102910 | Lenkschloß | 1 | Land: Österreich[A], Australien[AA], Australien[AUS], Belgien[B], Belgien[BB], Schweiz[CH], Deutschland[D], Dänemark[DK], Spanien[E], A, CH, D, DK, GR, E, I, NL, P[EU], Frankreich[F], Frankreich[FF], Griechenland[GR], Italien[I], Japan[J], Japan[JJ], Holland[NL], Portugal[P], Großbritannien[UK] Technische Daten: "Version RSV Mille ""R""acing"[R], Version RSV Mille[STD] |
| 4 | AP8124895 | Lenkschloß | 1 | Land: USA (Zulassung 49 Staaten)[AM], USA (Zulassung California)[CF], Vereinigte Staaten von Amerika[USA] |

| | |
|---------------------|-------------------|
| Einheit | RAHMEN |
| Code | 28.59 |
| Beschreibung | Bausatz Schlösser |
| Inspektion | 1 |



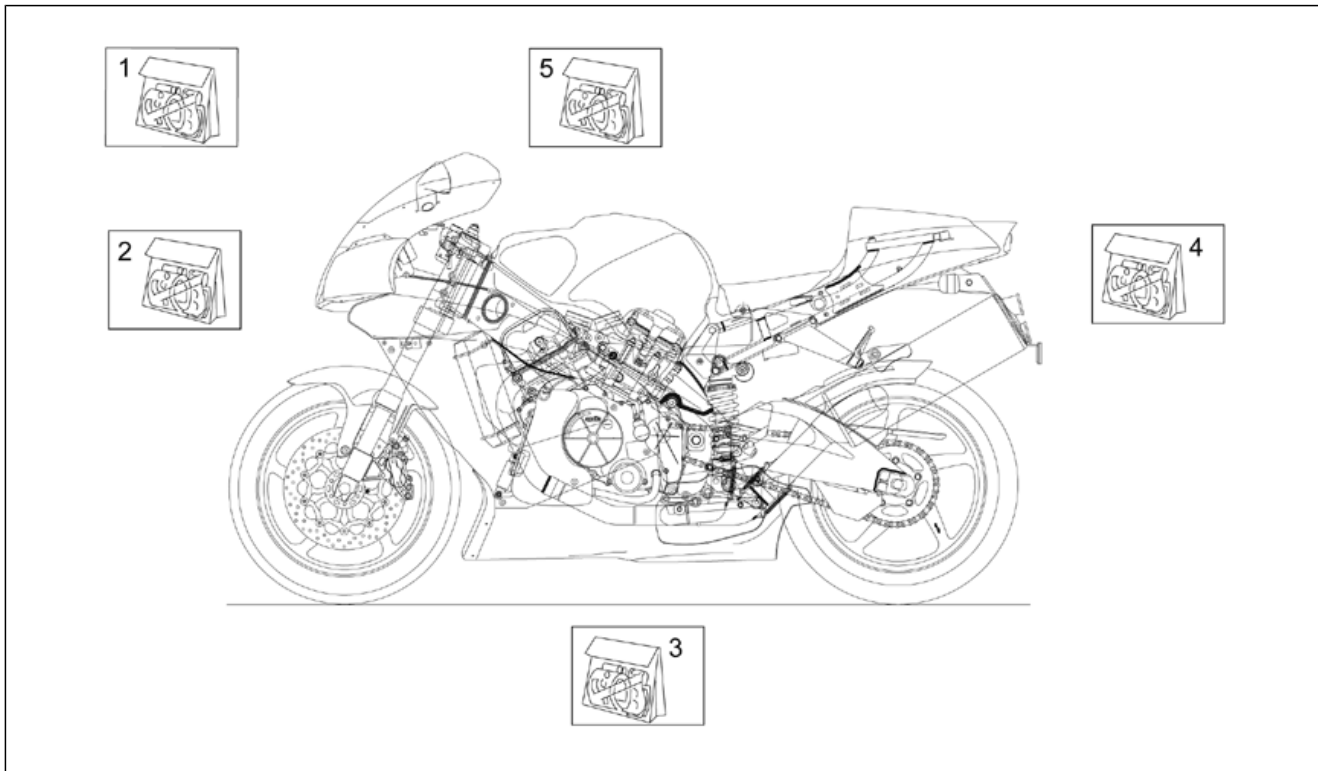
| Pos. | Code | Beschreibung | Menge | Varianten |
|------|-----------|---------------------|-------|--|
| 12 | AP8221129 | Buchse | 2 | |
| 13 | AP8150453 | TCEI Schraube M5x30 | 3 | |
| 14 | AP8150454 | TCEI Schraube M5x16 | 4 | |
| 15 | AP8120428 | Kabelführungs | 1 | |
| 16 | AP8121678 | Buchse | 1 | |
| 17 | AP8134608 | Sitzschloß halter | 1 | Land:USA (Zulassung 49 Staaten)[AM], USA (Zulassung California)[CF], Vereinigte Staaten von Amerika[USA] Technische Daten:"Version RSV Mille""R""acing"[R], "Version ""R""acing GP1 Limited Ed."[RL] |

| | |
|---------------------|--------|
| Einheit | RAHMEN |
| Code | 28.60 |
| Beschreibung | Deko |
| Inspektion | 1 |



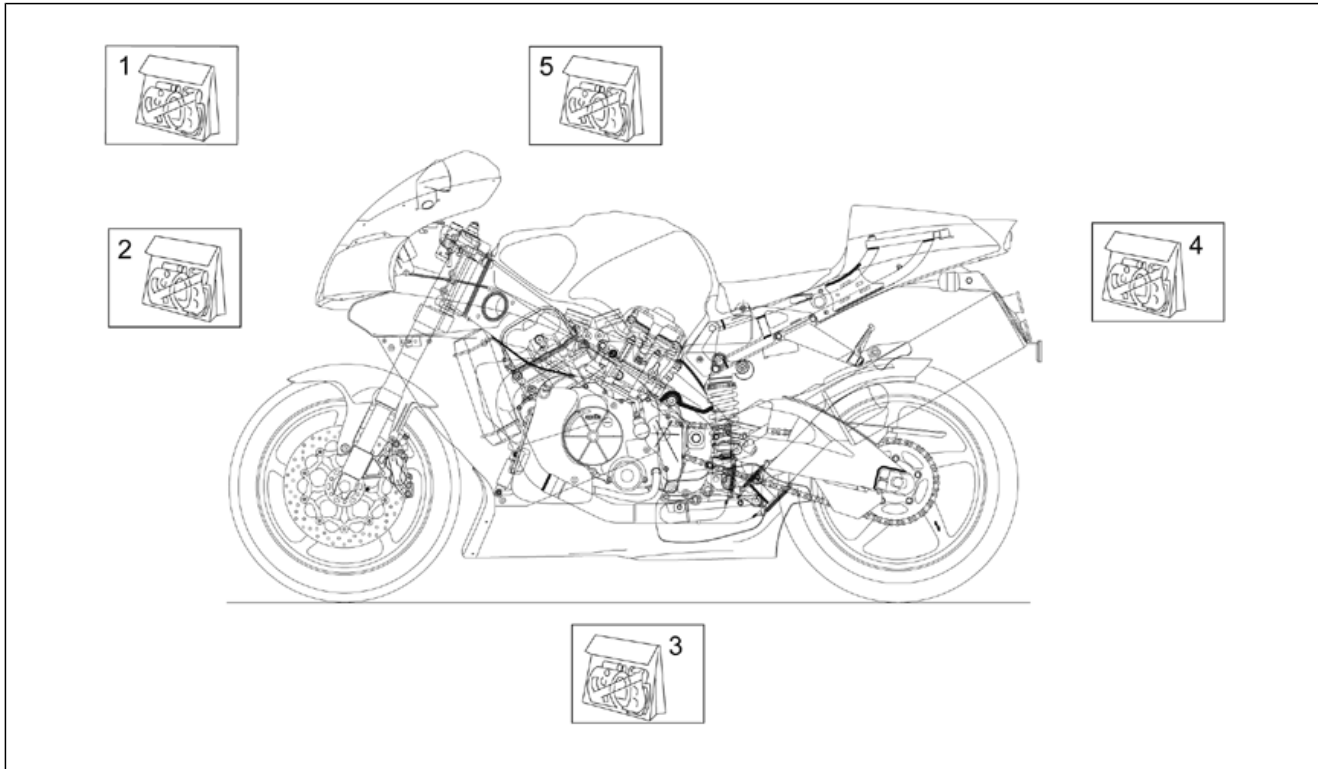
| Pos. | Code | Beschreibung | Menge | Varianten |
|------|-----------|-----------------------|-------|--|
| 1 | AP8167457 | Deko technische Serie | 1 | Baujahr: 2003[3] Land: Österreich[A], Australien[AA], Australien[AUS], Belgien[B], Belgien[BB], Schweiz[CH], Deutschland[D], Dänemark[DK], Spanien[E], A, CH, D, DK, GR, E, I, NL, P[EU], Frankreich[F], Frankreich[FF], Griechenland[GR], Italien[I], Japan[J], Japan[JJ], Holland[NL], Portugal[P], Großbritannien[UK] |
| 1 | AP8167932 | Deko technische Serie | 1 | Baujahr: 2003[3] Land: USA (Zulassung 49 Staaten)[AM], USA (Zulassung California)[CF], Vereinigte Staaten von Amerika[USA] Technische Daten: Version RSV Mille[STD] |
| 1 | AP8167933 | Deko technische Serie | 1 | Baujahr: 2003[3] Land: USA (Zulassung 49 Staaten)[AM], USA (Zulassung California)[CF], Vereinigte Staaten von Amerika[USA] Technische Daten: "Version RSV Mille ""R""acing"[R] |
| 1 | AP8177747 | Deko technische Serie | 1 | Baujahr: 2003[3] Land: USA (Zulassung 49 Staaten)[AM], USA (Zulassung California)[CF], Vereinigte Staaten von Amerika[USA] Technische Daten: "Version ""R""acing GP1 Limited Ed."[RL] |
| 1 | AP8177748 | Deko technische Serie | 1 | Baujahr: 2003[3] Land: Österreich[A], Australien[AA], Australien[AUS], Belgien[B], Belgien[BB], Schweiz[CH], Deutschland[D], Dänemark[DK], Spanien[E], A, CH, D, DK, GR, E, I, NL, P[EU], Frankreich[F], Frankreich[FF], Griechenland[GR], Italien[I], Japan[J], Japan[JJ], Holland[NL], Portugal[P], Großbritannien[UK] Technische Daten: "Version ""R""acing GP1 Limited Ed."[RL] |
| 2 | AP8177421 | Kleinkuppel Deko-Satz | 1 | Baujahr: 2003[3] Fahrzeugfarbe: Racing Gelb Flashy 2003[yell] Technische Daten: "Version RSV Mille ""R""acing"[R] |
| 2 | AP8177422 | Kleinkuppel Deko-Satz | 1 | Baujahr: 2003[3] Fahrzeugfarbe: Bleigrau 2003[grey] Technische Daten: Version RSV Mille[STD] |
| 2 | AP8177423 | Kleinkuppel Deko-Satz | 1 | Baujahr: 2003[3] Fahrzeugfarbe: Hot red 2003[red] |

| | |
|---------------------|--------|
| Einheit | RAHMEN |
| Code | 28.60 |
| Beschreibung | Deko |
| Inspektion | 1 |



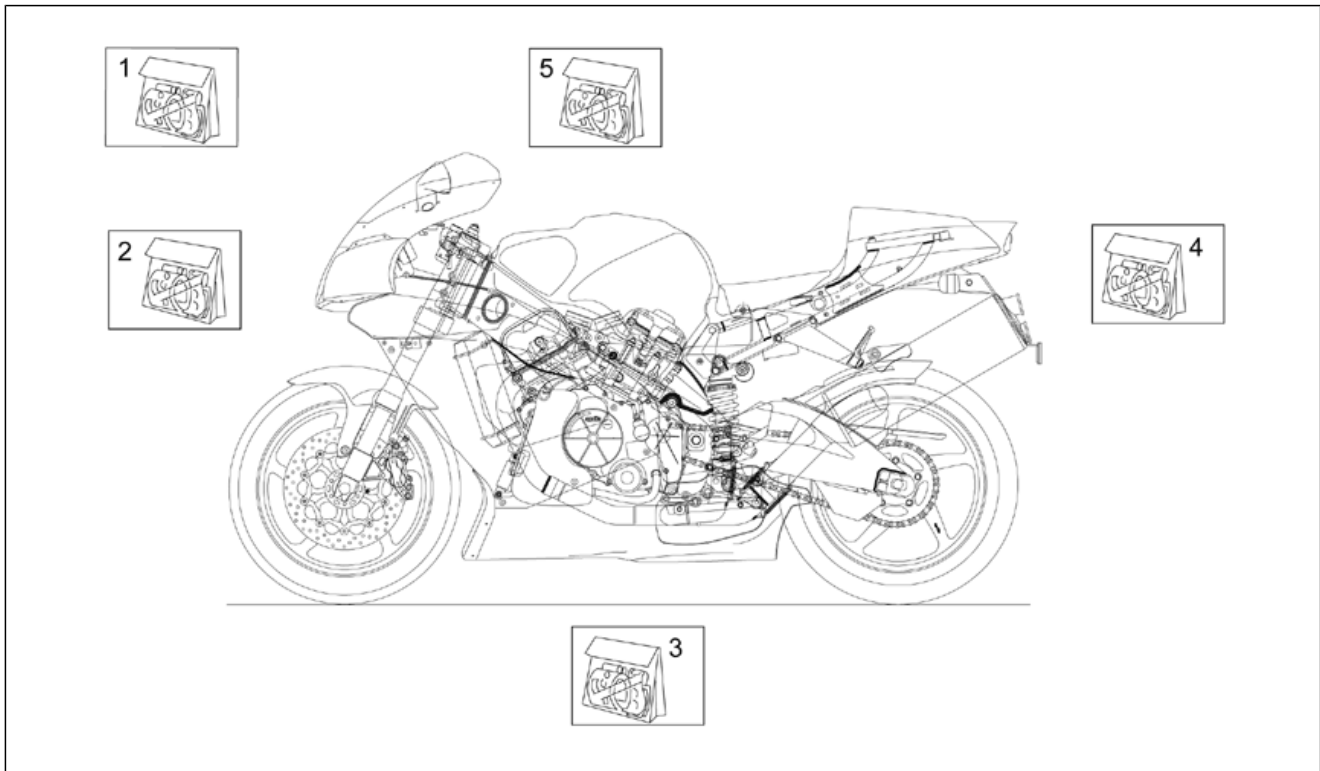
| Pos. | Code | Beschreibung | Menge | Varianten |
|------|-----------|-----------------------|-------|--|
| | | | | Technische Daten: Version RSV Mille[STD] |
| 2 | AP8177424 | Kleinkuppel Deko-Satz | 1 | Baujahr: 2003[3] Fahrzeugfarbe: Schwarz Aprilia 2003[black] Technische Daten: Version RSV Mille[STD] |
| 2 | AP8177425 | Kleinkuppel Deko-Satz | 1 | Baujahr: 2003[3] Fahrzeugfarbe: Racing Schwarz Aprilia 2003[rac] Technische Daten: "Version RSV Mille ""R""acing"[R] |
| 2 | AP8177578 | Kleinkuppel Deko-Satz | 1 | Baujahr: 2003[3] Fahrzeugfarbe: Racing Bleigrau 2003[p.g] Land: USA (Zulassung 49 Staaten)[AM], USA (Zulassung California)[CF], Vereinigte Staaten von Amerika[USA] Technische Daten: "Version RSV Mille ""R""acing"[R] |
| 2 | AP8177749 | Kleinkuppel Deko-Satz | 1 | Baujahr: 2003[3] Fahrzeugfarbe: Racing GP1 2003[gp1] Land: USA (Zulassung 49 Staaten)[AM], USA (Zulassung California)[CF], Vereinigte Staaten von Amerika[USA] Technische Daten: "Version ""R""acing GP1 Limited Ed."[RL] |
| 2 | AP8177750 | Kleinkuppel Deko-Satz | 1 | Baujahr: 2003[3] Fahrzeugfarbe: Racing GP1 2003[gp1] Land: Österreich[A], Australien[AA], Australien[AUS], Belgien[B], Belgien[BB], Schweiz[CH], Deutschland[D], Dänemark[DK], Spanien[E], A, CH, D, DK, GR, E, I, NL, P[EU], Frankreich[F], Frankreich[FF], Griechenland[GR], Italien[I], Japan[J], Japan[JJ], Holland[NL], Portugal[P], Großbritannien[UK] Technische Daten: "Version ""R""acing GP1 Limited Ed."[RL] |
| 3 | AP8177426 | Verkleidung Deko-Satz | 1 | Baujahr: 2003[3] Fahrzeugfarbe: Racing Gelb Flashy 2003[yell] Land: Österreich[A], Australien[AA], Australien[AUS], Belgien[B], Belgien[BB], Schweiz[CH], Deutschland[D], Dänemark[DK], Spanien[E], A, CH, D, DK, GR, E, I, NL, P[EU], Frankreich[F], Frankreich[FF], Griechenland[GR], Italien[I], Japan[J], Japan[JJ], Holland[NL], Portugal[P], Großbritannien[UK] Technische Daten: "Version RSV Mille ""R""acing"[R] |

| | |
|---------------------|--------|
| Einheit | RAHMEN |
| Code | 28.60 |
| Beschreibung | Deko |
| Inspektion | 1 |



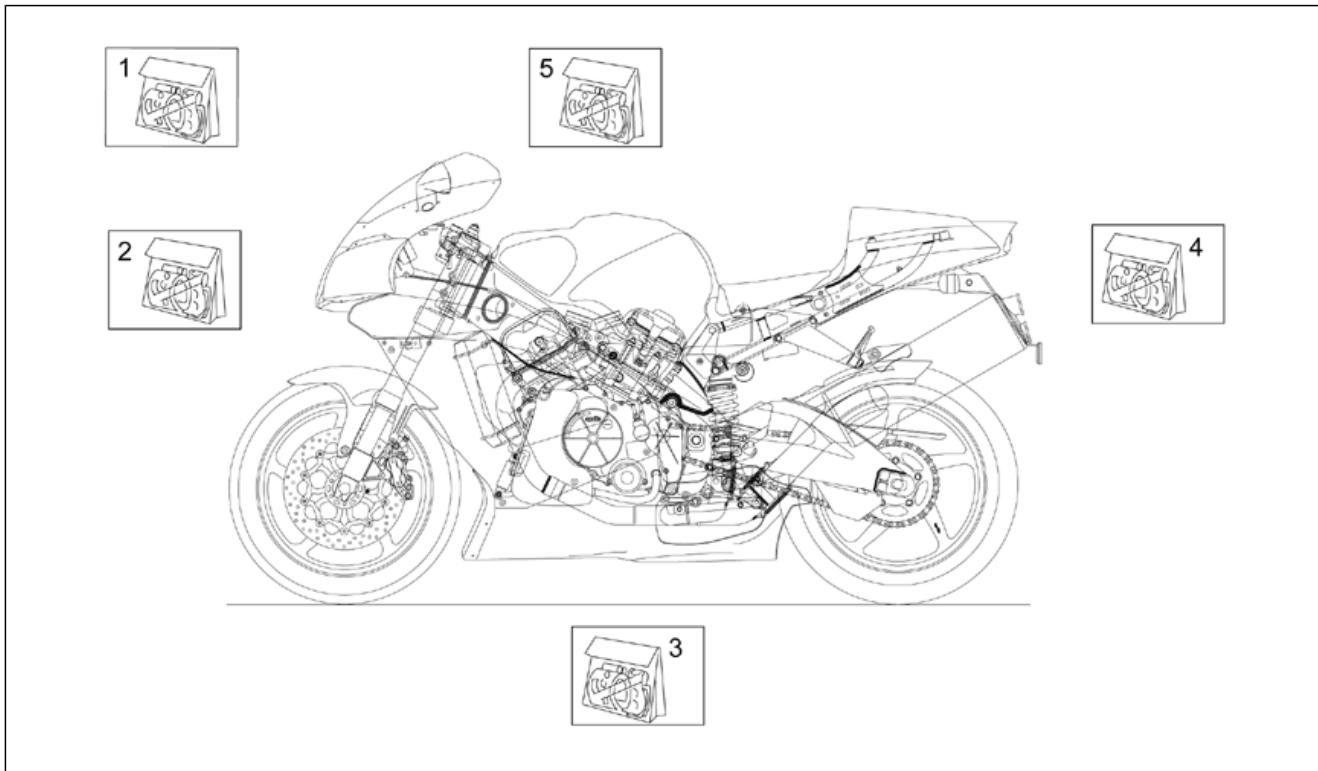
| Pos. | Code | Beschreibung | Menge | Varianten |
|------|-----------|-----------------------|-------|--|
| 3 | AP8177427 | Verkleidung Deko-Satz | 1 | Baujahr: 2003[3] Fahrzeugfarbe: Bleigrau 2003[grey] Land: Österreich[A], Australien[AA], Australien[AUS], Belgien[B], Belgien[BB], Schweiz[CH], Deutschland[D], Dänemark[DK], Spanien[E], A, CH, D, DK, GR, E, I, NL, P[EU], Frankreich[F], Frankreich[FF], Griechenland[GR], Italien[I], Japan[J], Japan[JJ], Holland[NL], Portugal[P], Großbritannien[UK] Technische Daten: Version RSV Mille[STD] |
| 3 | AP8177428 | Verkleidung Deko-Satz | 1 | Baujahr: 2003[3] Fahrzeugfarbe: Hot red 2003[red] Land: Österreich[A], Australien[AA], Australien[AUS], Belgien[B], Belgien[BB], Schweiz[CH], Deutschland[D], Dänemark[DK], Spanien[E], A, CH, D, DK, GR, E, I, NL, P[EU], Frankreich[F], Frankreich[FF], Griechenland[GR], Italien[I], Japan[J], Japan[JJ], Holland[NL], Portugal[P], Großbritannien[UK] Technische Daten: Version RSV Mille[STD] |
| 3 | AP8177429 | Verkleidung Deko-Satz | 1 | Baujahr: 2003[3] Fahrzeugfarbe: Schwarz Aprilia 2003[black] Land: Österreich[A], Australien[AA], Australien[AUS], Belgien[B], Belgien[BB], Schweiz[CH], Deutschland[D], Dänemark[DK], Spanien[E], A, CH, D, DK, GR, E, I, NL, P[EU], Frankreich[F], Frankreich[FF], Griechenland[GR], Italien[I], Japan[J], Japan[JJ], Holland[NL], Portugal[P], Großbritannien[UK] Technische Daten: Version RSV Mille[STD] |
| 3 | AP8177430 | Verkleidung Deko-Satz | 1 | Baujahr: 2003[3] Fahrzeugfarbe: Racing Schwarz Aprilia 2003[rac] Land: Österreich[A], Australien[AA], Australien[AUS], Belgien[B], Belgien[BB], Schweiz[CH], Deutschland[D], Dänemark[DK], Spanien[E], A, CH, D, DK, GR, E, I, NL, P[EU], Frankreich[F], Frankreich[FF], Griechenland[GR], Italien[I], Japan[J], Japan[JJ], Holland[NL], Portugal[P], Großbritannien[UK] Technische Daten: "Version RSV Mille ""R""acing""[R] |

| | |
|---------------------|--------|
| Einheit | RAHMEN |
| Code | 28.60 |
| Beschreibung | Deko |
| Inspektion | 1 |



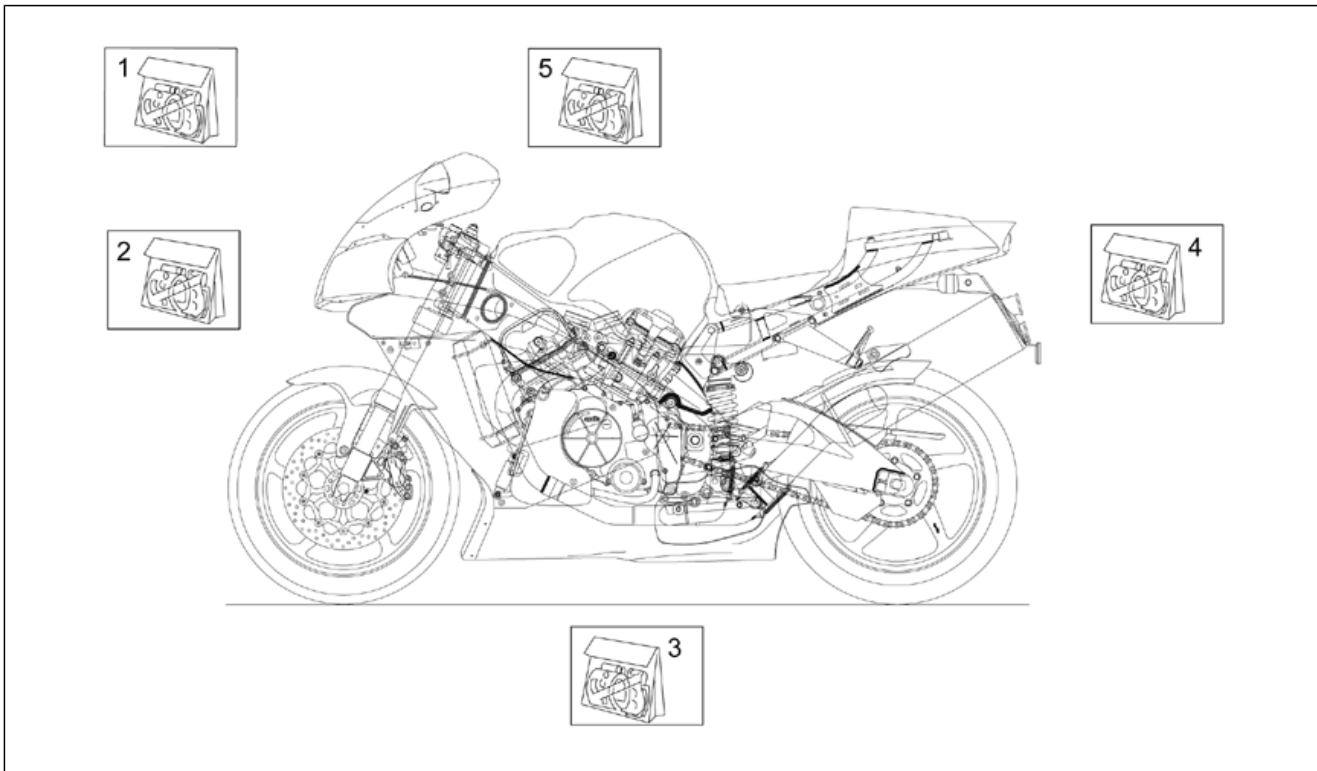
| Pos. | Code | Beschreibung | Menge | Varianten |
|------|-----------|-----------------------|-------|---|
| 3 | AP8177579 | Verkleidung Deko-Satz | 1 | Baujahr: 2003[3] Fahrzeugfarbe: Racing Bleigrau 2003[p.g] Land: USA (Zulassung 49 Staaten)[AM], USA (Zulassung California)[CF], Vereinigte Staaten von Amerika[USA] Technische Daten: "Version RSV Mille ""R""acing"[R] |
| 3 | AP8177581 | Verkleidung Deko-Satz | 1 | Baujahr: 2003[3] Fahrzeugfarbe: Racing Gelb Flashy 2003[yell] Land: USA (Zulassung 49 Staaten)[AM], USA (Zulassung California)[CF], Vereinigte Staaten von Amerika[USA] Technische Daten: "Version RSV Mille ""R""acing"[R] |
| 3 | AP8177582 | Verkleidung Deko-Satz | 1 | Baujahr: 2003[3] Fahrzeugfarbe: Bleigrau 2003[grey] Land: USA (Zulassung 49 Staaten)[AM], USA (Zulassung California)[CF], Vereinigte Staaten von Amerika[USA] Technische Daten: Version RSV Mille[STD] |
| 3 | AP8177583 | Verkleidung Deko-Satz | 1 | Baujahr: 2003[3] Fahrzeugfarbe: Hot red 2003[red] Land: USA (Zulassung 49 Staaten)[AM], USA (Zulassung California)[CF], Vereinigte Staaten von Amerika[USA] Technische Daten: Version RSV Mille[STD] |
| 3 | AP8177584 | Verkleidung Deko-Satz | 1 | Baujahr: 2003[3] Fahrzeugfarbe: Schwarz Aprilia 2003[black] Land: USA (Zulassung 49 Staaten)[AM], USA (Zulassung California)[CF], Vereinigte Staaten von Amerika[USA] Technische Daten: Version RSV Mille[STD] |
| 3 | AP8177585 | Verkleidung Deko-Satz | 1 | Baujahr: 2003[3] Fahrzeugfarbe: Racing Schwarz Aprilia 2003[rac] Land: USA (Zulassung 49 Staaten)[AM], USA (Zulassung California)[CF], Vereinigte Staaten von Amerika[USA] Technische Daten: "Version RSV Mille ""R""acing"[R] |
| 3 | AP8177751 | Verkleidung Deko-Satz | 1 | Baujahr: 2003[3] Fahrzeugfarbe: Racing GP1 2003[gp1] Land: USA (Zulassung 49 Staaten)[AM], USA (Zulassung California)[CF], Vereinigte Staaten von Amerika[USA] Technische Daten: "Version ""R""acing GP1 Limited Ed."[RL] |

| | |
|---------------------|--------|
| Einheit | RAHMEN |
| Code | 28.60 |
| Beschreibung | Deko |
| Inspektion | 1 |



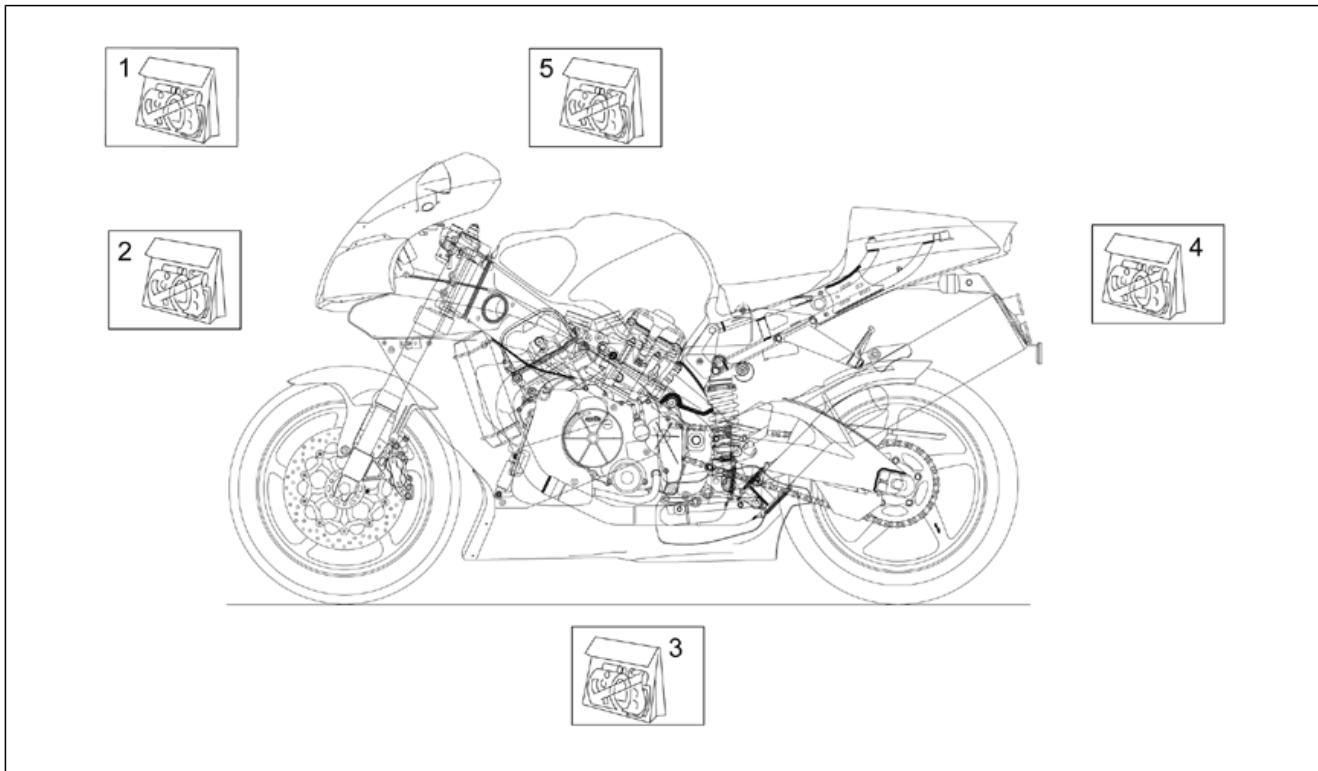
| Pos. | Code | Beschreibung | Menge | Varianten |
|------|-----------|-------------------------|-------|--|
| 3 | AP8177752 | Verkleidung Deko-Satz | 1 | Baujahr: 2003[3] Fahrzeugfarbe: Racing GP1 2003[gp1] Land: Österreich[A], Australien[AA], Australien[AUS], Belgien[B], Belgien[BB], Schweiz[CH], Deutschland[D], Dänemark[DK], Spanien[E], A, CH, D, DK, GR, E, I, NL, P[EU], Frankreich[F], Frankreich[FF], Griechenland[GR], Italien[I], Japan[J], Japan[JJ], Holland[NL], Portugal[P], Großbritannien[UK] Technische Daten: "Version ""R""acing GP1 Limited Ed."[RL] |
| 4 | AP8177431 | H.Verkleidung Deko-Satz | 1 | Baujahr: 2003[3] Fahrzeugfarbe: Racing Gelb Flashy 2003[yeII] Land: Österreich[A], Australien[AA], Australien[AUS], Belgien[B], Belgien[BB], Schweiz[CH], Deutschland[D], Dänemark[DK], Spanien[E], A, CH, D, DK, GR, E, I, NL, P[EU], Frankreich[F], Frankreich[FF], Griechenland[GR], Italien[I], Japan[J], Japan[JJ], Holland[NL], Portugal[P], Großbritannien[UK] Technische Daten: "Version RSV Mille ""R""acing"[R] |
| 4 | AP8177432 | H.Verkleidung Deko-Satz | 1 | Baujahr: 2003[3] Fahrzeugfarbe: Bleigrau 2003[grey] Land: Österreich[A], Australien[AA], Australien[AUS], Belgien[B], Belgien[BB], Schweiz[CH], Deutschland[D], Dänemark[DK], Spanien[E], A, CH, D, DK, GR, E, I, NL, P[EU], Frankreich[F], Frankreich[FF], Griechenland[GR], Italien[I], Japan[J], Japan[JJ], Holland[NL], Portugal[P], Großbritannien[UK] Technische Daten: Version RSV Mille[STD] |
| 4 | AP8177433 | H.Verkleidung Deko-Satz | 1 | Baujahr: 2003[3] Fahrzeugfarbe: Hot red 2003[red] Land: Österreich[A], Australien[AA], Australien[AUS], Belgien[B], Belgien[BB], Schweiz[CH], Deutschland[D], Dänemark[DK], Spanien[E], A, CH, D, DK, GR, E, I, NL, P[EU], Frankreich[F], Frankreich[FF], Griechenland[GR], Italien[I], Japan[J], Japan[JJ], Holland[NL], Portugal[P], Großbritannien[UK] Technische Daten: Version RSV Mille[STD] |

| | |
|---------------------|--------|
| Einheit | RAHMEN |
| Code | 28.60 |
| Beschreibung | Deko |
| Inspektion | 1 |



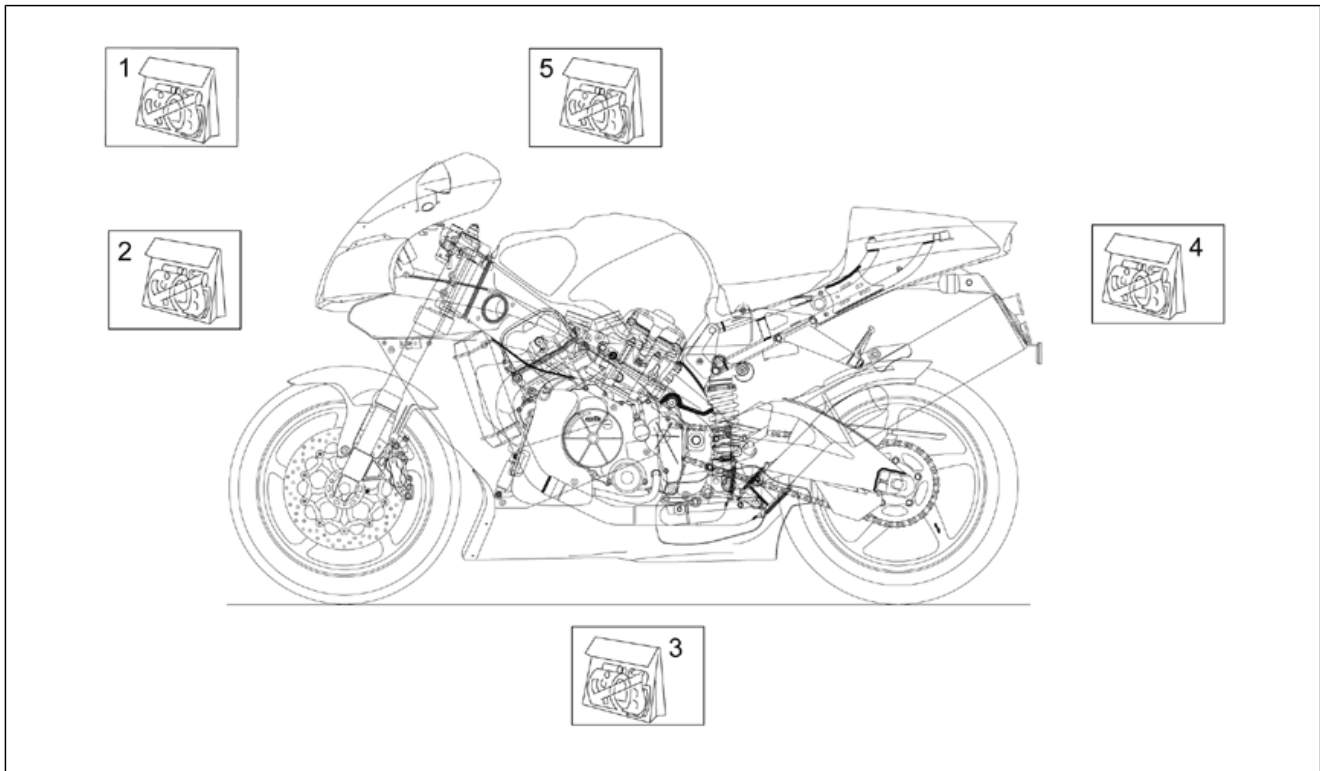
| Pos. | Code | Beschreibung | Menge | Varianten |
|------|-----------|-------------------------|-------|---|
| 4 | AP8177434 | H.Verkleidung Deko-Satz | 1 | Baujahr: 2003[3] Fahrzeugfarbe: Schwarz Aprilia 2003[black] Land: Österreich[A], Australien[AA], Australien[AUS], Belgien[B], Belgien[BB], Schweiz[CH], Deutschland[D], Dänemark[DK], Spanien[E], A, CH, D, DK, GR, E, I, NL, P[EU], Frankreich[F], Frankreich[FF], Griechenland[GR], Italien[I], Japan[J], Japan[JJ], Holland[NL], Portugal[P], Großbritannien[UK] Technische Daten: Version RSV Mille[STD] |
| 4 | AP8177435 | H.Verkleidung Deko-Satz | 1 | Baujahr: 2003[3] Fahrzeugfarbe: Racing Schwarz Aprilia 2003[rac] Land: Österreich[A], Australien[AA], Australien[AUS], Belgien[B], Belgien[BB], Schweiz[CH], Deutschland[D], Dänemark[DK], Spanien[E], A, CH, D, DK, GR, E, I, NL, P[EU], Frankreich[F], Frankreich[FF], Griechenland[GR], Italien[I], Japan[J], Japan[JJ], Holland[NL], Portugal[P], Großbritannien[UK] Technische Daten: "Version RSV Mille ""R""acing"[R] |
| 4 | AP8177586 | H.Verkleidung Deko-Satz | 1 | Baujahr: 2003[3] Fahrzeugfarbe: Racing Gelb Flashy 2003[yell] Land: USA (Zulassung 49 Staaten)[AM], USA (Zulassung California)[CF], Vereinigte Staaten von Amerika[USA] Technische Daten: "Version RSV Mille ""R""acing"[R] |
| 4 | AP8177587 | H.Verkleidung Deko-Satz | 1 | Baujahr: 2003[3] Fahrzeugfarbe: Bleigrau 2003[greyl] Land: USA (Zulassung 49 Staaten)[AM], USA (Zulassung California)[CF], Vereinigte Staaten von Amerika[USA] Technische Daten: Version RSV Mille[STD] |
| 4 | AP8177588 | H.Verkleidung Deko-Satz | 1 | Baujahr: 2003[3] Fahrzeugfarbe: Hot red 2003[red] Land: USA (Zulassung 49 Staaten)[AM], USA (Zulassung California)[CF], Vereinigte Staaten von Amerika[USA] Technische Daten: Version RSV Mille[STD] |
| 4 | AP8177589 | H.Verkleidung Deko-Satz | 1 | Baujahr: 2003[3] Fahrzeugfarbe: Schwarz Aprilia 2003[black] |

| | |
|---------------------|--------|
| Einheit | RAHMEN |
| Code | 28.60 |
| Beschreibung | Deko |
| Inspektion | 1 |



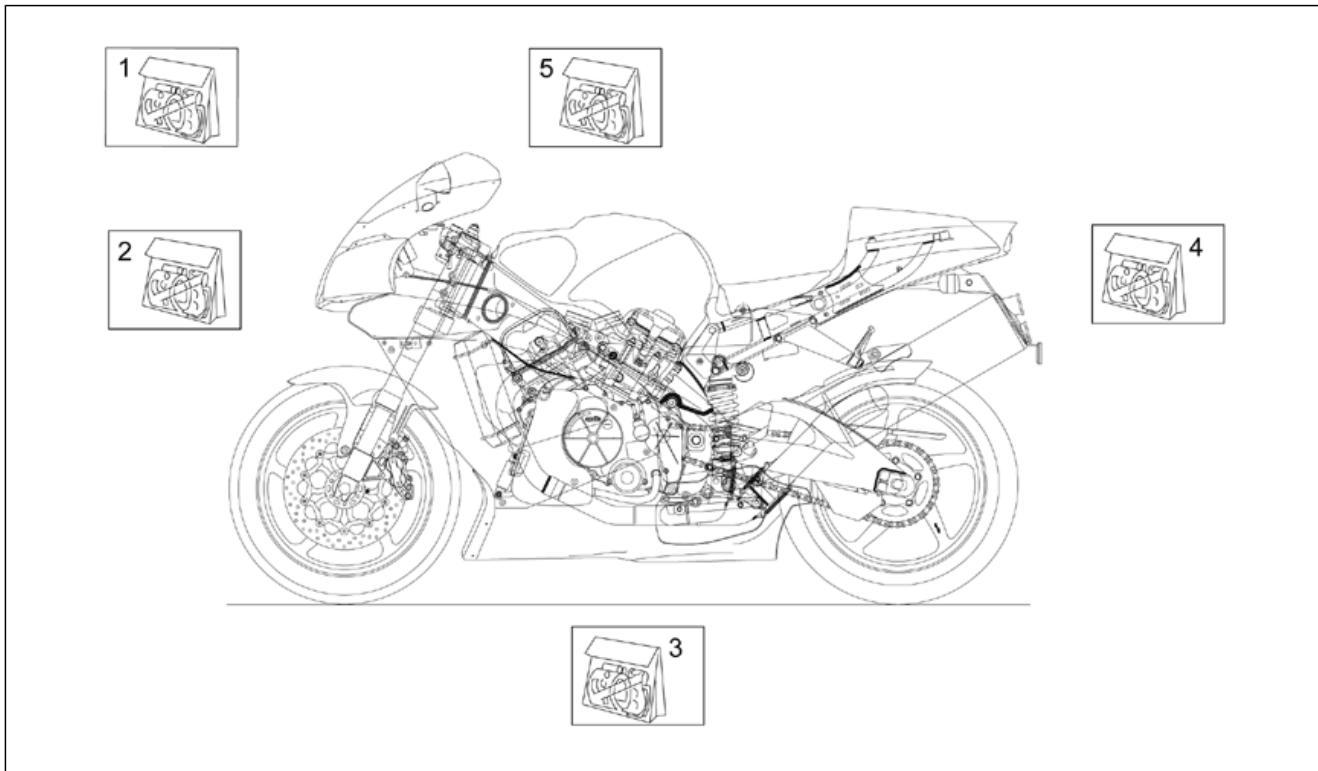
| Pos. | Code | Beschreibung | Menge | Varianten |
|------|-----------|-------------------------|-------|--|
| | | | | Land: USA (Zulassung 49 Staaten)[AM], USA (Zulassung California)[CF], Vereinigte Staaten von Amerika[USA] Technische Daten: Version RSV Mille[STD] |
| 4 | AP8177590 | H.Verkleidung Deko-Satz | 1 | Baujahr: 2003[3] Fahrzeugfarbe: Racing Bleigrau 2003[p.g], Racing Schwarz Aprilia 2003[rac] Land: USA (Zulassung 49 Staaten)[AM], USA (Zulassung California)[CF], Vereinigte Staaten von Amerika[USA] Technische Daten: "Version RSV Mille ""R""acing"[R] |
| 4 | AP8177753 | H.Verkleidung Deko-Satz | 1 | Baujahr: 2003[3] Fahrzeugfarbe: Racing GP1 2003[gp1] Land: USA (Zulassung 49 Staaten)[AM], USA (Zulassung California)[CF], Vereinigte Staaten von Amerika[USA] Technische Daten: "Version ""R""acing GP1 Limited Ed."[RL] |
| 4 | AP8177754 | H.Verkleidung Deko-Satz | 1 | Baujahr: 2003[3] Fahrzeugfarbe: Racing GP1 2003[gp1] Land: Österreich[A], Australien[AA], Australien[AUS], Belgien[B], Belgien[BB], Schweiz[CH], Deutschland[D], Dänemark[DK], Spanien[E], A, CH, D, DK, GR, E, I, NL, P[EU], Frankreich[F], Frankreich[FF], Griechenland[GR], Italien[I], Japan[J], Japan[JJ], Holland[NL], Portugal[P], Großbritannien[UK] Technische Daten: "Version ""R""acing GP1 Limited Ed."[RL] |
| 5 | AP8177436 | Tank Deko-Satz | 1 | Baujahr: 2003[3] Fahrzeugfarbe: Racing Gelb Flashy 2003[yell] Land: Österreich[A], Australien[AA], Australien[AUS], Belgien[B], Belgien[BB], Schweiz[CH], Deutschland[D], Dänemark[DK], Spanien[E], A, CH, D, DK, GR, E, I, NL, P[EU], Frankreich[F], Frankreich[FF], Griechenland[GR], Italien[I], Japan[J], Japan[JJ], Holland[NL], Portugal[P], Großbritannien[UK] Technische Daten: "Version RSV Mille ""R""acing"[R] |
| 5 | AP8177437 | Tank Deko-Satz | 1 | Baujahr: 2003[3] Fahrzeugfarbe: Bleigrau 2003[grey] Land: Österreich[A], Australien[AA], Australien[AUS], Belgien[B], Belgien[BB], Schweiz[CH], Deutschland[D], |

| | |
|---------------------|--------|
| Einheit | RAHMEN |
| Code | 28.60 |
| Beschreibung | Deko |
| Inspektion | 1 |



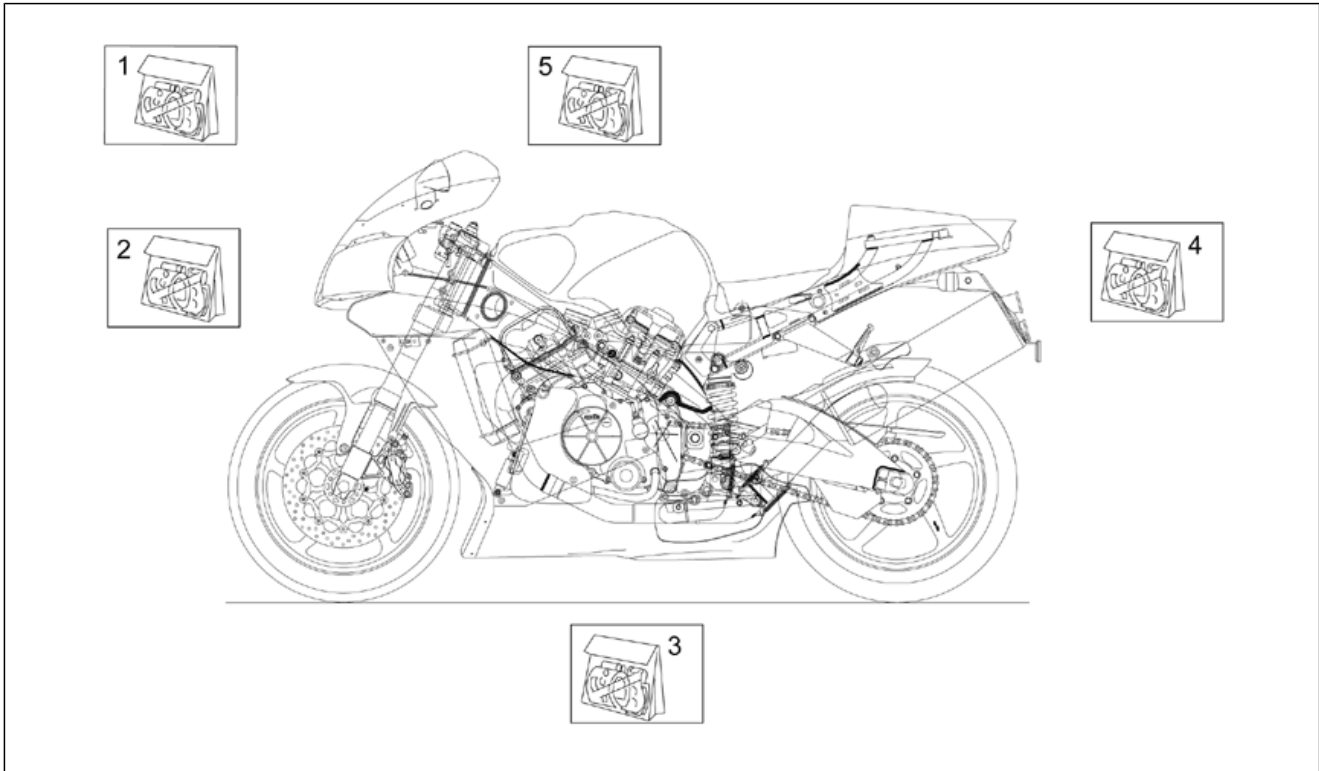
| Pos. | Code | Beschreibung | Menge | Varianten |
|------|-----------|----------------|-------|---|
| | | | | Dänemark[DK], Spanien[E], A, CH, D, DK, GR, E, I, NL, P[EU], Frankreich[F], Frankreich[FF], Griechenland[GR], Italien[I], Japan[J], Japan[JJ], Holland[NL], Portugal[P], Großbritannien[UK] Technische Daten: Version RSV Mille[STD] |
| 5 | AP8177438 | Tank Deko-Satz | 1 | Baujahr: 2003[3] Fahrzeugfarbe: Hot red 2003[red] Land: Österreich[A], Australien[AA], Australien[AUS], Belgien[B], Belgien[BB], Schweiz[CH], Deutschland[D], Dänemark[DK], Spanien[E], A, CH, D, DK, GR, E, I, NL, P[EU], Frankreich[F], Frankreich[FF], Griechenland[GR], Italien[I], Japan[J], Japan[JJ], Holland[NL], Portugal[P], Großbritannien[UK] Technische Daten: Version RSV Mille[STD] |
| 5 | AP8177439 | Tank Deko-Satz | 1 | Baujahr: 2003[3] Fahrzeugfarbe: Schwarz Aprilia 2003[black] Land: Österreich[A], Australien[AA], Australien[AUS], Belgien[B], Belgien[BB], Schweiz[CH], Deutschland[D], Dänemark[DK], Spanien[E], A, CH, D, DK, GR, E, I, NL, P[EU], Frankreich[F], Frankreich[FF], Griechenland[GR], Italien[I], Japan[J], Japan[JJ], Holland[NL], Portugal[P], Großbritannien[UK] Technische Daten: Version RSV Mille[STD] |
| 5 | AP8177440 | Tank Deko-Satz | 1 | Baujahr: 2003[3] Fahrzeugfarbe: Racing Schwarz Aprilia 2003[rac] Land: Österreich[A], Australien[AA], Australien[AUS], Belgien[B], Belgien[BB], Schweiz[CH], Deutschland[D], Dänemark[DK], Spanien[E], A, CH, D, DK, GR, E, I, NL, P[EU], Frankreich[F], Frankreich[FF], Griechenland[GR], Italien[I], Japan[J], Japan[JJ], Holland[NL], Portugal[P], Großbritannien[UK] Technische Daten: "Version RSV Mille ""R""acing"[R] |
| 5 | AP8177469 | Tank Deko-Satz | 1 | Baujahr: 2003[3] Fahrzeugfarbe: Racing Gelb Flashy 2003[yell] Land: USA (Zulassung 49 Staaten)[AM], USA (Zulassung California)[CF], Vereinigte Staaten von Amerika[USA] |

| | |
|---------------------|--------|
| Einheit | RAHMEN |
| Code | 28.60 |
| Beschreibung | Deko |
| Inspektion | 1 |



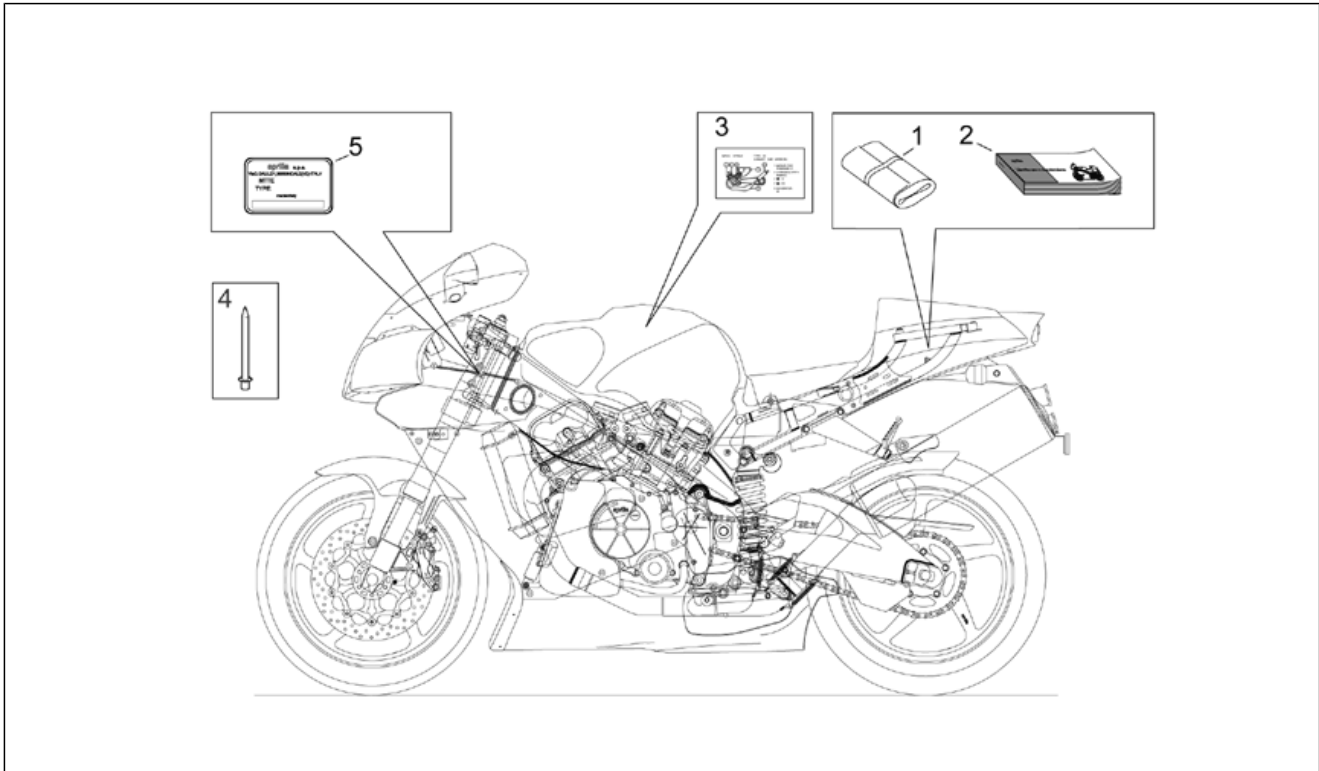
| Pos. | Code | Beschreibung | Menge | Varianten |
|------|-----------|----------------|-------|---|
| | | | | Technische Daten: "Version RSV Mille ""R""acing"[R] |
| 5 | AP8177470 | Tank Deko-Satz | 1 | Baujahr: 2003[3] Fahrzeugfarbe: Bleigrau 2003[grey] Land: USA (Zulassung 49 Staaten)[AM], USA (Zulassung California)[CF], Vereinigte Staaten von Amerika[USA] Technische Daten: Version RSV Mille[STD] |
| 5 | AP8177471 | Tank Deko-Satz | 1 | Baujahr: 2003[3] Fahrzeugfarbe: Hot red 2003[red] Land: USA (Zulassung 49 Staaten)[AM], USA (Zulassung California)[CF], Vereinigte Staaten von Amerika[USA] Technische Daten: Version RSV Mille[STD] |
| 5 | AP8177472 | Tank Deko-Satz | 1 | Baujahr: 2003[3] Fahrzeugfarbe: Schwarz Aprilia 2003[black] Land: USA (Zulassung 49 Staaten)[AM], USA (Zulassung California)[CF], Vereinigte Staaten von Amerika[USA] Technische Daten: Version RSV Mille[STD] |
| 5 | AP8177473 | Tank Deko-Satz | 1 | Baujahr: 2003[3] Fahrzeugfarbe: Racing Schwarz Aprilia 2003[rac] Land: USA (Zulassung 49 Staaten)[AM], USA (Zulassung California)[CF], Vereinigte Staaten von Amerika[USA] Technische Daten: "Version RSV Mille ""R""acing"[R] |
| 5 | AP8177580 | Tank Deko-Satz | 1 | Baujahr: 2003[3] Fahrzeugfarbe: Racing Bleigrau 2003[p.g] Land: USA (Zulassung 49 Staaten)[AM], USA (Zulassung California)[CF], Vereinigte Staaten von Amerika[USA] Technische Daten: "Version RSV Mille ""R""acing"[R] |
| 5 | AP8177755 | Tank Deko-Satz | 1 | Baujahr: 2003[3] Fahrzeugfarbe: Racing GP1 2003[gp1] Land: USA (Zulassung 49 Staaten)[AM], USA (Zulassung California)[CF], Vereinigte Staaten von Amerika[USA] Technische Daten: "Version ""R""acing GP1 Limited Ed."[RL] |
| 5 | AP8177756 | Tank Deko-Satz | 1 | Baujahr: 2003[3] Fahrzeugfarbe: Racing GP1 2003[gp1] Land: Österreich[A], Australien[AA], Australien[AUS], Belgien[B], Belgien[BB], Schweiz[CH], Deutschland[D], |

| | |
|---------------------|--------|
| Einheit | RAHMEN |
| Code | 28.60 |
| Beschreibung | Deko |
| Inspektion | 1 |



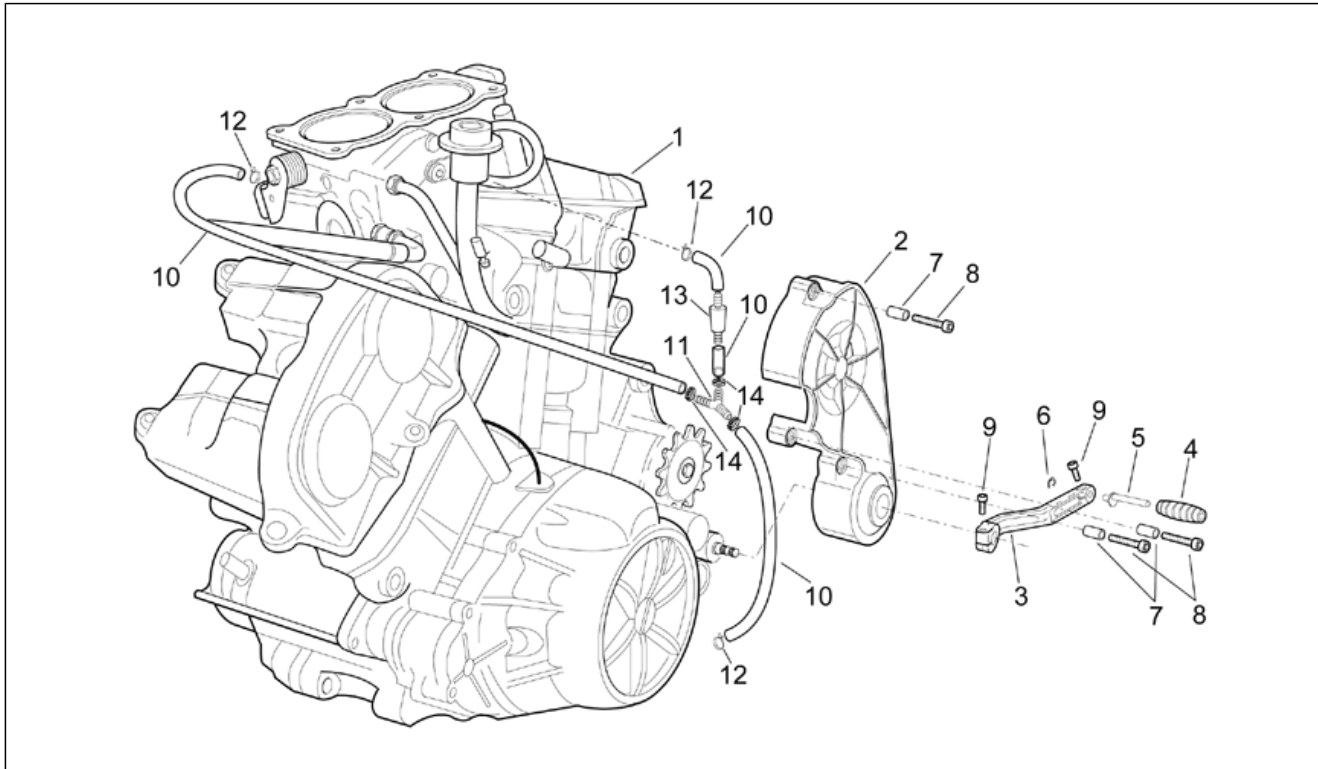
| Pos. | Code | Beschreibung | Menge | Varianten |
|------|------|--------------|-------|--|
| | | | | Dänemark[DK], Spanien[E], A, CH, D, DK, GR, E, I, NL, P[EU], Frankreich[F], Frankreich[FF], Griechenland[GR], Italien[I], Japan[J], Japan[JJ], Holland[NL], Portugal[P], Großbritannien[UK] Technische Daten: "Version ""R""acing GP1 Limited Ed."[RL] |

| | |
|---------------------|----------------------|
| Einheit | RAHMEN |
| Code | 28.61 |
| Beschreibung | Schilder und Anleit. |
| Inspektion | 1 |



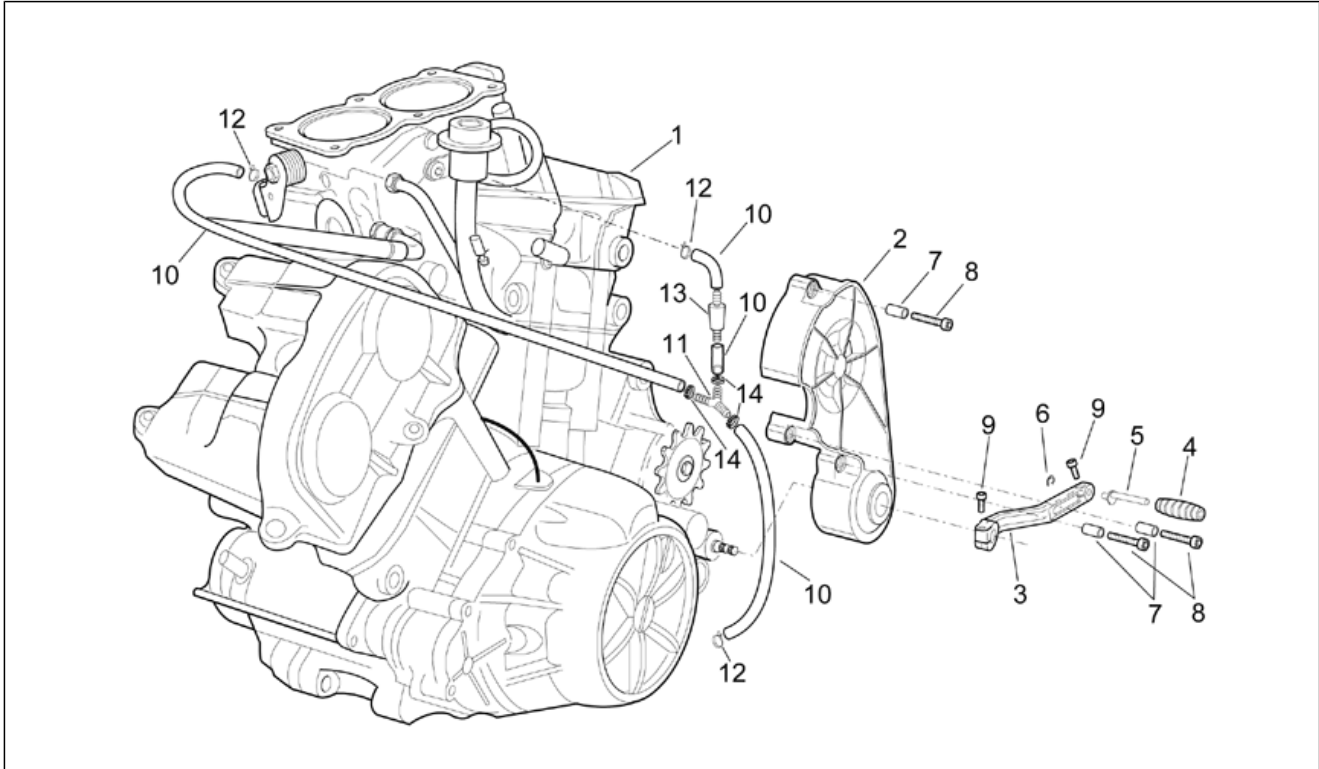
| Pos. | Code | Beschreibung | Menge | Varianten |
|------|-----------|----------------------------|-------|--|
| 1 | AP8102622 | Werkzeugtasche | 1 | |
| 2 | AP8104537 | Bed./Wart.-Anl. I-F-D | 1 | Land: Österreich[A], Schweiz[CH], Deutschland[D], A, CH, D, DK, GR, E, I, NL, P[EU], Frankreich[F], Frankreich[FF], Italien[I] |
| 2 | AP8104557 | Bed./Wart.-Anl. P-E-UK | 1 | Land: Spanien[E], Portugal[P], Großbritannien[UK] |
| 2 | AP8104558 | Bed./Wart.-Anl. -NL-DK-SF- | 1 | Land: Belgien[B], Dänemark[DK], Holland[NL] |
| 2 | AP8104559 | Betr./Wart., anl. gr-j-uk | 1 | Land: Griechenland[GR], Japan[J] |
| 2 | AP8104560 | Bed./Wart.-Anl. -USA- | 1 | Land: USA (Zulassung 49 Staaten)[AM], USA (Zulassung California)[CF], Vereinigte Staaten von Amerika[USA] |
| 2 | AP8104561 | Bed./Wart.-Anl. -AUS- | 1 | Land: Australien[AUS] |
| 3 | AP8177082 | Herstellerschild | 1 | Technische Daten: "Version RSV Mille ""R""acing"[R], Version RSV Mille[STD] |
| 3 | AP8177231 | Herstellerschild | 1 | Land: USA (Zulassung 49 Staaten)[AM], USA (Zulassung California)[CF], Vereinigte Staaten von Amerika[USA] Technische Daten: "Version ""R""acing GP1 Limited Ed."[RL] |
| 3 | AP8177607 | Herstellerschild | 1 | Land: Österreich[A], Belgien[B], Belgien[BB], Schweiz[CH], Deutschland[D], Dänemark[DK], Spanien[E], A, CH, D, DK, GR, E, I, NL, P[EU], Frankreich[F], Frankreich[FF], Griechenland[GR], Italien[I], Japan[J], Japan[JJ], Holland[NL], Portugal[P], Großbritannien[UK] Technische Daten: "Version ""R""acing GP1 Limited Ed."[RL] |
| 3 | AP8177845 | Herstellerschild | 1 | Land: Australien[AA], Australien[AUS] Technische Daten: "Version ""R""acing GP1 Limited Ed."[RL] |
| 4 | AP8102728 | Kunststoffniet 3x11 | 2 | |
| 5 | AP8167282 | Fälschungssicheres Schild | 1 | Land: Frankreich[F], Frankreich[FF] Technische Daten: Leistung 78 Kw[78Kw], "Version ""R""acing GP1 Limited Ed."[RL] |

| | |
|---------------------|-------|
| Einheit | MOTOR |
| Code | 29.43 |
| Beschreibung | Motor |
| Inspektion | 1 |



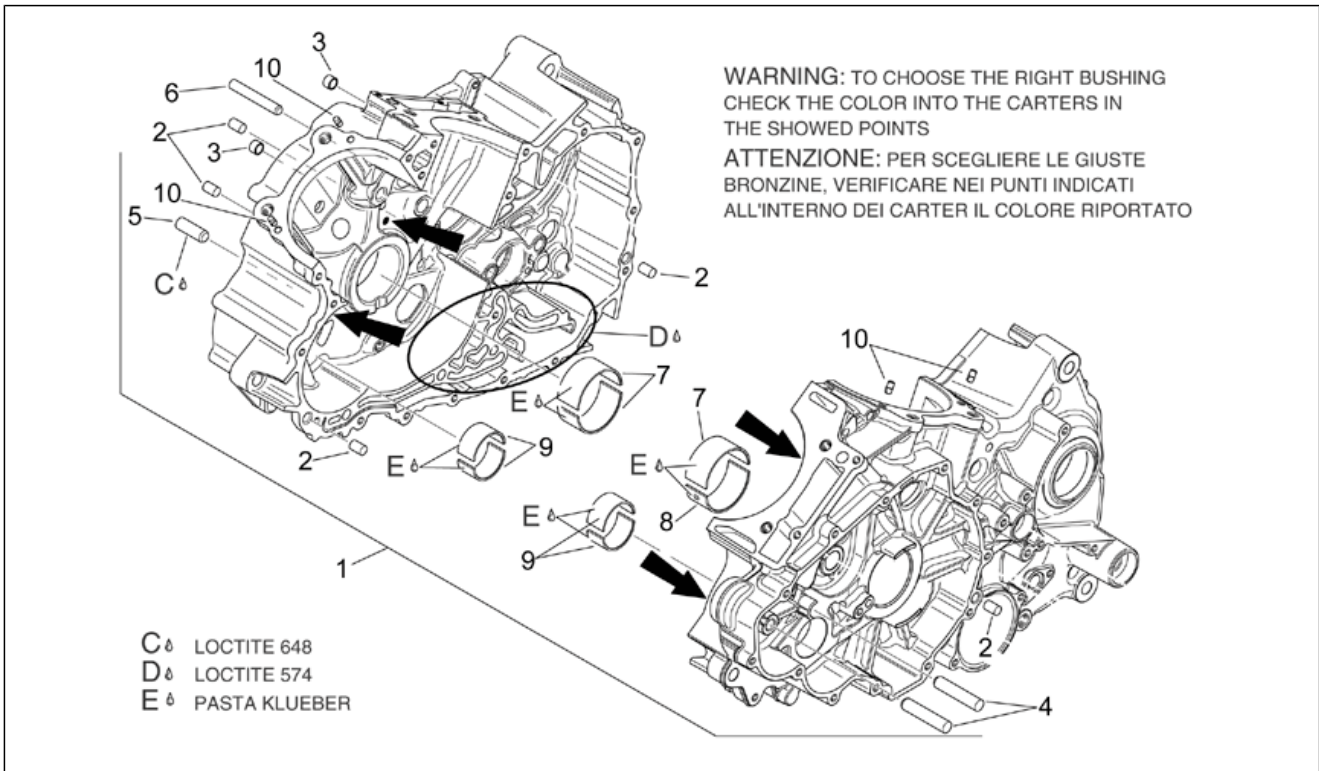
| Pos. | Code | Beschreibung | Menge | Varianten |
|------|-----------|--------------------------------|-------|---|
| 1 | AP8106970 | Motor | 1 | Land: Österreich[A], Australien[AA], Australien[AUS], Belgien[B], Belgien[BB], Schweiz[CH], Deutschland[D], Dänemark[DK], Spanien[E], A, CH, D, DK, GR, E, I, NL, P[EU], Frankreich[F], Griechenland[GR], Italien[I], Japan[J], Japan[J], Holland[NL], Portugal[P], Großbritannien[UK] Technische Daten: "Version RSV Mille ""R""acing"[R], Version RSV Mille[STD] |
| 1 | AP8106975 | Motor | 1 | Land: USA (Zulassung 49 Staaten)[AM], USA (Zulassung California)[CF], Vereinigte Staaten von Amerika[USA] Technische Daten: "Version RSV Mille ""R""acing"[R], Version RSV Mille[STD] |
| 1 | AP8176044 | Motor | 1 | Land: Österreich[A], Australien[AA], Australien[AUS], Belgien[B], Belgien[BB], Schweiz[CH], Deutschland[D], Dänemark[DK], Spanien[E], A, CH, D, DK, GR, E, I, NL, P[EU], Frankreich[F], Griechenland[GR], Italien[I], Japan[J], Japan[J], Holland[NL], Portugal[P], Großbritannien[UK] Technische Daten: "Version ""R""acing GP1 Limited Ed."[RL] |
| 1 | AP8176066 | Motor | 1 | Land: USA (Zulassung 49 Staaten)[AM], USA (Zulassung California)[CF], Vereinigte Staaten von Amerika[USA] Technische Daten: "Version ""R""acing GP1 Limited Ed."[RL] |
| 2 | AP8106687 | Ritzelkasten, grau | 1 | |
| 3 | AP8106379 | Schalthebel | 1 | |
| 4 | AP8120912 | Gummi für Hebel | 1 | |
| 5 | AP8121221 | Stift Bremshebel | 1 | |
| 6 | AP8150462 | Seegerring d9 | 1 | |
| 7 | AP8221046 | Distanzscheibe D6x8x13,5* | 3 | |
| 8 | AP8150220 | TCEI Schraube M6x30 | 3 | |
| 9 | AP8150044 | TCEI Schraube M6x20 | 2 | |
| 10 | AP8144015 | Ölschlauch 6x12 | 1 | |
| 11 | AP8120116 | 3-Wegeanschluß | 1 | |
| 12 | AP8120446 | Schlauchschele, grün D11x6,6x1 | 3 | |
| 13 | AP8104251 | Ölablaßventil | 1 | |

| | |
|---------------------|-------|
| Einheit | MOTOR |
| Code | 29.43 |
| Beschreibung | Motor |
| Inspektion | 1 |



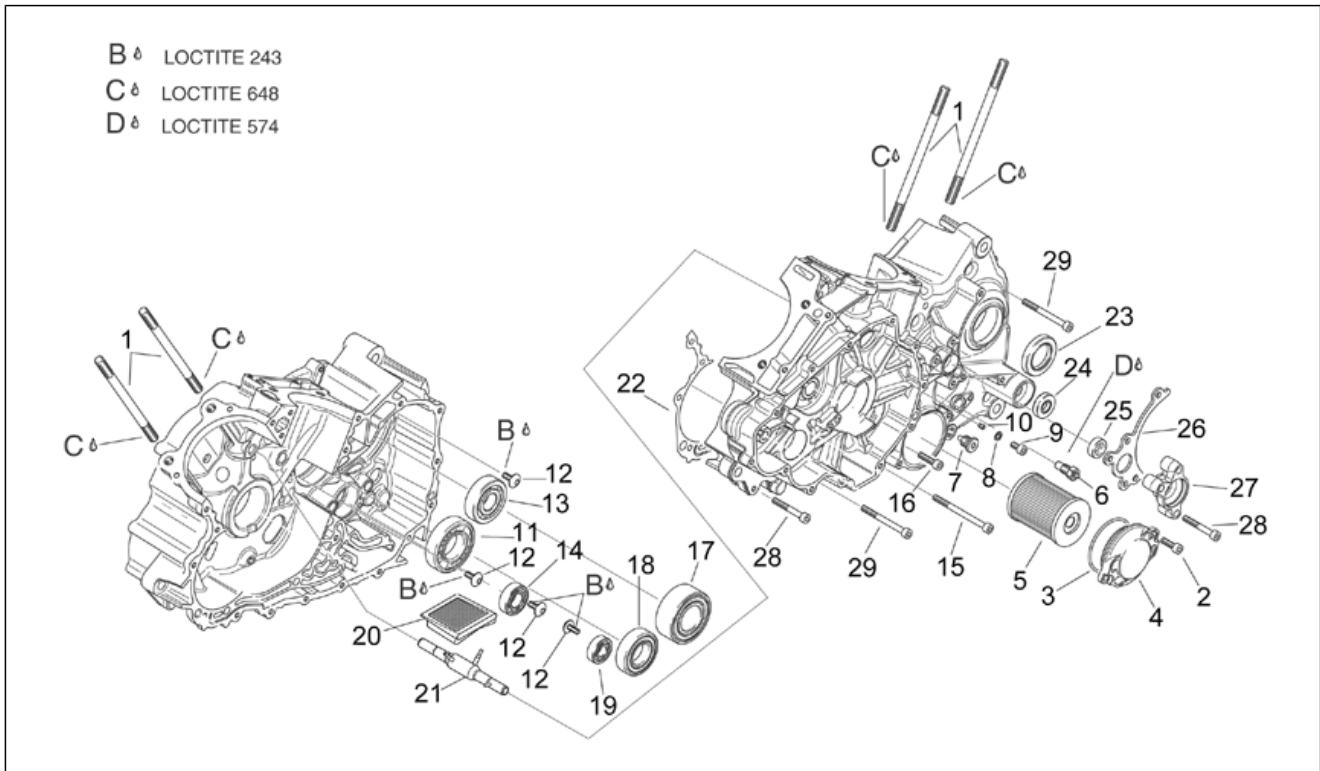
| Pos. | Code | Beschreibung | Menge | Varianten |
|------|-----------|--------------|-------|-----------|
| 14 | AP8102159 | Schelle | 3 | |

| | |
|---------------------|-----------|
| Einheit | MOTOR |
| Code | 29.62 |
| Beschreibung | Gehäuse I |
| Inspektion | 1 |



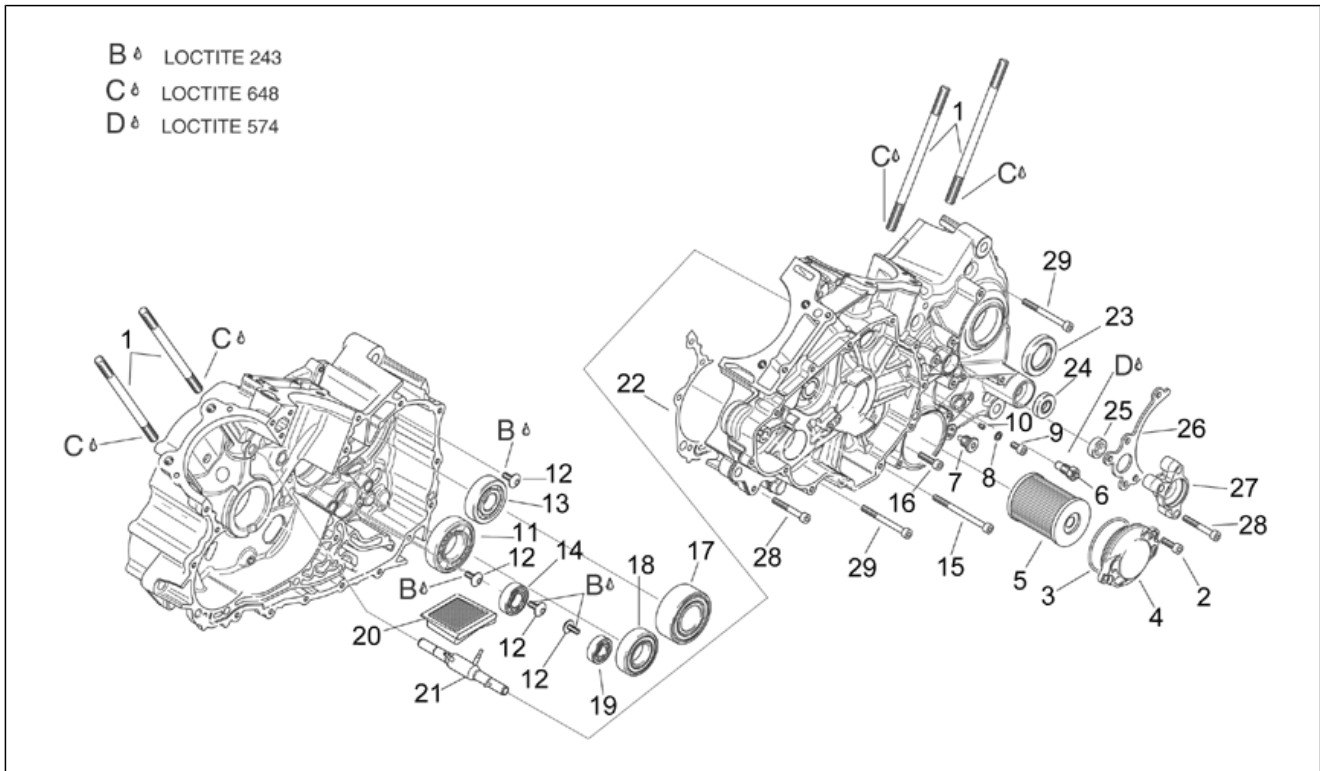
| Pos. | Code | Beschreibung | Menge | Varianten |
|------|-----------|--------------------------|-------|-----------|
| 1 | AP0295656 | Gehäuse-kpl. | 1 | |
| 2 | AP0632010 | Stift M8x12 | 5 | |
| 3 | AP0929500 | Stift 10x8 | 2 | |
| 4 | AP0229301 | Bolzen M6x50 | 2 | |
| 5 | AP0929930 | Bolzen | 1 | |
| 6 | AP0229385 | Bolzen | 1 | |
| 7 | AP0233745 | Halbsch. Bronzebu., blau | 3 | |
| 7 | AP0233746 | Halbsch. Bronzebu., rot | 3 | |
| 7 | AP0233748 | Halbsch. Bronzebu., gelb | 3 | |
| 8 | AP0233740 | Halbsch. Bronzebu., blau | 1 | |
| 8 | AP0233741 | Halbsch. Bronzebu., rot | 1 | |
| 8 | AP0233743 | Halbsch. Bronzebu., gelb | 1 | |
| 9 | AP0233711 | Halbsch. Bronzebu., blau | 4 | |
| 9 | AP0233820 | Halbsch. Bronzebu., rot | 4 | |
| 9 | AP0233822 | Halbsch. Bronzebu., gelb | 4 | |
| 10 | AP0929650 | Stift 5x10 | 4 | |

| | |
|---------------------|------------|
| Einheit | MOTOR |
| Code | 29.63 |
| Beschreibung | Gehäuse II |
| Inspektion | 1 |



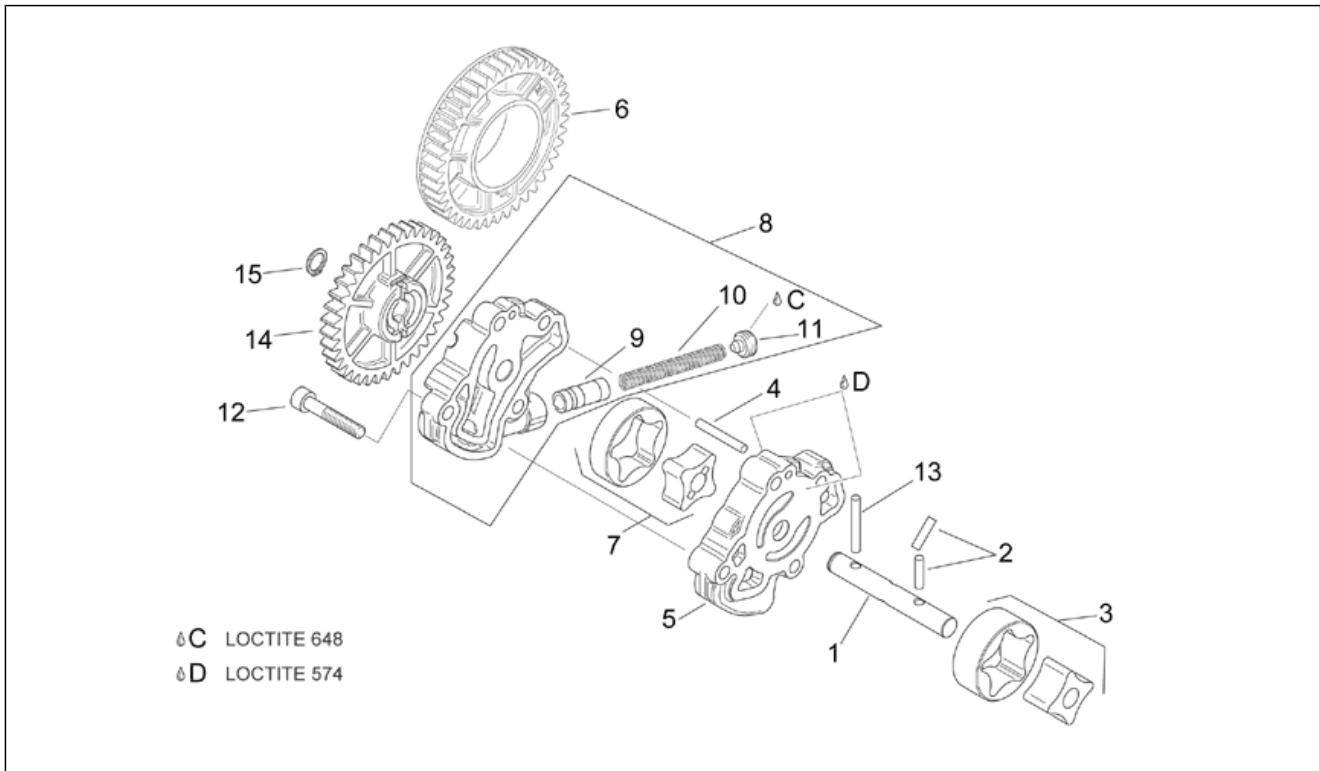
| Pos. | Code | Beschreibung | Menge | Varianten |
|------|-----------|--------------------------|-------|---|
| 1 | AP0241580 | Stiftschraube m10x171 | 8 | |
| 2 | AP0241932 | TCEI Schraube | 2 | |
| 3 | AP0650500 | O-Ring 59,52x2,62 | 1 | |
| 4 | AP0210415 | Ölfilterdeckel | 1 | |
| 5 | AP0256187 | Ölfiltereinsatz | 1 | |
| 6 | AP0241854 | Schalter Lerrlktr. | 1 | |
| 7 | AP0241782 | Magnetschraube M12x1,5 | 1 | |
| 8 | AP0230415 | Gasket ring 6x10 | 1 | |
| 9 | AP0241081 | TCEI Schraube M6x10 | 1 | |
| 10 | AP0268740 | Strahl 60 | 1 | |
| 11 | AP0932585 | Kugellager 6206 | 1 | |
| 12 | AP0241531 | Kurzkopf-Schraube | 4 | |
| 13 | AP0832144 | Kugellager 6304 | 1 | |
| 14 | AP0232625 | Lager 6003 | 1 | |
| 15 | AP0241501 | TCEI Schraube M6x80 | 1 | |
| 16 | AP0840861 | TCEI Schraube M6x25 | 1 | |
| 17 | AP0632124 | Schulterkugellager 3206 | 1 | |
| 18 | AP0932428 | Kugellager 6205 | 1 | |
| 19 | AP0932335 | Kugellager 16101 | 1 | |
| 20 | AP0256497 | Ölnetz | 1 | |
| 21 | AP0256526 | Öl-Einspritzschlauch | 1 | Technische Daten: "Version RSV Mille ""R""acing"[R], Version RSV Mille[STD] |
| 21 | AP0256529 | Öl-Einspritzschlauch | 1 | Technische Daten: "Version ""R""acing GP1 Limited Ed."[RL] |
| 22 | AP0650337 | Dichtung | 1 | |
| 23 | AP0850050 | Ölabstreifring 40x47x7,5 | 1 | |
| 24 | AP0250450 | Ölabstreifring 12x28x7 | 1 | |
| 25 | AP0650320 | Ölabstreifring 11x22x7 | 1 | |
| 26 | AP0236370 | Kettenführung | 1 | |

| | |
|---------------------|------------|
| Einheit | MOTOR |
| Code | 29.63 |
| Beschreibung | Gehäuse II |
| Inspektion | 1 |



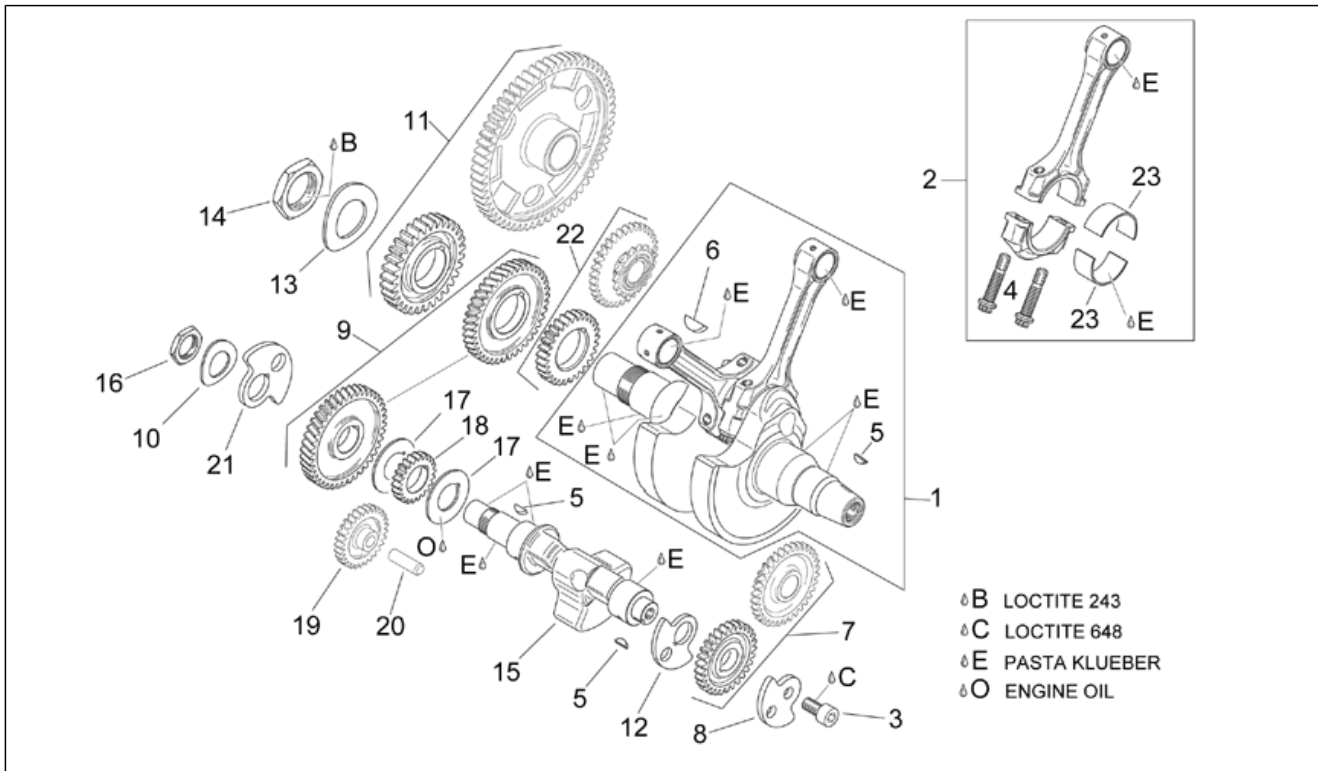
| Pos. | Code | Beschreibung | Menge | Varianten |
|------|-----------|-----------------------|-------|-----------|
| 27 | AP0259500 | Kupplungs-Ausrückfla. | 1 | |
| 28 | AP0241821 | TCEI Schraube M6x45 | 8 | |
| 29 | AP0241261 | TCEI Schraube | 13 | |

| | |
|---------------------|---------|
| Einheit | MOTOR |
| Code | 29.64 |
| Beschreibung | Ölpumpe |
| Inspektion | 1 |



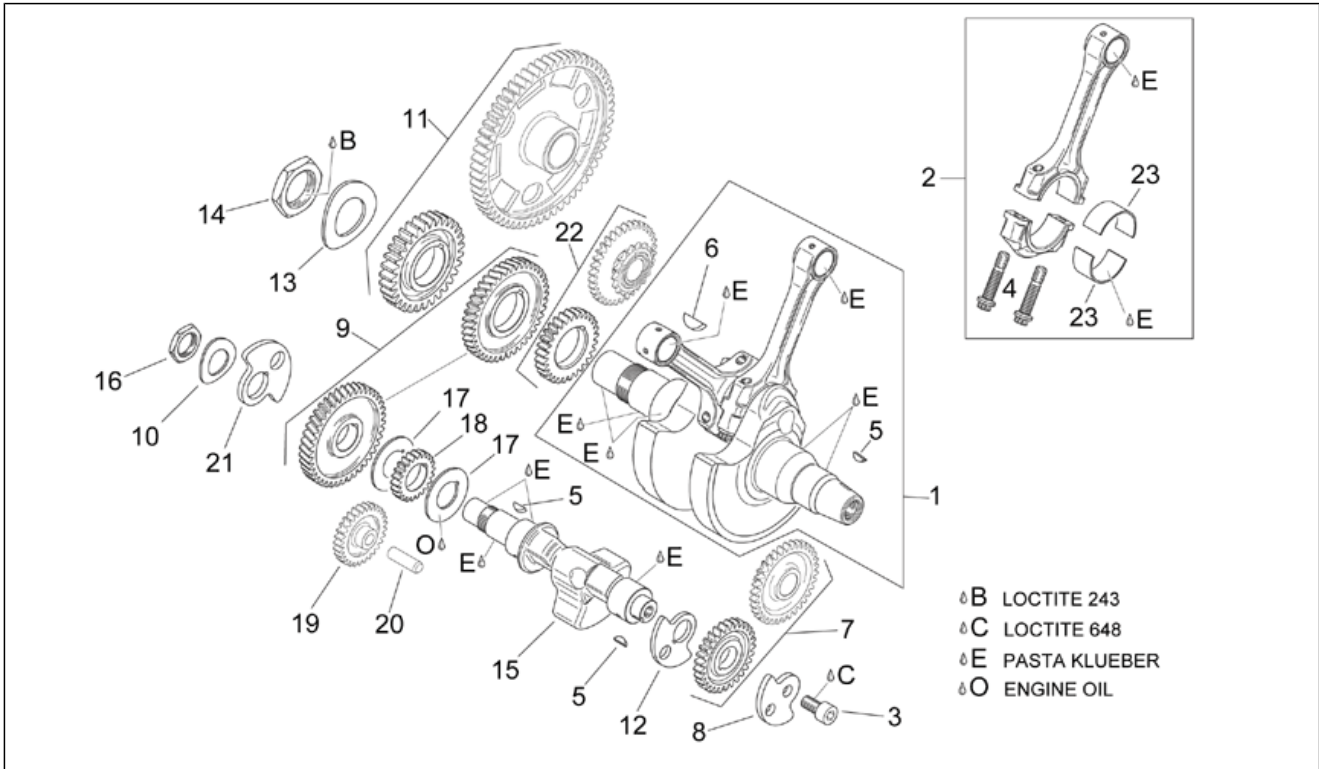
| Pos. | Code | Beschreibung | Menge | Varianten |
|------|-----------|-------------------------------|-------|-----------|
| 1 | AP0220423 | Ölpumpenwelle | 1 | |
| 2 | AP0232730 | Stift 4x15,8 | 2 | |
| 3 | AP0256680 | Innen- und Außenrotor | 1 | |
| 4 | AP0232970 | Bolzen 4x25,8 | 1 | |
| 5 | AP0211620 | Ölpumpengehäuse | 1 | |
| 6 | AP0634475 | Ölpumpen-Zahn. z=42 | 1 | |
| 7 | AP0956275 | Innen- und Außenrotor | 1 | |
| 8 | AP0211632 | Deckel Ölpumpe | 1 | |
| 9 | AP0256510 | Druckregelkolben | 1 | |
| 10 | AP0239447 | Feder | 1 | |
| 11 | AP0241650 | Ventilschließschraube m12x1,5 | 1 | |
| 12 | AP0241821 | TCEI Schraube M6x45 | 4 | |
| 13 | AP0232430 | Stift | 1 | |
| 14 | AP0634483 | Ölpumpen-Zahn. | 1 | |
| 15 | AP0245330 | Seegerring 10x1 | 1 | |

| | |
|---------------------|---------------|
| Einheit | MOTOR |
| Code | 29.65 |
| Beschreibung | Kurbelwelle I |
| Inspektion | 1 |



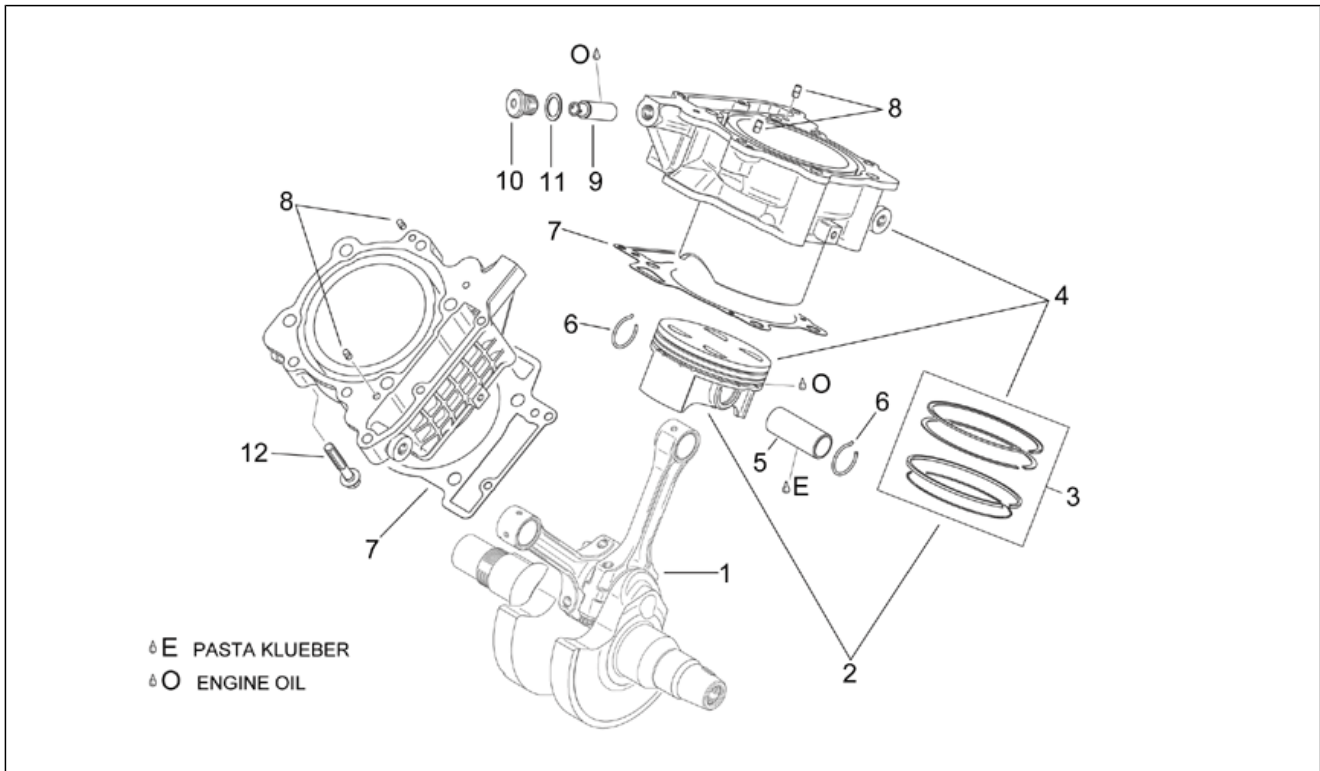
| Pos. | Code | Beschreibung | Menge | Varianten |
|------|-----------|------------------------------|-------|---|
| 1 | AP0295662 | Kurbelwelle kpl. | 1 | Technische Daten: "Version RSV Mille ""R""acing"[R], Version RSV Mille[STD] |
| 1 | AP0295667 | Kurbelwelle kpl. | 1 | Technische Daten: "Version ""R""acing GP1 Limited Ed."[RL] |
| 2 | AP0217346 | Baugruppe Pleuelstange kplt. | 2 | Technische Daten: "Version RSV Mille ""R""acing"[R], Version RSV Mille[STD] |
| 2 | AP0217486 | Baugruppe Pleuelstange kplt. | 2 | Technische Daten: "Version ""R""acing GP1 Limited Ed."[RL] |
| 3 | AP0440260 | TCEI Schraube | 1 | |
| 4 | AP0640400 | Pleuelschraube | 4 | |
| 5 | AP0246570 | Keil 4x5 | 3 | |
| 6 | AP0946015 | Keil 6x9 | 1 | |
| 7 | AP0295765 | Zahnrad Vent.st. kplt. | 1 | |
| 8 | AP0219365 | Gegengew. Schw.rad a. | 1 | |
| 9 | AP0295770 | Ausgleichsrad kpl. | 1 | |
| 10 | AP0245860 | Sprengscheibe | 1 | |
| 11 | AP0295782 | Zahnrad Hauptgetriebe | 1 | Technische Daten: "Version RSV Mille ""R""acing"[R], Version RSV Mille[STD] |
| 11 | AP0295783 | Zahnrad Hauptgetriebe | 1 | Technische Daten: "Version ""R""acing GP1 Limited Ed."[RL] |
| 12 | AP0219360 | Gegengew. Schw.rad i. | 1 | |
| 13 | AP0245840 | Sprengscheibe | 1 | |
| 14 | AP0242940 | Mutter m33x1,5 | 1 | |
| 15 | AP0220372 | Unt. Gegenwelle | 1 | |
| 16 | AP0242874 | Mutter | 1 | |
| 17 | AP0627200 | Ausgleichscheibe 24x54x2 | 2 | |
| 18 | AP0634610 | Wasserpump.-Zahn. | 1 | |
| 19 | AP0634500 | Freilaufgrad | 1 | |
| 20 | AP0929930 | Bolzen | 1 | |
| 21 | AP0219350 | Gegengewicht Kuppl. | 1 | |
| 22 | AP0295760 | Zahnrad Vent.st. kplt. | 1 | |
| 23 | AP0233721 | Bronzebuchse,rot 42x45x19 | 2 | |

| | |
|---------------------|---------------|
| Einheit | MOTOR |
| Code | 29.65 |
| Beschreibung | Kurbelwelle I |
| Inspektion | 1 |



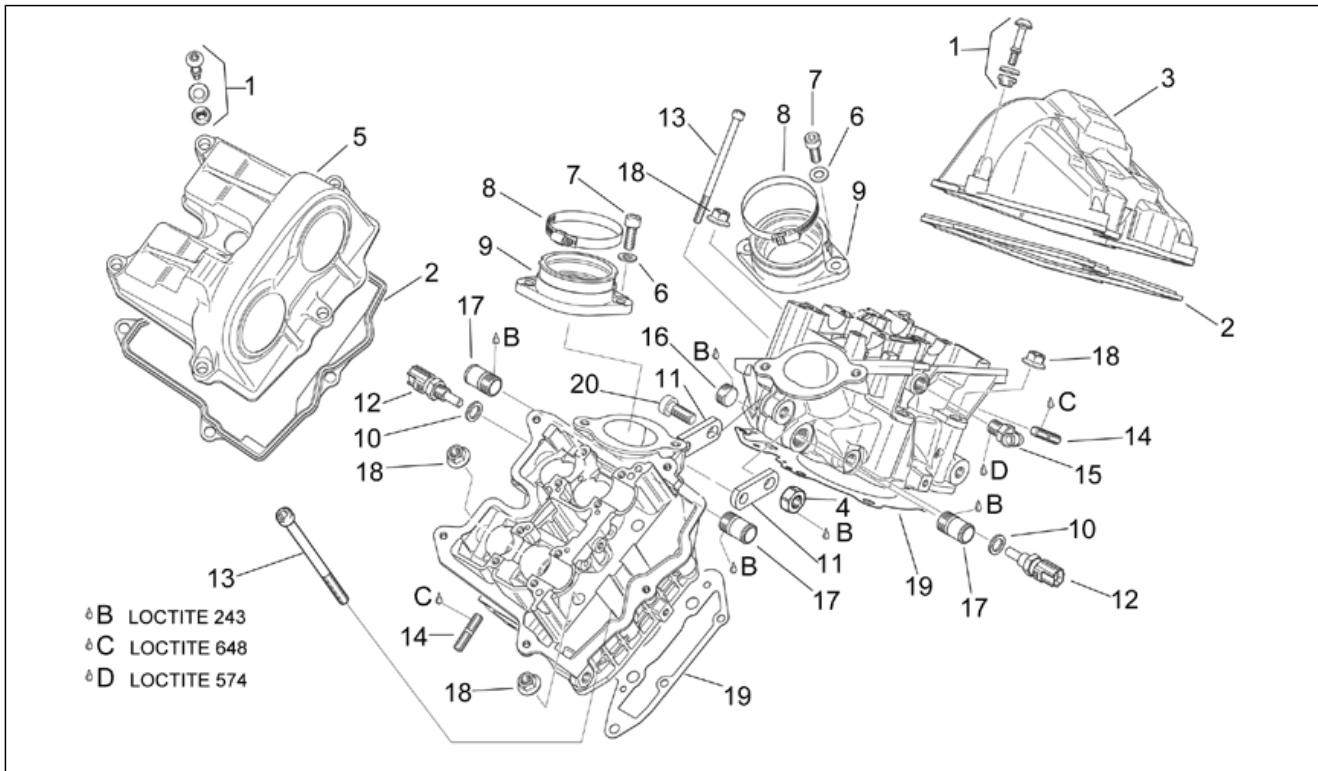
| Pos. | Code | Beschreibung | Menge | Varianten |
|------|-----------|----------------------------|-------|-----------|
| 23 | AP0233722 | Bronzebuchse,blau 42x45x19 | 2 | |
| 23 | AP0233723 | Bronzebuchse,gelb 42x45x19 | 2 | |

| | |
|---------------------|----------------|
| Einheit | MOTOR |
| Code | 29.66 |
| Beschreibung | Kurbelwelle II |
| Inspektion | 1 |



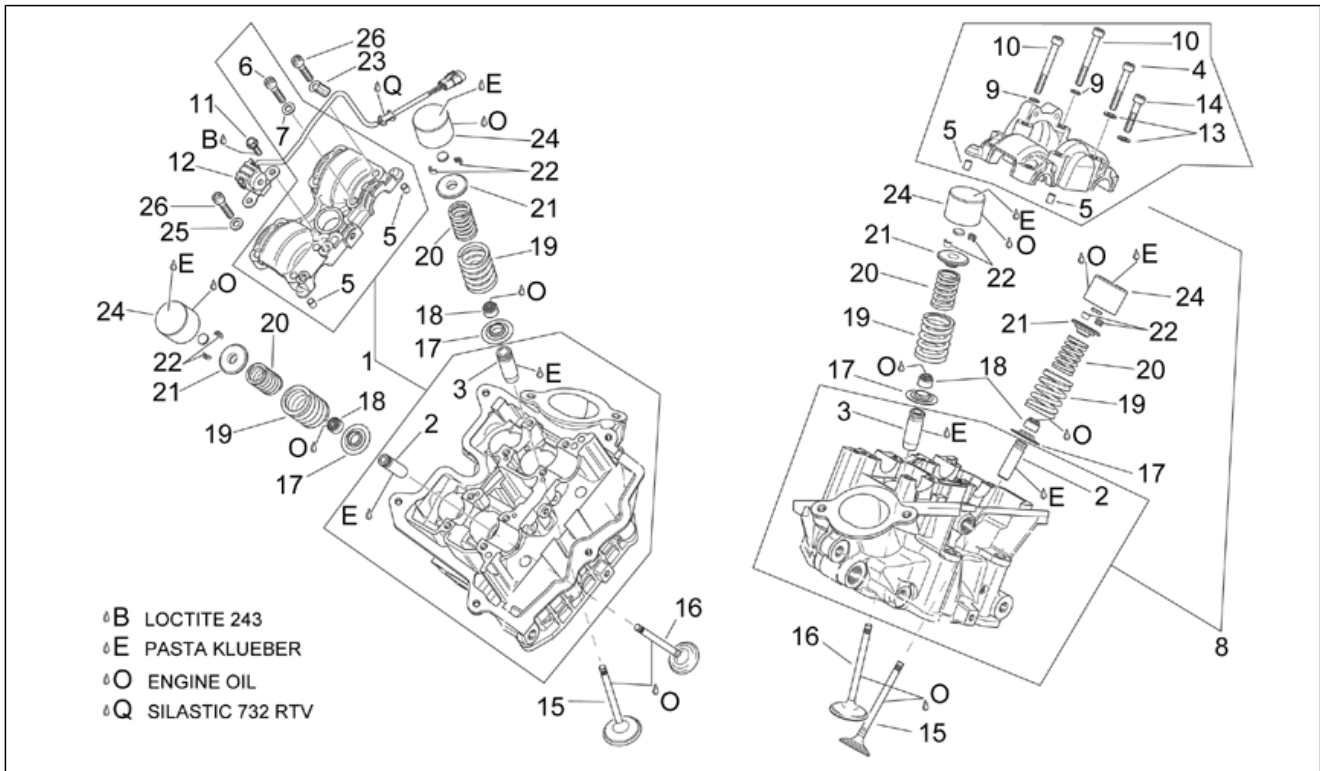
| Pos. | Code | Beschreibung | Menge | Varianten |
|------|-----------|---------------------------|-------|---|
| 1 | AP0295662 | Kurbelwelle kpl. | 1 | Technische Daten: "Version RSV Mille ""R""acing"[R], Version RSV Mille[STD] |
| 1 | AP0295667 | Kurbelwelle kpl. | 1 | Technische Daten: "Version ""R""acing GP1 Limited Ed."[RL] |
| 2 | AP0684310 | Kolben kpl. 96,944 mm (A) | 2 | |
| 2 | AP0684311 | Kolben kpl. 96,956 mm (B) | 2 | |
| 3 | AP0295858 | Satz Kolbenringe | 2 | |
| 4 | AP0613418 | Kolben + Zylinder | 2 | |
| 5 | AP0216222 | Bolzen 22x14x55 | 2 | |
| 6 | AP0245436 | Sperring 22 | 4 | |
| 7 | AP0650390 | ZYLINDERFUSSDICHTUNG | 2 | |
| 8 | AP0929650 | Stift 5x10 | 4 | |
| 9 | AP0236252 | Kettenspanner | 2 | |
| 10 | AP0640450 | Deckel | 2 | |
| 11 | AP0430622 | Gasket ring 16x22 | 2 | |
| 12 | AP0940637 | TE Schr. m. Flansch | 8 | |

| | |
|---------------------|--------------|
| Einheit | MOTOR |
| Code | 29.67 |
| Beschreibung | Ventildeckel |
| Inspektion | 1 |



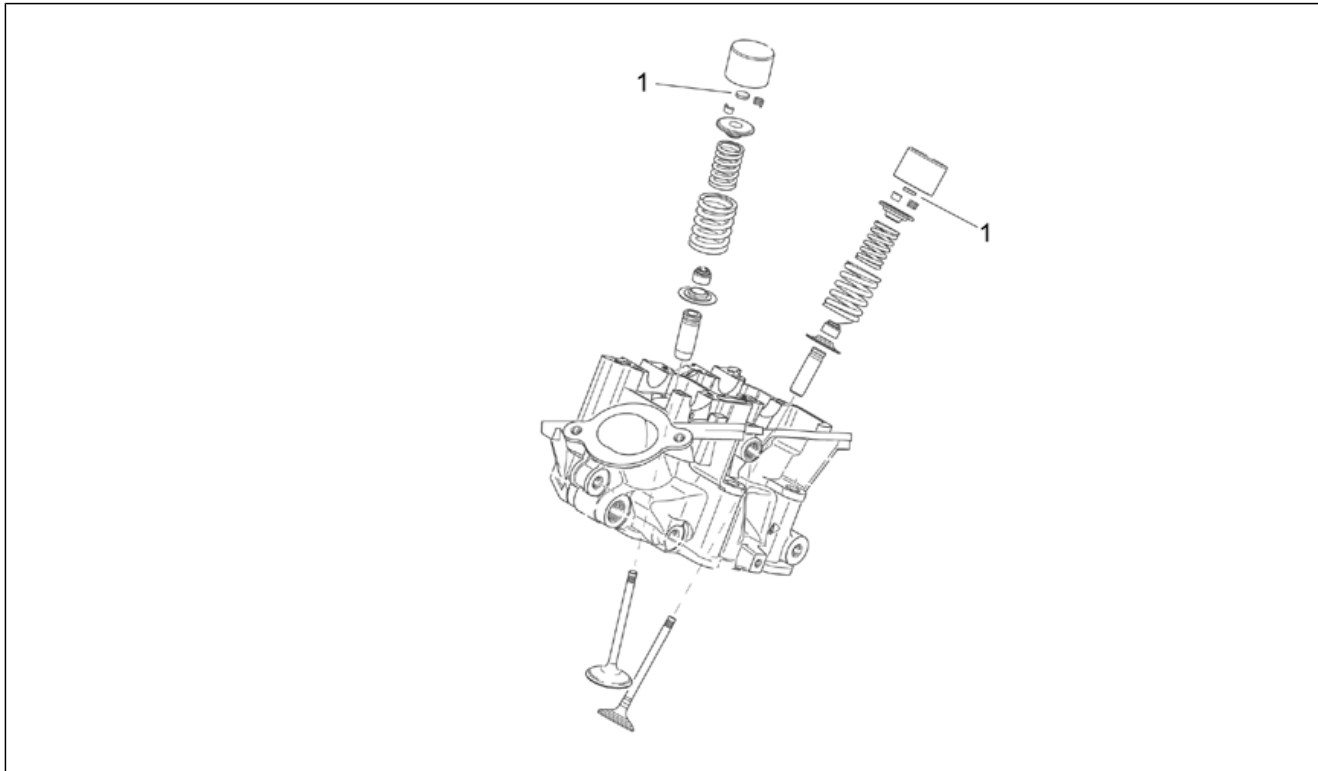
| Pos. | Code | Beschreibung | Menge | Varianten |
|------|-----------|-------------------------|-------|-----------|
| 1 | AP0241625 | Distanzst.schraube kpl. | 10 | |
| 2 | AP0650345 | Dichtung Ventildeckel | 2 | |
| 3 | AP0211667 | Hint. Ventildeckel | 1 | |
| 4 | AP0242091 | Mutter | 2 | |
| 5 | AP0211662 | Vord. Ventildeckel | 1 | |
| 6 | AP0250311 | Ausgleichscheibe 8,4 | 4 | |
| 7 | AP0240081 | TCEI Schraube M8x25 | 4 | |
| 8 | AP0251830 | Schelle 65 | 2 | |
| 9 | AP0267150 | Einlaßflansch | 2 | |
| 10 | AP0250640 | Gasket ring 12x18 | 2 | |
| 11 | AP0251100 | Platte | 2 | |
| 12 | AP0274040 | Temperaturfühler | 2 | |
| 13 | AP0241601 | TCEI Schraube | 4 | |
| 14 | AP0241560 | Stiftschraube | 6 | |
| 15 | AP0922245 | Winkelverbinder | 1 | |
| 16 | AP0240170 | Deckel m18x1,5 | 1 | |
| 17 | AP0224090 | Leitung | 3 | |
| 18 | AP0242851 | Mutter | 8 | |
| 19 | AP0650210 | Dichtung Kopf-Zylinder | 2 | |
| 20 | AP0640581 | TCEI Schraube M10x40 | 2 | |

| | |
|---------------------|--------------------------|
| Einheit | MOTOR |
| Code | 29.68 |
| Beschreibung | Zylinderkopf und Ventile |
| Inspektion | 1 |



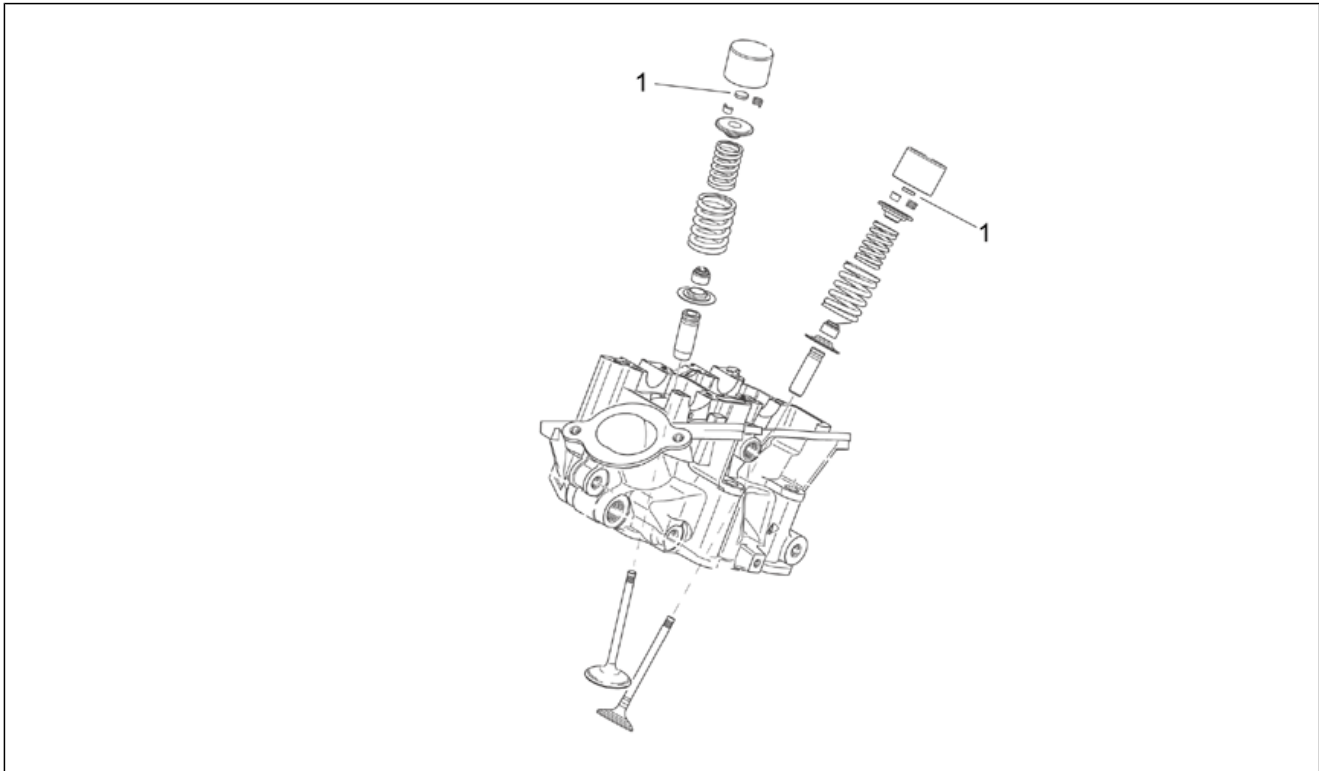
| Pos. | Code | Beschreibung | Menge | Varianten |
|------|-----------|------------------------------|-------|-----------|
| 1 | AP0613491 | Zylinderkopf vorn kplt. | 1 | |
| 2 | AP0253926 | Ventilführung Auslaß | 4 | |
| 3 | AP0253921 | Ventilführung Einlaß | 4 | |
| 4 | AP0241821 | TCEI Schraube M6x45 | 2 | |
| 5 | AP0232210 | Bolzen 6x8 | 2 | |
| 6 | AP0840880 | TCEI Schraube M6x30 | 1 | |
| 7 | AP0927945 | Ausgleichscheibe 6,2x12x1 | 1 | |
| 8 | AP0613496 | Zylinderkopf hinten kplt. | 1 | |
| 9 | AP0927863 | Ausgleichscheibe 6,1x9,8x1 | 2 | |
| 10 | AP0240331 | TCEI Schraube | 2 | |
| 11 | AP0941935 | Gew.schr. M5x12 | 2 | |
| 12 | AP0274060 | Fühler Nockenwelle kp. | 1 | |
| 13 | AP0927945 | Ausgleichscheibe 6,2x12x1 | 6 | |
| 14 | AP0840880 | TCEI Schraube M6x30 | 4 | |
| 15 | AP0254021 | Auslaßventil 31mm | 4 | |
| 16 | AP0254295 | Einlaßventil 38 mm | 4 | |
| 17 | AP0253965 | Ventilfederplatte | 8 | |
| 18 | AP0230510 | Ölabstreifring Ventilführung | 8 | |
| 19 | AP0239520 | Ventilfeder außen | 8 | |
| 20 | AP0239510 | Ventilfeder innen | 8 | |
| 21 | AP0253956 | Ventilfederplatte | 8 | |
| 22 | AP0253645 | Ventilhalbkegel | 16 | |
| 23 | AP0251090 | Kabelschutz | 1 | |
| 24 | AP0253990 | Ventilbecher | 8 | |
| 25 | AP0927945 | Ausgleichscheibe 6,2x12x1 | 7 | |
| 26 | AP0840880 | TCEI Schraube M6x30 | 7 | |

| | |
|---------------------|----------------|
| Einheit | MOTOR |
| Code | 29.69 |
| Beschreibung | Ventilesbeläge |
| Inspektion | 1 |



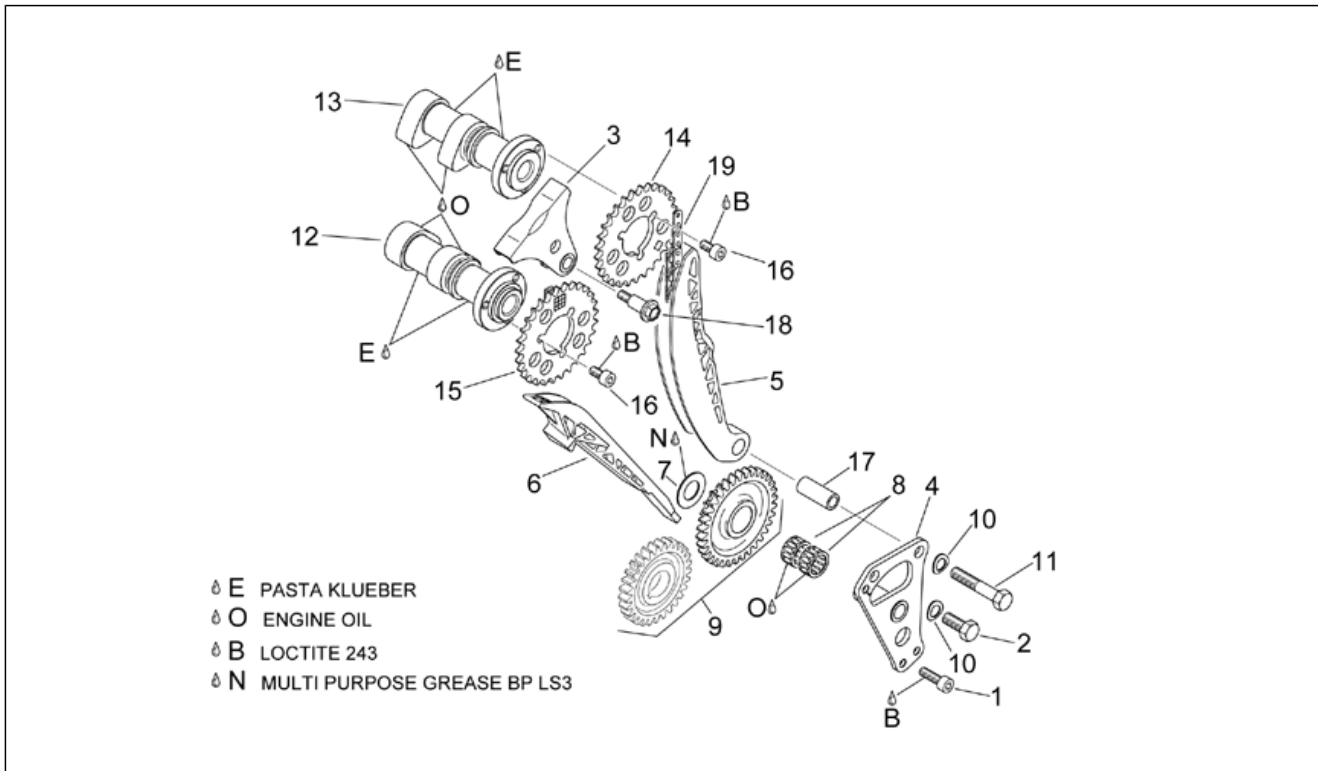
| Pos. | Code | Beschreibung | Menge | Varianten |
|------|-----------|--------------|-------|-----------|
| 1 | AP0253974 | Belag 2,3 | 1 | |
| 1 | AP0253975 | Belag 2,35 | 1 | |
| 1 | AP0253976 | Belag 2,4 | 1 | |
| 1 | AP0253977 | Belag 2,45 | 1 | |
| 1 | AP0253978 | Belag 2,5 | 1 | |
| 1 | AP0253979 | Belag 2,55 | 1 | |
| 1 | AP0253980 | Belag 2,6 | 1 | |
| 1 | AP0253981 | Belag 2,65 | 1 | |
| 1 | AP0253982 | Belag 2,7 | 1 | |
| 1 | AP0253983 | Belag 2,75 | 1 | |
| 1 | AP0253984 | Belag 2,8 | 1 | |
| 1 | AP0253985 | Belag 2,85 | 1 | |
| 1 | AP0253986 | Belag 2,9 | 1 | |
| 1 | AP0253987 | Belag 2,95 | 1 | |
| 1 | AP0253988 | Belag 3,00 | 1 | |
| 1 | AP0254030 | Belag 2,325 | 1 | |
| 1 | AP0254031 | Belag 2,375 | 1 | |
| 1 | AP0254032 | Belag 2,425 | 1 | |
| 1 | AP0254033 | Belag 2,475 | 1 | |
| 1 | AP0254034 | Belag 2,525 | 1 | |
| 1 | AP0254035 | Belag 2,575 | 1 | |
| 1 | AP0254036 | Belag 2,625 | 1 | |
| 1 | AP0254037 | Belag 2,675 | 1 | |
| 1 | AP0254038 | Belag 2,725 | 1 | |
| 1 | AP0254039 | Belag 2,775 | 1 | |
| 1 | AP0254040 | Belag 2,825 | 1 | |
| 1 | AP0254041 | Belag 2,875 | 1 | |
| 1 | AP0254042 | Belag 2,925 | 1 | |

| | |
|---------------------|----------------|
| Einheit | MOTOR |
| Code | 29.69 |
| Beschreibung | Ventilesbeläge |
| Inspektion | 1 |



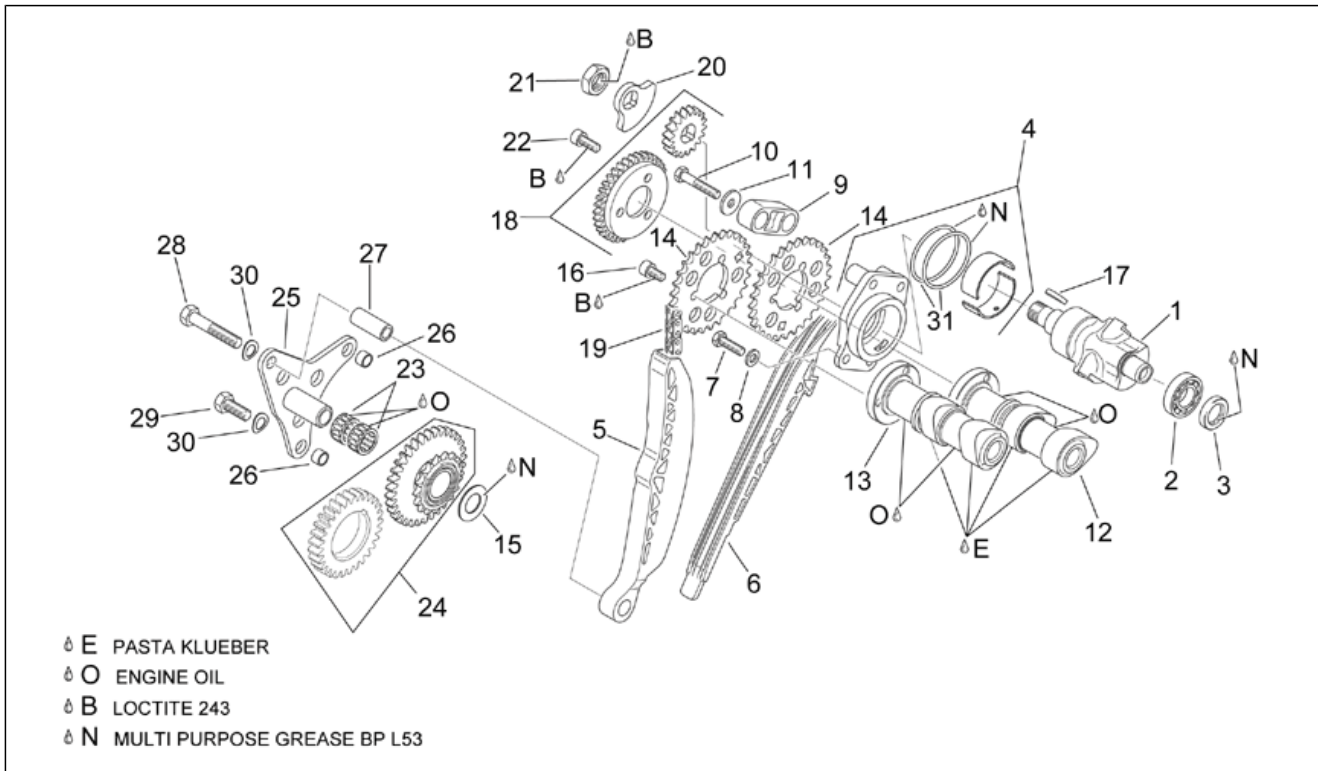
| Pos. | Code | Beschreibung | Menge | Varianten |
|------|-----------|--------------|-------|-----------|
| 1 | AP0254043 | Belag 2,975 | 1 | |

| | |
|---------------------|---------------------|
| Einheit | MOTOR |
| Code | 29.70 |
| Beschreibung | Vrd. Zylindersteuer |
| Inspektion | 1 |



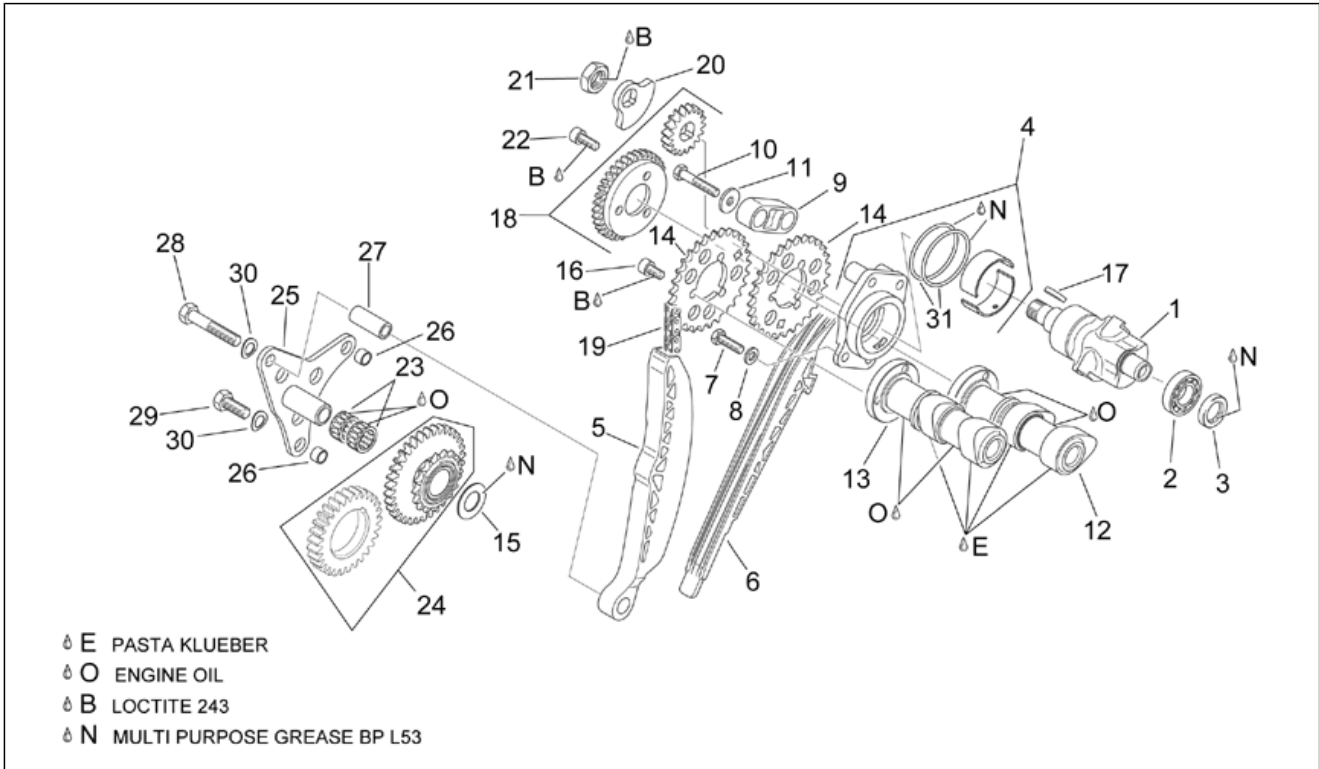
| Pos. | Code | Beschreibung | Menge | Varianten |
|------|-----------|----------------------------|-------|-----------|
| 1 | AP0240400 | TCEI Schraube | 1 | |
| 2 | AP0940590 | Sechskantschraube M8x20 | 1 | |
| 3 | AP0236320 | Kettenführung | 1 | |
| 4 | AP0211766 | Lagerplatte | 1 | |
| 5 | AP0236300 | Kettenführung | 1 | |
| 6 | AP0236310 | Kettenführung | 1 | |
| 7 | AP0627190 | Ausgleichscheibe 16,7x29x1 | 1 | |
| 8 | AP0632161 | Nadelkaefig 16x22x10 | 2 | |
| 9 | AP0295765 | Zahnrad Vent.st. kplt. | 1 | |
| 10 | AP0845030 | Sprengscheibe b8 | 2 | |
| 11 | AP0940631 | Sechskantschraube | 1 | |
| 12 | AP0220385 | Nockenwelle Auslaß | 1 | |
| 13 | AP0220384 | Nockenwelle Einlaß | 1 | |
| 14 | AP0634732 | Zahnrad Ventilsteuerung | 1 | |
| 15 | AP0634737 | Zahnrad Ventilsteuerung | 1 | |
| 16 | AP0840371 | TCEI Schraube M6x11,5 | 6 | |
| 17 | AP0247980 | Buchse 8,2x12x25 | 1 | |
| 18 | AP0240960 | Distanstückschraube | 2 | |
| 19 | AP0297955 | Steuerkette | 1 | |

| | |
|---------------------|----------------------|
| Einheit | MOTOR |
| Code | 29.71 |
| Beschreibung | Hint. Zylindersteuer |
| Inspektion | 1 |



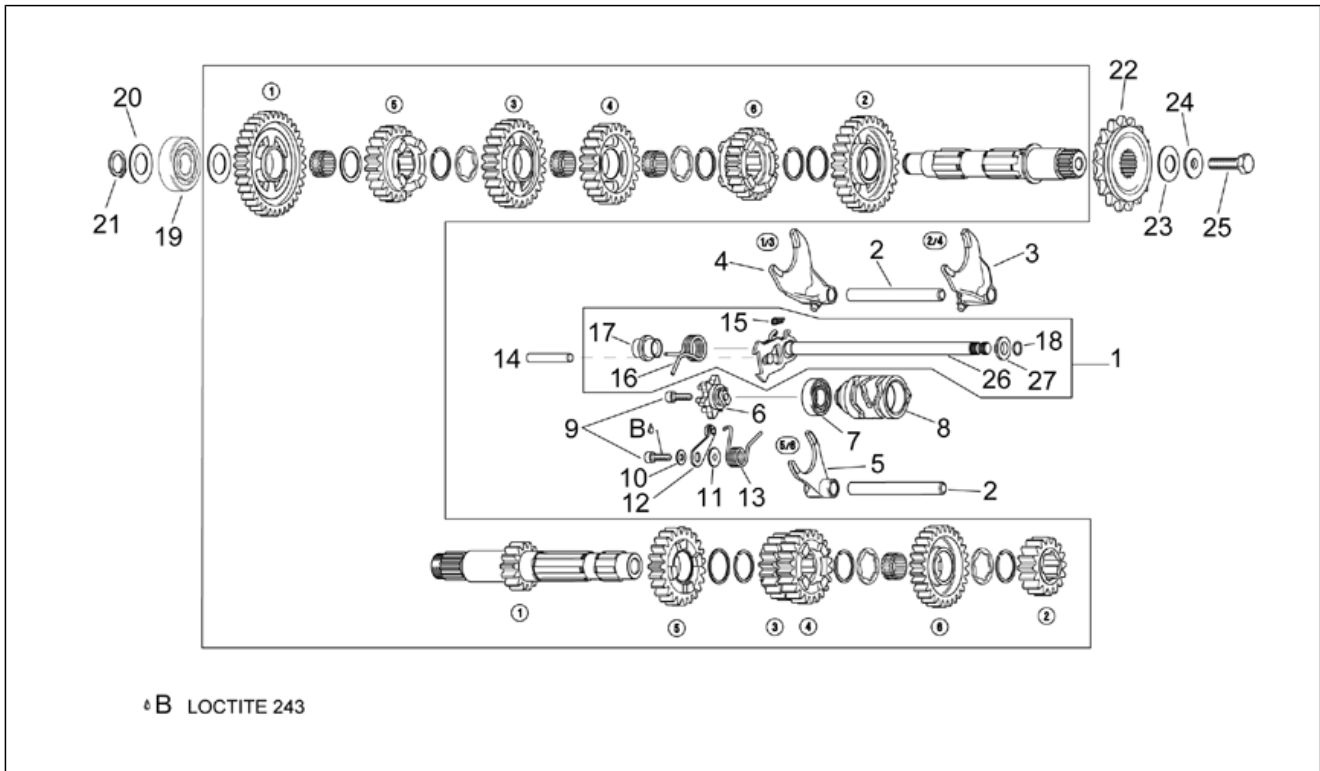
| Pos. | Code | Beschreibung | Menge | Varianten |
|------|-----------|----------------------------|-------|-----------|
| 1 | AP0220440 | Ob. Gegenwelle | 1 | |
| 2 | AP0832360 | Kugellager 16002 | 1 | |
| 3 | AP0250130 | Ölabstreifring 15x24x5 | 1 | |
| 4 | AP0211681 | Buchsenplatte komplett | 1 | |
| 5 | AP0236300 | Kettenführung | 1 | |
| 6 | AP0236310 | Kettenführung | 1 | |
| 7 | AP0940560 | Sechskantschraube | 2 | |
| 8 | AP0244211 | Ausgleichscheibe 6,4 | 2 | |
| 9 | AP0236380 | Kettenführung | 1 | |
| 10 | AP0941121 | Sechskantschraube | 2 | |
| 11 | AP0827305 | Ausgleichscheibe 6,2x18x2 | 2 | |
| 12 | AP0220385 | Nockenwelle Auslaß | 1 | |
| 13 | AP0220384 | Nockenwelle Einlaß | 1 | |
| 14 | AP0634732 | Zahnrad Ventilsteuerung | 2 | |
| 15 | AP0627190 | Ausgleichscheibe 16,7x29x1 | 1 | |
| 16 | AP0840371 | TCEI Schraube M6x11,5 | 3 | |
| 17 | AP0246055 | Keil 3x3,7 | 1 | |
| 18 | AP0295775 | Ausgleichsrad ob.kpl. | 1 | |
| 19 | AP0297955 | Steuerkette | 1 | |
| 20 | AP0219340 | Gegengewicht | 1 | |
| 21 | AP0942570 | Mutter m14 | 1 | |
| 22 | AP0840391 | TCEI Schraube | 3 | |
| 23 | AP0632161 | Nadelkaefig 16x22x10 | 2 | |
| 24 | AP0295760 | Zahnrad Vent.st. kplt. | 1 | |
| 25 | AP0211756 | Platte f. Walzenkäfig | 1 | |
| 26 | AP0929500 | Stift 10x8 | 2 | |
| 27 | AP0247980 | Buchse 8,2x12x25 | 1 | |
| 28 | AP0940631 | Sechskantschraube | 1 | |

| | |
|---------------------|----------------------|
| Einheit | MOTOR |
| Code | 29.71 |
| Beschreibung | Hint. Zylindersteuer |
| Inspektion | 1 |



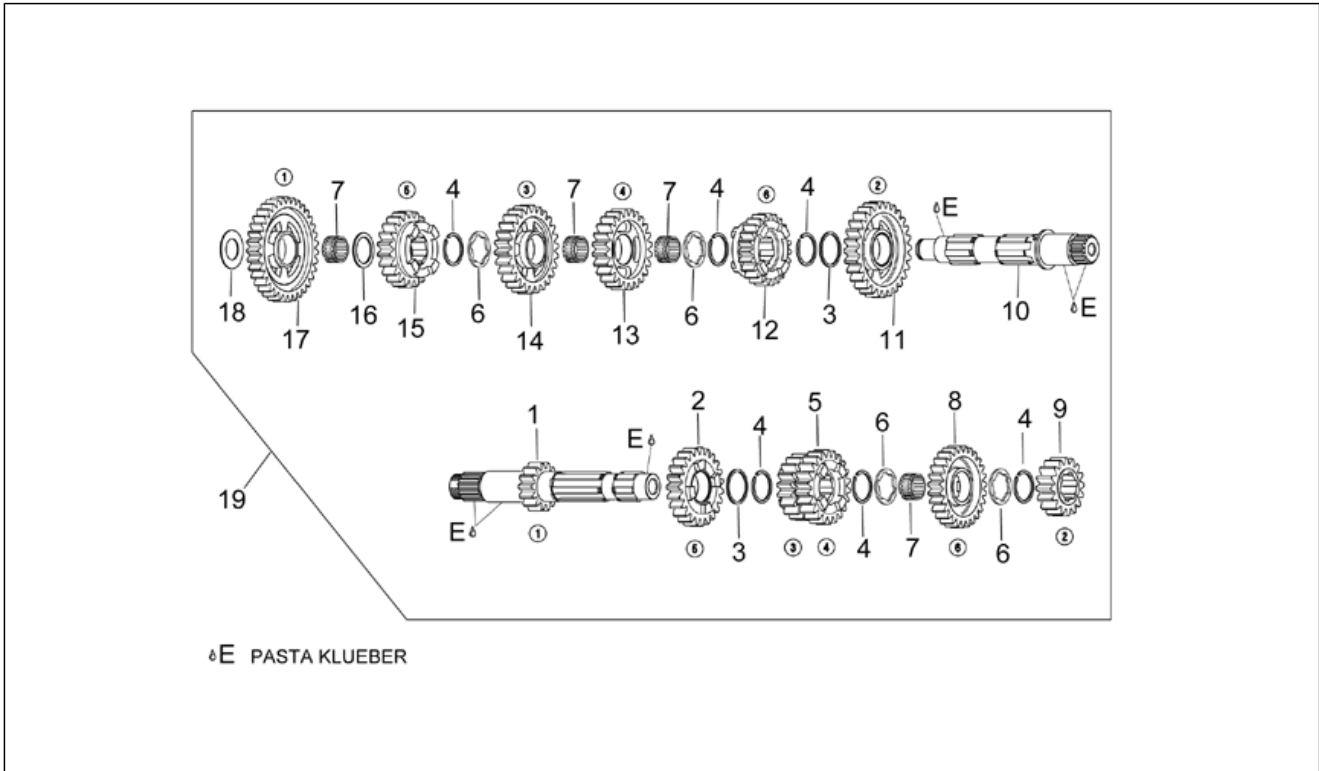
| Pos. | Code | Beschreibung | Menge | Varianten |
|------|-----------|-------------------|-------|-----------|
| 29 | AP0240275 | Sechskantschraube | 2 | |
| 30 | AP0845030 | Sprengscheibe b8 | 3 | |
| 31 | AP0831160 | O-Ring | 2 | |

| | |
|---------------------|-------------|
| Einheit | MOTOR |
| Code | 29.72 |
| Beschreibung | Schaltgabel |
| Inspektion | 1 |



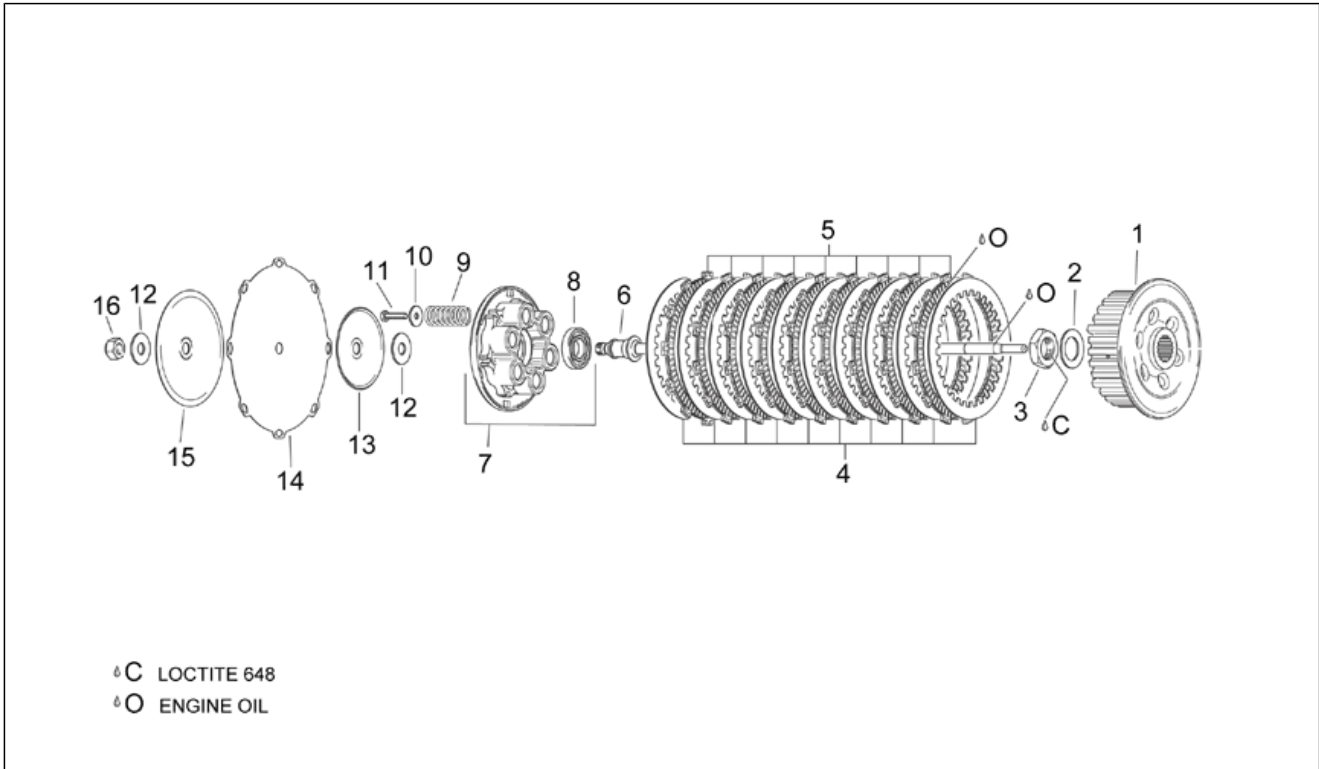
| Pos. | Code | Beschreibung | Menge | Varianten |
|------|-----------|----------------------------|-------|-----------|
| 1 | AP0220437 | Getr.welle + Federsatz | 1 | |
| 2 | AP0258380 | Schaltstange | 2 | |
| 3 | AP0258361 | Schaltgabel | 1 | |
| 4 | AP0258351 | Schaltgabel | 1 | |
| 5 | AP0258375 | Schaltgabel | 1 | |
| 6 | AP0258310 | Index-Platte | 1 | |
| 7 | AP0932335 | Kugellager 16101 | 1 | |
| 8 | AP0258327 | Verschiebenocken | 1 | |
| 9 | AP0241932 | TCEI Schraube | 2 | |
| 10 | AP0244211 | Ausgleichscheibe 6,4 | 1 | |
| 11 | AP0227716 | Ausgleichscheibe | 1 | |
| 12 | AP0248375 | Indexhebel kpl. | 1 | |
| 13 | AP0239247 | Index feder | 1 | |
| 14 | AP0229385 | Bolzen | 1 | |
| 15 | AP0239430 | Feder | 1 | |
| 16 | AP0239420 | Gabelfeder | 1 | |
| 17 | AP0247940 | Buchse | 1 | |
| 18 | AP0245440 | Seegerring | 1 | |
| 19 | AP0832144 | Kugellager 6304 | 1 | |
| 20 | AP0227442 | Ausgleichscheibe 20,2x27,5 | 1 | |
| 21 | AP0945665 | Seegerring 20x1,75 | 1 | |
| 22 | AP0236366 | Gummi-Ritzel | 1 | |
| 23 | AP0239450 | Sprengscheibe 34x16,3 | 1 | |
| 24 | AP0627210 | Ausgleichscheibe | 1 | |
| 25 | AP0940741 | Sechskantschraube | 1 | |
| 26 | AP0220435 | Getr.welle + Gesperre | 1 | |
| 27 | AP0227714 | Ausgleichscheibe | 1 | |

| | |
|---------------------|----------------|
| Einheit | MOTOR |
| Code | 29.73 |
| Beschreibung | Schaltgetriebe |
| Inspektion | 1 |



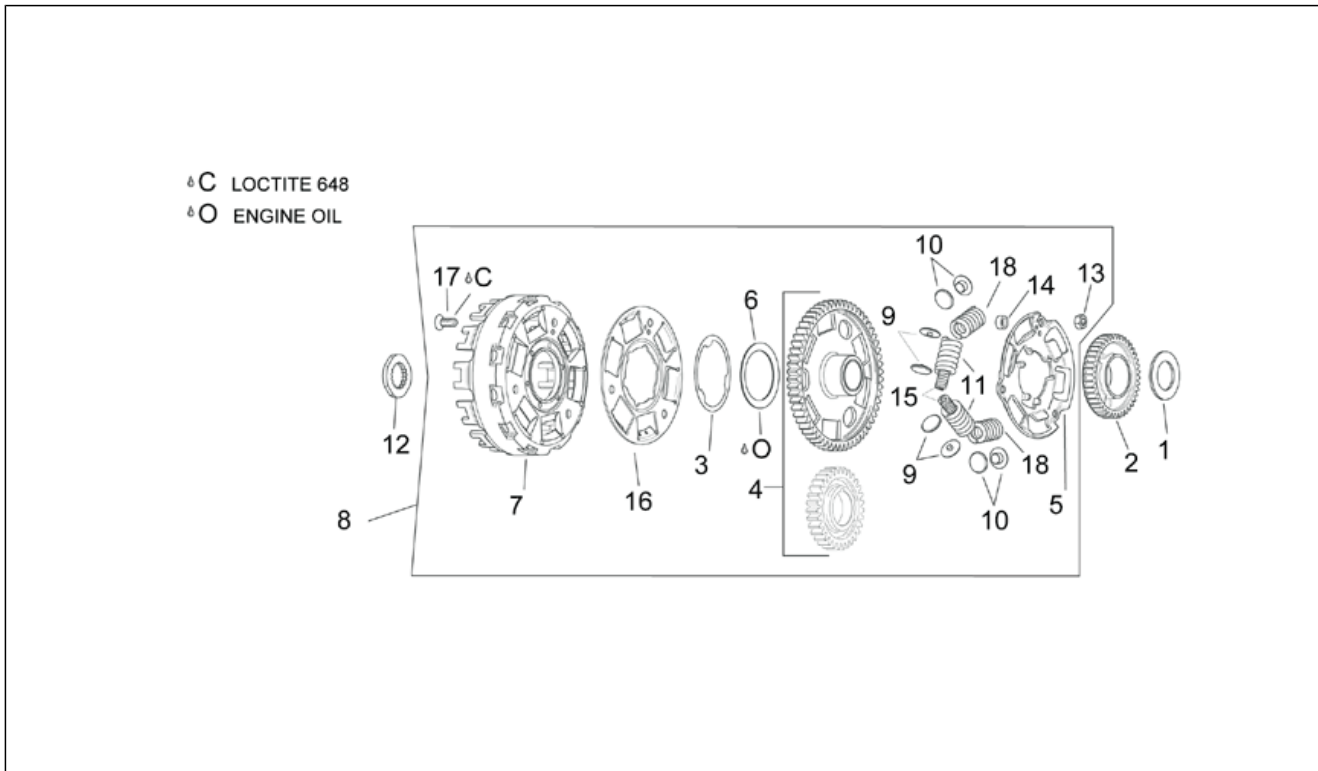
| Pos. | Code | Beschreibung | Menge | Varianten |
|------|-----------|-----------------------------|-------|-----------|
| 1 | AP0220392 | Hauptwelle | 1 | |
| 2 | AP0634697 | Zahnrad 5.Hauptwelle | 1 | |
| 3 | AP0627120 | Ausgleichscheibe 29,2x33,5 | 2 | |
| 4 | AP0245815 | Seegerring 28x2 | 6 | |
| 5 | AP0634662 | Zahnrad 3-4.Hauptwelle | 1 | |
| 6 | AP0627132 | Ausgleichscheibe 25,35x34,5 | 4 | |
| 7 | AP0632070 | Nadelkaefig 25x29x13 | 4 | |
| 8 | AP0634712 | Zahnrad 6.Hauptwelle | 1 | |
| 9 | AP0634642 | Zahnrad 2.Hauptwelle | 1 | |
| 10 | AP0220400 | Festrad | 1 | |
| 11 | AP0634657 | Zahnrad 2.Vorgelegewelle | 1 | |
| 12 | AP0634721 | Zahnrad 6.Vorgelegewelle | 1 | |
| 13 | AP0634670 | Zahnrad 4.Vorgelegewelle | 1 | |
| 14 | AP0634682 | Zahnrad 3.Vorgelegewelle | 1 | |
| 15 | AP0634702 | Zahnrad 5.Vorgelegewelle | 1 | |
| 16 | AP0427106 | Ausgleichscheibe 25,3x33,5 | 1 | |
| 17 | AP0634622 | Zahnrad 1.Vorgelegewelle | 1 | |
| 18 | AP0827110 | Ausgleichscheibe 20,5x37x1 | 1 | |
| 19 | AP0281223 | Schaltgetriebe 6-Gang | 1 | |

| | |
|---------------------|------------|
| Einheit | MOTOR |
| Code | 29.74 |
| Beschreibung | Kupplung I |
| Inspektion | 1 |



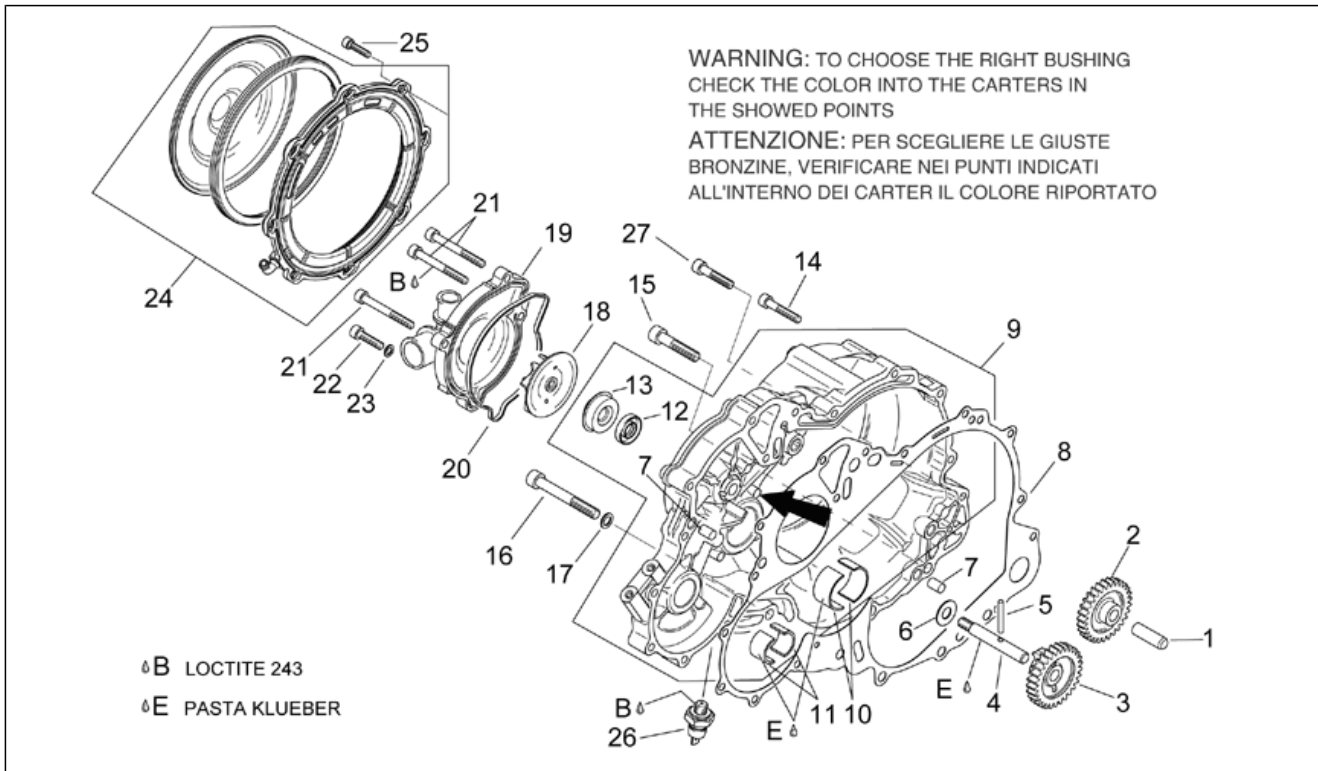
| Pos. | Code | Beschreibung | Menge | Varianten |
|------|-----------|-----------------------------|-------|-----------|
| 1 | AP0259520 | Mitnehmer | 1 | |
| 2 | AP0245830 | Sprengscheibe 24,5x40 | 1 | |
| 3 | AP0242950 | Mutter m24x1,5 | 1 | |
| 4 | AP8106915 | St.Kupplungsscheiben 10 st. | 1 | |
| 5 | AP8106867 | Belaglamelle | 1 | |
| 6 | AP0220455 | Kupplungswelle Kpl. | 1 | |
| 7 | AP0259517 | Federplatte komplett | 1 | |
| 8 | AP0632130 | Kugellager 16004 | 1 | |
| 9 | AP0239480 | Kupplungsfeder | 6 | |
| 10 | AP0627530 | Ausgleichscheibe | 6 | |
| 11 | AP0941506 | Sechskantschraube | 6 | |
| 12 | AP0227180 | Ausgleichscheibe 12,2x32x2 | 2 | |
| 13 | AP0627230 | Lagerscheibe | 1 | |
| 14 | AP0260890 | Membran | 1 | |
| 15 | AP0627280 | Druckplatte | 1 | |
| 16 | AP0442130 | Mutter m12 | 1 | |

| | |
|---------------------|-------------|
| Einheit | MOTOR |
| Code | 29.75 |
| Beschreibung | Kupplung II |
| Inspektion | 1 |



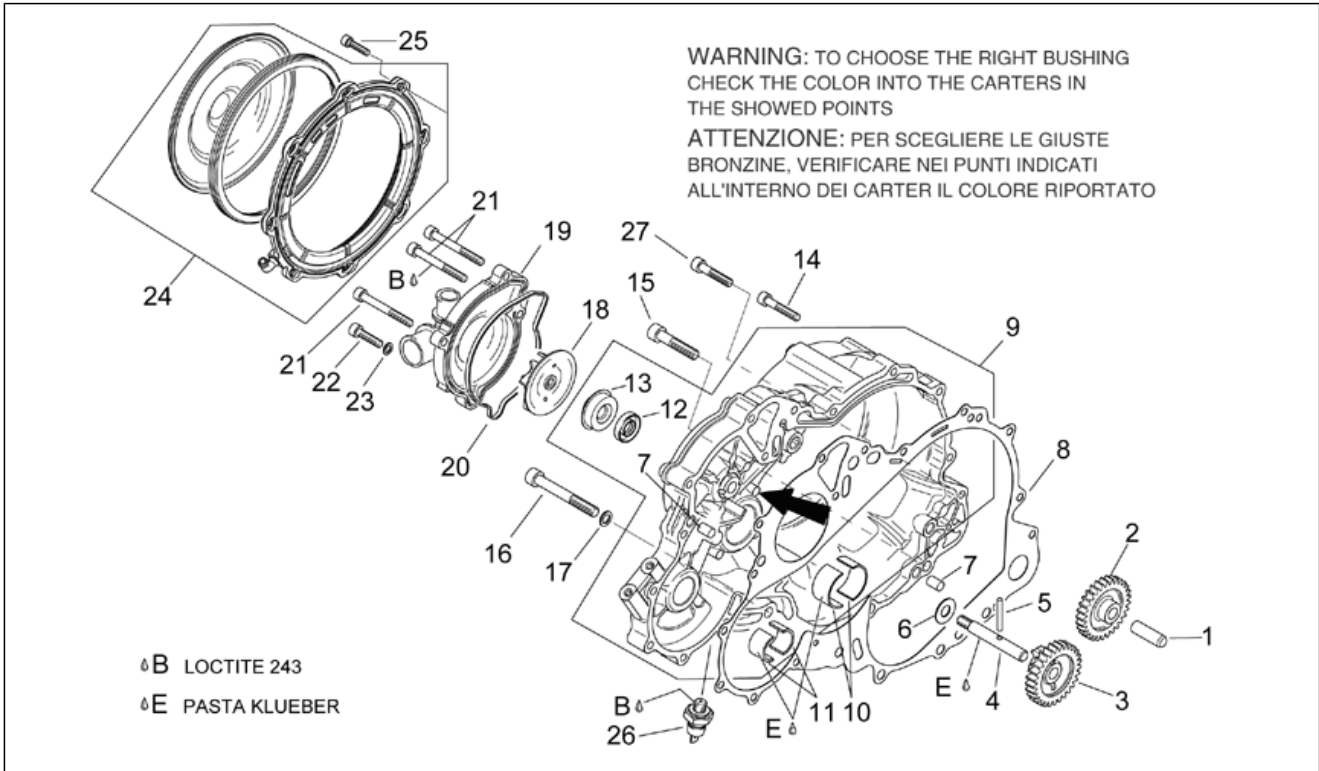
| Pos. | Code | Beschreibung | Menge | Varianten |
|------|-----------|----------------------------|-------|---|
| 1 | AP0627260 | Ausgleichscheibe 30,2x50 | 1 | |
| 2 | AP0634475 | Ölpumpen-Zahn. z=42 | 1 | |
| 3 | AP0627910 | Paßscheibe | 1 | |
| 4 | AP0295782 | Zahnrad Hauptgetriebe | 1 | Technische Daten: "Version RSV Mille ""R""acing"[R], Version RSV Mille[STD] |
| 4 | AP0295783 | Zahnrad Hauptgetriebe | 1 | Technische Daten: "Version ""R""acing GP1 Limited Ed."[RL] |
| 5 | AP0259582 | Stuetzteller | 1 | Technische Daten: "Version RSV Mille ""R""acing"[R], Version RSV Mille[STD] |
| 5 | AP0259583 | Stuetzteller | 1 | Technische Daten: "Version ""R""acing GP1 Limited Ed."[RL] |
| 6 | AP0239390 | Sprengscheibe 68x52x1,2 | 1 | |
| 7 | AP0259535 | Kupplungsglocke | 1 | |
| 8 | AP0295793 | Hauptgetriebe | 1 | Technische Daten: "Version RSV Mille ""R""acing"[R], Version RSV Mille[STD] |
| 8 | AP0295794 | Hauptgetriebe | 1 | Technische Daten: "Version ""R""acing GP1 Limited Ed."[RL] |
| 9 | AP0247972 | Buchse D5,5 | 8 | |
| 10 | AP0247974 | Buchse D11,5 | 4 | |
| 11 | AP0238135 | Feder | 4 | |
| 12 | AP0627220 | Ausgleichscheibe 25x44,4x5 | 1 | |
| 13 | AP0242206 | Mutter M8 | 3 | |
| 14 | AP0247614 | Distanzscheibe | 3 | |
| 15 | AP0238140 | Feder | 4 | |
| 16 | AP0259587 | Stuetzteller | 1 | Technische Daten: "Version RSV Mille ""R""acing"[R], Version RSV Mille[STD] |
| 16 | AP0259588 | Stuetzteller | 1 | Technische Daten: "Version ""R""acing GP1 Limited Ed."[RL] |
| 17 | AP0941835 | Schraube M8x25 | 3 | |
| 18 | AP0238130 | Feder | 2 | |

| | |
|---------------------|--------------------|
| Einheit | MOTOR |
| Code | 29.76 |
| Beschreibung | Wasserpumpenritzel |
| Inspektion | 1 |



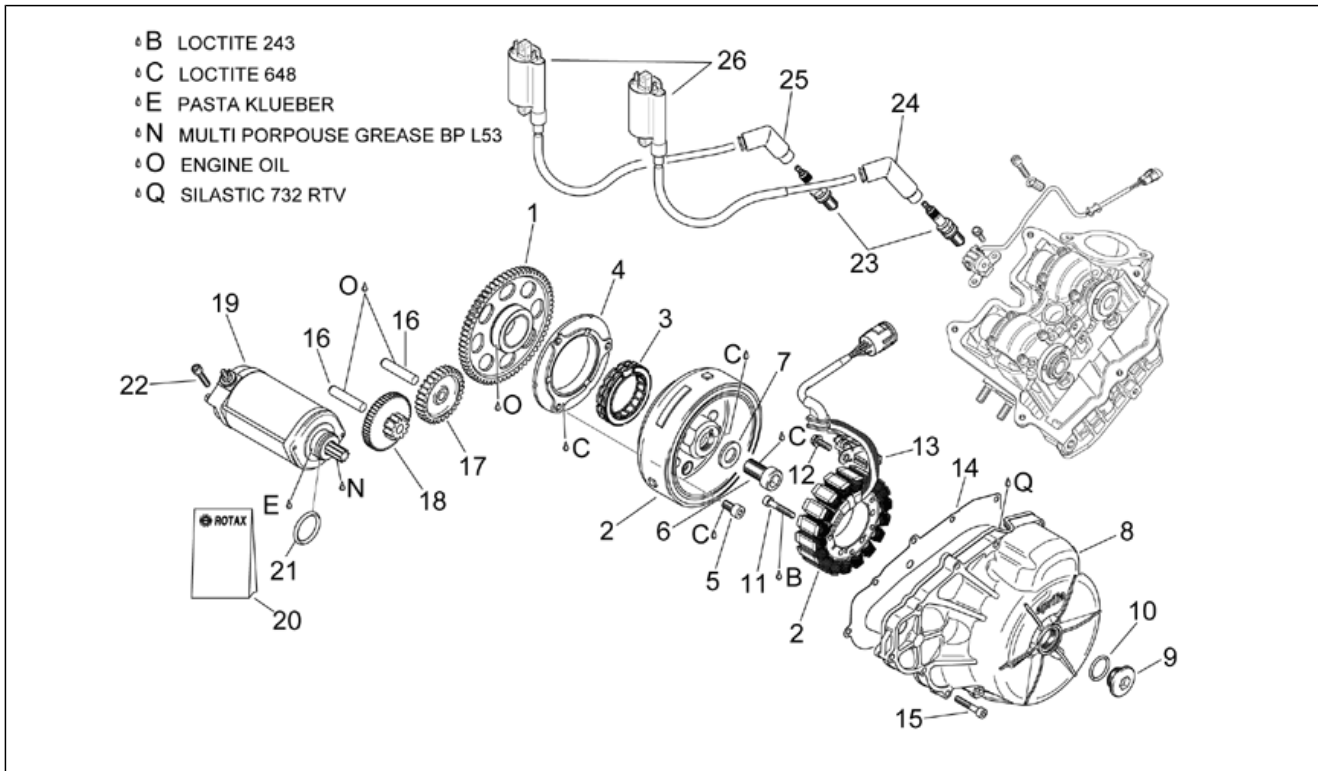
| Pos. | Code | Beschreibung | Menge | Varianten |
|------|-----------|-------------------------------|-------|-----------|
| 1 | AP0929930 | Bolzen | 1 | |
| 2 | AP0634500 | Freilaufgrad | 1 | |
| 3 | AP0634490 | Wasserpump.-Zahn. | 1 | |
| 4 | AP0220410 | Welle Wasserpumpe | 1 | |
| 5 | AP0232430 | Stift | 1 | |
| 6 | AP0227685 | Ausgleichscheibe 10,1x22x1 | 1 | |
| 7 | AP0632010 | Stift M8x12 | 2 | |
| 8 | AP0650330 | Dichtung | 1 | |
| 9 | AP0610151 | Kupplungsdeckel | 1 | |
| 10 | AP0233790 | Halbsch. Bronzebu., blau | 2 | |
| 10 | AP0233791 | Halbsch. Bronzebu., rot | 2 | |
| 10 | AP0233793 | Halbsch. Bronzebu., gelb | 2 | |
| 11 | AP0233780 | Halbsch. Bronzebchs. 20x24x16 | 2 | |
| 12 | AP0650310 | Ölabstreifring 10x25x5 | 1 | |
| 13 | AP0650370 | Pumpe Mechanische Dichtung | 1 | |
| 14 | AP0241811 | TCEI Schraube | 10 | |
| 15 | AP0440101 | TCEI Schraube | 3 | |
| 16 | AP0841841 | TCEI Schraube | 1 | |
| 17 | AP0950141 | Gasket ring 8x13 | 1 | |
| 18 | AP0222500 | Läufer | 1 | |
| 19 | AP0222512 | Wasserpumpenkörper | 1 | |
| 20 | AP0650240 | Dichtung | 1 | |
| 21 | AP0240331 | TCEI Schraube | 3 | |
| 22 | AP0840861 | TCEI Schraube M6x25 | 1 | |
| 23 | AP0230415 | Gasket ring 6x10 | 1 | |
| 24 | AP0211778 | Membranscheibe kplt. | 1 | |
| 25 | AP0240181 | TCEI Schraube | 8 | |
| 26 | AP0956169 | Öldruckschalter | 1 | |

| | |
|---------------------|--------------------|
| Einheit | MOTOR |
| Code | 29.76 |
| Beschreibung | Wasserpumpenritzel |
| Inspektion | 1 |



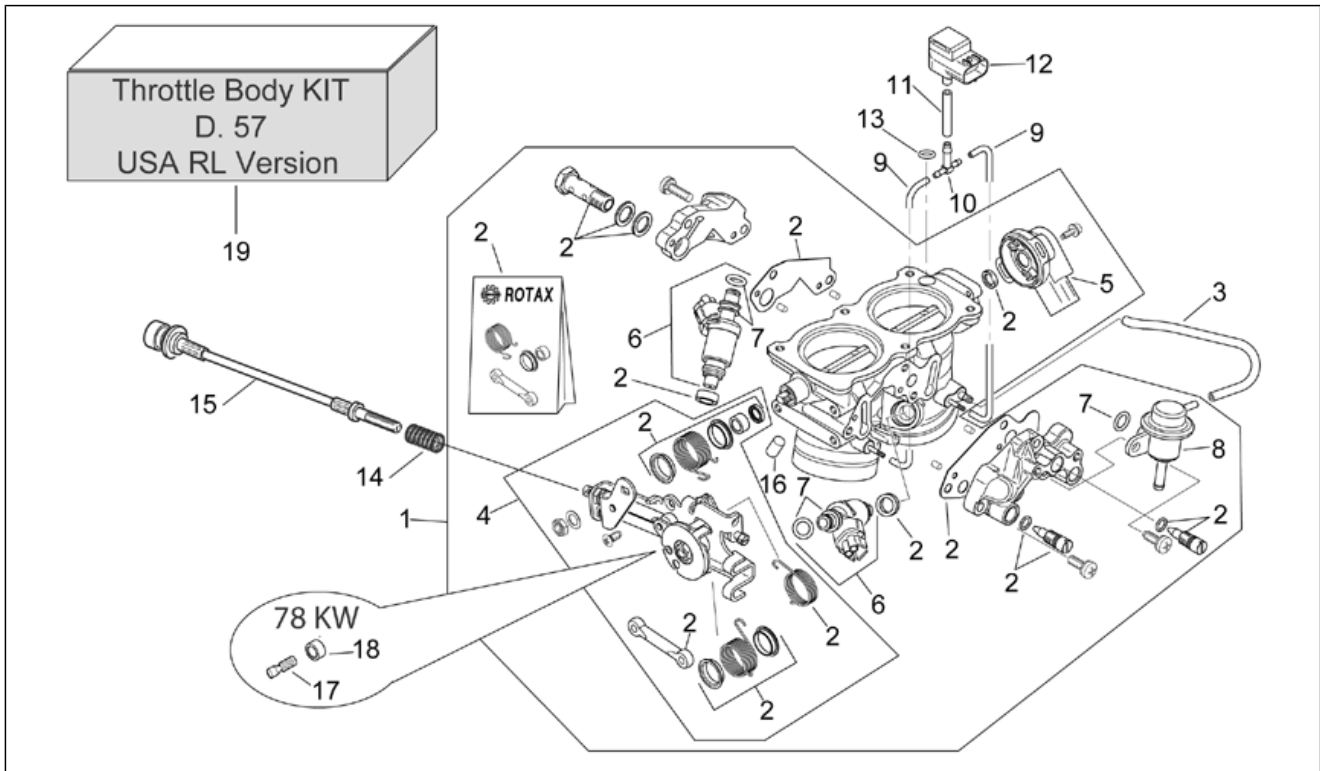
| Pos. | Code | Beschreibung | Menge | Varianten |
|------|-----------|---------------|-------|-----------|
| 27 | AP0241761 | TCEI Schraube | 1 | |

| | |
|---------------------|------------|
| Einheit | MOTOR |
| Code | 29.77 |
| Beschreibung | Zündgruppe |
| Inspektion | 1 |



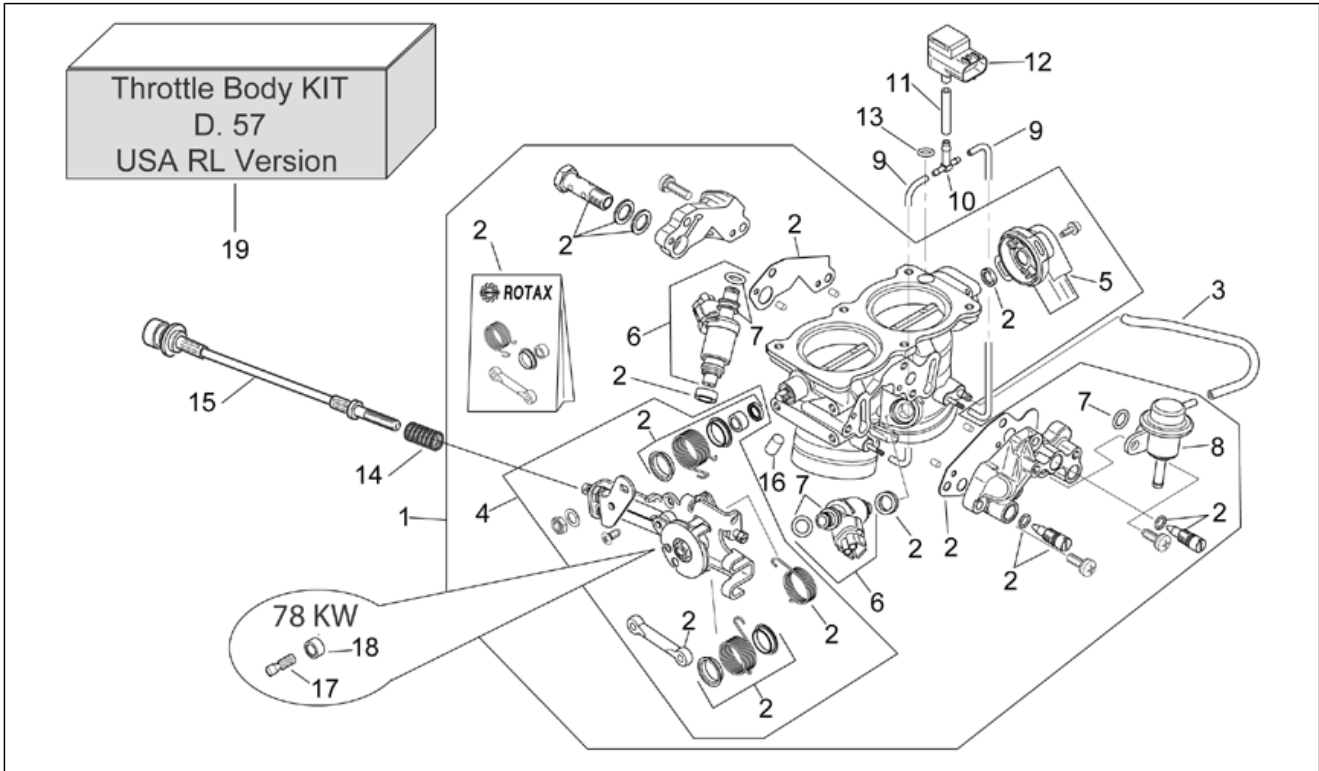
| Pos. | Code | Beschreibung | Menge | Varianten |
|------|-----------|---------------------------|-------|---|
| 1 | AP0634595 | Zahnrad Freilaufzahn z=64 | 1 | |
| 2 | AP0295830 | Zündung 12V-380W | 1 | |
| 3 | AP0659110 | Freilaufzahn | 1 | |
| 4 | AP0659120 | Flansch Freilaufzahn | 1 | Technische Daten: "Version RSV Mille ""R""acing"[R], Version RSV Mille[STD] |
| 4 | AP0659121 | Flansch Freilaufzahn | 1 | Technische Daten: "Version ""R""acing GP1 Limited Ed."[RL] |
| 5 | AP0641590 | TCEI Schraube | 3 | |
| 6 | AP0241541 | TCEI Schraube m16x30 | 1 | |
| 7 | AP0627270 | Ausgleichscheibe a17 | 1 | |
| 8 | AP0211651 | Zünddeckel | 1 | |
| 9 | AP0241631 | Deckel m24x1,5 | 1 | |
| 10 | AP0430782 | O-Ring 23,3x2,4 | 1 | |
| 11 | AP0241816 | TCEI Schraube M6x40 | 3 | |
| 12 | AP0240580 | TE Schr. m. Flansch | 2 | |
| 13 | AP0260870 | Kabelschutz | 1 | |
| 14 | AP0650340 | Dichtung | 1 | |
| 15 | AP0241811 | TCEI Schraube | 12 | |
| 16 | AP0229301 | Bolzen M6x50 | 2 | |
| 17 | AP0634600 | Freilaufzahn | 1 | |
| 18 | AP0634740 | Doppeltes Zahn. | 1 | |
| 19 | AP0294356 | Anlasser komplett | 1 | |
| 20 | AP0294352 | Aust.satz Anlasser | 1 | |
| 21 | AP0250140 | O-Ring 24,4x3,1 | 1 | |
| 22 | AP0840882 | TCEI Schraube | 2 | |
| 23 | AP0297942 | Zündkerze DCPR9E | 4 | |
| 24 | AP0265246 | Kerzenhaube innen | 2 | |
| 25 | AP0265244 | Kerzenhaube außen | 2 | |
| 26 | AP0265480 | Zuendtransf.cpl. | 2 | |

| | |
|---------------------|---------------|
| Einheit | MOTOR |
| Code | 29.78 |
| Beschreibung | Klappenkörper |
| Inspektion | 1 |



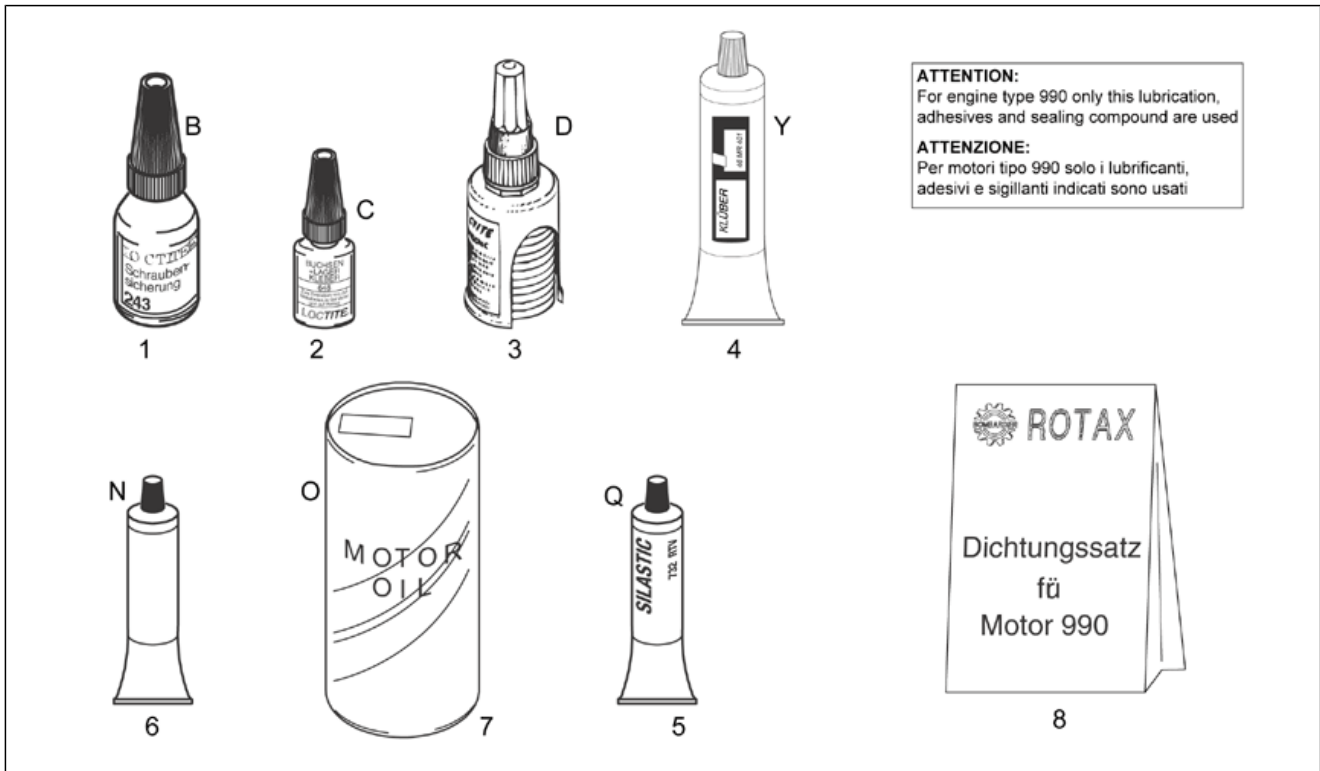
| Pos. | Code | Beschreibung | Menge | Varianten |
|------|-----------|---------------------------|-------|---|
| 1 | AP0295696 | Klappenkörper kpl. | 1 | Land: USA (Zulassung 49 Staaten)[AM], USA (Zulassung California)[CF], Vereinigte Staaten von Amerika[USA] Technische Daten: "Version ""R""acing GP1 Limited Ed."[RL] |
| 1 | AP0295696 | Klappenkörper kpl. | 1 | Technische Daten: "Version RSV Mille ""R""acing[R], Version RSV Mille[STD] |
| 1 | AP0296975 | Klappenkörper kpl. D.57 | 1 | Land: Österreich[A], Australien[AA], Australien[AUS], Belgien[B], Belgien[BB], Schweiz[CH], Deutschland[D], Dänemark[DK], Spanien[E], A, CH, D, DK, GR, E, I, NL, P[EU], Frankreich[F], Frankreich[FF], Griechenland[GR], Italien[I], Japan[J], Japan[JJ], Holland[NL], Portugal[P], Großbritannien[UK] Technische Daten: "Version ""R""acing GP1 Limited Ed."[RL] |
| 2 | AP0281241 | Aust.satz Drosselklap. | 1 | |
| 3 | AP0960122 | Fühlerschlauch 110mm | 1 | |
| 4 | AP0661011 | Fixierplatte Gaszug kpl. | 1 | |
| 5 | AP0274030 | Fühler Drosselklappe | 1 | |
| 6 | AP0274010 | Einspritzventil kplt. | 2 | |
| 7 | AP0296180 | Dichtungen - Satz | 1 | |
| 8 | AP0274020 | Kraftstoff-Druckregler | 1 | |
| 9 | AP0960111 | Fühlerschlauch 95 mm | 2 | |
| 10 | AP0874320 | 3-Wegeanschluß | 1 | |
| 11 | AP0960121 | Fühlerschlauch 30 mm | 1 | |
| 12 | AP0274050 | Druckfühler | 1 | |
| 13 | AP0650670 | O-Ring D4x2 | 1 | |
| 14 | AP0268010 | Feder | 1 | |
| 15 | AP8114420 | Kabel LeerlaufEinstellung | 1 | |
| 16 | AP0660020 | Kappe | 1 | |
| 17 | AP8176062 | Reißschraube | 1 | Technische Daten: Leistung 78 Kw[78Kw], "Version ""R""acing GP1 Limited Ed."[RL] |
| 18 | AP8176063 | Buchse | 1 | Technische Daten: Leistung 78 Kw[78Kw], "Version ""R""acing GP1 Limited Ed."[RL] |

| | |
|---------------------|---------------|
| Einheit | MOTOR |
| Code | 29.78 |
| Beschreibung | Klappenkörper |
| Inspektion | 1 |



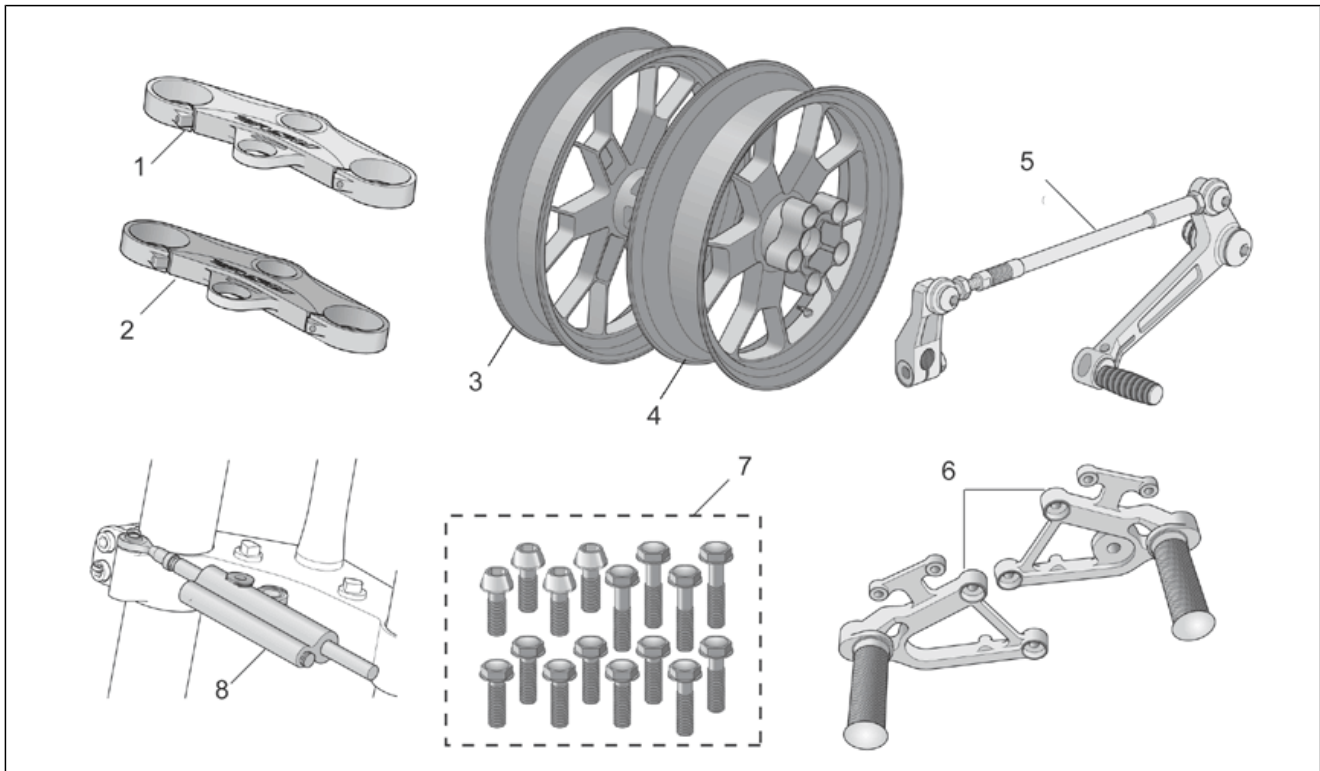
| Pos. | Code | Beschreibung | Menge | Varianten |
|------|---------|--------------|-------|---|
| 19 | 0000000 | Reifen | 1 | Technische Daten:Zubehör[A], "Version ""R""acing GP1 Limited Ed."[RL] |

| | |
|---------------------|--------------------|
| Einheit | MOTOR |
| Code | 29.79 |
| Beschreibung | Verbrauchsmaterial |
| Inspektion | 1 |



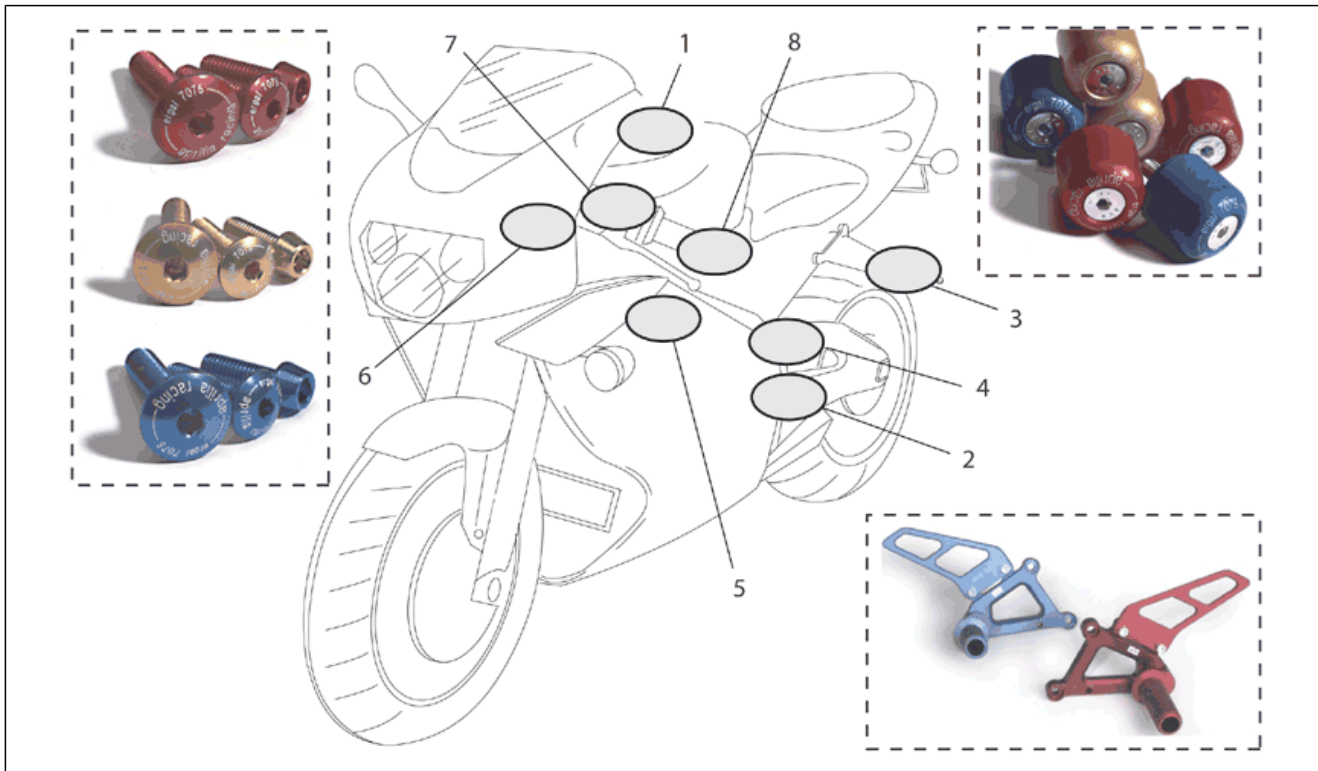
| Pos. | Code | Beschreibung | Menge | Varianten |
|------|-----------|--------------------------|-------|-----------|
| 1 | AP0897651 | Loctite, blau 243 10cc. | 1 | |
| 2 | AP0899788 | Loctite, grün 648 5gr. | 1 | |
| 3 | AP0899784 | Loctite, orange 574 | 1 | |
| 4 | AP0297616 | Klueberpaste 60 g | 1 | |
| 5 | AP0297386 | Silastic 732 Rtv 100 gr. | 1 | |
| 6 | 0000000 | Reifen | 1 | |
| 7 | 0000000 | Reifen | 1 | |
| 8 | AP0296170 | Dichtungen - Satz | 1 | |

| | |
|---------------------|-------------------|
| Einheit | ZUBEHÖR |
| Code | 30.01 |
| Beschreibung | Acc. - Fahrwerk I |
| Inspektion | 1 |



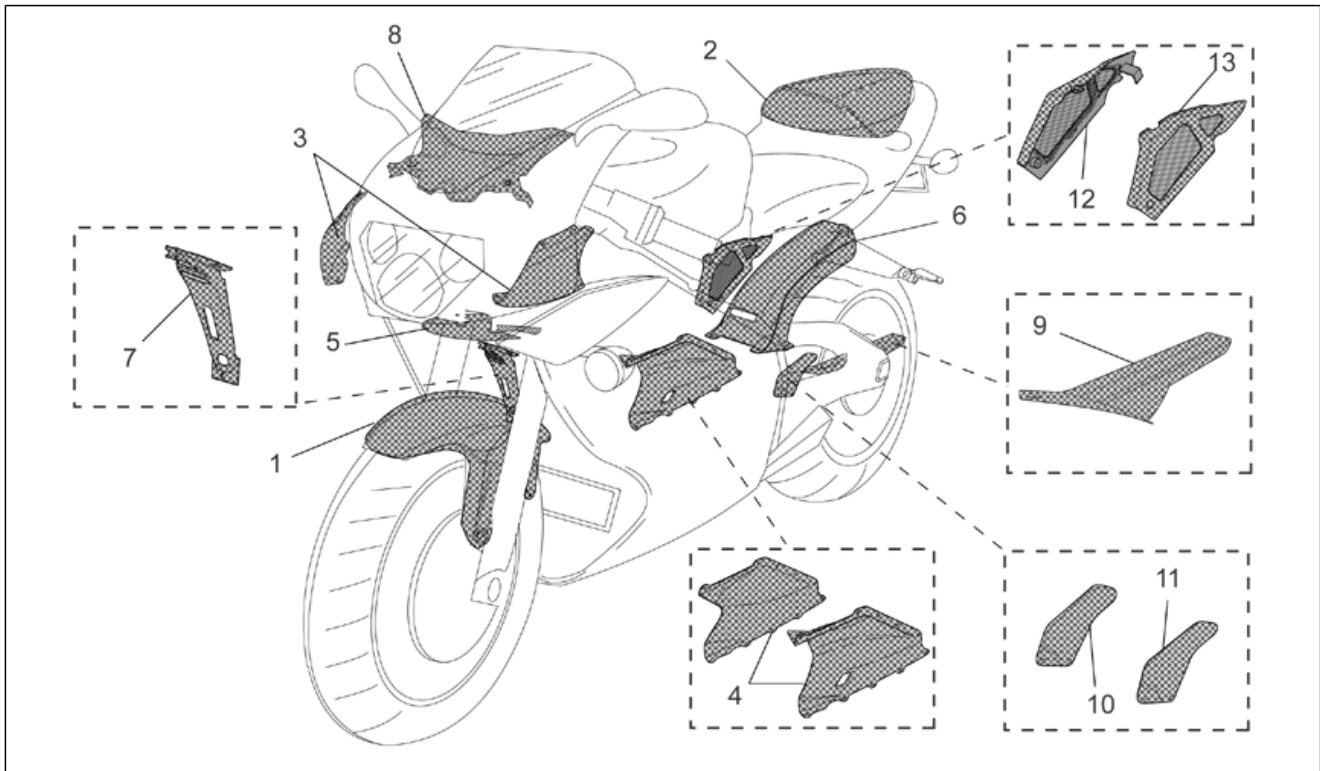
| Pos. | Code | Beschreibung | Menge | Varianten |
|------|-----------|---------------------------------|-------|--|
| 1 | AP8796532 | Lenkungsplatte Showa-Alu | 1 | Technische Daten: Zubehör[A], Version RSV Mille[STD] |
| 1 | AP8796534 | Lenkungsplatte Ohlins-Alu | 1 | Technische Daten: Zubehör[A], "Version RSV Mille ""R""acing"[R], "Version ""R""acing GP1 Limited Ed."[RL] |
| 2 | AP8796533 | Lenkungsplatte Showa-Alu | 1 | Technische Daten: Zubehör[A], Version RSV Mille[STD] |
| 2 | AP8796535 | Lenkungsplatte gold Ohlins-Alu | 1 | Technische Daten: Zubehör[A], "Version RSV Mille ""R""acing"[R], "Version ""R""acing GP1 Limited Ed."[RL] |
| 3 | AP8796196 | Vorderrad geschm.blau l. OZ-Alu | 1 | Technische Daten: Zubehör[A], Version RSV Mille[STD] |
| 3 | AP8796263 | Vorderrad geschm.sil.l. OZ-Alu | 1 | Technische Daten: Zubehör[A], Version RSV Mille[STD] |
| 4 | AP8796197 | Hinterrad geschm.blau l. OZ-Alu | 1 | Technische Daten: Zubehör[A], Version RSV Mille[STD] |
| 4 | AP8796264 | Hinterrad geschm.silber OZ-Alu | 1 | Technische Daten: Zubehör[A], Version RSV Mille[STD] |
| 5 | AP8796530 | Schaltheb. ERGAL | 1 | Technische Daten: Zubehör[A] |
| 6 | AP8796531 | Rasten verstellbar Alu | 1 | Technische Daten: Zubehör[A] |
| 7 | AP8796050 | Kit Schrauben 16 Stck. Titan | 1 | Technische Daten: Zubehör[A] |
| 8 | AP8123972 | Lenk Stoßdämpfer Ohlin | 1 | Technische Daten: Zubehör[A], Version RSV Mille[STD] |

| | |
|---------------------|--------------------|
| Einheit | ZUBEHÖR |
| Code | 30.02 |
| Beschreibung | Acc. - Fahrwerk II |
| Inspektion | 1 |



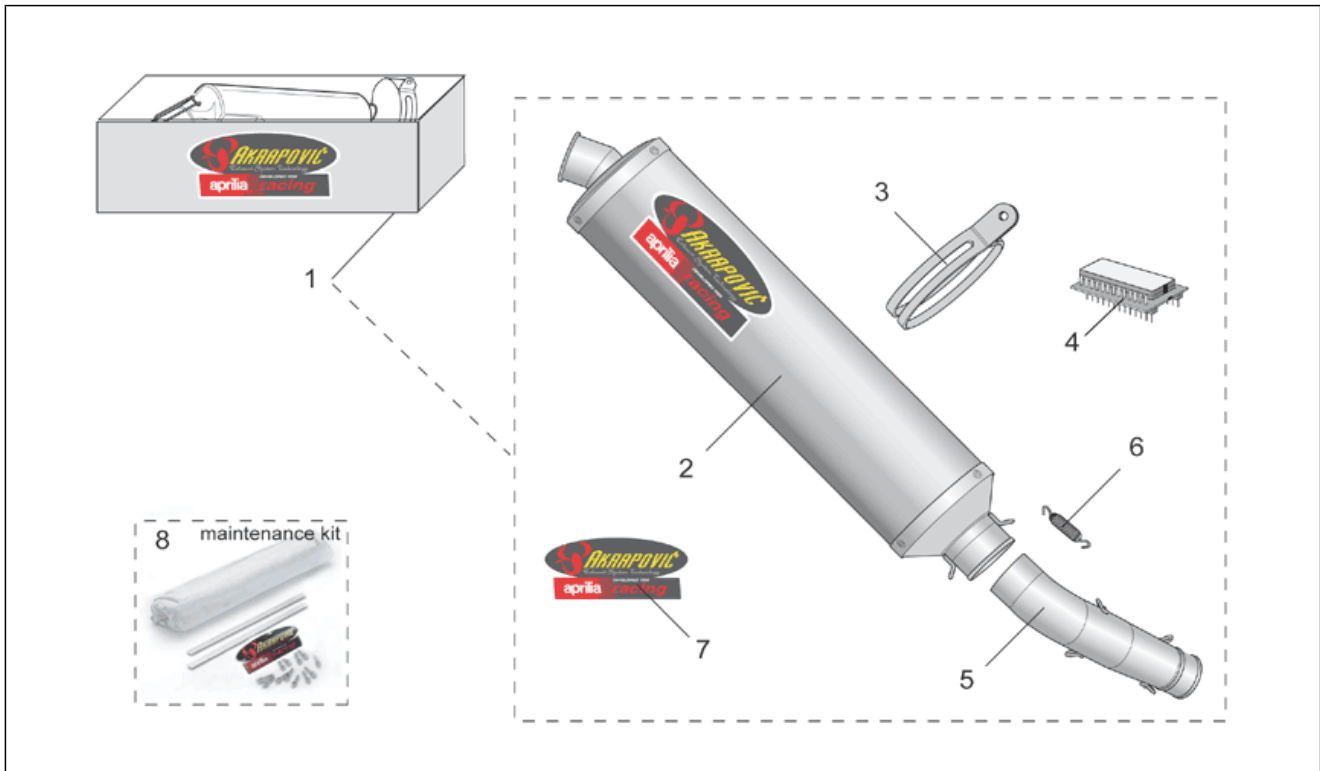
| Pos. | Code | Beschreibung | Menge | Varianten |
|------|-----------|--------------------------------|-------|-----------|
| 1 | AP8140451 | Tenckdeckelschrauben rot Ergal | 1 | |
| 1 | AP8140453 | Tankdeckelschrauben gold Ergal | 1 | |
| 2 | AP8140496 | Fahrerpedalreg.Paar Ergal-Red | 1 | |
| 2 | AP8140497 | Fahrerpedalreg.Paar Ergal-Blu | 1 | |
| 2 | AP8140498 | Fahrerpedalreg.Paar Ergal-Oro | 1 | |
| 2 | AP8140702 | Fahrerpedalreg.Paar swz. Ergal | 1 | |
| 3 | AP8140499 | Soziusrasten (Paar) Ergal-Red | 1 | |
| 3 | AP8140500 | Soziusrasten (Paar) Ergal-Blu | 1 | |
| 3 | AP8140501 | Soziusrasten (Paar) Ergal-Oro | 1 | |
| 3 | AP8140703 | Soziusraste - Paar swz. Ergal | 1 | |
| 4 | AP8140505 | Fahrerrastensc.-Paar Ergal-Red | 1 | |
| 4 | AP8140506 | Fahrerrastensc.-Paar Ergal-Blu | 1 | |
| 4 | AP8140507 | Fahrerrastensc.-Paar Ergal-Oro | 1 | |
| 5 | AP8140520 | Schrauben Verkleidung r. Ergal | 1 | |
| 5 | AP8140521 | Schrauben Verkleidung b. Ergal | 1 | |
| 5 | AP8140522 | Schrauben verkleidung g. Ergal | 1 | |
| 6 | AP8140523 | Schrauben Deflektor rot Ergal | 1 | |
| 6 | AP8140524 | Schrauben Deflektor blau Ergal | 1 | |
| 6 | AP8140525 | Schrauben Deflektor gold Ergal | 1 | |
| 7 | AP8140532 | Lenkerschrauben rot Ergal | 1 | |
| 7 | AP8140533 | Lenkerschrauben blau Ergal | 1 | |
| 7 | AP8140534 | Lenkerschrauben gold Ergal | 1 | |
| 8 | AP8140699 | Schwingschutz.Lenk.rot Ergal | 1 | |
| 8 | AP8140700 | Schwingschutz.Lenk.blau Ergal | 1 | |
| 8 | AP8140701 | Schwingschutz.Lenk.gold Ergal | 1 | |

| | |
|---------------------|--------------------------------|
| Einheit | ZUBEHÖR |
| Code | 30.03 |
| Beschreibung | Acc. - Spez. Verkleidungsteile |
| Inspektion | 1 |



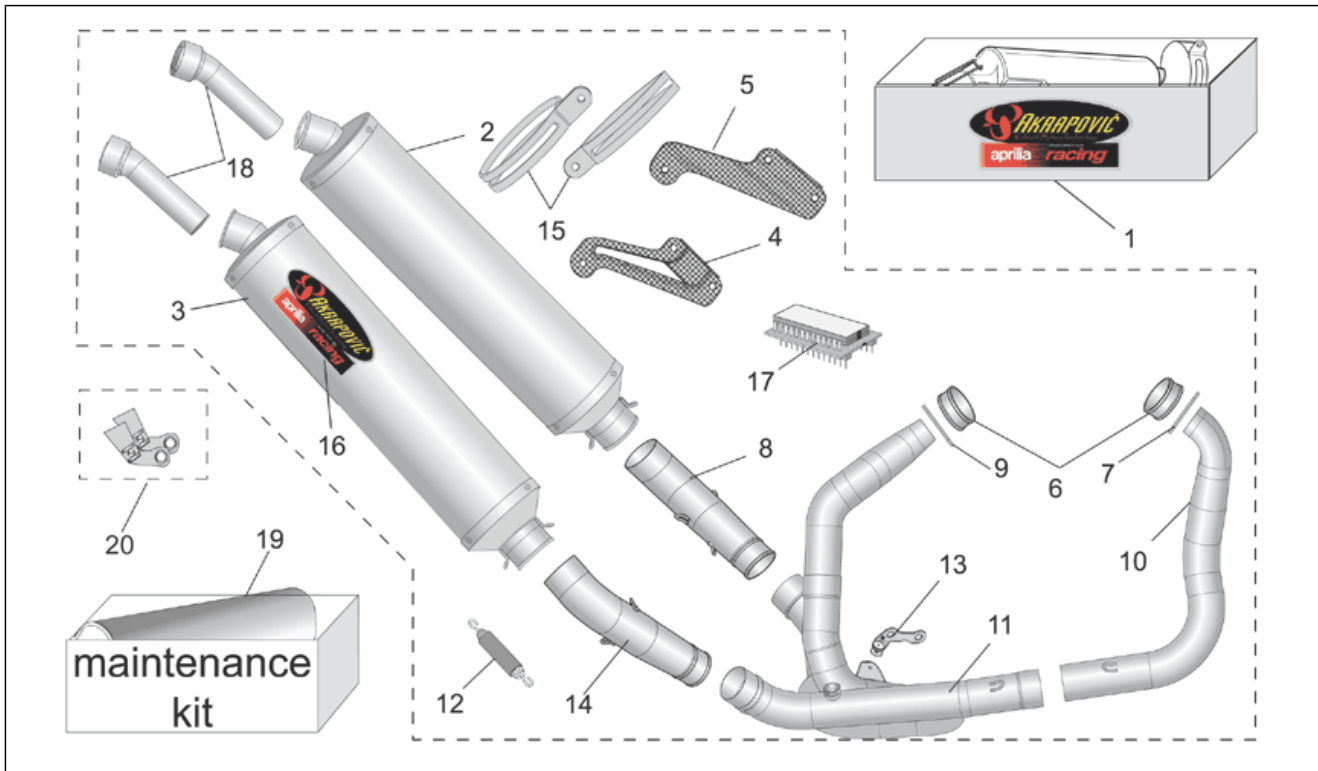
| Pos. | Code | Beschreibung | Menge | Varianten |
|------|-----------|--------------------------------|-------|--|
| 1 | AP8796055 | Schutzblech vorn Kohl. | 1 | Technische Daten: Zubehör[A], Version RSV Mille[STD] |
| 2 | AP8791233 | Soziussitzabdeckung Carb. | 1 | Technische Daten: Zubehör[A], "Version RSV Mille ""R""acing"[R], Version RSV Mille[STD] |
| 3 | AP8796209 | Deflektor Carb. Carb. | 1 | Technische Daten: Zubehör[A], Version RSV Mille[STD] |
| 4 | AP8796210 | Luftabzieher Carb. | 1 | Technische Daten: Zubehör[A], Version RSV Mille[STD] |
| 5 | AP8791058 | Deckel Vorderradgabel Carb. | 1 | Technische Daten: Zubehör[A] |
| 6 | AP8791048 | Schutzblech hinten Kohl. | 1 | Technische Daten: Zubehör[A], Version RSV Mille[STD] |
| 7 | AP8796200 | Deckel Kühlersteuerung Carb. | 1 | Technische Daten: Zubehör[A] |
| 8 | AP8796208 | Randleiste Instrumenten. Carb. | 1 | Technische Daten: Zubehör[A], Version RSV Mille[STD] |
| 9 | AP8791055 | Kettenkasten Kohlen. | 1 | Technische Daten: Zubehör[A] |
| 10 | AP8791052 | Fahrrastenschutz re. Carb. | 1 | Technische Daten: Zubehör[A] |
| 11 | AP8791053 | Fahrrastenschutz li. Carb. | 1 | Technische Daten: Zubehör[A] |
| 12 | AP8796201 | Seitenteil untertank re. Carb. | 1 | Technische Daten: Zubehör[A] |
| 13 | AP8796202 | Seitenteil untertank li. Carb. | 1 | Technische Daten: Zubehör[A] |

| | |
|---------------------|----------------------------|
| Einheit | ZUBEHÖR |
| Code | 30.04 |
| Beschreibung | Acc. - Tuning Motorteile I |
| Inspektion | 1 |



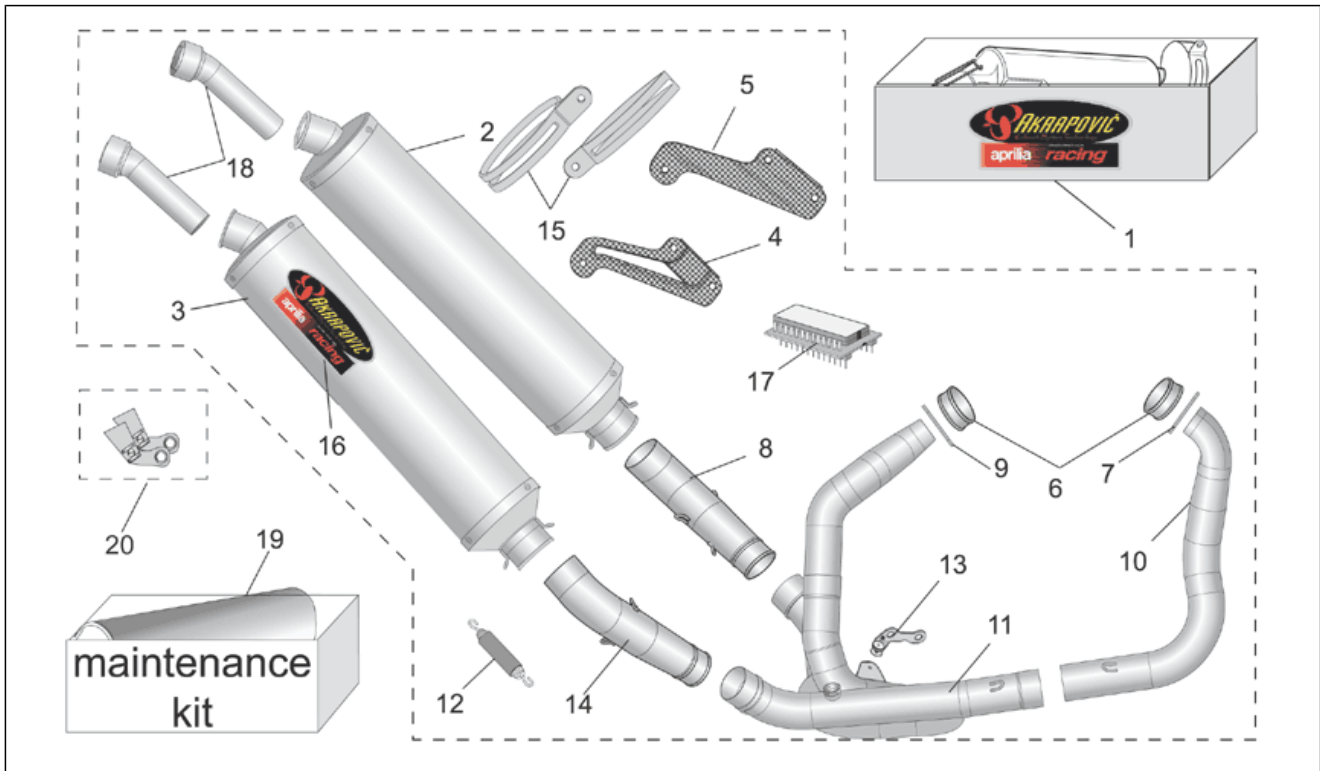
| Pos. | Code | Beschreibung | Menge | Varianten |
|------|-----------|--------------------------------|-------|--|
| 1 | AP8797219 | Auslassgruppe KIT Akra Mono | 1 | Technische Daten: Zubehör[A], Nur Einsatz auf geschlossener Rennstrecke[Circ] |
| 2 | AP8797227 | Schalldämpfer Titan | 1 | Technische Daten: Zubehör[A], Nur Einsatz auf geschlossener Rennstrecke[Circ] |
| 3 | AP8797228 | Schelle m/Halterung | 1 | Technische Daten: Zubehör[A], Nur Einsatz auf geschlossener Rennstrecke[Circ] |
| 4 | AP8796495 | Eprom Titan-Evo | 1 | Technische Daten: Zubehör[A], Nur Einsatz auf geschlossener Rennstrecke[Circ] |
| 5 | AP8797229 | Auspuffrohr Inox | 1 | Technische Daten: Zubehör[A], Nur Einsatz auf geschlossener Rennstrecke[Circ] |
| 6 | AP8796519 | Feder Auspuffrohre | 4 | Technische Daten: Zubehör[A] |
| 7 | AP8797215 | Aufkleber | 1 | Technische Daten: Zubehör[A], Nur Einsatz auf geschlossener Rennstrecke[Circ] |
| 8 | AP8797230 | Bausatz Entlüftungsüberh. Akra | 1 | Technische Daten: Zubehör[A], Nur Einsatz auf geschlossener Rennstrecke[Circ] |

| | |
|---------------------|-----------------------------|
| Einheit | ZUBEHÖR |
| Code | 30.05 |
| Beschreibung | Acc. - Tuning Motorteile II |
| Inspektion | 1 |



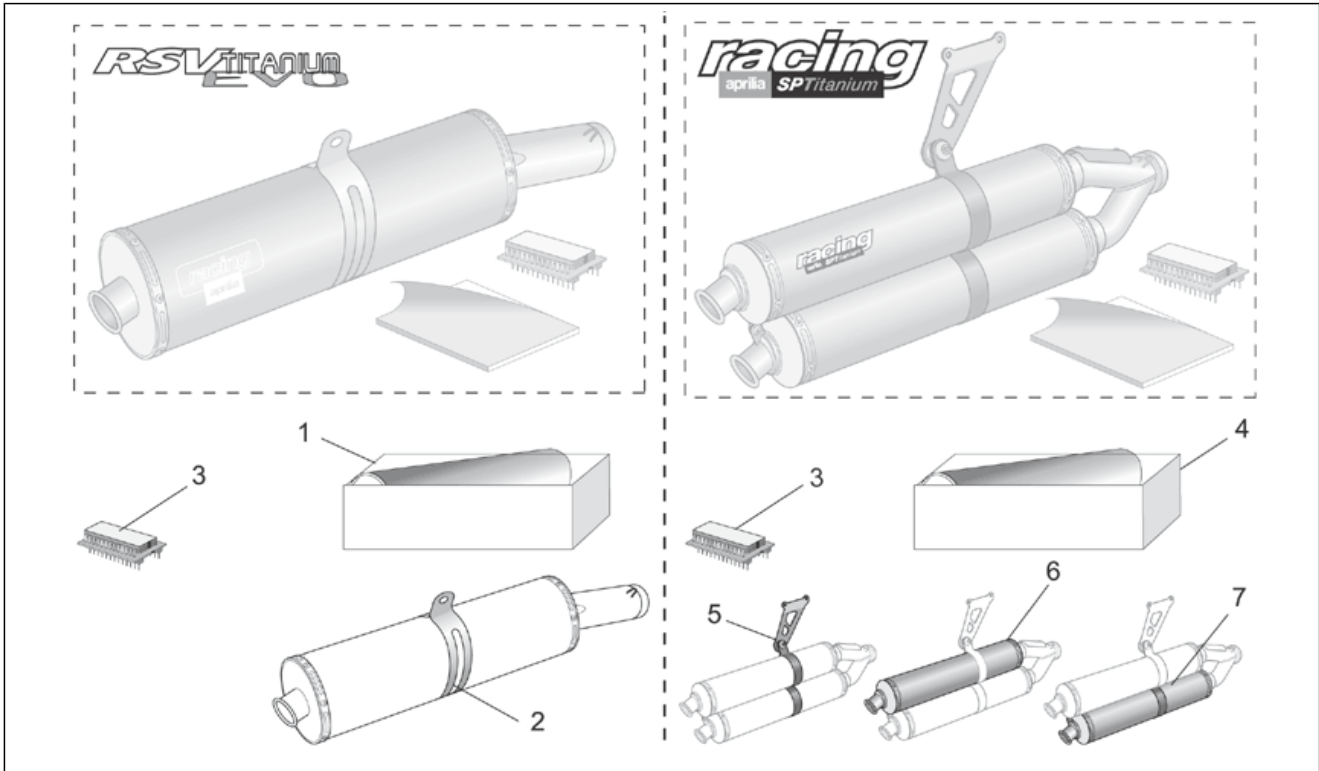
| Pos. | Code | Beschreibung | Menge | Varianten |
|------|-----------|--|-------|--|
| 1 | AP8797006 | Kit Auslass kpl. AkrapovicSBK | 1 | Technische Daten: Zubehör[A], Alle Länder mit Zul.CEE-E1 0489[Om] |
| 2 | AP8796511 | Auspufftopf links Titan | 1 | Technische Daten: Zubehör[A], Nur Einsatz auf geschlossener Rennstrecke[Circ] |
| 2 | AP8797156 | Auspufftopf links titan | 1 | Technische Daten: Zubehör[A], Alle Länder mit Zul.CEE-E1 0489[Om] |
| 3 | AP8796512 | Auspufftopf rechts Titan | 1 | Technische Daten: Zubehör[A], Nur Einsatz auf geschlossener Rennstrecke[Circ] |
| 3 | AP8797157 | Auspufftopf rechts titan | 1 | Technische Daten: Zubehör[A], Alle Länder mit Zul.CEE-E1 0489[Om] |
| 4 | AP8796514 | Linkes bügel, carb. Carb. | 1 | Technische Daten: Zubehör[A] |
| 5 | AP8796515 | Rechtes bügel, carb. Carb. | 1 | Technische Daten: Zubehör[A] |
| 6 | AP8796518 | Dichtung Auspuffrohr | 1 | Technische Daten: Zubehör[A] |
| 7 | AP8796516 | Fordere Flansch | 1 | Technische Daten: Zubehör[A] |
| 8 | AP8796509 | Linkes Auspuffrohr Inox | 1 | Technische Daten: Zubehör[A] |
| 9 | AP8796517 | Hintere Flansch | 1 | Technische Daten: Zubehör[A] |
| 10 | AP8796507 | Auspuffrohr vorn Inox | 1 | Technische Daten: Zubehör[A] |
| 11 | AP8796508 | mitt. Auspuffrohr Inox | 1 | Technische Daten: Zubehör[A] |
| 12 | AP8796519 | Feder Auspuffrohre | 8 | Technische Daten: Zubehör[A] |
| 13 | AP8797160 | Halterbügel Inox | 1 | Technische Daten: Zubehör[A] |
| 14 | AP8796510 | R. Auspuffrohr Inox | 1 | Technische Daten: Zubehör[A] |
| 15 | AP8796513 | Fixierschelle Schalldämpfer Titan-Carb | 1 | Technische Daten: Zubehör[A] |
| 16 | AP8796520 | Aufkleber | 1 | Technische Daten: Zubehör[A], Nur Einsatz auf geschlossener Rennstrecke[Circ] |
| 16 | AP8797215 | Aufkleber | 1 | Technische Daten: Zubehör[A], Alle Länder mit Zul.CEE-E1 0489[Om] |
| 17 | AP8796505 | Eprom Akrapovic SBK | 1 | Technische Daten: Zubehör[A], Nur Einsatz auf geschlossener Rennstrecke[Circ] |
| 17 | AP8797165 | Eprom Akrapovic SBK | 1 | Technische Daten: Zubehör[A], Alle Länder mit Zul.CEE-E1 0489[Om] |

| | |
|---------------------|-----------------------------|
| Einheit | ZUBEHÖR |
| Code | 30.05 |
| Beschreibung | Acc. - Tuning Motorteile II |
| Inspektion | 1 |



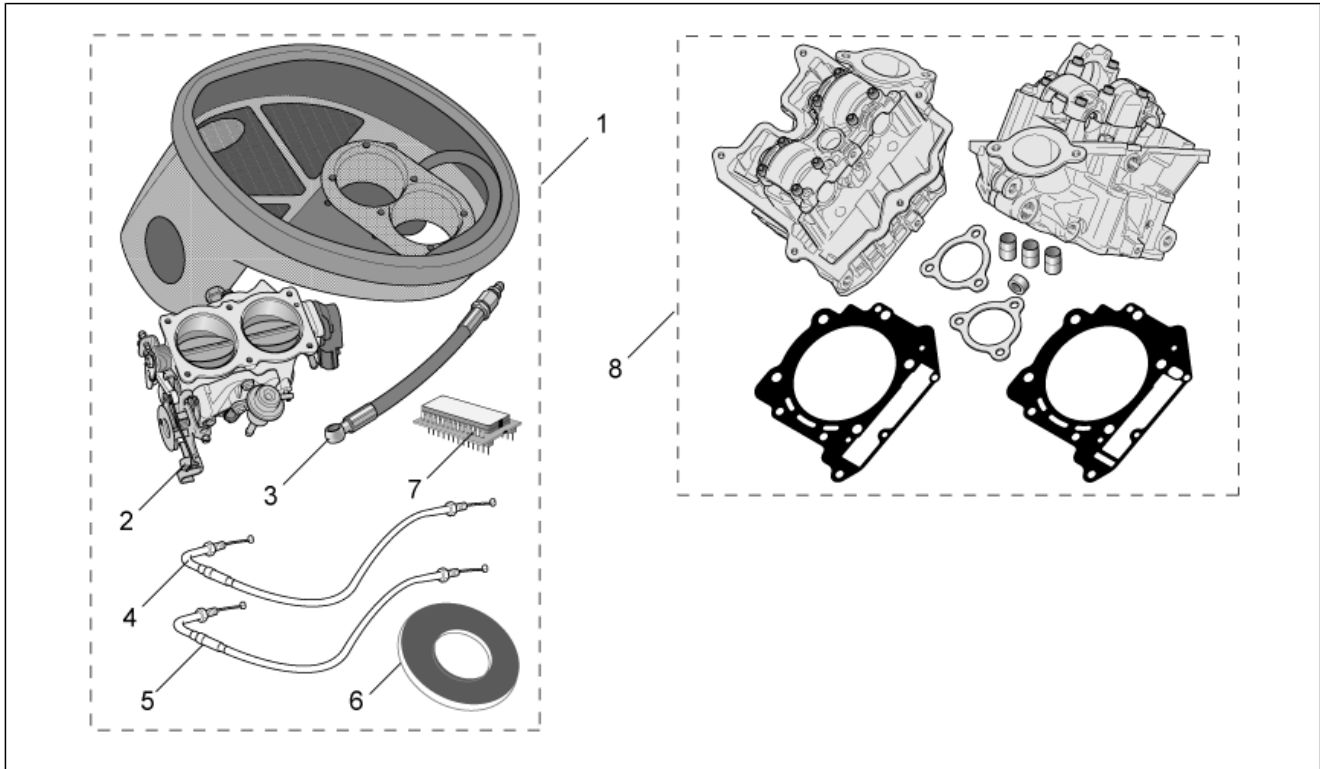
| Pos. | Code | Beschreibung | Menge | Varianten |
|------|-----------|---------------------------------|-------|--|
| 18 | AP8797159 | Übersetzung Auslassgruppe Akra. | 1 | Technische Daten: Zubehör[A], Alle Länder mit Zul.CEE-E1 0489[Om] |
| 19 | AP8797158 | Bausatz Entlüftungsüberh. Ak. | 2 | Technische Daten: Zubehör[A], Alle Länder mit Zul.CEE-E1 0489[Om] |
| 19 | AP8798001 | Bausatz Entlüftungsüberh. Akr | 2 | Technische Daten: Zubehör[A], Nur Einsatz auf geschlossener Rennstrecke[Circ] |
| 20 | AP8796506 | Halter Soziesfußraste KIT | 1 | Technische Daten: Zubehör[A] |

| | |
|---------------------|------------------------------|
| Einheit | ZUBEHÖR |
| Code | 30.06 |
| Beschreibung | Acc. - Tuning Motorteile III |
| Inspektion | 1 |



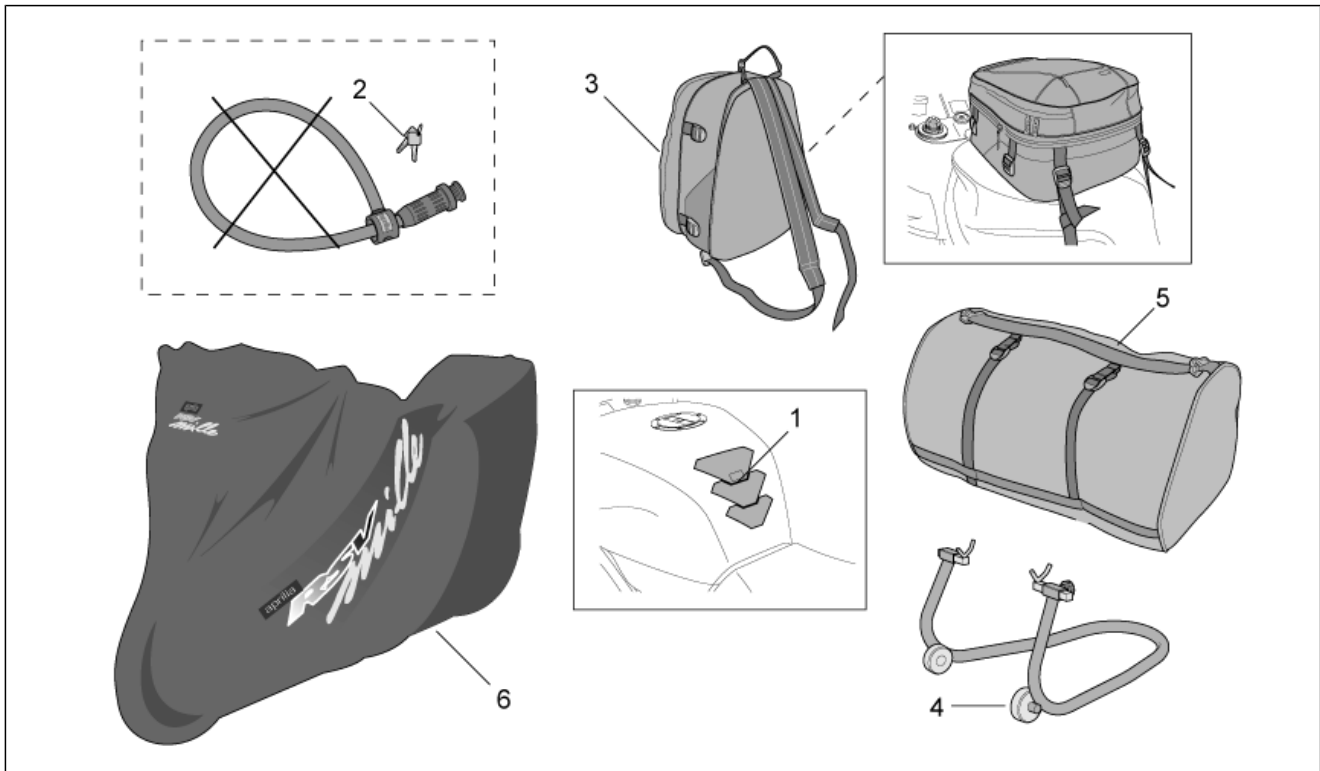
| Pos. | Code | Beschreibung | Menge | Varianten |
|------|-----------|---------------------------|-------|--|
| 1 | AP8796493 | Schalldämpfer kpl. | 1 | Technische Daten: Zubehör[A], Nur Einsatz auf geschlossener Rennstrecke[Circ] |
| 2 | AP8796492 | Fixierschelle | 1 | Technische Daten: Zubehör[A] |
| 3 | AP8796495 | Eprom Titan-Evo | 1 | Technische Daten: Zubehör[A] |
| 4 | AP8796498 | Schalldämpfer - Paar kpl. | 1 | Technische Daten: Zubehör[A], Nur Einsatz auf geschlossener Rennstrecke[Circ] |
| 5 | AP8796499 | Schelle m/Halterung Carb. | 1 | Technische Daten: Zubehör[A] |
| 6 | AP8796500 | O.Schalldämpfer SPTitan | 1 | Technische Daten: Zubehör[A], Nur Einsatz auf geschlossener Rennstrecke[Circ] |
| 7 | AP8796501 | U.Schalldämpfer SPTitan | 1 | Technische Daten: Zubehör[A], Nur Einsatz auf geschlossener Rennstrecke[Circ] |

| | |
|---------------------|-----------------------------|
| Einheit | ZUBEHÖR |
| Code | 30.07 |
| Beschreibung | Acc. - Tuning Motorteile IV |
| Inspektion | 1 |



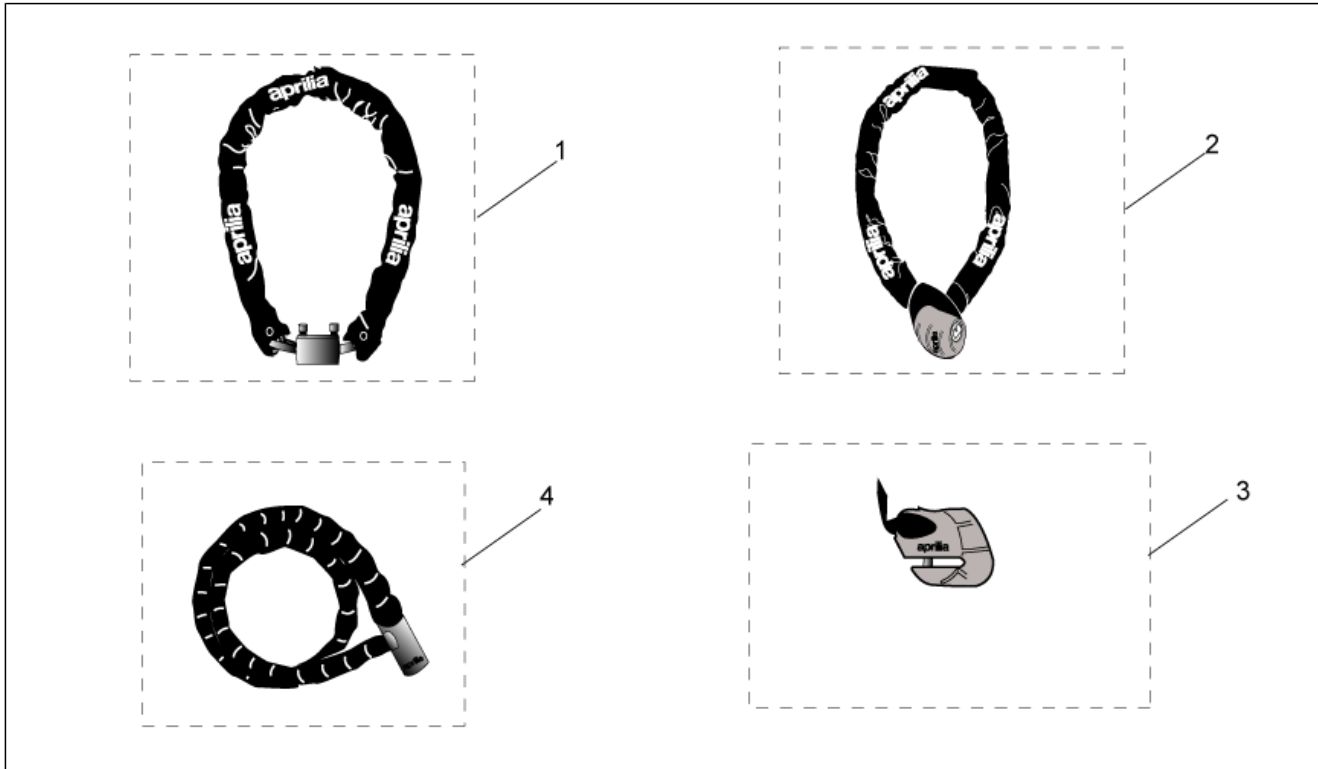
| Pos. | Code | Beschreibung | Menge | Varianten |
|------|-----------|---------------------------|-------|--|
| 1 | AP8796738 | Klappenkörper KIT Rac.D57 | 1 | Technische Daten: Zubehör[A], "Version RSV Mille ""R""acing"[R], Version RSV Mille[STD] |
| 2 | AP0296975 | Klappenkörper kpl. D.57 | 1 | Technische Daten: "Version RSV Mille ""R""acing"[R], Version RSV Mille[STD] |
| 3 | AP8798003 | Hochdruck Leitung | 1 | Technische Daten: Zubehör[A], "Version RSV Mille ""R""acing"[R], Version RSV Mille[STD] |
| 4 | AP8114342 | Gas trasmission delivery | 1 | Technische Daten: "Version RSV Mille ""R""acing"[R], Version RSV Mille[STD] |
| 5 | AP8114343 | Gas trasmission return | 1 | Technische Daten: "Version RSV Mille ""R""acing"[R], Version RSV Mille[STD] |
| 6 | AP8798002 | Dichtung airbox | 1 | Technische Daten: Zubehör[A], "Version RSV Mille ""R""acing"[R], Version RSV Mille[STD] |
| 7 | AP8796739 | Eprom | 1 | Technische Daten: Zubehör[A], "Version RSV Mille ""R""acing"[R], Version RSV Mille[STD] |
| 8 | AP8701093 | Kit Motortransformation | 1 | Technische Daten: Zubehör[A] |

| | |
|---------------------|------------------|
| Einheit | ZUBEHÖR |
| Code | 30.08 |
| Beschreibung | Acc. - Sonstiges |
| Inspektion | 1 |



| Pos. | Code | Beschreibung | Menge | Varianten |
|------|-----------|-----------------------------------|-------|--|
| 1 | AP8796047 | Kit Aufkleber Tankschutz | 1 | Technische Daten: Zubehör[A] |
| 2 | AP8700792 | Schlüssellersatzdie. B.Guard UK-D | 1 | Land: Deutschland[D], Großbritannien[UK] Technische Daten: Zubehör[A] |
| 2 | AP8700793 | Schlüssellersatzdie. B.Guard F-NL | 1 | Land: Frankreich[F], Holland[NL] Technische Daten: Zubehör[A] |
| 2 | AP8700794 | Schlüssellersatzdie. B.Guard I-E | 1 | Land: Spanien[E], Italien[I] Technische Daten: Zubehör[A] |
| 3 | AP8792156 | Tankrucksack | 1 | Technische Daten: Zubehör[A] |
| 4 | AP8705021 | Hauptständer hi.Werkstatt | 1 | Technische Daten: Zubehör[A] |
| 5 | AP8792152 | Gepäcktasche hi. | 1 | Technische Daten: Zubehör[A] |
| 6 | AP8796046 | Abdeckplane | 1 | Technische Daten: Zubehör[A] |

| | |
|---------------------|------------------|
| Einheit | ZUBEHÖR |
| Code | 30.80 |
| Beschreibung | Acc. - Diefstahl |
| Inspektion | 1 |



| Pos. | Code | Beschreibung | Menge | Varianten |
|------|-----------|----------------------|-------|-----------------------------|
| 1 | AP8720115 | Iron Guard 10x150 mm | 1 | Technische Daten:Zubehör[A] |
| 2 | AP8720116 | Iron Guard 8x120 mm | 1 | Technische Daten:Zubehör[A] |
| 3 | AP8720117 | Iron Guard Disk 5 mm | 1 | Technische Daten:Zubehör[A] |
| 4 | AP8720118 | Easy Guard 150 mm | 1 | Technische Daten:Zubehör[A] |