

**aprilia**<sup>®</sup>

## ERSATZTEILKATALOG



### **RSV4 1000 APRC Factory STD/SE 2011-2012**

Vorsatzcode Fahrgestell: ZD4RKB00, ZD4RKB01

Vorsatzcode Motor:

## Inhaltsverzeichnis

|   |    |
|---|----|
| Fertige Produkte.....                       | 4  |
| Alphanumerisches Verzeichnis.....           | 5  |
| RAHMEN.....                                 | 12 |
| Tafel 28.01 - Rahmen I.....                 | 12 |
| Tafel 28.02 - Rahmen II.....                | 14 |
| Tafel 28.03 - Fussrasten.....               | 15 |
| Tafel 28.04 - Hauptständer.....             | 16 |
| Tafel 28.05 - Lenkung.....                  | 17 |
| Tafel 28.06 - Vorderradgabel.....           | 18 |
| Tafel 28.07 - Schwinge.....                 | 19 |
| Tafel 28.08 - Hinten Stoßdämpfer.....       | 21 |
| Tafel 28.09 - Frontaufbau I.....            | 22 |
| Tafel 28.10 - Frontaufbau II.....           | 24 |
| Tafel 28.11 - Frontaufbau III.....          | 26 |
| Tafel 28.12 - Heckaufbau I.....             | 27 |
| Tafel 28.13 - Heckaufbau II.....            | 29 |
| Tafel 28.14 - Kraftstofftank.....           | 30 |
| Tafel 28.15 - Sitz.....                     | 32 |
| Tafel 28.16 - U. Sitzbank.....              | 33 |
| Tafel 28.17 - Instrumententafel.....        | 34 |
| Tafel 28.18 - Lenkstange - Schaltungen..... | 35 |
| Tafel 28.19 - Kupplungshebel.....           | 36 |
| Tafel 28.20 - Vorderradbrenspumpe.....      | 37 |
| Tafel 28.21 - Kühlanlage.....               | 38 |
| Tafel 28.22 - Ölkühler.....                 | 40 |
| Tafel 28.23 - Filtergehäuse.....            | 41 |
| Tafel 28.24 - Klappenkörper.....            | 42 |
| Tafel 28.25 - Auspuffrohr I.....            | 43 |
| Tafel 28.255 - Auspuffrohr II.....          | 45 |
| Tafel 28.26 - Vorderrad.....                | 47 |
| Tafel 28.27 - Vorderradbrenszange.....      | 48 |
| Tafel 28.28 - Hinterrad.....                | 49 |
| Tafel 28.29 - Hinterradbrenspumpe.....      | 50 |
| Tafel 28.30 - Hinterradbrenszange.....      | 51 |
| Tafel 28.31 - Scheinwerfer.....             | 52 |
| Tafel 28.32 - Rücklicht.....                | 53 |
| Tafel 28.33 - Elektrische anlage I.....     | 54 |
| Tafel 28.34 - Elektrische anlage II.....    | 56 |
| Tafel 28.35 - Elektrische Anlage III.....   | 57 |
| Tafel 28.36 - Bausatz Schösser.....         | 58 |
| Tafel 28.55 - Aufkleber und Deko.....       | 59 |
| Tafel 28.56 - Benzindampfrückf.-Anlage..... | 60 |
| Tafel 28.57 - Heckaufbau II.....            | 61 |

---

|   |    |
|---|----|
| Tafel 28.58 - Heckaufbau III.....         | 62 |
| MOTOR.....                                | 63 |
| Tafel 29.37 - Motor.....                  | 63 |
| Tafel 29.38 - Gehäuse I.....              | 64 |
| Tafel 29.39 - Kurbelwelle.....            | 66 |
| Tafel 29.40 - Zylinder - Kolben.....      | 68 |
| Tafel 29.41 - Ventildeckel.....           | 69 |
| Tafel 29.42 - Zylinderkopf - ventile..... | 70 |
| Tafel 29.43 - Ventilesbeläge.....         | 72 |
| Tafel 29.44 - Vrd. Zylindersteuer.....    | 75 |
| Tafel 29.45 - Hint. Zylindersteuer.....   | 76 |
| Tafel 29.46 - Schaltgetriebe.....         | 77 |
| Tafel 29.47 - Kupplung I.....             | 79 |
| Tafel 29.48 - Kupplung II.....            | 80 |
| Tafel 29.49 - Kupplungsdeckel.....        | 81 |
| Tafel 29.50 - Zündgruppe.....             | 82 |
| Tafel 29.51 - Deckel.....                 | 83 |
| Tafel 29.52 - Schmierung.....             | 84 |
| Tafel 29.53 - Secondary air.....          | 86 |
| Tafel 29.54 - Wasserpumpenritzel.....     | 87 |

## Fertige Produkte

| Code           | Gültigkeit |
|----------------|------------|
| AP6117200ACA01 |            |
| AP6117200ACAXX |            |
| AP6117200ACB01 |            |
| AP6117200ACB02 |            |
| AP6117200ACBSE |            |
| AP6117200EBA01 |            |
| AP6117200EBA02 |            |
| AP6117200EBAXX |            |
| AP6117200EBB02 |            |
| AP6117200EBBSE |            |
| AP6117200EBC00 |            |
| AP6117200EBC03 |            |
| AP6117200ECA01 |            |
| AP6117200ECA02 |            |
| AP6117200ECAXX |            |
| AP6117200ECB02 |            |
| AP6117200ECBSE |            |
| AP6117200ECC00 |            |
| AP6117200ECC03 |            |
| AP6117201EBA01 |            |
| AP6117201EBAXX |            |
| AP6117201EBB02 |            |
| AP6117201EBBSE |            |
| AP6117201JCA01 |            |
| AP6117201JCAXX |            |
| AP6117202JCC00 |            |
| AP6117202JCC03 |            |
| AP6117300CCB01 |            |
| AP6117300CCB02 |            |
| AP6117300CCBSE |            |
| AP6117300CCBXX |            |
| AP6117300CCC00 |            |
| AP6117300CCC01 |            |
| AP6117300CCC03 |            |
| AP6117300YCB01 |            |
| AP6117300YCB02 |            |
| AP6117300YCBSE |            |
| AP6117300YCBXX |            |
| AP6117300YCC00 |            |
| AP6117300YCC01 |            |
| AP6117300YCC03 |            |

| Code       | Nr. der Tafel | Pos. | Code    | Nr. der Tafel | Pos. | Code       | Nr. der Tafel | Pos. |
|------------|---------------|------|---------|---------------|------|------------|---------------|------|
| 006412     | 29.52         | 30   | 852090  | 28.255        | 3    | 857106     | 29.40         | 7    |
| 006630     | 29.51         | 13   | 852398  | 28.18         | 18   | 857107     | 29.40         | 2    |
| 020006     | 28.29         | 2    | 852480  | 29.37         | 3    | 857108     | 29.40         | 3    |
| 122675     | 29.49         | 12   | 852702  | 28.20         | 10   | 857109     | 29.38         | 20   |
| 181746     | 28.09         | 22   | 852702  | 28.27         | 8    | 857115     | 29.39         | 3    |
| 181746     | 28.13         | 18   | 852702  | 28.29         | 13   | 8571170001 | 29.39         | 4    |
| 197551     | 28.17         | 14   | 852702  | 28.30         | 5    | 8571170002 | 29.39         | 4    |
| 224035     | 29.42         | 23   | 854547  | 28.06         | 2    | 8571170003 | 29.39         | 4    |
| 235779     | 29.50         | 8    | 854811  | 28.35         | 7    | 857118     | 29.39         | 12   |
| 254485     | 28.25         | 14   | 854909  | 29.46         | 44   | 857121     | 29.39         | 11   |
| 269783     | 28.15         | 6    | 854951  | 29.46         | 45   | 857123     | 29.46         | 36   |
| 277330     | 29.52         | 25   | 856027  | 28.18         | 8    | 857125     | 29.40         | 9    |
| 289731     | 29.52         | 15   | 856062  | 28.56         | 11   | 857126     | 29.40         | 8    |
| 2A000166FF | 29.39         | 2    | 856063  | 28.56         | 4    | 857127     | 29.38         | 22   |
| 2B003301   | 28.36         | 13   | 856279  | 28.21         | 10   | 857127     | 29.49         | 18   |
| 2B004152   | 28.06         | 13   | 856543  | 28.21         | 28   | 857128     | 29.38         | 11   |
| 2D000064   | 28.25         | 27   | 856630  | 29.53         | 3    | 8571300001 | 29.39         | 8    |
| 2D000064   | 28.255        | 27   | 856631  | 29.53         | 1    | 8571300002 | 29.39         | 8    |
| 2R000037   | 29.42         | 12   | 856632  | 29.53         | 2    | 8571300003 | 29.39         | 8    |
| 2R000038   | 29.42         | 13   | 856696  | 28.01         | 21   | 8571320001 | 29.39         | 7    |
| 2R000041   | 29.42         | 12   | 857004  | 29.44         | 2    | 8571320002 | 29.39         | 7    |
| 2R000042   | 29.42         | 13   | 857004  | 29.45         | 2    | 8571320003 | 29.39         | 7    |
| 2R000161   | 28.31         | 1    | 857008  | 29.44         | 4    | 857139     | 29.38         | 19   |
| 2R000309   | 28.33         | 29   | 857008  | 29.45         | 4    | 857140     | 29.38         | 18   |
| 411209     | 29.38         | 5    | 857009  | 29.44         | 3    | 857143     | 29.52         | 13   |
| 411209     | 29.42         | 5    | 857009  | 29.45         | 3    | 857144     | 29.38         | 25   |
| 411209     | 29.49         | 5    | 857016  | 29.42         | 24   | 857147     | 29.52         | 22   |
| 436438     | 29.42         | 11   | 857017  | 29.42         | 22   | 857152     | 29.52         | 8    |
| 436947     | 28.25         | 2    | 8570224 | 29.42         | 9    | 857168     | 29.52         | 10   |
| 436947     | 28.255        | 2    | 857023  | 29.42         | 10   | 857175     | 29.46         | 8    |
| 478895     | 29.42         | 14   | 857024  | 29.42         | 15   | 857176     | 29.44         | 13   |
| 485693     | 29.49         | 7    | 857035  | 29.42         | 2    | 857176     | 29.45         | 13   |
| 575249     | 28.16         | 3    | 857042  | 29.42         | 4    | 857176     | 29.51         | 5    |
| 576836     | 28.14         | 12   | 857043  | 29.41         | 8    | 857176     | 29.52         | 4    |
| 581596     | 28.34         | 16   | 857044  | 29.42         | 20   | 8571775    | 29.49         | 1    |
| 582690     | 28.34         | 6    | 857045  | 29.42         | 19   | 857181     | 29.53         | 7    |
| 584344     | 28.25         | 6    | 857046  | 29.42         | 17   | 857184     | 29.52         | 21   |
| 584344     | 28.255        | 6    | 857047  | 29.42         | 18   | 857185     | 29.46         | 27   |
| 584509     | 28.33         | 14   | 857048  | 29.42         | 27   | 857187     | 29.52         | 11   |
| 598839     | 28.25         | 23   | 857048  | 29.51         | 7    | 857189     | 29.52         | 9    |
| 598839     | 28.255        | 23   | 857066  | 29.42         | 21   | 857192     | 29.52         | 28   |
| 622055     | 28.21         | 2    | 857067  | 29.42         | 16   | 857193     | 29.52         | 29   |
| 638562     | 28.24         | 6    | 857070  | 29.49         | 9    | 857201     | 29.39         | 9    |
| 6389915    | 29.49         | 11   | 857071  | 29.41         | 2    | 857204     | 29.51         | 2    |
| 639792     | 28.34         | 1    | 857074  | 29.41         | 9    | 857206     | 29.39         | 6    |
| 640485     | 28.21         | 25   | 857077  | 29.39         | 13   | 857208     | 29.42         | 7    |
| 640754     | 28.31         | 2    | 857078  | 29.49         | 10   | 857209     | 29.54         | 1    |
| 641541     | 29.52         | 18   | 857082  | 29.42         | 25   | 857222     | 29.54         | 3    |
| 648708     | 28.07         | 20   | 857083  | 29.42         | 26   | 857230     | 29.46         | 31   |
| 709099     | 29.52         | 26   | 857084  | 29.41         | 4    | 857231     | 29.46         | 30   |
| 825431     | 29.50         | 6    | 857085  | 29.42         | 3    | 857232     | 29.46         | 28   |
| 825597     | 29.42         | 8    | 857087  | 29.38         | 2    | 857233     | 29.46         | 16   |
| 828325     | 28.56         | 18   | 857090  | 29.38         | 17   | 857234     | 29.46         | 29   |
| 840509     | 28.25         | 33   | 857094  | 29.44         | 10   | 857236     | 29.46         | 10   |
| 840509     | 28.255        | 33   | 857094  | 29.45         | 10   | 857240     | 29.46         | 22   |
| 840893     | 29.52         | 7    | 857096  | 29.44         | 11   | 857241     | 29.46         | 18   |
| 840893     | 29.54         | 4    | 857096  | 29.45         | 11   | 857242     | 29.46         | 21   |
| 843213     | 28.04         | 7    | 857097  | 29.44         | 5    | 857244     | 29.46         | 17   |
| 845978     | 28.17         | 10   | 857097  | 29.45         | 5    | 857245     | 29.46         | 24   |
| 845978     | 28.25         | 36   | 857098  | 29.44         | 12   | 857246     | 29.46         | 23   |
| 845978     | 28.255        | 36   | 857098  | 29.45         | 12   | 857247     | 29.46         | 13   |
| 846019     | 29.52         | 19   | 857099  | 29.44         | 9    | 857248     | 29.46         | 14   |
| 847075     | 29.49         | 18   | 857099  | 29.45         | 9    | 857249     | 29.38         | 15   |
| 851586     | 28.25         | 8    | 857100  | 29.44         | 6    | 857250     | 29.46         | 7    |
| 851586     | 28.255        | 8    | 857100  | 29.45         | 6    | 857251     | 29.46         | 35   |
| 852029     | 28.07         | 32   | 857104  | 29.40         | 5    | 857253     | 29.46         | 41   |
| 852090     | 28.25         | 3    | 857105  | 29.40         | 6    | 8572555    | 29.39         | 1    |

| Code        | Nr. der Tafel | Pos. | Code        | Nr. der Tafel | Pos. | Code        | Nr. der Tafel | Pos. |
|-------------|---------------|------|-------------|---------------|------|-------------|---------------|------|
| 857260      | 29.46         | 51   | 858489      | 28.22         | 13   | 85884700XN2 | 28.12         | 4    |
| 857261      | 29.46         | 52   | 858580      | 28.33         | 19   | 85884700XR4 | 28.12         | 4    |
| 857265      | 29.46         | 47   | 858580      | 28.36         | 7    | 858849      | 28.02         | 1    |
| 857268      | 29.46         | 1    | 858704      | 28.01         | 4    | 858863      | 28.04         | 1    |
| 857271      | 29.46         | 5    | 858705      | 28.01         | 5    | 858867      | 28.31         | 10   |
| 857274      | 29.46         | 37   | 858706      | 28.01         | 6    | 858868      | 28.13         | 23   |
| 857278      | 29.46         | 40   | 858707      | 28.07         | 2    | 858869      | 28.34         | 2    |
| 857279      | 29.46         | 46   | 858708      | 28.07         | 5    | 858871      | 28.34         | 3    |
| 857284      | 29.46         | 9    | 858710      | 28.01         | 12   | 858873      | 28.24         | 9    |
| 857287      | 29.50         | 1    | 858711      | 28.01         | 14   | 858874      | 28.24         | 8    |
| 857288      | 29.50         | 9    | 858712      | 28.01         | 20   | 858875      | 28.23         | 19   |
| 857289      | 29.50         | 2    | 858714      | 28.01         | 13   | 858876      | 28.23         | 7    |
| 857290      | 29.50         | 7    | 858717      | 28.01         | 7    | 858877      | 28.23         | 13   |
| 857298      | 29.50         | 5    | 858718      | 28.01         | 8    | 858878      | 28.23         | 17   |
| 857301      | 29.50         | 4    | 858721      | 28.18         | 4    | 858880      | 28.23         | 5    |
| 857303      | 28.24         | 1    | 858725      | 28.32         | 1    | 858881      | 28.23         | 20   |
| 857304      | 28.24         | 2    | 858726      | 28.14         | 17   | 858882      | 28.35         | 5    |
| 857305      | 28.24         | 3    | 858727      | 29.53         | 8    | 858883      | 28.35         | 8    |
| 857306      | 28.24         | 11   | 858729      | 28.01         | 3    | 858884      | 28.14         | 34   |
| 857308      | 29.46         | 12   | 858731      | 28.28         | 7    | 858885      | 28.14         | 6    |
| 857309      | 29.46         | 15   | 858732      | 28.22         | 11   | 858886      | 28.14         | 16   |
| 857312      | 29.38         | 14   | 858737      | 28.05         | 1    | 858887      | 28.14         | 8    |
| 857312      | 29.49         | 17   | 858738      | 28.25         | 1    | 858896      | 28.27         | 1    |
| 857314      | 29.49         | 20   | 858738      | 28.255        | 1    | 858897      | 28.27         | 2    |
| 857317      | 29.48         | 18   | 858739      | 28.25         | 9    | 858898      | 28.20         | 1    |
| 857318      | 29.49         | 15   | 858739      | 28.255        | 9    | 858902      | 28.30         | 6    |
| 857328      | 29.46         | 25   | 858740      | 28.25         | 10   | 858903      | 28.02         | 2    |
| 857427      | 29.38         | 4    | 858740      | 28.255        | 10   | 858904      | 28.02         | 3    |
| 857429      | 29.49         | 2    | 8587414     | 28.25         | 5    | 858906      | 28.25         | 22   |
| 857435      | 29.51         | 9    | 8587414     | 28.255        | 5    | 858906      | 28.255        | 22   |
| 857436      | 29.49         | 3    | 858745      | 28.255        | 12   | 858907      | 28.01         | 25   |
| 857439      | 29.52         | 16   | 858747      | 28.255        | 34   | 858908      | 28.21         | 31   |
| 857439      | 29.52         | 20   | 858748      | 28.255        | 35   | 858909      | 28.08         | 1    |
| 857445      | 29.40         | 4    | 858770      | 28.07         | 1    | 858916      | 28.33         | 16   |
| 857451      | 29.49         | 6    | 858780      | 28.07         | 7    | 858918      | 28.08         | 2    |
| 857460      | 29.49         | 23   | 858781      | 28.07         | 23   | 858923      | 29.37         | 25   |
| 857461      | 29.49         | 19   | 858783      | 28.07         | 8    | 858925      | 28.01         | 23   |
| 85746200XEV | 29.51         | 6    | 858785      | 28.29         | 5    | 858926      | 28.01         | 24   |
| 8574705     | 29.44         | 1    | 858786      | 28.03         | 1    | 858927      | 28.22         | 7    |
| 8574715     | 29.45         | 1    | 858787      | 28.03         | 12   | 858930      | 28.23         | 15   |
| 857476      | 29.44         | 7    | 858788      | 28.03         | 13   | 858932      | 28.23         | 6    |
| 857476      | 29.45         | 7    | 858790      | 28.22         | 1    | 858936      | 28.07         | 18   |
| 857477      | 29.44         | 8    | 858791      | 28.30         | 14   | 858941      | 28.04         | 4    |
| 857477      | 29.45         | 8    | 858807      | 28.24         | 19   | 858943      | 28.29         | 14   |
| 857489      | 29.52         | 27   | 858808      | 28.23         | 26   | 858955      | 28.36         | 5    |
| 857495      | 29.38         | 23   | 858809      | 28.33         | 4    | 859754      | 28.28         | 18   |
| 857496      | 29.38         | 24   | 85881300XN6 | 28.09         | 1    | 859792      | 28.06         | 11   |
| 857497      | 29.52         | 6    | 858815      | 28.01         | 26   | 859792      | 28.30         | 3    |
| 857498      | 29.49         | 16   | 858817      | 28.01         | 28   | 859946      | 28.29         | 9    |
| 857501      | 29.41         | 5    | 858818      | 28.01         | 27   | 860138      | 28.56         | 7    |
| 857502      | 29.52         | 1    | 858819      | 28.01         | 31   | 860880      | 28.30         | 7    |
| 857535      | 29.52         | 5    | 858827      | 28.11         | 3    | 871094      | 29.51         | 8    |
| 857538      | 29.44         | 6    | 858828      | 28.10         | 1    | 872117      | 29.40         | 10   |
| 857538      | 29.45         | 6    | 858829      | 28.10         | 2    | 872117      | 29.51         | 10   |
| 857539      | 29.44         | 9    | 858830      | 28.11         | 2    | 872664      | 28.35         | 6    |
| 857539      | 29.45         | 9    | 85883200A1  | 28.15         | 1    | 873804      | 29.49         | 8    |
| 857540      | 29.52         | 3    | 85883200A2  | 28.15         | 1    | 874555      | 28.28         | 24   |
| 857544      | 29.39         | 14   | 85883500XN2 | 28.12         | 3    | 890499      | 28.56         | 3    |
| 857545      | 29.39         | 15   | 85883500XR4 | 28.12         | 3    | 890509      | 28.20         | 12   |
| 857546      | 29.44         | 3    | 858836      | 28.16         | 1    | 890760      | 28.33         | 28   |
| 857546      | 29.45         | 3    | 85883700XN2 | 28.12         | 1    | 890769      | 28.24         | 20   |
| 858212      | 28.34         | 7    | 858838      | 28.12         | 2    | 890785      | 28.17         | 5    |
| 858475      | 28.21         | 26   | 858839      | 28.32         | 6    | 890786      | 28.17         | 6    |
| 858476      | 28.21         | 8    | 858840      | 28.13         | 2    | 890787      | 28.17         | 7    |
| 858477      | 28.21         | 11   | 858840      | 28.58         | 1    | 890791      | 28.20         | 4    |
| 858478      | 28.21         | 17   | 858842      | 28.57         | 8    | 890827      | 29.46         | 43   |
| 858488      | 28.21         | 15   | 85884400A1  | 28.15         | 4    | 890878      | 28.09         | 12   |

| Code       | Nr. der Tafel | Pos. | Code        | Nr. der Tafel | Pos. | Code        | Nr. der Tafel | Pos. |
|------------|---------------|------|-------------|---------------|------|-------------|---------------|------|
| 890879     | 28.09         | 16   | 893930      | 28.31         | 15   | 895734      | 28.255        | 11   |
| 890923     | 28.19         | 1    | 893931      | 28.27         | 3    | 895832      | 28.255        | 38   |
| 890928     | 28.25         | 28   | 893933      | 28.29         | 1    | 895844      | 28.33         | 11   |
| 890928     | 28.255        | 28   | 893934      | 28.24         | 10   | 895844      | 28.34         | 14   |
| 890931     | 28.21         | 6    | 893935      | 28.09         | 14   | 895909      | 28.10         | 24   |
| 890932     | 28.35         | 14   | 893936      | 28.09         | 6    | 895910      | 28.10         | 25   |
| 890938     | 28.23         | 3    | 893937      | 28.20         | 6    | 895914      | 28.58         | 4    |
| 890960     | 28.28         | 25   | 893940      | 29.48         | 6    | 895915      | 28.10         | 30   |
| 890964     | 28.10         | 22   | 893941      | 29.48         | 7    | 895959      | 28.14         | 35   |
| 890966     | 28.12         | 6    | 893942      | 29.48         | 12   | 896141      | 28.25         | 34   |
| 890967     | 28.12         | 7    | 893943      | 29.48         | 13   | 896142      | 28.25         | 35   |
| 890968     | 28.11         | 1    | 893944      | 29.48         | 14   | 896170      | 28.26         | 2    |
| 890969     | 28.13         | 9    | 893945      | 28.06         | 4    | 896171      | 28.28         | 2    |
| 890979     | 28.33         | 1    | 893954      | 28.21         | 5    | 896174      | 28.12         | 20   |
| 890982     | 28.19         | 4    | 893966      | 28.06         | 7    | 896175      | 28.10         | 12   |
| 893044     | 28.04         | 8    | 893968      | 29.54         | 5    | 896175      | 28.12         | 12   |
| 893045     | 28.04         | 9    | 893969      | 28.30         | 8    | 896311      | 28.05         | 2    |
| 893107     | 28.14         | 10   | 893979      | 28.10         | 7    | 896358      | 28.28         | 3    |
| 893108     | 28.12         | 18   | 893980      | 28.10         | 8    | 896372      | 28.17         | 1    |
| 893109     | 28.12         | 19   | 893996      | 28.03         | 21   | 896565      | 28.24         | 12   |
| 893112     | 28.12         | 5    | 893997      | 28.03         | 22   | 896566      | 28.24         | 13   |
| 893113     | 28.05         | 17   | 894015      | 28.23         | 16   | 896567      | 28.24         | 14   |
| 893132     | 28.23         | 11   | 894019      | 28.55         | 11   | 896573      | 28.24         | 15   |
| 893135     | 28.26         | 3    | 894027      | 28.01         | 29   | 896574      | 28.24         | 16   |
| 893136     | 28.26         | 4    | 894057      | 28.31         | 13   | 896575      | 28.24         | 17   |
| 893137     | 28.30         | 2    | 894080      | 28.14         | 2    | 896576      | 28.27         | 6    |
| 893138     | 28.29         | 11   | 89410700XN2 | 28.10         | 5    | 896715      | 28.34         | 5    |
| 893224     | 28.21         | 19   | 894195      | 28.12         | 21   | 896752      | 28.33         | 24   |
| 893240     | 28.23         | 1    | 894195      | 28.15         | 8    | 896759      | 28.18         | 3    |
| 893255     | 28.35         | 13   | 894196      | 28.10         | 13   | 896859      | 28.18         | 6    |
| 893257     | 28.09         | 11   | 894197      | 28.10         | 14   | 896860      | 28.18         | 7    |
| 893259     | 28.12         | 26   | 894198      | 28.14         | 38   | 896896      | 28.30         | 15   |
| 893273     | 28.14         | 13   | 894201      | 28.03         | 15   | 896943      | 29.37         | 11   |
| 893513     | 28.21         | 22   | 894228      | 28.25         | 24   | 896944      | 28.06         | 12   |
| 893514     | 28.21         | 20   | 894228      | 28.255        | 24   | 897111      | 28.06         | 9    |
| 893751     | 28.16         | 2    | 894505      | 28.30         | 12   | 897113      | 28.25         | 11   |
| 893752     | 28.23         | 21   | 894519      | 28.09         | 12   | 897114      | 28.35         | 16   |
| 893757     | 28.18         | 1    | 894520      | 28.09         | 16   | 897302      | 28.06         | 1    |
| 893758     | 28.14         | 30   | 894566      | 28.13         | 13   | 89732600XN6 | 28.09         | 2    |
| 893763     | 28.09         | 9    | 894566      | 28.57         | 9    | 897360      | 29.37         | 15   |
| 893764     | 28.09         | 10   | 894604      | 28.14         | 36   | 89736200XN2 | 28.10         | 6    |
| 893767     | 29.47         | 1    | 894630      | 28.09         | 11   | 897367      | 28.28         | 1    |
| 893768     | 29.47         | 2    | 894657      | 28.13         | 19   | 897434      | 29.38         | 3    |
| 893769     | 29.47         | 3    | 894658      | 28.24         | 7    | 897434      | 29.42         | 6    |
| 893770     | 29.47         | 4    | 894714      | 28.55         | 10   | 897434      | 29.50         | 3    |
| 893772     | 29.47         | 6    | 894794      | 29.48         | 3    | 897435      | 29.38         | 26   |
| 893773     | 29.48         | 1    | 894796      | 28.31         | 9    | 897436      | 29.38         | 27   |
| 893774     | 29.48         | 2    | 894821      | 29.47         | 5    | 897443      | 29.41         | 7    |
| 893777     | 29.48         | 8    | 894846      | 28.26         | 2    | 897444      | 29.44         | 5    |
| 893778     | 29.48         | 9    | 894847      | 28.28         | 2    | 897444      | 29.45         | 5    |
| 893779     | 29.48         | 10   | 894899      | 28.57         | 19   | 897446      | 29.50         | 10   |
| 893780     | 29.48         | 11   | 894900      | 28.57         | 10   | 897450      | 29.50         | 12   |
| 893782     | 29.48         | 15   | 894901      | 28.56         | 22   | 897454      | 29.46         | 34   |
| 893783     | 29.48         | 4    | 894933      | 28.56         | 24   | 897455      | 29.46         | 32   |
| 893784     | 29.48         | 5    | 894943      | 28.13         | 14   | 897456      | 29.46         | 33   |
| 893796     | 28.11         | 4    | 894944      | 28.13         | 15   | 897458      | 29.46         | 11   |
| 893819     | 28.05         | 16   | 894945      | 28.13         | 14   | 897459      | 29.46         | 20   |
| 893823     | 28.21         | 21   | 894946      | 28.13         | 15   | 897460      | 29.46         | 19   |
| 89382400A1 | 28.15         | 3    | 894988      | 28.11         | 1    | 897474      | 29.39         | 17   |
| 893838     | 28.09         | 18   | 895250      | 28.04         | 1    | 897478      | 29.39         | 5    |
| 893839     | 28.09         | 20   | 895316      | 29.50         | 11   | 897479      | 29.39         | 9    |
| 893887     | 28.23         | 12   | 895335      | 28.09         | 29   | 897482      | 28.13         | 3    |
| 893915     | 28.23         | 9    | 895450      | 28.21         | 37   | 897482      | 28.58         | 2    |
| 893916     | 28.23         | 10   | 895460      | 28.01         | 1    | 897594      | 29.37         | 14   |
| 893926     | 28.19         | 2    | 895487      | 28.58         | 3    | 897596      | 28.26         | 1    |
| 893927     | 28.19         | 3    | 895488      | 28.58         | 5    | 8976535002  | 29.39         | 2    |
| 893929     | 28.31         | 3    | 895701      | 28.34         | 15   | 8976535003  | 29.39         | 2    |

| Code        | Nr. der Tafel | Pos. | Code       | Nr. der Tafel | Pos. | Code      | Nr. der Tafel | Pos. |
|-------------|---------------|------|------------|---------------|------|-----------|---------------|------|
| 8976535004  | 29.39         | 2    | 899299     | 29.40         | 5    | AP8112916 | 28.57         | 5    |
| 8976535005  | 29.39         | 2    | 899299     | 29.40         | 5    | AP8112996 | 28.29         | 17   |
| 897775      | 28.21         | 3    | 899483     | 29.48         | 16   | AP8113004 | 28.20         | 9    |
| 897858      | 28.21         | 1    | 899484     | 29.39         | 10   | AP8113004 | 28.27         | 9    |
| 898047      | 28.21         | 39   | 899491     | 28.01         | 2    | AP8113004 | 28.29         | 12   |
| 898092      | 29.39         | 16   | 899510     | 28.10         | 19   | AP8113004 | 28.30         | 4    |
| 898126      | 28.17         | 15   | 899511     | 28.10         | 20   | AP8113230 | 28.20         | 23   |
| 898133      | 29.37         | 5    | 899512     | 28.10         | 15   | AP8113230 | 28.27         | 5    |
| 898134      | 29.37         | 12   | 899512     | 28.10         | 16   | AP8113230 | 28.30         | 11   |
| 898252      | 28.16         | 2    | 899514     | 28.10         | 17   | AP8113499 | 28.20         | 3    |
| 898268      | 29.51         | 4    | 899515     | 28.10         | 18   | AP8113598 | 28.20         | 2    |
| 898269      | 29.51         | 12   | 899516     | 28.12         | 32   | AP8113752 | 28.30         | 9    |
| 898272      | 29.37         | 2    | 899517     | 28.12         | 33   | AP8113753 | 28.30         | 10   |
| 898276      | 29.37         | 7    | 89951800Z1 | 28.10         | 3    | AP8116071 | 28.06         | 6    |
| 898374      | 29.54         | 2    | 89951900Z1 | 28.10         | 4    | AP8117004 | 28.12         | 11   |
| 898383      | 28.25         | 12   | 899548     | 28.14         | 28   | AP8117033 | 28.02         | 6    |
| 898385      | 28.25         | 13   | 899599     | 29.46         | 49   | AP8117033 | 28.09         | 4    |
| 898402      | 29.42         | 1    | 974229     | 29.49         | 13   | AP8117033 | 28.21         | 7    |
| 898410      | 29.41         | 3    | AP8101595  | 28.20         | 13   | AP8117033 | 28.33         | 25   |
| 898463      | 29.37         | 13   | AP8101861  | 28.03         | 18   | AP8117258 | 28.13         | 22   |
| 898466      | 29.51         | 3    | AP8102239  | 28.56         | 6    | AP8117258 | 28.57         | 12   |
| 898467      | 29.41         | 1    | AP8102273  | 28.21         | 16   | AP8118502 | 28.18         | 12   |
| 898486      | 28.30         | 1    | AP8102349  | 28.22         | 8    | AP8118503 | 28.18         | 14   |
| 898532      | 28.14         | 29   | AP8102375  | 28.10         | 11   | AP8118649 | 28.18         | 2    |
| 898533      | 28.09         | 8    | AP8102375  | 28.14         | 22   | AP8120030 | 28.20         | 17   |
| 898534      | 28.09         | 27   | AP8102375  | 28.17         | 12   | AP8120030 | 28.21         | 14   |
| 898535      | 28.09         | 28   | AP8102375  | 28.31         | 7    | AP8120030 | 28.22         | 4    |
| 898536      | 28.10         | 26   | AP8102381  | 28.11         | 13   | AP8120177 | 28.15         | 5    |
| 898537      | 28.10         | 27   | AP8102381  | 28.12         | 16   | AP8120190 | 28.18         | 15   |
| 898540      | 28.10         | 17   | AP8102504  | 28.12         | 28   | AP8120223 | 28.25         | 32   |
| 898541      | 28.10         | 18   | AP8102520  | 28.56         | 2    | AP8120223 | 28.255        | 32   |
| 898542      | 28.10         | 16   | AP8102523  | 28.36         | 12   | AP8120253 | 29.37         | 8    |
| 898543      | 28.10         | 15   | AP8102524  | 28.04         | 10   | AP8120405 | 28.31         | 14   |
| 898544      | 28.12         | 8    | AP8102544  | 28.02         | 7    | AP8120405 | 28.35         | 15   |
| 898545      | 28.12         | 9    | AP8102678  | 28.56         | 1    | AP8120428 | 28.10         | 28   |
| 898546      | 28.12         | 10   | AP8102688  | 28.56         | 20   | AP8120446 | 28.56         | 8    |
| 89856800XN2 | 28.14         | 1    | AP8102719  | 28.56         | 21   | AP8120531 | 28.10         | 29   |
| 89856900XN2 | 28.14         | 1    | AP8102764  | 28.56         | 12   | AP8120573 | 28.21         | 40   |
| 89857000XR4 | 28.09         | 7    | AP8102902  | 28.01         | 22   | AP8120622 | 28.09         | 23   |
| 89857500XN2 | 28.10         | 3    | AP8102913  | 28.36         | 4    | AP8120622 | 28.10         | 21   |
| 89857600XN2 | 28.10         | 4    | AP8102998  | 28.56         | 10   | AP8120622 | 28.12         | 31   |
| 898586      | 28.14         | 4    | AP8104390  | 28.02         | 8    | AP8120663 | 28.14         | 14   |
| 898587      | 28.14         | 5    | AP8104719  | 28.36         | 6    | AP8120822 | 28.29         | 15   |
| 89858800XR4 | 28.14         | 3    | AP8104728  | 28.26         | 13   | AP8120876 | 28.04         | 14   |
| 898633      | 29.38         | 12   | AP8104728  | 28.28         | 20   | AP8120912 | 28.29         | 7    |
| 898633      | 29.46         | 26   | AP8104754  | 28.09         | 17   | AP8120912 | 29.37         | 17   |
| 898634      | 29.46         | 2    | AP8104755  | 28.09         | 13   | AP8120952 | 28.21         | 29   |
| 898635      | 29.46         | 3    | AP8104759  | 28.09         | 5    | AP8121032 | 28.31         | 8    |
| 898636      | 29.46         | 50   | AP8104760  | 28.09         | 15   | AP8121032 | 28.56         | 23   |
| 898694      | 28.29         | 3    | AP8104803  | 28.14         | 27   | AP8121032 | 29.53         | 9    |
| 898695      | 28.29         | 4    | AP8104803  | 28.36         | 10   | AP8121075 | 28.07         | 16   |
| 898784      | 28.55         | 7    | AP8104836  | 28.21         | 30   | AP8121075 | 28.33         | 7    |
| 898785      | 28.55         | 8    | AP8106389  | 28.22         | 9    | AP8121096 | 28.33         | 20   |
| 898786      | 28.55         | 6    | AP8106389  | 29.52         | 24   | AP8121133 | 28.03         | 19   |
| 898787      | 28.55         | 9    | AP8110065  | 28.07         | 29   | AP8121155 | 28.08         | 7    |
| 898788      | 28.09         | 25   | AP8110065  | 28.08         | 3    | AP8121170 | 28.25         | 4    |
| 898789      | 28.09         | 26   | AP8110068  | 28.07         | 30   | AP8121170 | 28.255        | 4    |
| 899062      | 28.09         | 13   | AP8110068  | 28.08         | 4    | AP8121184 | 28.12         | 17   |
| 899063      | 28.09         | 17   | AP8110077  | 28.05         | 4    | AP8121199 | 28.25         | 17   |
| 899068      | 28.14         | 37   | AP8110078  | 28.07         | 3    | AP8121199 | 28.255        | 17   |
| 899125      | 28.36         | 14   | AP8110079  | 28.07         | 4    | AP8121201 | 28.07         | 6    |
| 899126      | 28.36         | 14   | AP8110081  | 28.28         | 14   | AP8121204 | 28.07         | 11   |
| 899127      | 28.36         | 14   | AP8110093  | 28.28         | 15   | AP8121207 | 28.05         | 5    |
| 899128      | 28.36         | 14   | AP8110094  | 28.26         | 5    | AP8121212 | 28.28         | 13   |
| 899191      | 29.37         | 24   | AP8112600  | 28.13         | 21   | AP8121213 | 28.28         | 11   |
| 899202      | 28.09         | 12   | AP8112600  | 28.57         | 11   | AP8121221 | 28.29         | 6    |
| 899203      | 28.09         | 16   | AP8112916  | 28.13         | 6    | AP8121221 | 29.37         | 16   |



| Code      | Nr. der Tafel | Pos. |
|-----------|---------------|------|
| AP8121223 | 28.29         | 10   |
| AP8121223 | 29.37         | 22   |
| AP8121224 | 28.03         | 5    |
| AP8121267 | 28.56         | 9    |
| AP8121428 | 28.22         | 6    |
| AP8121455 | 28.25         | 19   |
| AP8121455 | 28.255        | 19   |
| AP8121475 | 28.33         | 18   |
| AP8121566 | 28.03         | 4    |
| AP8121570 | 28.07         | 26   |
| AP8121592 | 28.28         | 21   |
| AP8121718 | 28.05         | 14   |
| AP8121725 | 28.25         | 31   |
| AP8121725 | 28.255        | 31   |
| AP8121728 | 28.17         | 16   |
| AP8121728 | 28.21         | 34   |
| AP8121991 | 28.21         | 35   |
| AP8121991 | 28.33         | 10   |
| AP8123641 | 28.05         | 6    |
| AP8123642 | 28.05         | 7    |
| AP8123643 | 28.05         | 8    |
| AP8123975 | 28.06         | 3    |
| AP8123977 | 28.06         | 5    |
| AP8124719 | 28.11         | 16   |
| AP8124869 | 28.34         | 4    |
| AP8125687 | 28.07         | 19   |
| AP8125728 | 28.26         | 9    |
| AP8125730 | 28.28         | 10   |
| AP8125731 | 28.28         | 6    |
| AP8125732 | 28.28         | 12   |
| AP8125827 | 28.26         | 7    |
| AP8125838 | 28.28         | 17   |
| AP8125839 | 28.28         | 19   |
| AP8125841 | 28.26         | 8    |
| AP8125842 | 28.26         | 14   |
| AP8125843 | 28.26         | 6    |
| AP8127098 | 28.13         | 5    |
| AP8127098 | 28.57         | 13   |
| AP8127432 | 28.20         | 11   |
| AP8127489 | 28.09         | 22   |
| AP8127489 | 28.13         | 18   |
| AP8127699 | 28.09         | 15   |
| AP8127700 | 28.09         | 5    |
| AP8127856 | 28.04         | 15   |
| AP8128189 | 28.26         | 15   |
| AP8133502 | 28.20         | 22   |
| AP8133664 | 28.20         | 5    |
| AP8133666 | 28.20         | 8    |
| AP8133824 | 28.27         | 4    |
| AP8134167 | 28.20         | 20   |
| AP8134383 | 28.20         | 15   |
| AP8134451 | 28.03         | 17   |
| AP8134640 | 28.25         | 30   |
| AP8134640 | 28.255        | 30   |
| AP8134783 | 28.57         | 3    |
| AP8134829 | 28.03         | 16   |
| AP8134948 | 28.36         | 11   |
| AP8134955 | 28.03         | 3    |
| AP8140711 | 28.36         | 2    |
| AP8144005 | 28.07         | 12   |
| AP8144006 | 28.07         | 10   |
| AP8144007 | 28.29         | 8    |
| AP8144007 | 29.37         | 21   |
| AP8144008 | 28.22         | 14   |
| AP8144012 | 29.52         | 12   |
| AP8144012 | 29.52         | 23   |
| AP8144033 | 28.21         | 12   |

| Code      | Nr. der Tafel | Pos. |
|-----------|---------------|------|
| AP8144046 | 28.33         | 15   |
| AP8144048 | 28.07         | 9    |
| AP8144061 | 28.35         | 10   |
| AP8144065 | 28.33         | 26   |
| AP8144087 | 28.23         | 8    |
| AP8144158 | 28.14         | 32   |
| AP8144424 | 29.49         | 14   |
| AP8144443 | 28.07         | 21   |
| AP8144444 | 28.07         | 22   |
| AP8144558 | 28.25         | 18   |
| AP8144558 | 28.255        | 18   |
| AP8144563 | 28.10         | 10   |
| AP8144563 | 28.11         | 10   |
| AP8144563 | 28.58         | 9    |
| AP8144564 | 28.09         | 19   |
| AP8144565 | 28.09         | 21   |
| AP8144565 | 28.12         | 30   |
| AP8144565 | 28.14         | 33   |
| AP8144616 | 28.10         | 9    |
| AP8144616 | 28.11         | 9    |
| AP8144616 | 28.58         | 8    |
| AP8144707 | 28.02         | 10   |
| AP8144713 | 28.14         | 7    |
| AP8144720 | 28.21         | 38   |
| AP8146502 | 28.03         | 8    |
| AP8146516 | 28.08         | 9    |
| AP8146518 | 28.08         | 5    |
| AP8146616 | 28.03         | 20   |
| AP8146617 | 28.03         | 24   |
| AP8146862 | 28.03         | 2    |
| AP8148824 | 28.07         | 28   |
| AP8149034 | 28.57         | 16   |
| AP8150009 | 28.255        | 15   |
| AP8150011 | 28.21         | 23   |
| AP8150012 | 28.04         | 12   |
| AP8150014 | 29.48         | 17   |
| AP8150017 | 28.33         | 22   |
| AP8150018 | 28.25         | 20   |
| AP8150018 | 28.25         | 25   |
| AP8150018 | 28.255        | 20   |
| AP8150018 | 28.255        | 25   |
| AP8150020 | 28.15         | 7    |
| AP8150020 | 28.28         | 26   |
| AP8150020 | 29.37         | 20   |
| AP8150044 | 28.56         | 25   |
| AP8150044 | 29.38         | 13   |
| AP8150044 | 29.52         | 31   |
| AP8150050 | 28.18         | 13   |
| AP8150107 | 28.01         | 18   |
| AP8150114 | 28.06         | 10   |
| AP8150137 | 28.18         | 10   |
| AP8150137 | 28.22         | 12   |
| AP8150137 | 29.53         | 10   |
| AP8150158 | 28.11         | 14   |
| AP8150158 | 28.12         | 27   |
| AP8150158 | 28.13         | 8    |
| AP8150158 | 28.21         | 33   |
| AP8150164 | 28.03         | 23   |
| AP8150179 | 28.13         | 11   |
| AP8150179 | 28.33         | 6    |
| AP8150182 | 28.13         | 12   |
| AP8150204 | 28.11         | 15   |
| AP8150204 | 28.13         | 7    |
| AP8150204 | 28.21         | 24   |
| AP8150204 | 28.57         | 6    |
| AP8150204 | 28.57         | 7    |
| AP8150220 | 28.05         | 13   |

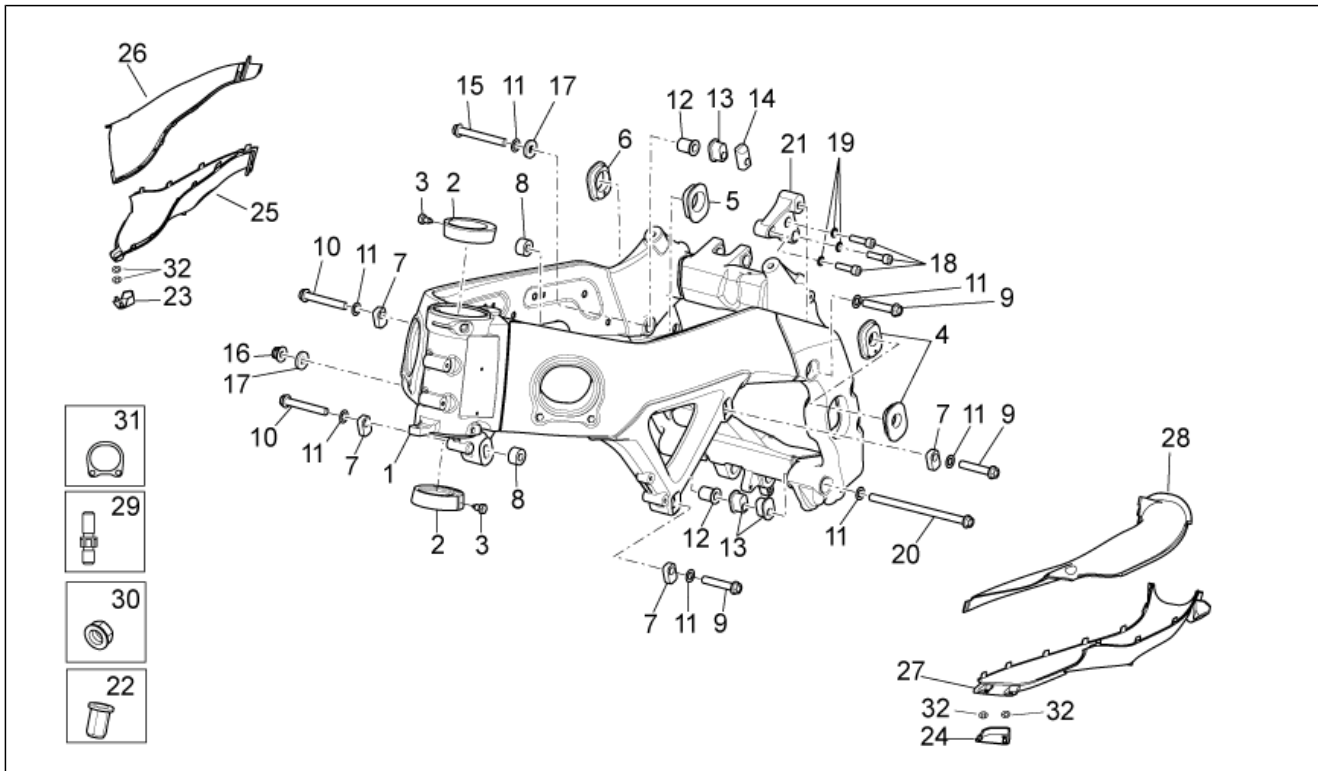
| Code      | Nr. der Tafel | Pos. |
|-----------|---------------|------|
| AP8150236 | 28.05         | 11   |
| AP8150236 | 28.25         | 16   |
| AP8150236 | 28.255        | 16   |
| AP8150236 | 28.33         | 21   |
| AP8150248 | 28.04         | 13   |
| AP8150248 | 28.11         | 7    |
| AP8150255 | 28.14         | 24   |
| AP8150255 | 28.17         | 3    |
| AP8150272 | 28.11         | 6    |
| AP8150285 | 28.14         | 19   |
| AP8150285 | 28.36         | 9    |
| AP8150285 | 29.38         | 21   |
| AP8150292 | 28.01         | 11   |
| AP8150292 | 28.04         | 6    |
| AP8150311 | 28.04         | 11   |
| AP8150334 | 28.07         | 15   |
| AP8150340 | 28.20         | 14   |
| AP8150359 | 28.11         | 12   |
| AP8150376 | 28.25         | 15   |
| AP8150376 | 28.255        | 37   |
| AP8150376 | 28.33         | 3    |
| AP8150376 | 29.37         | 19   |
| AP8150382 | 28.255        | 14   |
| AP8150382 | 28.31         | 6    |
| AP8150382 | 28.35         | 3    |
| AP8150382 | 28.58         | 10   |
| AP8150413 | 28.12         | 23   |
| AP8150413 | 28.13         | 1    |
| AP8150420 | 28.32         | 2    |
| AP8150421 | 28.12         | 29   |
| AP8150421 | 28.23         | 24   |
| AP8150429 | 28.03         | 11   |
| AP8150429 | 28.20         | 21   |
| AP8150429 | 29.49         | 4    |
| AP8150429 | 29.51         | 11   |
| AP8150429 | 29.52         | 17   |
| AP8150430 | 28.07         | 17   |
| AP8150431 | 28.25         | 21   |
| AP8150431 | 28.255        | 21   |
| AP8150431 | 29.37         | 18   |
| AP8150436 | 28.28         | 8    |
| AP8150444 | 28.11         | 11   |
| AP8150444 | 28.21         | 13   |
| AP8150450 | 28.01         | 32   |
| AP8150450 | 28.12         | 22   |
| AP8150462 | 28.29         | 16   |
| AP8150462 | 29.37         | 23   |
| AP8150468 | 28.07         | 31   |
| AP8150469 | 28.02         | 5    |
| AP8150474 | 28.20         | 19   |
| AP8150500 | 28.11         | 8    |
| AP8150500 | 28.17         | 13   |
| AP8150503 | 28.07         | 27   |
| AP8150505 | 28.14         | 23   |
| AP8150506 | 28.01         | 30   |
| AP8150506 | 28.09         | 3    |
| AP8150509 | 28.17         | 2    |
| AP8150509 | 28.31         | 5    |
| AP8150509 | 28.35         | 11   |
| AP8150509 | 28.35         | 2    |
| AP8150515 | 28.31         | 4    |
| AP8150522 | 28.13         | 20   |
| AP8150522 | 28.57         | 14   |
| AP8150536 | 28.14         | 9    |
| AP8150537 | 28.03         | 14   |
| AP8150538 | 28.12         | 15   |
| AP8150538 | 28.14         | 21   |

| Code      | Nr. der Tafel | Pos. | Code      | Nr. der Tafel | Pos. | Code         | Nr. der Tafel | Pos. |
|-----------|---------------|------|-----------|---------------|------|--------------|---------------|------|
| AP8150538 | 28.255        | 13   | AP8152302 | 28.16         | 4    | AP8224470    | 28.17         | 8    |
| AP8150540 | 28.03         | 9    | AP8152305 | 28.07         | 14   | AP8224470    | 28.29         | 18   |
| AP8150540 | 28.05         | 15   | AP8152306 | 28.57         | 2    | AP8224470    | 29.37         | 4    |
| AP8150543 | 28.18         | 9    | AP8152306 | 28.58         | 7    | AP8225369    | 28.04         | 3    |
| AP8152001 | 28.04         | 5    | AP8152318 | 28.04         | 2    | AP8234020    | 28.07         | 13   |
| AP8152043 | 28.12         | 25   | AP8152318 | 29.46         | 42   | AP8257609    | 28.55         | 2    |
| AP8152043 | 28.18         | 19   | AP8152323 | 28.26         | 12   | AP8257755    | 28.55         | 3    |
| AP8152108 | 28.13         | 16   | AP8152323 | 28.28         | 22   | AP8257794    | 28.55         | 5    |
| AP8152108 | 28.57         | 18   | AP8152324 | 28.28         | 9    | AP8267395    | 28.55         | 4    |
| AP8152112 | 28.25         | 26   | AP8152329 | 28.13         | 4    | AP9100519    | 28.19         | 5    |
| AP8152112 | 28.255        | 26   | AP8152329 | 28.17         | 11   | AP9150006    | 29.46         | 39   |
| AP8152128 | 28.33         | 5    | AP8152329 | 28.23         | 14   | AP9150051    | 29.46         | 38   |
| AP8152137 | 28.13         | 10   | AP8152329 | 28.23         | 18   | AP9150145    | 29.38         | 28   |
| AP8152137 | 28.20         | 16   | AP8152329 | 28.23         | 4    | AP9150145    | 29.46         | 4    |
| AP8152154 | 28.01         | 19   | AP8152329 | 28.24         | 18   | B0430675     | 29.39         | 1    |
| AP8152154 | 28.33         | 23   | AP8152329 | 28.24         | 5    | B043165      | 28.36         | 14   |
| AP8152166 | 29.38         | 10   | AP8152335 | 28.26         | 10   | B043231      | 29.54         | 6    |
| AP8152166 | 29.46         | 6    | AP8152339 | 28.14         | 20   | B043283      | 28.25         | 11   |
| AP8152179 | 28.33         | 27   | AP8152398 | 28.01         | 15   | B043524      | 28.55         | 6    |
| AP8152181 | 28.57         | 17   | AP8152409 | 28.03         | 6    | B043525      | 28.55         | 9    |
| AP8152238 | 28.33         | 17   | AP8152410 | 28.01         | 9    | B043542      | 29.49         | 22   |
| AP8152246 | 28.14         | 18   | AP8152411 | 28.08         | 10   | B043807      | 29.41         | 10   |
| AP8152267 | 28.06         | 8    | AP8152412 | 28.08         | 6    | B0438525     | 29.38         | 1    |
| AP8152267 | 28.07         | 25   | AP8152413 | 28.08         | 11   | B043864      | 28.14         | 26   |
| AP8152267 | 28.57         | 4    | AP8152414 | 28.27         | 7    | B043920      | 28.36         | 1    |
| AP8152269 | 28.11         | 5    | AP8152441 | 28.01         | 17   | B043925      | 28.14         | 17   |
| AP8152272 | 28.21         | 18   | AP8152442 | 28.05         | 10   | B043929      | 28.14         | 25   |
| AP8152272 | 29.51         | 1    | AP8152481 | 28.01         | 10   | B043929      | 28.36         | 3    |
| AP8152273 | 28.14         | 15   | AP8157100 | 28.55         | 1    | B043933      | 28.15         | 11   |
| AP8152273 | 28.20         | 24   | AP8161127 | 28.14         | 11   | B043933      | 28.15         | 9    |
| AP8152277 | 28.05         | 18   | AP8163064 | 28.05         | 3    | B043941      | 28.15         | 10   |
| AP8152277 | 28.22         | 10   | AP8163170 | 28.05         | 9    | B044363      | 28.55         | 8    |
| AP8152277 | 29.41         | 6    | AP8176101 | 28.28         | 16   | B044364      | 28.55         | 7    |
| AP8152278 | 29.37         | 1    | AP8201727 | 28.22         | 15   | B044365      | 29.47         | 8    |
| AP8152279 | 28.21         | 4    | AP8201755 | 28.02         | 4    | B044433      | 28.14         | 29   |
| AP8152279 | 28.30         | 13   | AP8201755 | 28.10         | 23   | B044434      | 28.10         | 27   |
| AP8152279 | 28.33         | 9    | AP8202058 | 28.12         | 13   | B044435      | 28.10         | 26   |
| AP8152279 | 29.37         | 9    | AP8213057 | 28.20         | 7    | B044436      | 28.10         | 33   |
| AP8152279 | 29.49         | 21   | AP8220150 | 28.17         | 4    | B044437      | 28.10         | 34   |
| AP8152280 | 28.22         | 2    | AP8220150 | 28.35         | 4    | B04443800XN2 | 28.14         | 1    |
| AP8152280 | 29.38         | 6    | AP8220177 | 29.37         | 6    | B04443900XN2 | 28.14         | 1    |
| AP8152280 | 29.46         | 48   | AP8220186 | 28.09         | 24   | B04444200XN2 | 28.10         | 3    |
| AP8152281 | 28.25         | 29   | AP8220186 | 28.32         | 3    | B04444300XN2 | 28.10         | 4    |
| AP8152281 | 28.255        | 29   | AP8220238 | 28.12         | 24   | B044474      | 29.47         | 7    |
| AP8152283 | 28.05         | 12   | AP8220283 | 28.31         | 12   | B044618      | 28.55         | 12   |
| AP8152284 | 29.38         | 8    | AP8220283 | 28.33         | 13   | B044724BL    | 29.39         | 4    |
| AP8152285 | 28.33         | 2    | AP8220283 | 28.34         | 13   | B044724GI    | 29.39         | 4    |
| AP8152286 | 28.26         | 11   | AP8220323 | 28.02         | 9    | B044724VE    | 29.39         | 4    |
| AP8152286 | 28.30         | 18   | AP8220366 | 28.14         | 31   | B0447525     | 29.42         | 1    |
| AP8152289 | 29.38         | 9    | AP8221023 | 28.20         | 18   | B044797      | 28.10         | 31   |
| AP8152294 | 29.38         | 7    | AP8221023 | 28.21         | 9    | B044798      | 28.10         | 32   |
| AP8152298 | 28.16         | 6    | AP8221023 | 28.22         | 3    | B044799      | 28.12         | 8    |
| AP8152298 | 28.30         | 17   | AP8221036 | 28.32         | 4    | B044800      | 28.12         | 9    |
| AP8152298 | 28.32         | 5    | AP8221043 | 28.18         | 11   | B044814      | 28.14         | 28   |
| AP8152298 | 28.58         | 6    | AP8221129 | 28.36         | 8    | B045021      | 28.18         | 5    |
| AP8152299 | 28.13         | 17   | AP8221145 | 28.17         | 9    | B045033      | 28.28         | 5    |
| AP8152299 | 28.16         | 5    | AP8221145 | 28.21         | 32   | B045360      | 29.38         | 19   |
| AP8152299 | 28.22         | 5    | AP8221145 | 28.35         | 9    | B045412AA    | 29.39         | 1    |
| AP8152299 | 28.33         | 8    | AP8221150 | 28.21         | 36   | B045412CC    | 29.39         | 1    |
| AP8152299 | 28.35         | 12   | AP8221150 | 28.56         | 5    | B045412DD    | 29.39         | 1    |
| AP8152299 | 28.56         | 17   | AP8221311 | 28.56         | 13   | B045412FF    | 29.39         | 1    |
| AP8152299 | 28.57         | 15   | AP8221349 | 28.30         | 16   | B0454575     | 29.39         | 18   |
| AP8152301 | 28.01         | 16   | AP8224164 | 28.57         | 1    | B0454754BB   | 29.39         | 2    |
| AP8152301 | 28.08         | 8    | AP8224462 | 28.31         | 11   | B0454754CC   | 29.39         | 2    |
| AP8152302 | 28.07         | 24   | AP8224462 | 28.33         | 12   | B0454754DD   | 29.39         | 2    |
| AP8152302 | 28.12         | 14   | AP8224462 | 28.34         | 12   | B0454754EE   | 29.39         | 2    |
| AP8152302 | 28.15         | 2    | AP8224470 | 28.03         | 10   | B045476      | 29.44         | 14   |

| Code      | Nr. der Tafel | Pos. |
|-----------|---------------|------|
| B045476   | 29.45         | 14   |
| B046072   | 29.52         | 2    |
| B046202   | 29.38         | 18   |
| CM001901  | 28.56         | 15   |
| CM001905  | 29.53         | 4    |
| CM001927  | 28.23         | 25   |
| CM002903  | 28.24         | 4    |
| CM002912  | 28.23         | 2    |
| CM002916  | 29.53         | 5    |
| CM083515  | 28.35         | 1    |
| CM083518  | 28.35         | 1    |
| CM101711  | 29.52         | 14   |
| CM178411  | 28.56         | 16   |
| CM178412  | 28.56         | 19   |
| CM178413  | 28.56         | 14   |
| CM223401  | 29.43         | 1    |
| CM223402  | 29.43         | 1    |
| CM223403  | 29.43         | 1    |
| CM223404  | 29.43         | 1    |
| CM223405  | 29.43         | 1    |
| CM223406  | 29.43         | 1    |
| CM223407  | 29.43         | 1    |
| CM223408  | 29.43         | 1    |
| CM223409  | 29.43         | 1    |
| CM223410  | 29.43         | 1    |
| CM223411  | 29.43         | 1    |
| CM223412  | 29.43         | 1    |
| CM223413  | 29.43         | 1    |
| CM223414  | 29.43         | 1    |
| CM223415  | 29.43         | 1    |
| CM223416  | 29.43         | 1    |
| CM223417  | 29.43         | 1    |
| CM223418  | 29.43         | 1    |
| CM223419  | 29.43         | 1    |
| CM223420  | 29.43         | 1    |
| CM223421  | 29.43         | 1    |
| CM223422  | 29.43         | 1    |
| CM223423  | 29.43         | 1    |
| CM223424  | 29.43         | 1    |
| CM223425  | 29.43         | 1    |
| CM223426  | 29.43         | 1    |
| CM223427  | 29.43         | 1    |
| CM223428  | 29.43         | 1    |
| CM223429  | 29.43         | 1    |
| CM224903  | 28.28         | 4    |
| CM225401  | 29.53         | 6    |
| CM225605  | 28.34         | 8    |
| CM225607  | 28.34         | 9    |
| CM225615  | 28.34         | 10   |
| CM225730  | 28.34         | 11   |
| CM2266015 | 29.37         | 10   |
| CM2266035 | 29.37         | 10   |
| CM227501  | 29.40         | 1    |
| CM227502  | 29.40         | 1    |
| CM228002  | 29.43         | 1    |
| CM228004  | 29.43         | 1    |
| CM228006  | 29.43         | 1    |
| CM228008  | 29.43         | 1    |
| CM228010  | 29.43         | 1    |
| CM228012  | 29.43         | 1    |
| CM228014  | 29.43         | 1    |
| CM228016  | 29.43         | 1    |
| CM228018  | 29.43         | 1    |
| CM228020  | 29.43         | 1    |
| CM228022  | 29.43         | 1    |
| CM228024  | 29.43         | 1    |
| CM228026  | 29.43         | 1    |

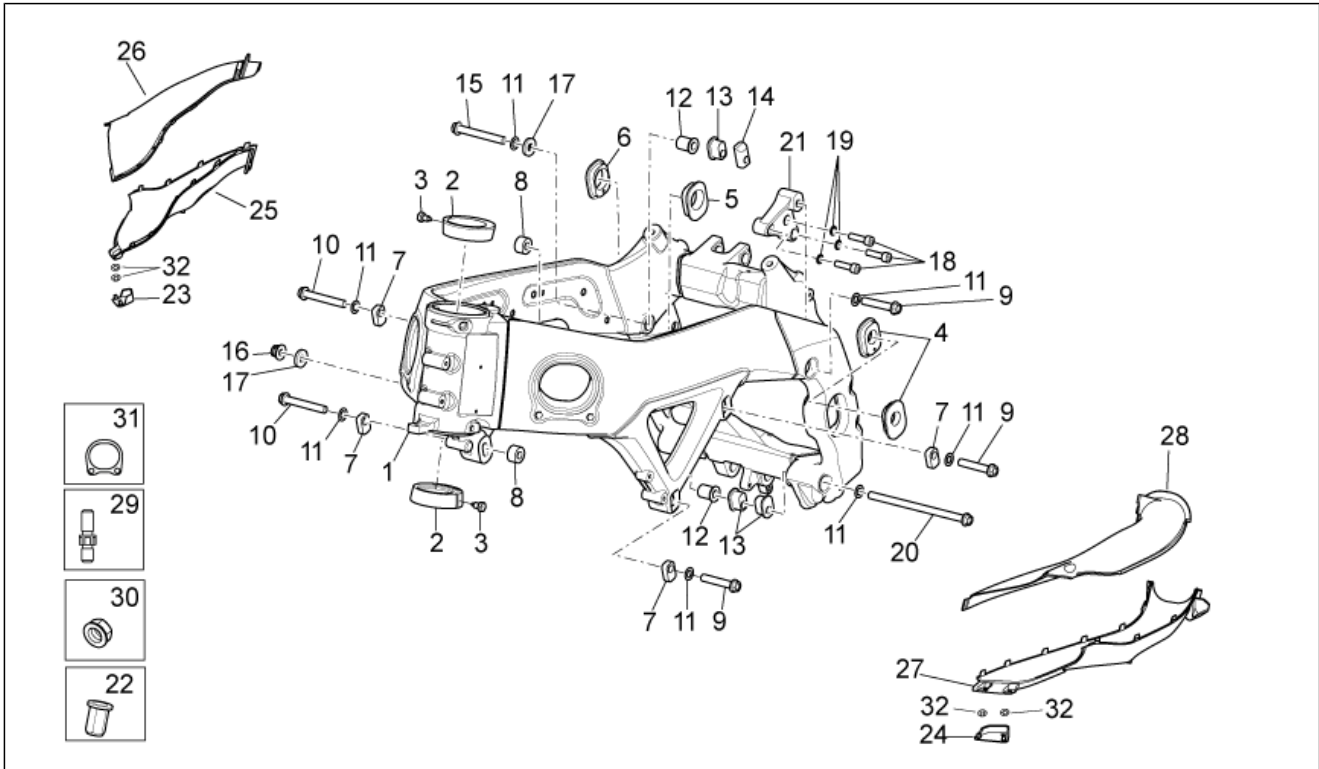
| Code       | Nr. der Tafel | Pos. |
|------------|---------------|------|
| CM228028   | 29.43         | 1    |
| CM228030   | 29.43         | 1    |
| CM228032   | 29.43         | 1    |
| CM228034   | 29.43         | 1    |
| CM228036   | 29.43         | 1    |
| CM228038   | 29.43         | 1    |
| CM228040   | 29.43         | 1    |
| CM228042   | 29.43         | 1    |
| CM228044   | 29.43         | 1    |
| CM228046   | 29.43         | 1    |
| CM228048   | 29.43         | 1    |
| CM228050   | 29.43         | 1    |
| CM228052   | 29.43         | 1    |
| CM228054   | 29.43         | 1    |
| CM228056   | 29.43         | 1    |
| CM269609   | 28.21         | 27   |
| GU01603480 | 28.18         | 16   |
| GU05128230 | 28.25         | 7    |
| GU05128230 | 28.255        | 7    |
| GU05603331 | 28.18         | 17   |
| GU05677730 | 28.03         | 7    |
| GU30027931 | 28.23         | 22   |
| GU30729330 | 28.23         | 23   |
| GU90706009 | 29.38         | 16   |

|                     |          |
|---------------------|----------|
| <b>Einheit</b>      | RAHMEN   |
| <b>Code</b>         | 28.01    |
| <b>Beschreibung</b> | Rahmen I |
| <b>Inspektion</b>   | 1        |



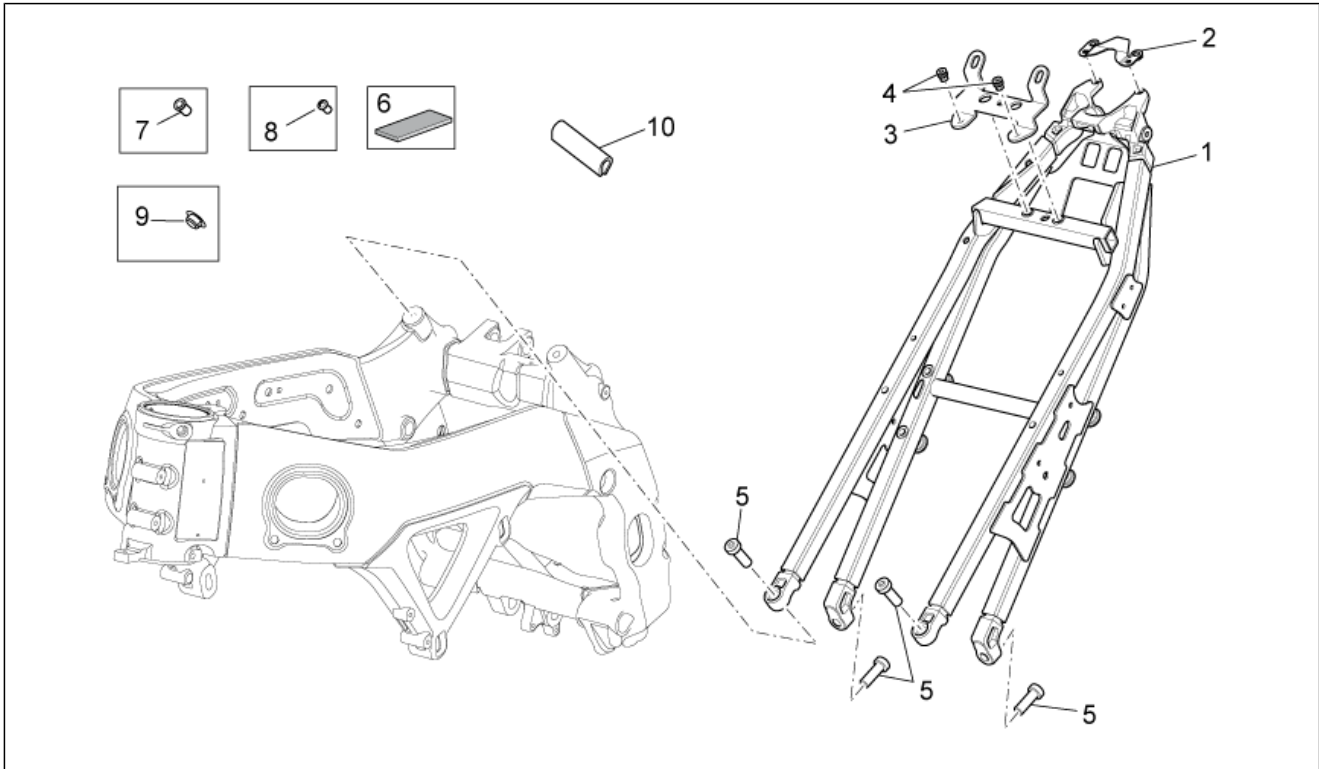
| Pos. | Code      | Beschreibung               | Menge | Varianten |
|------|-----------|----------------------------|-------|-----------|
| 1    | 895460    | Feinbearb. Rahmen          | 1     |           |
| 2    | 899491    | Paar Buchsen               | 1     |           |
| 3    | 858729    | Feststellschraube          | 2     |           |
| 4    | 858704    | LI. Einsatz                | 2     |           |
| 5    | 858705    | RE. InnenEinsatz           | 1     |           |
| 6    | 858706    | RE. AußenEinsatz           | 1     |           |
| 7    | 858717    | V. Einsatz pos. +5         | 4     |           |
| 8    | 858718    | R. Distanzscheibe          | 2     |           |
| 9    | AP8152410 | TE Schr. m. Flansch M10x55 | 3     |           |
| 10   | AP8152481 | TE Schr. m. Flansch        | 2     |           |
| 11   | AP8150292 | Gebogene Sprengscheibe *   | 7     |           |
| 12   | 858710    | Buchse                     | 2     |           |
| 13   | 858714    | H.Einsatz pos. +5          | 3     |           |
| 14   | 858711    | Einsatz M10 pos. +5        | 1     |           |
| 15   | AP8152398 | TE Schr. m. Flansch M10x80 | 1     |           |
| 16   | AP8152301 | Selbstsperrende Mutter     | 1     |           |
| 17   | AP8152441 | Ausgleichscheibe 10,5x25x4 | 2     |           |
| 18   | AP8150107 | TCEI Schraube M8x30        | 3     |           |
| 19   | AP8152154 | Ausgleichscheibe 8,4x13*   | 3     |           |
| 20   | 858712    | Bolzen                     | 1     |           |
| 21   | 856696    | Motorhalter pos. +5        | 1     |           |
| 22   | AP8102902 | Sechss. Geschn. Einsatz    | 4     |           |
| 23   | 858925    | Rechter unterer Bügel      | 1     |           |
| 24   | 858926    | Linker unterer Bügel       | 1     |           |
| 25   | 858907    | RE.Unten Luftleitung       | 1     |           |
| 26   | 858815    | RE. Ob.Luftleitung         | 1     |           |
| 27   | 858818    | LI. Unten Luftleitung      | 1     |           |
| 28   | 858817    | LI. Ob.Luftleitung         | 1     |           |

|                     |          |
|---------------------|----------|
| <b>Einheit</b>      | RAHMEN   |
| <b>Code</b>         | 28.01    |
| <b>Beschreibung</b> | Rahmen I |
| <b>Inspektion</b>   | 1        |



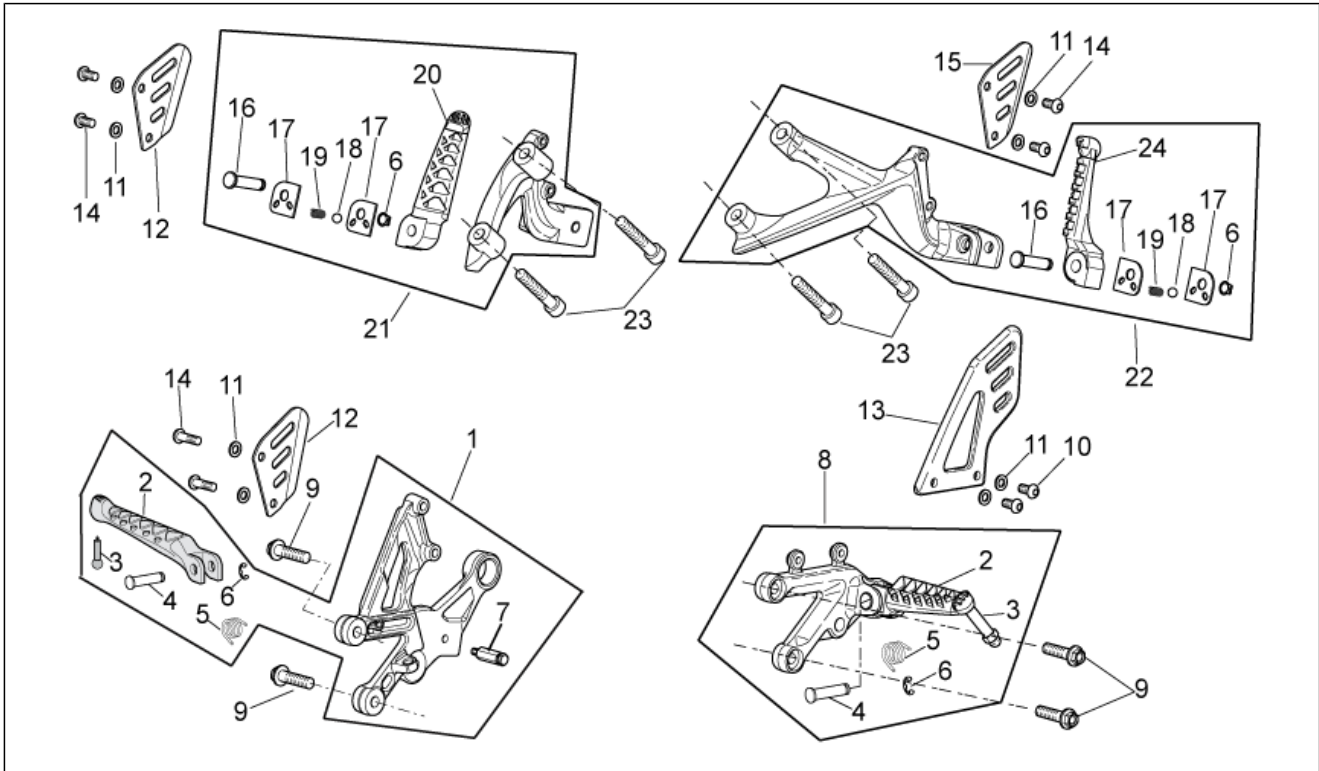
| Pos. | Code      | Beschreibung     | Menge | Varianten |
|------|-----------|------------------|-------|-----------|
| 29   | 894027    | Bolzen           | 4     |           |
| 30   | AP8150506 | Flanschmutter    | 4     |           |
| 31   | 858819    | RE-LI Dichtung   | 2     |           |
| 32   | AP8150450 | Wellenscheibe D5 | 4     |           |

|                     |           |
|---------------------|-----------|
| <b>Einheit</b>      | RAHMEN    |
| <b>Code</b>         | 28.02     |
| <b>Beschreibung</b> | Rahmen II |
| <b>Inspektion</b>   | 1         |



| Pos. | Code      | Beschreibung                  | Menge | Varianten |
|------|-----------|-------------------------------|-------|-----------|
| 1    | 858849    | Sattelstütze                  | 1     |           |
| 2    | 858903    | Scheinw.bügel                 | 1     |           |
| 3    | 858904    | Halterbügel                   | 1     |           |
| 4    | AP8201755 | Geschnitten Kunststoffniet    | 2     |           |
| 5    | AP8150469 | TCEI Schraube M10x30          | 4     |           |
| 6    | AP8117033 | Klebeschwamm                  | 1     |           |
| 7    | AP8102544 | Geschnitten Kunststoffniet M6 | 4     |           |
| 8    | AP8104390 | Geschnitten Kunststoffniet    | 6     |           |
| 9    | AP8220323 | Deckel                        | 1     |           |
| 10   | AP8144707 | Dichtung                      | 1     |           |

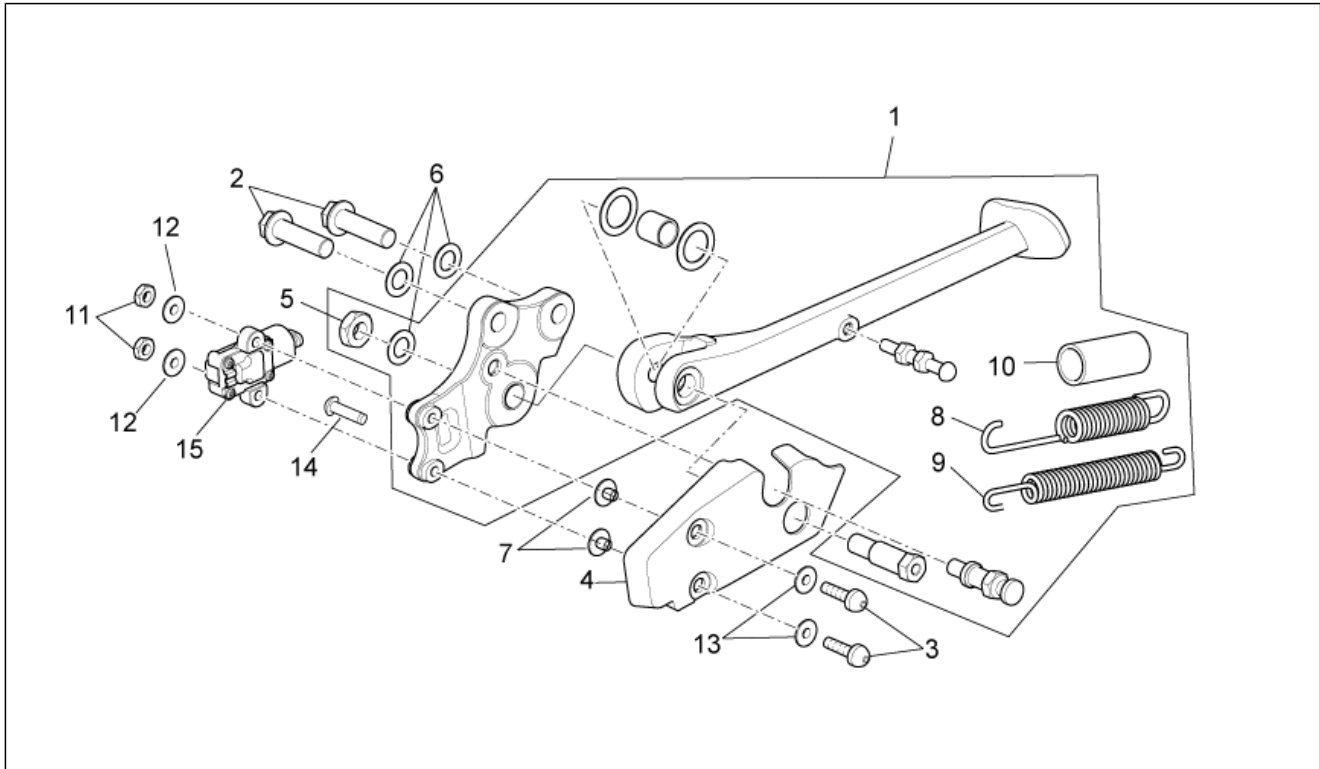
|                     |           |
|---------------------|-----------|
| <b>Einheit</b>      | RAHMEN    |
| <b>Code</b>         | 28.03     |
| <b>Beschreibung</b> | Fußrasten |
| <b>Inspektion</b>   | 1         |



| Pos. | Code       | Beschreibung                  | Menge | Varianten |
|------|------------|-------------------------------|-------|-----------|
| 1    | 858786     | Fußrastenhalter Fahrer rechts | 1     |           |
| 2    | AP8146862  | Fußrasten Fahrer (Paar)       | 1     |           |
| 3    | AP8134955  | Rastenbolzen                  | 2     |           |
| 4    | AP8121566  | Rastenbolzen                  | 2     |           |
| 5    | AP8121224  | Rückholfeder                  | 2     |           |
| 6    | AP8152409  | Sperring                      | 2     |           |
| 7    | GU05677730 | Federn Fixierstift            | 1     |           |
| 8    | AP8146502  | Fußrastenhalter Fahrer links  | 1     |           |
| 9    | AP8150540  | Zylinderschraube              | 4     |           |
| 10   | AP8224470  | TBEI Schraube M6x20           | 2     |           |
| 11   | AP8150429  | Sprenzscheibe 6,4x11x0,5*     | 8     |           |
| 12   | 858787     | Rechter schutz                | 2     |           |
| 13   | 858788     | Linker schutz                 | 1     |           |
| 14   | AP8150537  | TBEI Schraube M6x12           | 6     |           |
| 15   | 894201     | Schutz I. Soziousfußraste     | 1     |           |
| 16   | AP8134829  | Rastenbolzen                  | 2     |           |
| 17   | AP8134451  | Fixierplatte                  | 4     |           |
| 18   | AP8101861  | Kugel D6,35                   | 2     |           |
| 19   | AP8121133  | Schraubenfederkompr.          | 2     |           |
| 20   | AP8146616  | Soziusraste rechts            | 1     |           |
| 21   | 893996     | Soziusraste rechts cpl        | 1     |           |
| 22   | 893997     | Soziusraste links             | 1     |           |
| 23   | AP8150164  | TCEI Schraube M8x45           | 4     |           |
| 24   | AP8146617  | Soziusraste links             | 1     |           |



|                     |              |
|---------------------|--------------|
| <b>Einheit</b>      | RAHMEN       |
| <b>Code</b>         | 28.04        |
| <b>Beschreibung</b> | Hauptständer |
| <b>Inspektion</b>   | 1            |

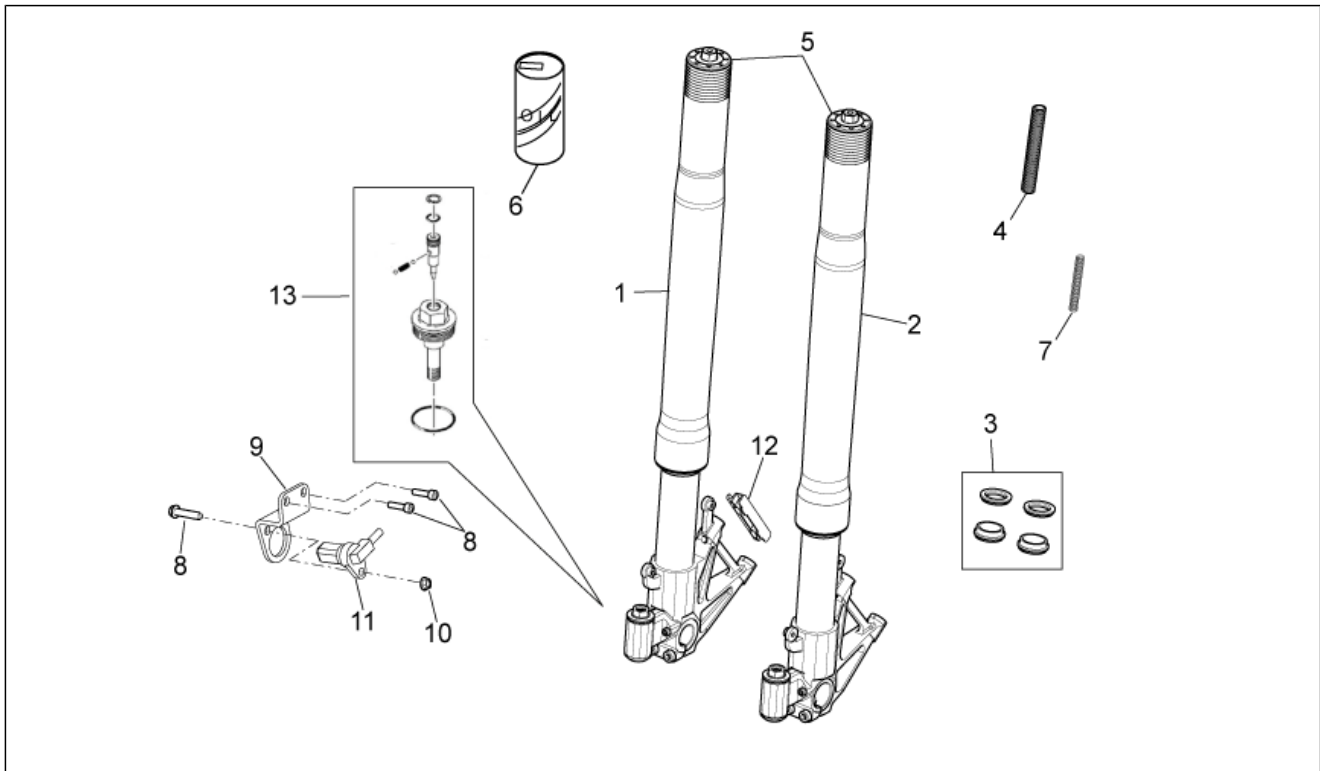


| Pos. | Code      | Beschreibung                | Menge | Varianten  |
|------|-----------|-----------------------------|-------|--|
| 1    | 858863    | Hauptständer Kpl.           | 1     |  |
| 1    | 895250    | Hauptständer Kpl.           | 1     | Land:Kanada[CA], Vereinigte Staaten von Amerika[USA] |
| 2    | AP8152318 | TE Schr. m. Flansch M10x35  | 2     |  |
| 3    | AP8225369 | TBEI Schraube               | 2     |  |
| 4    | 858941    | Schutzabdeckung             | 1     |  |
| 5    | AP8152001 | Mutter unten M10x1,25       | 1     |  |
| 6    | AP8150292 | Gebogene Sprengscheibe *    | 3     |  |
| 7    | 843213    | T-Buchse                    | 2     |  |
| 8    | 893044    | Außere Feder                | 1     |  |
| 9    | 893045    | Innere Feder                | 1     |  |
| 10   | AP8102524 | Schutz f. Ständerfeder      | 1     |  |
| 11   | AP8150311 | Selbstsperr.mut Unt.        | 2     |  |
| 12   | AP8150012 | Ausgleichscheibe 5,3x10x1*  | 2     |  |
| 13   | AP8150248 | Ausgleichscheibe 5,5x15x1,6 | 2     |  |
| 14   | AP8120876 | Verschlussschraube          | 1     |  |
| 15   | AP8127856 | Ständer lichtschalter       | 1     |  |



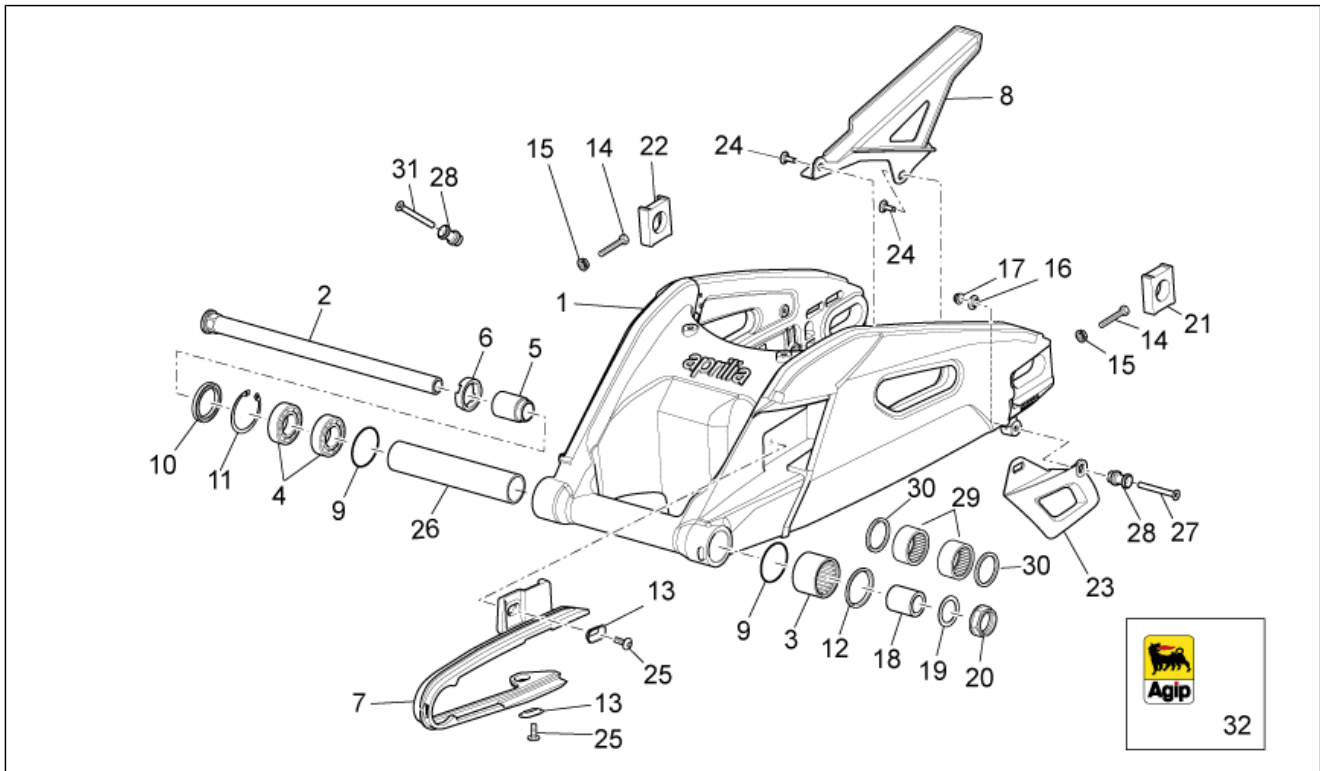


|                     |                |
|---------------------|----------------|
| <b>Einheit</b>      | RAHMEN         |
| <b>Code</b>         | 28.06          |
| <b>Beschreibung</b> | Vorderradgabel |
| <b>Inspektion</b>   | 1              |



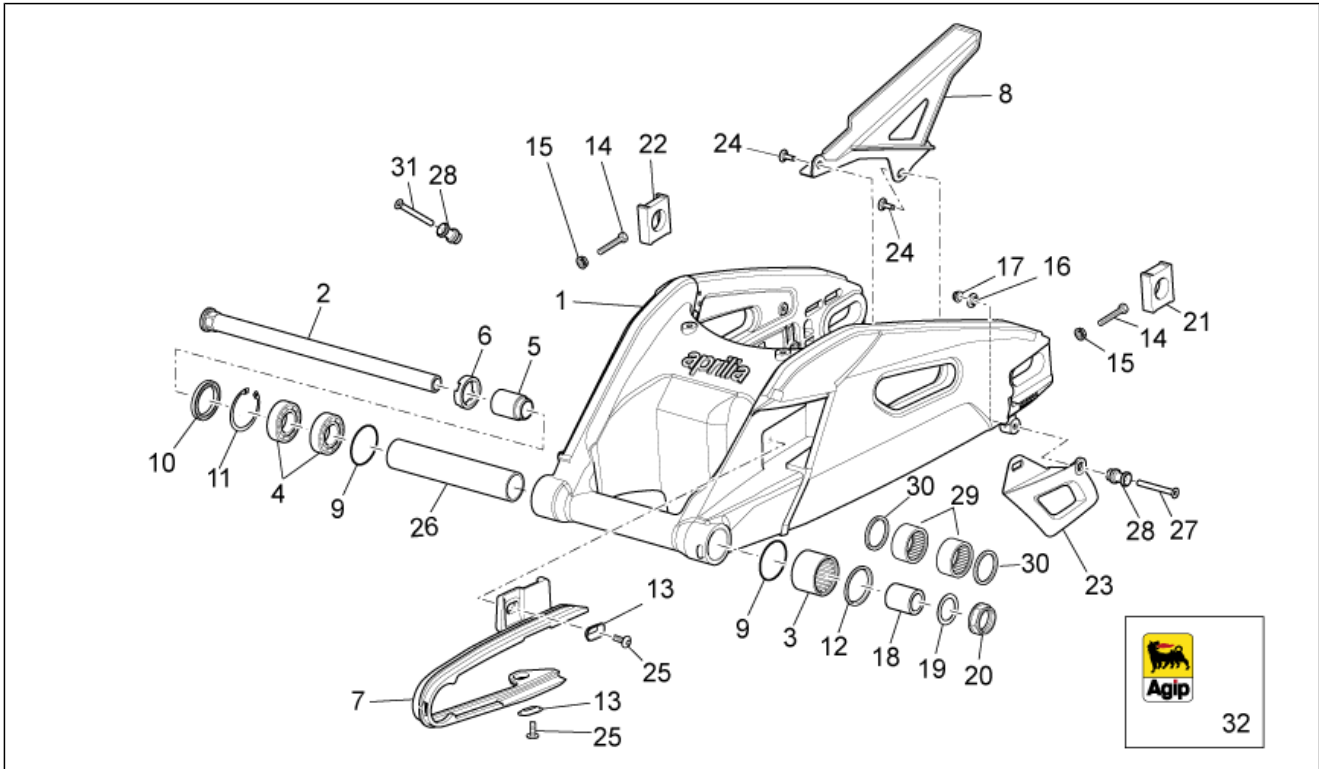
| Pos. | Code      | Beschreibung             | Menge | Varianten |
|------|-----------|--------------------------|-------|-----------|
| 1    | 897302    | Kolbenstange rechts      | 1     |           |
| 2    | 854547    | Kolbenstange links       | 1     |           |
| 3    | AP8123975 | Aust.satz Vorderradgabel | 1     |           |
| 4    | 893945    | Feder                    | 2     |           |
| 5    | AP8123977 | Verschlußschraube kplt.  | 2     |           |
| 6    | AP8116071 | Stoßdämpfer Öl 1 lt.     | 1     |           |
| 7    | 893966    | Gegenfeder               | 2     |           |
| 8    | AP8152267 | TBEI Spez.schr. M5x12    | 3     |           |
| 9    | 897111    | Sensor halter            | 1     |           |
| 10   | AP8150114 | Selbstsperr.mut Unt.     | 1     |           |
| 11   | 859792    | Sensor ABS               | 1     |           |
| 12   | 896944    | Kabelführung             | 1     |           |
| 13   | 2B004152  | Kit porta pistone cpl.   | 1     |           |

|                     |          |
|---------------------|----------|
| <b>Einheit</b>      | RAHMEN   |
| <b>Code</b>         | 28.07    |
| <b>Beschreibung</b> | Schwinge |
| <b>Inspektion</b>   | 1        |



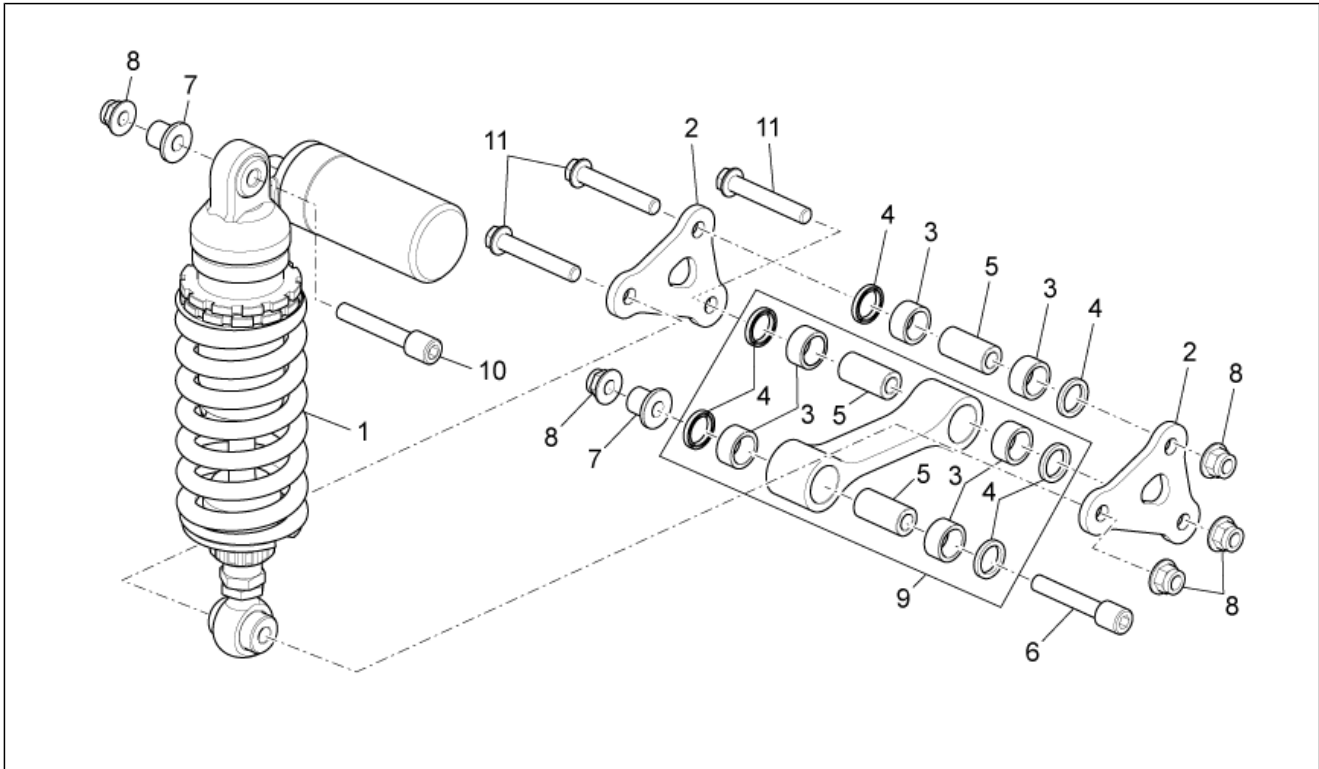
| Pos. | Code      | Beschreibung                  | Menge | Varianten |
|------|-----------|-------------------------------|-------|-----------|
| 1    | 858770    | Schwinge                      | 1     |           |
| 2    | 858707    | Schwingenbolzen               | 1     |           |
| 3    | AP8110078 | Nadellager                    | 1     |           |
| 4    | AP8110079 | Kugellager                    | 2     |           |
| 5    | 858708    | Einstellbuchse                | 1     |           |
| 6    | AP8121201 | Gabelzapfen-Nutmutter         | 1     |           |
| 7    | 858780    | Kettengleitführung            | 1     |           |
| 8    | 858783    | Kettenkasten                  | 1     |           |
| 9    | AP8144048 | O-Ring 134                    | 2     |           |
| 10   | AP8144006 | Gasket ring                   | 1     |           |
| 11   | AP8121204 | Seegerring für Bohrung d37    | 1     |           |
| 12   | AP8144005 | Gasket ring                   | 1     |           |
| 13   | AP8234020 | Becher                        | 2     |           |
| 14   | AP8152305 | Kettenspanner Schraube        | 2     |           |
| 15   | AP8150334 | Mutter M8                     | 2     |           |
| 16   | AP8121075 | T-Buchse *                    | 1     |           |
| 17   | AP8150430 | Selbstsperr.mut Unt.          | 1     |           |
| 18   | 858936    | Buchse Gabelzapfen            | 1     |           |
| 19   | AP8125687 | U-scheibe Hint.radbolz        | 1     |           |
| 20   | 648708    | Hinterradbolzen mut.          | 1     |           |
| 21   | AP8144443 | Kettenführung links           | 1     |           |
| 22   | AP8144444 | Kettenführung rechts          | 1     |           |
| 23   | 858781    | Kettengleitführung            | 1     |           |
| 24   | AP8152302 | TBEI Schraube m.Flansch M5x12 | 3     |           |
| 25   | AP8152267 | TBEI Spez.schr. M5x12         | 2     |           |
| 26   | AP8121570 | Interne Distanzscheibe        | 1     |           |
| 27   | AP8150503 | Schraube                      | 1     |           |
| 28   | AP8148824 | Halter                        | 2     |           |

|                     |          |
|---------------------|----------|
| <b>Einheit</b>      | RAHMEN   |
| <b>Code</b>         | 28.07    |
| <b>Beschreibung</b> | Schwinge |
| <b>Inspektion</b>   | 1        |



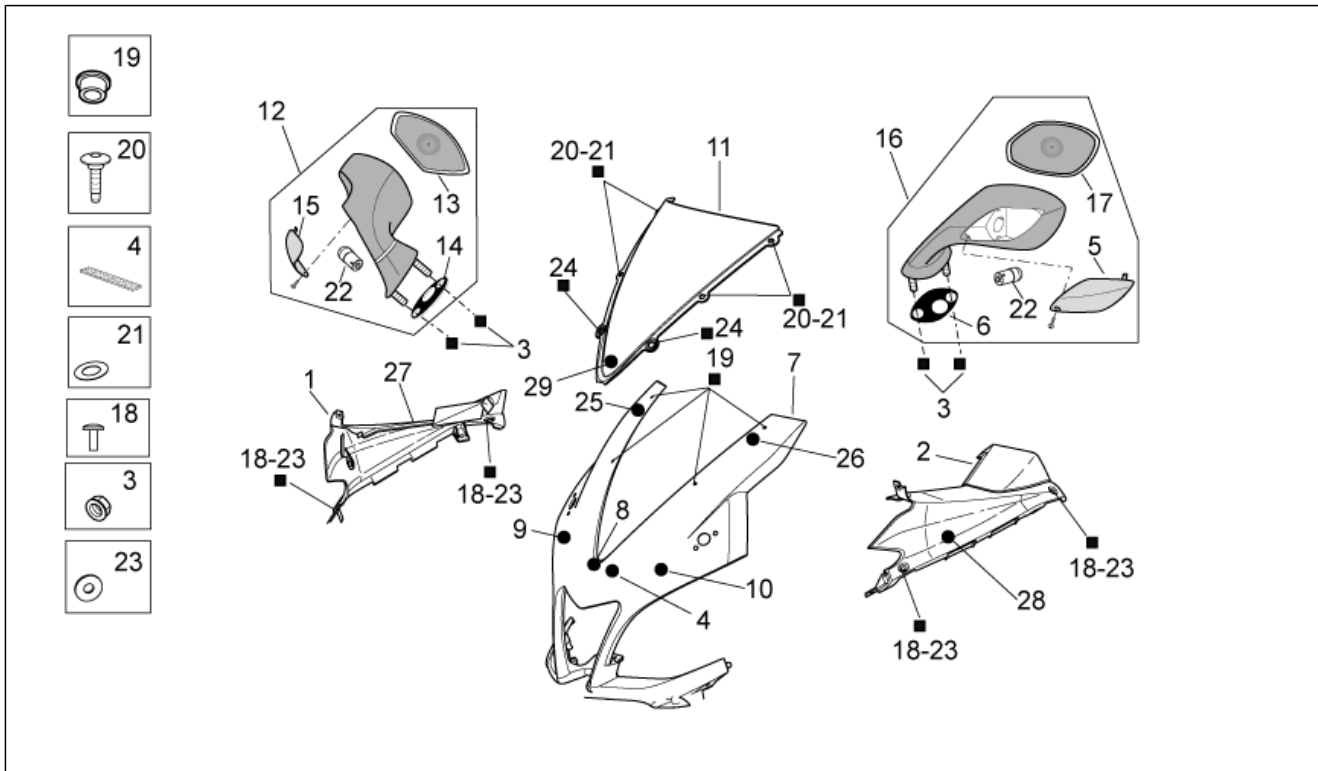
| Pos. | Code      | Beschreibung            | Menge | Varianten |
|------|-----------|-------------------------|-------|-----------|
| 29   | AP8110065 | Nadellager              | 2     |           |
| 30   | AP8110068 | Ölabstreifring D18x24x3 | 2     |           |
| 31   | AP8150468 | Schraube M6x40          | 1     |           |
| 32   | 852029    | Deko "AGIP"             | 2     |           |

|                     |                    |
|---------------------|--------------------|
| <b>Einheit</b>      | RAHMEN             |
| <b>Code</b>         | 28.08              |
| <b>Beschreibung</b> | Hinten Stoßdämpfer |
| <b>Inspektion</b>   | 1                  |



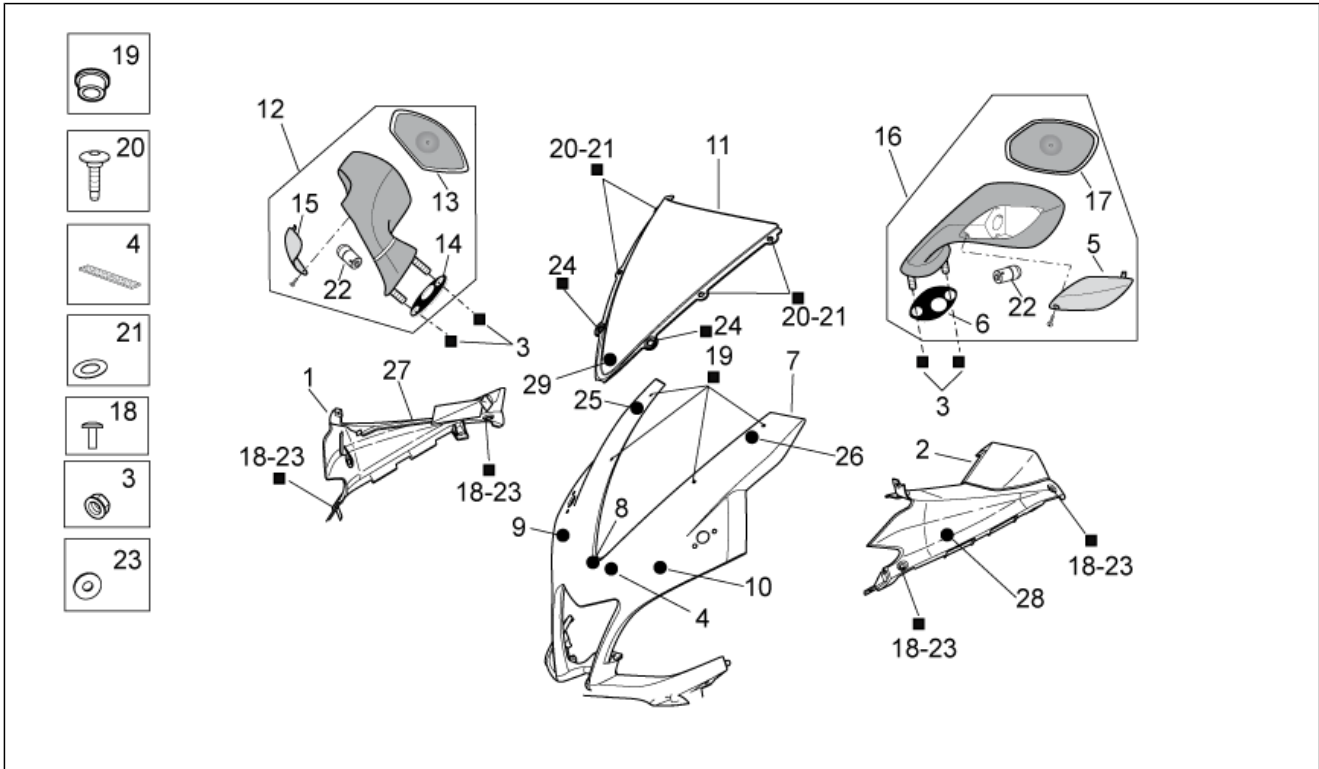
| Pos. | Code      | Beschreibung               | Menge | Varianten |
|------|-----------|----------------------------|-------|-----------|
| 1    | 858909    | Stoßdämpfer                | 1     |           |
| 2    | 858918    | Doppelte Pleuelstange      | 2     |           |
| 3    | AP8110065 | Nadellager                 | 4     |           |
| 4    | AP8110068 | Ölabstreifring D18x24x3    | 4     |           |
| 5    | AP8146518 | Bolzen L=36                | 3     |           |
| 6    | AP8152412 | TCEI Schraube M10x72       | 1     |           |
| 7    | AP8121155 | T-Buchse *                 | 2     |           |
| 8    | AP8152301 | Selbstsperrende Mutter     | 5     |           |
| 9    | AP8146516 | Einfache Pleuelstange      | 1     |           |
| 10   | AP8152411 | TCEI Schraube M10x59       | 1     |           |
| 11   | AP8152413 | TE Schr. m. Flansch M10x61 | 3     |           |

|                     |               |
|---------------------|---------------|
| <b>Einheit</b>      | RAHMEN        |
| <b>Code</b>         | 28.09         |
| <b>Beschreibung</b> | Frontaufbau I |
| <b>Inspektion</b>   | 1             |



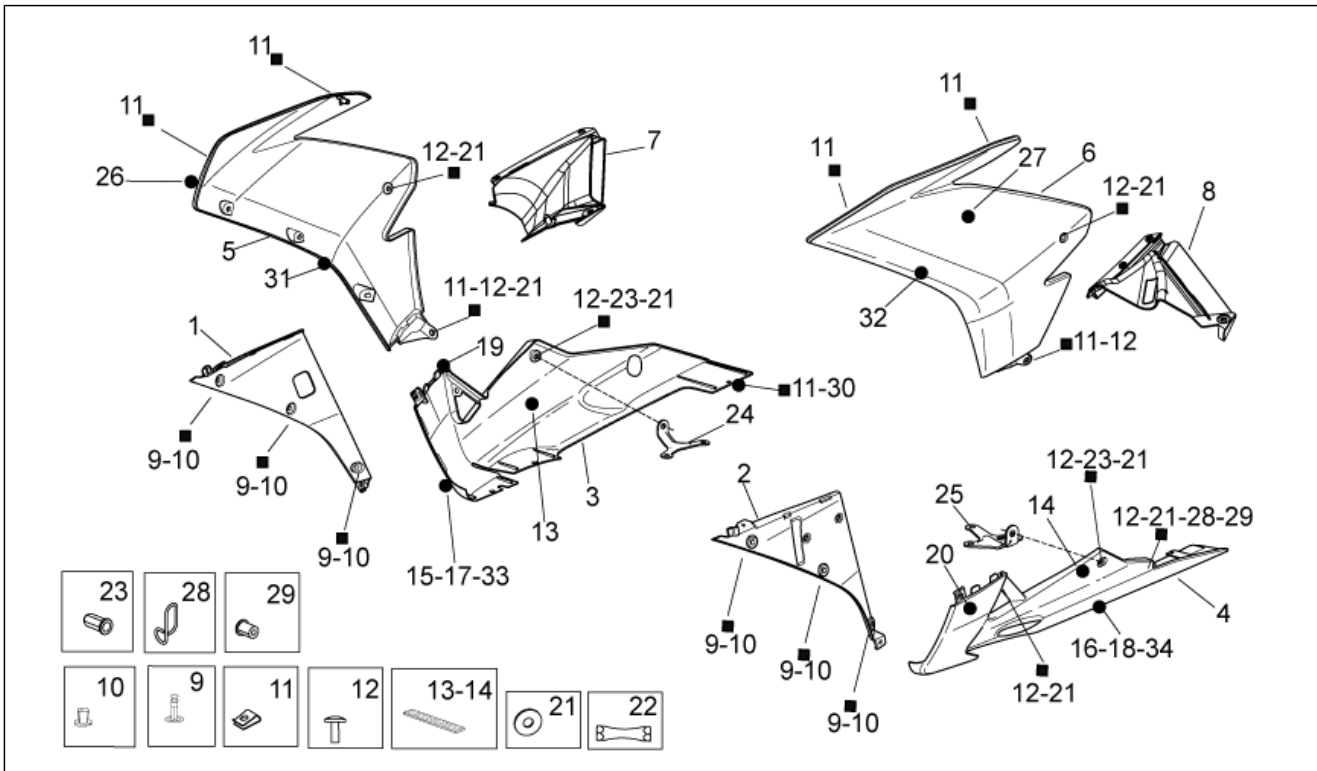
| Pos. | Code        | Beschreibung                   | Menge | Varianten  |
|------|-------------|--------------------------------|-------|--|
| 1    | 85881300XN6 | Verschl. Verkl.ob.r., schwarz  | 1     |  |
| 2    | 89732600XN6 | Verschl. Verkl.ob.li., schwarz | 1     |  |
| 3    | AP8150506   | Flanschmutter                  | 4     |  |
| 4    | AP8117033   | Klebeschwamm                   | 1     |  |
| 5    | AP8104759   | LH orange lens                 | 1     | Land:Kanada[CA], Vereinigte Staaten von Amerika[USA]                           |
| 5    | AP8127700   | LH transparent lens            | 1     | Land:Europa[EU], Japan[J], Russland[RU]  |
| 6    | 893936      | Dichtung li                    | 1     |  |
| 7    | 89857000XR4 | Vord. Verkleidung, rot         | 1     | Technische Spezifikation: Einzelteil mit Aufkleber[D]                          |
| 8    | 898533      | Verkl.deko                     | 1     |  |
| 9    | 893763      | Verkl.deko re.                 | 1     |  |
| 10   | 893764      | Verkl.deko li.                 | 1     |  |
| 11   | 893257      | Windabweiser                   | 1     | Land:Europa[EU], Japan[J], Russland[RU]  |
| 11   | 894630      | Windabweiser                   | 1     | Land:Australien[AU], Kanada[CA], Vereinigte Staaten von Amerika[USA]           |
| 12   | 890878      | Rückspiegel rechts             | 1     | Land:Europa[EU], Russland[RU]  |
| 12   | 894519      | Rückspiegel rechts             | 1     | Land:Kanada[CA], Vereinigte Staaten von Amerika[USA]                           |
| 12   | 899202      | Rückspiegel rechts             | 1     | Land:Japan[J]  |
| 13   | 899062      | Rückspiegel rechts             | 1     | Land:Japan[J]  |
| 13   | AP8104755   | Rückspiegel rechts             | 1     | Land:Kanada[CA], Europa[EU], Vereinigte Staaten von Amerika[USA]               |
| 14   | 893935      | Dichtung re                    | 1     |  |
| 15   | AP8104760   | RH orange lens                 | 1     | Land:Kanada[CA], Vereinigte Staaten von Amerika[USA]                           |
| 15   | AP8127699   | RH transparent lens            | 1     | Land:Europa[EU], Japan[J], Russland[RU]  |
| 16   | 890879      | Rückspiegel links              | 1     | Land:Europa[EU], Russland[RU]  |
| 16   | 894520      | Rückspiegel links              | 1     | Land:Kanada[CA], Vereinigte Staaten von Amerika[USA]                           |
| 16   | 899203      | Rückspiegel links              | 1     | Land:Japan[J]  |
| 17   | 899063      | Rückspiegel links              | 1     | Land:Japan[J]  |
| 17   | AP8104754   | Rückspiegel links              | 1     | Land:Kanada[CA], Europa[EU], Russland[RU], Vereinigte Staaten von Amerika[USA] |

|                     |               |
|---------------------|---------------|
| <b>Einheit</b>      | RAHMEN        |
| <b>Code</b>         | 28.09         |
| <b>Beschreibung</b> | Frontaufbau I |
| <b>Inspektion</b>   | 1             |



| Pos. | Code      | Beschreibung              | Menge | Varianten  |
|------|-----------|---------------------------|-------|--|
| 18   | 893838    | Schraube                  | 4     |  |
| 19   | AP8144564 | Gummi mit Einsatz M4      | 4     |  |
| 20   | 893839    | Schraube M4x12            | 4     |  |
| 21   | AP8144565 | U-scheibe Nylon           | 4     |  |
| 22   | 181746    | Lampen 12V-10W            | 2     | Land:Kanada[CA], Vereinigte Staaten von Amerika[USA] |
| 22   | AP8127489 | Lampen RY10W 12V          | 2     |  |
| 23   | AP8120622 | Vord. Staubschutzring     | 4     |  |
| 24   | AP8220186 | Gummi                     | 1     |  |
| 25   | 898788    | Aufkleber re Aprc Factory | 1     |  |
| 26   | 898789    | Aufkleber L. Aprc Factory | 1     |  |
| 27   | 898534    | Re.Obere Verkl.deko       | 1     |  |
| 28   | 898535    | Li.Obere Verkl.deko       | 1     |  |
| 29   | 895335    | Aufkleber kuppel          | 1     |  |

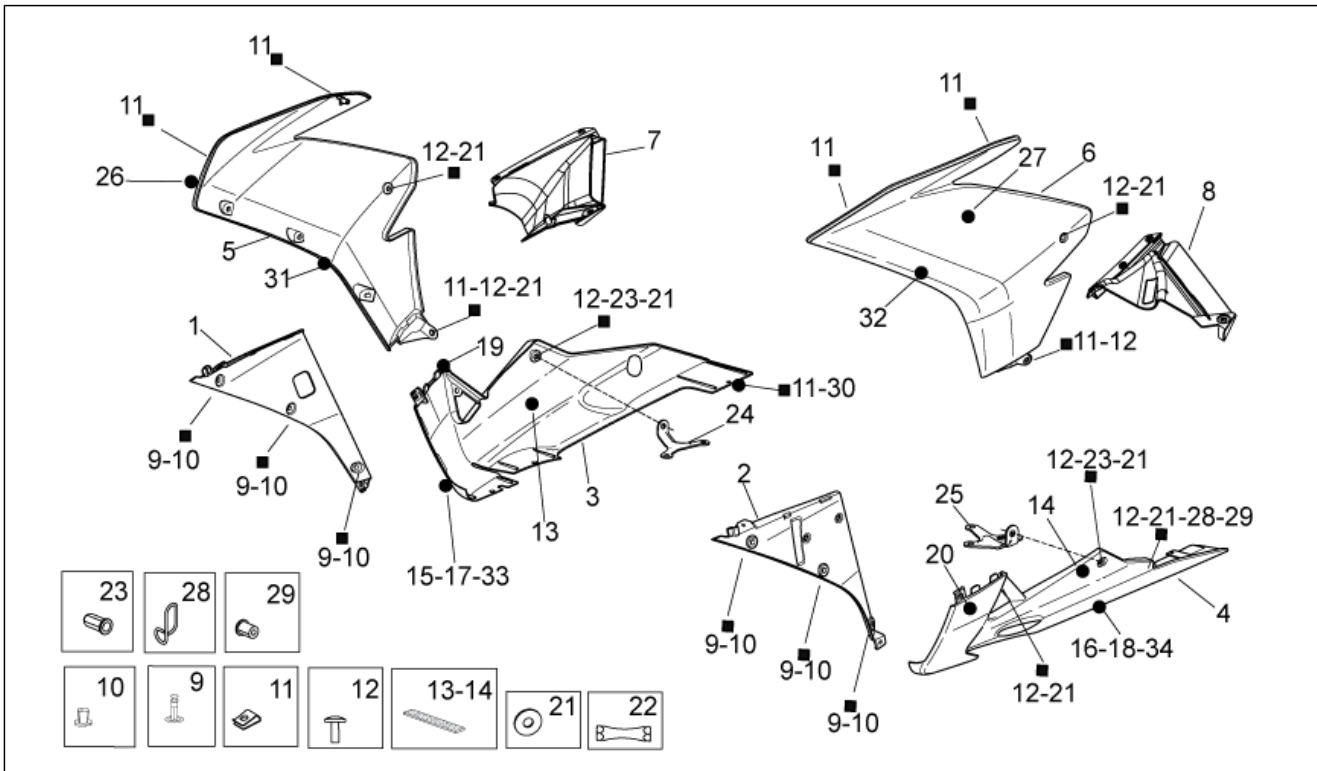
|                     |                |
|---------------------|----------------|
| <b>Einheit</b>      | RAHMEN         |
| <b>Code</b>         | 28.10          |
| <b>Beschreibung</b> | Frontaufbau II |
| <b>Inspektion</b>   | 1              |



| Pos. | Code         | Beschreibung                    | Menge | Varianten  |
|------|--------------|---------------------------------|-------|--|
| 1    | 858828       | R.inn.Rumpf                     | 1     |  |
| 2    | 858829       | L.inn.Rumpf                     | 1     |  |
| 3    | 89857500XN2  | R.Stütze                        | 1     | <b>Baujahr:</b> 2011[B]<br><b>Technische Spezifikation:</b> Einzelteil mit Aufkleber[D],<br>Factory MY 2011[STD]                 |
| 3    | 89951800Z1   | R.Stütze                        | 1     | <b>Baujahr:</b> 2011[B]<br><b>Technische Spezifikation:</b> Einzelteil mit Aufkleber[D],<br>Special Edition Biaggi Limited[SE]   |
| 3    | B04444200XN2 | R.Stütze                        | 1     | <b>Baujahr:</b> 2012[C]<br><b>Fahrzeugfarbe:</b> Black Flame[BF]<br><b>Technische Spezifikation:</b> Einzelteil mit Aufkleber[D] |
| 4    | 89857600XN2  | L.Stütze                        | 1     | <b>Baujahr:</b> 2011[B]<br><b>Technische Spezifikation:</b> Einzelteil mit Aufkleber[D],<br>Factory MY 2011[STD]                 |
| 4    | 89951900Z1   | L.Stütze                        | 1     | <b>Baujahr:</b> 2011[B]<br><b>Technische Spezifikation:</b> Einzelteil mit Aufkleber[D],<br>Special Edition Biaggi Limited[SE]   |
| 4    | B04444300XN2 | L.Stütze                        | 1     | <b>Baujahr:</b> 2012[C]<br><b>Fahrzeugfarbe:</b> Black Flame[BF]<br><b>Technische Spezifikation:</b> Einzelteil mit Aufkleber[D] |
| 5    | 89410700XN2  | seit.Verkl. rechts Schw.        | 1     | <b>Technische Spezifikation:</b> Nicht abgepaustes Einzelteil[ND]  |
| 6    | 89736200XN2  | Seit.Verkl. links Schw.         | 1     | <b>Technische Spezifikation:</b> Nicht abgepaustes Einzelteil[ND]  |
| 7    | 893979       | Abzieher rechts                 | 1     |  |
| 8    | 893980       | Abzieher links                  | 1     |  |
| 9    | AP8144616    | Kunststoffniet, frau            | 6     |  |
| 10   | AP8144563    | Kunststoffniet, mann            | 6     |  |
| 11   | AP8102375    | Klammer M5                      | 6     |  |
| 12   | 896175       | TBEI Schraube M5x12             | 6     |  |
| 13   | 894196       | R. Hitzeschutz                  | 1     |  |
| 14   | 894197       | L. Hitzeschutz                  | 1     |  |
| 15   | 898543       | Re. unt. Verkleidung deko BOSCH | 1     | <b>Fahrzeugfarbe:</b> Black Flame[BF]  |

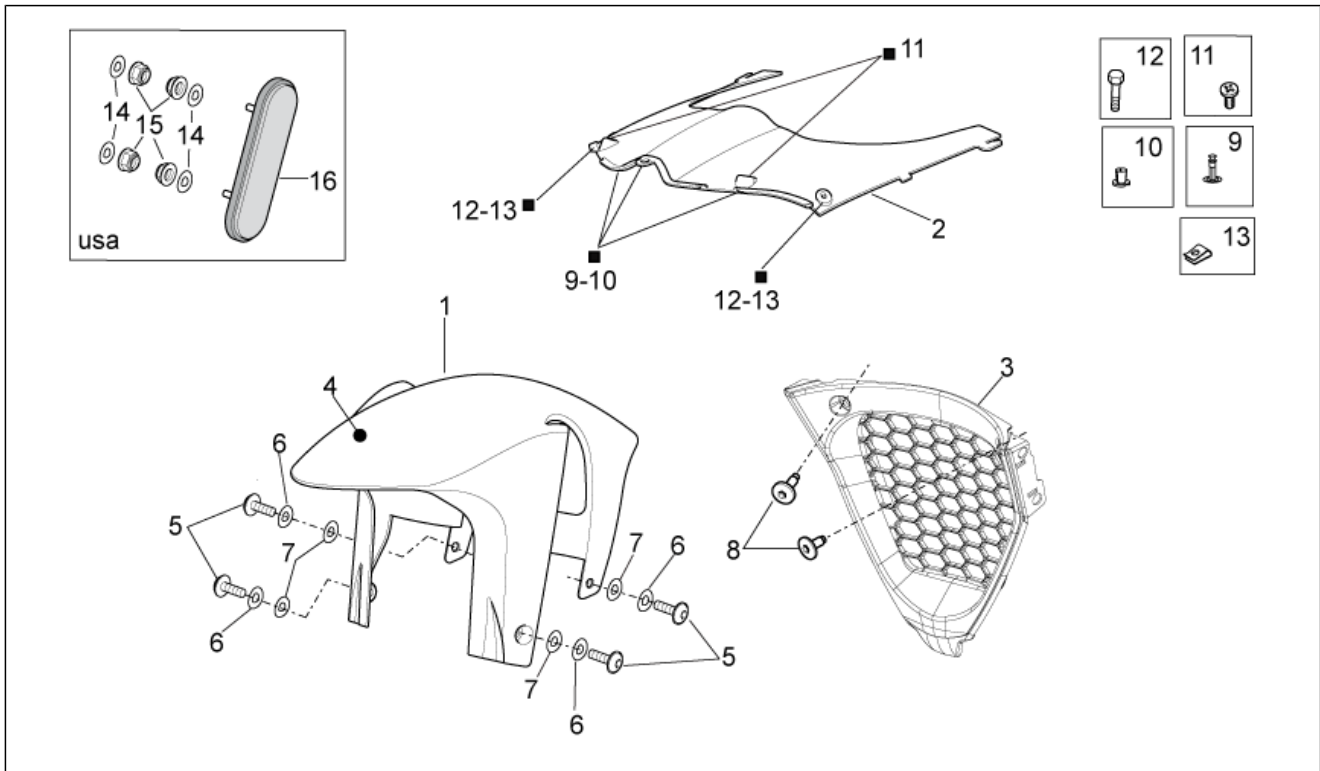


|                     |                |
|---------------------|----------------|
| <b>Einheit</b>      | RAHMEN         |
| <b>Code</b>         | 28.10          |
| <b>Beschreibung</b> | Frontaufbau II |
| <b>Inspektion</b>   | 1              |



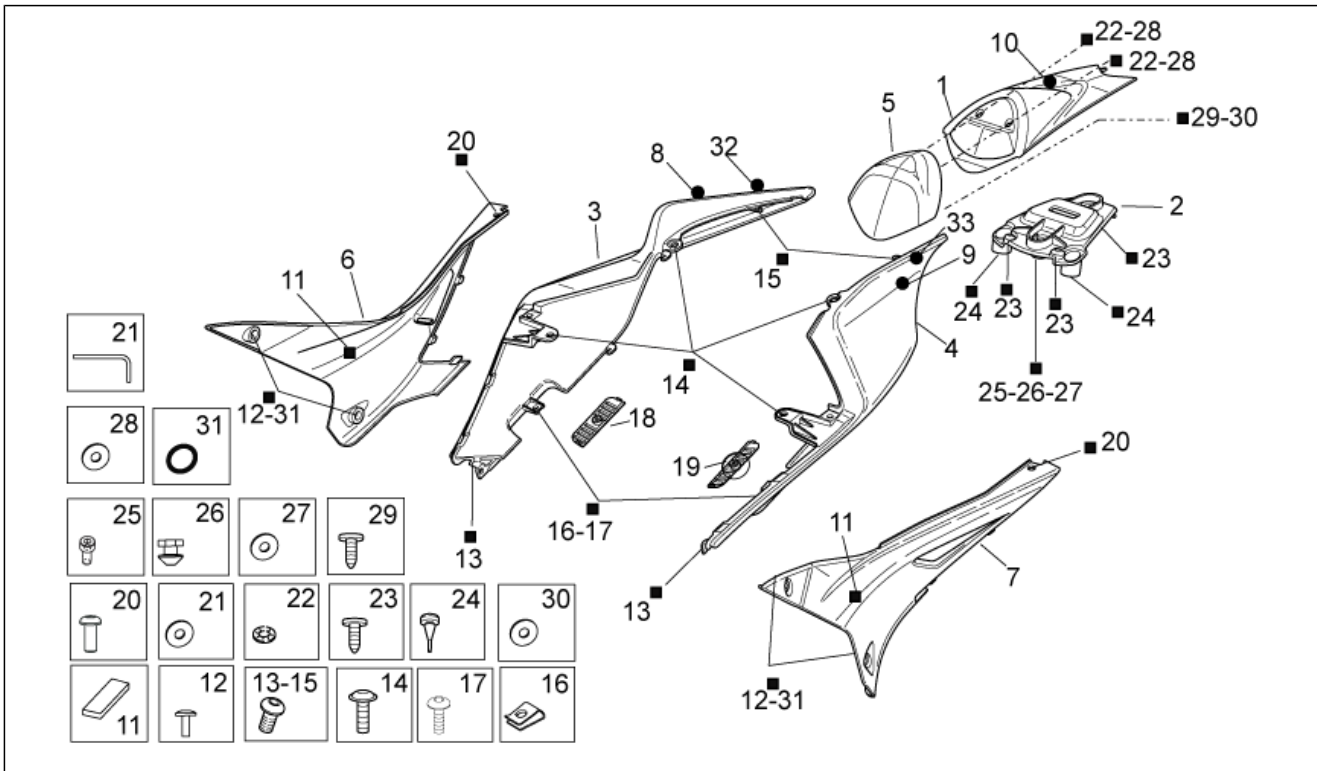
| Pos. | Code      | Beschreibung                               | Menge | Varianten  |
|------|-----------|--|-------|--|
|      |           |  |       | <b>Technische Spezifikation:</b> Factory MY 2011[STD]  |
| 15   | 899512    | Re. unt. Verkleidung deko Aprilia Alitalia | 1     | <b>Technische Spezifikation:</b> Special Edition Biaggi Limited[SE]                            |
| 16   | 898542    | Li.unt. Verkleidung deko BOSCH             | 1     | <b>Fahrzeugfarbe:</b> Black Flame[BF]<br><b>Technische Spezifikation:</b> Factory MY 2011[STD] |
| 16   | 899512    | Re. unt. Verkleidung deko Aprilia Alitalia | 1     | <b>Technische Spezifikation:</b> Special Edition Biaggi Limited[SE]                            |
| 17   | 898540    | Re. unt. Verkleidung deko Aprilia Factory  | 1     | <b>Technische Spezifikation:</b> Factory MY 2011[STD]  |
| 17   | 899514    | Re. unt. Verkleidung deko Aprilia Factory  | 1     | <b>Technische Spezifikation:</b> Special Edition Biaggi Limited[SE]                            |
| 18   | 898541    | Li.unt. Verkleidung deko Aprilia Factory   | 1     | <b>Technische Spezifikation:</b> Factory MY 2011[STD]  |
| 18   | 899515    | Li.unt. Verkleidung deko Aprilia Factory   | 1     | <b>Technische Spezifikation:</b> Special Edition Biaggi Limited[SE]                            |
| 19   | 899510    | Aufkleber R. SBK 10                        | 1     |  |
| 20   | 899511    | Aufkleber L. SBK 10                        | 1     |  |
| 21   | AP8120622 | Vord. Staubschutzring                      | 7     |  |
| 22   | 890964    | Distanzscheibe                             | 1     |  |
| 23   | AP8201755 | Geschnitten Kunststoffniet                 | 2     |  |
| 24   | 895909    | Rechtes bügel                              | 1     |  |
| 25   | 895910    | Linkes bügel                               | 1     |  |
| 26   | 898536    | Re. Verkl.deko RSV4                        | 1     | <b>Technische Spezifikation:</b> Special Edition Biaggi Limited[SE],<br>Factory MY 2011[STD]   |
| 26   | B044435   | Re. Verkl.deko RSV4                        | 1     | <b>Fahrzeugfarbe:</b> Black Flame[BF]  |
| 27   | 898537    | Li. Verkl.deko RSV4                        | 1     | <b>Technische Spezifikation:</b> Special Edition Biaggi Limited[SE],<br>Factory MY 2011[STD]   |
| 27   | B044434   | Li. Verkl.deko RSV4                        | 1     | <b>Fahrzeugfarbe:</b> Black Flame[BF]  |
| 28   | AP8120428 | Kabelführungs                              | 1     |  |
| 29   | AP8120531 | Gummi mit Einsatz                          | 1     |  |
| 30   | 895915    | TBEI Schraube                              | 1     |  |
| 31   | B044797   | Aufkleber Streifen DX                      | 1     | <b>Fahrzeugfarbe:</b> Black Flame[BF]  |
| 32   | B044798   | Aufkleber Streifen SX                      | 1     | <b>Fahrzeugfarbe:</b> Black Flame[BF]  |
| 33   | B044436   | Re. unt. Verkleidung deko Aprilia Factory  | 1     | <b>Fahrzeugfarbe:</b> Black Flame[BF]  |
| 34   | B044437   | Li.unt. Verkleidung deko Aprilia Factory   | 1     | <b>Fahrzeugfarbe:</b> Black Flame[BF]  |

|                     |                 |
|---------------------|-----------------|
| <b>Einheit</b>      | RAHMEN          |
| <b>Code</b>         | 28.11           |
| <b>Beschreibung</b> | Frontaufbau III |
| <b>Inspektion</b>   | 1               |



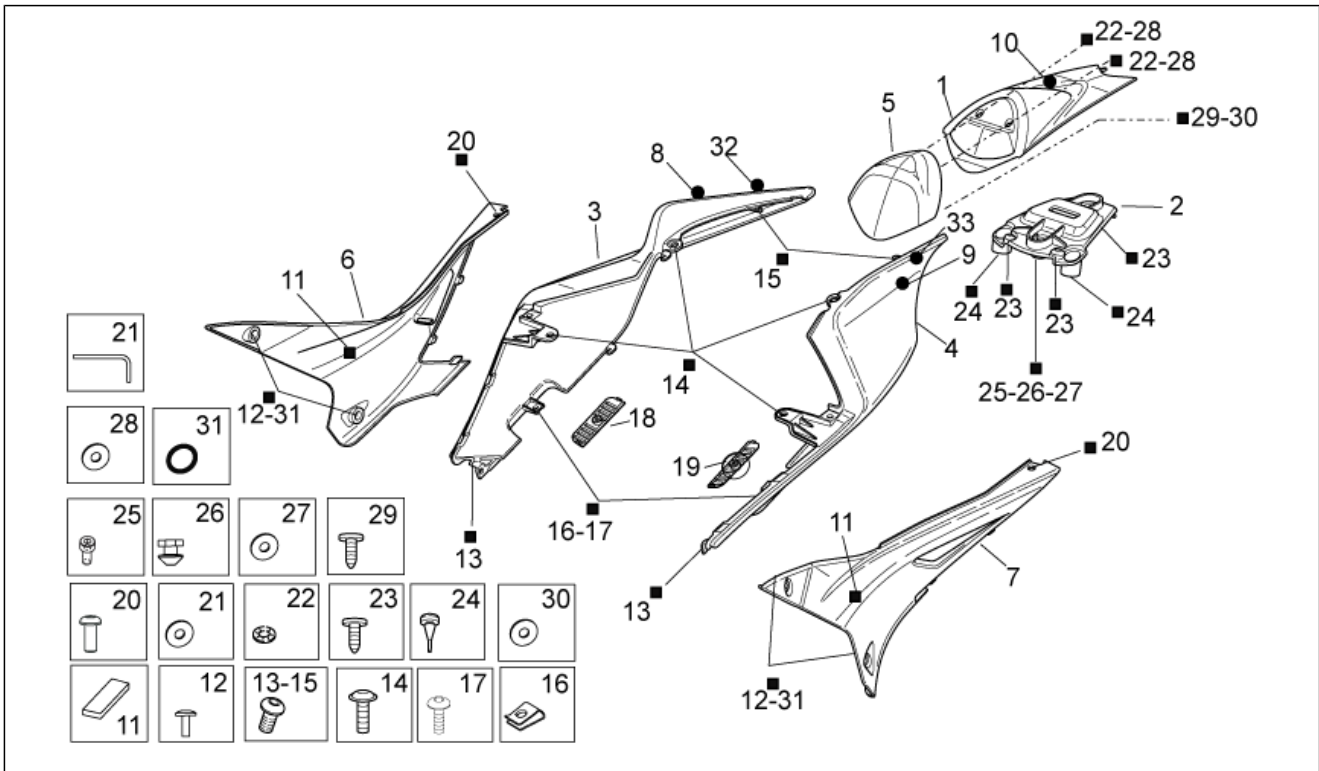
| Pos. | Code      | Beschreibung                      | Menge | Varianten  |
|------|-----------|-----------------------------------|-------|--|
| 1    | 890968    | Schutzblech vorn Kohl.            | 1     | Land:Europa[EU], Japan[J]  |
| 1    | 894988    | Schutzblech vorn Kohl.            | 1     | Land:Kanada[CA], Russland[RU], Vereinigte Staaten von Amerika[USA] |
| 2    | 858830    | Verschl. unt. vorn Verkl.         | 1     |  |
| 3    | 858827    | Stütze                            | 1     |  |
| 4    | 893796    | Deko "aprilia racing"             | 1     |  |
| 5    | AP8152269 | TBEI Spez.schr.                   | 4     |  |
| 6    | AP8150272 | Gebogene Sprengscheibe 5,3x10x0,5 | 4     |  |
| 7    | AP8150248 | Ausgleichscheibe 5,5x15x1,6       | 4     |  |
| 8    | AP8150500 | TBEI Schraube M5x9                | 2     |  |
| 9    | AP8144616 | Kunststoffniet, frau              | 5     |  |
| 10   | AP8144563 | Kunststoffniet, mann              | 5     |  |
| 11   | AP8150444 | Gewindeschraube Edelstahl         | 2     |  |
| 12   | AP8150359 | Linsenschraube                    | 2     |  |
| 13   | AP8102381 | Klammer M4                        | 2     |  |
| 14   | AP8150158 | Ausgleichscheibe 4,3X9X0,8        | 4     | Land:Kanada[CA], Russland[RU], Vereinigte Staaten von Amerika[USA] |
| 15   | AP8150204 | Mutter M4                         | 4     | Land:Kanada[CA], Russland[RU], Vereinigte Staaten von Amerika[USA] |
| 16   | AP8124719 | Rückstrahler, gelb                | 2     | Land:Kanada[CA], Russland[RU], Vereinigte Staaten von Amerika[USA] |

|                     |              |
|---------------------|--------------|
| <b>Einheit</b>      | RAHMEN       |
| <b>Code</b>         | 28.12        |
| <b>Beschreibung</b> | Heckaufbau I |
| <b>Inspektion</b>   | 1            |



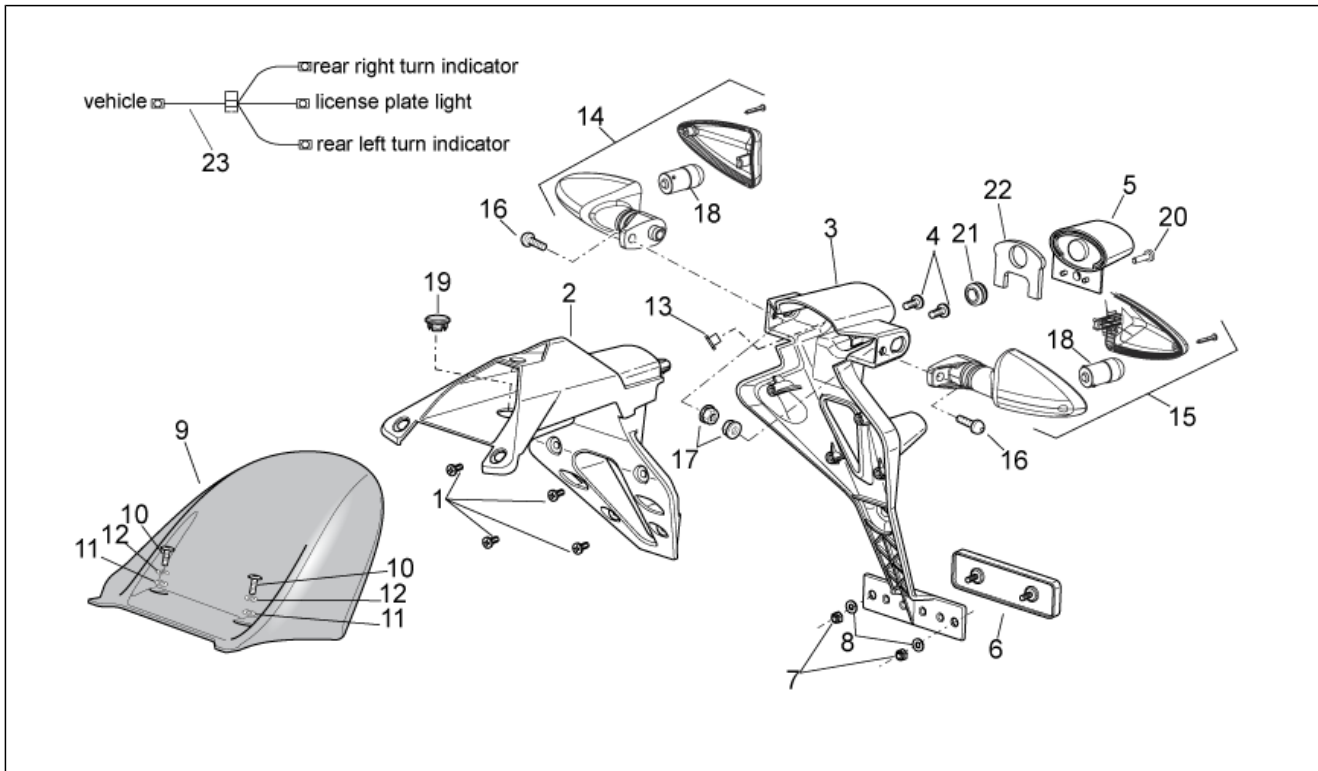
| Pos. | Code        | Beschreibung                  | Menge | Varianten  |
|------|-------------|-------------------------------|-------|--|
| 1    | 85883700XN2 | Sitzabdeckung, schwarz        | 1     | <b>Technische Spezifikation:</b> Nicht abgepaustes Einzelteil[ND]  |
| 2    | 858838      | Grundplatte Sitzabdeckung     | 1     |  |
| 3    | 85883500XN2 | Heckteil r., schwarz          | 1     | <b>Baujahr:</b> 2012[C]<br><b>Fahrzeugfarbe:</b> Black Flame[BF]<br><b>Technische Spezifikation:</b> Nicht abgepaustes Einzelteil[ND]  |
| 3    | 85883500XR4 | Heckteil r., rot              | 1     | <b>Baujahr:</b> 2011[B]<br><b>Fahrzeugfarbe:</b> Shining Black[SB]<br><b>Technische Spezifikation:</b> Nicht abgepaustes Einzelteil[ND],<br>Special Edition Biaggi Limited[SE] |
| 4    | 85884700XN2 | Heckteil l., schwarz          | 1     | <b>Baujahr:</b> 2012[C]<br><b>Fahrzeugfarbe:</b> Black Flame[BF]<br><b>Technische Spezifikation:</b> Nicht abgepaustes Einzelteil[ND]  |
| 4    | 85884700XR4 | Heckteil l., rot              | 1     | <b>Baujahr:</b> 2011[B]<br><b>Fahrzeugfarbe:</b> Shining Black[SB]<br><b>Technische Spezifikation:</b> Nicht abgepaustes Einzelteil[ND],<br>Special Edition Biaggi Limited[SE] |
| 5    | 893112      | Sitzkissen                    | 1     |  |
| 6    | 890966      | Seitenteil rechts Kohl.       | 1     |  |
| 7    | 890967      | Seitenteil links Kohlen.      | 1     |  |
| 8    | 898544      | Deko Heckteil re. RSV4        | 1     |  |
| 8    | B044799     | Deko Heckteil re.             | 1     | <b>Fahrzeugfarbe:</b> Black Flame[BF]  |
| 9    | 898545      | Deko Heckteil li. RSV4        | 1     |  |
| 9    | B044800     | Deko Heckteil li.             | 1     | <b>Fahrzeugfarbe:</b> Black Flame[BF]  |
| 10   | 898546      | Sitzabdeckung deko ITALIA     | 1     |  |
| 11   | AP8117004   | Klebeschwamm 15x8             | 2     |  |
| 12   | 896175      | TBEI Schraube M5x12           | 4     |  |
| 13   | AP8202058   | Schwarzer Kunststoffniet      | 2     |  |
| 14   | AP8152302   | TBEI Schraube m.Flansch M5x12 | 4     |  |
| 15   | AP8150538   | TBEI Schraube M5x10           | 2     |  |
| 16   | AP8102381   | Klammer M4                    | 2     |  |
| 17   | AP8121184   | TBCE Schraube M4x14           | 2     |  |

|                     |              |
|---------------------|--------------|
| <b>Einheit</b>      | RAHMEN       |
| <b>Code</b>         | 28.12        |
| <b>Beschreibung</b> | Heckaufbau I |
| <b>Inspektion</b>   | 1            |



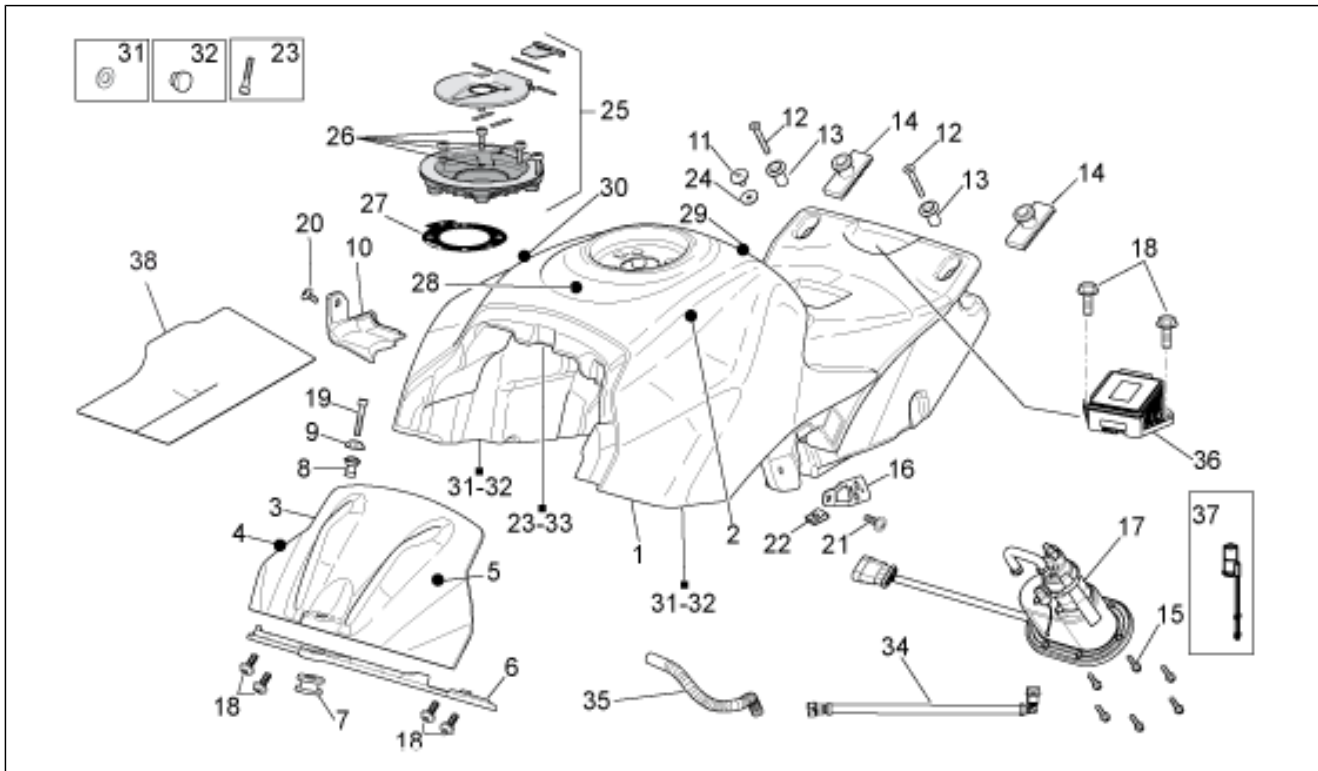
| Pos. | Code      | Beschreibung                       | Menge | Varianten |
|------|-----------|------------------------------------|-------|-----------|
| 18   | 893108    | Gitter rechts                      | 1     |           |
| 19   | 893109    | Gitter links                       | 1     |           |
| 20   | 896174    | Schraube TBEI Schwarz M5x12        | 2     |           |
| 21   | 894195    | Schlüssel                          | 1     |           |
| 22   | AP8150450 | Wellenscheibe D5                   | 2     |           |
| 23   | AP8150413 | Gew.schr. 3,9x14                   | 3     |           |
| 24   | AP8220238 | Gummi                              | 2     |           |
| 25   | AP8152043 | TCEI Schraube M4x10                | 1     |           |
| 26   | 893259    | Bolzen                             | 1     |           |
| 27   | AP8150158 | Ausgleichscheibe 4,3X9X0,8         | 1     |           |
| 28   | AP8102504 | Gummi                              | 2     |           |
| 29   | AP8150421 | Gew.schr. 2,9x12                   | 1     |           |
| 30   | AP8144565 | U-scheibe Nylon                    | 1     |           |
| 31   | AP8120622 | Vord. Staubschutzring              | 2     |           |
| 32   | 899516    | Deko Heckteil re. "BIAGGI LIMITED" | 1     |           |
| 33   | 899517    | Deko Heckteil li. "BIAGGI LIMITED" | 1     |           |

|                     |               |
|---------------------|---------------|
| <b>Einheit</b>      | RAHMEN        |
| <b>Code</b>         | 28.13         |
| <b>Beschreibung</b> | Heckaufbau II |
| <b>Inspektion</b>   | 1             |



| Pos. | Code      | Beschreibung                 | Menge | Varianten   |
|------|-----------|------------------------------|-------|---|
| 1    | AP8150413 | Gew.schr. 3,9x14             | 4     |   |
| 2    | 858840    | Ob. Kennzeichenplatte        | 1     |   |
| 3    | 897482    | Kennzeichenplatte            | 1     |   |
| 4    | AP8152329 | Kreuz.schl.flnschschr. M5x20 | 3     |   |
| 5    | AP8127098 | Kennzeichenleuchte           | 1     |   |
| 6    | AP8112916 | Rückstrahler Rücklicht       | 1     |   |
| 7    | AP8150204 | Mutter M4                    | 2     |   |
| 8    | AP8150158 | Ausgleichscheibe 4,3X9X0,8   | 2     |   |
| 9    | 890969    | Schutzblech hinten Kohl.     | 1     |   |
| 10   | AP8152137 | TBEI Schraube M6x20          | 2     |   |
| 11   | AP8150179 | Ausgleichscheibe 6,6x18*     | 2     |   |
| 12   | AP8150182 | Gebogene Sprengscheibe *     | 2     |   |
| 13   | 894566    | T-Buchse                     | 1     |   |
| 14   | 894943    | Rückblinker rechts           | 1     | Land:Kanada[CA], Vereinigte Staaten von Amerika[USA]    |
| 14   | 894945    | Hinterer rechter Blinker     | 1     | Land:Australien[AU], Europa[EU], Japan[J], Russland[RU] |
| 15   | 894944    | Rückblinker links            | 1     | Land:Kanada[CA], Vereinigte Staaten von Amerika[USA]    |
| 15   | 894946    | Hinterer linker Blinker      | 1     | Land:Australien[AU], Europa[EU], Japan[J], Russland[RU] |
| 16   | AP8152108 | TBEI Schraube                | 2     |   |
| 17   | AP8152299 | Selbstsperrende Mutter M6    | 2     |   |
| 18   | 181746    | Lampen 12V-10W               | 2     | Land:Kanada[CA], Vereinigte Staaten von Amerika[USA]    |
| 18   | AP8127489 | Lampen RY10W 12V             | 2     |   |
| 19   | 894657    | Deckel                       | 1     |   |
| 20   | AP8150522 | Linsenschraube 4,2x16        | 1     |   |
| 21   | AP8112600 | Gummi                        | 1     |   |
| 22   | AP8117258 | Schwingungsdämpfergummi      | 1     |   |
| 23   | 858868    | Verkabelung Rücklicht        | 1     |   |

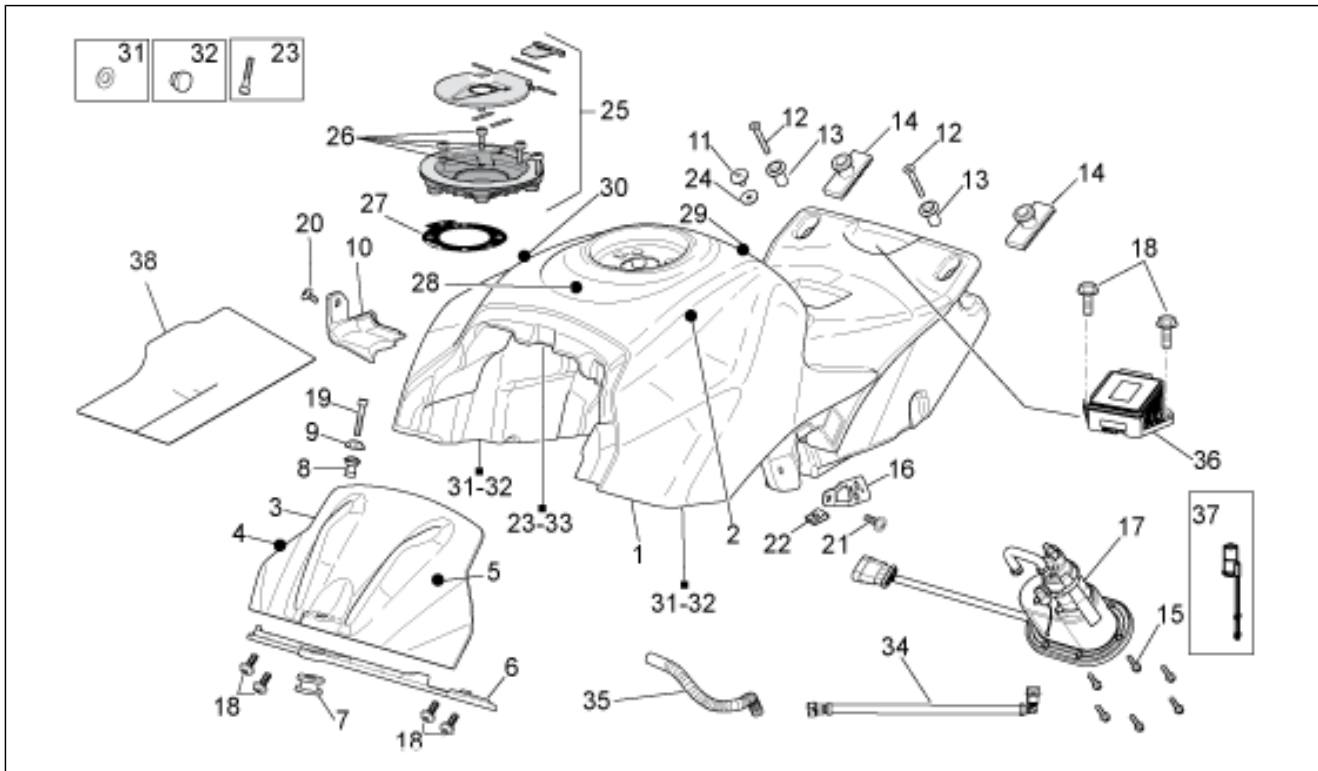
|                     |                |
|---------------------|----------------|
| <b>Einheit</b>      | RAHMEN         |
| <b>Code</b>         | 28.14          |
| <b>Beschreibung</b> | Kraftstofftank |
| <b>Inspektion</b>   | 1              |



| Pos. | Code         | Beschreibung                          | Menge | Varianten  |
|------|--------------|---------------------------------------|-------|--|
| 1    | 89856800XN2  | Benzintankl.Schwarz Comp.m.A.         | 1     | Land:Australien[AU], Europa[EU], Japan[J]<br><b>Technische Spezifikation:</b> Einzelteil mit Aufkleber[D], Special Edition Biaggi Limited[SE], Factory MY 2011[STD]                      |
| 1    | 89856900XN2  | Benzintankl.Schwarz Comp.m.A. USA-CDN | 1     | <b>Baujahr:</b> 2011[B]<br>Land:Kanada[CA], Vereinigte Staaten von Amerika[USA]<br><b>Technische Spezifikation:</b> Einzelteil mit Aufkleber[D]  |
| 1    | B04443800XN2 | Benzintankl.Schwarz Comp.m.A.         | 1     | <b>Baujahr:</b> 2012[C]<br><b>Fahrzeugfarbe:</b> Black Flame[BF]<br>Land:Europa[EU], Russland[RU]<br><b>Technische Spezifikation:</b> Einzelteil mit Aufkleber[D]                        |
| 1    | B04443900XN2 | Benzintankl.Schwarz Comp.m.A.         | 1     | <b>Baujahr:</b> 2012[C]<br><b>Fahrzeugfarbe:</b> Black Flame[BF]<br>Land:Kanada[CA], Vereinigte Staaten von Amerika[USA]<br><b>Technische Spezifikation:</b> Einzelteil mit Aufkleber[D] |
| 2    | 894080       | Aufkleber Tank "aprilia"              | 1     |  |
| 3    | 89858800XR4  | Tankabdeckung, rot                    | 1     | <b>Technische Spezifikation:</b> Einzelteil mit Aufkleber[D]   |
| 4    | 898586       | Aufkleber Vorn re.Dreieck             | 1     |  |
| 5    | 898587       | Aufkleber Vorn li.Dreieck             | 1     |  |
| 6    | 858885       | Halterung vorn                        | 1     |  |
| 7    | AP8144713    | Gummi                                 | 1     |  |
| 8    | 858887       | T-Buchse                              | 1     |  |
| 9    | AP8150536    | Spezial-U-scheibe                     | 1     |  |
| 10   | 893107       | Bügel                                 | 1     |  |
| 11   | AP8161127    | Fixierstift                           | 1     |  |
| 12   | 576836       | Schraube                              | 2     |  |
| 13   | 893273       | Distanzscheibe                        | 2     |  |
| 14   | AP8120663    | Gummi *                               | 2     |  |
| 15   | AP8152273    | Flanschschraube M5x15                 | 6     |  |
| 16   | 858886       | Halter links                          | 1     |  |
| 17   | 858726       | Benzinpumpe kpl.                      | 1     | Land:Australien[AU], Kanada[CA], Japan[J], Vereinigte Staaten von Amerika[USA]   |

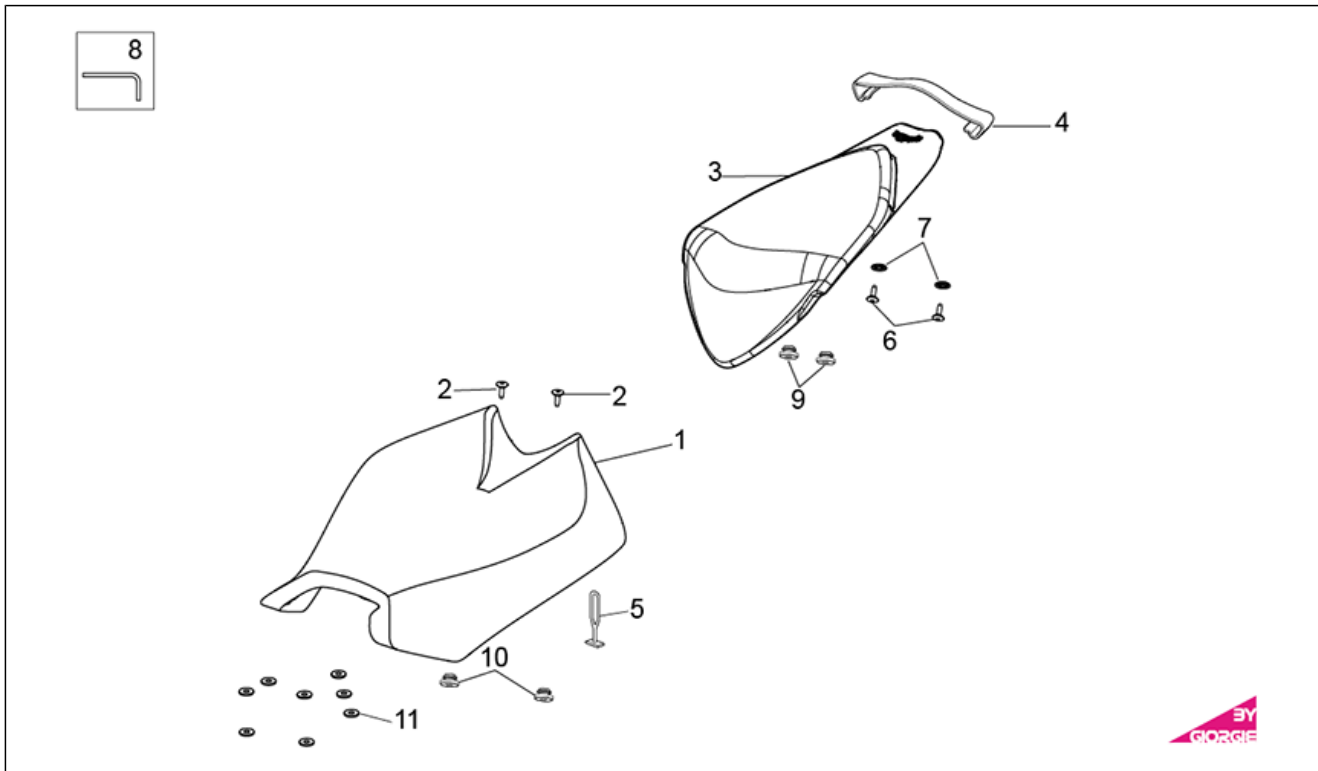


|                     |                |
|---------------------|----------------|
| <b>Einheit</b>      | RAHMEN         |
| <b>Code</b>         | 28.14          |
| <b>Beschreibung</b> | Kraftstofftank |
| <b>Inspektion</b>   | 1              |



| Pos. | Code      | Beschreibung                              | Menge | Varianten   |
|------|-----------|---|-------|---|
| 17   | B043925   | Benzinpumpe kpl.                          | 1     | Land:Europa[EU], Russland[RU]   |
| 18   | AP8152246 | TBEI Schraube m.Flansch M6x16             | 6     |   |
| 19   | AP8150285 | TCEI Schraube M6x35                       | 1     |   |
| 20   | AP8152339 | TBEI Schraube m.Flansch M5x9              | 1     |   |
| 21   | AP8150538 | TBEI Schraube M5x10                       | 1     |   |
| 22   | AP8102375 | Klammer M5                                | 1     |   |
| 23   | AP8150505 | TCEI Schraube m4x6 inox                   | 1     |   |
| 24   | AP8150255 | Ausgleichscheibe 5x20x1,5                 | 1     |   |
| 25   | B043929   | Tankverschluss mit schl <sup>3</sup> ssel | 1     |   |
| 26   | B043864   | TCEI Schraube M5x14                       | 4     |   |
| 27   | AP8104803 | Tankverschlusdichtung                     | 1     |   |
| 28   | 899548    | Aufkleber Tank                            | 1     |   |
| 28   | B044814   | Aufkleber Tank "40 World champions"       | 1     | Baujahr:2012[C]<br>Fahrzeugfarbe:Black Flame[BF]  |
| 29   | 898532    | Tank deko schutz                          | 1     | Baujahr:2011[B]<br>Technische Spezifikation:Special Edition Biaggi Limited[SE],<br>Factory MY 2011[STD] |
| 29   | B044433   | Tank deko schutz                          | 1     | Baujahr:2012[C]<br>Fahrzeugfarbe:Black Flame[BF]  |
| 30   | 893758    | Aufkl.Tank re "aprilia"                   | 1     |   |
| 31   | AP8220366 | Gummi                                     | 2     |   |
| 32   | AP8144158 | Gummi                                     | 2     |   |
| 33   | AP8144565 | U-scheibe Nylon                           | 1     |   |
| 34   | 858884    | Kraftstoffschlauch                        | 1     |   |
| 35   | 895959    | Entlüftungsschlauch Kühler                | 2     |   |
| 36   | 894604    | Neigungsfühler                            | 1     |   |
| 37   | 899068    | Benzinanzeige Sensor                      | 1     |   |
| 38   | 894198    | Wärmeschutz                               | 1     |   |

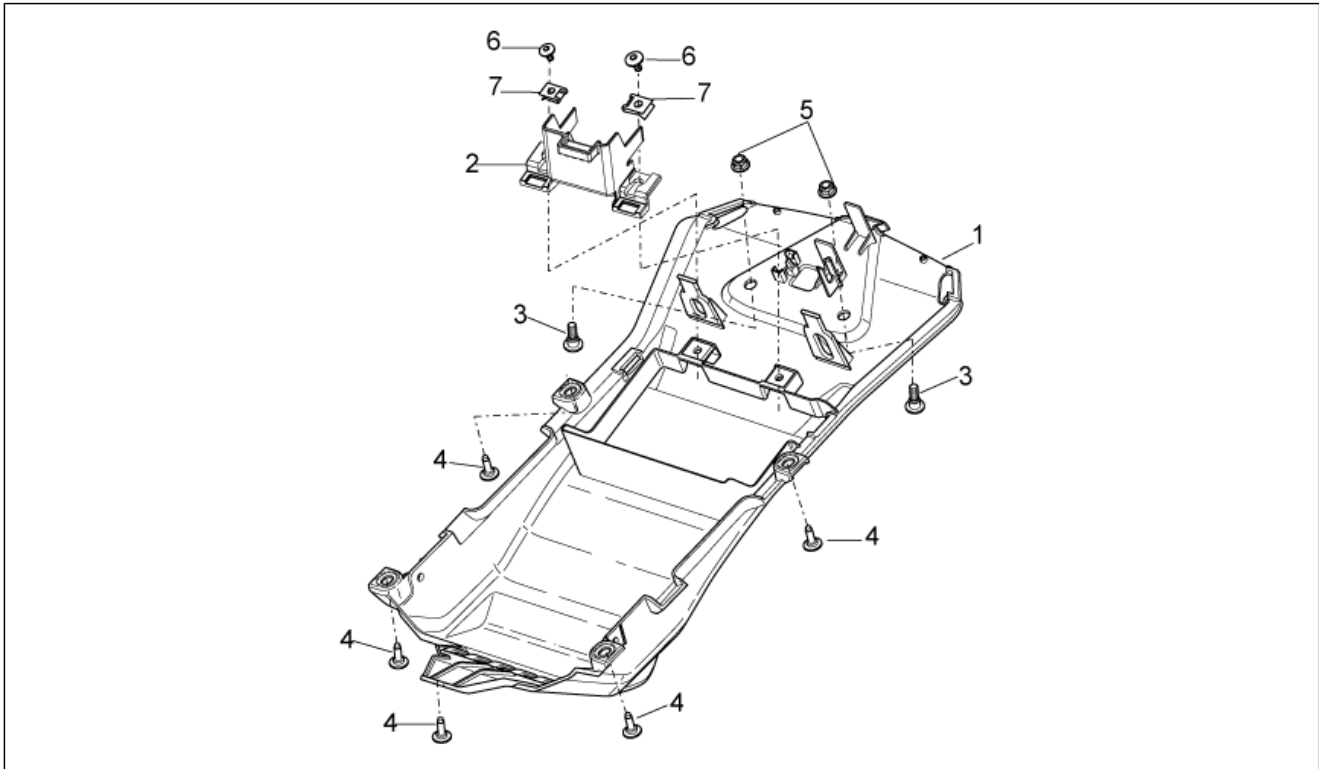
|                     |        |
|---------------------|--------|
| <b>Einheit</b>      | RAHMEN |
| <b>Code</b>         | 28.15  |
| <b>Beschreibung</b> | Sitz   |
| <b>Inspektion</b>   | 1      |



| Pos. | Code       | Beschreibung                  | Menge | Varianten   |
|------|------------|-------------------------------|-------|---|
| 1    | 85883200A1 | Fahrersitz                    | 1     | <b>Baujahr:</b> 2011[B]<br><b>Technische Spezifikation:</b> Special Edition Biaggi Limited[SE],<br>Factory MY 2011[STD] |
| 1    | 85883200A2 | Fahrersitz                    | 1     | <b>Baujahr:</b> 2012[C]<br><b>Fahrzeugfarbe:</b> Black Flame[BF]  |
| 2    | AP8152302  | TBEI Schraube m.Flansch M5x12 | 2     |   |
| 3    | 89382400A1 | Soziussitz                    | 1     |   |
| 4    | 85884400A1 | Riemen                        | 1     |   |
| 5    | AP8120177  | Elastic                       | 1     |   |
| 6    | 269783     | Schraube                      | 2     |   |
| 7    | AP8150020  | Ausgleichscheibe 10,5x21x2*   | 2     |   |
| 8    | 894195     | Schlüssel                     | 1     |   |
| 9    | B043933    | Puffer                        | 2     |   |
| 10   | B043941    | Puffer                        | 2     |   |
| 11   | B043933    | Puffer                        | 8     |   |

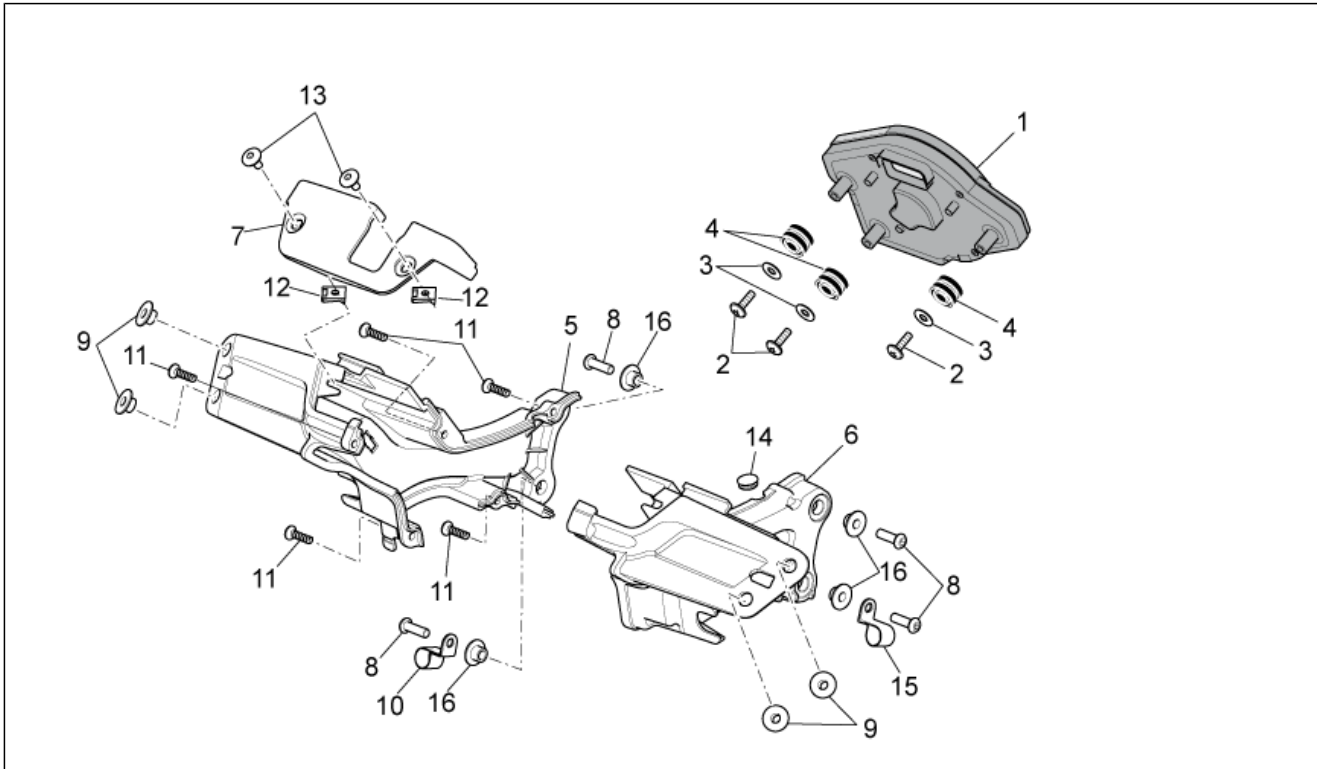


|                     |              |
|---------------------|--------------|
| <b>Einheit</b>      | RAHMEN       |
| <b>Code</b>         | 28.16        |
| <b>Beschreibung</b> | U. Sitzbank. |
| <b>Inspektion</b>   | 1            |



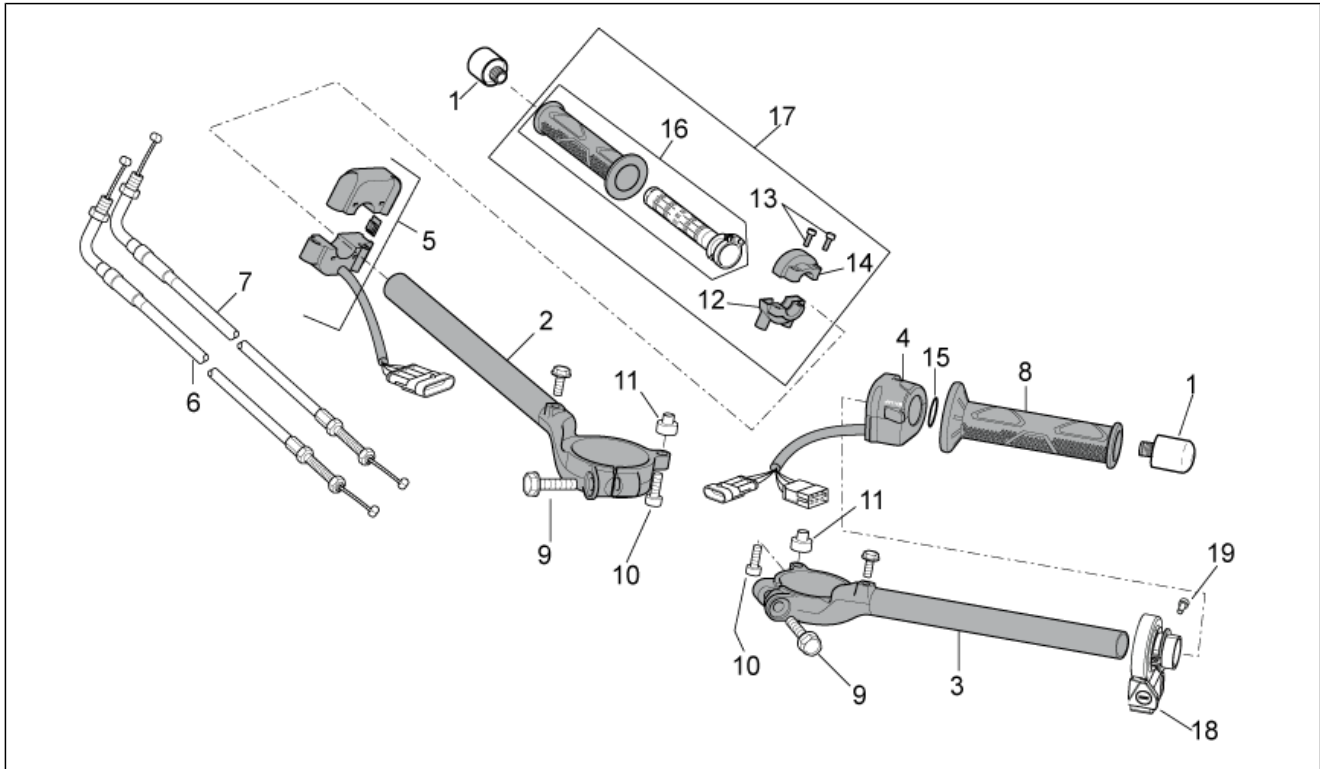
| Pos. | Code      | Beschreibung                  | Menge | Varianten |
|------|-----------|-------------------------------|-------|-----------|
| 1    | 858836    | Verschl. unt. vorn Sitz       | 1     |           |
| 2    | 893751    | Bügel                         | 1     |           |
| 2    | 898252    | Batteriehalterung             | 1     |           |
| 3    | 575249    | Metrische Schraube TBC        | 2     |           |
| 4    | AP8152302 | TBEI Schraube m.Flansch M5x12 | 4     |           |
| 5    | AP8152299 | Selbstsperrende Mutter M6     | 2     |           |
| 6    | AP8152298 | TBEI Schraube m.Flansch M5x16 | 2     |           |

|                     |                   |
|---------------------|-------------------|
| <b>Einheit</b>      | RAHMEN            |
| <b>Code</b>         | 28.17             |
| <b>Beschreibung</b> | Instrumententafel |
| <b>Inspektion</b>   | 1                 |



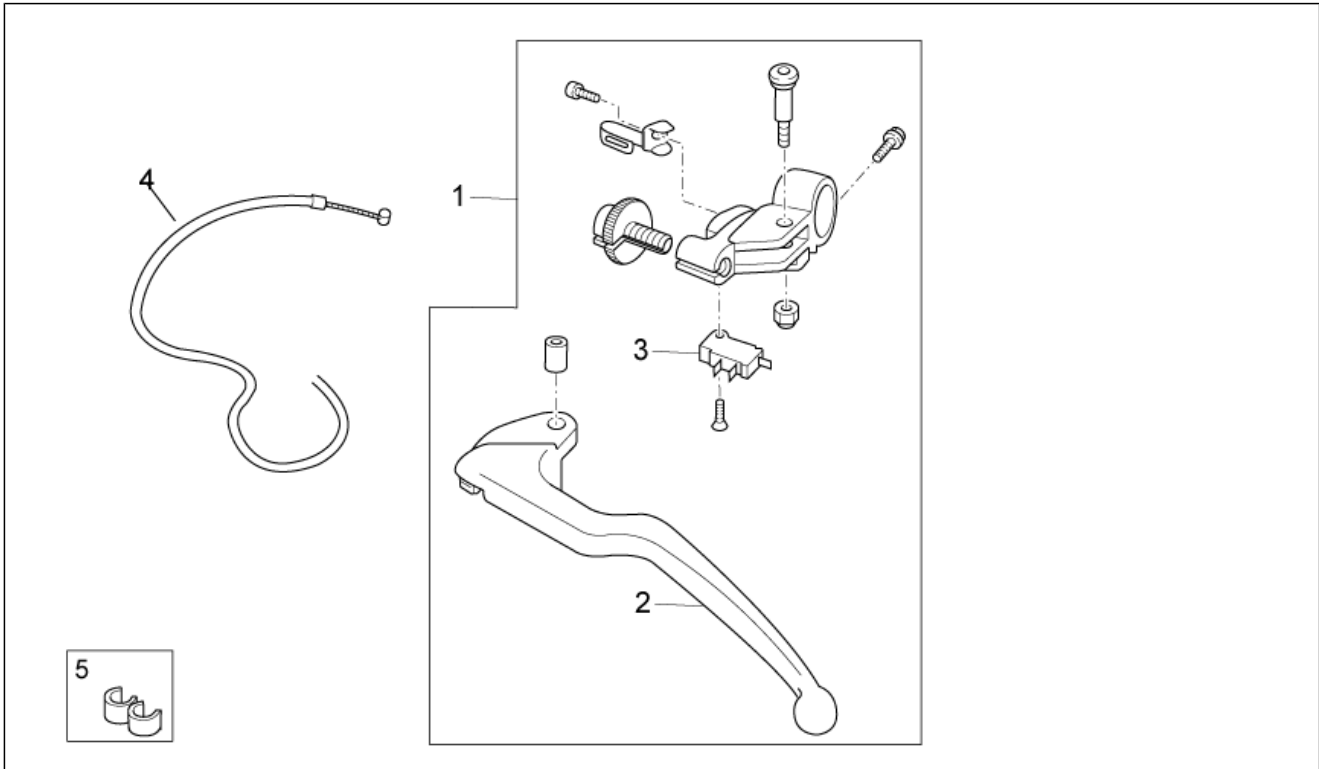
| Pos. | Code      | Beschreibung                 | Menge | Varianten |
|------|-----------|------------------------------|-------|-----------|
| 1    | 896372    | Instrumententafel            | 1     |           |
| 2    | AP8150509 | Gew.schr. 5x14               | 3     |           |
| 3    | AP8150255 | Ausgleichscheibe 5x20x1,5    | 3     |           |
| 4    | AP8220150 | Gummi                        | 3     |           |
| 5    | 890785    | Halter rechts                | 1     |           |
| 6    | 890786    | Halter links                 | 1     |           |
| 7    | 890787    | Deckel                       | 1     |           |
| 8    | AP8224470 | TBEI Schraube M6x20          | 4     |           |
| 9    | AP8221145 | T-Buchse *                   | 4     |           |
| 10   | 845978    | Schelle                      | 1     |           |
| 11   | AP8152329 | Kreuz.schl.flnschschr. M5x20 | 5     |           |
| 12   | AP8102375 | Klammer M5                   | 2     |           |
| 13   | AP8150500 | TBEI Schraube M5x9           | 2     |           |
| 14   | 197551    | Deckel                       | 1     |           |
| 15   | 898126    | Schelle                      | 1     |           |
| 16   | AP8121728 | T-Buchse                     | 4     |           |

|                     |                          |
|---------------------|--------------------------|
| <b>Einheit</b>      | RAHMEN                   |
| <b>Code</b>         | 28.18                    |
| <b>Beschreibung</b> | Lenkstange - Schaltungen |
| <b>Inspektion</b>   | 1                        |



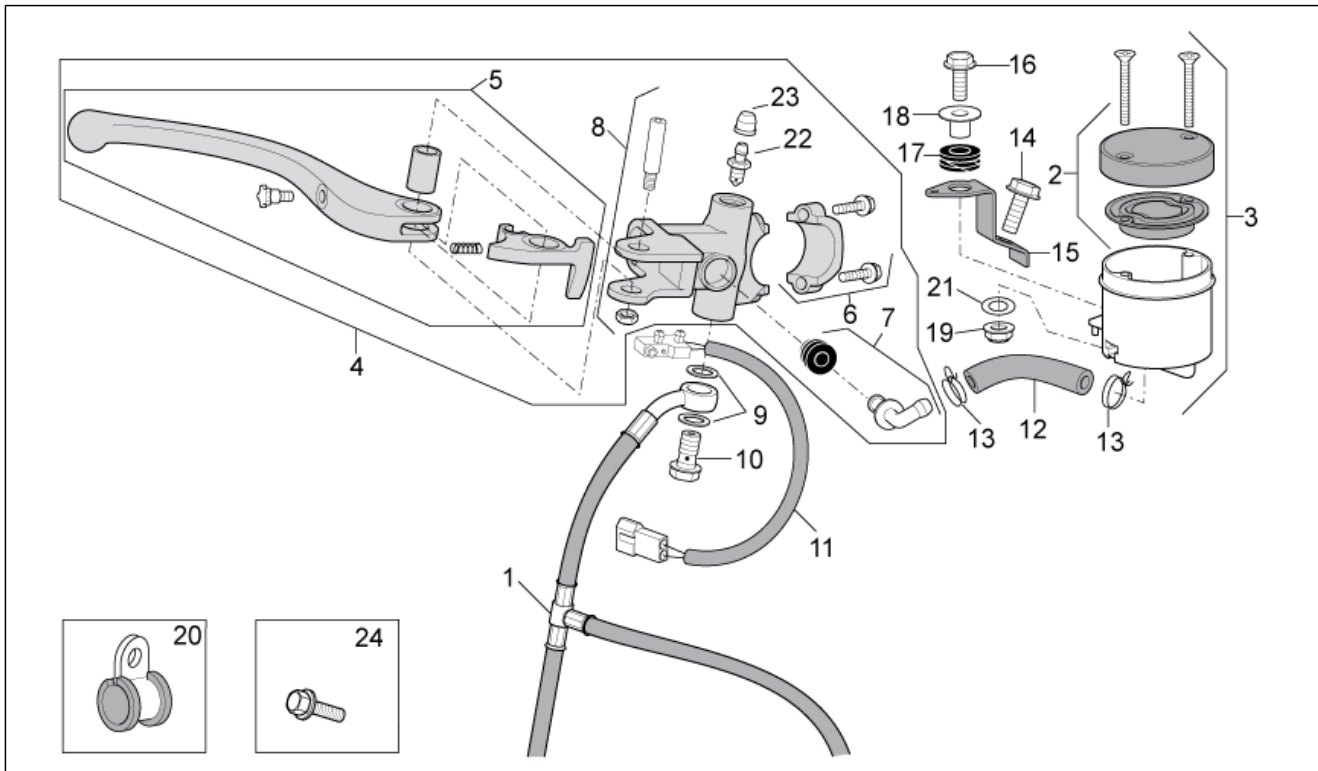
| Pos. | Code       | Beschreibung                | Menge | Varianten |
|------|------------|-----------------------------|-------|-----------|
| 1    | 893757     | Lenkstangen-Schwingschutz   | 2     |           |
| 2    | AP8118649  | Lenkerteil re. d.51,1       | 1     |           |
| 3    | 896759     | Halblenker links            | 1     |           |
| 4    | 858721     | Linker Lichtschalter        | 1     |           |
| 5    | B045021    | Rechter Lichtschalter       | 1     |           |
| 6    | 896859     | Gas trasmissione delivery   | 1     |           |
| 7    | 896860     | Gas trasmissione return     | 1     |           |
| 8    | 856027     | Links griff                 | 1     |           |
| 9    | AP8150543  | Zylinderschraube M8x35      | 2     |           |
| 10   | AP8150137  | TCEI Schraube M6x16         | 2     |           |
| 11   | AP8221043  | Distanzbuchse *             | 2     |           |
| 12   | AP8118502  | Gasschaltung V.Bügelbolzen  | 1     |           |
| 13   | AP8150050  | TCEI Schraube M5x16         | 2     |           |
| 14   | AP8118503  | Gasschaltung H.Bügelbolzen  | 1     |           |
| 15   | AP8120190  | O-Ring 3075                 | 1     |           |
| 16   | GU01603480 | Gasschaltung mit griff      | 1     |           |
| 17   | GU05603331 | Gasschaltung kpl            | 1     |           |
| 18   | 852398     | Bedienelement Schaltsegment | 1     |           |
| 19   | AP8152043  | TCEI Schraube M4x10         | 1     |           |

|                     |                |
|---------------------|----------------|
| <b>Einheit</b>      | RAHMEN         |
| <b>Code</b>         | 28.19          |
| <b>Beschreibung</b> | Kupplungshebel |
| <b>Inspektion</b>   | 1              |



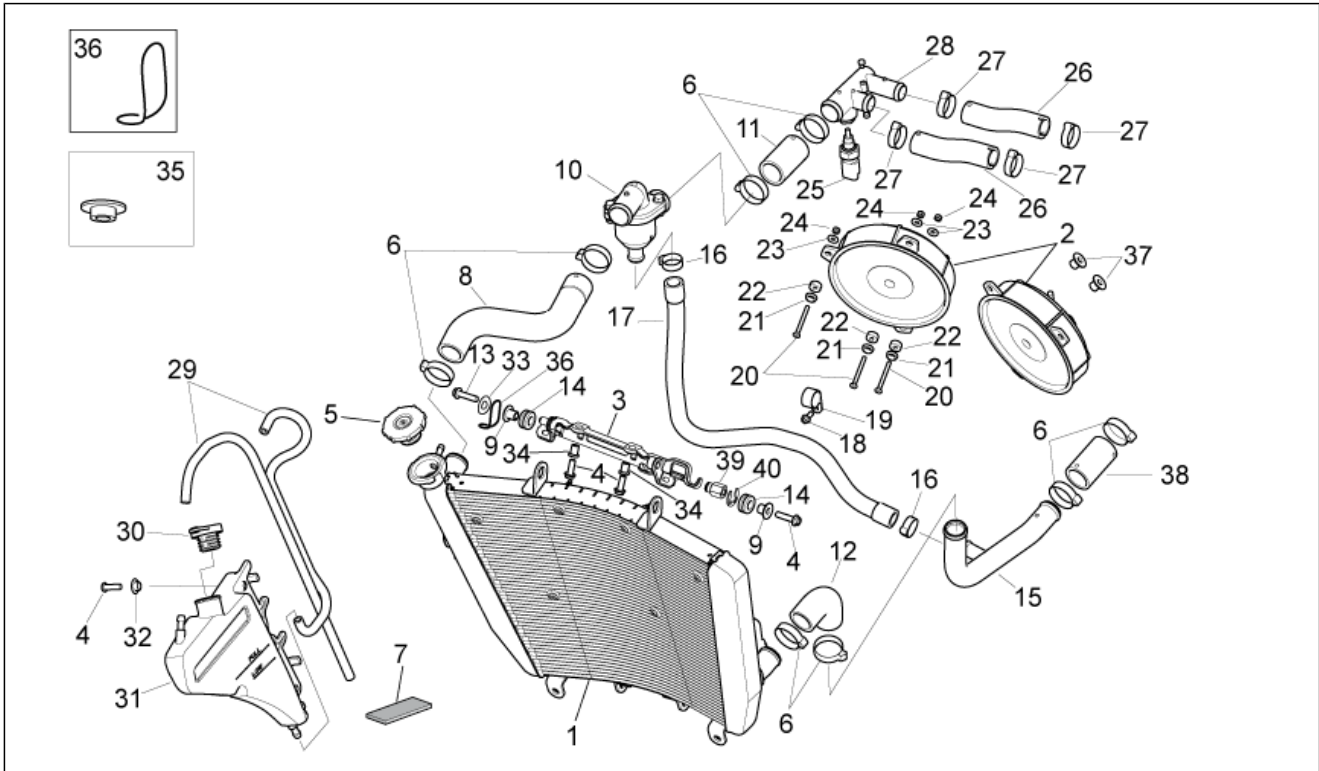
| Pos. | Code      | Beschreibung   | Menge | Varianten |
|------|-----------|----------------|-------|-----------|
| 1    | 890923    | Kupplungshebel | 1     |           |
| 2    | 893926    | Kupplungshebel | 1     |           |
| 3    | 893927    | Schalter       | 1     |           |
| 4    | 890982    | Kupplungskabel | 1     |           |
| 5    | AP9100519 | Kleine Feder   | 1     |           |

|                     |                     |
|---------------------|---------------------|
| <b>Einheit</b>      | RAHMEN              |
| <b>Code</b>         | 28.20               |
| <b>Beschreibung</b> | Vorderradbremspumpe |
| <b>Inspektion</b>   | 1                   |



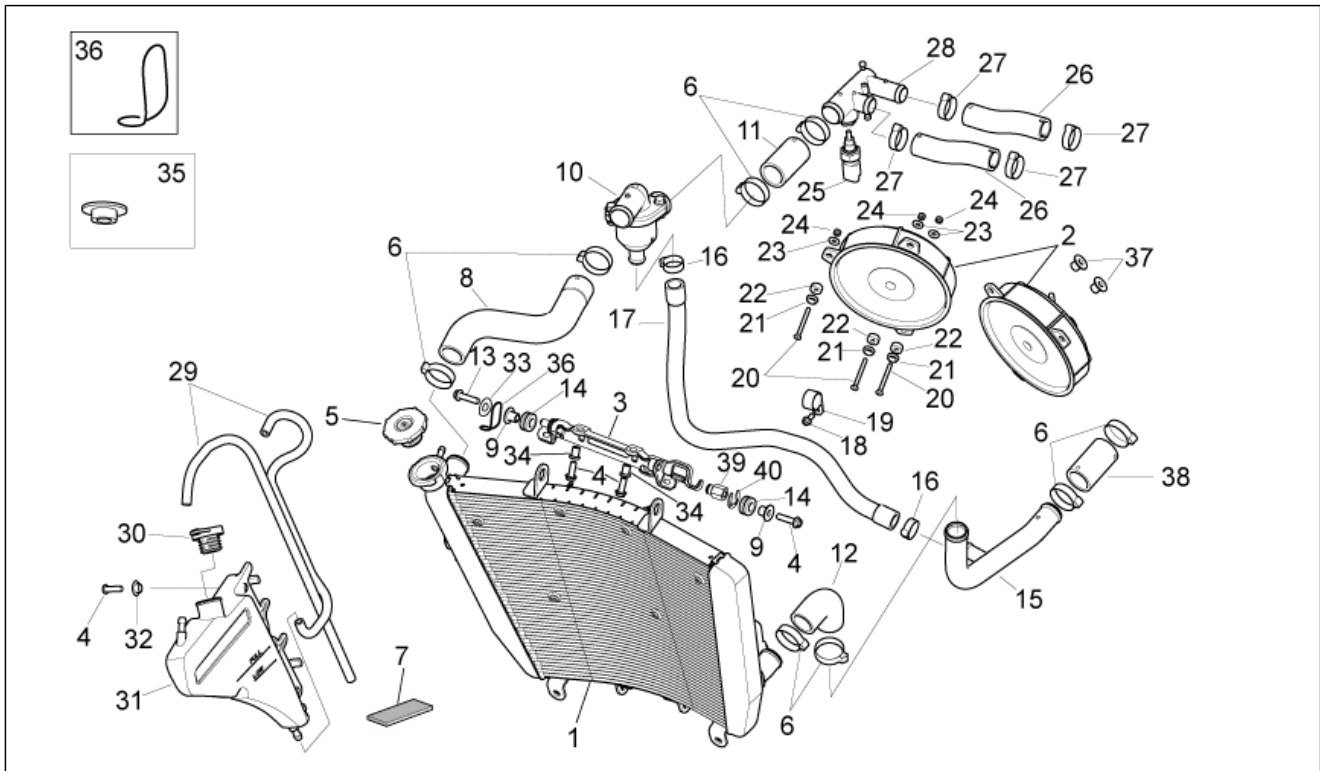
| Pos. | Code      | Beschreibung                | Menge | Varianten |
|------|-----------|-----------------------------|-------|-----------|
| 1    | 858898    | Vorderradbremseleitung      | 1     |           |
| 2    | AP8113598 | Bremsen-Öltankschraube      | 1     |           |
| 3    | AP8113499 | Öltank Bremsen              | 1     |           |
| 4    | 890791    | Vorderradbremspumpe         | 1     |           |
| 5    | AP8133664 | Vorderradbremshebel         | 1     |           |
| 6    | 893937    | Bügelbolzen                 | 1     |           |
| 7    | AP8213057 | Hinterer Pumpenanschluß     | 1     |           |
| 8    | AP8133666 | Hebelbolzen                 | 1     |           |
| 9    | AP8113004 | Ausgleichscheibe 10x14x1,6* | 2     |           |
| 10   | 852702    | Fixierschraube Ölschlauch   | 1     |           |
| 11   | AP8127432 | Bremslichtschalter          | 1     |           |
| 12   | 890509    | Gummischlauch               | 1     |           |
| 13   | AP8101595 | Schelle D10,1               | 2     |           |
| 14   | AP8150340 | TBEI Schraube               | 1     |           |
| 15   | AP8134383 | Platte f. Ölbehälter        | 1     |           |
| 16   | AP8152137 | TBEI Schraube M6x20         | 1     |           |
| 17   | AP8120030 | Gummi                       | 1     |           |
| 18   | AP8221023 | T-Buchse                    | 1     |           |
| 19   | AP8150474 | Hutmutter Edelstahl M6      | 1     |           |
| 20   | AP8134167 | Platte Bremsschlauch        | 1     |           |
| 21   | AP8150429 | Sprengscheibe 6,4x11x0,5*   | 1     |           |
| 22   | AP8133502 | Entlüftungsanschluß         | 1     |           |
| 23   | AP8113230 | Entlüftungskappe            | 1     |           |
| 24   | AP8152273 | Flanschschraube M5x15       | 1     |           |

|                     |            |
|---------------------|------------|
| <b>Einheit</b>      | RAHMEN     |
| <b>Code</b>         | 28.21      |
| <b>Beschreibung</b> | Kühlanlage |
| <b>Inspektion</b>   | 1          |



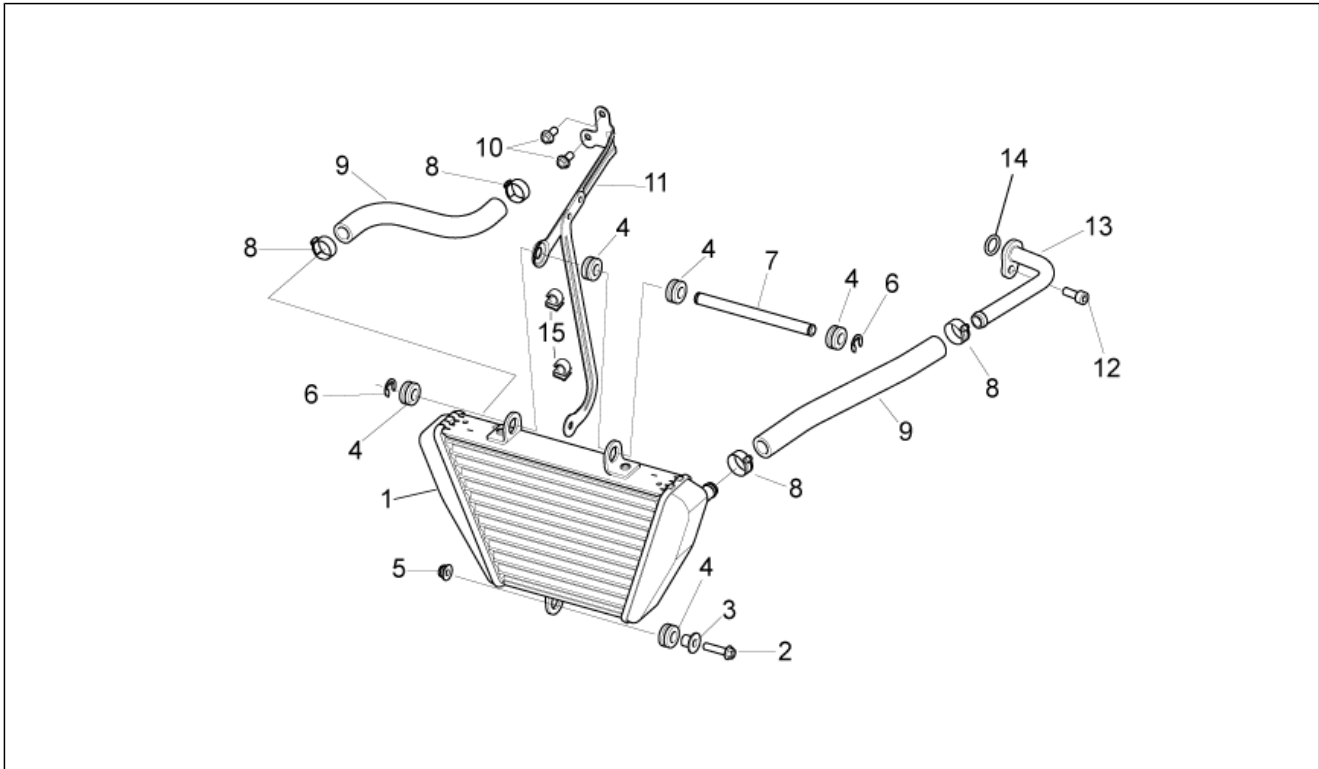
| Pos. | Code      | Beschreibung                 | Menge | Varianten |
|------|-----------|------------------------------|-------|-----------|
| 1    | 897858    | ***Wasserkühler              | 1     |           |
| 2    | 622055    | Ventilator komplett          | 2     |           |
| 3    | 897775    | Obere Kühlerbefestigung      | 1     |           |
| 4    | AP8152279 | TE Schr. m. Flansch M6x20    | 4     |           |
| 5    | 893954    | Deckel                       | 1     |           |
| 6    | 890931    | Schelle                      | 10    |           |
| 7    | AP8117033 | Klebeschwamm                 | 2     |           |
| 8    | 858476    | Schl. Therm.-Kühl.           | 1     |           |
| 9    | AP8221023 | T-Buchse                     | 2     |           |
| 10   | 856279    | Ventil thermostatgruppe 75°C | 1     |           |
| 11   | 858477    | Hülse                        | 1     |           |
| 12   | AP8144033 | Schl. Thermostat-Pumpe       | 1     |           |
| 13   | AP8150444 | Gewindeschraube Edelstahl    | 1     |           |
| 14   | AP8120030 | Gummi                        | 2     |           |
| 15   | 858488    | Cooler-pump pipe             | 1     |           |
| 16   | AP8102273 | Schlauchschelle              | 2     |           |
| 17   | 858478    | Schlauch Thermost.-Mot.      | 1     |           |
| 18   | AP8152272 | TE Schr. m. Flansch M5x12    | 1     |           |
| 19   | 893224    | Schelle                      | 1     |           |
| 20   | 893514    | Schraube                     | 6     |           |
| 21   | 893823    | Ausgleichscheibe d4,5        | 6     |           |
| 22   | 893513    | Distanzscheibe               | 6     |           |
| 23   | AP8150011 | Ausgleichscheibe 4,3x12x1    | 6     |           |
| 24   | AP8150204 | Mutter M4                    | 6     |           |
| 25   | 640485    | Temperaturfühler             | 1     |           |
| 26   | 858475    | Schlauch Motor-Krüm.         | 2     |           |
| 27   | CM269609  | Schlauchschelle              | 4     |           |
| 28   | 856543    | Krümmer                      | 1     |           |

|                     |            |
|---------------------|------------|
| <b>Einheit</b>      | RAHMEN     |
| <b>Code</b>         | 28.21      |
| <b>Beschreibung</b> | Kühlanlage |
| <b>Inspektion</b>   | 1          |



| Pos. | Code      | Beschreibung               | Menge | Varianten |
|------|-----------|----------------------------|-------|-----------|
| 29   | AP8120952 | Kraftstoffleitung 5,5x10   | 1     |           |
| 30   | AP8104836 | Ausdehnsg. Schraube        | 1     |           |
| 31   | 858908    | Ausdehngefäß               | 1     |           |
| 32   | AP8221145 | T-Buchse *                 | 1     |           |
| 33   | AP8150158 | Ausgleichscheibe 4,3X9X0,8 | 1     |           |
| 34   | AP8121728 | T-Buchse                   | 2     |           |
| 35   | AP8121991 | Buchse                     | 1     |           |
| 36   | AP8221150 | Kabelführungs              | 1     |           |
| 37   | 895450    | Buchse                     | 2     |           |
| 38   | AP8144720 | Hülse                      | 1     |           |
| 39   | 898047    | Gewinde-Einsatz M6x16      | 1     |           |
| 40   | AP8120573 | Sperring                   | 1     |           |

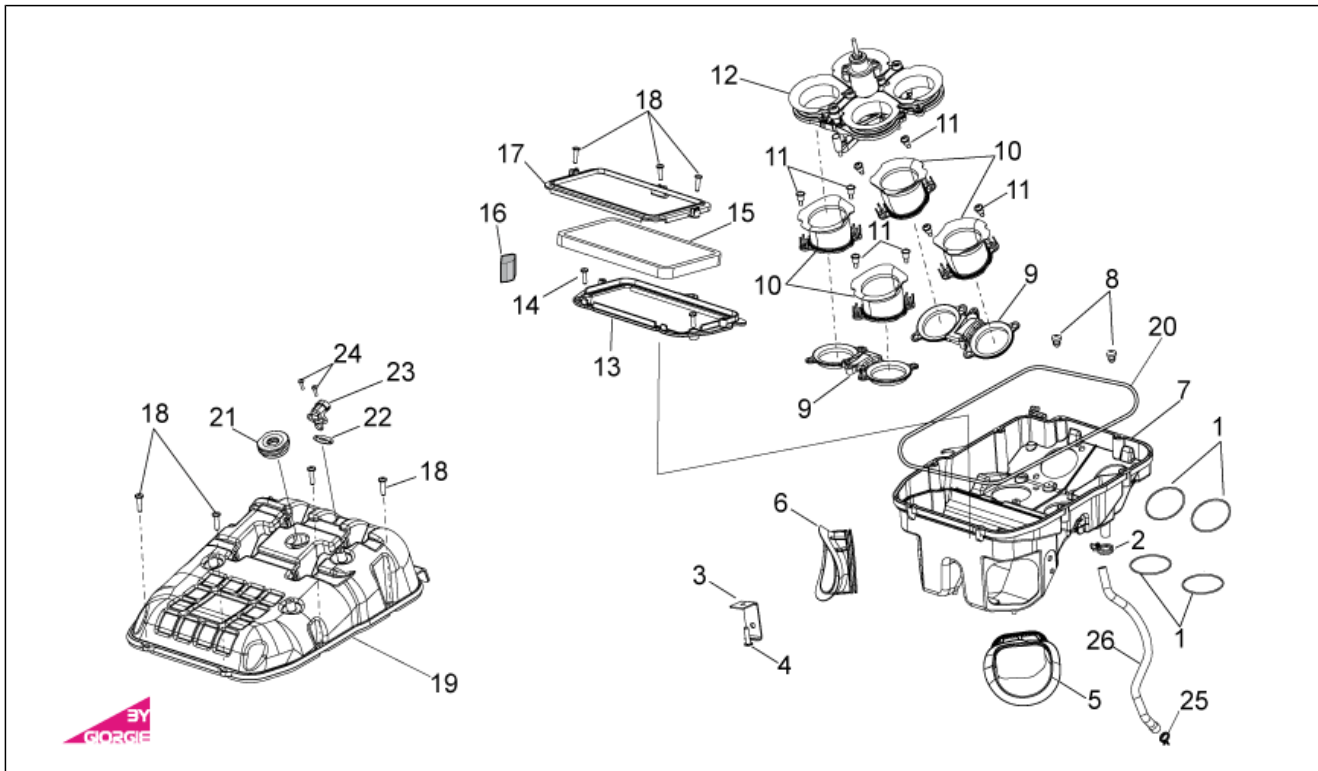
|                     |          |
|---------------------|----------|
| <b>Einheit</b>      | RAHMEN   |
| <b>Code</b>         | 28.22    |
| <b>Beschreibung</b> | Ölkühler |
| <b>Inspektion</b>   | 1        |



| Pos. | Code      | Beschreibung                 | Menge | Varianten |
|------|-----------|------------------------------|-------|-----------|
| 1    | 858790    | Ölkühler                     | 1     |           |
| 2    | AP8152280 | TE Schr. m. Flansch M6x25    | 1     |           |
| 3    | AP8221023 | T-Buchse                     | 1     |           |
| 4    | AP8120030 | Gummi                        | 5     |           |
| 5    | AP8152299 | Selbstsperrende Mutter M6    | 1     |           |
| 6    | AP8121428 | Seegerring d8                | 2     |           |
| 7    | 858927    | Distanzscheibe               | 1     |           |
| 8    | AP8102349 | Schlauchschelle weiß D17,5x8 | 4     |           |
| 9    | AP8106389 | Ölschlauch 12x19             | 2     |           |
| 10   | AP8152277 | TE Schr. m. Flansch M6x12    | 2     |           |
| 11   | 858732    | Kühlerbefestigung            | 1     |           |
| 12   | AP8150137 | TCEI Schraube M6x16          | 1     |           |
| 13   | 858489    | Rohr                         | 1     |           |
| 14   | AP8144008 | O-Ring 115                   | 1     |           |
| 15   | AP8201727 | Kabelführungs schw.          | 2     |           |

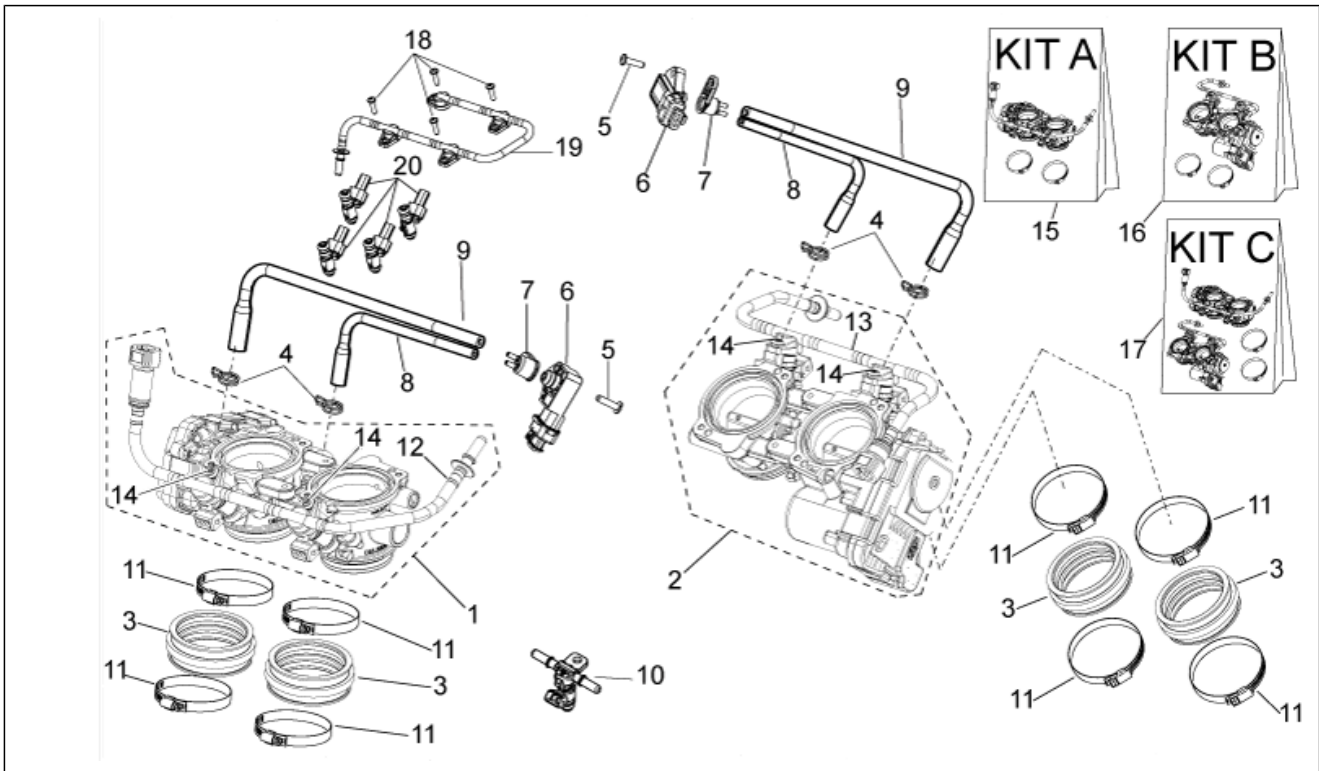


|                     |               |
|---------------------|---------------|
| <b>Einheit</b>      | RAHMEN        |
| <b>Code</b>         | 28.23         |
| <b>Beschreibung</b> | Filtergehäuse |
| <b>Inspektion</b>   | 1             |



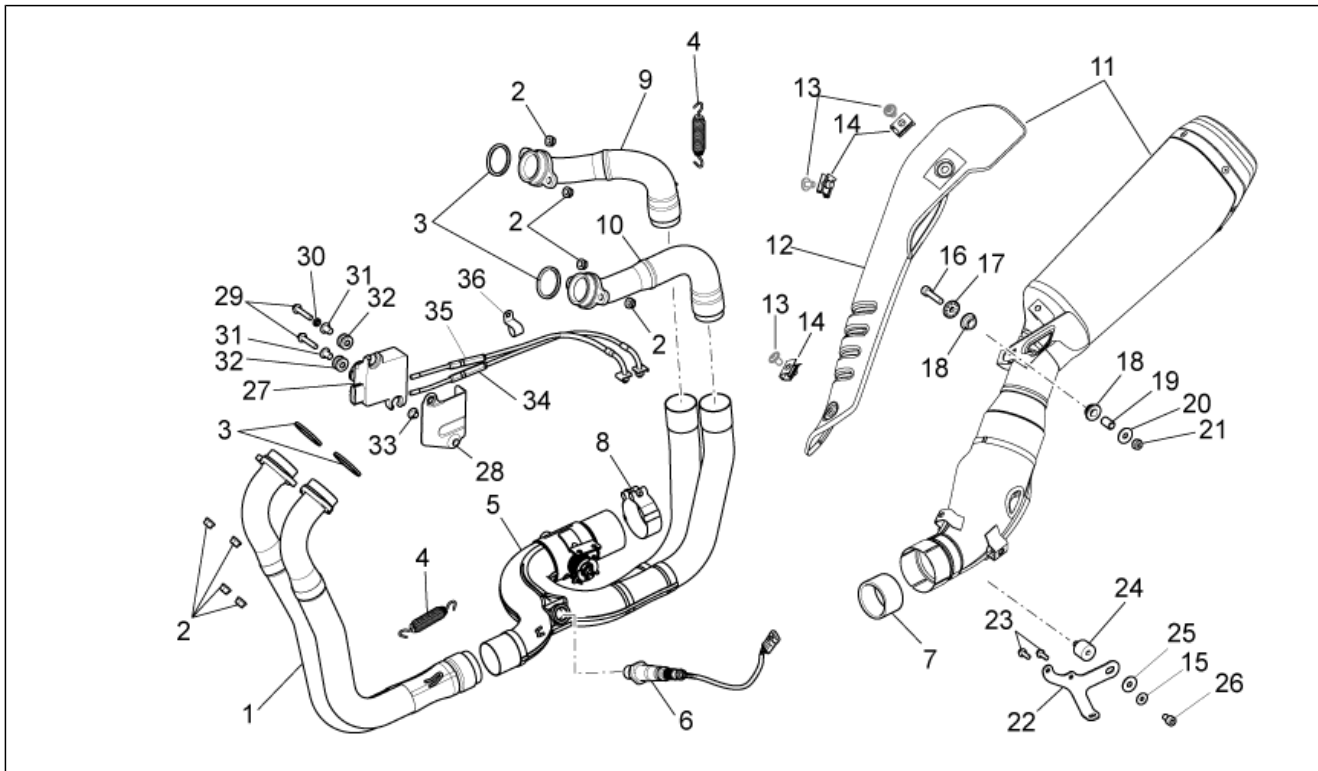
| Pos. | Code       | Beschreibung              | Menge | Varianten |
|------|------------|---------------------------|-------|-----------|
| 1    | 893240     | O-Ring 56,82X2,62         | 4     |           |
| 2    | CM002912   | Schlauchschelle           | 1     |           |
| 3    | 890938     | Bügel                     | 1     |           |
| 4    | AP8152329  | Kreuz.schl.flnschr. M5x20 | 1     |           |
| 5    | 858880     | LI. Hülse                 | 1     |           |
| 6    | 858932     | RE. Hülse                 | 1     |           |
| 7    | 858876     | Boden Filtergehäuse       | 1     |           |
| 8    | AP8144087  | Gummi                     | 2     |           |
| 9    | 893915     | Halter                    | 2     |           |
| 10   | 893916     | Einlaßöffnung             | 4     |           |
| 11   | 893132     | Schraube                  | 8     |           |
| 12   | 893887     | Mobiles System Trompeten  | 1     |           |
| 13   | 858877     | Halter                    | 1     |           |
| 14   | AP8152329  | Kreuz.schl.flnschr. M5x20 | 2     |           |
| 15   | 858930     | Luftfilter                | 1     |           |
| 16   | 894015     | Filter blow-by            | 1     |           |
| 17   | 858878     | Kranzgesims               | 1     |           |
| 18   | AP8152329  | Kreuz.schl.flnschr. M5x20 | 15    |           |
| 19   | 858875     | Deckel Filtergehäuse      | 1     |           |
| 20   | 858881     | Dichtung                  | 1     |           |
| 21   | 893752     | Gummi                     | 1     |           |
| 22   | GU30027931 | Dichtung                  | 1     |           |
| 23   | GU30729330 | Lufttemperaturfühler      | 1     |           |
| 24   | AP8150421  | Gew.schr. 2,9x12          | 1     |           |
| 25   | CM001927   | Schelle                   | 1     |           |
| 26   | 858808     | Leitung blow-by           | 1     |           |

|                     |               |
|---------------------|---------------|
| <b>Einheit</b>      | RAHMEN        |
| <b>Code</b>         | 28.24         |
| <b>Beschreibung</b> | Klappenkörper |
| <b>Inspektion</b>   | 1             |



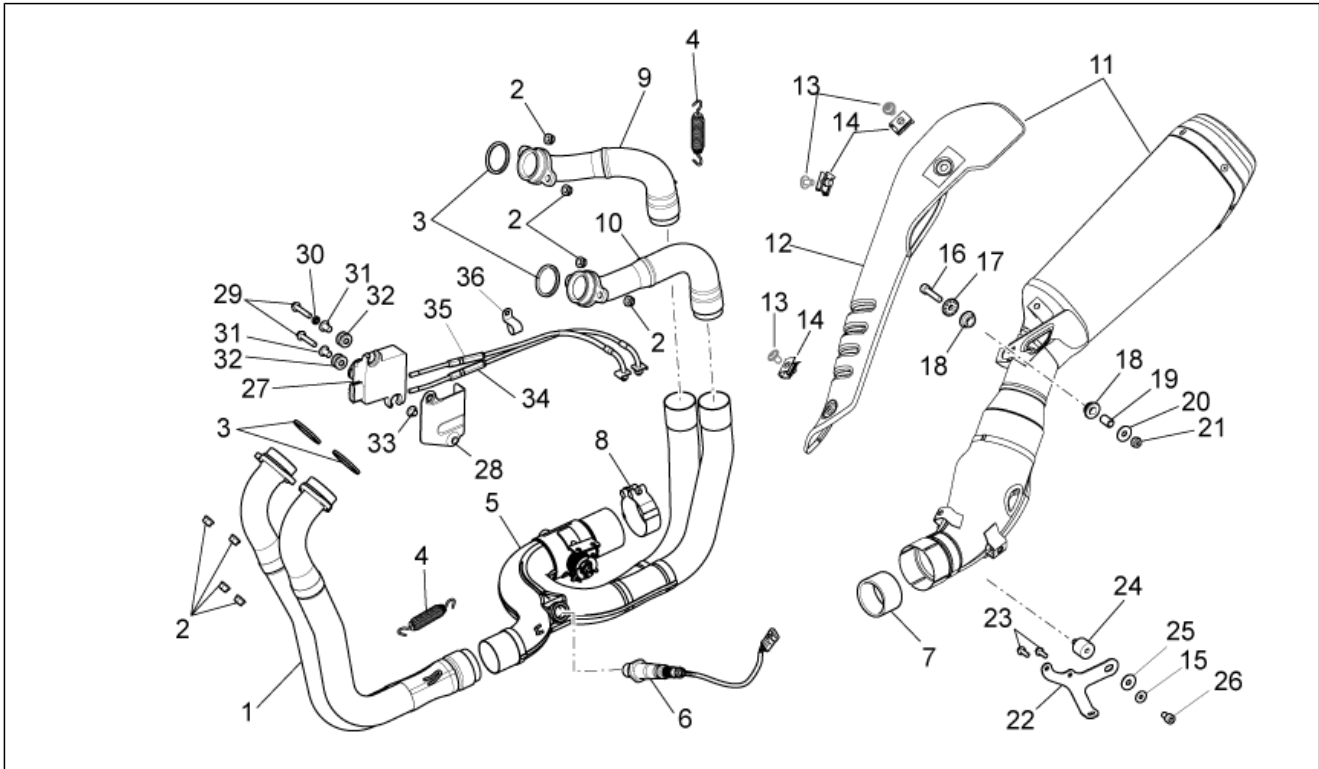
| Pos. | Code      | Beschreibung                          | Menge | Varianten |
|------|-----------|---------------------------------------|-------|-----------|
| 1    | 857303    | Vordere Klappenkörper                 | 1     |           |
| 2    | 857304    | Hintere Klappenkörper                 | 1     |           |
| 3    | 857305    | Anschluß                              | 4     |           |
| 4    | CM002903  | Schlauchschelle                       | 4     |           |
| 5    | AP8152329 | Kreuz.schl.flnschr. M5x20             | 2     |           |
| 6    | 638562    | Druckfühler                           | 2     |           |
| 7    | 894658    | Anschluss                             | 2     |           |
| 8    | 858874    | Leitung                               | 2     |           |
| 9    | 858873    | Leitung                               | 2     |           |
| 10   | 893934    | Injektor Marelli IWP162 (*)           | 4     |           |
| 11   | 857306    | Schlauchschelle                       | 8     |           |
| 12   | 896565    | Kraftstoffleitung, Kpl. ant.          | 1     |           |
| 13   | 896566    | Kraftstoffleitung, Kpl. post.         | 1     |           |
| 14   | 896567    | Schraube                              | 4     |           |
| 15   | 896573    | Klappenkörper KIT ant.                | 1     |           |
| 16   | 896574    | Klappenkörper KIT post.               | 1     |           |
| 17   | 896575    | Klappenkörper KIT ant. + post.        | 1     |           |
| 18   | AP8152329 | Kreuz.schl.flnschr. M5x20             | 4     |           |
| 19   | 858807    | Upper fuel rail                       | 1     |           |
| 20   | 890769    | Einspritzdüse oben Marelli IWP063 (*) | 4     |           |

|                     |               |
|---------------------|---------------|
| <b>Einheit</b>      | RAHMEN        |
| <b>Code</b>         | 28.25         |
| <b>Beschreibung</b> | Auspuffrohr I |
| <b>Inspektion</b>   | 1             |



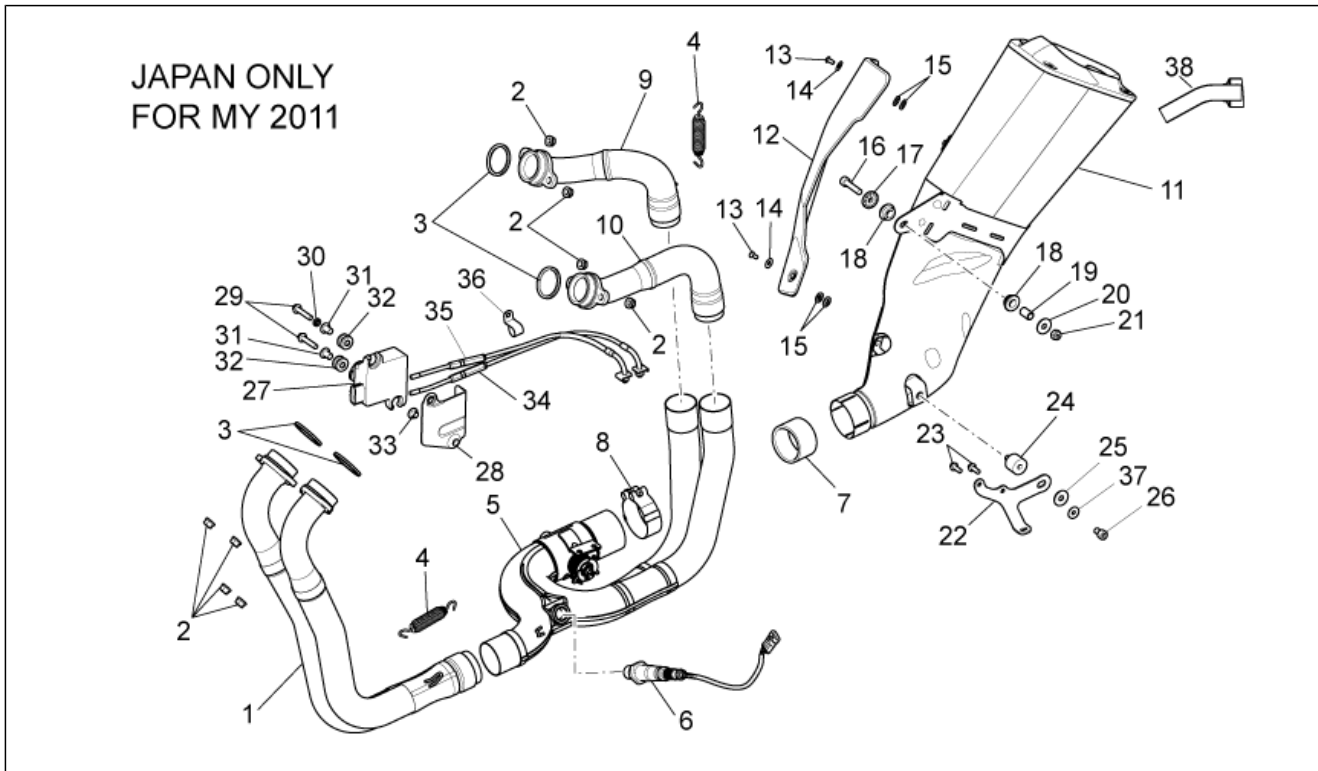
| Pos. | Code       | Beschreibung                | Menge | Varianten   |
|------|------------|-----------------------------|-------|---|
| 1    | 858738     | Auspuffrohr vorn            | 1     |   |
| 2    | 436947     | Mutter                      | 8     |   |
| 3    | 852090     | Dichtung Auspuffrohr        | 4     |   |
| 4    | AP8121170  | Feder                       | 3     |   |
| 5    | 8587414    | Mittlerer Auslaßkrümm.      | 1     |   |
| 6    | 584344     | Lamdasonde l. 325 mm        | 1     |   |
| 7    | GU05128230 | Dichtung                    | 1     |   |
| 8    | 851586     | Sammelleitung re. D 63 mm   | 1     |   |
| 9    | 858739     | RH Auspuffrohr              | 1     |   |
| 10   | 858740     | LH Auspuffrohr              | 1     |   |
| 11   | 897113     | Schalldämpfer               | 1     | <b>Baujahr:</b> 2011[B], 2012[C]<br><b>Land:</b> Australien[AU], Kanada[CA], Europa[EU],<br>Russland[RU], Vereinigte Staaten von Amerika[USA] |
| 11   | B043283    | Schalldämpfer               | 1     | <b>Baujahr:</b> 2012[C]<br><b>Land:</b> Japan[J]  |
| 12   | 898383     | Auspuffrohr Wärmeschutz     | 1     |   |
| 13   | 898385     | Torx Schraube M6x10         | 3     |   |
| 14   | 254485     | Plattchen M6                | 3     |   |
| 15   | AP8150376  | Ausgleichscheibe 8,5x15x0,8 | 1     |   |
| 16   | AP8150236  | TCEI Schraube M8x35         | 1     |   |
| 17   | AP8121199  | Buchse                      | 1     |   |
| 18   | AP8144558  | Gummi                       | 2     |   |
| 19   | AP8121455  | Distanzbuchse               | 1     |   |
| 20   | AP8150018  | Ausgleichscheibe            | 1     |   |
| 21   | AP8150431  | Mutter unten M8             | 1     |   |
| 22   | 858906     | Bügel                       | 1     |   |
| 23   | 598839     | TE Schr. m. Flansch         | 2     |   |
| 24   | 894228     | Silent-Block                | 1     |   |
| 25   | AP8150018  | Ausgleichscheibe            | 1     |   |

|                     |               |
|---------------------|---------------|
| <b>Einheit</b>      | RAHMEN        |
| <b>Code</b>         | 28.25         |
| <b>Beschreibung</b> | Auspuffrohr I |
| <b>Inspektion</b>   | 1             |



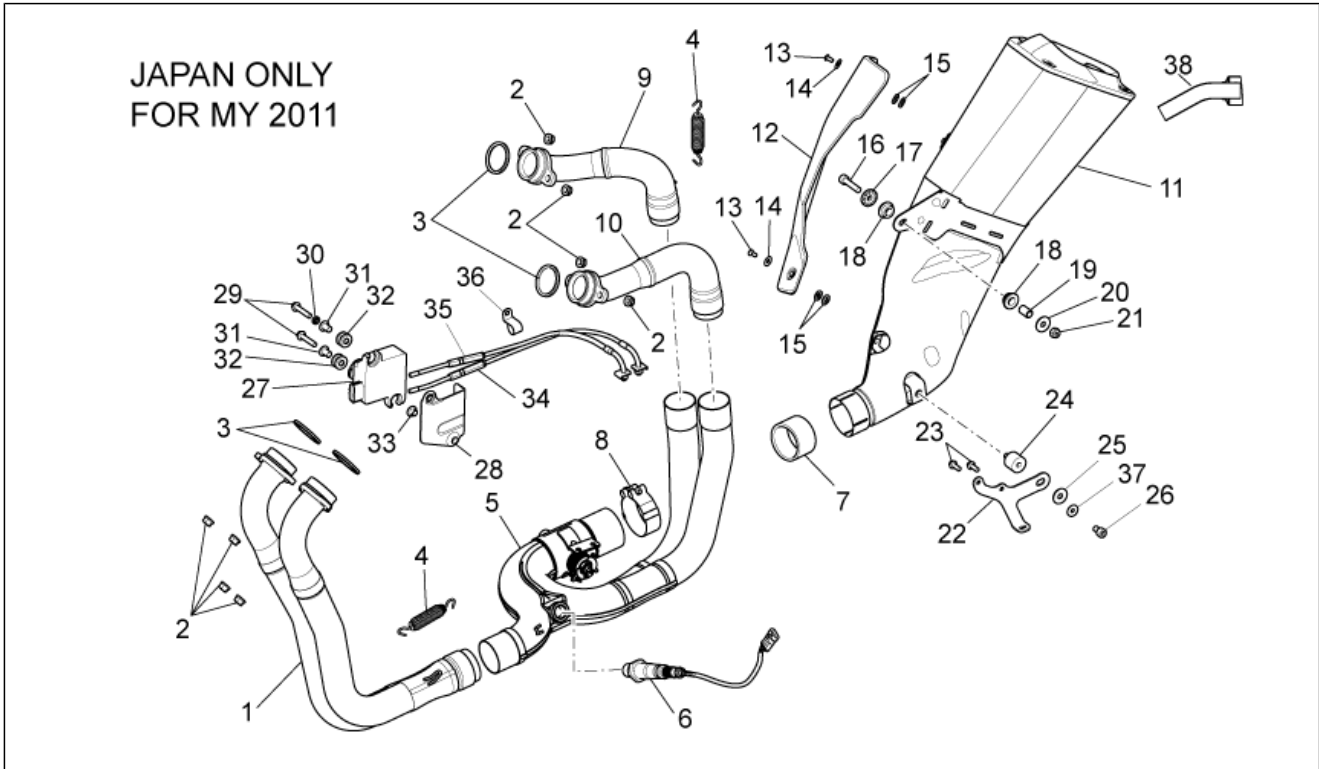
| Pos. | Code      | Beschreibung                 | Menge | Varianten |
|------|-----------|------------------------------|-------|-----------|
| 26   | AP8152112 | TCEI Schraube                | 1     |           |
| 27   | 2D000064  | Exhaust valve actuator       | 1     |           |
| 28   | 890928    | Wärmeschutz                  | 1     |           |
| 29   | AP8152281 | TE Schr. m. Flansch M6x30    | 2     |           |
| 30   | AP8134640 | Filtergehäuse Distanzscheibe | 1     |           |
| 31   | AP8121725 | T-Buchse *                   | 2     |           |
| 32   | AP8120223 | Gummi *                      | 2     |           |
| 33   | 840509    | Distanzscheibe               | 1     |           |
| 34   | 896141    | Gas trasmission return       | 1     |           |
| 35   | 896142    | Gas trasmission delivery     | 1     |           |
| 36   | 845978    | Schelle                      | 1     |           |

|                     |                |
|---------------------|----------------|
| <b>Einheit</b>      | RAHMEN         |
| <b>Code</b>         | 28.255         |
| <b>Beschreibung</b> | Auspuffrohr II |
| <b>Inspektion</b>   | 1              |



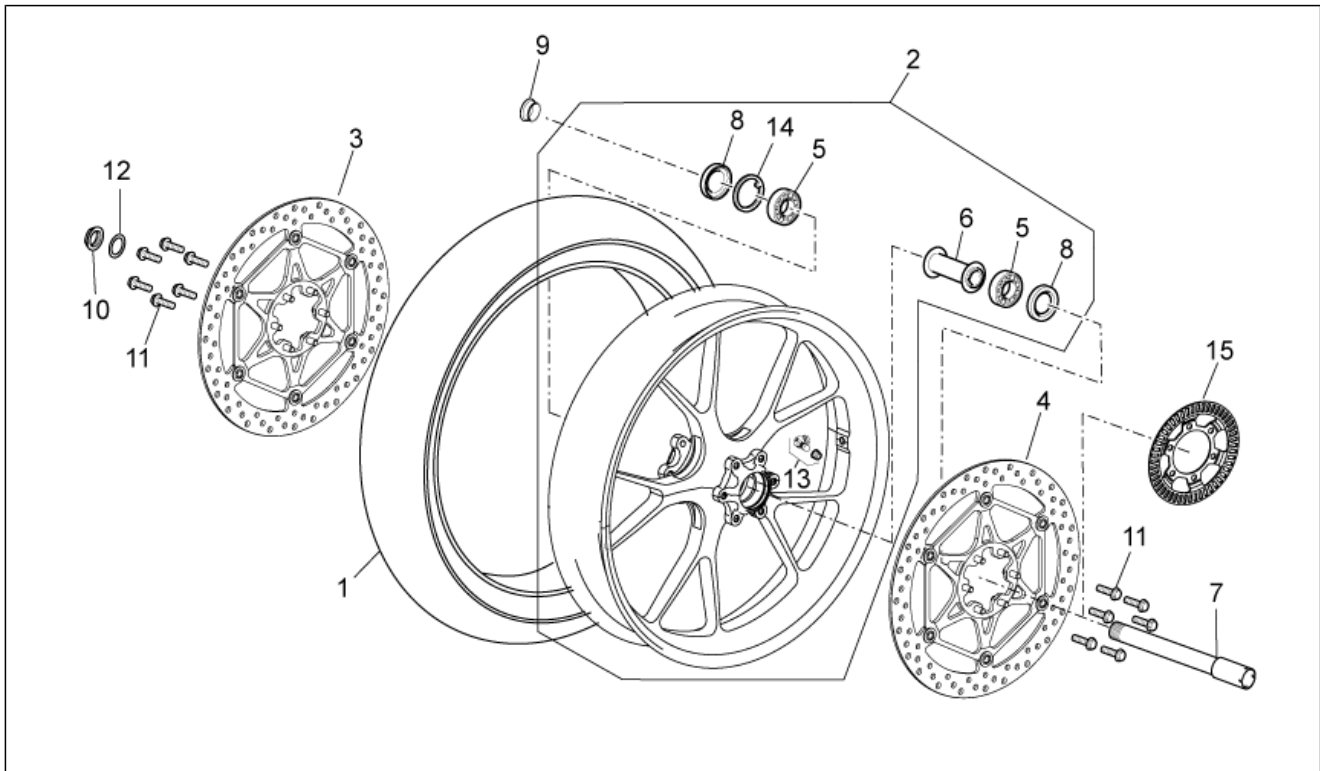
| Pos. | Code       | Beschreibung                | Menge | Varianten                        |
|------|------------|-----------------------------|-------|----------------------------------|
| 1    | 858738     | Auspuffrohr vorn            | 1     | Land:Japan[J]                    |
| 2    | 436947     | Mutter                      | 8     | Land:Japan[J]                    |
| 3    | 852090     | Dichtung Auspuffrohr        | 4     | Land:Japan[J]                    |
| 4    | AP8121170  | Feder                       | 3     | Land:Japan[J]                    |
| 5    | 8587414    | Mittlerer Auslaßkrümm.      | 1     | Land:Japan[J]                    |
| 6    | 584344     | Lamdasonde l. 325 mm        | 1     | Land:Japan[J]                    |
| 7    | GU05128230 | Dichtung                    | 1     | Land:Japan[J]                    |
| 8    | 851586     | Sammelleitung re. D 63 mm   | 1     | Land:Japan[J]                    |
| 9    | 858739     | RH Auspuffrohr              | 1     | Land:Japan[J]                    |
| 10   | 858740     | LH Auspuffrohr              | 1     | Land:Japan[J]                    |
| 11   | 895734     | Schalldämpfer               | 1     | Baujahr:2011[B]<br>Land:Japan[J] |
| 12   | 858745     | Schalldämpferschutz         | 1     | Baujahr:2011[B]<br>Land:Japan[J] |
| 13   | AP8150538  | TBEI Schraube M5x10         | 2     | Land:Japan[J]                    |
| 14   | AP8150382  | Ausgleichscheibe 15x5,5X1,2 | 2     | Land:Japan[J]                    |
| 15   | AP8150009  | Scheibe                     | 4     | Land:Japan[J]                    |
| 16   | AP8150236  | TCEI Schraube M8x35         | 1     | Land:Japan[J]                    |
| 17   | AP8121199  | Buchse                      | 1     | Land:Japan[J]                    |
| 18   | AP8144558  | Gummi                       | 2     | Land:Japan[J]                    |
| 19   | AP8121455  | Distanzbuchse               | 1     | Land:Japan[J]                    |
| 20   | AP8150018  | Ausgleichscheibe            | 1     | Land:Japan[J]                    |
| 21   | AP8150431  | Mutter unten M8             | 1     | Land:Japan[J]                    |
| 22   | 858906     | Bügel                       | 1     | Land:Japan[J]                    |
| 23   | 598839     | TE Schr. m. Flansch         | 2     | Land:Japan[J]                    |
| 24   | 894228     | Silent-Block                | 1     | Land:Japan[J]                    |
| 25   | AP8150018  | Ausgleichscheibe            | 1     | Land:Japan[J]                    |
| 26   | AP8152112  | TCEI Schraube               | 1     | Land:Japan[J]                    |

|                     |                |
|---------------------|----------------|
| <b>Einheit</b>      | RAHMEN         |
| <b>Code</b>         | 28.255         |
| <b>Beschreibung</b> | Auspuffrohr II |
| <b>Inspektion</b>   | 1              |



| Pos. | Code      | Beschreibung                 | Menge | Varianten                        |
|------|-----------|------------------------------|-------|----------------------------------|
| 27   | 2D000064  | Exhaust valve actuator       | 1     | Land:Japan[J]                    |
| 28   | 890928    | Wärmeschutz                  | 1     | Land:Japan[J]                    |
| 29   | AP8152281 | TE Schr. m. Flansch M6x30    | 2     | Land:Japan[J]                    |
| 30   | AP8134640 | Filtergehäuse Distanzscheibe | 1     | Land:Japan[J]                    |
| 31   | AP8121725 | T-Buchse *                   | 2     | Land:Japan[J]                    |
| 32   | AP8120223 | Gummi *                      | 2     | Land:Japan[J]                    |
| 33   | 840509    | Distanzscheibe               | 1     | Land:Japan[J]                    |
| 34   | 858747    | Gas trasmission return       | 1     | Land:Japan[J]                    |
| 35   | 858748    | Gas trasmission delivery     | 1     | Land:Japan[J]                    |
| 36   | 845978    | Schelle                      | 1     | Land:Japan[J]                    |
| 37   | AP8150376 | Ausgleichscheibe 8,5x15x0,8  | 1     | Land:Japan[J]                    |
| 38   | 895832    | DB killer                    | 1     | Baujahr:2011[B]<br>Land:Japan[J] |

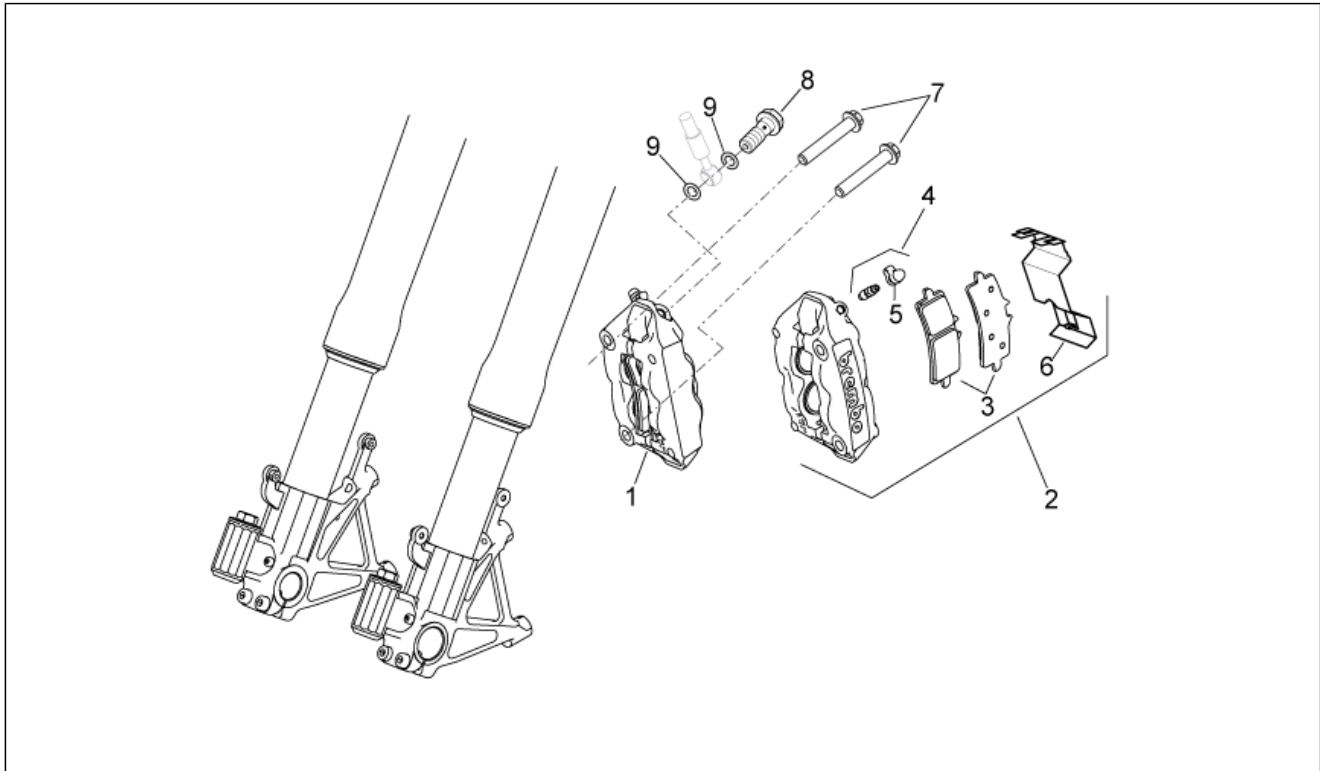
|                     |           |
|---------------------|-----------|
| <b>Einheit</b>      | RAHMEN    |
| <b>Code</b>         | 28.26     |
| <b>Beschreibung</b> | Vorderrad |
| <b>Inspektion</b>   | 1         |



| Pos. | Code      | Beschreibung                      | Menge | Varianten   |
|------|-----------|-----------------------------------|-------|---|
| 1    | 897596    | Vorderreifen 120/70-17" M/C (58W) | 1     |   |
| 2    | 894846    | Vorderrad                         | 1     | <b>Baujahr:</b> 2011[B]<br><b>Technische Spezifikation:</b> Special Edition Biaggi Limited[SE],<br>Factory MY 2011[STD] |
| 2    | 896170    | Vorderrad gold                    | 1     | <b>Baujahr:</b> 2012[C]<br><b>Fahrzeugfarbe:</b> Black Flame[BF]  |
| 3    | 893135    | Vorderradbremsscheibe             | 1     |   |
| 4    | 893136    | L. Vorderradbremsscheibe          | 1     |   |
| 5    | AP8110094 | Lager 25x47x12                    | 2     |   |
| 6    | AP8125843 | Interne Distanzscheibe            | 1     |   |
| 7    | AP8125827 | Vorderradbolzen                   | 1     |   |
| 8    | AP8125841 | Gasket ring 30x47x7               | 2     |   |
| 9    | AP8125728 | Außen r. V.rad Distanzscheibe     | 1     |   |
| 10   | AP8152335 | Radbolzenmutter                   | 1     |   |
| 11   | AP8152286 | TE Schr. m. Flansch M8x20         | 12    |   |
| 12   | AP8152323 | Ausgleichscheibe 25,2x36x1        | 1     |   |
| 13   | AP8104728 | Schlauchloses Reifenventil 90°    | 1     |   |
| 14   | AP8125842 | Sprengring d47                    | 1     |   |
| 15   | AP8128189 | Phonic wheel                      | 1     |   |

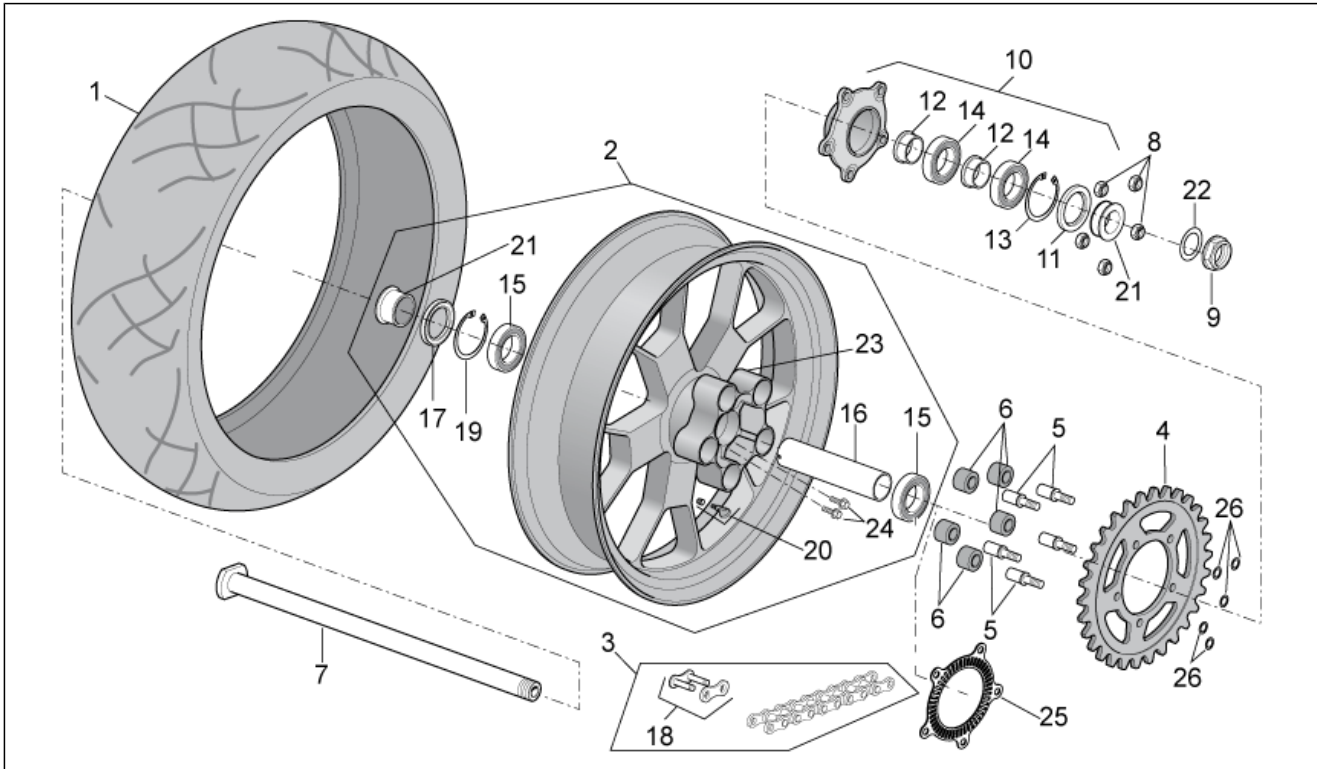


|                     |                    |
|---------------------|--------------------|
| <b>Einheit</b>      | RAHMEN             |
| <b>Code</b>         | 28.27              |
| <b>Beschreibung</b> | Vorderradbremzange |
| <b>Inspektion</b>   | 1                  |



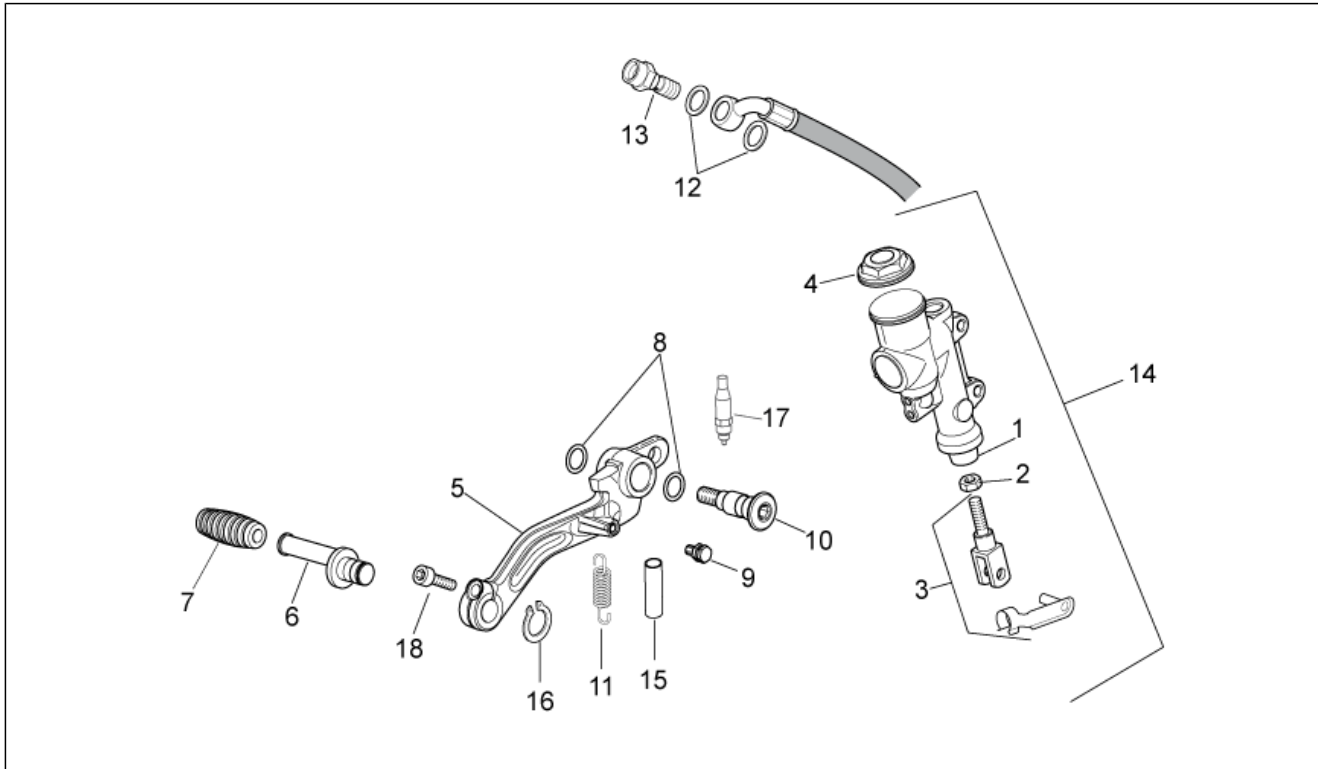
| Pos. | Code      | Beschreibung                | Menge | Varianten |
|------|-----------|-----------------------------|-------|-----------|
| 1    | 858896    | Vorderradbremzange r.       | 1     |           |
| 2    | 858897    | Vorderradbremzange l.       | 1     |           |
| 3    | 893931    | Beläge (Paar)               | 2     |           |
| 4    | AP8133824 | Entlüftungsanschluß         | 2     |           |
| 5    | AP8113230 | Entlüftungskappe            | 2     |           |
| 6    | 896576    | Feder                       | 2     |           |
| 7    | AP8152414 | TE Schr. m. Flansch M10x55  | 4     |           |
| 8    | 852702    | Fixierschraube Ölschlauch   | 2     |           |
| 9    | AP8113004 | Ausgleichscheibe 10x14x1,6* | 4     |           |

|                     |           |
|---------------------|-----------|
| <b>Einheit</b>      | RAHMEN    |
| <b>Code</b>         | 28.28     |
| <b>Beschreibung</b> | Hinterrad |
| <b>Inspektion</b>   | 1         |



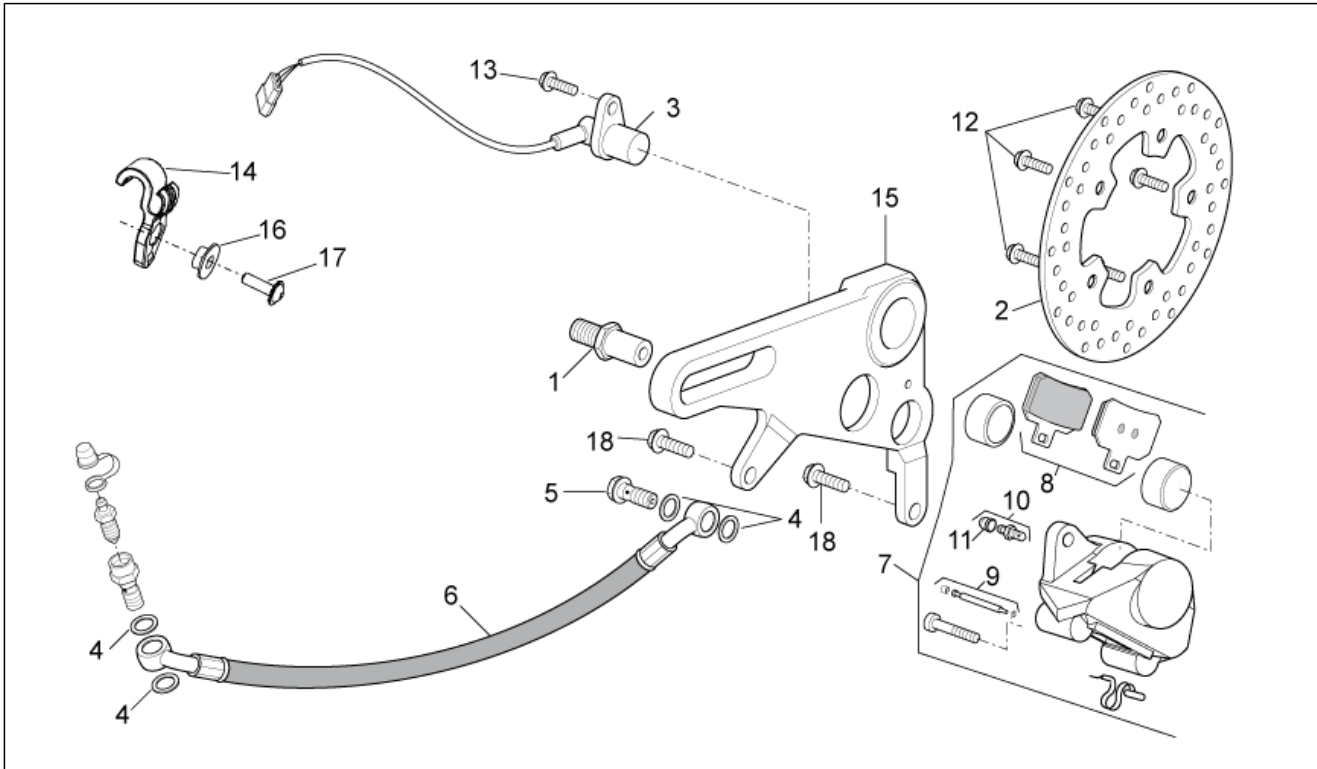
| Pos. | Code      | Beschreibung                   | Menge | Varianten   |
|------|-----------|--------------------------------|-------|---|
| 1    | 897367    | Hinterer Reifen 200/55-17" M/C | 1     |   |
| 2    | 894847    | Hinterrad ohne Scheibe         | 1     | <b>Baujahr:</b> 2011[B]<br><b>Technische Spezifikation:</b> Special Edition Biaggi Limited[SE],<br>Factory MY 2011[STD] |
| 2    | 896171    | Hinterrad gold                 | 1     | <b>Baujahr:</b> 2012[C]<br><b>Fahrzeugfarbe:</b> Black Flame[BF]  |
| 3    | 896358    | Kette Verbindungsgl.           | 1     |   |
| 4    | CM224903  | Zahnkranz Z=42                 | 1     |   |
| 5    | B045033   | Bolzen                         | 5     |   |
| 6    | AP8125731 | Stoßschutzgummi                | 5     |   |
| 7    | 858731    | Hinterradbolzen                | 1     |   |
| 8    | AP8150436 | Selbstsperr.mut Unt.           | 5     |   |
| 9    | AP8152324 | Radbolzenmutter M25x1,5        | 1     |   |
| 10   | AP8125730 | Radkranzhalter kplt.           | 1     |   |
| 11   | AP8121213 | Gasket ring 38x55x7            | 1     |   |
| 12   | AP8125732 | elast. Distanzstück            | 2     |   |
| 13   | AP8121212 | Seegerring für Bohrung d55     | 1     |   |
| 14   | AP8110081 | Lager 30x55x13                 | 2     |   |
| 15   | AP8110093 | Lager 6205-2rs1 25x52x15       | 2     |   |
| 16   | AP8176101 | Interne Distanzscheibe         | 1     |   |
| 17   | AP8125838 | Gasket ring 38x52x7            | 1     |   |
| 18   | 859754    | Verbindungsglied               | 1     |   |
| 19   | AP8125839 | Sprengring d52                 | 1     |   |
| 20   | AP8104728 | Schlauchloses Reifenventil 90° | 1     |   |
| 21   | AP8121592 | Hinterrad Distanzscheibe       | 2     |   |
| 22   | AP8152323 | Ausgleichscheibe 25,2x36x1     | 1     |   |
| 24   | 874555    | TE Schr. m. Flansch M6x16      | 10    |   |
| 25   | 890960    | Phonic wheel ABS               | 1     |   |
| 26   | AP8150020 | Ausgleichscheibe 10,5x21x2*    | 5     |   |

|                     |                     |
|---------------------|---------------------|
| <b>Einheit</b>      | RAHMEN              |
| <b>Code</b>         | 28.29               |
| <b>Beschreibung</b> | Hinterradbremspumpe |
| <b>Inspektion</b>   | 1                   |



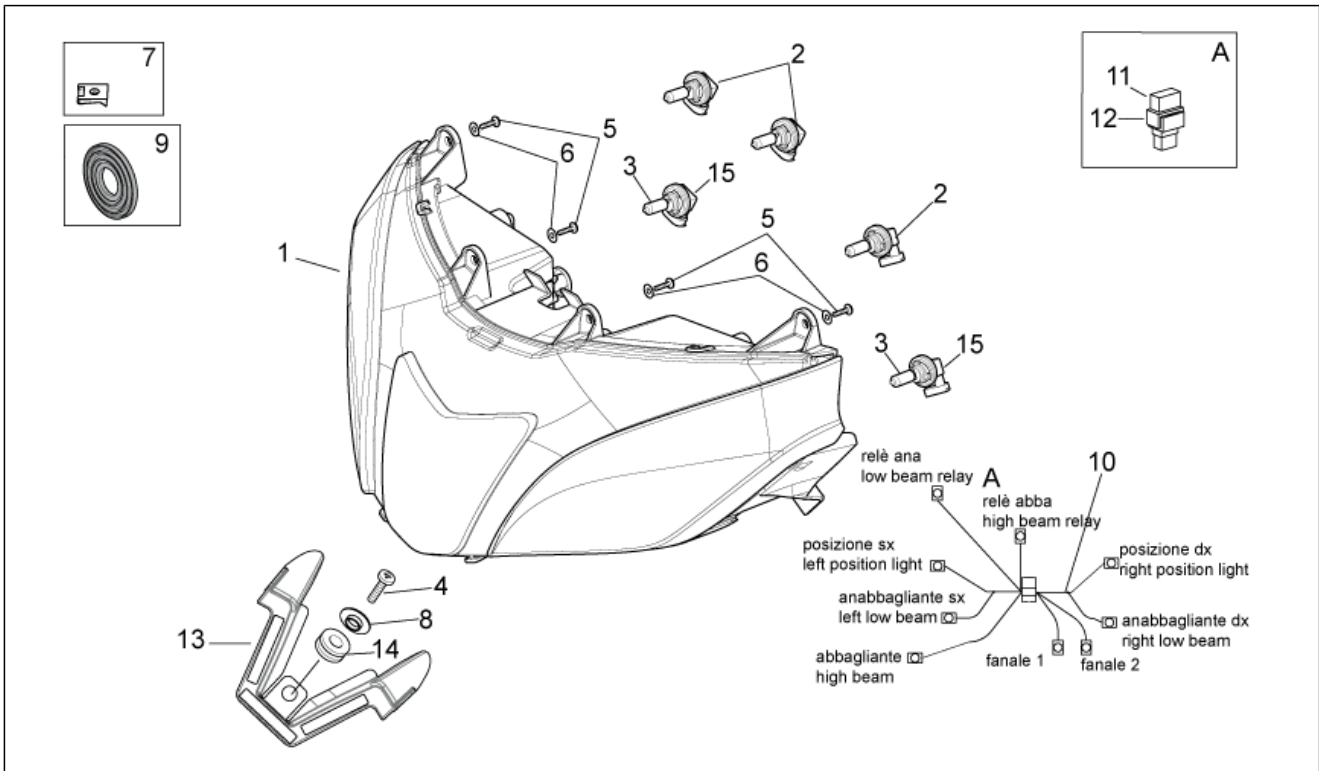
| Pos. | Code      | Beschreibung                | Menge | Varianten |
|------|-----------|-----------------------------|-------|-----------|
| 1    | 893933    | Gummibalg                   | 1     |           |
| 2    | 020006    | Mutter                      | 1     |           |
| 3    | 898694    | ZSB Metallspitze            | 1     |           |
| 4    | 898695    | Verschlussschraube          | 1     |           |
| 5    | 858785    | H.bremshebel                | 1     |           |
| 6    | AP8121221 | Stift Bremshebel            | 1     |           |
| 7    | AP8120912 | Gummi für Hebel             | 1     |           |
| 8    | AP8144007 | O-Ring 11,11x1,78           | 2     |           |
| 9    | 859946    | Befestigungsbolzen          | 1     |           |
| 10   | AP8121223 | Stift Hinterradbremshieb.   | 1     |           |
| 11   | 893138    | Feder                       | 1     |           |
| 12   | AP8113004 | Ausgleichscheibe 10x14x1,6* | 2     |           |
| 13   | 852702    | Fixierschraube Ölschlauch   | 1     |           |
| 14   | 858943    | Hinterradbremspumpe         | 1     |           |
| 15   | AP8120822 | Silent-Block Federn         | 1     |           |
| 16   | AP8150462 | Seegerring d9               | 1     |           |
| 17   | AP8112996 | Mikroschalter               | 1     |           |
| 18   | AP8224470 | TBEI Schraube M6x20         | 1     |           |

|                     |                    |
|---------------------|--------------------|
| <b>Einheit</b>      | RAHMEN             |
| <b>Code</b>         | 28.30              |
| <b>Beschreibung</b> | Hinterradbremzange |
| <b>Inspektion</b>   | 1                  |



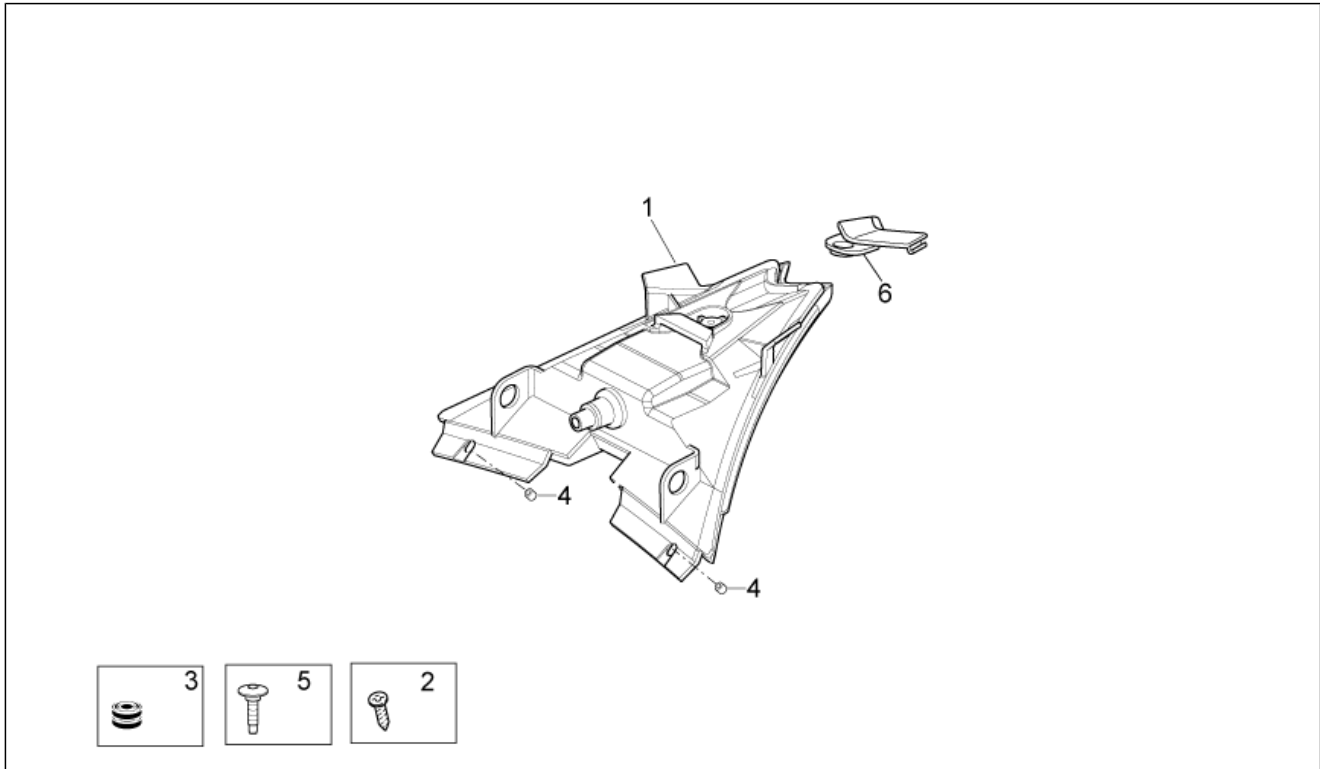
| Pos. | Code      | Beschreibung                  | Menge | Varianten |
|------|-----------|-------------------------------|-------|-----------|
| 1    | 898486    | Bremsenhalterbolzen           | 1     |           |
| 2    | 893137    | Vorderradbremsscheibe         | 1     |           |
| 3    | 859792    | Sensor ABS                    | 1     |           |
| 4    | AP8113004 | Ausgleichscheibe 10x14x1,6*   | 4     |           |
| 5    | 852702    | Fixierschraube Ölschlauch     | 1     |           |
| 6    | 858902    | Hinterradbremseleitung        | 1     |           |
| 7    | 860880    | Hinterradbremzange            | 1     |           |
| 8    | 893969    | Beläge (Paar)                 | 1     |           |
| 9    | AP8113752 | Stift+Splint Bremse           | 1     |           |
| 10   | AP8113753 | Entlüftungsanschluß           | 1     |           |
| 11   | AP8113230 | Entlüftungskappe              | 1     |           |
| 12   | 894505    | TE Schr. m. Flansch M8x18     | 7     |           |
| 13   | AP8152279 | TE Schr. m. Flansch M6x20     | 1     |           |
| 14   | 858791    | Fix. Hinterradbremsschl.      | 1     |           |
| 15   | 896896    | Halter. H.radbremzange        | 1     |           |
| 16   | AP8221349 | T-Buchse                      | 1     |           |
| 17   | AP8152298 | TBEI Schraube m.Flansch M5x16 | 1     |           |
| 18   | AP8152286 | TE Schr. m. Flansch M8x20     | 2     |           |

|                     |              |
|---------------------|--------------|
| <b>Einheit</b>      | RAHMEN       |
| <b>Code</b>         | 28.31        |
| <b>Beschreibung</b> | Scheinwerfer |
| <b>Inspektion</b>   | 1            |



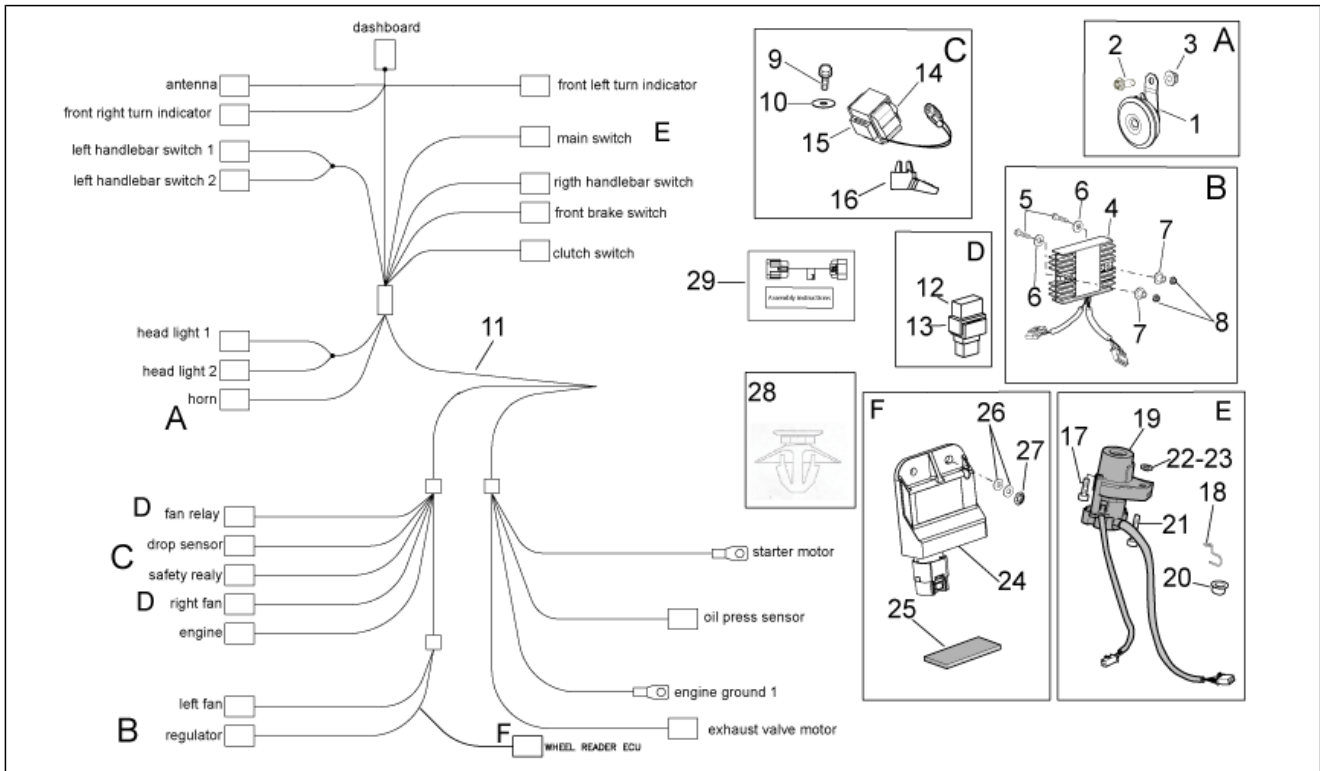
| Pos. | Code      | Beschreibung                                | Menge | Varianten |
|------|-----------|---|-------|-----------|
| 1    | 2R000161  | Kit Frontscheinwerfer                       | 1     |           |
| 2    | 640754    | Lampen H11 12V-55W                          | 3     |           |
| 3    | 893929    | Lampen W5WB 2V 5W                           | 2     |           |
| 4    | AP8150515 | Selbstschneidende Schraube Scheinwerferreg. | 3     |           |
| 5    | AP8150509 | Gew.schr. 5x14                              | 4     |           |
| 6    | AP8150382 | Ausgleichscheibe 15x5,5X1,2                 | 4     |           |
| 7    | AP8102375 | Klammer M5                                  | 2     |           |
| 8    | AP8121032 | Buchse                                      | 3     |           |
| 9    | 894796    | Scheinwerferhaube                           | 3     |           |
| 10   | 858867    | Verkabel.Scheinwerf.                        | 1     |           |
| 11   | AP8224462 | Zündrelais 12V-30A                          | 5     |           |
| 12   | AP8220283 | Gummi *                                     | 5     |           |
| 13   | 894057    | Scheinwerfer Schloss                        | 1     |           |
| 14   | AP8120405 | Gummi                                       | 3     |           |
| 15   | 893930    | Lampenhalter                                | 2     |           |

|                     |           |
|---------------------|-----------|
| <b>Einheit</b>      | RAHMEN    |
| <b>Code</b>         | 28.32     |
| <b>Beschreibung</b> | Rücklicht |
| <b>Inspektion</b>   | 1         |



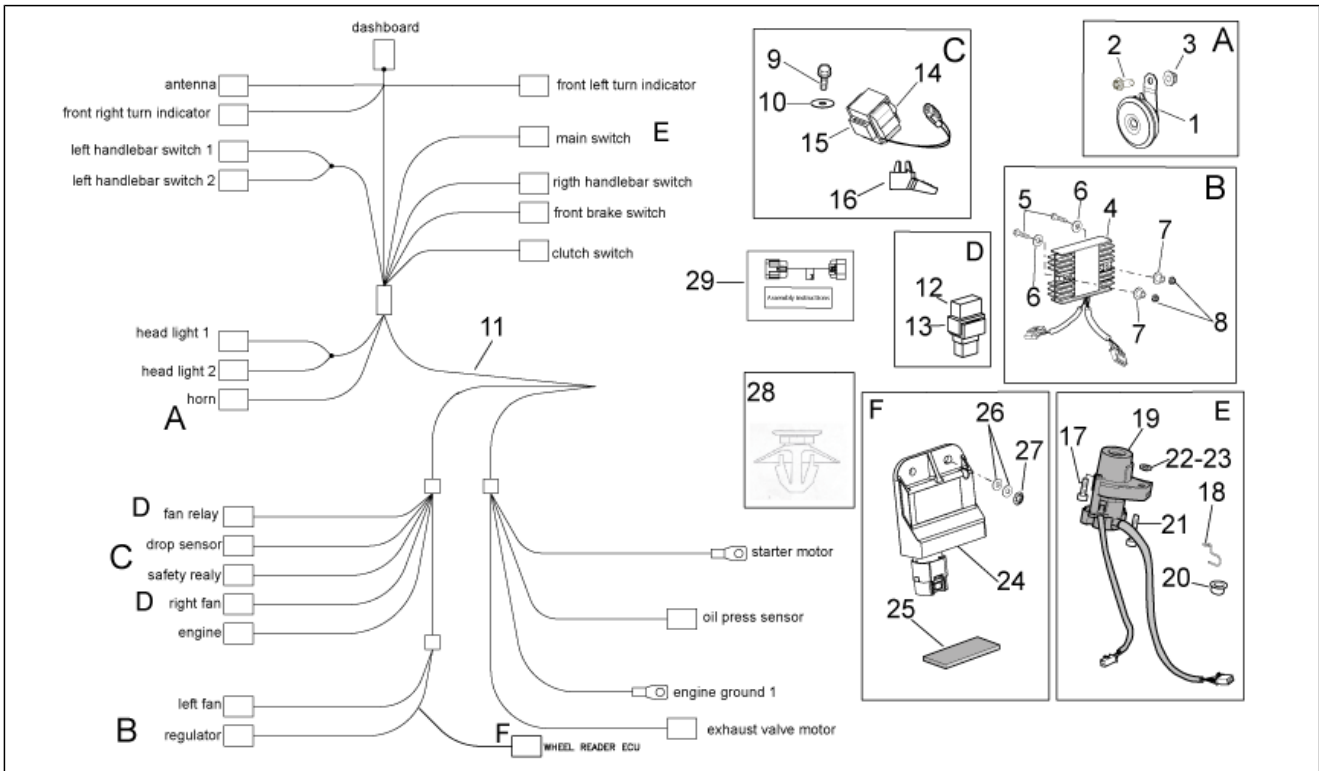
| Pos. | Code      | Beschreibung                  | Menge | Varianten |
|------|-----------|-------------------------------|-------|-----------|
| 1    | 858725    | Rücklicht                     | 1     |           |
| 2    | AP8150420 | Gewindeschraube Edelstahl *   | 1     |           |
| 3    | AP8220186 | Gummi                         | 2     |           |
| 4    | AP8221036 | Buchse 5,3x8x7,1              | 2     |           |
| 5    | AP8152298 | TBEI Schraube m.Flansch M5x16 | 2     |           |
| 6    | 858839    | Rücklicht Deckel              | 1     |           |

|                     |                      |
|---------------------|----------------------|
| <b>Einheit</b>      | RAHMEN               |
| <b>Code</b>         | 28.33                |
| <b>Beschreibung</b> | Elektrische anlage I |
| <b>Inspektion</b>   | 1                    |



| Pos. | Code      | Beschreibung                | Menge | Varianten |
|------|-----------|-----------------------------|-------|-----------|
| 1    | 890979    | Hupe                        | 1     |           |
| 2    | AP8152285 | TE Schr. m. Flansch         | 1     |           |
| 3    | AP8150376 | Ausgleichscheibe 8,5x15x0,8 | 1     |           |
| 4    | 858809    | Spannungsregler             | 1     |           |
| 5    | AP8152128 | TBEI Schraube M6x30         | 2     |           |
| 6    | AP8150179 | Ausgleichscheibe 6,6x18*    | 2     |           |
| 7    | AP8121075 | T-Buchse *                  | 2     |           |
| 8    | AP8152299 | Selbstsperrende Mutter M6   | 2     |           |
| 9    | AP8152279 | TE Schr. m. Flansch M6x20   | 1     |           |
| 10   | AP8121991 | Buchse                      | 1     |           |
| 11   | 895844    | Verkabelung ABS + ACT       | 1     |           |
| 12   | AP8224462 | Zündrelais 12V-30A          | 5     |           |
| 13   | AP8220283 | Gummi *                     | 5     |           |
| 14   | 584509    | Kippsensor                  | 1     |           |
| 15   | AP8144046 | Sensor halter gummi         | 1     |           |
| 16   | 858916    | Halter Sensor               | 1     |           |
| 17   | AP8152238 | Reißschraube M8x28          | 1     |           |
| 18   | AP8121475 | Kabelführung                | 1     |           |
| 19   | 858580    | Lenkschloß                  | 1     |           |
| 20   | AP8121096 | T-Buchse 8,2x12x4           | 1     |           |
| 21   | AP8150236 | TCEI Schraube M8x35         | 1     |           |
| 22   | AP8150017 | Ausgleichscheibe 8,4x16x1,6 | 1     |           |
| 23   | AP8152154 | Ausgleichscheibe 8,4x13*    | 2     |           |
| 24   | 896752    | Steuergerät CLF             | 1     |           |
| 25   | AP8117033 | Klebeschwamm                | 2     |           |
| 26   | AP8144065 | Gummi                       | 4     |           |
| 27   | AP8152179 | Sprengscheibe 6,5x12,5      | 2     |           |
| 28   | 890760    | Halterung Instrumente       | 5     |           |

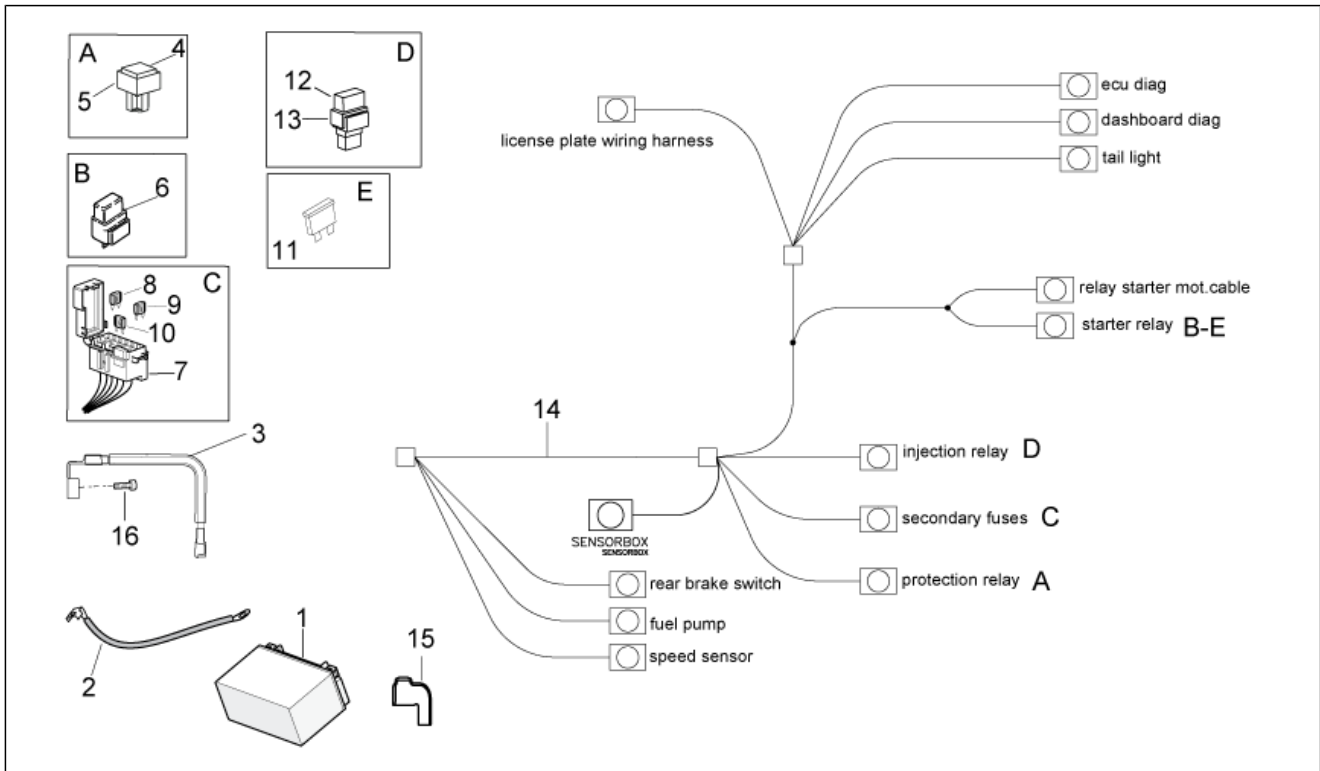
|                     |                      |
|---------------------|----------------------|
| <b>Einheit</b>      | RAHMEN               |
| <b>Code</b>         | 28.33                |
| <b>Beschreibung</b> | Elektrische anlage I |
| <b>Inspektion</b>   | 1                    |



| Pos. | Code     | Beschreibung    | Menge | Varianten |
|------|----------|-----------------|-------|-----------|
| 29   | 2R000309 | Kit interfaccia | 1     |           |

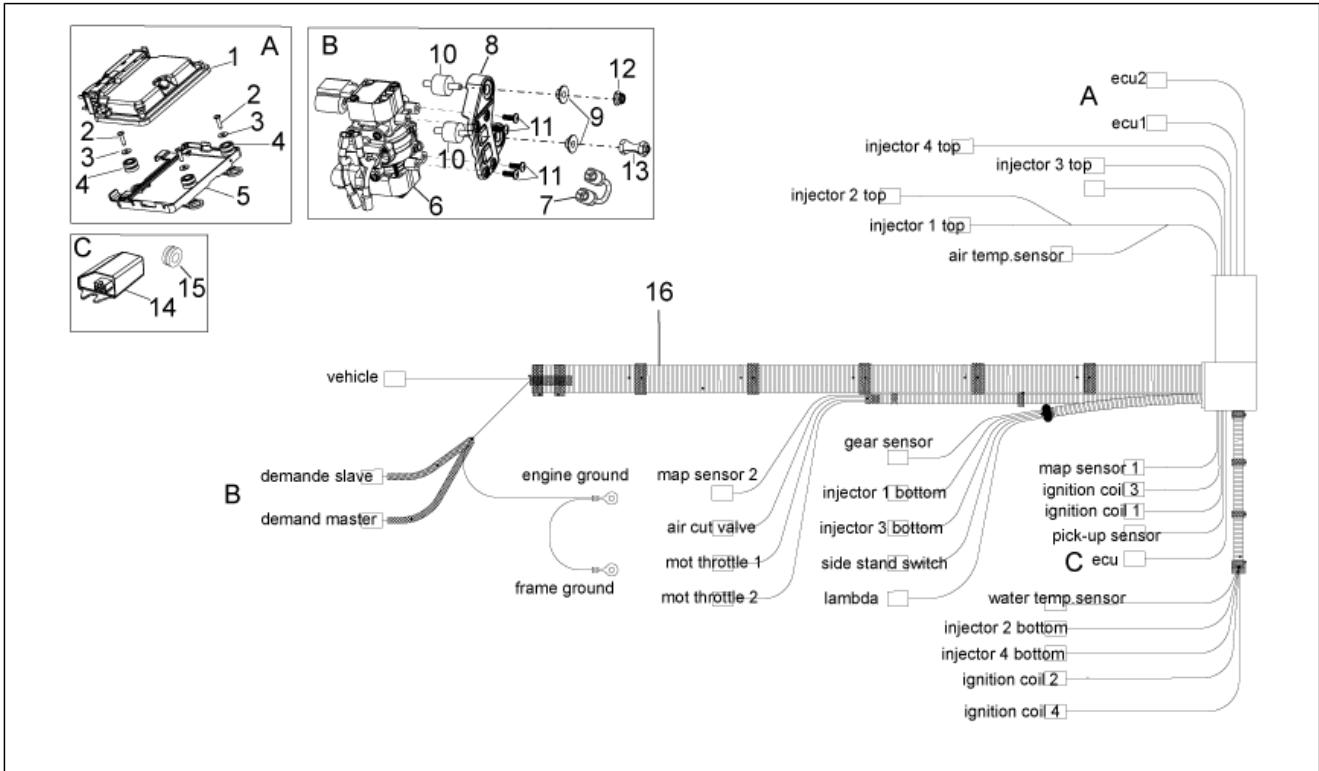


|                     |                       |
|---------------------|-----------------------|
| <b>Einheit</b>      | RAHMEN                |
| <b>Code</b>         | 28.34                 |
| <b>Beschreibung</b> | Elektrische anlage II |
| <b>Inspektion</b>   | 1                     |



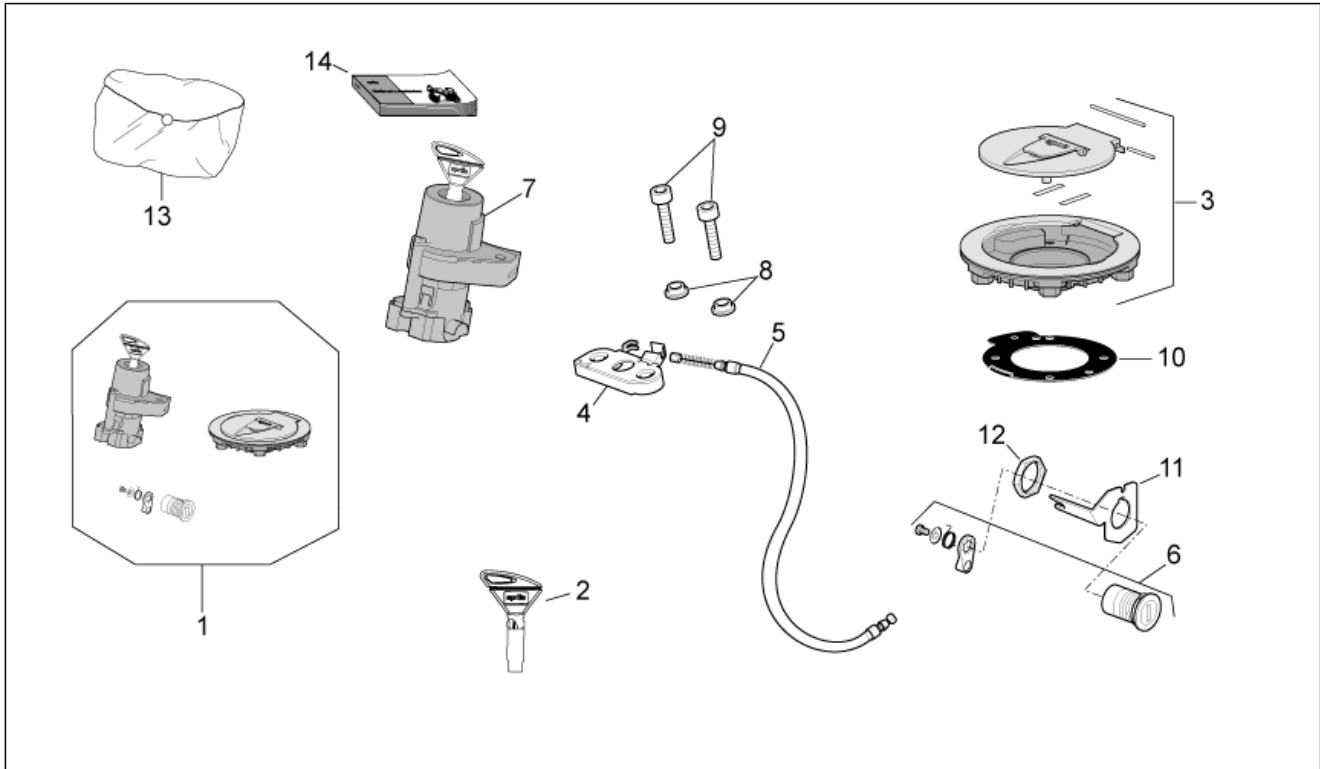
| Pos. | Code      | Beschreibung                | Menge | Varianten |
|------|-----------|-----------------------------|-------|-----------|
| 1    | 639792    | Batterie 12V-12Ah           | 1     |           |
| 2    | 858869    | Massekabel                  | 1     |           |
| 3    | 858871    | Verkabelung Batterie-Relais | 1     |           |
| 4    | AP8124869 | Relais Einspritzung         | 1     |           |
| 5    | 896715    | Auflagegummi Relais         | 1     |           |
| 6    | 582690    | Starterrelais               | 1     |           |
| 7    | 858212    | Sicherungsblockgummi        | 1     |           |
| 8    | CM225605  | Sicherung 5A                | 2     |           |
| 9    | CM225607  | Sicherung 7,5A              | 1     |           |
| 10   | CM225615  | Sicherung 15A               | 3     |           |
| 11   | CM225730  | Sicherung 30A               | 1     |           |
| 12   | AP8224462 | Zündrelais 12V-30A          | 5     |           |
| 13   | AP8220283 | Gummi *                     | 5     |           |
| 14   | 895844    | Verkabelung ABS + ACT       | 1     |           |
| 15   | 895701    | Klemmenkappe                | 1     |           |
| 16   | 581596    | Schraube                    | 2     |           |

|                     |                        |
|---------------------|------------------------|
| <b>Einheit</b>      | RAHMEN                 |
| <b>Code</b>         | 28.35                  |
| <b>Beschreibung</b> | Elektrische Anlage III |
| <b>Inspektion</b>   | 1                      |



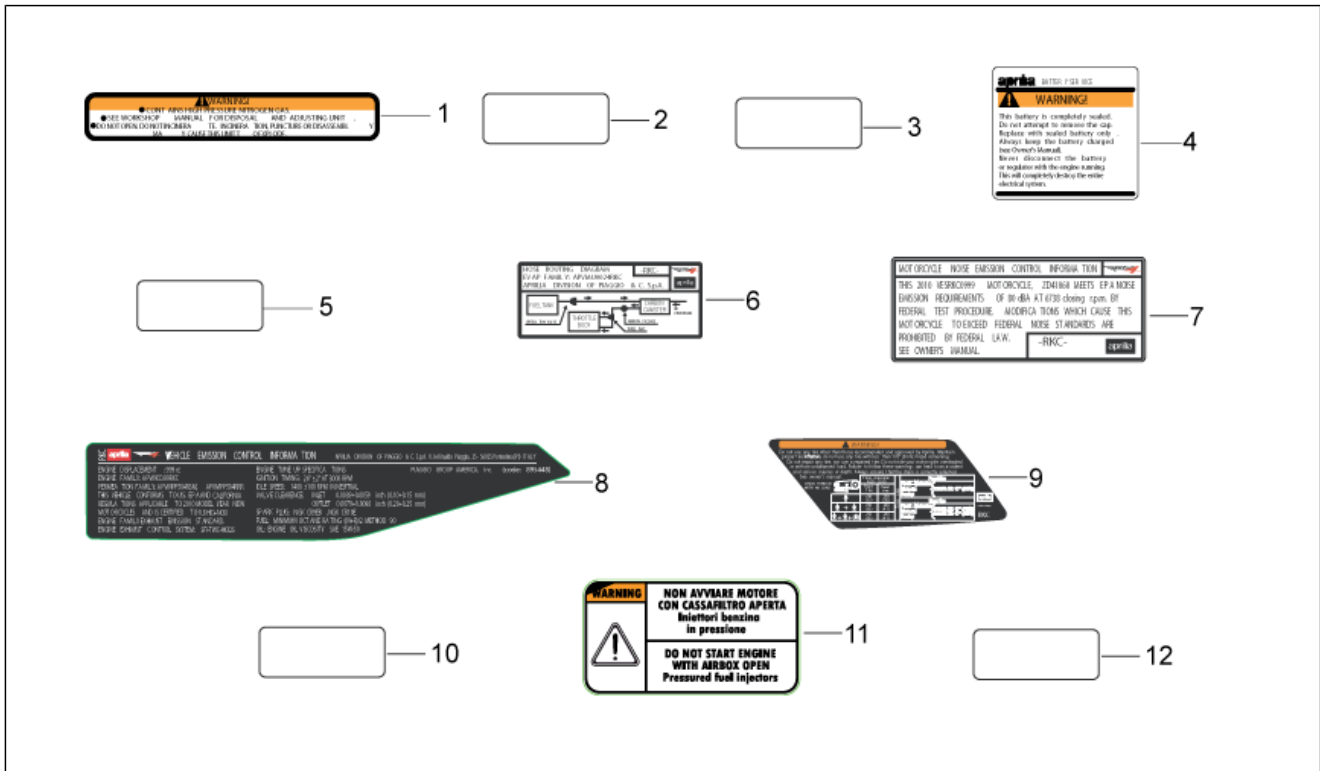
| Pos. | Code      | Beschreibung                | Menge | Varianten  |
|------|-----------|-----------------------------|-------|--|
| 1    | CM083515  | Elektronische Steuereinheit | 1     | Land:Europa[EU], Japan[J]                            |
| 1    | CM083518  | Elektronische Steuereinheit | 1     | Land:Kanada[CA], Vereinigte Staaten von Amerika[USA] |
| 2    | AP8150509 | Gew.schr. 5x14              | 3     |  |
| 3    | AP8150382 | Ausgleichscheibe 15x5,5X1,2 | 3     |  |
| 4    | AP8220150 | Gummi                       | 3     |  |
| 5    | 858882    | Halter                      | 1     |  |
| 6    | 872664    | Demand Sensor               | 1     |  |
| 7    | 854811    | Gummi                       | 1     |  |
| 8    | 858883    | Haltebügel                  | 1     |  |
| 9    | AP8221145 | T-Buchse *                  | 2     |  |
| 10   | AP8144061 | Silent-Block                | 2     |  |
| 11   | AP8150509 | Gew.schr. 5x14              | 4     |  |
| 12   | AP8152299 | Selbstsperrende Mutter M6   | 1     |  |
| 13   | 893255    | Distanzscheibe              | 1     |  |
| 14   | 890932    | Variable ducts ECU          | 1     |  |
| 15   | AP8120405 | Gummi                       | 2     |  |
| 16   | 897114    | Motor Kabel                 | 1     |  |

|                     |                   |
|---------------------|-------------------|
| <b>Einheit</b>      | RAHMEN            |
| <b>Code</b>         | 28.36             |
| <b>Beschreibung</b> | Bausatz Schlösser |
| <b>Inspektion</b>   | 1                 |



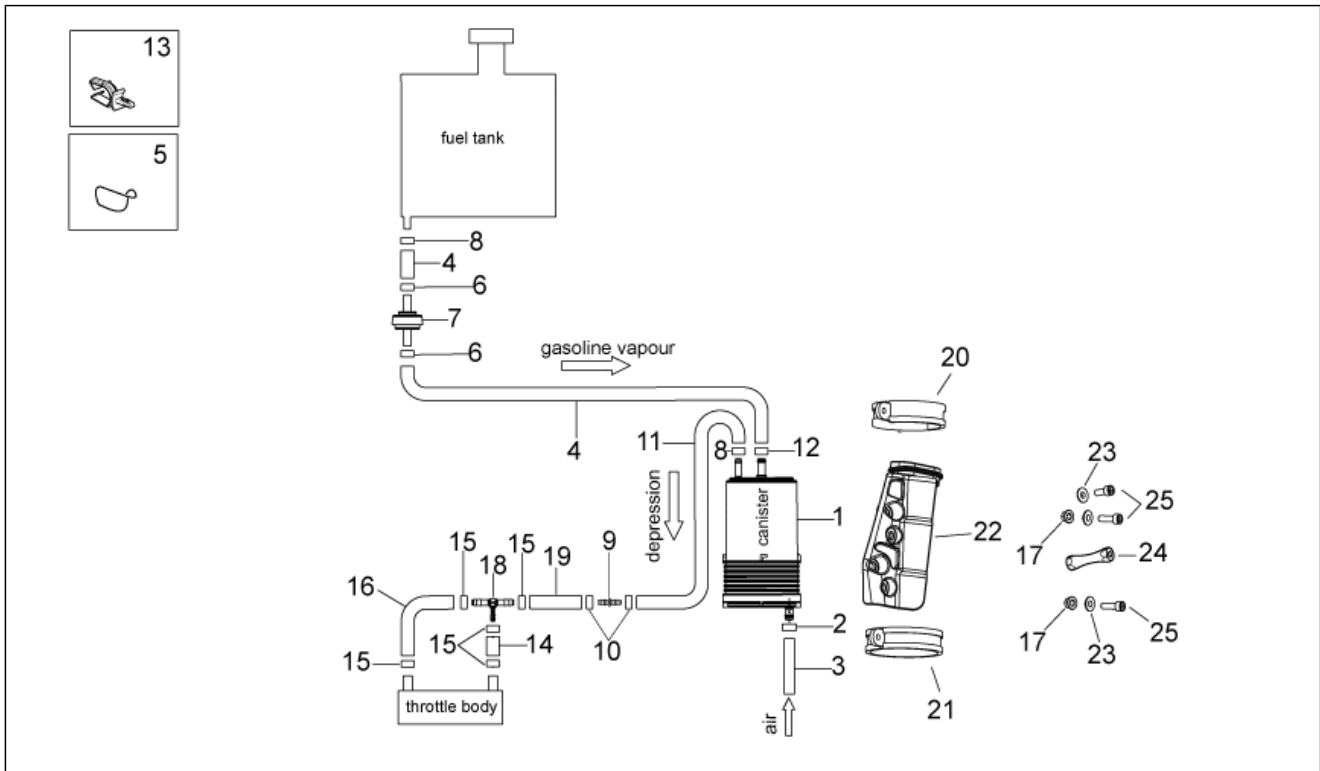
| Pos. | Code      | Beschreibung                   | Menge | Varianten                        |
|------|-----------|--------------------------------|-------|----------------------------------|
| 1    | B043920   | Kit Schließvorrichtungen       | 1     |                                  |
| 2    | AP8140711 | "Aprilia" schlüssel mit tran.  | 1     |                                  |
| 3    | B043929   | Tankverschluss mit schlüssel   | 1     |                                  |
| 4    | AP8102913 | Fixierplatte Soziussitz        | 1     |                                  |
| 5    | 858955    | Schloßkabel                    | 1     |                                  |
| 6    | AP8104719 | Schloss Sitzbank mit Schlüssel | 1     |                                  |
| 7    | 858580    | Lenkschloß                     | 1     |                                  |
| 8    | AP8221129 | Buchse                         | 2     |                                  |
| 9    | AP8150285 | TCEI Schraube M6x35            | 2     |                                  |
| 10   | AP8104803 | Tankverschlusdichtung          | 1     |                                  |
| 11   | AP8134948 | Platte                         | 1     |                                  |
| 12   | AP8102523 | Schloß mutter M22x1,5          | 1     |                                  |
| 13   | 2B003301  | Werkzeugtasche                 | 1     |                                  |
| 14   | 899125    | ***899125                      | 1     |                                  |
| 14   | 899126    | ***899126                      | 1     |                                  |
| 14   | 899127    | ***899127                      | 1     |                                  |
| 14   | 899128    | Bed./Wart.-Anleit. J-UK        | 1     | Baujahr:2011[B]<br>Land:Japan[J] |
| 14   | B043165   | Bed./Wart.-Anleit. J-UK        | 1     | Baujahr:2012[C]<br>Land:Japan[J] |

|                     |                    |
|---------------------|--------------------|
| <b>Einheit</b>      | RAHMEN             |
| <b>Code</b>         | 28.55              |
| <b>Beschreibung</b> | Aufkleber und Deko |
| <b>Inspektion</b>   | 1                  |



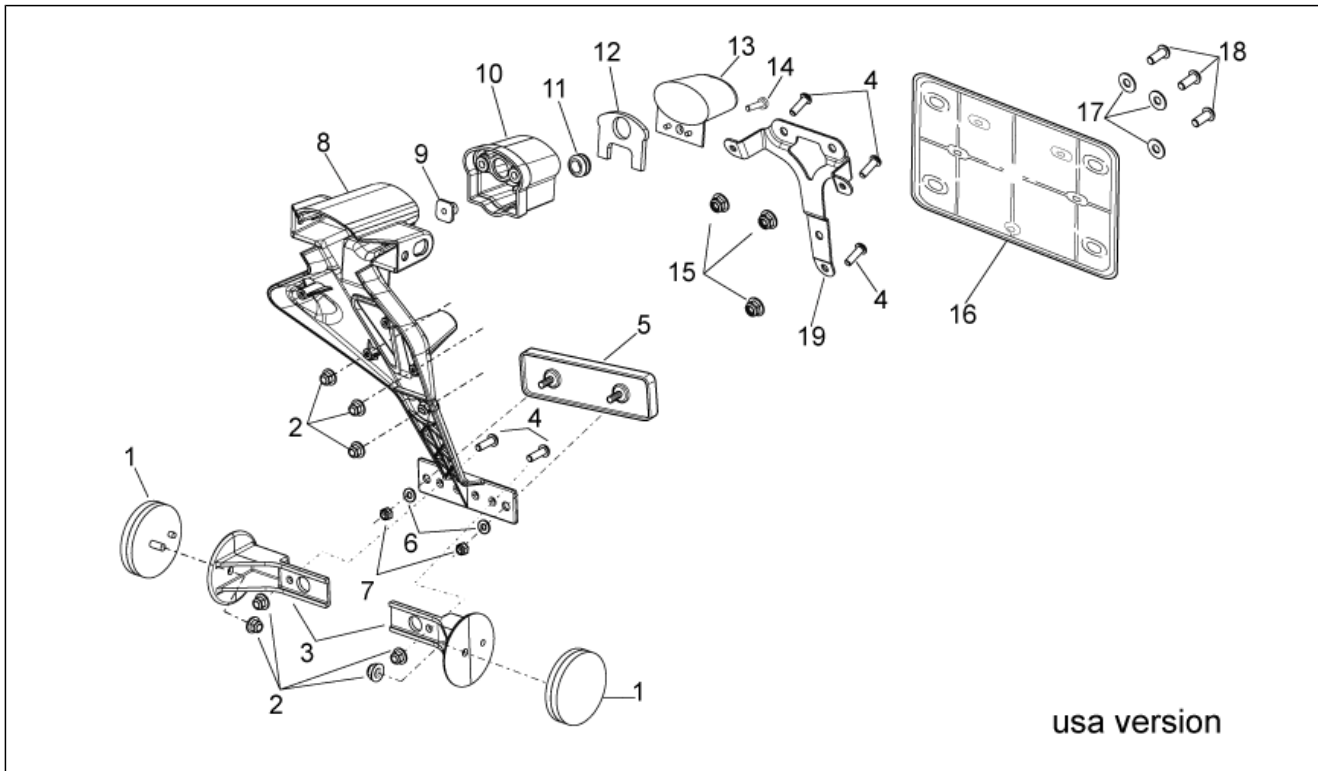
| Pos. | Code      | Beschreibung                       | Menge | Varianten   |
|------|-----------|------------------------------------|-------|---|
| 1    | AP8157100 | Deko Shock Adsorber                | 1     | Land:Kanada[CA], Vereinigte Staaten von Amerika[USA]                    |
| 2    | AP8257609 | Spiegel deko                       | 2     | Land:Kanada[CA], Vereinigte Staaten von Amerika[USA]                    |
| 3    | AP8257755 | Liquid cooling sticker             | 1     | Land:Kanada[CA], Vereinigte Staaten von Amerika[USA]                    |
| 4    | AP8267395 | Batterie deko                      | 1     | Land:Kanada[CA], Vereinigte Staaten von Amerika[USA]                    |
| 5    | AP8257794 | Batterie deko                      | 1     | Land:Kanada[CA], Vereinigte Staaten von Amerika[USA]                    |
| 6    | 898786    | Carbon filter sticker              | 1     | Land:Kanada[CA], Vereinigte Staaten von Amerika[USA]                    |
| 6    | B043524   | Carbon filter sticker              | 1     | Baujahr:2012[C]<br>Land:Kanada[CA], Vereinigte Staaten von Amerika[USA] |
| 7    | 898784    | Lautherausgabe selbstkleber        | 1     | Baujahr:2011[B]<br>Land:Kanada[CA], Vereinigte Staaten von Amerika[USA] |
| 7    | B044364   | Lautherausgabe selbstkleber        | 1     | Baujahr:2012[C]<br>Land:Kanada[CA], Vereinigte Staaten von Amerika[USA] |
| 8    | 898785    | Emission control sticker           | 1     | Baujahr:2011[B]<br>Land:Kanada[CA], Vereinigte Staaten von Amerika[USA] |
| 8    | B044363   | Emission control sticker           | 1     | Baujahr:2012[C]<br>Land:Kanada[CA], Vereinigte Staaten von Amerika[USA] |
| 9    | 898787    | Aufkleber Reifendruck              | 1     | Baujahr:2011[B]<br>Land:Kanada[CA], Vereinigte Staaten von Amerika[USA] |
| 9    | B043525   | Aufkleber Reifendruck              | 1     | Baujahr:2012[C]<br>Land:Kanada[CA], Vereinigte Staaten von Amerika[USA] |
| 10   | 894714    | Aufkleber Hauptbremszylinder hint. | 1     |   |
| 11   | 894019    | Aufkleber Filtergehäuse            | 1     | Land:Kanada[CA], Vereinigte Staaten von Amerika[USA]                    |
| 12   | B044618   | Deko ECE                           | 1     |   |

|                     |                           |
|---------------------|---------------------------|
| <b>Einheit</b>      | RAHMEN                    |
| <b>Code</b>         | 28.56                     |
| <b>Beschreibung</b> | Benzindampfdruckf.-Anlage |
| <b>Inspektion</b>   | 1                         |



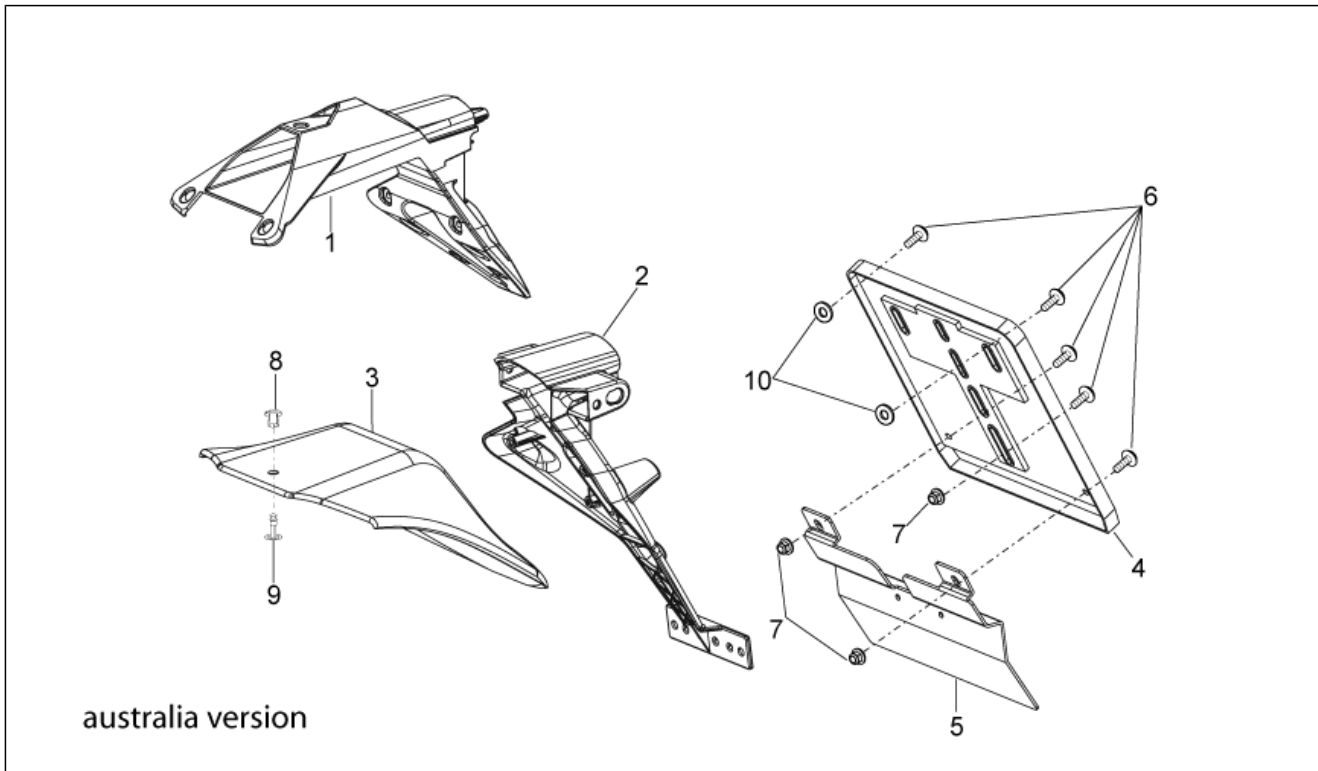
| Pos. | Code      | Beschreibung                   | Menge | Varianten  |
|------|-----------|--------------------------------|-------|--|
| 1    | AP8102678 | Kohlefilter                    | 1     | Land:Kanada[CA], Vereinigte Staaten von Amerika[USA] |
| 2    | AP8102520 | Schlauchschele                 | 1     | Land:Kanada[CA], Vereinigte Staaten von Amerika[USA] |
| 3    | 890499    | Kraftstoffleitung 8x13         | 1     | Land:Kanada[CA], Vereinigte Staaten von Amerika[USA] |
| 4    | 856063    | Leitung SAE 30 d.12,7x6,35     | 2     | Land:Kanada[CA], Vereinigte Staaten von Amerika[USA] |
| 5    | AP8221150 | Kabelführungs                  | 1     | Land:Kanada[CA], Vereinigte Staaten von Amerika[USA] |
| 6    | AP8102239 | Schelle 12,5x8                 | 2     | Land:Kanada[CA], Vereinigte Staaten von Amerika[USA] |
| 7    | 860138    | Ventil                         | 1     | Land:Kanada[CA], Vereinigte Staaten von Amerika[USA] |
| 8    | AP8120446 | Schlauchschele, grün D11x6,6x1 | 2     | Land:Kanada[CA], Vereinigte Staaten von Amerika[USA] |
| 9    | AP8121267 | Drosselspindel                 | 1     | Land:Kanada[CA], Vereinigte Staaten von Amerika[USA] |
| 10   | AP8102998 | Schlauchschele d.9,5           | 2     | Land:Kanada[CA], Vereinigte Staaten von Amerika[USA] |
| 11   | 856062    | Leitung SAE 30 d.11,11x4,8     | 1     | Land:Kanada[CA], Vereinigte Staaten von Amerika[USA] |
| 12   | AP8102764 | Schlauchschele weiß d.13x6     | 1     | Land:Kanada[CA], Vereinigte Staaten von Amerika[USA] |
| 13   | AP8221311 | Kabelführung d18               | 1     | Land:Kanada[CA], Vereinigte Staaten von Amerika[USA] |
| 14   | CM178413  | Leitung SAE 30 L.50            | 1     | Land:Kanada[CA], Vereinigte Staaten von Amerika[USA] |
| 15   | CM001901  | Schlauchschele                 | 5     | Land:Kanada[CA], Vereinigte Staaten von Amerika[USA] |
| 16   | CM178411  | Leitung SAE 30 L.130           | 1     | Land:Kanada[CA], Vereinigte Staaten von Amerika[USA] |
| 17   | AP8152299 | Selbstsperrende Mutter M6      | 2     | Land:Kanada[CA], Vereinigte Staaten von Amerika[USA] |
| 18   | 828325    | T-förmiger Anschluß            | 1     | Land:Kanada[CA], Vereinigte Staaten von Amerika[USA] |
| 19   | CM178412  | Leitung SAE L.90               | 1     | Land:Kanada[CA], Vereinigte Staaten von Amerika[USA] |
| 20   | AP8102688 | Schelle d.76                   | 1     | Land:Kanada[CA], Vereinigte Staaten von Amerika[USA] |
| 21   | AP8102719 | Schelle d.80,5                 | 1     | Land:Kanada[CA], Vereinigte Staaten von Amerika[USA] |
| 22   | 894901    | Kohlefilterhalter              | 1     | Land:Kanada[CA], Vereinigte Staaten von Amerika[USA] |
| 23   | AP8121032 | Buchse                         | 4     | Land:Kanada[CA], Vereinigte Staaten von Amerika[USA] |
| 24   | 894933    | Distanzscheibe                 | 1     | Land:Kanada[CA], Vereinigte Staaten von Amerika[USA] |
| 25   | AP8150044 | TCEI Schraube M6x20            | 3     | Land:Kanada[CA], Vereinigte Staaten von Amerika[USA] |

|                     |               |
|---------------------|---------------|
| <b>Einheit</b>      | RAHMEN        |
| <b>Code</b>         | 28.57         |
| <b>Beschreibung</b> | Heckaufbau II |
| <b>Inspektion</b>   | 1             |



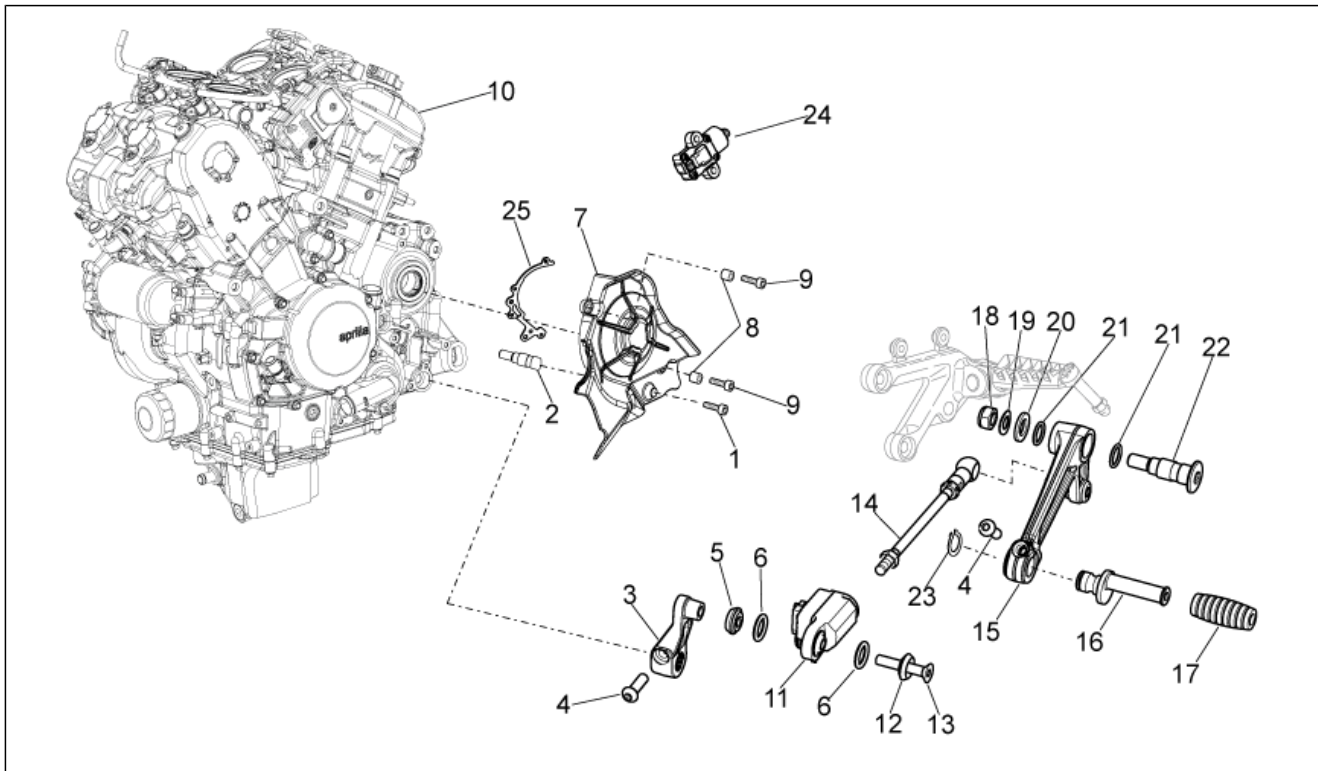
| Pos. | Code      | Beschreibung                | Menge | Varianten  |
|------|-----------|-----------------------------|-------|--|
| 1    | AP8224164 | Rückstrahler Rücklicht, rot | 2     | Land:Kanada[CA], Vereinigte Staaten von Amerika[USA] |
| 2    | AP8152306 | Selbstsperrende Mutter M5   | 7     | Land:Kanada[CA], Vereinigte Staaten von Amerika[USA] |
| 3    | AP8134783 | Rückstrahler-Fixierung      | 2     | Land:Kanada[CA], Vereinigte Staaten von Amerika[USA] |
| 4    | AP8152267 | TBEI Spez.schr. M5x12       | 5     | Land:Kanada[CA], Vereinigte Staaten von Amerika[USA] |
| 5    | AP8112916 | Rückstrahler Rücklicht      | 1     | Land:Kanada[CA], Vereinigte Staaten von Amerika[USA] |
| 6    | AP8150204 | Mutter M4                   | 2     | Land:Kanada[CA], Vereinigte Staaten von Amerika[USA] |
| 7    | AP8150204 | Mutter M4                   | 2     | Land:Kanada[CA], Vereinigte Staaten von Amerika[USA] |
| 8    | 858842    | Unten Kennzeichenplatte     | 1     | Land:Kanada[CA], Vereinigte Staaten von Amerika[USA] |
| 9    | 894566    | T-Buchse                    | 1     | Land:Kanada[CA], Vereinigte Staaten von Amerika[USA] |
| 10   | 894900    | Verlängerung                | 1     | Land:Kanada[CA], Vereinigte Staaten von Amerika[USA] |
| 11   | AP8112600 | Gummi                       | 1     | Land:Kanada[CA], Vereinigte Staaten von Amerika[USA] |
| 12   | AP8117258 | Schwingungsdämpfergummi     | 1     | Land:Kanada[CA], Vereinigte Staaten von Amerika[USA] |
| 13   | AP8127098 | Kennzeichenleuchte          | 1     | Land:Kanada[CA], Vereinigte Staaten von Amerika[USA] |
| 14   | AP8150522 | Linsenschraube 4,2x16       | 1     | Land:Kanada[CA], Vereinigte Staaten von Amerika[USA] |
| 15   | AP8152299 | Selbstsperrende Mutter M6   | 3     | Land:Kanada[CA], Vereinigte Staaten von Amerika[USA] |
| 16   | AP8149034 | Kennzeichenhalter           | 1     | Land:Kanada[CA], Vereinigte Staaten von Amerika[USA] |
| 17   | AP8152181 | Scheibe 6,4x15x1            | 3     | Land:Kanada[CA], Vereinigte Staaten von Amerika[USA] |
| 18   | AP8152108 | TBEI Schraube               | 3     | Land:Kanada[CA], Vereinigte Staaten von Amerika[USA] |
| 19   | 894899    | Halter                      | 1     | Land:Kanada[CA], Vereinigte Staaten von Amerika[USA] |

|                     |                |
|---------------------|----------------|
| <b>Einheit</b>      | RAHMEN         |
| <b>Code</b>         | 28.58          |
| <b>Beschreibung</b> | Heckaufbau III |
| <b>Inspektion</b>   | 1              |



| Pos. | Code      | Beschreibung                  | Menge | Varianten           |
|------|-----------|-------------------------------|-------|---------------------|
| 1    | 858840    | Ob. Kennzeichenplatte         | 1     | Land:Australien[AU] |
| 2    | 897482    | Kennzeichenplatte             | 1     | Land:Australien[AU] |
| 3    | 895487    | Ob.Hinteres Schutzblech       | 1     | Land:Australien[AU] |
| 4    | 895914    | Kennzeichenplatte             | 1     | Land:Australien[AU] |
| 5    | 895488    | Unten Hinteres Schutzblech    | 1     | Land:Australien[AU] |
| 6    | AP8152298 | TBEI Schraube m.Flansch M5x16 | 5     | Land:Australien[AU] |
| 7    | AP8152306 | Selbstsperrende Mutter M5     | 3     | Land:Australien[AU] |
| 8    | AP8144616 | Kunststoffniet, frau          | 1     | Land:Australien[AU] |
| 9    | AP8144563 | Kunststoffniet, mann          | 1     | Land:Australien[AU] |
| 10   | AP8150382 | Ausgleichscheibe 15x5,5X1,2   | 2     | Land:Australien[AU] |

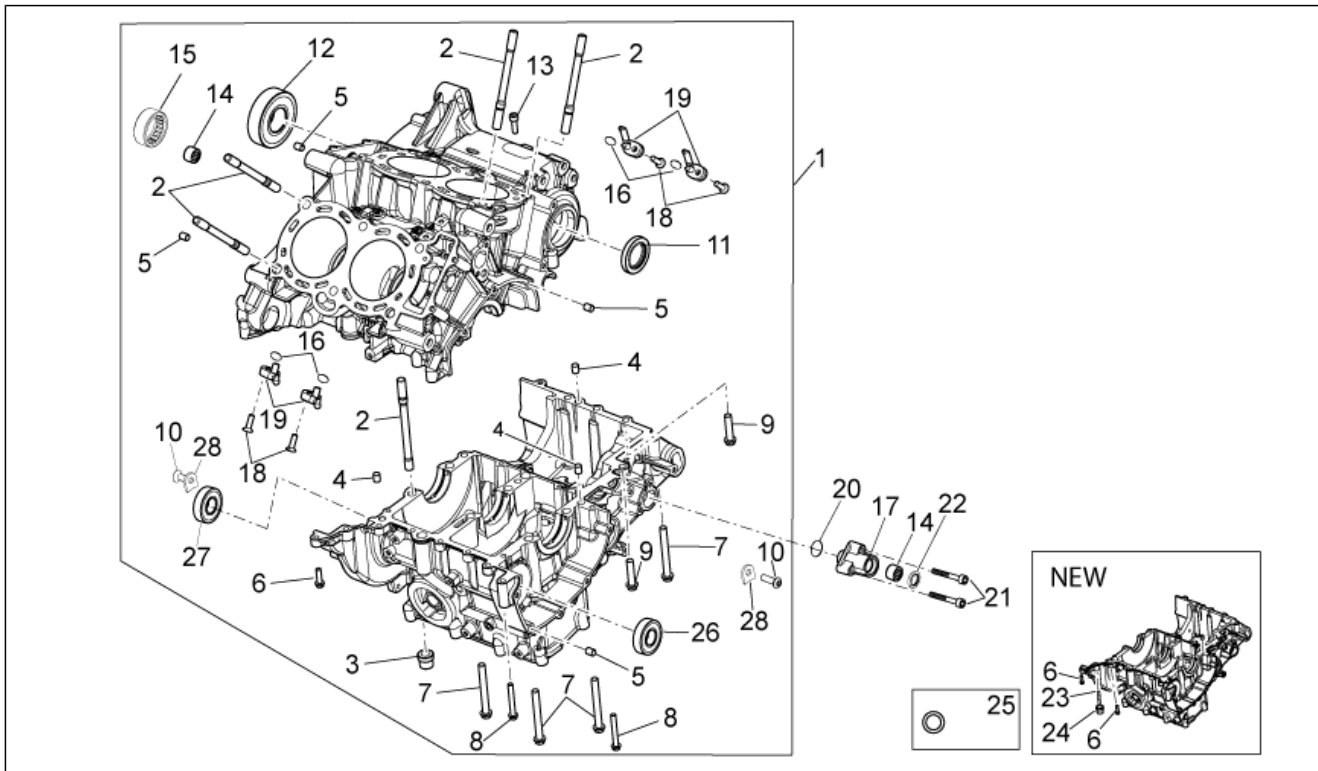
|                     |       |
|---------------------|-------|
| <b>Einheit</b>      | MOTOR |
| <b>Code</b>         | 29.37 |
| <b>Beschreibung</b> | Motor |
| <b>Inspektion</b>   | 1     |



| Pos. | Code      | Beschreibung                | Menge | Varianten   |
|------|-----------|-----------------------------|-------|---|
| 1    | AP8152278 | TE Schr. m. Flansch M6x16   | 1     |   |
| 2    | 898272    | Distanzscheibe              | 1     |   |
| 3    | 852480    | Schalthebel                 | 1     |   |
| 4    | AP8224470 | TBEI Schraube M6x20         | 2     |   |
| 5    | 898133    | Buchse                      | 1     |   |
| 6    | AP8220177 | O-Ring 115                  | 2     |   |
| 7    | 898276    | Ritzelkasten, schwarz       | 1     |   |
| 8    | AP8120253 | Distanzscheibe              | 2     |   |
| 9    | AP8152279 | TE Schr. m. Flansch M6x20   | 2     |   |
| 10   | CM2266015 | Motor komplett              | 1     | Land:Australien[AU], Europa[EU], Japan[J], Russland[RU] |
| 10   | CM2266035 | Motor komplett              | 1     | Land:Kanada[CA], Vereinigte Staaten von Amerika[USA]    |
| 11   | 896943    | Vorrichtung Quick Shift     | 1     |   |
| 12   | 898134    | Buchse                      | 1     |   |
| 13   | 898463    | Schraube M6x35              | 1     |   |
| 14   | 897594    | Zugstange Schaltzug         | 1     |   |
| 15   | 897360    | Schalthebel                 | 1     |   |
| 16   | AP8121221 | Stift Bremshebel            | 1     |   |
| 17   | AP8120912 | Gummi für Hebel             | 1     |   |
| 18   | AP8150431 | Mutter unten M8             | 1     |   |
| 19   | AP8150376 | Ausgleichscheibe 8,5x15x0,8 | 1     |   |
| 20   | AP8150020 | Ausgleichscheibe 10,5x21x2* | 1     |   |
| 21   | AP8144007 | O-Ring 11,11x1,78           | 2     |   |
| 22   | AP8121223 | Stift Hinterradbrensheb.    | 1     |   |
| 23   | AP8150462 | Seegerring d9               | 1     |   |
| 24   | 899191    | Mikroschalter               | 1     |   |
| 25   | 858923    | Kettenführung               | 1     |   |

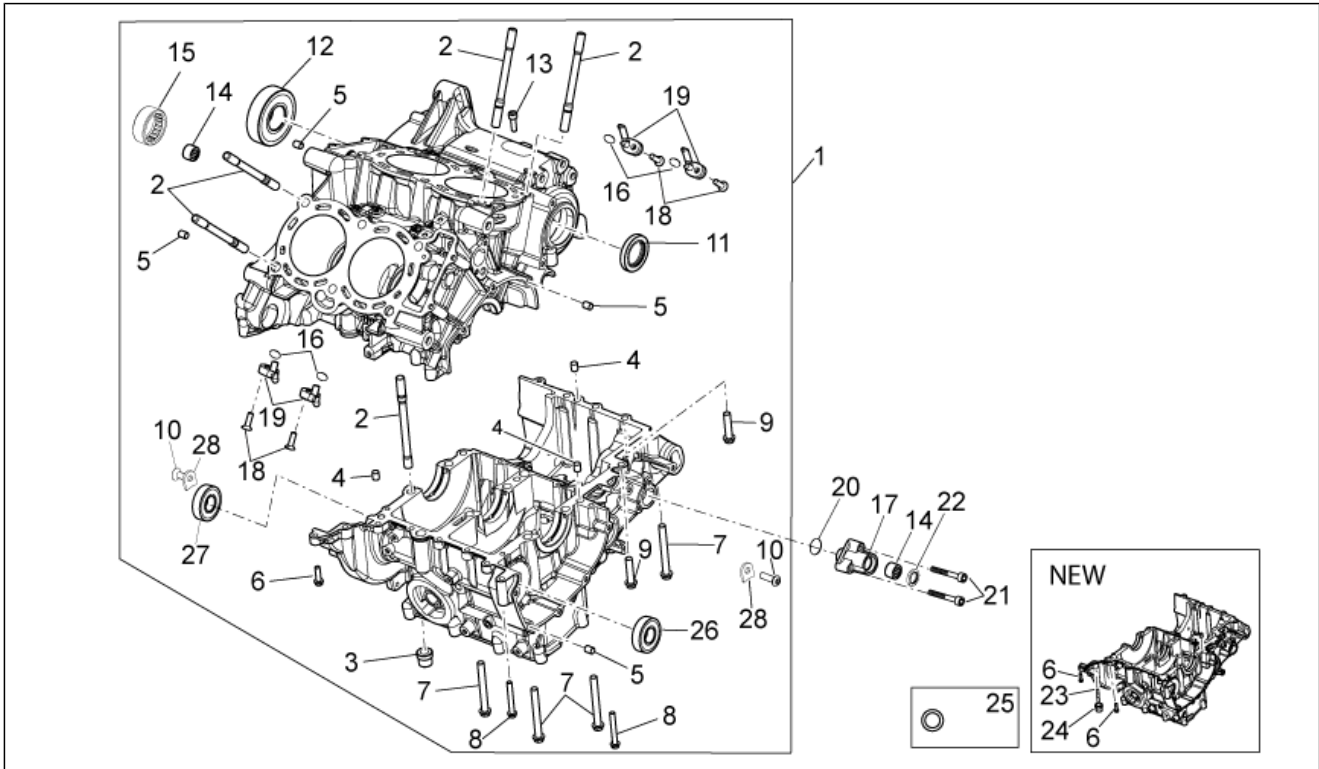


|                     |           |
|---------------------|-----------|
| <b>Einheit</b>      | MOTOR     |
| <b>Code</b>         | 29.38     |
| <b>Beschreibung</b> | Gehäuse I |
| <b>Inspektion</b>   | 1         |



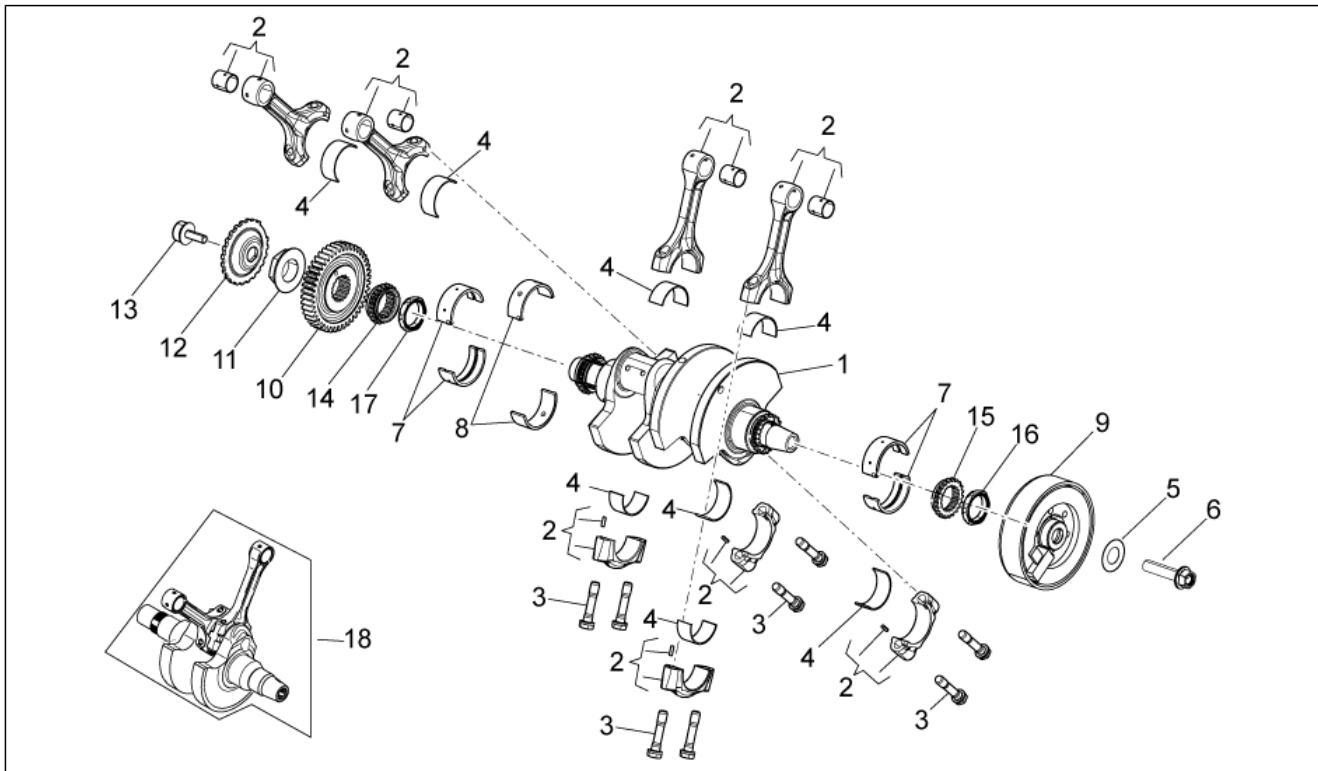
| Pos. | Code       | Beschreibung              | Menge | Varianten |
|------|------------|---------------------------|-------|-----------|
| 1    | B0438525   | Gehäuse Paar              | 1     |           |
| 2    | 857087     | Stiftschraube m10x126     | 14    |           |
| 3    | 897434     | Geflanschte Mutter M10x1  | 6     |           |
| 4    | 857427     | Stift M8x12               | 3     |           |
| 5    | 411209     | Stift                     | 4     |           |
| 6    | AP8152280  | TE Schr. m. Flansch M6x25 | 6     |           |
| 7    | AP8152294  | TE Schr. m. Flansch       | 4     |           |
| 8    | AP8152284  | TE Schr. m. Flansch       | 2     |           |
| 9    | AP8152289  | TE Schr. m. Flansch       | 4     |           |
| 10   | AP8152166  | Schraube M6x16            | 2     |           |
| 11   | 857128     | Gasket ring 30x47x7       | 1     |           |
| 12   | 898633     | Kugellager 30X72X19       | 1     |           |
| 13   | AP8150044  | TCEI Schraube M6x20       | 1     |           |
| 14   | 857312     | Nadellager 12X18X12       | 2     |           |
| 15   | 857249     | Nadellager HK1512         | 1     |           |
| 16   | GU90706009 | O-Ring 6x1                | 4     |           |
| 17   | 857090     | Halter                    | 1     |           |
| 18   | 857140     | TC Schraube M5x16         | 4     |           |
| 18   | B046202    | Schraube TB 4X12 TORX     | 4     |           |
| 19   | 857139     | Piston oil jet            | 4     |           |
| 19   | B045360    | Kühlldüse Kolben          | 4     |           |
| 20   | 857109     | Gasket ring 17,12X2,62    | 1     |           |
| 21   | AP8150285  | TCEI Schraube M6x35       | 2     |           |
| 22   | 857127     | Gasket ring 12x22         | 1     |           |
| 23   | 857495     | Stiftschraube             | 1     |           |
| 24   | 857496     | Spezia mutter             | 1     |           |
| 25   | 857144     | O-Ring                    | 1     |           |
| 26   | 897435     | Lager                     | 1     |           |

|                     |           |
|---------------------|-----------|
| <b>Einheit</b>      | MOTOR     |
| <b>Code</b>         | 29.38     |
| <b>Beschreibung</b> | Gehäuse I |
| <b>Inspektion</b>   | 1         |



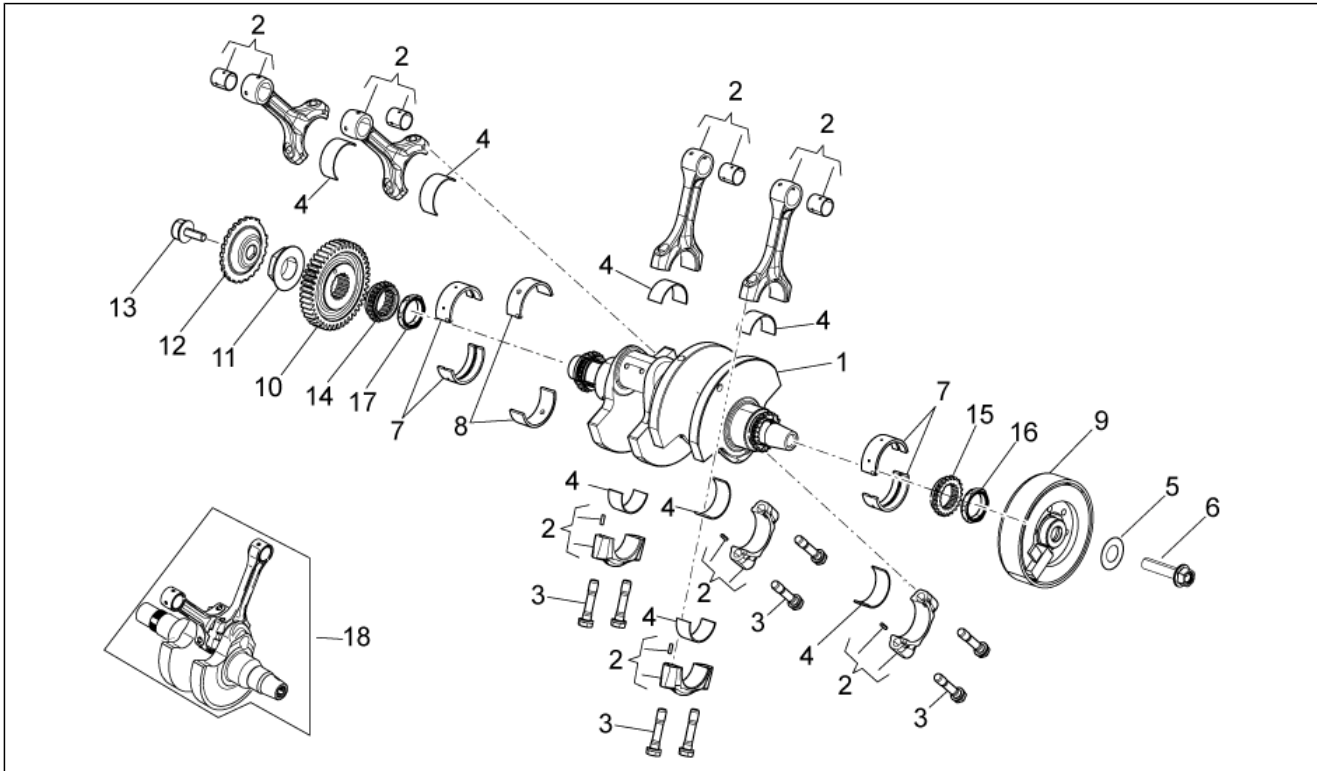
| Pos. | Code      | Beschreibung      | Menge | Varianten |
|------|-----------|-------------------|-------|-----------|
| 27   | 897436    | Lager             | 1     |           |
| 28   | AP9150145 | Lager-Halteplatte | 2     |           |

|                     |             |
|---------------------|-------------|
| <b>Einheit</b>      | MOTOR       |
| <b>Code</b>         | 29.39       |
| <b>Beschreibung</b> | Kurbelwelle |
| <b>Inspektion</b>   | 1           |



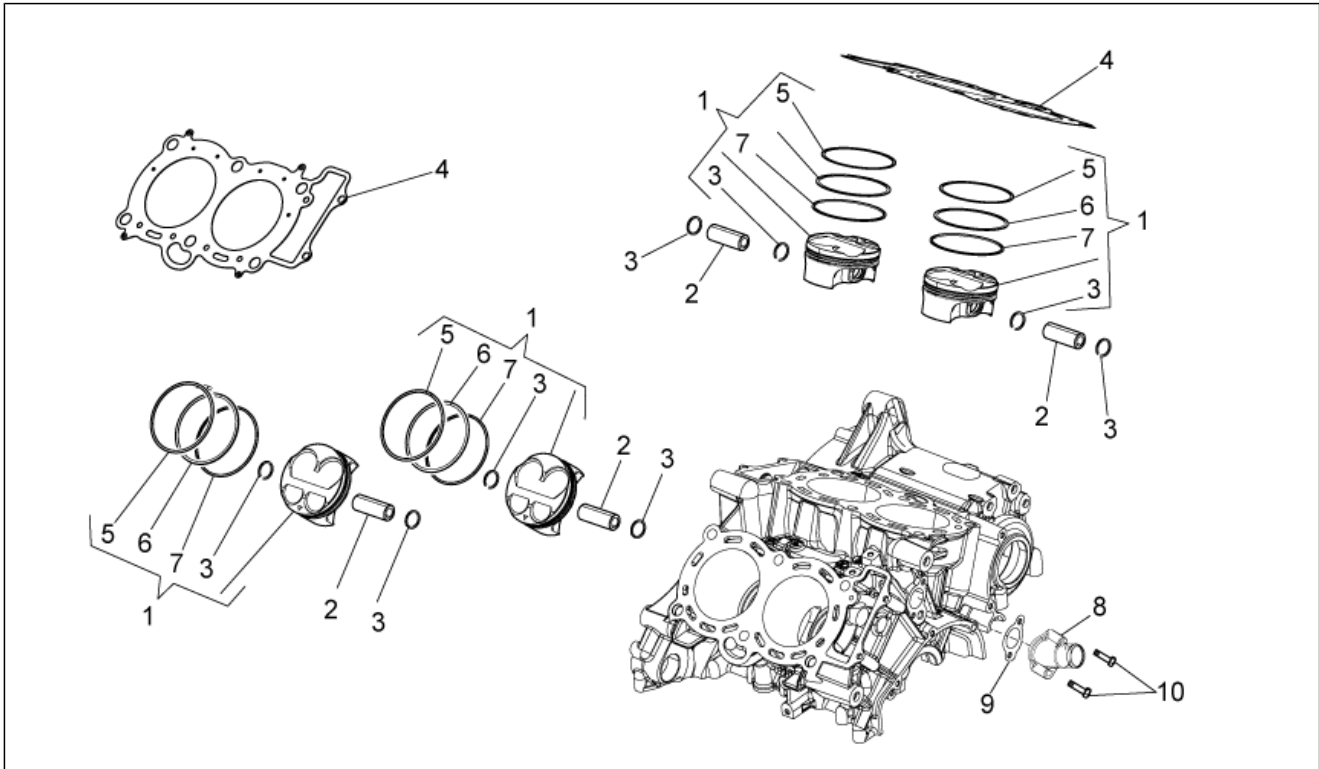
| Pos. | Code       | Beschreibung                         | Menge | Varianten  |
|------|------------|--------------------------------------|-------|--|
| 1    | 8572555    | Kurbelwelle                          | 1     | <b>Technische Spezifikation:</b> Bis Motor V4-A 3413[A1], Kurbelwelle mit ausbaubarem Kleinrad[RE], Schwungrad Mitsubishi[VM]                              |
| 1    | B0430675   | Kurbelwelle kpl.                     | 1     | <b>Technische Spezifikation:</b> Ab Motor V4-A 3414[A2], Für Pleuel Klasse DD[B3], Kurbelwelle mit integriertem Kleinrad[RI], Schwungrad Kokusan[VK]       |
| 1    | B045412AA  | Kurbelwelle kpl. Cat. AA             | 1     | <b>Technische Spezifikation:</b> Ab Motor V4-A 3414[A2], Für Pleuel Klasse ZZ/AA/BB[B1], Kurbelwelle mit integriertem Kleinrad[RI], Schwungrad Kokusan[VK] |
| 1    | B045412CC  | Kurbelwelle kpl. Cat. CC             | 1     | <b>Technische Spezifikation:</b> Ab Motor V4-A 3414[A2], Für Pleuel Klasse CC[B2], Kurbelwelle mit integriertem Kleinrad[RI], Schwungrad Kokusan[VK]       |
| 1    | B045412DD  | Kurbelwelle kpl. Cat. DD             | 1     | <b>Technische Spezifikation:</b> Ab Motor V4-A 3414[A2], Für Pleuel Klasse DD[B3], Kurbelwelle mit integriertem Kleinrad[RI], Schwungrad Kokusan[VK]       |
| 1    | B045412FF  | Kurbelwelle kpl. Cat. FF             | 1     | <b>Technische Spezifikation:</b> Ab Motor V4-A 3414[A2], Für Pleuel Klasse EE/FF/GG[B4], Kurbelwelle mit integriertem Kleinrad[RI], Schwungrad Kokusan[VK] |
| 2    | 2A000166FF | ***Baugruppe Pleuelstange kplt.      | 1     |  |
| 2    | 8976535002 | Pleuel BB gr.359-362                 | 1     | <b>Technische Spezifikation:</b> Für Wellen Klasse AA/BB[A5]   |
| 2    | 8976535003 | Pleuel CC gr.356-359                 | 1     | <b>Technische Spezifikation:</b> Für Wellen Klasse CC[A6]  |
| 2    | 8976535004 | Pleuelstange DD gr.353-356           | 1     | <b>Technische Spezifikation:</b> Für Wellen Klasse DD[A3]  |
| 2    | 8976535005 | Pleuel EE gr.350-353                 | 1     | <b>Technische Spezifikation:</b> Für Wellen Klasse EE/FF[A4]   |
| 2    | B0454754BB | Baugruppe Pleuelstange kplt. Cat. BB | 1     | <b>Technische Spezifikation:</b> Für Wellen Klasse AA/BB[A5]   |
| 2    | B0454754CC | Baugruppe Pleuelstange kplt. Cat. CC | 1     | <b>Technische Spezifikation:</b> Für Wellen Klasse CC[A6]  |
| 2    | B0454754DD | Baugruppe Pleuelstange kplt. Cat. DD | 1     | <b>Technische Spezifikation:</b> Für Wellen Klasse DD[A3]  |
| 2    | B0454754EE | Baugruppe Pleuelstange kplt. Cat. EE | 1     | <b>Technische Spezifikation:</b> Für Wellen Klasse EE/FF[A4]   |
| 3    | 857115     | Pleuelschraube                       | 8     |  |
| 4    | 8571170001 | Halbsch. Bronzebu., rot              | 2     |  |
| 4    | 8571170002 | Halbsch. Bronzebu., blau             | 2     |  |
| 4    | 8571170003 | Halbsch. Bronzebu., gelb             | 2     |  |

|                     |             |
|---------------------|-------------|
| <b>Einheit</b>      | MOTOR       |
| <b>Code</b>         | 29.39       |
| <b>Beschreibung</b> | Kurbelwelle |
| <b>Inspektion</b>   | 1           |



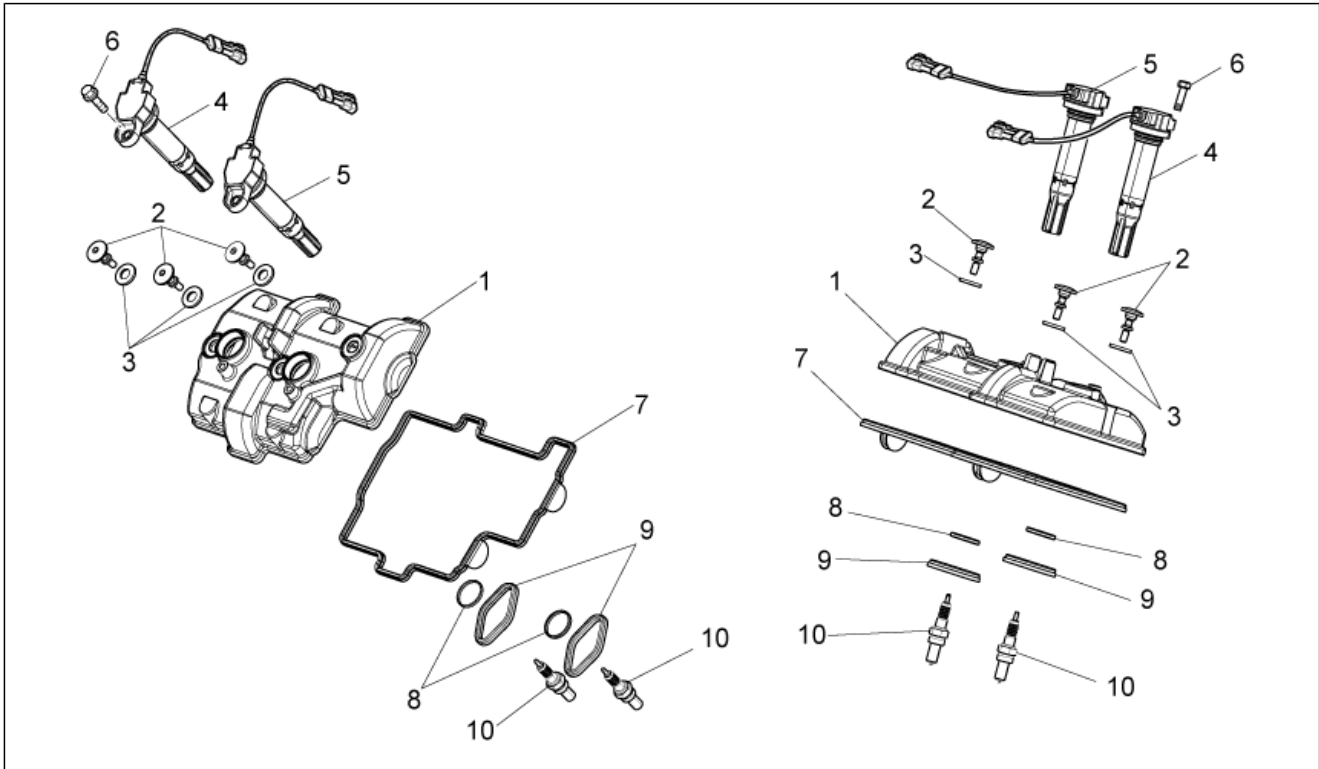
| Pos. | Code       | Beschreibung                              | Menge | Varianten   |
|------|------------|---|-------|---|
| 4    | B044724BL  | Halbschale Lagerwelle Blau (neu) H 15.8mm | 2     |   |
| 4    | B044724GI  | Halbschale Lagerwelle Gelb (new) H 15.8mm | 2     |   |
| 4    | B044724VE  | Halbschale Lagerwelle Grün (new) H 15.8mm | 2     |   |
| 5    | 897478     | Unterlegscheibe 12x26.5x3                 | 1     | <b>Technische Spezifikation:</b> Ab Motor V4-A 3414[A2], Schwungrad Kokusan[VK]     |
| 6    | 857206     | TE Schr. m. Flansch M12X1,25X50           | 1     |   |
| 7    | 8571320001 | Halbsch. Bronzebu., rot                   | 4     |   |
| 7    | 8571320002 | Halbsch. Bronzebu., blau                  | 4     |   |
| 7    | 8571320003 | Halbsch. Bronzebu., gelb                  | 4     |   |
| 8    | 8571300001 | Halbsch. Bronzebu., rot                   | 2     |   |
| 8    | 8571300002 | Halbsch. Bronzebu., blau                  | 2     |   |
| 8    | 8571300003 | Halbsch. Bronzebu., Gelb                  | 2     |   |
| 9    | 857201     | Schwungrad Mag. klp.                      | 1     | <b>Technische Spezifikation:</b> Bis Motor V4-A 3413[A1], Schwungrad Mitsubishi[VM] |
| 9    | 897479     | Schwungrad Mag. klp.                      | 1     | <b>Technische Spezifikation:</b> Ab Motor V4-A 3414[A2], Schwungrad Kokusan[VK]     |
| 10   | 899484     | Zahnrad Hauptgetriebe                     | 1     |   |
| 11   | 857121     | Nutmutter                                 | 1     |   |
| 12   | 857118     | Phonic wheel                              | 1     |   |
| 13   | 857077     | Spezialschraube M8x24                     | 1     |   |
| 14   | 857544     | Zahnrad Steuer.                           | 1     | <b>Technische Spezifikation:</b> Bis Motor V4-A 3413[A1], Schwungrad Mitsubishi[VM] |
| 15   | 857545     | Zahnrad Steuer.                           | 1     | <b>Technische Spezifikation:</b> Bis Motor V4-A 3413[A1], Schwungrad Mitsubishi[VM] |
| 16   | 898092     | Nutmutter                                 | 1     |   |
| 17   | 897474     | Abstandhalter Kleinrad                    | 1     | <b>Technische Spezifikation:</b> Ab Motor V4-A 3414[A2], Schwungrad Kokusan[VK]     |
| 18   | B0454575   | Kurbelwelle kpl.                          | 1     |   |

|                     |                   |
|---------------------|-------------------|
| <b>Einheit</b>      | MOTOR             |
| <b>Code</b>         | 29.40             |
| <b>Beschreibung</b> | Zylinder - Kolben |
| <b>Inspektion</b>   | 1                 |



| Pos. | Code     | Beschreibung           | Menge | Varianten  |
|------|----------|------------------------|-------|--|
| 1    | CM227501 | Kolben kpl. "A"        | 4     |  |
| 1    | CM227502 | Kolben kpl. "B"        | 4     |  |
| 2    | 857107   | Bolzen 17x10x45        | 4     |  |
| 3    | 857108   | Sperring D 17          | 4     |  |
| 4    | 857445   | Dichtung Kopf-Zylinder | 2     |  |
| 5    | 857104   | Kolbenring R mark      | 1     |  |
| 5    | 899299   | Kolbenring KDN5 mark   | 1     | Land:Kanada[CA], Vereinigte Staaten von Amerika[USA] |
| 5    | 899299   | Kolbenring KDN5 mark   | 4     | Land:Europa[EU], Russland[RU]                        |
| 6    | 857105   | Kolbenring             | 4     | Land:Europa[EU]                                      |
| 7    | 857106   | Kolbenring             | 4     |  |
| 8    | 857126   | Anschluss              | 1     |  |
| 9    | 857125   | Dichtung               | 1     |  |
| 10   | 872117   | TE Schr. m. Flansch    | 2     |  |

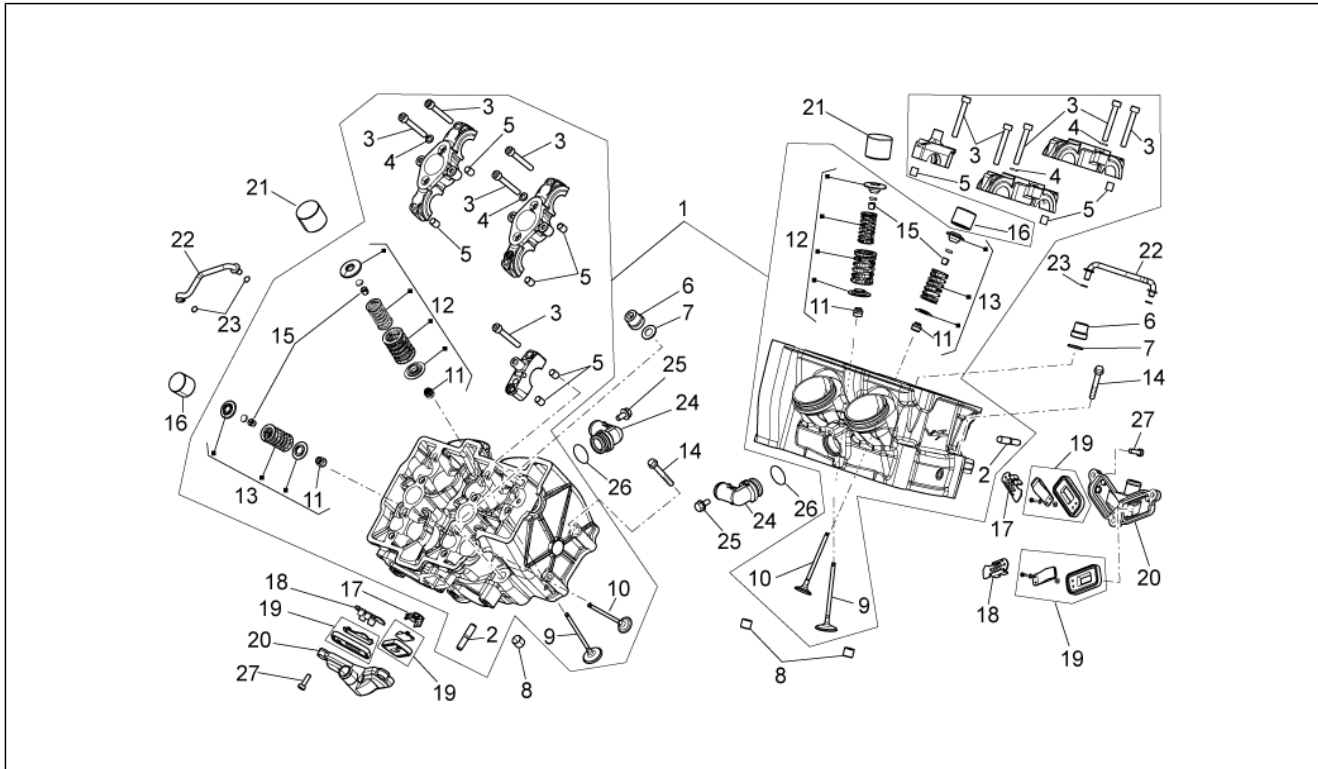
|                     |              |
|---------------------|--------------|
| <b>Einheit</b>      | MOTOR        |
| <b>Code</b>         | 29.41        |
| <b>Beschreibung</b> | Ventildeckel |
| <b>Inspektion</b>   | 1            |



| Pos. | Code      | Beschreibung                    | Menge | Varianten |
|------|-----------|---------------------------------|-------|-----------|
| 1    | 898467    | Ventildeckel                    | 2     |           |
| 2    | 857071    | Spezialschraube                 | 6     |           |
| 3    | 898410    | Stopfen dämpfer                 | 6     |           |
| 4    | 857084    | Zuendtransform.cpl. short cable | 2     |           |
| 5    | 857501    | Zuendtransform.cpl. long cable  | 2     |           |
| 6    | AP8152277 | TE Schr. m. Flansch M6x12       | 4     |           |
| 7    | 897443    | Dichtung Ventildeckel           | 2     |           |
| 8    | 857043    | Dichtung                        | 2     |           |
| 9    | 857074    | Dichtung                        | 2     |           |
| 10   | B043807   | Zündkerze NGK CR9EKB            | 4     |           |

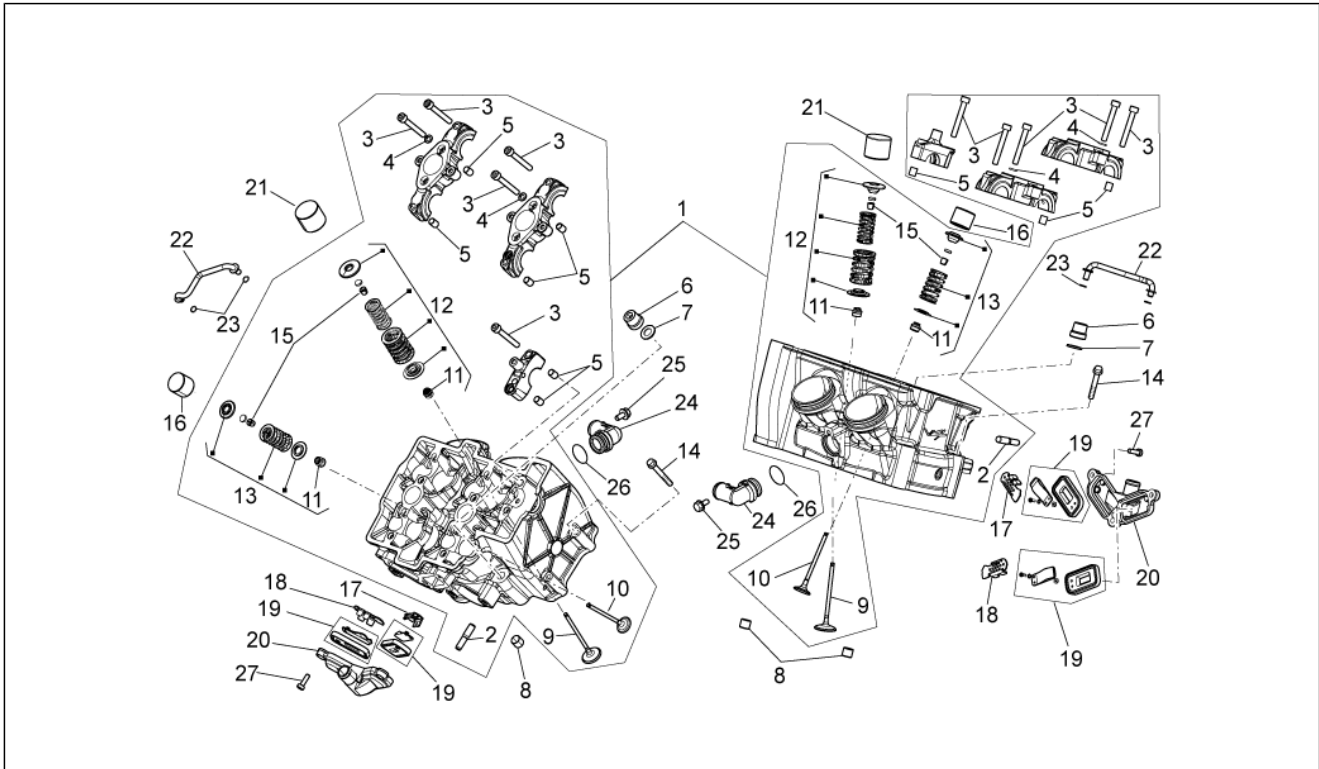


|                     |                        |
|---------------------|------------------------|
| <b>Einheit</b>      | MOTOR                  |
| <b>Code</b>         | 29.42                  |
| <b>Beschreibung</b> | Zylinderkopf - ventile |
| <b>Inspektion</b>   | 1                      |



| Pos. | Code     | Beschreibung                     | Menge | Varianten  |
|------|----------|----------------------------------|-------|--|
| 1    | 898402   | Zylinderkopf kpl.                | 2     | <b>Technische Spezifikation:</b> Alte Ventildfedern[OM]  |
| 1    | B0447525 | Zylinderkopf komplett            | 2     | <b>Technische Spezifikation:</b> Neue Ventildfedern[NM]  |
| 2    | 857035   | Stiftschraube m10x171            | 8     |  |
| 3    | 857085   | TCEI Schraube M6x45              | 20    |  |
| 4    | 857042   | Kupferscheibe                    | 8     |  |
| 5    | 411209   | Stift                            | 12    |  |
| 6    | 897434   | Geflanschte Mutter M10x1         | 12    |  |
| 7    | 857208   | Ausgleichscheibe 19 x 10,5 x 1,6 | 12    |  |
| 8    | 825597   | Stift 11,8X10                    | 4     |  |
| 9    | 8570224  | Einlaßventil 32 mm AISA          | 8     |  |
| 10   | 857023   | Auslaßventil 26 mm               | 8     |  |
| 11   | 436438   | Ventil Dichtring                 | 16    |  |
| 12   | 2R000037 | Kit Feder Einlassventil          | 8     | <b>Technische Spezifikation:</b> Einlassfeder bunt Blau[BLU], Federteller mit rundem Kragen[CG], Neue Ventildfedern[NM], Auslassfeder bunt Rot[RS]   |
| 12   | 2R000041 | Kit Feder Einlassventil          | 1     | <b>Technische Spezifikation:</b> Einlassfeder bunt Blau[BLU], Auslassfeder bunt Gelb[GL], Alte Ventildfedern[OM], Federteller ohne runden Kragen[SG] |
| 13   | 2R000038 | Kit Feder Auslassventil          | 8     | <b>Technische Spezifikation:</b> Federteller mit rundem Kragen[CG], Neue Ventildfedern[NM], Auslassfeder bunt Rot[RS]                                |
| 13   | 2R000042 | Kit Feder Auslassventil          | 1     | <b>Technische Spezifikation:</b> Auslassfeder bunt Gelb[GL], Alte Ventildfedern[OM], Federteller ohne runden Kragen[SG]                              |
| 14   | 478895   | TE Schr. m. Flansch              | 4     |  |
| 15   | 857024   | Ventilhalbkegel                  | 32    |  |
| 16   | 857067   | Ventilbecher                     | 8     |  |
| 17   | 857046   | Spark arrester                   | 2     |  |
| 18   | 857047   | Spark arrester                   | 2     |  |
| 19   | 857045   | Reed valve                       | 4     |  |
| 20   | 857044   | Deckel reed valve                | 2     |  |

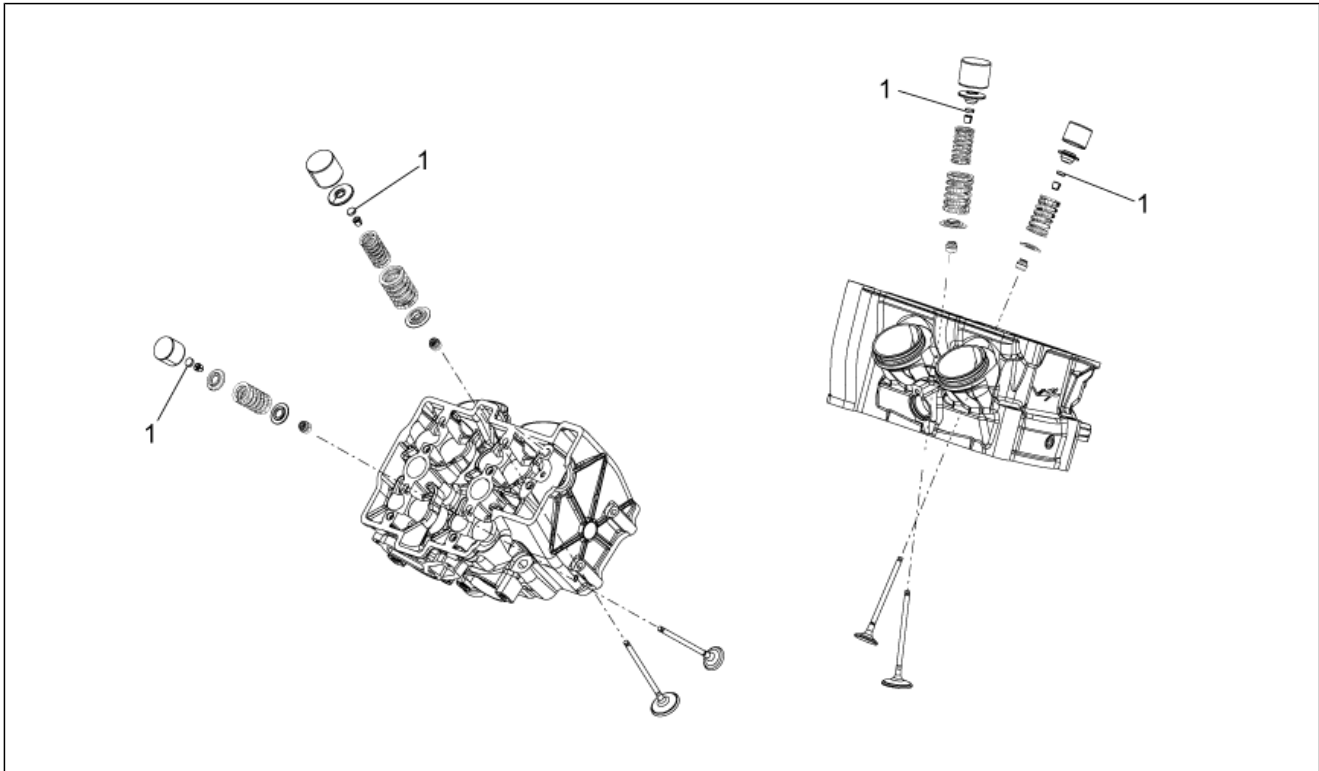
|                     |                        |
|---------------------|------------------------|
| <b>Einheit</b>      | MOTOR                  |
| <b>Code</b>         | 29.42                  |
| <b>Beschreibung</b> | Zylinderkopf - ventile |
| <b>Inspektion</b>   | 1                      |



| Pos. | Code   | Beschreibung              | Menge | Varianten |
|------|--------|---------------------------|-------|-----------|
| 21   | 857066 | Ventilbecher              | 8     |           |
| 22   | 857017 | Öl-Einspritzschlauch      | 2     |           |
| 23   | 224035 | O-Ring                    | 4     |           |
| 24   | 857016 | Winkelverbinder           | 2     |           |
| 25   | 857082 | TE Schr. m. Flansch M6x12 | 2     |           |
| 26   | 857083 | O-Ring                    | 2     |           |
| 27   | 857048 | Schraube M5x16            | 6     |           |

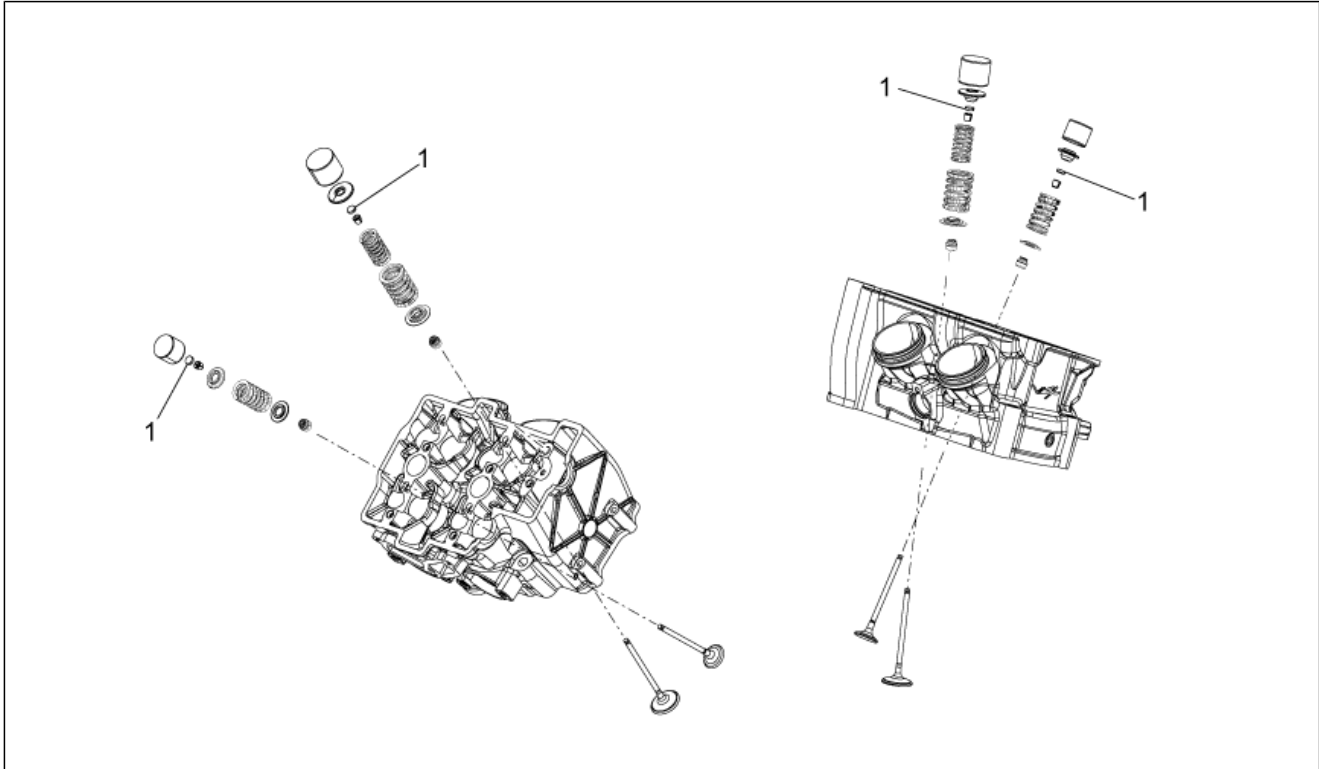


|                     |                |
|---------------------|----------------|
| <b>Einheit</b>      | MOTOR          |
| <b>Code</b>         | 29.43          |
| <b>Beschreibung</b> | Ventilesbeläge |
| <b>Inspektion</b>   | 1              |



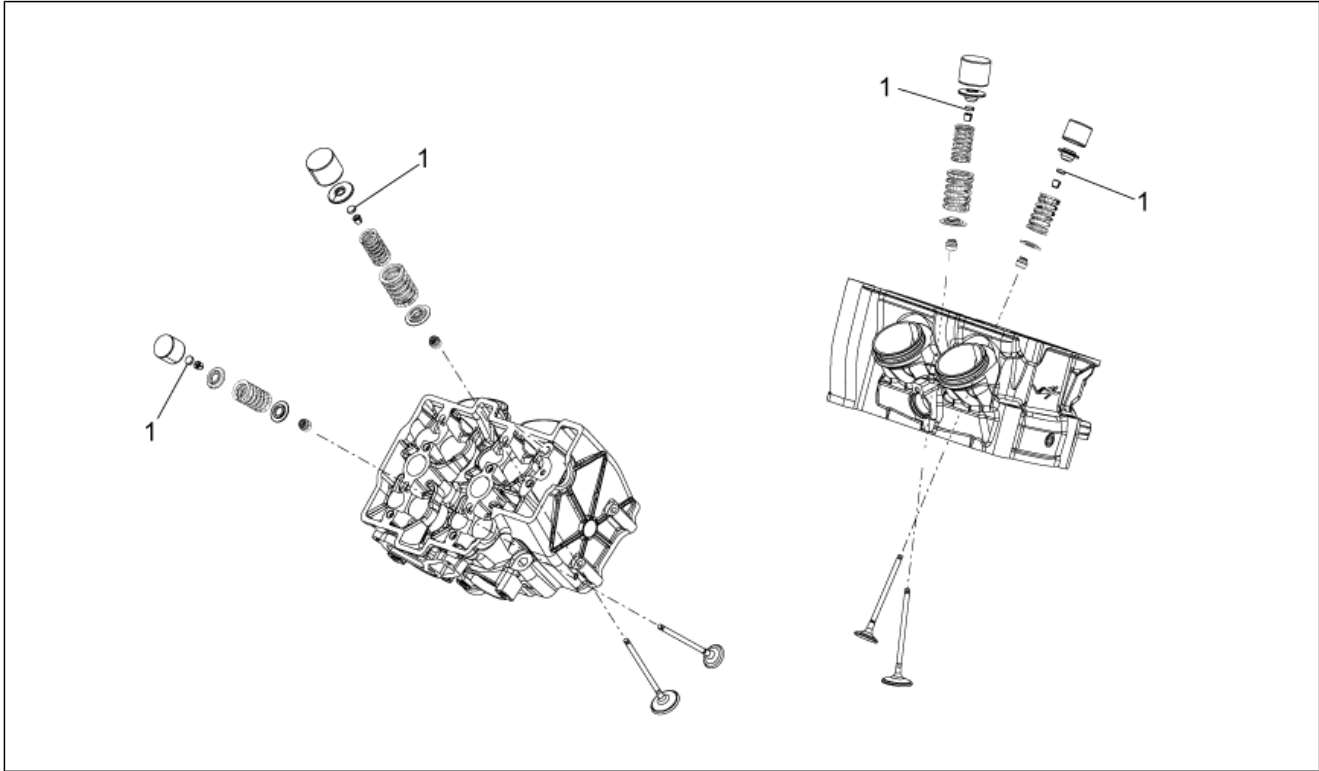
| Pos. | Code     | Beschreibung | Menge | Varianten |
|------|----------|--------------|-------|-----------|
| 1    | CM223401 | Belag 1,75   | 1     |           |
| 1    | CM223402 | Belag 1,80   | 1     |           |
| 1    | CM223403 | Belag 1,85   | 1     |           |
| 1    | CM223404 | Belag 1,90   | 1     |           |
| 1    | CM223405 | Belag 1,95   | 1     |           |
| 1    | CM223406 | Belag 2      | 1     |           |
| 1    | CM223407 | Belag 2,05   | 1     |           |
| 1    | CM223408 | Belag 2,1    | 1     |           |
| 1    | CM223409 | Belag 2,15   | 1     |           |
| 1    | CM223410 | Belag 2,2    | 1     |           |
| 1    | CM223411 | Belag 2,25   | 1     |           |
| 1    | CM223412 | Belag 2,3    | 1     |           |
| 1    | CM223413 | Belag 2,35   | 1     |           |
| 1    | CM223414 | Belag 2,4    | 1     |           |
| 1    | CM223415 | Belag 2,45   | 1     |           |
| 1    | CM223416 | Belag 2,50   | 1     |           |
| 1    | CM223417 | Belag 2,55   | 1     |           |
| 1    | CM223418 | Belag 2,6    | 1     |           |
| 1    | CM223419 | Belag 2,65   | 1     |           |
| 1    | CM223420 | Belag 2,7    | 1     |           |
| 1    | CM223421 | Belag 2,75   | 1     |           |
| 1    | CM223422 | Belag 2,8    | 1     |           |
| 1    | CM223423 | Belag 2,85   | 1     |           |
| 1    | CM223424 | Belag 2,9    | 1     |           |
| 1    | CM223425 | Belag 2,95   | 1     |           |
| 1    | CM223426 | Belag 3      | 1     |           |
| 1    | CM223427 | Belag 3,05   | 1     |           |
| 1    | CM223428 | Belag 3,10   | 1     |           |

|                     |                |
|---------------------|----------------|
| <b>Einheit</b>      | MOTOR          |
| <b>Code</b>         | 29.43          |
| <b>Beschreibung</b> | Ventilesbeläge |
| <b>Inspektion</b>   | 1              |



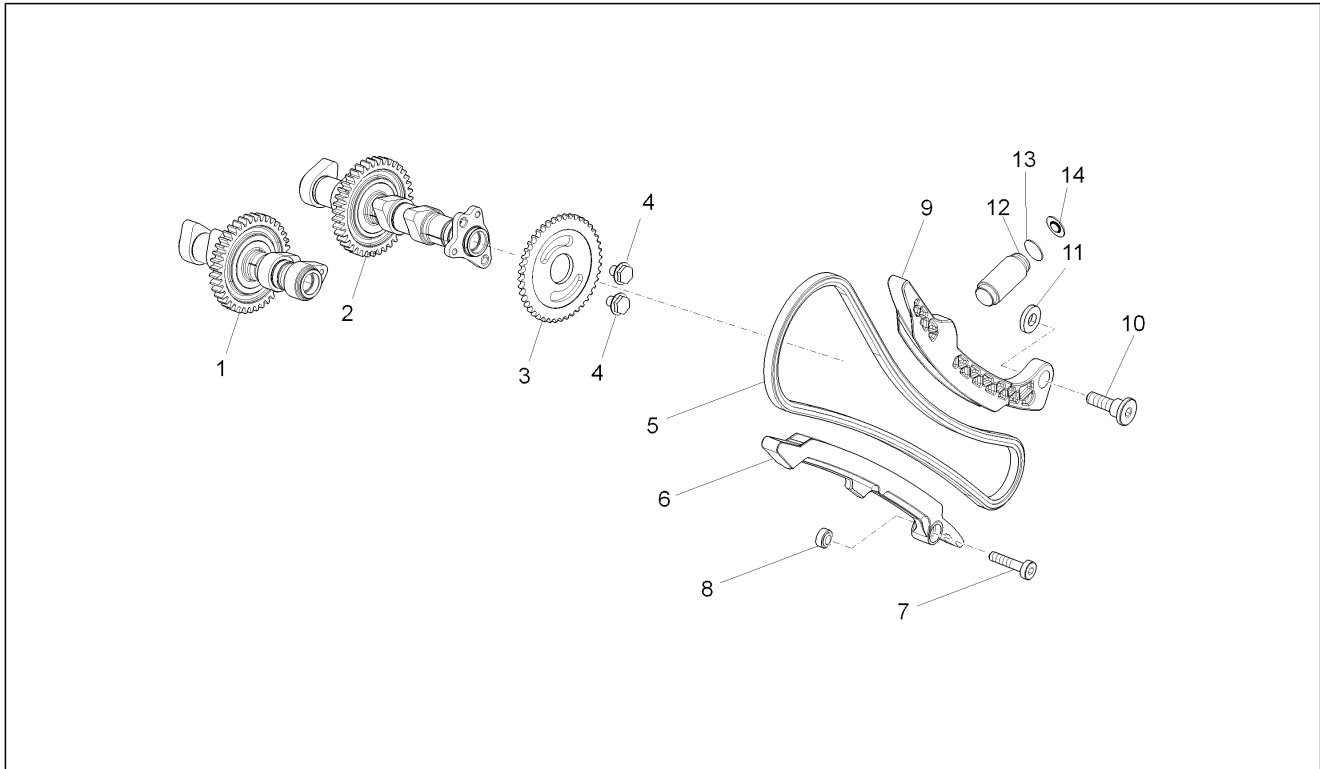
| Pos. | Code     | Beschreibung | Menge | Varianten |
|------|----------|--------------|-------|-----------|
| 1    | CM223429 | Belag 3,15   | 1     |           |
| 1    | CM228002 | Belag 1,77   | 1     |           |
| 1    | CM228004 | Belag 1,82   | 1     |           |
| 1    | CM228006 | Belag 1,87   | 1     |           |
| 1    | CM228008 | Belag 1,92   | 1     |           |
| 1    | CM228010 | Belag 1,97   | 1     |           |
| 1    | CM228012 | Belag 2,02   | 1     |           |
| 1    | CM228014 | Belag 2,07   | 1     |           |
| 1    | CM228016 | Belag 2,12   | 1     |           |
| 1    | CM228018 | Belag 2,17   | 1     |           |
| 1    | CM228020 | Belag 2,22   | 1     |           |
| 1    | CM228022 | Belag 2,27   | 1     |           |
| 1    | CM228024 | Belag 2,32   | 1     |           |
| 1    | CM228026 | Belag 2,37   | 1     |           |
| 1    | CM228028 | Belag 2,42   | 1     |           |
| 1    | CM228030 | Belag 2,47   | 1     |           |
| 1    | CM228032 | Belag 2,52   | 1     |           |
| 1    | CM228034 | Belag 2,57   | 1     |           |
| 1    | CM228036 | Belag 2,62   | 1     |           |
| 1    | CM228038 | Belag 2,67   | 1     |           |
| 1    | CM228040 | Belag 2,72   | 1     |           |
| 1    | CM228042 | Belag 2,77   | 1     |           |
| 1    | CM228044 | Belag 2,82   | 1     |           |
| 1    | CM228046 | Belag 2,87   | 1     |           |
| 1    | CM228048 | Belag 2,92   | 1     |           |
| 1    | CM228050 | Belag 2,97   | 1     |           |
| 1    | CM228052 | Belag 3,02   | 1     |           |
| 1    | CM228054 | Belag 3,07   | 1     |           |

|                     |                |
|---------------------|----------------|
| <b>Einheit</b>      | MOTOR          |
| <b>Code</b>         | 29.43          |
| <b>Beschreibung</b> | Ventilesbeläge |
| <b>Inspektion</b>   | 1              |



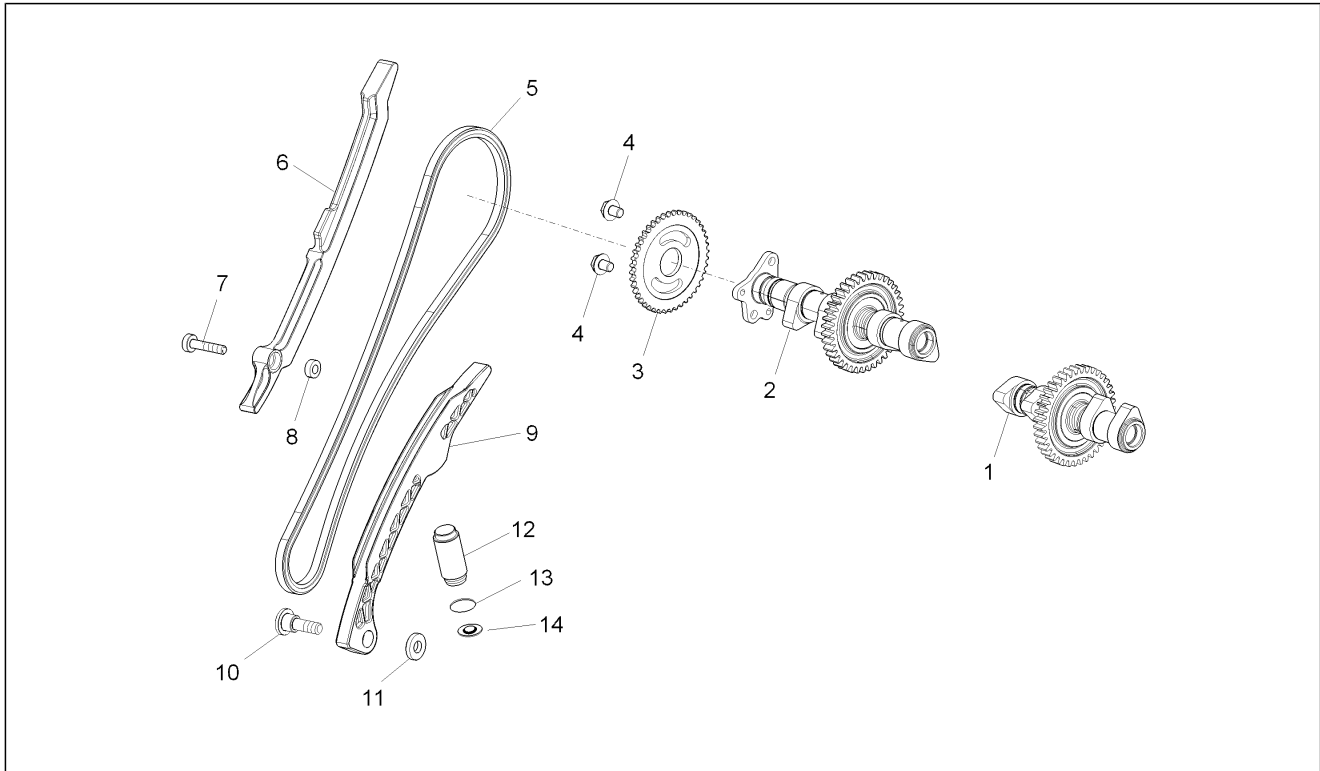
| Pos. | Code     | Beschreibung | Menge | Varianten |
|------|----------|--------------|-------|-----------|
| 1    | CM228056 | Belag 3,12   | 1     |           |

|                     |                     |
|---------------------|---------------------|
| <b>Einheit</b>      | MOTOR               |
| <b>Code</b>         | 29.44               |
| <b>Beschreibung</b> | Vrd. Zylindersteuer |
| <b>Inspektion</b>   | 1                   |



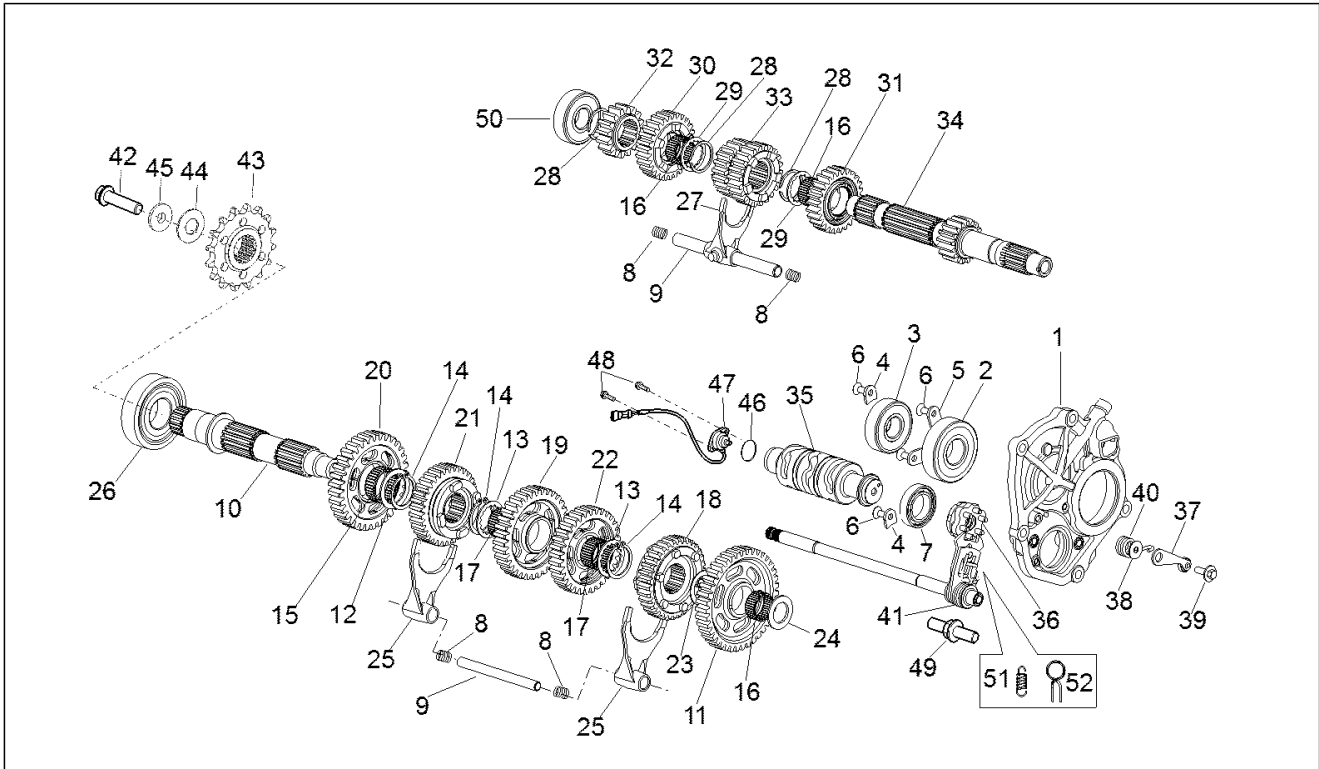
| Pos. | Code    | Beschreibung                  | Menge | Varianten |
|------|---------|-------------------------------|-------|-----------|
| 1    | 8574705 | Nockenwelle Auslaß            | 1     |           |
| 2    | 857004  | Nockenwelle Einlaß            | 1     |           |
| 3    | 857009  | Steuer Zahnkranz Z=44         | 1     |           |
| 3    | 857546  | Steuer Zahnkranz Z=44         | 1     |           |
| 4    | 857008  | TE Schr. m. Flansch M8x10,3   | 2     |           |
| 5    | 857097  | Steuerkette                   | 1     |           |
| 5    | 897444  | Steuerkette                   | 1     |           |
| 6    | 857100  | Kettengleitführung            | 0     |           |
| 6    | 857538  | Kettengleitführung            | 1     |           |
| 7    | 857476  | Spezialschraube M6x18         | 1     |           |
| 8    | 857477  | Buchse                        | 1     |           |
| 9    | 857099  | Kettenspanner Gleitbacke      | 1     |           |
| 9    | 857539  | Kettenspanner Gleitbacke      | 1     |           |
| 10   | 857094  | Spezialschraube M8            | 1     |           |
| 11   | 857096  | Ausgleichscheibe 18,5x8,5x3,3 | 1     |           |
| 12   | 857098  | Kettenspanner                 | 1     |           |
| 13   | 857176  | O-Ring                        | 1     |           |
| 14   | B045476 | Ausgleichscheibe 15x6x2       | 1     |           |

|                     |                      |
|---------------------|----------------------|
| <b>Einheit</b>      | MOTOR                |
| <b>Code</b>         | 29.45                |
| <b>Beschreibung</b> | Hint. Zylindersteuer |
| <b>Inspektion</b>   | 1                    |



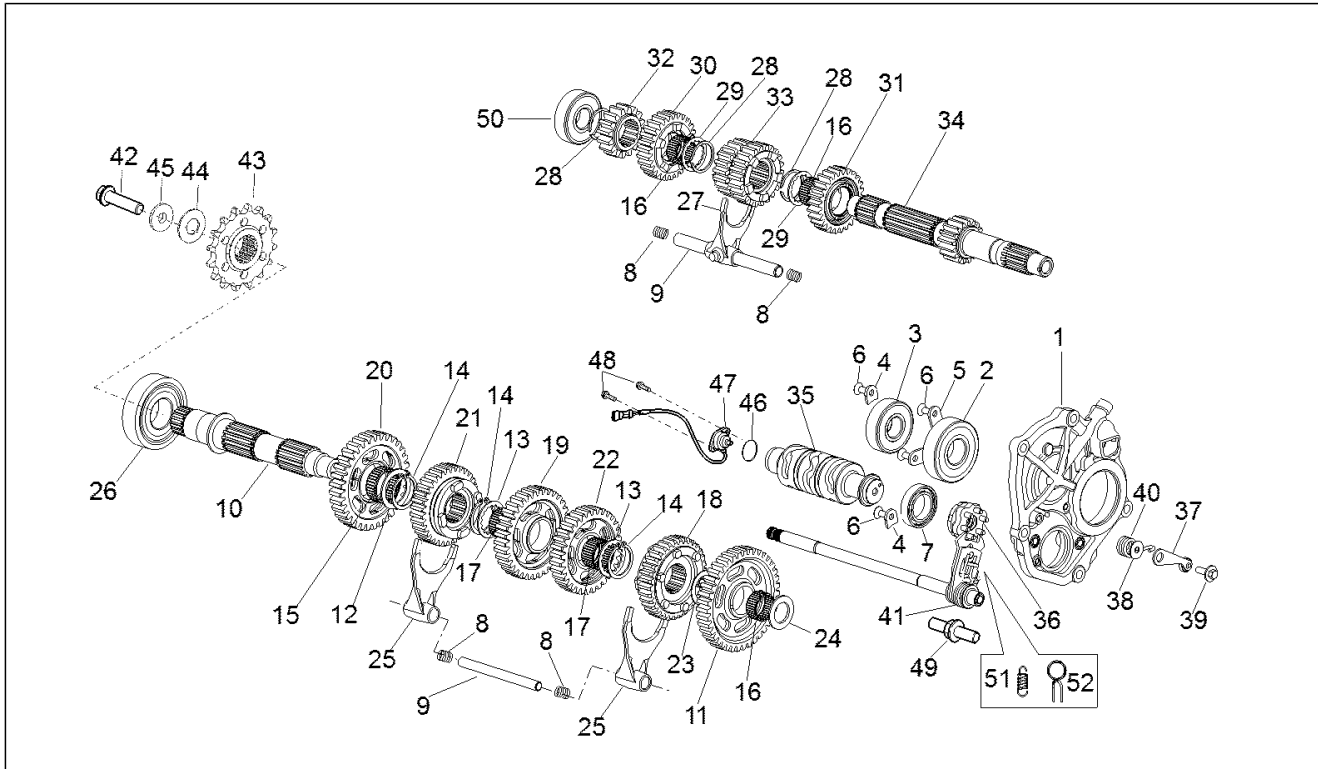
| Pos. | Code    | Beschreibung                  | Menge | Varianten |
|------|---------|-------------------------------|-------|-----------|
| 1    | 8574715 | Nockenwelle Auslaß            | 1     |           |
| 2    | 857004  | Nockenwelle Einlaß            | 1     |           |
| 3    | 857009  | Steuer Zahnkranz Z=44         | 1     |           |
| 3    | 857546  | Steuer Zahnkranz Z=44         | 1     |           |
| 4    | 857008  | TE Schr. m. Flansch M8x10,3   | 2     |           |
| 5    | 857097  | Steuerkette                   | 1     |           |
| 5    | 897444  | Steuerkette                   | 1     |           |
| 6    | 857100  | Kettengleitführung            | 1     |           |
| 6    | 857538  | Kettengleitführung            | 1     |           |
| 7    | 857476  | Spezialschraube M6x18         | 1     |           |
| 8    | 857477  | Buchse                        | 1     |           |
| 9    | 857099  | Kettenspanner Gleitbacke      | 1     |           |
| 9    | 857539  | Kettenspanner Gleitbacke      | 1     |           |
| 10   | 857094  | Spezialschraube M8            | 1     |           |
| 11   | 857096  | Ausgleichscheibe 18,5x8,5x3,3 | 1     |           |
| 12   | 857098  | Kettenspanner                 | 1     |           |
| 13   | 857176  | O-Ring                        | 1     |           |
| 14   | B045476 | Ausgleichscheibe 15x6x2       | 1     |           |

|                     |                |
|---------------------|----------------|
| <b>Einheit</b>      | MOTOR          |
| <b>Code</b>         | 29.46          |
| <b>Beschreibung</b> | Schaltgetriebe |
| <b>Inspektion</b>   | 1              |



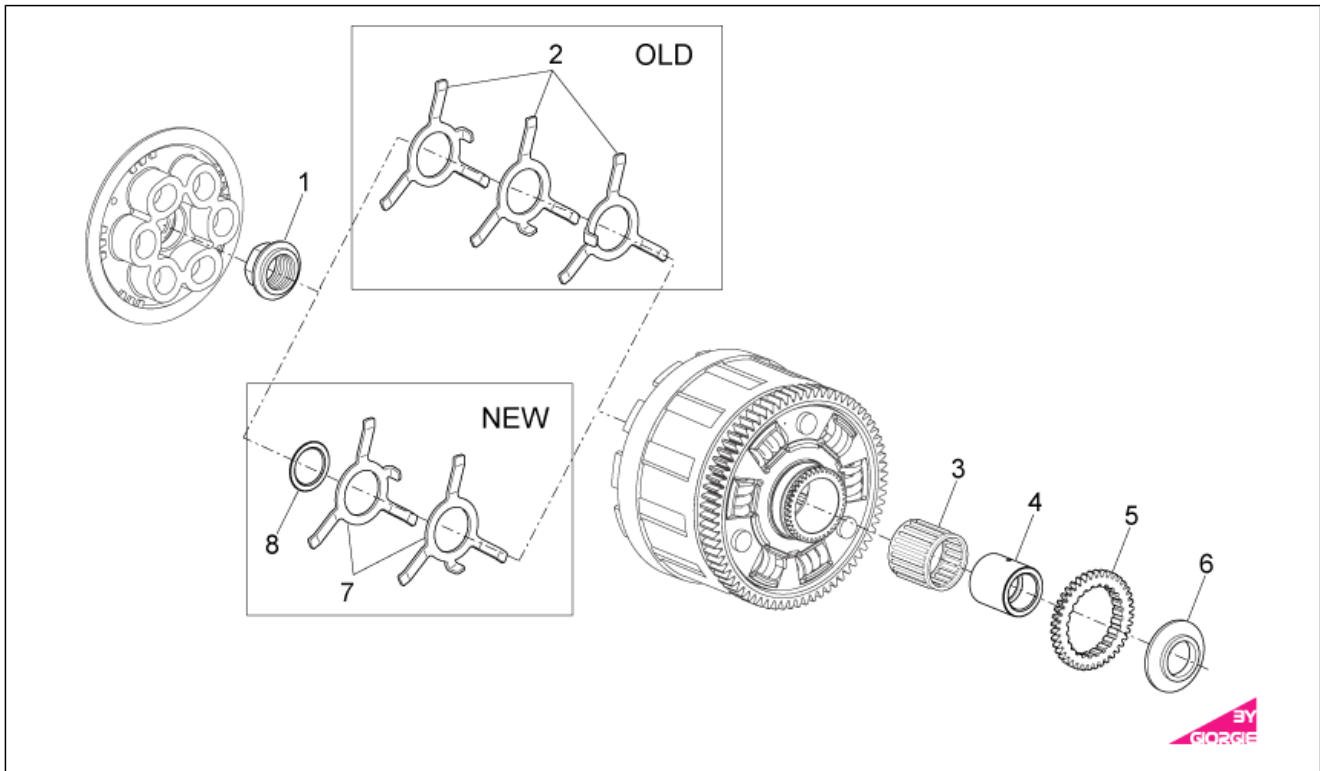
| Pos. | Code      | Beschreibung                   | Menge | Varianten |
|------|-----------|--------------------------------|-------|-----------|
| 1    | 857268    | Halter cambio                  | 1     |           |
| 2    | 898634    | Kugellager 25x62x17            | 1     |           |
| 3    | 898635    | Kugellager 20x52x15            | 1     |           |
| 4    | AP9150145 | Lager-Halteplatte              | 1     |           |
| 5    | 857271    | Lager-Halteplatte              | 2     |           |
| 6    | AP8152166 | Schraube M6x16                 | 3     |           |
| 7    | 857250    | Kugellager 25x42x9             | 1     |           |
| 8    | 857175    | Feder                          | 4     |           |
| 9    | 857284    | Schaltstange                   | 2     |           |
| 10   | 857236    | Festrads                       | 1     |           |
| 11   | 897458    | Zahnrad 1.Vorgelegewelle Z=38  | 1     |           |
| 12   | 857308    | Ausgleichscheibe 30x40x1,5     | 1     |           |
| 13   | 857247    | Bundscheibe                    | 2     |           |
| 14   | 857248    | Seegerring D30                 | 3     |           |
| 15   | 857309    | Nadelkaefig 30x35x13           | 1     |           |
| 16   | 857233    | Nadelkaefig 24x28x13           | 3     |           |
| 17   | 857244    | Nadelkaefig 26x30x15,6         | 2     |           |
| 18   | 857241    | Zahnrad 5.Vorgelegewelle Z=34  | 1     |           |
| 19   | 897460    | Zahnrad 3.Vorgelegewelle       | 1     |           |
| 20   | 897459    | Zahnrad 2.Vorgelegewelle       | 1     |           |
| 21   | 857242    | Zahnrad 6.Vorgelegewelle Z=33  | 1     |           |
| 22   | 857240    | Zahnrad 4.Vorgelegewelle Z=32  | 1     |           |
| 23   | 857246    | Ausgleichscheibe 24x35x1       | 1     |           |
| 24   | 857245    | Ausgleichscheibe 20,1x33,5x2,5 | 1     |           |
| 25   | 857328    | Schaltgabel                    | 2     |           |
| 26   | 898633    | Kugellager 30x72x19            | 1     |           |
| 27   | 857185    | Schaltgabel                    | 1     |           |
| 28   | 857232    | Wellenscheibe                  | 3     |           |

|                     |                |
|---------------------|----------------|
| <b>Einheit</b>      | MOTOR          |
| <b>Code</b>         | 29.46          |
| <b>Beschreibung</b> | Schaltgetriebe |
| <b>Inspektion</b>   | 1              |



| Pos. | Code      | Beschreibung                   | Menge | Varianten |
|------|-----------|--------------------------------|-------|-----------|
| 29   | 857234    | Bundscheibe                    | 2     |           |
| 30   | 857231    | Zahnrad 6.Hauptwelle Z=27      | 1     |           |
| 31   | 857230    | Zahnrad 5.Hauptwelle Z=26      | 1     |           |
| 32   | 897455    | Zahnrad 2.Hauptwelle Z=18      | 1     |           |
| 33   | 897456    | Zahnrad 3-4.Hauptwelle Z=17/22 | 1     |           |
| 34   | 897454    | Vorgelegewelle                 | 1     |           |
| 35   | 857251    | Verschiebenocken               | 1     |           |
| 36   | 857123    | Index-Platte                   | 1     |           |
| 37   | 857274    | Indexhebel kpl.                | 1     |           |
| 38   | AP9150051 | Ausgleichscheibe D6,3x18x1     | 1     |           |
| 39   | AP9150006 | TE Schr. m. Flansch M6x15      | 1     |           |
| 40   | 857278    | Feder                          | 1     |           |
| 41   | 857253    | Getr.welle + Federsatz         | 1     |           |
| 42   | AP8152318 | TE Schr. m. Flansch M10x35     | 3     |           |
| 43   | 890827    | Ritzel Z=16                    | 1     |           |
| 44   | 854909    | Tellerfeder                    | 1     |           |
| 45   | 854951    | T-Buchse                       | 2     |           |
| 46   | 857279    | O-Ring                         | 1     |           |
| 47   | 857265    | Gear position sensor           | 1     |           |
| 48   | AP8152280 | TE Schr. m. Flansch M6x25      | 2     |           |
| 49   | 899599    | Aufnahmebolzen                 | 1     |           |
| 50   | 898636    | Kugellager 20x52x15            | 1     |           |
| 51   | 857260    | Ankerfeder                     | 1     |           |
| 52   | 857261    | Feder                          | 1     |           |

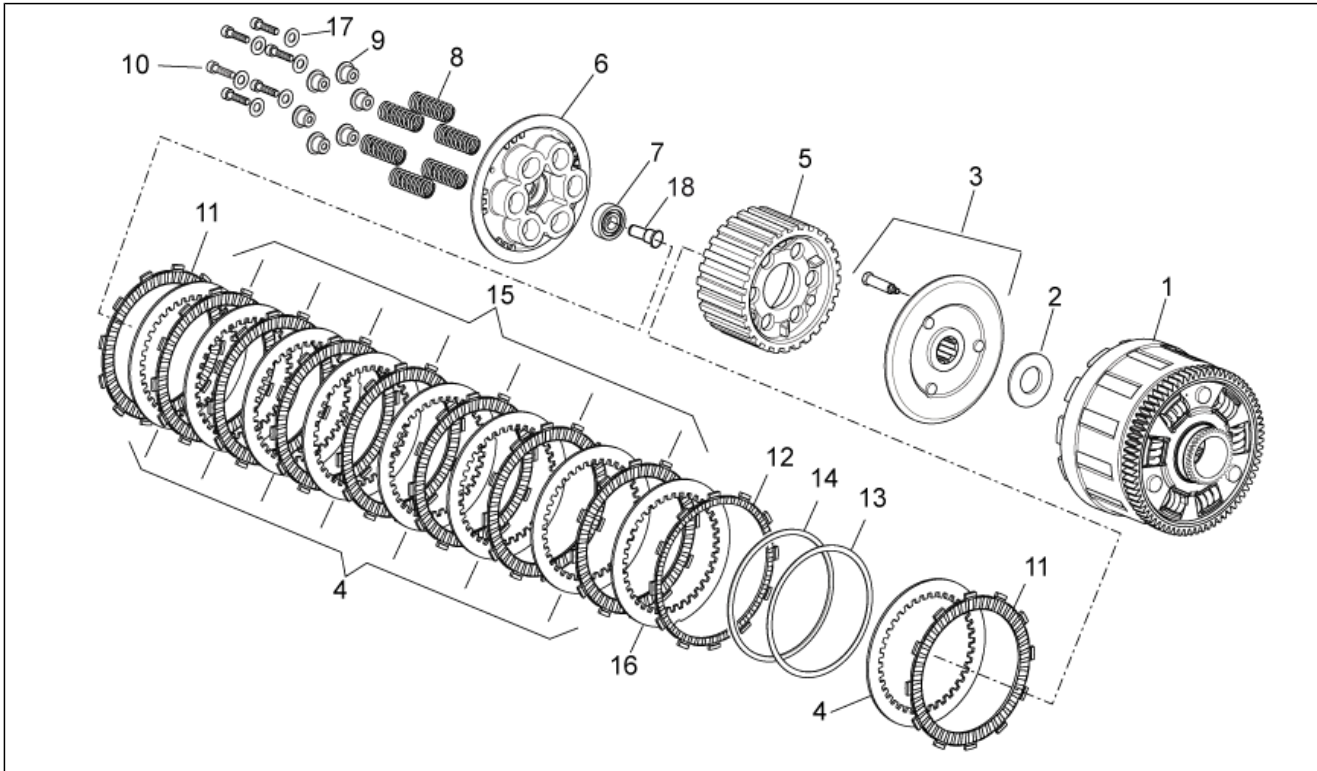
|                     |            |
|---------------------|------------|
| <b>Einheit</b>      | MOTOR      |
| <b>Code</b>         | 29.47      |
| <b>Beschreibung</b> | Kupplung I |
| <b>Inspektion</b>   | 1          |



| Pos. | Code    | Beschreibung               | Menge | Varianten |
|------|---------|----------------------------|-------|-----------|
| 1    | 893767  | Mutter                     | 1     |           |
| 2    | 893768  | Tellerfeder sp.0,8         | 3     |           |
| 3    | 893769  | Nadelkaefig 35x40x35,8     | 1     |           |
| 4    | 893770  | Distanzscheibe             | 1     |           |
| 5    | 894821  | Ölpumpen-Zahn. Z=39        | 1     |           |
| 6    | 893772  | Unterlegscheibe 58x25x8    | 1     |           |
| 7    | B044474 | Tellerfeder sp.0,9         | 2     |           |
| 8    | B044365 | Ausgleichscheibe 31x44x0.9 | 1     |           |

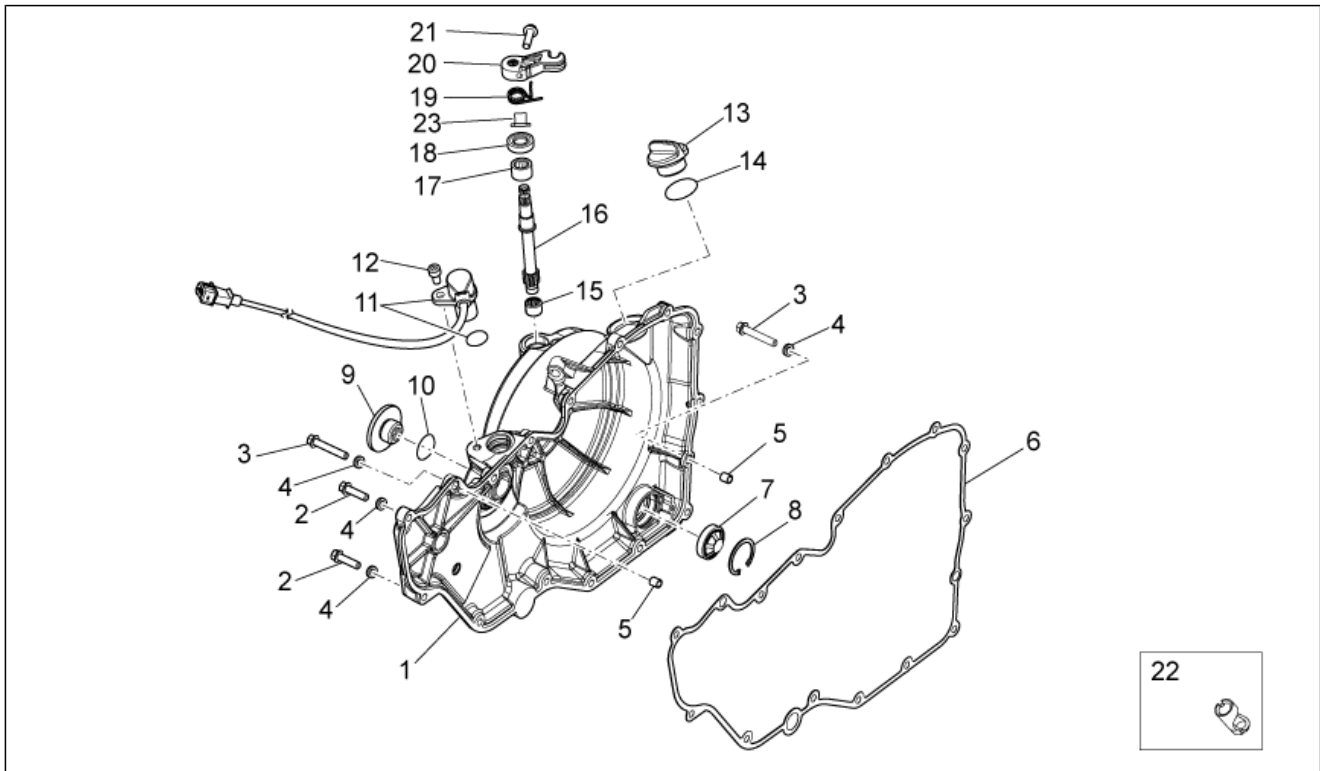


|                     |             |
|---------------------|-------------|
| <b>Einheit</b>      | MOTOR       |
| <b>Code</b>         | 29.48       |
| <b>Beschreibung</b> | Kupplung II |
| <b>Inspektion</b>   | 1           |



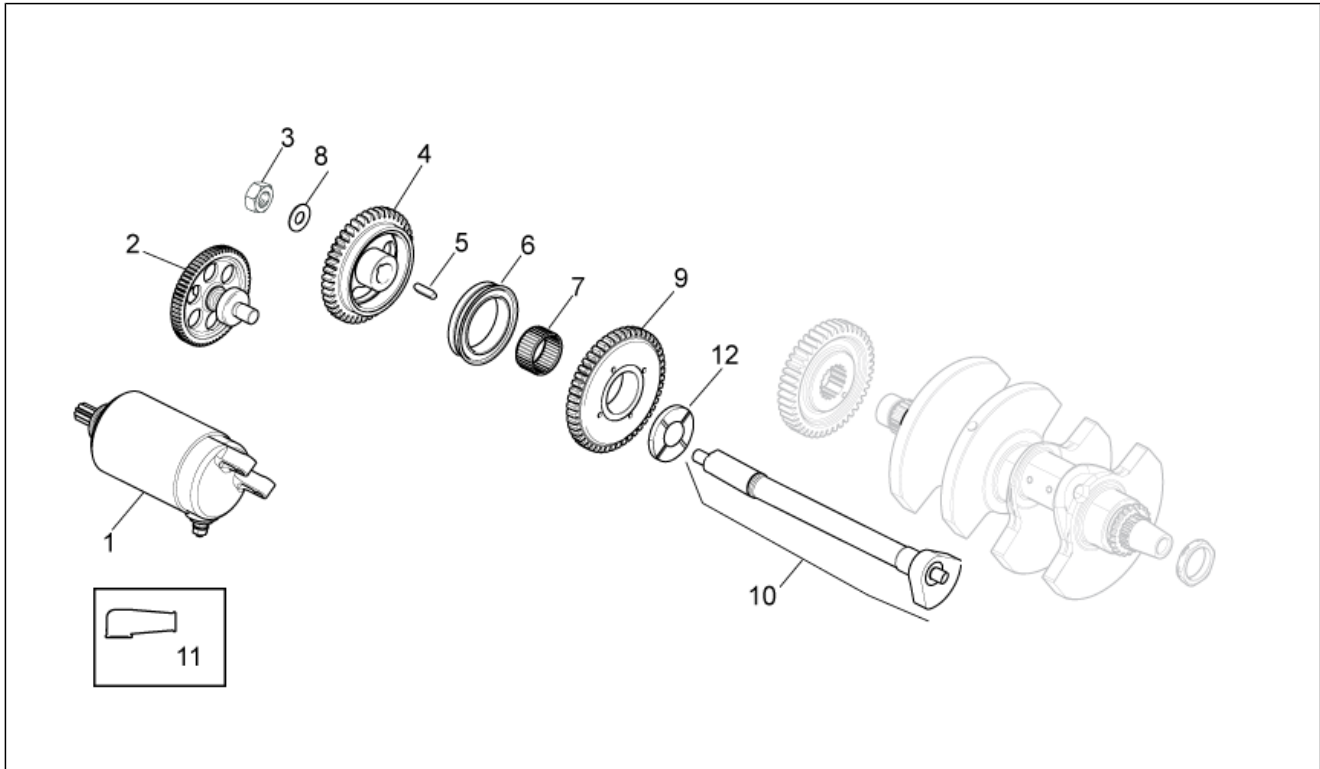
| Pos. | Code      | Beschreibung                  | Menge | Varianten |
|------|-----------|-------------------------------|-------|-----------|
| 1    | 893773    | Baugruppe Kupplungskasten     | 1     |           |
| 2    | 893774    | Unterlegscheibe 25,5x47x2,5   | 1     |           |
| 3    | 894794    | Halter                        | 1     |           |
| 4    | 893783    | Getriebene Kuppl.scheibe      | 8     |           |
| 5    | 893784    | Kupplungstrommel Aluminium    | 1     |           |
| 6    | 893940    | Andrückfeder Kupplungsscheibe | 1     |           |
| 7    | 893941    | Lager                         | 1     |           |
| 8    | 893777    | Kupplungsfeder                | 6     |           |
| 9    | 893778    | Federbecher                   | 6     |           |
| 10   | 893779    | TCEI Schraube M6              | 6     |           |
| 11   | 893780    | Treibende Kupplungsscheibe    | 2     |           |
| 12   | 893942    | Kupplungsscheibe              | 1     |           |
| 13   | 893943    | Feder                         | 1     |           |
| 14   | 893944    | Seat judder spring            | 1     |           |
| 15   | 893782    | Treibende Kuppl.scheibe       | 7     |           |
| 16   | 899483    | Getriebene Kuppl.scheibe      | 1     |           |
| 17   | AP8150014 | Ausgleichscheibe 6,4x12,5*    | 6     |           |
| 18   | 857317    | Kupplung Klinke               | 1     |           |

|                     |                 |
|---------------------|-----------------|
| <b>Einheit</b>      | MOTOR           |
| <b>Code</b>         | 29.49           |
| <b>Beschreibung</b> | Kupplungsdeckel |
| <b>Inspektion</b>   | 1               |



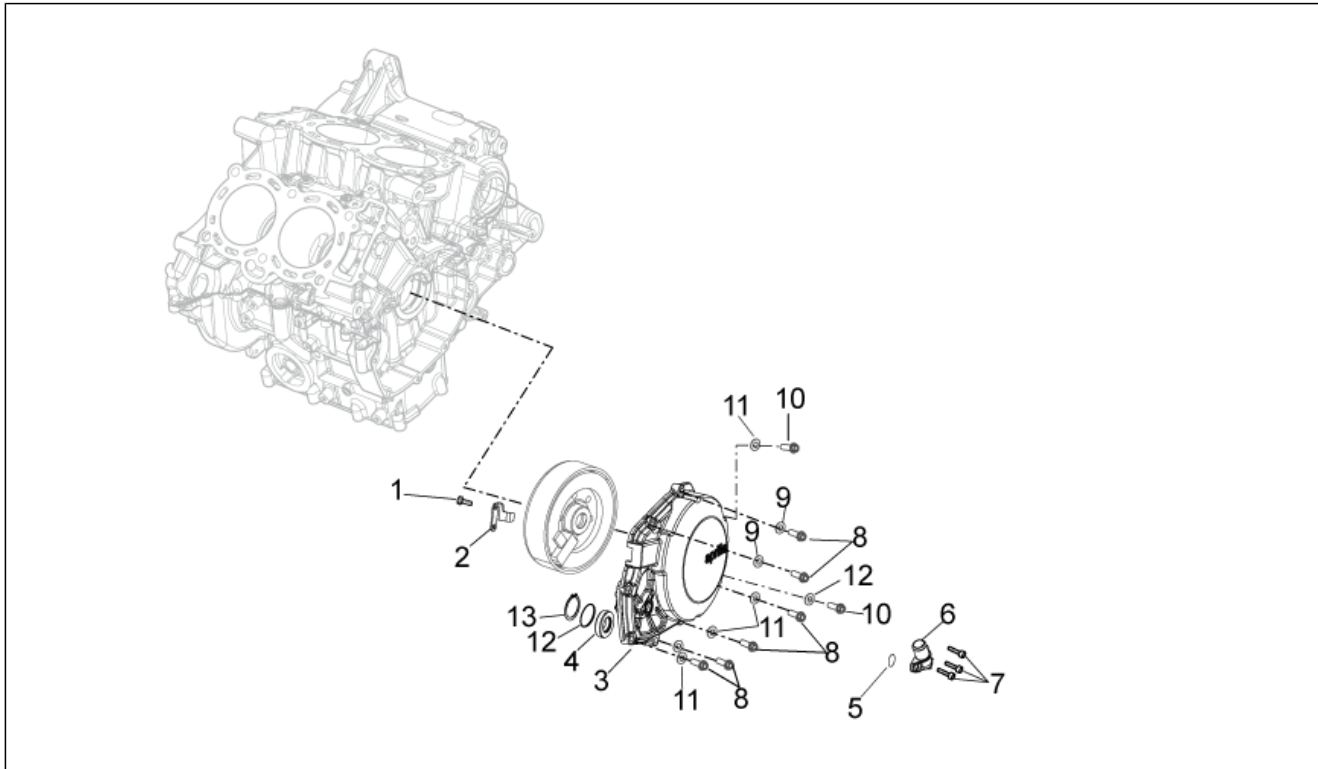
| Pos. | Code      | Beschreibung                | Menge | Varianten |
|------|-----------|-----------------------------|-------|-----------|
| 1    | 8571775   | Kupplungsdeckel             | 1     |           |
| 2    | 857429    | TE Schr. m. Flansch         | 16    |           |
| 3    | 857436    | TE Schr. m. Flansch         | 2     |           |
| 4    | AP8150429 | Sprengscheibe 6,4x11x0,5*   | 18    |           |
| 5    | 411209    | Stift                       | 2     |           |
| 6    | 857451    | Dichtung                    | 1     |           |
| 7    | 485693    | Ölstandzeiger               | 1     |           |
| 8    | 873804    | Sprengring                  | 1     |           |
| 9    | 857070    | Inspektionsdeckel           | 1     |           |
| 10   | 857078    | O-Ring                      | 1     |           |
| 11   | 6389915   | Phasen-und Umdrehungsfuhler | 1     |           |
| 12   | 122675    | TCEI Schraube               | 1     |           |
| 13   | 974229    | Öleinfüllschraube           | 1     |           |
| 14   | AP8144424 | O-Ring 4075                 | 1     |           |
| 15   | 857318    | Nadellager                  | 1     |           |
| 16   | 857498    | Welle d.12                  | 1     |           |
| 17   | 857312    | Nadellager 12X18X12         | 1     |           |
| 18   | 847075    | Ölabstreifring 12x20        | 1     |           |
| 18   | 857127    | Gasket ring 12x22           | 1     |           |
| 19   | 857461    | Rückholfeder Kupplungsfeder | 1     |           |
| 20   | 857314    | Hebel Kupplungssteuer.      | 1     |           |
| 21   | AP8152279 | TE Schr. m. Flansch M6x20   | 1     |           |
| 22   | B043542   | Buchse Zapfen Schaltzug     | 1     |           |
| 23   | 857460    | T-Buchse                    | 1     |           |

|                     |            |
|---------------------|------------|
| <b>Einheit</b>      | MOTOR      |
| <b>Code</b>         | 29.50      |
| <b>Beschreibung</b> | Zündgruppe |
| <b>Inspektion</b>   | 1          |



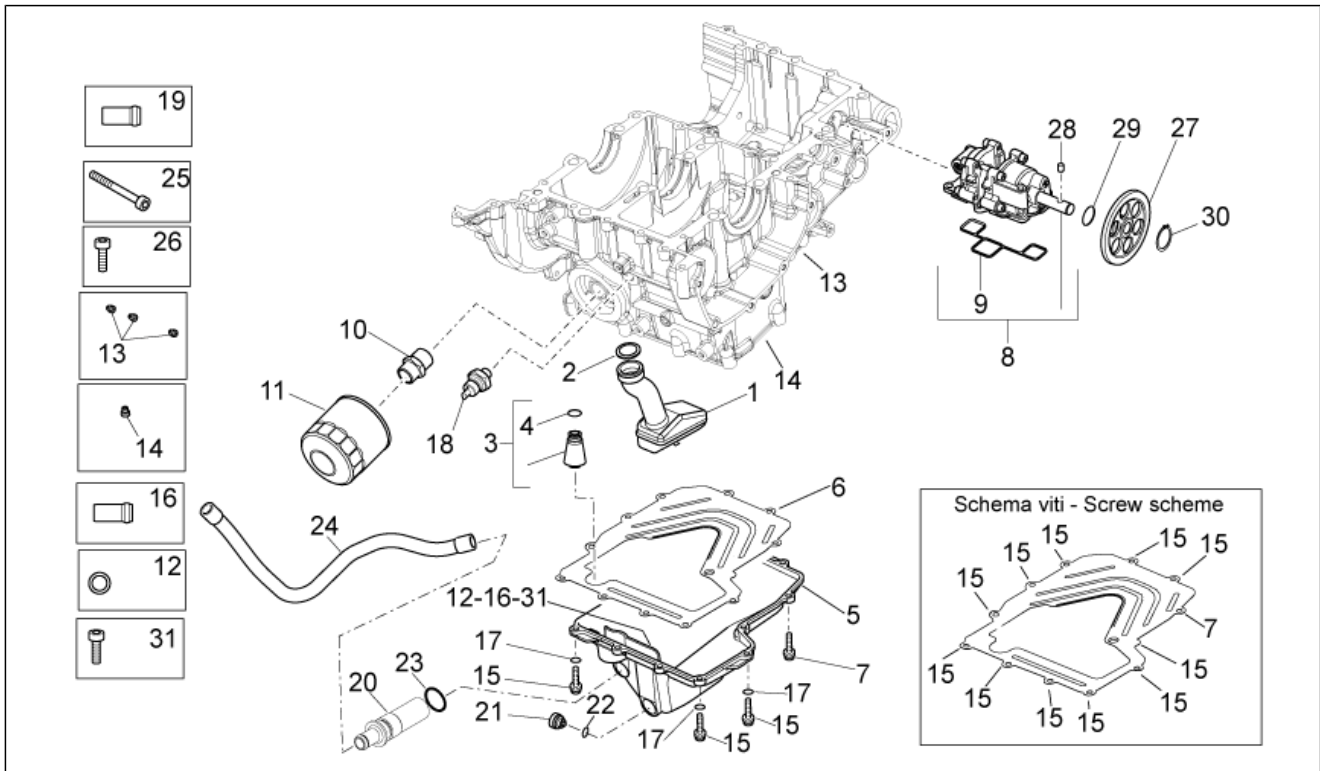
| Pos. | Code   | Beschreibung                            | Menge | Varianten |
|------|--------|---|-------|-----------|
| 1    | 857287 | Anlassermotor schwarz "Denso"           | 1     |           |
| 2    | 857289 | Vorgelege elektrischer Anlasser Z=12/64 | 1     |           |
| 3    | 897434 | Geflanschte Mutter M10x1                | 1     |           |
| 4    | 857301 | Gegenwelle Zahnrad Z=44                 | 1     |           |
| 5    | 857298 | Lasche                                  | 1     |           |
| 6    | 825431 | Freilauf komplett                       | 1     |           |
| 7    | 857290 | Nadelkaefig 30X35X17                    | 1     |           |
| 8    | 235779 | Unterlegscheibe                         | 1     |           |
| 9    | 857288 | "Freilauf" "Denso" z=49                 | 1     |           |
| 10   | 897446 | Gegenwelle                              | 1     |           |
| 11   | 895316 | Kappe                                   | 1     |           |
| 12   | 897450 | Anlaufscheibe                           | 1     |           |

|                     |        |
|---------------------|--------|
| <b>Einheit</b>      | MOTOR  |
| <b>Code</b>         | 29.51  |
| <b>Beschreibung</b> | Deckel |
| <b>Inspektion</b>   | 1      |



| Pos. | Code        | Beschreibung              | Menge | Varianten |
|------|-------------|---------------------------|-------|-----------|
| 1    | AP8152272   | TE Schr. m. Flansch M5x12 | 1     |           |
| 2    | 857204      | Bügel                     | 1     |           |
| 3    | 898466      | Deckel                    | 1     |           |
| 4    | 898268      | Gasket ring 18x30x7       | 1     |           |
| 5    | 857176      | O-Ring                    | 1     |           |
| 6    | 85746200XEV | Anschluss Ausgang Blow-By | 1     |           |
| 7    | 857048      | Schraube M5x16            | 3     |           |
| 8    | 871094      | TE Schr. m. Flansch       | 6     |           |
| 9    | 857435      | Ausgleichscheibe          | 2     |           |
| 10   | 872117      | TE Schr. m. Flansch       | 2     |           |
| 11   | AP8150429   | Sprengscheibe 6,4x11x0,5* | 6     |           |
| 12   | 898269      | Bundscheibe               | 1     |           |
| 13   | 006630      | Sprengring                | 1     |           |

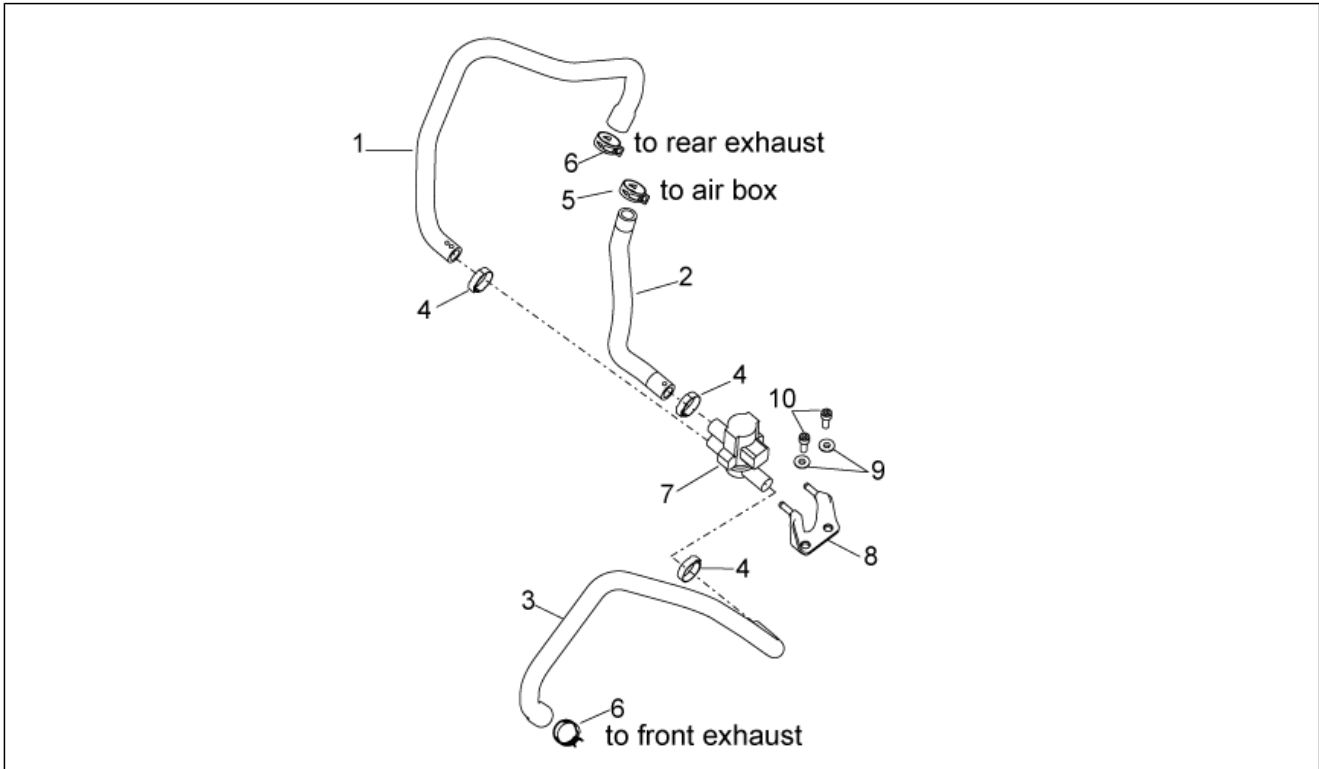
|                     |            |
|---------------------|------------|
| <b>Einheit</b>      | MOTOR      |
| <b>Code</b>         | 29.52      |
| <b>Beschreibung</b> | Schmierung |
| <b>Inspektion</b>   | 1          |



| Pos. | Code      | Beschreibung                       | Menge | Varianten |
|------|-----------|------------------------------------|-------|-----------|
| 1    | 857502    | Oil strainer                       | 1     |           |
| 2    | B046072   | Dichtung auslaß or 24x2,5 - 80 FKM | 1     |           |
| 3    | 857540    | Ölventil kompl.                    | 1     |           |
| 4    | 857176    | O-Ring                             | 1     |           |
| 5    | 857535    | Ölwanne                            | 1     |           |
| 6    | 857497    | Dichtung new type                  | 1     |           |
| 7    | 840893    | TCEI Schraube M6x25                | 1     |           |
| 8    | 857152    | Ölpumpe                            | 1     |           |
| 9    | 857189    | O-Ring                             | 1     |           |
| 10   | 857168    | Ölfilteranschluss                  | 1     |           |
| 11   | 857187    | Ölfiltereinsatz                    | 1     |           |
| 12   | AP8144012 | O-Ring 121                         | 1     |           |
| 13   | 857143    | Strahl                             | 3     |           |
| 14   | CM101711  | Maximaldüse 60                     | 1     |           |
| 15   | 289731    | Flanschschraube M6x30              | 11    |           |
| 16   | 857439    | Anschluss Ölschlauch               | 1     |           |
| 17   | AP8150429 | Sprengscheibe 6,4x11x0,5*          | 11    |           |
| 18   | 641541    | Öldrucksensor                      | 1     |           |
| 19   | 846019    | Anschluß                           | 1     |           |
| 20   | 857439    | Anschluss Ölschlauch               | 1     |           |
| 21   | 857184    | Deckel                             | 1     |           |
| 22   | 857147    | Dichtung OR                        | 1     |           |
| 23   | AP8144012 | O-Ring 121                         | 1     |           |
| 24   | AP8106389 | Ölschlauch 12x19                   | 1     |           |
| 25   | 277330    | TCEI Schraube                      | 1     |           |
| 26   | 709099    | TCEI Schraube M6x16                | 5     |           |
| 27   | 857489    | Ölpumpe Zahnkranz Z=36             | 1     |           |
| 28   | 857192    | Rolle 5X19,8                       | 1     |           |

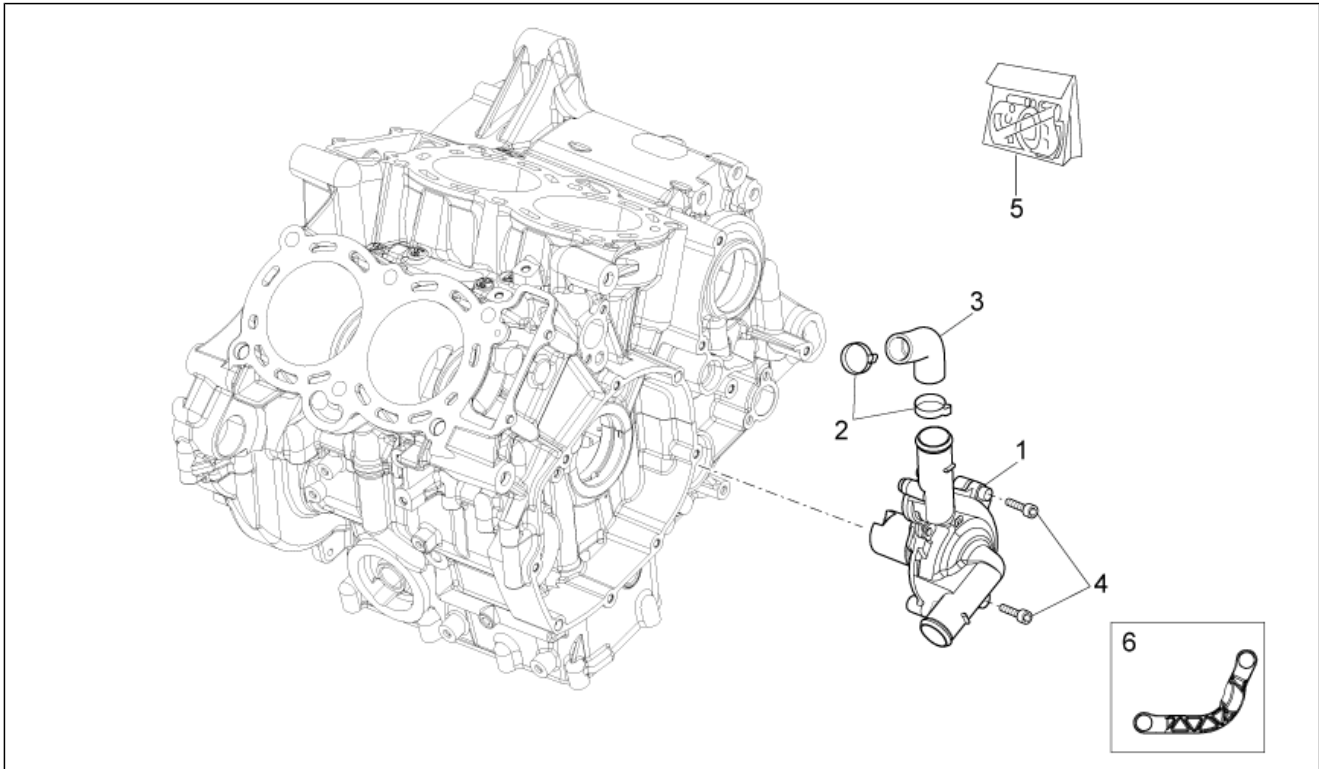


|                     |               |
|---------------------|---------------|
| <b>Einheit</b>      | MOTOR         |
| <b>Code</b>         | 29.53         |
| <b>Beschreibung</b> | Secondary air |
| <b>Inspektion</b>   | 1             |



| Pos. | Code      | Beschreibung        | Menge | Varianten |
|------|-----------|---------------------|-------|-----------|
| 1    | 856631    | Leitung             | 1     |           |
| 2    | 856632    | Leitung             | 1     |           |
| 3    | 856630    | Leitung             | 1     |           |
| 4    | CM001905  | Schlauschelle       | 3     |           |
| 5    | CM002916  | Schlauschelle       | 1     |           |
| 6    | CM225401  | Schlauschelle       | 2     |           |
| 7    | 857181    | SAS ventil          | 1     |           |
| 8    | 858727    | Bügel               | 1     |           |
| 9    | AP8121032 | Buchse              | 2     |           |
| 10   | AP8150137 | TCEI Schraube M6x16 | 2     |           |

|                     |                    |
|---------------------|--------------------|
| <b>Einheit</b>      | MOTOR              |
| <b>Code</b>         | 29.54              |
| <b>Beschreibung</b> | Wasserpumpenritzel |
| <b>Inspektion</b>   | 1                  |



| Pos. | Code    | Beschreibung            | Menge | Varianten |
|------|---------|-------------------------|-------|-----------|
| 1    | 857209  | Wasserpumpe komplett    | 1     |           |
| 2    | 898374  | Schlauchschelle         | 2     |           |
| 3    | 857222  | Wasserleitung           | 1     |           |
| 4    | 840893  | TCEI Schraube M6x25     | 2     |           |
| 5    | 893968  | Wasserpumpen kit        | 1     |           |
| 6    | B043231 | Federteller Wasserpumpe | 1     |           |