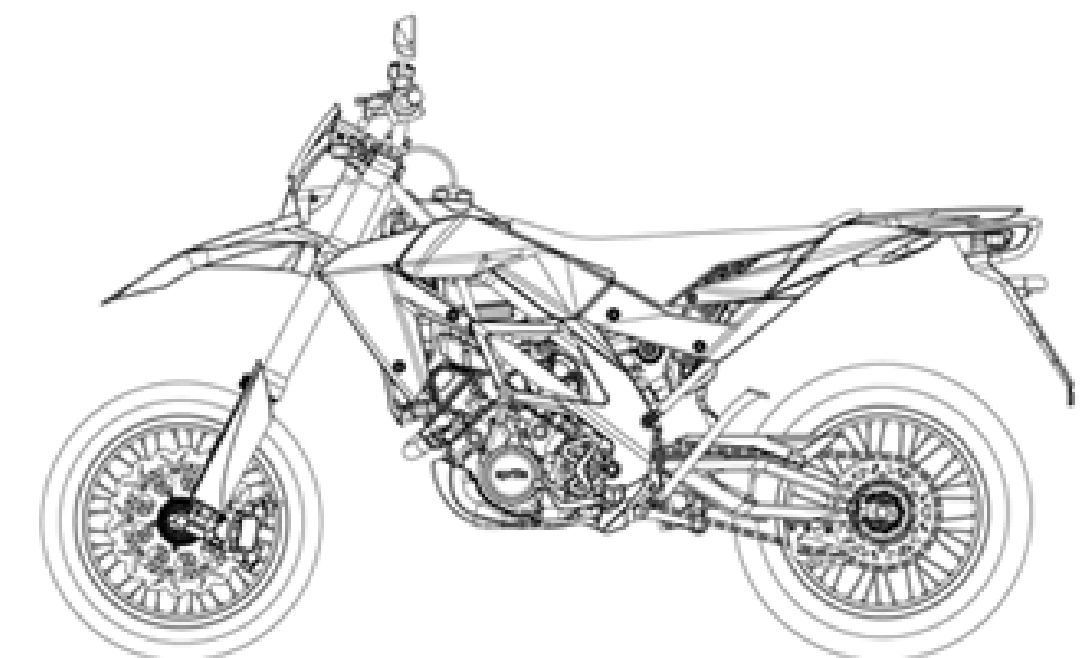


aprilia

ERSATZTEILKATALOG



RXV-SXV 450-550 2008

Vorsatzcode Fahrgestell: ZD4VPT, ZD4VPU40,
ZD4VPU50, ZD4VPX, ZD4VSR00, ZD4VSS00



Vorsatzcode Motor:

Inhaltsverzeichnis

Fertige Produkte.....	5
Alphanumerisches Verzeichnis.....	6
RAHMEN.....	13
Tafel 28.01 - Rahmen.....	13
Tafel 28.02 - Fussrasten.....	15
Tafel 28.03 - Hauptständer.....	16
Tafel 28.04 - Lenkung I.....	17
Tafel 28.05 - Gabel I.....	18
Tafel 28.06 - Gabel II.....	20
Tafel 28.07 - Schwinge.....	21
Tafel 28.08 - Hinterradaufhängung.....	23
Tafel 28.09 - Frontaufbau I.....	25
Tafel 28.10 - Frontaufbau II.....	27
Tafel 28.11 - Kraftstofftank.....	28
Tafel 28.12 - Öltank.....	30
Tafel 28.13 - Sitz.....	31
Tafel 28.14 - Mittlerer Aufbau.....	32
Tafel 28.15 - Heckaufbau I.....	34
Tafel 28.16 - Heckaufbau II.....	36
Tafel 28.17 - Instrumententafel.....	37
Tafel 28.18 - Schaltungen.....	38
Tafel 28.19 - Kühlanlage.....	39
Tafel 28.20 - Filtergehäuse.....	41
Tafel 28.21 - Auslassgruppe I.....	42
Tafel 28.22 - Vorderrad I.....	44
Tafel 28.23 - Vorderrad II.....	46
Tafel 28.24 - Hinterrad I.....	48
Tafel 28.25 - Hinterrad II.....	50
Tafel 28.26 - Bremsanlage - Vorn I.....	52
Tafel 28.27 - Bremsanlage - Vorn II.....	54
Tafel 28.28 - Bremsanlage - Hinten.....	56
Tafel 28.29 - Vorderer lichter.....	57
Tafel 28.30 - Hinterer lichter.....	59
Tafel 28.31 - Elektrische anlage I.....	60
Tafel 28.32 - Elektrische anlage II.....	62
Tafel 28.33 - Fertigstellung.....	64
Tafel 28.56 - Secondary air.....	66
Tafel 28.57 - Benzindampfrückf.-Anlage.....	68
Tafel 28.58 - Platten-Frontaufbau Deko.....	69
Tafel 28.59 - Mittlerer Aufbau Deko.....	71
Tafel 28.60 - Heckaufbau Deko.....	73
Tafel 28.61 - Auslassgruppe II.....	75
MOTOR.....	77

Tafel 29.34 - Motor.....	77
Tafel 29.35 - Kurbelwellengehäuse I.....	79
Tafel 29.36 - Kurbelwellengehäuse II.....	81
Tafel 29.37 - Ölpumpe.....	82
Tafel 29.38 - Schmierung.....	83
Tafel 29.39 - Kurbelwelle.....	84
Tafel 29.40 - Kolben + Zylinder.....	85
Tafel 29.41 - Zylinderkopf.....	86
Tafel 29.42 - Ventile.....	87
Tafel 29.43 - Ventilesbeläge.....	88
Tafel 29.44 - Vrd. Zylindersteuer.....	89
Tafel 29.45 - Hint. Zylindersteuer.....	91
Tafel 29.46 - Umlenkwellen.....	93
Tafel 29.47 - Schaltgabel I.....	94
Tafel 29.48 - Schaltgabel II.....	95
Tafel 29.49 - Vorgelegewelle.....	96
Tafel 29.50 - Festrad.....	97
Tafel 29.51 - Kupplung I.....	99
Tafel 29.52 - Wasserpumpenritzel.....	100
Tafel 29.53 - Startermotor.....	101
Tafel 29.54 - Klappenkörper.....	102
Tafel 29.55 - Zündung.....	104

Fertige Produkte

Code	Gültigkeit
AP61447R5AC801	
AP61447R5EA800	
AP61447R5EA801	
AP61447R5EB801	
AP61447R5EC801	
AP61447R5UB801	
AP61449S5YC800	
AP61449S5YC801	
AP61456R5EA900	
AP61456R5EA901	
AP61456R5EB900	
AP61456R5EB901	
AP61456R5EC901	
AP61474R5EB900	
AP61474R5EB902	

Code	Nr. der Tafel	Pos.	Code	Nr. der Tafel	Pos.	Code	Nr. der Tafel	Pos.
639687	29.55	10	854038	28.33	12	855835	29.34	15
833658	29.54	18	854039	28.33	12	855929	29.54	15
844211	29.46	7	855022	28.56	4	855930	29.54	16
849801	29.53	5	855023	28.56	2	855947	29.54	2
849802	29.53	6	855024	28.56	3	855948	29.54	9
849803	29.53	7	855025	28.21	1	856062	28.57	13
851000	29.44	1	855026	28.21	2	856063	28.57	10
851001	29.45	1	855027	28.56	8	856161	28.57	12
851002	29.44	1	855028	28.56	12	856334	28.58	1
851003	29.45	1	855029	28.57	1	856335	28.59	5
851007	29.39	2	855034	29.41	6	856336	28.59	6
851009	29.46	1	855035	29.41	6	856337	28.59	7
851010	29.36	20	855036	28.21	1	856338	28.59	8
851011	29.46	11	855037	28.21	1	856339	28.58	6
851012	29.36	21	855038	28.29	1	856340	28.58	4
851013	29.52	11	855039	28.30	1	856340	28.58	4
851017	29.36	22	855041	28.15	11	856341	28.58	5
851019	29.36	9	855042	28.33	18	856341	28.58	5
851023	28.31	2	855043	28.18	5	856342	28.59	1
851029	28.04	7	855044	28.29	18	856343	28.59	2
851030	28.04	8	855045	28.29	19	856346	28.59	3
851035	29.40	1	855046	28.15	14	856347	28.59	4
851039	29.40	1	855048	28.11	1	856348	28.60	5
851042	29.40	2	855049	28.18	1	856349	28.60	4
851045	29.40	2	855050	28.15	23	856350	28.60	3
851063	28.22	20	855052	28.17	1	856351	28.60	6
851064	28.23	19	855053	28.31	19	856352	28.60	7
851065	28.24	23	855053	28.32	29	856353	28.60	8
851066	28.25	22	855054	28.56	1	856355	28.60	9
85114R	29.35	38	855055	28.56	9	856356	28.60	10
851156	28.58	12	855056	28.56	10	856357	28.58	7
851171	28.21	26	855057	28.56	5	856359	28.60	5
851172	28.21	25	855066	28.11	1	856360	28.60	4
851240	29.38	18	855071	28.16	5	856361	28.60	3
851252	28.08	3	855078	28.30	12	856362	28.60	6
851280	28.03	4	855081	28.20	20	856363	28.60	11
851280	28.06	11	855082	28.57	3	856364	28.60	9
851283	29.52	9	855083	28.13	1	856365	28.60	10
851288	28.01	1	855086	28.21	1	856564	28.58	1
851290	28.05	2	855087	28.21	2	856565	28.59	9
851291	28.05	1	855104	28.09	1	856566	28.59	10
851292	28.08	2	855111	28.32	22	856567	28.59	11
851295	29.38	22	855128	28.33	1	856568	28.59	12
851298	29.40	3	855129	28.33	14	856569	28.59	13
851315	29.36	4	855131	28.33	15	856570	28.59	14
851348	28.27	25	855132	28.33	16	856571	28.58	1
851351	28.26	7	855139	28.29	9	856610	28.29	16
851359	28.18	17	855139	28.29	9	856665	28.31	23
851360	28.18	18	855140	28.29	8	856681	28.13	1
851363	28.33	9	855140	28.29	8	856682	28.13	1
851364	28.33	8	855173	28.13	1	856870	28.58	9
851366	28.27	1	855177	28.04	16	856875	28.58	8
851367	28.27	3	855182	28.56	6	856877	28.58	11
851368	28.27	10	855183	28.56	8	856897	28.56	26
851369	28.20	19	855184	28.56	13	856912	28.33	17
851436	29.51	9	855213	29.54	1	856932	28.11	3
851448	28.61	26	855214	29.54	1	856941	28.21	3
851449	28.61	25	855236	29.54	19	856946	28.21	5
851495	28.61	27	855252	29.36	23	856947	28.21	4
853513	28.01	1	8553745	29.39	1	858044	28.20	17
853519	29.54	1	855490	29.54	12	858069	28.60	1
853520	29.54	1	855601	29.40	3	858070	28.58	2
853691	28.20	1	855604	28.32	32	858071	28.58	3
853693	28.20	1	855796	28.06	3	858077	28.60	2
853695	28.20	2	855797	28.06	4	858078	28.60	1
853696	28.18	6	855798	28.06	5	858079	28.60	2
853976	28.18	13	855834	29.34	15	85813800XN4	28.09	2

Code	Nr. der Tafel	Pos.	Code	Nr. der Tafel	Pos.	Code	Nr. der Tafel	Pos.
85813900XN4	28.09	2	AP8102378	28.19	23	AP8127098	28.30	2
858142	28.21	27	AP8102525	28.12	13	AP8127121	28.29	17
858171	28.59	1	AP8102678	28.57	2	AP8127391	28.31	14
858172	28.59	2	AP8102688	28.57	7	AP8127489	28.29	20
858173	28.59	3	AP8102719	28.57	8	AP8127489	28.30	7
858174	28.59	4	AP8102764	28.57	11	AP8127783	28.29	9
858246	28.31	22	AP8102903	28.12	10	AP8127783	28.30	6
858247	28.18	20	AP8102998	28.57	16	AP8127784	28.29	8
858305	28.18	16	AP8104124	28.19	31	AP8127784	28.30	5
858388	28.09	3	AP8104329	28.20	6	AP8134677	28.16	3
858409	28.61	30	AP8104666	28.57	15	AP8140710	28.33	2
858500	28.58	4	AP8104921	28.18	14	AP8144038	28.20	9
858501	28.58	5	AP8104922	28.18	15	AP8144064	28.14	8
858502	28.60	11	AP8108672	28.23	12	AP8144065	28.20	21
858503	28.61	31	AP8109001	28.22	3	AP8144087	28.61	24
858512	28.61	1	AP8109170	28.23	1	AP8144277	28.61	12
858513	28.61	2	AP8109281	28.24	3	AP8144443	28.07	16
858514	28.61	3	AP8109306	28.23	2	AP8144444	28.07	15
858515	28.61	4	AP8109309	28.23	3	AP8144506	28.19	17
858516	28.61	5	AP8112176	28.32	17	AP8144516	28.04	18
858517	28.61	6	AP8112202	28.15	12	AP8144538	28.01	15
858519	28.61	7	AP8112202	28.16	16	AP8144538	28.32	4
858520	28.61	8	AP8112244	28.32	16	AP8149034	28.16	2
858521	28.61	9	AP8112600	28.17	2	AP8150009	28.61	20
858522	28.61	10	AP8112600	28.29	14	AP8150011	28.16	8
858523	28.61	11	AP8117004	28.32	28	AP8150011	28.29	5
858524	28.61	13	AP8117041	28.19	29	AP8150011	28.31	5
858525	28.61	18	AP8119603	28.21	18	AP8150012	28.30	13
858540	28.61	19	AP8120001	28.32	3	AP8150013	28.17	5
858589	28.01	1	AP8120223	28.12	14	AP8150013	28.19	8
858590	28.04	2	AP8120253	28.01	10	AP8150015	28.09	9
858592	28.21	28	AP8120313	28.01	12	AP8150015	28.15	9
859702	28.29	1	AP8120405	28.09	7	AP8150015	28.21	22
859723	28.58	10	AP8120422	29.54	13	AP8150015	28.56	18
859728	28.31	19	AP8120446	28.19	28	AP8150017	28.02	10
859728	28.32	29	AP8120446	28.57	14	AP8150017	28.24	18
859762	28.13	5	AP8120455	28.19	32	AP8150017	28.25	19
859802	28.06	1	AP8120508	28.61	22	AP8150017	28.28	21
859803	28.06	2	AP8120593	28.20	16	AP8150017	28.29	10
859990	28.58	1	AP8120870	28.21	19	AP8150017	28.31	17
859991	28.58	2	AP8120876	28.19	6	AP8150026	28.56	25
859992	28.58	3	AP8120876	28.20	11	AP8150026	28.57	5
859999	28.33	13	AP8120952	28.19	16	AP8150044	28.11	9
860129	28.33	1	AP8120952	28.19	22	AP8150051	28.03	11
860593	29.54	14	AP8120987	28.12	12	AP8150064	28.04	17
891170	29.42	7	AP8121075	28.13	6	AP8150070	28.22	16
894814	28.06	15	AP8121170	28.21	16	AP8150070	28.23	15
894816	28.06	16	AP8121334	28.22	14	AP8150114	28.30	15
AP8101372	28.14	15	AP8121334	28.23	13	AP8150137	28.56	17
AP8101586	28.12	11	AP8121334	28.24	9	AP8150159	28.01	16
AP8101586	28.56	16	AP8121334	28.25	8	AP8150159	28.30	11
AP8101595	28.20	8	AP8121475	28.04	15	AP8150160	28.56	22
AP8101606	28.02	11	AP8121638	28.12	5	AP8150169	28.28	20
AP8101928	28.28	22	AP8121665	28.29	15	AP8150170	28.61	17
AP8102273	28.56	15	AP8121736	28.14	9	AP8150204	28.01	17
AP8102375	28.09	5	AP8121795	28.15	22	AP8150204	28.16	9
AP8102375	28.14	6	AP8121795	28.16	14	AP8150204	28.31	6
AP8102375	28.15	20	AP8121795	28.17	3	AP8150211	28.33	4
AP8102376	28.10	6	AP8121811	28.11	8	AP8150246	28.09	16
AP8102376	28.15	15	AP8121856	29.41	18	AP8150272	28.32	27
AP8102376	28.15	21	AP8121862	29.35	25	AP8150349	28.33	3
AP8102376	28.19	15	AP8121915	28.27	22	AP8150376	28.31	16
AP8102376	28.21	20	AP8124235	28.31	18	AP8150411	28.56	11
AP8102376	28.56	7	AP8124273	28.32	11	AP8150413	28.20	14
AP8102377	28.20	10	AP8124718	28.16	4	AP8150413	28.29	3
AP8102377	28.56	28	AP8124930	28.19	4	AP8150413	28.30	10
AP8102377	29.35	31	AP8125853	29.47	4	AP8150413	28.30	4

Code	Nr. der Tafel	Pos.
AP8150429	28.22	19
AP8150429	28.23	18
AP8150429	28.32	26
AP8150431	28.20	22
AP8150444	28.11	20
AP8150450	28.15	13
AP8150450	28.16	10
AP8150451	28.17	4
AP8150451	28.19	9
AP8150460	28.31	21
AP8150475	28.29	4
AP8150515	28.07	18
AP8152001	28.03	6
AP8152018	28.08	13
AP8152082	28.30	14
AP8152108	28.16	6
AP8152112	28.31	15
AP8152117	28.15	6
AP8152123	28.03	12
AP8152123	28.32	25
AP8152137	28.29	12
AP8152137	28.30	8
AP8152169	28.11	9
AP8152176	28.02	9
AP8152181	28.29	13
AP8152244	28.07	7
AP8152262	28.07	14
AP8152262	28.29	11
AP8152267	28.19	7
AP8152272	28.01	9
AP8152272	28.32	13
AP8152272	29.48	19
AP8152272	29.48	23
AP8152272	29.55	4
AP8152273	28.11	18
AP8152274	28.14	7
AP8152274	29.44	3
AP8152274	29.45	3
AP8152275	28.01	11
AP8152275	29.55	2
AP8152277	28.07	20
AP8152277	28.09	8
AP8152277	28.11	5
AP8152277	28.15	19
AP8152277	28.32	24
AP8152277	29.35	27
AP8152277	29.35	3
AP8152277	29.38	2
AP8152277	29.41	13
AP8152277	29.48	6
AP8152278	28.09	10
AP8152278	28.21	14
AP8152278	28.24	15
AP8152278	28.25	14
AP8152278	28.28	23
AP8152278	28.31	11
AP8152278	29.36	14
AP8152278	29.44	12
AP8152278	29.45	12
AP8152278	29.52	3
AP8152279	28.13	7
AP8152279	28.14	14
AP8152279	28.15	16
AP8152279	28.15	17
AP8152279	28.15	8
AP8152279	28.16	13
AP8152279	28.16	15

Code	Nr. der Tafel	Pos.
AP8152279	28.21	12
AP8152279	28.56	19
AP8152279	28.56	23
AP8152279	28.61	23
AP8152279	29.36	2
AP8152279	29.51	21
AP8152280	28.05	15
AP8152280	28.15	5
AP8152280	28.18	10
AP8152280	28.26	6
AP8152280	28.27	14
AP8152280	29.34	3
AP8152280	29.36	3
AP8152280	29.37	5
AP8152280	29.41	4
AP8152281	28.11	13
AP8152281	28.31	8
AP8152281	29.34	13
AP8152281	29.37	7
AP8152281	29.53	2
AP8152282	29.36	10
AP8152283	28.09	11
AP8152283	28.56	24
AP8152283	29.34	14
AP8152283	29.35	7
AP8152283	29.52	2
AP8152285	29.35	24
AP8152286	28.02	8
AP8152286	28.61	15
AP8152287	28.33	11
AP8152288	28.21	9
AP8152288	28.61	16
AP8152289	28.01	7
AP8152289	28.18	3
AP8152289	28.61	28
AP8152290	28.04	14
AP8152290	28.26	17
AP8152290	28.61	14
AP8152298	28.57	9
AP8152299	28.16	7
AP8152299	28.30	9
AP8152300	28.61	21
AP8152300	28.61	29
AP8152305	28.07	13
AP8152323	28.07	25
AP8152324	28.07	26
AP8152339	28.09	6
AP8152339	28.15	18
AP8152342	28.21	21
AP8152351	28.20	7
AP8156340	28.15	10
AP8156341	28.15	10
AP8156343	28.09	4
AP8161006	28.03	5
AP8163094	28.05	6
AP8163095	28.05	7
AP8163096	28.05	8
AP8163097	28.05	9
AP8163370	28.05	11
AP8176099	28.32	15
AP8176214	29.51	13
AP8176215	29.51	14
AP8184489	28.09	2
AP8184502	28.10	2
AP8184503	28.10	1
AP8184504	28.14	2
AP8184505	28.14	1

Code	Nr. der Tafel	Pos.
AP8184507	28.14	1
AP8184510	28.15	2
AP8184511	28.15	1
AP8184512	28.15	2
AP8184513	28.15	1
AP8184517	28.09	2
AP8184520	28.14	2
AP8184590	28.14	1
AP8184591	28.14	2
AP8201169	28.19	24
AP8201431	28.11	10
AP8202058	28.07	27
AP8218628	28.18	19
AP8220191	28.19	30
AP8220283	28.31	13
AP8220402	28.11	21
AP8220598	28.31	3
AP8220598	28.56	27
AP8220620	28.11	2
AP8221129	28.56	21
AP8221129	28.57	4
AP8221198	28.29	6
AP8224462	28.31	12
AP8224655	28.30	3
AP8234020	28.07	19
AP8257609	28.58	13
AP8267395	28.58	14
AP8560104	29.35	33
AP8560106	29.35	34
AP9100007	28.08	4
AP9100021	28.04	5
AP9100026	28.04	3
AP9100028	28.04	4
AP9100053	28.09	17
AP9100053	28.10	5
AP9100053	28.14	3
AP9100053	28.15	3
AP9100053	28.16	12
AP9100056	28.24	11
AP9100057	28.22	13
AP9100060	28.07	9
AP9100061	28.07	8
AP9100065	28.01	13
AP9100078	28.11	6
AP9100080	28.11	4
AP9100081	28.11	12
AP9100082	28.11	11
AP9100084	28.11	1
AP9100087	28.13	3
AP9100104	28.07	1
AP9100106	28.23	11
AP9100107	28.25	11
AP9100109	28.07	10
AP9100111	28.08	9
AP9100114	28.08	2
AP9100120	28.07	1
AP9100123	28.07	6
AP9100171	28.22	6
AP9100171	28.23	5
AP9100173	28.01	4
AP9100174	28.01	5
AP9100175	28.01	6
AP9100176	28.08	1
AP9100177	28.08	7
AP9100177	28.08	7
AP9100178	28.08	5
AP9100179	28.08	10

Code	Nr. der Tafel	Pos.	Code	Nr. der Tafel	Pos.	Code	Nr. der Tafel	Pos.
AP9100181	28.08	6	AP9100325	28.32	10	AP9100462	28.24	4
AP9100181	28.08	6	AP9100327	28.32	14	AP9100466	28.24	14
AP9100182	28.08	23	AP9100334	28.25	17	AP9100466	28.25	13
AP9100184	28.08	8	AP9100336	28.24	20	AP9100467	28.24	17
AP9100186	28.08	11	AP9100343	28.12	1	AP9100467	28.25	18
AP9100193	28.02	1	AP9100347	28.14	10	AP9100472	28.26	9
AP9100194	28.02	2	AP9100348	28.19	1	AP9100472	28.28	6
AP9100195	28.02	3	AP9100349	28.19	2	AP9100473	28.26	10
AP9100196	28.02	4	AP9100354	28.28	19	AP9100473	28.28	7
AP9100197	28.02	5	AP9100356	28.28	15	AP9100475	28.28	1
AP9100202	28.07	2	AP9100358	29.38	5	AP9100477	28.28	18
AP9100203	28.07	3	AP9100362	29.38	6	AP9100478	28.28	5
AP9100204	28.04	6	AP9100365	28.13	2	AP9100479	28.28	9
AP9100205	28.04	9	AP9100366	28.10	3	AP9100486	28.18	12
AP9100208	28.08	18	AP9100367	29.34	10	AP9100487	28.32	9
AP9100211	28.24	12	AP9100371	28.32	6	AP9100494	29.54	3
AP9100213	28.24	13	AP9100372	28.32	8	AP9100496	28.12	9
AP9100214	28.24	6	AP9100374	29.34	9	AP9100501	28.09	12
AP9100215	28.24	10	AP9100375	28.11	24	AP9100504	28.14	5
AP9100216	28.22	8	AP9100375	28.19	12	AP9100506	28.19	3
AP9100216	28.23	7	AP9100376	28.19	10	AP9100507	28.22	1
AP9100216	28.24	7	AP9100381	29.34	12	AP9100508	28.24	2
AP9100216	28.25	6	AP9100383	29.34	11	AP9100510	28.24	1
AP9100221	28.07	24	AP9100386	29.51	11	AP9100512	28.32	1
AP9100223	28.03	7	AP9100387	29.55	3	AP9100513	28.18	5
AP9100224	28.22	12	AP9100389	28.01	14	AP9100514	28.18	4
AP9100225	28.22	7	AP9100390	28.02	7	AP9100515	28.33	1
AP9100225	28.23	6	AP9100393	28.32	7	AP9100516	28.17	1
AP9100226	28.22	10	AP9100409	28.21	6	AP9100517	28.09	1
AP9100226	28.23	10	AP9100411	29.34	2	AP9100518	28.31	20
AP9100227	28.22	11	AP9100412	28.04	11	AP9100519	28.18	21
AP9100227	28.23	9	AP9100414	28.21	3	AP9100522	28.29	1
AP9100227	28.24	8	AP9100415	28.11	19	AP9100523	28.30	1
AP9100227	28.25	7	AP9100416	28.11	14	AP9100525	29.50	19
AP9100228	28.22	9	AP9100417	28.28	8	AP9100526	28.25	2
AP9100228	28.23	8	AP9100418	28.26	8	AP9100527	28.25	3
AP9100229	28.22	17	AP9100419	28.03	3	AP9100528	28.23	14
AP9100229	28.23	16	AP9100423	28.31	10	AP9100531	28.24	21
AP9100230	28.22	18	AP9100424	28.31	7	AP9100533	28.24	22
AP9100230	28.23	17	AP9100427	28.20	13	AP9100542	28.04	1
AP9100238	28.21	10	AP9100428	28.20	15	AP9100548	28.09	15
AP9100241	28.21	11	AP9100429	28.31	9	AP9100549	28.08	12
AP9100243	28.01	18	AP9100432	28.24	19	AP9100550	29.34	12
AP9100244	28.21	4	AP9100432	28.25	20	AP9100553	28.19	20
AP9100249	28.21	5	AP9100433	28.07	21	AP9100554	28.19	21
AP9100252	28.21	15	AP9100433	29.34	13	AP9100555	28.19	18
AP9100256	28.26	11	AP9100434	28.07	23	AP9100557	28.19	19
AP9100257	28.26	1	AP9100434	28.12	8	AP9100558	28.32	12
AP9100261	28.24	5	AP9100434	28.14	13	AP9100559	28.25	10
AP9100262	28.22	5	AP9100434	28.21	13	AP9100560	28.25	4
AP9100264	28.07	6	AP9100434	28.56	20	AP9100561	28.23	4
AP9100267	28.12	18	AP9100435	28.07	11	AP9100565	28.07	17
AP9100270	28.07	24	AP9100437	28.04	2	AP9100569	28.25	12
AP9100275	28.02	6	AP9100439	28.04	13	AP9100584	28.25	9
AP9100281	28.13	4	AP9100439	28.08	15	AP9100587	28.20	5
AP9100287	28.07	22	AP9100440	28.09	13	AP9100588	28.20	4
AP9100288	28.16	11	AP9100441	28.09	14	AP9100593	29.34	4
AP9100289	28.08	17	AP9100442	28.08	14	AP9100594	28.15	7
AP9100290	28.28	16	AP9100443	29.34	5	AP9100595	28.24	16
AP9100291	28.28	17	AP9100447	28.31	1	AP9100595	28.25	15
AP9100292	29.38	7	AP9100451	29.50	20	AP9100596	28.25	16
AP9100293	28.04	10	AP9100455	28.20	12	AP9100600	29.50	19
AP9100297	28.18	2	AP9100456	28.19	25	AP9100604	28.08	16
AP9100301	28.21	24	AP9100456	28.56	14	AP9100608	28.25	1
AP9100302	28.21	23	AP9100457	28.22	4	AP9100610	28.16	1
AP9100315	28.01	13	AP9100458	28.22	2	AP9100616	28.07	12
AP9100322	28.25	5	AP9100461	28.22	15	AP9100634	28.29	16

Code	Nr. der Tafel	Pos.
AP9100635	28.29	2
AP9100636	28.18	7
AP9100638	28.12	6
AP9100638	28.57	6
AP9100643	29.34	6
AP9100645	28.10	4
AP9100645	28.14	4
AP9100645	28.15	4
AP9100661	28.12	7
AP9100661	28.14	12
AP9100663	28.19	14
AP9100665	28.12	16
AP9100668	28.03	8
AP9100669	28.03	9
AP9100683	29.34	8
AP9100684	29.34	8
AP9100685	29.34	8
AP9100686	29.34	8
AP9100687	29.34	7
AP9100688	28.01	8
AP9100697	28.19	27
AP9100703	28.20	3
AP9100707	28.26	5
AP9100709	29.54	2
AP9100712	28.27	24
AP9100713	28.27	15
AP9100714	28.19	26
AP9100714	29.54	4
AP9100715	28.25	21
AP9100724	28.01	12
AP9100725	28.32	5
AP9100736	28.21	8
AP9100739	28.32	20
AP9100742	28.32	18
AP9100747	28.29	7
AP9100749	28.27	23
AP9100752	28.28	25
AP9100755	28.21	17
AP9100756	28.33	7
AP9100757	28.33	6
AP9100763	28.27	21
AP9100765	28.32	23
AP9100766	28.01	2
AP9100767	28.11	7
AP9100768	28.01	20
AP9100769	28.01	19
AP9100770	28.01	3
AP9100776	28.04	12
AP9100778	28.14	11
AP9100780	28.19	5
AP9100781	28.19	13
AP9100782	28.32	19
AP9100783	28.32	21
AP9100785	28.26	2
AP9100786	28.26	3
AP9100787	28.26	4
AP9100788	28.26	12
AP9100789	28.26	13
AP9100789	28.28	24
AP9100790	28.26	14
AP9100791	28.26	15
AP9100792	28.26	16
AP9100793	28.28	3
AP9100794	28.28	2
AP9100795	28.28	4
AP9100796	28.28	14
AP9100797	28.28	10

Code	Nr. der Tafel	Pos.
AP9100798	28.28	11
AP9100799	28.28	13
AP9100800	28.28	12
AP9100802	28.18	13
AP9100808	28.08	19
AP9100814	28.08	20
AP9100815	28.08	20
AP9100817	28.08	21
AP9100820	28.08	22
AP9100834	28.03	1
AP9100835	28.03	1
AP9100836	28.03	10
AP9100837	28.33	10
AP9100845	28.21	7
AP9100847	28.05	3
AP9100848	28.05	4
AP9100849	28.05	10
AP9100850	28.05	12
AP9100851	28.05	13
AP9100852	28.05	14
AP9100853	28.05	17
AP9100854	28.05	18
AP9100855	28.05	5
AP9100856	28.05	16
AP9100857	28.05	19
AP9100858	28.05	20
AP9100859	28.05	21
AP9100872	28.06	6
AP9100873	28.06	7
AP9100874	28.06	8
AP9100875	28.06	9
AP9100876	28.06	10
AP9100877	28.06	12
AP9100878	28.06	13
AP9100879	28.06	14
AP9100905	28.27	20
AP9100906	28.27	16
AP9100907	28.27	17
AP9100908	28.27	18
AP9100909	28.27	19
AP9100910	28.27	13
AP9100911	28.27	12
AP9100912	28.27	11
AP9100914	28.27	9
AP9100915	28.27	8
AP9100916	28.27	7
AP9100917	28.27	6
AP9100918	28.27	5
AP9100919	28.27	4
AP9100921	28.27	2
AP9100930	28.11	15
AP9100931	28.11	16
AP9100936	28.33	5
AP9100939	28.18	8
AP9100940	28.18	9
AP9100941	28.18	11
AP9100945	28.31	4
AP9100948	28.19	33
AP9100950	28.12	15
AP9100951	28.12	17
AP9100952	28.07	4
AP9100952	28.07	5
AP9100953	28.07	5
AP9100959	28.32	30
AP9100964	28.03	2
AP9100965	28.31	20
AP9100966	28.11	23

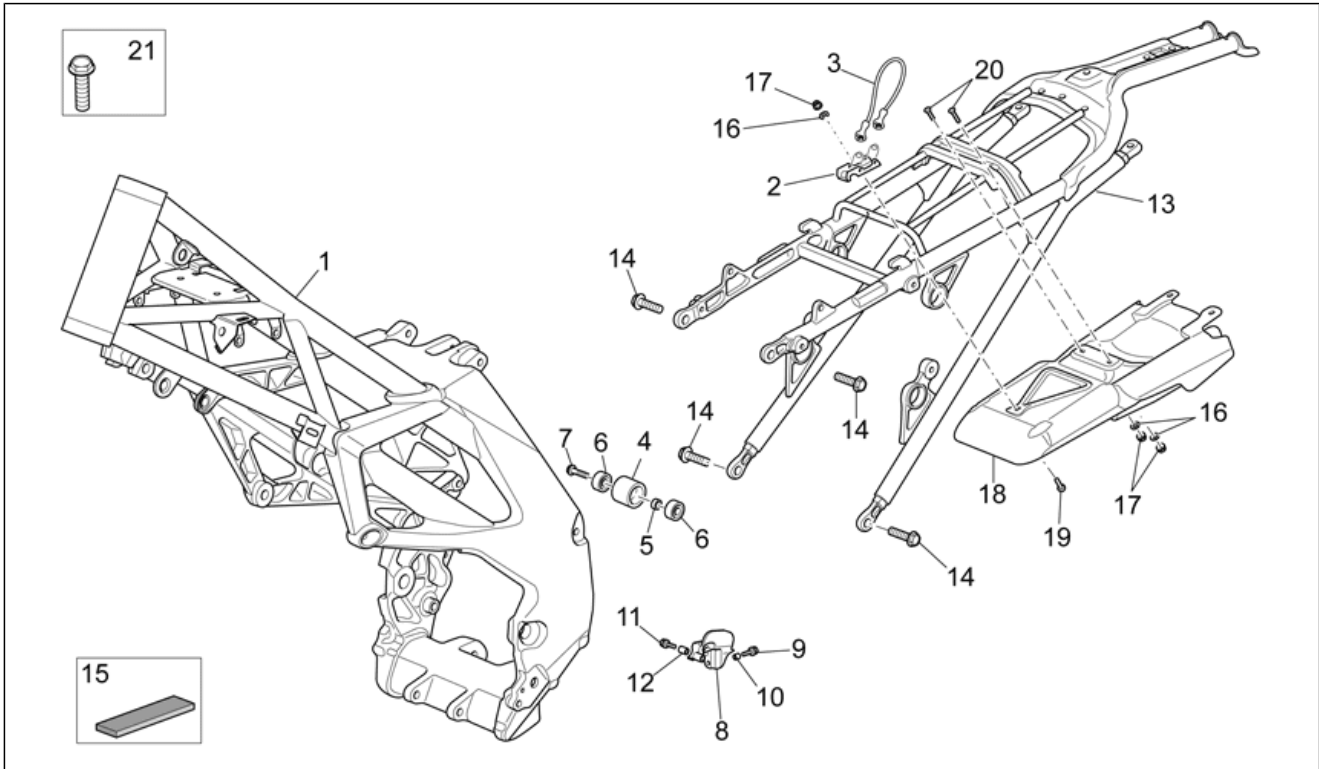
Code	Nr. der Tafel	Pos.
AP9100967	28.11	22
AP9100969	28.19	11
AP9100997	28.32	31
AP9100998	29.35	36
AP9100999	29.41	21
AP9101000	28.32	2
AP9101008	29.54	5
AP9101009	29.54	6
AP9101010	29.54	7
AP9101011	29.54	8
AP9101012	29.54	9
AP9101013	29.54	10
AP9101014	29.54	11
AP9101017	28.20	18
AP9150003	29.48	13
AP9150004	29.48	1
AP9150006	29.47	5
AP9150007	29.40	4
AP9150009	29.41	7
AP9150010	29.41	8
AP9150011	29.44	16
AP9150011	29.45	16
AP9150012	29.44	17
AP9150012	29.45	17
AP9150018	29.39	10
AP9150019	29.39	1
AP9150022	29.42	1
AP9150023	29.42	2
AP9150024	29.42	5
AP9150025	29.42	6
AP9150028	29.42	3
AP9150040	29.51	5
AP9150043	29.48	4
AP9150044	29.47	6
AP9150048	29.47	1
AP9150051	29.47	7
AP9150060	29.48	11
AP9150061	29.48	17
AP9150062	29.48	14
AP9150063	29.47	2
AP9150064	29.48	9
AP9150065	29.39	7
AP9150066	29.39	8
AP9150067	29.48	3
AP9150068	29.48	10
AP9150069	29.48	7
AP9150070	29.48	8
AP9150071	29.37	1
AP9150072	29.48	12
AP9150073	29.48	5
AP9150074	29.37	20
AP9150075	29.37	15
AP9150076	29.37	13
AP9150078	29.35	28
AP9150090	29.53	1
AP9150091	29.48	16
AP9150093	29.48	15
AP9150094	29.36	12
AP9150096	29.44	7
AP9150096	29.45	7
AP9150101	29.44	8
AP9150101	29.45	8
AP9150102	29.44	9
AP9150102	29.45	9
AP9150104	29.42	4
AP9150106	29.42	8
AP9150107	29.42	9

Code	Nr. der Tafel	Pos.	Code	Nr. der Tafel	Pos.	Code	Nr. der Tafel	Pos.
AP9150109	29.35	29	AP9150231	29.44	18	AP9150349	29.35	20
AP9150110	29.41	10	AP9150232	29.51	20	AP9150349	29.35	30
AP9150111	29.41	9	AP9150234	29.51	8	AP9150349	29.41	16
AP9150112	29.41	2	AP9150235	29.51	12	AP9150349	29.41	20
AP9150113	29.41	3	AP9150236	29.39	13	AP9150350	29.35	18
AP9150114	29.41	5	AP9150237	29.50	18	AP9150351	29.36	18
AP9150115	29.35	16	AP9150238	29.47	3	AP9150352	29.52	5
AP9150116	29.35	15	AP9150246	29.50	12	AP9150353	29.35	10
AP9150117	29.35	17	AP9150247	29.50	9	AP9150355	29.38	21
AP9150118	29.36	7	AP9150248	29.50	8	AP9150356	29.36	16
AP9150119	29.52	4	AP9150249	29.50	6	AP9150357	29.50	15
AP9150120	29.41	11	AP9150250	29.50	3	AP9150358	29.51	16
AP9150121	29.41	12	AP9150252	29.49	9	AP9150359	29.51	17
AP9150123	29.40	3	AP9150253	29.49	8	AP9150360	29.49	12
AP9150127	29.39	11	AP9150254	29.49	6	AP9150361	29.50	14
AP9150132	29.52	6	AP9150255	29.49	3	AP9150362	29.49	11
AP9150133	29.44	15	AP9150256	29.49	1	AP9150363	29.50	16
AP9150133	29.45	15	AP9150258	29.50	12	AP9150364	29.44	2
AP9150138	29.44	6	AP9150259	29.50	9	AP9150364	29.45	2
AP9150140	29.44	20	AP9150260	29.50	8	AP9150364	29.48	22
AP9150140	29.45	20	AP9150261	29.50	6	AP9150365	29.48	21
AP9150141	29.44	19	AP9150262	29.50	3	AP9150366	29.46	2
AP9150141	29.45	19	AP9150263	29.50	1	AP9150367	29.51	7
AP9150142	29.45	18	AP9150265	29.49	9	AP9150369	29.53	8
AP9150143	29.43	1	AP9150266	29.49	8	AP9150370	29.50	11
AP9150145	29.35	4	AP9150267	29.49	7	AP9150372	29.44	10
AP9150146	29.35	2	AP9150267	29.50	7	AP9150372	29.45	10
AP9150148	29.36	8	AP9150268	29.49	6	AP9150373	29.51	4
AP9150149	29.35	9	AP9150269	29.49	3	AP9150374	29.51	3
AP9150150	29.36	11	AP9150270	29.49	1	AP9150375	29.48	2
AP9150152	29.36	1	AP9150273	29.46	4	AP9150376	29.37	8
AP9150153	29.36	6	AP9150280	29.38	3	AP9150377	29.37	2
AP9150157	29.37	3	AP9150281	29.38	1	AP9150380	29.55	7
AP9150158	29.37	4	AP9150284	29.51	6	AP9150382	29.50	17
AP9150159	29.37	14	AP9150285	29.46	9	AP9150384	29.51	2
AP9150160	29.37	17	AP9150291	29.37	9	AP9150385	29.37	12
AP9150161	29.37	19	AP9150292	29.52	7	AP9150387	29.46	3
AP9150162	29.37	6	AP9150294	29.49	10	AP9150389	29.46	12
AP9150166	29.38	19	AP9150294	29.50	13	AP9150390	29.46	8
AP9150167	29.38	20	AP9150296	29.50	10	AP9150391	29.44	11
AP9150168	29.38	8	AP9150297	29.49	4	AP9150391	29.45	11
AP9150169	29.38	9	AP9150297	29.50	4	AP9150393	29.47	9
AP9150170	29.38	11	AP9150299	29.46	10	AP9150394	29.35	5
AP9150171	29.38	12	AP9150300	29.44	16	AP9150395	29.34	14
AP9150172	29.38	16	AP9150300	29.45	16	AP9150395	29.36	13
AP9150173	29.38	14	AP9150301	29.40	4	AP9150396	29.37	16
AP9150174	28.12	2	AP9150302	29.49	5	AP9150397	29.37	21
AP9150174	29.35	19	AP9150302	29.50	5	AP9150398	29.38	17
AP9150174	29.41	19	AP9150303	29.44	4	AP9150401	29.55	5
AP9150180	29.55	1	AP9150303	29.45	4	AP9150402	29.39	5
AP9150181	29.41	15	AP9150304	29.45	6	AP9150410	28.12	4
AP9150184	29.48	18	AP9150311	29.50	1	AP9150410	29.36	15
AP9150190	29.51	10	AP9150312	29.41	17	AP9150417	29.43	1
AP9150191	29.51	18	AP9150315	29.39	10	AP9150418	29.43	1
AP9150194	29.51	19	AP9150317	29.41	1	AP9150419	29.43	1
AP9150195	29.51	15	AP9150321	29.38	13	AP9150420	29.43	1
AP9150196	29.51	1	AP9150323	29.39	12	AP9150421	29.43	1
AP9150204	29.55	8	AP9150324	29.35	11	AP9150422	29.43	1
AP9150205	29.55	6	AP9150327	29.44	15	AP9150423	29.43	1
AP9150208	29.53	9	AP9150327	29.45	15	AP9150424	29.43	1
AP9150209	29.53	3	AP9150338	29.40	3	AP9150425	29.43	1
AP9150210	29.39	9	AP9150343	29.40	5	AP9150426	29.43	1
AP9150216	29.49	2	AP9150344	29.35	35	AP9150427	29.43	1
AP9150216	29.50	2	AP9150346	29.35	23	AP9150428	29.43	1
AP9150217	29.37	11	AP9150347	29.38	4	AP9150429	29.43	1
AP9150218	29.50	18	AP9150348	29.46	5	AP9150430	29.43	1
AP9150220	29.47	8	AP9150349	28.12	3	AP9150431	29.43	1

Code	Nr. der Tafel	Pos.
AP9150432	29.43	1
AP9150433	29.43	1
AP9150434	29.43	1
AP9150435	29.35	8
AP9150436	29.39	4
AP9150437	29.39	3
AP9150439	29.35	26
AP9150440	29.35	12
AP9150441	29.35	13
AP9150442	29.35	14
AP9150443	29.37	22
AP9150443	29.52	10
AP9150446	29.53	4
AP9150448	29.44	5
AP9150450	29.45	5
AP9150450	29.45	5
AP9150451	29.55	9
AP9150454	29.39	12
AP9150455	29.39	12
AP9150456	29.35	11
AP9150457	29.35	11
AP9150461	29.37	10
AP9150462	29.48	24
AP9150463	29.37	18
AP9150464	29.52	8
AP9150469	29.41	14
AP9150471	29.35	22
AP9150472	29.38	23
AP9150473	29.36	17
AP9150476	29.38	10
AP9150477	29.38	15
AP9150479	29.48	20
AP9150483	29.46	6
AP9150484	29.52	1
AP9150489	29.35	6
AP9150492	29.34	16
AP9150493	29.34	17
AP9150500	29.53	10
AP9150506	29.44	13
AP9150506	29.45	13
AP9150507	29.44	14
AP9150508	29.45	14
AP9150522	29.36	19
AP9150524	29.36	5
AP9150525	29.39	6
AP9150526	29.35	32
AP9150533	29.35	21
AP9150545	29.35	37
CM002902	29.54	17
CM002904	29.54	20
CM155401	29.35	1
CM155402	29.35	1
CM155403	29.35	1
CM155404	29.35	1
CM2362045	29.34	1
CM2362055	29.34	1
CM2362075	29.34	1
CM2362085	29.34	1
CM2363045	29.34	1
CM2363055	29.34	1
CM2363075	29.34	1
CM2363085	29.34	1
CM238602	29.44	5
CM238603	29.44	5
CM238604	29.44	5
CM238605	29.44	5
CM238606	29.44	5

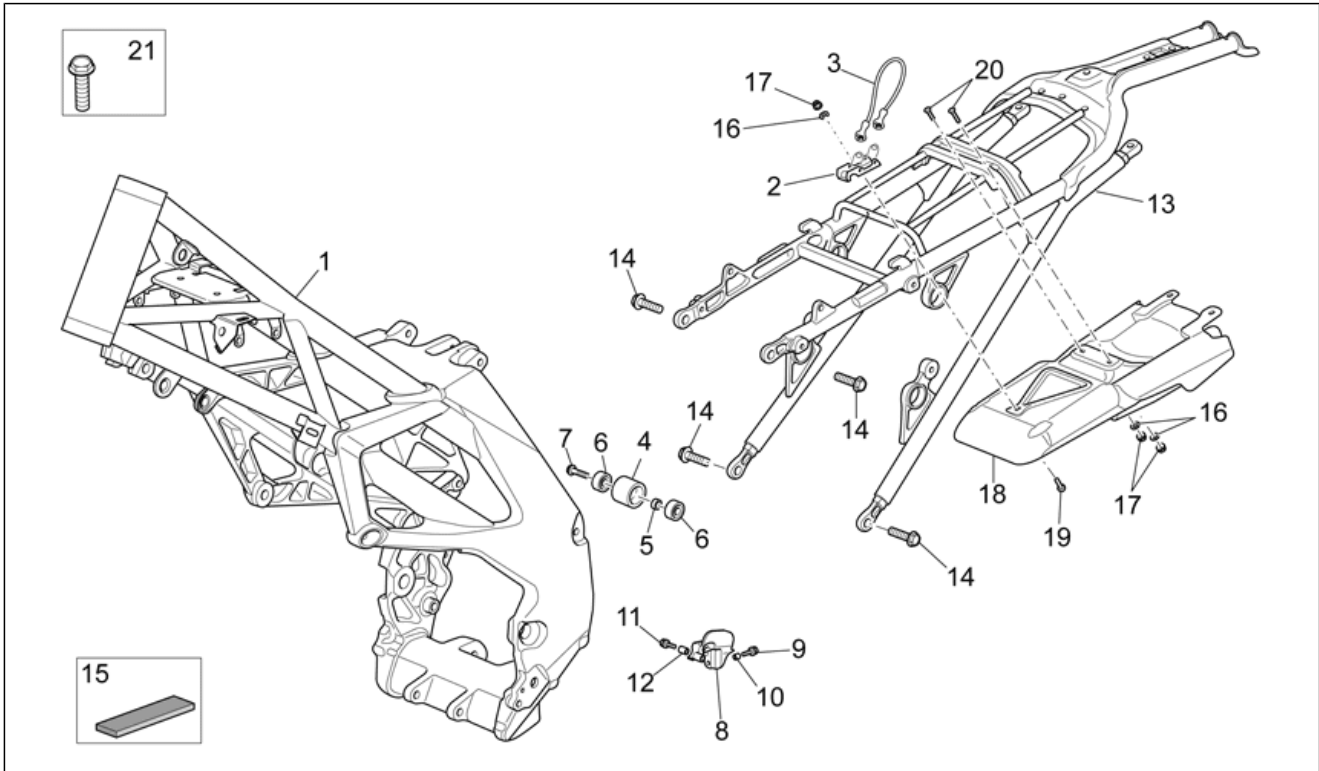
Code	Nr. der Tafel	Pos.
GU01103090	28.11	17
GU05781630	28.09	18

Einheit	RAHMEN
Code	28.01
Beschreibung	Rahmen
Inspektion	1



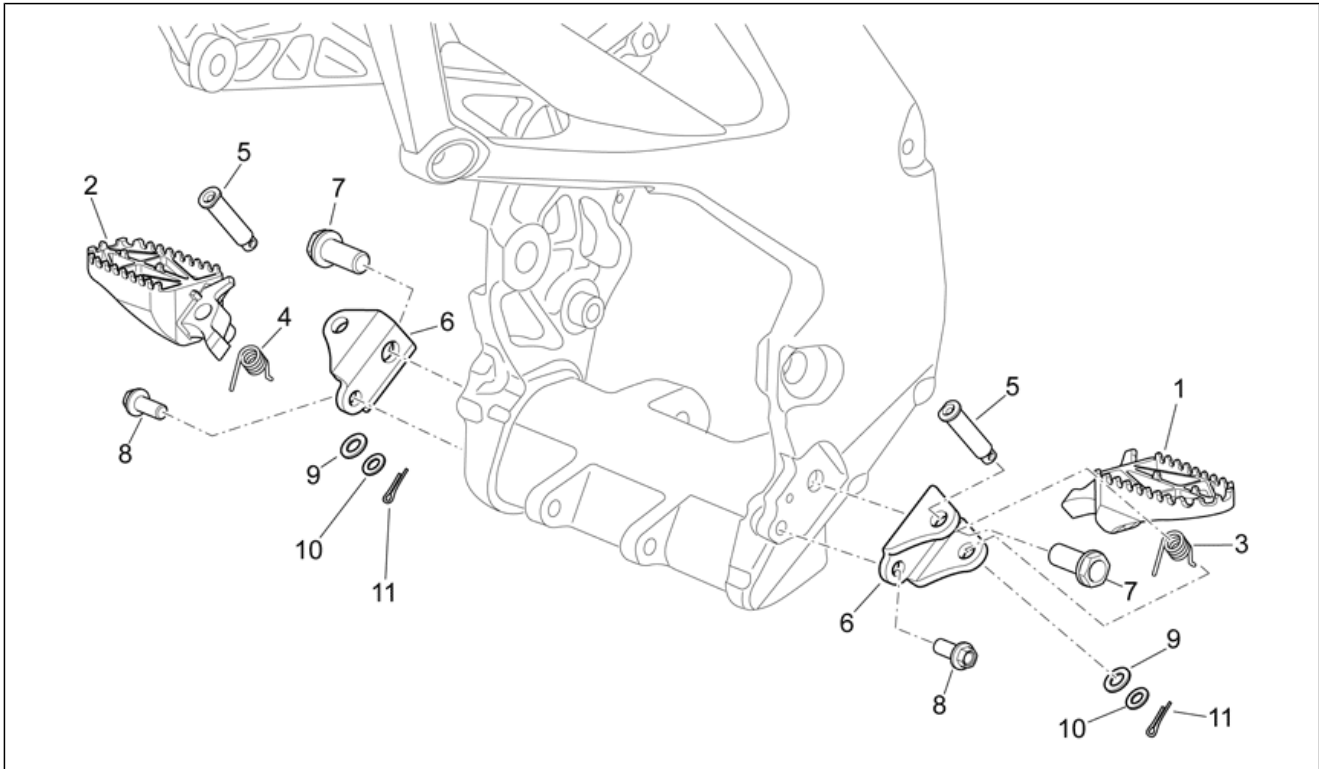
Pos.	Code	Beschreibung	Menge	Varianten
1	851288	Rahmen	1	Land: Vereinigte Staaten von Amerika[USA] Technische Daten: Version Enduro 450[RX45], Enduro-Version 550[RX55]
1	853513	Rahmen	1	Technische Daten: Version Motard 450[SX45], Version Motard 550[SX55]
1	858589	Rahmen	1	Land: EU[EU] Technische Daten: Version Enduro 450[RX45], Enduro-Version 550[RX55]
2	AP9100766	Platte	1	
3	AP9100770	Kabel	1	
4	AP9100173	Kettenrolle schwarz	1	
5	AP9100174	Distanzscheibe	1	
6	AP9100175	Kugellager 8x22x7	2	
7	AP8152289	TE Schr. m. Flansch	1	
8	AP9100688	Unt. Kettengleitführung	1	
9	AP8152272	TE Schr. m. Flansch M5x12	1	
10	AP8120253	Distanzscheibe	1	
11	AP8152275	TE Schr. m. Flansch M5x25	1	
12	AP8120313	Distanzscheibe H11,5	1	Technische Daten: Version Motard 450[SX45], Version Motard 550[SX55]
12	AP9100724	Distanzscheibe	1	Technische Daten: Version Enduro 450[RX45], Enduro-Version 550[RX55]
13	AP9100065	Sattelstütze	1	Technische Daten: Version Enduro 450[RX45], Enduro-Version 550[RX55]
13	AP9100315	Sattelstütze	1	Technische Daten: Version Motard 450[SX45], Version Motard 550[SX55]
14	AP9100389	TE Schr. m. Flansch M10x1,25	4	
15	AP8144538	Dichtung	2	
16	AP8150159	Ausgleichscheibe 4,3x16*	3	
17	AP8150204	Mutter M4	3	

Einheit	RAHMEN
Code	28.01
Beschreibung	Rahmen
Inspektion	1



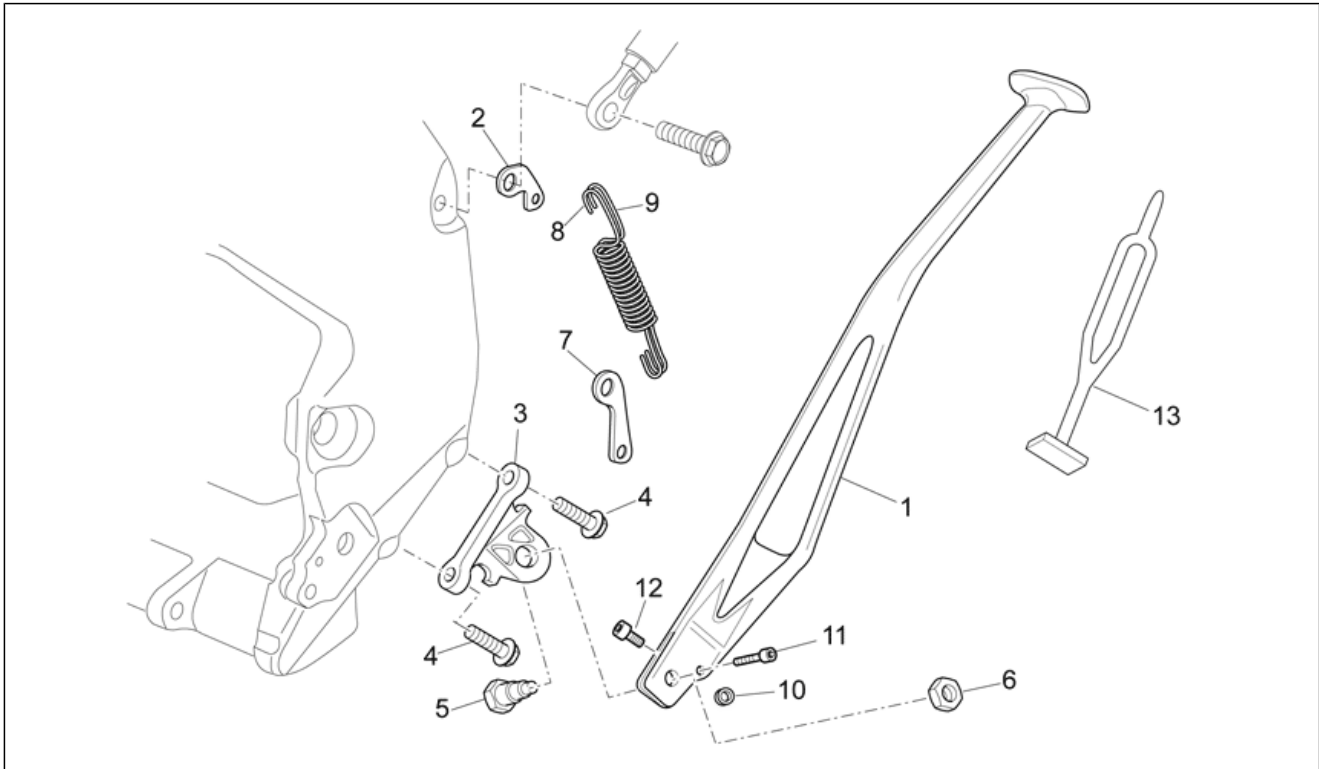
Pos.	Code	Beschreibung	Menge	Varianten
18	AP9100243	Wärmeschutz	1	
19	AP9100769	TBEI Schraube M4x10 inox	1	
20	AP9100768	Schraube M4x12	2	

Einheit	RAHMEN
Code	28.02
Beschreibung	Fussrasten
Inspektion	1



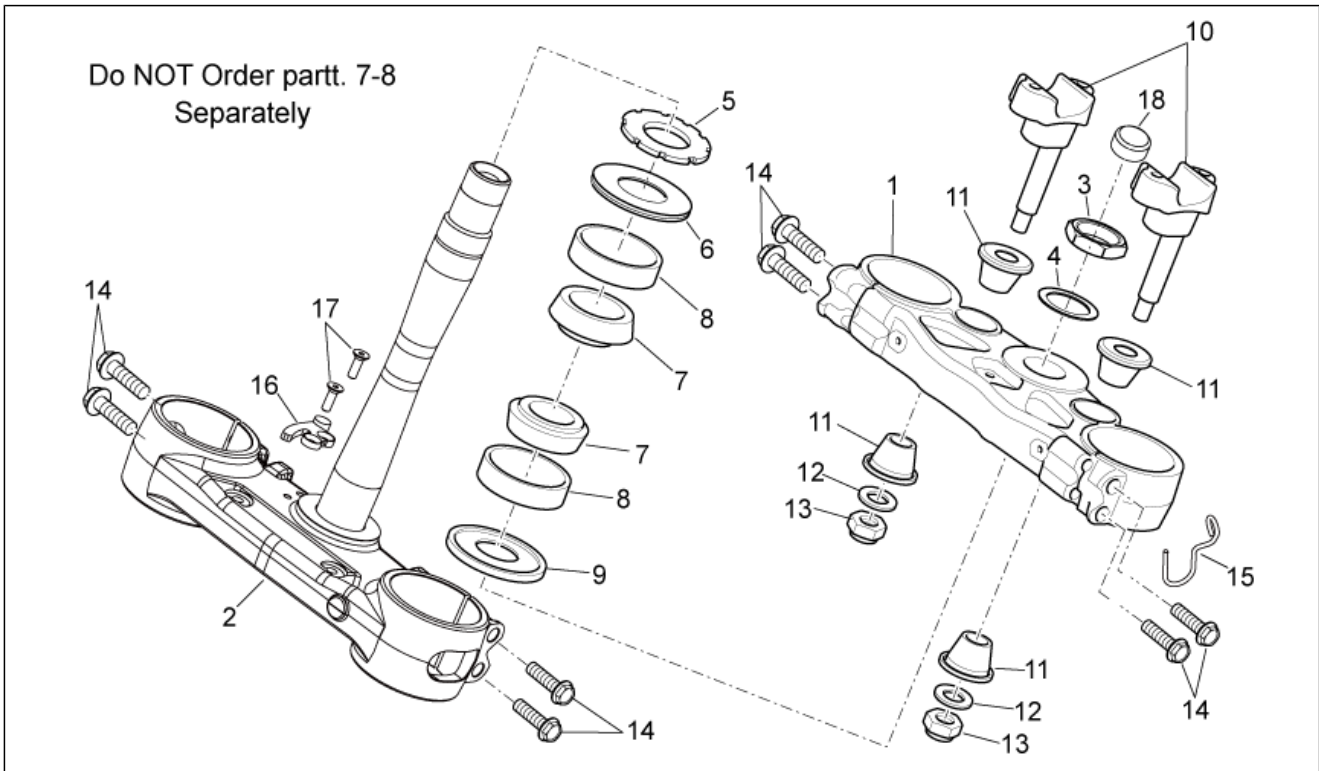
Pos.	Code	Beschreibung	Menge	Varianten
1	AP9100193	Soziusraste links	1	
2	AP9100194	Soziusraste rechts	1	
3	AP9100195	Feder links	1	
4	AP9100196	Feder rechts	1	
5	AP9100197	Bolzen	2	
6	AP9100275	Halterung Fußraste	2	
7	AP9100390	Schraube M12x1,25	2	
8	AP8152286	TE Schr. m. Flansch M8x20	2	
9	AP8152176	Ausgleichscheibe 10,5X18X2*	2	
10	AP8150017	Ausgleichscheibe 8,4x16x1,6	2	
11	AP8101606	Splint	2	

Einheit	RAHMEN
Code	28.03
Beschreibung	Hauptständer
Inspektion	1



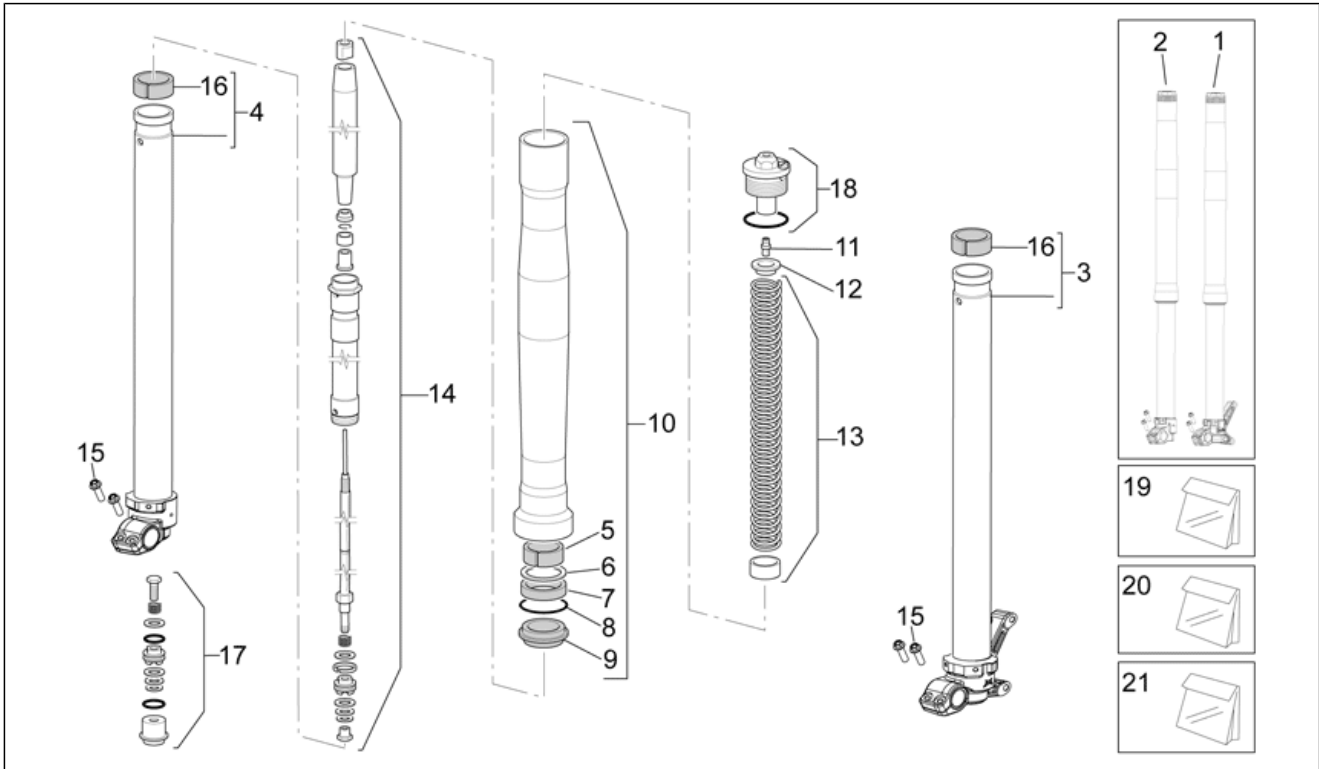
Pos.	Code	Beschreibung	Menge	Varianten
1	AP9100834	Hauptständer	1	Technische Daten: Version Enduro 450[RX45], Enduro-Version 550[RX55]
1	AP9100835	Hauptständer	1	Technische Daten: Version Motard 450[SX45], Version Motard 550[SX55]
2	AP9100964	Platte	1	
3	AP9100419	Hauptständer platte	1	
4	851280	TE Schr. m. Flansch	2	
5	AP8161006	Ständerschraube	1	
6	AP8152001	Mutter unten M10x1,25	1	
7	AP9100223	Rückholplatte Ständer	1	
8	AP9100668	Außere Feder	1	
9	AP9100669	Innere Feder	1	
10	AP9100836	Buchse 8x5x7,8	1	
11	AP8150051	TCEI Schraube	1	
12	AP8152123	TCEI Schraube	1	

Einheit	RAHMEN
Code	28.04
Beschreibung	Lenkung I
Inspektion	1



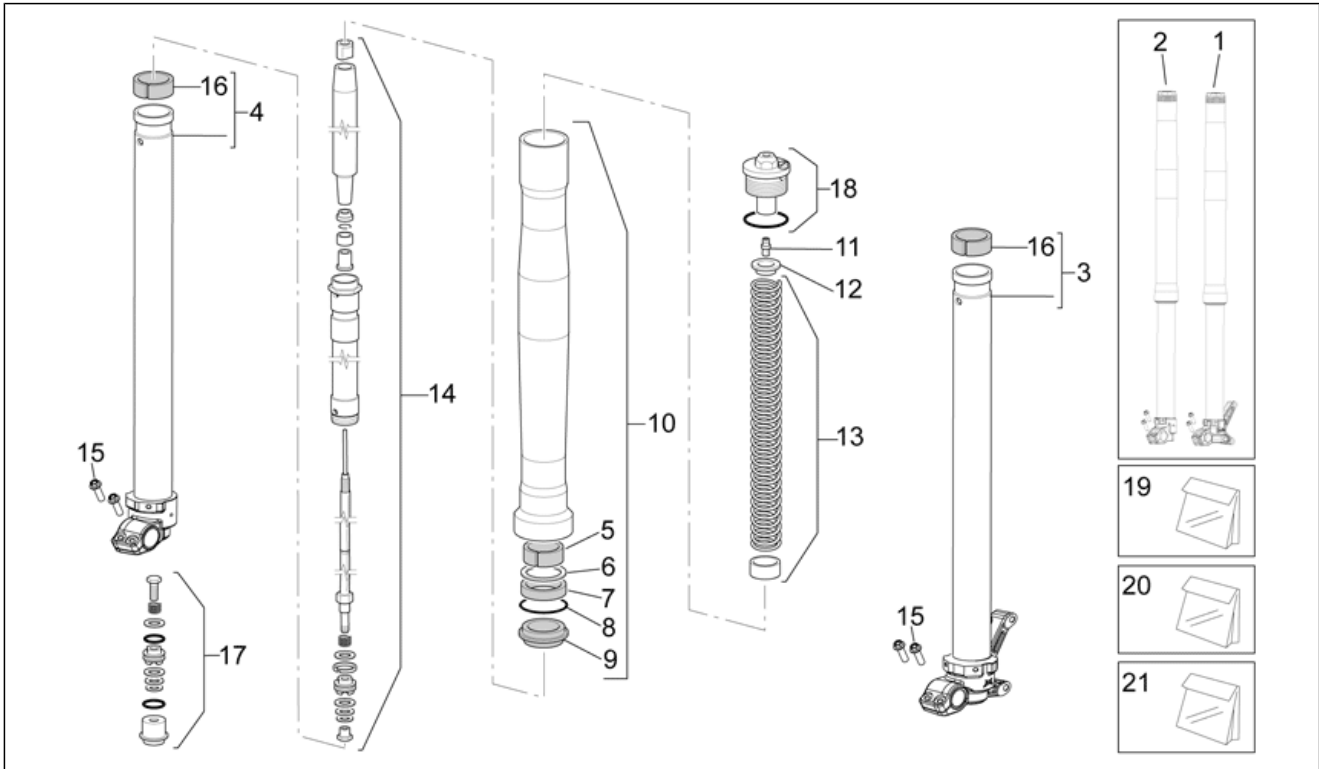
Pos.	Code	Beschreibung	Menge	Varianten
1	AP9100542	Obere Platte	1	
2	858590	Fuß mit Rohr	1	Technische Daten: Version Enduro 450[RX45], Enduro-Version 550[RX55]
2	AP9100437	Fuß mit Rohr	1	Technische Daten: Version Motard 450[SX45], Version Motard 550[SX55]
3	AP9100026	Bolzen Mutter	1	
4	AP9100028	Ausgleichscheibe 26,5x36x1	1	
5	AP9100021	Nutmutter	1	
6	AP9100204	Ob.Dichtring	1	
7	851029	Anlaufscheibe	2	
8	851030	Lager	2	
9	AP9100205	Un.Dichtring	1	
10	AP9100293	Unter.Bügelbolzen	2	
11	AP9100412	Schwingschutzlager	4	
12	AP9100776	Ausgleichscheibe 10.1x23x2.5	2	
13	AP9100439	Selbstsperr.Mut.Unt. M10x1,25	2	
14	AP8152290	TE Schr. m. Flansch M8x40	8	
15	AP8121475	Kabelführung	1	Land: EU[EU]
16	855177	Platte	1	
17	AP8150064	Schraube	2	
18	AP8144516	Griff Verschuß	1	Technische Daten: Version Enduro 450[RX45], Enduro-Version 550[RX55]

Einheit	RAHMEN
Code	28.05
Beschreibung	Gabel I
Inspektion	1



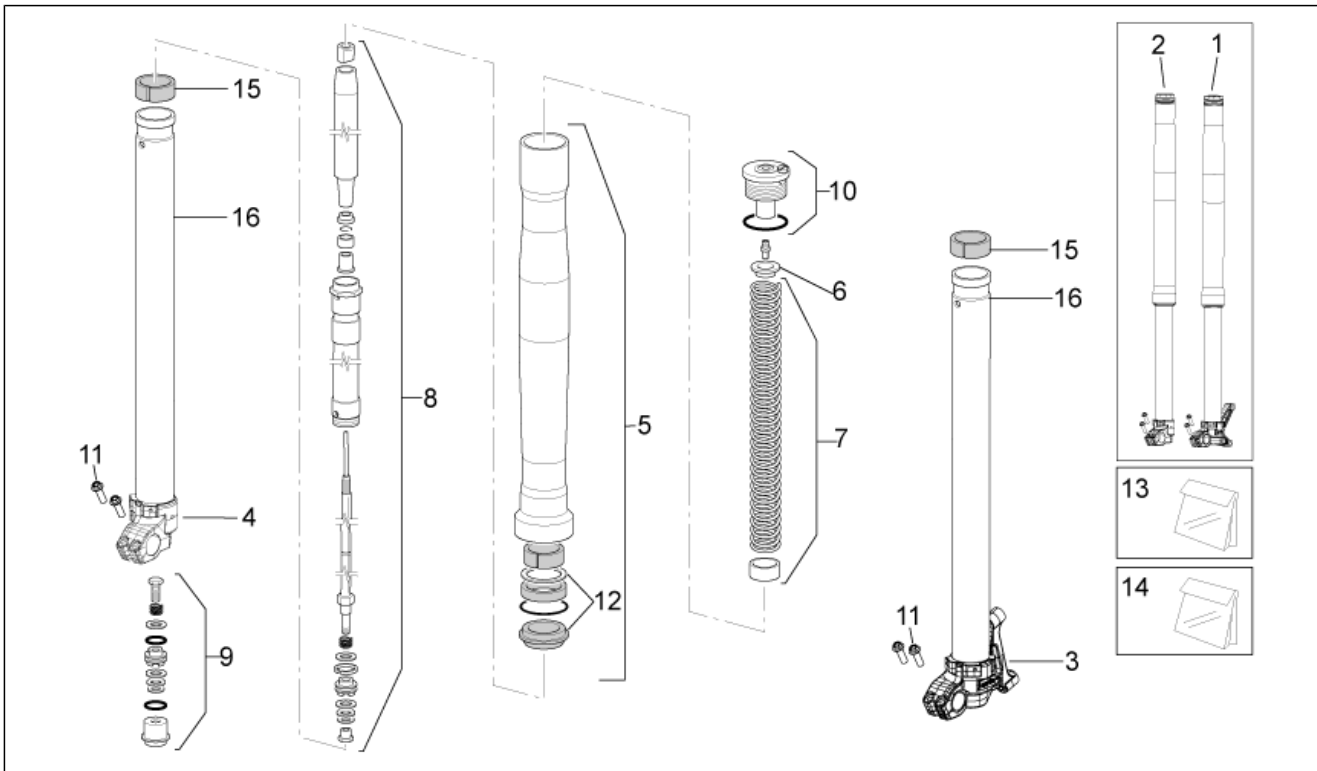
Pos.	Code	Beschreibung	Menge	Varianten
1	851291	Kolbenstange links kpl.	1	Technische Daten: Version Enduro 450[RX45], Enduro-Version 550[RX55]
2	851290	Kolbenstange rechts kpl.	1	Technische Daten: Version Enduro 450[RX45], Enduro-Version 550[RX55]
3	AP9100847	Klb.st.+ Radhltr. lks.	1	Technische Daten: Version Enduro 450[RX45], Enduro-Version 550[RX55]
4	AP9100848	Klb.st.+ Radhltr. rch.	1	Technische Daten: Version Enduro 450[RX45], Enduro-Version 550[RX55]
5	AP9100855	Obere Buchse 45x15	2	Technische Daten: Version Enduro 450[RX45], Enduro-Version 550[RX55]
6	AP8163094	Becher 58x46x3	2	Technische Daten: Version Enduro 450[RX45], Enduro-Version 550[RX55]
7	AP8163095	Gasket ring 45x58x11	2	Technische Daten: Version Enduro 450[RX45], Enduro-Version 550[RX55]
8	AP8163096	Sperring D.63	2	Technische Daten: Version Enduro 450[RX45], Enduro-Version 550[RX55]
9	AP8163097	Staubschutz D.45	2	Technische Daten: Version Enduro 450[RX45], Enduro-Version 550[RX55]
10	AP9100849	Hülse kplt.	2	Technische Daten: Version Enduro 450[RX45], Enduro-Version 550[RX55]
11	AP8163370	Feststellschraube+o-ring	2	Technische Daten: Version Enduro 450[RX45], Enduro-Version 550[RX55]
12	AP9100850	Ring d.40	2	Technische Daten: Version Enduro 450[RX45], Enduro-Version 550[RX55]
13	AP9100851	Feder kit	2	Technische Daten: Version Enduro 450[RX45], Enduro-Version 550[RX55]
14	AP9100852	Pumpenrad kplt.	2	Technische Daten: Version Enduro 450[RX45], Enduro-Version 550[RX55]
15	AP8152280	TE Schr. m. Flansch M6x25	4	Technische Daten: Version Enduro 450[RX45], Enduro-Version 550[RX55]
16	AP9100856	Untere Buchse 45x20	2	Technische Daten: Version Enduro 450[RX45], Enduro-Version 550[RX55]

Einheit	RAHMEN
Code	28.05
Beschreibung	Gabel I
Inspektion	1



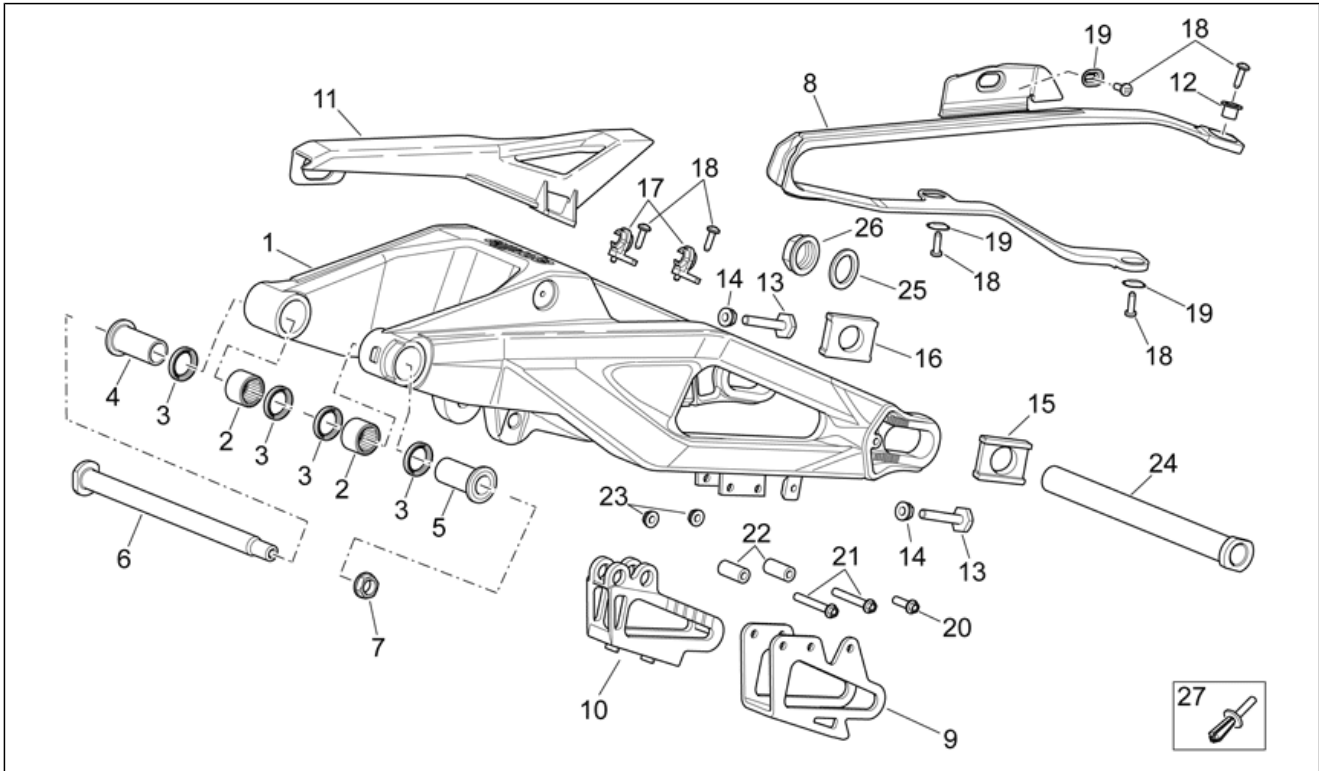
Pos.	Code	Beschreibung	Menge	Varianten
17	AP9100853	Ventil d.45	2	Technische Daten: Version Enduro 450[RX45], Enduro-Version 550[RX55]
18	AP9100854	Verschlußschraube kplt. d.45	2	Technische Daten: Version Enduro 450[RX45], Enduro-Version 550[RX55]
19	AP9100857	Entfern.inner Gabeldichringe kit	1	Technische Daten: Version Enduro 450[RX45], Enduro-Version 550[RX55]
20	AP9100858	Dichtungssatz d.45	1	Technische Daten: Version Enduro 450[RX45], Enduro-Version 550[RX55]
21	AP9100859	Buchse kit	1	Technische Daten: Version Enduro 450[RX45], Enduro-Version 550[RX55]

Einheit	RAHMEN
Code	28.06
Beschreibung	Gabel II
Inspektion	1



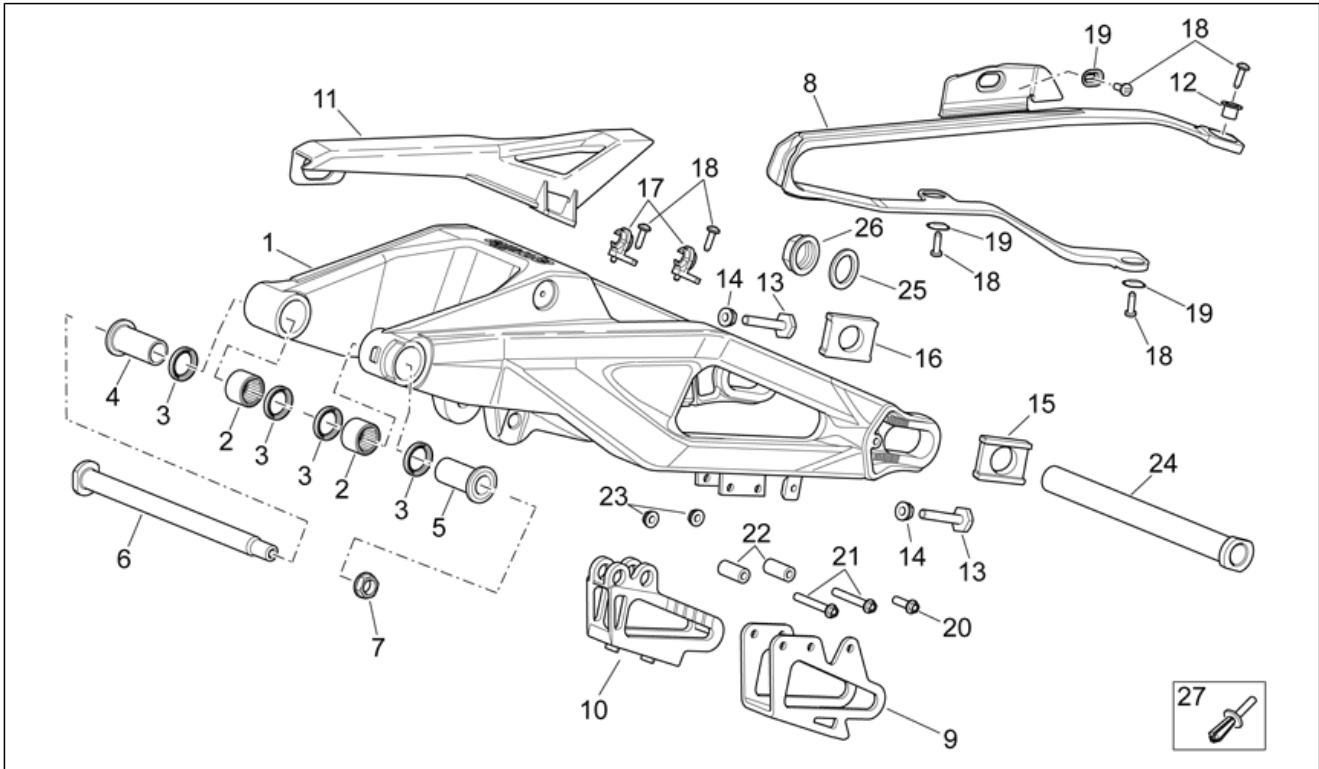
Pos.	Code	Beschreibung	Menge	Varianten
1	859802	Kolbenstange links kpl.	1	Technische Daten: Version Motard 450[SX45], Version Motard 550[SX55]
2	859803	Kolbenstange rechts kpl.	1	Technische Daten: Version Motard 450[SX45], Version Motard 550[SX55]
3	855796	Radträger links	1	Technische Daten: Version Motard 450[SX45], Version Motard 550[SX55]
4	855797	Radträger rechts	1	Technische Daten: Version Motard 450[SX45], Version Motard 550[SX55]
5	855798	Hülse kplt.	2	Technische Daten: Version Motard 450[SX45], Version Motard 550[SX55]
6	AP9100872	Ring D.40	2	Technische Daten: Version Motard 450[SX45], Version Motard 550[SX55]
7	AP9100873	Feder kit	2	Technische Daten: Version Motard 450[SX45], Version Motard 550[SX55]
8	AP9100874	Pumpenrad kplt.	2	Technische Daten: Version Motard 450[SX45], Version Motard 550[SX55]
9	AP9100875	Ventil D.45	2	Technische Daten: Version Motard 450[SX45], Version Motard 550[SX55]
10	AP9100876	Verschlussschraube kplt. D.45	2	Technische Daten: Version Motard 450[SX45], Version Motard 550[SX55]
11	851280	TE Schr. m. Flansch	4	Technische Daten: Version Motard 450[SX45], Version Motard 550[SX55]
12	AP9100877	Staub+Ölabstreifring Kit	1	Technische Daten: Version Motard 450[SX45], Version Motard 550[SX55]
13	AP9100878	Dichtungssatz d.48	1	Technische Daten: Version Motard 450[SX45], Version Motard 550[SX55]
14	AP9100879	Buchse kit	1	Technische Daten: Version Motard 450[SX45], Version Motard 550[SX55]
15	894814	Buchse	2	Technische Daten: Version Motard 450[SX45], Version Motard 550[SX55]
16	894816	Vorderradgabel	2	Technische Daten: Version Motard 450[SX45], Version Motard 550[SX55]

Einheit	RAHMEN
Code	28.07
Beschreibung	Schwinge
Inspektion	1



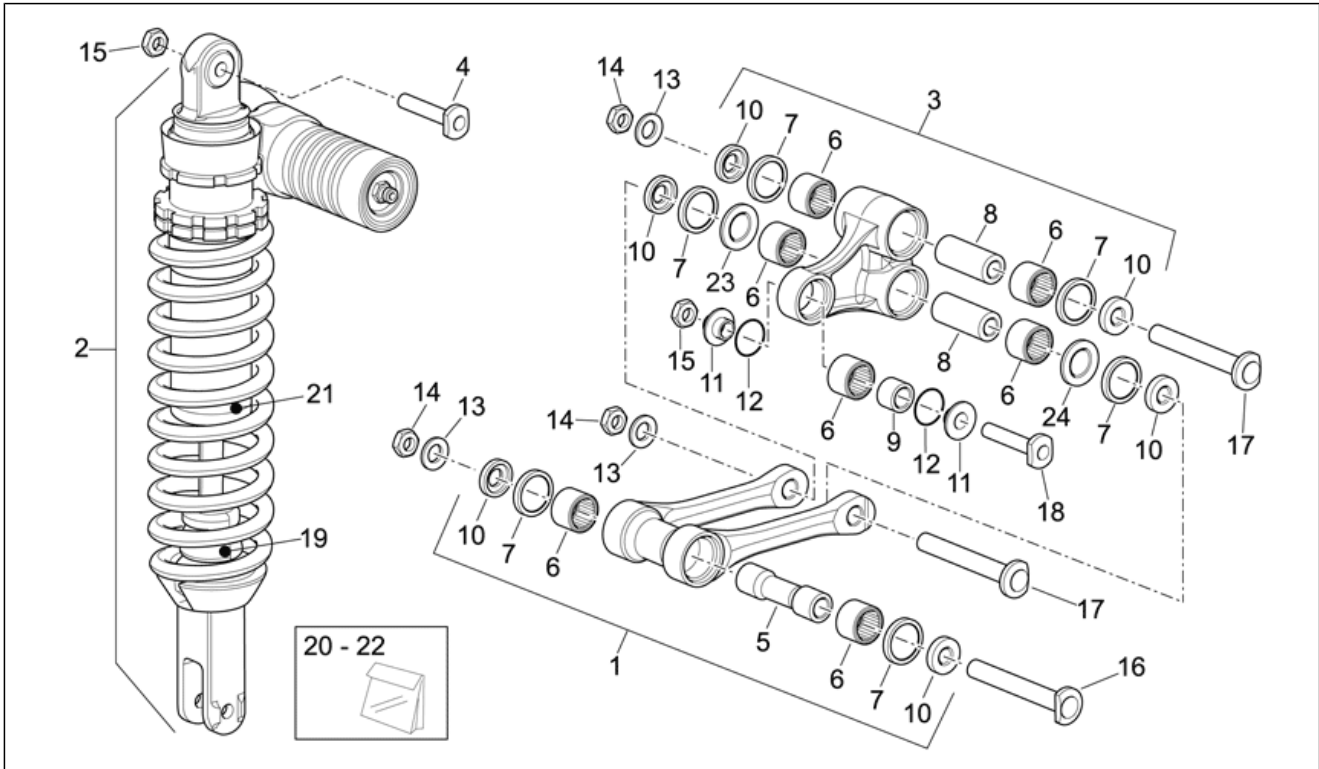
Pos.	Code	Beschreibung	Menge	Varianten
1	AP9100104	Schwinge	1	Technische Daten: Version Enduro 450[RX45], Enduro-Version 550[RX55]
1	AP9100120	Schwinge	1	Technische Daten: Version Motard 450[SX45], Version Motard 550[SX55]
2	AP9100202	Nadelkaefig 22x29x30	2	
3	AP9100203	Gasket ring 22x29x4	4	
4	AP9100952	Bolzen L=47,5	1	
5	AP9100952	Bolzen L=47,5	1	Technische Daten: Version Enduro 450[RX45], Enduro-Version 550[RX55]
5	AP9100953	Bolzen L=59,5	1	Technische Daten: Version Motard 450[SX45], Version Motard 550[SX55]
6	AP9100123	Schwingenbolzen M14 L=244	1	Technische Daten: Version Enduro 450[RX45], Enduro-Version 550[RX55]
6	AP9100264	Schwingenbolzen M14 L=256	1	Technische Daten: Version Motard 450[SX45], Version Motard 550[SX55]
7	AP8152244	Mutter DAX geflanscht M14x1,5	1	
8	AP9100061	Gleitbacke	1	
9	AP9100060	Kettenführung	1	
10	AP9100109	Kettengleitführung	1	
11	AP9100435	Kettenkasten	1	
12	AP9100616	Buchse	1	
13	AP8152305	Kettenspanner Schraube	2	
14	AP8152262	Mutter unten	2	
15	AP8144444	Kettenführung rechts	1	
16	AP8144443	Kettenführung links	1	
17	AP9100565	Bremskabelführung	2	
18	AP8150515	Selbstschneidende Schraube Scheinwerferreg.	6	
19	AP8234020	Becher	3	
20	AP8152277	TE Schr. m. Flansch M6x12	1	

Einheit	RAHMEN
Code	28.07
Beschreibung	Schwinge
Inspektion	1



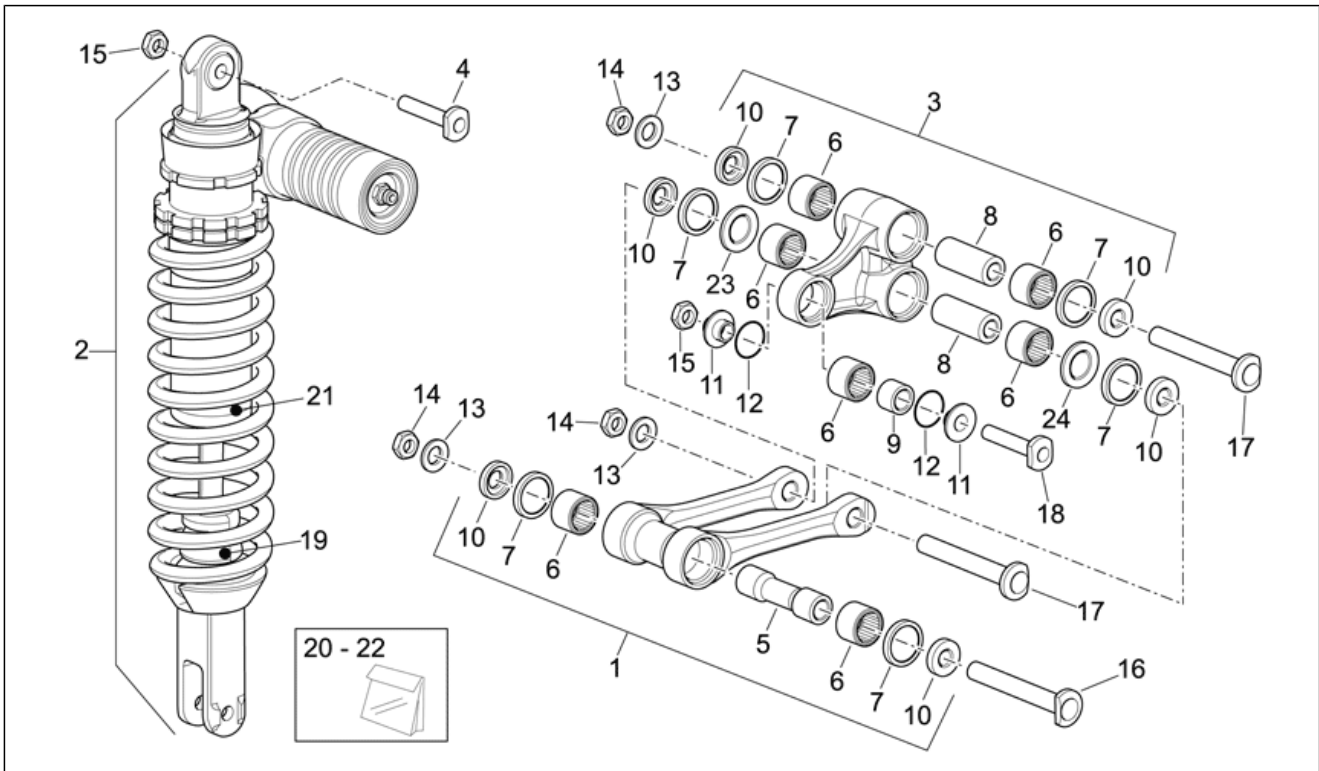
Pos.	Code	Beschreibung	Menge	Varianten
21	AP9100433	TE Schr. m. Flansch M6x50	2	
22	AP9100287	Buchse	2	
23	AP9100434	Selbstsperrende Mutter M6x1	2	
24	AP9100221	Hinterradbolzen M25 L=266,5	1	Technische Daten: Version Enduro 450[RX45], Enduro-Version 550[RX55]
24	AP9100270	Hinterradbolzen M25 L=318,5	1	Technische Daten: Version Motard 450[SX45], Version Motard 550[SX55]
25	AP8152323	Ausgleichscheibe 25,2x36x1	1	
26	AP8152324	Radbolzenmutter M25x1,5	1	
27	AP8202058	Schwarzer Kunststoffniet	4	

Einheit	RAHMEN
Code	28.08
Beschreibung	Hinterradaufhängung
Inspektion	1



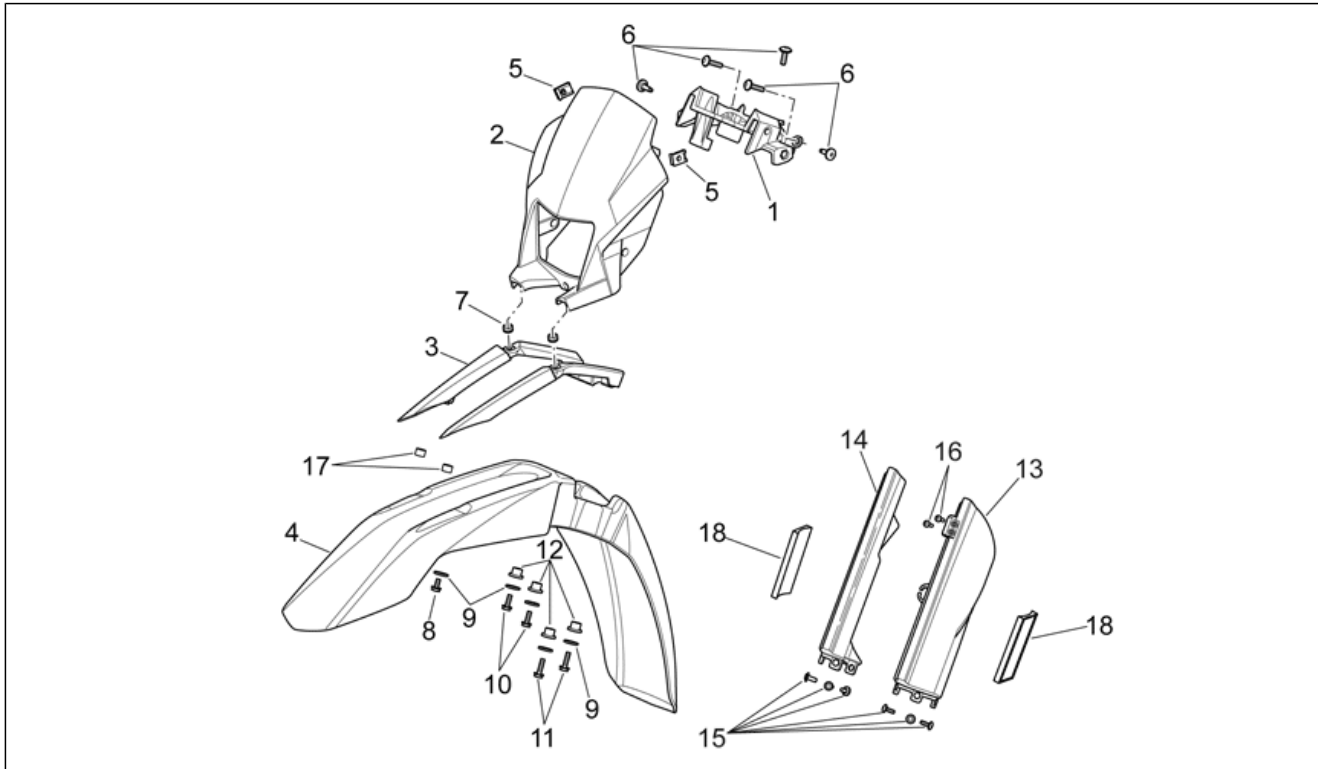
Pos.	Code	Beschreibung	Menge	Varianten
1	AP9100176	Einfache Pleuelstange	1	
2	851292	Hinterer Stoßdämpfer RXV	1	Technische Daten: Version Enduro 450[RX45], Enduro-Version 550[RX55]
2	AP9100114	Hinterer Stoßdämpfer SXV	1	Technische Daten: Version Motard 450[SX45], Version Motard 550[SX55]
3	851252	Doppelte Pleuelstange	1	
4	AP9100007	Schraube M10x1,25 L=53	1	
5	AP9100178	Bolzen	1	
6	AP9100181	Nadellager 20x27x15	5	
6	AP9100181	Nadellager 20x27x15	2	
7	AP9100177	Gasket ring 25x32x4	4	
7	AP9100177	Gasket ring 25x32x4	2	
8	AP9100184	Bolzen	2	
9	AP9100111	Distanzscheibe	1	
10	AP9100179	Distanzscheibe	6	
11	AP9100186	Externe Distanzscheibe	2	
12	AP9100549	O-Ring 1,5x24	2	
13	AP8152018	Scheibe 12,2x22x2	3	
14	AP9100442	Selbstsperr.Mut.Unt. M12x1,25	3	
15	AP9100439	Selbstsperr.Mut.Unt. M10x1,25	2	
16	AP9100604	Schraube M12x1,25 L=120	1	
17	AP9100289	Schraube M12x1,25 L=95	2	
18	AP9100208	Schraube M10x1,25 L=44	1	
19	AP9100808	Puffer	1	
20	AP9100814	Dichtungen - Satz	1	Technische Daten: Version Enduro 450[RX45], Enduro-Version 550[RX55]
20	AP9100815	Dichtungen - Satz	1	Technische Daten: Version Motard 450[SX45], Version Motard 550[SX55]
21	AP9100817	Schaftgruppe	1	

Einheit	RAHMEN
Code	28.08
Beschreibung	Hinterradaufhängung
Inspektion	1



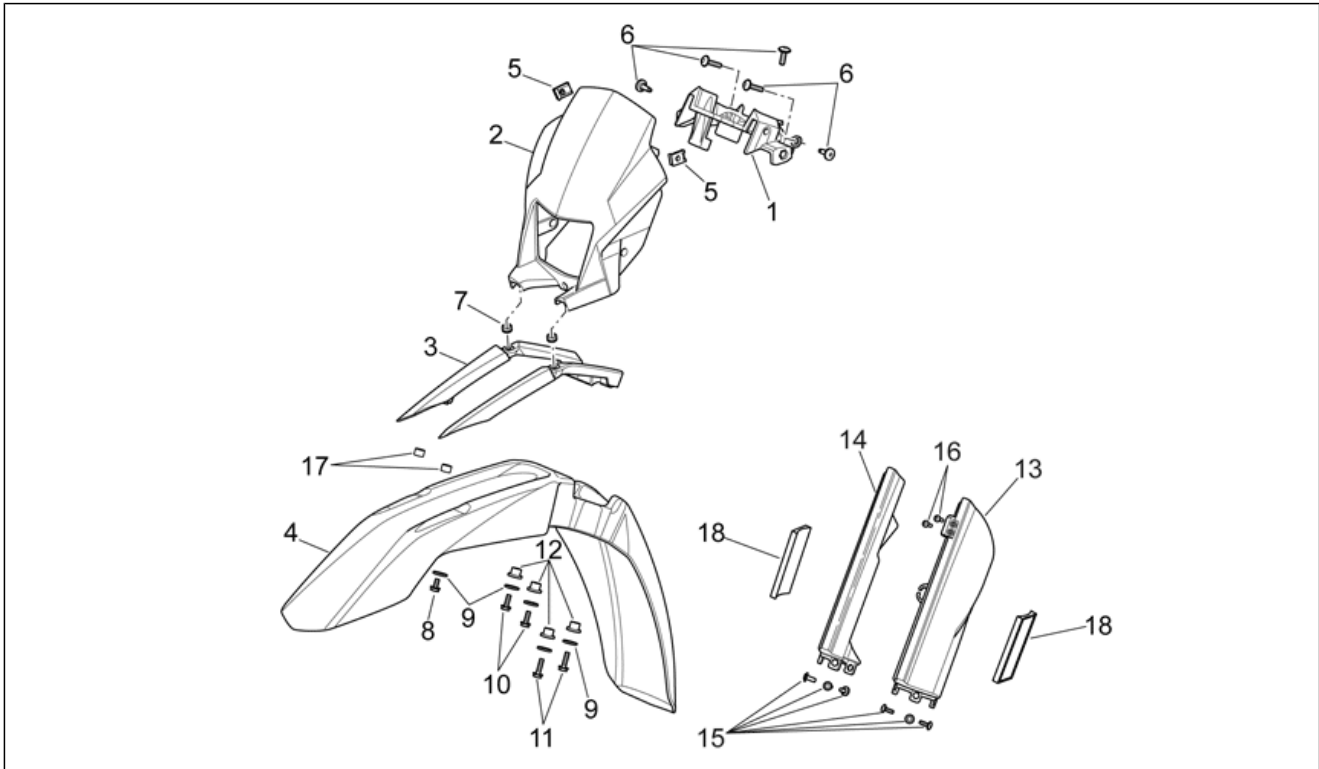
Pos.	Code	Beschreibung	Menge	Varianten
22	AP9100820	Dichtungen - Satz Schaft	1	
23	AP9100182	Flachscheibe 31x20,2x1,4	2	

Einheit	RAHMEN
Code	28.09
Beschreibung	Frontaufbau I
Inspektion	1



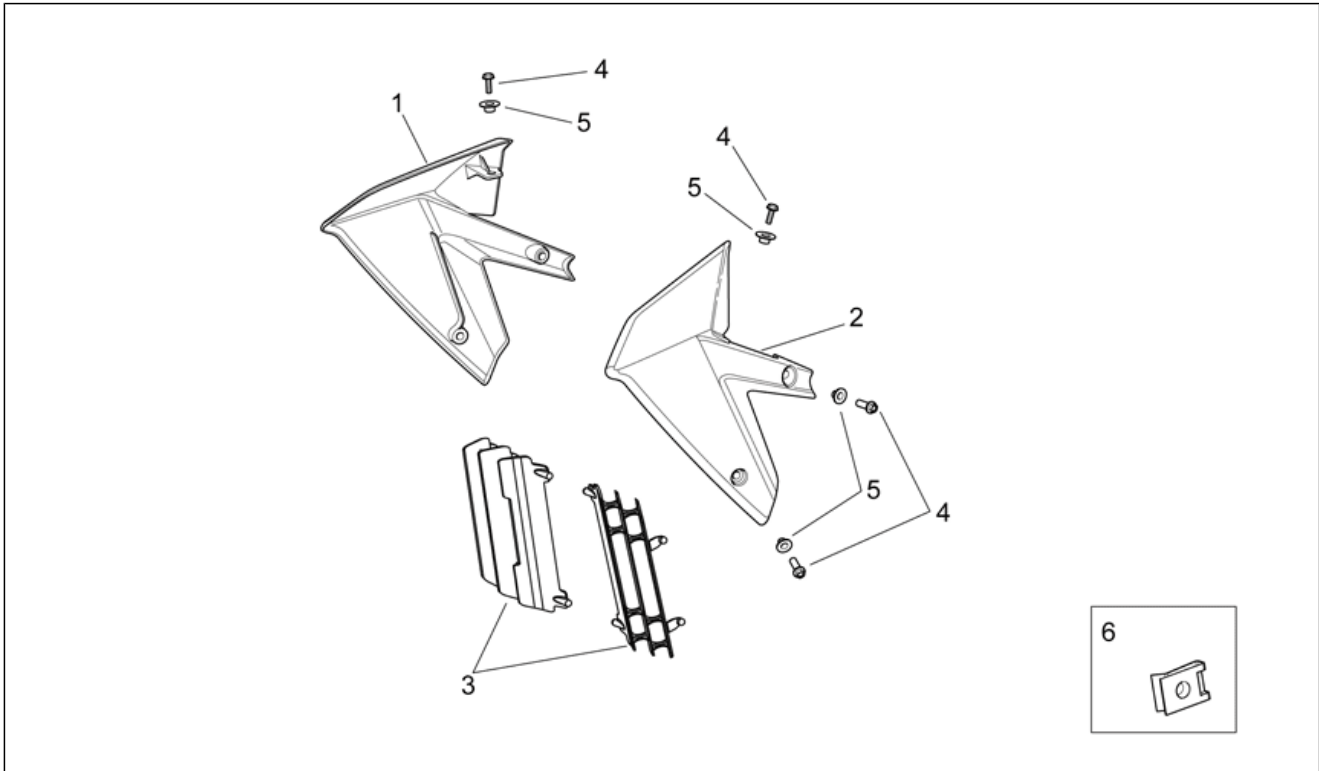
Pos.	Code	Beschreibung	Menge	Varianten
1	855104	Haltefassung	1	Technische Daten: Version Enduro 450[RX45], Enduro-Version 550[RX55]
1	AP9100517	Haltefassung	1	Technische Daten: Version Motard 450[SX45], Version Motard 550[SX55]
2	85813800XN4	Windschild	1	Fahrzeugfarbe: Off-White 2008 (t.B.856588/91)[white] Land: EU[EU] Technische Daten: Version Enduro 450[RX45], Enduro-Version 550[RX55]
2	85813900XN4	Windschild	1	Fahrzeugfarbe: Off-Black 2008 (t.B.856589/92)[black] Land: EU[EU] Technische Daten: Version Motard 450[SX45], Version Motard 550[SX55]
2	AP8184489	Windschild	1	Fahrzeugfarbe: Off-Black 2008 (t.B.856589/92)[black] Land: Vereinigte Staaten von Amerika[USA] Technische Daten: Version Motard 450[SX45], Version Motard 550[SX55]
2	AP8184517	Windschild	1	Fahrzeugfarbe: Off-White 2008 (t.B.856588/91)[white] Land: Vereinigte Staaten von Amerika[USA] Technische Daten: Version Enduro 450[RX45], Enduro-Version 550[RX55]
3	858388	Spannstange	1	
4	AP8156343	V. Schutzblech, rot	1	
5	AP8102375	Klammer M5	2	
6	AP8152339	TBEI Schraube m.Flansch M5x9	5	
7	AP8120405	Gummi	2	
8	AP8152277	TE Schr. m. Flansch M6x12	2	
9	AP8150015	Ausgleichscheibe 6,6x18x1,6*	6	
10	AP8152278	TE Schr. m. Flansch M6x16	2	
11	AP8152283	TE Schr. m. Flansch	2	
12	AP9100501	T-Buchse 20x0,5x3,5	4	
13	AP9100440	L. Stangenschutz, schwarz	1	
14	AP9100441	R. Stangenschutz, schwarz	1	

Einheit	RAHMEN
Code	28.09
Beschreibung	Frontaufbau I
Inspektion	1



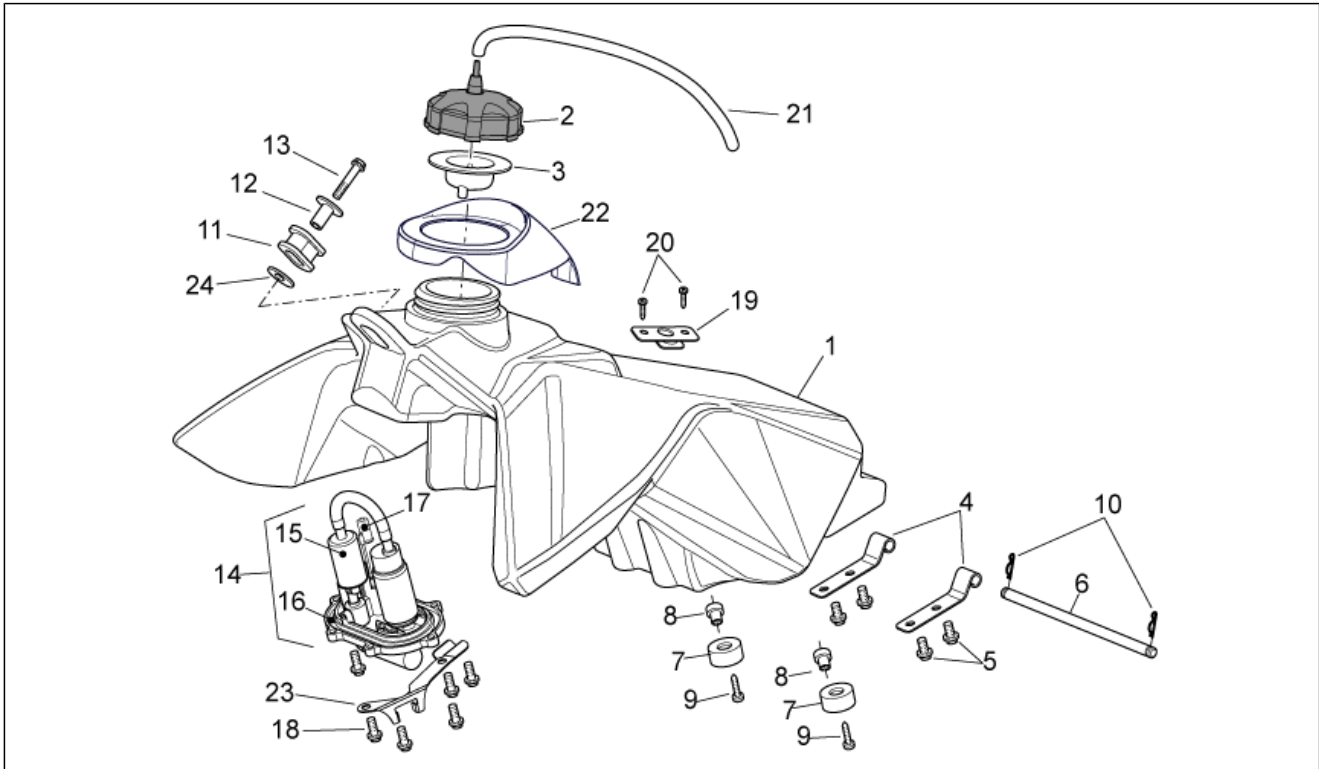
Pos.	Code	Beschreibung	Menge	Varianten
15	AP9100548	Schraube kplt. M6x1	6	
16	AP8150246	Linsenschraube	2	
17	AP9100053	Buchse d.10-h.3,5	2	
18	GU05781630	Rückstrahler, gelb	2	Land:Vereinigte Staaten von Amerika[USA]

Einheit	RAHMEN
Code	28.10
Beschreibung	Frontaufbau II
Inspektion	1



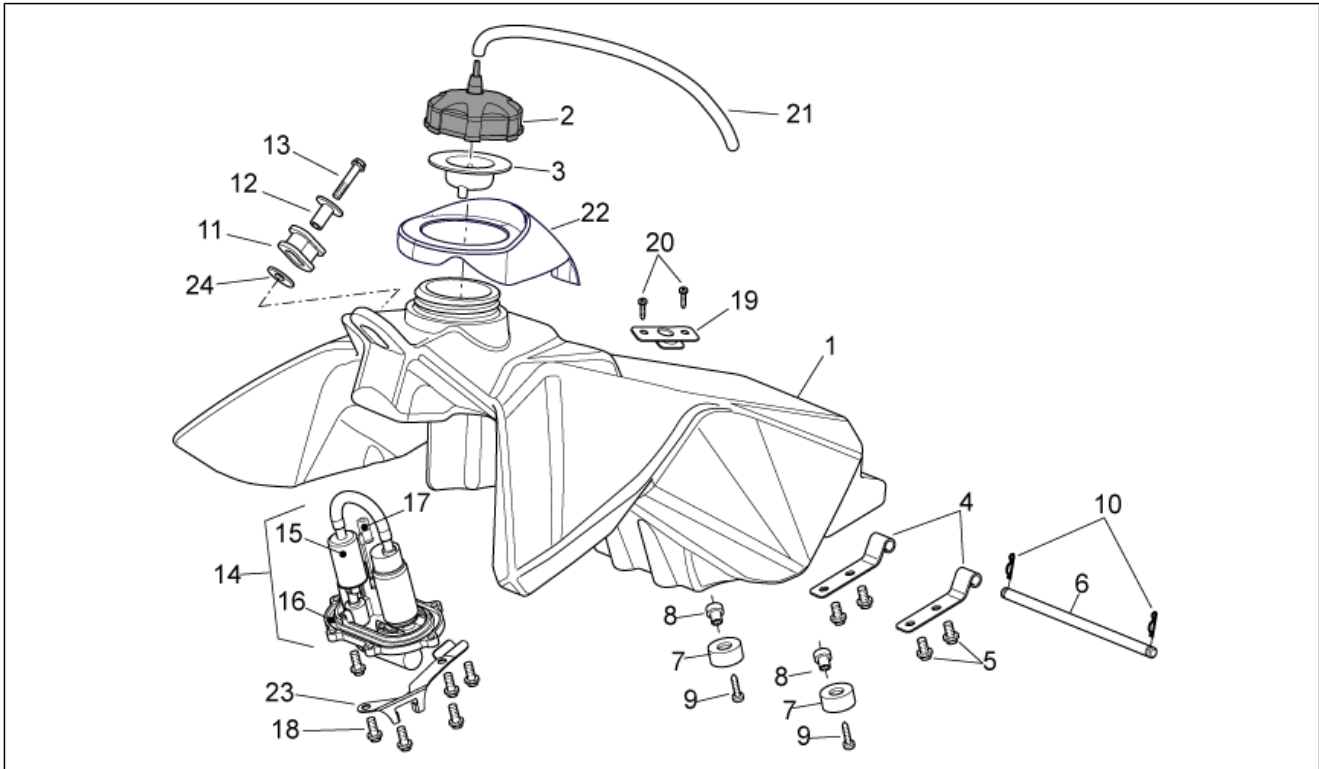
Pos.	Code	Beschreibung	Menge	Varianten
1	AP8184503	Rechtes Leitblech	1	
2	AP8184502	Linkes Leitblech	1	
3	AP9100366	Kühlergitter	2	
4	AP9100645	TE Schr. m. Flansch M6x16 inox	6	
5	AP9100053	Buchse d.10-h.3,5	6	
6	AP8102376	Klammer M6	6	

Einheit	RAHMEN
Code	28.11
Beschreibung	Kraftstofftank
Inspektion	1



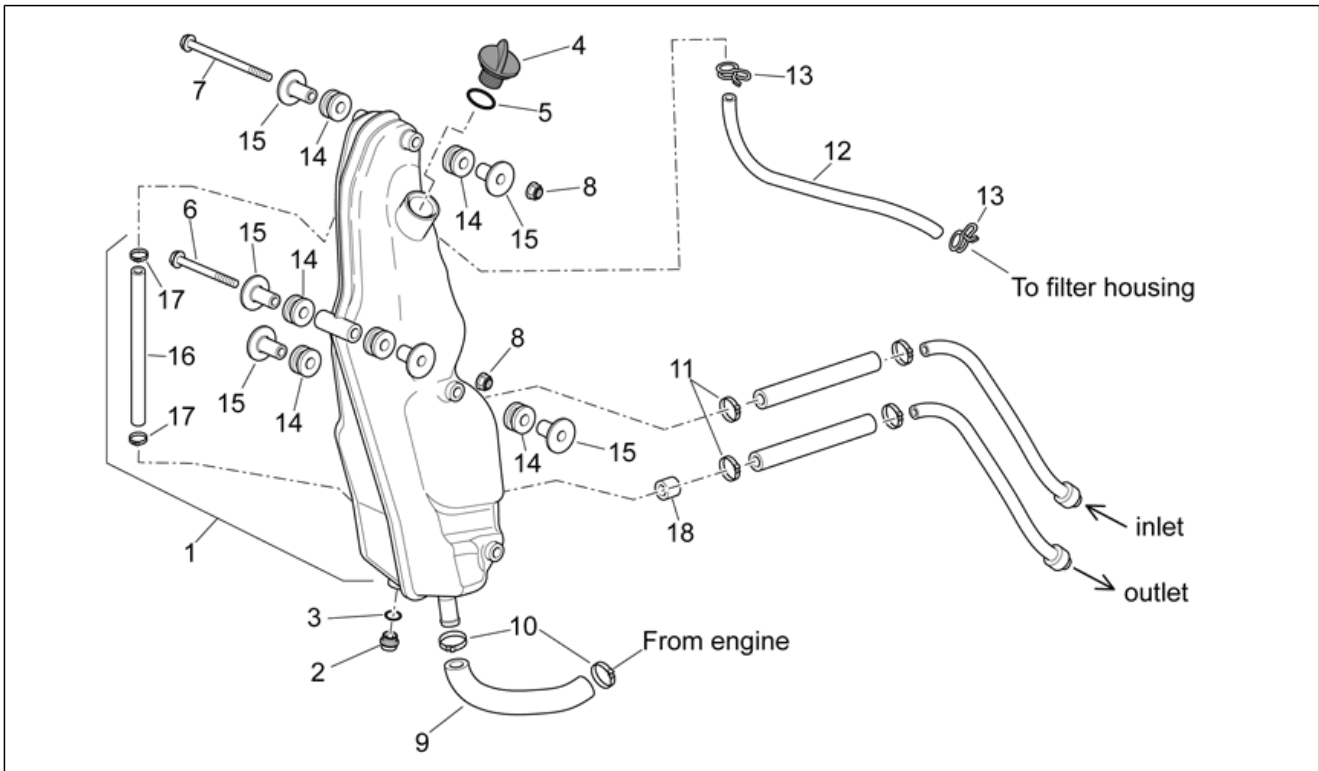
Pos.	Code	Beschreibung	Menge	Varianten
1	855048	Kraftstofftank	1	Land:EU[EU] Technische Daten:Version Enduro 450[RX45], Enduro-Version 550[RX55]
1	855066	Kraftstofftank	1	Land:Vereinigte Staaten von Amerika[USA]
1	AP9100084	Kraftstofftank	1	Land:EU[EU] Technische Daten:Version Motard 450[SX45], Version Motard 550[SX55]
2	AP8220620	Deckel	1	
3	856932	Dichtung	1	
4	AP9100080	Platte	2	
5	AP8152277	TE Schr. m. Flansch M6x12	4	
6	AP9100078	Bolzen	1	
7	AP9100767	Gummi 26x12,2	2	
8	AP8121811	T-Buchse	2	
9	AP8150044	TCEI Schraube M6x20	2	Land:Vereinigte Staaten von Amerika[USA]
9	AP8152169	Linsenschraube 4,8x19*	2	Land:EU[EU]
10	AP8201431	Splint *	2	
11	AP9100082	Puffer	1	
12	AP9100081	Buchse	1	
13	AP8152281	TE Schr. m. Flansch M6x30	1	
14	AP9100416	Benzinpumpe kpl.	1	
15	AP9100930	Kraftstofffilter	1	
16	AP9100931	Dichtung	1	
17	GU01103090	Thermistor	1	
18	AP8152273	Flanschschraube M5x15	6	
19	AP9100415	Platte	1	
20	AP8150444	Gewindeschraube Edelstahl	2	
21	AP8220402	Leitung 5x9	1	
22	AP9100967	Tankschutz	1	

Einheit	RAHMEN
Code	28.11
Beschreibung	Kraftstofftank
Inspektion	1



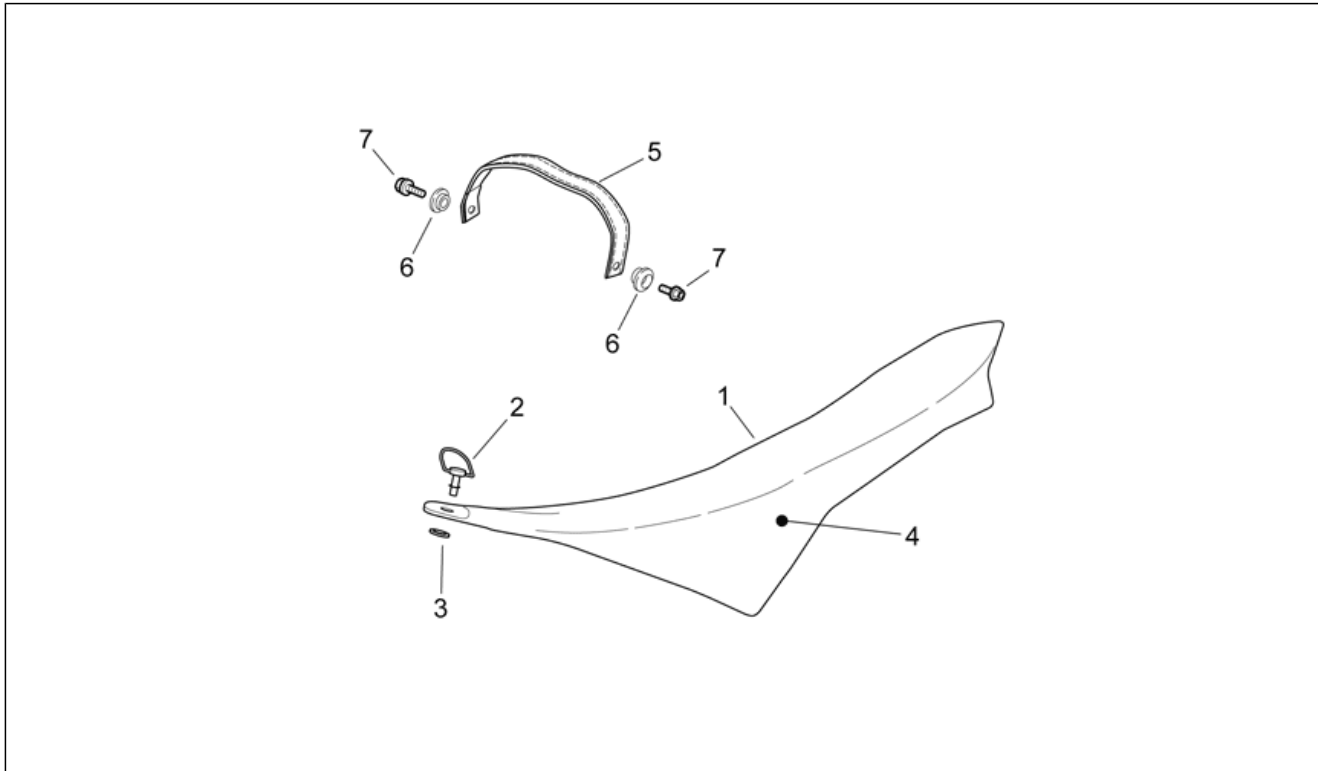
Pos.	Code	Beschreibung	Menge	Varianten
23	AP9100966	Platte	1	
24	AP9100375	Ausgleichscheibe 24,8x6,2x1	1	

Einheit	RAHMEN
Code	28.12
Beschreibung	Öltank
Inspektion	1



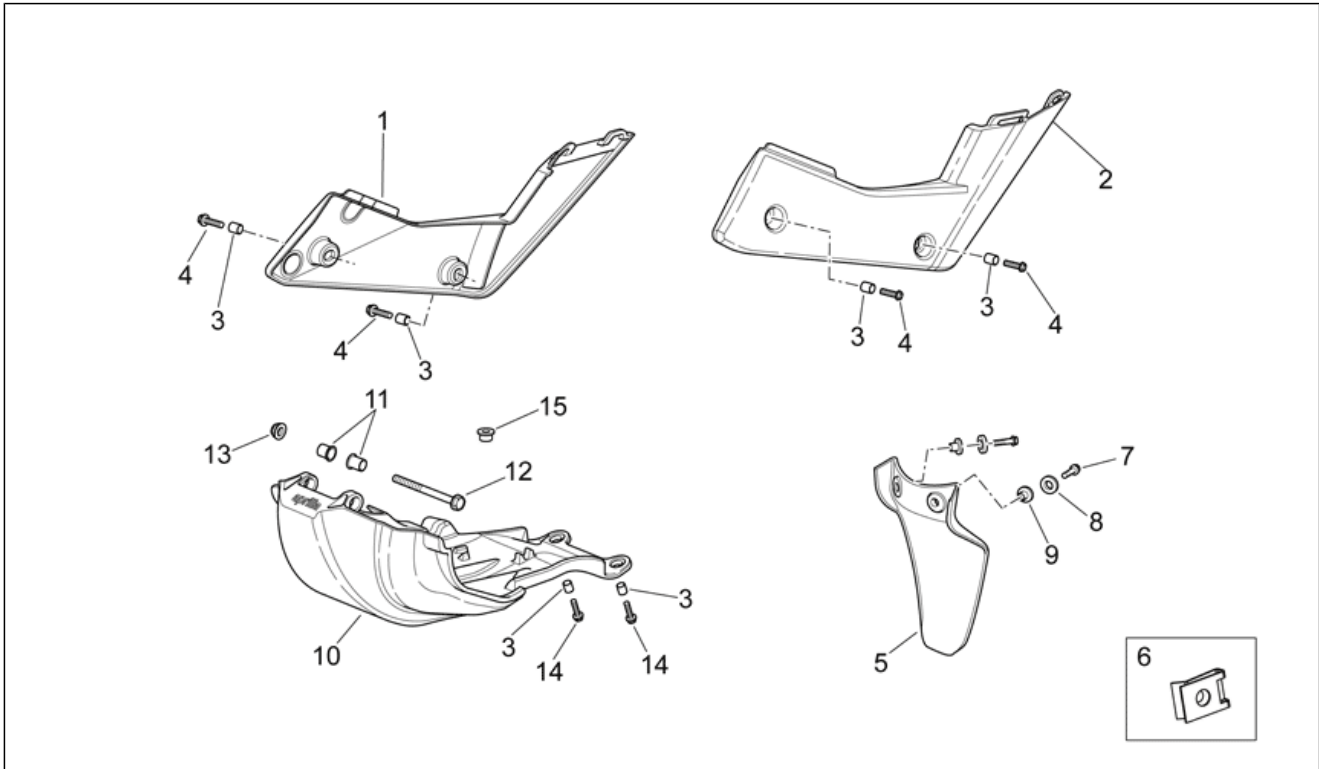
Pos.	Code	Beschreibung	Menge	Varianten
1	AP9100343	Öltank	1	
2	AP9150174	Ölablaßschraube	1	
3	AP9150349	Dichtscheibe D12x18x1,5	1	
4	AP9150410	Ölschraube M20x1,5	1	
5	AP8121638	Gasket ring	1	
6	AP9100638	TE Schr. m. Flansch M6x70	1	
7	AP9100661	TE Schr. m. Flansch M6x1 L=95	1	
8	AP9100434	Selbstsperrende Mutter M6x1	2	
9	AP9100496	Leitung Blow-By	1	
10	AP8102903	Schlauschelle D16,5X6,6	2	
11	AP8101586	Schlauschelle D.15,5x6,6	2	
12	AP8120987	Leitung 9x14	1	
13	AP8102525	Hahnschelle	2	
14	AP8120223	Gummi *	6	
15	AP9100950	Buchse D14-D9-d6.5-H12	6	
16	AP9100665	Ölstandschlauch	1	
17	AP9100951	Schlauschelle	2	
18	AP9100267	Gummischlauch 12,8x8,8 L=28	1	

Einheit	RAHMEN
Code	28.13
Beschreibung	Sitz
Inspektion	1



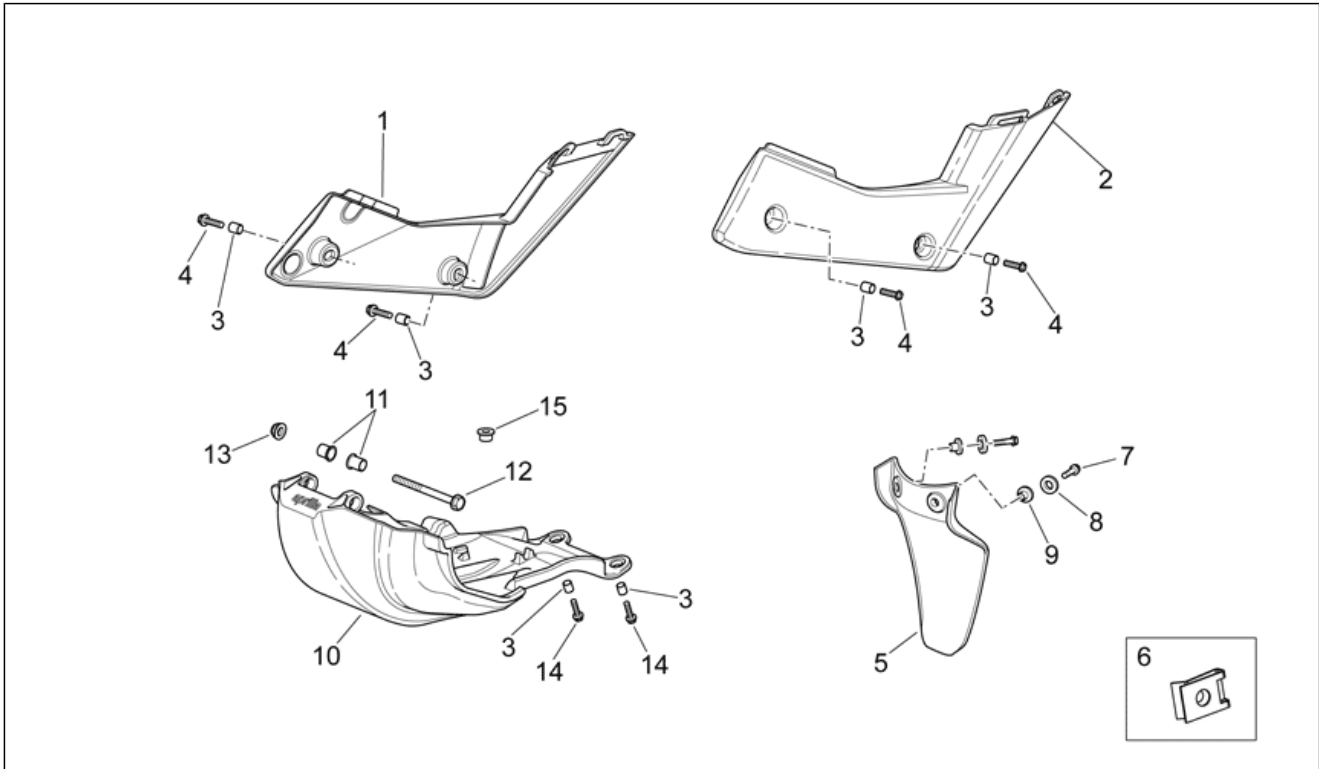
Pos.	Code	Beschreibung	Menge	Varianten
1	855083	Sitz	1	Fahrzeugfarbe: Off-White 2008 (t.B.856588/91)[white] Land: Vereinigte Staaten von Amerika[USA] Technische Daten: Version Enduro 450[RX45], Enduro-Version 550[RX55]
1	855173	Sitz	1	Fahrzeugfarbe: Off-White 2008 (t.B.856588/91)[white] Land: EU[EU] Technische Daten: Version Enduro 450[RX45], Enduro-Version 550[RX55]
1	856681	Sitz	1	Fahrzeugfarbe: Off-Black 2008 (t.B.856589/92)[black] Land: Vereinigte Staaten von Amerika[USA] Technische Daten: Version Motard 450[SX45], Version Motard 550[SX55]
1	856682	Sitz	1	Fahrzeugfarbe: Off-Black 2008 (t.B.856589/92)[black] Land: EU[EU] Technische Daten: Version Motard 450[SX45], Version Motard 550[SX55]
2	AP9100365	Entkupplungsvorrichtung	1	
3	AP9100087	Ausgleichscheibe Teflon	1	
4	AP9100281	Verkleidung Sitz	1	
5	859762	Soziusriemen	1	Technische Daten: Version Motard 450[SX45], Version Motard 550[SX55]
6	AP8121075	T-Buchse *	2	Technische Daten: Version Motard 450[SX45], Version Motard 550[SX55]
7	AP8152279	TE Schr. m. Flansch M6x20	2	Technische Daten: Version Motard 450[SX45], Version Motard 550[SX55]

Einheit	RAHMEN
Code	28.14
Beschreibung	Mittlerer Aufbau
Inspektion	1



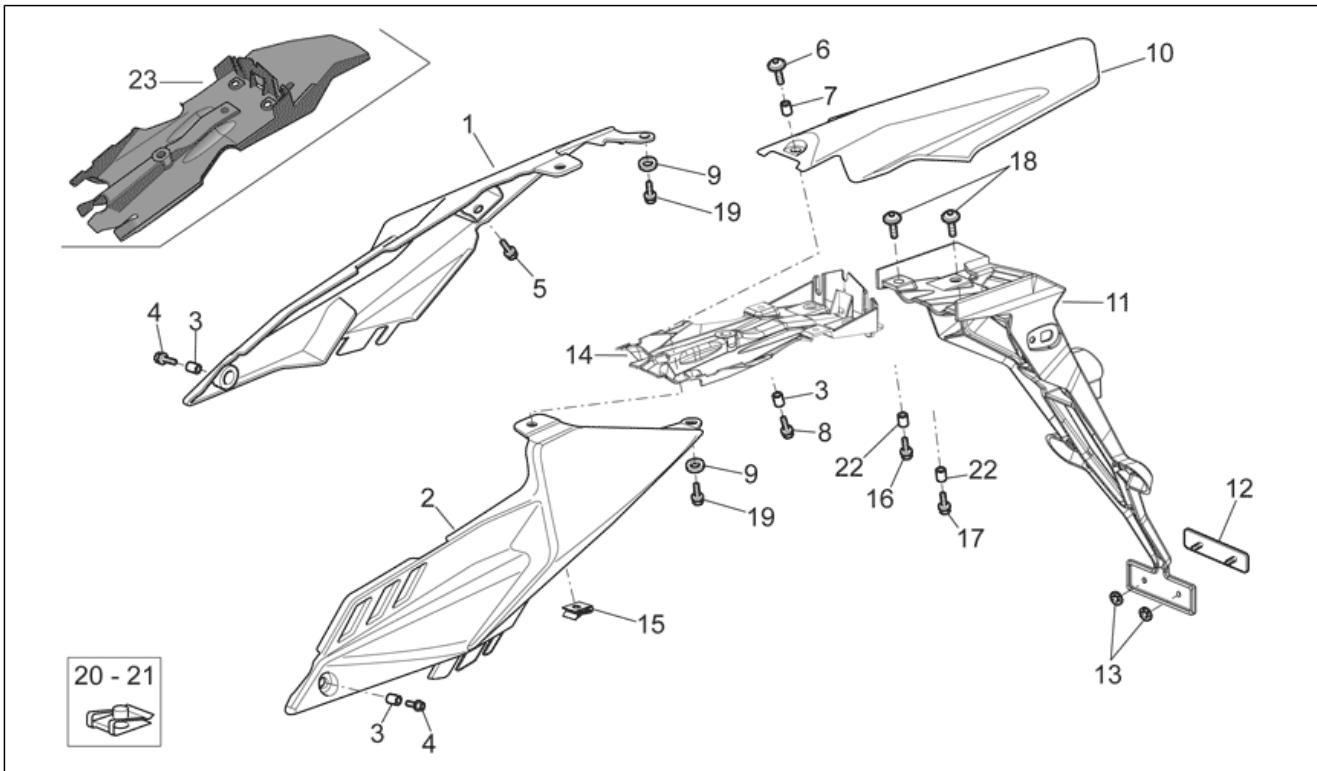
Pos.	Code	Beschreibung	Menge	Varianten
1	AP8184505	Kl. Re. Seitenteil rot	1	Fahrzeugfarbe: Off-Black 2008 (t.B.856589/92)[black] Technische Daten: Version Motard 450[SX45], Version Motard 550[SX55]
1	AP8184507	R. kl. Seitenteil, schw.	1	Fahrzeugfarbe: Off-White 2008 (t.B.856588/91)[white] Land: Vereinigte Staaten von Amerika[USA] Technische Daten: Version Enduro 450[RX45], Enduro-Version 550[RX55]
1	AP8184590	R. kl. Seitenteil, schw.	1	Fahrzeugfarbe: Off-White 2008 (t.B.856588/91)[white] Land: EU[EU] Technische Daten: Version Enduro 450[RX45], Enduro-Version 550[RX55]
2	AP8184504	Kl. li. Seitenteil rot	1	Fahrzeugfarbe: Off-Black 2008 (t.B.856589/92)[black] Technische Daten: Version Motard 450[SX45], Version Motard 550[SX55]
2	AP8184520	L. kl. Seitenteil, schw.	1	Fahrzeugfarbe: Off-White 2008 (t.B.856588/91)[white] Land: Vereinigte Staaten von Amerika[USA] Technische Daten: Version Enduro 450[RX45], Enduro-Version 550[RX55]
2	AP8184591	L. kl. Seitenteil, schw.	1	Fahrzeugfarbe: Off-White 2008 (t.B.856588/91)[white] Land: EU[EU] Technische Daten: Version Enduro 450[RX45], Enduro-Version 550[RX55]
3	AP9100053	Buchse d.10-h.3,5	6	
4	AP9100645	TE Schr. m. Flansch M6x16 inox	4	
5	AP9100504	Stoßdämpferschutz	1	
6	AP8102375	Klammer M5	2	
7	AP8152274	TE Schr. m. Flansch M5x20	2	
8	AP8144064	Wärmeschutzscheibe	2	
9	AP8121736	T-Buchse	2	
10	AP9100347	Wannenschutz	1	
11	AP9100778	Buchse	2	
12	AP9100661	TE Schr. m. Flansch M6x1 L=95	1	

Einheit	RAHMEN
Code	28.14
Beschreibung	Mittlerer Aufbau
Inspektion	1



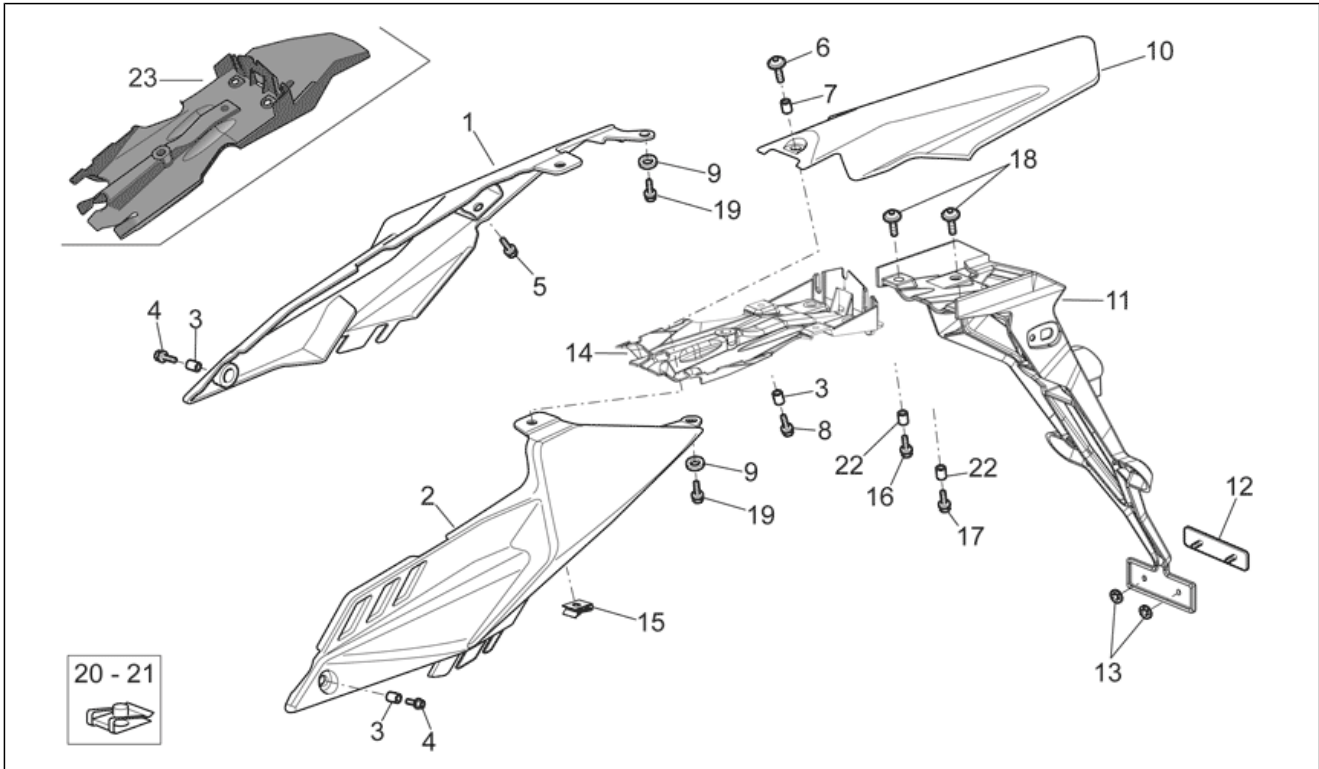
Pos.	Code	Beschreibung	Menge	Varianten
13	AP9100434	Selbstsperrende Mutter M6x1	1	
14	AP8152279	TE Schr. m. Flansch M6x20	2	
15	AP8101372	Silent-Block	1	

Einheit	RAHMEN
Code	28.15
Beschreibung	Heckaufbau I
Inspektion	1



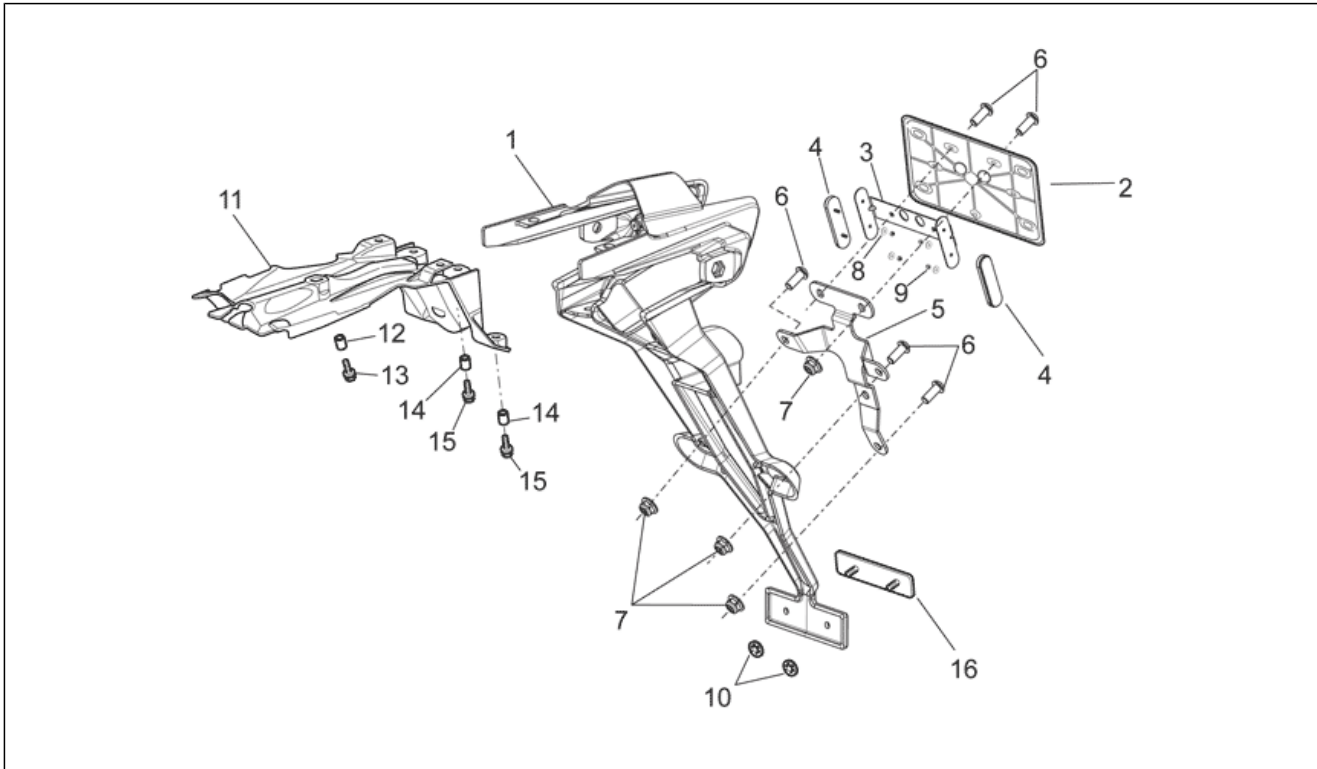
Pos.	Code	Beschreibung	Menge	Varianten
1	AP8184511	R.Heck	1	Fahrzeugfarbe: Off-Black 2008 (t.B.856589/92)[black] Technische Daten: Version Motard 450[SX45], Version Motard 550[SX55]
1	AP8184513	R.Heck	1	Fahrzeugfarbe: Off-White 2008 (t.B.856588/91)[white] Technische Daten: Version Enduro 450[RX45], Enduro-Version 550[RX55]
2	AP8184510	L.Heck	1	Fahrzeugfarbe: Off-Black 2008 (t.B.856589/92)[black] Technische Daten: Version Motard 450[SX45], Version Motard 550[SX55]
2	AP8184512	L.Heck	1	Fahrzeugfarbe: Off-White 2008 (t.B.856588/91)[white] Technische Daten: Version Enduro 450[RX45], Enduro-Version 550[RX55]
3	AP9100053	Buchse d.10-h.3,5	3	
4	AP9100645	TE Schr. m. Flansch M6x16 inox	2	
5	AP8152280	TE Schr. m. Flansch M6x25	2	
6	AP8152117	Vite TBEI M6x25	1	
7	AP9100594	Buchse 10x7	1	
8	AP8152279	TE Schr. m. Flansch M6x20	1	
9	AP8150015	Ausgleichscheibe 6,6x18x1,6*	2	
10	AP8156340	Hinteres Schutzblech	1	Fahrzeugfarbe: Off-Black 2008 (t.B.856589/92)[black] Technische Daten: Version Motard 450[SX45], Version Motard 550[SX55]
10	AP8156341	Hinteres Schutzblech	1	Fahrzeugfarbe: Off-White 2008 (t.B.856588/91)[white] Technische Daten: Version Enduro 450[RX45], Enduro-Version 550[RX55]
11	855041	Kennzeichenplatte	1	Land: EU[EU]
12	AP8112202	Rückstrahler Rücklicht	1	
13	AP8150450	Wellenscheibe D5	1	
14	855046	Unt. Versch. h. Sitzhal.	1	
15	AP8102376	Klammer M6	1	
16	AP8152279	TE Schr. m. Flansch M6x20	2	

Einheit	RAHMEN
Code	28.15
Beschreibung	Heckaufbau I
Inspektion	1



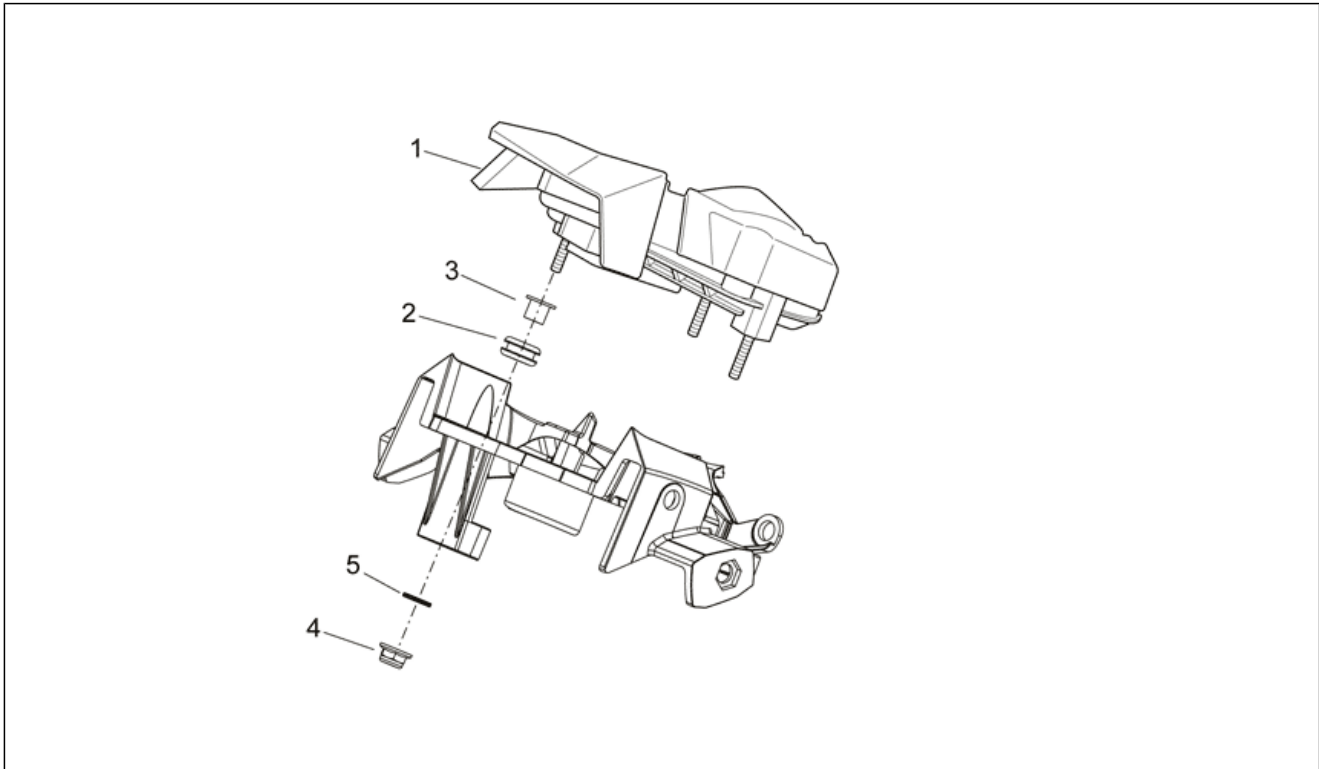
Pos.	Code	Beschreibung	Menge	Varianten
17	AP8152279	TE Schr. m. Flansch M6x20	1	
18	AP8152339	TBEI Schraube m.Flansch M5x9	2	
19	AP8152277	TE Schr. m. Flansch M6x12	2	
20	AP8102375	Klammer M5	4	
21	AP8102376	Klammer M6	3	
22	AP8121795	T-Buchse	2	
23	855050	Kennzeichenplatte Rac.	1	Technische Daten: Version Enduro 450[RX45], Enduro-Version 550[RX55]

Einheit	RAHMEN
Code	28.16
Beschreibung	Heckaufbau II
Inspektion	1



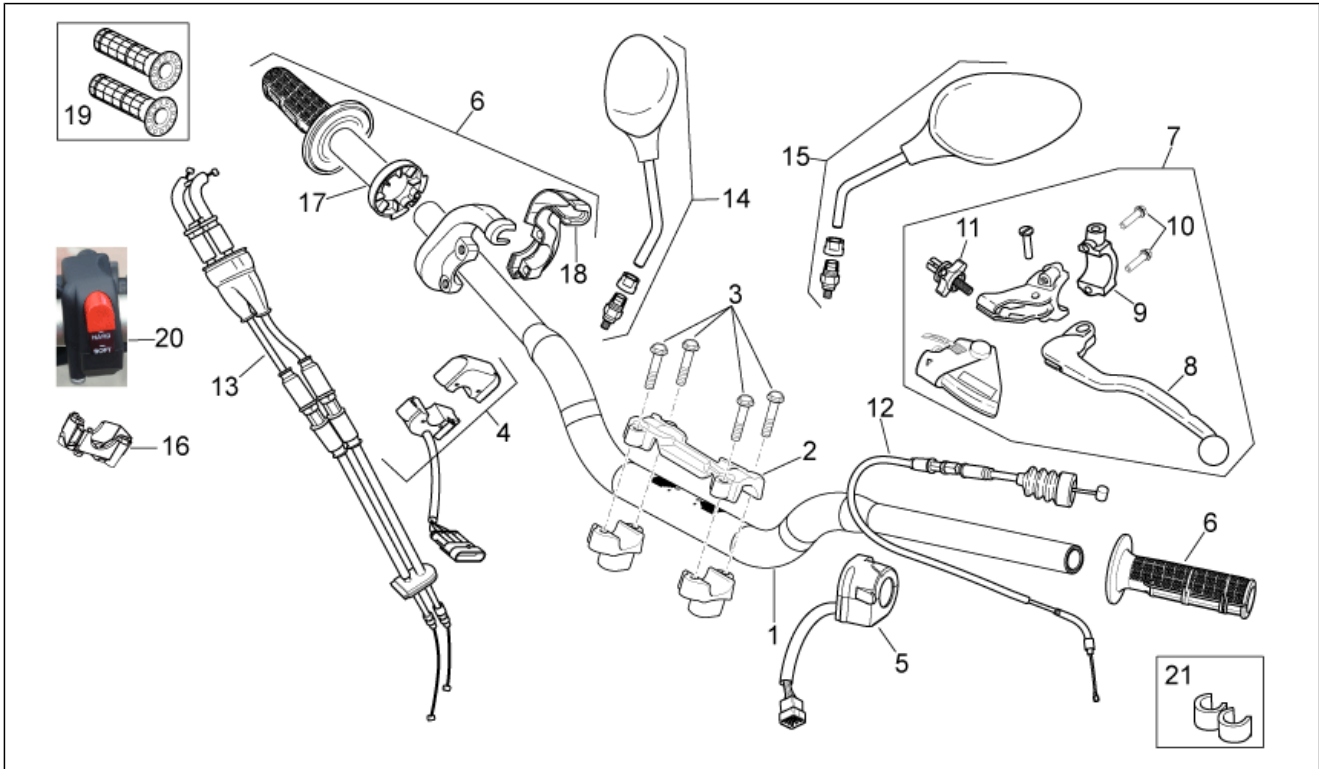
Pos.	Code	Beschreibung	Menge	Varianten
1	AP9100610	Kennzeichenplatte	1	Land:Vereinigte Staaten von Amerika[USA]
2	AP8149034	Kennzeichenhalter	1	Land:Vereinigte Staaten von Amerika[USA]
3	AP8134677	Rückstrahler-Fixierung	1	Land:Vereinigte Staaten von Amerika[USA]
4	AP8124718	Rückstrahler Rücklicht, rot	2	Land:Vereinigte Staaten von Amerika[USA]
5	855071	Halter	1	Land:Vereinigte Staaten von Amerika[USA]
6	AP8152108	TBEI Schraube	8	Land:Vereinigte Staaten von Amerika[USA]
7	AP8152299	Selbstsperrende Mutter M6	8	Land:Vereinigte Staaten von Amerika[USA]
8	AP8150011	Ausgleichscheibe 4,3x12x1	4	Land:Vereinigte Staaten von Amerika[USA]
9	AP8150204	Mutter M4	4	Land:Vereinigte Staaten von Amerika[USA]
10	AP8150450	Wellenscheibe D5	4	Land:Vereinigte Staaten von Amerika[USA]
11	AP9100288	Unt. Verschl. h. Sitzhal.	1	Land:Vereinigte Staaten von Amerika[USA]
12	AP9100053	Buchse d.10-h.3,5	3	Land:Vereinigte Staaten von Amerika[USA]
13	AP8152279	TE Schr. m. Flansch M6x20	1	Land:Vereinigte Staaten von Amerika[USA]
14	AP8121795	T-Buchse	2	Land:Vereinigte Staaten von Amerika[USA]
15	AP8152279	TE Schr. m. Flansch M6x20	4	Land:Vereinigte Staaten von Amerika[USA]
16	AP8112202	Rückstrahler Rücklicht	1	Land:Vereinigte Staaten von Amerika[USA]

Einheit	RAHMEN
Code	28.17
Beschreibung	Instrumententafel
Inspektion	1



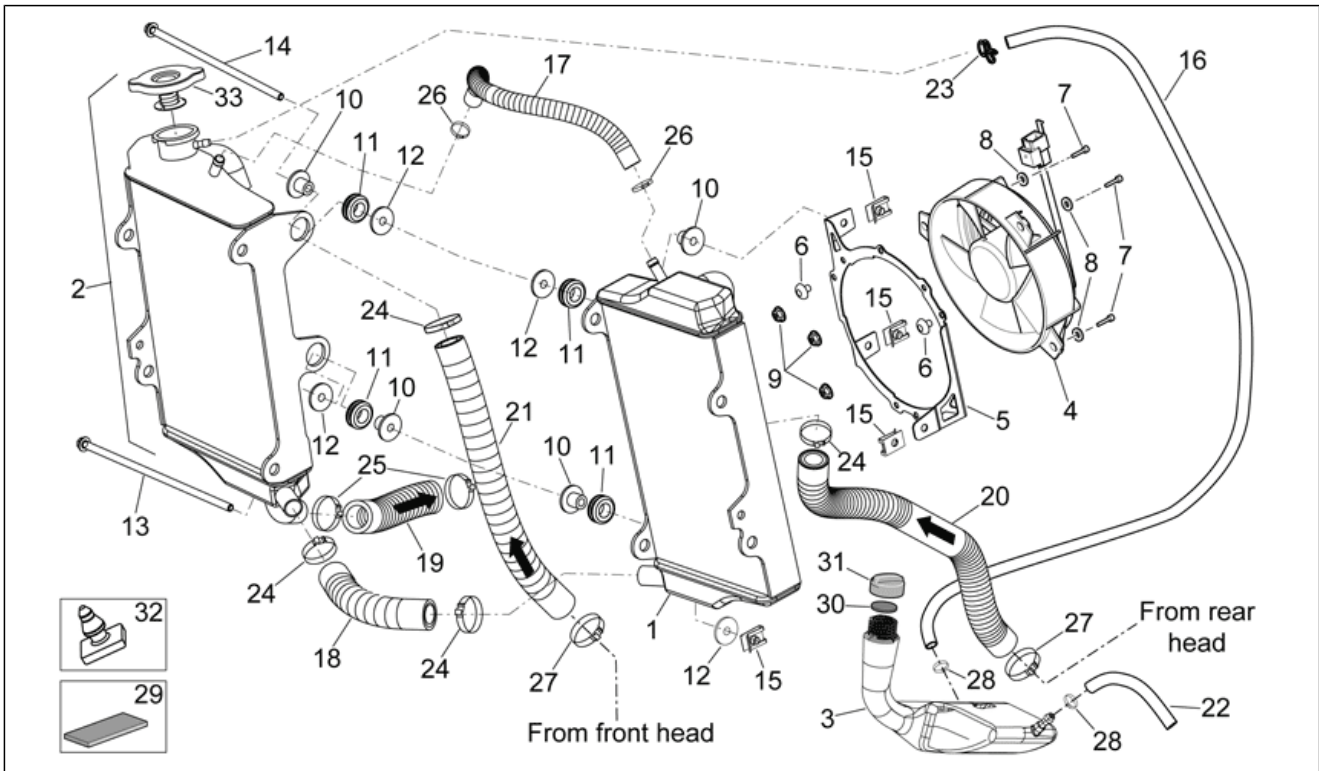
Pos.	Code	Beschreibung	Menge	Varianten
1	855052	Instrumententafel	1	Technische Daten: Version Enduro 450[RX45], Enduro-Version 550[RX55]
1	AP9100516	Instrumententafel	1	Technische Daten: Version Motard 450[SX45], Version Motard 550[SX55]
2	AP8112600	Gummi	3	
3	AP8121795	T-Buchse	3	
4	AP8150451	Selbstsperr.mut Unt.	3	
5	AP8150013	Ausgleichscheibe 5,5x15x1,6*	3	

Einheit	RAHMEN
Code	28.18
Beschreibung	Schaltungen
Inspektion	1



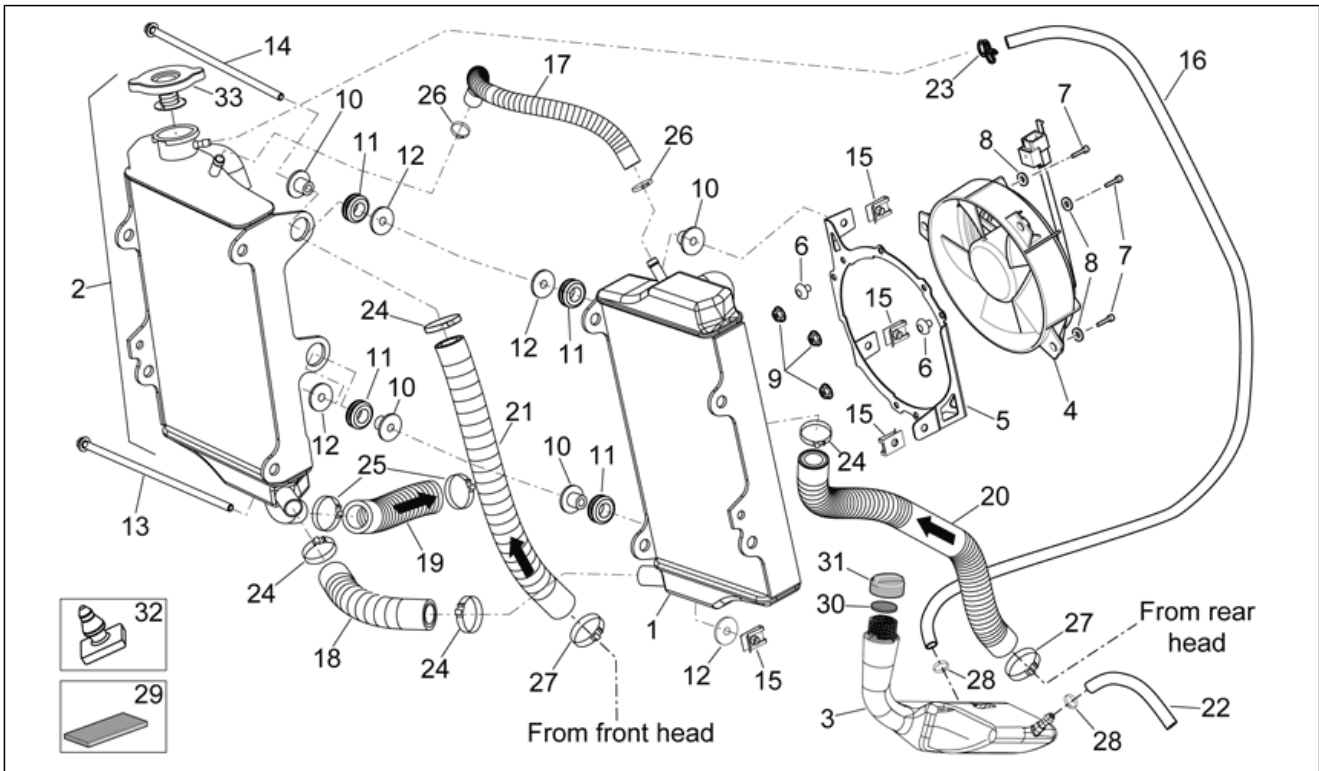
Pos.	Code	Beschreibung	Menge	Varianten
1	855049	Lenkstange	1	
2	AP9100297	Bügelbolzen oben	1	
3	AP8152289	TE Schr. m. Flansch	4	
4	AP9100514	Rechter Lichtschalter	1	
5	855043	Linker Lichtschalter	1	Technische Daten: Version Enduro 450[RX45], Enduro-Version 550[RX55]
5	AP9100513	Linker Lichtschalter	1	Technische Daten: Version Motard 450[SX45], Version Motard 550[SX55]
6	853696	Gasschaltung+griff	1	
7	AP9100636	Kupplungssteuerung	1	
8	AP9100939	Kupplungshebel	1	
9	AP9100940	Bügelbolzen	1	
10	AP8152280	TE Schr. m. Flansch M6x25	2	
11	AP9100941	Kupplungskabel schraube	1	
12	AP9100486	Getriebe kupplungssteuerung	1	
13	853976	Gasantrieb	1	Technische Daten: Version Motard 450[SX45], Version Motard 550[SX55]
13	AP9100802	Gasantrieb	1	Technische Daten: Version Enduro 450[RX45], Enduro-Version 550[RX55]
14	AP8104921	Rückspiegel rechts	1	
15	AP8104922	Rückspiegel links	1	
16	858305	Map switch Untere Schale	1	
17	851359	Progressive Gasleitung	1	
18	851360	Bügelbolzen	1	
19	AP8218628	Handgriffe paar, schwarz	1	
20	858247	Map switch	1	
21	AP9100519	Kleine Feder	3	

Einheit	RAHMEN
Code	28.19
Beschreibung	Kühlanlage
Inspektion	1



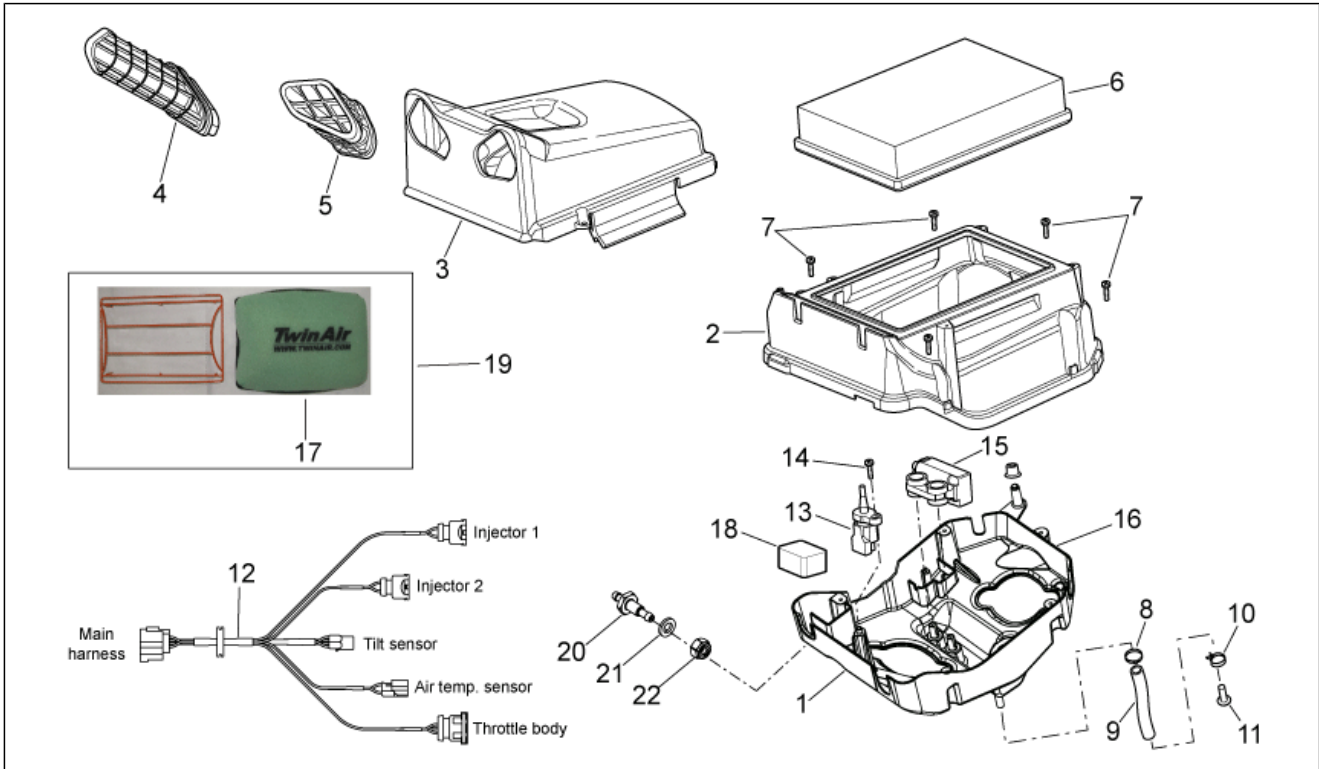
Pos.	Code	Beschreibung	Menge	Varianten
1	AP9100348	Wasserkühler L.	1	
2	AP9100349	Wasserkühler R.	1	
3	AP9100506	Ausdehngefäß	1	
4	AP8124930	Ventilator komplett	1	
5	AP9100780	Lüfterlager	1	
6	AP8120876	Verschlußschraube	2	
7	AP8152267	TBEI Spez.schr. M5x12	3	
8	AP8150013	Ausgleichscheibe 5,5x15x1,6*	3	
9	AP8150451	Selbstsperr.mut Unt.	3	
10	AP9100376	Buchse	4	
11	AP9100969	Silent-Block *	4	
12	AP9100375	Ausgleichscheibe 24,8x6,2x1	4	
13	AP9100781	TE Schr. m. Flansch M6x133	1	
14	AP9100663	TE Schr. m. Flansch M6x122	1	
15	AP8102376	Klammer M6	3	
16	AP8120952	Kraftstoffleitung 5,5x10	1	
17	AP8144506	Entlüftungsschlauch Kühler 7,5X3,5	1	
18	AP9100555	Leitung 23x15x135	1	
19	AP9100557	Cooler-pump pipe 27x19x145	1	
20	AP9100553	Leitung 23x15x380	1	
21	AP9100554	Leitung 23x15x295	1	
22	AP8120952	Kraftstoffleitung 5,5x10	1	
23	AP8102378	Schelle D11,3	1	
24	AP8201169	Schlauchschele D22x8,6*	4	
25	AP9100456	Schlauchschele 26x8	2	
26	AP9100714	Schlauchschele 14,5x8	2	
27	AP9100697	Schlauchschele 21x8	2	
28	AP8120446	Schlauchschele, grün D11x6,6x1	2	

Einheit	RAHMEN
Code	28.19
Beschreibung	Kühlanlage
Inspektion	1



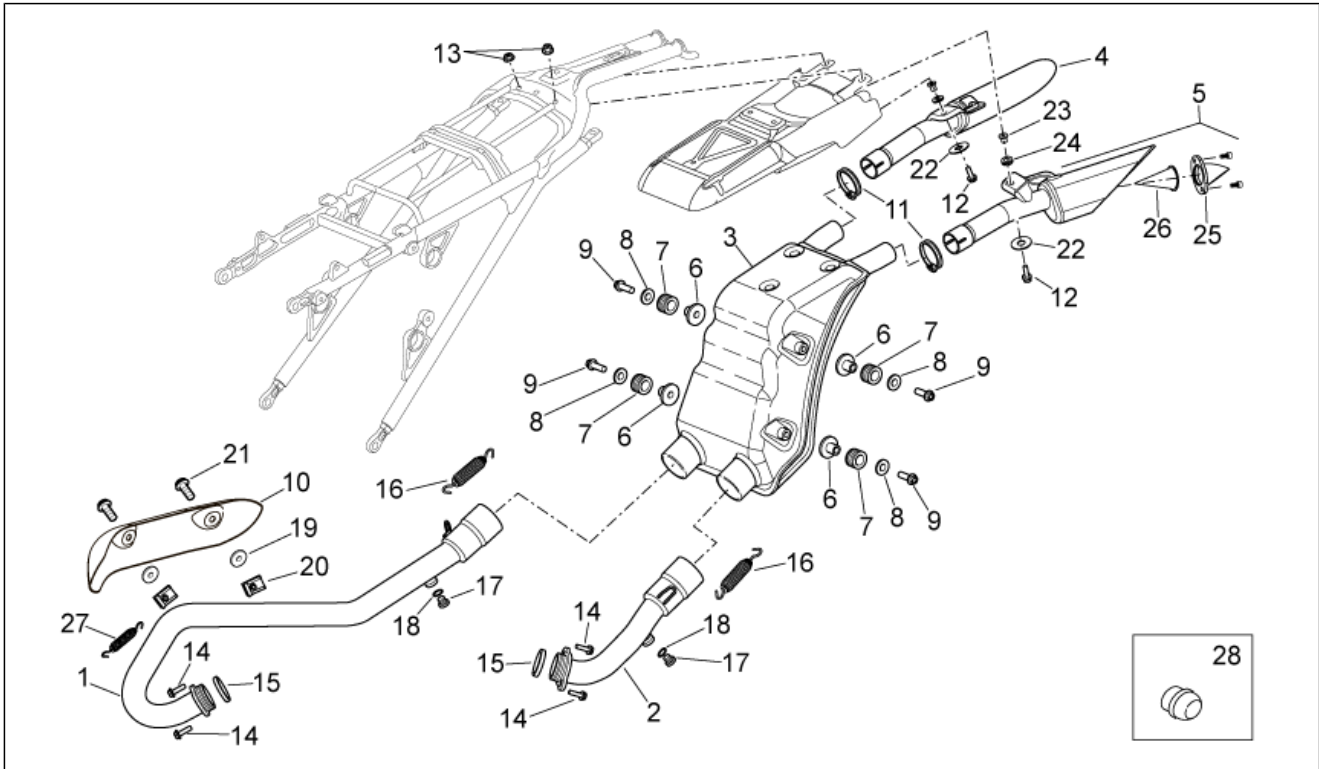
Pos.	Code	Beschreibung	Menge	Varianten
29	AP8117041	Klebeschwamm 6x30	2	
30	AP8220191	Dichtung	1	
31	AP8104124	Ausdehnsg. Schraube	1	
32	AP8120455	Gummi	1	
33	AP9100948	Kühlerschraube	1	

Einheit	RAHMEN
Code	28.20
Beschreibung	Filtergehäuse
Inspektion	1



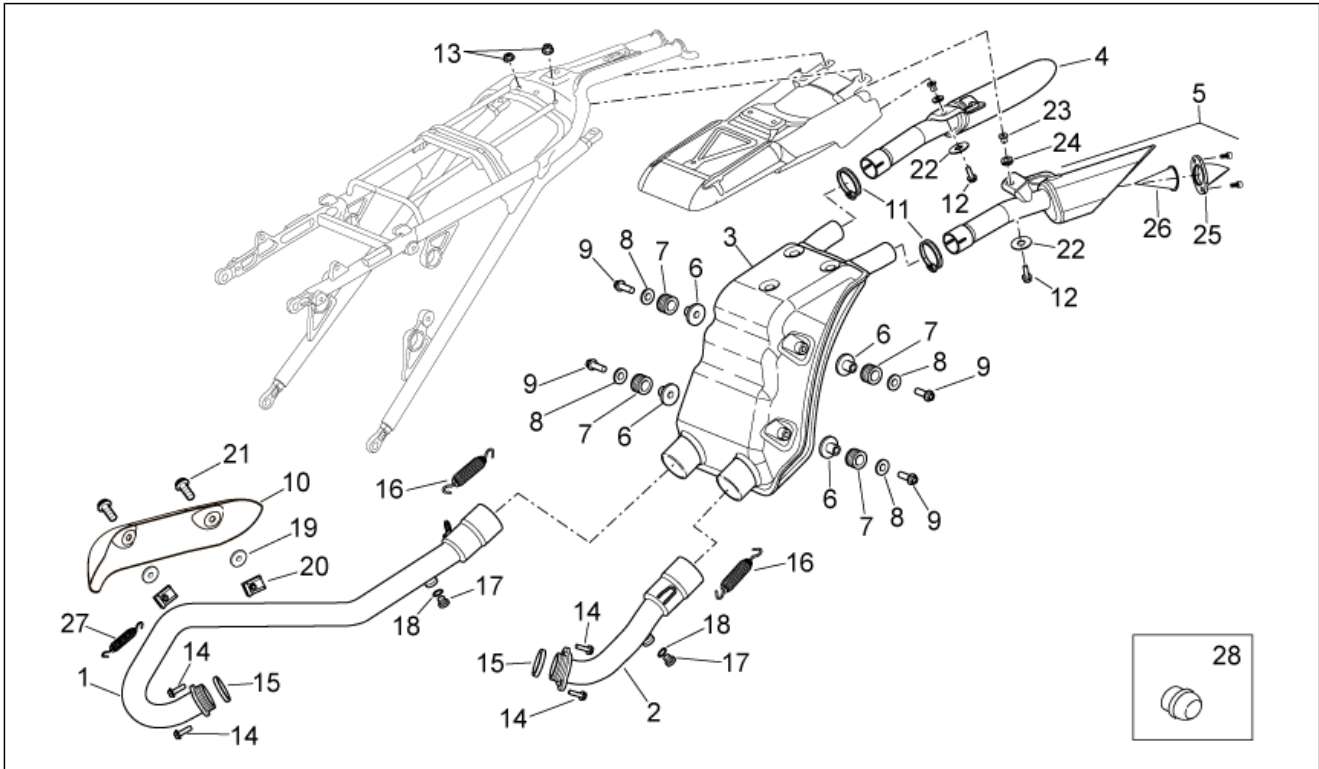
Pos.	Code	Beschreibung	Menge	Varianten
1	853691	Boden Filtergehäuse	1	Technische Daten: Version Enduro 450[RX45], Version Motard 450[SX45]
1	853693	Boden Filtergehäuse	1	Technische Daten: Enduro-Version 550[RX55], Version Motard 550[SX55]
2	853695	Filtereinsatzgehäuse	1	
3	AP9100703	Deckel	1	
4	AP9100588	R.Lufteinlass	1	
5	AP9100587	L.Lufteinlass	1	
6	AP8104329	Luftfilter	1	Technische Daten: Version Motard 450[SX45], Version Motard 550[SX55]
7	AP8152351	Linsenschraube 4,2x16*	5	
8	AP8101595	Schelle D10,1	1	
9	AP8144038	Kraftstoffleitung 6x10	1	
10	AP8102377	Schelle D9,1*	1	
11	AP8120876	Verschlußschraube	1	
12	AP9100455	Verkabelung	1	
13	AP9100427	Lufttemperaturfühler	1	
14	AP8150413	Gew.schr. 3,9x14	1	
15	AP9100428	Sturzfühler	1	
16	AP8120593	Dichtung D4	1	
17	858044	Luftfilter	1	Technische Daten: Version Enduro 450[RX45], Enduro-Version 550[RX55]
18	AP9101017	Filter Blow-by	1	
19	851369	Kraftstofffilter, Kit	1	Technische Daten: Version Enduro 450[RX45], Enduro-Version 550[RX55]
20	855081	Düse	1	
21	AP8144065	Gummi	1	
22	AP8150431	Mutter unten M8	1	

Einheit	RAHMEN
Code	28.21
Beschreibung	Auslassgruppe I
Inspektion	1



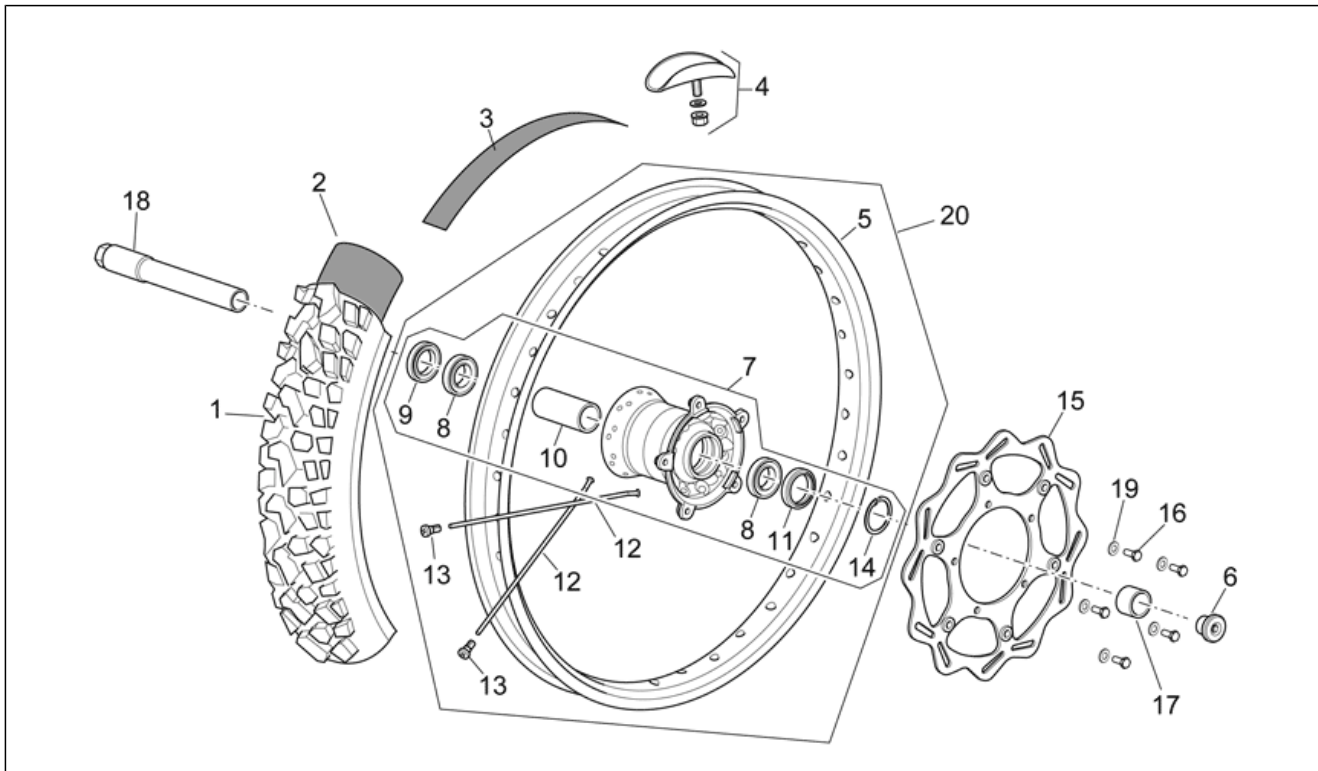
Pos.	Code	Beschreibung	Menge	Varianten
1	855025	Auspuffrohr vorn	1	Land: Vereinigte Staaten von Amerika[USA] Technische Daten: Enduro-Version 550[RX55], Version Motard 550[SX55]
1	855036	Auspuffrohr vorn	1	Land: EU[EU] Technische Daten: Version Enduro 450[RX45], Version Motard 450[SX45]
1	855037	Auspuffrohr vorn	1	Land: EU[EU] Technische Daten: Enduro-Version 550[RX55], Version Motard 550[SX55]
1	855086	Auspuffrohr vorn	1	Land: Vereinigte Staaten von Amerika[USA] Technische Daten: Version Enduro 450[RX45], Version Motard 450[SX45]
2	855026	Auspuffrohr hinten	1	Technische Daten: Enduro-Version 550[RX55], Version Motard 550[SX55]
2	855087	Auspuffrohr hinten	1	Technische Daten: Version Enduro 450[RX45], Version Motard 450[SX45]
3	856941	Schalldämpfer	1	Land: Vereinigte Staaten von Amerika[USA]
3	AP9100414	Schalldämpfer	1	Land: EU[EU]
4	856947	Endstück re.	1	Land: Vereinigte Staaten von Amerika[USA]
4	AP9100244	Endstück re.	1	Land: EU[EU]
5	856946	Endstück li.	1	Land: Vereinigte Staaten von Amerika[USA]
5	AP9100249	Endstück li.	1	Land: EU[EU]
6	AP9100409	Buchse	4	
7	AP9100845	Schwingschutzlager	4	
8	AP9100736	Ausgleichscheibe 8,3x20x1,5	4	
9	AP8152288	TE Schr. m. Flansch M8x30	4	
10	AP9100238	Hitzeschutz r. Auspuffrohr	1	
11	AP9100241	Schelle D.30	2	
12	AP8152279	TE Schr. m. Flansch M6x20	2	
13	AP9100434	Selbstsperrende Mutter M6x1	2	
14	AP8152278	TE Schr. m. Flansch M6x16	4	

Einheit	RAHMEN
Code	28.21
Beschreibung	Auslassgruppe I
Inspektion	1



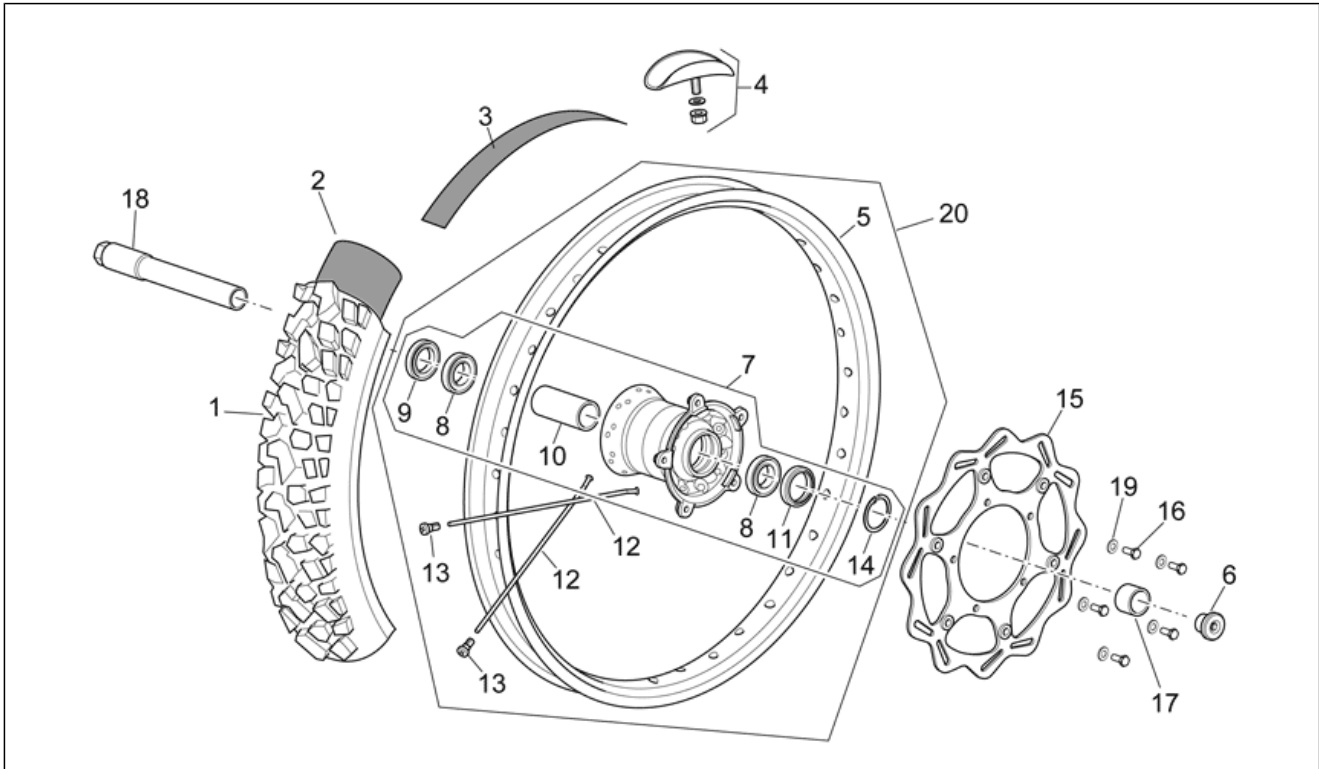
Pos.	Code	Beschreibung	Menge	Varianten
15	AP9100252	Dichtung Auspuffrohr	2	
16	AP8121170	Feder	2	
17	AP9100755	CO-Anschlußschraube	2	
18	AP8119603	Ausgleichscheibe 10x14x1	2	
19	AP8120870	Isolierscheibe	2	
20	AP8102376	Klammer M6	2	
21	AP8152342	TE Schr. m. Flansch M6x12	2	
22	AP8150015	Ausgleichscheibe 6,6x18x1,6*	2	
23	AP9100302	T-Buchse	2	
24	AP9100301	Gummi	2	
25	851172	Boden	2	Land:Vereinigte Staaten von Amerika[USA]
26	851171	Spark arrester	2	Land:Vereinigte Staaten von Amerika[USA]
27	858142	Feder Auspuffrohre	1	Land:EU[EU]
28	858592	Ogive	2	

Einheit	RAHMEN
Code	28.22
Beschreibung	Vorderrad I
Inspektion	1



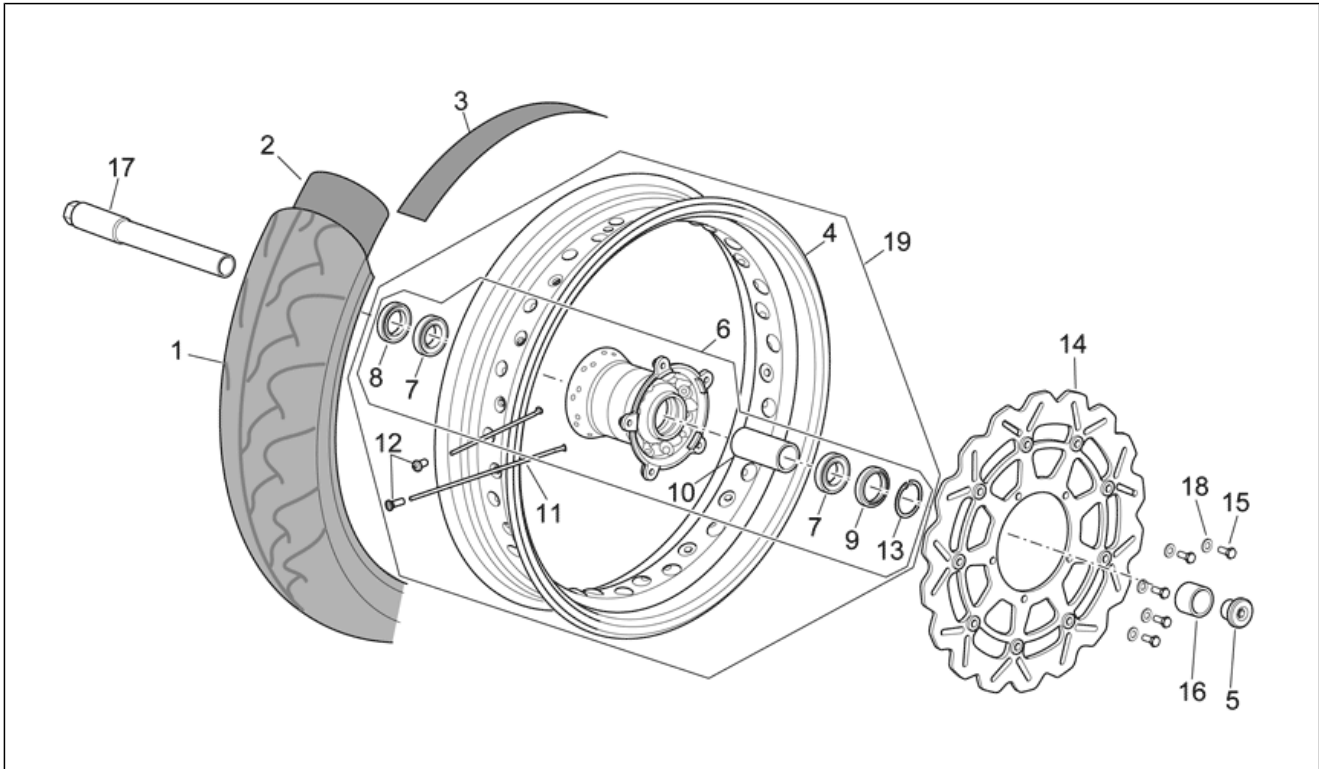
Pos.	Code	Beschreibung	Menge	Varianten
1	AP9100507	Vorderreifen 90/90X21"	1	Technische Daten: Version Enduro 450[RX45], Enduro-Version 550[RX55]
2	AP9100458	Schlauch 21"	1	Technische Daten: Version Enduro 450[RX45], Enduro-Version 550[RX55]
3	AP8109001	Vorderrandband 21"	1	Technische Daten: Version Enduro 450[RX45], Enduro-Version 550[RX55]
4	AP9100457	Bügel	1	Technische Daten: Version Enduro 450[RX45], Enduro-Version 550[RX55]
5	AP9100262	Vorderradfelgen 1,6x21"	1	Technische Daten: Version Enduro 450[RX45], Enduro-Version 550[RX55]
6	AP9100171	Deckel M22	1	Technische Daten: Version Enduro 450[RX45], Enduro-Version 550[RX55]
7	AP9100225	Nabe vorne	1	Technische Daten: Version Enduro 450[RX45], Enduro-Version 550[RX55]
8	AP9100216	Kugellager 25x42x9	2	Technische Daten: Version Enduro 450[RX45], Enduro-Version 550[RX55]
9	AP9100228	Gasket ring 28x42x7	1	Technische Daten: Version Enduro 450[RX45], Enduro-Version 550[RX55]
10	AP9100226	Interne Distanzscheibe L=69,7	1	Technische Daten: Version Enduro 450[RX45], Enduro-Version 550[RX55]
11	AP9100227	Gasket ring 32x42x7	1	Technische Daten: Version Enduro 450[RX45], Enduro-Version 550[RX55]
12	AP9100224	Speiche d.3,5-21"-l.233	36	Technische Daten: Version Enduro 450[RX45], Enduro-Version 550[RX55]
13	AP9100057	Nippel	36	Technische Daten: Version Enduro 450[RX45], Enduro-Version 550[RX55]
14	AP8121334	Seegerring D.42	1	Technische Daten: Version Enduro 450[RX45], Enduro-Version 550[RX55]
15	AP9100461	Vorderradbremsscheibe d.270	1	Technische Daten: Version Enduro 450[RX45], Enduro-Version 550[RX55]
16	AP8150070	Sechskantschraube M6x16	5	Technische Daten: Version Enduro 450[RX45], Enduro-Version 550[RX55]

Einheit	RAHMEN
Code	28.22
Beschreibung	Vorderrad I
Inspektion	1



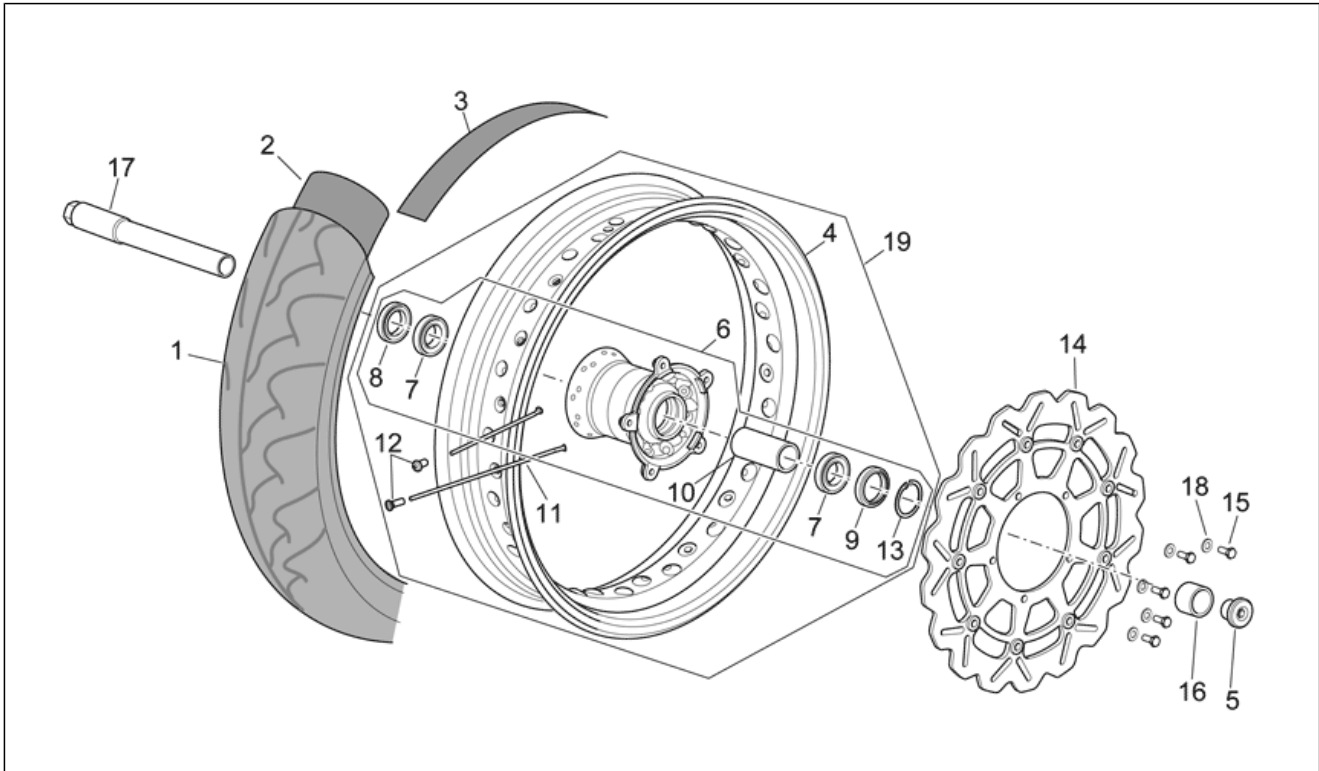
Pos.	Code	Beschreibung	Menge	Varianten
17	AP9100229	Externe Distanzscheibe L=26,3	1	Technische Daten: Version Enduro 450[RX45], Enduro-Version 550[RX55]
18	AP9100230	Vorderradbolzen L=221,5	1	Technische Daten: Version Enduro 450[RX45], Enduro-Version 550[RX55]
19	AP8150429	Sprenzscheibe 6,4x11x0,5*	5	Technische Daten: Version Enduro 450[RX45], Enduro-Version 550[RX55]
20	851063	Vorderrad 21"	1	Technische Daten: Version Enduro 450[RX45], Enduro-Version 550[RX55]

Einheit	RAHMEN
Code	28.23
Beschreibung	Vorderrad II
Inspektion	1



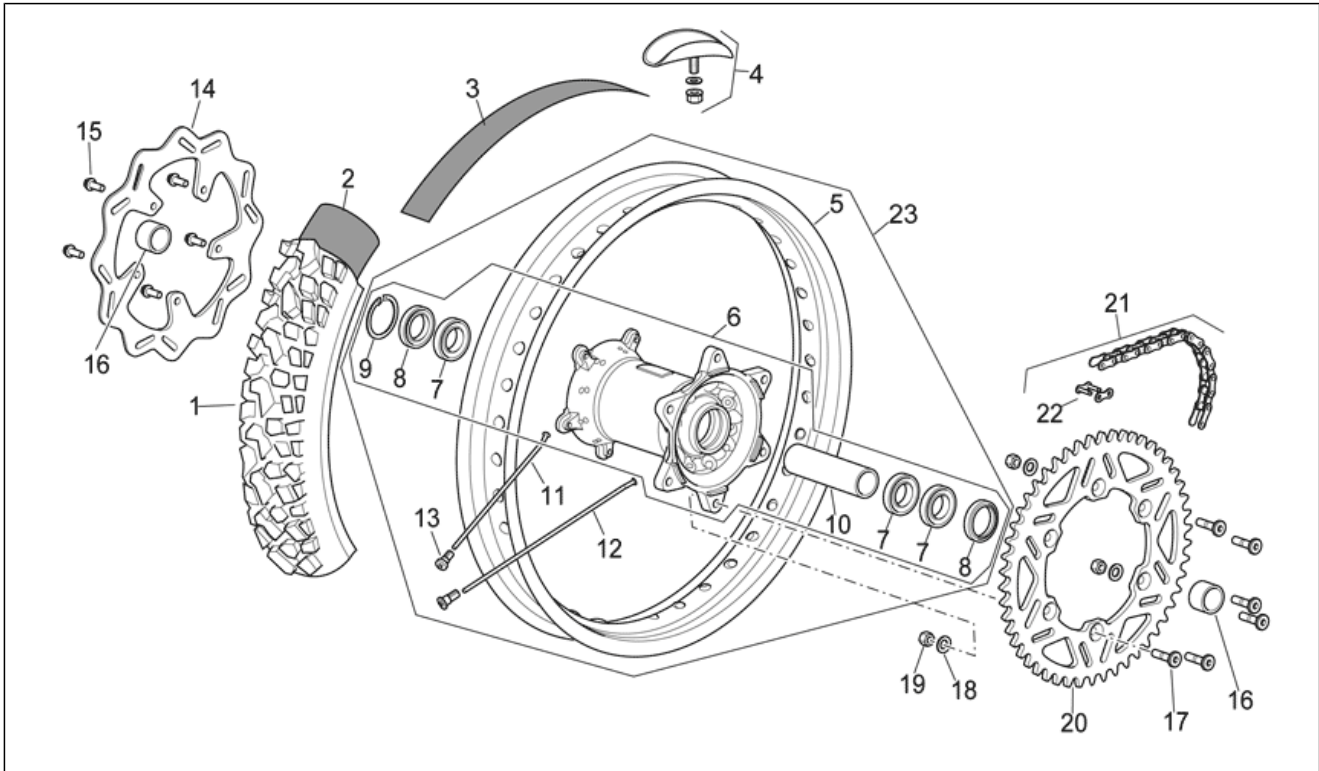
Pos.	Code	Beschreibung	Menge	Varianten
1	AP8109170	Vorderreifen 110/70-17" Pirelli	1	Technische Daten: Version Motard 450[SX45], Version Motard 550[SX55]
2	AP8109306	Schlauch 17"	1	Technische Daten: Version Motard 450[SX45], Version Motard 550[SX55]
3	AP8109309	Radband 17"	1	Technische Daten: Version Motard 450[SX45], Version Motard 550[SX55]
4	AP9100561	Vorderradfelgen 3,5X17"	1	Technische Daten: Version Motard 450[SX45], Version Motard 550[SX55]
5	AP9100171	Deckel M22	1	Technische Daten: Version Motard 450[SX45], Version Motard 550[SX55]
6	AP9100225	Nabe vorne	1	Technische Daten: Version Motard 450[SX45], Version Motard 550[SX55]
7	AP9100216	Kugellager 25x42x9	2	Technische Daten: Version Motard 450[SX45], Version Motard 550[SX55]
8	AP9100228	Gasket ring 28x42x7	1	Technische Daten: Version Motard 450[SX45], Version Motard 550[SX55]
9	AP9100227	Gasket ring 32x42x7	1	Technische Daten: Version Motard 450[SX45], Version Motard 550[SX55]
10	AP9100226	Interne Distanzscheibe L=69,7	1	Technische Daten: Version Motard 450[SX45], Version Motard 550[SX55]
11	AP9100106	Speiche d.3,5-17"	36	Technische Daten: Version Motard 450[SX45], Version Motard 550[SX55]
12	AP8108672	Nippel D3,5	36	Technische Daten: Version Motard 450[SX45], Version Motard 550[SX55]
13	AP8121334	Seegerring D.42	1	Technische Daten: Version Motard 450[SX45], Version Motard 550[SX55]
14	AP9100528	Vorderradbremsscheibe d.320	1	Technische Daten: Version Motard 450[SX45], Version Motard 550[SX55]
15	AP8150070	Sechskantschraube M6x16	5	Technische Daten: Version Motard 450[SX45], Version Motard 550[SX55]
16	AP9100229	Externe Distanzscheibe L=26,3	1	Technische Daten: Version Motard 450[SX45], Version Motard 550[SX55]

Einheit	RAHMEN
Code	28.23
Beschreibung	Vorderrad II
Inspektion	1



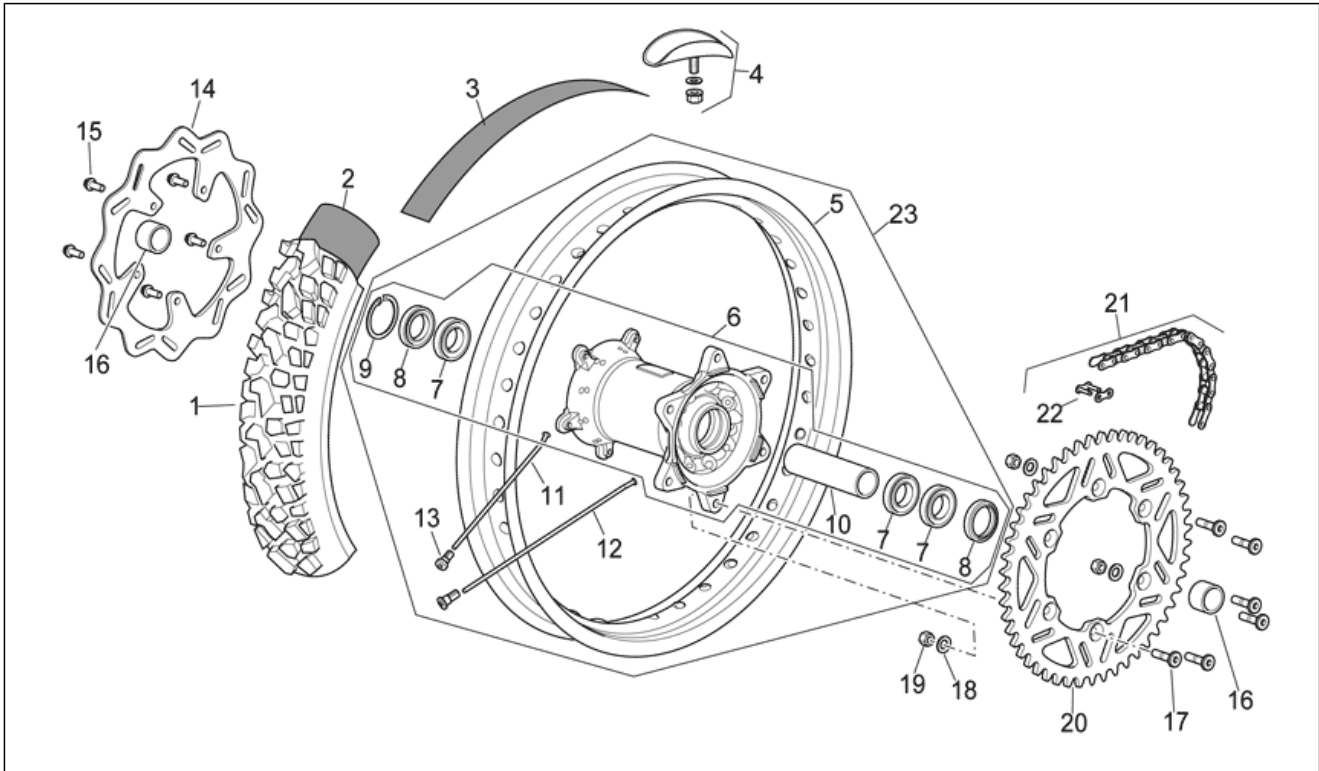
Pos.	Code	Beschreibung	Menge	Varianten
17	AP9100230	Vorderradbolzen L=221,5	1	Technische Daten: Version Motard 450[SX45], Version Motard 550[SX55]
18	AP8150429	Sprengscheibe 6,4x11x0,5*	5	Technische Daten: Version Motard 450[SX45], Version Motard 550[SX55]
19	851064	Vorderrad 17"	1	Technische Daten: Version Motard 450[SX45], Version Motard 550[SX55]

Einheit	RAHMEN
Code	28.24
Beschreibung	Hinterrad I
Inspektion	1



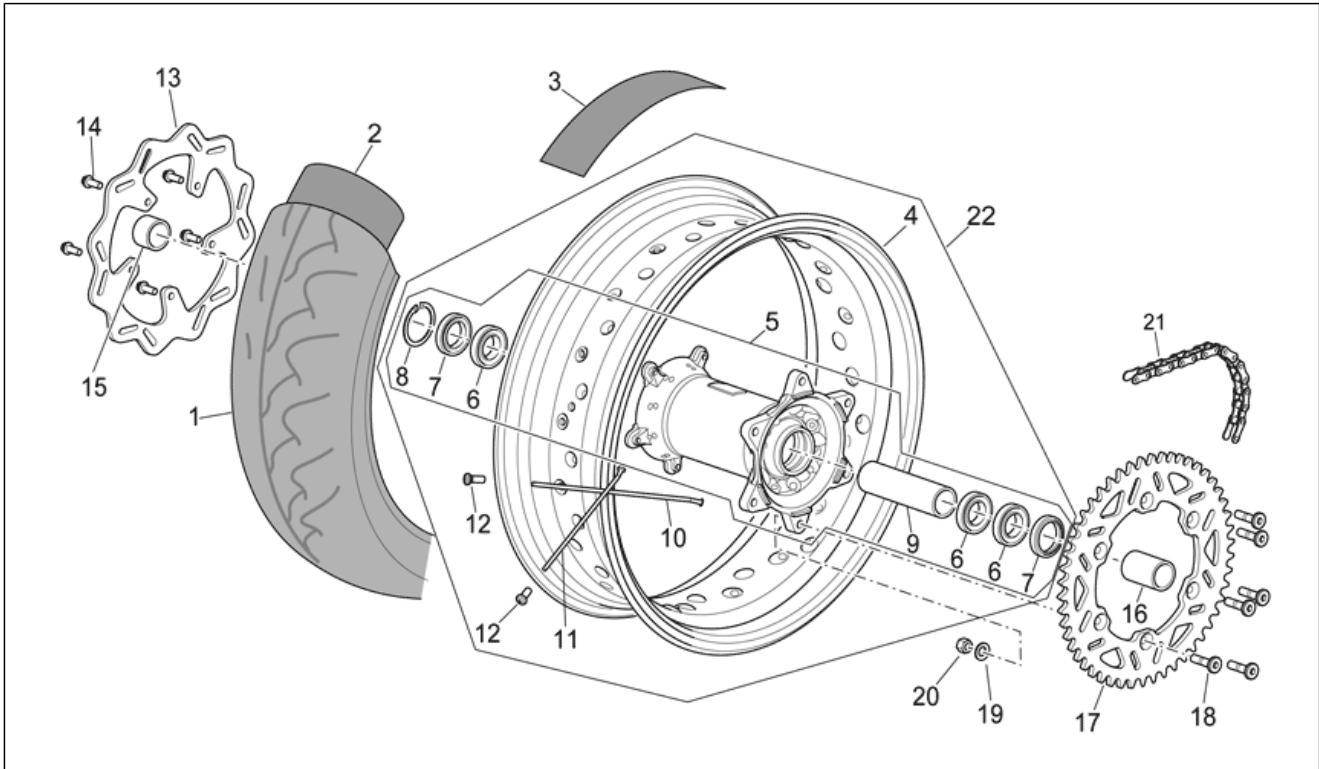
Pos.	Code	Beschreibung	Menge	Varianten
1	AP9100510	Hinterreifen 140/80X18"	1	Technische Daten: Version Enduro 450[RX45], Enduro-Version 550[RX55]
2	AP9100508	Schlauch 18"	1	Technische Daten: Version Enduro 450[RX45], Enduro-Version 550[RX55]
3	AP8109281	Hinterradband 18"	1	Technische Daten: Version Enduro 450[RX45], Enduro-Version 550[RX55]
4	AP9100462	Bügel reifen	1	Technische Daten: Version Enduro 450[RX45], Enduro-Version 550[RX55]
5	AP9100261	H.Felge 2,15X18"	1	Technische Daten: Version Enduro 450[RX45], Enduro-Version 550[RX55]
6	AP9100214	Nabe hinten	1	Technische Daten: Version Enduro 450[RX45], Enduro-Version 550[RX55]
7	AP9100216	Kugellager 25x42x9	3	Technische Daten: Version Enduro 450[RX45], Enduro-Version 550[RX55]
8	AP9100227	Gasket ring 32x42x7	2	Technische Daten: Version Enduro 450[RX45], Enduro-Version 550[RX55]
9	AP8121334	Seegerring D.42	1	Technische Daten: Version Enduro 450[RX45], Enduro-Version 550[RX55]
10	AP9100215	Interne Distanzscheibe L=106,5 mm	1	Technische Daten: Version Enduro 450[RX45], Enduro-Version 550[RX55]
11	AP9100056	Speiche d.4-18"-l.196,5	18	Technische Daten: Version Enduro 450[RX45], Enduro-Version 550[RX55]
12	AP9100211	Speiche d.4-18"-l.199,5	18	Technische Daten: Version Enduro 450[RX45], Enduro-Version 550[RX55]
13	AP9100213	Nippel d.4	36	Technische Daten: Version Enduro 450[RX45], Enduro-Version 550[RX55]
14	AP9100466	Vorderradbremsscheibe d.240	1	Technische Daten: Version Enduro 450[RX45], Enduro-Version 550[RX55]
15	AP8152278	TE Schr. m. Flansch M6x16	5	Technische Daten: Version Enduro 450[RX45], Enduro-Version 550[RX55]
16	AP9100595	Externe Distanzscheibe L=21,9	2	Technische Daten: Version Enduro 450[RX45], Enduro-Version 550[RX55]

Einheit	RAHMEN
Code	28.24
Beschreibung	Hinterrad I
Inspektion	1



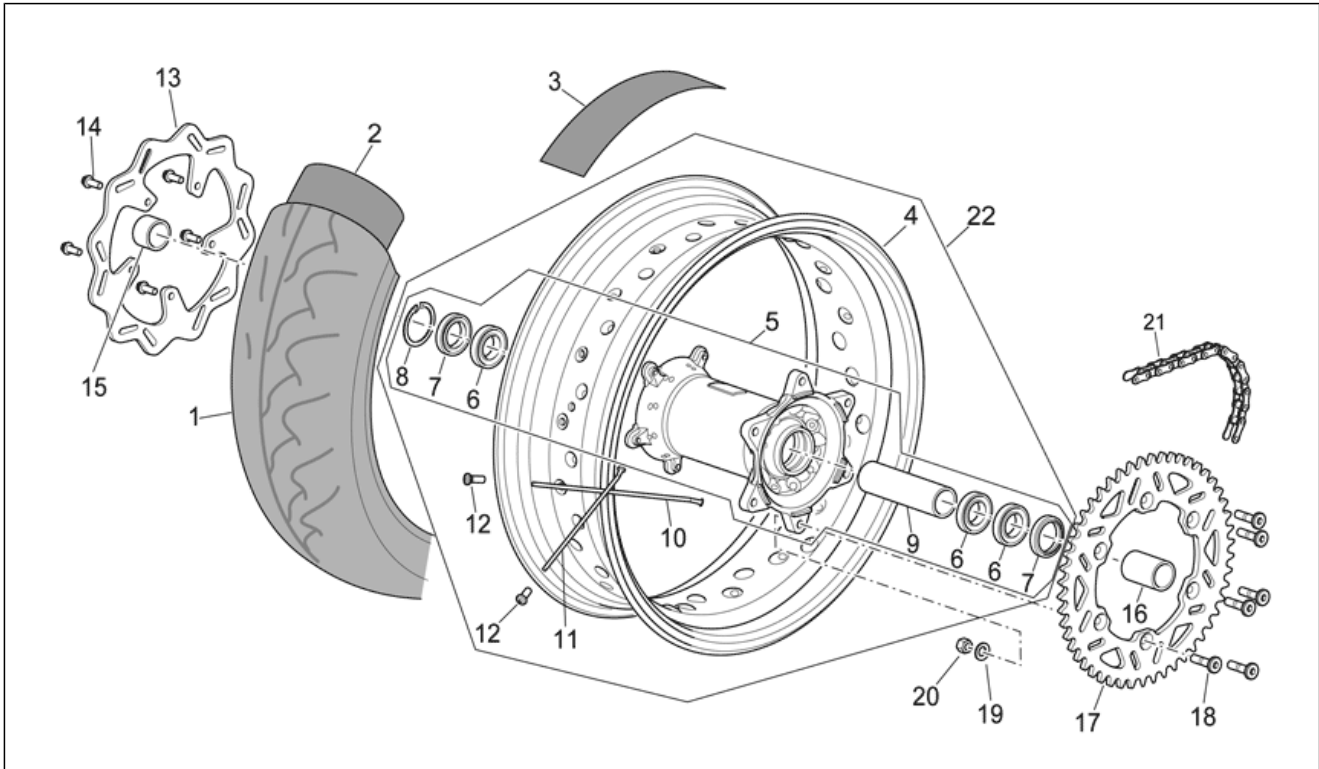
Pos.	Code	Beschreibung	Menge	Varianten
17	AP9100467	Schraube M8x30	6	Technische Daten: Version Enduro 450[RX45], Enduro-Version 550[RX55]
18	AP8150017	Ausgleichscheibe 8,4x16x1,6	6	Technische Daten: Version Enduro 450[RX45], Enduro-Version 550[RX55]
19	AP9100432	Selbstsperr.Mut.Unt. M8x1,25	6	Technische Daten: Version Enduro 450[RX45], Enduro-Version 550[RX55]
20	AP9100336	Zahnkranz Z=48	1	Technische Daten: Version Enduro 450[RX45], Enduro-Version 550[RX55]
21	AP9100531	Kette	1	Technische Daten: Version Enduro 450[RX45], Enduro-Version 550[RX55]
22	AP9100533	Verbindungsglied 5/8x1/4	1	Technische Daten: Version Enduro 450[RX45], Enduro-Version 550[RX55]
23	851065	Hinterrad ohne Scheibe 18"	1	Technische Daten: Version Enduro 450[RX45], Enduro-Version 550[RX55]

Einheit	RAHMEN
Code	28.25
Beschreibung	Hinterrad II
Inspektion	1



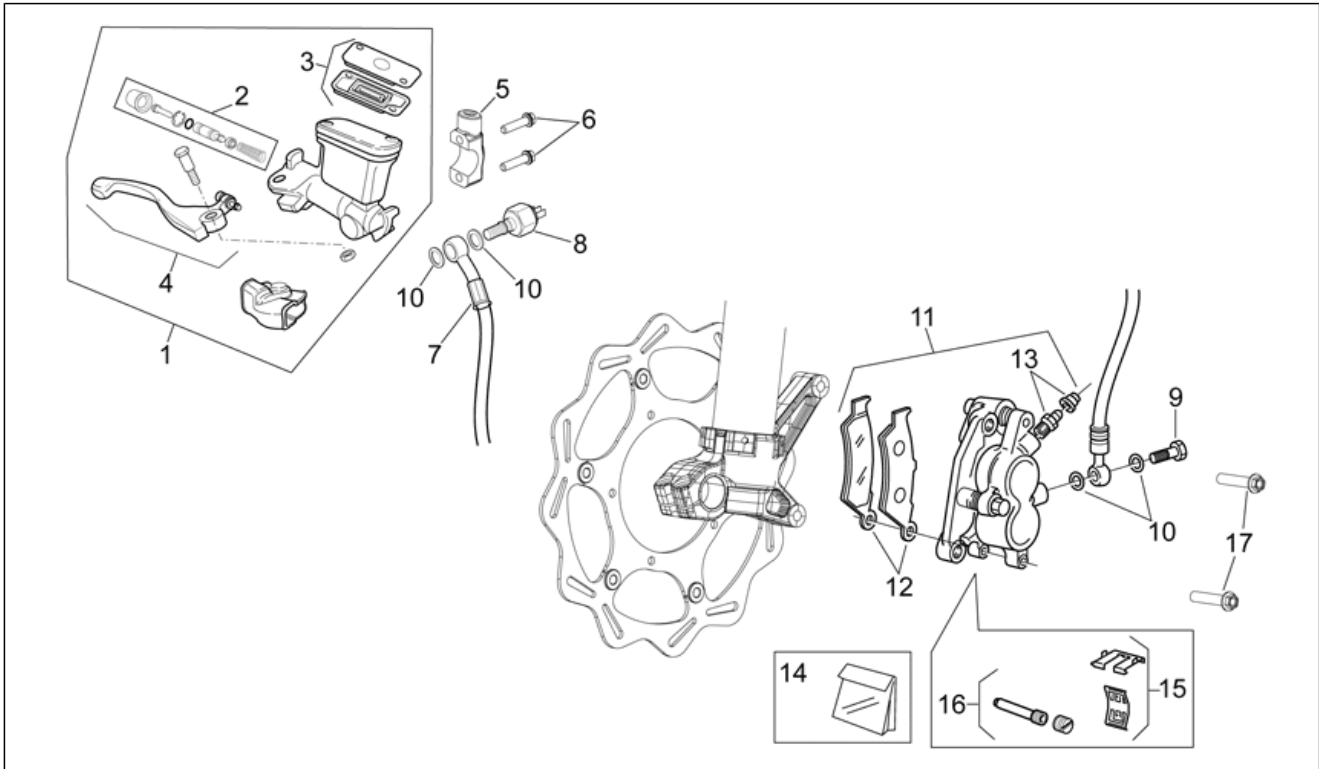
Pos.	Code	Beschreibung	Menge	Varianten
1	AP9100608	Hinterreifen 180/55X17"	1	Technische Daten: Version Motard 450[SX45], Version Motard 550[SX55]
2	AP9100526	Schlauch 17"	1	Technische Daten: Version Motard 450[SX45], Version Motard 550[SX55]
3	AP9100527	Radband 17"	1	Technische Daten: Version Motard 450[SX45], Version Motard 550[SX55]
4	AP9100560	H.Felge 5,5X17"	1	Technische Daten: Version Motard 450[SX45], Version Motard 550[SX55]
5	AP9100322	Nabe hinten	1	Technische Daten: Version Motard 450[SX45], Version Motard 550[SX55]
6	AP9100216	Kugellager 25x42x9	3	Technische Daten: Version Motard 450[SX45], Version Motard 550[SX55]
7	AP9100227	Gasket ring 32x42x7	2	Technische Daten: Version Motard 450[SX45], Version Motard 550[SX55]
8	AP8121334	Seegerring D.42	1	Technische Daten: Version Motard 450[SX45], Version Motard 550[SX55]
9	AP9100584	Interne Distanzscheibe L=134,3	1	Technische Daten: Version Motard 450[SX45], Version Motard 550[SX55]
10	AP9100559	Speiche 4-17"-l.189	18	Technische Daten: Version Motard 450[SX45], Version Motard 550[SX55]
11	AP9100107	Speiche d.4-17"-l.184	18	Technische Daten: Version Motard 450[SX45], Version Motard 550[SX55]
12	AP9100569	Nippel d.4	36	Technische Daten: Version Motard 450[SX45], Version Motard 550[SX55]
13	AP9100466	Vorderradbremsscheibe d.240	1	Technische Daten: Version Motard 450[SX45], Version Motard 550[SX55]
14	AP8152278	TE Schr. m. Flansch M6x16	5	Technische Daten: Version Motard 450[SX45], Version Motard 550[SX55]
15	AP9100595	Externe Distanzscheibe L=21,9	1	Technische Daten: Version Motard 450[SX45], Version Motard 550[SX55]
16	AP9100596	Externe Distanzscheibe L=45,1	1	Technische Daten: Version Motard 450[SX45], Version Motard 550[SX55]

Einheit	RAHMEN
Code	28.25
Beschreibung	Hinterrad II
Inspektion	1



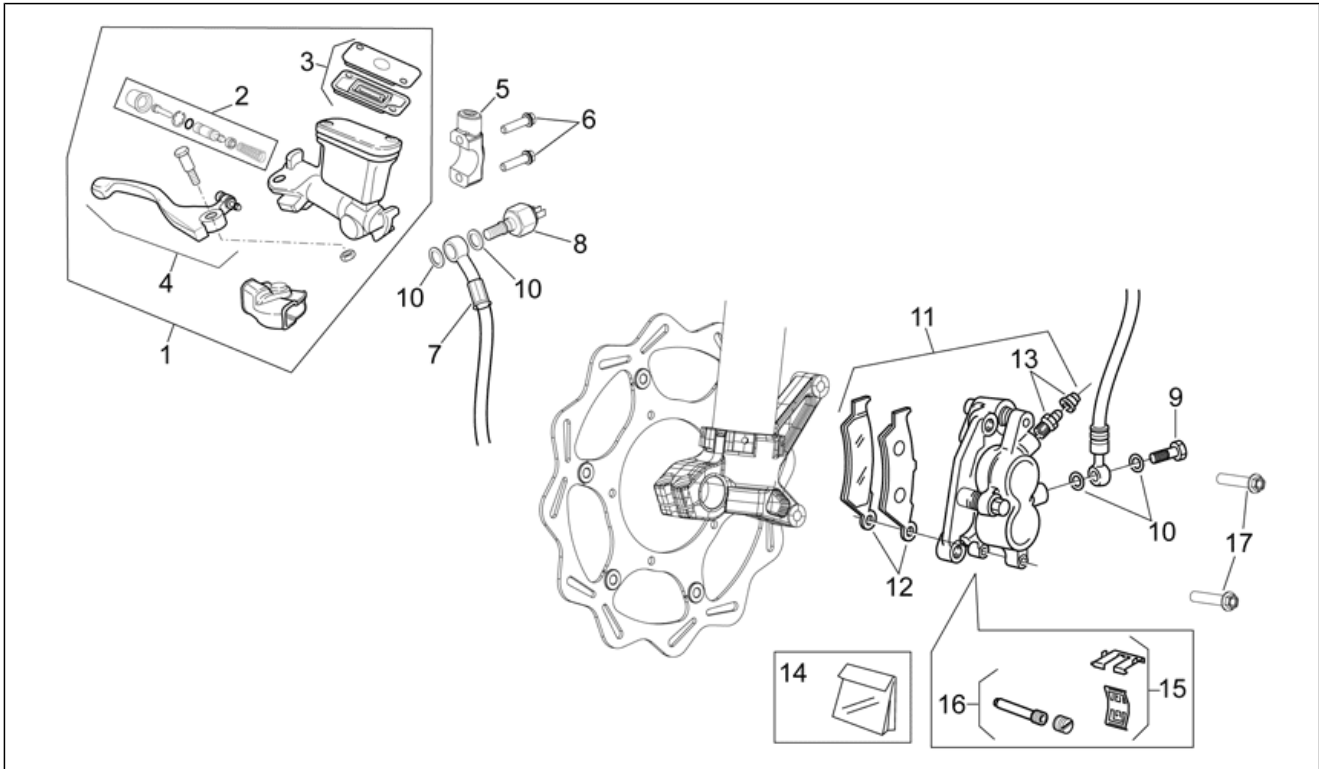
Pos.	Code	Beschreibung	Menge	Varianten
17	AP9100334	Zahnkranz Z=46	1	Technische Daten: Version Motard 450[SX45], Version Motard 550[SX55]
18	AP9100467	Schraube M8x30	6	Technische Daten: Version Motard 450[SX45], Version Motard 550[SX55]
19	AP8150017	Ausgleichscheibe 8,4x16x1,6	6	Technische Daten: Version Motard 450[SX45], Version Motard 550[SX55]
20	AP9100432	Selbstsperr.Mut.Unt. M8x1,25	6	Technische Daten: Version Motard 450[SX45], Version Motard 550[SX55]
21	AP9100715	Kette 5/8x1/4	1	Technische Daten: Version Motard 450[SX45], Version Motard 550[SX55]
22	851066	Hinterrad ohne Scheibe 17"	1	Technische Daten: Version Motard 450[SX45], Version Motard 550[SX55]

Einheit	RAHMEN
Code	28.26
Beschreibung	Bremsanlage - Vorn I
Inspektion	1



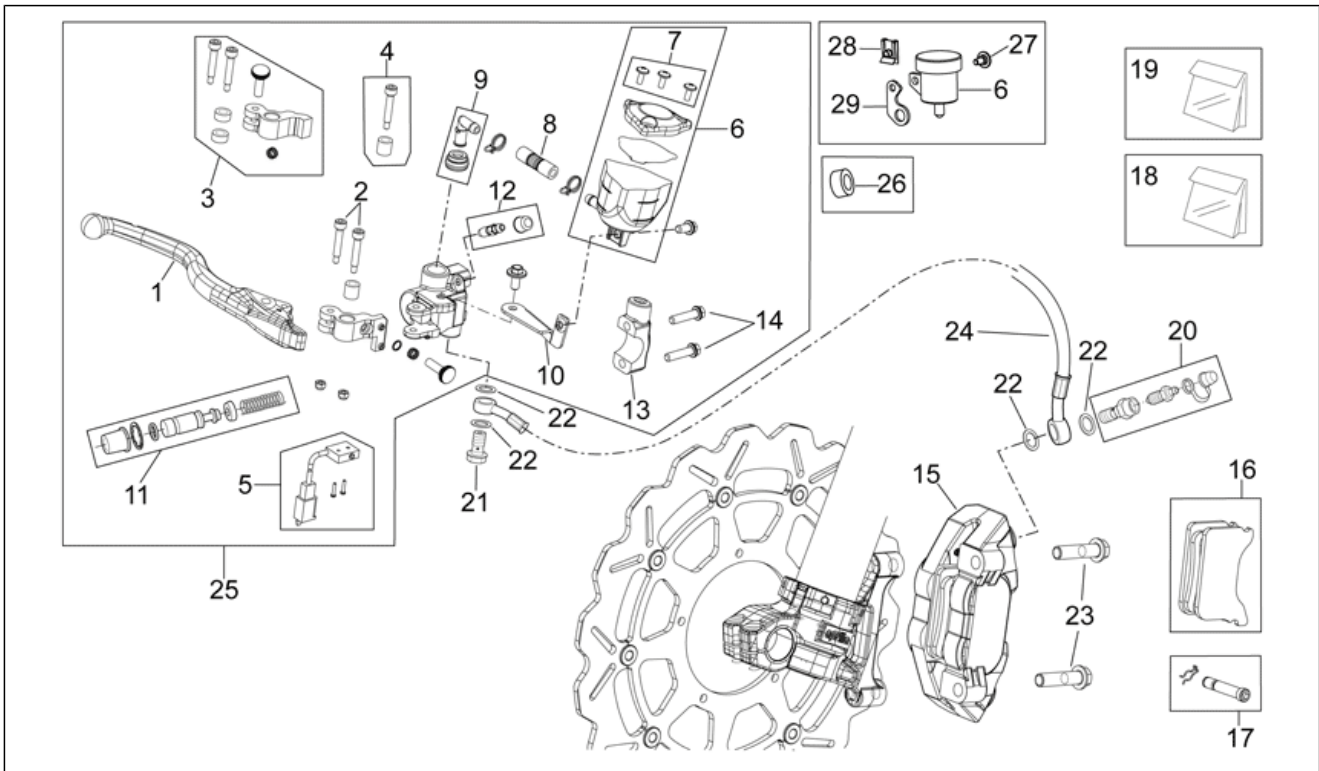
Pos.	Code	Beschreibung	Menge	Varianten
1	AP9100257	Vorderradbremspumpe Nissin	1	Technische Daten: Version Enduro 450[RX45], Enduro-Version 550[RX55]
2	AP9100785	Kolben, kit	1	Technische Daten: Version Enduro 450[RX45], Enduro-Version 550[RX55]
3	AP9100786	Aust.satz Verschlussschraube	1	Technische Daten: Version Enduro 450[RX45], Enduro-Version 550[RX55]
4	AP9100787	Kit Hebelüberholung	1	Technische Daten: Version Enduro 450[RX45], Enduro-Version 550[RX55]
5	AP9100707	Schelle	1	Technische Daten: Version Enduro 450[RX45], Enduro-Version 550[RX55]
6	AP8152280	TE Schr. m. Flansch M6x25	2	Technische Daten: Version Enduro 450[RX45], Enduro-Version 550[RX55]
7	851351	Vorderradbremsleitung	1	Technische Daten: Version Enduro 450[RX45], Enduro-Version 550[RX55]
8	AP9100418	V. Schalter Stopp	1	Technische Daten: Version Enduro 450[RX45], Enduro-Version 550[RX55]
9	AP9100472	Sechskantschraube M10x1,25	1	Technische Daten: Version Enduro 450[RX45], Enduro-Version 550[RX55]
10	AP9100473	Ausgleichscheibe 14x10,2x1	4	Technische Daten: Version Enduro 450[RX45], Enduro-Version 550[RX55]
11	AP9100256	Vorderradbremzange	1	Technische Daten: Version Enduro 450[RX45], Enduro-Version 550[RX55]
12	AP9100788	Beläge (Paar)	1	Technische Daten: Version Enduro 450[RX45], Enduro-Version 550[RX55]
13	AP9100789	Bausatz Entlüftungsüberh.	1	Technische Daten: Version Enduro 450[RX45], Enduro-Version 550[RX55]
14	AP9100790	Bausatz Bremszangenüberholung	1	Technische Daten: Version Enduro 450[RX45], Enduro-Version 550[RX55]
15	AP9100791	Feder	1	Technische Daten: Version Enduro 450[RX45], Enduro-Version 550[RX55]
16	AP9100792	Bolzen	1	Technische Daten: Version Enduro 450[RX45], Enduro-Version 550[RX55]

Einheit	RAHMEN
Code	28.26
Beschreibung	Bremsanlage - Vorn I
Inspektion	1



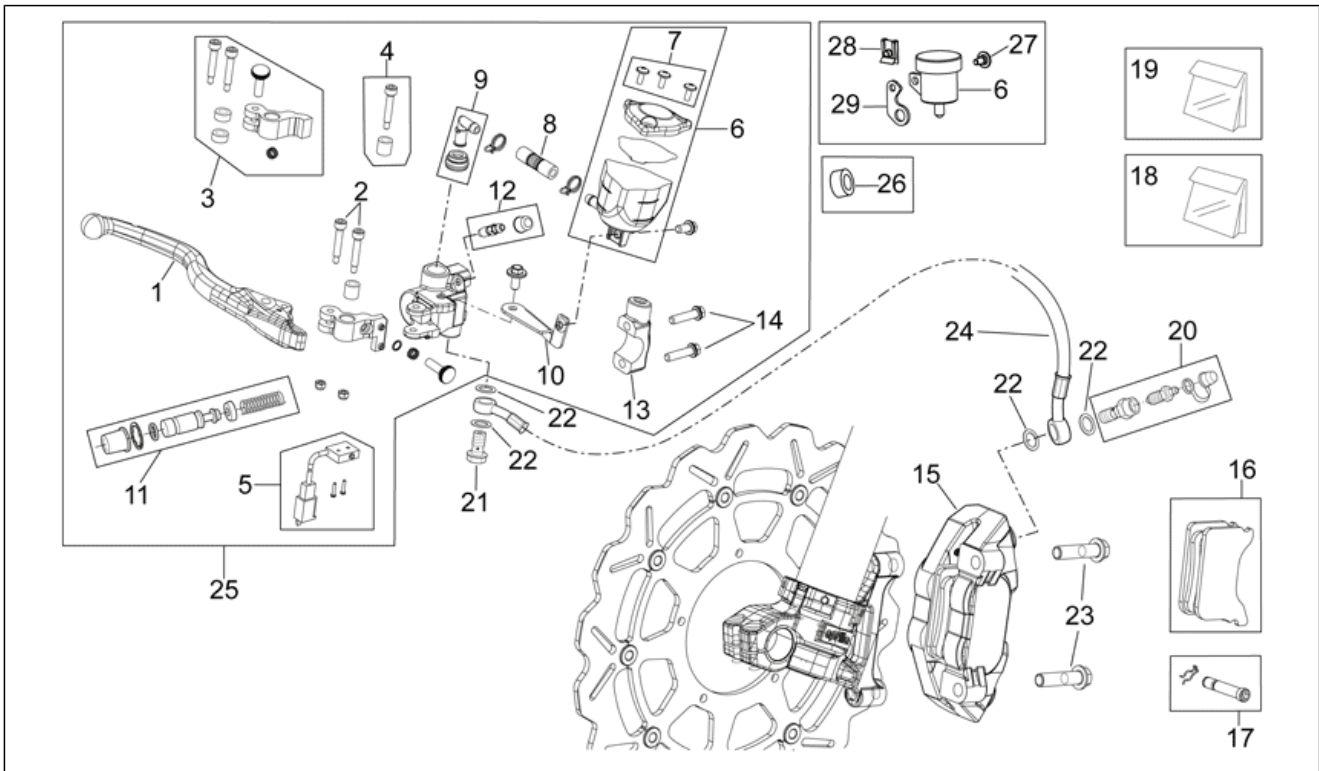
Pos.	Code	Beschreibung	Menge	Varianten
17	AP8152290	TE Schr. m. Flansch M8x40	2	Technische Daten: Version Enduro 450[RX45], Enduro-Version 550[RX55]

Einheit	RAHMEN
Code	28.27
Beschreibung	Bremsanlage - Vorn II
Inspektion	1



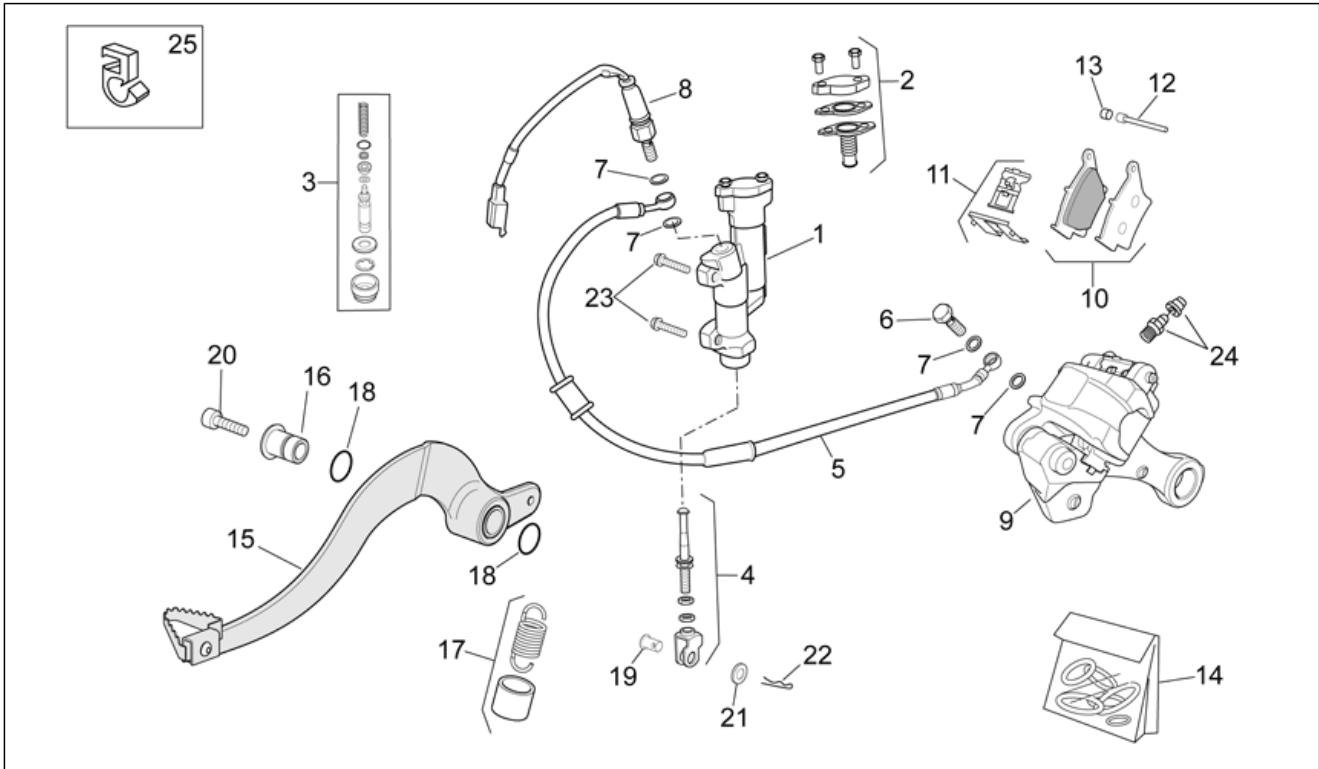
Pos.	Code	Beschreibung	Menge	Varianten
1	851366	Hebel	1	Technische Daten: Version Motard 450[SX45], Version Motard 550[SX55]
2	AP9100921	Schraube	1	Technische Daten: Version Motard 450[SX45], Version Motard 550[SX55]
3	851367	Kit Hebelüberholung	1	Technische Daten: Version Motard 450[SX45], Version Motard 550[SX55]
4	AP9100919	Pressing kit	1	Technische Daten: Version Motard 450[SX45], Version Motard 550[SX55]
5	AP9100918	Bremslichtschalter	1	Technische Daten: Version Motard 450[SX45], Version Motard 550[SX55]
6	AP9100917	Öltank kpl	1	Technische Daten: Version Motard 450[SX45], Version Motard 550[SX55]
7	AP9100916	Schraube	1	Technische Daten: Version Motard 450[SX45], Version Motard 550[SX55]
8	AP9100915	Bremschlauch	1	Technische Daten: Version Motard 450[SX45], Version Motard 550[SX55]
9	AP9100914	Anschluss	1	Technische Daten: Version Motard 450[SX45], Version Motard 550[SX55]
10	851368	Platte	1	Technische Daten: Version Motard 450[SX45], Version Motard 550[SX55]
11	AP9100912	Bausatz Pumpenüberholung	1	Technische Daten: Version Motard 450[SX45], Version Motard 550[SX55]
12	AP9100911	Bausatz Entlüftungsüberh.	1	Technische Daten: Version Motard 450[SX45], Version Motard 550[SX55]
13	AP9100910	Bügelbolzen	1	Technische Daten: Version Motard 450[SX45], Version Motard 550[SX55]
14	AP8152280	TE Schr. m. Flansch M6x25	2	Technische Daten: Version Motard 450[SX45], Version Motard 550[SX55]
15	AP9100713	Vorderradbremszange	1	Technische Daten: Version Motard 450[SX45], Version Motard 550[SX55]
16	AP9100906	Beläge (Paar)	1	Technische Daten: Version Motard 450[SX45], Version Motard 550[SX55]

Einheit	RAHMEN
Code	28.27
Beschreibung	Bremsanlage - Vorn II
Inspektion	1



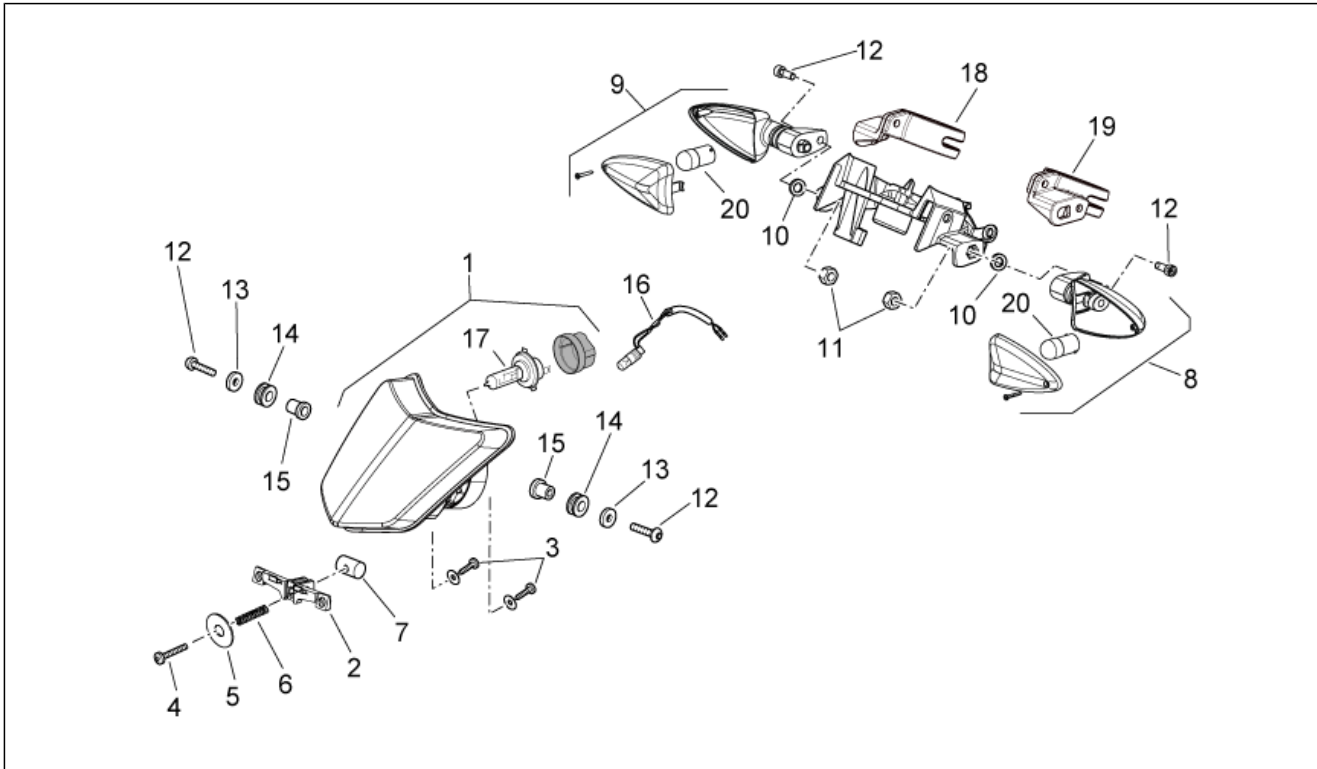
Pos.	Code	Beschreibung	Menge	Varianten
17	AP9100907	Splintbolzen	1	Technische Daten: Version Motard 450[SX45], Version Motard 550[SX55]
18	AP9100908	Bausatz Bremszangenüberholung	1	Technische Daten: Version Motard 450[SX45], Version Motard 550[SX55]
19	AP9100909	Paar Kolben	1	Technische Daten: Version Motard 450[SX45], Version Motard 550[SX55]
20	AP9100905	Bausatz Entlüftungsüberh.	1	Technische Daten: Version Motard 450[SX45], Version Motard 550[SX55]
21	AP9100763	Fixierschraube Ölschlauch	1	Technische Daten: Version Motard 450[SX45], Version Motard 550[SX55]
22	AP8121915	Dichtung	4	Technische Daten: Version Motard 450[SX45], Version Motard 550[SX55]
23	AP9100749	TE Schr. m. Flansch M10x1,25x40	2	Technische Daten: Version Motard 450[SX45], Version Motard 550[SX55]
24	AP9100712	Vorderradbremseleitung	1	Technische Daten: Version Motard 450[SX45], Version Motard 550[SX55]
25	851348	Vorderradbremspumpe FTE	1	Technische Daten: Version Motard 450[SX45], Version Motard 550[SX55]

Einheit	RAHMEN
Code	28.28
Beschreibung	Bremsanlage - Hinten
Inspektion	1



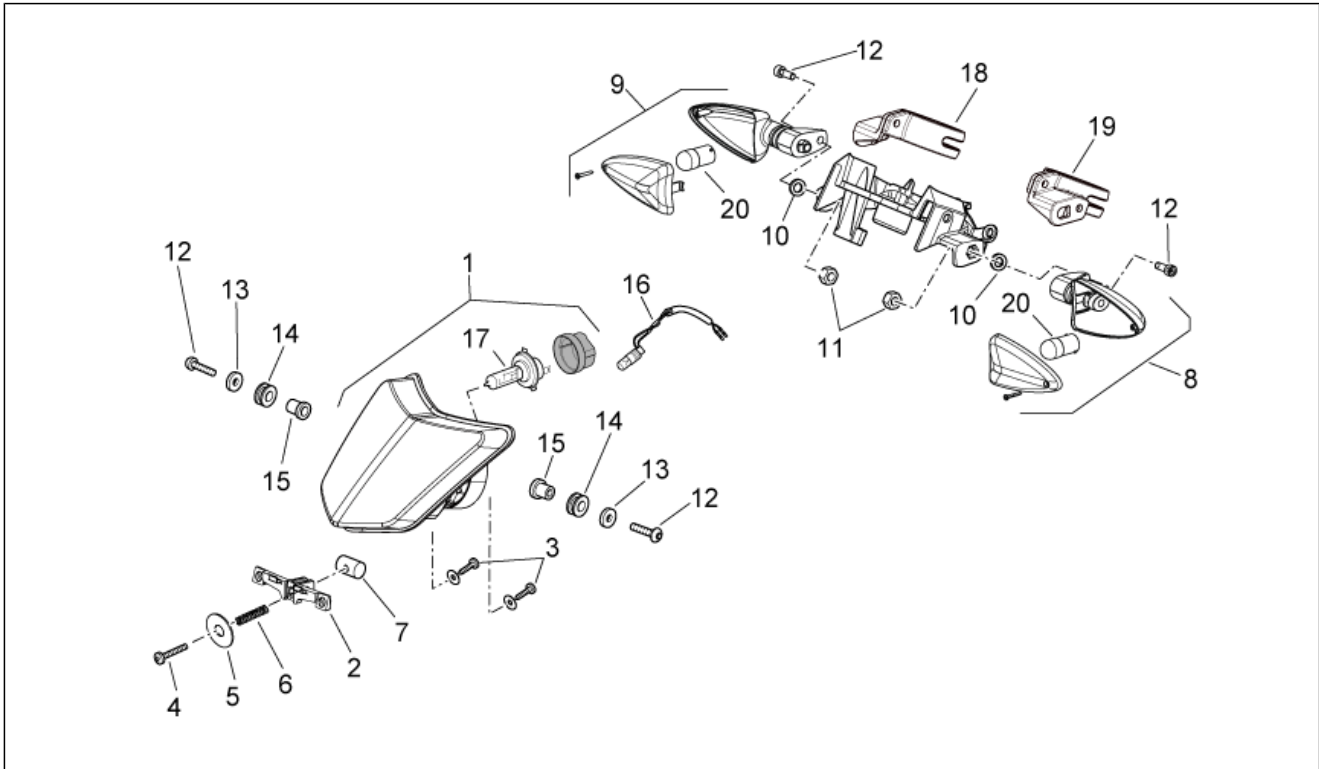
Pos.	Code	Beschreibung	Menge	Varianten
1	AP9100475	Hinterradbremspumpe	1	
2	AP9100794	Aust.satz Verschlusschraube	1	
3	AP9100793	Kolben, kit	1	
4	AP9100795	Kit Hebelüberholung	1	
5	AP9100478	Hinterradbremseleitung	1	
6	AP9100472	Sechskantschraube M10x1,25	2	
7	AP9100473	Ausgleichscheibe 14x10,2x1	4	
8	AP9100417	Bremslichtschalter	1	
9	AP9100479	Hinterradbremsszange	1	
10	AP9100797	Beläge (Paar)	1	
11	AP9100798	Feder	1	
12	AP9100800	Splintbolzen	1	
13	AP9100799	Deckel	1	
14	AP9100796	Bausatz Bremszangenüberholung	1	
15	AP9100356	H.bremshebel	1	
16	AP9100290	Buchse	1	
17	AP9100291	Feder	1	
18	AP9100477	O-Ring 18x2	2	
19	AP9100354	Stift Hinterradbremsh. eb.	1	
20	AP8150169	TCEI Schraube M8x20	1	
21	AP8150017	Ausgleichscheibe 8,4x16x1,6	1	
22	AP8101928	Splint	1	
23	AP8152278	TE Schr. m. Flansch M6x16	2	
24	AP9100789	Bausatz Entlüftungsüberh.	1	
25	AP9100752	Kleine Feder	2	

Einheit	RAHMEN
Code	28.29
Beschreibung	Vorderer Lichter
Inspektion	1



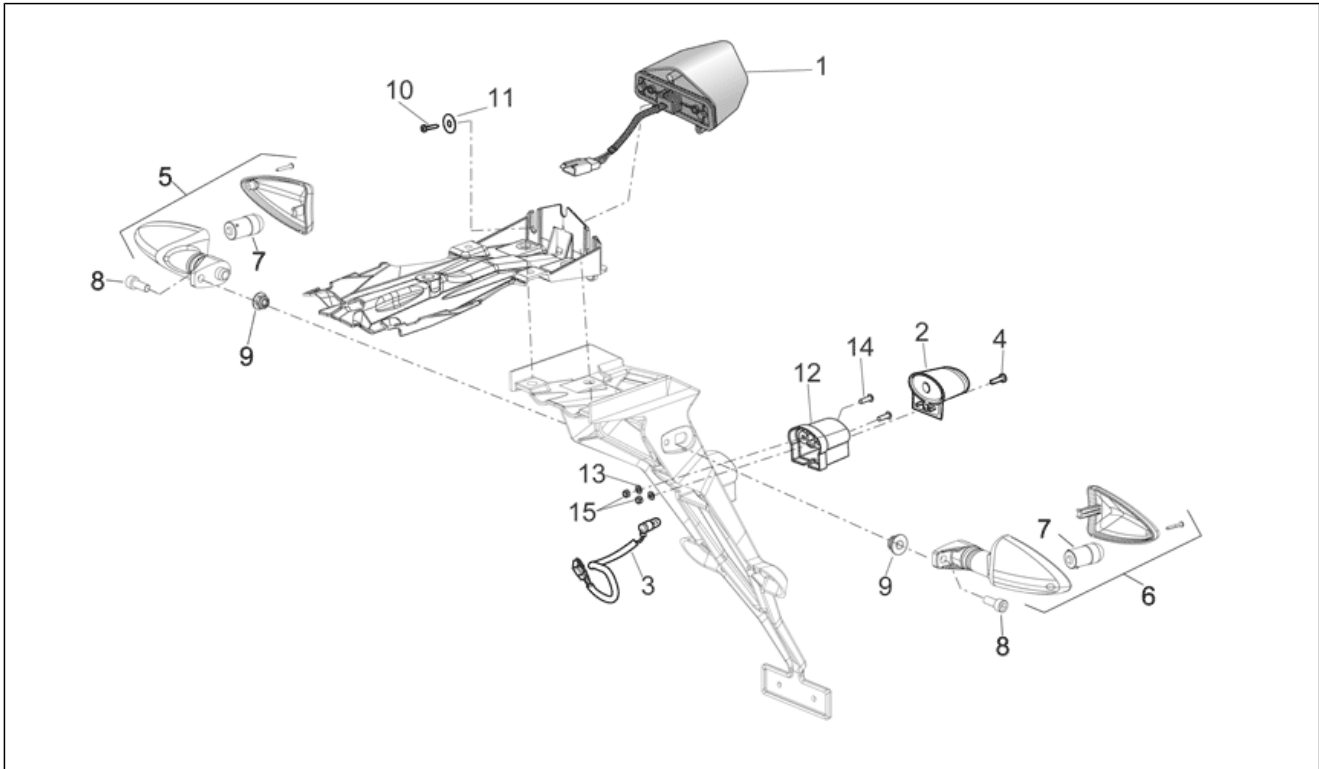
Pos.	Code	Beschreibung	Menge	Varianten
1	855038	Scheinwerfer	1	Land:EU[EU]
1	859702	Scheinwerfer	1	Land:Großbritannien[UK]
1	AP9100522	Scheinwerfer	1	Land:Vereinigte Staaten von Amerika[USA]
2	AP9100635	Einstellstab Scheinwerfer	1	Land:Vereinigte Staaten von Amerika[USA]
3	AP8150413	Gew.schr. 3,9x14	2	Land:Vereinigte Staaten von Amerika[USA]
4	AP8150475	Linsenschraube M4x45 z.b.	1	Land:Vereinigte Staaten von Amerika[USA]
5	AP8150011	Ausgleichscheibe 4,3x12x1	1	Land:Vereinigte Staaten von Amerika[USA]
6	AP8221198	Einstellfeder Scheinwerfer	1	Land:Vereinigte Staaten von Amerika[USA]
7	AP9100747	Buchse	1	Land:Vereinigte Staaten von Amerika[USA]
8	855140	Vorderblinker links/ Hinterblinker rechts	1	Land:EU[EU] Technische Daten:Version Motard 450[SX45], Version Motard 550[SX55]
8	855140	Vorderblinker links/ Hinterblinker rechts	1	Land:Vereinigte Staaten von Amerika[USA]
8	AP8127784	Vorderblinker links/ Hinterblinker rechts	1	Land:EU[EU] Technische Daten:Version Enduro 450[RX45], Enduro-Version 550[RX55]
9	855139	Vorderblinker rechts / Hinterblinker links	1	Land:EU[EU] Technische Daten:Version Motard 450[SX45], Version Motard 550[SX55]
9	855139	Vorderblinker rechts / Hinterblinker links	1	Land:Vereinigte Staaten von Amerika[USA]
9	AP8127783	Vorderblinker rechts / Hinterblinker links	1	Land:EU[EU] Technische Daten:Version Enduro 450[RX45], Enduro-Version 550[RX55]
10	AP8150017	Ausgleichscheibe 8,4x16x1,6	2	
11	AP8152262	Mutter unten	2	
12	AP8152137	TBEI Schraube M6x20	4	
13	AP8152181	Scheibe 6,4x15x1	2	
14	AP8112600	Gummi	2	
15	AP8121665	T-Buchse	2	
16	856610	Kabel Standlicht	1	Land:EU[EU]

Einheit	RAHMEN
Code	28.29
Beschreibung	Vorderer lichter
Inspektion	1



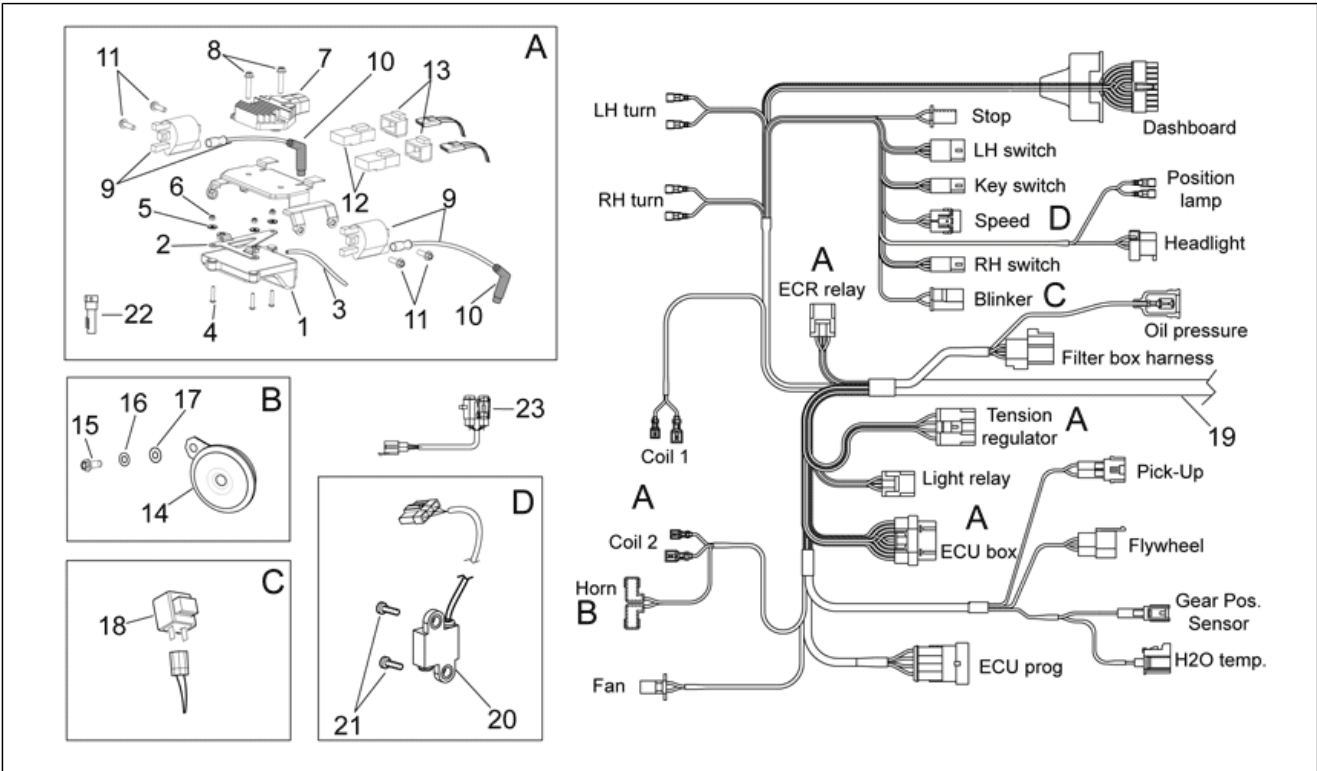
Pos.	Code	Beschreibung	Menge	Varianten
16	AP9100634	Verkabelung	1	Land:Vereinigte Staaten von Amerika[USA]
17	AP8127121	Lampen H4 12V-60/55W	2	
18	855044	Halter rechts	1	Technische Daten: Version Enduro 450[RX45], Enduro-Version 550[RX55]
19	855045	Halter links	1	Technische Daten: Version Enduro 450[RX45], Enduro-Version 550[RX55]
20	AP8127489	Lampen RY10W 12V	2	

Einheit	RAHMEN
Code	28.30
Beschreibung	Hinterer Lichter
Inspektion	1



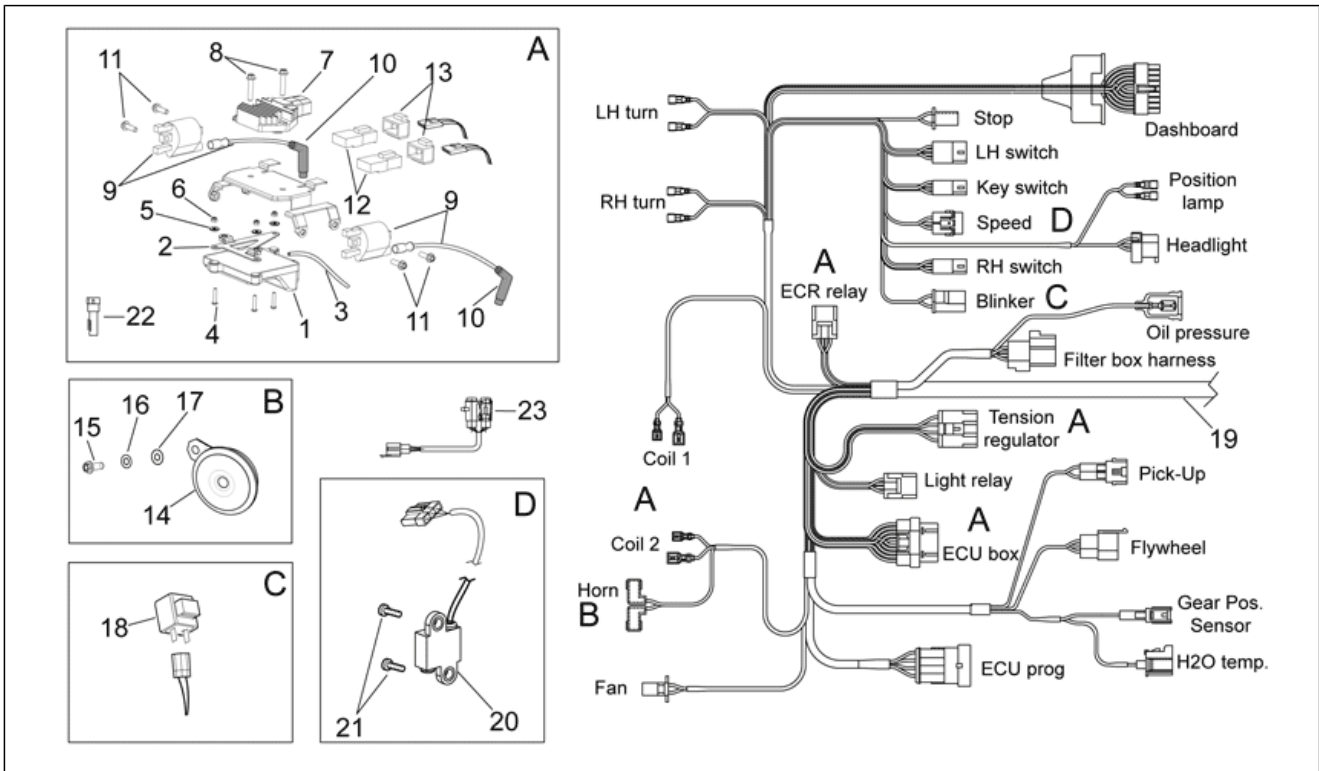
Pos.	Code	Beschreibung	Menge	Varianten
1	855039	Rücklicht	1	Land:EU[EU]
1	AP9100523	Rücklicht	1	Land:Vereinigte Staaten von Amerika[USA]
2	AP8127098	Kennzeichenleuchte	1	
3	AP8224655	Kennzeich.leuch.Kabel	1	
4	AP8150413	Gew.schr. 3,9x14	1	
5	AP8127784	Vorderblinker links/ Hinterblinker rechts	1	
6	AP8127783	Vorderblinker rechts / Hinterblinker links	1	
7	AP8127489	Lampen RY10W 12V	2	
8	AP8152137	TBEI Schraube M6x20	2	
9	AP8152299	Selbstsperrende Mutter M6	2	
10	AP8150413	Gew.schr. 3,9x14	3	
11	AP8150159	Ausgleichscheibe 4,3x16*	3	
12	855078	Verlängerung	1	Land:Vereinigte Staaten von Amerika[USA]
13	AP8150012	Ausgleichscheibe 5,3x10x1*	2	Land:Vereinigte Staaten von Amerika[USA]
14	AP8152082	Schraube	2	Land:Vereinigte Staaten von Amerika[USA]
15	AP8150114	Selbstsperr.mut Unt.	2	Land:Vereinigte Staaten von Amerika[USA]

Einheit	RAHMEN
Code	28.31
Beschreibung	Elektrische anlage I
Inspektion	1



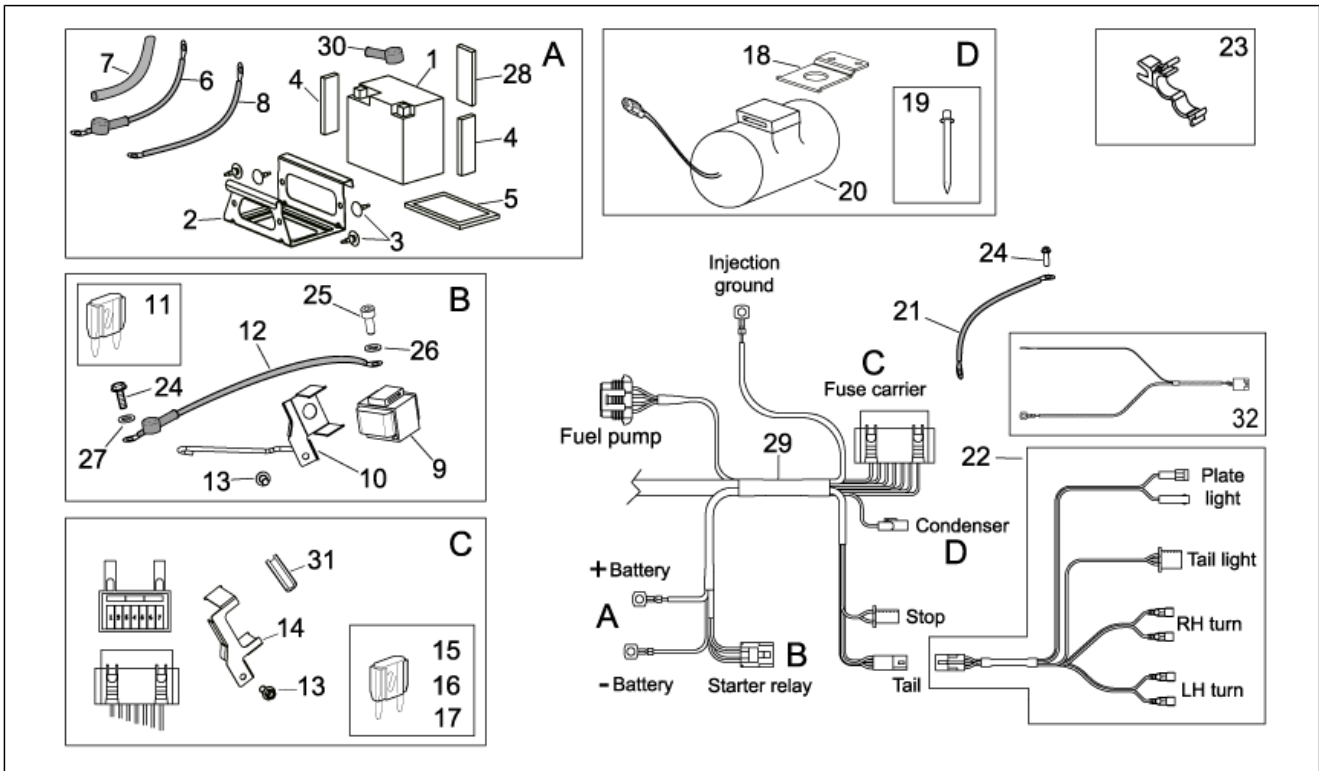
Pos.	Code	Beschreibung	Menge	Varianten
1	AP9100447	Elektronische Steuereinheit	1	
2	851023	Halteplatte Steuerung	1	
3	AP8220598	Entlüftungsschlauch Kühler	1	
4	AP9100945	TBEI Schraube M4x20	3	
5	AP8150011	Ausgleichscheibe 4,3x12x1	3	
6	AP8150204	Mutter M4	3	
7	AP9100424	Spannungsregler	1	
8	AP8152281	TE Schr. m. Flansch M6x30	2	
9	AP9100429	Spule	2	
10	AP9100423	Zündkerzenkappe	2	
11	AP8152278	TE Schr. m. Flansch M6x16	4	
12	AP8224462	Zündrelais 12V-30A	2	
13	AP8220283	Gummi *	2	
14	AP8127391	Hupe	1	
15	AP8152112	TCEI Schraube	1	
16	AP8150376	Ausgleichscheibe 8,5x15x0,8	1	
17	AP8150017	Ausgleichscheibe 8,4x16x1,6	1	
18	AP8124235	Blinken	1	
19	855053	Hauptverkabelung	1	Technische Daten: Version Enduro 450[RX45], Enduro-Version 550[RX55]
19	859728	Hauptverkabelung	1	Technische Daten: Version Motard 450[SX45], Version Motard 550[SX55]
20	AP9100518	Sensorscheibe	1	Technische Daten: Version Motard 450[SX45], Version Motard 550[SX55]
20	AP9100965	Sensorscheibe	1	Technische Daten: Version Enduro 450[RX45], Enduro-Version 550[RX55]
21	AP8150460	Gewindeschraube M4x12	2	
22	858246	Protection box	1	Technische Daten: Version Enduro 450[RX45], Enduro-Version 550[RX55]

Einheit	RAHMEN
Code	28.31
Beschreibung	Elektrische anlage I
Inspektion	1



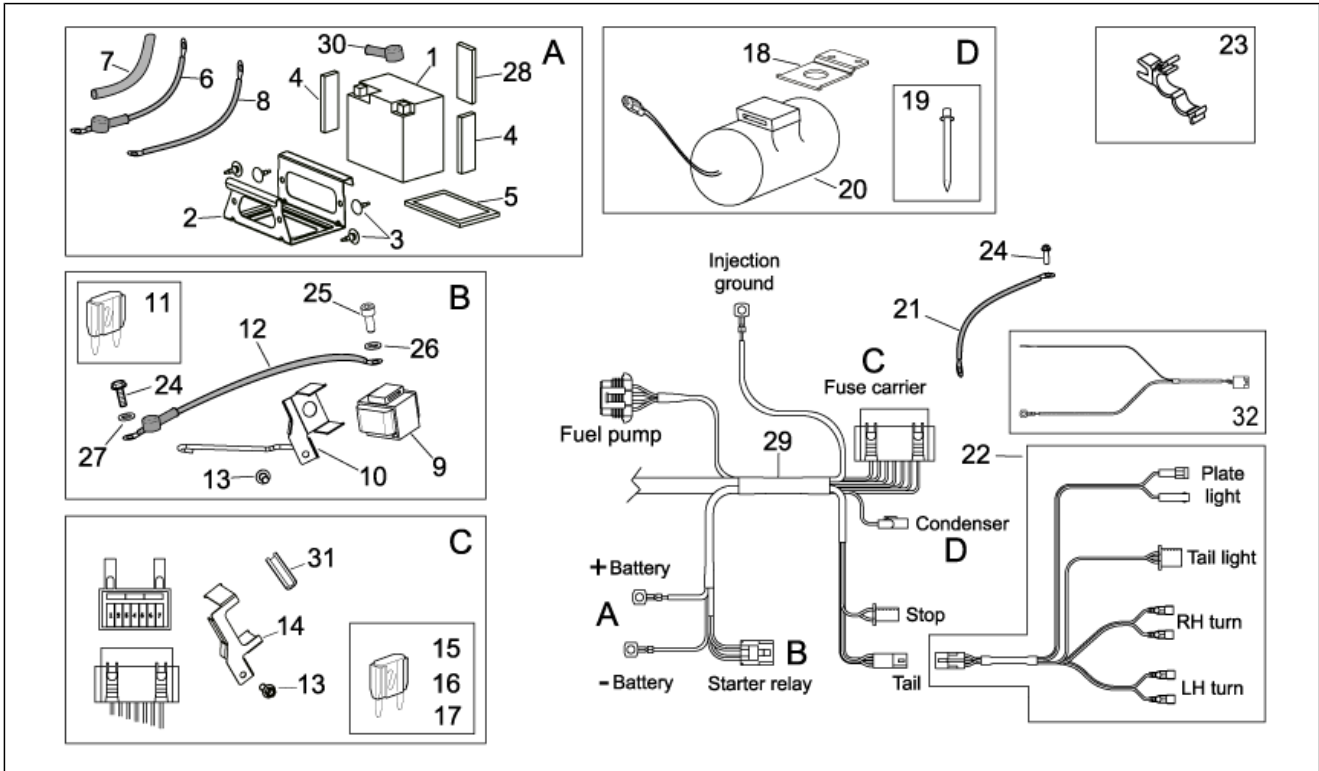
Pos.	Code	Beschreibung	Menge	Varianten
23	856665	Versammlung Anzeigen	1	

Einheit	RAHMEN
Code	28.32
Beschreibung	Elektrische anlage II
Inspektion	1



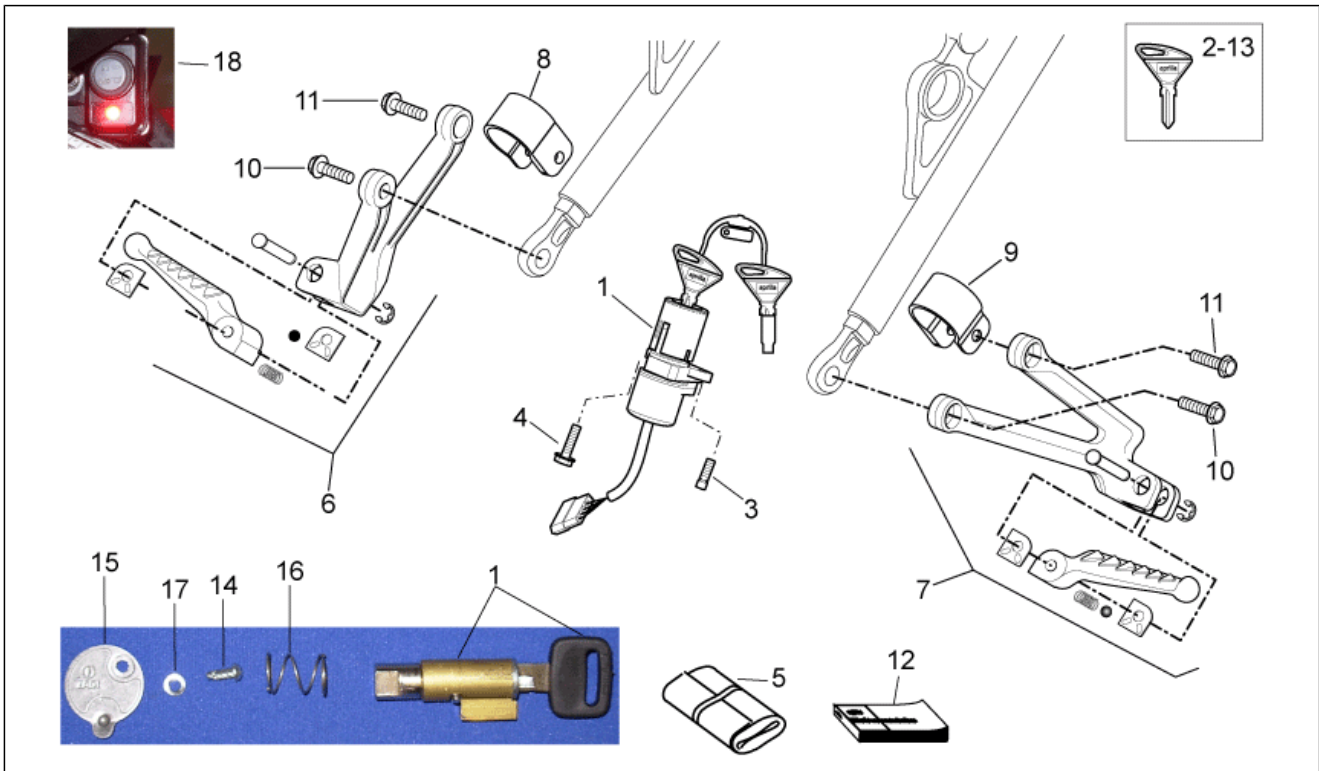
Pos.	Code	Beschreibung	Menge	Varianten
1	AP9100512	Batterie	1	
2	AP9101000	Batteriegeh. kpl.	1	
3	AP8120001	Gummi	4	
4	AP8144538	Dichtung	2	
5	AP9100725	Gummi	1	
6	AP9100371	Verkabelung Batterie-Relais	1	
7	AP9100393	Gummischlauch 12,8x8,8 L=120	1	
8	AP9100372	Masse-Batteriekabel	1	
9	AP9100487	Zündrelais	1	
10	AP9100325	Platte	1	
11	AP8124273	Sicherung 30a	2	
12	AP9100558	Verkabelung Starter	1	
13	AP8152272	TE Schr. m. Flansch M5x12	2	
14	AP9100327	Hltr. Sicherungsblock	1	
15	AP8176099	Sicherung	3	
16	AP8112244	Sicherung 7,5A	4	
17	AP8112176	Sicherung 15A	3	
18	AP9100742	Platte	1	
19	AP9100782	Kunststoffniet inox	1	
20	AP9100739	Kondensator 10000 Uf	1	
21	AP9100783	Motor-Rahmen Masse Kabel	1	
22	855111	Verkabelung Rücklicht	1	
23	AP9100765	Kleine Feder	1	
24	AP8152277	TE Schr. m. Flansch M6x12	1	
25	AP8152123	TCEI Schraube	2	
26	AP8150429	Sprengscheibe 6,4x11x0,5*	2	
27	AP8150272	Gebogene Sprengscheibe 5,3x10x0,5	1	
28	AP8117004	Klebschwamm 15x8	1	

Einheit	RAHMEN
Code	28.32
Beschreibung	Elektrische anlage II
Inspektion	1



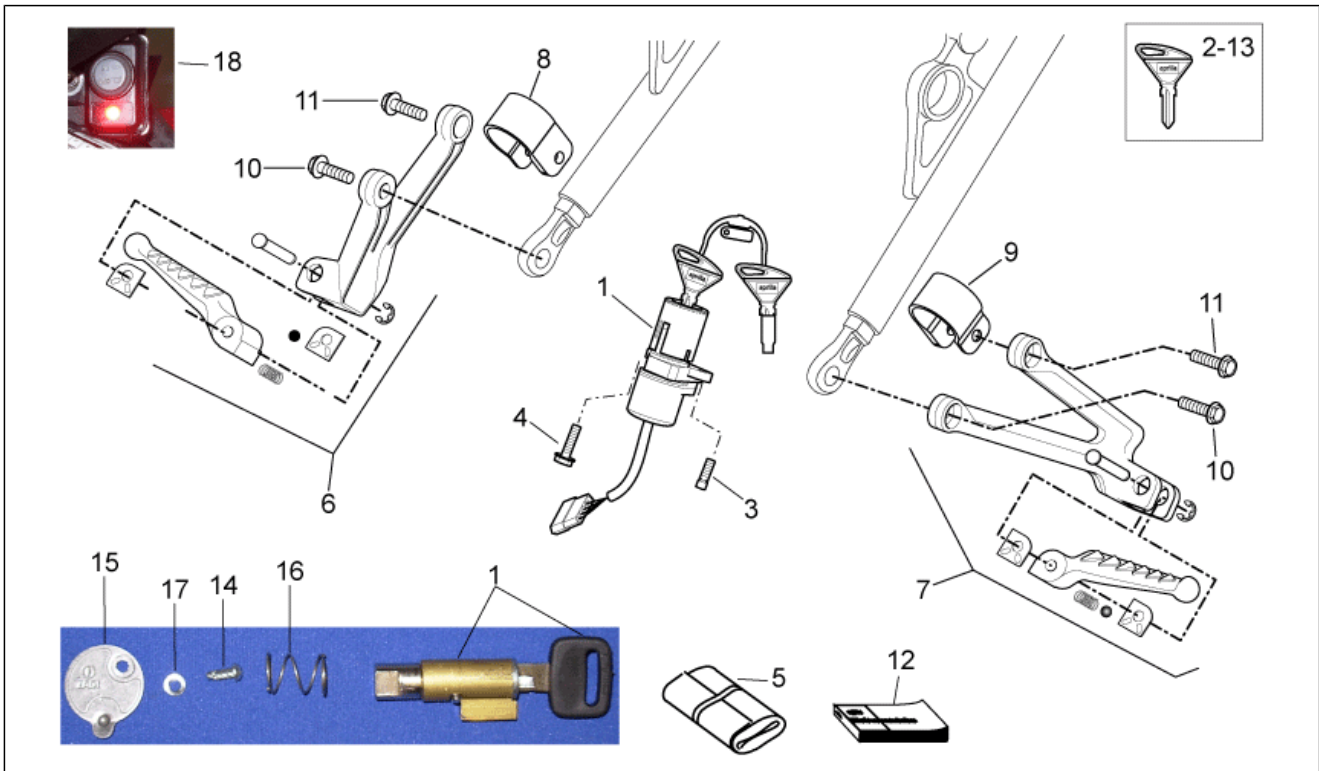
Pos.	Code	Beschreibung	Menge	Varianten
29	855053	Hauptverkabelung	1	Technische Daten: Version Enduro 450[RX45], Enduro-Version 550[RX55]
29	859728	Hauptverkabelung	1	Technische Daten: Version Motard 450[SX45], Version Motard 550[SX55]
30	AP9100959	Klemmenkappe	1	
31	AP9100997	Dichtung	1	
32	855604	Verkabelung Unterbr.getriebe	1	

Einheit	RAHMEN
Code	28.33
Beschreibung	Fertigstellung
Inspektion	1



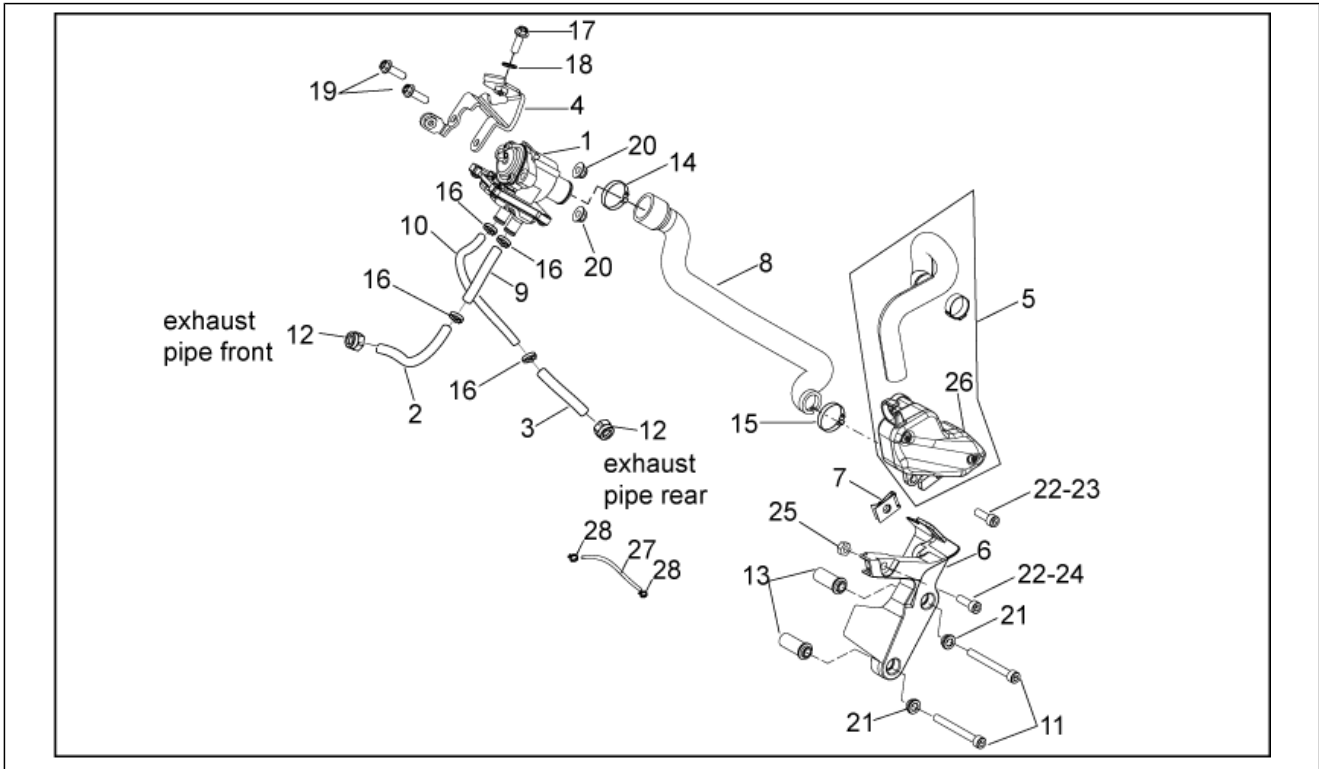
Pos.	Code	Beschreibung	Menge	Varianten
1	855128	Lenkschloß	1	Land: EU[EU] Technische Daten: Version Enduro 450[RX45], Enduro-Version 550[RX55]
1	860129	Lenkschloß	1	Land: Vereinigte Staaten von Amerika[USA] Technische Daten: Version Enduro 450[RX45], Enduro-Version 550[RX55]
1	AP9100515	Lenkschloß	1	Technische Daten: Version Motard 450[SX45], Version Motard 550[SX55]
2	AP8140710	"Aprilia" schlüssel ohne tran.	1	Technische Daten: Version Motard 450[SX45], Version Motard 550[SX55]
3	AP8150349	Spezialschraube M8x15	1	Technische Daten: Version Motard 450[SX45], Version Motard 550[SX55]
4	AP8150211	TCEI Schraube M8x16	1	Technische Daten: Version Motard 450[SX45], Version Motard 550[SX55]
5	AP9100936	Werkzeugtasche	1	
6	AP9100757	Halter Soziousfußraste, rechts	1	Land: Vereinigte Staaten von Amerika[USA] Technische Daten: Version Motard 450[SX45], Version Motard 550[SX55]
7	AP9100756	Halter linke Soziousfußraste	1	Land: Vereinigte Staaten von Amerika[USA] Technische Daten: Version Motard 450[SX45], Version Motard 550[SX55]
8	851364	Halter rechts	1	Land: Vereinigte Staaten von Amerika[USA] Technische Daten: Version Motard 450[SX45], Version Motard 550[SX55]
9	851363	Halter links	1	Land: Vereinigte Staaten von Amerika[USA] Technische Daten: Version Motard 450[SX45], Version Motard 550[SX55]
10	AP9100837	TE Schr. m. Flansch M10x1,25x36	2	Land: Vereinigte Staaten von Amerika[USA] Technische Daten: Version Motard 450[SX45], Version Motard 550[SX55]
11	AP8152287	TE Schr. m. Flansch M8x25	2	Land: Vereinigte Staaten von Amerika[USA] Technische Daten: Version Motard 450[SX45], Version Motard 550[SX55]

Einheit	RAHMEN
Code	28.33
Beschreibung	Fertigstellung
Inspektion	1



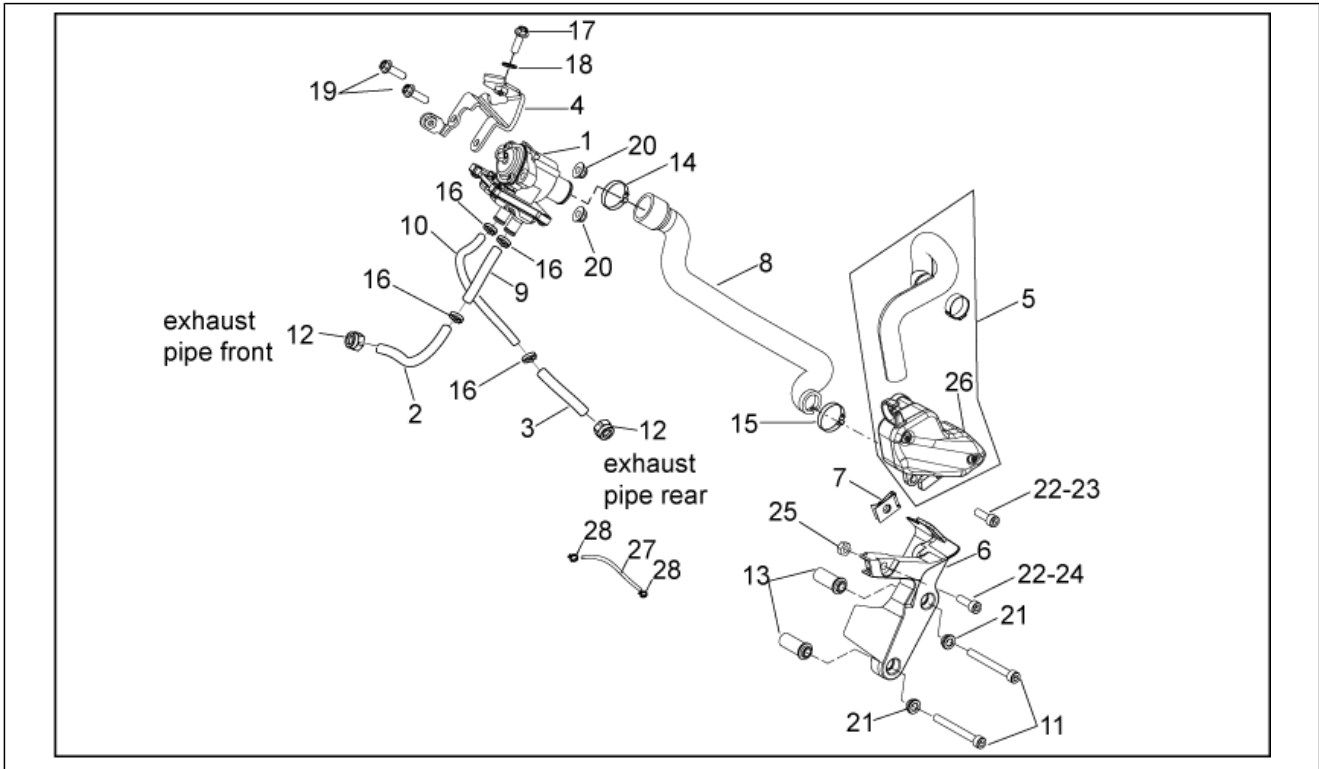
Pos.	Code	Beschreibung	Menge	Varianten
12	854038	Bed./Wart.-Anl.I-D-F-E-UK-NL I-D-F-E-UK-NL	1	Technische Daten: Version Enduro 450[RX45], Enduro-Version 550[RX55]
12	854039	Bed./Wart.-Anl.I-D-F-E-UK-NL I-D-F-E-UK-NL	1	Technische Daten: Version Motard 450[SX45], Version Motard 550[SX55]
13	859999	"Aprilia" schlüssel ohne tran.	1	Technische Daten: Version Enduro 450[RX45], Enduro-Version 550[RX55]
14	855129	Kunststoffniet	1	Land: EU[EU] Technische Daten: Version Enduro 450[RX45], Enduro-Version 550[RX55]
15	855131	Deckel	1	Land: EU[EU] Technische Daten: Version Enduro 450[RX45], Enduro-Version 550[RX55]
16	855132	Feder	1	Land: EU[EU] Technische Daten: Version Enduro 450[RX45], Enduro-Version 550[RX55]
17	856912	Ausgleichscheibe	1	Land: EU[EU] Technische Daten: Version Enduro 450[RX45], Enduro-Version 550[RX55]
18	855042	Schalter Heckbeleuchtung	1	Technische Daten: Version Enduro 450[RX45], Enduro-Version 550[RX55]

Einheit	RAHMEN
Code	28.56
Beschreibung	Secondary air
Inspektion	1



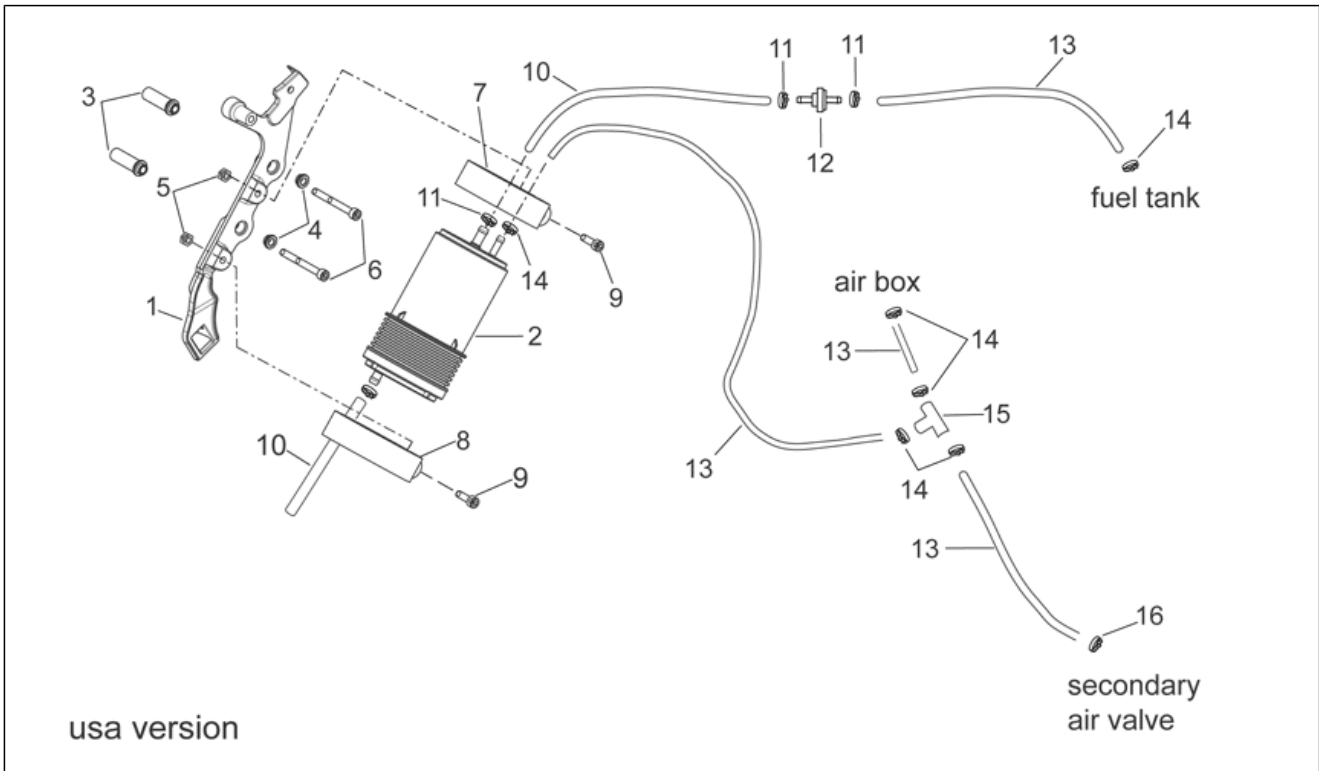
Pos.	Code	Beschreibung	Menge	Varianten
1	855054	SAS ventil	1	
2	855023	Auspuffrohr vorn	1	
3	855024	Auspuffrohr hinten	1	
4	855022	Halter ventil	1	
5	855057	Sas gehäuse	1	
6	855182	Sas gehäuse Halter	1	
7	AP8102376	Klammer M6	1	
8	855027	Leitung	1	Land:Vereinigte Staaten von Amerika[USA]
8	855183	Leitung	1	Land:EU[EU]
9	855055	Auspuffrohr vorn	1	
10	855056	Auspuffrohr hinten	1	
11	AP8150411	TCEI Schraube	2	
12	855028	Mutter	1	
13	855184	Buchse	2	
14	AP9100456	Schlauchschele 26x8	1	
15	AP8102273	Schlauchschele	1	
16	AP8101586	Schlauchschele D.15,5x6,6	4	
17	AP8150137	TCEI Schraube M6x16	1	
18	AP8150015	Ausgleichscheibe 6,6x18x1,6*	1	
19	AP8152279	TE Schr. m. Flansch M6x20	2	
20	AP9100434	Selbstsperrende Mutter M6x1	2	
21	AP8221129	Buchse	2	
22	AP8150160	TCEI Schraube M6x20	2	Land:EU[EU]
23	AP8152279	TE Schr. m. Flansch M6x20	1	Land:Vereinigte Staaten von Amerika[USA]
24	AP8152283	TE Schr. m. Flansch	1	Land:Vereinigte Staaten von Amerika[USA]
25	AP8150026	Mutter M6	1	
26	856897	Ventildeckel sas	1	
27	AP8220598	Entlüftungsschlauch Kühler	1	

Einheit	RAHMEN
Code	28.56
Beschreibung	Secondary air
Inspektion	1



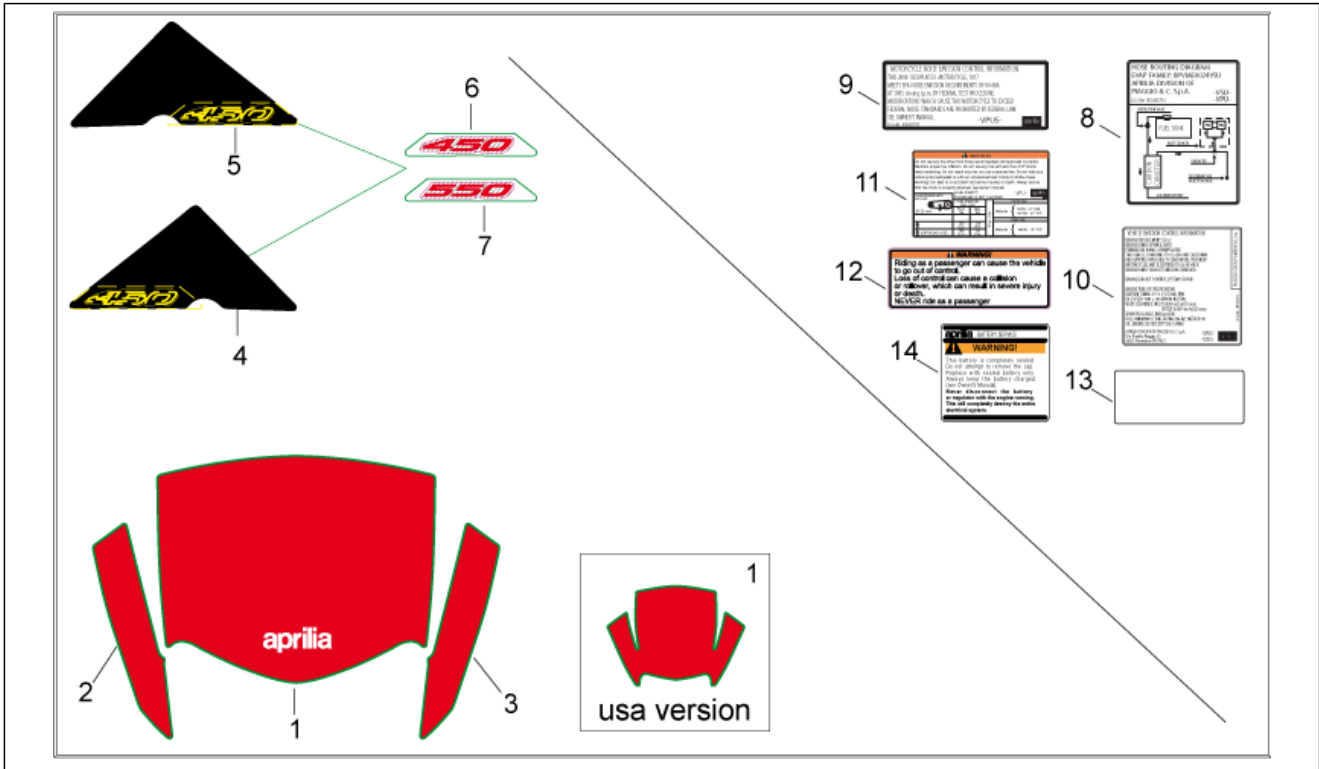
Pos.	Code	Beschreibung	Menge	Varianten
28	AP8102377	Schelle D9,1*	2	

Einheit	RAHMEN
Code	28.57
Beschreibung	Benzindampfprückf.-Anlage
Inspektion	1



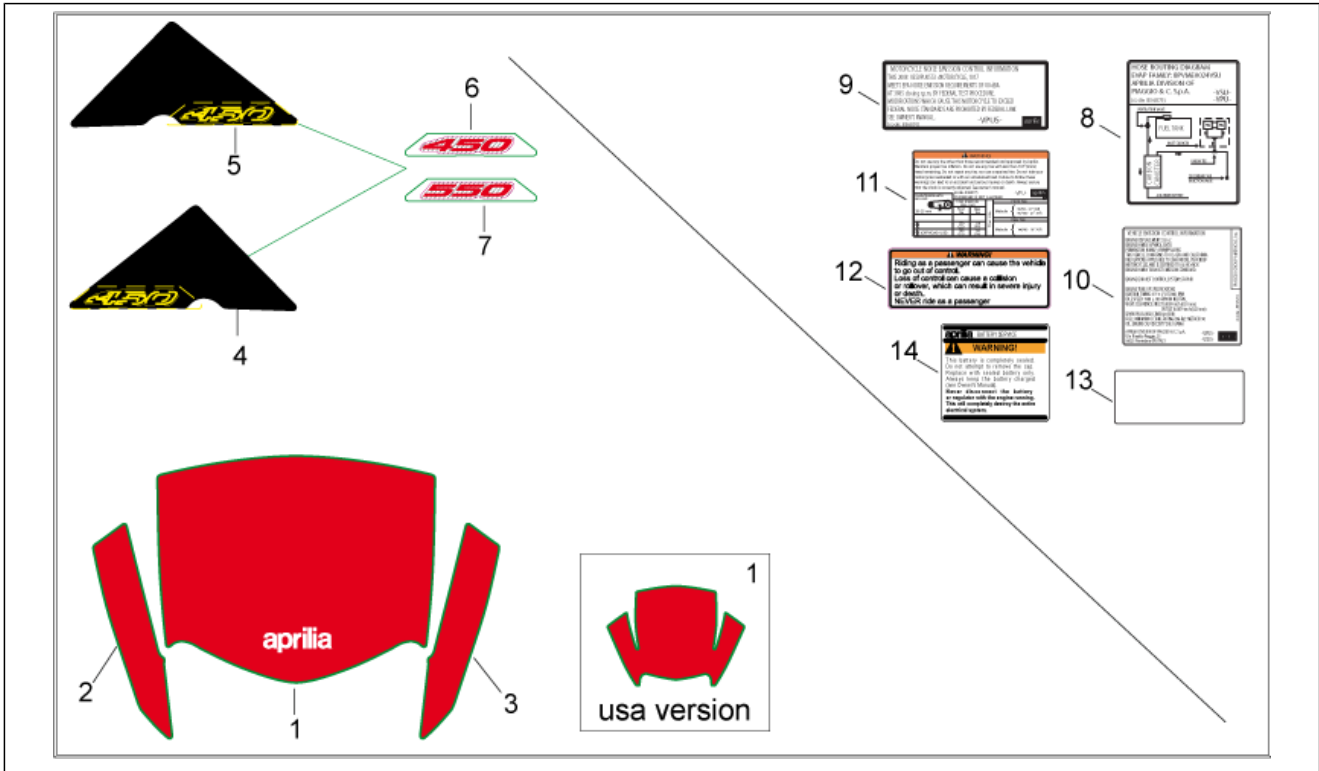
Pos.	Code	Beschreibung	Menge	Varianten
1	855029	Halter	1	Land:Vereinigte Staaten von Amerika[USA]
2	AP8102678	Kohlefilter	1	Land:Vereinigte Staaten von Amerika[USA]
3	855082	Buchse	2	Land:Vereinigte Staaten von Amerika[USA]
4	AP8221129	Buchse	2	Land:Vereinigte Staaten von Amerika[USA]
5	AP8150026	Mutter M6	3	Land:Vereinigte Staaten von Amerika[USA]
6	AP9100638	TE Schr. m. Flansch M6x70	2	Land:Vereinigte Staaten von Amerika[USA]
7	AP8102688	Schelle d.76	1	Land:Vereinigte Staaten von Amerika[USA]
8	AP8102719	Schelle d.80,5	1	Land:Vereinigte Staaten von Amerika[USA]
9	AP8152298	TBEI Schraube m.Flansch M5x16	2	Land:Vereinigte Staaten von Amerika[USA]
10	856063	Leitung SAE 30 d.12,7x6,35	2	Land:Vereinigte Staaten von Amerika[USA]
11	AP8102764	Schlauchschele weiß d.13x6	4	Land:Vereinigte Staaten von Amerika[USA]
12	856161	Ventil "roll over"	1	Land:Vereinigte Staaten von Amerika[USA]
13	856062	Leitung SAE 30 d.11,11x4,8	3	Land:Vereinigte Staaten von Amerika[USA]
14	AP8120446	Schlauchschele, grün D11x6,6x1	5	Land:Vereinigte Staaten von Amerika[USA]
15	AP8104666	3-Wegeanschluß	1	Land:Vereinigte Staaten von Amerika[USA]
16	AP8102998	Schlauchschele d.9,5	1	Land:Vereinigte Staaten von Amerika[USA]

Einheit	RAHMEN
Code	28.58
Beschreibung	Platten-Frontaufbau Deko
Inspektion	1



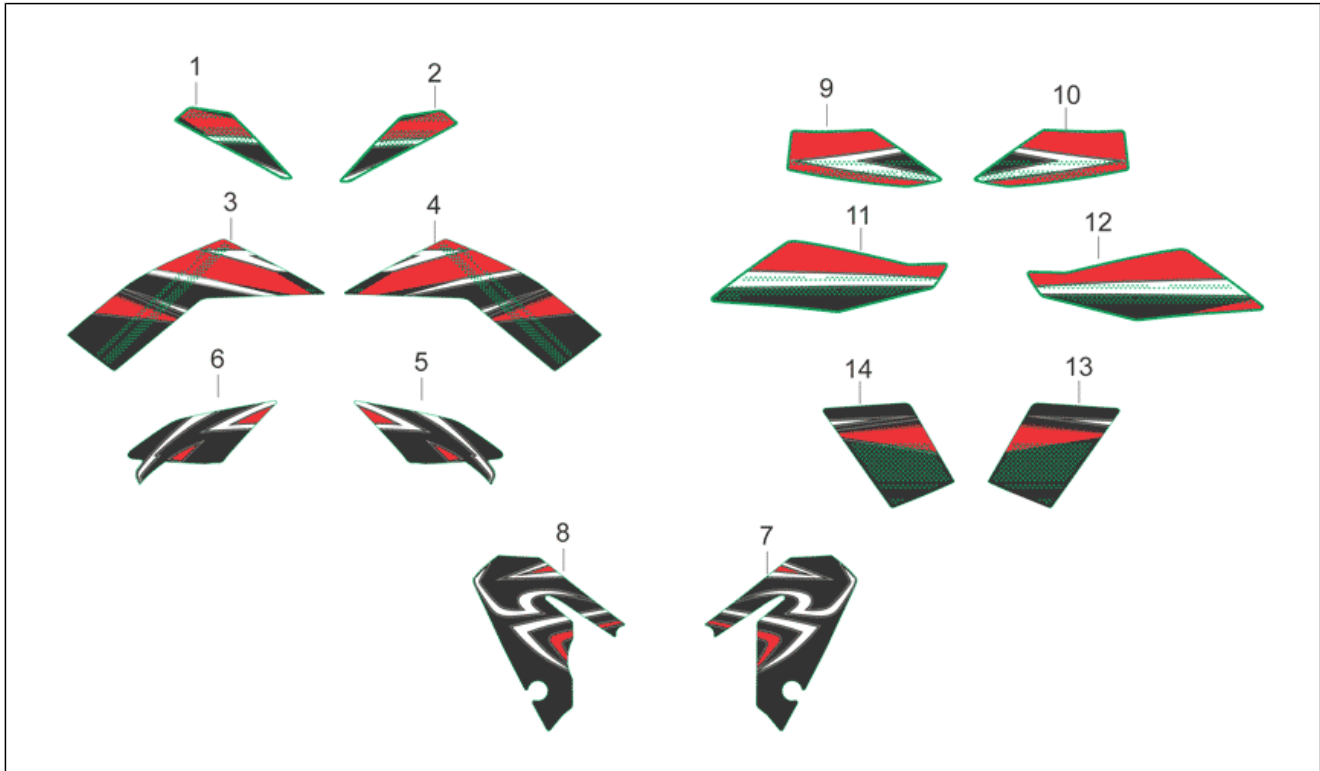
Pos.	Code	Beschreibung	Menge	Varianten
1	856334	Aufkleber kuppel	1	Fahrzeugfarbe: Off-White 2008 (t.B.856588/91)[white] Land: EU[EU] Technische Daten: Version Enduro 450[RX45], Enduro-Version 550[RX55]
1	856564	Aufkleber kuppel	1	Fahrzeugfarbe: Off-White 2008 (t.B.856588/91)[white] Land: Vereinigte Staaten von Amerika[USA] Technische Daten: Version Enduro 450[RX45], Enduro-Version 550[RX55]
1	856571	Aufkleber kuppel	1	Fahrzeugfarbe: Off-Black 2008 (t.B.856589/92)[black] Land: Vereinigte Staaten von Amerika[USA] Technische Daten: Version Motard 450[SX45], Version Motard 550[SX55]
1	859990	Aufkleber kuppel	1	Fahrzeugfarbe: Off-Black 2008 (t.B.856589/92)[black] Land: EU[EU] Technische Daten: Version Motard 450[SX45], Version Motard 550[SX55]
2	858070	Rechtes Aufkleber kuppel	1	Fahrzeugfarbe: Off-White 2008 (t.B.856588/91)[white] Land: EU[EU] Technische Daten: Version Enduro 450[RX45], Enduro-Version 550[RX55]
2	859991	Rechtes Aufkleber kuppel	1	Fahrzeugfarbe: Off-Black 2008 (t.B.856589/92)[black] Land: EU[EU] Technische Daten: Version Motard 450[SX45], Version Motard 550[SX55]
3	858071	Linkes Aufkleber kuppel	1	Fahrzeugfarbe: Off-White 2008 (t.B.856588/91)[white] Land: EU[EU] Technische Daten: Version Enduro 450[RX45], Enduro-Version 550[RX55]
3	859992	Linkes Aufkleber kuppel	1	Fahrzeugfarbe: Off-Black 2008 (t.B.856589/92)[black] Land: EU[EU] Technische Daten: Version Motard 450[SX45], Version Motard 550[SX55]
4	856340	Aufkl. Seitenteil re.	1	Technische Daten: Version Motard 450[SX45], Version Motard 550[SX55]

Einheit	RAHMEN
Code	28.58
Beschreibung	Platten-Frontaufbau Deko
Inspektion	1



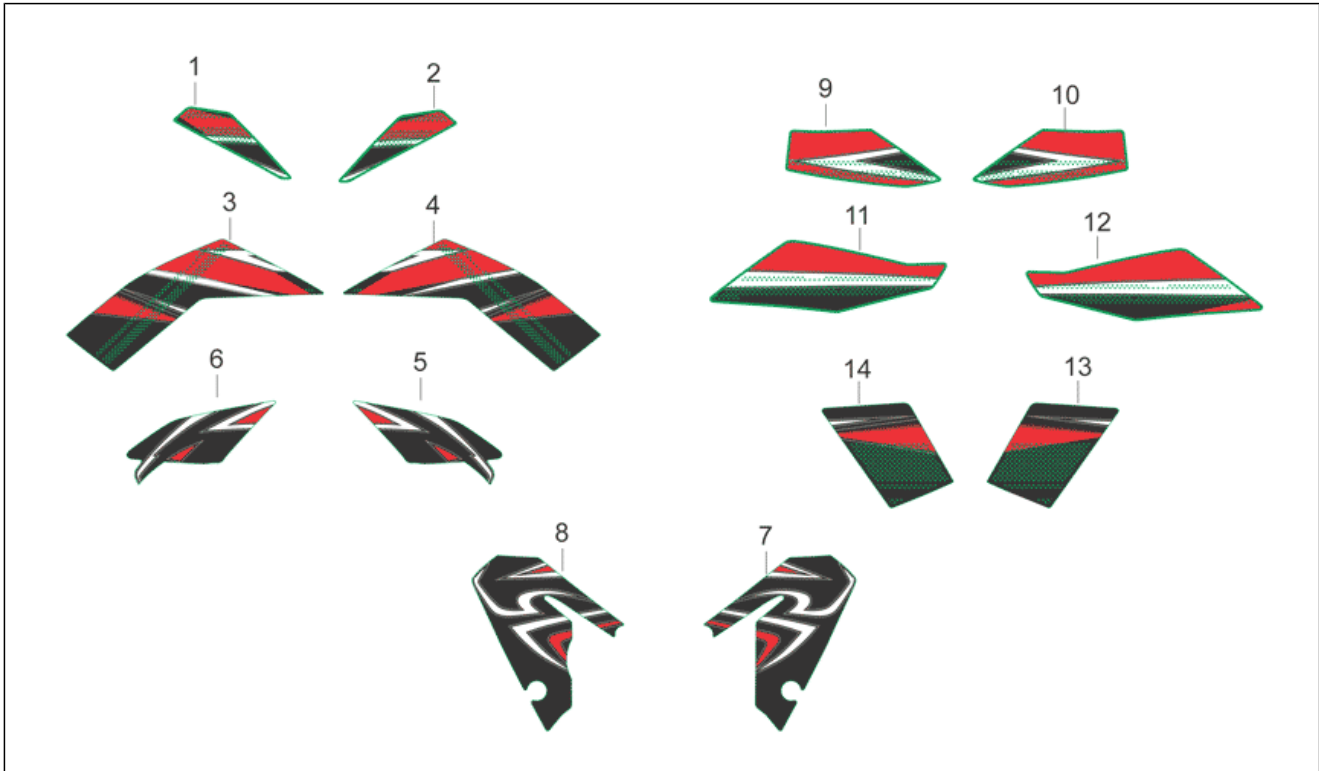
Pos.	Code	Beschreibung	Menge	Varianten
4	856340	Aufkl. Seitenteil re.	1	Land: Vereinigte Staaten von Amerika[USA] Technische Daten: Version Enduro 450[RX45], Enduro-Version 550[RX55]
4	858500	Aufkl. Seitenteil re.	1	Land: EU[EU] Technische Daten: Version Enduro 450[RX45], Enduro-Version 550[RX55]
5	856341	Aufkl. Seitenteil li.	1	Technische Daten: Version Motard 450[SX45], Version Motard 550[SX55]
5	856341	Aufkl. Seitenteil li.	1	Land: Vereinigte Staaten von Amerika[USA] Technische Daten: Version Enduro 450[RX45], Enduro-Version 550[RX55]
5	858501	Aufkl. Seitenteil li.	1	Land: EU[EU] Technische Daten: Version Enduro 450[RX45], Enduro-Version 550[RX55]
6	856339	Deko 450	2	
7	856357	Deko 550	2	
8	856875	Shed deko	1	Land: Vereinigte Staaten von Amerika[USA]
9	856870	Lautherausgabe selbstkleber	1	Land: Vereinigte Staaten von Amerika[USA]
10	859723	Emission control sticker	1	Land: Vereinigte Staaten von Amerika[USA]
11	856877	Aufkleber Reifendruck	1	Land: Vereinigte Staaten von Amerika[USA]
12	851156	Einzelsitz deko	1	
13	AP8257609	Spiegel deko	2	
14	AP8267395	Batterie deko	1	

Einheit	RAHMEN
Code	28.59
Beschreibung	Mittlerer Aufbau Deko
Inspektion	1



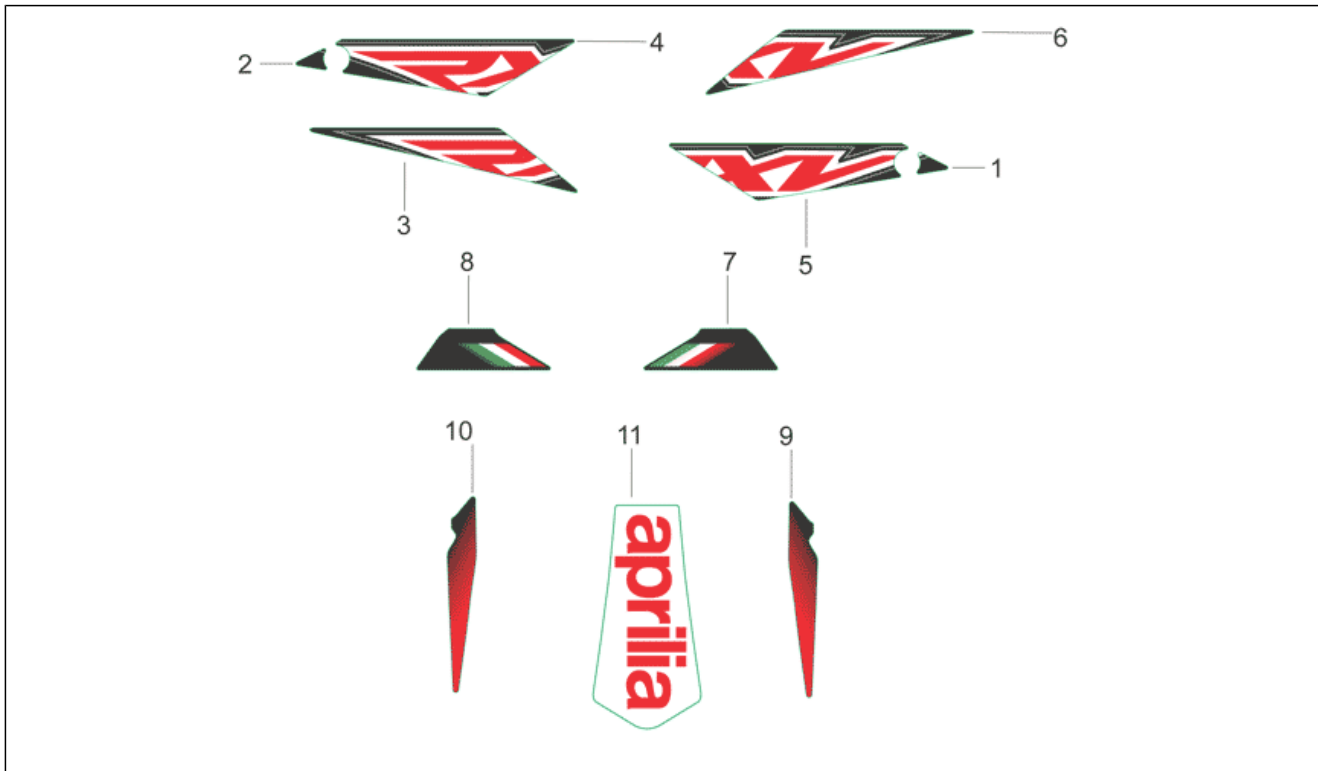
Pos.	Code	Beschreibung	Menge	Varianten
1	856342	Ob.Aufkleber Tank Re.	1	Land:EU[EU] Technische Daten:Version Enduro 450[RX45], Enduro-Version 550[RX55]
1	858171	Ob.Aufkleber Tank Re.	1	Land:EU[EU] Technische Daten:Version Motard 450[SX45], Version Motard 550[SX55]
2	856343	Ob.Aufkleber Tank Li.	1	Land:EU[EU] Technische Daten:Version Enduro 450[RX45], Enduro-Version 550[RX55]
2	858172	Ob.Aufkleber Tank Li.	1	Land:EU[EU] Technische Daten:Version Motard 450[SX45], Version Motard 550[SX55]
3	856346	Aufkleber Hinten tank re.	1	Land:EU[EU] Technische Daten:Version Enduro 450[RX45], Enduro-Version 550[RX55]
3	858173	Aufkleber Hinten tank re.	1	Land:EU[EU] Technische Daten:Version Motard 450[SX45], Version Motard 550[SX55]
4	856347	Aufkleber Hinten tank li.	1	Land:EU[EU] Technische Daten:Version Enduro 450[RX45], Enduro-Version 550[RX55]
4	858174	Aufkleber Hinten tank li.	1	Land:EU[EU] Technische Daten:Version Motard 450[SX45], Version Motard 550[SX55]
5	856335	Ob.Rechtes Leitblech, deko Lion	1	
6	856336	Ob.Linkes Leitblech, deko Lion	1	
7	856337	Un.Rechtes Leitblech, deko Lion	1	
8	856338	Un.Linkes Leitblech, deko Lion	1	
9	856565	Ob.Aufkleber Tank Re.	1	Land:Vereinigte Staaten von Amerika[USA]
10	856566	Ob.Aufkleber Tank Li.	1	Land:Vereinigte Staaten von Amerika[USA]
11	856567	Un.Aufkleber Tank Re.	1	Land:Vereinigte Staaten von Amerika[USA]
12	856568	Un.Aufkleber Tank Li.	1	Land:Vereinigte Staaten von Amerika[USA]

Einheit	RAHMEN
Code	28.59
Beschreibung	Mittlerer Aufbau Deko
Inspektion	1



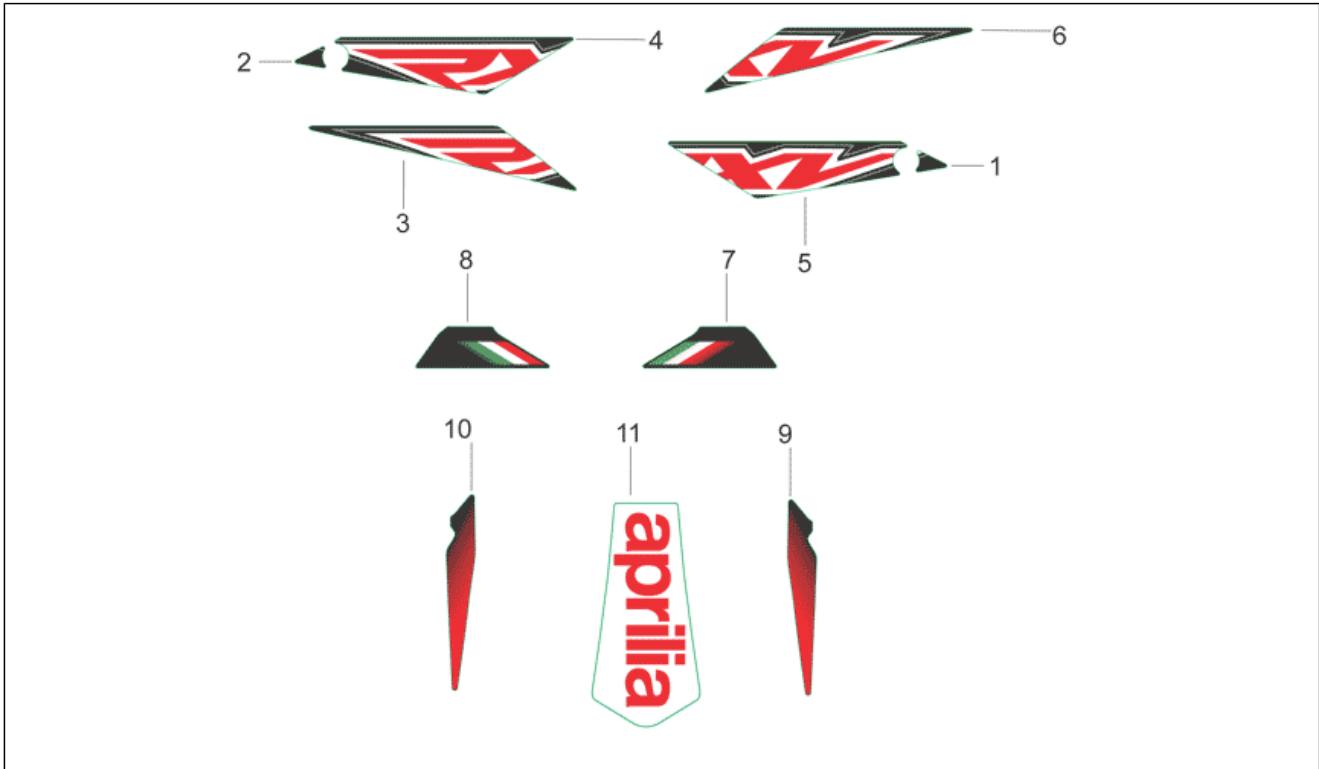
Pos.	Code	Beschreibung	Menge	Varianten
13	856569	Aufkleber Hinten tank re.	1	Land:Vereinigte Staaten von Amerika[USA]
14	856570	Aufkleber Hinten tank li.	1	Land:Vereinigte Staaten von Amerika[USA]

Einheit	RAHMEN
Code	28.60
Beschreibung	Heckaufbau Deko
Inspektion	1



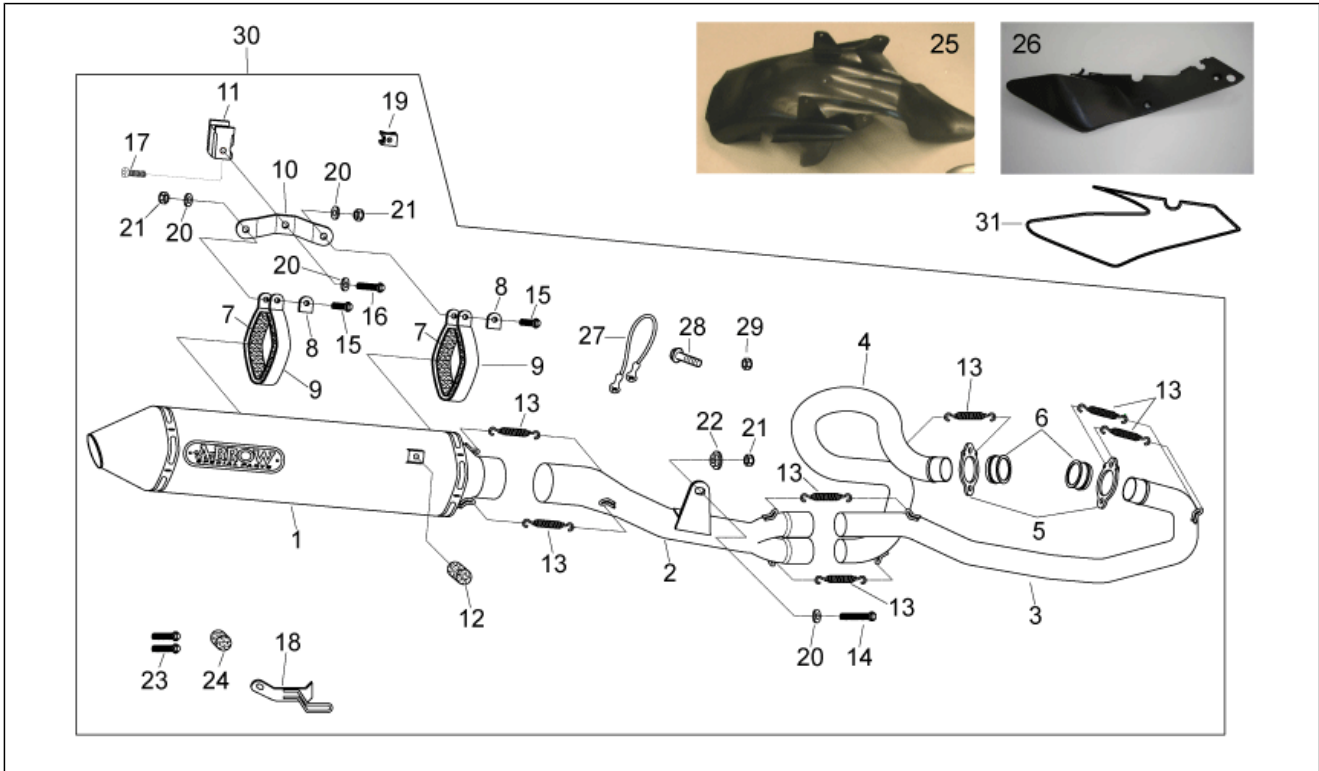
Pos.	Code	Beschreibung	Menge	Varianten
1	858069	Aufkleber Vorn re.Dreieck	1	Technische Daten: Version Enduro 450[RX45], Enduro-Version 550[RX55]
1	858078	Aufkleber Vorn re.Dreieck	1	Technische Daten: Version Motard 450[SX45], Version Motard 550[SX55]
2	858077	Aufkleber Vorn li.Dreieck	1	Technische Daten: Version Enduro 450[RX45], Enduro-Version 550[RX55]
2	858079	Aufkleber Vorn li.Dreieck	1	Technische Daten: Version Motard 450[SX45], Version Motard 550[SX55]
3	856350	Aufkleber Re. Hinten	1	Technische Daten: Version Enduro 450[RX45], Enduro-Version 550[RX55]
3	856361	Aufkleber Re. Hinten	1	Technische Daten: Version Motard 450[SX45], Version Motard 550[SX55]
4	856349	Aufkleber Ll. Hinten	1	Technische Daten: Version Enduro 450[RX45], Enduro-Version 550[RX55]
4	856360	Aufkleber Ll. Hinten	1	Technische Daten: Version Motard 450[SX45], Version Motard 550[SX55]
5	856348	Aufkleber Re. Hinten	1	Technische Daten: Version Enduro 450[RX45], Enduro-Version 550[RX55]
5	856359	Aufkleber Re. Hinten	1	Technische Daten: Version Motard 450[SX45], Version Motard 550[SX55]
6	856351	Aufkleber Ll. Hinten	1	Technische Daten: Version Enduro 450[RX45], Enduro-Version 550[RX55]
6	856362	Aufkleber Ll. Hinten	1	Technische Daten: Version Motard 450[SX45], Version Motard 550[SX55]
7	856352	Aufkleber Re. Hinten	1	
8	856353	Aufkleber Ll. Hinten	1	
9	856355	Aufkl.hint.Schutzblech RE	1	Technische Daten: Version Enduro 450[RX45], Enduro-Version 550[RX55]
9	856364	Aufkl.hint.Schutzblech RE	1	Technische Daten: Version Motard 450[SX45], Version Motard 550[SX55]
10	856356	Aufkl.hint.Schutzblech Li.	1	Technische Daten: Version Enduro 450[RX45], Enduro-Version 550[RX55]

Einheit	RAHMEN
Code	28.60
Beschreibung	Heckaufbau Deko
Inspektion	1



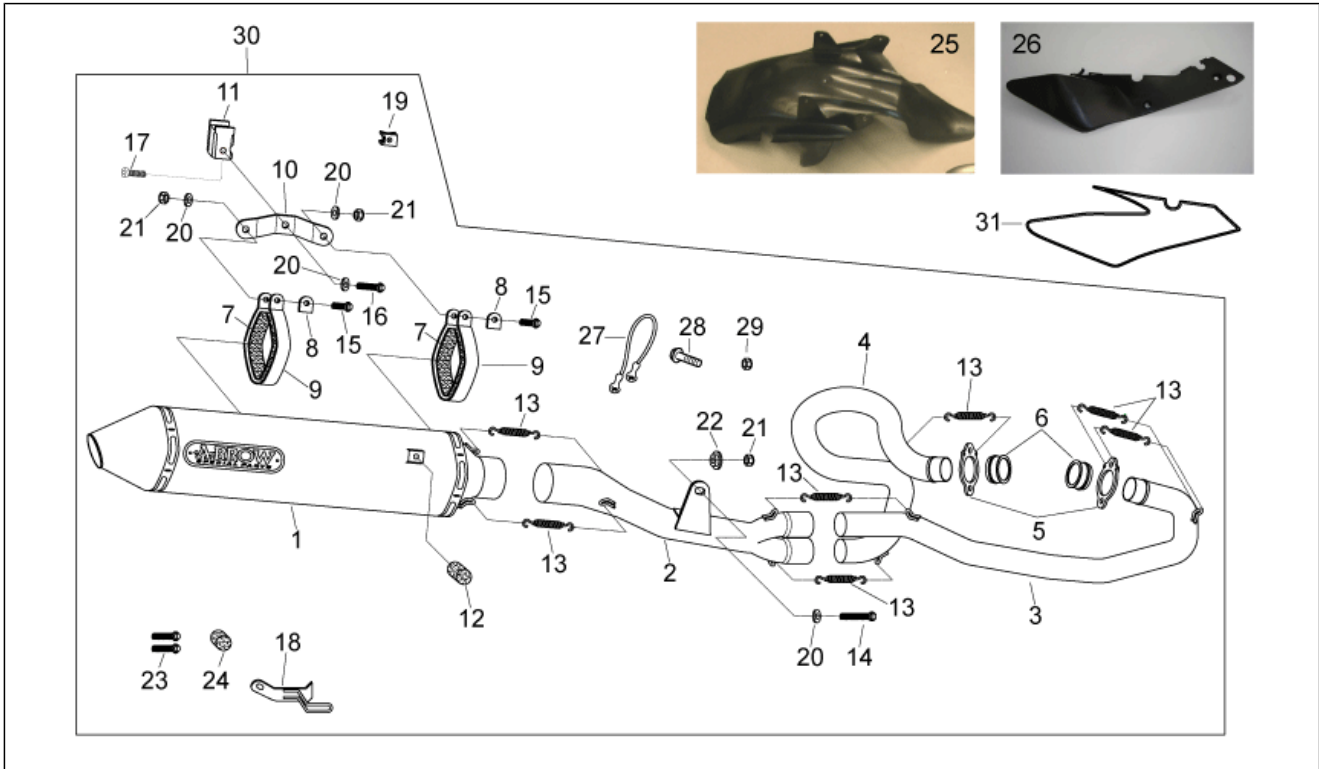
Pos.	Code	Beschreibung	Menge	Varianten
10	856365	Aufkl.hint.Schutzblech Li.	1	Technische Daten: Version Motard 450[SX45], Version Motard 550[SX55]
11	856363	Aufkl.hint.Schutzblech	1	Technische Daten: Version Motard 450[SX45], Version Motard 550[SX55]
11	858502	Aufkl.hint.Schutzblech	1	Technische Daten: Version Enduro 450[RX45], Enduro-Version 550[RX55]

Einheit	RAHMEN
Code	28.61
Beschreibung	Auslassgruppe II
Inspektion	1



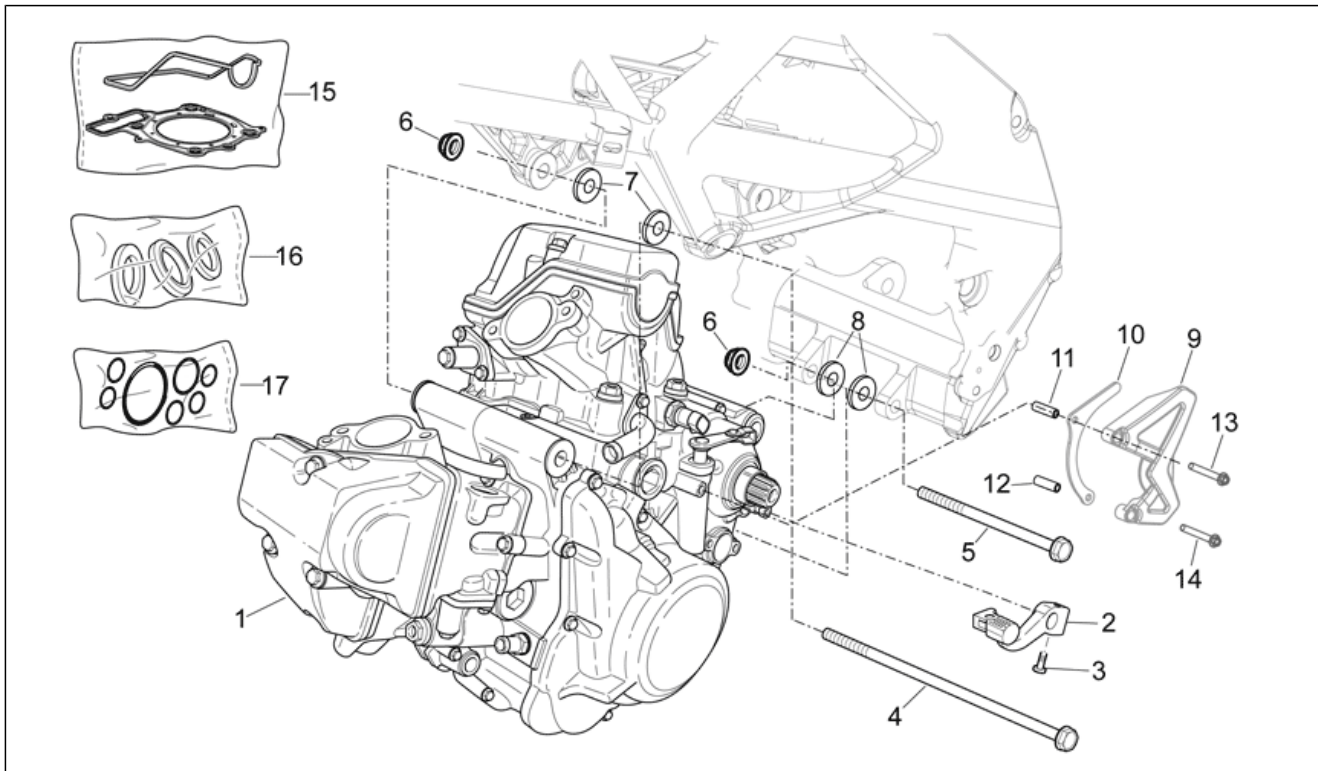
Pos.	Code	Beschreibung	Menge	Varianten
1	858512	Schalldämpfer	1	Technische Daten: Version Enduro 450[RX45], Enduro-Version 550[RX55]
2	858513	Anschluss	1	Technische Daten: Version Enduro 450[RX45], Enduro-Version 550[RX55]
3	858514	Auspuffrohr vorn	1	Technische Daten: Version Enduro 450[RX45], Enduro-Version 550[RX55]
4	858515	Auspuffrohr hinten	1	Technische Daten: Version Enduro 450[RX45], Enduro-Version 550[RX55]
5	858516	Flansch	2	Technische Daten: Version Enduro 450[RX45], Enduro-Version 550[RX55]
6	858517	Buchse	2	Technische Daten: Version Enduro 450[RX45], Enduro-Version 550[RX55]
7	858519	Dichtung	2	Technische Daten: Version Enduro 450[RX45], Enduro-Version 550[RX55]
8	858520	Platte	2	Technische Daten: Version Enduro 450[RX45], Enduro-Version 550[RX55]
9	858521	Schelle	2	Technische Daten: Version Enduro 450[RX45], Enduro-Version 550[RX55]
10	858522	Bügel	1	Technische Daten: Version Enduro 450[RX45], Enduro-Version 550[RX55]
11	858523	Distanzscheibe	1	Technische Daten: Version Enduro 450[RX45], Enduro-Version 550[RX55]
12	AP8144277	Anschlagstopfen Ständer	1	Technische Daten: Version Enduro 450[RX45], Enduro-Version 550[RX55]
13	858524	Feder	7	Technische Daten: Version Enduro 450[RX45], Enduro-Version 550[RX55]
14	AP8152290	TE Schr. m. Flansch M8x40	1	Technische Daten: Version Enduro 450[RX45], Enduro-Version 550[RX55]
15	AP8152286	TE Schr. m. Flansch M8x20	2	Technische Daten: Version Enduro 450[RX45], Enduro-Version 550[RX55]
16	AP8152288	TE Schr. m. Flansch M8x30	1	Technische Daten: Version Enduro 450[RX45], Enduro-Version 550[RX55]

Einheit	RAHMEN
Code	28.61
Beschreibung	Auslassgruppe II
Inspektion	1



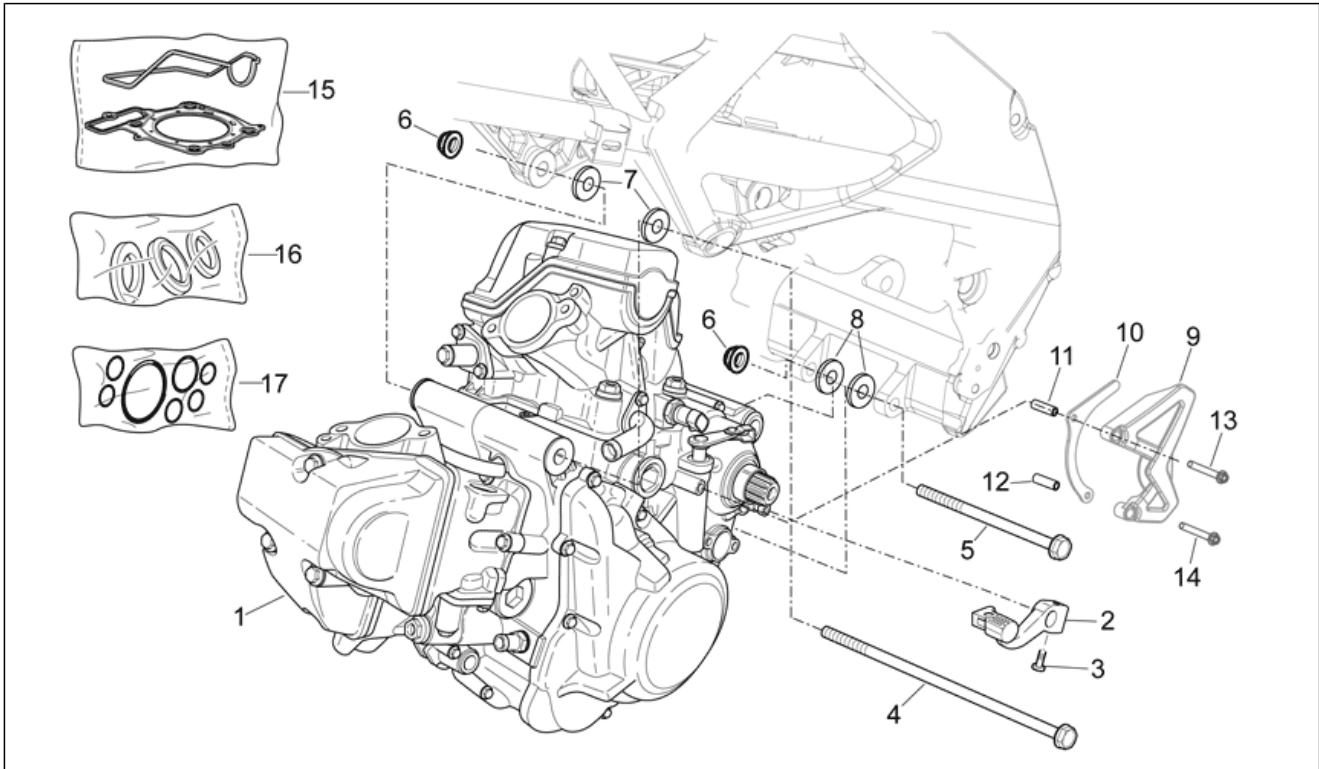
Pos.	Code	Beschreibung	Menge	Varianten
17	AP8150170	TCEI Schraube M8x25	1	Technische Daten: Version Enduro 450[RX45], Enduro-Version 550[RX55]
18	858525	Platte	1	Technische Daten: Version Enduro 450[RX45], Enduro-Version 550[RX55]
19	858540	Klammer	1	Technische Daten: Version Enduro 450[RX45], Enduro-Version 550[RX55]
20	AP8150009	Scheibe	4	Technische Daten: Version Enduro 450[RX45], Enduro-Version 550[RX55]
21	AP8152300	Selbstsperrende Mutter M8	3	Technische Daten: Version Enduro 450[RX45], Enduro-Version 550[RX55]
22	AP8120508	T-Buchse *	1	Technische Daten: Version Enduro 450[RX45], Enduro-Version 550[RX55]
23	AP8152279	TE Schr. m. Flansch M6x20	2	Technische Daten: Version Enduro 450[RX45], Enduro-Version 550[RX55]
24	AP8144087	Gummi	1	Technische Daten: Version Enduro 450[RX45], Enduro-Version 550[RX55]
25	851449	Schutzabdeckung	1	Technische Daten: Version Enduro 450[RX45], Enduro-Version 550[RX55]
26	851448	R. kl. Seitenteil, Racing	1	Technische Daten: Version Enduro 450[RX45], Enduro-Version 550[RX55]
27	851495	Kabel	1	Technische Daten: Version Enduro 450[RX45], Enduro-Version 550[RX55]
28	AP8152289	TE Schr. m. Flansch	4	Technische Daten: Version Enduro 450[RX45], Enduro-Version 550[RX55]
29	AP8152300	Selbstsperrende Mutter M8	3	Technische Daten: Version Enduro 450[RX45], Enduro-Version 550[RX55]
30	858409	Auslassgruppe KIT	1	Technische Daten: Version Enduro 450[RX45], Enduro-Version 550[RX55]
31	858503	Deko Racing	1	Technische Daten: Version Enduro 450[RX45], Enduro-Version 550[RX55]

Einheit	MOTOR
Code	29.34
Beschreibung	Motor
Inspektion	1



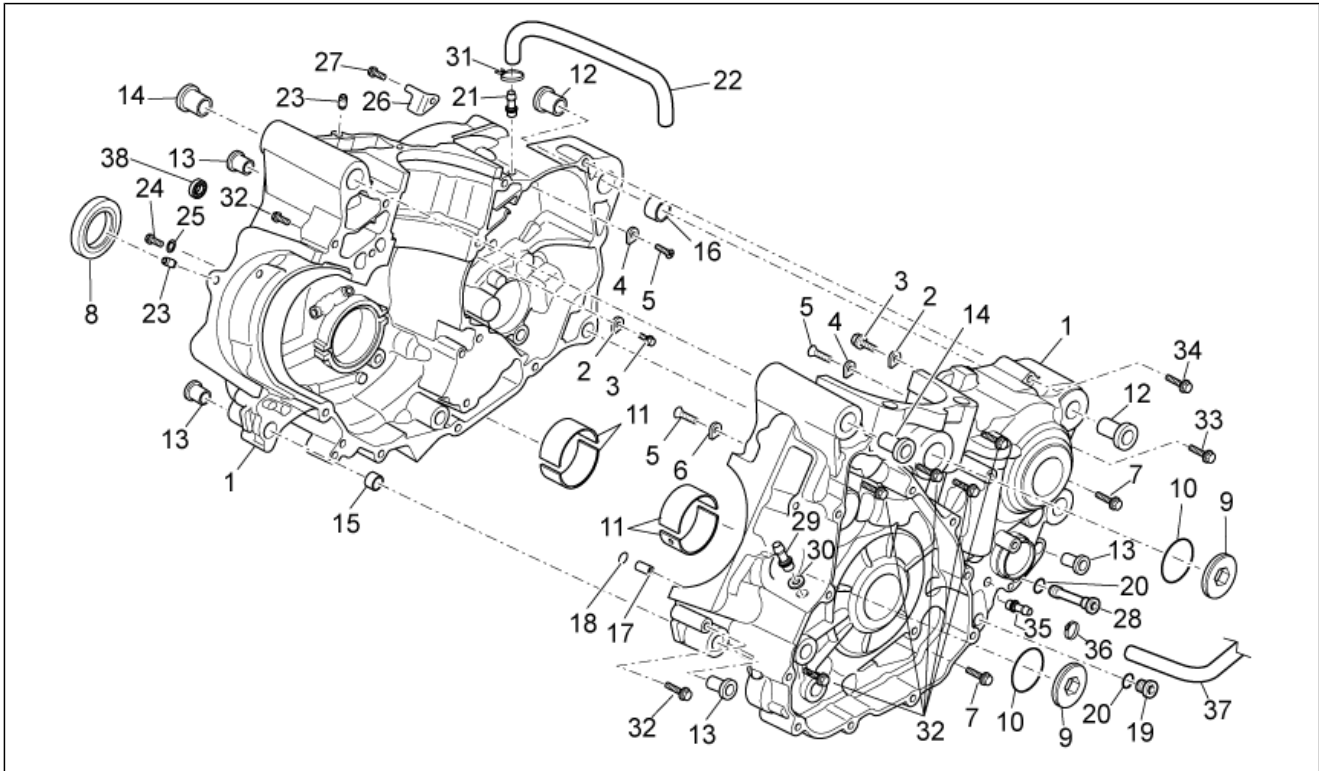
Pos.	Code	Beschreibung	Menge	Varianten
1	CM2362045	Motor	1	Land:EU[EU] Technische Daten:Version Enduro 450[RX45]
1	CM2362055	Motor	1	Land:EU[EU] Technische Daten:Version Motard 450[SX45]
1	CM2362075	Motor	1	Land:Vereinigte Staaten von Amerika[USA] Technische Daten:Version Enduro 450[RX45]
1	CM2362085	Motor	1	Land:Vereinigte Staaten von Amerika[USA] Technische Daten:Version Motard 450[SX45]
1	CM2363045	Motor	1	Land:EU[EU] Technische Daten:Enduro-Version 550[RX55]
1	CM2363055	Motor	1	Land:EU[EU] Technische Daten:Version Motard 550[SX55]
1	CM2363075	Motor	1	Land:Vereinigte Staaten von Amerika[USA] Technische Daten:Enduro-Version 550[RX55]
1	CM2363085	Motor	1	Land:Vereinigte Staaten von Amerika[USA] Technische Daten:Version Motard 550[SX55]
2	AP9100411	Schalthebel	1	
3	AP8152280	TE Schr. m. Flansch M6x25	1	
4	AP9100593	Schraube M10x1,25 L=202	1	
5	AP9100443	Schraube M10x1,25 L=102	1	
6	AP9100643	Selbstsperrende Mutter M10x1,25	2	
7	AP9100687	Ausgleichscheibe 28x10,5x3	2	
8	AP9100683	Ausgleichscheibe 18x10,5x0,5	2	
8	AP9100684	Ausgleichscheibe 18x10,5x1	2	
8	AP9100685	Ausgleichscheibe 18x10,5x1,5	2	
8	AP9100686	Ausgleichscheibe 18x10,5x2	2	
9	AP9100374	Ritzelkasten	1	
10	AP9100367	Kettenführung	1	
11	AP9100383	Buchse	1	Technische Daten:Version Motard 450[SX45], Version Motard 550[SX55]

Einheit	MOTOR
Code	29.34
Beschreibung	Motor
Inspektion	1



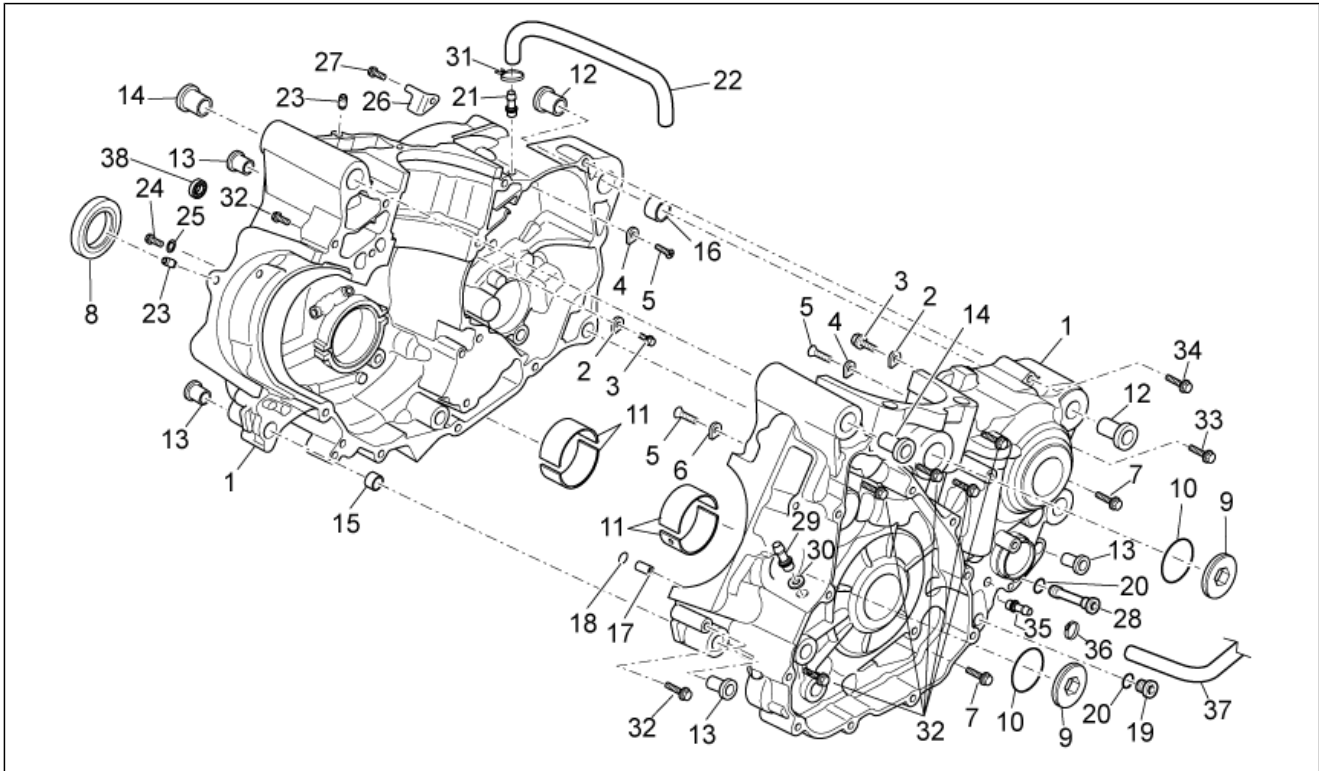
Pos.	Code	Beschreibung	Menge	Varianten
12	AP9100381	Buchse	1	Technische Daten: Version Motard 450[SX45], Version Motard 550[SX55]
12	AP9100550	Buchse	1	Technische Daten: Version Enduro 450[RX45], Enduro-Version 550[RX55]
13	AP8152281	TE Schr. m. Flansch M6x30	1	Technische Daten: Version Enduro 450[RX45], Enduro-Version 550[RX55]
13	AP9100433	TE Schr. m. Flansch M6x50	1	Technische Daten: Version Motard 450[SX45], Version Motard 550[SX55]
14	AP8152283	TE Schr. m. Flansch	1	Technische Daten: Version Enduro 450[RX45], Enduro-Version 550[RX55]
14	AP9150395	TE Schr. m. Flansch M6x60	1	Technische Daten: Version Motard 450[SX45], Version Motard 550[SX55]
15	855834	Dichtungen - Satz	1	Technische Daten: Version Enduro 450[RX45], Version Motard 450[SX45]
15	855835	Dichtungen - Satz	1	Technische Daten: Enduro-Version 550[RX55], Version Motard 550[SX55]
16	AP9150492	Dichtungssatz	1	
17	AP9150493	OR - Satz	1	

Einheit	MOTOR
Code	29.35
Beschreibung	Kurbelwellengehäuse I
Inspektion	1



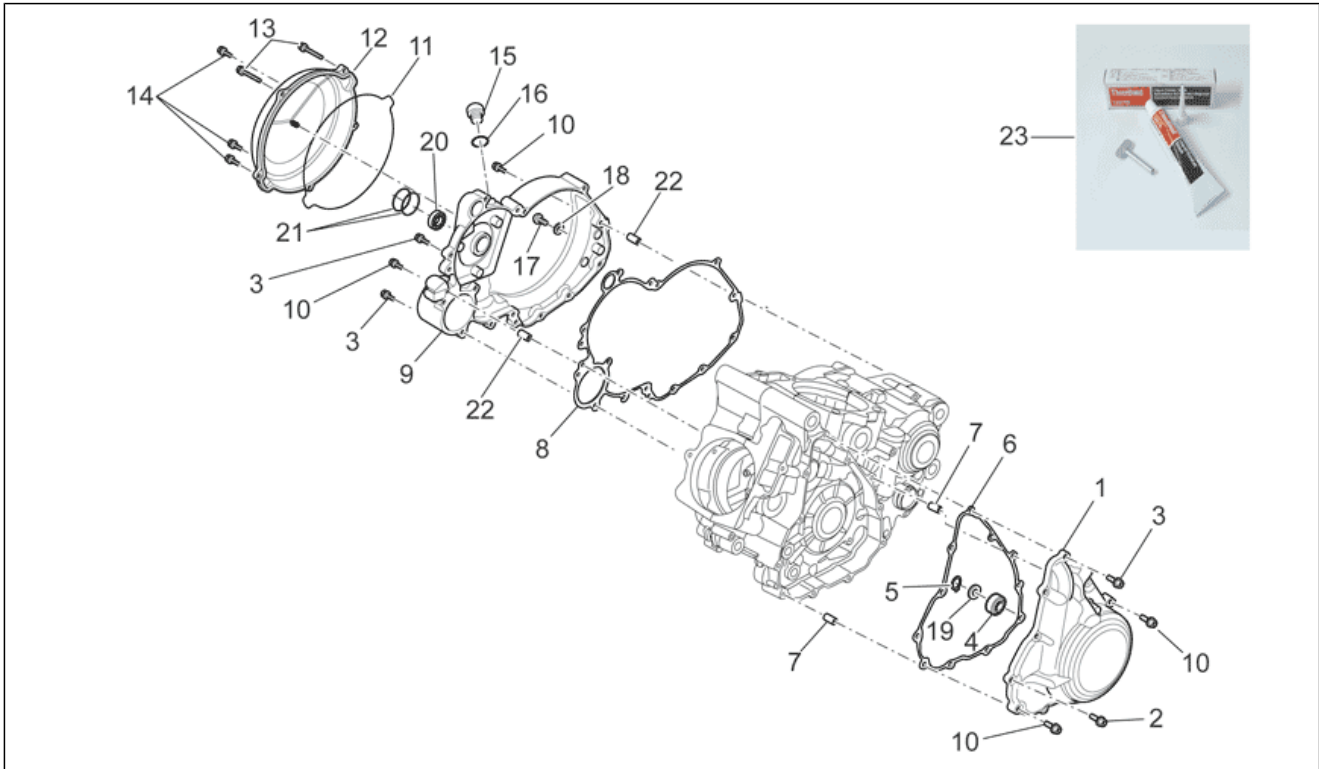
Pos.	Code	Beschreibung	Menge	Varianten
1	CM155401	Gehäuse Paar	1	Technische Daten: Version Enduro 450[RX45]
1	CM155402	Gehäuse Paar	1	Technische Daten: Version Motard 450[SX45]
1	CM155403	Gehäuse Paar	1	Technische Daten: Enduro-Version 550[RX55]
1	CM155404	Gehäuse Paar	1	Technische Daten: Version Motard 550[SX55]
2	AP9150146	Lager-Halteplatte	3	
3	AP8152277	TE Schr. m. Flansch M6x12	3	
4	AP9150145	Lager-Halteplatte	2	
5	AP9150394	Schraube M6x12	3	
6	AP9150489	Lager-Halteplatte	1	
7	AP8152283	TE Schr. m. Flansch	6	
8	AP9150435	Ölabstreifring D32x45x6	1	
9	AP9150149	Deckel	2	
10	AP9150353	O-Ring D26,65x2,62	2	
11	AP9150324	Halbsch. Bronzebchs., grün	4	
11	AP9150456	Halbsch. Bronzebu., blau	4	
11	AP9150457	Halbsch. Bronzebu., gelb	4	
12	AP9150440	T-Buchse 34x21x10,5-L18	2	
13	AP9150441	T-Buchse 28x13x10,5-L11,5	2	
14	AP9150442	T-Buchse 19x13x10,5-L11,5	4	
15	AP9150116	Buchse D16x19X13	1	
16	AP9150115	Buchse D18x21X19	1	
17	AP9150117	Stift D7,2x9x12	1	
18	AP9150350	O-Ring D8,73x1,78	1	
19	AP9150174	Ölablaßschraube	1	
20	AP9150349	Dichtscheibe D12x18x1,5	2	
21	AP9150533	Anschluss	1	
22	AP9150471	Entlüftungsschlauch Kühler	1	
23	AP9150346	Strahl	2	

Einheit	MOTOR
Code	29.35
Beschreibung	Kurbelwellengehäuse I
Inspektion	1



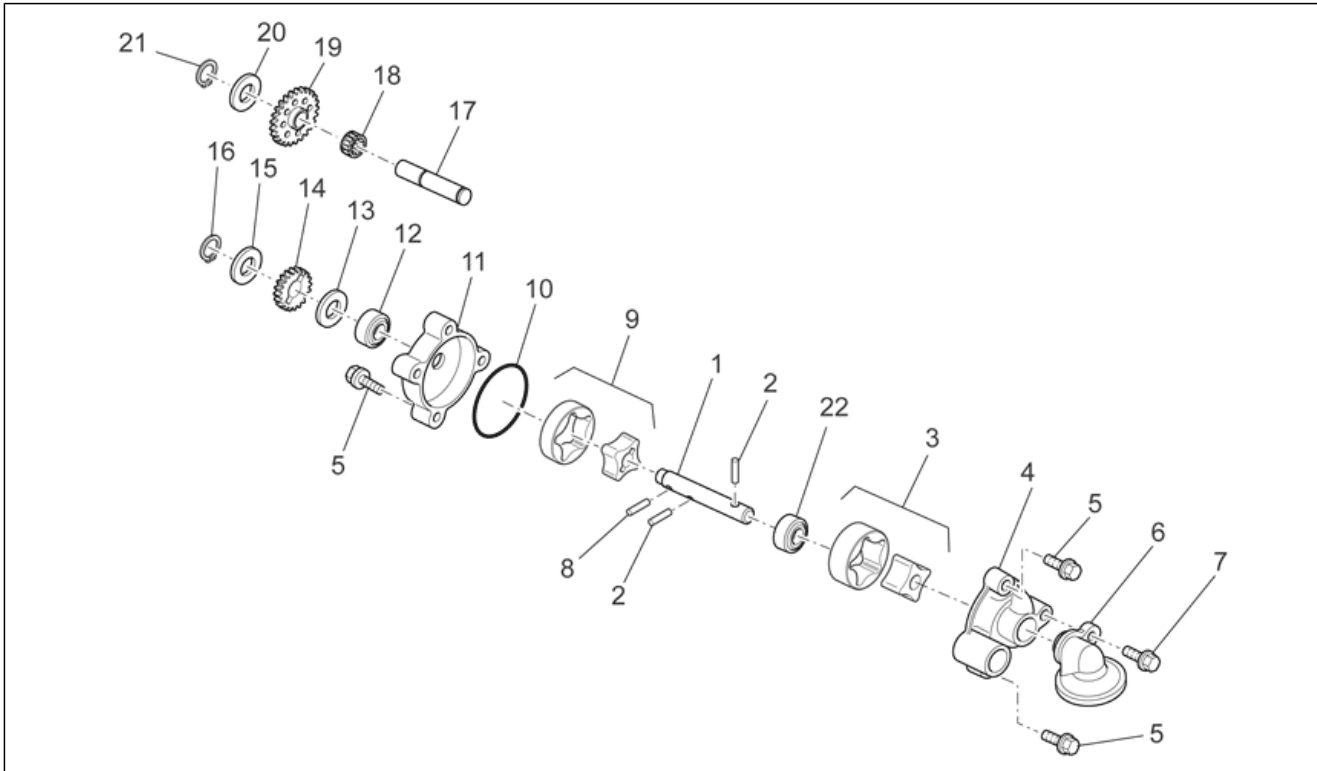
Pos.	Code	Beschreibung	Menge	Varianten
24	AP8152285	TE Schr. m. Flansch	1	
25	AP8121862	Ausgleichscheibe D8x16x1,5	1	
26	AP9150439	Platte	1	
27	AP8152277	TE Schr. m. Flansch M6x12	1	
28	AP9150078	Ölablaßschraube	1	
29	AP9150109	Anschluss	1	
30	AP9150349	Dichtscheibe D12x18x1,5	1	
31	AP8102377	Schelle D9,1*	1	
32	AP9150526	TE Schr. m. Flansch M7x1x42	7	
33	AP8560104	TE Schr. m. Flansch M6x65	1	
34	AP8560106	TE Schr. m. Flansch M6x75	1	
35	AP9150344	Anschluss	1	
36	AP9100998	Schlauchschele	1	
37	AP9150545	Entlüftungsschlauch Kühler 5x9	1	
38	85114R	Radiallager	1	

Einheit	MOTOR
Code	29.36
Beschreibung	Kurbelwellengehäuse II
Inspektion	1



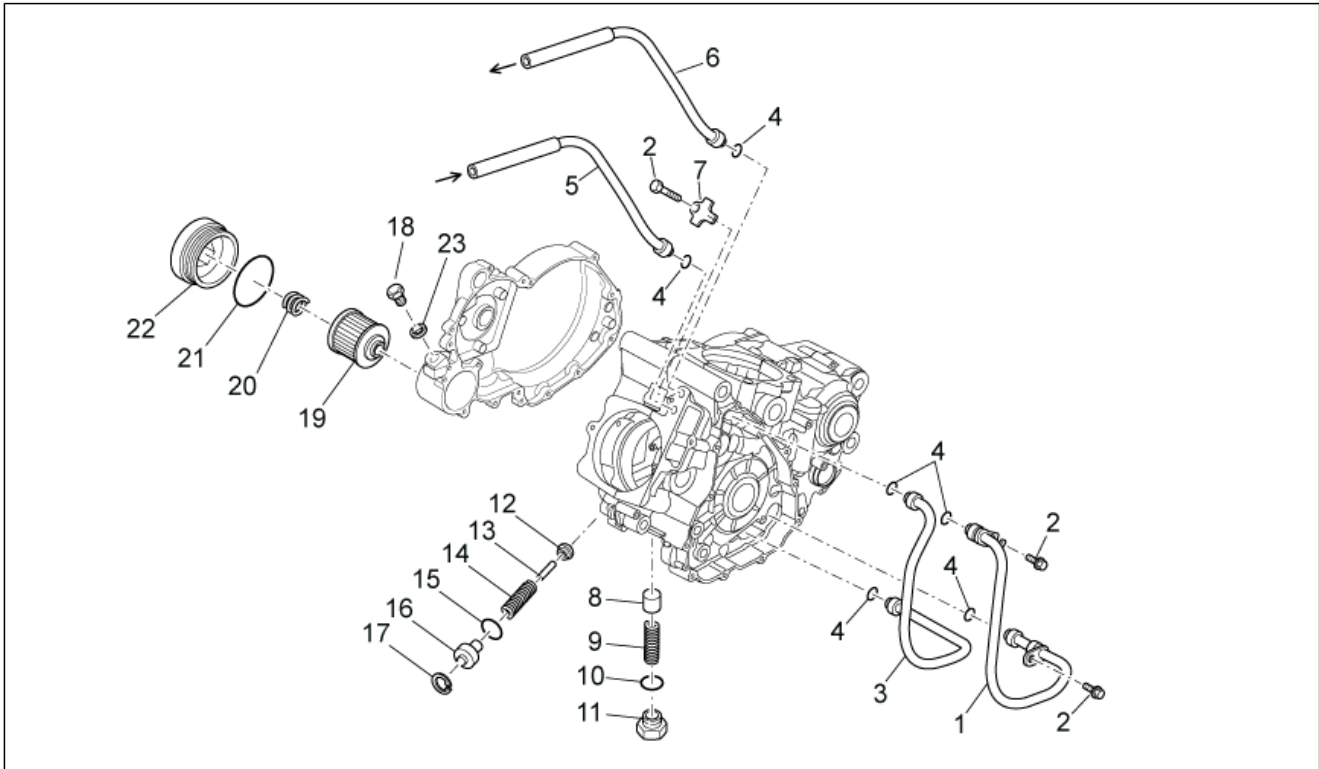
Pos.	Code	Beschreibung	Menge	Varianten
1	AP9150152	Zünddeckel	1	
2	AP8152279	TE Schr. m. Flansch M6x20	9	
3	AP8152280	TE Schr. m. Flansch M6x25	10	
4	851315	Ölabstreifring D12x22x5,5	1	
5	AP9150524	Seegerring D25	1	
6	AP9150153	Dichtung	1	
7	AP9150118	Buchse D6,2x8X15	2	
8	AP9150148	Dichtung	1	
9	851019	Kupplungsseite Deckel	1	
10	AP8152282	TE Schr. m. Flansch M6x35	4	
11	AP9150150	O-Ring D171,13x2,62	1	
12	AP9150094	Kupplungsdeckel	1	
13	AP9150395	TE Schr. m. Flansch M6x60	2	
14	AP8152278	TE Schr. m. Flansch M6x16	3	
15	AP9150410	Ölschraube M20x1,5	1	
16	AP9150356	O-Ring D18,72x2,62	1	
17	AP9150473	TBEI Schraube M6x10	1	
18	AP9150351	Dichtscheibe D6x12x1	1	
19	AP9150522	Becher Ölabstreifring	1	
20	851010	Buchse Deck. Kupplungsgehäuse	1	
21	851012	O-Ring 20x1	2	
22	851017	Buchse D6,2x7,8X15	2	
23	855252	Flachdichtmittel	1	

Einheit	MOTOR
Code	29.37
Beschreibung	Ölpumpe
Inspektion	1



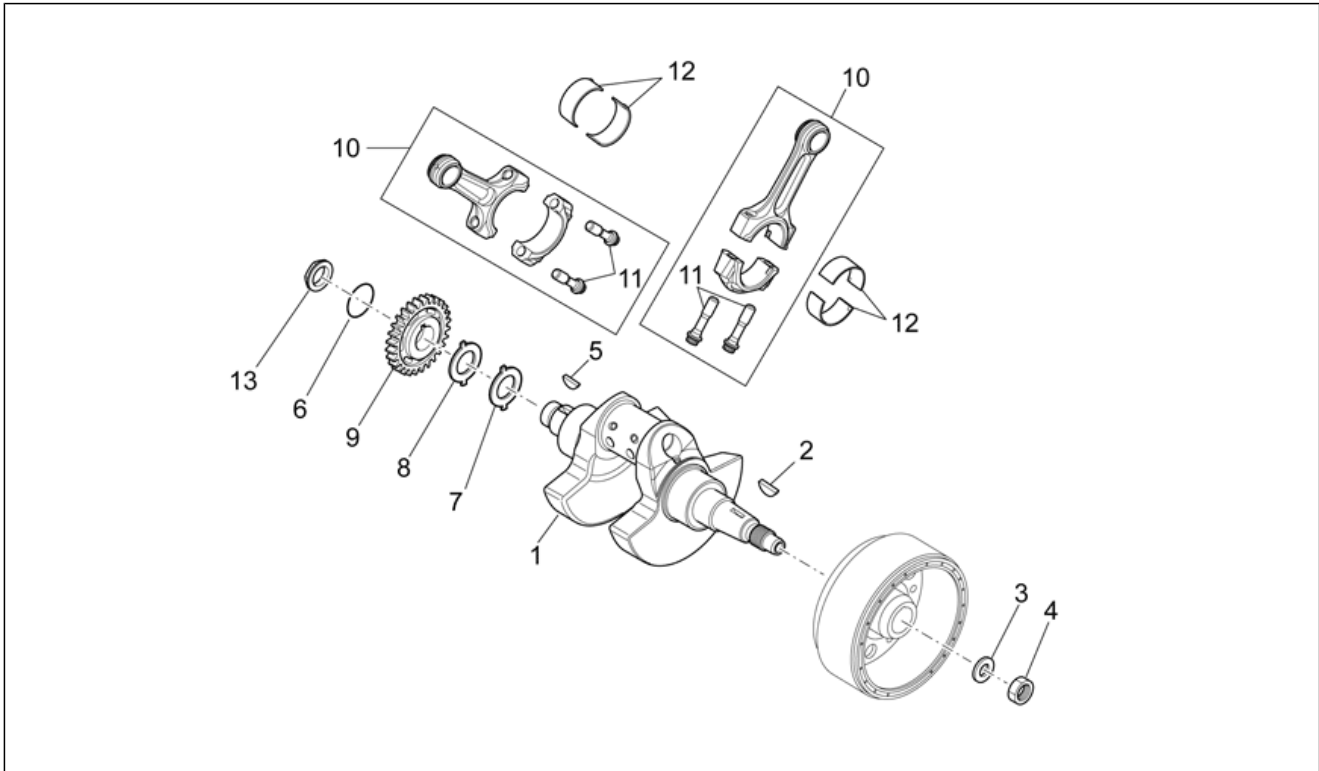
Pos.	Code	Beschreibung	Menge	Varianten
1	AP9150071	Ölpumpenwelle	1	
2	AP9150377	Stift 4x15,8	2	
3	AP9150157	Innen- und Außenrotor H19	1	
4	AP9150158	pumpegehäuse	1	
5	AP8152280	TE Schr. m. Flansch M6x25	6	
6	AP9150162	Saugsiebfilter	1	
7	AP8152281	TE Schr. m. Flansch M6x30	1	
8	AP9150376	Stift 4x13,8	1	
9	AP9150291	Innen- und Außenrotor H8	1	
10	AP9150461	O-Ring D44,17x1,78	1	
11	AP9150217	pumpegehäuse	1	
12	AP9150385	Ölabstreifring D19x10x7/5.5	1	
13	AP9150076	Bundscheibe 10,1x23	1	
14	AP9150159	Ölpumpen-Zahn. Z=12	1	
15	AP9150075	Bundscheibe 9,1x16x	1	
16	AP9150396	Seegerring 9x1	1	
17	AP9150160	Bolzen 4x25,8	1	
18	AP9150463	Nadelkaefig D11x16x10	1	
19	AP9150161	Wahnradvorgelege Z=22	1	
20	AP9150074	Bundscheibe 11,1x18	1	
21	AP9150397	Seegerring D11	1	
22	AP9150443	Ölabstreifring D10x16x4	1	

Einheit	MOTOR
Code	29.38
Beschreibung	Schmierung
Inspektion	1



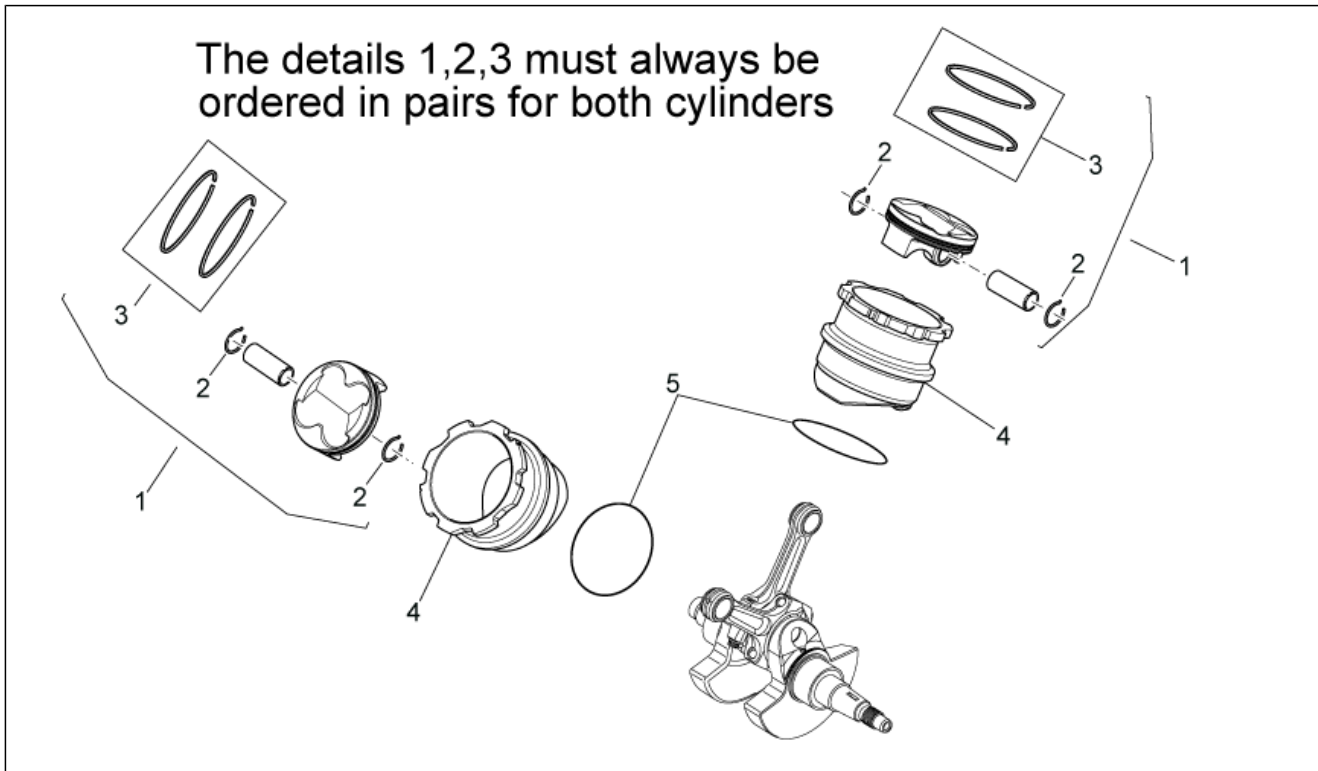
Pos.	Code	Beschreibung	Menge	Varianten
1	AP9150281	Ölauslaßschlauch	1	
2	AP8152277	TE Schr. m. Flansch M6x12	3	
3	AP9150280	Öleinlaßschlauch	1	
4	AP9150347	O-Ring D11x2	6	
5	AP9100358	Ölauslaßschlauch	1	
6	AP9100362	Öleinlaßschlauch	1	
7	AP9100292	Anschlagplatte	1	
8	AP9150168	Druckregelkolben	1	
9	AP9150169	Feder	1	
10	AP9150476	O-Ring D11,11x1,78	1	
11	AP9150170	Ventilschließschraube M14x1,5	1	
12	AP9150171	Sperrventil Öl	1	
13	AP9150321	Bolzen	1	
14	AP9150173	Feder	1	
15	AP9150477	O-Ring D14x1,78	1	
16	AP9150172	Kupplungsbuchse	1	
17	AP9150398	Seegerring D18	1	
18	851240	Verschlussschraube	1	
19	AP9150166	Ölfiltereinsatz	1	
20	AP9150167	Feder	1	
21	AP9150355	O-Ring D53,65x2,68	1	
22	851295	ÖlfILTERdeckel	1	
23	AP9150472	Ausgleichscheibe 10,5x17x1,5	1	

Einheit	MOTOR
Code	29.39
Beschreibung	Kurbelwelle
Inspektion	1



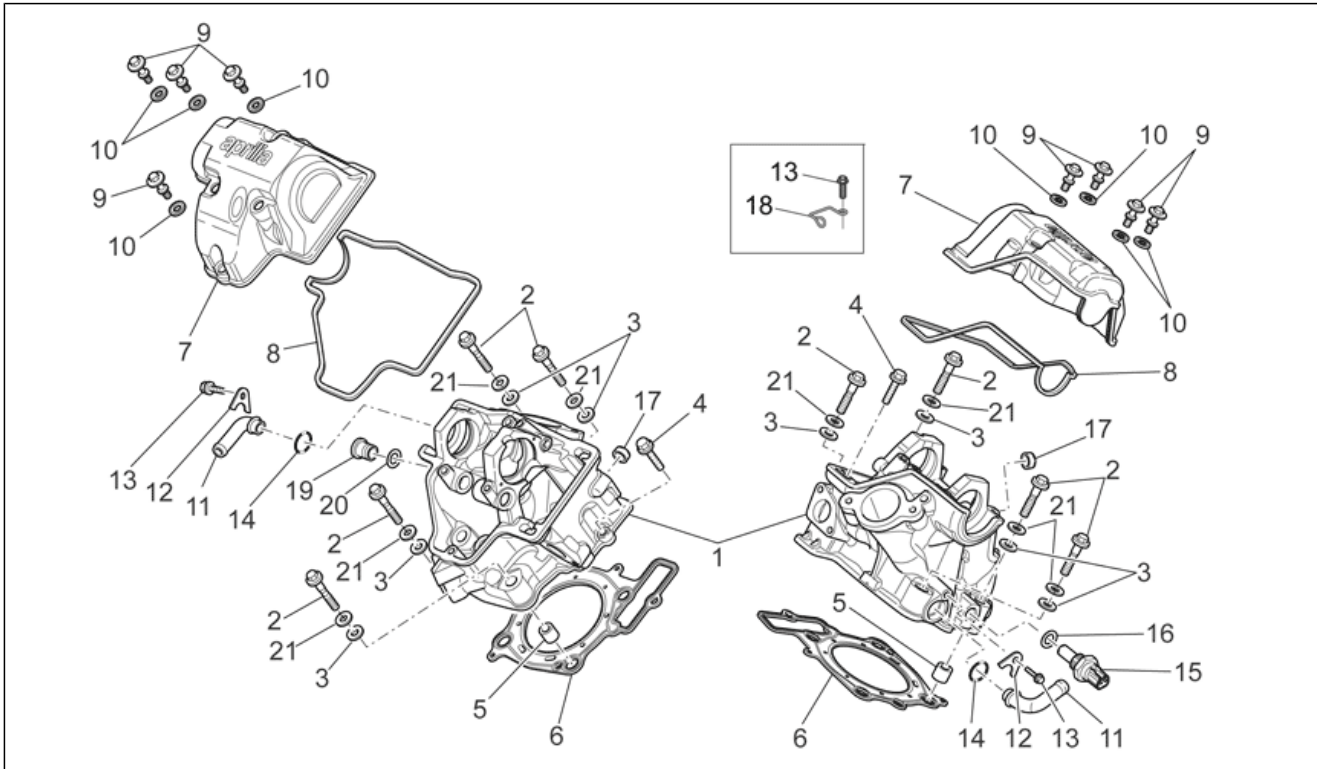
Pos.	Code	Beschreibung	Menge	Varianten
1	8553745	Kurbelwelle	1	Technische Daten: Enduro-Version 550[RX55], Version Motard 550[SX55]
1	AP9150019	Kurbelwelle	1	Technische Daten: Version Enduro 450[RX45], Version Motard 450[SX45]
2	851007	Schwungradfeder D3x4,8	1	
3	AP9150437	Ausgleichscheibe D15x28x2,5	1	
4	AP9150436	Mutter M14x1	1	
5	AP9150402	Keil 4x6,5	1	
6	AP9150525	O-Ring D16x3,5	1	
7	AP9150065	Anlaufscheibe 44x53x2	1	
8	AP9150066	Anlaufscheibe 36x50x1,4	1	
9	AP9150210	Ritzel	1	
10	AP9150018	Baugruppe Pleuelstange kplt.	2	Technische Daten: Version Enduro 450[RX45], Version Motard 450[SX45]
10	AP9150315	Baugruppe Pleuelstange kplt.	2	Technische Daten: Enduro-Version 550[RX55], Version Motard 550[SX55]
11	AP9150127	Pleuelschraube	4	
12	AP9150323	Bronzebuchse, grün 35x38x16,5	4	
12	AP9150454	Bronzebuchse,blau 35x38x16,5	4	
12	AP9150455	Bronzebuchse,gelb 35x38x16,5	4	
13	AP9150236	Geflanschte Mutter M18x1,25	1	

Einheit	MOTOR
Code	29.40
Beschreibung	Kolben + Zylinder
Inspektion	1



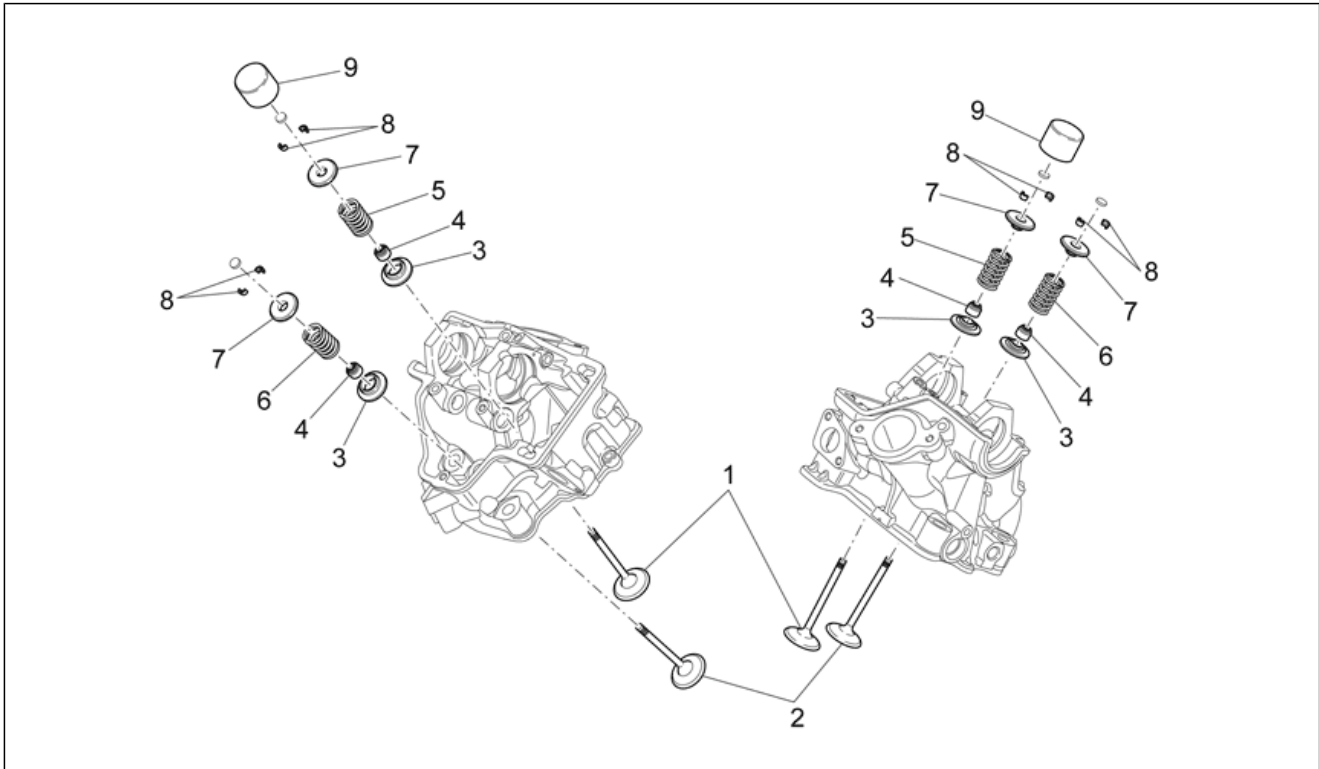
Pos.	Code	Beschreibung	Menge	Varianten
1	851035	Kolben kpl. D76	2	Technische Daten: "Lieferant ""Asso""[A], Version Enduro 450[RX45], Version Motard 450[SX45]
1	851039	Kolben kpl. D80	2	Technische Daten: "Lieferant ""Asso""[A], Enduro-Version 550[RX55], Version Motard 550[SX55]
2	851042	Sperring	4	Technische Daten: Enduro-Version 550[RX55], Version Motard 550[SX55]
2	851045	Sperring	4	Technische Daten: Version Enduro 450[RX45], Version Motard 450[SX45]
3	851298	Dichtringsatz D76	2	Technische Daten: "Lieferant ""Asso""[A], Version Enduro 450[RX45], Version Motard 450[SX45]
3	855601	Dichtringsatz D80	2	Technische Daten: "Lieferant ""Asso""[A], Enduro-Version 550[RX55], Version Motard 550[SX55]
3	AP9150123	Dichtringsatz D76	2	Technische Daten: Modell 450[450], "Lieferant ""Duraldur""[D]
3	AP9150338	Dichtringsatz D80	2	Technische Daten: Modell 550[550], "Lieferant ""Duraldur""[D]
4	AP9150007	Zylinder D76	2	Technische Daten: Version Enduro 450[RX45], Version Motard 450[SX45]
4	AP9150301	Zylinder D80	2	Technische Daten: Enduro-Version 550[RX55], Version Motard 550[SX55]
5	AP9150343	O-Ring D82,22x2,62	2	

Einheit	MOTOR
Code	29.41
Beschreibung	Zylinderkopf
Inspektion	1



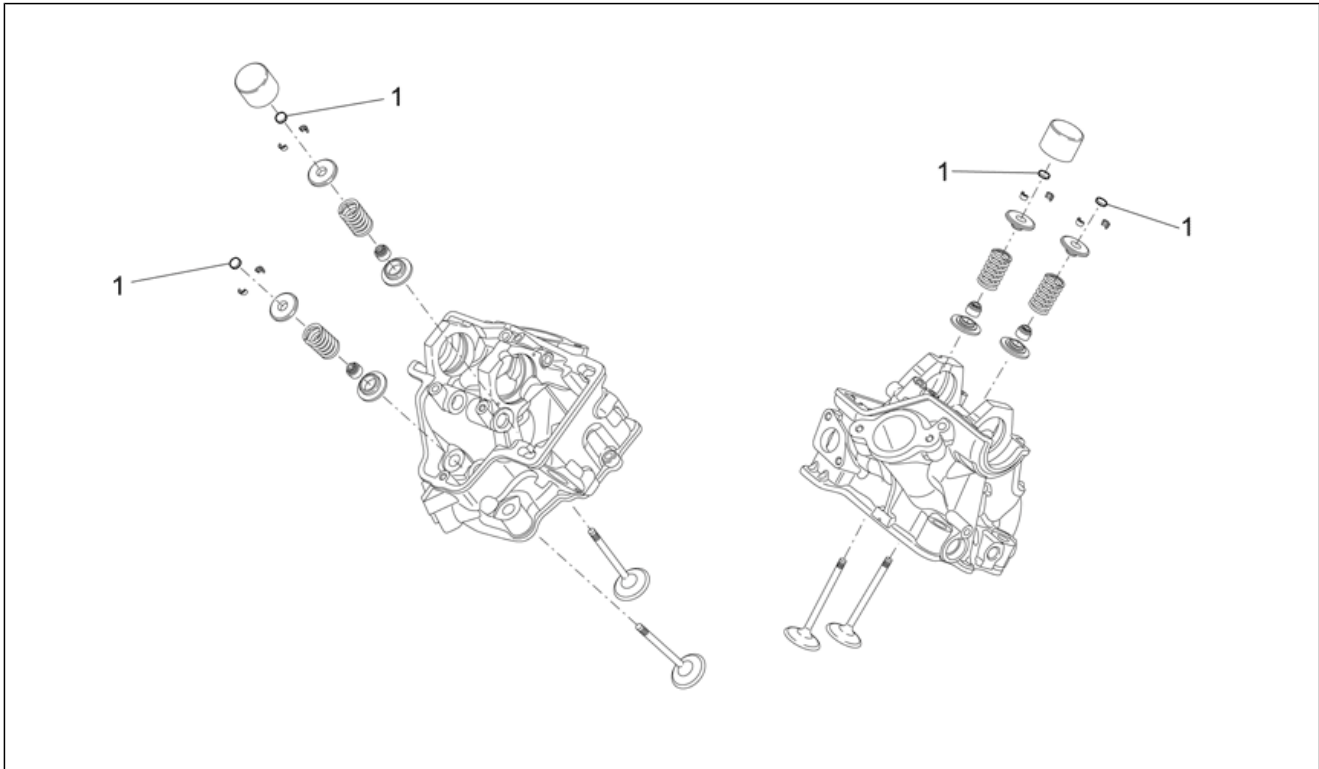
Pos.	Code	Beschreibung	Menge	Varianten
1	AP9150317	Zylinderkopf kpl.	2	
2	AP9150112	TE Schr. m. Flansch M10x58,5	8	
3	AP9150113	Ausgleichscheibe D10x20x2	8	
4	AP8152280	TE Schr. m. Flansch M6x25	2	
5	AP9150114	Buchse	4	
6	855034	Dichtung Zylinderkopf	2	Technische Daten: Version Enduro 450[RX45], Version Motard 450[SX45]
6	855035	Dichtung Zylinderkopf	2	Technische Daten: Enduro-Version 550[RX55], Version Motard 550[SX55]
7	AP9150009	Kopfdeckel	2	
8	AP9150010	Deckeldichtung Kupplungsseite	2	
9	AP9150111	Spezialschraube	8	
10	AP9150110	Dichtung	8	
11	AP9150120	Anschluss	2	
12	AP9150121	Platte	2	
13	AP8152277	TE Schr. m. Flansch M6x12	3	
14	AP9150469	O-Ring D13,95x2,62	2	
15	AP9150181	Temperaturfühler H2O	1	
16	AP9150349	Dichtscheibe D12x18x1,5	1	
17	AP9150312	Deckel D20	2	
18	AP8121856	Kabelführungs	1	
19	AP9150174	Ölablaßschraube	1	
20	AP9150349	Dichtscheibe D12x18x1,5	1	
21	AP9100999	Sprengscheibe	8	

Einheit	MOTOR
Code	29.42
Beschreibung	Ventile
Inspektion	1



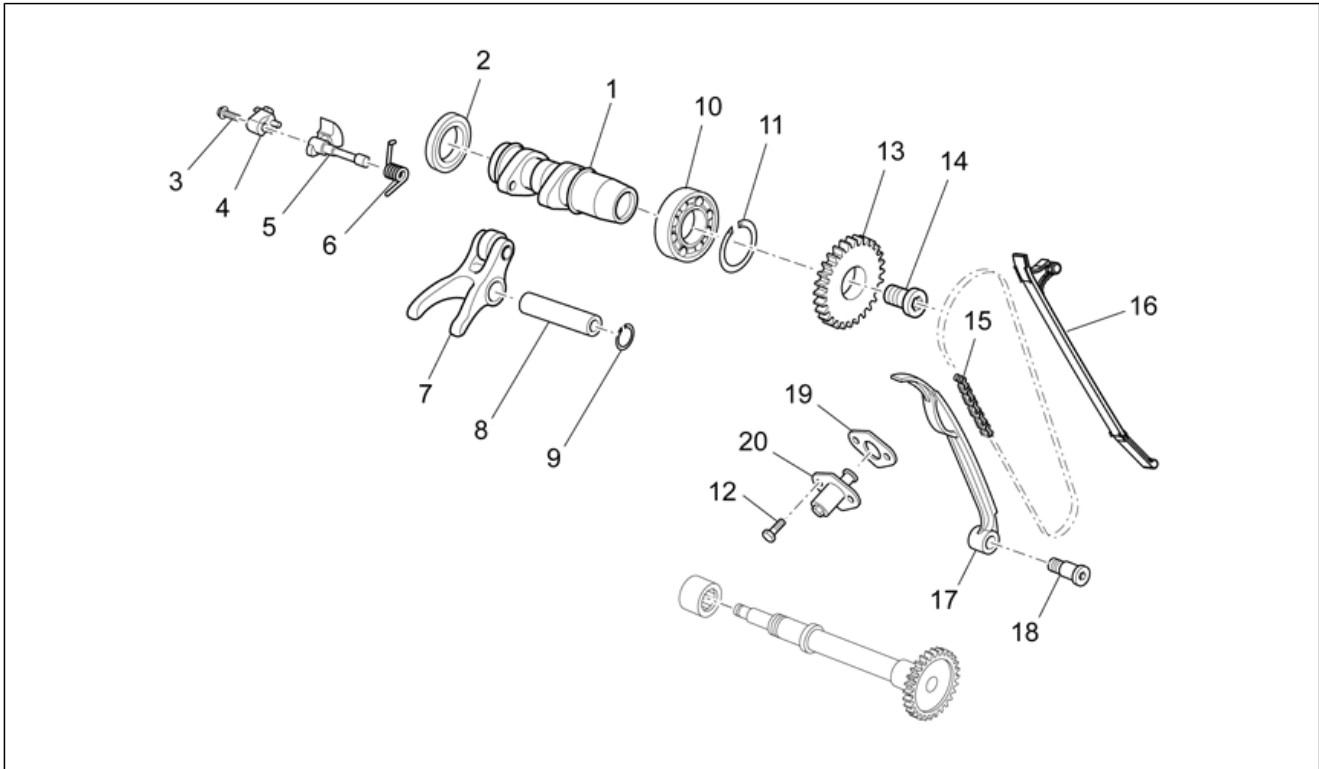
Pos.	Code	Beschreibung	Menge	Varianten
1	AP9150022	Einlaßventil	4	
2	AP9150023	Auslaßventil	4	
3	AP9150028	Becher unten	8	
4	AP9150104	Ölabstreifring Ventilführung D5	8	
5	AP9150024	Einlaß Ventilfeeder	4	
6	AP9150025	Feder Auslaßventil	4	
7	891170	Becher obere	8	
8	AP9150106	Ventilhalbkegel	16	
9	AP9150107	Ventilbecher	4	

Einheit	MOTOR
Code	29.43
Beschreibung	Ventilesbeläge
Inspektion	1



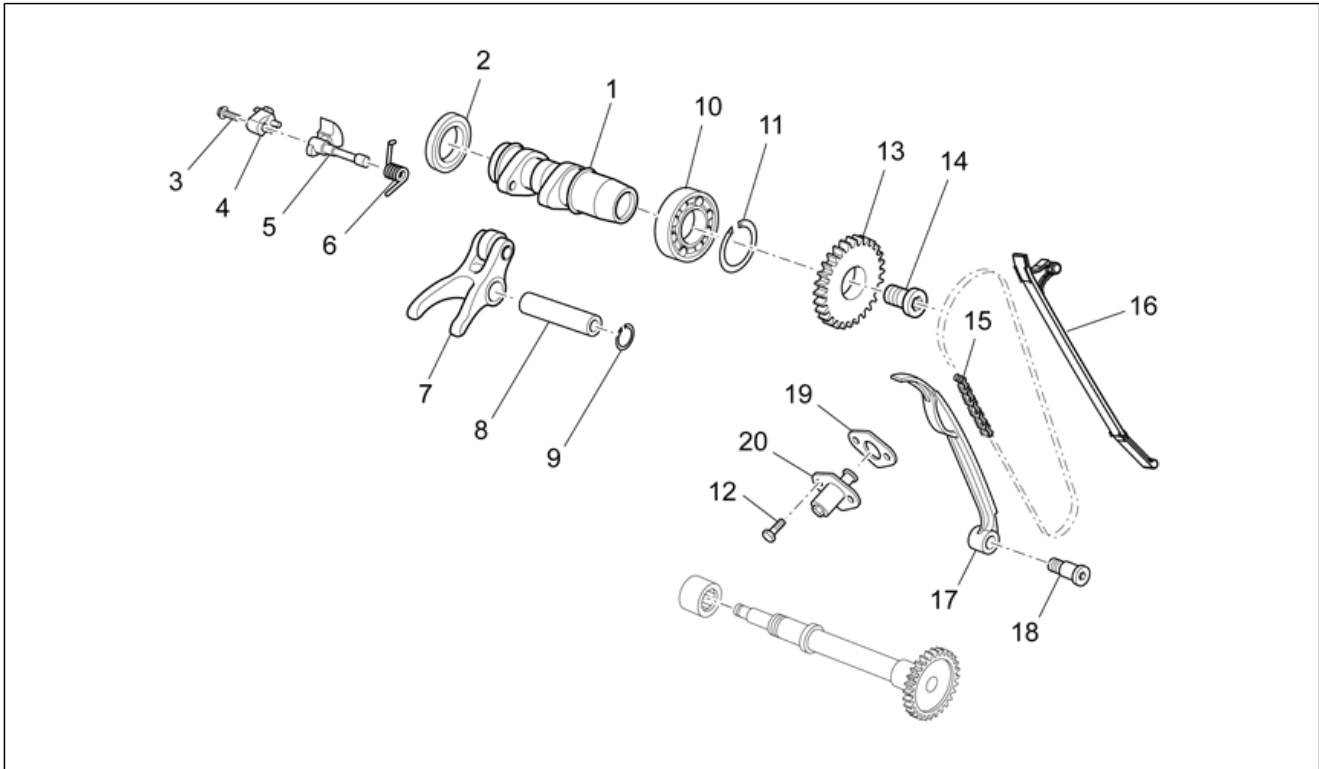
Pos.	Code	Beschreibung	Menge	Varianten
1	AP9150143	Belag 1,40	8	
1	AP9150417	Belag 1,45	1	
1	AP9150418	Belag 1,50	1	
1	AP9150419	Belag 1,55	1	
1	AP9150420	Belag 1,60	1	
1	AP9150421	Belag 1,65	1	
1	AP9150422	Belag 1,70	1	
1	AP9150423	Belag 1,75	1	
1	AP9150424	Belag 1,80	1	
1	AP9150425	Belag 1,85	1	
1	AP9150426	Belag 1,90	1	
1	AP9150427	Belag 1,95	1	
1	AP9150428	Belag 2,00	1	
1	AP9150429	Belag 2,05	1	
1	AP9150430	Belag 2,10	1	
1	AP9150431	Belag 2,15	1	
1	AP9150432	Belag 2,20	1	
1	AP9150433	Belag 2,25	1	
1	AP9150434	Belag 2,30	1	

Einheit	MOTOR
Code	29.44
Beschreibung	Vrd. Zylindersteuer
Inspektion	1



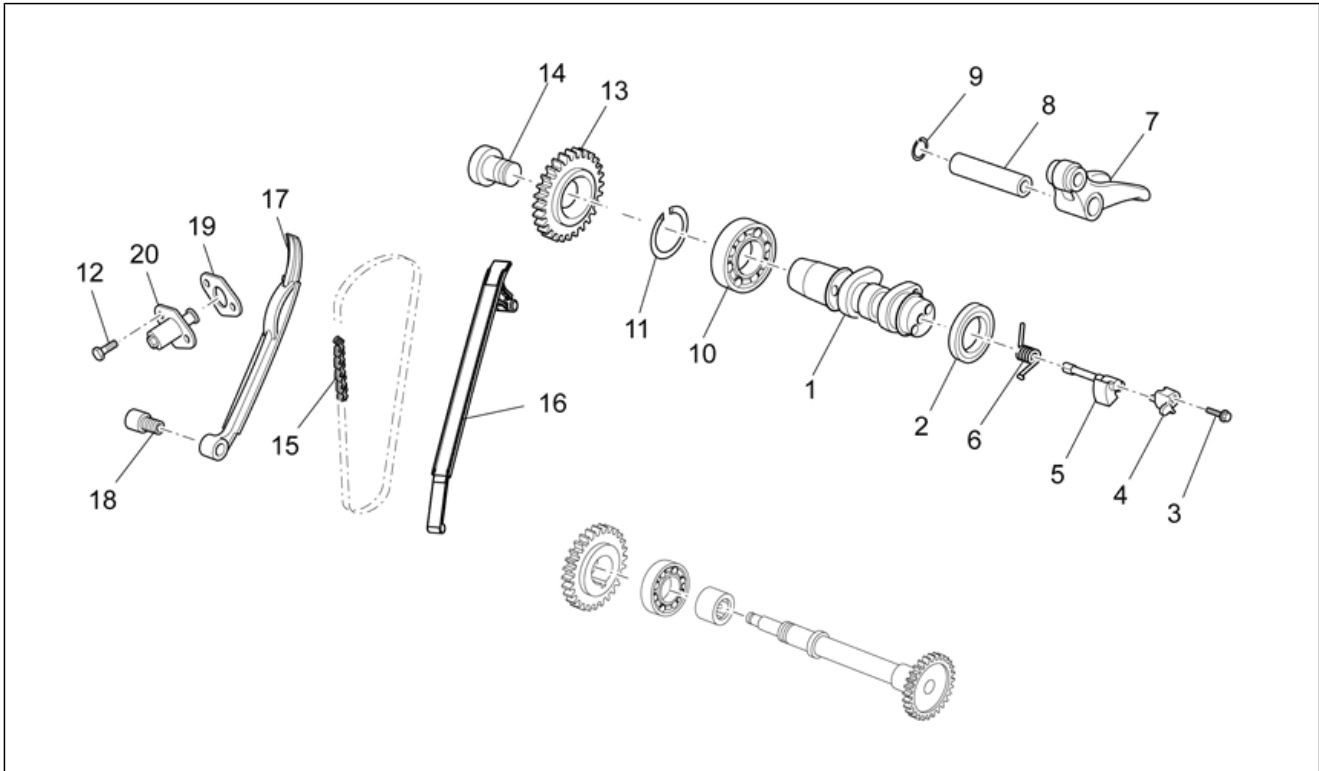
Pos.	Code	Beschreibung	Menge	Varianten
1	851000	Nockenwelle vorderer	1	Technische Daten: Version Motard 450[SX45], Version Motard 550[SX55]
1	851002	Nockenwelle vorderer	1	Technische Daten: Version Enduro 450[RX45], Enduro-Version 550[RX55]
2	AP9150364	Kugellager D25x37x7	1	
3	AP8152274	TE Schr. m. Flansch M5x20	1	
4	AP9150303	Steckverbindung	1	
5	AP9150448	Vord.Ventilschaltung	1	
5	CM238602	Vord.Ventilschaltung "5.90"	1	
5	CM238603	Vord.Ventilschaltung "5.85"	1	
5	CM238604	Vord.Ventilschaltung "5.80"	1	
5	CM238605	Vord.Ventilschaltung "5.75"	1	
5	CM238606	Vord.Ventilschaltung "5.70"	1	
6	AP9150138	Feder	1	
7	AP9150096	Kipphebel Auslaß	1	
8	AP9150101	Kipphebel-Federwelle	1	
9	AP9150102	Sprengring	1	
10	AP9150372	Kugellager D25x42x9	1	
11	AP9150391	Sprengring D42	2	
12	AP8152278	TE Schr. m. Flansch M6x16	2	
13	AP9150506	Zahnrad Steuer. Z=22	1	
14	AP9150507	Spezialschraube M16x1	1	
15	AP9150133	Steuerkette	1	Technische Daten: Version Enduro 450[RX45], Version Motard 450[SX45]
15	AP9150327	Steuerkette	1	Technische Daten: Enduro-Version 550[RX55], Version Motard 550[SX55]
16	AP9150011	Kettengleitführung L177	1	Technische Daten: Version Enduro 450[RX45], Version Motard 450[SX45]

Einheit	MOTOR
Code	29.44
Beschreibung	Vrd. Zylindersteuer
Inspektion	1



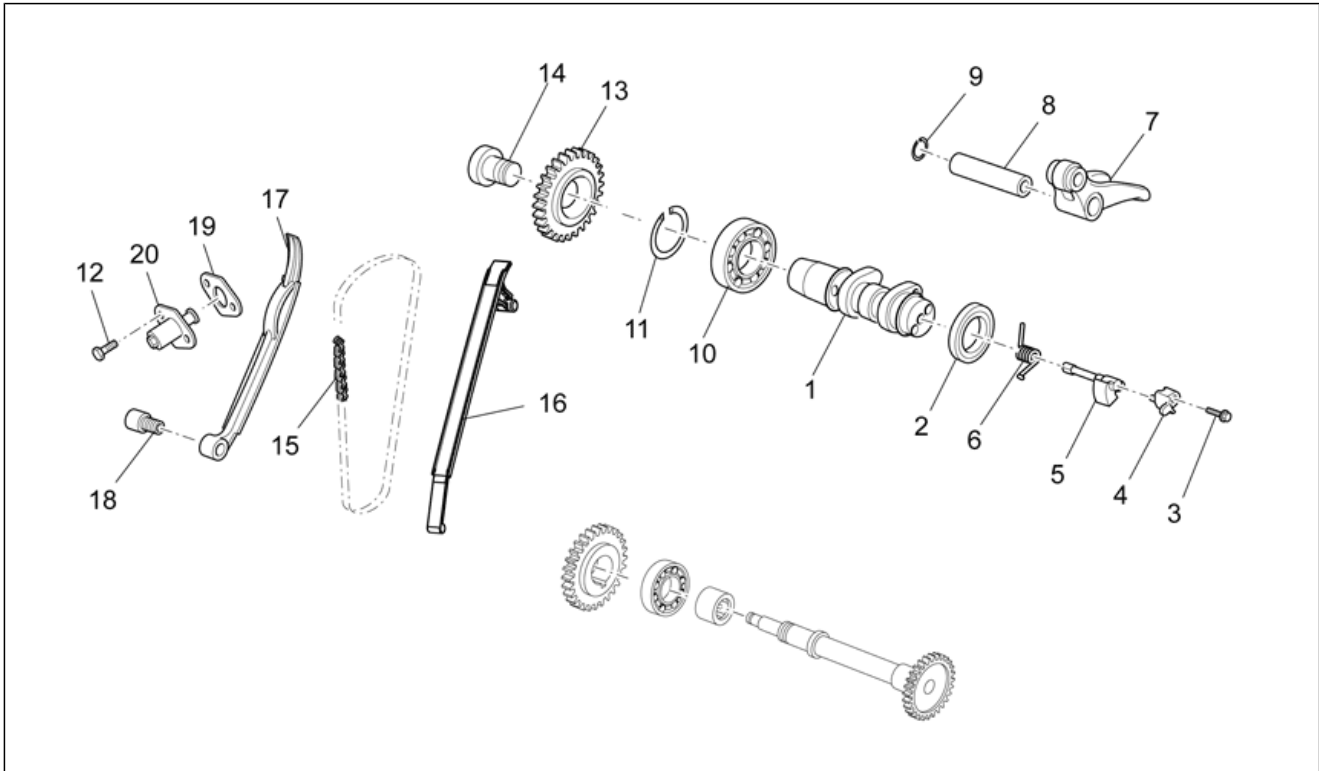
Pos.	Code	Beschreibung	Menge	Varianten
16	AP9150300	Kettengleitführung L186	1	Technische Daten: Enduro-Version 550[RX55], Version Motard 550[SX55]
17	AP9150012	Kettenspanner Gleitbacke	1	Technische Daten: Enduro-Version 550[RX55], Version Motard 550[SX55]
18	AP9150231	Schraube M6x12	1	
19	AP9150141	Dichtung Kettenspan.	1	
20	AP9150140	Kettenspanner	1	

Einheit	MOTOR
Code	29.45
Beschreibung	Hint. Zylindersteuer
Inspektion	1



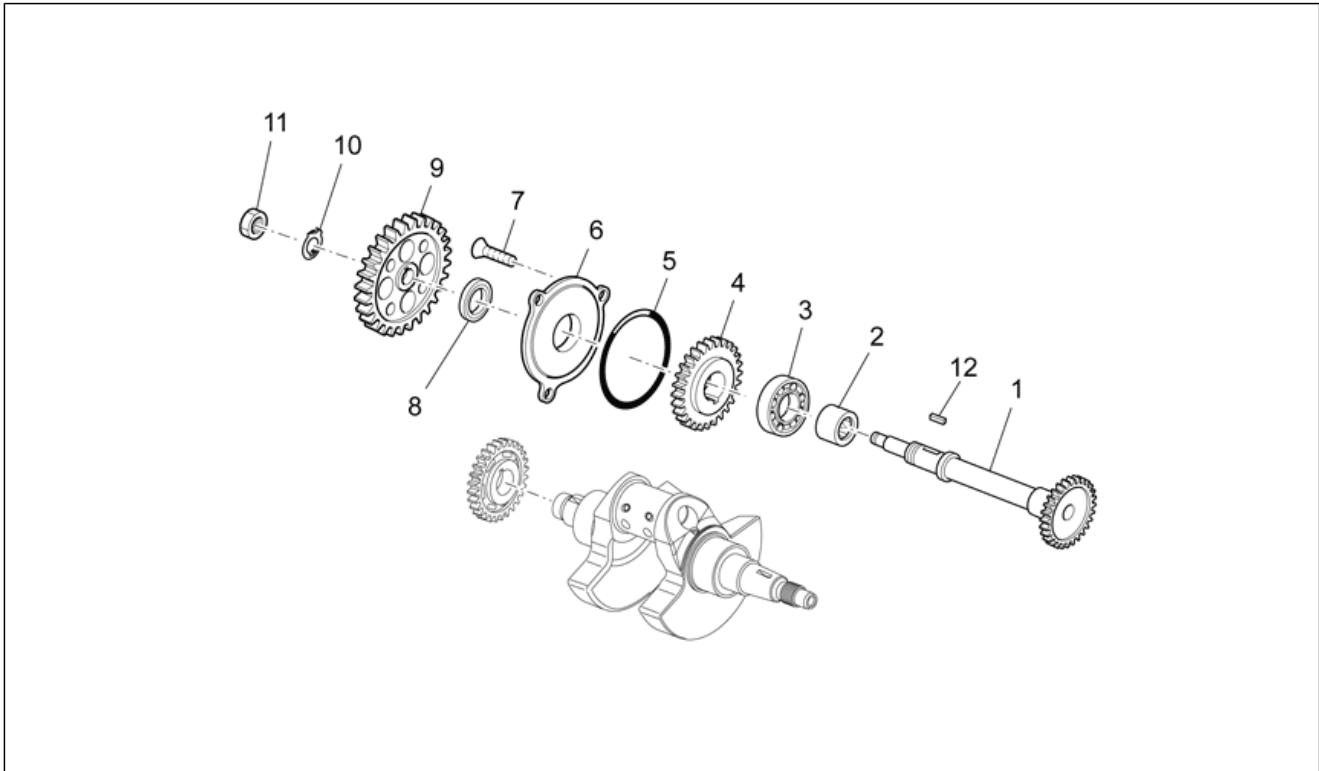
Pos.	Code	Beschreibung	Menge	Varianten
1	851001	Nockenwelle hinterer	1	Technische Daten: Version Motard 450[SX45], Version Motard 550[SX55]
1	851003	Nockenwelle hinterer	1	Technische Daten: Version Enduro 450[RX45], Enduro-Version 550[RX55]
2	AP9150364	Kugellager D25x37x7	1	
3	AP8152274	TE Schr. m. Flansch M5x20	1	
4	AP9150303	Steckverbindung	1	
5	AP9150450	Hinten ventilschaltung	1	Technische Daten: Version Enduro 450[RX45], Enduro-Version 550[RX55]
5	AP9150450	Hinten ventilschaltung	1	Technische Daten: Version Motard 450[SX45], Version Motard 550[SX55]
6	AP9150304	Feder	1	
7	AP9150096	Kipphebel Auslaß	1	
8	AP9150101	Kipphebel-Federwelle	1	
9	AP9150102	Sprengring	1	
10	AP9150372	Kugellager D25x42x9	1	
11	AP9150391	Sprengring D42	2	
12	AP8152278	TE Schr. m. Flansch M6x16	2	
13	AP9150506	Zahnrad Steuer. Z=22	1	
14	AP9150508	Spezialschraube M16x1	1	
15	AP9150133	Steuerkette	1	Technische Daten: Version Enduro 450[RX45], Version Motard 450[SX45]
15	AP9150327	Steuerkette	1	Technische Daten: Enduro-Version 550[RX55], Version Motard 550[SX55]
16	AP9150011	Kettengleitführung L177	1	Technische Daten: Version Enduro 450[RX45], Version Motard 450[SX45]
16	AP9150300	Kettengleitführung L186	1	Technische Daten: Enduro-Version 550[RX55], Version Motard 550[SX55]
17	AP9150012	Kettenspanner Gleitbacke	1	Technische Daten: Enduro-Version 550[RX55], Version Motard 550[SX55]

Einheit	MOTOR
Code	29.45
Beschreibung	Hint. Zylindersteuer
Inspektion	1



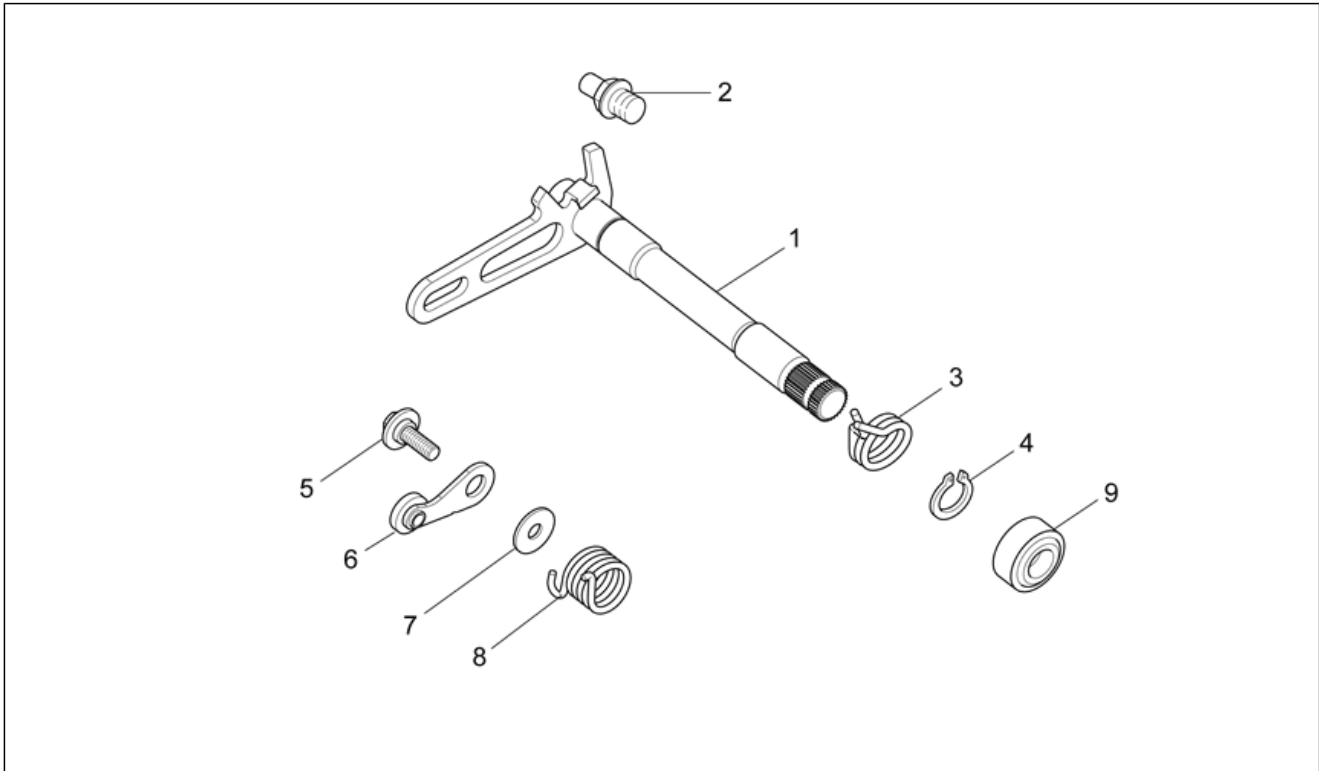
Pos.	Code	Beschreibung	Menge	Varianten
18	AP9150142	Schraube M6x12	1	
19	AP9150141	Dichtung Kettenspan.	1	
20	AP9150140	Kettenspanner	1	

Einheit	MOTOR
Code	29.46
Beschreibung	Umlenkswelle
Inspektion	1



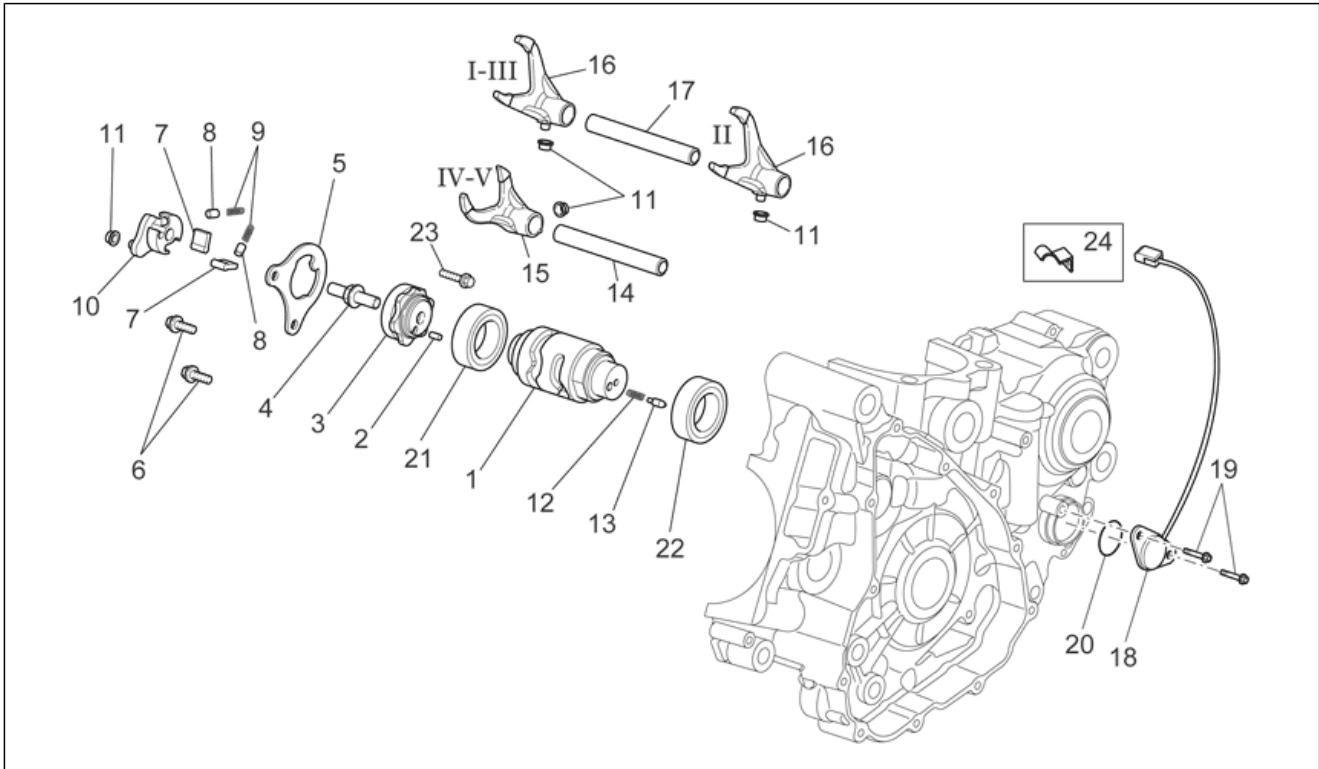
Pos.	Code	Beschreibung	Menge	Varianten
1	851009	Umlenkswelle Z=20	1	
2	AP9150366	Lager D14x22x13	1	
3	AP9150387	Kugellager D12x28x8	1	
4	AP9150273	Zahnrad Steuer. Z=20	1	
5	AP9150348	O-Ring D79x1,78	1	
6	AP9150483	Flansch	1	
7	844211	TBEI Schraube	3	
8	AP9150390	Ölabstreifring D28x20x6	1	
9	AP9150285	Zahnrad Steuer. Z=40	1	
10	AP9150299	Sicherungsblech	1	
11	851011	Mutter M12x1x4,5	1	
12	AP9150389	Keil 4x4x18	1	

Einheit	MOTOR
Code	29.47
Beschreibung	Schaltgabel I
Inspektion	1



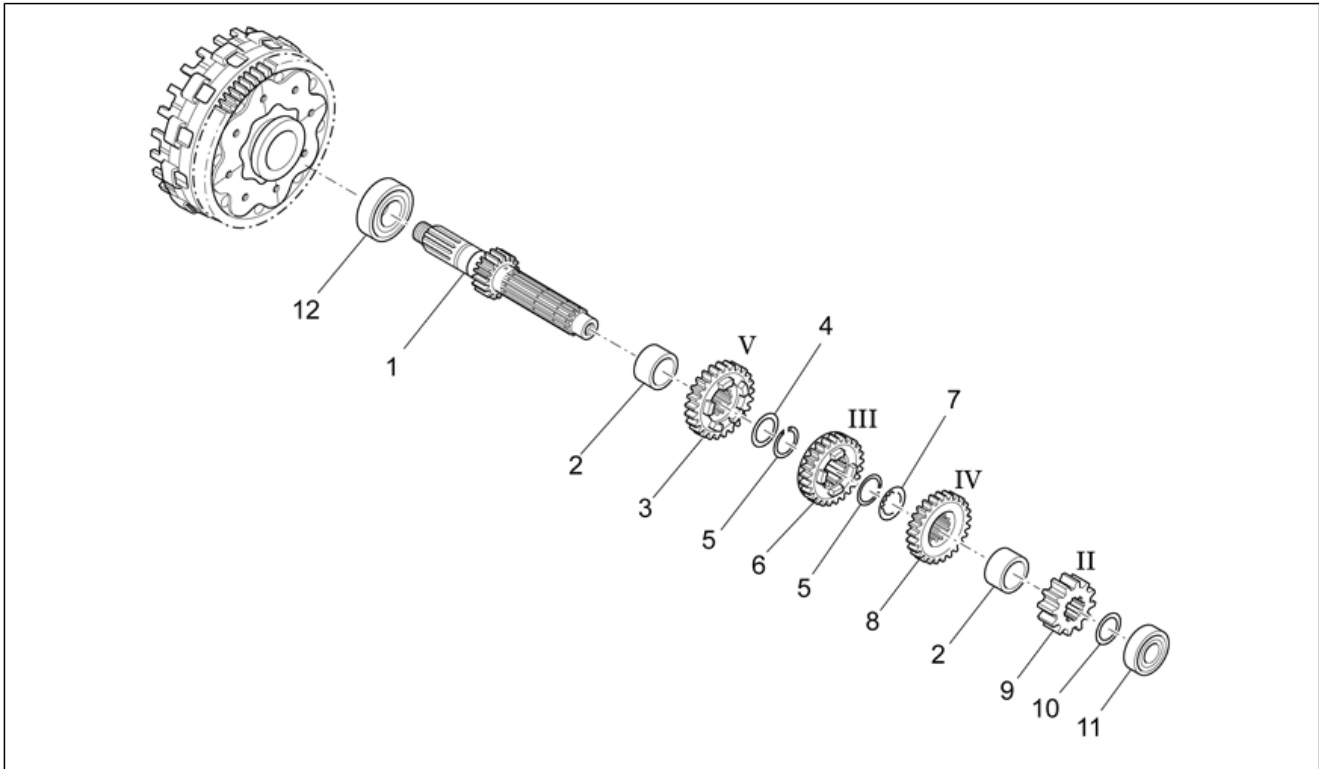
Pos.	Code	Beschreibung	Menge	Varianten
1	AP9150048	Schaltwele+klin.kpl.	1	
2	AP9150063	Schaltgabel stopper	1	
3	AP9150238	Feder	1	
4	AP8125853	Seegerring D.15	1	
5	AP9150006	TE Schr. m. Flansch M6x15	1	
6	AP9150044	Indexhebel kpl.	1	
7	AP9150051	Ausgleichscheibe D6,3x18x1	1	
8	AP9150220	Feder	1	
9	AP9150393	Ölabstreifring D21x15x3	1	

Einheit	MOTOR
Code	29.48
Beschreibung	Schaltgabel II
Inspektion	1



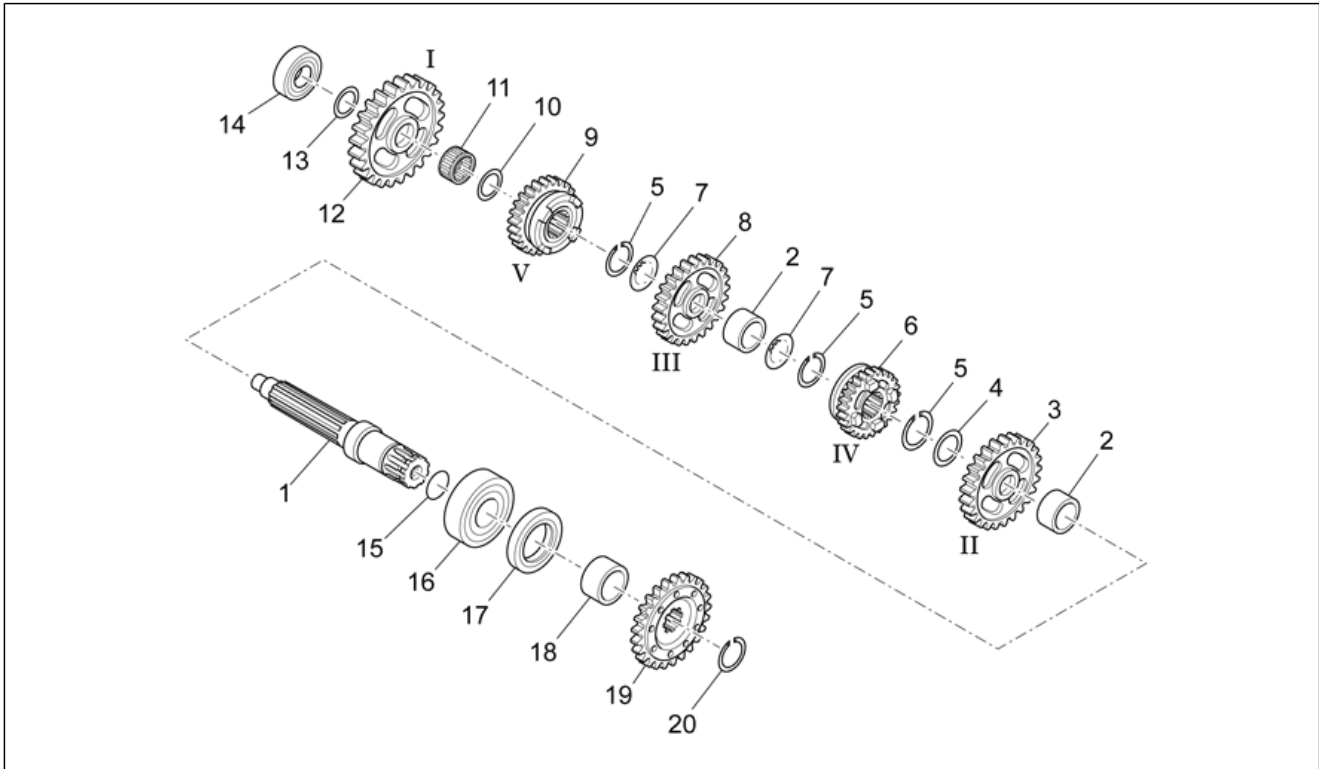
Pos.	Code	Beschreibung	Menge	Varianten
1	AP9150004	Verschiebenocken kplt.	1	
2	AP9150375	Rolle D4	1	
3	AP9150067	Schaltgabel Trommel	1	
4	AP9150043	Aufnahmebolzen M8x1,25	1	
5	AP9150073	Platte schaltgabel stopper	1	
6	AP8152277	TE Schr. m. Flansch M6x12	2	
7	AP9150069	Hebel	2	
8	AP9150070	Federstütze	2	
9	AP9150064	Feder	2	
10	AP9150068	Desmodrom.Platte	1	
11	AP9150060	Buchse D6x8x5	4	
12	AP9150072	Feder	1	
13	AP9150003	Federstütze	1	
14	AP9150062	Schaltstange L72,5	1	
15	AP9150093	Schaltgabel 4a-5a	1	
16	AP9150091	Schaltgabel 1a-3a	2	
17	AP9150061	Schaltstange L93	1	
18	AP9150184	Schaltensor	1	
19	AP8152272	TE Schr. m. Flansch M5x12	2	
20	AP9150479	O-Ring D23,52x1,78	1	
21	AP9150365	Kugellager D25x42x9	1	
22	AP9150364	Kugellager D25x37x7	1	
23	AP8152272	TE Schr. m. Flansch M5x12	1	
24	AP9150462	Kabelführung	1	

Einheit	MOTOR
Code	29.49
Beschreibung	Vorgelegewelle
Inspektion	1



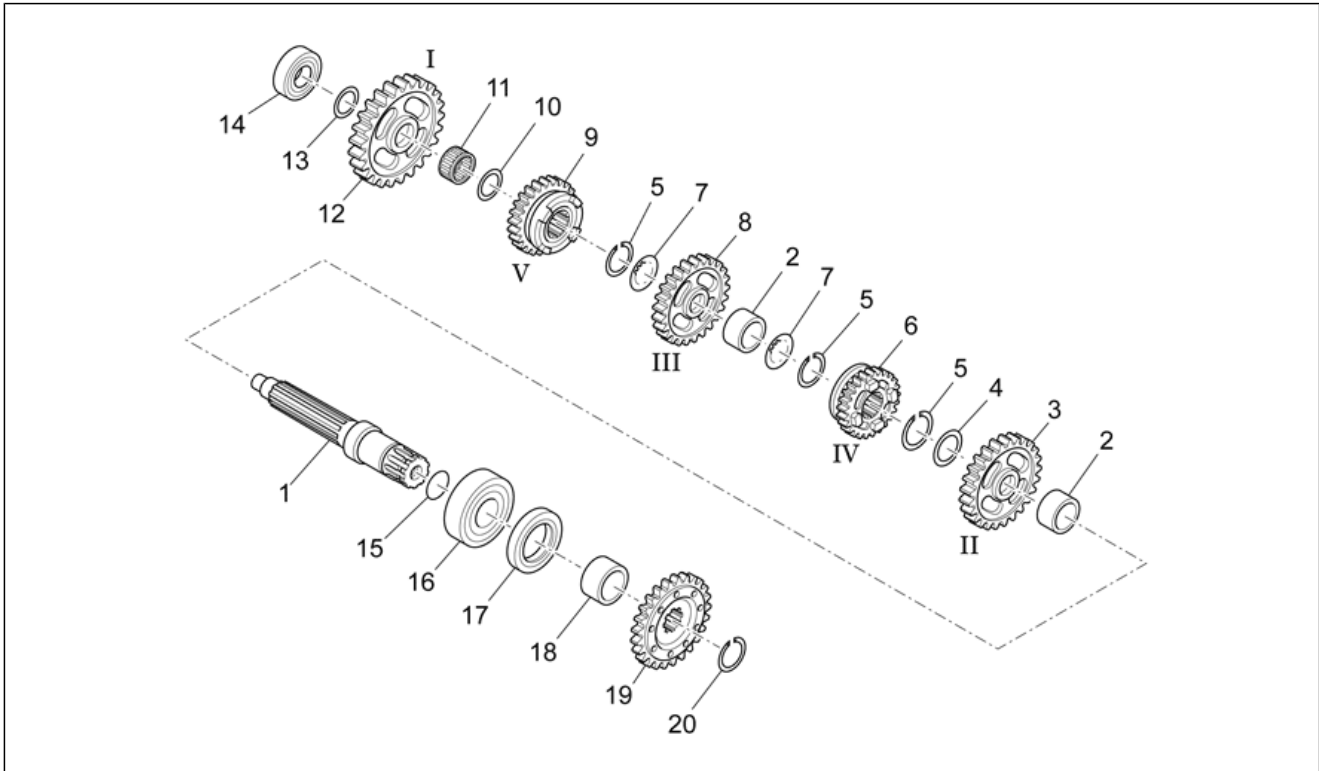
Pos.	Code	Beschreibung	Menge	Varianten
1	AP9150256	Vorgelegewelle Z=12	1	Technische Daten: Version Enduro 450[RX45], Enduro-Version 550[RX55]
1	AP9150270	Vorgelegewelle Z=13	1	Technische Daten: Version Motard 450[SX45], Version Motard 550[SX55]
2	AP9150216	Buchse D25x28x9,9	2	
3	AP9150255	Zahnrad 5a su prim.Z=21	1	Technische Daten: Version Enduro 450[RX45], Enduro-Version 550[RX55]
3	AP9150269	Zahnrad 5a su prim.Z=21	1	Technische Daten: Version Motard 450[SX45], Version Motard 550[SX55]
4	AP9150297	Flachscheibe D25,1x30,8x0,5	1	
5	AP9150302	Seegerring für Welle D25	2	
6	AP9150254	Zahnrad 3a su prim.Z=15	1	Technische Daten: Version Enduro 450[RX45], Enduro-Version 550[RX55]
6	AP9150268	Zahnrad 3a su prim.Z=16	1	Technische Daten: Version Motard 450[SX45], Version Motard 550[SX55]
7	AP9150267	Spezial-U-scheibe D25,1x30,8x0,	1	
8	AP9150253	Zahnrad 4a su prim.Z=19	1	Technische Daten: Version Enduro 450[RX45], Enduro-Version 550[RX55]
8	AP9150266	Zahnrad 4a su prim.Z=20	1	Technische Daten: Version Motard 450[SX45], Version Motard 550[SX55]
9	AP9150252	Zahnrad 2a su prim.Z=13	1	Technische Daten: Version Enduro 450[RX45], Enduro-Version 550[RX55]
9	AP9150265	Zahnrad 2a su prim.Z=15	1	Technische Daten: Version Motard 450[SX45], Version Motard 550[SX55]
10	AP9150294	Ausgleichscheibe D17,1x27,8x0,8	1	
11	AP9150362	Kugellager D17x40x12	1	
12	AP9150360	Kugellager D25x52x1	1	

Einheit	MOTOR
Code	29.50
Beschreibung	Festrad
Inspektion	1



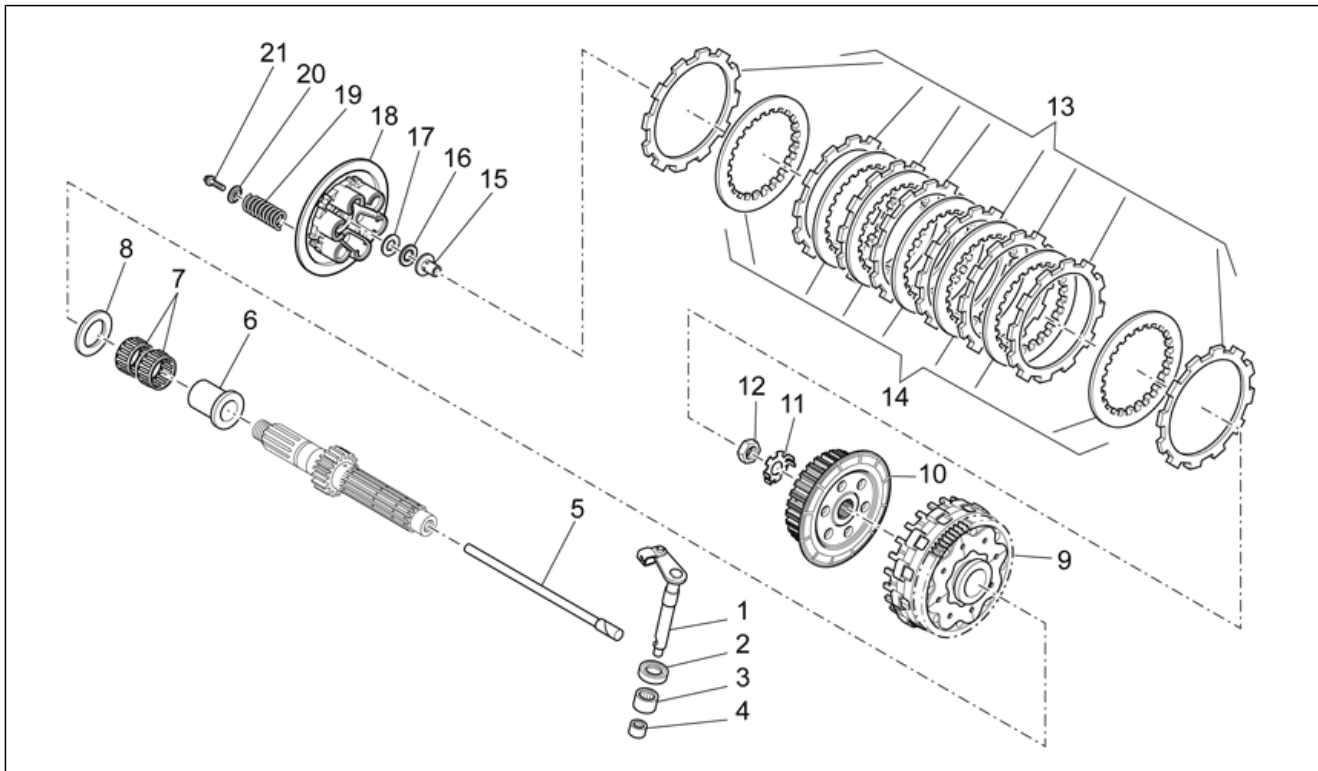
Pos.	Code	Beschreibung	Menge	Varianten
1	AP9150263	Festrad	1	Technische Daten: Version Motard 450[SX45], Version Motard 550[SX55]
1	AP9150311	Festrad	1	Technische Daten: Version Enduro 450[RX45], Enduro-Version 550[RX55]
2	AP9150216	Buchse D25x28x9,9	2	
3	AP9150250	Zahnrad 2.Vorgelegewelle Z=25	1	Technische Daten: Version Enduro 450[RX45], Enduro-Version 550[RX55]
3	AP9150262	Zahnrad 2.Vorgelegewelle Z=27	1	Technische Daten: Version Motard 450[SX45], Version Motard 550[SX55]
4	AP9150297	Flachscheibe D25,1x30,8x0,5	1	
5	AP9150302	Seegerring für Welle D25	3	
6	AP9150249	Zahnrad 4.Vorgelegewelle Z=24	1	Technische Daten: Version Enduro 450[RX45], Enduro-Version 550[RX55]
6	AP9150261	Zahnrad 4.Vorgelegewelle Z=23	1	Technische Daten: Version Motard 450[SX45], Version Motard 550[SX55]
7	AP9150267	Spezial-U-scheibe D25,1x30,8x0,	2	
8	AP9150248	Zahnrad 3.Vorgelegewelle Z=23	1	Technische Daten: Version Enduro 450[RX45], Enduro-Version 550[RX55]
8	AP9150260	Zahnrad 3.Vorgelegewelle Z=23	1	Technische Daten: Version Motard 450[SX45], Version Motard 550[SX55]
9	AP9150247	Zahnrad 5.Vorgelegewelle Z=22	1	Technische Daten: Version Enduro 450[RX45], Enduro-Version 550[RX55]
9	AP9150259	Zahnrad 5.Vorgelegewelle Z=21	1	Technische Daten: Version Motard 450[SX45], Version Motard 550[SX55]
10	AP9150296	Ausgleichscheibe D20,1x28,8x0,8	1	
11	AP9150370	Nadelkaefig D20x24x10	1	
12	AP9150246	Zahnrad 1.Vorgelegewelle Z=31	1	Technische Daten: Version Enduro 450[RX45], Enduro-Version 550[RX55]
12	AP9150258	Zahnrad 1.Vorgelegewelle Z=30	1	Technische Daten: Version Motard 450[SX45], Version Motard 550[SX55]
13	AP9150294	Ausgleichscheibe D17,1x27,8x0,8	1	

Einheit	MOTOR
Code	29.50
Beschreibung	Festrad
Inspektion	1



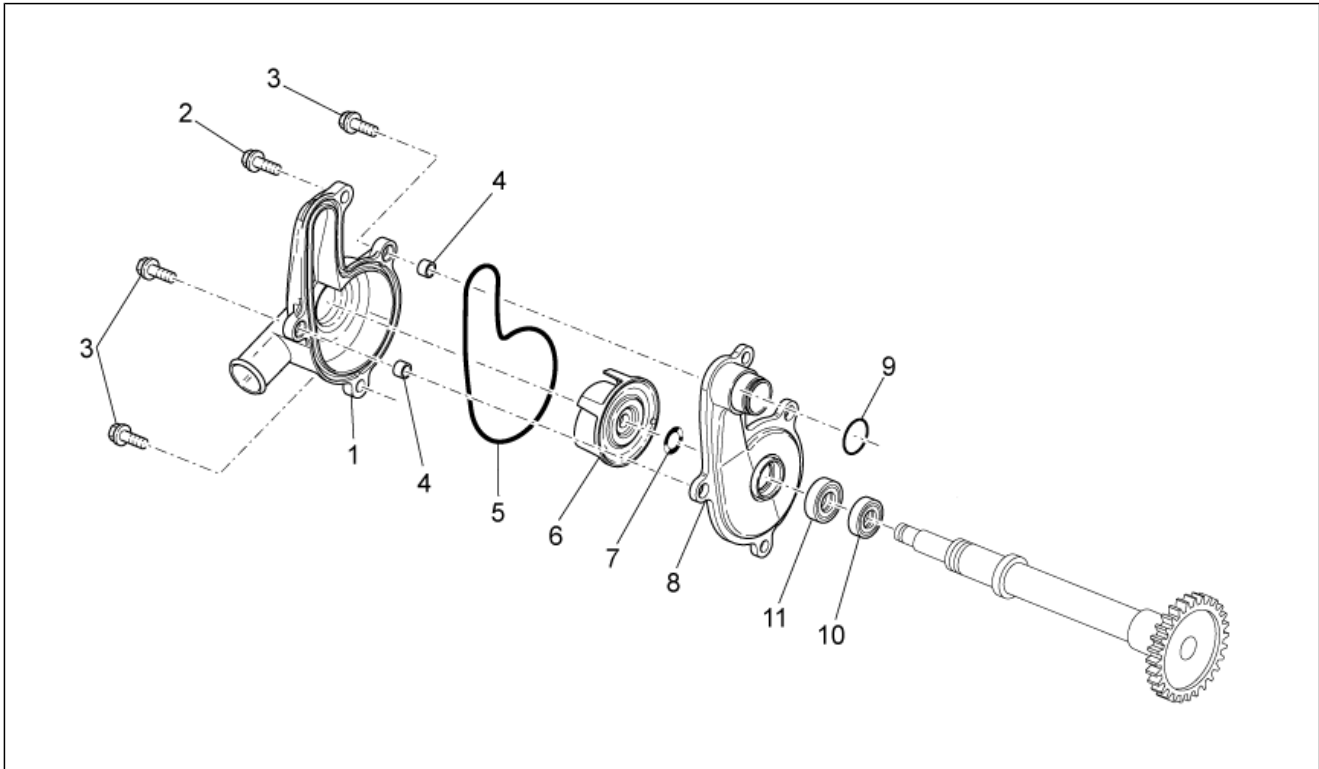
Pos.	Code	Beschreibung	Menge	Varianten
14	AP9150361	Kugellager D17x47x14	1	
15	AP9150357	O-Ring D21,95x1,78	1	
16	AP9150363	Kugellager D25x52x15	1	
17	AP9150382	Ölabstreifring D40x32x5	1	
18	AP9150218	Distanzscheibe 25x32x14	1	Technische Daten: Version Enduro 450[RX45], Enduro-Version 550[RX55]
18	AP9150237	Distanzscheibe 25x32x22	1	Technische Daten: Version Motard 450[SX45], Version Motard 550[SX55]
19	AP9100525	Ritzel	1	Technische Daten: Version Enduro 450[RX45], Enduro-Version 550[RX55], Version Motard 450[SX45]
19	AP9100600	Ritzel Z=16	1	Technische Daten: Version Motard 550[SX55]
20	AP9100451	Seegerring für Welle D25	1	

Einheit	MOTOR
Code	29.51
Beschreibung	Kupplung I
Inspektion	1



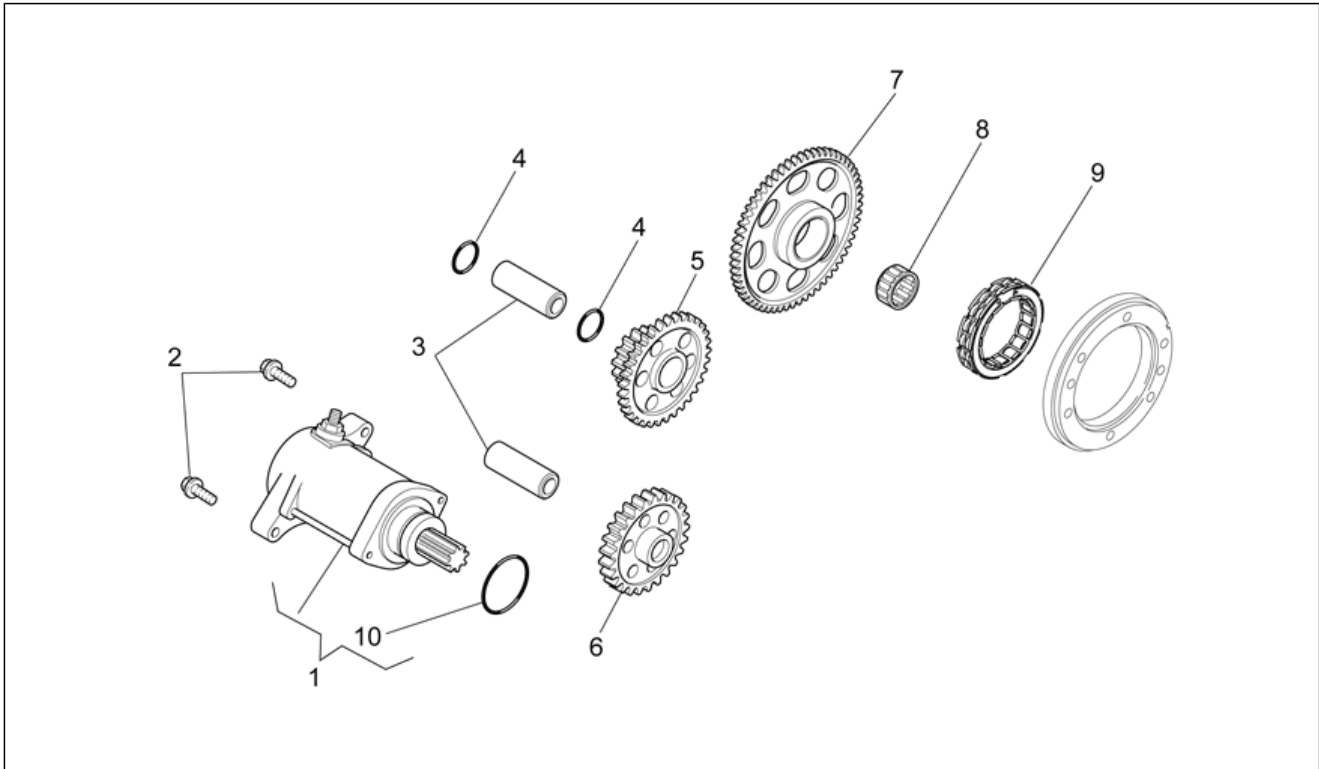
Pos.	Code	Beschreibung	Menge	Varianten
1	AP9150196	Ausrueckwelle	1	
2	AP9150384	Ölabstreifring D12x19x5	1	
3	AP9150374	Nadelkaefig D12x16x10	1	
4	AP9150373	Nadelkaefig D8x12x10	1	
5	AP9150040	Stange	1	
6	AP9150284	Distanzscheibe 25x32x22	1	
7	AP9150367	Nadelkaefig D28x33x13	2	
8	AP9150234	Ausgleichscheibe D23x46x3	1	
9	851436	Baugruppe Kupplungskasten	1	
10	AP9150190	Kupplungstrommel Aluminium	1	
11	AP9100386	Sicherungsblech	1	
12	AP9150235	Mutter M18x1,25	1	
13	AP8176214	Belaglamelle 8 pz.	1	
14	AP8176215	Kupplungsscheibe St. 7 pz.	1	
15	AP9150195	Kupplung Klinke	1	
16	AP9150358	Nadelkaefig D12x26x2	1	
17	AP9150359	Anlaufscheibe D12x26x1	1	
18	AP9150191	Andrückfeder Kupplungsscheibe	1	
19	AP9150194	Kupplungsfeder	6	
20	AP9150232	Becher	6	
21	AP8152279	TE Schr. m. Flansch M6x20	6	

Einheit	MOTOR
Code	29.52
Beschreibung	Wasserpumpenritzel
Inspektion	1



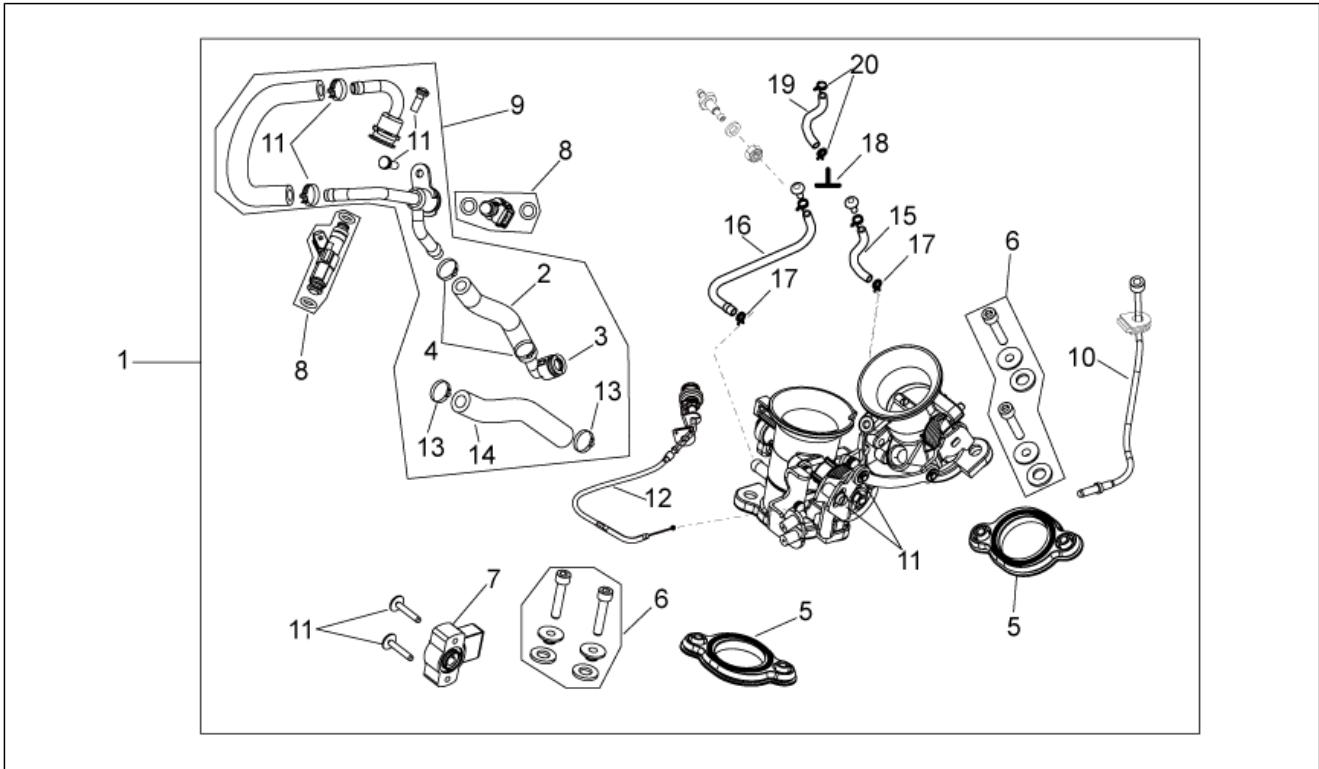
Pos.	Code	Beschreibung	Menge	Varianten
1	AP9150484	Deckel Wasserpumpe	1	
2	AP8152283	TE Schr. m. Flansch	1	
3	AP8152278	TE Schr. m. Flansch M6x16	3	
4	AP9150119	Buchse D8x6,4x9,8	2	
5	AP9150352	O-Ring D88,57x2,62	1	
6	AP9150132	Läufer Wasserpumpe	1	
7	AP9150292	Unterlegscheibe D12, d7.05 SP1	1	
8	AP9150464	Wasserpumpenritzel Flansch	1	
9	851283	O-Ring D18x1,8	1	
10	AP9150443	Ölabstreifring D10x16x4	1	
11	851013	Ölabstreifring D10x18x5/8	1	

Einheit	MOTOR
Code	29.53
Beschreibung	Startermotor
Inspektion	1



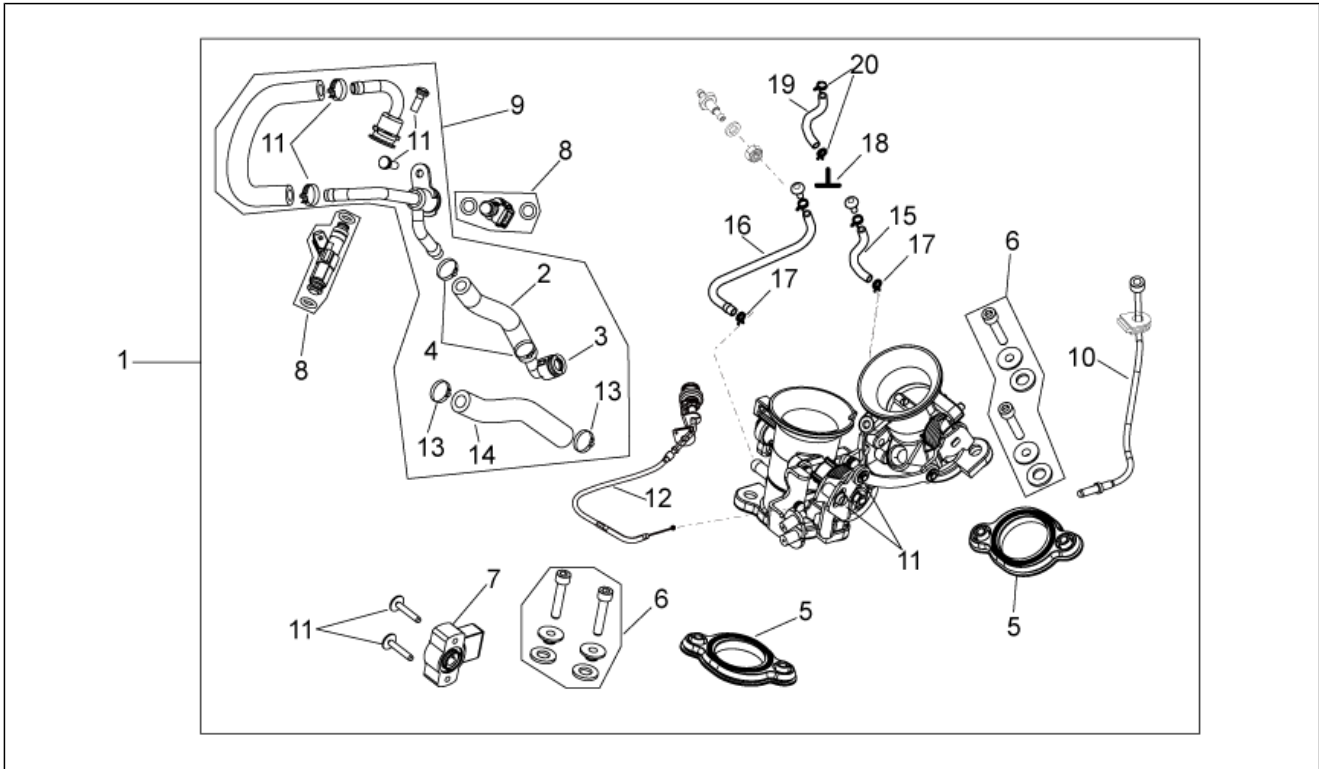
Pos.	Code	Beschreibung	Menge	Varianten
1	AP9150090	Anlassermot. o. Verkab.	1	
2	AP8152281	TE Schr. m. Flansch M6x30	2	
3	AP9150209	Bolzen	2	
4	AP9150446	O-Ring D10,5x1	2	
5	849801	Doppeltes Zahnrad. Z=9/55	1	
6	849802	Zwischenzahnrad Z=22	1	
7	849803	Zahnrad Freilauf Z=52	1	
8	AP9150369	Nadelkaefig D26x30x17	2	
9	AP9150208	Freilauf kplt.	1	
10	AP9150500	O-Ring D25x2,5	1	

Einheit	MOTOR
Code	29.54
Beschreibung	Klappenkörper
Inspektion	1



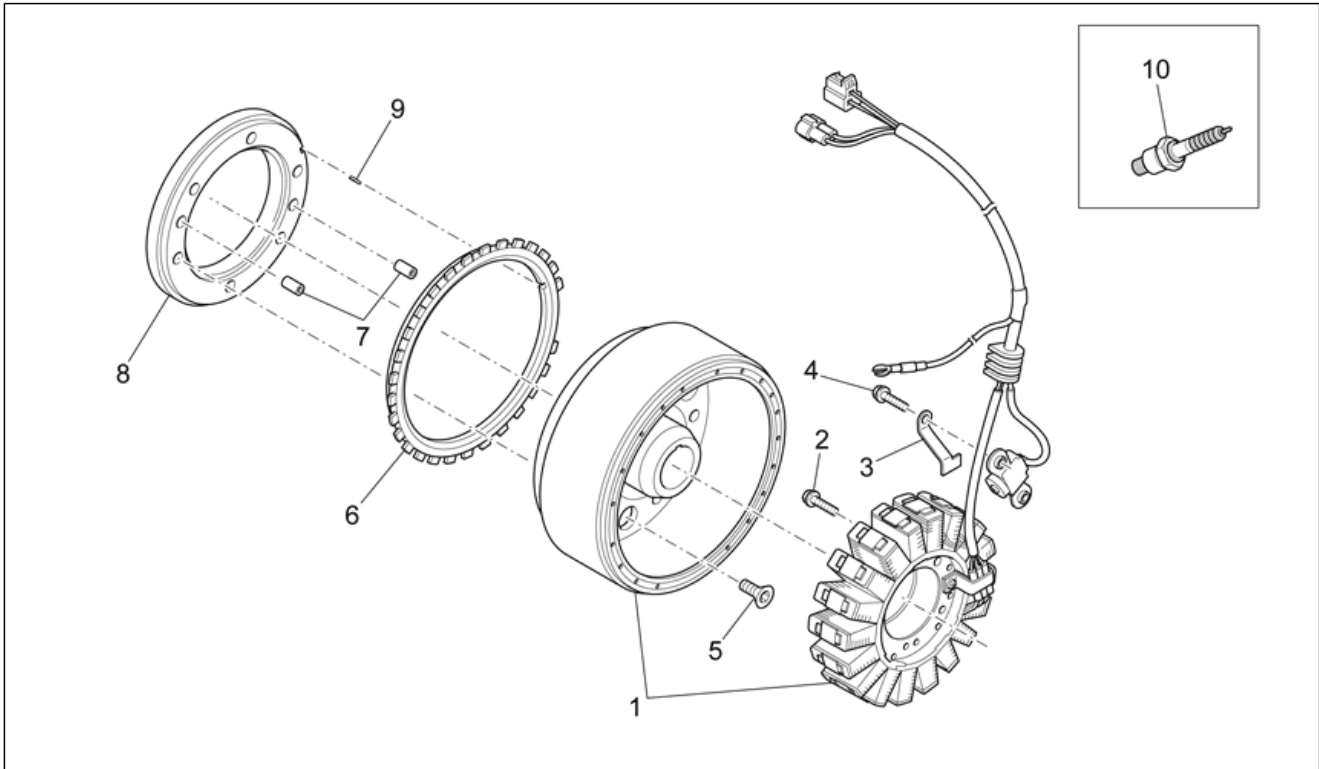
Pos.	Code	Beschreibung	Menge	Varianten
1	853519	Klappenkörper	1	Land:EU[EU] Technische Daten:Version Enduro 450[RX45], Version Motard 450[SX45]
1	853520	Klappenkörper	1	Land:EU[EU] Technische Daten:Enduro-Version 550[RX55], Version Motard 550[SX55]
1	855213	Klappenkörper	1	Land:Vereinigte Staaten von Amerika[USA] Technische Daten:Version Enduro 450[RX45], Version Motard 450[SX45]
1	855214	Klappenkörper	1	Land:Vereinigte Staaten von Amerika[USA] Technische Daten:Enduro-Version 550[RX55], Version Motard 550[SX55]
2	855947	Leitung benz.7,5x14,5	1	Land:Vereinigte Staaten von Amerika[USA]
2	AP9100709	Leitung benz.7,5x14,5	1	Land:EU[EU]
3	AP9100494	Anschluss	1	
4	AP9100714	Schlauchschelle 14,5x8	2	
5	AP9101008	Dichtungssatz	1	
6	AP9101009	Kit Schrauben	1	
7	AP9101010	Potentiometer	1	
8	AP9101011	Injektor	2	
9	855948	Fuel rail cpl	1	Land:Vereinigte Staaten von Amerika[USA]
9	AP9101012	Fuel rail cpl	1	Land:EU[EU]
10	AP9101013	Kabel LeerlaufEinstellung	1	
11	AP9101014	Kit Schrauben, Schelle, clip	1	
12	855490	Starterzugkabel	1	
13	AP8120422	Schelle schwarz 98x2*	2	Land:Vereinigte Staaten von Amerika[USA]
14	860593	Hülse	1	Land:Vereinigte Staaten von Amerika[USA]
15	855929	Leitung	1	
16	855930	Leitung	1	
17	CM002902	Schlauchschelle	1	

Einheit	MOTOR
Code	29.54
Beschreibung	Klappenkörper
Inspektion	1



Pos.	Code	Beschreibung	Menge	Varianten
18	833658	unterdruck Anschluß	1	
19	855236	Gummischlauch	1	
20	CM002904	Schlauchschelle	1	

Einheit	MOTOR
Code	29.55
Beschreibung	Zündung
Inspektion	1



Pos.	Code	Beschreibung	Menge	Varianten
1	AP9150180	Schwungmagnetstarter	1	
2	AP8152275	TE Schr. m. Flansch M5x25	3	
3	AP9100387	Platte	1	
4	AP8152272	TE Schr. m. Flansch M5x12	2	
5	AP9150401	Schraube	6	
6	AP9150205	Phonic wheel	1	
7	AP9150380	Stift D5x8	2	
8	AP9150204	Flansch	1	
9	AP9150451	Ausgleichscheibe D13,5x21x1	1	
10	639687	Zündkerze CR8EKB	2	