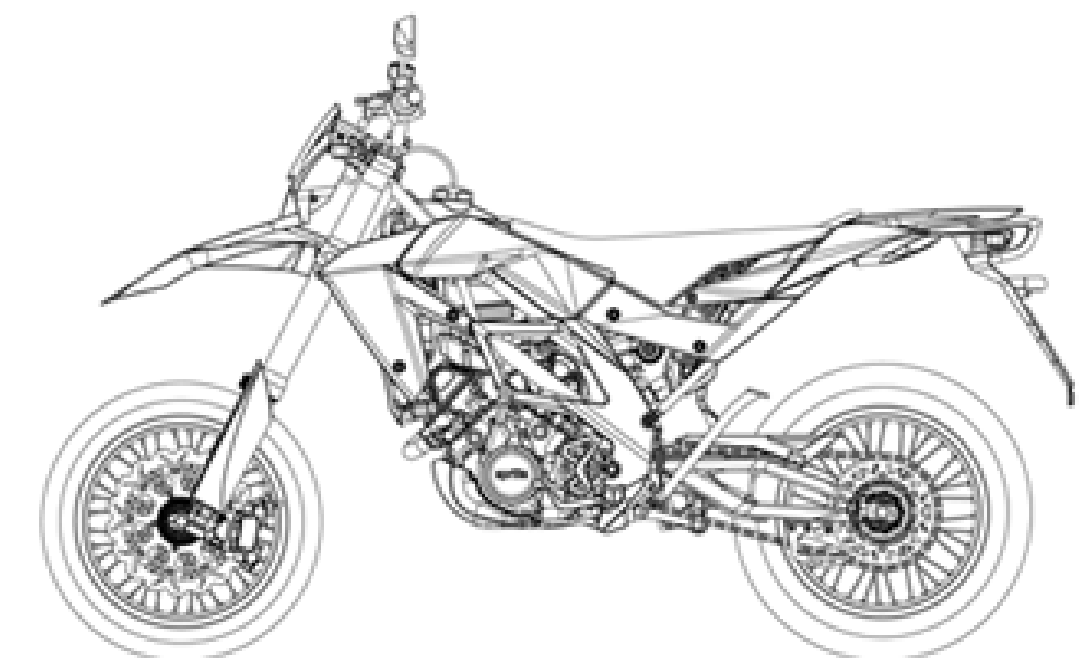


aprilia

ERSATZTEILKATALOG



RXV-SXV 450-550 2008 Vdb-Merriman

Vorsatzcode Fahrgestell: ZD4VPH00, ZD4VSR1C, ZD4VSR2C, ZD4VSS00
Vorsatzcode Motor:

Inhaltsverzeichnis

| | |
|--|----|
| Fertige Produkte..... | 4 |
| Alphanumerisches Verzeichnis..... | 5 |
| RAHMEN..... | 12 |
| Tafel 28.01 - Rahmen..... | 12 |
| Tafel 28.02 - Fussrasten..... | 14 |
| Tafel 28.03 - Hauptständer..... | 15 |
| Tafel 28.04 - Lenkung I..... | 16 |
| Tafel 28.05 - Lenkung II..... | 17 |
| Tafel 28.06 - Gabel I..... | 18 |
| Tafel 28.07 - Gabel II..... | 20 |
| Tafel 28.08 - Schwinge..... | 22 |
| Tafel 28.09 - Hinterradaufhängung..... | 24 |
| Tafel 28.10 - Frontaufbau I..... | 26 |
| Tafel 28.11 - Frontaufbau II..... | 27 |
| Tafel 28.12 - Kraftstofftank..... | 28 |
| Tafel 28.13 - Öltank..... | 30 |
| Tafel 28.14 - Sitz..... | 31 |
| Tafel 28.15 - Mittlerer Aufbau..... | 32 |
| Tafel 28.16 - Heckaufbau I..... | 33 |
| Tafel 28.17 - Schaltungen..... | 35 |
| Tafel 28.18 - Kühlanlage..... | 37 |
| Tafel 28.19 - Filtergehäuse..... | 39 |
| Tafel 28.20 - Auslassgruppe I..... | 40 |
| Tafel 28.21 - Auslassgruppe II..... | 41 |
| Tafel 28.22 - Vorderrad I..... | 42 |
| Tafel 28.23 - Vorderrad II..... | 43 |
| Tafel 28.24 - Hinterrad I..... | 44 |
| Tafel 28.25 - Hinterrad II..... | 46 |
| Tafel 28.26 - Bremsanlage - Vorn I..... | 47 |
| Tafel 28.27 - Bremsanlage - Vorn II..... | 48 |
| Tafel 28.28 - Bremsanlage - Hinten..... | 50 |
| Tafel 28.29 - Lichter..... | 52 |
| Tafel 28.30 - Elektrische anlage I..... | 53 |
| Tafel 28.31 - Elektrische anlage II..... | 55 |
| Tafel 28.32 - Bed./Wart.-Anl. und Deko..... | 57 |
| Tafel 28.57 - Mittlerer Aufbau Deko..... | 58 |
| Tafel 28.58 - Heckaufbau Deko..... | 59 |
| Tafel 28.59 - VDB and Merriman components..... | 60 |
| MOTOR..... | 61 |
| Tafel 29.33 - Motor..... | 61 |
| Tafel 29.34 - Kurbelwellengehäuse I..... | 63 |
| Tafel 29.35 - Kurbelwellengehäuse II..... | 65 |
| Tafel 29.36 - Ölpumpe..... | 67 |

| | |
|---|----|
| Tafel 29.37 - Schmierung..... | 68 |
| Tafel 29.38 - Kurbelwelle..... | 69 |
| Tafel 29.39 - Kolben + Zylinder..... | 70 |
| Tafel 29.40 - Zylinderkopf..... | 71 |
| Tafel 29.41 - Ventile..... | 72 |
| Tafel 29.42 - Ventilesbeläge..... | 73 |
| Tafel 29.43 - Vrd. Zylindersteuer..... | 74 |
| Tafel 29.44 - Hint. Zylindersteuer..... | 76 |
| Tafel 29.45 - Umlenkwellen..... | 78 |
| Tafel 29.46 - Schaltgabel I..... | 79 |
| Tafel 29.47 - Schaltgabel II..... | 80 |
| Tafel 29.48 - Vorgelegewelle..... | 81 |
| Tafel 29.49 - Festrad..... | 82 |
| Tafel 29.50 - Kupplung I..... | 83 |
| Tafel 29.51 - Kupplung II..... | 84 |
| Tafel 29.52 - Wasserpumpenritzel..... | 85 |
| Tafel 29.53 - Startermotor..... | 86 |
| Tafel 29.54 - Klappenkörper..... | 87 |
| Tafel 29.55 - Zündung..... | 88 |
| Tafel 29.56 - Frontaufbau Deko..... | 89 |

Fertige Produkte

| Code | Gültigkeit |
|----------------|------------|
| AP61441E4AA601 | |
| AP61441E4AA701 | |
| AP61441E4AC701 | |
| AP61441E4EB601 | |
| AP61441E4ES601 | |
| AP61441E4EU600 | |
| AP61441E4EU601 | |
| AP61441E4GB601 | |
| AP61441E4IT601 | |
| AP61441E4JJ601 | |
| AP61441E4JJ701 | |
| AP61441E4NL601 | |
| AP61441E4UK601 | |
| AP61442E4EA700 | |
| AP61442E4EA701 | |
| AP61442E4EB701 | |
| AP61442E4EC701 | |
| AP61442E4EU700 | |
| AP61442E4EU701 | |
| AP61541R4EA800 | |
| AP61541R4EA801 | |
| AP61541R4EA801 | |
| AP61541R4EB800 | |
| AP61541R4EB801 | |
| AP61541R4EC801 | |

| Code | Nr. der Tafel | Pos. | Code | Nr. der Tafel | Pos. | Code | Nr. der Tafel | Pos. |
|---------|---------------|------|--------|---------------|------|--------|---------------|------|
| 639687 | 29.55 | 10 | 853547 | 28.08 | 21 | 853618 | 28.23 | 1 |
| 844211 | 29.45 | 7 | 853548 | 28.08 | 23 | 853621 | 28.22 | 13 |
| 849801 | 29.53 | 5 | 853548 | 28.15 | 13 | 853621 | 28.23 | 12 |
| 849802 | 29.53 | 6 | 853549 | 28.08 | 13 | 853621 | 28.25 | 12 |
| 849803 | 29.53 | 7 | 853550 | 28.08 | 14 | 853626 | 28.23 | 7 |
| 8510005 | 29.43 | 1 | 853551 | 28.08 | 20 | 853626 | 28.24 | 7 |
| 8510015 | 29.44 | 1 | 853551 | 28.10 | 8 | 853626 | 28.25 | 6 |
| 8510025 | 29.43 | 1 | 853551 | 28.12 | 5 | 853627 | 28.22 | 11 |
| 8510035 | 29.44 | 1 | 853551 | 28.31 | 24 | 853627 | 28.22 | 9 |
| 851007 | 29.38 | 2 | 853554 | 28.05 | 4 | 853627 | 28.23 | 8 |
| 851009 | 29.45 | 1 | 853556 | 28.05 | 2 | 853627 | 28.23 | 9 |
| 851010 | 29.52 | 12 | 853557 | 28.05 | 3 | 853627 | 28.24 | 26 |
| 851011 | 29.45 | 11 | 853559 | 28.05 | 1 | 853627 | 28.25 | 7 |
| 851012 | 29.35 | 21 | 853561 | 28.05 | 7 | 853629 | 28.22 | 14 |
| 851013 | 29.52 | 11 | 853562 | 28.07 | 20 | 853629 | 28.23 | 13 |
| 851015 | 29.35 | 20 | 853563 | 28.07 | 21 | 853629 | 28.24 | 9 |
| 851017 | 29.35 | 22 | 853567 | 28.17 | 2 | 853629 | 28.25 | 8 |
| 851019 | 29.35 | 9 | 853568 | 28.05 | 5 | 853632 | 28.25 | 1 |
| 851023 | 28.30 | 2 | 853569 | 28.10 | 15 | 853640 | 28.25 | 18 |
| 851029 | 28.04 | 7 | 853570 | 28.05 | 10 | 853641 | 28.25 | 20 |
| 851030 | 28.04 | 8 | 853571 | 28.07 | 22 | 853642 | 28.05 | 6 |
| 851035 | 29.39 | 1 | 853573 | 28.10 | 1 | 853649 | 28.27 | 14 |
| 851039 | 29.39 | 1 | 853574 | 28.09 | 5 | 853651 | 28.27 | 24 |
| 851042 | 29.39 | 2 | 853575 | 28.09 | 8 | 853653 | 28.27 | 15 |
| 851045 | 29.39 | 2 | 853576 | 28.09 | 10 | 853654 | 28.59 | 5 |
| 851083 | 28.17 | 16 | 853577 | 28.09 | 16 | 853656 | 28.27 | 23 |
| 851090 | 28.59 | 8 | 853578 | 28.09 | 14 | 853657 | 28.28 | 16 |
| 851098 | 28.17 | 16 | 853579 | 28.09 | 17 | 853659 | 28.08 | 16 |
| 851121 | 28.59 | 3 | 853580 | 28.16 | 15 | 853662 | 28.17 | 12 |
| 851122 | 28.59 | 4 | 853581 | 28.09 | 4 | 853663 | 28.31 | 32 |
| 8511655 | 29.43 | 1 | 853582 | 28.09 | 18 | 853664 | 28.31 | 1 |
| 8511665 | 29.44 | 1 | 853583 | 28.09 | 15 | 853669 | 28.31 | 2 |
| 851240 | 29.37 | 18 | 853587 | 29.33 | 5 | 853670 | 28.31 | 25 |
| 851280 | 28.03 | 4 | 853588 | 29.33 | 4 | 853671 | 28.12 | 1 |
| 851283 | 29.52 | 9 | 853589 | 29.33 | 6 | 853672 | 28.12 | 25 |
| 851295 | 29.37 | 22 | 853591 | 28.30 | 4 | 853673 | 28.13 | 4 |
| 851298 | 29.39 | 3 | 853592 | 28.30 | 5 | 853673 | 29.35 | 15 |
| 851315 | 29.35 | 4 | 853593 | 28.30 | 6 | 853675 | 28.14 | 1 |
| 851351 | 28.26 | 7 | 853594 | 28.30 | 8 | 853678 | 28.10 | 11 |
| 851355 | 28.59 | 9 | 853595 | 28.10 | 10 | 853678 | 29.52 | 2 |
| 851359 | 28.17 | 17 | 853595 | 28.12 | 18 | 853679 | 28.11 | 4 |
| 851360 | 28.17 | 18 | 853595 | 28.12 | 26 | 853679 | 28.15 | 4 |
| 851367 | 28.27 | 3 | 853595 | 28.20 | 9 | 853679 | 28.16 | 4 |
| 851368 | 28.27 | 10 | 853595 | 28.23 | 15 | 853680 | 28.16 | 19 |
| 851369 | 28.19 | 19 | 853595 | 28.25 | 14 | 853681 | 28.16 | 5 |
| 851370 | 28.59 | 6 | 853595 | 28.28 | 23 | 853682 | 28.16 | 6 |
| 851371 | 28.59 | 7 | 853595 | 28.30 | 11 | 853691 | 28.19 | 1 |
| 851373 | 28.14 | 5 | 853595 | 29.35 | 14 | 853695 | 28.19 | 2 |
| 851449 | 28.21 | 13 | 853595 | 29.52 | 3 | 853697 | 28.08 | 9 |
| 851450 | 28.16 | 24 | 853596 | 29.33 | 14 | 853698 | 28.28 | 20 |
| 851495 | 28.01 | 3 | 853596 | 29.35 | 13 | 853699 | 28.28 | 19 |
| 853519 | 29.54 | 1 | 853597 | 29.33 | 13 | 853700 | 28.12 | 13 |
| 853520 | 29.54 | 1 | 853598 | 28.17 | 10 | 853702 | 28.59 | 10 |
| 853533 | 28.01 | 14 | 853598 | 29.33 | 3 | 853717 | 29.35 | 10 |
| 853534 | 28.01 | 7 | 853598 | 29.35 | 3 | 853719 | 29.40 | 19 |
| 853534 | 28.17 | 3 | 853599 | 28.15 | 12 | 853720 | 29.40 | 9 |
| 853535 | 28.01 | 21 | 853600 | 28.15 | 14 | 853727 | 29.50 | 21 |
| 853535 | 28.20 | 8 | 853600 | 29.35 | 2 | 853727 | 29.51 | 1 |
| 853536 | 28.01 | 9 | 853602 | 28.20 | 1 | 853728 | 29.50 | 22 |
| 853536 | 28.31 | 13 | 853604 | 28.20 | 2 | 853728 | 29.51 | 2 |
| 853537 | 28.01 | 11 | 853605 | 28.20 | 3 | 853729 | 29.50 | 2 |
| 853538 | 28.02 | 1 | 853606 | 28.20 | 4 | 853730 | 29.50 | 3 |
| 853539 | 28.02 | 2 | 853608 | 28.20 | 5 | 853731 | 29.50 | 4 |
| 853540 | 28.02 | 5 | 853610 | 28.20 | 7 | 853732 | 29.50 | 5 |
| 853541 | 28.02 | 6 | 853610 | 28.21 | 8 | 853733 | 29.50 | 6 |
| 853545 | 28.08 | 4 | 853612 | 28.09 | 1 | 853734 | 29.50 | 7 |
| 853546 | 28.08 | 5 | 853613 | 28.18 | 3 | 853735 | 29.50 | 8 |

| Code | Nr. der Tafel | Pos. | Code | Nr. der Tafel | Pos. | Code | Nr. der Tafel | Pos. |
|--------|---------------|------|--------|---------------|------|--------|---------------|------|
| 853737 | 29.50 | 9 | 855000 | 28.07 | 17 | 855313 | 28.04 | 2 |
| 853738 | 29.50 | 10 | 855001 | 28.06 | 18 | 855315 | 28.09 | 2 |
| 853739 | 29.50 | 11 | 855001 | 28.07 | 18 | 855316 | 28.15 | 10 |
| 853740 | 29.50 | 11 | 855002 | 28.07 | 19 | 855317 | 28.15 | 16 |
| 853741 | 29.50 | 12 | 855013 | 28.28 | 5 | 855319 | 28.19 | 3 |
| 853742 | 29.50 | 13 | 855034 | 29.40 | 6 | 855320 | 28.29 | 16 |
| 853743 | 29.50 | 14 | 855035 | 29.40 | 6 | 855322 | 28.21 | 1 |
| 853744 | 29.50 | 15 | 855038 | 28.29 | 2 | 855323 | 28.21 | 2 |
| 853745 | 29.50 | 16 | 855039 | 28.29 | 4 | 855324 | 28.21 | 3 |
| 853746 | 29.50 | 17 | 855041 | 28.16 | 11 | 855326 | 28.21 | 4 |
| 853747 | 29.50 | 18 | 855043 | 28.17 | 5 | 855327 | 28.21 | 5 |
| 853748 | 29.50 | 20 | 855046 | 28.16 | 14 | 855328 | 28.21 | 6 |
| 853749 | 29.50 | 1 | 855048 | 28.12 | 1 | 855329 | 28.21 | 7 |
| 853750 | 29.50 | 19 | 855049 | 28.17 | 1 | 855330 | 28.21 | 10 |
| 853801 | 29.50 | 23 | 855050 | 28.16 | 23 | 855332 | 28.21 | 11 |
| 853802 | 28.08 | 15 | 855053 | 28.30 | 19 | 855334 | 28.01 | 1 |
| 853803 | 28.05 | 11 | 855073 | 28.19 | 1 | 855337 | 28.01 | 13 |
| 853804 | 28.05 | 3 | 855081 | 28.19 | 20 | 855347 | 28.08 | 1 |
| 853806 | 28.09 | 3 | 855092 | 28.19 | 1 | 855350 | 28.09 | 2 |
| 853814 | 28.12 | 12 | 855104 | 28.10 | 16 | 855351 | 28.23 | 19 |
| 853815 | 28.27 | 16 | 855111 | 28.31 | 22 | 855352 | 28.25 | 22 |
| 853821 | 28.05 | 8 | 855164 | 29.38 | 1 | 855361 | 28.25 | 16 |
| 853822 | 28.05 | 9 | 855177 | 28.04 | 15 | 855364 | 28.27 | 26 |
| 853825 | 28.18 | 1 | 855237 | 29.54 | 13 | 855366 | 28.23 | 14 |
| 853826 | 28.18 | 2 | 855238 | 29.54 | 13 | 855367 | 28.30 | 19 |
| 853829 | 28.10 | 13 | 855240 | 29.55 | 1 | 855367 | 28.31 | 29 |
| 853830 | 28.10 | 14 | 855252 | 29.35 | 23 | 855368 | 28.12 | 7 |
| 853831 | 28.20 | 10 | 855261 | 29.54 | 1 | 855369 | 28.19 | 3 |
| 853831 | 28.21 | 12 | 855263 | 28.08 | 1 | 855370 | 29.33 | 18 |
| 853832 | 29.47 | 18 | 855265 | 28.18 | 17 | 855371 | 29.33 | 2 |
| 853833 | 29.50 | 8 | 855266 | 28.18 | 19 | 855376 | 29.51 | 4 |
| 853834 | 29.50 | 11 | 855267 | 28.14 | 1 | 855380 | 29.51 | 19 |
| 853870 | 28.25 | 23 | 855269 | 28.02 | 12 | 855381 | 29.51 | 3 |
| 853926 | 28.05 | 4 | 855270 | 28.17 | 7 | 855382 | 29.51 | 13 |
| 853937 | 28.32 | 3 | 855271 | 28.17 | 6 | 855383 | 29.51 | 5 |
| 853980 | 28.07 | 1 | 855272 | 28.17 | 12 | 855384 | 29.51 | 6 |
| 853981 | 28.06 | 2 | 855274 | 28.32 | 4 | 855385 | 29.51 | 7 |
| 853981 | 28.07 | 2 | 855275 | 28.32 | 5 | 855386 | 29.51 | 8 |
| 853982 | 28.06 | 3 | 855276 | 28.59 | 3 | 855387 | 29.51 | 9 |
| 853982 | 28.07 | 3 | 855277 | 28.59 | 4 | 855388 | 29.51 | 10 |
| 853983 | 28.07 | 4 | 855278 | 28.22 | 18 | 855389 | 29.51 | 11 |
| 853984 | 28.07 | 8 | 855279 | 28.09 | 3 | 855390 | 29.51 | 12 |
| 853985 | 28.07 | 9 | 855282 | 28.22 | 20 | 855391 | 29.51 | 18 |
| 853986 | 28.07 | 9 | 855283 | 28.22 | 5 | 855392 | 29.51 | 14 |
| 853987 | 28.07 | 9 | 855286 | 28.22 | 7 | 855393 | 29.51 | 15 |
| 853988 | 28.07 | 9 | 855289 | 28.22 | 10 | 855394 | 29.51 | 16 |
| 853989 | 28.06 | 10 | 855289 | 28.23 | 10 | 855395 | 29.51 | 17 |
| 853989 | 28.07 | 10 | 855292 | 28.22 | 21 | 855398 | 28.10 | 4 |
| 853990 | 28.06 | 11 | 855292 | 28.23 | 20 | 855399 | 28.11 | 1 |
| 853990 | 28.07 | 11 | 855294 | 28.22 | 17 | 855400 | 28.10 | 3 |
| 853991 | 28.06 | 11 | 855294 | 28.23 | 16 | 855405 | 28.09 | 24 |
| 853991 | 28.07 | 11 | 855296 | 28.24 | 23 | 855409 | 29.37 | 22 |
| 853992 | 28.06 | 9 | 855297 | 28.24 | 5 | 855412 | 28.25 | 21 |
| 853992 | 28.07 | 11 | 855298 | 28.24 | 11 | 855437 | 28.22 | 12 |
| 853993 | 28.07 | 11 | 855299 | 28.24 | 11 | 855439 | 28.22 | 12 |
| 853994 | 28.07 | 11 | 855300 | 28.24 | 13 | 855441 | 28.24 | 25 |
| 853995 | 28.07 | 11 | 855301 | 28.24 | 6 | 855442 | 28.24 | 8 |
| 853996 | 28.06 | 12 | 855303 | 28.31 | 29 | 855443 | 28.24 | 12 |
| 853996 | 28.07 | 12 | 855304 | 28.24 | 10 | 855444 | 28.24 | 12 |
| 853997 | 28.07 | 13 | 855306 | 28.24 | 24 | 855445 | 28.23 | 6 |
| 853998 | 28.07 | 14 | 855307 | 28.24 | 16 | 855447 | 28.25 | 5 |
| 853999 | 28.07 | 15 | 855307 | 28.25 | 15 | 855449 | 28.23 | 11 |
| 854000 | 28.06 | 16 | 855308 | 28.01 | 1 | 855449 | 28.23 | 11 |
| 854000 | 28.07 | 16 | 855309 | 28.01 | 13 | 855450 | 28.23 | 11 |
| 854038 | 28.32 | 2 | 855310 | 28.06 | 21 | 855451 | 28.23 | 11 |
| 854039 | 28.32 | 2 | 855311 | 28.06 | 20 | 855452 | 28.23 | 4 |
| 855000 | 28.06 | 17 | 855312 | 28.04 | 1 | 855454 | 28.25 | 9 |

| Code | Nr. der Tafel | Pos. | Code | Nr. der Tafel | Pos. | Code | Nr. der Tafel | Pos. |
|--------|---------------|------|-------------|---------------|------|-----------|---------------|------|
| 855455 | 28.25 | 11 | 858078 | 28.58 | 1 | AP8121862 | 29.34 | 25 |
| 855456 | 28.25 | 11 | 858079 | 28.58 | 2 | AP8121915 | 28.27 | 22 |
| 855457 | 28.25 | 10 | 85813800XN4 | 28.10 | 2 | AP8124235 | 28.30 | 18 |
| 855458 | 28.25 | 10 | 858246 | 28.30 | 22 | AP8124273 | 28.31 | 11 |
| 855459 | 28.25 | 4 | 858247 | 28.17 | 20 | AP8124930 | 28.18 | 4 |
| 855461 | 29.33 | 19 | 858387 | 28.17 | 22 | AP8125853 | 29.46 | 4 |
| 855489 | 29.55 | 3 | 858500 | 29.56 | 4 | AP8127121 | 28.29 | 11 |
| 855490 | 29.54 | 12 | 858501 | 29.56 | 5 | AP8127391 | 28.30 | 14 |
| 855492 | 28.29 | 1 | 858502 | 28.58 | 11 | AP8144038 | 28.19 | 9 |
| 855494 | 28.29 | 17 | 858540 | 28.20 | 11 | AP8144064 | 28.15 | 8 |
| 855496 | 28.29 | 18 | 891170 | 29.41 | 7 | AP8144065 | 28.19 | 21 |
| 855497 | 28.29 | 19 | 894822 | 28.27 | 17 | AP8144443 | 28.08 | 16 |
| 855537 | 28.20 | 6 | 894823 | 28.27 | 30 | AP8144444 | 28.08 | 15 |
| 855538 | 28.20 | 6 | 896503 | 28.17 | 11 | AP8144506 | 28.18 | 17 |
| 855601 | 29.39 | 3 | AP8101372 | 28.15 | 15 | AP8144516 | 28.04 | 17 |
| 855660 | 28.06 | 8 | AP8101586 | 28.13 | 11 | AP8144538 | 28.01 | 15 |
| 855667 | 28.06 | 1 | AP8101595 | 28.19 | 8 | AP8144538 | 28.31 | 4 |
| 855668 | 28.06 | 9 | AP8101606 | 28.02 | 11 | AP8150011 | 28.29 | 8 |
| 855669 | 28.06 | 9 | AP8101928 | 28.28 | 22 | AP8150011 | 28.30 | 5 |
| 855670 | 28.06 | 9 | AP8102375 | 28.10 | 5 | AP8150013 | 28.18 | 8 |
| 855671 | 28.06 | 9 | AP8102375 | 28.15 | 6 | AP8150015 | 28.10 | 9 |
| 855672 | 28.06 | 11 | AP8102375 | 28.16 | 20 | AP8150015 | 28.16 | 9 |
| 855673 | 28.06 | 11 | AP8102375 | 28.27 | 28 | AP8150017 | 28.02 | 10 |
| 855674 | 28.06 | 11 | AP8102376 | 28.11 | 6 | AP8150017 | 28.24 | 18 |
| 855675 | 28.06 | 11 | AP8102376 | 28.16 | 15 | AP8150017 | 28.25 | 19 |
| 855676 | 28.06 | 13 | AP8102376 | 28.16 | 21 | AP8150017 | 28.28 | 21 |
| 855677 | 28.06 | 14 | AP8102376 | 28.18 | 15 | AP8150017 | 28.30 | 17 |
| 855678 | 28.06 | 15 | AP8102377 | 28.19 | 10 | AP8150025 | 29.54 | 15 |
| 855679 | 28.06 | 19 | AP8102377 | 29.34 | 31 | AP8150051 | 28.03 | 11 |
| 855681 | 28.06 | 11 | AP8102378 | 28.18 | 23 | AP8150064 | 28.04 | 16 |
| 855782 | 29.51 | 20 | AP8102525 | 28.13 | 13 | AP8150107 | 28.21 | 15 |
| 855785 | 29.51 | 21 | AP8102903 | 28.13 | 10 | AP8150159 | 28.01 | 16 |
| 856334 | 29.56 | 1 | AP8104124 | 28.18 | 31 | AP8150169 | 28.28 | 20 |
| 856335 | 28.57 | 5 | AP8104921 | 28.17 | 14 | AP8150204 | 28.01 | 17 |
| 856336 | 28.57 | 6 | AP8104922 | 28.17 | 15 | AP8150204 | 28.30 | 6 |
| 856337 | 28.57 | 7 | AP8109001 | 28.22 | 3 | AP8150246 | 28.10 | 1 |
| 856338 | 28.57 | 8 | AP8109281 | 28.24 | 3 | AP8150252 | 29.54 | 14 |
| 856339 | 29.56 | 6 | AP8109306 | 28.23 | 2 | AP8150272 | 28.31 | 27 |
| 856342 | 28.57 | 1 | AP8109309 | 28.23 | 3 | AP8150376 | 28.30 | 16 |
| 856343 | 28.57 | 2 | AP8112176 | 28.31 | 17 | AP8150413 | 28.19 | 14 |
| 856346 | 28.57 | 3 | AP8112202 | 28.16 | 12 | AP8150413 | 28.29 | 6 |
| 856347 | 28.57 | 4 | AP8112244 | 28.31 | 16 | AP8150429 | 28.22 | 19 |
| 856348 | 28.58 | 5 | AP8112600 | 28.29 | 14 | AP8150429 | 28.23 | 18 |
| 856349 | 28.58 | 4 | AP8113003 | 28.27 | 21 | AP8150429 | 28.31 | 26 |
| 856350 | 28.58 | 3 | AP8117004 | 28.31 | 28 | AP8150431 | 28.19 | 6 |
| 856351 | 28.58 | 6 | AP8117041 | 28.18 | 29 | AP8150444 | 28.12 | 20 |
| 856352 | 28.58 | 7 | AP8120001 | 28.31 | 3 | AP8150450 | 28.16 | 13 |
| 856353 | 28.58 | 8 | AP8120223 | 28.13 | 14 | AP8150451 | 28.18 | 9 |
| 856355 | 28.58 | 9 | AP8120253 | 28.01 | 10 | AP8150460 | 28.30 | 21 |
| 856356 | 28.58 | 10 | AP8120313 | 28.01 | 12 | AP8150475 | 28.29 | 7 |
| 856357 | 29.56 | 7 | AP8120405 | 28.10 | 7 | AP8150502 | 28.21 | 16 |
| 856359 | 28.58 | 3 | AP8120446 | 28.18 | 28 | AP8150515 | 28.08 | 18 |
| 856360 | 28.58 | 4 | AP8120455 | 28.18 | 32 | AP8152001 | 28.03 | 6 |
| 856361 | 28.58 | 5 | AP8120593 | 28.19 | 16 | AP8152018 | 28.09 | 13 |
| 856362 | 28.58 | 6 | AP8120876 | 28.18 | 6 | AP8152112 | 28.30 | 15 |
| 856363 | 28.58 | 11 | AP8120876 | 28.19 | 11 | AP8152117 | 28.16 | 6 |
| 856364 | 28.58 | 9 | AP8120952 | 28.18 | 16 | AP8152123 | 28.03 | 12 |
| 856365 | 28.58 | 10 | AP8120952 | 28.18 | 22 | AP8152123 | 28.31 | 25 |
| 856665 | 28.30 | 23 | AP8120987 | 28.13 | 12 | AP8152137 | 28.29 | 12 |
| 856932 | 28.12 | 3 | AP8121075 | 28.14 | 6 | AP8152169 | 28.12 | 9 |
| 858044 | 28.19 | 17 | AP8121638 | 28.13 | 5 | AP8152176 | 28.02 | 9 |
| 858044 | 28.59 | 6 | AP8121665 | 28.29 | 15 | AP8152181 | 28.29 | 13 |
| 858045 | 28.59 | 7 | AP8121736 | 28.15 | 9 | AP8152181 | 28.59 | 2 |
| 858069 | 28.58 | 1 | AP8121795 | 28.16 | 22 | AP8152226 | 28.59 | 1 |
| 858070 | 29.56 | 2 | AP8121811 | 28.12 | 8 | AP8152244 | 28.08 | 7 |
| 858071 | 29.56 | 3 | AP8121819 | 28.12 | 27 | AP8152262 | 28.08 | 14 |
| 858077 | 28.58 | 2 | AP8121856 | 29.40 | 18 | AP8152267 | 28.18 | 7 |

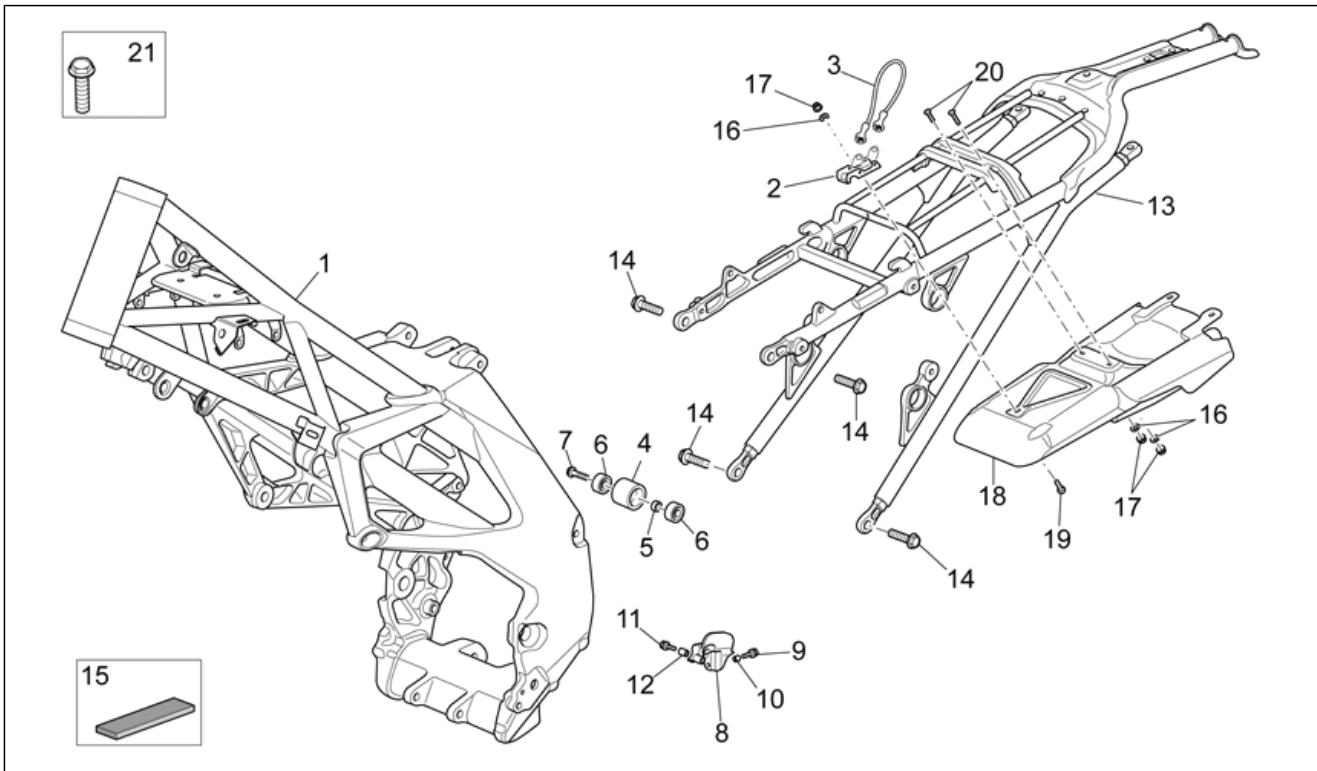
| Code | Nr. der Tafel | Pos. | Code | Nr. der Tafel | Pos. | Code | Nr. der Tafel | Pos. |
|-----------|---------------|------|-----------|---------------|------|-----------|---------------|------|
| AP8152272 | 28.01 | 9 | AP8156340 | 28.16 | 10 | AP9100177 | 28.09 | 7 |
| AP8152272 | 28.31 | 13 | AP8156341 | 28.16 | 10 | AP9100177 | 28.09 | 7 |
| AP8152272 | 29.47 | 19 | AP8156343 | 28.10 | 4 | AP9100178 | 28.09 | 5 |
| AP8152272 | 29.47 | 23 | AP8156344 | 28.10 | 3 | AP9100179 | 28.09 | 10 |
| AP8152272 | 29.55 | 4 | AP8161006 | 28.03 | 5 | AP9100181 | 28.09 | 6 |
| AP8152273 | 28.12 | 18 | AP8163069 | 28.06 | 4 | AP9100181 | 28.09 | 6 |
| AP8152274 | 28.15 | 7 | AP8163070 | 28.06 | 5 | AP9100182 | 28.09 | 23 |
| AP8152274 | 29.43 | 3 | AP8163070 | 28.07 | 5 | AP9100184 | 28.09 | 8 |
| AP8152274 | 29.44 | 3 | AP8163071 | 28.06 | 6 | AP9100186 | 28.09 | 11 |
| AP8152275 | 28.01 | 11 | AP8163071 | 28.07 | 6 | AP9100193 | 28.02 | 1 |
| AP8152275 | 29.55 | 2 | AP8163072 | 28.06 | 7 | AP9100194 | 28.02 | 2 |
| AP8152277 | 28.08 | 20 | AP8163072 | 28.07 | 7 | AP9100195 | 28.02 | 3 |
| AP8152277 | 28.10 | 8 | AP8163342 | 28.07 | 11 | AP9100196 | 28.02 | 4 |
| AP8152277 | 28.12 | 5 | AP8163406 | 28.06 | 11 | AP9100197 | 28.02 | 5 |
| AP8152277 | 28.16 | 19 | AP8163407 | 28.07 | 9 | AP9100202 | 28.08 | 2 |
| AP8152277 | 28.31 | 24 | AP8176099 | 28.31 | 15 | AP9100203 | 28.08 | 3 |
| AP8152277 | 29.34 | 27 | AP8184502 | 28.11 | 2 | AP9100204 | 28.04 | 6 |
| AP8152277 | 29.34 | 3 | AP8184503 | 28.11 | 1 | AP9100205 | 28.04 | 9 |
| AP8152277 | 29.37 | 2 | AP8184507 | 28.15 | 1 | AP9100208 | 28.09 | 18 |
| AP8152277 | 29.40 | 13 | AP8184510 | 28.16 | 2 | AP9100221 | 28.08 | 24 |
| AP8152277 | 29.47 | 6 | AP8184511 | 28.16 | 1 | AP9100223 | 28.03 | 7 |
| AP8152278 | 28.10 | 10 | AP8184512 | 28.16 | 2 | AP9100230 | 28.23 | 17 |
| AP8152278 | 28.21 | 9 | AP8184513 | 28.16 | 1 | AP9100243 | 28.01 | 18 |
| AP8152278 | 28.24 | 15 | AP8184520 | 28.15 | 2 | AP9100256 | 28.26 | 11 |
| AP8152278 | 28.28 | 23 | AP8201169 | 28.18 | 24 | AP9100257 | 28.26 | 1 |
| AP8152278 | 28.30 | 11 | AP8201431 | 28.12 | 10 | AP9100262 | 28.22 | 5 |
| AP8152278 | 29.35 | 14 | AP8202058 | 28.08 | 27 | AP9100264 | 28.08 | 6 |
| AP8152278 | 29.43 | 12 | AP8218628 | 28.17 | 19 | AP9100267 | 28.13 | 18 |
| AP8152278 | 29.44 | 12 | AP8220191 | 28.18 | 30 | AP9100270 | 28.08 | 24 |
| AP8152278 | 29.52 | 3 | AP8220283 | 28.30 | 13 | AP9100275 | 28.02 | 6 |
| AP8152279 | 28.14 | 7 | AP8220402 | 28.12 | 21 | AP9100281 | 28.14 | 4 |
| AP8152279 | 28.15 | 14 | AP8220598 | 28.30 | 3 | AP9100285 | 28.15 | 1 |
| AP8152279 | 28.16 | 16 | AP8220620 | 28.12 | 2 | AP9100286 | 28.15 | 2 |
| AP8152279 | 28.16 | 17 | AP8221198 | 28.29 | 9 | AP9100287 | 28.08 | 22 |
| AP8152279 | 28.16 | 8 | AP8223074 | 28.06 | 11 | AP9100289 | 28.09 | 17 |
| AP8152279 | 29.35 | 2 | AP8223074 | 28.06 | 9 | AP9100290 | 28.28 | 16 |
| AP8152280 | 28.16 | 5 | AP8223074 | 28.07 | 11 | AP9100291 | 28.28 | 17 |
| AP8152280 | 28.17 | 10 | AP8223075 | 28.06 | 11 | AP9100292 | 29.37 | 7 |
| AP8152280 | 28.26 | 6 | AP8223076 | 28.07 | 9 | AP9100293 | 28.04 | 10 |
| AP8152280 | 29.33 | 3 | AP8224462 | 28.30 | 12 | AP9100325 | 28.31 | 10 |
| AP8152280 | 29.35 | 3 | AP8234020 | 28.08 | 19 | AP9100327 | 28.31 | 14 |
| AP8152280 | 29.36 | 5 | AP8560104 | 29.34 | 33 | AP9100333 | 28.25 | 17 |
| AP8152280 | 29.40 | 4 | AP8560106 | 29.34 | 34 | AP9100334 | 28.25 | 17 |
| AP8152281 | 28.12 | 13 | AP9100007 | 28.09 | 4 | AP9100335 | 28.25 | 17 |
| AP8152281 | 28.30 | 8 | AP9100021 | 28.04 | 5 | AP9100336 | 28.24 | 20 |
| AP8152281 | 29.33 | 13 | AP9100026 | 28.04 | 3 | AP9100343 | 28.13 | 1 |
| AP8152281 | 29.36 | 7 | AP9100028 | 28.04 | 4 | AP9100347 | 28.15 | 10 |
| AP8152281 | 29.53 | 2 | AP9100053 | 28.10 | 6 | AP9100354 | 28.28 | 19 |
| AP8152282 | 29.35 | 10 | AP9100053 | 28.11 | 5 | AP9100358 | 29.37 | 5 |
| AP8152283 | 28.10 | 11 | AP9100053 | 28.15 | 3 | AP9100362 | 29.37 | 6 |
| AP8152283 | 29.33 | 14 | AP9100053 | 28.16 | 3 | AP9100365 | 28.14 | 2 |
| AP8152283 | 29.34 | 7 | AP9100060 | 28.08 | 9 | AP9100366 | 28.11 | 3 |
| AP8152283 | 29.52 | 2 | AP9100061 | 28.08 | 8 | AP9100367 | 29.33 | 10 |
| AP8152285 | 29.34 | 24 | AP9100078 | 28.12 | 6 | AP9100371 | 28.31 | 6 |
| AP8152286 | 28.02 | 8 | AP9100080 | 28.12 | 4 | AP9100372 | 28.31 | 8 |
| AP8152288 | 28.21 | 14 | AP9100081 | 28.12 | 12 | AP9100374 | 29.33 | 9 |
| AP8152289 | 28.01 | 7 | AP9100082 | 28.12 | 11 | AP9100375 | 28.12 | 24 |
| AP8152289 | 28.17 | 3 | AP9100087 | 28.14 | 3 | AP9100375 | 28.18 | 12 |
| AP8152290 | 28.04 | 14 | AP9100109 | 28.08 | 10 | AP9100376 | 28.18 | 10 |
| AP8152290 | 28.26 | 17 | AP9100111 | 28.09 | 9 | AP9100381 | 29.33 | 12 |
| AP8152305 | 28.08 | 13 | AP9100123 | 28.08 | 6 | AP9100383 | 29.33 | 11 |
| AP8152323 | 28.08 | 25 | AP9100171 | 28.22 | 6 | AP9100387 | 29.55 | 3 |
| AP8152324 | 28.08 | 26 | AP9100171 | 28.23 | 5 | AP9100389 | 28.01 | 14 |
| AP8152339 | 28.10 | 17 | AP9100173 | 28.01 | 4 | AP9100390 | 28.02 | 7 |
| AP8152339 | 28.16 | 18 | AP9100174 | 28.01 | 5 | AP9100393 | 28.31 | 7 |
| AP8152339 | 28.27 | 27 | AP9100175 | 28.01 | 6 | AP9100411 | 29.33 | 2 |
| AP8152351 | 28.19 | 7 | AP9100176 | 28.09 | 1 | AP9100412 | 28.04 | 11 |

| Code | Nr. der Tafel | Pos. | Code | Nr. der Tafel | Pos. | Code | Nr. der Tafel | Pos. |
|-----------|---------------|------|-----------|---------------|------|-----------|---------------|------|
| AP9100415 | 28.12 | 19 | AP9100555 | 28.18 | 18 | AP9100797 | 28.28 | 10 |
| AP9100416 | 28.12 | 14 | AP9100557 | 28.18 | 19 | AP9100798 | 28.28 | 11 |
| AP9100417 | 28.28 | 8 | AP9100558 | 28.31 | 12 | AP9100799 | 28.28 | 13 |
| AP9100418 | 28.26 | 8 | AP9100565 | 28.08 | 17 | AP9100800 | 28.28 | 12 |
| AP9100419 | 28.03 | 3 | AP9100587 | 28.19 | 5 | AP9100802 | 28.17 | 13 |
| AP9100423 | 28.30 | 10 | AP9100588 | 28.19 | 4 | AP9100808 | 28.09 | 19 |
| AP9100424 | 28.30 | 7 | AP9100593 | 29.33 | 4 | AP9100814 | 28.09 | 20 |
| AP9100425 | 28.17 | 23 | AP9100594 | 28.16 | 7 | AP9100815 | 28.09 | 20 |
| AP9100426 | 28.17 | 24 | AP9100595 | 28.24 | 16 | AP9100817 | 28.09 | 21 |
| AP9100427 | 28.19 | 13 | AP9100600 | 29.49 | 19 | AP9100820 | 28.09 | 22 |
| AP9100428 | 28.19 | 15 | AP9100604 | 28.09 | 16 | AP9100834 | 28.03 | 1 |
| AP9100429 | 28.30 | 9 | AP9100616 | 28.08 | 12 | AP9100835 | 28.03 | 1 |
| AP9100432 | 28.24 | 19 | AP9100635 | 28.29 | 5 | AP9100836 | 28.03 | 10 |
| AP9100433 | 28.08 | 21 | AP9100638 | 28.13 | 6 | AP9100905 | 28.27 | 20 |
| AP9100434 | 28.08 | 23 | AP9100643 | 29.33 | 6 | AP9100908 | 28.27 | 18 |
| AP9100434 | 28.13 | 8 | AP9100645 | 28.11 | 4 | AP9100909 | 28.27 | 19 |
| AP9100434 | 28.15 | 13 | AP9100645 | 28.15 | 4 | AP9100910 | 28.27 | 13 |
| AP9100435 | 28.08 | 11 | AP9100645 | 28.16 | 4 | AP9100911 | 28.27 | 12 |
| AP9100439 | 28.04 | 13 | AP9100661 | 28.13 | 7 | AP9100912 | 28.27 | 11 |
| AP9100439 | 28.09 | 15 | AP9100661 | 28.15 | 12 | AP9100914 | 28.27 | 9 |
| AP9100440 | 28.10 | 13 | AP9100663 | 28.18 | 14 | AP9100915 | 28.27 | 8 |
| AP9100441 | 28.10 | 14 | AP9100665 | 28.13 | 16 | AP9100916 | 28.27 | 7 |
| AP9100442 | 28.09 | 14 | AP9100668 | 28.03 | 8 | AP9100918 | 28.27 | 5 |
| AP9100443 | 29.33 | 5 | AP9100669 | 28.03 | 9 | AP9100919 | 28.27 | 4 |
| AP9100447 | 28.30 | 1 | AP9100675 | 28.59 | 11 | AP9100921 | 28.27 | 2 |
| AP9100451 | 29.49 | 20 | AP9100683 | 29.33 | 8 | AP9100930 | 28.12 | 15 |
| AP9100455 | 28.19 | 12 | AP9100684 | 29.33 | 8 | AP9100931 | 28.12 | 16 |
| AP9100456 | 28.18 | 25 | AP9100685 | 29.33 | 8 | AP9100932 | 28.25 | 17 |
| AP9100457 | 28.22 | 4 | AP9100686 | 29.33 | 8 | AP9100936 | 28.32 | 1 |
| AP9100458 | 28.22 | 2 | AP9100687 | 29.33 | 7 | AP9100939 | 28.17 | 8 |
| AP9100462 | 28.24 | 4 | AP9100688 | 28.01 | 8 | AP9100940 | 28.17 | 9 |
| AP9100466 | 28.24 | 14 | AP9100697 | 28.18 | 27 | AP9100945 | 28.30 | 4 |
| AP9100466 | 28.25 | 13 | AP9100707 | 28.26 | 5 | AP9100948 | 28.18 | 33 |
| AP9100467 | 28.24 | 17 | AP9100709 | 29.54 | 2 | AP9100950 | 28.13 | 15 |
| AP9100472 | 28.26 | 9 | AP9100714 | 28.18 | 26 | AP9100951 | 28.13 | 17 |
| AP9100472 | 28.28 | 6 | AP9100714 | 29.54 | 4 | AP9100952 | 28.08 | 4 |
| AP9100473 | 28.26 | 10 | AP9100724 | 28.01 | 12 | AP9100952 | 28.08 | 5 |
| AP9100473 | 28.28 | 7 | AP9100725 | 28.31 | 5 | AP9100959 | 28.31 | 30 |
| AP9100475 | 28.28 | 1 | AP9100739 | 28.31 | 20 | AP9100964 | 28.03 | 2 |
| AP9100477 | 28.28 | 18 | AP9100742 | 28.31 | 18 | AP9100964 | 28.27 | 29 |
| AP9100478 | 28.28 | 5 | AP9100747 | 28.29 | 10 | AP9100965 | 28.30 | 20 |
| AP9100479 | 28.28 | 9 | AP9100752 | 28.28 | 25 | AP9100966 | 28.12 | 23 |
| AP9100481 | 28.17 | 6 | AP9100765 | 28.31 | 23 | AP9100967 | 28.12 | 22 |
| AP9100484 | 28.17 | 7 | AP9100766 | 28.01 | 2 | AP9100969 | 28.18 | 11 |
| AP9100487 | 28.31 | 9 | AP9100767 | 28.12 | 7 | AP9100970 | 28.29 | 3 |
| AP9100494 | 29.54 | 3 | AP9100768 | 28.01 | 20 | AP9100990 | 28.28 | 15 |
| AP9100496 | 28.13 | 9 | AP9100769 | 28.01 | 19 | AP9100997 | 28.31 | 31 |
| AP9100498 | 28.10 | 2 | AP9100770 | 28.01 | 3 | AP9100998 | 29.34 | 36 |
| AP9100501 | 28.10 | 12 | AP9100776 | 28.04 | 12 | AP9100999 | 29.40 | 21 |
| AP9100504 | 28.15 | 5 | AP9100778 | 28.15 | 11 | AP9101000 | 28.31 | 2 |
| AP9100505 | 29.49 | 19 | AP9100780 | 28.18 | 5 | AP9101008 | 29.54 | 5 |
| AP9100506 | 28.18 | 3 | AP9100781 | 28.18 | 13 | AP9101009 | 29.54 | 6 |
| AP9100507 | 28.22 | 1 | AP9100782 | 28.31 | 19 | AP9101010 | 29.54 | 7 |
| AP9100508 | 28.24 | 2 | AP9100783 | 28.31 | 21 | AP9101011 | 29.54 | 8 |
| AP9100510 | 28.24 | 1 | AP9100785 | 28.26 | 2 | AP9101012 | 29.54 | 9 |
| AP9100514 | 28.17 | 4 | AP9100786 | 28.26 | 3 | AP9101013 | 29.54 | 10 |
| AP9100519 | 28.17 | 21 | AP9100787 | 28.26 | 4 | AP9101014 | 29.54 | 11 |
| AP9100525 | 29.49 | 19 | AP9100788 | 28.26 | 12 | AP9101017 | 28.19 | 18 |
| AP9100526 | 28.25 | 2 | AP9100789 | 28.26 | 13 | AP9101037 | 28.59 | 12 |
| AP9100527 | 28.25 | 3 | AP9100789 | 28.28 | 24 | AP9101038 | 28.59 | 13 |
| AP9100531 | 28.24 | 21 | AP9100790 | 28.26 | 14 | AP9150003 | 29.47 | 13 |
| AP9100533 | 28.24 | 22 | AP9100791 | 28.26 | 15 | AP9150004 | 29.47 | 1 |
| AP9100548 | 28.10 | 15 | AP9100792 | 28.26 | 16 | AP9150006 | 29.46 | 5 |
| AP9100549 | 28.09 | 12 | AP9100793 | 28.28 | 3 | AP9150007 | 29.39 | 4 |
| AP9100550 | 29.33 | 12 | AP9100794 | 28.28 | 2 | AP9150009 | 29.40 | 7 |
| AP9100553 | 28.18 | 20 | AP9100795 | 28.28 | 4 | AP9150010 | 29.40 | 8 |
| AP9100554 | 28.18 | 21 | AP9100796 | 28.28 | 14 | AP9150011 | 29.43 | 16 |

| Code | Nr. der Tafel | Pos. | Code | Nr. der Tafel | Pos. | Code | Nr. der Tafel | Pos. |
|-----------|---------------|------|-----------|---------------|------|-----------|---------------|------|
| AP9150011 | 29.44 | 16 | AP9150142 | 29.44 | 18 | AP9150296 | 29.49 | 10 |
| AP9150012 | 29.43 | 17 | AP9150143 | 29.42 | 1 | AP9150297 | 29.48 | 4 |
| AP9150012 | 29.44 | 17 | AP9150145 | 29.34 | 4 | AP9150297 | 29.49 | 4 |
| AP9150018 | 29.38 | 10 | AP9150146 | 29.34 | 2 | AP9150299 | 29.45 | 10 |
| AP9150022 | 29.41 | 1 | AP9150148 | 29.35 | 8 | AP9150300 | 29.43 | 16 |
| AP9150023 | 29.41 | 2 | AP9150149 | 29.34 | 9 | AP9150300 | 29.44 | 16 |
| AP9150024 | 29.41 | 5 | AP9150150 | 29.35 | 11 | AP9150301 | 29.39 | 4 |
| AP9150025 | 29.41 | 6 | AP9150152 | 29.35 | 1 | AP9150302 | 29.48 | 5 |
| AP9150028 | 29.41 | 3 | AP9150153 | 29.35 | 6 | AP9150302 | 29.49 | 5 |
| AP9150043 | 29.47 | 4 | AP9150157 | 29.36 | 3 | AP9150303 | 29.43 | 4 |
| AP9150044 | 29.46 | 6 | AP9150158 | 29.36 | 4 | AP9150303 | 29.44 | 4 |
| AP9150048 | 29.46 | 1 | AP9150159 | 29.36 | 14 | AP9150304 | 29.44 | 6 |
| AP9150051 | 29.46 | 7 | AP9150160 | 29.36 | 17 | AP9150311 | 29.49 | 1 |
| AP9150060 | 29.47 | 11 | AP9150161 | 29.36 | 19 | AP9150312 | 29.40 | 17 |
| AP9150061 | 29.47 | 17 | AP9150162 | 29.36 | 6 | AP9150315 | 29.38 | 10 |
| AP9150062 | 29.47 | 14 | AP9150166 | 29.37 | 19 | AP9150317 | 29.40 | 1 |
| AP9150063 | 29.46 | 2 | AP9150167 | 29.37 | 20 | AP9150321 | 29.37 | 13 |
| AP9150064 | 29.47 | 9 | AP9150168 | 29.37 | 8 | AP9150323 | 29.38 | 12 |
| AP9150065 | 29.38 | 7 | AP9150169 | 29.37 | 9 | AP9150324 | 29.34 | 11 |
| AP9150066 | 29.38 | 8 | AP9150170 | 29.37 | 11 | AP9150327 | 29.43 | 15 |
| AP9150067 | 29.47 | 3 | AP9150171 | 29.37 | 12 | AP9150327 | 29.44 | 15 |
| AP9150068 | 29.47 | 10 | AP9150172 | 29.37 | 16 | AP9150338 | 29.39 | 3 |
| AP9150069 | 29.47 | 7 | AP9150173 | 29.37 | 14 | AP9150343 | 29.39 | 5 |
| AP9150070 | 29.47 | 8 | AP9150174 | 28.13 | 2 | AP9150344 | 29.34 | 35 |
| AP9150071 | 29.36 | 1 | AP9150174 | 29.34 | 19 | AP9150346 | 29.34 | 23 |
| AP9150072 | 29.47 | 12 | AP9150174 | 29.40 | 19 | AP9150347 | 29.37 | 4 |
| AP9150073 | 29.47 | 5 | AP9150180 | 29.55 | 1 | AP9150348 | 29.45 | 5 |
| AP9150074 | 29.36 | 20 | AP9150181 | 29.40 | 15 | AP9150349 | 28.13 | 3 |
| AP9150075 | 29.36 | 15 | AP9150184 | 29.47 | 18 | AP9150349 | 29.34 | 20 |
| AP9150076 | 29.36 | 13 | AP9150204 | 29.55 | 8 | AP9150349 | 29.34 | 30 |
| AP9150078 | 29.34 | 28 | AP9150205 | 29.55 | 6 | AP9150349 | 29.40 | 16 |
| AP9150090 | 29.53 | 1 | AP9150208 | 29.53 | 9 | AP9150349 | 29.40 | 20 |
| AP9150091 | 29.47 | 16 | AP9150209 | 29.53 | 3 | AP9150350 | 29.34 | 18 |
| AP9150093 | 29.47 | 15 | AP9150210 | 29.38 | 9 | AP9150351 | 29.35 | 18 |
| AP9150094 | 29.35 | 12 | AP9150216 | 29.48 | 2 | AP9150352 | 29.52 | 5 |
| AP9150096 | 29.43 | 7 | AP9150216 | 29.49 | 2 | AP9150353 | 29.34 | 10 |
| AP9150096 | 29.44 | 7 | AP9150217 | 29.36 | 11 | AP9150355 | 29.37 | 21 |
| AP9150101 | 29.43 | 8 | AP9150218 | 29.49 | 18 | AP9150356 | 29.35 | 16 |
| AP9150101 | 29.44 | 8 | AP9150220 | 29.46 | 8 | AP9150357 | 29.49 | 15 |
| AP9150102 | 29.43 | 9 | AP9150231 | 29.43 | 18 | AP9150360 | 29.47 | 22 |
| AP9150102 | 29.44 | 9 | AP9150236 | 29.38 | 13 | AP9150360 | 29.48 | 12 |
| AP9150104 | 29.41 | 4 | AP9150237 | 29.49 | 18 | AP9150361 | 29.49 | 14 |
| AP9150106 | 29.41 | 8 | AP9150238 | 29.46 | 3 | AP9150362 | 29.48 | 11 |
| AP9150107 | 29.41 | 9 | AP9150246 | 29.49 | 12 | AP9150363 | 29.49 | 16 |
| AP9150109 | 29.34 | 29 | AP9150247 | 29.49 | 9 | AP9150364 | 29.43 | 2 |
| AP9150110 | 29.40 | 10 | AP9150248 | 29.49 | 8 | AP9150364 | 29.44 | 2 |
| AP9150111 | 29.40 | 9 | AP9150249 | 29.49 | 6 | AP9150365 | 29.47 | 21 |
| AP9150112 | 29.40 | 2 | AP9150250 | 29.49 | 3 | AP9150366 | 29.45 | 2 |
| AP9150113 | 29.40 | 3 | AP9150252 | 29.48 | 9 | AP9150369 | 29.53 | 8 |
| AP9150114 | 29.40 | 5 | AP9150253 | 29.48 | 8 | AP9150370 | 29.49 | 11 |
| AP9150115 | 29.34 | 16 | AP9150254 | 29.48 | 6 | AP9150372 | 29.43 | 10 |
| AP9150116 | 29.34 | 15 | AP9150255 | 29.48 | 3 | AP9150372 | 29.44 | 10 |
| AP9150117 | 29.34 | 17 | AP9150256 | 29.48 | 1 | AP9150375 | 29.47 | 2 |
| AP9150118 | 29.35 | 7 | AP9150258 | 29.49 | 12 | AP9150376 | 29.36 | 8 |
| AP9150119 | 29.52 | 4 | AP9150263 | 29.49 | 1 | AP9150377 | 29.36 | 2 |
| AP9150120 | 29.40 | 11 | AP9150267 | 29.48 | 7 | AP9150380 | 29.55 | 7 |
| AP9150121 | 29.40 | 12 | AP9150267 | 29.49 | 7 | AP9150382 | 29.49 | 17 |
| AP9150123 | 29.39 | 3 | AP9150270 | 29.48 | 1 | AP9150385 | 29.36 | 12 |
| AP9150127 | 29.38 | 11 | AP9150273 | 29.45 | 4 | AP9150387 | 29.45 | 3 |
| AP9150132 | 29.52 | 6 | AP9150276 | 29.34 | 35 | AP9150389 | 29.45 | 12 |
| AP9150133 | 29.43 | 15 | AP9150280 | 29.37 | 3 | AP9150390 | 29.45 | 8 |
| AP9150133 | 29.44 | 15 | AP9150281 | 29.37 | 1 | AP9150391 | 29.43 | 11 |
| AP9150138 | 29.43 | 6 | AP9150285 | 29.45 | 9 | AP9150391 | 29.44 | 11 |
| AP9150140 | 29.43 | 20 | AP9150291 | 29.36 | 9 | AP9150393 | 29.46 | 9 |
| AP9150140 | 29.44 | 20 | AP9150292 | 29.52 | 7 | AP9150394 | 29.34 | 5 |
| AP9150141 | 29.43 | 19 | AP9150294 | 29.48 | 10 | AP9150395 | 29.35 | 13 |
| AP9150141 | 29.44 | 19 | AP9150294 | 29.49 | 13 | AP9150396 | 29.36 | 16 |

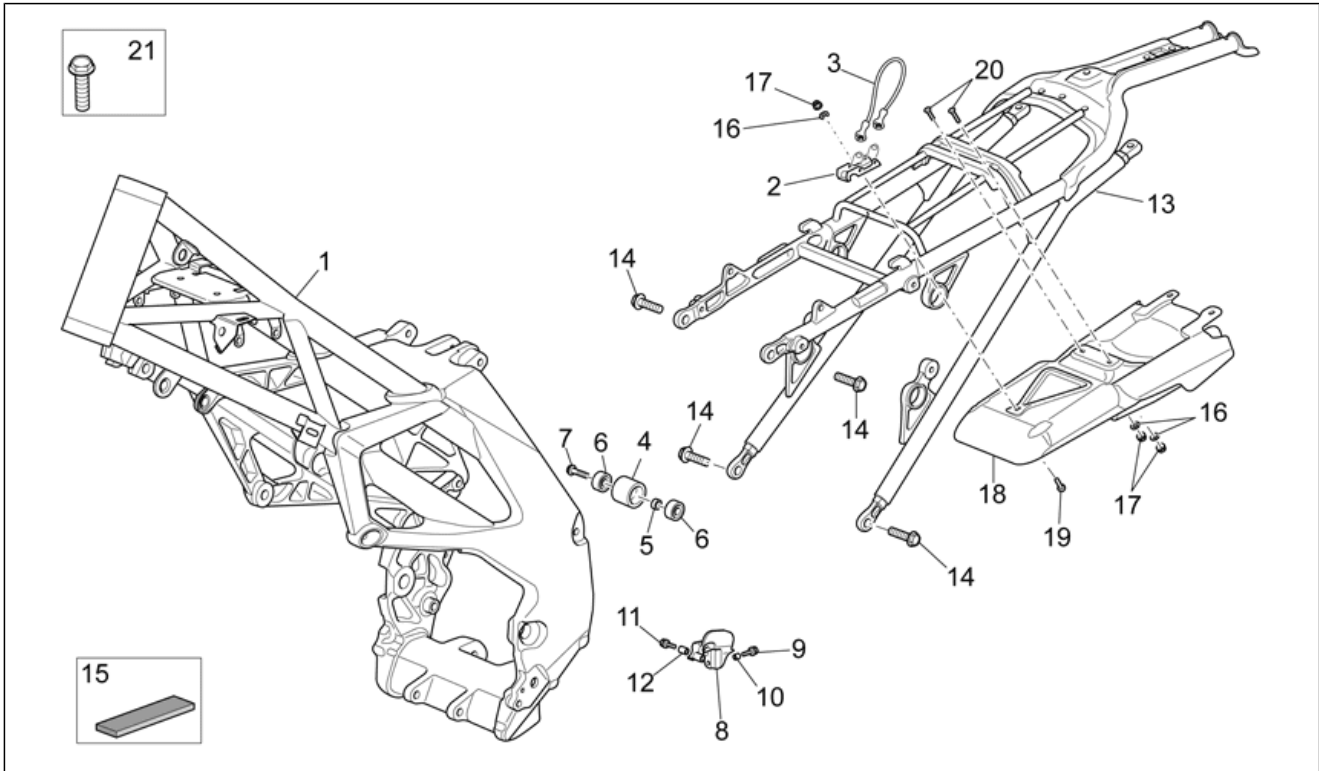
| Code | Nr. der Tafel | Pos. | Code | Nr. der Tafel | Pos. |
|-----------|---------------|------|------------|---------------|------|
| AP9150397 | 29.36 | 21 | AP9150527 | 29.38 | 1 |
| AP9150398 | 29.37 | 17 | AP9150533 | 29.34 | 21 |
| AP9150401 | 29.55 | 5 | AP9150545 | 29.34 | 37 |
| AP9150402 | 29.38 | 5 | CM155406 | 29.34 | 1 |
| AP9150410 | 29.35 | 15 | CM155406 | 29.34 | 1 |
| AP9150417 | 29.42 | 1 | CM155408 | 29.34 | 1 |
| AP9150418 | 29.42 | 1 | CM2362065 | 29.33 | 1 |
| AP9150419 | 29.42 | 1 | CM2362095 | 29.33 | 1 |
| AP9150420 | 29.42 | 1 | CM2363065 | 29.33 | 1 |
| AP9150421 | 29.42 | 1 | CM238401 | 28.18 | 20 |
| AP9150422 | 29.42 | 1 | CM238402 | 28.18 | 21 |
| AP9150423 | 29.42 | 1 | CM238403 | 28.18 | 18 |
| AP9150424 | 29.42 | 1 | CM238602 | 29.43 | 5 |
| AP9150425 | 29.42 | 1 | CM238603 | 29.43 | 5 |
| AP9150426 | 29.42 | 1 | CM238604 | 29.43 | 5 |
| AP9150427 | 29.42 | 1 | CM238605 | 29.43 | 5 |
| AP9150428 | 29.42 | 1 | CM238606 | 29.43 | 5 |
| AP9150429 | 29.42 | 1 | CO8413010 | 28.27 | 6 |
| AP9150430 | 29.42 | 1 | CO8413070 | 28.27 | 25 |
| AP9150431 | 29.42 | 1 | CO8418059 | 28.27 | 1 |
| AP9150432 | 29.42 | 1 | GU01103090 | 28.12 | 17 |
| AP9150433 | 29.42 | 1 | | | |
| AP9150434 | 29.42 | 1 | | | |
| AP9150435 | 29.34 | 8 | | | |
| AP9150436 | 29.38 | 4 | | | |
| AP9150437 | 29.38 | 3 | | | |
| AP9150439 | 29.34 | 26 | | | |
| AP9150440 | 29.34 | 12 | | | |
| AP9150441 | 29.34 | 13 | | | |
| AP9150442 | 29.34 | 14 | | | |
| AP9150443 | 29.36 | 22 | | | |
| AP9150443 | 29.52 | 10 | | | |
| AP9150446 | 29.53 | 4 | | | |
| AP9150448 | 29.43 | 5 | | | |
| AP9150450 | 29.44 | 5 | | | |
| AP9150451 | 29.55 | 9 | | | |
| AP9150454 | 29.38 | 12 | | | |
| AP9150455 | 29.38 | 12 | | | |
| AP9150456 | 29.34 | 11 | | | |
| AP9150457 | 29.34 | 11 | | | |
| AP9150461 | 29.36 | 10 | | | |
| AP9150462 | 29.47 | 24 | | | |
| AP9150463 | 29.36 | 18 | | | |
| AP9150464 | 29.52 | 8 | | | |
| AP9150469 | 29.40 | 14 | | | |
| AP9150471 | 29.34 | 22 | | | |
| AP9150472 | 29.37 | 23 | | | |
| AP9150473 | 29.35 | 17 | | | |
| AP9150476 | 29.37 | 10 | | | |
| AP9150477 | 29.37 | 15 | | | |
| AP9150479 | 29.47 | 20 | | | |
| AP9150483 | 29.45 | 6 | | | |
| AP9150484 | 29.52 | 1 | | | |
| AP9150489 | 29.34 | 6 | | | |
| AP9150490 | 29.33 | 15 | | | |
| AP9150491 | 29.33 | 15 | | | |
| AP9150492 | 29.33 | 16 | | | |
| AP9150493 | 29.33 | 17 | | | |
| AP9150500 | 29.53 | 10 | | | |
| AP9150506 | 29.43 | 13 | | | |
| AP9150506 | 29.44 | 13 | | | |
| AP9150507 | 29.43 | 14 | | | |
| AP9150508 | 29.44 | 14 | | | |
| AP9150522 | 29.35 | 19 | | | |
| AP9150524 | 29.35 | 5 | | | |
| AP9150525 | 29.38 | 6 | | | |
| AP9150526 | 29.34 | 32 | | | |

| | |
|---------------------|--------|
| Einheit | RAHMEN |
| Code | 28.01 |
| Beschreibung | Rahmen |
| Inspektion | 1 |



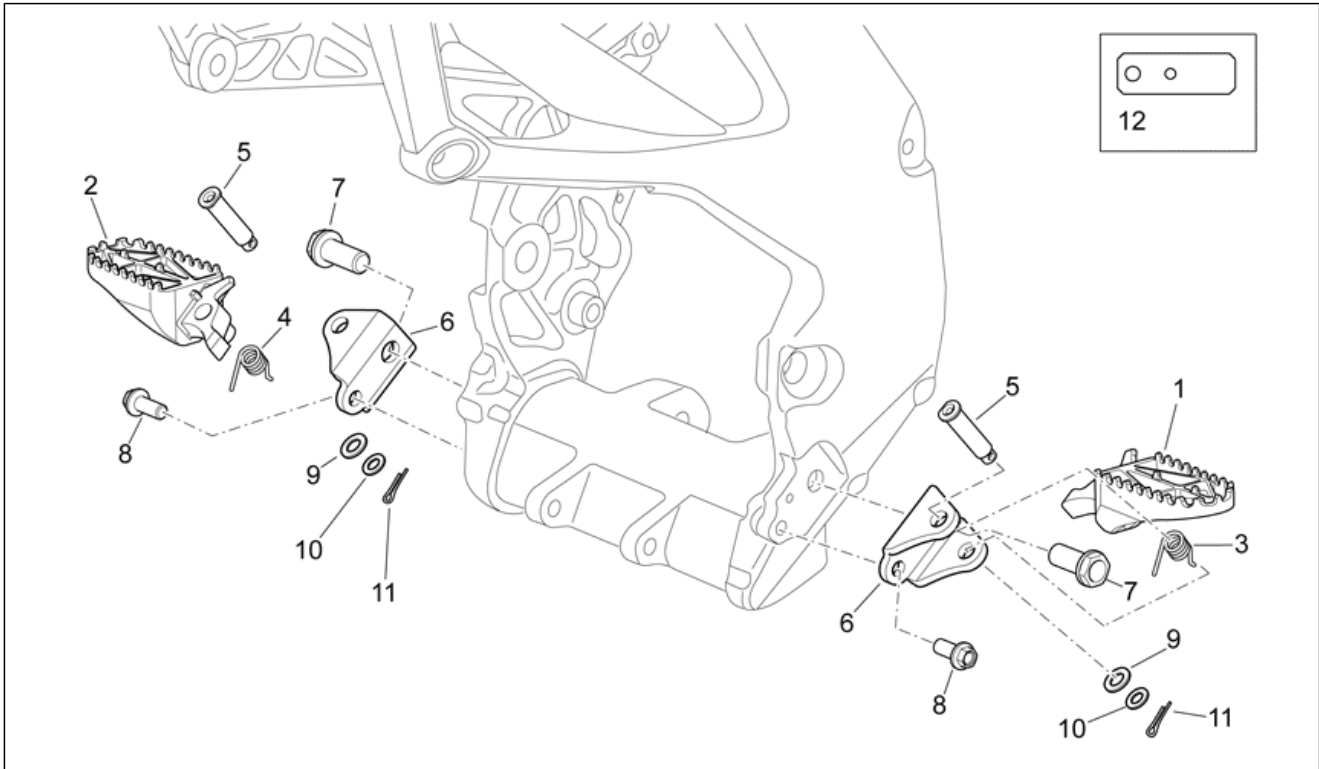
| Pos. | Code | Beschreibung | Menge | Varianten |
|------|-----------|------------------------------------|-------|---|
| 1 | 855308 | Rahmen | 1 | Technische Daten: Version Enduro Merriman[MR] |
| 1 | 855334 | Rahmen | 1 | Technische Daten: Version Motard Van De Bosch[VDB] |
| 2 | AP9100766 | Platte | 1 | |
| 3 | 851495 | Kabel | 1 | Technische Daten: Version Enduro Merriman[MR] |
| 3 | AP9100770 | Kabel | 1 | Technische Daten: Version Motard Van De Bosch[VDB] |
| 4 | AP9100173 | Kettenrolle schwarz | 1 | |
| 5 | AP9100174 | Distanzscheibe | 1 | |
| 6 | AP9100175 | Kugellager 8x22x7 | 2 | |
| 7 | 853534 | TE Schr. m. Flansch M8x35 titan | 1 | Technische Daten: Version Motard Van De Bosch[VDB] |
| 7 | AP8152289 | TE Schr. m. Flansch | 1 | Technische Daten: Version Enduro Merriman[MR] |
| 8 | AP9100688 | Unt. Kettengleitführung | 1 | |
| 9 | 853536 | TE Schr. m. Flansch M5x12 titan | 1 | Technische Daten: Version Motard Van De Bosch[VDB] |
| 9 | AP8152272 | TE Schr. m. Flansch M5x12 | 1 | Technische Daten: Version Enduro Merriman[MR] |
| 10 | AP8120253 | Distanzscheibe | 1 | |
| 11 | 853537 | TE Schr. m. Flansch M5x20 titan | 1 | Technische Daten: Version Motard Van De Bosch[VDB] |
| 11 | AP8152275 | TE Schr. m. Flansch M5x25 | 1 | Technische Daten: Version Enduro Merriman[MR] |
| 12 | AP8120313 | Distanzscheibe H11,5 | 1 | Technische Daten: Version Motard Van De Bosch[VDB] |
| 12 | AP9100724 | Distanzscheibe | 1 | Technische Daten: Version Enduro Merriman[MR] |
| 13 | 855309 | Sattelstütze | 1 | Technische Daten: Version Enduro Merriman[MR] |
| 13 | 855337 | Sattelstütze | 1 | Technische Daten: Version Motard Van De Bosch[VDB] |
| 14 | 853533 | TE Schr. m. Flansch M10x1,25 titan | 4 | Technische Daten: Version Motard Van De Bosch[VDB] |
| 14 | AP9100389 | TE Schr. m. Flansch M10x1,25 | 4 | Technische Daten: Version Enduro Merriman[MR] |
| 15 | AP8144538 | Dichtung | 2 | |
| 16 | AP8150159 | Ausgleichscheibe 4,3x16* | 3 | |
| 17 | AP8150204 | Mutter M4 | 3 | |
| 18 | AP9100243 | Wärmeschutz | 1 | |
| 19 | AP9100769 | TBEI Schraube M4x10 inox | 1 | |
| 20 | AP9100768 | Schraube M4x12 | 2 | |

| | |
|---------------------|--------|
| Einheit | RAHMEN |
| Code | 28.01 |
| Beschreibung | Rahmen |
| Inspektion | 1 |



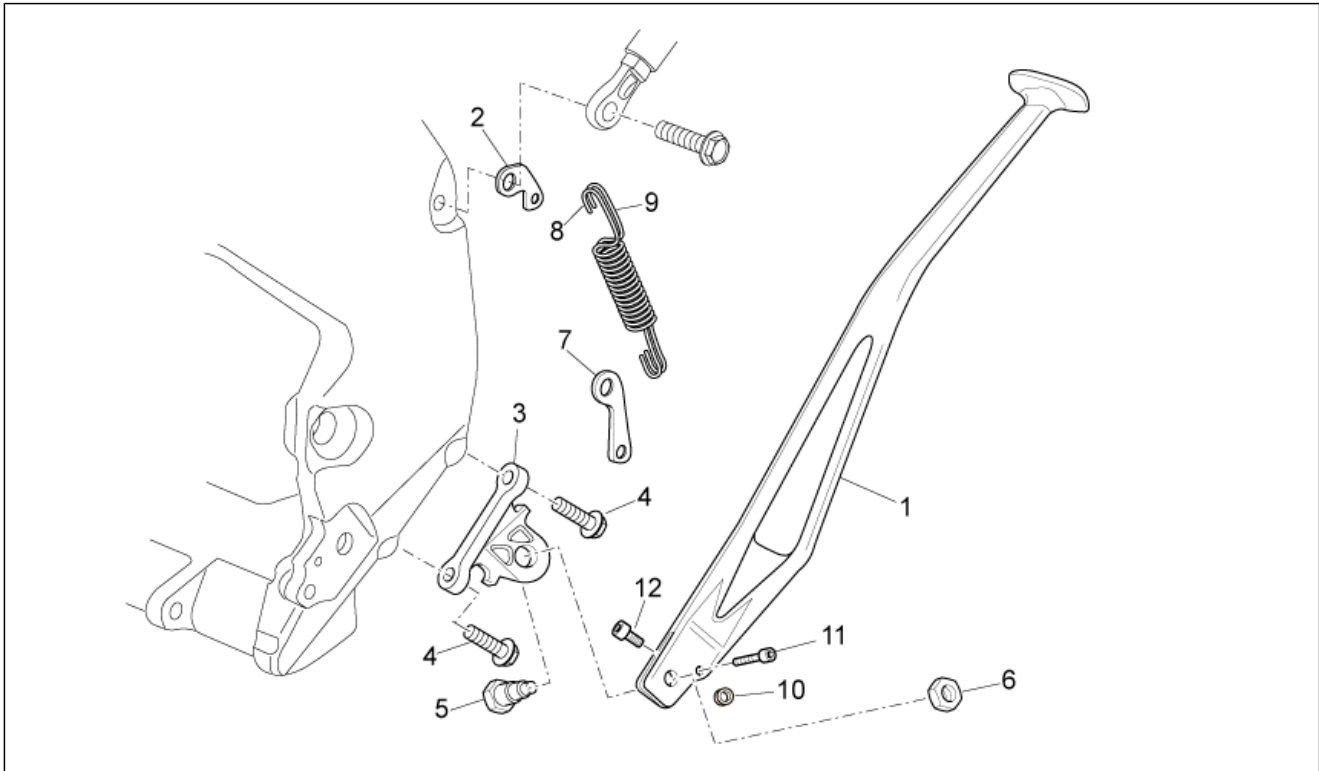
| Pos. | Code | Beschreibung | Menge | Varianten |
|------|--------|---------------------------------|-------|---|
| 21 | 853535 | TE Schr. m. Flansch M8x30 titan | 1 | Technische Daten:Version Motard Van De Bosch[VDB] |

| | |
|---------------------|------------|
| Einheit | RAHMEN |
| Code | 28.02 |
| Beschreibung | Fussrasten |
| Inspektion | 1 |



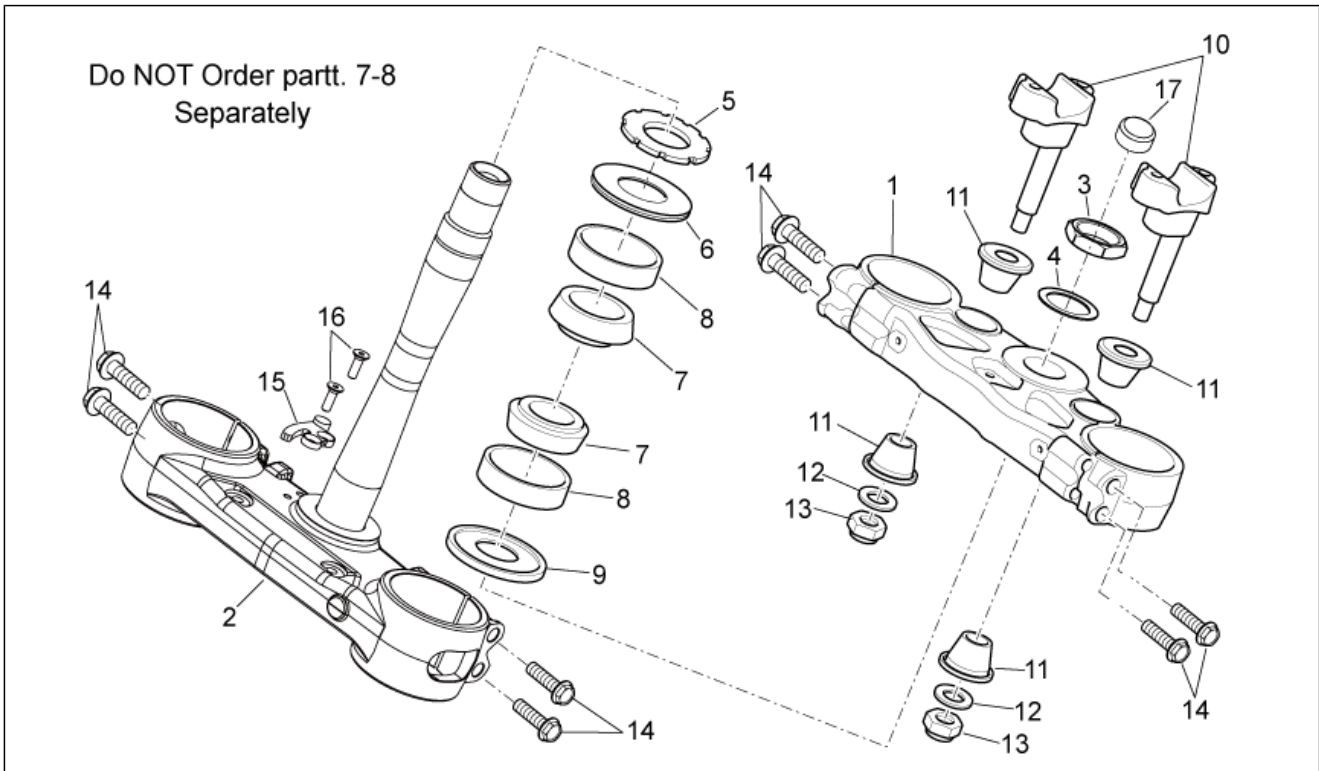
| Pos. | Code | Beschreibung | Menge | Varianten |
|------|-----------|-----------------------------|-------|---|
| 1 | 853538 | Soziusraste links | 1 | Technische Daten: Version Motard Van De Bosch[VDB] |
| 1 | AP9100193 | Soziusraste links | 1 | Technische Daten: Version Enduro Merriman[MR] |
| 2 | 853539 | Soziusraste rechts | 1 | Technische Daten: Version Motard Van De Bosch[VDB] |
| 2 | AP9100194 | Soziusraste rechts | 1 | Technische Daten: Version Enduro Merriman[MR] |
| 3 | AP9100195 | Feder links | 1 | |
| 4 | AP9100196 | Feder rechts | 1 | |
| 5 | 853540 | Bolzen | 2 | Technische Daten: Version Motard Van De Bosch[VDB] |
| 5 | AP9100197 | Bolzen | 2 | Technische Daten: Version Enduro Merriman[MR] |
| 6 | 853541 | Halterung Fußraste | 2 | Technische Daten: Version Motard Van De Bosch[VDB] |
| 6 | AP9100275 | Halterung Fußraste | 2 | Technische Daten: Version Enduro Merriman[MR] |
| 7 | AP9100390 | Schraube M12x1,25 | 2 | |
| 8 | AP8152286 | TE Schr. m. Flansch M8x20 | 2 | |
| 9 | AP8152176 | Ausgleichscheibe 10,5X18X2* | 2 | |
| 10 | AP8150017 | Ausgleichscheibe 8,4x16x1,6 | 2 | |
| 11 | AP8101606 | Splint | 2 | |
| 12 | 855269 | L.inn.Rahmenblech platte | 2 | Technische Daten: Version Enduro Merriman[MR] |

| | |
|---------------------|--------------|
| Einheit | RAHMEN |
| Code | 28.03 |
| Beschreibung | Hauptständer |
| Inspektion | 1 |



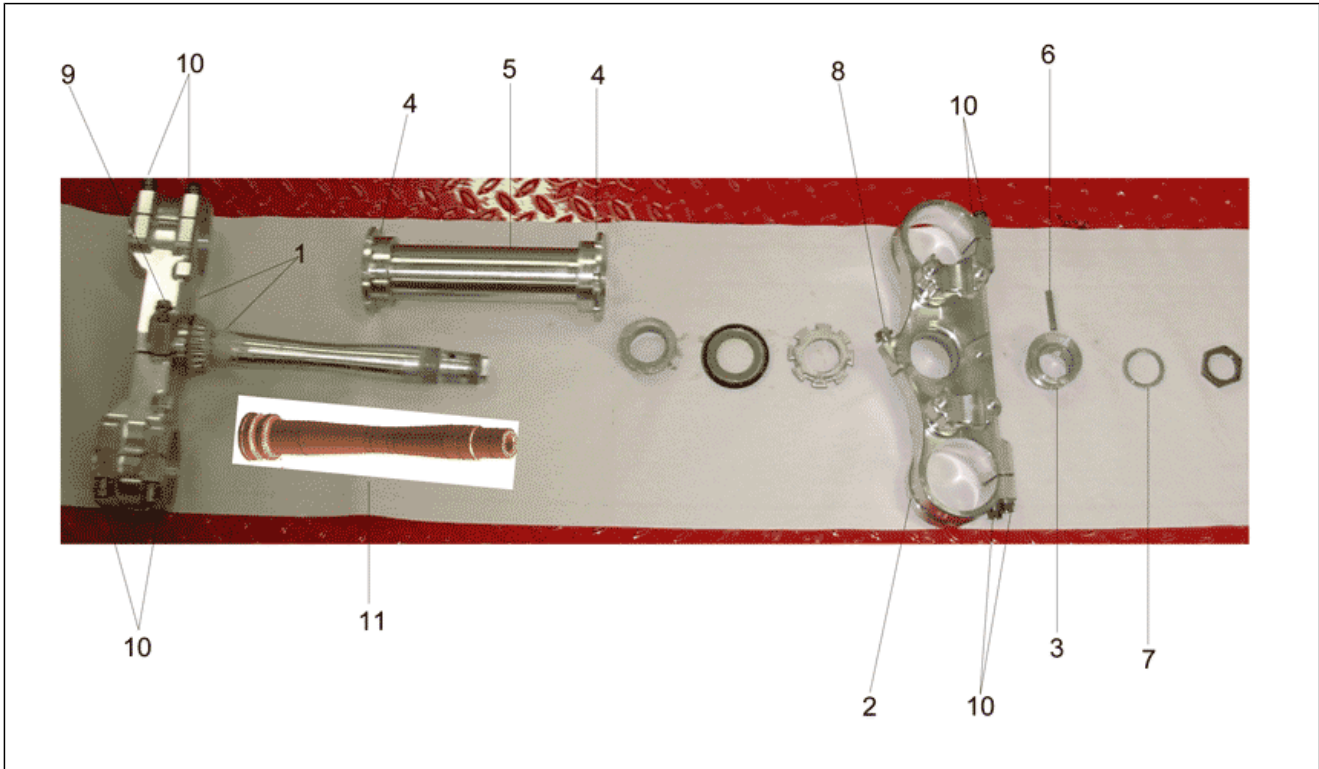
| Pos. | Code | Beschreibung | Menge | Varianten |
|------|-----------|-----------------------|-------|---|
| 1 | AP9100834 | Hauptständer | 1 | Technische Daten: Version Enduro Merriman[MR] |
| 1 | AP9100835 | Hauptständer | 1 | Technische Daten: Version Motard Van De Bosch[VDB] |
| 2 | AP9100964 | Platte | 1 | |
| 3 | AP9100419 | Hauptständer platte | 1 | |
| 4 | 851280 | TE Schr. m. Flansch | 2 | |
| 5 | AP8161006 | Ständerschraube | 1 | |
| 6 | AP8152001 | Mutter unten M10x1,25 | 1 | |
| 7 | AP9100223 | Rückholplatte Ständer | 1 | |
| 8 | AP9100668 | Außere Feder | 1 | |
| 9 | AP9100669 | Innere Feder | 1 | |
| 10 | AP9100836 | Buchse 8x5x7,8 | 1 | |
| 11 | AP8150051 | TCEI Schraube | 1 | |
| 12 | AP8152123 | TCEI Schraube | 1 | |

| | |
|---------------------|-----------|
| Einheit | RAHMEN |
| Code | 28.04 |
| Beschreibung | Lenkung I |
| Inspektion | 1 |



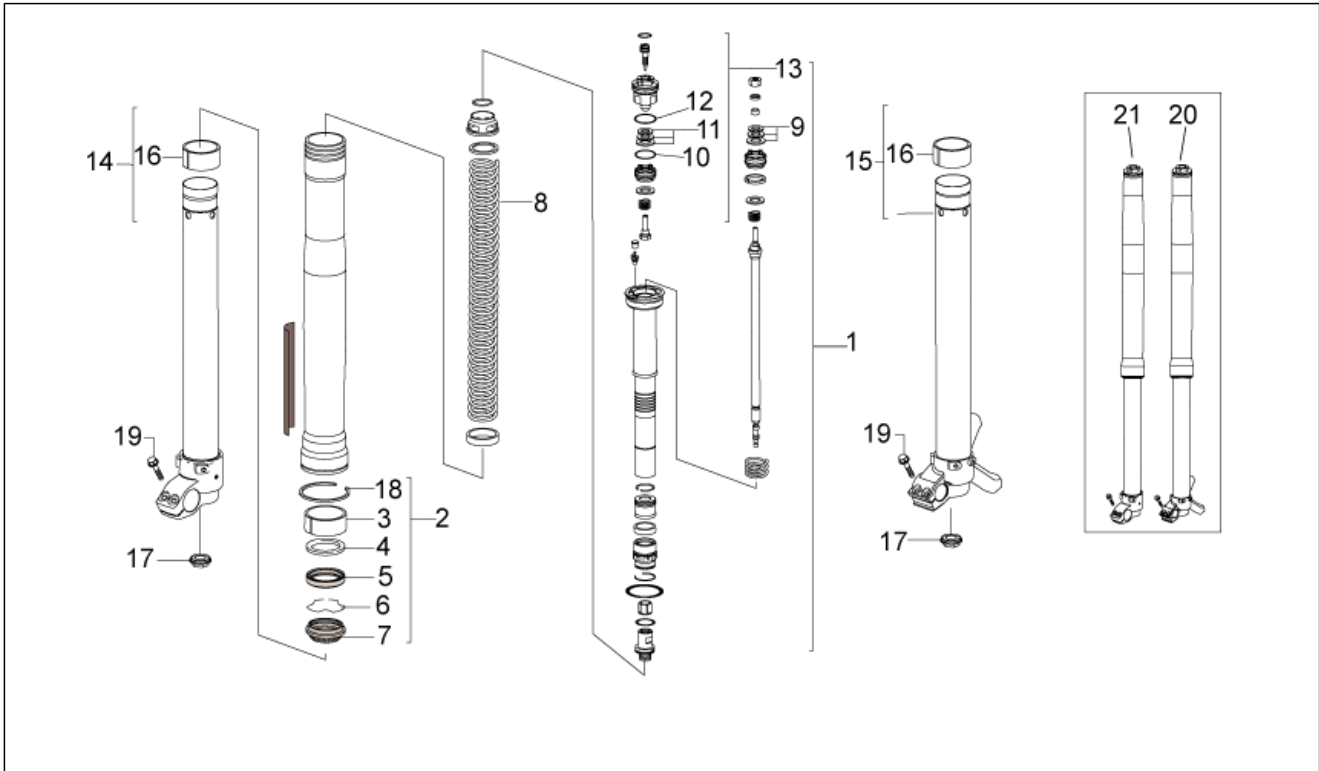
| Pos. | Code | Beschreibung | Menge | Varianten |
|------|-----------|-------------------------------|-------|--|
| 1 | 855312 | Obere Platte | 1 | Technische Daten:Version Enduro Merriman[MR] |
| 2 | 855313 | Fuß mit Rohr | 1 | Technische Daten:Version Enduro Merriman[MR] |
| 3 | AP9100026 | Bolzen Mutter | 1 | Technische Daten:Version Enduro Merriman[MR] |
| 4 | AP9100028 | Ausgleichscheibe 26,5x36x1 | 1 | Technische Daten:Version Enduro Merriman[MR] |
| 5 | AP9100021 | Nutmutter | 1 | Technische Daten:Version Enduro Merriman[MR] |
| 6 | AP9100204 | Ob.Dichtring | 1 | Technische Daten:Version Enduro Merriman[MR] |
| 7 | 851029 | Anlaufscheibe | 2 | Technische Daten:Version Enduro Merriman[MR] |
| 8 | 851030 | Lager | 2 | Technische Daten:Version Enduro Merriman[MR] |
| 9 | AP9100205 | Un.Dichtring | 1 | Technische Daten:Version Enduro Merriman[MR] |
| 10 | AP9100293 | Unter.Bügelbolzen | 2 | |
| 11 | AP9100412 | Schwingschutzlager | 4 | |
| 12 | AP9100776 | Ausgleichscheibe 10.1x23x2.5 | 2 | |
| 13 | AP9100439 | Selbstsperr.Mut.Unt. M10x1,25 | 2 | |
| 14 | AP8152290 | TE Schr. m. Flansch M8x40 | 8 | Technische Daten:Version Enduro Merriman[MR] |
| 15 | 855177 | Platte | 1 | Technische Daten:Version Enduro Merriman[MR] |
| 16 | AP8150064 | Schraube | 2 | Technische Daten:Version Enduro Merriman[MR] |
| 17 | AP8144516 | Griff Verschluss | 1 | Technische Daten:Version Enduro Merriman[MR] |

| | |
|---------------------|------------|
| Einheit | RAHMEN |
| Code | 28.05 |
| Beschreibung | Lenkung II |
| Inspektion | 1 |



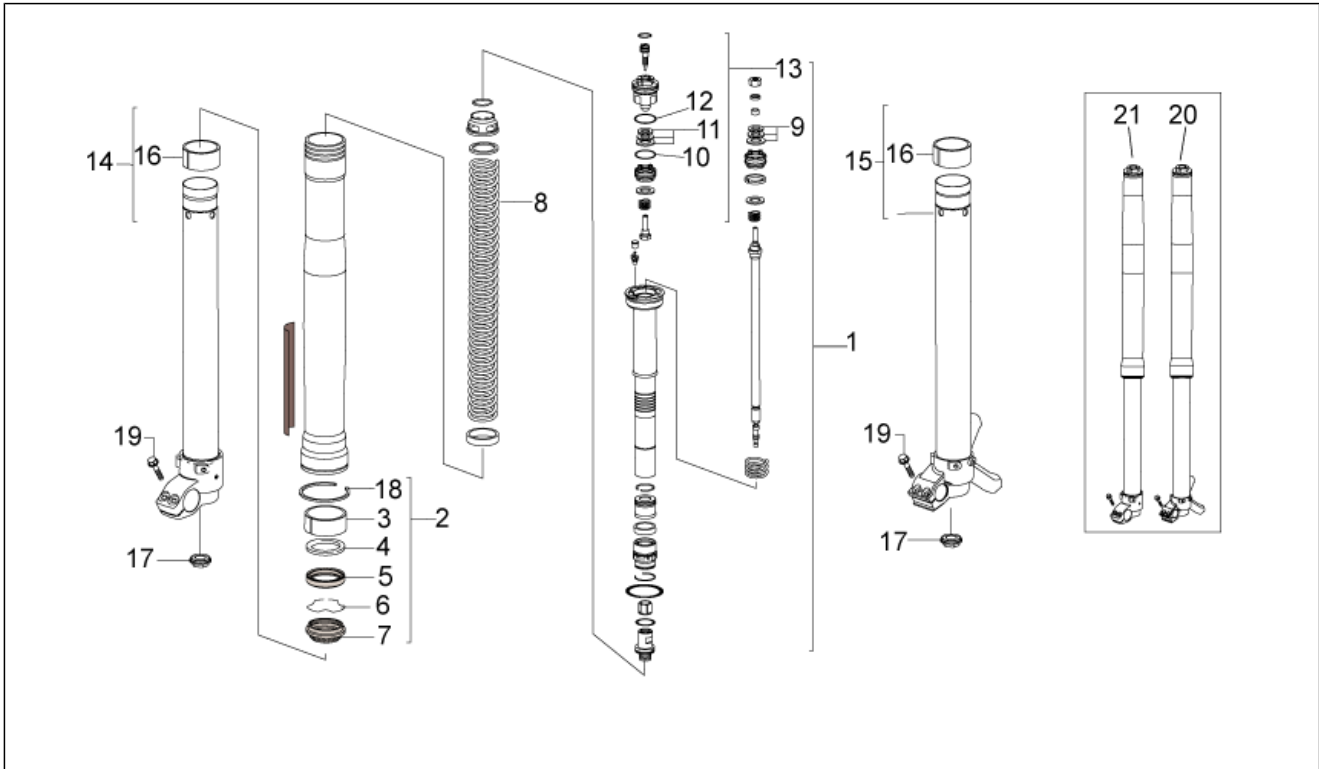
| Pos. | Code | Beschreibung | Menge | Varianten |
|------|--------|----------------------------------|-------|---|
| 1 | 853559 | Fuß mit Rohr | 1 | Technische Daten:Version Motard Van De Bosch[VDB] |
| 2 | 853556 | Obere Platte | 1 | Technische Daten:Version Motard Van De Bosch[VDB] |
| 3 | 853557 | ExzenterBuchse offset | 1 | Technische Daten:Version Motard Van De Bosch[VDB] |
| 3 | 853804 | ZentriertBuchse offset | 1 | Technische Daten:Version Motard Van De Bosch[VDB] |
| 4 | 853554 | LenkungBuchse 1° | 2 | Technische Daten:Version Motard Van De Bosch[VDB] |
| 4 | 853926 | LenkungBuchse 0° | 1 | Technische Daten:Version Motard Van De Bosch[VDB] |
| 5 | 853568 | Leitung | 1 | Technische Daten:Version Motard Van De Bosch[VDB] |
| 6 | 853642 | Stift | 1 | Technische Daten:Version Motard Van De Bosch[VDB] |
| 7 | 853561 | Ausgleichscheibe 50x31x7 | 1 | Technische Daten:Version Motard Van De Bosch[VDB] |
| 8 | 853821 | TCCE Schraube m8x45 titan | 1 | Technische Daten:Version Motard Van De Bosch[VDB] |
| 9 | 853822 | TCEI Schraube m8x55 zincata 12.9 | 1 | Technische Daten:Version Motard Van De Bosch[VDB] |
| 10 | 853570 | TE Schr. m. Flansch M8x40 titan | 8 | Technische Daten:Version Motard Van De Bosch[VDB] |
| 11 | 853803 | Bolzen | 1 | Technische Daten:Version Motard Van De Bosch[VDB] |

| | |
|---------------------|---------|
| Einheit | RAHMEN |
| Code | 28.06 |
| Beschreibung | Gabel I |
| Inspektion | 1 |



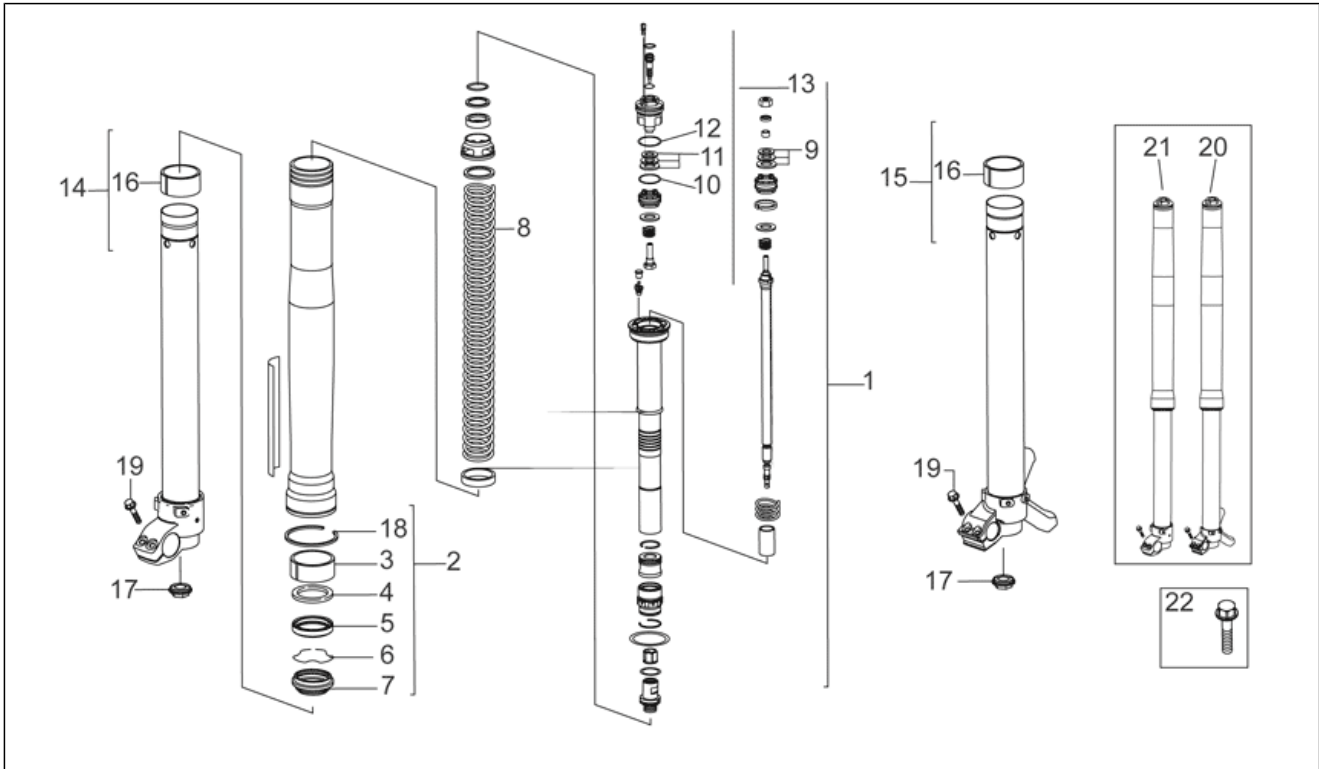
| Pos. | Code | Beschreibung | Menge | Varianten |
|------|-----------|--------------------------|-------|--|
| 1 | 855667 | Pumpenrad kplt. | 1 | Technische Daten:Version Enduro Merriman[MR] |
| 2 | 853981 | Hülse kplt. | 1 | Technische Daten:Version Enduro Merriman[MR] |
| 3 | 853982 | Obere Buchse 50x15 | 1 | Technische Daten:Version Enduro Merriman[MR] |
| 4 | AP8163069 | Ring | 1 | Technische Daten:Version Enduro Merriman[MR] |
| 5 | AP8163070 | Ölabstreifring | 2 | Technische Daten:Version Enduro Merriman[MR] |
| 6 | AP8163071 | Sperring | 2 | Technische Daten:Version Enduro Merriman[MR] |
| 7 | AP8163072 | Staubschutz | 2 | Technische Daten:Version Enduro Merriman[MR] |
| 8 | 855660 | Feder | 2 | Technische Daten:Version Enduro Merriman[MR] |
| 9 | 853992 | Scheibe 11x8,1x0,2 | 4 | Technische Daten:Version Enduro Merriman[MR] |
| 9 | 855668 | Scheibe 22x8,1x0,3 | 2 | Technische Daten:Version Enduro Merriman[MR] |
| 9 | 855669 | Scheibe 22x8,1x0,1 | 4 | Technische Daten:Version Enduro Merriman[MR] |
| 9 | 855670 | Scheibe 12x8,1x0,2 | 4 | Technische Daten:Version Enduro Merriman[MR] |
| 9 | 855671 | Scheibe 13x8,1x0,2 | 4 | Technische Daten:Version Enduro Merriman[MR] |
| 9 | AP8223074 | Scheibe 17x8.1x0.1 | 2 | Technische Daten:Version Enduro Merriman[MR] |
| 10 | 853989 | O-Ring 21,95x1,78 | 4 | Technische Daten:Version Enduro Merriman[MR] |
| 11 | 853990 | Scheibe 19x8,1x0,1 | 2 | Technische Daten:Version Enduro Merriman[MR] |
| 11 | 853991 | Scheibe 14x8,1x0,1 | 2 | Technische Daten:Version Enduro Merriman[MR] |
| 11 | 855672 | Scheibe 15x8,1x0,1 | 4 | Technische Daten:Version Enduro Merriman[MR] |
| 11 | 855673 | Scheibe 21x8,1x0,1 | 2 | Technische Daten:Version Enduro Merriman[MR] |
| 11 | 855674 | Scheibe 16x8,1x0,1 | 2 | Technische Daten:Version Enduro Merriman[MR] |
| 11 | 855675 | Scheibe 18x8,1x0,1 | 2 | Technische Daten:Version Enduro Merriman[MR] |
| 11 | 855681 | Scheibe 22x8,1x0,1 | 2 | Technische Daten:Version Enduro Merriman[MR] |
| 11 | AP8163406 | Scheibe 23x8.1x0.1 | 16 | Technische Daten:Version Enduro Merriman[MR] |
| 11 | AP8223074 | Scheibe 17x8.1x0.1 | 2 | Technische Daten:Version Enduro Merriman[MR] |
| 11 | AP8223075 | Scheibe 20x8.1x0.1 | 2 | Technische Daten:Version Enduro Merriman[MR] |
| 12 | 853996 | O-Ring 28,3x1,78 | 2 | Technische Daten:Version Enduro Merriman[MR] |
| 13 | 855676 | Verschlussschraube kplt. | 2 | Technische Daten:Version Enduro Merriman[MR] |
| 14 | 855677 | Klb.st.+ Radhltr. rch. | 1 | Technische Daten:Version Enduro Merriman[MR] |

| | |
|---------------------|---------|
| Einheit | RAHMEN |
| Code | 28.06 |
| Beschreibung | Gabel I |
| Inspektion | 1 |



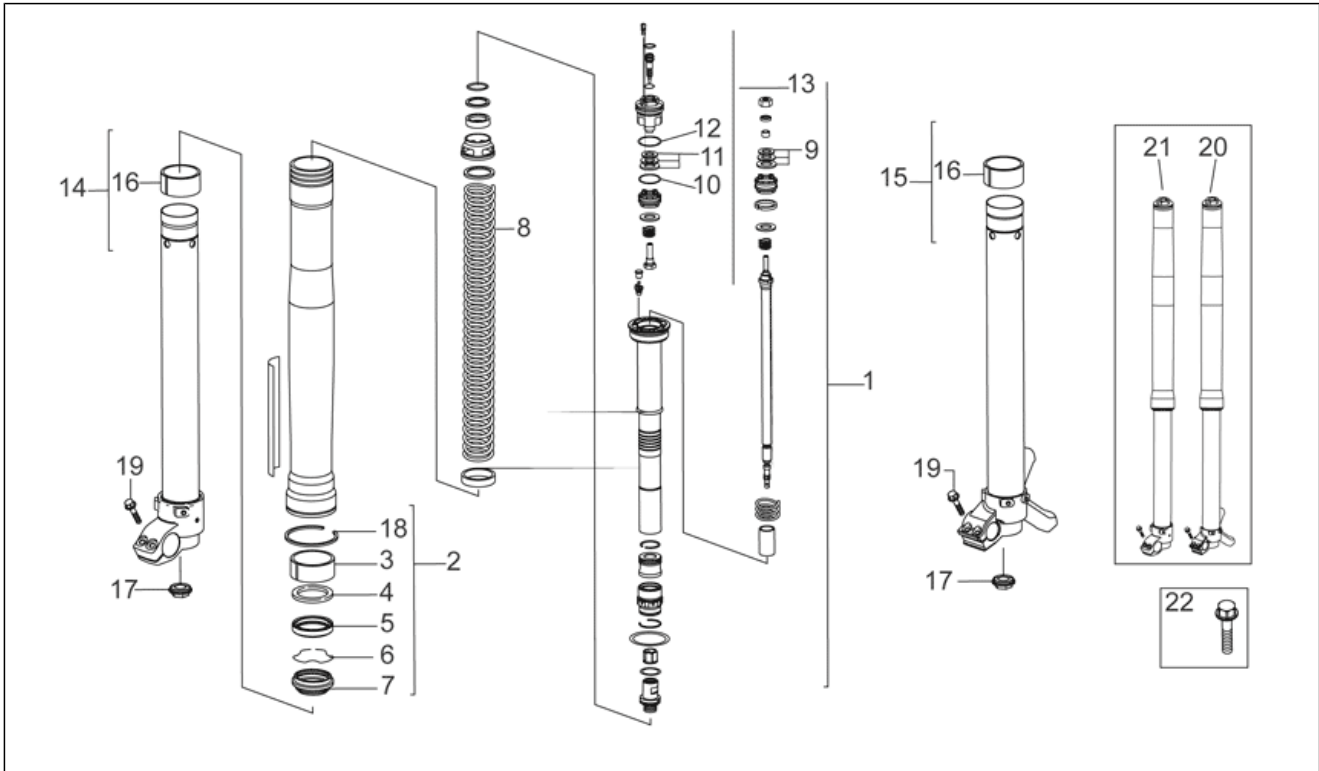
| Pos. | Code | Beschreibung | Menge | Varianten |
|------|--------|--------------------------|-------|--|
| 15 | 855678 | Klb.st.+ Radhltr. lks. | 1 | Technische Daten:Version Enduro Merriman[MR] |
| 16 | 854000 | Untere Buchse | 2 | Technische Daten:Version Enduro Merriman[MR] |
| 17 | 855000 | Mutter | 2 | Technische Daten:Version Enduro Merriman[MR] |
| 18 | 855001 | Sperring d.62x2,0 | 2 | Technische Daten:Version Enduro Merriman[MR] |
| 19 | 855679 | TE Schr. m. Flansch | 4 | Technische Daten:Version Enduro Merriman[MR] |
| 20 | 855311 | Kolbenstange links kpl. | 1 | Technische Daten:Version Enduro Merriman[MR] |
| 21 | 855310 | Kolbenstange rechts kpl. | 1 | Technische Daten:Version Enduro Merriman[MR] |

| | |
|---------------------|----------|
| Einheit | RAHMEN |
| Code | 28.07 |
| Beschreibung | Gabel II |
| Inspektion | 1 |



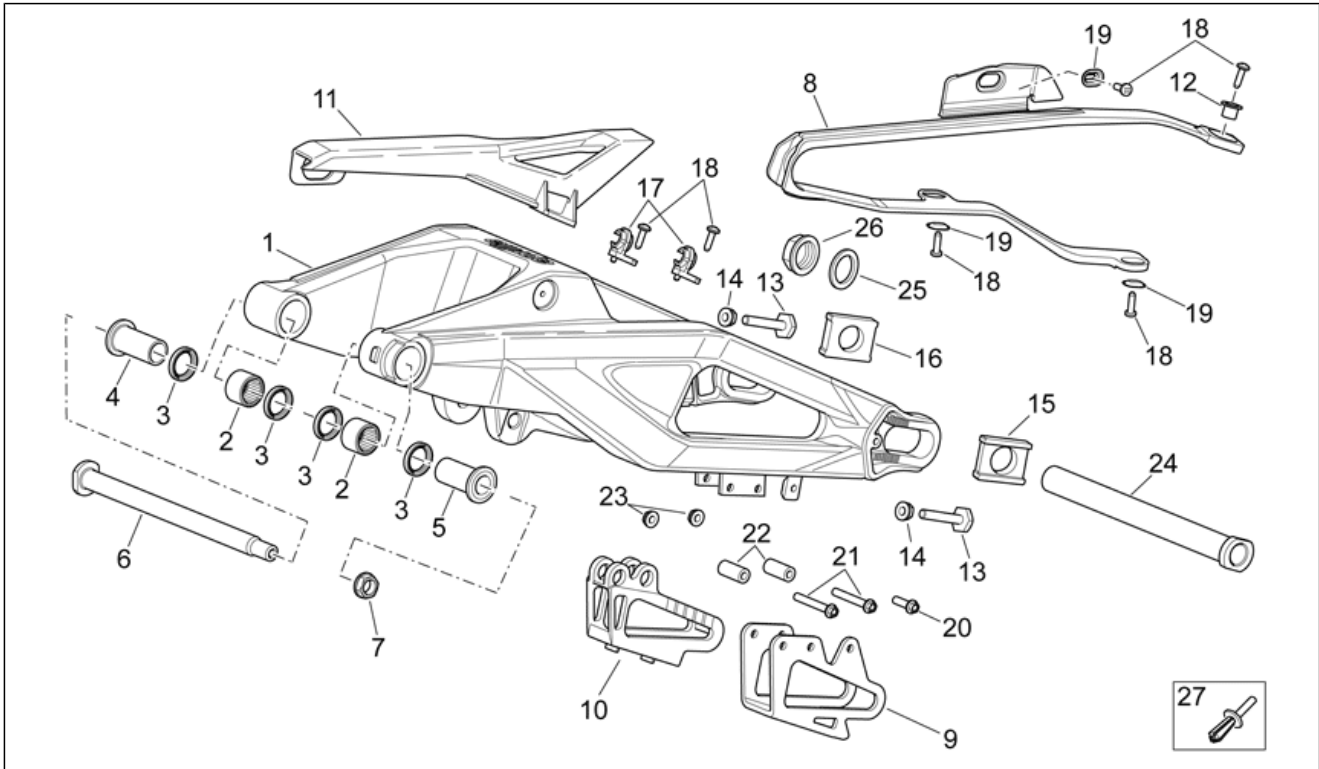
| Pos. | Code | Beschreibung | Menge | Varianten |
|------|-----------|-------------------------|-------|---|
| 1 | 853980 | Pumpenrad kplt. | 1 | Technische Daten: Version Motard Van De Bosch[VDB] |
| 2 | 853981 | Hülse kplt. | 1 | Technische Daten: Version Motard Van De Bosch[VDB] |
| 3 | 853982 | Obere Buchse 50x15 | 1 | Technische Daten: Version Motard Van De Bosch[VDB] |
| 4 | 853983 | Becher 63x51x3 | 1 | Technische Daten: Version Motard Van De Bosch[VDB] |
| 5 | AP8163070 | Ölabstreifring | 2 | Technische Daten: Version Motard Van De Bosch[VDB] |
| 6 | AP8163071 | Sperring | 2 | Technische Daten: Version Motard Van De Bosch[VDB] |
| 7 | AP8163072 | Staubschutz | 2 | Technische Daten: Version Motard Van De Bosch[VDB] |
| 8 | 853984 | Feder | 2 | Technische Daten: Version Motard Van De Bosch[VDB] |
| 9 | 853985 | Scheibe 19x8,1x0,15 | 2 | Technische Daten: Version Motard Van De Bosch[VDB] |
| 9 | 853986 | Scheibe 14x8,1x0,1 | 2 | Technische Daten: Version Motard Van De Bosch[VDB] |
| 9 | 853987 | Scheibe 15x8,1x0,15 | 2 | Technische Daten: Version Motard Van De Bosch[VDB] |
| 9 | 853988 | Scheibe 21x8,1x0,15 | 2 | Technische Daten: Version Motard Van De Bosch[VDB] |
| 9 | AP8163407 | Scheibe 17x8.1x0.15 | 2 | Technische Daten: Version Motard Van De Bosch[VDB] |
| 9 | AP8223076 | Scheibe 23x8.1x0.15 | 2 | Technische Daten: Version Motard Van De Bosch[VDB] |
| 10 | 853989 | O-Ring 21,95x1,78 | 2 | Technische Daten: Version Motard Van De Bosch[VDB] |
| 11 | 853990 | Scheibe 19x8,1x0,1 | 2 | Technische Daten: Version Motard Van De Bosch[VDB] |
| 11 | 853991 | Scheibe 14x8,1x0,1 | 2 | Technische Daten: Version Motard Van De Bosch[VDB] |
| 11 | 853992 | Scheibe 11x8,1x0,2 | 2 | Technische Daten: Version Motard Van De Bosch[VDB] |
| 11 | 853993 | Scheibe 12x8,1x0,15 | 2 | Technische Daten: Version Motard Van De Bosch[VDB] |
| 11 | 853994 | Scheibe 15x8,1x0,15 | 2 | Technische Daten: Version Motard Van De Bosch[VDB] |
| 11 | 853995 | Scheibe 21x8,1x0,15 | 2 | Technische Daten: Version Motard Van De Bosch[VDB] |
| 11 | AP8163342 | Scheibe 23x8,1x0,2 | 4 | Technische Daten: Version Motard Van De Bosch[VDB] |
| 11 | AP8223074 | Scheibe 17x8.1x0.1 | 2 | Technische Daten: Version Motard Van De Bosch[VDB] |
| 12 | 853996 | O-Ring 28,3x1,78 | 2 | Technische Daten: Version Motard Van De Bosch[VDB] |
| 13 | 853997 | Verschlußschraube kplt. | 2 | Technische Daten: Version Motard Van De Bosch[VDB] |
| 14 | 853998 | Klb.st.+ Radhltr. rch. | 1 | Technische Daten: Version Motard Van De Bosch[VDB] |
| 15 | 853999 | Klb.st.+ Radhltr. lks. | 1 | Technische Daten: Version Motard Van De Bosch[VDB] |
| 16 | 854000 | Untere Buchse | 2 | Technische Daten: Version Motard Van De Bosch[VDB] |

| | |
|---------------------|----------|
| Einheit | RAHMEN |
| Code | 28.07 |
| Beschreibung | Gabel II |
| Inspektion | 1 |



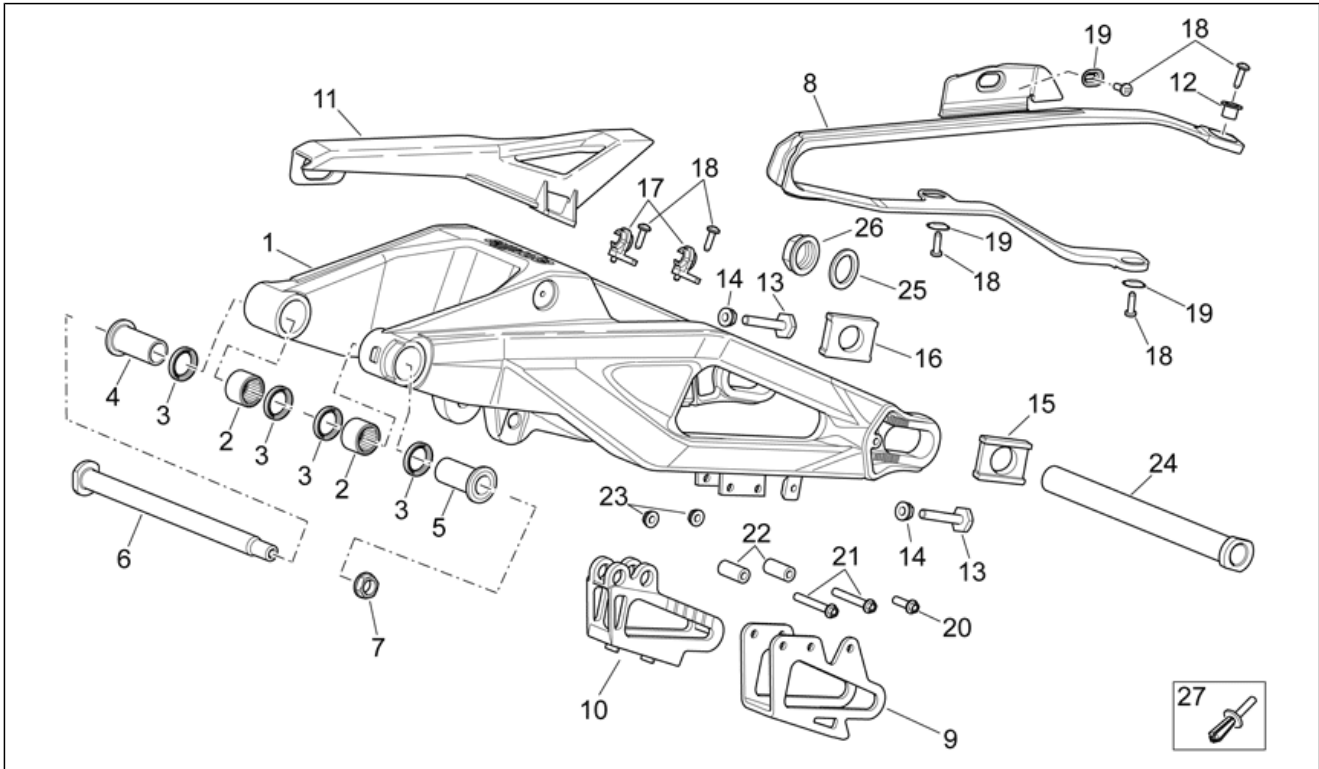
| Pos. | Code | Beschreibung | Menge | Varianten |
|------|--------|--------------------------|-------|---|
| 17 | 855000 | Mutter | 2 | Technische Daten: Version Motard Van De Bosch[VDB] |
| 18 | 855001 | Sperring d.62x2,0 | 2 | Technische Daten: Version Motard Van De Bosch[VDB] |
| 19 | 855002 | TE Schr. m. Flansch | 4 | Technische Daten: Version Motard Van De Bosch[VDB] |
| 20 | 853562 | Kolbenstange links kpl. | 1 | Technische Daten: Version Motard Van De Bosch[VDB] |
| 21 | 853563 | Kolbenstange rechts kpl. | 1 | Technische Daten: Version Motard Van De Bosch[VDB] |
| 22 | 853571 | TE Schr. m. Flansch | 4 | Technische Daten: Version Motard Van De Bosch[VDB] |

| | |
|---------------------|----------|
| Einheit | RAHMEN |
| Code | 28.08 |
| Beschreibung | Schwinge |
| Inspektion | 1 |



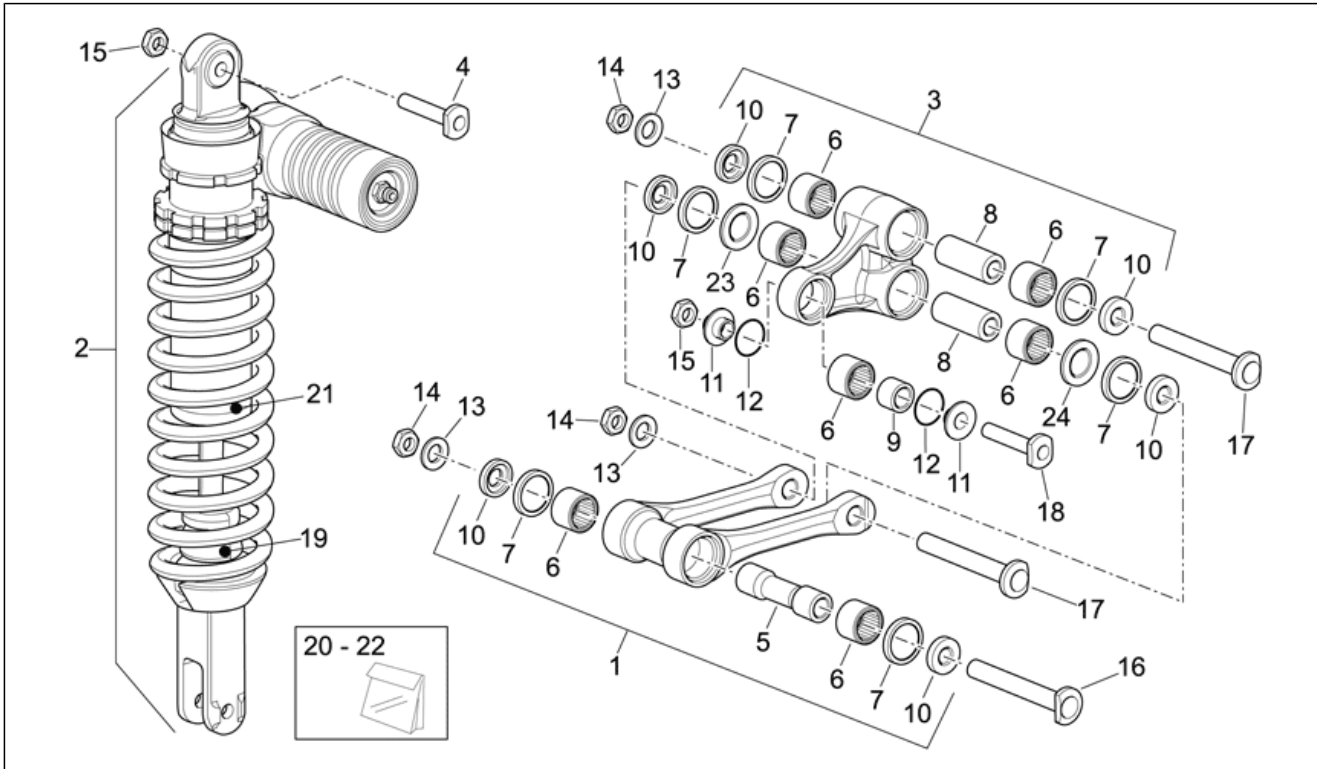
| Pos. | Code | Beschreibung | Menge | Varianten |
|------|-----------|---|-------|---|
| 1 | 855263 | Schwinge | 1 | Technische Daten: Version Enduro Merriman[MR] |
| 1 | 855347 | Schwinge | 1 | Technische Daten: Version Motard Van De Bosch[VDB] |
| 2 | AP9100202 | Nadelkaefig 22x29x30 | 2 | |
| 3 | AP9100203 | Gasket ring 22x29x4 | 4 | |
| 4 | 853545 | Bolzen L=47,5 titan | 1 | Technische Daten: Version Motard Van De Bosch[VDB] |
| 4 | AP9100952 | Bolzen L=47,5 | 1 | Technische Daten: Version Enduro Merriman[MR] |
| 5 | 853546 | Bolzen L=59,5 titan | 1 | Technische Daten: Version Motard Van De Bosch[VDB] |
| 5 | AP9100952 | Bolzen L=47,5 | 1 | Technische Daten: Version Enduro Merriman[MR] |
| 6 | AP9100123 | Schwingenbolzen M14 L=244 | 1 | Technische Daten: Version Enduro Merriman[MR] |
| 6 | AP9100264 | Schwingenbolzen M14 L=256 | 1 | Technische Daten: Version Motard Van De Bosch[VDB] |
| 7 | AP8152244 | Mutter DAX geflanscht M14x1,5 | 1 | |
| 8 | AP9100061 | Gleitbacke | 1 | |
| 9 | 853697 | Kettenführung | 1 | Technische Daten: Version Motard Van De Bosch[VDB] |
| 9 | AP9100060 | Kettenführung | 1 | Technische Daten: Version Enduro Merriman[MR] |
| 10 | AP9100109 | Kettengleitführung | 1 | |
| 11 | AP9100435 | Kettenkasten | 1 | |
| 12 | AP9100616 | Buchse | 1 | |
| 13 | 853549 | Kettenspanner Schraube | 2 | Technische Daten: Version Motard Van De Bosch[VDB] |
| 13 | AP8152305 | Kettenspanner Schraube | 2 | Technische Daten: Version Enduro Merriman[MR] |
| 14 | 853550 | Mutter unten M8 titan | 2 | Technische Daten: Version Motard Van De Bosch[VDB] |
| 14 | AP8152262 | Mutter unten | 2 | Technische Daten: Version Enduro Merriman[MR] |
| 15 | 853802 | Kettenführung rechts | 1 | Technische Daten: Version Motard Van De Bosch[VDB] |
| 15 | AP8144444 | Kettenführung rechts | 1 | Technische Daten: Version Enduro Merriman[MR] |
| 16 | 853659 | Kettenführung links | 1 | Technische Daten: Version Motard Van De Bosch[VDB] |
| 16 | AP8144443 | Kettenführung links | 1 | Technische Daten: Version Enduro Merriman[MR] |
| 17 | AP9100565 | Bremskabelführung | 2 | |
| 18 | AP8150515 | Selbstschneidende Schraube Scheinwerferreg. | 6 | |
| 19 | AP8234020 | Becher | 3 | |

| | |
|---------------------|----------|
| Einheit | RAHMEN |
| Code | 28.08 |
| Beschreibung | Schwinge |
| Inspektion | 1 |



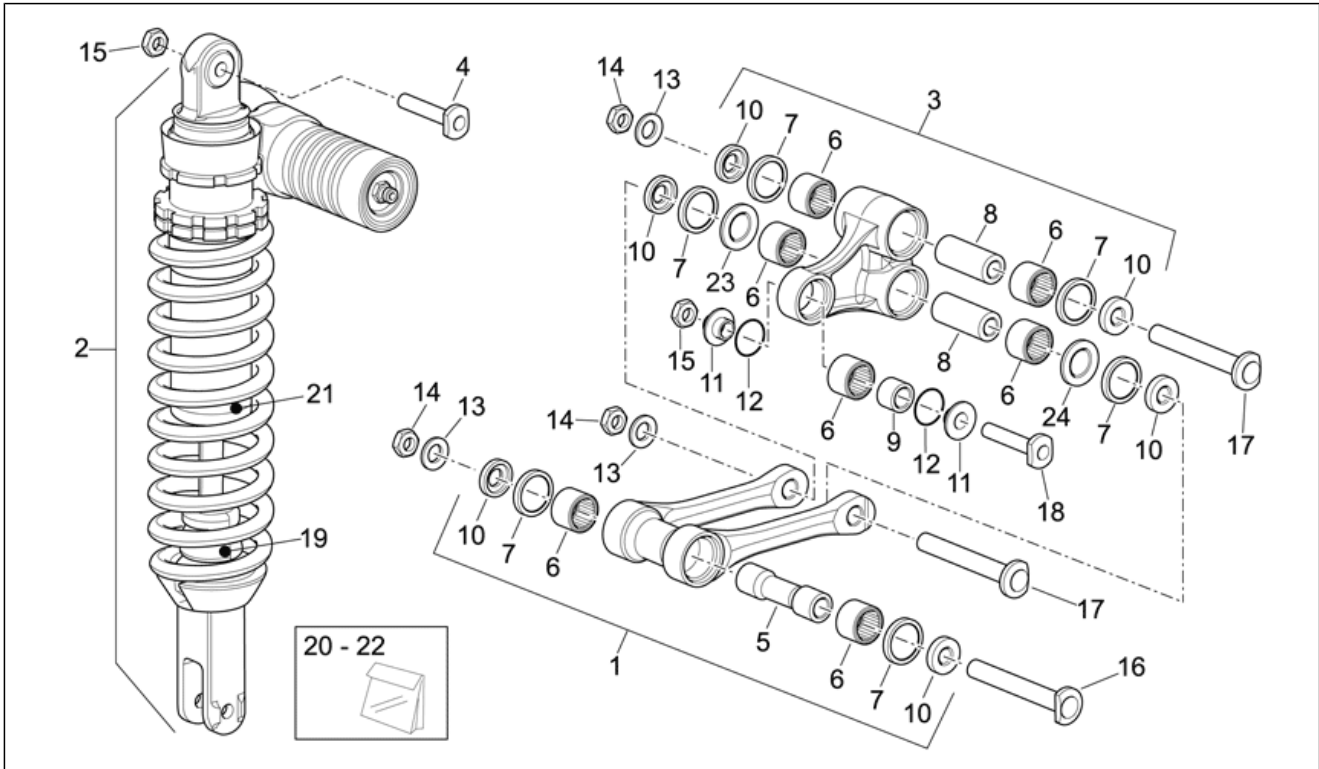
| Pos. | Code | Beschreibung | Menge | Varianten |
|------|-----------|----------------------------------|-------|---|
| 20 | 853551 | TE Schr. m. Flansch | 1 | Technische Daten: Version Motard Van De Bosch[VDB] |
| 20 | AP8152277 | TE Schr. m. Flansch M6x12 | 1 | Technische Daten: Version Enduro Merriman[MR] |
| 21 | 853547 | TE Schr. m. Flansch M6x50 titan | 2 | Technische Daten: Version Motard Van De Bosch[VDB] |
| 21 | AP9100433 | TE Schr. m. Flansch M6x50 | 2 | Technische Daten: Version Enduro Merriman[MR] |
| 22 | AP9100287 | Buchse | 2 | |
| 23 | 853548 | Selbstsperrende Mutter M6x1titan | 2 | Technische Daten: Version Motard Van De Bosch[VDB] |
| 23 | AP9100434 | Selbstsperrende Mutter M6x1 | 2 | Technische Daten: Version Enduro Merriman[MR] |
| 24 | AP9100221 | Hinterradbolzen M25 L=266,5 | 1 | Technische Daten: Version Enduro Merriman[MR] |
| 24 | AP9100270 | Hinterradbolzen M25 L=318,5 | 1 | Technische Daten: Version Motard Van De Bosch[VDB] |
| 25 | AP8152323 | Ausgleichscheibe 25,2x36x1 | 1 | |
| 26 | AP8152324 | Radbolzenmutter M25x1,5 | 1 | |
| 27 | AP8202058 | Schwarzer Kunststoffniet | 4 | |

| | |
|---------------------|---------------------|
| Einheit | RAHMEN |
| Code | 28.09 |
| Beschreibung | Hinterradaufhängung |
| Inspektion | 1 |



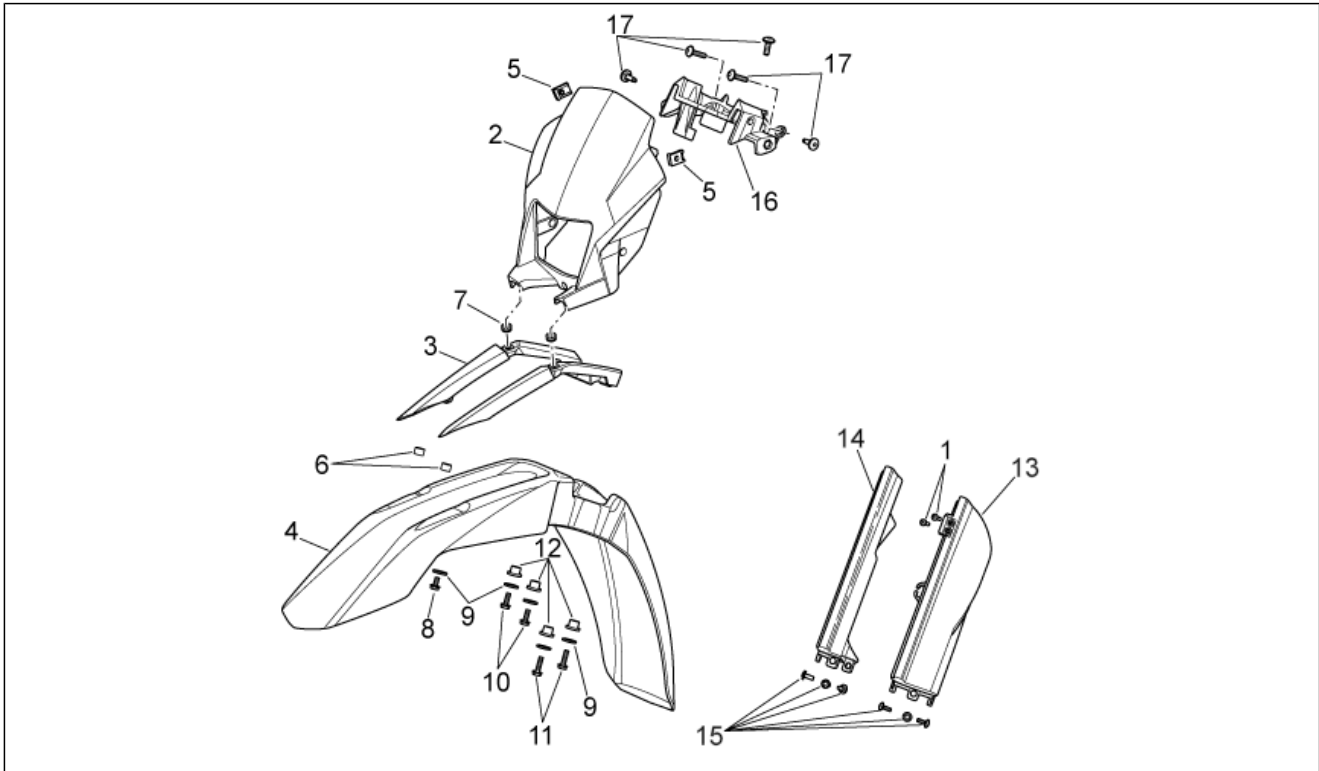
| Pos. | Code | Beschreibung | Menge | Varianten |
|------|-----------|-------------------------------|-------|---|
| 1 | 853612 | Einfache Pleuelstange | 1 | Technische Daten: Version Motard Van De Bosch[VDB] |
| 1 | AP9100176 | Einfache Pleuelstange | 1 | Technische Daten: Version Enduro Merriman[MR] |
| 2 | 855315 | Hinterer Stoßdämpfer RXV | 1 | Technische Daten: Version Enduro Merriman[MR] |
| 2 | 855350 | Hinterer Stoßdämpfer SXV | 1 | Technische Daten: Version Motard Van De Bosch[VDB] |
| 3 | 853806 | Doppelte Pleuelstange | 1 | Technische Daten: Version Motard Van De Bosch[VDB] |
| 3 | 855279 | Doppelte Pleuelstange | 1 | Technische Daten: Version Enduro Merriman[MR] |
| 4 | 853581 | Schraube M10x1,25 L=53 titan | 1 | Technische Daten: Version Motard Van De Bosch[VDB] |
| 4 | AP9100007 | Schraube M10x1,25 L=53 | 1 | Technische Daten: Version Enduro Merriman[MR] |
| 5 | 853574 | Bolzen titan | 1 | Technische Daten: Version Motard Van De Bosch[VDB] |
| 5 | AP9100178 | Bolzen | 1 | Technische Daten: Version Enduro Merriman[MR] |
| 6 | AP9100181 | Nadellager 20x27x15 | 2 | |
| 6 | AP9100181 | Nadellager 20x27x15 | 5 | |
| 7 | AP9100177 | Gasket ring 25x32x4 | 2 | |
| 7 | AP9100177 | Gasket ring 25x32x4 | 4 | |
| 8 | 853575 | Bolzen titan | 2 | Technische Daten: Version Motard Van De Bosch[VDB] |
| 8 | AP9100184 | Bolzen | 2 | Technische Daten: Version Enduro Merriman[MR] |
| 9 | AP9100111 | Distanzscheibe | 1 | |
| 10 | 853576 | Distanzscheibe titan | 6 | Technische Daten: Version Motard Van De Bosch[VDB] |
| 10 | AP9100179 | Distanzscheibe | 6 | Technische Daten: Version Enduro Merriman[MR] |
| 11 | AP9100186 | Externe Distanzscheibe | 2 | |
| 12 | AP9100549 | O-Ring 1,5x24 | 2 | |
| 13 | AP8152018 | Scheibe 12,2x22x2 | 3 | |
| 14 | 853578 | Selbstsperr.Mut.Unt. M12x1,25 | 3 | Technische Daten: Version Motard Van De Bosch[VDB] |
| 14 | AP9100442 | Selbstsperr.Mut.Unt. M12x1,25 | 3 | Technische Daten: Version Enduro Merriman[MR] |
| 15 | 853583 | Selbstsperr.Mut.Unt. M10x1,25 | 2 | Technische Daten: Version Motard Van De Bosch[VDB] |
| 15 | AP9100439 | Selbstsperr.Mut.Unt. M10x1,25 | 2 | Technische Daten: Version Enduro Merriman[MR] |
| 16 | 853577 | Schraube M12x1,25 L=120 titan | 1 | Technische Daten: Version Motard Van De Bosch[VDB] |
| 16 | AP9100604 | Schraube M12x1,25 L=120 | 1 | Technische Daten: Version Enduro Merriman[MR] |

| | |
|---------------------|---------------------|
| Einheit | RAHMEN |
| Code | 28.09 |
| Beschreibung | Hinterradaufhängung |
| Inspektion | 1 |



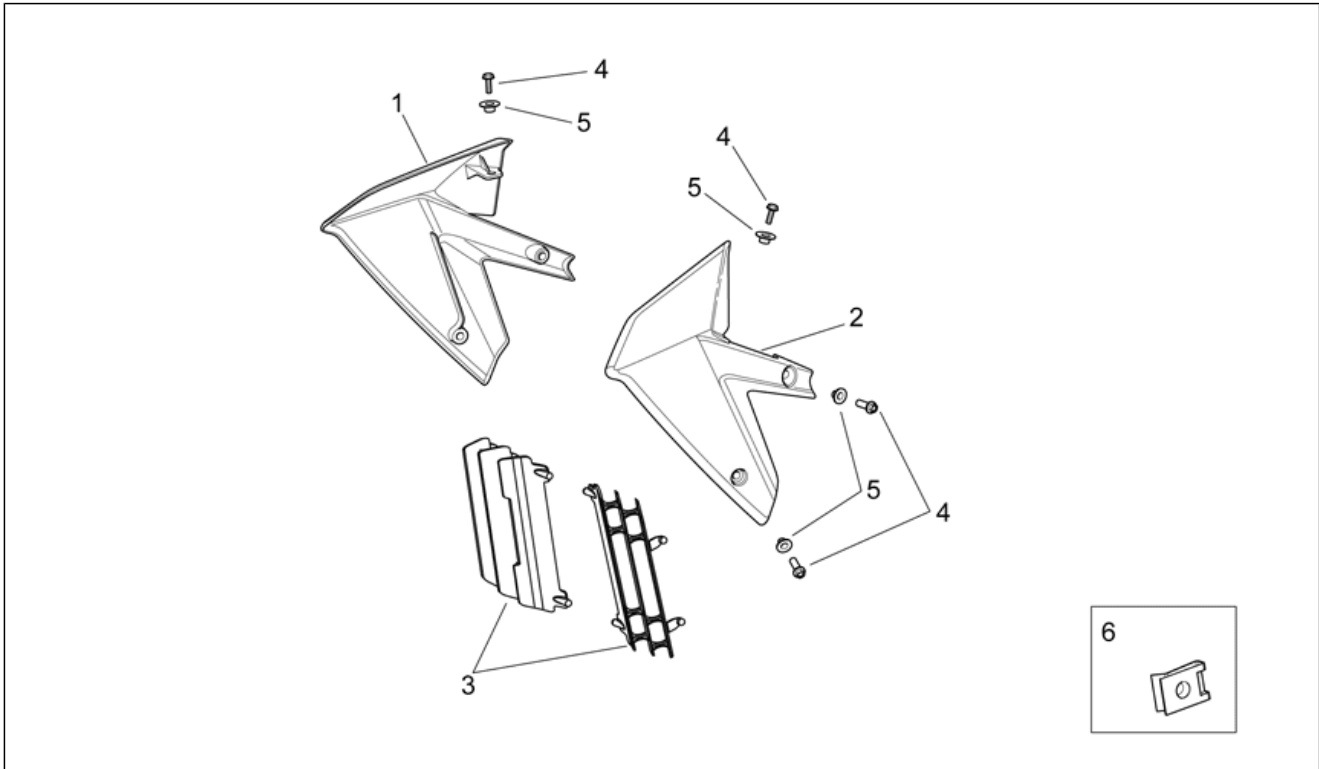
| Pos. | Code | Beschreibung | Menge | Varianten |
|------|-----------|------------------------------|-------|---|
| 17 | 853579 | Schraube M12x1,25 L=95 titan | 2 | Technische Daten: Version Motard Van De Bosch[VDB] |
| 17 | AP9100289 | Schraube M12x1,25 L=95 | 2 | Technische Daten: Version Enduro Merriman[MR] |
| 18 | 853582 | Schraube M10x1,25 L=44 titan | 1 | Technische Daten: Version Motard Van De Bosch[VDB] |
| 18 | AP9100208 | Schraube M10x1,25 L=44 | 1 | Technische Daten: Version Enduro Merriman[MR] |
| 19 | AP9100808 | Puffer | 1 | |
| 20 | AP9100814 | Dichtungen - Satz | 1 | Technische Daten: Version Enduro Merriman[MR] |
| 20 | AP9100815 | Dichtungen - Satz | 1 | Technische Daten: Version Motard Van De Bosch[VDB] |
| 21 | AP9100817 | Schaftgruppe | 1 | |
| 22 | AP9100820 | Dichtungen - Satz Schaft | 1 | |
| 23 | AP9100182 | Flachscheibe 31x20,2x1,4 | 2 | |
| 24 | 855405 | Exzenter | 1 | Technische Daten: Version Motard Van De Bosch[VDB] |

| | |
|---------------------|---------------|
| Einheit | RAHMEN |
| Code | 28.10 |
| Beschreibung | Frontaufbau I |
| Inspektion | 1 |



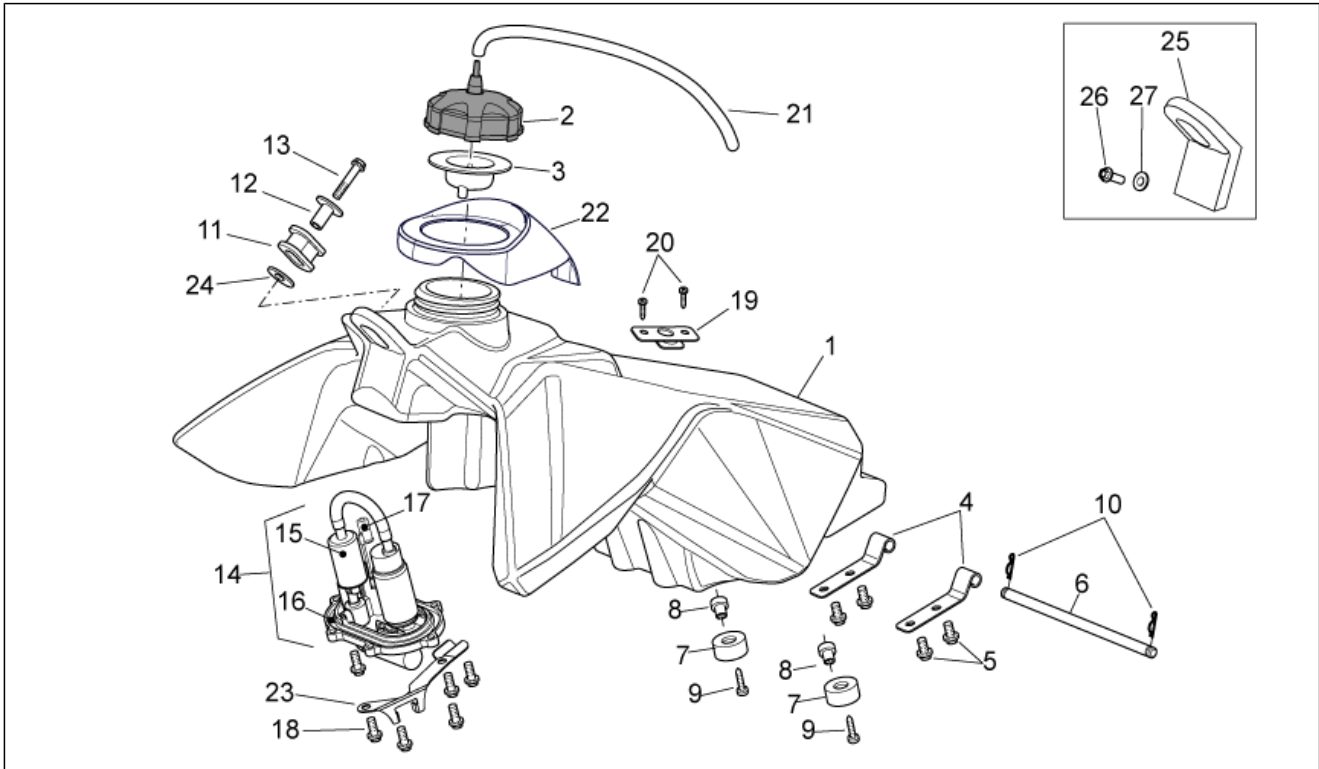
| Pos. | Code | Beschreibung | Menge | Varianten |
|------|-------------|---------------------------------|-------|---|
| 1 | 853573 | Linsenschraube M4,8x13 titan | 2 | Technische Daten:Version Motard Van De Bosch[VDB] |
| 1 | AP8150246 | Linsenschraube | 2 | Technische Daten:Version Enduro Merriman[MR] |
| 2 | 85813800XN4 | Windschild | 1 | Technische Daten:Version Enduro Merriman[MR] |
| 2 | AP9100498 | Windschild | 1 | Technische Daten:Version Motard Van De Bosch[VDB] |
| 3 | 855400 | Spannstange | 1 | Technische Daten:Version Enduro Merriman[MR] |
| 3 | AP8156344 | Spannstange | 1 | Technische Daten:Version Enduro Merriman[MR] |
| 4 | 855398 | Kotflügel v. schwarz | 1 | Technische Daten:Version Motard Van De Bosch[VDB] |
| 4 | AP8156343 | V. Schutzblech, rot | 1 | Technische Daten:Version Enduro Merriman[MR] |
| 5 | AP8102375 | Klammer M5 | 2 | |
| 6 | AP9100053 | Buchse d.10-h.3,5 | 2 | |
| 7 | AP8120405 | Gummi | 2 | |
| 8 | 853551 | TE Schr. m. Flansch | 2 | Technische Daten:Version Motard Van De Bosch[VDB] |
| 8 | AP8152277 | TE Schr. m. Flansch M6x12 | 2 | Technische Daten:Version Enduro Merriman[MR] |
| 9 | AP8150015 | Ausgleichscheibe 6,6x18x1,6* | 6 | |
| 10 | 853595 | TE Schr. m. Flansch M6x16 titan | 2 | Technische Daten:Version Motard Van De Bosch[VDB] |
| 10 | AP8152278 | TE Schr. m. Flansch M6x16 | 2 | Technische Daten:Version Enduro Merriman[MR] |
| 11 | 853678 | TE Schr. m. Flansch | 2 | Technische Daten:Version Motard Van De Bosch[VDB] |
| 11 | AP8152283 | TE Schr. m. Flansch | 2 | Technische Daten:Version Enduro Merriman[MR] |
| 12 | AP9100501 | T-Buchse 20x0,5x3,5 | 4 | |
| 13 | 853829 | L. Stangenschutz | 1 | Technische Daten:Version Motard Van De Bosch[VDB] |
| 13 | AP9100440 | L. Stangenschutz, schwarz | 1 | Technische Daten:Version Enduro Merriman[MR] |
| 14 | 853830 | R. Stangenschutz | 1 | Technische Daten:Version Motard Van De Bosch[VDB] |
| 14 | AP9100441 | R. Stangenschutz, schwarz | 1 | Technische Daten:Version Enduro Merriman[MR] |
| 15 | 853569 | Schraube kplt. M6x1 | 6 | Technische Daten:Version Motard Van De Bosch[VDB] |
| 15 | AP9100548 | Schraube kplt. M6x1 | 6 | Technische Daten:Version Enduro Merriman[MR] |
| 16 | 855104 | Haltefassung | 1 | |
| 17 | AP8152339 | TBEI Schraube m.Flansch M5x9 | 5 | |

| | |
|---------------------|----------------|
| Einheit | RAHMEN |
| Code | 28.11 |
| Beschreibung | Frontaufbau II |
| Inspektion | 1 |



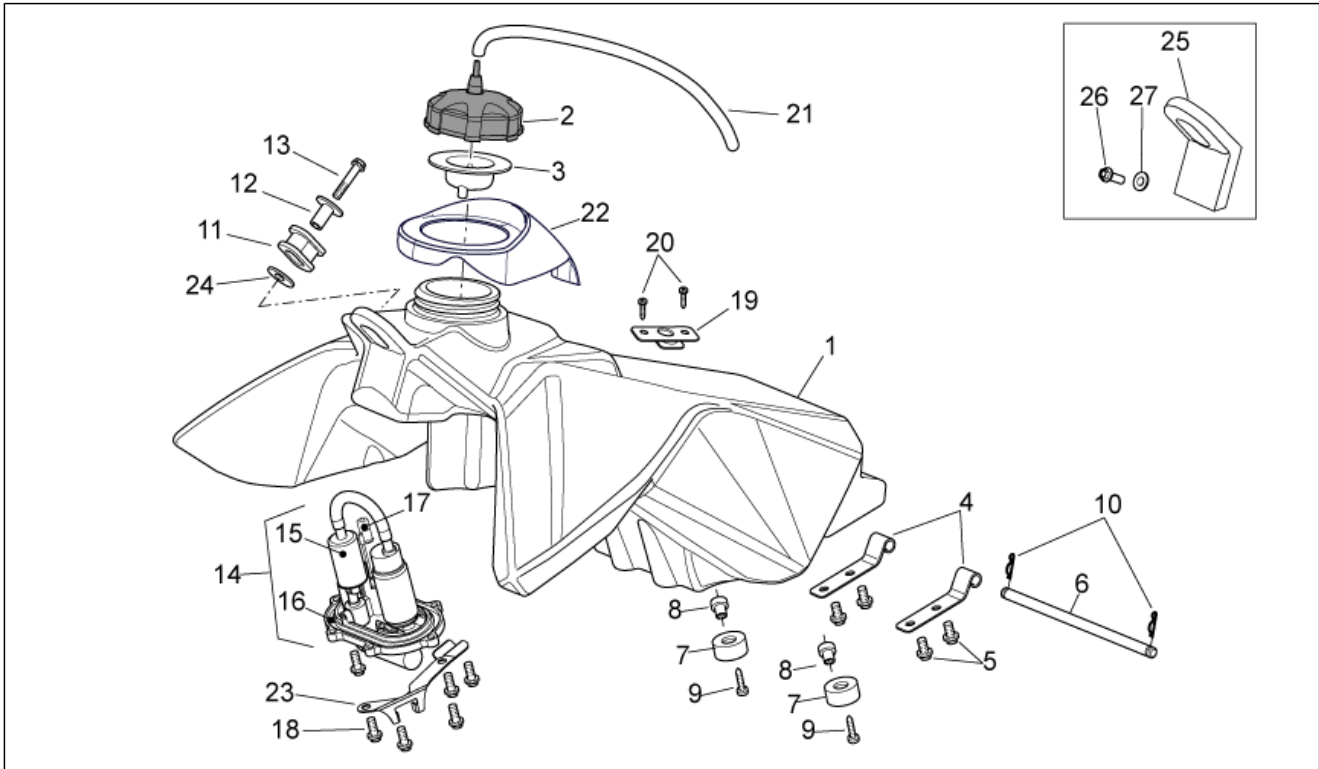
| Pos. | Code | Beschreibung | Menge | Varianten |
|------|-----------|---------------------------------|-------|---|
| 1 | 855399 | Rechtes Leitblech | 1 | Technische Daten: Version Motard Van De Bosch[VDB] |
| 1 | AP8184503 | Rechtes Leitblech | 1 | Technische Daten: Version Enduro Merriman[MR] |
| 2 | AP8184502 | Linkes Leitblech | 1 | |
| 3 | AP9100366 | Kühlergitter | 2 | |
| 4 | 853679 | TE Schr. m. Flansch M6x16 titan | 6 | Technische Daten: Version Motard Van De Bosch[VDB] |
| 4 | AP9100645 | TE Schr. m. Flansch M6x16 inox | 6 | Technische Daten: Version Enduro Merriman[MR] |
| 5 | AP9100053 | Buchse d.10-h.3,5 | 6 | |
| 6 | AP8102376 | Klammer M6 | 6 | |

| | |
|---------------------|----------------|
| Einheit | RAHMEN |
| Code | 28.12 |
| Beschreibung | Kraftstofftank |
| Inspektion | 1 |



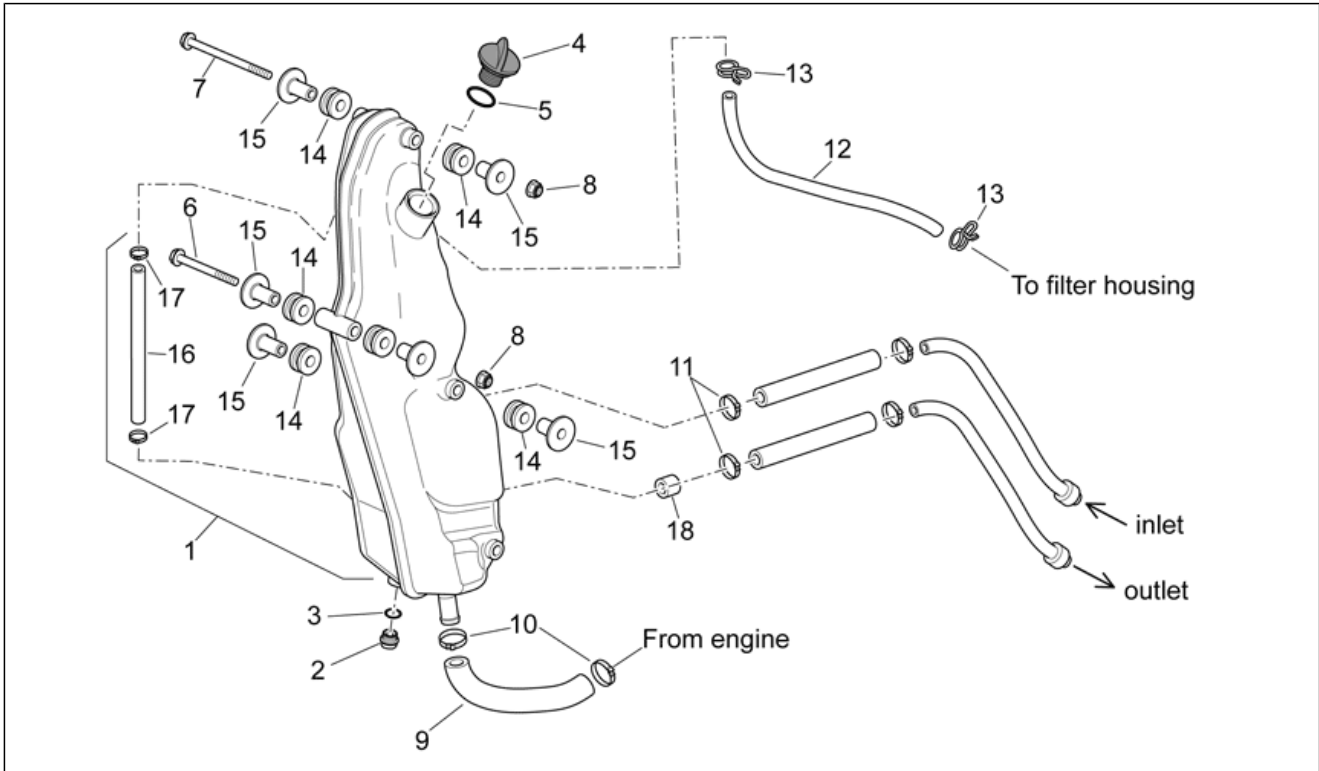
| Pos. | Code | Beschreibung | Menge | Varianten |
|------|------------|---------------------------------|-------|---|
| 1 | 853671 | Kraftstofftank | 1 | Technische Daten: Version Motard Van De Bosch[VDB] |
| 1 | 855048 | Kraftstofftank | 1 | Technische Daten: Version Enduro Merriman[MR] |
| 2 | AP8220620 | Deckel | 1 | |
| 3 | 856932 | Dichtung | 1 | |
| 4 | AP9100080 | Platte | 2 | |
| 5 | 853551 | TE Schr. m. Flansch | 4 | Technische Daten: Version Motard Van De Bosch[VDB] |
| 5 | AP8152277 | TE Schr. m. Flansch M6x12 | 4 | Technische Daten: Version Enduro Merriman[MR] |
| 6 | AP9100078 | Bolzen | 1 | |
| 7 | 855368 | Gummi | 2 | Technische Daten: Version Motard Van De Bosch[VDB] |
| 7 | AP9100767 | Gummi 26x12,2 | 2 | Technische Daten: Version Enduro Merriman[MR] |
| 8 | AP8121811 | T-Buchse | 2 | |
| 9 | AP8152169 | Linsenschraube 4,8x19* | 2 | |
| 10 | AP8201431 | Splint * | 2 | |
| 11 | AP9100082 | Puffer | 1 | |
| 12 | 853814 | Buchse | 1 | Technische Daten: Version Motard Van De Bosch[VDB] |
| 12 | AP9100081 | Buchse | 1 | Technische Daten: Version Enduro Merriman[MR] |
| 13 | 853700 | TCEI Schraube M6x30 titan | 1 | Technische Daten: Version Motard Van De Bosch[VDB] |
| 13 | AP8152281 | TE Schr. m. Flansch M6x30 | 1 | Technische Daten: Version Enduro Merriman[MR] |
| 14 | AP9100416 | Benzinpumpe kpl. | 1 | |
| 15 | AP9100930 | Kraftstofffilter | 1 | |
| 16 | AP9100931 | Dichtung | 1 | |
| 17 | GU01103090 | Thermistor | 1 | |
| 18 | 853595 | TE Schr. m. Flansch M6x16 titan | 6 | Technische Daten: Version Motard Van De Bosch[VDB] |
| 18 | AP8152273 | Flanschschraube M5x15 | 6 | Technische Daten: Version Enduro Merriman[MR] |
| 19 | AP9100415 | Platte | 1 | |
| 20 | AP8150444 | Gewindeschraube Edelstahl | 2 | |
| 21 | AP8220402 | Leitung 5x9 | 1 | |
| 22 | AP9100967 | Tankschutz | 1 | |

| | |
|---------------------|----------------|
| Einheit | RAHMEN |
| Code | 28.12 |
| Beschreibung | Kraftstofftank |
| Inspektion | 1 |



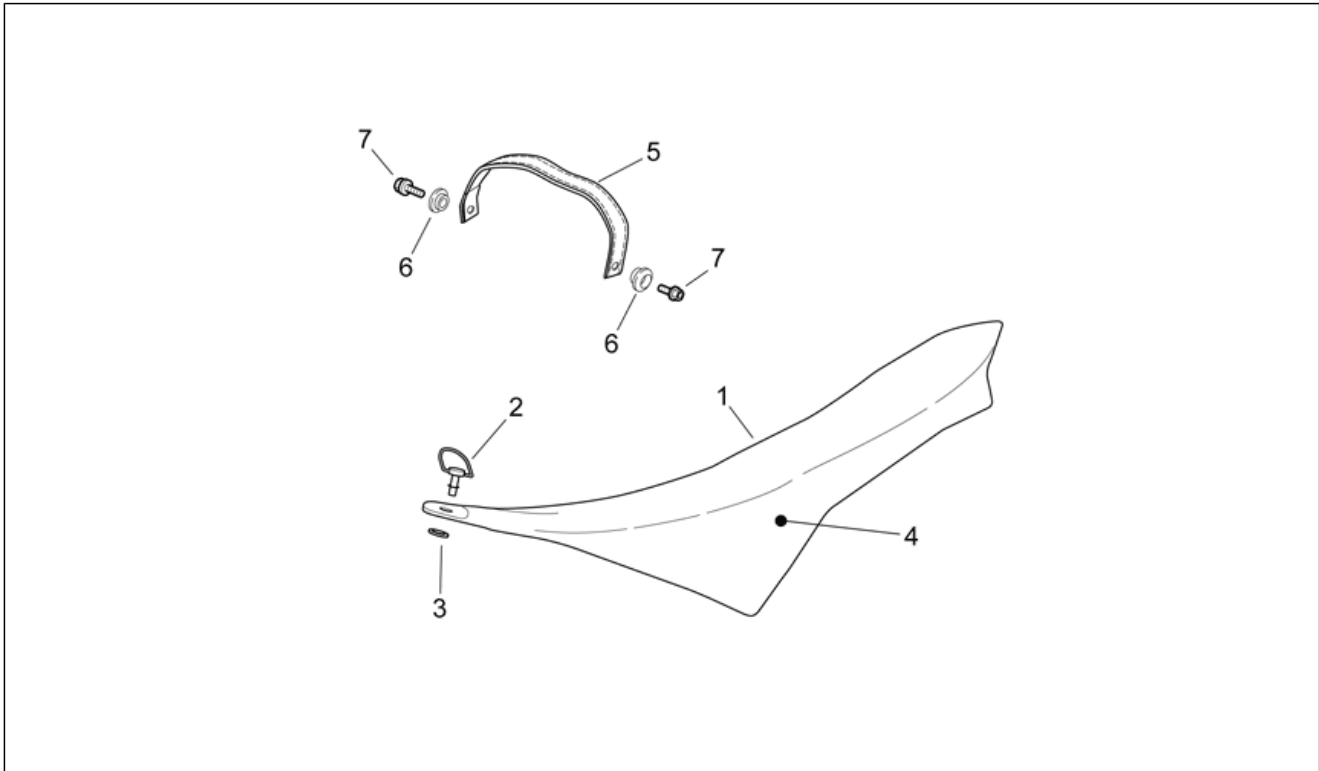
| Pos. | Code | Beschreibung | Menge | Varianten |
|------|-----------|---------------------------------|-------|---|
| 23 | AP9100966 | Platte | 1 | |
| 24 | AP9100375 | Ausgleichscheibe 24,8x6,2x1 | 1 | |
| 25 | 853672 | Platte | 1 | Technische Daten: Version Motard Van De Bosch[VDB] |
| 26 | 853595 | TE Schr. m. Flansch M6x16 titan | 2 | Technische Daten: Version Motard Van De Bosch[VDB] |
| 27 | AP8121819 | Ausgleichscheibe 6,5x12,5* | 2 | Technische Daten: Version Motard Van De Bosch[VDB] |

| | |
|---------------------|--------|
| Einheit | RAHMEN |
| Code | 28.13 |
| Beschreibung | Öltank |
| Inspektion | 1 |



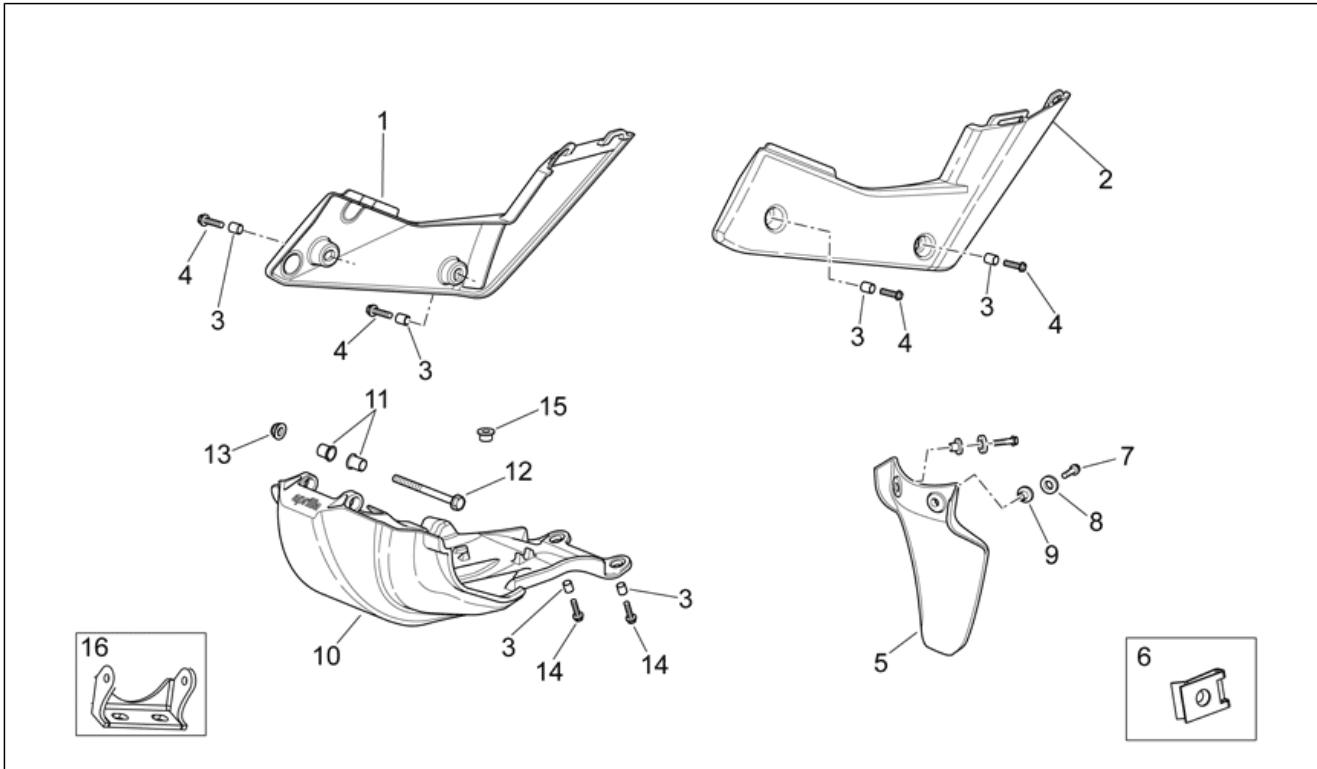
| Pos. | Code | Beschreibung | Menge | Varianten |
|------|-----------|-------------------------------|-------|-----------|
| 1 | AP9100343 | Öltank | 1 | |
| 2 | AP9150174 | Ölablaßschraube | 1 | |
| 3 | AP9150349 | Dichtscheibe D12x18x1,5 | 1 | |
| 4 | 853673 | Ölschraube M20x1,5 | 1 | |
| 5 | AP8121638 | Gasket ring | 1 | |
| 6 | AP9100638 | TE Schr. m. Flansch M6x70 | 1 | |
| 7 | AP9100661 | TE Schr. m. Flansch M6x1 L=95 | 1 | |
| 8 | AP9100434 | Selbstsperrende Mutter M6x1 | 2 | |
| 9 | AP9100496 | Leitung Blow-By | 1 | |
| 10 | AP8102903 | Schlauschelle D16,5X6,6 | 2 | |
| 11 | AP8101586 | Schlauschelle D.15,5x6,6 | 2 | |
| 12 | AP8120987 | Leitung 9x14 | 1 | |
| 13 | AP8102525 | Hahnschelle | 2 | |
| 14 | AP8120223 | Gummi * | 6 | |
| 15 | AP9100950 | Buchse D14-D9-d6.5-H12 | 6 | |
| 16 | AP9100665 | Ölstandschlauch | 1 | |
| 17 | AP9100951 | Schlauschelle | 2 | |
| 18 | AP9100267 | Gummischlauch 12,8x8,8 L=28 | 1 | |

| | |
|---------------------|--------|
| Einheit | RAHMEN |
| Code | 28.14 |
| Beschreibung | Sitz |
| Inspektion | 1 |



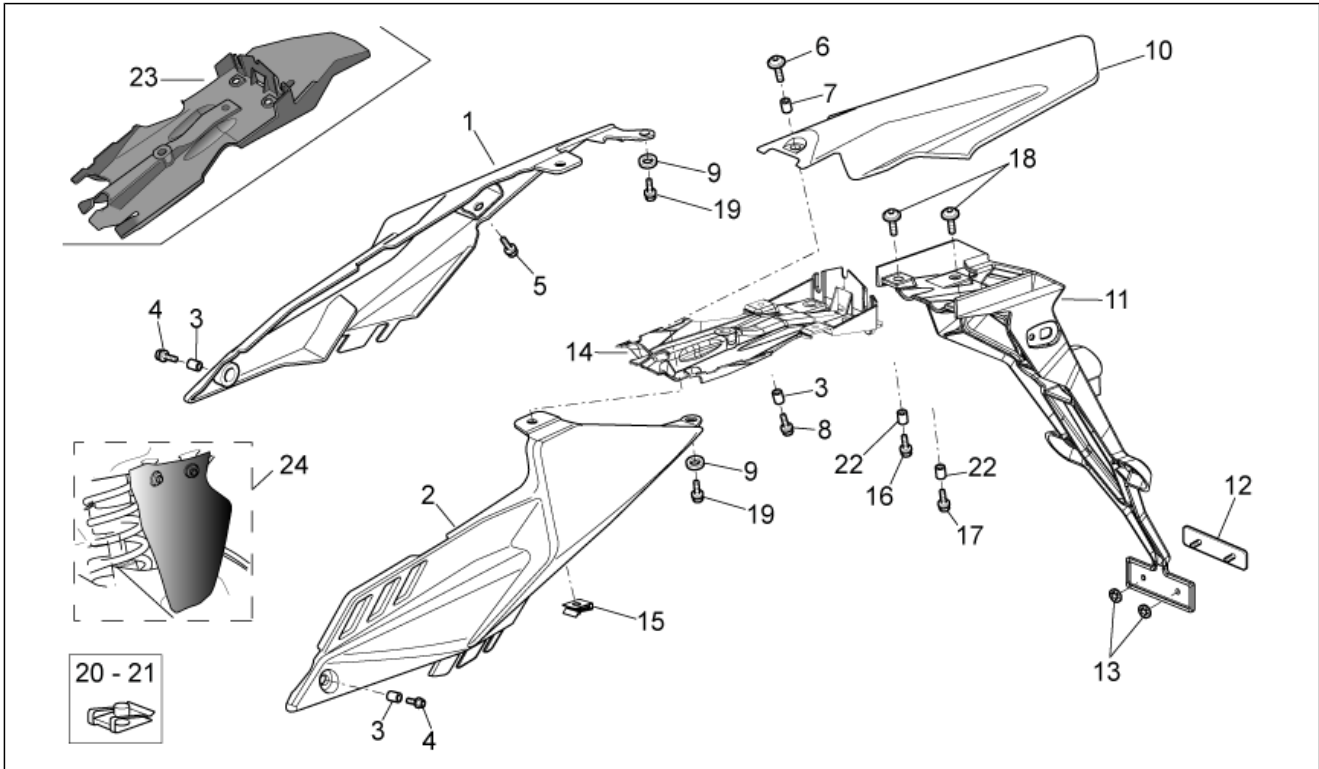
| Pos. | Code | Beschreibung | Menge | Varianten |
|------|-----------|---------------------------|-------|---|
| 1 | 853675 | Sitz | 1 | Technische Daten: Version Motard Van De Bosch[VDB] |
| 1 | 855267 | Sitz | 1 | Technische Daten: Version Enduro Merriman[MR] |
| 2 | AP9100365 | Entkupplungsvorrichtung | 1 | |
| 3 | AP9100087 | Ausgleichscheibe Teflon | 1 | |
| 4 | AP9100281 | Verkleidung Sitz | 1 | Technische Daten: Version Enduro Merriman[MR] |
| 5 | 851373 | Soziusriemen | 1 | |
| 6 | AP8121075 | T-Buchse * | 2 | |
| 7 | AP8152279 | TE Schr. m. Flansch M6x20 | 2 | |

| | |
|---------------------|------------------|
| Einheit | RAHMEN |
| Code | 28.15 |
| Beschreibung | Mittlerer Aufbau |
| Inspektion | 1 |



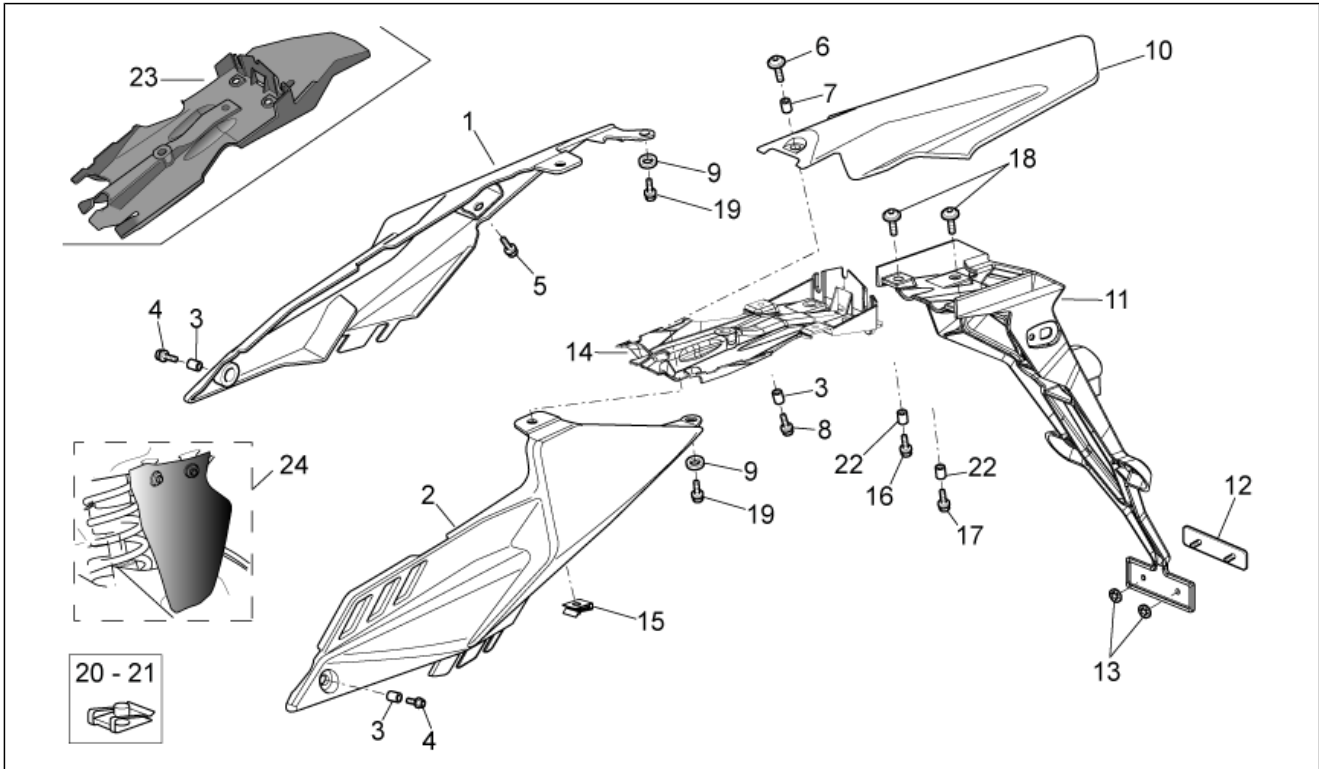
| Pos. | Code | Beschreibung | Menge | Varianten |
|------|-----------|----------------------------------|-------|---|
| 1 | AP8184507 | R. kl. Seitenteil, schw. | 1 | Technische Daten: Version Enduro Merriman[MR] |
| 1 | AP9100285 | Nummernhalter re. | 1 | Technische Daten: Version Motard Van De Bosch[VDB] |
| 2 | AP8184520 | L. kl. Seitenteil, schw. | 1 | Technische Daten: Version Enduro Merriman[MR] |
| 2 | AP9100286 | Nummernhalter li. | 1 | Technische Daten: Version Motard Van De Bosch[VDB] |
| 3 | AP9100053 | Buchse d.10-h.3,5 | 6 | |
| 4 | 853679 | TE Schr. m. Flansch M6x16 titan | 4 | Technische Daten: Version Motard Van De Bosch[VDB] |
| 4 | AP9100645 | TE Schr. m. Flansch M6x16 inox | 4 | Technische Daten: Version Enduro Merriman[MR] |
| 5 | AP9100504 | Stoßdämpferschutz | 1 | |
| 6 | AP8102375 | Klammer M5 | 2 | |
| 7 | AP8152274 | TE Schr. m. Flansch M5x20 | 2 | |
| 8 | AP8144064 | Wärmeschutzscheibe | 2 | |
| 9 | AP8121736 | T-Buchse | 2 | |
| 10 | 855316 | Wannenschutz | 1 | Technische Daten: Version Enduro Merriman[MR] |
| 10 | AP9100347 | Wannenschutz | 1 | Technische Daten: Version Motard Van De Bosch[VDB] |
| 11 | AP9100778 | Buchse | 2 | |
| 12 | 853599 | TE Schr. m. Flansch M6x1 L=95 | 1 | Technische Daten: Version Motard Van De Bosch[VDB] |
| 12 | AP9100661 | TE Schr. m. Flansch M6x1 L=95 | 1 | Technische Daten: Version Enduro Merriman[MR] |
| 13 | 853548 | Selbstsperrende Mutter M6x1titan | 1 | Technische Daten: Version Motard Van De Bosch[VDB] |
| 13 | AP9100434 | Selbstsperrende Mutter M6x1 | 1 | Technische Daten: Version Enduro Merriman[MR] |
| 14 | 853600 | TE Schr. m. Flansch M6x20 titan | 2 | Technische Daten: Version Motard Van De Bosch[VDB] |
| 14 | AP8152279 | TE Schr. m. Flansch M6x20 | 2 | Technische Daten: Version Enduro Merriman[MR] |
| 15 | AP8101372 | Silent-Block | 1 | |
| 16 | 855317 | Platte | 1 | Technische Daten: Version Enduro Merriman[MR] |

| | |
|---------------------|--------------|
| Einheit | RAHMEN |
| Code | 28.16 |
| Beschreibung | Heckaufbau I |
| Inspektion | 1 |



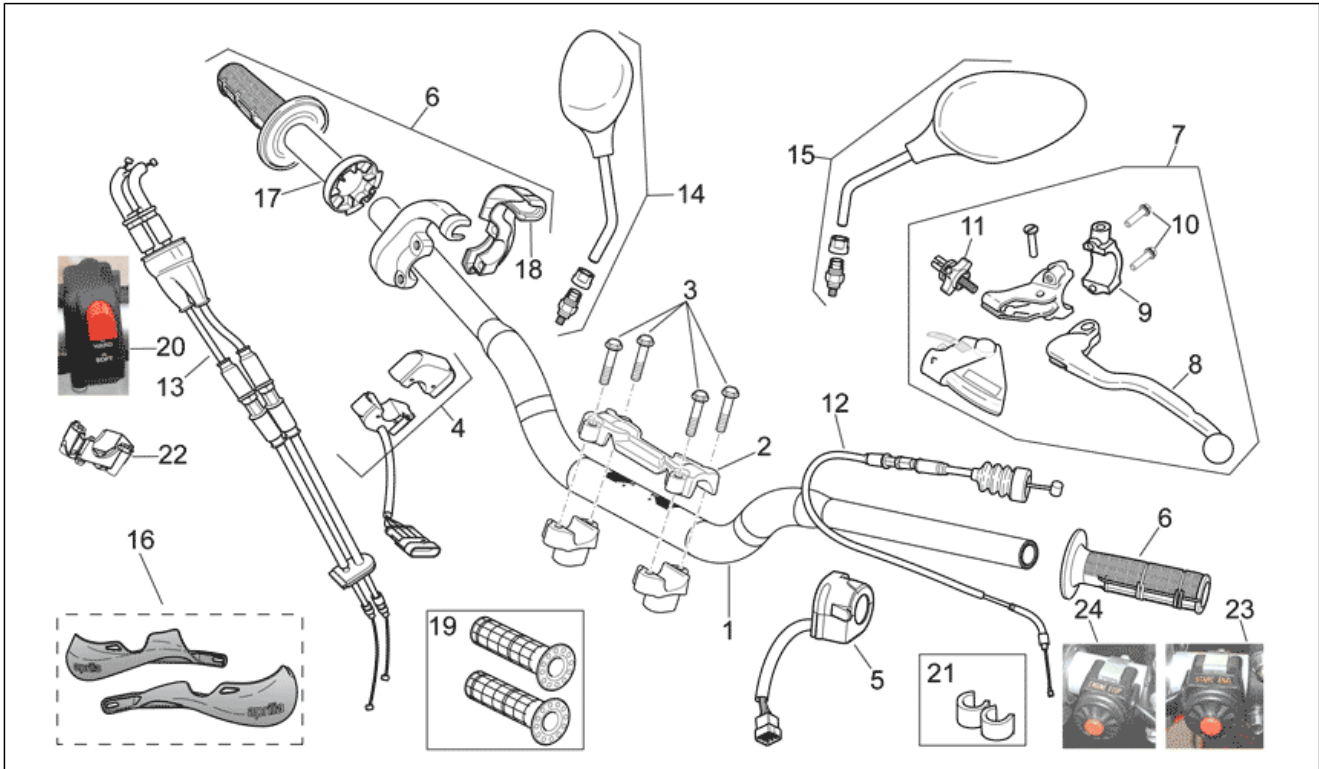
| Pos. | Code | Beschreibung | Menge | Varianten |
|------|-----------|---------------------------------|-------|---|
| 1 | AP8184511 | R.Heck | 1 | Technische Daten: Version Motard Van De Bosch[VDB] |
| 1 | AP8184513 | R.Heck | 1 | Technische Daten: Version Enduro Merriman[MR] |
| 2 | AP8184510 | L.Heck | 1 | Technische Daten: Version Motard Van De Bosch[VDB] |
| 2 | AP8184512 | L.Heck | 1 | Technische Daten: Version Enduro Merriman[MR] |
| 3 | AP9100053 | Buchse d.10-h.3,5 | 3 | |
| 4 | 853679 | TE Schr. m. Flansch M6x16 titan | 2 | Technische Daten: Version Motard Van De Bosch[VDB] |
| 4 | AP9100645 | TE Schr. m. Flansch M6x16 inox | 2 | Technische Daten: Version Enduro Merriman[MR] |
| 5 | 853681 | TE Schr. m. Flansch M6x25 titan | 2 | Technische Daten: Version Motard Van De Bosch[VDB] |
| 5 | AP8152280 | TE Schr. m. Flansch M6x25 | 2 | Technische Daten: Version Enduro Merriman[MR] |
| 6 | 853682 | TBEI Schraube M6x20 | 1 | Technische Daten: Version Motard Van De Bosch[VDB] |
| 6 | AP8152117 | Vite TBEI M6x25 | 1 | Technische Daten: Version Enduro Merriman[MR] |
| 7 | AP9100594 | Buchse 10x7 | 1 | |
| 8 | AP8152279 | TE Schr. m. Flansch M6x20 | 1 | |
| 9 | AP8150015 | Ausgleichscheibe 6,6x18x1,6* | 2 | |
| 10 | AP8156340 | Hinteres Schutzblech | 1 | Technische Daten: Version Motard Van De Bosch[VDB] |
| 10 | AP8156341 | Hinteres Schutzblech | 1 | Technische Daten: Version Enduro Merriman[MR] |
| 11 | 855041 | Kennzeichenplatte | 1 | |
| 12 | AP8112202 | Rückstrahler Rücklicht | 1 | |
| 13 | AP8150450 | Wellenscheibe D5 | 1 | |
| 14 | 855046 | Unt. Verschl. h. Sitzhal. | 1 | |
| 15 | 853580 | Selbstsperr.Mut.Unt. M6 | 1 | Technische Daten: Version Motard Van De Bosch[VDB] |
| 15 | AP8102376 | Klammer M6 | 1 | Technische Daten: Version Enduro Merriman[MR] |
| 16 | AP8152279 | TE Schr. m. Flansch M6x20 | 2 | |
| 17 | AP8152279 | TE Schr. m. Flansch M6x20 | 1 | |
| 18 | AP8152339 | TBEI Schraube m.Flansch M5x9 | 2 | |
| 19 | 853680 | TE Schr. m. Flansch | 2 | Technische Daten: Version Motard Van De Bosch[VDB] |
| 19 | AP8152277 | TE Schr. m. Flansch M6x12 | 2 | Technische Daten: Version Enduro Merriman[MR] |
| 20 | AP8102375 | Klammer M5 | 4 | |

| | |
|---------------------|--------------|
| Einheit | RAHMEN |
| Code | 28.16 |
| Beschreibung | Heckaufbau I |
| Inspektion | 1 |



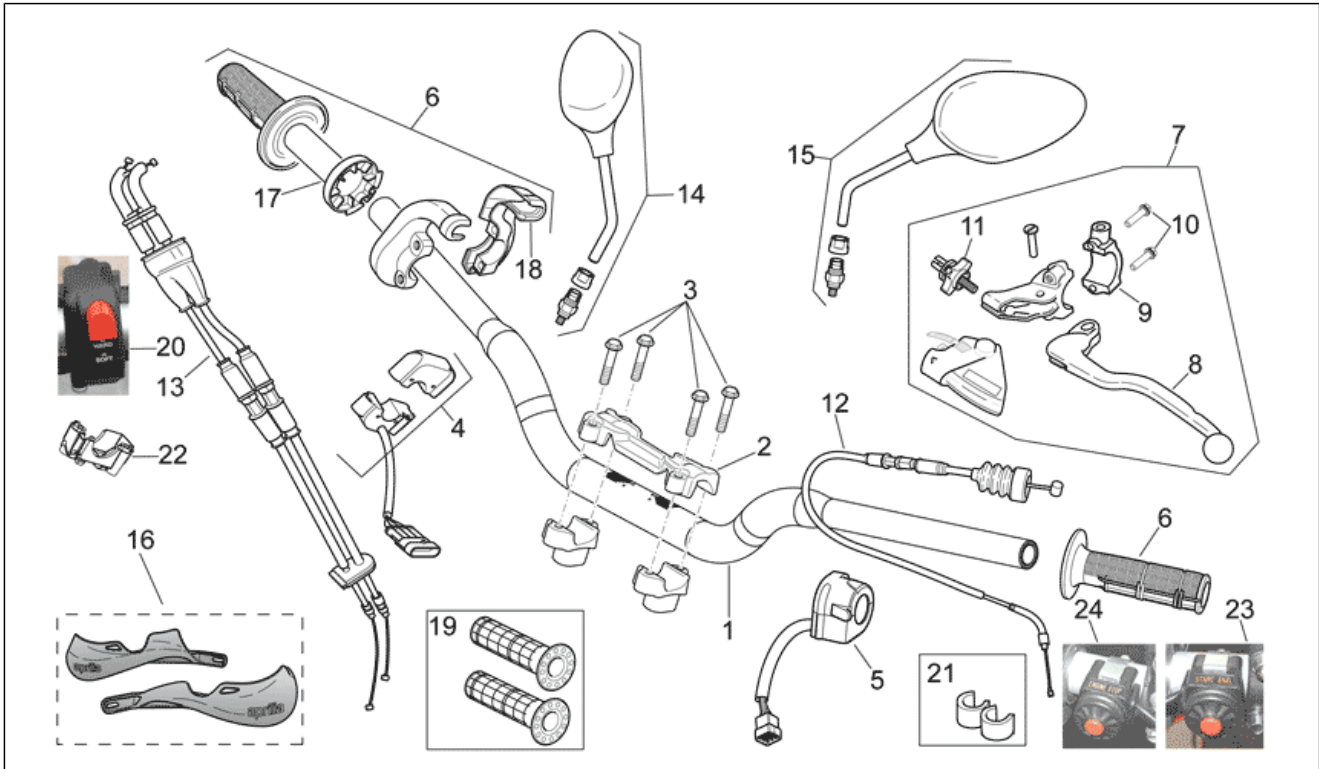
| Pos. | Code | Beschreibung | Menge | Varianten |
|------|-----------|---------------------------------|-------|-----------|
| 21 | AP8102376 | Klammer M6 | 3 | |
| 22 | AP8121795 | T-Buchse | 2 | |
| 23 | 855050 | Kennzeichenplatte Rac. | 1 | |
| 24 | 851450 | Stoßdämpferschutz platte racing | 1 | |

| | |
|---------------------|-------------|
| Einheit | RAHMEN |
| Code | 28.17 |
| Beschreibung | Schaltungen |
| Inspektion | 1 |



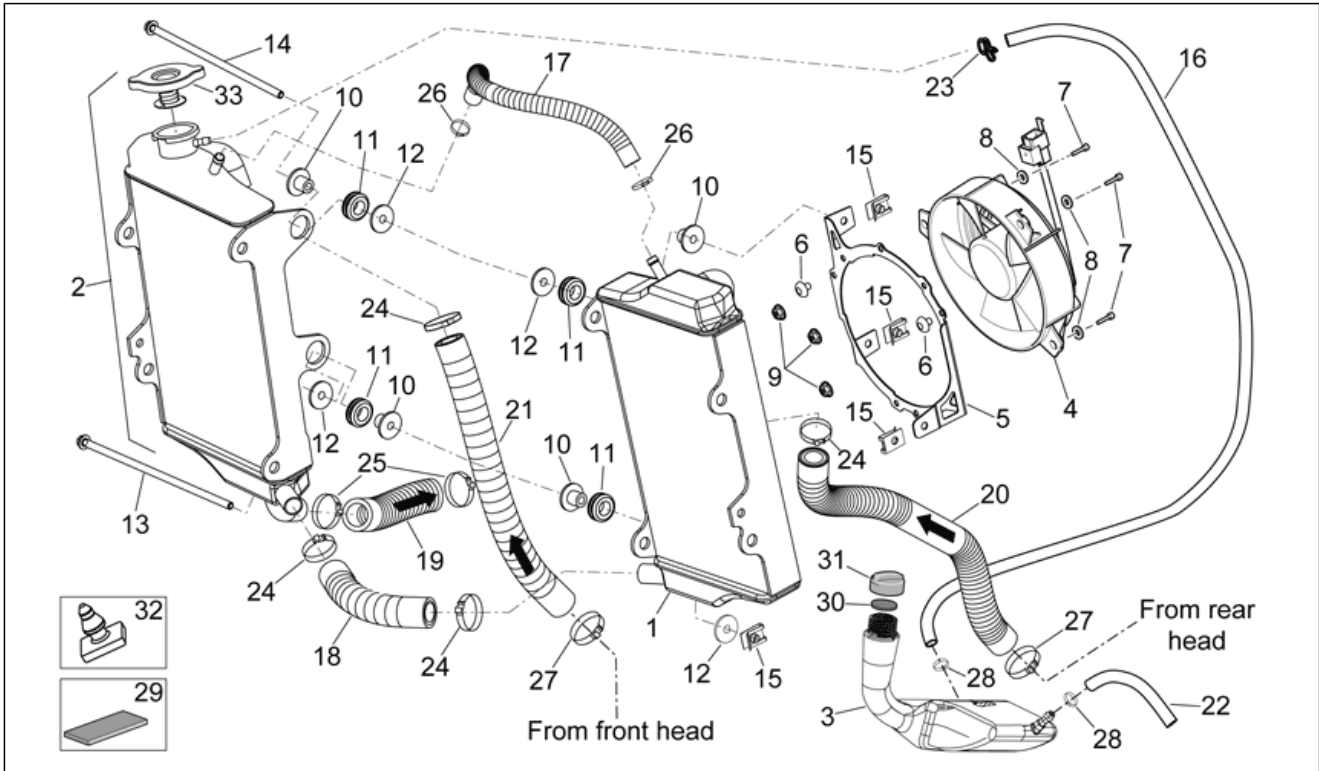
| Pos. | Code | Beschreibung | Menge | Varianten |
|------|-----------|---------------------------------|-------|---|
| 1 | 855049 | Lenkstange | 1 | |
| 2 | 853567 | Bügelbolzen oben | 1 | |
| 3 | 853534 | TE Schr. m. Flansch M8x35 titan | 4 | Technische Daten: Version Motard Van De Bosch[VDB] |
| 3 | AP8152289 | TE Schr. m. Flansch | 4 | Technische Daten: Version Enduro Merriman[MR] |
| 4 | AP9100514 | Rechter Lichtschalter | 1 | |
| 5 | 855043 | Linker Lichtschalter | 1 | |
| 6 | 855271 | Gasschaltung+griff | 1 | Technische Daten: Version Enduro Merriman[MR] |
| 6 | AP9100481 | Gasschaltung+griff | 1 | Technische Daten: Version Motard Van De Bosch[VDB] |
| 7 | 855270 | Kupplungssteuerung racing | 1 | Technische Daten: Version Enduro Merriman[MR] |
| 7 | AP9100484 | Kupplungssteuerung | 1 | Technische Daten: Version Motard Van De Bosch[VDB] |
| 8 | AP9100939 | Kupplungshebel | 1 | |
| 9 | AP9100940 | Bügelbolzen | 1 | |
| 10 | 853598 | TE Schr. m. Flansch M6x25 titan | 2 | Technische Daten: Version Motard Van De Bosch[VDB] |
| 10 | AP8152280 | TE Schr. m. Flansch M6x25 | 2 | Technische Daten: Version Enduro Merriman[MR] |
| 11 | 896503 | Kupplungskabel schraube | 1 | |
| 12 | 853662 | Kupplungssteuerung | 1 | Technische Daten: Version Motard Van De Bosch[VDB] |
| 12 | 855272 | Getriebe kupplungssteuerung | 1 | Technische Daten: Version Enduro Merriman[MR] |
| 13 | AP9100802 | Gasantrieb | 1 | |
| 14 | AP8104921 | Rückspiegel rechts | 1 | |
| 15 | AP8104922 | Rückspiegel links | 1 | |
| 16 | 851083 | Handschutz - Paar | 1 | Technische Daten: Version Enduro Merriman[MR] |
| 16 | 851098 | Handschutz - Paar | 1 | Technische Daten: Version Motard Van De Bosch[VDB] |
| 17 | 851359 | Progressive Gasleitung | 1 | Technische Daten: Version Enduro Merriman[MR] |
| 18 | 851360 | Bügelbolzen | 1 | Technische Daten: Version Enduro Merriman[MR] |
| 19 | AP8218628 | Handgriffe paar, schwarz | 1 | |
| 20 | 858247 | Map switch | 1 | |
| 21 | AP9100519 | Kleine Feder | 3 | |
| 22 | 858387 | Map switch Untere Schale | 1 | |

| | |
|---------------------|-------------|
| Einheit | RAHMEN |
| Code | 28.17 |
| Beschreibung | Schaltungen |
| Inspektion | 1 |



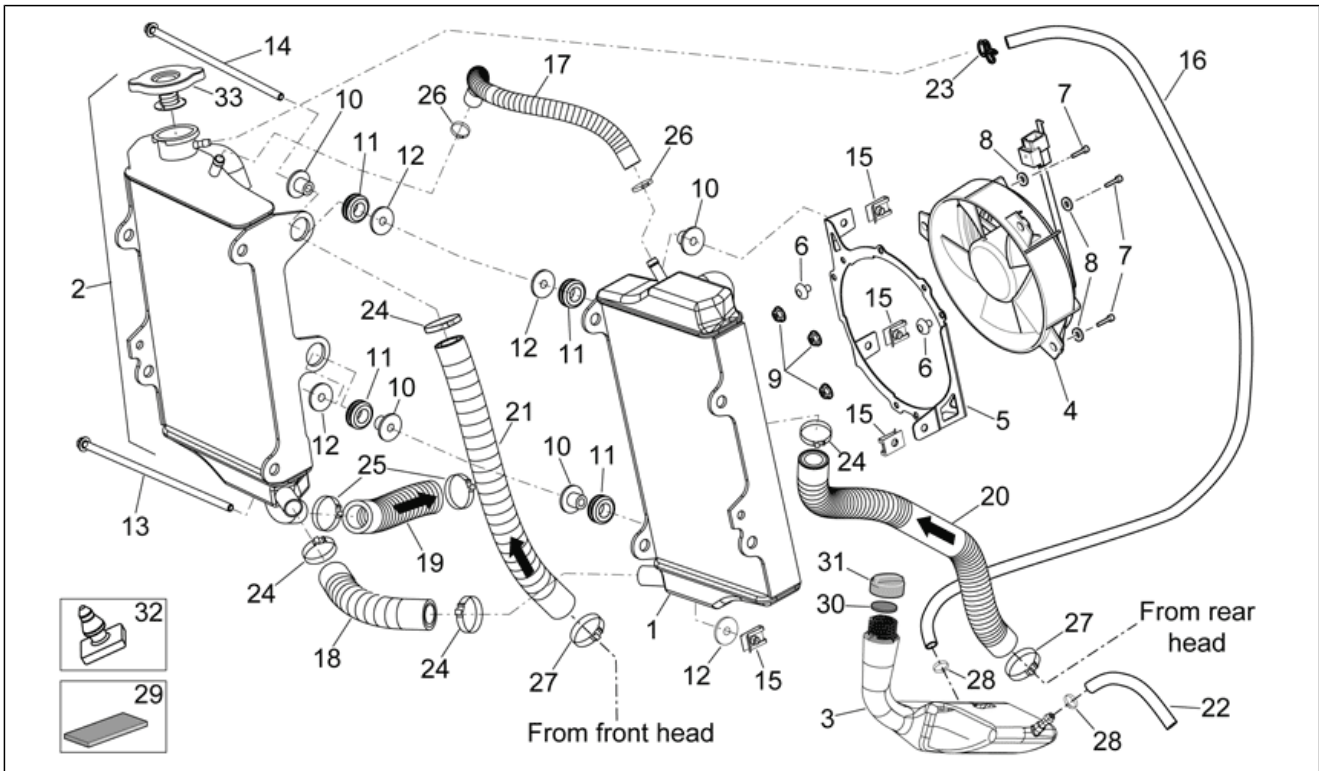
| Pos. | Code | Beschreibung | Menge | Varianten |
|------|-----------|-------------------|-------|-----------|
| 23 | AP9100425 | Knopf engine stop | 1 | |
| 24 | AP9100426 | Startknopf | 1 | |

| | |
|---------------------|------------|
| Einheit | RAHMEN |
| Code | 28.18 |
| Beschreibung | Kühlanlage |
| Inspektion | 1 |



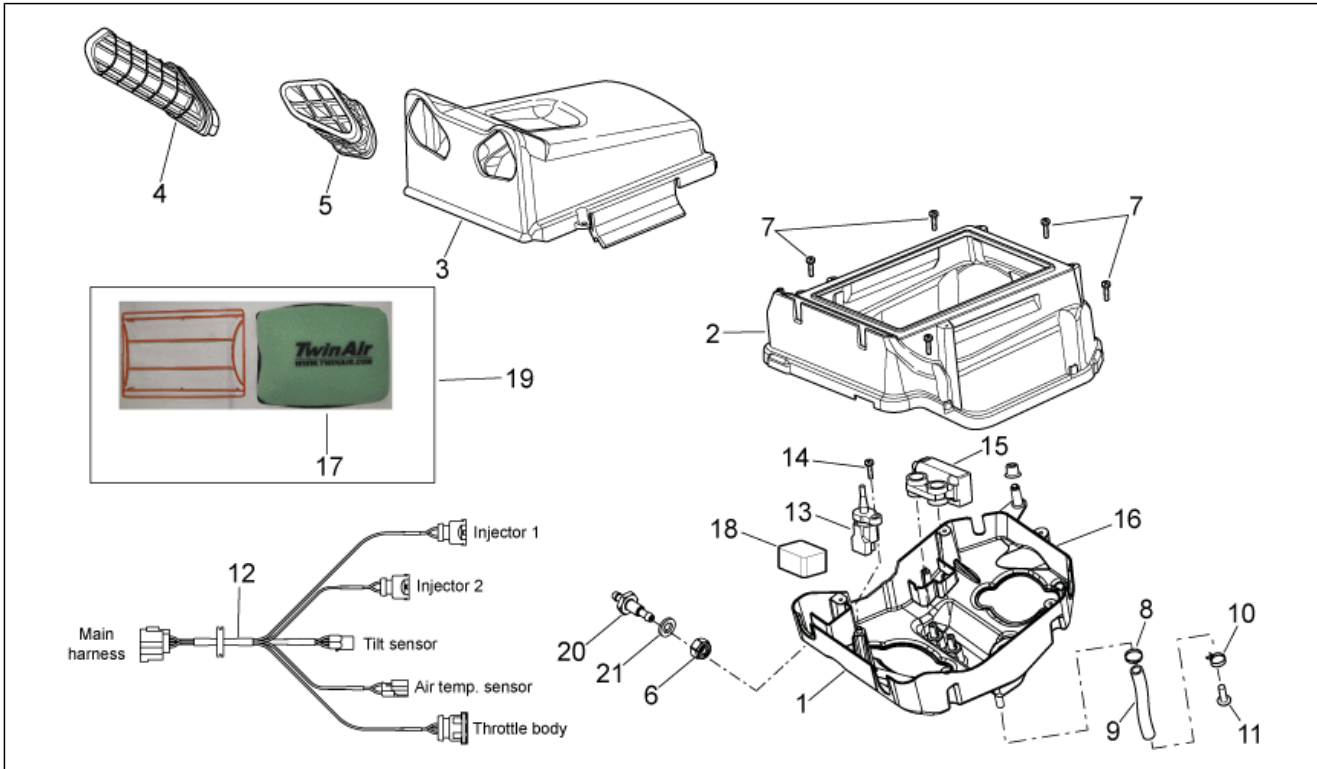
| Pos. | Code | Beschreibung | Menge | Varianten |
|------|-----------|------------------------------------|-------|---|
| 1 | 853825 | Wasserkühler L. | 1 | |
| 2 | 853826 | Wasserkühler R. | 1 | |
| 3 | 853613 | Ausdehngefäß | 1 | Technische Daten: Version Motard Van De Bosch[VDB] |
| 3 | AP9100506 | Ausdehngefäß | 1 | Technische Daten: Version Enduro Merriman[MR] |
| 4 | AP8124930 | Ventilator komplett | 1 | |
| 5 | AP9100780 | Lüfterlager | 1 | |
| 6 | AP8120876 | Verschlußschraube | 2 | |
| 7 | AP8152267 | TBEI Spez.schr. M5x12 | 3 | |
| 8 | AP8150013 | Ausgleichscheibe 5,5x15x1,6* | 3 | |
| 9 | AP8150451 | Selbstsperr.mut Unt. | 3 | |
| 10 | AP9100376 | Buchse | 4 | |
| 11 | AP9100969 | Silent-Block * | 4 | |
| 12 | AP9100375 | Ausgleichscheibe 24,8x6,2x1 | 4 | |
| 13 | AP9100781 | TE Schr. m. Flansch M6x133 | 1 | |
| 14 | AP9100663 | TE Schr. m. Flansch M6x122 | 1 | |
| 15 | AP8102376 | Klammer M6 | 3 | |
| 16 | AP8120952 | Kraftstoffleitung 5,5x10 | 1 | |
| 17 | 855265 | Entlüftungsschlauch Kühler 7,5X3,5 | 1 | Technische Daten: Version Enduro Merriman[MR] |
| 17 | AP8144506 | Entlüftungsschlauch Kühler 7,5X3,5 | 1 | Technische Daten: Version Motard Van De Bosch[VDB] |
| 18 | AP9100555 | Leitung 23x15x135 | 1 | Technische Daten: Version Motard Van De Bosch[VDB] |
| 18 | CM238403 | Leitung 23x15x125 | 1 | Technische Daten: Version Enduro Merriman[MR] |
| 19 | 855266 | Cooler-pump pipe 27x19x145 | 1 | Technische Daten: Version Enduro Merriman[MR] |
| 19 | AP9100557 | Cooler-pump pipe 27x19x145 | 1 | Technische Daten: Version Motard Van De Bosch[VDB] |
| 20 | AP9100553 | Leitung 23x15x380 | 1 | Technische Daten: Version Motard Van De Bosch[VDB] |
| 20 | CM238401 | Leitung 23x15x395 | 1 | Technische Daten: Version Enduro Merriman[MR] |
| 21 | AP9100554 | Leitung 23x15x295 | 1 | Technische Daten: Version Motard Van De Bosch[VDB] |
| 21 | CM238402 | Leitung 23x15x295 | 1 | Technische Daten: Version Enduro Merriman[MR] |
| 22 | AP8120952 | Kraftstoffleitung 5,5x10 | 1 | |

| | |
|---------------------|------------|
| Einheit | RAHMEN |
| Code | 28.18 |
| Beschreibung | Kühlanlage |
| Inspektion | 1 |



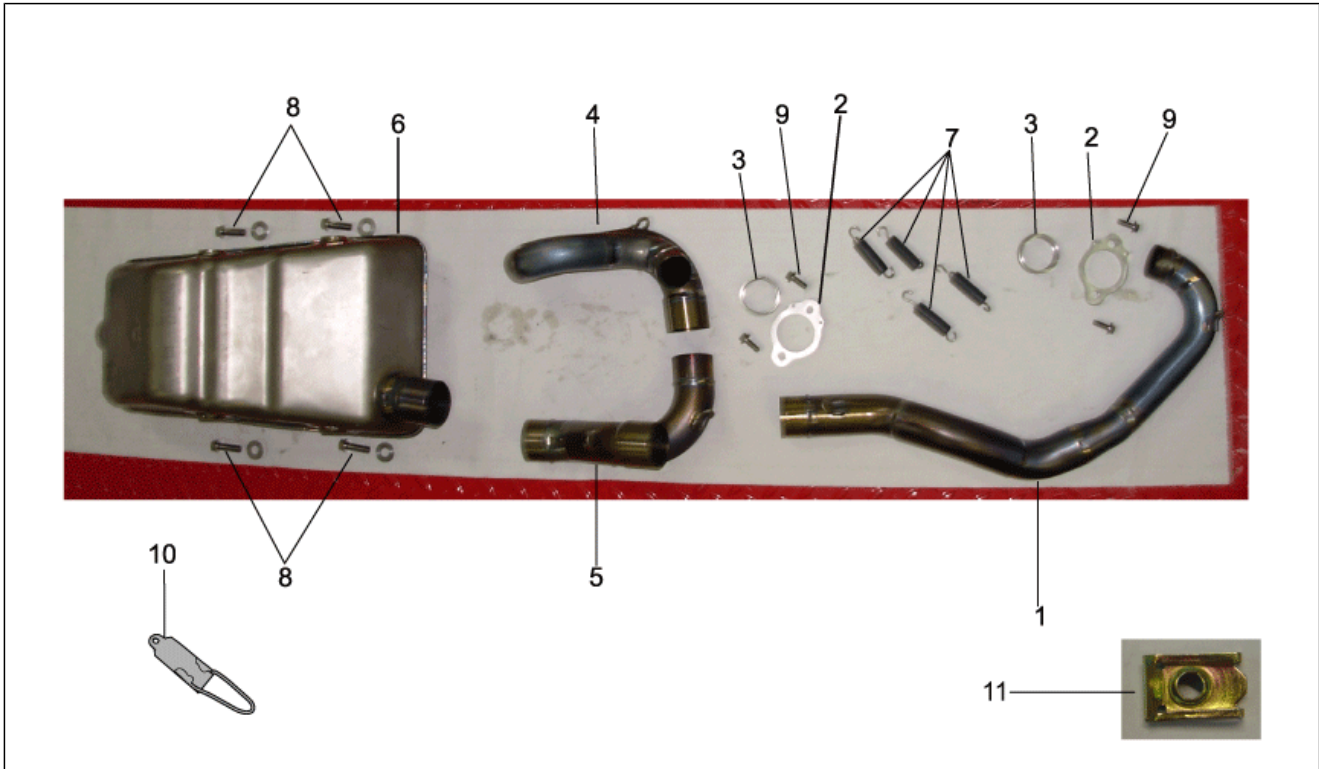
| Pos. | Code | Beschreibung | Menge | Varianten |
|------|-----------|---------------------------------|-------|-----------|
| 23 | AP8102378 | Schelle D11,3 | 1 | |
| 24 | AP8201169 | Schlauchschelle D22x8,6* | 4 | |
| 25 | AP9100456 | Schlauchschelle 26x8 | 2 | |
| 26 | AP9100714 | Schlauchschelle 14,5x8 | 2 | |
| 27 | AP9100697 | Schlauchschelle 21x8 | 2 | |
| 28 | AP8120446 | Schlauchschelle, grün D11x6,6x1 | 2 | |
| 29 | AP8117041 | Klebeschwamm 6x30 | 2 | |
| 30 | AP8220191 | Dichtung | 1 | |
| 31 | AP8104124 | Ausdehnsg. Schraube | 1 | |
| 32 | AP8120455 | Gummi | 1 | |
| 33 | AP9100948 | Kühlerschraube | 1 | |

| | |
|---------------------|---------------|
| Einheit | RAHMEN |
| Code | 28.19 |
| Beschreibung | Filtergehäuse |
| Inspektion | 1 |



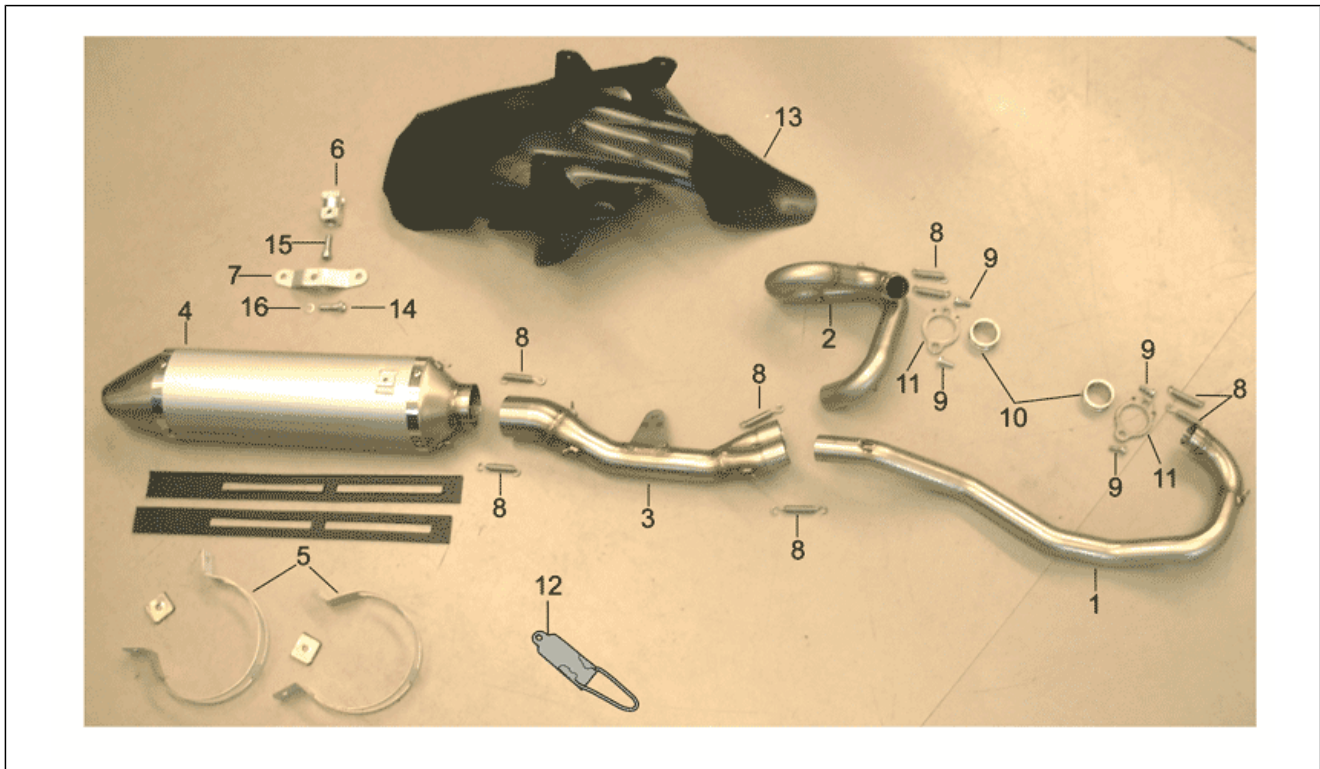
| Pos. | Code | Beschreibung | Menge | Varianten |
|------|-----------|------------------------|-------|---|
| 1 | 853691 | Boden Filtergehäuse | 1 | Technische Daten: Version Enduro 450 Merriman[MR45] |
| 1 | 855073 | Boden Filtergehäuse | 1 | Technische Daten: Version Motard 550 Van De Bosch[VDB55] |
| 1 | 855092 | Boden Filtergehäuse | 1 | Technische Daten: Version Motard 450 Van De Bosch[VDB45] |
| 2 | 853695 | Filtereinsatzgehäuse | 1 | |
| 3 | 855319 | Deckel | 1 | Technische Daten: Version Enduro Merriman[MR] |
| 3 | 855369 | Deckel | 1 | Technische Daten: Version Motard Van De Bosch[VDB] |
| 4 | AP9100588 | R.Lufteinlass | 1 | |
| 5 | AP9100587 | L.Lufteinlass | 1 | |
| 6 | AP8150431 | Mutter unten M8 | 1 | |
| 7 | AP8152351 | Linsenschraube 4,2x16* | 5 | |
| 8 | AP8101595 | Schelle D10,1 | 1 | |
| 9 | AP8144038 | Kraftstoffleitung 6x10 | 1 | |
| 10 | AP8102377 | Schelle D9,1* | 1 | |
| 11 | AP8120876 | Verschlußschraube | 1 | |
| 12 | AP9100455 | Verkabelung | 1 | |
| 13 | AP9100427 | Lufttemperaturfühler | 1 | |
| 14 | AP8150413 | Gew.schr. 3,9x14 | 1 | |
| 15 | AP9100428 | Sturzfühler | 1 | |
| 16 | AP8120593 | Dichtung D4 | 1 | |
| 17 | 858044 | Luftfilter | 1 | |
| 18 | AP9101017 | Filter Blow-by | 1 | |
| 19 | 851369 | Kraftstofffilter, Kit | 1 | |
| 20 | 855081 | Düse | 1 | |
| 21 | AP8144065 | Gummi | 1 | |

| | |
|---------------------|-----------------|
| Einheit | RAHMEN |
| Code | 28.20 |
| Beschreibung | Auslassgruppe I |
| Inspektion | 1 |



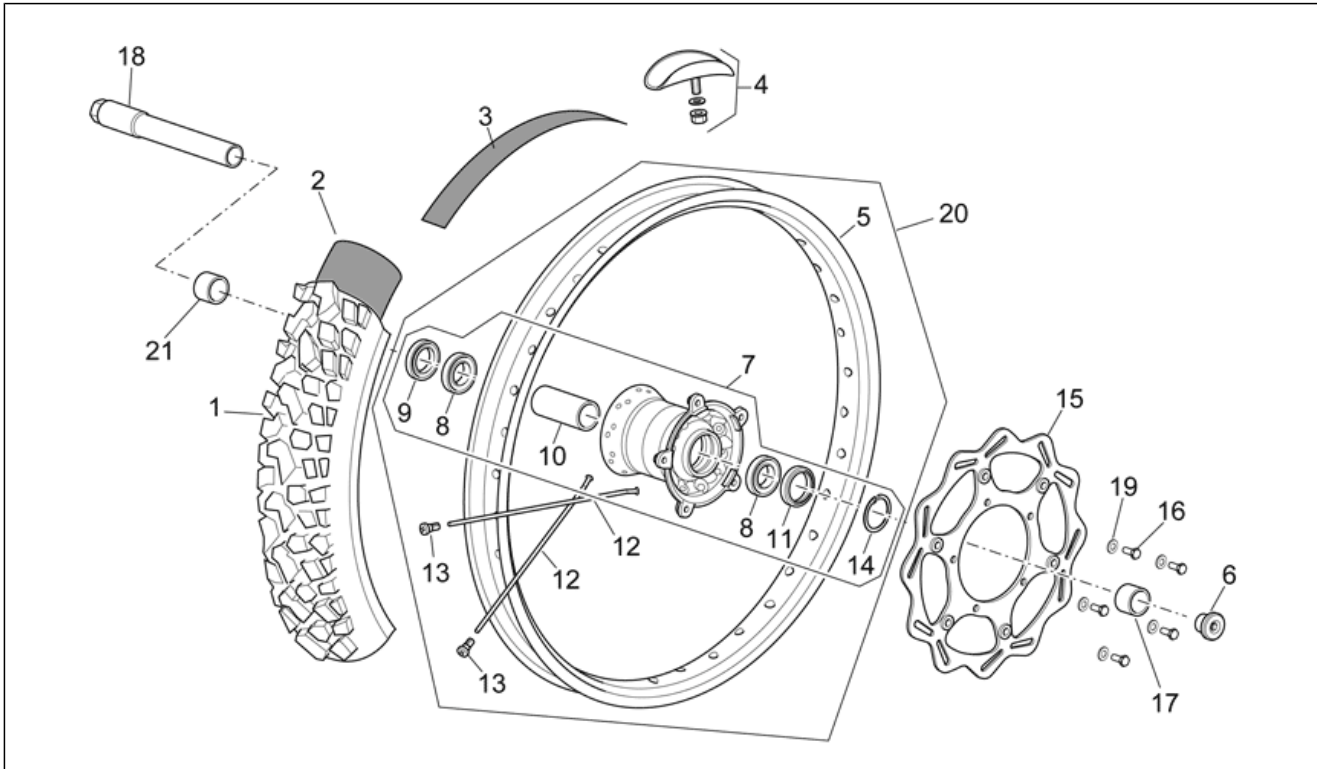
| Pos. | Code | Beschreibung | Menge | Varianten |
|------|--------|---------------------------------|-------|---|
| 1 | 853602 | Sammelleitung vorn | 1 | Technische Daten: Version Motard Van De Bosch[VDB] |
| 2 | 853604 | Flansch | 2 | Technische Daten: Version Motard Van De Bosch[VDB] |
| 3 | 853605 | Buchse | 2 | Technische Daten: Version Motard Van De Bosch[VDB] |
| 4 | 853606 | Sammelleitung hi. | 1 | Technische Daten: Version Motard Van De Bosch[VDB] |
| 5 | 853608 | Y-förmiger Anschluß | 1 | Technische Daten: Version Motard Van De Bosch[VDB] |
| 6 | 855537 | Schalldämpfer RACING | 1 | Technische Daten: Version Motard 450 Van De Bosch[VDB45] |
| 6 | 855538 | Schalldämpfer RACING | 1 | Technische Daten: Version Motard 550 Van De Bosch[VDB55] |
| 7 | 853610 | Feder Auspuffrohre | 4 | Technische Daten: Version Motard Van De Bosch[VDB] |
| 8 | 853535 | TE Schr. m. Flansch M8x30 titan | 4 | Technische Daten: Version Motard Van De Bosch[VDB] |
| 9 | 853595 | TE Schr. m. Flansch M6x16 titan | 4 | Technische Daten: Version Motard Van De Bosch[VDB] |
| 10 | 853831 | Platte | 1 | Technische Daten: Version Motard Van De Bosch[VDB] |
| 11 | 858540 | Klammer | 4 | Technische Daten: Version Motard Van De Bosch[VDB] |

| | |
|---------------------|------------------|
| Einheit | RAHMEN |
| Code | 28.21 |
| Beschreibung | Auslassgruppe II |
| Inspektion | 1 |



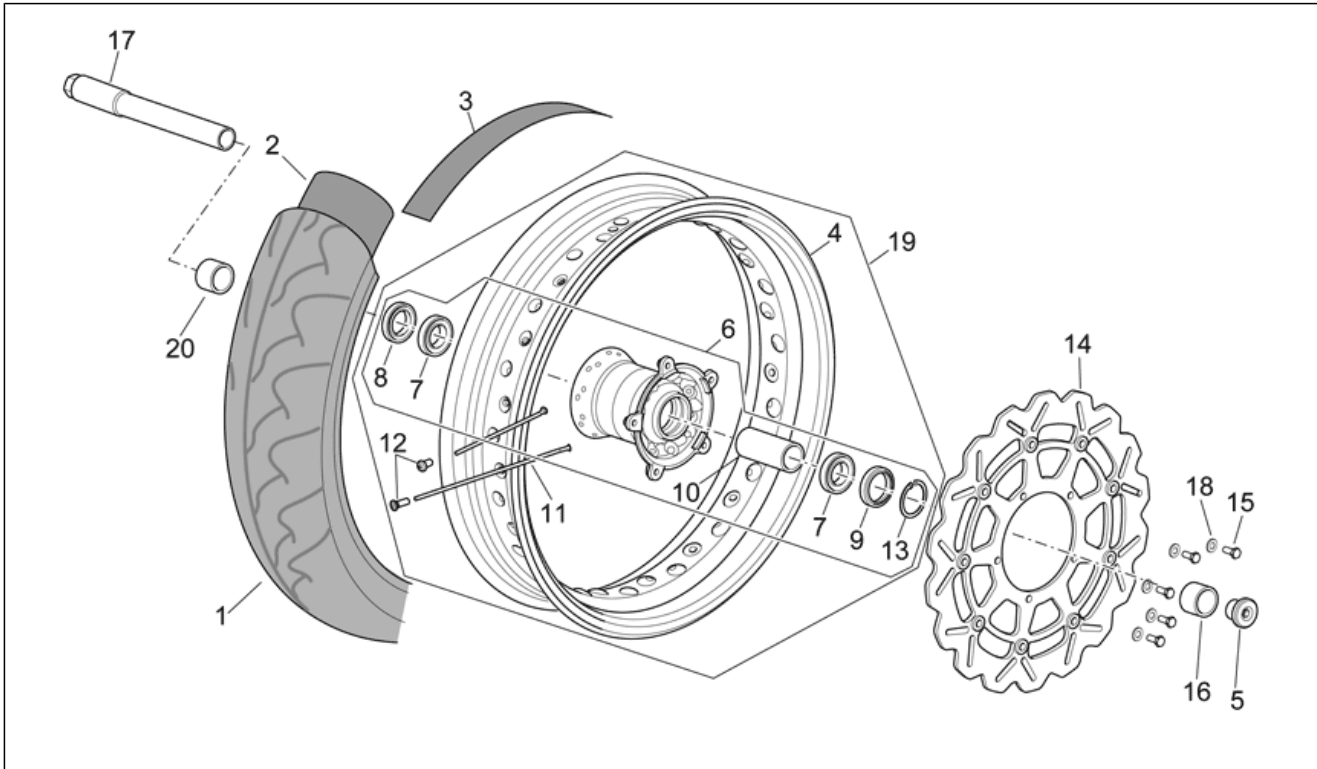
| Pos. | Code | Beschreibung | Menge | Varianten |
|------|-----------|---------------------------|-------|--|
| 1 | 855322 | Auspuffrohr vorn Merriman | 1 | Technische Daten:Version Enduro Merriman[MR] |
| 2 | 855323 | Krümmter Merriman | 1 | Technische Daten:Version Enduro Merriman[MR] |
| 3 | 855324 | Anschluss Merriman | 1 | Technische Daten:Version Enduro Merriman[MR] |
| 4 | 855326 | Schalldämpfer Titanio | 1 | Technische Daten:Version Enduro Merriman[MR] |
| 5 | 855327 | Schelle | 2 | Technische Daten:Version Enduro Merriman[MR] |
| 6 | 855328 | Halter | 1 | Technische Daten:Version Enduro Merriman[MR] |
| 7 | 855329 | Bügel Schalldämpfer | 1 | Technische Daten:Version Enduro Merriman[MR] |
| 8 | 853610 | Feder Auspuffrohre | 8 | Technische Daten:Version Enduro Merriman[MR] |
| 9 | AP8152278 | TE Schr. m. Flansch M6x16 | 4 | Technische Daten:Version Enduro Merriman[MR] |
| 10 | 855330 | Buchse | 2 | Technische Daten:Version Enduro Merriman[MR] |
| 11 | 855332 | Flansch | 2 | Technische Daten:Version Enduro Merriman[MR] |
| 12 | 853831 | Platte | 1 | Technische Daten:Version Enduro Merriman[MR] |
| 13 | 851449 | Schutzabdeckung | 1 | Technische Daten:Version Enduro Merriman[MR] |
| 14 | AP8152288 | TE Schr. m. Flansch M8x30 | 1 | Technische Daten:Version Enduro Merriman[MR] |
| 15 | AP8150107 | TCEI Schraube M8x30 | 1 | Technische Daten:Version Enduro Merriman[MR] |
| 16 | AP8150502 | Ausgleichscheibe 15x8x0,8 | 1 | Technische Daten:Version Enduro Merriman[MR] |

| | |
|---------------------|-------------|
| Einheit | RAHMEN |
| Code | 28.22 |
| Beschreibung | Vorderrad I |
| Inspektion | 1 |



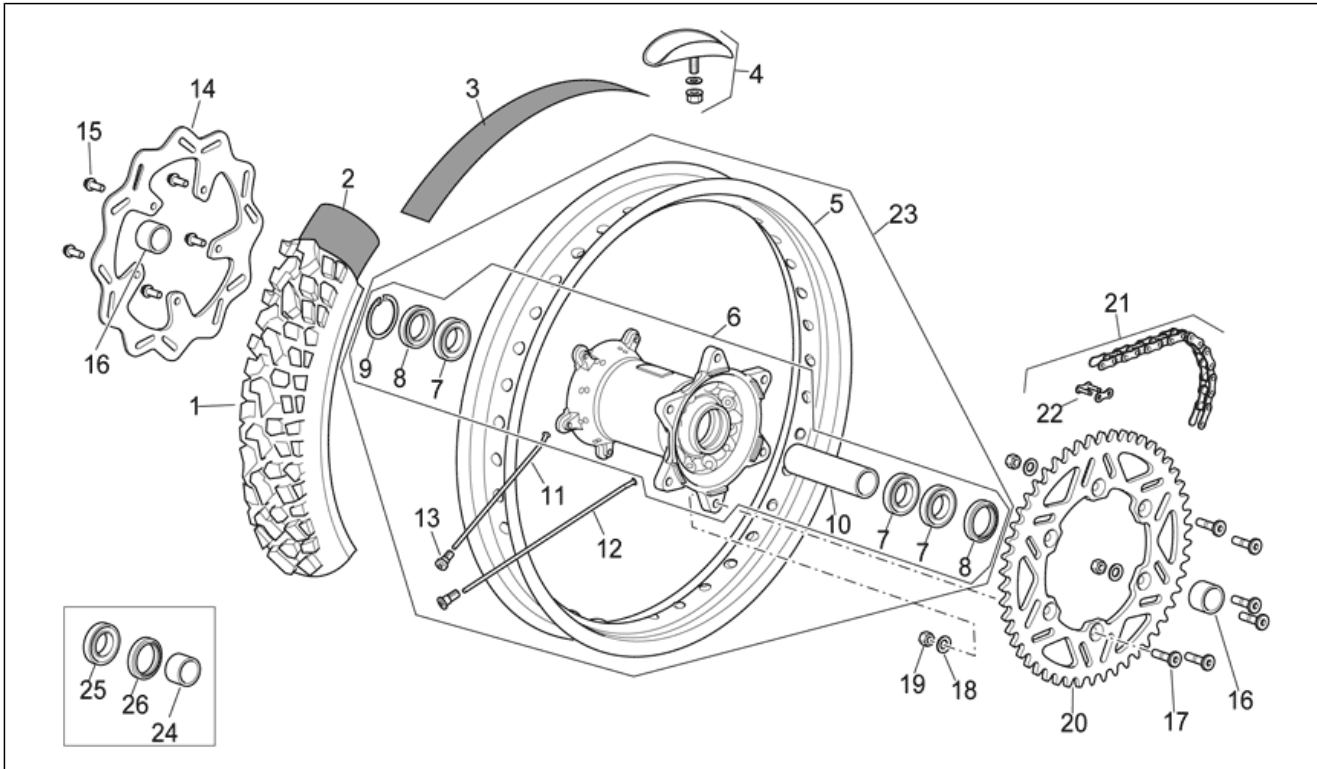
| Pos. | Code | Beschreibung | Menge | Varianten |
|------|-----------|-------------------------------|-------|--|
| 1 | AP9100507 | Vorderreifen 90/90X21" | 1 | Technische Daten:Version Enduro Merriman[MR] |
| 2 | AP9100458 | Schlauch 21" | 1 | Technische Daten:Version Enduro Merriman[MR] |
| 3 | AP8109001 | Vorderrandband 21" | 1 | Technische Daten:Version Enduro Merriman[MR] |
| 4 | AP9100457 | Bügel | 1 | Technische Daten:Version Enduro Merriman[MR] |
| 5 | 855283 | Vorderradfelgen 1,6x21" | 1 | Technische Daten:Version Enduro Merriman[MR] |
| 5 | AP9100262 | Vorderradfelgen 1,6x21" | 1 | Technische Daten:Version Enduro Merriman[MR] |
| 6 | AP9100171 | Deckel M22 | 1 | Technische Daten:Version Enduro Merriman[MR] |
| 7 | 855286 | Nabe vorne | 1 | Technische Daten:Version Enduro Merriman[MR] |
| 9 | 853627 | Gasket ring 32x42x7 | 1 | Technische Daten:Version Enduro Merriman[MR] |
| 10 | 855289 | Interne Distanzscheibe L=69,7 | 1 | Technische Daten:Version Enduro Merriman[MR] |
| 11 | 853627 | Gasket ring 32x42x7 | 1 | Technische Daten:Version Enduro Merriman[MR] |
| 12 | 855437 | Speiche d.3,5-21"-l.233 | 9 | Technische Daten:Version Enduro Merriman[MR] |
| 12 | 855439 | Speiche d.3,5-21"-l.233 | 9 | Technische Daten:Version Enduro Merriman[MR] |
| 13 | 853621 | Nippel d.4 | 36 | Technische Daten:Version Enduro Merriman[MR] |
| 14 | 853629 | Seegerring D.42 | 1 | Technische Daten:Version Enduro Merriman[MR] |
| 17 | 855294 | Externe Distanzscheibe L=26,3 | 1 | Technische Daten:Version Enduro Merriman[MR] |
| 18 | 855278 | Vorderradbolzen L=221,5 | 1 | Technische Daten:Version Enduro Merriman[MR] |
| 19 | AP8150429 | Sprengscheibe 6,4x11x0,5* | 5 | Technische Daten:Version Enduro Merriman[MR] |
| 20 | 855282 | Vorderrad 21" | 1 | Technische Daten:Version Enduro Merriman[MR] |
| 21 | 855292 | Externe Distanzscheibe L=26,3 | 1 | Technische Daten:Version Enduro Merriman[MR] |

| | |
|---------------------|--------------|
| Einheit | RAHMEN |
| Code | 28.23 |
| Beschreibung | Vorderrad II |
| Inspektion | 1 |



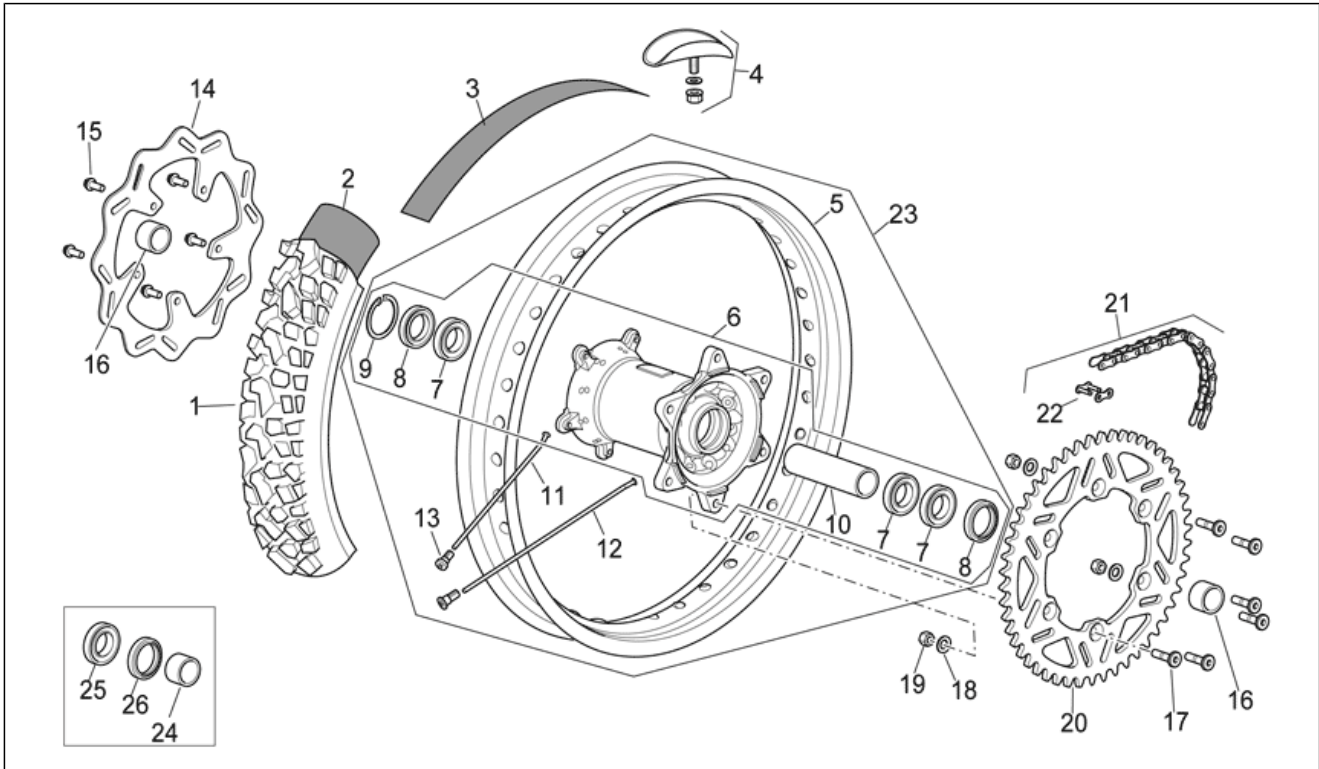
| Pos. | Code | Beschreibung | Menge | Varianten |
|------|-----------|---------------------------------|-------|---|
| 1 | 853618 | Vorderreifen 120/70-17" | 1 | Technische Daten:Version Motard Van De Bosch[VDB] |
| 2 | AP8109306 | Schlauch 17" | 1 | Technische Daten:Version Motard Van De Bosch[VDB] |
| 3 | AP8109309 | Radband 17" | 1 | Technische Daten:Version Motard Van De Bosch[VDB] |
| 4 | 855452 | Vorderradfelgen 3,5X17" | 1 | Technische Daten:Version Motard Van De Bosch[VDB] |
| 5 | AP9100171 | Deckel M22 | 1 | Technische Daten:Version Motard Van De Bosch[VDB] |
| 6 | 855445 | Nabe vorne | 1 | Technische Daten:Version Motard Van De Bosch[VDB] |
| 7 | 853626 | Kugellager 25x42x9 | 2 | Technische Daten:Version Motard Van De Bosch[VDB] |
| 8 | 853627 | Gasket ring 32x42x7 | 1 | Technische Daten:Version Motard Van De Bosch[VDB] |
| 9 | 853627 | Gasket ring 32x42x7 | 1 | Technische Daten:Version Motard Van De Bosch[VDB] |
| 10 | 855289 | Interne Distanzscheibe L=69,7 | 1 | Technische Daten:Version Motard Van De Bosch[VDB] |
| 11 | 855449 | Speiche d.3,5-17" | 8 | Technische Daten:Version Motard Van De Bosch[VDB] |
| 11 | 855449 | Speiche d.3,5-17" | 8 | Technische Daten:Version Motard Van De Bosch[VDB] |
| 11 | 855450 | Speiche d.3,5-17" | 8 | Technische Daten:Version Motard Van De Bosch[VDB] |
| 11 | 855451 | Speiche d.3,5-17" | 8 | Technische Daten:Version Motard Van De Bosch[VDB] |
| 12 | 853621 | Nippel d.4 | 32 | Technische Daten:Version Motard Van De Bosch[VDB] |
| 13 | 853629 | Seegerring D.42 | 1 | Technische Daten:Version Motard Van De Bosch[VDB] |
| 14 | 855366 | Vorderradbremsscheibe d.320 | 1 | Technische Daten:Version Motard Van De Bosch[VDB] |
| 15 | 853595 | TE Schr. m. Flansch M6x16 titan | 5 | Technische Daten:Version Motard Van De Bosch[VDB] |
| 16 | 855294 | Externe Distanzscheibe L=26,3 | 1 | Technische Daten:Version Motard Van De Bosch[VDB] |
| 17 | AP9100230 | Vorderradbolzen L=221,5 | 1 | Technische Daten:Version Motard Van De Bosch[VDB] |
| 18 | AP8150429 | Sprengscheibe 6,4x11x0,5* | 5 | Technische Daten:Version Motard Van De Bosch[VDB] |
| 19 | 855351 | Vorderrad 16,5" | 1 | Technische Daten:Version Motard Van De Bosch[VDB] |
| 20 | 855292 | Externe Distanzscheibe L=26,3 | 1 | Technische Daten:Version Motard Van De Bosch[VDB] |

| | |
|---------------------|-------------|
| Einheit | RAHMEN |
| Code | 28.24 |
| Beschreibung | Hinterrad I |
| Inspektion | 1 |



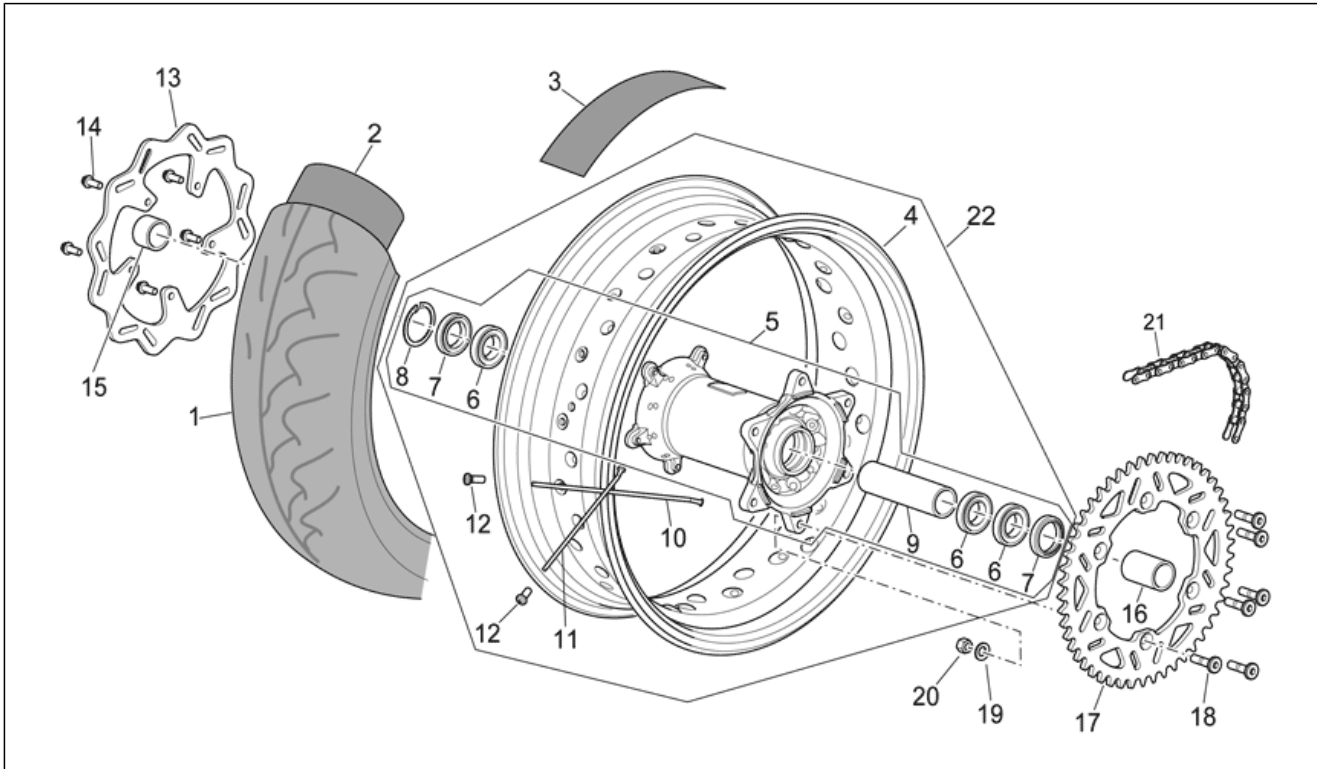
| Pos. | Code | Beschreibung | Menge | Varianten |
|------|-----------|-----------------------------------|-------|--|
| 1 | AP9100510 | Hinterreifen 140/80X18" | 1 | Technische Daten:Version Enduro Merriman[MR] |
| 2 | AP9100508 | Schlauch 18" | 1 | Technische Daten:Version Enduro Merriman[MR] |
| 3 | AP8109281 | Hinterradband 18" | 1 | Technische Daten:Version Enduro Merriman[MR] |
| 4 | AP9100462 | Bügel reifen | 1 | Technische Daten:Version Enduro Merriman[MR] |
| 5 | 855297 | H.Felge 2,15X18" | 1 | Technische Daten:Version Enduro Merriman[MR] |
| 6 | 855301 | Nabe hinten | 1 | Technische Daten:Version Enduro Merriman[MR] |
| 7 | 853626 | Kugellager 25x42x9 | 1 | Technische Daten:Version Enduro Merriman[MR] |
| 8 | 855442 | Gasket ring 32x42x7 | 1 | Technische Daten:Version Enduro Merriman[MR] |
| 9 | 853629 | Seegerring D.42 | 1 | Technische Daten:Version Enduro Merriman[MR] |
| 10 | 855304 | Interne Distanzscheibe L=106,5 mm | 1 | Technische Daten:Version Enduro Merriman[MR] |
| 11 | 855298 | Speiche d.4-18"-l.196,5 | 9 | Technische Daten:Version Enduro Merriman[MR] |
| 11 | 855299 | Speiche d.4-18"-l.196,5 | 9 | Technische Daten:Version Enduro Merriman[MR] |
| 12 | 855443 | Speiche d.4-18"-l.199,5 | 9 | Technische Daten:Version Enduro Merriman[MR] |
| 12 | 855444 | Speiche d.4-18"-l.199,5 | 9 | Technische Daten:Version Enduro Merriman[MR] |
| 13 | 855300 | Nippel d.4,5 | 36 | Technische Daten:Version Enduro Merriman[MR] |
| 14 | AP9100466 | Vorderradbremsscheibe d.240 | 1 | Technische Daten:Version Enduro Merriman[MR] |
| 15 | AP8152278 | TE Schr. m. Flansch M6x16 | 5 | Technische Daten:Version Enduro Merriman[MR] |
| 16 | 855307 | Externe Distanzscheibe L=21,9 | 1 | Technische Daten:Version Enduro Merriman[MR] |
| 16 | AP9100595 | Externe Distanzscheibe L=21,9 | 2 | Technische Daten:Version Enduro Merriman[MR] |
| 17 | AP9100467 | Schraube M8x30 | 6 | Technische Daten:Version Enduro Merriman[MR] |
| 18 | AP8150017 | Ausgleichscheibe 8,4x16x1,6 | 6 | Technische Daten:Version Enduro Merriman[MR] |
| 19 | AP9100432 | Selbstsperr.Mut.Unt. M8x1,25 | 6 | Technische Daten:Version Enduro Merriman[MR] |
| 20 | AP9100336 | Zahnkranz Z=48 | 1 | Technische Daten:Version Enduro Merriman[MR] |
| 21 | AP9100531 | Kette | 1 | Technische Daten:Version Enduro Merriman[MR] |
| 22 | AP9100533 | Verbindungsglied 5/8x1/4 | 1 | Technische Daten:Version Enduro Merriman[MR] |
| 23 | 855296 | Hinterrad ohne Scheibe 18" | 1 | Technische Daten:Version Enduro Merriman[MR] |
| 24 | 855306 | Externe Distanzscheibe L=21,9 | 1 | Technische Daten:Version Enduro Merriman[MR] |
| 25 | 855441 | Kugellager 25x47x12 | 2 | Technische Daten:Version Enduro Merriman[MR] |

| | |
|---------------------|-------------|
| Einheit | RAHMEN |
| Code | 28.24 |
| Beschreibung | Hinterrad I |
| Inspektion | 1 |



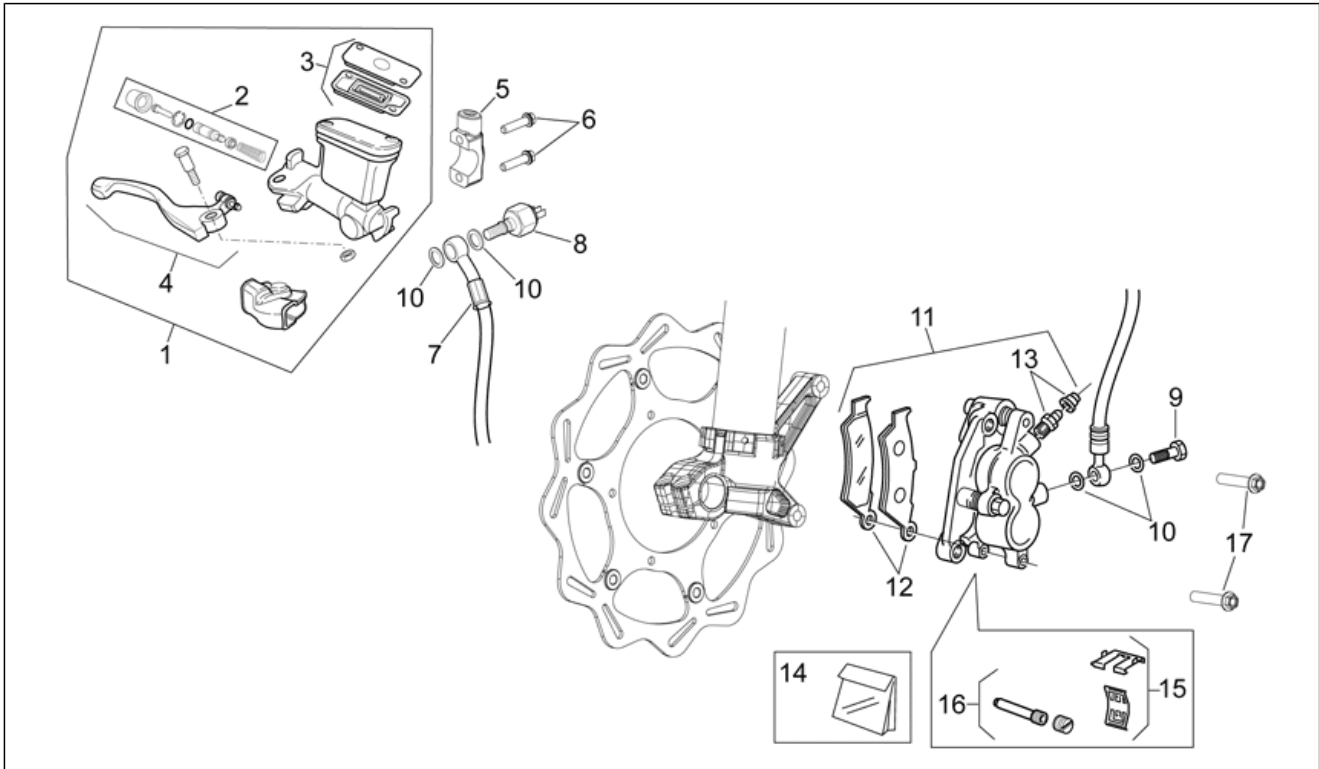
| Pos. | Code | Beschreibung | Menge | Varianten |
|------|--------|---------------------|-------|--|
| 26 | 853627 | Gasket ring 32x42x7 | 1 | Technische Daten:Version Enduro Merriman[MR] |

| | |
|---------------------|--------------|
| Einheit | RAHMEN |
| Code | 28.25 |
| Beschreibung | Hinterrad II |
| Inspektion | 1 |



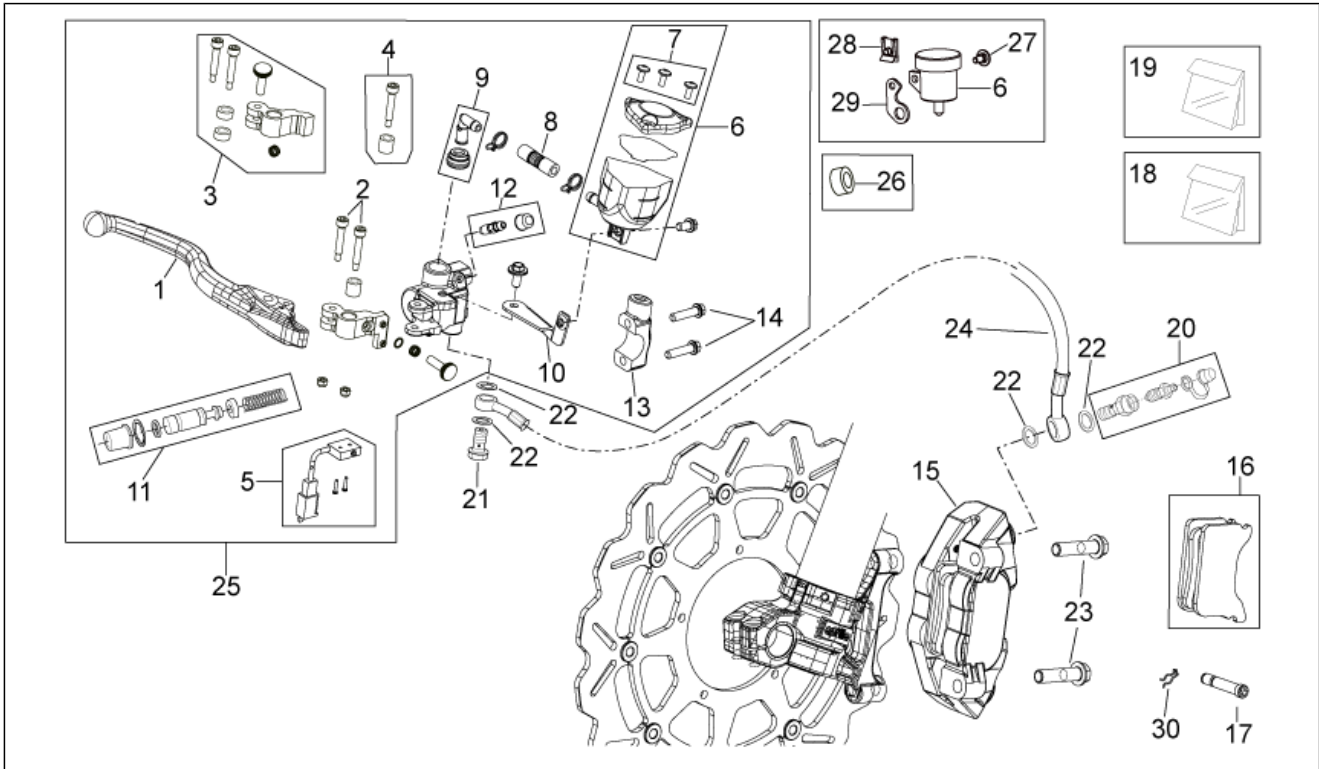
| Pos. | Code | Beschreibung | Menge | Varianten |
|------|-----------|---------------------------------|-------|---|
| 1 | 853632 | Hinterreifen 170/55X17" | 1 | Technische Daten: Version Motard Van De Bosch[VDB] |
| 2 | AP9100526 | Schlauch 17" | 1 | Technische Daten: Version Motard Van De Bosch[VDB] |
| 3 | AP9100527 | Radband 17" | 1 | Technische Daten: Version Motard Van De Bosch[VDB] |
| 4 | 855459 | H.Felge 5,5X17" | 1 | Technische Daten: Version Motard Van De Bosch[VDB] |
| 5 | 855447 | Nabe hinten | 1 | Technische Daten: Version Motard Van De Bosch[VDB] |
| 6 | 853626 | Kugellager 25x42x9 | 3 | Technische Daten: Version Motard Van De Bosch[VDB] |
| 7 | 853627 | Gasket ring 32x42x7 | 2 | Technische Daten: Version Motard Van De Bosch[VDB] |
| 8 | 853629 | Seegerring D.42 | 1 | Technische Daten: Version Motard Van De Bosch[VDB] |
| 9 | 855454 | Interne Distanzscheibe L=134,3 | 1 | Technische Daten: Version Motard Van De Bosch[VDB] |
| 10 | 855457 | Speiche 4-17"-l.189 | 8 | Technische Daten: Version Motard Van De Bosch[VDB] |
| 10 | 855458 | Speiche 4-17"-l.189 | 8 | Technische Daten: Version Motard Van De Bosch[VDB] |
| 11 | 855455 | Speiche d.4-17"-l.184 | 8 | Technische Daten: Version Motard Van De Bosch[VDB] |
| 11 | 855456 | Speiche d.4-17"-l.184 | 8 | Technische Daten: Version Motard Van De Bosch[VDB] |
| 12 | 853621 | Nippel d.4 | 32 | Technische Daten: Version Motard Van De Bosch[VDB] |
| 13 | AP9100466 | Vorderradbremmscheibe d.240 | 1 | Technische Daten: Version Motard Van De Bosch[VDB] |
| 14 | 853595 | TE Schr. m. Flansch M6x16 titan | 5 | Technische Daten: Version Motard Van De Bosch[VDB] |
| 15 | 855307 | Externe Distanzscheibe L=21,9 | 1 | Technische Daten: Version Motard Van De Bosch[VDB] |
| 16 | 855361 | Externe Distanzscheibe L=45,1 | 1 | Technische Daten: Version Motard Van De Bosch[VDB] |
| 17 | AP9100333 | Zahnkranz Z=45 | 1 | Technische Daten: Version Motard Van De Bosch[VDB] |
| 17 | AP9100334 | Zahnkranz Z=46 | 1 | Technische Daten: Version Motard Van De Bosch[VDB] |
| 17 | AP9100335 | Zahnkranz Z=47 | 1 | Technische Daten: Version Motard Van De Bosch[VDB] |
| 17 | AP9100932 | Zahnkranz Z=44 | 1 | Technische Daten: Version Motard Van De Bosch[VDB] |
| 18 | 853640 | Schraube M8x30 titan | 6 | Technische Daten: Version Motard Van De Bosch[VDB] |
| 19 | AP8150017 | Ausgleichscheibe 8,4x16x1,6 | 6 | Technische Daten: Version Motard Van De Bosch[VDB] |
| 20 | 853641 | Selbstsperr.Mut.Unt. M8x1,25 | 6 | Technische Daten: Version Motard Van De Bosch[VDB] |
| 21 | 855412 | Kette 5/8x1/4 | 1 | Technische Daten: Version Motard Van De Bosch[VDB] |
| 22 | 855352 | Hinterrad ohne Scheibe 17" | 1 | Technische Daten: Version Motard Van De Bosch[VDB] |
| 23 | 853870 | Verbindungsglied | 1 | Technische Daten: Version Motard Van De Bosch[VDB] |

| | |
|---------------------|----------------------|
| Einheit | RAHMEN |
| Code | 28.26 |
| Beschreibung | Bremsanlage - Vorn I |
| Inspektion | 1 |



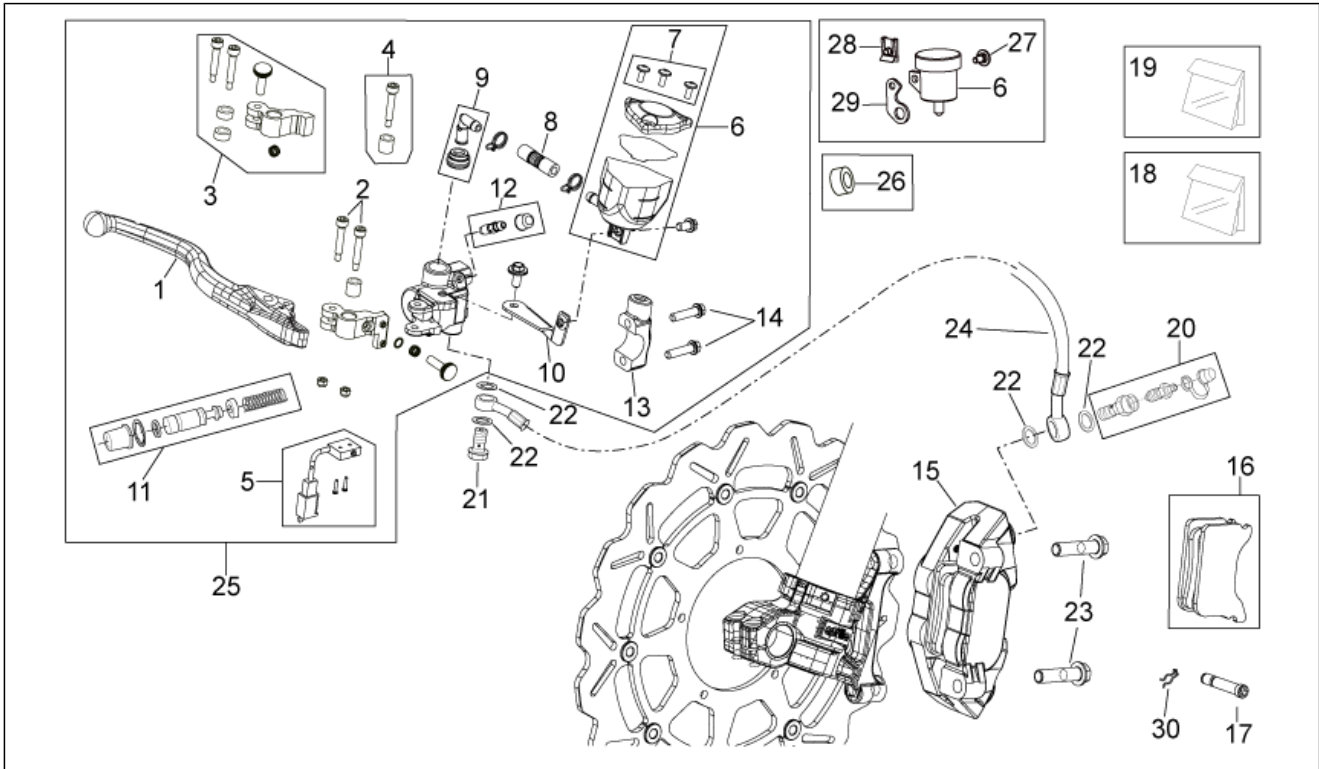
| Pos. | Code | Beschreibung | Menge | Varianten |
|------|-----------|-------------------------------|-------|--|
| 1 | AP9100257 | Vorderradbremspumpe Nissin | 1 | Technische Daten:Version Enduro Merriman[MR] |
| 2 | AP9100785 | Kolben, kit | 1 | Technische Daten:Version Enduro Merriman[MR] |
| 3 | AP9100786 | Aust.satz Verschlusschraube | 1 | Technische Daten:Version Enduro Merriman[MR] |
| 4 | AP9100787 | Kit Hebelüberholung | 1 | Technische Daten:Version Enduro Merriman[MR] |
| 5 | AP9100707 | Schelle | 1 | Technische Daten:Version Enduro Merriman[MR] |
| 6 | AP8152280 | TE Schr. m. Flansch M6x25 | 2 | Technische Daten:Version Enduro Merriman[MR] |
| 7 | 851351 | Vorderradbremsleitung | 1 | Technische Daten:Version Enduro Merriman[MR] |
| 8 | AP9100418 | V. Schalter Stopp | 1 | Technische Daten:Version Enduro Merriman[MR] |
| 9 | AP9100472 | Sechskantschraube M10x1,25 | 1 | Technische Daten:Version Enduro Merriman[MR] |
| 10 | AP9100473 | Ausgleichscheibe 14x10,2x1 | 4 | Technische Daten:Version Enduro Merriman[MR] |
| 11 | AP9100256 | Vorderradbremzange | 1 | Technische Daten:Version Enduro Merriman[MR] |
| 12 | AP9100788 | Beläge (Paar) | 1 | Technische Daten:Version Enduro Merriman[MR] |
| 13 | AP9100789 | Bausatz Entlüftungsüberh. | 1 | Technische Daten:Version Enduro Merriman[MR] |
| 14 | AP9100790 | Bausatz Bremszangenüberholung | 1 | Technische Daten:Version Enduro Merriman[MR] |
| 15 | AP9100791 | Feder | 1 | Technische Daten:Version Enduro Merriman[MR] |
| 16 | AP9100792 | Bolzen | 1 | Technische Daten:Version Enduro Merriman[MR] |
| 17 | AP8152290 | TE Schr. m. Flansch M8x40 | 2 | Technische Daten:Version Enduro Merriman[MR] |

| | |
|---------------------|-----------------------|
| Einheit | RAHMEN |
| Code | 28.27 |
| Beschreibung | Bremsanlage - Vorn II |
| Inspektion | 1 |



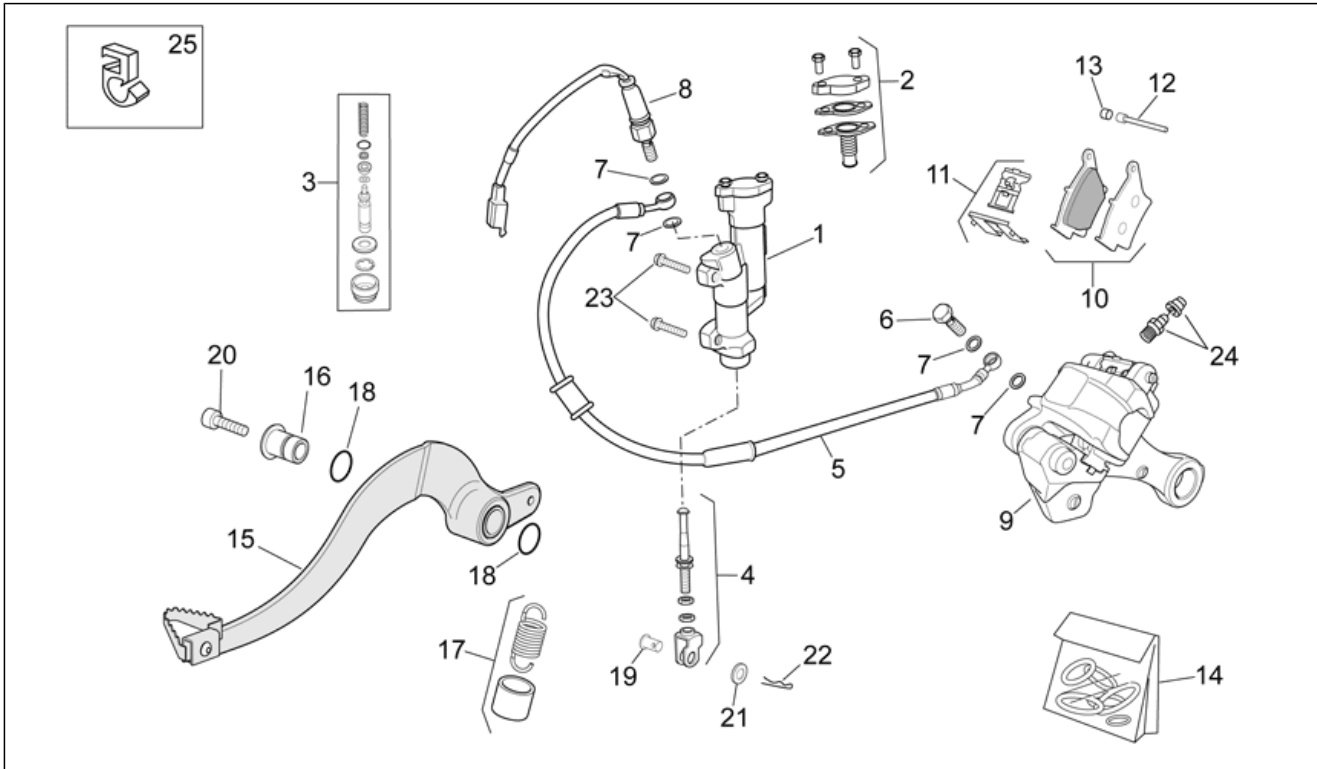
| Pos. | Code | Beschreibung | Menge | Varianten |
|------|-----------|---------------------------------|-------|---|
| 1 | CO8418059 | Hebel | 1 | Technische Daten: Hebel mit oberer Einstellung[T2], Version Motard Van De Bosch[VDB] |
| 2 | AP9100921 | Schraube | 1 | Technische Daten: Version Motard Van De Bosch[VDB] |
| 3 | 851367 | Kit Hebelüberholung | 1 | Technische Daten: Version Motard Van De Bosch[VDB] |
| 4 | AP9100919 | Pressing kit | 1 | Technische Daten: Version Motard Van De Bosch[VDB] |
| 5 | AP9100918 | Bremslichtschalter | 1 | Technische Daten: Version Motard Van De Bosch[VDB] |
| 6 | CO8413010 | Öltank kpl | 1 | Technische Daten: Version Motard Van De Bosch[VDB] |
| 7 | AP9100916 | Schraube | 1 | Technische Daten: Version Motard Van De Bosch[VDB] |
| 8 | AP9100915 | Bremschlauch | 1 | Technische Daten: Version Motard Van De Bosch[VDB] |
| 9 | AP9100914 | Anschluss | 1 | Technische Daten: Version Motard Van De Bosch[VDB] |
| 10 | 851368 | Platte | 1 | Technische Daten: Version Motard Van De Bosch[VDB] |
| 11 | AP9100912 | Bausatz Pumpenüberholung | 1 | Technische Daten: Version Motard Van De Bosch[VDB] |
| 12 | AP9100911 | Bausatz Entlüftungsüberh. | 1 | Technische Daten: Version Motard Van De Bosch[VDB] |
| 13 | AP9100910 | Bügelbolzen | 1 | Technische Daten: Version Motard Van De Bosch[VDB] |
| 14 | 853649 | TE Schr. m. Flansch M6x25 titan | 2 | Technische Daten: Version Motard Van De Bosch[VDB] |
| 15 | 853653 | Vorderradbremzange | 1 | Technische Daten: Version Motard Van De Bosch[VDB] |
| 16 | 853815 | Belag brems | 2 | Technische Daten: Version Motard Van De Bosch[VDB] |
| 17 | 894822 | Bolzen | 1 | Technische Daten: Version Motard Van De Bosch[VDB] |
| 18 | AP9100908 | Bausatz Bremszangenüberholung | 1 | Technische Daten: Version Motard Van De Bosch[VDB] |
| 19 | AP9100909 | Paar Kolben | 1 | Technische Daten: Version Motard Van De Bosch[VDB] |
| 20 | AP9100905 | Bausatz Entlüftungsüberh. | 1 | Technische Daten: Version Motard Van De Bosch[VDB] |
| 21 | AP8113003 | Fixierschraube Ölschlauch | 1 | Technische Daten: Version Motard Van De Bosch[VDB] |
| 22 | AP8121915 | Dichtung | 4 | Technische Daten: Version Motard Van De Bosch[VDB] |
| 23 | 853656 | TE Schr. m. Flansch M10x1,25x40 | 2 | Technische Daten: Version Motard Van De Bosch[VDB] |
| 24 | 853651 | Vorderradbremleitung | 1 | Technische Daten: Version Motard Van De Bosch[VDB] |
| 25 | CO8413070 | Vorderradbremspumpe | 1 | Technische Daten: Version Motard Van De Bosch[VDB] |
| 26 | 855364 | Distanzscheibe | 2 | Technische Daten: Version Motard Van De Bosch[VDB] |
| 27 | AP8152339 | TBEI Schraube m.Flansch M5x9 | 1 | Technische Daten: Version Motard Van De Bosch[VDB] |

| | |
|---------------------|-----------------------|
| Einheit | RAHMEN |
| Code | 28.27 |
| Beschreibung | Bremsanlage - Vorn II |
| Inspektion | 1 |



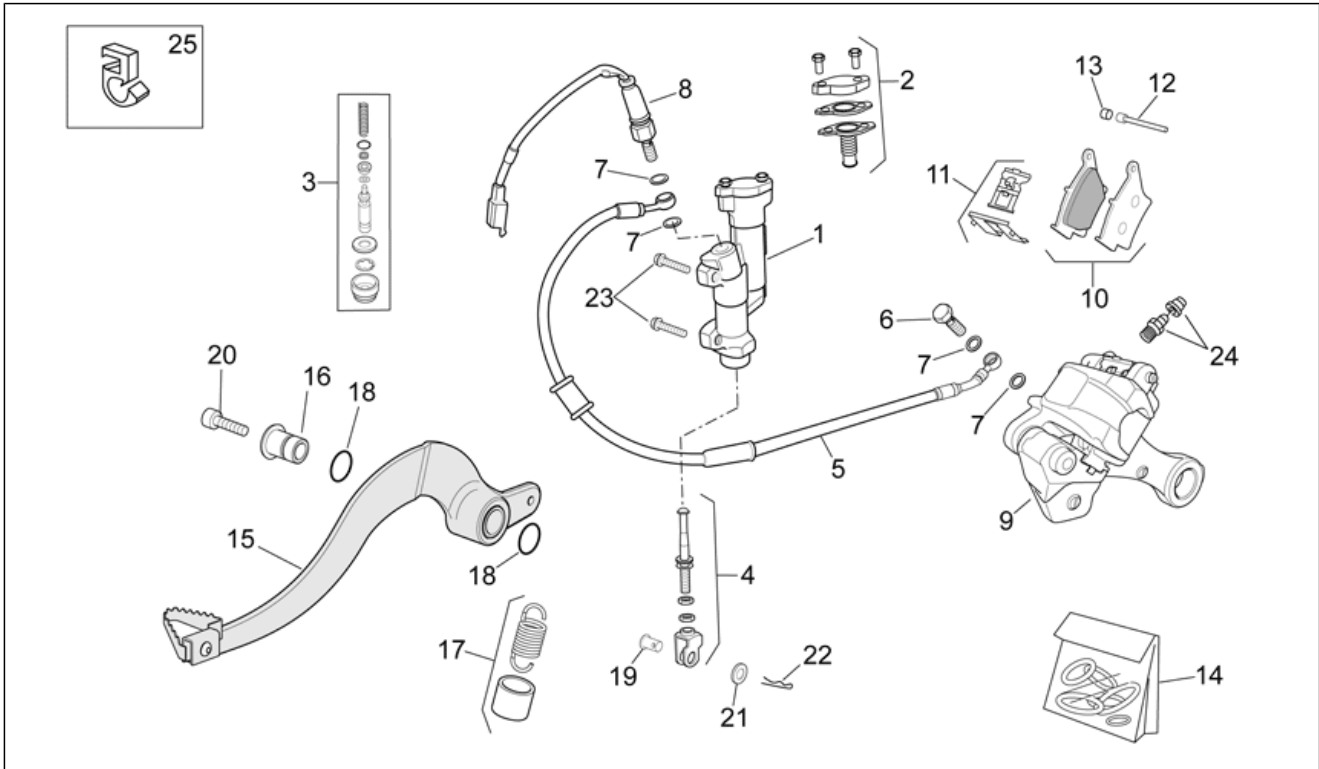
| Pos. | Code | Beschreibung | Menge | Varianten |
|------|-----------|--------------|-------|---|
| 28 | AP8102375 | Klammer M5 | 1 | Technische Daten:Version Motard Van De Bosch[VDB] |
| 29 | AP9100964 | Platte | 1 | Technische Daten:Version Motard Van De Bosch[VDB] |
| 30 | 894823 | Splint | 1 | Technische Daten:Version Motard Van De Bosch[VDB] |

| | |
|---------------------|----------------------|
| Einheit | RAHMEN |
| Code | 28.28 |
| Beschreibung | Bremsanlage - Hinten |
| Inspektion | 1 |



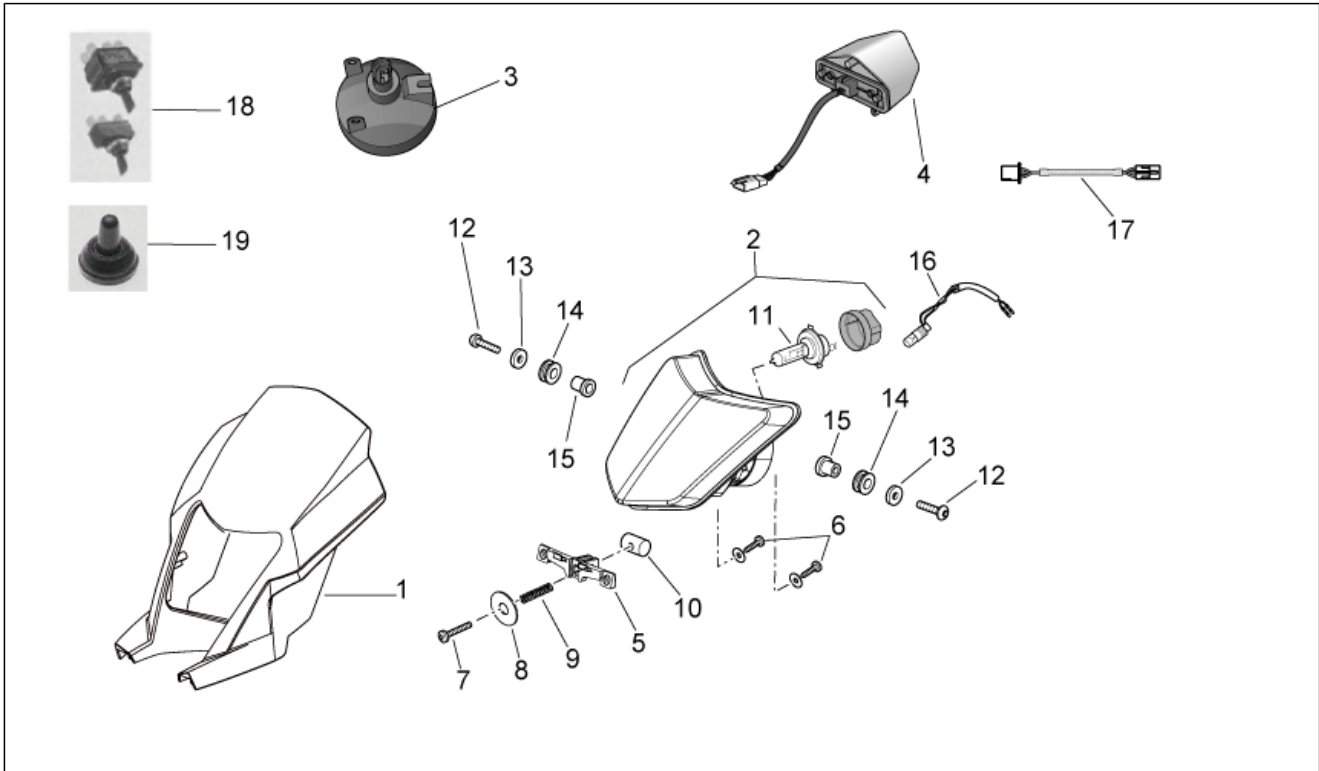
| Pos. | Code | Beschreibung | Menge | Varianten |
|------|-----------|---------------------------------|-------|---|
| 1 | AP9100475 | Hinterradbremspumpe | 1 | |
| 2 | AP9100794 | Aust.satz Verschlußschraube | 1 | |
| 3 | AP9100793 | Kolben, kit | 1 | |
| 4 | AP9100795 | Kit Hebelüberholung | 1 | |
| 5 | 855013 | Hinterradbremseleitung | 1 | Technische Daten: Version Motard Van De Bosch[VDB] |
| 5 | AP9100478 | Hinterradbremseleitung | 1 | Technische Daten: Version Enduro Merriman[MR] |
| 6 | AP9100472 | Sechskantschraube M10x1,25 | 2 | |
| 7 | AP9100473 | Ausgleichscheibe 14x10,2x1 | 4 | |
| 8 | AP9100417 | Bremslichtschalter | 1 | |
| 9 | AP9100479 | Hinterradbremszange | 1 | |
| 10 | AP9100797 | Beläge (Paar) | 1 | |
| 11 | AP9100798 | Feder | 1 | |
| 12 | AP9100800 | Splintbolzen | 1 | |
| 13 | AP9100799 | Deckel | 1 | |
| 14 | AP9100796 | Bausatz Bremszangenüberholung | 1 | |
| 15 | AP9100990 | H.bremsshebel | 1 | |
| 16 | 853657 | Buchse | 1 | Technische Daten: Version Motard Van De Bosch[VDB] |
| 16 | AP9100290 | Buchse | 1 | Technische Daten: Version Enduro Merriman[MR] |
| 17 | AP9100291 | Feder | 1 | |
| 18 | AP9100477 | O-Ring 18x2 | 2 | |
| 19 | 853699 | Stift Hinterradbremsh. eb. | 1 | Technische Daten: Version Motard Van De Bosch[VDB] |
| 19 | AP9100354 | Stift Hinterradbremsh. eb. | 1 | Technische Daten: Version Enduro Merriman[MR] |
| 20 | 853698 | TCEI Schraube M8x20 titan | 1 | Technische Daten: Version Motard Van De Bosch[VDB] |
| 20 | AP8150169 | TCEI Schraube M8x20 | 1 | Technische Daten: Version Enduro Merriman[MR] |
| 21 | AP8150017 | Ausgleichscheibe 8,4x16x1,6 | 1 | |
| 22 | AP8101928 | Splint | 1 | |
| 23 | 853595 | TE Schr. m. Flansch M6x16 titan | 2 | Technische Daten: Version Motard Van De Bosch[VDB] |
| 23 | AP8152278 | TE Schr. m. Flansch M6x16 | 2 | Technische Daten: Version Enduro Merriman[MR] |

| | |
|---------------------|----------------------|
| Einheit | RAHMEN |
| Code | 28.28 |
| Beschreibung | Bremsanlage - Hinten |
| Inspektion | 1 |



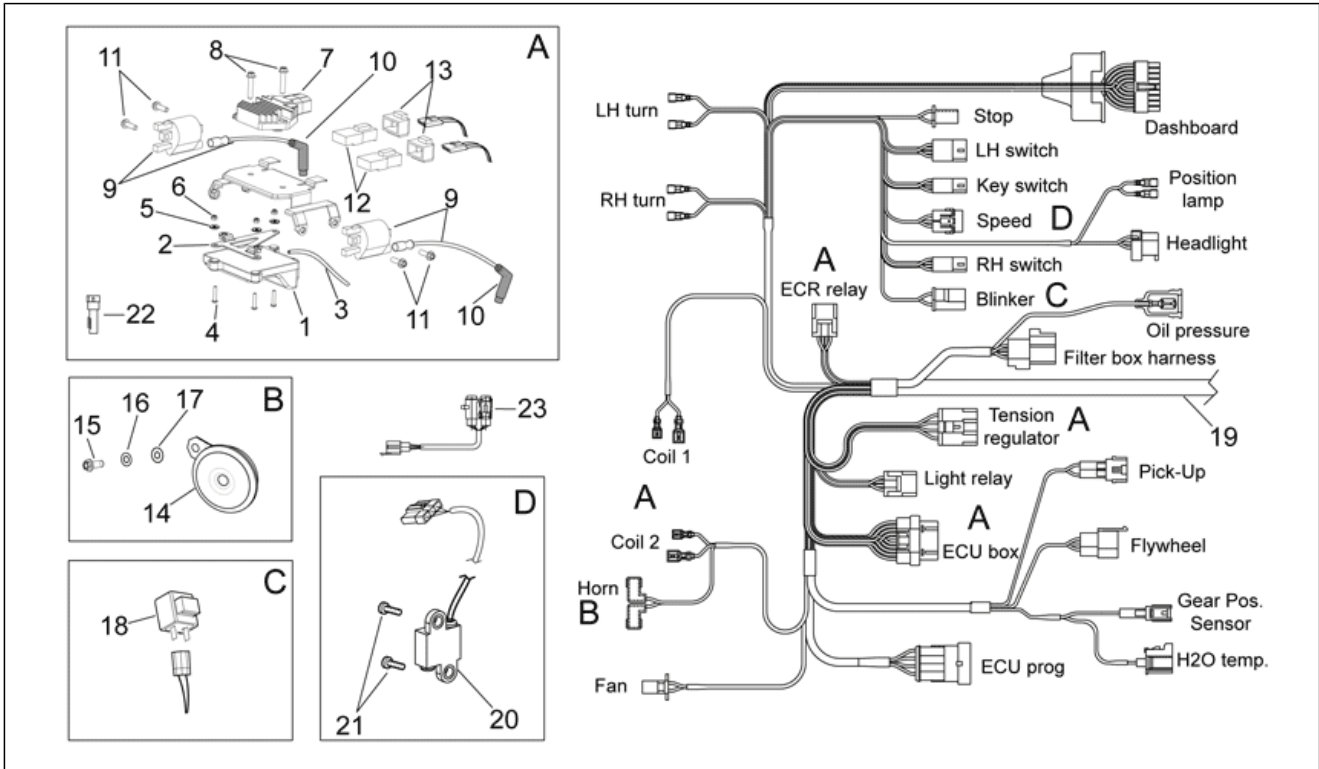
| Pos. | Code | Beschreibung | Menge | Varianten |
|------|-----------|---------------------------|-------|-----------|
| 24 | AP9100789 | Bausatz Entlüftungsüberh. | 1 | |
| 25 | AP9100752 | Kleine Feder | 2 | |

| | |
|---------------------|---------|
| Einheit | RAHMEN |
| Code | 28.29 |
| Beschreibung | Lichter |
| Inspektion | 1 |



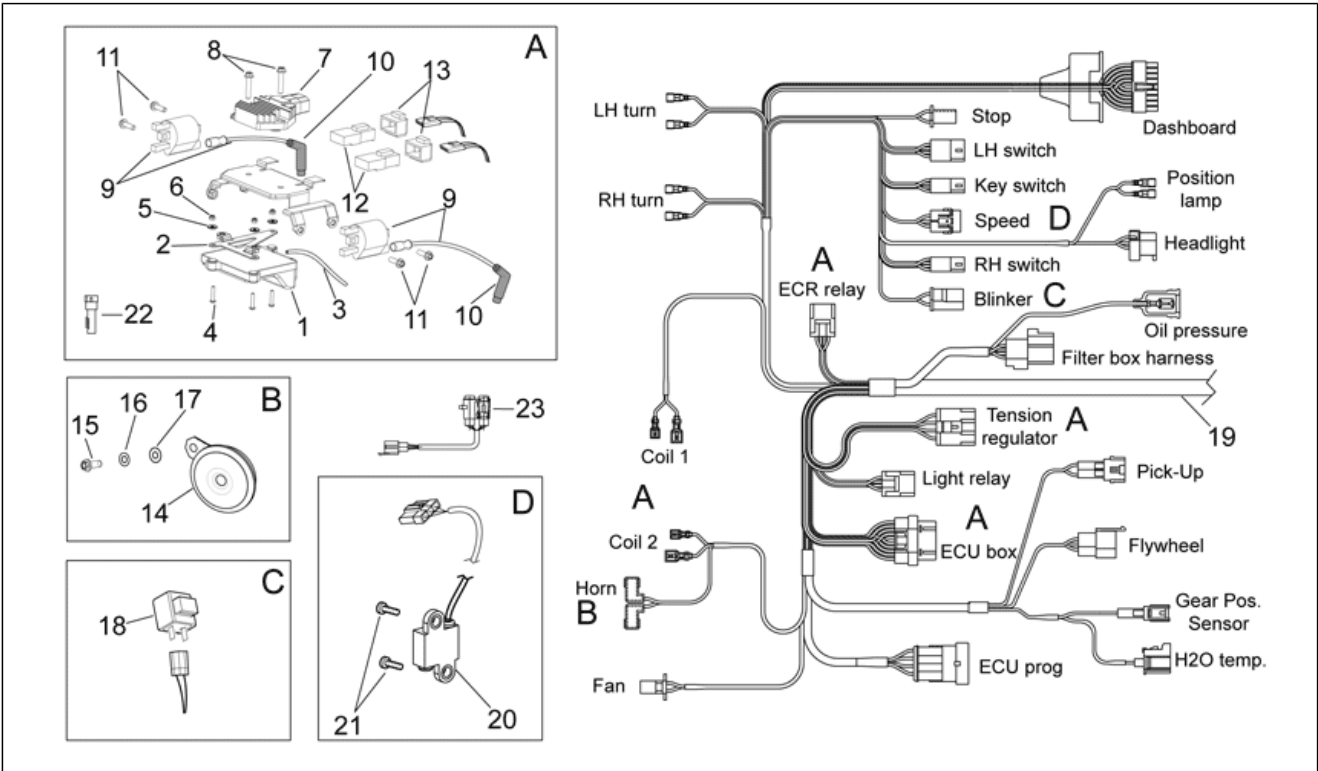
| Pos. | Code | Beschreibung | Menge | Varianten |
|------|-----------|----------------------------|-------|--|
| 1 | 855492 | Scheinwerferbügel Rac. | 1 | Technische Daten:Version Enduro Merriman[MR] |
| 2 | 855038 | Scheinwerfer | 1 | Technische Daten:Version Enduro Merriman[MR] |
| 3 | AP9100970 | Scheinwerfer Rac. | 2 | Technische Daten:Version Enduro Merriman[MR] |
| 4 | 855039 | Rücklicht | 1 | Technische Daten:Version Enduro Merriman[MR] |
| 5 | AP9100635 | Einstellstab Scheinwerfer | 1 | Technische Daten:Version Enduro Merriman[MR] |
| 6 | AP8150413 | Gew.schr. 3,9x14 | 2 | Technische Daten:Version Enduro Merriman[MR] |
| 7 | AP8150475 | Linsenschraube M4x45 z.b. | 1 | Technische Daten:Version Enduro Merriman[MR] |
| 8 | AP8150011 | Ausgleichscheibe 4,3x12x1 | 1 | Technische Daten:Version Enduro Merriman[MR] |
| 9 | AP8221198 | Einstellfeder Scheinwerfer | 1 | Technische Daten:Version Enduro Merriman[MR] |
| 10 | AP9100747 | Buchse | 1 | Technische Daten:Version Enduro Merriman[MR] |
| 11 | AP8127121 | Lampen H4 12V-60/55W | 2 | Technische Daten:Version Enduro Merriman[MR] |
| 12 | AP8152137 | TBEI Schraube M6x20 | 2 | Technische Daten:Version Enduro Merriman[MR] |
| 13 | AP8152181 | Scheibe 6,4x15x1 | 2 | Technische Daten:Version Enduro Merriman[MR] |
| 14 | AP8112600 | Gummi | 2 | Technische Daten:Version Enduro Merriman[MR] |
| 15 | AP8121665 | T-Buchse | 2 | Technische Daten:Version Enduro Merriman[MR] |
| 16 | 855320 | Verkabelung | 1 | Technische Daten:Version Enduro Merriman[MR] |
| 17 | 855494 | Rückw. Kabel | 1 | Technische Daten:Version Enduro Merriman[MR] |
| 18 | 855496 | Schalter | 1 | Technische Daten:Version Enduro Merriman[MR] |
| 19 | 855497 | Kappe | 1 | Technische Daten:Version Enduro Merriman[MR] |

| | |
|---------------------|----------------------|
| Einheit | RAHMEN |
| Code | 28.30 |
| Beschreibung | Elektrische anlage I |
| Inspektion | 1 |



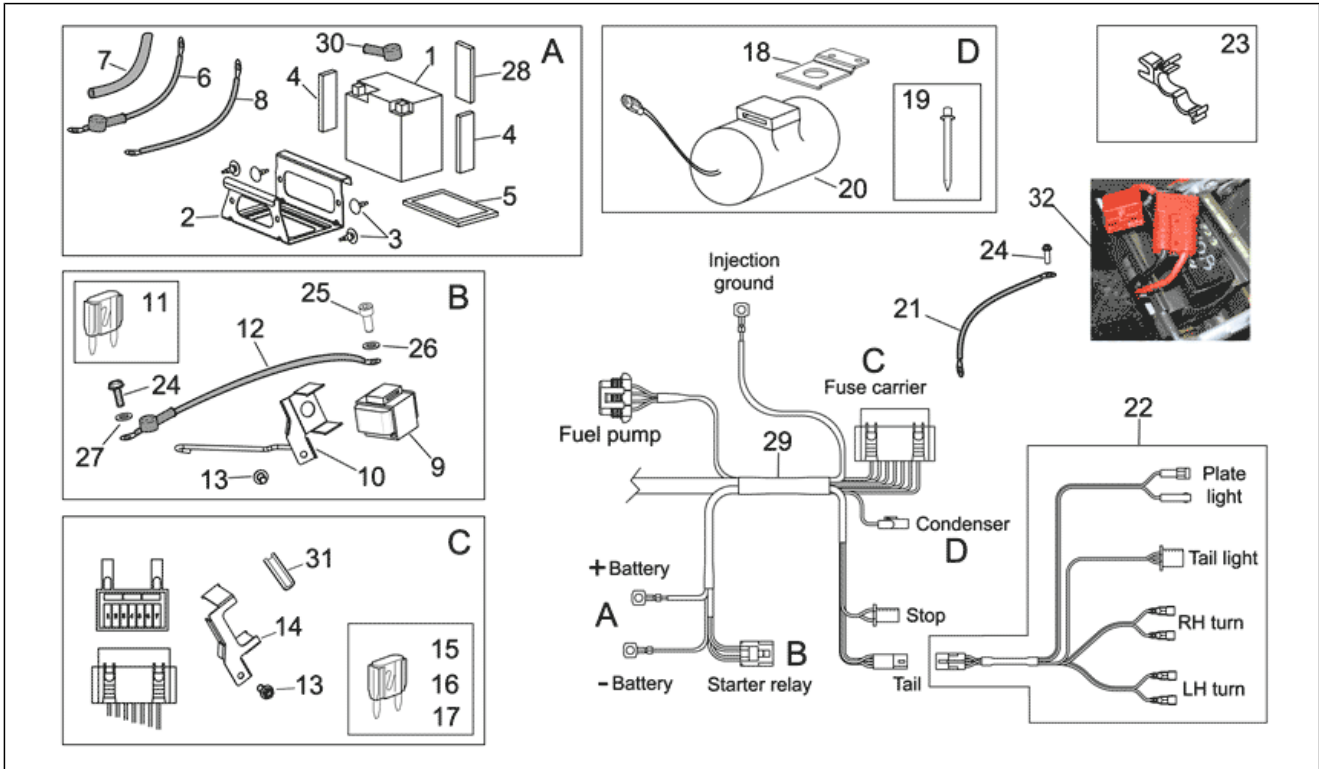
| Pos. | Code | Beschreibung | Menge | Varianten |
|------|-----------|---------------------------------|-------|---|
| 1 | AP9100447 | Elektronische Steuereinheit | 1 | |
| 2 | 851023 | Halteplatte Steuerung | 1 | |
| 3 | AP8220598 | Entlüftungsschlauch Kühler | 1 | |
| 4 | 853591 | TBEI Schraube M4x20 titan | 3 | Technische Daten: Version Motard Van De Bosch[VDB] |
| 4 | AP9100945 | TBEI Schraube M4x20 | 3 | Technische Daten: Version Enduro Merriman[MR] |
| 5 | 853592 | Ausgleichscheibe 4,3x12x1 titan | 3 | Technische Daten: Version Motard Van De Bosch[VDB] |
| 5 | AP8150011 | Ausgleichscheibe 4,3x12x1 | 3 | Technische Daten: Version Enduro Merriman[MR] |
| 6 | 853593 | Selbstsperr.mut Unt. M4 titan | 3 | Technische Daten: Version Motard Van De Bosch[VDB] |
| 6 | AP8150204 | Mutter M4 | 3 | Technische Daten: Version Enduro Merriman[MR] |
| 7 | AP9100424 | Spannungsregler | 1 | |
| 8 | 853594 | TE Schr. m. Flansch M6x30 titan | 2 | Technische Daten: Version Motard Van De Bosch[VDB] |
| 8 | AP8152281 | TE Schr. m. Flansch M6x30 | 2 | Technische Daten: Version Enduro Merriman[MR] |
| 9 | AP9100429 | Spule | 2 | |
| 10 | AP9100423 | Zündkerzenkappe | 2 | |
| 11 | 853595 | TE Schr. m. Flansch M6x16 titan | 4 | Technische Daten: Version Motard Van De Bosch[VDB] |
| 11 | AP8152278 | TE Schr. m. Flansch M6x16 | 4 | Technische Daten: Version Enduro Merriman[MR] |
| 12 | AP8224462 | Zündrelais 12V-30A | 2 | |
| 13 | AP8220283 | Gummi * | 2 | |
| 14 | AP8127391 | Hupe | 1 | |
| 15 | AP8152112 | TCEI Schraube | 1 | |
| 16 | AP8150376 | Ausgleichscheibe 8,5x15x0,8 | 1 | |
| 17 | AP8150017 | Ausgleichscheibe 8,4x16x1,6 | 1 | |
| 18 | AP8124235 | Blinken | 1 | |
| 19 | 855053 | Hauptverkabelung | 1 | Technische Daten: Version Enduro Merriman[MR] |
| 19 | 855367 | Hauptverkabelung | 1 | Technische Daten: Version Motard Van De Bosch[VDB] |
| 20 | AP9100965 | Sensorscheibe | 1 | Technische Daten: Version Enduro Merriman[MR] |
| 21 | AP8150460 | Gewindeschraube M4x12 | 2 | |
| 22 | 858246 | Protection box | 1 | |

| | |
|---------------------|----------------------|
| Einheit | RAHMEN |
| Code | 28.30 |
| Beschreibung | Elektrische anlage I |
| Inspektion | 1 |



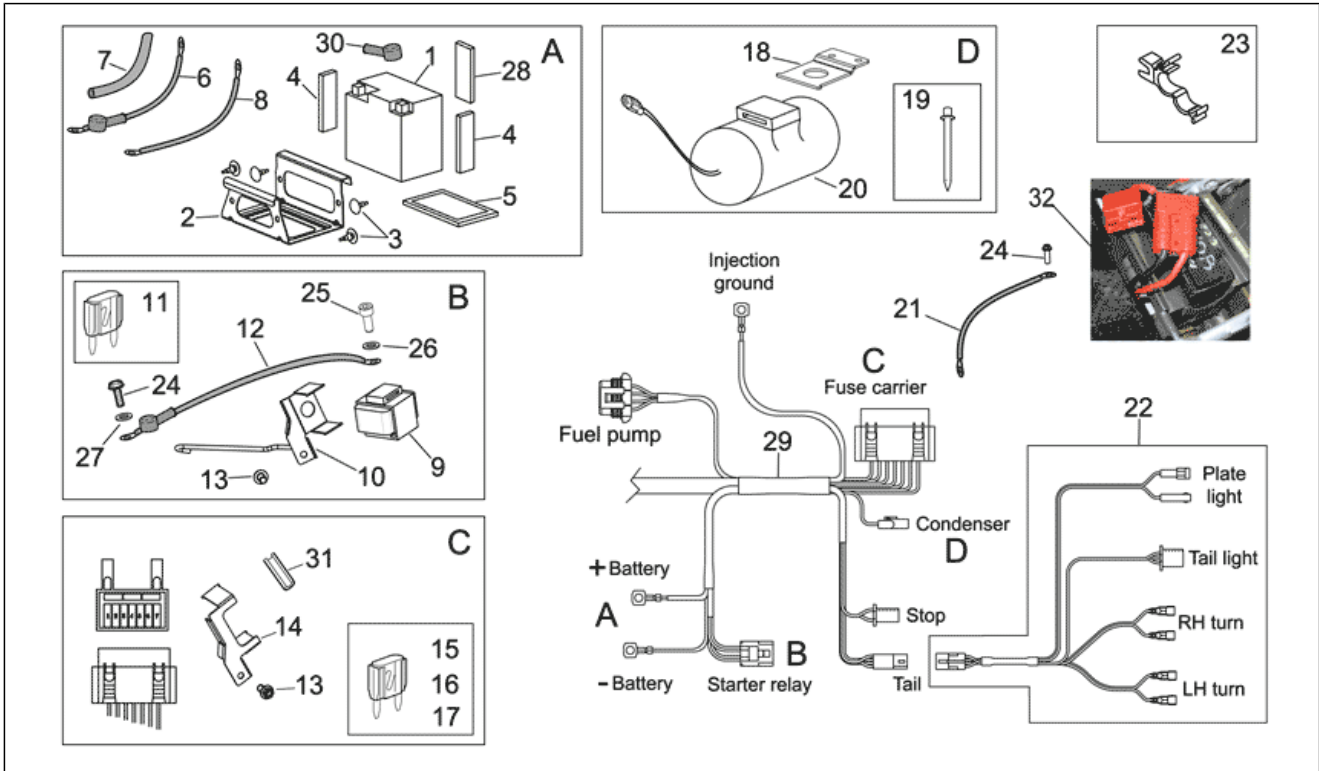
| Pos. | Code | Beschreibung | Menge | Varianten |
|------|--------|----------------------|-------|-----------|
| 23 | 856665 | Versammlung Anzeigen | 1 | |

| | |
|---------------------|-----------------------|
| Einheit | RAHMEN |
| Code | 28.31 |
| Beschreibung | Elektrische anlage II |
| Inspektion | 1 |



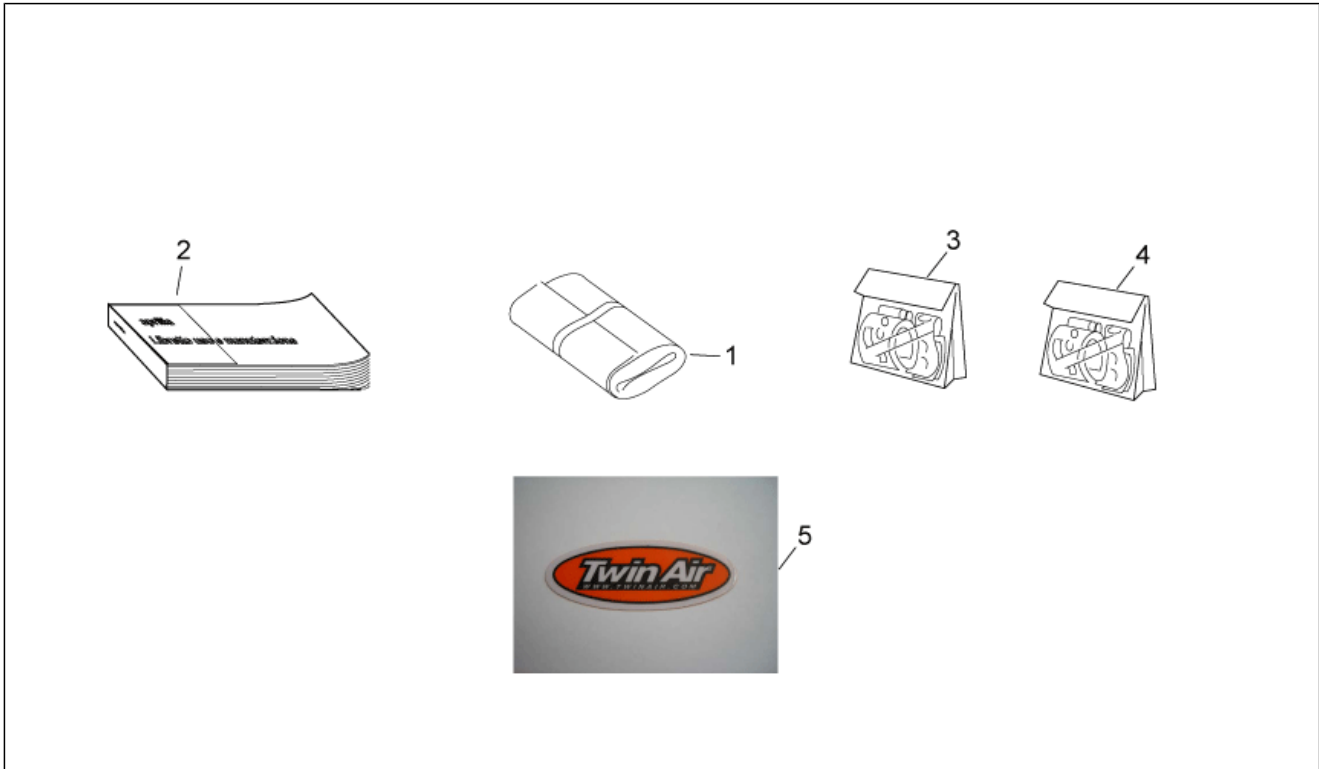
| Pos. | Code | Beschreibung | Menge | Varianten |
|------|-----------|---------------------------------|-------|---|
| 1 | 853664 | Batterie | 1 | |
| 2 | 853669 | Batteriegeh. kpl. | 1 | Technische Daten: Version Motard Van De Bosch[VDB] |
| 2 | AP9101000 | Batteriegeh. kpl. | 1 | Technische Daten: Version Enduro Merriman[MR] |
| 3 | AP8120001 | Gummi | 4 | |
| 4 | AP8144538 | Dichtung | 2 | |
| 5 | AP9100725 | Gummi | 1 | |
| 6 | AP9100371 | Verkabelung Batterie-Relais | 1 | |
| 7 | AP9100393 | Gummischlauch 12,8x8,8 L=120 | 1 | |
| 8 | AP9100372 | Masse-Batteriekabel | 1 | |
| 9 | AP9100487 | Zündrelais | 1 | |
| 10 | AP9100325 | Platte | 1 | |
| 11 | AP8124273 | Sicherung 30a | 2 | |
| 12 | AP9100558 | Verkabelung Starter | 1 | |
| 13 | 853536 | TE Schr. m. Flansch M5x12 titan | 2 | Technische Daten: Version Motard Van De Bosch[VDB] |
| 13 | AP8152272 | TE Schr. m. Flansch M5x12 | 2 | Technische Daten: Version Enduro Merriman[MR] |
| 14 | AP9100327 | Hltr. Sicherungsblock | 1 | |
| 15 | AP8176099 | Sicherung | 3 | |
| 16 | AP8112244 | Sicherung 7,5A | 4 | |
| 17 | AP8112176 | Sicherung 15A | 3 | |
| 18 | AP9100742 | Platte | 1 | |
| 19 | AP9100782 | Kunststoffniet inox | 1 | |
| 20 | AP9100739 | Kondensator 10000 Uf | 1 | |
| 21 | AP9100783 | Motor-Rahmen Masse Kabel | 1 | |
| 22 | 855111 | Verkabelung Rücklicht | 1 | |
| 23 | AP9100765 | Kleine Feder | 1 | |
| 24 | 853551 | TE Schr. m. Flansch | 1 | Technische Daten: Version Motard Van De Bosch[VDB] |
| 24 | AP8152277 | TE Schr. m. Flansch M6x12 | 1 | Technische Daten: Version Enduro Merriman[MR] |
| 25 | 853670 | TCEI Schraube M6x8 titan | 2 | Technische Daten: Version Motard Van De Bosch[VDB] |

| | |
|---------------------|-----------------------|
| Einheit | RAHMEN |
| Code | 28.31 |
| Beschreibung | Elektrische anlage II |
| Inspektion | 1 |



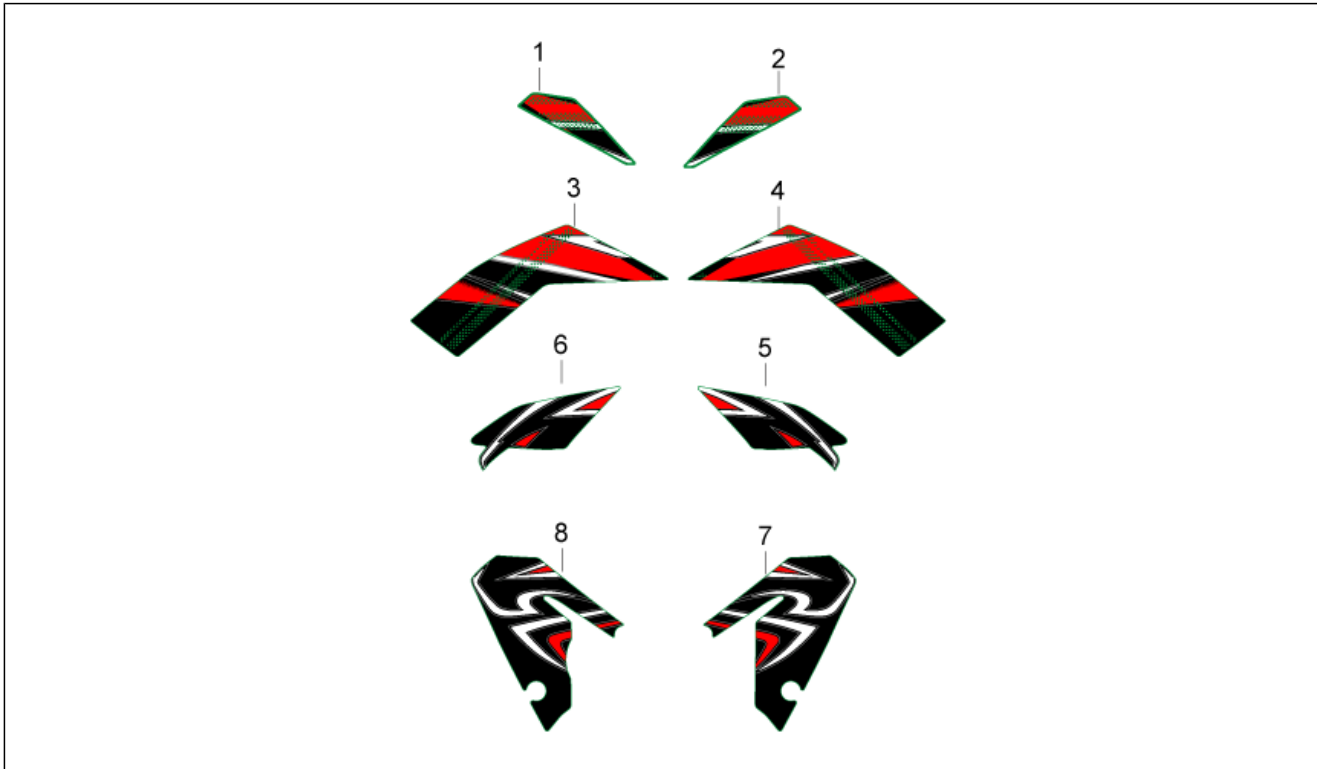
| Pos. | Code | Beschreibung | Menge | Varianten |
|------|-----------|-----------------------------------|-------|---|
| 25 | AP8152123 | TCEI Schraube | 2 | Technische Daten:Version Enduro Merriman[MR] |
| 26 | AP8150429 | Sprengscheibe 6,4x11x0,5* | 2 | |
| 27 | AP8150272 | Gebogene Sprengscheibe 5,3x10x0,5 | 1 | |
| 28 | AP8117004 | Klebeschwamm 15x8 | 1 | |
| 29 | 855303 | Hauptverkabelung | 1 | Technische Daten:Version Enduro Merriman[MR] |
| 29 | 855367 | Hauptverkabelung | 1 | Technische Daten:Version Motard Van De Bosch[VDB] |
| 30 | AP9100959 | Klemmenkappe | 1 | |
| 31 | AP9100997 | Dichtung | 1 | |
| 32 | 853663 | Verkabelung | 1 | Technische Daten:Version Motard Van De Bosch[VDB] |

| | |
|---------------------|--------------------------|
| Einheit | RAHMEN |
| Code | 28.32 |
| Beschreibung | Bed./Wart.-Anl. und Deko |
| Inspektion | 1 |



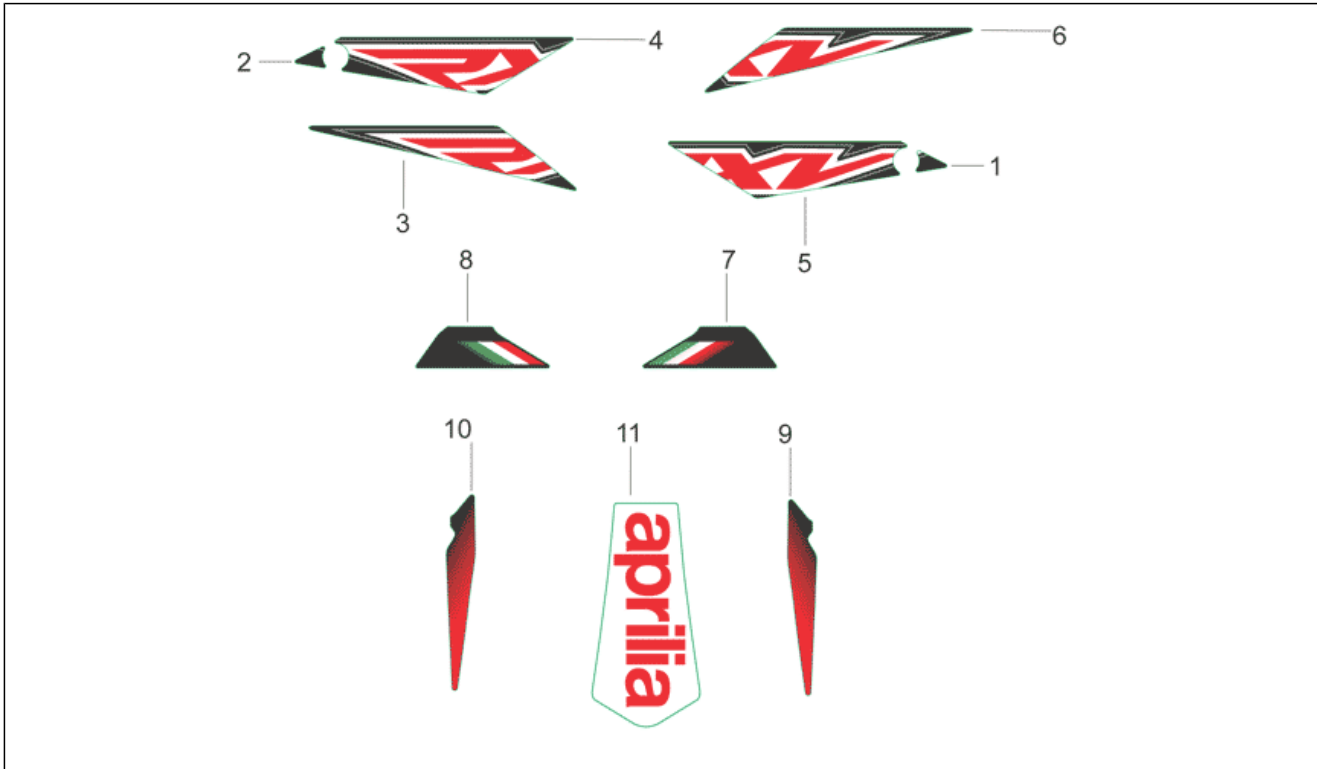
| Pos. | Code | Beschreibung | Menge | Varianten |
|------|-----------|--|-------|---|
| 1 | AP9100936 | Werkzeugtasche | 1 | |
| 2 | 854038 | Bed./Wart.-Anl.I-D-F-E-UK-NL I-D-F-E-UK-NL | 1 | Technische Daten: Version Enduro Merriman[MR] |
| 2 | 854039 | Bed./Wart.-Anl.I-D-F-E-UK-NL I-D-F-E-UK-NL | 1 | Technische Daten: Version Motard Van De Bosch[VDB] |
| 3 | 853937 | Deko Serie | 1 | Technische Daten: Version Enduro Merriman[MR] |
| 4 | 855274 | Deko Serie Racing | 1 | Technische Daten: Version Enduro Merriman[MR] |
| 5 | 855275 | Deko Twin Air | 1 | Technische Daten: Version Enduro Merriman[MR] |

| | |
|---------------------|-----------------------|
| Einheit | RAHMEN |
| Code | 28.57 |
| Beschreibung | Mittlerer Aufbau Deko |
| Inspektion | 1 |



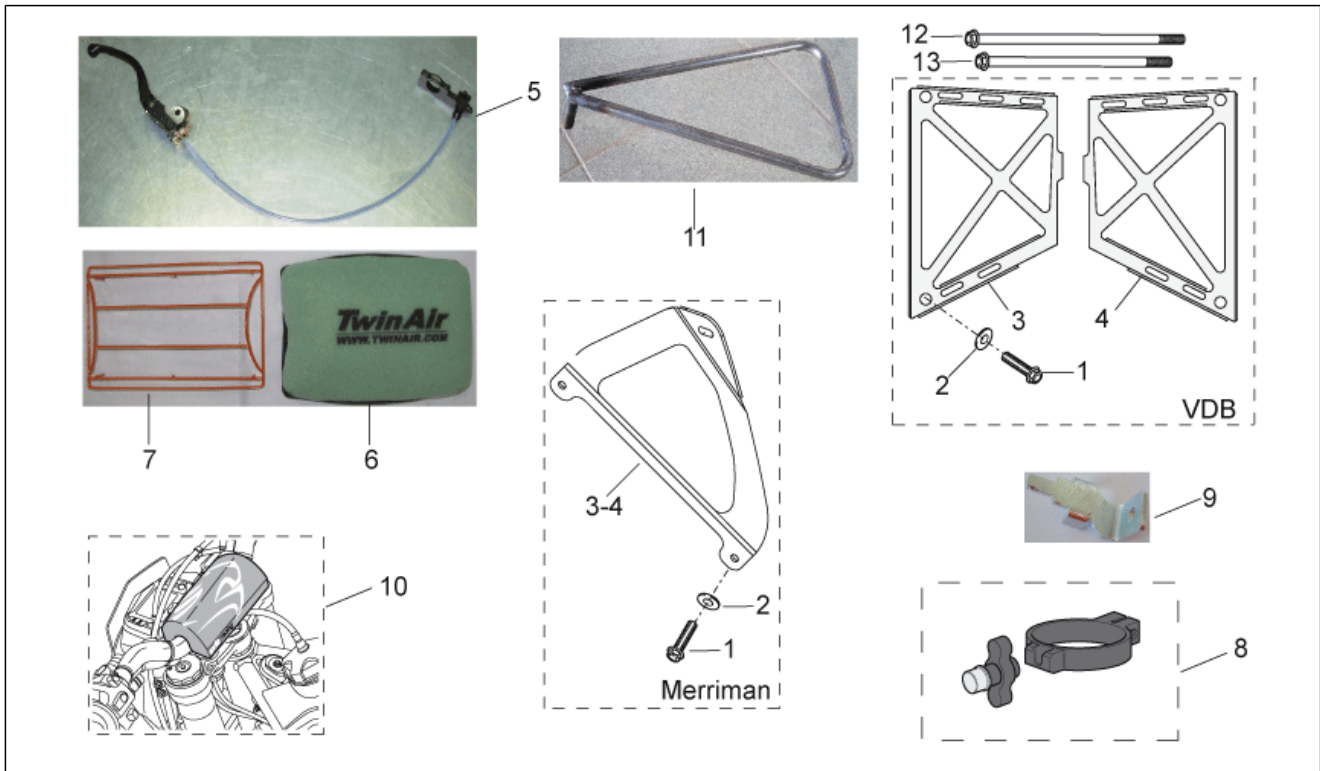
| Pos. | Code | Beschreibung | Menge | Varianten |
|------|--------|---------------------------------|-------|-----------|
| 1 | 856342 | Ob.Aufkleber Tank Re. | 1 | |
| 2 | 856343 | Ob.Aufkleber Tank Li. | 1 | |
| 3 | 856346 | Aufkleber Hinten tank re. | 1 | |
| 4 | 856347 | Aufkleber Hinten tank li. | 1 | |
| 5 | 856335 | Ob.Rechtes Leitblech, deko Lion | 1 | |
| 6 | 856336 | Ob.Linkes Leitblech, deko Lion | 1 | |
| 7 | 856337 | Un.Rechtes Leitblech, deko Lion | 1 | |
| 8 | 856338 | Un.Linkes Leitblech, deko Lion | 1 | |

| | |
|---------------------|-----------------|
| Einheit | RAHMEN |
| Code | 28.58 |
| Beschreibung | Heckaufbau Deko |
| Inspektion | 1 |



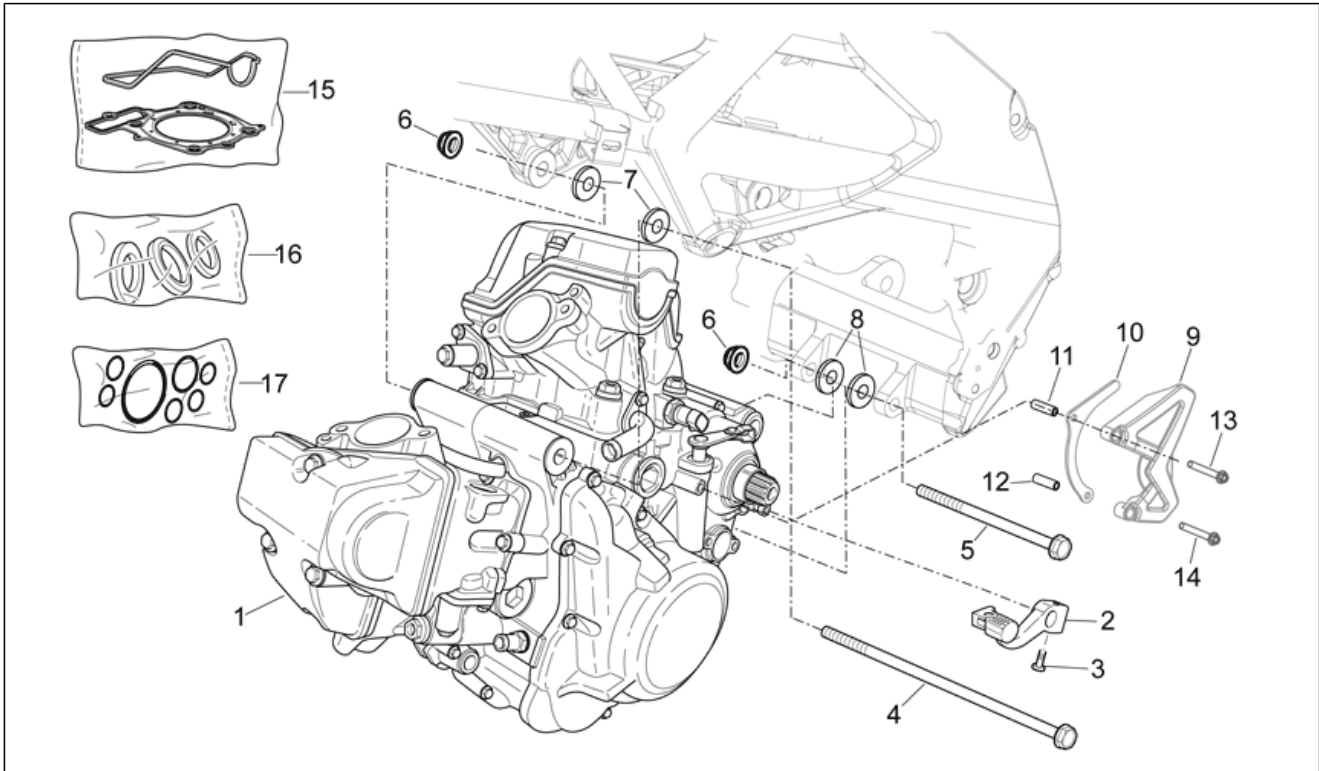
| Pos. | Code | Beschreibung | Menge | Varianten |
|------|--------|----------------------------|-------|---|
| 1 | 858069 | Aufkleber Vorn re.Dreieck | 1 | Technische Daten:Version Enduro Merriman[MR] |
| 1 | 858078 | Aufkleber Vorn re.Dreieck | 1 | Technische Daten:Version Motard Van De Bosch[VDB] |
| 2 | 858077 | Aufkleber Vorn li.Dreieck | 1 | Technische Daten:Version Enduro Merriman[MR] |
| 2 | 858079 | Aufkleber Vorn li.Dreieck | 1 | Technische Daten:Version Motard Van De Bosch[VDB] |
| 3 | 856350 | Aufkleber Re. Hinten | 1 | Technische Daten:Version Enduro Merriman[MR] |
| 3 | 856359 | Aufkleber Re. Hinten | 1 | Technische Daten:Version Motard Van De Bosch[VDB] |
| 4 | 856349 | Aufkleber Li. Hinten | 1 | Technische Daten:Version Enduro Merriman[MR] |
| 4 | 856360 | Aufkleber Li. Hinten | 1 | Technische Daten:Version Motard Van De Bosch[VDB] |
| 5 | 856348 | Aufkleber Re. Hinten | 1 | Technische Daten:Version Enduro Merriman[MR] |
| 5 | 856361 | Aufkleber Re. Hinten | 1 | Technische Daten:Version Motard Van De Bosch[VDB] |
| 6 | 856351 | Aufkleber Li. Hinten | 1 | Technische Daten:Version Enduro Merriman[MR] |
| 6 | 856362 | Aufkleber Li. Hinten | 1 | Technische Daten:Version Motard Van De Bosch[VDB] |
| 7 | 856352 | Aufkleber Re. Hinten | 1 | |
| 8 | 856353 | Aufkleber Li. Hinten | 1 | |
| 9 | 856355 | Aufkl.hint.Schutzblech RE | 1 | Technische Daten:Version Enduro Merriman[MR] |
| 9 | 856364 | Aufkl.hint.Schutzblech RE | 1 | Technische Daten:Version Motard Van De Bosch[VDB] |
| 10 | 856356 | Aufkl.hint.Schutzblech Li. | 1 | Technische Daten:Version Enduro Merriman[MR] |
| 10 | 856365 | Aufkl.hint.Schutzblech Li. | 1 | Technische Daten:Version Motard Van De Bosch[VDB] |
| 11 | 856363 | Aufkl.hint.Schutzblech | 1 | Technische Daten:Version Motard Van De Bosch[VDB] |
| 11 | 858502 | Aufkl.hint.Schutzblech | 1 | Technische Daten:Version Enduro Merriman[MR] |

| | |
|---------------------|-----------------------------|
| Einheit | RAHMEN |
| Code | 28.59 |
| Beschreibung | VDB and Merriman components |
| Inspektion | 1 |



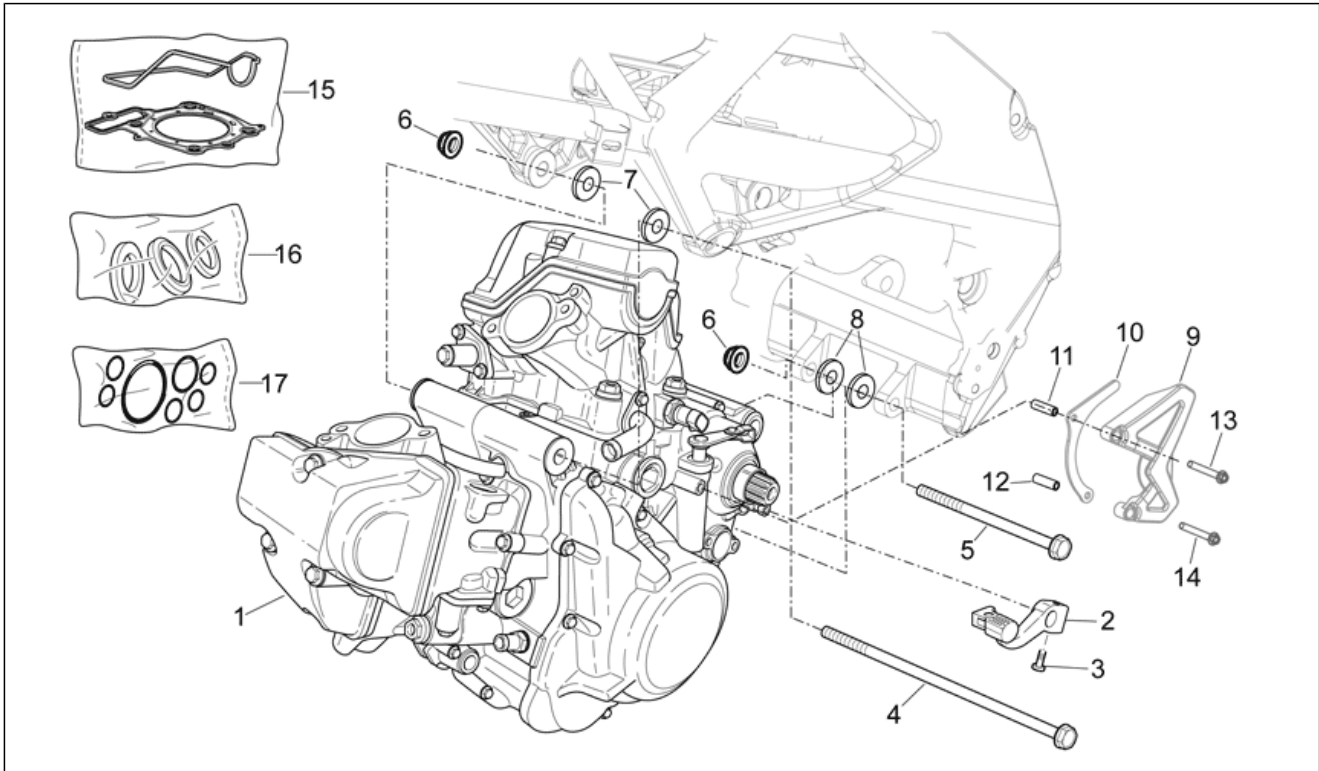
| Pos. | Code | Beschreibung | Menge | Varianten |
|------|-----------|-----------------------------|-------|---|
| 1 | AP8152226 | TBEI Schraube | 4 | |
| 2 | AP8152181 | Scheibe 6,4x15x1 | 4 | |
| 3 | 851121 | L.Kühler schutz Alu | 1 | Technische Daten: Version Motard Van De Bosch[VDB] |
| 3 | 855276 | L.Kühler schutz | 1 | Technische Daten: Version Enduro Merriman[MR] |
| 4 | 851122 | R.Kühler schutz Alu | 1 | Technische Daten: Version Motard Van De Bosch[VDB] |
| 4 | 855277 | R.Kühler schutz | 1 | Technische Daten: Version Enduro Merriman[MR] |
| 5 | 853654 | Remote brake adjuster | 1 | Technische Daten: Version Motard Van De Bosch[VDB] |
| 6 | 851370 | Luftfilter | 1 | Fahrzeugfarbe: SX45[SX45], SX55[SX55] Technische Daten: Version Motard Van De Bosch[VDB] |
| 6 | 858044 | Luftfilter | 1 | Fahrzeugfarbe: RX45[RX45], RX55[RX55] Technische Daten: Version Motard Van De Bosch[VDB] |
| 7 | 851371 | Drum | 1 | Fahrzeugfarbe: SX45[SX45], SX55[SX55] Technische Daten: Version Motard Van De Bosch[VDB] |
| 7 | 858045 | Drum | 1 | Fahrzeugfarbe: RX45[RX45], RX55[RX55] Technische Daten: Version Motard Van De Bosch[VDB] |
| 8 | 851090 | Motard start kit | 1 | Technische Daten: Version Motard Van De Bosch[VDB] |
| 9 | 851355 | Platte | 1 | Technische Daten: Version Motard Van De Bosch[VDB] |
| 10 | 853702 | Lenkstangenabdeckung racing | 1 | Technische Daten: Version Motard Van De Bosch[VDB] |
| 11 | AP9100675 | Hauptständer | 1 | Technische Daten: Version Motard Van De Bosch[VDB] |
| 12 | AP9101037 | TE Schr. m. Flansch M6x139 | 1 | Technische Daten: Version Motard Van De Bosch[VDB] |
| 13 | AP9101038 | TE Schr. m. Flansch M6x128 | 1 | Technische Daten: Version Motard Van De Bosch[VDB] |

| | |
|---------------------|-------|
| Einheit | MOTOR |
| Code | 29.33 |
| Beschreibung | Motor |
| Inspektion | 1 |



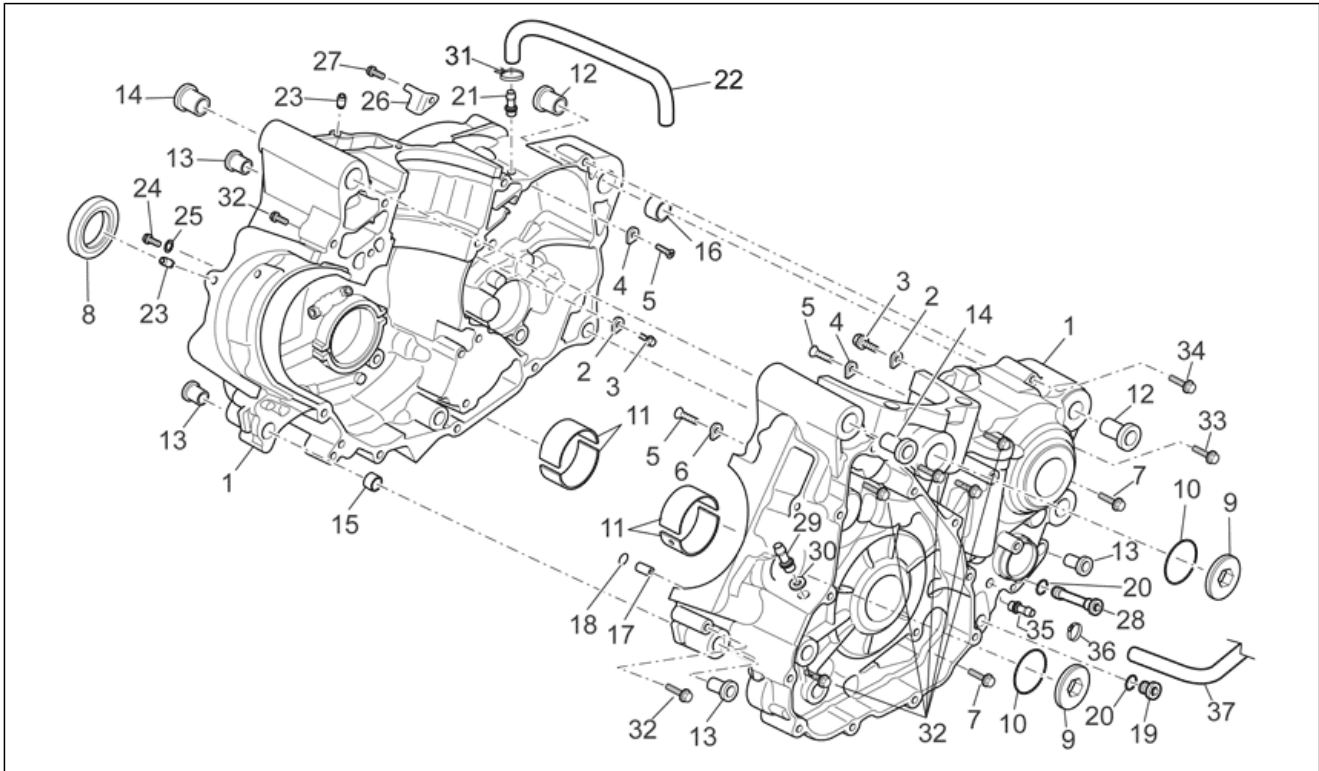
| Pos. | Code | Beschreibung | Menge | Varianten |
|------|-----------|---------------------------------|-------|---|
| 1 | CM2362065 | Motor | 1 | Technische Daten: Version Motard 450 Van De Bosch[VDB45] |
| 1 | CM2362095 | Motor | 1 | Technische Daten: Version Enduro 450 Merriman[MR45] |
| 1 | CM2363065 | Motor | 1 | Technische Daten: Version Motard 550 Van De Bosch[VDB55] |
| 2 | 855371 | Schalthebel | 1 | Technische Daten: Version Motard Van De Bosch[VDB] |
| 2 | AP9100411 | Schalthebel | 1 | Technische Daten: Version Enduro Merriman[MR] |
| 3 | 853598 | TE Schr. m. Flansch M6x25 titan | 1 | Technische Daten: Version Motard Van De Bosch[VDB] |
| 3 | AP8152280 | TE Schr. m. Flansch M6x25 | 1 | Technische Daten: Version Enduro Merriman[MR] |
| 4 | 853588 | Schraube M10x1,25 L=202 titan | 1 | Technische Daten: Version Motard Van De Bosch[VDB] |
| 4 | AP9100593 | Schraube M10x1,25 L=202 | 1 | Technische Daten: Version Enduro Merriman[MR] |
| 5 | 853587 | Schraube M10x1,25 L=102 titan | 1 | Technische Daten: Version Motard Van De Bosch[VDB] |
| 5 | AP9100443 | Schraube M10x1,25 L=102 | 1 | Technische Daten: Version Enduro Merriman[MR] |
| 6 | 853589 | Selbstsperrende Mutter M10x1,25 | 2 | Technische Daten: Version Motard Van De Bosch[VDB] |
| 6 | AP9100643 | Selbstsperrende Mutter M10x1,25 | 2 | Technische Daten: Version Enduro Merriman[MR] |
| 7 | AP9100687 | Ausgleichscheibe 28x10,5x3 | 2 | |
| 8 | AP9100683 | Ausgleichscheibe 18x10,5x0,5 | 2 | |
| 8 | AP9100684 | Ausgleichscheibe 18x10,5x1 | 2 | |
| 8 | AP9100685 | Ausgleichscheibe 18x10,5x1,5 | 2 | |
| 8 | AP9100686 | Ausgleichscheibe 18x10,5x2 | 2 | |
| 9 | AP9100374 | Ritzelkasten | 1 | |
| 10 | AP9100367 | Kettenführung | 1 | |
| 11 | AP9100383 | Buchse | 1 | Technische Daten: Version Motard Van De Bosch[VDB] |
| 12 | AP9100381 | Buchse | 1 | Technische Daten: Version Motard Van De Bosch[VDB] |
| 12 | AP9100550 | Buchse | 1 | Technische Daten: Version Enduro Merriman[MR] |
| 13 | 853597 | TE Schr. m. Flansch M6x50 titan | 1 | Technische Daten: Version Motard Van De Bosch[VDB] |
| 13 | AP8152281 | TE Schr. m. Flansch M6x30 | 1 | Technische Daten: Version Enduro Merriman[MR] |
| 14 | 853596 | TE Schr. m. Flansch M6x60 titan | 1 | Technische Daten: Version Motard Van De Bosch[VDB] |

| | |
|---------------------|-------|
| Einheit | MOTOR |
| Code | 29.33 |
| Beschreibung | Motor |
| Inspektion | 1 |



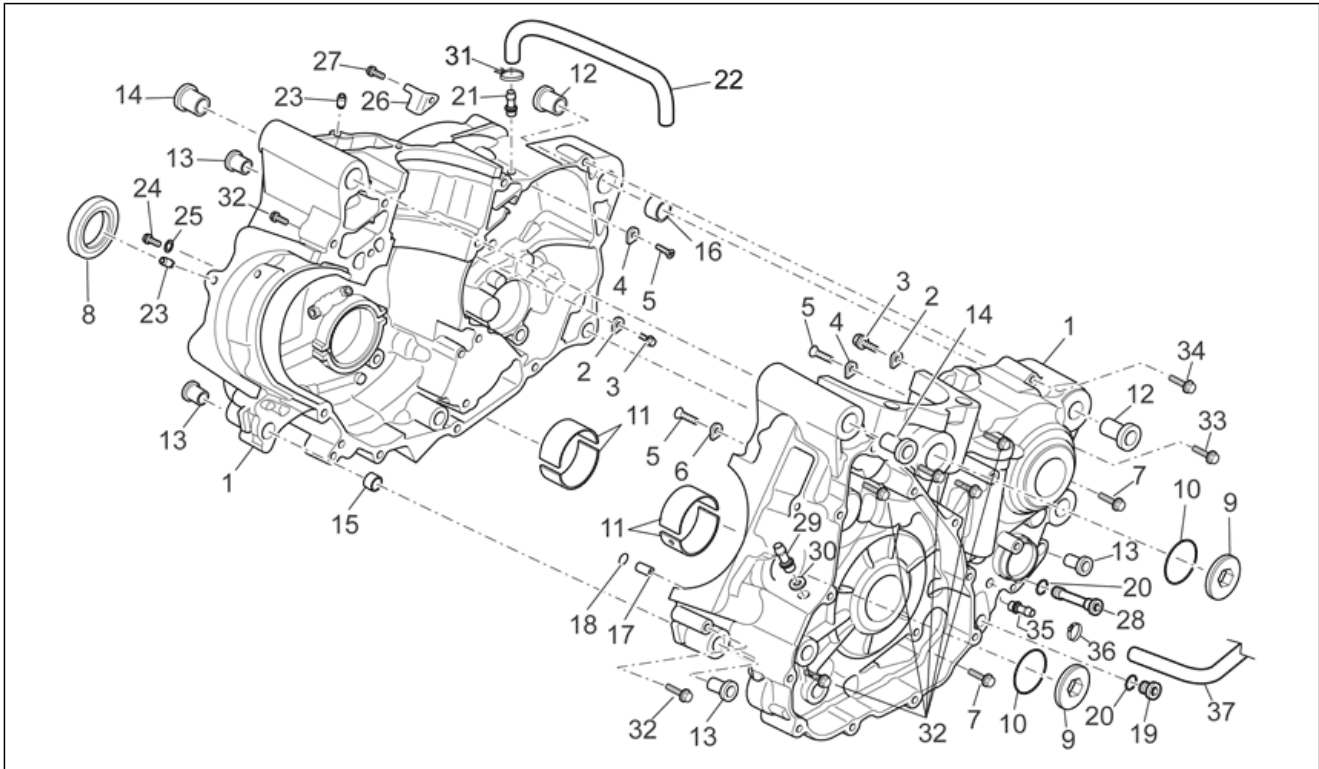
| Pos. | Code | Beschreibung | Menge | Varianten |
|------|-----------|-----------------------------|-------|---|
| 14 | AP8152283 | TE Schr. m. Flansch | 1 | Technische Daten: Version Enduro Merriman[MR] |
| 15 | AP9150490 | Dichtungen - Satz | 1 | Technische Daten: Version Enduro 450 Merriman[MR45], Version Motard 450 Van De Bosch[VDB45] |
| 15 | AP9150491 | Dichtungen - Satz | 1 | Technische Daten: Version Motard 550 Van De Bosch[VDB55] |
| 16 | AP9150492 | Dichtungssatz | 1 | |
| 17 | AP9150493 | OR - Satz | 1 | |
| 18 | 855370 | Electronic gearshift switch | 1 | Technische Daten: Version Motard Van De Bosch[VDB] |
| 19 | 855461 | Electronic gearshift ecu | 1 | Technische Daten: Version Motard Van De Bosch[VDB] |

| | |
|---------------------|-----------------------|
| Einheit | MOTOR |
| Code | 29.34 |
| Beschreibung | Kurbelwellengehäuse I |
| Inspektion | 1 |



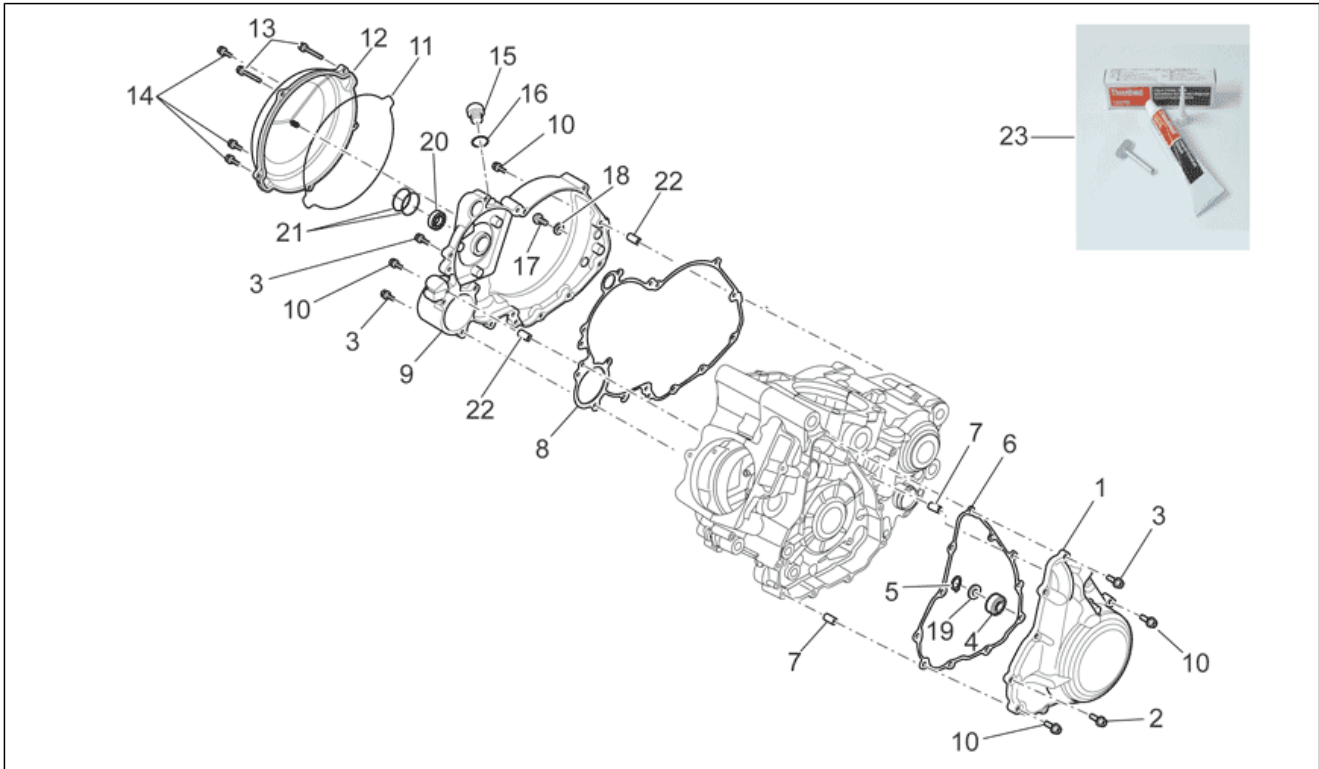
| Pos. | Code | Beschreibung | Menge | Varianten |
|------|-----------|----------------------------|-------|---|
| 1 | CM155406 | Gehäuse Paar | 1 | Technische Daten: Version Motard 450 Van De Bosch[VDB45] |
| 1 | CM155406 | Gehäuse Paar | 1 | Technische Daten: Version Enduro 450 Merriman[MR45] |
| 1 | CM155408 | Gehäuse Paar | 1 | Technische Daten: Version Motard 550 Van De Bosch[VDB55] |
| 2 | AP9150146 | Lager-Halteplatte | 3 | |
| 3 | AP8152277 | TE Schr. m. Flansch M6x12 | 3 | |
| 4 | AP9150145 | Lager-Halteplatte | 2 | |
| 5 | AP9150394 | Schraube M6x12 | 3 | |
| 6 | AP9150489 | Lager-Halteplatte | 1 | |
| 7 | AP8152283 | TE Schr. m. Flansch | 6 | |
| 8 | AP9150435 | Ölabstreifring D32x45x6 | 1 | |
| 9 | AP9150149 | Deckel | 2 | |
| 10 | AP9150353 | O-Ring D26,65x2,62 | 2 | |
| 11 | AP9150324 | Halbsch. Bronzebchs., grün | 4 | |
| 11 | AP9150456 | Halbsch. Bronzebu., blau | 4 | |
| 11 | AP9150457 | Halbsch. Bronzebu., gelb | 4 | |
| 12 | AP9150440 | T-Buchse 34x21x10,5-L18 | 2 | |
| 13 | AP9150441 | T-Buchse 28x13x10,5-L11,5 | 2 | |
| 14 | AP9150442 | T-Buchse 19x13x10,5-L11,5 | 4 | |
| 15 | AP9150116 | Buchse D16x19X13 | 1 | |
| 16 | AP9150115 | Buchse D18x21X19 | 1 | |
| 17 | AP9150117 | Stift D7,2x9x12 | 1 | |
| 18 | AP9150350 | O-Ring D8,73x1,78 | 1 | |
| 19 | AP9150174 | Ölablaßschraube | 1 | |
| 20 | AP9150349 | Dichtscheibe D12x18x1,5 | 2 | |
| 21 | AP9150533 | Anschluss | 1 | |
| 22 | AP9150471 | Entlüftungsschlauch Kühler | 1 | |

| | |
|---------------------|-----------------------|
| Einheit | MOTOR |
| Code | 29.34 |
| Beschreibung | Kurbelwellengehäuse I |
| Inspektion | 1 |



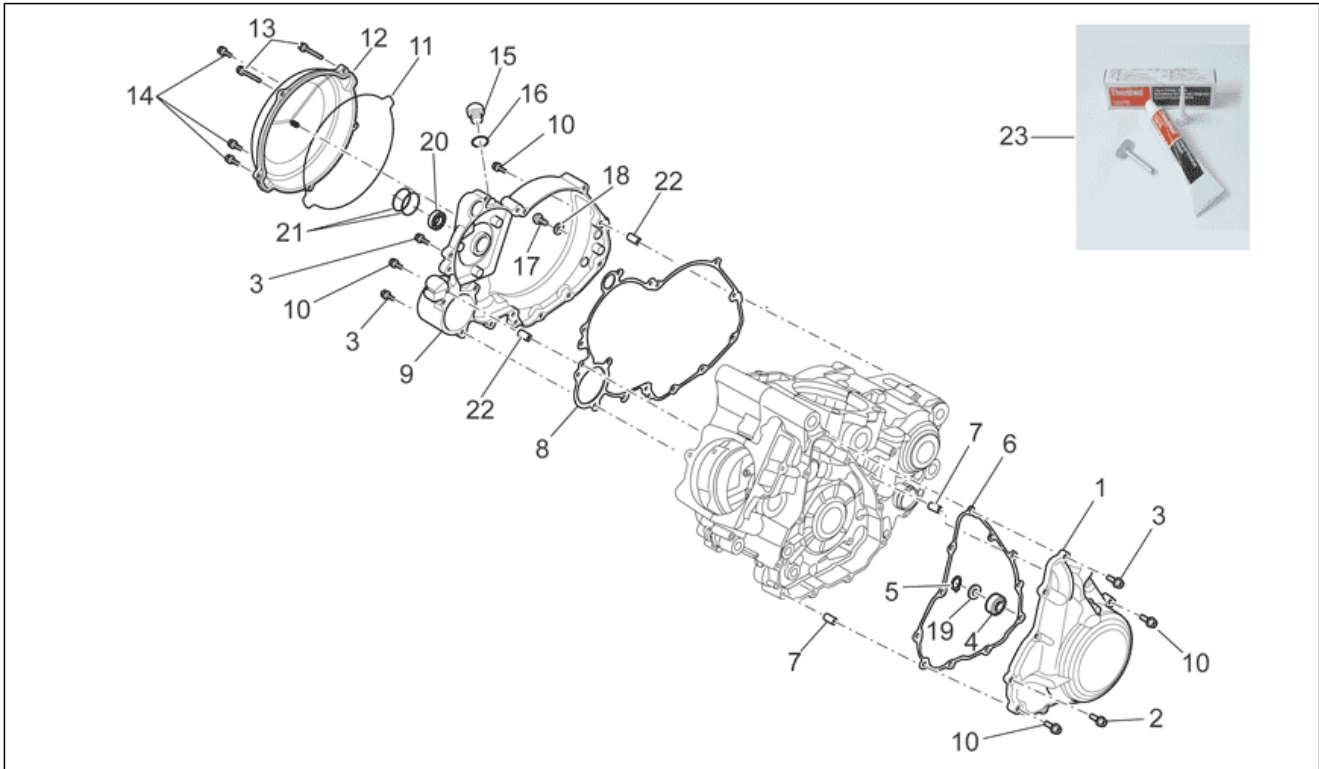
| Pos. | Code | Beschreibung | Menge | Varianten |
|------|-----------|--------------------------------|-------|---|
| 23 | AP9150346 | Strahl | 2 | |
| 24 | AP8152285 | TE Schr. m. Flansch | 1 | |
| 25 | AP8121862 | Ausgleichscheibe D8x16x1,5 | 1 | |
| 26 | AP9150439 | Platte | 1 | |
| 27 | AP8152277 | TE Schr. m. Flansch M6x12 | 1 | |
| 28 | AP9150078 | Ölablaßschraube | 1 | |
| 29 | AP9150109 | Anschluss | 1 | |
| 30 | AP9150349 | Dichtscheibe D12x18x1,5 | 1 | |
| 31 | AP8102377 | Schelle D9,1* | 1 | |
| 32 | AP9150526 | TE Schr. m. Flansch M7x1x42 | 7 | |
| 33 | AP8560104 | TE Schr. m. Flansch M6x65 | 1 | |
| 34 | AP8560106 | TE Schr. m. Flansch M6x75 | 1 | |
| 35 | AP9150276 | Deckel conico d.6 | 1 | Technische Daten: Version Motard Van De Bosch[VDB] |
| 35 | AP9150344 | Anschluss | 1 | Technische Daten: Version Enduro Merriman[MR] |
| 36 | AP9100998 | Schlauchschelle | 1 | |
| 37 | AP9150545 | Entlüftungsschlauch Kühler 5x9 | 1 | |

| | |
|---------------------|------------------------|
| Einheit | MOTOR |
| Code | 29.35 |
| Beschreibung | Kurbelwellengehäuse II |
| Inspektion | 1 |



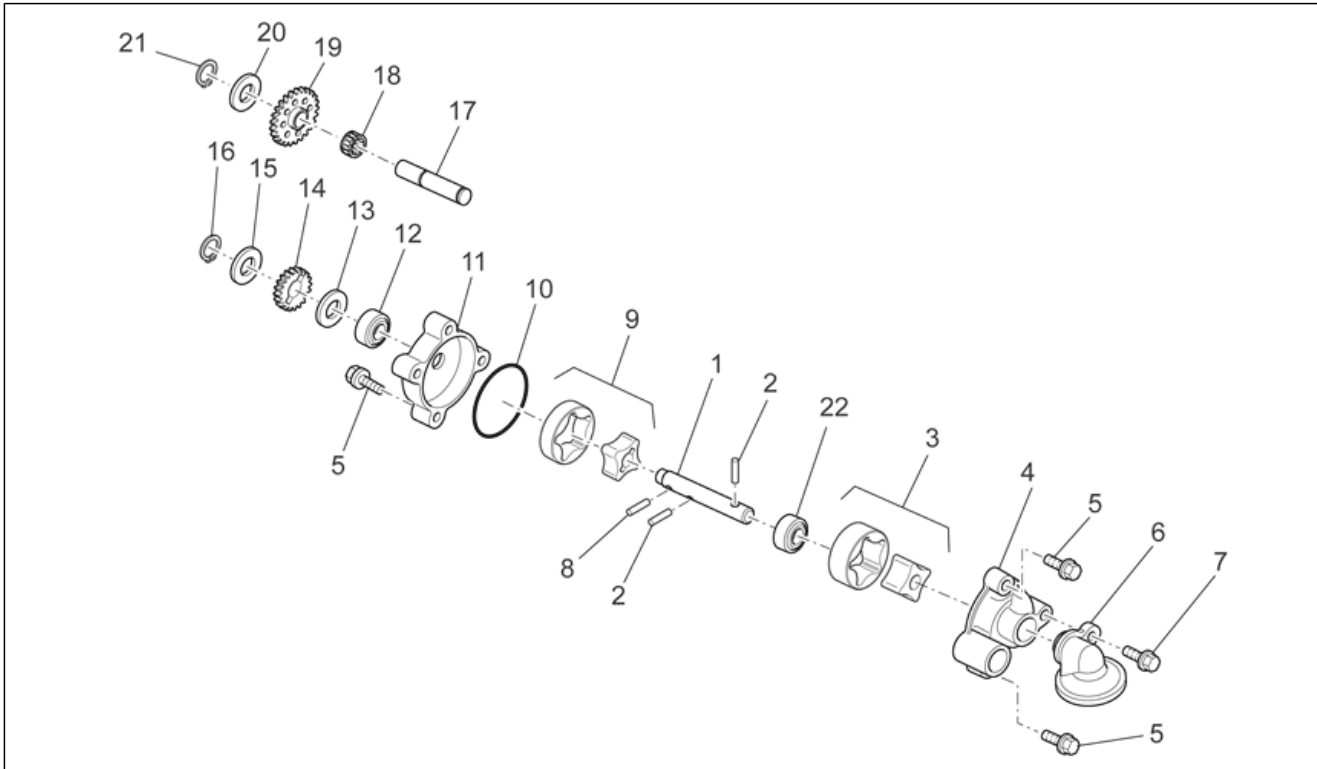
| Pos. | Code | Beschreibung | Menge | Varianten |
|------|-----------|---------------------------------|-------|---|
| 1 | AP9150152 | Zünddeckel | 1 | |
| 2 | 853600 | TE Schr. m. Flansch M6x20 titan | 9 | Technische Daten: Version Motard Van De Bosch[VDB] |
| 2 | AP8152279 | TE Schr. m. Flansch M6x20 | 9 | Technische Daten: Version Enduro Merriman[MR] |
| 3 | 853598 | TE Schr. m. Flansch M6x25 titan | 10 | Technische Daten: Version Motard Van De Bosch[VDB] |
| 3 | AP8152280 | TE Schr. m. Flansch M6x25 | 10 | Technische Daten: Version Enduro Merriman[MR] |
| 4 | 851315 | Ölabstreifring D12x22x5,5 | 1 | |
| 5 | AP9150524 | Seegerring D25 | 1 | |
| 6 | AP9150153 | Dichtung | 1 | |
| 7 | AP9150118 | Buchse D6,2x8X15 | 2 | |
| 8 | AP9150148 | Dichtung | 1 | |
| 9 | 851019 | Kupplungsseite Deckel | 1 | |
| 10 | 853717 | TE Schr. m. Flansch | 4 | Technische Daten: Version Motard Van De Bosch[VDB] |
| 10 | AP8152282 | TE Schr. m. Flansch M6x35 | 4 | Technische Daten: Version Enduro Merriman[MR] |
| 11 | AP9150150 | O-Ring D171,13x2,62 | 1 | |
| 12 | AP9150094 | Kupplungsdeckel | 1 | |
| 13 | 853596 | TE Schr. m. Flansch M6x60 titan | 2 | Technische Daten: Version Motard Van De Bosch[VDB] |
| 13 | AP9150395 | TE Schr. m. Flansch M6x60 | 2 | Technische Daten: Version Enduro Merriman[MR] |
| 14 | 853595 | TE Schr. m. Flansch M6x16 titan | 3 | Technische Daten: Version Motard Van De Bosch[VDB] |
| 14 | AP8152278 | TE Schr. m. Flansch M6x16 | 3 | Technische Daten: Version Enduro Merriman[MR] |
| 15 | 853673 | Ölschraube M20x1,5 | 1 | Technische Daten: Version Motard Van De Bosch[VDB] |
| 15 | AP9150410 | Ölschraube M20x1,5 | 1 | Technische Daten: Version Enduro Merriman[MR] |
| 16 | AP9150356 | O-Ring D18,72x2,62 | 1 | |
| 17 | AP9150473 | TBEI Schraube M6x10 | 1 | |
| 18 | AP9150351 | Dichtscheibe D6x12x1 | 1 | |
| 19 | AP9150522 | Becher Ölabstreifring | 1 | |
| 20 | 851015 | Kugellager 10x19x5 | 1 | |
| 21 | 851012 | O-Ring 20x1 | 2 | |
| 22 | 851017 | Buchse D6,2x7,8X15 | 2 | |

| | |
|---------------------|------------------------|
| Einheit | MOTOR |
| Code | 29.35 |
| Beschreibung | Kurbelwellengehäuse II |
| Inspektion | 1 |



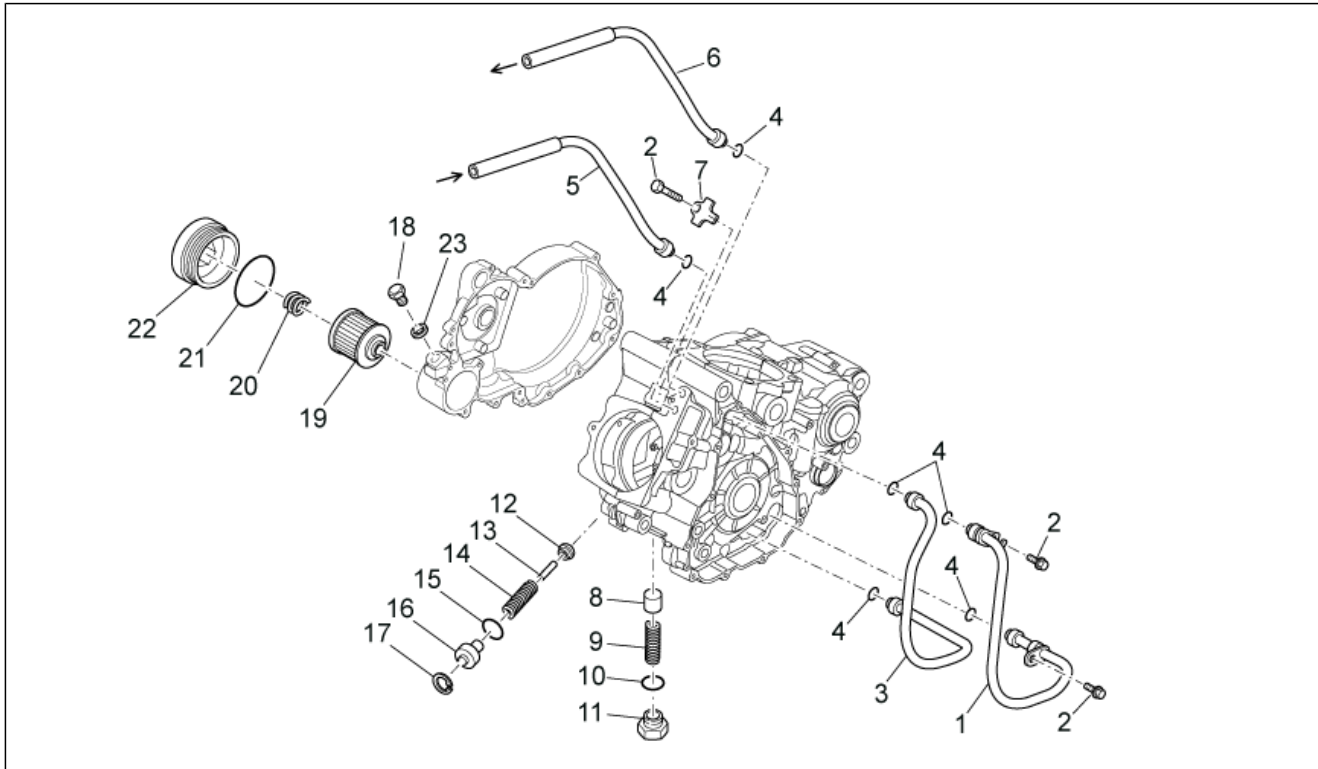
| Pos. | Code | Beschreibung | Menge | Varianten |
|------|--------|--------------------|-------|-----------|
| 23 | 855252 | Flachendichtmittel | 1 | |

| | |
|---------------------|---------|
| Einheit | MOTOR |
| Code | 29.36 |
| Beschreibung | Ölpumpe |
| Inspektion | 1 |



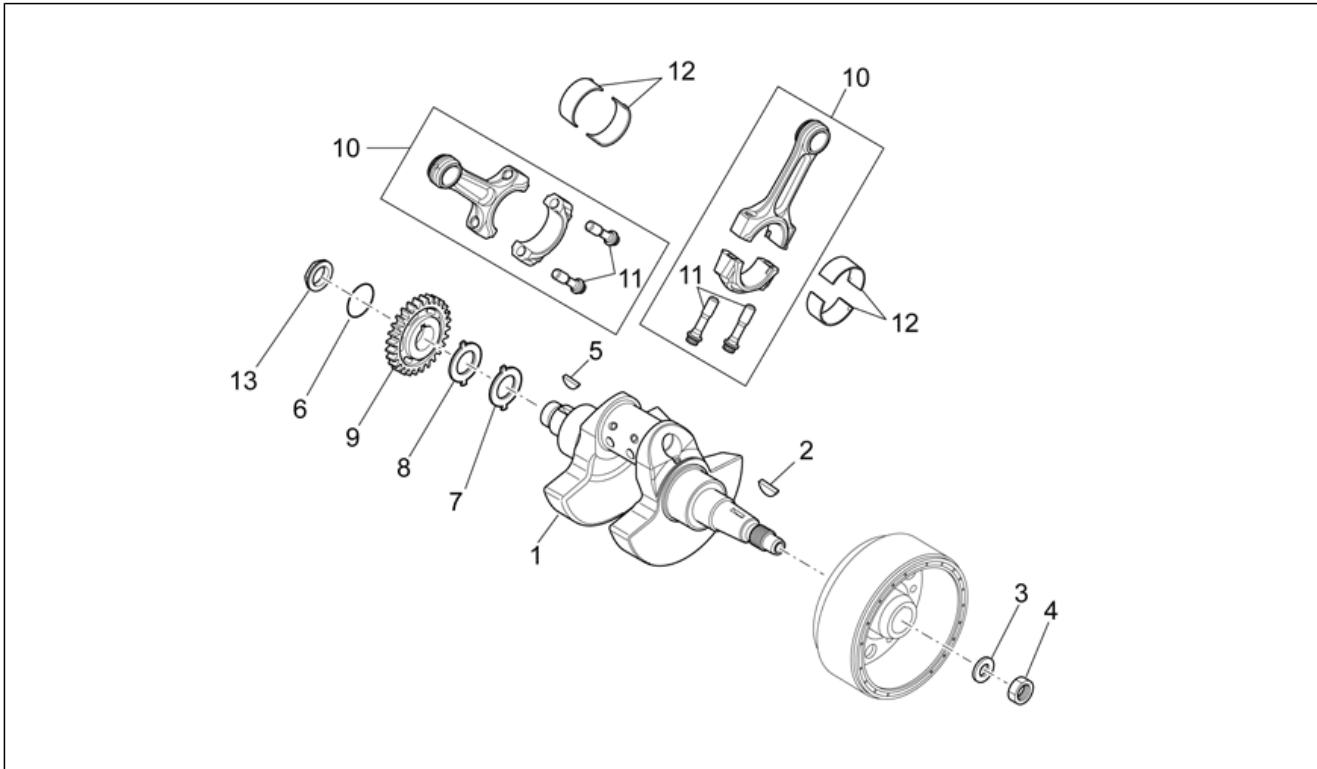
| Pos. | Code | Beschreibung | Menge | Varianten |
|------|-----------|-----------------------------|-------|-----------|
| 1 | AP9150071 | Ölpumpenwelle | 1 | |
| 2 | AP9150377 | Stift 4x15,8 | 2 | |
| 3 | AP9150157 | Innen- und Außenrotor H19 | 1 | |
| 4 | AP9150158 | pumpegehäuse | 1 | |
| 5 | AP8152280 | TE Schr. m. Flansch M6x25 | 6 | |
| 6 | AP9150162 | Saugsiebfilter | 1 | |
| 7 | AP8152281 | TE Schr. m. Flansch M6x30 | 1 | |
| 8 | AP9150376 | Stift 4x13,8 | 1 | |
| 9 | AP9150291 | Innen- und Außenrotor H8 | 1 | |
| 10 | AP9150461 | O-Ring D44,17x1,78 | 1 | |
| 11 | AP9150217 | pumpegehäuse | 1 | |
| 12 | AP9150385 | Ölabstreifring D19x10x7/5.5 | 1 | |
| 13 | AP9150076 | Bundscheibe 10,1x23 | 1 | |
| 14 | AP9150159 | Ölpumpen-Zahn. Z=12 | 1 | |
| 15 | AP9150075 | Bundscheibe 9,1x16x | 1 | |
| 16 | AP9150396 | Seegerring 9x1 | 1 | |
| 17 | AP9150160 | Bolzen 4x25,8 | 1 | |
| 18 | AP9150463 | Nadelkaefig D11x16x10 | 1 | |
| 19 | AP9150161 | Wahnradvorgelege Z=22 | 1 | |
| 20 | AP9150074 | Bundscheibe 11,1x18 | 1 | |
| 21 | AP9150397 | Seegerring D11 | 1 | |
| 22 | AP9150443 | Ölabstreifring D10x16x4 | 1 | |

| | |
|---------------------|------------|
| Einheit | MOTOR |
| Code | 29.37 |
| Beschreibung | Schmierung |
| Inspektion | 1 |



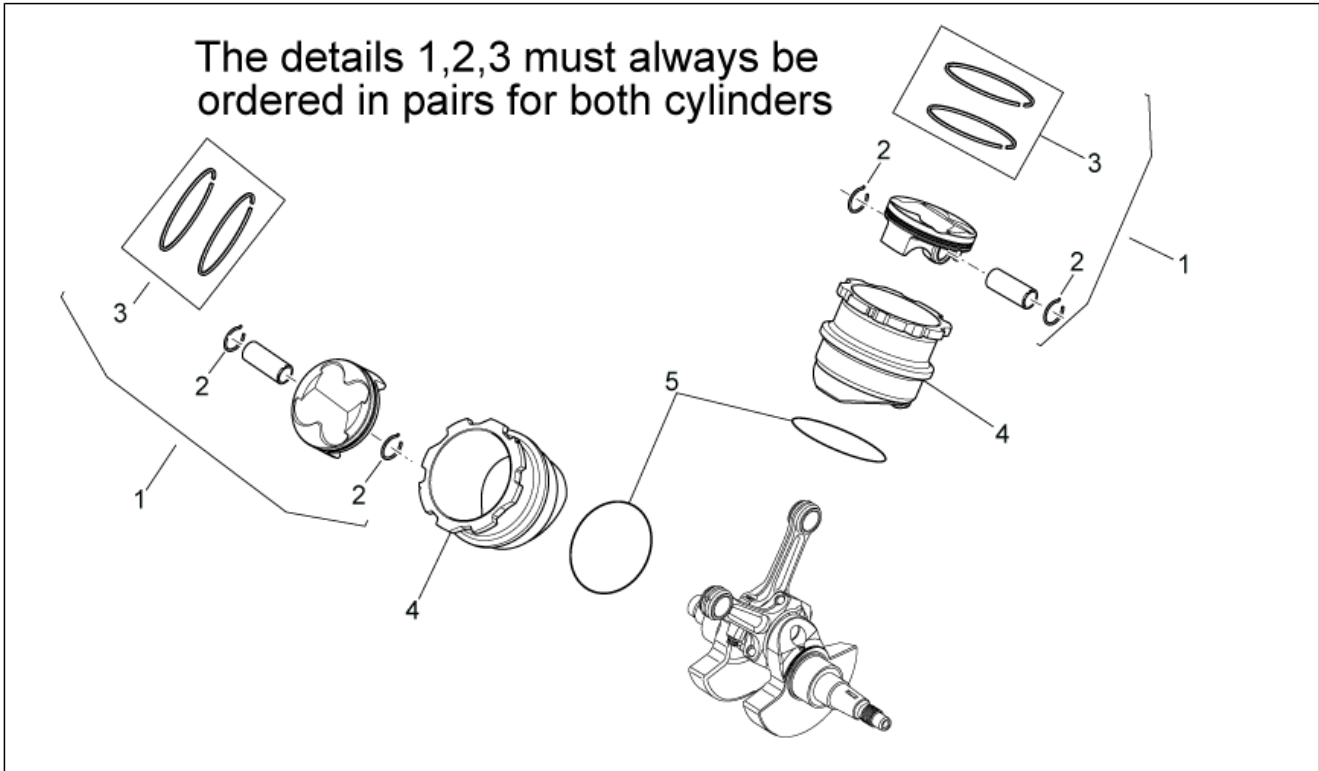
| Pos. | Code | Beschreibung | Menge | Varianten |
|------|-----------|-------------------------------|-------|---|
| 1 | AP9150281 | Ölauslaßschlauch | 1 | |
| 2 | AP8152277 | TE Schr. m. Flansch M6x12 | 3 | |
| 3 | AP9150280 | Öleinlaßschlauch | 1 | |
| 4 | AP9150347 | O-Ring D11x2 | 6 | |
| 5 | AP9100358 | Ölauslaßschlauch | 1 | |
| 6 | AP9100362 | Öleinlaßschlauch | 1 | |
| 7 | AP9100292 | Anschlagplatte | 1 | |
| 8 | AP9150168 | Druckregelkolben | 1 | |
| 9 | AP9150169 | Feder | 1 | |
| 10 | AP9150476 | O-Ring D11,11x1,78 | 1 | |
| 11 | AP9150170 | Ventilschließschraube M14x1,5 | 1 | |
| 12 | AP9150171 | Sperrventil Öl | 1 | |
| 13 | AP9150321 | Bolzen | 1 | |
| 14 | AP9150173 | Feder | 1 | |
| 15 | AP9150477 | O-Ring D14x1,78 | 1 | |
| 16 | AP9150172 | Kupplungsbuchse | 1 | |
| 17 | AP9150398 | Seegerring D18 | 1 | |
| 18 | 851240 | Verschlussschraube | 1 | |
| 19 | AP9150166 | Ölfiltersatz | 1 | |
| 20 | AP9150167 | Feder | 1 | |
| 21 | AP9150355 | O-Ring D53,65x2,68 | 1 | |
| 22 | 851295 | Ölfilterdeckel | 1 | Technische Daten: Version Motard Van De Bosch[VDB] |
| 22 | 855409 | Ölfilterdeckel | 1 | Technische Daten: Version Enduro Merriman[MR] |
| 23 | AP9150472 | Ausgleichscheibe 10,5x17x1,5 | 1 | |

| | |
|---------------------|-------------|
| Einheit | MOTOR |
| Code | 29.38 |
| Beschreibung | Kurbelwelle |
| Inspektion | 1 |



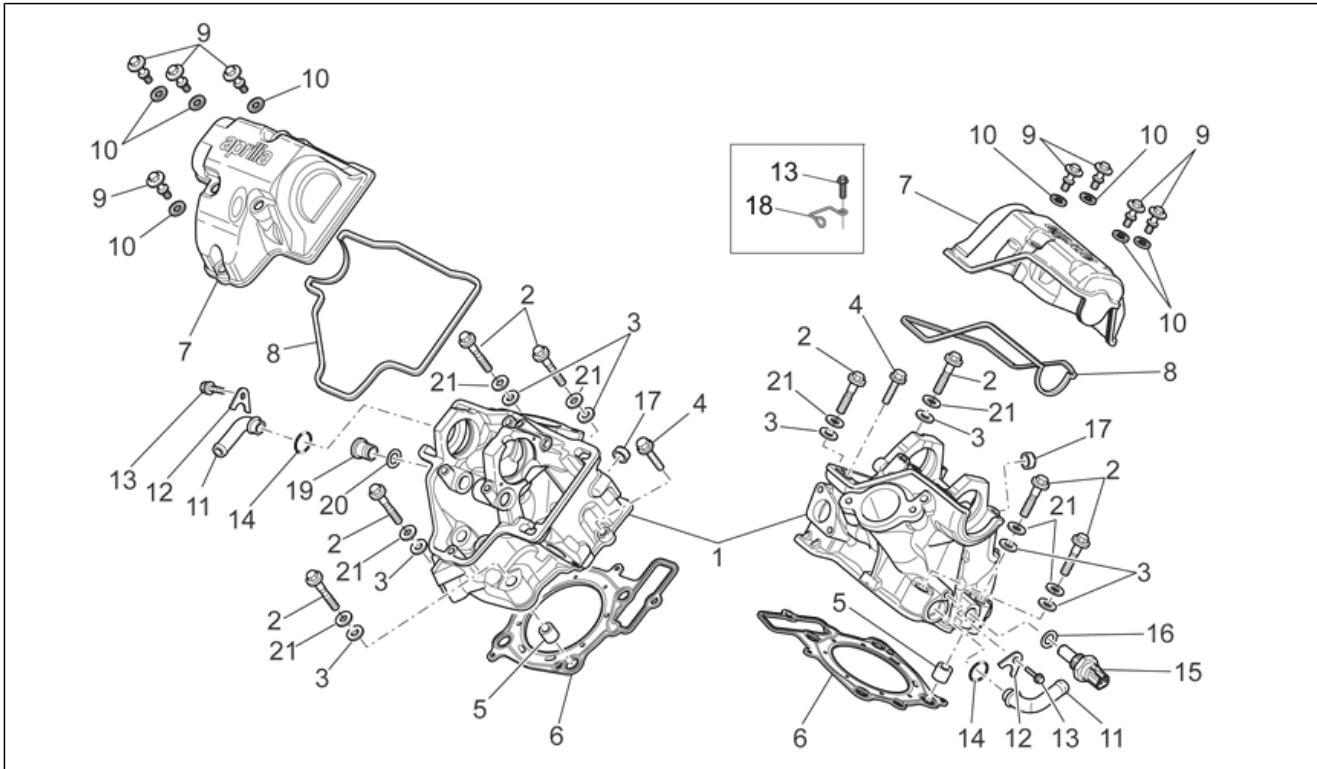
| Pos. | Code | Beschreibung | Menge | Varianten |
|------|-----------|-------------------------------|-------|---|
| 1 | 855164 | Kurbelwelle | 1 | Technische Daten: Version Enduro 450 Merriman[MR45], Version Motard 450 Van De Bosch[VDB45] |
| 1 | AP9150527 | Kurbelwelle | 1 | Technische Daten: Version Motard 550 Van De Bosch[VDB55] |
| 2 | 851007 | Schwungradfeder D3x4,8 | 1 | |
| 3 | AP9150437 | Ausgleichscheibe D15x28x2,5 | 1 | |
| 4 | AP9150436 | Mutter M14x1 | 1 | |
| 5 | AP9150402 | Keil 4x6,5 | 1 | |
| 6 | AP9150525 | O-Ring D16x3,5 | 1 | |
| 7 | AP9150065 | Anlaufscheibe 44x53x2 | 1 | |
| 8 | AP9150066 | Anlaufscheibe 36x50x1,4 | 1 | |
| 9 | AP9150210 | Ritzel | 1 | |
| 10 | AP9150018 | Baugruppe Pleuelstange kplt. | 2 | Technische Daten: Version Enduro 450 Merriman[MR45], Version Motard 450 Van De Bosch[VDB45] |
| 10 | AP9150315 | Baugruppe Pleuelstange kplt. | 2 | Technische Daten: Version Motard 550 Van De Bosch[VDB55] |
| 11 | AP9150127 | Pleuelschraube | 4 | |
| 12 | AP9150323 | Bronzebuchse, grün 35x38x16,5 | 4 | |
| 12 | AP9150454 | Bronzebuchse,blau 35x38x16,5 | 4 | |
| 12 | AP9150455 | Bronzebuchse,gelb 35x38x16,5 | 4 | |
| 13 | AP9150236 | Geflanschte Mutter M18x1,25 | 1 | |

| | |
|---------------------|-------------------|
| Einheit | MOTOR |
| Code | 29.39 |
| Beschreibung | Kolben + Zylinder |
| Inspektion | 1 |



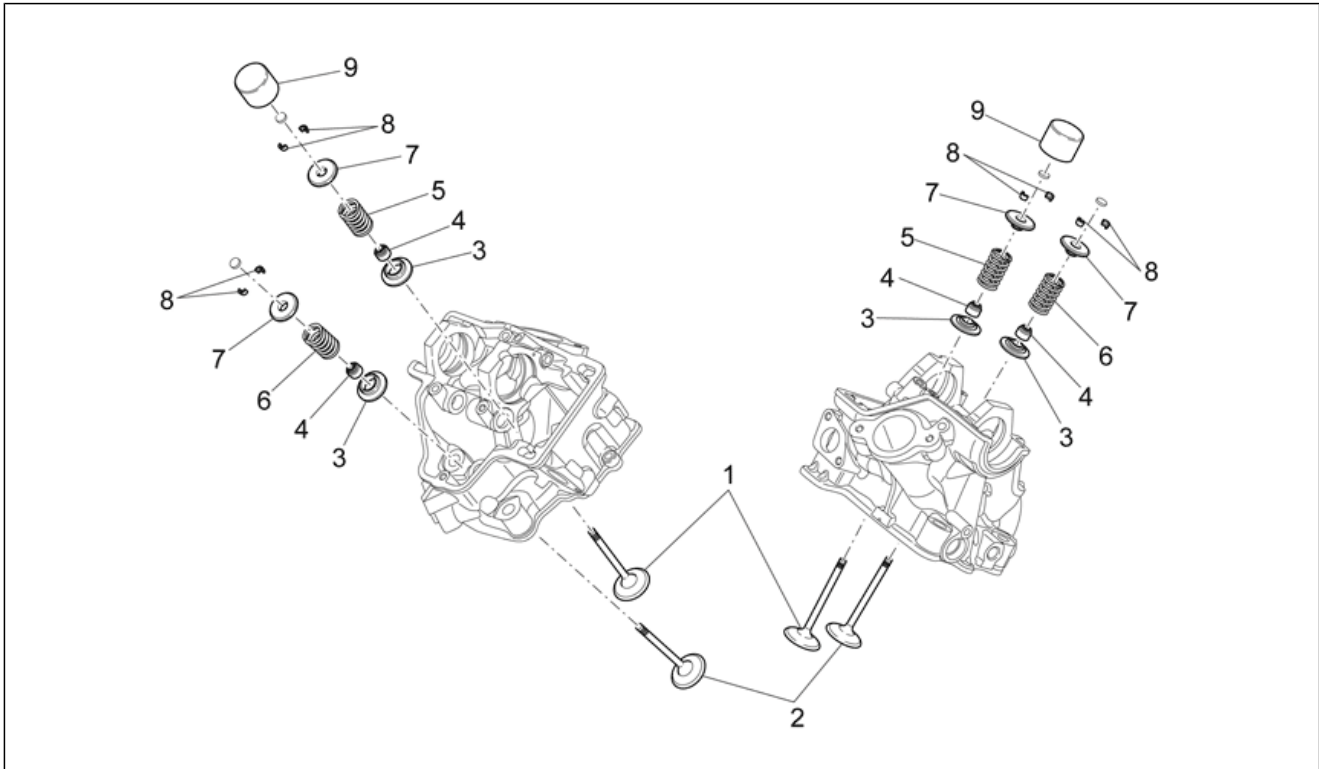
| Pos. | Code | Beschreibung | Menge | Varianten |
|------|-----------|--------------------|-------|---|
| 1 | 851035 | Kolben kpl. D76 | 2 | Fahrzeugfarbe: "Lieferant ""Asso""[A] Technische Daten: Version Enduro 450 Merriman[MR45], Version Motard 450 Van De Bosch[VDB45] |
| 1 | 851039 | Kolben kpl. D80 | 2 | Fahrzeugfarbe: "Lieferant ""Asso""[A] Technische Daten: Version Motard 550 Van De Bosch[VDB55] |
| 2 | 851042 | Sperring | 4 | Technische Daten: Version Motard 550 Van De Bosch[VDB55] |
| 2 | 851045 | Sperring | 4 | Technische Daten: Version Enduro 450 Merriman[MR45], Version Motard 450 Van De Bosch[VDB45] |
| 3 | 851298 | Dichtringsatz D76 | 2 | Fahrzeugfarbe: "Lieferant ""Asso""[A] Technische Daten: Version Enduro 450 Merriman[MR45], Version Motard 450 Van De Bosch[VDB45] |
| 3 | 855601 | Dichtringsatz D80 | 2 | Fahrzeugfarbe: "Lieferant ""Asso""[A] Technische Daten: Version Motard 550 Van De Bosch[VDB55] |
| 3 | AP9150123 | Dichtringsatz D76 | 2 | Fahrzeugfarbe: "Lieferant ""Duraldur""[D] Technische Daten: Modell 450[450] |
| 3 | AP9150338 | Dichtringsatz D80 | 2 | Fahrzeugfarbe: "Lieferant ""Duraldur""[D] Technische Daten: Modell 550[550] |
| 4 | AP9150007 | Zylinder D76 | 2 | Technische Daten: Version Enduro 450 Merriman[MR45], Version Motard 450 Van De Bosch[VDB45] |
| 4 | AP9150301 | Zylinder D80 | 2 | Technische Daten: Version Motard 550 Van De Bosch[VDB55] |
| 5 | AP9150343 | O-Ring D82,22x2,62 | 2 | |

| | |
|---------------------|--------------|
| Einheit | MOTOR |
| Code | 29.40 |
| Beschreibung | Zylinderkopf |
| Inspektion | 1 |



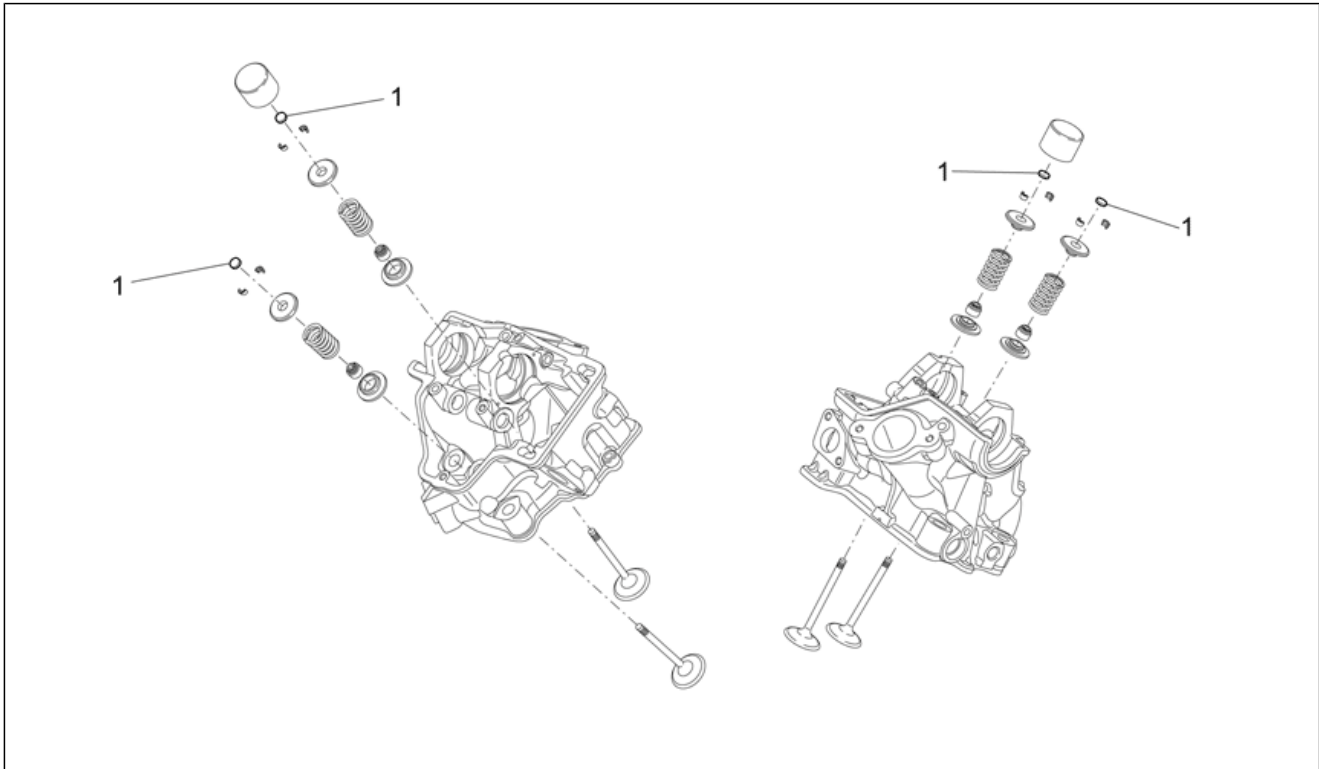
| Pos. | Code | Beschreibung | Menge | Varianten |
|------|-----------|-------------------------------|-------|---|
| 1 | AP9150317 | Zylinderkopf kpl. | 2 | |
| 2 | AP9150112 | TE Schr. m. Flansch M10x58,5 | 8 | |
| 3 | AP9150113 | Ausgleichscheibe D10x20x2 | 8 | |
| 4 | AP8152280 | TE Schr. m. Flansch M6x25 | 2 | |
| 5 | AP9150114 | Buchse | 4 | |
| 6 | 855034 | Dichtung Zylinderkopf | 2 | Technische Daten: Version Enduro 450 Merriman[MR45], Version Motard 450 Van De Bosch[VDB45] |
| 6 | 855035 | Dichtung Zylinderkopf | 2 | Technische Daten: Version Motard 550 Van De Bosch[VDB55] |
| 7 | AP9150009 | Kopfdeckel | 2 | |
| 8 | AP9150010 | Deckeldichtung Kupplungsseite | 2 | |
| 9 | 853720 | Spezialschraube | 8 | Technische Daten: Version Motard Van De Bosch[VDB] |
| 9 | AP9150111 | Spezialschraube | 8 | Technische Daten: Version Enduro Merriman[MR] |
| 10 | AP9150110 | Dichtung | 8 | |
| 11 | AP9150120 | Anschluss | 2 | |
| 12 | AP9150121 | Platte | 2 | |
| 13 | AP8152277 | TE Schr. m. Flansch M6x12 | 3 | |
| 14 | AP9150469 | O-Ring D13,95x2,62 | 2 | |
| 15 | AP9150181 | Temperaturfühler H2O | 1 | |
| 16 | AP9150349 | Dichtscheibe D12x18x1,5 | 1 | |
| 17 | AP9150312 | Deckel D20 | 2 | |
| 18 | AP8121856 | Kabelführungs | 1 | |
| 19 | 853719 | Ölablaßschraube | 1 | Technische Daten: Version Motard Van De Bosch[VDB] |
| 19 | AP9150174 | Ölablaßschraube | 1 | Technische Daten: Version Enduro Merriman[MR] |
| 20 | AP9150349 | Dichtscheibe D12x18x1,5 | 1 | |
| 21 | AP9100999 | Sprengscheibe | 8 | |

| | |
|---------------------|---------|
| Einheit | MOTOR |
| Code | 29.41 |
| Beschreibung | Ventile |
| Inspektion | 1 |



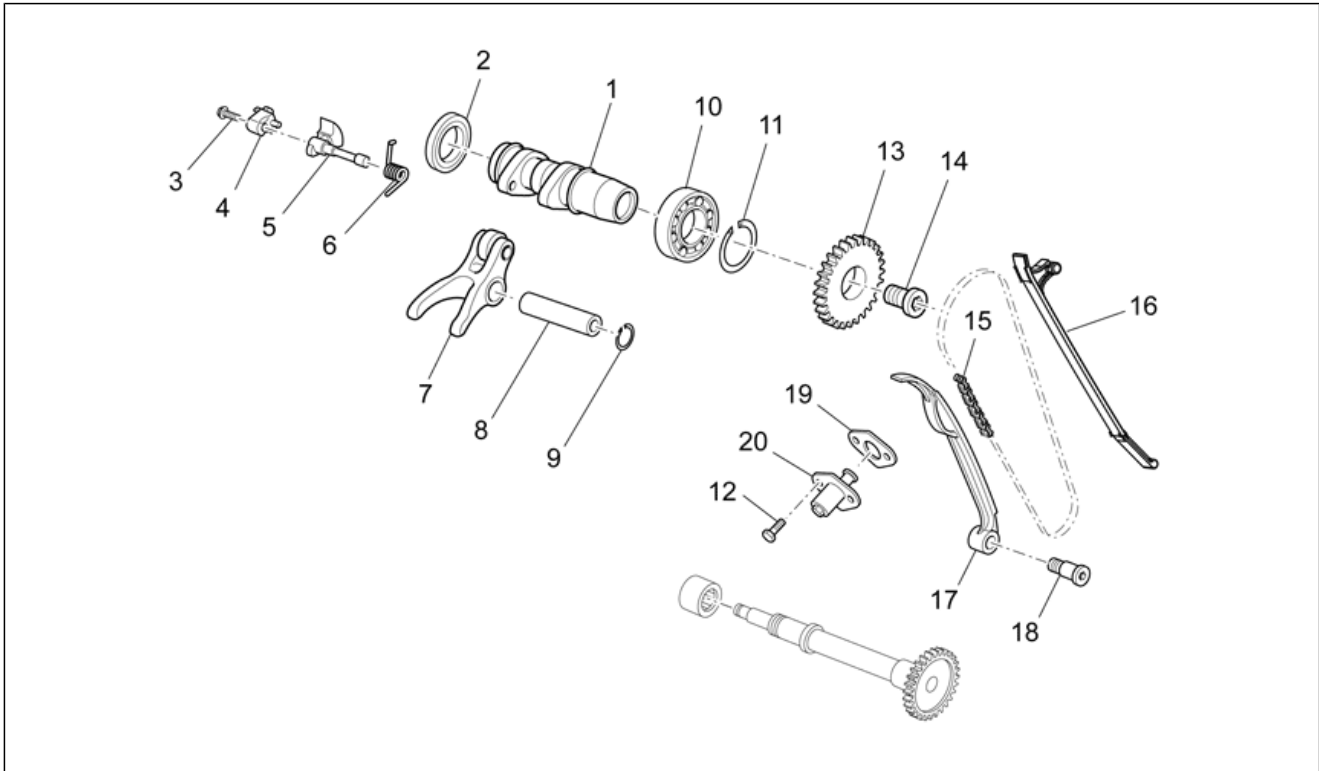
| Pos. | Code | Beschreibung | Menge | Varianten |
|------|-----------|---------------------------------|-------|-----------|
| 1 | AP9150022 | Einlaßventil | 4 | |
| 2 | AP9150023 | Auslaßventil | 4 | |
| 3 | AP9150028 | Becher unten | 8 | |
| 4 | AP9150104 | Ölabstreifring Ventilführung D5 | 8 | |
| 5 | AP9150024 | Einlaß Ventilfeeder | 4 | |
| 6 | AP9150025 | Feder Auslaßventil | 4 | |
| 7 | 891170 | Becher obere | 8 | |
| 8 | AP9150106 | Ventilhalbkegel | 16 | |
| 9 | AP9150107 | Ventilbecher | 4 | |

| | |
|---------------------|----------------|
| Einheit | MOTOR |
| Code | 29.42 |
| Beschreibung | Ventilesbeläge |
| Inspektion | 1 |



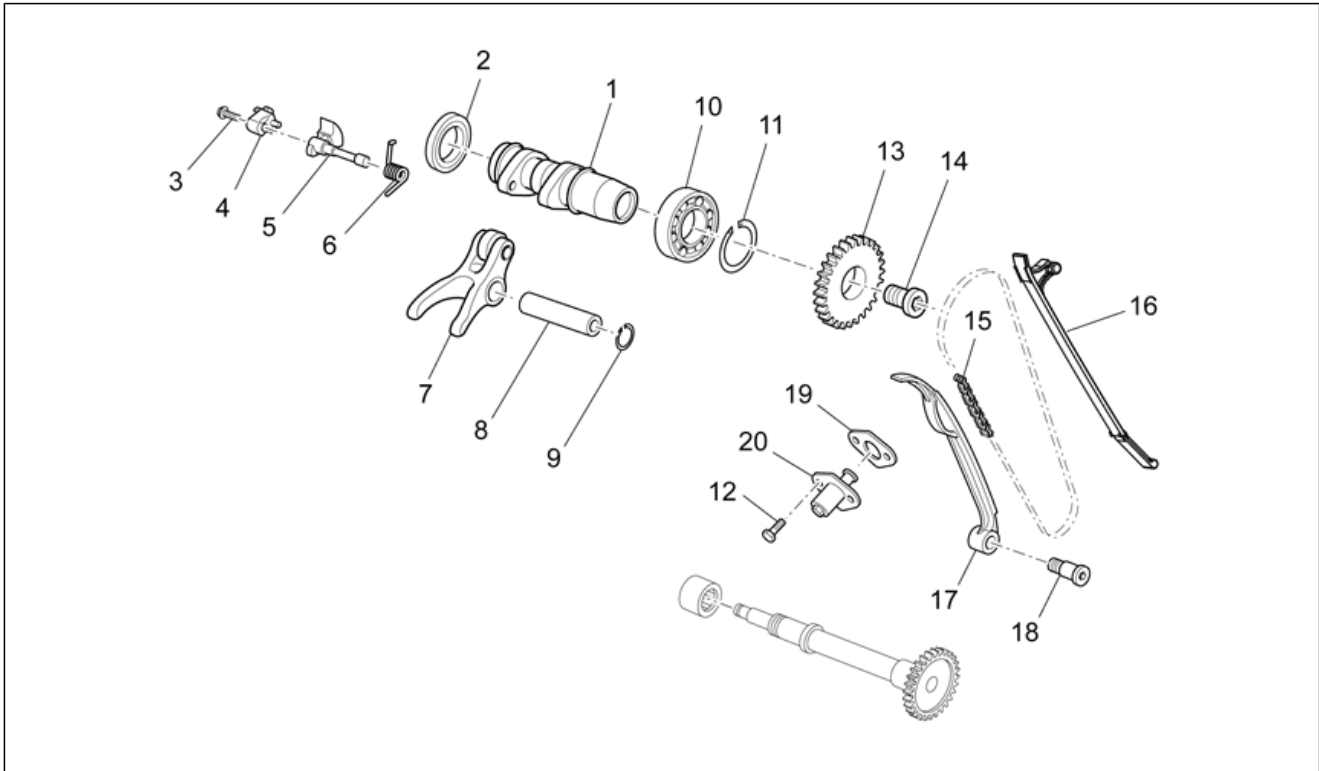
| Pos. | Code | Beschreibung | Menge | Varianten |
|------|-----------|--------------|-------|-----------|
| 1 | AP9150143 | Belag 1,40 | 8 | |
| 1 | AP9150417 | Belag 1,45 | 1 | |
| 1 | AP9150418 | Belag 1,50 | 1 | |
| 1 | AP9150419 | Belag 1,55 | 1 | |
| 1 | AP9150420 | Belag 1,60 | 1 | |
| 1 | AP9150421 | Belag 1,65 | 1 | |
| 1 | AP9150422 | Belag 1,70 | 1 | |
| 1 | AP9150423 | Belag 1,75 | 1 | |
| 1 | AP9150424 | Belag 1,80 | 1 | |
| 1 | AP9150425 | Belag 1,85 | 1 | |
| 1 | AP9150426 | Belag 1,90 | 1 | |
| 1 | AP9150427 | Belag 1,95 | 1 | |
| 1 | AP9150428 | Belag 2,00 | 1 | |
| 1 | AP9150429 | Belag 2,05 | 1 | |
| 1 | AP9150430 | Belag 2,10 | 1 | |
| 1 | AP9150431 | Belag 2,15 | 1 | |
| 1 | AP9150432 | Belag 2,20 | 1 | |
| 1 | AP9150433 | Belag 2,25 | 1 | |
| 1 | AP9150434 | Belag 2,30 | 1 | |

| | |
|---------------------|---------------------|
| Einheit | MOTOR |
| Code | 29.43 |
| Beschreibung | Vrd. Zylindersteuer |
| Inspektion | 1 |



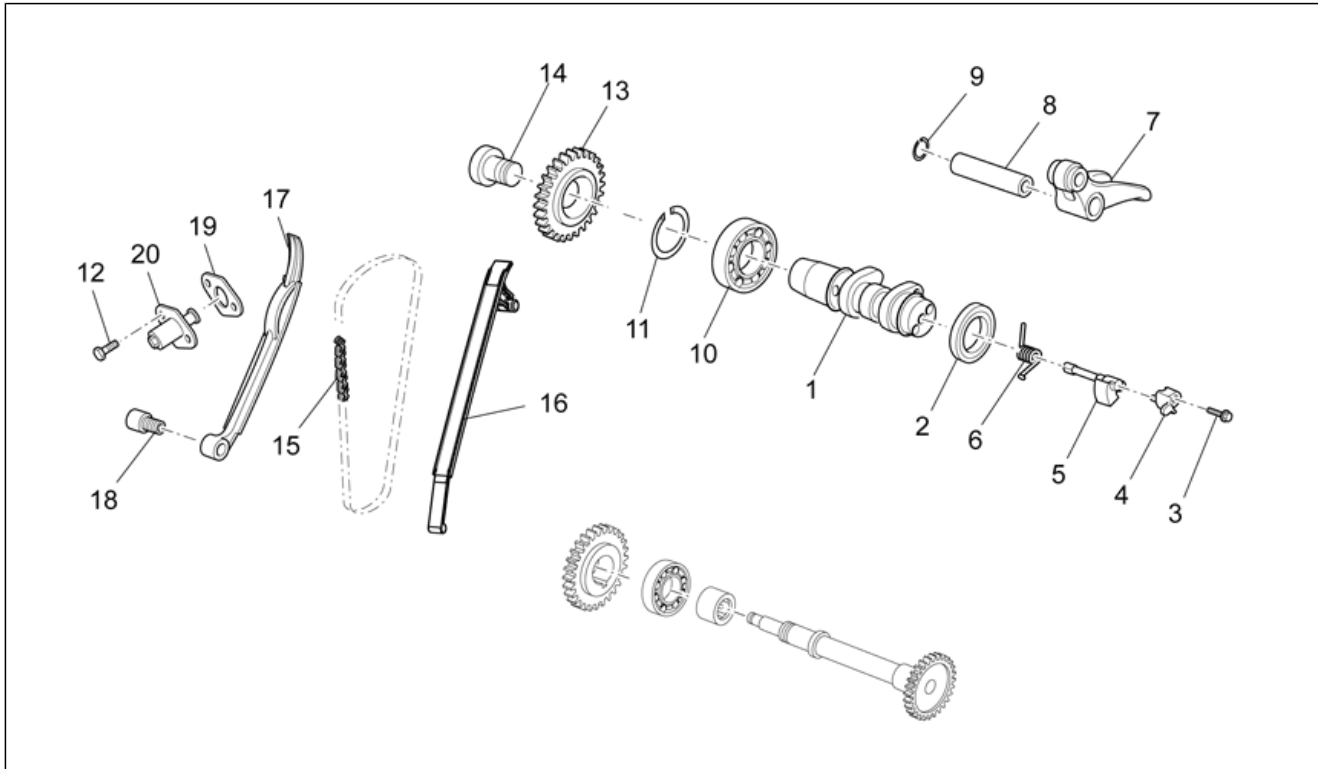
| Pos. | Code | Beschreibung | Menge | Varianten |
|------|-----------|-----------------------------|-------|---|
| 1 | 8510005 | Nockenwelle vorderer | 1 | Technische Daten: Version Motard 550 Van De Bosch[VDB55] |
| 1 | 8510025 | Nockenwelle vorderer | 1 | Technische Daten: Version Enduro 450 Merriman[MR45] |
| 1 | 8511655 | Nockenwelle | 1 | Technische Daten: Version Motard 450 Van De Bosch[VDB45] |
| 2 | AP9150364 | Kugellager D25x37x7 | 1 | |
| 3 | AP8152274 | TE Schr. m. Flansch M5x20 | 1 | |
| 4 | AP9150303 | Steckverbindung | 1 | |
| 5 | AP9150448 | Vord.Ventilschaltung | 1 | |
| 5 | CM238602 | Vord.Ventilschaltung "5.90" | 1 | |
| 5 | CM238603 | Vord.Ventilschaltung "5.85" | 1 | |
| 5 | CM238604 | Vord.Ventilschaltung "5.80" | 1 | |
| 5 | CM238605 | Vord.Ventilschaltung "5.75" | 1 | |
| 5 | CM238606 | Vord.Ventilschaltung "5.70" | 1 | |
| 6 | AP9150138 | Feder | 1 | |
| 7 | AP9150096 | Kipphebel Auslaß | 1 | |
| 8 | AP9150101 | Kipphebel-Federwelle | 1 | |
| 9 | AP9150102 | Sprengring | 1 | |
| 10 | AP9150372 | Kugellager D25x42x9 | 1 | |
| 11 | AP9150391 | Sprengring D42 | 2 | |
| 12 | AP8152278 | TE Schr. m. Flansch M6x16 | 2 | |
| 13 | AP9150506 | Zahnrad Steuer. Z=22 | 1 | |
| 14 | AP9150507 | Spezialschraube M16x1 | 1 | |
| 15 | AP9150133 | Steuerkette | 1 | Technische Daten: Version Enduro 450 Merriman[MR45], Version Motard 450 Van De Bosch[VDB45] |
| 15 | AP9150327 | Steuerkette | 1 | Technische Daten: Version Motard 550 Van De Bosch[VDB55] |
| 16 | AP9150011 | Kettengleitführung L177 | 1 | Technische Daten: Version Enduro 450 Merriman[MR45], Version Motard 450 Van De Bosch[VDB45] |

| | |
|---------------------|---------------------|
| Einheit | MOTOR |
| Code | 29.43 |
| Beschreibung | Vrd. Zylindersteuer |
| Inspektion | 1 |



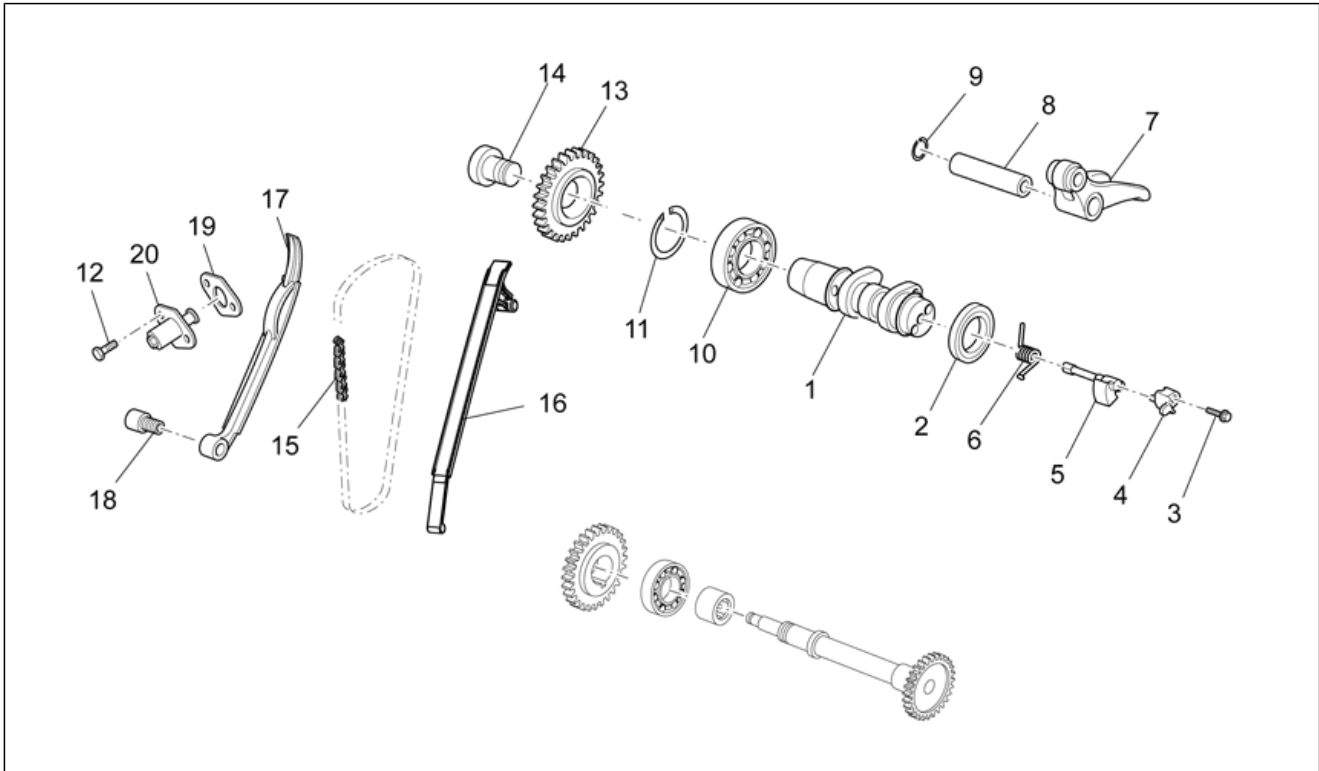
| Pos. | Code | Beschreibung | Menge | Varianten |
|------|-----------|--------------------------|-------|---|
| 16 | AP9150300 | Kettengleitführung L186 | 1 | Technische Daten: Version Motard 550 Van De Bosch[VDB55] |
| 17 | AP9150012 | Kettenspanner Gleitbacke | 1 | |
| 18 | AP9150231 | Schraube M6x12 | 1 | |
| 19 | AP9150141 | Dichtung Kettenspan. | 1 | |
| 20 | AP9150140 | Kettenspanner | 1 | |

| | |
|---------------------|----------------------|
| Einheit | MOTOR |
| Code | 29.44 |
| Beschreibung | Hint. Zylindersteuer |
| Inspektion | 1 |



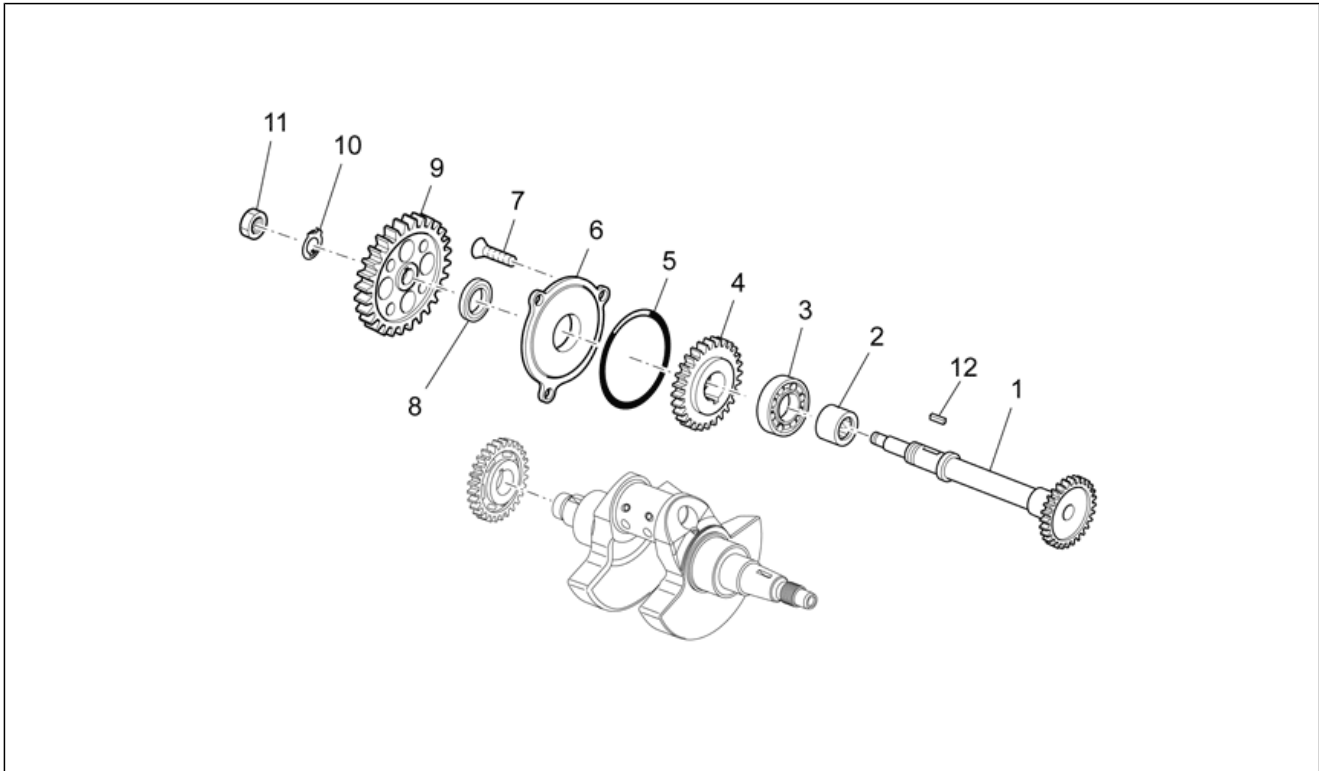
| Pos. | Code | Beschreibung | Menge | Varianten |
|------|-----------|---------------------------|-------|---|
| 1 | 8510015 | Nockenwelle hinterer | 1 | Technische Daten: Version Motard 550 Van De Bosch[VDB55] |
| 1 | 8510035 | Nockenwelle hinterer | 1 | Technische Daten: Version Enduro 450 Merriman[MR45] |
| 1 | 8511665 | Nockenwelle | 1 | Technische Daten: Version Motard 450 Van De Bosch[VDB45] |
| 2 | AP9150364 | Kugellager D25x37x7 | 1 | |
| 3 | AP8152274 | TE Schr. m. Flansch M5x20 | 1 | |
| 4 | AP9150303 | Steckverbindung | 1 | |
| 5 | AP9150450 | Hinten ventilschaltung | 1 | |
| 6 | AP9150304 | Feder | 1 | |
| 7 | AP9150096 | Kipphebel Auslaß | 1 | |
| 8 | AP9150101 | Kipphebel-Federwelle | 1 | |
| 9 | AP9150102 | Sprengring | 1 | |
| 10 | AP9150372 | Kugellager D25x42x9 | 1 | |
| 11 | AP9150391 | Sprengring D42 | 2 | |
| 12 | AP8152278 | TE Schr. m. Flansch M6x16 | 2 | |
| 13 | AP9150506 | Zahnrad Steuer. Z=22 | 1 | |
| 14 | AP9150508 | Spezialschraube M16x1 | 1 | |
| 15 | AP9150133 | Steuerkette | 1 | Technische Daten: Version Enduro 450 Merriman[MR45], Version Motard 450 Van De Bosch[VDB45] |
| 15 | AP9150327 | Steuerkette | 1 | Technische Daten: Version Motard 550 Van De Bosch[VDB55] |
| 16 | AP9150011 | Kettengleitführung L177 | 1 | Technische Daten: Version Enduro 450 Merriman[MR45], Version Motard 450 Van De Bosch[VDB45] |
| 16 | AP9150300 | Kettengleitführung L186 | 1 | Technische Daten: Version Motard 550 Van De Bosch[VDB55] |
| 17 | AP9150012 | Kettenspanner Gleitbacke | 1 | |
| 18 | AP9150142 | Schraube M6x12 | 1 | |
| 19 | AP9150141 | Dichtung Kettenspan. | 1 | |

| | |
|---------------------|----------------------|
| Einheit | MOTOR |
| Code | 29.44 |
| Beschreibung | Hint. Zylindersteuer |
| Inspektion | 1 |



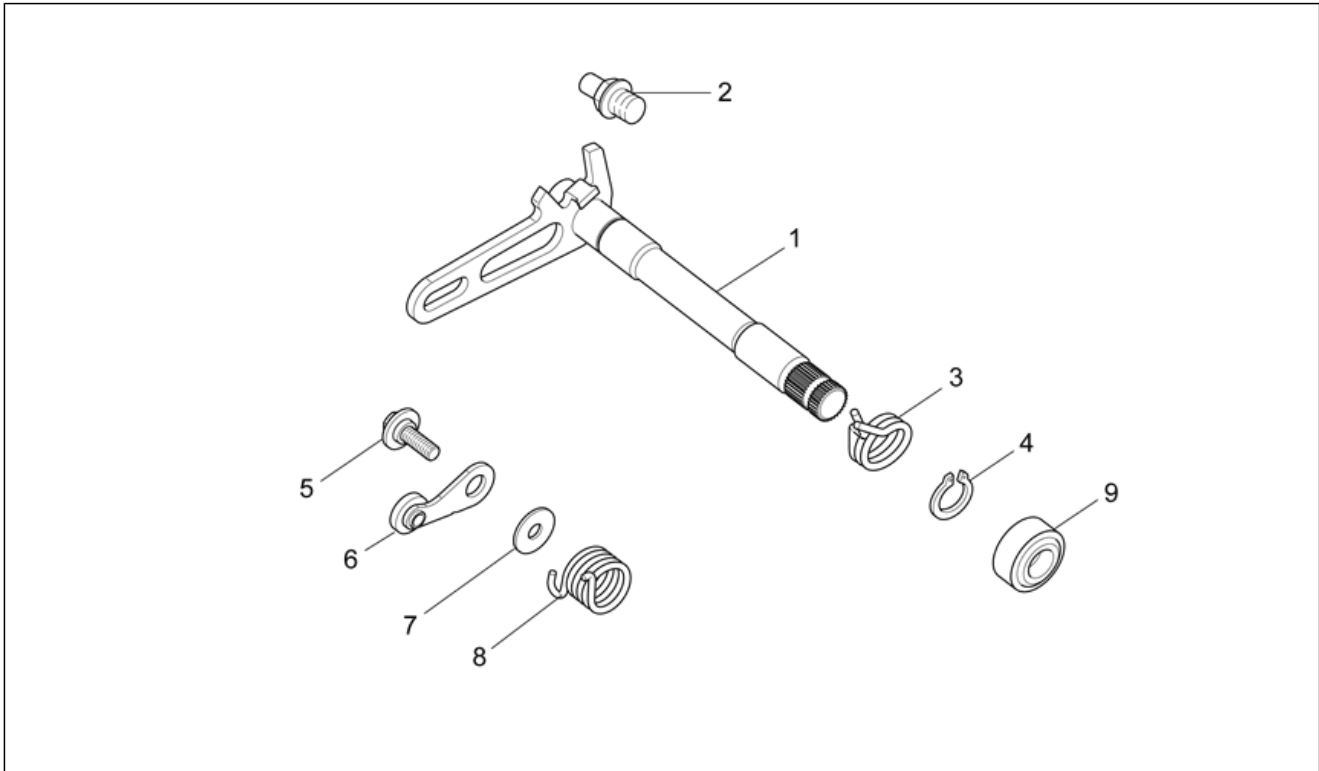
| Pos. | Code | Beschreibung | Menge | Varianten |
|------|-----------|---------------|-------|-----------|
| 20 | AP9150140 | Kettenspanner | 1 | |

| | |
|---------------------|--------------|
| Einheit | MOTOR |
| Code | 29.45 |
| Beschreibung | Umlenkswelle |
| Inspektion | 1 |



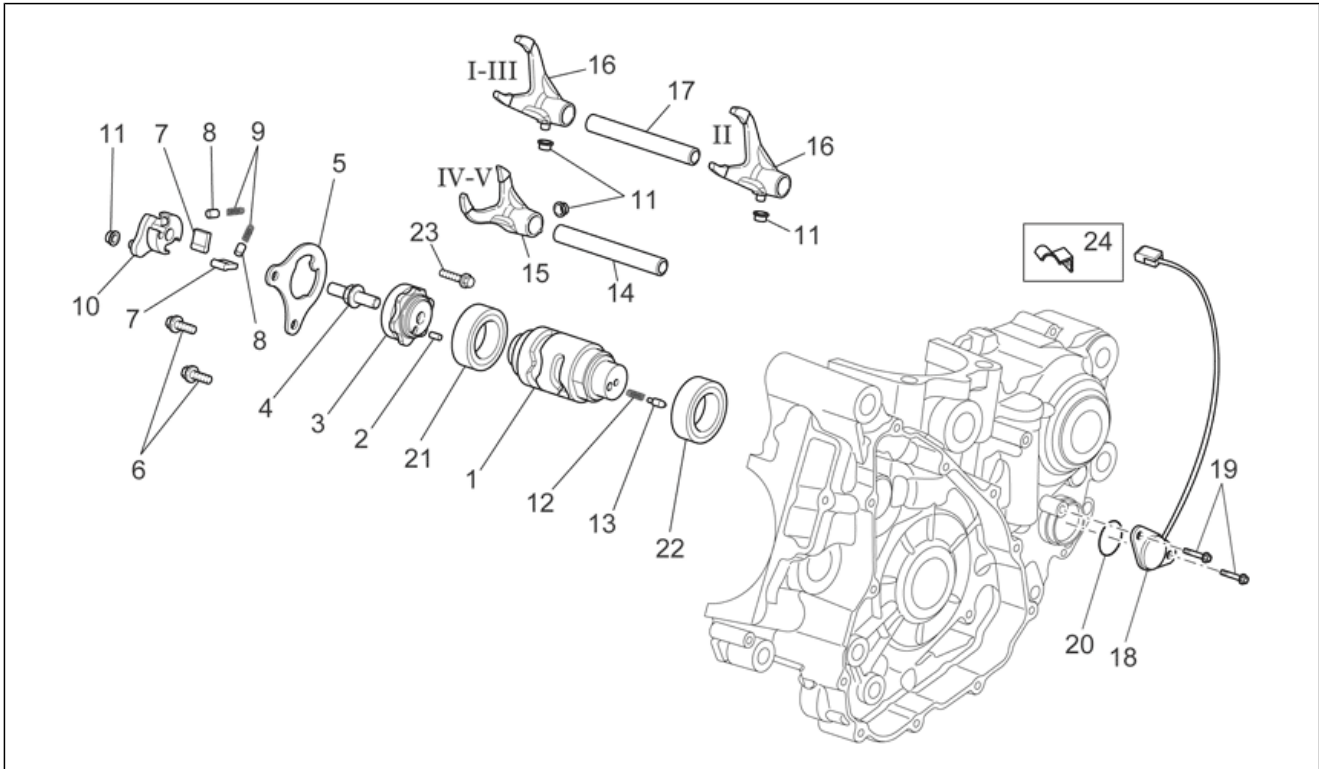
| Pos. | Code | Beschreibung | Menge | Varianten |
|------|-----------|-------------------------|-------|-----------|
| 1 | 851009 | Umlenkswelle Z=20 | 1 | |
| 2 | AP9150366 | Lager D14x22x13 | 1 | |
| 3 | AP9150387 | Kugellager D12x28x8 | 1 | |
| 4 | AP9150273 | Zahnrad Steuer. Z=20 | 1 | |
| 5 | AP9150348 | O-Ring D79x1,78 | 1 | |
| 6 | AP9150483 | Flansch | 1 | |
| 7 | 844211 | TBEI Schraube | 3 | |
| 8 | AP9150390 | Ölabstreifring D28x20x6 | 1 | |
| 9 | AP9150285 | Zahnrad Steuer. Z=40 | 1 | |
| 10 | AP9150299 | Sicherungsblech | 1 | |
| 11 | 851011 | Mutter M12x1x4,5 | 1 | |
| 12 | AP9150389 | Keil 4x4x18 | 1 | |

| | |
|---------------------|---------------|
| Einheit | MOTOR |
| Code | 29.46 |
| Beschreibung | Schaltgabel I |
| Inspektion | 1 |



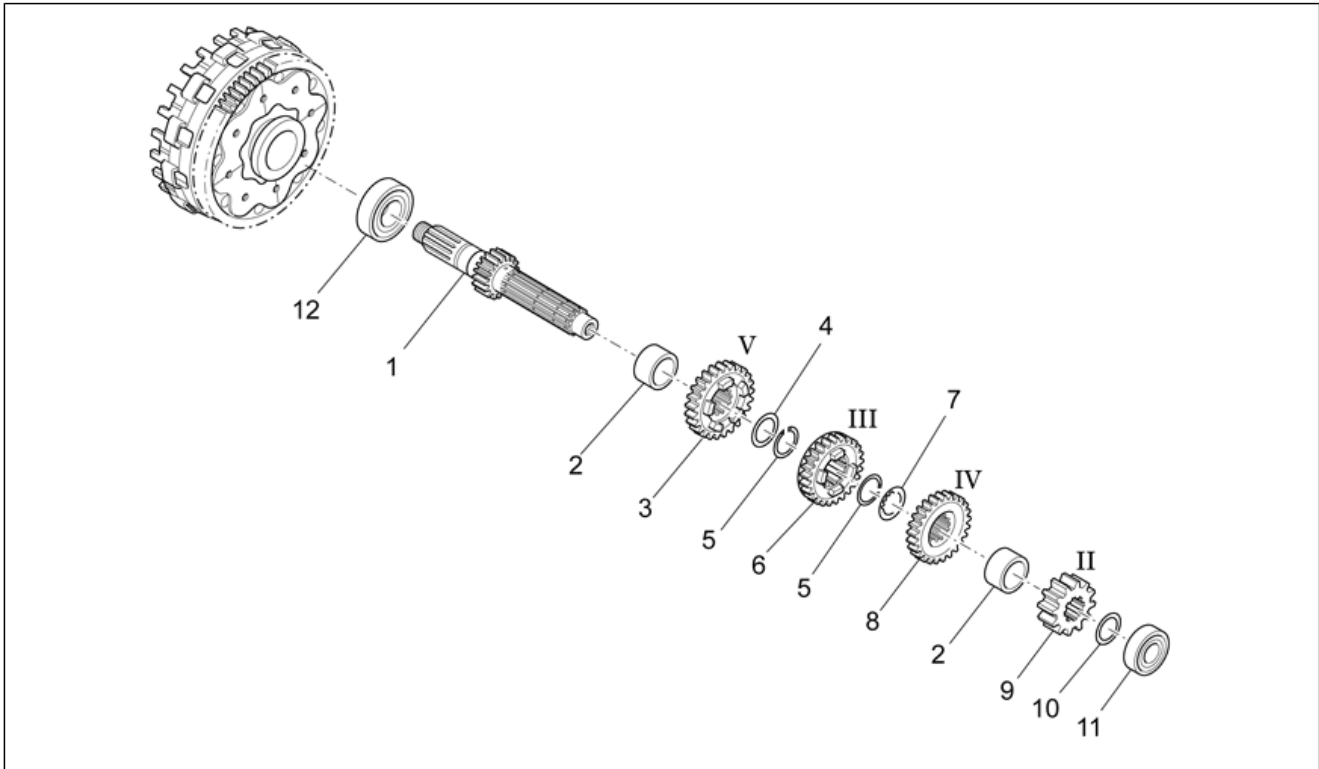
| Pos. | Code | Beschreibung | Menge | Varianten |
|------|-----------|----------------------------|-------|-----------|
| 1 | AP9150048 | Schaltwele+klin.kpl. | 1 | |
| 2 | AP9150063 | Schaltgabel stopper | 1 | |
| 3 | AP9150238 | Feder | 1 | |
| 4 | AP8125853 | Seegerring D.15 | 1 | |
| 5 | AP9150006 | TE Schr. m. Flansch M6x15 | 1 | |
| 6 | AP9150044 | Indexhebel kpl. | 1 | |
| 7 | AP9150051 | Ausgleichscheibe D6,3x18x1 | 1 | |
| 8 | AP9150220 | Feder | 1 | |
| 9 | AP9150393 | Ölabstreifring D21x15x3 | 1 | |

| | |
|---------------------|----------------|
| Einheit | MOTOR |
| Code | 29.47 |
| Beschreibung | Schaltgabel II |
| Inspektion | 1 |



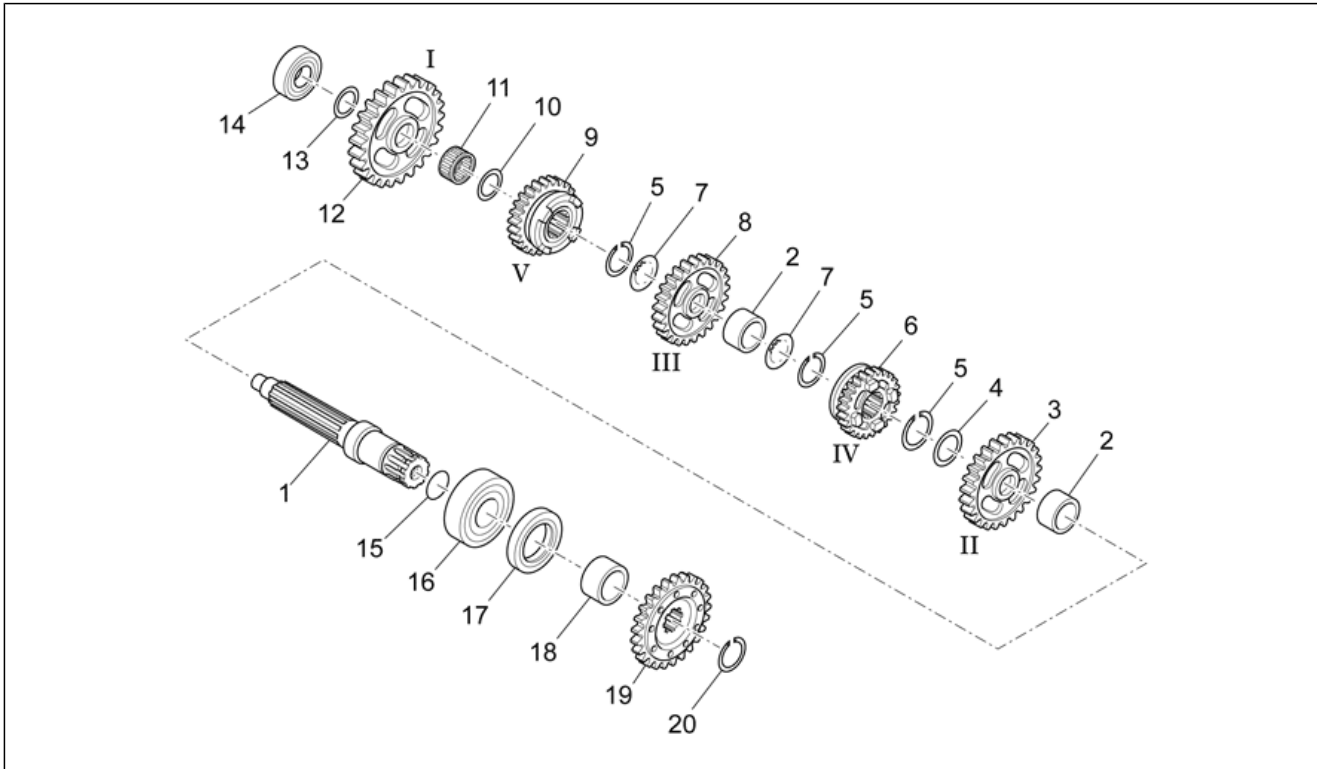
| Pos. | Code | Beschreibung | Menge | Varianten |
|------|-----------|----------------------------|-------|---|
| 1 | AP9150004 | Verschiebenocken kplt. | 1 | |
| 2 | AP9150375 | Rolle D4 | 1 | |
| 3 | AP9150067 | Schaltgabel Trommel | 1 | |
| 4 | AP9150043 | Aufnahmebolzen M8x1,25 | 1 | |
| 5 | AP9150073 | Platte schaltgabel stopper | 1 | |
| 6 | AP8152277 | TE Schr. m. Flansch M6x12 | 2 | |
| 7 | AP9150069 | Hebel | 2 | |
| 8 | AP9150070 | Federstütze | 2 | |
| 9 | AP9150064 | Feder | 2 | |
| 10 | AP9150068 | Desmodrom.Platte | 1 | |
| 11 | AP9150060 | Buchse D6x8x5 | 4 | |
| 12 | AP9150072 | Feder | 1 | |
| 13 | AP9150003 | Federstütze | 1 | |
| 14 | AP9150062 | Schaltstange L72,5 | 1 | |
| 15 | AP9150093 | Schaltgabel 4a-5a | 1 | |
| 16 | AP9150091 | Schaltgabel 1a-3a | 2 | |
| 17 | AP9150061 | Schaltstange L93 | 1 | |
| 18 | 853832 | Schalter Lerrlctr. | 1 | Technische Daten: Version Motard Van De Bosch[VDB] |
| 18 | AP9150184 | Schaltensor | 1 | Technische Daten: Version Enduro Merriman[MR] |
| 19 | AP8152272 | TE Schr. m. Flansch M5x12 | 2 | |
| 20 | AP9150479 | O-Ring D23,52x1,78 | 1 | |
| 21 | AP9150365 | Kugellager D25x42x9 | 1 | |
| 22 | AP9150360 | Kugellager D25x52x1 | 1 | |
| 23 | AP8152272 | TE Schr. m. Flansch M5x12 | 1 | |
| 24 | AP9150462 | Kabelführung | 1 | |

| | |
|---------------------|----------------|
| Einheit | MOTOR |
| Code | 29.48 |
| Beschreibung | Vorgelegewelle |
| Inspektion | 1 |



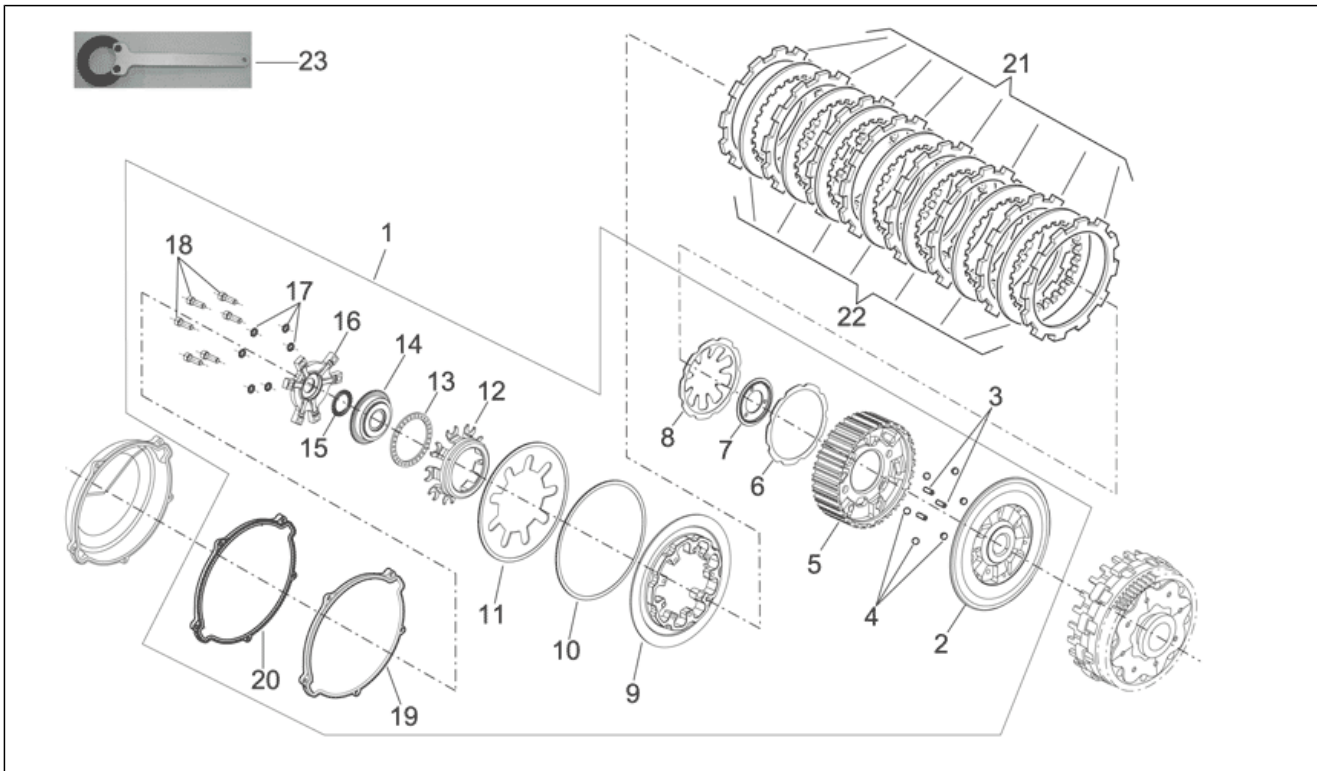
| Pos. | Code | Beschreibung | Menge | Varianten |
|------|-----------|---------------------------------|-------|---|
| 1 | AP9150256 | Vorgelegewelle Z=12 | 1 | Technische Daten: Version Enduro Merriman[MR] |
| 1 | AP9150270 | Vorgelegewelle Z=13 | 1 | Technische Daten: Version Motard Van De Bosch[VDB] |
| 2 | AP9150216 | Buchse D25x28x9,9 | 2 | |
| 3 | AP9150255 | Zahnrad 5a su prim.Z=21 | 1 | |
| 4 | AP9150297 | Flachscheibe D25,1x30,8x0,5 | 1 | |
| 5 | AP9150302 | Seegerring für Welle D25 | 2 | |
| 6 | AP9150254 | Zahnrad 3a su prim.Z=15 | 1 | |
| 7 | AP9150267 | Spezial-U-scheibe D25,1x30,8x0, | 1 | |
| 8 | AP9150253 | Zahnrad 4a su prim.Z=19 | 1 | |
| 9 | AP9150252 | Zahnrad 2a su prim.Z=13 | 1 | |
| 10 | AP9150294 | Ausgleichscheibe D17,1x27,8x0,8 | 1 | |
| 11 | AP9150362 | Kugellager D17x40x12 | 1 | |
| 12 | AP9150360 | Kugellager D25x52x1 | 1 | |

| | |
|---------------------|---------|
| Einheit | MOTOR |
| Code | 29.49 |
| Beschreibung | Festrad |
| Inspektion | 1 |



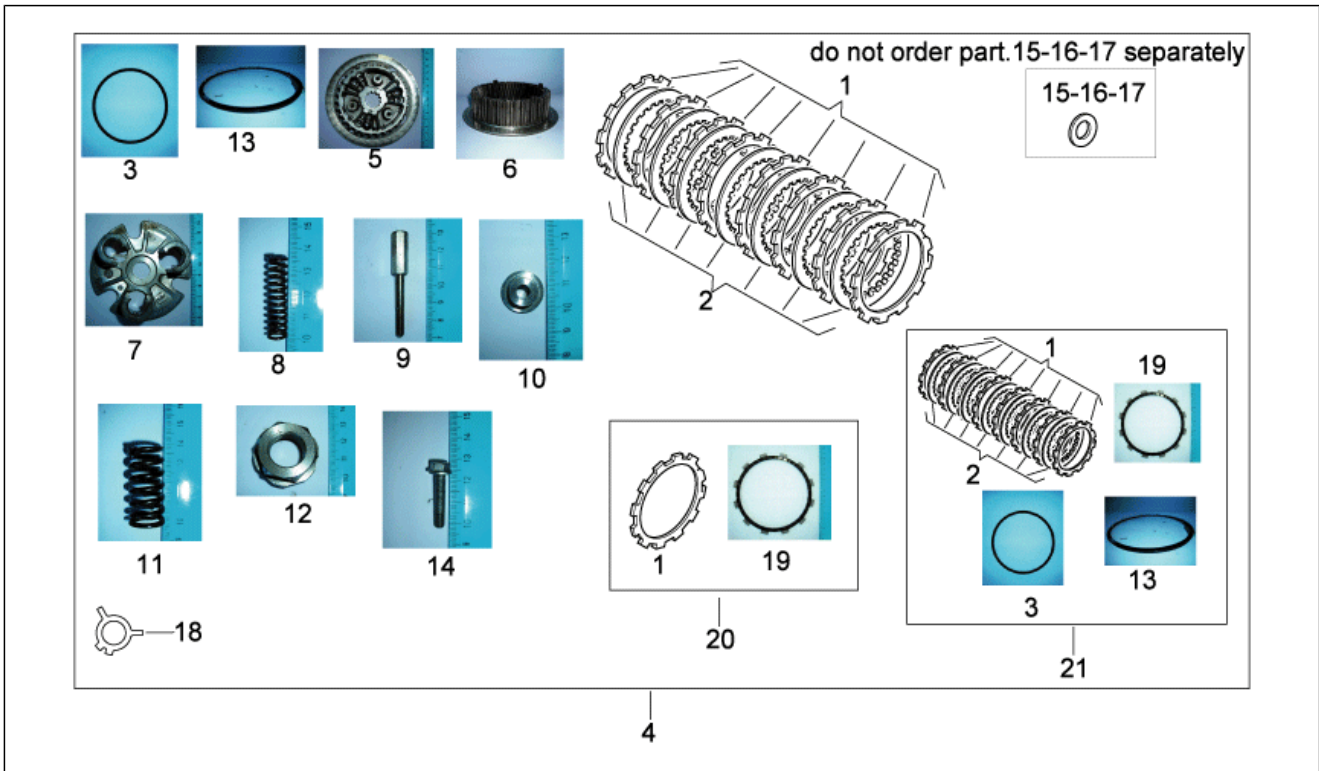
| Pos. | Code | Beschreibung | Menge | Varianten |
|------|-----------|---------------------------------|-------|--|
| 1 | AP9150263 | Festrad | 1 | Technische Daten: Version Motard Van De Bosch[VDB] |
| 1 | AP9150311 | Festrad | 1 | Technische Daten: Version Enduro Merriman[MR] |
| 2 | AP9150216 | Buchse D25x28x9,9 | 2 | |
| 3 | AP9150250 | Zahnrad 2.Vorgelegewelle Z=25 | 1 | |
| 4 | AP9150297 | Flachscheibe D25,1x30,8x0,5 | 1 | |
| 5 | AP9150302 | Seegerring für Welle D25 | 3 | |
| 6 | AP9150249 | Zahnrad 4.Vorgelegewelle Z=24 | 1 | |
| 7 | AP9150267 | Spezial-U-scheibe D25,1x30,8x0, | 2 | |
| 8 | AP9150248 | Zahnrad 3.Vorgelegewelle Z=23 | 1 | |
| 9 | AP9150247 | Zahnrad 5.Vorgelegewelle Z=22 | 1 | |
| 10 | AP9150296 | Ausgleichscheibe D20,1x28,8x0,8 | 1 | |
| 11 | AP9150370 | Nadelkaefig D20x24x10 | 1 | |
| 12 | AP9150246 | Zahnrad 1.Vorgelegewelle Z=31 | 1 | Technische Daten: Version Enduro Merriman[MR] |
| 12 | AP9150258 | Zahnrad 1.Vorgelegewelle Z=30 | 1 | Technische Daten: Version Motard Van De Bosch[VDB] |
| 13 | AP9150294 | Ausgleichscheibe D17,1x27,8x0,8 | 1 | |
| 14 | AP9150361 | Kugellager D17x47x14 | 1 | |
| 15 | AP9150357 | O-Ring D21,95x1,78 | 1 | |
| 16 | AP9150363 | Kugellager D25x52x15 | 1 | |
| 17 | AP9150382 | Ölabstreifring D40x32x5 | 1 | |
| 18 | AP9150218 | Distanzscheibe 25x32x14 | 1 | Technische Daten: Version Enduro Merriman[MR] |
| 18 | AP9150237 | Distanzscheibe 25x32x22 | 1 | Technische Daten: Version Motard Van De Bosch[VDB] |
| 19 | AP9100505 | Ritzel Z=14 | 1 | Technische Daten: Version Enduro Merriman[MR], Version Motard Van De Bosch[VDB] |
| 19 | AP9100525 | Ritzel | 1 | Technische Daten: Version Motard Van De Bosch[VDB] |
| 19 | AP9100600 | Ritzel Z=16 | 1 | Technische Daten: Version Motard Van De Bosch[VDB] |
| 20 | AP9100451 | Seegerring für Welle D25 | 1 | |

| | |
|---------------------|------------|
| Einheit | MOTOR |
| Code | 29.50 |
| Beschreibung | Kupplung I |
| Inspektion | 1 |



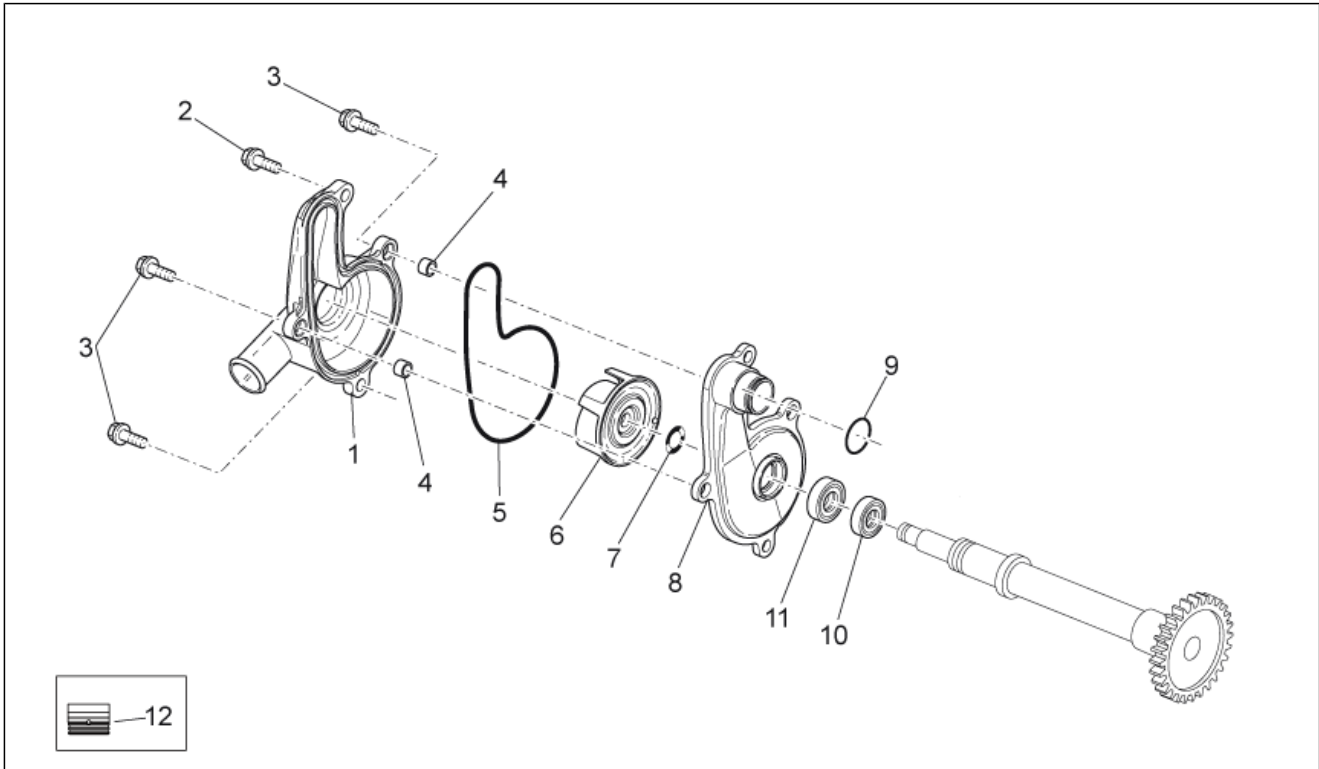
| Pos. | Code | Beschreibung | Menge | Varianten |
|------|--------|----------------------------|-------|---|
| 1 | 853749 | Kupplung kplt. | 1 | Technische Daten: Version Motard Van De Bosch[VDB] |
| 2 | 853729 | Nabe | 1 | Technische Daten: Version Motard Van De Bosch[VDB] |
| 3 | 853730 | Stift | 3 | Technische Daten: Version Motard Van De Bosch[VDB] |
| 4 | 853731 | Kugel | 6 | Technische Daten: Version Motard Van De Bosch[VDB] |
| 5 | 853732 | Trommel | 1 | Technische Daten: Version Motard Van De Bosch[VDB] |
| 6 | 853733 | Paßscheibe | 1 | Technische Daten: Version Motard Van De Bosch[VDB] |
| 7 | 853734 | Nabe | 1 | Technische Daten: Version Motard Van De Bosch[VDB] |
| 8 | 853735 | SecondaryFeder 30kg | 1 | Technische Daten: Version Motard Van De Bosch[VDB] |
| 8 | 853833 | SecondaryFeder 40kg | 1 | Technische Daten: Version Motard Van De Bosch[VDB] |
| 9 | 853737 | Andrückfeder | 1 | Technische Daten: Version Motard Van De Bosch[VDB] |
| 10 | 853738 | Paßscheibe | 1 | Technische Daten: Version Motard Van De Bosch[VDB] |
| 11 | 853739 | Hauptfeder 120kg | 1 | Technische Daten: Version Motard Van De Bosch[VDB] |
| 11 | 853740 | Hauptfeder 130 kg. | 1 | Technische Daten: Version Motard Van De Bosch[VDB] |
| 11 | 853834 | Hauptfeder 140 kg. | 1 | Technische Daten: Version Motard Van De Bosch[VDB] |
| 12 | 853741 | Scheibe | 1 | Technische Daten: Version Motard Van De Bosch[VDB] |
| 13 | 853742 | Drucklager | 1 | Technische Daten: Version Motard Van De Bosch[VDB] |
| 14 | 853743 | Nabe | 1 | Technische Daten: Version Motard Van De Bosch[VDB] |
| 15 | 853744 | Ausgleichscheibe | 1 | Technische Daten: Version Motard Van De Bosch[VDB] |
| 16 | 853745 | Kugellagerhalterung | 1 | Technische Daten: Version Motard Van De Bosch[VDB] |
| 17 | 853746 | Ausgleichscheibe | 6 | Technische Daten: Version Motard Van De Bosch[VDB] |
| 18 | 853747 | Schraube M5x0,8 | 6 | Technische Daten: Version Motard Van De Bosch[VDB] |
| 19 | 853750 | Dichtung | 1 | Technische Daten: Version Motard Van De Bosch[VDB] |
| 20 | 853748 | Distanzscheibe | 1 | Technische Daten: Version Motard Van De Bosch[VDB] |
| 21 | 853727 | Treibende Kupplungsscheibe | 8 | Technische Daten: Version Motard Van De Bosch[VDB] |
| 22 | 853728 | Getriebene Kuppl.scheibe | 7 | Technische Daten: Version Motard Van De Bosch[VDB] |
| 23 | 853801 | Konterschluessel | 1 | Technische Daten: Version Motard Van De Bosch[VDB] |

| | |
|---------------------|-------------|
| Einheit | MOTOR |
| Code | 29.51 |
| Beschreibung | Kupplung II |
| Inspektion | 1 |



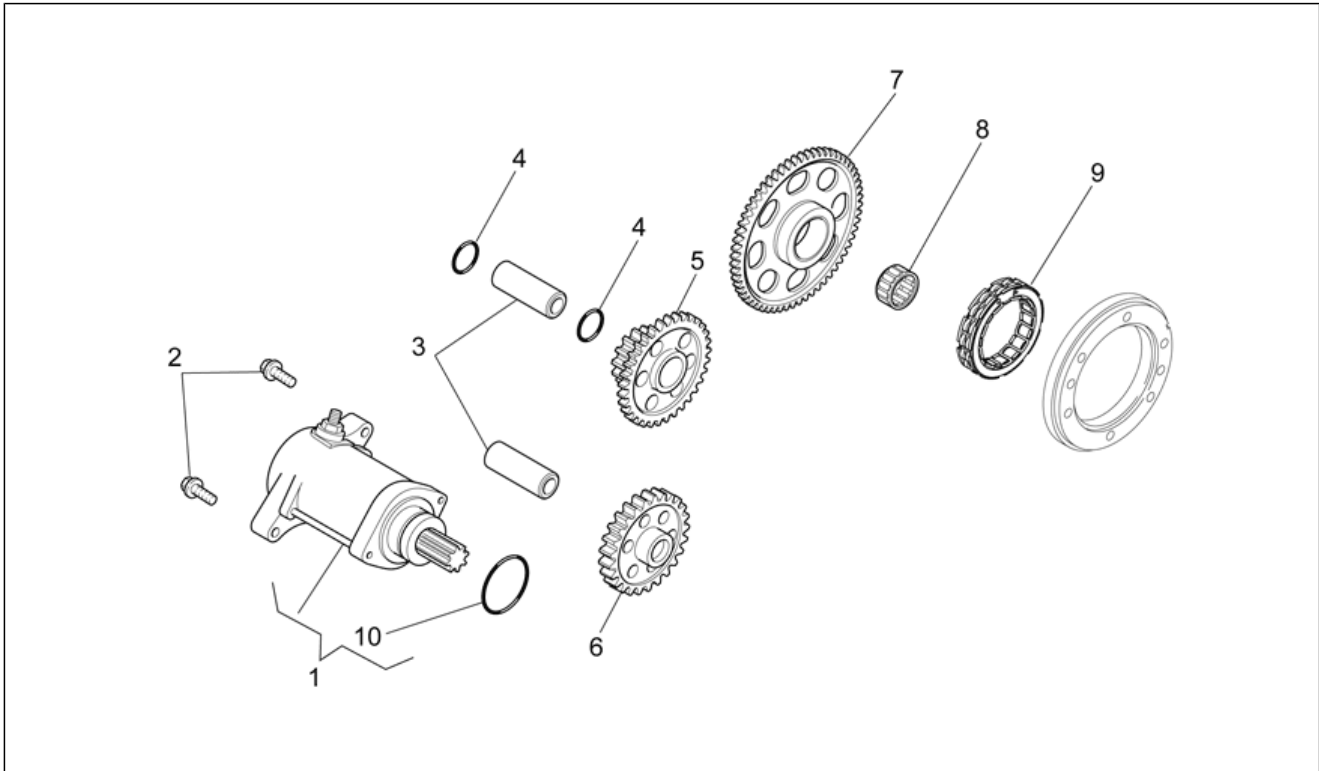
| Pos. | Code | Beschreibung | Menge | Varianten |
|------|--------|--------------------------------|-------|--|
| 1 | 853727 | Treibende Kupplungsscheibe | 7 | Technische Daten:Version Enduro Merriman[MR] |
| 2 | 853728 | Getriebene Kuppl.scheibe | 7 | Technische Daten:Version Enduro Merriman[MR] |
| 3 | 855381 | Distanzscheibe | 1 | Technische Daten:Version Enduro Merriman[MR] |
| 4 | 855376 | Kupplung kplt. | 1 | Technische Daten:Version Enduro Merriman[MR] |
| 5 | 855383 | Fixed hub | 1 | Technische Daten:Version Enduro Merriman[MR] |
| 6 | 855384 | Movable hub | 1 | Technische Daten:Version Enduro Merriman[MR] |
| 7 | 855385 | Andrückfeder | 1 | Technische Daten:Version Enduro Merriman[MR] |
| 8 | 855386 | Verdichtungsfeder | 3 | Technische Daten:Version Enduro Merriman[MR] |
| 9 | 855387 | Schraube M5x35 | 3 | Technische Daten:Version Enduro Merriman[MR] |
| 10 | 855388 | Distanzscheibe | 3 | Technische Daten:Version Enduro Merriman[MR] |
| 11 | 855389 | Feder | 3 | Technische Daten:Version Enduro Merriman[MR] |
| 12 | 855390 | Mutter | 1 | Technische Daten:Version Enduro Merriman[MR] |
| 13 | 855382 | Tellerfeder | 1 | Technische Daten:Version Enduro Merriman[MR] |
| 14 | 855392 | Spezialschraube M25X5 | 3 | Technische Daten:Version Enduro Merriman[MR] |
| 15 | 855393 | Ausgleichscheibe 13x18x1 | 3 | Technische Daten:Version Enduro Merriman[MR] |
| 16 | 855394 | Ausgleichscheibe 13x18x1,5 | 3 | Technische Daten:Version Enduro Merriman[MR] |
| 17 | 855395 | Ausgleichscheibe 5,5x12x1 | 3 | Technische Daten:Version Enduro Merriman[MR] |
| 18 | 855391 | Ausgleichscheibe | 1 | Technische Daten:Version Enduro Merriman[MR] |
| 19 | 855380 | Treibende Kupplungsscheibe | 1 | Technische Daten:Version Enduro Merriman[MR] |
| 20 | 855782 | Treibende Kupplungsscheibe kit | 1 | Technische Daten:Version Enduro Merriman[MR] |
| 21 | 855785 | Innenlamelle kit | 1 | Technische Daten:Version Enduro Merriman[MR] |

| | |
|---------------------|--------------------|
| Einheit | MOTOR |
| Code | 29.52 |
| Beschreibung | Wasserpumpenritzel |
| Inspektion | 1 |



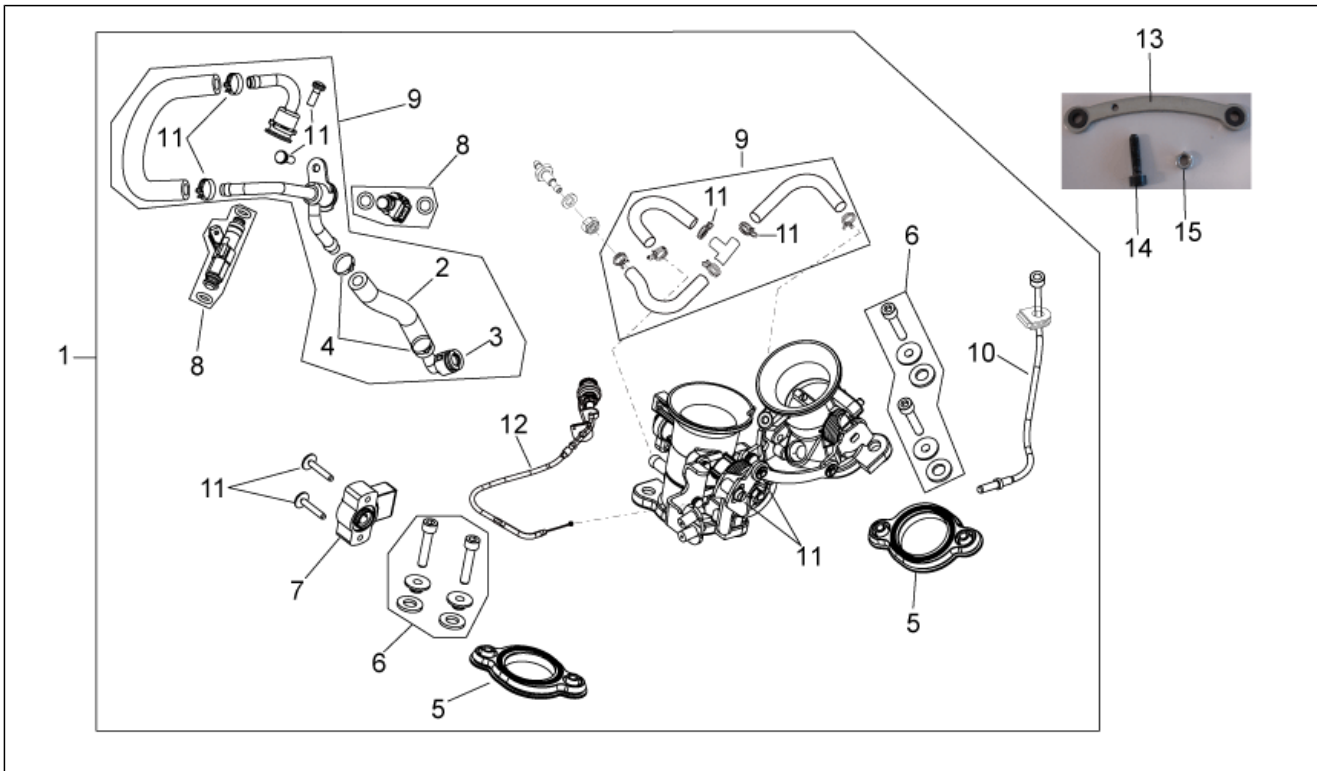
| Pos. | Code | Beschreibung | Menge | Varianten |
|------|-----------|---------------------------------|-------|---|
| 1 | AP9150484 | Deckel Wasserpumpe | 1 | |
| 2 | 853678 | TE Schr. m. Flansch | 1 | Technische Daten: Version Motard Van De Bosch[VDB] |
| 2 | AP8152283 | TE Schr. m. Flansch | 1 | Technische Daten: Version Enduro Merriman[MR] |
| 3 | 853595 | TE Schr. m. Flansch M6x16 titan | 3 | Technische Daten: Version Motard Van De Bosch[VDB] |
| 3 | AP8152278 | TE Schr. m. Flansch M6x16 | 3 | Technische Daten: Version Enduro Merriman[MR] |
| 4 | AP9150119 | Buchse D8x6,4X9,8 | 2 | |
| 5 | AP9150352 | O-Ring D88,57x2,62 | 1 | |
| 6 | AP9150132 | Läufer Wasserpumpe | 1 | |
| 7 | AP9150292 | Unterlegscheibe D12,d7.05 SP1 | 1 | |
| 8 | AP9150464 | Wasserpumpenritzel Flansch | 1 | |
| 9 | 851283 | O-Ring D18x1,8 | 1 | |
| 10 | AP9150443 | Ölabstreifring D10x16x4 | 1 | |
| 11 | 851013 | Ölabstreifring D10x18x5/8 | 1 | |
| 12 | 851010 | Buchse Deck. Kupplungsgehäuse | 1 | |

| | |
|---------------------|--------------|
| Einheit | MOTOR |
| Code | 29.53 |
| Beschreibung | Startermotor |
| Inspektion | 1 |



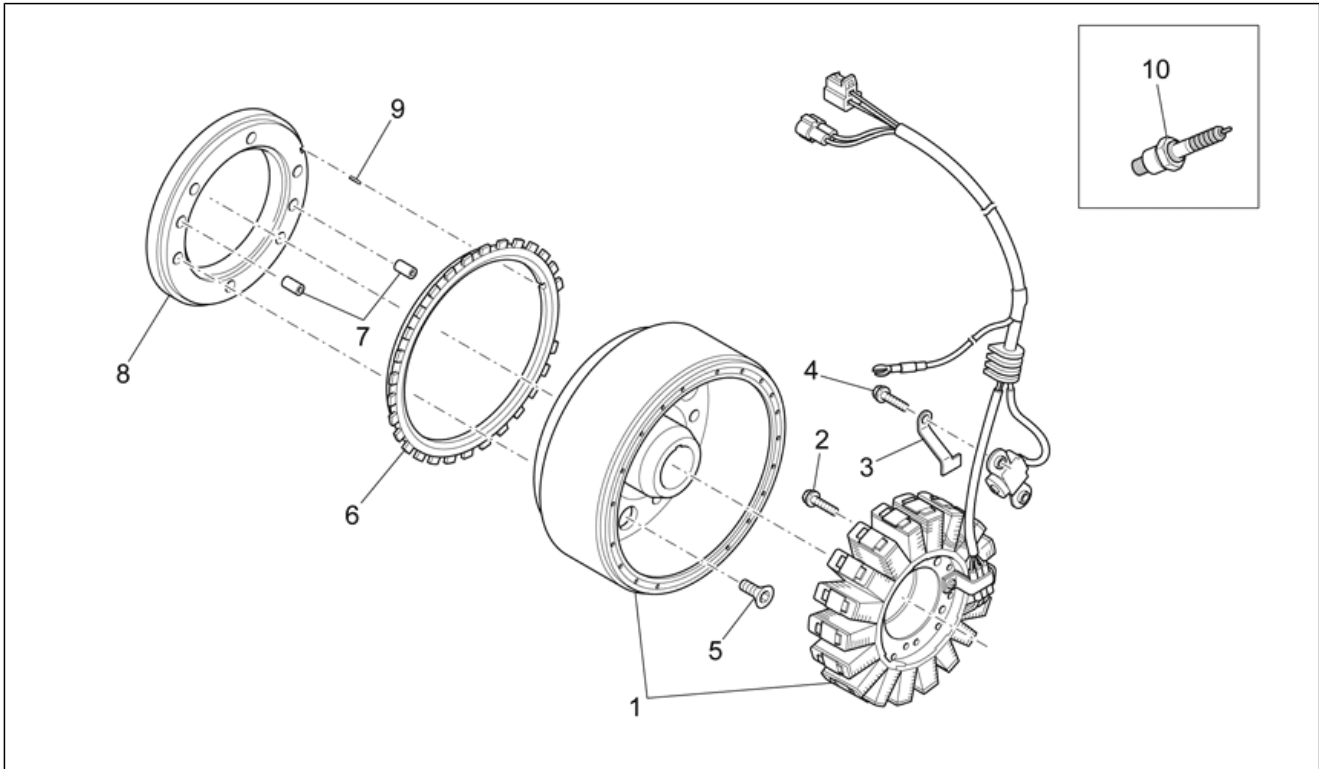
| Pos. | Code | Beschreibung | Menge | Varianten |
|------|-----------|---------------------------|-------|-----------|
| 1 | AP9150090 | Anlassermot. o. Verkab. | 1 | |
| 2 | AP8152281 | TE Schr. m. Flansch M6x30 | 2 | |
| 3 | AP9150209 | Bolzen | 2 | |
| 4 | AP9150446 | O-Ring D10,5x1 | 2 | |
| 5 | 849801 | Doppeltes Zahnrad. Z=9/55 | 1 | |
| 6 | 849802 | Zwischenzahnrad Z=22 | 1 | |
| 7 | 849803 | Zahnrad Freilauf Z=52 | 1 | |
| 8 | AP9150369 | Nadelkaefig D26x30x17 | 2 | |
| 9 | AP9150208 | Freilauf kplt. | 1 | |
| 10 | AP9150500 | O-Ring D25x2,5 | 1 | |

| | |
|---------------------|---------------|
| Einheit | MOTOR |
| Code | 29.54 |
| Beschreibung | Klappenkörper |
| Inspektion | 1 |



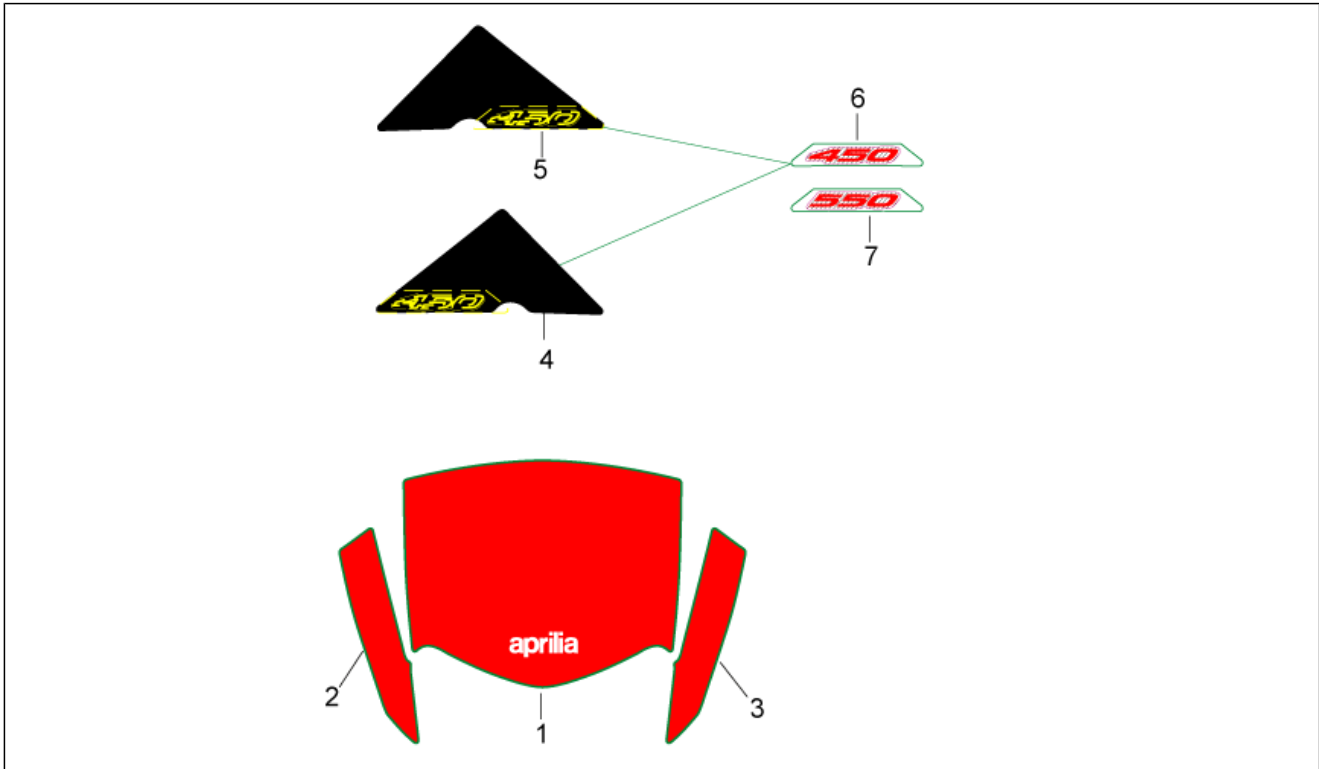
| Pos. | Code | Beschreibung | Menge | Varianten |
|------|-----------|------------------------------|-------|---|
| 1 | 853519 | Klappenkörper | 1 | Technische Daten: Version Enduro Merriman[MR] |
| 1 | 853520 | Klappenkörper | 1 | Technische Daten: Version Motard 550 Van De Bosch[VDB55] |
| 1 | 855261 | Klappenkörper | 1 | Technische Daten: Version Motard 450 Van De Bosch[VDB45] |
| 2 | AP9100709 | Leitung benz.7,5x14,5 | 1 | |
| 3 | AP9100494 | Anschluss | 1 | |
| 4 | AP9100714 | Schlauchschelle 14,5x8 | 2 | |
| 5 | AP9101008 | Dichtungssatz | 1 | |
| 6 | AP9101009 | Kit Schrauben | 1 | |
| 7 | AP9101010 | Potentiometer | 1 | |
| 8 | AP9101011 | Injektor | 2 | |
| 9 | AP9101012 | Fuel rail cpl | 1 | |
| 10 | AP9101013 | Kabel LeerlaufEinstellung | 1 | |
| 11 | AP9101014 | Kit Schrauben, Schelle, clip | 1 | |
| 12 | 855490 | Starterzugkabel | 1 | |
| 13 | 855237 | Stange | 1 | Technische Daten: Version Enduro Merriman[MR] |
| 13 | 855238 | Stange | 1 | Technische Daten: Version Motard 550 Van De Bosch[VDB55] |
| 14 | AP8150252 | TCEI Schraube M5x20 | 1 | |
| 15 | AP8150025 | Mutter | 1 | |

| | |
|---------------------|---------|
| Einheit | MOTOR |
| Code | 29.55 |
| Beschreibung | Zündung |
| Inspektion | 1 |



| Pos. | Code | Beschreibung | Menge | Varianten |
|------|-----------|-----------------------------|-------|---|
| 1 | 855240 | Schwungmagnetstarter | 1 | Technische Daten: Version Enduro Merriman[MR] |
| 1 | AP9150180 | Schwungmagnetstarter | 1 | Technische Daten: Version Motard Van De Bosch[VDB] |
| 2 | AP8152275 | TE Schr. m. Flansch M5x25 | 3 | |
| 3 | 855489 | Platte | 1 | Technische Daten: Version Enduro Merriman[MR] |
| 3 | AP9100387 | Platte | 1 | Technische Daten: Version Motard Van De Bosch[VDB] |
| 4 | AP8152272 | TE Schr. m. Flansch M5x12 | 2 | |
| 5 | AP9150401 | Schraube | 6 | |
| 6 | AP9150205 | Phonic wheel | 1 | |
| 7 | AP9150380 | Stift D5x8 | 2 | |
| 8 | AP9150204 | Flansch | 1 | |
| 9 | AP9150451 | Ausgleichscheibe D13,5x21x1 | 1 | |
| 10 | 639687 | Zündkerze CR8EKB | 2 | |

| | |
|---------------------|------------------|
| Einheit | MOTOR |
| Code | 29.56 |
| Beschreibung | Frontaufbau Deko |
| Inspektion | 1 |



| Pos. | Code | Beschreibung | Menge | Varianten |
|------|--------|--------------------------|-------|--|
| 1 | 856334 | Aufkleber kuppel | 1 | Technische Daten:Version Enduro Merriman[MR] |
| 2 | 858070 | Rechtes Aufkleber kuppel | 1 | Technische Daten:Version Enduro Merriman[MR] |
| 3 | 858071 | Linkes Aufkleber kuppel | 1 | Technische Daten:Version Enduro Merriman[MR] |
| 4 | 858500 | Aufkl. Seitenteil re. | 1 | Technische Daten:Version Enduro Merriman[MR] |
| 5 | 858501 | Aufkl. Seitenteil li. | 1 | Technische Daten:Version Enduro Merriman[MR] |
| 6 | 856339 | Deko 450 | 2 | Technische Daten:Version Enduro Merriman[MR] |
| 7 | 856357 | Deko 550 | 2 | Technische Daten:Version Enduro Merriman[MR] |