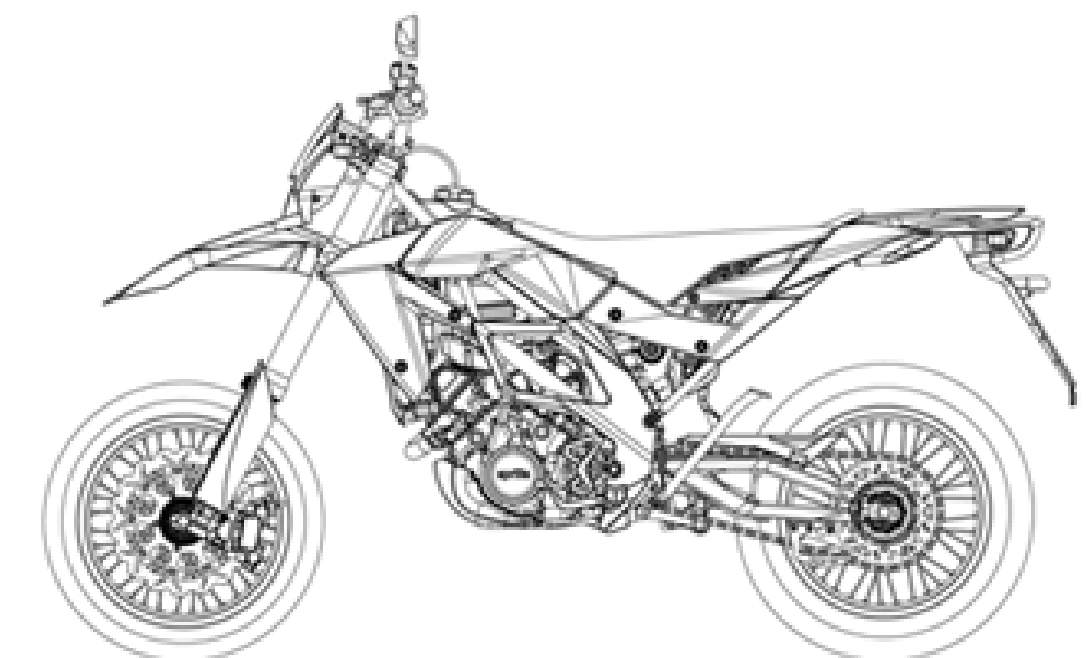


**aprilia**

## ERSATZTEILKATALOG



### **RXV 450-550 2009-2011**

Vorsatzcode Fahrgestell: ZD4VPT00,  
ZD4VPV00, ZD4VPX, ZD4VPX00, ZD4VPZ00



Vorsatzcode Motor:

## Inhaltsverzeichnis

Fertige Produkte.....	5
Alphanumerisches Verzeichnis.....	6
RAHMEN.....	12
Tafel 28.01 - Rahmen.....	12
Tafel 28.02 - Fussrasten.....	14
Tafel 28.03 - Hauptständer.....	15
Tafel 28.04 - Lenkung I.....	16
Tafel 28.05 - Gabel I.....	17
Tafel 28.06 - Schwinge.....	18
Tafel 28.07 - Hinterradaufhängung.....	20
Tafel 28.08 - Frontaufbau I.....	21
Tafel 28.09 - Frontaufbau II.....	22
Tafel 28.10 - Kraftstofftank.....	23
Tafel 28.11 - Öltank I.....	24
Tafel 28.12 - Öltank II.....	25
Tafel 28.13 - Sitz.....	27
Tafel 28.14 - Mittlerer Aufbau.....	28
Tafel 28.15 - Heckaufbau.....	29
Tafel 28.16 - Instrumententafel.....	31
Tafel 28.17 - Schaltungen.....	32
Tafel 28.18 - Kühlanlage.....	33
Tafel 28.19 - Filtergehäuse.....	35
Tafel 28.20 - Auslassgruppe.....	37
Tafel 28.21 - Vorderrad.....	38
Tafel 28.22 - Hinterrad.....	39
Tafel 28.23 - Bremsanlage - Vorn.....	40
Tafel 28.24 - Bremsanlage - Hinten.....	41
Tafel 28.25 - Vorderer lichter.....	42
Tafel 28.26 - Hinterer lichter.....	43
Tafel 28.27 - Elektrische anlage I.....	44
Tafel 28.28 - Elektrische anlage II.....	45
Tafel 28.29 - Fertigstellung.....	47
Tafel 28.52 - Deko Serie.....	48
MOTOR.....	49
Tafel 29.30 - Motor.....	49
Tafel 29.31 - Kurbelwellengehäuse I.....	51
Tafel 29.32 - Kurbelwellengehäuse II.....	53
Tafel 29.33 - Ölpumpe.....	54
Tafel 29.34 - Schmierung.....	55
Tafel 29.35 - Kurbelwelle.....	56
Tafel 29.36 - Kolben + Zylinder.....	57
Tafel 29.37 - Zylinderkopf.....	58
Tafel 29.38 - Ventile.....	60

---

Tafel 29.39 - Ventilesbeläge.....	61
Tafel 29.40 - Vrd. Zylindersteuer.....	63
Tafel 29.41 - Hint. Zylindersteuer.....	64
Tafel 29.42 - Umlenkwellen.....	65
Tafel 29.43 - Schaltgabel I.....	66
Tafel 29.44 - Schaltgabel II.....	67
Tafel 29.45 - Vorgelegewelle.....	68
Tafel 29.46 - Festrad.....	69
Tafel 29.47 - Kupplung.....	70
Tafel 29.48 - Wasserpumpenritzel.....	71
Tafel 29.49 - Startermotor.....	72
Tafel 29.50 - Klappenkörper.....	73
Tafel 29.51 - Zündung.....	74

## Fertige Produkte

Code	Gültigkeit
AP61447R5AC801	
AP61447R5EA800	
AP61447R5EA801	
AP61447R5EB801	
AP61447R5EC801	
AP61447R5UB801	
AP61456R5EA900	
AP61456R5EA901	
AP61456R5EB900	
AP61456R5EB901	
AP61456R5EC901	
AP61457R5EAA00	
AP61457R5EAA01	
AP61457R5EAA02	
AP61457R5EBA00	
AP61457R5EBA02	
AP61457R5ECA00	
AP61457R5ECA02	
AP61457R5UBA00	
AP61457R5UBA02	
AP61472R5EB001	
AP61474R5EB900	
AP61474R5EB902	

Code	Nr. der Tafel	Pos.	Code	Nr. der Tafel	Pos.	Code	Nr. der Tafel	Pos.
000674	29.32	5	85105R	29.40	10	855489	29.51	3
006411	29.33	21	85105R	29.41	10	855501	29.47	9
006415	29.43	4	85106R	29.42	2	855506	28.24	13
006612	29.40	9	85108R	29.47	7	855507	29.40	5
006612	29.41	9	851097	28.17	22	855508	29.41	5
006618	29.34	17	85109R	29.49	8	855515	29.40	6
006642	29.40	11	85110R	29.47	3	855516	29.41	6
006642	29.41	11	85111R	29.47	4	855530	29.35	10
00H01508181	28.06	10	85114R	29.32	20	855550	28.06	1
015585	28.06	17	851199	28.13	5	855552	28.06	8
191189	29.50	14	851240	29.34	18	855553	28.06	9
252945	28.28	16	851252	28.07	3	855556	28.27	1
254485	28.09	6	851280	28.03	4	855562	28.06	23
254485	28.15	21	851283	29.48	9	855565	28.06	15
254485	28.18	35	851290	28.05	2	855579	28.06	11
260467	29.37	22	851291	28.05	1	855580	28.06	26
273754	28.11	5	851295	29.34	22	855581	28.01	1
273754	28.12	5	851298	29.36	3	855582	28.01	13
290860	28.28	17	851351	28.23	7	855583	28.07	2
292723	28.25	11	851357	29.35	3	855584	28.21	20
484993	29.51	6	851359	28.17	17	855585	28.22	23
496404	28.28	11	851360	28.17	18	855586	28.21	5
496404	28.28	15	851449	28.14	5	855587	28.22	5
598839	28.06	19	851468	29.40	8	855601	29.36	3
598839	28.08	10	851468	29.41	8	855620	28.05	2
598839	28.14	10	851495	28.01	3	855621	28.05	1
598839	28.14	7	853695	28.19	2	855623	28.27	19
598839	28.20	13	853696	28.17	6	855623	28.28	29
598839	28.24	21	853919	29.49	5	855625	28.22	15
598839	28.27	11	854072	28.29	2	855626	28.22	17
598839	29.40	12	855031	29.32	4	855632	29.38	9
598839	29.41	12	855034	29.37	6	855662	28.19	1
598839	29.48	3	855035	29.37	6	855664	28.19	1
639687	29.51	8	855038	28.25	1	855665	29.50	1
826118	29.50	15	855039	28.26	1	855666	29.50	1
82650R	29.40	20	855041	28.15	11	855680	29.51	1
82650R	29.41	20	855042	28.29	3	855685	29.37	23
828535	28.19	24	855043	28.17	5	855686	28.12	1
828909	29.31	33	855044	28.25	12	855687	28.21	1
828922	29.31	34	855045	28.25	13	855689	28.27	2
830061	29.50	16	855046	28.15	14	855690	28.18	5
834044	29.37	26	855049	28.17	1	855694	28.22	1
844211	29.42	7	855050	28.15	20	855696	28.24	5
847928	29.40	19	855052	28.16	1	855697	28.06	14
847928	29.41	19	8551015	29.35	1	855705	29.44	12
849802	29.49	6	855102	29.41	14	855720	28.21	16
849803	29.49	7	855104	28.08	1	855722	28.06	25
851006	28.19	15	855111	28.28	22	855723	28.01	1
851007	29.35	2	855128	28.29	4	855725	28.10	1
851009	29.42	1	855129	28.29	5	855728	29.50	11
851010	29.48	12	855131	28.29	6	855741	28.21	2
851011	29.42	11	855132	28.29	7	855742	28.22	2
851012	29.32	21	855136	29.37	8	855747	28.21	15
851013	29.48	11	855142	29.37	24	855748	28.22	14
851017	29.32	22	855143	29.37	25	855766	28.11	13
851019	29.32	9	855203	28.21	18	855766	28.12	17
851029	28.04	8	855242	29.32	1	855769	28.24	9
85102R	29.45	12	855252	29.32	23	855770	28.19	20
851030	28.04	7	855265	28.18	14	855771	29.50	12
851035	29.36	1	855266	28.18	16	855783	28.19	18
851039	29.36	1	855269	28.02	12	855784	28.19	19
85103R	29.46	16	855270	28.17	7	855786	28.19	11
851042	29.36	2	855272	28.17	12	855790	28.19	23
851045	29.36	2	855276	28.18	32	855799	28.01	11
85104R	29.40	2	855277	28.18	33	855799	29.51	2
85104R	29.41	2	8553745	29.35	1	855819	29.30	16
85104R	29.44	22	855487	29.37	2	855820	28.20	2

Code	Nr. der Tafel	Pos.	Code	Nr. der Tafel	Pos.	Code	Nr. der Tafel	Pos.
855833	29.30	11	AP8102738	28.18	19	AP8150246	28.08	16
855834	29.30	15	AP8104124	28.18	27	AP8150248	28.16	3
855835	29.30	15	AP8104921	28.17	14	AP8150255	28.06	27
855845	28.22	21	AP8104922	28.17	15	AP8150272	28.16	4
855852	28.24	10	AP8109001	28.21	3	AP8150376	28.27	16
855853	28.24	11	AP8109281	28.22	3	AP8150413	28.19	13
855854	28.24	12	AP8112202	28.15	12	AP8150413	28.26	10
855855	28.24	24	AP8117004	28.28	28	AP8150413	28.26	4
855857	28.05	10	AP8117041	28.18	25	AP8150429	28.21	19
855861	28.03	14	AP8120001	28.22	24	AP8150429	28.28	26
855868	28.20	1	AP8120001	28.28	3	AP8150430	28.25	5
855900	28.19	25	AP8120223	28.11	14	AP8150430	28.26	9
855939	28.13	4	AP8120223	28.12	12	AP8150444	28.10	20
855944	28.07	21	AP8120253	28.01	10	AP8150444	28.27	22
855945	28.07	19	AP8120405	28.08	7	AP8150450	28.15	13
855954	28.07	20	AP8120446	28.18	24	AP8150451	28.18	9
855955	28.07	22	AP8120455	28.18	28	AP8150460	28.27	21
856610	28.25	10	AP8120508	28.20	11	AP8150493	28.08	18
856665	28.27	3	AP8120536	28.18	21	AP8150509	28.16	2
856912	28.29	8	AP8120581	28.01	20	AP8150509	29.50	13
856932	28.10	3	AP8120593	28.19	14	AP8152001	28.03	6
858044	28.19	16	AP8120876	28.18	6	AP8152018	28.07	13
858045	28.19	17	AP8120876	28.19	10	AP8152108	28.25	4
858247	28.17	20	AP8120987	28.11	12	AP8152108	28.26	8
858305	28.17	16	AP8120987	28.12	11	AP8152112	28.27	15
8585144	28.20	3	AP8121032	28.15	23	AP8152117	28.15	6
8585154	28.20	4	AP8121032	28.25	9	AP8152123	28.03	12
858516	28.20	5	AP8121075	28.15	22	AP8152123	28.28	25
858517	28.20	6	AP8121334	28.21	14	AP8152137	28.25	6
858524	28.20	7	AP8121334	28.22	9	AP8152169	28.10	9
858525	28.20	9	AP8121475	28.04	15	AP8152176	28.02	9
858589	28.01	1	AP8121811	28.10	8	AP8152181	28.06	30
858590	28.04	2	AP8121856	29.37	19	AP8152181	28.18	31
859702	28.25	1	AP8121862	29.31	25	AP8152181	28.25	7
89046700XB2	28.08	2	AP8124235	28.27	18	AP8152226	28.06	29
890487	28.52	1	AP8124930	28.18	4	AP8152226	28.18	30
890488	28.52	1	AP8127098	28.26	2	AP8152244	28.06	7
891007	28.01	1	AP8127391	28.27	14	AP8152246	28.15	18
891170	29.38	7	AP8127489	28.25	8	AP8152267	28.18	7
891226	28.06	1	AP8127489	28.26	7	AP8152272	28.01	9
891264	28.20	16	AP8127783	28.25	3	AP8152272	28.28	13
891265	28.20	17	AP8127783	28.26	6	AP8152272	28.28	27
893275	28.52	1	AP8127784	28.25	2	AP8152272	29.44	19
893276	28.52	1	AP8127784	28.26	5	AP8152272	29.44	23
895848	28.52	1	AP8144038	28.19	8	AP8152272	29.51	4
895849	28.52	1	AP8144506	28.18	14	AP8152273	28.10	18
896561	28.05	14	AP8144516	28.04	16	AP8152274	29.40	3
897200	28.29	2	AP8144538	28.01	15	AP8152274	29.41	3
897839	28.06	11	AP8144538	28.28	4	AP8152277	28.08	8
897841	28.10	1	AP8150009	28.22	18	AP8152277	28.10	5
898317	28.52	1	AP8150011	28.27	5	AP8152277	28.15	19
898318	28.52	1	AP8150013	28.18	8	AP8152277	28.28	24
898847	28.15	11	AP8150015	28.08	9	AP8152277	29.31	27
898912	28.02	12	AP8150015	28.14	13	AP8152277	29.31	3
899118	28.01	13	AP8150015	28.15	9	AP8152277	29.34	2
AP8101372	28.14	11	AP8150016	28.18	34	AP8152277	29.37	14
AP8101586	28.11	10	AP8150017	28.02	10	AP8152277	29.44	6
AP8101586	28.11	11	AP8150017	28.24	19	AP8152279	28.15	16
AP8101586	28.12	10	AP8150017	28.27	17	AP8152279	28.15	17
AP8101586	28.12	9	AP8150018	28.20	15	AP8152279	28.15	5
AP8101595	28.19	7	AP8150027	28.06	13	AP8152279	28.15	8
AP8101606	28.02	11	AP8150051	28.03	11	AP8152279	29.32	14
AP8101928	28.24	20	AP8150159	28.01	16	AP8152279	29.32	2
AP8102377	28.19	9	AP8150159	28.26	11	AP8152279	29.47	21
AP8102377	29.31	31	AP8150169	28.24	18	AP8152280	28.05	15
AP8102381	28.08	19	AP8150204	28.01	17	AP8152280	28.12	6
AP8102525	29.37	27	AP8150204	28.27	6	AP8152280	28.17	10

Code	Nr. der Tafel	Pos.
AP8152280	28.23	6
AP8152280	29.30	3
AP8152280	29.32	3
AP8152280	29.33	5
AP8152280	29.37	4
AP8152281	28.10	13
AP8152281	28.27	8
AP8152281	29.30	13
AP8152281	29.33	7
AP8152281	29.49	2
AP8152282	28.12	7
AP8152282	28.15	24
AP8152282	29.32	10
AP8152283	28.08	11
AP8152283	29.30	14
AP8152283	29.31	7
AP8152283	29.48	2
AP8152284	28.06	20
AP8152285	29.31	24
AP8152286	28.02	8
AP8152286	28.20	8
AP8152287	28.20	14
AP8152289	28.01	7
AP8152289	28.17	3
AP8152290	28.04	14
AP8152290	28.23	17
AP8152300	28.20	10
AP8152301	28.19	21
AP8152305	28.06	12
AP8152323	28.06	24
AP8152334	28.19	27
AP8152339	28.08	6
AP8152351	28.19	6
AP8156343	28.08	4
AP8156379	28.08	3
AP8156380	28.15	10
AP8156390	28.08	4
AP8156391	28.15	10
AP8161006	28.03	5
AP8163094	28.05	6
AP8163095	28.05	7
AP8163096	28.05	8
AP8163097	28.05	9
AP8163370	28.05	11
AP8176099	28.28	15
AP8176214	29.47	13
AP8176215	29.47	14
AP8184498	28.15	1
AP8184499	28.15	2
AP8184606	28.14	2
AP8184780	28.09	2
AP8184781	28.09	1
AP8184782	28.14	1
AP8184875	28.09	1
AP8184876	28.09	2
AP8184909	28.09	1
AP8184910	28.09	2
AP8184911	28.15	1
AP8184912	28.15	2
AP8201169	28.18	20
AP8201431	28.08	17
AP8201431	28.10	10
AP8202058	28.01	19
AP8218628	28.17	19
AP8220191	28.18	26
AP8220283	28.27	13
AP8220325	28.18	13

Code	Nr. der Tafel	Pos.
AP8220402	28.10	21
AP8220620	28.10	2
AP8224462	28.27	12
AP8224655	28.26	3
AP8234020	28.06	18
AP9100007	28.07	4
AP9100021	28.04	5
AP9100026	28.04	3
AP9100028	28.04	4
AP9100053	28.06	28
AP9100053	28.08	5
AP9100053	28.09	5
AP9100053	28.14	3
AP9100053	28.15	3
AP9100056	28.22	11
AP9100057	28.21	13
AP9100078	28.10	6
AP9100080	28.10	4
AP9100081	28.10	12
AP9100082	28.10	11
AP9100087	28.13	3
AP9100111	28.07	9
AP9100123	28.06	6
AP9100171	28.21	6
AP9100173	28.01	4
AP9100174	28.01	5
AP9100175	28.01	6
AP9100176	28.07	1
AP9100177	28.07	7
AP9100177	28.07	7
AP9100178	28.07	5
AP9100179	28.07	10
AP9100181	28.07	6
AP9100181	28.07	6
AP9100182	28.07	23
AP9100184	28.07	8
AP9100186	28.07	11
AP9100193	28.02	1
AP9100194	28.02	2
AP9100195	28.02	3
AP9100196	28.02	4
AP9100197	28.02	5
AP9100202	28.06	2
AP9100203	28.06	3
AP9100204	28.04	6
AP9100205	28.04	9
AP9100208	28.07	18
AP9100211	28.22	12
AP9100213	28.22	13
AP9100214	28.22	6
AP9100215	28.22	10
AP9100216	28.21	8
AP9100216	28.22	7
AP9100223	28.03	7
AP9100224	28.21	12
AP9100225	28.21	7
AP9100226	28.21	10
AP9100227	28.21	11
AP9100227	28.22	8
AP9100228	28.21	9
AP9100229	28.21	17
AP9100252	28.20	12
AP9100256	28.23	11
AP9100257	28.23	1
AP9100267	28.11	18
AP9100267	28.12	16
AP9100275	28.02	6

Code	Nr. der Tafel	Pos.
AP9100287	28.06	21
AP9100289	28.07	17
AP9100290	28.24	14
AP9100291	28.24	15
AP9100292	29.34	7
AP9100293	28.04	10
AP9100297	28.17	2
AP9100318	28.21	21
AP9100318	28.22	25
AP9100325	28.28	10
AP9100327	28.28	14
AP9100343	28.11	1
AP9100347	28.14	6
AP9100348	28.18	1
AP9100348	28.18	1
AP9100349	28.18	2
AP9100349	28.18	2
AP9100354	28.24	17
AP9100358	29.34	5
AP9100362	29.34	6
AP9100365	28.13	2
AP9100366	28.09	3
AP9100367	29.30	10
AP9100371	28.28	6
AP9100372	28.28	8
AP9100374	29.30	9
AP9100375	28.10	24
AP9100375	28.18	12
AP9100376	28.18	10
AP9100386	29.47	11
AP9100389	28.01	14
AP9100390	28.02	7
AP9100411	29.30	2
AP9100412	28.04	11
AP9100415	28.10	19
AP9100416	28.10	14
AP9100417	28.24	8
AP9100418	28.23	8
AP9100419	28.03	3
AP9100423	28.27	10
AP9100424	28.27	7
AP9100427	28.19	12
AP9100429	28.27	9
AP9100432	28.22	19
AP9100434	28.06	22
AP9100434	28.11	8
AP9100434	28.12	19
AP9100434	28.14	14
AP9100434	28.14	9
AP9100434	28.15	15
AP9100439	28.04	13
AP9100439	28.07	15
AP9100440	28.08	13
AP9100441	28.08	14
AP9100442	28.07	14
AP9100443	29.30	5
AP9100451	29.30	18
AP9100456	28.18	21
AP9100457	28.21	4
AP9100462	28.22	4
AP9100472	28.23	9
AP9100472	28.24	6
AP9100473	28.23	10
AP9100473	28.24	7
AP9100475	28.24	1
AP9100477	28.24	16
AP9100486	28.17	12



Code	Nr. der Tafel	Pos.
AP9100487	28.28	9
AP9100494	29.50	3
AP9100496	28.11	9
AP9100496	28.12	8
AP9100501	28.08	12
AP9100506	28.18	3
AP9100512	28.28	1
AP9100514	28.17	4
AP9100519	28.17	21
AP9100525	29.30	17
AP9100533	28.22	22
AP9100542	28.04	1
AP9100548	28.08	15
AP9100549	28.07	12
AP9100550	29.30	12
AP9100553	28.18	17
AP9100554	28.18	18
AP9100555	28.18	15
AP9100557	28.18	16
AP9100558	28.28	12
AP9100565	28.06	16
AP9100587	28.19	5
AP9100588	28.19	4
AP9100593	29.30	4
AP9100594	28.15	7
AP9100595	28.22	16
AP9100604	28.07	16
AP9100636	28.17	7
AP9100638	28.11	6
AP9100643	29.30	6
AP9100645	28.09	4
AP9100645	28.14	4
AP9100645	28.15	4
AP9100661	28.11	7
AP9100661	28.12	18
AP9100661	28.14	8
AP9100665	28.11	16
AP9100665	28.12	14
AP9100668	28.03	8
AP9100669	28.03	9
AP9100680	28.04	2
AP9100683	29.30	8
AP9100684	29.30	8
AP9100685	29.30	8
AP9100686	29.30	8
AP9100687	29.30	7
AP9100688	28.01	8
AP9100697	28.18	23
AP9100703	28.19	3
AP9100707	28.23	5
AP9100709	29.50	2
AP9100714	28.18	22
AP9100714	29.50	4
AP9100724	28.01	12
AP9100725	28.28	5
AP9100739	28.28	20
AP9100742	28.28	18
AP9100752	28.24	23
AP9100765	28.28	23
AP9100766	28.01	2
AP9100767	28.10	7
AP9100769	28.01	18
AP9100776	28.04	12
AP9100778	28.14	12
AP9100781	28.11	19
AP9100782	28.28	19
AP9100783	28.28	21

Code	Nr. der Tafel	Pos.
AP9100785	28.23	2
AP9100786	28.23	3
AP9100787	28.23	4
AP9100788	28.23	12
AP9100789	28.23	13
AP9100789	28.24	22
AP9100790	28.23	14
AP9100791	28.23	15
AP9100792	28.23	16
AP9100793	28.24	3
AP9100794	28.24	2
AP9100795	28.24	4
AP9100802	28.17	13
AP9100834	28.03	1
AP9100836	28.03	10
AP9100847	28.05	3
AP9100848	28.05	4
AP9100849	28.05	10
AP9100850	28.05	12
AP9100851	28.05	13
AP9100852	28.05	14
AP9100853	28.05	17
AP9100854	28.05	18
AP9100855	28.05	5
AP9100856	28.05	16
AP9100857	28.05	19
AP9100858	28.05	20
AP9100859	28.05	21
AP9100930	28.10	15
AP9100931	28.10	16
AP9100936	28.29	1
AP9100939	28.17	8
AP9100940	28.17	9
AP9100941	28.17	11
AP9100945	28.27	4
AP9100946	28.18	11
AP9100948	28.18	29
AP9100950	28.11	15
AP9100950	28.12	13
AP9100951	28.11	17
AP9100951	28.12	15
AP9100952	28.06	4
AP9100952	28.06	5
AP9100959	28.28	30
AP9100963	28.03	13
AP9100964	28.03	2
AP9100965	28.27	20
AP9100966	28.10	23
AP9100967	28.10	22
AP9100997	28.28	31
AP9101000	28.28	2
AP9101008	29.50	5
AP9101009	29.50	6
AP9101010	29.50	7
AP9101011	29.50	8
AP9101012	29.50	9
AP9101014	29.50	10
AP9150003	29.44	13
AP9150004	29.44	1
AP9150006	29.43	5
AP9150007	29.36	4
AP9150009	29.37	7
AP9150010	29.37	9
AP9150011	29.40	16
AP9150011	29.41	16
AP9150012	29.40	17
AP9150012	29.41	17

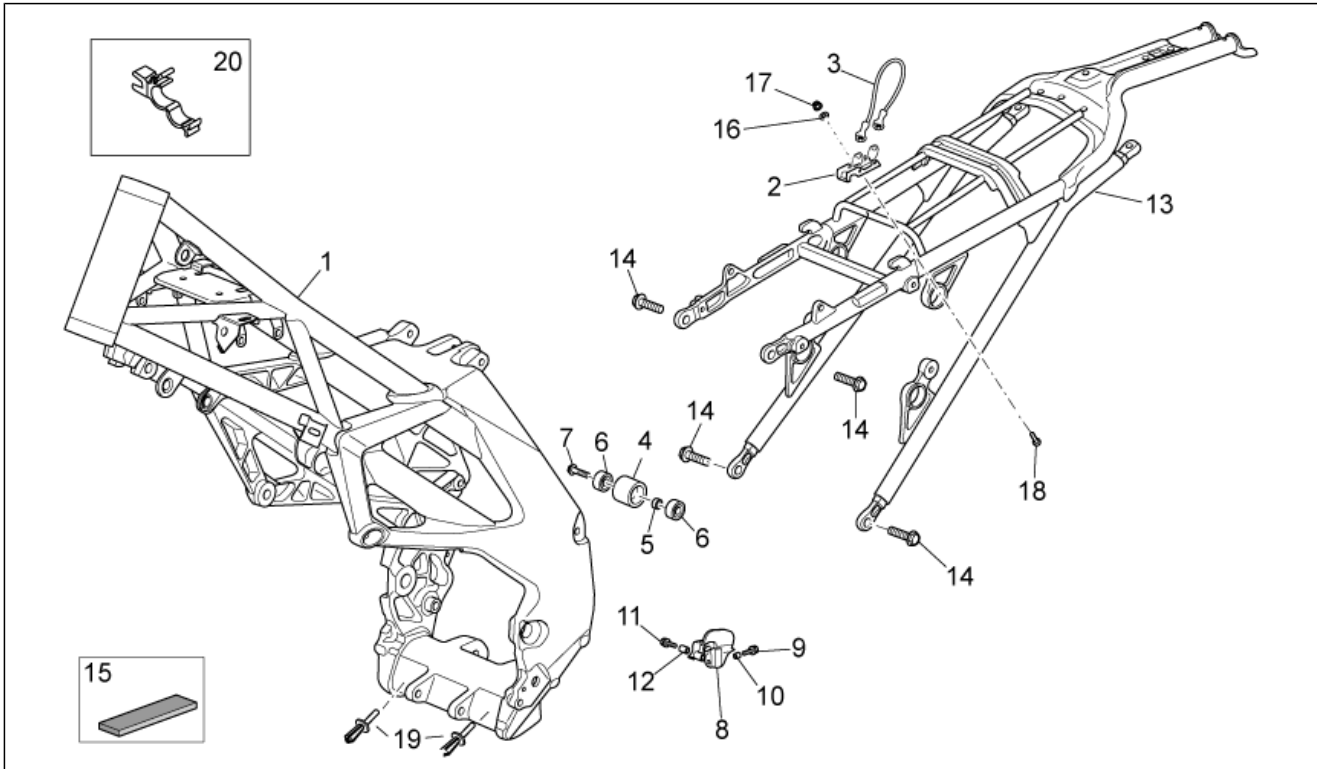
Code	Nr. der Tafel	Pos.
AP9150022	29.38	1
AP9150023	29.38	2
AP9150024	29.38	5
AP9150025	29.38	6
AP9150028	29.38	3
AP9150040	29.47	5
AP9150043	29.44	4
AP9150044	29.43	6
AP9150048	29.43	1
AP9150051	29.43	7
AP9150060	29.44	11
AP9150061	29.44	17
AP9150062	29.44	14
AP9150063	29.43	2
AP9150064	29.44	9
AP9150065	29.35	7
AP9150066	29.35	8
AP9150067	29.44	3
AP9150068	29.44	10
AP9150069	29.44	7
AP9150070	29.44	8
AP9150071	29.33	1
AP9150073	29.44	5
AP9150074	29.33	20
AP9150075	29.33	15
AP9150076	29.33	13
AP9150078	29.31	28
AP9150090	29.49	1
AP9150091	29.44	16
AP9150093	29.44	15
AP9150094	29.32	12
AP9150096	29.40	7
AP9150096	29.41	7
AP9150104	29.38	4
AP9150106	29.38	8
AP9150109	29.31	29
AP9150110	29.37	11
AP9150111	29.37	10
AP9150113	29.37	3
AP9150114	29.37	5
AP9150115	29.31	16
AP9150116	29.31	15
AP9150117	29.31	17
AP9150118	29.32	7
AP9150119	29.48	4
AP9150120	29.37	12
AP9150121	29.37	13
AP9150127	29.35	11
AP9150132	29.48	6
AP9150133	29.40	15
AP9150133	29.41	15
AP9150142	29.41	18
AP9150145	29.31	4
AP9150146	29.31	2
AP9150148	29.32	8
AP9150149	29.31	9
AP9150150	29.32	11
AP9150153	29.32	6
AP9150157	29.33	3
AP9150158	29.33	4
AP9150159	29.33	14
AP9150160	29.33	17
AP9150161	29.33	19
AP9150162	29.33	6
AP9150166	29.34	19
AP9150167	29.34	20
AP9150168	29.34	8

Code	Nr. der Tafel	Pos.	Code	Nr. der Tafel	Pos.	Code	Nr. der Tafel	Pos.
AP9150169	29.34	9	AP9150321	29.34	13	AP9150472	29.34	23
AP9150170	29.34	11	AP9150323	29.35	12	AP9150473	29.32	17
AP9150171	29.34	12	AP9150324	29.31	11	AP9150476	29.34	10
AP9150172	29.34	16	AP9150327	29.40	15	AP9150477	29.34	15
AP9150173	29.34	14	AP9150327	29.41	15	AP9150479	29.44	20
AP9150174	28.11	2	AP9150343	29.36	5	AP9150483	29.42	6
AP9150174	28.12	2	AP9150344	29.31	35	AP9150484	29.48	1
AP9150174	29.31	19	AP9150346	29.31	23	AP9150489	29.31	6
AP9150174	29.37	20	AP9150347	29.34	4	AP9150500	29.49	10
AP9150181	29.37	16	AP9150348	29.42	5	AP9150506	29.40	13
AP9150184	29.44	18	AP9150349	28.11	3	AP9150506	29.41	13
AP9150190	29.47	10	AP9150349	28.12	3	AP9150507	29.40	14
AP9150191	29.47	18	AP9150349	29.31	20	AP9150522	29.32	19
AP9150194	29.47	19	AP9150349	29.31	30	AP9150525	29.35	6
AP9150195	29.47	15	AP9150349	29.37	17	AP9150526	29.31	32
AP9150196	29.47	1	AP9150349	29.37	21	AP9150529	28.19	26
AP9150204	29.51	7	AP9150350	29.31	18	AP9150533	29.31	21
AP9150208	29.49	9	AP9150351	29.32	18	AP9150545	29.31	37
AP9150209	29.49	3	AP9150352	29.48	5	CM001903	29.50	19
AP9150210	29.35	9	AP9150353	29.31	10	CM001911	29.31	36
AP9150216	29.45	2	AP9150355	29.34	21	CM002908	29.50	20
AP9150216	29.46	2	AP9150356	29.32	16	CM155401	29.31	1
AP9150217	29.33	11	AP9150357	29.46	15	CM155403	29.31	1
AP9150218	29.46	18	AP9150358	29.47	16	CM224605	28.13	1
AP9150220	29.43	8	AP9150359	29.47	17	CM224609	28.13	1
AP9150231	29.40	18	AP9150361	29.46	14	CM2362105	29.30	1
AP9150232	29.47	20	AP9150362	29.45	11	CM2363105	29.30	1
AP9150234	29.47	8	AP9150365	29.44	21	CM2376025	29.40	1
AP9150235	29.47	12	AP9150370	29.46	11	CM2377025	29.41	1
AP9150236	29.35	13	AP9150375	29.44	2	CM238207	28.22	20
AP9150238	29.43	3	AP9150376	29.33	8	CM238401	28.18	17
AP9150246	29.46	12	AP9150377	29.33	2	CM238402	28.18	18
AP9150247	29.46	9	AP9150382	29.46	17	CM238403	28.18	15
AP9150248	29.46	8	AP9150384	29.47	2	CM238801	29.39	1
AP9150249	29.46	6	AP9150385	29.33	12	CM238802	29.39	1
AP9150250	29.46	3	AP9150387	29.42	3	CM238803	29.39	1
AP9150252	29.45	9	AP9150389	29.42	12	CM238804	29.39	1
AP9150253	29.45	8	AP9150390	29.42	8	CM238805	29.39	1
AP9150254	29.45	6	AP9150393	29.43	9	CM238806	29.39	1
AP9150255	29.45	3	AP9150394	28.06	31	CM238807	29.39	1
AP9150256	29.45	1	AP9150394	29.31	5	CM238808	29.39	1
AP9150267	29.45	7	AP9150395	29.32	13	CM238809	29.39	1
AP9150267	29.46	7	AP9150396	29.33	16	CM238810	29.39	1
AP9150273	29.42	4	AP9150401	29.51	5	CM238811	29.39	1
AP9150280	29.34	3	AP9150402	29.35	5	CM238812	29.39	1
AP9150281	29.34	1	AP9150410	28.11	4	CM238813	29.39	1
AP9150284	29.47	6	AP9150410	28.12	4	CM238814	29.39	1
AP9150285	29.42	9	AP9150410	29.32	15	CM238815	29.39	1
AP9150291	29.33	9	AP9150435	29.31	8	CM238816	29.39	1
AP9150292	29.48	7	AP9150436	29.35	4	CM238817	29.39	1
AP9150294	29.45	10	AP9150439	29.31	26	CM238818	29.39	1
AP9150294	29.46	13	AP9150440	29.31	12	CM238819	29.39	1
AP9150296	29.46	10	AP9150441	29.31	13	CM238820	29.39	1
AP9150297	29.45	4	AP9150442	29.31	14	CM238821	29.39	1
AP9150297	29.46	4	AP9150443	29.33	22	CM238822	29.39	1
AP9150299	29.42	10	AP9150443	29.48	10	CM238823	29.39	1
AP9150300	29.40	16	AP9150446	29.49	4	CM238824	29.39	1
AP9150300	29.41	16	AP9150454	29.35	12	CM238825	29.39	1
AP9150301	29.36	4	AP9150455	29.35	12	CM238826	29.39	1
AP9150302	29.45	5	AP9150456	29.31	11	CM238827	29.39	1
AP9150302	29.46	5	AP9150457	29.31	11	CM238828	29.39	1
AP9150303	29.40	4	AP9150461	29.33	10	CM238829	29.39	1
AP9150303	29.41	4	AP9150462	29.44	24	CM238830	29.39	1
AP9150311	29.46	1	AP9150463	29.33	18	CM238831	29.39	1
AP9150312	29.37	18	AP9150464	29.48	8	CM238832	29.39	1
AP9150315	29.35	10	AP9150469	29.37	15	CM238833	29.39	1
AP9150317	29.37	1	AP9150471	29.31	22	CM238834	29.39	1

---

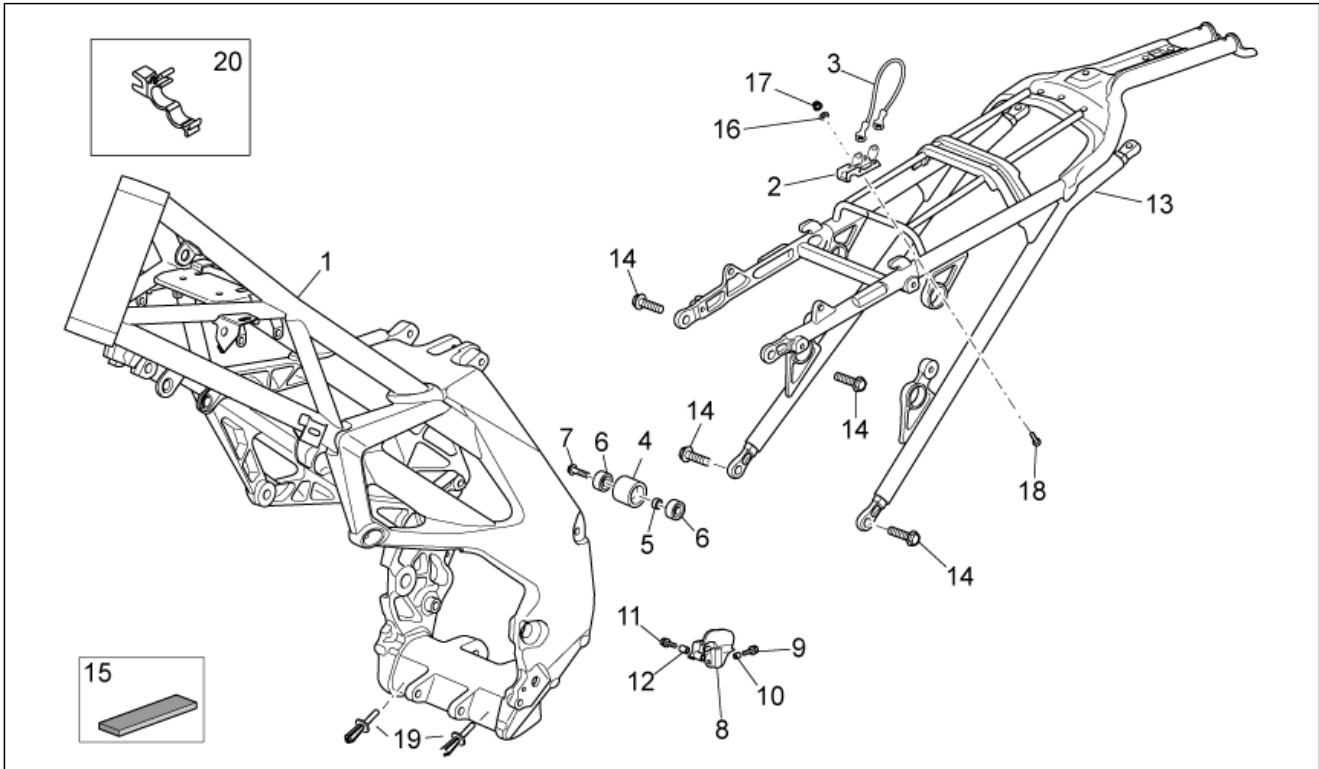
Code	Nr. der Tafel	Pos.
CM238835	29.39	1
CM238836	29.39	1
CM238837	29.39	1
CM238838	29.39	1
CM238839	29.39	1
CM239301	29.50	17
CM239302	29.50	18
CM239401	28.28	7
CM239402	28.28	32
CM239501	28.19	22
GU01103090	28.10	17

<b>Einheit</b>	RAHMEN
<b>Code</b>	28.01
<b>Beschreibung</b>	Rahmen
<b>Inspektion</b>	1



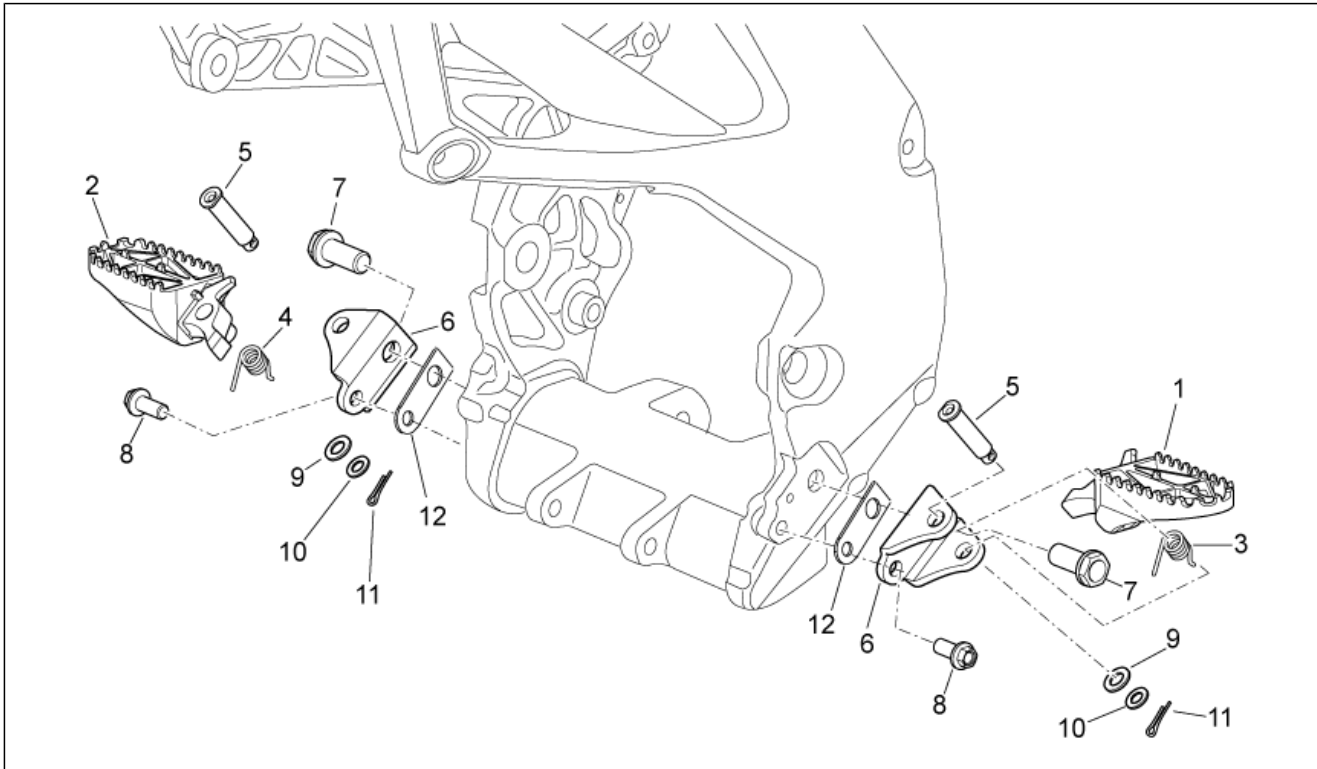
Pos.	Code	Beschreibung	Menge	Varianten
1	855581	Rahmen	1	<b>Baujahr:</b> 2009[9], 2010[A] <b>Fahrzeugfarbe:</b> Off White 2009 (t.B. 893209)[WH09], Off White 2010 (t.B. 895846)[WH10] <b>Technische Daten:</b> Version Six Days[SY]
1	855723	Rahmen	1	<b>Baujahr:</b> 2011[B] <b>Fahrzeugfarbe:</b> Off White 2011 (t.B. 898351)[WH11]
1	858589	Rahmen	1	<b>Baujahr:</b> 2009[9], 2010[A] <b>Fahrzeugfarbe:</b> Off White 2009 (t.B. 893209)[WH09], Off White 2010 (t.B. 895846)[WH10] <b>Technische Daten:</b> Rahmennummer VPT-VPX[T1]
1	891007	Rahmen	1	<b>Baujahr:</b> 2009[9], 2010[A] <b>Fahrzeugfarbe:</b> Off White 2009 (t.B. 893209)[WH09], Off White 2010 (t.B. 895846)[WH10] <b>Technische Daten:</b> Rahmennr. VPX -VPZ[T2]
2	AP9100766	Platte	1	
3	851495	Kabel	1	
4	AP9100173	Kettenrolle schwarz	1	
5	AP9100174	Distanzscheibe	1	
6	AP9100175	Kugellager 8x22x7	2	
7	AP8152289	TE Schr. m. Flansch	1	
8	AP9100688	Unt. Kettengleitführung	1	
9	AP8152272	TE Schr. m. Flansch M5x12	1	
10	AP8120253	Distanzscheibe	1	
11	855799	TE Schr. m. Flansch	1	
12	AP9100724	Distanzscheibe	1	
13	855582	Sattelstütze	1	<b>Baujahr:</b> 2009[9], 2010[A]
13	899118	Sattelstütze	1	<b>Baujahr:</b> 2011[B]
14	AP9100389	TE Schr. m. Flansch M10x1,25	4	
15	AP8144538	Dichtung	2	
16	AP8150159	Ausgleichscheibe 4,3x16*	1	
17	AP8150204	Mutter M4	1	

<b>Einheit</b>	RAHMEN
<b>Code</b>	28.01
<b>Beschreibung</b>	Rahmen
<b>Inspektion</b>	1



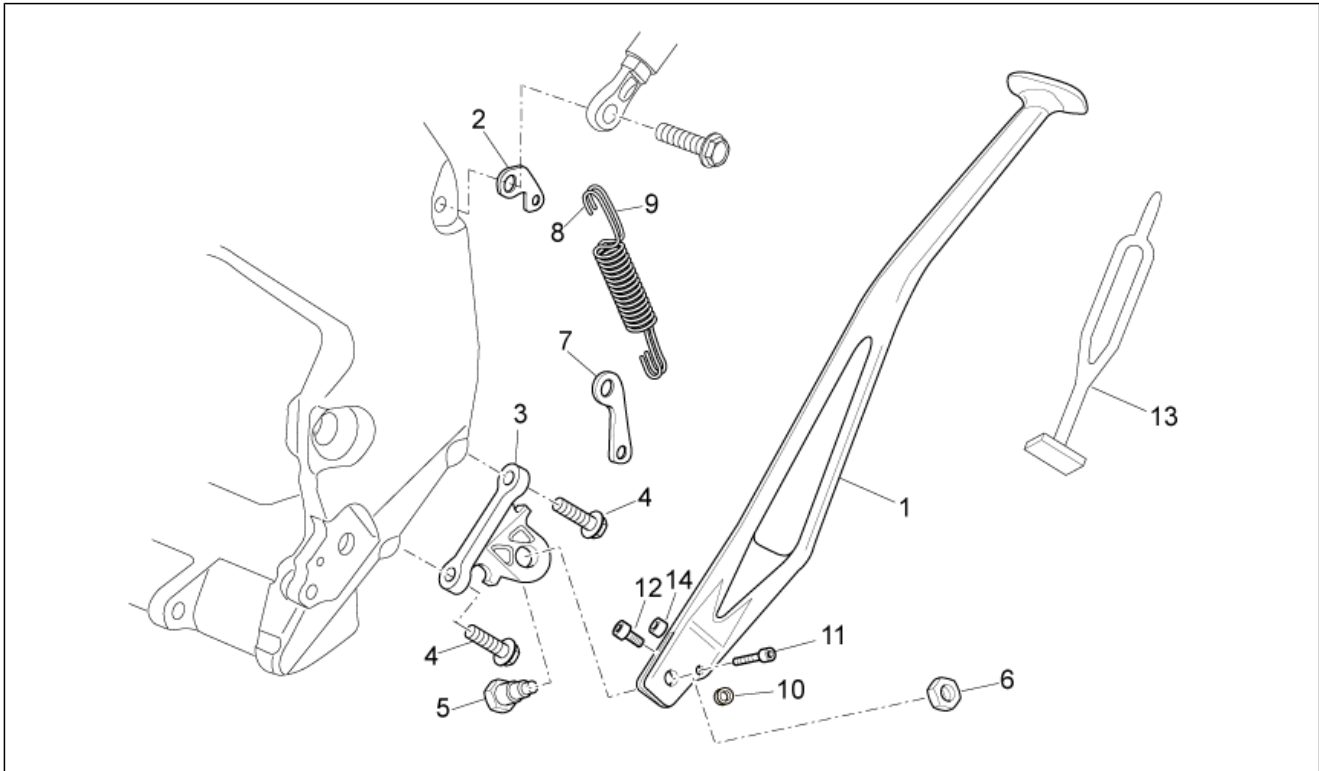
Pos.	Code	Beschreibung	Menge	Varianten
18	AP9100769	TBEI Schraube M4x10 inox	1	
19	AP8202058	Schwarzer Kunststoffniet	2	
20	AP8120581	Kabelschelle	1	

<b>Einheit</b>	RAHMEN
<b>Code</b>	28.02
<b>Beschreibung</b>	Fussrasten
<b>Inspektion</b>	1



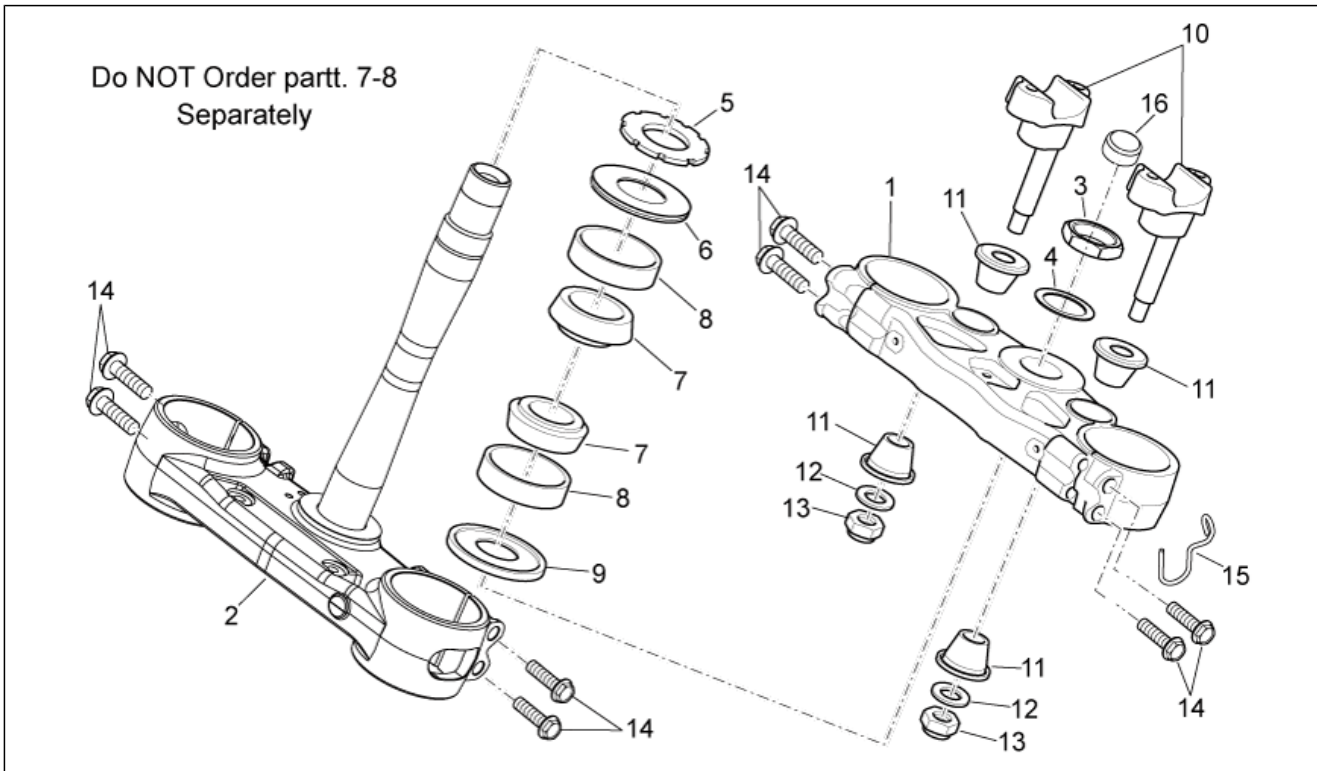
Pos.	Code	Beschreibung	Menge	Varianten
1	AP9100193	Soziusraste links	1	
2	AP9100194	Soziusraste rechts	1	
3	AP9100195	Feder links	1	
4	AP9100196	Feder rechts	1	
5	AP9100197	Bolzen	2	
6	AP9100275	Halterung Fußraste	2	
7	AP9100390	Schraube M12x1,25	2	
8	AP8152286	TE Schr. m. Flansch M8x20	2	
9	AP8152176	Ausgleichscheibe 10,5X18X2*	2	
10	AP8150017	Ausgleichscheibe 8,4x16x1,6	2	
11	AP8101606	Splint	2	
12	855269	L.inn.Rahmenblech platte	2	<b>Technische Daten:</b> Version Six Days[SY]
12	898912	Auflageplatte	2	<b>Technische Daten:</b> Version Enduro 450[RX45], Enduro- Version 550[RX55]

<b>Einheit</b>	RAHMEN
<b>Code</b>	28.03
<b>Beschreibung</b>	Hauptständer
<b>Inspektion</b>	1



Pos.	Code	Beschreibung	Menge	Varianten
1	AP9100834	Hauptständer	1	
2	AP9100964	Platte	1	
3	AP9100419	Hauptständer platte	1	
4	851280	TE Schr. m. Flansch	2	
5	AP8161006	Ständerschraube	1	
6	AP8152001	Mutter unten M10x1,25	1	
7	AP9100223	Rückholplatte Ständer	1	
8	AP9100668	Außere Feder	1	
9	AP9100669	Innere Feder	1	
10	AP9100836	Buchse 8x5x7,8	1	
11	AP8150051	TCEI Schraube	1	
12	AP8152123	TCEI Schraube	1	
13	AP9100963	Befestig. Gummib.	1	
14	855861	Buchse	1	

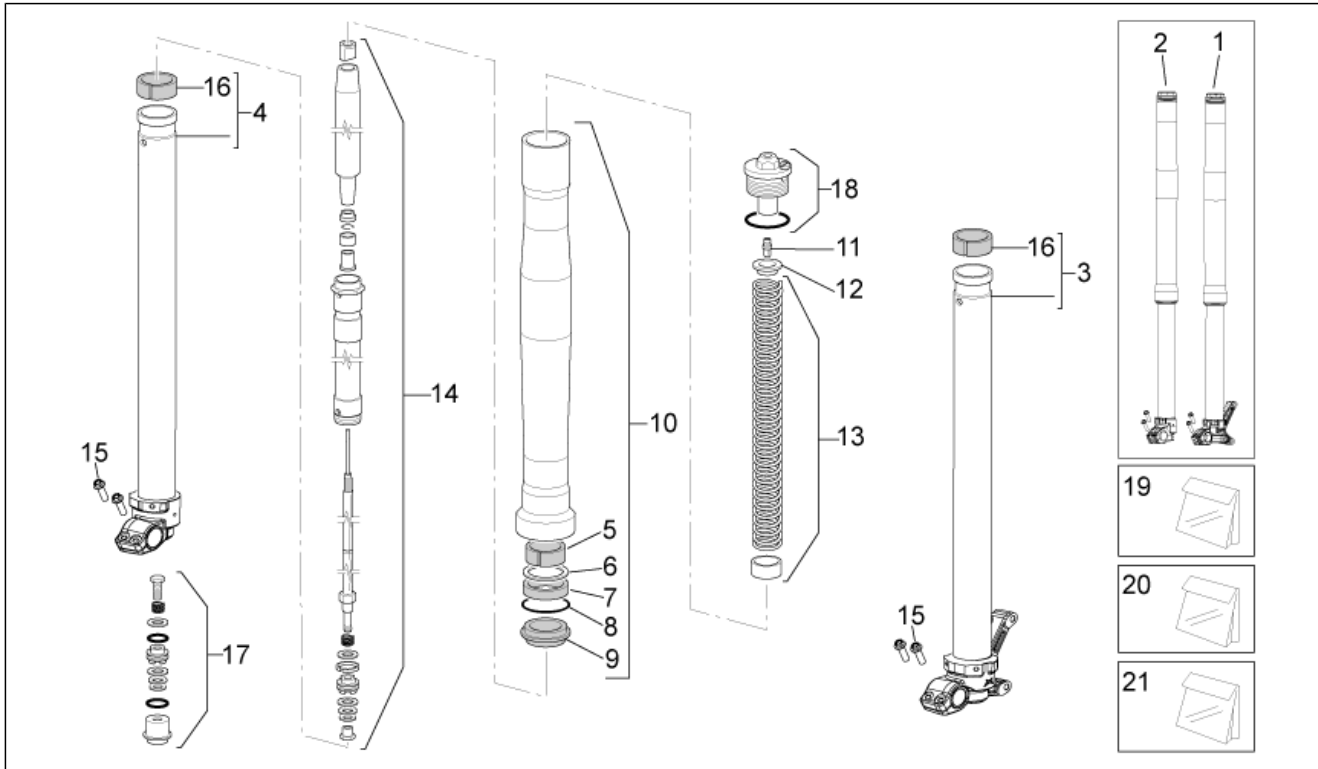
<b>Einheit</b>	RAHMEN
<b>Code</b>	28.04
<b>Beschreibung</b>	Lenkung I
<b>Inspektion</b>	1



Pos.	Code	Beschreibung	Menge	Varianten
1	AP9100542	Obere Platte	1	
2	858590	Fuß mit Rohr	1	<b>Technische Daten:</b> Schild Code 851290/851291[M1], Schild Code 855620/855621[M2], Rahmennummer VPT-VPX[T1], Rahmennr. VPX -VPZ[T2]
2	AP9100680	Fuß mit Rohr	1	<b>Technische Daten:</b> Version Six Days[SY]
3	AP9100026	Bolzen Mutter	1	
4	AP9100028	Ausgleichscheibe 26,5x36x1	1	
5	AP9100021	Nutmutter	1	
6	AP9100204	Ob.Dichtring	1	
7	851030	Lager	2	
8	851029	Anlaufscheibe	2	
9	AP9100205	Un.Dichtring	1	
10	AP9100293	Unter.Bügelbolzen	2	
11	AP9100412	Schwingschutzlager	4	
12	AP9100776	Ausgleichscheibe 10.1x23x2.5	2	
13	AP9100439	Selbstsperr.Mut.Unt. M10x1,25	2	
14	AP8152290	TE Schr. m. Flansch M8x40	8	
15	AP8121475	Kabelführung	1	
16	AP8144516	Griff Verschuß	1	<b>Technische Daten:</b> Rahmennummer VPT-VPX[T1], Rahmennr. VPX -VPZ[T2]

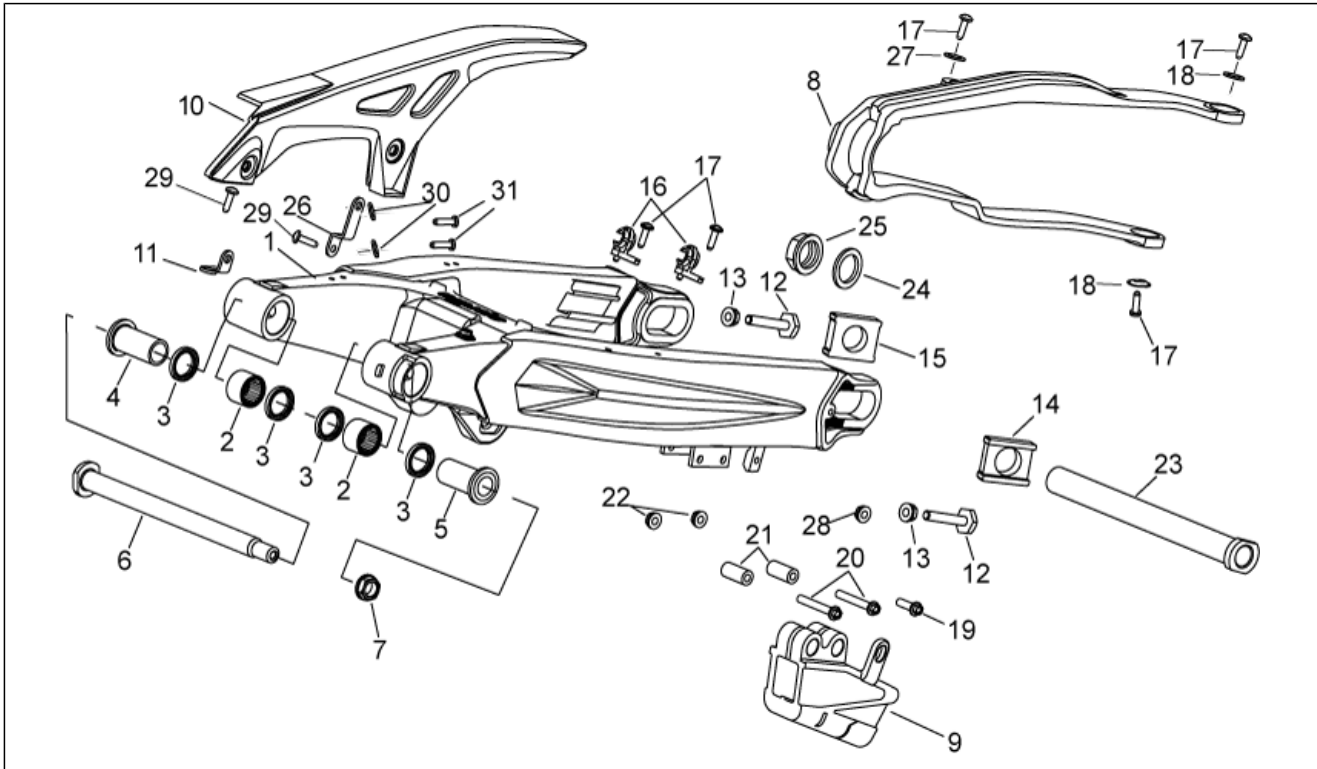


<b>Einheit</b>	RAHMEN
<b>Code</b>	28.05
<b>Beschreibung</b>	Gabel I
<b>Inspektion</b>	1



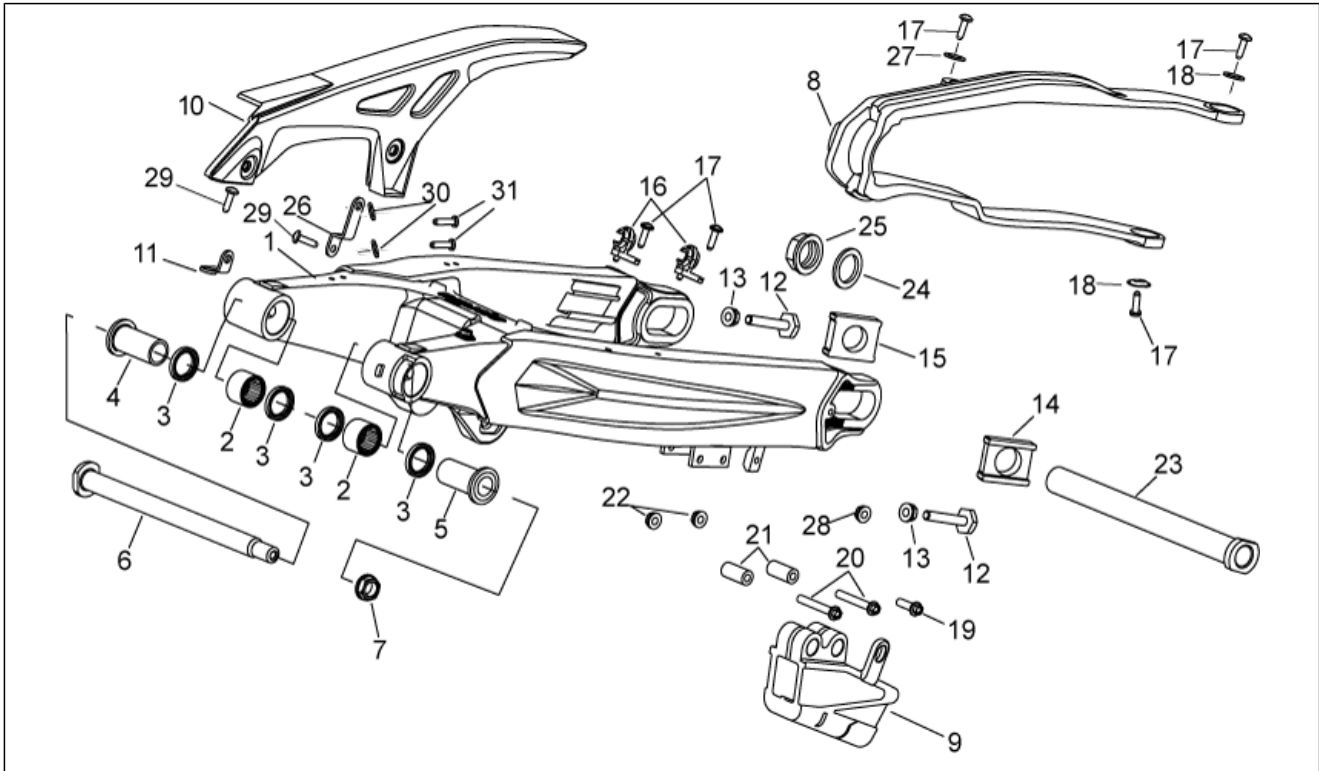
Pos.	Code	Beschreibung	Menge	Varianten
1	851291	Kolbenstange links kpl.	1	<b>Technische Daten:</b> Schild Code 851290/851291[M1]
1	855621	Kolbenstange links kpl.	1	<b>Technische Daten:</b> Schild Code 855620/855621[M2]
2	851290	Kolbenstange rechts kpl.	1	<b>Technische Daten:</b> Schild Code 851290/851291[M1]
2	855620	Kolbenstange rechts kpl.	1	<b>Technische Daten:</b> Schild Code 855620/855621[M2]
3	AP9100847	Klb.st.+ Radhltr. lks.	1	
4	AP9100848	Klb.st.+ Radhltr. rch.	1	
5	AP9100855	Obere Buchse 45x15	2	
6	AP8163094	Becher 58x46x3	2	
7	AP8163095	Gasket ring 45x58x11	2	
8	AP8163096	Sperring D.63	2	
9	AP8163097	Staubschutz D.45	2	
10	855857	Hülse kplt.	2	<b>Technische Daten:</b> Schild Code 855620/855621[M2]
10	AP9100849	Hülse kplt.	2	<b>Technische Daten:</b> Schild Code 851290/851291[M1]
11	AP8163370	Feststellschraube+o-ring	2	
12	AP9100850	Ring d.40	2	
13	AP9100851	Feder kit	2	
14	896561	Pumpenrad kplt.	2	<b>Technische Daten:</b> Schild Code 855620/855621[M2]
14	AP9100852	Pumpenrad kplt.	2	<b>Technische Daten:</b> Schild Code 851290/851291[M1]
15	AP8152280	TE Schr. m. Flansch M6x25	4	
16	AP9100856	Untere Buchse 45x20	2	
17	AP9100853	Ventil d.45	2	
18	AP9100854	Verschlußschraube kplt. d.45	2	
19	AP9100857	Entfern.inner Gabeldichringe kit	1	
20	AP9100858	Dichtungssatz d.45	1	
21	AP9100859	Buchse kit	1	

<b>Einheit</b>	RAHMEN
<b>Code</b>	28.06
<b>Beschreibung</b>	Schwinge
<b>Inspektion</b>	1



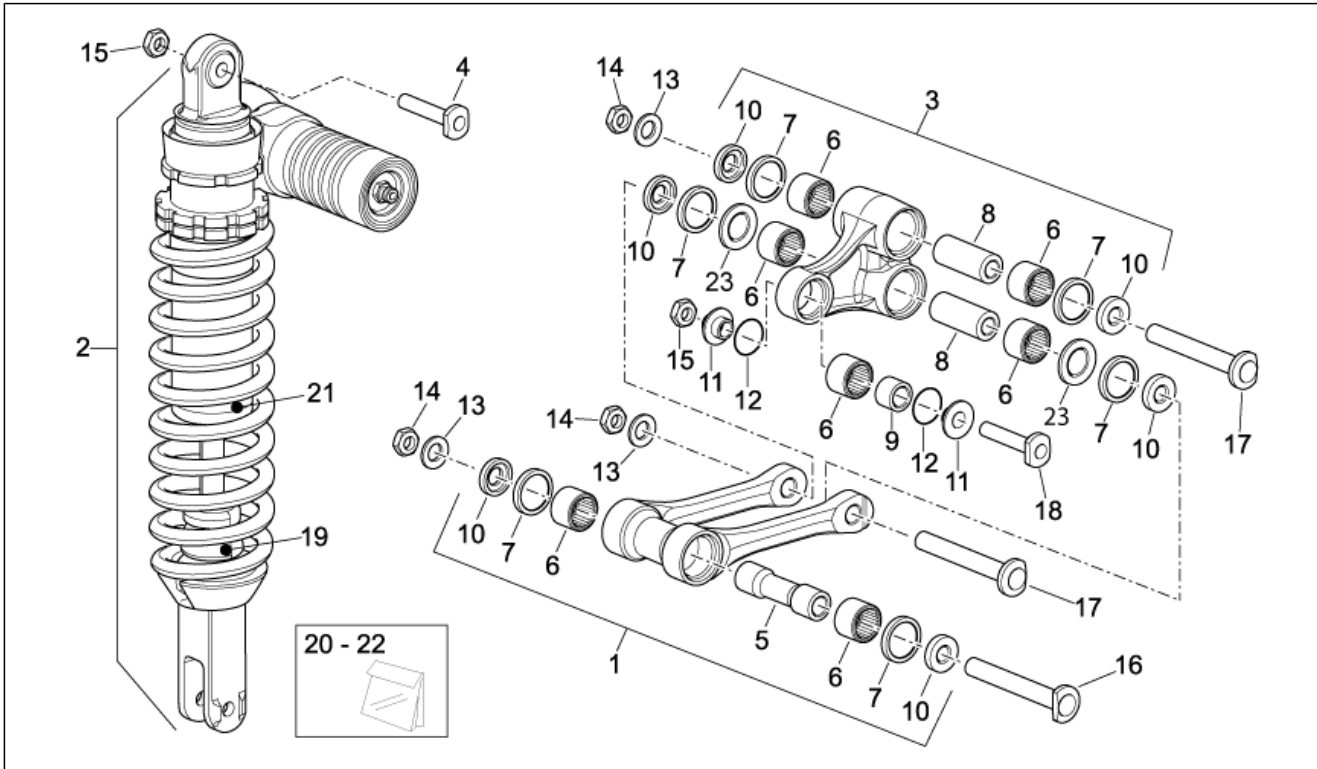
Pos.	Code	Beschreibung	Menge	Varianten
1	855550	Schwinge	1	Baujahr:2009[9], 2010[A]
1	891226	Schwinge	1	Baujahr:2011[B]
2	AP9100202	Nadelkaefig 22x29x30	2	
3	AP9100203	Gasket ring 22x29x4	4	
4	AP9100952	Bolzen L=47,5	1	
5	AP9100952	Bolzen L=47,5	1	
6	AP9100123	Schwingenbolzen M14 L=244	1	
7	AP8152244	Mutter DAX geflanscht M14x1,5	1	
8	855552	Kettengleitführung	1	
9	855553	Kettengleitführung	1	
10	00H01508181	Kettekranz	1	
11	855579	Platte vorn	1	Baujahr:2009[9], 2010[A]
11	897839	Platte vorn	1	Fahrzeugfarbe:Off White 2011 (t.B. 898351)[WH11]
12	AP8152305	Kettenspanner Schraube	2	
13	AP8150027	Mutter M8	2	
14	855697	Kettenführung rechts	1	
15	855565	Kettenführung links	1	
16	AP9100565	Bremskabelführung	2	
17	015585	Gewindeschraube M5x12	5	
18	AP8234020	Becher	2	
19	598839	TE Schr. m. Flansch	1	
20	AP8152284	TE Schr. m. Flansch	2	
21	AP9100287	Buchse	2	
22	AP9100434	Selbstsperrende Mutter M6x1	2	
23	855562	Hinterradbolzen M25 L=266,5	1	
24	AP8152323	Ausgleichscheibe 25,2x36x1	1	
25	855722	Radbolzenmutter M25x1,5	1	
26	855580	Platte hinten	1	

<b>Einheit</b>	RAHMEN
<b>Code</b>	28.06
<b>Beschreibung</b>	Schwinge
<b>Inspektion</b>	1



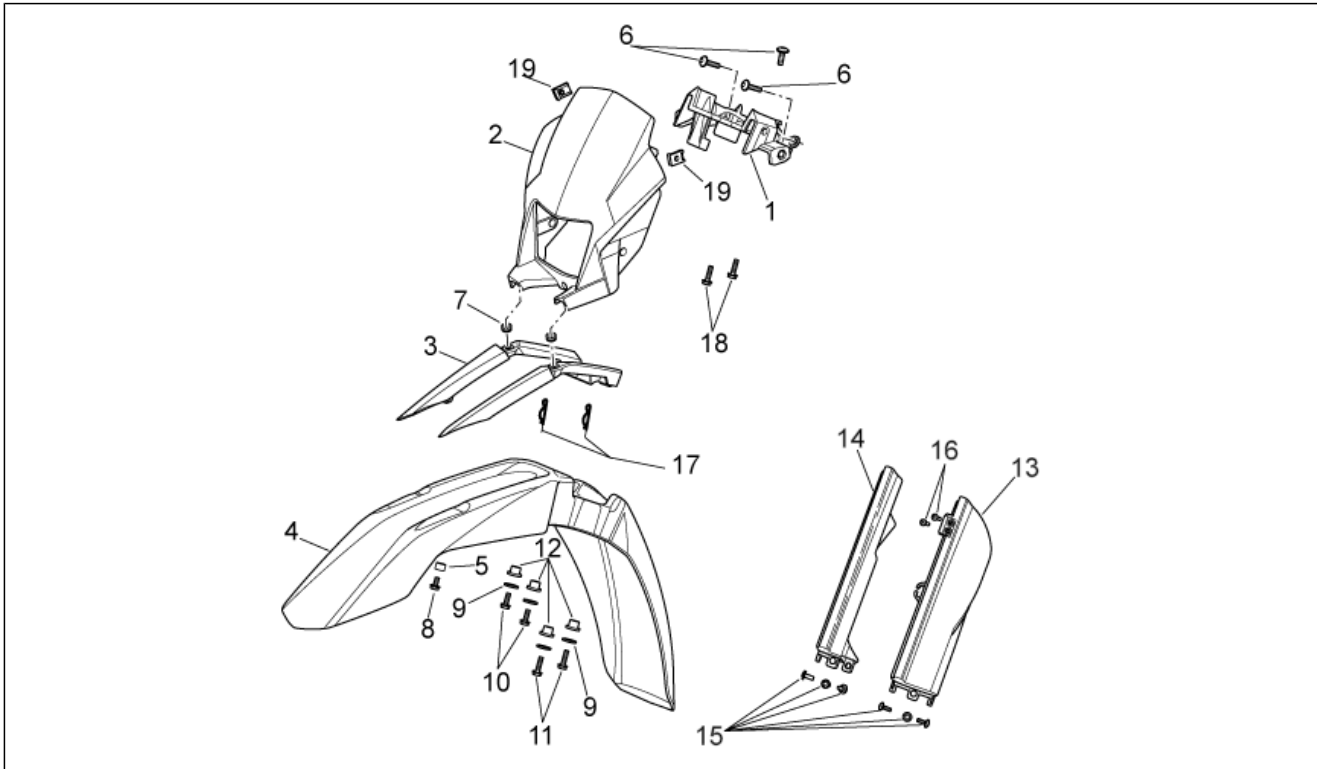
Pos.	Code	Beschreibung	Menge	Varianten
27	AP8150255	Ausgleichscheibe 5x20x1,5	1	
28	AP9100053	Buchse d.10-h.3,5	1	
29	AP8152226	TBEI Schraube	2	
30	AP8152181	Scheibe 6,4x15x1	2	
31	AP9150394	Schraube M6x12	2	

<b>Einheit</b>	RAHMEN
<b>Code</b>	28.07
<b>Beschreibung</b>	Hinterradaufhängung
<b>Inspektion</b>	1



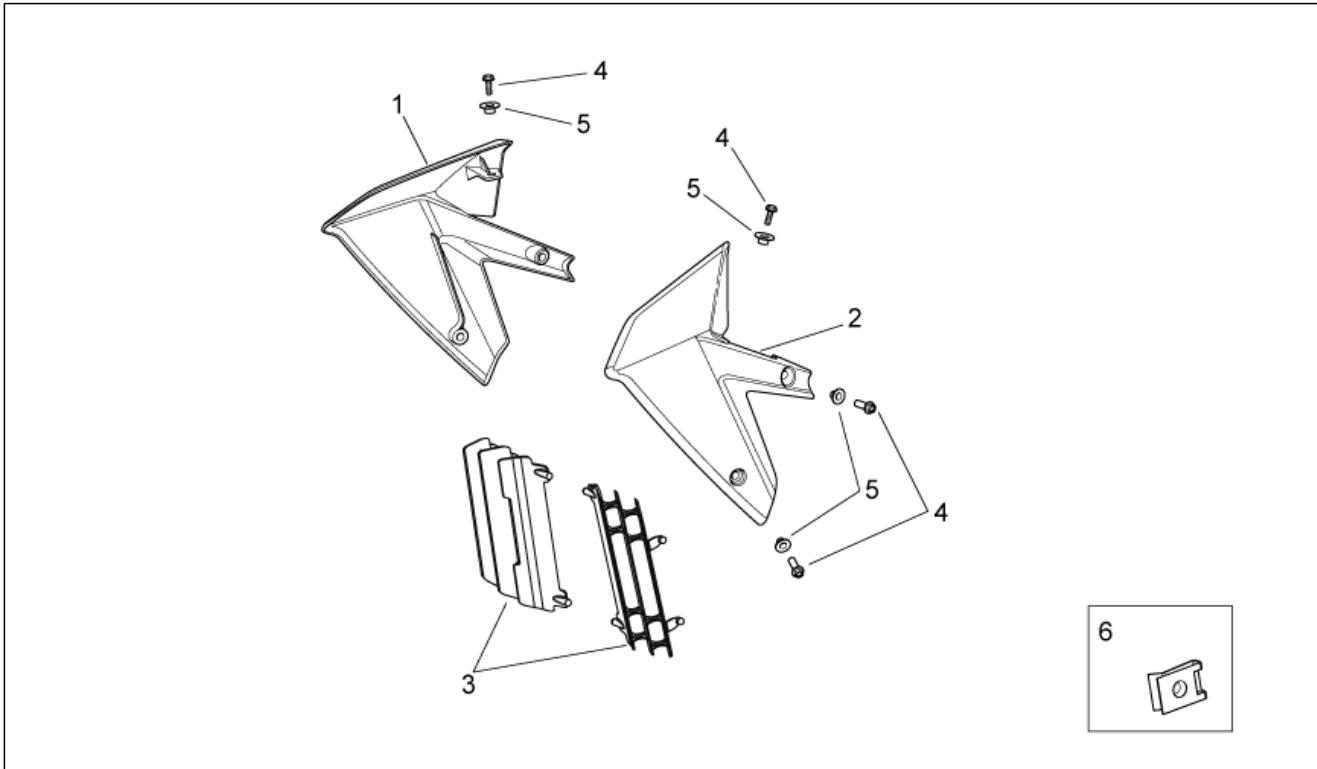
Pos.	Code	Beschreibung	Menge	Varianten
1	AP9100176	Einfache Pleuelstange	1	
2	855583	Hinterer Stoßdämpfer	1	
3	851252	Doppelte Pleuelstange	1	
4	AP9100007	Schraube M10x1,25 L=53	1	
5	AP9100178	Bolzen	1	
6	AP9100181	Nadellager 20x27x15	5	
6	AP9100181	Nadellager 20x27x15	2	
7	AP9100177	Gasket ring 25x32x4	4	
7	AP9100177	Gasket ring 25x32x4	2	
8	AP9100184	Bolzen	2	
9	AP9100111	Distanzscheibe	1	
10	AP9100179	Distanzscheibe	6	
11	AP9100186	Externe Distanzscheibe	2	
12	AP9100549	O-Ring 1,5x24	2	
13	AP8152018	Scheibe 12,2x22x2	3	
14	AP9100442	Selbstsperr.Mut.Unt. M12x1,25	3	
15	AP9100439	Selbstsperr.Mut.Unt. M10x1,25	2	
16	AP9100604	Schraube M12x1,25 L=120	1	
17	AP9100289	Schraube M12x1,25 L=95	2	
18	AP9100208	Schraube M10x1,25 L=44	1	
19	855945	Puffer	1	
20	855954	Dichtungen - Satz	1	
21	855944	Schaftgruppe	1	
22	855955	Dichtungen - Satz Schaft	1	
23	AP9100182	Flachscheibe 31x20,2x1,4	2	

<b>Einheit</b>	RAHMEN
<b>Code</b>	28.08
<b>Beschreibung</b>	Frontaufbau I
<b>Inspektion</b>	1



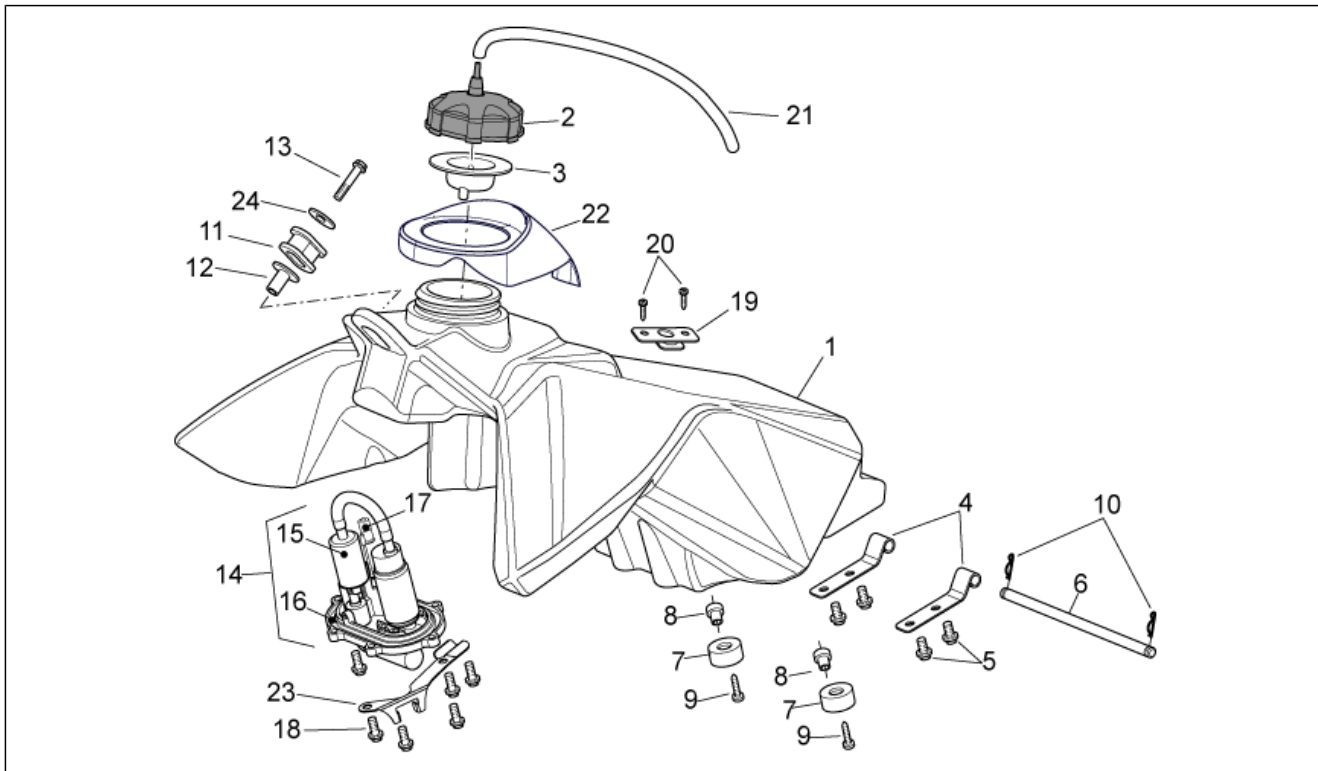
Pos.	Code	Beschreibung	Menge	Varianten
1	855104	Haltefassung	1	
2	89046700XB2	Windschild	1	
3	AP8156379	Spannstange	1	
4	AP8156343	V. Schutzblech, rot	1	<b>Baujahr:</b> 2009[9], 2010[A] <b>Fahrzeugfarbe:</b> Off White 2009 (t.B. 893209)[WH09], Off White 2010 (t.B. 895846)[WH10]
4	AP8156390	Vorderes Schutzblech, weiss	1	<b>Baujahr:</b> 2011[B]
5	AP9100053	Buchse d.10-h.3,5	2	
6	AP8152339	TBEI Schraube m.Flansch M5x9	3	
7	AP8120405	Gummi	2	
8	AP8152277	TE Schr. m. Flansch M6x12	2	
9	AP8150015	Ausgleichscheibe 6,6x18x1,6*	4	
10	598839	TE Schr. m. Flansch	2	
11	AP8152283	TE Schr. m. Flansch	2	
12	AP9100501	T-Buchse 20x0,5x3,5	4	
13	AP9100440	L. Stangenschutz, schwarz	1	
14	AP9100441	R. Stangenschutz, schwarz	1	
15	AP9100548	Schraube kplt. M6x1	6	
16	AP8150246	Linsenschraube	2	
17	AP8201431	Splint *	2	
18	AP8150493	TBEI Schraube M4x16	2	
19	AP8102381	Klammer M4	2	

<b>Einheit</b>	RAHMEN
<b>Code</b>	28.09
<b>Beschreibung</b>	Frontaufbau II
<b>Inspektion</b>	1



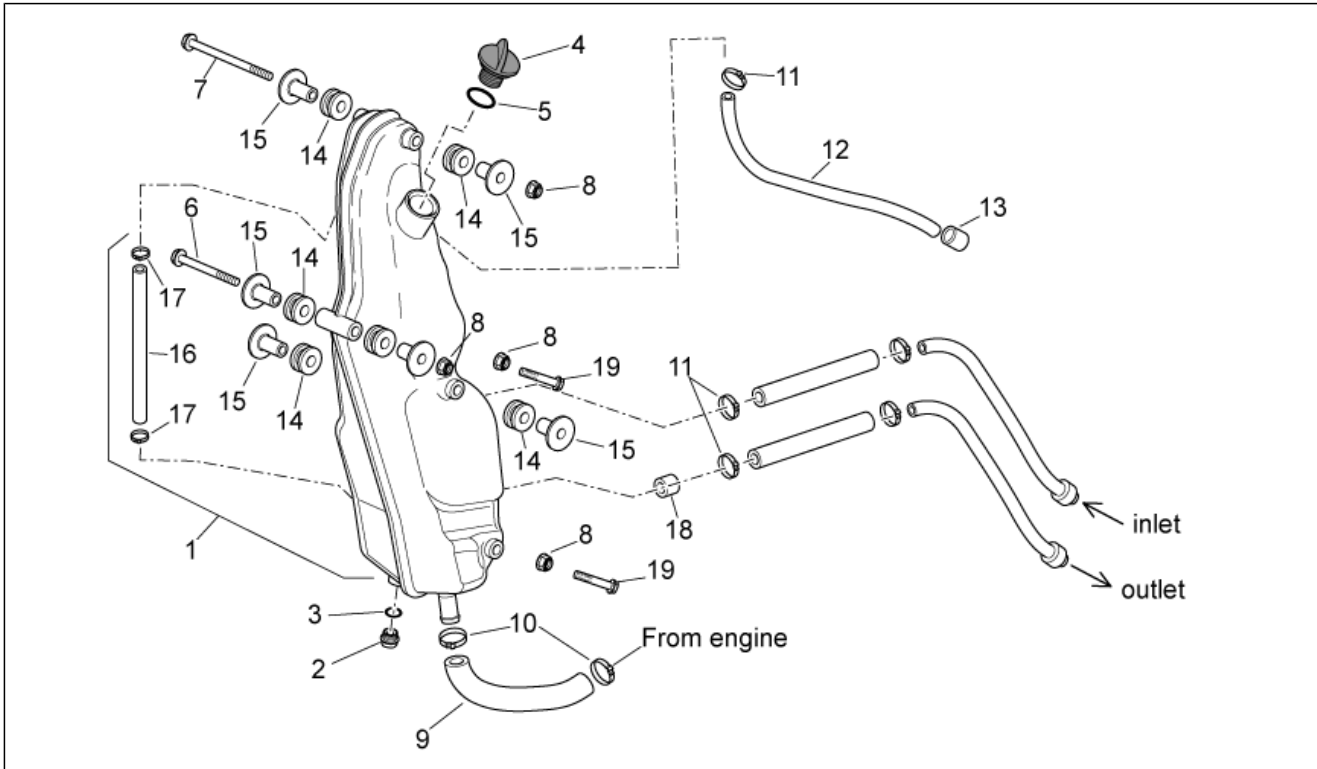
Pos.	Code	Beschreibung	Menge	Varianten
1	AP8184781	R. Leitblech, schwarz	1	<b>Baujahr:</b> 2009[9] <b>Fahrzeugfarbe:</b> Off White 2009 (t.B. 893209)[WH09]
1	AP8184875	R. Leitblech, schwarz	1	<b>Fahrzeugfarbe:</b> Off White 2010 (t.B. 895846)[WH10] <b>Technische Daten:</b> Einzelteil mit Aufkleber[D]
1	AP8184909	Rechtes Leitblech,weiß	1	<b>Baujahr:</b> 2011[B] <b>Technische Daten:</b> Einzelteil mit Aufkleber[D]
2	AP8184780	L. Leitblech, schwarz	1	<b>Fahrzeugfarbe:</b> Off White 2009 (t.B. 893209)[WH09]
2	AP8184876	L. Leitblech, schwarz	1	<b>Fahrzeugfarbe:</b> Off White 2010 (t.B. 895846)[WH10] <b>Technische Daten:</b> Einzelteil mit Aufkleber[D]
2	AP8184910	Leitblech li.weiß lack.	1	<b>Baujahr:</b> 2011[B] <b>Technische Daten:</b> Einzelteil mit Aufkleber[D]
3	AP9100366	Kühlergitter	1	
4	AP9100645	TE Schr. m. Flansch M6x16 inox	6	
5	AP9100053	Buchse d.10-h.3,5	6	
6	254485	Plattchen M6	6	

<b>Einheit</b>	RAHMEN
<b>Code</b>	28.10
<b>Beschreibung</b>	Kraftstofftank
<b>Inspektion</b>	1



Pos.	Code	Beschreibung	Menge	Varianten
1	855725	Kraftstofftank	1	Baujahr:2009[9], 2010[A] Fahrzeugfarbe:Off White 2009 (t.B. 893209)[WH09], Off White 2010 (t.B. 895846)[WH10]
1	897841	Kraftstofftank	1	Baujahr:2011[B] Fahrzeugfarbe:Off White 2011 (t.B. 898351)[WH11]
2	AP8220620	Deckel	1	
3	856932	Dichtung	1	
4	AP9100080	Platte	2	
5	AP8152277	TE Schr. m. Flansch M6x12	4	
6	AP9100078	Bolzen	1	
7	AP9100767	Gummi 26x12,2	2	
8	AP8121811	T-Buchse	2	
9	AP8152169	Linsenschraube 4,8x19*	2	
10	AP8201431	Splint *	2	
11	AP9100082	Puffer	1	
12	AP9100081	Buchse	1	
13	AP8152281	TE Schr. m. Flansch M6x30	1	
14	AP9100416	Benzinpumpe kpl.	1	
15	AP9100930	Kraftstofffilter	1	
16	AP9100931	Dichtung	1	
17	GU01103090	Thermistor	1	
18	AP8152273	Flanschschraube M5x15	6	
19	AP9100415	Platte	1	
20	AP8150444	Gewindeschraube Edelstahl	2	
21	AP8220402	Leitung 5x9	1	
22	AP9100967	Tankschutz	1	
23	AP9100966	Platte	1	
24	AP9100375	Ausgleichscheibe 24,8x6,2x1	1	

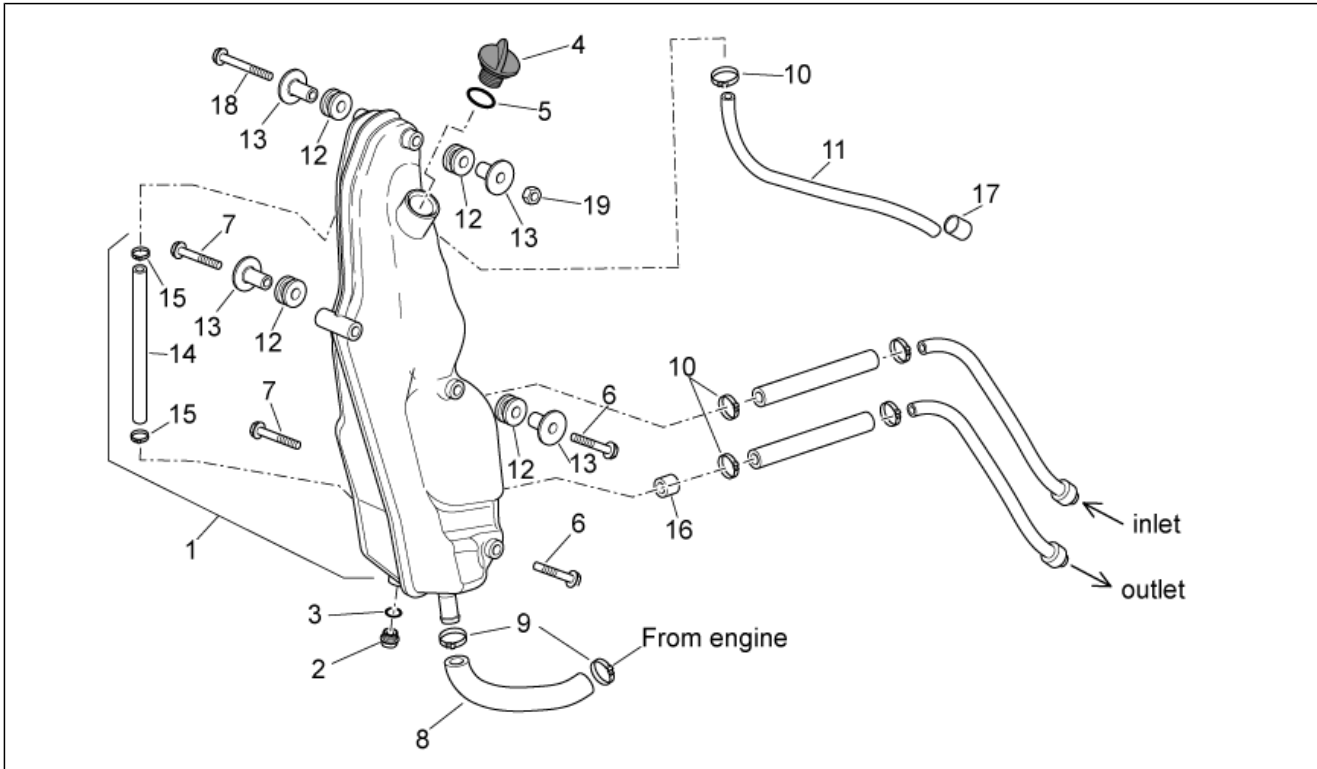
<b>Einheit</b>	RAHMEN
<b>Code</b>	28.11
<b>Beschreibung</b>	Öltank I
<b>Inspektion</b>	1



Pos.	Code	Beschreibung	Menge	Varianten
1	AP9100343	Öltank	1	<b>Technische Daten:</b> Rahmennummer VPT-VPX[T1]
2	AP9150174	Ölablaßschraube	1	<b>Technische Daten:</b> Rahmennummer VPT-VPX[T1]
3	AP9150349	Dichtscheibe D12x18x1,5	1	<b>Technische Daten:</b> Rahmennummer VPT-VPX[T1]
4	AP9150410	Ölschraube M20x1,5	1	<b>Technische Daten:</b> Rahmennummer VPT-VPX[T1]
5	273754	O-Ring	1	<b>Technische Daten:</b> Rahmennummer VPT-VPX[T1]
6	AP9100638	TE Schr. m. Flansch M6x70	1	<b>Technische Daten:</b> Rahmennummer VPT-VPX[T1]
7	AP9100661	TE Schr. m. Flansch M6x1 L=95	1	<b>Technische Daten:</b> Rahmennummer VPT-VPX[T1]
8	AP9100434	Selbstsperrende Mutter M6x1	4	<b>Technische Daten:</b> Rahmennummer VPT-VPX[T1]
9	AP9100496	Leitung Blow-By	1	<b>Technische Daten:</b> Rahmennummer VPT-VPX[T1]
10	AP8101586	Schlauchschele D.15,5x6,6	2	<b>Technische Daten:</b> Rahmennummer VPT-VPX[T1]
11	AP8101586	Schlauchschele D.15,5x6,6	3	<b>Technische Daten:</b> Rahmennummer VPT-VPX[T1]
12	AP8120987	Leitung 9x14	1	<b>Technische Daten:</b> Rahmennummer VPT-VPX[T1]
13	855766	Kappe	1	<b>Technische Daten:</b> Rahmennummer VPT-VPX[T1]
14	AP8120223	Gummi *	6	<b>Technische Daten:</b> Rahmennummer VPT-VPX[T1]
15	AP9100950	Buchse D14-D9-d6.5-H12	6	<b>Technische Daten:</b> Rahmennummer VPT-VPX[T1]
16	AP9100665	Ölstandschlauch	1	<b>Technische Daten:</b> Rahmennummer VPT-VPX[T1]
17	AP9100951	Schlauchschele	2	<b>Technische Daten:</b> Rahmennummer VPT-VPX[T1]
18	AP9100267	Gummischlauch 12,8x8,8 L=28	1	<b>Technische Daten:</b> Rahmennummer VPT-VPX[T1]
19	AP9100781	TE Schr. m. Flansch M6x133	2	<b>Technische Daten:</b> Rahmennummer VPT-VPX[T1]

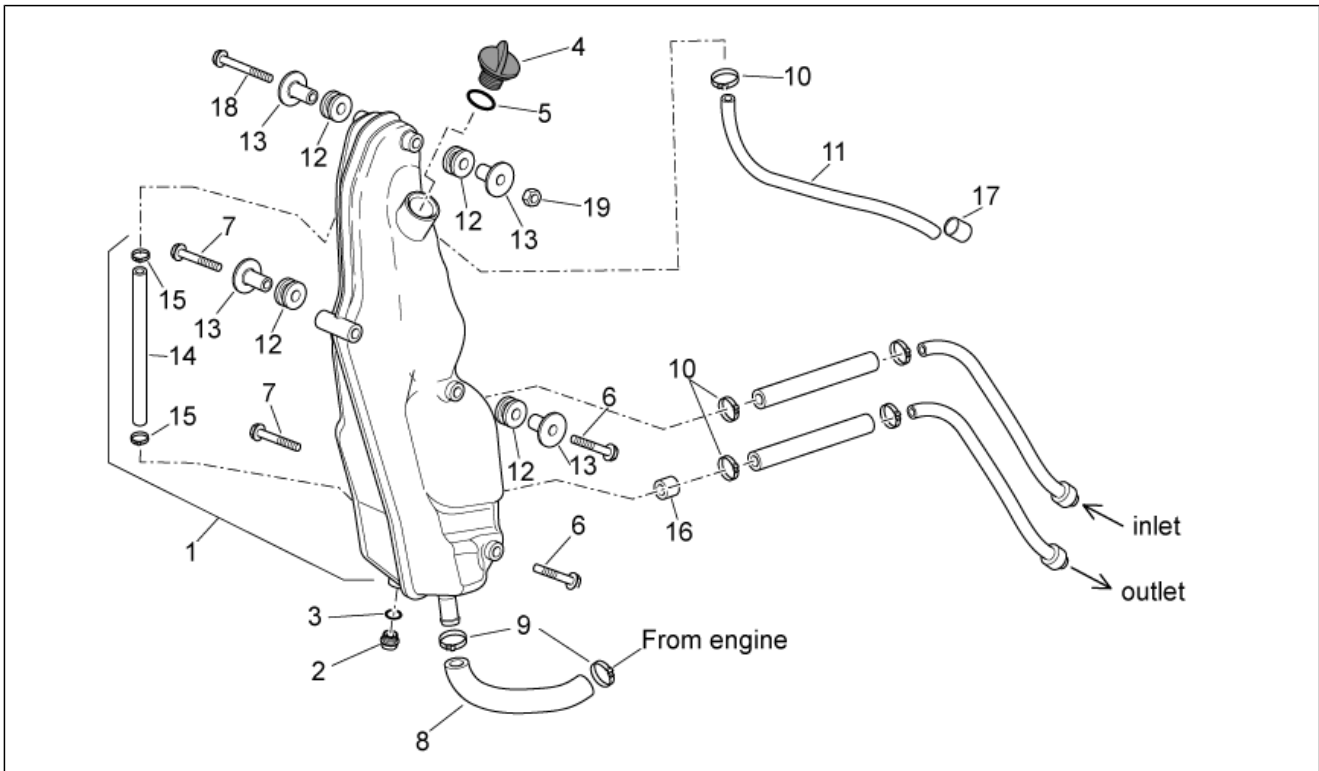


<b>Einheit</b>	RAHMEN
<b>Code</b>	28.12
<b>Beschreibung</b>	Öltank II
<b>Inspektion</b>	1



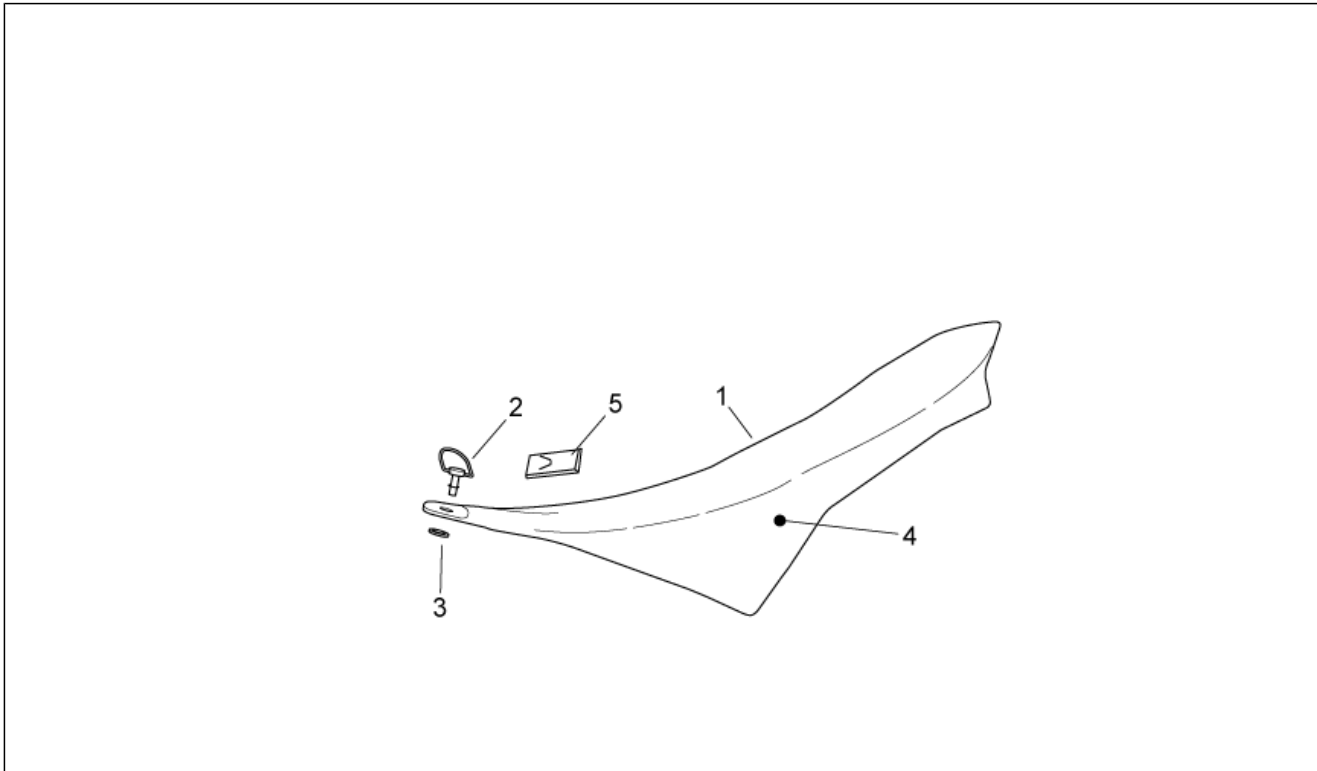
Pos.	Code	Beschreibung	Menge	Varianten
1	855686	Öltank	1	<b>Technische Daten:</b> Version Six Days[SY], Rahmennr. VPX - VPZ[T2]
2	AP9150174	Ölablaßschraube	1	<b>Technische Daten:</b> Version Six Days[SY], Rahmennr. VPX - VPZ[T2]
3	AP9150349	Dichtscheibe D12x18x1,5	1	<b>Technische Daten:</b> Version Six Days[SY], Rahmennr. VPX - VPZ[T2]
4	AP9150410	Ölschraube M20x1,5	1	<b>Technische Daten:</b> Version Six Days[SY], Rahmennr. VPX - VPZ[T2]
5	273754	O-Ring	1	<b>Technische Daten:</b> Version Six Days[SY], Rahmennr. VPX - VPZ[T2]
6	AP8152280	TE Schr. m. Flansch M6x25	2	<b>Technische Daten:</b> Version Six Days[SY], Rahmennr. VPX - VPZ[T2]
7	AP8152282	TE Schr. m. Flansch M6x35	2	<b>Technische Daten:</b> Version Six Days[SY], Rahmennr. VPX - VPZ[T2]
8	AP9100496	Leitung Blow-By	1	<b>Technische Daten:</b> Version Six Days[SY], Rahmennr. VPX - VPZ[T2]
9	AP8101586	Schlauchschele D.15,5x6,6	2	<b>Technische Daten:</b> Version Six Days[SY], Rahmennr. VPX - VPZ[T2]
10	AP8101586	Schlauchschele D.15,5x6,6	3	<b>Technische Daten:</b> Version Six Days[SY], Rahmennr. VPX - VPZ[T2]
11	AP8120987	Leitung 9x14	1	<b>Technische Daten:</b> Version Six Days[SY], Rahmennr. VPX - VPZ[T2]
12	AP8120223	Gummi *	4	<b>Technische Daten:</b> Version Six Days[SY], Rahmennr. VPX - VPZ[T2]
13	AP9100950	Buchse D14-D9-d6.5-H12	4	<b>Technische Daten:</b> Version Six Days[SY], Rahmennr. VPX - VPZ[T2]
14	AP9100665	Ölstandschlauch	1	<b>Technische Daten:</b> Version Six Days[SY], Rahmennr. VPX - VPZ[T2]
15	AP9100951	Schlauchschele	2	<b>Technische Daten:</b> Version Six Days[SY], Rahmennr. VPX - VPZ[T2]
16	AP9100267	Gummischlauch 12,8x8,8 L=28	1	<b>Technische Daten:</b> Version Six Days[SY], Rahmennr. VPX - VPZ[T2]

<b>Einheit</b>	RAHMEN
<b>Code</b>	28.12
<b>Beschreibung</b>	Öltank II
<b>Inspektion</b>	1



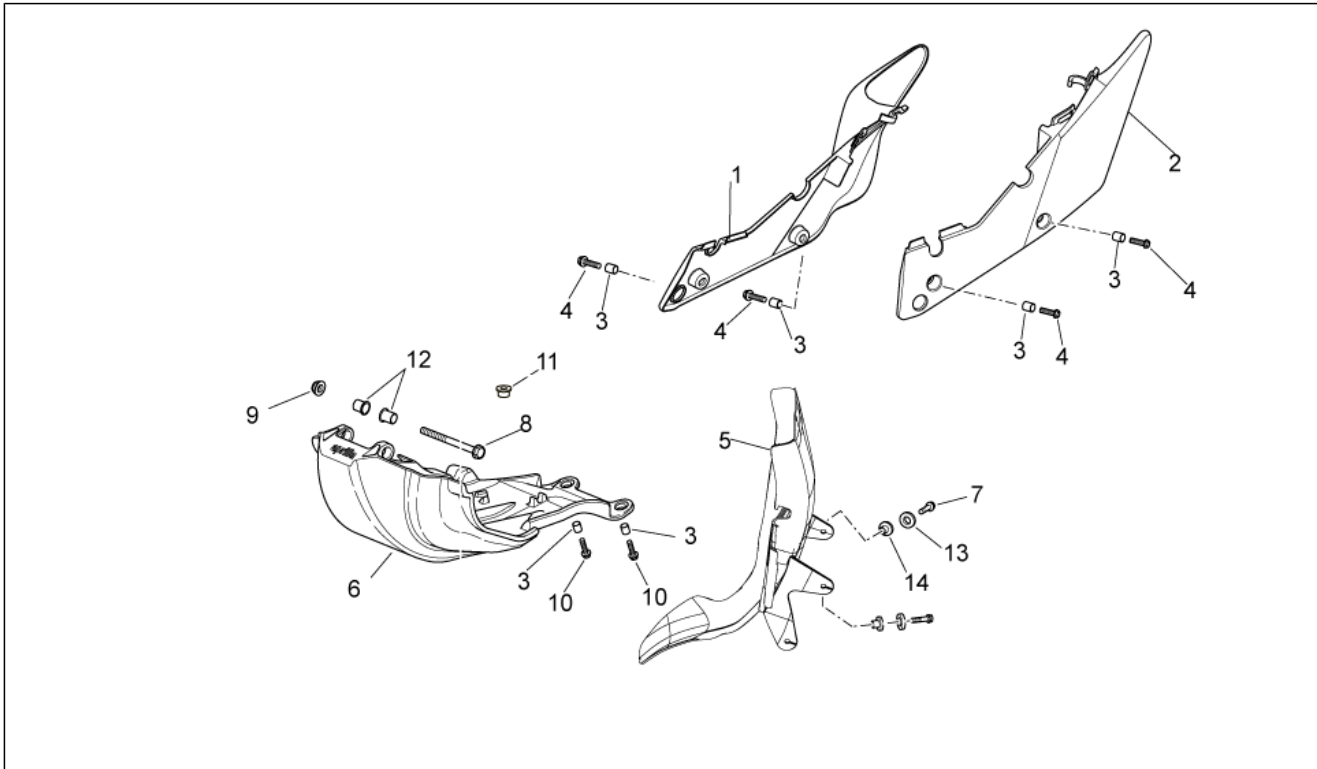
Pos.	Code	Beschreibung	Menge	Varianten
17	855766	Kappe	1	<b>Technische Daten:</b> Version Six Days[SY], Rahmennr. VPX - VPZ[T2]
18	AP9100661	TE Schr. m. Flansch M6x1 L=95	1	<b>Technische Daten:</b> Version Six Days[SY], Rahmennr. VPX - VPZ[T2]
19	AP9100434	Selbstsperrende Mutter M6x1	1	<b>Technische Daten:</b> Version Six Days[SY], Rahmennr. VPX - VPZ[T2]

<b>Einheit</b>	RAHMEN
<b>Code</b>	28.13
<b>Beschreibung</b>	Sitz
<b>Inspektion</b>	1



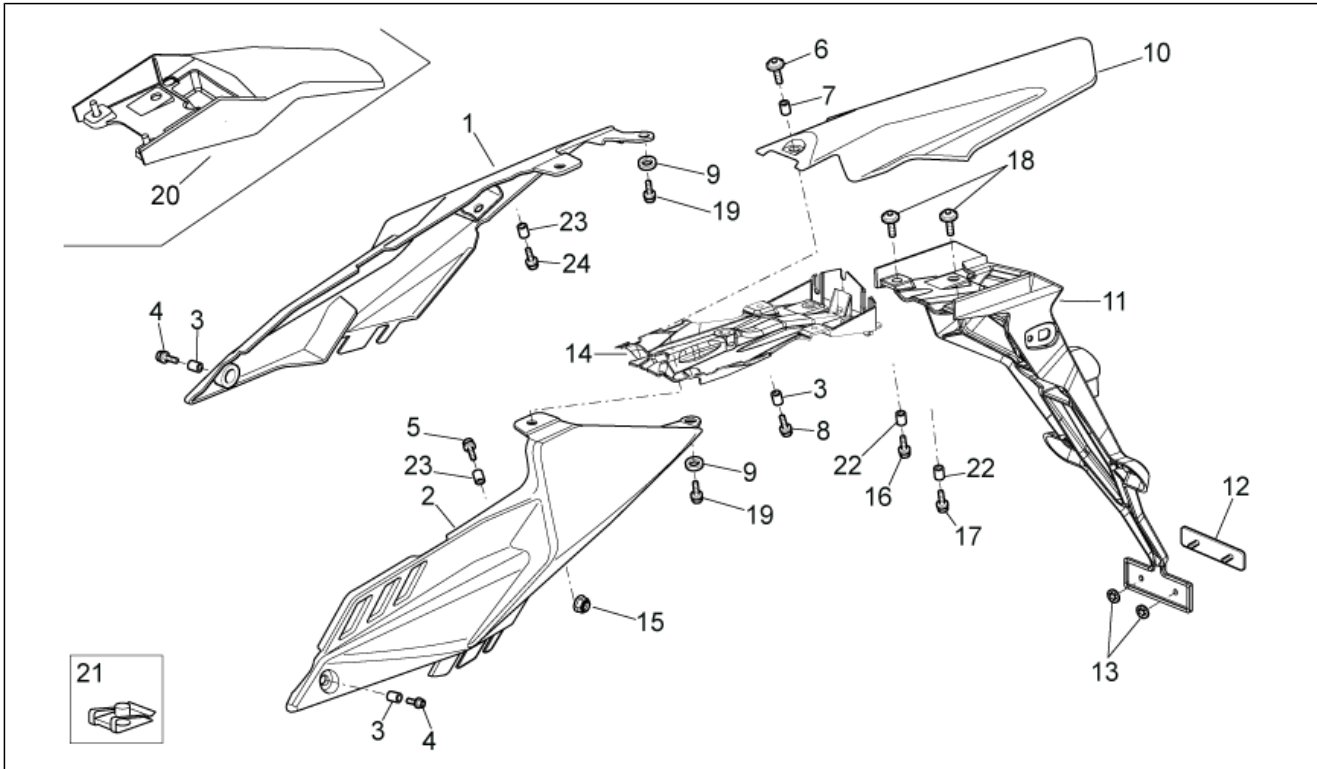
Pos.	Code	Beschreibung	Menge	Varianten
1	CM224605	Sitz	1	<b>Baujahr:</b> 2009[9], 2010[A] <b>Fahrzeugfarbe:</b> Off White 2009 (t.B. 893209)[WH09], Off White 2010 (t.B. 895846)[WH10]
1	CM224609	Sitz	1	<b>Baujahr:</b> 2011[B] <b>Fahrzeugfarbe:</b> Off White 2011 (t.B. 898351)[WH11]
2	AP9100365	Entkupplungsvorrichtung	1	
3	AP9100087	Ausgleichscheibe Teflon	1	
4	855939	Verkleidung Sitz	1	
5	851199	Tasche	1	

<b>Einheit</b>	RAHMEN
<b>Code</b>	28.14
<b>Beschreibung</b>	Mittlerer Aufbau
<b>Inspektion</b>	1



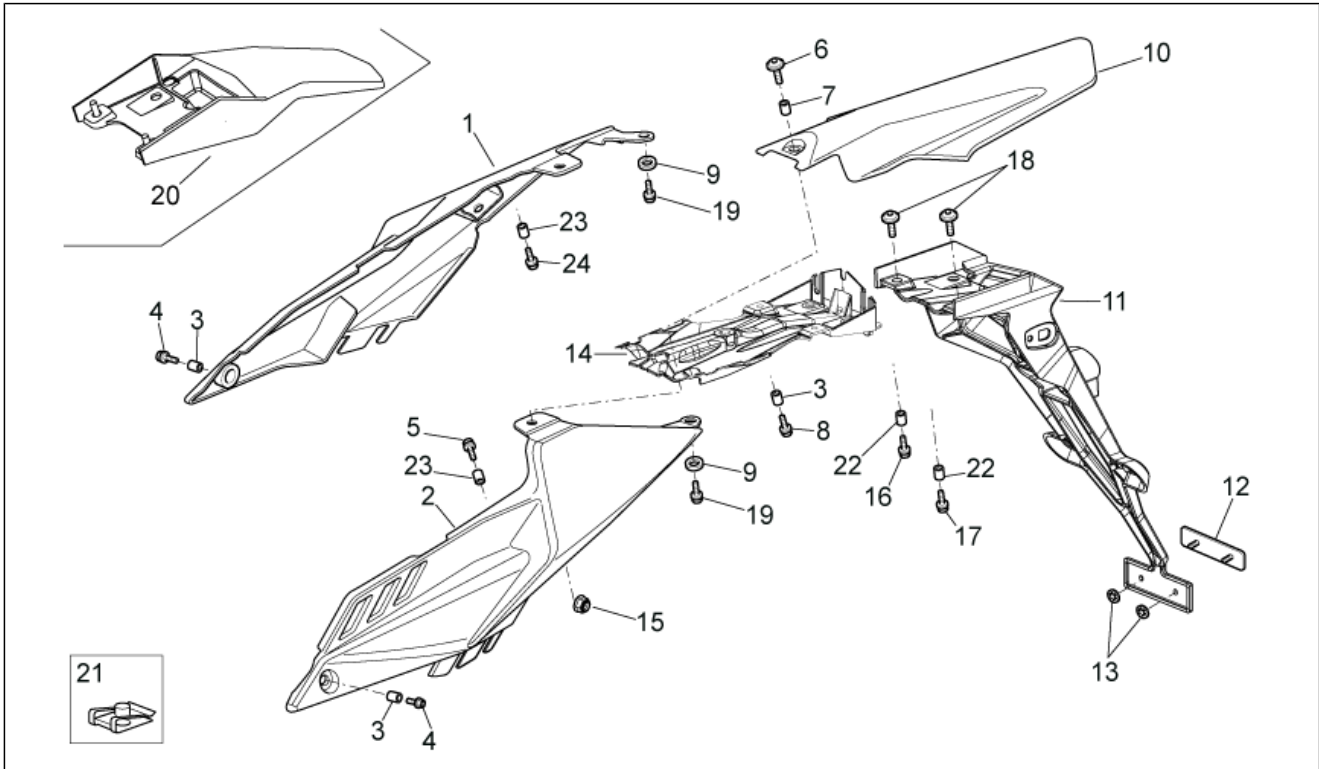
Pos.	Code	Beschreibung	Menge	Varianten
1	AP8184782	Nummernhalter re.	1	
2	AP8184606	L. kl. Seitenteil, schw.	1	
3	AP9100053	Buchse d.10-h.3,5	6	
4	AP9100645	TE Schr. m. Flansch M6x16 inox	4	
5	851449	Schutzabdeckung	1	
6	AP9100347	Wannenschutz	1	
7	598839	TE Schr. m. Flansch	5	
8	AP9100661	TE Schr. m. Flansch M6x1 L=95	1	
9	AP9100434	Selbstsperrende Mutter M6x1	1	
10	598839	TE Schr. m. Flansch	2	
11	AP8101372	Silent-Block	1	
12	AP9100778	Buchse	2	
13	AP8150015	Ausgleichscheibe 6,6x18x1,6*	5	
14	AP9100434	Selbstsperrende Mutter M6x1	5	

<b>Einheit</b>	RAHMEN
<b>Code</b>	28.15
<b>Beschreibung</b>	Heckaufbau
<b>Inspektion</b>	1



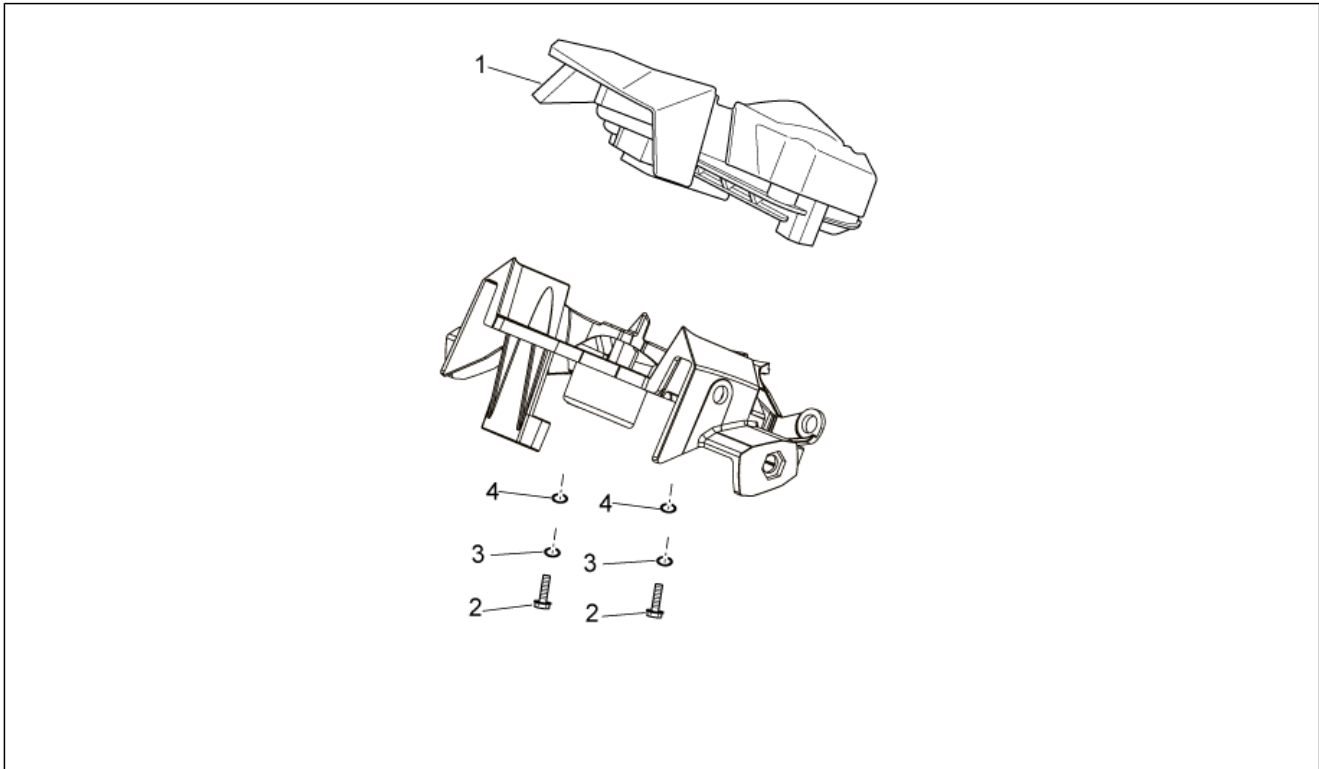
Pos.	Code	Beschreibung	Menge	Varianten
1	AP8184498	Heckteil r., weiß	1	<b>Baujahr:</b> 2009[9], 2010[A] <b>Fahrzeugfarbe:</b> Off White 2009 (t.B. 893209)[WH09], Off White 2010 (t.B. 895846)[WH10]
1	AP8184911	Heckteil r., weiß	1	<b>Baujahr:</b> 2011[B] <b>Fahrzeugfarbe:</b> Off White 2011 (t.B. 898351)[WH11]
2	AP8184499	Heckteil l., s.weiß	1	<b>Baujahr:</b> 2009[9], 2010[A] <b>Fahrzeugfarbe:</b> Off White 2009 (t.B. 893209)[WH09], Off White 2010 (t.B. 895846)[WH10]
2	AP8184912	Heckteil l., s.weiß	1	<b>Baujahr:</b> 2011[B] <b>Fahrzeugfarbe:</b> Off White 2011 (t.B. 898351)[WH11]
3	AP9100053	Buchse d.10-h.3,5	3	
4	AP9100645	TE Schr. m. Flansch M6x16 inox	2	
5	AP8152279	TE Schr. m. Flansch M6x20	1	
6	AP8152117	TBEI Schraube	1	
7	AP9100594	Buchse 10x7	1	
8	AP8152279	TE Schr. m. Flansch M6x20	1	
9	AP8150015	Ausgleichscheibe 6,6x18x1,6*	2	
10	AP8156380	H. Schutzblech, weiß	1	<b>Baujahr:</b> 2009[9], 2010[A] <b>Fahrzeugfarbe:</b> Off White 2009 (t.B. 893209)[WH09], Off White 2010 (t.B. 895846)[WH10]
10	AP8156391	H. Schutzblech, weiß	1	<b>Baujahr:</b> 2011[B] <b>Fahrzeugfarbe:</b> Off White 2011 (t.B. 898351)[WH11]
11	855041	Kennzeichenplatte	1	
11	898847	Kennzeichenplatte	1	<b>Land:</b> Australien[AUS]
12	AP8112202	Rückstrahler Rücklicht	1	
13	AP8150450	Wellenscheibe D5	2	
14	855046	Unt. Versch. h. Sitzhal.	1	
15	AP9100434	Selbstsperrende Mutter M6x1	1	
16	AP8152279	TE Schr. m. Flansch M6x20	2	
17	AP8152279	TE Schr. m. Flansch M6x20	1	

<b>Einheit</b>	RAHMEN
<b>Code</b>	28.15
<b>Beschreibung</b>	Heckaufbau
<b>Inspektion</b>	1



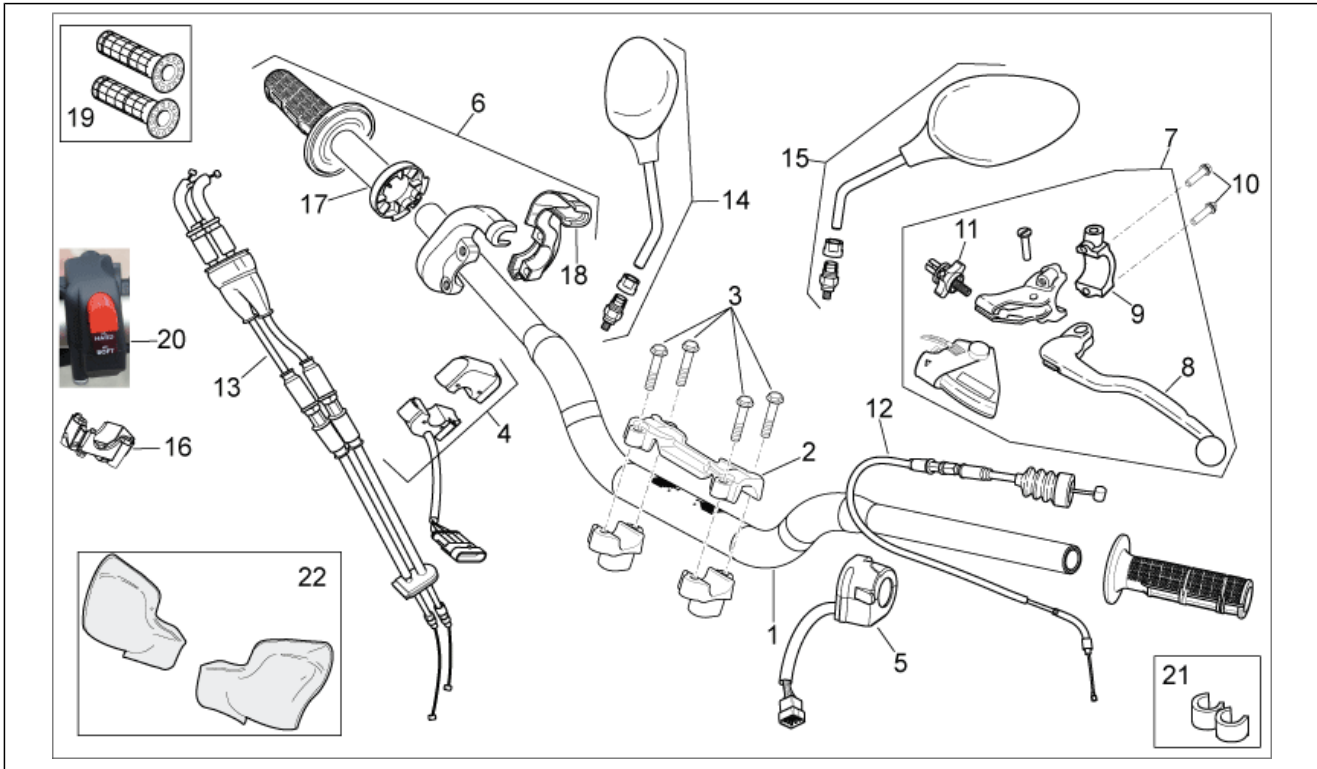
Pos.	Code	Beschreibung	Menge	Varianten
18	AP8152246	TBEI Schraube m.Flansch M6x16	2	
19	AP8152277	TE Schr. m. Flansch M6x12	2	
20	855050	Kennzeichenplatte Rac.	1	
21	254485	Plattchen M6	5	
22	AP8121075	T-Buchse *	2	
23	AP8121032	Buchse	2	
24	AP8152282	TE Schr. m. Flansch M6x35	1	

<b>Einheit</b>	RAHMEN
<b>Code</b>	28.16
<b>Beschreibung</b>	Instrumententafel
<b>Inspektion</b>	1



Pos.	Code	Beschreibung	Menge	Varianten
1	855052	Instrumententafel	1	
2	AP8150509	Gew.schr. 5x14	2	
3	AP8150248	Ausgleichscheibe 5,5x15x1,6	2	
4	AP8150272	Gebogene Sprengscheibe 5,3x10x0,5	2	

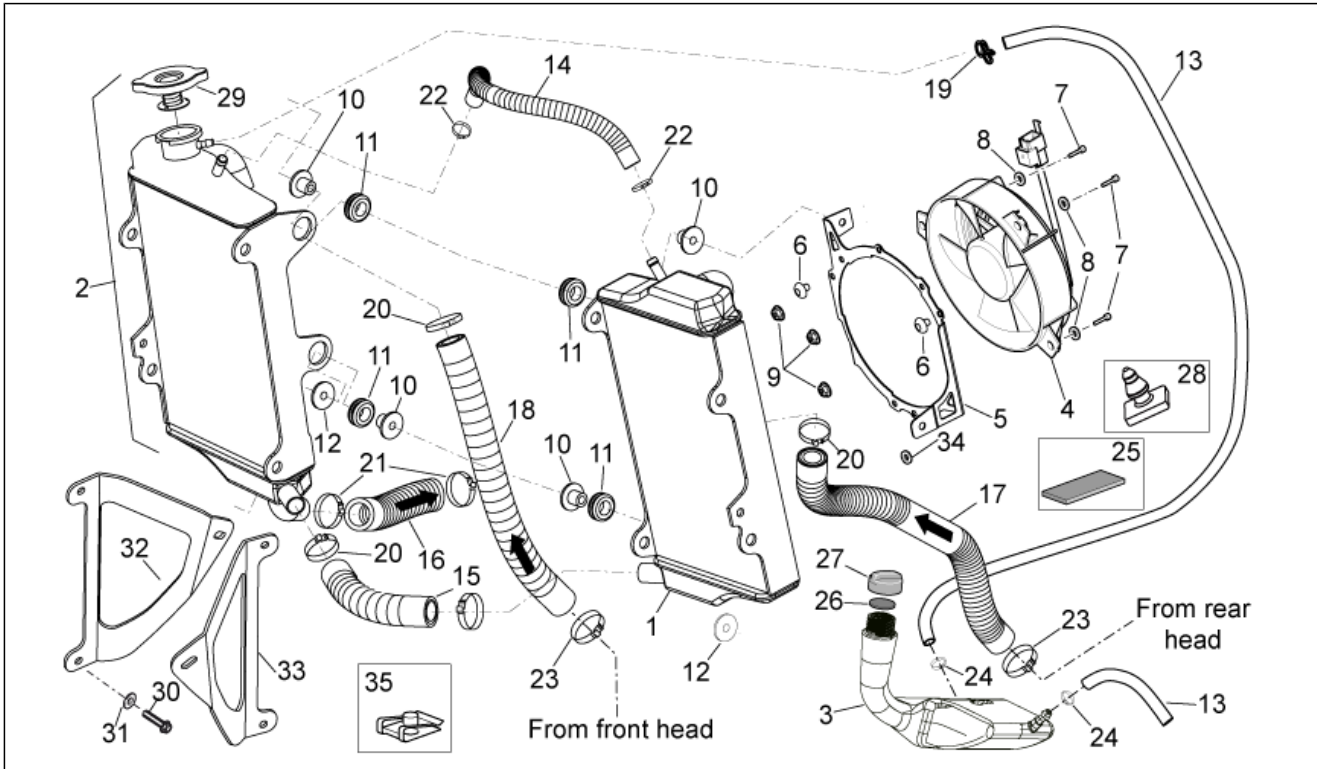
<b>Einheit</b>	RAHMEN
<b>Code</b>	28.17
<b>Beschreibung</b>	Schaltungen
<b>Inspektion</b>	1



Pos.	Code	Beschreibung	Menge	Varianten
1	855049	Lenkstange	1	
2	AP9100297	Bügelbolzen oben	1	
3	AP8152289	TE Schr. m. Flansch	4	
4	AP9100514	Rechter Lichtschalter	1	
5	855043	Linker Lichtschalter	1	
6	853696	Gasschaltung+griff	1	
7	855270	Kupplungssteuerung racing	1	<b>Technische Daten:</b> Version Six Days[SY]
7	AP9100636	Kupplungssteuerung	1	<b>Technische Daten:</b> Rahmennummer VPT-VPX[T1], Rahmennr. VPX-VPZ[T2]
8	AP9100939	Kupplungshebel	1	
9	AP9100940	Bügelbolzen	1	
10	AP8152280	TE Schr. m. Flansch M6x25	2	
11	AP9100941	Kupplungskabel schraube	1	
12	855272	Getriebe kupplungssteuerung	1	<b>Technische Daten:</b> Version Six Days[SY]
12	AP9100486	Getriebe kupplungssteuerung	1	<b>Technische Daten:</b> Rahmennummer VPT-VPX[T1], Rahmennr. VPX-VPZ[T2]
13	AP9100802	Gasantrieb	1	
14	AP8104921	Rückspiegel rechts	1	
15	AP8104922	Rückspiegel links	1	
16	858305	Map switch Untere Schale	1	
17	851359	Progressive Gasleitung	1	
18	851360	Bügelbolzen	1	
19	AP8218628	Handgriffe paar, schwarz	1	
20	858247	Map switch	1	
21	AP9100519	Kleine Feder	3	
22	851097	Handschutz kpl.- Paar	1	

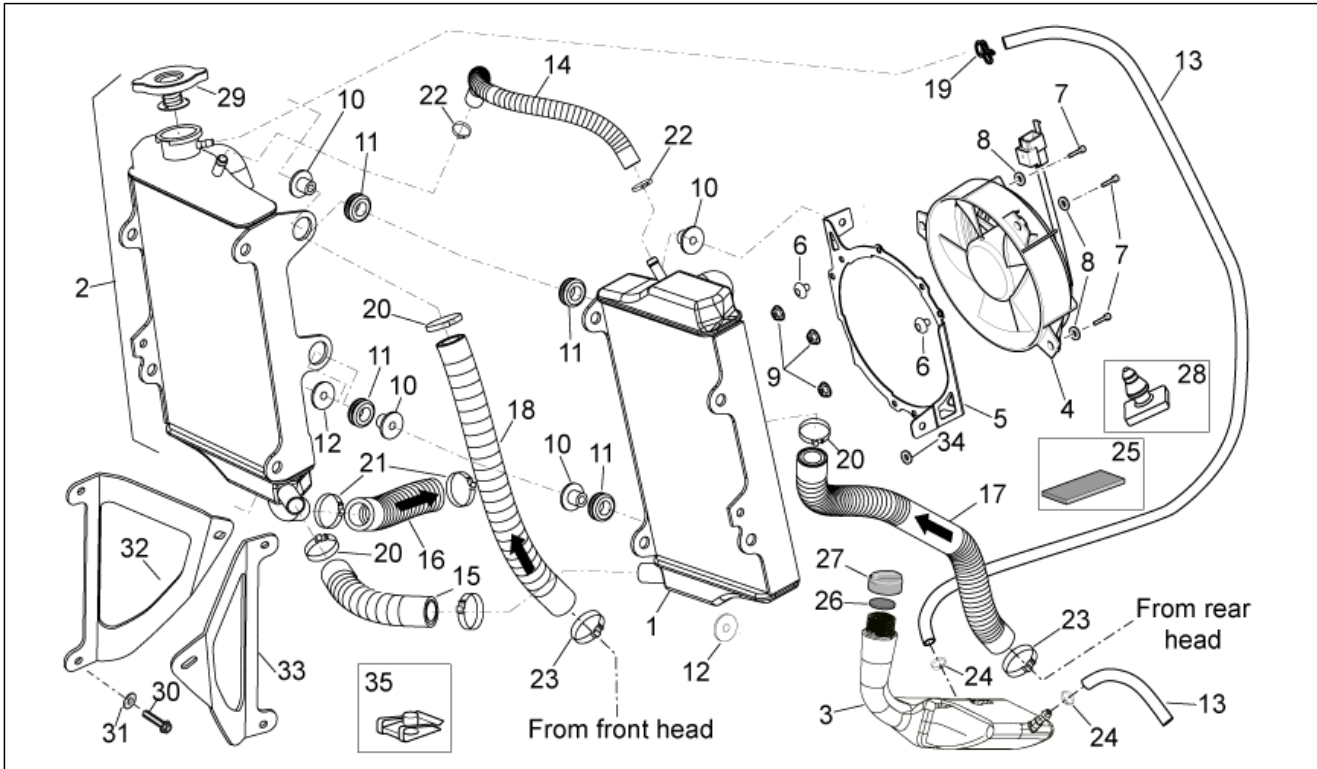


<b>Einheit</b>	RAHMEN
<b>Code</b>	28.18
<b>Beschreibung</b>	Kühlanlage
<b>Inspektion</b>	1



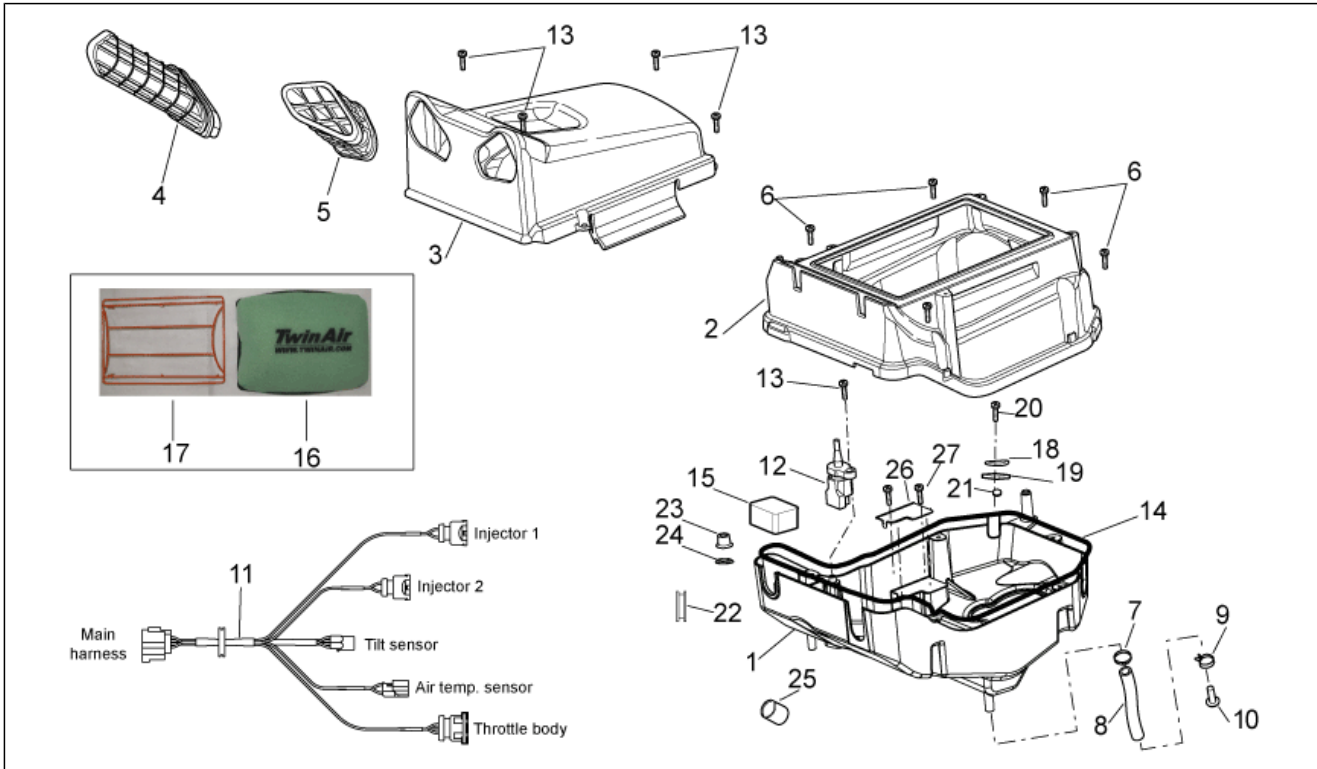
Pos.	Code	Beschreibung	Menge	Varianten
1	AP9100348	Wasserkühler L.	1	<b>Technische Daten:</b> Rahmennummer VPT-VPX[T1], Rahmennr. VPX -VPZ[T2]
1	AP9100348	Wasserkühler L.	1	<b>Technische Daten:</b> Version Six Days[SY]
2	AP9100349	Wasserkühler R.	1	<b>Technische Daten:</b> Rahmennummer VPT-VPX[T1], Rahmennr. VPX -VPZ[T2]
2	AP9100349	Wasserkühler R.	1	<b>Technische Daten:</b> Version Six Days[SY]
3	AP9100506	Ausdehngefäß	1	
4	AP8124930	Ventilator komplett	1	
5	855690	Lüfterlager	1	
6	AP8120876	Verschlußschraube	3	
7	AP8152267	TBEI Spez.schr. M5x12	3	
8	AP8150013	Ausgleichscheibe 5,5x15x1,6*	3	
9	AP8150451	Selbstsperr.mut Unt.	3	
10	AP9100376	Buchse	4	
11	AP9100946	Silent-Block *	4	
12	AP9100375	Ausgleichscheibe 24,8x6,2x1	2	
13	AP8220325	Kraftstoffleitung 5,5x10	2	
14	855265	Entlüftungsschlauch Kühler 7,5X3,5	1	<b>Technische Daten:</b> Version Six Days[SY]
14	AP8144506	Entlüftungsschlauch Kühler 7,5X3,5	1	<b>Technische Daten:</b> Rahmennummer VPT-VPX[T1], Rahmennr. VPX -VPZ[T2]
15	AP9100555	Leitung 23x15x135	1	<b>Technische Daten:</b> Rahmennummer VPT-VPX[T1], Rahmennr. VPX -VPZ[T2]
15	CM238403	Leitung 23x15x125	1	<b>Technische Daten:</b> Version Six Days[SY]
16	855266	Cooler-pump pipe 27x19x145	1	<b>Technische Daten:</b> Version Six Days[SY]
16	AP9100557	Cooler-pump pipe 27x19x145	1	<b>Technische Daten:</b> Rahmennummer VPT-VPX[T1], Rahmennr. VPX -VPZ[T2]
17	AP9100553	Leitung 23x15x380	1	<b>Technische Daten:</b> Rahmennummer VPT-VPX[T1], Rahmennr. VPX -VPZ[T2]
17	CM238401	Leitung 23x15x395	1	<b>Technische Daten:</b> Version Six Days[SY]

<b>Einheit</b>	RAHMEN
<b>Code</b>	28.18
<b>Beschreibung</b>	Kühlanlage
<b>Inspektion</b>	1



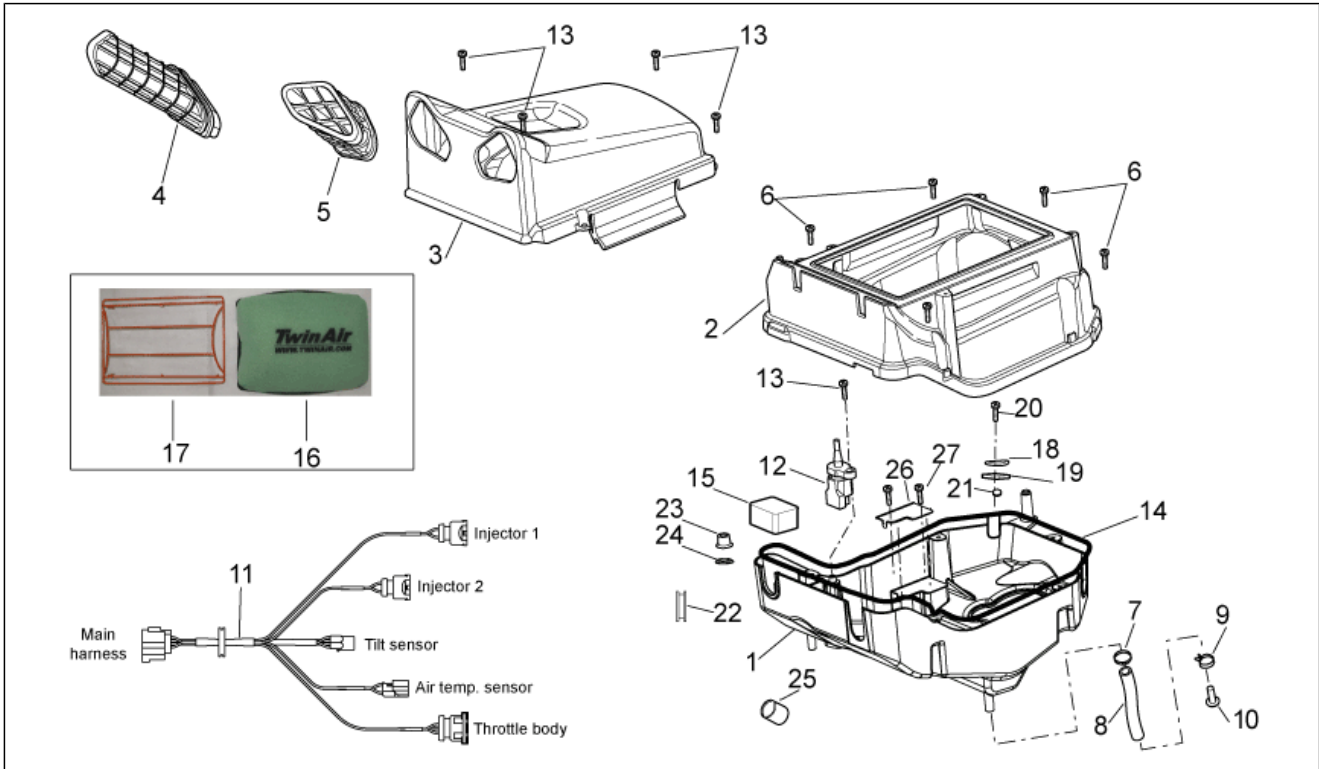
Pos.	Code	Beschreibung	Menge	Varianten
18	AP9100554	Leitung 23x15x295	1	<b>Technische Daten:</b> Rahmennummer VPT-VPX[T1], Rahmennr. VPX -VPZ[T2]
18	CM238402	Leitung 23x15x295	1	<b>Technische Daten:</b> Version Six Days[SY]
19	AP8102738	Schlauchschele	1	
20	AP8201169	Schlauchschele D22x8,6*	4	
21	AP8120536	Schlauchschele D28x8,6*	2	<b>Technische Daten:</b> Version Six Days[SY]
21	AP9100456	Schlauchschele 26x8	2	<b>Technische Daten:</b> Rahmennummer VPT-VPX[T1], Rahmennr. VPX -VPZ[T2]
22	AP9100714	Schlauchschele 14,5x8	2	
23	AP9100697	Schlauchschele 21x8	2	
24	AP8120446	Schlauchschele, grün D11x6,6x1	2	
25	AP8117041	Klebeschwamm 6x30	2	
26	AP8220191	Dichtung	1	
27	AP8104124	Ausdehnsg. Schraube	1	
28	AP8120455	Gummi	1	
29	AP9100948	Kühlerschraube	1	
30	AP8152226	TBEI Schraube	4	<b>Technische Daten:</b> Version Six Days[SY]
31	AP8152181	Scheibe 6,4x15x1	4	<b>Technische Daten:</b> Version Six Days[SY]
32	855276	L.Kühler schutz	1	<b>Technische Daten:</b> Version Six Days[SY]
33	855277	R.Kühler schutz	1	<b>Technische Daten:</b> Version Six Days[SY]
34	AP8150016	Scheibe 6,6x18x1,6	1	
35	254485	Plattchen M6	2	

<b>Einheit</b>	RAHMEN
<b>Code</b>	28.19
<b>Beschreibung</b>	Filtergehäuse
<b>Inspektion</b>	1



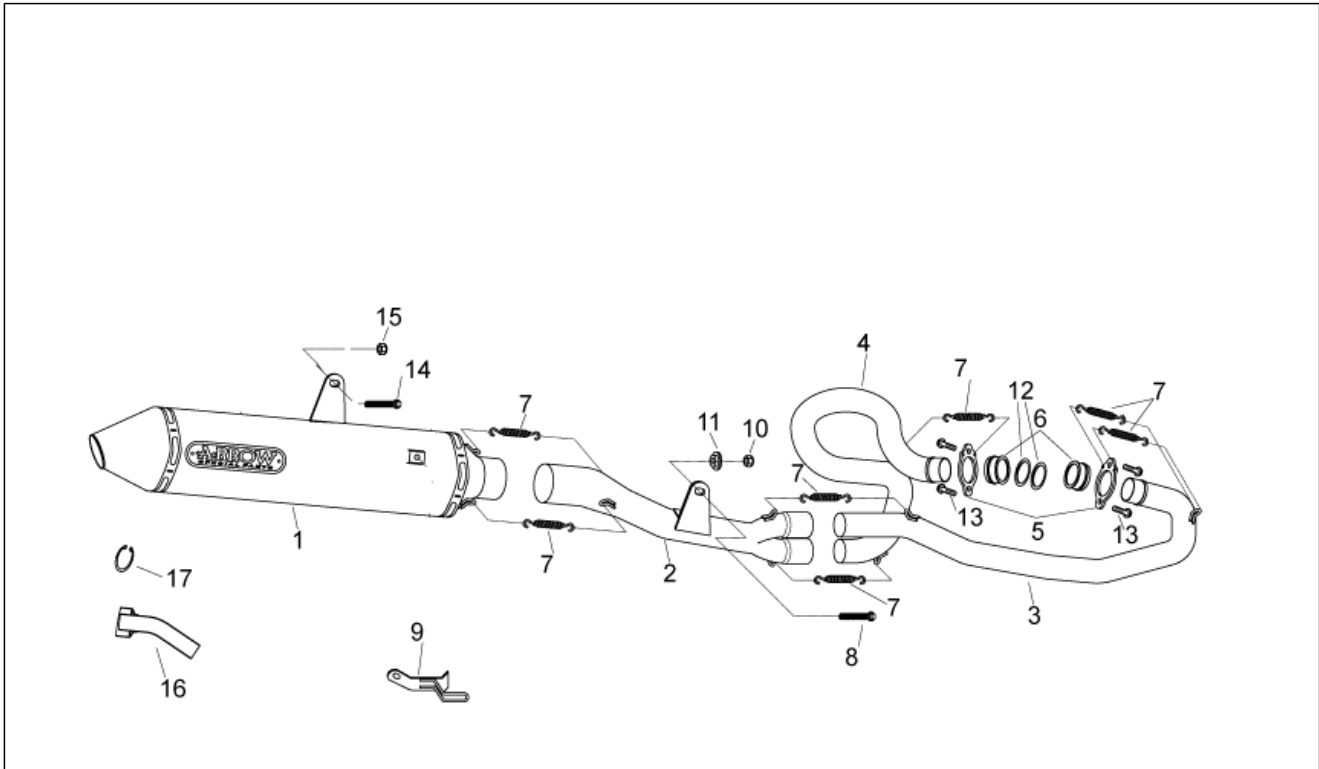
Pos.	Code	Beschreibung	Menge	Varianten
1	855662	Boden Filtergehäuse	1	<b>Technische Daten:</b> Version Enduro 450[RX45], Version Six Days[SY], Rahmennummer VPT-VPX[T1], Rahmennr. VPX - VPZ[T2]
1	855664	Boden Filtergehäuse	1	<b>Technische Daten:</b> Enduro-Version 550[RX55], Version Six Days[SY], Rahmennummer VPT-VPX[T1], Rahmennr. VPX - VPZ[T2]
2	853695	Filtereinsatzgehäuse	1	
3	AP9100703	Deckel	1	
4	AP9100588	R.Lufteinlass	1	
5	AP9100587	L.Lufteinlass	1	
6	AP8152351	Linsenschraube 4,2x16*	5	
7	AP8101595	Schelle D10,1	1	
8	AP8144038	Kraftstoffleitung 6x10	1	
9	AP8102377	Schelle D9,1*	1	
10	AP8120876	Verschlußschraube	1	
11	855786	Verkabelung	1	
12	AP9100427	Lufttemperaturfühler	1	
13	AP8150413	Gew.schr. 3,9x14	5	
14	AP8120593	Dichtung D4	1	
15	851006	Schwingungsdämpfergummi	1	
16	858044	Luftfilter	1	
17	858045	Drum	1	
18	855783	Dichtung	1	
19	855784	Platte	1	
20	855770	TBEI Schraube M10x1,5x20	1	
21	AP8152301	Selbstsperrende Mutter	1	
22	CM239501	Gummi	1	
23	855790	Ventil	1	
24	828535	Ausgleichscheibe	1	

<b>Einheit</b>	RAHMEN
<b>Code</b>	28.19
<b>Beschreibung</b>	Filtergehäuse
<b>Inspektion</b>	1



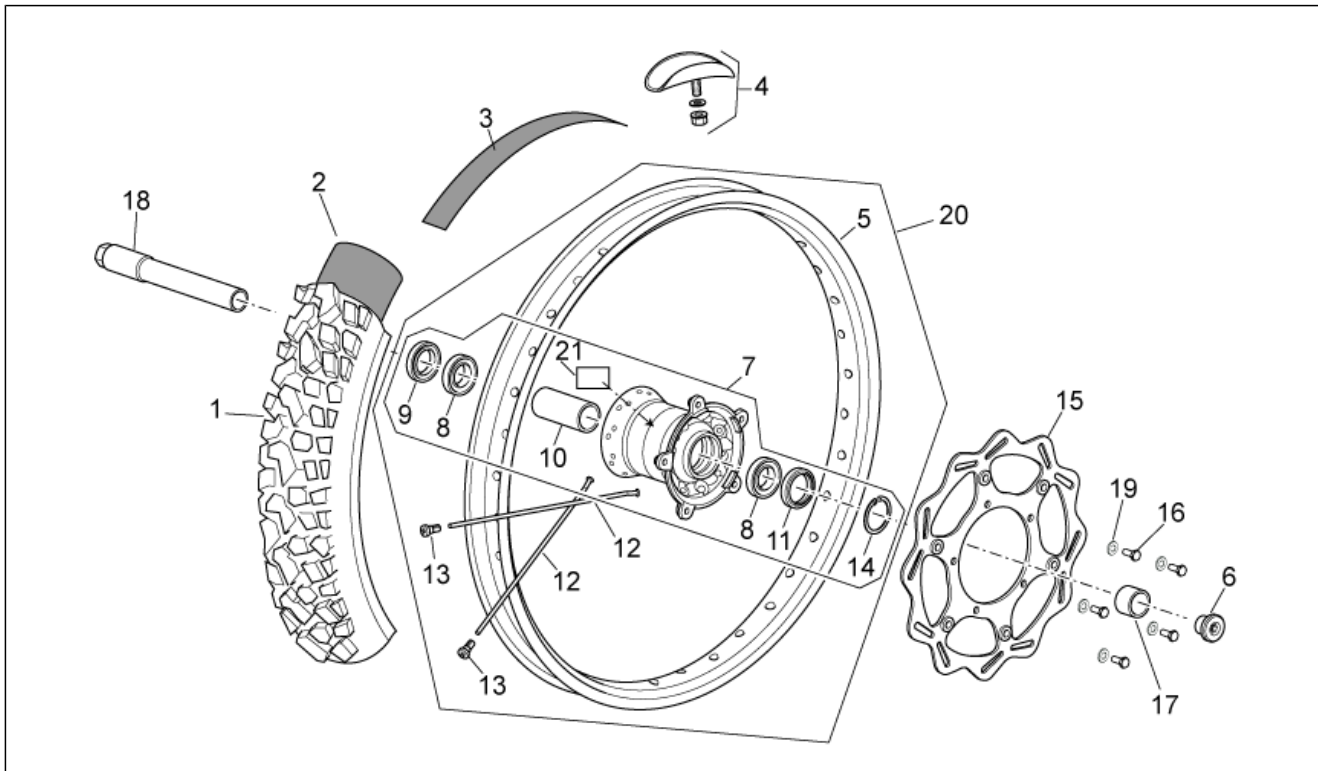
Pos.	Code	Beschreibung	Menge	Varianten
25	855900	Kappe	1	
26	AP9150529	Deckel	1	
27	AP8152334	TBEI Schraube m.Flansch M3x12	2	

<b>Einheit</b>	RAHMEN
<b>Code</b>	28.20
<b>Beschreibung</b>	Auslassgruppe
<b>Inspektion</b>	1



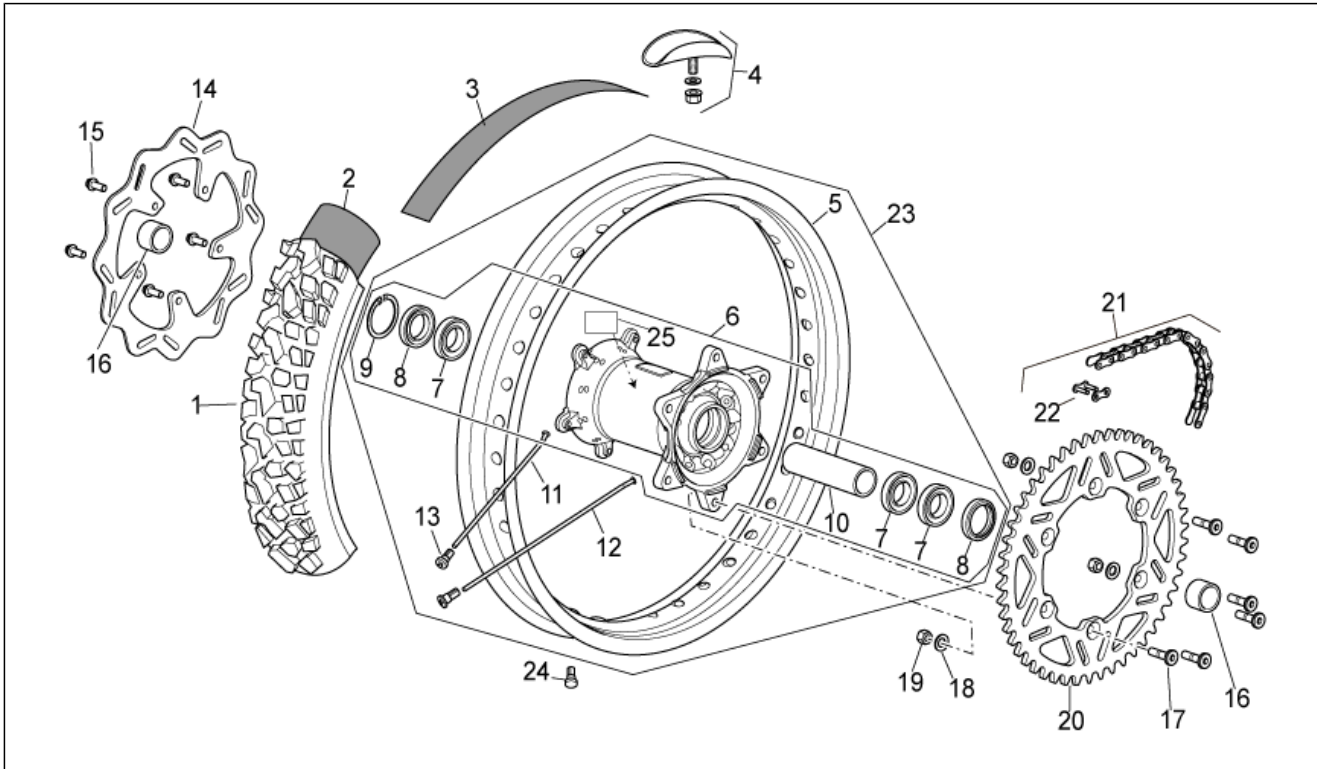
Pos.	Code	Beschreibung	Menge	Varianten
1	855868	Schalldämpfer	1	
2	855820	Anschluss	1	
3	8585144	Auspuffrohr vorn	1	
4	8585154	Auspuffrohr hinten	1	
5	858516	Flansch	2	
6	858517	Buchse	2	
7	858524	Feder	6	
8	AP8152286	TE Schr. m. Flansch M8x20	1	
9	858525	Platte	1	
10	AP8152300	Selbstsperrende Mutter M8	1	
11	AP8120508	T-Buchse *	1	
12	AP9100252	Dichtung Auspuffrohr	2	
13	598839	TE Schr. m. Flansch	4	
14	AP8152287	TE Schr. m. Flansch M8x25	1	
15	AP8150018	Ausgleichscheibe	1	
16	891264	DB killer	1	
17	891265	Sprengring	1	

<b>Einheit</b>	RAHMEN
<b>Code</b>	28.21
<b>Beschreibung</b>	Vorderrad
<b>Inspektion</b>	1



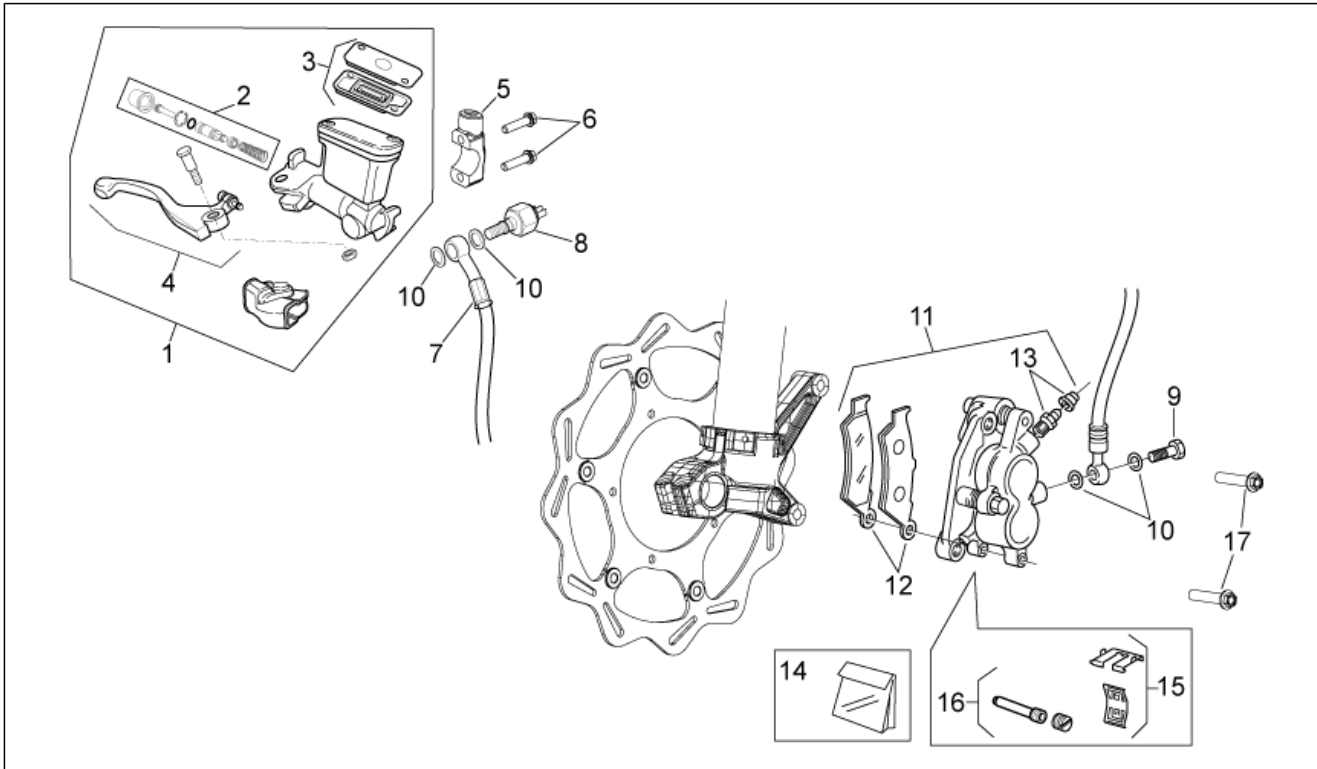
Pos.	Code	Beschreibung	Menge	Varianten
1	855687	Vorderreifen 90/90X21"	1	
2	855741	Schlauch 21"	1	
3	AP8109001	Vorderrandband 21"	1	
4	AP9100457	Bügel	1	
5	855586	Vorderradfelgen 1,6x21"	1	
6	AP9100171	Deckel M22	1	
7	AP9100225	Nabe vorne	1	
8	AP9100216	Kugellager 25x42x9	2	
9	AP9100228	Gasket ring 28x42x7	1	
10	AP9100226	Interne Distanzscheibe L=69,7	1	
11	AP9100227	Gasket ring 32x42x7	1	
12	AP9100224	Speiche d.3,5-21"-l.233	36	
13	AP9100057	Nippel	36	
14	AP8121334	Seegerring D.42	1	
15	855747	Vorderradbremsscheibe d.270	1	
16	855720	Sechskantschraube M6x16	5	
17	AP9100229	Externe Distanzscheibe L=26,3	1	
18	855203	Vorderradbolzen L=221,5	1	
19	AP8150429	Sprengscheibe 6,4x11x0,5*	5	
20	855584	Vorderrad 21"	1	
21	AP9100318	Distanzscheibe	1	

<b>Einheit</b>	RAHMEN
<b>Code</b>	28.22
<b>Beschreibung</b>	Hinterrad
<b>Inspektion</b>	1



Pos.	Code	Beschreibung	Menge	Varianten
1	855694	Hinterreifen 140/80X18" Pirelli	1	
2	855742	Schlauch 18"	1	
3	AP8109281	Hinterradband 18"	1	
4	AP9100462	Bügel reifen	1	
5	855587	H.Felge 2,15X18"	1	
6	AP9100214	Nabe hinten	1	
7	AP9100216	Kugellager 25x42x9	3	
8	AP9100227	Gasket ring 32x42x7	2	
9	AP8121334	Seegerring D.42	1	
10	AP9100215	Interne Distanzscheibe L=106,5 mm	1	
11	AP9100056	Speiche d.4-18"-l.196,5	18	
12	AP9100211	Speiche d.4-18"-l.199,5	18	
13	AP9100213	Nippel d.4	36	
14	855748	Vorderradbremsscheibe d.240	1	
15	855625	TE Schr. m. Flansch	5	
16	AP9100595	Externe Distanzscheibe L=21,9	2	
17	855626	Schraube M8x30	6	
18	AP8150009	Scheibe	6	
19	AP9100432	Selbstsperr.Mut.Unt. M8x1,25	6	
20	CM238207	Zahnkranz Z=50	1	
21	855845	Kette	1	
22	AP9100533	Verbindungsglied 5/8x1/4	1	
23	855585	Hinterrad ohne Scheibe 18"	1	
24	AP8120001	Gummi	1	
25	AP9100318	Distanzscheibe	1	

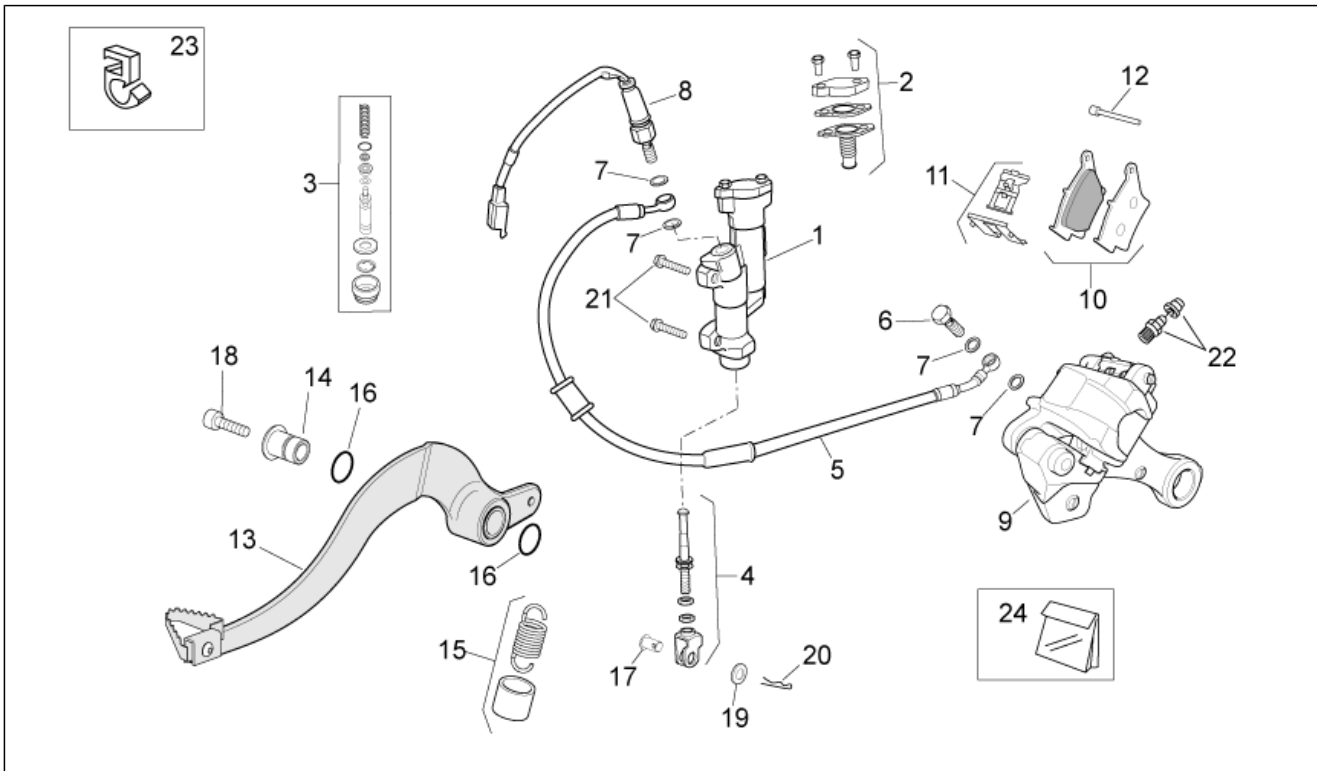
<b>Einheit</b>	RAHMEN
<b>Code</b>	28.23
<b>Beschreibung</b>	Bremsanlage - Vorn
<b>Inspektion</b>	1



Pos.	Code	Beschreibung	Menge	Varianten
1	AP9100257	Vorderradbremspumpe Nissin	1	
2	AP9100785	Kolben, kit	1	
3	AP9100786	Aust.satz Verschlussschraube	1	
4	AP9100787	Kit Hebelüberholung	1	
5	AP9100707	Schelle	1	
6	AP8152280	TE Schr. m. Flansch M6x25	2	
7	851351	Vorderradbremsleitung	1	
8	AP9100418	V. Schalter Stopp	1	
9	AP9100472	Sechskantschraube M10x1,25	1	
10	AP9100473	Ausgleichscheibe 14x10,2x1	4	
11	AP9100256	Vorderradbremzange	1	
12	AP9100788	Beläge (Paar)	1	
13	AP9100789	Bausatz Entlüftungsüberh.	1	
14	AP9100790	Bausatz Bremszangenüberholung	1	
15	AP9100791	Feder	1	
16	AP9100792	Bolzen	1	
17	AP8152290	TE Schr. m. Flansch M8x40	2	

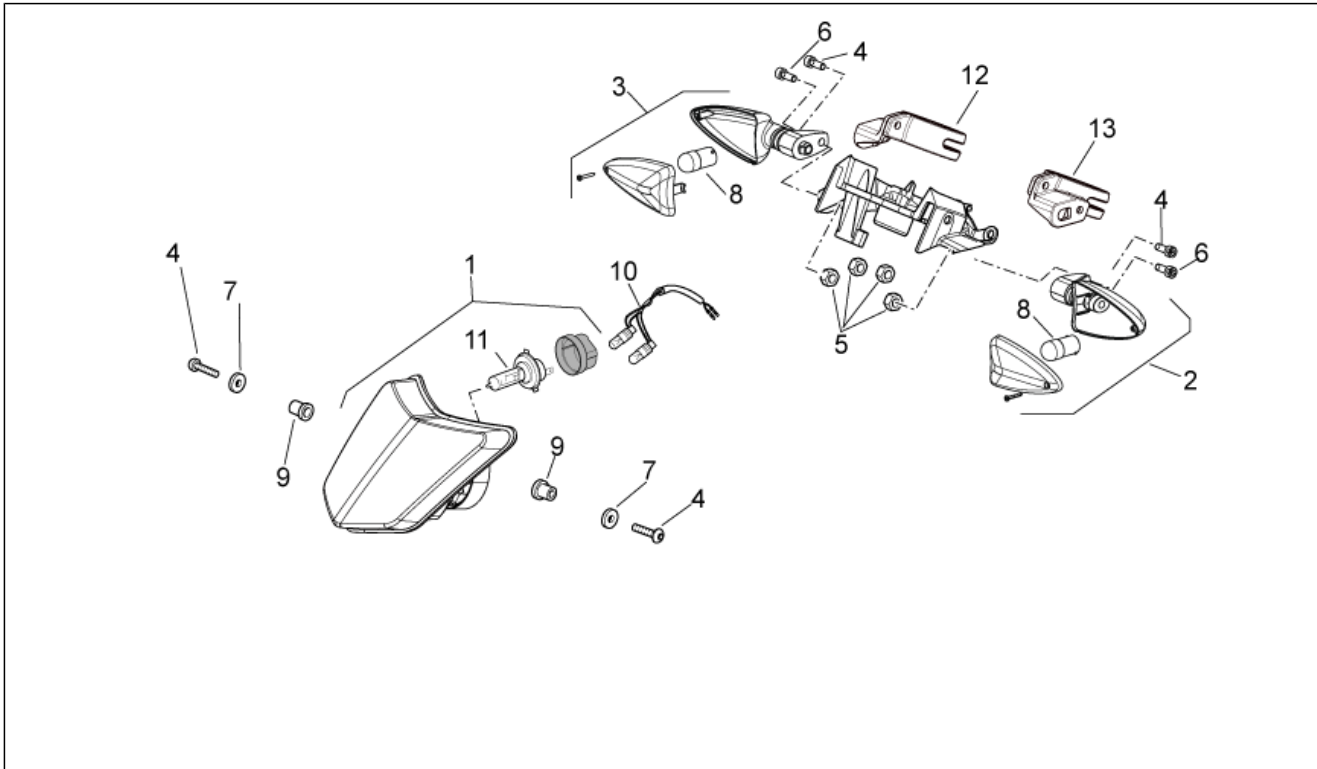


<b>Einheit</b>	RAHMEN
<b>Code</b>	28.24
<b>Beschreibung</b>	Bremsanlage - Hinten
<b>Inspektion</b>	1



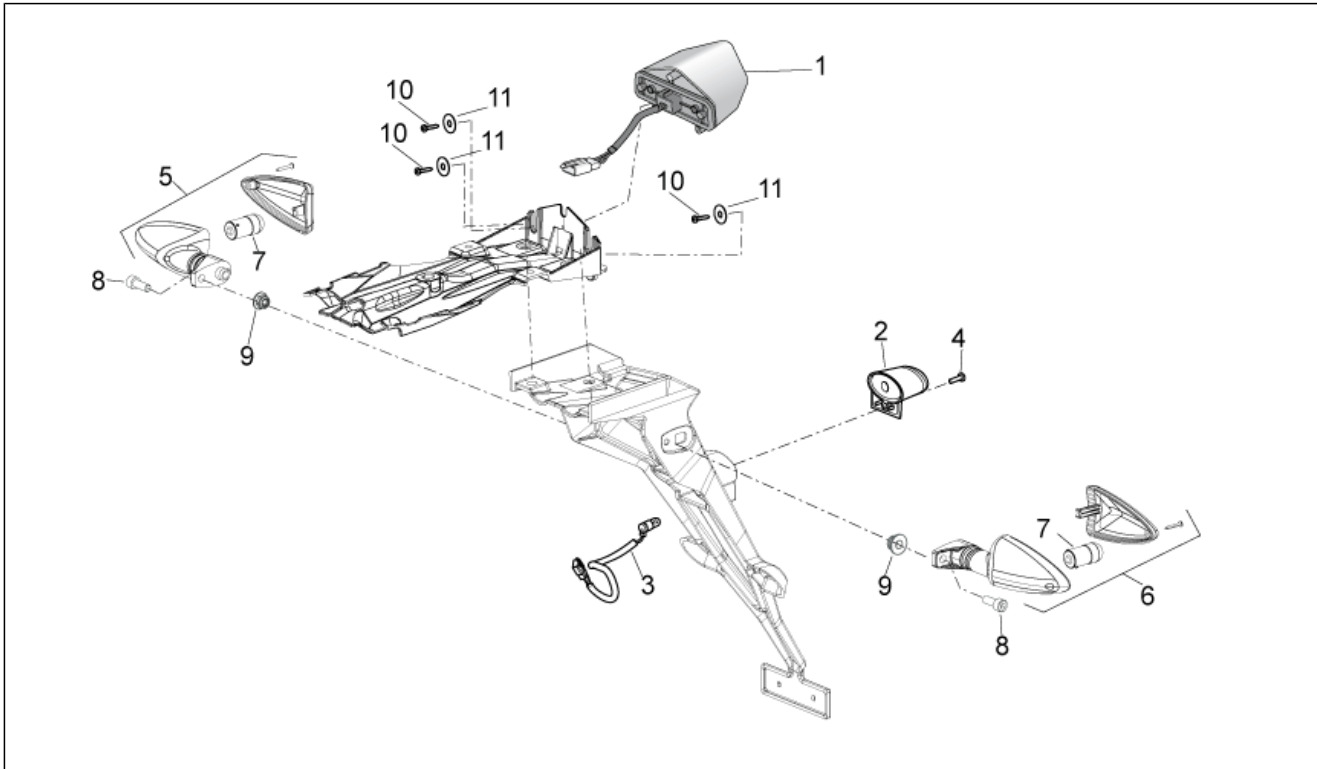
Pos.	Code	Beschreibung	Menge	Varianten
1	AP9100475	Hinterradbremspumpe	1	
2	AP9100794	Aust.satz Verschlusschraube	1	
3	AP9100793	Kolben, kit	1	
4	AP9100795	Kit Hebelüberholung	1	
5	855696	Hinterradbremseleitung	1	
6	AP9100472	Sechskantschraube M10x1,25	1	
7	AP9100473	Ausgleichscheibe 14x10,2x1	4	
8	AP9100417	Bremslichtschalter	1	
9	855769	Hinterradbremsszange	1	
10	855852	Beläge (Paar)	1	
11	855853	Feder	1	
12	855854	Bolzen	1	
13	855506	H.bremshebel	1	
14	AP9100290	Buchse	1	
15	AP9100291	Feder	1	
16	AP9100477	O-Ring 18x2	2	
17	AP9100354	Stift Hinterradbremsh. eb.	1	
18	AP8150169	TCEI Schraube M8x20	1	
19	AP8150017	Ausgleichscheibe 8,4x16x1,6	1	
20	AP8101928	Splint	1	
21	598839	TE Schr. m. Flansch	2	
22	AP9100789	Bausatz Entlüftungsüberh.	1	
23	AP9100752	Kleine Feder	2	
24	855855	Bausatz Bremszangenüberholung	1	

<b>Einheit</b>	RAHMEN
<b>Code</b>	28.25
<b>Beschreibung</b>	Vorderer Lichter
<b>Inspektion</b>	1



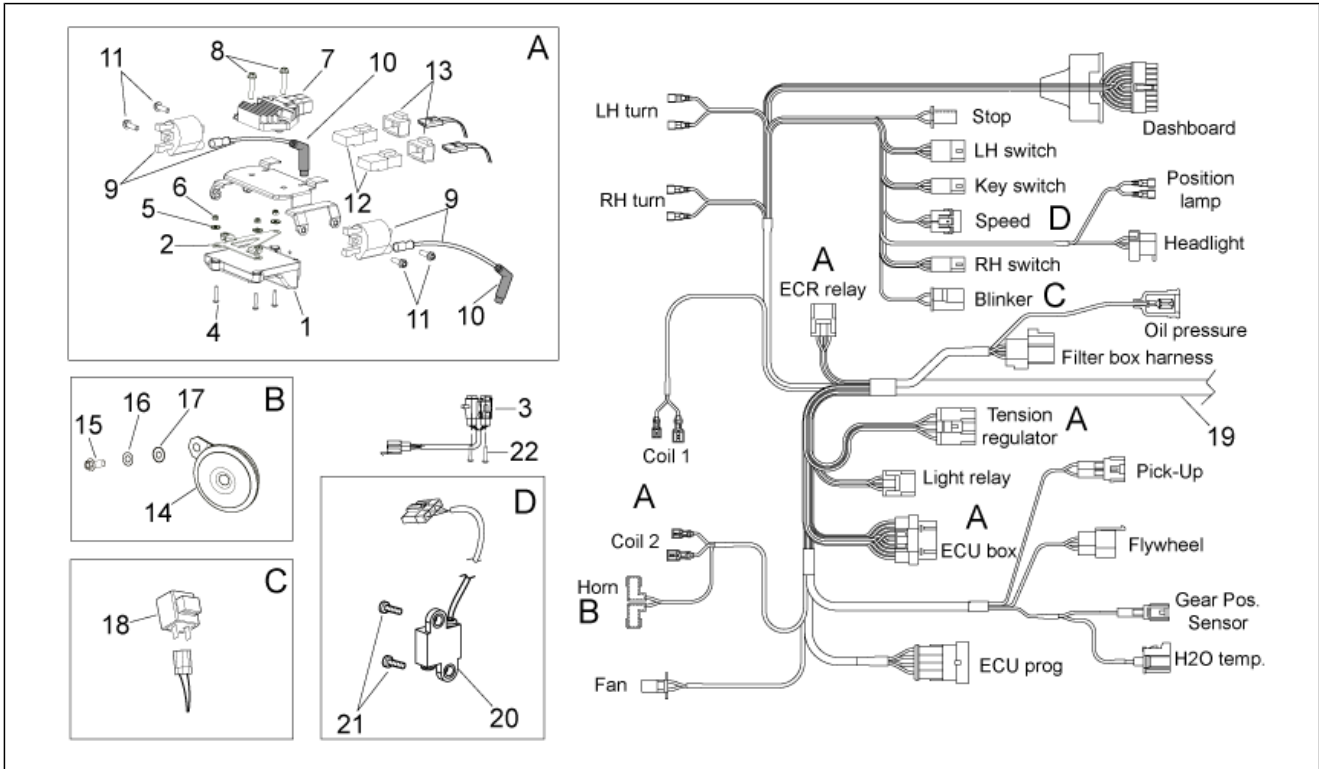
Pos.	Code	Beschreibung	Menge	Varianten
1	855038	Scheinwerfer	1	Land:Europa[EU]
1	859702	Scheinwerfer	1	Land:Australien[AUS], Großbritannien[UK]
2	AP8127784	Vorderblinker links/ Hinterblinker rechts	1	
3	AP8127783	Vorderblinker rechts / Hinterblinker links	1	
4	AP8152108	TBEI Schraube	4	
5	AP8150430	Selbstsperr.mut Unt.	4	
6	AP8152137	TBEI Schraube M6x20	2	
7	AP8152181	Scheibe 6,4x15x1	2	
8	AP8127489	Lampen RY10W 12V	2	
9	AP8121032	Buchse	2	
10	856610	Kabel Standlicht	1	
11	292723	Lampen H4 12V-60/55W	1	
12	855044	Halter rechts	1	
13	855045	Halter links	1	

<b>Einheit</b>	RAHMEN
<b>Code</b>	28.26
<b>Beschreibung</b>	Hinterer Lichter
<b>Inspektion</b>	1



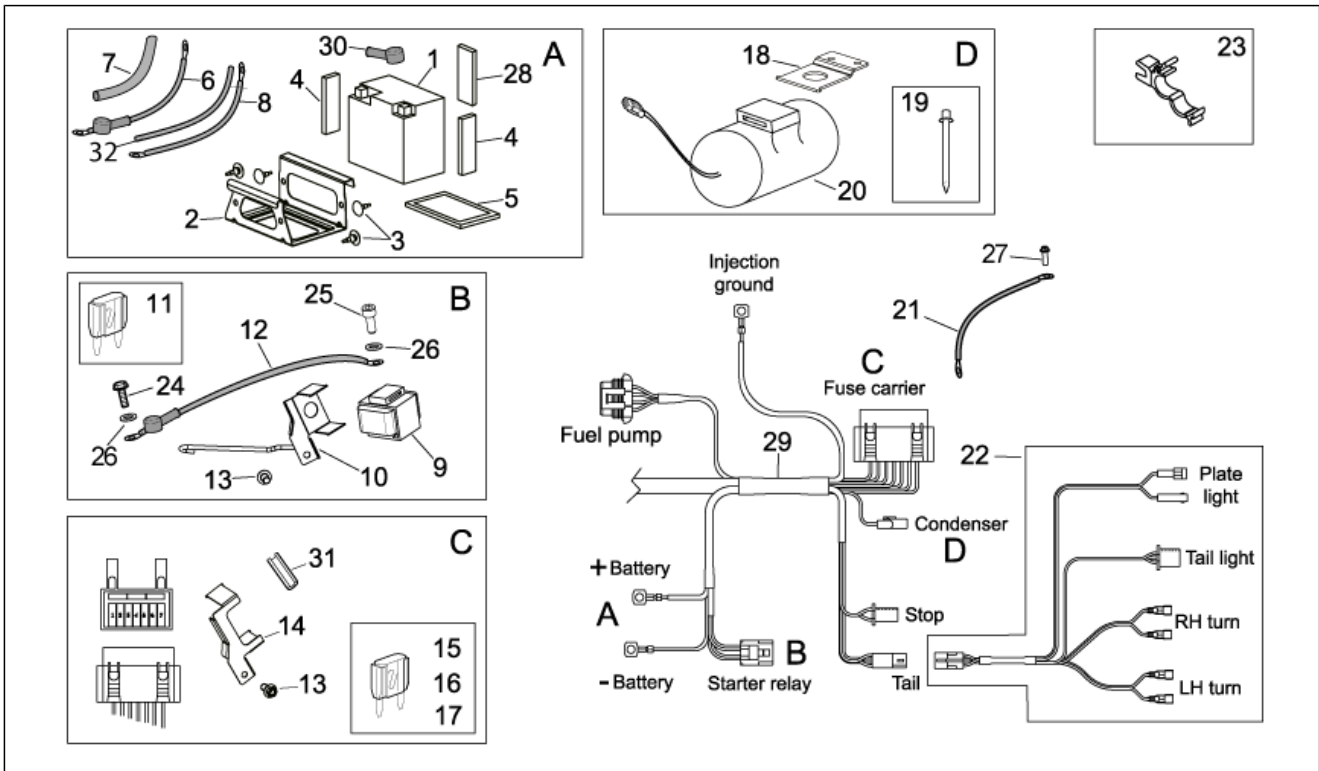
Pos.	Code	Beschreibung	Menge	Varianten
1	855039	Rücklicht	1	
2	AP8127098	Kennzeichenleuchte	1	
3	AP8224655	Kennzeich.leuch.Kabel	1	
4	AP8150413	Gew.schr. 3,9x14	1	
5	AP8127784	Vorderblinker links/ Hinterblinker rechts	1	
6	AP8127783	Vorderblinker rechts / Hinterblinker links	1	
7	AP8127489	Lampen RY10W 12V	2	
8	AP8152108	TBEI Schraube	2	
9	AP8150430	Selbstsperr.mut Unt.	2	
10	AP8150413	Gew.schr. 3,9x14	3	
11	AP8150159	Ausgleichscheibe 4,3x16*	3	

<b>Einheit</b>	RAHMEN
<b>Code</b>	28.27
<b>Beschreibung</b>	Elektrische anlage I
<b>Inspektion</b>	1



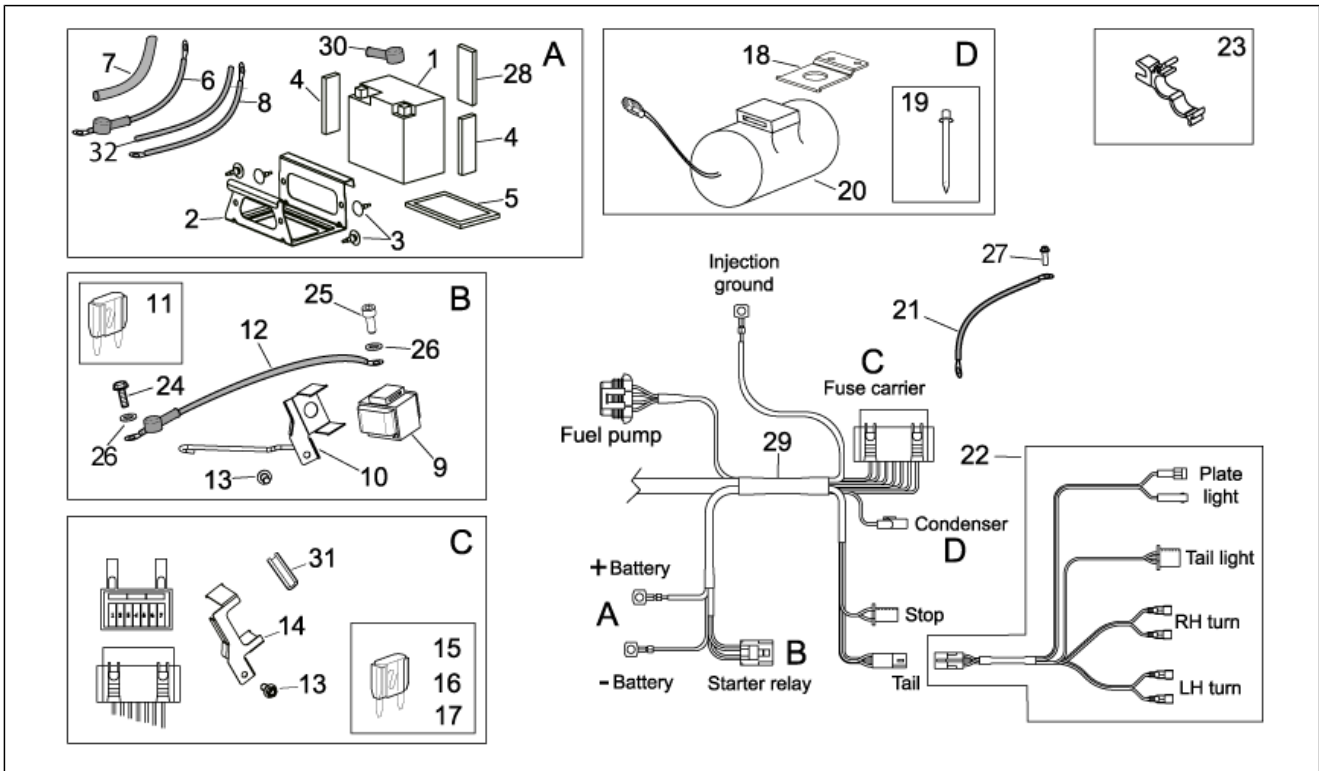
Pos.	Code	Beschreibung	Menge	Varianten
1	855556	Elektronische Steuereinheit	1	
2	855689	Halteplatte Steuerung	1	
3	856665	Versammlung Anzeigen	1	
4	AP9100945	TBEI Schraube M4x20	3	
5	AP8150011	Ausgleichscheibe 4,3x12x1	3	
6	AP8150204	Mutter M4	3	
7	AP9100424	Spannungsregler	1	
8	AP8152281	TE Schr. m. Flansch M6x30	2	
9	AP9100429	Spule	2	
10	AP9100423	Zündkerzenkappe	2	
11	598839	TE Schr. m. Flansch	4	
12	AP8224462	Zündrelais 12V-30A	2	
13	AP8220283	Gummi *	2	
14	AP8127391	Hupe	1	
15	AP8152112	TCEI Schraube	1	
16	AP8150376	Ausgleichscheibe 8,5x15x0,8	1	
17	AP8150017	Ausgleichscheibe 8,4x16x1,6	1	
18	AP8124235	Blinken	1	
19	855623	Hauptverkabelung	1	
20	AP9100965	Sensorscheibe	1	
21	AP8150460	Gewindeschraube M4x12	2	
22	AP8150444	Gewindeschraube Edelstahl	2	

<b>Einheit</b>	RAHMEN
<b>Code</b>	28.28
<b>Beschreibung</b>	Elektrische anlage II
<b>Inspektion</b>	1



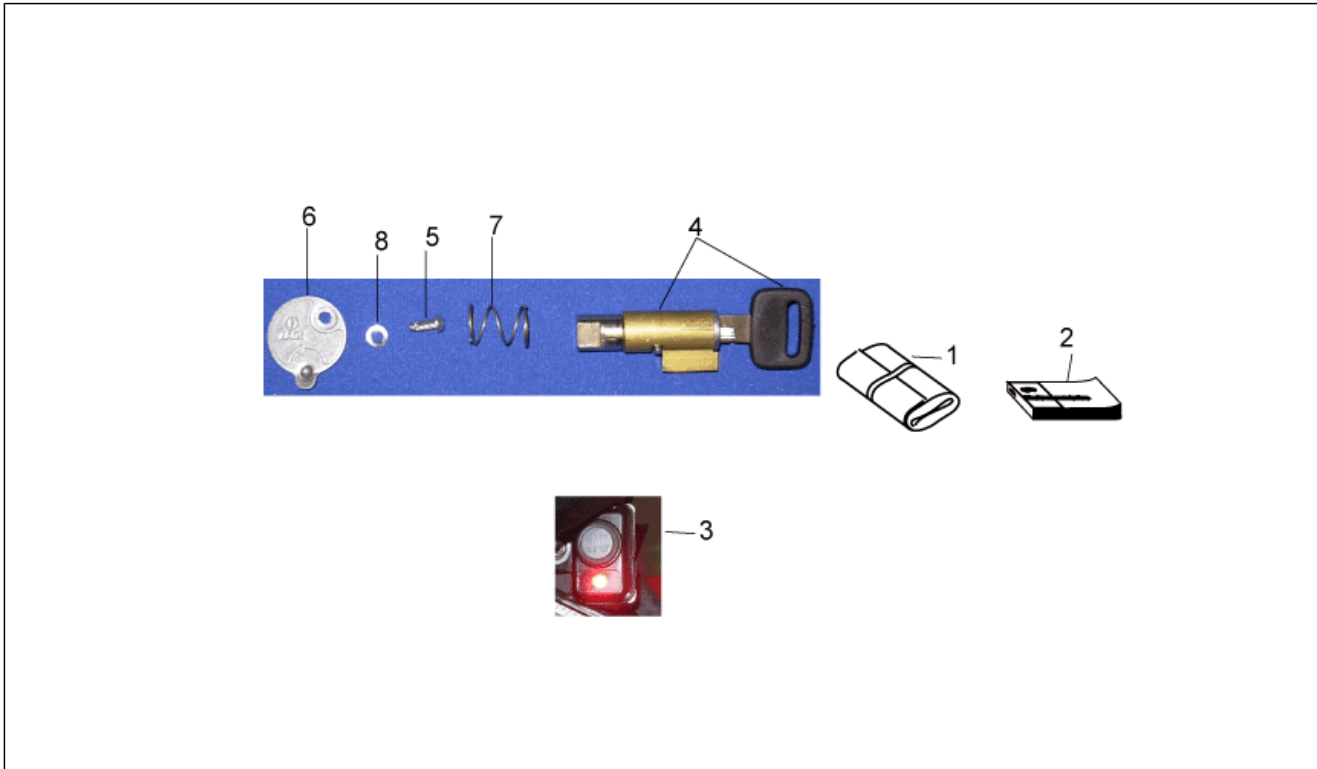
Pos.	Code	Beschreibung	Menge	Varianten
1	AP9100512	Batterie	1	
2	AP9101000	Batteriegeh. kpl.	1	
3	AP8120001	Gummi	4	
4	AP8144538	Dichtung	2	
5	AP9100725	Gummi	1	
6	AP9100371	Verkabelung Batterie-Relais	1	
7	CM239401	Gummischlauch 12,8x8,8 L=120	1	
8	AP9100372	Masse-Batteriekabel	1	
9	AP9100487	Zündrelais	1	
10	AP9100325	Platte	1	
11	496404	Sicherung 30A	2	
12	AP9100558	Verkabelung Starter	1	
13	AP8152272	TE Schr. m. Flansch M5x12	2	
14	AP9100327	Hltr. Sicherungsblock	1	
15	496404	Sicherung 30A	3	
15	AP8176099	Sicherung	3	
16	252945	Sicherung 7,5A	4	
17	290860	Sicherung 15A	3	
18	AP9100742	Platte	1	
19	AP9100782	Kunststoffniet inox	2	
20	AP9100739	Kondensator 10000 Uf	1	
21	AP9100783	Motor-Rahmen Masse Kabel	1	
22	855111	Verkabelung Rücklicht	1	
23	AP9100765	Kleine Feder	1	
24	AP8152277	TE Schr. m. Flansch M6x12	1	
25	AP8152123	TCEI Schraube	2	
26	AP8150429	Sprengscheibe 6,4x11x0,5*	2	
27	AP8152272	TE Schr. m. Flansch M5x12	1	

<b>Einheit</b>	RAHMEN
<b>Code</b>	28.28
<b>Beschreibung</b>	Elektrische anlage II
<b>Inspektion</b>	1



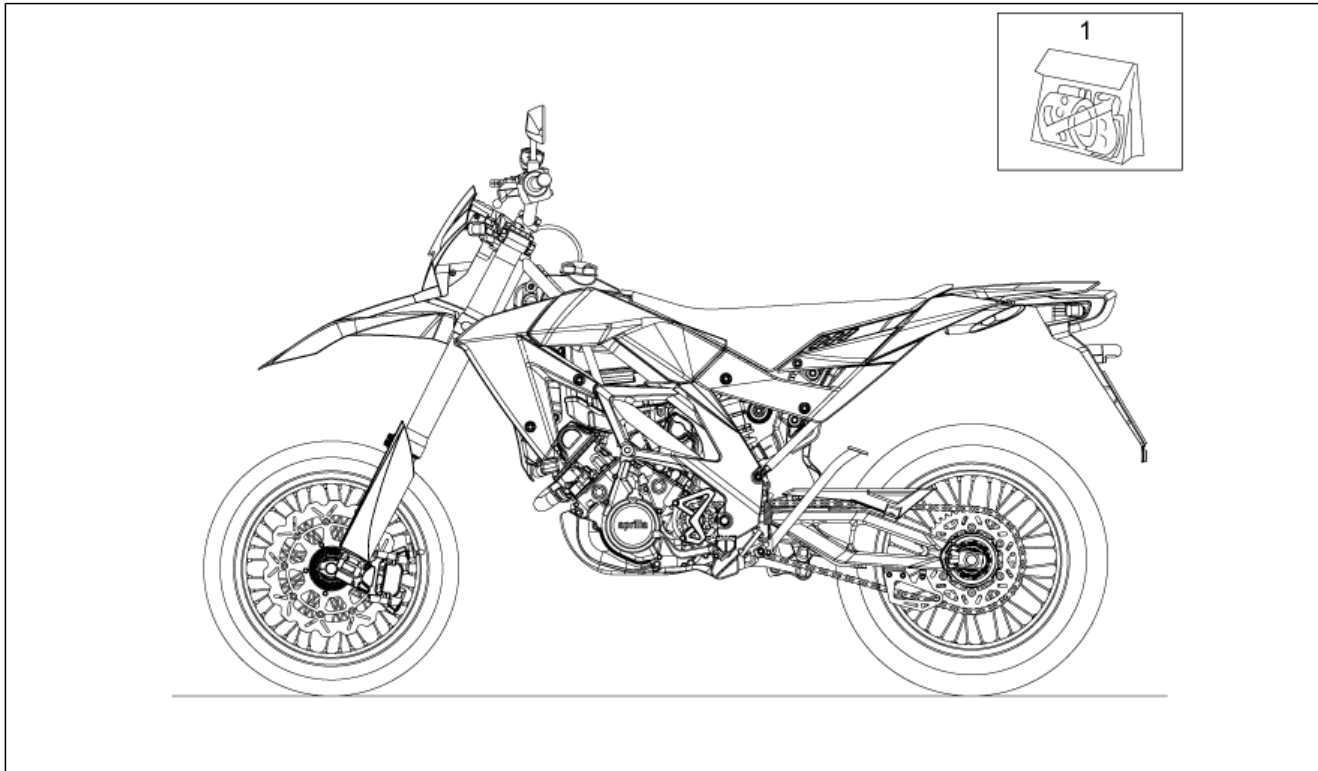
Pos.	Code	Beschreibung	Menge	Varianten
28	AP8117004	Klebeschwamm 15x8	1	
29	855623	Hauptverkabelung	1	
30	AP9100959	Klemmenkappe	1	
31	AP9100997	Dichtung	1	
32	CM239402	Gummischlauch 12,8x8,8 L=95	1	

<b>Einheit</b>	RAHMEN
<b>Code</b>	28.29
<b>Beschreibung</b>	Fertigstellung
<b>Inspektion</b>	1



Pos.	Code	Beschreibung	Menge	Varianten
1	AP9100936	Werkzeugtasche	1	
2	854072	Bed./Wart.-Anl.I-D-F-E-UK-NL I-D-F-E-UK-NL	1	<b>Baujahr:</b> 2009[9], 2010[A]
2	897200	Bed./Wart.-Anl.I-D-F-E-UK-NL I-D-F-E-UK-NL	1	<b>Baujahr:</b> 2011[B]
3	855042	Schalter Heckbeleuchtung	1	
4	855128	Lenkschloß	1	<b>Technische Daten:</b> Rahmennummer VPT-VPX[T1], Rahmennr. VPX -VPZ[T2]
5	855129	Kunststoffniet	1	<b>Technische Daten:</b> Rahmennummer VPT-VPX[T1], Rahmennr. VPX -VPZ[T2]
6	855131	Deckel	1	<b>Technische Daten:</b> Rahmennummer VPT-VPX[T1], Rahmennr. VPX -VPZ[T2]
7	855132	Feder	1	<b>Technische Daten:</b> Rahmennummer VPT-VPX[T1], Rahmennr. VPX -VPZ[T2]
8	856912	Ausgleichscheibe	1	<b>Technische Daten:</b> Rahmennummer VPT-VPX[T1], Rahmennr. VPX -VPZ[T2]

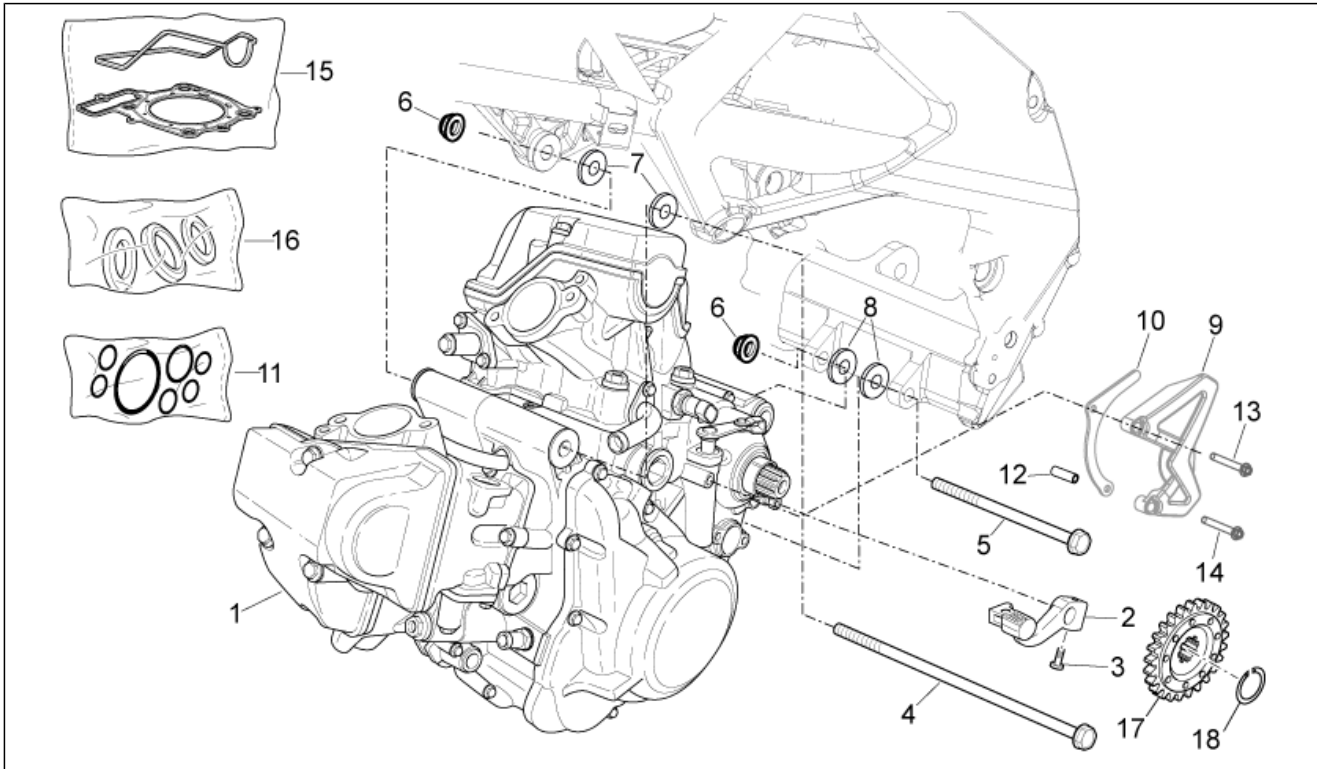
<b>Einheit</b>	RAHMEN
<b>Code</b>	28.52
<b>Beschreibung</b>	Deko Serie
<b>Inspektion</b>	1



Pos.	Code	Beschreibung	Menge	Varianten
1	890487	Deko Serie	1	<b>Fahrzeugfarbe:</b> Off White 2009 (t.B. 893209)[WH09] <b>Technische Daten:</b> Version Enduro 450[RX45], Rahmennummer VPT-VPX[T1], Rahmennr. VPX -VPZ[T2]
1	890488	Deko Serie	1	<b>Fahrzeugfarbe:</b> Off White 2009 (t.B. 893209)[WH09] <b>Technische Daten:</b> Enduro-Version 550[RX55], Rahmennummer VPT-VPX[T1], Rahmennr. VPX -VPZ[T2]
1	893275	Deko Serie	1	<b>Technische Daten:</b> Version Enduro 450[RX45], Version Six Days[SY]
1	893276	Deko Serie	1	<b>Technische Daten:</b> Enduro-Version 550[RX55], Version Six Days[SY]
1	895848	Deko Serie	1	<b>Fahrzeugfarbe:</b> Off White 2010 (t.B. 895846)[WH10] <b>Technische Daten:</b> Version Enduro 450[RX45]
1	895849	Deko Serie	1	<b>Fahrzeugfarbe:</b> Off White 2010 (t.B. 895846)[WH10] <b>Technische Daten:</b> Enduro-Version 550[RX55]
1	898317	Deko Serie	1	<b>Baujahr:</b> 2011[B] <b>Fahrzeugfarbe:</b> Off White 2011 (t.B. 898351)[WH11] <b>Technische Daten:</b> Version Enduro 450[RX45]
1	898318	Deko Serie	1	<b>Baujahr:</b> 2011[B] <b>Fahrzeugfarbe:</b> Off White 2011 (t.B. 898351)[WH11] <b>Technische Daten:</b> Enduro-Version 550[RX55]

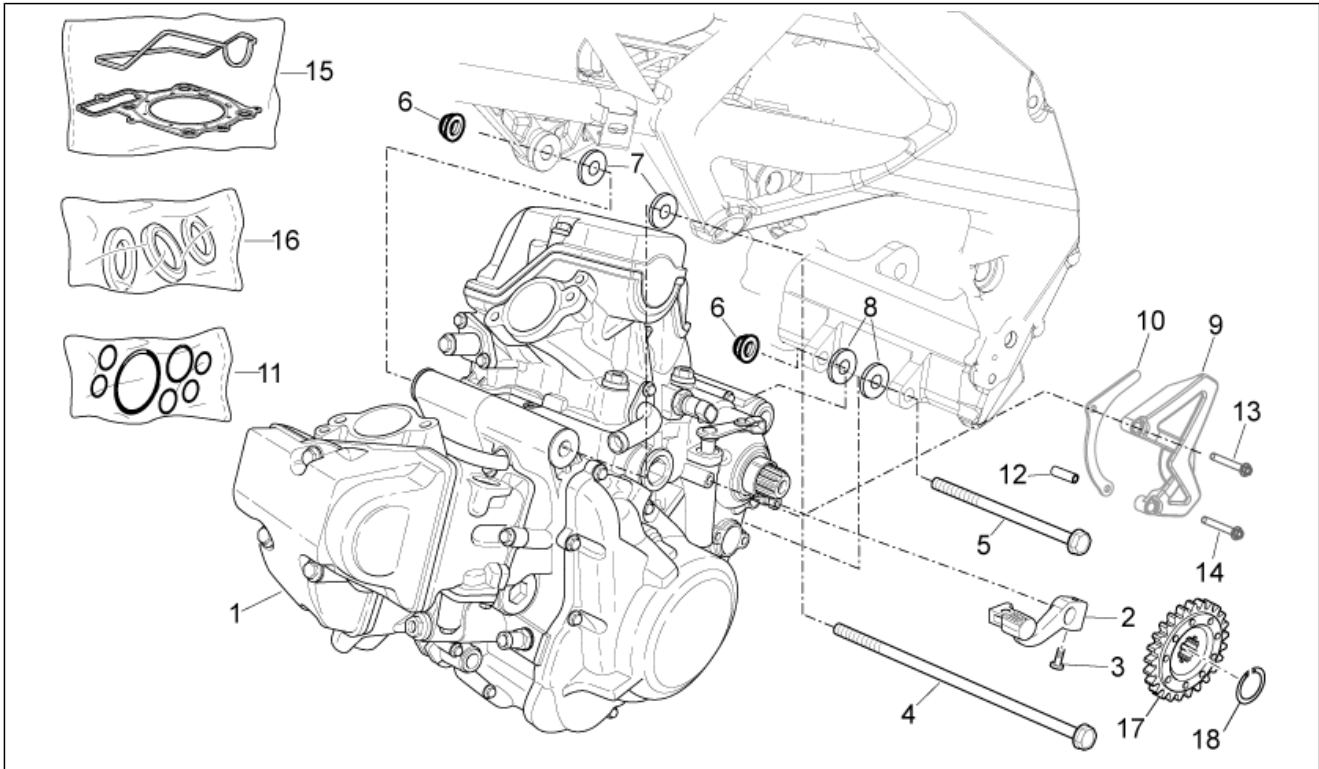


<b>Einheit</b>	MOTOR
<b>Code</b>	29.30
<b>Beschreibung</b>	Motor
<b>Inspektion</b>	1



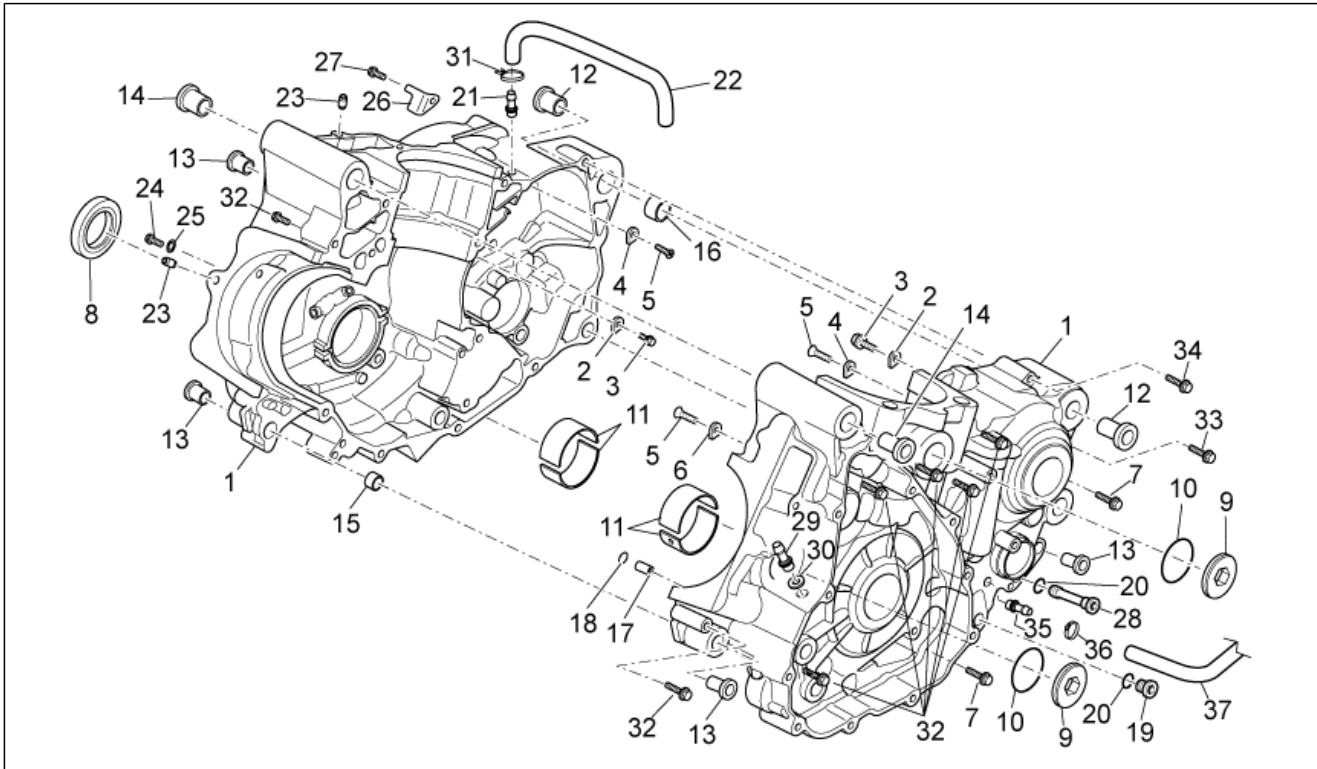
Pos.	Code	Beschreibung	Menge	Varianten
1	CM2362105	Motor	1	<b>Technische Daten:</b> Version Enduro 450[RX45], Version Six Days[SY], Rahmennummer VPT-VPX[T1], Rahmennr. VPX - VPZ[T2]
1	CM2363105	Motor	1	<b>Technische Daten:</b> Enduro-Version 550[RX55], Version Six Days[SY], Rahmennummer VPT-VPX[T1], Rahmennr. VPX - VPZ[T2]
2	AP9100411	Schalthebel	1	
3	AP8152280	TE Schr. m. Flansch M6x25	1	
4	AP9100593	Schraube M10x1,25 L=202	1	
5	AP9100443	Schraube M10x1,25 L=102	1	
6	AP9100643	Selbstsperrende Mutter M10x1,25	2	
7	AP9100687	Ausgleichscheibe 28x10,5x3	2	
8	AP9100683	Ausgleichscheibe 18x10,5x0,5	2	
8	AP9100684	Ausgleichscheibe 18x10,5x1	2	
8	AP9100685	Ausgleichscheibe 18x10,5x1,5	2	
8	AP9100686	Ausgleichscheibe 18x10,5x2	2	
9	AP9100374	Ritzelkasten	1	
10	AP9100367	Kettenführung	1	
11	855833	OR - Satz	1	
12	AP9100550	Buchse	1	
13	AP8152281	TE Schr. m. Flansch M6x30	1	
14	AP8152283	TE Schr. m. Flansch	1	
15	855834	Dichtungen - Satz	1	<b>Technische Daten:</b> Version Enduro 450[RX45], Version Six Days[SY], Rahmennummer VPT-VPX[T1], Rahmennr. VPX - VPZ[T2]
15	855835	Dichtungen - Satz	1	<b>Technische Daten:</b> Enduro-Version 550[RX55], Version Six Days[SY], Rahmennummer VPT-VPX[T1], Rahmennr. VPX - VPZ[T2]
16	855819	Dichtungssatz	1	
17	AP9100525	Ritzel	1	

<b>Einheit</b>	MOTOR
<b>Code</b>	29.30
<b>Beschreibung</b>	Motor
<b>Inspektion</b>	1



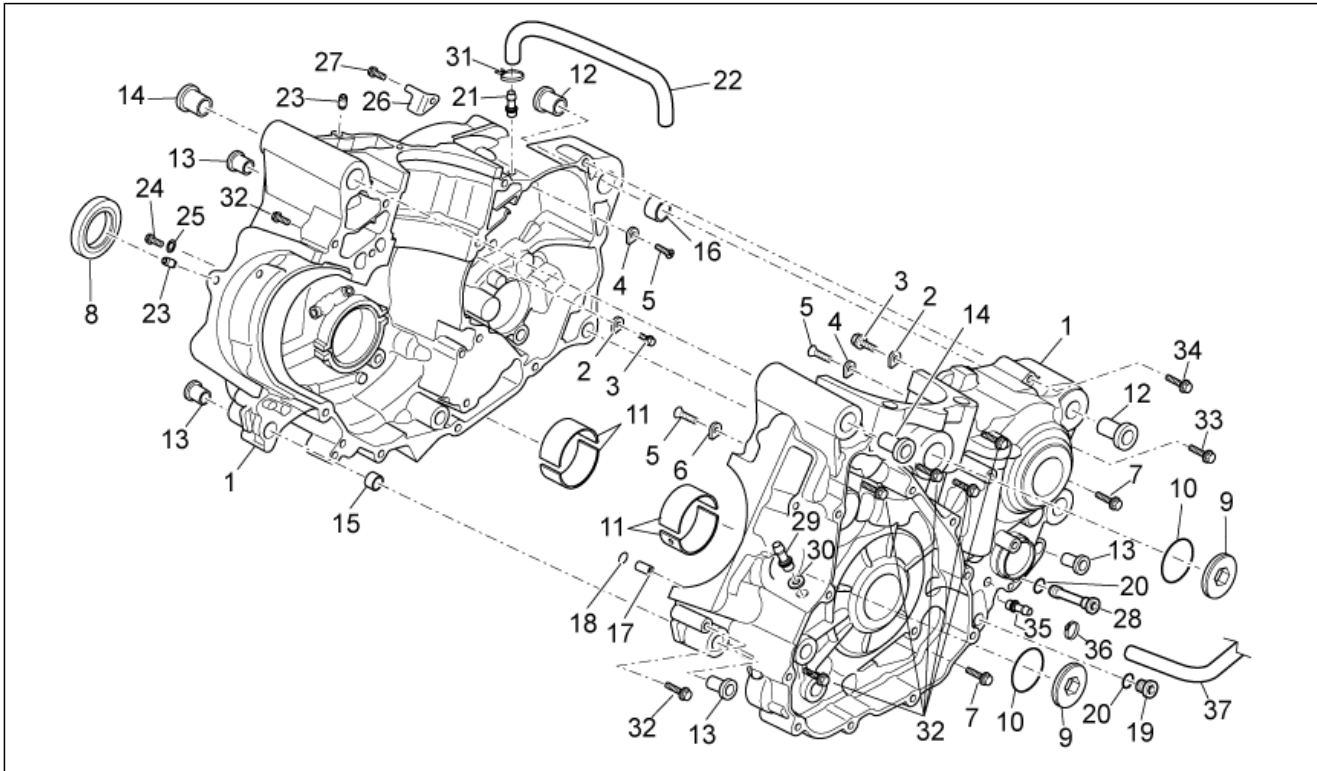
Pos.	Code	Beschreibung	Menge	Varianten
18	AP9100451	Seegerring für Welle D25	1	

<b>Einheit</b>	MOTOR
<b>Code</b>	29.31
<b>Beschreibung</b>	Kurbelwellengehäuse I
<b>Inspektion</b>	1



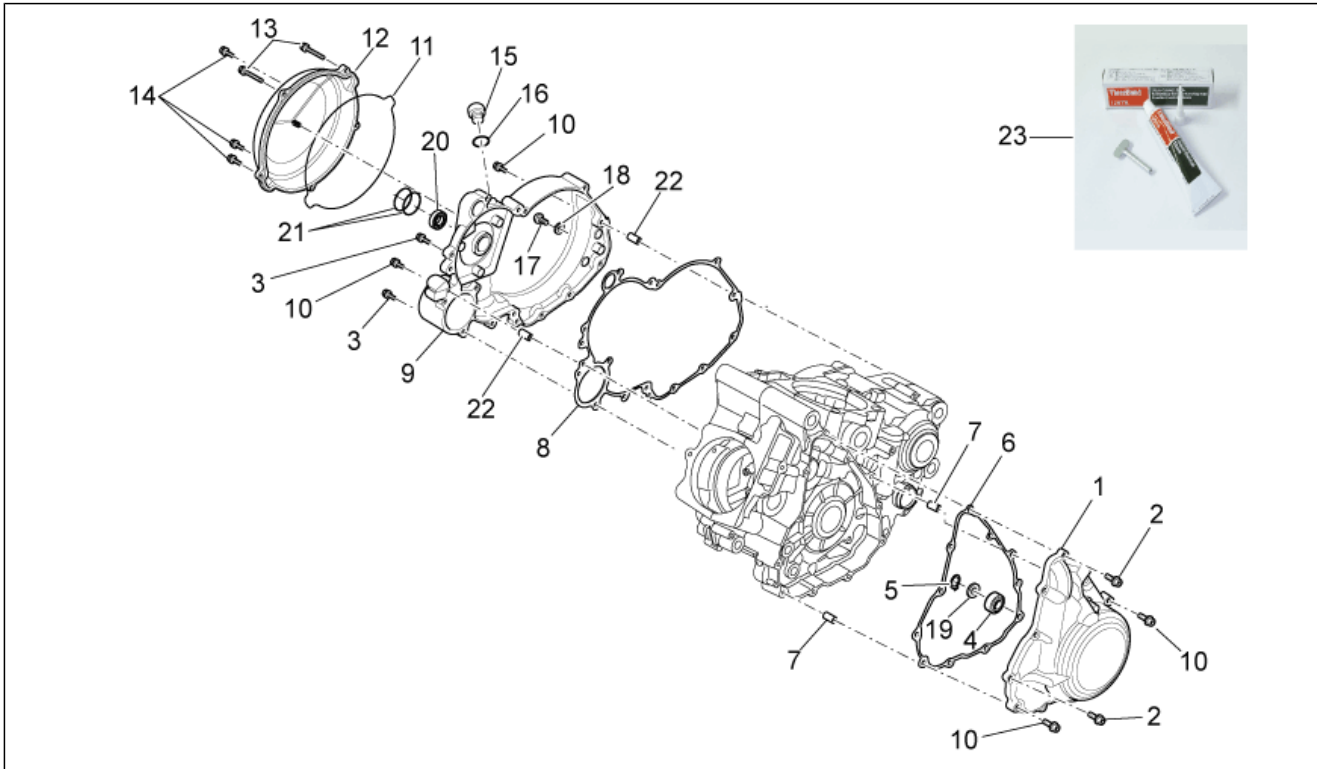
Pos.	Code	Beschreibung	Menge	Varianten
1	CM155401	Gehäuse Paar	1	<b>Technische Daten:</b> Version Enduro 450[RX45], Version Six Days[SY], Rahmennummer VPT-VPX[T1], Rahmennr. VPX - VPZ[T2]
1	CM155403	Gehäuse Paar	1	<b>Technische Daten:</b> Enduro-Version 550[RX55], Version Six Days[SY], Rahmennummer VPT-VPX[T1], Rahmennr. VPX - VPZ[T2]
2	AP9150146	Lager-Halteplatte	3	
3	AP8152277	TE Schr. m. Flansch M6x12	3	
4	AP9150145	Lager-Halteplatte	2	
5	AP9150394	Schraube M6x12	3	
6	AP9150489	Lager-Halteplatte	1	
7	AP8152283	TE Schr. m. Flansch	6	
8	AP9150435	Ölabstreifring D32x45x6	1	
9	AP9150149	Deckel	2	
10	AP9150353	O-Ring D26,65x2,62	2	
11	AP9150324	Halbsch. Bronzebchs., grün	4	
11	AP9150456	Halbsch. Bronzebu., blau	4	
11	AP9150457	Halbsch. Bronzebu., gelb	4	
12	AP9150440	T-Buchse 34x21x10,5-L18	2	
13	AP9150441	T-Buchse 28x13x10,5-L11,5	2	
14	AP9150442	T-Buchse 19x13x10,5-L11,5	4	
15	AP9150116	Buchse D16x19X13	1	
16	AP9150115	Buchse D18x21X19	1	
17	AP9150117	Stift D7,2x9x12	1	
18	AP9150350	O-Ring D8,73x1,78	1	
19	AP9150174	Ölablaßschraube	1	
20	AP9150349	Dichtscheibe D12x18x1,5	2	
21	AP9150533	Anschluss	1	
22	AP9150471	Entlüftungsschlauch Kühler	1	

<b>Einheit</b>	MOTOR
<b>Code</b>	29.31
<b>Beschreibung</b>	Kurbelwellengehäuse I
<b>Inspektion</b>	1



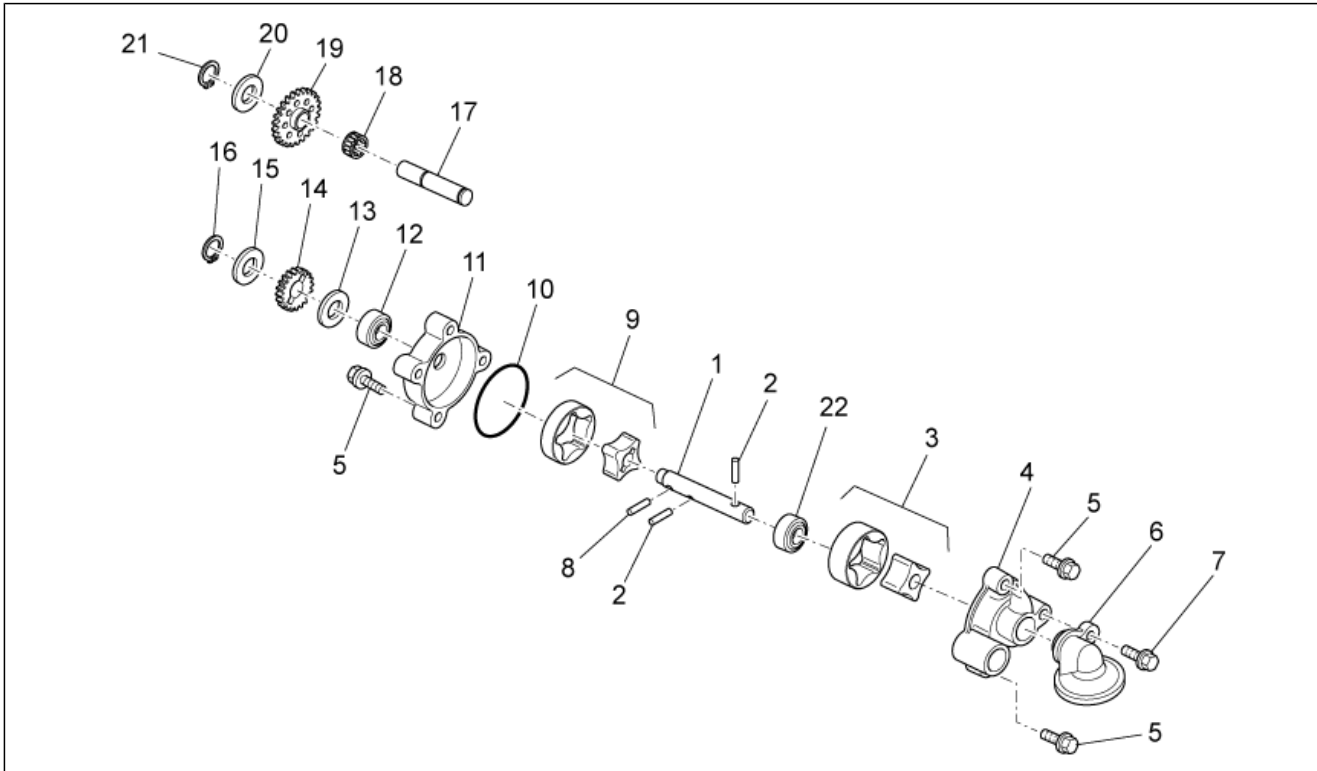
Pos.	Code	Beschreibung	Menge	Varianten
23	AP9150346	Strahl	2	
24	AP8152285	TE Schr. m. Flansch	1	
25	AP8121862	Ausgleichscheibe D8x16x1,5	1	
26	AP9150439	Platte	1	
27	AP8152277	TE Schr. m. Flansch M6x12	1	
28	AP9150078	Ölablaßschraube	1	
29	AP9150109	Anschluss	1	
30	AP9150349	Dichtscheibe D12x18x1,5	1	
31	AP8102377	Schelle D9,1*	1	
32	AP9150526	TE Schr. m. Flansch M7x1x42	7	
33	828909	TE Schr. m. Flansch M6x65	1	
34	828922	TE Schr. m. Flansch M6x75	1	
35	AP9150344	Anschluss	1	
36	CM001911	Schlauchschelle	1	
37	AP9150545	Entlüftungsschlauch Kühler 5x9	1	

<b>Einheit</b>	MOTOR
<b>Code</b>	29.32
<b>Beschreibung</b>	Kurbelwellengehäuse II
<b>Inspektion</b>	1



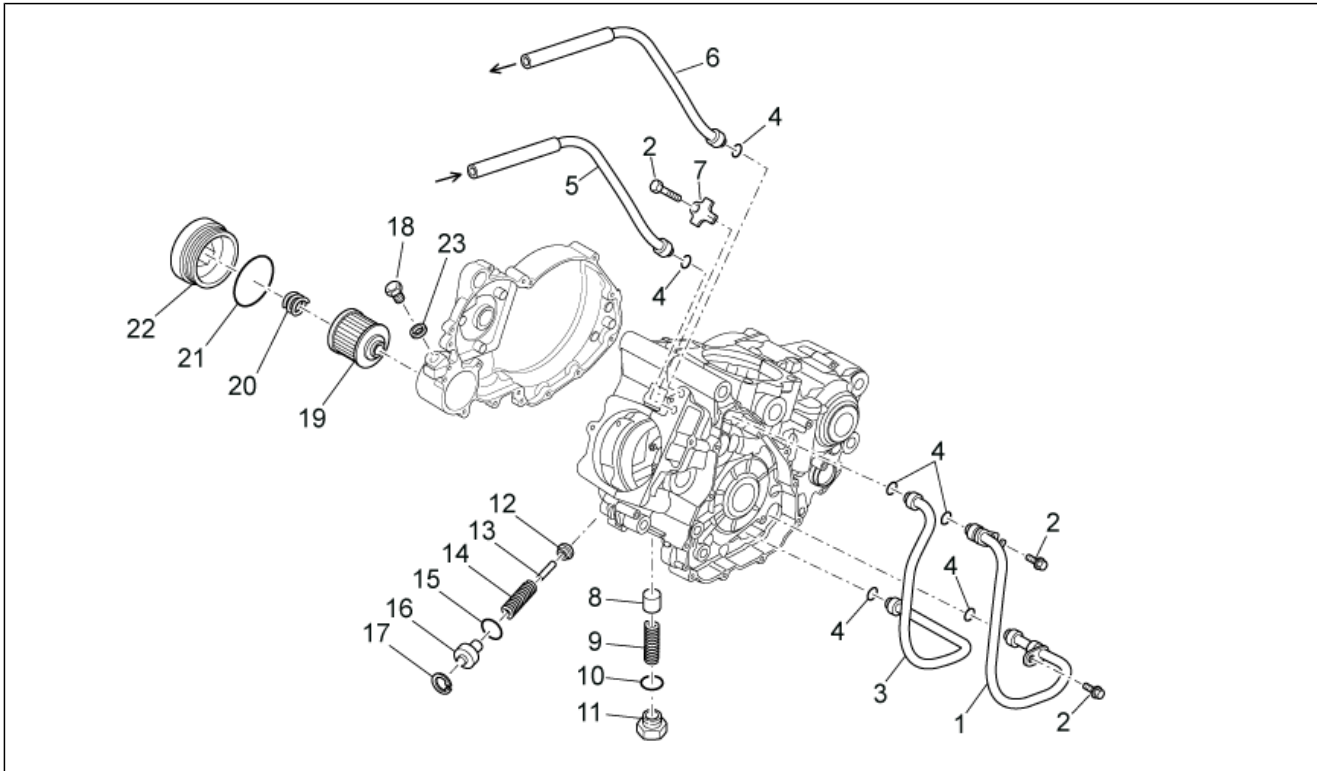
Pos.	Code	Beschreibung	Menge	Varianten
1	855242	Zünddeckel	1	
2	AP8152279	TE Schr. m. Flansch M6x20	9	
3	AP8152280	TE Schr. m. Flansch M6x25	10	
4	855031	Ölabstreifring D12x22x6	1	
5	000674	Seegerring 25x26.9x1.2	1	
6	AP9150153	Dichtung	1	
7	AP9150118	Buchse D6,2x8X15	2	
8	AP9150148	Dichtung	1	
9	851019	Kupplungsseite Deckel	1	
10	AP8152282	TE Schr. m. Flansch M6x35	4	
11	AP9150150	O-Ring D171,13x2,62	1	
12	AP9150094	Kupplungsdeckel	1	
13	AP9150395	TE Schr. m. Flansch M6x60	2	
14	AP8152279	TE Schr. m. Flansch M6x20	3	
15	AP9150410	Ölschraube M20x1,5	1	
16	AP9150356	O-Ring D18,72x2,62	1	
17	AP9150473	TBEI Schraube M6x10	1	
18	AP9150351	Dichtscheibe D6x12x1	1	
19	AP9150522	Becher Ölabstreifring	1	
20	85114R	Radiallager	1	
21	851012	O-Ring 20x1	2	
22	851017	Buchse D6,2x7,8X15	2	
23	855252	Flachdichtmittel	1	

<b>Einheit</b>	MOTOR
<b>Code</b>	29.33
<b>Beschreibung</b>	Ölpumpe
<b>Inspektion</b>	1



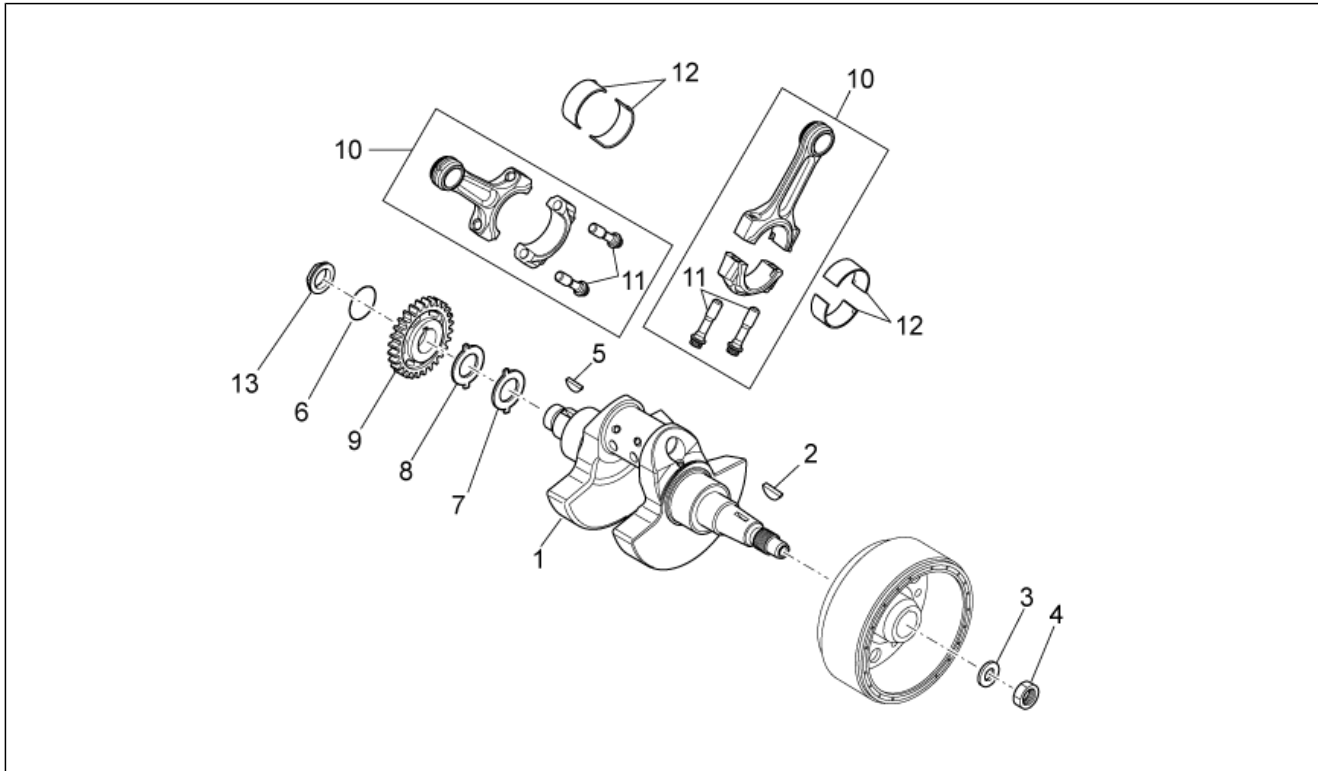
Pos.	Code	Beschreibung	Menge	Varianten
1	AP9150071	Ölpumpenwelle	1	
2	AP9150377	Stift 4x15,8	2	
3	AP9150157	Innen- und Außenrotor H19	1	
4	AP9150158	pumpegehäuse	1	
5	AP8152280	TE Schr. m. Flansch M6x25	6	
6	AP9150162	Saugsiebfilter	1	
7	AP8152281	TE Schr. m. Flansch M6x30	1	
8	AP9150376	Stift 4x13,8	1	
9	AP9150291	Innen- und Außenrotor H8	1	
10	AP9150461	O-Ring D44,17x1,78	1	
11	AP9150217	pumpegehäuse	1	
12	AP9150385	Ölabstreifring D19x10x7/5.5	1	
13	AP9150076	Bundscheibe 10,1x23	1	
14	AP9150159	Ölpumpen-Zahn. Z=12	1	
15	AP9150075	Bundscheibe 9,1x16x	1	
16	AP9150396	Seegerring 9x1	1	
17	AP9150160	Bolzen 4x25,8	1	
18	AP9150463	Nadelkaefig D11x16x10	1	
19	AP9150161	Wahnradvorgelege Z=22	1	
20	AP9150074	Bundscheibe 11,1x18	1	
21	006411	Seegerring D11	1	
22	AP9150443	Ölabstreifring D10x16x4	1	

<b>Einheit</b>	MOTOR
<b>Code</b>	29.34
<b>Beschreibung</b>	Schmierung
<b>Inspektion</b>	1



Pos.	Code	Beschreibung	Menge	Varianten
1	AP9150281	Ölauslaßschlauch	1	
2	AP8152277	TE Schr. m. Flansch M6x12	3	
3	AP9150280	Öleinlaßschlauch	1	
4	AP9150347	O-Ring D11x2	6	
5	AP9100358	Ölauslaßschlauch	1	
6	AP9100362	Öleinlaßschlauch	1	
7	AP9100292	Anschlagplatte	1	
8	AP9150168	Druckregelkolben	1	
9	AP9150169	Feder	1	
10	AP9150476	O-Ring D11,11x1,78	1	
11	AP9150170	Ventilschließschraube M14x1,5	1	
12	AP9150171	Sperrventil Öl	1	
13	AP9150321	Bolzen	1	
14	AP9150173	Feder	1	
15	AP9150477	O-Ring D14x1,78	1	
16	AP9150172	Kupplungsbuchse	1	
17	006618	Seegerring D18	1	
18	851240	Verschlussschraube	1	
19	AP9150166	Ölfiltereinsatz	1	
20	AP9150167	Feder	1	
21	AP9150355	O-Ring D53,65x2,68	1	
22	851295	ÖlfILTERdeckel	1	
23	AP9150472	Ausgleichscheibe 10,5x17x1,5	1	

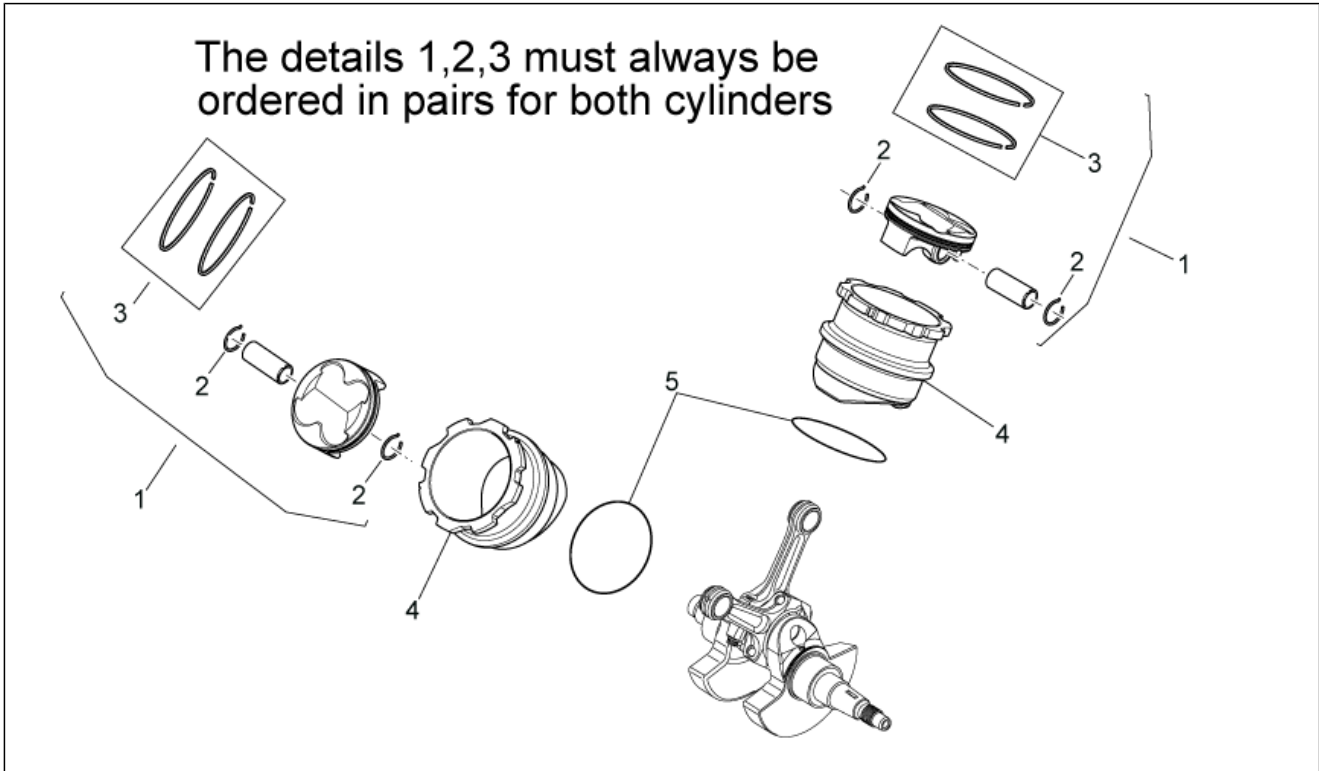
<b>Einheit</b>	MOTOR
<b>Code</b>	29.35
<b>Beschreibung</b>	Kurbelwelle
<b>Inspektion</b>	1



Pos.	Code	Beschreibung	Menge	Varianten
1	8551015	Kurbelwelle	1	<b>Technische Daten:</b> Version Enduro 450[RX45]
1	8553745	Kurbelwelle	1	<b>Technische Daten:</b> Enduro-Version 550[RX55]
2	851007	Schwungradfeder D3x4,8	1	
3	851357	Ausgleichscheibe D15x28x2,5	1	
4	AP9150436	Mutter M14x1	1	
5	AP9150402	Keil 4x6,5	1	
6	AP9150525	O-Ring D16x3,5	1	
7	AP9150065	Anlaufscheibe 44x53x2	1	
8	AP9150066	Anlaufscheibe 36x50x1,4	1	
9	AP9150210	Ritzel	1	
10	855530	Baugruppe Pleuelstange kplt.	2	<b>Technische Daten:</b> Version Enduro 450[RX45], Version Six Days[SY], Rahmennummer VPT-VPX[T1], Rahmennr. VPX - VPZ[T2]
10	AP9150315	Baugruppe Pleuelstange kplt.	2	<b>Technische Daten:</b> Enduro-Version 550[RX55], Version Six Days[SY], Rahmennummer VPT-VPX[T1], Rahmennr. VPX - VPZ[T2]
11	AP9150127	Pleuelschraube	4	
12	AP9150323	Bronzebuchse, grün 35x38x16,5	4	
12	AP9150454	Bronzebuchse,blau 35x38x16,5	4	
12	AP9150455	Bronzebuchse,gelb 35x38x16,5	4	
13	AP9150236	Geflanschte Mutter M18x1,25	1	

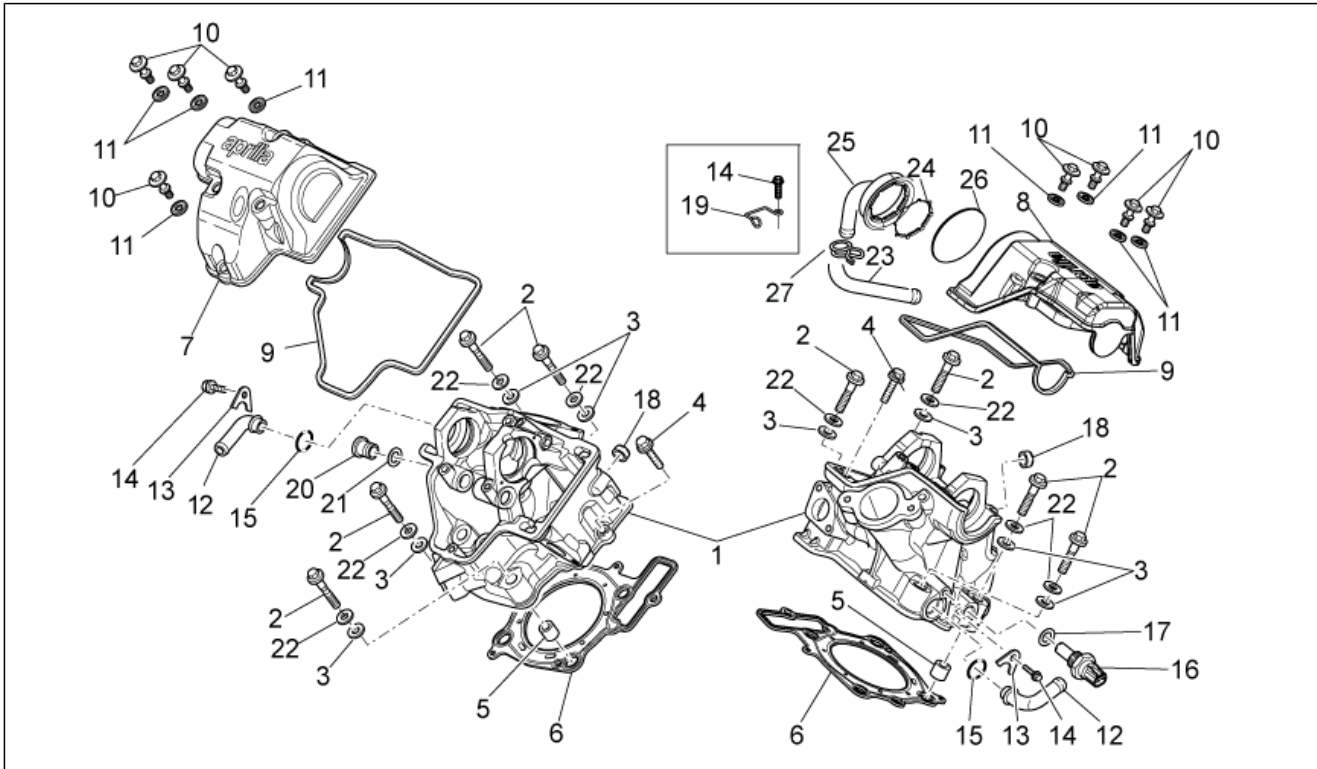


<b>Einheit</b>	MOTOR
<b>Code</b>	29.36
<b>Beschreibung</b>	Kolben + Zylinder
<b>Inspektion</b>	1



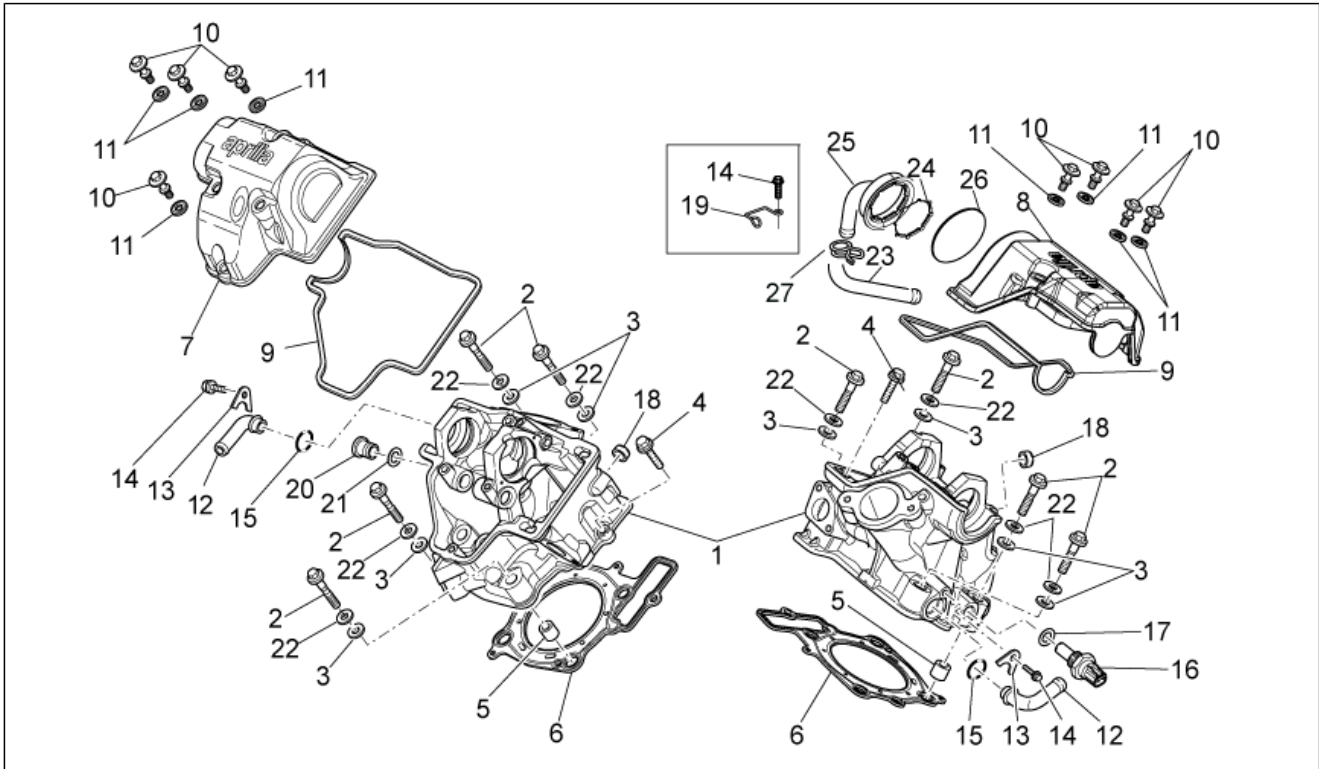
Pos.	Code	Beschreibung	Menge	Varianten
1	851035	Kolben kpl. D76	2	<b>Technische Daten:</b> Version Enduro 450[RX45], Version Six Days[SY], Rahmennummer VPT-VPX[T1], Rahmennr. VPX - VPZ[T2]
1	851039	Kolben kpl. D80	2	<b>Technische Daten:</b> Enduro-Version 550[RX55], Version Six Days[SY], Rahmennummer VPT-VPX[T1], Rahmennr. VPX - VPZ[T2]
2	851042	Sperring	4	<b>Technische Daten:</b> Enduro-Version 550[RX55], Version Six Days[SY], Rahmennummer VPT-VPX[T1], Rahmennr. VPX - VPZ[T2]
2	851045	Sperring	4	<b>Technische Daten:</b> Version Enduro 450[RX45], Version Six Days[SY], Rahmennummer VPT-VPX[T1], Rahmennr. VPX - VPZ[T2]
3	851298	Dichtringsatz D76	2	<b>Technische Daten:</b> Version Enduro 450[RX45], Version Six Days[SY], Rahmennummer VPT-VPX[T1], Rahmennr. VPX - VPZ[T2]
3	855601	Dichtringsatz D80	2	<b>Technische Daten:</b> Enduro-Version 550[RX55], Version Six Days[SY], Rahmennummer VPT-VPX[T1], Rahmennr. VPX - VPZ[T2]
4	AP9150007	Zylinder D76	2	<b>Technische Daten:</b> Version Enduro 450[RX45], Version Six Days[SY], Rahmennummer VPT-VPX[T1], Rahmennr. VPX - VPZ[T2]
4	AP9150301	Zylinder D80	2	<b>Technische Daten:</b> Enduro-Version 550[RX55], Version Six Days[SY], Rahmennummer VPT-VPX[T1], Rahmennr. VPX - VPZ[T2]
5	AP9150343	O-Ring D82,22x2,62	2	

<b>Einheit</b>	MOTOR
<b>Code</b>	29.37
<b>Beschreibung</b>	Zylinderkopf
<b>Inspektion</b>	1



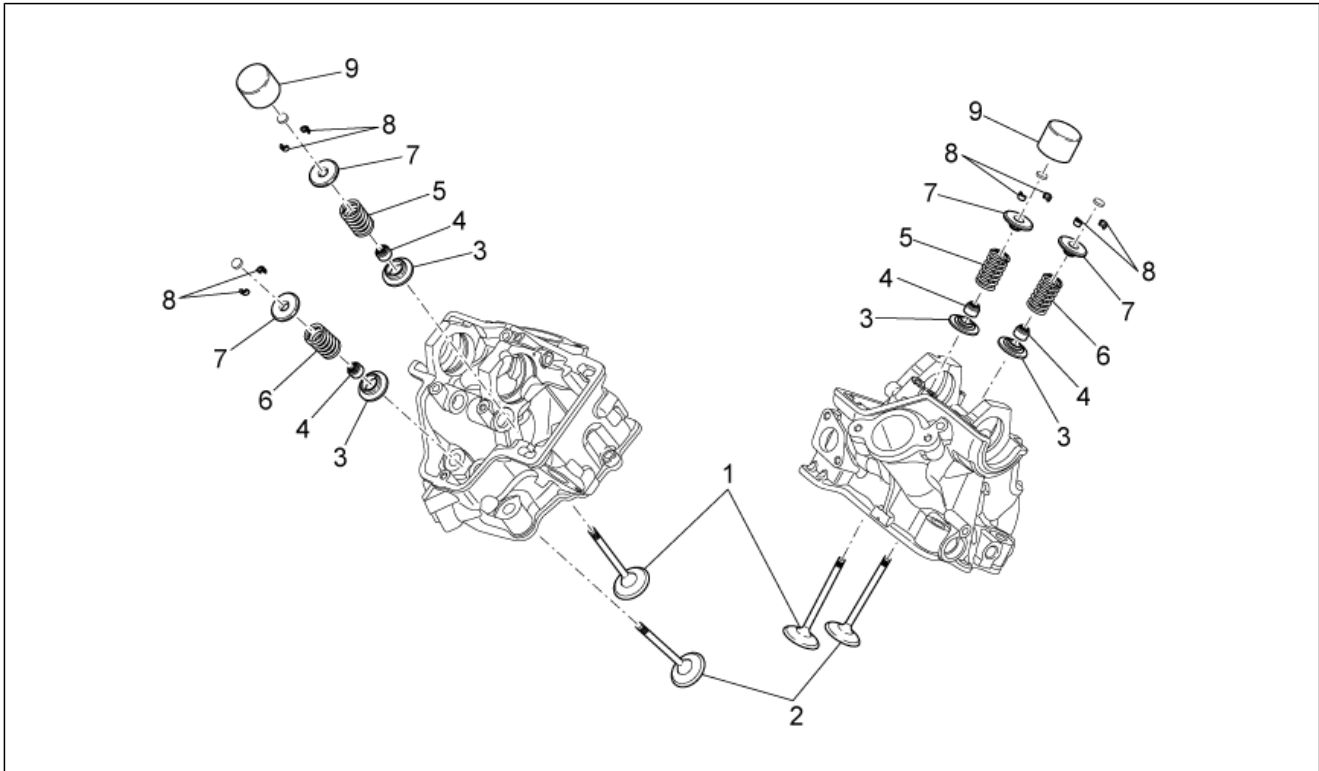
Pos.	Code	Beschreibung	Menge	Varianten
1	AP9150317	Zylinderkopf kpl.	2	
2	855487	TE Schr. m. Flansch M10x58,5	8	
3	AP9150113	Ausgleichscheibe D10x20x2	8	
4	AP8152280	TE Schr. m. Flansch M6x25	2	
5	AP9150114	Buchse	4	
6	855034	Dichtung Zylinderkopf	2	<b>Technische Daten:</b> Version Enduro 450[RX45], Version Six Days[SY], Rahmennummer VPT-VPX[T1], Rahmennr. VPX - VPZ[T2]
6	855035	Dichtung Zylinderkopf	2	<b>Technische Daten:</b> Enduro-Version 550[RX55], Version Six Days[SY], Rahmennummer VPT-VPX[T1], Rahmennr. VPX - VPZ[T2]
7	AP9150009	Kopfdeckel	1	
8	855136	Kopfdeckel	1	
9	AP9150010	Deckeldichtung Kupplungsseite	2	
10	AP9150111	Spezialschraube	8	
11	AP9150110	Dichtung	8	
12	AP9150120	Anschluss	2	
13	AP9150121	Platte	2	
14	AP8152277	TE Schr. m. Flansch M6x12	3	
15	AP9150469	O-Ring D13,95x2,62	2	
16	AP9150181	Temperaturfühler H2O	1	
17	AP9150349	Dichtscheibe D12x18x1,5	1	
18	AP9150312	Deckel D20	2	
19	AP8121856	Kabelführungs	1	
20	AP9150174	Ölablaßschraube	1	
21	AP9150349	Dichtscheibe D12x18x1,5	1	
22	260467	Sprengscheibe	8	
23	855685	Leitung Blow-By	1	
24	855142	Buchse	1	

<b>Einheit</b>	MOTOR
<b>Code</b>	29.37
<b>Beschreibung</b>	Zylinderkopf
<b>Inspektion</b>	1



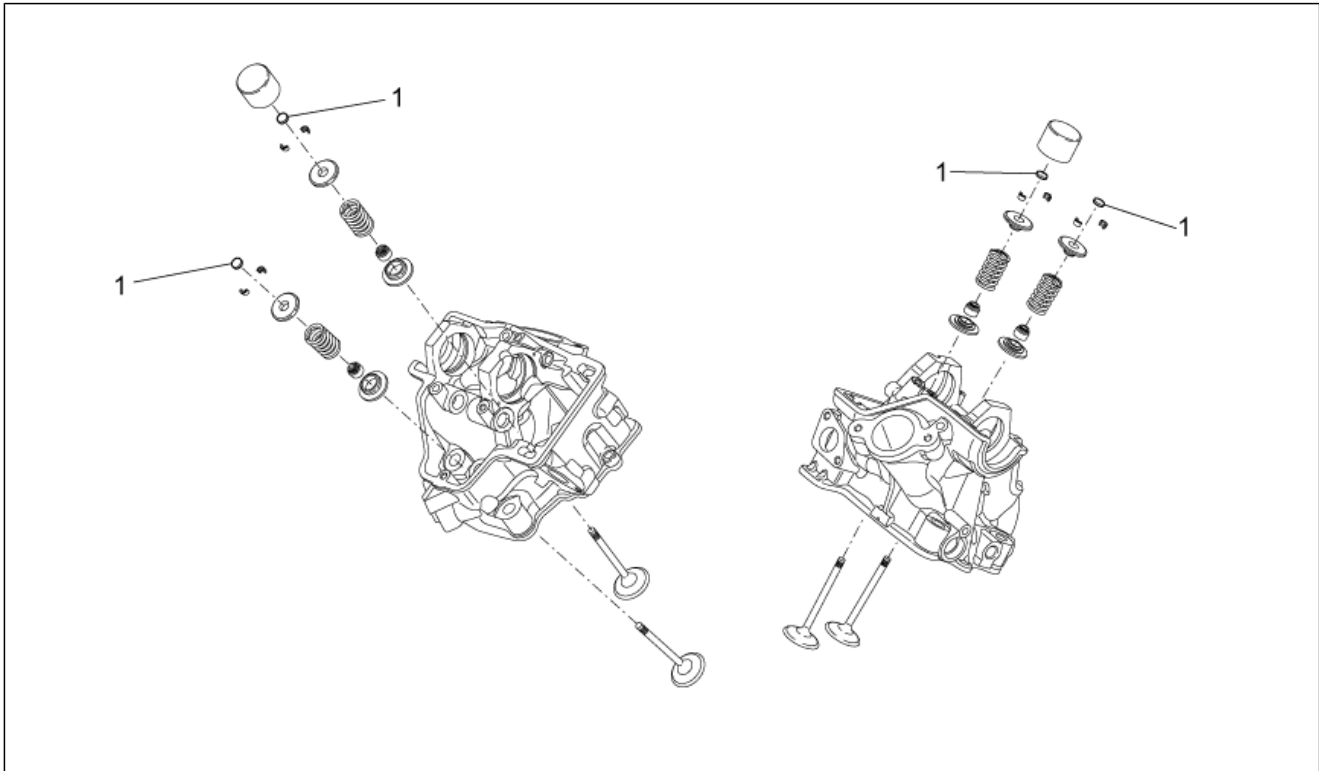
Pos.	Code	Beschreibung	Menge	Varianten
25	855143	Flansch blow-by	1	
26	834044	O-Ring	1	
27	AP8102525	Hahnschelle	1	

<b>Einheit</b>	MOTOR
<b>Code</b>	29.38
<b>Beschreibung</b>	Ventile
<b>Inspektion</b>	1



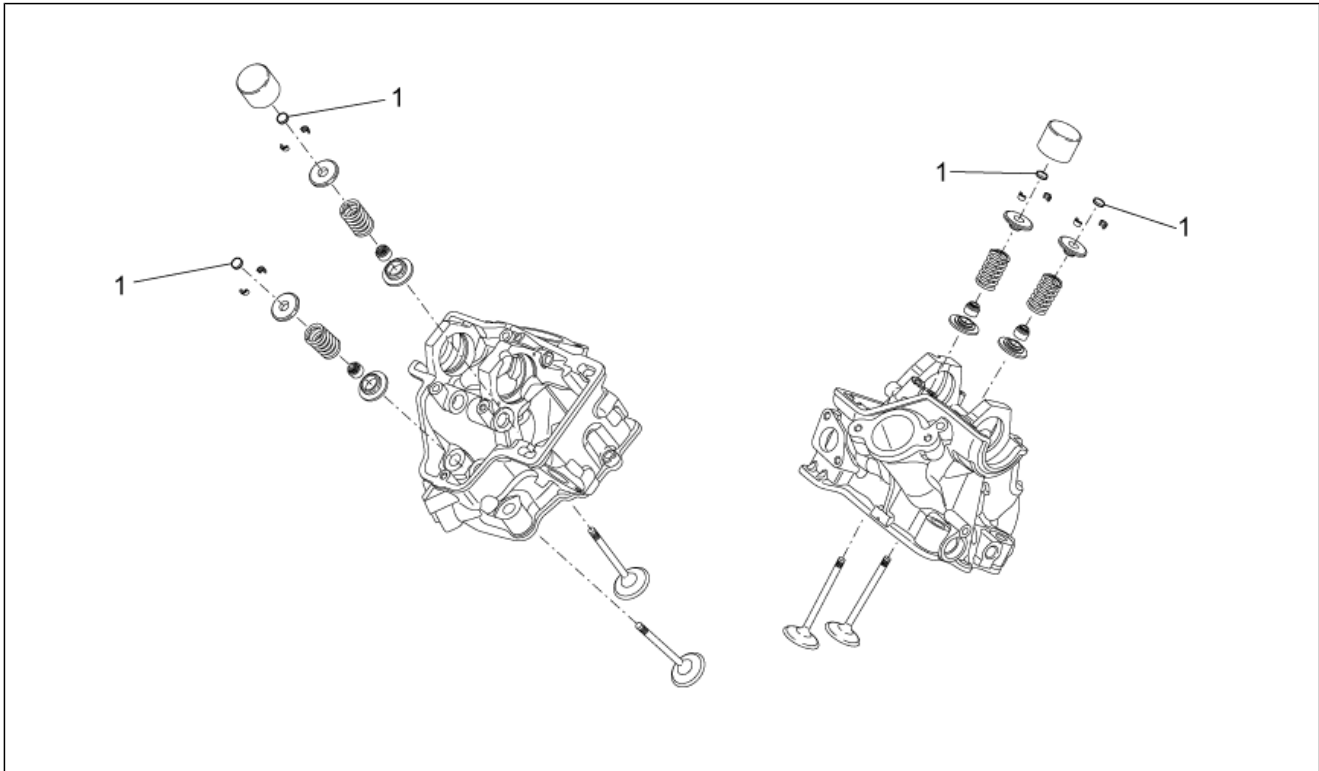
Pos.	Code	Beschreibung	Menge	Varianten
1	AP9150022	Einlaßventil	4	
2	AP9150023	Auslaßventil	4	
3	AP9150028	Becher unten	8	
4	AP9150104	Ölabstreifring Ventilführung D5	8	
5	AP9150024	Einlaß Ventilfeeder	4	
6	AP9150025	Feder Auslaßventil	4	
7	891170	Becher obere	8	
8	AP9150106	Ventilhalbkegel	16	
9	855632	Ventilbecher	4	

<b>Einheit</b>	MOTOR
<b>Code</b>	29.39
<b>Beschreibung</b>	Ventilesbeläge
<b>Inspektion</b>	1



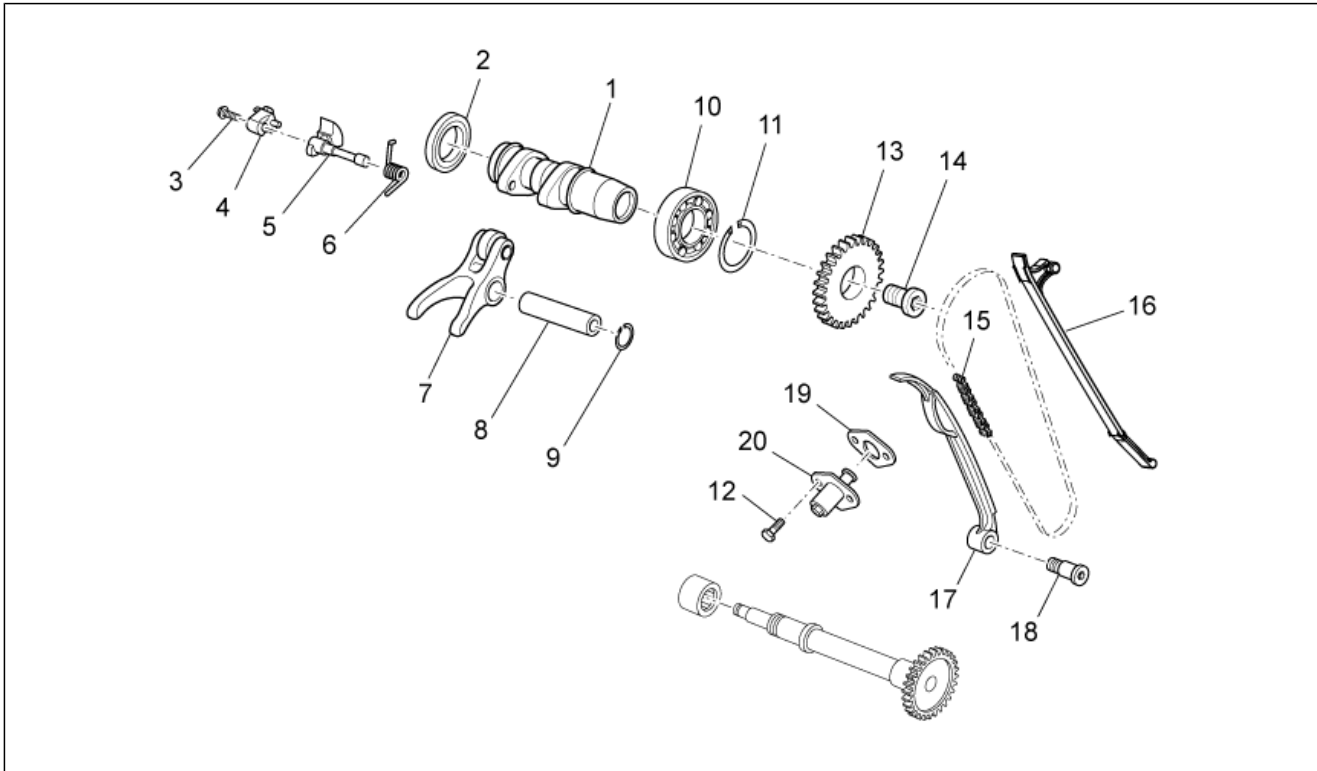
Pos.	Code	Beschreibung	Menge	Varianten
1	CM238801	Belag 1,5	4	
1	CM238802	Belag SP.1,525	4	
1	CM238803	Belag SP.1,550	4	
1	CM238804	Belag SP.1,575	4	
1	CM238805	Belag SP.1,6	4	
1	CM238806	Belag SP.1,625	4	
1	CM238807	Belag SP.1,650	4	
1	CM238808	Belag SP.1,675	4	
1	CM238809	Belag SP.1,7	4	
1	CM238810	Belag SP.1,725	4	
1	CM238811	Belag SP.1,750	4	
1	CM238812	Belag SP.1,775	4	
1	CM238813	Belag SP.1,8	4	
1	CM238814	Belag SP.1,825	4	
1	CM238815	Belag SP.1,850	4	
1	CM238816	Belag SP.1,875	4	
1	CM238817	Belag SP.1,9	4	
1	CM238818	Belag SP.1,925	4	
1	CM238819	Belag SP.1,950	4	
1	CM238820	Belag SP.1,975	4	
1	CM238821	Belag SP.2,0	4	
1	CM238822	Belag SP.2,025	4	
1	CM238823	Belag SP.2,050	4	
1	CM238824	Belag SP.2,075	4	
1	CM238825	Belag SP.2,1	4	
1	CM238826	Belag SP.2,125	4	
1	CM238827	Belag SP.2,150	4	
1	CM238828	Belag SP.2,175	4	

<b>Einheit</b>	MOTOR
<b>Code</b>	29.39
<b>Beschreibung</b>	Ventilesbeläge
<b>Inspektion</b>	1



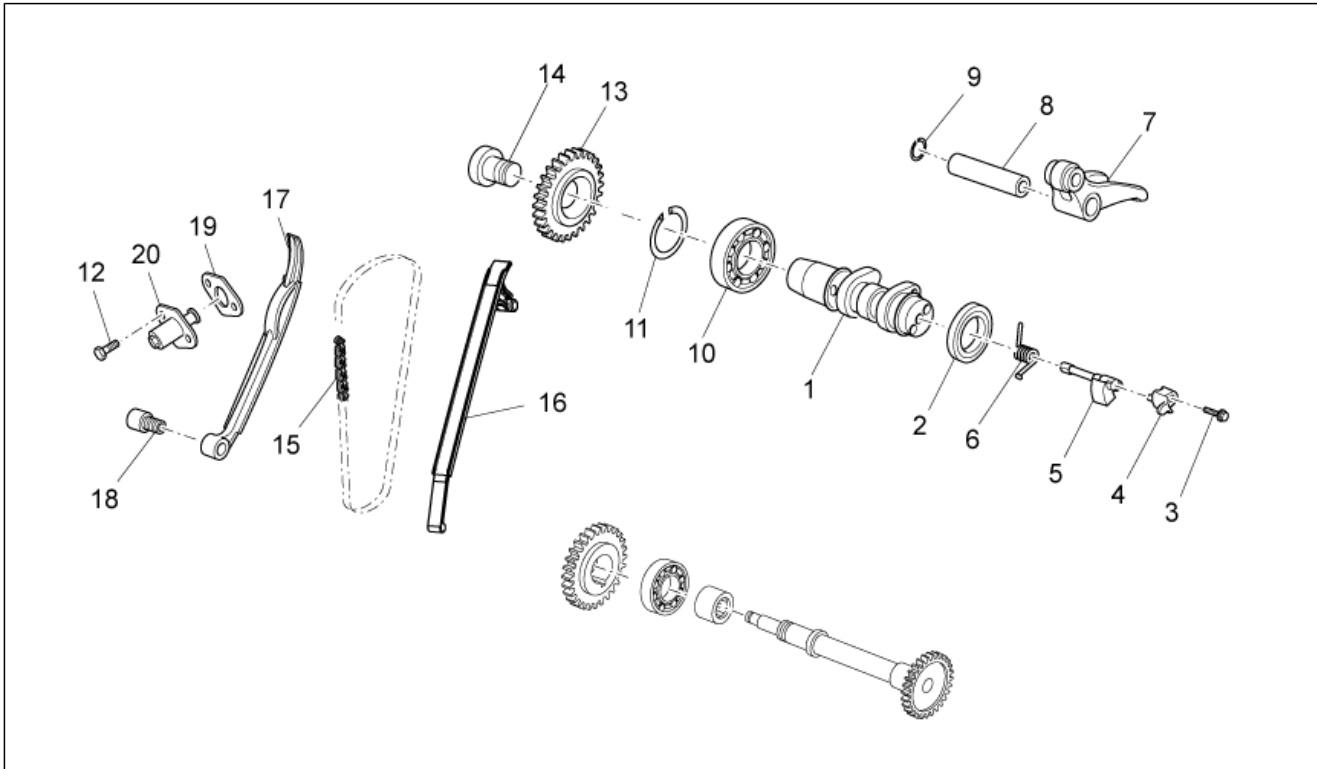
Pos.	Code	Beschreibung	Menge	Varianten
1	CM238829	Belag SP.2,2	4	
1	CM238830	Belag SP.2,225	4	
1	CM238831	Belag SP.2,250	4	
1	CM238832	Belag SP.2,275	4	
1	CM238833	Belag SP.2,3	4	
1	CM238834	Belag SP.2,325	4	
1	CM238835	Belag SP.2,350	4	
1	CM238836	Belag SP.2,375	4	
1	CM238837	Belag SP.2,4	4	
1	CM238838	Belag SP.2,425	4	
1	CM238839	Belag SP.2,450	4	

<b>Einheit</b>	MOTOR
<b>Code</b>	29.40
<b>Beschreibung</b>	Vrd. Zylindersteuer
<b>Inspektion</b>	1



Pos.	Code	Beschreibung	Menge	Varianten
1	CM2376025	Nockenwelle kplt.	1	
2	85104R	Kugellager D25x37x7	1	
3	AP8152274	TE Schr. m. Flansch M5x20	1	
4	AP9150303	Steckverbindung	1	
5	855507	Vord.Ventilschaltung	1	
6	855515	Feder	1	
7	AP9150096	Kipphebel Auslaß	1	
8	851468	Kipphebel-Federwelle	1	
9	006612	Sprengring	1	
10	85105R	Kugellager D25x42x9	1	
11	006642	Seegerring	2	
12	598839	TE Schr. m. Flansch	2	
13	AP9150506	Zahnrad Steuer. Z=22	1	
14	AP9150507	Spezialschraube M16x1	1	
15	AP9150133	Steuerkette	1	<b>Technische Daten:</b> Version Enduro 450[RX45], Version Six Days[SY], Rahmennummer VPT-VPX[T1], Rahmennr. VPX - VPZ[T2]
15	AP9150327	Steuerkette	1	<b>Technische Daten:</b> Enduro-Version 550[RX55], Version Six Days[SY], Rahmennummer VPT-VPX[T1], Rahmennr. VPX - VPZ[T2]
16	AP9150011	Kettengleitführung L177	1	<b>Technische Daten:</b> Version Enduro 450[RX45], Version Six Days[SY], Rahmennummer VPT-VPX[T1], Rahmennr. VPX - VPZ[T2]
16	AP9150300	Kettengleitführung L186	1	<b>Technische Daten:</b> Enduro-Version 550[RX55], Version Six Days[SY], Rahmennummer VPT-VPX[T1], Rahmennr. VPX - VPZ[T2]
17	AP9150012	Kettenspanner Gleitbacke	1	
18	AP9150231	Schraube M6x12	1	
19	847928	Dichtung	1	
20	82650R	Kettenspanner komplett	1	

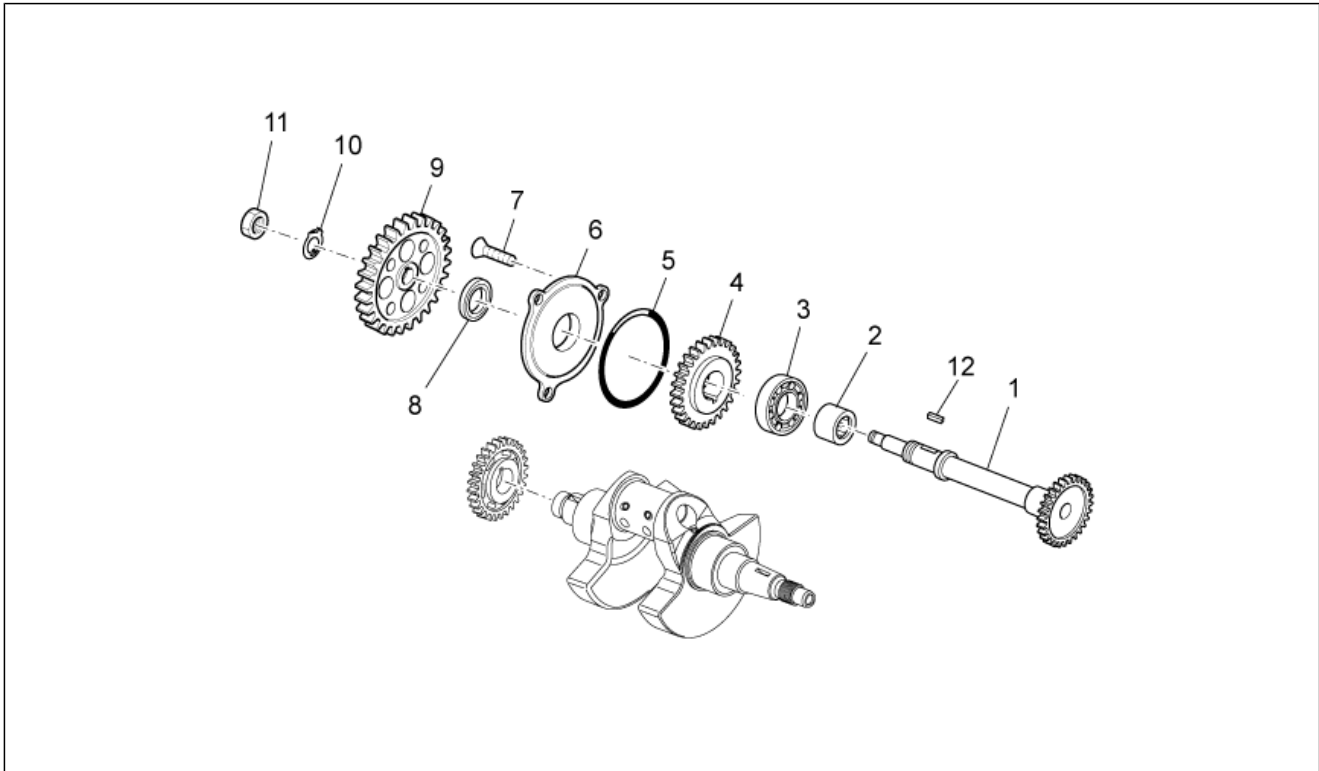
<b>Einheit</b>	MOTOR
<b>Code</b>	29.41
<b>Beschreibung</b>	Hint. Zylindersteuer
<b>Inspektion</b>	1



Pos.	Code	Beschreibung	Menge	Varianten
1	CM2377025	Nockenwelle kplt.	1	
2	85104R	Kugellager D25x37x7	1	
3	AP8152274	TE Schr. m. Flansch M5x20	1	
4	AP9150303	Steckverbindung	1	
5	855508	Hinten ventilschaltung	1	
6	855516	Feder	1	
7	AP9150096	Kipphebel Auslaß	1	
8	851468	Kipphebel-Federwelle	1	
9	006612	Sprengring	1	
10	85105R	Kugellager D25x42x9	1	
11	006642	Seegerring	2	
12	598839	TE Schr. m. Flansch	2	
13	AP9150506	Zahnrad Steuer. Z=22	1	
14	855102	Spezialschraube M16x1	1	
15	AP9150133	Steuerkette	1	<b>Technische Daten:</b> Version Enduro 450[RX45]
15	AP9150327	Steuerkette	1	<b>Technische Daten:</b> Enduro-Version 550[RX55]
16	AP9150011	Kettengleitführung L177	1	<b>Technische Daten:</b> Version Enduro 450[RX45]
16	AP9150300	Kettengleitführung L186	1	<b>Technische Daten:</b> Enduro-Version 550[RX55]
17	AP9150012	Kettenspanner Gleitbacke	1	
18	AP9150142	Schraube M6x12	1	
19	847928	Dichtung	1	
20	82650R	Kettenspanner komplett	1	

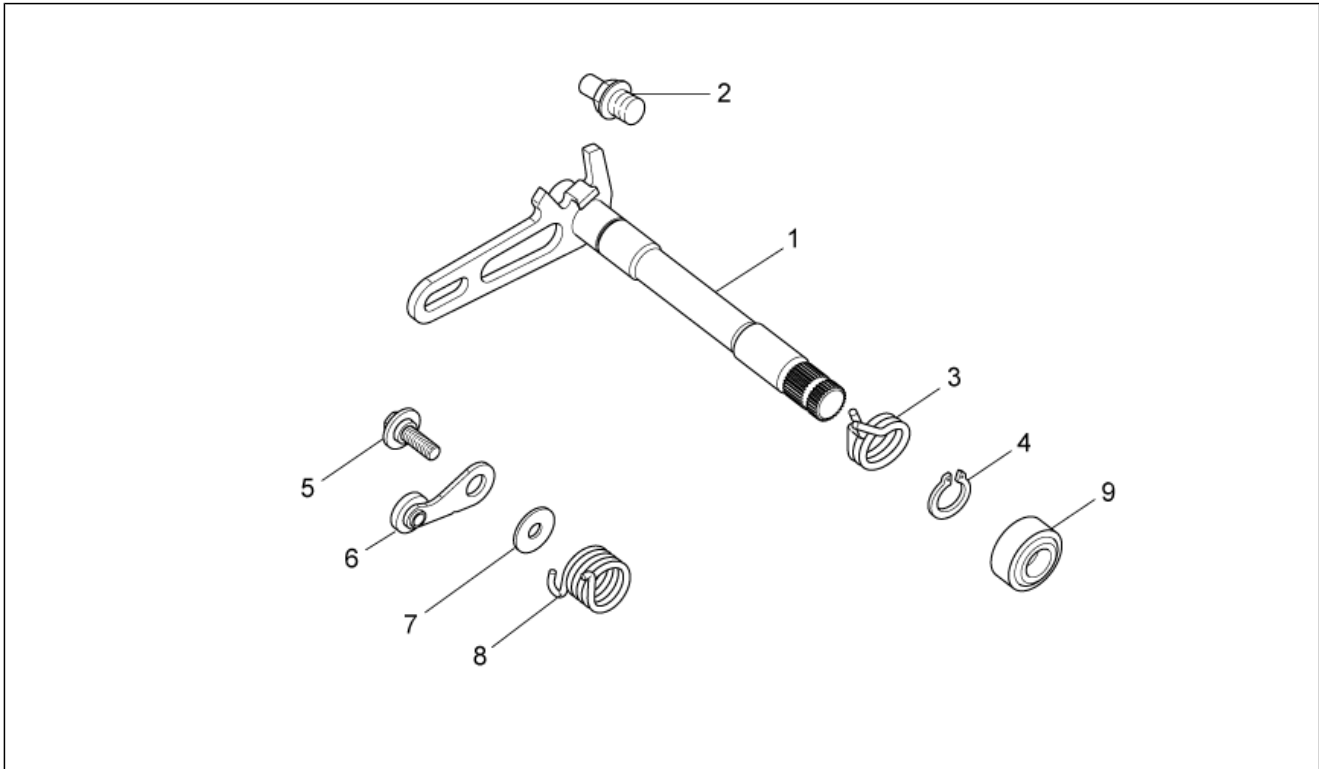


<b>Einheit</b>	MOTOR
<b>Code</b>	29.42
<b>Beschreibung</b>	Umlenkswelle
<b>Inspektion</b>	1



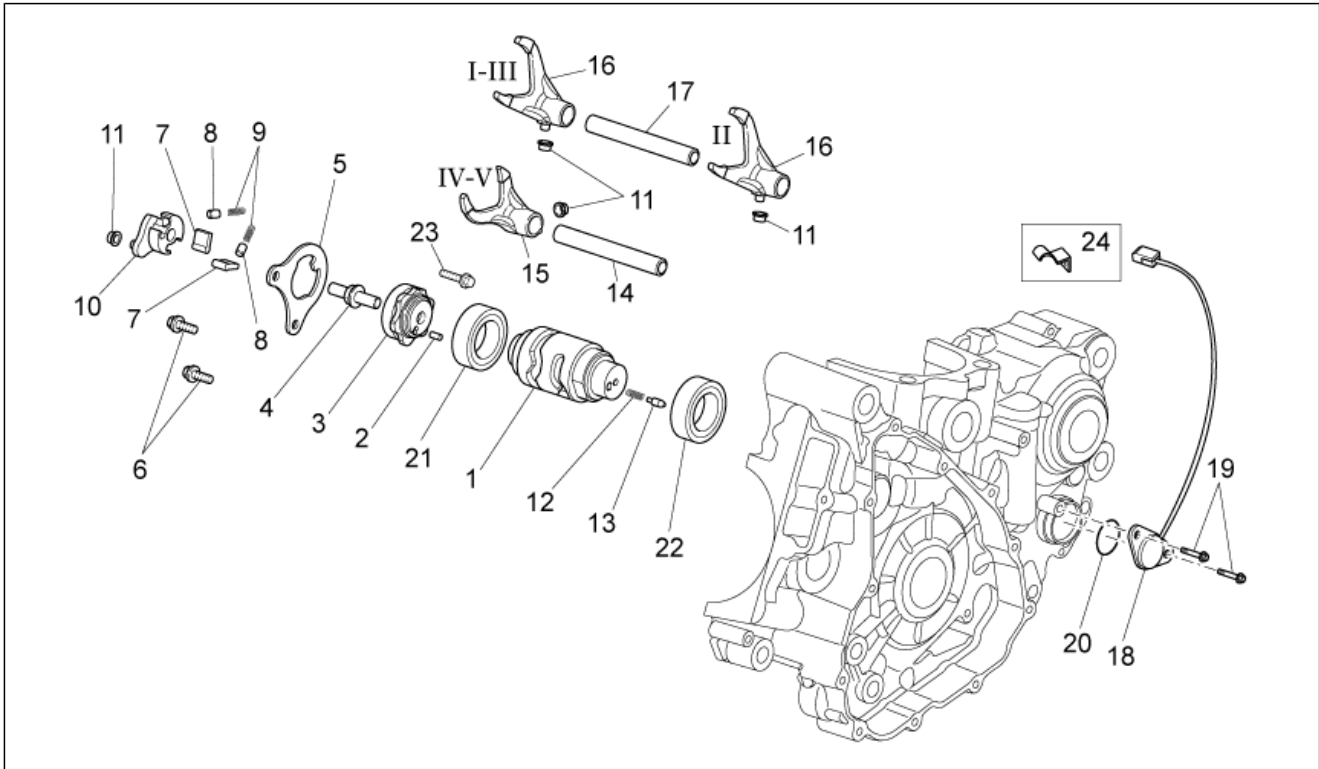
Pos.	Code	Beschreibung	Menge	Varianten
1	851009	Umlenkswelle Z=20	1	
2	85106R	Lager D14x22x13	1	
3	AP9150387	Kugellager D12x28x8	1	
4	AP9150273	Zahnrad Steuer. Z=20	1	
5	AP9150348	O-Ring D79x1,78	1	
6	AP9150483	Flansch	1	
7	844211	TBEI Schraube	3	
8	AP9150390	Ölabstreifring D28x20x6	1	
9	AP9150285	Zahnrad Steuer. Z=40	1	
10	AP9150299	Sicherungsblech	1	
11	851011	Mutter M12x1x4,5	1	
12	AP9150389	Keil 4x4x18	1	

<b>Einheit</b>	MOTOR
<b>Code</b>	29.43
<b>Beschreibung</b>	Schaltgabel I
<b>Inspektion</b>	1



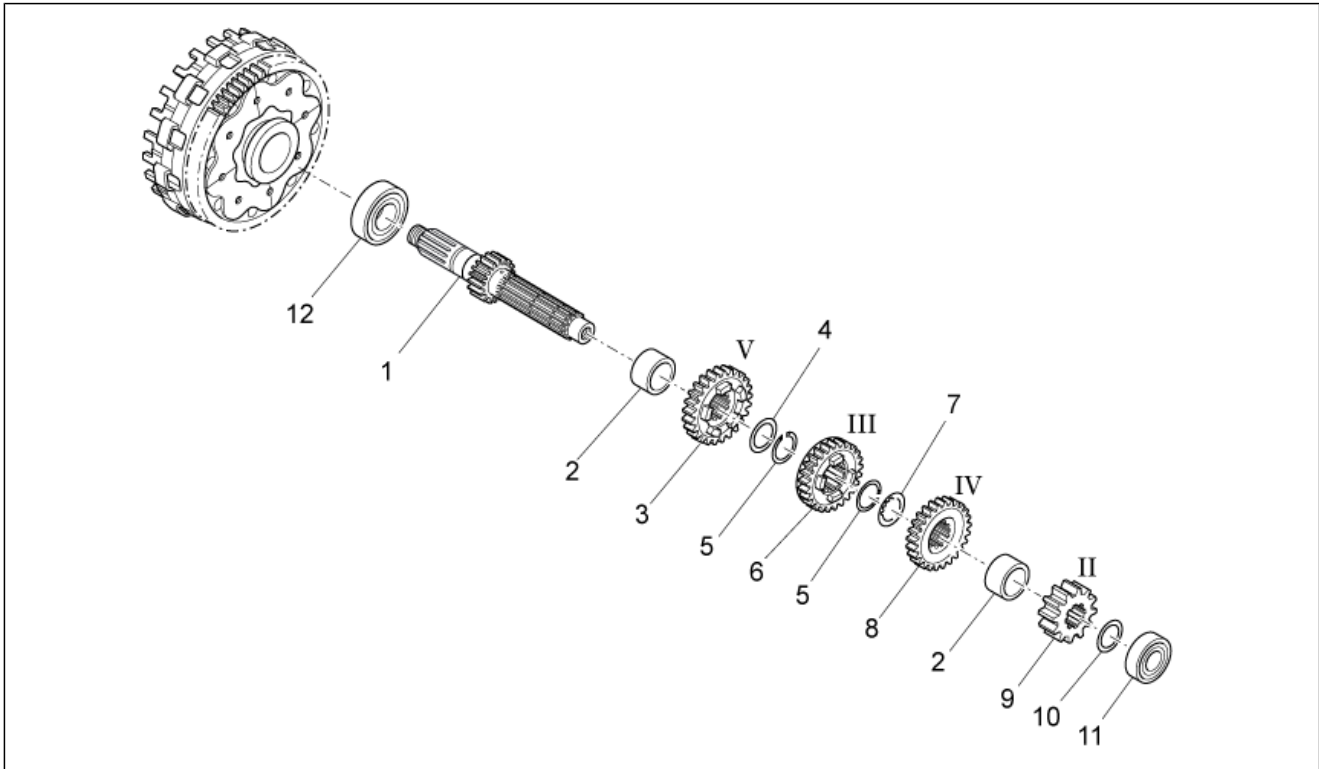
Pos.	Code	Beschreibung	Menge	Varianten
1	AP9150048	Schaltwele+klin.kpl.	1	
2	AP9150063	Schaltgabel stopper	1	
3	AP9150238	Feder	1	
4	006415	Seegerring D.15	1	
5	AP9150006	TE Schr. m. Flansch M6x15	1	
6	AP9150044	Indexhebel kpl.	1	
7	AP9150051	Ausgleichscheibe D6,3x18x1	1	
8	AP9150220	Feder	1	
9	AP9150393	Ölabstreifring D21x15x3	1	

<b>Einheit</b>	MOTOR
<b>Code</b>	29.44
<b>Beschreibung</b>	Schaltgabel II
<b>Inspektion</b>	1



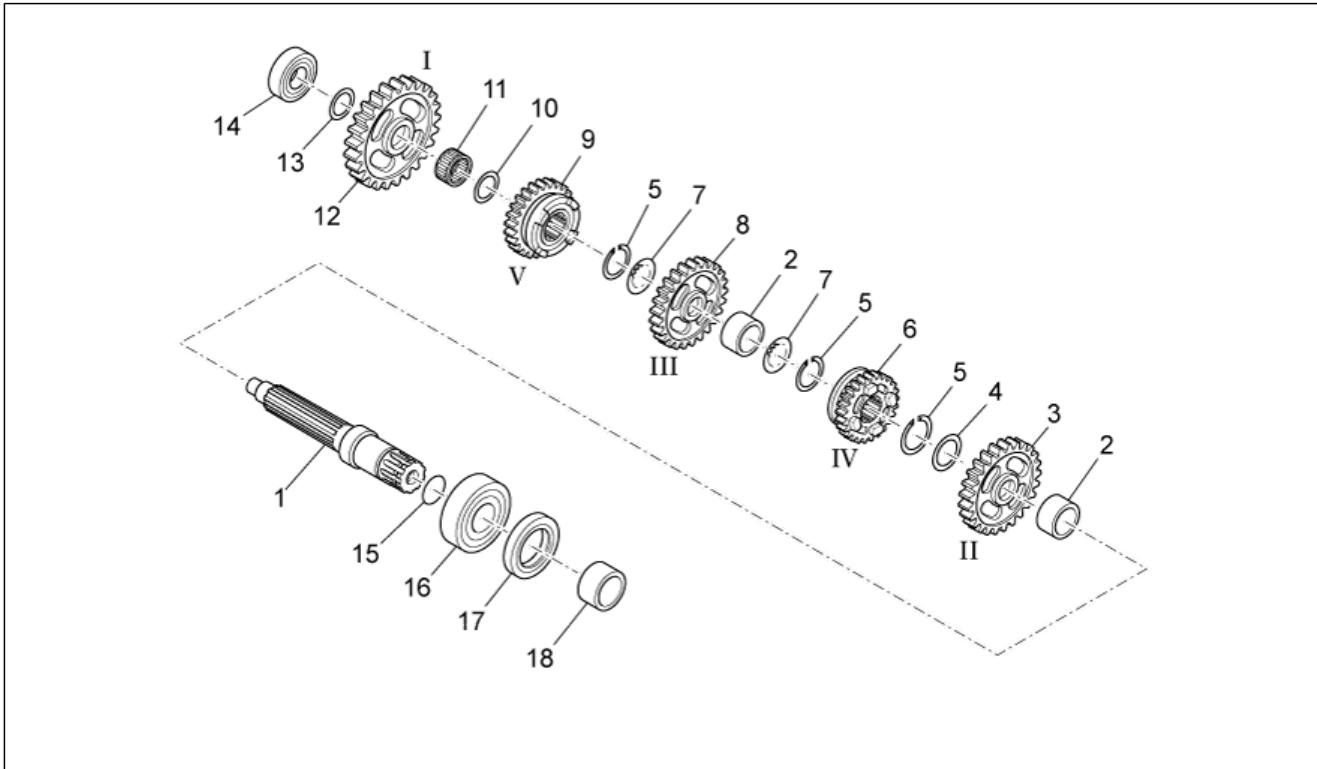
Pos.	Code	Beschreibung	Menge	Varianten
1	AP9150004	Verschiebenocken kplt.	1	
2	AP9150375	Rolle D4	1	
3	AP9150067	Schaltgabel Trommel	1	
4	AP9150043	Aufnahmebolzen M8x1,25	1	
5	AP9150073	Platte schaltgabel stopper	1	
6	AP8152277	TE Schr. m. Flansch M6x12	2	
7	AP9150069	Hebel	2	
8	AP9150070	Federstütze	2	
9	AP9150064	Feder	2	
10	AP9150068	Desmodrom.Platte	1	
11	AP9150060	Buchse D6x8x5	4	
12	855705	Feder	1	
13	AP9150003	Federstütze	1	
14	AP9150062	Schaltstange L72,5	1	
15	AP9150093	Schaltgabel 4a-5a	1	
16	AP9150091	Schaltgabel 1a-3a	2	
17	AP9150061	Schaltstange L93	1	
18	AP9150184	Schaltensor	1	
19	AP8152272	TE Schr. m. Flansch M5x12	2	
20	AP9150479	O-Ring D23,52x1,78	1	
21	AP9150365	Kugellager D25x42x9	1	
22	85104R	Kugellager D25x37x7	1	
23	AP8152272	TE Schr. m. Flansch M5x12	1	
24	AP9150462	Kabelführung	1	

<b>Einheit</b>	MOTOR
<b>Code</b>	29.45
<b>Beschreibung</b>	Vorgelegewelle
<b>Inspektion</b>	1



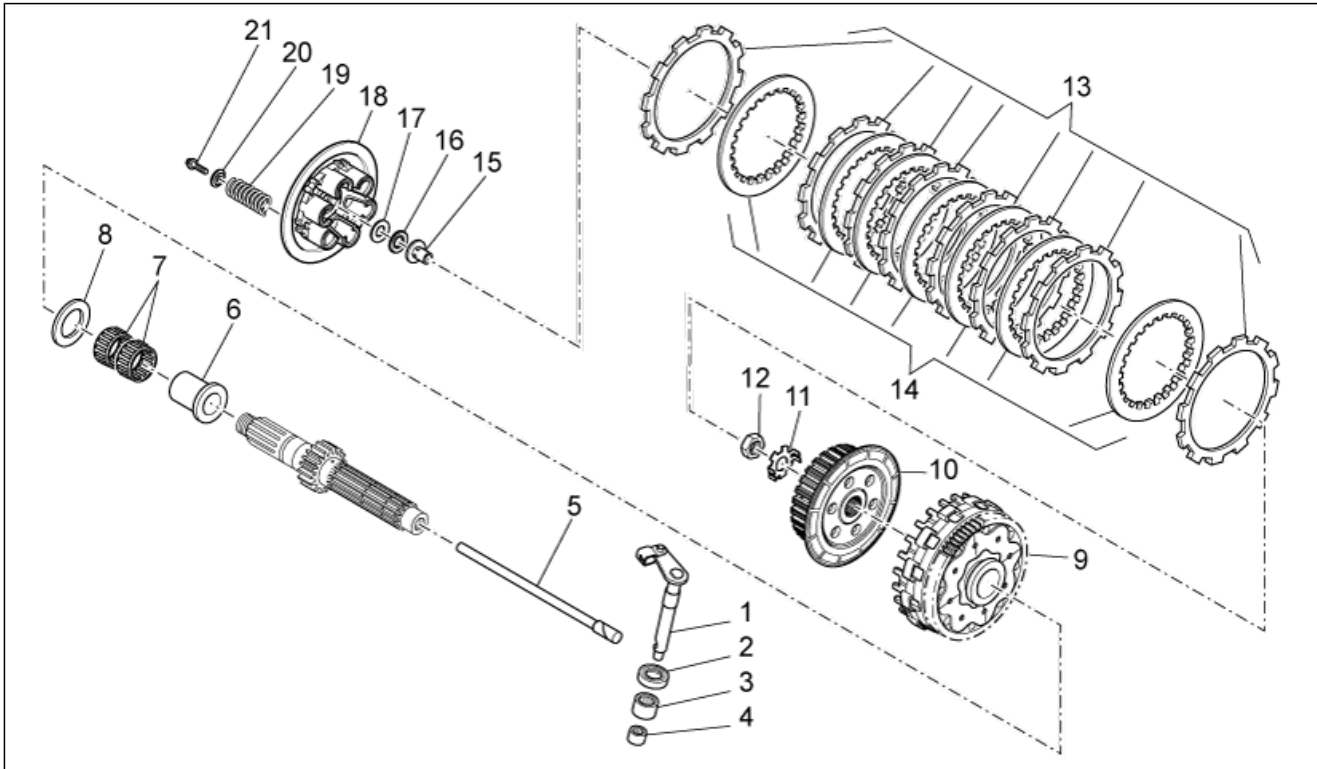
Pos.	Code	Beschreibung	Menge	Varianten
1	AP9150256	Vorgelegewelle Z=12	1	
2	AP9150216	Buchse D25x28x9,9	2	
3	AP9150255	Zahnrad 5a su prim.Z=21	1	
4	AP9150297	Flachscheibe D25,1x30,8x0,5	1	
5	AP9150302	Seegerring für Welle D25	2	
6	AP9150254	Zahnrad 3a su prim.Z=15	1	
7	AP9150267	Spezial-U-scheibe D25,1x30,8x0,	1	
8	AP9150253	Zahnrad 4a su prim.Z=19	1	
9	AP9150252	Zahnrad 2a su prim.Z=13	1	
10	AP9150294	Ausgleichscheibe D17,1x27,8x0,8	1	
11	AP9150362	Kugellager D17x40x12	1	
12	85102R	Kugellager D25x52x1	1	

<b>Einheit</b>	MOTOR
<b>Code</b>	29.46
<b>Beschreibung</b>	Festrad
<b>Inspektion</b>	1



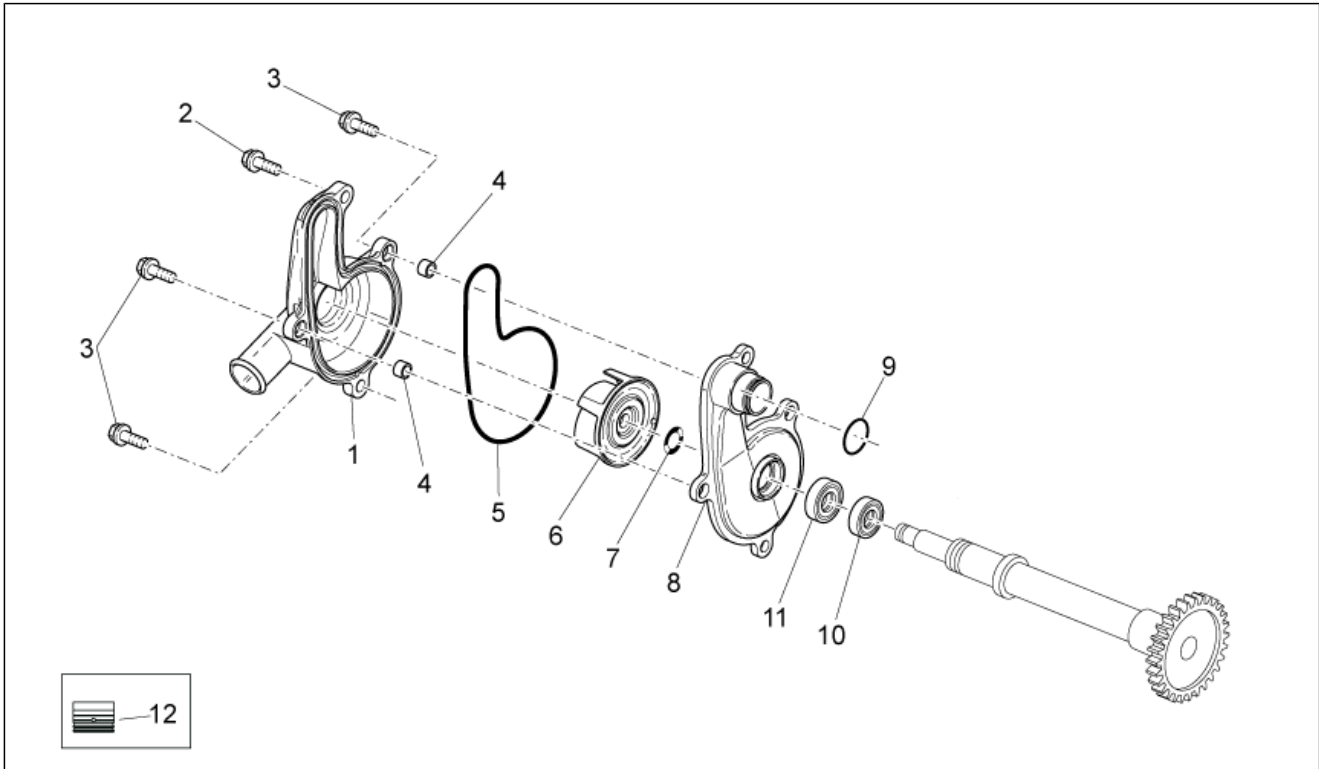
Pos.	Code	Beschreibung	Menge	Varianten
1	AP9150311	Festrad	1	
2	AP9150216	Buchse D25x28x9,9	2	
3	AP9150250	Zahnrad 2.Vorgelegewelle Z=25	1	
4	AP9150297	Flachscheibe D25,1x30,8x0,5	1	
5	AP9150302	Seegerring für Welle D25	3	
6	AP9150249	Zahnrad 4.Vorgelegewelle Z=24	1	
7	AP9150267	Spezial-U-scheibe D25,1x30,8x0,	2	
8	AP9150248	Zahnrad 3.Vorgelegewelle Z=23	1	
9	AP9150247	Zahnrad 5.Vorgelegewelle Z=22	1	
10	AP9150296	Ausgleichscheibe D20,1x28,8x0,8	1	
11	AP9150370	Nadelkaefig D20x24x10	1	
12	AP9150246	Zahnrad 1.Vorgelegewelle Z=31	1	
13	AP9150294	Ausgleichscheibe D17,1x27,8x0,8	1	
14	AP9150361	Kugellager D17x47x14	1	
15	AP9150357	O-Ring D21,95x1,78	1	
16	85103R	Kugellager D25x52x15	1	
17	AP9150382	Ölabstreifring D40x32x5	1	
18	AP9150218	Distanzscheibe 25x32x14	1	

<b>Einheit</b>	MOTOR
<b>Code</b>	29.47
<b>Beschreibung</b>	Kupplung
<b>Inspektion</b>	1



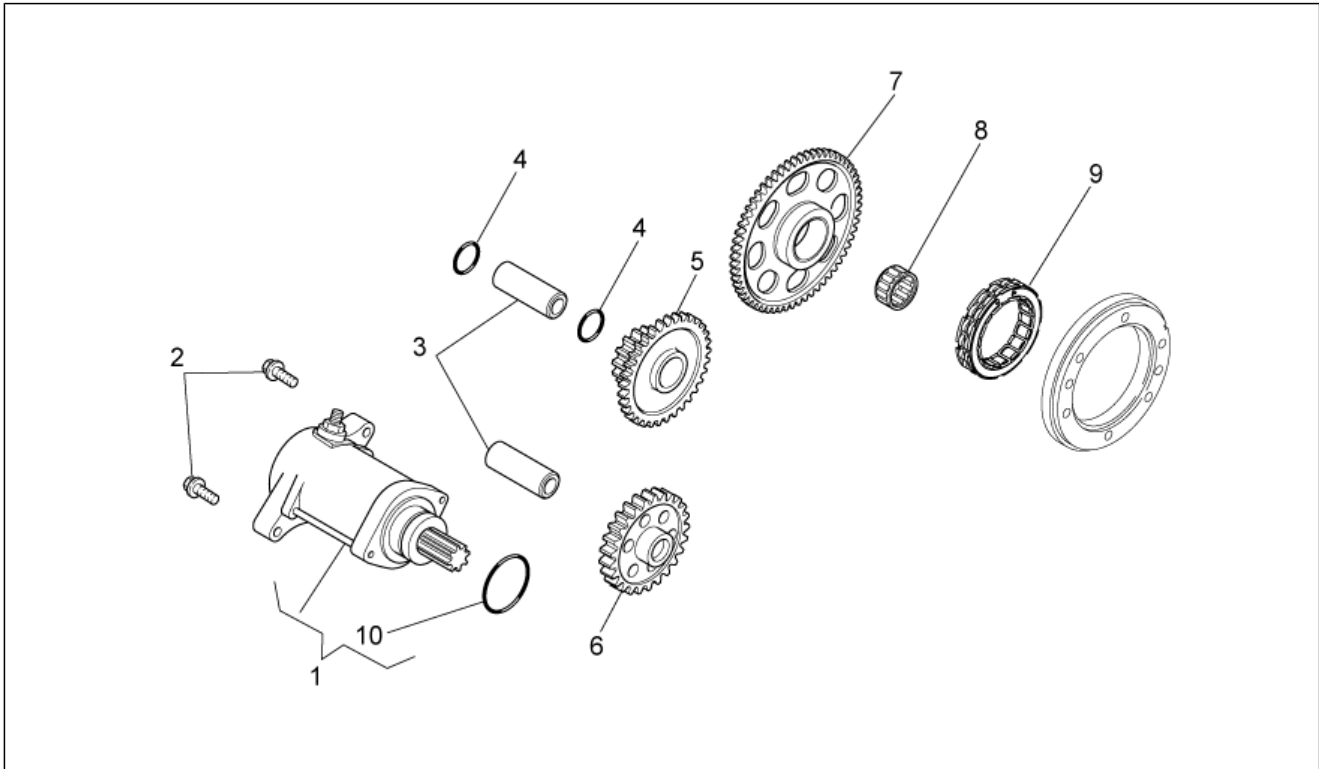
Pos.	Code	Beschreibung	Menge	Varianten
1	AP9150196	Ausrueckwelle	1	
2	AP9150384	Ölabstreifring D12x19x5	1	
3	85110R	Nadelkaefig D8x12x10	1	
4	85111R	Nadelkaefig D12x16x10	1	
5	AP9150040	Stange	1	
6	AP9150284	Distanzscheibe 25x32x22	1	
7	85108R	Nadelkaefig D28x33x13	2	
8	AP9150234	Ausgleichscheibe D23x46x3	1	
9	855501	Baugruppe Kupplungskasten	1	
10	AP9150190	Kupplungstrommel Aluminium	1	
11	AP9100386	Sicherungsblech	1	
12	AP9150235	Mutter M18x1,25	1	
13	AP8176214	Belaglamelle 8 pz.	1	
14	AP8176215	Kupplungsscheibe St. 7 pz.	1	
15	AP9150195	Kupplung Klinke	1	
16	AP9150358	Nadelkaefig D12x26x2	1	
17	AP9150359	Anlaufscheibe D12x26x1	1	
18	AP9150191	Andrückfeder Kupplungsscheibe	1	
19	AP9150194	Kupplungsfeder	6	
20	AP9150232	Becher	6	
21	AP8152279	TE Schr. m. Flansch M6x20	6	

<b>Einheit</b>	MOTOR
<b>Code</b>	29.48
<b>Beschreibung</b>	Wasserpumpenritzel
<b>Inspektion</b>	1



Pos.	Code	Beschreibung	Menge	Varianten
1	AP9150484	Deckel Wasserpumpe	1	
2	AP8152283	TE Schr. m. Flansch	1	
3	598839	TE Schr. m. Flansch	3	
4	AP9150119	Buchse D8x6,4x9,8	2	
5	AP9150352	O-Ring D88,57x2,62	1	
6	AP9150132	Läufer Wasserpumpe	1	
7	AP9150292	Unterlegscheibe D12,d7.05 SP1	1	
8	AP9150464	Wasserpumpenritzel Flansch	1	
9	851283	O-Ring D18x1,8	1	
10	AP9150443	Ölabstreifring D10x16x4	1	
11	851013	Ölabstreifring D10x18x5/8	1	
12	851010	Buchse Deck. Kupplungsgehäuse	1	

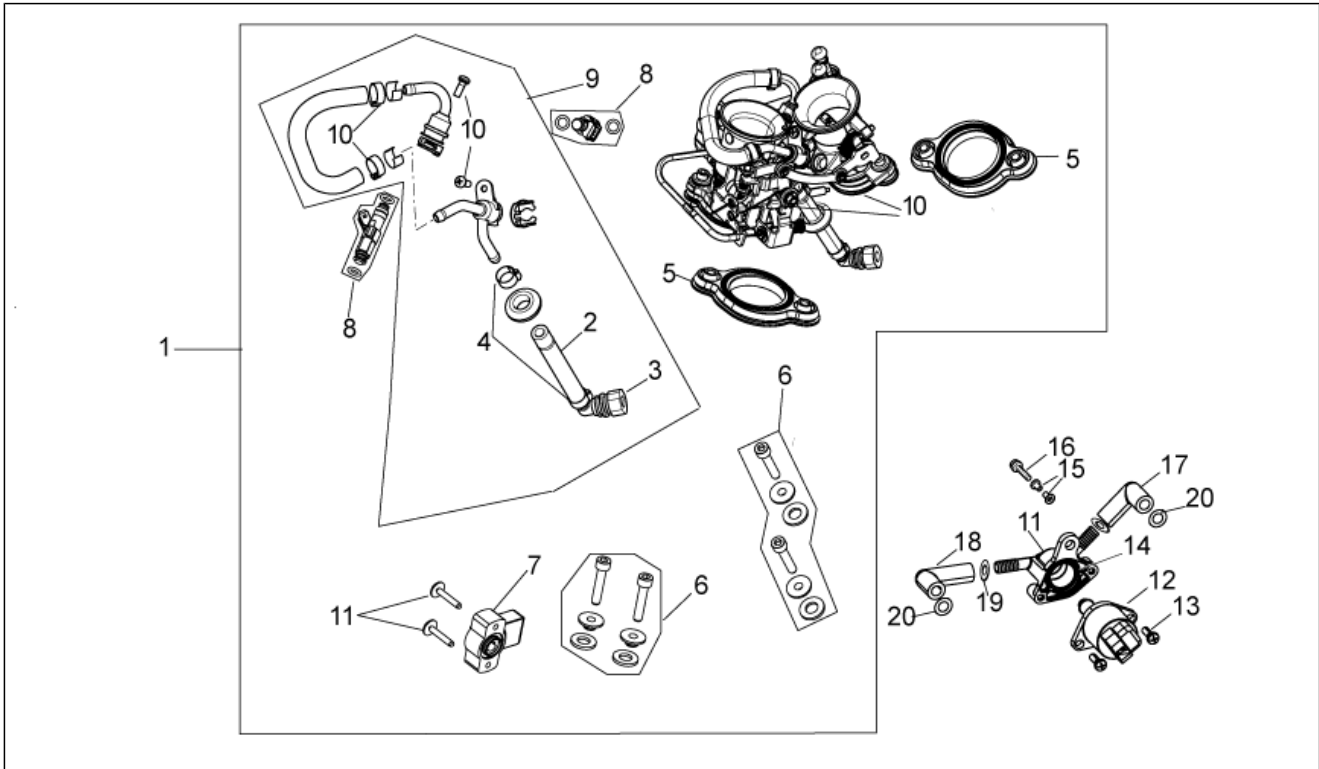
<b>Einheit</b>	MOTOR
<b>Code</b>	29.49
<b>Beschreibung</b>	Startermotor
<b>Inspektion</b>	1



Pos.	Code	Beschreibung	Menge	Varianten
1	AP9150090	Anlassermot. o. Verkab.	1	
2	AP8152281	TE Schr. m. Flansch M6x30	2	
3	AP9150209	Bolzen	2	
4	AP9150446	O-Ring D10,5x1	2	
5	853919	Doppeltes Zahnrad. Z=9/55	1	
6	849802	Zwischenzahnrad Z=22	1	
7	849803	Zahnrad Freilauf Z=52	1	
8	85109R	Nadelkaefig D26x30x17	2	
9	AP9150208	Freilauf kplt.	1	
10	AP9150500	O-Ring D25x2,5	1	

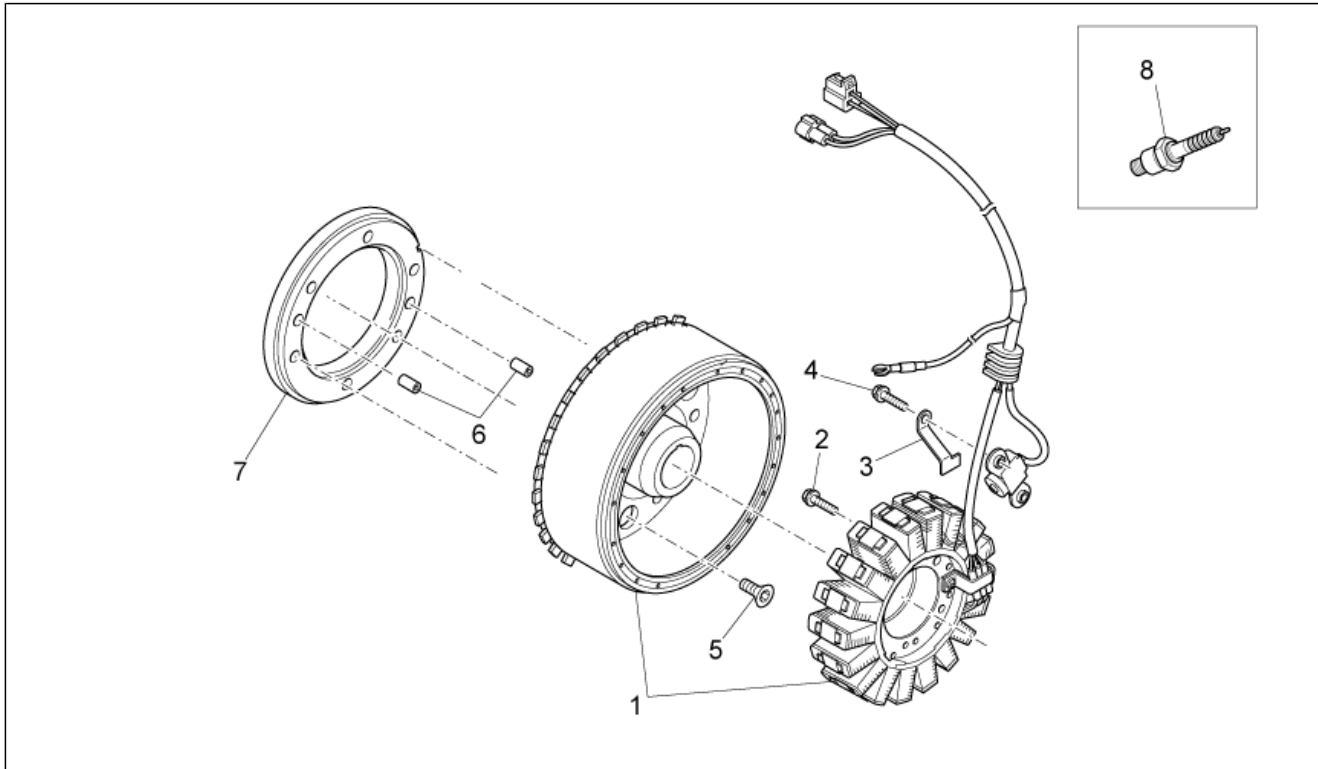


<b>Einheit</b>	MOTOR
<b>Code</b>	29.50
<b>Beschreibung</b>	Klappenkörper
<b>Inspektion</b>	1



Pos.	Code	Beschreibung	Menge	Varianten
1	855665	Klappenkörper kpl.	1	<b>Technische Daten:</b> Version Enduro 450[RX45]
1	855666	Klappenkörper kpl.	1	<b>Technische Daten:</b> Enduro-Version 550[RX55]
2	AP9100709	Leitung benz.7,5x14,5	1	
3	AP9100494	Anschluss	1	
4	AP9100714	Schlauchschelle 14,5x8	2	
5	AP9101008	Dichtungssatz	1	
6	AP9101009	Kit Schrauben	1	
7	AP9101010	Potentiometer	1	
8	AP9101011	Injektor	2	
9	AP9101012	Fuel rail cpl	1	
10	AP9101014	Kit Schrauben, Schelle, clip	1	
11	855728	Stepper motor body	1	
12	855771	Stepper motor	1	
13	AP8150509	Gew.schr. 5x14	2	
14	191189	Dichtung	1	
15	826118	Distanzscheibe	1	
16	830061	TE Schr. m. Flansch M5x16	1	
17	CM239301	Leitung	1	
18	CM239302	Leitung	1	
19	CM001903	Schlauchschelle	2	
20	CM002908	Schlauchschelle	2	

<b>Einheit</b>	MOTOR
<b>Code</b>	29.51
<b>Beschreibung</b>	Zündung
<b>Inspektion</b>	1



Pos.	Code	Beschreibung	Menge	Varianten
1	855680	Schwungmagnetstarter	1	
2	855799	TE Schr. m. Flansch	3	
3	855489	Platte	1	
4	AP8152272	TE Schr. m. Flansch M5x12	2	
5	AP9150401	Schraube	6	
6	484993	Haltestein	2	
7	AP9150204	Flansch	1	
8	639687	Zündkerze CR8EKB	2	