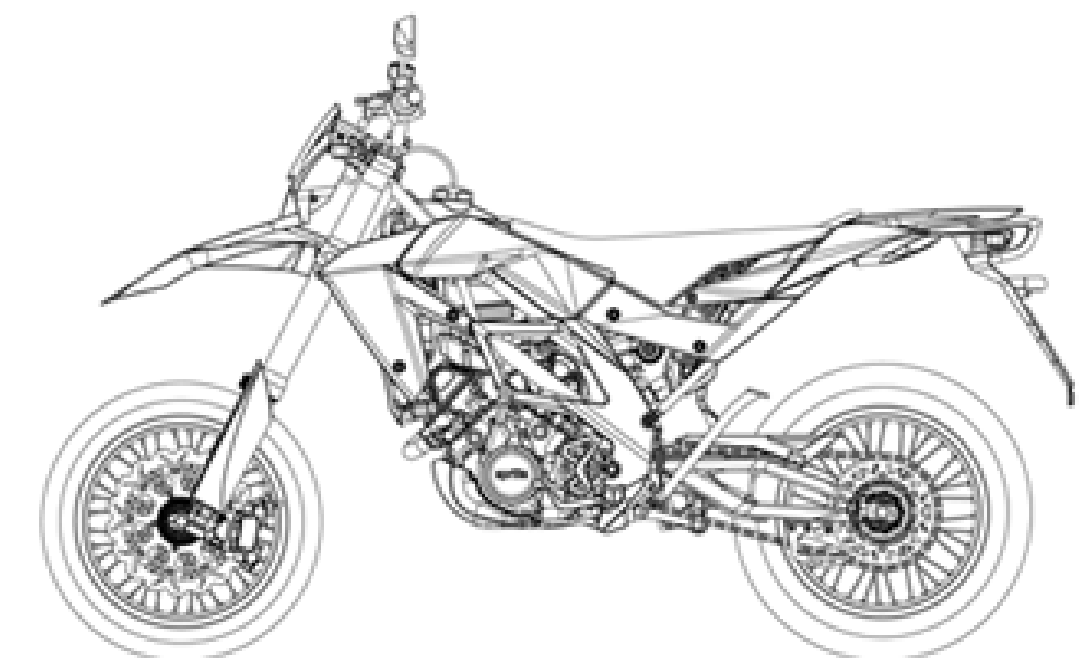


aprilia

ERSATZTEILKATALOG



RXV 450-550 STREET LEGAL 2009-11

Vorsatzcode Fahrgestell: ZD4VPU41, ZD4VPU51
Vorsatzcode Motor:

Inhaltsverzeichnis

Fertige Produkte.....	4
Alphanumerisches Verzeichnis.....	5
RAHMEN.....	11
Tafel 28.01 - Rahmen.....	11
Tafel 28.02 - Fussrasten.....	12
Tafel 28.03 - Hauptständer.....	13
Tafel 28.04 - Lenkung I.....	14
Tafel 28.05 - Gabel I.....	15
Tafel 28.06 - Schwinge.....	16
Tafel 28.07 - Hinterradaufhängung.....	18
Tafel 28.08 - Frontaufbau I.....	19
Tafel 28.09 - Frontaufbau II.....	20
Tafel 28.10 - Kraftstofftank.....	21
Tafel 28.11 - Öltank.....	22
Tafel 28.12 - Sitz.....	23
Tafel 28.13 - Mittlerer Aufbau.....	24
Tafel 28.14 - Heckaufbau I.....	25
Tafel 28.15 - Heckaufbau II.....	26
Tafel 28.16 - Instrumententafel.....	27
Tafel 28.17 - Schaltungen.....	28
Tafel 28.18 - Kühlanlage.....	29
Tafel 28.19 - Filtergehäuse.....	31
Tafel 28.20 - Auslassgruppe.....	32
Tafel 28.21 - Vorderrad.....	34
Tafel 28.22 - Hinterrad.....	35
Tafel 28.23 - Bremsanlage - Vorn I.....	36
Tafel 28.24 - Bremsanlage - Hinten.....	37
Tafel 28.25 - Vorderer lichter.....	38
Tafel 28.26 - Hinterer lichter.....	39
Tafel 28.27 - Elektrische anlage I.....	40
Tafel 28.28 - Elektrische anlage II.....	41
Tafel 28.29 - Fertigstellung.....	43
Tafel 28.53 - Benzindampfdruckf.-Anlage.....	44
Tafel 28.54 - Deko.....	45
MOTOR.....	46
Tafel 29.30 - Motor.....	46
Tafel 29.31 - Kurbelwellengehäuse I.....	47
Tafel 29.32 - Kurbelwellengehäuse II.....	49
Tafel 29.33 - Ölpumpe.....	50
Tafel 29.34 - Schmierung.....	51
Tafel 29.35 - Kurbelwelle.....	52
Tafel 29.36 - Kolben + Zylinder.....	53
Tafel 29.37 - Zylinderkopf.....	54

Tafel 29.38 - Ventile.....	55
Tafel 29.39 - Ventilesbeläge.....	56
Tafel 29.40 - Vrd. Zylindersteuer.....	58
Tafel 29.41 - Hint. Zylindersteuer.....	59
Tafel 29.42 - Umlenkwellen.....	60
Tafel 29.43 - Schaltgabel I.....	61
Tafel 29.44 - Schaltgabel II.....	62
Tafel 29.45 - Vorgelegewelle.....	63
Tafel 29.46 - Festrad.....	64
Tafel 29.47 - Kupplung.....	65
Tafel 29.48 - Wasserpumpenritzel.....	66
Tafel 29.49 - Startermotor.....	67
Tafel 29.50 - Klappenkörper.....	68
Tafel 29.51 - Zündung.....	69
Tafel 29.52 - Secondary air.....	70

Fertige Produkte

Code	Gültigkeit
AP61454R4CC900	
AP61454R4CC901	
AP61454R4YC900	
AP61454R4YC901	
AP61454R4YCA00	
AP61454R4YCA01	
AP61454R4YCB00	
AP61454R4YCB03	

Code	Nr. der Tafel	Pos.	Code	Nr. der Tafel	Pos.	Code	Nr. der Tafel	Pos.
000674	29.32	5	851357	29.35	3	855620	28.05	2
006411	29.33	21	851359	28.17	17	855621	28.05	1
006415	29.43	4	851360	28.17	18	855625	28.22	15
006612	29.40	9	851470	28.20	11	855626	28.22	17
006612	29.41	9	853695	28.19	2	855680	29.51	1
006618	29.34	17	853696	28.17	6	855685	29.37	26
006642	29.40	11	853971	29.49	5	855686	28.11	1
006642	29.41	11	854030	28.29	6	855690	28.18	5
00H01508181	28.06	10	855022	29.52	4	855696	28.24	5
018623	28.06	17	855023	29.52	2	855697	28.06	14
178609	29.50	21	855024	29.52	3	855705	29.44	12
252945	28.28	16	855025	28.20	1	855720	28.21	16
254485	28.09	6	855026	28.20	2	855721	28.25	1
254485	28.14	12	855027	29.52	7	855722	28.06	25
254485	28.15	19	855028	29.52	10	855723	28.01	1
254485	28.20	20	855029	28.53	1	855724	28.27	14
254485	29.52	6	855031	29.32	4	855741	28.21	2
260467	29.37	22	855034	29.37	6	855742	28.22	2
292723	28.25	7	855035	29.37	6	855748	28.22	14
484993	29.51	6	855049	28.17	1	855766	28.11	17
496404	28.28	11	855054	29.52	1	855769	28.24	9
496404	28.28	15	855055	29.52	8	855790	28.19	24
639687	29.51	8	855056	29.52	9	855819	29.30	15
709052	28.19	21	855057	29.52	5	855833	29.30	16
82650R	29.40	20	855066	28.10	1	855834	29.30	14
82650R	29.41	20	855071	28.15	5	855835	29.30	14
828909	29.31	33	855078	28.26	12	855845	28.22	21
828922	29.31	34	855081	28.19	19	855852	28.24	10
833658	29.50	18	855082	28.53	3	855853	28.24	11
834044	29.37	25	855086	28.20	1	855854	28.24	12
844211	29.42	7	855087	28.20	2	855855	28.24	24
847928	29.40	19	855093	28.19	1	855857	28.05	10
847928	29.41	19	855094	28.19	1	855861	28.03	14
849802	29.49	6	8551015	29.35	1	855872	28.54	5
849803	29.49	7	855102	29.41	14	855885	29.47	13
8510025	29.40	1	855136	29.37	8	855929	29.50	15
8510035	29.41	1	855139	28.25	10	855930	29.50	16
851006	28.19	16	855139	28.26	6	855940	28.12	4
851007	29.35	2	855140	28.25	9	855944	28.07	21
851009	29.42	1	855140	28.26	5	855945	28.07	19
851010	29.48	12	855142	29.37	24	855947	29.50	2
851011	29.42	11	855143	29.37	23	855948	29.50	9
851012	29.32	21	855203	28.21	18	855954	28.07	20
851013	29.48	11	855213	29.50	1	855955	28.07	22
851015	29.32	20	855214	29.50	1	855960	28.13	5
851017	29.32	22	855236	29.50	19	856062	28.53	13
851019	29.32	9	855242	29.32	1	856063	28.53	10
851023	28.27	2	855252	29.32	23	856161	28.53	12
851029	28.04	8	8553745	29.35	1	856610	28.25	11
851030	28.04	7	855487	29.37	2	856897	29.52	20
851035	29.36	1	855489	29.51	3	856932	28.10	3
851039	29.36	1	855490	29.50	12	856941	28.20	3
851042	29.36	2	855501	29.47	9	856946	28.20	5
851045	29.36	2	855506	28.24	13	856947	28.20	4
851156	28.54	6	855550	28.06	1	858044	28.19	17
851157	28.54	7	855552	28.06	8	858045	28.19	18
85115R	28.28	7	855553	28.06	9	85838800XB2	28.08	3
851171	28.20	26	855562	28.06	23	858592	28.20	27
851172	28.20	25	855565	28.06	15	859728	28.27	19
851199	28.12	5	855579	28.06	11	859728	28.28	29
851240	29.34	18	855580	28.06	26	859999	28.29	2
851252	28.07	3	855583	28.07	2	860593	29.50	14
851280	28.03	4	855584	28.21	20	89046900XB2	28.08	2
851283	29.48	9	855585	28.22	23	890512	28.28	28
851295	29.34	22	855586	28.21	5	890524	28.54	1
851298	29.36	3	855587	28.22	5	890525	28.54	1
851351	28.23	7	855601	29.36	3	891170	29.38	7

Code	Nr. der Tafel	Pos.	Code	Nr. der Tafel	Pos.	Code	Nr. der Tafel	Pos.
891185	28.54	3	AP8121862	29.31	25	AP8152176	28.02	9
891187	28.54	4	AP8124235	28.27	18	AP8152181	28.06	30
891189	28.54	2	AP8124718	28.15	4	AP8152181	28.25	5
891287	28.54	3	AP8124930	28.18	4	AP8152226	28.06	29
891288	28.54	3	AP8127098	28.26	2	AP8152244	28.06	7
891291	28.54	4	AP8127489	28.25	8	AP8152246	28.15	6
891292	28.54	4	AP8127489	28.26	7	AP8152262	28.25	3
891295	28.54	2	AP8134677	28.15	3	AP8152267	28.18	7
898451	28.54	1	AP8144038	28.19	8	AP8152268	28.26	14
898452	28.54	1	AP8144064	28.13	8	AP8152272	28.01	9
898912	28.02	12	AP8144065	28.19	20	AP8152272	28.28	13
AP8101372	28.13	11	AP8144506	28.18	14	AP8152272	29.44	19
AP8101586	28.11	10	AP8144538	28.01	15	AP8152272	29.44	23
AP8101586	29.52	13	AP8144538	28.28	4	AP8152272	29.51	4
AP8101595	28.19	7	AP8149034	28.15	2	AP8152273	28.10	18
AP8101606	28.02	11	AP8150009	28.22	18	AP8152273	29.52	21
AP8101928	28.24	20	AP8150011	28.15	8	AP8152274	28.13	7
AP8102273	29.52	12	AP8150011	28.27	5	AP8152274	29.40	3
AP8102375	28.08	5	AP8150012	28.26	13	AP8152274	29.41	3
AP8102375	28.13	18	AP8150013	28.16	5	AP8152275	28.01	11
AP8102375	28.15	18	AP8150013	28.18	8	AP8152275	29.51	2
AP8102377	28.19	9	AP8150015	28.08	9	AP8152277	28.08	8
AP8102377	29.31	31	AP8150015	28.14	8	AP8152277	28.10	5
AP8102525	29.37	27	AP8150015	28.18	30	AP8152277	28.14	11
AP8102678	28.53	2	AP8150015	28.20	22	AP8152277	28.28	24
AP8102688	28.53	7	AP8150015	29.52	15	AP8152277	29.31	27
AP8102719	28.53	8	AP8150017	28.02	10	AP8152277	29.31	3
AP8102738	28.18	19	AP8150017	28.24	19	AP8152277	29.34	2
AP8102764	28.53	11	AP8150017	28.25	2	AP8152277	29.37	14
AP8102903	28.11	9	AP8150017	28.27	17	AP8152277	29.44	6
AP8104124	28.18	27	AP8150026	28.53	5	AP8152278	28.06	19
AP8104666	28.53	15	AP8150026	29.52	19	AP8152278	28.08	10
AP8104921	28.17	14	AP8150027	28.06	13	AP8152278	28.13	10
AP8104922	28.17	15	AP8150051	28.03	11	AP8152278	28.20	14
AP8109001	28.21	3	AP8150114	28.26	15	AP8152278	28.24	21
AP8109281	28.22	3	AP8150137	29.52	14	AP8152278	28.27	11
AP8112176	28.28	17	AP8150159	28.01	16	AP8152278	29.40	12
AP8112202	28.15	16	AP8150159	28.26	11	AP8152278	29.41	12
AP8112600	28.16	2	AP8150169	28.24	18	AP8152278	29.48	3
AP8117041	28.18	25	AP8150204	28.01	17	AP8152279	28.14	5
AP8119603	28.20	18	AP8150204	28.15	9	AP8152279	28.15	13
AP8120001	28.22	24	AP8150204	28.27	6	AP8152279	28.15	15
AP8120001	28.28	3	AP8150211	28.29	4	AP8152279	28.20	12
AP8120223	28.11	12	AP8150246	28.08	16	AP8152279	28.53	9
AP8120253	28.01	10	AP8150255	28.06	27	AP8152279	29.32	14
AP8120405	28.08	7	AP8150349	28.29	3	AP8152279	29.32	2
AP8120422	29.50	13	AP8150376	28.27	16	AP8152279	29.47	21
AP8120446	28.18	24	AP8150413	28.19	13	AP8152279	29.52	16
AP8120446	28.53	14	AP8150413	28.26	10	AP8152280	28.05	15
AP8120455	28.18	28	AP8150413	28.26	4	AP8152280	28.11	6
AP8120581	28.01	22	AP8150429	28.21	19	AP8152280	28.17	10
AP8120593	28.19	15	AP8150429	28.28	26	AP8152280	28.23	6
AP8120870	28.20	19	AP8150444	28.10	20	AP8152280	29.30	3
AP8120876	28.18	6	AP8150450	28.15	10	AP8152280	29.32	3
AP8120876	28.19	10	AP8150451	28.16	4	AP8152280	29.33	5
AP8120987	28.11	11	AP8150451	28.18	9	AP8152280	29.37	4
AP8121032	28.25	6	AP8150460	28.27	3	AP8152281	28.10	13
AP8121170	28.20	16	AP8152001	28.03	6	AP8152281	28.27	8
AP8121334	28.21	14	AP8152018	28.07	13	AP8152281	29.30	12
AP8121334	28.22	9	AP8152108	28.25	12	AP8152281	29.33	7
AP8121475	28.04	15	AP8152108	28.26	8	AP8152281	29.49	2
AP8121638	28.11	5	AP8152112	28.27	15	AP8152282	28.11	7
AP8121736	28.13	9	AP8152117	28.14	6	AP8152282	29.32	10
AP8121795	28.15	14	AP8152123	28.03	12	AP8152283	28.08	11
AP8121795	28.16	3	AP8152123	28.28	25	AP8152283	29.30	13
AP8121811	28.10	8	AP8152137	28.25	4	AP8152283	29.31	7
AP8121856	29.37	19	AP8152169	28.10	9	AP8152283	29.48	2

Code	Nr. der Tafel	Pos.	Code	Nr. der Tafel	Pos.	Code	Nr. der Tafel	Pos.
AP8152283	29.52	18	AP9100053	28.13	3	AP9100318	28.21	21
AP8152284	28.06	20	AP9100053	28.14	3	AP9100318	28.22	25
AP8152285	29.31	24	AP9100053	28.15	12	AP9100325	28.28	10
AP8152286	28.02	8	AP9100056	28.22	11	AP9100327	28.28	14
AP8152288	28.20	9	AP9100057	28.21	13	AP9100347	28.13	6
AP8152289	28.01	7	AP9100065	28.01	13	AP9100348	28.18	1
AP8152289	28.17	3	AP9100078	28.10	6	AP9100349	28.18	2
AP8152290	28.04	14	AP9100080	28.10	4	AP9100354	28.24	17
AP8152290	28.23	17	AP9100081	28.10	12	AP9100358	29.34	5
AP8152305	28.06	12	AP9100082	28.10	11	AP9100362	29.34	6
AP8152323	28.06	24	AP9100087	28.12	3	AP9100365	28.12	2
AP8152334	28.19	23	AP9100111	28.07	9	AP9100366	28.09	3
AP8152339	28.08	6	AP9100123	28.06	6	AP9100367	29.30	10
AP8152339	28.15	17	AP9100171	28.21	6	AP9100371	28.28	6
AP8152342	28.20	21	AP9100173	28.01	4	AP9100372	28.28	8
AP8152351	28.19	6	AP9100174	28.01	5	AP9100374	29.30	9
AP8156343	28.08	4	AP9100175	28.01	6	AP9100375	28.10	24
AP8156381	28.14	9	AP9100176	28.07	1	AP9100375	28.18	12
AP8156390	28.08	4	AP9100177	28.07	7	AP9100376	28.18	10
AP8156391	28.14	9	AP9100177	28.07	7	AP9100386	29.47	11
AP8161006	28.03	5	AP9100178	28.07	5	AP9100389	28.01	14
AP8163094	28.05	6	AP9100179	28.07	10	AP9100390	28.02	7
AP8163095	28.05	7	AP9100181	28.07	6	AP9100409	28.20	6
AP8163096	28.05	8	AP9100182	28.07	23	AP9100411	29.30	2
AP8163097	28.05	9	AP9100184	28.07	8	AP9100412	28.04	11
AP8163370	28.05	11	AP9100186	28.07	11	AP9100415	28.10	19
AP8176099	28.28	15	AP9100193	28.02	1	AP9100416	28.10	14
AP8176215	29.47	14	AP9100194	28.02	2	AP9100417	28.24	8
AP8184496	28.14	2	AP9100195	28.02	3	AP9100418	28.23	8
AP8184497	28.14	1	AP9100196	28.02	4	AP9100419	28.03	3
AP8184605	28.13	1	AP9100197	28.02	5	AP9100423	28.27	10
AP8184605	28.13	1	AP9100202	28.06	2	AP9100424	28.27	7
AP8184606	28.13	2	AP9100203	28.06	3	AP9100427	28.19	12
AP8184606	28.13	2	AP9100204	28.04	6	AP9100428	28.19	14
AP8184780	28.09	2	AP9100205	28.04	9	AP9100429	28.27	9
AP8184781	28.09	1	AP9100208	28.07	18	AP9100432	28.22	19
AP8184788	28.13	1	AP9100211	28.22	12	AP9100434	28.06	22
AP8184789	28.13	2	AP9100213	28.22	13	AP9100434	28.11	19
AP8184909	28.09	1	AP9100214	28.22	6	AP9100434	28.13	14
AP8184910	28.09	2	AP9100215	28.22	10	AP9100434	28.14	10
AP8184911	28.14	1	AP9100216	28.21	8	AP9100434	28.15	7
AP8184912	28.14	2	AP9100216	28.22	7	AP9100434	28.20	13
AP8201169	28.18	20	AP9100223	28.03	7	AP9100434	28.26	9
AP8201431	28.08	19	AP9100224	28.21	12	AP9100434	29.52	17
AP8201431	28.10	10	AP9100225	28.21	7	AP9100439	28.04	13
AP8201808	28.53	17	AP9100226	28.21	10	AP9100439	28.07	15
AP8202058	28.01	21	AP9100227	28.21	11	AP9100440	28.08	13
AP8218628	28.17	19	AP9100227	28.22	8	AP9100441	28.08	14
AP8220191	28.18	26	AP9100228	28.21	9	AP9100442	28.07	14
AP8220283	28.27	13	AP9100229	28.21	17	AP9100443	29.30	5
AP8220325	28.18	13	AP9100238	28.20	10	AP9100447	28.27	1
AP8220402	28.10	21	AP9100243	28.01	18	AP9100451	29.30	18
AP8220598	28.27	21	AP9100252	28.20	15	AP9100451	29.46	20
AP8220620	28.10	2	AP9100256	28.23	11	AP9100455	28.19	11
AP8221129	28.53	4	AP9100257	28.23	1	AP9100456	28.18	21
AP8224462	28.27	12	AP9100267	28.11	16	AP9100456	29.52	11
AP8224655	28.26	3	AP9100275	28.02	6	AP9100457	28.21	4
AP8234020	28.06	18	AP9100287	28.06	21	AP9100461	28.21	15
AP8257609	28.54	8	AP9100288	28.15	11	AP9100462	28.22	4
AP8267395	28.54	9	AP9100289	28.07	17	AP9100472	28.23	9
AP9100007	28.07	4	AP9100290	28.24	14	AP9100472	28.24	6
AP9100021	28.04	5	AP9100291	28.24	15	AP9100473	28.23	10
AP9100026	28.04	3	AP9100292	29.34	7	AP9100473	28.24	7
AP9100028	28.04	4	AP9100293	28.04	10	AP9100475	28.24	1
AP9100053	28.06	28	AP9100297	28.17	2	AP9100477	28.24	16
AP9100053	28.08	17	AP9100301	28.20	24	AP9100486	28.17	12
AP9100053	28.09	5	AP9100302	28.20	23	AP9100487	28.28	9

Code	Nr. der Tafel	Pos.
AP9100494	29.50	3
AP9100496	28.11	8
AP9100501	28.08	12
AP9100506	28.18	3
AP9100507	28.21	1
AP9100510	28.22	1
AP9100511	28.28	22
AP9100512	28.28	1
AP9100513	28.17	5
AP9100514	28.17	4
AP9100515	28.29	1
AP9100516	28.16	1
AP9100517	28.08	1
AP9100519	28.17	16
AP9100523	28.26	1
AP9100525	29.30	17
AP9100525	29.46	19
AP9100533	28.22	22
AP9100542	28.04	1
AP9100548	28.08	15
AP9100549	28.07	12
AP9100550	29.30	11
AP9100553	28.18	17
AP9100554	28.18	18
AP9100555	28.18	15
AP9100557	28.18	16
AP9100558	28.28	12
AP9100565	28.06	16
AP9100587	28.19	5
AP9100588	28.19	4
AP9100593	29.30	4
AP9100594	28.14	7
AP9100595	28.22	16
AP9100600	29.46	19
AP9100604	28.07	16
AP9100610	28.15	1
AP9100636	28.17	7
AP9100638	28.53	6
AP9100643	29.30	6
AP9100645	28.09	4
AP9100645	28.14	4
AP9100661	28.11	18
AP9100661	28.13	13
AP9100665	28.11	14
AP9100668	28.03	8
AP9100669	28.03	9
AP9100680	28.04	2
AP9100683	28.13	19
AP9100683	29.30	8
AP9100684	29.30	8
AP9100685	29.30	8
AP9100686	29.30	8
AP9100687	29.30	7
AP9100688	28.01	8
AP9100697	28.18	23
AP9100703	28.19	3
AP9100707	28.23	5
AP9100714	28.18	22
AP9100714	29.50	4
AP9100724	28.01	12
AP9100725	28.28	5
AP9100736	28.20	8
AP9100739	28.28	20
AP9100742	28.28	18
AP9100752	28.24	23
AP9100755	28.20	17
AP9100765	28.28	23

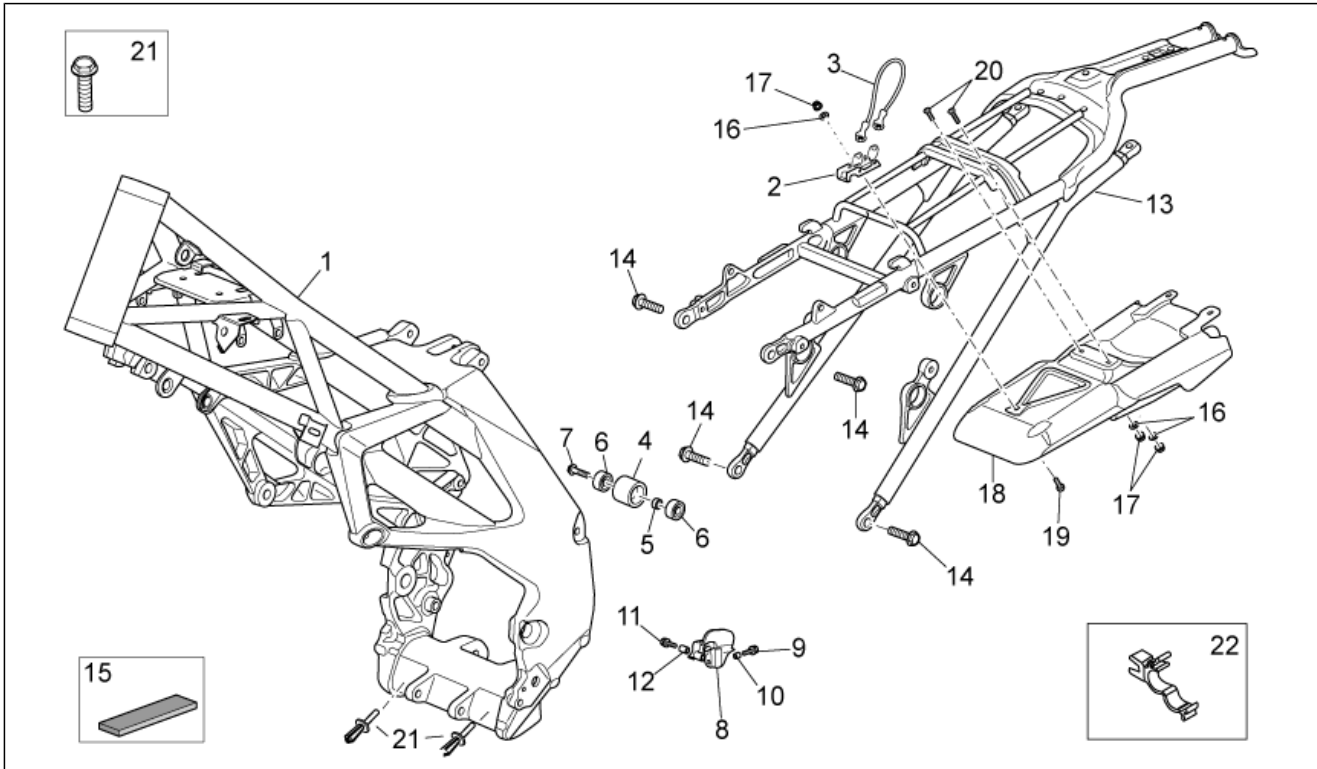
Code	Nr. der Tafel	Pos.
AP9100766	28.01	2
AP9100767	28.10	7
AP9100768	28.01	20
AP9100769	28.01	19
AP9100770	28.01	3
AP9100776	28.04	12
AP9100778	28.13	12
AP9100782	28.28	19
AP9100783	28.28	21
AP9100785	28.23	2
AP9100786	28.23	3
AP9100787	28.23	4
AP9100788	28.23	12
AP9100789	28.23	13
AP9100789	28.24	22
AP9100790	28.23	14
AP9100791	28.23	15
AP9100792	28.23	16
AP9100793	28.24	3
AP9100794	28.24	2
AP9100795	28.24	4
AP9100802	28.17	13
AP9100834	28.03	1
AP9100836	28.03	10
AP9100845	28.20	7
AP9100847	28.05	3
AP9100848	28.05	4
AP9100850	28.05	12
AP9100851	28.05	13
AP9100852	28.05	14
AP9100853	28.05	17
AP9100854	28.05	18
AP9100855	28.05	5
AP9100856	28.05	16
AP9100857	28.05	19
AP9100858	28.05	20
AP9100859	28.05	21
AP9100930	28.10	15
AP9100931	28.10	16
AP9100936	28.29	5
AP9100940	28.17	9
AP9100941	28.17	11
AP9100945	28.27	4
AP9100946	28.18	11
AP9100948	28.18	29
AP9100950	28.11	13
AP9100951	28.11	15
AP9100952	28.06	4
AP9100952	28.06	5
AP9100959	28.28	30
AP9100963	28.03	13
AP9100964	28.03	2
AP9100965	28.27	20
AP9100966	28.10	23
AP9100967	28.10	22
AP9100997	28.28	31
AP9101000	28.28	2
AP9101008	29.50	5
AP9101009	29.50	6
AP9101010	29.50	7
AP9101011	29.50	8
AP9101013	29.50	10
AP9101014	29.50	11
AP9150003	29.44	13
AP9150004	29.44	1
AP9150006	29.43	5
AP9150007	29.36	4

Code	Nr. der Tafel	Pos.
AP9150009	29.37	7
AP9150010	29.37	9
AP9150011	29.40	16
AP9150011	29.41	16
AP9150012	29.40	17
AP9150012	29.41	17
AP9150018	29.35	10
AP9150022	29.38	1
AP9150023	29.38	2
AP9150024	29.38	5
AP9150025	29.38	6
AP9150028	29.38	3
AP9150040	29.47	5
AP9150043	29.44	4
AP9150044	29.43	6
AP9150048	29.43	1
AP9150051	29.43	7
AP9150060	29.44	11
AP9150061	29.44	17
AP9150062	29.44	14
AP9150063	29.43	2
AP9150064	29.44	9
AP9150065	29.35	7
AP9150066	29.35	8
AP9150067	29.44	3
AP9150068	29.44	10
AP9150069	29.44	7
AP9150070	29.44	8
AP9150071	29.33	1
AP9150073	29.44	5
AP9150074	29.33	20
AP9150075	29.33	15
AP9150076	29.33	13
AP9150078	29.31	28
AP9150090	29.49	1
AP9150091	29.44	16
AP9150093	29.44	15
AP9150094	29.32	12
AP9150096	29.40	7
AP9150096	29.41	7
AP9150101	29.40	8
AP9150101	29.41	8
AP9150104	29.38	4
AP9150106	29.38	8
AP9150107	29.38	9
AP9150109	29.31	29
AP9150110	29.37	11
AP9150111	29.37	10
AP9150113	29.37	3
AP9150114	29.37	5
AP9150115	29.31	16
AP9150116	29.31	15
AP9150117	29.31	17
AP9150118	29.32	7
AP9150119	29.48	4
AP9150120	29.37	12
AP9150121	29.37	13
AP9150127	29.35	11
AP9150132	29.48	6
AP9150133	29.40	15
AP9150133	29.41	15
AP9150138	29.40	6
AP9150142	29.41	18
AP9150145	29.31	4
AP9150146	29.31	2
AP9150148	29.32	8
AP9150149	29.31	9

Code	Nr. der Tafel	Pos.	Code	Nr. der Tafel	Pos.	Code	Nr. der Tafel	Pos.
AP9150150	29.32	11	AP9150300	29.40	16	AP9150402	29.35	5
AP9150153	29.32	6	AP9150300	29.41	16	AP9150410	28.11	4
AP9150157	29.33	3	AP9150301	29.36	4	AP9150410	29.32	15
AP9150158	29.33	4	AP9150302	29.45	5	AP9150435	29.31	8
AP9150159	29.33	14	AP9150302	29.46	5	AP9150436	29.35	4
AP9150160	29.33	17	AP9150303	29.40	4	AP9150439	29.31	26
AP9150161	29.33	19	AP9150303	29.41	4	AP9150440	29.31	12
AP9150162	29.33	6	AP9150304	29.41	6	AP9150441	29.31	13
AP9150166	29.34	19	AP9150311	29.46	1	AP9150442	29.31	14
AP9150167	29.34	20	AP9150312	29.37	18	AP9150443	29.33	22
AP9150168	29.34	8	AP9150315	29.35	10	AP9150443	29.48	10
AP9150169	29.34	9	AP9150317	29.37	1	AP9150446	29.49	4
AP9150170	29.34	11	AP9150321	29.34	13	AP9150454	29.35	12
AP9150171	29.34	12	AP9150323	29.35	12	AP9150455	29.35	12
AP9150172	29.34	16	AP9150324	29.31	11	AP9150456	29.31	11
AP9150173	29.34	14	AP9150327	29.40	15	AP9150457	29.31	11
AP9150174	28.11	2	AP9150327	29.41	15	AP9150461	29.33	10
AP9150174	29.31	19	AP9150343	29.36	5	AP9150462	29.44	24
AP9150174	29.37	20	AP9150344	29.31	35	AP9150463	29.33	18
AP9150181	29.37	16	AP9150346	29.31	23	AP9150464	29.48	8
AP9150184	29.44	18	AP9150347	29.34	4	AP9150469	29.37	15
AP9150190	29.47	10	AP9150348	29.42	5	AP9150471	29.31	22
AP9150191	29.47	18	AP9150349	28.11	3	AP9150472	29.34	23
AP9150194	29.47	19	AP9150349	29.31	20	AP9150473	29.32	17
AP9150195	29.47	15	AP9150349	29.31	30	AP9150476	29.34	10
AP9150196	29.47	1	AP9150349	29.37	17	AP9150477	29.34	15
AP9150198	28.17	8	AP9150349	29.37	21	AP9150479	29.44	20
AP9150204	29.51	7	AP9150350	29.31	18	AP9150483	29.42	6
AP9150208	29.49	9	AP9150351	29.32	18	AP9150484	29.48	1
AP9150209	29.49	3	AP9150352	29.48	5	AP9150489	29.31	6
AP9150210	29.35	9	AP9150353	29.31	10	AP9150500	29.49	10
AP9150216	29.45	2	AP9150355	29.34	21	AP9150506	29.40	13
AP9150216	29.46	2	AP9150356	29.32	16	AP9150506	29.41	13
AP9150217	29.33	11	AP9150357	29.46	15	AP9150507	29.40	14
AP9150218	29.46	18	AP9150358	29.47	16	AP9150522	29.32	19
AP9150220	29.43	8	AP9150359	29.47	17	AP9150525	29.35	6
AP9150231	29.40	18	AP9150360	29.45	12	AP9150526	29.31	32
AP9150232	29.47	20	AP9150361	29.46	14	AP9150529	28.19	22
AP9150234	29.47	8	AP9150362	29.45	11	AP9150533	29.31	21
AP9150235	29.47	12	AP9150363	29.46	16	AP9150545	29.31	37
AP9150236	29.35	13	AP9150364	29.40	2	CM001911	29.31	36
AP9150238	29.43	3	AP9150364	29.41	2	CM002902	29.50	17
AP9150246	29.46	12	AP9150364	29.44	22	CM002904	28.53	16
AP9150247	29.46	9	AP9150365	29.44	21	CM002904	29.50	20
AP9150248	29.46	8	AP9150366	29.42	2	CM155401	29.31	1
AP9150249	29.46	6	AP9150367	29.47	7	CM155403	29.31	1
AP9150250	29.46	3	AP9150369	29.49	8	CM224607	28.12	1
AP9150252	29.45	9	AP9150370	29.46	11	CM224612	28.12	1
AP9150253	29.45	8	AP9150372	29.40	10	CM235801	28.13	16
AP9150254	29.45	6	AP9150372	29.41	10	CM235802	28.13	17
AP9150255	29.45	3	AP9150373	29.47	4	CM236001	28.13	4
AP9150256	29.45	1	AP9150374	29.47	3	CM236002	28.13	15
AP9150267	29.45	7	AP9150375	29.44	2	CM2362135	29.30	1
AP9150267	29.46	7	AP9150376	29.33	8	CM2363135	29.30	1
AP9150273	29.42	4	AP9150377	29.33	2	CM238205	28.22	20
AP9150280	29.34	3	AP9150382	29.46	17	CM238601	29.40	5
AP9150281	29.34	1	AP9150384	29.47	2	CM238602	29.40	5
AP9150284	29.47	6	AP9150385	29.33	12	CM238603	29.40	5
AP9150285	29.42	9	AP9150387	29.42	3	CM238604	29.40	5
AP9150291	29.33	9	AP9150389	29.42	12	CM238605	29.40	5
AP9150292	29.48	7	AP9150390	29.42	8	CM238606	29.40	5
AP9150294	29.45	10	AP9150393	29.43	9	CM238701	29.41	5
AP9150294	29.46	13	AP9150394	28.06	31	CM238702	29.41	5
AP9150296	29.46	10	AP9150394	29.31	5	CM238703	29.41	5
AP9150297	29.45	4	AP9150395	29.32	13	CM238704	29.41	5
AP9150297	29.46	4	AP9150396	29.33	16	CM238705	29.41	5
AP9150299	29.42	10	AP9150401	29.51	5	CM238706	29.41	5

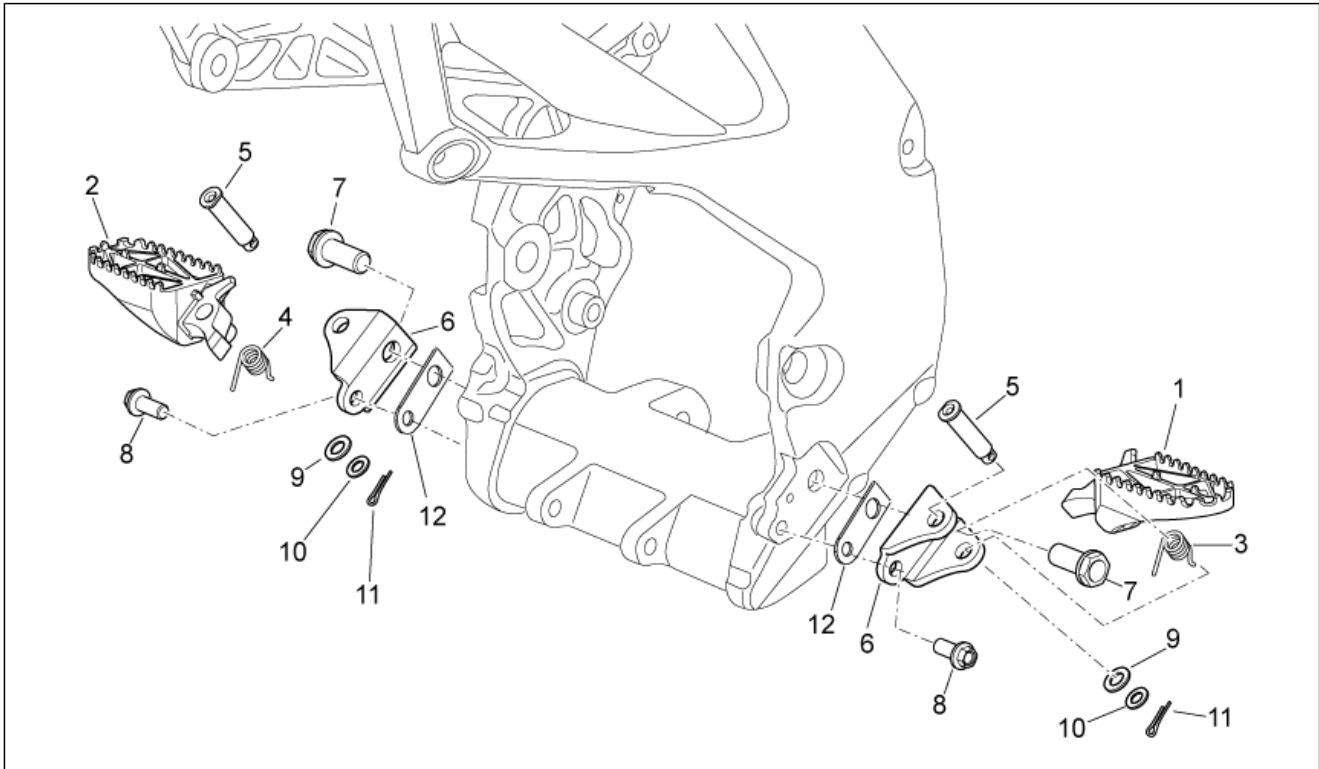
Code	Nr. der Tafel	Pos.
CM238801	29.39	1
CM238802	29.39	1
CM238803	29.39	1
CM238804	29.39	1
CM238805	29.39	1
CM238806	29.39	1
CM238807	29.39	1
CM238808	29.39	1
CM238809	29.39	1
CM238810	29.39	1
CM238811	29.39	1
CM238812	29.39	1
CM238813	29.39	1
CM238814	29.39	1
CM238815	29.39	1
CM238816	29.39	1
CM238817	29.39	1
CM238818	29.39	1
CM238819	29.39	1
CM238820	29.39	1
CM238821	29.39	1
CM238822	29.39	1
CM238823	29.39	1
CM238824	29.39	1
CM238825	29.39	1
CM238826	29.39	1
CM238827	29.39	1
CM238828	29.39	1
CM238829	29.39	1
CM238830	29.39	1
CM238831	29.39	1
CM238832	29.39	1
CM238833	29.39	1
CM238834	29.39	1
CM238835	29.39	1
CM238836	29.39	1
CM238837	29.39	1
CM238838	29.39	1
CM238839	29.39	1
CM239402	28.28	27
GU01103090	28.10	17
GU05781630	28.08	18

Einheit	RAHMEN
Code	28.01
Beschreibung	Rahmen
Inspektion	1



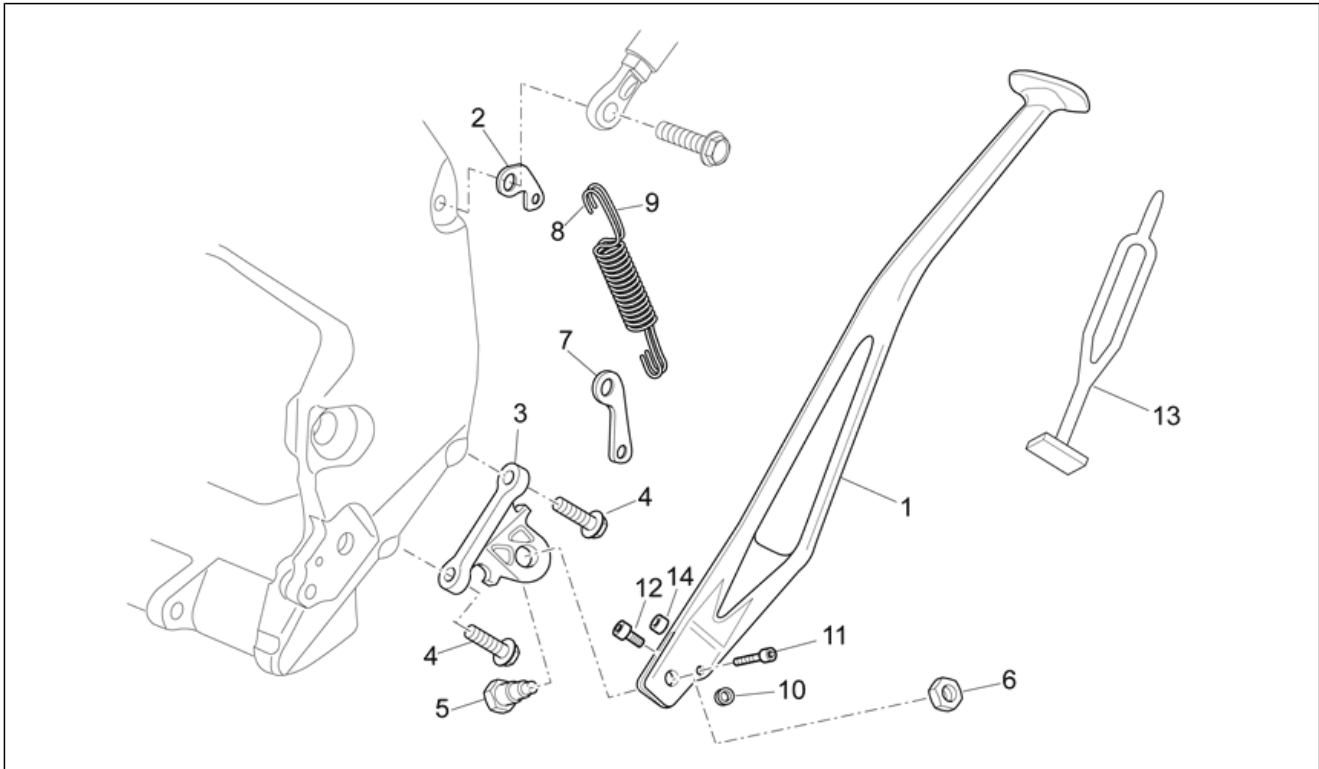
Pos.	Code	Beschreibung	Menge	Varianten
1	855723	Rahmen	1	
2	AP9100766	Platte	1	
3	AP9100770	Kabel	1	
4	AP9100173	Kettenrolle schwarz	1	
5	AP9100174	Distanzscheibe	1	
6	AP9100175	Kugellager 8x22x7	2	
7	AP8152289	TE Schr. m. Flansch	1	
8	AP9100688	Unt. Kettengleitführung	1	
9	AP8152272	TE Schr. m. Flansch M5x12	1	
10	AP8120253	Distanzscheibe	1	
11	AP8152275	TE Schr. m. Flansch M5x25	1	
12	AP9100724	Distanzscheibe	1	
13	AP9100065	Sattelstütze	1	
14	AP9100389	TE Schr. m. Flansch M10x1,25	4	
15	AP8144538	Dichtung	2	
16	AP8150159	Ausgleichscheibe 4,3x16*	3	
17	AP8150204	Mutter M4	3	
18	AP9100243	Wärmeschutz	1	
19	AP9100769	TBEI Schraube M4x10 inox	1	
20	AP9100768	Schraube M4x12	2	
21	AP8202058	Schwarzer Kunststoffniet	2	
22	AP8120581	Kabelschelle	1	

Einheit	RAHMEN
Code	28.02
Beschreibung	Fussrasten
Inspektion	1



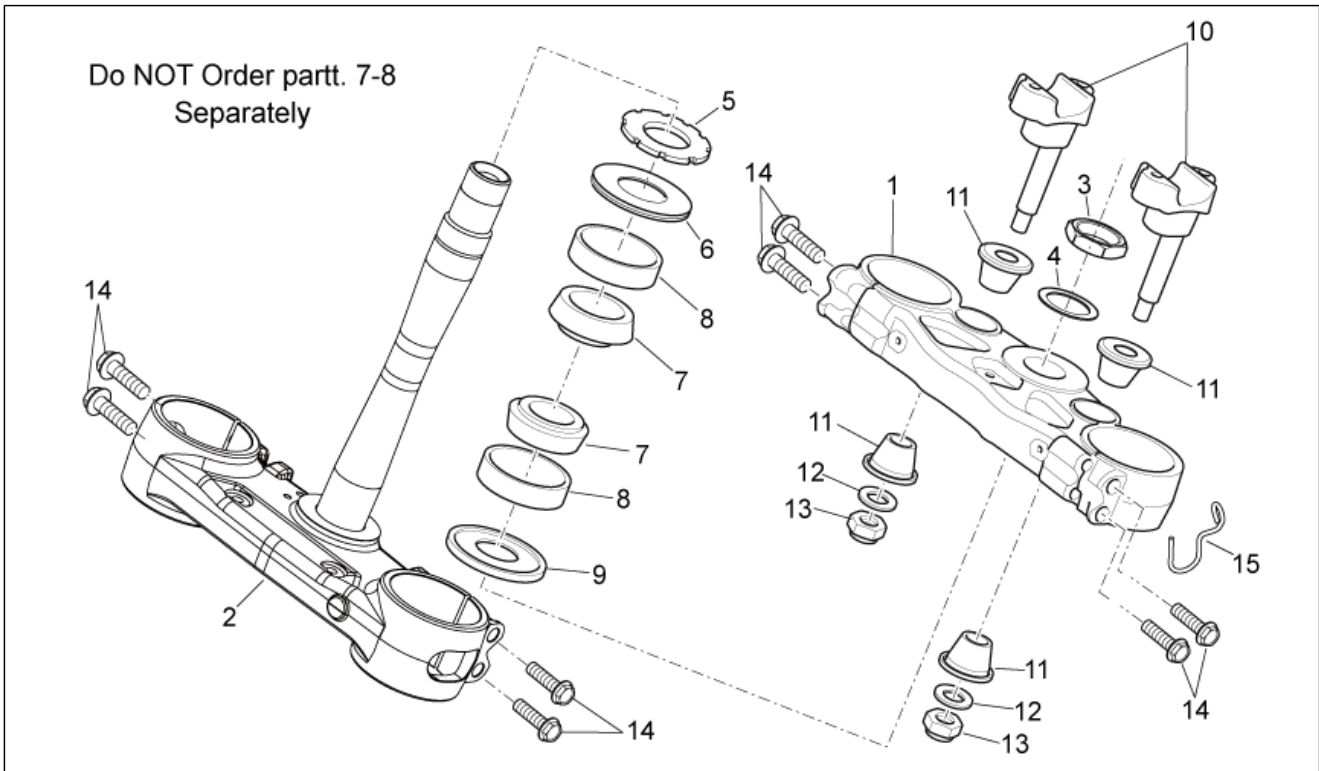
Pos.	Code	Beschreibung	Menge	Varianten
1	AP9100193	Soziusraste links	1	
2	AP9100194	Soziusraste rechts	1	
3	AP9100195	Feder links	1	
4	AP9100196	Feder rechts	1	
5	AP9100197	Bolzen	2	
6	AP9100275	Halterung Fußraste	2	
7	AP9100390	Schraube M12x1,25	2	
8	AP8152286	TE Schr. m. Flansch M8x20	2	
9	AP8152176	Ausgleichscheibe 10,5X18X2*	2	
10	AP8150017	Ausgleichscheibe 8,4x16x1,6	2	
11	AP8101606	Splint	2	
12	898912	Auflageplatte	2	

Einheit	RAHMEN
Code	28.03
Beschreibung	Hauptständer
Inspektion	1



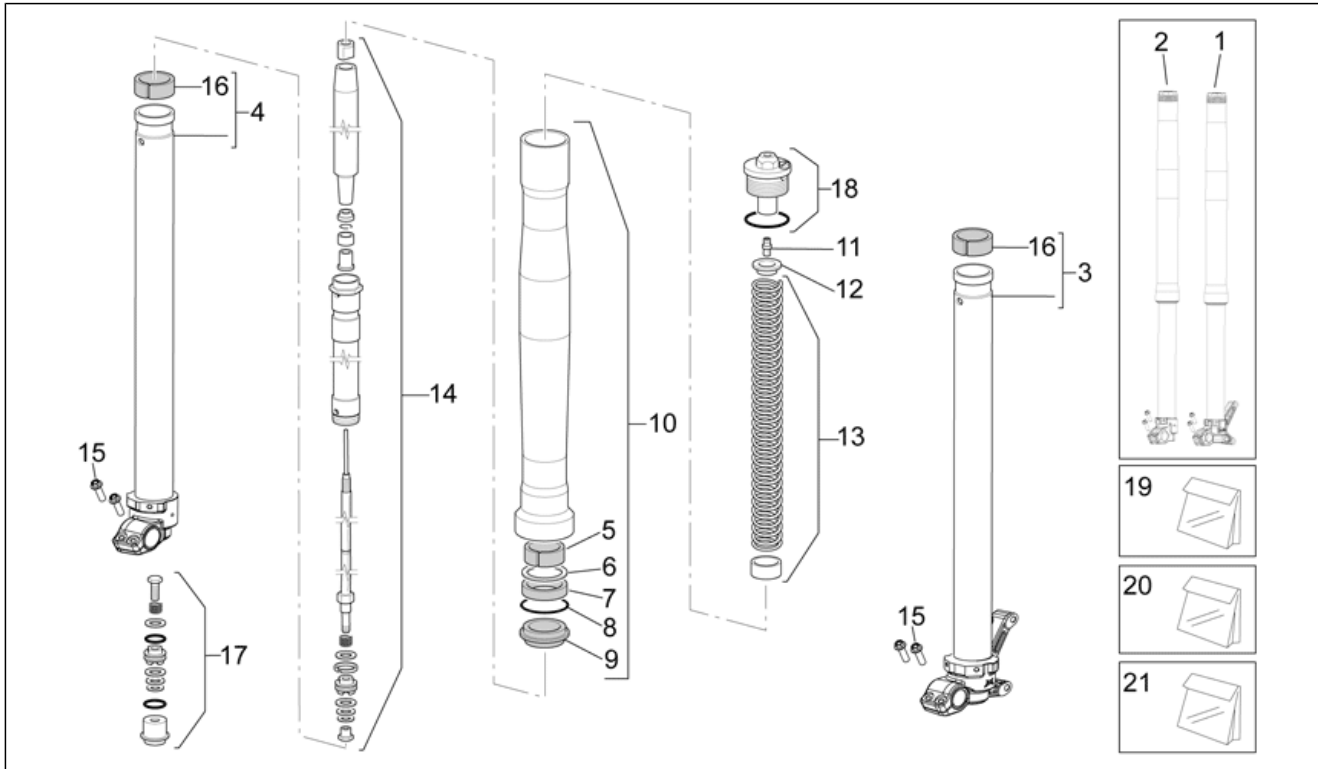
Pos.	Code	Beschreibung	Menge	Varianten
1	AP9100834	Hauptständer	1	
2	AP9100964	Platte	1	
3	AP9100419	Hauptständer platte	1	
4	851280	TE Schr. m. Flansch	2	
5	AP8161006	Ständerschraube	1	
6	AP8152001	Mutter unten M10x1,25	1	
7	AP9100223	Rückholplatte Ständer	1	
8	AP9100668	Außere Feder	1	
9	AP9100669	Innere Feder	1	
10	AP9100836	Buchse 8x5x7,8	1	
11	AP8150051	TCEI Schraube	1	
12	AP8152123	TCEI Schraube	1	
13	AP9100963	Befestig. Gummib.	1	
14	855861	Buchse	1	

Einheit	RAHMEN
Code	28.04
Beschreibung	Lenkung I
Inspektion	1



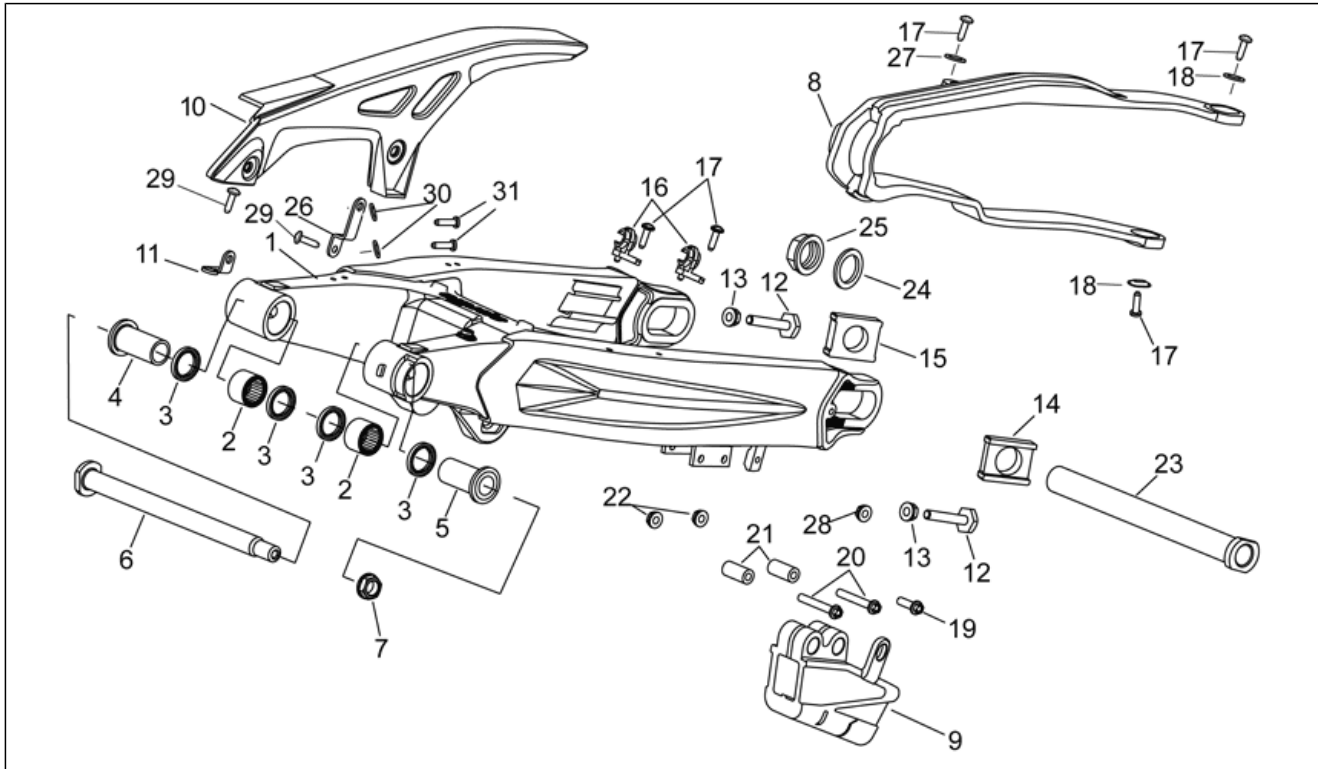
Pos.	Code	Beschreibung	Menge	Varianten
1	AP9100542	Obere Platte	1	
2	AP9100680	Fuß mit Rohr	1	
3	AP9100026	Bolzen Mutter	1	
4	AP9100028	Ausgleichscheibe 26,5x36x1	1	
5	AP9100021	Nutmutter	1	
6	AP9100204	Ob.Dichtring	1	
7	851030	Lager	2	
8	851029	Anlaufscheibe	2	
9	AP9100205	Un.Dichtring	1	
10	AP9100293	Unter.Bügelbolzen	2	
11	AP9100412	Schwingschutzlager	4	
12	AP9100776	Ausgleichscheibe 10.1x23x2.5	2	
13	AP9100439	Selbstsperr.Mut.Unt. M10x1,25	2	
14	AP8152290	TE Schr. m. Flansch M8x40	8	
15	AP8121475	Kabelführung	1	

Einheit	RAHMEN
Code	28.05
Beschreibung	Gabel I
Inspektion	1



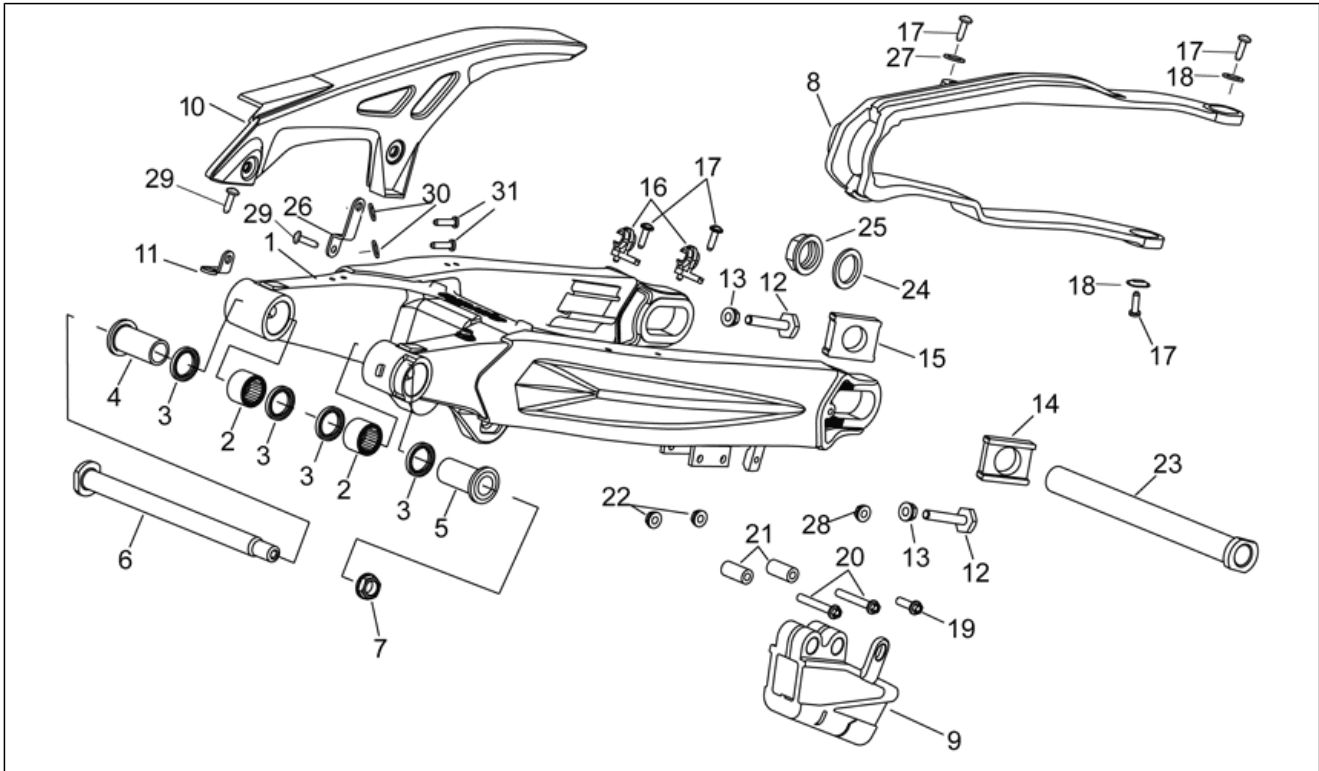
Pos.	Code	Beschreibung	Menge	Varianten
1	855621	Kolbenstange links kpl.	1	
2	855620	Kolbenstange rechts kpl.	1	
3	AP9100847	Klb.st.+ Radhltr. lks.	1	
4	AP9100848	Klb.st.+ Radhltr. rch.	1	
5	AP9100855	Obere Buchse 45x15	2	
6	AP8163094	Becher 58x46x3	2	
7	AP8163095	Gasket ring 45x58x11	2	
8	AP8163096	Sperring D.63	2	
9	AP8163097	Staubschutz D.45	2	
10	855857	Hülse kplt.	2	
11	AP8163370	Feststellschraube+o-ring	2	
12	AP9100850	Ring d.40	2	
13	AP9100851	Feder kit	2	
14	AP9100852	Pumpenrad kplt.	2	
15	AP8152280	TE Schr. m. Flansch M6x25	4	
16	AP9100856	Untere Buchse 45x20	2	
17	AP9100853	Ventil d.45	2	
18	AP9100854	Verschlussschraube kplt. d.45	2	
19	AP9100857	Entfern.inner Gabeldichringe kit	1	
20	AP9100858	Dichtungssatz d.45	1	
21	AP9100859	Buchse kit	1	

Einheit	RAHMEN
Code	28.06
Beschreibung	Schwinge
Inspektion	1



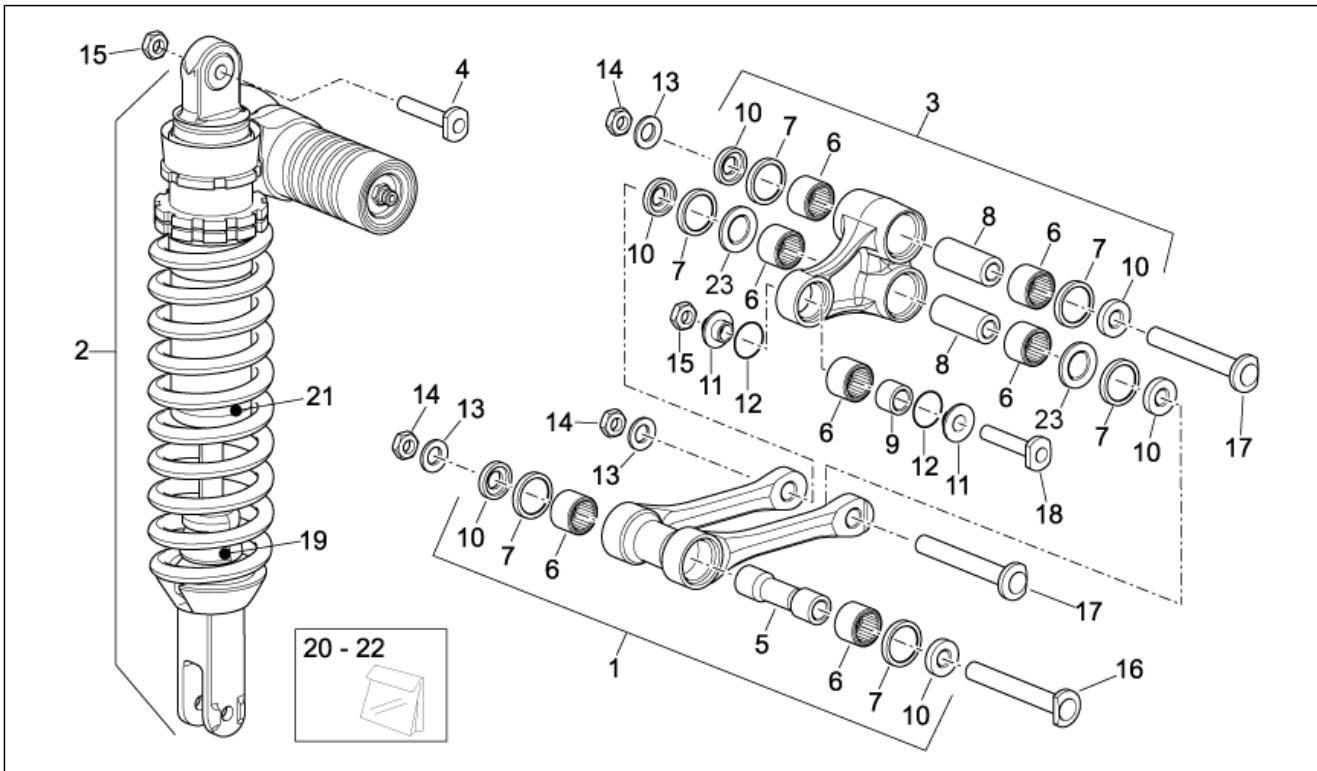
Pos.	Code	Beschreibung	Menge	Varianten
1	855550	Schwinge	1	
2	AP9100202	Nadelkaefig 22x29x30	2	
3	AP9100203	Gasket ring 22x29x4	4	
4	AP9100952	Bolzen L=47,5	1	
5	AP9100952	Bolzen L=47,5	1	
6	AP9100123	Schwingenbolzen M14 L=244	1	
7	AP8152244	Mutter DAX geflanscht M14x1,5	1	
8	855552	Kettengleitführung	1	
9	855553	Kettengleitführung	1	
10	00H01508181	Kettekranz	1	
11	855579	Platte vorn	1	
12	AP8152305	Kettenspanner Schraube	2	
13	AP8150027	Mutter M8	2	
14	855697	Kettenführung rechts	1	
15	855565	Kettenführung links	1	
16	AP9100565	Bremskabelführung	2	
17	018623	Gewindeschraube	5	
18	AP8234020	Becher	2	
19	AP8152278	TE Schr. m. Flansch M6x16	1	
20	AP8152284	TE Schr. m. Flansch	2	
21	AP9100287	Buchse	2	
22	AP9100434	Selbstsperrende Mutter M6x1	2	
23	855562	Hinterradbolzen M25 L=266,5	1	
24	AP8152323	Ausgleichscheibe 25,2x36x1	1	
25	855722	Radbolzenmutter M25x1,5	1	
26	855580	Platte hinten	1	
27	AP8150255	Ausgleichscheibe 5x20x1,5	1	
28	AP9100053	Buchse d.10-h.3,5	1	

Einheit	RAHMEN
Code	28.06
Beschreibung	Schwinge
Inspektion	1



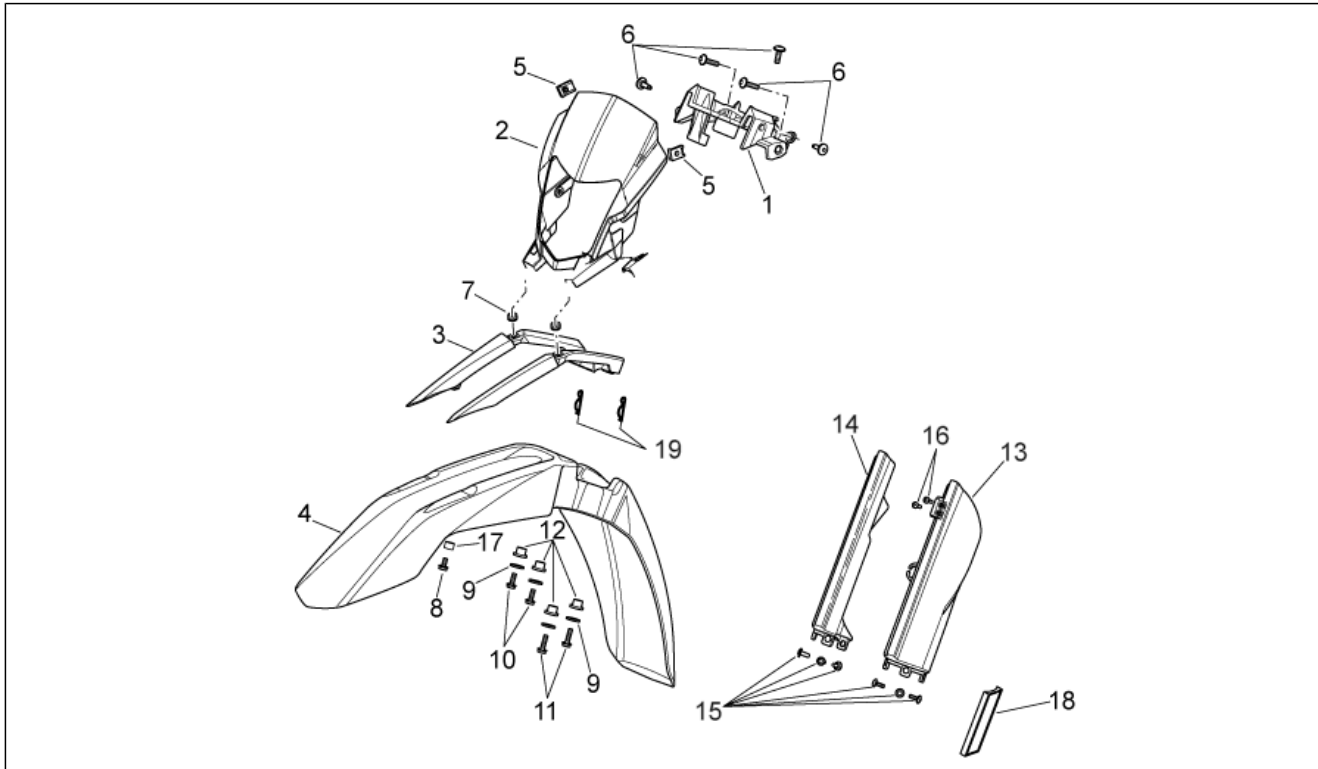
Pos.	Code	Beschreibung	Menge	Varianten
29	AP8152226	TBEI Schraube	2	
30	AP8152181	Scheibe 6,4x15x1	2	
31	AP9150394	Schraube M6x12	2	

Einheit	RAHMEN
Code	28.07
Beschreibung	Hinterradaufhängung
Inspektion	1



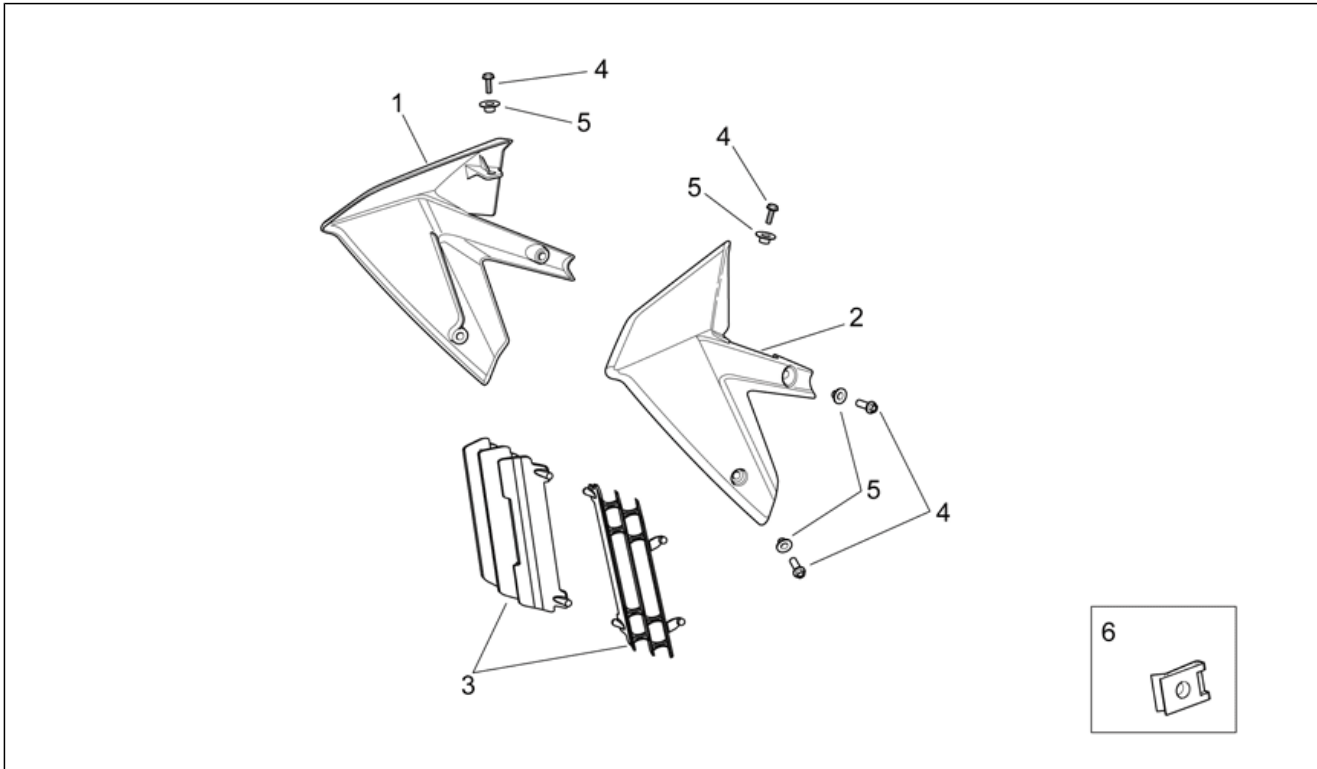
Pos.	Code	Beschreibung	Menge	Varianten
1	AP9100176	Einfache Pleuelstange	1	
2	855583	Hinterer Stoßdämpfer	1	
3	851252	Doppelte Pleuelstange	1	
4	AP9100007	Schraube M10x1,25 L=53	1	
5	AP9100178	Bolzen	1	
6	AP9100181	Nadellager 20x27x15	7	
7	AP9100177	Gasket ring 25x32x4	2	
7	AP9100177	Gasket ring 25x32x4	4	
8	AP9100184	Bolzen	2	
9	AP9100111	Distanzscheibe	1	
10	AP9100179	Distanzscheibe	6	
11	AP9100186	Externe Distanzscheibe	2	
12	AP9100549	O-Ring 1,5x24	2	
13	AP8152018	Scheibe 12,2x22x2	3	
14	AP9100442	Selbstsperr.Mut.Unt. M12x1,25	3	
15	AP9100439	Selbstsperr.Mut.Unt. M10x1,25	2	
16	AP9100604	Schraube M12x1,25 L=120	1	
17	AP9100289	Schraube M12x1,25 L=95	2	
18	AP9100208	Schraube M10x1,25 L=44	1	
19	855945	Puffer	1	
20	855954	Dichtungen - Satz	1	
21	855944	Schaftgruppe	1	
22	855955	Dichtungen - Satz Schaft	1	
23	AP9100182	Flachscheibe 31x20,2x1,4	2	

Einheit	RAHMEN
Code	28.08
Beschreibung	Frontaufbau I
Inspektion	1



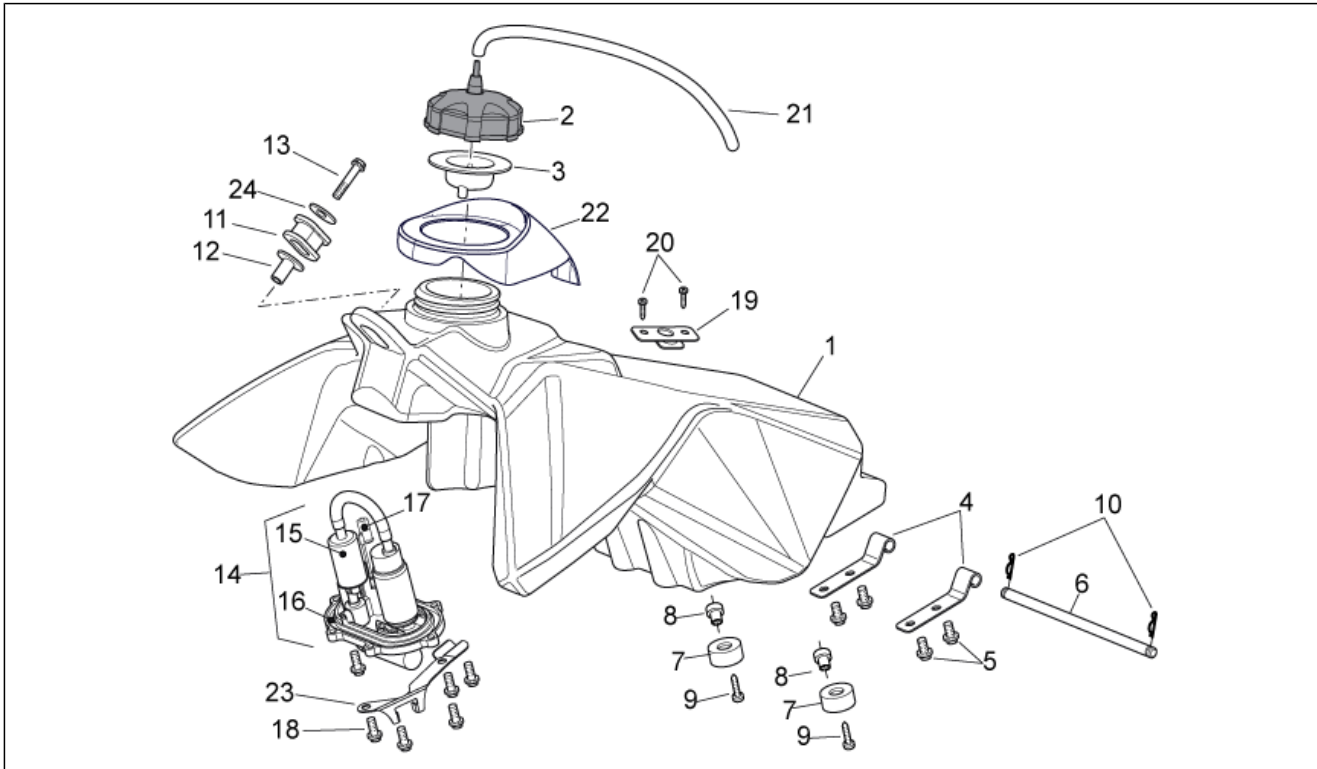
Pos.	Code	Beschreibung	Menge	Varianten
1	AP9100517	Halterfassung	1	
2	89046900XB2	Windschild	1	
3	85838800XB2	Spannstange Kpl.	1	
4	AP8156343	V. Schutzblech, rot	1	Baujahr: OFF WHITE 2009[09], OFF WHITE 2010[A]
4	AP8156390	Vorderes Schutzblech, weiss	1	Baujahr: Off Black 2011 (t.B. 898351)[B]
5	AP8102375	Klammer M5	2	
6	AP8152339	TBEI Schraube m.Flansch M5x9	5	
7	AP8120405	Gummi	2	
8	AP8152277	TE Schr. m. Flansch M6x12	2	
9	AP8150015	Ausgleichscheibe 6,6x18x1,6*	4	
10	AP8152278	TE Schr. m. Flansch M6x16	2	
11	AP8152283	TE Schr. m. Flansch	2	
12	AP9100501	T-Buchse 20x0,5x3,5	4	
13	AP9100440	L. Stangenschutz, schwarz	1	
14	AP9100441	R. Stangenschutz, schwarz	1	
15	AP9100548	Schraube kplt. M6x1	6	
16	AP8150246	Linsenschraube	2	
17	AP9100053	Buchse d.10-h.3,5	2	
18	GU05781630	Rückstrahler, gelb	2	
19	AP8201431	Splint *	2	

Einheit	RAHMEN
Code	28.09
Beschreibung	Frontaufbau II
Inspektion	1



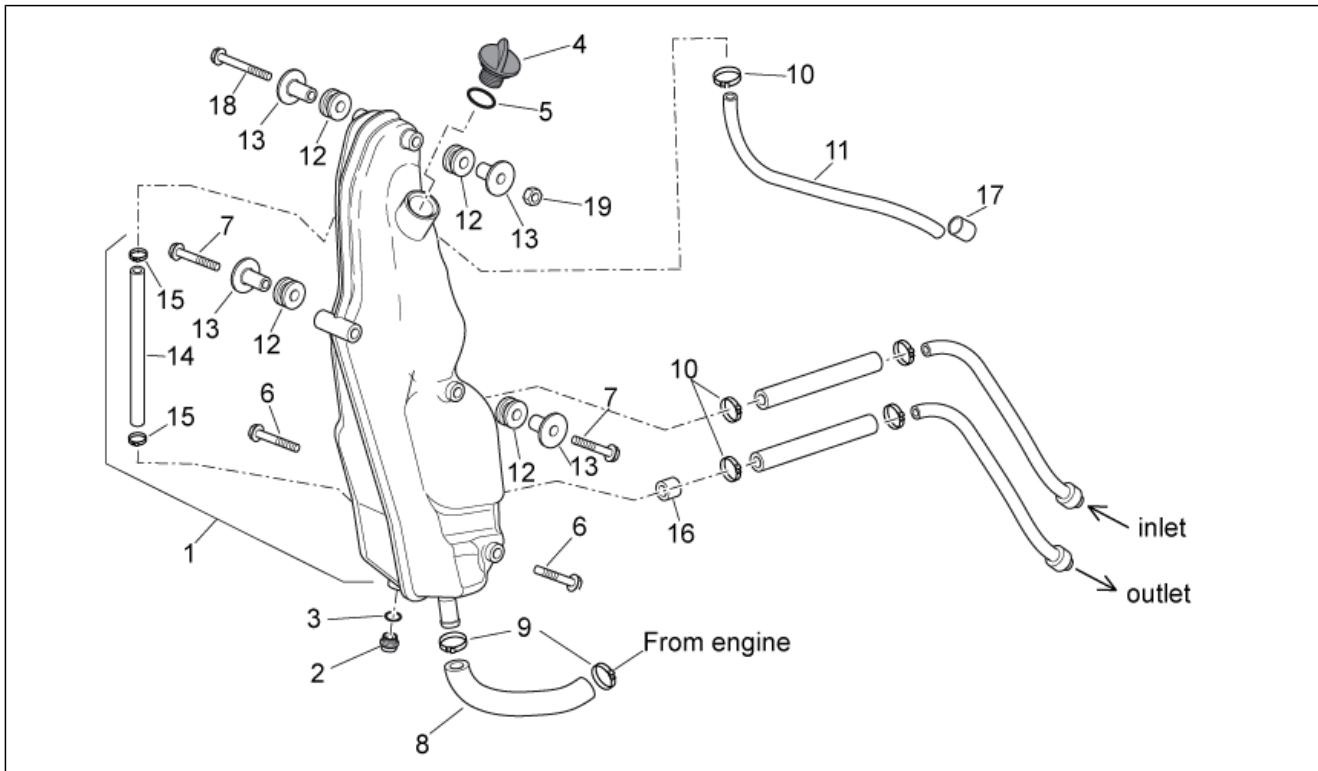
Pos.	Code	Beschreibung	Menge	Varianten
1	AP8184781	R. Leitblech, schwarz	1	Baujahr: OFF WHITE 2009[09], OFF WHITE 2010[A]
1	AP8184909	Rechtes Leitblech,weiß	1	Baujahr: Off Black 2011 (t.B. 898351)[B]
2	AP8184780	L. Leitblech, schwarz	1	Baujahr: OFF WHITE 2009[09], OFF WHITE 2010[A]
2	AP8184910	Leitblech li.weiß lack.	1	Baujahr: Off Black 2011 (t.B. 898351)[B]
3	AP9100366	Kühlergitter	2	
4	AP9100645	TE Schr. m. Flansch M6x16 inox	6	
5	AP9100053	Buchse d.10-h.3,5	6	
6	254485	Plattchen M6	6	

Einheit	RAHMEN
Code	28.10
Beschreibung	Kraftstofftank
Inspektion	1



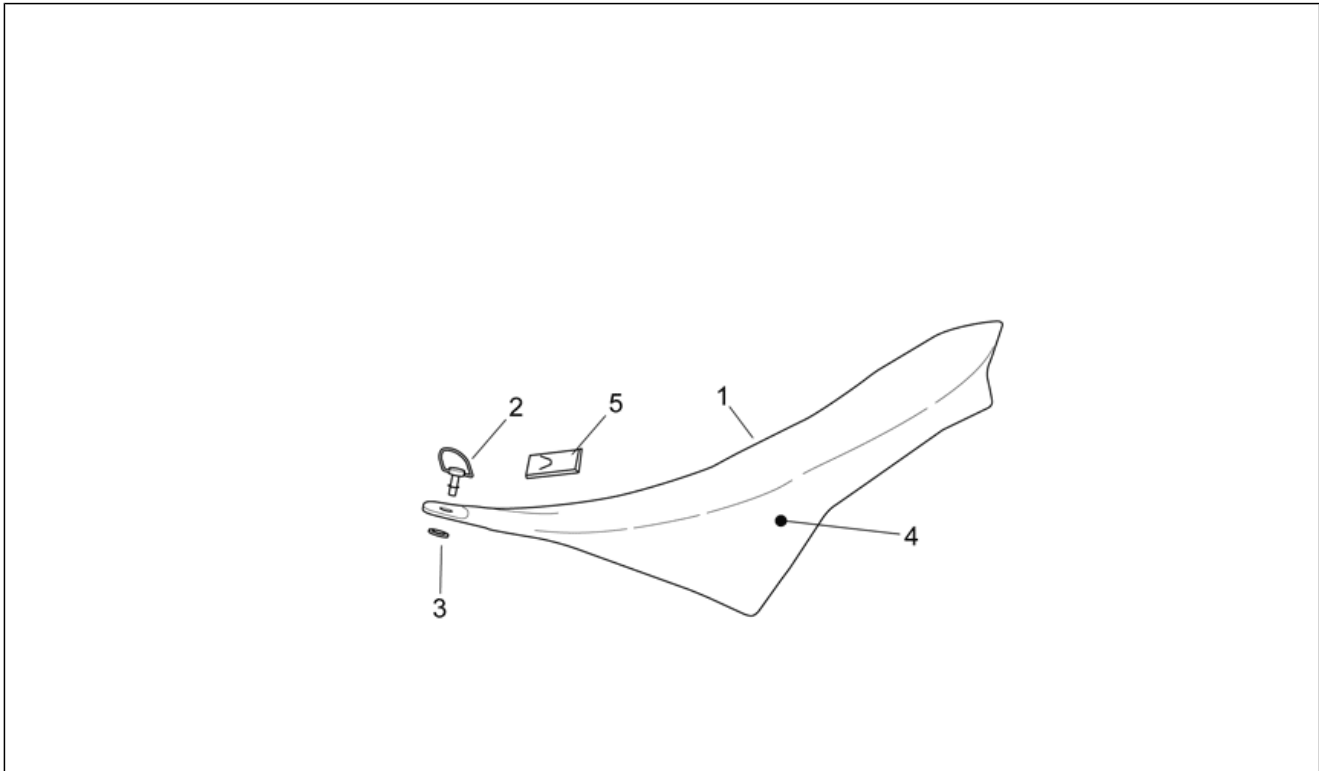
Pos.	Code	Beschreibung	Menge	Varianten
1	855066	Kraftstofftank	1	
2	AP8220620	Deckel	1	
3	856932	Dichtung	1	
4	AP9100080	Platte	2	
5	AP8152277	TE Schr. m. Flansch M6x12	4	
6	AP9100078	Bolzen	1	
7	AP9100767	Gummi 26x12,2	2	
8	AP8121811	T-Buchse	2	
9	AP8152169	Linsenschraube 4,8x19*	2	
10	AP8201431	Splint *	2	
11	AP9100082	Puffer	1	
12	AP9100081	Buchse	1	
13	AP8152281	TE Schr. m. Flansch M6x30	1	
14	AP9100416	Benzinpumpe kpl.	1	
15	AP9100930	Kraftstofffilter	1	
16	AP9100931	Dichtung	1	
17	GU01103090	Thermistor	1	
18	AP8152273	Flanschschraube M5x15	6	
19	AP9100415	Platte	1	
20	AP8150444	Gewindeschraube Edelstahl	2	
21	AP8220402	Leitung 5x9	1	
22	AP9100967	Tankschutz	1	
23	AP9100966	Platte	1	
24	AP9100375	Ausgleichscheibe 24,8x6,2x1	1	

Einheit	RAHMEN
Code	28.11
Beschreibung	Öltank
Inspektion	1



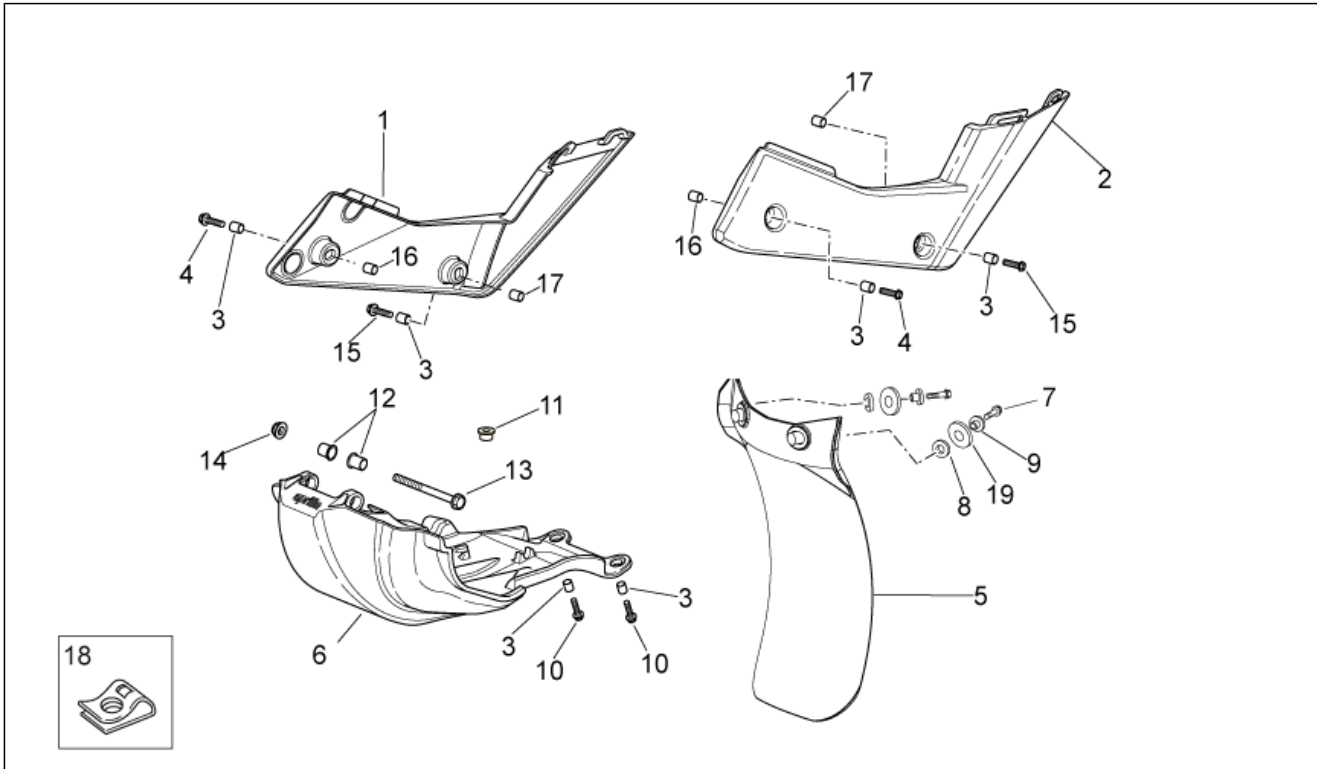
Pos.	Code	Beschreibung	Menge	Varianten
1	855686	Öltank	1	
2	AP9150174	Ölablaßschraube	1	
3	AP9150349	Dichtscheibe D12x18x1,5	1	
4	AP9150410	Ölschraube M20x1,5	1	
5	AP8121638	Gasket ring	1	
6	AP8152280	TE Schr. m. Flansch M6x25	2	
7	AP8152282	TE Schr. m. Flansch M6x35	2	
8	AP9100496	Leitung Blow-By	1	
9	AP8102903	Schlauschelle D16,5X6,6	2	
10	AP8101586	Schlauschelle D.15,5x6,6	3	
11	AP8120987	Leitung 9x14	1	
12	AP8120223	Gummi *	4	
13	AP9100950	Buchse D14-D9-d6.5-H12	4	
14	AP9100665	Ölstandschlauch	1	
15	AP9100951	Schlauschelle	2	
16	AP9100267	Gummischlauch 12,8x8,8 L=28	1	
17	855766	Kappe	1	
18	AP9100661	TE Schr. m. Flansch M6x1 L=95	1	
19	AP9100434	Selbstsperrende Mutter M6x1	1	

Einheit	RAHMEN
Code	28.12
Beschreibung	Sitz
Inspektion	1



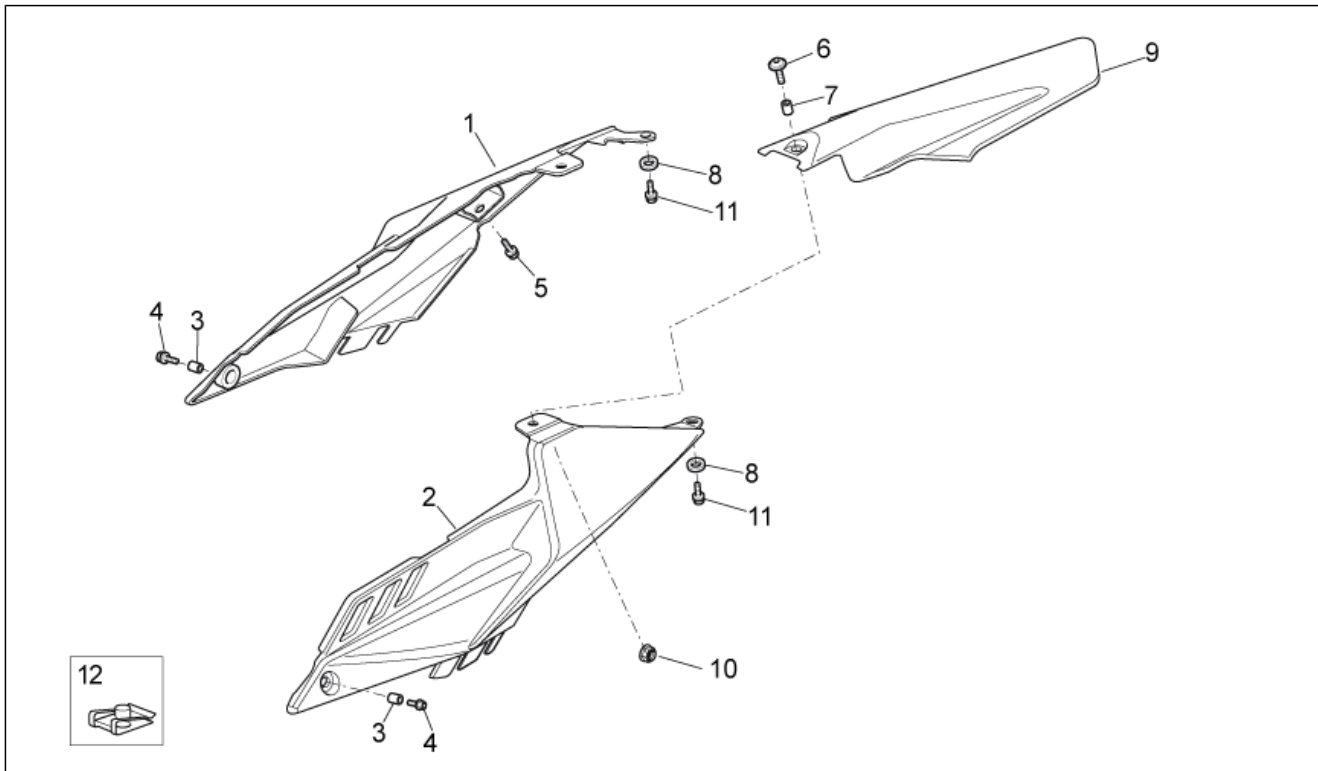
Pos.	Code	Beschreibung	Menge	Varianten
1	CM224607	Sitz	1	Baujahr:OFF WHITE 2009[09], OFF WHITE 2010[A]
1	CM224612	Sitz	1	Baujahr:Off Black 2011 (t.B. 898351)[B]
2	AP9100365	Entkupplungsvorrichtung	1	
3	AP9100087	Ausgleichscheibe Teflon	1	
4	855940	Verkleidung Sitz	1	
5	851199	Tasche	1	

Einheit	RAHMEN
Code	28.13
Beschreibung	Mittlerer Aufbau
Inspektion	1



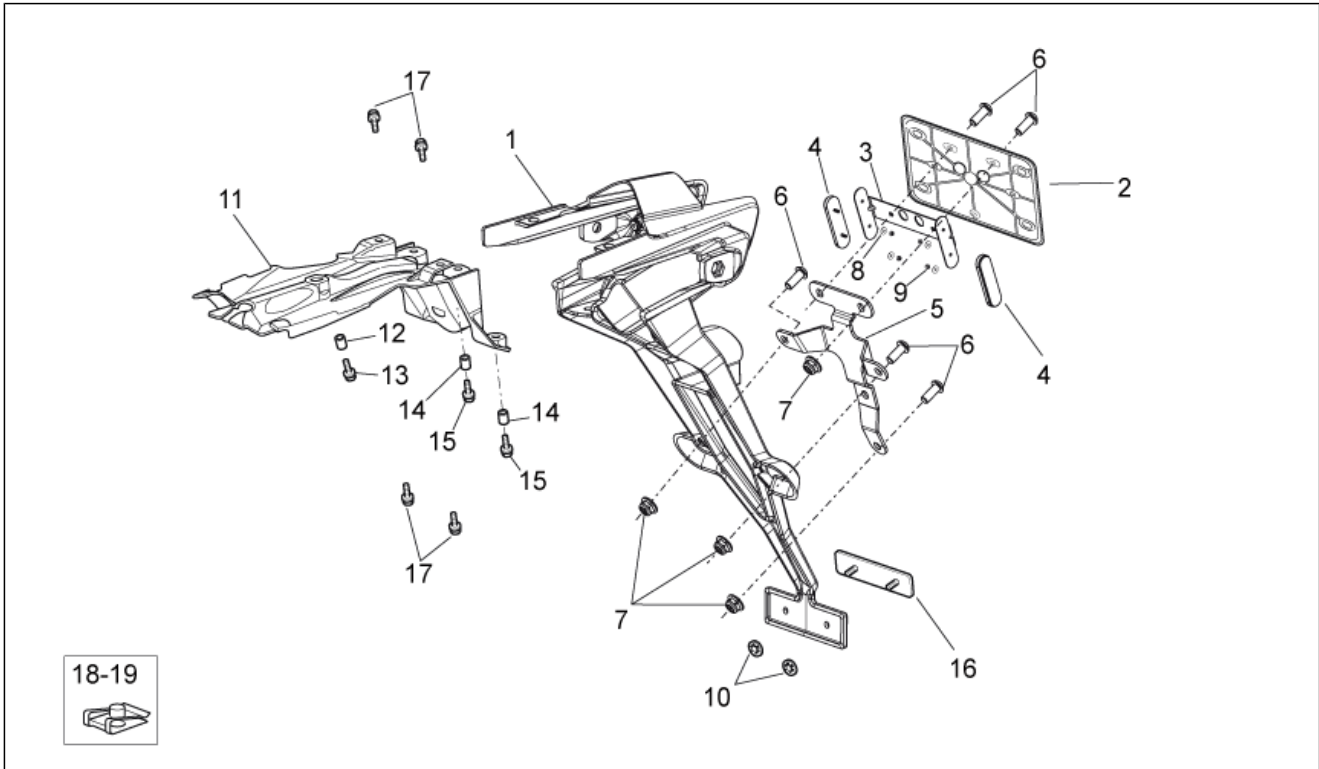
Pos.	Code	Beschreibung	Menge	Varianten
1	AP8184605	R. kl. Seitenteil, schw.	1	Baujahr: OFF WHITE 2009[09], OFF WHITE 2010[A]
1	AP8184605	R. kl. Seitenteil, schw.	1	Baujahr: Off Black 2011 (t.B. 898351)[B] Technische Daten: Version Enduro 450[RX45]
1	AP8184788	Seitenteil rechts	1	Baujahr: Off Black 2011 (t.B. 898351)[B] Technische Daten: Enduro-Version 550[RX55]
2	AP8184606	L. kl. Seitenteil, schw.	1	Baujahr: Off Black 2011 (t.B. 898351)[B] Technische Daten: Version Enduro 450[RX45]
2	AP8184789	Seitenteil links	1	Baujahr: OFF WHITE 2009[09], OFF WHITE 2010[A] Technische Daten: Enduro-Version 550[RX55]
3	AP9100053	Buchse d.10-h.3,5	6	
4	CM236001	TE Schr. m. Flansch M6x30	2	
5	855960	Stoßdämpferschutz	1	
6	AP9100347	Wannenschutz	1	
7	AP8152274	TE Schr. m. Flansch M5x20	2	
8	AP8144064	Wärmeschutzscheibe	2	
9	AP8121736	T-Buchse	2	
10	AP8152278	TE Schr. m. Flansch M6x16	2	
11	AP8101372	Silent-Block	1	
12	AP9100778	Buchse	2	
13	AP9100661	TE Schr. m. Flansch M6x1 L=95	1	
14	AP9100434	Selbstsperrende Mutter M6x1	1	
15	CM236002	TE Schr. m. Flansch M6x25	2	
16	CM235801	Distanzscheibe 15 mm	2	
17	CM235802	Distanzscheibe 10 mm	2	
18	AP8102375	Klammer M5	2	
19	AP9100683	Ausgleichscheibe 18x10,5x0,5	1	

Einheit	RAHMEN
Code	28.14
Beschreibung	Heckaufbau I
Inspektion	1



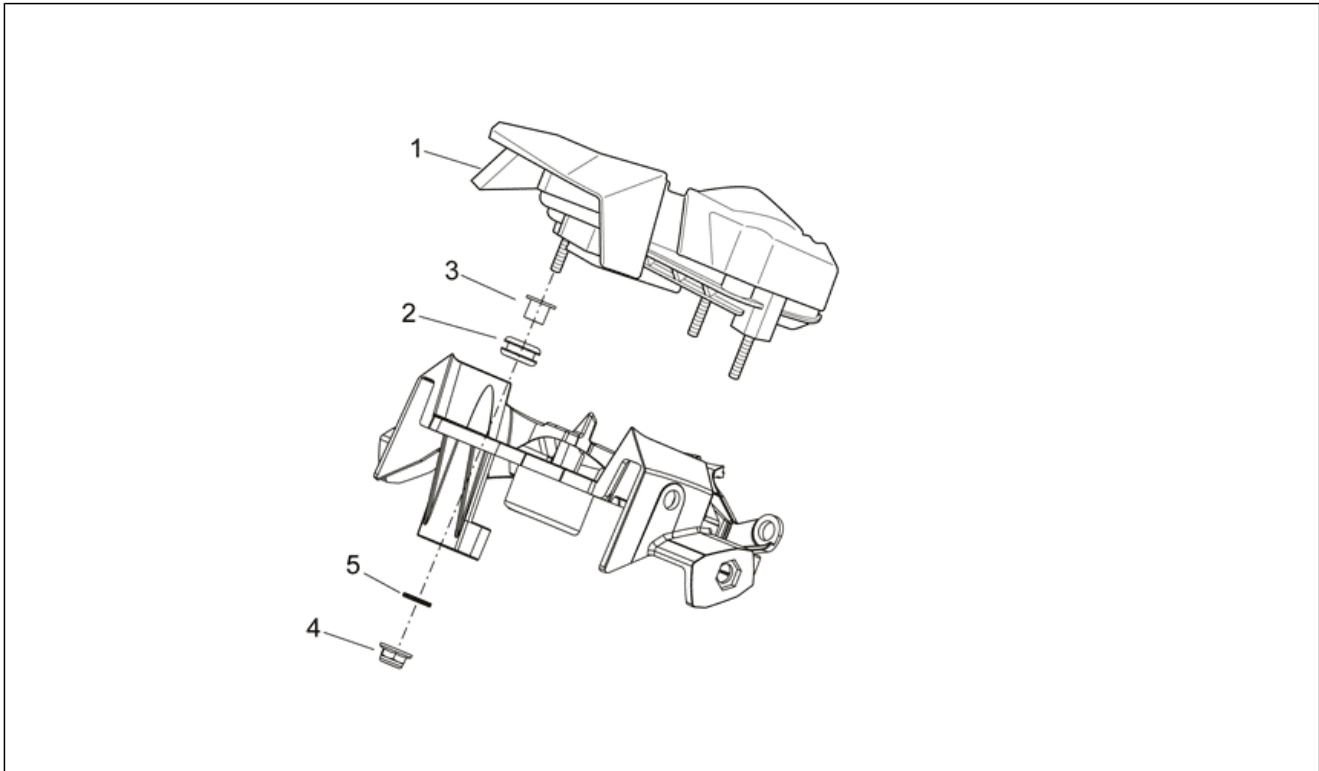
Pos.	Code	Beschreibung	Menge	Varianten
1	AP8184497	R.Heck	1	Baujahr: OFF WHITE 2009[09], OFF WHITE 2010[A]
1	AP8184911	Heckteil r., weiß	1	Baujahr: Off Black 2011 (t.B. 898351)[B]
2	AP8184496	L.Heck	1	Baujahr: OFF WHITE 2009[09], OFF WHITE 2010[A]
2	AP8184912	Heckteil l., s.weiß	1	Baujahr: Off Black 2011 (t.B. 898351)[B]
3	AP9100053	Buchse d.10-h.3,5	2	
4	AP9100645	TE Schr. m. Flansch M6x16 inox	2	
5	AP8152279	TE Schr. m. Flansch M6x20	2	
6	AP8152117	TBEI Schraube	1	
7	AP9100594	Buchse 10x7	1	
8	AP8150015	Ausgleichscheibe 6,6x18x1,6*	2	
9	AP8156381	Hinteres Schutzblech	1	Baujahr: OFF WHITE 2009[09], OFF WHITE 2010[A]
9	AP8156391	H. Schutzblech, weiß	1	Baujahr: Off Black 2011 (t.B. 898351)[B]
10	AP9100434	Selbstsperrende Mutter M6x1	1	
11	AP8152277	TE Schr. m. Flansch M6x12	2	
12	254485	Plattchen M6	2	

Einheit	RAHMEN
Code	28.15
Beschreibung	Heckaufbau II
Inspektion	1



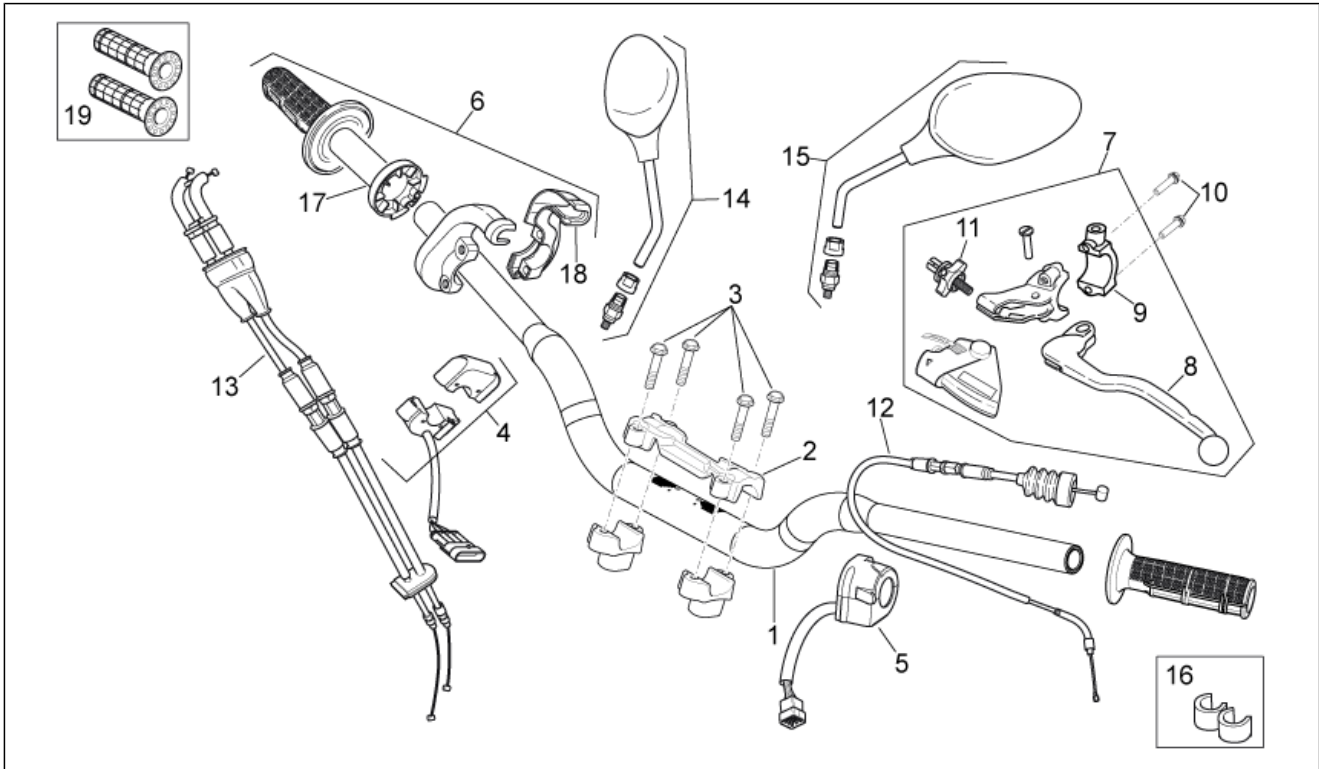
Pos.	Code	Beschreibung	Menge	Varianten
1	AP9100610	Kennzeichenplatte	1	
2	AP8149034	Kennzeichenhalter	1	
3	AP8134677	Rückstrahler-Fixierung	1	
4	AP8124718	Rückstrahler Rücklicht, rot	2	
5	855071	Halter	1	
6	AP8152246	TBEI Schraube m.Flansch M6x16	8	
7	AP9100434	Selbstsperrende Mutter M6x1	8	
8	AP8150011	Ausgleichscheibe 4,3x12x1	4	
9	AP8150204	Mutter M4	2	
10	AP8150450	Wellenscheibe D5	2	
11	AP9100288	Unt. Verschl. h. Sitzhal.	1	
12	AP9100053	Buchse d.10-h.3,5	1	
13	AP8152279	TE Schr. m. Flansch M6x20	1	
14	AP8121795	T-Buchse	2	
15	AP8152279	TE Schr. m. Flansch M6x20	4	
16	AP8112202	Rückstrahler Rücklicht	1	
17	AP8152339	TBEI Schraube m.Flansch M5x9	4	
18	AP8102375	Klammer M5	4	
19	254485	Plattchen M6	1	

Einheit	RAHMEN
Code	28.16
Beschreibung	Instrumententafel
Inspektion	1



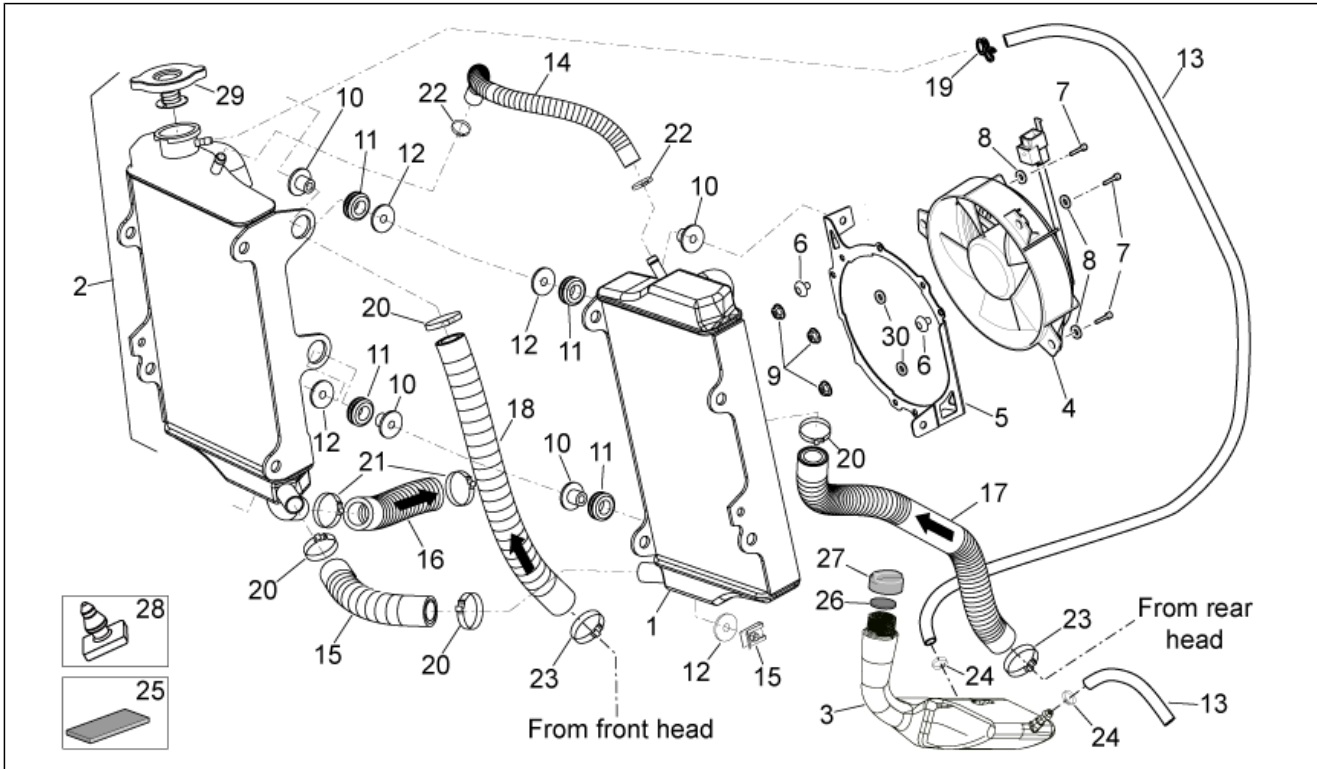
Pos.	Code	Beschreibung	Menge	Varianten
1	AP9100516	Instrumententafel	1	
2	AP8112600	Gummi	3	
3	AP8121795	T-Buchse	3	
4	AP8150451	Selbstsperr.mut Unt.	3	
5	AP8150013	Ausgleichscheibe 5,5x15x1,6*	3	

Einheit	RAHMEN
Code	28.17
Beschreibung	Schaltungen
Inspektion	1



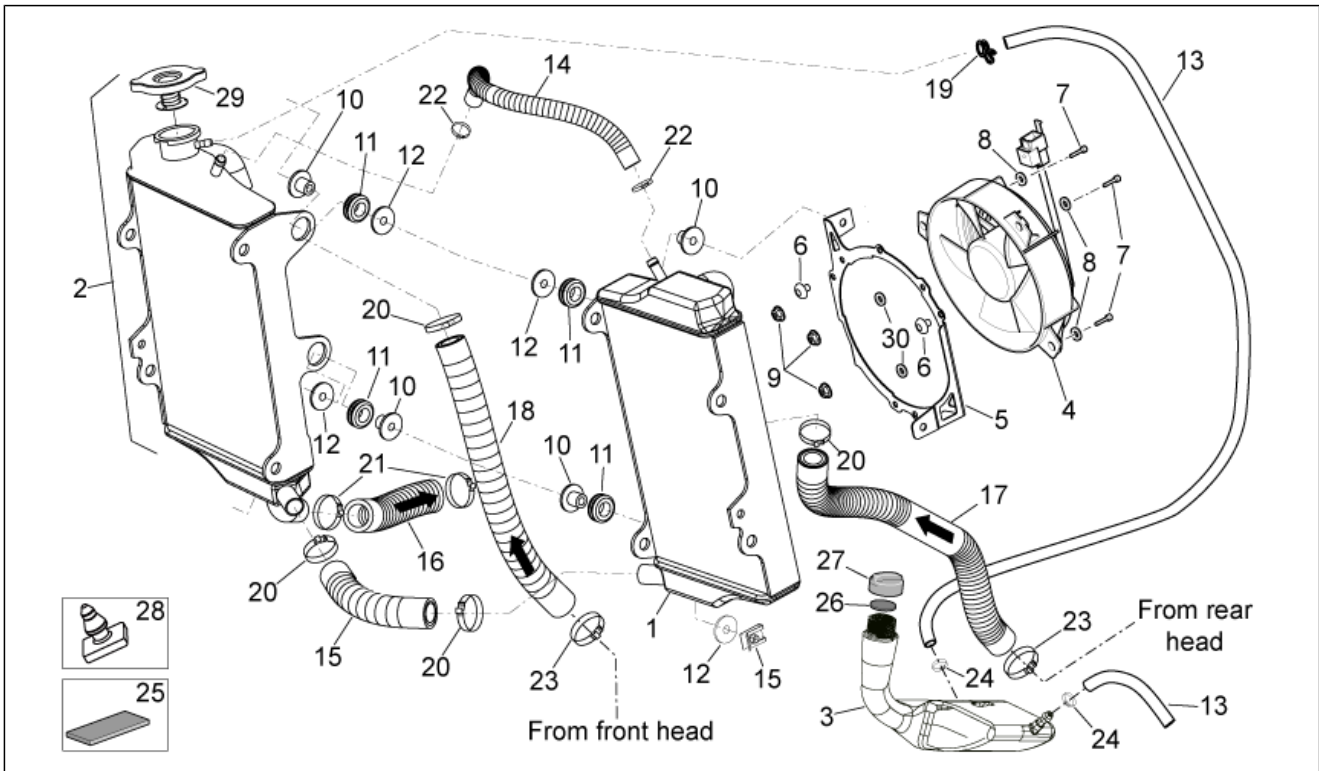
Pos.	Code	Beschreibung	Menge	Varianten
1	855049	Lenkstange	1	
2	AP9100297	Bügelbolzen oben	1	
3	AP8152289	TE Schr. m. Flansch	4	
4	AP9100514	Rechter Lichtschalter	1	
5	AP9100513	Linker Lichtschalter	1	
6	853696	Gasschaltung+griff	1	
7	AP9100636	Kupplungssteuerung	1	
8	AP9150198	Hebel Kupplungssteuer.	1	
9	AP9100940	Bügelbolzen	1	
10	AP8152280	TE Schr. m. Flansch M6x25	2	
11	AP9100941	Kupplungskabel schraube	1	
12	AP9100486	Getriebe kupplungssteuerung	1	
13	AP9100802	Gasantrieb	1	
14	AP8104921	Rückspiegel rechts	1	
15	AP8104922	Rückspiegel links	1	
16	AP9100519	Kleine Feder	3	
17	851359	Progressive Gasleitung	1	
18	851360	Bügelbolzen	1	
19	AP8218628	Handgriffe paar, schwarz	1	

Einheit	RAHMEN
Code	28.18
Beschreibung	Kühlanlage
Inspektion	1



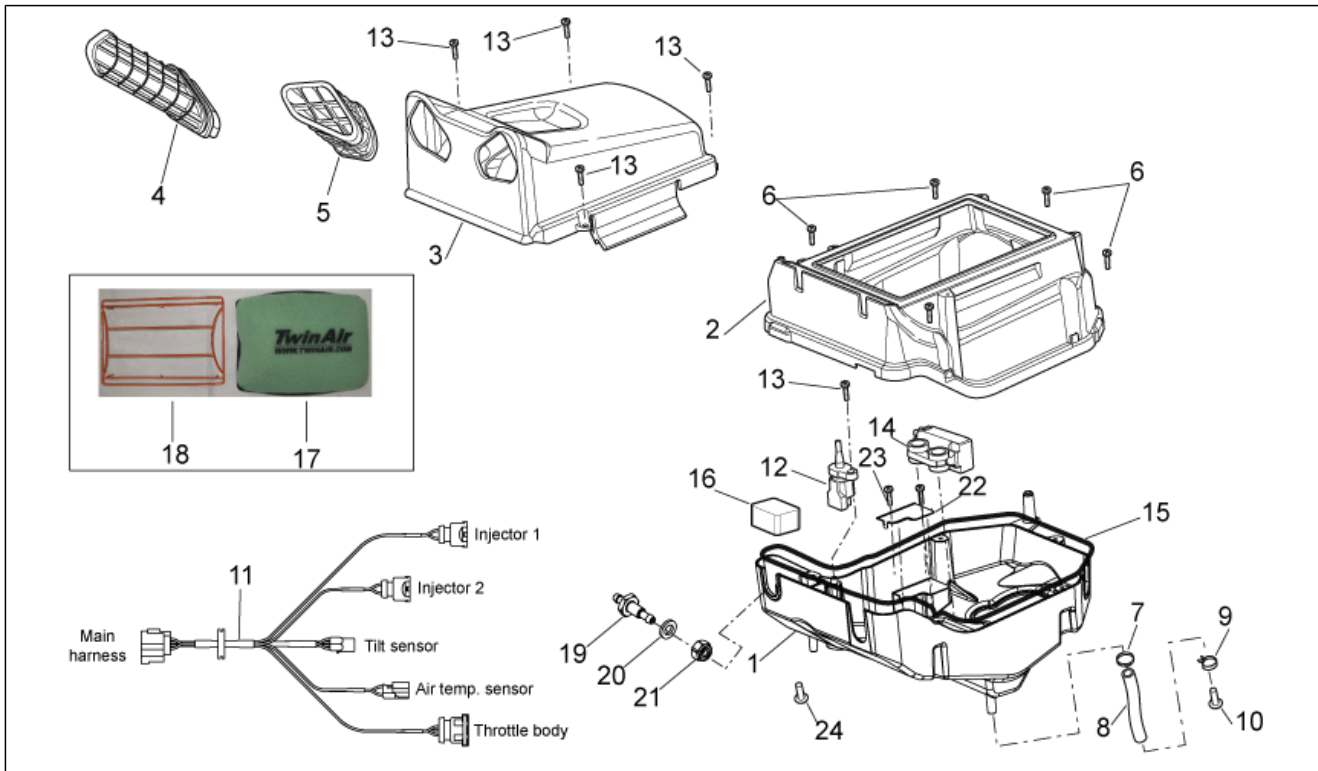
Pos.	Code	Beschreibung	Menge	Varianten
1	AP9100348	Wasserkühler L.	1	
2	AP9100349	Wasserkühler R.	1	
3	AP9100506	Ausdehngefäß	1	
4	AP8124930	Ventilator komplett	1	
5	855690	Lüfterlager	1	
6	AP8120876	Verschlußschraube	3	
7	AP8152267	TBEI Spez.schr. M5x12	3	
8	AP8150013	Ausgleichscheibe 5,5x15x1,6*	3	
9	AP8150451	Selbstsperr.mut Unt.	3	
10	AP9100376	Buchse	4	
11	AP9100946	Silent-Block *	4	
12	AP9100375	Ausgleichscheibe 24,8x6,2x1	2	
13	AP8220325	Kraftstoffleitung 5,5x10	2	
14	AP8144506	Entlüftungsschlauch Kühler 7,5X3,5	1	
15	AP9100555	Leitung 23x15x135	1	
16	AP9100557	Cooler-pump pipe 27x19x145	1	
17	AP9100553	Leitung 23x15x380	1	
18	AP9100554	Leitung 23x15x295	1	
19	AP8102738	Schlauchschele	1	
20	AP8201169	Schlauchschele D22x8,6*	4	
21	AP9100456	Schlauchschele 26x8	2	
22	AP9100714	Schlauchschele 14,5x8	2	
23	AP9100697	Schlauchschele 21x8	2	
24	AP8120446	Schlauchschele, grün D11x6,6x1	2	
25	AP8117041	Klebeschwamm 6x30	2	
26	AP8220191	Dichtung	1	
27	AP8104124	Ausdehnsg. Schraube	1	
28	AP8120455	Gummi	1	

Einheit	RAHMEN
Code	28.18
Beschreibung	Kühlanlage
Inspektion	1



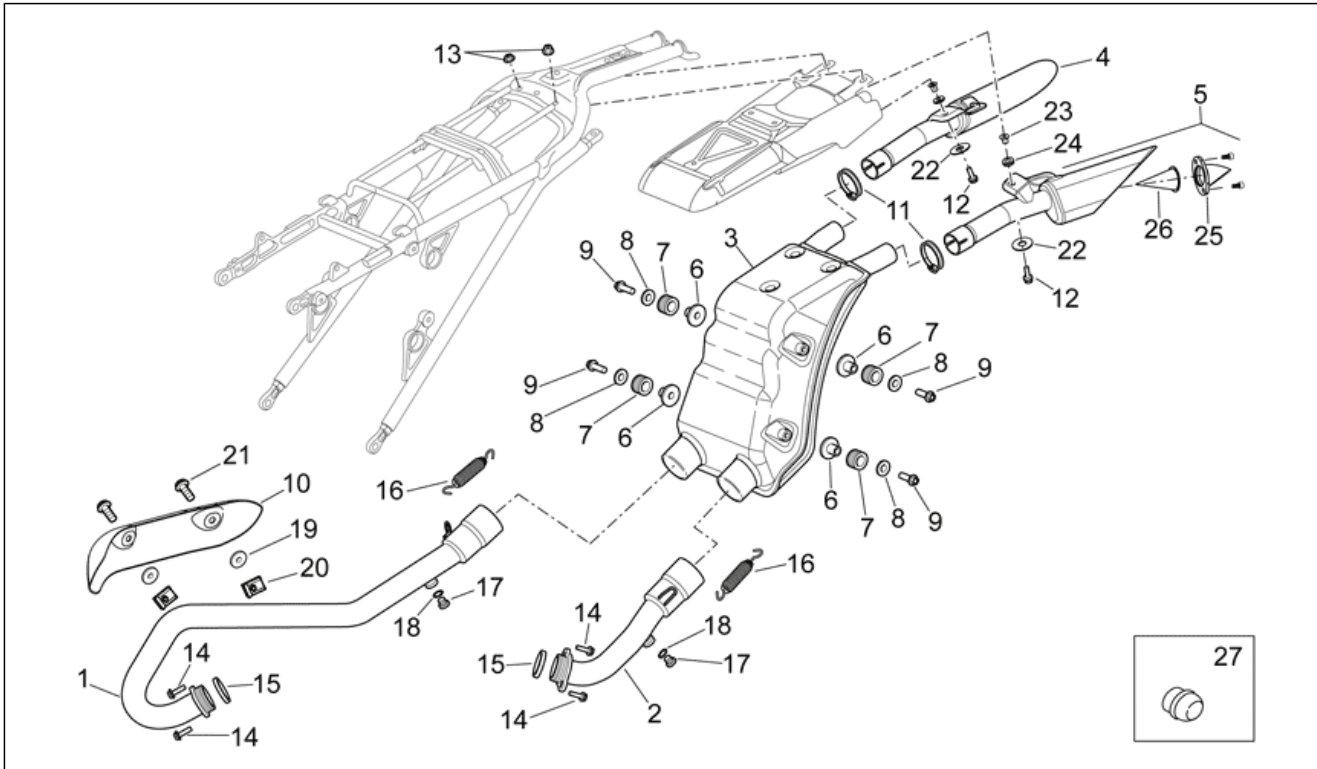
Pos.	Code	Beschreibung	Menge	Varianten
29	AP9100948	Kühlerschraube	1	
30	AP8150015	Ausgleichscheibe 6,6x18x1,6*	1	

Einheit	RAHMEN
Code	28.19
Beschreibung	Filtergehäuse
Inspektion	1



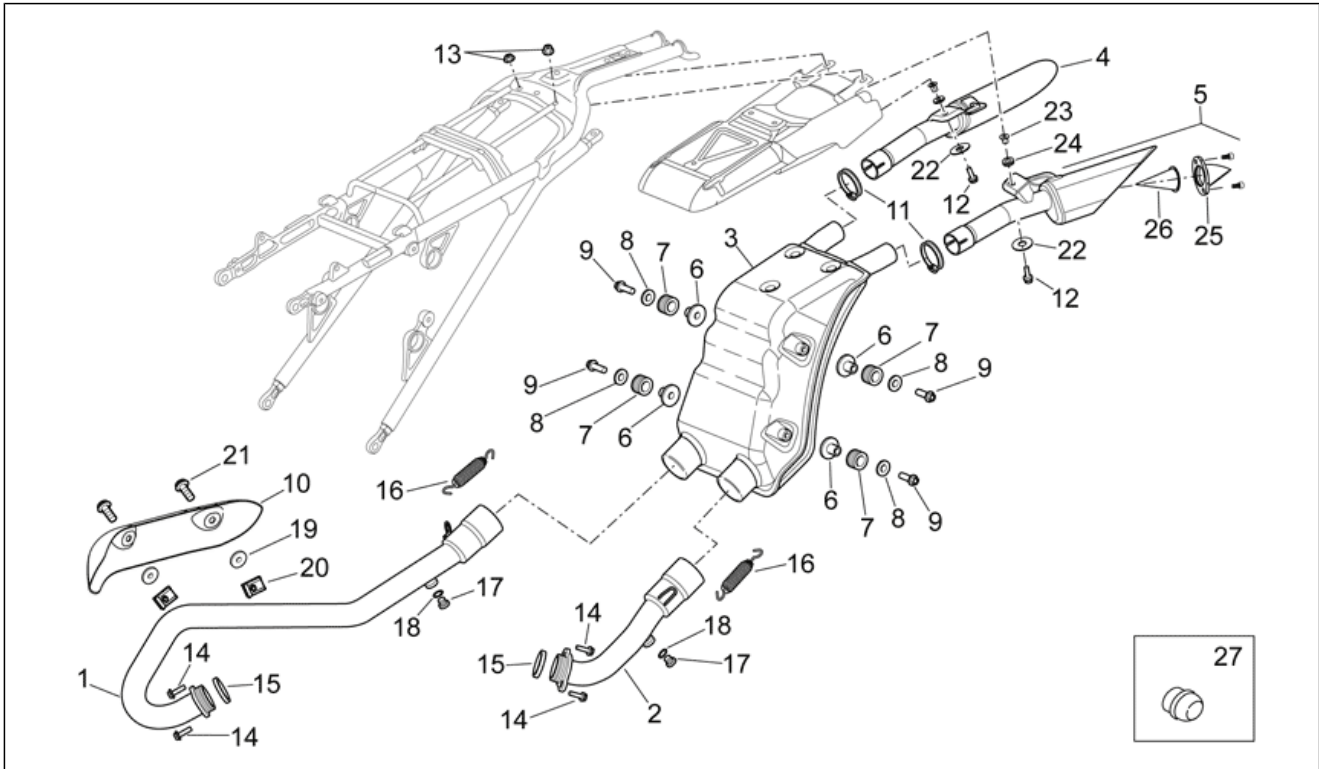
Pos.	Code	Beschreibung	Menge	Varianten
1	855093	Boden Filtergehäuse	1	Technische Daten: Enduro-Version 550[RX55]
1	855094	Boden Filtergehäuse	1	Technische Daten: Version Enduro 450[RX45]
2	853695	Filtereinsatzgehäuse	1	
3	AP9100703	Deckel	1	
4	AP9100588	R.Lufteinlass	1	
5	AP9100587	L.Lufteinlass	1	
6	AP8152351	Linsenschraube 4,2x16*	5	
7	AP8101595	Schelle D10,1	1	
8	AP8144038	Kraftstoffleitung 6x10	1	
9	AP8102377	Schelle D9,1*	1	
10	AP8120876	Verschlußschraube	1	
11	AP9100455	Verkabelung	1	
12	AP9100427	Lufttemperaturfühler	1	
13	AP8150413	Gew.schr. 3,9x14	5	
14	AP9100428	Sturzfühler	1	
15	AP8120593	Dichtung D4	1	
16	851006	Schwingungsdämpfergummi	1	
17	858044	Luftfilter	1	
18	858045	Drum	1	
19	855081	Düse	1	
20	AP8144065	Gummi	1	
21	709052	Selbstsperr.mut Unt.	1	
22	AP9150529	Deckel	1	
23	AP8152334	TBEI Schraube m.Flansch M3x12	2	
24	855790	Ventil	1	

Einheit	RAHMEN
Code	28.20
Beschreibung	Auslassgruppe
Inspektion	1



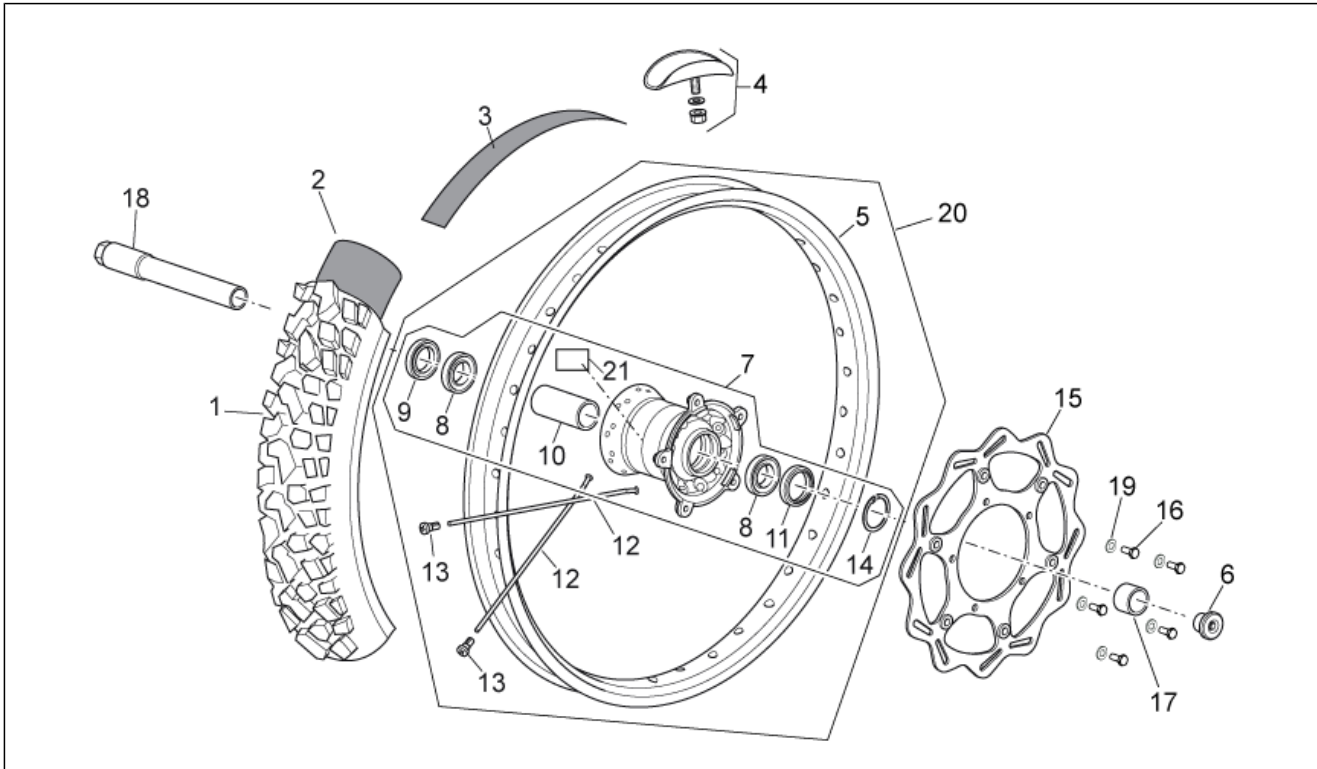
Pos.	Code	Beschreibung	Menge	Varianten
1	855025	Auspuffrohr vorn	1	
1	855086	Auspuffrohr vorn	1	
2	855026	Auspuffrohr hinten	1	
2	855087	Auspuffrohr hinten	1	
3	856941	Schalldämpfer	1	
4	856947	Endstück re.	1	
5	856946	Endstück li.	1	
6	AP9100409	Buchse	4	
7	AP9100845	Schwingschutzlager	4	
8	AP9100736	Ausgleichscheibe 8,3x20x1,5	4	
9	AP8152288	TE Schr. m. Flansch	4	
10	AP9100238	Hitzeschutz r. Auspuffrohr	1	
11	851470	Schelle D.30	2	
12	AP8152279	TE Schr. m. Flansch M6x20	2	
13	AP9100434	Selbstsperrende Mutter M6x1	2	
14	AP8152278	TE Schr. m. Flansch M6x16	4	
15	AP9100252	Dichtung Auspuffrohr	2	
16	AP8121170	Feder	2	
17	AP9100755	CO-Anschlußschraube	2	
18	AP8119603	Ausgleichscheibe 10x14x1	2	
19	AP8120870	Isolierscheibe	2	
20	254485	Plattchen M6	2	
21	AP8152342	TE Schr. m. Flansch M6x12	2	
22	AP8150015	Ausgleichscheibe 6,6x18x1,6*	2	
23	AP9100302	T-Buchse	2	
24	AP9100301	Gummi	2	
25	851172	Boden	2	
26	851171	Spark arrester	2	

Einheit	RAHMEN
Code	28.20
Beschreibung	Auslassgruppe
Inspektion	1



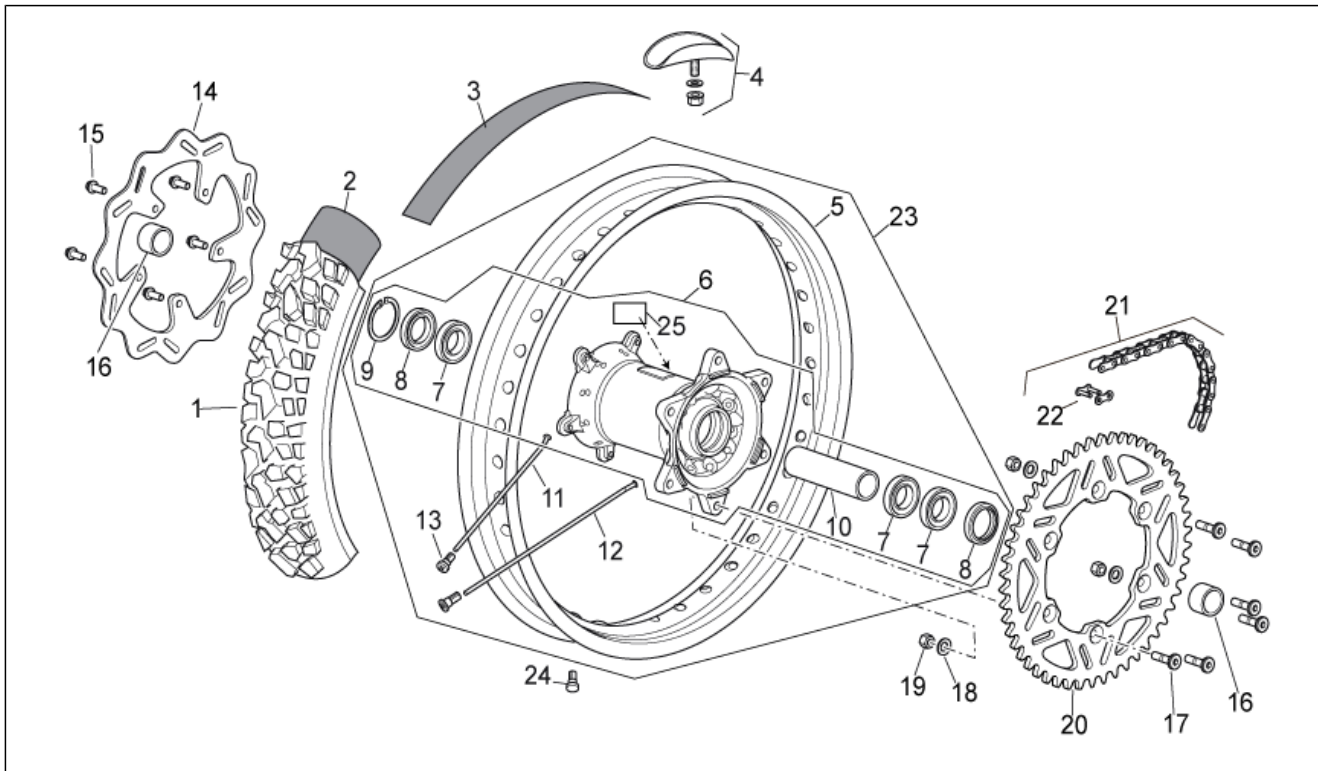
Pos.	Code	Beschreibung	Menge	Varianten
27	858592	Ogive	2	

Einheit	RAHMEN
Code	28.21
Beschreibung	Vorderrad
Inspektion	1



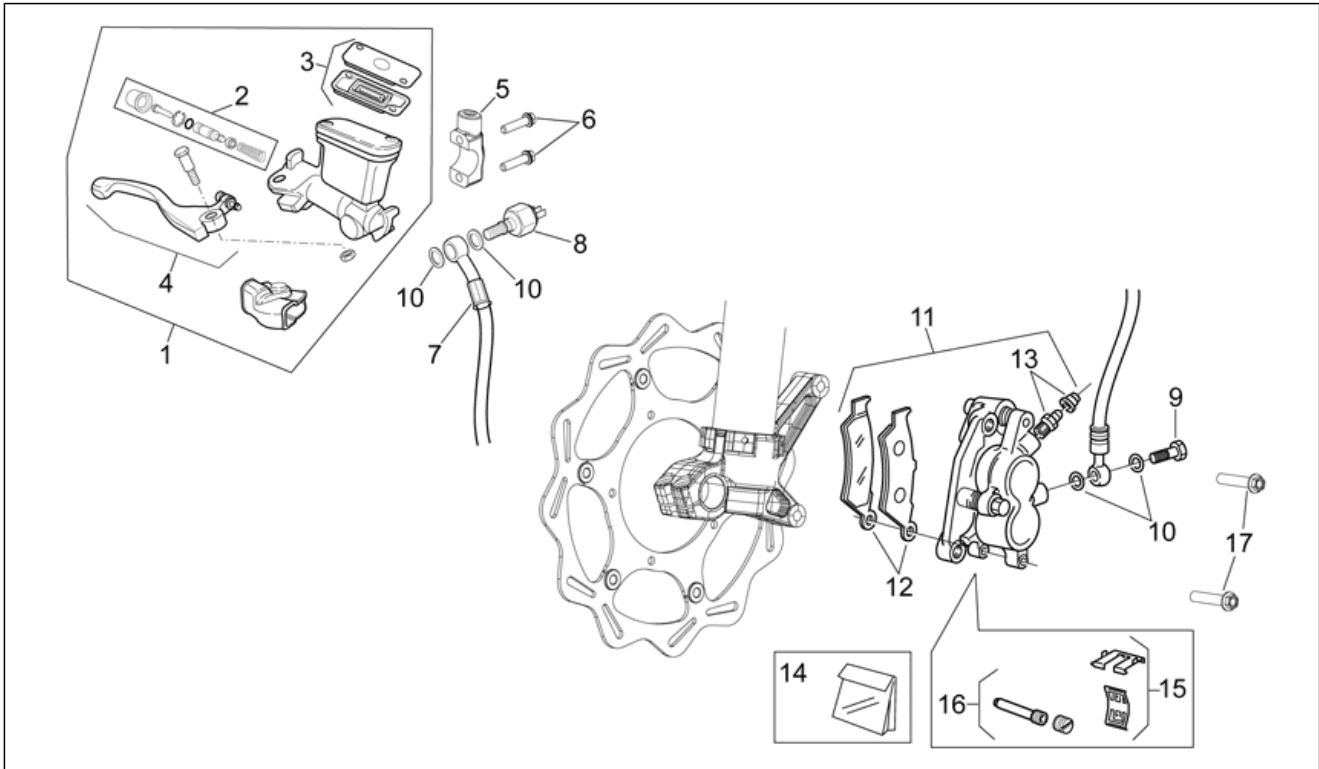
Pos.	Code	Beschreibung	Menge	Varianten
1	AP9100507	Vorderreifen 90/90X21"	1	
2	855741	Schlauch 21"	1	
3	AP8109001	Vorderrandband 21"	1	
4	AP9100457	Bügel	1	
5	855586	Vorderradfelgen 1,6x21"	1	
6	AP9100171	Deckel M22	1	
7	AP9100225	Nabe vorne	1	
8	AP9100216	Kugellager 25x42x9	2	
9	AP9100228	Gasket ring 28x42x7	1	
10	AP9100226	Interne Distanzscheibe L=69,7	1	
11	AP9100227	Gasket ring 32x42x7	1	
12	AP9100224	Speiche d.3,5-21"-l.233	36	
13	AP9100057	Nippel	36	
14	AP8121334	Seegerring D.42	1	
15	AP9100461	Vorderradbremsscheibe d.270	1	
16	855720	Sechskantschraube M6x16	5	
17	AP9100229	Externe Distanzscheibe L=26,3	1	
18	855203	Vorderradbolzen L=221,5	1	
19	AP8150429	Sprengscheibe 6,4x11x0,5*	5	
20	855584	Vorderrad 21"	1	
21	AP9100318	Distanzscheibe	1	

Einheit	RAHMEN
Code	28.22
Beschreibung	Hinterrad
Inspektion	1



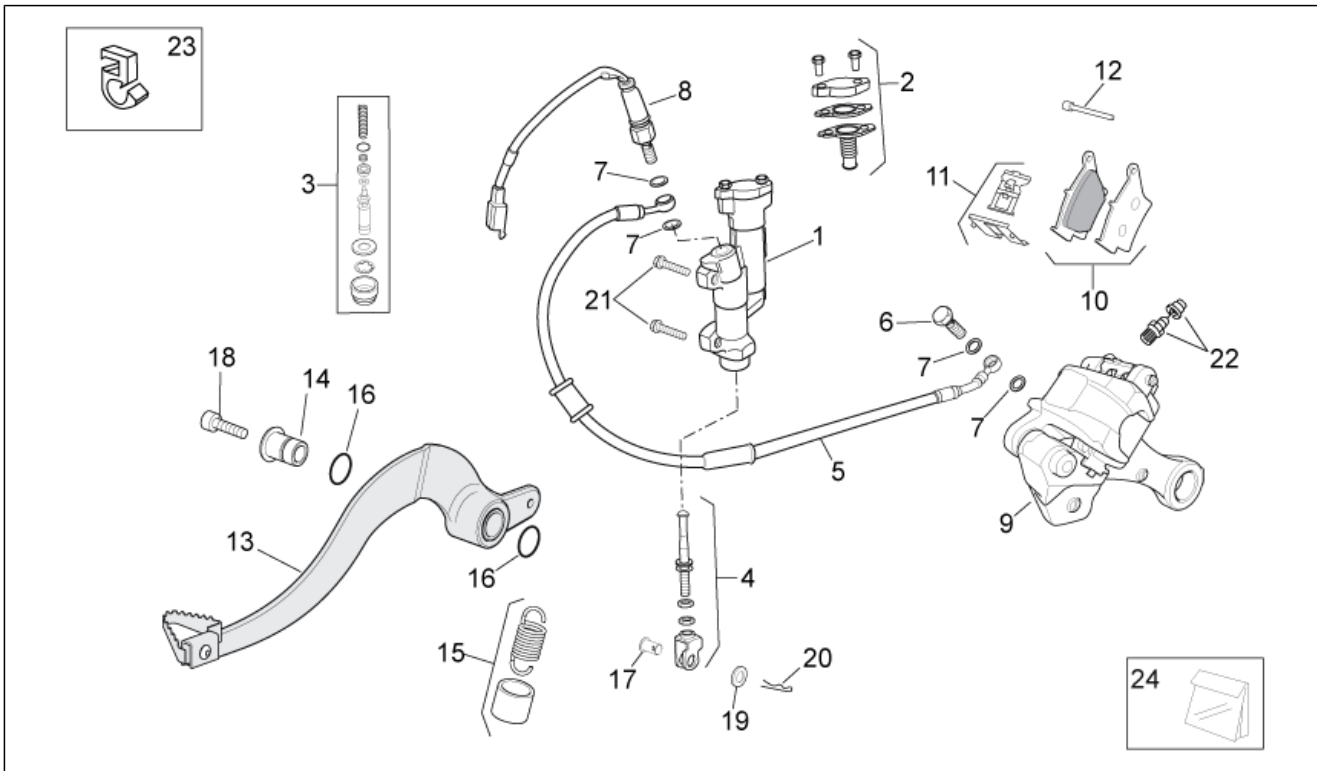
Pos.	Code	Beschreibung	Menge	Varianten
1	AP9100510	Hinterreifen 140/80X18"	1	
2	855742	Schlauch 18"	1	
3	AP8109281	Hinterradband 18"	1	
4	AP9100462	Bügel reifen	1	
5	855587	H.Felge 2,15X18"	1	
6	AP9100214	Nabe hinten	1	
7	AP9100216	Kugellager 25x42x9	3	
8	AP9100227	Gasket ring 32x42x7	2	
9	AP8121334	Seegerring D.42	1	
10	AP9100215	Interne Distanzscheibe L=106,5 mm	1	
11	AP9100056	Speiche d.4-18"-l.196,5	18	
12	AP9100211	Speiche d.4-18"-l.199,5	18	
13	AP9100213	Nippel d.4	36	
14	855748	Vorderradbremmscheibe d.240	1	
15	855625	TE Schr. m. Flansch	5	
16	AP9100595	Externe Distanzscheibe L=21,9	2	
17	855626	Schraube M8x30	6	
18	AP8150009	Scheibe	6	
19	AP9100432	Selbstsperr.Mut.Unt. M8x1,25	6	
20	CM238205	Zahnkranz Z=48	1	
21	855845	Kette	1	
22	AP9100533	Verbindungsglied 5/8x1/4	1	
23	855585	Hinterrad ohne Scheibe 18"	1	
24	AP8120001	Gummi	1	
25	AP9100318	Distanzscheibe	1	

Einheit	RAHMEN
Code	28.23
Beschreibung	Bremsanlage - Vorn I
Inspektion	1



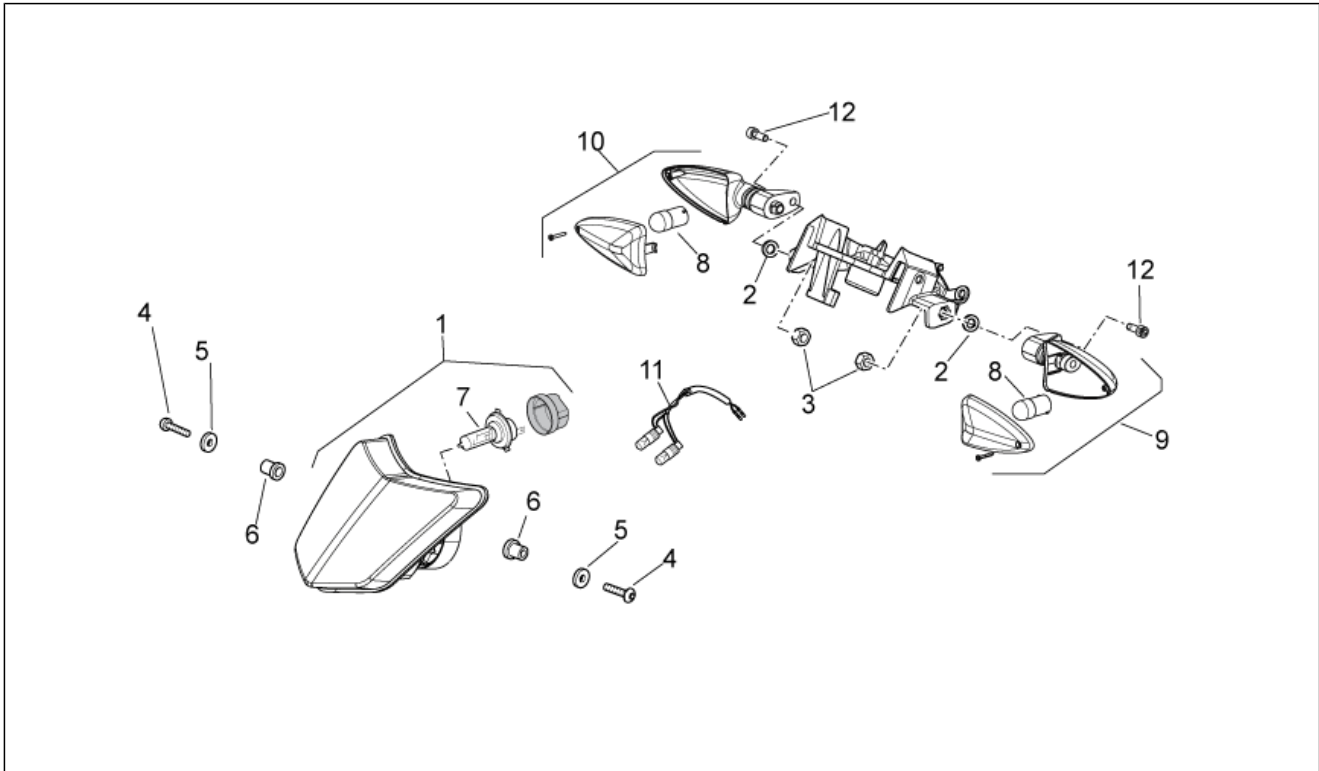
Pos.	Code	Beschreibung	Menge	Varianten
1	AP9100257	Vorderradbremspumpe Nissin	1	
2	AP9100785	Kolben, kit	1	
3	AP9100786	Aust.satz Verschlussschraube	1	
4	AP9100787	Kit Hebelüberholung	1	
5	AP9100707	Schelle	1	
6	AP8152280	TE Schr. m. Flansch M6x25	2	
7	851351	Vorderradbremsleitung	1	
8	AP9100418	V. Schalter Stopp	1	
9	AP9100472	Sechskantschraube M10x1,25	1	
10	AP9100473	Ausgleichscheibe 14x10,2x1	4	
11	AP9100256	Vorderradbremsszange	1	
12	AP9100788	Beläge (Paar)	1	
13	AP9100789	Bausatz Entlüftungsüberh.	1	
14	AP9100790	Bausatz Bremszangenüberholung	1	
15	AP9100791	Feder	1	
16	AP9100792	Bolzen	1	
17	AP8152290	TE Schr. m. Flansch M8x40	2	

Einheit	RAHMEN
Code	28.24
Beschreibung	Bremsanlage - Hinten
Inspektion	1



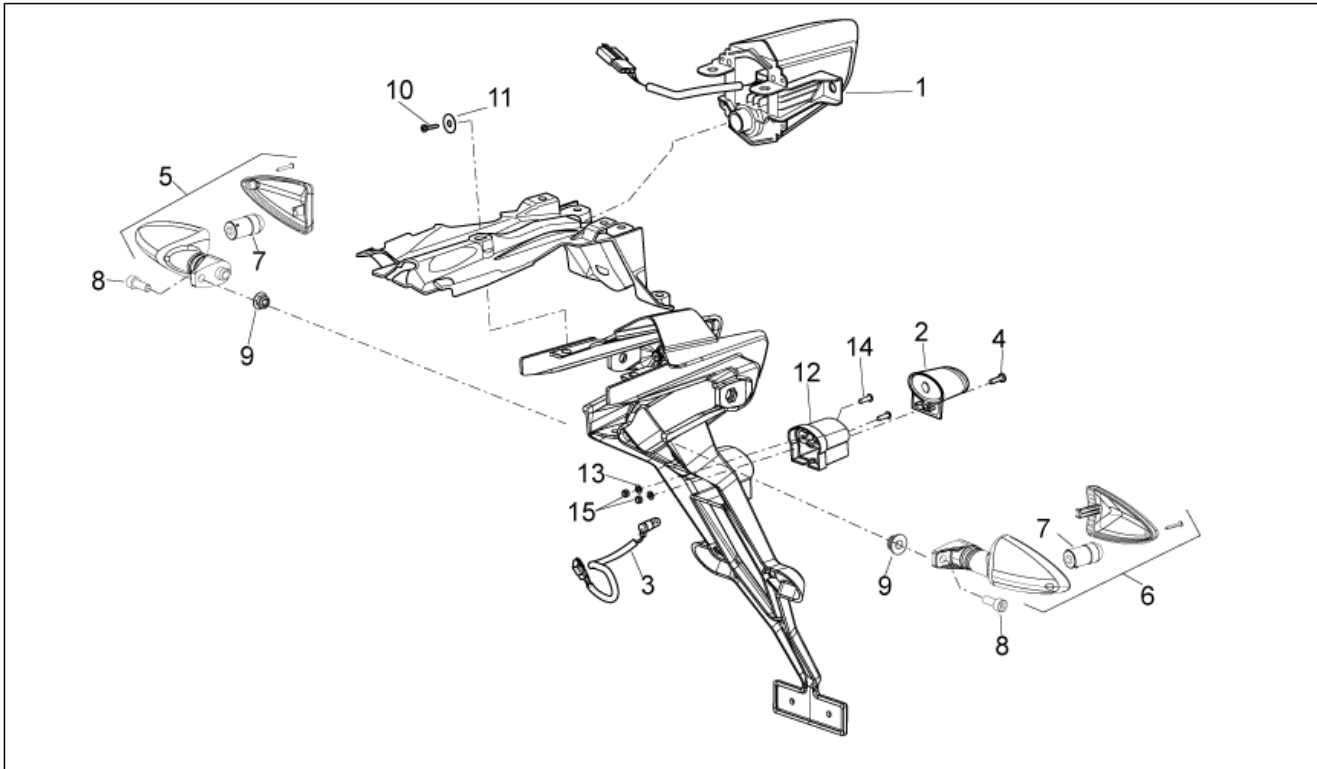
Pos.	Code	Beschreibung	Menge	Varianten
1	AP9100475	Hinterradbremspumpe	1	
2	AP9100794	Aust.satz Verschlußschraube	1	
3	AP9100793	Kolben, kit	1	
4	AP9100795	Kit Hebelüberholung	1	
5	855696	Hinterradbremtleitung	1	
6	AP9100472	Sechskantschraube M10x1,25	1	
7	AP9100473	Ausgleichscheibe 14x10,2x1	4	
8	AP9100417	Bremslichtschalter	1	
9	855769	Hinterradbremsszange	1	
10	855852	Beläge (Paar)	1	
11	855853	Feder	1	
12	855854	Bolzen	1	
13	855506	H.bremshebel	1	
14	AP9100290	Buchse	1	
15	AP9100291	Feder	1	
16	AP9100477	O-Ring 18x2	2	
17	AP9100354	Stift Hinterradbremsh. eb.	1	
18	AP8150169	TCEI Schraube M8x20	1	
19	AP8150017	Ausgleichscheibe 8,4x16x1,6	1	
20	AP8101928	Splint	1	
21	AP8152278	TE Schr. m. Flansch M6x16	2	
22	AP9100789	Bausatz Entlüftungsüberh.	1	
23	AP9100752	Kleine Feder	1	
24	855855	Bausatz Bremszangenüberholung	1	

Einheit	RAHMEN
Code	28.25
Beschreibung	Vorderer Lichter
Inspektion	1



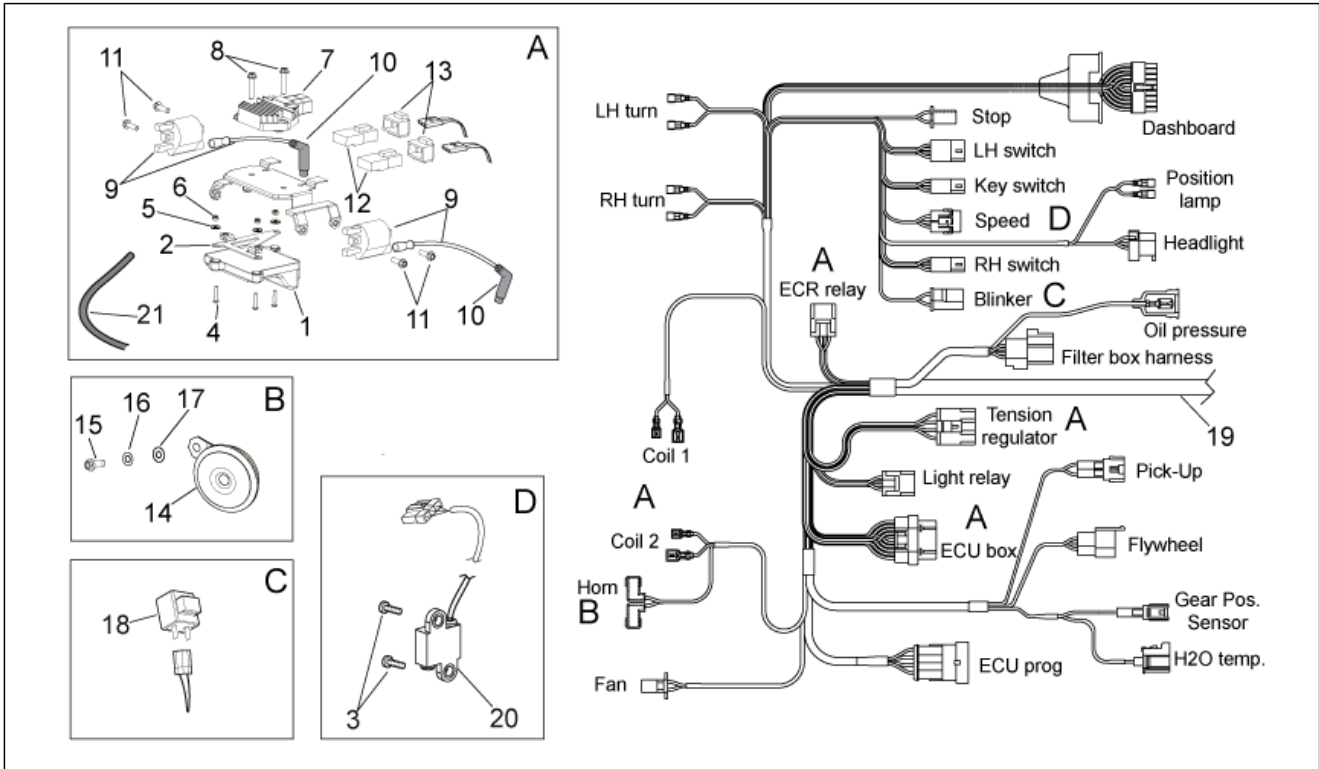
Pos.	Code	Beschreibung	Menge	Varianten
1	855721	Scheinwerfer	1	
2	AP8150017	Ausgleichscheibe 8,4x16x1,6	2	
3	AP8152262	Mutter unten	2	
4	AP8152137	TBEI Schraube M6x20	2	
5	AP8152181	Scheibe 6,4x15x1	2	
6	AP8121032	Buchse	2	
7	292723	Lampen H4 12V-60/55W	1	
8	AP8127489	Lampen RY10W 12V	2	
9	855140	Vorderblinker links/ Hinterblinker rechts	1	
10	855139	Vorderblinker rechts/ Hinterblinker links	1	
11	856610	Kabel Standlicht	1	
12	AP8152108	TBEI Schraube	2	

Einheit	RAHMEN
Code	28.26
Beschreibung	Hinterer Lichter
Inspektion	1



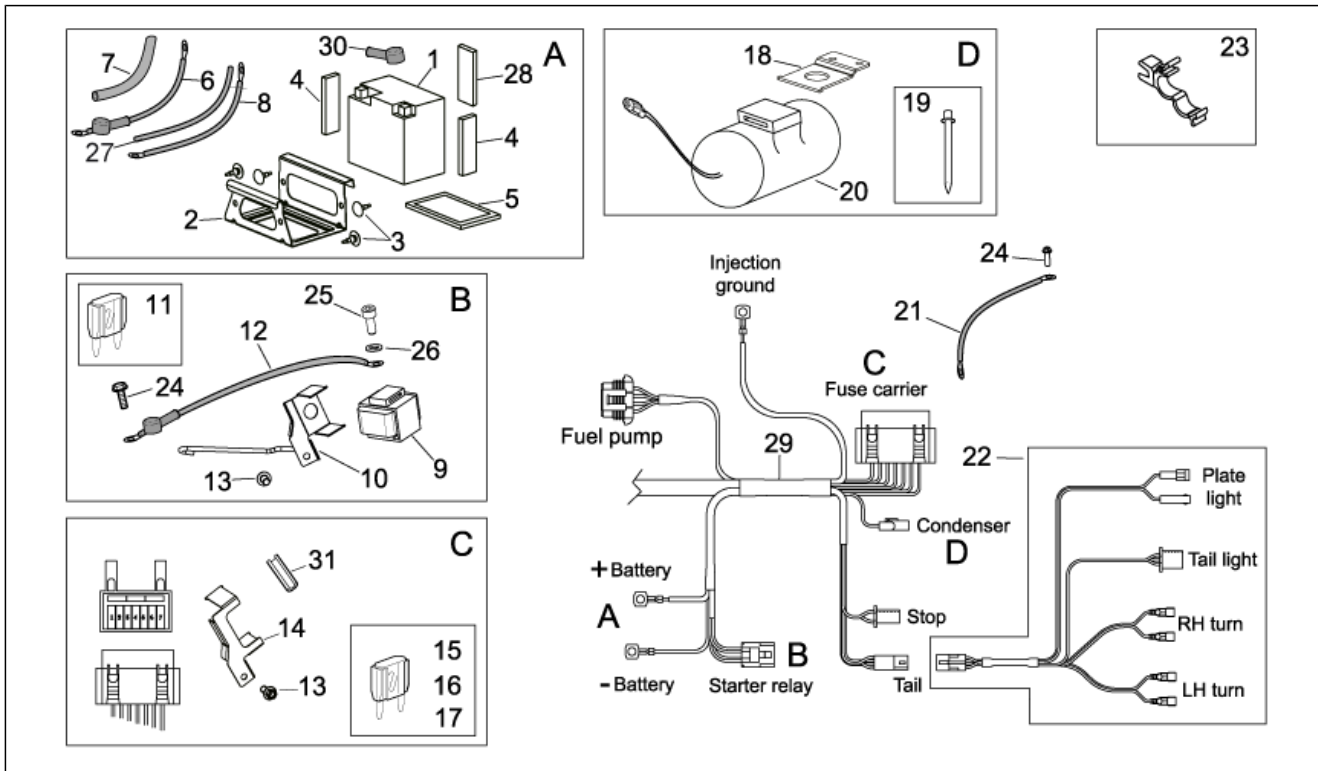
Pos.	Code	Beschreibung	Menge	Varianten
1	AP9100523	Rücklicht	1	
2	AP8127098	Kennzeichenleuchte	1	
3	AP8224655	Kennzeich.leuch.Kabel	1	
4	AP8150413	Gew.schr. 3,9x14	1	
5	855140	Vorderblinker links/ Hinterblinker rechts	1	
6	855139	Vorderblinker rechts / Hinterblinker links	1	
7	AP8127489	Lampen RY10W 12V	2	
8	AP8152108	TBEI Schraube	2	
9	AP9100434	Selbstsperrende Mutter M6x1	2	
10	AP8150413	Gew.schr. 3,9x14	2	
11	AP8150159	Ausgleichscheibe 4,3x16*	2	
12	855078	Verlängerung	1	
13	AP8150012	Ausgleichscheibe 5,3x10x1*	2	
14	AP8152268	TBEI Spez.schr. M5x16	2	
15	AP8150114	Selbstsperr.mut Unt.	2	

Einheit	RAHMEN
Code	28.27
Beschreibung	Elektrische anlage I
Inspektion	1



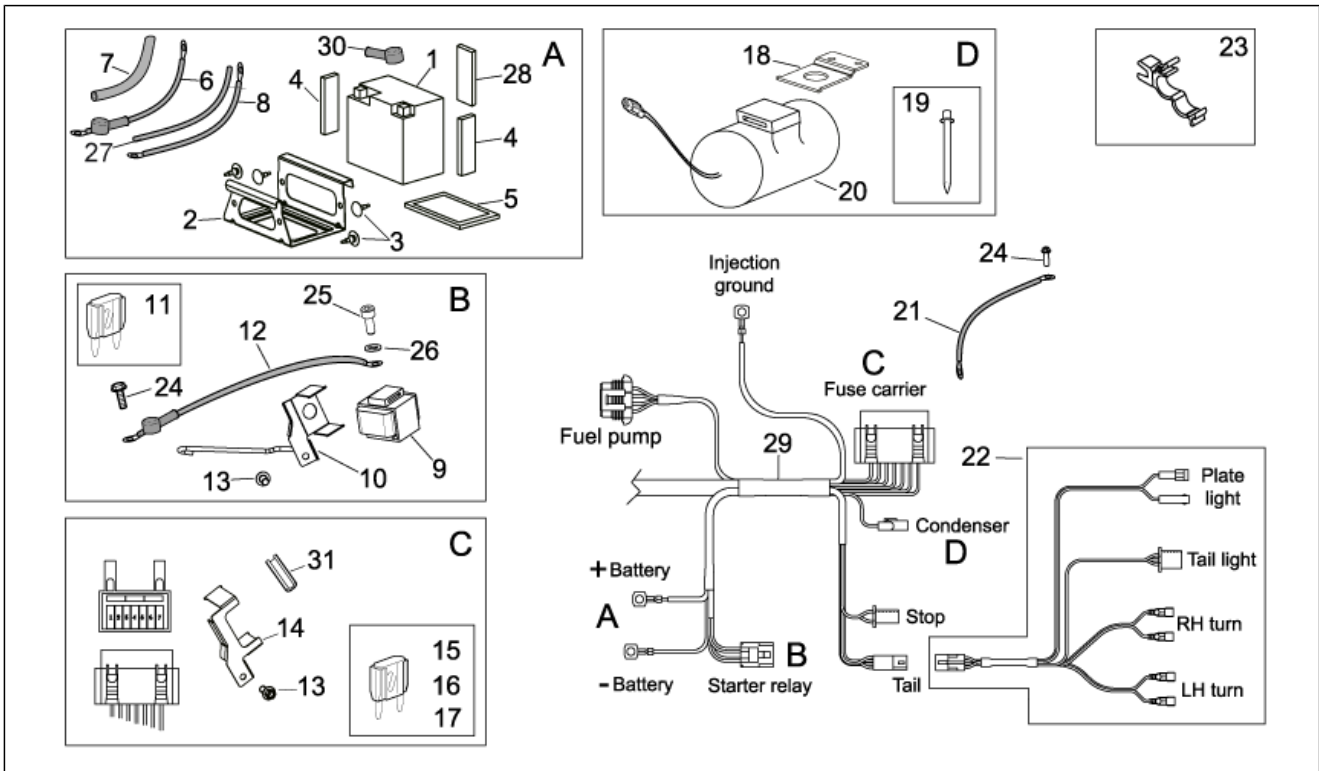
Pos.	Code	Beschreibung	Menge	Varianten
1	AP9100447	Elektronische Steuereinheit	1	
2	851023	Halteplatte Steuerung	1	
3	AP8150460	Gewindeschraube M4x12	2	
4	AP9100945	TBEI Schraube M4x20	3	
5	AP8150011	Ausgleichscheibe 4,3x12x1	3	
6	AP8150204	Mutter M4	3	
7	AP9100424	Spannungsregler	1	
8	AP8152281	TE Schr. m. Flansch M6x30	2	
9	AP9100429	Spule	2	
10	AP9100423	Zündkerzenkappe	2	
11	AP8152278	TE Schr. m. Flansch M6x16	4	
12	AP8224462	Zündrelais 12V-30A	2	
13	AP8220283	Gummi *	2	
14	855724	Hupe	1	
15	AP8152112	TCEI Schraube	1	
16	AP8150376	Ausgleichscheibe 8,5x15x0,8	1	
17	AP8150017	Ausgleichscheibe 8,4x16x1,6	1	
18	AP8124235	Blinken	1	
19	859728	Hauptverkabelung	1	
20	AP9100965	Sensorscheibe	1	
21	AP8220598	Entlüftungsschlauch Kühler	1	

Einheit	RAHMEN
Code	28.28
Beschreibung	Elektrische anlage II
Inspektion	1



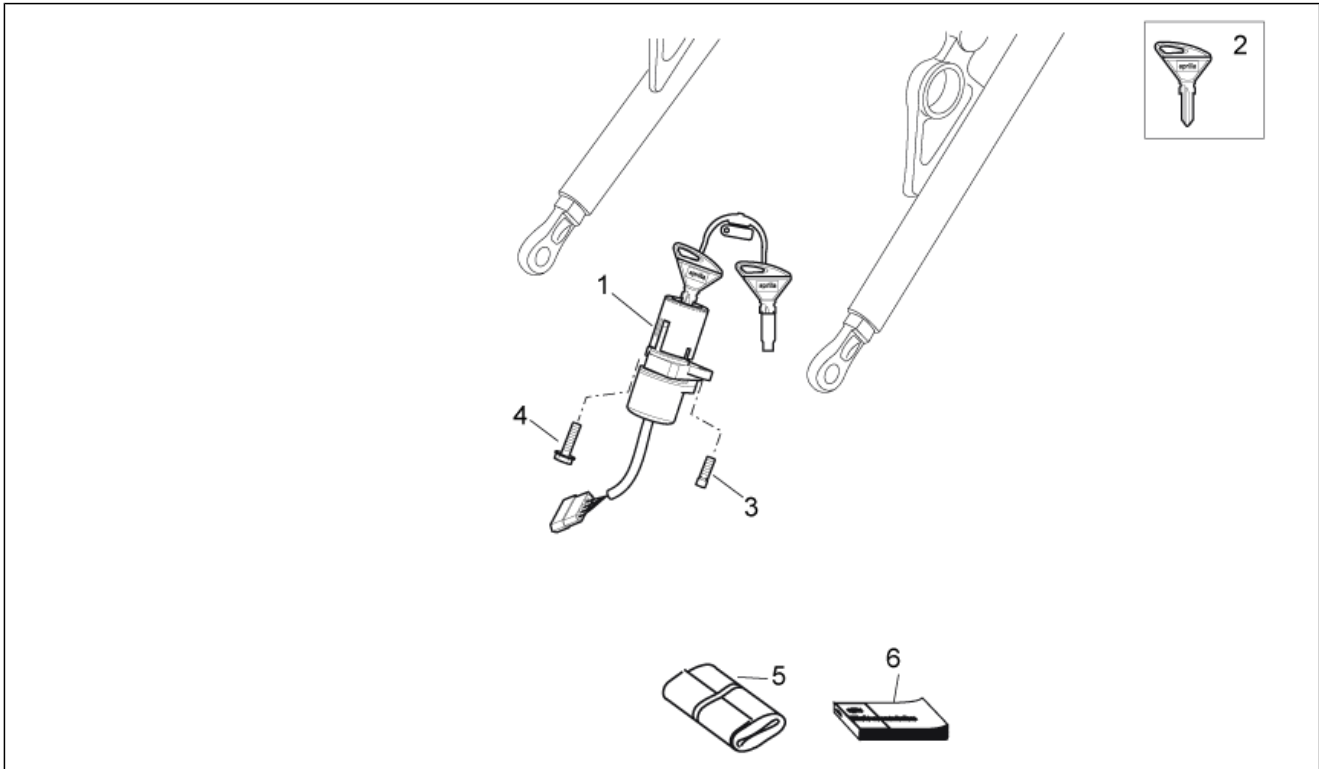
Pos.	Code	Beschreibung	Menge	Varianten
1	AP9100512	Batterie	1	
2	AP9101000	Batteriegeh. kpl.	1	
3	AP8120001	Gummi	4	
4	AP8144538	Dichtung	2	
5	AP9100725	Gummi	1	
6	AP9100371	Verkabelung Batterie-Relais	1	
7	85115R	Gummischlauch 12,8x8,8 L=120	1	
8	AP9100372	Masse-Batteriekabel	1	
9	AP9100487	Zündrelais	1	
10	AP9100325	Platte	1	
11	496404	Sicherung 30A	2	
12	AP9100558	Verkabelung Starter	1	
13	AP8152272	TE Schr. m. Flansch M5x12	3	
14	AP9100327	Hltr. Sicherungsblock	1	
15	496404	Sicherung 30A	3	
15	AP8176099	Sicherung	3	
16	252945	Sicherung 7,5A	4	
17	AP8112176	Sicherung 15A	3	
18	AP9100742	Platte	1	
19	AP9100782	Kunststoffniet inox	1	
20	AP9100739	Kondensator 10000 Uf	1	
21	AP9100783	Motor-Rahmen Masse Kabel	1	
22	AP9100511	Verkabelung Rücklicht	1	
23	AP9100765	Kleine Feder	1	
24	AP8152277	TE Schr. m. Flansch M6x12	1	
25	AP8152123	TCEI Schraube	2	
26	AP8150429	Sprengscheibe 6,4x11x0,5*	2	
27	CM239402	Gummischlauch 12,8x8,8 L=95	1	

Einheit	RAHMEN
Code	28.28
Beschreibung	Elektrische anlage II
Inspektion	1



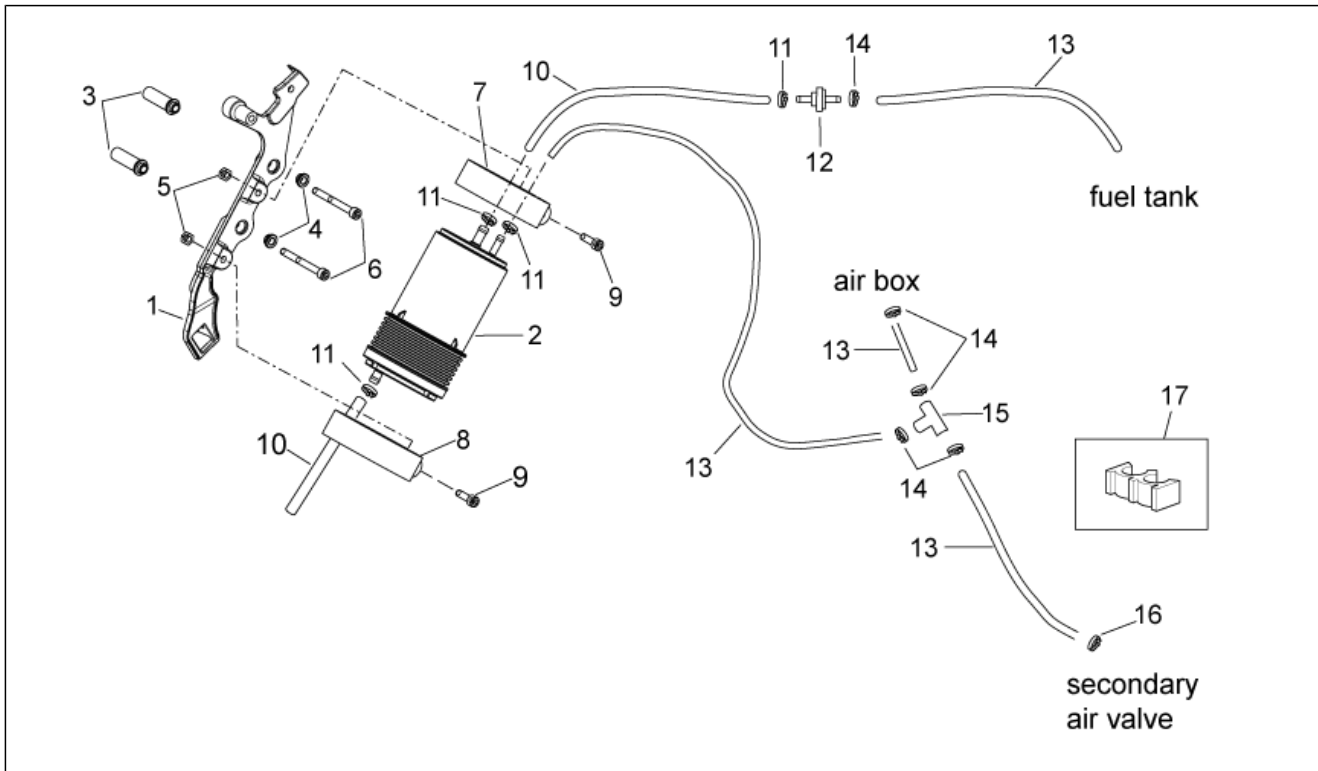
Pos.	Code	Beschreibung	Menge	Varianten
28	890512	Klebeschwamm 15x8	1	
29	859728	Hauptverkabelung	1	
30	AP9100959	Klemmenkappe	1	
31	AP9100997	Dichtung	1	

Einheit	RAHMEN
Code	28.29
Beschreibung	Fertigstellung
Inspektion	1



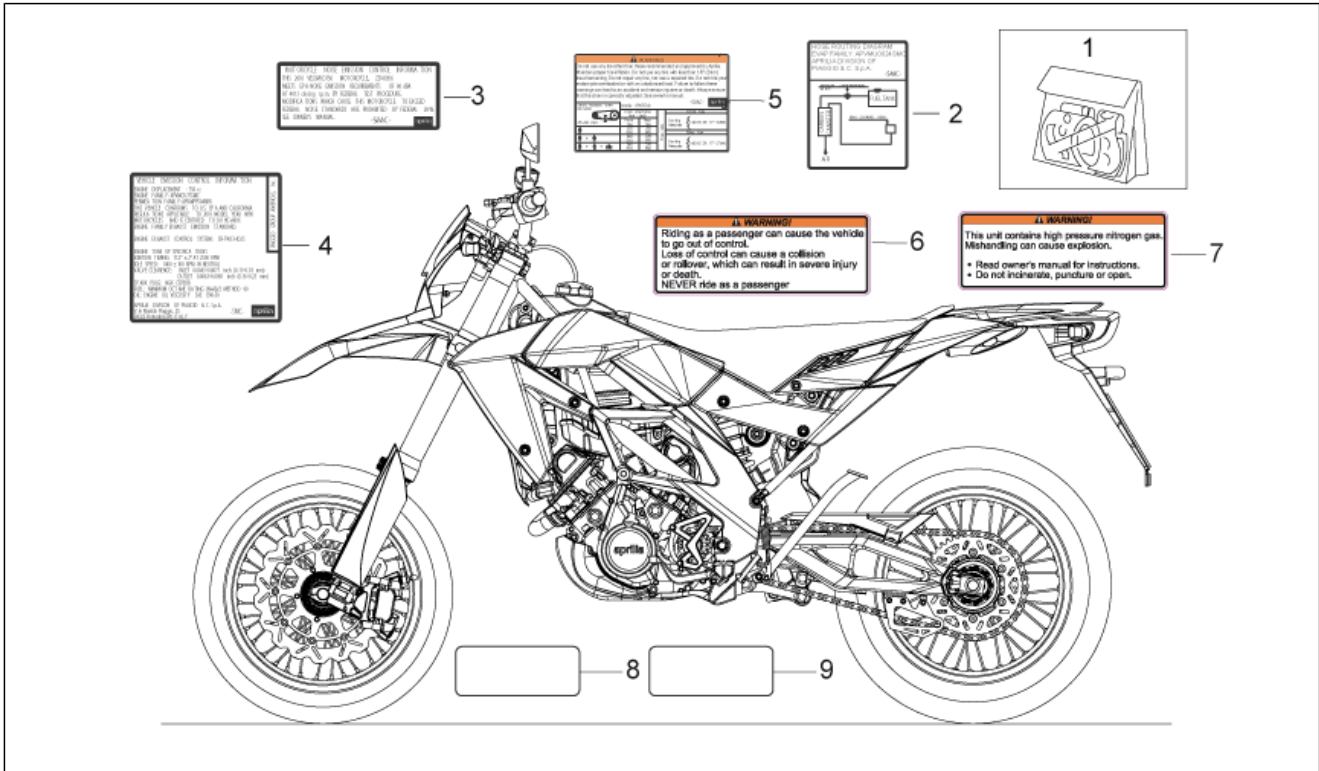
Pos.	Code	Beschreibung	Menge	Varianten
1	AP9100515	Lenkschloß	1	
2	859999	"Aprilia" schlüssel ohne tran.	1	
3	AP8150349	Spezialschraube M8x15	1	
4	AP8150211	TCEI Schraube M8x16	1	
5	AP9100936	Werkzeugtasche	1	
6	854030	Bed./Wart.-Anl.I-D-F-E-UK-NL I-D-F-E-UK-NL	1	

Einheit	RAHMEN
Code	28.53
Beschreibung	Benzindampfprückf.-Anlage
Inspektion	1



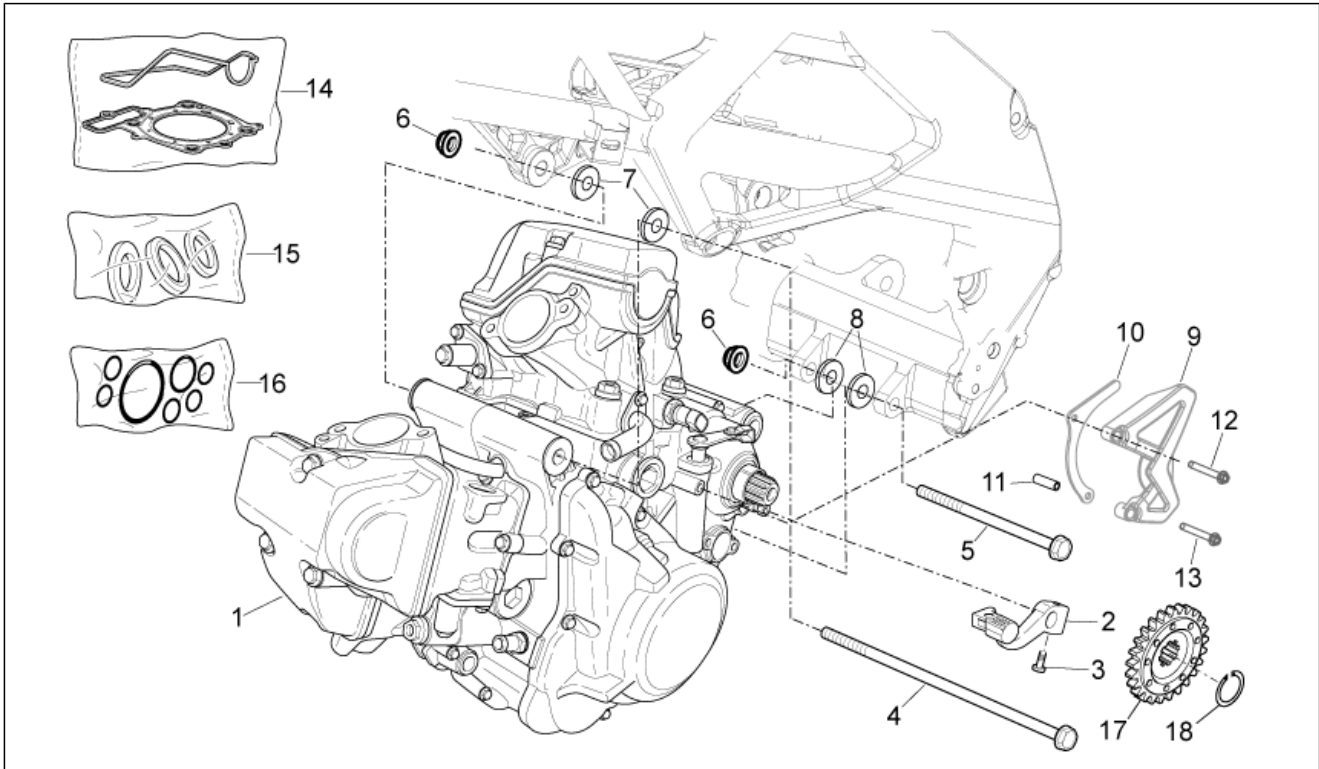
Pos.	Code	Beschreibung	Menge	Varianten
1	855029	Halter	1	
2	AP8102678	Kohlefilter	1	
3	855082	Buchse	2	
4	AP8221129	Buchse	2	
5	AP8150026	Mutter M6	2	
6	AP9100638	TE Schr. m. Flansch M6x70	2	
7	AP8102688	Schelle d.76	1	
8	AP8102719	Schelle d.80,5	1	
9	AP8152279	TE Schr. m. Flansch M6x20	2	
10	856063	Leitung SAE 30 d.12,7x6,35	2	
11	AP8102764	Schlauchschelle weiß d.13x6	3	
12	856161	Ventil "roll over"	1	
13	856062	Leitung SAE 30 d.11,11x4,8	4	
14	AP8120446	Schlauchschelle, grün D11x6,6x1	5	
15	AP8104666	3-Wegeanschluß	1	
16	CM002904	Schlauchschelle	1	
17	AP8201808	Kabelführungs D8	2	

Einheit	RAHMEN
Code	28.54
Beschreibung	Deko
Inspektion	1



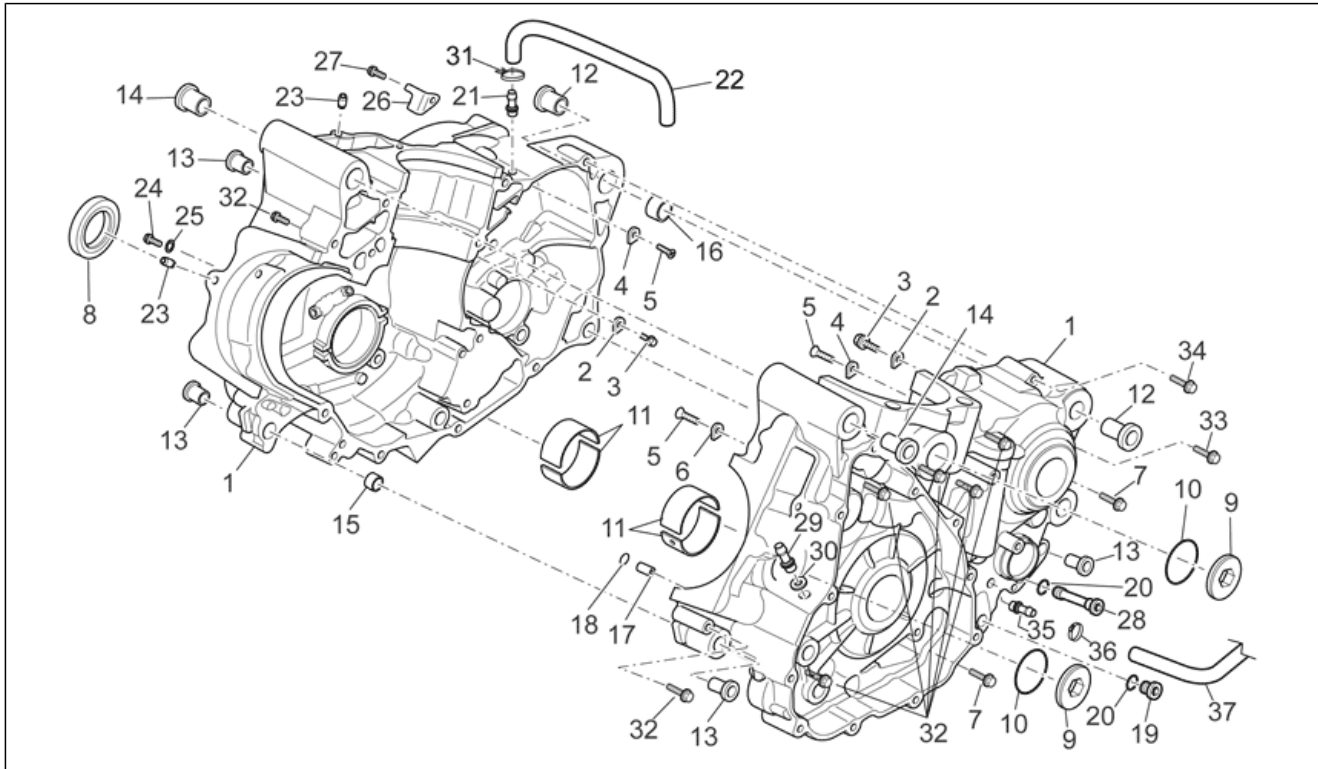
Pos.	Code	Beschreibung	Menge	Varianten
1	890524	Deko Serie	1	Baujahr: OFF WHITE 2009[09], OFF WHITE 2010[A] Technische Daten: Version Enduro 450[RX45]
1	890525	Deko Serie	1	Baujahr: OFF WHITE 2009[09], OFF WHITE 2010[A] Technische Daten: Enduro-Version 550[RX55]
1	898451	Deko Serie	1	Baujahr: Off Black 2011 (t.B. 898351)[B] Technische Daten: Version Enduro 450[RX45]
1	898452	Deko Serie	1	Baujahr: Off Black 2011 (t.B. 898351)[B] Technische Daten: Version Enduro 450[RX45]
2	891189	Shed deko	1	Baujahr: OFF WHITE 2009[09], OFF WHITE 2010[A]
2	891295	Shed deko	1	Baujahr: Off Black 2011 (t.B. 898351)[B]
3	891185	Lautherausgabe selbstkleber	1	Baujahr: OFF WHITE 2009[09], OFF WHITE 2010[A]
3	891287	Lautherausgabe selbstkleber	1	Baujahr: Off Black 2011 (t.B. 898351)[B] Technische Daten: Version Enduro 450[RX45]
3	891288	Lautherausgabe selbstkleber	1	Baujahr: Off Black 2011 (t.B. 898351)[B] Technische Daten: Enduro-Version 550[RX55]
4	891187	Emission control sticker	1	Baujahr: OFF WHITE 2009[09], OFF WHITE 2010[A]
4	891291	Emission control sticker	1	Baujahr: Off Black 2011 (t.B. 898351)[B] Technische Daten: Version Enduro 450[RX45]
4	891292	Emission control sticker	1	Baujahr: Off Black 2011 (t.B. 898351)[B] Technische Daten: Enduro-Version 550[RX55]
5	855872	Aufkleber Reifendruck	1	
6	851156	Einzelsitz deko	1	
7	851157	Stoßdämpfer deko	1	
8	AP8257609	Spiegel deko	2	
9	AP8267395	Batterie deko	1	

Einheit	MOTOR
Code	29.30
Beschreibung	Motor
Inspektion	1



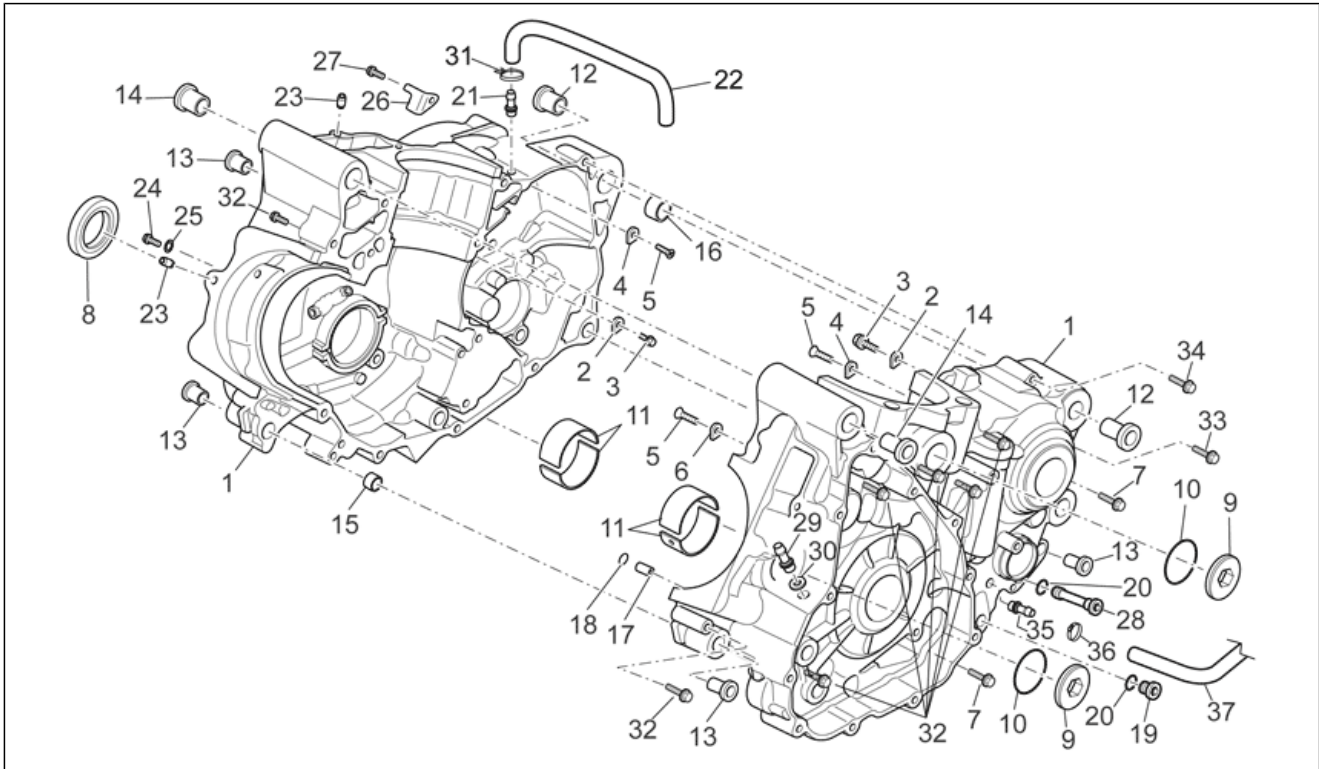
Pos.	Code	Beschreibung	Menge	Varianten
1	CM2362135	Motor	1	Technische Daten: Version Enduro 450[RX45]
1	CM2363135	Motor	1	Technische Daten: Enduro-Version 550[RX55]
2	AP9100411	Schalthebel	1	
3	AP8152280	TE Schr. m. Flansch M6x25	1	
4	AP9100593	Schraube M10x1,25 L=202	1	
5	AP9100443	Schraube M10x1,25 L=102	1	
6	AP9100643	Selbstsperrende Mutter M10x1,25	2	
7	AP9100687	Ausgleichscheibe 28x10,5x3	2	
8	AP9100683	Ausgleichscheibe 18x10,5x0,5	2	
8	AP9100684	Ausgleichscheibe 18x10,5x1	2	
8	AP9100685	Ausgleichscheibe 18x10,5x1,5	2	
8	AP9100686	Ausgleichscheibe 18x10,5x2	2	
9	AP9100374	Ritzelkasten	1	
10	AP9100367	Kettenführung	1	
11	AP9100550	Buchse	1	
12	AP8152281	TE Schr. m. Flansch M6x30	1	
13	AP8152283	TE Schr. m. Flansch	1	
14	855834	Dichtungen - Satz	1	Technische Daten: Version Enduro 450[RX45]
14	855835	Dichtungen - Satz	1	Technische Daten: Enduro-Version 550[RX55]
15	855819	Dichtungssatz	1	
16	855833	OR - Satz	1	
17	AP9100525	Ritzel	1	
18	AP9100451	Seegerring für Welle D25	1	

Einheit	MOTOR
Code	29.31
Beschreibung	Kurbelwellengehäuse I
Inspektion	1



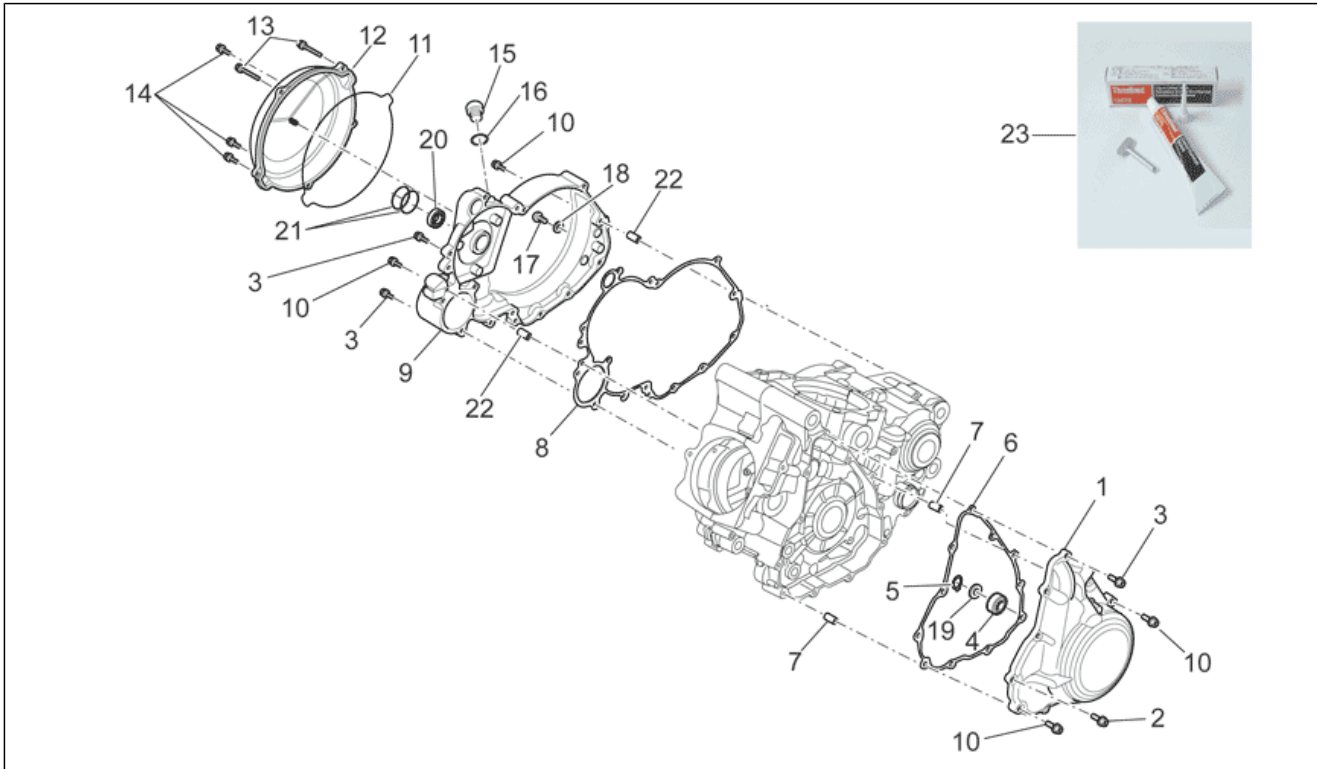
Pos.	Code	Beschreibung	Menge	Varianten
1	CM155401	Gehäuse Paar	1	Technische Daten: Version Enduro 450[RX45]
1	CM155403	Gehäuse Paar	1	Technische Daten: Enduro-Version 550[RX55]
2	AP9150146	Lager-Halteplatte	3	
3	AP8152277	TE Schr. m. Flansch M6x12	3	
4	AP9150145	Lager-Halteplatte	2	
5	AP9150394	Schraube M6x12	3	
6	AP9150489	Lager-Halteplatte	1	
7	AP8152283	TE Schr. m. Flansch	6	
8	AP9150435	Ölabstreifring D32x45x6	1	
9	AP9150149	Deckel	2	
10	AP9150353	O-Ring D26,65x2,62	2	
11	AP9150324	Halbsch. Bronzebchs., grün	4	
11	AP9150456	Halbsch. Bronzebu., blau	4	
11	AP9150457	Halbsch. Bronzebu., gelb	4	
12	AP9150440	T-Buchse 34x21x10,5-L18	2	
13	AP9150441	T-Buchse 28x13x10,5-L11,5	2	
14	AP9150442	T-Buchse 19x13x10,5-L11,5	4	
15	AP9150116	Buchse D16x19X13	1	
16	AP9150115	Buchse D18x21X19	1	
17	AP9150117	Stift D7,2x9x12	1	
18	AP9150350	O-Ring D8,73x1,78	1	
19	AP9150174	Ölablaßschraube	1	
20	AP9150349	Dichtscheibe D12x18x1,5	2	
21	AP9150533	Anschluss	1	
22	AP9150471	Entlüftungsschlauch Kühler	1	
23	AP9150346	Strahl	2	
24	AP8152285	TE Schr. m. Flansch	1	
25	AP8121862	Ausgleichscheibe D8x16x1,5	1	

Einheit	MOTOR
Code	29.31
Beschreibung	Kurbelwellengehäuse I
Inspektion	1



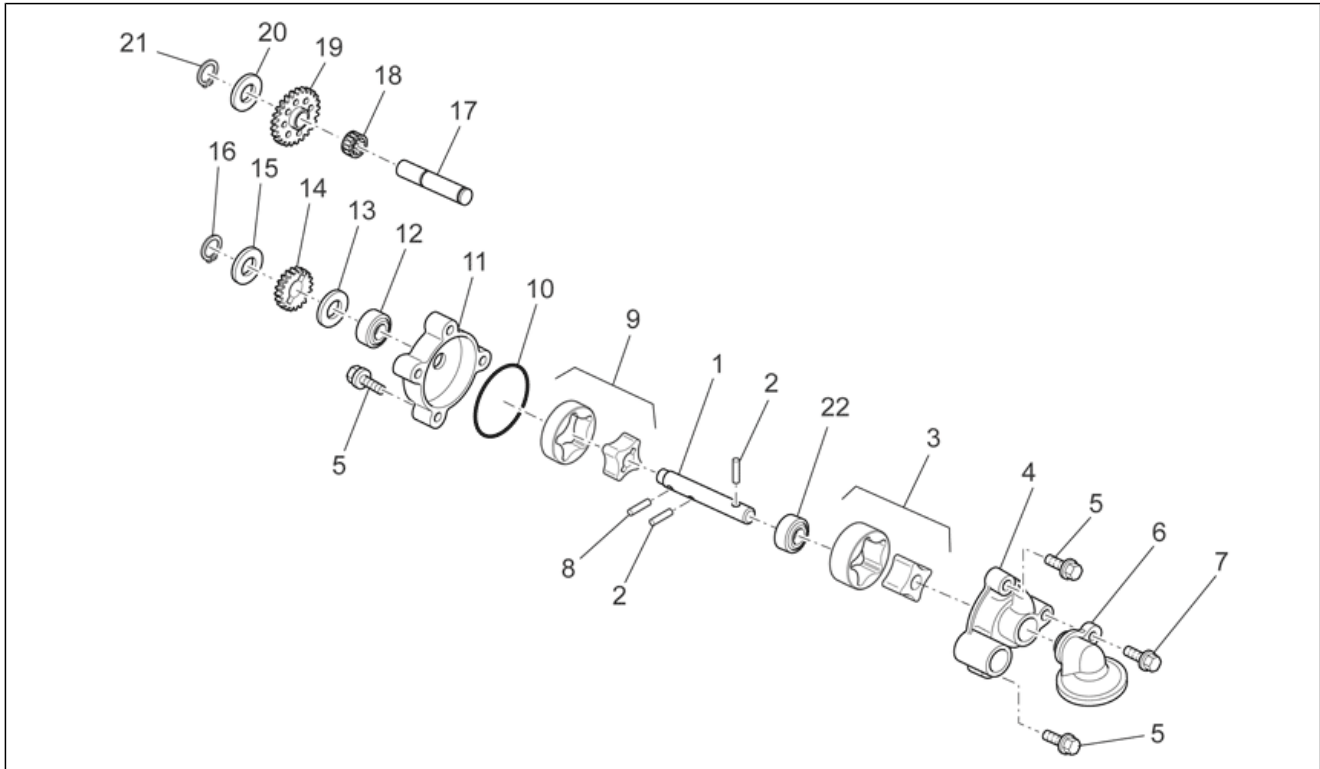
Pos.	Code	Beschreibung	Menge	Varianten
26	AP9150439	Platte	1	
27	AP8152277	TE Schr. m. Flansch M6x12	1	
28	AP9150078	Ölablaßschraube	1	
29	AP9150109	Anschluss	1	
30	AP9150349	Dichtscheibe D12x18x1,5	1	
31	AP8102377	Schelle D9,1*	1	
32	AP9150526	TE Schr. m. Flansch M7x1x42	7	
33	828909	TE Schr. m. Flansch M6x65	1	
34	828922	TE Schr. m. Flansch M6x75	1	
35	AP9150344	Anschluss	1	
36	CM001911	Schlauchschelle	1	
37	AP9150545	Entlüftungsschlauch Kühler 5x9	1	

Einheit	MOTOR
Code	29.32
Beschreibung	Kurbelwellengehäuse II
Inspektion	1



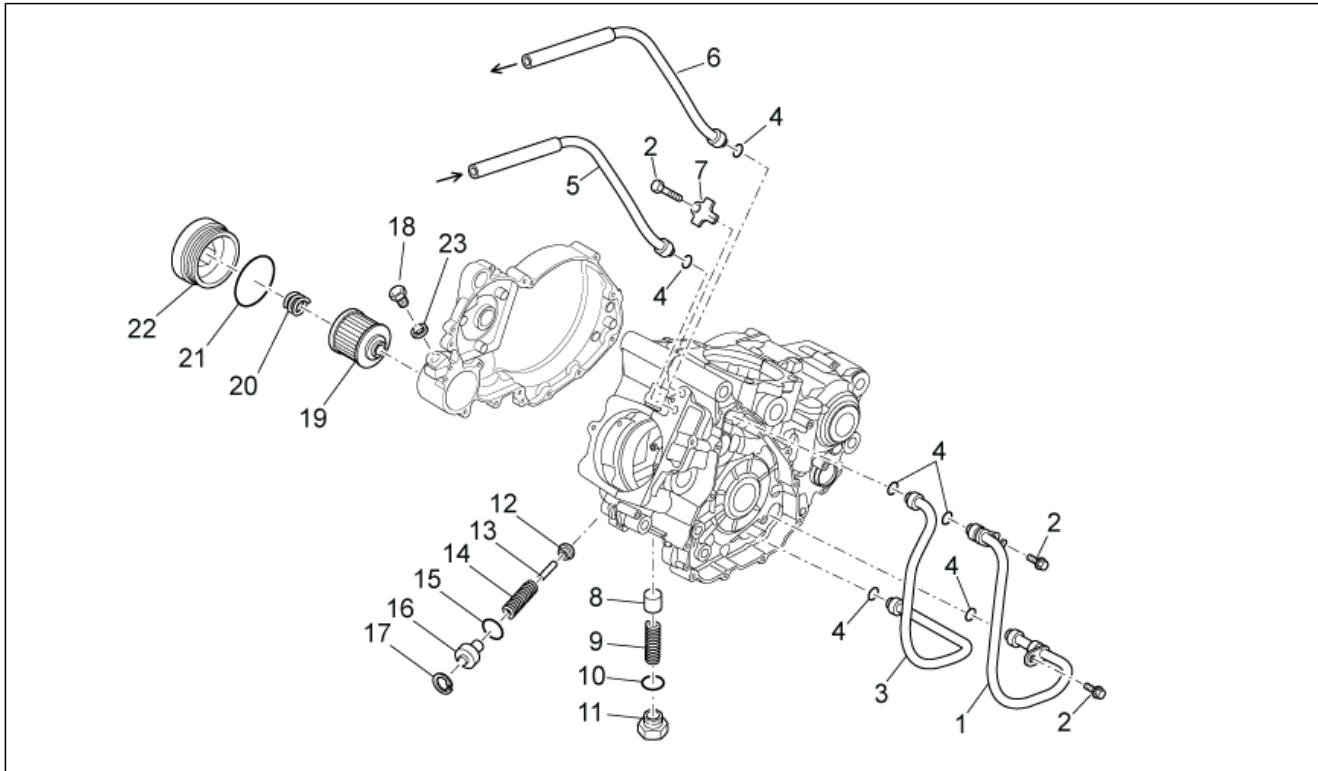
Pos.	Code	Beschreibung	Menge	Varianten
1	855242	Zünddeckel	1	
2	AP8152279	TE Schr. m. Flansch M6x20	9	
3	AP8152280	TE Schr. m. Flansch M6x25	10	
4	855031	Ölabstreifring D12x22x6	1	
5	000674	Seegerring 25x26.9x1.2	1	
6	AP9150153	Dichtung	1	
7	AP9150118	Buchse D6,2x8X15	2	
8	AP9150148	Dichtung	1	
9	851019	Kupplungsseite Deckel	1	
10	AP8152282	TE Schr. m. Flansch M6x35	4	
11	AP9150150	O-Ring D171,13x2,62	1	
12	AP9150094	Kupplungsdeckel	1	
13	AP9150395	TE Schr. m. Flansch M6x60	2	
14	AP8152279	TE Schr. m. Flansch M6x20	3	
15	AP9150410	Ölschraube M20x1,5	1	
16	AP9150356	O-Ring D18,72x2,62	1	
17	AP9150473	TBEI Schraube M6x10	1	
18	AP9150351	Dichtscheibe D6x12x1	1	
19	AP9150522	Becher Ölabstreifring	1	
20	851015	Kugellager 10x19x5	1	
21	851012	O-Ring 20x1	2	
22	851017	Buchse D6,2x7,8X15	2	
23	855252	Flachdichtmittel	1	

Einheit	MOTOR
Code	29.33
Beschreibung	Ölpumpe
Inspektion	1



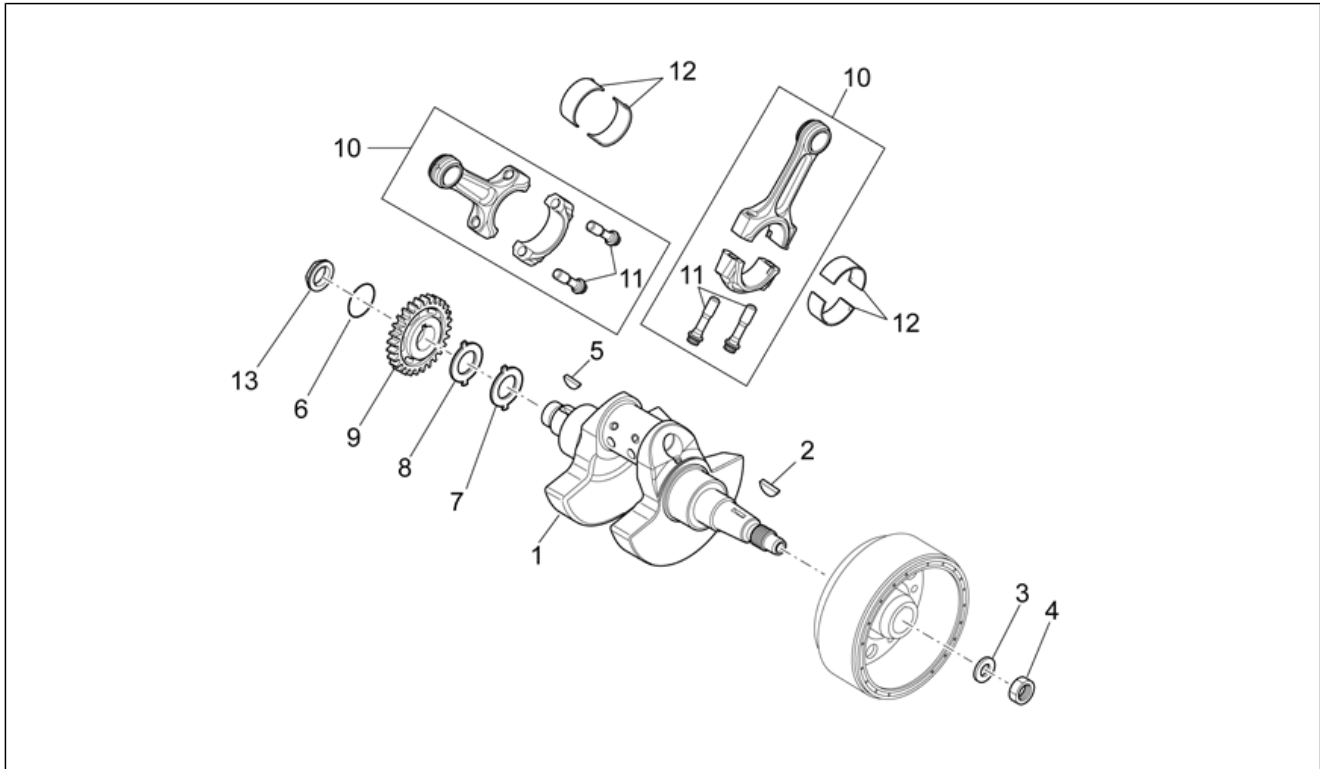
Pos.	Code	Beschreibung	Menge	Varianten
1	AP9150071	Ölpumpenwelle	1	
2	AP9150377	Stift 4x15,8	2	
3	AP9150157	Innen- und Außenrotor H19	1	
4	AP9150158	pumpegehäuse	1	
5	AP8152280	TE Schr. m. Flansch M6x25	6	
6	AP9150162	Saugsiebfilter	1	
7	AP8152281	TE Schr. m. Flansch M6x30	1	
8	AP9150376	Stift 4x13,8	1	
9	AP9150291	Innen- und Außenrotor H8	1	
10	AP9150461	O-Ring D44,17x1,78	1	
11	AP9150217	pumpegehäuse	1	
12	AP9150385	Ölabstreifring D19x10x7/5.5	1	
13	AP9150076	Bundscheibe 10,1x23	1	
14	AP9150159	Ölpumpen-Zahn. Z=12	1	
15	AP9150075	Bundscheibe 9,1x16x	1	
16	AP9150396	Seegerring 9x1	1	
17	AP9150160	Bolzen 4x25,8	1	
18	AP9150463	Nadelkaefig D11x16x10	1	
19	AP9150161	Wahnradvorgelege Z=22	1	
20	AP9150074	Bundscheibe 11,1x18	1	
21	006411	Seegerring D11	1	
22	AP9150443	Ölabstreifring D10x16x4	1	

Einheit	MOTOR
Code	29.34
Beschreibung	Schmierung
Inspektion	1



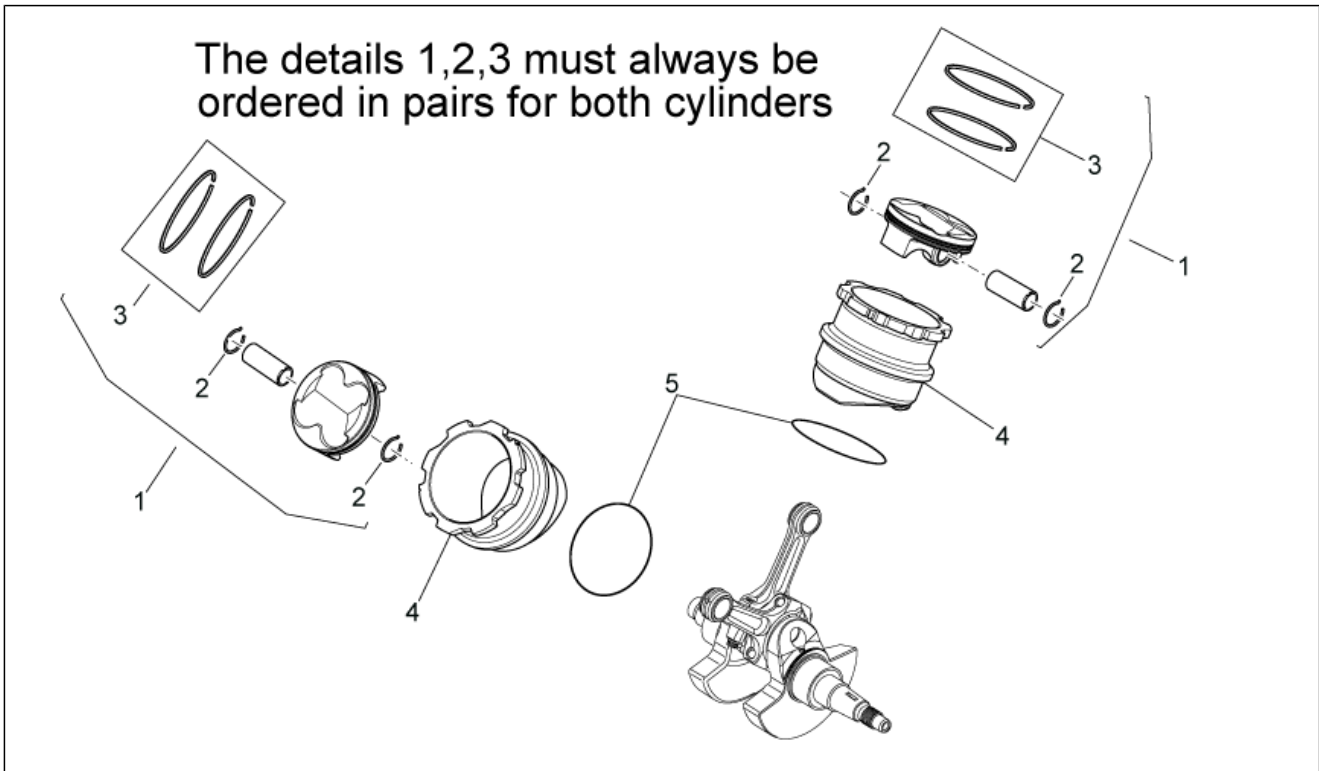
Pos.	Code	Beschreibung	Menge	Varianten
1	AP9150281	Ölauslaßschlauch	1	
2	AP8152277	TE Schr. m. Flansch M6x12	3	
3	AP9150280	Öleinlaßschlauch	1	
4	AP9150347	O-Ring D11x2	6	
5	AP9100358	Ölauslaßschlauch	1	
6	AP9100362	Öleinlaßschlauch	1	
7	AP9100292	Anschlagplatte	1	
8	AP9150168	Druckregelkolben	1	
9	AP9150169	Feder	1	
10	AP9150476	O-Ring D11,11x1,78	1	
11	AP9150170	Ventilschließschraube M14x1,5	1	
12	AP9150171	Sperrventil Öl	1	
13	AP9150321	Bolzen	1	
14	AP9150173	Feder	1	
15	AP9150477	O-Ring D14x1,78	1	
16	AP9150172	Kupplungsbuchse	1	
17	006618	Seegerring D18	1	
18	851240	Verschlussschraube	1	
19	AP9150166	Ölfiltereinsatz	1	
20	AP9150167	Feder	1	
21	AP9150355	O-Ring D53,65x2,68	1	
22	851295	ÖlfILTERdeckel	1	
23	AP9150472	Ausgleichscheibe 10,5x17x1,5	1	

Einheit	MOTOR
Code	29.35
Beschreibung	Kurbelwelle
Inspektion	1



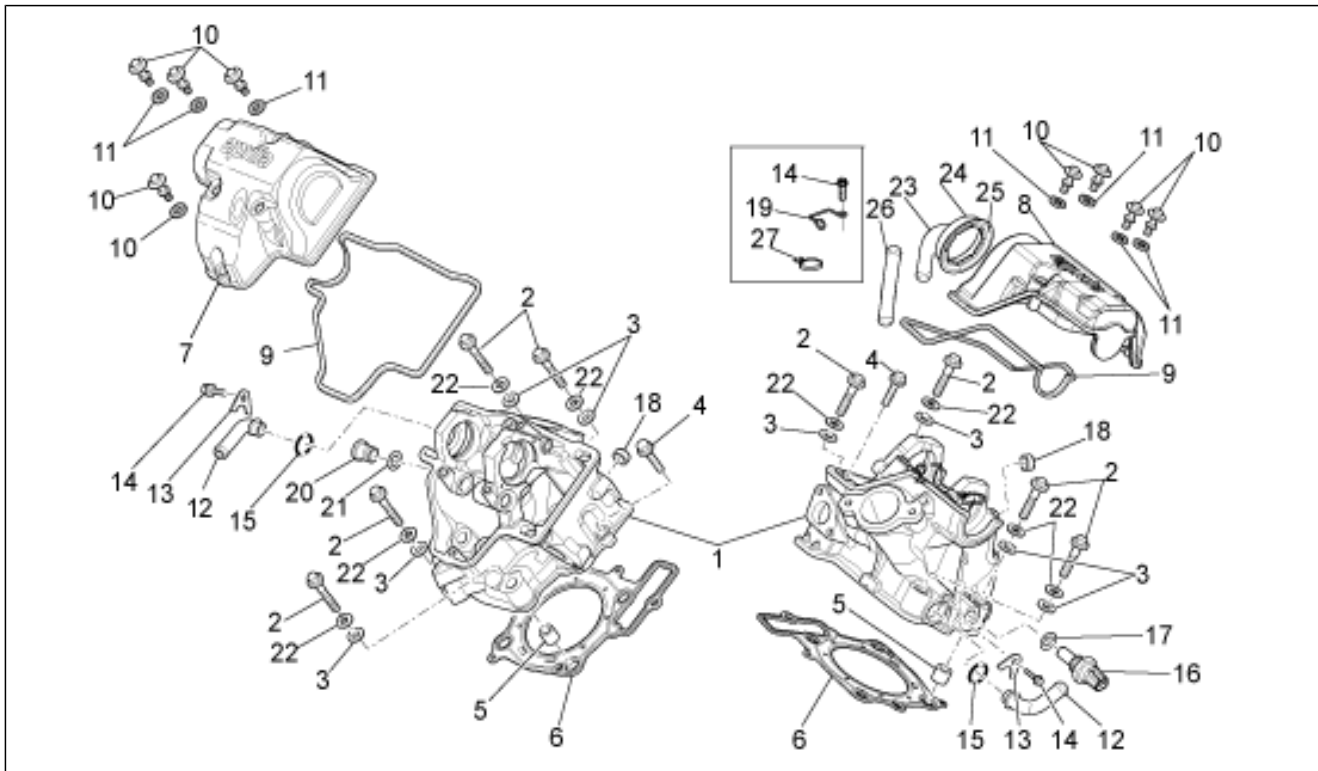
Pos.	Code	Beschreibung	Menge	Varianten
1	8551015	Kurbelwelle	1	Technische Daten: Version Enduro 450[RX45]
1	8553745	Kurbelwelle	1	Technische Daten: Enduro-Version 550[RX55]
2	851007	Schwungradfeder D3x4,8	1	
3	851357	Ausgleichscheibe D15x28x2,5	1	
4	AP9150436	Mutter M14x1	1	
5	AP9150402	Keil 4x6,5	1	
6	AP9150525	O-Ring D16x3,5	1	
7	AP9150065	Anlaufscheibe 44x53x2	1	
8	AP9150066	Anlaufscheibe 36x50x1,4	1	
9	AP9150210	Ritzel	1	
10	AP9150018	Baugruppe Pleuelstange kplt.	2	Technische Daten: Version Enduro 450[RX45]
10	AP9150315	Baugruppe Pleuelstange kplt.	2	Technische Daten: Enduro-Version 550[RX55]
11	AP9150127	Pleuelschraube	4	
12	AP9150323	Bronzebuchse, grün 35x38x16,5	4	
12	AP9150454	Bronzebuchse,blau 35x38x16,5	4	
12	AP9150455	Bronzebuchse,gelb 35x38x16,5	4	
13	AP9150236	Geflanschte Mutter M18x1,25	1	

Einheit	MOTOR
Code	29.36
Beschreibung	Kolben + Zylinder
Inspektion	1



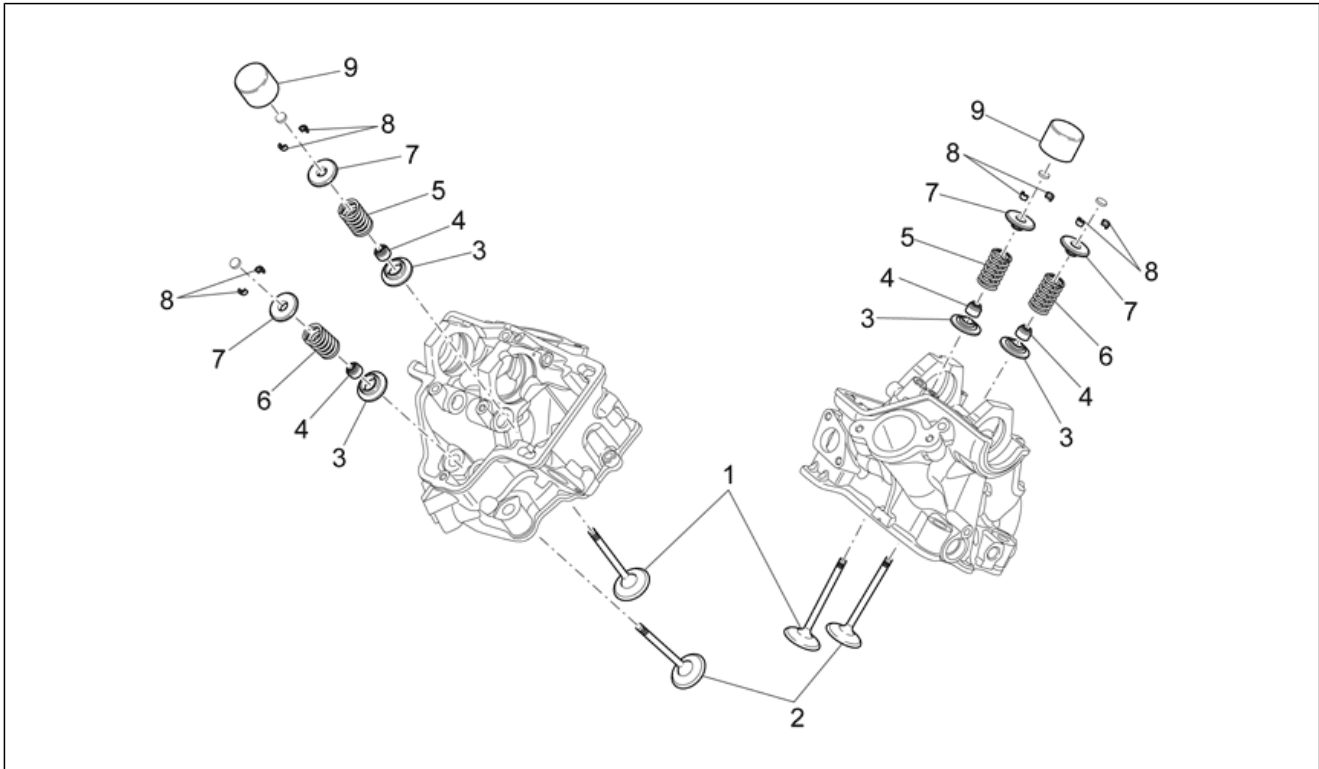
Pos.	Code	Beschreibung	Menge	Varianten
1	851035	Kolben kpl. D76	2	Technische Daten: Version Enduro 450[RX45]
1	851039	Kolben kpl. D80	2	Technische Daten: Enduro-Version 550[RX55]
2	851042	Sperring	4	Technische Daten: Enduro-Version 550[RX55]
2	851045	Sperring	4	Technische Daten: Version Enduro 450[RX45]
3	851298	Dichtringsatz D76	2	Technische Daten: Version Enduro 450[RX45]
3	855601	Dichtringsatz D80	2	Technische Daten: Enduro-Version 550[RX55]
4	AP9150007	Zylinder D76	2	Technische Daten: Version Enduro 450[RX45]
4	AP9150301	Zylinder D80	2	Technische Daten: Enduro-Version 550[RX55]
5	AP9150343	O-Ring D82,22x2,62	2	

Einheit	MOTOR
Code	29.37
Beschreibung	Zylinderkopf
Inspektion	1



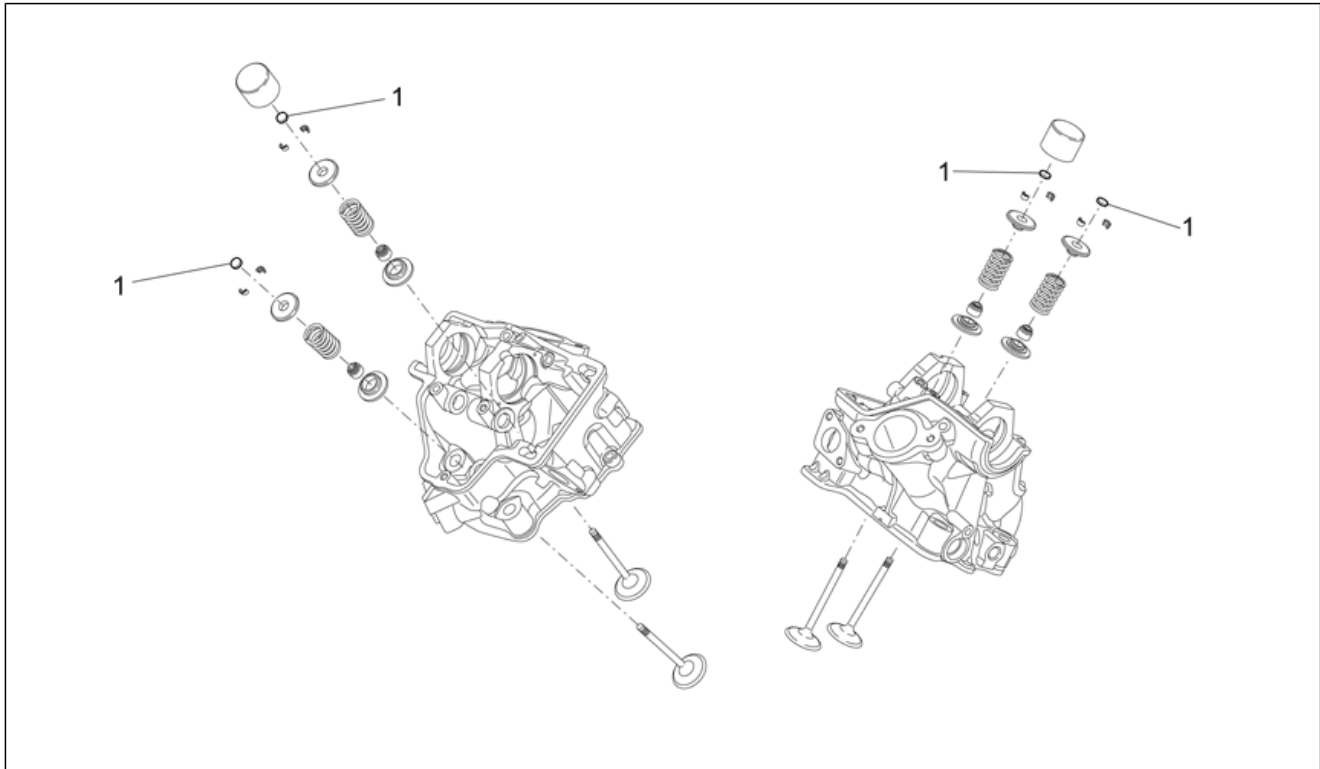
Pos.	Code	Beschreibung	Menge	Varianten
1	AP9150317	Zylinderkopf kpl.	2	
2	855487	TE Schr. m. Flansch M10x58,5	8	
3	AP9150113	Ausgleichscheibe D10x20x2	8	
4	AP8152280	TE Schr. m. Flansch M6x25	2	
5	AP9150114	Buchse	4	
6	855034	Dichtung Zylinderkopf	2	Technische Daten: Version Enduro 450[RX45]
6	855035	Dichtung Zylinderkopf	2	Technische Daten: Enduro-Version 550[RX55]
7	AP9150009	Kopfdeckel	1	
8	855136	Kopfdeckel	1	
9	AP9150010	Deckeldichtung Kupplungsseite	2	
10	AP9150111	Spezialschraube	8	
11	AP9150110	Dichtung	8	
12	AP9150120	Anschluss	2	
13	AP9150121	Platte	2	
14	AP8152277	TE Schr. m. Flansch M6x12	3	
15	AP9150469	O-Ring D13,95x2,62	2	
16	AP9150181	Temperaturfühler H2O	1	
17	AP9150349	Dichtscheibe D12x18x1,5	1	
18	AP9150312	Deckel D20	2	
19	AP8121856	Kabelführungs	1	
20	AP9150174	Ölablaßschraube	1	
21	AP9150349	Dichtscheibe D12x18x1,5	1	
22	260467	Sprengscheibe	8	
23	855143	Flansch blow-by	1	
24	855142	Buchse	1	
25	834044	O-Ring	1	
26	855685	Leitung Blow-By	1	
27	AP8102525	Hahnschelle	1	

Einheit	MOTOR
Code	29.38
Beschreibung	Ventile
Inspektion	1



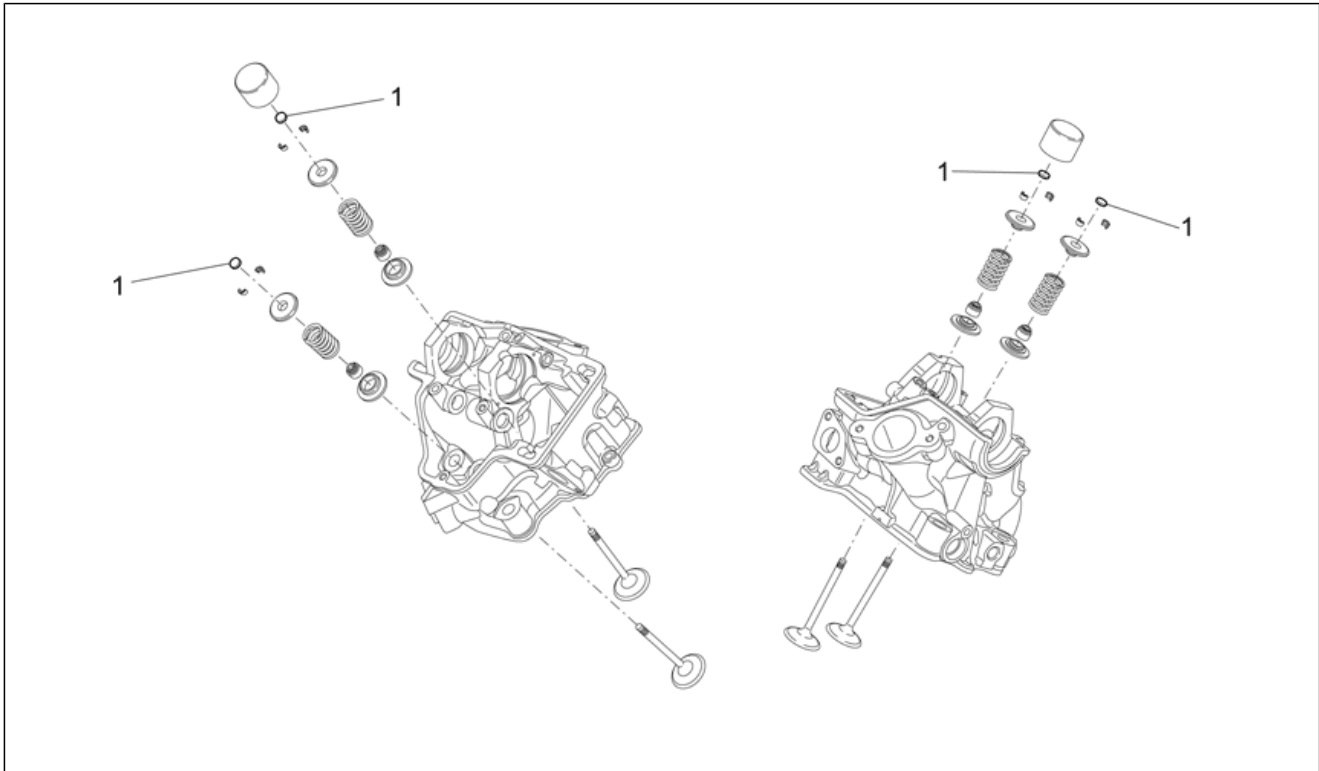
Pos.	Code	Beschreibung	Menge	Varianten
1	AP9150022	Einlaßventil	4	
2	AP9150023	Auslaßventil	4	
3	AP9150028	Becher unten	8	
4	AP9150104	Ölabstreifring Ventilführung D5	8	
5	AP9150024	Einlaß Ventilfeeder	4	
6	AP9150025	Feder Auslaßventil	4	
7	891170	Becher obere	8	
8	AP9150106	Ventilhalbkegel	16	
9	AP9150107	Ventilbecher	4	

Einheit	MOTOR
Code	29.39
Beschreibung	Ventilesbeläge
Inspektion	1



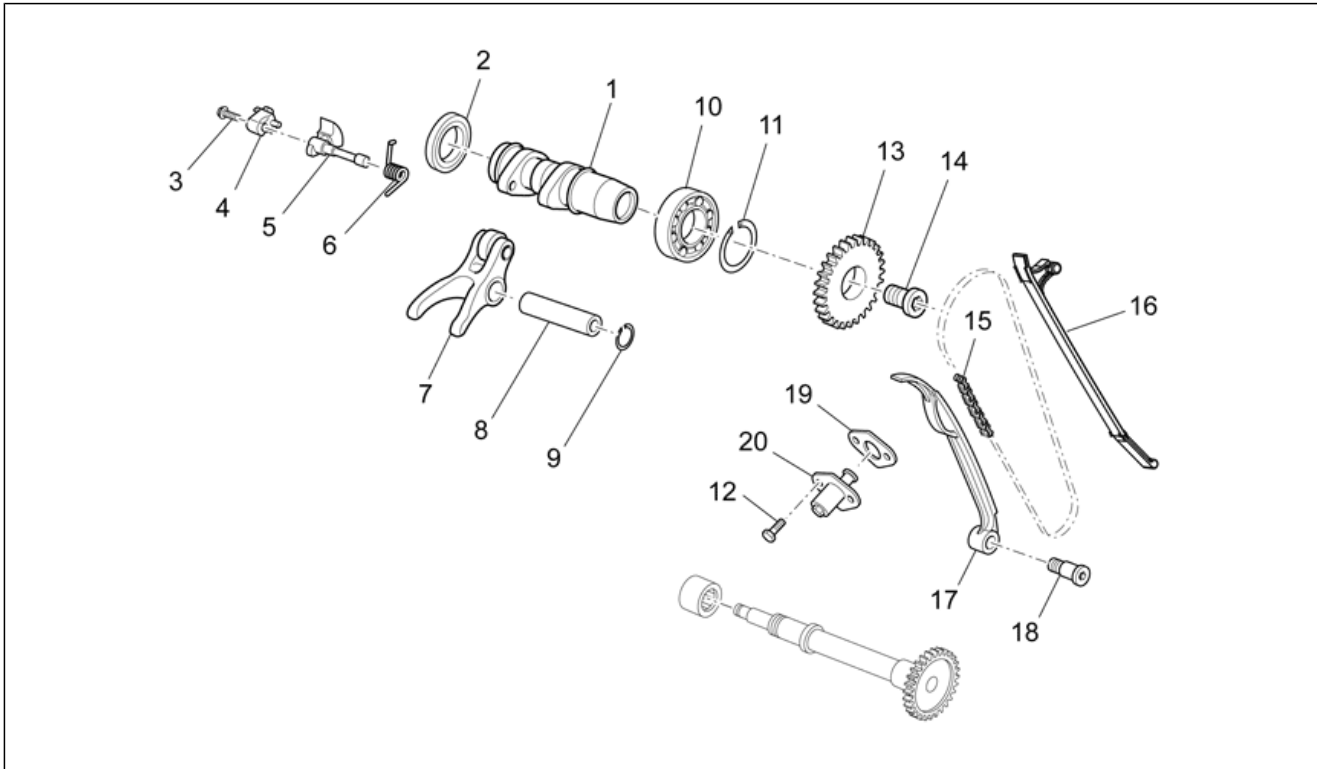
Pos.	Code	Beschreibung	Menge	Varianten
1	CM238801	Belag 1,5	4	
1	CM238802	Belag SP.1,525	4	
1	CM238803	Belag SP.1,550	4	
1	CM238804	Belag SP.1,575	4	
1	CM238805	Belag SP.1,6	4	
1	CM238806	Belag SP.1,625	4	
1	CM238807	Belag SP.1,650	4	
1	CM238808	Belag SP.1,675	4	
1	CM238809	Belag SP.1,7	4	
1	CM238810	Belag SP.1,725	4	
1	CM238811	Belag SP.1,750	4	
1	CM238812	Belag SP.1,775	4	
1	CM238813	Belag SP.1,8	4	
1	CM238814	Belag SP.1,825	4	
1	CM238815	Belag SP.1,850	4	
1	CM238816	Belag SP.1,875	4	
1	CM238817	Belag SP.1,9	4	
1	CM238818	Belag SP.1,925	4	
1	CM238819	Belag SP.1,950	4	
1	CM238820	Belag SP.1,975	4	
1	CM238821	Belag SP.2,0	4	
1	CM238822	Belag SP.2,025	4	
1	CM238823	Belag SP.2,050	4	
1	CM238824	Belag SP.2,075	4	
1	CM238825	Belag SP.2,1	4	
1	CM238826	Belag SP.2,125	4	
1	CM238827	Belag SP.2,150	4	
1	CM238828	Belag SP.2,175	4	

Einheit	MOTOR
Code	29.39
Beschreibung	Ventilesbeläge
Inspektion	1



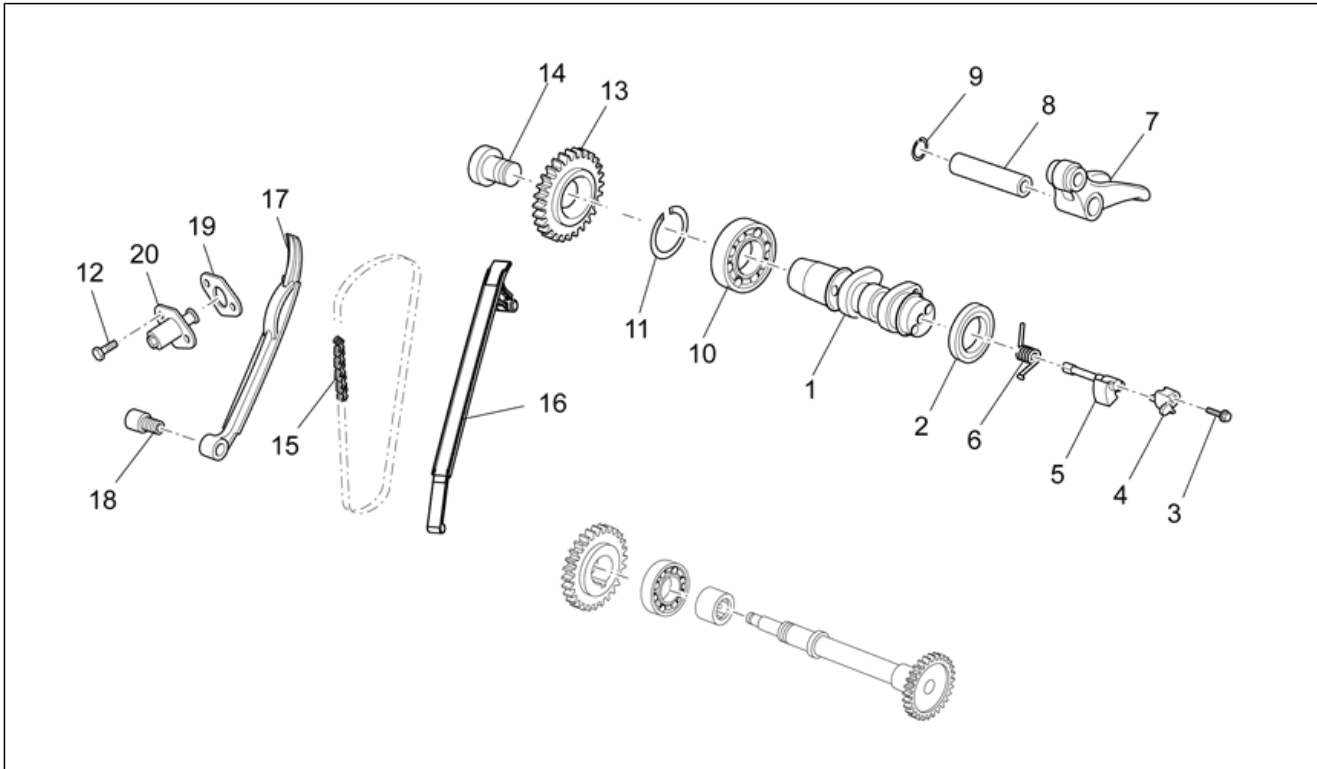
Pos.	Code	Beschreibung	Menge	Varianten
1	CM238829	Belag SP.2,2	4	
1	CM238830	Belag SP.2,225	4	
1	CM238831	Belag SP.2,250	4	
1	CM238832	Belag SP.2,275	4	
1	CM238833	Belag SP.2,3	4	
1	CM238834	Belag SP.2,325	4	
1	CM238835	Belag SP.2,350	4	
1	CM238836	Belag SP.2,375	4	
1	CM238837	Belag SP.2,4	4	
1	CM238838	Belag SP.2,425	4	
1	CM238839	Belag SP.2,450	4	

Einheit	MOTOR
Code	29.40
Beschreibung	Vrd. Zylindersteuer
Inspektion	1



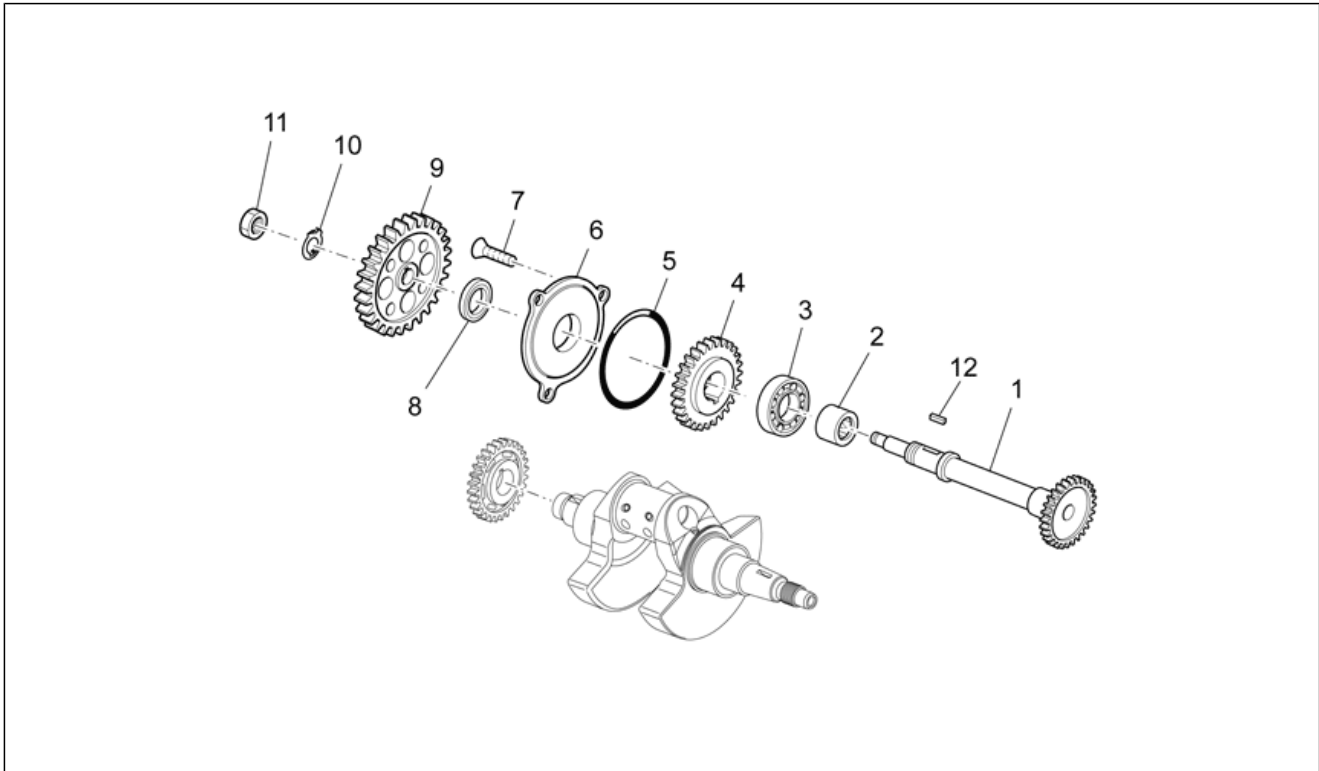
Pos.	Code	Beschreibung	Menge	Varianten
1	8510025	Nockenwelle vorderer	1	
2	AP9150364	Kugellager D25x37x7	1	
3	AP8152274	TE Schr. m. Flansch M5x20	1	
4	AP9150303	Steckverbindung	1	
5	CM238601	Vord.Ventilschaltung	1	
5	CM238602	Vord.Ventilschaltung "5.90"	1	
5	CM238603	Vord.Ventilschaltung "5.85"	1	
5	CM238604	Vord.Ventilschaltung "5.80"	1	
5	CM238605	Vord.Ventilschaltung "5.75"	1	
5	CM238606	Vord.Ventilschaltung "5.70"	1	
6	AP9150138	Feder	1	
7	AP9150096	Kipphebel Auslaß	1	
8	AP9150101	Kipphebel-Federwelle	1	
9	006612	Sprengring	1	
10	AP9150372	Kugellager D25x42x9	1	
11	006642	Seegerring	2	
12	AP8152278	TE Schr. m. Flansch M6x16	2	
13	AP9150506	Zahnrad Steuer. Z=22	1	
14	AP9150507	Spezialschraube M16x1	1	
15	AP9150133	Steuerkette	1	Technische Daten: Version Enduro 450[RX45]
15	AP9150327	Steuerkette	1	Technische Daten: Enduro-Version 550[RX55]
16	AP9150011	Kettengleitführung L177	1	Technische Daten: Version Enduro 450[RX45]
16	AP9150300	Kettengleitführung L186	1	Technische Daten: Enduro-Version 550[RX55]
17	AP9150012	Kettenspanner Gleitbacke	1	
18	AP9150231	Schraube M6x12	1	
19	847928	Dichtung	1	
20	82650R	Kettenspanner komplett	1	

Einheit	MOTOR
Code	29.41
Beschreibung	Hint. Zylindersteuer
Inspektion	1



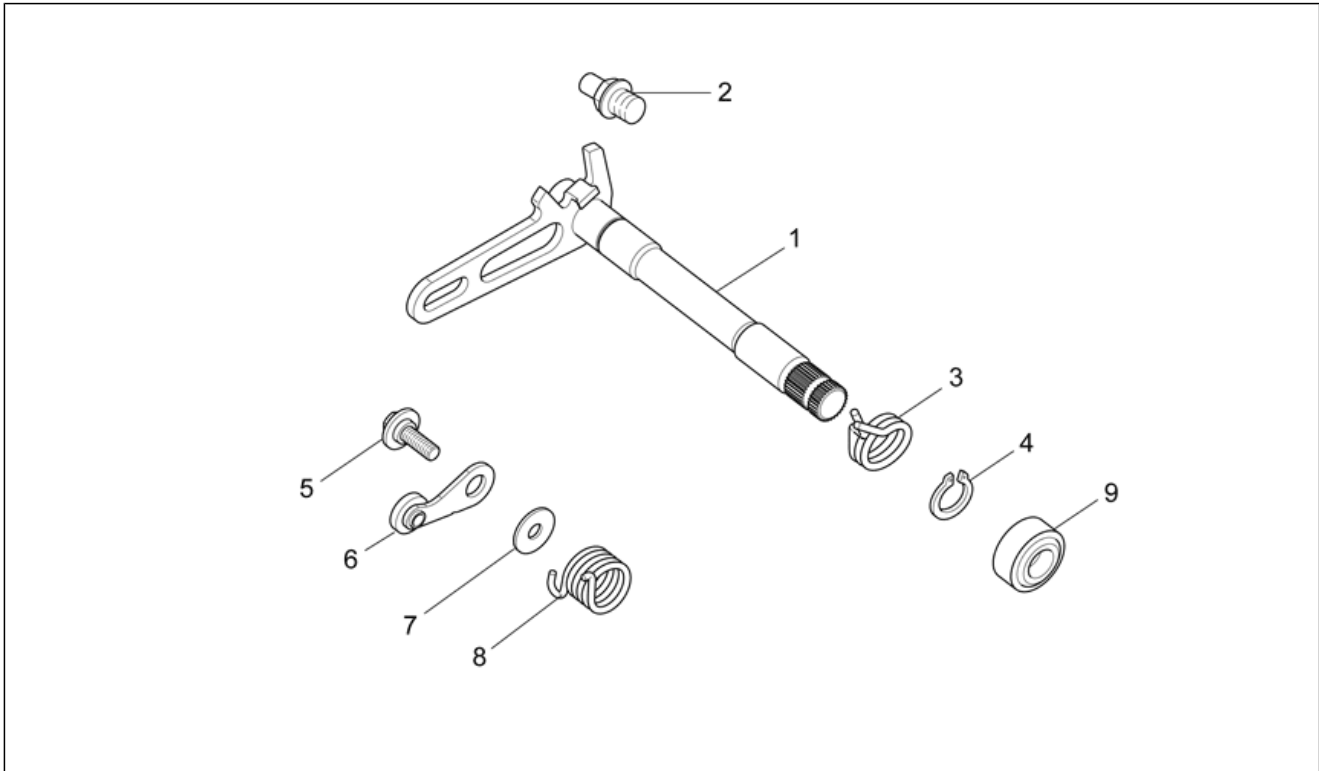
Pos.	Code	Beschreibung	Menge	Varianten
1	8510035	Nockenwelle hinterer	1	
2	AP9150364	Kugellager D25x37x7	1	
3	AP8152274	TE Schr. m. Flansch M5x20	1	
4	AP9150303	Steckverbindung	1	
5	CM238701	Hinten ventilschaltung	1	
5	CM238702	Hinten ventilschaltung "5.90"	1	
5	CM238703	Hinten ventilschaltung "5.85"	1	
5	CM238704	Hinten ventilschaltung "5.80"	1	
5	CM238705	Hinten ventilschaltung "5.75"	1	
5	CM238706	Hinten ventilschaltung "5.70"	1	
6	AP9150304	Feder	1	
7	AP9150096	Kipphebel Auslaß	1	
8	AP9150101	Kipphebel-Federwelle	1	
9	006612	Sprengring	1	
10	AP9150372	Kugellager D25x42x9	1	
11	006642	Seegerring	2	
12	AP8152278	TE Schr. m. Flansch M6x16	2	
13	AP9150506	Zahnrad Steuer. Z=22	1	
14	855102	Spezialschraube M16x1	1	
15	AP9150133	Steuerkette	1	Technische Daten: Version Enduro 450[RX45]
15	AP9150327	Steuerkette	1	Technische Daten: Enduro-Version 550[RX55]
16	AP9150011	Kettengleitführung L177	1	Technische Daten: Version Enduro 450[RX45]
16	AP9150300	Kettengleitführung L186	1	Technische Daten: Enduro-Version 550[RX55]
17	AP9150012	Kettenspanner Gleitbacke	1	
18	AP9150142	Schraube M6x12	1	
19	847928	Dichtung	1	
20	82650R	Kettenspanner komplett	1	

Einheit	MOTOR
Code	29.42
Beschreibung	Umlenkswelle
Inspektion	1



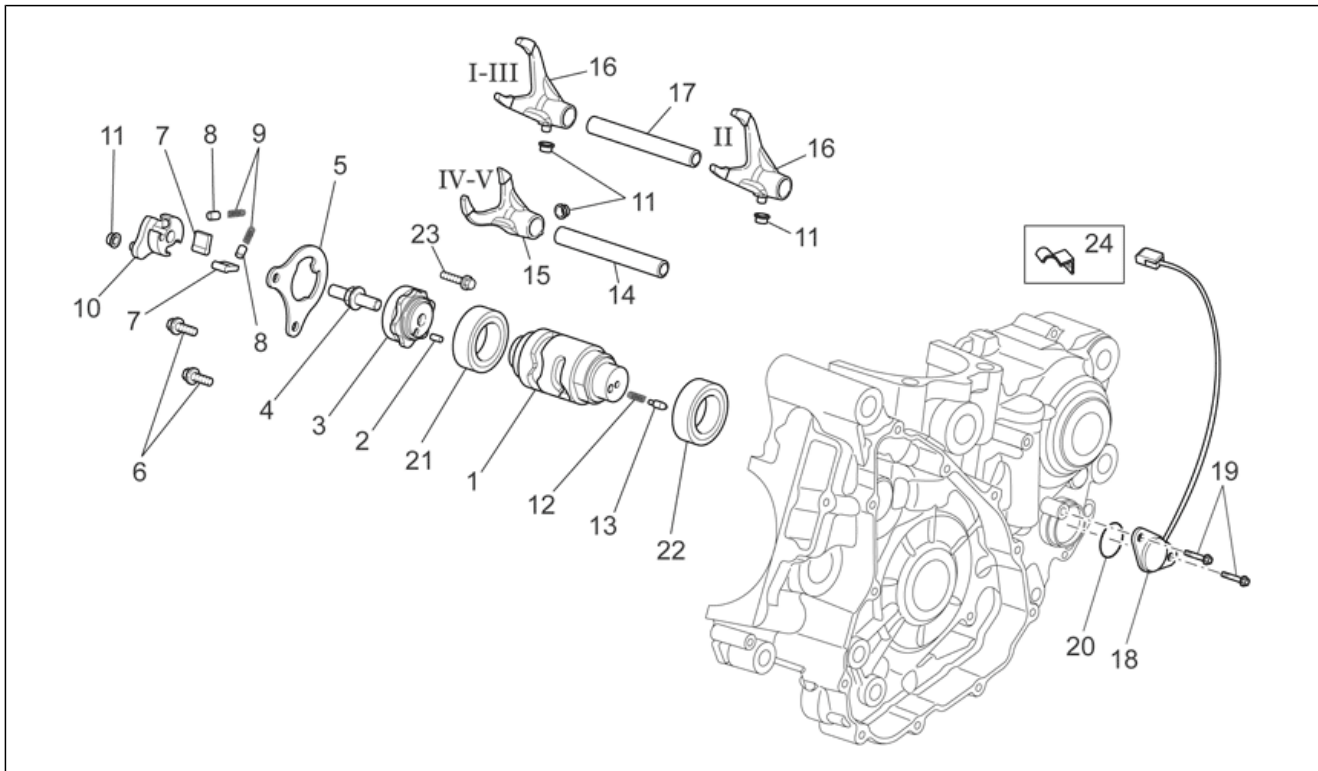
Pos.	Code	Beschreibung	Menge	Varianten
1	851009	Umlenkswelle Z=20	1	
2	AP9150366	Lager D14x22x13	1	
3	AP9150387	Kugellager D12x28x8	1	
4	AP9150273	Zahnrad Steuer. Z=20	1	
5	AP9150348	O-Ring D79x1,78	1	
6	AP9150483	Flansch	1	
7	844211	TBEI Schraube	3	
8	AP9150390	Ölabstreifring D28x20x6	1	
9	AP9150285	Zahnrad Steuer. Z=40	1	
10	AP9150299	Sicherungsblech	1	
11	851011	Mutter M12x1x4,5	1	
12	AP9150389	Keil 4x4x18	1	

Einheit	MOTOR
Code	29.43
Beschreibung	Schaltgabel I
Inspektion	1



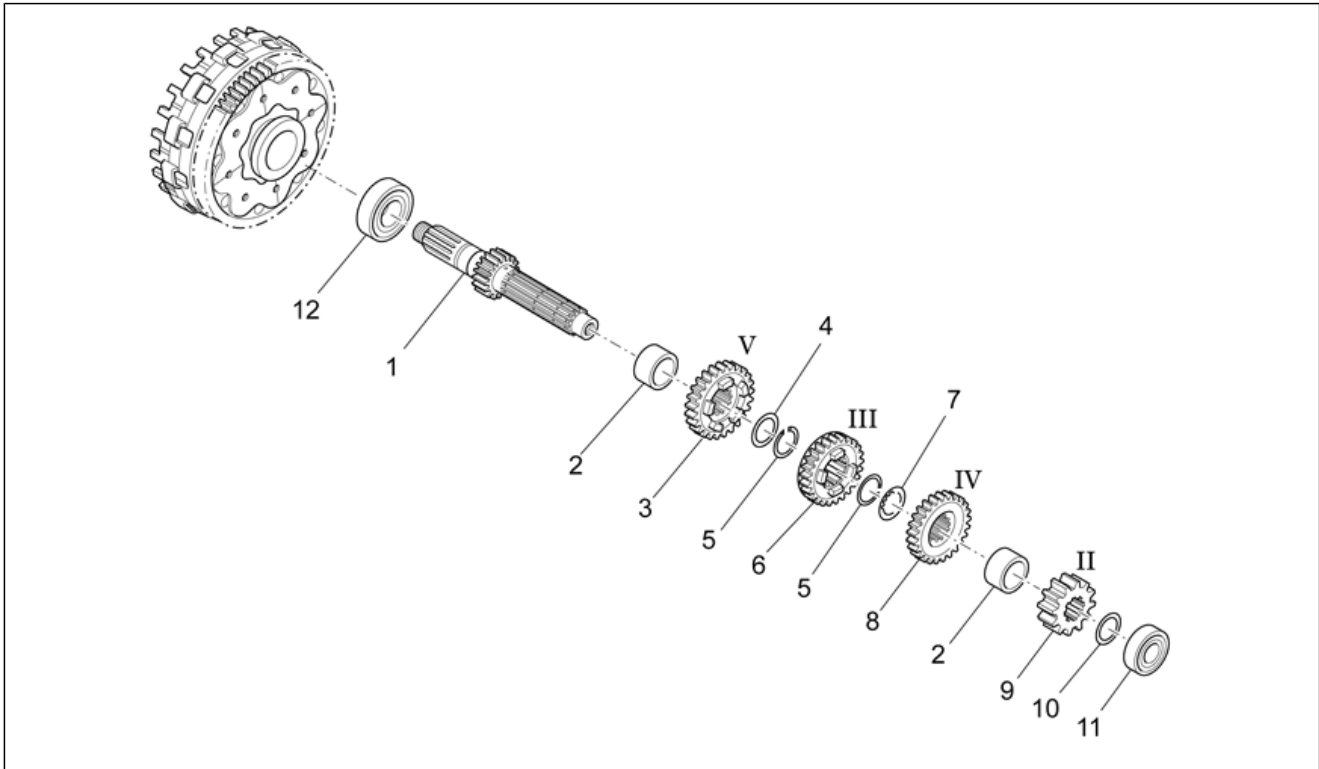
Pos.	Code	Beschreibung	Menge	Varianten
1	AP9150048	Schaltwele+klin.kpl.	1	
2	AP9150063	Schaltgabel stopper	1	
3	AP9150238	Feder	1	
4	006415	Seegerring D.15	1	
5	AP9150006	TE Schr. m. Flansch M6x15	1	
6	AP9150044	Indexhebel kpl.	1	
7	AP9150051	Ausgleichscheibe D6,3x18x1	1	
8	AP9150220	Feder	1	
9	AP9150393	Ölabstreifring D21x15x3	1	

Einheit	MOTOR
Code	29.44
Beschreibung	Schaltgabel II
Inspektion	1



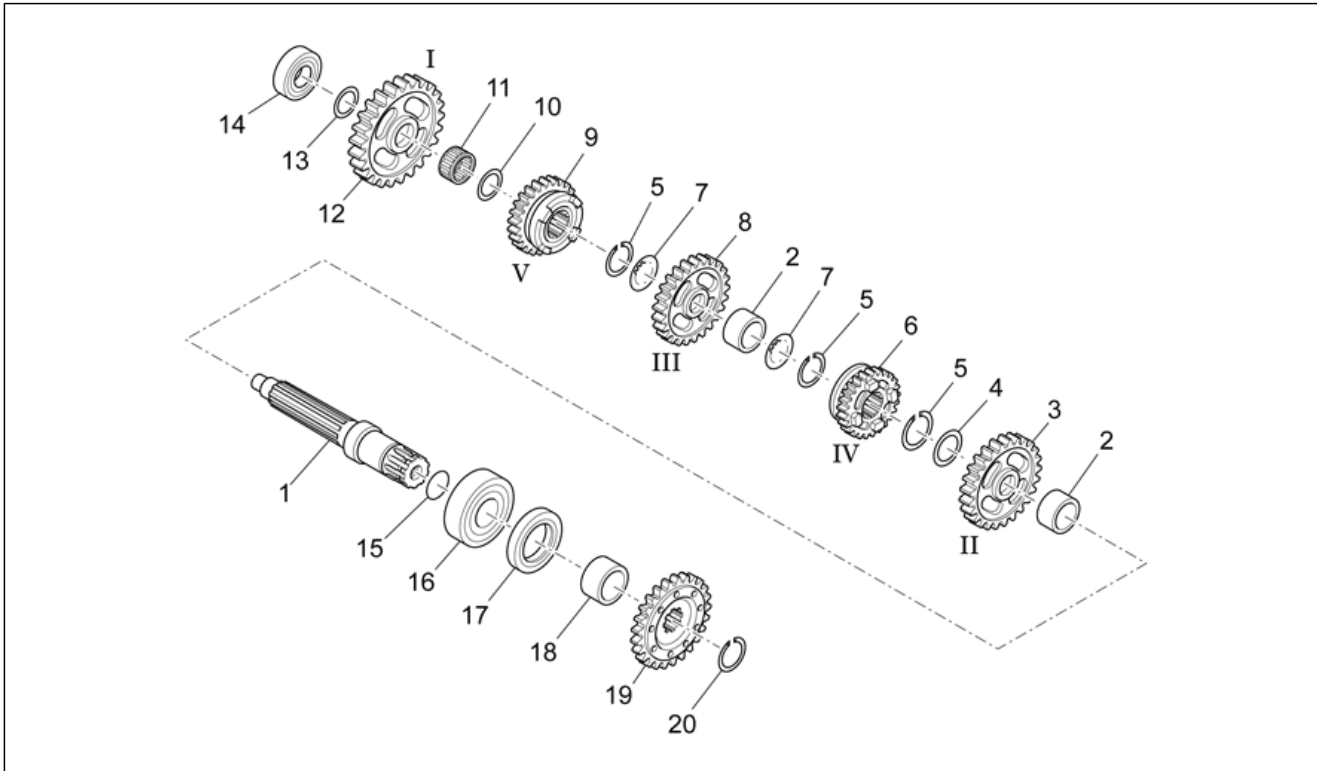
Pos.	Code	Beschreibung	Menge	Varianten
1	AP9150004	Verschiebenocken kplt.	1	
2	AP9150375	Rolle D4	1	
3	AP9150067	Schaltgabel Trommel	1	
4	AP9150043	Aufnahmebolzen M8x1,25	1	
5	AP9150073	Platte schaltgabel stopper	1	
6	AP8152277	TE Schr. m. Flansch M6x12	2	
7	AP9150069	Hebel	2	
8	AP9150070	Federstütze	2	
9	AP9150064	Feder	2	
10	AP9150068	Desmodrom.Platte	1	
11	AP9150060	Buchse D6x8x5	4	
12	855705	Feder	1	
13	AP9150003	Federstütze	1	
14	AP9150062	Schaltstange L72,5	1	
15	AP9150093	Schaltgabel 4a-5a	1	
16	AP9150091	Schaltgabel 1a-3a	2	
17	AP9150061	Schaltstange L93	1	
18	AP9150184	Schaltensor	1	
19	AP8152272	TE Schr. m. Flansch M5x12	2	
20	AP9150479	O-Ring D23,52x1,78	1	
21	AP9150365	Kugellager D25x42x9	1	
22	AP9150364	Kugellager D25x37x7	1	
23	AP8152272	TE Schr. m. Flansch M5x12	1	
24	AP9150462	Kabelführung	1	

Einheit	MOTOR
Code	29.45
Beschreibung	Vorgelegewelle
Inspektion	1



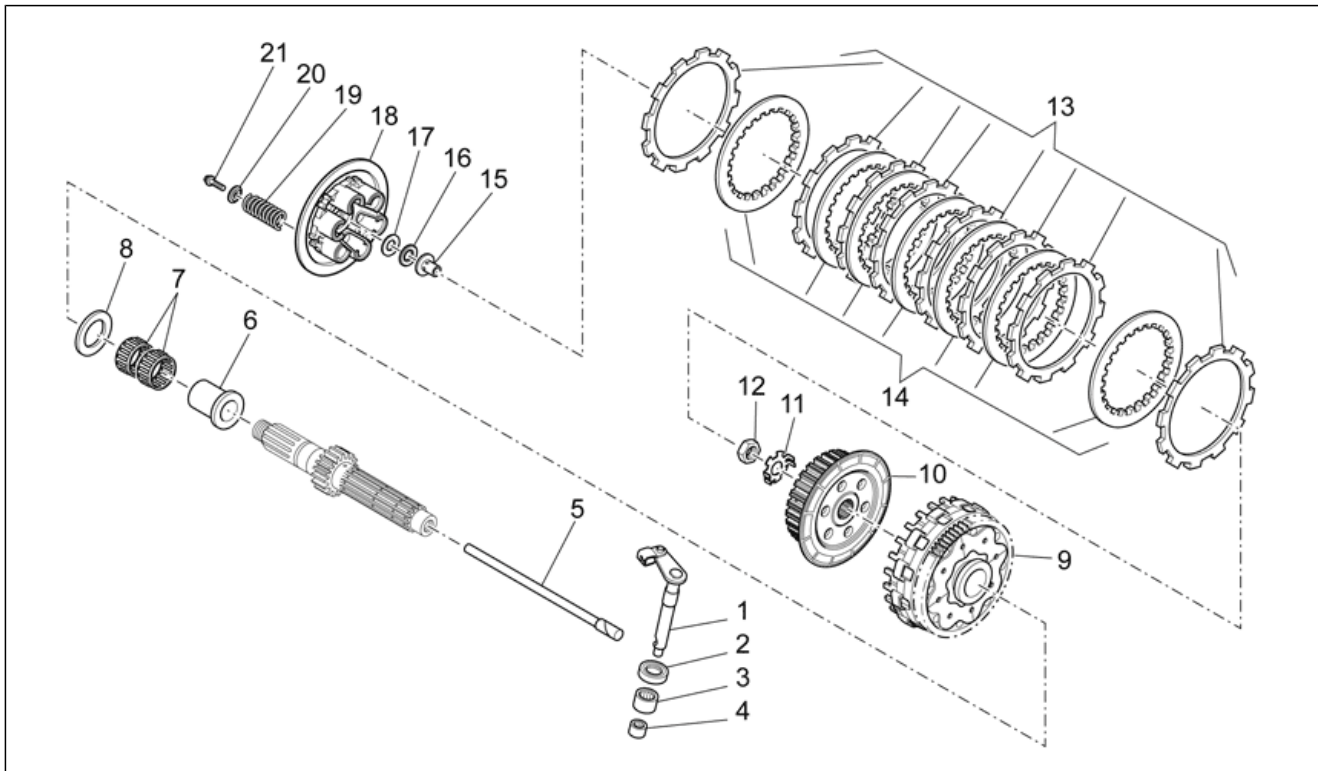
Pos.	Code	Beschreibung	Menge	Varianten
1	AP9150256	Vorgelegewelle Z=12	1	
2	AP9150216	Buchse D25x28x9,9	2	
3	AP9150255	Zahnrad 5a su prim.Z=21	1	
4	AP9150297	Flachscheibe D25,1x30,8x0,5	1	
5	AP9150302	Seegerring für Welle D25	2	
6	AP9150254	Zahnrad 3a su prim.Z=15	1	
7	AP9150267	Spezial-U-scheibe D25,1x30,8x0,	1	
8	AP9150253	Zahnrad 4a su prim.Z=19	1	
9	AP9150252	Zahnrad 2a su prim.Z=13	1	
10	AP9150294	Ausgleichscheibe D17,1x27,8x0,8	1	
11	AP9150362	Kugellager D17x40x12	1	
12	AP9150360	Kugellager D25x52x1	1	

Einheit	MOTOR
Code	29.46
Beschreibung	Festrad
Inspektion	1



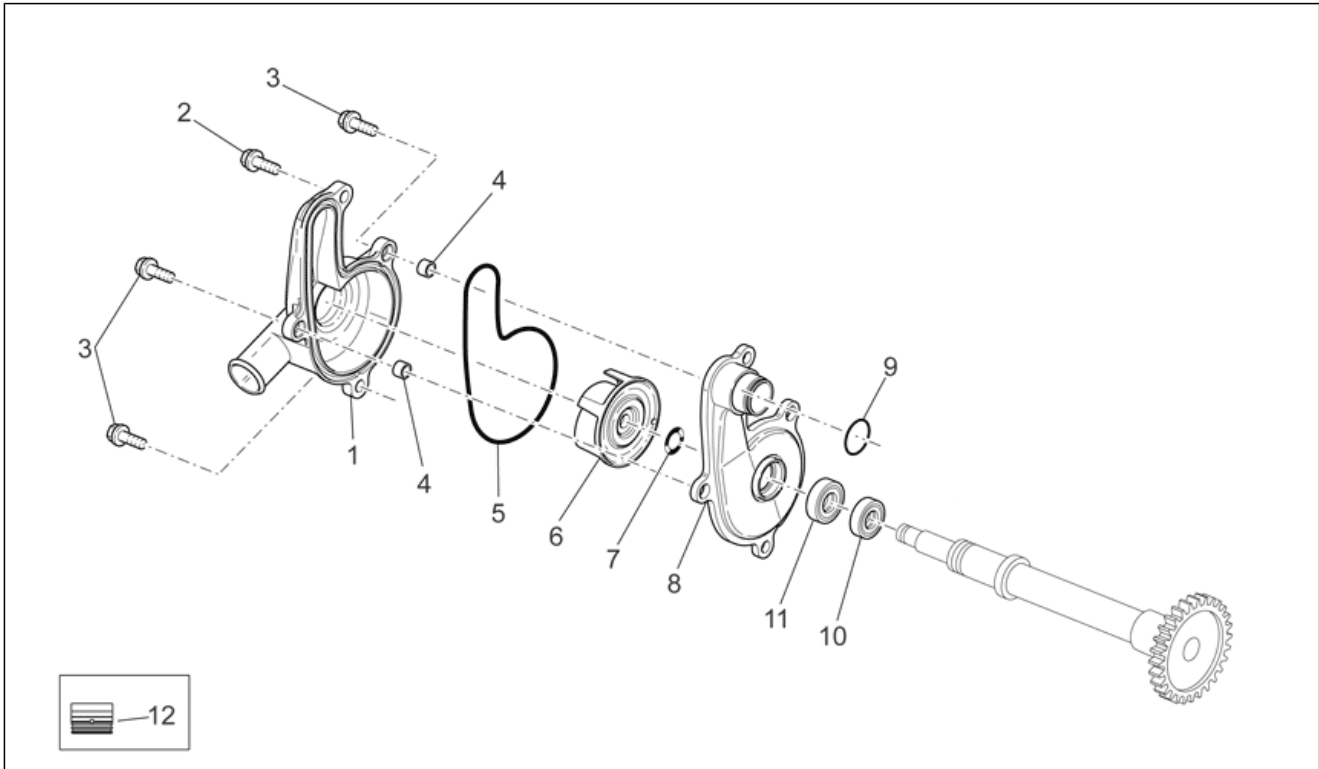
Pos.	Code	Beschreibung	Menge	Varianten
1	AP9150311	Festrad	1	
2	AP9150216	Buchse D25x28x9,9	2	
3	AP9150250	Zahnrad 2.Vorgelegewelle Z=25	1	
4	AP9150297	Flachscheibe D25,1x30,8x0,5	1	
5	AP9150302	Seegerring für Welle D25	3	
6	AP9150249	Zahnrad 4.Vorgelegewelle Z=24	1	
7	AP9150267	Spezial-U-scheibe D25,1x30,8x0,	2	
8	AP9150248	Zahnrad 3.Vorgelegewelle Z=23	1	
9	AP9150247	Zahnrad 5.Vorgelegewelle Z=22	1	
10	AP9150296	Ausgleichscheibe D20,1x28,8x0,8	1	
11	AP9150370	Nadelkaefig D20x24x10	1	
12	AP9150246	Zahnrad 1.Vorgelegewelle Z=31	1	
13	AP9150294	Ausgleichscheibe D17,1x27,8x0,8	1	
14	AP9150361	Kugellager D17x47x14	1	
15	AP9150357	O-Ring D21,95x1,78	1	
16	AP9150363	Kugellager D25x52x15	1	
17	AP9150382	Ölabstreifring D40x32x5	1	
18	AP9150218	Distanzscheibe 25x32x14	1	
19	AP9100525	Ritzel	1	Technische Daten: Version Enduro 450[RX45]
19	AP9100600	Ritzel Z=16	1	Technische Daten: Enduro-Version 550[RX55]
20	AP9100451	Seegerring für Welle D25	1	

Einheit	MOTOR
Code	29.47
Beschreibung	Kupplung
Inspektion	1



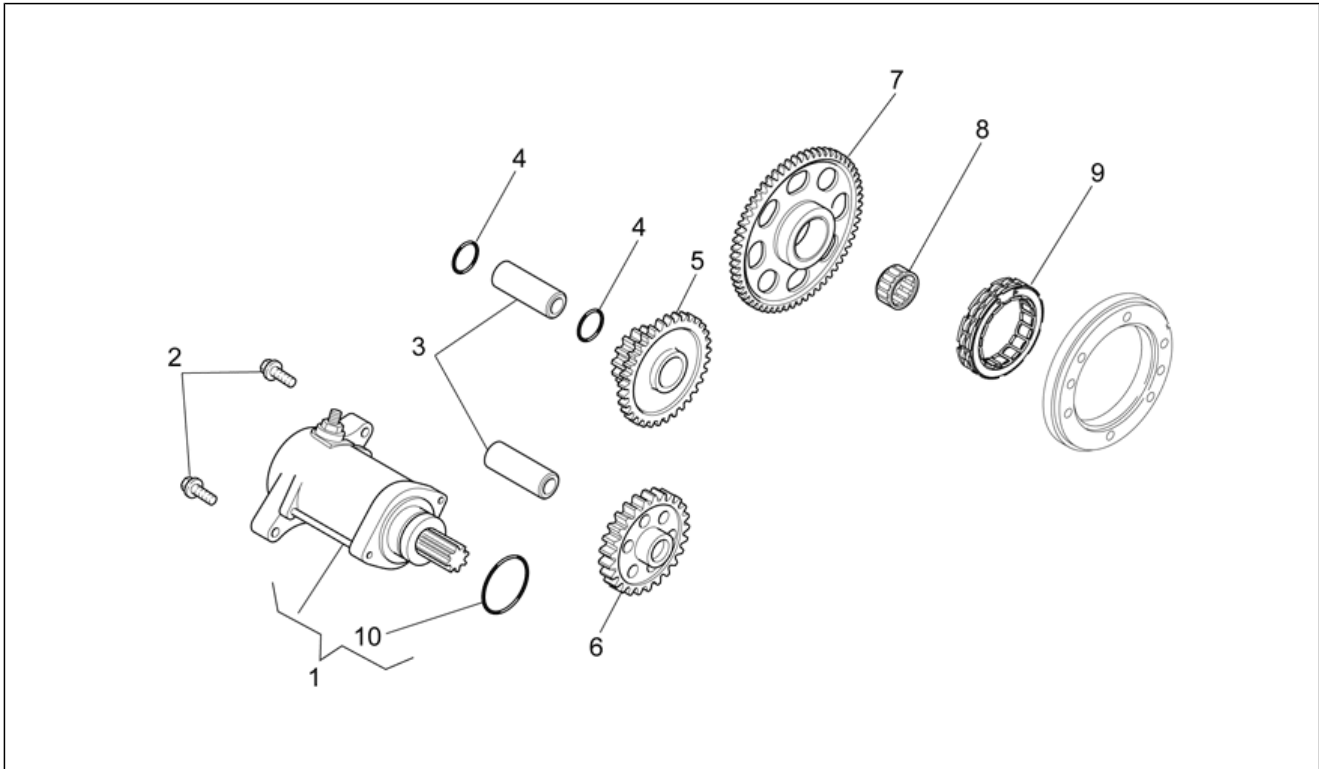
Pos.	Code	Beschreibung	Menge	Varianten
1	AP9150196	Ausrueckwelle	1	
2	AP9150384	Ölabstreifring D12x19x5	1	
3	AP9150374	Nadelkaefig D12x16x10	1	
4	AP9150373	Nadelkaefig D8x12x10	1	
5	AP9150040	Stange	1	
6	AP9150284	Distanzscheibe 25x32x22	1	
7	AP9150367	Nadelkaefig D28x33x13	2	
8	AP9150234	Ausgleichscheibe D23x46x3	1	
9	855501	Baugruppe Kupplungskasten	1	
10	AP9150190	Kupplungstrommel Aluminium	1	
11	AP9100386	Sicherungsblech	1	
12	AP9150235	Mutter M18x1,25	1	
13	855885	Kasch.Kupplungsscheiben 8 st.	1	
14	AP8176215	Kupplungsscheibe St. 7 pz.	1	
15	AP9150195	Kupplung Klinke	1	
16	AP9150358	Nadelkaefig D12x26x2	1	
17	AP9150359	Anlaufscheibe D12x26x1	1	
18	AP9150191	Andrückfeder Kupplungsscheibe	1	
19	AP9150194	Kupplungsfeder	6	
20	AP9150232	Becher	6	
21	AP8152279	TE Schr. m. Flansch M6x20	6	

Einheit	MOTOR
Code	29.48
Beschreibung	Wasserpumpenritzel
Inspektion	1



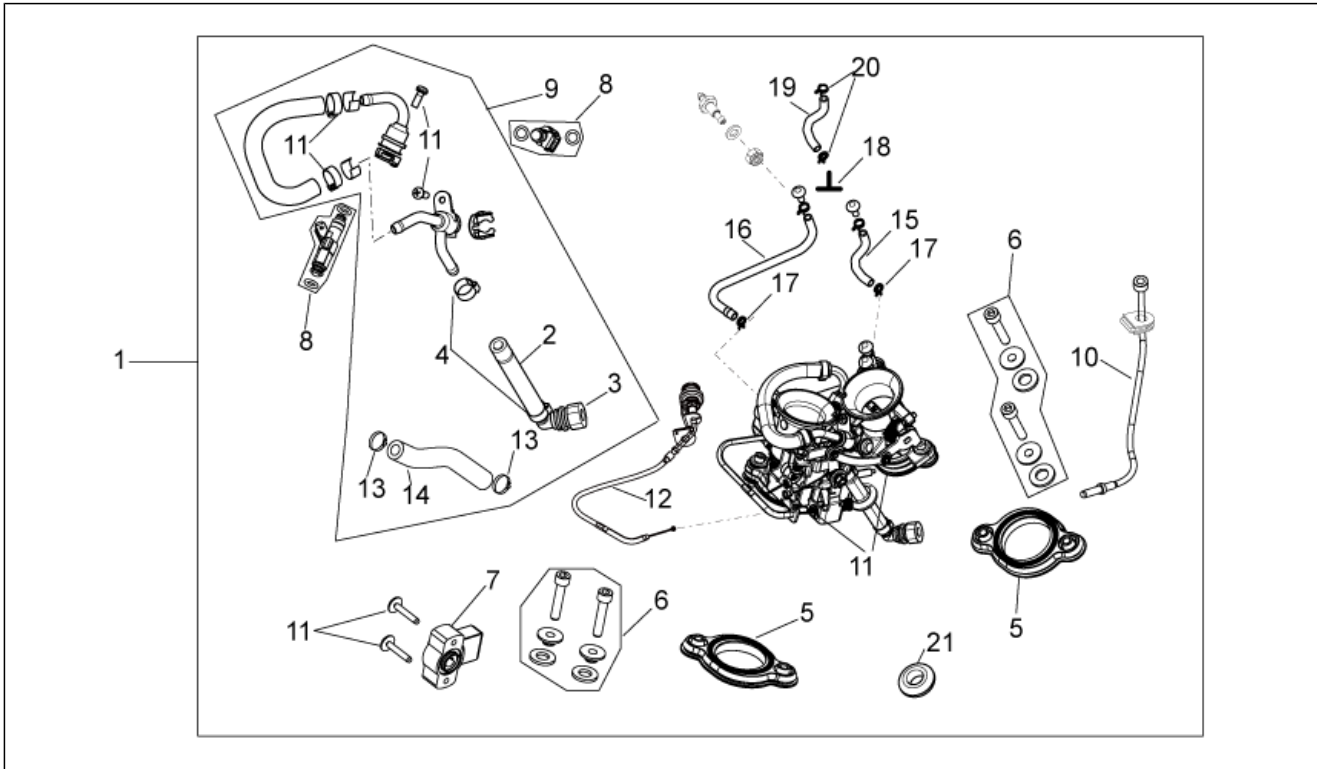
Pos.	Code	Beschreibung	Menge	Varianten
1	AP9150484	Deckel Wasserpumpe	1	
2	AP8152283	TE Schr. m. Flansch	1	
3	AP8152278	TE Schr. m. Flansch M6x16	3	
4	AP9150119	Buchse D8x6,4x9,8	2	
5	AP9150352	O-Ring D88,57x2,62	1	
6	AP9150132	Läufer Wasserpumpe	1	
7	AP9150292	Unterlegscheibe D12,d7.05 SP1	1	
8	AP9150464	Wasserpumpenritzel Flansch	1	
9	851283	O-Ring D18x1,8	1	
10	AP9150443	Ölabstreifring D10x16x4	1	
11	851013	Ölabstreifring D10x18x5/8	1	
12	851010	Buchse Deck. Kupplungsgehäuse	1	

Einheit	MOTOR
Code	29.49
Beschreibung	Startermotor
Inspektion	1



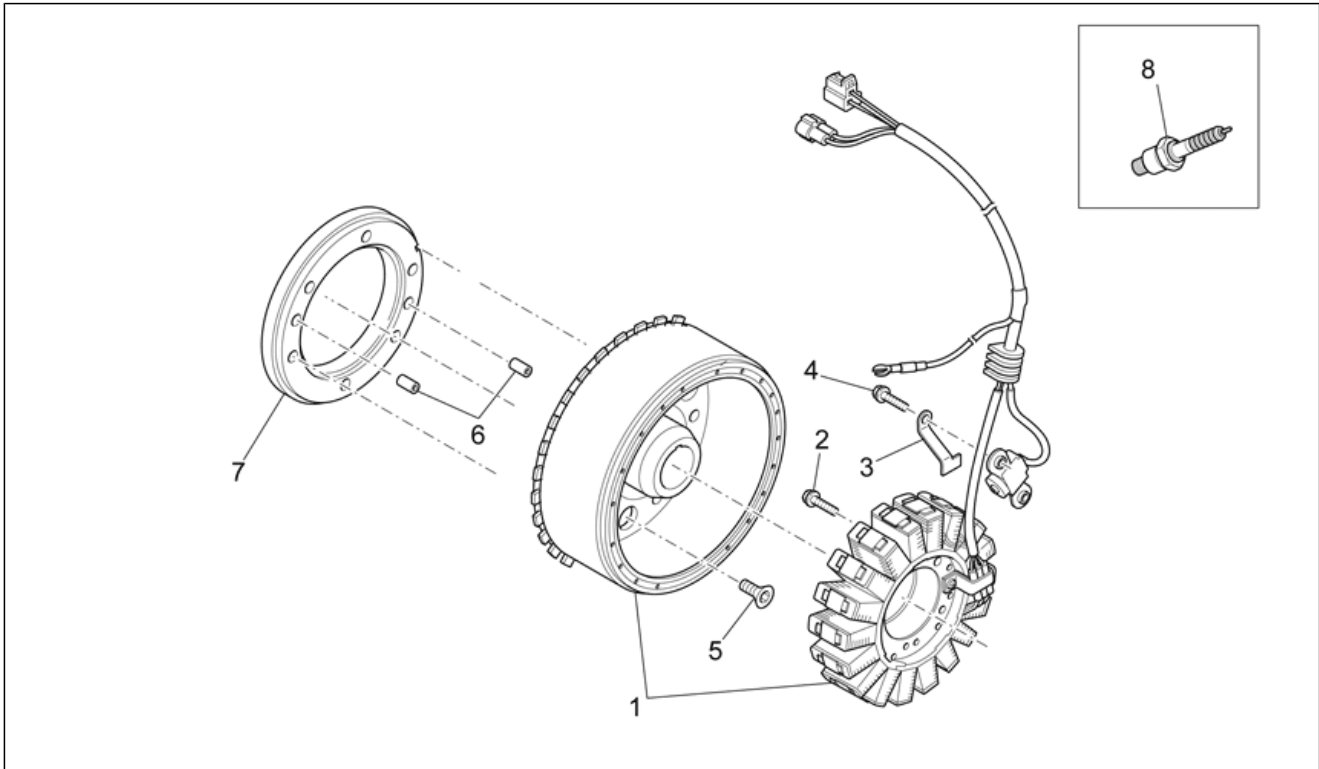
Pos.	Code	Beschreibung	Menge	Varianten
1	AP9150090	Anlassermot. o. Verkab.	1	
2	AP8152281	TE Schr. m. Flansch M6x30	2	
3	AP9150209	Bolzen	2	
4	AP9150446	O-Ring D10,5x1	2	
5	853971	Doppeltes Zahnrad. Z=9/55	1	
6	849802	Zwischenzahnrad Z=22	1	
7	849803	Zahnrad Freilauf Z=52	1	
8	AP9150369	Nadelkaefig D26x30x17	2	
9	AP9150208	Freilauf Z=52	1	
10	AP9150500	O-Ring D25x2,5	1	

Einheit	MOTOR
Code	29.50
Beschreibung	Klappenkörper
Inspektion	1



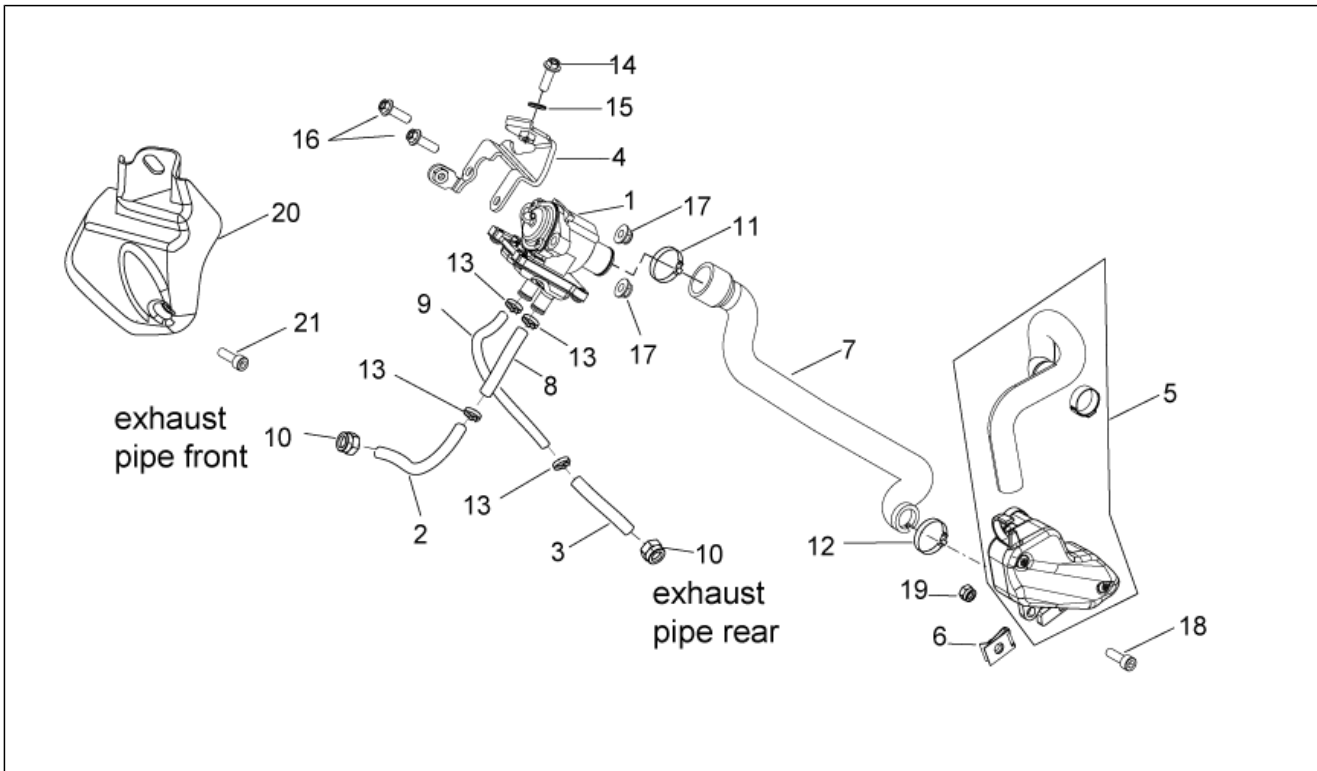
Pos.	Code	Beschreibung	Menge	Varianten
1	855213	Klappenkörper	1	Technische Daten: Version Enduro 450[RX45]
1	855214	Klappenkörper	1	Technische Daten: Enduro-Version 550[RX55]
2	855947	Leitung benz.7,5x14,5	1	
3	AP9100494	Anschluss	1	
4	AP9100714	Schlauchschele 14,5x8	2	
5	AP9101008	Dichtungssatz	1	
6	AP9101009	Kit Schrauben	1	
7	AP9101010	Potentiometer	1	
8	AP9101011	Injektor	2	
9	855948	Fuel rail cpl	1	
10	AP9101013	Kabel LeerlaufEinstellung	1	
11	AP9101014	Kit Schrauben, Schelle, clip	1	
12	855490	Starterzugkabel	1	
13	AP8120422	Schelle schwarz 98x2*	2	
14	860593	Hülse	1	
15	855929	Leitung	1	
16	855930	Leitung	1	
17	CM002902	Schlauchschele	4	
18	833658	unterdruck Anschluß	1	
19	855236	Gummischlauch	1	
20	CM002904	Schlauchschele	2	
21	178609	Kabelführung	1	

Einheit	MOTOR
Code	29.51
Beschreibung	Zündung
Inspektion	1



Pos.	Code	Beschreibung	Menge	Varianten
1	855680	Schwungmagnetstarter	1	
2	AP8152275	TE Schr. m. Flansch M5x25	3	
3	855489	Platte	1	
4	AP8152272	TE Schr. m. Flansch M5x12	2	
5	AP9150401	Schraube	6	
6	484993	Haltestein	2	
7	AP9150204	Flansch	1	
8	639687	Zündkerze CR8EKB	2	

Einheit	MOTOR
Code	29.52
Beschreibung	Secondary air
Inspektion	1



Pos.	Code	Beschreibung	Menge	Varianten
1	855054	SAS ventil	1	
2	855023	Auspuffrohr vorn	1	
3	855024	Auspuffrohr hinten	1	
4	855022	Halter ventil	1	
5	855057	Sas gehäuse	1	
6	254485	Plattchen M6	1	
7	855027	Leitung	1	
8	855055	Auspuffrohr vorn	1	
9	855056	Auspuffrohr hinten	2	
10	855028	Mutter	2	
11	AP9100456	Schlauchschelle 26x8	1	
12	AP8102273	Schlauchschelle	1	
13	AP8101586	Schlauchschelle D.15,5x6,6	2	
14	AP8150137	TCEI Schraube M6x16	2	
15	AP8150015	Ausgleichscheibe 6,6x18x1,6*	1	
16	AP8152279	TE Schr. m. Flansch M6x20	3	
17	AP9100434	Selbstsperrende Mutter M6x1	1	
18	AP8152283	TE Schr. m. Flansch	2	
19	AP8150026	Mutter M6	1	
20	856897	Ventildeckel sas	1	
21	AP8152273	Flanschschraube M5x15	2	