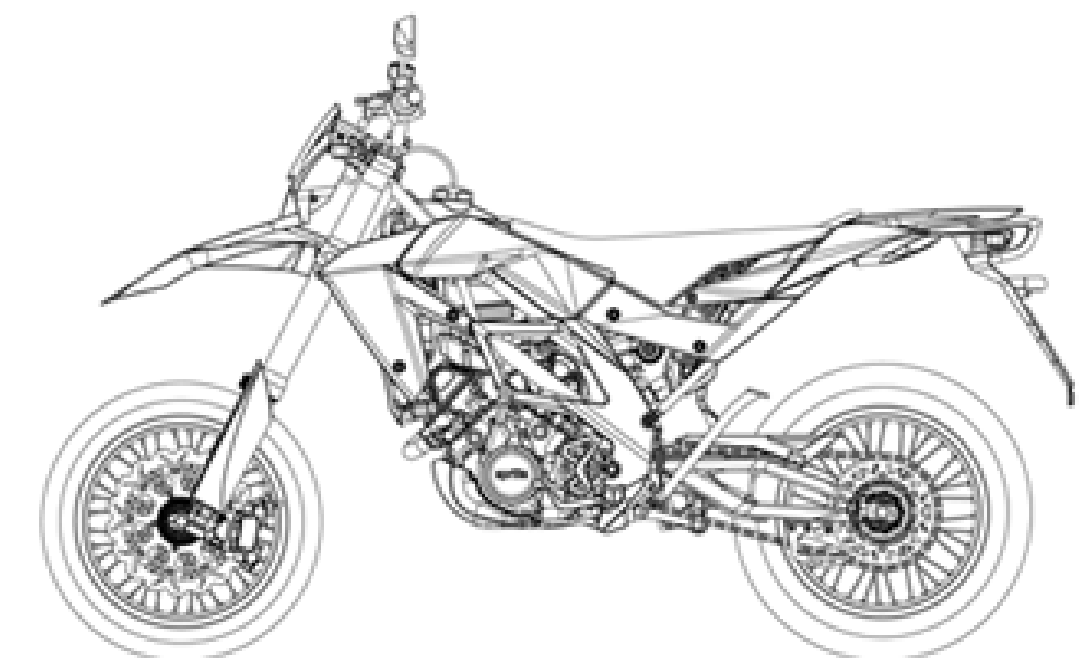


aprilia

ERSATZTEILKATALOG



SXV 450-550 2009-2011

Vorsatzcode Fahrgestell: ZD4VSS00, ZD4VSU41, ZD4VSU51

Vorsatzcode Motor:

Inhaltsverzeichnis

Fertige Produkte.....	4
Alphanumerisches Verzeichnis.....	5
RAHMEN.....	11
Tafel 28.01 - Rahmen.....	11
Tafel 28.02 - Fussrasten.....	12
Tafel 28.03 - Hauptständer.....	13
Tafel 28.04 - Lenkung I.....	14
Tafel 28.05 - Gabel I.....	15
Tafel 28.06 - Schwinge.....	17
Tafel 28.07 - Hinterradaufhängung.....	18
Tafel 28.08 - Frontaufbau I.....	19
Tafel 28.09 - Frontaufbau II.....	20
Tafel 28.10 - Kraftstofftank.....	21
Tafel 28.11 - Öltank I.....	22
Tafel 28.12 - Öltank II.....	24
Tafel 28.13 - Sitz.....	26
Tafel 28.14 - Mittlerer Aufbau.....	27
Tafel 28.15 - Heckaufbau I.....	28
Tafel 28.16 - Instrumententafel.....	29
Tafel 28.17 - Schaltungen.....	30
Tafel 28.18 - Kühlanlage.....	31
Tafel 28.19 - Filtergehäuse.....	33
Tafel 28.20 - Auslassgruppe.....	34
Tafel 28.21 - Vorderrad.....	36
Tafel 28.22 - Hinterrad.....	37
Tafel 28.23 - Bremsanlage - Vorn.....	38
Tafel 28.24 - Bremsanlage - Hinten.....	39
Tafel 28.25 - Vorderer lichter.....	40
Tafel 28.26 - Hinterer lichter.....	41
Tafel 28.27 - Elektrische anlage I.....	42
Tafel 28.28 - Elektrische anlage II.....	43
Tafel 28.29 - Fertigstellung.....	45
Tafel 28.53 - Deko.....	46
MOTOR.....	47
Tafel 29.30 - Motor.....	47
Tafel 29.31 - Kurbelwellengehäuse I.....	48
Tafel 29.32 - Kurbelwellengehäuse II.....	50
Tafel 29.33 - Ölpumpe.....	51
Tafel 29.34 - Schmierung.....	52
Tafel 29.35 - Kurbelwelle.....	53
Tafel 29.36 - Kolben + Zylinder.....	54
Tafel 29.37 - Zylinderkopf.....	55
Tafel 29.38 - Ventile.....	56

Tafel 29.39 - Ventilesbeläge.....	57
Tafel 29.40 - Vrd. Zylindersteuer.....	59
Tafel 29.41 - Hint. Zylindersteuer.....	60
Tafel 29.42 - Umlenkwellen.....	61
Tafel 29.43 - Schaltgabel I.....	62
Tafel 29.44 - Schaltgabel II.....	63
Tafel 29.45 - Vorgelegewelle.....	64
Tafel 29.46 - Festrad.....	65
Tafel 29.47 - Kupplung I.....	66
Tafel 29.48 - Wasserpumpenritzel.....	67
Tafel 29.49 - Startermotor.....	68
Tafel 29.50 - Klappenkörper.....	69
Tafel 29.51 - Zündung.....	70
Tafel 29.52 - Secondary air.....	71

Fertige Produkte

Code	Gültigkeit
AP61449S4CC900	
AP61449S4CC901	
AP61458S4EAA02	
AP61458S4UBA00	
AP61458S4UBA02	

Code	Nr. der Tafel	Pos.	Code	Nr. der Tafel	Pos.	Code	Nr. der Tafel	Pos.
000674	29.32	5	85109R	29.49	8	855184	29.52	13
006411	29.33	21	85110R	29.47	3	855203	28.21	17
006415	29.43	4	85111R	29.47	4	855236	29.50	17
006612	29.40	9	851240	29.34	18	855242	29.32	1
006618	29.34	17	851252	28.07	3	855252	29.32	23
006642	29.40	11	851280	28.03	4	8553745	29.35	1
252945	28.28	16	851283	29.48	9	855487	29.37	2
254485	28.09	6	851295	29.34	22	855490	29.50	12
254485	28.15	20	851298	29.36	3	855501	29.47	9
254485	28.20	20	851348	28.23	25	855506	28.24	15
254485	29.52	7	851357	29.35	3	855507	29.40	5
260467	29.37	21	851359	28.17	17	855508	29.41	5
273754	28.11	5	851360	28.17	18	855515	29.40	6
273754	28.12	5	851366	28.23	1	855516	29.41	6
290860	28.28	17	851367	28.23	3	855530	29.35	10
292723	28.25	6	851368	28.23	10	855601	29.36	3
484993	29.51	7	851423	28.13	7	855604	28.28	32
496404	28.28	11	851468	29.40	8	855616	28.01	1
598839	28.08	10	851468	29.41	8	855625	28.22	14
598839	28.14	14	851470	28.20	11	855626	28.22	18
598839	28.20	14	85156R	28.21	1	855632	29.38	9
598839	28.22	14	85182R	28.29	1	855686	28.12	1
598839	28.24	23	85197R	28.22	1	855690	28.18	5
598839	28.27	11	853513	28.01	1	855701	28.07	2
598839	29.40	12	853519	29.50	1	855705	29.44	12
598839	29.41	12	853520	29.50	1	855720	28.21	15
598839	29.48	3	853567	28.17	2	855722	28.06	26
639687	29.51	10	853695	28.19	2	855724	28.27	14
709052	28.19	20	853696	28.17	6	855725	28.10	1
82650R	29.40	20	853919	29.49	5	855766	28.12	17
82650R	29.41	20	853976	28.17	13	855790	28.19	24
828909	29.31	33	853982	28.05	18	855796	28.05	3
828922	29.31	34	854000	28.05	15	855797	28.05	4
833658	29.50	16	854074	28.29	6	855798	28.05	5
844211	29.42	7	855001	28.05	17	855799	28.01	11
847928	29.40	19	855022	29.52	4	855799	29.51	2
847928	29.41	19	855023	29.52	2	855802	28.21	4
849802	29.49	6	855024	29.52	3	855803	28.22	4
849803	29.49	7	855026	28.20	2	855819	29.30	16
851006	28.19	17	855028	29.52	12	855833	29.30	17
851007	29.35	2	855031	29.32	4	855834	29.30	15
851009	29.42	1	855034	29.37	6	855835	29.30	15
851010	29.48	12	855035	29.37	6	855929	29.50	13
851011	29.42	11	855036	28.20	1	855930	29.50	14
851012	29.32	21	855037	28.20	1	855939	28.13	4
851013	29.48	11	855038	28.25	1	856610	28.25	5
851015	29.32	20	855039	28.26	1	856897	29.52	24
851017	29.32	22	855041	28.15	11	856932	28.10	3
851019	29.32	9	855046	28.15	14	856941	28.20	3
851023	28.27	2	855049	28.17	1	858032	28.04	1
851029	28.04	8	855054	29.52	1	858033	28.04	2
85102R	29.45	12	855055	29.52	9	858142	28.20	25
851030	28.04	7	855056	29.52	10	858247	28.17	20
851035	29.36	1	855057	29.52	5	858305	28.17	16
851039	29.36	1	855081	28.19	18	858388	28.08	3
85103R	29.46	16	855087	28.20	2	858592	28.20	26
851042	29.36	2	855093	28.19	1	859702	28.25	1
851045	29.36	2	855094	28.19	1	859728	28.27	19
85104R	29.40	2	8551015	29.35	1	859728	28.28	29
85104R	29.41	2	855111	28.28	22	859762	28.13	5
85104R	29.44	22	855116	28.05	1	859802	28.05	1
85105R	29.40	10	855119	28.05	2	859803	28.05	2
85105R	29.41	10	855139	28.25	9	89046800XN4	28.08	2
851064	28.21	19	855140	28.25	8	890489	28.53	1
851066	28.22	22	855181	29.51	1	890523	28.53	1
85106R	29.42	2	855182	29.52	6	891110	28.20	2
85108R	29.47	7	855183	29.52	8	891111	28.20	2

Code	Nr. der Tafel	Pos.
891170	29.38	7
893187	28.05	11
893189	28.05	10
894814	28.05	15
894816	28.05	16
895850	28.53	1
895851	28.53	1
896552	28.04	14
896553	28.05	5
896554	28.05	6
896555	28.05	7
896556	28.05	9
896557	28.05	8
896558	28.05	4
896559	28.05	3
898319	28.53	1
898320	28.53	1
898847	28.15	11
898912	28.02	12
978683	28.22	3
AP8101372	28.14	15
AP8101586	28.11	10
AP8101586	28.11	11
AP8101586	28.12	10
AP8101586	28.12	9
AP8101586	29.52	16
AP8101595	28.19	8
AP8101606	28.02	11
AP8101928	28.24	22
AP8102273	29.52	15
AP8102375	28.08	18
AP8102375	28.14	6
AP8102377	28.19	10
AP8102377	29.31	31
AP8102525	28.11	19
AP8102738	28.18	19
AP8104124	28.18	27
AP8104329	28.19	6
AP8104921	28.17	14
AP8104922	28.17	15
AP8108672	28.21	12
AP8109306	28.21	2
AP8109309	28.21	3
AP8112202	28.15	12
AP8112600	28.16	2
AP8113004	28.23	22
AP8117004	28.28	28
AP8117041	28.18	25
AP8119603	28.20	18
AP8120001	28.28	3
AP8120223	28.11	14
AP8120223	28.12	12
AP8120253	28.01	10
AP8120313	28.01	12
AP8120405	28.08	7
AP8120446	28.18	24
AP8120455	28.18	28
AP8120581	28.01	22
AP8120593	28.19	16
AP8120870	28.20	19
AP8120876	28.18	6
AP8120876	28.19	11
AP8120987	28.11	12
AP8120987	28.12	11
AP8121032	28.15	21
AP8121032	28.25	4
AP8121075	28.13	6

Code	Nr. der Tafel	Pos.
AP8121075	28.15	4
AP8121170	28.20	16
AP8121334	28.21	13
AP8121334	28.22	8
AP8121451	29.51	9
AP8121475	28.04	15
AP8121736	28.14	9
AP8121795	28.16	3
AP8121811	28.10	8
AP8121856	29.37	18
AP8121862	29.31	25
AP8124235	28.27	18
AP8124930	28.18	4
AP8127098	28.26	2
AP8127489	28.25	7
AP8127489	28.26	7
AP8127783	28.26	6
AP8127784	28.26	5
AP8140710	28.29	2
AP8144038	28.19	9
AP8144064	28.14	8
AP8144065	28.19	19
AP8144443	28.06	16
AP8144444	28.06	15
AP8144506	28.18	14
AP8144538	28.01	15
AP8144538	28.28	4
AP8150009	28.22	19
AP8150011	28.27	5
AP8150013	28.16	5
AP8150013	28.18	8
AP8150015	28.08	9
AP8150015	28.15	9
AP8150015	28.20	22
AP8150015	29.52	18
AP8150016	28.18	30
AP8150017	28.02	10
AP8150017	28.24	21
AP8150017	28.25	10
AP8150017	28.27	17
AP8150026	29.52	23
AP8150027	28.06	14
AP8150051	28.03	11
AP8150070	28.21	15
AP8150137	29.52	17
AP8150159	28.01	16
AP8150159	28.26	11
AP8150160	29.52	22
AP8150169	28.24	20
AP8150204	28.01	17
AP8150204	28.27	6
AP8150211	28.29	4
AP8150246	28.08	16
AP8150349	28.29	3
AP8150376	28.27	16
AP8150411	29.52	11
AP8150413	28.19	14
AP8150413	28.19	21
AP8150413	28.26	10
AP8150413	28.26	4
AP8150429	28.21	18
AP8150429	28.28	26
AP8150430	28.26	9
AP8150444	28.10	20
AP8150450	28.15	13
AP8150451	28.16	4
AP8150451	28.18	9

Code	Nr. der Tafel	Pos.
AP8150460	28.27	21
AP8150515	28.06	18
AP8152001	28.03	6
AP8152018	28.07	13
AP8152108	28.25	3
AP8152108	28.26	8
AP8152112	28.27	15
AP8152117	28.15	6
AP8152123	28.03	12
AP8152123	28.28	25
AP8152137	28.25	12
AP8152169	28.10	9
AP8152176	28.02	9
AP8152181	28.25	2
AP8152244	28.06	7
AP8152246	28.15	18
AP8152262	28.25	11
AP8152267	28.18	7
AP8152272	28.01	9
AP8152272	28.28	13
AP8152272	28.28	33
AP8152272	29.44	19
AP8152272	29.44	23
AP8152272	29.51	4
AP8152273	28.10	18
AP8152274	28.14	7
AP8152274	29.40	3
AP8152274	29.41	3
AP8152277	28.06	20
AP8152277	28.08	8
AP8152277	28.10	5
AP8152277	28.15	19
AP8152277	28.28	24
AP8152277	29.31	27
AP8152277	29.31	3
AP8152277	29.34	2
AP8152277	29.37	13
AP8152277	29.44	6
AP8152279	28.15	16
AP8152279	28.15	17
AP8152279	28.15	5
AP8152279	28.15	8
AP8152279	28.20	12
AP8152279	29.32	14
AP8152279	29.32	2
AP8152279	29.47	21
AP8152279	29.52	19
AP8152280	28.12	6
AP8152280	28.17	10
AP8152280	28.23	14
AP8152280	29.30	3
AP8152280	29.32	3
AP8152280	29.33	5
AP8152280	29.37	4
AP8152281	28.10	13
AP8152281	28.27	8
AP8152281	29.33	7
AP8152281	29.49	2
AP8152282	28.12	7
AP8152282	29.32	10
AP8152283	28.08	11
AP8152283	29.31	7
AP8152283	29.48	2
AP8152284	29.30	13
AP8152285	29.31	24
AP8152286	28.02	8
AP8152287	28.05	11

Code	Nr. der Tafel	Pos.
AP8152288	28.20	9
AP8152289	28.01	7
AP8152289	28.17	3
AP8152290	28.04	14
AP8152305	28.06	13
AP8152323	28.06	25
AP8152334	28.19	23
AP8152339	28.08	6
AP8152342	28.20	21
AP8152351	28.19	7
AP8156343	28.08	4
AP8156381	28.15	10
AP8156392	28.08	4
AP8161006	28.03	5
AP8163069	28.05	19
AP8163070	28.05	20
AP8163071	28.05	21
AP8163072	28.05	22
AP8176099	28.28	15
AP8176214	29.47	13
AP8176215	29.47	14
AP8184496	28.15	2
AP8184497	28.15	1
AP8184780	28.09	2
AP8184781	28.09	1
AP8184788	28.14	2
AP8184789	28.14	1
AP8184877	28.09	1
AP8184878	28.09	2
AP8184915	28.09	1
AP8184916	28.09	2
AP8184917	28.15	1
AP8184918	28.15	2
AP8184919	28.14	2
AP8184920	28.14	1
AP8201169	28.18	20
AP8201431	28.08	17
AP8201431	28.10	10
AP8202058	28.01	21
AP8202058	28.06	27
AP8218628	28.17	19
AP8220191	28.18	26
AP8220283	28.27	13
AP8220325	28.18	13
AP8220402	28.10	21
AP8220598	28.27	3
AP8220620	28.10	2
AP8221129	29.52	21
AP8224462	28.27	12
AP8224655	28.26	3
AP8234020	28.06	19
AP9100007	28.07	4
AP9100021	28.04	5
AP9100026	28.04	3
AP9100028	28.04	4
AP9100053	28.08	5
AP9100053	28.09	5
AP9100053	28.14	3
AP9100053	28.15	3
AP9100060	28.06	9
AP9100061	28.06	8
AP9100078	28.10	6
AP9100080	28.10	4
AP9100081	28.10	12
AP9100082	28.10	11
AP9100087	28.13	3
AP9100106	28.21	11

Code	Nr. der Tafel	Pos.
AP9100109	28.06	10
AP9100111	28.07	9
AP9100114	28.07	2
AP9100120	28.06	1
AP9100171	28.21	5
AP9100173	28.01	4
AP9100174	28.01	5
AP9100175	28.01	6
AP9100176	28.07	1
AP9100177	28.07	7
AP9100177	28.07	7
AP9100178	28.07	5
AP9100179	28.07	10
AP9100181	28.07	6
AP9100181	28.07	6
AP9100182	28.07	23
AP9100184	28.07	8
AP9100186	28.07	11
AP9100193	28.02	1
AP9100194	28.02	2
AP9100195	28.02	3
AP9100196	28.02	4
AP9100197	28.02	5
AP9100202	28.06	2
AP9100203	28.06	3
AP9100204	28.04	6
AP9100205	28.04	9
AP9100208	28.07	18
AP9100216	28.21	7
AP9100216	28.22	6
AP9100223	28.03	7
AP9100225	28.21	6
AP9100226	28.21	10
AP9100227	28.21	9
AP9100227	28.22	7
AP9100228	28.21	8
AP9100229	28.21	16
AP9100238	28.20	10
AP9100243	28.01	18
AP9100244	28.20	4
AP9100249	28.20	5
AP9100252	28.20	15
AP9100264	28.06	6
AP9100267	28.11	18
AP9100267	28.12	16
AP9100270	28.06	24
AP9100275	28.02	6
AP9100287	28.06	22
AP9100289	28.07	17
AP9100290	28.24	16
AP9100291	28.24	17
AP9100292	29.34	7
AP9100293	28.04	10
AP9100297	28.17	2
AP9100301	28.20	24
AP9100302	28.20	23
AP9100315	28.01	13
AP9100318	28.21	20
AP9100318	28.22	23
AP9100322	28.22	5
AP9100325	28.28	10
AP9100327	28.28	14
AP9100334	28.22	17
AP9100343	28.11	1
AP9100347	28.14	10
AP9100348	28.18	1
AP9100349	28.18	2

Code	Nr. der Tafel	Pos.
AP9100354	28.24	19
AP9100358	29.34	5
AP9100362	29.34	6
AP9100365	28.13	2
AP9100366	28.09	3
AP9100367	29.30	10
AP9100371	28.28	6
AP9100372	28.28	8
AP9100374	29.30	9
AP9100375	28.10	24
AP9100375	28.18	12
AP9100376	28.18	10
AP9100381	29.30	12
AP9100383	29.30	11
AP9100386	29.47	11
AP9100387	29.51	3
AP9100389	28.01	14
AP9100390	28.02	7
AP9100409	28.20	6
AP9100411	29.30	2
AP9100412	28.04	11
AP9100415	28.10	19
AP9100416	28.10	14
AP9100417	28.24	8
AP9100419	28.03	3
AP9100423	28.27	10
AP9100424	28.27	7
AP9100427	28.19	13
AP9100428	28.19	15
AP9100429	28.27	9
AP9100432	28.22	20
AP9100433	28.06	21
AP9100434	28.06	23
AP9100434	28.11	8
AP9100434	28.12	19
AP9100434	28.14	13
AP9100434	28.15	15
AP9100434	28.20	13
AP9100434	29.52	20
AP9100435	28.06	11
AP9100437	28.04	2
AP9100439	28.04	13
AP9100439	28.07	15
AP9100440	28.08	13
AP9100441	28.08	14
AP9100442	28.07	14
AP9100443	29.30	5
AP9100447	28.27	1
AP9100451	29.30	19
AP9100455	28.19	12
AP9100456	28.18	21
AP9100456	29.52	14
AP9100466	28.22	13
AP9100467	28.22	18
AP9100472	28.24	6
AP9100473	28.24	7
AP9100475	28.24	1
AP9100477	28.24	18
AP9100478	28.24	5
AP9100479	28.24	9
AP9100486	28.17	12
AP9100487	28.28	9
AP9100494	29.50	3
AP9100496	28.11	9
AP9100496	28.12	8
AP9100501	28.08	12
AP9100504	28.14	5

Code	Nr. der Tafel	Pos.
AP9100506	28.18	3
AP9100512	28.28	1
AP9100513	28.17	5
AP9100514	28.17	4
AP9100516	28.16	1
AP9100517	28.08	1
AP9100519	28.17	21
AP9100525	29.30	18
AP9100526	28.22	2
AP9100528	28.21	14
AP9100542	28.04	1
AP9100548	28.08	15
AP9100549	28.07	12
AP9100553	28.18	17
AP9100554	28.18	18
AP9100555	28.18	15
AP9100557	28.18	16
AP9100558	28.28	12
AP9100560	28.22	4
AP9100561	28.21	4
AP9100565	28.06	17
AP9100569	28.22	12
AP9100584	28.22	9
AP9100587	28.19	5
AP9100588	28.19	4
AP9100593	29.30	4
AP9100594	28.15	7
AP9100595	28.22	15
AP9100596	28.22	16
AP9100600	29.30	18
AP9100604	28.07	16
AP9100616	28.06	12
AP9100636	28.17	7
AP9100638	28.11	6
AP9100643	29.30	6
AP9100645	28.09	4
AP9100645	28.14	4
AP9100661	28.11	7
AP9100661	28.12	18
AP9100661	28.14	12
AP9100665	28.11	16
AP9100665	28.12	14
AP9100668	28.03	8
AP9100669	28.03	9
AP9100683	29.30	8
AP9100684	29.30	8
AP9100685	29.30	8
AP9100686	29.30	8
AP9100687	29.30	7
AP9100688	28.01	8
AP9100697	28.18	23
AP9100703	28.19	3
AP9100709	29.50	2
AP9100712	28.23	24
AP9100713	28.23	15
AP9100714	28.18	22
AP9100714	29.50	4
AP9100715	28.22	21
AP9100725	28.28	5
AP9100736	28.20	8
AP9100739	28.28	20
AP9100742	28.28	18
AP9100749	28.23	23
AP9100752	28.24	25
AP9100755	28.20	17
AP9100763	28.23	21
AP9100765	28.28	23

Code	Nr. der Tafel	Pos.
AP9100766	28.01	2
AP9100767	28.10	7
AP9100768	28.01	20
AP9100769	28.01	19
AP9100770	28.01	3
AP9100776	28.04	12
AP9100778	28.14	11
AP9100781	28.11	13
AP9100782	28.28	19
AP9100783	28.28	21
AP9100789	28.24	24
AP9100793	28.24	3
AP9100794	28.24	2
AP9100795	28.24	4
AP9100796	28.24	14
AP9100797	28.24	10
AP9100798	28.24	11
AP9100799	28.24	13
AP9100800	28.24	12
AP9100808	28.07	19
AP9100815	28.07	20
AP9100817	28.07	21
AP9100820	28.07	22
AP9100835	28.03	1
AP9100836	28.03	10
AP9100845	28.20	7
AP9100872	28.05	6
AP9100873	28.05	7
AP9100874	28.05	8
AP9100875	28.05	9
AP9100876	28.05	10
AP9100877	28.05	12
AP9100878	28.05	13
AP9100879	28.05	14
AP9100905	28.23	20
AP9100906	28.23	16
AP9100907	28.23	17
AP9100908	28.23	18
AP9100909	28.23	19
AP9100910	28.23	13
AP9100911	28.23	12
AP9100912	28.23	11
AP9100914	28.23	9
AP9100915	28.23	8
AP9100916	28.23	7
AP9100917	28.23	6
AP9100918	28.23	5
AP9100919	28.23	4
AP9100921	28.23	2
AP9100930	28.10	15
AP9100931	28.10	16
AP9100936	28.29	5
AP9100939	28.17	8
AP9100940	28.17	9
AP9100941	28.17	11
AP9100945	28.27	4
AP9100946	28.18	11
AP9100948	28.18	29
AP9100950	28.11	15
AP9100950	28.12	13
AP9100951	28.11	17
AP9100951	28.12	15
AP9100952	28.06	4
AP9100953	28.06	5
AP9100959	28.28	30
AP9100963	28.03	13
AP9100964	28.03	2

Code	Nr. der Tafel	Pos.
AP9100965	28.27	20
AP9100966	28.10	23
AP9100967	28.10	22
AP9100997	28.28	31
AP9101000	28.28	2
AP9101008	29.50	5
AP9101009	29.50	6
AP9101010	29.50	7
AP9101011	29.50	8
AP9101012	29.50	9
AP9101013	29.50	10
AP9101014	29.50	11
AP9101056	28.22	11
AP9101057	28.22	10
AP9150003	29.44	13
AP9150004	29.44	1
AP9150006	29.43	5
AP9150007	29.36	4
AP9150009	29.37	7
AP9150010	29.37	8
AP9150011	29.40	16
AP9150011	29.41	16
AP9150012	29.40	17
AP9150012	29.41	17
AP9150022	29.38	1
AP9150023	29.38	2
AP9150024	29.38	5
AP9150025	29.38	6
AP9150028	29.38	3
AP9150040	29.47	5
AP9150043	29.44	4
AP9150044	29.43	6
AP9150048	29.43	1
AP9150051	29.43	7
AP9150060	29.44	11
AP9150061	29.44	17
AP9150062	29.44	14
AP9150063	29.43	2
AP9150064	29.44	9
AP9150065	29.35	7
AP9150066	29.35	8
AP9150067	29.44	3
AP9150068	29.44	10
AP9150069	29.44	7
AP9150070	29.44	8
AP9150071	29.33	1
AP9150073	29.44	5
AP9150074	29.33	20
AP9150075	29.33	15
AP9150076	29.33	13
AP9150078	29.31	28
AP9150090	29.49	1
AP9150091	29.44	16
AP9150093	29.44	15
AP9150094	29.32	12
AP9150096	29.40	7
AP9150096	29.41	7
AP9150102	29.41	9
AP9150104	29.38	4
AP9150106	29.38	8
AP9150109	29.31	29
AP9150110	29.37	10
AP9150111	29.37	9
AP9150113	29.37	3
AP9150114	29.37	5
AP9150115	29.31	16
AP9150116	29.31	15

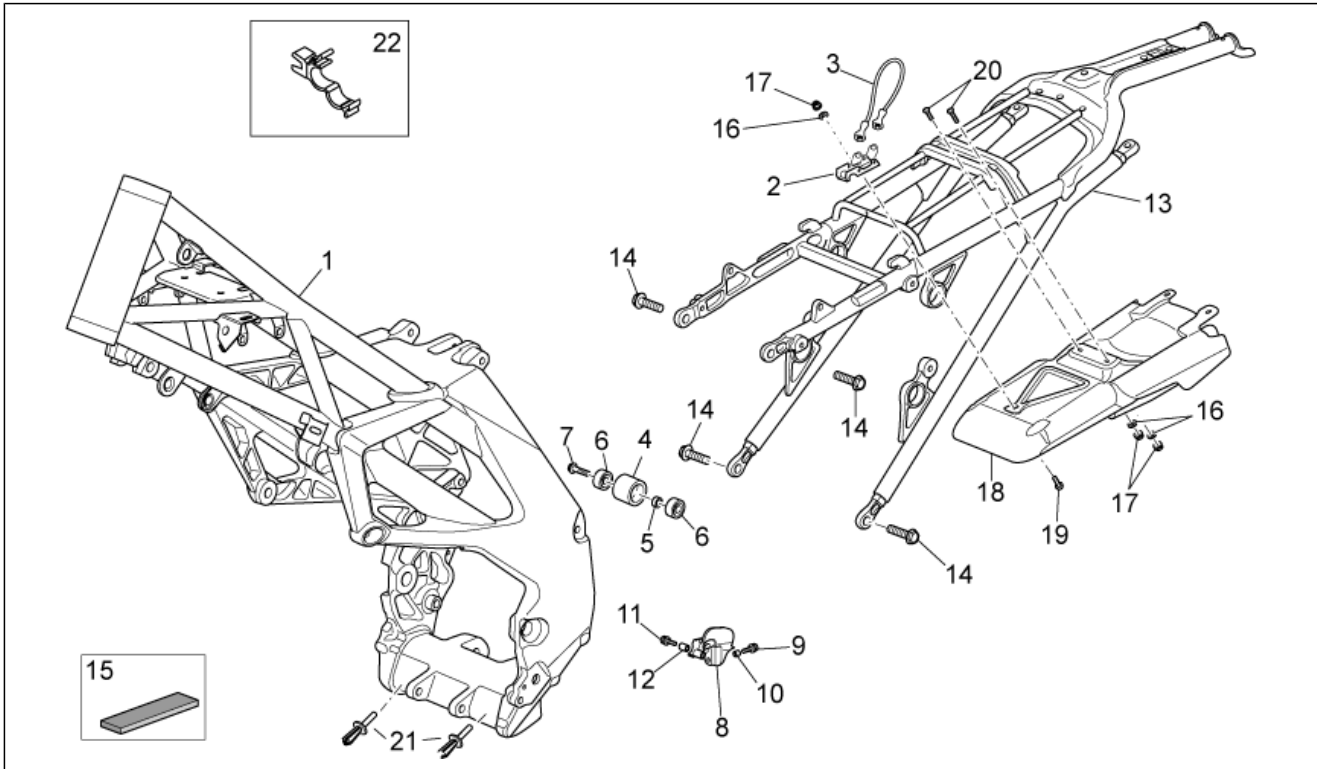
Code	Nr. der Tafel	Pos.
AP9150117	29.31	17
AP9150118	29.32	7
AP9150119	29.48	4
AP9150120	29.37	11
AP9150121	29.37	12
AP9150127	29.35	11
AP9150132	29.48	6
AP9150133	29.40	15
AP9150133	29.41	15
AP9150142	29.41	18
AP9150145	29.31	4
AP9150146	29.31	2
AP9150148	29.32	8
AP9150149	29.31	9
AP9150150	29.32	11
AP9150153	29.32	6
AP9150157	29.33	3
AP9150158	29.33	4
AP9150159	29.33	14
AP9150160	29.33	17
AP9150161	29.33	19
AP9150162	29.33	6
AP9150166	29.34	19
AP9150167	29.34	20
AP9150168	29.34	8
AP9150169	29.34	9
AP9150170	29.34	11
AP9150171	29.34	12
AP9150172	29.34	16
AP9150173	29.34	14
AP9150174	28.11	2
AP9150174	28.12	2
AP9150174	29.31	19
AP9150174	29.37	19
AP9150181	29.37	15
AP9150184	29.44	18
AP9150190	29.47	10
AP9150191	29.47	18
AP9150194	29.47	19
AP9150195	29.47	15
AP9150196	29.47	1
AP9150204	29.51	8
AP9150205	29.51	6
AP9150208	29.49	9
AP9150209	29.49	3
AP9150210	29.35	9
AP9150216	29.45	2
AP9150216	29.46	2
AP9150217	29.33	11
AP9150220	29.43	8
AP9150231	29.40	18
AP9150232	29.47	20
AP9150234	29.47	8
AP9150235	29.47	12
AP9150236	29.35	13
AP9150237	29.46	18
AP9150238	29.43	3
AP9150258	29.46	12
AP9150259	29.46	9
AP9150260	29.46	8
AP9150261	29.46	6
AP9150262	29.46	3
AP9150263	29.46	1
AP9150265	29.45	9
AP9150266	29.45	8
AP9150267	29.45	7
AP9150267	29.46	7

Code	Nr. der Tafel	Pos.
AP9150268	29.45	6
AP9150269	29.45	3
AP9150270	29.45	1
AP9150273	29.42	4
AP9150280	29.34	3
AP9150281	29.34	1
AP9150284	29.47	6
AP9150285	29.42	9
AP9150291	29.33	9
AP9150292	29.48	7
AP9150294	29.45	10
AP9150294	29.46	13
AP9150296	29.46	10
AP9150297	29.45	4
AP9150297	29.46	4
AP9150299	29.42	10
AP9150300	29.40	16
AP9150300	29.41	16
AP9150301	29.36	4
AP9150302	29.45	5
AP9150302	29.46	5
AP9150303	29.40	4
AP9150303	29.41	4
AP9150312	29.37	17
AP9150315	29.35	10
AP9150317	29.37	1
AP9150321	29.34	13
AP9150323	29.35	12
AP9150324	29.31	11
AP9150327	29.40	15
AP9150327	29.41	15
AP9150343	29.36	5
AP9150344	29.31	35
AP9150346	29.31	23
AP9150347	29.34	4
AP9150348	29.42	5
AP9150349	28.11	3
AP9150349	28.12	3
AP9150349	29.31	20
AP9150349	29.31	30
AP9150349	29.37	16
AP9150349	29.37	20
AP9150350	29.31	18
AP9150351	29.32	18
AP9150352	29.48	5
AP9150353	29.31	10
AP9150355	29.34	21
AP9150356	29.32	16
AP9150357	29.46	15
AP9150358	29.47	16
AP9150359	29.47	17
AP9150361	29.46	14
AP9150362	29.45	11
AP9150365	29.44	21
AP9150370	29.46	11
AP9150375	29.44	2
AP9150376	29.33	8
AP9150377	29.33	2
AP9150382	29.46	17
AP9150384	29.47	2
AP9150385	29.33	12
AP9150387	29.42	3
AP9150389	29.42	12
AP9150390	29.42	8
AP9150391	29.41	11
AP9150393	29.43	9
AP9150394	29.31	5

Code	Nr. der Tafel	Pos.
AP9150395	29.30	14
AP9150395	29.32	13
AP9150396	29.33	16
AP9150401	29.51	5
AP9150402	29.35	5
AP9150410	28.11	4
AP9150410	28.12	4
AP9150410	29.32	15
AP9150435	29.31	8
AP9150436	29.35	4
AP9150439	29.31	26
AP9150440	29.31	12
AP9150441	29.31	13
AP9150442	29.31	14
AP9150443	29.33	22
AP9150443	29.48	10
AP9150446	29.49	4
AP9150454	29.35	12
AP9150455	29.35	12
AP9150456	29.31	11
AP9150457	29.31	11
AP9150461	29.33	10
AP9150462	29.44	24
AP9150463	29.33	18
AP9150464	29.48	8
AP9150469	29.37	14
AP9150471	29.31	22
AP9150472	29.34	23
AP9150473	29.32	17
AP9150476	29.34	10
AP9150477	29.34	15
AP9150479	29.44	20
AP9150483	29.42	6
AP9150484	29.48	1
AP9150489	29.31	6
AP9150500	29.49	10
AP9150506	29.40	13
AP9150506	29.41	13
AP9150507	29.40	14
AP9150508	29.41	14
AP9150522	29.32	19
AP9150525	29.35	6
AP9150526	29.31	32
AP9150529	28.19	22
AP9150533	29.31	21
AP9150545	29.31	37
B045117	28.21	19
CM001911	29.31	36
CM002902	29.50	15
CM002904	29.50	18
CM155402	29.31	1
CM155404	29.31	1
CM224606	28.13	1
CM224610	28.13	1
CM2362055	29.30	1
CM2363055	29.30	1
CM2376015	29.40	1
CM2377015	29.41	1
CM238801	29.39	1
CM238801	29.39	1
CM238802	29.39	1
CM238803	29.39	1
CM238804	29.39	1
CM238805	29.39	1
CM238806	29.39	1
CM238807	29.39	1
CM238808	29.39	1

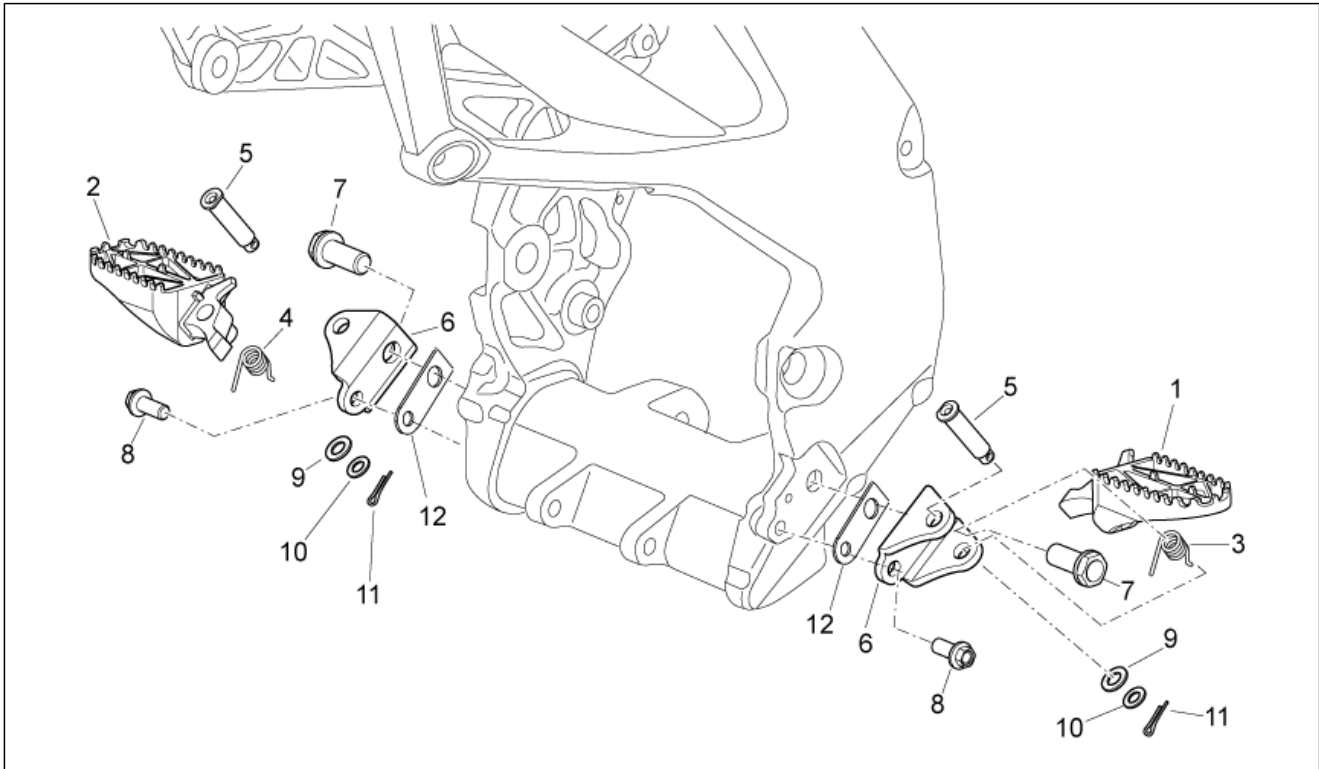
Code	Nr. der Tafel	Pos.
CM238809	29.39	1
CM238810	29.39	1
CM238811	29.39	1
CM238812	29.39	1
CM238813	29.39	1
CM238814	29.39	1
CM238815	29.39	1
CM238816	29.39	1
CM238817	29.39	1
CM238818	29.39	1
CM238819	29.39	1
CM238820	29.39	1
CM238821	29.39	1
CM238822	29.39	1
CM238823	29.39	1
CM238824	29.39	1
CM238825	29.39	1
CM238826	29.39	1
CM238827	29.39	1
CM238828	29.39	1
CM238829	29.39	1
CM238830	29.39	1
CM238831	29.39	1
CM238832	29.39	1
CM238833	29.39	1
CM238834	29.39	1
CM238835	29.39	1
CM238836	29.39	1
CM238837	29.39	1
CM238838	29.39	1
CM238839	29.39	1
CM239401	28.28	7
CM239402	28.28	27
GU01103090	28.10	17

Einheit	RAHMEN
Code	28.01
Beschreibung	Rahmen
Inspektion	1



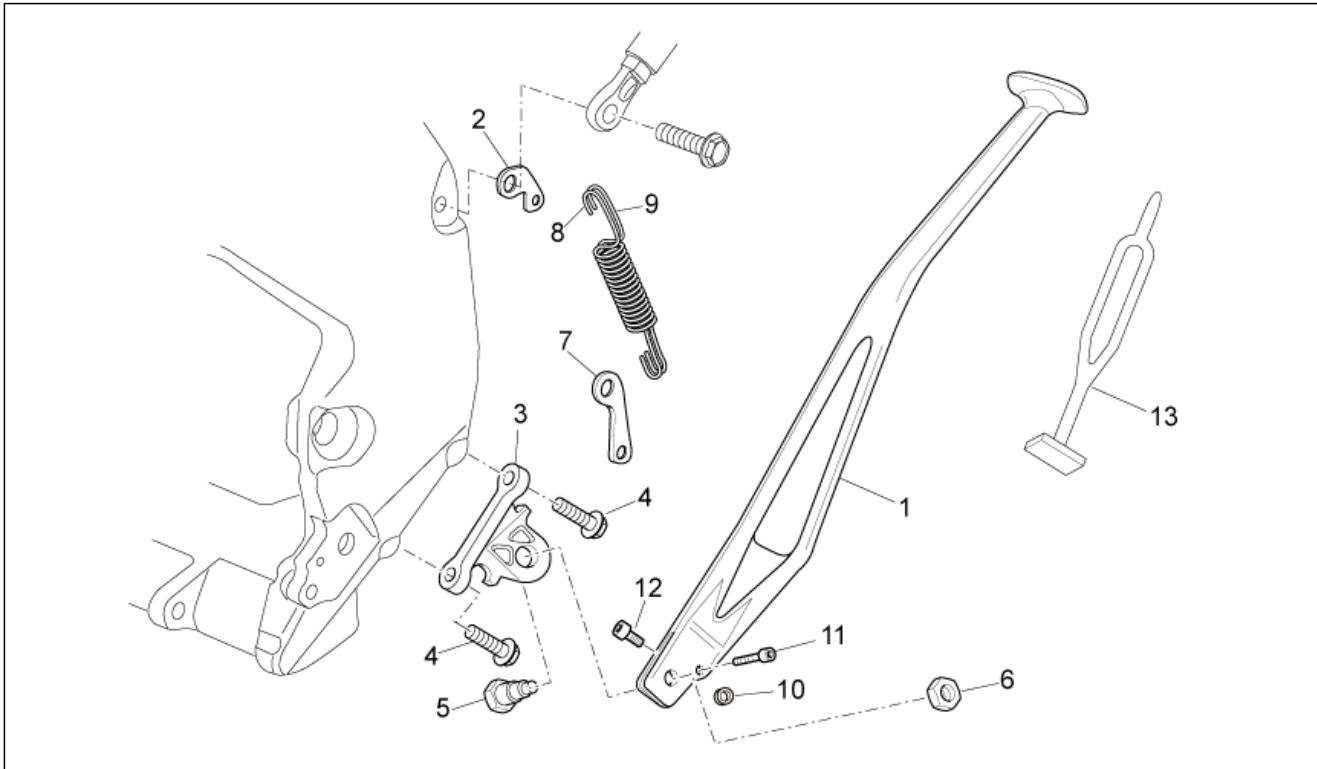
Pos.	Code	Beschreibung	Menge	Varianten
1	853513	Rahmen	1	Fahrzeugfarbe:Off Black 2009 (t.B. 890773)[BK09], Off Black 2010 (t.B.895847)[BK10]
1	855616	Rahmen	1	Fahrzeugfarbe:Off Black 2011 (t.B. 898352)[BK11]
2	AP9100766	Platte	1	
3	AP9100770	Kabel	1	
4	AP9100173	Kettenrolle schwarz	1	
5	AP9100174	Distanzscheibe	1	
6	AP9100175	Kugellager 8x22x7	2	
7	AP8152289	TE Schr. m. Flansch	1	
8	AP9100688	Unt. Kettengleitführung	1	
9	AP8152272	TE Schr. m. Flansch M5x12	1	
10	AP8120253	Distanzscheibe	1	
11	855799	TE Schr. m. Flansch	1	
12	AP8120313	Distanzscheibe H11,5	1	
13	AP9100315	Sattelstütze	1	
14	AP9100389	TE Schr. m. Flansch M10x1,25	4	
15	AP8144538	Dichtung	2	
16	AP8150159	Ausgleichscheibe 4,3x16*	3	
17	AP8150204	Mutter M4	3	
18	AP9100243	Wärmeschutz	1	
19	AP9100769	TBEI Schraube M4x10 inox	1	
20	AP9100768	Schraube M4x12	2	
21	AP8202058	Schwarzer Kunststoffniet	2	
22	AP8120581	Kabelschelle	1	

Einheit	RAHMEN
Code	28.02
Beschreibung	Fussrasten
Inspektion	1



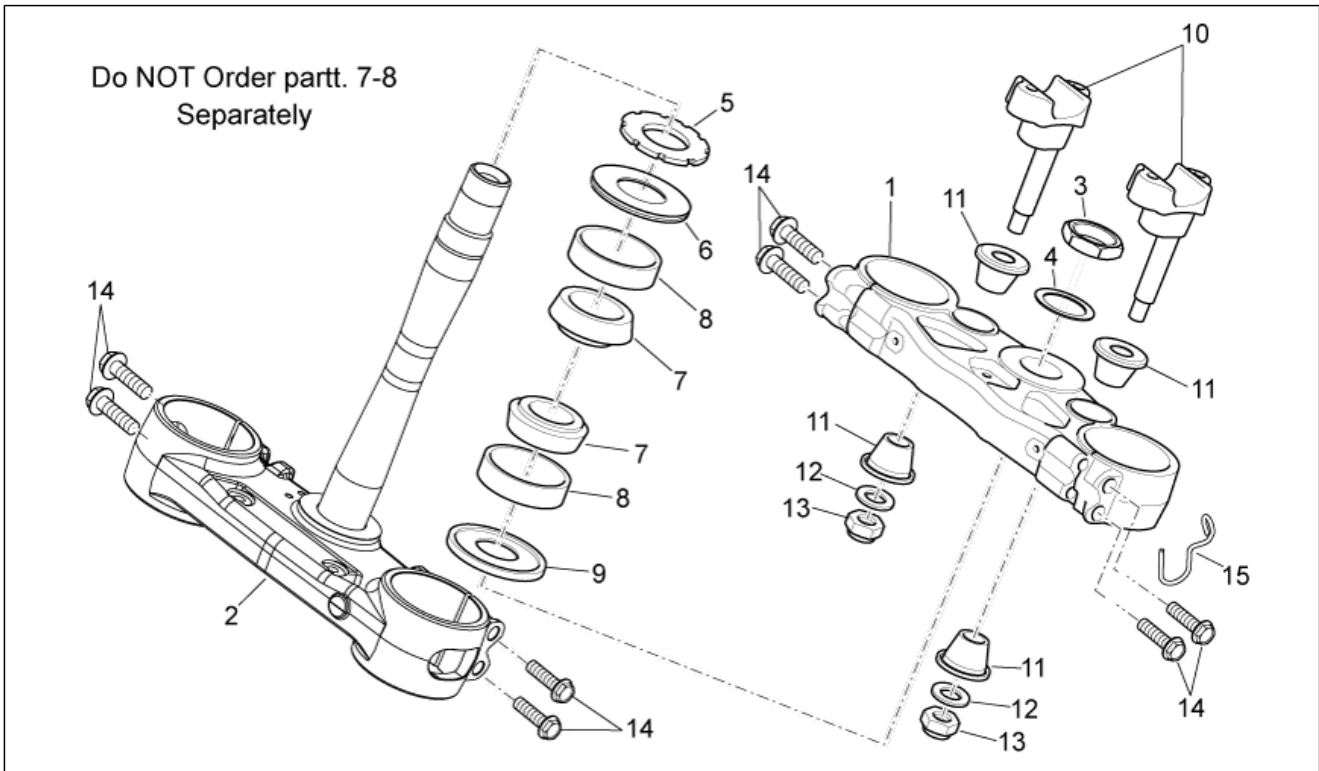
Pos.	Code	Beschreibung	Menge	Varianten
1	AP9100193	Soziusraste links	1	
2	AP9100194	Soziusraste rechts	1	
3	AP9100195	Feder links	1	
4	AP9100196	Feder rechts	1	
5	AP9100197	Bolzen	2	
6	AP9100275	Halterung Fußraste	2	
7	AP9100390	Schraube M12x1,25	2	
8	AP8152286	TE Schr. m. Flansch M8x20	2	
9	AP8152176	Ausgleichscheibe 10,5X18X2*	2	
10	AP8150017	Ausgleichscheibe 8,4x16x1,6	2	
11	AP8101606	Splint	2	
12	898912	Auflageplatte	2	

Einheit	RAHMEN
Code	28.03
Beschreibung	Hauptständer
Inspektion	1



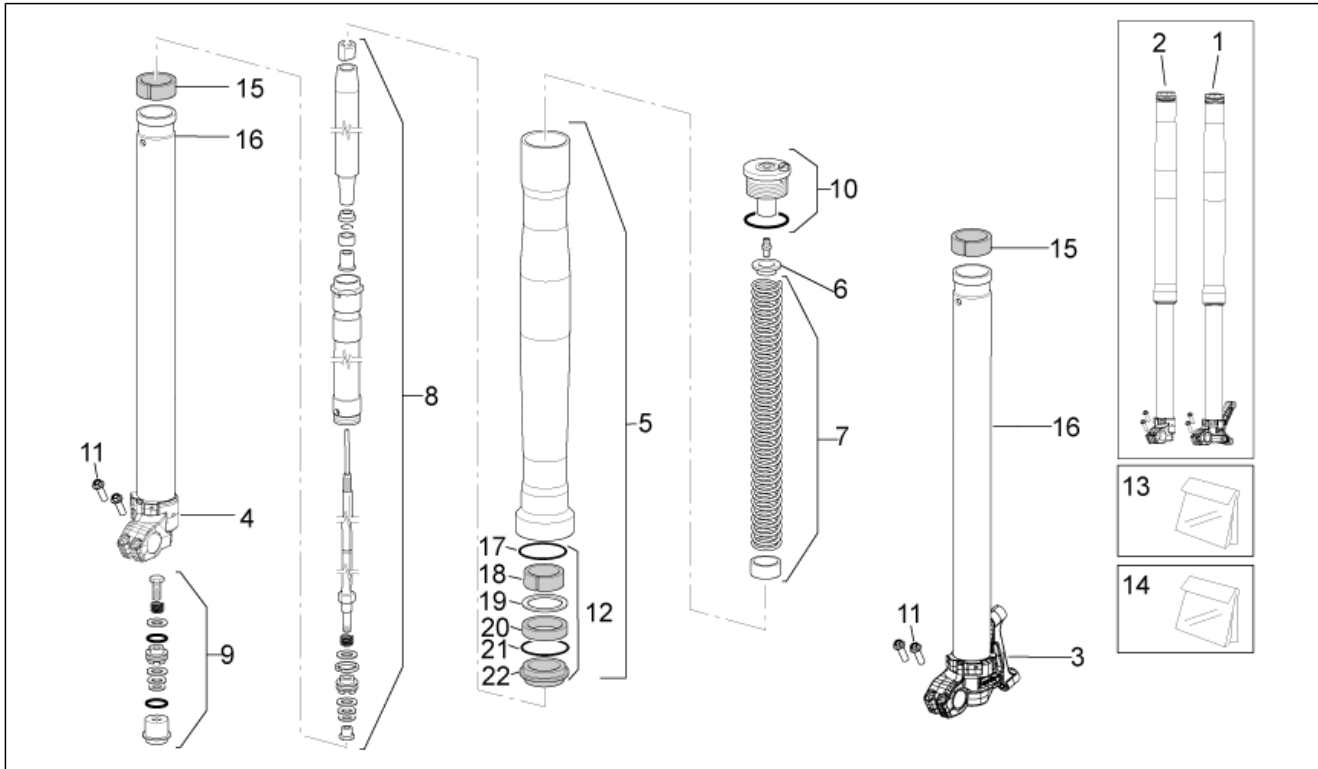
Pos.	Code	Beschreibung	Menge	Varianten
1	AP9100835	Hauptständer	1	
2	AP9100964	Platte	1	
3	AP9100419	Hauptständer platte	1	
4	851280	TE Schr. m. Flansch	2	
5	AP8161006	Ständerschraube	1	
6	AP8152001	Mutter unten M10x1,25	1	
7	AP9100223	Rückholplatte Ständer	1	
8	AP9100668	Außere Feder	1	
9	AP9100669	Innere Feder	1	
10	AP9100836	Buchse 8x5x7,8	1	
11	AP8150051	TCEI Schraube	1	
12	AP8152123	TCEI Schraube	1	
13	AP9100963	Befestig. Gummib.	1	

Einheit	RAHMEN
Code	28.04
Beschreibung	Lenkung I
Inspektion	1



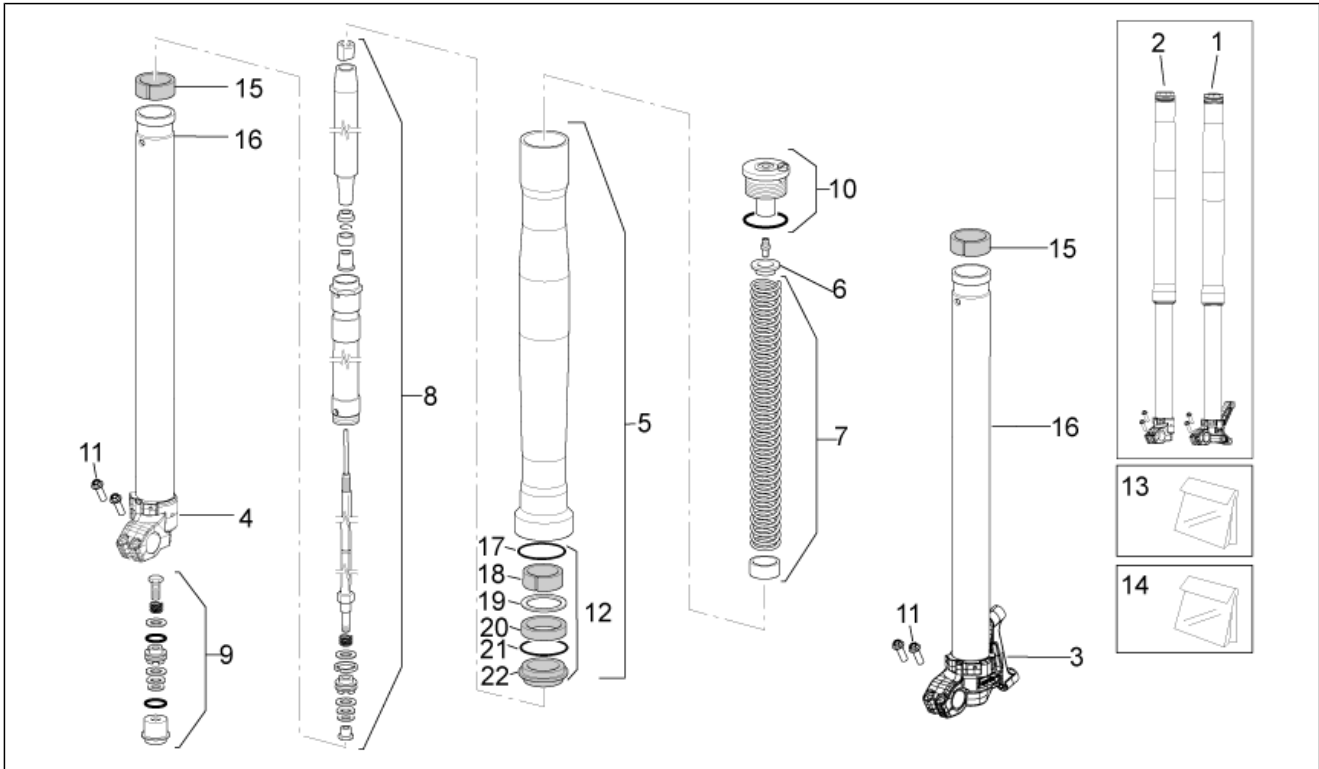
Pos.	Code	Beschreibung	Menge	Varianten
1	858032	Obere Platte	1	Technische Daten: Marzocchi[M]
1	AP9100542	Obere Platte	1	Technische Daten: Sachs[S]
2	858033	Base mit knicklenkung	1	Technische Daten: Marzocchi[M]
2	AP9100437	Fuß mit Rohr	1	Technische Daten: Sachs[S]
3	AP9100026	Bolzen Mutter	1	
4	AP9100028	Ausgleichscheibe 26,5x36x1	1	
5	AP9100021	Nutmutter	1	
6	AP9100204	Ob.Dichtring	1	
7	851030	Lager	2	
8	851029	Anlaufscheibe	2	
9	AP9100205	Un.Dichtring	1	
10	AP9100293	Unter.Bügelbolzen	2	
11	AP9100412	Schwingschutzlager	4	
12	AP9100776	Ausgleichscheibe 10.1x23x2.5	2	
13	AP9100439	Selbstsperr.Mut.Unt. M10x1,25	2	
14	896552	TE Schr. m. Flansch M8x40	8	Technische Daten: Marzocchi[M]
14	AP8152290	TE Schr. m. Flansch M8x40	8	Technische Daten: Sachs[S]
15	AP8121475	Kabelführung	1	

Einheit	RAHMEN
Code	28.05
Beschreibung	Gabel I
Inspektion	1



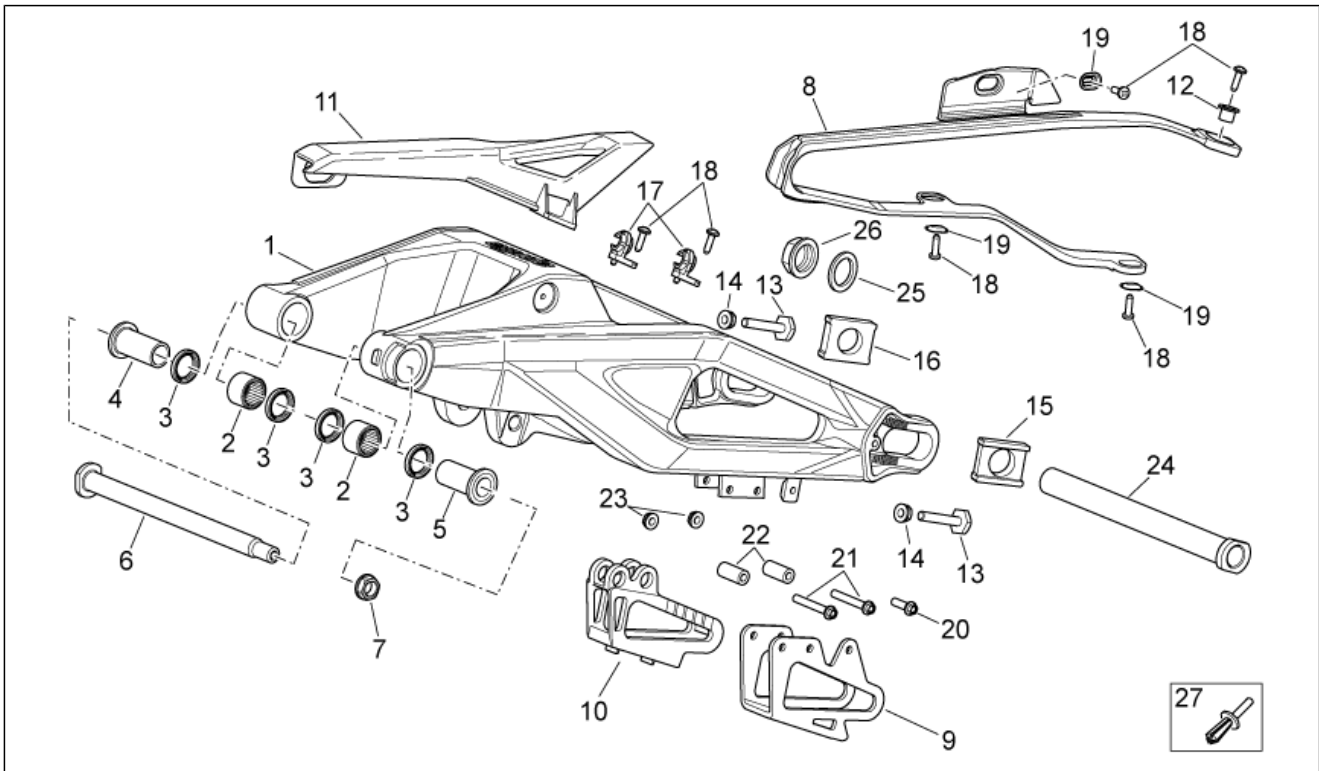
Pos.	Code	Beschreibung	Menge	Varianten
1	855116	Kolbenstange links kpl.	1	Technische Daten:Marzocchi[M]
1	859802	Kolbenstange links kpl.	1	Technische Daten:Sachs[S]
2	855119	Kolbenstange rechts kpl.	1	Technische Daten:Marzocchi[M]
2	859803	Kolbenstange rechts kpl.	1	Technische Daten:Sachs[S]
3	855796	Radträger links	1	Technische Daten:Sachs[S]
3	896559	Klb.st.+ Radhltr. lks.	1	Technische Daten:Marzocchi[M]
4	855797	Radträger rechts	1	Technische Daten:Sachs[S]
4	896558	Klb.st.+ Radhltr. rch.	1	Technische Daten:Marzocchi[M]
5	855798	Hülse kpl.	2	Technische Daten:Sachs[S]
5	896553	Hülse kpl.	2	Technische Daten:Marzocchi[M]
6	896554	Ring d.50	2	Technische Daten:Marzocchi[M]
6	AP9100872	Ring D.40	2	Technische Daten:Sachs[S]
7	896555	Feder kit	2	Technische Daten:Marzocchi[M]
7	AP9100873	Feder kit	2	Technische Daten:Sachs[S]
8	896557	Pumpenrad kpl.	2	Technische Daten:Marzocchi[M]
8	AP9100874	Pumpenrad kpl.	2	Technische Daten:Sachs[S]
9	896556	Ventil d.50	2	Technische Daten:Marzocchi[M]
9	AP9100875	Ventil D.45	2	Technische Daten:Sachs[S]
10	893189	Verschlussschraube kpl. d.50	2	Technische Daten:Marzocchi[M]
10	AP9100876	Verschlussschraube kpl. D.45	2	Technische Daten:Sachs[S]
11	893187	***Schraube M6x25	4	Technische Daten:Marzocchi[M]
11	AP8152287	TE Schr. m. Flansch M8x25	4	Technische Daten:Sachs[S]
12	AP9100877	Staub+Ölabstreifring Kit	1	Technische Daten:Sachs[S]
13	AP9100878	Dichtungssatz d.48	1	Technische Daten:Sachs[S]
14	AP9100879	Buchse kit	1	Technische Daten:Sachs[S]
15	854000	Untere Buchse	2	Technische Daten:Marzocchi[M]
15	894814	Buchse	2	Technische Daten:Sachs[S]
16	894816	Vorderradgabel	2	Technische Daten:Sachs[S]

Einheit	RAHMEN
Code	28.05
Beschreibung	Gabel I
Inspektion	1



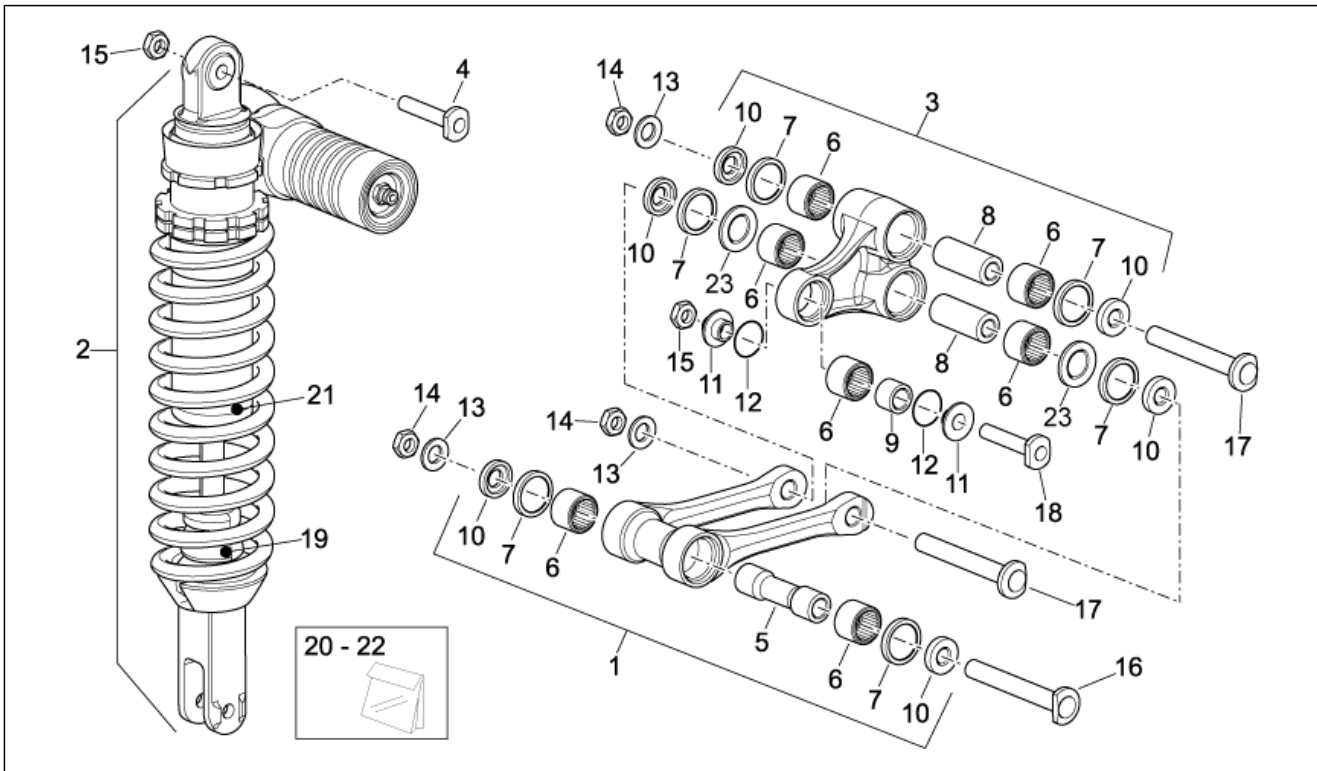
Pos.	Code	Beschreibung	Menge	Varianten
17	855001	Sperring d.62x2,0	2	Technische Daten:Marzocchi[M]
18	853982	Obere Buchse 50x15	2	Technische Daten:Marzocchi[M]
19	AP8163069	Ring	2	Technische Daten:Marzocchi[M]
20	AP8163070	Ölabstreifring	2	Technische Daten:Marzocchi[M]
21	AP8163071	Sperring	2	Technische Daten:Marzocchi[M]
22	AP8163072	Staubschutz	2	Technische Daten:Marzocchi[M]

Einheit	RAHMEN
Code	28.06
Beschreibung	Schwinge
Inspektion	1



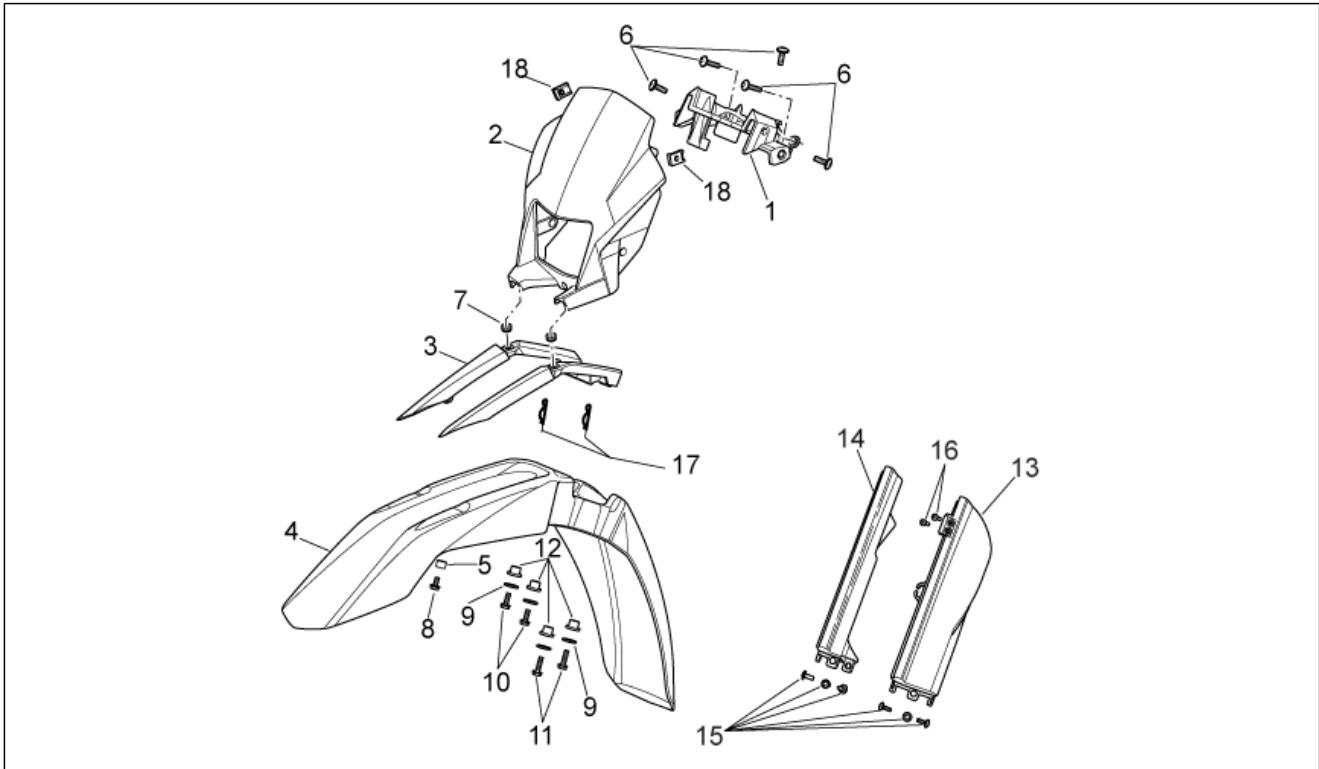
Pos.	Code	Beschreibung	Menge	Varianten
1	AP9100120	Schwinge	1	
2	AP9100202	Nadelkaefig 22x29x30	2	
3	AP9100203	Gasket ring 22x29x4	4	
4	AP9100952	Bolzen L=47,5	1	
5	AP9100953	Bolzen L=59,5	1	
6	AP9100264	Schwingenbolzen M14 L=256	1	
7	AP8152244	Mutter DAX geflanscht M14x1,5	1	
8	AP9100061	Gleitbacke	1	
9	AP9100060	Kettenführung	1	
10	AP9100109	Kettengleitführung	1	
11	AP9100435	Kettenkasten	1	
12	AP9100616	Buchse	1	
13	AP8152305	Kettenspanner Schraube	2	
14	AP8150027	Mutter M8	2	
15	AP8144444	Kettenführung rechts	1	
16	AP8144443	Kettenführung links	1	
17	AP9100565	Bremskabelführung	2	
18	AP8150515	Selbstschneidende Schraube Scheinwerferreg.	6	
19	AP8234020	Becher	3	
20	AP8152277	TE Schr. m. Flansch M6x12	1	
21	AP9100433	TE Schr. m. Flansch M6x50	2	
22	AP9100287	Buchse	2	
23	AP9100434	Selbstsperrende Mutter M6x1	2	
24	AP9100270	Hinterradbolzen M25 L=318,5	1	
25	AP8152323	Ausgleichscheibe 25,2x36x1	1	
26	855722	Radbolzenmutter M25x1,5	1	
27	AP8202058	Schwarzer Kunststoffniet	4	

Einheit	RAHMEN
Code	28.07
Beschreibung	Hinterradaufhängung
Inspektion	1



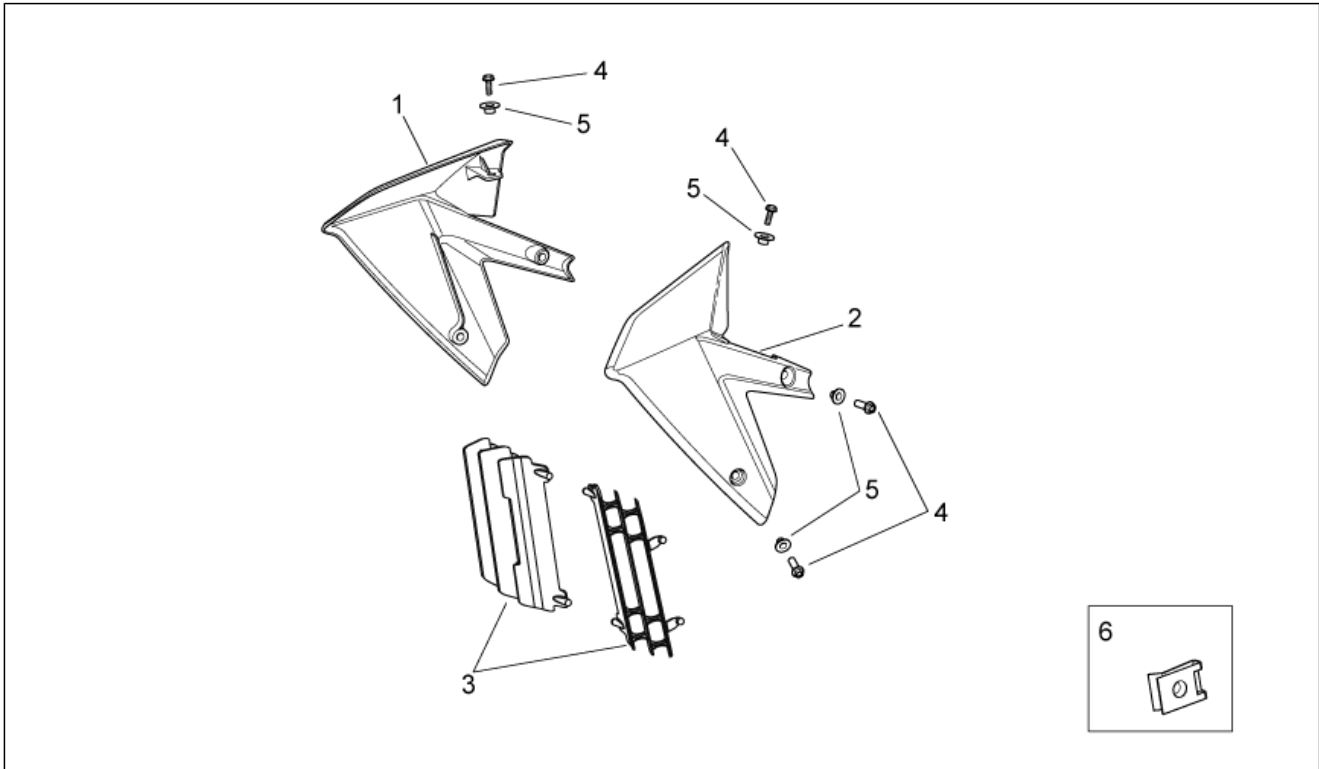
Pos.	Code	Beschreibung	Menge	Varianten
1	AP9100176	Einfache Pleuelstange	1	
2	855701	Hinterer Stoßdämpfer SXV	1	Fahrzeugfarbe: Off Black 2011 (t.B. 898352)[BK11]
2	AP9100114	Hinterer Stoßdämpfer SXV	1	Fahrzeugfarbe: Off Black 2009 (t.B. 890773)[BK09], Off Black 2010 (t.B.895847)[BK10]
3	851252	Doppelte Pleuelstange	1	
4	AP9100007	Schraube M10x1,25 L=53	1	
5	AP9100178	Bolzen	1	
6	AP9100181	Nadellager 20x27x15	2	
6	AP9100181	Nadellager 20x27x15	5	
7	AP9100177	Gasket ring 25x32x4	2	
7	AP9100177	Gasket ring 25x32x4	4	
8	AP9100184	Bolzen	2	
9	AP9100111	Distanzscheibe	1	
10	AP9100179	Distanzscheibe	6	
11	AP9100186	Externe Distanzscheibe	2	
12	AP9100549	O-Ring 1,5x24	2	
13	AP8152018	Scheibe 12,2x22x2	3	
14	AP9100442	Selbstsperr.Mut.Unt. M12x1,25	3	
15	AP9100439	Selbstsperr.Mut.Unt. M10x1,25	2	
16	AP9100604	Schraube M12x1,25 L=120	1	
17	AP9100289	Schraube M12x1,25 L=95	2	
18	AP9100208	Schraube M10x1,25 L=44	1	
19	AP9100808	Puffer	1	
20	AP9100815	Dichtungen - Satz	1	
21	AP9100817	Schaftgruppe	1	
22	AP9100820	Dichtungen - Satz Schaft	1	
23	AP9100182	Flachscheibe 31x20,2x1,4	2	

Einheit	RAHMEN
Code	28.08
Beschreibung	Frontaufbau I
Inspektion	1



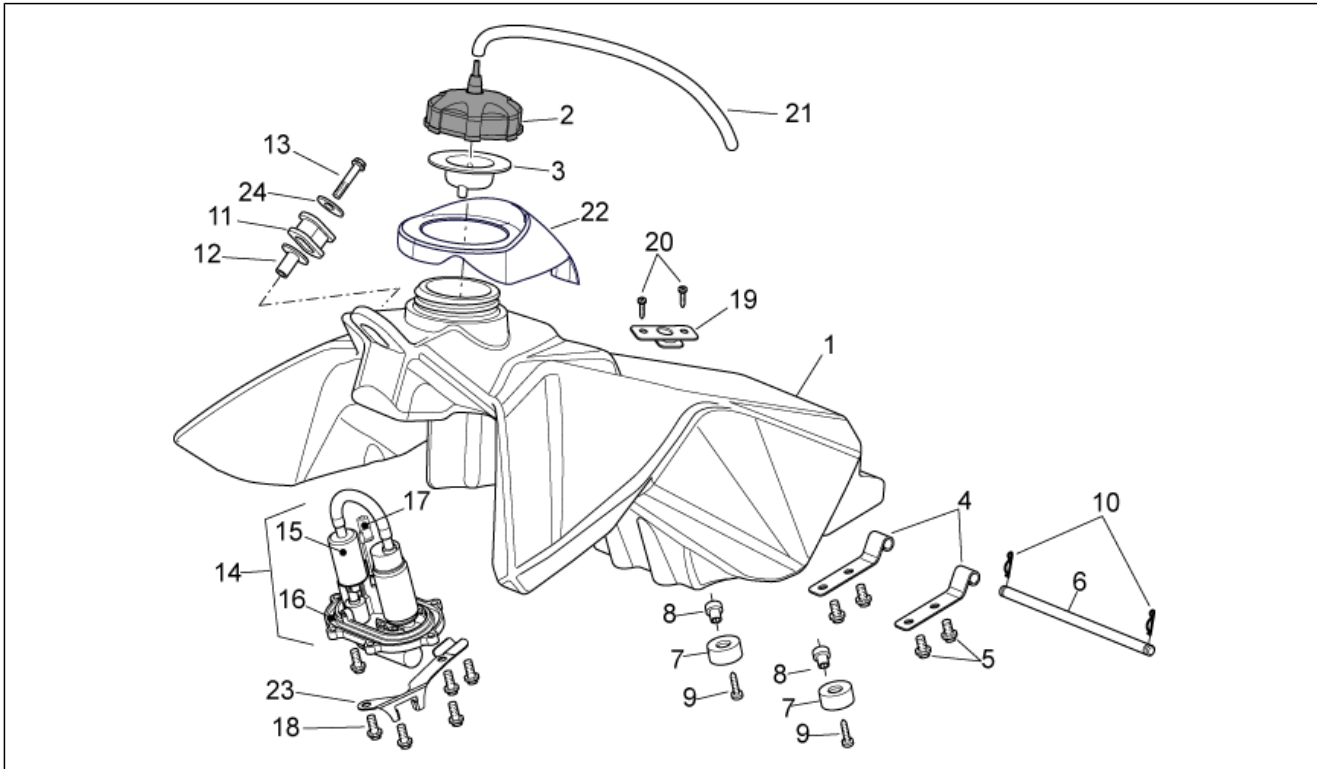
Pos.	Code	Beschreibung	Menge	Varianten
1	AP9100517	Haltefassung	1	
2	89046800XN4	Windschild	1	
3	858388	Spannstange	1	
4	AP8156343	V. Schutzblech, rot	1	Fahrzeugfarbe: Off Black 2009 (t.B. 890773)[BK09], Off Black 2010 (t.B.895847)[BK10]
4	AP8156392	Kotflügel v. schwarz	1	Fahrzeugfarbe: Off Black 2011 (t.B. 898352)[BK11]
5	AP9100053	Buchse d.10-h.3,5	2	
6	AP8152339	TBEI Schraube m.Flansch M5x9	5	
7	AP8120405	Gummi	2	
8	AP8152277	TE Schr. m. Flansch M6x12	2	
9	AP8150015	Ausgleichscheibe 6,6x18x1,6*	4	
10	598839	TE Schr. m. Flansch	2	
11	AP8152283	TE Schr. m. Flansch	2	
12	AP9100501	T-Buchse 20x0,5x3,5	4	
13	AP9100440	L. Stangenschutz, schwarz	1	
14	AP9100441	R. Stangenschutz, schwarz	1	
15	AP9100548	Schraube kplt. M6x1	6	
16	AP8150246	Linsenschraube	2	
17	AP8201431	Splint *	2	
18	AP8102375	Klammer M5	2	

Einheit	RAHMEN
Code	28.09
Beschreibung	Frontaufbau II
Inspektion	1



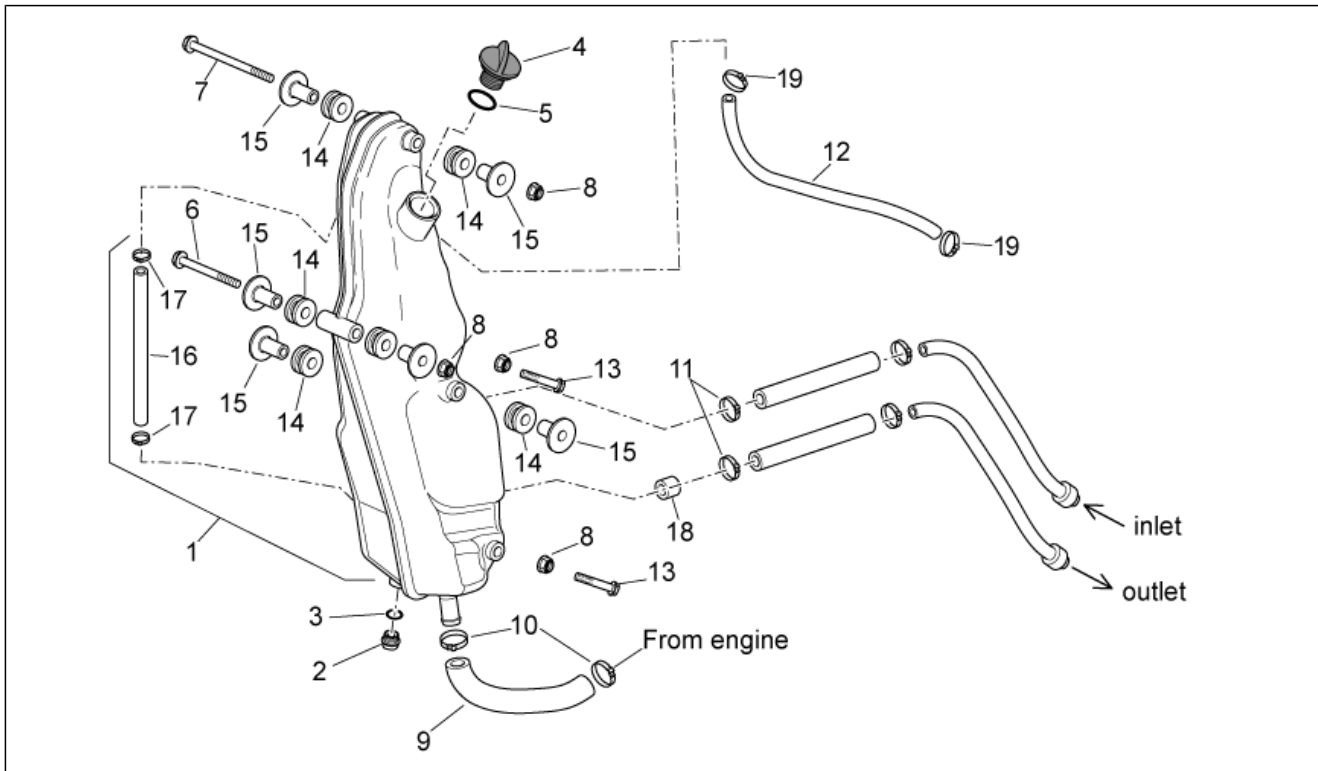
Pos.	Code	Beschreibung	Menge	Varianten
1	AP8184781	R. Leitblech, schwarz	1	Fahrzeugfarbe:Off Black 2009 (t.B. 890773)[BK09]
1	AP8184877	Rechtes Leitblech	1	Fahrzeugfarbe:Off Black 2010 (t.B.895847)[BK10]
1	AP8184915	R. Leitblech, schwarz	1	Fahrzeugfarbe:Off Black 2011 (t.B. 898352)[BK11]
2	AP8184780	L. Leitblech, schwarz	1	Fahrzeugfarbe:Off Black 2009 (t.B. 890773)[BK09]
2	AP8184878	Linkes Leitblech	1	Fahrzeugfarbe:Off Black 2010 (t.B.895847)[BK10]
2	AP8184916	Linkes Leitblech	1	Fahrzeugfarbe:Off Black 2011 (t.B. 898352)[BK11]
3	AP9100366	Kühlergitter	2	
4	AP9100645	TE Schr. m. Flansch M6x16 inox	6	
5	AP9100053	Buchse d.10-h.3,5	6	
6	254485	Plattchen M6	6	

Einheit	RAHMEN
Code	28.10
Beschreibung	Kraftstofftank
Inspektion	1



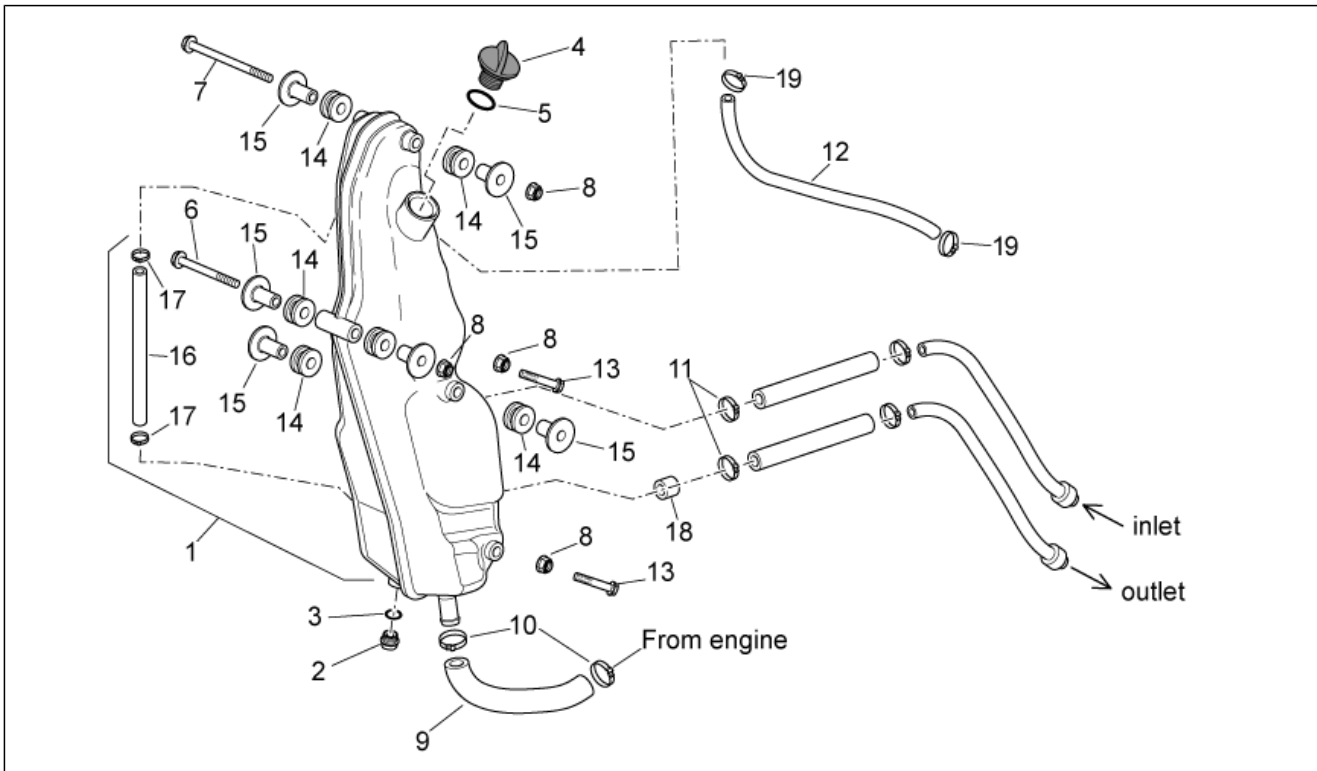
Pos.	Code	Beschreibung	Menge	Varianten
1	855725	Kraftstofftank	1	
2	AP8220620	Deckel	1	
3	856932	Dichtung	1	
4	AP9100080	Platte	2	
5	AP8152277	TE Schr. m. Flansch M6x12	4	
6	AP9100078	Bolzen	1	
7	AP9100767	Gummi 26x12,2	2	
8	AP8121811	T-Buchse	2	
9	AP8152169	Linsenschraube 4,8x19*	2	
10	AP8201431	Splint *	2	
11	AP9100082	Puffer	1	
12	AP9100081	Buchse	1	
13	AP8152281	TE Schr. m. Flansch M6x30	1	
14	AP9100416	Benzinpumpe kpl.	1	
15	AP9100930	Kraftstofffilter	1	
16	AP9100931	Dichtung	1	
17	GU01103090	Thermistor	1	
18	AP8152273	Flanschschraube M5x15	6	
19	AP9100415	Platte	1	
20	AP8150444	Gewindeschraube Edelstahl	2	
21	AP8220402	Leitung 5x9	1	
22	AP9100967	Tankschutz	1	
23	AP9100966	Platte	1	
24	AP9100375	Ausgleichscheibe 24,8x6,2x1	1	

Einheit	RAHMEN
Code	28.11
Beschreibung	Öltank I
Inspektion	1



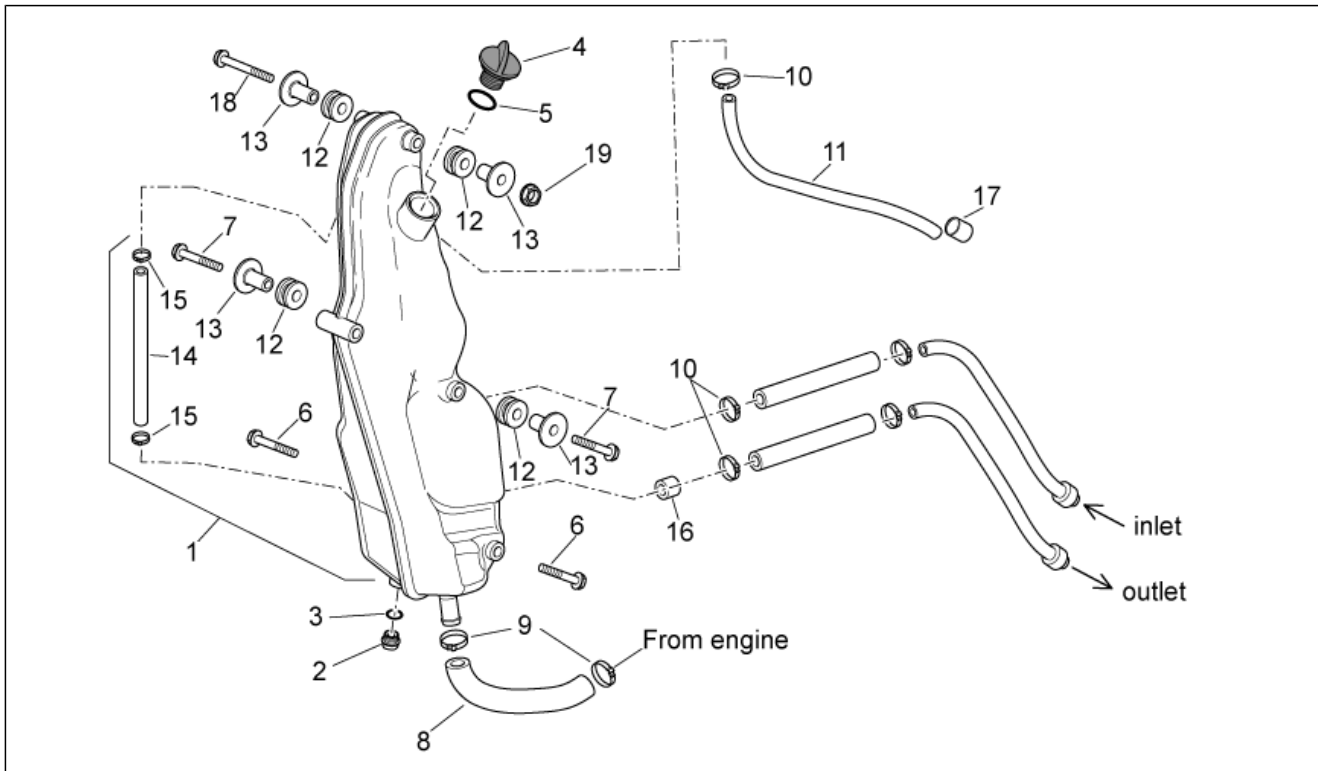
Pos.	Code	Beschreibung	Menge	Varianten
1	AP9100343	Öltank	1	Technische Daten: Bis Rahmennr. Z04V5R00*85000196[T45A], Bis Rahmennr. Z04V5S00*85001285[T55A]
2	AP9150174	Ölablaßschraube	1	Technische Daten: Bis Rahmennr. Z04V5R00*85000196[T45A], Bis Rahmennr. Z04V5S00*85001285[T55A]
3	AP9150349	Dichtscheibe D12x18x1,5	1	Technische Daten: Bis Rahmennr. Z04V5R00*85000196[T45A], Bis Rahmennr. Z04V5S00*85001285[T55A]
4	AP9150410	Ölschraube M20x1,5	1	
5	273754	O-Ring	1	Technische Daten: Bis Rahmennr. Z04V5R00*85000196[T45A], Bis Rahmennr. Z04V5S00*85001285[T55A]
6	AP9100638	TE Schr. m. Flansch M6x70	1	Technische Daten: Bis Rahmennr. Z04V5R00*85000196[T45A], Bis Rahmennr. Z04V5S00*85001285[T55A]
7	AP9100661	TE Schr. m. Flansch M6x1 L=95	1	Technische Daten: Bis Rahmennr. Z04V5R00*85000196[T45A], Bis Rahmennr. Z04V5S00*85001285[T55A]
8	AP9100434	Selbstsperrende Mutter M6x1	4	Technische Daten: Bis Rahmennr. Z04V5R00*85000196[T45A], Bis Rahmennr. Z04V5S00*85001285[T55A]
9	AP9100496	Leitung Blow-By	1	Technische Daten: Bis Rahmennr. Z04V5R00*85000196[T45A], Bis Rahmennr. Z04V5S00*85001285[T55A]
10	AP8101586	Schlauchschelle D.15,5x6,6	2	Technische Daten: Bis Rahmennr. Z04V5R00*85000196[T45A], Bis Rahmennr. Z04V5S00*85001285[T55A]
11	AP8101586	Schlauchschelle D.15,5x6,6	2	Technische Daten: Bis Rahmennr. Z04V5R00*85000196[T45A], Bis Rahmennr. Z04V5S00*85001285[T55A]
12	AP8120987	Leitung 9x14	1	Technische Daten: Bis Rahmennr. Z04V5R00*85000196[T45A], Bis Rahmennr. Z04V5S00*85001285[T55A]

Einheit	RAHMEN
Code	28.11
Beschreibung	Öltank I
Inspektion	1



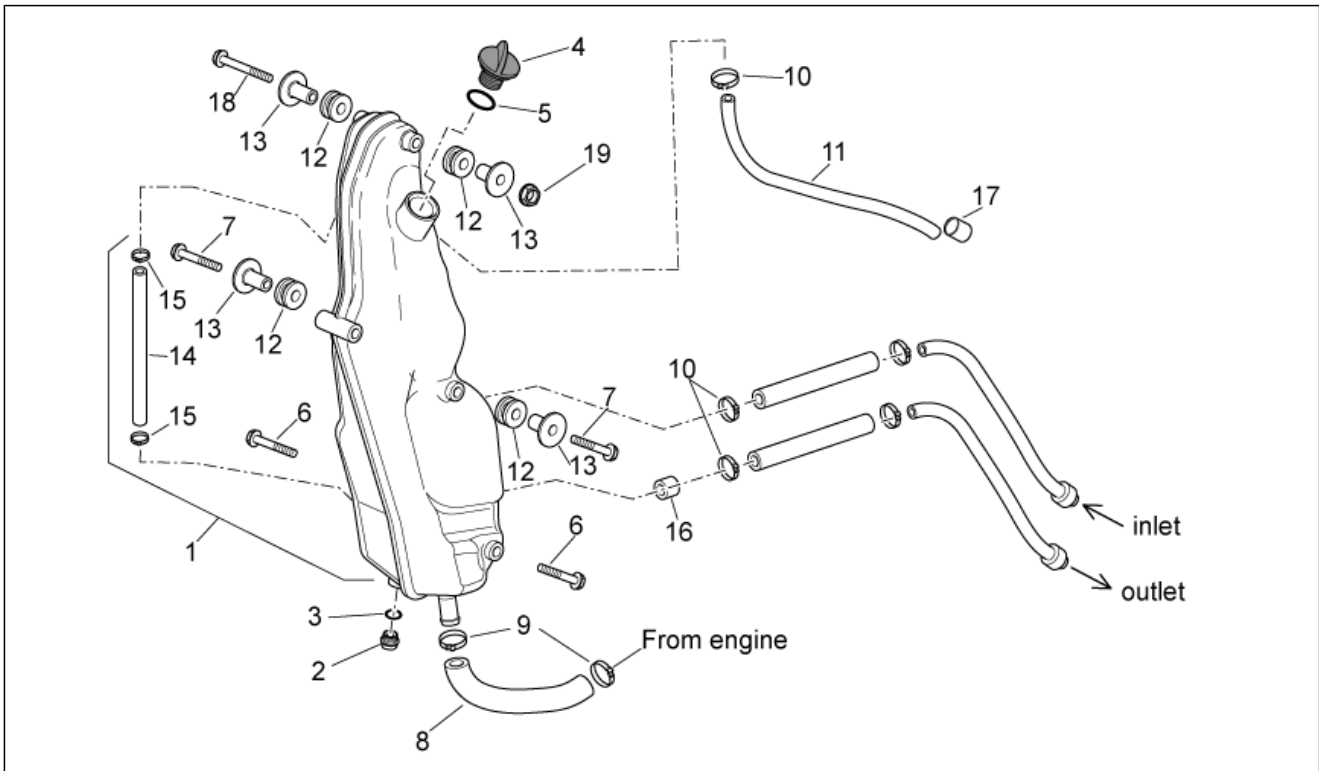
Pos.	Code	Beschreibung	Menge	Varianten
13	AP9100781	TE Schr. m. Flansch M6x133	2	Technische Daten: Bis Rahmennr. Z04V5R00*85000196[T45A], Bis Rahmennr. Z04V5S00*85001285[T55A]
14	AP8120223	Gummi *	6	Technische Daten: Bis Rahmennr. Z04V5R00*85000196[T45A], Bis Rahmennr. Z04V5S00*85001285[T55A]
15	AP9100950	Buchse D14-D9-d6.5-H12	6	Technische Daten: Bis Rahmennr. Z04V5R00*85000196[T45A], Bis Rahmennr. Z04V5S00*85001285[T55A]
16	AP9100665	Ölstandschlauch	1	Technische Daten: Bis Rahmennr. Z04V5R00*85000196[T45A], Bis Rahmennr. Z04V5S00*85001285[T55A]
17	AP9100951	Schlauchselle	2	Technische Daten: Bis Rahmennr. Z04V5R00*85000196[T45A], Bis Rahmennr. Z04V5S00*85001285[T55A]
18	AP9100267	Gummischlauch 12,8x8,8 L=28	1	Technische Daten: Bis Rahmennr. Z04V5R00*85000196[T45A], Bis Rahmennr. Z04V5S00*85001285[T55A]
19	AP8102525	Hahnschelle	2	Technische Daten: Bis Rahmennr. Z04V5R00*85000196[T45A], Bis Rahmennr. Z04V5S00*85001285[T55A]

Einheit	RAHMEN
Code	28.12
Beschreibung	Öltank II
Inspektion	1



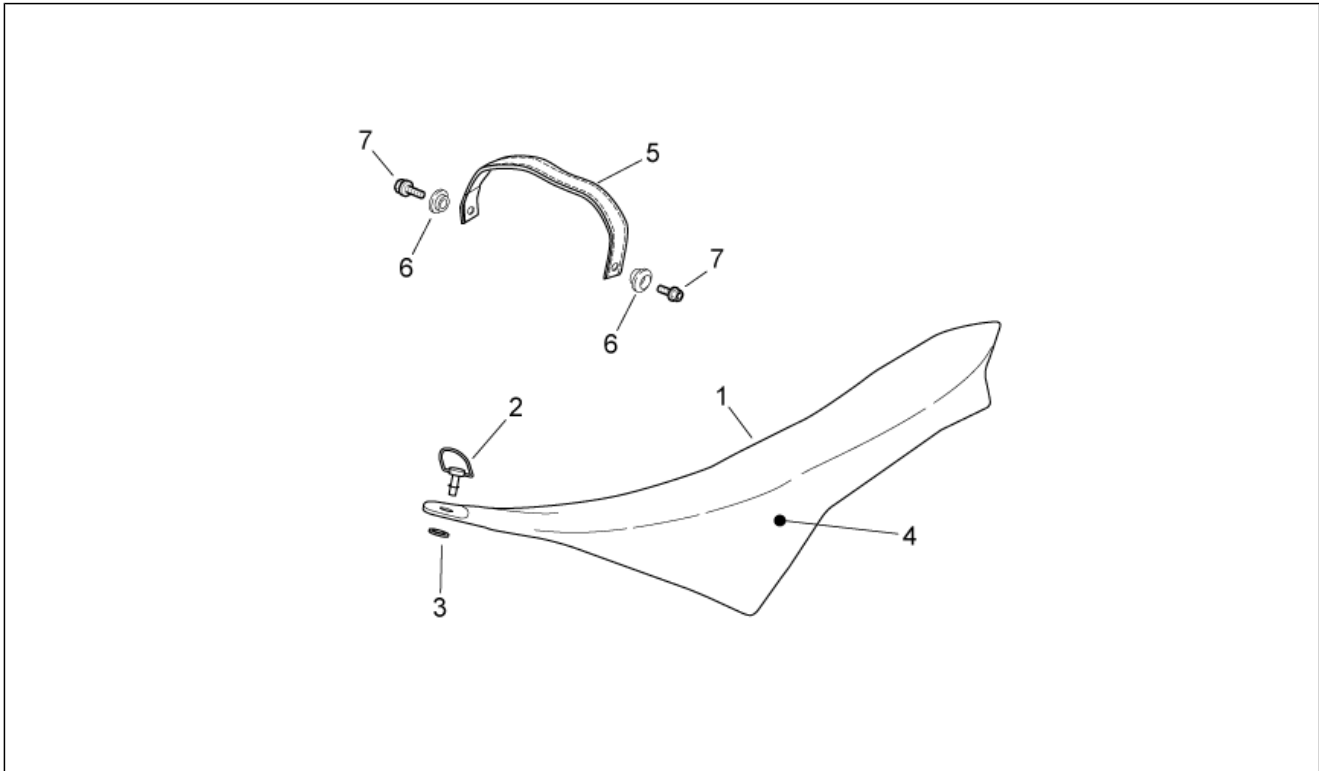
Pos.	Code	Beschreibung	Menge	Varianten
1	855686	Öltank	1	Technische Daten: Ab Rahmennr. Z04V5R00*85000197[T45B], Ab Rahmennr. Z04V5S00*85001286[T55B]
2	AP9150174	Ölablaßschraube	1	Technische Daten: Ab Rahmennr. Z04V5R00*85000197[T45B], Ab Rahmennr. Z04V5S00*85001286[T55B]
3	AP9150349	Dichtscheibe D12x18x1,5	1	Technische Daten: Ab Rahmennr. Z04V5R00*85000197[T45B], Ab Rahmennr. Z04V5S00*85001286[T55B]
4	AP9150410	Ölschraube M20x1,5	1	Technische Daten: Ab Rahmennr. Z04V5R00*85000197[T45B], Ab Rahmennr. Z04V5S00*85001286[T55B]
5	273754	O-Ring	1	Technische Daten: Ab Rahmennr. Z04V5R00*85000197[T45B], Ab Rahmennr. Z04V5S00*85001286[T55B]
6	AP8152280	TE Schr. m. Flansch M6x25	2	Technische Daten: Ab Rahmennr. Z04V5R00*85000197[T45B], Ab Rahmennr. Z04V5S00*85001286[T55B]
7	AP8152282	TE Schr. m. Flansch M6x35	2	Technische Daten: Ab Rahmennr. Z04V5R00*85000197[T45B], Ab Rahmennr. Z04V5S00*85001286[T55B]
8	AP9100496	Leitung Blow-By	1	Technische Daten: Ab Rahmennr. Z04V5R00*85000197[T45B], Ab Rahmennr. Z04V5S00*85001286[T55B]
9	AP8101586	Schlauchschelle D.15,5x6,6	2	Technische Daten: Ab Rahmennr. Z04V5R00*85000197[T45B], Ab Rahmennr. Z04V5S00*85001286[T55B]
10	AP8101586	Schlauchschelle D.15,5x6,6	3	Technische Daten: Ab Rahmennr. Z04V5R00*85000197[T45B], Ab Rahmennr. Z04V5S00*85001286[T55B]
11	AP8120987	Leitung 9x14	1	Technische Daten: Ab Rahmennr. Z04V5R00*85000197[T45B], Ab Rahmennr. Z04V5S00*85001286[T55B]

Einheit	RAHMEN
Code	28.12
Beschreibung	Öltank II
Inspektion	1



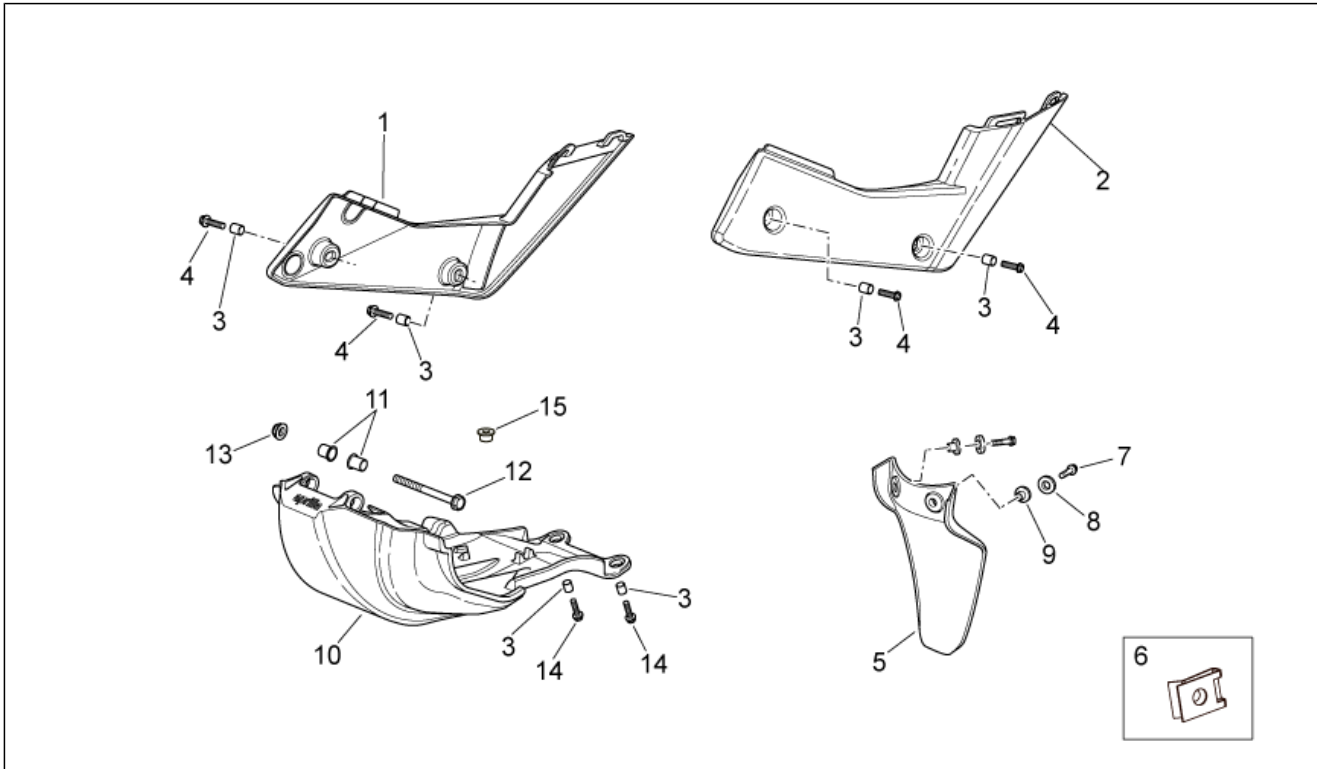
Pos.	Code	Beschreibung	Menge	Varianten
12	AP8120223	Gummi *	4	Technische Daten: Ab Rahmennr. Z04V5R00*85000197[T45B], Ab Rahmennr. Z04V5S00*85001286[T55B]
13	AP9100950	Buchse D14-D9-d6.5-H12	4	Technische Daten: Ab Rahmennr. Z04V5R00*85000197[T45B], Ab Rahmennr. Z04V5S00*85001286[T55B]
14	AP9100665	Ölstandschauch	1	Technische Daten: Ab Rahmennr. Z04V5R00*85000197[T45B], Ab Rahmennr. Z04V5S00*85001286[T55B]
15	AP9100951	Schlauchschelle	2	Technische Daten: Ab Rahmennr. Z04V5R00*85000197[T45B], Ab Rahmennr. Z04V5S00*85001286[T55B]
16	AP9100267	Gummischlauch 12,8x8,8 L=28	1	Technische Daten: Ab Rahmennr. Z04V5R00*85000197[T45B], Ab Rahmennr. Z04V5S00*85001286[T55B]
17	855766	Kappe	1	Technische Daten: Ab Rahmennr. Z04V5R00*85000197[T45B], Ab Rahmennr. Z04V5S00*85001286[T55B]
18	AP9100661	TE Schr. m. Flansch M6x1 L=95	1	Technische Daten: Ab Rahmennr. Z04V5R00*85000197[T45B], Ab Rahmennr. Z04V5S00*85001286[T55B]
19	AP9100434	Selbstsperrende Mutter M6x1	1	Technische Daten: Ab Rahmennr. Z04V5R00*85000197[T45B], Ab Rahmennr. Z04V5S00*85001286[T55B]

Einheit	RAHMEN
Code	28.13
Beschreibung	Sitz
Inspektion	1



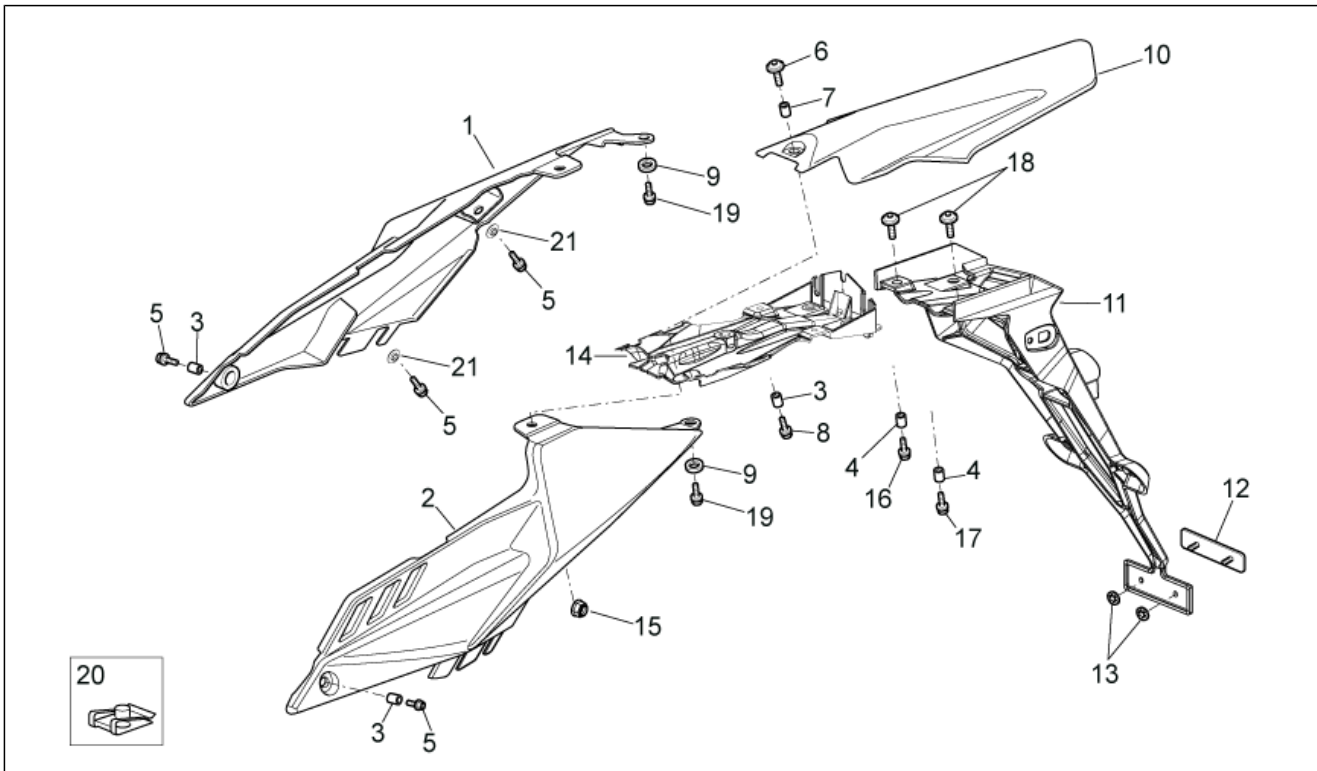
Pos.	Code	Beschreibung	Menge	Varianten
1	CM224606	Sitz	1	Fahrzeugfarbe: Off Black 2009 (t.B. 890773)[BK09], Off Black 2010 (t.B.895847)[BK10]
1	CM224610	Sitz	1	Fahrzeugfarbe: Off Black 2011 (t.B. 898352)[BK11]
2	AP9100365	Entkupplungsvorrichtung	1	
3	AP9100087	Ausgleichscheibe Teflon	1	
4	855939	Verkleidung Sitz	1	
5	859762	Soziusriemen	1	
6	AP8121075	T-Buchse *	2	
7	851423	TE Schr. m. Flansch	2	

Einheit	RAHMEN
Code	28.14
Beschreibung	Mittlerer Aufbau
Inspektion	1



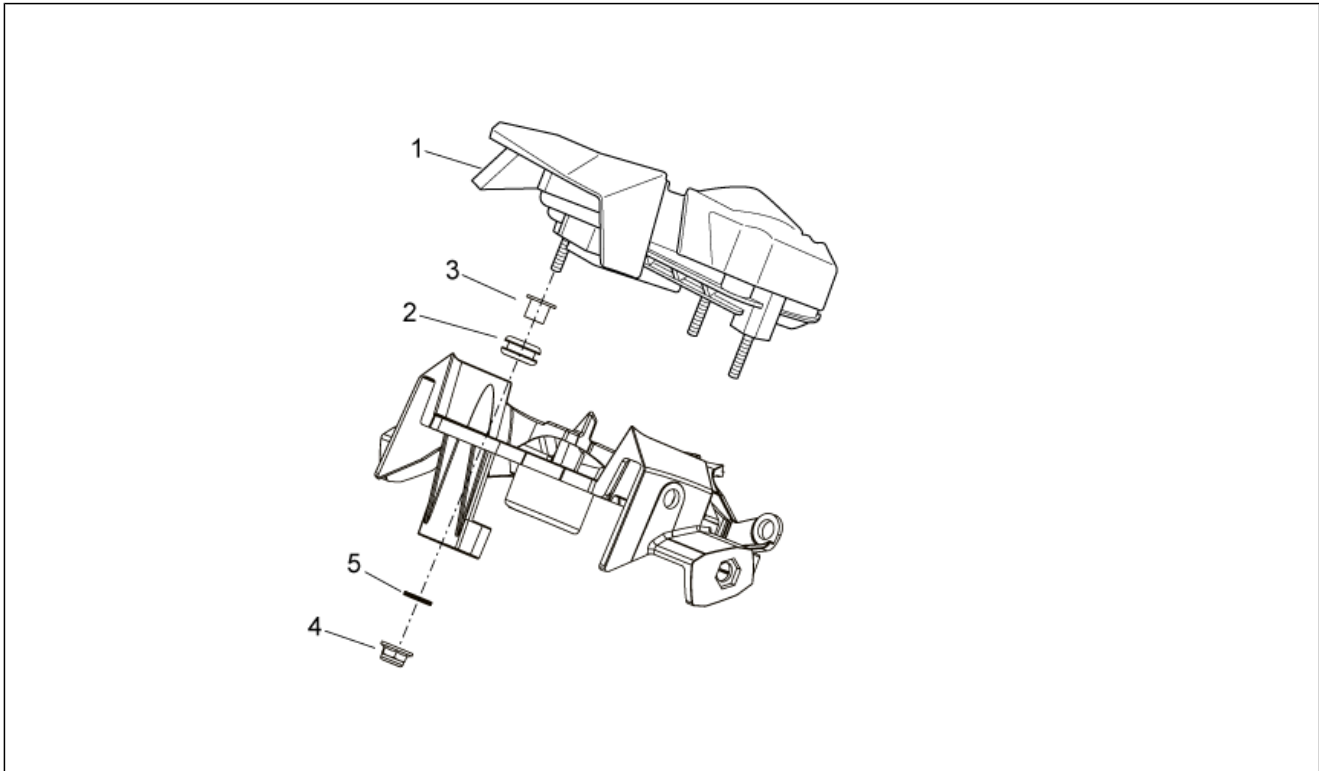
Pos.	Code	Beschreibung	Menge	Varianten
1	AP8184789	Seitenteil links	1	Fahrzeugfarbe: Off Black 2009 (t.B. 890773)[BK09], Off Black 2010 (t.B.895847)[BK10]
1	AP8184920	L. kl. Seitenteil, schw.	1	Fahrzeugfarbe: Off Black 2011 (t.B. 898352)[BK11]
2	AP8184788	Seitenteil rechts	1	Fahrzeugfarbe: Off Black 2009 (t.B. 890773)[BK09], Off Black 2010 (t.B.895847)[BK10]
2	AP8184919	R. kl. Seitenteil, schw.	1	Fahrzeugfarbe: Off Black 2011 (t.B. 898352)[BK11]
3	AP9100053	Buchse d.10-h.3,5	6	
4	AP9100645	TE Schr. m. Flansch M6x16 inox	4	
5	AP9100504	Stoßdämpferschutz	1	
6	AP8102375	Klammer M5	2	
7	AP8152274	TE Schr. m. Flansch M5x20	2	
8	AP8144064	Wärmeschutzscheibe	2	
9	AP8121736	T-Buchse	2	
10	AP9100347	Wannenschutz	1	
11	AP9100778	Buchse	2	
12	AP9100661	TE Schr. m. Flansch M6x1 L=95	1	
13	AP9100434	Selbstsperrende Mutter M6x1	1	
14	598839	TE Schr. m. Flansch	2	
15	AP8101372	Silent-Block	1	

Einheit	RAHMEN
Code	28.15
Beschreibung	Heckaufbau I
Inspektion	1



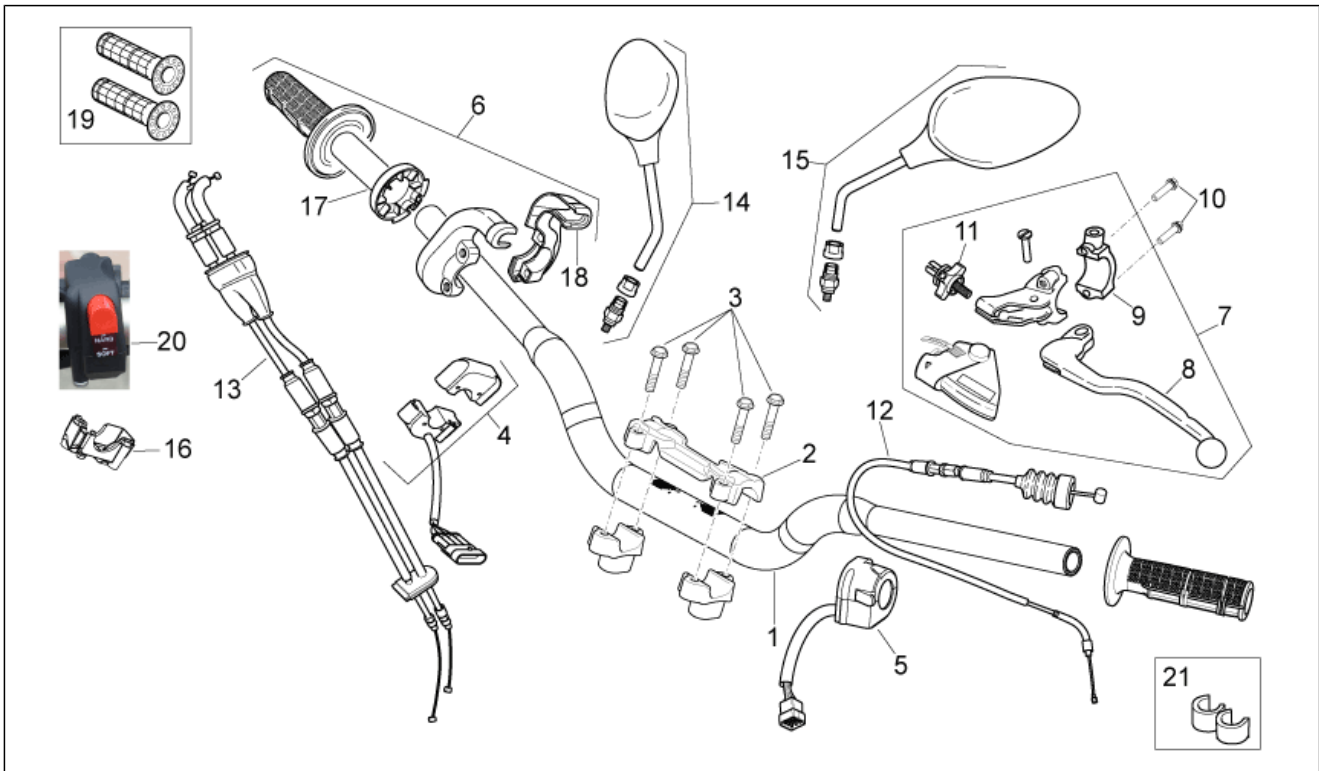
Pos.	Code	Beschreibung	Menge	Varianten
1	AP8184497	R.Heck	1	Fahrzeugfarbe: Off Black 2009 (t.B. 890773)[BK09], Off Black 2010 (t.B.895847)[BK10]
1	AP8184917	Heckteil r., schwarz	1	Fahrzeugfarbe: Off Black 2011 (t.B. 898352)[BK11]
2	AP8184496	L.Heck	1	Fahrzeugfarbe: Off Black 2009 (t.B. 890773)[BK09], Off Black 2010 (t.B.895847)[BK10]
2	AP8184918	Heckteil l., schwarz	1	Fahrzeugfarbe: Off Black 2011 (t.B. 898352)[BK11]
3	AP9100053	Buchse d.10-h.3,5	3	
4	AP8121075	T-Buchse *	2	
5	AP8152279	TE Schr. m. Flansch M6x20	3	
6	AP8152117	TBEI Schraube	1	
7	AP9100594	Buchse 10x7	1	
8	AP8152279	TE Schr. m. Flansch M6x20	1	
9	AP8150015	Ausgleichscheibe 6,6x18x1,6*	2	
10	AP8156381	Hinteres Schutzblech	1	
11	855041	Kennzeichenplatte	1	Land: Europa[EU], Japan[JP]
11	898847	Kennzeichenplatte	1	Land: Australien[AUS]
12	AP8112202	Rückstrahler Rücklicht	1	
13	AP8150450	Wellenscheibe D5	1	
14	855046	Unt. Versch. h. Sitzhal.	1	
15	AP9100434	Selbstsperrende Mutter M6x1	1	
16	AP8152279	TE Schr. m. Flansch M6x20	2	
17	AP8152279	TE Schr. m. Flansch M6x20	2	
18	AP8152246	TBEI Schraube m.Flansch M6x16	2	
19	AP8152277	TE Schr. m. Flansch M6x12	2	
20	254485	Plattchen M6	4	
21	AP8121032	Buchse	2	

Einheit	RAHMEN
Code	28.16
Beschreibung	Instrumententafel
Inspektion	1



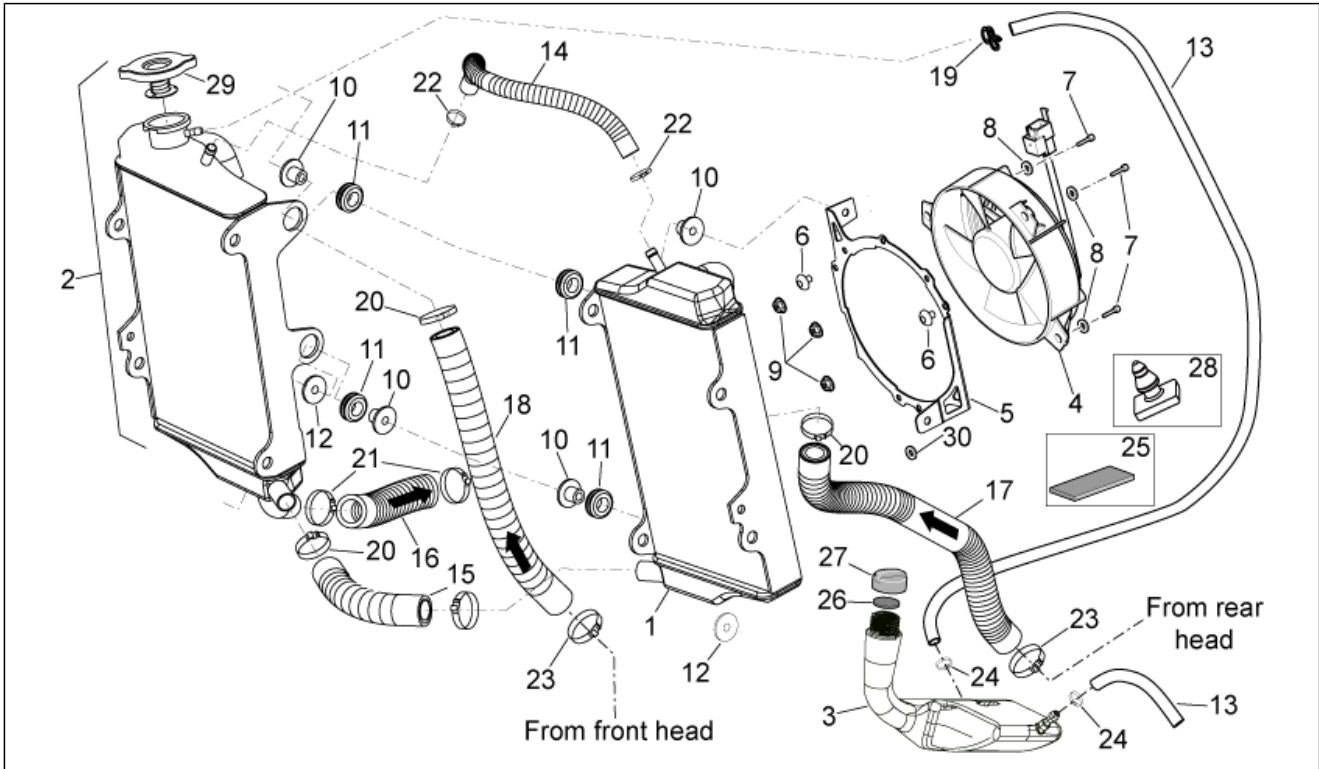
Pos.	Code	Beschreibung	Menge	Varianten
1	AP9100516	Instrumententafel	1	
2	AP8112600	Gummi	3	
3	AP8121795	T-Buchse	3	
4	AP8150451	Selbstsperr.mut Unt.	3	
5	AP8150013	Ausgleichscheibe 5,5x15x1,6*	3	

Einheit	RAHMEN
Code	28.17
Beschreibung	Schaltungen
Inspektion	1



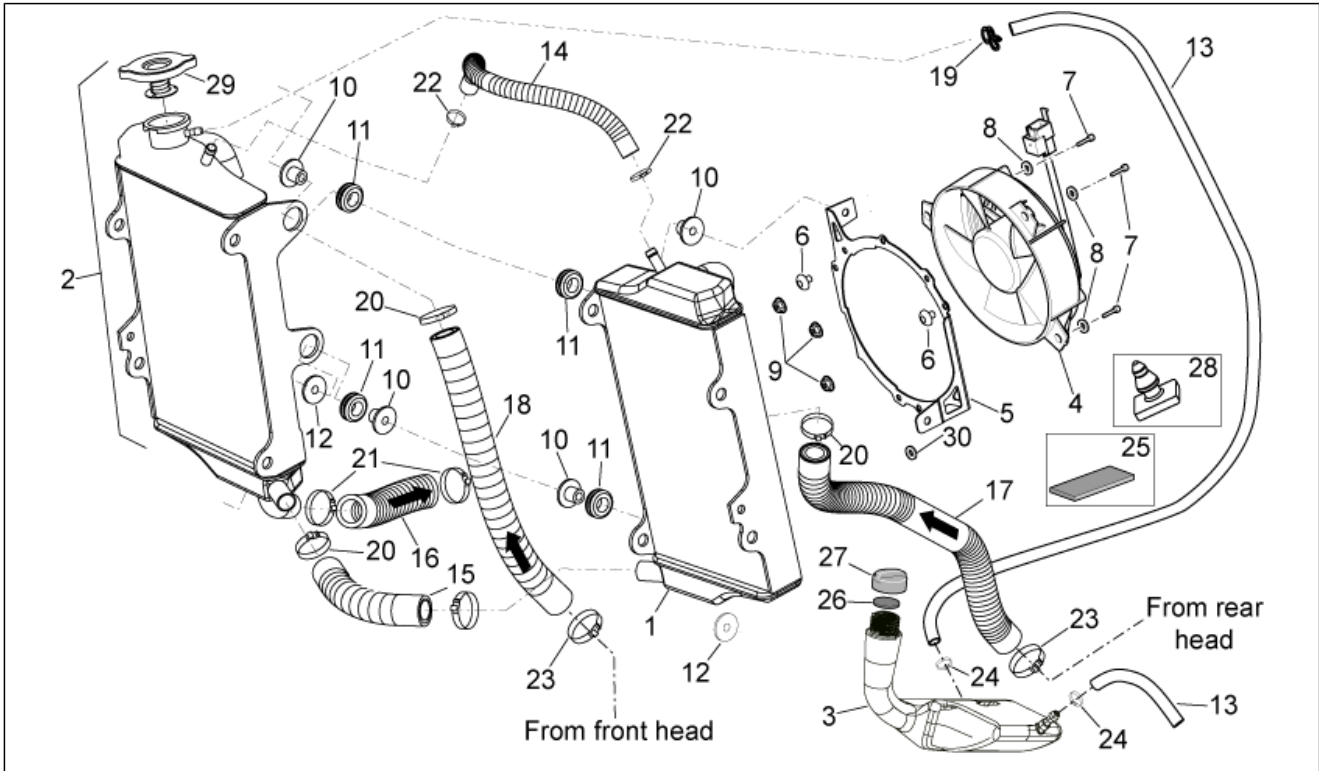
Pos.	Code	Beschreibung	Menge	Varianten
1	855049	Lenkstange	1	
2	853567	Bügelbolzen oben	1	Fahrzeugfarbe:Off Black 2011 (t.B. 898352)[BK11]
2	AP9100297	Bügelbolzen oben	1	Fahrzeugfarbe:Off Black 2009 (t.B. 890773)[BK09], Off Black 2010 (t.B.895847)[BK10]
3	AP8152289	TE Schr. m. Flansch	4	
4	AP9100514	Rechter Lichtschalter	1	
5	AP9100513	Linker Lichtschalter	1	
6	853696	Gasschaltung+griff	1	
7	AP9100636	Kupplungssteuerung	1	
8	AP9100939	Kupplungshebel	1	
9	AP9100940	Bügelbolzen	1	
10	AP8152280	TE Schr. m. Flansch M6x25	2	
11	AP9100941	Kupplungskabel schraube	1	
12	AP9100486	Getriebe kupplungssteuerung	1	
13	853976	Gasantrieb	1	
14	AP8104921	Rückspiegel rechts	1	
15	AP8104922	Rückspiegel links	1	
16	858305	Map switch Untere Schale	1	
17	851359	Progressive Gasleitung	1	
18	851360	Bügelbolzen	1	
19	AP8218628	Handgriffe paar, schwarz	1	
20	858247	Map switch	1	
21	AP9100519	Kleine Feder	3	

Einheit	RAHMEN
Code	28.18
Beschreibung	Kühlanlage
Inspektion	1



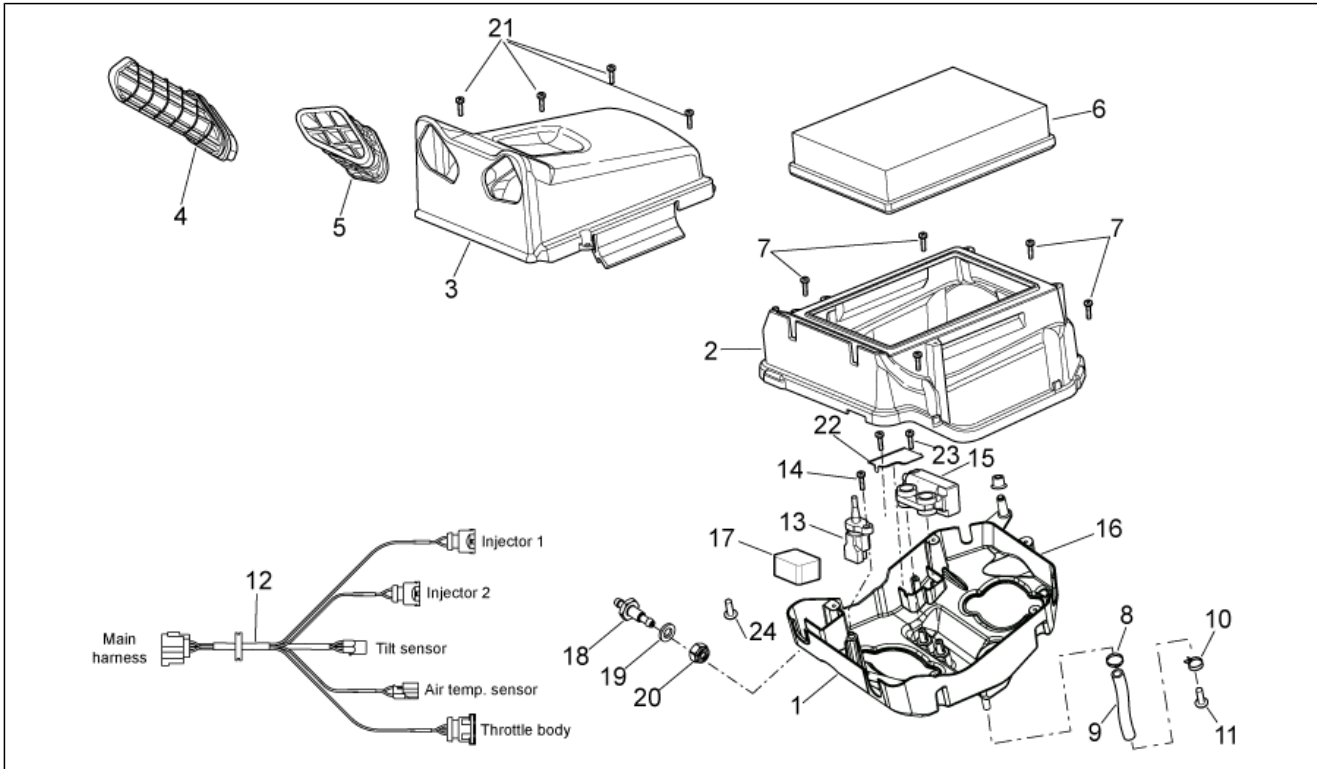
Pos.	Code	Beschreibung	Menge	Varianten
1	AP9100348	Wasserkühler L.	1	
2	AP9100349	Wasserkühler R.	1	
3	AP9100506	Ausdehngefäß	1	
4	AP8124930	Ventilator komplett	1	
5	855690	Lüfterlager	1	
6	AP8120876	Verschlußschraube	3	
7	AP8152267	TBEI Spez.schr. M5x12	3	
8	AP8150013	Ausgleichscheibe 5,5x15x1,6*	3	
9	AP8150451	Selbstsperr.mut Unt.	3	
10	AP9100376	Buchse	4	
11	AP9100946	Silent-Block *	4	
12	AP9100375	Ausgleichscheibe 24,8x6,2x1	2	
13	AP8220325	Kraftstoffleitung 5,5x10	2	
14	AP8144506	Entlüftungsschlauch Kühler 7,5X3,5	1	
15	AP9100555	Leitung 23x15x135	1	
16	AP9100557	Cooler-pump pipe 27x19x145	1	
17	AP9100553	Leitung 23x15x380	1	
18	AP9100554	Leitung 23x15x295	1	
19	AP8102738	Schlauchschelle	1	
20	AP8201169	Schlauchschelle D22x8,6*	4	
21	AP9100456	Schlauchschelle 26x8	2	
22	AP9100714	Schlauchschelle 14,5x8	2	
23	AP9100697	Schlauchschelle 21x8	2	
24	AP8120446	Schlauchschelle, grün D11x6,6x1	2	
25	AP8117041	Klebeschwamm 6x30	2	
26	AP8220191	Dichtung	1	
27	AP8104124	Ausdehnsg. Schraube	1	
28	AP8120455	Gummi	1	

Einheit	RAHMEN
Code	28.18
Beschreibung	Kühlanlage
Inspektion	1



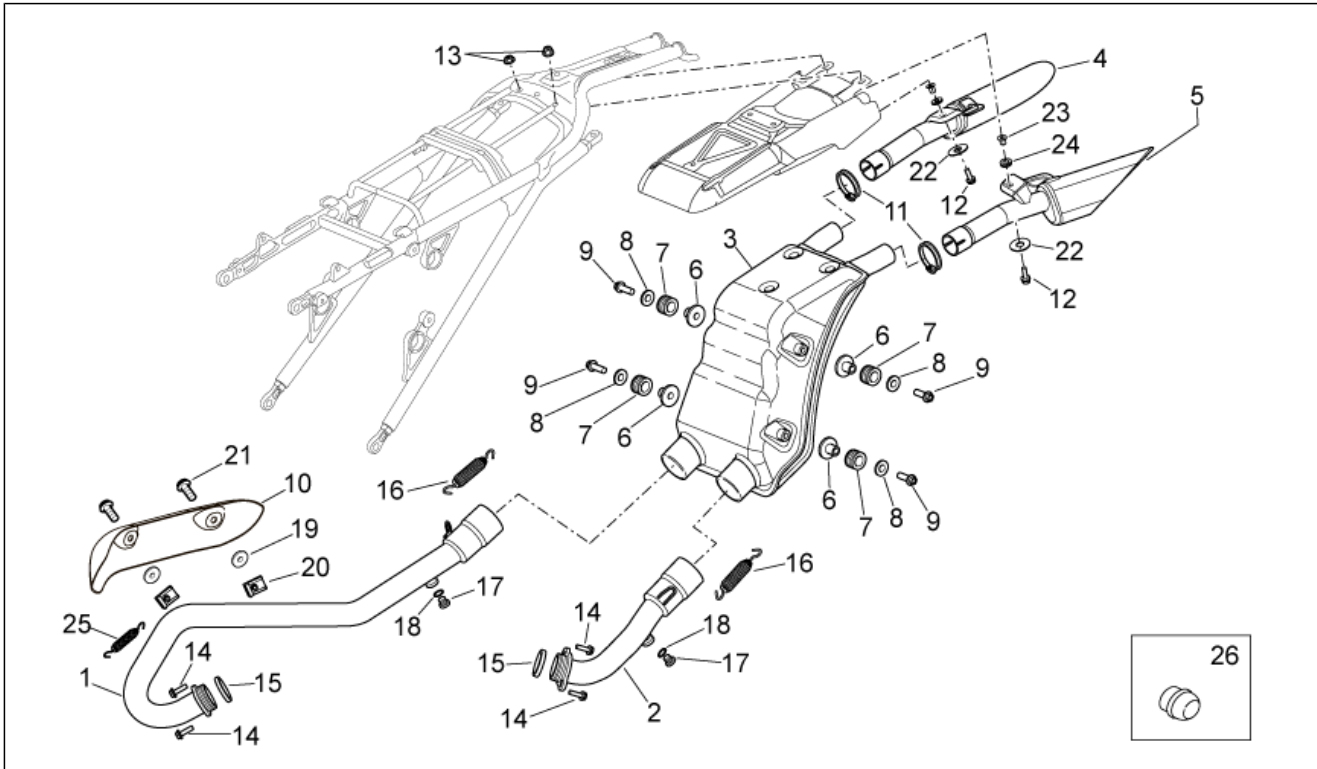
Pos.	Code	Beschreibung	Menge	Varianten
29	AP9100948	Kühlerschraube	1	
30	AP8150016	Scheibe 6,6x18x1,6	1	

Einheit	RAHMEN
Code	28.19
Beschreibung	Filtergehäuse
Inspektion	1



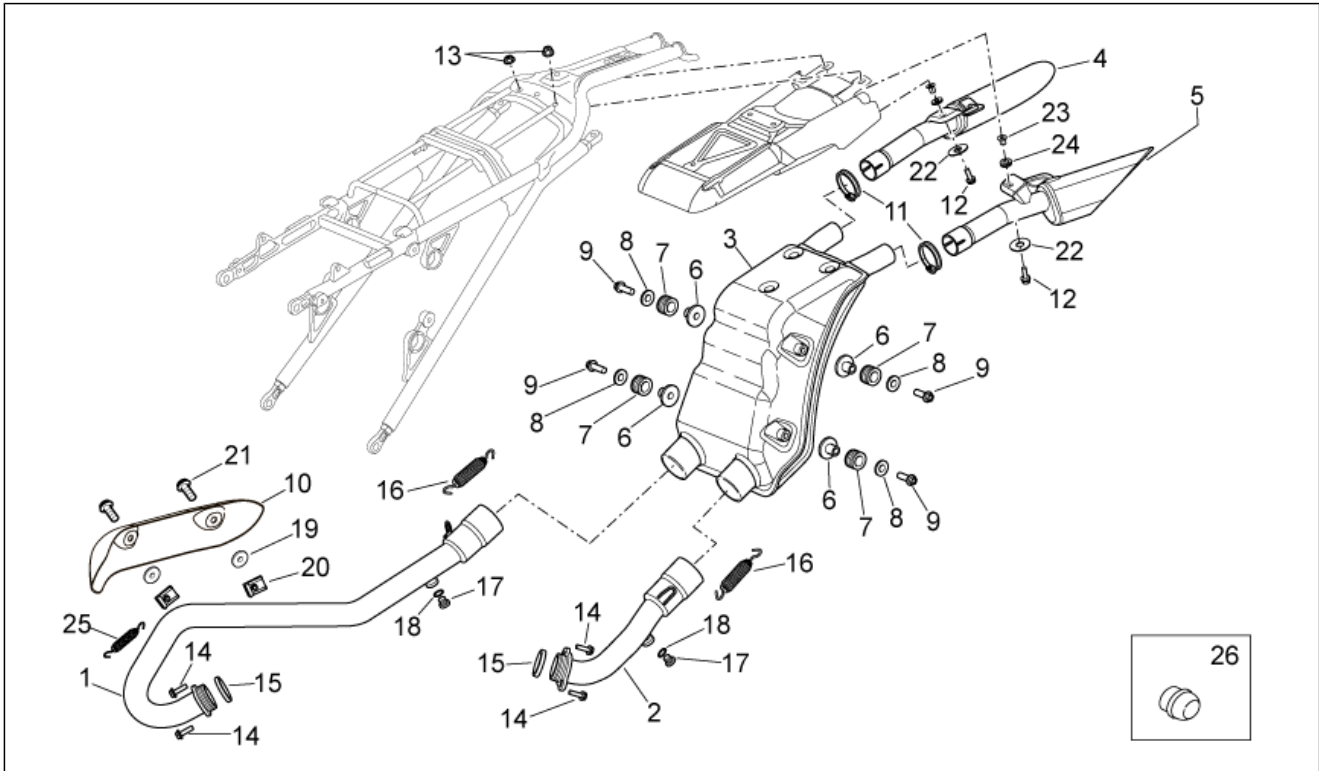
Pos.	Code	Beschreibung	Menge	Varianten
1	855093	Boden Filtergehäuse	1	Technische Daten: Version Motard 550[SX55]
1	855094	Boden Filtergehäuse	1	Technische Daten: Version Motard 450[SX45]
2	853695	Filtereinsatzgehäuse	1	
3	AP9100703	Deckel	1	
4	AP9100588	R.Lufteinlass	1	
5	AP9100587	L.Lufteinlass	1	
6	AP8104329	Luftfilter	1	
7	AP8152351	Linsenschraube 4,2x16*	5	
8	AP8101595	Schelle D10,1	1	
9	AP8144038	Kraftstoffleitung 6x10	1	
10	AP8102377	Schelle D9,1*	1	
11	AP8120876	Verschlußschraube	1	
12	AP9100455	Verkabelung	1	
13	AP9100427	Lufttemperaturfühler	1	
14	AP8150413	Gew.schr. 3,9x14	1	
15	AP9100428	Sturzfühler	1	
16	AP8120593	Dichtung D4	1	
17	851006	Schwingungsdämpfergummi	1	
18	855081	Düse	1	
19	AP8144065	Gummi	1	
20	709052	Selbstsperr.mut Unt.	1	
21	AP8150413	Gew.schr. 3,9x14	4	
22	AP9150529	Deckel	1	
23	AP8152334	TBEI Schraube m.Flansch M3x12	2	
24	855790	Ventil	1	

Einheit	RAHMEN
Code	28.20
Beschreibung	Auslassgruppe
Inspektion	1



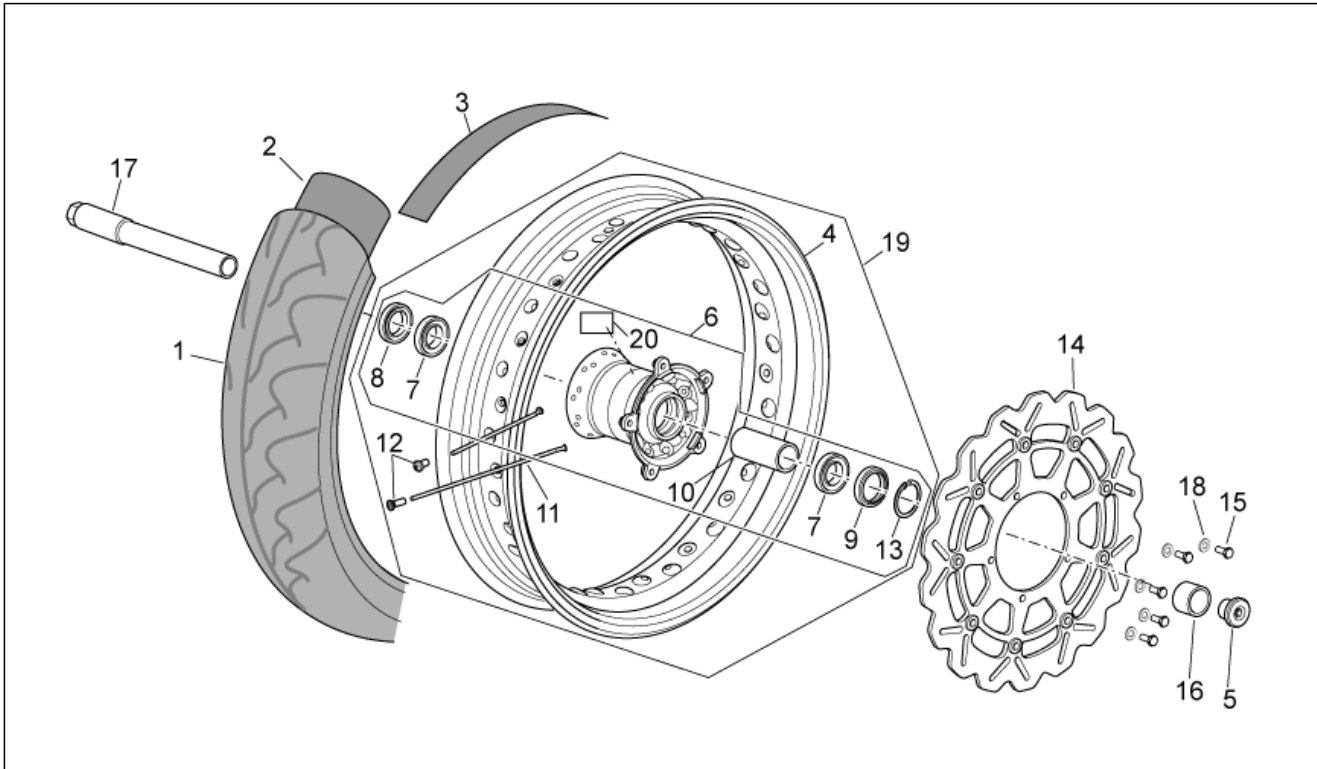
Pos.	Code	Beschreibung	Menge	Varianten
1	855036	Auspuffrohr vorn	1	Technische Daten: Version Motard 450[SX45]
1	855037	Auspuffrohr vorn	1	Technische Daten: Version Motard 550[SX55]
2	855026	Auspuffrohr hinten	1	Land: Europa[EU] Technische Daten: Version Motard 550[SX55]
2	855087	Auspuffrohr hinten	1	Land: Europa[EU] Technische Daten: Version Motard 450[SX45]
2	891110	Auspuffrohr hinten	1	Land: Japan[JP] Technische Daten: Version Motard 450[SX45]
2	891111	Auspuffrohr hinten	1	Land: Japan[JP] Technische Daten: Version Motard 550[SX55]
3	856941	Schalldämpfer	1	
4	AP9100244	Endstück re.	1	
5	AP9100249	Endstück li.	1	
6	AP9100409	Buchse	4	
7	AP9100845	Schwingschutzlager	4	
8	AP9100736	Ausgleichscheibe 8,3x20x1,5	4	
9	AP8152288	TE Schr. m. Flansch	4	
10	AP9100238	Hitzeschutz r. Auspuffrohr	1	
11	851470	Schelle D.30	2	
12	AP8152279	TE Schr. m. Flansch M6x20	2	
13	AP9100434	Selbstsperrende Mutter M6x1	2	
14	598839	TE Schr. m. Flansch	4	
15	AP9100252	Dichtung Auspuffrohr	2	
16	AP8121170	Feder	2	
17	AP9100755	CO-Anschlußschraube	2	
18	AP8119603	Ausgleichscheibe 10x14x1	2	
19	AP8120870	Isolierscheibe	2	
20	254485	Plattchen M6	2	
21	AP8152342	TE Schr. m. Flansch M6x12	2	

Einheit	RAHMEN
Code	28.20
Beschreibung	Auslassgruppe
Inspektion	1



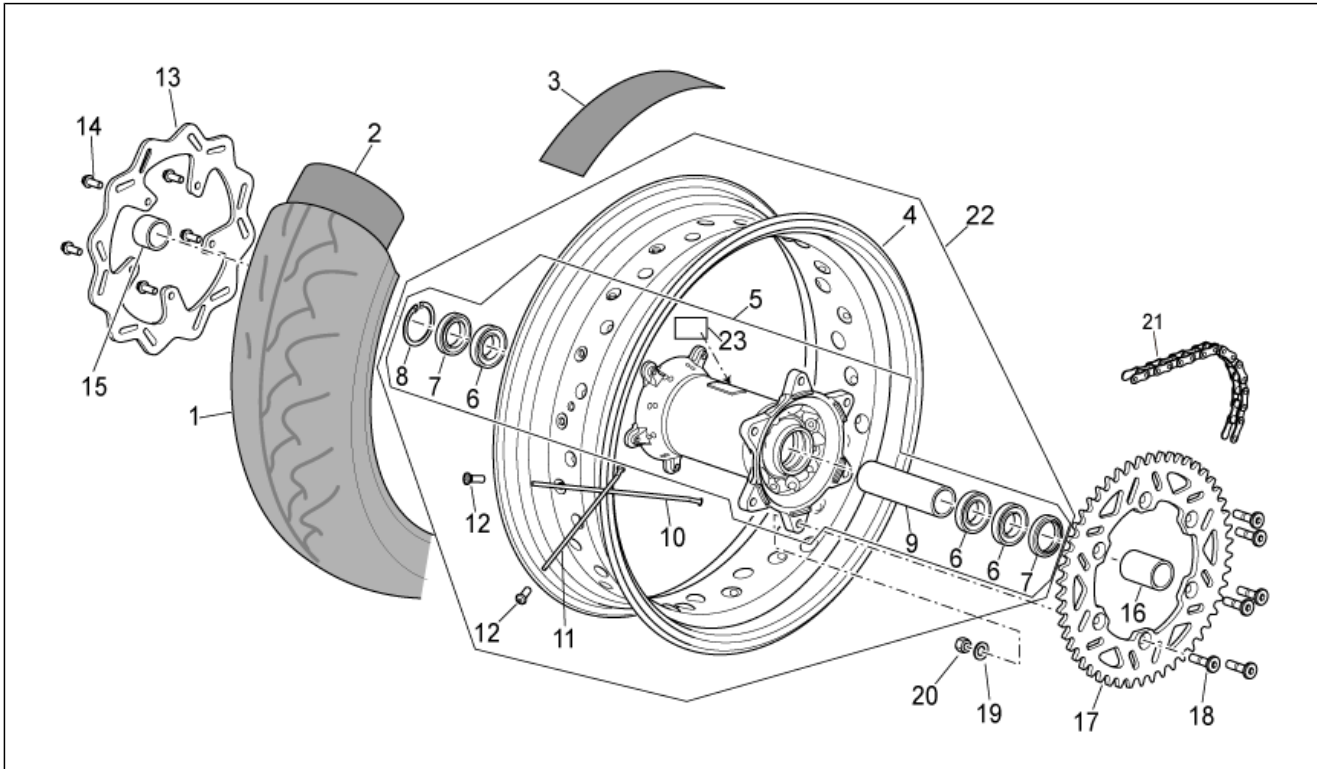
Pos.	Code	Beschreibung	Menge	Varianten
22	AP8150015	Ausgleichscheibe 6,6x18x1,6*	2	
23	AP9100302	T-Buchse	2	
24	AP9100301	Gummi	2	
25	858142	Feder Auspuffrohre	1	
26	858592	Ogive	2	

Einheit	RAHMEN
Code	28.21
Beschreibung	Vorderrad
Inspektion	1



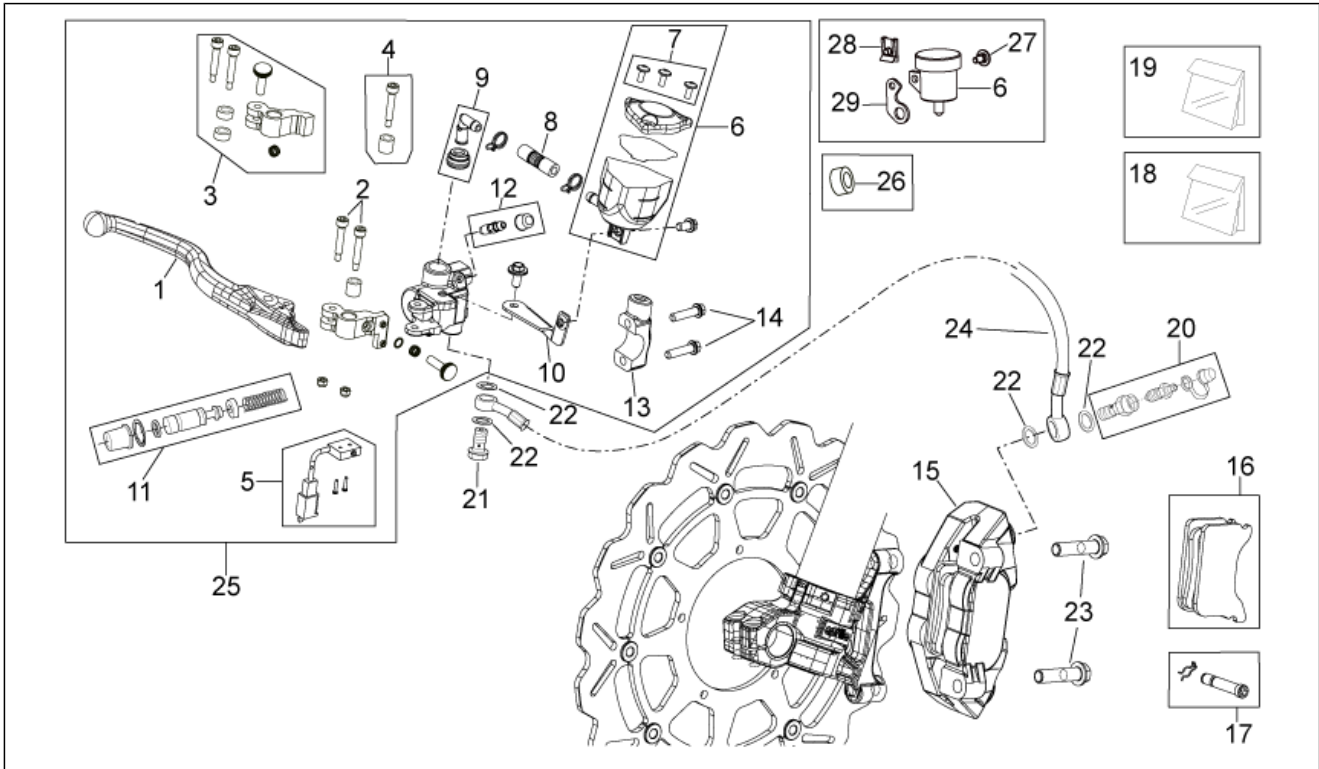
Pos.	Code	Beschreibung	Menge	Varianten
1	85156R	Vorderreifen 120/70 ZR 17"	1	
2	AP8109306	Schlauch 17"	1	
3	AP8109309	Radband 17"	1	
4	855802	Vorderradfelgen 3,5X17"	1	Fahrzeugfarbe: Off Black 2011 (t.B. 898352)[BK11]
4	AP9100561	Vorderradfelgen 3,5X17"	1	Fahrzeugfarbe: Off Black 2009 (t.B. 890773)[BK09], Off Black 2010 (t.B.895847)[BK10]
5	AP9100171	Deckel M22	1	
6	AP9100225	Nabe vorne	1	
7	AP9100216	Kugellager 25x42x9	2	
8	AP9100228	Gasket ring 28x42x7	1	
9	AP9100227	Gasket ring 32x42x7	1	
10	AP9100226	Interne Distanzscheibe L=69,7	1	
11	AP9100106	Speiche d.3,5-17"	36	
12	AP8108672	Nippel D3,5	36	
13	AP8121334	Seegerring D.42	1	
14	AP9100528	Vorderradbremsscheibe d.320	1	
15	855720	Sechskantschraube M6x16	1	Fahrzeugfarbe: Off Black 2011 (t.B. 898352)[BK11]
15	AP8150070	Sechskantschraube M6x16	5	Fahrzeugfarbe: Off Black 2009 (t.B. 890773)[BK09], Off Black 2010 (t.B.895847)[BK10]
16	AP9100229	Externe Distanzscheibe L=26,3	1	
17	855203	Vorderradbolzen L=221,5	1	
18	AP8150429	Sprengscheibe 6,4x11x0,5*	5	
19	851064	Vorderrad 17"	1	Fahrzeugfarbe: Off Black 2009 (t.B. 890773)[BK09], Off Black 2010 (t.B.895847)[BK10]
19	B045117	Vorderrad 17"	1	Fahrzeugfarbe: Off Black 2011 (t.B. 898352)[BK11]
20	AP9100318	Distanzscheibe	1	

Einheit	RAHMEN
Code	28.22
Beschreibung	Hinterrad
Inspektion	1



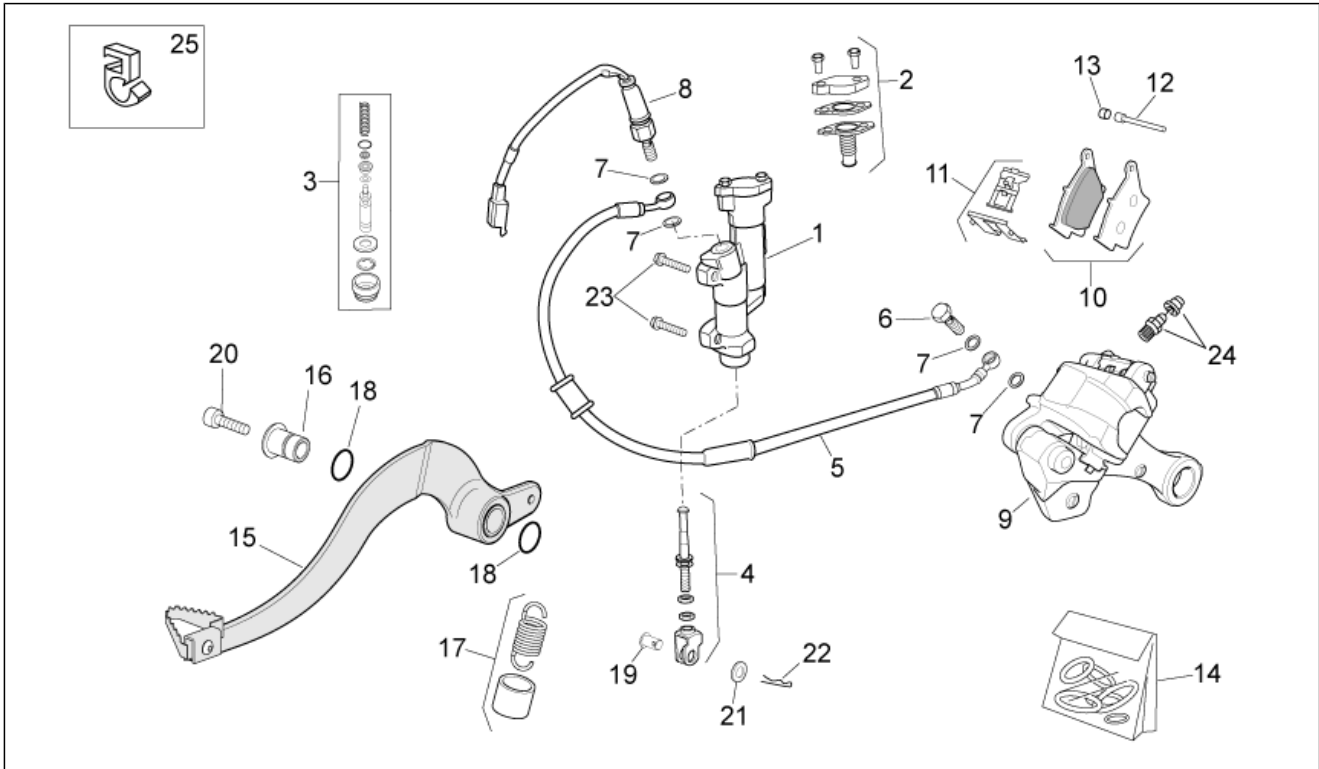
Pos.	Code	Beschreibung	Menge	Varianten
1	85197R	Hinterreifen 180/55 zr17 Pirelli	1	
2	AP9100526	Schlauch 17"	1	
3	978683	Hinterradband	1	
4	855803	H.Felge 5,5X17"	1	Fahrzeugfarbe: Off Black 2011 (t.B. 898352)[BK11]
4	AP9100560	H.Felge 5,5X17"	1	Fahrzeugfarbe: Off Black 2009 (t.B. 890773)[BK09], Off Black 2010 (t.B.895847)[BK10]
5	AP9100322	Nabe hinten	1	
6	AP9100216	Kugellager 25x42x9	3	
7	AP9100227	Gasket ring 32x42x7	2	
8	AP8121334	Seegerring D.42	1	
9	AP9100584	Interne Distanzscheibe L=134,3	1	
10	AP9101057	Speiche 4-17"-l.185	18	
11	AP9101056	Speiche d.4-17"-l.180	18	
12	AP9100569	Nippel d.4	36	
13	AP9100466	Vorderradbremsscheibe d.240	1	
14	598839	TE Schr. m. Flansch	5	Fahrzeugfarbe: Off Black 2009 (t.B. 890773)[BK09], Off Black 2010 (t.B.895847)[BK10]
14	855625	TE Schr. m. Flansch	5	Fahrzeugfarbe: Off Black 2011 (t.B. 898352)[BK11]
15	AP9100595	Externe Distanzscheibe L=21,9	1	
16	AP9100596	Externe Distanzscheibe L=45,1	1	
17	AP9100334	Zahnkranz Z=46	1	
18	855626	Schraube M8x30	6	Fahrzeugfarbe: Off Black 2011 (t.B. 898352)[BK11]
18	AP9100467	Schraube M8x30	6	Fahrzeugfarbe: Off Black 2009 (t.B. 890773)[BK09], Off Black 2010 (t.B.895847)[BK10]
19	AP8150009	Scheibe	6	
20	AP9100432	Selbstsperr.Mut.Unt. M8x1,25	6	
21	AP9100715	Kette 5/8x1/4	1	
22	851066	Hinterrad ohne Scheibe 17"	1	
23	AP9100318	Distanzscheibe	1	

Einheit	RAHMEN
Code	28.23
Beschreibung	Bremsanlage - Vorn
Inspektion	1



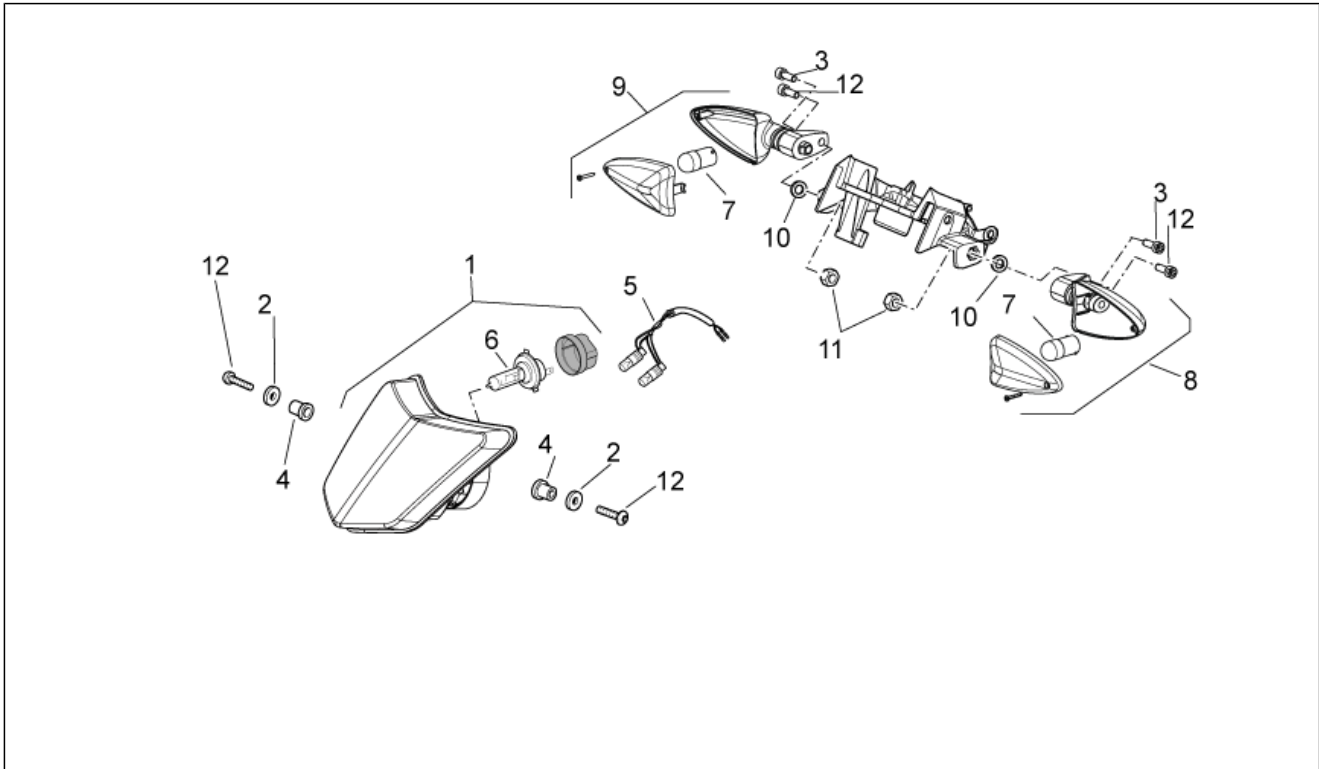
Pos.	Code	Beschreibung	Menge	Varianten
1	851366	Hebel	1	
2	AP9100921	Schraube	1	
3	851367	Kit Hebelüberholung	1	
4	AP9100919	Pressing kit	1	
5	AP9100918	Bremslichtschalter	1	
6	AP9100917	Öltank kpl	1	
7	AP9100916	Schraube	1	
8	AP9100915	Bremschlauch	1	
9	AP9100914	Anschluss	1	
10	851368	Platte	1	
11	AP9100912	Bausatz Pumpenüberholung	1	
12	AP9100911	Bausatz Entlüftungsüberh.	1	
13	AP9100910	Bügelbolzen	1	
14	AP8152280	TE Schr. m. Flansch M6x25	2	
15	AP9100713	Vorderradbremzange	1	
16	AP9100906	Beläge (Paar)	1	
17	AP9100907	Splintbolzen	1	
18	AP9100908	Bausatz Bremszangenüberholung	1	
19	AP9100909	Paar Kolben	1	
20	AP9100905	Bausatz Entlüftungsüberh.	1	
21	AP9100763	Fixierschraube Ölschlauch	1	
22	AP8113004	Ausgleichscheibe 10x14x1,6*	4	
23	AP9100749	TE Schr. m. Flansch M10x1,25x40	2	
24	AP9100712	Vorderradbremseleitung	1	
25	851348	Vorderradbremspumpe FTE	1	

Einheit	RAHMEN
Code	28.24
Beschreibung	Bremsanlage - Hinten
Inspektion	1



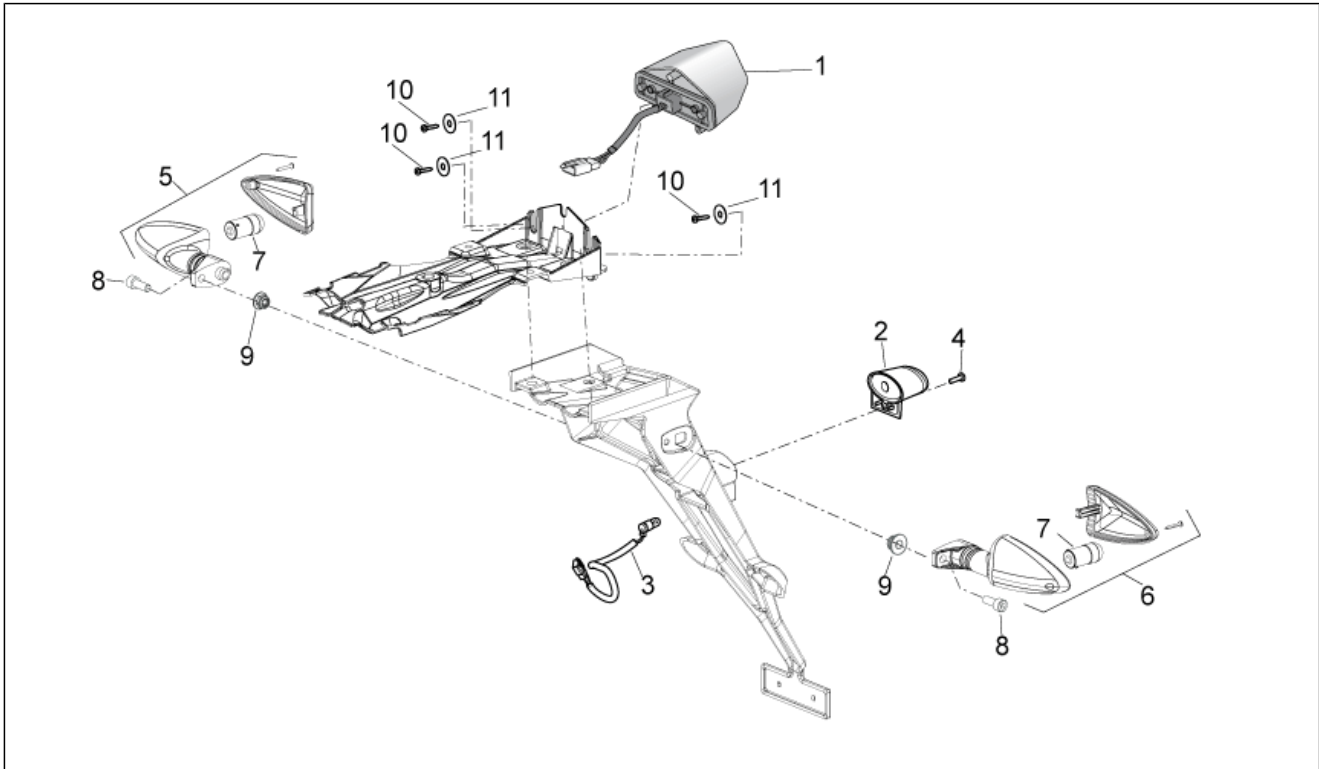
Pos.	Code	Beschreibung	Menge	Varianten
1	AP9100475	Hinterradbremspumpe	1	
2	AP9100794	Aust.satz Verschlusschraube	1	
3	AP9100793	Kolben, kit	1	
4	AP9100795	Kit Hebelüberholung	1	
5	AP9100478	Hinterradbremseleitung	1	
6	AP9100472	Sechskantschraube M10x1,25	2	
7	AP9100473	Ausgleichscheibe 14x10,2x1	4	
8	AP9100417	Bremslichtschalter	1	
9	AP9100479	Hinterradbremsszange	1	
10	AP9100797	Beläge (Paar)	1	
11	AP9100798	Feder	1	
12	AP9100800	Splintbolzen	1	
13	AP9100799	Deckel	1	
14	AP9100796	Bausatz Bremszangenüberholung	1	
15	855506	H.bremshebel	1	
16	AP9100290	Buchse	1	
17	AP9100291	Feder	1	
18	AP9100477	O-Ring 18x2	2	
19	AP9100354	Stift Hinterradbremshieb.	1	
20	AP8150169	TCEI Schraube M8x20	1	
21	AP8150017	Ausgleichscheibe 8,4x16x1,6	1	
22	AP8101928	Splint	1	
23	598839	TE Schr. m. Flansch	2	
24	AP9100789	Bausatz Entlüftungsüberh.	1	
25	AP9100752	Kleine Feder	2	

Einheit	RAHMEN
Code	28.25
Beschreibung	Vorderer Lichter
Inspektion	1



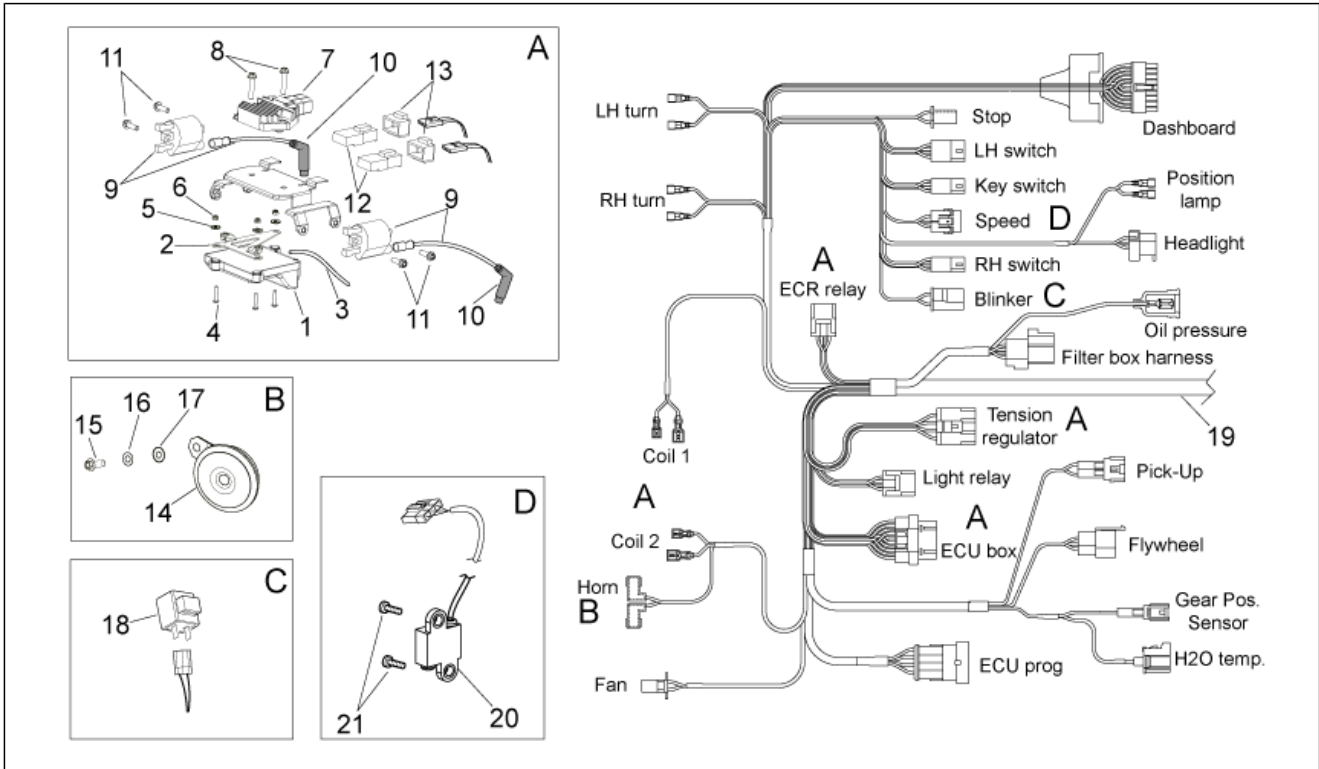
Pos.	Code	Beschreibung	Menge	Varianten
1	855038	Scheinwerfer	1	Land:Europa[EU], Japan[JP]
1	859702	Scheinwerfer	1	Land:Australien[AUS]
2	AP8152181	Scheibe 6,4x15x1	2	
3	AP8152108	TBEI Schraube	2	
4	AP8121032	Buchse	2	
5	856610	Kabel Standlicht	1	
6	292723	Lampen H4 12V-60/55W	2	
7	AP8127489	Lampen RY10W 12V	2	
8	855140	Vorderblinker links/ Hinterblinker rechts	1	
9	855139	Vorderblinker rechts/ Hinterblinker links	1	
10	AP8150017	Ausgleichscheibe 8,4x16x1,6	2	
11	AP8152262	Mutter unten	2	
12	AP8152137	TBEI Schraube M6x20	2	

Einheit	RAHMEN
Code	28.26
Beschreibung	Hinterer Lichter
Inspektion	1



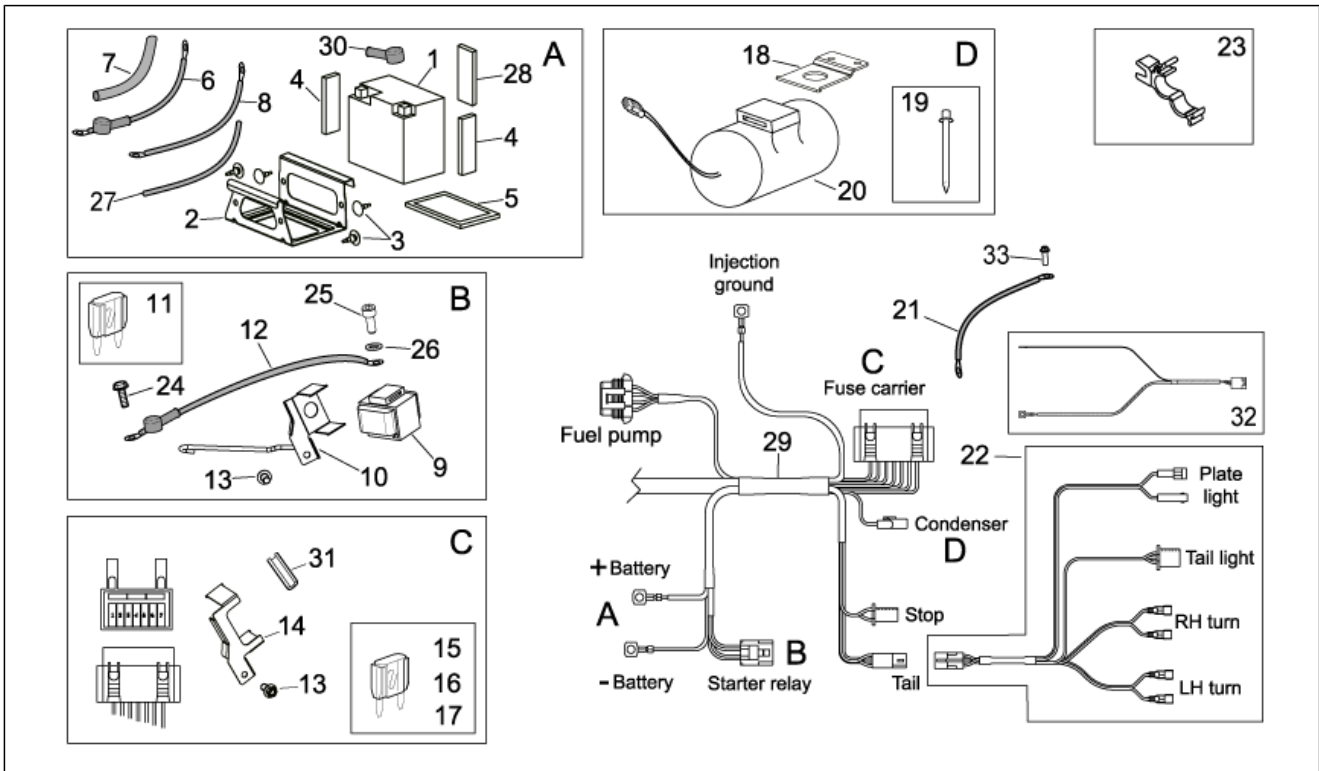
Pos.	Code	Beschreibung	Menge	Varianten
1	855039	Rücklicht	1	
2	AP8127098	Kennzeichenleuchte	1	
3	AP8224655	Kennzeich.leuch.Kabel	1	
4	AP8150413	Gew.schr. 3,9x14	1	
5	AP8127784	Vorderblinker links/ Hinterblinker rechts	1	
6	AP8127783	Vorderblinker rechts / Hinterblinker links	1	
7	AP8127489	Lampen RY10W 12V	2	
8	AP8152108	TBEI Schraube	2	
9	AP8150430	Selbstsperr.mut Unt.	2	
10	AP8150413	Gew.schr. 3,9x14	3	
11	AP8150159	Ausgleichscheibe 4,3x16*	3	

Einheit	RAHMEN
Code	28.27
Beschreibung	Elektrische anlage I
Inspektion	1



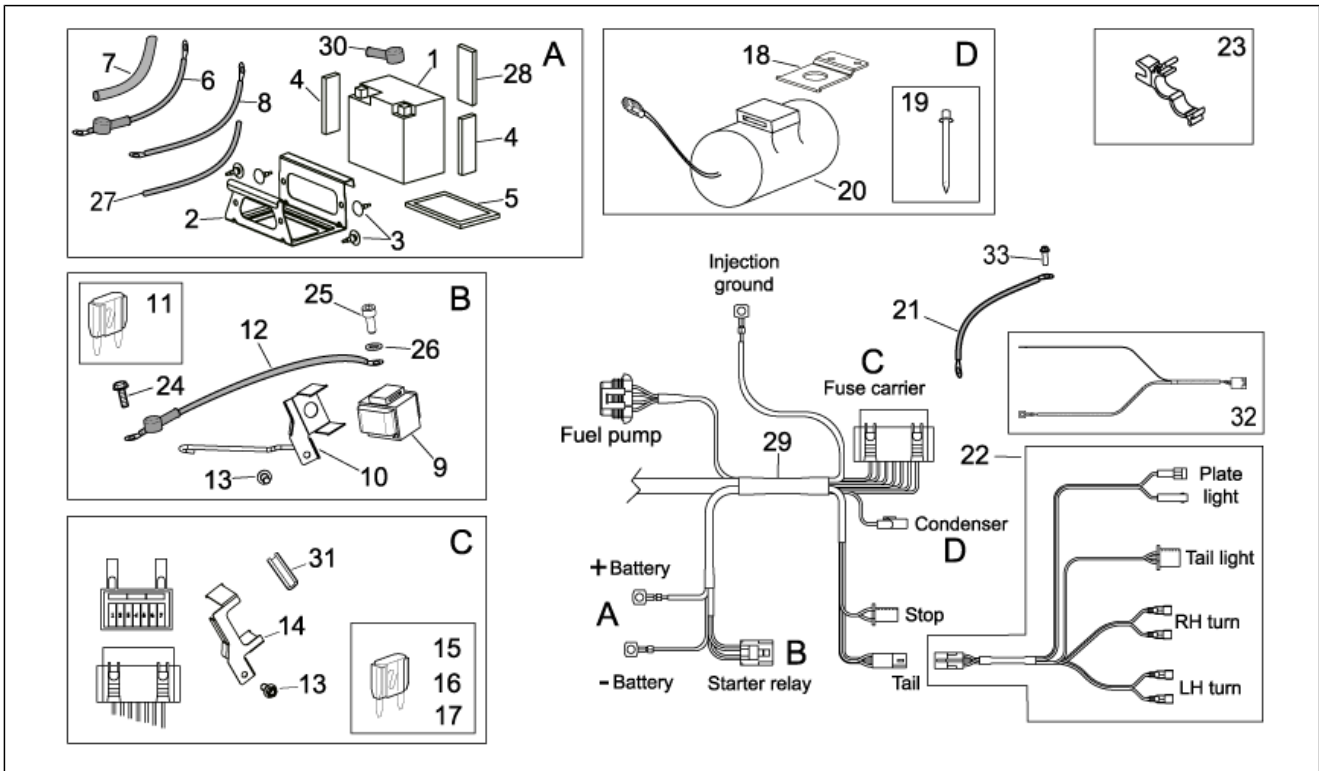
Pos.	Code	Beschreibung	Menge	Varianten
1	AP9100447	Elektronische Steuereinheit	1	
2	851023	Halteplatte Steuerung	1	
3	AP8220598	Entlüftungsschlauch Kühler	1	
4	AP9100945	TBEI Schraube M4x20	3	
5	AP8150011	Ausgleichscheibe 4,3x12x1	3	
6	AP8150204	Mutter M4	3	
7	AP9100424	Spannungsregler	1	
8	AP8152281	TE Schr. m. Flansch M6x30	2	
9	AP9100429	Spule	2	
10	AP9100423	Zündkerzenkappe	2	
11	598839	TE Schr. m. Flansch	4	
12	AP8224462	Zündrelais 12V-30A	2	
13	AP8220283	Gummi *	2	
14	855724	Hupe	1	
15	AP8152112	TCEI Schraube	1	
16	AP8150376	Ausgleichscheibe 8,5x15x0,8	1	
17	AP8150017	Ausgleichscheibe 8,4x16x1,6	1	
18	AP8124235	Blinken	1	
19	859728	Hauptverkabelung	1	
20	AP9100965	Sensorscheibe	1	
21	AP8150460	Gewindeschraube M4x12	2	

Einheit	RAHMEN
Code	28.28
Beschreibung	Elektrische anlage II
Inspektion	1



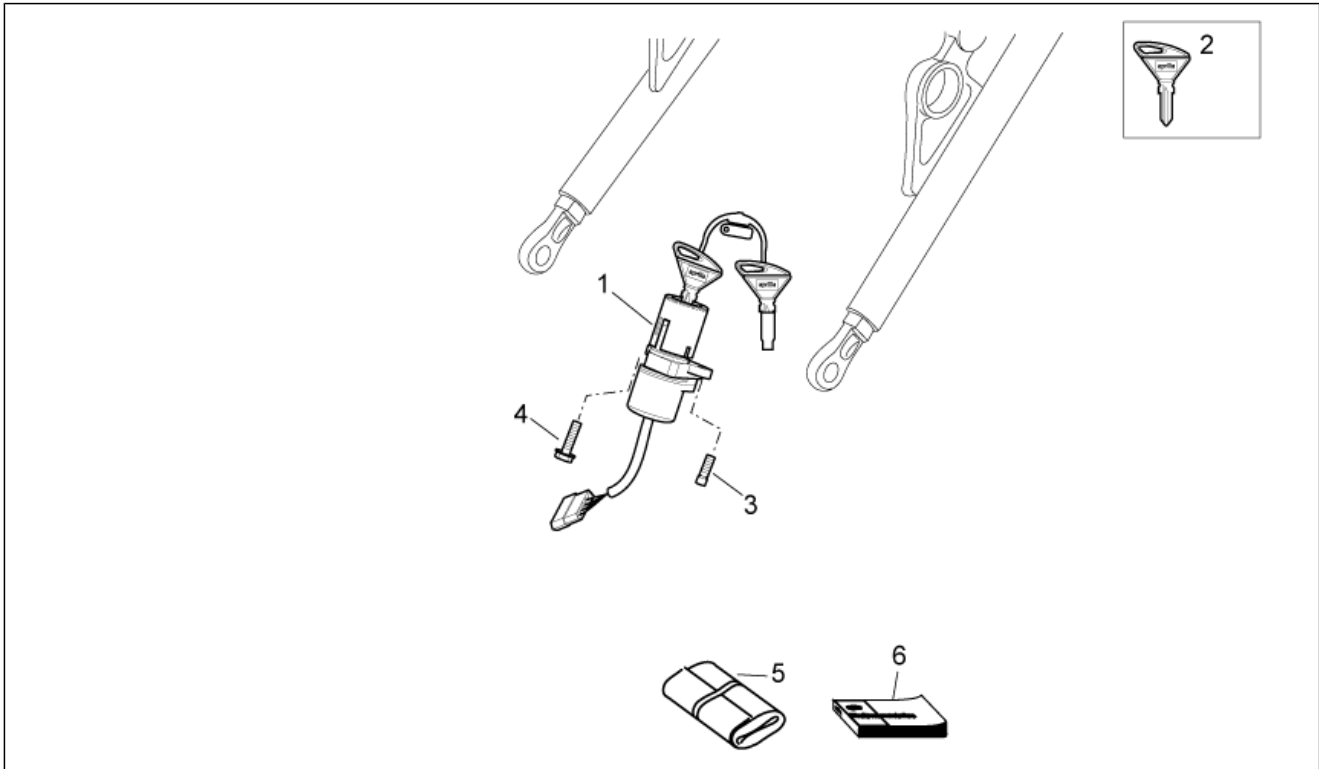
Pos.	Code	Beschreibung	Menge	Varianten
1	AP9100512	Batterie	1	
2	AP9101000	Batteriegeh. kpl.	1	
3	AP8120001	Gummi	4	
4	AP8144538	Dichtung	2	
5	AP9100725	Gummi	1	
6	AP9100371	Verkabelung Batterie-Relais	1	
7	CM239401	Gummischlauch 12,8x8,8 L=120	1	
8	AP9100372	Masse-Batteriekabel	1	
9	AP9100487	Zündrelais	1	
10	AP9100325	Platte	1	
11	496404	Sicherung 30A	2	
12	AP9100558	Verkabelung Starter	1	
13	AP8152272	TE Schr. m. Flansch M5x12	2	
14	AP9100327	Hltr. Sicherungsblock	1	
15	AP8176099	Sicherung	3	
16	252945	Sicherung 7,5A	4	
17	290860	Sicherung 15A	3	
18	AP9100742	Platte	1	
19	AP9100782	Kunststoffniet inox	1	
20	AP9100739	Kondensator 10000 Uf	1	
21	AP9100783	Motor-Rahmen Masse Kabel	1	
22	855111	Verkabelung Rücklicht	1	
23	AP9100765	Kleine Feder	1	
24	AP8152277	TE Schr. m. Flansch M6x12	1	
25	AP8152123	TCEI Schraube	2	
26	AP8150429	Sprengscheibe 6,4x11x0,5*	2	
27	CM239402	Gummischlauch 12,8x8,8 L=95	1	
28	AP8117004	Klebschwamm 15x8	1	

Einheit	RAHMEN
Code	28.28
Beschreibung	Elektrische anlage II
Inspektion	1



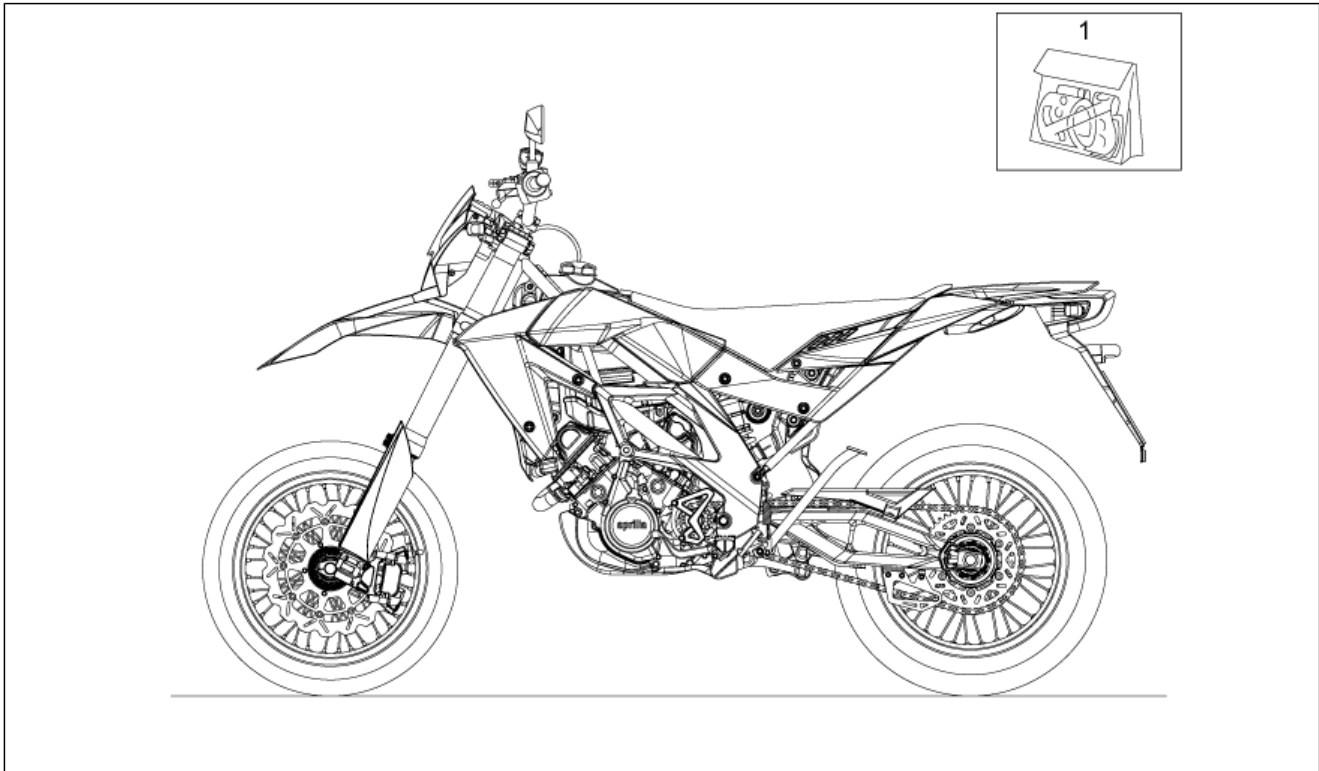
Pos.	Code	Beschreibung	Menge	Varianten
29	859728	Hauptverkabelung	1	
30	AP9100959	Klemmenkappe	1	
31	AP9100997	Dichtung	1	
32	855604	Verkabelung Unterbr.getriebe	1	
33	AP8152272	TE Schr. m. Flansch M5x12	1	

Einheit	RAHMEN
Code	28.29
Beschreibung	Fertigstellung
Inspektion	1



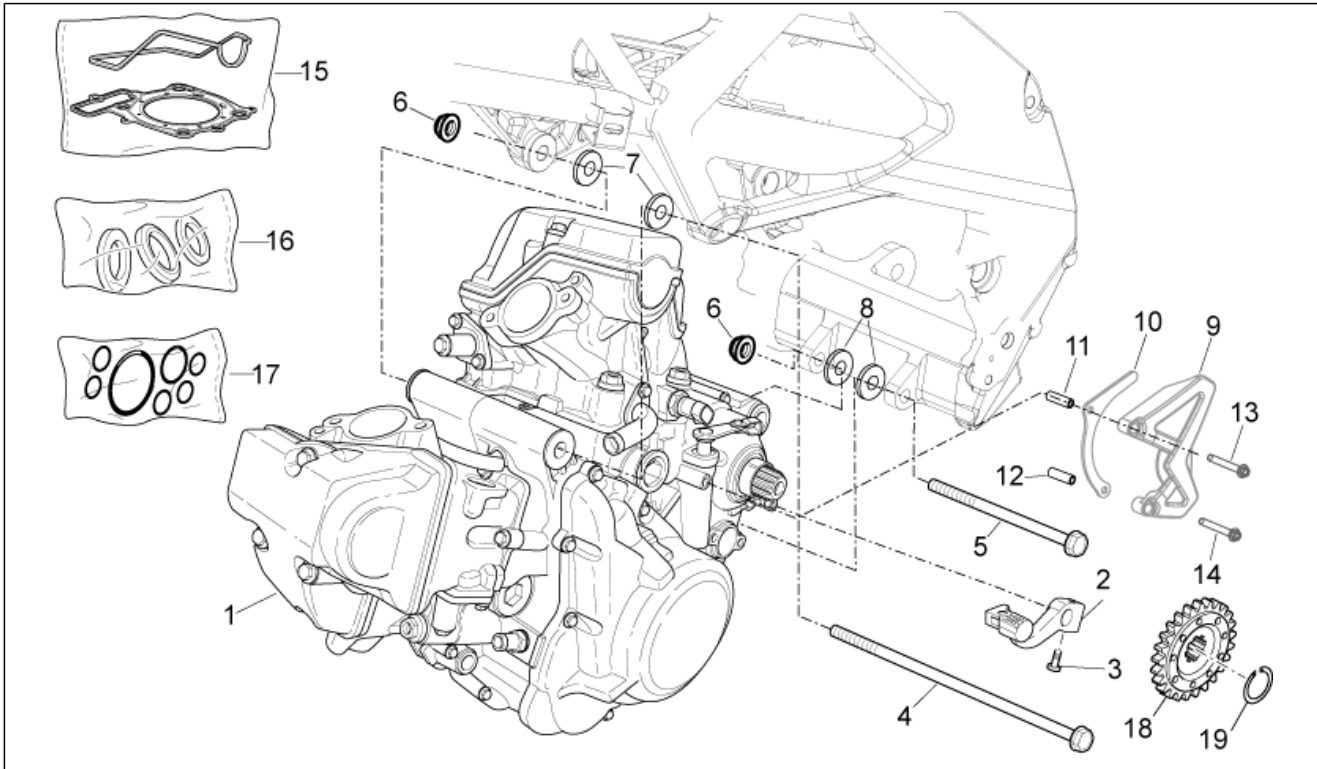
Pos.	Code	Beschreibung	Menge	Varianten
1	85182R	Lenkschloß	1	
2	AP8140710	"Aprilia" schlüssel ohne tran.	1	
3	AP8150349	Spezialschraube M8x15	1	
4	AP8150211	TCEI Schraube M8x16	1	
5	AP9100936	Werkzeugtasche	1	
6	854074	Bed./Wart.-Anl.I-D-F-E-UK-NL I-D-F-E-UK-NL	1	

Einheit	RAHMEN
Code	28.53
Beschreibung	Deko
Inspektion	1



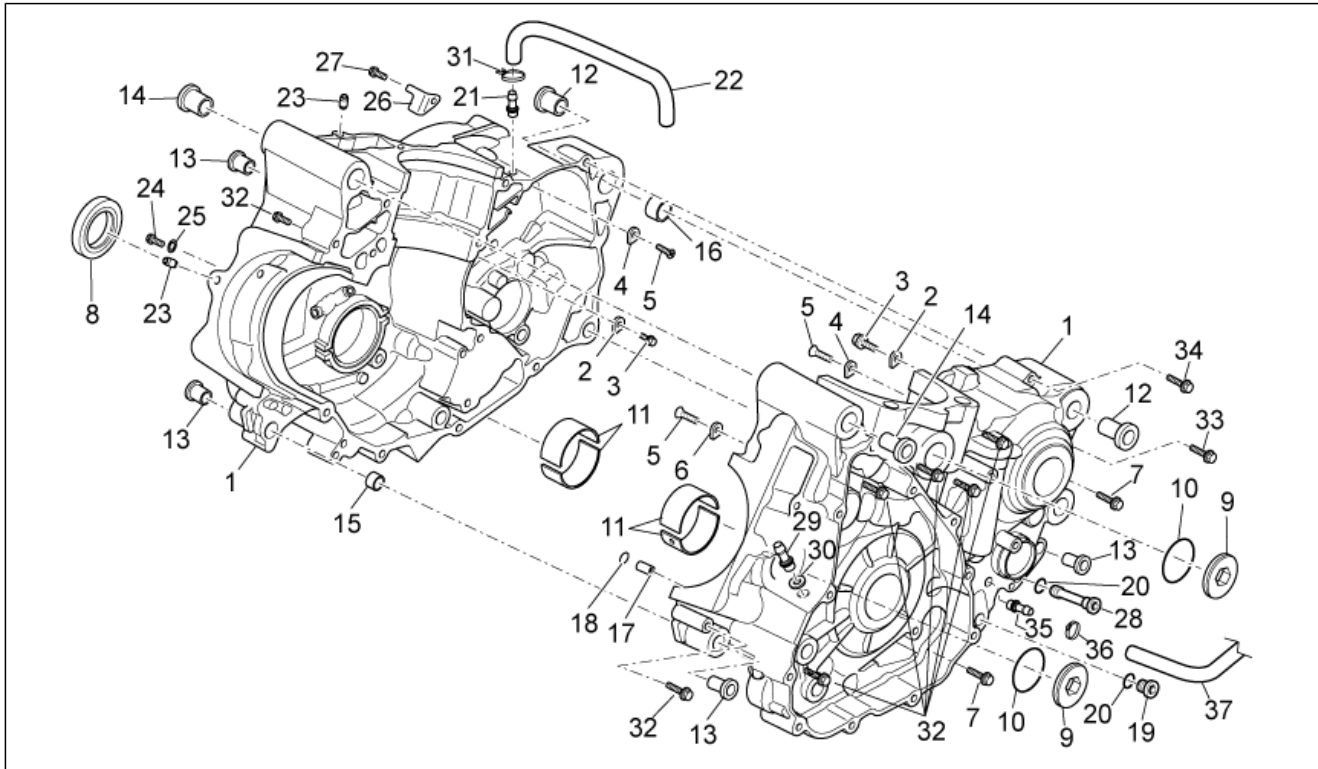
Pos.	Code	Beschreibung	Menge	Varianten
1	890489	Deko Serie	1	Fahrzeugfarbe: Off Black 2009 (t.B. 890773)[BK09] Technische Daten: Version Motard 450[SX45]
1	890523	Deko Serie	1	Fahrzeugfarbe: Off Black 2009 (t.B. 890773)[BK09] Technische Daten: Version Motard 550[SX55]
1	895850	Deko Serie	1	Fahrzeugfarbe: Off Black 2010 (t.B.895847)[BK10] Technische Daten: Version Motard 450[SX45]
1	895851	Deko Serie	1	Fahrzeugfarbe: Off Black 2010 (t.B.895847)[BK10] Technische Daten: Version Motard 550[SX55]
1	898319	Deko Serie	1	Fahrzeugfarbe: Off Black 2011 (t.B. 898352)[BK11] Technische Daten: Version Motard 450[SX45]
1	898320	Deko Serie	1	Fahrzeugfarbe: Off Black 2011 (t.B. 898352)[BK11] Technische Daten: Version Motard 550[SX55]

Einheit	MOTOR
Code	29.30
Beschreibung	Motor
Inspektion	1



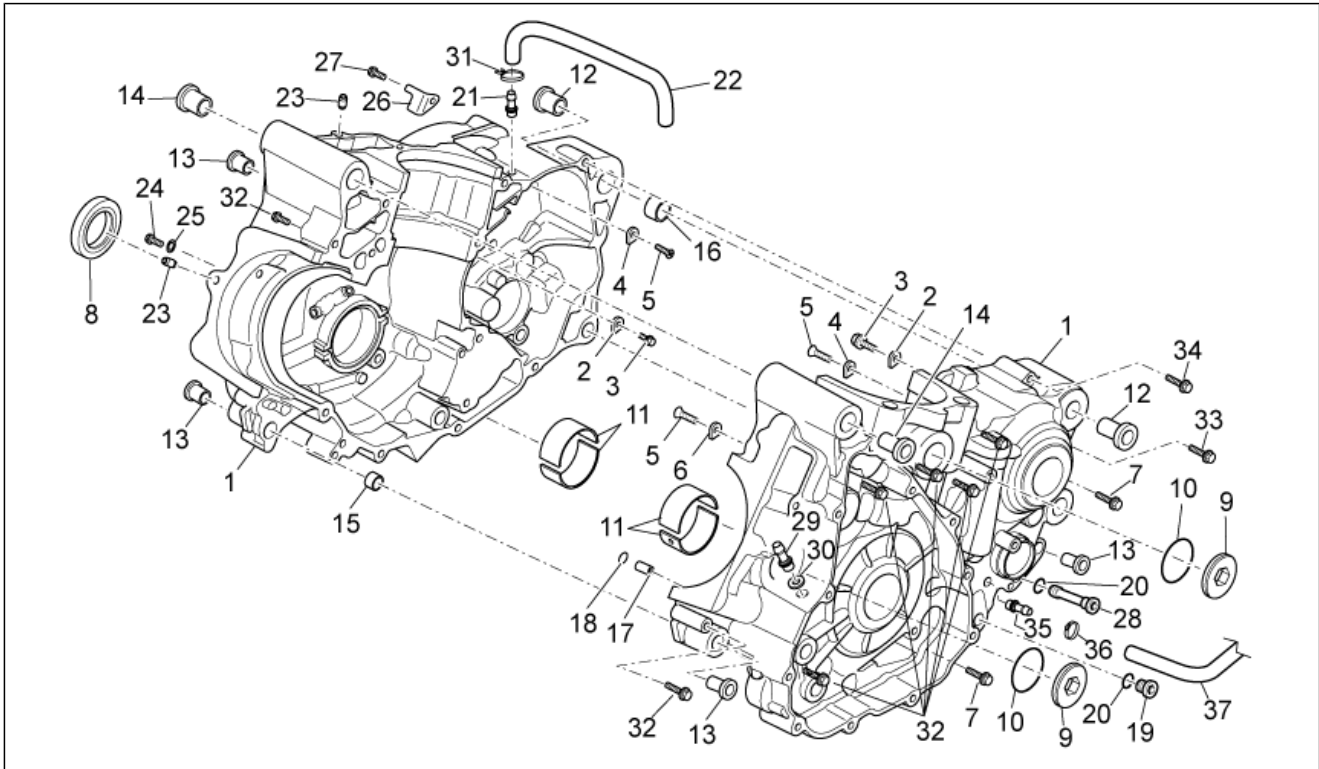
Pos.	Code	Beschreibung	Menge	Varianten
1	CM2362055	Motor	1	Technische Daten: Version Motard 450[SX45]
1	CM2363055	Motor	1	Technische Daten: Version Motard 550[SX55]
2	AP9100411	Schalthebel	1	
3	AP8152280	TE Schr. m. Flansch M6x25	1	
4	AP9100593	Schraube M10x1,25 L=202	1	
5	AP9100443	Schraube M10x1,25 L=102	1	
6	AP9100643	Selbstsperrende Mutter M10x1,25	2	
7	AP9100687	Ausgleichscheibe 28x10,5x3	2	
8	AP9100683	Ausgleichscheibe 18x10,5x0,5	2	
8	AP9100684	Ausgleichscheibe 18x10,5x1	2	
8	AP9100685	Ausgleichscheibe 18x10,5x1,5	2	
8	AP9100686	Ausgleichscheibe 18x10,5x2	2	
9	AP9100374	Ritzelkasten	1	
10	AP9100367	Kettenführung	1	
11	AP9100383	Buchse	1	
12	AP9100381	Buchse	1	
13	AP8152284	TE Schr. m. Flansch	1	
14	AP9150395	TE Schr. m. Flansch M6x60	1	
15	855834	Dichtungen - Satz	1	Technische Daten: Version Motard 450[SX45]
15	855835	Dichtungen - Satz	1	Technische Daten: Version Motard 550[SX55]
16	855819	Dichtungssatz	1	
17	855833	OR - Satz	1	
18	AP9100525	Ritzel	1	Technische Daten: Version Motard 450[SX45]
18	AP9100600	Ritzel Z=16	1	Technische Daten: Version Motard 550[SX55]
19	AP9100451	Seegerring für Welle D25	1	

Einheit	MOTOR
Code	29.31
Beschreibung	Kurbelwellengehäuse I
Inspektion	1



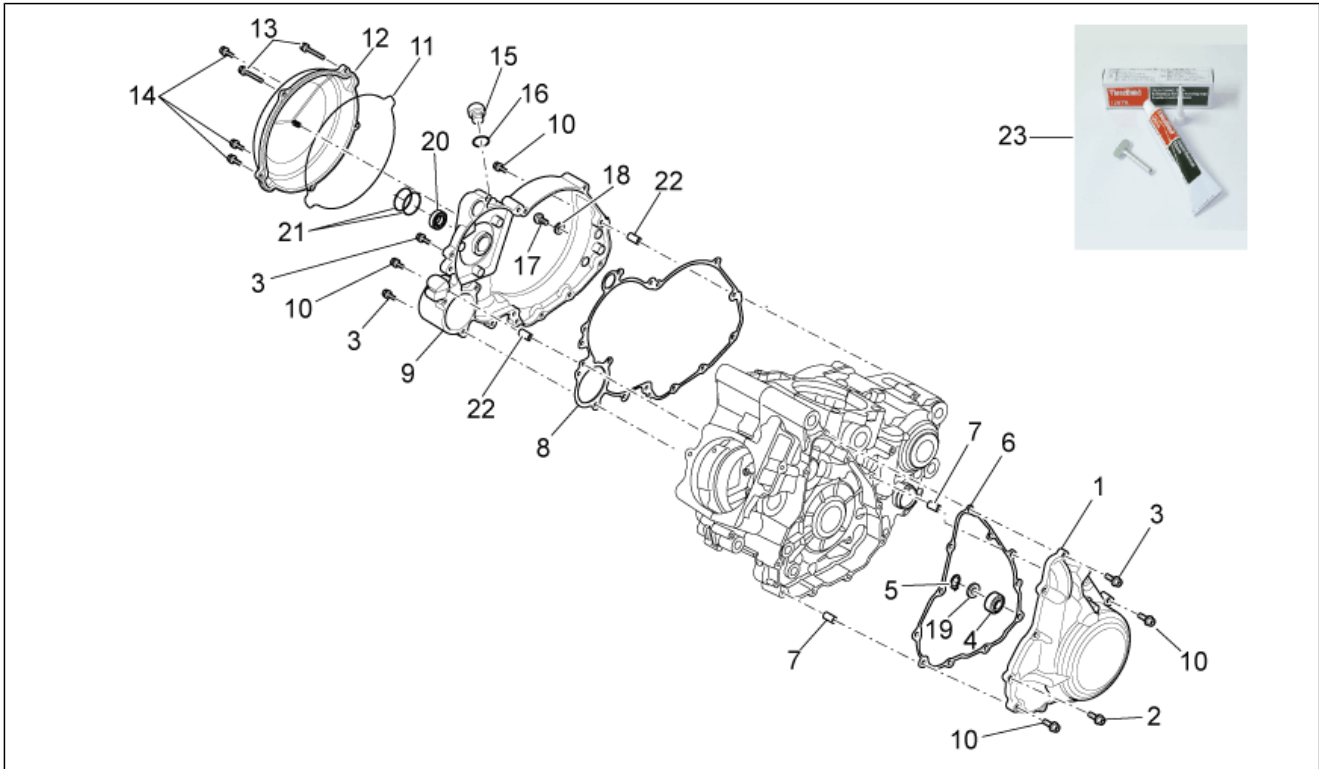
Pos.	Code	Beschreibung	Menge	Varianten
1	CM155402	Gehäuse Paar	1	Technische Daten: Version Motard 450[SX45]
1	CM155404	Gehäuse Paar	1	Technische Daten: Version Motard 550[SX55]
2	AP9150146	Lager-Halteplatte	3	
3	AP8152277	TE Schr. m. Flansch M6x12	3	
4	AP9150145	Lager-Halteplatte	2	
5	AP9150394	Schraube M6x12	3	
6	AP9150489	Lager-Halteplatte	1	
7	AP8152283	TE Schr. m. Flansch	6	
8	AP9150435	Ölabstreifring D32x45x6	1	
9	AP9150149	Deckel	2	
10	AP9150353	O-Ring D26,65x2,62	2	
11	AP9150324	Halbsch. Bronzebchs., grün	4	
11	AP9150456	Halbsch. Bronzebu., blau	4	
11	AP9150457	Halbsch. Bronzebu., gelb	4	
12	AP9150440	T-Buchse 34x21x10,5-L18	2	
13	AP9150441	T-Buchse 28x13x10,5-L11,5	2	
14	AP9150442	T-Buchse 19x13x10,5-L11,5	4	
15	AP9150116	Buchse D16x19X13	1	
16	AP9150115	Buchse D18x21X19	1	
17	AP9150117	Stift D7,2x9x12	1	
18	AP9150350	O-Ring D8,73x1,78	1	
19	AP9150174	Ölablaßschraube	1	
20	AP9150349	Dichtscheibe D12x18x1,5	2	
21	AP9150533	Anschluss	1	
22	AP9150471	Entlüftungsschlauch Kühler	1	
23	AP9150346	Strahl	2	
24	AP8152285	TE Schr. m. Flansch	1	
25	AP8121862	Ausgleichscheibe D8x16x1,5	1	

Einheit	MOTOR
Code	29.31
Beschreibung	Kurbelwellengehäuse I
Inspektion	1



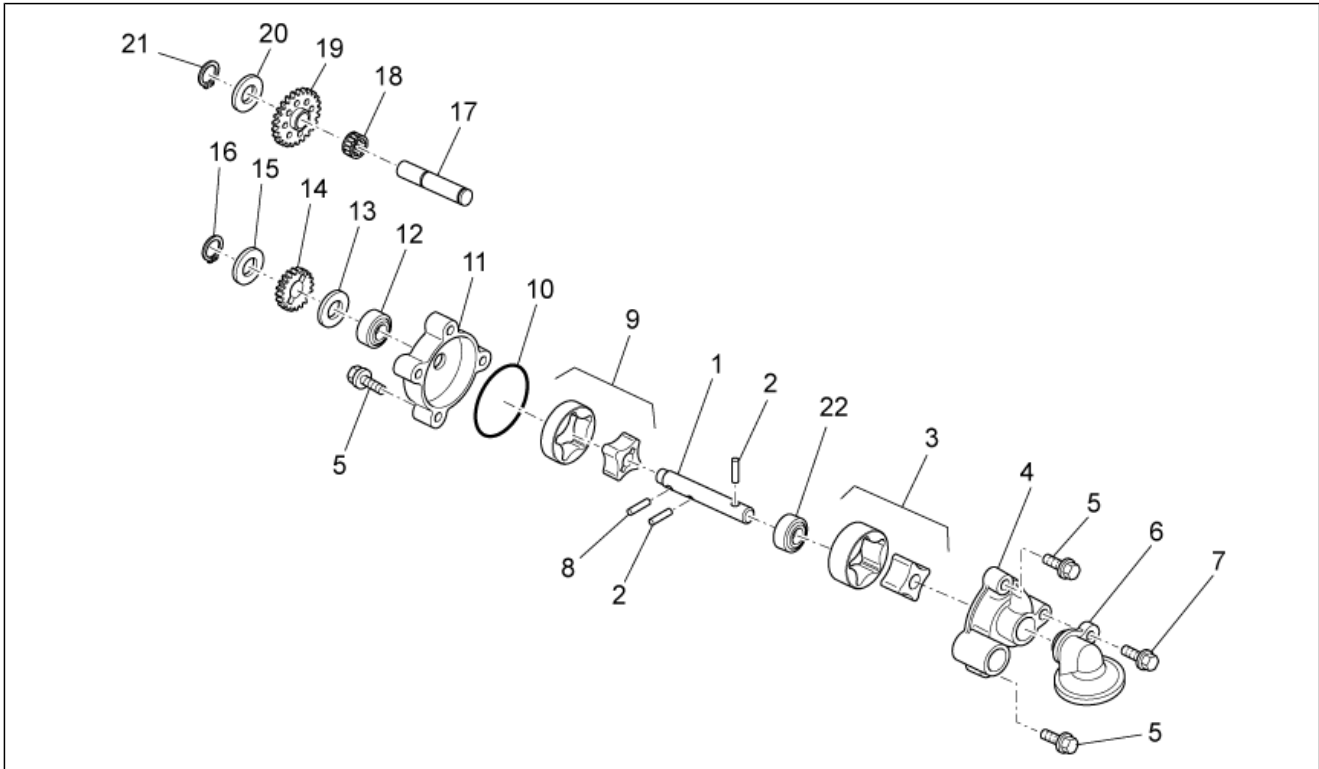
Pos.	Code	Beschreibung	Menge	Varianten
26	AP9150439	Platte	1	
27	AP8152277	TE Schr. m. Flansch M6x12	1	
28	AP9150078	Ölablaßschraube	1	
29	AP9150109	Anschluss	1	
30	AP9150349	Dichtscheibe D12x18x1,5	1	
31	AP8102377	Schelle D9,1*	1	
32	AP9150526	TE Schr. m. Flansch M7x1x42	7	
33	828909	TE Schr. m. Flansch M6x65	1	
34	828922	TE Schr. m. Flansch M6x75	1	
35	AP9150344	Anschluss	1	
36	CM001911	Schlauchschelle	1	
37	AP9150545	Entlüftungsschlauch Kühler 5x9	1	

Einheit	MOTOR
Code	29.32
Beschreibung	Kurbelwellengehäuse II
Inspektion	1



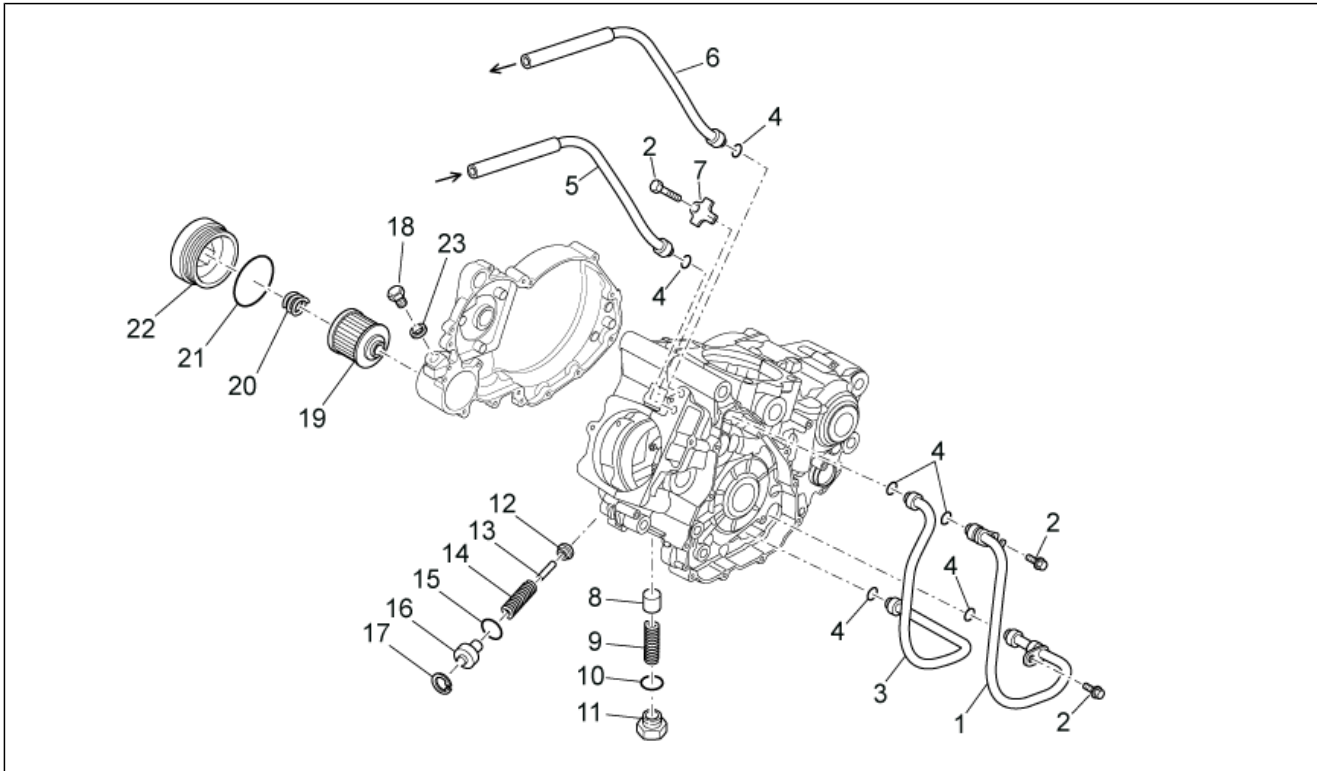
Pos.	Code	Beschreibung	Menge	Varianten
1	855242	Zünddeckel	1	
2	AP8152279	TE Schr. m. Flansch M6x20	9	
3	AP8152280	TE Schr. m. Flansch M6x25	10	
4	855031	Ölabstreifring D12x22x6	1	
5	000674	Seegerring 25x26.9x1.2	1	
6	AP9150153	Dichtung	1	
7	AP9150118	Buchse D6,2x8X15	2	
8	AP9150148	Dichtung	1	
9	851019	Kupplungsseite Deckel	1	
10	AP8152282	TE Schr. m. Flansch M6x35	4	
11	AP9150150	O-Ring D171,13x2,62	1	
12	AP9150094	Kupplungsdeckel	1	
13	AP9150395	TE Schr. m. Flansch M6x60	2	
14	AP8152279	TE Schr. m. Flansch M6x20	3	
15	AP9150410	Ölschraube M20x1,5	1	
16	AP9150356	O-Ring D18,72x2,62	1	
17	AP9150473	TBEI Schraube M6x10	1	
18	AP9150351	Dichtscheibe D6x12x1	1	
19	AP9150522	Becher Ölabstreifring	1	
20	851015	Kugellager 10x19x5	1	
21	851012	O-Ring 20x1	2	
22	851017	Buchse D6,2x7,8X15	2	
23	855252	Flachdichtmittel	1	

Einheit	MOTOR
Code	29.33
Beschreibung	Ölpumpe
Inspektion	1



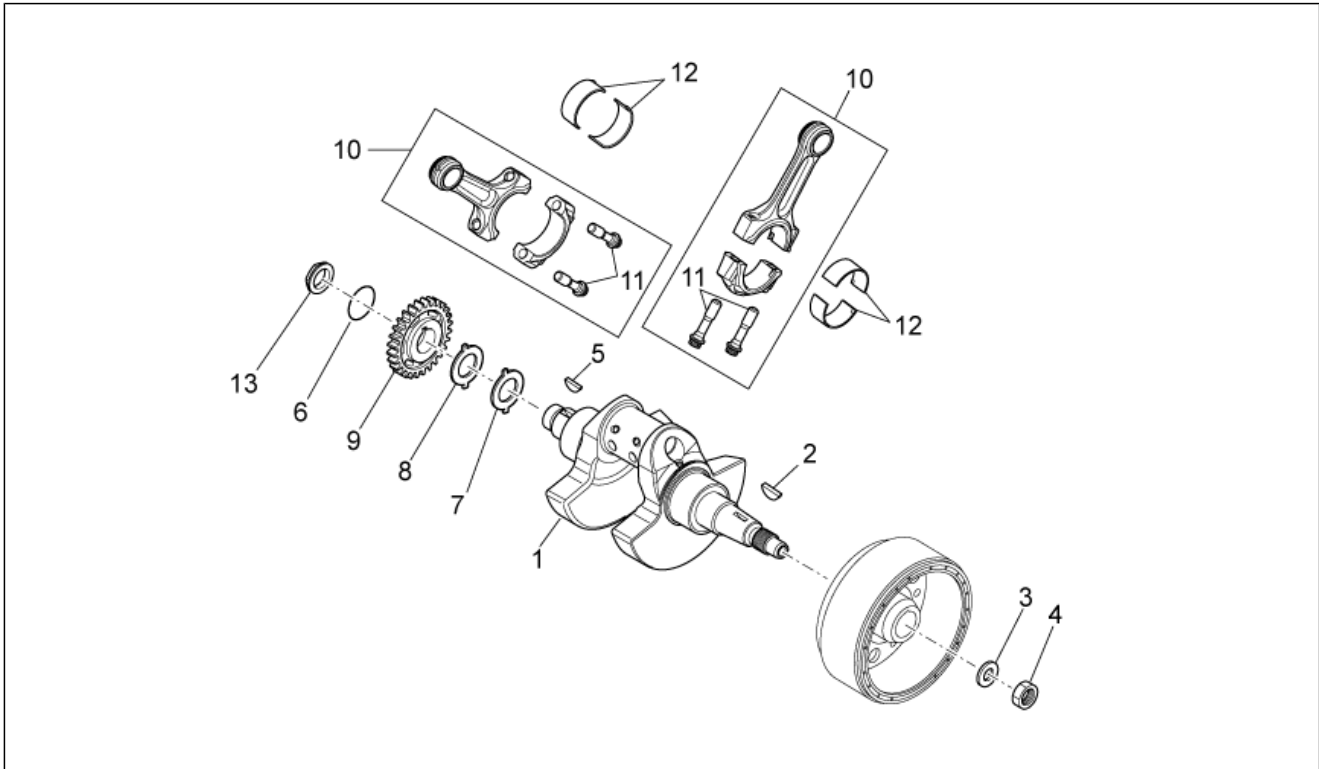
Pos.	Code	Beschreibung	Menge	Varianten
1	AP9150071	Ölpumpenwelle	1	
2	AP9150377	Stift 4x15,8	2	
3	AP9150157	Innen- und Außenrotor H19	1	
4	AP9150158	pumpegehäuse	1	
5	AP8152280	TE Schr. m. Flansch M6x25	6	
6	AP9150162	Saugsiebfilter	1	
7	AP8152281	TE Schr. m. Flansch M6x30	1	
8	AP9150376	Stift 4x13,8	1	
9	AP9150291	Innen- und Außenrotor H8	1	
10	AP9150461	O-Ring D44,17x1,78	1	
11	AP9150217	pumpegehäuse	1	
12	AP9150385	Ölabstreifring D19x10x7/5.5	1	
13	AP9150076	Bundscheibe 10,1x23	1	
14	AP9150159	Ölpumpen-Zahn. Z=12	1	
15	AP9150075	Bundscheibe 9,1x16x	1	
16	AP9150396	Seegerring 9x1	1	
17	AP9150160	Bolzen 4x25,8	1	
18	AP9150463	Nadelkaefig D11x16x10	1	
19	AP9150161	Wahnradvorgelege Z=22	1	
20	AP9150074	Bundscheibe 11,1x18	1	
21	006411	Seegerring D11	1	
22	AP9150443	Ölabstreifring D10x16x4	1	

Einheit	MOTOR
Code	29.34
Beschreibung	Schmierung
Inspektion	1



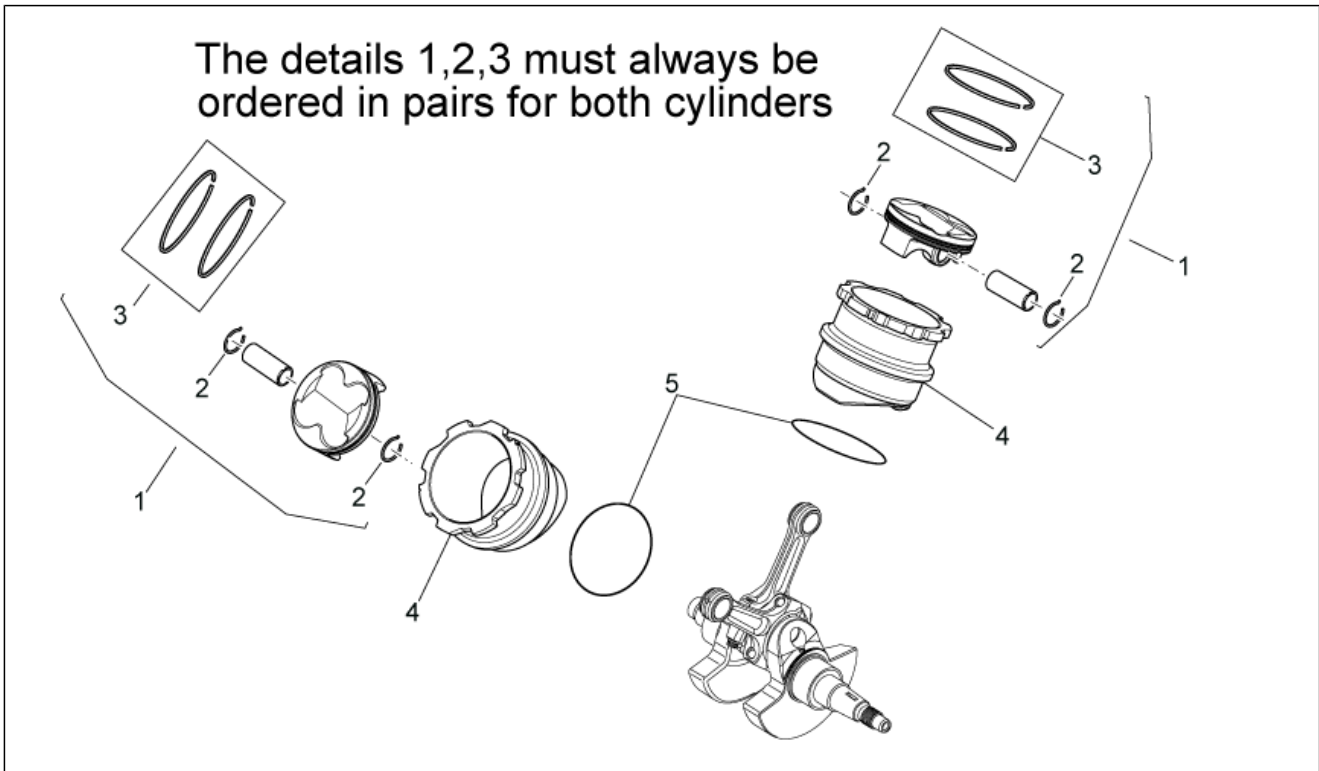
Pos.	Code	Beschreibung	Menge	Varianten
1	AP9150281	Ölauslaßschlauch	1	
2	AP8152277	TE Schr. m. Flansch M6x12	3	
3	AP9150280	Öleinlaßschlauch	1	
4	AP9150347	O-Ring D11x2	6	
5	AP9100358	Ölauslaßschlauch	1	
6	AP9100362	Öleinlaßschlauch	1	
7	AP9100292	Anschlagplatte	1	
8	AP9150168	Druckregelkolben	1	
9	AP9150169	Feder	1	
10	AP9150476	O-Ring D11,11x1,78	1	
11	AP9150170	Ventilschließschraube M14x1,5	1	
12	AP9150171	Sperrventil Öl	1	
13	AP9150321	Bolzen	1	
14	AP9150173	Feder	1	
15	AP9150477	O-Ring D14x1,78	1	
16	AP9150172	Kupplungsbuchse	1	
17	006618	Seegerring D18	1	
18	851240	Verschlussschraube	1	
19	AP9150166	Ölfiltereinsatz	1	
20	AP9150167	Feder	1	
21	AP9150355	O-Ring D53,65x2,68	1	
22	851295	ÖlfILTERdeckel	1	
23	AP9150472	Ausgleichscheibe 10,5x17x1,5	1	

Einheit	MOTOR
Code	29.35
Beschreibung	Kurbelwelle
Inspektion	1



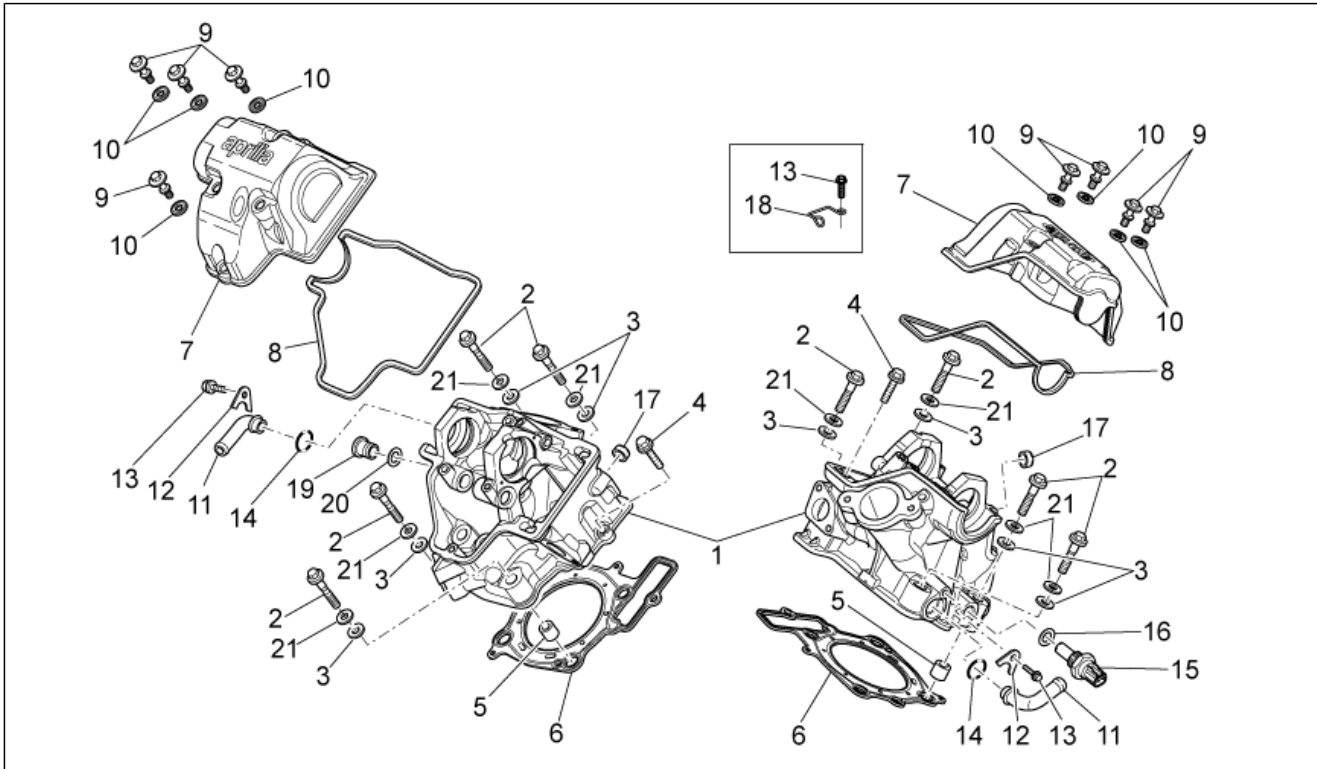
Pos.	Code	Beschreibung	Menge	Varianten
1	8551015	Kurbelwelle	1	Technische Daten: Version Motard 450[SX45]
1	8553745	Kurbelwelle	1	Technische Daten: Version Motard 550[SX55]
2	851007	Schwungradfeder D3x4,8	1	
3	851357	Ausgleichscheibe D15x28x2,5	1	
4	AP9150436	Mutter M14x1	1	
5	AP9150402	Keil 4x6,5	1	
6	AP9150525	O-Ring D16x3,5	1	
7	AP9150065	Anlaufscheibe 44x53x2	1	
8	AP9150066	Anlaufscheibe 36x50x1,4	1	
9	AP9150210	Ritzel	1	
10	855530	Baugruppe Pleuelstange kplt.	2	Technische Daten: Version Motard 450[SX45]
10	AP9150315	Baugruppe Pleuelstange kplt.	2	Technische Daten: Version Motard 550[SX55]
11	AP9150127	Pleuelschraube	4	
12	AP9150323	Bronzebuchse, grün 35x38x16,5	4	
12	AP9150454	Bronzebuchse,blau 35x38x16,5	4	
12	AP9150455	Bronzebuchse,gelb 35x38x16,5	4	
13	AP9150236	Geflanschte Mutter M18x1,25	1	

Einheit	MOTOR
Code	29.36
Beschreibung	Kolben + Zylinder
Inspektion	1



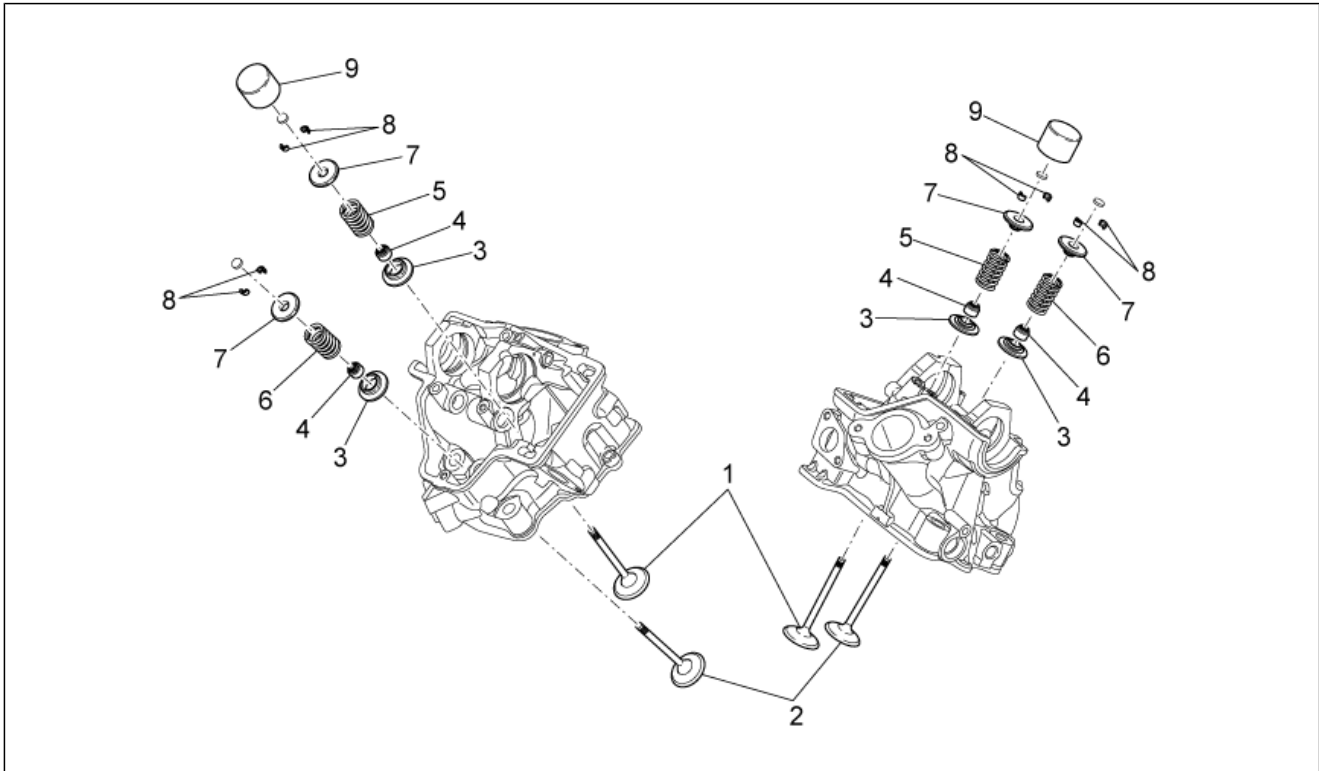
Pos.	Code	Beschreibung	Menge	Varianten
1	851035	Kolben kpl. D76	2	Technische Daten: Version Motard 450[SX45]
1	851039	Kolben kpl. D80	2	Technische Daten: Version Motard 550[SX55]
2	851042	Sperring	4	Technische Daten: Version Motard 550[SX55]
2	851045	Sperring	4	Technische Daten: Version Motard 450[SX45]
3	851298	Dichtringsatz D76	2	Technische Daten: Version Motard 450[SX45]
3	855601	Dichtringsatz D80	2	Technische Daten: Version Motard 550[SX55]
4	AP9150007	Zylinder D76	2	Technische Daten: Version Motard 450[SX45]
4	AP9150301	Zylinder D80	2	Technische Daten: Version Motard 550[SX55]
5	AP9150343	O-Ring D82,22x2,62	2	

Einheit	MOTOR
Code	29.37
Beschreibung	Zylinderkopf
Inspektion	1



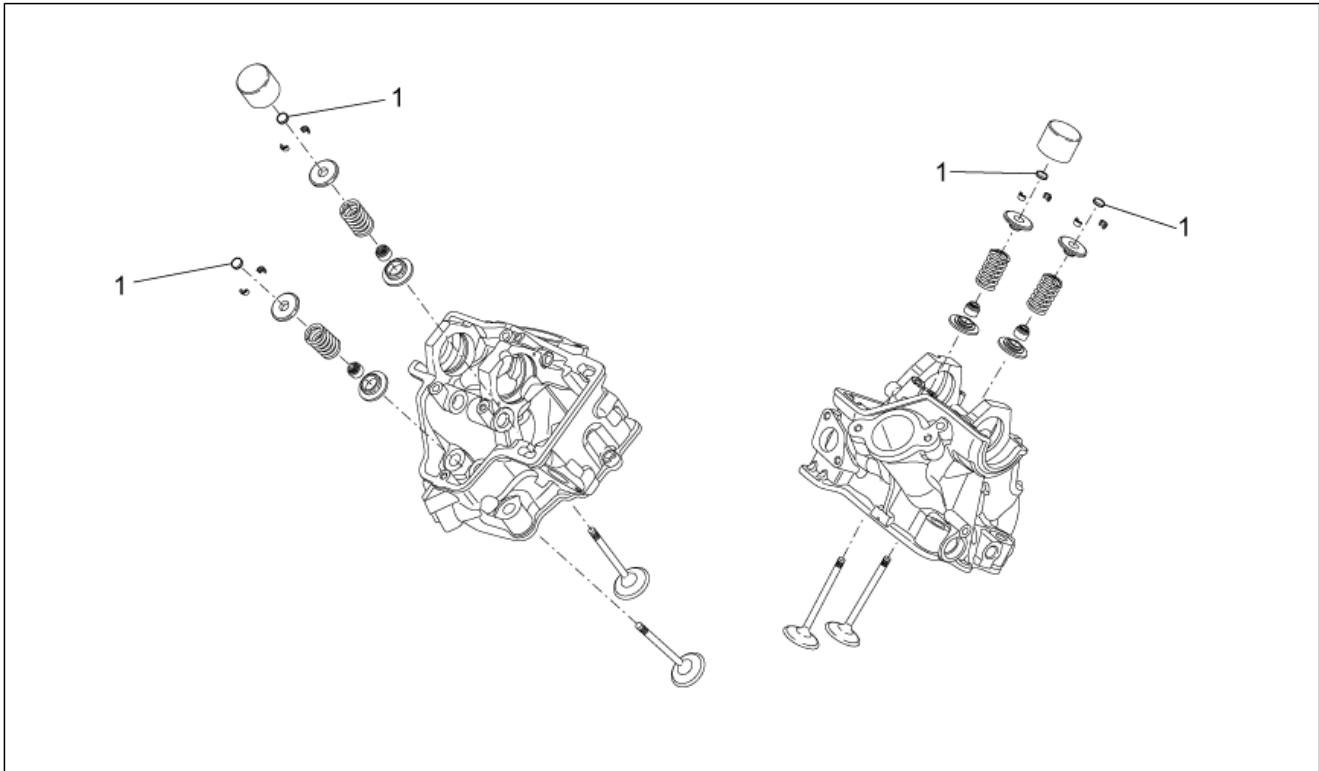
Pos.	Code	Beschreibung	Menge	Varianten
1	AP9150317	Zylinderkopf kpl.	2	
2	855487	TE Schr. m. Flansch M10x58,5	8	
3	AP9150113	Ausgleichscheibe D10x20x2	8	
4	AP8152280	TE Schr. m. Flansch M6x25	2	
5	AP9150114	Buchse	4	
6	855034	Dichtung Zylinderkopf	2	Technische Daten: Version Motard 450[SX45]
6	855035	Dichtung Zylinderkopf	2	Technische Daten: Version Motard 550[SX55]
7	AP9150009	Kopfdeckel	2	
8	AP9150010	Deckeldichtung Kupplungsseite	2	
9	AP9150111	Spezialschraube	8	
10	AP9150110	Dichtung	8	
11	AP9150120	Anschluss	2	
12	AP9150121	Platte	2	
13	AP8152277	TE Schr. m. Flansch M6x12	3	
14	AP9150469	O-Ring D13,95x2,62	2	
15	AP9150181	Temperaturfühler H2O	1	
16	AP9150349	Dichtscheibe D12x18x1,5	1	
17	AP9150312	Deckel D20	2	
18	AP8121856	Kabelführungs	1	
19	AP9150174	Ölablaßschraube	1	
20	AP9150349	Dichtscheibe D12x18x1,5	1	
21	260467	Sprengscheibe	8	

Einheit	MOTOR
Code	29.38
Beschreibung	Ventile
Inspektion	1



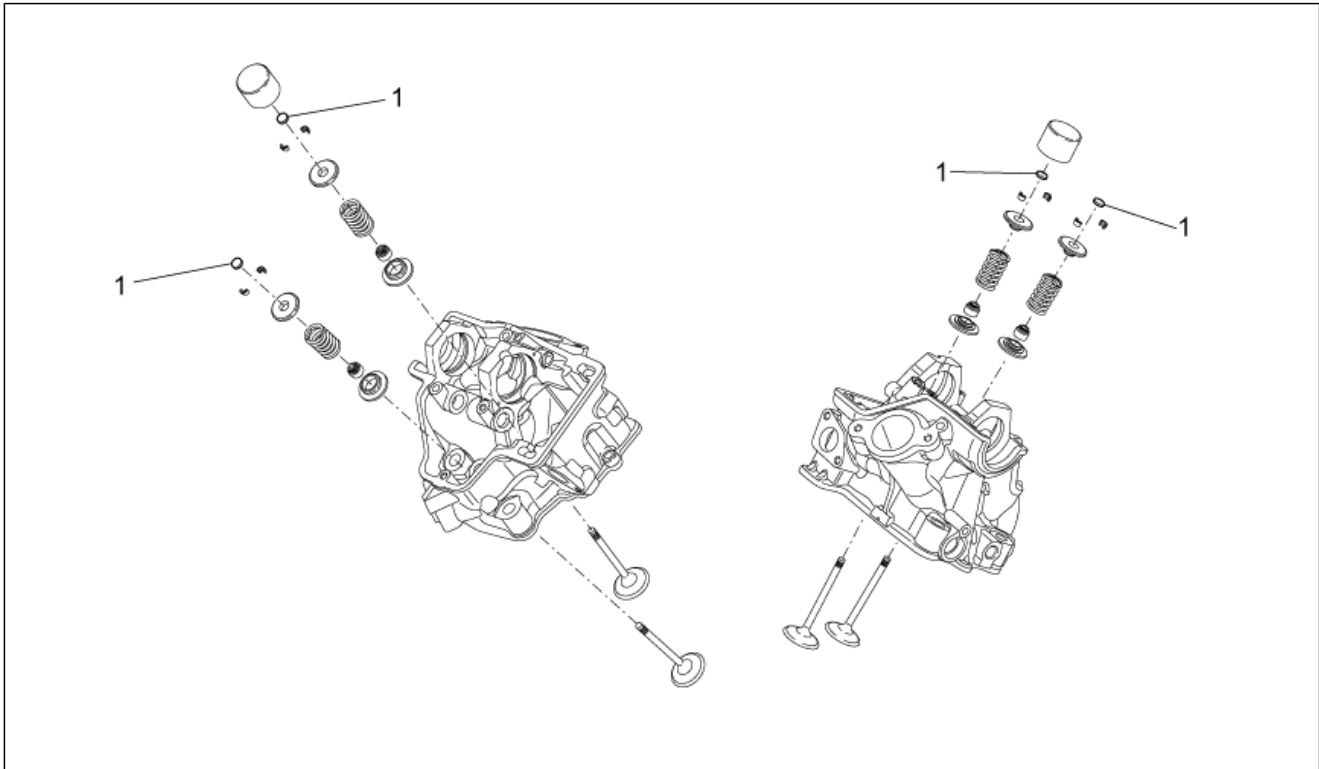
Pos.	Code	Beschreibung	Menge	Varianten
1	AP9150022	Einlaßventil	4	
2	AP9150023	Auslaßventil	4	
3	AP9150028	Becher unten	8	
4	AP9150104	Ölabstreifring Ventilführung D5	8	
5	AP9150024	Einlaß Ventilfeeder	4	
6	AP9150025	Feder Auslaßventil	4	
7	891170	Becher obere	8	
8	AP9150106	Ventilhalbkegel	16	
9	855632	Ventilbecher	4	

Einheit	MOTOR
Code	29.39
Beschreibung	Ventilesbeläge
Inspektion	1



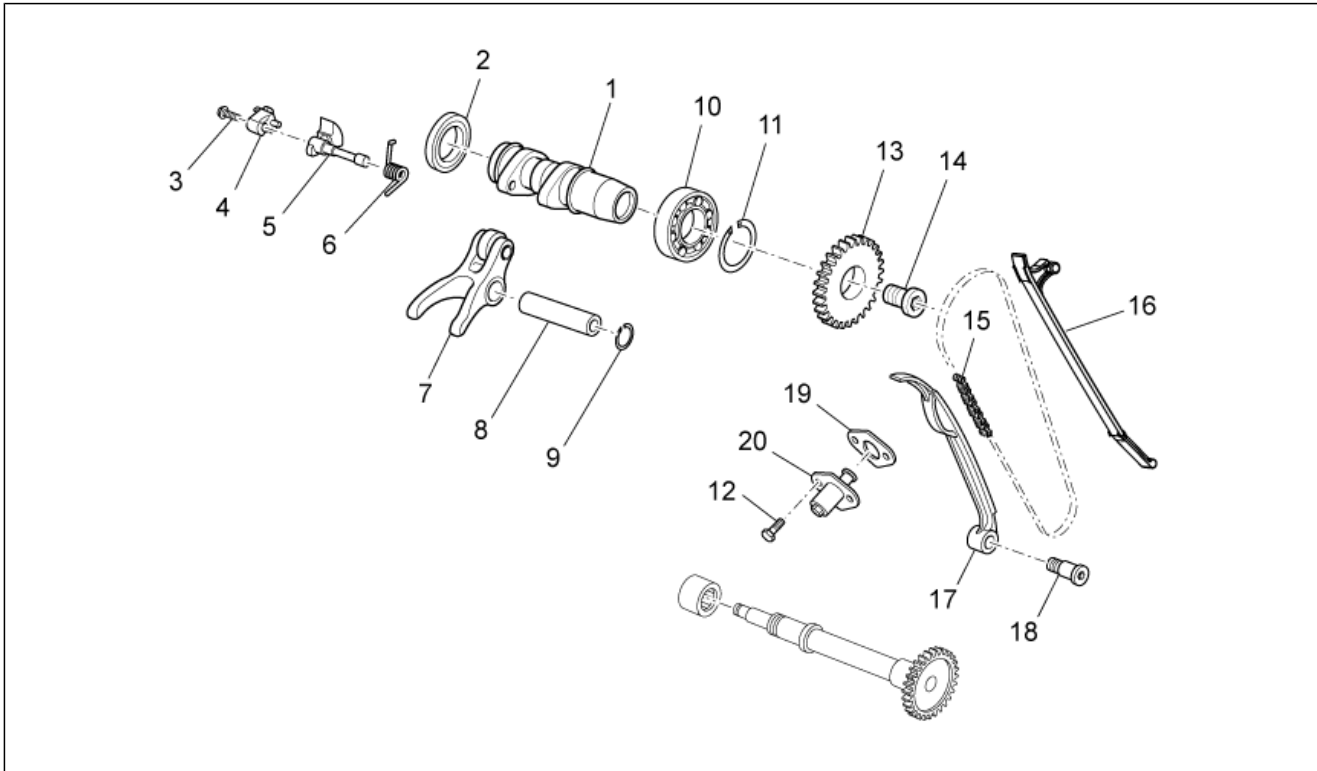
Pos.	Code	Beschreibung	Menge	Varianten
1	CM238801	Belag 1,5	4	
1	CM238801	Belag 1,5	4	
1	CM238802	Belag SP.1,525	4	
1	CM238803	Belag SP.1,550	4	
1	CM238804	Belag SP.1,575	4	
1	CM238805	Belag SP.1,6	4	
1	CM238806	Belag SP.1,625	4	
1	CM238807	Belag SP.1,650	4	
1	CM238808	Belag SP.1,675	4	
1	CM238809	Belag SP.1,7	4	
1	CM238810	Belag SP.1,725	4	
1	CM238811	Belag SP.1,750	4	
1	CM238812	Belag SP.1,775	4	
1	CM238813	Belag SP.1,8	4	
1	CM238814	Belag SP.1,825	4	
1	CM238815	Belag SP.1,850	4	
1	CM238816	Belag SP.1,875	4	
1	CM238817	Belag SP.1,9	4	
1	CM238818	Belag SP.1,925	4	
1	CM238819	Belag SP.1,950	4	
1	CM238820	Belag SP.1,975	4	
1	CM238821	Belag SP.2,0	4	
1	CM238822	Belag SP.2,025	4	
1	CM238823	Belag SP.2,050	4	
1	CM238824	Belag SP.2,075	4	
1	CM238825	Belag SP.2,1	4	
1	CM238826	Belag SP.2,125	4	
1	CM238827	Belag SP.2,150	4	

Einheit	MOTOR
Code	29.39
Beschreibung	Ventilesbeläge
Inspektion	1



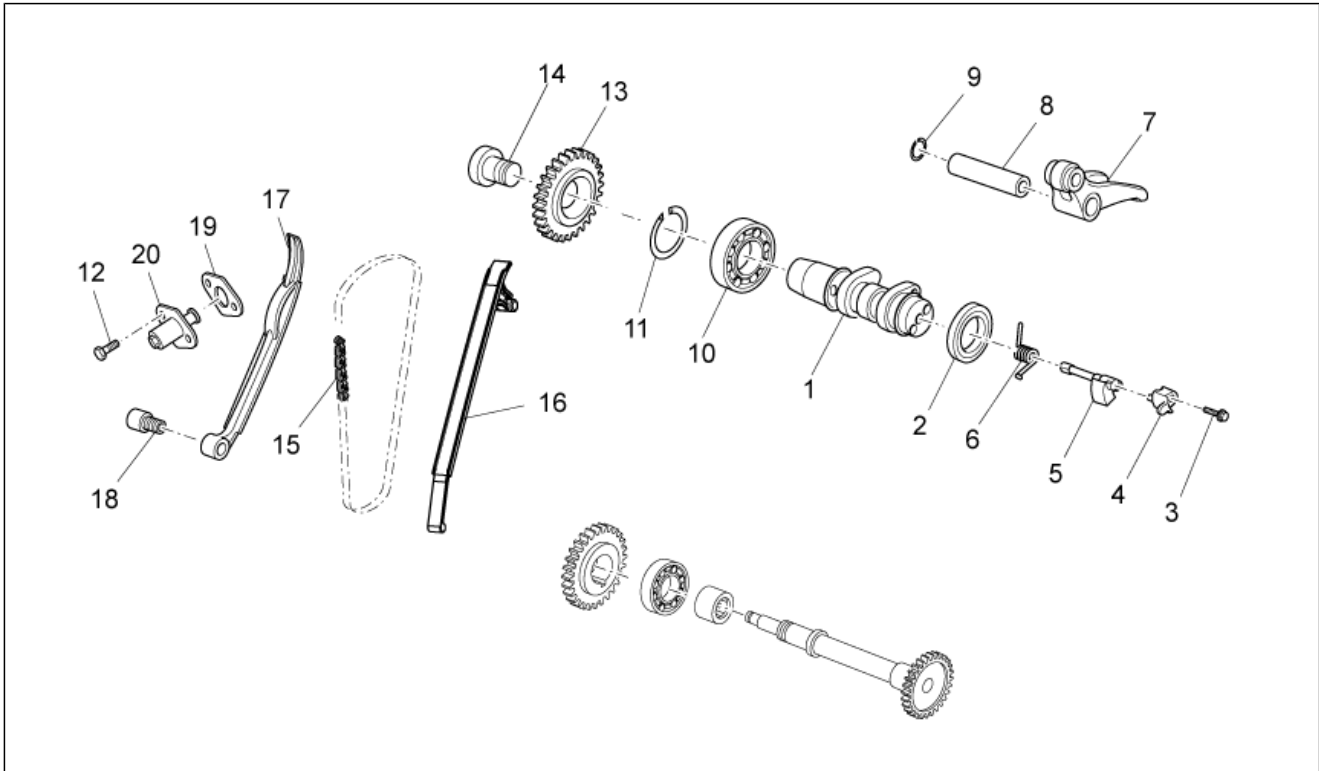
Pos.	Code	Beschreibung	Menge	Varianten
1	CM238828	Belag SP.2,175	4	
1	CM238829	Belag SP.2,2	4	
1	CM238830	Belag SP.2,225	4	
1	CM238831	Belag SP.2,250	4	
1	CM238832	Belag SP.2,275	4	
1	CM238833	Belag SP.2,3	4	
1	CM238834	Belag SP.2,325	4	
1	CM238835	Belag SP.2,350	4	
1	CM238836	Belag SP.2,375	4	
1	CM238837	Belag SP.2,4	4	
1	CM238838	Belag SP.2,425	4	
1	CM238839	Belag SP.2,450	4	

Einheit	MOTOR
Code	29.40
Beschreibung	Vrd. Zylindersteuer
Inspektion	1



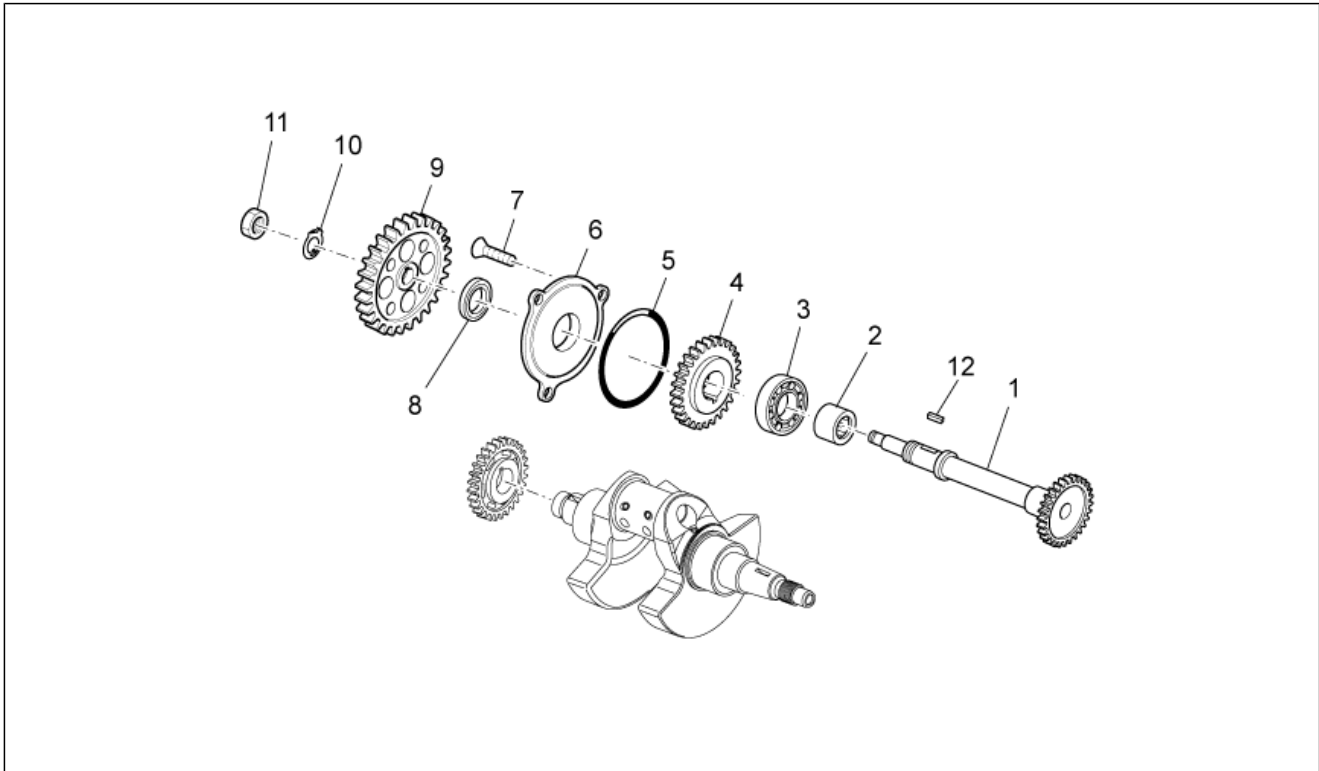
Pos.	Code	Beschreibung	Menge	Varianten
1	CM2376015	Nockenwelle vorderer	1	
2	85104R	Kugellager D25x37x7	1	
3	AP8152274	TE Schr. m. Flansch M5x20	1	
4	AP9150303	Steckverbindung	1	
5	855507	Vord.Ventilschaltung	1	
6	855515	Feder	1	
7	AP9150096	Kipphebel Auslaß	1	
8	851468	Kipphebel-Federwelle	1	
9	006612	Sprengring	1	
10	85105R	Kugellager D25x42x9	1	
11	006642	Seegerring	2	
12	598839	TE Schr. m. Flansch	2	
13	AP9150506	Zahnrad Steuer. Z=22	1	
14	AP9150507	Spezialschraube M16x1	1	
15	AP9150133	Steuerkette	1	Technische Daten:Version Motard 450[SX45]
15	AP9150327	Steuerkette	1	Technische Daten:Version Motard 550[SX55]
16	AP9150011	Kettengleitführung L177	1	Technische Daten:Version Motard 450[SX45]
16	AP9150300	Kettengleitführung L186	1	Technische Daten:Version Motard 550[SX55]
17	AP9150012	Kettenspanner Gleitbacke	1	
18	AP9150231	Schraube M6x12	1	
19	847928	Dichtung	1	
20	82650R	Kettenspanner komplett	1	

Einheit	MOTOR
Code	29.41
Beschreibung	Hint. Zylindersteuer
Inspektion	1



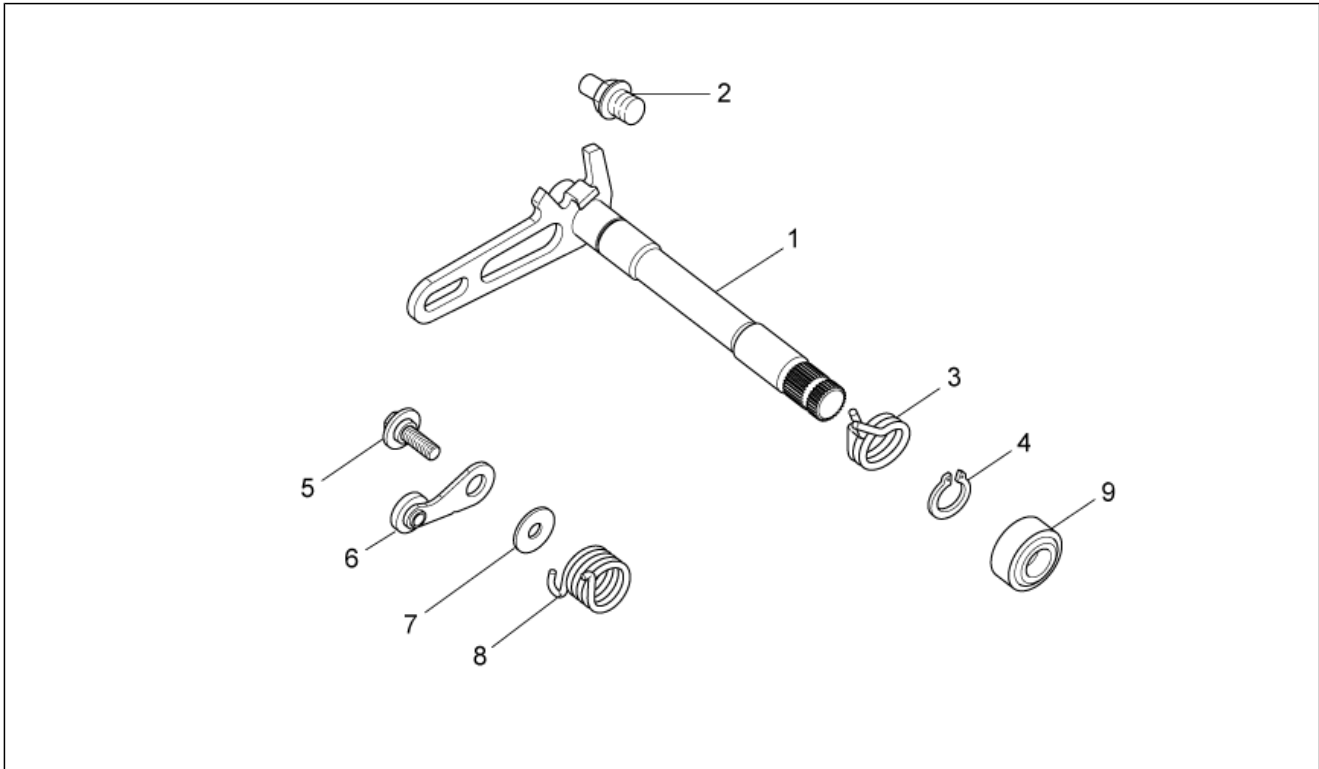
Pos.	Code	Beschreibung	Menge	Varianten
1	CM2377015	Nockenwelle hinterer	1	
2	85104R	Kugellager D25x37x7	1	
3	AP8152274	TE Schr. m. Flansch M5x20	1	
4	AP9150303	Steckverbindung	1	
5	855508	Hinten ventilschaltung	1	
6	855516	Feder	1	
7	AP9150096	Kipphebel Auslaß	1	
8	851468	Kipphebel-Federwelle	1	
9	AP9150102	Sprengring	1	
10	85105R	Kugellager D25x42x9	1	
11	AP9150391	Sprengring D42	2	
12	598839	TE Schr. m. Flansch	2	
13	AP9150506	Zahnrad Steuer. Z=22	1	
14	AP9150508	Spezialschraube M16x1	1	
15	AP9150133	Steuerkette	1	Technische Daten:Version Motard 450[SX45]
15	AP9150327	Steuerkette	1	Technische Daten:Version Motard 550[SX55]
16	AP9150011	Kettengleitführung L177	1	Technische Daten:Version Motard 450[SX45]
16	AP9150300	Kettengleitführung L186	1	Technische Daten:Version Motard 550[SX55]
17	AP9150012	Kettenspanner Gleitbacke	1	
18	AP9150142	Schraube M6x12	1	
19	847928	Dichtung	1	
20	82650R	Kettenspanner komplett	1	

Einheit	MOTOR
Code	29.42
Beschreibung	Umlenkswelle
Inspektion	1



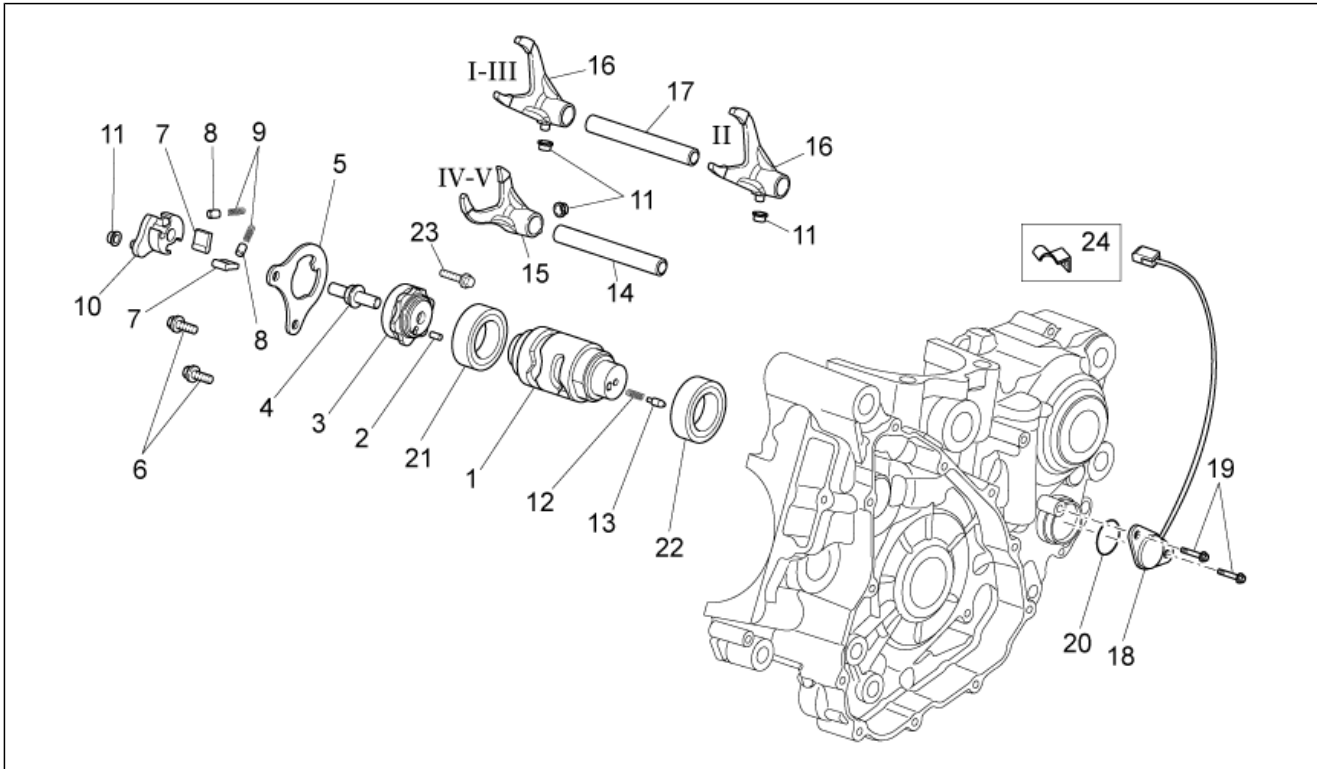
Pos.	Code	Beschreibung	Menge	Varianten
1	851009	Umlenkswelle Z=20	1	
2	85106R	Lager D14x22x13	1	
3	AP9150387	Kugellager D12x28x8	1	
4	AP9150273	Zahnrad Steuer. Z=20	1	
5	AP9150348	O-Ring D79x1,78	1	
6	AP9150483	Flansch	1	
7	844211	TBEI Schraube	3	
8	AP9150390	Ölabstreifring D28x20x6	1	
9	AP9150285	Zahnrad Steuer. Z=40	1	
10	AP9150299	Sicherungsblech	1	
11	851011	Mutter M12x1x4,5	1	
12	AP9150389	Keil 4x4x18	1	

Einheit	MOTOR
Code	29.43
Beschreibung	Schaltgabel I
Inspektion	1



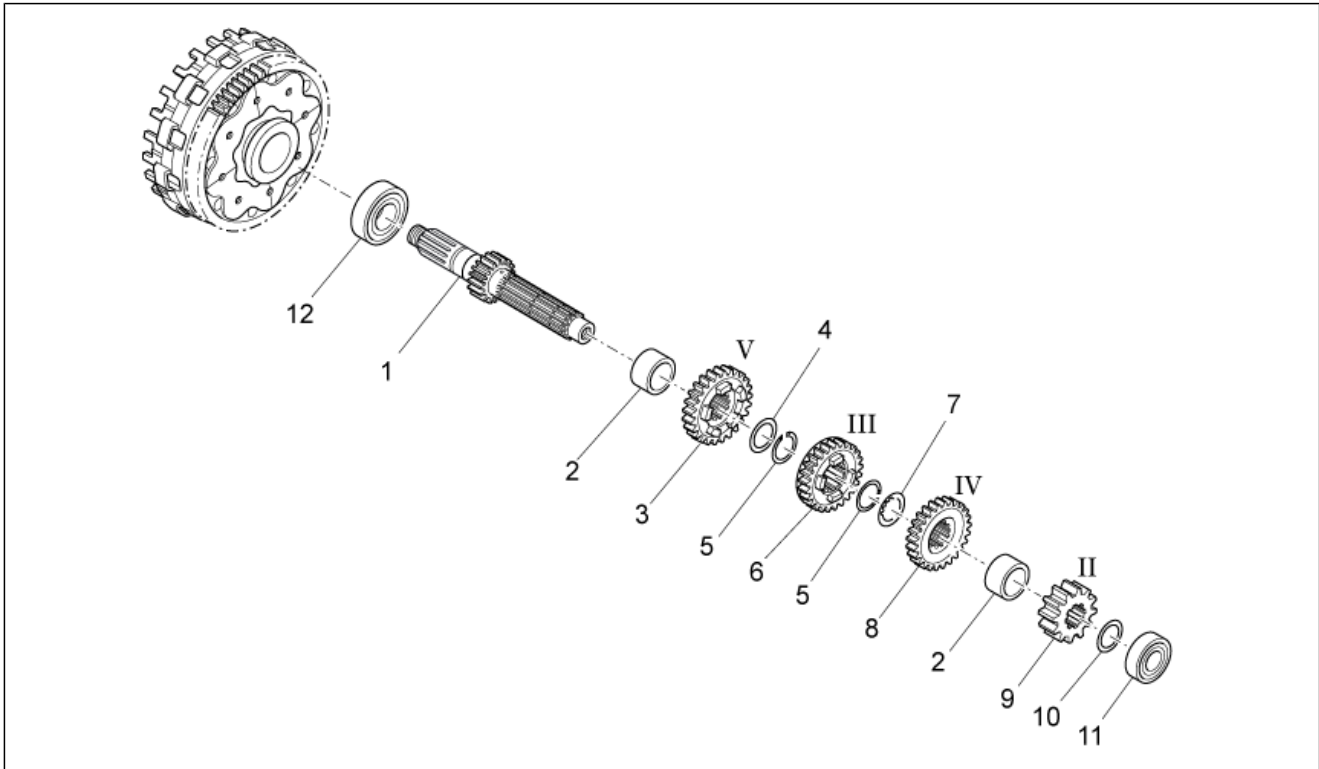
Pos.	Code	Beschreibung	Menge	Varianten
1	AP9150048	Schaltwele+klin.kpl.	1	
2	AP9150063	Schaltgabel stopper	1	
3	AP9150238	Feder	1	
4	006415	Seegerring D.15	1	
5	AP9150006	TE Schr. m. Flansch M6x15	1	
6	AP9150044	Indexhebel kpl.	1	
7	AP9150051	Ausgleichscheibe D6,3x18x1	1	
8	AP9150220	Feder	1	
9	AP9150393	Ölabstreifring D21x15x3	1	

Einheit	MOTOR
Code	29.44
Beschreibung	Schaltgabel II
Inspektion	1



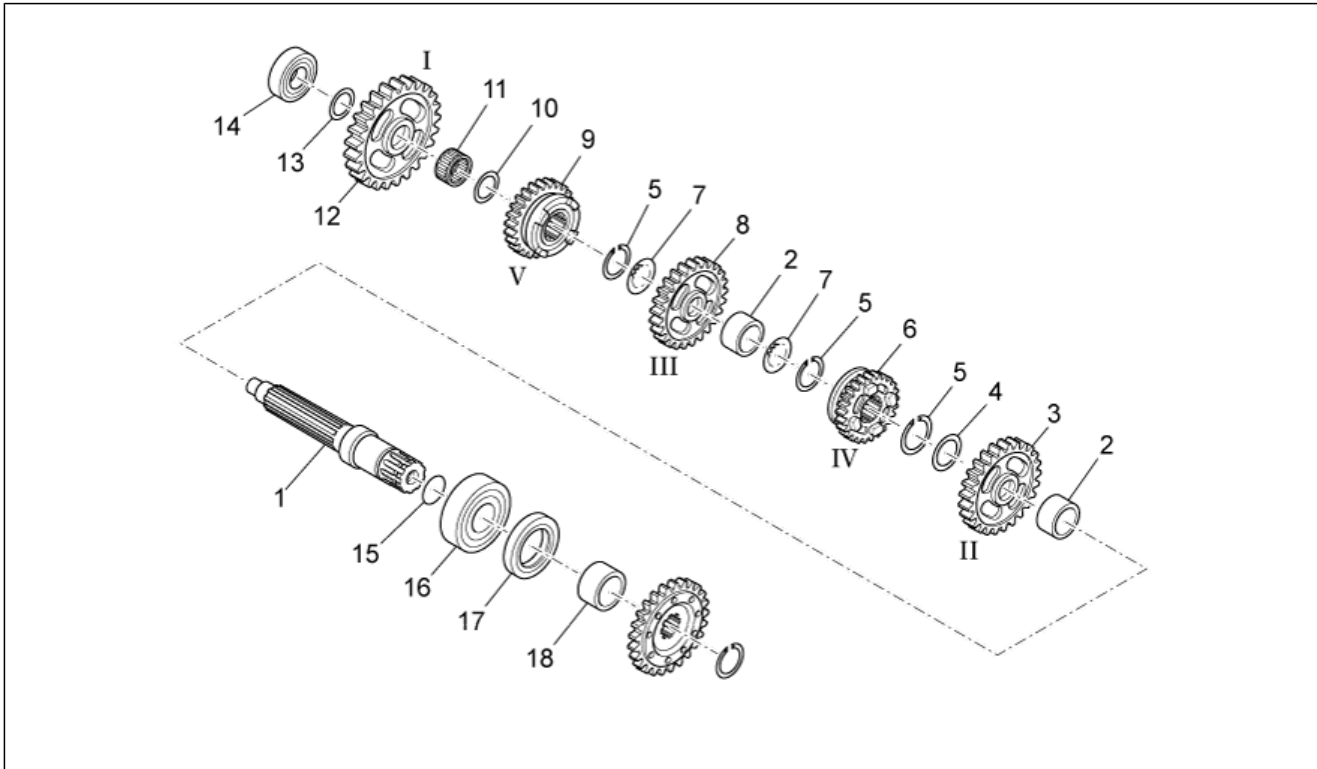
Pos.	Code	Beschreibung	Menge	Varianten
1	AP9150004	Verschiebenocken kplt.	1	
2	AP9150375	Rolle D4	1	
3	AP9150067	Schaltgabel Trommel	1	
4	AP9150043	Aufnahmebolzen M8x1,25	1	
5	AP9150073	Platte schaltgabel stopper	1	
6	AP8152277	TE Schr. m. Flansch M6x12	2	
7	AP9150069	Hebel	2	
8	AP9150070	Federstütze	2	
9	AP9150064	Feder	2	
10	AP9150068	Desmodrom.Platte	1	
11	AP9150060	Buchse D6x8x5	4	
12	855705	Feder	1	
13	AP9150003	Federstütze	1	
14	AP9150062	Schaltstange L72,5	1	
15	AP9150093	Schaltgabel 4a-5a	1	
16	AP9150091	Schaltgabel 1a-3a	2	
17	AP9150061	Schaltstange L93	1	
18	AP9150184	Schaltensor	1	
19	AP8152272	TE Schr. m. Flansch M5x12	2	
20	AP9150479	O-Ring D23,52x1,78	1	
21	AP9150365	Kugellager D25x42x9	1	
22	85104R	Kugellager D25x37x7	1	
23	AP8152272	TE Schr. m. Flansch M5x12	1	
24	AP9150462	Kabelführung	1	

Einheit	MOTOR
Code	29.45
Beschreibung	Vorgelegewelle
Inspektion	1



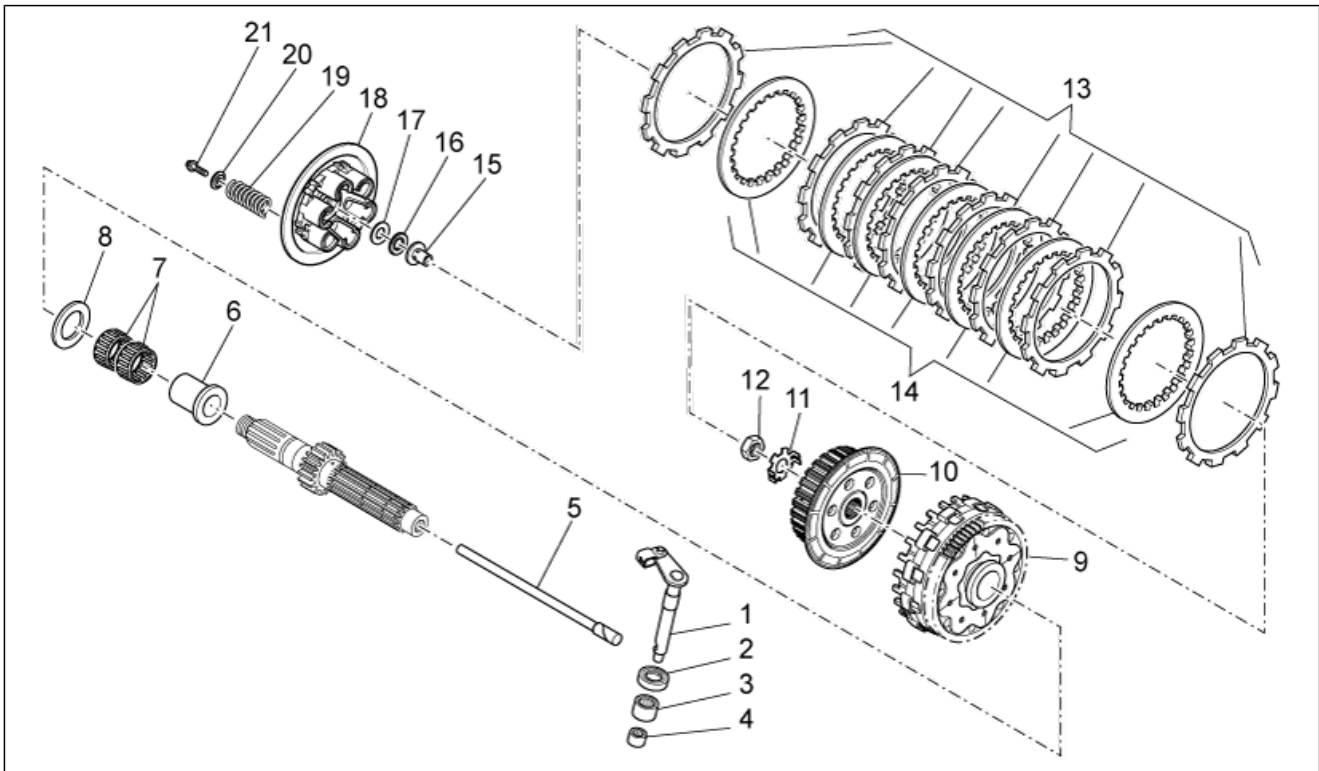
Pos.	Code	Beschreibung	Menge	Varianten
1	AP9150270	Vorgelegewelle Z=13	1	
2	AP9150216	Buchse D25x28x9,9	2	
3	AP9150269	Zahnrad 5a su prim.Z=21	1	
4	AP9150297	Flachscheibe D25,1x30,8x0,5	1	
5	AP9150302	Seegerring für Welle D25	2	
6	AP9150268	Zahnrad 3a su prim.Z=16	1	
7	AP9150267	Spezial-U-scheibe D25,1x30,8x0,	1	
8	AP9150266	Zahnrad 4a su prim.Z=20	1	
9	AP9150265	Zahnrad 2a su prim.Z=15	1	
10	AP9150294	Ausgleichscheibe D17,1x27,8x0,8	1	
11	AP9150362	Kugellager D17x40x12	1	
12	85102R	Kugellager D25x52x1	1	

Einheit	MOTOR
Code	29.46
Beschreibung	Festrad
Inspektion	1



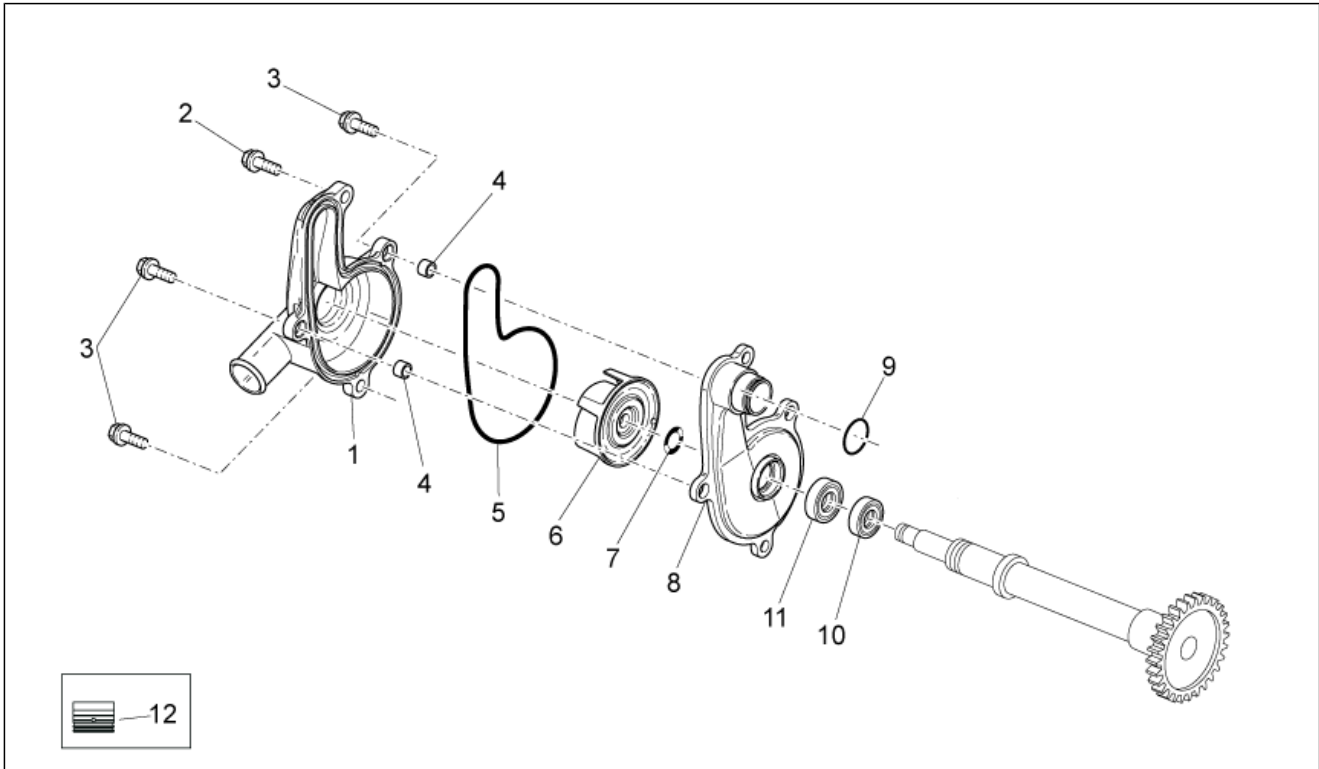
Pos.	Code	Beschreibung	Menge	Varianten
1	AP9150263	Festrad	1	
2	AP9150216	Buchse D25x28x9,9	2	
3	AP9150262	Zahnrad 2.Vorgelegewelle Z=27	1	
4	AP9150297	Flachscheibe D25,1x30,8x0,5	1	
5	AP9150302	Seegerring für Welle D25	3	
6	AP9150261	Zahnrad 4.Vorgelegewelle Z=23	1	
7	AP9150267	Spezial-U-scheibe D25,1x30,8x0,	2	
8	AP9150260	Zahnrad 3.Vorgelegewelle Z=23	1	
9	AP9150259	Zahnrad 5.Vorgelegewelle Z=21	1	
10	AP9150296	Ausgleichscheibe D20,1x28,8x0,8	1	
11	AP9150370	Nadelkaefig D20x24x10	1	
12	AP9150258	Zahnrad 1.Vorgelegewelle Z=30	1	
13	AP9150294	Ausgleichscheibe D17,1x27,8x0,8	1	
14	AP9150361	Kugellager D17x47x14	1	
15	AP9150357	O-Ring D21,95x1,78	1	
16	85103R	Kugellager D25x52x15	1	
17	AP9150382	Ölabstreifring D40x32x5	1	
18	AP9150237	Distanzscheibe 25x32x22	1	

Einheit	MOTOR
Code	29.47
Beschreibung	Kupplung I
Inspektion	1



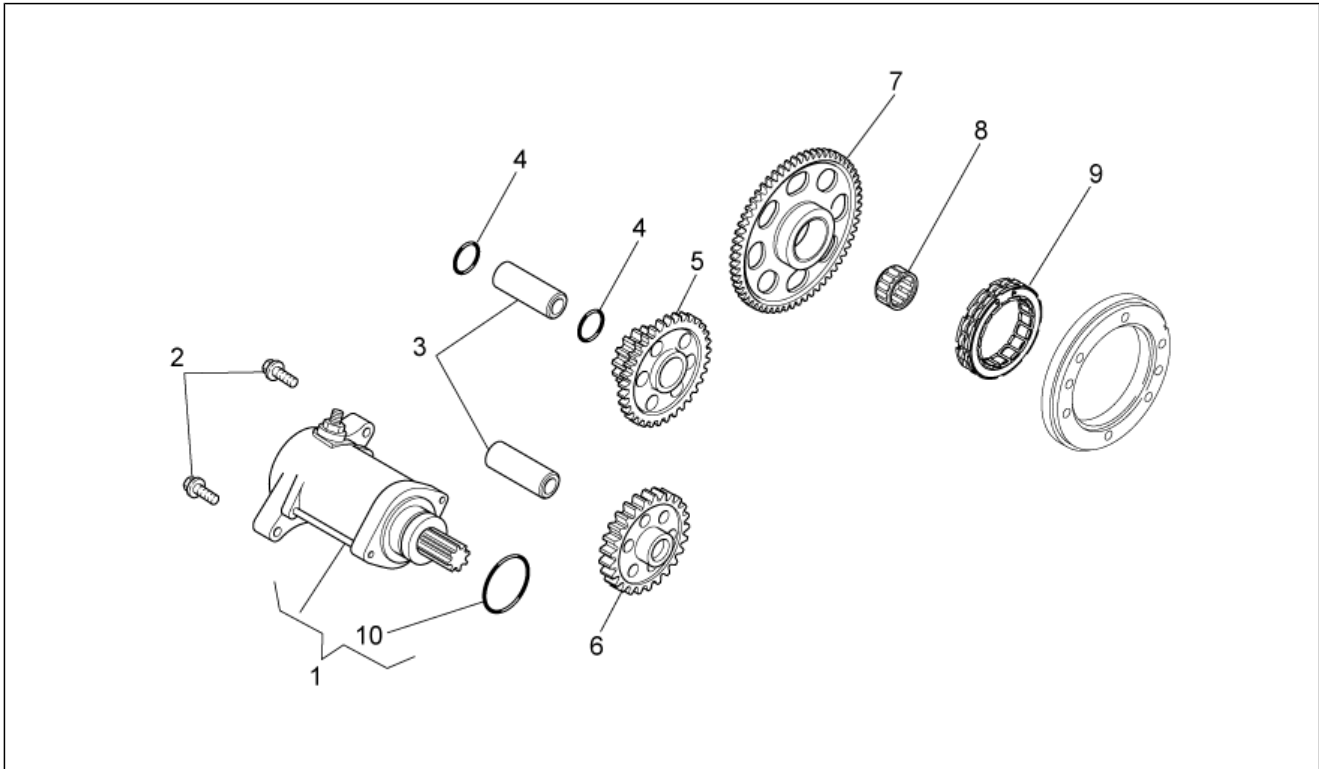
Pos.	Code	Beschreibung	Menge	Varianten
1	AP9150196	Ausrueckwelle	1	
2	AP9150384	Ölabstreifring D12x19x5	1	
3	85110R	Nadelkaefig D8x12x10	1	
4	85111R	Nadelkaefig D12x16x10	1	
5	AP9150040	Stange	1	
6	AP9150284	Distanzscheibe 25x32x22	1	
7	85108R	Nadelkaefig D28x33x13	2	
8	AP9150234	Ausgleichscheibe D23x46x3	1	
9	855501	Baugruppe Kupplungskasten	1	
10	AP9150190	Kupplungstrommel Aluminium	1	
11	AP9100386	Sicherungsblech	1	
12	AP9150235	Mutter M18x1,25	1	
13	AP8176214	Belaglamelle 8 pz.	1	
14	AP8176215	Kupplungsscheibe St. 7 pz.	1	
15	AP9150195	Kupplung Klinke	1	
16	AP9150358	Nadelkaefig D12x26x2	1	
17	AP9150359	Anlaufscheibe D12x26x1	1	
18	AP9150191	Andrückfeder Kupplungsscheibe	1	
19	AP9150194	Kupplungsfeder	6	
20	AP9150232	Becher	6	
21	AP8152279	TE Schr. m. Flansch M6x20	6	

Einheit	MOTOR
Code	29.48
Beschreibung	Wasserpumpenritzel
Inspektion	1



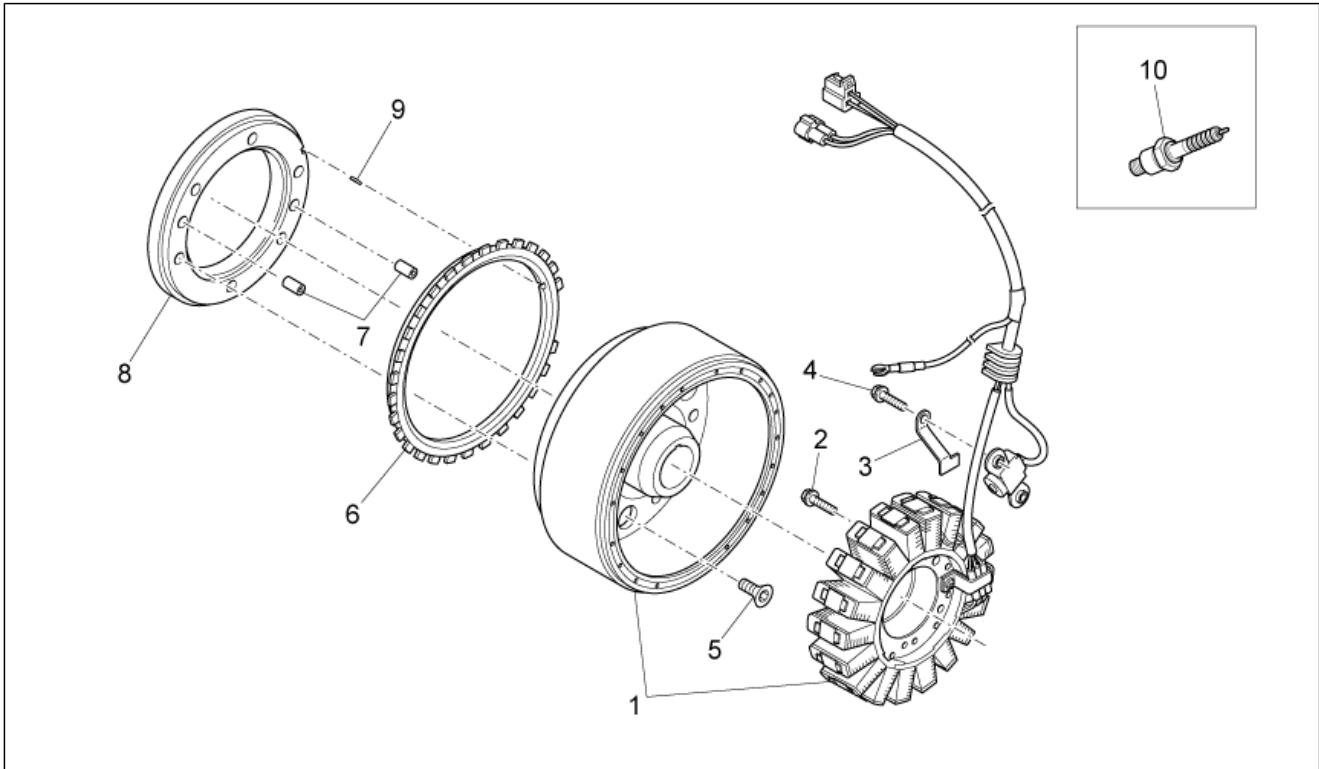
Pos.	Code	Beschreibung	Menge	Varianten
1	AP9150484	Deckel Wasserpumpe	1	
2	AP8152283	TE Schr. m. Flansch	1	
3	598839	TE Schr. m. Flansch	3	
4	AP9150119	Buchse D8x6,4x9,8	2	
5	AP9150352	O-Ring D88,57x2,62	1	
6	AP9150132	Läufer Wasserpumpe	1	
7	AP9150292	Unterlegscheibe D12,d7.05 SP1	1	
8	AP9150464	Wasserpumpenritzel Flansch	1	
9	851283	O-Ring D18x1,8	1	
10	AP9150443	Ölabstreifring D10x16x4	1	
11	851013	Ölabstreifring D10x18x5/8	1	
12	851010	Buchse Deck. Kupplungsgehäuse	1	

Einheit	MOTOR
Code	29.49
Beschreibung	Startermotor
Inspektion	1



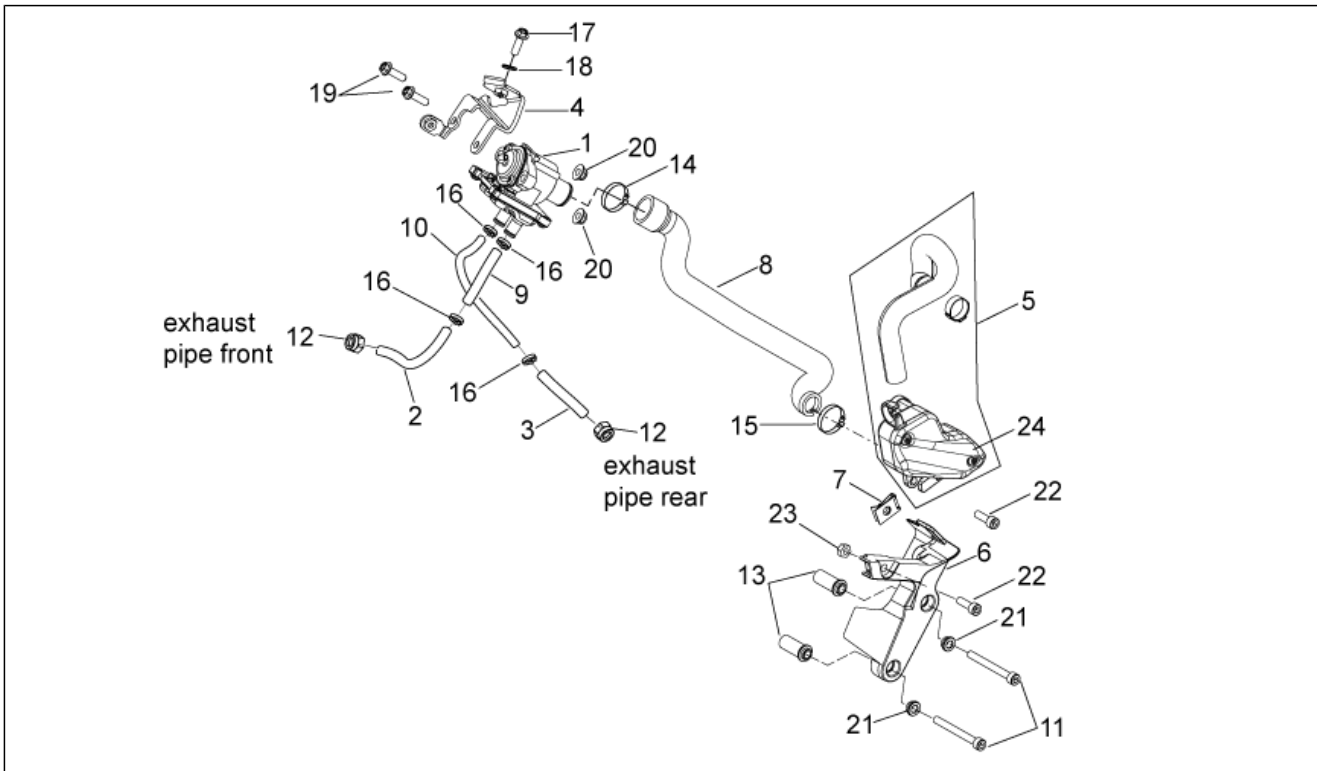
Pos.	Code	Beschreibung	Menge	Varianten
1	AP9150090	Anlassermot. o. Verkab.	1	
2	AP8152281	TE Schr. m. Flansch M6x30	2	
3	AP9150209	Bolzen	2	
4	AP9150446	O-Ring D10,5x1	2	
5	853919	Doppeltes Zahnrad. Z=9/55	1	
6	849802	Zwischenzahnrad Z=22	1	
7	849803	Zahnrad Freilauf Z=52	1	
8	85109R	Nadelkaefig D26x30x17	2	
9	AP9150208	Freilauf kplt.	1	
10	AP9150500	O-Ring D25x2,5	1	

Einheit	MOTOR
Code	29.51
Beschreibung	Zündung
Inspektion	1



Pos.	Code	Beschreibung	Menge	Varianten
1	855181	Schwungmagnetstarter	1	
2	855799	TE Schr. m. Flansch	3	
3	AP9100387	Platte	1	
4	AP8152272	TE Schr. m. Flansch M5x12	2	
5	AP9150401	Schraube	6	
6	AP9150205	Phonic wheel	1	
7	484993	Haltestein	2	
8	AP9150204	Flansch	1	
9	AP8121451	Lasche	1	
10	639687	Zündkerze CR8EKB	2	

Einheit	MOTOR
Code	29.52
Beschreibung	Secondary air
Inspektion	1



Pos.	Code	Beschreibung	Menge	Varianten
1	855054	SAS ventil	1	
2	855023	Auspuffrohr vorn	1	
3	855024	Auspuffrohr hinten	1	
4	855022	Halter ventil	1	
5	855057	Sas gehäuse	1	
6	855182	Sas gehäuse Halter	1	
7	254485	Plattchen M6	1	
8	855183	Leitung	1	
9	855055	Auspuffrohr vorn	1	
10	855056	Auspuffrohr hinten	1	
11	AP8150411	TCEI Schraube	2	
12	855028	Mutter	1	
13	855184	Buchse	2	
14	AP9100456	Schlauchschele 26x8	1	
15	AP8102273	Schlauchschele	1	
16	AP8101586	Schlauchschele D.15,5x6,6	4	
17	AP8150137	TCEI Schraube M6x16	1	
18	AP8150015	Ausgleichscheibe 6,6x18x1,6*	1	
19	AP8152279	TE Schr. m. Flansch M6x20	2	
20	AP9100434	Selbstsperrende Mutter M6x1	2	
21	AP8221129	Buchse	2	
22	AP8150160	TCEI Schraube M6x20	2	
23	AP8150026	Mutter M6	1	
24	856897	Ventildeckel sas	1	