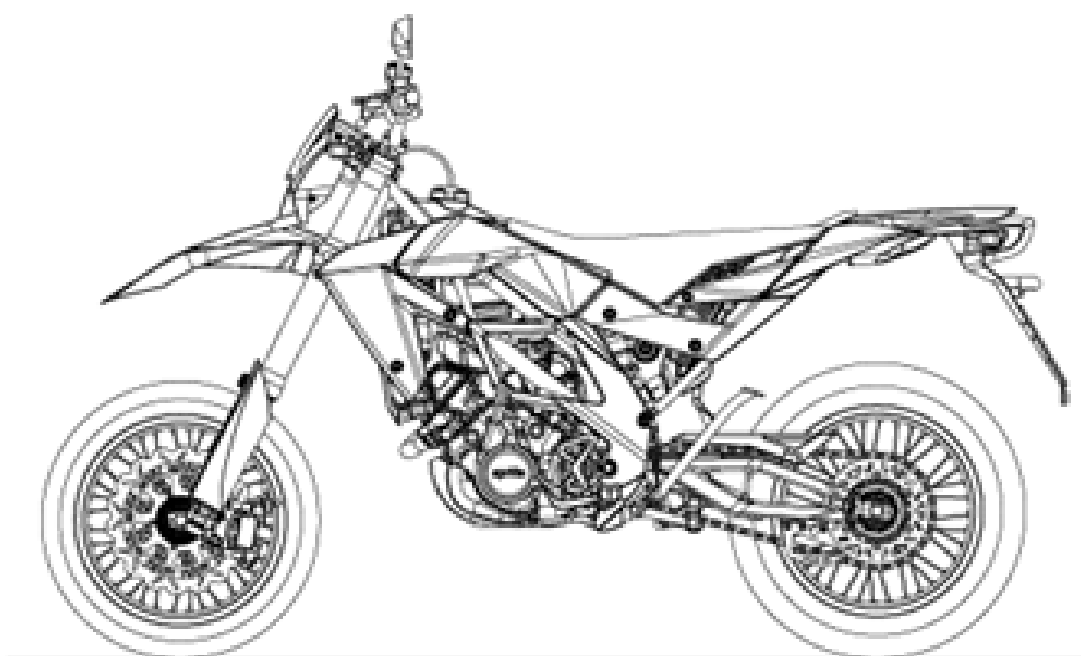


aprilia

ERSATZTEILKATALOG



RXV-SXV 450-550 Pikes Peak 2009

Vorsatzcode Fahrgestell: ZD4VPL00, ZD4VPT00,
ZD4VPX00, ZD4VSR00, ZD4VSS00, ZD4VPH00



Vorsatzcode Motor:

Inhaltsverzeichnis

Fertige Produkte.....	5
Alphanumerisches Verzeichnis.....	6
RAHMEN.....	13
Tafel 28.01 - Rahmen.....	13
Tafel 28.02 - Fussrasten.....	14
Tafel 28.03 - Hauptständer.....	15
Tafel 28.04 - Lenkung I.....	16
Tafel 28.05 - Gabel I.....	17
Tafel 28.06 - Gabel II.....	18
Tafel 28.07 - Schwinge.....	19
Tafel 28.08 - Hinterradaufhängung.....	21
Tafel 28.09 - Frontaufbau I.....	22
Tafel 28.10 - Frontaufbau II.....	23
Tafel 28.11 - Kraftstofftank.....	24
Tafel 28.12 - Öltank.....	25
Tafel 28.13 - Sitz.....	26
Tafel 28.14 - Mittlerer Aufbau.....	27
Tafel 28.15 - Heckaufbau.....	28
Tafel 28.16 - Instrumententafel.....	30
Tafel 28.17 - Schaltungen.....	31
Tafel 28.18 - Kühlanlage.....	32
Tafel 28.19 - Filtergehäuse.....	34
Tafel 28.20 - Auslassgruppe.....	35
Tafel 28.21 - Vorderrad I.....	36
Tafel 28.22 - Vorderrad II.....	37
Tafel 28.23 - Hinterrad I.....	38
Tafel 28.24 - Hinterrad II.....	39
Tafel 28.25 - Bremsanlage - Vorn I.....	40
Tafel 28.26 - Bremsanlage - Vorn II.....	41
Tafel 28.27 - Bremsanlage - Hinten.....	43
Tafel 28.28 - Lichter.....	44
Tafel 28.29 - Elektrische anlage I.....	45
Tafel 28.30 - Elektrische anlage II.....	46
Tafel 28.31 - Fertigstellung.....	48
MOTOR.....	49
Tafel 29.32 - Motor.....	49
Tafel 29.33 - Kurbelwellengehäuse I.....	51
Tafel 29.34 - Kurbelwellengehäuse II.....	53
Tafel 29.35 - Ölpumpe.....	56
Tafel 29.36 - Schmierung.....	57
Tafel 29.37 - Kurbelwelle.....	58
Tafel 29.38 - Kolben + Zylinder.....	59
Tafel 29.39 - Zylinderkopf.....	60

Tafel 29.40 - Ventile.....	62
Tafel 29.41 - Ventilesbeläge.....	63
Tafel 29.42 - Vrd. Zylindersteuer.....	64
Tafel 29.43 - Hint. Zylindersteuer.....	66
Tafel 29.44 - Umlenkwellen.....	67
Tafel 29.45 - Schaltgabel I.....	69
Tafel 29.46 - Schaltgabel II.....	70
Tafel 29.47 - Vorgelegewelle.....	71
Tafel 29.48 - Festrad.....	72
Tafel 29.49 - Kupplung I.....	74
Tafel 29.50 - Wasserpumpenritzel.....	75
Tafel 29.51 - Startermotor.....	77
Tafel 29.52 - Klappenkörper.....	79
Tafel 29.53 - Zündung.....	80
Tafel 29.54 - Secondary air.....	81
Tafel 29.55 - Starter.....	82



RXV-SXV 450-550
4234 - RXV-SXV 450-550 Pikes Peak 2009

Vorsatzcode Fahrgestell: ZD4VPL00,
ZD4VPT00, ZD4VPX00, ZD4VSR00,
ZD4VSS00, ZD4VPH00
Vorsatzcode Motor:

Fertige Produkte

Code	Gültigkeit
------	------------

kein fertiges Produkt

Code	Nr. der Tafel	Pos.	Code	Nr. der Tafel	Pos.	Code	Nr. der Tafel	Pos.
245736	29.55	8	851280	28.06	11	856932	28.11	3
257814	29.55	5	851283	29.50	9	858044	28.19	6
258469	29.55	6	851290	28.05	2	858045	28.19	22
639687	29.53	10	851291	28.05	1	858142	28.20	25
709052	28.19	21	851292	28.08	2	858388	28.09	3
709519	29.55	9	851298	29.38	3	890575	28.09	22
844211	29.44	7	851315	29.34	4	891109	28.28	23
8496465	29.51	5	851348	28.26	25	89113100C2	28.13	1
8496465	29.51	5	851359	28.17	17	891170	29.40	7
8496465	29.51	5	851360	28.17	18	894633	28.31	12
8496465	29.51	5	851363	28.31	9	894634	28.31	12
849801	29.51	5	851364	28.31	8	894636	28.10	7
849801	29.51	5	851366	28.26	1	894637	28.10	8
849801	29.51	5	851367	28.26	3	894638	28.10	9
849801	29.51	5	851368	28.26	10	894639	28.10	10
849802	29.51	6	851436	29.49	9	894640	28.14	19
849802	29.51	6	851440	28.13	5	894641	28.14	20
849802	29.51	6	853512	28.01	1	894642	28.11	25
849802	29.51	6	853513	28.01	1	894643	28.11	26
849803	29.51	7	853534	28.01	7	894644	28.15	26
849803	29.51	7	853976	28.17	13	894645	28.15	27
849803	29.51	7	853977	28.17	12	894646	28.15	32
849803	29.51	7	855022	29.54	4	894647	28.15	33
851007	29.37	2	855023	29.54	2	894648	28.15	28
851009	29.44	1	855024	29.54	3	894649	28.15	29
851009	29.44	1	855026	28.20	2	894650	28.15	30
851009	29.44	1	855028	29.54	12	894651	28.15	31
851009	29.44	1	855034	29.39	6	894652	28.09	23
851010	29.50	12	855034	29.39	6	894653	28.09	24
851011	29.44	11	855035	29.39	6	894655	28.14	19
851011	29.44	11	855035	29.39	6	894656	28.14	20
851011	29.44	11	855036	28.20	1	894674	28.11	27
851011	29.44	11	855037	28.20	1	894675	28.11	28
851012	29.34	21	855038	28.28	1	895040	28.09	19
851012	29.34	21	85504700XN4	28.09	2	895041	28.09	20
851012	29.34	21	855054	29.54	1	895042	28.09	21
851012	29.34	21	855055	29.54	9	895066	28.09	19
851013	29.50	11	855056	29.54	10	AP8101372	28.14	14
851013	29.50	11	855057	29.54	5	AP8101586	28.12	11
851013	29.50	11	855081	28.19	19	AP8101586	29.54	16
851013	29.50	11	855087	28.20	2	AP8101595	28.19	8
851015	29.34	20	855182	29.54	6	AP8101606	28.02	11
851015	29.34	20	855183	29.54	8	AP8101928	28.27	22
851015	29.34	20	855184	29.54	13	AP8102208	28.04	16
851015	29.34	20	855242	29.34	1	AP8102273	29.54	15
851017	29.34	22	855252	29.34	23	AP8102375	28.09	5
851017	29.34	22	855489	29.53	3	AP8102375	28.14	5
851017	29.34	22	855601	29.38	3	AP8102375	28.15	20
851017	29.34	22	855604	28.30	33	AP8102376	28.10	6
851019	29.34	9	855680	29.53	1	AP8102376	28.15	15
851019	29.34	9	855804	29.55	10	AP8102376	28.15	21
851019	29.34	9	855818	29.55	7	AP8102376	28.18	15
851019	29.34	9	855834	29.32	15	AP8102376	28.20	20
851023	28.29	2	855834	29.32	15	AP8102376	29.54	7
851029	28.04	7	855835	29.32	15	AP8102377	28.19	10
851030	28.04	8	855835	29.32	15	AP8102377	29.33	31
851035	29.38	1	855836	29.55	1	AP8102377	29.54	24
851039	29.38	1	855838	29.55	2	AP8102378	28.18	23
851042	29.38	2	855839	29.55	3	AP8102431	29.55	4
851045	29.38	2	855846	28.11	1	AP8102525	28.12	13
851063	28.21	20	856352	28.15	24	AP8102903	28.12	10
851064	28.22	19	856353	28.15	25	AP8104124	28.18	31
851065	28.23	23	856363	28.15	23	AP8104921	28.17	14
851066	28.24	22	856364	28.15	34	AP8104922	28.17	15
851134	28.07	28	856365	28.15	35	AP8108672	28.22	12
851240	29.36	18	856610	28.28	26	AP8109001	28.21	3
851280	28.03	4	856897	29.54	26	AP8109281	28.23	3

Code	Nr. der Tafel	Pos.
AP8109306	28.22	2
AP8109309	28.22	3
AP8112176	28.30	17
AP8112202	28.15	12
AP8112244	28.30	16
AP8112600	28.16	2
AP8112600	28.28	20
AP8117004	28.30	28
AP8117041	28.18	29
AP8119603	28.20	18
AP8120001	28.30	3
AP8120223	28.12	14
AP8120253	28.01	10
AP8120313	28.01	12
AP8120405	28.09	7
AP8120446	28.18	28
AP8120455	28.18	32
AP8120593	28.19	16
AP8120870	28.20	19
AP8120876	28.18	6
AP8120876	28.19	11
AP8120952	28.18	16
AP8120952	28.18	22
AP8120987	28.12	12
AP8121032	28.09	18
AP8121075	28.13	6
AP8121170	28.20	16
AP8121334	28.21	14
AP8121334	28.22	13
AP8121334	28.23	9
AP8121334	28.24	8
AP8121451	29.53	9
AP8121638	28.12	5
AP8121665	28.28	21
AP8121736	28.14	8
AP8121795	28.15	22
AP8121795	28.16	3
AP8121811	28.11	8
AP8121856	29.39	18
AP8121862	29.33	25
AP8121915	28.26	22
AP8124235	28.29	18
AP8124273	28.30	11
AP8124873	28.28	14
AP8124930	28.18	4
AP8125853	29.45	4
AP8127098	28.28	13
AP8127113	28.28	25
AP8127164	28.28	27
AP8127391	28.29	14
AP8127656	28.28	9
AP8127657	28.28	8
AP8140710	28.31	2
AP8144038	28.19	9
AP8144064	28.14	7
AP8144065	28.19	20
AP8144443	28.07	16
AP8144444	28.07	15
AP8144506	28.18	17
AP8144538	28.01	15
AP8144538	28.30	4
AP8150011	28.28	5
AP8150011	28.29	5
AP8150013	28.16	5
AP8150013	28.18	8
AP8150015	28.09	9
AP8150015	28.15	9

Code	Nr. der Tafel	Pos.
AP8150015	28.20	22
AP8150015	29.54	18
AP8150017	28.02	10
AP8150017	28.23	18
AP8150017	28.24	19
AP8150017	28.27	21
AP8150017	28.28	10
AP8150017	28.29	17
AP8150026	29.54	25
AP8150051	28.03	11
AP8150070	28.21	16
AP8150070	28.22	15
AP8150137	29.54	17
AP8150159	28.01	16
AP8150159	28.28	17
AP8150160	29.54	22
AP8150169	28.27	20
AP8150204	28.01	17
AP8150204	28.29	6
AP8150211	28.31	4
AP8150246	28.04	17
AP8150246	28.09	16
AP8150272	28.30	27
AP8150349	28.31	3
AP8150376	28.29	16
AP8150411	29.54	11
AP8150413	28.11	20
AP8150413	28.19	14
AP8150413	28.28	15
AP8150413	28.28	16
AP8150413	28.28	3
AP8150429	28.21	19
AP8150429	28.22	18
AP8150429	28.30	26
AP8150450	28.15	13
AP8150451	28.16	4
AP8150451	28.18	9
AP8150460	28.29	21
AP8150475	28.28	4
AP8150515	28.07	18
AP8150521	28.11	9
AP8152001	28.03	6
AP8152018	28.08	13
AP8152112	28.29	15
AP8152117	28.15	6
AP8152123	28.03	12
AP8152123	28.30	25
AP8152137	28.28	18
AP8152176	28.02	9
AP8152181	28.28	19
AP8152244	28.07	7
AP8152262	28.07	14
AP8152262	28.28	11
AP8152267	28.18	7
AP8152272	28.01	9
AP8152272	28.30	13
AP8152272	29.46	19
AP8152272	29.46	23
AP8152272	29.53	4
AP8152273	28.11	18
AP8152274	28.14	6
AP8152274	29.42	3
AP8152274	29.43	3
AP8152275	28.01	11
AP8152275	29.53	2
AP8152277	28.07	20
AP8152277	28.09	8

Code	Nr. der Tafel	Pos.
AP8152277	28.11	5
AP8152277	28.15	19
AP8152277	28.30	24
AP8152277	29.33	27
AP8152277	29.33	3
AP8152277	29.36	2
AP8152277	29.39	13
AP8152277	29.46	6
AP8152278	28.09	10
AP8152278	28.20	14
AP8152278	28.23	15
AP8152278	28.24	14
AP8152278	28.27	23
AP8152278	28.29	11
AP8152278	29.34	14
AP8152278	29.42	12
AP8152278	29.43	12
AP8152278	29.50	3
AP8152279	28.13	7
AP8152279	28.14	13
AP8152279	28.15	16
AP8152279	28.15	17
AP8152279	28.15	8
AP8152279	28.20	12
AP8152279	29.34	2
AP8152279	29.49	21
AP8152279	29.54	19
AP8152280	28.05	15
AP8152280	28.15	5
AP8152280	28.17	10
AP8152280	28.25	6
AP8152280	28.26	14
AP8152280	29.32	3
AP8152280	29.34	3
AP8152280	29.35	5
AP8152280	29.39	4
AP8152281	28.11	13
AP8152281	28.29	8
AP8152281	29.32	13
AP8152281	29.35	7
AP8152281	29.51	2
AP8152282	29.34	10
AP8152283	28.09	11
AP8152283	29.32	14
AP8152283	29.33	7
AP8152283	29.50	2
AP8152285	29.33	24
AP8152286	28.02	8
AP8152287	28.31	11
AP8152288	28.20	9
AP8152289	28.01	7
AP8152289	28.17	3
AP8152290	28.04	14
AP8152290	28.25	17
AP8152305	28.07	13
AP8152323	28.07	25
AP8152324	28.07	26
AP8152339	28.09	6
AP8152339	28.15	18
AP8152342	28.20	21
AP8152351	28.19	7
AP8156337	28.15	10
AP8156343	28.09	4
AP8161006	28.03	5
AP8163094	28.05	6
AP8163095	28.05	7
AP8163096	28.05	8

Code	Nr. der Tafel	Pos.
AP8163097	28.05	9
AP8163370	28.05	11
AP8166680	28.07	29
AP8176099	28.30	15
AP8176214	29.49	13
AP8176215	29.49	14
AP8184496	28.15	2
AP8184497	28.15	1
AP8184562	28.10	1
AP8184563	28.10	2
AP8184605	28.14	1
AP8184606	28.14	2
AP8187032	28.07	28
AP8201169	28.18	24
AP8201431	28.11	10
AP8202058	28.07	27
AP8218628	28.17	19
AP8220191	28.18	30
AP8220283	28.29	13
AP8220402	28.11	21
AP8220598	28.29	3
AP8220598	29.54	23
AP8220620	28.11	2
AP8221129	29.54	21
AP8221198	28.28	6
AP8224462	28.29	12
AP8234020	28.07	19
AP8560104	29.33	33
AP8560106	29.33	34
AP9100007	28.08	4
AP9100021	28.04	5
AP9100026	28.04	3
AP9100028	28.04	4
AP9100053	28.09	17
AP9100053	28.10	5
AP9100053	28.14	3
AP9100053	28.15	3
AP9100056	28.23	11
AP9100057	28.21	13
AP9100060	28.07	9
AP9100061	28.07	8
AP9100065	28.01	13
AP9100078	28.11	6
AP9100080	28.11	4
AP9100081	28.11	12
AP9100082	28.11	11
AP9100087	28.13	3
AP9100104	28.07	1
AP9100106	28.22	11
AP9100107	28.24	11
AP9100109	28.07	10
AP9100111	28.08	9
AP9100114	28.08	2
AP9100120	28.07	1
AP9100123	28.07	6
AP9100171	28.21	6
AP9100171	28.22	5
AP9100173	28.01	4
AP9100174	28.01	5
AP9100175	28.01	6
AP9100176	28.08	1
AP9100177	28.08	7
AP9100178	28.08	5
AP9100179	28.08	10
AP9100180	28.08	3
AP9100181	28.08	6
AP9100182	28.08	24

Code	Nr. der Tafel	Pos.
AP9100184	28.08	8
AP9100186	28.08	11
AP9100193	28.02	1
AP9100194	28.02	2
AP9100195	28.02	3
AP9100196	28.02	4
AP9100197	28.02	5
AP9100202	28.07	2
AP9100203	28.07	3
AP9100204	28.04	6
AP9100205	28.04	9
AP9100208	28.08	18
AP9100211	28.23	12
AP9100213	28.23	13
AP9100214	28.23	6
AP9100215	28.23	10
AP9100216	28.21	8
AP9100216	28.22	7
AP9100216	28.23	7
AP9100216	28.24	6
AP9100221	28.07	24
AP9100223	28.03	7
AP9100224	28.21	12
AP9100225	28.21	7
AP9100225	28.22	6
AP9100226	28.21	10
AP9100226	28.22	10
AP9100227	28.21	11
AP9100227	28.22	9
AP9100227	28.23	8
AP9100227	28.24	7
AP9100228	28.21	9
AP9100228	28.22	8
AP9100229	28.21	17
AP9100229	28.22	16
AP9100230	28.21	18
AP9100230	28.22	17
AP9100238	28.20	10
AP9100241	28.20	11
AP9100243	28.01	18
AP9100244	28.20	4
AP9100249	28.20	5
AP9100252	28.20	15
AP9100256	28.25	11
AP9100257	28.25	1
AP9100261	28.23	5
AP9100262	28.21	5
AP9100264	28.07	6
AP9100267	28.12	18
AP9100270	28.07	24
AP9100275	28.02	6
AP9100279	28.19	2
AP9100281	28.13	4
AP9100287	28.07	22
AP9100288	28.15	14
AP9100289	28.08	17
AP9100290	28.27	16
AP9100291	28.27	17
AP9100292	29.36	7
AP9100293	28.04	10
AP9100297	28.17	2
AP9100301	28.20	24
AP9100302	28.20	23
AP9100315	28.01	13
AP9100322	28.24	5
AP9100325	28.30	10
AP9100327	28.30	14

Code	Nr. der Tafel	Pos.
AP9100334	28.24	17
AP9100336	28.23	20
AP9100343	28.12	1
AP9100347	28.14	9
AP9100348	28.18	1
AP9100349	28.18	2
AP9100354	28.27	19
AP9100356	28.27	15
AP9100358	29.36	5
AP9100362	29.36	6
AP9100365	28.13	2
AP9100366	28.10	3
AP9100367	29.32	10
AP9100371	28.30	6
AP9100372	28.30	8
AP9100374	29.32	9
AP9100375	28.11	24
AP9100375	28.18	12
AP9100376	28.18	10
AP9100381	29.32	12
AP9100383	29.32	11
AP9100386	29.49	11
AP9100387	29.53	3
AP9100389	28.01	14
AP9100390	28.02	7
AP9100393	28.30	7
AP9100397	28.06	1
AP9100398	28.06	2
AP9100409	28.20	6
AP9100411	29.32	2
AP9100412	28.04	11
AP9100414	28.20	3
AP9100415	28.11	19
AP9100416	28.11	14
AP9100417	28.27	8
AP9100418	28.25	8
AP9100419	28.03	3
AP9100423	28.29	10
AP9100424	28.29	7
AP9100425	28.17	20
AP9100426	28.17	21
AP9100427	28.19	13
AP9100428	28.19	15
AP9100429	28.29	9
AP9100432	28.23	19
AP9100432	28.24	20
AP9100433	28.07	21
AP9100433	29.32	13
AP9100434	28.07	23
AP9100434	28.12	8
AP9100434	28.14	12
AP9100434	28.20	13
AP9100434	29.54	20
AP9100435	28.07	11
AP9100437	28.04	2
AP9100439	28.04	13
AP9100439	28.08	15
AP9100440	28.09	14
AP9100441	28.09	13
AP9100442	28.08	14
AP9100443	29.32	5
AP9100444	29.52	1
AP9100447	28.29	1
AP9100451	29.48	20
AP9100455	28.19	12
AP9100456	28.18	25
AP9100456	29.54	14

Code	Nr. der Tafel	Pos.	Code	Nr. der Tafel	Pos.	Code	Nr. der Tafel	Pos.
AP9100457	28.21	4	AP9100596	28.24	16	AP9100790	28.25	14
AP9100458	28.21	2	AP9100600	29.48	19	AP9100791	28.25	15
AP9100461	28.21	15	AP9100604	28.08	16	AP9100792	28.25	16
AP9100462	28.23	4	AP9100608	28.24	1	AP9100793	28.27	3
AP9100466	28.23	14	AP9100610	28.15	11	AP9100794	28.27	2
AP9100466	28.24	13	AP9100616	28.07	12	AP9100795	28.27	4
AP9100467	28.23	17	AP9100635	28.28	2	AP9100796	28.27	14
AP9100467	28.24	18	AP9100636	28.17	7	AP9100797	28.27	10
AP9100472	28.25	8	AP9100638	28.12	6	AP9100798	28.27	11
AP9100472	28.27	6	AP9100642	28.25	7	AP9100799	28.27	13
AP9100473	28.25	10	AP9100643	29.32	6	AP9100800	28.27	12
AP9100473	28.27	7	AP9100645	28.10	4	AP9100801	28.17	6
AP9100475	28.27	1	AP9100645	28.15	4	AP9100802	28.17	13
AP9100477	28.27	18	AP9100661	28.12	7	AP9100808	28.08	19
AP9100478	28.27	5	AP9100661	28.14	11	AP9100814	28.08	20
AP9100479	28.27	9	AP9100663	28.18	14	AP9100815	28.08	20
AP9100486	28.17	12	AP9100665	28.12	16	AP9100817	28.08	21
AP9100487	28.30	9	AP9100668	28.03	8	AP9100820	28.08	22
AP9100494	29.52	3	AP9100669	28.03	9	AP9100826	28.08	23
AP9100496	28.12	9	AP9100680	28.04	2	AP9100827	28.08	23
AP9100501	28.09	12	AP9100683	29.32	8	AP9100834	28.03	1
AP9100504	28.14	4	AP9100684	29.32	8	AP9100835	28.03	1
AP9100506	28.18	3	AP9100685	29.32	8	AP9100836	28.03	10
AP9100507	28.21	1	AP9100686	29.32	8	AP9100837	28.31	10
AP9100508	28.23	2	AP9100687	29.32	7	AP9100845	28.20	7
AP9100510	28.23	1	AP9100688	28.01	8	AP9100847	28.05	3
AP9100511	28.30	22	AP9100697	28.18	27	AP9100848	28.05	4
AP9100512	28.30	1	AP9100703	28.19	3	AP9100849	28.05	10
AP9100513	28.17	5	AP9100704	28.17	1	AP9100850	28.05	12
AP9100514	28.17	4	AP9100707	28.25	5	AP9100851	28.05	13
AP9100515	28.31	1	AP9100709	29.52	2	AP9100852	28.05	14
AP9100516	28.16	1	AP9100711	28.26	25	AP9100853	28.05	17
AP9100517	28.09	1	AP9100712	28.26	24	AP9100854	28.05	18
AP9100518	28.29	20	AP9100713	28.26	15	AP9100855	28.05	5
AP9100519	28.28	22	AP9100714	28.18	26	AP9100856	28.05	16
AP9100523	28.28	12	AP9100714	29.52	4	AP9100857	28.05	19
AP9100525	29.48	19	AP9100715	28.24	21	AP9100858	28.05	20
AP9100526	28.24	2	AP9100724	28.01	12	AP9100859	28.05	21
AP9100527	28.24	3	AP9100725	28.30	5	AP9100869	28.06	3
AP9100528	28.22	14	AP9100736	28.20	8	AP9100870	28.06	4
AP9100530	28.22	1	AP9100739	28.30	20	AP9100871	28.06	5
AP9100531	28.23	21	AP9100742	28.30	18	AP9100872	28.06	6
AP9100533	28.23	22	AP9100747	28.28	7	AP9100873	28.06	7
AP9100542	28.04	1	AP9100749	28.26	23	AP9100874	28.06	8
AP9100548	28.09	15	AP9100752	28.27	25	AP9100875	28.06	9
AP9100549	28.08	12	AP9100755	28.20	17	AP9100876	28.06	10
AP9100550	29.32	12	AP9100756	28.31	7	AP9100877	28.06	12
AP9100553	28.18	20	AP9100757	28.31	6	AP9100878	28.06	13
AP9100554	28.18	21	AP9100763	28.26	21	AP9100879	28.06	14
AP9100555	28.18	18	AP9100765	28.30	23	AP9100905	28.26	20
AP9100557	28.18	19	AP9100766	28.01	2	AP9100906	28.26	16
AP9100558	28.30	12	AP9100767	28.11	7	AP9100907	28.26	17
AP9100559	28.24	10	AP9100768	28.01	20	AP9100908	28.26	18
AP9100560	28.24	4	AP9100769	28.01	19	AP9100909	28.26	19
AP9100561	28.22	4	AP9100770	28.01	3	AP9100910	28.26	13
AP9100565	28.07	17	AP9100776	28.04	12	AP9100911	28.26	12
AP9100568	28.29	19	AP9100778	28.14	10	AP9100912	28.26	11
AP9100568	28.30	29	AP9100780	28.18	5	AP9100913	28.26	10
AP9100569	28.24	12	AP9100781	28.18	13	AP9100914	28.26	9
AP9100584	28.24	9	AP9100782	28.30	19	AP9100915	28.26	8
AP9100586	29.52	1	AP9100783	28.30	21	AP9100916	28.26	7
AP9100587	28.19	5	AP9100785	28.25	2	AP9100917	28.26	6
AP9100588	28.19	4	AP9100786	28.25	3	AP9100918	28.26	5
AP9100593	29.32	4	AP9100787	28.25	4	AP9100919	28.26	4
AP9100594	28.15	7	AP9100788	28.25	12	AP9100920	28.26	3
AP9100595	28.23	16	AP9100789	28.25	13	AP9100921	28.26	2
AP9100595	28.24	15	AP9100789	28.27	24	AP9100922	28.26	1

Code	Nr. der Tafel	Pos.	Code	Nr. der Tafel	Pos.	Code	Nr. der Tafel	Pos.
AP9100930	28.11	15	AP9150067	29.46	3	AP9150157	29.35	3
AP9100931	28.11	16	AP9150068	29.46	10	AP9150158	29.35	4
AP9100936	28.31	5	AP9150069	29.46	7	AP9150159	29.35	14
AP9100939	28.17	8	AP9150070	29.46	8	AP9150160	29.35	17
AP9100940	28.17	9	AP9150071	29.35	1	AP9150161	29.35	19
AP9100941	28.17	11	AP9150072	29.46	12	AP9150162	29.35	6
AP9100945	28.29	4	AP9150073	29.46	5	AP9150166	29.36	19
AP9100948	28.18	33	AP9150074	29.35	20	AP9150167	29.36	20
AP9100950	28.12	15	AP9150075	29.35	15	AP9150168	29.36	8
AP9100951	28.12	17	AP9150076	29.35	13	AP9150169	29.36	9
AP9100952	28.07	4	AP9150078	29.33	28	AP9150170	29.36	11
AP9100952	28.07	5	AP9150079	29.33	1	AP9150171	29.36	12
AP9100953	28.07	5	AP9150080	29.33	1	AP9150172	29.36	16
AP9100959	28.30	30	AP9150089	29.33	1	AP9150173	29.36	14
AP9100963	28.03	13	AP9150090	29.51	1	AP9150174	28.12	2
AP9100964	28.03	2	AP9150091	29.46	16	AP9150174	29.33	19
AP9100965	28.29	20	AP9150093	29.46	15	AP9150174	29.39	19
AP9100966	28.11	23	AP9150094	29.34	12	AP9150180	29.53	1
AP9100967	28.11	22	AP9150096	29.42	7	AP9150181	29.39	15
AP9100968	28.04	15	AP9150096	29.43	7	AP9150184	29.46	18
AP9100969	28.18	11	AP9150101	29.42	8	AP9150190	29.49	10
AP9100976	28.28	24	AP9150101	29.43	8	AP9150191	29.49	18
AP9100994	28.31	5	AP9150102	29.42	9	AP9150194	29.49	19
AP9100997	28.30	31	AP9150102	29.43	9	AP9150195	29.49	15
AP9100998	29.33	36	AP9150104	29.40	4	AP9150196	29.49	1
AP9100999	29.39	21	AP9150106	29.40	8	AP9150203	29.51	7
AP9101000	28.30	2	AP9150107	29.40	9	AP9150203	29.51	7
AP9101001	28.19	17	AP9150109	29.33	29	AP9150203	29.51	7
AP9101008	29.52	5	AP9150110	29.39	10	AP9150203	29.51	7
AP9101009	29.52	6	AP9150111	29.39	9	AP9150204	29.53	8
AP9101010	29.52	7	AP9150112	29.39	2	AP9150205	29.53	6
AP9101011	29.52	8	AP9150113	29.39	3	AP9150207	29.51	6
AP9101012	29.52	9	AP9150114	29.39	5	AP9150207	29.51	6
AP9101013	29.52	10	AP9150115	29.33	16	AP9150207	29.51	6
AP9101014	29.52	11	AP9150116	29.33	15	AP9150207	29.51	6
AP9101017	28.19	18	AP9150117	29.33	17	AP9150208	29.51	9
AP9150003	29.46	13	AP9150118	29.34	22	AP9150209	29.51	3
AP9150004	29.46	1	AP9150118	29.34	22	AP9150210	29.37	9
AP9150006	29.45	5	AP9150118	29.34	22	AP9150216	29.47	2
AP9150007	29.38	4	AP9150118	29.34	22	AP9150216	29.48	2
AP9150008	29.39	6	AP9150118	29.34	7	AP9150217	29.35	11
AP9150008	29.39	6	AP9150119	29.50	4	AP9150218	29.48	18
AP9150009	29.39	7	AP9150120	29.39	11	AP9150220	29.45	8
AP9150010	29.39	8	AP9150121	29.39	12	AP9150231	29.42	18
AP9150011	29.42	16	AP9150127	29.37	11	AP9150232	29.49	20
AP9150011	29.43	16	AP9150132	29.50	6	AP9150233	29.44	11
AP9150012	29.42	17	AP9150133	29.42	15	AP9150233	29.44	11
AP9150012	29.43	17	AP9150133	29.43	15	AP9150233	29.44	11
AP9150018	29.37	10	AP9150138	29.42	6	AP9150233	29.44	11
AP9150019	29.37	1	AP9150140	29.42	20	AP9150234	29.49	8
AP9150022	29.40	1	AP9150140	29.43	20	AP9150235	29.49	12
AP9150023	29.40	2	AP9150141	29.42	19	AP9150236	29.37	13
AP9150024	29.40	5	AP9150141	29.43	19	AP9150237	29.48	18
AP9150025	29.40	6	AP9150142	29.43	18	AP9150238	29.45	3
AP9150028	29.40	3	AP9150143	29.41	1	AP9150239	29.33	1
AP9150040	29.49	5	AP9150145	29.33	4	AP9150246	29.48	12
AP9150043	29.46	4	AP9150146	29.33	2	AP9150247	29.48	9
AP9150044	29.45	6	AP9150147	29.34	9	AP9150248	29.48	8
AP9150048	29.45	1	AP9150147	29.34	9	AP9150249	29.48	6
AP9150051	29.45	7	AP9150147	29.34	9	AP9150250	29.48	3
AP9150060	29.46	11	AP9150147	29.34	9	AP9150252	29.47	9
AP9150061	29.46	17	AP9150148	29.34	8	AP9150253	29.47	8
AP9150062	29.46	14	AP9150149	29.33	9	AP9150254	29.47	6
AP9150063	29.45	2	AP9150150	29.34	11	AP9150255	29.47	3
AP9150064	29.46	9	AP9150151	29.36	22	AP9150256	29.47	1
AP9150065	29.37	7	AP9150152	29.34	1	AP9150258	29.48	12
AP9150066	29.37	8	AP9150153	29.34	6	AP9150259	29.48	9

Code	Nr. der Tafel	Pos.	Code	Nr. der Tafel	Pos.	Code	Nr. der Tafel	Pos.
AP9150260	29.48	8	AP9150363	29.48	16	AP9150448	29.42	5
AP9150261	29.48	6	AP9150364	29.42	2	AP9150450	29.43	5
AP9150262	29.48	3	AP9150364	29.43	2	AP9150450	29.43	5
AP9150263	29.48	1	AP9150364	29.46	22	AP9150454	29.37	12
AP9150265	29.47	9	AP9150365	29.46	21	AP9150455	29.37	12
AP9150266	29.47	8	AP9150366	29.44	2	AP9150456	29.33	11
AP9150267	29.47	7	AP9150367	29.49	7	AP9150457	29.33	11
AP9150267	29.48	7	AP9150369	29.51	8	AP9150461	29.35	10
AP9150268	29.47	6	AP9150370	29.48	11	AP9150462	29.46	24
AP9150269	29.47	3	AP9150372	29.42	10	AP9150463	29.35	18
AP9150270	29.47	1	AP9150372	29.43	10	AP9150464	29.50	8
AP9150272	29.44	1	AP9150373	29.49	4	AP9150469	29.39	14
AP9150272	29.44	1	AP9150374	29.49	3	AP9150471	29.33	22
AP9150272	29.44	1	AP9150375	29.46	2	AP9150472	29.36	23
AP9150272	29.44	1	AP9150376	29.35	8	AP9150473	29.34	17
AP9150273	29.44	4	AP9150377	29.35	2	AP9150474	29.50	10
AP9150280	29.36	3	AP9150380	29.53	7	AP9150474	29.50	10
AP9150281	29.36	1	AP9150382	29.48	17	AP9150474	29.50	10
AP9150284	29.49	6	AP9150384	29.49	2	AP9150474	29.50	10
AP9150285	29.44	9	AP9150385	29.35	12	AP9150474	29.50	11
AP9150291	29.35	9	AP9150387	29.44	3	AP9150474	29.50	11
AP9150292	29.50	7	AP9150389	29.44	12	AP9150474	29.50	11
AP9150294	29.47	10	AP9150390	29.44	8	AP9150474	29.50	11
AP9150294	29.48	13	AP9150391	29.42	11	AP9150476	29.36	10
AP9150296	29.48	10	AP9150391	29.43	11	AP9150477	29.36	15
AP9150297	29.47	4	AP9150393	29.45	9	AP9150479	29.46	20
AP9150297	29.48	4	AP9150394	29.33	5	AP9150483	29.44	6
AP9150299	29.44	10	AP9150395	29.32	14	AP9150484	29.50	1
AP9150300	29.42	16	AP9150395	29.34	13	AP9150489	29.33	6
AP9150300	29.43	16	AP9150396	29.35	16	AP9150490	29.32	15
AP9150301	29.38	4	AP9150397	29.35	21	AP9150490	29.32	15
AP9150302	29.47	5	AP9150398	29.36	17	AP9150491	29.32	15
AP9150302	29.48	5	AP9150401	29.53	5	AP9150491	29.32	15
AP9150303	29.42	4	AP9150402	29.37	5	AP9150492	29.32	16
AP9150303	29.43	4	AP9150410	28.12	4	AP9150493	29.32	17
AP9150304	29.43	6	AP9150410	29.34	15	AP9150500	29.51	10
AP9150311	29.48	1	AP9150417	29.41	1	AP9150501	29.42	1
AP9150312	29.39	17	AP9150418	29.41	1	AP9150502	29.43	1
AP9150315	29.37	10	AP9150419	29.41	1	AP9150506	29.42	13
AP9150317	29.39	1	AP9150420	29.41	1	AP9150506	29.43	13
AP9150321	29.36	13	AP9150421	29.41	1	AP9150507	29.42	14
AP9150323	29.37	12	AP9150422	29.41	1	AP9150508	29.43	14
AP9150324	29.33	11	AP9150423	29.41	1	AP9150509	29.39	6
AP9150327	29.42	15	AP9150424	29.41	1	AP9150509	29.39	6
AP9150327	29.43	15	AP9150425	29.41	1	AP9150522	29.34	19
AP9150343	29.38	5	AP9150426	29.41	1	AP9150524	29.34	5
AP9150344	29.33	35	AP9150427	29.41	1	AP9150525	29.37	6
AP9150346	29.33	23	AP9150428	29.41	1	AP9150526	29.33	32
AP9150347	29.36	4	AP9150429	29.41	1	AP9150527	29.37	1
AP9150348	29.44	5	AP9150430	29.41	1	AP9150530	28.19	1
AP9150349	28.12	3	AP9150431	29.41	1	AP9150531	28.19	1
AP9150349	29.33	20	AP9150432	29.41	1	AP9150533	29.33	21
AP9150349	29.33	30	AP9150433	29.41	1	AP9150538	29.42	1
AP9150349	29.39	16	AP9150434	29.41	1	AP9150539	29.43	1
AP9150349	29.39	20	AP9150435	29.33	8	AP9150545	29.33	37
AP9150350	29.33	18	AP9150436	29.37	4	CM235801	28.14	15
AP9150351	29.34	18	AP9150437	29.37	3	CM235802	28.14	16
AP9150352	29.50	5	AP9150439	29.33	26	CM236001	28.14	17
AP9150353	29.33	10	AP9150440	29.33	12	CM236002	28.14	18
AP9150355	29.36	21	AP9150441	29.33	13	CM2362045	29.32	1
AP9150356	29.34	16	AP9150442	29.33	14	CM2362055	29.32	1
AP9150357	29.48	15	AP9150443	29.35	22	CM2363045	29.32	1
AP9150358	29.49	16	AP9150443	29.50	10	CM2363055	29.32	1
AP9150359	29.49	17	AP9150443	29.50	10	CM238602	29.42	5
AP9150360	29.47	12	AP9150443	29.50	10	CM238603	29.42	5
AP9150361	29.48	14	AP9150443	29.50	10	CM238604	29.42	5
AP9150362	29.47	11	AP9150446	29.51	4	CM238605	29.42	5

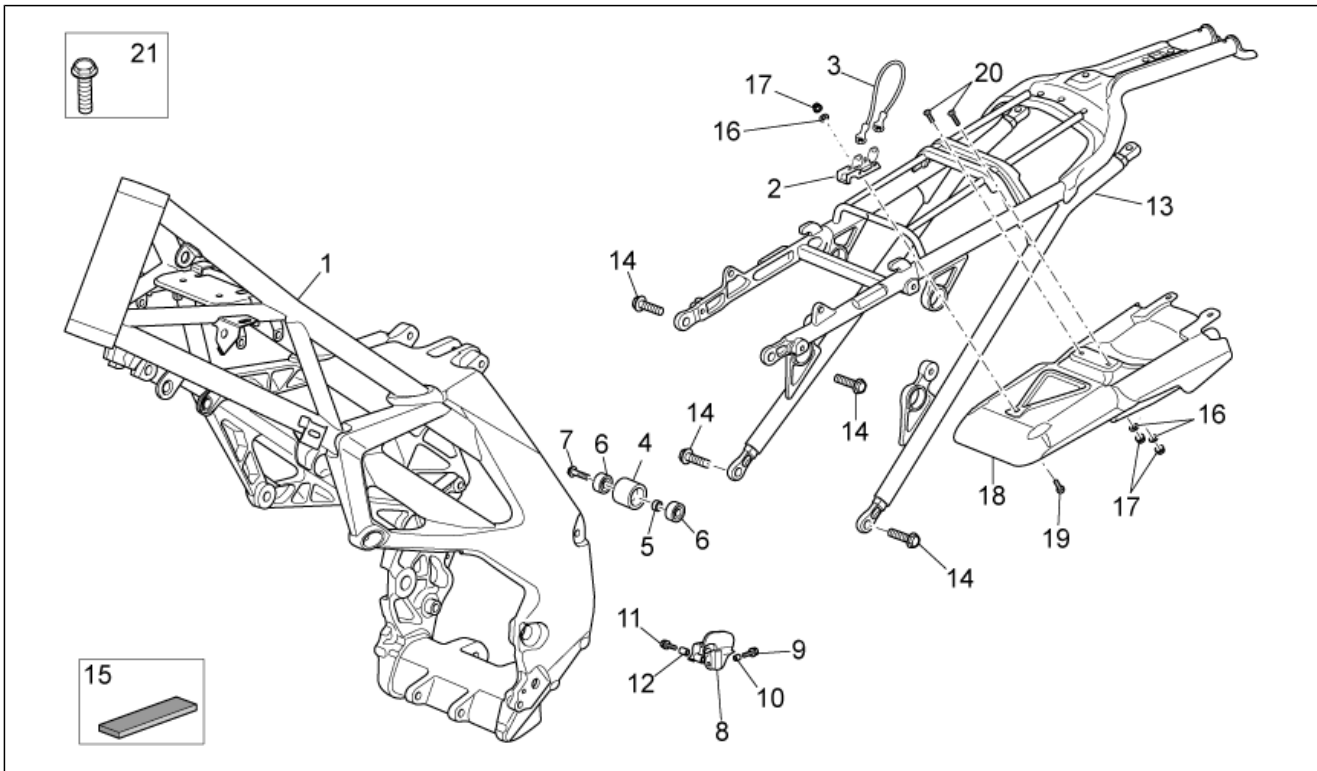


RXV-SXV 450-550
4234 - RXV-SXV 450-550 Pikes Peak 2009

Vorsatzcode Fahrgestell: ZD4VPL00,
ZD4VPT00, ZD4VPX00, ZD4VSR00,
ZD4VSS00, ZD4VPH00
Vorsatzcode Motor:

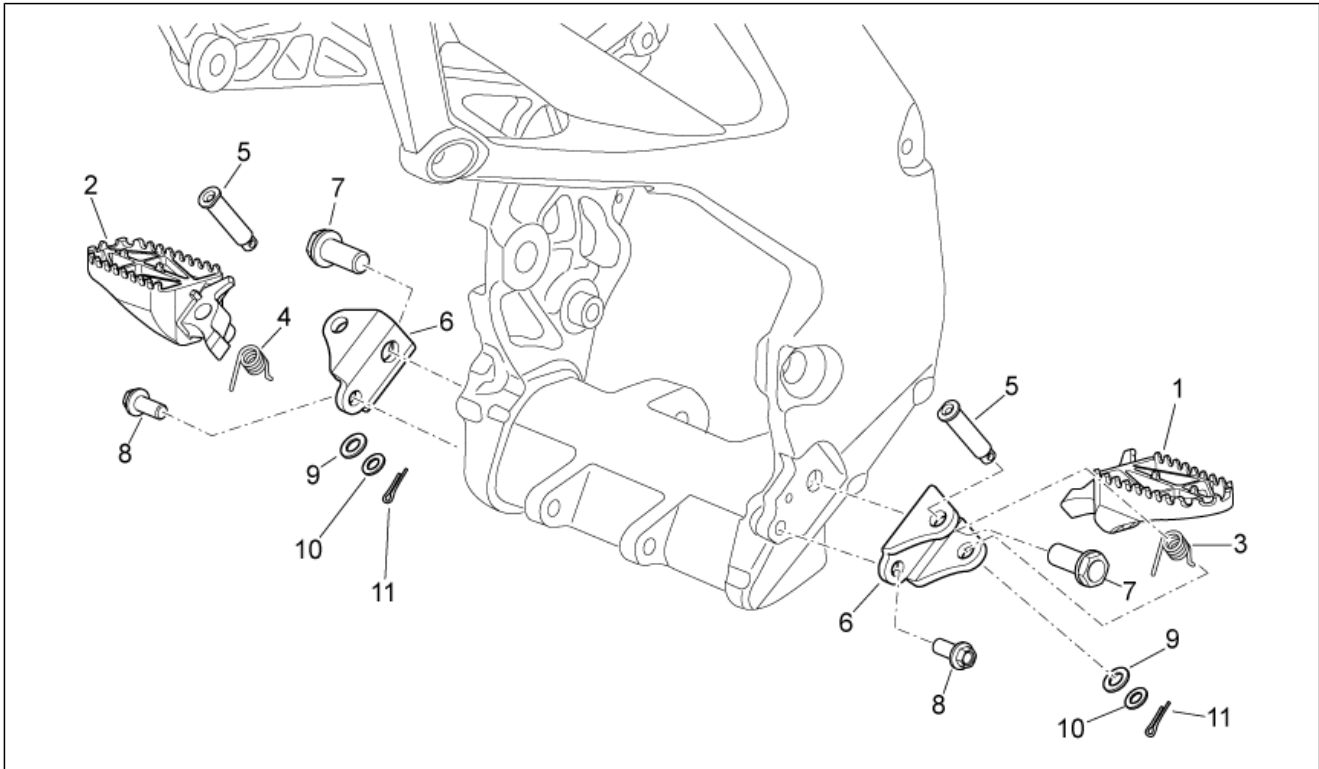
Code	Nr. der Tafel	Pos.
CM238606	29.42	5
GU01103090	28.11	17

Einheit	RAHMEN
Code	28.01
Beschreibung	Rahmen
Inspektion	1



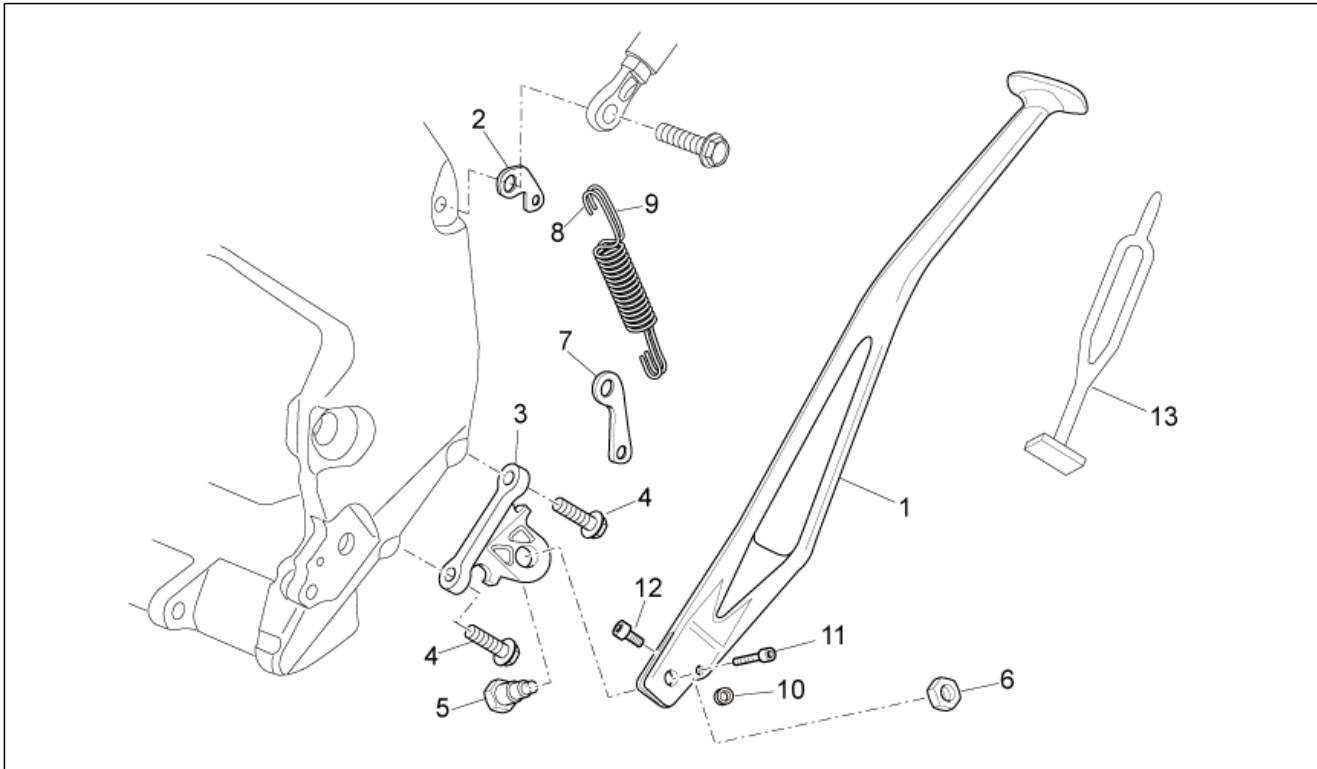
Pos.	Code	Beschreibung	Menge	Varianten
1	853512	Rahmen	1	Technische Daten: Version Enduro[RX]
1	853513	Rahmen	1	Technische Daten: Version Motard[SX]
2	AP9100766	Platte	1	
3	AP9100770	Kabel	1	
4	AP9100173	Kettenrolle schwarz	1	
5	AP9100174	Distanzscheibe	1	
6	AP9100175	Kugellager 8x22x7	2	
7	853534	TE Schr. m. Flansch M8x35 titan	1	
7	AP8152289	TE Schr. m. Flansch	1	
8	AP9100688	Unt. Kettengleitführung	1	
9	AP8152272	TE Schr. m. Flansch M5x12	1	
10	AP8120253	Distanzscheibe	1	
11	AP8152275	TE Schr. m. Flansch M5x25	1	
12	AP8120313	Distanzscheibe H11,5	1	Technische Daten: Version Motard[SX]
12	AP9100724	Distanzscheibe	1	Technische Daten: Version Enduro[RX]
13	AP9100065	Sattelstütze	1	Technische Daten: Version Enduro[RX]
13	AP9100315	Sattelstütze	1	Technische Daten: Version Motard[SX]
14	AP9100389	TE Schr. m. Flansch M10x1,25	4	
15	AP8144538	Dichtung	2	
16	AP8150159	Ausgleichscheibe 4,3x16*	3	
17	AP8150204	Mutter M4	3	
18	AP9100243	Wärmeschutz	1	
19	AP9100769	TBEI Schraube M4x10 inox	1	
20	AP9100768	Schraube M4x12	2	

Einheit	RAHMEN
Code	28.02
Beschreibung	Fussrasten
Inspektion	1



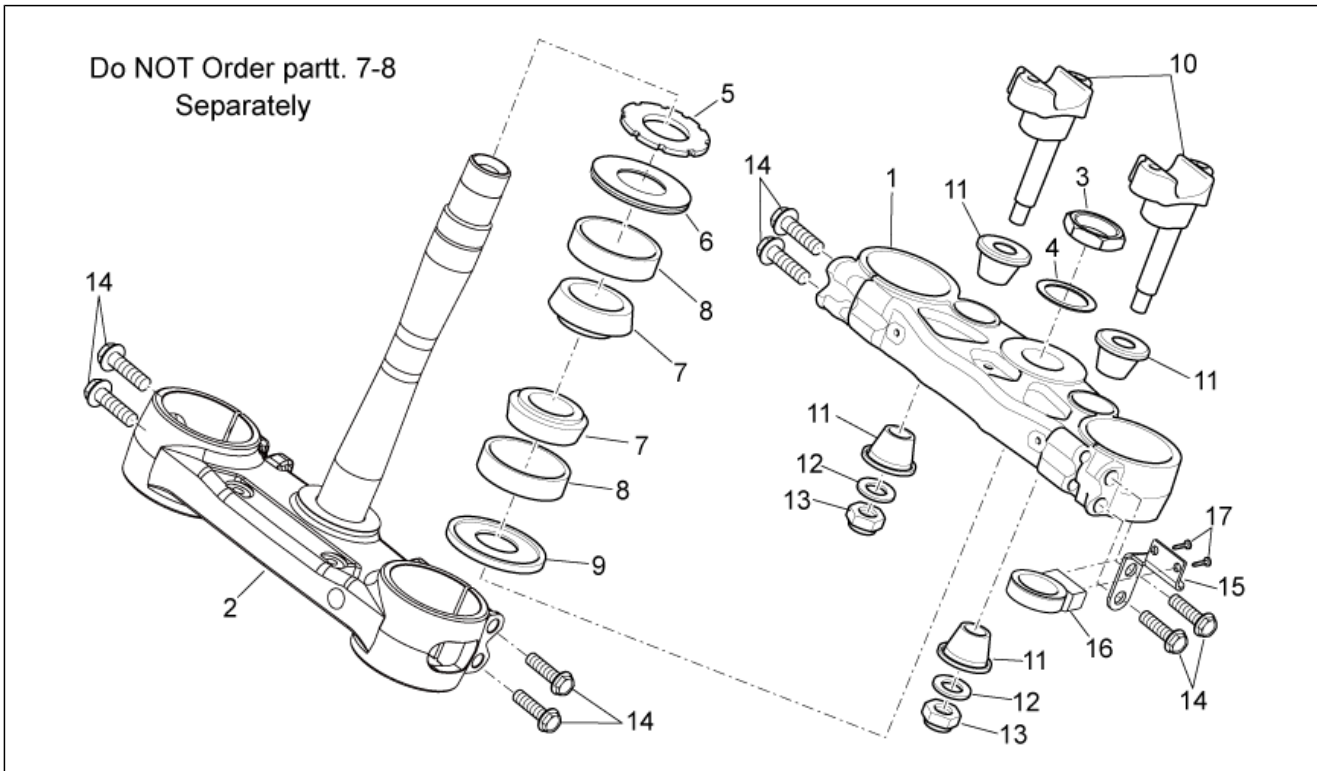
Pos.	Code	Beschreibung	Menge	Varianten
1	AP9100193	Soziusraste links	1	
2	AP9100194	Soziusraste rechts	1	
3	AP9100195	Feder links	1	
4	AP9100196	Feder rechts	1	
5	AP9100197	Bolzen	2	
6	AP9100275	Halterung Fußraste	2	
7	AP9100390	Schraube M12x1,25	2	
8	AP8152286	TE Schr. m. Flansch M8x20	2	
9	AP8152176	Ausgleichscheibe 10,5X18X2*	2	
10	AP8150017	Ausgleichscheibe 8,4x16x1,6	2	
11	AP8101606	Splint	2	

Einheit	RAHMEN
Code	28.03
Beschreibung	Hauptständer
Inspektion	1



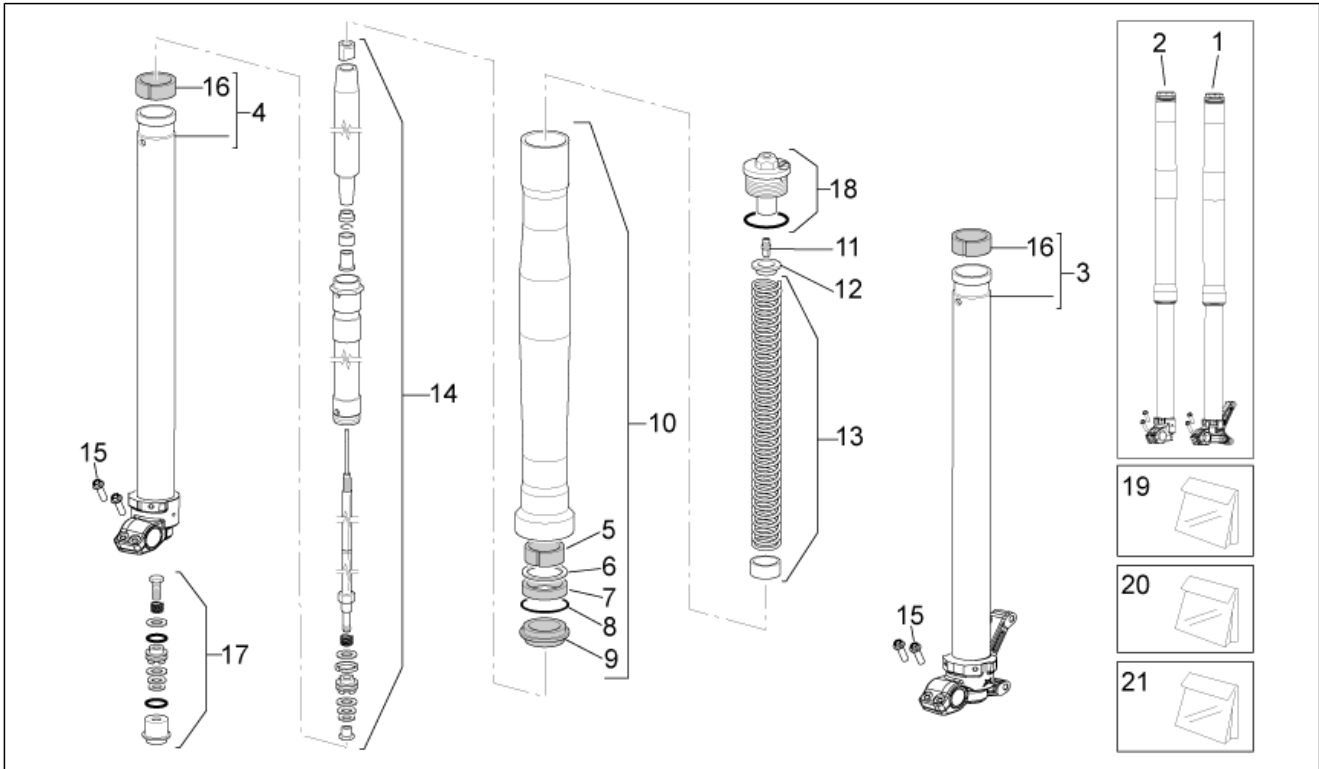
Pos.	Code	Beschreibung	Menge	Varianten
1	AP9100834	Hauptständer	1	Technische Daten:Version Enduro[RX]
1	AP9100835	Hauptständer	1	Technische Daten:Version Motard[SX]
2	AP9100964	Platte	1	
3	AP9100419	Hauptständer platte	1	
4	851280	TE Schr. m. Flansch	2	
5	AP8161006	Ständerschraube	1	
6	AP8152001	Mutter unten M10x1,25	1	
7	AP9100223	Rückholplatte Ständer	1	
8	AP9100668	Außere Feder	1	
9	AP9100669	Innere Feder	1	
10	AP9100836	Buchse 8x5x7,8	1	
11	AP8150051	TCEI Schraube	1	
12	AP8152123	TCEI Schraube	1	
13	AP9100963	Befestig. Gummib.	1	

Einheit	RAHMEN
Code	28.04
Beschreibung	Lenkung I
Inspektion	1



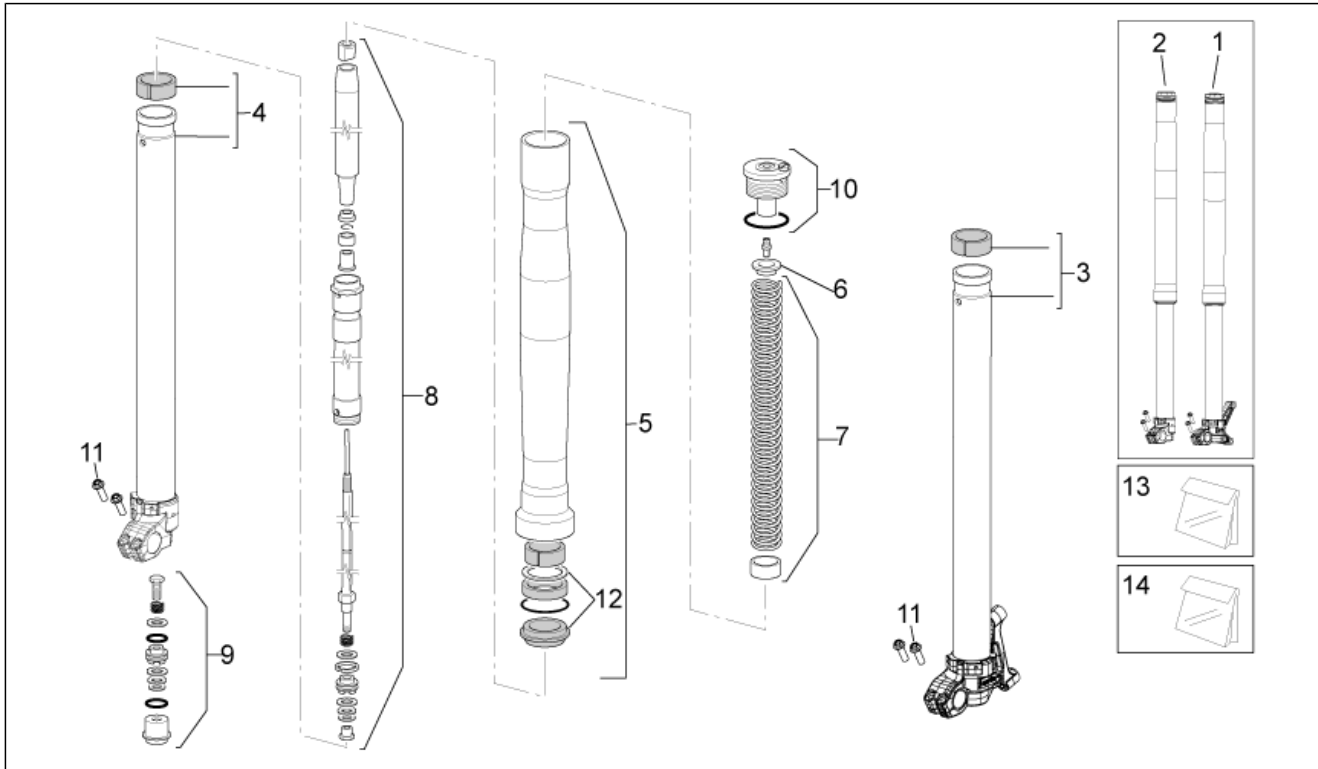
Pos.	Code	Beschreibung	Menge	Varianten
1	AP9100542	Obere Platte	1	
2	AP9100437	Fuß mit Rohr	1	Technische Daten:Version Motard[SX]
2	AP9100680	Fuß mit Rohr	1	Technische Daten:Version Enduro[RX]
3	AP9100026	Bolzen Mutter	1	
4	AP9100028	Ausgleichscheibe 26,5x36x1	1	
5	AP9100021	Nutmutter	1	
6	AP9100204	Ob.Dichtring	1	
7	851029	Anlaufscheibe	2	
8	851030	Lager	2	
9	AP9100205	Un.Dichtring	1	
10	AP9100293	Unter.Bügelbolzen	2	
11	AP9100412	Schwingschutzlager	4	
12	AP9100776	Ausgleichscheibe 10.1x23x2.5	2	
13	AP9100439	Selbstsperr.Mut.Unt. M10x1,25	2	
14	AP8152290	TE Schr. m. Flansch M8x40	8	
15	AP9100968	Kabeldurchgang Platte	1	
16	AP8102208	Vord. Bremskabelführung	1	
17	AP8150246	Linsenschraube	2	

Einheit	RAHMEN
Code	28.05
Beschreibung	Gabel I
Inspektion	1



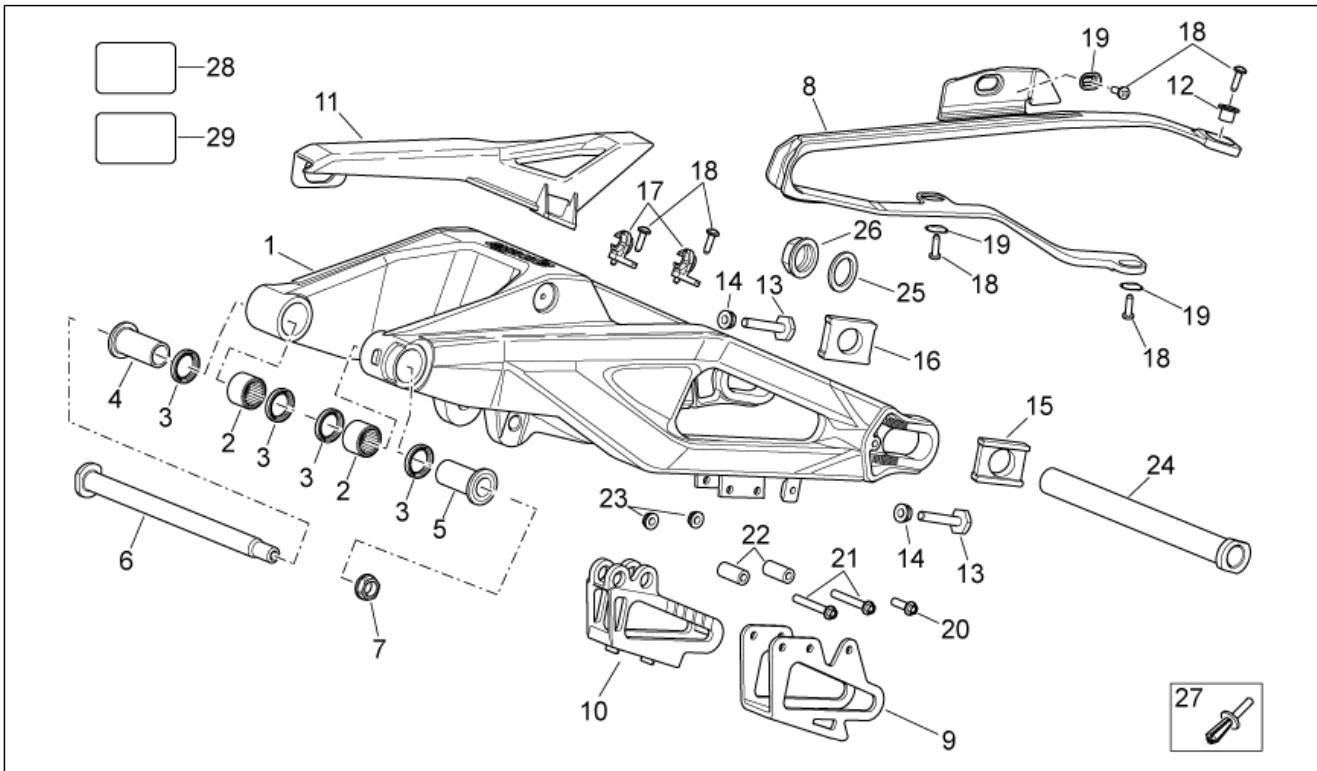
Pos.	Code	Beschreibung	Menge	Varianten
1	851291	Kolbenstange links kpl.	1	Technische Daten:Version Enduro[RX]
2	851290	Kolbenstange rechts kpl.	1	Technische Daten:Version Enduro[RX]
3	AP9100847	Klb.st.+ Radhltr. lks.	1	Technische Daten:Version Enduro[RX]
4	AP9100848	Klb.st.+ Radhltr. rch.	1	Technische Daten:Version Enduro[RX]
5	AP9100855	Obere Buchse 45x15	2	Technische Daten:Version Enduro[RX]
6	AP8163094	Becher 58x46x3	2	Technische Daten:Version Enduro[RX]
7	AP8163095	Gasket ring 45x58x11	2	Technische Daten:Version Enduro[RX]
8	AP8163096	Sperring D.63	2	Technische Daten:Version Enduro[RX]
9	AP8163097	Staubschutz D.45	2	Technische Daten:Version Enduro[RX]
10	AP9100849	Hülse kpl.	2	Technische Daten:Version Enduro[RX]
11	AP8163370	Feststellschraube+o-ring	2	Technische Daten:Version Enduro[RX]
12	AP9100850	Ring d.40	2	Technische Daten:Version Enduro[RX]
13	AP9100851	Feder kit	2	Technische Daten:Version Enduro[RX]
14	AP9100852	Pumpenrad kpl.	2	Technische Daten:Version Enduro[RX]
15	AP8152280	TE Schr. m. Flansch M6x25	4	Technische Daten:Version Enduro[RX]
16	AP9100856	Untere Buchse 45x20	2	Technische Daten:Version Enduro[RX]
17	AP9100853	Ventil d.45	2	Technische Daten:Version Enduro[RX]
18	AP9100854	Verschlussschraube kpl. d.45	2	Technische Daten:Version Enduro[RX]
19	AP9100857	Entfern.inner Gabeldichringe kit	1	Technische Daten:Version Enduro[RX]
20	AP9100858	Dichtungssatz d.45	1	Technische Daten:Version Enduro[RX]
21	AP9100859	Buchse kit	1	Technische Daten:Version Enduro[RX]

Einheit	RAHMEN
Code	28.06
Beschreibung	Gabel II
Inspektion	1



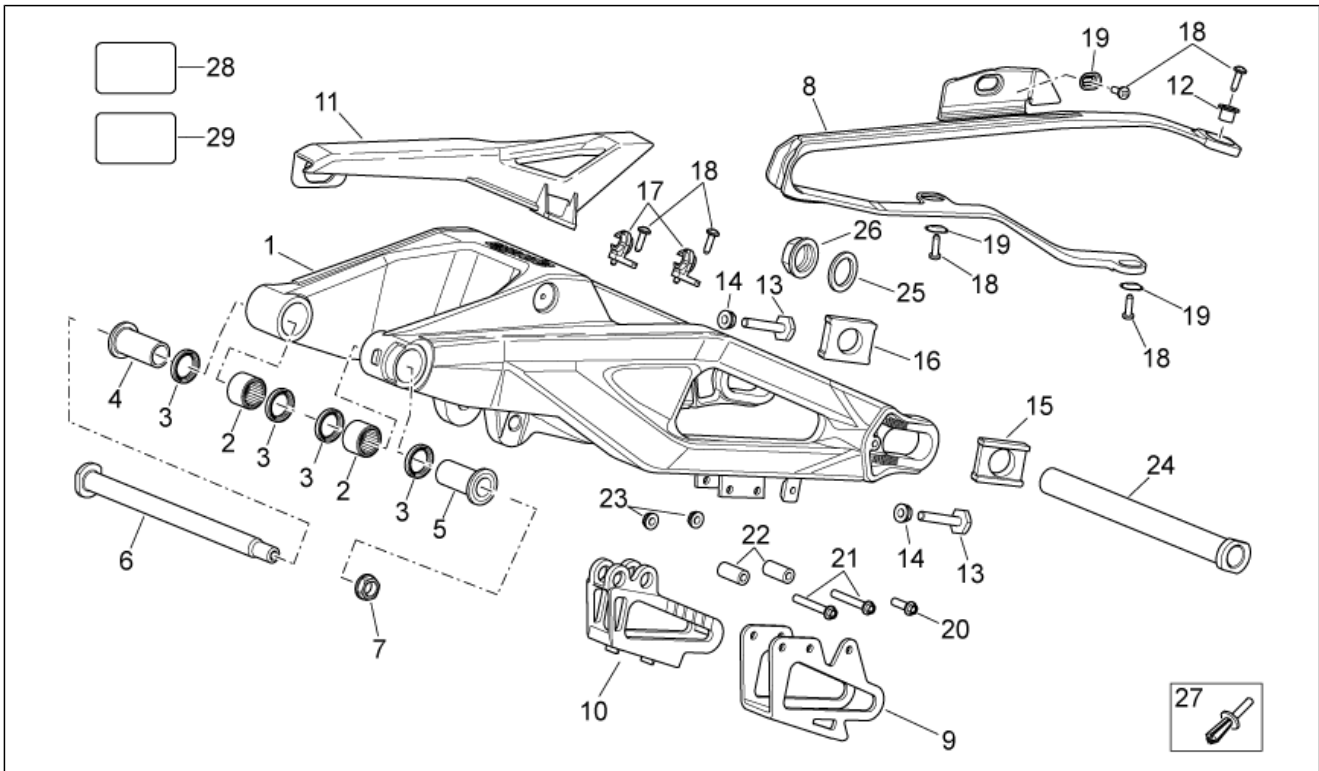
Pos.	Code	Beschreibung	Menge	Varianten
1	AP9100397	Kolbenstange links kpl.	1	Technische Daten:Version Motard[SX]
2	AP9100398	Kolbenstange rechts kpl.	1	Technische Daten:Version Motard[SX]
3	AP9100869	Klb.st.+ Radhltr. lks.	1	Technische Daten:Version Motard[SX]
4	AP9100870	Klb.st.+ Radhltr. rch.	1	Technische Daten:Version Motard[SX]
5	AP9100871	Hülse kplt.	2	Technische Daten:Version Motard[SX]
6	AP9100872	Ring D.40	2	Technische Daten:Version Motard[SX]
7	AP9100873	Feder kit	2	Technische Daten:Version Motard[SX]
8	AP9100874	Pumpenrad kplt.	2	Technische Daten:Version Motard[SX]
9	AP9100875	Ventil D.45	2	Technische Daten:Version Motard[SX]
10	AP9100876	Verschlußschraube kplt. D.45	2	Technische Daten:Version Motard[SX]
11	851280	TE Schr. m. Flansch	4	Technische Daten:Version Motard[SX]
12	AP9100877	Staub+Ölabstreifring Kit	1	Technische Daten:Version Motard[SX]
13	AP9100878	Dichtungssatz d.48	1	Technische Daten:Version Motard[SX]
14	AP9100879	Buchse kit	1	Technische Daten:Version Motard[SX]

Einheit	RAHMEN
Code	28.07
Beschreibung	Schwinge
Inspektion	1



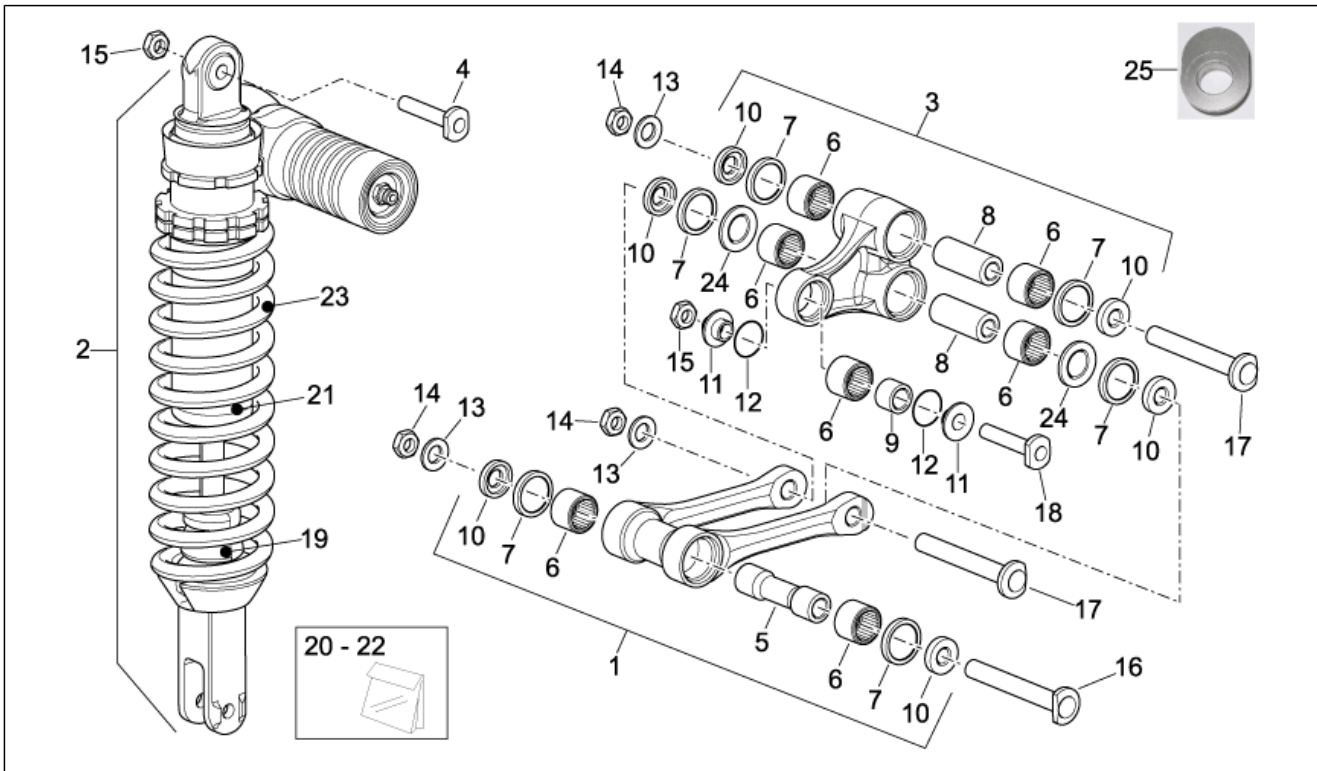
Pos.	Code	Beschreibung	Menge	Varianten
1	AP9100104	Schwinge	1	Technische Daten: Version Enduro[RX]
1	AP9100120	Schwinge	1	Technische Daten: Version Motard[SX]
2	AP9100202	Nadelkaefig 22x29x30	2	
3	AP9100203	Gasket ring 22x29x4	4	
4	AP9100952	Bolzen L=47,5	1	
5	AP9100952	Bolzen L=47,5	1	Technische Daten: Version Enduro[RX]
5	AP9100953	Bolzen L=59,5	1	Technische Daten: Version Motard[SX]
6	AP9100123	Schwingenbolzen M14 L=244	1	Technische Daten: Version Enduro[RX]
6	AP9100264	Schwingenbolzen M14 L=256	1	Technische Daten: Version Motard[SX]
7	AP8152244	Mutter DAX geflanscht M14x1,5	1	
8	AP9100061	Gleitbacke	1	
9	AP9100060	Kettenführung	1	Technische Daten: Version Enduro[RX], Version Motard[SX]
10	AP9100109	Kettengleitführung	1	
11	AP9100435	Kettenkasten	1	Technische Daten: Version Enduro[RX], Version Motard[SX]
12	AP9100616	Buchse	1	Technische Daten: Version Enduro[RX], Version Motard[SX]
13	AP8152305	Kettenspanner Schraube	2	
14	AP8152262	Mutter unten	2	
15	AP8144444	Kettenführung rechts	1	
16	AP8144443	Kettenführung links	1	
17	AP9100565	Bremskabelführung	2	
18	AP8150515	Selbstschneidende Schraube Scheinwerferreg.	6	
19	AP8234020	Becher	3	
20	AP8152277	TE Schr. m. Flansch M6x12	1	
21	AP9100433	TE Schr. m. Flansch M6x50	2	
22	AP9100287	Buchse	2	
23	AP9100434	Selbstperrende Mutter M6x1	2	
24	AP9100221	Hinterradbolzen M25 L=266,5	1	Technische Daten: Version Enduro[RX]
24	AP9100270	Hinterradbolzen M25 L=318,5	1	Technische Daten: Version Motard[SX]

Einheit	RAHMEN
Code	28.07
Beschreibung	Schwinge
Inspektion	1



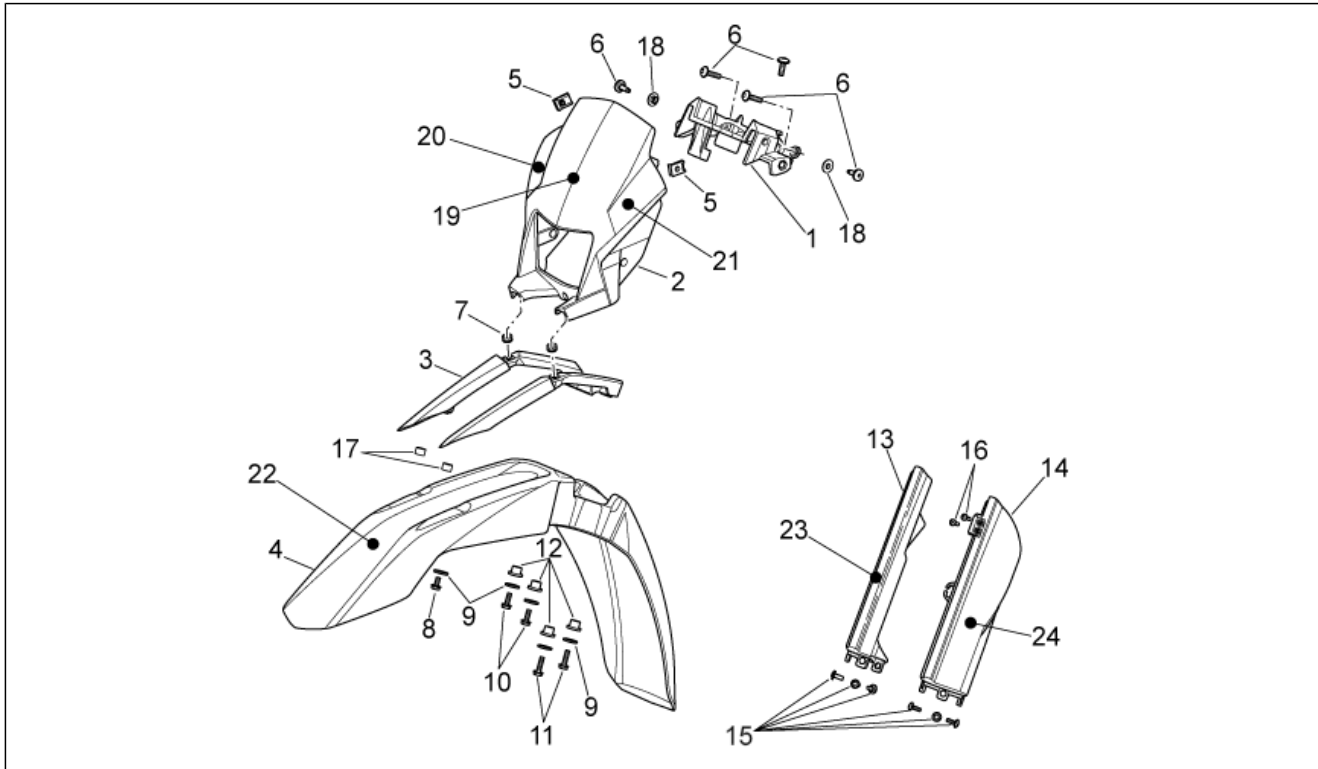
Pos.	Code	Beschreibung	Menge	Varianten
25	AP8152323	Ausgleichscheibe 25,2x36x1	1	
26	AP8152324	Radbolzenmutter M25x1,5	1	
27	AP8202058	Schwarzer Kunststoffniet	4	
28	851134	Aufkleber Reifendruck	1	Technische Daten: Version Enduro[RX]
28	AP8187032	Aufkleber Reifendruck	1	Technische Daten: Version Motard[SX]
29	AP8166680	Ketten deko	1	

Einheit	RAHMEN
Code	28.08
Beschreibung	Hinterradaufhängung
Inspektion	1



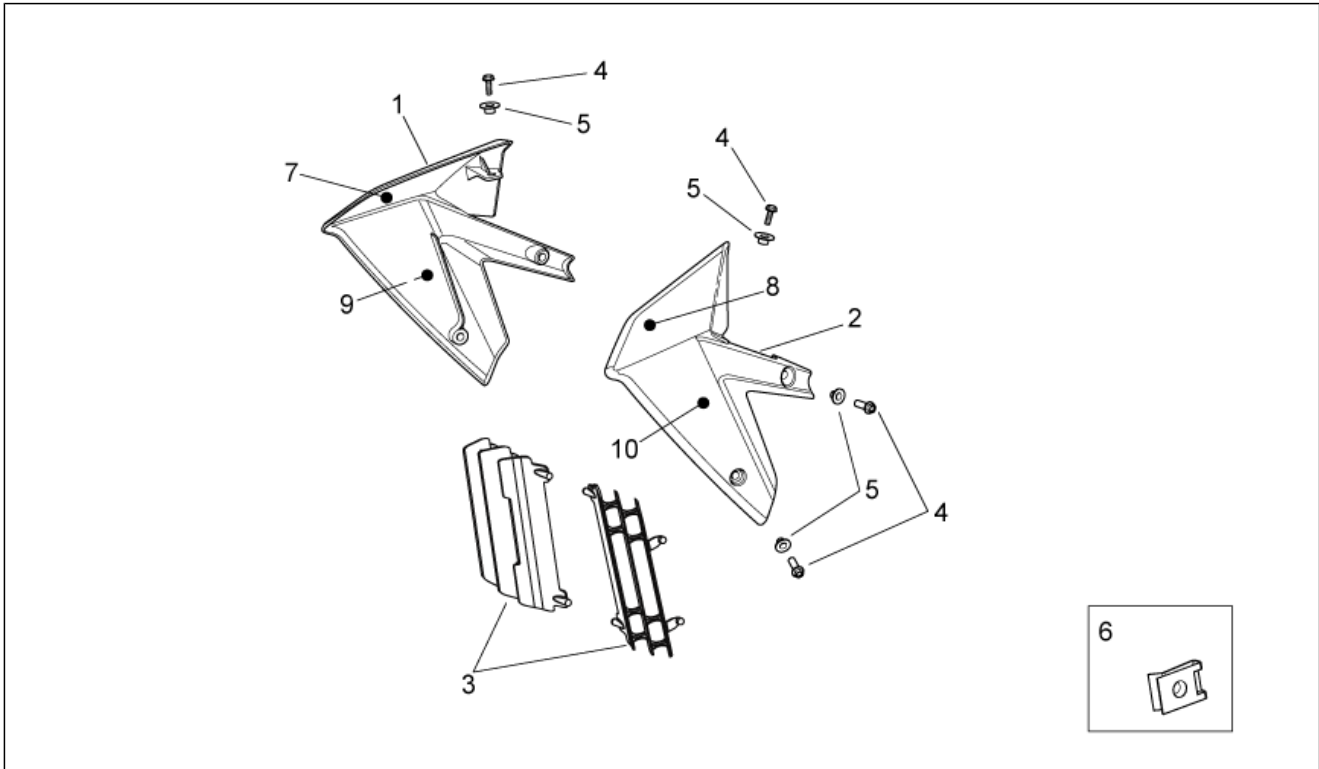
Pos.	Code	Beschreibung	Menge	Varianten
1	AP9100176	Einfache Pleuelstange	1	
2	851292	Hinterer Stoßdämpfer RXV	1	Technische Daten: Version Enduro[RX]
2	AP9100114	Hinterer Stoßdämpfer SXV	1	Technische Daten: Version Motard[SX]
3	AP9100180	Doppelte Pleuelstange	1	
4	AP9100007	Schraube M10x1,25 L=53	1	
5	AP9100178	Bolzen	1	
6	AP9100181	Nadellager 20x27x15	7	
7	AP9100177	Gasket ring 25x32x4	6	
8	AP9100184	Bolzen	2	
9	AP9100111	Distanzscheibe	1	
10	AP9100179	Distanzscheibe	6	
11	AP9100186	Externe Distanzscheibe	2	
12	AP9100549	O-Ring 1,5x24	2	
13	AP8152018	Scheibe 12,2x22x2	3	
14	AP9100442	Selbstsperr.Mut.Unt. M12x1,25	3	
15	AP9100439	Selbstsperr.Mut.Unt. M10x1,25	2	
16	AP9100604	Schraube M12x1,25 L=120	1	
17	AP9100289	Schraube M12x1,25 L=95	2	
18	AP9100208	Schraube M10x1,25 L=44	1	
19	AP9100808	Puffer	1	
20	AP9100814	Dichtungen - Satz	1	Technische Daten: Version Enduro[RX]
20	AP9100815	Dichtungen - Satz	1	Technische Daten: Version Motard[SX]
21	AP9100817	Schaftgruppe	1	
22	AP9100820	Dichtungen - Satz Schaft	1	
23	AP9100826	Feder	1	Technische Daten: Version Enduro[RX]
23	AP9100827	Feder	1	Technische Daten: Version Motard[SX]
24	AP9100182	Flachscheibe 31x20,2x1,4	2	

Einheit	RAHMEN
Code	28.09
Beschreibung	Frontaufbau I
Inspektion	1



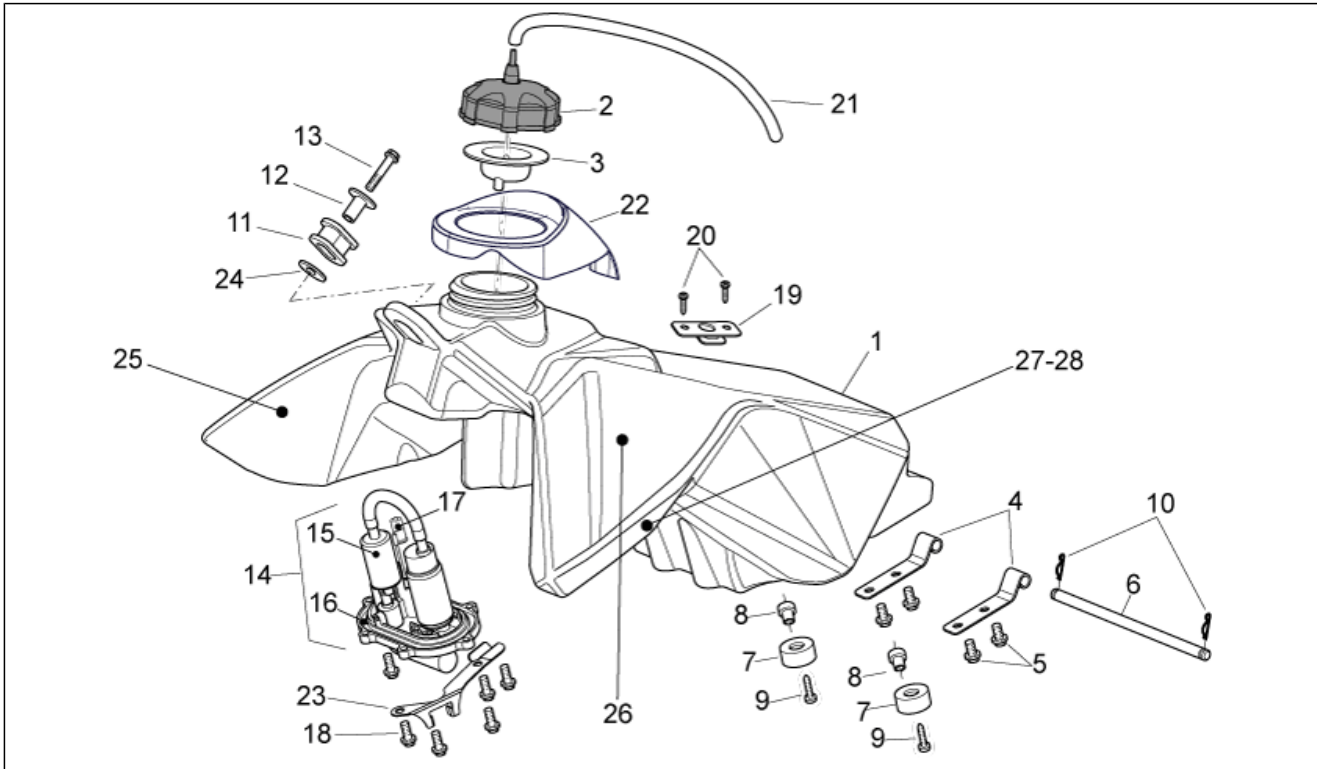
Pos.	Code	Beschreibung	Menge	Varianten
1	AP9100517	Halterfassung	1	
2	85504700XN4	Scheinwerferbügel, schwarz	1	Technische Daten: Nicht abgepaustes Einzelteil[ND]
3	858388	Spannstange	1	
4	AP8156343	V. Schutzblech, rot	1	Technische Daten: Nicht abgepaustes Einzelteil[ND]
5	AP8102375	Klammer M5	2	
6	AP8152339	TBEI Schraube m.Flansch M5x9	5	
7	AP8120405	Gummi	2	
8	AP8152277	TE Schr. m. Flansch M6x12	2	
9	AP8150015	Ausgleichscheibe 6,6x18x1,6*	6	
10	AP8152278	TE Schr. m. Flansch M6x16	2	
11	AP8152283	TE Schr. m. Flansch	2	
12	AP9100501	T-Buchse 20x0,5x3,5	4	
13	AP9100441	R. Stangenschutz, schwarz	1	
14	AP9100440	L. Stangenschutz, schwarz	1	
15	AP9100548	Schraube kplt. M6x1	6	
16	AP8150246	Linsenschraube	2	
17	AP9100053	Buchse d.10-h.3,5	2	
18	AP8121032	Buchse	2	
19	895040	Aufkleber kuppel	1	Technische Daten: Version Enduro[RX]
19	895066	Aufkleber kuppel	1	Technische Daten: Version Motard[SX]
20	895041	Rechtes Aufkleber kuppel	1	
21	895042	Linkes Aufkleber kuppel	1	
22	890575	Aufkleber Schutzblech v.	1	
23	894652	Deko schutz	1	
24	894653	Deko schutz	1	

Einheit	RAHMEN
Code	28.10
Beschreibung	Frontaufbau II
Inspektion	1



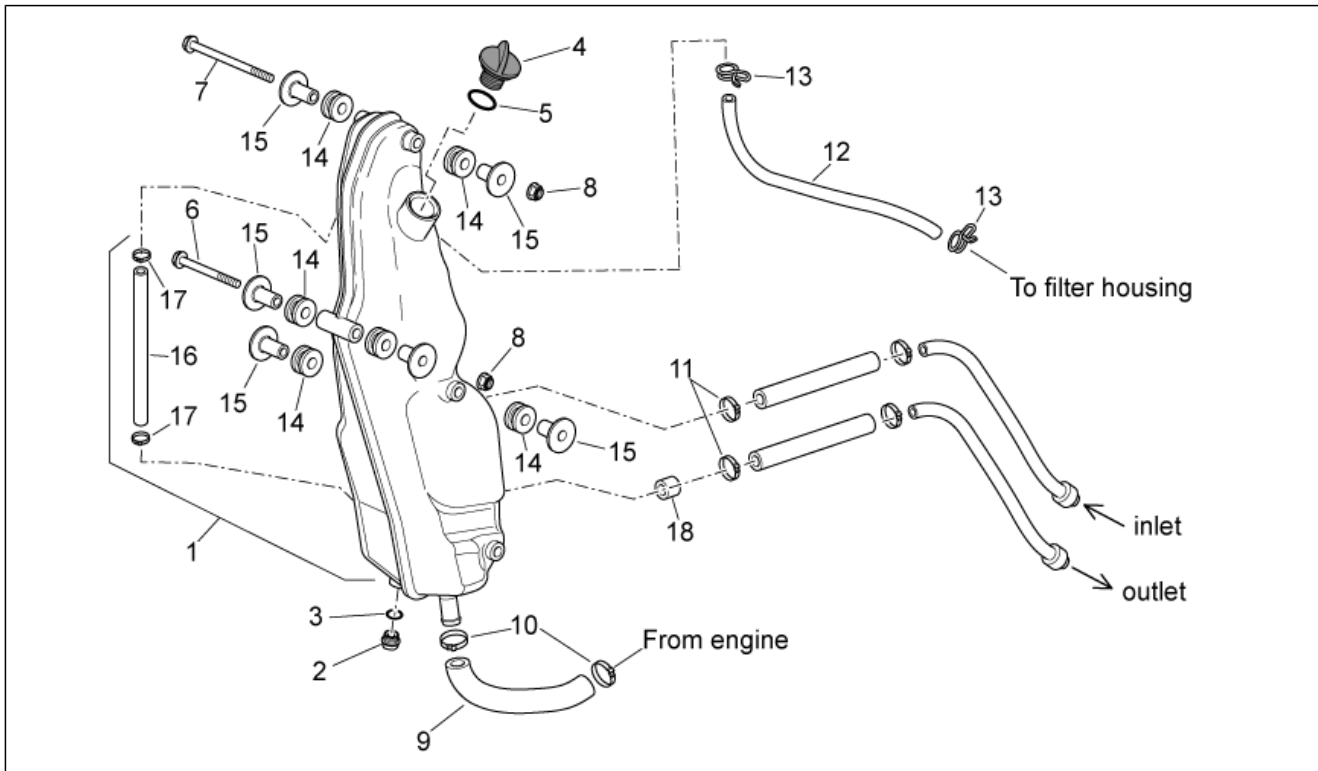
Pos.	Code	Beschreibung	Menge	Varianten
1	AP8184562	Rechtes Leitblech	1	Technische Daten: Nicht abgepaustes Einzelteil[ND]
2	AP8184563	Linkes Leitblech	1	Technische Daten: Nicht abgepaustes Einzelteil[ND]
3	AP9100366	Kühlergitter	2	
4	AP9100645	TE Schr. m. Flansch M6x16 inox	6	
5	AP9100053	Buchse d.10-h.3,5	6	
6	AP8102376	Klammer M6	6	
7	894636	Ob.Rechtes Leitblech, deko	1	
8	894637	Ob.Linkes Leitblech, deko	1	
9	894638	Un.Rechtes Leitblech, deko	1	
10	894639	Un.Linkes Leitblech, deko	1	

Einheit	RAHMEN
Code	28.11
Beschreibung	Kraftstofftank
Inspektion	1



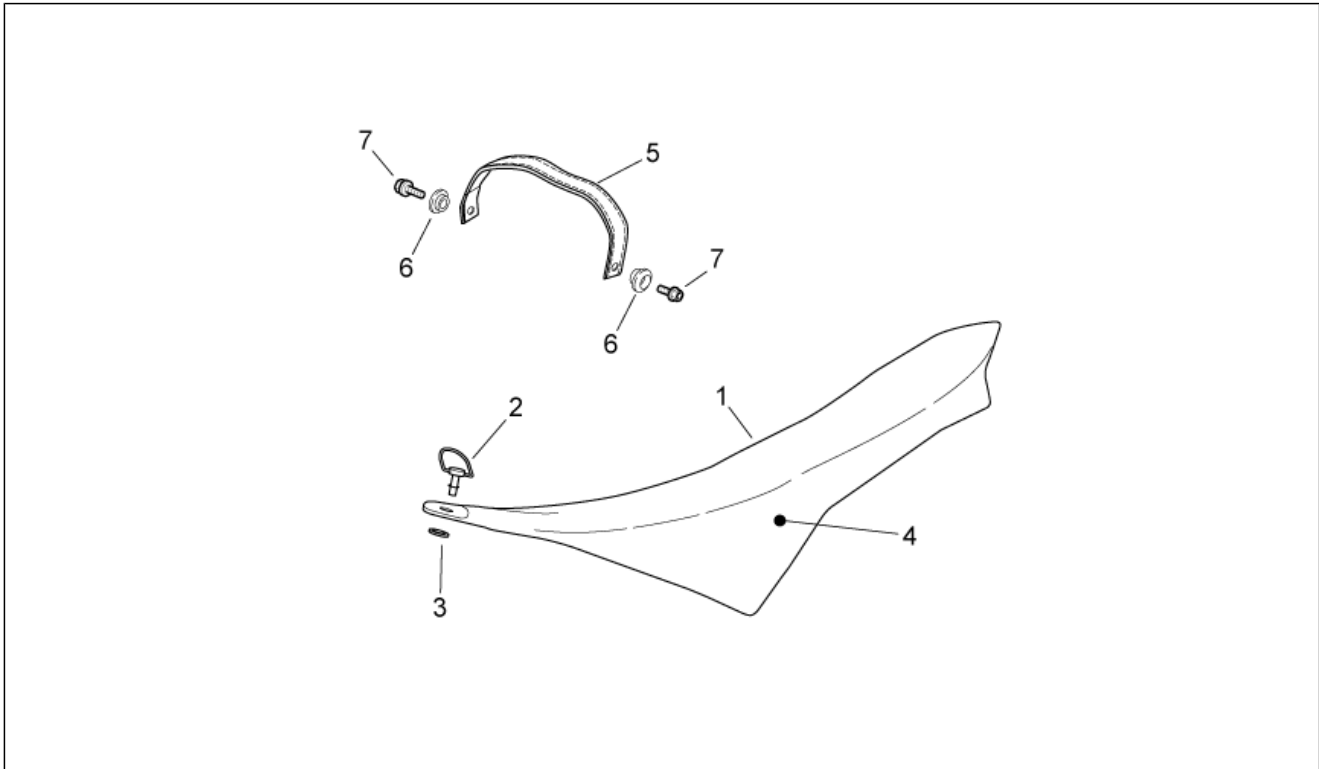
Pos.	Code	Beschreibung	Menge	Varianten
1	855846	Kraftstofftank	1	Technische Daten: Nicht abgepaustes Einzelteil[ND]
2	AP8220620	Deckel	1	
3	856932	Dichtung	1	
4	AP9100080	Platte	2	
5	AP8152277	TE Schr. m. Flansch M6x12	4	
6	AP9100078	Bolzen	1	
7	AP9100767	Gummi 26x12,2	2	
8	AP8121811	T-Buchse	2	
9	AP8150521	TCEI Schraube	2	
10	AP8201431	Splint *	2	
11	AP9100082	Puffer	1	
12	AP9100081	Buchse	1	
13	AP8152281	TE Schr. m. Flansch M6x30	1	
14	AP9100416	Benzinpumpe kpl.	1	
15	AP9100930	Kraftstofffilter	1	
16	AP9100931	Dichtung	1	
17	GU01103090	Thermistor	1	
18	AP8152273	Flanschschraube M5x15	6	
19	AP9100415	Platte	1	
20	AP8150413	Gew.schr. 3,9x14	2	
21	AP8220402	Leitung 5x9	1	
22	AP9100967	Tankschutz	1	
23	AP9100966	Platte	1	
24	AP9100375	Ausgleichscheibe 24,8x6,2x1	1	
25	894642	Ob.Aufkleber Tank Re.	1	
26	894643	Ob.Aufkleber Tank Li.	1	
27	894674	Un.Aufkleber Tank Re.	1	
28	894675	Un.Aufkleber Tank Li.	1	

Einheit	RAHMEN
Code	28.12
Beschreibung	Öltank
Inspektion	1



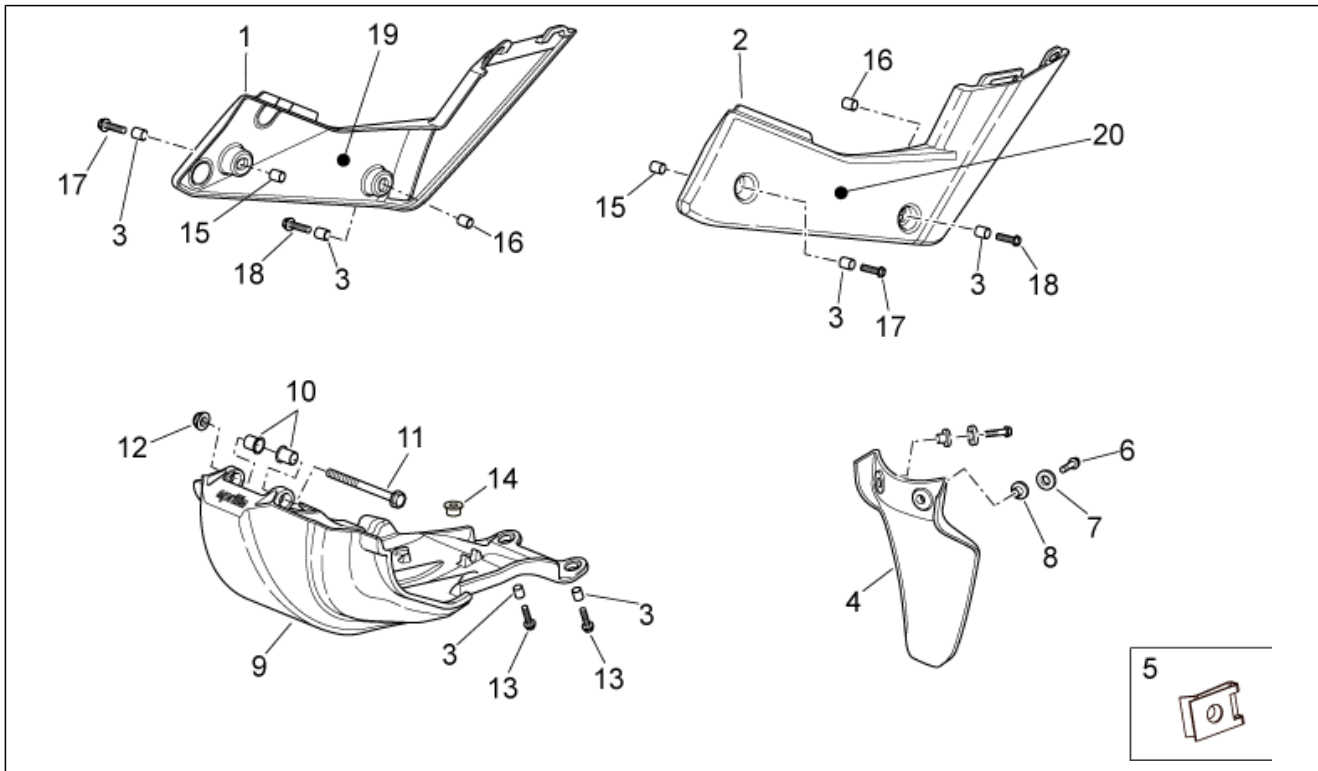
Pos.	Code	Beschreibung	Menge	Varianten
1	AP9100343	Öltank	1	
2	AP9150174	Ölablaßschraube	1	
3	AP9150349	Dichtscheibe D12x18x1,5	1	
4	AP9150410	Ölschraube M20x1,5	1	
5	AP8121638	Gasket ring	1	
6	AP9100638	TE Schr. m. Flansch M6x70	1	
7	AP9100661	TE Schr. m. Flansch M6x1 L=95	1	
8	AP9100434	Selbstsperrende Mutter M6x1	2	
9	AP9100496	Leitung Blow-By	1	
10	AP8102903	Schlauchschele D16,5X6,6	2	
11	AP8101586	Schlauchschele D.15,5x6,6	2	
12	AP8120987	Leitung 9x14	1	
13	AP8102525	Hahnschelle	2	
14	AP8120223	Gummi *	6	
15	AP9100950	Buchse D14-D9-d6.5-H12	6	
16	AP9100665	Ölstandschlauch	1	
17	AP9100951	Schlauchschele	2	
18	AP9100267	Gummischlauch 12,8x8,8 L=28	1	

Einheit	RAHMEN
Code	28.13
Beschreibung	Sitz
Inspektion	1



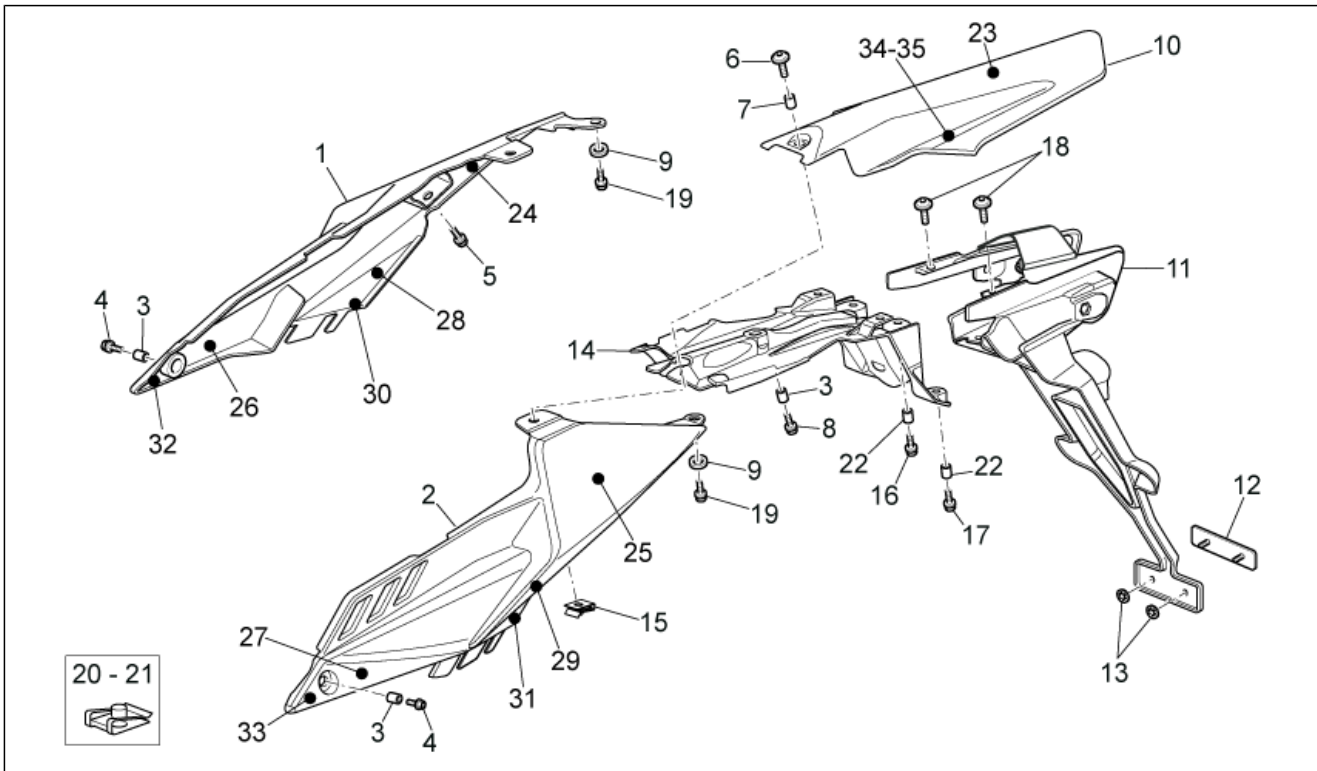
Pos.	Code	Beschreibung	Menge	Varianten
1	89113100C2	Sitz	1	
2	AP9100365	Entkupplungsvorrichtung	1	
3	AP9100087	Ausgleichscheibe Teflon	1	
4	AP9100281	Verkleidung Sitz	1	
5	851440	Soziusriemen	1	
6	AP8121075	T-Buchse *	2	
7	AP8152279	TE Schr. m. Flansch M6x20	2	

Einheit	RAHMEN
Code	28.14
Beschreibung	Mittlerer Aufbau
Inspektion	1



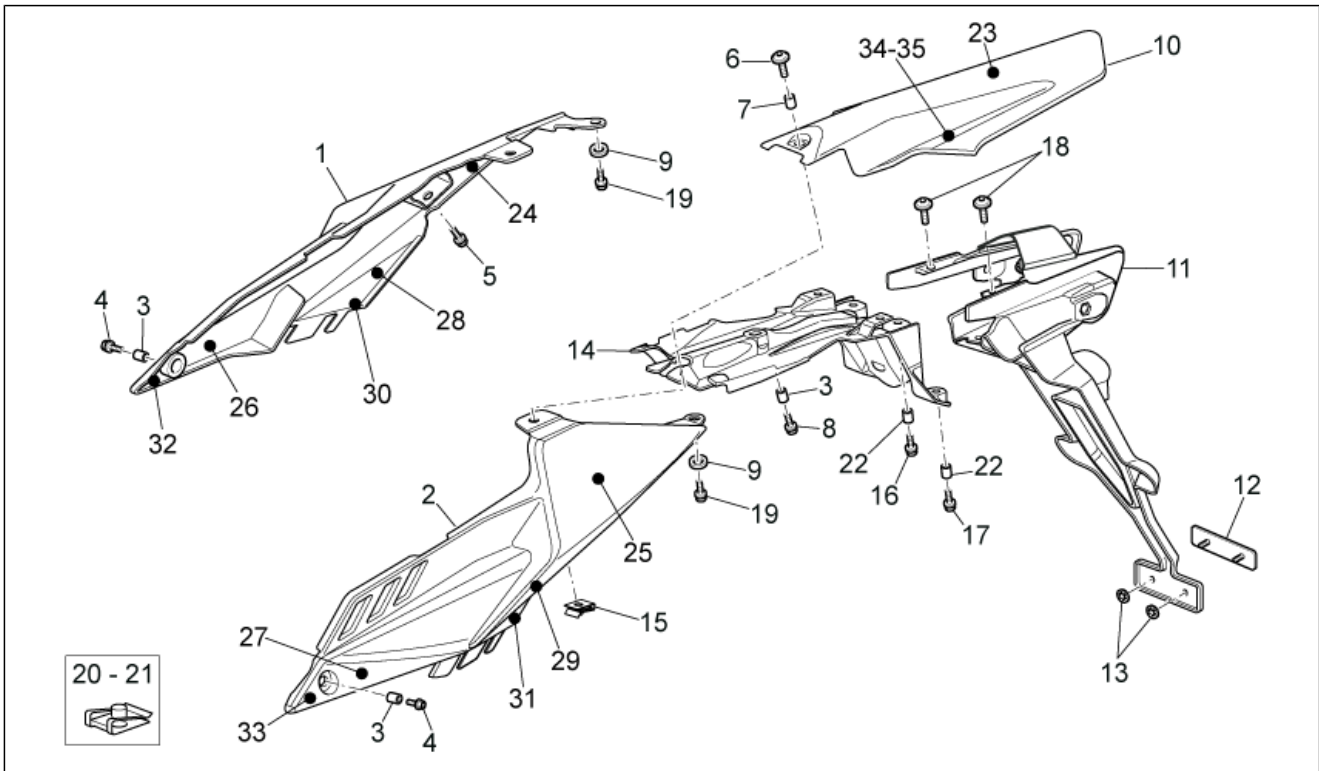
Pos.	Code	Beschreibung	Menge	Varianten
1	AP8184605	R. kl. Seitenteil, schw.	1	Technische Daten: Nicht abgepaustes Einzelteil[ND]
2	AP8184606	L. kl. Seitenteil, schw.	1	Technische Daten: Nicht abgepaustes Einzelteil[ND]
3	AP9100053	Buchse d.10-h.3,5	6	
4	AP9100504	Stoßdämpferschutz	1	
5	AP8102375	Klammer M5	2	
6	AP8152274	TE Schr. m. Flansch M5x20	2	
7	AP8144064	Wärmeschutzscheibe	2	
8	AP8121736	T-Buchse	2	
9	AP9100347	Wannenschutz	1	
10	AP9100778	Buchse	2	
11	AP9100661	TE Schr. m. Flansch M6x1 L=95	1	
12	AP9100434	Selbstsperrende Mutter M6x1	1	
13	AP8152279	TE Schr. m. Flansch M6x20	2	
14	AP8101372	Silent-Block	1	
15	CM235801	Distanzscheibe 15 mm	2	
16	CM235802	Distanzscheibe 10 mm	2	
17	CM236001	TE Schr. m. Flansch M6x30	2	
18	CM236002	TE Schr. m. Flansch M6x25	2	
19	894640	Aufkl. Seitenteil re.	1	Technische Daten: Version Enduro[RX]
19	894655	Aufkl. Seitenteil re.	1	Technische Daten: Version Motard[SX]
20	894641	Aufkl. Seitenteil li.	1	Technische Daten: Version Enduro[RX]
20	894656	Aufkl. Seitenteil li.	1	Technische Daten: Version Motard[SX]

Einheit	RAHMEN
Code	28.15
Beschreibung	Heckaufbau
Inspektion	1



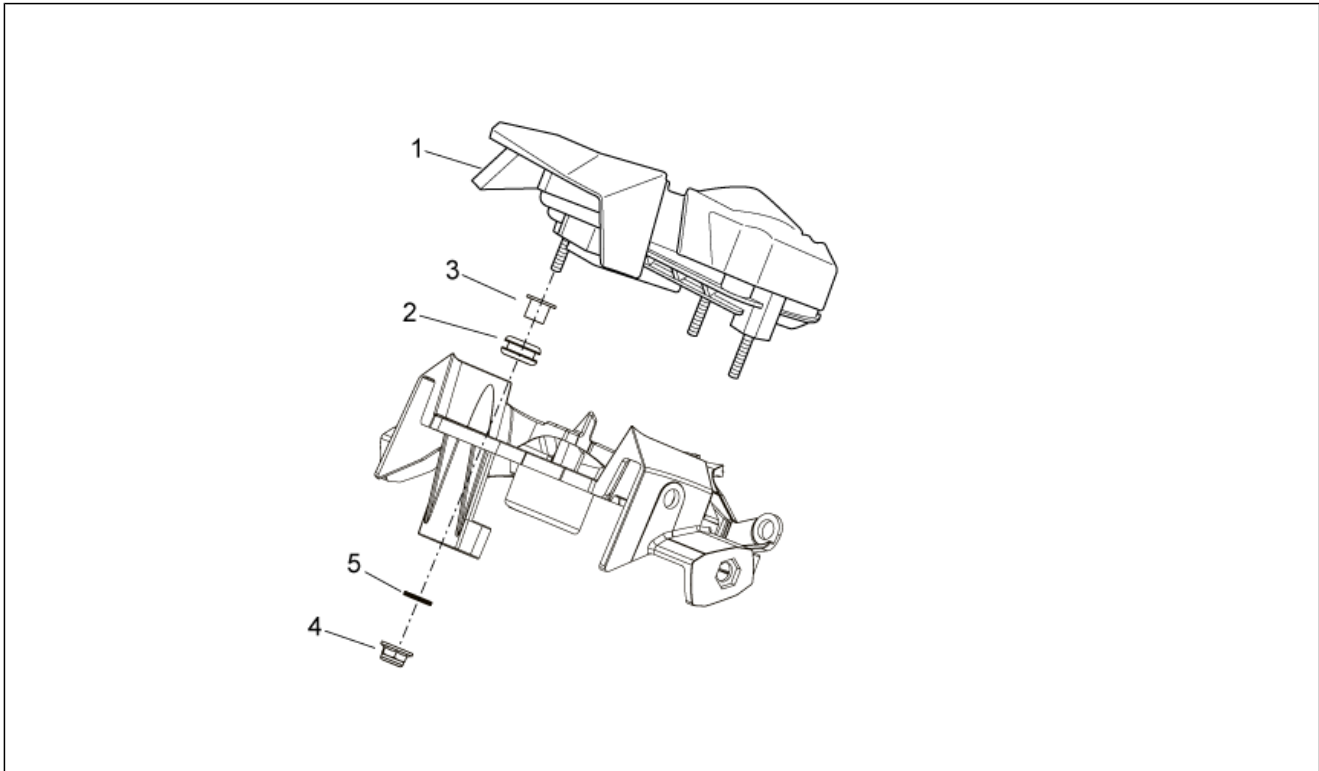
Pos.	Code	Beschreibung	Menge	Varianten
1	AP8184497	R.Heck	1	Technische Daten: Nicht abgepaustes Einzelteil[ND]
2	AP8184496	L.Heck	1	Technische Daten: Nicht abgepaustes Einzelteil[ND]
3	AP9100053	Buchse d.10-h.3,5	3	
4	AP9100645	TE Schr. m. Flansch M6x16 inox	2	
5	AP8152280	TE Schr. m. Flansch M6x25	2	
6	AP8152117	TBEI Schraube	1	
7	AP9100594	Buchse 10x7	1	
8	AP8152279	TE Schr. m. Flansch M6x20	1	
9	AP8150015	Ausgleichscheibe 6,6x18x1,6*	2	
10	AP8156337	Hinteres Schutzblech	1	Technische Daten: Nicht abgepaustes Einzelteil[ND]
11	AP9100610	Kennzeichenplatte	1	
12	AP8112202	Rückstrahler Rücklicht	1	
13	AP8150450	Wellenscheibe D5	1	
14	AP9100288	Unt. Verschl. h. Sitzhal.	1	
15	AP8102376	Klammer M6	1	
16	AP8152279	TE Schr. m. Flansch M6x20	2	
17	AP8152279	TE Schr. m. Flansch M6x20	1	
18	AP8152339	TBEI Schraube m.Flansch M5x9	2	
19	AP8152277	TE Schr. m. Flansch M6x12	2	
20	AP8102375	Klammer M5	4	
21	AP8102376	Klammer M6	3	
22	AP8121795	T-Buchse	2	
23	856363	Aufkl.hint.Schutzblech	1	
24	856352	Aufkleber Re. Hinten	1	
25	856353	Aufkleber Ll. Hinten	1	
26	894644	Aufkleber Re. Hinten	1	
27	894645	Aufkleber Ll. Hinten	1	
28	894648	Aufkleber Re. Hinten	1	

Einheit	RAHMEN
Code	28.15
Beschreibung	Heckaufbau
Inspektion	1



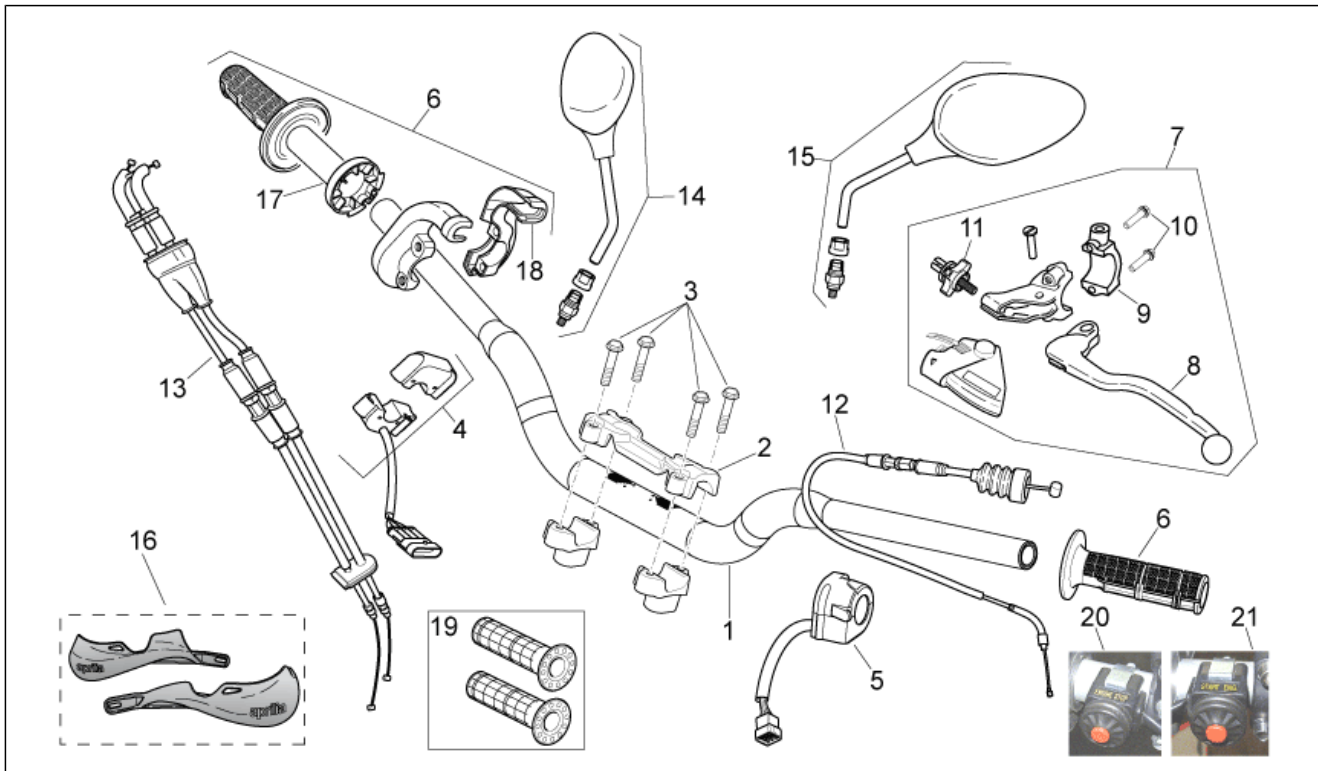
Pos.	Code	Beschreibung	Menge	Varianten
29	894649	Aufkleber Li. Hinten	1	
30	894650	Aufkleber Re. Hinten	1	
31	894651	Aufkleber Li. Hinten	1	
32	894646	Aufkleber Re. Hinten	1	
33	894647	Aufkleber Li. Hinten	1	
34	856364	Aufkl.hint.Schutzblech RE	1	
35	856365	Aufkl.hint.Schutzblech Li.	1	

Einheit	RAHMEN
Code	28.16
Beschreibung	Instrumententafel
Inspektion	1



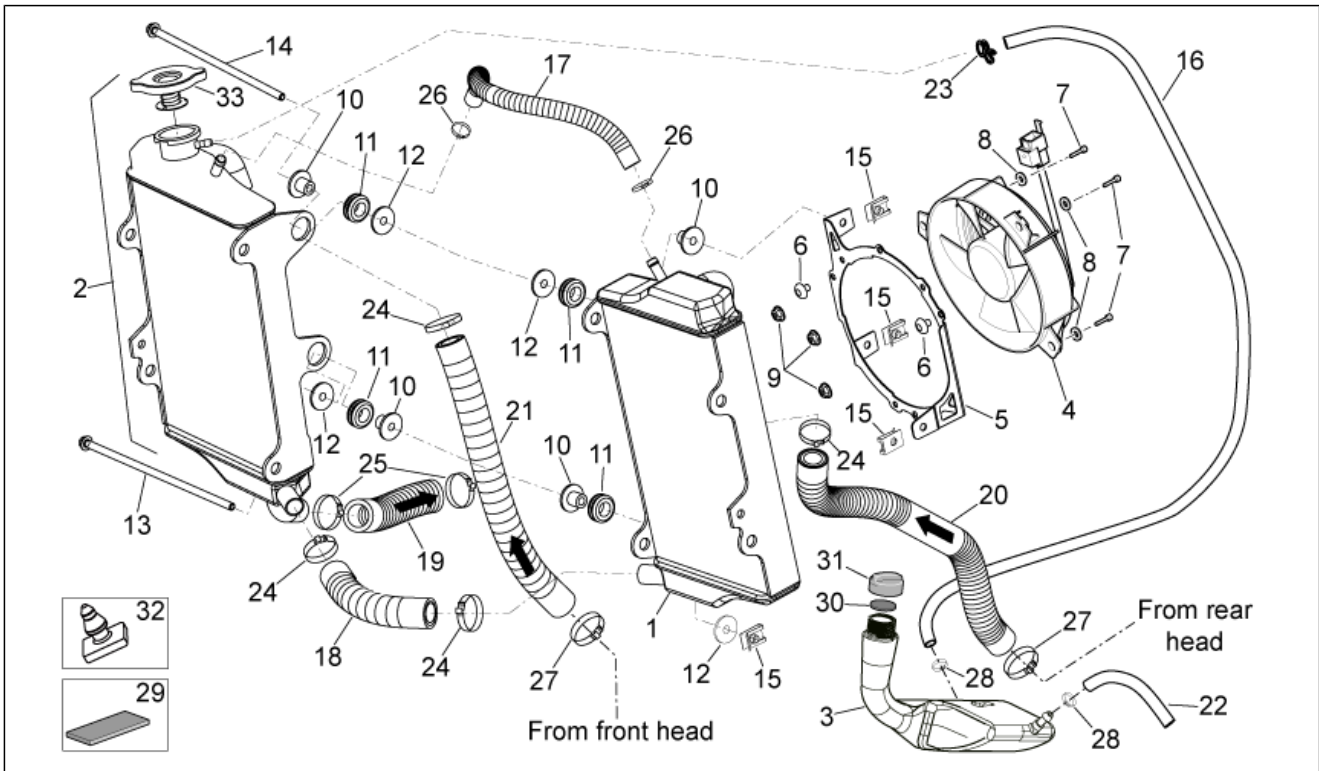
Pos.	Code	Beschreibung	Menge	Varianten
1	AP9100516	Instrumententafel	1	
2	AP8112600	Gummi	3	
3	AP8121795	T-Buchse	3	
4	AP8150451	Selbstsperr.mut Unt.	3	
5	AP8150013	Ausgleichscheibe 5,5x15x1,6*	3	

Einheit	RAHMEN
Code	28.17
Beschreibung	Schaltungen
Inspektion	1



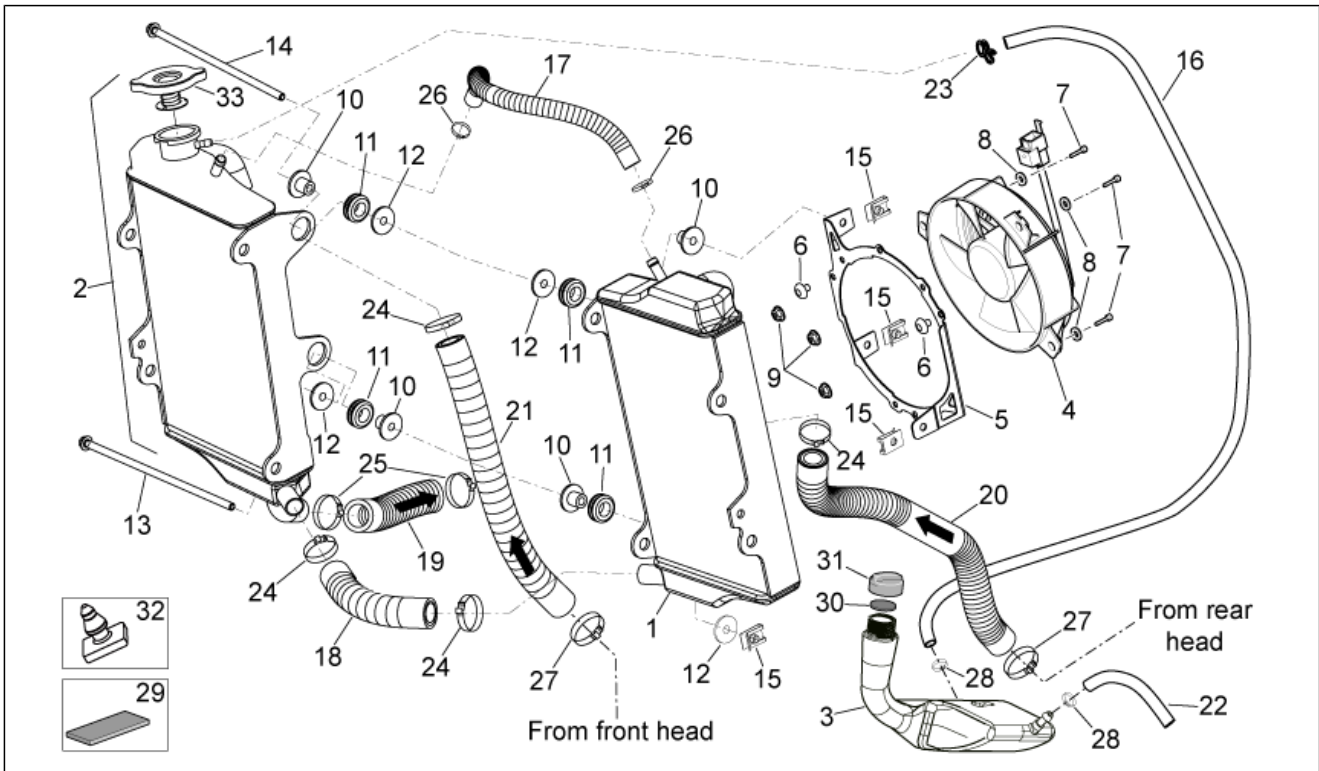
Pos.	Code	Beschreibung	Menge	Varianten
1	AP9100704	Lenkstange	1	
2	AP9100297	Bügelbolzen oben	1	
3	AP8152289	TE Schr. m. Flansch	4	
4	AP9100514	Rechter Lichtschalter	1	
5	AP9100513	Linker Lichtschalter	1	
6	AP9100801	Gasschaltung+griff	1	Technische Daten:Version Motard[SX]
7	AP9100636	Kupplungssteuerung	1	
8	AP9100939	Kupplungshebel	1	
9	AP9100940	Bügelbolzen	1	
10	AP8152280	TE Schr. m. Flansch M6x25	2	
11	AP9100941	Kupplungskabel schraube	1	
12	853977	Getriebe kupplungssteuerung	1	Technische Daten:Version Motard[SX]
12	AP9100486	Getriebe kupplungssteuerung	1	Technische Daten:Version Enduro[RX]
13	853976	Gasantrieb	1	Technische Daten:Version Motard[SX]
13	AP9100802	Gasantrieb	1	Technische Daten:Version Enduro[RX]
14	AP8104921	Rückspiegel rechts	1	
15	AP8104922	Rückspiegel links	1	
17	851359	Progressive Gasleitung	1	Technische Daten:Version Enduro[RX]
18	851360	Bügelbolzen	1	Technische Daten:Version Enduro[RX]
19	AP8218628	Handgriffe paar, schwarz	1	
20	AP9100425	Knopf engine stop	1	
21	AP9100426	Startknopf	1	

Einheit	RAHMEN
Code	28.18
Beschreibung	Kühlanlage
Inspektion	1



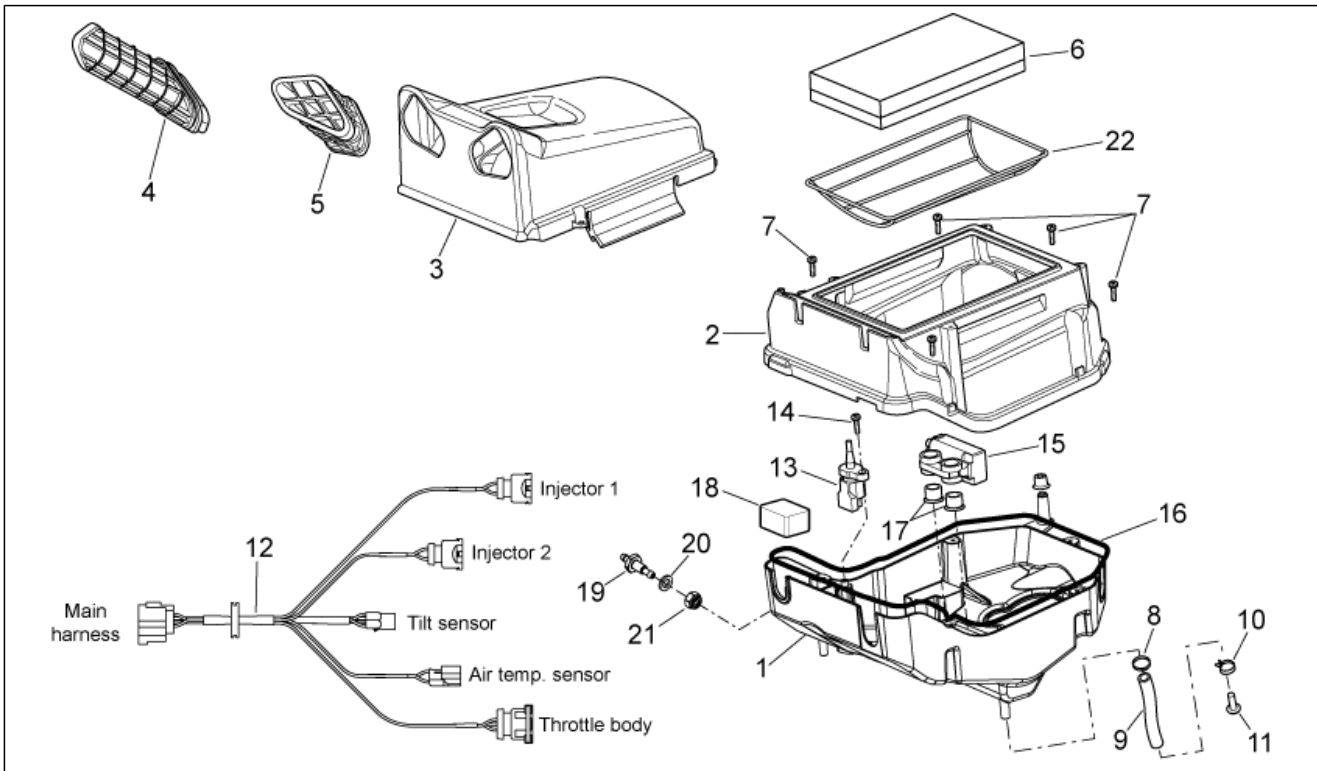
Pos.	Code	Beschreibung	Menge	Varianten
1	AP9100348	Wasserkühler L.	1	
2	AP9100349	Wasserkühler R.	1	
3	AP9100506	Ausdehngefäß	1	
4	AP8124930	Ventilator komplett	1	
5	AP9100780	Lüfterlager	1	
6	AP8120876	Verschlußschraube	2	
7	AP8152267	TBEI Spez.schr. M5x12	3	
8	AP8150013	Ausgleichscheibe 5,5x15x1,6*	3	
9	AP8150451	Selbstsperr.mut Unt.	3	
10	AP9100376	Buchse	4	
11	AP9100969	Silent-Block *	4	
12	AP9100375	Ausgleichscheibe 24,8x6,2x1	4	
13	AP9100781	TE Schr. m. Flansch M6x133	1	
14	AP9100663	TE Schr. m. Flansch M6x122	1	
15	AP8102376	Klammer M6	3	
16	AP8120952	Kraftstoffleitung 5,5x10	1	
17	AP8144506	Entlüftungsschlauch Kühler 7,5X3,5	1	
18	AP9100555	Leitung 23x15x135	1	
19	AP9100557	Cooler-pump pipe 27x19x145	1	
20	AP9100553	Leitung 23x15x380	1	
21	AP9100554	Leitung 23x15x295	1	
22	AP8120952	Kraftstoffleitung 5,5x10	1	
23	AP8102378	Schelle D11,3	1	
24	AP8201169	Schlauchschele D22x8,6*	4	
25	AP9100456	Schlauchschele 26x8	2	
26	AP9100714	Schlauchschele 14,5x8	2	
27	AP9100697	Schlauchschele 21x8	2	
28	AP8120446	Schlauchschele, grün D11x6,6x1	2	

Einheit	RAHMEN
Code	28.18
Beschreibung	Kühlanlage
Inspektion	1



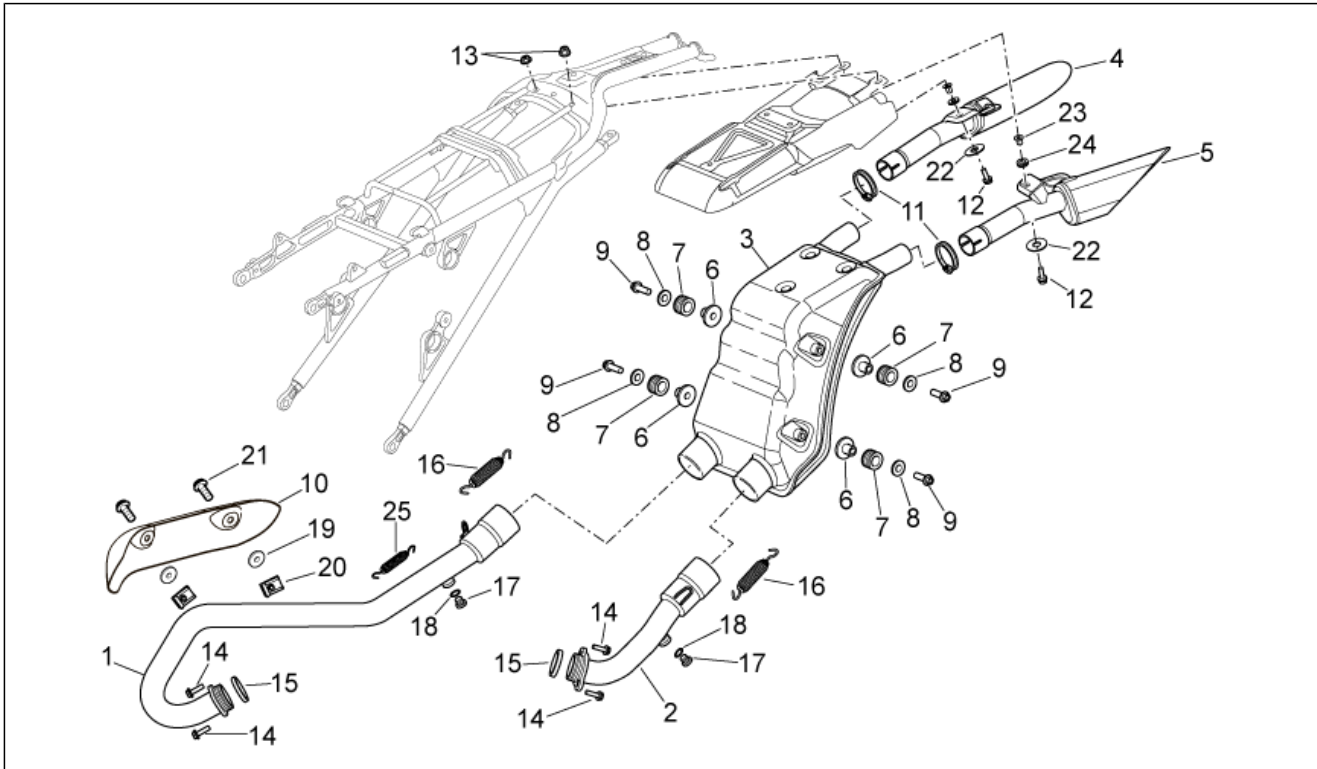
Pos.	Code	Beschreibung	Menge	Varianten
29	AP8117041	Klebeschwamm 6x30	2	
30	AP8220191	Dichtung	1	
31	AP8104124	Ausdehnsg. Schraube	1	
32	AP8120455	Gummi	1	
33	AP9100948	Kühlerschraube	1	

Einheit	RAHMEN
Code	28.19
Beschreibung	Filtergehäuse
Inspektion	1



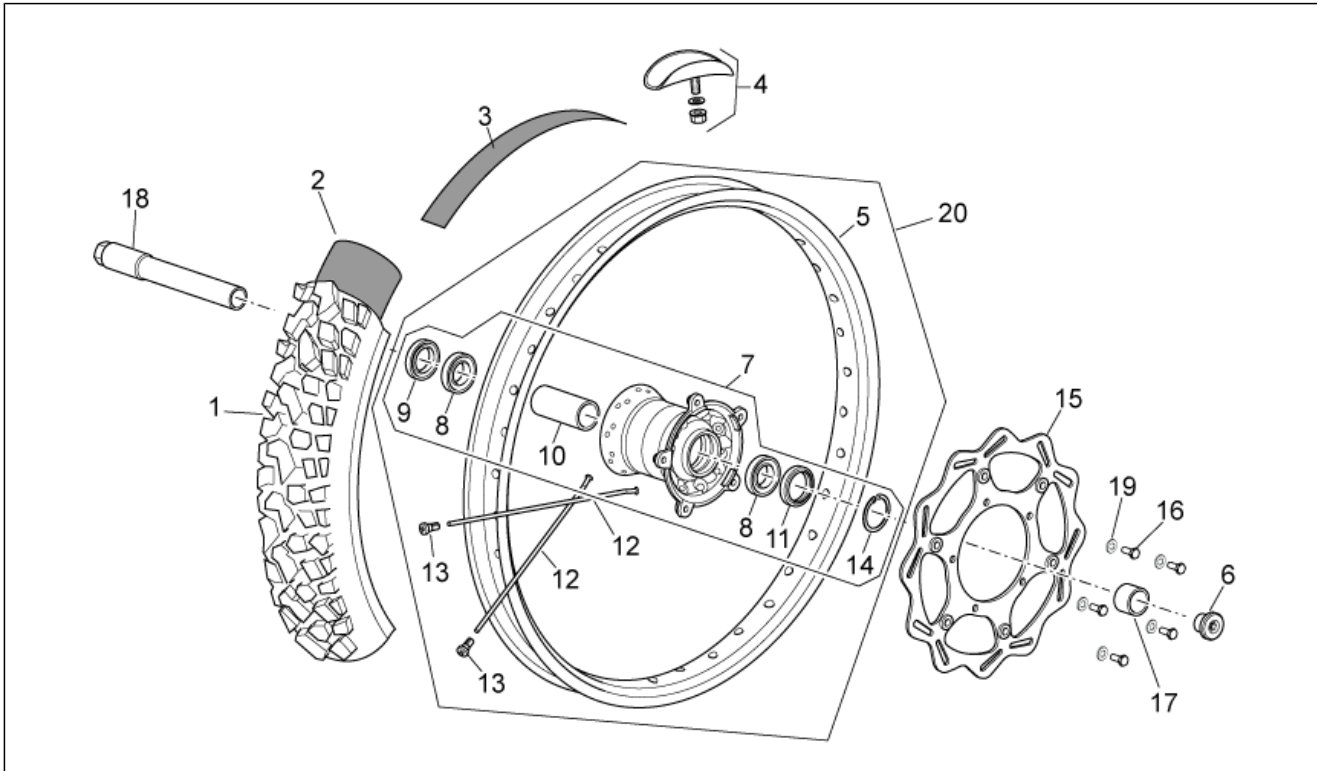
Pos.	Code	Beschreibung	Menge	Varianten
1	AP9150530	Boden Filtergehäuse	1	Technische Daten: Version 450 cm³[45]
1	AP9150531	Boden Filtergehäuse	1	Technische Daten: Version 550 cm³[55]
2	AP9100279	Filtereinsatzgehäuse	1	
3	AP9100703	Deckel	1	
4	AP9100588	R.Lufteinlass	1	
5	AP9100587	L.Lufteinlass	1	
6	858044	Luftfilter	1	
7	AP8152351	Linsenschraube 4,2x16*	5	
8	AP8101595	Schelle D10,1	1	
9	AP8144038	Kraftstoffleitung 6x10	1	
10	AP8102377	Schelle D9,1*	1	
11	AP8120876	Verschlußschraube	1	
12	AP9100455	Verkabelung	1	
13	AP9100427	Lufttemperaturfühler	1	
14	AP8150413	Gew.schr. 3,9x14	1	
15	AP9100428	Sturzfühler	1	
16	AP8120593	Dichtung D4	1	
17	AP9101001	Buchse	1	
18	AP9101017	Filter Blow-by	1	
19	855081	Düse	1	
20	AP8144065	Gummi	1	
21	709052	Selbstsperr.mut Unt.	1	
22	858045	Drum	1	

Einheit	RAHMEN
Code	28.20
Beschreibung	Auslassgruppe
Inspektion	1



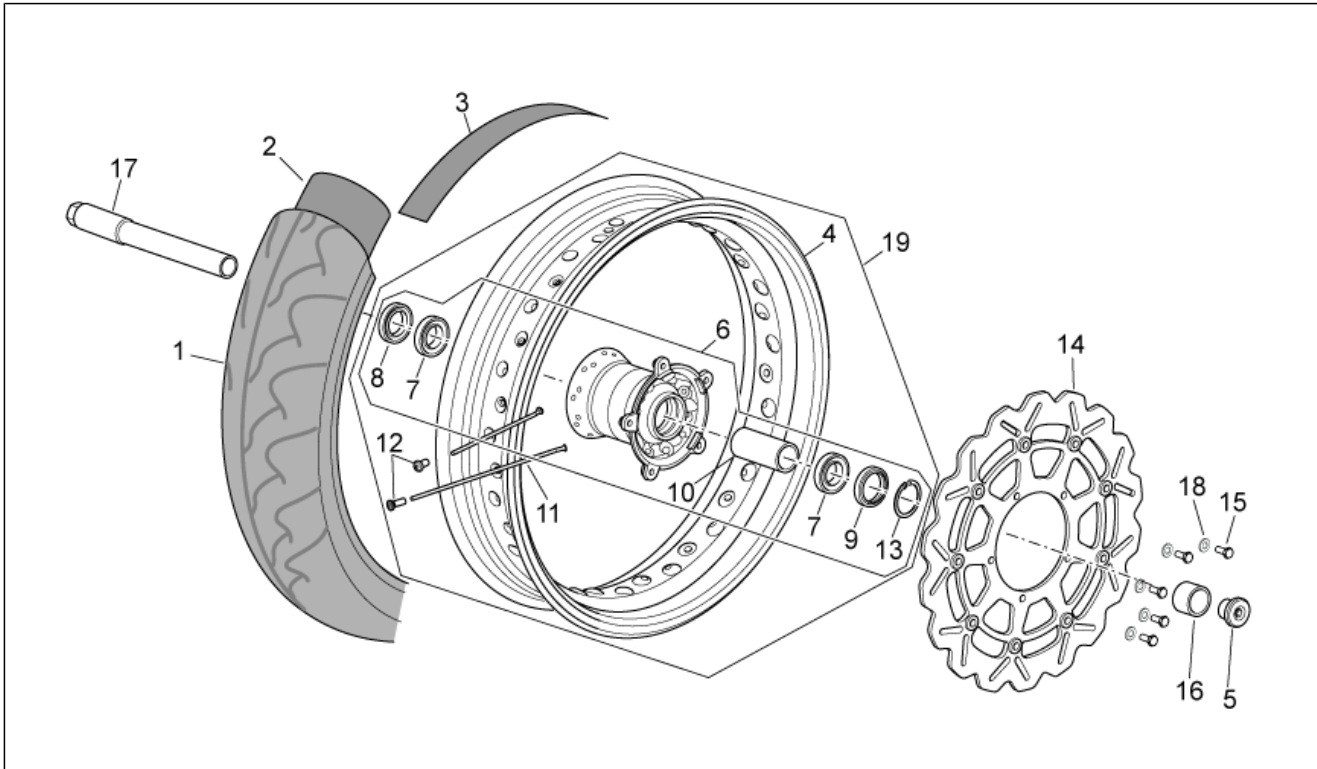
Pos.	Code	Beschreibung	Menge	Varianten
1	855036	Auspuffrohr vorn	1	Technische Daten: Version 450 cm ³ [45]
1	855037	Auspuffrohr vorn	1	Technische Daten: Version 550 cm ³ [55]
2	855026	Auspuffrohr hinten	1	Technische Daten: Version 550 cm ³ [55]
2	855087	Auspuffrohr hinten	1	Technische Daten: Version 450 cm ³ [45]
3	AP9100414	Schalldämpfer	1	
4	AP9100244	Endstück re.	1	
5	AP9100249	Endstück li.	1	
6	AP9100409	Buchse	4	
7	AP9100845	Schwingschutzlager	4	
8	AP9100736	Ausgleichscheibe 8,3x20x1,5	4	
9	AP8152288	TE Schr. m. Flansch	4	
10	AP9100238	Hitzeschutz r. Auspuffrohr	1	
11	AP9100241	Schelle D.30	2	
12	AP8152279	TE Schr. m. Flansch M6x20	2	
13	AP9100434	Selbstsperrende Mutter M6x1	2	
14	AP8152278	TE Schr. m. Flansch M6x16	4	
15	AP9100252	Dichtung Auspuffrohr	2	
16	AP8121170	Feder	2	
17	AP9100755	CO-Anschlußschraube	2	
18	AP8119603	Ausgleichscheibe 10x14x1	2	
19	AP8120870	Isolierscheibe	2	
20	AP8102376	Klammer M6	2	
21	AP8152342	TE Schr. m. Flansch M6x12	2	
22	AP8150015	Ausgleichscheibe 6,6x18x1,6*	2	
23	AP9100302	T-Buchse	2	
24	AP9100301	Gummi	2	
25	858142	Feder Auspuffrohre	1	

Einheit	RAHMEN
Code	28.21
Beschreibung	Vorderrad I
Inspektion	1



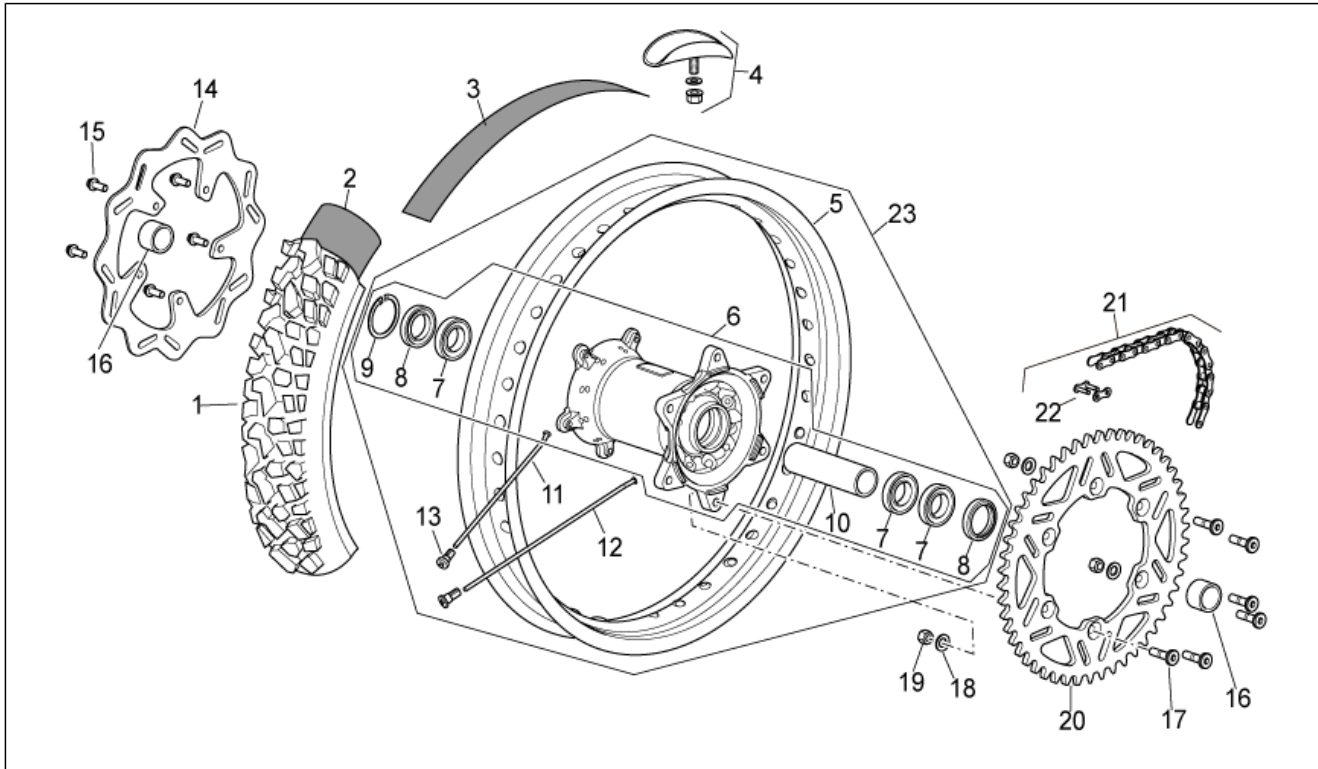
Pos.	Code	Beschreibung	Menge	Varianten
1	AP9100507	Vorderreifen 90/90X21"	1	Technische Daten:Version Enduro[RX]
2	AP9100458	Schlauch 21"	1	Technische Daten:Version Enduro[RX]
3	AP8109001	Vorderrandband 21"	1	Technische Daten:Version Enduro[RX]
4	AP9100457	Bügel	1	Technische Daten:Version Enduro[RX]
5	AP9100262	Vorderradfelgen 1,6x21"	1	Technische Daten:Version Enduro[RX]
6	AP9100171	Deckel M22	1	Technische Daten:Version Enduro[RX]
7	AP9100225	Nabe vorne	1	Technische Daten:Version Enduro[RX]
8	AP9100216	Kugellager 25x42x9	2	Technische Daten:Version Enduro[RX]
9	AP9100228	Gasket ring 28x42x7	1	Technische Daten:Version Enduro[RX]
10	AP9100226	Interne Distanzscheibe L=69,7	1	Technische Daten:Version Enduro[RX]
11	AP9100227	Gasket ring 32x42x7	1	Technische Daten:Version Enduro[RX]
12	AP9100224	Speiche d.3,5-21"-l.233	36	Technische Daten:Version Enduro[RX]
13	AP9100057	Nippel	36	Technische Daten:Version Enduro[RX]
14	AP8121334	Seegerring D.42	1	Technische Daten:Version Enduro[RX]
15	AP9100461	Vorderradbremsscheibe d.270	1	Technische Daten:Version Enduro[RX]
16	AP8150070	Sechskantschraube M6x16	5	Technische Daten:Version Enduro[RX]
17	AP9100229	Externe Distanzscheibe L=26,3	1	Technische Daten:Version Enduro[RX]
18	AP9100230	Vorderradbolzen L=221,5	1	Technische Daten:Version Enduro[RX]
19	AP8150429	Sprengscheibe 6,4x11x0,5*	5	Technische Daten:Version Enduro[RX]
20	851063	Vorderrad 21"	1	Technische Daten:Version Enduro[RX]

Einheit	RAHMEN
Code	28.22
Beschreibung	Vorderrad II
Inspektion	1



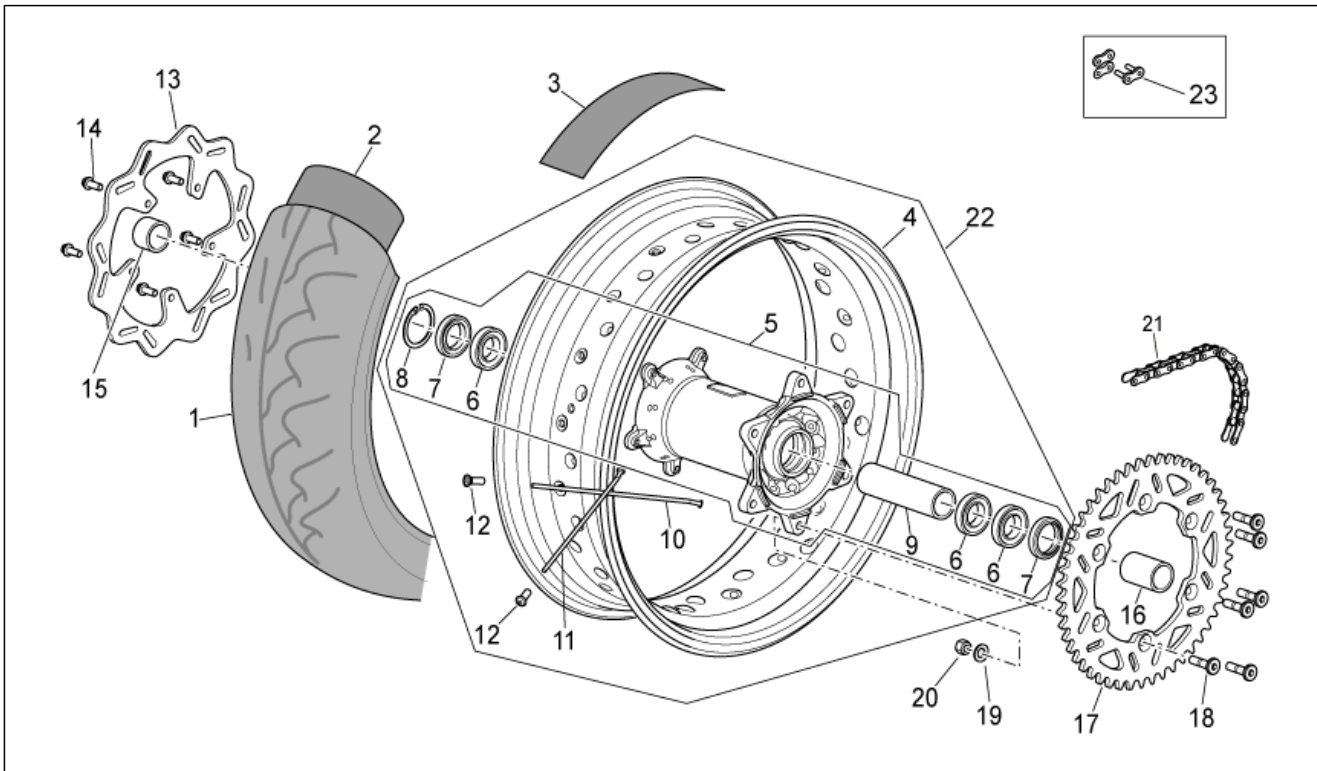
Pos.	Code	Beschreibung	Menge	Varianten
1	AP9100530	Vorderreifen 120/70-17"	1	Technische Daten:Version Motard[SX]
2	AP8109306	Schlauch 17"	1	Technische Daten:Version Motard[SX]
3	AP8109309	Radband 17"	1	Technische Daten:Version Motard[SX]
4	AP9100561	Vorderradfelgen 3,5X17"	1	Technische Daten:Version Motard[SX]
5	AP9100171	Deckel M22	1	Technische Daten:Version Motard[SX]
6	AP9100225	Nabe vorne	1	Technische Daten:Version Motard[SX]
7	AP9100216	Kugellager 25x42x9	2	Technische Daten:Version Motard[SX]
8	AP9100228	Gasket ring 28x42x7	1	Technische Daten:Version Motard[SX]
9	AP9100227	Gasket ring 32x42x7	1	Technische Daten:Version Motard[SX]
10	AP9100226	Interne Distanzscheibe L=69,7	1	Technische Daten:Version Motard[SX]
11	AP9100106	Speiche d.3,5-17"	36	Technische Daten:Version Motard[SX]
12	AP8108672	Nippel D3,5	36	Technische Daten:Version Motard[SX]
13	AP8121334	Seegerring D.42	1	Technische Daten:Version Motard[SX]
14	AP9100528	Vorderradbremsscheibe d.320	1	Technische Daten:Version Motard[SX]
15	AP8150070	Sechskantschraube M6x16	5	Technische Daten:Version Motard[SX]
16	AP9100229	Externe Distanzscheibe L=26,3	1	Technische Daten:Version Motard[SX]
17	AP9100230	Vorderradbolzen L=221,5	1	Technische Daten:Version Motard[SX]
18	AP8150429	Sprengscheibe 6,4x11x0,5*	5	Technische Daten:Version Motard[SX]
19	851064	Vorderrad 17"	1	Technische Daten:Version Motard[SX]

Einheit	RAHMEN
Code	28.23
Beschreibung	Hinterrad I
Inspektion	1



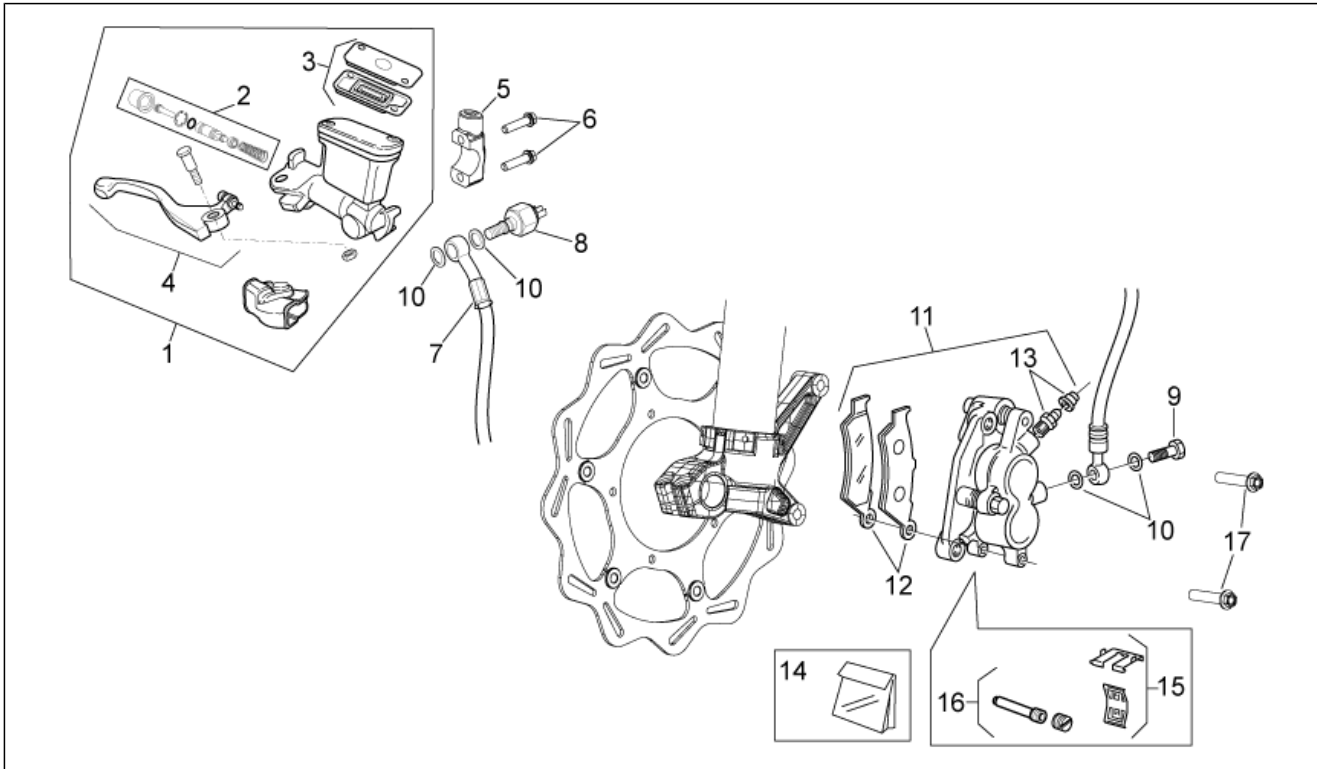
Pos.	Code	Beschreibung	Menge	Varianten
1	AP9100510	Hinterreifen 140/80X18"	1	Technische Daten:Version Enduro[RX]
2	AP9100508	Schlauch 18"	1	Technische Daten:Version Enduro[RX]
3	AP8109281	Hinterradband 18"	1	Technische Daten:Version Enduro[RX]
4	AP9100462	Bügel reifen	1	Technische Daten:Version Enduro[RX]
5	AP9100261	H.Felge 2,15X18"	1	Technische Daten:Version Enduro[RX]
6	AP9100214	Nabe hinten	1	Technische Daten:Version Enduro[RX]
7	AP9100216	Kugellager 25x42x9	3	Technische Daten:Version Enduro[RX]
8	AP9100227	Gasket ring 32x42x7	2	Technische Daten:Version Enduro[RX]
9	AP8121334	Seegerring D.42	1	Technische Daten:Version Enduro[RX]
10	AP9100215	Interne Distanzscheibe L=106,5 mm	1	Technische Daten:Version Enduro[RX]
11	AP9100056	Speiche d.4-18"-l.196,5	18	Technische Daten:Version Enduro[RX]
12	AP9100211	Speiche d.4-18"-l.199,5	18	Technische Daten:Version Enduro[RX]
13	AP9100213	Nippel d.4	36	Technische Daten:Version Enduro[RX]
14	AP9100466	Vorderradbremsscheibe d.240	1	Technische Daten:Version Enduro[RX]
15	AP8152278	TE Schr. m. Flansch M6x16	5	Technische Daten:Version Enduro[RX]
16	AP9100595	Externe Distanzscheibe L=21,9	2	Technische Daten:Version Enduro[RX]
17	AP9100467	Schraube M8x30	6	Technische Daten:Version Enduro[RX]
18	AP8150017	Ausgleichscheibe 8,4x16x1,6	6	Technische Daten:Version Enduro[RX]
19	AP9100432	Selbstsperr.Mut.Unt. M8x1,25	6	Technische Daten:Version Enduro[RX]
20	AP9100336	Zahnkranz Z=48	1	Technische Daten:Version Enduro[RX]
21	AP9100531	Kette	1	Technische Daten:Version Enduro[RX]
22	AP9100533	Verbindungsglied 5/8x1/4	1	Technische Daten:Version Enduro[RX]
23	851065	Hinterrad ohne Scheibe 18"	1	Technische Daten:Version Enduro[RX]

Einheit	RAHMEN
Code	28.24
Beschreibung	Hinterrad II
Inspektion	1



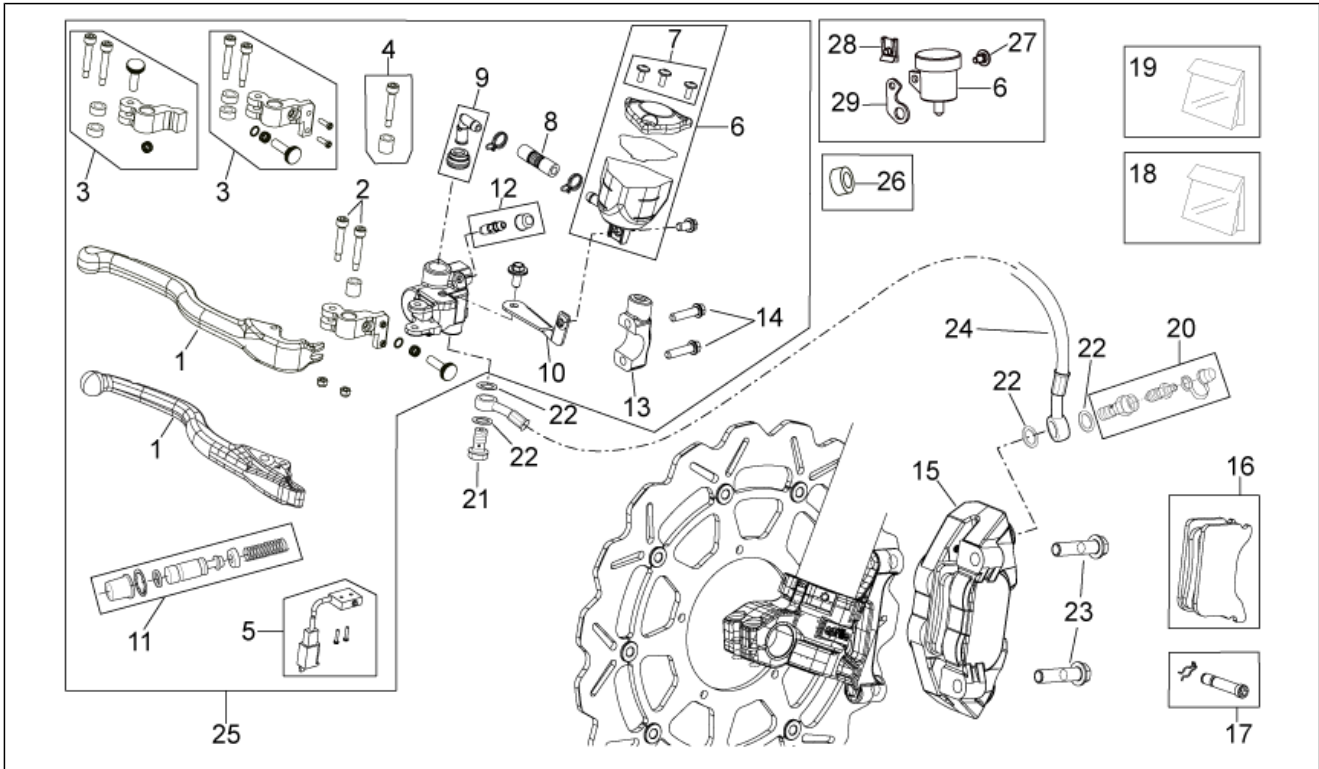
Pos.	Code	Beschreibung	Menge	Varianten
1	AP9100608	Hinterreifen 180/55X17"	1	Technische Daten:Version Motard[SX]
2	AP9100526	Schlauch 17"	1	Technische Daten:Version Motard[SX]
3	AP9100527	Radband 17"	1	Technische Daten:Version Motard[SX]
4	AP9100560	H.Felge 5,5X17"	1	Technische Daten:Version Motard[SX]
5	AP9100322	Nabe hinten	1	Technische Daten:Version Motard[SX]
6	AP9100216	Kugellager 25x42x9	3	Technische Daten:Version Motard[SX]
7	AP9100227	Gasket ring 32x42x7	2	Technische Daten:Version Motard[SX]
8	AP8121334	Seegerring D.42	1	Technische Daten:Version Motard[SX]
9	AP9100584	Interne Distanzscheibe L=134,3	1	Technische Daten:Version Motard[SX]
10	AP9100559	Speiche 4-17"-l.189	18	Technische Daten:Version Motard[SX]
11	AP9100107	Speiche d.4-17"-l.184	18	Technische Daten:Version Motard[SX]
12	AP9100569	Nippel d.4	36	Technische Daten:Version Motard[SX]
13	AP9100466	Vorderradbremsscheibe d.240	1	Technische Daten:Version Motard[SX]
14	AP8152278	TE Schr. m. Flansch M6x16	5	Technische Daten:Version Motard[SX]
15	AP9100595	Externe Distanzscheibe L=21,9	1	Technische Daten:Version Motard[SX]
16	AP9100596	Externe Distanzscheibe L=45,1	1	Technische Daten:Version Motard[SX]
17	AP9100334	Zahnkranz Z=46	1	Technische Daten:Version Motard[SX]
18	AP9100467	Schraube M8x30	6	Technische Daten:Version Motard[SX]
19	AP8150017	Ausgleichscheibe 8,4x16x1,6	6	Technische Daten:Version Motard[SX]
20	AP9100432	Selbstsperr.Mut.Unt. M8x1,25	6	Technische Daten:Version Motard[SX]
21	AP9100715	Kette 5/8x1/4	1	Technische Daten:Version Motard[SX]
22	851066	Hinterrad ohne Scheibe 17"	1	Technische Daten:Version Motard[SX]

Einheit	RAHMEN
Code	28.25
Beschreibung	Bremsanlage - Vorn I
Inspektion	1



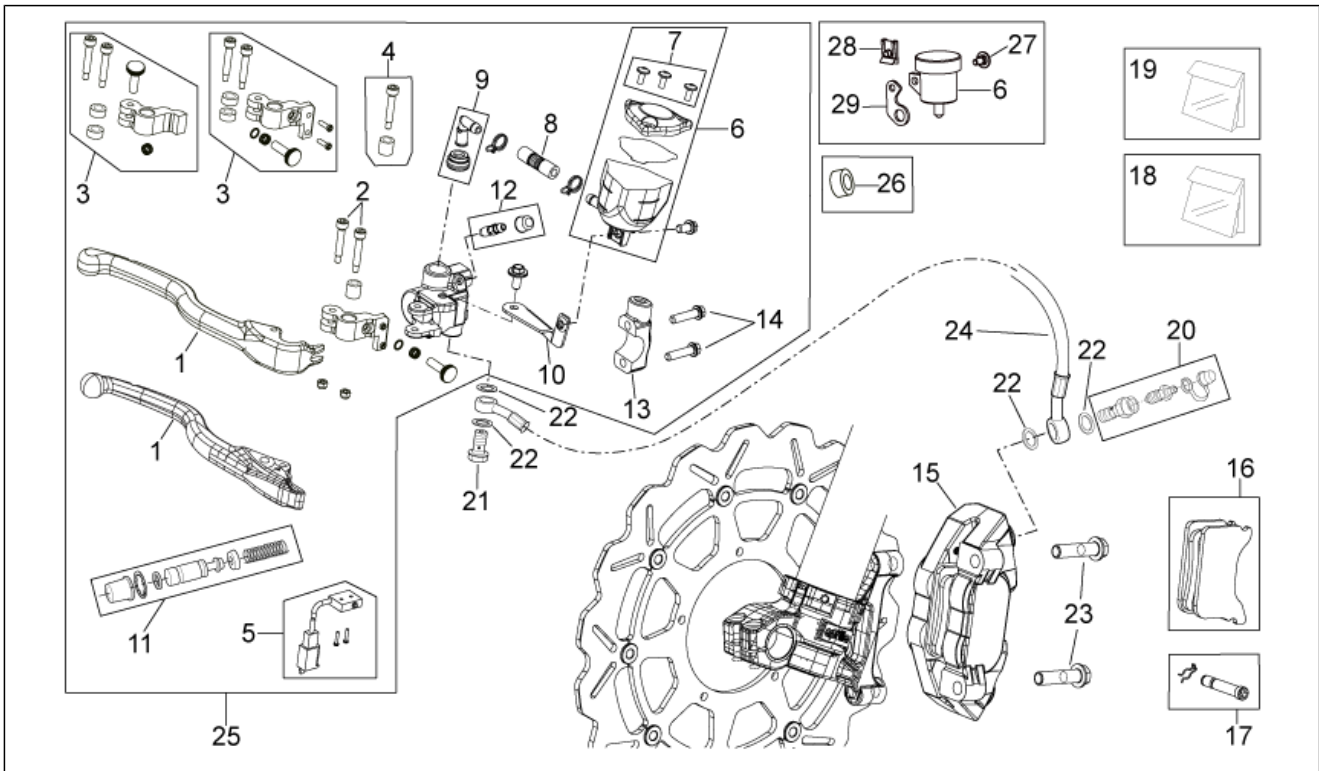
Pos.	Code	Beschreibung	Menge	Varianten
1	AP9100257	Vorderradbremspumpe Nissin	1	Technische Daten:Version Enduro[RX]
2	AP9100785	Kolben, kit	1	Technische Daten:Version Enduro[RX]
3	AP9100786	Aust.satz Verschlusschraube	1	Technische Daten:Version Enduro[RX]
4	AP9100787	Kit Hebelüberholung	1	Technische Daten:Version Enduro[RX]
5	AP9100707	Schelle	1	Technische Daten:Version Enduro[RX]
6	AP8152280	TE Schr. m. Flansch M6x25	2	Technische Daten:Version Enduro[RX]
7	AP9100642	Vorderradbremsleitung	1	Technische Daten:Version Enduro[RX]
8	AP9100418	V. Schalter Stopp	1	Technische Daten:Version Enduro[RX]
8	AP9100472	Sechskantschraube M10x1,25	1	Technische Daten:Version Enduro[RX]
10	AP9100473	Ausgleichscheibe 14x10,2x1	4	Technische Daten:Version Enduro[RX]
11	AP9100256	Vorderradbremzange	1	Technische Daten:Version Enduro[RX]
12	AP9100788	Beläge (Paar)	1	Technische Daten:Version Enduro[RX]
13	AP9100789	Bausatz Entlüftungsüberh.	1	Technische Daten:Version Enduro[RX]
14	AP9100790	Bausatz Bremszangenüberholung	1	Technische Daten:Version Enduro[RX]
15	AP9100791	Feder	1	Technische Daten:Version Enduro[RX]
16	AP9100792	Bolzen	1	Technische Daten:Version Enduro[RX]
17	AP8152290	TE Schr. m. Flansch M8x40	2	Technische Daten:Version Enduro[RX]

Einheit	RAHMEN
Code	28.26
Beschreibung	Bremsanlage - Vorn II
Inspektion	1



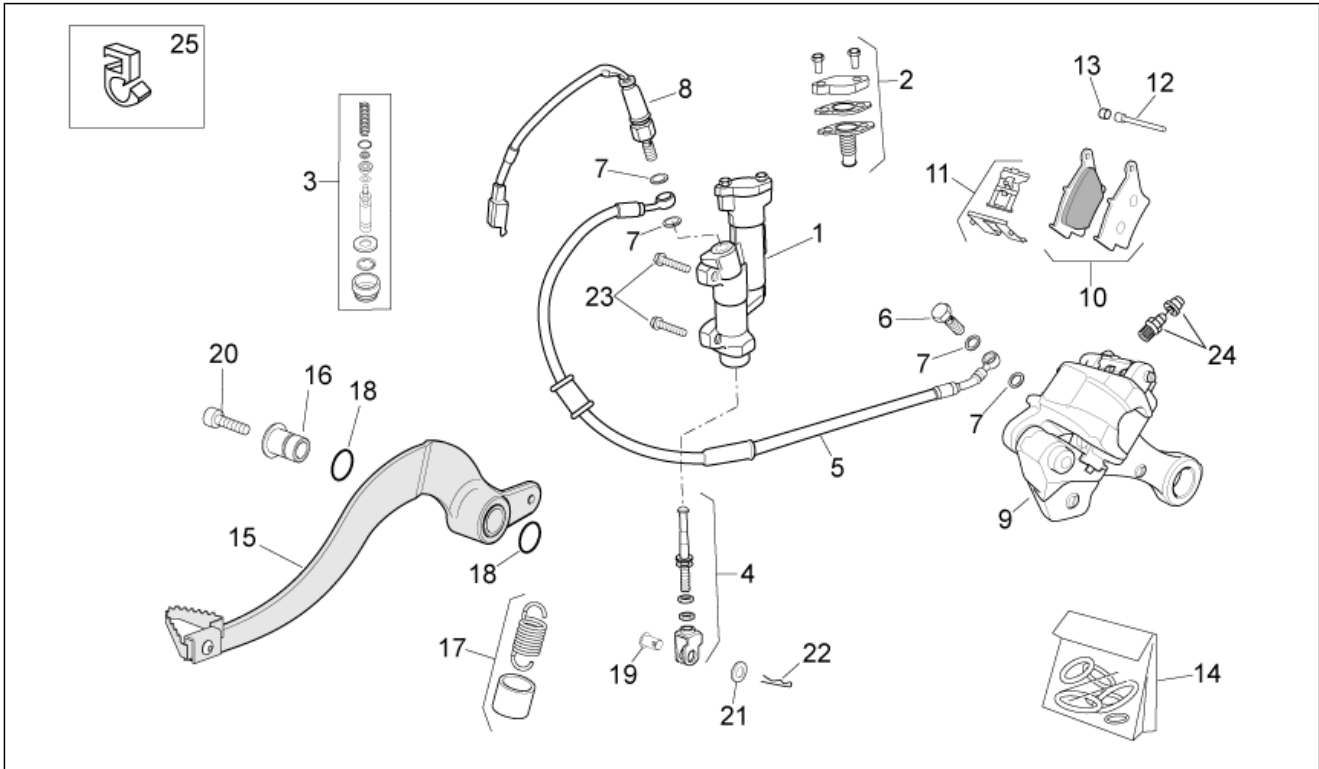
Pos.	Code	Beschreibung	Menge	Varianten
1	851366	Hebel	1	Technische Daten: Version Motard[SX], Hebel mit oberer Einstellung[T2]
1	AP9100922	Hebel	1	Technische Daten: Version Motard[SX], Hebel mit vorderer Einstellung[T1]
2	AP9100921	Schraube	1	Technische Daten: Version Motard[SX]
3	851367	Kit Hebelüberholung	1	Technische Daten: Version Motard[SX], Hebel mit oberer Einstellung[T2]
3	AP9100920	Kit Hebelüberholung	1	Technische Daten: Version Motard[SX], Hebel mit vorderer Einstellung[T1]
4	AP9100919	Pressing kit	1	Technische Daten: Version Motard[SX]
5	AP9100918	Bremslichtschalter	1	Technische Daten: Version Motard[SX]
6	AP9100917	Öltank kpl	1	Technische Daten: Version Motard[SX]
7	AP9100916	Schraube	1	Technische Daten: Version Motard[SX]
8	AP9100915	Bremschlauch	1	Technische Daten: Version Motard[SX]
9	AP9100914	Anschluss	1	Technische Daten: Version Motard[SX]
10	851368	Platte	1	Technische Daten: Version Motard[SX], Hebel mit oberer Einstellung[T2]
10	AP9100913	Platte	1	Technische Daten: Version Motard[SX], Hebel mit vorderer Einstellung[T1]
11	AP9100912	Bausatz Pumpenüberholung	1	Technische Daten: Version Motard[SX]
12	AP9100911	Bausatz Entlüftungsüberh.	1	Technische Daten: Version Motard[SX]
13	AP9100910	Bügelbolzen	1	Technische Daten: Version Motard[SX]
14	AP8152280	TE Schr. m. Flansch M6x25	2	Technische Daten: Version Motard[SX]
15	AP9100713	Vorderradbremszange	1	Technische Daten: Version Motard[SX]
16	AP9100906	Beläge (Paar)	1	Technische Daten: Version Motard[SX]
17	AP9100907	Splintbolzen	1	Technische Daten: Version Motard[SX]
18	AP9100908	Bausatz Bremszangenüberholung	1	Technische Daten: Version Motard[SX]
19	AP9100909	Paar Kolben	1	Technische Daten: Version Motard[SX]
20	AP9100905	Bausatz Entlüftungsüberh.	1	Technische Daten: Version Motard[SX]

Einheit	RAHMEN
Code	28.26
Beschreibung	Bremsanlage - Vorn II
Inspektion	1



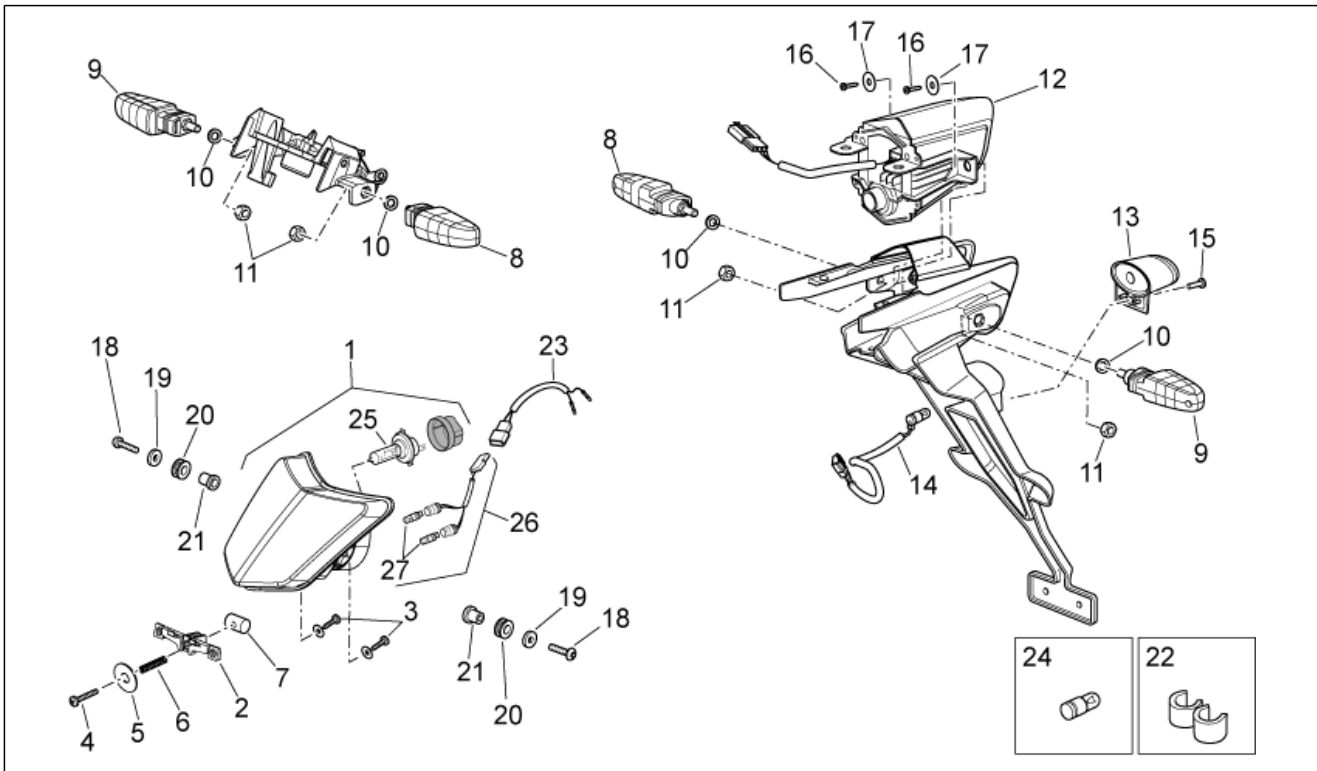
Pos.	Code	Beschreibung	Menge	Varianten
21	AP9100763	Fixierschraube Ölschlauch	1	Technische Daten: Version Motard[SX]
22	AP8121915	Dichtung	4	Technische Daten: Version Motard[SX]
23	AP9100749	TE Schr. m. Flansch M10x1,25x40	2	Technische Daten: Version Motard[SX]
24	AP9100712	Vorderradbrembleitung	1	Technische Daten: Version Motard[SX]
25	851348	Vorderradbremspumpe FTE	1	Technische Daten: Version Motard[SX], Hebel mit oberer Einstellung[T2]
25	AP9100711	Vorderradbremspumpe FTE	1	Technische Daten: Version Motard[SX], Hebel mit vorderer Einstellung[T1]

Einheit	RAHMEN
Code	28.27
Beschreibung	Bremsanlage - Hinten
Inspektion	1



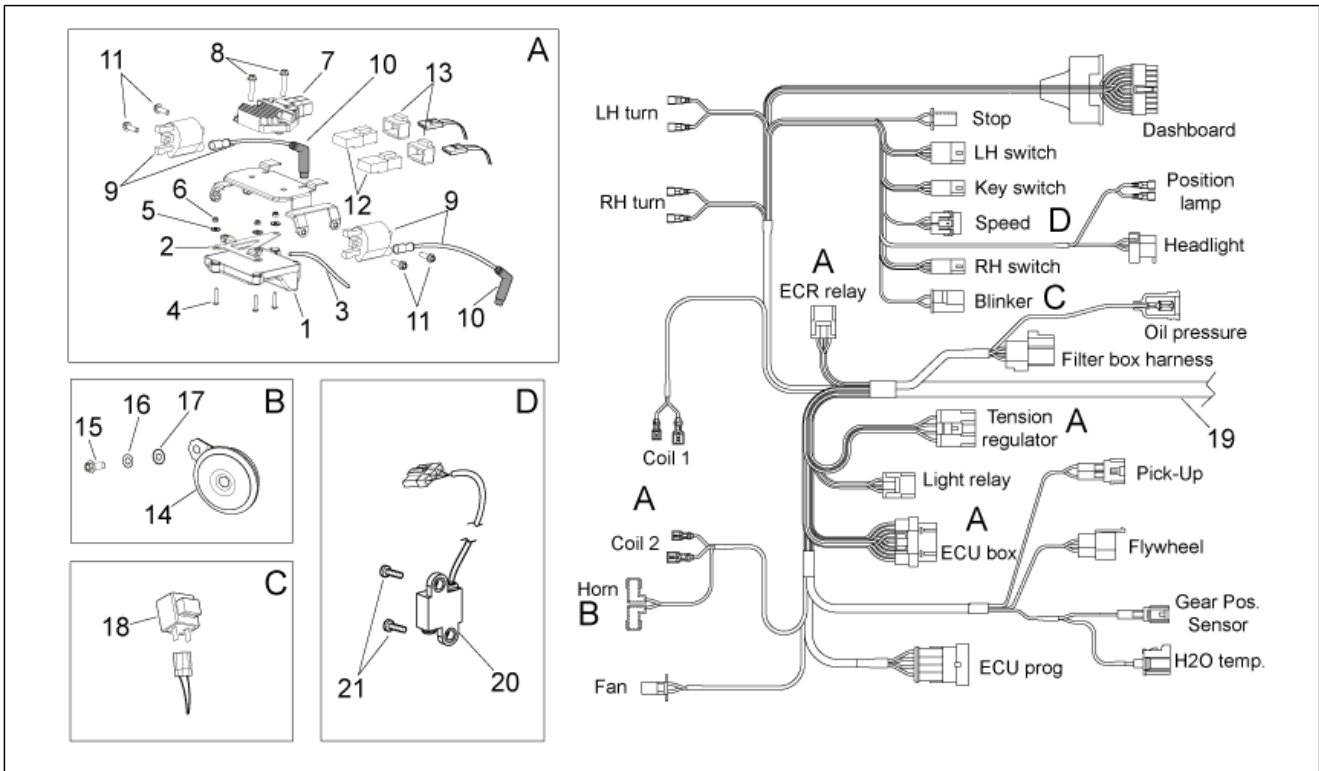
Pos.	Code	Beschreibung	Menge	Varianten
1	AP9100475	Hinterradbremspumpe	1	
2	AP9100794	Aust.satz Verschlusschraube	1	
3	AP9100793	Kolben, kit	1	
4	AP9100795	Kit Hebelüberholung	1	
5	AP9100478	Hinterradbremseleitung	1	
6	AP9100472	Sechskantschraube M10x1,25	2	
7	AP9100473	Ausgleichscheibe 14x10,2x1	4	
8	AP9100417	Bremslichtschalter	1	
9	AP9100479	Hinterradbremsszange	1	
10	AP9100797	Beläge (Paar)	1	
11	AP9100798	Feder	1	
12	AP9100800	Splintbolzen	1	
13	AP9100799	Deckel	1	
14	AP9100796	Bausatz Bremszangenüberholung	1	
15	AP9100356	H.bremshebel	1	
16	AP9100290	Buchse	1	
17	AP9100291	Feder	1	
18	AP9100477	O-Ring 18x2	2	
19	AP9100354	Stift Hinterradbremshieb.	1	
20	AP8150169	TCEI Schraube M8x20	1	
21	AP8150017	Ausgleichscheibe 8,4x16x1,6	1	
22	AP8101928	Splint	1	
23	AP8152278	TE Schr. m. Flansch M6x16	2	
24	AP9100789	Bausatz Entlüftungsüberh.	1	
25	AP9100752	Kleine Feder	2	

Einheit	RAHMEN
Code	28.28
Beschreibung	Lichter
Inspektion	1



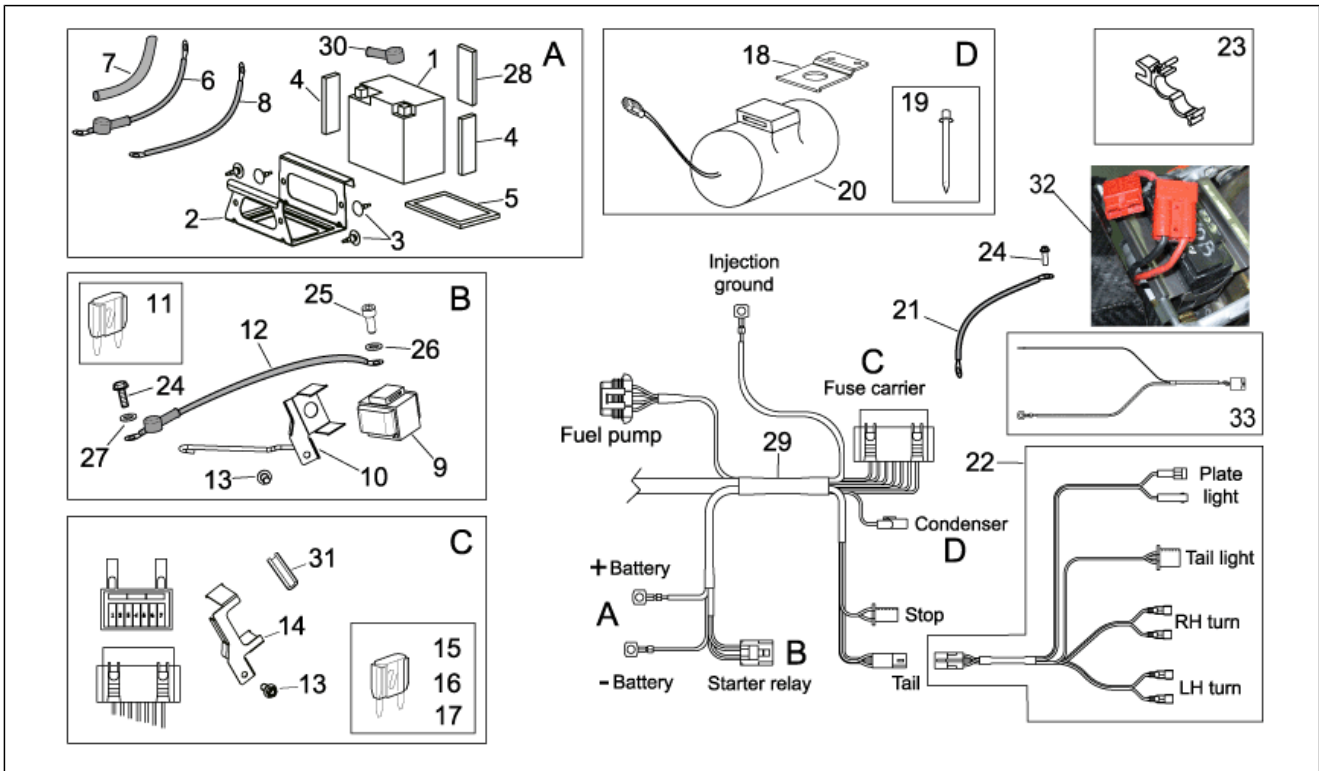
Pos.	Code	Beschreibung	Menge	Varianten
1	855038	Scheinwerfer	1	
2	AP9100635	Einstellstab Scheinwerfer	1	
3	AP8150413	Gew.schr. 3,9x14	2	
4	AP8150475	Linsenschraube M4x45 z.b.	1	
5	AP8150011	Ausgleichscheibe 4,3x12x1	1	
6	AP8221198	Einstellfeder Scheinwerfer	1	
7	AP9100747	Buchse	1	
8	AP8127657	Vorderblinker links	2	
9	AP8127656	Vorderblinker rechts	2	
10	AP8150017	Ausgleichscheibe 8,4x16x1,6	4	
11	AP8152262	Mutter unten	4	
12	AP9100523	Rücklicht	1	
13	AP8127098	Kennzeichenleuchte	1	
14	AP8124873	Kennzeich.leuch.Kabel	1	
15	AP8150413	Gew.schr. 3,9x14	1	
16	AP8150413	Gew.schr. 3,9x14	2	
17	AP8150159	Ausgleichscheibe 4,3x16*	2	
18	AP8152137	TBEI Schraube M6x20	2	
19	AP8152181	Scheibe 6,4x15x1	2	
20	AP8112600	Gummi	2	
21	AP8121665	T-Buchse	2	
22	AP9100519	Kleine Feder	3	
23	891109	Verkabelung	1	
24	AP9100976	Lampen orange WY2,3W	16	
25	AP8127113	Lampen HS1 35+35W 12V	1	
26	856610	Kabel Standlicht	1	
27	AP8127164	Lampen W3W 12V	2	

Einheit	RAHMEN
Code	28.29
Beschreibung	Elektrische anlage I
Inspektion	1



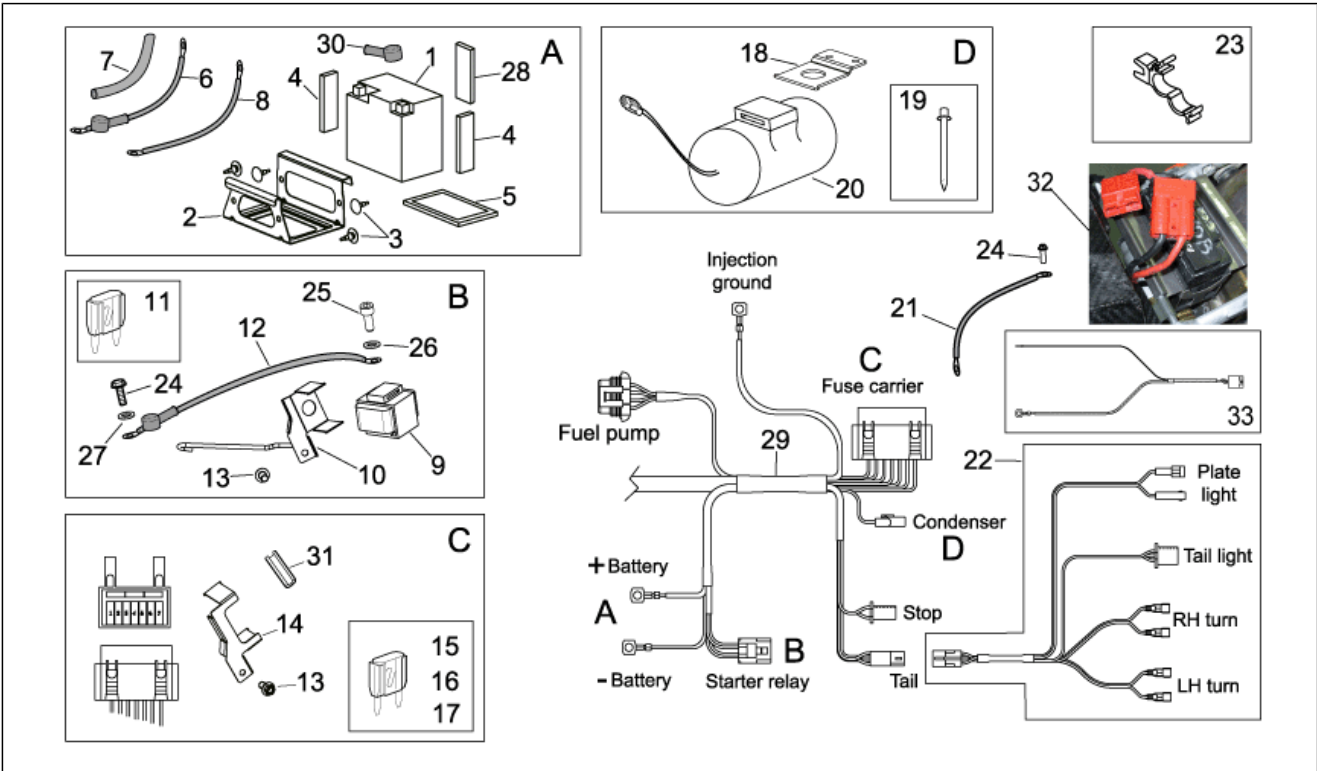
Pos.	Code	Beschreibung	Menge	Varianten
1	AP9100447	Elektronische Steuereinheit	1	
2	851023	Halteplatte Steuerung	1	
3	AP8220598	Entlüftungsschlauch Kühler	1	
4	AP9100945	TBEI Schraube M4x20	3	
5	AP8150011	Ausgleichscheibe 4,3x12x1	3	
6	AP8150204	Mutter M4	3	
7	AP9100424	Spannungsregler	1	
8	AP8152281	TE Schr. m. Flansch M6x30	2	
9	AP9100429	Spule	2	
10	AP9100423	Zündkerzenkappe	2	
11	AP8152278	TE Schr. m. Flansch M6x16	4	
12	AP8224462	Zündrelais 12V-30A	2	
13	AP8220283	Gummi *	2	
14	AP8127391	Hupe	1	
15	AP8152112	TCEI Schraube	1	
16	AP8150376	Ausgleichscheibe 8,5x15x0,8	1	
17	AP8150017	Ausgleichscheibe 8,4x16x1,6	1	
18	AP8124235	Blinken	1	
19	AP9100568	Hauptverkabelung	1	
20	AP9100518	Sensorscheibe	1	Technische Daten:Version Motard[SX]
20	AP9100965	Sensorscheibe	1	Technische Daten:Version Enduro[RX]
21	AP8150460	Gewindeschraube M4x12	2	

Einheit	RAHMEN
Code	28.30
Beschreibung	Elektrische anlage II
Inspektion	1



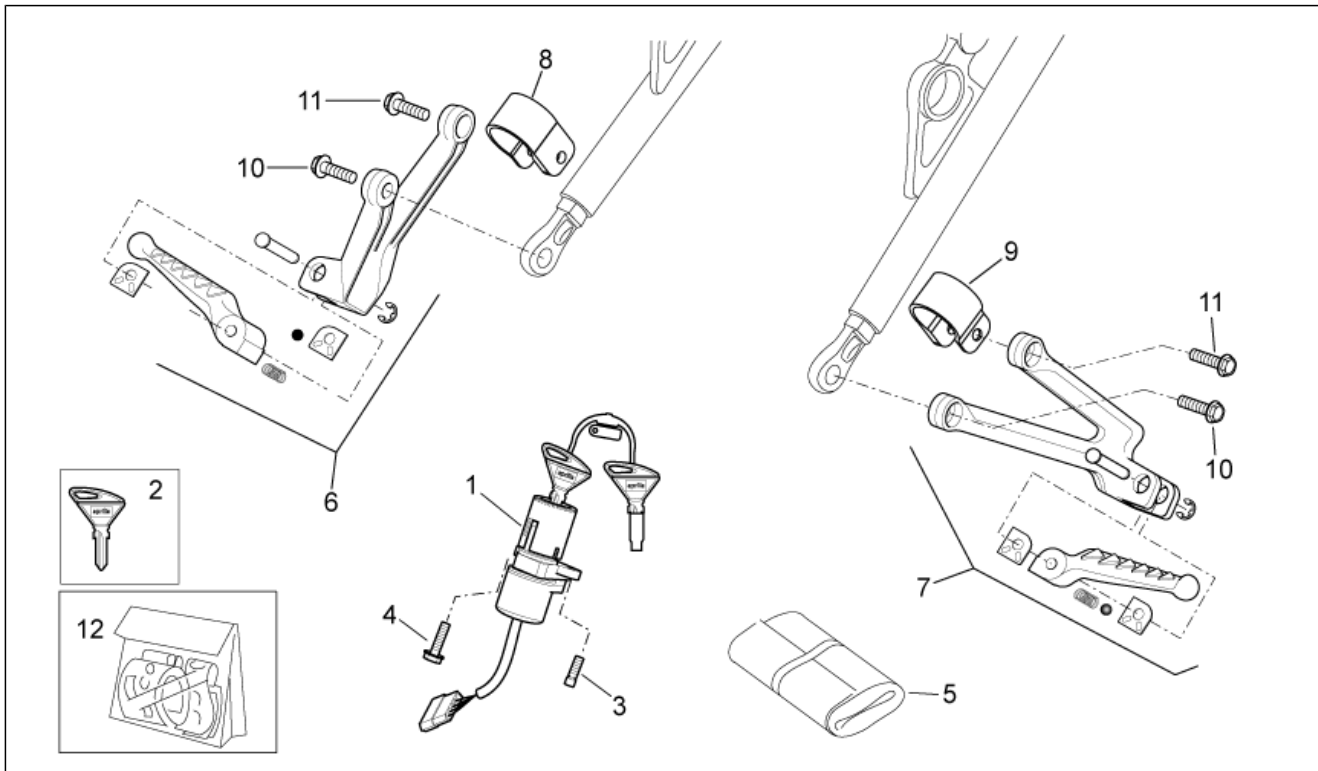
Pos.	Code	Beschreibung	Menge	Varianten
1	AP9100512	Batterie	1	
2	AP9101000	Batteriegeh. kpl.	1	
3	AP8120001	Gummi	4	
4	AP8144538	Dichtung	2	
5	AP9100725	Gummi	1	
6	AP9100371	Verkabelung Batterie-Relais	1	
7	AP9100393	Gummischlauch 12,8x8,8 L=120	1	
8	AP9100372	Masse-Batteriekabel	1	
9	AP9100487	Zündrelais	1	
10	AP9100325	Platte	1	
11	AP8124273	Sicherung 30a	2	
12	AP9100558	Verkabelung Starter	1	
13	AP8152272	TE Schr. m. Flansch M5x12	2	
14	AP9100327	Hltr. Sicherungsblock	1	
15	AP8176099	Sicherung	3	
16	AP8112244	Sicherung 7,5A	4	
17	AP8112176	Sicherung 15A	3	
18	AP9100742	Platte	1	
19	AP9100782	Kunststoffniet inox	1	
20	AP9100739	Kondensator 10000 Uf	1	
21	AP9100783	Motor-Rahmen Masse Kabel	1	
22	AP9100511	Verkabelung Rücklicht	1	
23	AP9100765	Kleine Feder	1	
24	AP8152277	TE Schr. m. Flansch M6x12	1	
25	AP8152123	TCEI Schraube	2	
26	AP8150429	Sprengscheibe 6,4x11x0,5*	2	
27	AP8150272	Gebogene Sprengscheibe 5,3x10x0,5	1	
28	AP8117004	Klebschwamm 15x8	1	

Einheit	RAHMEN
Code	28.30
Beschreibung	Elektrische anlage II
Inspektion	1



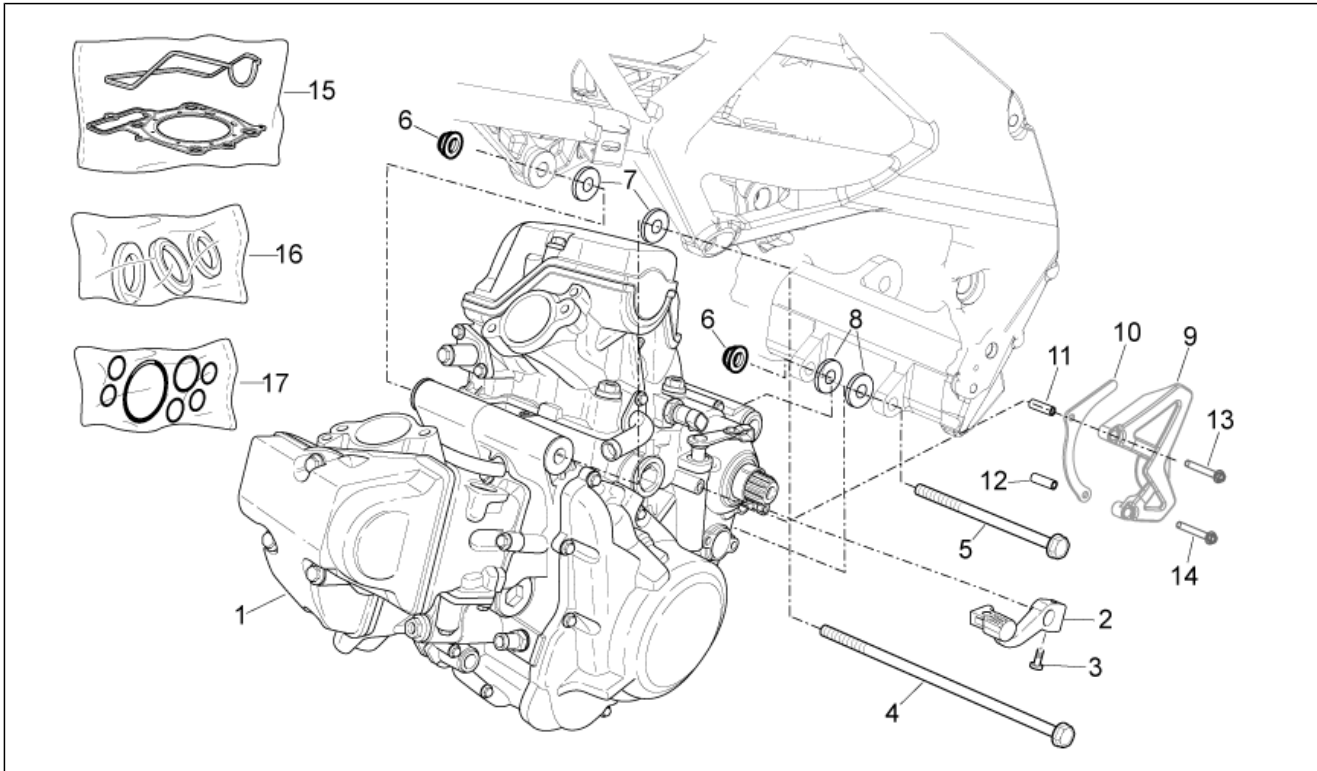
Pos.	Code	Beschreibung	Menge	Varianten
29	AP9100568	Hauptverkabelung	1	
30	AP9100959	Klemmenkappe	1	
31	AP9100997	Dichtung	1	
33	855604	Verkabelung Unterbr.getriebe	1	

Einheit	RAHMEN
Code	28.31
Beschreibung	Fertigstellung
Inspektion	1



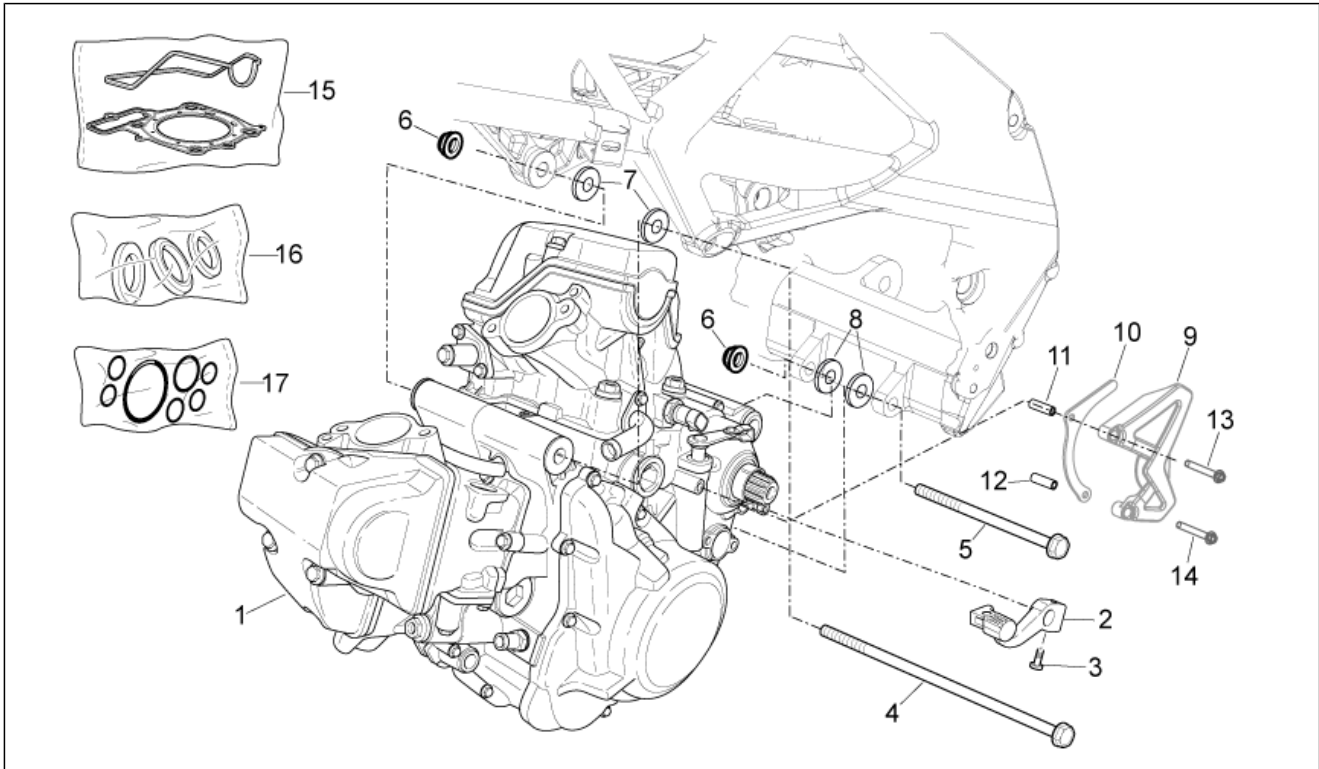
Pos.	Code	Beschreibung	Menge	Varianten
1	AP9100515	Lenkschloß	1	
2	AP8140710	"Aprilia" schlüssel ohne tran.	1	
3	AP8150349	Spezialschraube M8x15	1	
4	AP8150211	TCEI Schraube M8x16	1	
5	AP9100936	Werkzeugtasche	1	Technische Daten: Version Enduro[RX]
5	AP9100994	Werkzeugtasche	1	Technische Daten: Version Motard[SX]
6	AP9100757	Halter Soziusfußraste, rechts	1	Technische Daten: Version Motard[SX]
7	AP9100756	Halter linke Soziusfußraste	1	Technische Daten: Version Motard[SX]
8	851364	Halter rechts	1	Technische Daten: Version Motard[SX]
9	851363	Halter links	1	Technische Daten: Version Motard[SX]
10	AP9100837	TE Schr. m. Flansch M10x1,25x36	2	Technische Daten: Version Motard[SX]
11	AP8152287	TE Schr. m. Flansch M8x25	2	Technische Daten: Version Motard[SX]
12	894633	Deko Serie	1	Technische Daten: Version Enduro[RX]
12	894634	Deko Serie	1	Technische Daten: Version Motard[SX]

Einheit	MOTOR
Code	29.32
Beschreibung	Motor
Inspektion	1



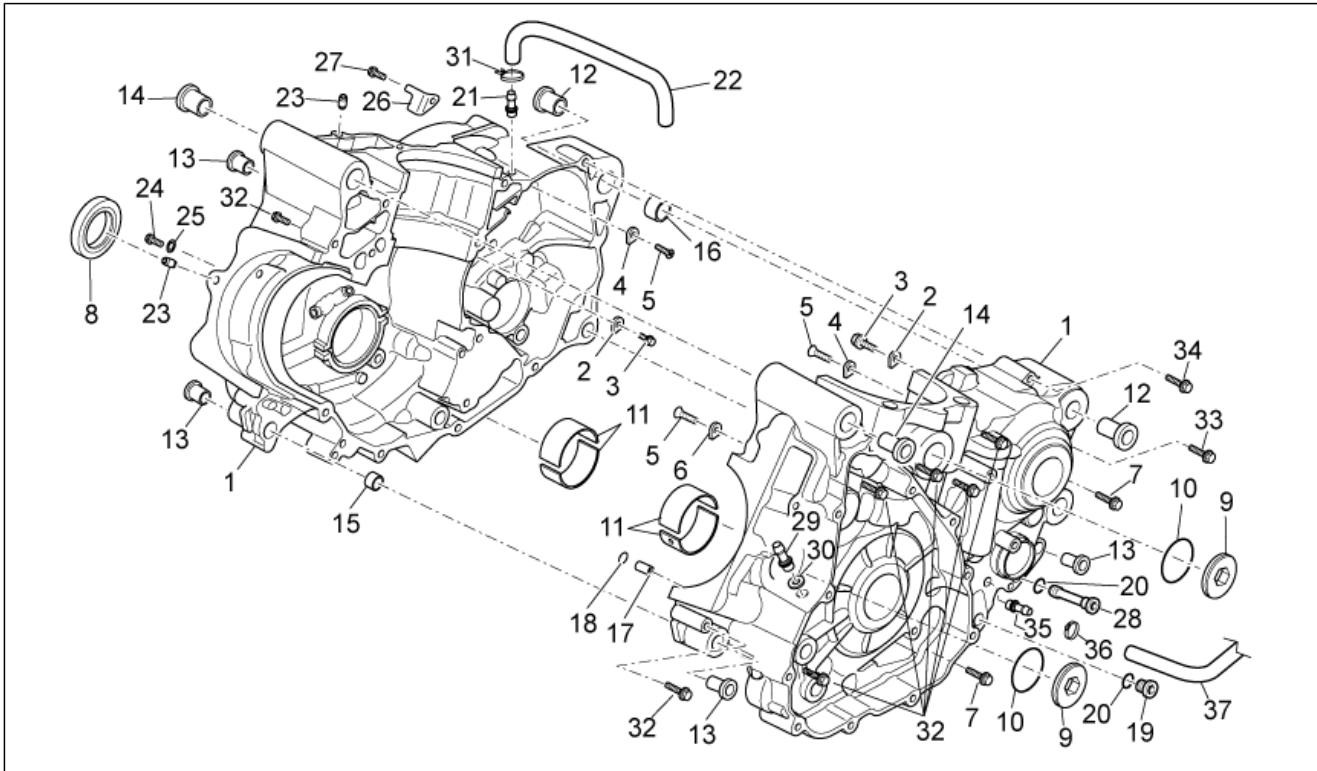
Pos.	Code	Beschreibung	Menge	Varianten
1	CM2362045	Motor	1	Technische Daten: Version Enduro 450[RX45]
1	CM2362055	Motor	1	Technische Daten: Version Motard 450[SX45]
1	CM2363045	Motor	1	Technische Daten: Enduro-Version 550[RX55]
1	CM2363055	Motor	1	Technische Daten: Version Motard 550[SX55]
2	AP9100411	Schalthebel	1	
3	AP8152280	TE Schr. m. Flansch M6x25	1	
4	AP9100593	Schraube M10x1,25 L=202	1	
5	AP9100443	Schraube M10x1,25 L=102	1	
6	AP9100643	Selbstsperrende Mutter M10x1,25	2	
7	AP9100687	Ausgleichscheibe 28x10,5x3	2	
8	AP9100683	Ausgleichscheibe 18x10,5x0,5	2	
8	AP9100684	Ausgleichscheibe 18x10,5x1	2	
8	AP9100685	Ausgleichscheibe 18x10,5x1,5	2	
8	AP9100686	Ausgleichscheibe 18x10,5x2	2	
9	AP9100374	Ritzelkasten	1	
10	AP9100367	Kettenführung	1	
11	AP9100383	Buchse	1	Technische Daten: Version Motard[SX]
12	AP9100381	Buchse	1	Technische Daten: Version Motard[SX]
12	AP9100550	Buchse	1	Technische Daten: Version Enduro[RX]
13	AP8152281	TE Schr. m. Flansch M6x30	1	Technische Daten: Version Enduro[RX]
13	AP9100433	TE Schr. m. Flansch M6x50	1	Technische Daten: Version Motard[SX]
14	AP8152283	TE Schr. m. Flansch	1	Technische Daten: Version Enduro[RX]
14	AP9150395	TE Schr. m. Flansch M6x60	1	Technische Daten: Version Motard[SX]
15	855834	Dichtungen - Satz	2	Technische Daten: Ab Motor Nr. 3013[M18], Version Enduro 450[RX45]
15	855834	Dichtungen - Satz	2	Technische Daten: Ab Motor Nr. 3020[M22], Version Motard 450[SX45]
15	855835	Dichtungen - Satz	2	Technische Daten: Ab Motor Nr. 2436[M20], Enduro-Version 550[RX55]

Einheit	MOTOR
Code	29.32
Beschreibung	Motor
Inspektion	1



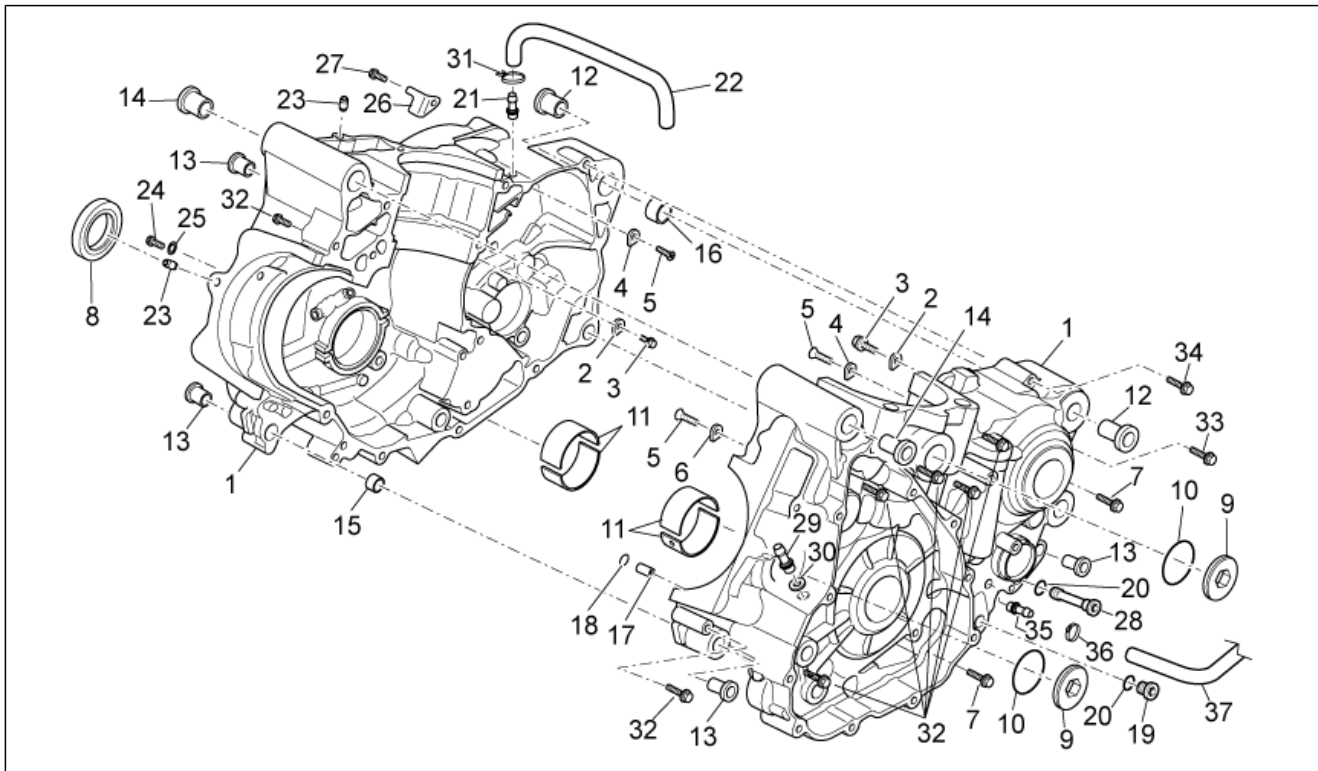
Pos.	Code	Beschreibung	Menge	Varianten
15	855835	Dichtungen - Satz	2	Technische Daten: Von Motor Nr. 4058 bis Motor Nr. 4076 und ab Mot. Nr. 4137[M24], Version Motard 550[SX55]
15	AP9150490	Dichtungen - Satz	2	Technische Daten: Bis Motor Nr. 3012[M17], Version Enduro 450[RX45]
15	AP9150490	Dichtungen - Satz	2	Technische Daten: Bis Motor Nr. 3019[M21], Version Motard 450[SX45]
15	AP9150491	Dichtungen - Satz	2	Technische Daten: Bis Motor Nr. 4057 und von Mot. Nr. 4077 bis Mot. Nr. 4136[M23], Version Motard 550[SX55]
15	AP9150491	Dichtungen - Satz	2	Technische Daten: Bis Motor Nr. 2435[M19], Enduro-Version 550[RX55]
16	AP9150492	Dichtungssatz	1	
17	AP9150493	OR - Satz	1	

Einheit	MOTOR
Code	29.33
Beschreibung	Kurbelwellengehäuse I
Inspektion	1



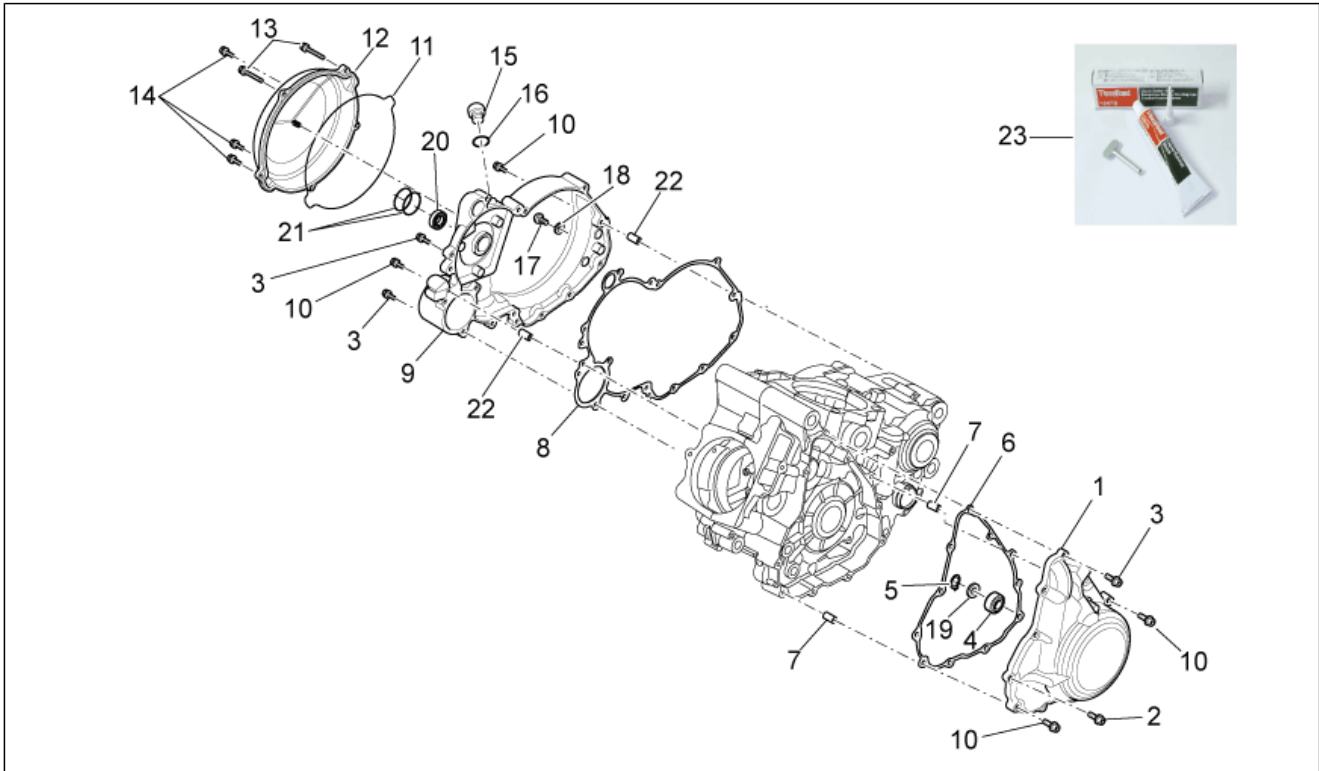
Pos.	Code	Beschreibung	Menge	Varianten
1	AP9150079	Gehäuse Paar	1	Technische Daten: Version Enduro 450[RX45]
1	AP9150080	Gehäuse Paar	1	Technische Daten: Version Motard 450[SX45]
1	AP9150089	Gehäuse Paar	1	Technische Daten: Version Motard 550[SX55]
1	AP9150239	Gehäuse Paar	1	Technische Daten: Enduro-Version 550[RX55]
2	AP9150146	Lager-Halteplatte	3	
3	AP8152277	TE Schr. m. Flansch M6x12	3	
4	AP9150145	Lager-Halteplatte	2	
5	AP9150394	Schraube M6x12	3	
6	AP9150489	Lager-Halteplatte	1	
7	AP8152283	TE Schr. m. Flansch	6	
8	AP9150435	Ölabstreifring D32x45x6	1	
9	AP9150149	Deckel	2	
10	AP9150353	O-Ring D26,65x2,62	2	
11	AP9150324	Halbsch. Bronzebchs., grün	4	
11	AP9150456	Halbsch. Bronzebu., blau	4	
11	AP9150457	Halbsch. Bronzebu., gelb	4	
12	AP9150440	T-Buchse 34x21x10,5-L18	2	
13	AP9150441	T-Buchse 28x13x10,5-L11,5	2	
14	AP9150442	T-Buchse 19x13x10,5-L11,5	4	
15	AP9150116	Buchse D16x19X13	1	
16	AP9150115	Buchse D18x21X19	1	
17	AP9150117	Stift D7,2x9x12	1	
18	AP9150350	O-Ring D8,73x1,78	1	
19	AP9150174	Ölablaßschraube	1	
20	AP9150349	Dichtscheibe D12x18x1,5	2	
21	AP9150533	Anschluss	1	
22	AP9150471	Entlüftungsschlauch Kühler	1	
23	AP9150346	Strahl	2	

Einheit	MOTOR
Code	29.33
Beschreibung	Kurbelwellengehäuse I
Inspektion	1



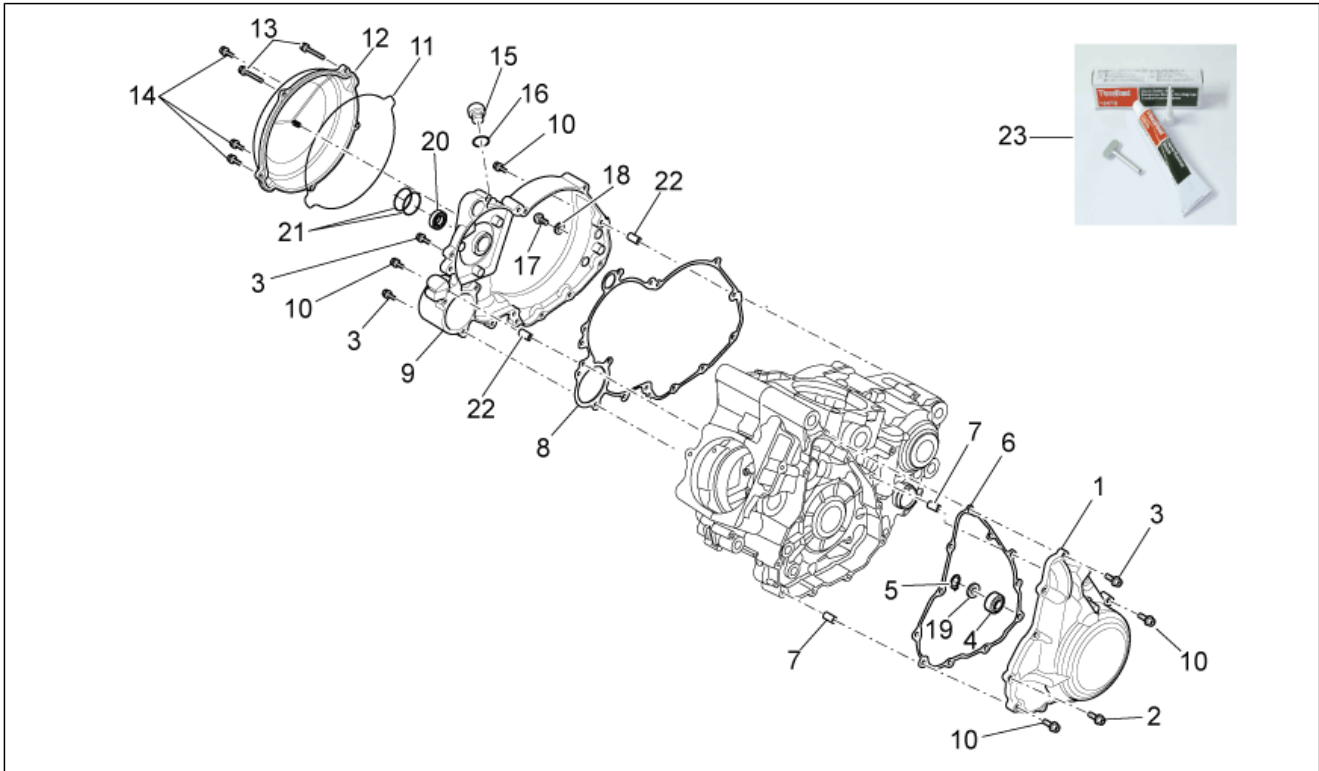
Pos.	Code	Beschreibung	Menge	Varianten
24	AP8152285	TE Schr. m. Flansch	1	
25	AP8121862	Ausgleichscheibe D8x16x1,5	1	
26	AP9150439	Platte	1	
27	AP8152277	TE Schr. m. Flansch M6x12	1	
28	AP9150078	Ölablaßschraube	1	
29	AP9150109	Anschluss	1	
30	AP9150349	Dichtscheibe D12x18x1,5	1	
31	AP8102377	Schelle D9,1*	1	
32	AP9150526	TE Schr. m. Flansch M7x1x42	7	
33	AP8560104	TE Schr. m. Flansch M6x65	1	
34	AP8560106	TE Schr. m. Flansch M6x75	1	
35	AP9150344	Anschluss	1	
36	AP9100998	Schlauchschelle	1	
37	AP9150545	Entlüftungsschlauch Kühler 5x9	1	

Einheit	MOTOR
Code	29.34
Beschreibung	Kurbelwellengehäuse II
Inspektion	1



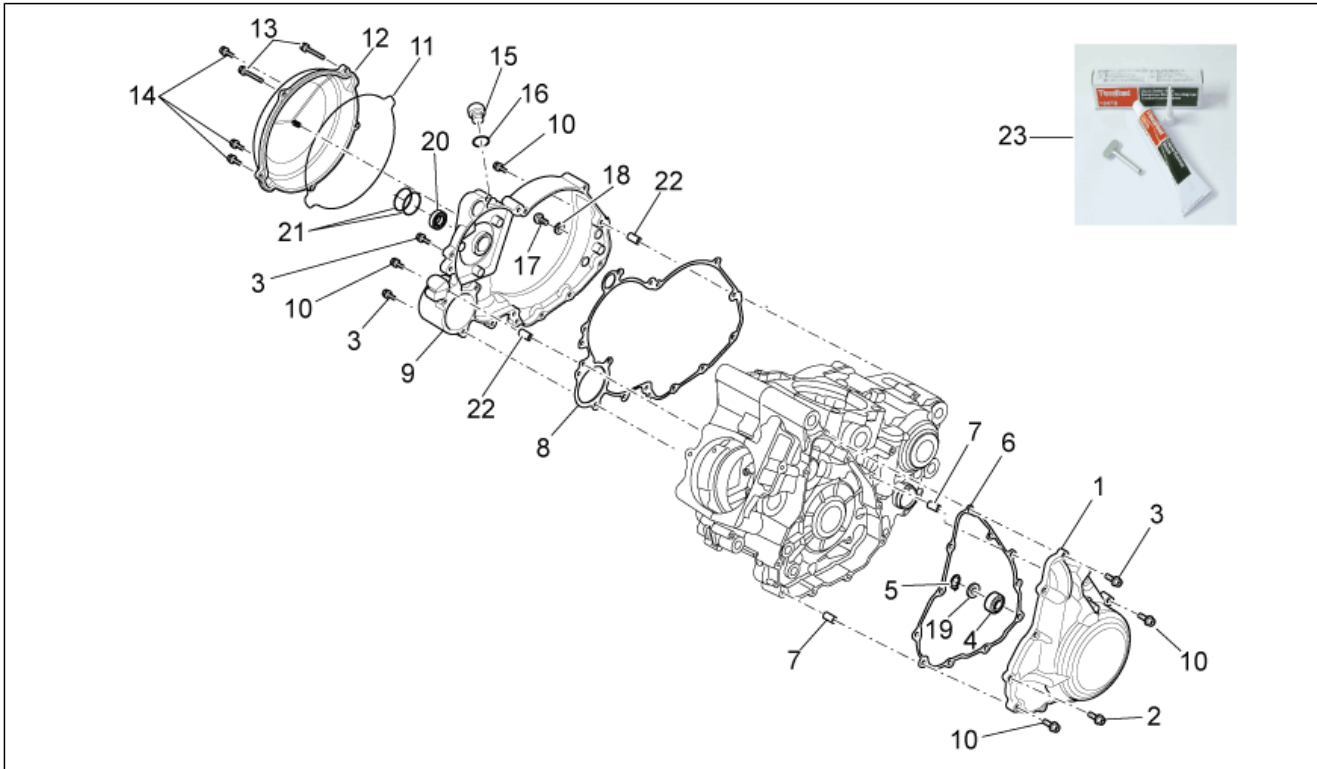
Pos.	Code	Beschreibung	Menge	Varianten
1	855242	Zünddeckel	1	Technische Daten: Version Enduro[RX]
1	AP9150152	Zünddeckel	1	Technische Daten: Version Motard[SX]
2	AP8152279	TE Schr. m. Flansch M6x20	9	
3	AP8152280	TE Schr. m. Flansch M6x25	10	
4	851315	Ölabstreifring D12x22x5,5	1	
5	AP9150524	Seegerring D25	1	
6	AP9150153	Dichtung	1	
7	AP9150118	Buchse D6,2x8X15	2	
8	AP9150148	Dichtung	1	
9	851019	Kupplungsseite Deckel	1	Technische Daten: Ab Motor Nr. 1130[M8], Version Motard 550[SX55]
9	851019	Kupplungsseite Deckel	1	Technische Daten: Ab Motor Nr. 1101[M6], Enduro-Version 550[RX55]
9	851019	Kupplungsseite Deckel	1	Technische Daten: Ab Motor Nr. 1502[M4], Version Motard 450[SX45]
9	851019	Kupplungsseite Deckel	1	Technische Daten: Ab Motor Nr. 1460[M2], Version Enduro 450[RX45]
9	AP9150147	Kupplungsseite Deckel	1	Technische Daten: Bis Motor Nr. 1100[M5], Enduro-Version 550[RX55]
9	AP9150147	Kupplungsseite Deckel	1	Technische Daten: Bis Motor Nr. 1129[M7], Version Motard 550[SX55]
9	AP9150147	Kupplungsseite Deckel	1	Technische Daten: Bis Motor Nr. 1459[M1], Version Enduro 450[RX45]
9	AP9150147	Kupplungsseite Deckel	1	Technische Daten: Bis Motor Nr. 1501[M3], Version Motard 450[SX45]
10	AP8152282	TE Schr. m. Flansch M6x35	4	
11	AP9150150	O-Ring D171,13x2,62	1	
12	AP9150094	Kupplungsdeckel	1	
13	AP9150395	TE Schr. m. Flansch M6x60	2	
14	AP8152278	TE Schr. m. Flansch M6x16	3	

Einheit	MOTOR
Code	29.34
Beschreibung	Kurbelwellengehäuse II
Inspektion	1



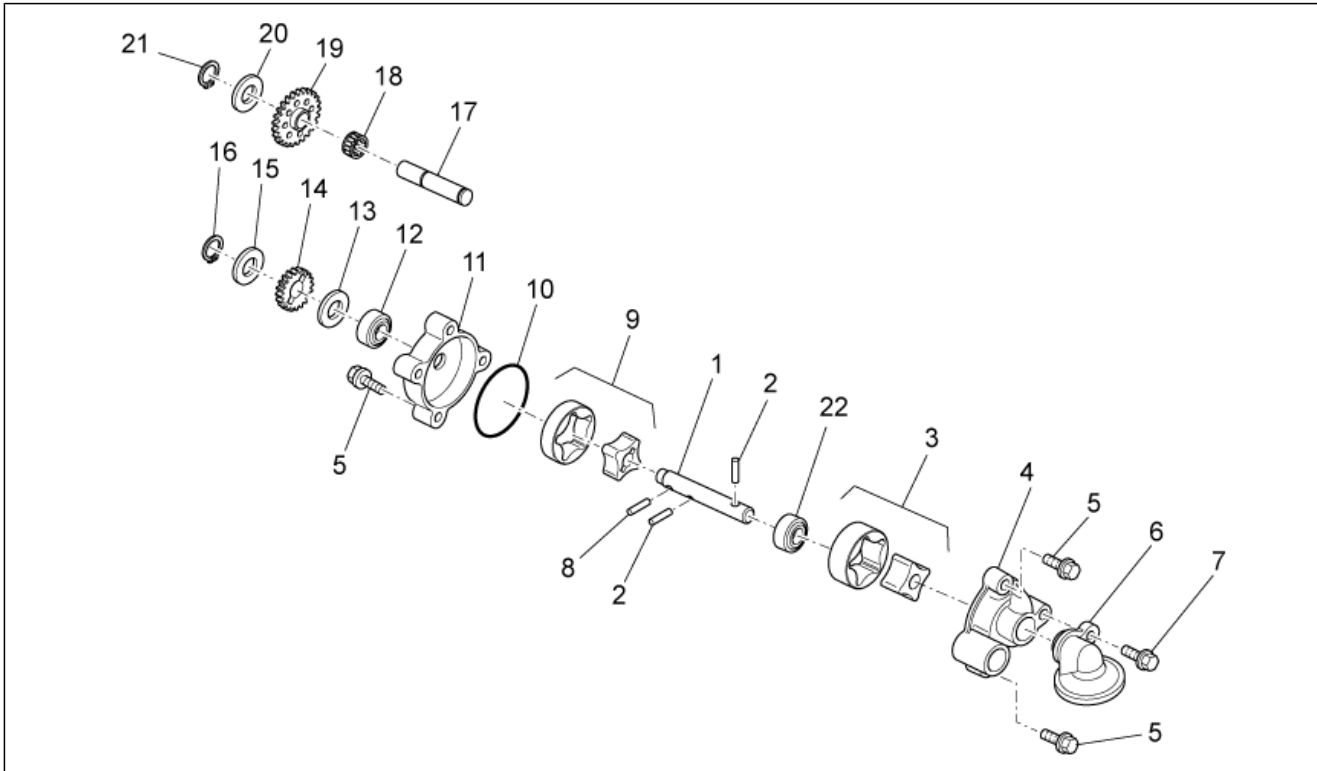
Pos.	Code	Beschreibung	Menge	Varianten
15	AP9150410	Ölschraube M20x1,5	1	
16	AP9150356	O-Ring D18,72x2,62	1	
17	AP9150473	TBEI Schraube M6x10	1	
18	AP9150351	Dichtscheibe D6x12x1	1	
19	AP9150522	Becher Ölabbstreifring	1	
20	851015	Kugellager 10x19x5	1	Technische Daten: Ab Motor Nr. 1502[M4], Version Motard 450[SX45]
20	851015	Kugellager 10x19x5	1	Technische Daten: Ab Motor Nr. 1460[M2], Version Enduro 450[RX45]
20	851015	Kugellager 10x19x5	1	Technische Daten: Ab Motor Nr. 1101[M6], Enduro-Version 550[RX55]
20	851015	Kugellager 10x19x5	1	Technische Daten: Ab Motor Nr. 1130[M8], Version Motard 550[SX55]
21	851012	O-Ring 20x1	2	Technische Daten: Ab Motor Nr. 1101[M6], Enduro-Version 550[RX55]
21	851012	O-Ring 20x1	2	Technische Daten: Ab Motor Nr. 1460[M2], Version Enduro 450[RX45]
21	851012	O-Ring 20x1	2	Technische Daten: Ab Motor Nr. 1130[M8], Version Motard 550[SX55]
21	851012	O-Ring 20x1	2	Technische Daten: Ab Motor Nr. 1502[M4], Version Motard 450[SX45]
22	851017	Buchse D6,2x7,8X15	2	Technische Daten: Ab Motor Nr. 1502[M4], Version Motard 450[SX45]
22	851017	Buchse D6,2x7,8X15	2	Technische Daten: Ab Motor Nr. 1130[M8], Version Motard 550[SX55]
22	851017	Buchse D6,2x7,8X15	2	Technische Daten: Ab Motor Nr. 1101[M6], Enduro-Version 550[RX55]
22	851017	Buchse D6,2x7,8X15	2	Technische Daten: Ab Motor Nr. 1460[M2], Version Enduro 450[RX45]
22	AP9150118	Buchse D6,2x8X15	2	Technische Daten: Bis Motor Nr. 1459[M1], Version Enduro 450[RX45]

Einheit	MOTOR
Code	29.34
Beschreibung	Kurbelwellengehäuse II
Inspektion	1



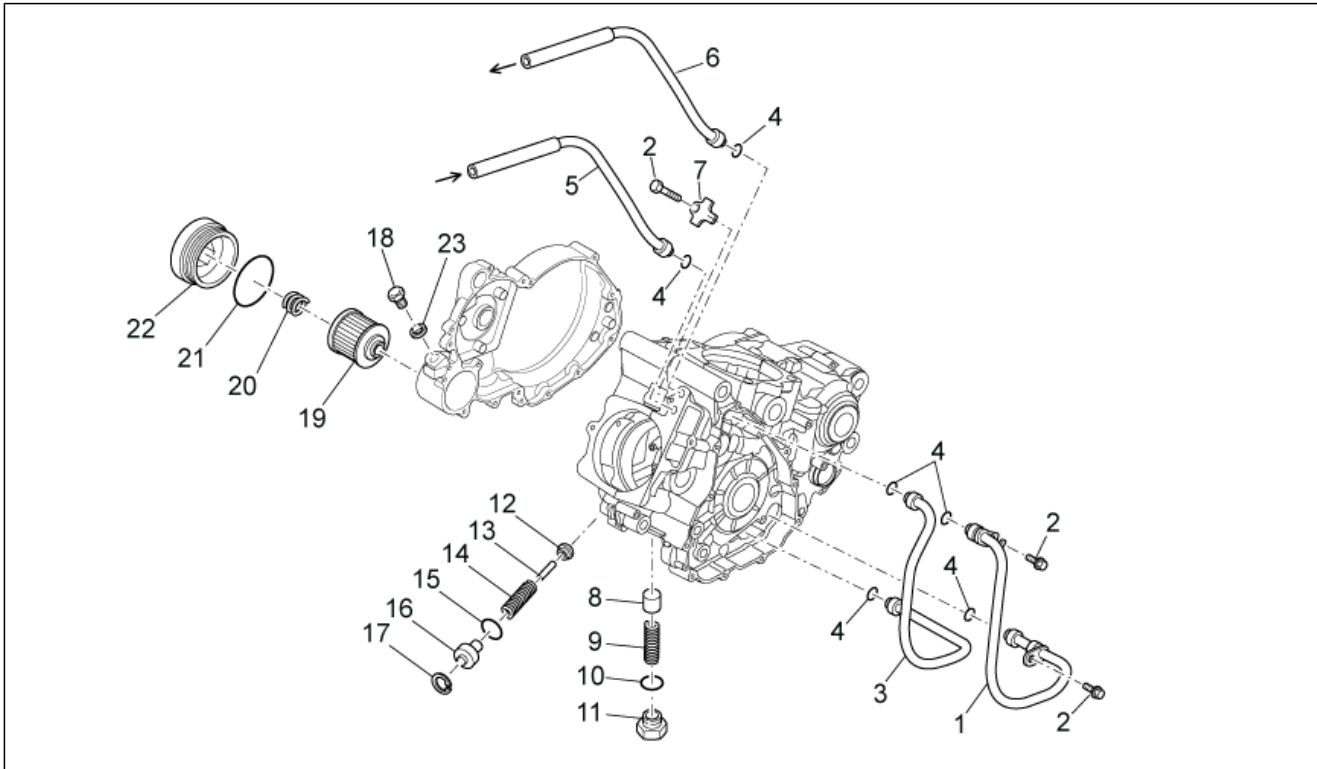
Pos.	Code	Beschreibung	Menge	Varianten
22	AP9150118	Buchse D6,2x8X15	2	Technische Daten: Bis Motor Nr. 1100[M5], Enduro-Version 550[RX55]
22	AP9150118	Buchse D6,2x8X15	2	Technische Daten: Bis Motor Nr. 1501[M3], Version Motard 450[SX45]
22	AP9150118	Buchse D6,2x8X15	2	Technische Daten: Bis Motor Nr. 1129[M7], Version Motard 550[SX55]
23	855252	Flachdichtmittel	1	

Einheit	MOTOR
Code	29.35
Beschreibung	Ölpumpe
Inspektion	1



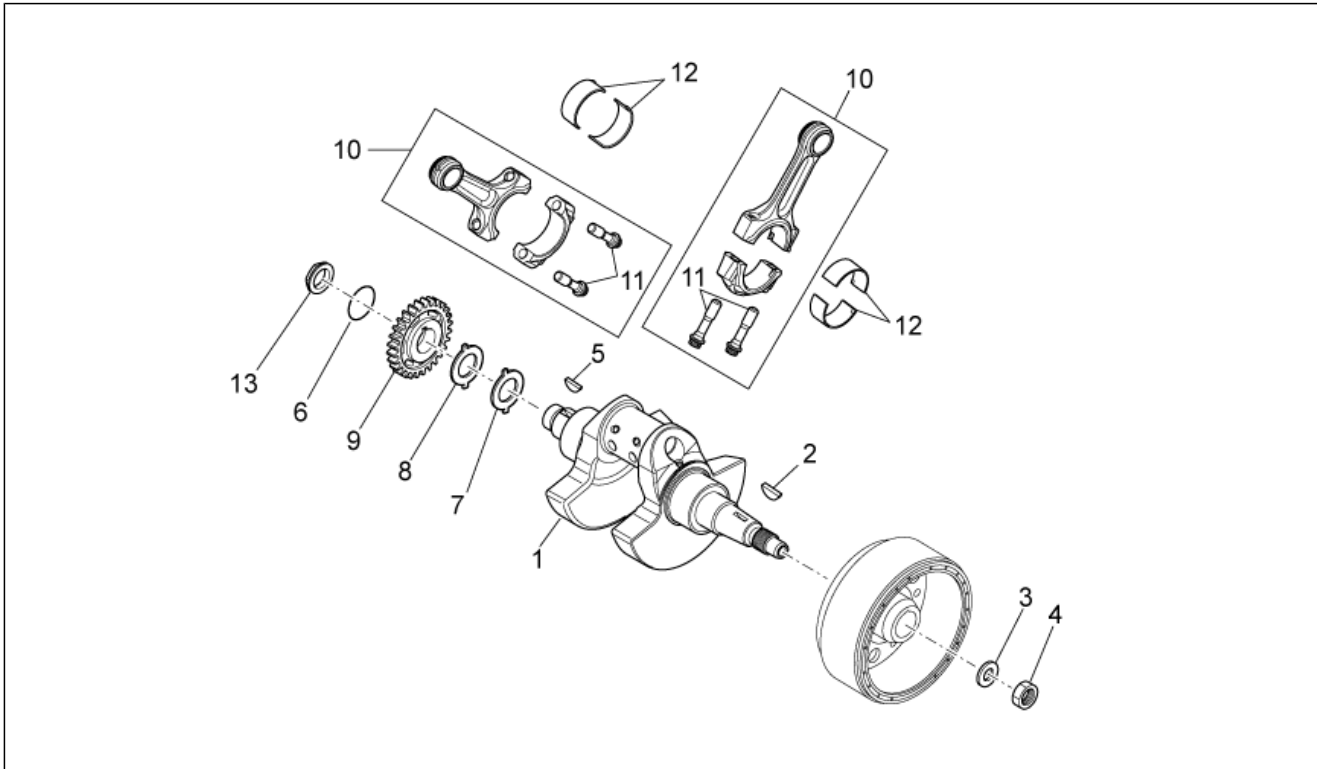
Pos.	Code	Beschreibung	Menge	Varianten
1	AP9150071	Ölpumpenwelle	1	
2	AP9150377	Stift 4x15,8	2	
3	AP9150157	Innen- und Außenrotor H19	1	
4	AP9150158	pumpegehäuse	1	
5	AP8152280	TE Schr. m. Flansch M6x25	6	
6	AP9150162	Saugsiebfilter	1	
7	AP8152281	TE Schr. m. Flansch M6x30	1	
8	AP9150376	Stift 4x13,8	1	
9	AP9150291	Innen- und Außenrotor H8	1	
10	AP9150461	O-Ring D44,17x1,78	1	
11	AP9150217	pumpegehäuse	1	
12	AP9150385	Ölabstreifring D19x10x7/5.5	1	
13	AP9150076	Bundscheibe 10,1x23	1	
14	AP9150159	Ölpumpen-Zahn. Z=12	1	
15	AP9150075	Bundscheibe 9,1x16x	1	
16	AP9150396	Seegerring 9x1	1	
17	AP9150160	Bolzen 4x25,8	1	
18	AP9150463	Nadelkaefig D11x16x10	1	
19	AP9150161	Wahnradvorgelege Z=22	1	
20	AP9150074	Bundscheibe 11,1x18	1	
21	AP9150397	Seegerring D11	1	
22	AP9150443	Ölabstreifring D10x16x4	1	

Einheit	MOTOR
Code	29.36
Beschreibung	Schmierung
Inspektion	1



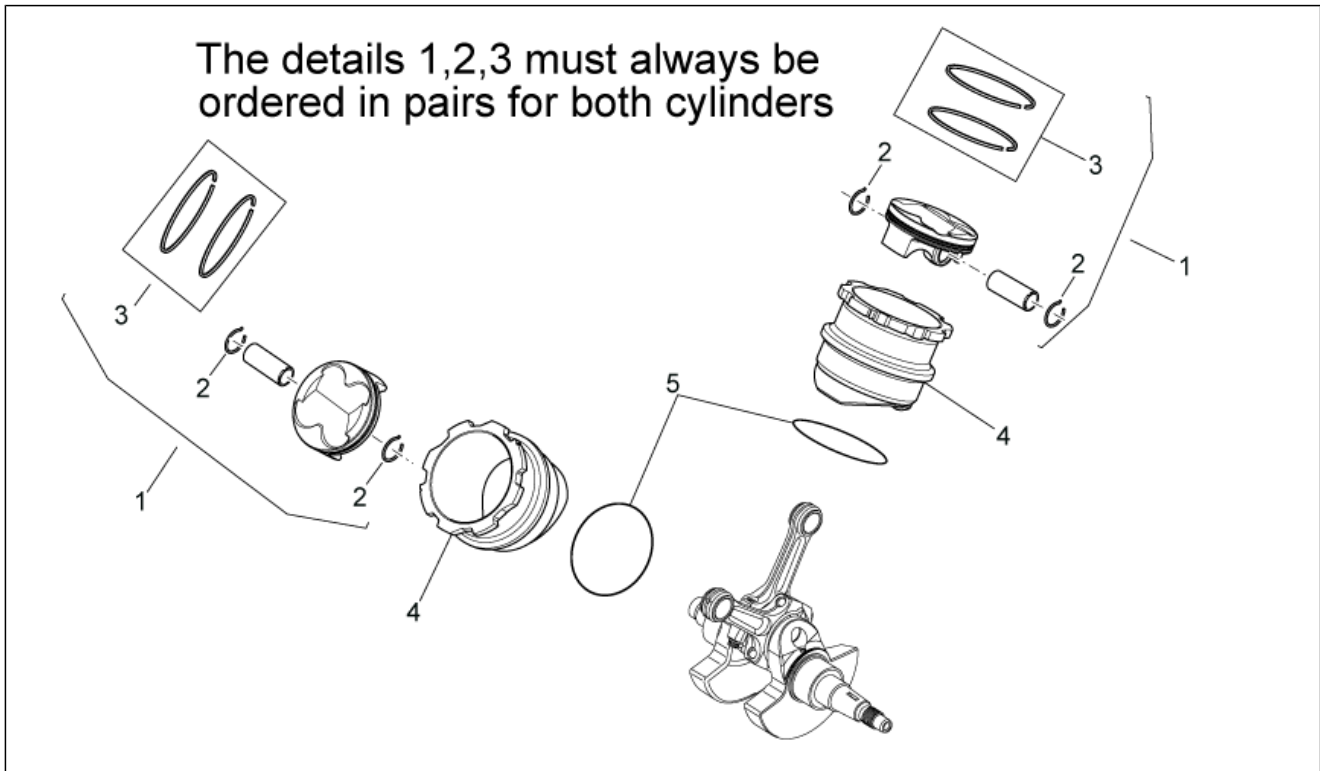
Pos.	Code	Beschreibung	Menge	Varianten
1	AP9150281	Ölauslaßschlauch	1	
2	AP8152277	TE Schr. m. Flansch M6x12	3	
3	AP9150280	Öleinlaßschlauch	1	
4	AP9150347	O-Ring D11x2	6	
5	AP9100358	Ölauslaßschlauch	1	
6	AP9100362	Öleinlaßschlauch	1	
7	AP9100292	Anschlagplatte	1	
8	AP9150168	Druckregelkolben	1	
9	AP9150169	Feder	1	
10	AP9150476	O-Ring D11,11x1,78	1	
11	AP9150170	Ventilschließschraube M14x1,5	1	
12	AP9150171	Sperrventil Öl	1	
13	AP9150321	Bolzen	1	
14	AP9150173	Feder	1	
15	AP9150477	O-Ring D14x1,78	1	
16	AP9150172	Kupplungsbuchse	1	
17	AP9150398	Seegerring D18	1	
18	851240	Verschlussschraube	1	
19	AP9150166	Ölfiltereinsatz	1	
20	AP9150167	Feder	1	
21	AP9150355	O-Ring D53,65x2,68	1	
22	AP9150151	ÖlfILTERdeckel	1	
23	AP9150472	Ausgleichscheibe 10,5x17x1,5	1	

Einheit	MOTOR
Code	29.37
Beschreibung	Kurbelwelle
Inspektion	1



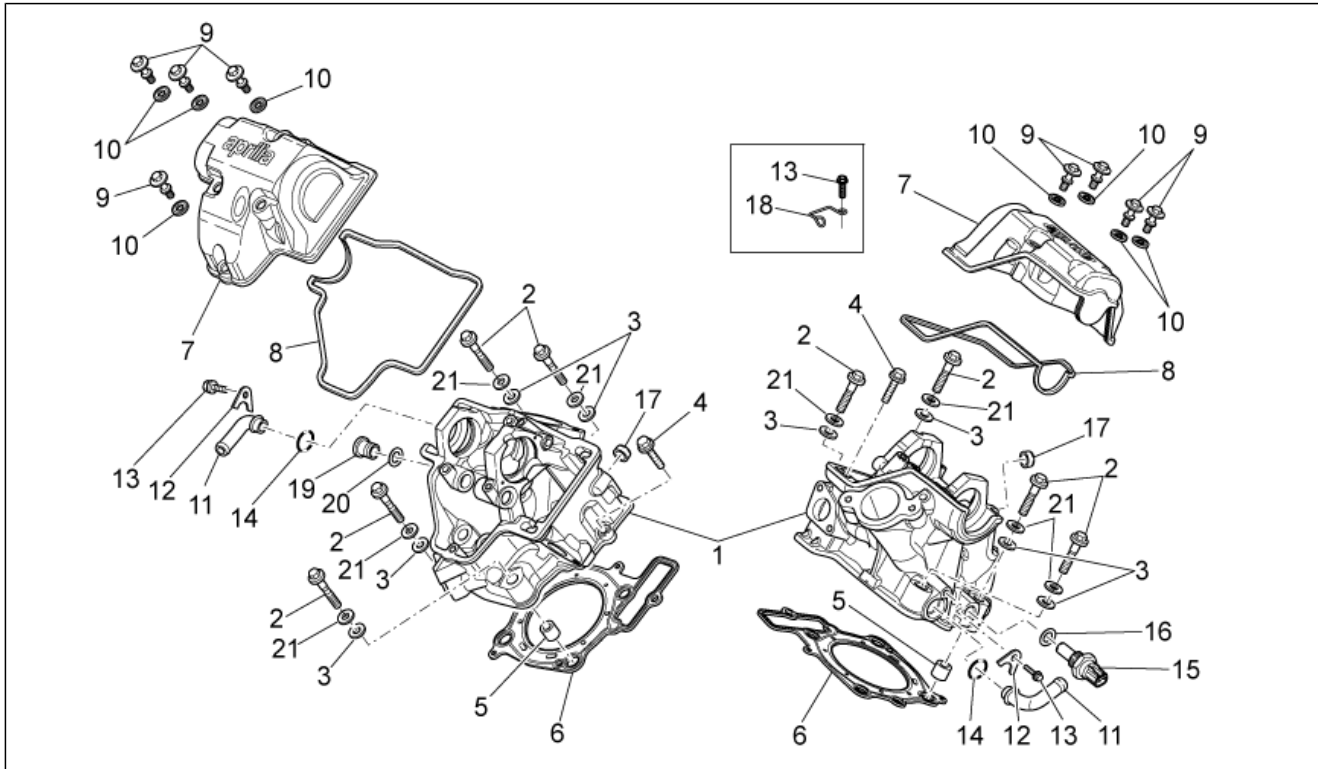
Pos.	Code	Beschreibung	Menge	Varianten
1	AP9150019	Kurbelwelle	1	Technische Daten: Version 450 cm ³ [450]
1	AP9150527	Kurbelwelle	1	Technische Daten: Version 550 cm ³ [550]
2	851007	Schwungradfeder D3x4,8	1	
3	AP9150437	Ausgleichscheibe D15x28x2,5	1	
4	AP9150436	Mutter M14x1	1	
5	AP9150402	Keil 4x6,5	1	
6	AP9150525	O-Ring D16x3,5	1	
7	AP9150065	Anlaufscheibe 44x53x2	1	
8	AP9150066	Anlaufscheibe 36x50x1,4	1	
9	AP9150210	Ritzel	1	
10	AP9150018	Baugruppe Pleuelstange kplt.	2	Technische Daten: Version 450 cm ³ [450]
10	AP9150315	Baugruppe Pleuelstange kplt.	2	Technische Daten: Version 550 cm ³ [550]
11	AP9150127	Pleuelschraube	4	
12	AP9150323	Bronzebuchse, grün 35x38x16,5	4	
12	AP9150454	Bronzebuchse,blau 35x38x16,5	4	
12	AP9150455	Bronzebuchse,gelb 35x38x16,5	4	
13	AP9150236	Geflanschte Mutter M18x1,25	1	

Einheit	MOTOR
Code	29.38
Beschreibung	Kolben + Zylinder
Inspektion	1



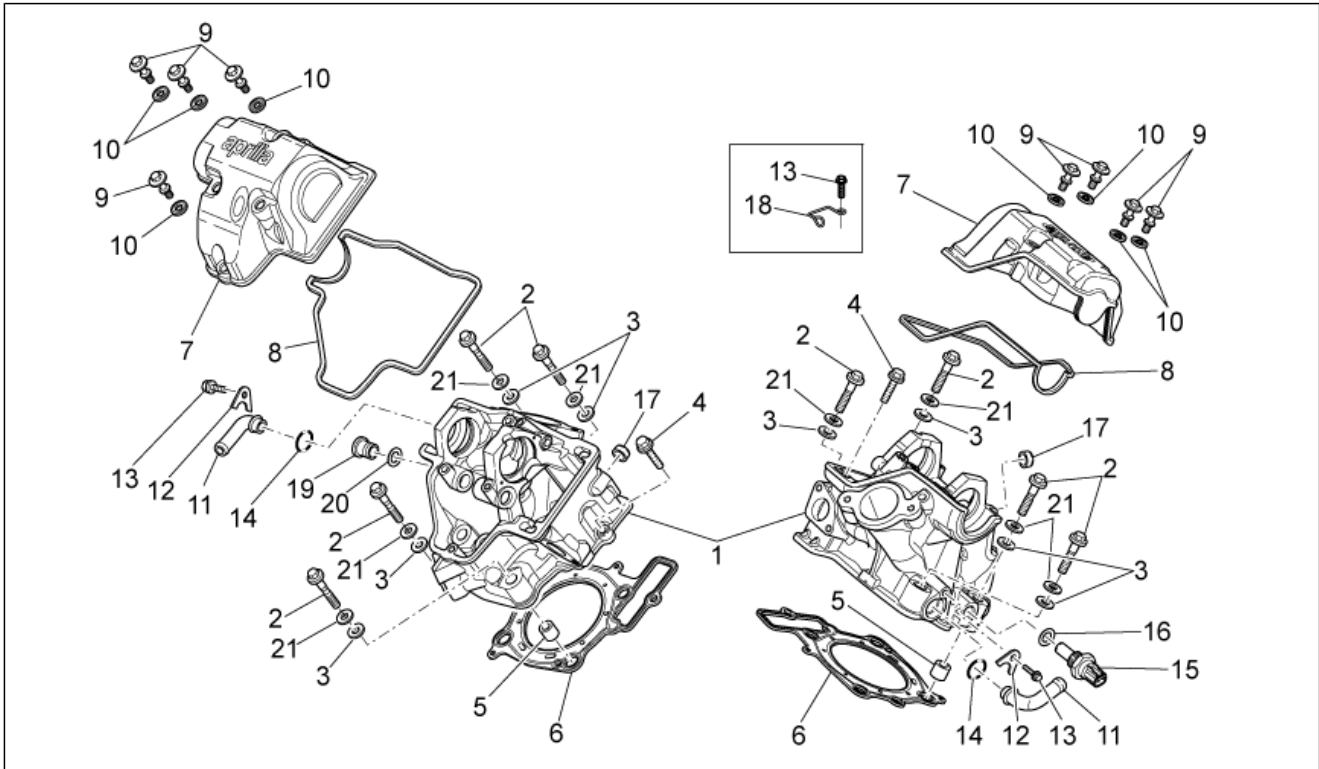
Pos.	Code	Beschreibung	Menge	Varianten
1	851035	Kolben kpl. D76	2	Technische Daten: Version 450 cm ³ [450]
1	851039	Kolben kpl. D80	2	Technische Daten: Version 550 cm ³ [550]
2	851042	Sperring	4	Technische Daten: Version 550 cm ³ [550]
2	851045	Sperring	4	Technische Daten: Version 450 cm ³ [450]
3	851298	Dichtringsatz D76	2	Technische Daten: Version 450 cm ³ [450]
3	855601	Dichtringsatz D80	2	Technische Daten: Version 550 cm ³ [550]
4	AP9150007	Zylinder D76	2	Technische Daten: Version 450 cm ³ [450]
4	AP9150301	Zylinder D80	2	Technische Daten: Version 550 cm ³ [550]
5	AP9150343	O-Ring D82,22x2,62	2	

Einheit	MOTOR
Code	29.39
Beschreibung	Zylinderkopf
Inspektion	1



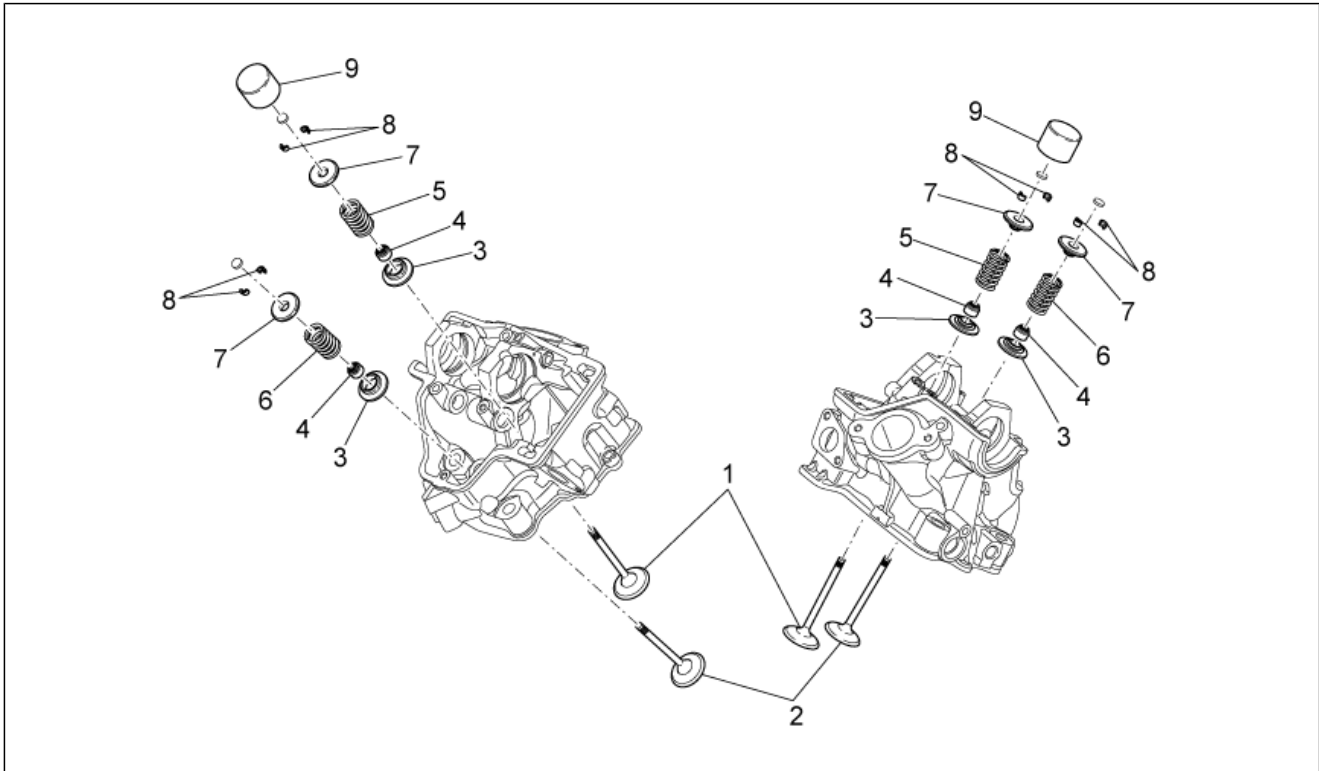
Pos.	Code	Beschreibung	Menge	Varianten
1	AP9150317	Zylinderkopf kpl.	2	
2	AP9150112	TE Schr. m. Flansch M10x58,5	8	
3	AP9150113	Ausgleichscheibe D10x20x2	8	
4	AP8152280	TE Schr. m. Flansch M6x25	2	
5	AP9150114	Buchse	4	
6	855034	Dichtung Zylinderkopf	2	Technische Daten: Ab Motor Nr. 3013[M18], Version Enduro 450[RX45]
6	855034	Dichtung Zylinderkopf	2	Technische Daten: Ab Motor Nr. 3020[M22], Version Motard 450[SX45]
6	855035	Dichtung Zylinderkopf	2	Technische Daten: Von Motor Nr. 4058 bis Motor Nr. 4076 und ab Mot. Nr. 4137[M24], Version Motard 550[SX55]
6	855035	Dichtung Zylinderkopf	2	Technische Daten: Ab Motor Nr. 2436[M20], Enduro-Version 550[RX55]
6	AP9150008	Dichtung Zylinderkopf	2	Technische Daten: Bis Motor Nr. 3019[M21], Version Motard 450[SX45]
6	AP9150008	Dichtung Zylinderkopf	2	Technische Daten: Bis Motor Nr. 3012[M17], Version Enduro 450[RX45]
6	AP9150509	Dichtung Zylinderkopf	2	Technische Daten: Bis Motor Nr. 4057 und von Mot. Nr. 4077 bis Mot. Nr. 4136[M23], Version Motard 550[SX55]
6	AP9150509	Dichtung Zylinderkopf	2	Technische Daten: Bis Motor Nr. 2435[M19], Enduro-Version 550[RX55]
7	AP9150009	Kopfdeckel	2	
8	AP9150010	Deckeldichtung Kupplungsseite	2	
9	AP9150111	Spezialschraube	8	
10	AP9150110	Dichtung	8	
11	AP9150120	Anschluss	2	
12	AP9150121	Platte	2	
13	AP8152277	TE Schr. m. Flansch M6x12	3	
14	AP9150469	O-Ring D13,95x2,62	2	
15	AP9150181	Temperaturfühler H2O	1	

Einheit	MOTOR
Code	29.39
Beschreibung	Zylinderkopf
Inspektion	1



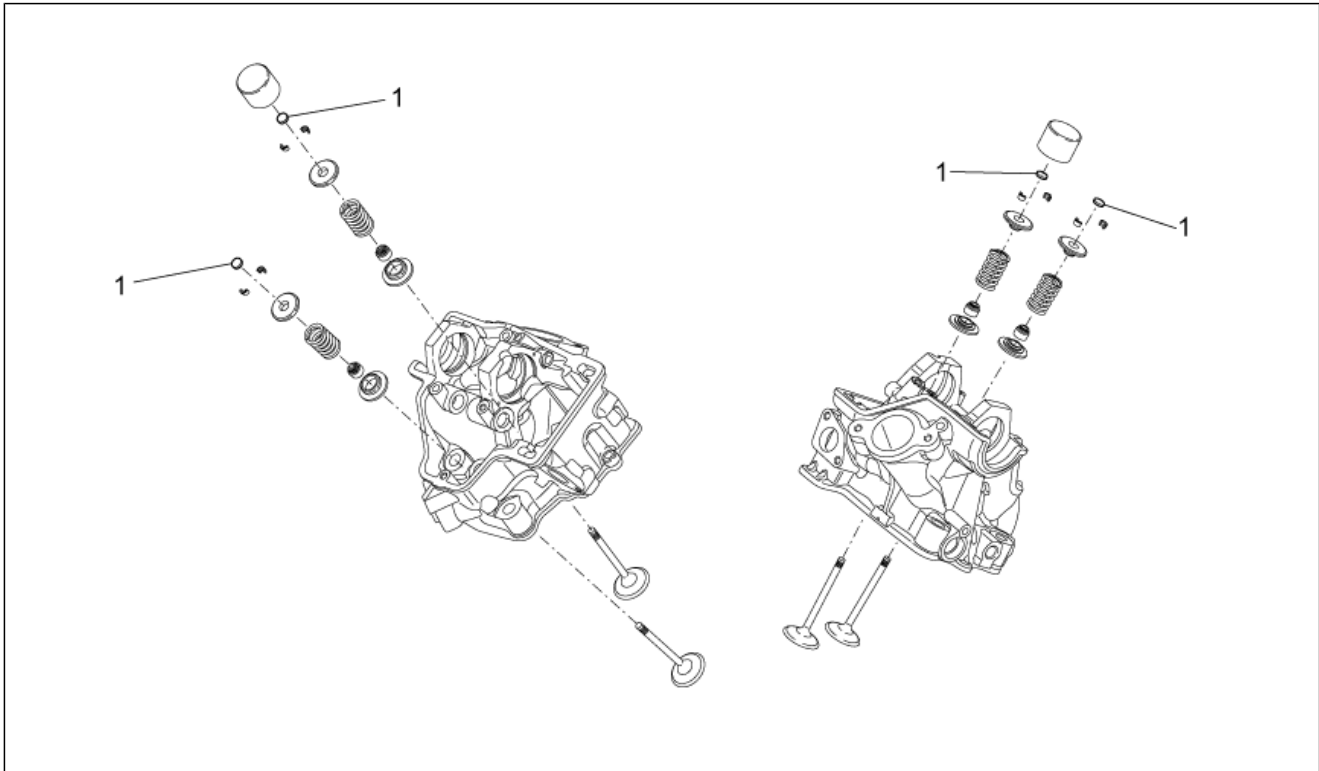
Pos.	Code	Beschreibung	Menge	Varianten
16	AP9150349	Dichtscheibe D12x18x1,5	1	
17	AP9150312	Deckel D20	2	
18	AP8121856	Kabelführungs	1	
19	AP9150174	Ölablaßschraube	1	
20	AP9150349	Dichtscheibe D12x18x1,5	1	
21	AP9100999	Sprengscheibe	8	

Einheit	MOTOR
Code	29.40
Beschreibung	Ventile
Inspektion	1



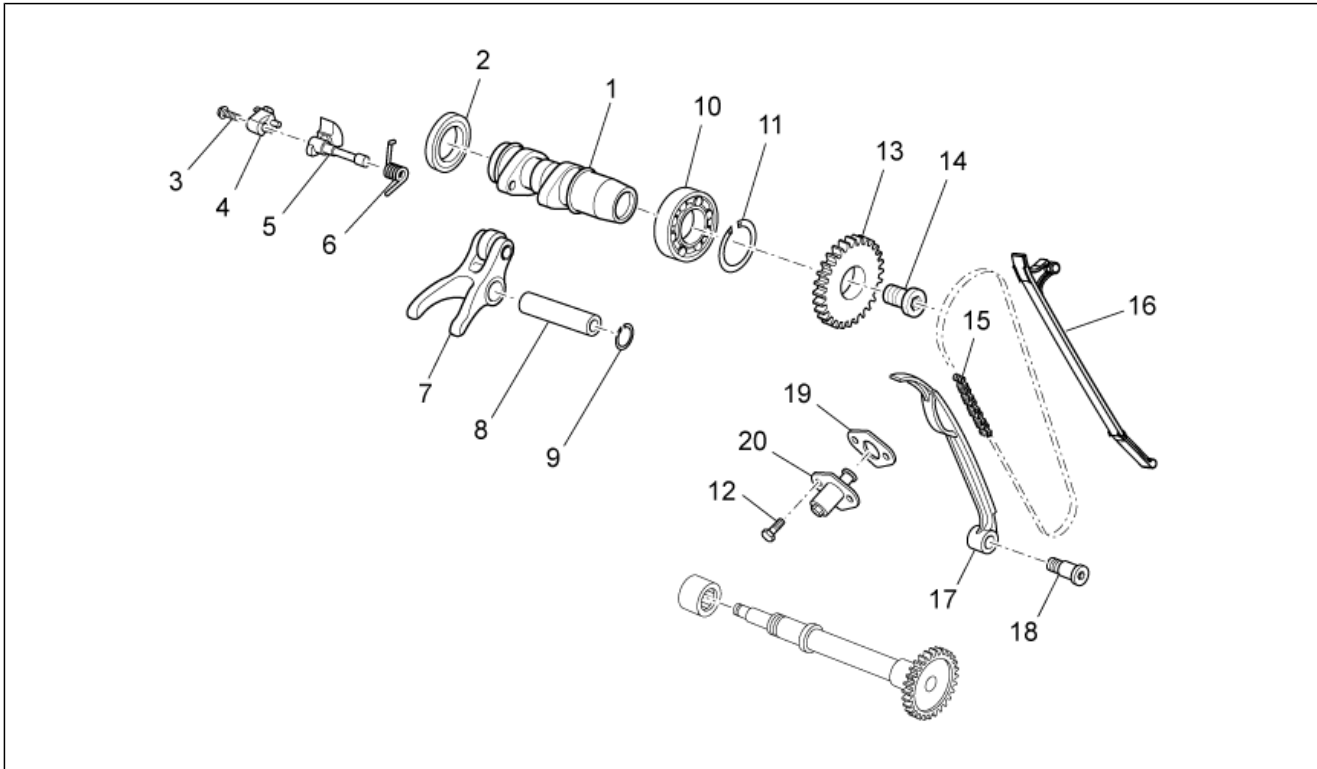
Pos.	Code	Beschreibung	Menge	Varianten
1	AP9150022	Einlaßventil	4	
2	AP9150023	Auslaßventil	4	
3	AP9150028	Becher unten	8	
4	AP9150104	Ölabstreifring Ventilführung D5	8	
5	AP9150024	Einlaß Ventilfeeder	4	
6	AP9150025	Feder Auslaßventil	4	
7	891170	Becher obere	8	
8	AP9150106	Ventilhalbkegel	16	
9	AP9150107	Ventilbecher	4	

Einheit	MOTOR
Code	29.41
Beschreibung	Ventilesbeläge
Inspektion	1



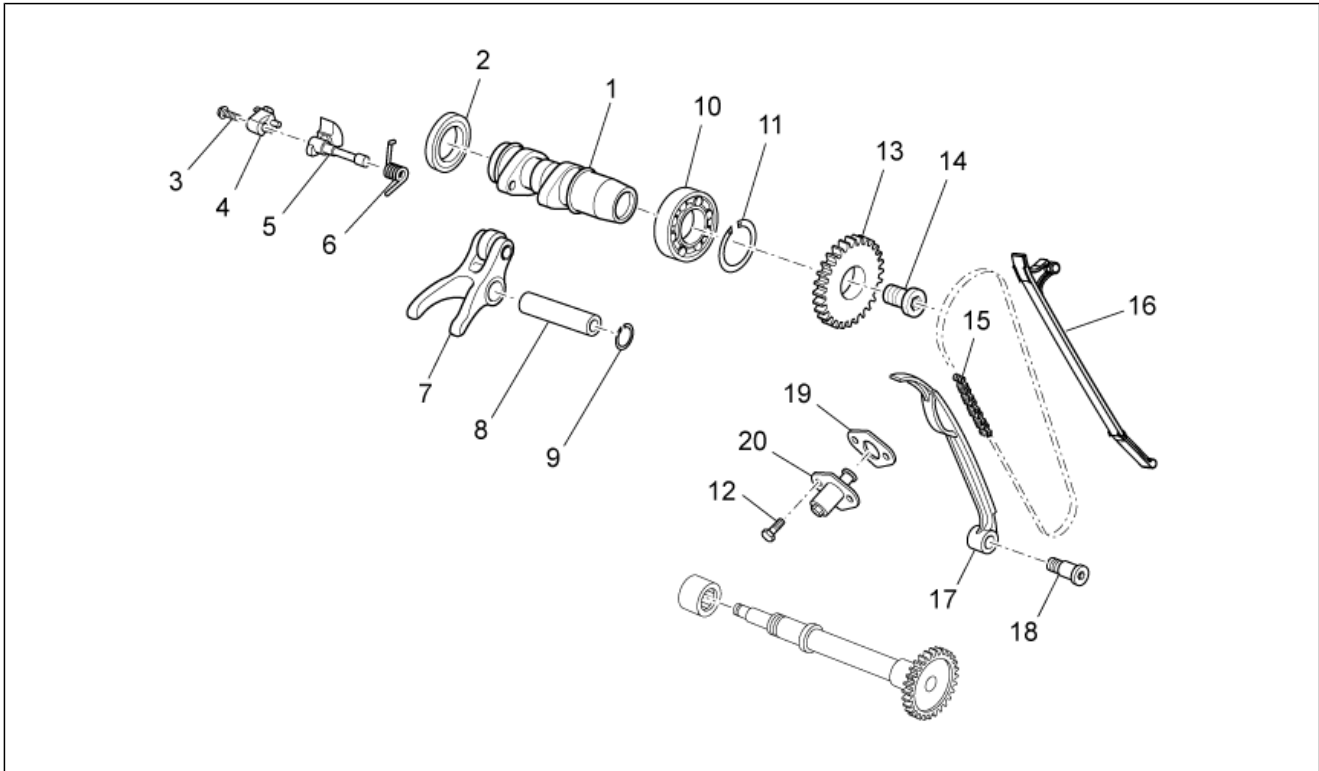
Pos.	Code	Beschreibung	Menge	Varianten
1	AP9150143	Belag 1,40	8	
1	AP9150417	Belag 1,45	1	
1	AP9150418	Belag 1,50	1	
1	AP9150419	Belag 1,55	1	
1	AP9150420	Belag 1,60	1	
1	AP9150421	Belag 1,65	1	
1	AP9150422	Belag 1,70	1	
1	AP9150423	Belag 1,75	1	
1	AP9150424	Belag 1,80	1	
1	AP9150425	Belag 1,85	1	
1	AP9150426	Belag 1,90	1	
1	AP9150427	Belag 1,95	1	
1	AP9150428	Belag 2,00	1	
1	AP9150429	Belag 2,05	1	
1	AP9150430	Belag 2,10	1	
1	AP9150431	Belag 2,15	1	
1	AP9150432	Belag 2,20	1	
1	AP9150433	Belag 2,25	1	
1	AP9150434	Belag 2,30	1	

Einheit	MOTOR
Code	29.42
Beschreibung	Vrd. Zylindersteuer
Inspektion	1



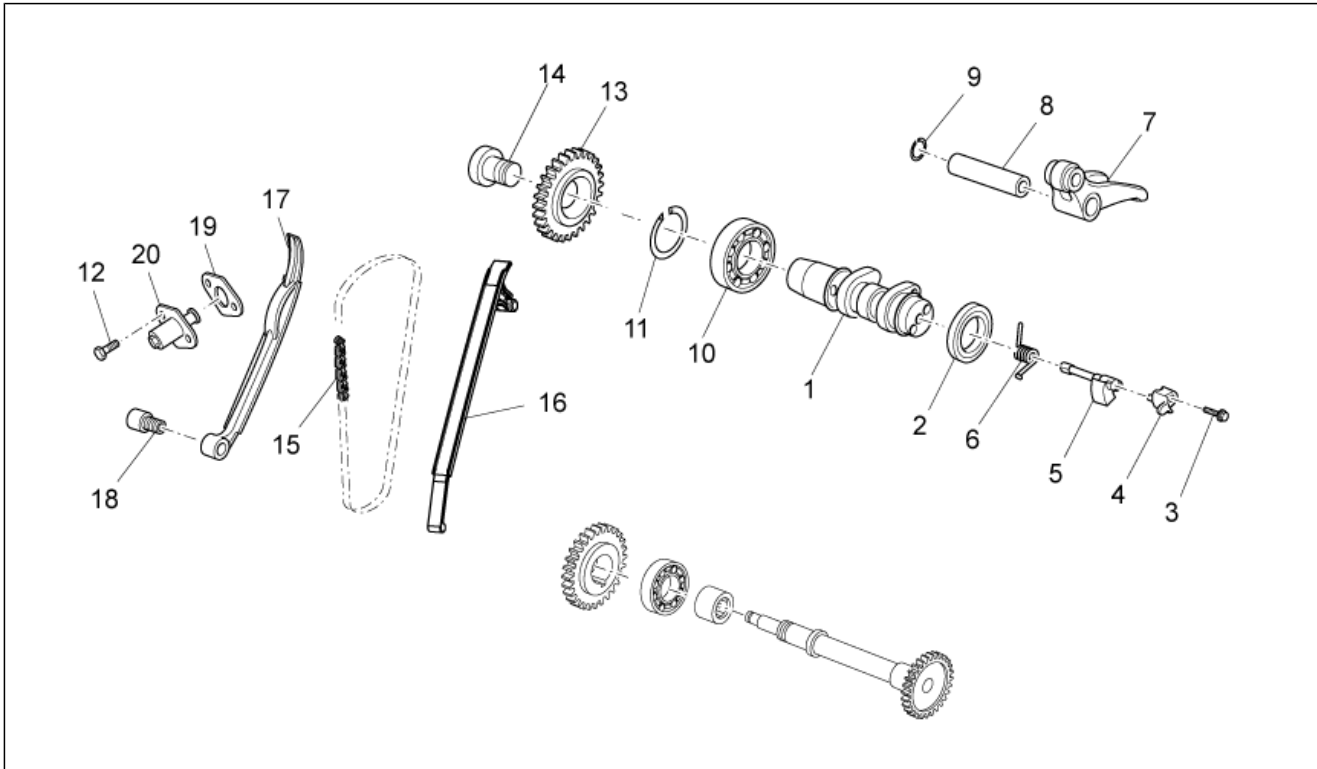
Pos.	Code	Beschreibung	Menge	Varianten
1	AP9150501	Nockenwelle kplt.	1	Technische Daten: Version Motard 450[SX45], Version Motard 550[SX55]
1	AP9150538	Nockenwelle kplt.	1	Technische Daten: Version Enduro 450[RX45], Enduro-Version 550[RX55]
2	AP9150364	Kugellager D25x37x7	1	
3	AP8152274	TE Schr. m. Flansch M5x20	1	
4	AP9150303	Steckverbindung	1	
5	AP9150448	Vord.Ventilschaltung	1	
5	CM238602	Vord.Ventilschaltung "5.90"	1	
5	CM238603	Vord.Ventilschaltung "5.85"	1	
5	CM238604	Vord.Ventilschaltung "5.80"	1	
5	CM238605	Vord.Ventilschaltung "5.75"	1	
5	CM238606	Vord.Ventilschaltung "5.70"	1	
6	AP9150138	Feder	1	
7	AP9150096	Kipphebel Auslaß	1	
8	AP9150101	Kipphebel-Federwelle	1	
9	AP9150102	Sprengring	1	
10	AP9150372	Kugellager D25x42x9	1	
11	AP9150391	Sprengring D42	2	
12	AP8152278	TE Schr. m. Flansch M6x16	2	
13	AP9150506	Zahnrad Steuer. Z=22	1	
14	AP9150507	Spezialschraube M16x1	1	
15	AP9150133	Steuerkette	1	Technische Daten: Version 450 cm ³ [450]
15	AP9150327	Steuerkette	1	Technische Daten: Version 550 cm ³ [550]
16	AP9150011	Kettengleitführung L177	1	Technische Daten: Version 450 cm ³ [450]
16	AP9150300	Kettengleitführung L186	1	Technische Daten: Version 550 cm ³ [550]
17	AP9150012	Kettenspanner Gleitbacke	1	Technische Daten: Version 550 cm ³ [550]
18	AP9150231	Schraube M6x12	1	

Einheit	MOTOR
Code	29.42
Beschreibung	Vrd. Zylindersteuer
Inspektion	1



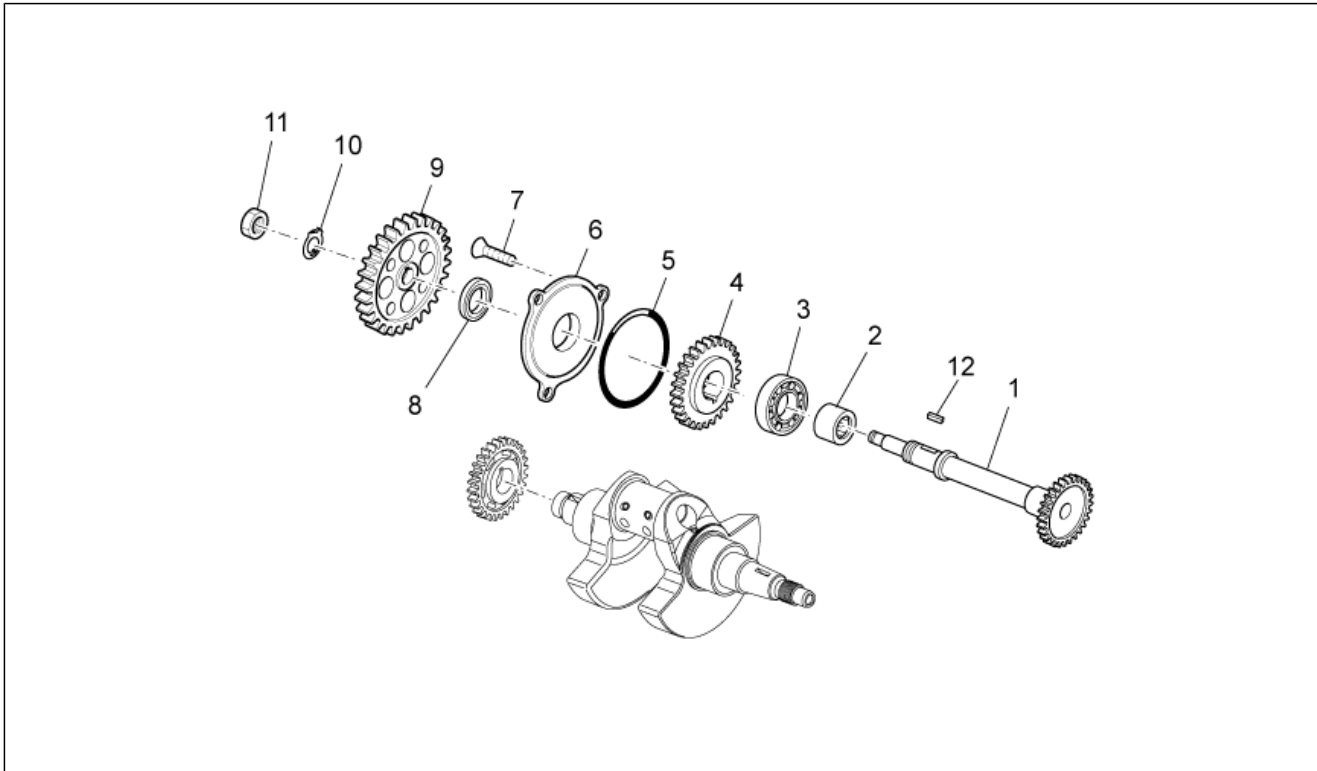
Pos.	Code	Beschreibung	Menge	Varianten
19	AP9150141	Dichtung Kettenspan.	1	
20	AP9150140	Kettenspanner	1	

Einheit	MOTOR
Code	29.43
Beschreibung	Hint. Zylindersteuer
Inspektion	1



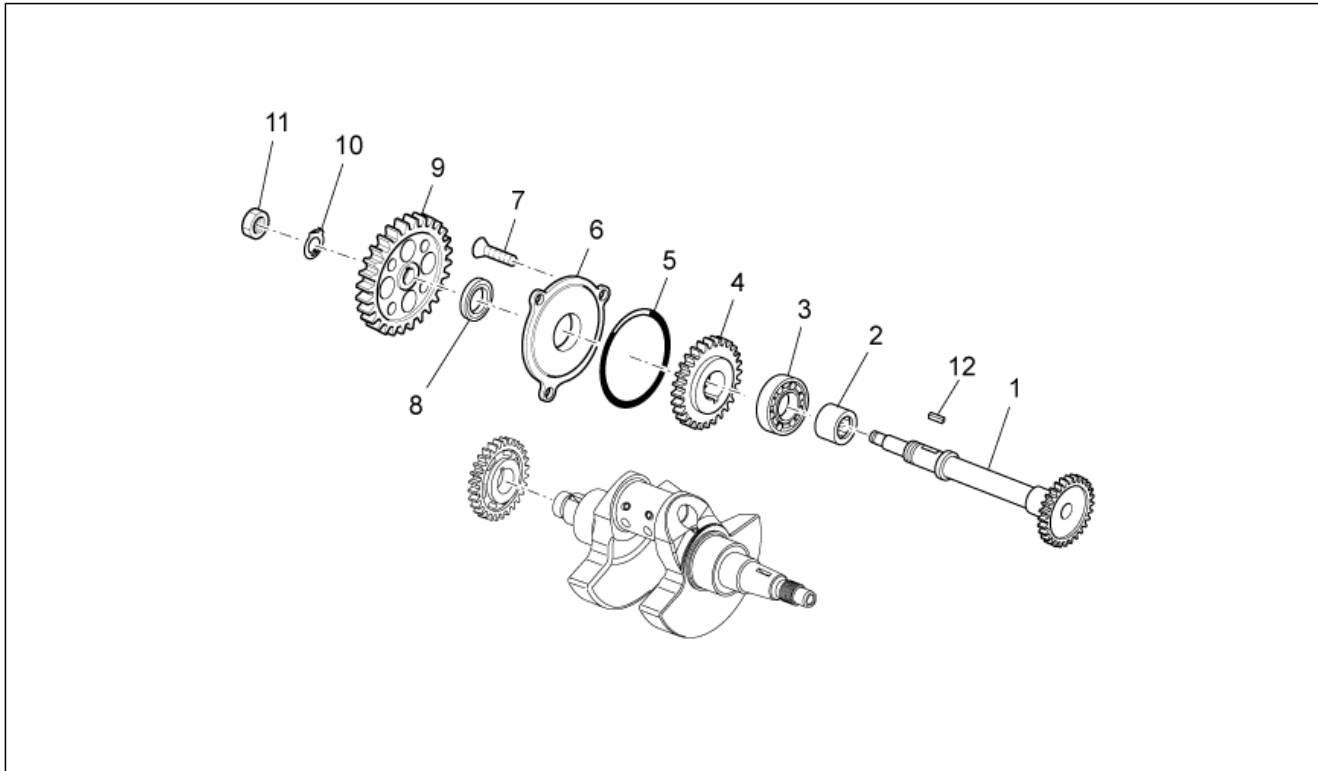
Pos.	Code	Beschreibung	Menge	Varianten
1	AP9150502	Nockenwelle kplt.	1	Technische Daten: Version Motard 450[SX45], Version Motard 550[SX55]
1	AP9150539	Nockenwelle kplt.	1	Technische Daten: Version Enduro 450[RX45], Enduro-Version 550[RX55]
2	AP9150364	Kugellager D25x37x7	1	
3	AP8152274	TE Schr. m. Flansch M5x20	1	
4	AP9150303	Steckverbindung	1	
5	AP9150450	Hinten ventilschaltung	1	Technische Daten: Version Motard[SX]
5	AP9150450	Hinten ventilschaltung	1	Technische Daten: Version Enduro[RX]
6	AP9150304	Feder	1	
7	AP9150096	Kipphebel Auslaß	1	
8	AP9150101	Kipphebel-Federwelle	1	
9	AP9150102	Sprengring	1	
10	AP9150372	Kugellager D25x42x9	1	
11	AP9150391	Sprengring D42	2	
12	AP8152278	TE Schr. m. Flansch M6x16	2	
13	AP9150506	Zahnrad Steuer. Z=22	1	
14	AP9150508	Spezialschraube M16x1	1	
15	AP9150133	Steuerkette	1	Technische Daten: Version 450 cm ³ [450]
15	AP9150327	Steuerkette	1	Technische Daten: Version 550 cm ³ [550]
16	AP9150011	Kettengleitführung L177	1	Technische Daten: Version 450 cm ³ [450]
16	AP9150300	Kettengleitführung L186	1	Technische Daten: Version 550 cm ³ [550]
17	AP9150012	Kettenspanner Gleitbacke	1	Technische Daten: Version 550 cm ³ [550]
18	AP9150142	Schraube M6x12	1	
19	AP9150141	Dichtung Kettenspan.	1	
20	AP9150140	Kettenspanner	1	

Einheit	MOTOR
Code	29.44
Beschreibung	Umlenkswelle
Inspektion	1



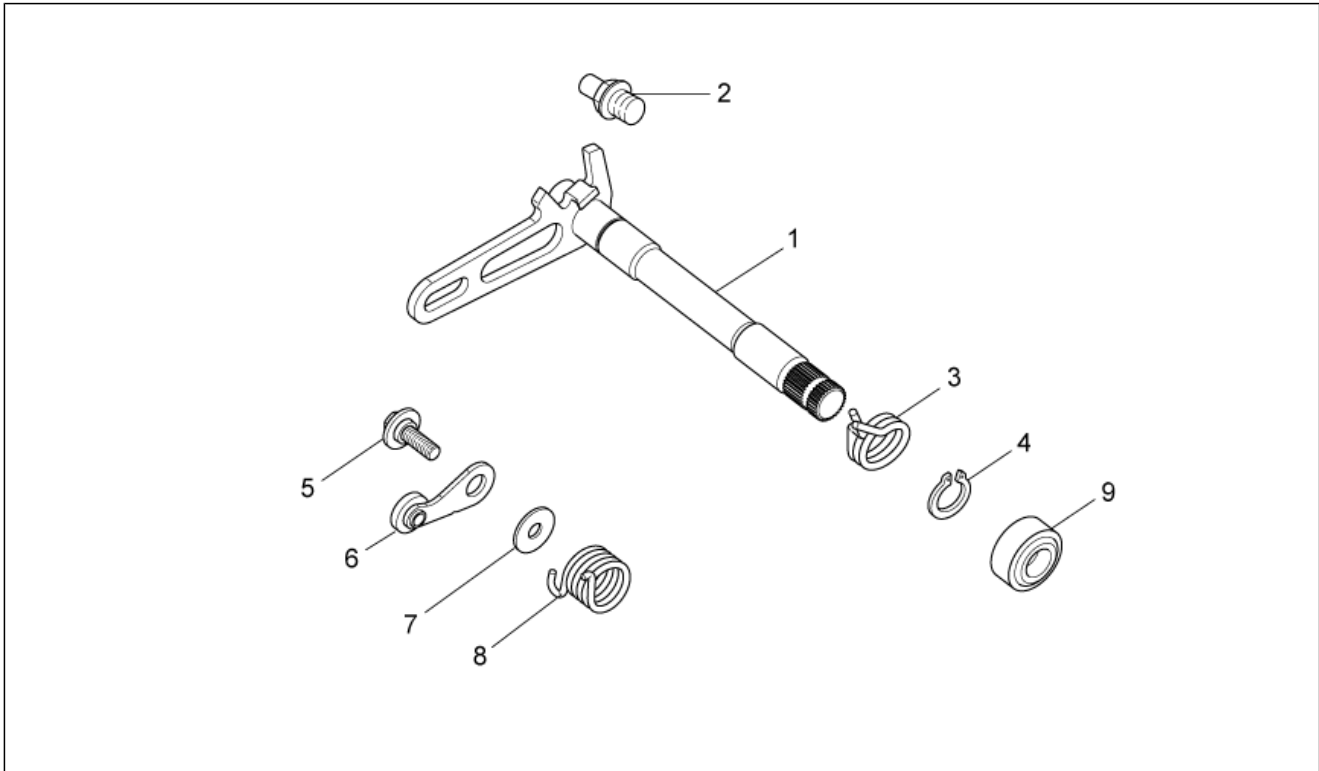
Pos.	Code	Beschreibung	Menge	Varianten
1	851009	Umlenkswelle Z=20	1	Technische Daten: Ab Motor Nr. 1460[M2], Version Enduro 450[RX45]
1	851009	Umlenkswelle Z=20	1	Technische Daten: Ab Motor Nr. 1101[M6], Enduro-Version 550[RX55]
1	851009	Umlenkswelle Z=20	1	Technische Daten: Ab Motor Nr. 1502[M4], Version Motard 450[SX45]
1	851009	Umlenkswelle Z=20	1	Technische Daten: Ab Motor Nr. 1130[M8], Version Motard 550[SX55]
1	AP9150272	Umlenkswelle Z=20	1	Technische Daten: Bis Motor Nr. 1501[M3], Version Motard 450[SX45]
1	AP9150272	Umlenkswelle Z=20	1	Technische Daten: Bis Motor Nr. 1129[M7], Version Motard 550[SX55]
1	AP9150272	Umlenkswelle Z=20	1	Technische Daten: Bis Motor Nr. 1100[M5], Enduro-Version 550[RX55]
1	AP9150272	Umlenkswelle Z=20	1	Technische Daten: Bis Motor Nr. 1459[M1], Version Enduro 450[RX45]
2	AP9150366	Lager D14x22x13	1	
3	AP9150387	Kugellager D12x28x8	1	
4	AP9150273	Zahnrad Steuer. Z=20	1	
5	AP9150348	O-Ring D79x1,78	1	
6	AP9150483	Flansch	1	
7	844211	TBEI Schraube	3	
8	AP9150390	Ölabstreifring D28x20x6	1	
9	AP9150285	Zahnrad Steuer. Z=40	1	
10	AP9150299	Sicherungsblech	1	
11	851011	Mutter M12x1x4,5	1	Technische Daten: Ab Motor Nr. 1130[M8], Version Motard 550[SX55]
11	851011	Mutter M12x1x4,5	1	Technische Daten: Ab Motor Nr. 1460[M2], Version Enduro 450[RX45]
11	851011	Mutter M12x1x4,5	1	Technische Daten: Ab Motor Nr. 1101[M6], Enduro-Version 550[RX55]

Einheit	MOTOR
Code	29.44
Beschreibung	Umlenkswelle
Inspektion	1



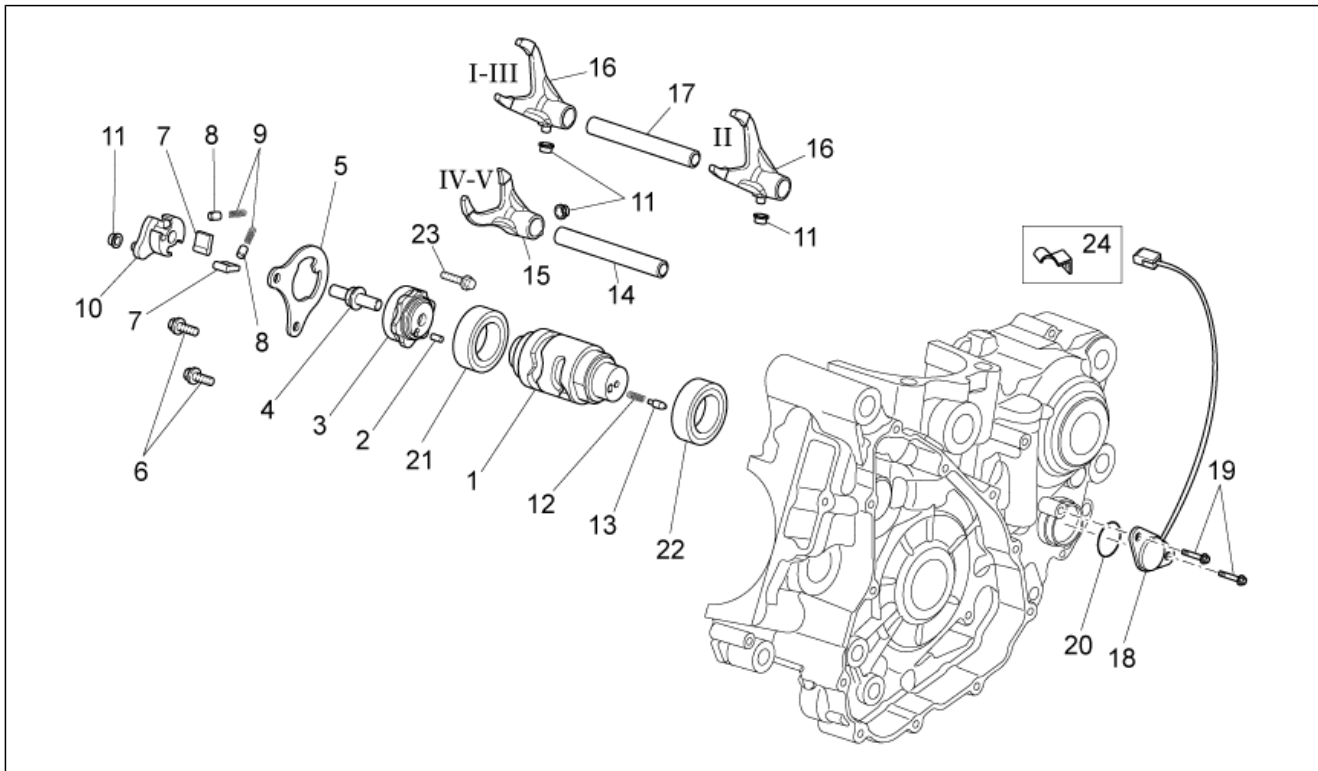
Pos.	Code	Beschreibung	Menge	Varianten
11	851011	Mutter M12x1x4,5	1	Technische Daten: Ab Motor Nr. 1502[M4], Version Motard 450[SX45]
11	AP9150233	Mutter M12x1x6	1	Technische Daten: Bis Motor Nr. 1129[M7], Version Motard 550[SX55]
11	AP9150233	Mutter M12x1x6	1	Technische Daten: Bis Motor Nr. 1459[M1], Version Enduro 450[RX45]
11	AP9150233	Mutter M12x1x6	1	Technische Daten: Bis Motor Nr. 1501[M3], Version Motard 450[SX45]
11	AP9150233	Mutter M12x1x6	1	Technische Daten: Bis Motor Nr. 1100[M5], Enduro-Version 550[RX55]
12	AP9150389	Keil 4x4x18	1	

Einheit	MOTOR
Code	29.45
Beschreibung	Schaltgabel I
Inspektion	1



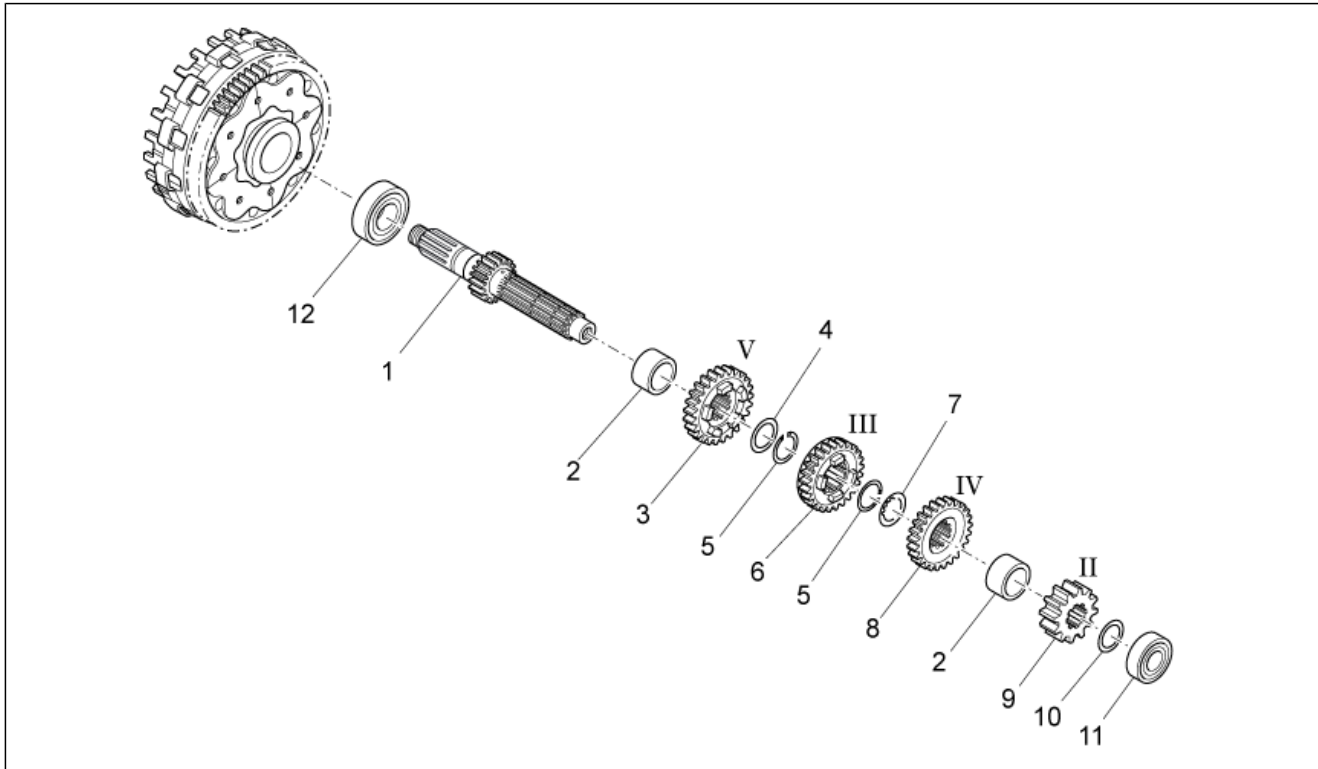
Pos.	Code	Beschreibung	Menge	Varianten
1	AP9150048	Schaltwele+klin.kpl.	1	
2	AP9150063	Schaltgabel stopper	1	
3	AP9150238	Feder	1	
4	AP8125853	Seegerring D.15	1	
5	AP9150006	TE Schr. m. Flansch M6x15	1	
6	AP9150044	Indexhebel kpl.	1	
7	AP9150051	Ausgleichscheibe D6,3x18x1	1	
8	AP9150220	Feder	1	
9	AP9150393	Ölabstreifring D21x15x3	1	

Einheit	MOTOR
Code	29.46
Beschreibung	Schaltgabel II
Inspektion	1



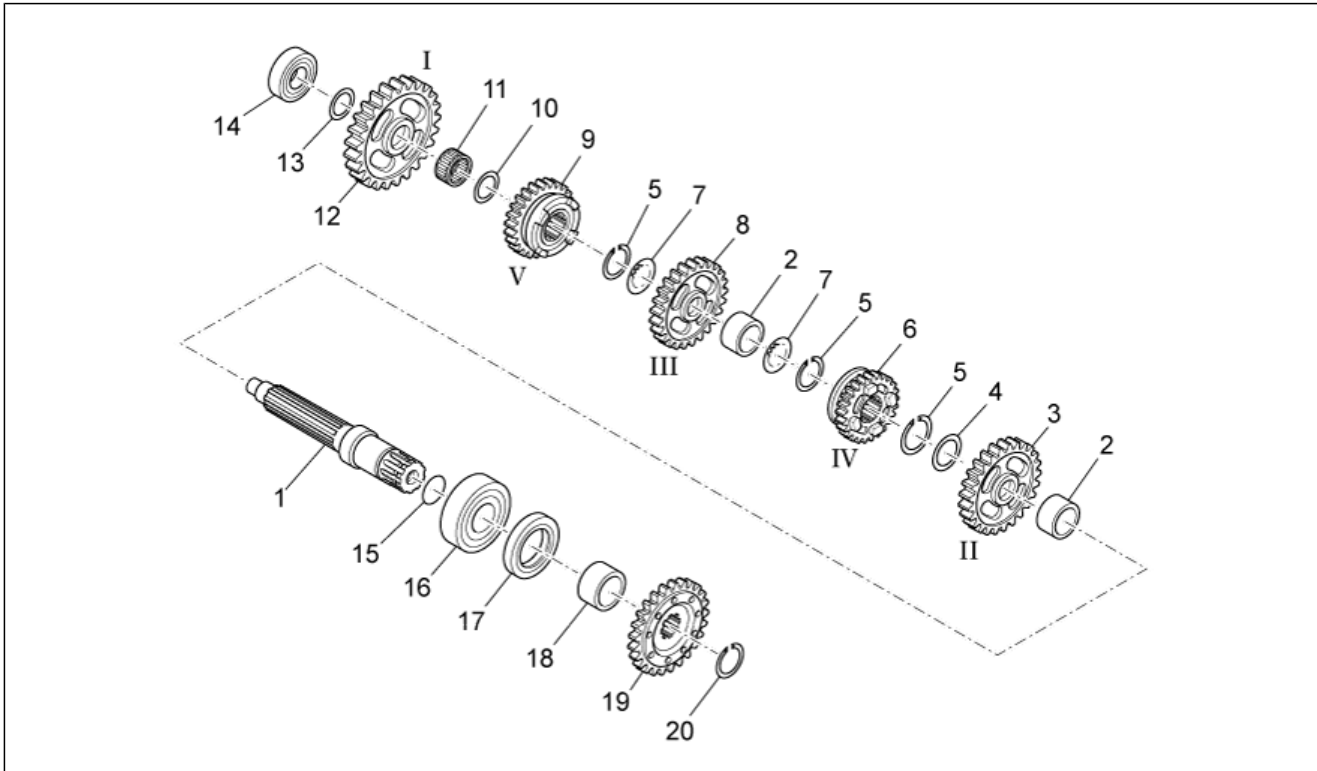
Pos.	Code	Beschreibung	Menge	Varianten
1	AP9150004	Verschiebenocken kplt.	1	
2	AP9150375	Rolle D4	1	
3	AP9150067	Schaltgabel Trommel	1	
4	AP9150043	Aufnahmebolzen M8x1,25	1	
5	AP9150073	Platte schaltgabel stopper	1	
6	AP8152277	TE Schr. m. Flansch M6x12	2	
7	AP9150069	Hebel	2	
8	AP9150070	Federstütze	2	
9	AP9150064	Feder	2	
10	AP9150068	Desmodrom.Platte	1	
11	AP9150060	Buchse D6x8x5	4	
12	AP9150072	Feder	1	
13	AP9150003	Federstütze	1	
14	AP9150062	Schaltstange L72,5	1	
15	AP9150093	Schaltgabel 4a-5a	1	
16	AP9150091	Schaltgabel 1a-3a	2	
17	AP9150061	Schaltstange L93	1	
18	AP9150184	Schaltensor	1	
19	AP8152272	TE Schr. m. Flansch M5x12	2	
20	AP9150479	O-Ring D23,52x1,78	1	
21	AP9150365	Kugellager D25x42x9	1	
22	AP9150364	Kugellager D25x37x7	1	
23	AP8152272	TE Schr. m. Flansch M5x12	1	
24	AP9150462	Kabelführung	1	

Einheit	MOTOR
Code	29.47
Beschreibung	Vorgelegewelle
Inspektion	1



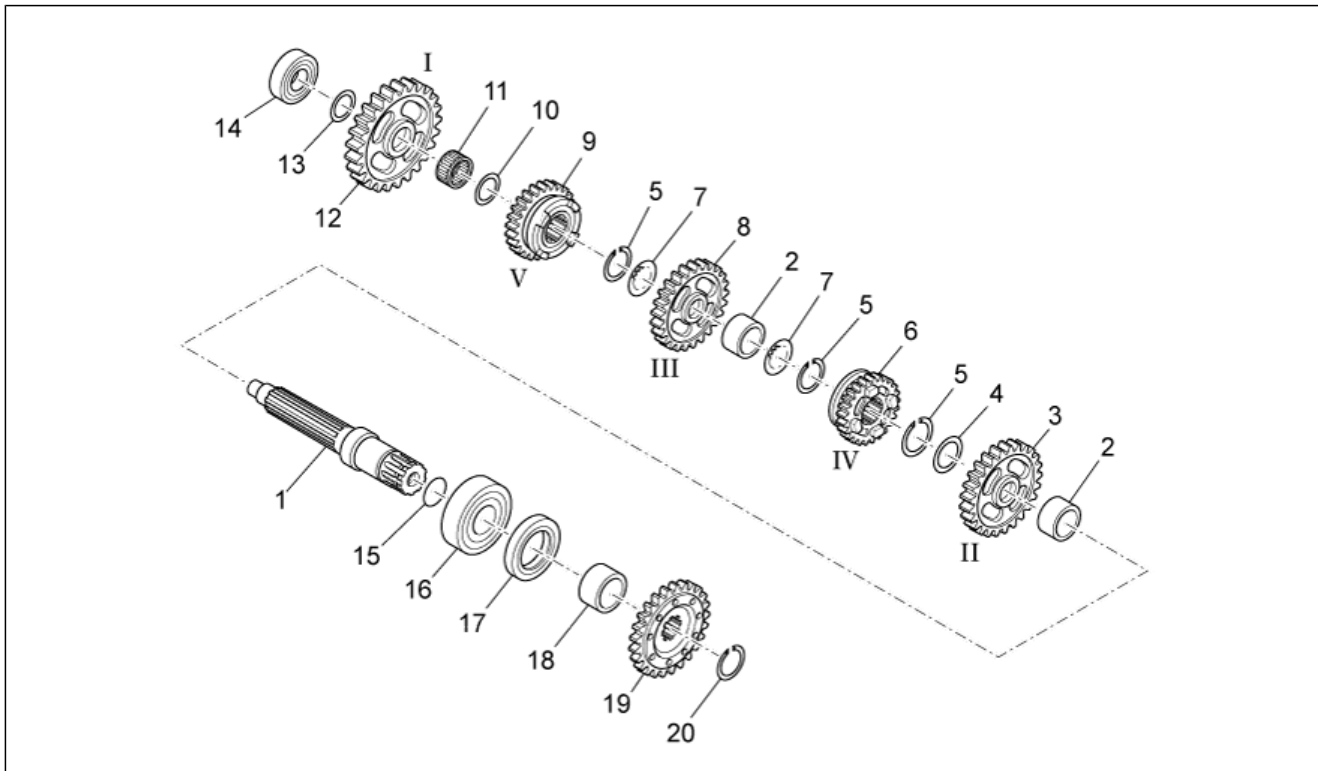
Pos.	Code	Beschreibung	Menge	Varianten
1	AP9150256	Vorgelegewelle Z=12	1	Technische Daten: Version Enduro 450[RX45], Enduro-Version 550[RX55]
1	AP9150270	Vorgelegewelle Z=13	1	Technische Daten: Version Motard 450[SX45], Version Motard 550[SX55]
2	AP9150216	Buchse D25x28x9,9	2	
3	AP9150255	Zahnrad 5a su prim.Z=21	1	Technische Daten: Version Enduro 450[RX45], Enduro-Version 550[RX55]
3	AP9150269	Zahnrad 5a su prim.Z=21	1	Technische Daten: Version Motard 450[SX45], Version Motard 550[SX55]
4	AP9150297	Flachscheibe D25,1x30,8x0,5	1	
5	AP9150302	Seegerring für Welle D25	2	
6	AP9150254	Zahnrad 3a su prim.Z=15	1	Technische Daten: Version Enduro 450[RX45], Enduro-Version 550[RX55]
6	AP9150268	Zahnrad 3a su prim.Z=16	1	Technische Daten: Version Motard 450[SX45], Version Motard 550[SX55]
7	AP9150267	Spezial-U-scheibe D25,1x30,8x0,	1	
8	AP9150253	Zahnrad 4a su prim.Z=19	1	Technische Daten: Version Enduro 450[RX45], Enduro-Version 550[RX55]
8	AP9150266	Zahnrad 4a su prim.Z=20	1	Technische Daten: Version Motard 450[SX45], Version Motard 550[SX55]
9	AP9150252	Zahnrad 2a su prim.Z=13	1	Technische Daten: Version Enduro 450[RX45], Enduro-Version 550[RX55]
9	AP9150265	Zahnrad 2a su prim.Z=15	1	Technische Daten: Version Motard 450[SX45], Version Motard 550[SX55]
10	AP9150294	Ausgleichscheibe D17,1x27,8x0,8	1	
11	AP9150362	Kugellager D17x40x12	1	
12	AP9150360	Kugellager D25x52x1	1	

Einheit	MOTOR
Code	29.48
Beschreibung	Festrad
Inspektion	1



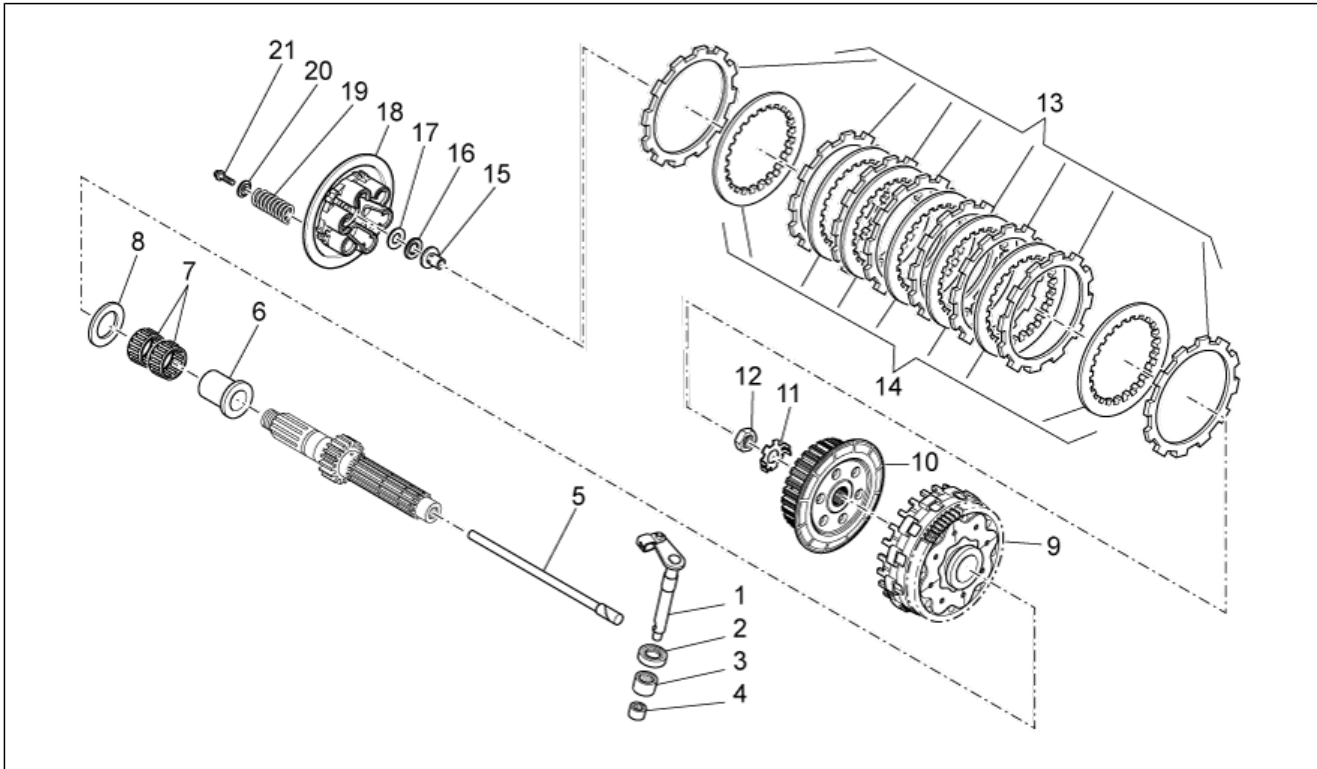
Pos.	Code	Beschreibung	Menge	Varianten
1	AP9150263	Festrad	1	Technische Daten: Version Motard 450[SX45], Version Motard 550[SX55]
1	AP9150311	Festrad	1	Technische Daten: Version Enduro 450[RX45], Enduro-Version 550[RX55]
2	AP9150216	Buchse D25x28x9,9	2	
3	AP9150250	Zahnrad 2.Vorgelegewelle Z=25	1	Technische Daten: Version Enduro 450[RX45], Enduro-Version 550[RX55]
3	AP9150262	Zahnrad 2.Vorgelegewelle Z=27	1	Technische Daten: Version Motard 450[SX45], Version Motard 550[SX55]
4	AP9150297	Flachscheibe D25,1x30,8x0,5	1	
5	AP9150302	Seegerring für Welle D25	3	
6	AP9150249	Zahnrad 4.Vorgelegewelle Z=24	1	Technische Daten: Version Enduro 450[RX45], Enduro-Version 550[RX55]
6	AP9150261	Zahnrad 4.Vorgelegewelle Z=23	1	Technische Daten: Version Motard 450[SX45], Version Motard 550[SX55]
7	AP9150267	Spezial-U-scheibe D25,1x30,8x0,	2	
8	AP9150248	Zahnrad 3.Vorgelegewelle Z=23	1	Technische Daten: Version Enduro 450[RX45], Enduro-Version 550[RX55]
8	AP9150260	Zahnrad 3.Vorgelegewelle Z=23	1	Technische Daten: Version Motard 450[SX45], Version Motard 550[SX55]
9	AP9150247	Zahnrad 5.Vorgelegewelle Z=22	1	Technische Daten: Version Enduro 450[RX45], Enduro-Version 550[RX55]
9	AP9150259	Zahnrad 5.Vorgelegewelle Z=21	1	Technische Daten: Version Motard 450[SX45], Version Motard 550[SX55]
10	AP9150296	Ausgleichscheibe D20,1x28,8x0,8	1	
11	AP9150370	Nadelkaefig D20x24x10	1	
12	AP9150246	Zahnrad 1.Vorgelegewelle Z=31	1	Technische Daten: Version Enduro 450[RX45], Enduro-Version 550[RX55]
12	AP9150258	Zahnrad 1.Vorgelegewelle Z=30	1	Technische Daten: Version Motard 450[SX45], Version Motard 550[SX55]
13	AP9150294	Ausgleichscheibe D17,1x27,8x0,8	1	

Einheit	MOTOR
Code	29.48
Beschreibung	Festrad
Inspektion	1



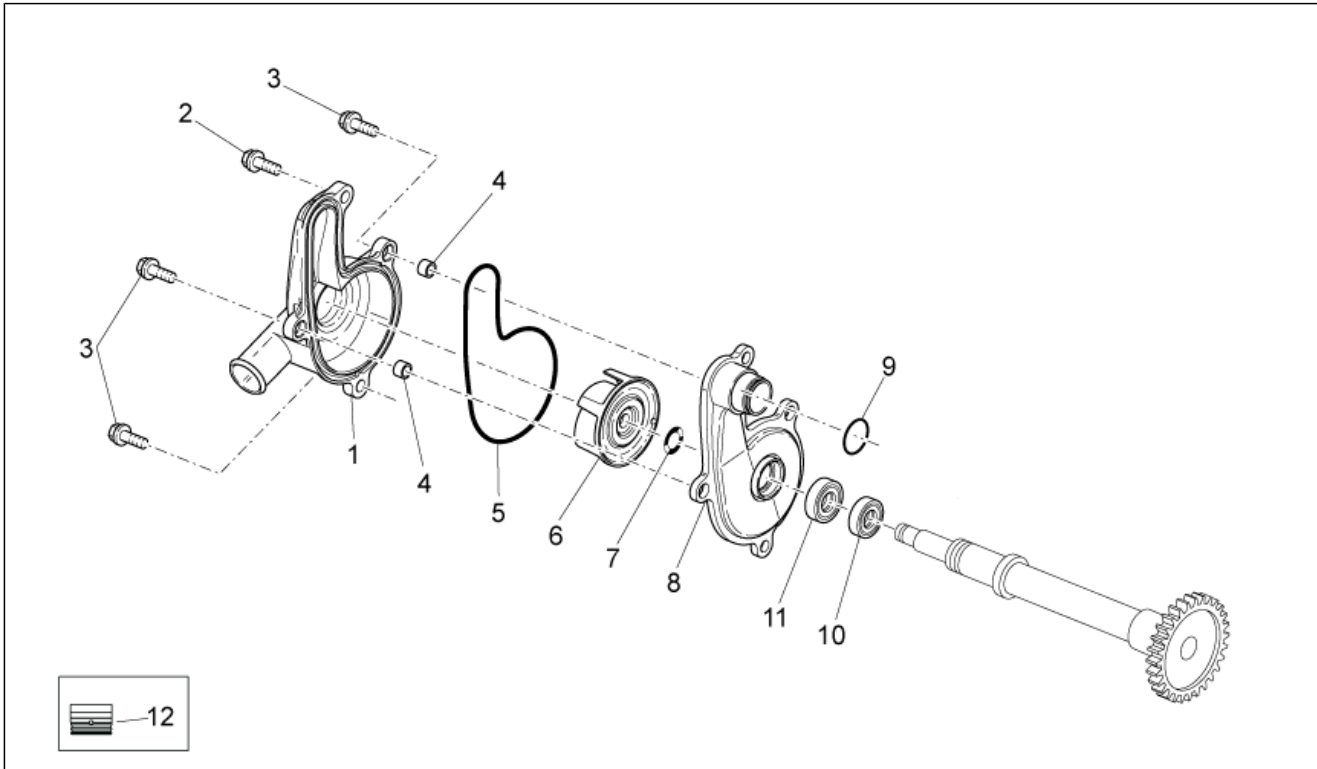
Pos.	Code	Beschreibung	Menge	Varianten
14	AP9150361	Kugellager D17x47x14	1	
15	AP9150357	O-Ring D21,95x1,78	1	
16	AP9150363	Kugellager D25x52x15	1	
17	AP9150382	Ölabstreifring D40x32x5	1	
18	AP9150218	Distanzscheibe 25x32x14	1	Technische Daten: Version Enduro 450[RX45], Enduro-Version 550[RX55]
18	AP9150237	Distanzscheibe 25x32x22	1	Technische Daten: Version Motard 450[SX45], Version Motard 550[SX55]
19	AP9100525	Ritzel	1	Technische Daten: Version Enduro 450[RX45], Enduro-Version 550[RX55]
19	AP9100600	Ritzel Z=16	1	Technische Daten: Version Motard 450[SX45], Version Motard 550[SX55]
20	AP9100451	Seegerring für Welle D25	1	

Einheit	MOTOR
Code	29.49
Beschreibung	Kupplung I
Inspektion	1



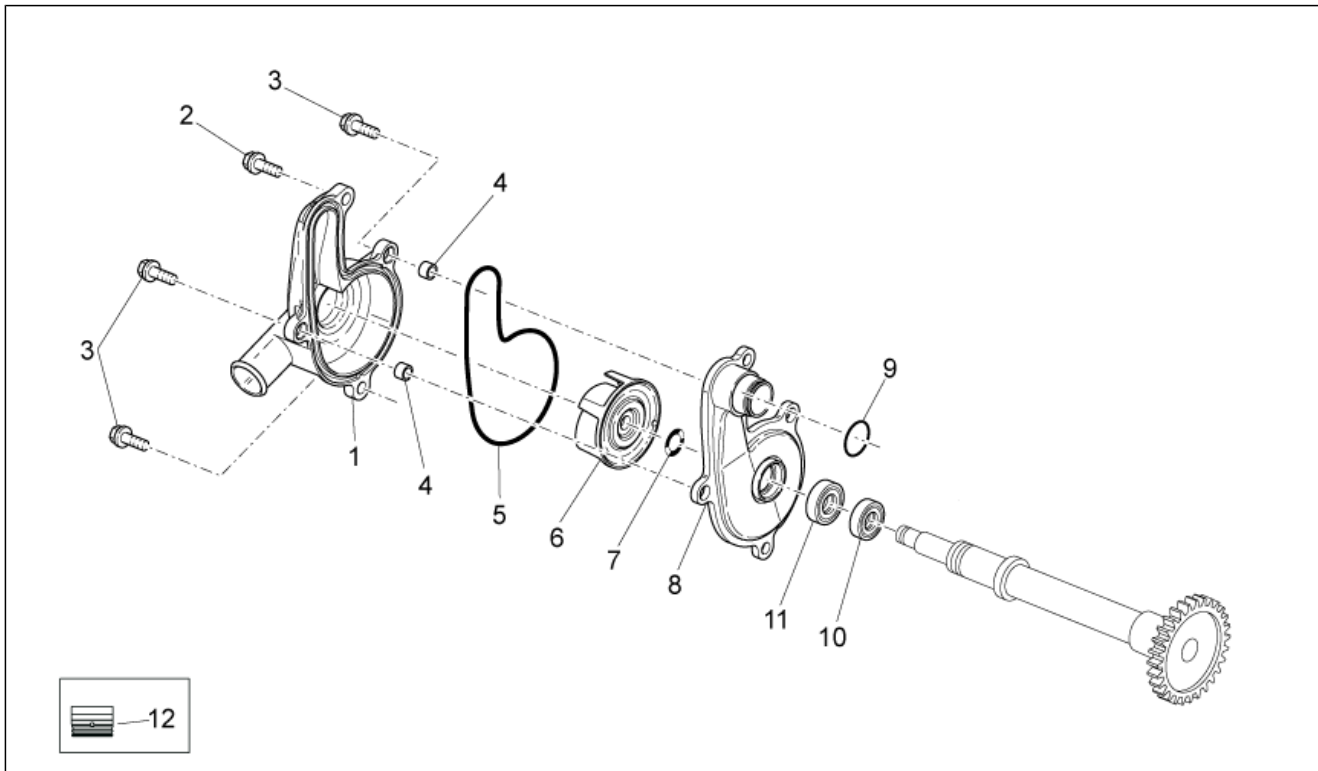
Pos.	Code	Beschreibung	Menge	Varianten
1	AP9150196	Ausrueckwelle	1	
2	AP9150384	Ölabstreifring D12x19x5	1	
3	AP9150374	Nadelkaefig D12x16x10	1	
4	AP9150373	Nadelkaefig D8x12x10	1	
5	AP9150040	Stange	1	
6	AP9150284	Distanzscheibe 25x32x22	1	
7	AP9150367	Nadelkaefig D28x33x13	2	
8	AP9150234	Ausgleichscheibe D23x46x3	1	
9	851436	Baugruppe Kupplungskasten	1	
10	AP9150190	Kupplungstrommel Aluminium	1	
11	AP9100386	Sicherungsblech	1	
12	AP9150235	Mutter M18x1,25	1	
13	AP8176214	Belaglamelle 8 pz.	1	
14	AP8176215	Kupplungsscheibe St. 7 pz.	1	
15	AP9150195	Kupplung Klinke	1	
16	AP9150358	Nadelkaefig D12x26x2	1	
17	AP9150359	Anlaufscheibe D12x26x1	1	
18	AP9150191	Andrückfeder Kupplungsscheibe	1	
19	AP9150194	Kupplungsfeder	6	
20	AP9150232	Becher	6	
21	AP8152279	TE Schr. m. Flansch M6x20	6	

Einheit	MOTOR
Code	29.50
Beschreibung	Wasserpumpenritzel
Inspektion	1



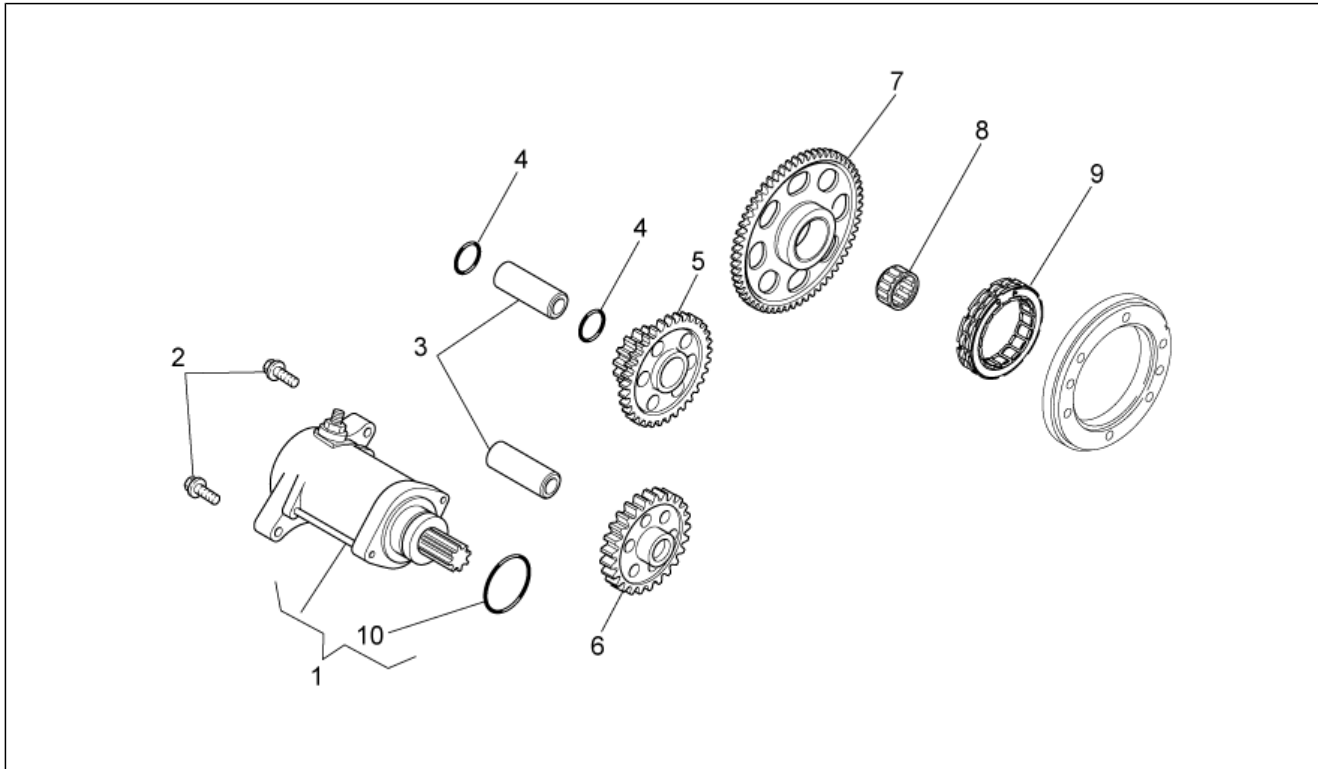
Pos.	Code	Beschreibung	Menge	Varianten
1	AP9150484	Deckel Wasserpumpe	1	
2	AP8152283	TE Schr. m. Flansch	1	
3	AP8152278	TE Schr. m. Flansch M6x16	3	
4	AP9150119	Buchse D8x6,4x9,8	2	
5	AP9150352	O-Ring D88,57x2,62	1	
6	AP9150132	Läufer Wasserpumpe	1	
7	AP9150292	Unterlegscheibe D12,d7.05 SP1	1	
8	AP9150464	Wasserpumpenritzel Flansch	1	
9	851283	O-Ring D18x1,8	1	
10	AP9150443	Ölabstreifring D10x16x4	1	Technische Daten: Ab Motor Nr. 1101[M6], Enduro-Version 550[RX55]
10	AP9150443	Ölabstreifring D10x16x4	1	Technische Daten: Ab Motor Nr. 1502[M4], Version Motard 450[SX45]
10	AP9150443	Ölabstreifring D10x16x4	1	Technische Daten: Ab Motor Nr. 1130[M8], Version Motard 550[SX55]
10	AP9150443	Ölabstreifring D10x16x4	1	Technische Daten: Ab Motor Nr. 1460[M2], Version Enduro 450[RX45]
10	AP9150474	Ölabstreifring D10x22x7	1	Technische Daten: Bis Motor Nr. 1459[M1], Version Enduro 450[RX45]
10	AP9150474	Ölabstreifring D10x22x7	1	Technische Daten: Bis Motor Nr. 1129[M7], Version Motard 550[SX55]
10	AP9150474	Ölabstreifring D10x22x7	1	Technische Daten: Bis Motor Nr. 1501[M3], Version Motard 450[SX45]
10	AP9150474	Ölabstreifring D10x22x7	1	Technische Daten: Bis Motor Nr. 1100[M5], Enduro-Version 550[RX55]
11	851013	Ölabstreifring D10x18x5/8	1	Technische Daten: Ab Motor Nr. 1101[M6], Enduro-Version 550[RX55]
11	851013	Ölabstreifring D10x18x5/8	1	Technische Daten: Ab Motor Nr. 1460[M2], Version Enduro 450[RX45]
11	851013	Ölabstreifring D10x18x5/8	1	Technische Daten: Ab Motor Nr. 1130[M8], Version Motard 550[SX55]

Einheit	MOTOR
Code	29.50
Beschreibung	Wasserpumpenritzel
Inspektion	1



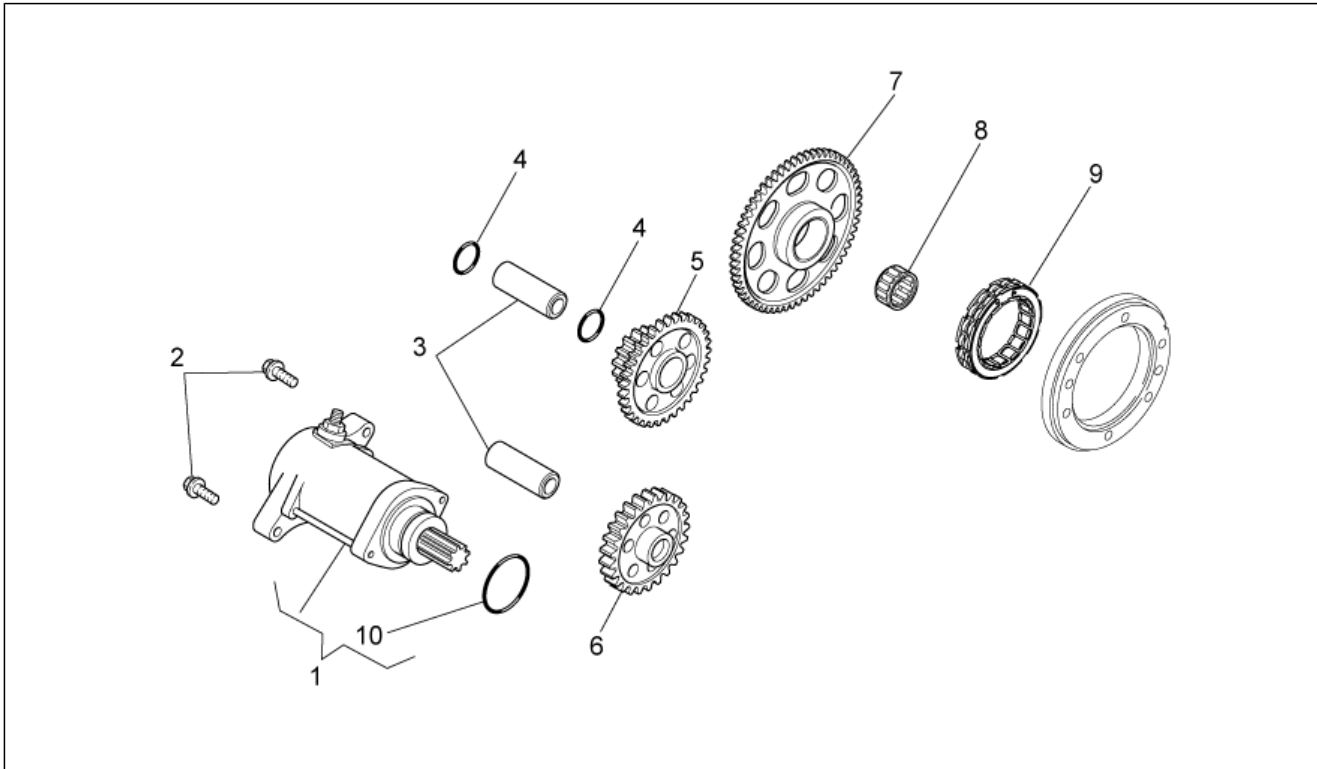
Pos.	Code	Beschreibung	Menge	Varianten
11	851013	Ölabstreifring D10x18x5/8	1	Technische Daten: Ab Motor Nr. 1502[M4], Version Motard 450[SX45]
11	AP9150474	Ölabstreifring D10x22x7	1	Technische Daten: Bis Motor Nr. 1459[M1], Version Enduro 450[RX45]
11	AP9150474	Ölabstreifring D10x22x7	1	Technische Daten: Bis Motor Nr. 1129[M7], Version Motard 550[SX55]
11	AP9150474	Ölabstreifring D10x22x7	1	Technische Daten: Bis Motor Nr. 1501[M3], Version Motard 450[SX45]
11	AP9150474	Ölabstreifring D10x22x7	1	Technische Daten: Bis Motor Nr. 1100[M5], Enduro-Version 550[RX55]
12	851010	Buchse Deck. Kupplungsgehäuse	1	

Einheit	MOTOR
Code	29.51
Beschreibung	Startermotor
Inspektion	1



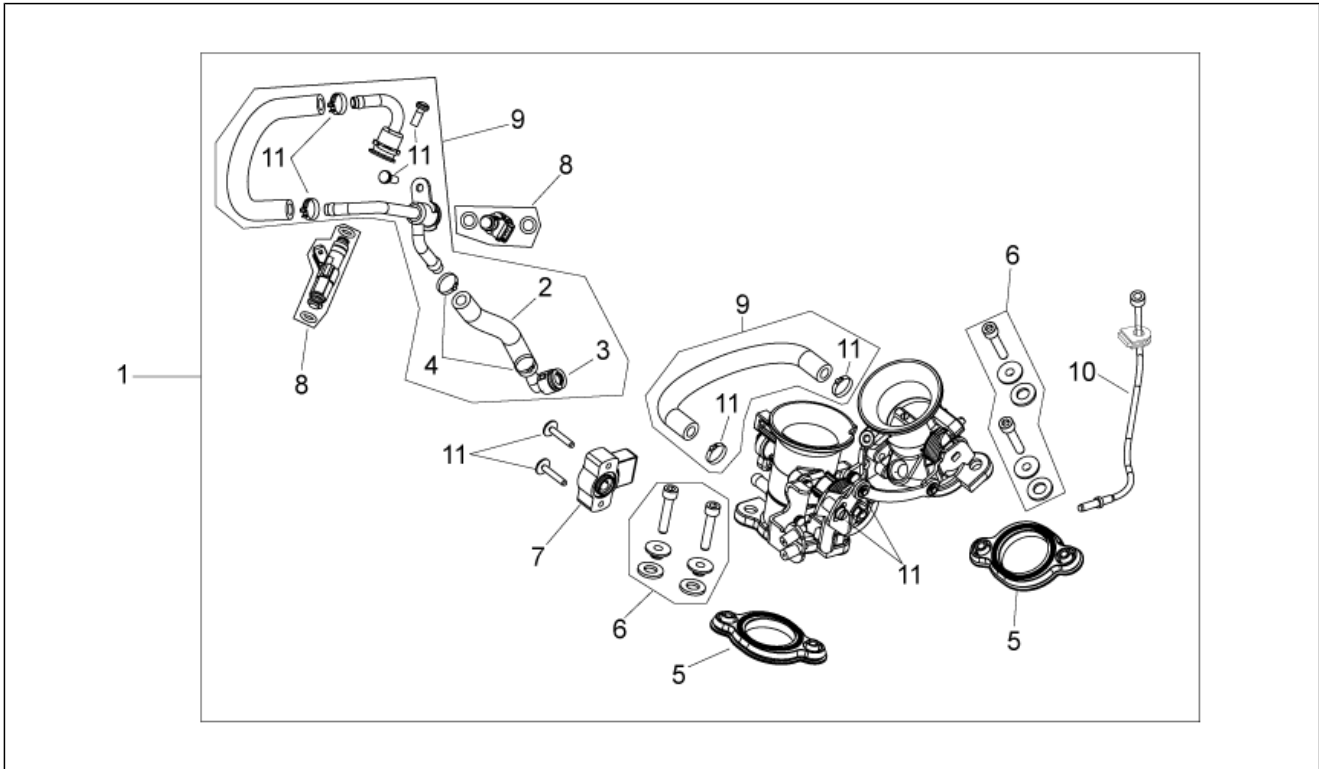
Pos.	Code	Beschreibung	Menge	Varianten
1	AP9150090	Anlassermot. o. Verkab.	1	
2	AP8152281	TE Schr. m. Flansch M6x30	2	
3	AP9150209	Bolzen	2	
4	AP9150446	O-Ring D10,5x1	2	
5	8496465	Doppeltes Zahn. Z=10/55	1	Technische Daten: Bis Motor Nr. 2599[M15], Version Motard 550[SX55]
5	8496465	Doppeltes Zahn. Z=10/55	1	Technische Daten: Bis Motor Nr. 2438[M9], Version Enduro 450[RX45]
5	8496465	Doppeltes Zahn. Z=10/55	1	Technische Daten: Bis Motor Nr. 2275[M11], Version Motard 450[SX45]
5	8496465	Doppeltes Zahn. Z=10/55	1	Technische Daten: Bis Motor Nr. 1724[M13], Enduro-Version 550[RX55]
5	849801	Doppeltes Zahn. Z=9/55	1	Technische Daten: Ab Motor Nr. 2276[M12], Version Motard 450[SX45]
5	849801	Doppeltes Zahn. Z=9/55	1	Technische Daten: Ab Motor Nr. 2439[M10], Version Enduro 450[RX45]
5	849801	Doppeltes Zahn. Z=9/55	1	Technische Daten: Ab Motor Nr. 1725[M14], Enduro-Version 550[RX55]
5	849801	Doppeltes Zahn. Z=9/55	1	Technische Daten: Ab Motor Nr. 2600[M16], Version Motard 550[SX55]
6	849802	Zwischenzahnrad Z=22	1	Technische Daten: Ab Motor Nr. 2439[M10], Version Enduro 450[RX45]
6	849802	Zwischenzahnrad Z=22	1	Technische Daten: Ab Motor Nr. 2276[M12], Version Motard 450[SX45]
6	849802	Zwischenzahnrad Z=22	1	Technische Daten: Ab Motor Nr. 2600[M16], Version Motard 550[SX55]
6	849802	Zwischenzahnrad Z=22	1	Technische Daten: Ab Motor Nr. 1725[M14], Enduro-Version 550[RX55]
6	AP9150207	Zwischenzahnrad Z=21	1	Technische Daten: Bis Motor Nr. 1724[M13], Enduro-Version 550[RX55]
6	AP9150207	Zwischenzahnrad Z=21	1	Technische Daten: Bis Motor Nr. 2438[M9], Version Enduro 450[RX45]

Einheit	MOTOR
Code	29.51
Beschreibung	Startermotor
Inspektion	1



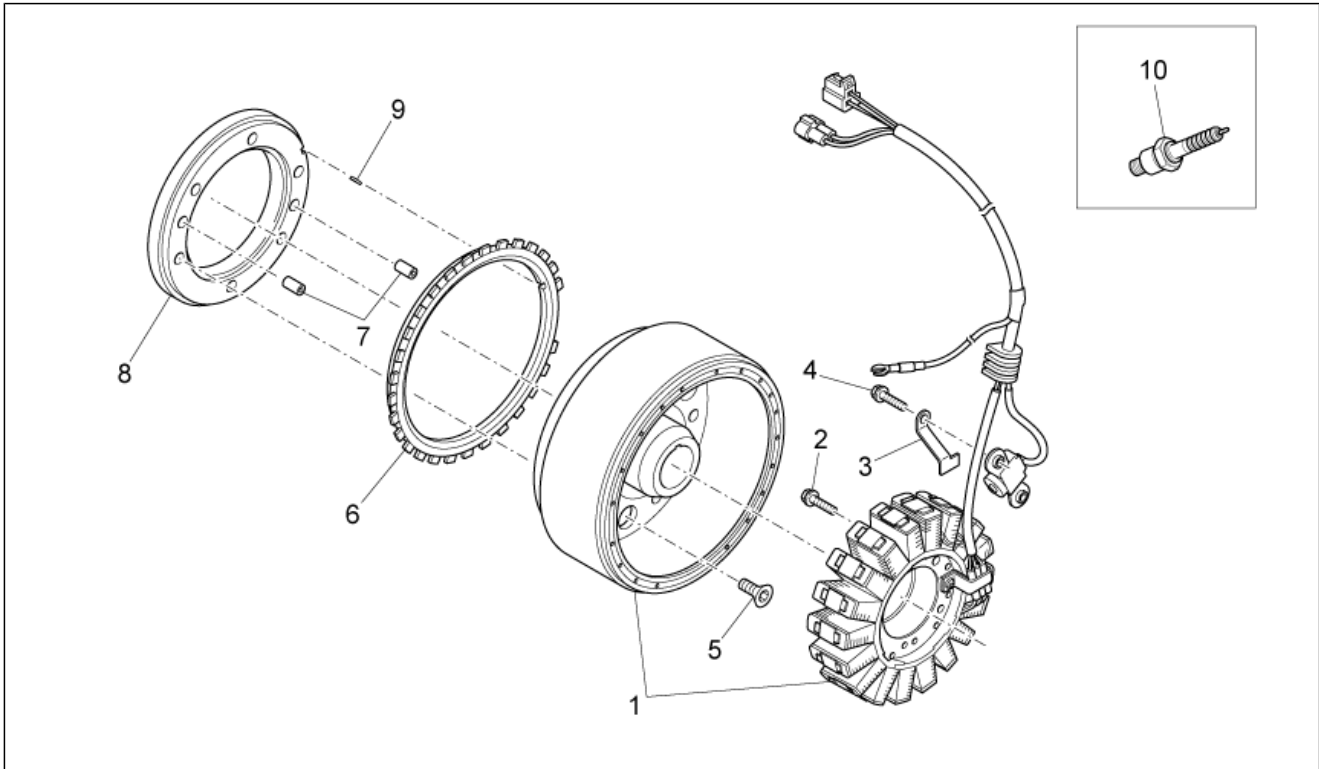
Pos.	Code	Beschreibung	Menge	Varianten
6	AP9150207	Zwischenzahnrad Z=21	1	Technische Daten: Bis Motor Nr. 2275[M11], Version Motard 450[SX45]
6	AP9150207	Zwischenzahnrad Z=21	1	Technische Daten: Bis Motor Nr. 2599[M15], Version Motard 550[SX55]
7	849803	Zahnrad Freilauf Z=52	1	Technische Daten: Ab Motor Nr. 2439[M10], Version Enduro 450[RX45]
7	849803	Zahnrad Freilauf Z=52	1	Technische Daten: Ab Motor Nr. 2600[M16], Version Motard 550[SX55]
7	849803	Zahnrad Freilauf Z=52	1	Technische Daten: Ab Motor Nr. 1725[M14], Enduro-Version 550[RX55]
7	849803	Zahnrad Freilauf Z=52	1	Technische Daten: Ab Motor Nr. 2276[M12], Version Motard 450[SX45]
7	AP9150203	Zahnrad Freilauf Z=53	1	Technische Daten: Bis Motor Nr. 2438[M9], Version Enduro 450[RX45]
7	AP9150203	Zahnrad Freilauf Z=53	1	Technische Daten: Bis Motor Nr. 1724[M13], Enduro-Version 550[RX55]
7	AP9150203	Zahnrad Freilauf Z=53	1	Technische Daten: Bis Motor Nr. 2275[M11], Version Motard 450[SX45]
7	AP9150203	Zahnrad Freilauf Z=53	1	Technische Daten: Bis Motor Nr. 2599[M15], Version Motard 550[SX55]
8	AP9150369	Nadelkaefig D26x30x17	2	
9	AP9150208	Freilauf Z=52 kplt.	1	
10	AP9150500	O-Ring D25x2,5	1	

Einheit	MOTOR
Code	29.52
Beschreibung	Klappenkörper
Inspektion	1



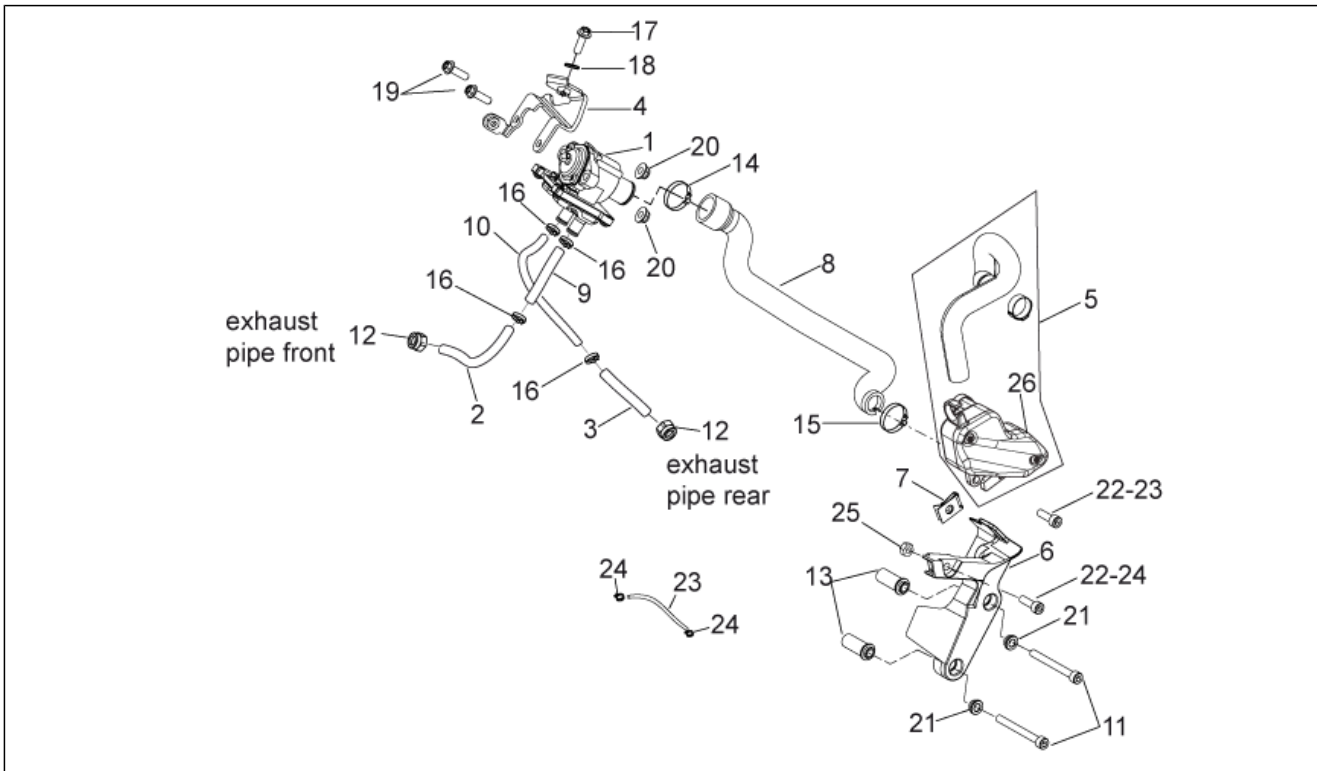
Pos.	Code	Beschreibung	Menge	Varianten
1	AP9100444	Klappenkörper	1	Technische Daten: Version 450 cm ³ [450]
1	AP9100586	Klappenkörper	1	Technische Daten: Version 550 cm ³ [550]
2	AP9100709	Leitung benz.7,5x14,5	1	
3	AP9100494	Anschluss	1	
4	AP9100714	Schlauchschelle 14,5x8	2	
5	AP9101008	Dichtungssatz	1	
6	AP9101009	Kit Schrauben	1	
7	AP9101010	Potentiometer	1	
8	AP9101011	Injektor	2	
9	AP9101012	Fuel rail cpl	1	
10	AP9101013	Kabel LeerlaufEinstellung	1	
11	AP9101014	Kit Schrauben, Schelle, clip	1	

Einheit	MOTOR
Code	29.53
Beschreibung	Zündung
Inspektion	1



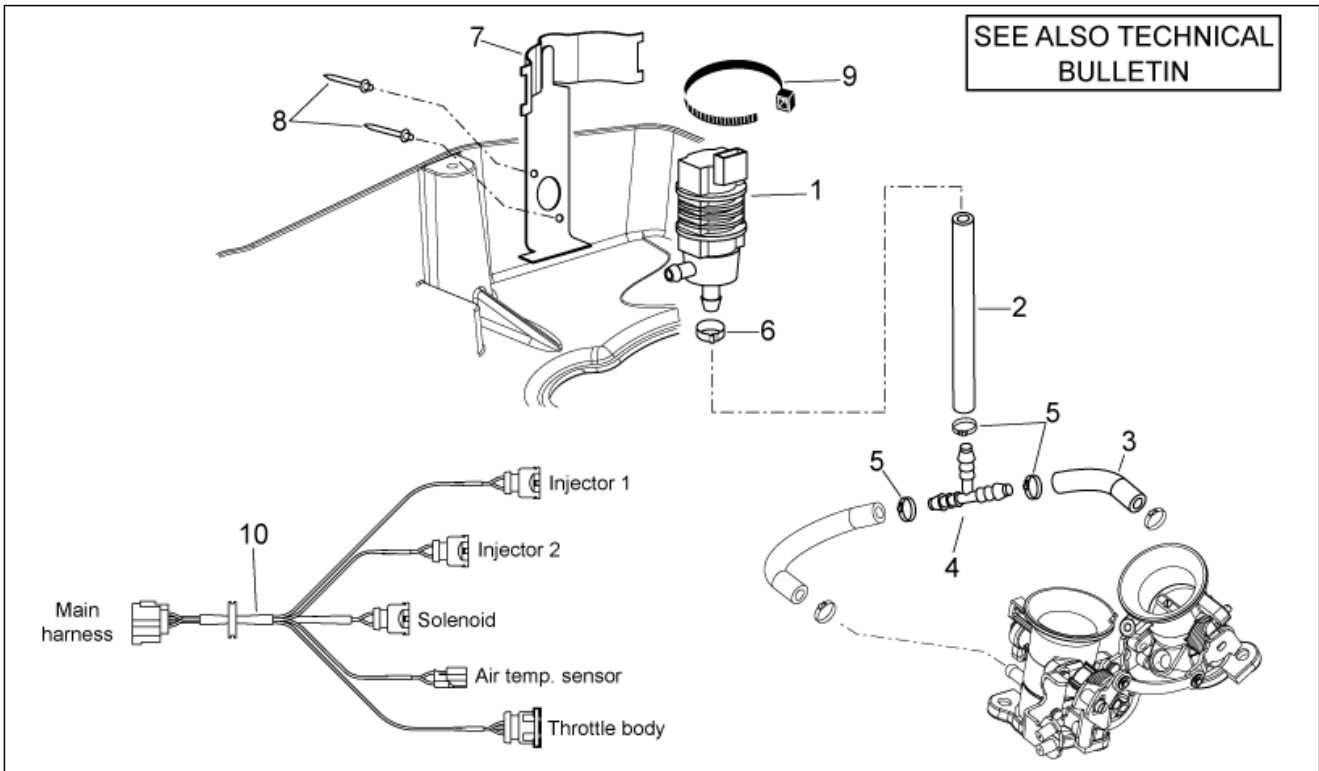
Pos.	Code	Beschreibung	Menge	Varianten
1	855680	Schwungmagnetstarter	1	Technische Daten: Version Enduro[RX]
1	AP9150180	Schwungmagnetstarter	1	Technische Daten: Version Motard[SX]
2	AP8152275	TE Schr. m. Flansch M5x25	3	
3	855489	Platte	1	Technische Daten: Version Enduro[RX]
3	AP9100387	Platte	1	Technische Daten: Version Motard[SX]
4	AP8152272	TE Schr. m. Flansch M5x12	2	
5	AP9150401	Schraube	6	
6	AP9150205	Phonic wheel	1	
7	AP9150380	Stift D5x8	2	
8	AP9150204	Flansch	1	
9	AP8121451	Lasche	1	
10	639687	Zündkerze CR8EKB	1	

Einheit	MOTOR
Code	29.54
Beschreibung	Secondary air
Inspektion	1



Pos.	Code	Beschreibung	Menge	Varianten
1	855054	SAS ventil	1	
2	855023	Auspuffrohr vorn	1	
3	855024	Auspuffrohr hinten	1	
4	855022	Halter ventil	1	
5	855057	Sas gehäuse	1	
6	855182	Sas gehäuse Halter	1	
7	AP8102376	Klammer M6	1	
8	855183	Leitung	1	Land:Europa[EU]
9	855055	Auspuffrohr vorn	1	
10	855056	Auspuffrohr hinten	1	
11	AP8150411	TCEI Schraube	2	
12	855028	Mutter	1	
13	855184	Buchse	2	
14	AP9100456	Schlauchschele 26x8	1	
15	AP8102273	Schlauchschele	1	
16	AP8101586	Schlauchschele D.15,5x6,6	4	
17	AP8150137	TCEI Schraube M6x16	1	
18	AP8150015	Ausgleichscheibe 6,6x18x1,6*	1	
19	AP8152279	TE Schr. m. Flansch M6x20	2	
20	AP9100434	Selbstsperrende Mutter M6x1	2	
21	AP8221129	Buchse	2	
22	AP8150160	TCEI Schraube M6x20	2	Land:Europa[EU]
23	AP8220598	Entlüftungsschlauch Kühler	1	
24	AP8102377	Schele D9,1*	2	
25	AP8150026	Mutter M6	1	
26	856897	Ventildeckel sas	1	

Einheit	MOTOR
Code	29.55
Beschreibung	Starter
Inspektion	1



Pos.	Code	Beschreibung	Menge	Varianten
1	855836	Solenoid	1	
2	855838	Leitung D.13 L=255 mm	1	
3	855839	Leitung D.13 L=45 mm	1	
4	AP8102431	3-Wegeanschluß	1	
5	257814	Schelle click D.12,5	3	
6	258469	Schelle	1	
7	855818	Fixierbügel ventil	1	
8	245736	Kunststoffniet	2	
9	709519	Schelle	1	
10	855804	Verkabelung	1	