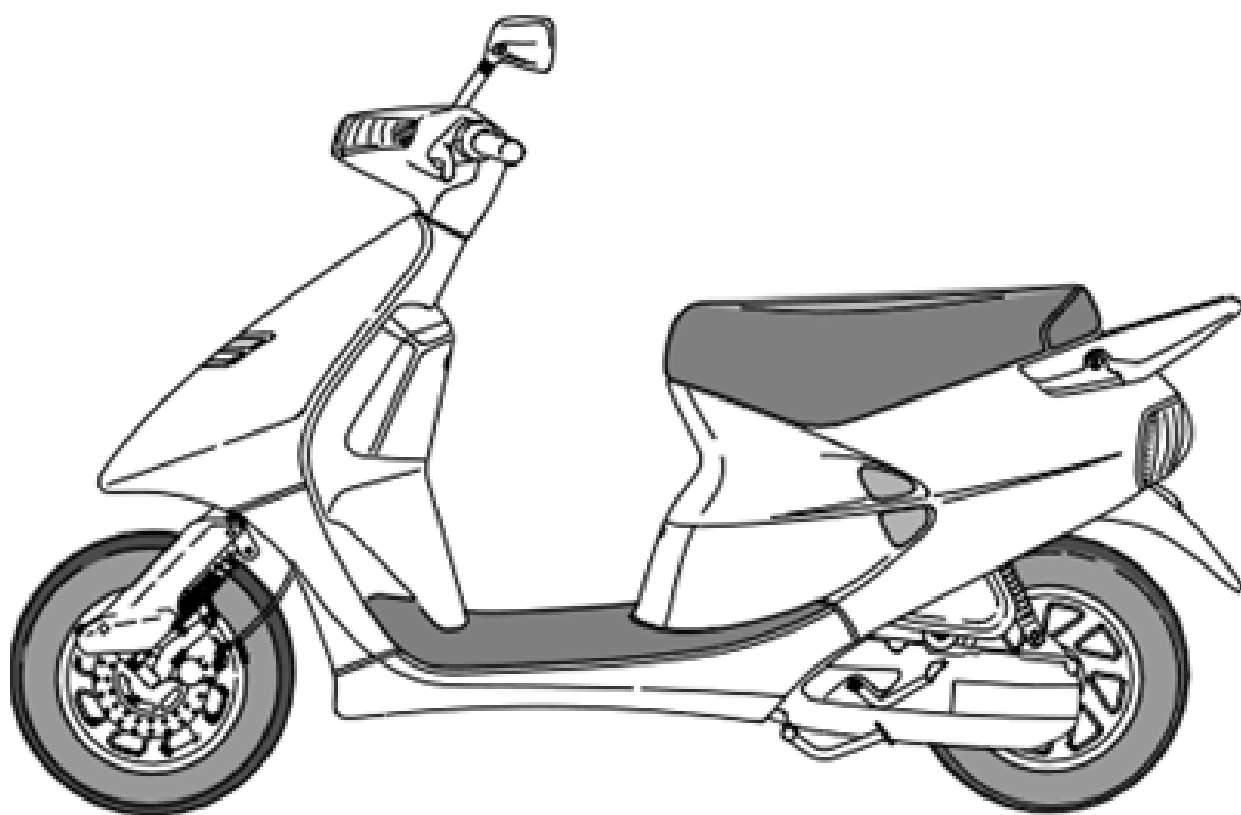


aprilia[®]

ERSATZTEILKATALOG



Amico 50 1996-1998

Vorsatzcode Fahrgestell: 0742, 075, ZD4HU, ZD4MK
Vorsatzcode Motor:

Inhaltsverzeichnis

| | |
|---|----|
| Fertige Produkte..... | 4 |
| Alphanumerisches Verzeichnis..... | 5 |
| RAHMEN..... | 9 |
| Tafel 28.01 - Rahmen..... | 9 |
| Tafel 28.02 - Fussrasten - Ständer..... | 10 |
| Tafel 28.03 - Vorderradgabel..... | 12 |
| Tafel 28.04 - Frontaufbau I..... | 13 |
| Tafel 28.05 - Frontaufbau II..... | 14 |
| Tafel 28.06 - Frontaufbau III..... | 16 |
| Tafel 28.07 - Frontaufbau IV..... | 18 |
| Tafel 28.08 - Frontaufbau V..... | 19 |
| Tafel 28.09 - Mittlerer aufbau I..... | 20 |
| Tafel 28.10 - Mittlerer aufbau II..... | 22 |
| Tafel 28.11 - Mittlerer aufbau III..... | 23 |
| Tafel 28.12 - Sitzbankeinheit I..... | 26 |
| Tafel 28.13 - Sitzbankeinheit II..... | 27 |
| Tafel 28.14 - Heckaufbau I..... | 29 |
| Tafel 28.15 - Heckaufbau II..... | 31 |
| Tafel 28.16 - Heckaufbau III..... | 33 |
| Tafel 28.17 - Heckaufbau IV..... | 34 |
| Tafel 28.18 - Heckaufbau V..... | 36 |
| Tafel 28.19 - Lenkstange - Instrumenteneinheit..... | 37 |
| Tafel 28.20 - Schaltgruppe I..... | 39 |
| Tafel 28.21 - Schaltgruppe II..... | 40 |
| Tafel 28.22 - Kraftstofftank..... | 41 |
| Tafel 28.23 - Öltank..... | 43 |
| Tafel 28.24 - Filtergehäuse..... | 44 |
| Tafel 28.25 - Motor-pleuelstange..... | 45 |
| Tafel 28.26 - Auslassgruppe..... | 47 |
| Tafel 28.27 - Vorderrad Scheibenbremse..... | 49 |
| Tafel 28.28 - Vorderrad Trommelbremse..... | 50 |
| Tafel 28.29 - Hinterrad..... | 51 |
| Tafel 28.30 - Lichter..... | 52 |
| Tafel 28.31 - Elektrische Anlage..... | 53 |
| Tafel 28.32 - Aufkleber und Deko..... | 54 |
| Tafel 28.33 - Bed./Wart.-Anleit..... | 56 |
| MOTOR..... | 57 |
| Tafel 29.34 - Schwungrad..... | 57 |
| Tafel 29.35 - Zylinderkopf..... | 58 |
| Tafel 29.36 - Pleuelstange..... | 60 |
| Tafel 29.37 - Mittlere gehäuse..... | 61 |
| Tafel 29.38 - Kupplung..... | 62 |
| Tafel 29.39 - Vergaser - Ölpumpe..... | 63 |



| | |
|---------------------------------------|----|
| Tafel 29.40 - Endübersetzung..... | 65 |
| Tafel 29.41 - Wandler..... | 66 |
| Tafel 29.42 - Deckel kickstarter..... | 68 |
| Tafel 29.43 - Zündgruppe..... | 69 |

Fertige Produkte

| Code | Gültigkeit |
|-------------|------------|
| AP67000DE06 | |
| AP67001DE13 | |
| AP67001NL02 | |
| AP67003DE03 | |
| AP67004CH02 | |
| AP67004ES02 | |
| AP67004ES03 | |
| AP67006CH01 | |
| AP67006CH03 | |
| AP7207163 | |

| Code | Nr. der Tafel | Pos. |
|-----------|---------------|------|
| 0000000 | 28.27 | 3 |
| 0000000 | 28.27 | 4 |
| 0000000 | 28.28 | 4 |
| 0000000 | 28.28 | 5 |
| 0000000 | 28.29 | 2 |
| 0000000 | 28.29 | 3 |
| AP8101103 | 28.29 | 11 |
| AP8101595 | 28.22 | 14 |
| AP8101743 | 28.23 | 9 |
| AP8101770 | 28.23 | 12 |
| AP8101944 | 28.23 | 8 |
| AP8102041 | 28.10 | 4 |
| AP8102041 | 28.15 | 6 |
| AP8102223 | 28.23 | 6 |
| AP8102224 | 28.23 | 7 |
| AP8102284 | 28.07 | 9 |
| AP8102284 | 28.10 | 1 |
| AP8102284 | 28.14 | 8 |
| AP8102375 | 28.07 | 10 |
| AP8102376 | 28.01 | 10 |
| AP8102782 | 28.14 | 9 |
| AP8102782 | 28.15 | 7 |
| AP8102880 | 28.01 | 6 |
| AP8112244 | 28.31 | 11 |
| AP8112599 | 28.30 | 11 |
| AP8112686 | 28.23 | 2 |
| AP8113003 | 28.27 | 20 |
| AP8113004 | 28.27 | 22 |
| AP8113070 | 28.27 | 18 |
| AP8113305 | 28.21 | 3 |
| AP8117064 | 28.26 | 11 |
| AP8118472 | 28.20 | 3 |
| AP8118472 | 28.21 | 10 |
| AP8118473 | 28.21 | 7 |
| AP8120030 | 28.22 | 10 |
| AP8120179 | 28.22 | 13 |
| AP8120354 | 28.23 | 14 |
| AP8120355 | 28.23 | 5 |
| AP8120531 | 28.04 | 6 |
| AP8120531 | 28.09 | 3 |
| AP8120531 | 28.09 | 3 |
| AP8120591 | 28.04 | 4 |
| AP8120592 | 28.02 | 7 |
| AP8120592 | 28.16 | 10 |
| AP8120754 | 28.31 | 9 |
| AP8120769 | 28.29 | 13 |
| AP8121041 | 29.43 | 13 |
| AP8121075 | 28.16 | 7 |
| AP8121665 | 28.30 | 12 |
| AP8121679 | 28.16 | 8 |
| AP8121725 | 28.24 | 7 |
| AP8124208 | 28.20 | 8 |
| AP8124209 | 28.20 | 9 |
| AP8124235 | 28.31 | 2 |
| AP8124399 | 28.31 | 12 |
| AP8124440 | 28.30 | 15 |
| AP8150014 | 28.02 | 13 |
| AP8150014 | 28.02 | 13 |
| AP8150015 | 28.08 | 6 |
| AP8150015 | 28.23 | 4 |
| AP8150017 | 28.16 | 11 |
| AP8150052 | 28.04 | 7 |
| AP8150146 | 28.24 | 13 |
| AP8150171 | 28.19 | 19 |
| AP8150177 | 28.09 | 8 |
| AP8150177 | 28.09 | 8 |
| AP8150178 | 28.04 | 8 |

| Code | Nr. der Tafel | Pos. |
|-----------|---------------|------|
| AP8150178 | 28.26 | 9 |
| AP8150179 | 28.08 | 8 |
| AP8150179 | 28.16 | 12 |
| AP8150179 | 28.26 | 10 |
| AP8150182 | 28.22 | 9 |
| AP8150227 | 28.25 | 6 |
| AP8150246 | 28.24 | 12 |
| AP8150248 | 28.07 | 4 |
| AP8150290 | 28.19 | 2 |
| AP8150323 | 28.19 | 3 |
| AP8150329 | 28.25 | 11 |
| AP8150340 | 28.26 | 8 |
| AP8150373 | 28.27 | 10 |
| AP8150373 | 28.28 | 16 |
| AP8150379 | 28.07 | 6 |
| AP8150381 | 28.07 | 7 |
| AP8150382 | 28.07 | 5 |
| AP8150382 | 28.14 | 5 |
| AP8150382 | 28.15 | 5 |
| AP8150382 | 28.17 | 10 |
| AP8150382 | 28.18 | 5 |
| AP8150394 | 28.02 | 14 |
| AP8150394 | 28.02 | 14 |
| AP8150395 | 28.16 | 9 |
| AP8150413 | 28.04 | 11 |
| AP8150413 | 28.07 | 8 |
| AP8150413 | 28.13 | 3 |
| AP8150421 | 28.04 | 10 |
| AP8150421 | 28.19 | 20 |
| AP8150421 | 28.30 | 13 |
| AP8150423 | 28.14 | 6 |
| AP8150425 | 28.07 | 3 |
| AP8150425 | 28.14 | 3 |
| AP8150425 | 28.15 | 3 |
| AP8150425 | 28.17 | 6 |
| AP8150425 | 28.24 | 11 |
| AP8150426 | 28.11 | 2 |
| AP8150426 | 28.14 | 7 |
| AP8150426 | 28.15 | 8 |
| AP8150427 | 28.04 | 9 |
| AP8150430 | 28.02 | 12 |
| AP8150430 | 28.02 | 12 |
| AP8150430 | 28.17 | 8 |
| AP8150444 | 28.17 | 11 |
| AP8150444 | 28.18 | 6 |
| AP8150471 | 28.29 | 4 |
| AP8152040 | 28.01 | 11 |
| AP8152112 | 28.02 | 11 |
| AP8152136 | 28.29 | 14 |
| AP8152140 | 28.01 | 12 |
| AP8152169 | 28.23 | 13 |
| AP8152194 | 28.01 | 14 |
| AP8152244 | 28.29 | 1 |
| AP8152246 | 28.10 | 3 |
| AP8152246 | 28.11 | 3 |
| AP8152246 | 28.15 | 4 |
| AP8152260 | 28.26 | 4 |
| AP8152268 | 28.07 | 1 |
| AP8152269 | 28.04 | 5 |
| AP8152269 | 28.09 | 7 |
| AP8152269 | 28.09 | 7 |
| AP8152277 | 28.23 | 10 |
| AP8152277 | 28.31 | 13 |
| AP8152278 | 28.08 | 4 |
| AP8152278 | 28.08 | 7 |
| AP8152278 | 28.22 | 7 |
| AP8152278 | 28.31 | 15 |

| Code | Nr. der Tafel | Pos. |
|-----------|---------------|------|
| AP8152280 | 28.17 | 7 |
| AP8152280 | 28.24 | 10 |
| AP8152281 | 29.43 | 14 |
| AP8152282 | 28.01 | 5 |
| AP8152283 | 28.02 | 15 |
| AP8152283 | 28.02 | 15 |
| AP8152286 | 28.26 | 6 |
| AP8152287 | 28.27 | 21 |
| AP8152289 | 28.25 | 5 |
| AP8152289 | 28.26 | 5 |
| AP8152290 | 28.28 | 17 |
| AP8152299 | 28.22 | 12 |
| AP8152299 | 28.29 | 15 |
| AP8152299 | 28.30 | 16 |
| AP8152299 | 28.31 | 14 |
| AP8152299 | 29.43 | 15 |
| AP8152300 | 28.19 | 4 |
| AP8152300 | 28.28 | 18 |
| AP8152301 | 28.19 | 5 |
| AP8152301 | 28.25 | 4 |
| AP8152301 | 28.25 | 9 |
| AP8201378 | 28.24 | 9 |
| AP8201379 | 28.24 | 2 |
| AP8201390 | 28.01 | 7 |
| AP8201431 | 28.02 | 16 |
| AP8201431 | 28.16 | 6 |
| AP8201455 | 28.23 | 15 |
| AP8201481 | 28.22 | 3 |
| AP8201481 | 28.22 | 3 |
| AP8201481 | 28.22 | 3 |
| AP8201522 | 28.22 | 8 |
| AP8201534 | 28.14 | 4 |
| AP8201564 | 28.01 | 3 |
| AP8201602 | 28.03 | 17 |
| AP8201605 | 28.03 | 24 |
| AP8201665 | 28.22 | 2 |
| AP8201682 | 28.13 | 4 |
| AP8201690 | 28.22 | 5 |
| AP8201744 | 28.33 | 1 |
| AP8201783 | 28.33 | 1 |
| AP8201818 | 28.19 | 9 |
| AP8201835 | 28.19 | 12 |
| AP8201836 | 28.19 | 13 |
| AP8201875 | 28.01 | 4 |
| AP8201926 | 28.22 | 3 |
| AP8201926 | 28.22 | 3 |
| AP8201928 | 28.33 | 1 |
| AP8201929 | 28.33 | 1 |
| AP8201947 | 28.27 | 6 |
| AP8201947 | 28.28 | 1 |
| AP8201955 | 28.27 | 8 |
| AP8201955 | 28.28 | 14 |
| AP8201968 | 28.33 | 1 |
| AP8201975 | 28.19 | 12 |
| AP8201976 | 28.19 | 13 |
| AP8202055 | 28.33 | 1 |
| AP8202056 | 28.33 | 1 |
| AP8202057 | 28.33 | 1 |
| AP8202065 | 28.33 | 1 |
| AP8202071 | 28.19 | 9 |
| AP8202092 | 28.33 | 1 |
| AP8202098 | 28.33 | 1 |
| AP8202099 | 28.33 | 1 |
| AP8203407 | 28.25 | 3 |
| AP8203407 | 28.25 | 3 |
| AP8203519 | 28.03 | 10 |
| AP8203520 | 28.03 | 13 |

| Code | Nr. der Tafel | Pos. |
|-----------|---------------|------|
| AP8203521 | 28.03 | 8 |
| AP8203522 | 28.03 | 14 |
| AP8203523 | 28.03 | 9 |
| AP8203524 | 28.03 | 11 |
| AP8203525 | 28.03 | 3 |
| AP8203531 | 28.03 | 4 |
| AP8203533 | 28.03 | 6 |
| AP8203534 | 28.03 | 21 |
| AP8203535 | 28.03 | 19 |
| AP8203536 | 28.03 | 2 |
| AP8203536 | 28.03 | 3 |
| AP8203537 | 28.03 | 12 |
| AP8203538 | 28.03 | 15 |
| AP8203539 | 28.03 | 16 |
| AP8203540 | 28.03 | 22 |
| AP8203541 | 28.03 | 18 |
| AP8203542 | 28.03 | 7 |
| AP8203543 | 28.03 | 20 |
| AP8203607 | 28.03 | 5 |
| AP8203608 | 28.03 | 1 |
| AP8203609 | 28.01 | 2 |
| AP8203630 | 28.25 | 3 |
| AP8203630 | 28.25 | 3 |
| AP8206104 | 29.35 | 9 |
| AP8206104 | 29.35 | 9 |
| AP8206104 | 29.35 | 9 |
| AP8206105 | 29.34 | 4 |
| AP8206108 | 29.43 | 4 |
| AP8206109 | 29.41 | 9 |
| AP8206111 | 29.42 | 6 |
| AP8206112 | 29.42 | 3 |
| AP8206113 | 29.35 | 10 |
| AP8206116 | 29.41 | 12 |
| AP8206119 | 29.39 | 8 |
| AP8206120 | 29.35 | 4 |
| AP8206121 | 29.37 | 4 |
| AP8206122 | 29.42 | 12 |
| AP8206123 | 29.40 | 4 |
| AP8206125 | 29.43 | 2 |
| AP8206129 | 29.37 | 7 |
| AP8206131 | 29.37 | 11 |
| AP8206135 | 29.38 | 12 |
| AP8206136 | 29.41 | 6 |
| AP8206137 | 29.42 | 16 |
| AP8206138 | 29.37 | 2 |
| AP8206139 | 29.43 | 10 |
| AP8206140 | 29.41 | 13 |
| AP8206141 | 29.41 | 14 |
| AP8206142 | 29.40 | 5 |
| AP8206144 | 29.41 | 2 |
| AP8206145 | 29.34 | 11 |
| AP8206147 | 29.41 | 4 |
| AP8206148 | 29.42 | 13 |
| AP8206149 | 29.42 | 8 |
| AP8206150 | 29.40 | 6 |
| AP8206152 | 29.42 | 9 |
| AP8206153 | 29.41 | 17 |
| AP8206154 | 29.36 | 6 |
| AP8206157 | 29.38 | 2 |
| AP8206158 | 29.38 | 5 |
| AP8206159 | 29.40 | 1 |
| AP8206161 | 29.35 | 6 |
| AP8206162 | 29.42 | 7 |
| AP8206163 | 29.42 | 2 |
| AP8206164 | 29.34 | 8 |
| AP8206166 | 29.35 | 8 |
| AP8206167 | 29.39 | 10 |

| Code | Nr. der Tafel | Pos. |
|-----------|---------------|------|
| AP8206169 | 29.37 | 5 |
| AP8206170 | 29.42 | 1 |
| AP8206171 | 29.37 | 12 |
| AP8206172 | 29.42 | 15 |
| AP8206172 | 29.43 | 9 |
| AP8206174 | 29.35 | 2 |
| AP8206176 | 29.35 | 3 |
| AP8206178 | 29.38 | 7 |
| AP8206179 | 29.34 | 10 |
| AP8206180 | 29.39 | 7 |
| AP8206181 | 29.39 | 5 |
| AP8206182 | 29.36 | 9 |
| AP8206183 | 29.34 | 5 |
| AP8206183 | 29.41 | 16 |
| AP8206184 | 29.35 | 11 |
| AP8206186 | 29.38 | 13 |
| AP8206187 | 29.36 | 5 |
| AP8206188 | 29.37 | 17 |
| AP8206189 | 29.35 | 1 |
| AP8206191 | 29.38 | 8 |
| AP8206193 | 29.42 | 11 |
| AP8206195 | 29.40 | 7 |
| AP8206196 | 29.38 | 9 |
| AP8206196 | 29.38 | 9 |
| AP8206197 | 29.38 | 6 |
| AP8206198 | 29.38 | 3 |
| AP8206199 | 29.38 | 11 |
| AP8206200 | 29.38 | 4 |
| AP8206202 | 29.37 | 1 |
| AP8206202 | 29.43 | 11 |
| AP8206203 | 29.39 | 11 |
| AP8206204 | 29.41 | 15 |
| AP8206205 | 29.34 | 6 |
| AP8206206 | 29.43 | 7 |
| AP8206207 | 29.41 | 1 |
| AP8206208 | 29.36 | 2 |
| AP8206209 | 29.37 | 18 |
| AP8206210 | 29.41 | 3 |
| AP8206212 | 29.36 | 1 |
| AP8206213 | 29.36 | 4 |
| AP8206214 | 29.38 | 1 |
| AP8206215 | 29.37 | 10 |
| AP8206218 | 29.35 | 5 |
| AP8206219 | 29.35 | 5 |
| AP8206221 | 29.36 | 3 |
| AP8206223 | 29.36 | 7 |
| AP8206224 | 29.35 | 7 |
| AP8206224 | 29.35 | 7 |
| AP8206224 | 29.35 | 7 |
| AP8206418 | 29.38 | 9 |
| AP8206418 | 29.38 | 9 |
| AP8206420 | 29.41 | 11 |
| AP8206425 | 29.40 | 3 |
| AP8206450 | 29.35 | 9 |
| AP8206450 | 29.35 | 9 |
| AP8206454 | 29.39 | 2 |
| AP8206454 | 29.39 | 2 |
| AP8206455 | 29.41 | 7 |
| AP8206455 | 29.41 | 7 |
| AP8206456 | 29.35 | 7 |
| AP8206456 | 29.35 | 7 |
| AP8206470 | 29.43 | 1 |
| AP8206475 | 29.37 | 15 |
| AP8206478 | 29.41 | 11 |
| AP8206478 | 29.41 | 11 |
| AP8206482 | 29.37 | 16 |
| AP8206490 | 29.37 | 14 |

| Code | Nr. der Tafel | Pos. |
|-----------|---------------|------|
| AP8206499 | 29.34 | 2 |
| AP8206500 | 29.36 | 8 |
| AP8206510 | 29.34 | 1 |
| AP8206512 | 29.34 | 9 |
| AP8206514 | 29.39 | 2 |
| AP8206514 | 29.39 | 2 |
| AP8206518 | 29.39 | 3 |
| AP8206520 | 29.39 | 6 |
| AP8206528 | 29.34 | 3 |
| AP8206558 | 29.37 | 9 |
| AP8206566 | 29.41 | 11 |
| AP8206578 | 29.37 | 6 |
| AP8206597 | 29.41 | 11 |
| AP8206665 | 29.43 | 8 |
| AP8206676 | 29.39 | 6 |
| AP8206677 | 29.39 | 6 |
| AP8206678 | 29.39 | 6 |
| AP8206683 | 29.39 | 6 |
| AP8206692 | 29.42 | 14 |
| AP8206693 | 29.41 | 11 |
| AP8206698 | 29.41 | 5 |
| AP8206699 | 29.38 | 15 |
| AP8206699 | 29.38 | 15 |
| AP8206701 | 29.41 | 7 |
| AP8206703 | 29.38 | 10 |
| AP8206711 | 29.39 | 7 |
| AP8206746 | 29.34 | 11 |
| AP8206782 | 29.35 | 13 |
| AP8206786 | 29.38 | 15 |
| AP8206786 | 29.38 | 15 |
| AP8206787 | 29.39 | 4 |
| AP8206788 | 29.39 | 6 |
| AP8206789 | 29.41 | 7 |
| AP8206789 | 29.41 | 7 |
| AP8206870 | 29.35 | 14 |
| AP8208255 | 28.27 | 5 |
| AP8208255 | 28.28 | 6 |
| AP8208258 | 28.28 | 11 |
| AP8208260 | 28.28 | 10 |
| AP8208380 | 28.28 | 3 |
| AP8208385 | 28.27 | 1 |
| AP8208387 | 28.29 | 5 |
| AP8212060 | 28.18 | 7 |
| AP8212110 | 28.31 | 1 |
| AP8212336 | 28.01 | 8 |
| AP8212381 | 28.30 | 3 |
| AP8212382 | 28.31 | 5 |
| AP8212402 | 28.19 | 17 |
| AP8212405 | 28.19 | 14 |
| AP8212406 | 28.19 | 15 |
| AP8212407 | 28.19 | 16 |
| AP8212409 | 28.30 | 7 |
| AP8212410 | 28.30 | 5 |
| AP8212411 | 28.30 | 6 |
| AP8212413 | 28.30 | 8 |
| AP8212422 | 28.30 | 4 |
| AP8212442 | 28.30 | 2 |
| AP8212443 | 28.30 | 9 |
| AP8212459 | 28.30 | 10 |
| AP8212465 | 28.30 | 15 |
| AP8212469 | 28.31 | 3 |
| AP8212471 | 28.30 | 3 |
| AP8212513 | 28.31 | 18 |
| AP8212529 | 28.20 | 6 |
| AP8212540 | 28.31 | 8 |
| AP8212543 | 28.30 | 1 |

| Code | Nr. der Tafel | Pos. |
|-----------|---------------|------|
| AP8212571 | 28.31 | 16 |
| AP8212575 | 28.30 | 1 |
| AP8212579 | 29.43 | 1 |
| AP8212609 | 28.31 | 19 |
| AP8212611 | 28.31 | 7 |
| AP8212662 | 28.30 | 3 |
| AP8212671 | 28.31 | 20 |
| AP8212764 | 28.20 | 13 |
| AP8212767 | 28.20 | 12 |
| AP8212768 | 28.20 | 13 |
| AP8212824 | 28.19 | 11 |
| AP8212837 | 28.20 | 13 |
| AP8212849 | 28.31 | 16 |
| AP8212957 | 28.22 | 4 |
| AP8212966 | 28.19 | 11 |
| AP8212977 | 29.43 | 6 |
| AP8213040 | 28.28 | 8 |
| AP8213133 | 28.28 | 7 |
| AP8213133 | 28.29 | 6 |
| AP8213137 | 28.29 | 12 |
| AP8213175 | 28.21 | 1 |
| AP8213176 | 28.27 | 15 |
| AP8213177 | 28.27 | 16 |
| AP8213191 | 28.21 | 9 |
| AP8213192 | 28.27 | 14 |
| AP8213193 | 28.27 | 17 |
| AP8213194 | 28.27 | 19 |
| AP8213227 | 28.27 | 19 |
| AP8213229 | 28.27 | 2 |
| AP8213230 | 28.27 | 15 |
| AP8213251 | 28.29 | 8 |
| AP8213300 | 28.21 | 4 |
| AP8213303 | 28.21 | 1 |
| AP8214104 | 28.29 | 10 |
| AP8214108 | 28.20 | 11 |
| AP8214109 | 28.20 | 10 |
| AP8214115 | 28.28 | 21 |
| AP8214116 | 28.28 | 22 |
| AP8214143 | 28.28 | 15 |
| AP8214169 | 28.19 | 10 |
| AP8215668 | 28.32 | 3 |
| AP8215670 | 28.32 | 4 |
| AP8215698 | 28.32 | 3 |
| AP8215747 | 28.32 | 4 |
| AP8215968 | 28.32 | 1 |
| AP8218114 | 28.20 | 4 |
| AP8218114 | 28.21 | 11 |
| AP8218136 | 28.20 | 1 |
| AP8218153 | 28.20 | 2 |
| AP8218154 | 28.20 | 5 |
| AP8218155 | 28.21 | 5 |
| AP8218156 | 28.21 | 2 |
| AP8218160 | 28.19 | 1 |
| AP8218179 | 28.21 | 6 |
| AP8218189 | 28.21 | 7 |
| AP8218190 | 28.21 | 8 |
| AP8218236 | 28.20 | 1 |
| AP8218238 | 28.20 | 7 |
| AP8218273 | 28.21 | 2 |
| AP8218274 | 28.20 | 2 |
| AP8218275 | 28.19 | 6 |
| AP8218322 | 28.21 | 6 |
| AP8218324 | 28.20 | 7 |
| AP8218328 | 28.19 | 6 |
| AP8219212 | 28.26 | 2 |
| AP8219273 | 28.26 | 1 |
| AP8219279 | 28.26 | 1 |

| Code | Nr. der Tafel | Pos. |
|-----------|---------------|------|
| AP8219289 | 28.26 | 1 |
| AP8219291 | 28.26 | 1 |
| AP8219293 | 28.26 | 1 |
| AP8219294 | 28.26 | 1 |
| AP8219294 | 28.26 | 1 |
| AP8219295 | 28.26 | 1 |
| AP8219296 | 28.26 | 1 |
| AP8219376 | 28.26 | 1 |
| AP8220239 | 28.02 | 3 |
| AP8220269 | 28.31 | 17 |
| AP8220276 | 28.02 | 8 |
| AP8220276 | 28.02 | 8 |
| AP8220282 | 28.23 | 3 |
| AP8220283 | 28.31 | 4 |
| AP8220324 | 28.19 | 22 |
| AP8220331 | 28.19 | 23 |
| AP8220342 | 28.31 | 10 |
| AP8220346 | 28.25 | 10 |
| AP8220347 | 28.19 | 21 |
| AP8220349 | 28.12 | 2 |
| AP8220352 | 28.22 | 6 |
| AP8220357 | 28.26 | 3 |
| AP8220370 | 28.24 | 6 |
| AP8220371 | 28.25 | 12 |
| AP8220373 | 28.22 | 15 |
| AP8220384 | 28.23 | 11 |
| AP8220385 | 28.24 | 5 |
| AP8220407 | 28.09 | 2 |
| AP8220407 | 28.16 | 2 |
| AP8220422 | 28.19 | 18 |
| AP8220438 | 29.43 | 3 |
| AP8220439 | 29.43 | 4 |
| AP8220440 | 29.43 | 5 |
| AP8221023 | 28.22 | 11 |
| AP8221087 | 28.25 | 8 |
| AP8221094 | 28.24 | 3 |
| AP8221097 | 28.17 | 9 |
| AP8221102 | 28.28 | 19 |
| AP8221120 | 28.29 | 7 |
| AP8221142 | 28.02 | 5 |
| AP8221146 | 28.27 | 9 |
| AP8221153 | 28.19 | 7 |
| AP8221154 | 28.19 | 8 |
| AP8221155 | 28.03 | 23 |
| AP8221161 | 28.30 | 14 |
| AP8221179 | 28.16 | 4 |
| AP8221183 | 28.16 | 5 |
| AP8221187 | 28.02 | 2 |
| AP8221188 | 28.02 | 4 |
| AP8221197 | 28.02 | 1 |
| AP8221231 | 28.21 | 12 |
| AP8221232 | 28.18 | 8 |
| AP8221312 | 28.01 | 9 |
| AP8222335 | 29.41 | 8 |
| AP8222336 | 29.41 | 10 |
| AP8222349 | 28.25 | 1 |
| AP8222370 | 28.25 | 1 |
| AP8222381 | 28.25 | 1 |
| AP8222382 | 28.25 | 1 |
| AP8222383 | 28.25 | 1 |
| AP8222384 | 28.25 | 1 |
| AP8222384 | 28.25 | 1 |
| AP8222458 | 29.41 | 11 |
| AP8222480 | 28.25 | 1 |
| AP8222489 | 28.25 | 1 |
| AP8222491 | 28.25 | 1 |
| AP8222550 | 28.25 | 1 |

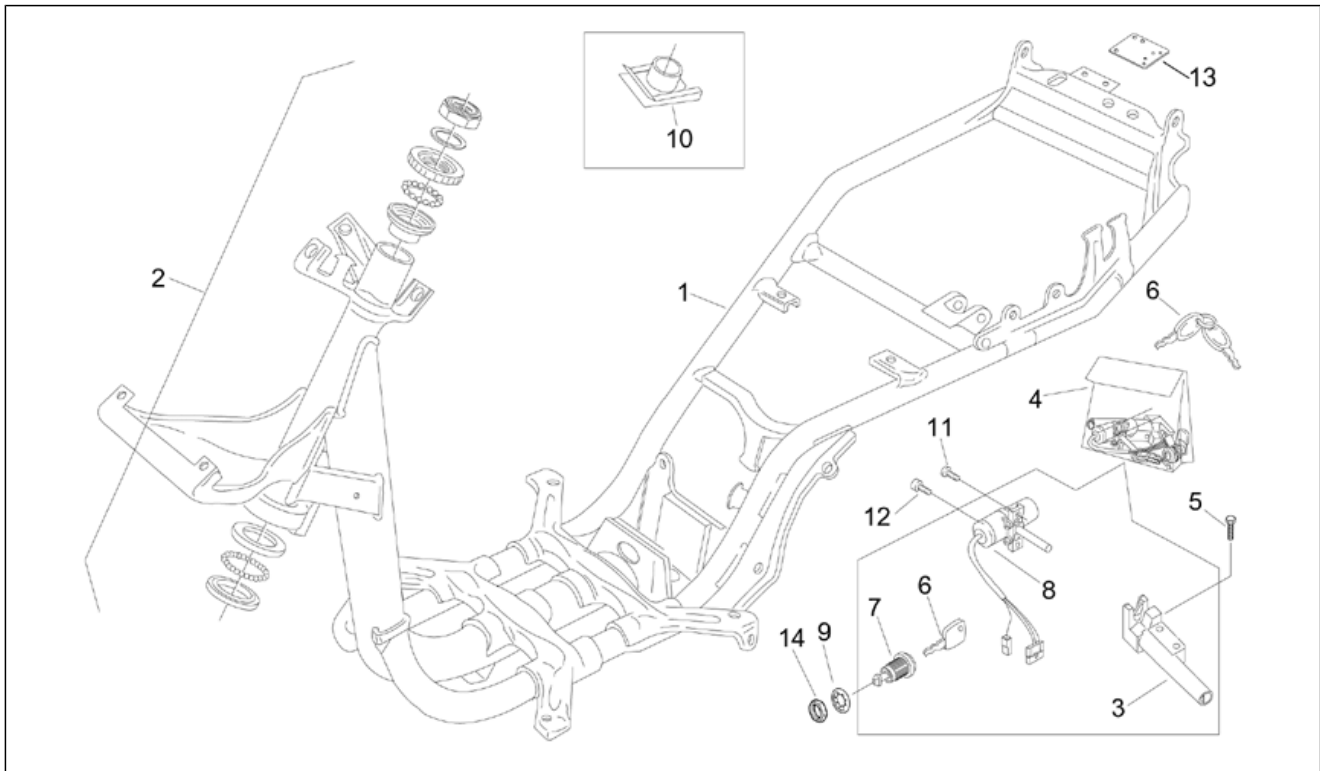
| Code | Nr. der Tafel | Pos. |
|-----------|---------------|------|
| AP8222552 | 28.25 | 1 |
| AP8224093 | 29.43 | 16 |
| AP8225148 | 28.27 | 12 |
| AP8225148 | 28.28 | 13 |
| AP8225237 | 28.27 | 11 |
| AP8225237 | 28.28 | 20 |
| AP8225275 | 28.27 | 7 |
| AP8225275 | 28.28 | 12 |
| AP8225276 | 28.27 | 13 |
| AP8225276 | 28.28 | 2 |
| AP8225277 | 28.28 | 9 |
| AP8226342 | 28.08 | 5 |
| AP8226372 | 28.08 | 3 |
| AP8226385 | 28.18 | 2 |
| AP8226385 | 28.18 | 2 |
| AP8226386 | 28.18 | 1 |
| AP8226386 | 28.18 | 1 |
| AP8226412 | 28.08 | 1 |
| AP8226413 | 28.08 | 2 |
| AP8229144 | 28.12 | 1 |
| AP8229176 | 28.12 | 1 |
| AP8229176 | 28.12 | 1 |
| AP8229176 | 28.12 | 1 |
| AP8229184 | 28.12 | 1 |
| AP8229250 | 28.12 | 1 |
| AP8229250 | 28.12 | 1 |
| AP8229250 | 28.12 | 1 |
| AP8229251 | 28.12 | 1 |
| AP8230535 | 28.31 | 6 |
| AP8230563 | 28.17 | 4 |
| AP8230567 | 28.18 | 1 |
| AP8230714 | 28.09 | 1 |
| AP8230719 | 28.18 | 2 |
| AP8230945 | 28.04 | 1 |
| AP8230958 | 28.16 | 1 |
| AP8230982 | 28.08 | 1 |
| AP8230983 | 28.08 | 2 |
| AP8231321 | 28.22 | 1 |
| AP8231322 | 28.16 | 3 |
| AP8231323 | 28.09 | 4 |
| AP8231341 | 28.07 | 2 |
| AP8231345 | 28.04 | 3 |
| AP8231345 | 28.04 | 3 |
| AP8231347 | 28.17 | 1 |
| AP8231348 | 28.17 | 3 |
| AP8231372 | 28.14 | 1 |
| AP8231377 | 28.10 | 2 |
| AP8231510 | 28.23 | 1 |
| AP8231512 | 28.17 | 5 |
| AP8231622 | 28.24 | 1 |
| AP8231624 | 28.22 | 1 |
| AP8231624 | 28.22 | 1 |
| AP8231640 | 28.04 | 12 |
| AP8231640 | 28.04 | 12 |
| AP8231706 | 28.09 | 5 |
| AP8231706 | 28.09 | 5 |
| AP8231707 | 28.09 | 6 |
| AP8231707 | 28.09 | 6 |
| AP8231821 | 28.17 | 2 |
| AP8231822 | 28.14 | 2 |
| AP8231824 | 28.06 | 1 |
| AP8231825 | 28.15 | 1 |
| AP8231826 | 28.15 | 2 |
| AP8231827 | 28.06 | 2 |
| AP8232464 | 28.25 | 7 |
| AP8232470 | 28.24 | 4 |

| Code | Nr. der Tafel | Pos. |
|-----------|---------------|------|
| AP8232471 | 28.24 | 8 |
| AP8232524 | 28.26 | 7 |
| AP8232524 | 28.26 | 7 |
| AP8232524 | 28.26 | 7 |
| AP8232614 | 28.02 | 9 |
| AP8232614 | 28.02 | 9 |
| AP8232616 | 28.02 | 10 |
| AP8232616 | 28.02 | 10 |
| AP8232629 | 28.25 | 2 |
| AP8232678 | 28.29 | 9 |
| AP8232852 | 28.01 | 1 |
| AP8232854 | 28.04 | 2 |
| AP8232883 | 28.02 | 6 |
| AP8234057 | 28.01 | 13 |
| AP8234067 | 28.18 | 4 |
| AP8234069 | 28.18 | 3 |
| AP8234078 | 28.13 | 1 |
| AP8237075 | 28.32 | 3 |
| AP8237325 | 28.32 | 4 |
| AP8237369 | 28.32 | 1 |
| AP8237371 | 28.32 | 1 |
| AP8237376 | 28.32 | 1 |
| AP8237514 | 28.32 | 3 |
| AP8237587 | 28.32 | 2 |
| AP8237587 | 28.32 | 2 |
| AP8237783 | 28.32 | 1 |
| AP8237993 | 28.32 | 3 |
| AP8238221 | 28.11 | 1 |
| AP8238224 | 28.13 | 2 |
| AP8238572 | 28.13 | 2 |
| AP8238572 | 28.13 | 2 |
| AP8238573 | 28.08 | 1 |
| AP8238574 | 28.08 | 2 |
| AP8238575 | 28.14 | 1 |
| AP8238576 | 28.10 | 2 |
| AP8238577 | 28.09 | 4 |
| AP8238578 | 28.04 | 1 |
| AP8238579 | 28.07 | 2 |
| AP8238580 | 28.14 | 2 |
| AP8238580 | 28.14 | 2 |
| AP8238581 | 28.06 | 1 |
| AP8238581 | 28.06 | 1 |
| AP8238582 | 28.06 | 2 |
| AP8238582 | 28.06 | 2 |
| AP8238583 | 28.05 | 1 |
| AP8238583 | 28.05 | 1 |
| AP8238583 | 28.05 | 1 |
| AP8238584 | 28.15 | 1 |
| AP8238585 | 28.15 | 2 |
| AP8238586 | 28.17 | 3 |
| AP8238587 | 28.11 | 1 |
| AP8238587 | 28.11 | 1 |
| AP8238588 | 28.17 | 2 |
| AP8238589 | 28.05 | 1 |
| AP8238590 | 28.06 | 1 |
| AP8238591 | 28.06 | 2 |
| AP8238592 | 28.11 | 1 |
| AP8238592 | 28.11 | 1 |
| AP8238593 | 28.15 | 1 |
| AP8238594 | 28.15 | 2 |
| AP8238595 | 28.17 | 2 |
| AP8238596 | 28.14 | 2 |
| AP8238597 | 28.13 | 2 |
| AP8238597 | 28.13 | 2 |
| AP8238611 | 28.09 | 1 |
| AP8238644 | 28.05 | 1 |
| AP8238644 | 28.05 | 1 |

| Code | Nr. der Tafel | Pos. |
|-----------|---------------|------|
| AP8238644 | 28.05 | 1 |
| AP8238644 | 28.05 | 1 |
| AP8238645 | 28.06 | 1 |
| AP8238645 | 28.06 | 1 |
| AP8238645 | 28.06 | 1 |
| AP8238646 | 28.06 | 2 |
| AP8238646 | 28.06 | 2 |
| AP8238646 | 28.06 | 2 |
| AP8238646 | 28.06 | 2 |
| AP8238647 | 28.11 | 1 |
| AP8238647 | 28.11 | 1 |
| AP8238647 | 28.11 | 1 |
| AP8238648 | 28.15 | 1 |
| AP8238649 | 28.15 | 2 |
| AP8238650 | 28.17 | 2 |
| AP8238650 | 28.17 | 2 |
| AP8238651 | 28.14 | 2 |
| AP8238651 | 28.14 | 2 |
| AP8238651 | 28.14 | 2 |
| AP8238652 | 28.13 | 2 |
| AP8238652 | 28.13 | 2 |
| AP8238652 | 28.13 | 2 |
| AP8238677 | 28.11 | 1 |
| AP8238677 | 28.11 | 1 |
| AP8238679 | 28.22 | 1 |
| AP8238679 | 28.22 | 1 |
| AP8238724 | 28.11 | 1 |
| AP8238724 | 28.11 | 1 |
| AP8238725 | 28.11 | 1 |
| AP8238725 | 28.11 | 1 |
| AP8238725 | 28.11 | 1 |
| AP8238793 | 28.13 | 2 |
| AP8238794 | 28.13 | 2 |
| AP8238795 | 28.13 | 2 |
| AP8238818 | 28.05 | 1 |
| AP8238831 | 28.05 | 1 |
| AP8238831 | 28.05 | 1 |
| AP8238832 | 28.05 | 1 |
| AP8238833 | 28.05 | 1 |
| AP8238833 | 28.05 | 1 |
| AP8239116 | 28.14 | 1 |
| AP8239117 | 28.10 | 2 |
| AP8239118 | 28.09 | 4 |
| AP8239119 | 28.04 | 1 |
| AP8239119 | 28.04 | 1 |
| AP8239120 | 28.07 | 2 |
| AP8239121 | 28.09 | 1 |
| AP8239122 | 28.15 | 1 |
| AP8239124 | 28.15 | 2 |
| AP8239126 | 28.17 | 3 |
| AP8239127 | 28.11 | 1 |
| AP8239127 | 28.11 | 1 |
| AP8239128 | 28.13 | 2 |
| AP8239128 | 28.13 | 2 |
| AP8239129 | 28.14 | 2 |
| AP8239130 | 28.06 | 1 |
| AP8239131 | 28.06 | 2 |
| AP8239132 | 28.05 | 1 |
| AP8239132 | 28.05 | 1 |
| AP8239133 | 28.17 | 2 |
| AP8239134 | 28.15 | 1 |
| AP8239134 | 28.15 | 1 |
| AP8239135 | 28.15 | 2 |
| AP8239135 | 28.15 | 2 |
| AP8239136 | 28.15 | 1 |
| AP8239137 | 28.15 | 2 |
| AP8239193 | 28.05 | 1 |
| AP8239194 | 28.11 | 1 |

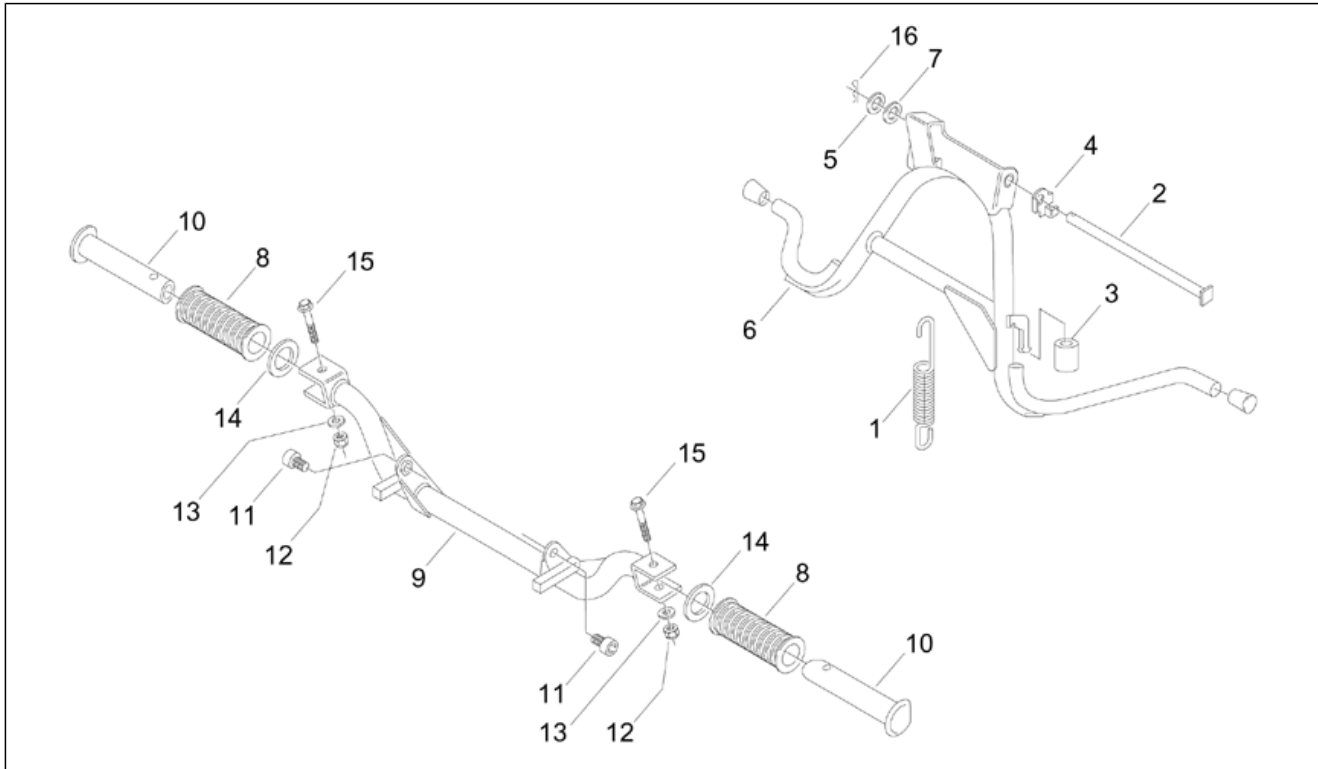
| Code | Nr. der Tafel | Pos. |
|-----------|---------------|------|
| AP8239194 | 28.11 | 1 |
| AP8239225 | 28.13 | 2 |
| AP8239313 | 28.04 | 2 |
| AP8239476 | 28.06 | 2 |
| AP8239481 | 28.14 | 2 |
| AP8239482 | 28.13 | 2 |
| AP8239488 | 28.06 | 2 |
| AP8239493 | 28.14 | 2 |
| AP8239494 | 28.13 | 2 |
| AP8239506 | 28.05 | 1 |
| AP8239507 | 28.06 | 1 |
| AP8239508 | 28.11 | 1 |
| AP8239509 | 28.15 | 1 |
| AP8239510 | 28.15 | 2 |
| AP8239511 | 28.11 | 1 |
| AP8239512 | 28.17 | 2 |
| AP8239513 | 28.05 | 1 |
| AP8239514 | 28.06 | 1 |
| AP8239515 | 28.11 | 1 |
| AP8239516 | 28.15 | 1 |
| AP8239517 | 28.15 | 2 |
| AP8239518 | 28.11 | 1 |
| AP8239519 | 28.17 | 2 |
| AP8247177 | 28.32 | 1 |
| AP8247178 | 28.32 | 1 |
| AP8247179 | 28.32 | 1 |
| AP8247477 | 28.32 | 3 |
| AP8247477 | 28.32 | 3 |
| AP8247478 | 28.32 | 2 |
| AP8247478 | 28.32 | 2 |
| AP8247496 | 28.32 | 3 |
| AP8247499 | 28.32 | 1 |
| AP8247503 | 28.32 | 1 |
| AP8247509 | 28.32 | 1 |
| AP8257451 | 28.32 | 3 |
| AP8501469 | 29.42 | 10 |
| AP8501481 | 29.37 | 8 |
| AP8502471 | 29.37 | 13 |
| AP8502471 | 29.38 | 14 |
| AP8502563 | 29.34 | 7 |
| AP8502563 | 29.35 | 12 |
| AP8502564 | 29.39 | 1 |
| AP8502564 | 29.42 | 5 |
| AP8502564 | 29.43 | 12 |
| AP8502567 | 29.37 | 3 |
| AP8502567 | 29.42 | 4 |
| AP8502626 | 29.40 | 2 |
| AP8508887 | 29.39 | 9 |

| | |
|---------------------|--------|
| Einheit | RAHMEN |
| Code | 28.01 |
| Beschreibung | Rahmen |
| Inspektion | 1 |



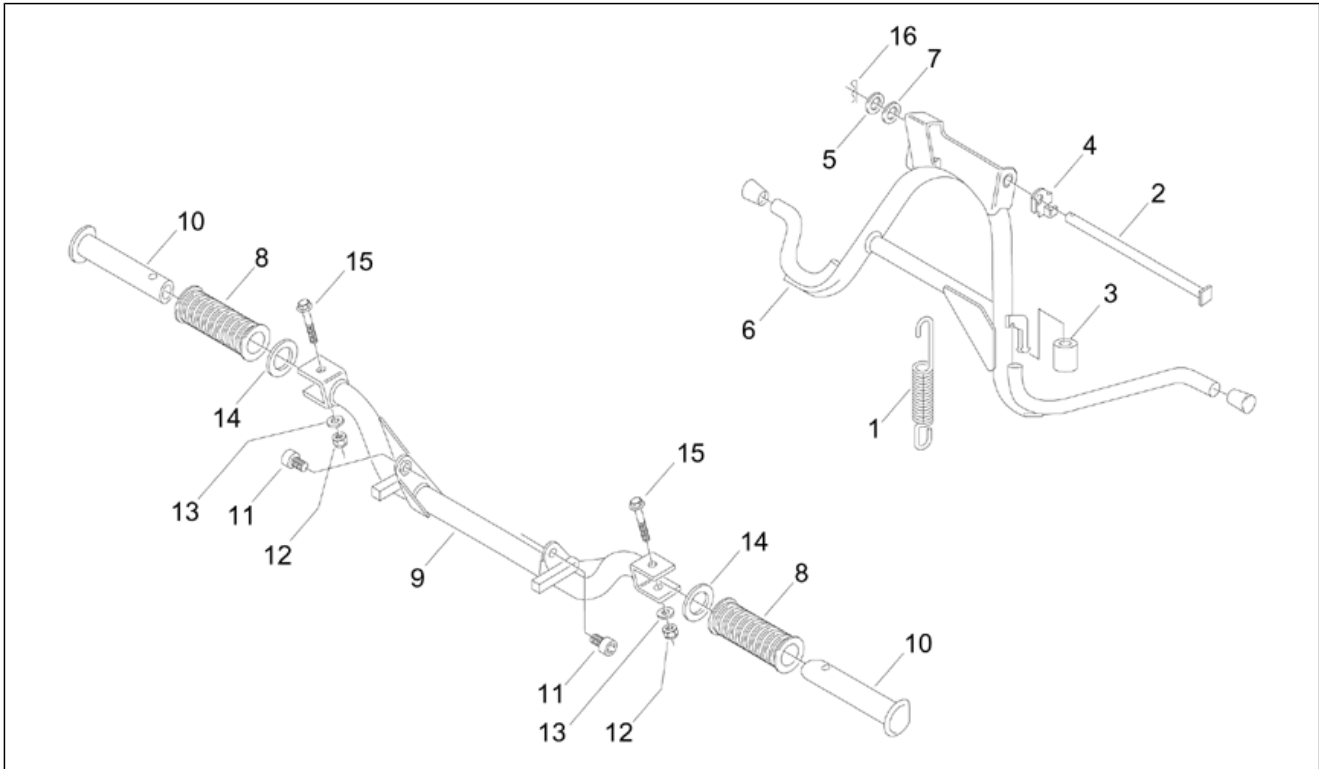
| Pos. | Code | Beschreibung | Menge | Varianten |
|------|-----------|---------------------------|-------|---|
| 1 | AP8232852 | Rahmen mit Kataphorese | 1 | |
| 2 | AP8203609 | Satz Kugelringe | 1 | |
| 3 | AP8201564 | Sitzschloß | 1 | |
| 4 | AP8201875 | Kit Schließvorrichtungen | 1 | |
| 5 | AP8152282 | TE Schr. m. Flansch M6x35 | 2 | |
| 6 | AP8102880 | Schl. gefr. Aprilia | 1 | |
| 7 | AP8201390 | Schloß Stauraum | 1 | |
| 8 | AP8212336 | Lenkschloß | 1 | |
| 9 | AP8221312 | Zahnscheibe | 1 | |
| 10 | AP8102376 | Klammer M6 | 2 | |
| 11 | AP8152040 | TCEI Schraube | 1 | |
| 12 | AP8152140 | Reißschraube M6x17 | 1 | |
| 13 | AP8234057 | Schildpl. matt. kat. | 1 | Land:Schweiz[CH], Deutschland[D], Spanien[E], Frankreich[F] |
| 14 | AP8152194 | Mutter unten M19x1* | 1 | |

| | |
|---------------------|----------------------|
| Einheit | RAHMEN |
| Code | 28.02 |
| Beschreibung | Fussrasten - Ständer |
| Inspektion | 1 |



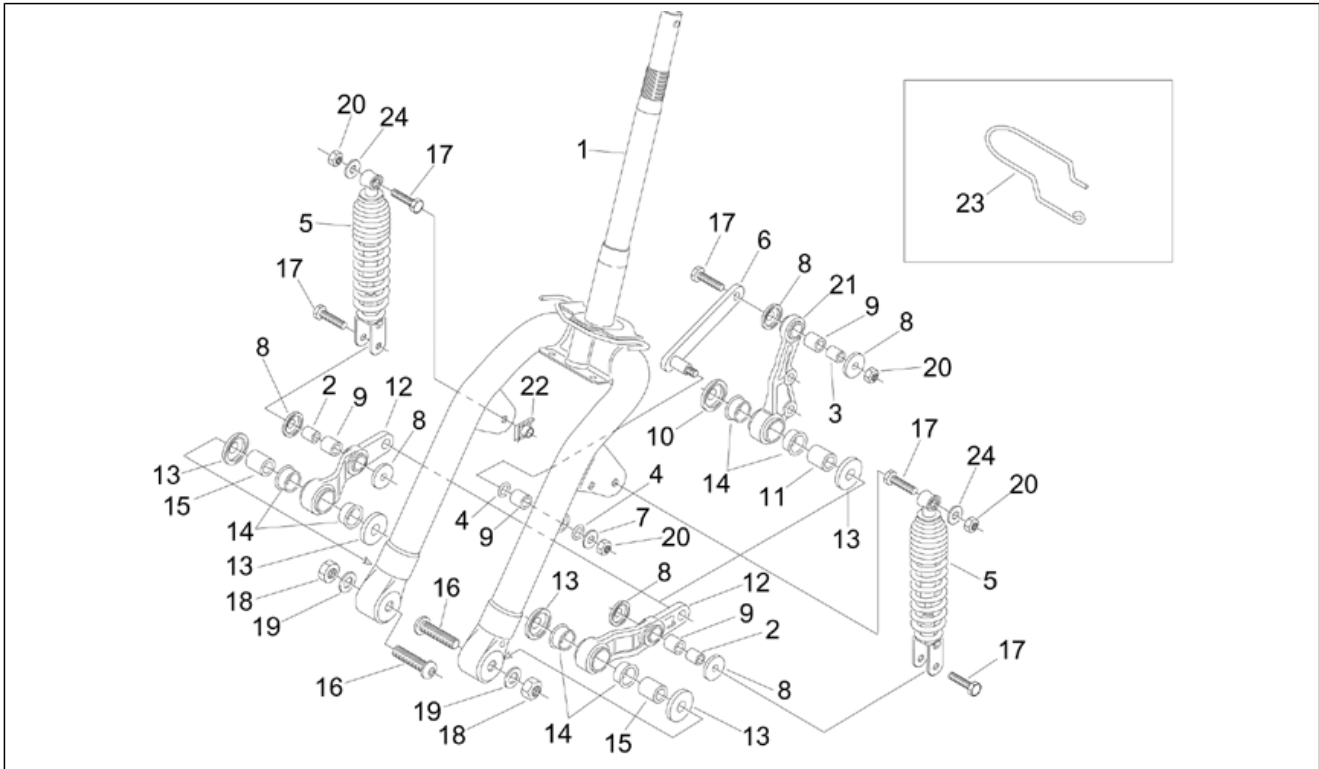
| Pos. | Code | Beschreibung | Menge | Varianten |
|------|-----------|-----------------------------|-------|--|
| 1 | AP8221197 | Hauptständer Schraubenfeder | 1 | |
| 2 | AP8221187 | Ständerbolzen | 1 | |
| 3 | AP8220239 | Gummi * | 1 | |
| 4 | AP8221188 | U-scheibe Ständerbolz | 1 | |
| 5 | AP8221142 | T-Buchse | 1 | |
| 6 | AP8232883 | Hauptständer | 1 | |
| 7 | AP8120592 | Ausgleichscheibe | 2 | |
| 8 | AP8220276 | Gummi Trittbrett | 2 | Land:Österreich[A], Belgien[B], Schweiz[CH], Holland[NL], Finnland[SF] |
| 8 | AP8220276 | Gummi Trittbrett | 2 | Land:Deutschland[D] Technische Daten:Scheibenbremse Hinterrad[f.d.] |
| 9 | AP8232614 | Halter Soziusfußraste | 1 | Land:Österreich[A], Belgien[B], Schweiz[CH], Holland[NL], Finnland[SF] |
| 9 | AP8232614 | Halter Soziusfußraste | 1 | Land:Deutschland[D] Technische Daten:Scheibenbremse Hinterrad[f.d.] |
| 10 | AP8232616 | Soziusraste | 2 | Land:Österreich[A], Belgien[B], Schweiz[CH], Holland[NL], Finnland[SF] |
| 10 | AP8232616 | Soziusraste | 2 | Land:Deutschland[D] Technische Daten:Scheibenbremse Hinterrad[f.d.] |
| 11 | AP8152112 | TCEI Schraube | 2 | |
| 12 | AP8150430 | Selbstsperr.mut Unt. | 2 | Land:Deutschland[D] Technische Daten:Scheibenbremse Hinterrad[f.d.] |
| 12 | AP8150430 | Selbstsperr.mut Unt. | 2 | Land:Österreich[A], Belgien[B], Schweiz[CH], Holland[NL], Finnland[SF] |
| 13 | AP8150014 | Ausgleichscheibe 6,4x12,5* | 2 | Land:Deutschland[D] Technische Daten:Scheibenbremse Hinterrad[f.d.] |
| 13 | AP8150014 | Ausgleichscheibe 6,4x12,5* | 2 | Land:Österreich[A], Belgien[B], Schweiz[CH], Holland[NL], Finnland[SF] |
| 14 | AP8150394 | U-scheibe Inox 21x37x3 | 2 | Land:Österreich[A], Belgien[B], Schweiz[CH], Holland[NL], Finnland[SF] |
| 14 | AP8150394 | U-scheibe Inox 21x37x3 | 2 | Land:Deutschland[D] |

| | |
|---------------------|----------------------|
| Einheit | RAHMEN |
| Code | 28.02 |
| Beschreibung | Fussrasten - Ständer |
| Inspektion | 1 |



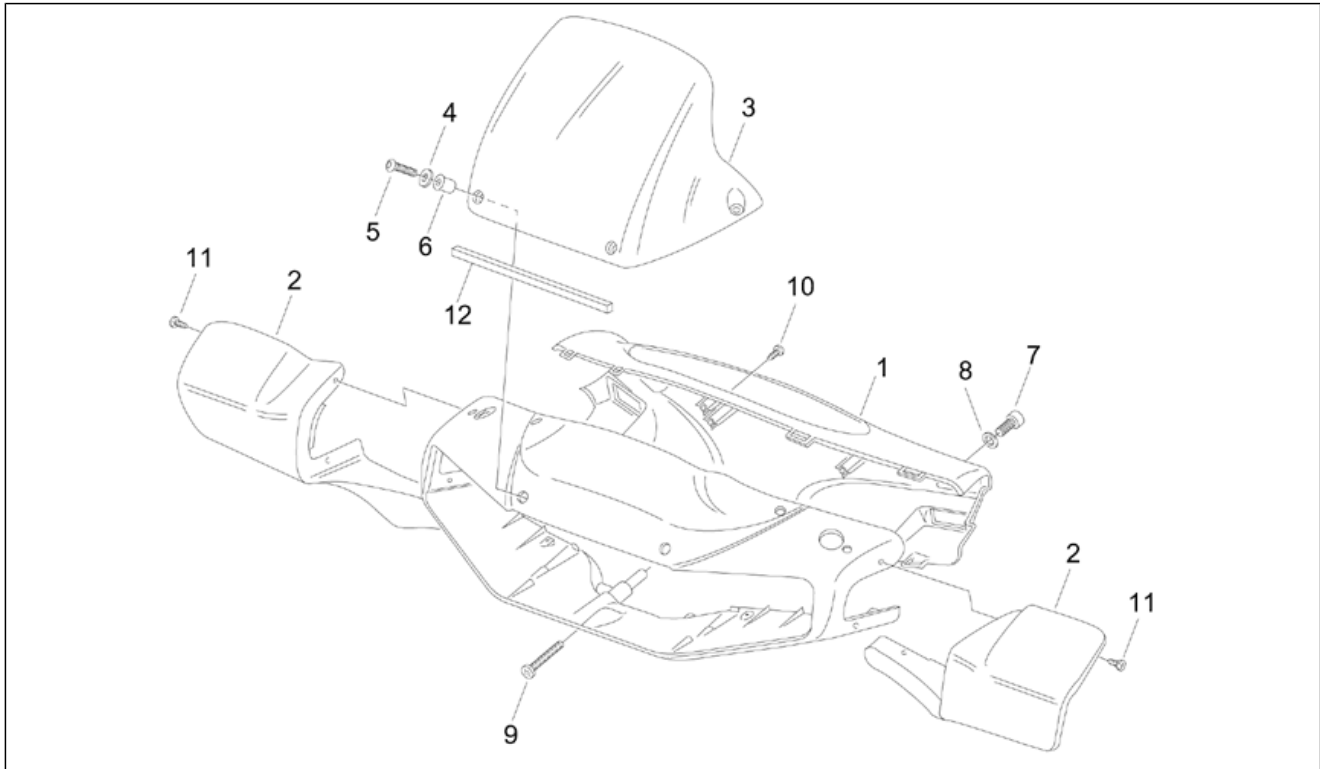
| Pos. | Code | Beschreibung | Menge | Varianten |
|------|-----------|---------------------|-------|--|
| | | | | Technische Daten: Scheibenbremse Hinterrad[f.d.] |
| 15 | AP8152283 | TE Schr. m. Flansch | 2 | Land: Österreich[A], Belgien[B], Schweiz[CH], Holland[NL], Finnland[SF] |
| 15 | AP8152283 | TE Schr. m. Flansch | 2 | Land: Deutschland[D] Technische Daten: Scheibenbremse Hinterrad[f.d.] |
| 16 | AP8201431 | Splint * | 1 | |

| | |
|---------------------|----------------|
| Einheit | RAHMEN |
| Code | 28.03 |
| Beschreibung | Vorderradgabel |
| Inspektion | 1 |



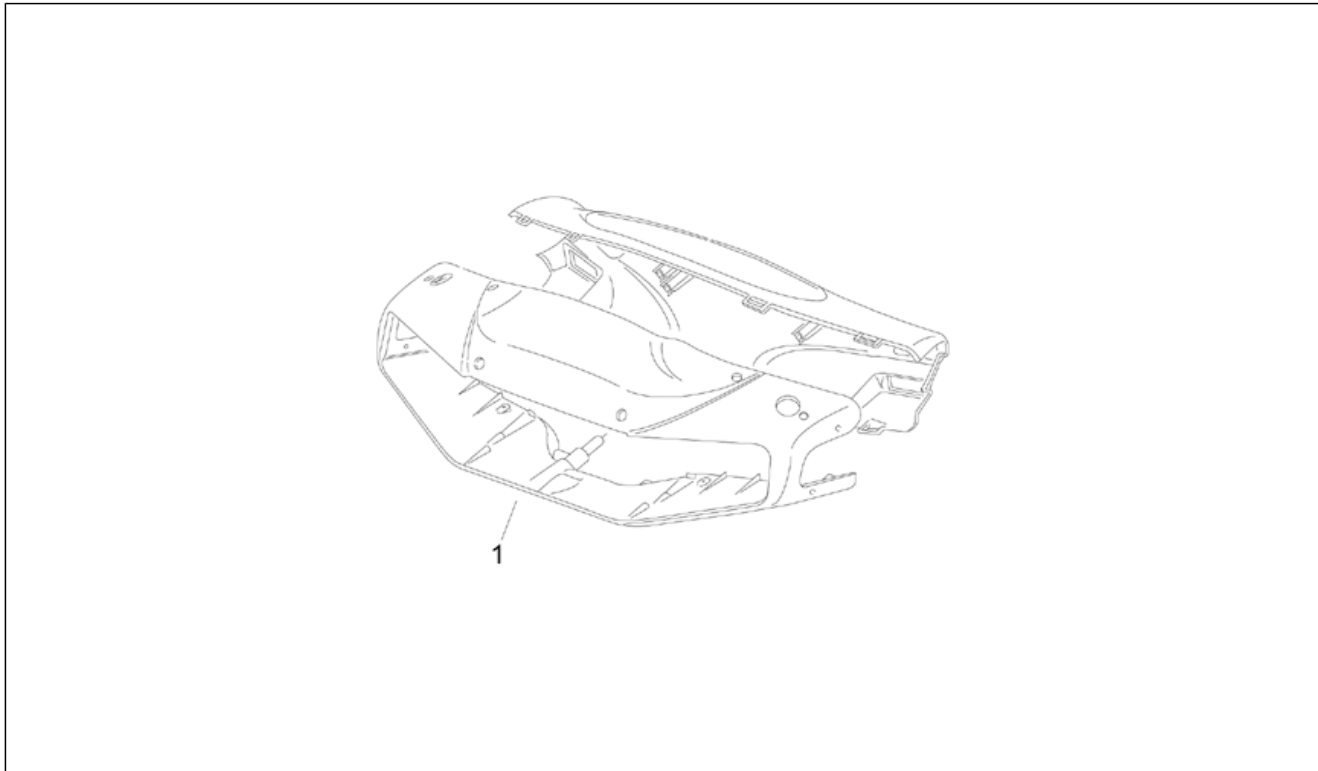
| Pos. | Code | Beschreibung | Menge | Varianten |
|------|-----------|-------------------------|-------|---|
| 1 | AP8203608 | Gabel | 1 | |
| 2 | AP8203536 | Buchse | 2 | |
| 3 | AP8203525 | Buchse | 1 | Technische Daten: Hinterrad-Trommelbremse[f.t.] |
| 3 | AP8203536 | Buchse | 1 | Technische Daten: Scheibenbremse Hinterrad[f.d.] |
| 4 | AP8203531 | O-Ring 115 | 2 | |
| 5 | AP8203607 | Stoßdämpfergabel | 2 | |
| 6 | AP8203533 | Platte | 1 | |
| 7 | AP8203542 | Spezial-U-scheibe | 1 | |
| 8 | AP8203521 | Becher D20 | 3 | |
| 9 | AP8203523 | Nylon buchse | 3 | |
| 10 | AP8203519 | Becher D28 | 1 | |
| 11 | AP8203524 | Buchse | 1 | |
| 12 | AP8203537 | Pleuelstange | 2 | |
| 13 | AP8203520 | Becher | 5 | |
| 14 | AP8203522 | Nylon buchse | 5 | |
| 15 | AP8203538 | Buchse | 2 | |
| 16 | AP8203539 | Linsenschraube | 2 | |
| 17 | AP8201602 | Sechskantschraube M8x35 | 2 | |
| 18 | AP8203541 | Selbstsperrende Mutter | 2 | |
| 19 | AP8203535 | Ausgleichscheibe D12 | 2 | |
| 20 | AP8203543 | Selbstsperrende Mutter | 4 | |
| 21 | AP8203534 | Bremszange platte | 1 | Technische Daten: Scheibenbremse Hinterrad[f.d.] |
| 22 | AP8203540 | Klammer | 4 | |
| 23 | AP8221155 | Kabelführungs | 1 | Technische Daten: Scheibenbremse Hinterrad[f.d.] |
| 24 | AP8201605 | Ausgleichscheibe | 2 | |

| | |
|---------------------|---------------|
| Einheit | RAHMEN |
| Code | 28.04 |
| Beschreibung | Frontaufbau I |
| Inspektion | 1 |



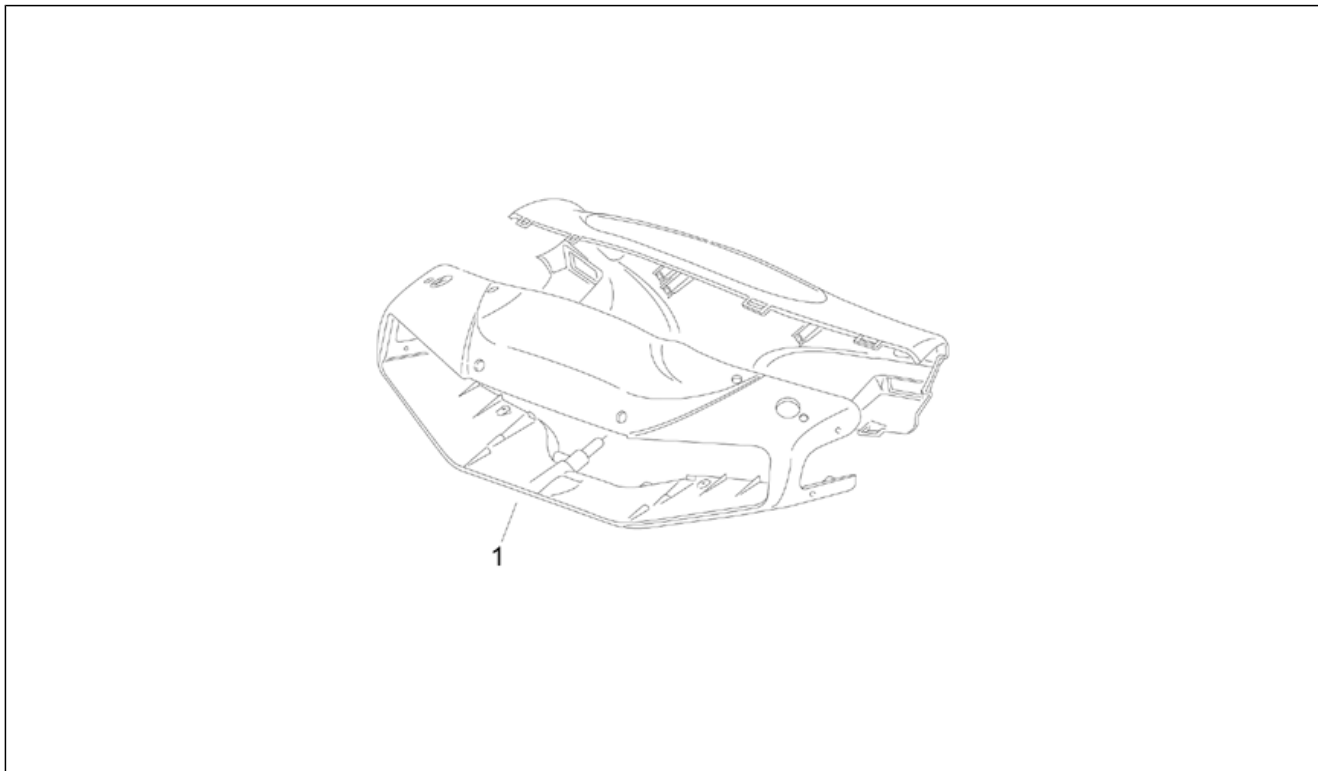
| Pos. | Code | Beschreibung | Menge | Varianten |
|------|-----------|----------------------------|-------|---|
| 1 | AP8230945 | Instrumententafel, schwarz | 1 | Baujahr: 1996[T] Fahrzeugfarbe: Blau Aprilia/Grau Metall 1996[Bi/Gr] |
| 1 | AP8238578 | Instrumententafel, grau | 1 | Baujahr: 1996[T] Fahrzeugfarbe: Blau Oxford 1996[Bi.ox], Tiefgrau (große Aufkleber) 1996[Gr.b], Tiefgrau 1996-1998[Grey], Kirschrot 1996-1997[Red] |
| 1 | AP8239119 | Instrumententafel, blau | 1 | Baujahr: 1998[W] |
| 1 | AP8239119 | Instrumententafel, blau | 1 | Baujahr: 1997[V] Fahrzeugfarbe: Blau Midnight 1997[Bi.mi], Tiefgrau 1996-1998[Grey], Kirschrot 1996-1997[Red] |
| 2 | AP8232854 | Handschutzpaar, blau | 1 | Baujahr: 1996[T] |
| 2 | AP8239313 | Handschutzpaar, blau | 1 | Baujahr: 1997[V] |
| 3 | AP8231345 | Windabweiser | 1 | Baujahr: 1996[T] Technische Daten: Scheibenbremse Hinterrad[f.d.] |
| 3 | AP8231345 | Windabweiser | 1 | Baujahr: 1997[V] Land: Schweiz[CH], Deutschland[D], Spanien[E] Technische Daten: Scheibenbremse Hinterrad[f.d.] |
| 4 | AP8120591 | Ausgleichscheibe 10x5,3x1* | 1 | |
| 5 | AP8152269 | TBEI Spez.schr. | 1 | |
| 6 | AP8120531 | Gummi mit Einsatz | 1 | |
| 7 | AP8150052 | TCEI Schraube M6x16 | 2 | |
| 8 | AP8150178 | Ausgleichscheibe 6,4x12,5* | 2 | |
| 9 | AP8150427 | Linsenschraube M4x40 | 1 | |
| 10 | AP8150421 | Gew.schr. 2,9x12 | 2 | |
| 11 | AP8150413 | Gew.schr. 3,9x14 | 2 | |
| 12 | AP8231640 | Dichtung sonnenblende | 1 | Baujahr: 1996[T] Technische Daten: Scheibenbremse Hinterrad[f.d.] |
| 12 | AP8231640 | Dichtung sonnenblende | 1 | Baujahr: 1997[V] Land: Schweiz[CH], Deutschland[D], Spanien[E] Technische Daten: Scheibenbremse Hinterrad[f.d.] |

| | |
|---------------------|----------------|
| Einheit | RAHMEN |
| Code | 28.05 |
| Beschreibung | Frontaufbau II |
| Inspektion | 1 |



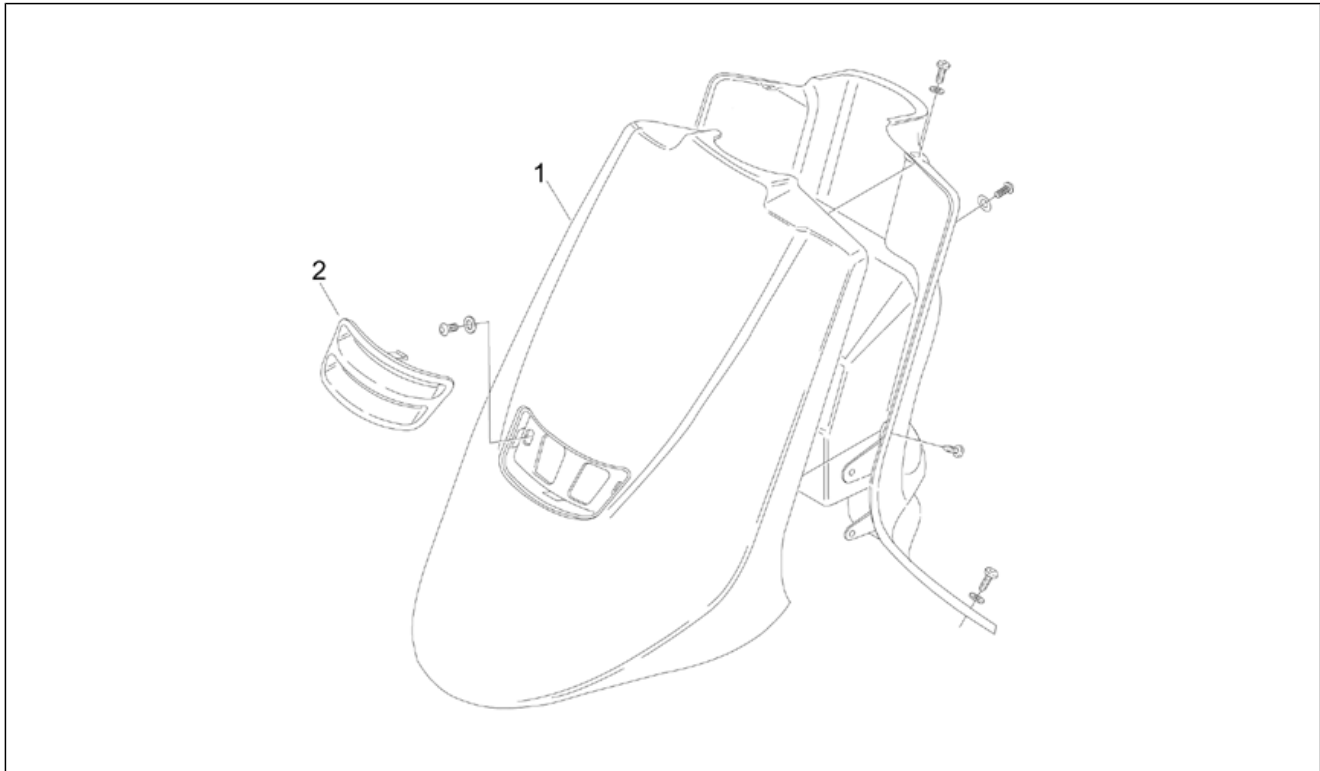
| Pos. | Code | Beschreibung | Menge | Varianten |
|------|-----------|--------------------------|-------|--|
| 1 | AP8238583 | Scheinwerferbügel, rot | 1 | Baujahr: 1997[V] Fahrzeugfarbe: Kirschrot 1996-1997[Red] Land: Italien[I] Technische Daten: Scheibenbremse Hinterrad[f.d.] |
| 1 | AP8238583 | Scheinwerferbügel, rot | 1 | Baujahr: 1997[V] Fahrzeugfarbe: Kirschrot 1996-1997[Red] Technische Daten: Hinterrad-Trommelbremse[f.t.] |
| 1 | AP8238583 | Scheinwerferbügel, rot | 1 | Baujahr: 1996[T] Fahrzeugfarbe: Kirschrot 1996-1997[Red] Technische Daten: Hinterrad-Trommelbremse[f.t.] |
| 1 | AP8238589 | Scheinwerferbügel, blau | 1 | Baujahr: 1996[T] Fahrzeugfarbe: Blau Oxford 1996[Bl.ox] Technische Daten: Hinterrad-Trommelbremse[f.t.] |
| 1 | AP8238644 | Scheinwerferbügel, grau | 1 | Baujahr: 1998[W] Fahrzeugfarbe: Tiefgrau 1996-1998[Grey] |
| 1 | AP8238644 | Scheinwerferbügel, grau | 1 | Baujahr: 1996[T] Fahrzeugfarbe: Tiefgrau (große Aufkleber) 1996[Gr.b], Tiefgrau 1996-1998[Grey] Technische Daten: Hinterrad-Trommelbremse[f.t.] |
| 1 | AP8238644 | Scheinwerferbügel, grau | 1 | Baujahr: 1997[V] Fahrzeugfarbe: Tiefgrau 1996-1998[Grey] Land: Italien[I] Technische Daten: Scheibenbremse Hinterrad[f.d.] |
| 1 | AP8238644 | Scheinwerferbügel, grau | 1 | Baujahr: 1997[V] Fahrzeugfarbe: Tiefgrau 1996-1998[Grey] Technische Daten: Hinterrad-Trommelbremse[f.t.] |
| 1 | AP8238818 | Scheinwerferbügel, blau | 1 | Baujahr: 1996[T] Fahrzeugfarbe: Blau Aprilia/Grau Metall 1996[Bl/Gr] Technische Daten: Hinterrad-Trommelbremse[f.t.] |
| 1 | AP8238831 | Geb. Scheinwerferb., rot | 1 | Baujahr: 1997[V] Fahrzeugfarbe: Kirschrot 1996-1997[Red] Land: Schweiz[CH], Deutschland[D], Spanien[E] Technische Daten: Scheibenbremse Hinterrad[f.d.] |
| 1 | AP8238831 | Geb. Scheinwerferb., rot | 1 | Baujahr: 1996[T] |

| | |
|---------------------|----------------|
| Einheit | RAHMEN |
| Code | 28.05 |
| Beschreibung | Frontaufbau II |
| Inspektion | 1 |



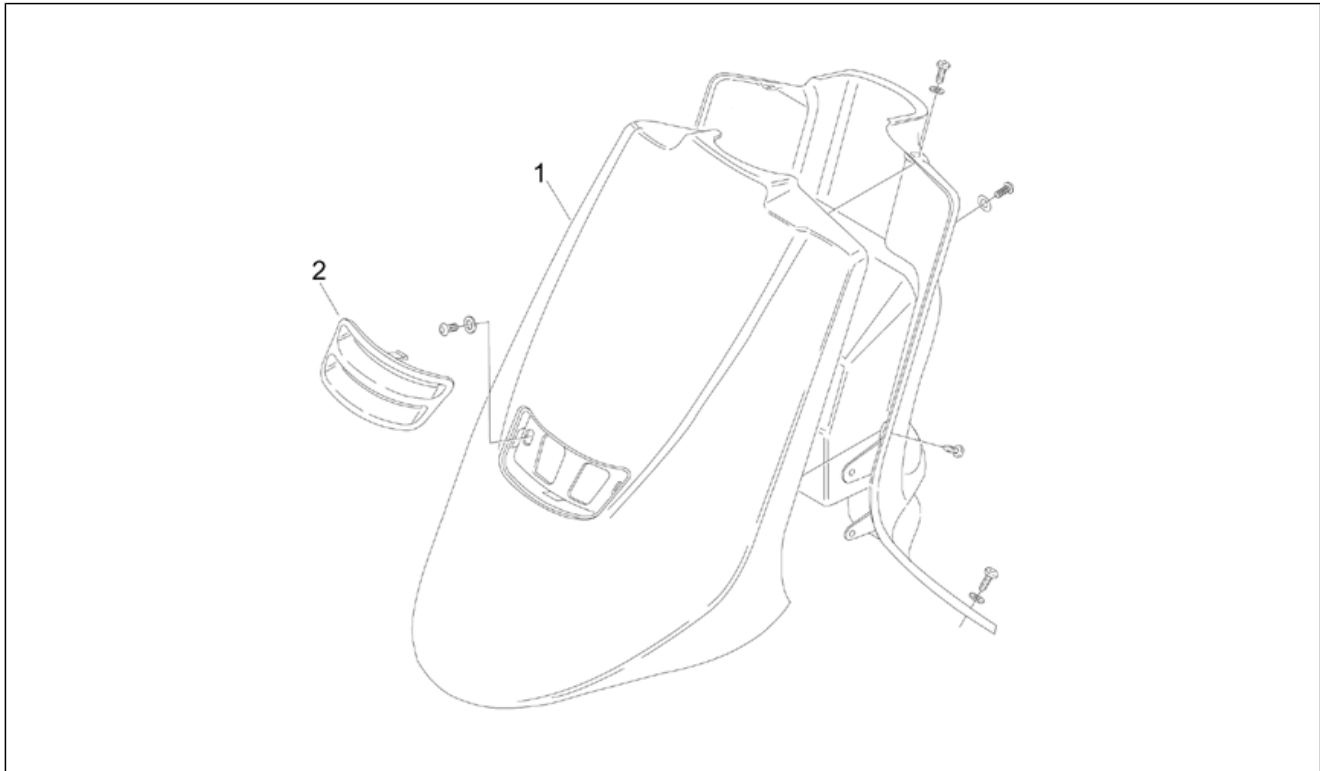
| Pos. | Code | Beschreibung | Menge | Varianten |
|------|-----------|---------------------------|-------|---|
| | | | | Fahrzeugfarbe: Kirschrot 1996-1997[Red] Technische Daten: Scheibenbremse Hinterrad[f.d.] |
| 1 | AP8238832 | Geb. Scheinwerferb., blau | 1 | Baujahr: 1996[T] Fahrzeugfarbe: Blau Oxford 1996[Bl.ox] Technische Daten: Scheibenbremse Hinterrad[f.d.] |
| 1 | AP8238833 | Geb. Scheinwerferb., grau | 1 | Baujahr: 1996[T] Fahrzeugfarbe: Tiefgrau 1996-1998[Grey] Technische Daten: Scheibenbremse Hinterrad[f.d.] |
| 1 | AP8238833 | Geb. Scheinwerferb., grau | 1 | Baujahr: 1997[V] Fahrzeugfarbe: Tiefgrau 1996-1998[Grey] Land: Schweiz[CH], Deutschland[D], Spanien[E] Technische Daten: Scheibenbremse Hinterrad[f.d.] |
| 1 | AP8239132 | Scheinwerferbügel, blau | 1 | Baujahr: 1997[V] Fahrzeugfarbe: Blau Midnight 1997[Bl.mi] Land: Italien[I] Technische Daten: Scheibenbremse Hinterrad[f.d.] |
| 1 | AP8239132 | Scheinwerferbügel, blau | 1 | Baujahr: 1997[V] Fahrzeugfarbe: Blau Midnight 1997[Bl.mi] Technische Daten: Hinterrad-Trommelbremse[f.t.] |
| 1 | AP8239193 | Geb. Scheinwerferb., blau | 1 | Baujahr: 1997[V] Fahrzeugfarbe: Blau Midnight 1997[Bl.mi] Land: Schweiz[CH], Deutschland[D], Spanien[E] Technische Daten: Scheibenbremse Hinterrad[f.d.] |
| 1 | AP8239506 | Scheinwerferbügel, m.lila | 1 | Baujahr: 1998[W] Fahrzeugfarbe: Violett Malve 1998[Violet] |
| 1 | AP8239513 | Scheinwerferbügel, azur | 1 | Baujahr: 1998[W] Fahrzeugfarbe: Hellblau Azurit 1998[a.cya] |

| | |
|---------------------|-----------------|
| Einheit | RAHMEN |
| Code | 28.06 |
| Beschreibung | Frontaufbau III |
| Inspektion | 1 |



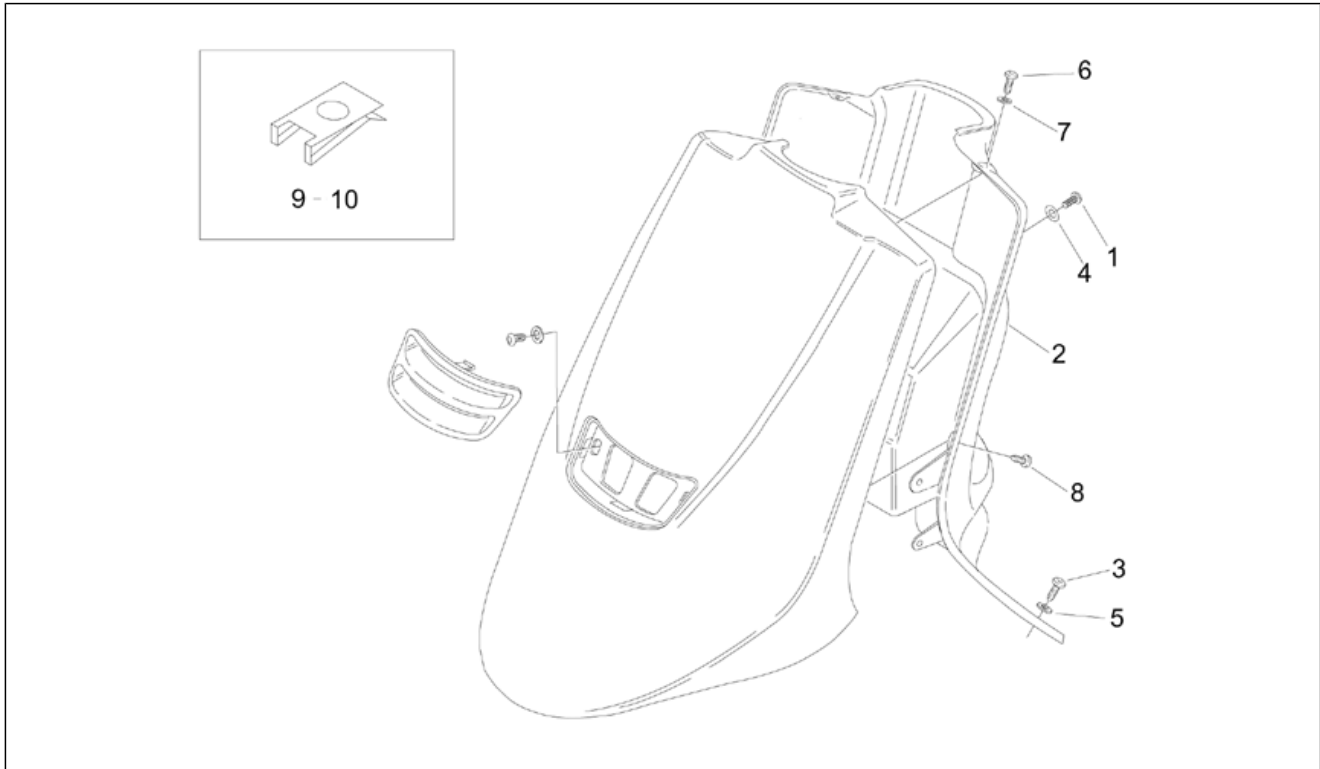
| Pos. | Code | Beschreibung | Menge | Varianten |
|------|-----------|------------------------|-------|---|
| 1 | AP8231824 | Frontschild, blau/grau | 1 | Baujahr: 1996[T] Fahrzeugfarbe: Blau Aprilia/Grau Metall 1996[Bi/Gr] |
| 1 | AP8238581 | Frontschild, rot | 1 | Baujahr: 1997[V] Fahrzeugfarbe: Kirschrot 1996-1997[Red] |
| 1 | AP8238581 | Frontschild, rot | 1 | Baujahr: 1996[T] Fahrzeugfarbe: Kirschrot 1996-1997[Red] |
| 1 | AP8238590 | Frontschild, blau | 1 | Baujahr: 1996[T] Fahrzeugfarbe: Blau Oxford 1996[Bi.ox] |
| 1 | AP8238645 | Frontschild, grau | 1 | Baujahr: 1998[W] Fahrzeugfarbe: Tiefgrau 1996-1998[Grey] |
| 1 | AP8238645 | Frontschild, grau | 1 | Baujahr: 1997[V] Fahrzeugfarbe: Tiefgrau 1996-1998[Grey] |
| 1 | AP8238645 | Frontschild, grau | 1 | Baujahr: 1996[T] Fahrzeugfarbe: Tiefgrau (große Aufkleber) 1996[Gr.b], Tiefgrau 1996-1998[Grey] |
| 1 | AP8239130 | Frontschild, blau | 1 | Baujahr: 1997[V] Fahrzeugfarbe: Blau Midnight 1997[Bi.mi] |
| 1 | AP8239507 | Frontschild, m.-l. | 1 | Baujahr: 1998[W] Fahrzeugfarbe: Violett Malve 1998[Violet] |
| 1 | AP8239514 | Frontschild, azur | 1 | Baujahr: 1998[W] Fahrzeugfarbe: Hellblau Azurit 1998[a.cya] |
| 2 | AP8231827 | V.Schildgitter, blau | 1 | Baujahr: 1996[T] Fahrzeugfarbe: Blau Aprilia/Grau Metall 1996[Bi/Gr] |
| 2 | AP8238582 | V.Schildgitter, rot | 1 | Baujahr: 1997[V] Fahrzeugfarbe: Kirschrot 1996-1997[Red] |
| 2 | AP8238582 | V.Schildgitter, rot | 1 | Baujahr: 1996[T] Fahrzeugfarbe: Kirschrot 1996-1997[Red] |
| 2 | AP8238591 | V.Schildgitter, blau | 1 | Baujahr: 1996[T] Fahrzeugfarbe: Blau Oxford 1996[Bi.ox] |
| 2 | AP8238646 | V.Schildgitter, grau | 1 | Baujahr: 1997[V] Fahrzeugfarbe: Tiefgrau 1996-1998[Grey] |
| 2 | AP8238646 | V.Schildgitter, grau | 1 | Baujahr: 1998[W] |

| | |
|---------------------|-----------------|
| Einheit | RAHMEN |
| Code | 28.06 |
| Beschreibung | Frontaufbau III |
| Inspektion | 1 |



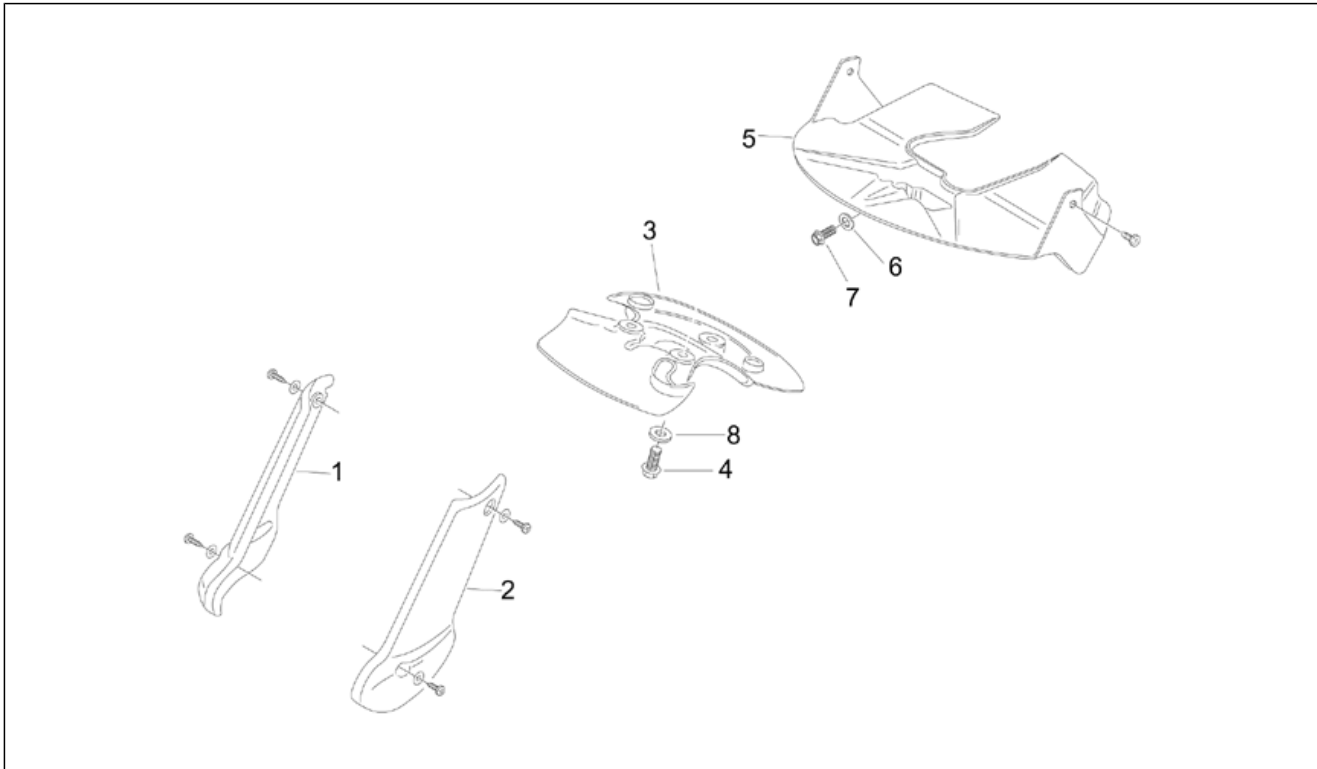
| Pos. | Code | Beschreibung | Menge | Varianten |
|------|-----------|------------------------|-------|---|
| | | | | Fahrzeugfarbe: Tiefgrau 1996-1998[Grey] |
| 2 | AP8238646 | V.Schildgitter, grau | 1 | Baujahr: 1996[T] Fahrzeugfarbe: Tiefgrau (große Aufkleber) 1996[Gr.b], Tiefgrau 1996-1998[Grey] |
| 2 | AP8239131 | V.Schildgitter, blau | 1 | Baujahr: 1997[V] Fahrzeugfarbe: Blau Midnight 1997[Bl.mi] |
| 2 | AP8239476 | V.Schildgitter, m.lila | 1 | Baujahr: 1998[W] Fahrzeugfarbe: Violett Malve 1998[Violet] |
| 2 | AP8239488 | V.Schildgitter, az. | 1 | Baujahr: 1998[W] Fahrzeugfarbe: Hellblau Azurit 1998[a.cya] |

| | |
|---------------------|----------------|
| Einheit | RAHMEN |
| Code | 28.07 |
| Beschreibung | Frontaufbau IV |
| Inspektion | 1 |



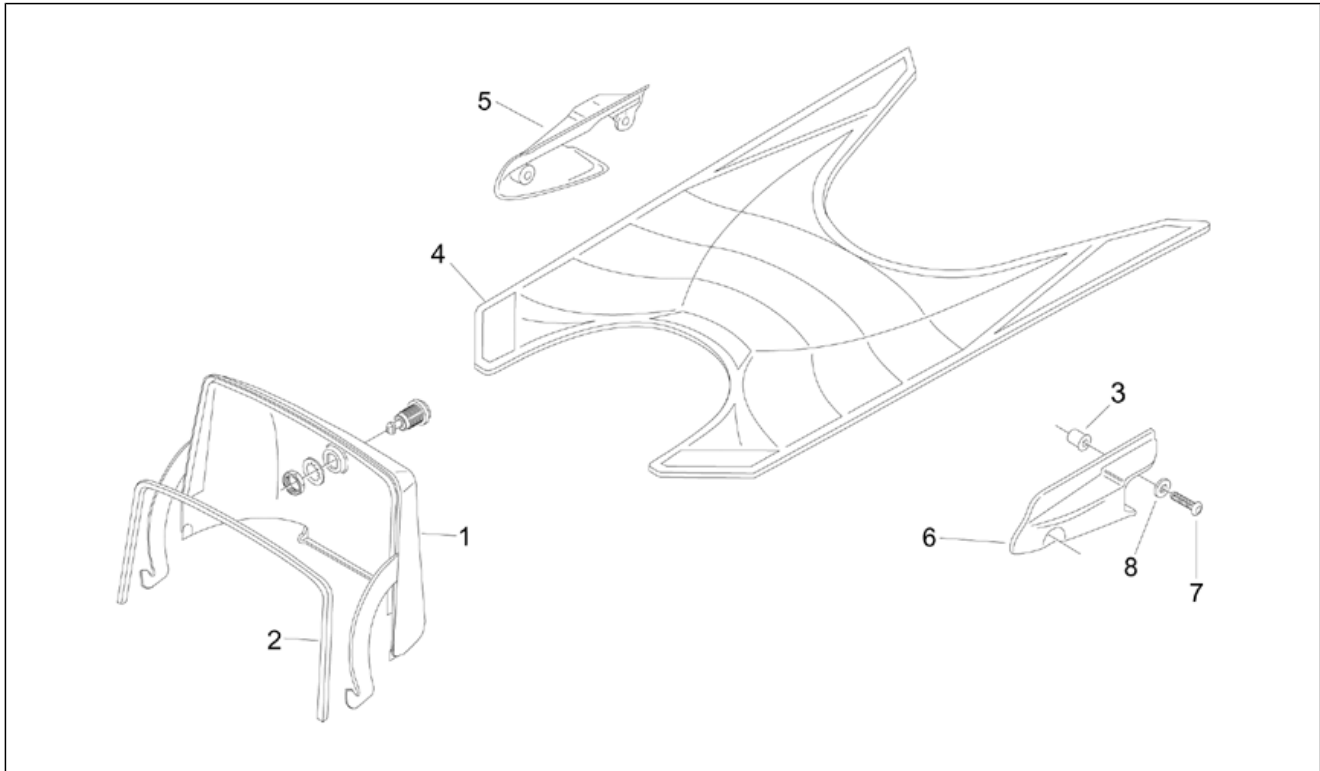
| Pos. | Code | Beschreibung | Menge | Varianten |
|------|-----------|-----------------------------|-------|---|
| 1 | AP8152268 | TBEI Spez.schr. M5x16 | 1 | |
| 2 | AP8231341 | Innenschild, schwarz | 1 | Baujahr: 1996[T] Fahrzeugfarbe: Blau Aprilia/Grau Metall 1996[Bi/Gr] |
| 2 | AP8238579 | Innenschild, grau | 1 | Baujahr: 1996[T] Fahrzeugfarbe: Blau Oxford 1996[Bi.ox], Tiefgrau (große Aufkleber) 1996[Gr.b], Tiefgrau 1996-1998[Grey], Kirschrot 1996-1997[Red] |
| 2 | AP8239120 | Innenschild, blau | 1 | Baujahr: 1997[V], 1998[W] |
| 3 | AP8150425 | Linsenschraube 5,5x22* | 2 | |
| 4 | AP8150248 | Ausgleichscheibe 5,5x15x1,6 | 1 | |
| 5 | AP8150382 | Ausgleichscheibe 15x5,5x1,2 | 2 | |
| 6 | AP8150379 | Linsenschraube | 1 | |
| 7 | AP8150381 | Ausgleichscheibe 10x5,3x1 | 1 | |
| 8 | AP8150413 | Gew.schr. 3,9x14 | 2 | |
| 9 | AP8102284 | Klammer | 4 | |
| 10 | AP8102375 | Klammer M5 | 1 | |

| | |
|---------------------|---------------|
| Einheit | RAHMEN |
| Code | 28.08 |
| Beschreibung | Frontaufbau V |
| Inspektion | 1 |



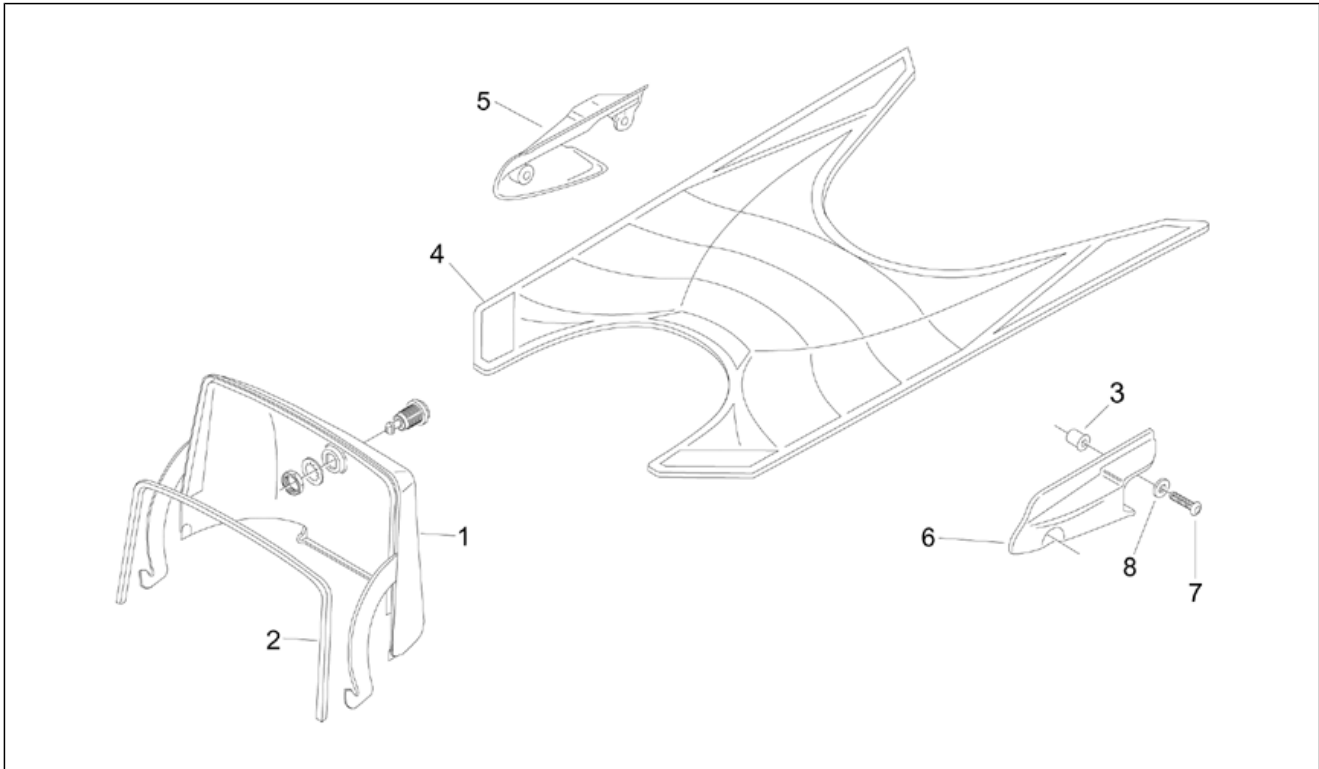
| Pos. | Code | Beschreibung | Menge | Varianten |
|------|-----------|------------------------------|-------|---|
| 1 | AP8226412 | R. Gabelschutz sandfarben | 1 | Baujahr: 1997[V], 1998[W] |
| 1 | AP8230982 | R. Gabelschutz schwarz | 1 | Baujahr: 1996[T] Fahrzeugfarbe: Blau Aprilia/Grau Metall 1996[Bi/Gr] |
| 1 | AP8238573 | R. Gabelschutz grau | 1 | Baujahr: 1996[T] Fahrzeugfarbe: Blau Oxford 1996[Bi.ox], Tiefgrau (große Aufkleber) 1996[Gr.b], Tiefgrau 1996-1998[Grey], Kirschrot 1996-1997[Red] |
| 2 | AP8226413 | L. Gabelschutz sandfarben | 1 | Baujahr: 1997[V], 1998[W] |
| 2 | AP8230983 | L. Gabelschutz schwarz | 1 | Baujahr: 1996[T] Fahrzeugfarbe: Blau Aprilia/Grau Metall 1996[Bi/Gr] |
| 2 | AP8238574 | L. Gabelschutz grau | 1 | Baujahr: 1996[T] Fahrzeugfarbe: Blau Oxford 1996[Bi.ox], Tiefgrau (große Aufkleber) 1996[Gr.b], Tiefgrau 1996-1998[Grey], Kirschrot 1996-1997[Red] |
| 3 | AP8226372 | Vorderes Schutzblech | 1 | |
| 4 | AP8152278 | TE Schr. m. Flansch M6x16 | 1 | |
| 5 | AP8226342 | Vorderes Spritzschutz | 1 | |
| 6 | AP8150015 | Ausgleichscheibe 6,6x18x1,6* | 1 | |
| 7 | AP8152278 | TE Schr. m. Flansch M6x16 | 1 | |
| 8 | AP8150179 | Ausgleichscheibe 6,6x18* | 1 | |

| | |
|---------------------|--------------------|
| Einheit | RAHMEN |
| Code | 28.09 |
| Beschreibung | Mittlerer aufbau I |
| Inspektion | 1 |



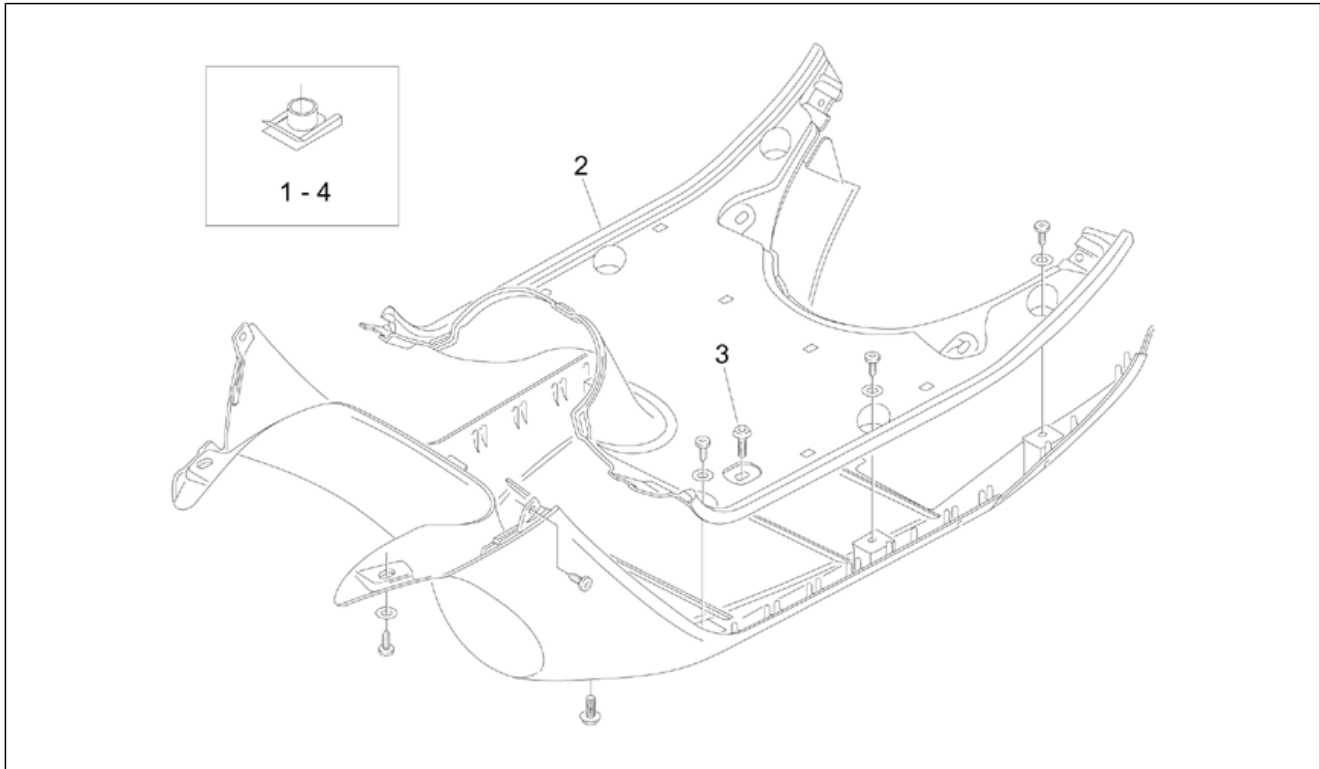
| Pos. | Code | Beschreibung | Menge | Varianten |
|------|-----------|-------------------------|-------|---|
| 1 | AP8230714 | Konsolesdeckel, schwarz | 1 | Baujahr: 1996[T] Fahrzeugfarbe: Blau Aprilia/Grau Metall 1996[Bi/Gr] |
| 1 | AP8238611 | Konsolesdeckel, grau | 1 | Baujahr: 1996[T] Fahrzeugfarbe: Blau Oxford 1996[Bi.ox], Tiefgrau (große Aufkleber) 1996[Gr.b], Tiefgrau 1996-1998[Grey], Kirschrot 1996-1997[Red] |
| 1 | AP8239121 | Konsolesdeckel, blau | 1 | Baujahr: 1997[V], 1998[W] |
| 2 | AP8220407 | Kofferdichtung | 1 | |
| 3 | AP8120531 | Gummi mit Einsatz | 4 | Land: Deutschland[D] Technische Daten: Scheibenbremse Hinterrad[f.d.] |
| 3 | AP8120531 | Gummi mit Einsatz | 4 | Land: Österreich[A], Belgien[B], Schweiz[CH], Holland[NL], Finnland[SF] |
| 4 | AP8231323 | Fußmatte | 1 | Baujahr: 1996[T] Fahrzeugfarbe: Blau Aprilia/Grau Metall 1996[Bi/Gr] |
| 4 | AP8238577 | Fußmatte, grau | 1 | Baujahr: 1996[T] Fahrzeugfarbe: Blau Oxford 1996[Bi.ox], Tiefgrau (große Aufkleber) 1996[Gr.b], Tiefgrau 1996-1998[Grey], Kirschrot 1996-1997[Red] |
| 4 | AP8239118 | Fußmatte, blau | 1 | Baujahr: 1997[V], 1998[W] |
| 5 | AP8231706 | R. Bügelabdeckung | 1 | Land: Österreich[A], Belgien[B], Schweiz[CH], Holland[NL], Finnland[SF] |
| 5 | AP8231706 | R. Bügelabdeckung | 1 | Land: Deutschland[D] Technische Daten: Scheibenbremse Hinterrad[f.d.] |
| 6 | AP8231707 | L. Bügelabdeckung | 1 | Land: Österreich[A], Belgien[B], Schweiz[CH], Holland[NL], Finnland[SF] |
| 6 | AP8231707 | L. Bügelabdeckung | 1 | Land: Deutschland[D] Technische Daten: Scheibenbremse Hinterrad[f.d.] |
| 7 | AP8152269 | TBEI Spez.schr. | 4 | Land: Deutschland[D] Technische Daten: Scheibenbremse Hinterrad[f.d.] |
| 7 | AP8152269 | TBEI Spez.schr. | 4 | Land: Österreich[A], Belgien[B], Schweiz[CH], Holland[NL], Finnland[SF] |

| | |
|---------------------|--------------------|
| Einheit | RAHMEN |
| Code | 28.09 |
| Beschreibung | Mittlerer aufbau I |
| Inspektion | 1 |



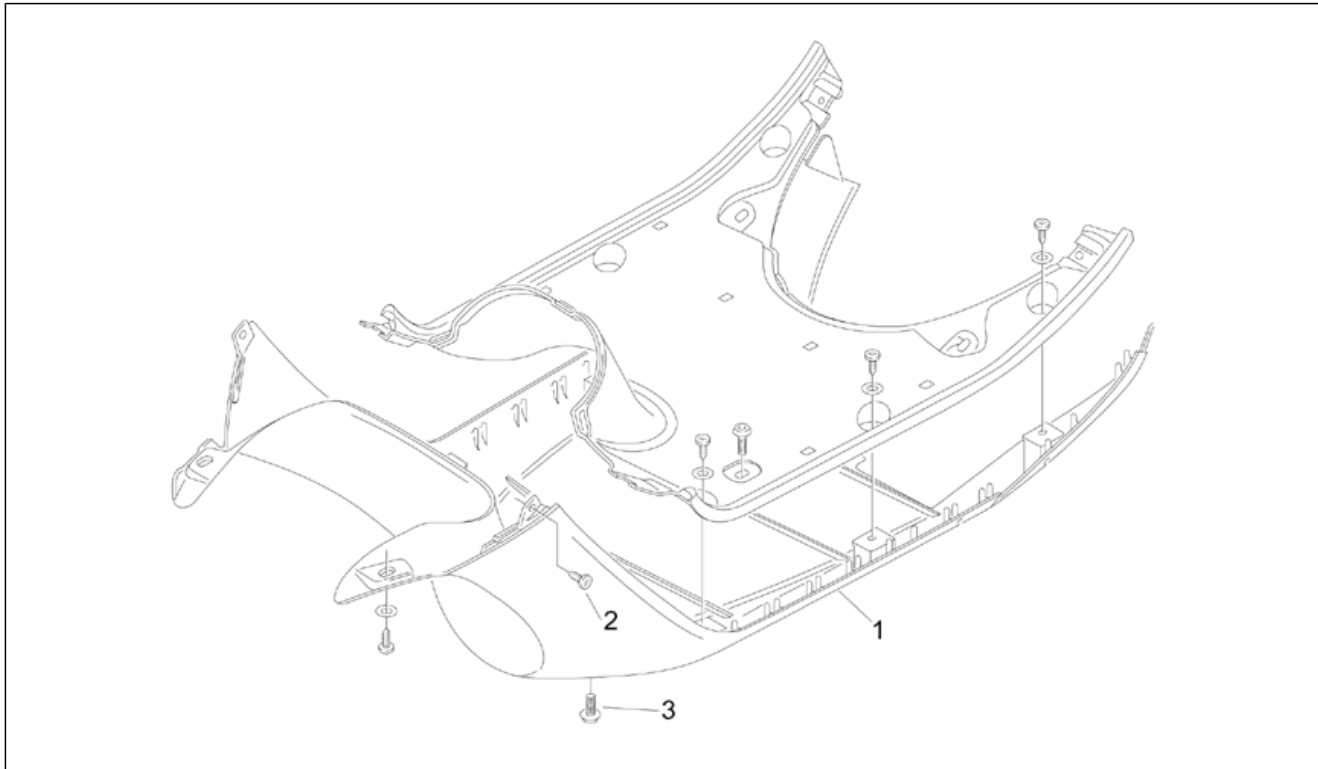
| Pos. | Code | Beschreibung | Menge | Varianten |
|------|-----------|---------------------------|-------|--|
| 8 | AP8150177 | Ausgleichscheibe 5,3X10X1 | 4 | Land:Österreich[A], Belgien[B], Schweiz[CH], Holland[NL], Finnland[SF] |
| 8 | AP8150177 | Ausgleichscheibe 5,3X10X1 | 4 | Land:Deutschland[D] Technische Daten: Scheibenbremse Hinterrad[f.d.] |

| | |
|---------------------|---------------------|
| Einheit | RAHMEN |
| Code | 28.10 |
| Beschreibung | Mittlerer aufbau II |
| Inspektion | 1 |



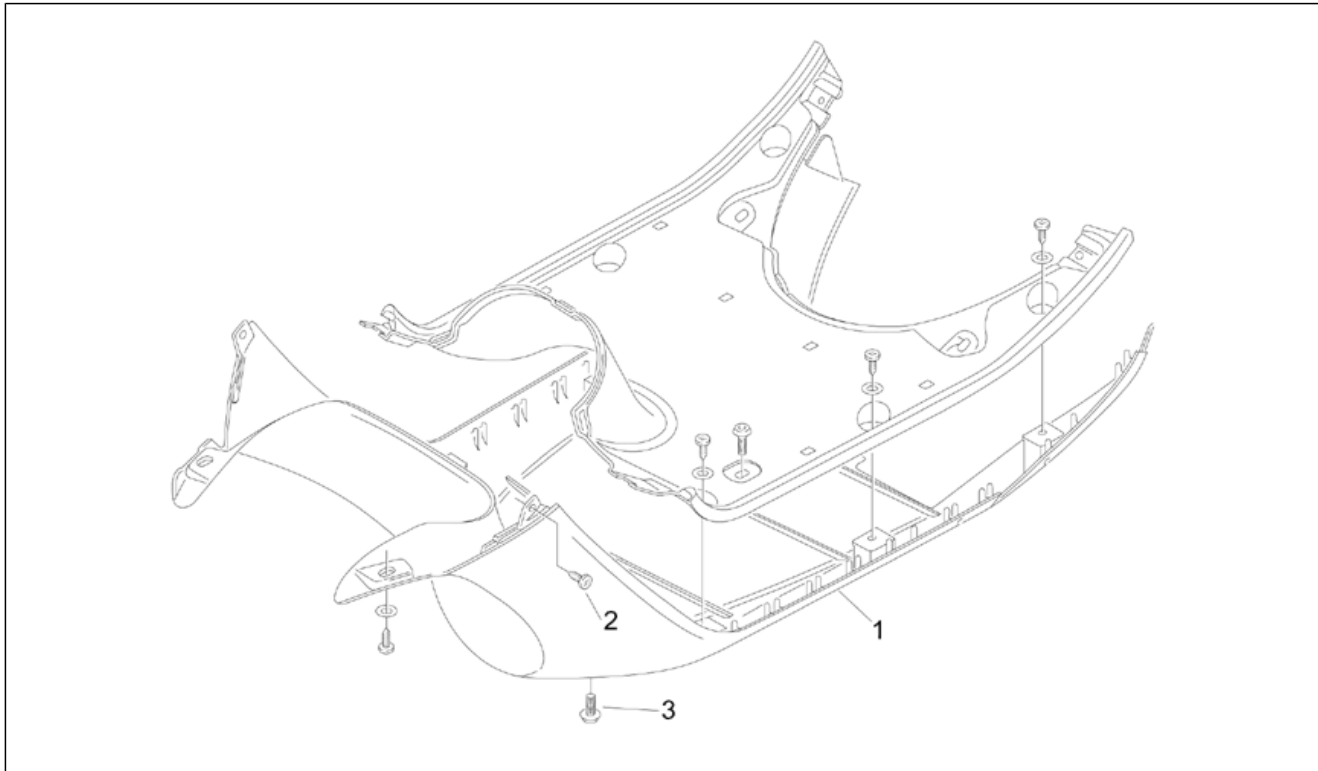
| Pos. | Code | Beschreibung | Menge | Varianten |
|------|-----------|-------------------------------|-------|---|
| 1 | AP8102284 | Klammer | 2 | |
| 2 | AP8231377 | Fußbrett, schwarz | 1 | Baujahr: 1996[T] Fahrzeugfarbe: Blau Aprilia/Grau Metall 1996[Bi/Gr] |
| 2 | AP8238576 | Fußbrett, grau | 1 | Baujahr: 1996[T] Fahrzeugfarbe: Blau Oxford 1996[Bi.ox], Tiefgrau (große Aufkleber) 1996[Gr.b], Tiefgrau 1996-1998[Grey], Kirschrot 1996-1997[Red] |
| 2 | AP8239117 | Fußbrett, blau | 1 | Baujahr: 1997[V], 1998[W] |
| 3 | AP8152246 | TBEI Schraube m.Flansch M6x16 | 1 | |
| 4 | AP8102041 | Klammer | 6 | |

| | |
|---------------------|----------------------|
| Einheit | RAHMEN |
| Code | 28.11 |
| Beschreibung | Mittlerer aufbau III |
| Inspektion | 1 |



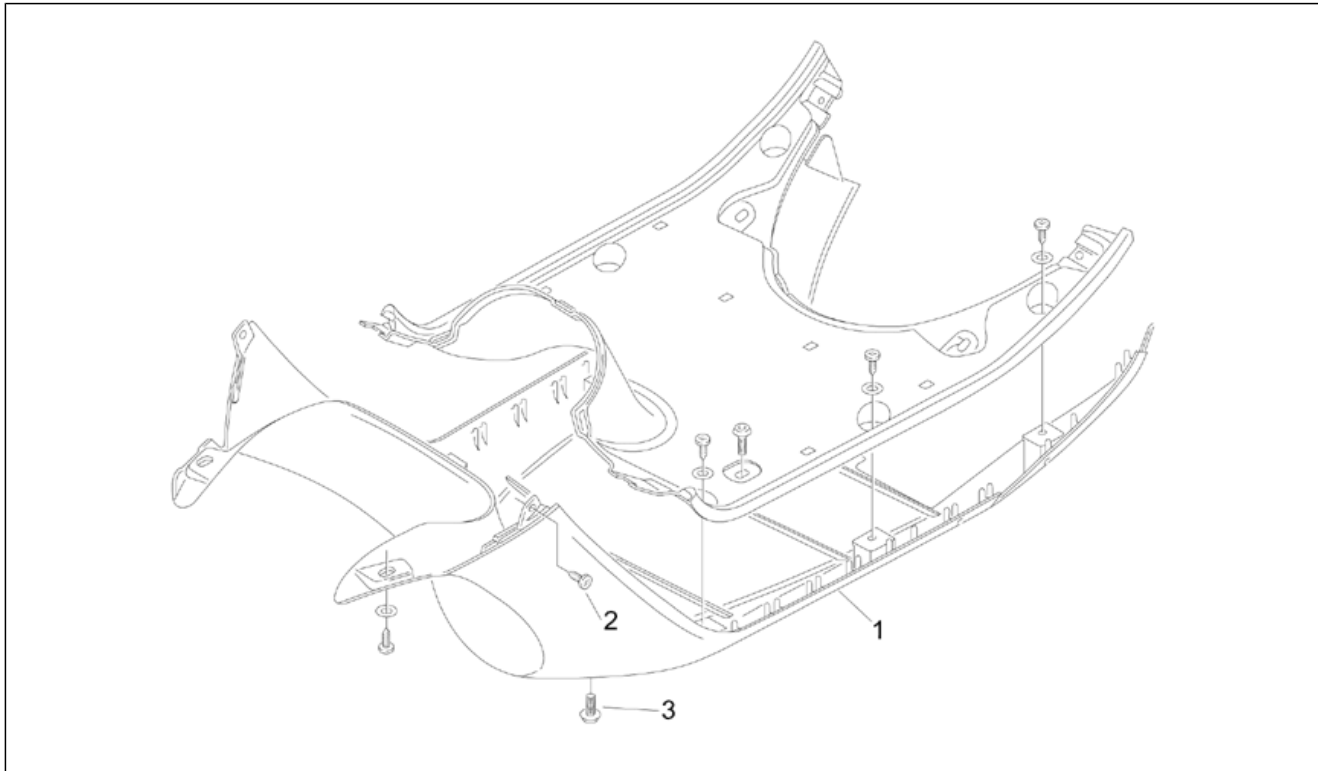
| Pos. | Code | Beschreibung | Menge | Varianten |
|------|-----------|------------------------|-------|---|
| 1 | AP8238221 | Unterb. gest., blau | 1 | Baujahr: 1996[T] Fahrzeugfarbe: Blau Aprilia/Grau Metall 1996[Bi/Gr] Land: Holland[NL] |
| 1 | AP8238587 | Unterb. Fußbrett, rot | 1 | Baujahr: 1996[T], 1997[V] Fahrzeugfarbe: Kirschrot 1996-1997[Red] Land: Deutschland[D] Technische Daten: Hinterrad-Trommelbremse[f.t.] |
| 1 | AP8238587 | Unterb. Fußbrett, rot | 1 | Baujahr: 1996[T], 1997[V] Fahrzeugfarbe: Kirschrot 1996-1997[Red] Land: Dänemark[DK], Spanien[E], Frankreich[F], Italien[I] |
| 1 | AP8238592 | Unterb. Fußbrett, blau | 1 | Baujahr: 1996[T] Fahrzeugfarbe: Blau Oxford 1996[Bi.ox] Land: Dänemark[DK], Frankreich[F], Italien[I] |
| 1 | AP8238592 | Unterb. Fußbrett, blau | 1 | Baujahr: 1996[T] Fahrzeugfarbe: Blau Oxford 1996[Bi.ox] Land: Deutschland[D] Technische Daten: Hinterrad-Trommelbremse[f.t.] |
| 1 | AP8238647 | Unterb. Fußbrett, grau | 1 | Baujahr: 1996[T], 1997[V] Fahrzeugfarbe: Tiefgrau 1996-1998[Grey] Land: Dänemark[DK], Spanien[E], Frankreich[F], Italien[I] |
| 1 | AP8238647 | Unterb. Fußbrett, grau | 1 | Baujahr: 1998[W] Fahrzeugfarbe: Tiefgrau 1996-1998[Grey] Land: Italien[I] |
| 1 | AP8238647 | Unterb. Fußbrett, grau | 1 | Baujahr: 1996[T], 1997[V] Fahrzeugfarbe: Tiefgrau (große Aufkleber) 1996[Gr.b], Tiefgrau 1996-1998[Grey] Land: Deutschland[D] Technische Daten: Hinterrad-Trommelbremse[f.t.] |
| 1 | AP8238677 | Unterb. gest., rot | 1 | Baujahr: 1996[T], 1997[V] Fahrzeugfarbe: Kirschrot 1996-1997[Red] Land: Österreich[A], Belgien[B], Schweiz[CH], Holland[NL], Finnland[SF] |
| 1 | AP8238677 | Unterb. gest., rot | 1 | Baujahr: 1996[T], 1997[V] Fahrzeugfarbe: Kirschrot 1996-1997[Red] |

| | |
|---------------------|----------------------|
| Einheit | RAHMEN |
| Code | 28.11 |
| Beschreibung | Mittlerer aufbau III |
| Inspektion | 1 |



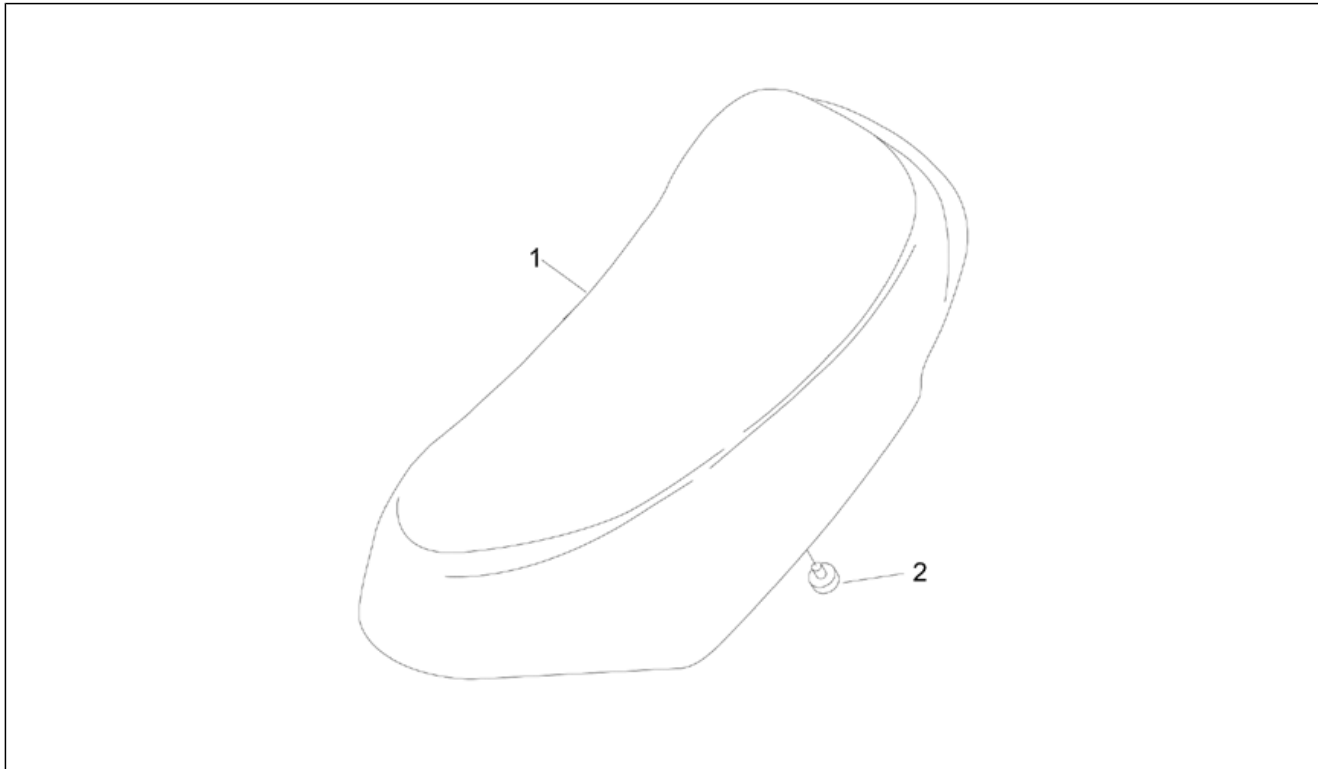
| Pos. | Code | Beschreibung | Menge | Varianten |
|------|-----------|------------------------|-------|---|
| | | | | Land: Deutschland[D] Technische Daten: Scheibenbremse Hinterrad[f.d.] |
| 1 | AP8238724 | Unterb. gest., blau | 1 | Baujahr: 1996[T] Fahrzeugfarbe: Blau Oxford 1996[Bl.ox] Land: Österreich[A], Belgien[B], Holland[NL], Finnland[SF] |
| 1 | AP8238724 | Unterb. gest., blau | 1 | Baujahr: 1996[T] Fahrzeugfarbe: Blau Oxford 1996[Bl.ox] Land: Deutschland[D] Technische Daten: Scheibenbremse Hinterrad[f.d.] |
| 1 | AP8238725 | Unterb. gest., grau | 1 | Baujahr: 1998[W] Fahrzeugfarbe: Tiefgrau 1996-1998[Grey] Land: Österreich[A], Schweiz[CH], Holland[NL] |
| 1 | AP8238725 | Unterb. gest., grau | 1 | Baujahr: 1996[T], 1997[V] Fahrzeugfarbe: Tiefgrau (große Aufkleber) 1996[Gr.b], Tiefgrau 1996-1998[Grey] Land: Österreich[A], Belgien[B], Schweiz[CH], Holland[NL], Finnland[SF] |
| 1 | AP8238725 | Unterb. gest., grau | 1 | Baujahr: 1996[T], 1997[V] Fahrzeugfarbe: Tiefgrau 1996-1998[Grey] Land: Deutschland[D] Technische Daten: Scheibenbremse Hinterrad[f.d.] |
| 1 | AP8239127 | Unterb. Fußbrett, blau | 1 | Baujahr: 1997[V] Fahrzeugfarbe: Blau Midnight 1997[Bl.mi] Land: Deutschland[D] Technische Daten: Hinterrad-Trommelbremse[f.t.] |
| 1 | AP8239127 | Unterb. Fußbrett, blau | 1 | Baujahr: 1997[V] Fahrzeugfarbe: Blau Midnight 1997[Bl.mi] Land: Dänemark[DK], Spanien[E], Italien[I] |
| 1 | AP8239194 | Unterb. gest., blau | 1 | Baujahr: 1997[V] Fahrzeugfarbe: Blau Midnight 1997[Bl.mi] Land: Österreich[A], Schweiz[CH], Holland[NL], Finnland[SF] Technische Daten: Hinterrad-Trommelbremse[f.t.] |
| 1 | AP8239194 | Unterb. gest., blau | 1 | Baujahr: 1997[V] Fahrzeugfarbe: Blau Midnight 1997[Bl.mi] Land: Deutschland[D] |

| | |
|---------------------|----------------------|
| Einheit | RAHMEN |
| Code | 28.11 |
| Beschreibung | Mittlerer aufbau III |
| Inspektion | 1 |



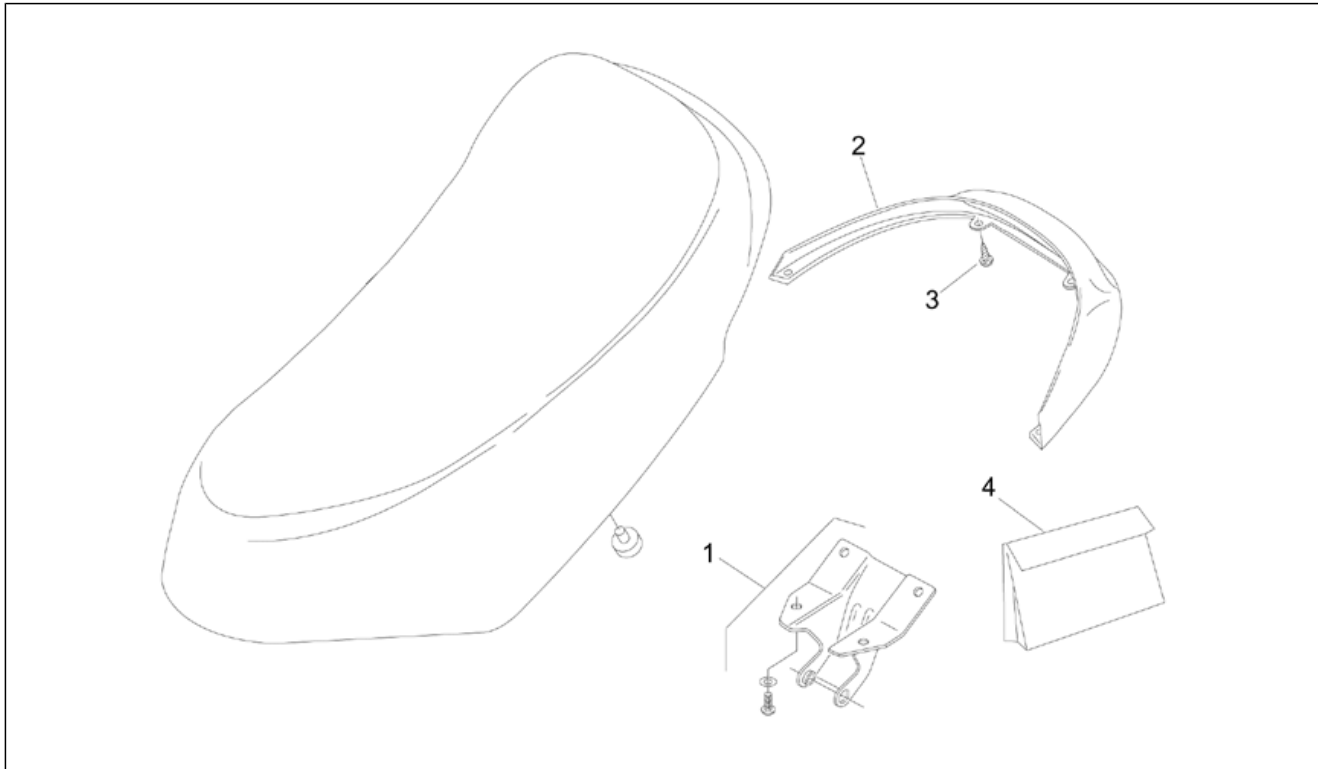
| Pos. | Code | Beschreibung | Menge | Varianten |
|------|-----------|-------------------------------|-------|--|
| | | | | Technische Daten: Scheibenbremse Hinterrad[f.d.] |
| 1 | AP8239508 | Unterb. Fußbrett, m.lila | 1 | Baujahr: 1998[W] Fahrzeugfarbe: Violett Malve 1998[Violet] Land: Italien[I] |
| 1 | AP8239511 | Unterb. gest., m.lila | 1 | Baujahr: 1998[W] Fahrzeugfarbe: Violett Malve 1998[Violet] Land: Österreich[A], Schweiz[CH], Holland[NL] |
| 1 | AP8239515 | Unterb. Fußbrett, azur | 1 | Baujahr: 1998[W] Fahrzeugfarbe: Hellblau Azurit 1998[a.cya] Land: Italien[I] |
| 1 | AP8239518 | Unterb. gest., azur | 1 | Baujahr: 1998[W] Fahrzeugfarbe: Hellblau Azurit 1998[a.cya] Land: Österreich[A], Schweiz[CH], Holland[NL] |
| 2 | AP8150426 | Linsenschraube 5,5x15,9* | 2 | |
| 3 | AP8152246 | TBEI Schraube m.Flansch M6x16 | 1 | |

| | |
|---------------------|-------------------|
| Einheit | RAHMEN |
| Code | 28.12 |
| Beschreibung | Sitzbankeinheit I |
| Inspektion | 1 |



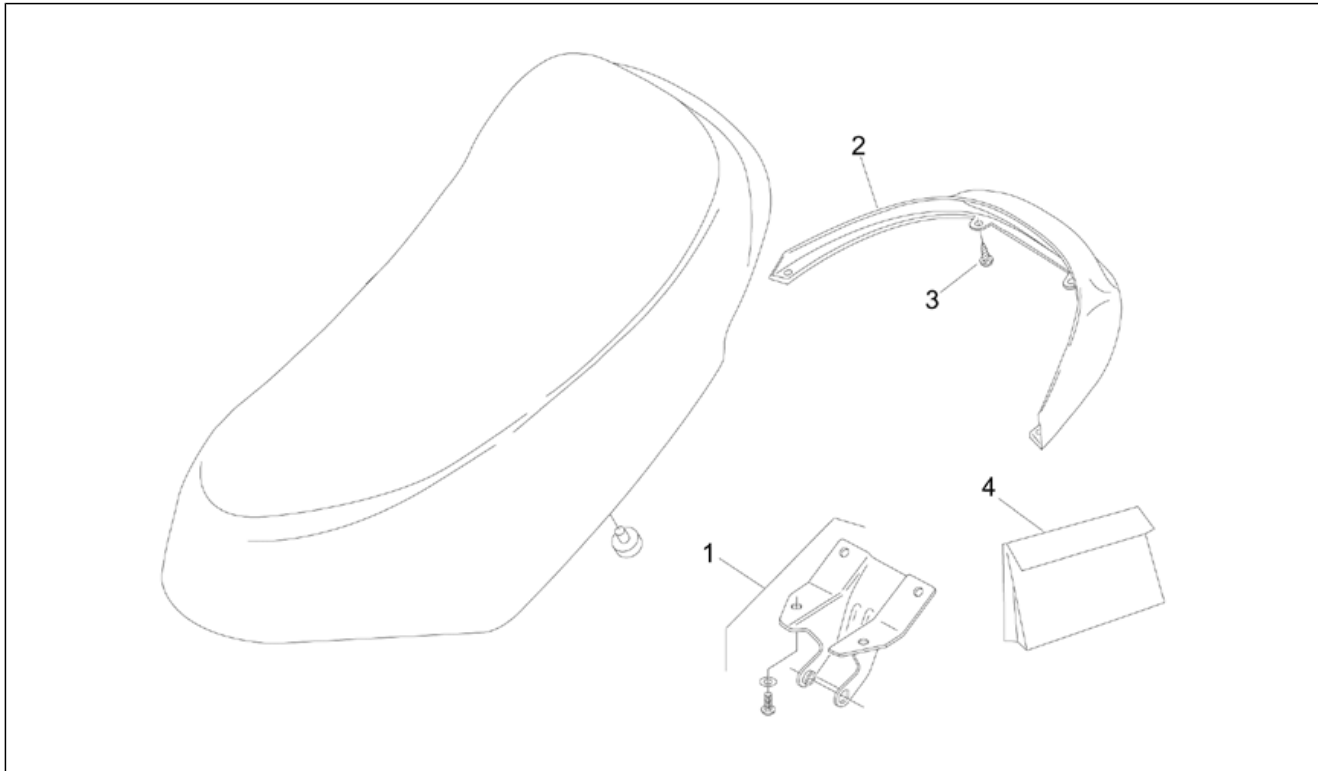
| Pos. | Code | Beschreibung | Menge | Varianten |
|------|-----------|-----------------|-------|---|
| 1 | AP8229144 | Sitz, schwarz | 1 | Baujahr: 1996[T] Fahrzeugfarbe: Blau Aprilia/Grau Metall 1996[Bi/Gr] Land: Holland[NL] |
| 1 | AP8229176 | Sitz, grau | 1 | Baujahr: 1996[T] Land: Deutschland[D] Technische Daten: Scheibenbremse Hinterrad[f.d.] |
| 1 | AP8229176 | Sitz, grau | 1 | Baujahr: 1996[T] Land: Österreich[A], Belgien[B], Schweiz[CH], Dänemark[DK], Spanien[E], Frankreich[F], Italien[I], Finnland[SF] |
| 1 | AP8229176 | Sitz, grau | 1 | Baujahr: 1996[T] Fahrzeugfarbe: Blau Oxford 1996[Bi.ox], Tiefgrau (große Aufkleber) 1996[Gr.b], Tiefgrau 1996-1998[Grey], Kirschrot 1996-1997[Red] Land: Holland[NL] |
| 1 | AP8229184 | Einzelstz, grau | 1 | Baujahr: 1996[T] Land: Deutschland[D] Technische Daten: Hinterrad-Trommelbremse[f.t.] |
| 1 | AP8229250 | Sitz, blau | 1 | Baujahr: 1997[V] Land: Österreich[A], Belgien[B], Schweiz[CH], Dänemark[DK], Spanien[E], Frankreich[F], Italien[I], Holland[NL], Finnland[SF] |
| 1 | AP8229250 | Sitz, blau | 1 | Baujahr: 1997[V] Land: Deutschland[D] Technische Daten: Scheibenbremse Hinterrad[f.d.] |
| 1 | AP8229250 | Sitz, blau | 1 | Baujahr: 1998[W] |
| 1 | AP8229251 | Einzelstz, blau | 1 | Baujahr: 1997[V] Land: Deutschland[D] Technische Daten: Hinterrad-Trommelbremse[f.t.] |
| 2 | AP8220349 | Gummi | 2 | |

| | |
|---------------------|--------------------|
| Einheit | RAHMEN |
| Code | 28.13 |
| Beschreibung | Sitzbankeinheit II |
| Inspektion | 1 |



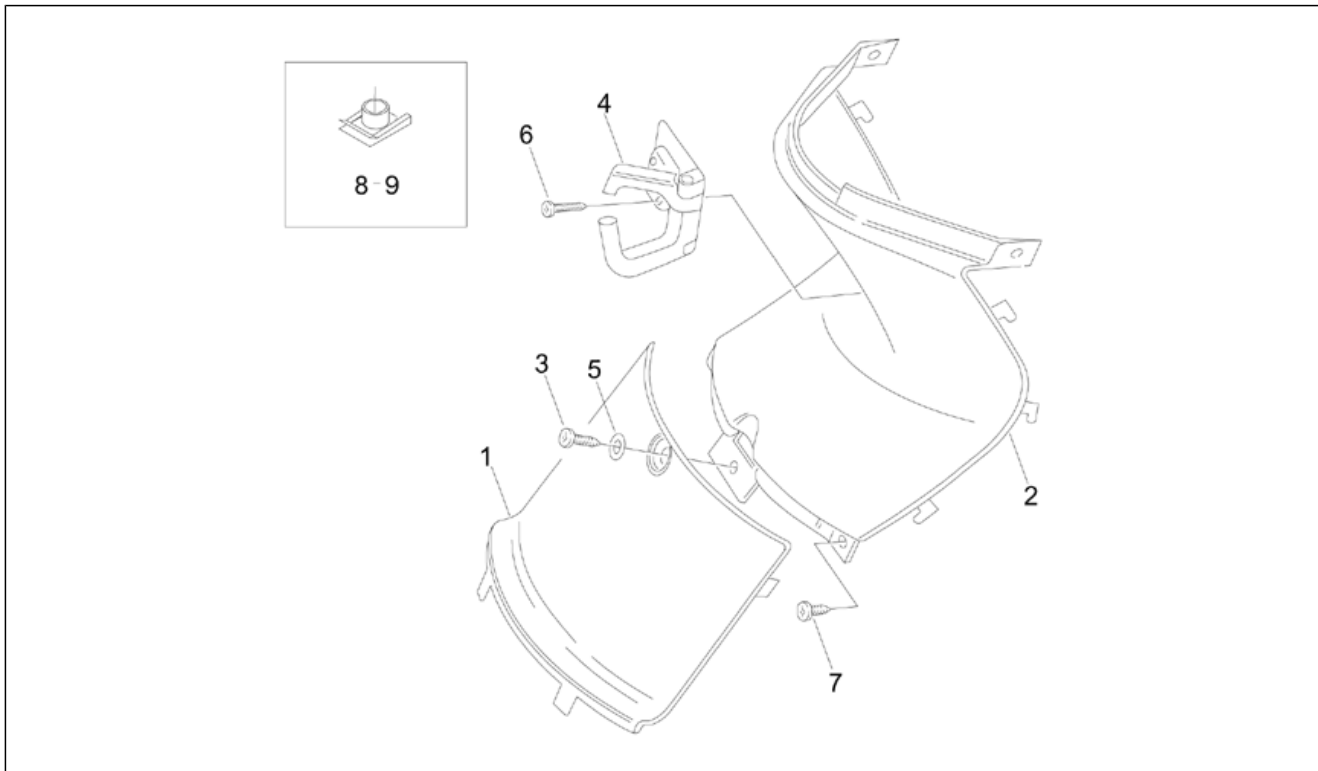
| Pos. | Code | Beschreibung | Menge | Varianten |
|------|-----------|----------------------|-------|---|
| 1 | AP8234078 | Ob. Sitzgelenk | 1 | |
| 2 | AP8238224 | Griff, grau | 1 | Baujahr: 1996[T] Fahrzeugfarbe: Blau Aprilia/Grau Metall 1996[Bi/Gr] Land: Holland[NL] |
| 2 | AP8238572 | Griff, rot | 1 | Baujahr: 1996[T], 1997[V] Fahrzeugfarbe: Kirschrot 1996-1997[Red] Land: Österreich[A], Belgien[B], Dänemark[DK], Frankreich[F], Holland[NL], Finnland[SF] |
| 2 | AP8238572 | Griff, rot | 1 | Baujahr: 1996[T], 1997[V] Fahrzeugfarbe: Kirschrot 1996-1997[Red] Land: Deutschland[D] Technische Daten: Scheibenbremse Hinterrad[f.d.] |
| 2 | AP8238597 | Griff, blau | 1 | Baujahr: 1996[T] Fahrzeugfarbe: Blau Oxford 1996[Bi.ox] Land: Österreich[A], Belgien[B], Dänemark[DK], Frankreich[F], Italien[I], Holland[NL], Finnland[SF] |
| 2 | AP8238597 | Griff, blau | 1 | Baujahr: 1996[T] Fahrzeugfarbe: Blau Oxford 1996[Bi.ox] Land: Deutschland[D] Technische Daten: Scheibenbremse Hinterrad[f.d.] |
| 2 | AP8238652 | Griff, grau | 1 | Baujahr: 1998[W] Fahrzeugfarbe: Tiefgrau 1996-1998[Grey] |
| 2 | AP8238652 | Griff, grau | 1 | Baujahr: 1996[T], 1997[V] Fahrzeugfarbe: Tiefgrau (große Aufkleber) 1996[Gr.b], Tiefgrau 1996-1998[Grey] Land: Österreich[A], Belgien[B], Dänemark[DK], Frankreich[F], Holland[NL], Finnland[SF] |
| 2 | AP8238652 | Griff, grau | 1 | Baujahr: 1996[T], 1997[V] Fahrzeugfarbe: Tiefgrau 1996-1998[Grey] Land: Deutschland[D] Technische Daten: Scheibenbremse Hinterrad[f.d.] |
| 2 | AP8238793 | Griff einsitzig, rot | 1 | Baujahr: 1996[T], 1997[V] Fahrzeugfarbe: Kirschrot 1996-1997[Red] Land: Deutschland[D] |

| | |
|---------------------|--------------------|
| Einheit | RAHMEN |
| Code | 28.13 |
| Beschreibung | Sitzbankeinheit II |
| Inspektion | 1 |



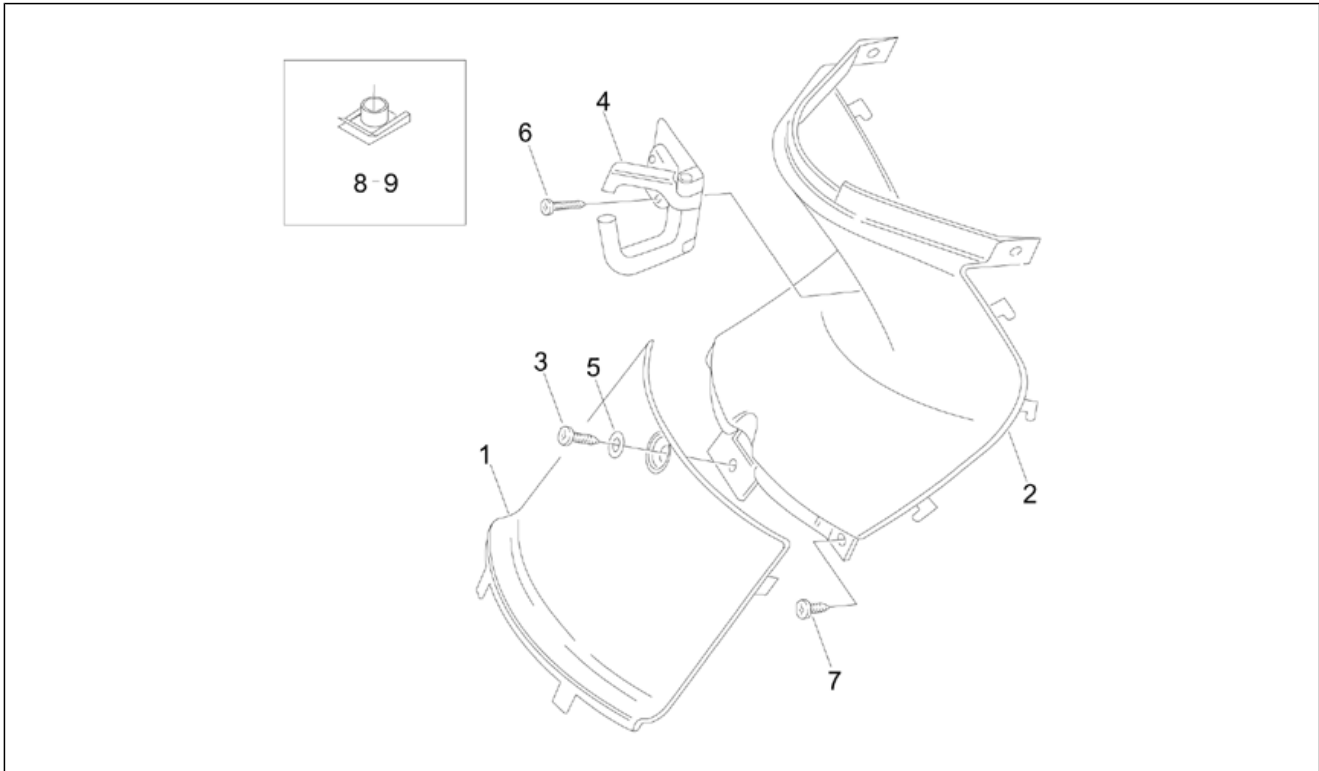
| Pos. | Code | Beschreibung | Menge | Varianten |
|------|-----------|-----------------------|-------|---|
| | | | | Technische Daten: Hinterrad-Trommelbremse[f.t.] |
| 2 | AP8238794 | Griff einsitzig, blau | 1 | Baujahr: 1996[T] Fahrzeugfarbe: Blau Oxford 1996[Bl.ox] Land: Deutschland[D] Technische Daten: Hinterrad-Trommelbremse[f.t.] |
| 2 | AP8238795 | Griff einsitzig, grau | 1 | Baujahr: 1996[T], 1997[V] Fahrzeugfarbe: Tiefgrau (große Aufkleber) 1996[Gr.b], Tiefgrau 1996-1998[Grey] Land: Deutschland[D] Technische Daten: Hinterrad-Trommelbremse[f.t.] |
| 2 | AP8239128 | Griff, blau | 1 | Baujahr: 1997[V] Fahrzeugfarbe: Blau Midnight 1997[Bl.mi] Land: Österreich[A], Schweiz[CH], Dänemark[DK], Spanien[E], Italien[I], Holland[NL], Finnland[SF] |
| 2 | AP8239128 | Griff, blau | 1 | Baujahr: 1997[V] Fahrzeugfarbe: Blau Midnight 1997[Bl.mi] Land: Deutschland[D] Technische Daten: Scheibenbremse Hinterrad[f.d.] |
| 2 | AP8239225 | Griff einsitzig, blau | 1 | Baujahr: 1997[V] Fahrzeugfarbe: Blau Midnight 1997[Bl.mi] Land: Deutschland[D] Technische Daten: Hinterrad-Trommelbremse[f.t.] |
| 2 | AP8239482 | Griff, m.lila | 1 | Baujahr: 1998[W] Fahrzeugfarbe: Violett Malve 1998[Violet] |
| 2 | AP8239494 | Griff, azur | 1 | Baujahr: 1998[W] Fahrzeugfarbe: Hellblau Azurit 1998[a.cya] |
| 3 | AP8150413 | Gew.schr. 3,9x14 | 4 | |
| 4 | AP8201682 | Werkzeugtasche | 1 | |

| | |
|---------------------|--------------|
| Einheit | RAHMEN |
| Code | 28.14 |
| Beschreibung | Heckaufbau I |
| Inspektion | 1 |



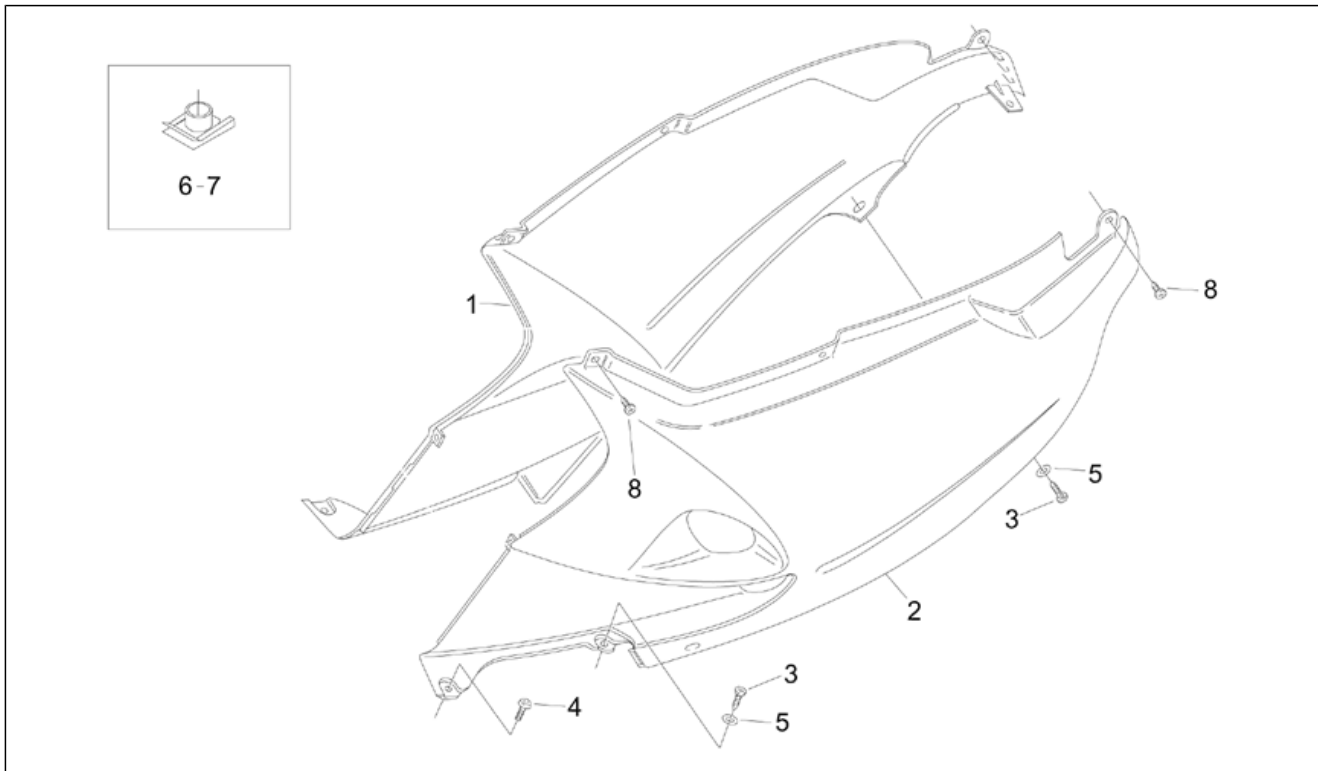
| Pos. | Code | Beschreibung | Menge | Varianten |
|------|-----------|-----------------------------|-------|---|
| 1 | AP8231372 | Batteriedeckel, schwarz | 1 | Baujahr: 1996[T] Fahrzeugfarbe: Blau Aprilia/Grau Metall 1996[Bi/Gr] |
| 1 | AP8238575 | Batteriedeckel, grau | 1 | Baujahr: 1996[T] Fahrzeugfarbe: Blau Oxford 1996[Bi.ox], Tiefgrau (große Aufkleber) 1996[Gr.b], Tiefgrau 1996-1998[Grey], Kirschrot 1996-1997[Red] |
| 1 | AP8239116 | Batteriedeckel, blau | 1 | Baujahr: 1997[V], 1998[W] |
| 2 | AP8231822 | Batterieschild, blau | 1 | Baujahr: 1996[T] Fahrzeugfarbe: Blau Aprilia/Grau Metall 1996[Bi/Gr] |
| 2 | AP8238580 | Batterieschild, rot | 1 | Baujahr: 1997[V] Fahrzeugfarbe: Kirschrot 1996-1997[Red] |
| 2 | AP8238580 | Batterieschild, rot | 1 | Baujahr: 1996[T] Fahrzeugfarbe: Kirschrot 1996-1997[Red] |
| 2 | AP8238596 | Batterieschild, blau | 1 | Baujahr: 1996[T] Fahrzeugfarbe: Blau Oxford 1996[Bi.ox] |
| 2 | AP8238651 | Batterieschild, grau | 1 | Baujahr: 1997[V] Fahrzeugfarbe: Tiefgrau 1996-1998[Grey] |
| 2 | AP8238651 | Batterieschild, grau | 1 | Baujahr: 1998[W] Fahrzeugfarbe: Tiefgrau 1996-1998[Grey] |
| 2 | AP8238651 | Batterieschild, grau | 1 | Baujahr: 1996[T] Fahrzeugfarbe: Tiefgrau (große Aufkleber) 1996[Gr.b], Tiefgrau 1996-1998[Grey] |
| 2 | AP8239129 | Batterieschild, blau | 1 | Baujahr: 1997[V] Fahrzeugfarbe: Blau Midnight 1997[Bi.mi] |
| 2 | AP8239481 | Batterieschild, m.lila | 1 | Baujahr: 1998[W] Fahrzeugfarbe: Violett Malve 1998[Violet] |
| 2 | AP8239493 | Batterieschild, azur | 1 | Baujahr: 1998[W] Fahrzeugfarbe: Hellblau Azurit 1998[a.cya] |
| 3 | AP8150425 | Linsenschraube 5,5x22* | 1 | |
| 4 | AP8201534 | Kplt.Untersitzhaken | 1 | |
| 5 | AP8150382 | Ausgleichscheibe 15x5,5X1,2 | 1 | |
| 6 | AP8150423 | Linsenschraube 4,2x25* | 2 | |

| | |
|---------------------|--------------|
| Einheit | RAHMEN |
| Code | 28.14 |
| Beschreibung | Heckaufbau I |
| Inspektion | 1 |



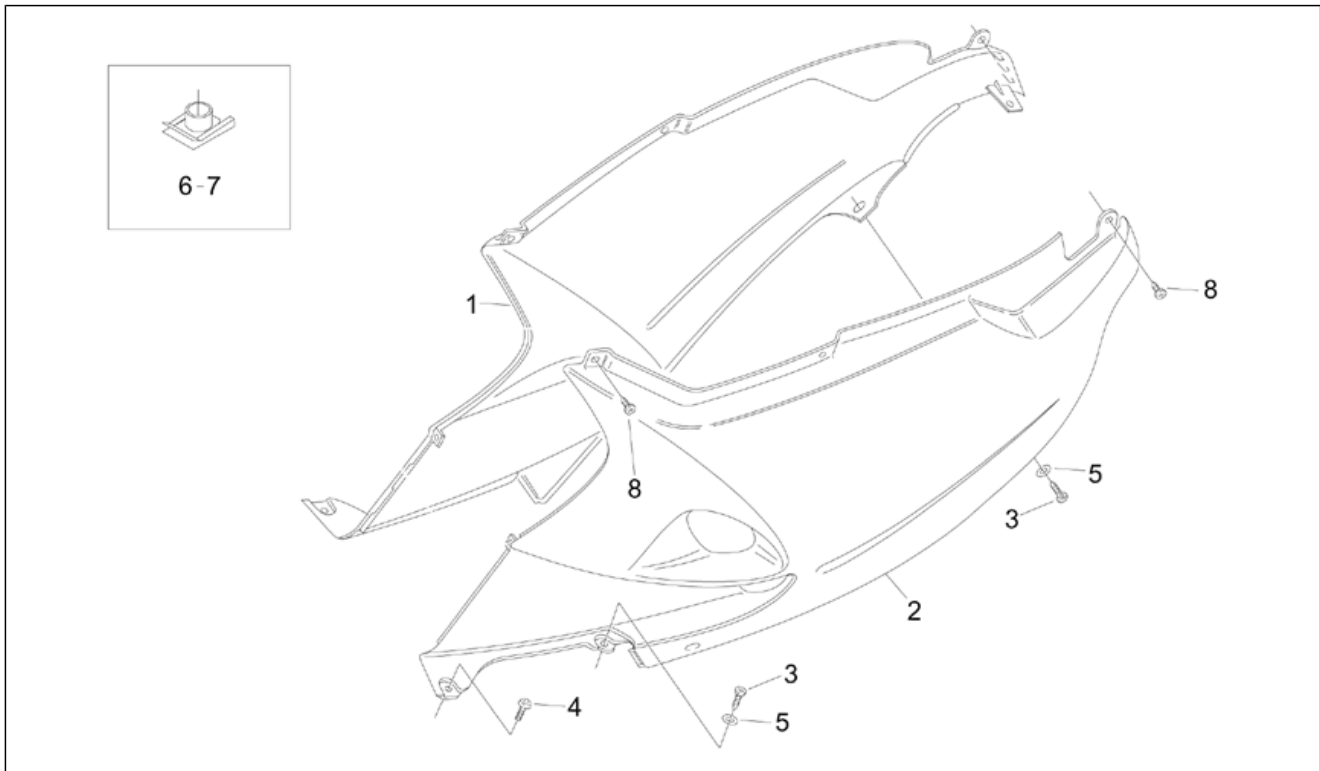
| Pos. | Code | Beschreibung | Menge | Varianten |
|------|-----------|--------------------------|-------|-----------|
| 7 | AP8150426 | Linsenschraube 5,5x15,9* | 4 | |
| 8 | AP8102284 | Klammer | 3 | |
| 9 | AP8102782 | Clip f. Blechschr. D4,2 | 2 | |

| | |
|---------------------|---------------|
| Einheit | RAHMEN |
| Code | 28.15 |
| Beschreibung | Heckaufbau II |
| Inspektion | 1 |



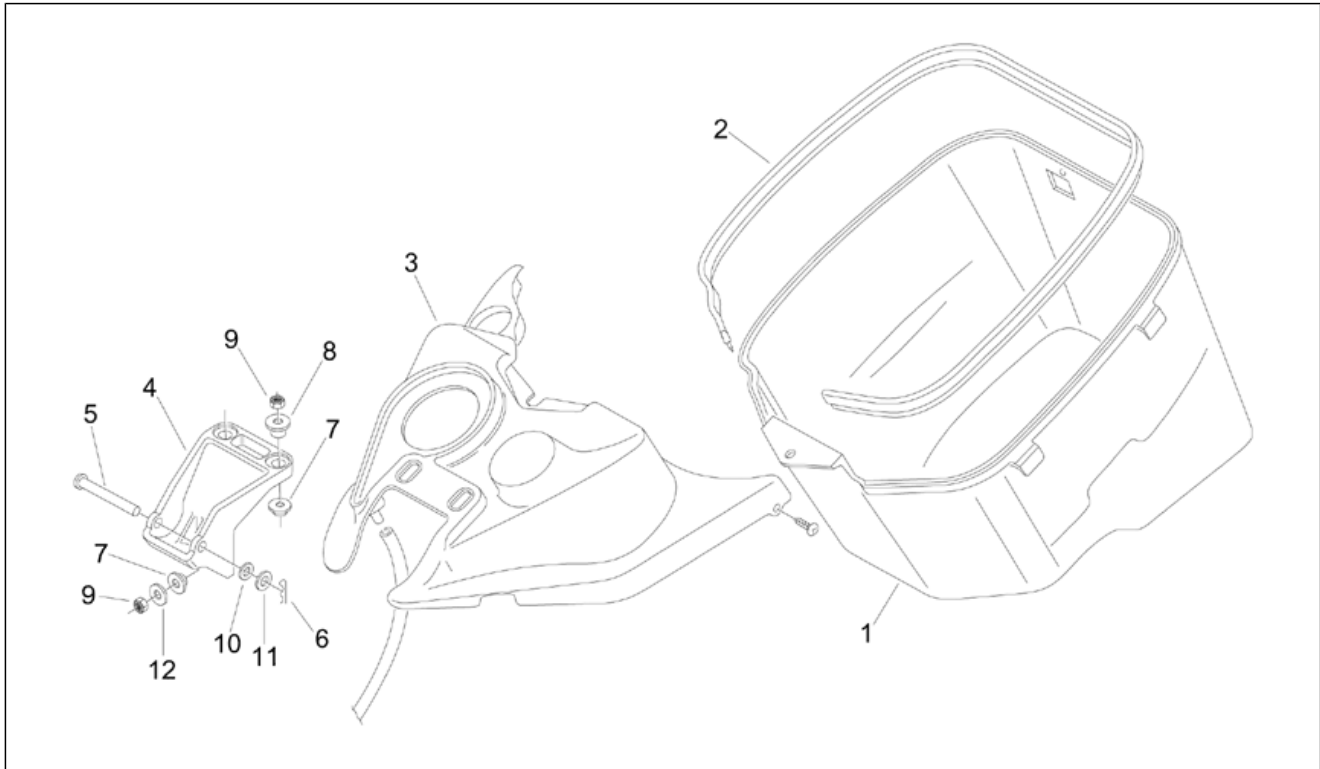
| Pos. | Code | Beschreibung | Menge | Varianten |
|------|-----------|-----------------------------|-------|---|
| 1 | AP8231825 | H. R. Seitenteil, blau/grau | 1 | Baujahr: 1996[T] Fahrzeugfarbe: Blau Aprilia/Grau Metall 1996[Bi/Gr] |
| 1 | AP8238584 | H. R. Seitenteil, rot | 1 | Baujahr: 1996[T] Fahrzeugfarbe: Kirschrot 1996-1997[Red] |
| 1 | AP8238593 | H. R. Seitenteil, blau | 1 | Baujahr: 1996[T] Fahrzeugfarbe: Blau Oxford 1996[Bi.ox] |
| 1 | AP8238648 | H. R. Seitenteil, grau | 1 | Baujahr: 1996[T] Fahrzeugfarbe: Tiefgrau (große Aufkleber) 1996[Gr.b], Tiefgrau 1996-1998[Grey] |
| 1 | AP8239122 | H. R. Seitenteil, rot | 1 | Baujahr: 1997[V] Fahrzeugfarbe: Kirschrot 1996-1997[Red] |
| 1 | AP8239134 | H. R. Seitenteil, grau | 1 | Baujahr: 1998[W] Fahrzeugfarbe: Tiefgrau 1996-1998[Grey] |
| 1 | AP8239134 | H. R. Seitenteil, grau | 1 | Baujahr: 1997[V] Fahrzeugfarbe: Tiefgrau 1996-1998[Grey] |
| 1 | AP8239136 | H. R. Seitenteil, blau | 1 | Baujahr: 1997[V] Fahrzeugfarbe: Blau Midnight 1997[Bi.mi] |
| 1 | AP8239509 | H. R. Seitenteil, m.lila | 1 | Baujahr: 1998[W] Fahrzeugfarbe: Violett Malve 1998[Violet] |
| 1 | AP8239516 | H. R. Seitenteil, az. | 1 | Baujahr: 1998[W] Fahrzeugfarbe: Hellblau Azurit 1998[a.cya] |
| 2 | AP8231826 | H. L. Seitenteil, blau/grau | 1 | Baujahr: 1996[T] Fahrzeugfarbe: Blau Aprilia/Grau Metall 1996[Bi/Gr] |
| 2 | AP8238585 | H. L. Seitenteil, rot | 1 | Baujahr: 1996[T] Fahrzeugfarbe: Kirschrot 1996-1997[Red] |
| 2 | AP8238594 | H. L. Seitenteil, blau/grau | 1 | Baujahr: 1996[T] Fahrzeugfarbe: Blau Oxford 1996[Bi.ox] |
| 2 | AP8238649 | H. L. Seitenteil, grau | 1 | Baujahr: 1996[T] Fahrzeugfarbe: Tiefgrau (große Aufkleber) 1996[Gr.b], Tiefgrau 1996-1998[Grey] |
| 2 | AP8239124 | H. L. Seitenteil, rot | 1 | Baujahr: 1997[V] Fahrzeugfarbe: Kirschrot 1996-1997[Red] |

| | |
|---------------------|---------------|
| Einheit | RAHMEN |
| Code | 28.15 |
| Beschreibung | Heckaufbau II |
| Inspektion | 1 |



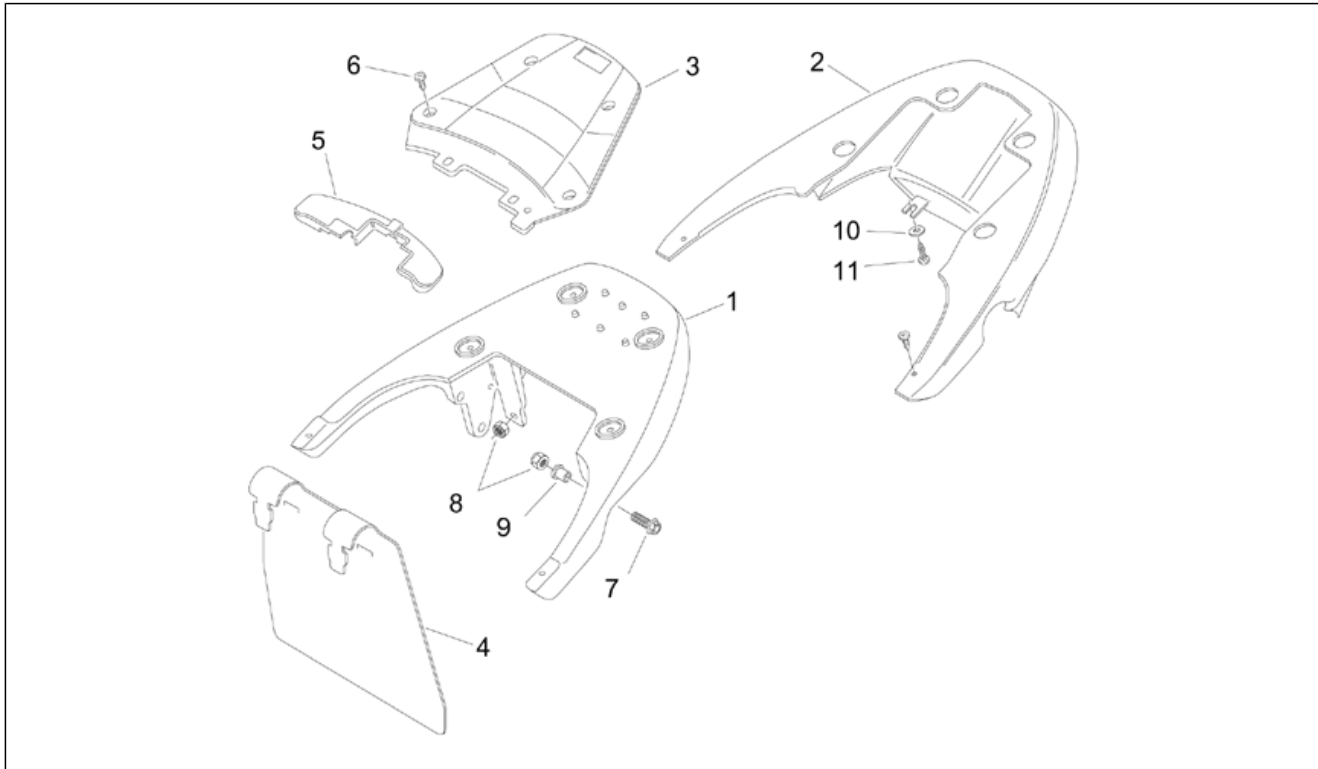
| Pos. | Code | Beschreibung | Menge | Varianten |
|------|-----------|-------------------------------|-------|--|
| 2 | AP8239135 | H. L. Seitenteil, grau | 1 | Baujahr: 1997[V] Fahrzeugfarbe: Tiefgrau 1996-1998[Grey] |
| 2 | AP8239135 | H. L. Seitenteil, grau | 1 | Baujahr: 1998[W] Fahrzeugfarbe: Tiefgrau 1996-1998[Grey] |
| 2 | AP8239137 | H. L. Seitenteil, blau/grau | 1 | Baujahr: 1997[V] Fahrzeugfarbe: Blau Midnight 1997[Bi.mi] |
| 2 | AP8239510 | H. L. Seitenteil, m.lila | 1 | Baujahr: 1998[W] Fahrzeugfarbe: Violett Malve 1998[Violet] |
| 2 | AP8239517 | H. L. Seitenteil, az. | 1 | Baujahr: 1998[W] Fahrzeugfarbe: Hellblau Azurit 1998[a.cya] |
| 3 | AP8150425 | Linsenschraube 5,5x22* | 2 | |
| 4 | AP8152246 | TBEI Schraube m.Flansch M6x16 | 2 | |
| 5 | AP8150382 | Ausgleichscheibe 15x5,5X1,2 | 2 | |
| 6 | AP8102041 | Klammer | 4 | |
| 7 | AP8102782 | Clip f. Blechschr. D4,2 | 2 | |
| 8 | AP8150426 | Linsenschraube 5,5x15,9* | 2 | |

| | |
|---------------------|----------------|
| Einheit | RAHMEN |
| Code | 28.16 |
| Beschreibung | Heckaufbau III |
| Inspektion | 1 |



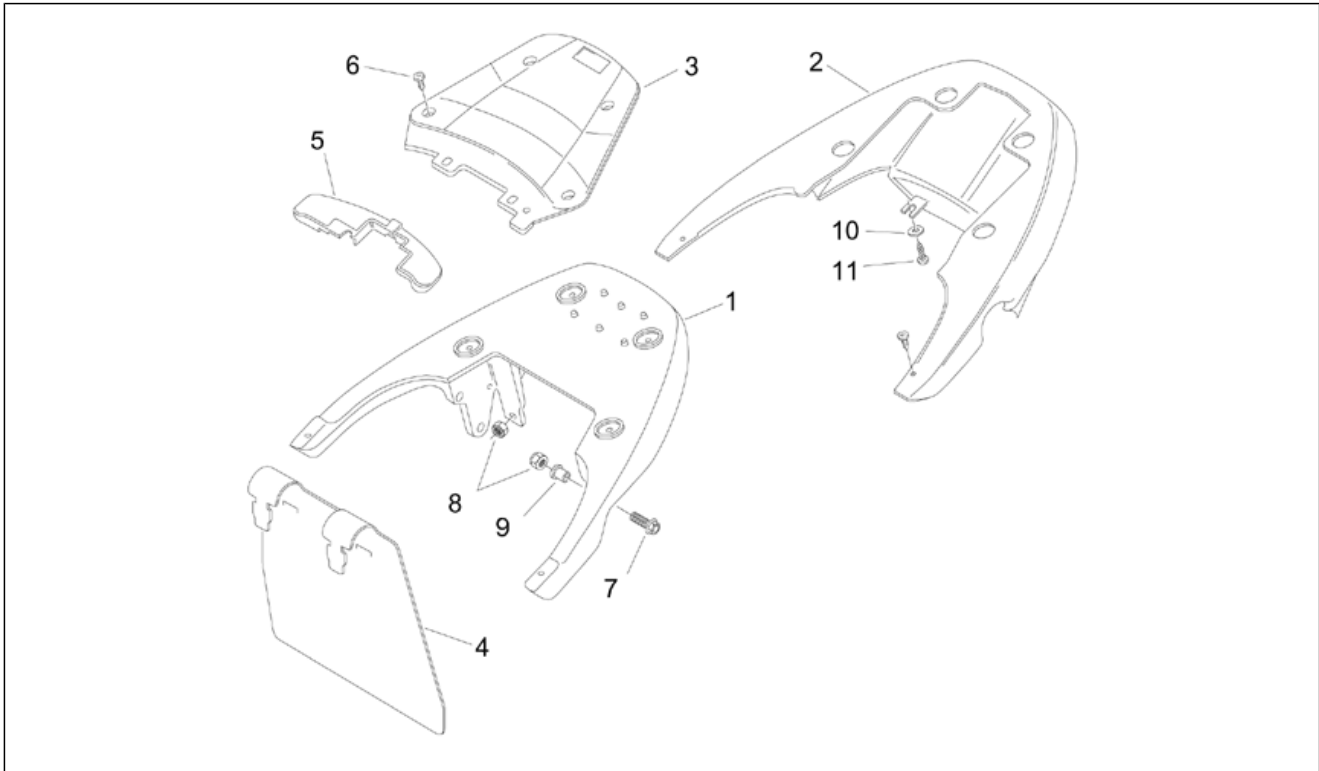
| Pos. | Code | Beschreibung | Menge | Varianten |
|------|-----------|-----------------------------|-------|-----------|
| 1 | AP8230958 | Schutzhelmfach+Dichtung | 1 | |
| 2 | AP8220407 | Kofferdichtung | 2 | |
| 3 | AP8231322 | Tank Armaturenbr. | 3 | |
| 4 | AP8221179 | Unt. Sitzgelenk | 4 | |
| 5 | AP8221183 | Sitzgelenkbolzen | 5 | |
| 6 | AP8201431 | Splint * | 1 | |
| 7 | AP8121075 | T-Buchse * | 2 | |
| 8 | AP8121679 | T-Buchse * | 1 | |
| 9 | AP8150395 | Selbstsperr.mut Unt. M6 | 2 | |
| 10 | AP8120592 | Ausgleichscheibe | 1 | |
| 11 | AP8150017 | Ausgleichscheibe 8,4x16x1,6 | 1 | |
| 12 | AP8150179 | Ausgleichscheibe 6,6x18* | 1 | |

| | |
|---------------------|---------------|
| Einheit | RAHMEN |
| Code | 28.17 |
| Beschreibung | Heckaufbau IV |
| Inspektion | 1 |



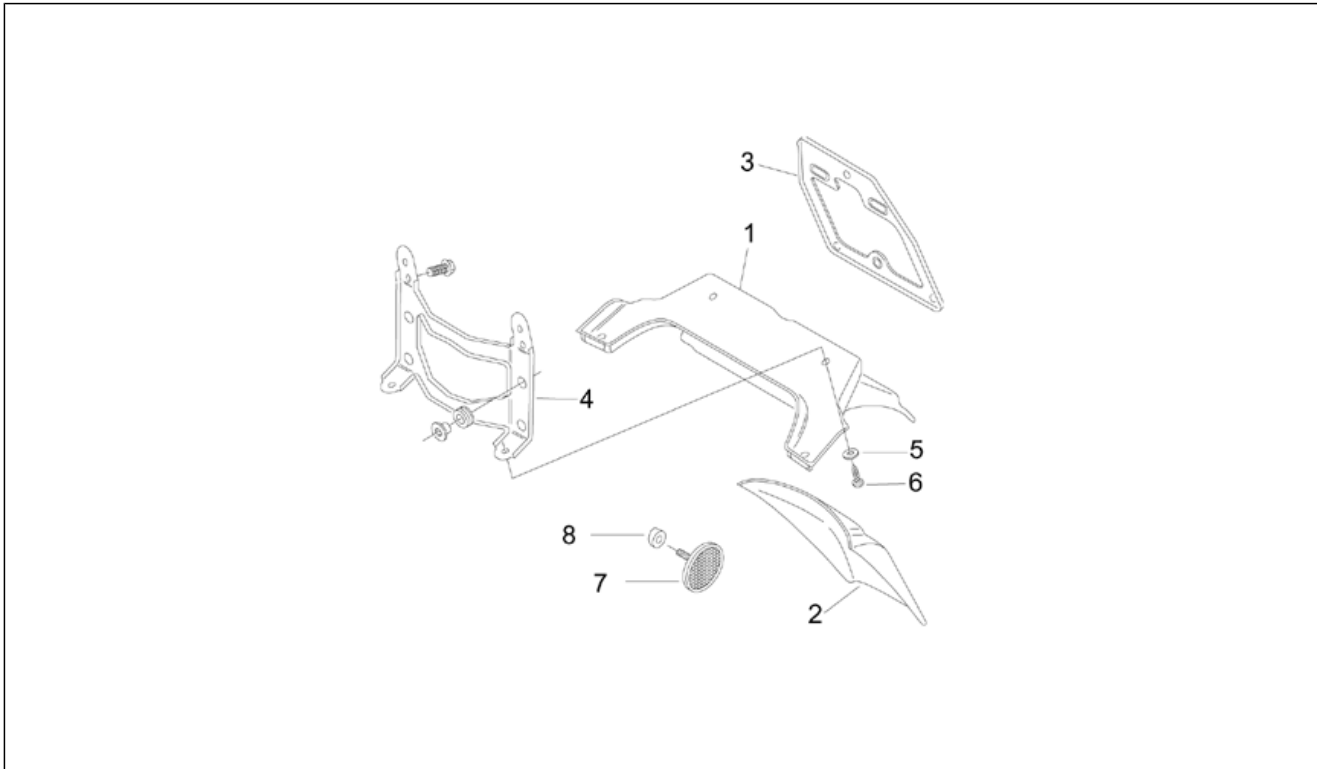
| Pos. | Code | Beschreibung | Menge | Varianten |
|------|-----------|---------------------------|-------|---|
| 1 | AP8231347 | Hltr. Gepäckträger | 1 | |
| 2 | AP8231821 | Gepäckträger, blau/grau | 1 | Baujahr: 1996[T] Fahrzeugfarbe: Blau Aprilia/Grau Metall 1996[Bi/Gr] |
| 2 | AP8238588 | Gepäckträger, rot | 1 | Baujahr: 1996[T], 1997[V] Fahrzeugfarbe: Kirschrot 1996-1997[Red] |
| 2 | AP8238595 | Gepäckträger, blau/grau | 1 | Baujahr: 1996[T] Fahrzeugfarbe: Blau Oxford 1996[Bi.ox] |
| 2 | AP8238650 | Gepäckträger, grau | 1 | Baujahr: 1996[T], 1997[V] Fahrzeugfarbe: Tiefgrau (große Aufkleber) 1996[Gr.b], Tiefgrau 1996-1998[Grey] |
| 2 | AP8238650 | Gepäckträger, grau | 1 | Baujahr: 1998[W] Fahrzeugfarbe: Tiefgrau 1996-1998[Grey] |
| 2 | AP8239133 | Gepäckträger, blau/grau | 1 | Baujahr: 1997[V] Fahrzeugfarbe: Blau Midnight 1997[Bi.mi] |
| 2 | AP8239512 | Gepäckträger, m.lila | 1 | Baujahr: 1998[W] Fahrzeugfarbe: Violett Malve 1998[Violet] |
| 2 | AP8239519 | Gepäckträger, azur | 1 | Baujahr: 1998[W] Fahrzeugfarbe: Hellblau Azurit 1998[a.cya] |
| 3 | AP8231348 | Objektr.deck.schw | 1 | Baujahr: 1996[T] Fahrzeugfarbe: Blau Aprilia/Grau Metall 1996[Bi/Gr] |
| 3 | AP8238586 | Objektr.deck.grau | 1 | Baujahr: 1996[T] Fahrzeugfarbe: Blau Oxford 1996[Bi.ox], Tiefgrau (große Aufkleber) 1996[Gr.b], Tiefgrau 1996-1998[Grey], Kirschrot 1996-1997[Red] |
| 3 | AP8239126 | Objektr.deck.blau | 1 | Baujahr: 1997[V], 1998[W] |
| 4 | AP8230563 | Vergaserschutz | 1 | |
| 5 | AP8231512 | Schloßschutz | 1 | |
| 6 | AP8150425 | Linsenschraube 5,5x22* | 2 | |
| 7 | AP8152280 | TE Schr. m. Flansch M6x25 | 4 | |
| 8 | AP8150430 | Selbstsperr.mut.Unt. | 4 | |
| 9 | AP8221097 | T-Buchse * | 4 | |

| | |
|---------------------|---------------|
| Einheit | RAHMEN |
| Code | 28.17 |
| Beschreibung | Heckaufbau IV |
| Inspektion | 1 |



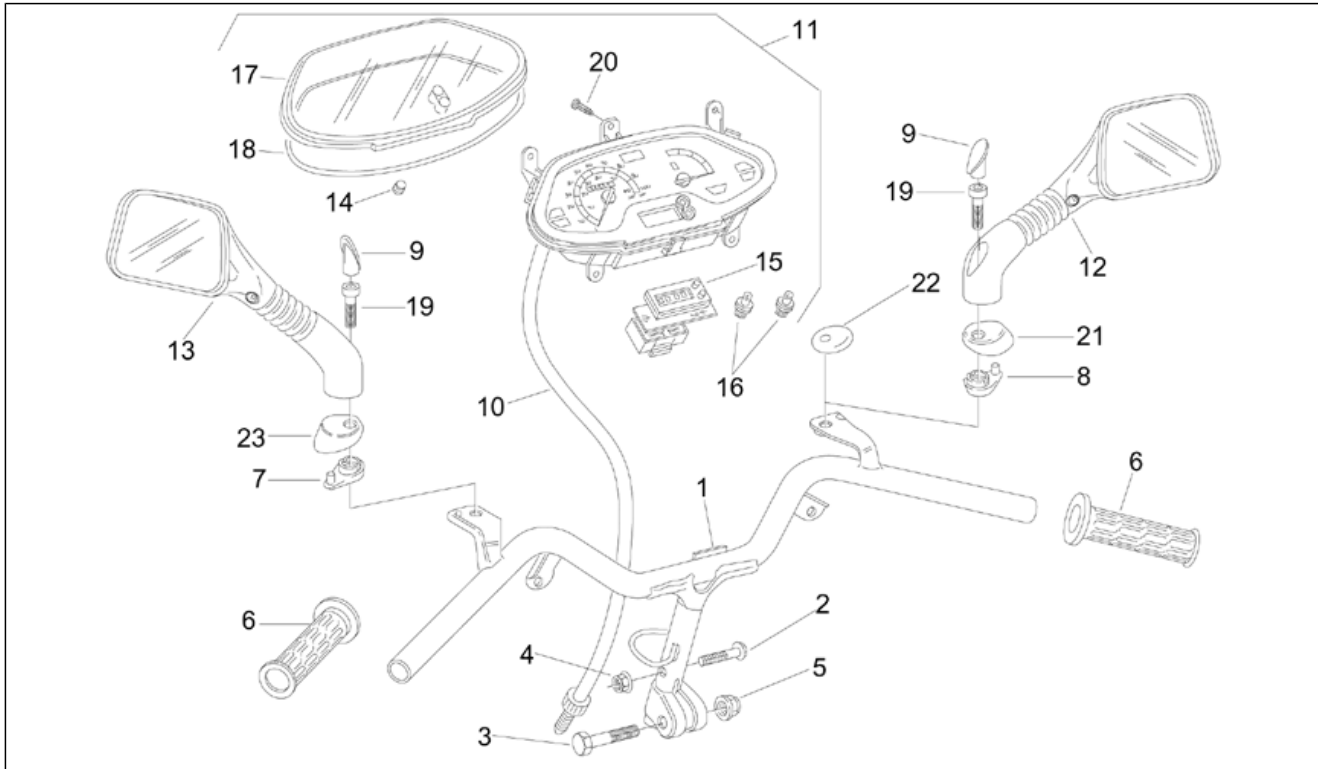
| Pos. | Code | Beschreibung | Menge | Varianten |
|------|-----------|-----------------------------|-------|-----------|
| 10 | AP8150382 | Ausgleichscheibe 15x5,5X1,2 | 2 | |
| 11 | AP8150444 | Gewindeschraube Edelstahl | 2 | |

| | |
|---------------------|--------------|
| Einheit | RAHMEN |
| Code | 28.18 |
| Beschreibung | Heckaufbau V |
| Inspektion | 1 |



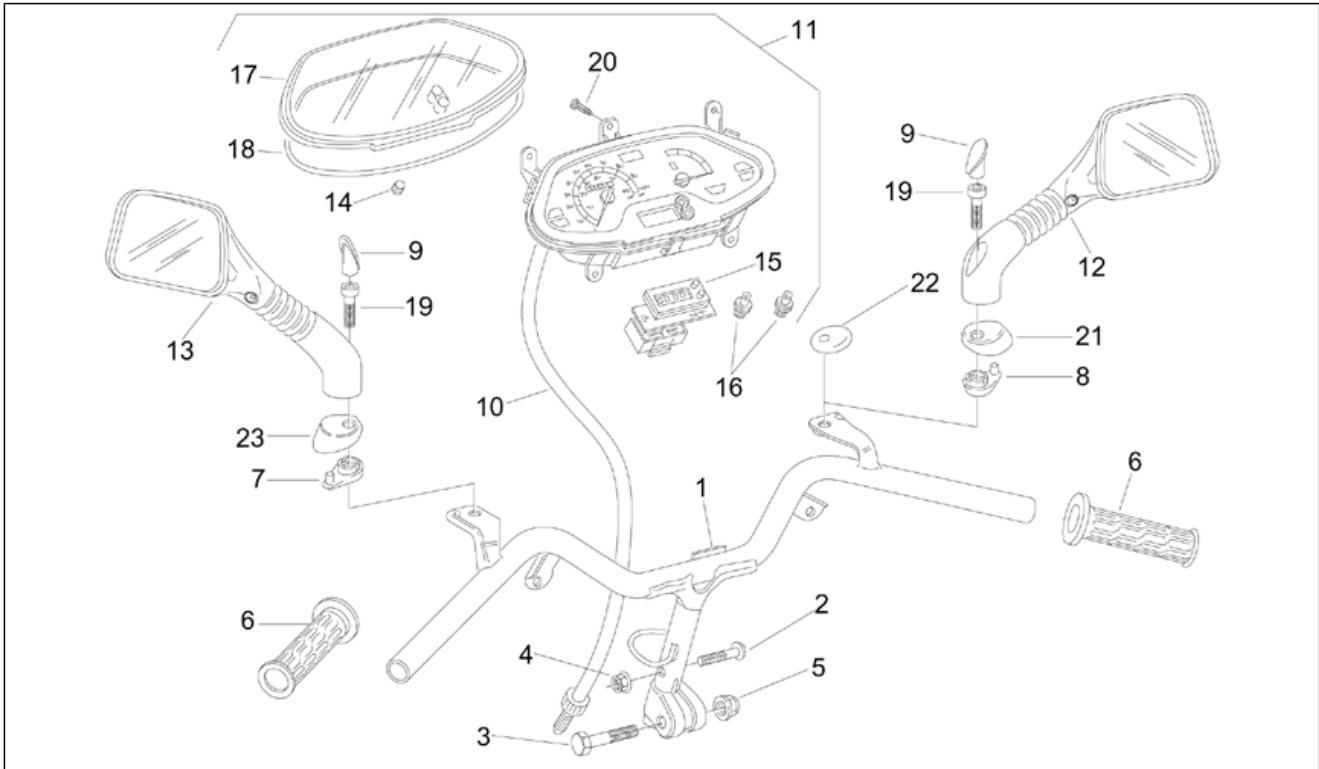
| Pos. | Code | Beschreibung | Menge | Varianten |
|------|-----------|-----------------------------|-------|---|
| 1 | AP8226386 | Kennzeichenplatte, grau | 1 | Baujahr: 1997[V], 1998[W] |
| 1 | AP8226386 | Kennzeichenplatte, grau | 1 | Baujahr: 1996[T] Fahrzeugfarbe: Blau Oxford 1996[Bi.ox], Tiefgrau (große Aufkleber) 1996[Gr.b], Tiefgrau 1996-1998[Grey], Kirschrot 1996-1997[Red] |
| 1 | AP8230567 | Kennzeichenplatte, schwarz | 1 | Baujahr: 1996[T] Fahrzeugfarbe: Blau Aprilia/Grau Metall 1996[Bi/Gr] |
| 2 | AP8226385 | Spritzschutz | 1 | Baujahr: 1996[T] Fahrzeugfarbe: Blau Oxford 1996[Bi.ox], Tiefgrau (große Aufkleber) 1996[Gr.b], Tiefgrau 1996-1998[Grey], Kirschrot 1996-1997[Red] |
| 2 | AP8226385 | Spritzschutz | 1 | Baujahr: 1997[V], 1998[W] |
| 2 | AP8230719 | Spritzschutz | 1 | Baujahr: 1996[T] Fahrzeugfarbe: Blau Aprilia/Grau Metall 1996[Bi/Gr] |
| 3 | AP8234069 | Kennzeichenhalter | 1 | Land: Italien[I] |
| 4 | AP8234067 | Rücklichthalterung | 1 | |
| 5 | AP8150382 | Ausgleichscheibe 15x5,5X1,2 | 2 | |
| 6 | AP8150444 | Gewindeschraube Edelstahl | 2 | |
| 7 | AP8212060 | Rückstrahler, orange | 1 | |
| 8 | AP8221232 | Buchse | 1 | |

| | |
|---------------------|----------------------------------|
| Einheit | RAHMEN |
| Code | 28.19 |
| Beschreibung | Lenkstange - Instrumenteneinheit |
| Inspektion | 1 |



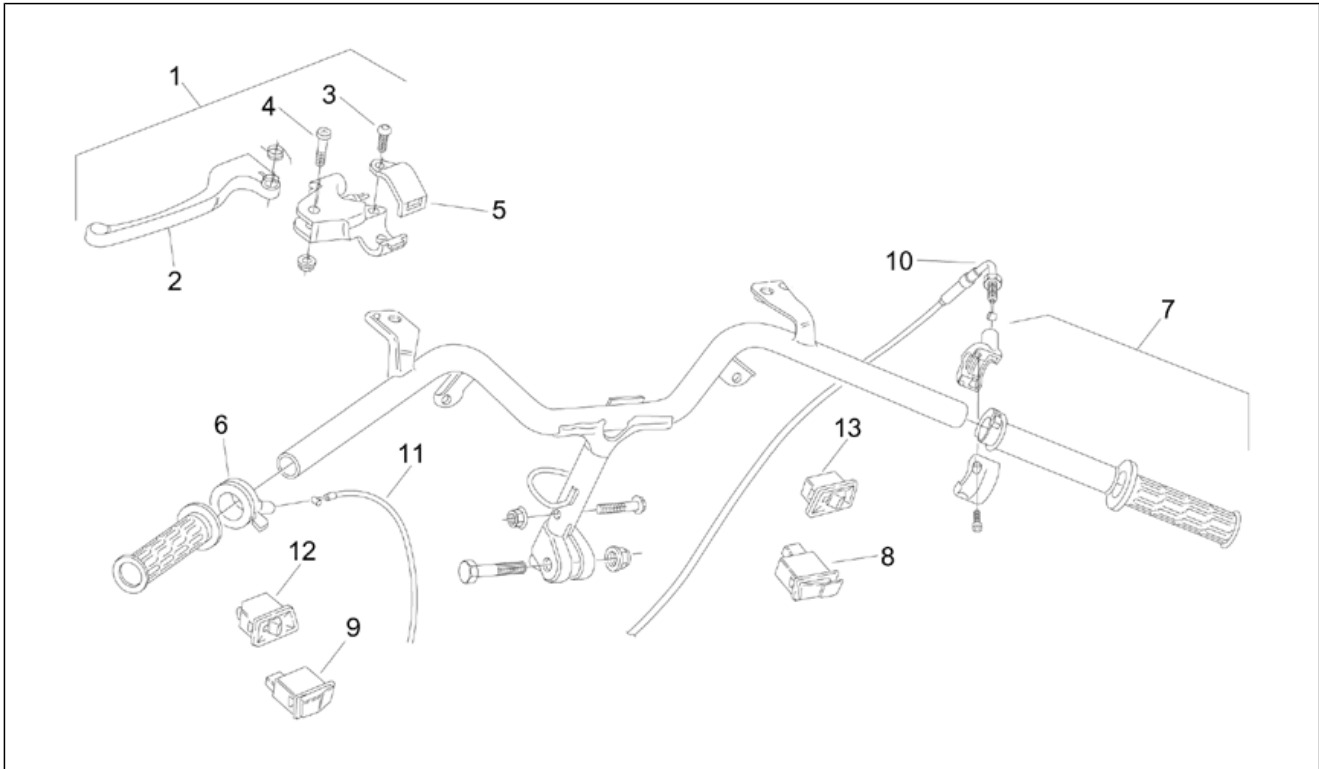
| Pos. | Code | Beschreibung | Menge | Varianten |
|------|-----------|-----------------------------|-------|--|
| 1 | AP8218160 | Lenkstange galv. | 1 | |
| 2 | AP8150290 | TCEI Schraube | 1 | |
| 3 | AP8150323 | Sechskantschraube | 1 | |
| 4 | AP8152300 | Selbstsperrende Mutter M8 | 1 | |
| 5 | AP8152301 | Selbstsperrende Mutter | 1 | |
| 6 | AP8218275 | Handgriffe paar, schwarz | 1 | Baujahr: 1996[T] |
| 6 | AP8218328 | Handgriffe paar, blau | 1 | Baujahr: 1997[V], 1998[W] |
| 7 | AP8221153 | Grundplatte L.Rückspg. | 1 | |
| 8 | AP8221154 | Grundplatte R.Rückspg. | 1 | |
| 9 | AP8201818 | Verschl. Spgl rch + lks. | 2 | Technische Daten: "Spiegel mit der Schrift ""Arsauto""[Ar] |
| 9 | AP8202071 | Verschl. Spgl rch + lks. | 2 | Technische Daten: Spiegel mit Symbol Fico Mirrors auf der Rückseite[Fi] |
| 10 | AP8214169 | Tachometerkabel | 1 | |
| 11 | AP8212824 | Instrum.tafel kplt. | 1 | Land: Österreich[A], Belgien[B], Deutschland[D], Dänemark[DK], Spanien[E], Frankreich[F], Italien[I], Holland[NL], Finnland[SF] |
| 11 | AP8212966 | Instrum.tafel kplt. | 1 | Land: Schweiz[CH] |
| 12 | AP8201835 | Rückspiegel rechts | 1 | Technische Daten: "Spiegel mit der Schrift ""Arsauto""[Ar] |
| 12 | AP8201975 | Rückspiegel rechts | 1 | Technische Daten: Spiegel mit Symbol Fico Mirrors auf der Rückseite[Fi] |
| 13 | AP8201836 | Rückspiegel links | 1 | Technische Daten: "Spiegel mit der Schrift ""Arsauto""[Ar] |
| 13 | AP8201976 | Rückspiegel links | 1 | Technische Daten: Spiegel mit Symbol Fico Mirrors auf der Rückseite[Fi] |
| 14 | AP8212405 | Uhrgummi | 1 | |
| 15 | AP8212406 | Digital-Uhr | 1 | |
| 16 | AP8212407 | Lampenhalter kplt. 12V-1,2W | 2 | |
| 17 | AP8212402 | Instrumenten-Abdeckblende | 1 | |
| 18 | AP8220422 | Dichtung Instrumentenblende | 1 | |
| 19 | AP8150171 | TCEI Schraube M8x40 | 2 | |

| | |
|---------------------|----------------------------------|
| Einheit | RAHMEN |
| Code | 28.19 |
| Beschreibung | Lenkstange - Instrumenteneinheit |
| Inspektion | 1 |



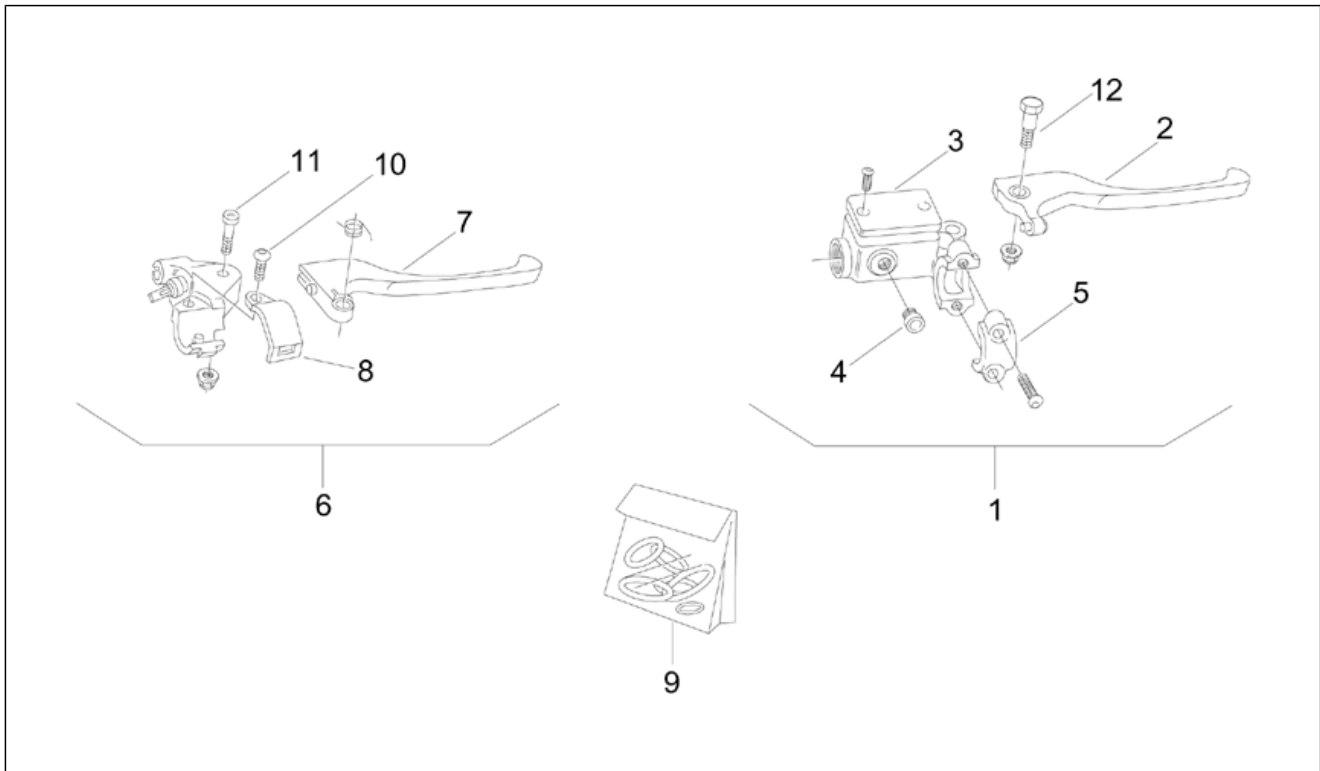
| Pos. | Code | Beschreibung | Menge | Varianten |
|------|-----------|-------------------------|-------|-----------|
| 20 | AP8150421 | Gew.schr. 2,9x12 | 5 | |
| 21 | AP8220347 | Gummi rechter Spiegel | 1 | |
| 22 | AP8220324 | Schraube r. Rückspiegel | 1 | |
| 23 | AP8220331 | Gummi * | 1 | |

| | |
|---------------------|----------------|
| Einheit | RAHMEN |
| Code | 28.20 |
| Beschreibung | Schaltgruppe I |
| Inspektion | 1 |



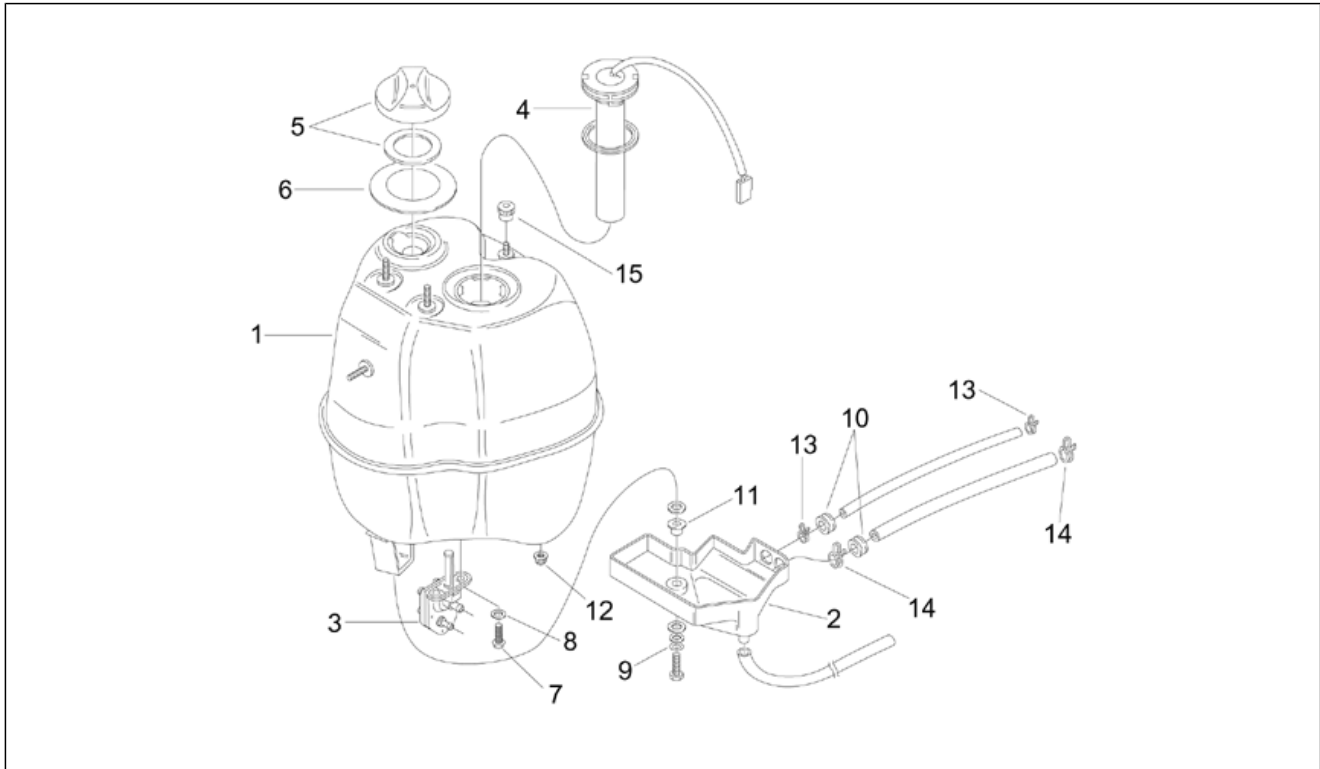
| Pos. | Code | Beschreibung | Menge | Varianten |
|------|-----------|-------------------------------|-------|---|
| 1 | AP8218136 | Linke Hinterradbremsschaltung | 1 | Baujahr:1996[T] |
| 1 | AP8218236 | H. bremshebel | 1 | Baujahr:1997[V], 1998[W] |
| 2 | AP8218153 | Hinterradbremsshebel | 1 | Baujahr:1996[T] |
| 2 | AP8218274 | Hinterradbremsshebel | 1 | Baujahr:1997[V], 1998[W] |
| 3 | AP8118472 | Schraube | 1 | |
| 4 | AP8218114 | Bremshebelbolzen | 1 | |
| 5 | AP8218154 | Bremshebel-Bügelbolzen | 1 | |
| 6 | AP8212529 | Starterschaltung | 1 | |
| 7 | AP8218238 | Gasschaltung+griff, schw. | 1 | Baujahr:1996[T] |
| 7 | AP8218324 | Gasschaltung+griff, blau. | 1 | Baujahr:1997[V], 1998[W] |
| 8 | AP8124208 | Startknopf | 1 | |
| 9 | AP8124209 | Hupknopf | 1 | |
| 10 | AP8214109 | Gaszugkabel | 1 | |
| 11 | AP8214108 | Starterzugkabel | 1 | |
| 12 | AP8212767 | Blinker Lichtknopf | 1 | |
| 13 | AP8212764 | 3-Wege Lichtknopf | 1 | Land:Schweiz[CH] |
| 13 | AP8212768 | 2-Wege Lichtknopf | 1 | Land:Österreich[A], Belgien[B], Deutschland[D], Dänemark[DK], Spanien[E], Italien[I], Finnland[SF] |
| 13 | AP8212837 | 2-Wege Lichtknopf | 1 | Land:Frankreich[F], Holland[NL] |

| | |
|---------------------|-----------------|
| Einheit | RAHMEN |
| Code | 28.21 |
| Beschreibung | Schaltgruppe II |
| Inspektion | 1 |



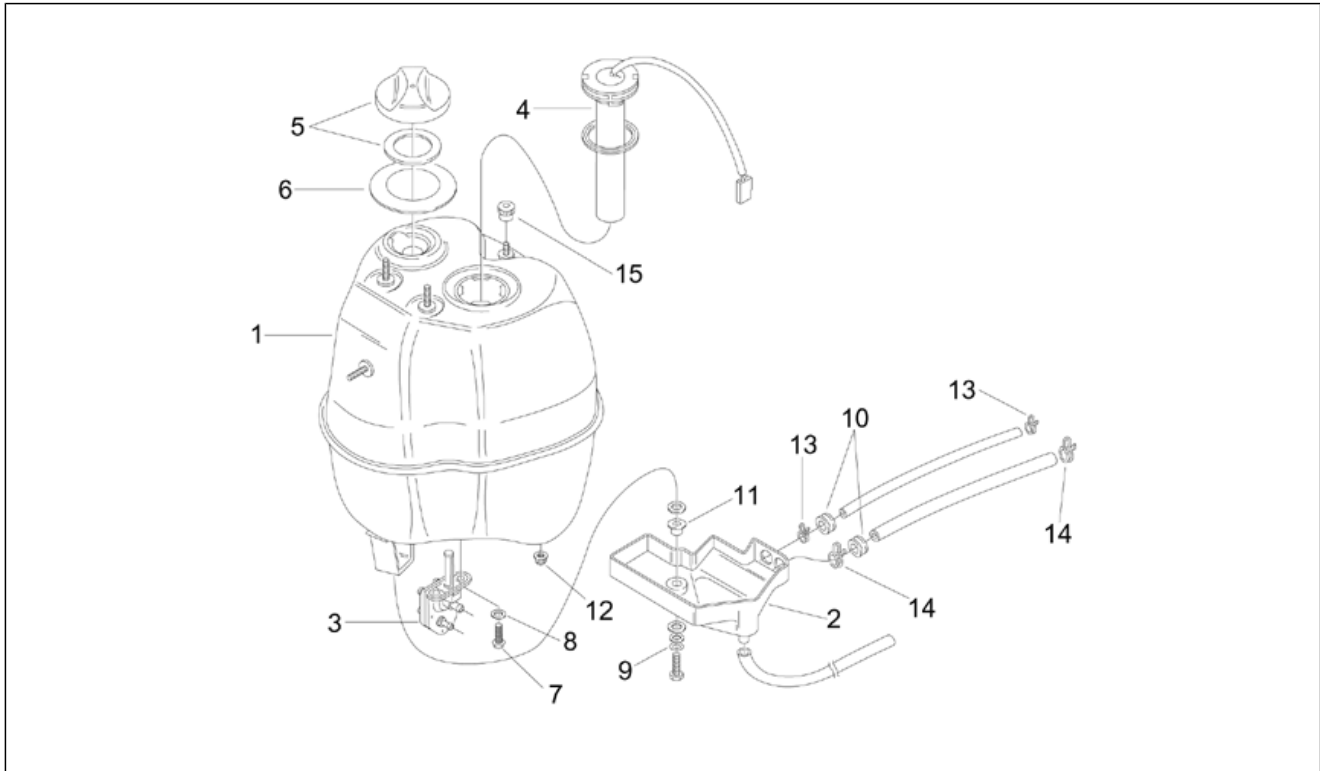
| Pos. | Code | Beschreibung | Menge | Varianten |
|------|-----------|---------------------------------|-------|---|
| 1 | AP8213175 | Vorderradbremspumpe D11 | 1 | Baujahr: 1996[T] Technische Daten: Scheibenbremse Hinterrad[f.d.] |
| 1 | AP8213303 | Vorderradbremspumpe | 1 | Baujahr: 1997[V], 1998[W] Technische Daten: Scheibenbremse Hinterrad[f.d.] |
| 2 | AP8218156 | Vord. Bremshebel m. Einst | 1 | Baujahr: 1996[T] Technische Daten: Scheibenbremse Hinterrad[f.d.] |
| 2 | AP8218273 | Vorderradbremsh. m. Einst | 1 | Baujahr: 1997[V], 1998[W] Technische Daten: Scheibenbremse Hinterrad[f.d.] |
| 3 | AP8113305 | Pumpendeckel | 1 | Technische Daten: Scheibenbremse Hinterrad[f.d.] |
| 4 | AP8213300 | Ölstandschraube | 1 | Technische Daten: Scheibenbremse Hinterrad[f.d.] |
| 5 | AP8218155 | Bremsh. m. Einst-Bügelbolzen | 1 | Technische Daten: Scheibenbremse Hinterrad[f.d.] |
| 6 | AP8218179 | V. bremshebel | 1 | Baujahr: 1996[T] Technische Daten: Hinterrad-Trommelbremse[f.t.] |
| 6 | AP8218322 | V. bremshebel | 1 | Baujahr: 1997[V] Technische Daten: Hinterrad-Trommelbremse[f.t.] |
| 7 | AP8118473 | Vorderradbremsh. m. Einst | 1 | Baujahr: 1997[V] Technische Daten: Hinterrad-Trommelbremse[f.t.] |
| 7 | AP8218189 | Vorderradbremsh. m. Einst | 1 | Baujahr: 1996[T] Technische Daten: Hinterrad-Trommelbremse[f.t.] |
| 8 | AP8218190 | Bügelbolzen | 1 | Technische Daten: Hinterrad-Trommelbremse[f.t.] |
| 9 | AP8213191 | Bausatz Pumpenüberholung | 1 | Technische Daten: Scheibenbremse Hinterrad[f.d.] |
| 10 | AP8118472 | Schraube | 1 | Technische Daten: Hinterrad-Trommelbremse[f.t.] |
| 11 | AP8218114 | Bremsh. m. Einst-Bügelbolzen | 1 | Technische Daten: Hinterrad-Trommelbremse[f.t.] |
| 12 | AP8221231 | Stift Vorderradbremsh. m. Einst | 1 | Technische Daten: Scheibenbremse Hinterrad[f.d.] |

| | |
|---------------------|----------------|
| Einheit | RAHMEN |
| Code | 28.22 |
| Beschreibung | Kraftstofftank |
| Inspektion | 1 |



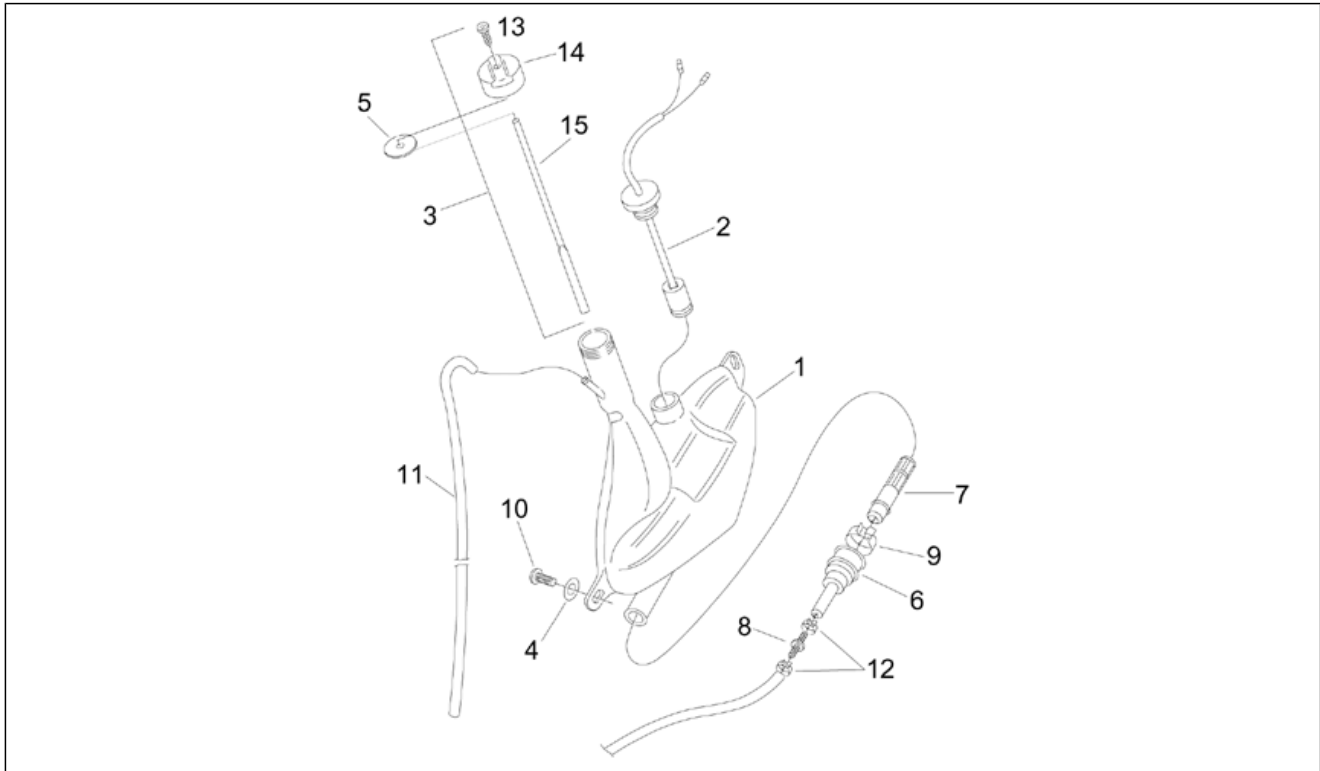
| Pos. | Code | Beschreibung | Menge | Varianten |
|------|-----------|---------------------------|-------|--|
| 1 | AP8231321 | Kraftstofftank | 1 | Land:Belgien[B], Spanien[E], Frankreich[F], Italien[I] |
| 1 | AP8231624 | Kraftstofftank | 1 | Land:Österreich[A], Schweiz[CH], Dänemark[DK], Finnland[SF] |
| 1 | AP8231624 | Kraftstofftank | 1 | Land:Holland[NL] Technische Daten:Version mit Beschränkung 45 km/h[45Km] |
| 1 | AP8231624 | Kraftstofftank | 1 | Land:Deutschland[D] Technische Daten:Scheibenbremse Hinterrad[f.d.] |
| 1 | AP8238679 | Kraftstofftank | 1 | Land:Holland[NL] Technische Daten:Version mit Beschränkung 25 km/h[25Km] |
| 1 | AP8238679 | Kraftstofftank | 1 | Land:Deutschland[D] Technische Daten:Hinterrad-Trommelbremse[f.t.] |
| 2 | AP8201665 | Benzinsammelschale | 1 | |
| 3 | AP8201481 | Unterdruck-Kraftstoffhahn | 1 | Land:Deutschland[D] Technische Daten:Scheibenbremse Hinterrad[f.d.] |
| 3 | AP8201481 | Unterdruck-Kraftstoffhahn | 1 | Land:Österreich[A], Belgien[B], Schweiz[CH], Dänemark[DK], Spanien[E], Frankreich[F], Italien[I], Finnland[SF] |
| 3 | AP8201481 | Unterdruck-Kraftstoffhahn | 1 | Land:Holland[NL] Technische Daten:Version mit Beschränkung 45 km/h[45Km] |
| 3 | AP8201926 | Unterdruck-Kraftstoffhahn | 1 | Land:Deutschland[D] Technische Daten:Hinterrad-Trommelbremse[f.t.] |
| 3 | AP8201926 | Unterdruck-Kraftstoffhahn | 1 | Land:Holland[NL] Technische Daten:Version mit Beschränkung 25 km/h[25Km] |
| 4 | AP8212957 | Kraftstoffmeßsonde | 1 | |
| 5 | AP8201690 | Tankfüllschraube | 1 | |
| 6 | AP8220352 | Dichtung Kraftstofftank | 1 | |
| 7 | AP8152278 | TE Schr. m. Flansch M6x16 | 2 | |
| 8 | AP8201522 | U-scheibe Fiber | 2 | |

| | |
|---------------------|----------------|
| Einheit | RAHMEN |
| Code | 28.22 |
| Beschreibung | Kraftstofftank |
| Inspektion | 1 |



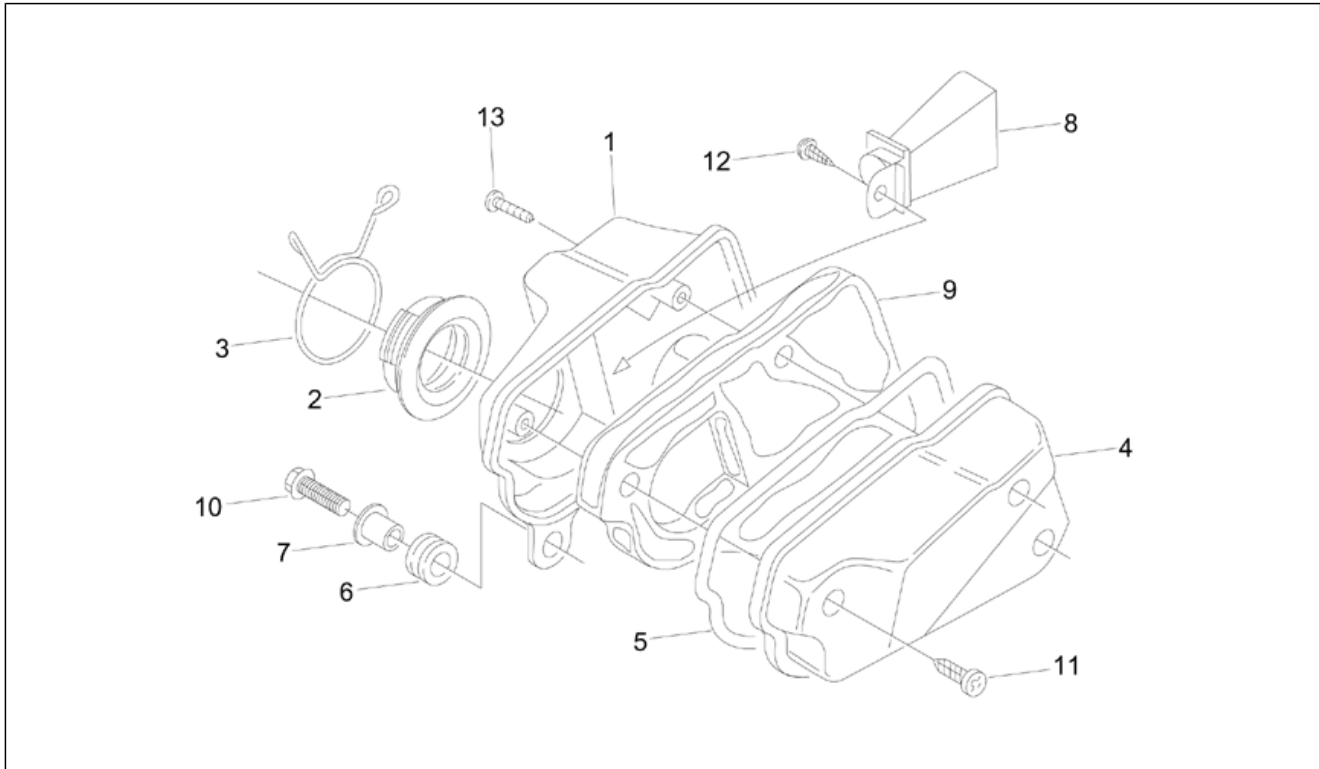
| Pos. | Code | Beschreibung | Menge | Varianten |
|------|-----------|---------------------------|-------|-----------|
| 9 | AP8150182 | Gebogene Sprengscheibe * | 1 | |
| 10 | AP8120030 | Gummi | 2 | |
| 11 | AP8221023 | T-Buchse | 1 | |
| 12 | AP8152299 | Selbstsperrende Mutter M6 | 2 | |
| 13 | AP8120179 | Schelle D8 | 2 | |
| 14 | AP8101595 | Schelle D10,1 | 2 | |
| 15 | AP8220373 | Gummi Tankanschluß | 1 | |

| | |
|---------------------|--------|
| Einheit | RAHMEN |
| Code | 28.23 |
| Beschreibung | Öltank |
| Inspektion | 1 |



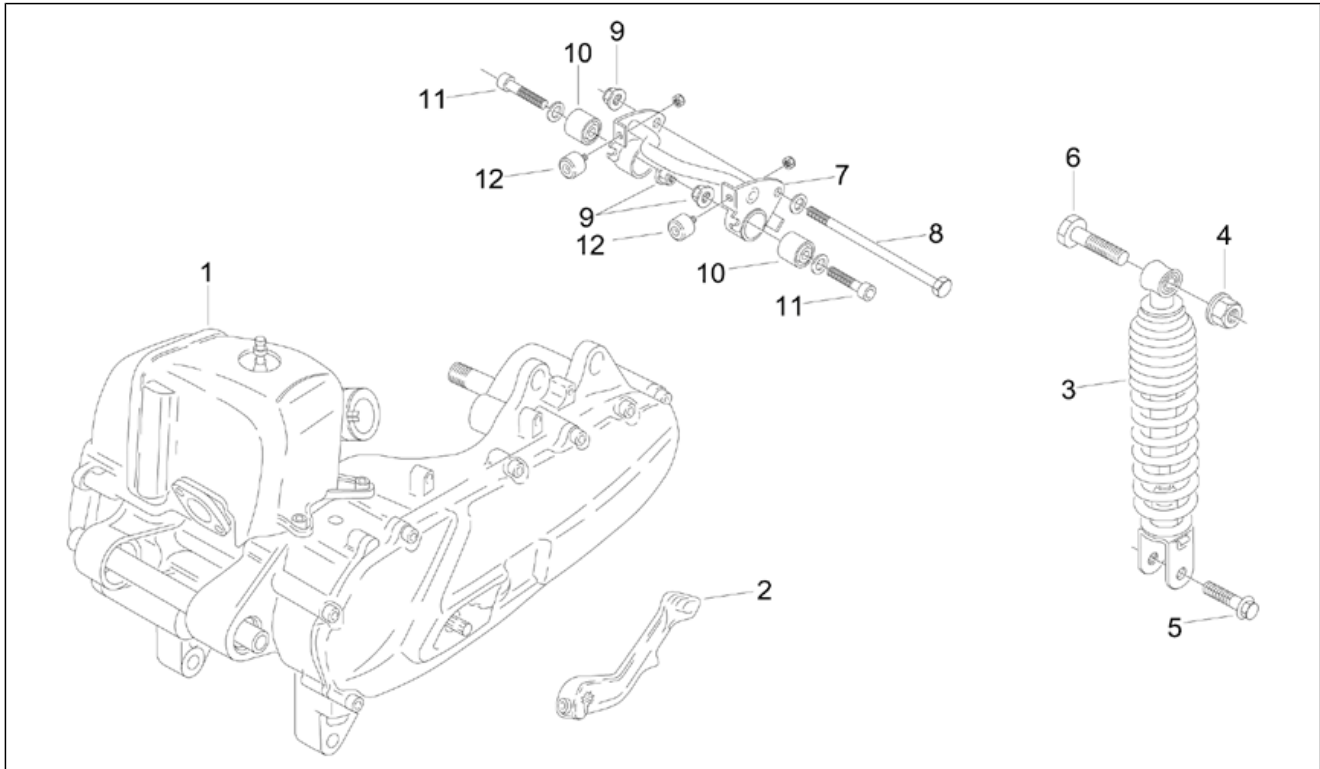
| Pos. | Code | Beschreibung | Menge | Varianten |
|------|-----------|------------------------------|-------|--|
| 1 | AP8231510 | Öltank, schwarz | 1 | |
| 2 | AP8112686 | Anzeige Ölreserve | 1 | |
| 3 | AP8220282 | Öltankschraube kplt. | 1 | Land:Deutschland[D] Technische Daten:Scheibenbremse Hinterrad[f.d.] |
| 4 | AP8150015 | Ausgleichscheibe 6,6x18x1,6* | 2 | |
| 5 | AP8120355 | Ölschraubelochstal dichtung | 1 | |
| 6 | AP8102223 | Gummi * | 1 | |
| 7 | AP8102224 | Gemisch-Ölfilter | 1 | |
| 8 | AP8101944 | 2-Wege Anschluß | 1 | |
| 9 | AP8101743 | Schlauchschele D23,5x8* | 1 | |
| 10 | AP8152277 | TE Schr. m. Flansch M6x12 | 2 | |
| 11 | AP8220384 | Entlüftungsschlauch öl | 1 | |
| 12 | AP8101770 | Schlauchschele D8x5,5* | 1 | |
| 13 | AP8152169 | Linsenschraube 4,8x19* | 1 | Land:Deutschland[D] Technische Daten:Scheibenbremse Hinterrad[f.d.] |
| 14 | AP8120354 | Deckel | 1 | |
| 15 | AP8201455 | Stange Ölschraube | 1 | Land:Deutschland[D] Technische Daten:Scheibenbremse Hinterrad[f.d.] |

| | |
|---------------------|---------------|
| Einheit | RAHMEN |
| Code | 28.24 |
| Beschreibung | Filtergehäuse |
| Inspektion | 1 |



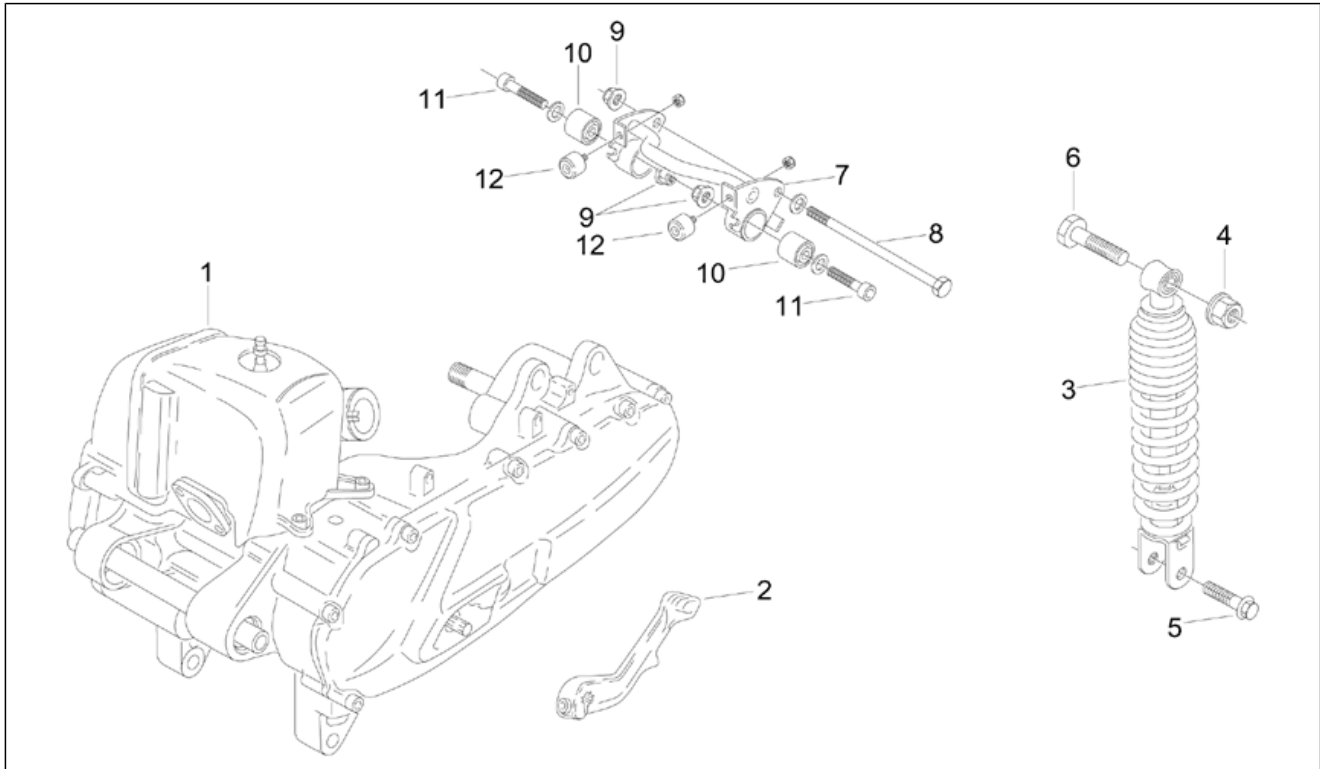
| Pos. | Code | Beschreibung | Menge | Varianten |
|------|-----------|---------------------------|-------|-----------|
| 1 | AP8231622 | Boden Filtergehäuse | 1 | |
| 2 | AP8201379 | Vergasermuffe | 1 | |
| 3 | AP8221094 | Schraubenfederdrehung * | 1 | |
| 4 | AP8232470 | Deckel Filtergehäuse | 1 | |
| 5 | AP8220385 | Dichtung Filtergehäuse | 1 | |
| 6 | AP8220370 | Gummi Filtergehäuse | 1 | |
| 7 | AP8121725 | T-Buchse * | 1 | |
| 8 | AP8232471 | Ansaugmuffe | 1 | |
| 9 | AP8201378 | Luftfilter | 1 | |
| 10 | AP8152280 | TE Schr. m. Flansch M6x25 | 2 | |
| 11 | AP8150425 | Linsenschraube 5,5x22* | 4 | |
| 12 | AP8150246 | Linsenschraube | 1 | |
| 13 | AP8150146 | Linsenschraube 4x15* | 2 | |

| | |
|---------------------|--------------------|
| Einheit | RAHMEN |
| Code | 28.25 |
| Beschreibung | Motor-pleuelstange |
| Inspektion | 1 |



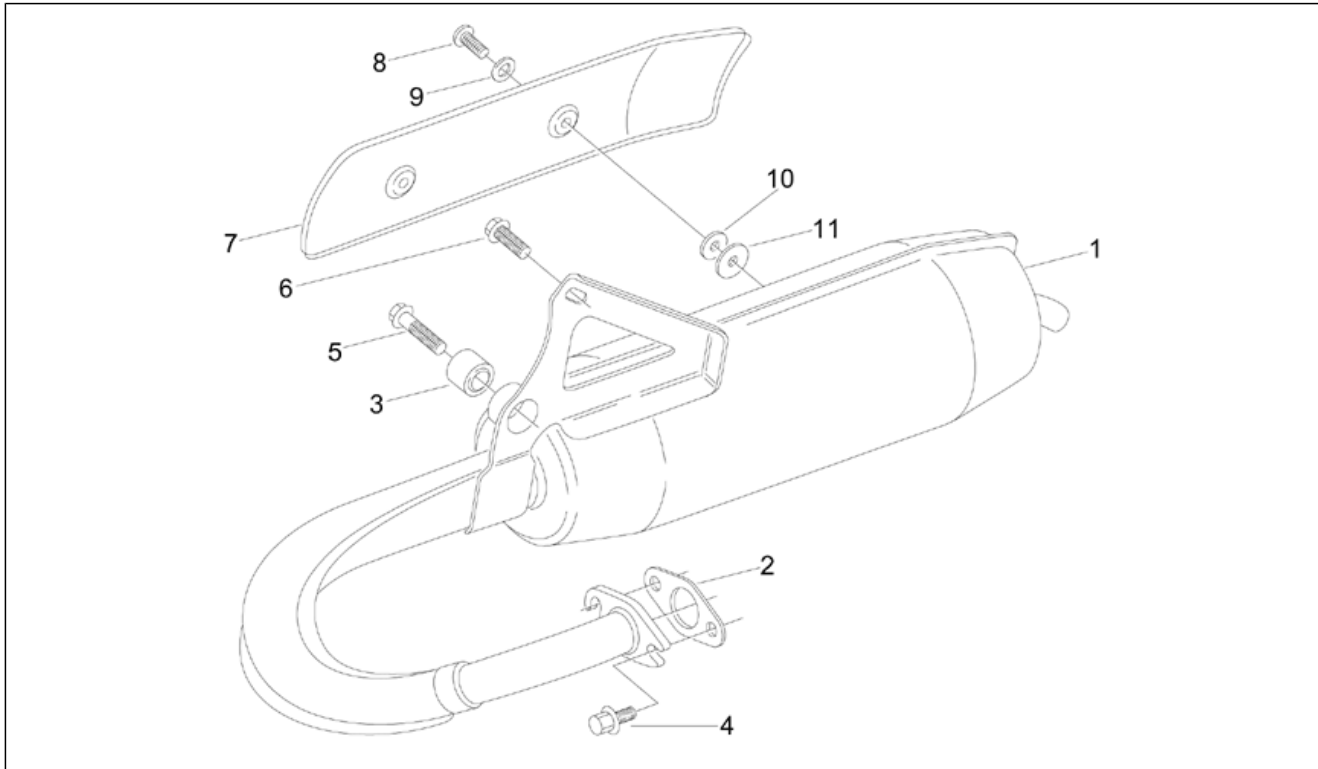
| Pos. | Code | Beschreibung | Menge | Varianten |
|------|-----------|------------------------|-------|--|
| 1 | AP8222349 | Motor Cw | 1 | Land:Italien[I] |
| 1 | AP8222370 | Motor Cw | 1 | Land:Deutschland[D] Technische Daten:Scheibenbremse Hinterrad[f.d.] |
| 1 | AP8222381 | Motor Cw | 1 | Land:Österreich[A] |
| 1 | AP8222382 | Motor Cw | 1 | Land:Belgien[B] |
| 1 | AP8222383 | Motor Cw | 1 | Land:Frankreich[F] |
| 1 | AP8222384 | Motor Cw | 1 | Land:Finnland[SF] |
| 1 | AP8222384 | Motor Cw | 1 | Land:Holland[NL] Technische Daten:Version mit Beschränkung 45 km/h[45Km] |
| 1 | AP8222480 | Motor Cw | 1 | Land:Holland[NL] Technische Daten:Version mit Beschränkung 25 km/h[25Km] |
| 1 | AP8222489 | Motor Cw | 1 | Land:Dänemark[DK] |
| 1 | AP8222491 | Motor Cw | 1 | Land:Deutschland[D] Technische Daten:Hinterrad-Trommelbremse[f.t.] |
| 1 | AP8222550 | Motor Cw | 1 | Land:Schweiz[CH] |
| 1 | AP8222552 | Motor Cw | 1 | Land:Spanien[E] |
| 2 | AP8232629 | Kickstarterhebel kpl. | 1 | |
| 3 | AP8203407 | Stoßdämpfer | 1 | Land:Österreich[A], Belgien[B], Schweiz[CH], Dänemark[DK], Frankreich[F], Holland[NL], Finnland[SF] |
| 3 | AP8203407 | Stoßdämpfer | 1 | Land:Deutschland[D] Technische Daten:Scheibenbremse Hinterrad[f.d.] |
| 3 | AP8203630 | Stoßdämpfer | 1 | Land:Deutschland[D] Technische Daten:Hinterrad-Trommelbremse[f.t.] |
| 3 | AP8203630 | Stoßdämpfer | 1 | Land:Spanien[E], Italien[I] |
| 4 | AP8152301 | Selbstsperrende Mutter | 1 | |
| 5 | AP8152289 | TE Schr. m. Flansch | 1 | |
| 6 | AP8150227 | Sechskantschraube | 1 | |
| 7 | AP8232464 | Motor-Pleuelstange | 1 | |

| | |
|---------------------|--------------------|
| Einheit | RAHMEN |
| Code | 28.25 |
| Beschreibung | Motor-pleuelstange |
| Inspektion | 1 |



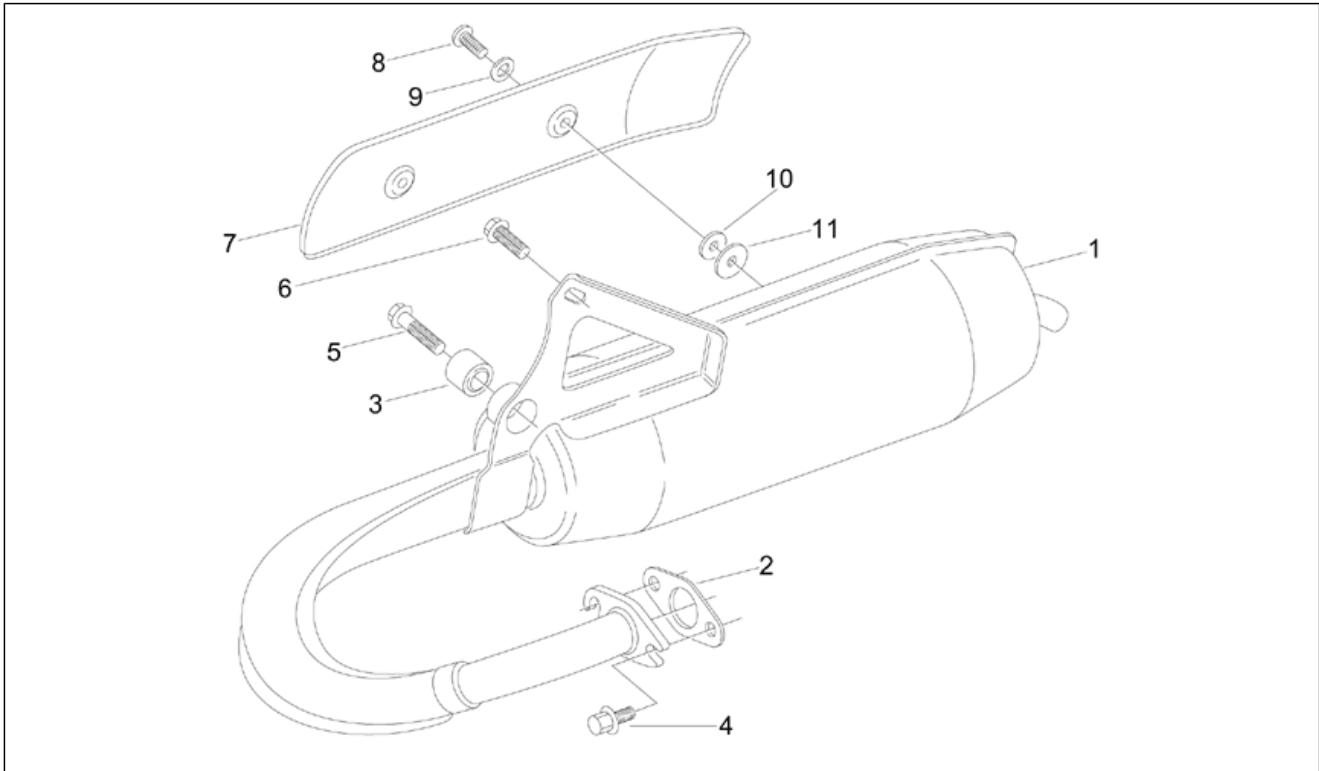
| Pos. | Code | Beschreibung | Menge | Varianten |
|------|-----------|------------------------|-------|-----------|
| 8 | AP8221087 | Motoranlenkbolzen | 1 | |
| 9 | AP8152301 | Selbstsperrende Mutter | 3 | |
| 10 | AP8220346 | Silent-Block | 2 | |
| 11 | AP8150329 | TCEI Schraube | 2 | |
| 12 | AP8220371 | Pleuelstange-Stopfen | 2 | |

| | |
|---------------------|---------------|
| Einheit | RAHMEN |
| Code | 28.26 |
| Beschreibung | Auslassgruppe |
| Inspektion | 1 |



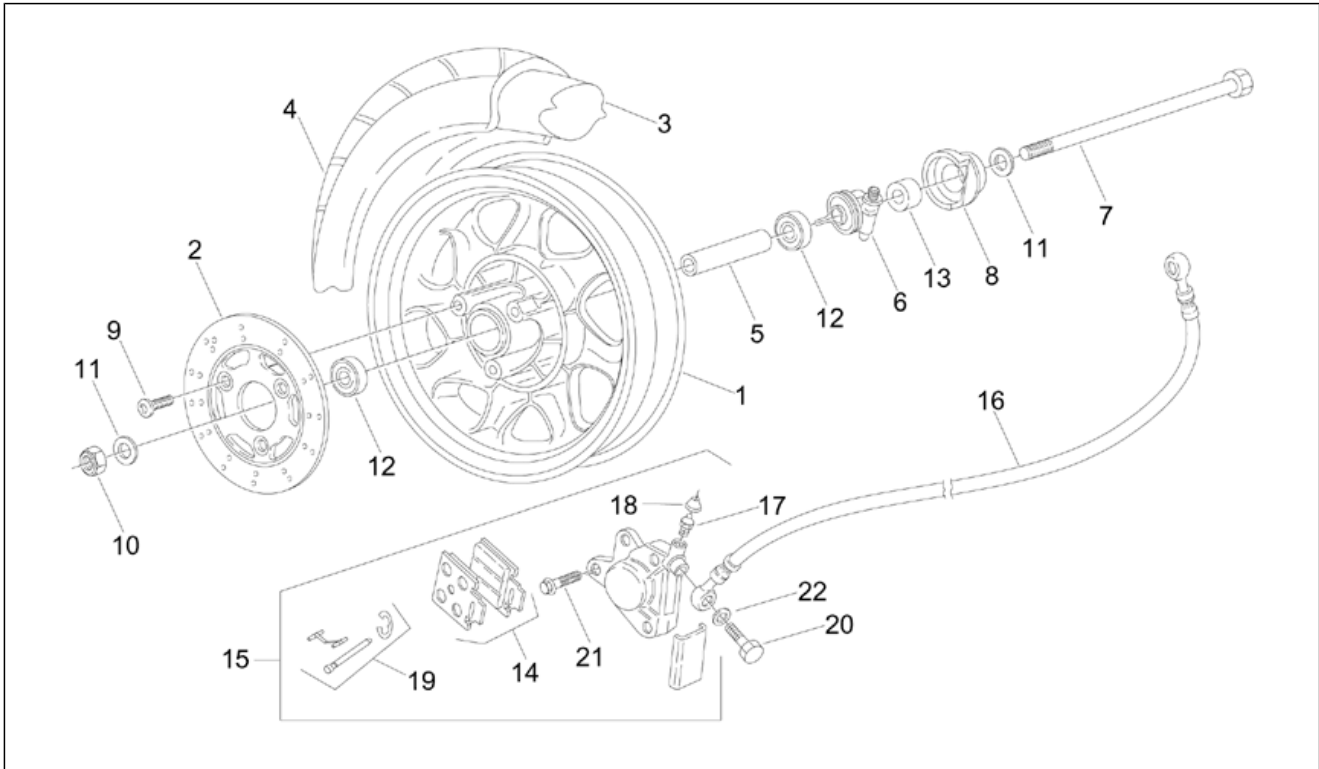
| Pos. | Code | Beschreibung | Menge | Varianten |
|------|-----------|-------------------------------|-------|---|
| 1 | AP8219273 | Auspuff | 1 | Land:Spanien[E], Italien[I] |
| 1 | AP8219279 | Auspuffrohr -Sf- | 1 | Land:Dänemark[DK], Finnland[SF] |
| 1 | AP8219289 | Kat.Auspuffrohr -A- | 1 | Land:Österreich[A] |
| 1 | AP8219291 | Auspuffrohr -b- | 1 | Land:Belgien[B] |
| 1 | AP8219293 | Auspuffrohr -F- | 1 | Land:Frankreich[F] |
| 1 | AP8219294 | Auspuffrohr -NI/D- | 1 | Land:Deutschland[D] Technische Daten:Hinterrad-Trommelbremse[f.t.] |
| 1 | AP8219294 | Auspuffrohr -NI/D- | 1 | Land:Holland[NL] Technische Daten:Version mit Beschränkung 25 km/h[25Km] |
| 1 | AP8219295 | Kat.Auspuffrohr -D- | 1 | Land:Deutschland[D] Technische Daten:Scheibenbremse Hinterrad[f.d.] |
| 1 | AP8219296 | Kat.Auspuffrohr -NI- | 1 | Land:Holland[NL] Technische Daten:Version mit Beschränkung 45 km/h[45Km] |
| 1 | AP8219376 | Kat.Auspuffrohr -Ch- | 1 | Land:Schweiz[CH] |
| 2 | AP8219212 | Dichtung Auspuffrohr | 1 | |
| 3 | AP8220357 | Silent-Block Ausp. grü | 1 | |
| 4 | AP8152260 | TE Schr. m. Flansch | 2 | |
| 5 | AP8152289 | TE Schr. m. Flansch | 1 | |
| 6 | AP8152286 | TE Schr. m. Flansch M8x20 | 1 | |
| 7 | AP8232524 | Auspuffrohrschutz, chr. schw. | 1 | Land:Österreich[A], Schweiz[CH], Dänemark[DK], Finnland[SF] |
| 7 | AP8232524 | Auspuffrohrschutz, chr. schw. | 1 | Land:Holland[NL] Technische Daten:Version mit Beschränkung 45 km/h[45Km] |
| 7 | AP8232524 | Auspuffrohrschutz, chr. schw. | 1 | Land:Deutschland[D] Technische Daten:Scheibenbremse Hinterrad[f.d.] |
| 8 | AP8150340 | TBEI Schraube | 2 | |
| 9 | AP8150178 | Ausgleichscheibe 6,4x12,5* | 2 | |
| 10 | AP8150179 | Ausgleichscheibe 6,6x18* | 2 | |

| | |
|---------------------|---------------|
| Einheit | RAHMEN |
| Code | 28.26 |
| Beschreibung | Auslassgruppe |
| Inspektion | 1 |



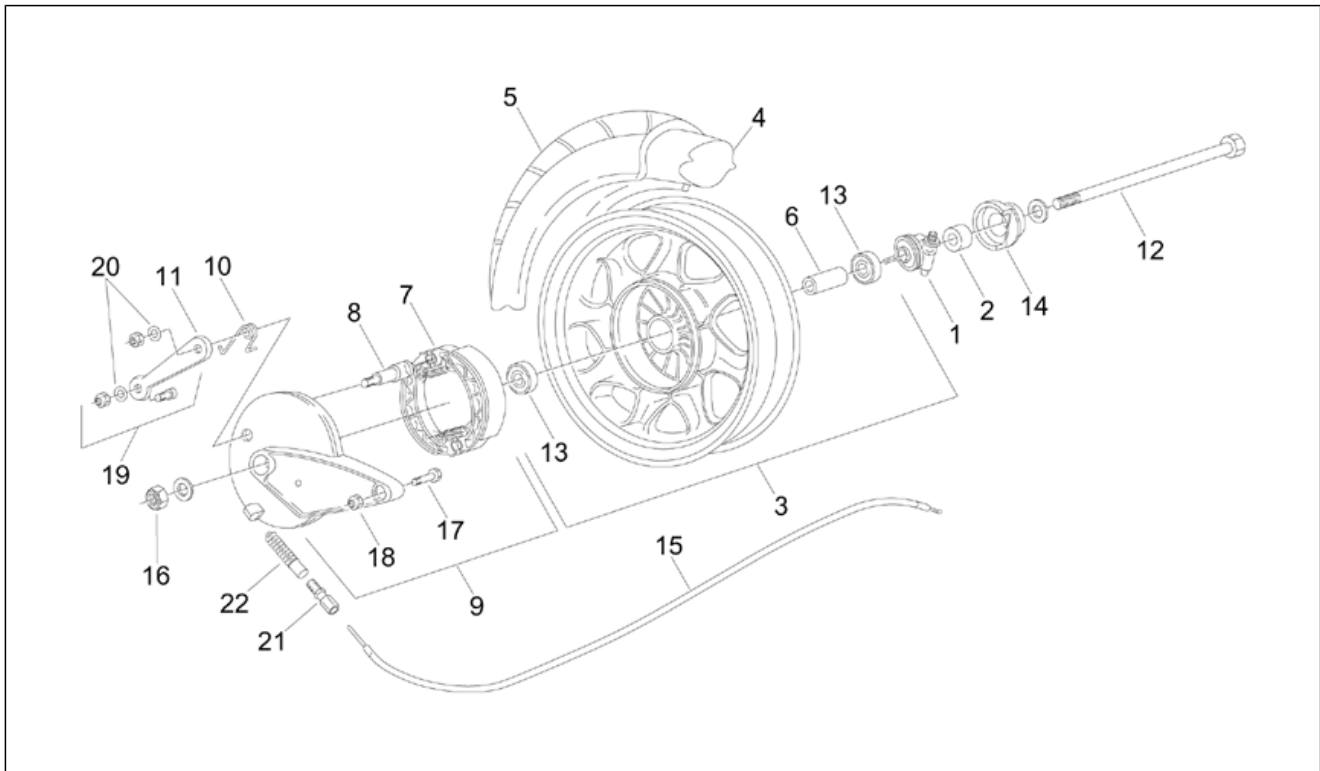
| Pos. | Code | Beschreibung | Menge | Varianten |
|------|-----------|------------------|-------|-----------|
| 11 | AP8117064 | Ausgleichscheibe | 2 | |

| | |
|---------------------|--------------------------|
| Einheit | RAHMEN |
| Code | 28.27 |
| Beschreibung | Vorderrad Scheibenbremse |
| Inspektion | 1 |



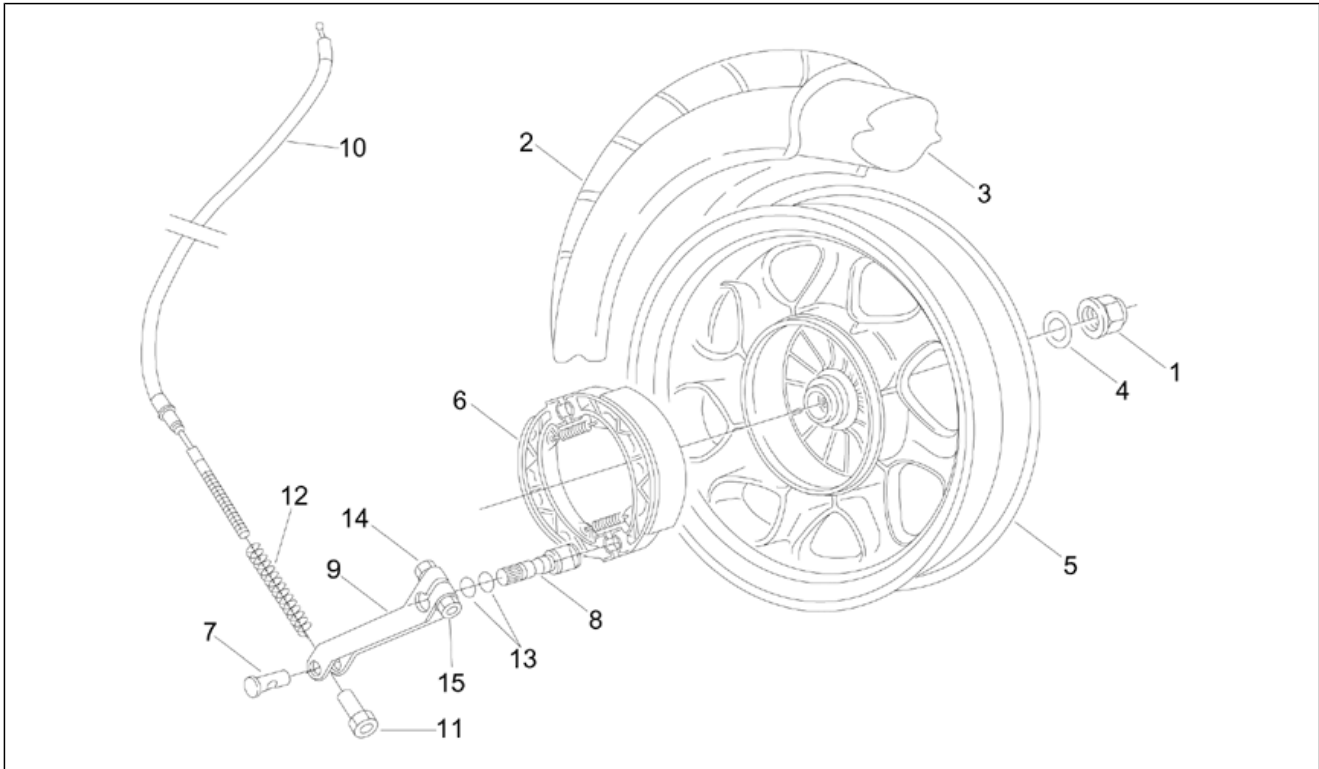
| Pos. | Code | Beschreibung | Menge | Varianten |
|------|-----------|-------------------------------|-------|---|
| 1 | AP8208385 | Vorderrad | 1 | Technische Daten: Scheibenbremse Hinterrad[f.d.] |
| 2 | AP8213229 | Vorderradbremsscheibe | 1 | Technische Daten: Scheibenbremse Hinterrad[f.d.] |
| 3 | 0000000 | Reifen | 1 | Technische Daten: Scheibenbremse Hinterrad[f.d.] |
| 4 | 0000000 | Reifen | 1 | Technische Daten: Scheibenbremse Hinterrad[f.d.] |
| 5 | AP8208255 | Interne Distanzscheibe | 1 | Technische Daten: Scheibenbremse Hinterrad[f.d.] |
| 6 | AP8201947 | Vorgelegte Kilometerzähler | 1 | Technische Daten: Scheibenbremse Hinterrad[f.d.] |
| 7 | AP8225275 | Vorderradbolzen | 1 | Technische Daten: Scheibenbremse Hinterrad[f.d.] |
| 8 | AP8201955 | Kilomzählerdeckel | 1 | Technische Daten: Scheibenbremse Hinterrad[f.d.] |
| 9 | AP8221146 | Schraube | 1 | Technische Daten: Scheibenbremse Hinterrad[f.d.] |
| 10 | AP8150373 | Selbstsperr.mut Unt. M12x1,25 | 1 | Technische Daten: Scheibenbremse Hinterrad[f.d.] |
| 11 | AP8225237 | Ausgleichscheibe 12x24x3 | 1 | Technische Daten: Scheibenbremse Hinterrad[f.d.] |
| 12 | AP8225148 | Lager | 1 | Technische Daten: Scheibenbremse Hinterrad[f.d.] |
| 13 | AP8225276 | Vorderrad Distanzscheibe | 1 | Technische Daten: Scheibenbremse Hinterrad[f.d.] |
| 14 | AP8213192 | Beläge (Paar) | 1 | Technische Daten: Scheibenbremse Hinterrad[f.d.] |
| 15 | AP8213176 | Vorderradbremssattel | 1 | Technische Daten: "Bremssattel mit der Schrift ""Brebo""[Br], Scheibenbremse Hinterrad[f.d.] |
| 15 | AP8213230 | Bremssattel | 1 | Technische Daten: "Bremssattel mit der Schrift ""Aprilia""[Ap], Scheibenbremse Hinterrad[f.d.] |
| 16 | AP8213177 | Vorderradbremsschlauch | 1 | Technische Daten: Scheibenbremse Hinterrad[f.d.] |
| 17 | AP8213193 | Entlüftungsanschluß | 1 | Technische Daten: Scheibenbremse Hinterrad[f.d.] |
| 18 | AP8113070 | Entlüftungskappe | 1 | Technische Daten: Scheibenbremse Hinterrad[f.d.] |
| 19 | AP8213194 | Bolzen+Bremse Felder | 1 | Technische Daten: "Bremssattel mit der Schrift ""Brebo""[Br], Scheibenbremse Hinterrad[f.d.] |
| 19 | AP8213227 | Bolzen+Bremse Felder | 1 | Technische Daten: "Bremssattel mit der Schrift ""Aprilia""[Ap], Scheibenbremse Hinterrad[f.d.] |
| 20 | AP8113003 | Fixierschraube Ölschlauch | 1 | Technische Daten: Scheibenbremse Hinterrad[f.d.] |
| 21 | AP8152287 | TE Schr. m. Flansch M8x25 | 1 | Technische Daten: Scheibenbremse Hinterrad[f.d.] |
| 22 | AP8113004 | Ausgleichscheibe 10x14x1,6* | 1 | Technische Daten: Scheibenbremse Hinterrad[f.d.] |

| | |
|---------------------|-------------------------|
| Einheit | RAHMEN |
| Code | 28.28 |
| Beschreibung | Vorderrad Trommelbremse |
| Inspektion | 1 |



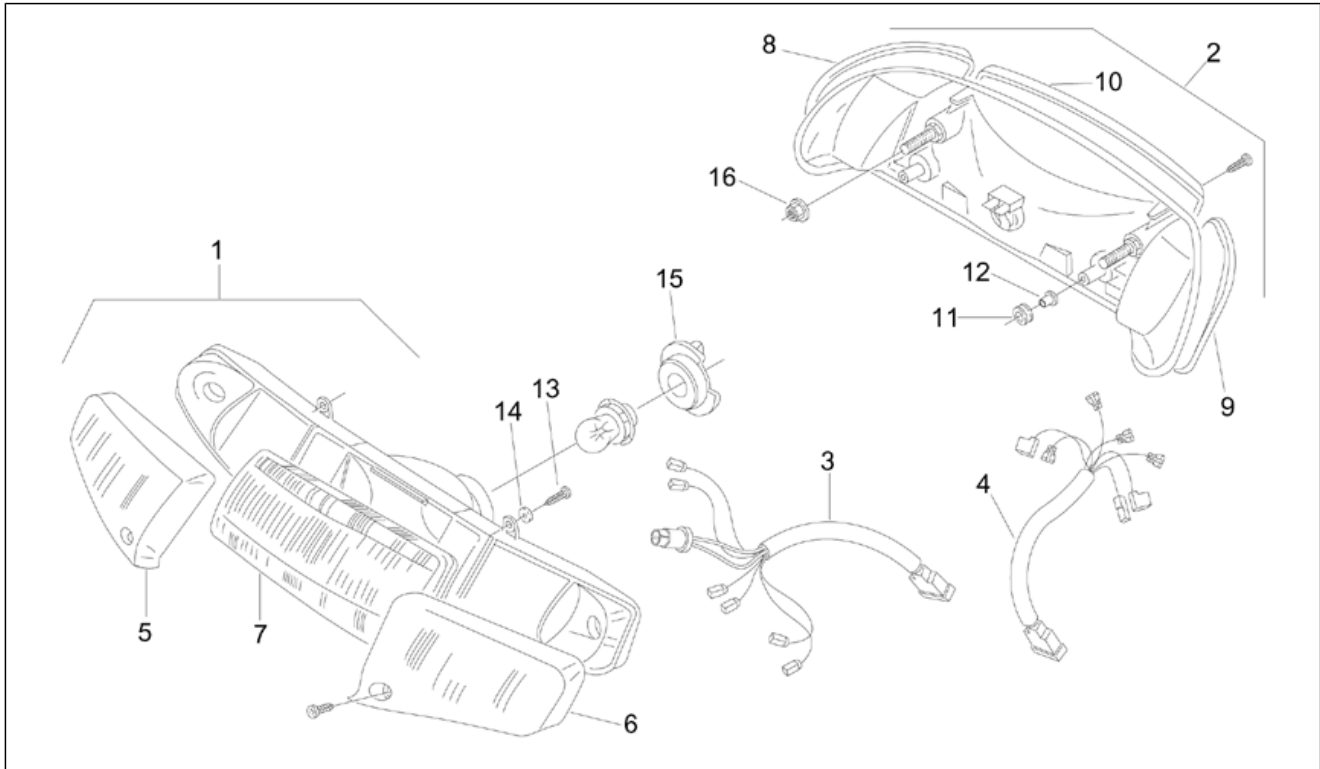
| Pos. | Code | Beschreibung | Menge | Varianten |
|------|-----------|-------------------------------|-------|--|
| 1 | AP8201947 | Vorgelegte Kilometerzähler | 1 | Technische Daten:Hinterrad-Trommelbremse[f.t.] |
| 2 | AP8225276 | Vorderrad Distanzscheibe | 1 | Technische Daten:Hinterrad-Trommelbremse[f.t.] |
| 3 | AP8208380 | Vorderrad | 1 | Technische Daten:Hinterrad-Trommelbremse[f.t.] |
| 4 | 0000000 | Reifen | 1 | Technische Daten:Hinterrad-Trommelbremse[f.t.] |
| 5 | 0000000 | Reifen | 1 | Technische Daten:Hinterrad-Trommelbremse[f.t.] |
| 6 | AP8208255 | Interne Distanzscheibe | 1 | Technische Daten:Hinterrad-Trommelbremse[f.t.] |
| 7 | AP8213133 | Bremsbac.+Federn | 1 | Technische Daten:Hinterrad-Trommelbremse[f.t.] |
| 8 | AP8213040 | Nocken | 1 | Technische Daten:Hinterrad-Trommelbremse[f.t.] |
| 9 | AP8225277 | Bremszangenhalter | 1 | Technische Daten:Hinterrad-Trommelbremse[f.t.] |
| 10 | AP8208260 | Feder | 1 | Technische Daten:Hinterrad-Trommelbremse[f.t.] |
| 11 | AP8208258 | Nockenschalthebel | 1 | Technische Daten:Hinterrad-Trommelbremse[f.t.] |
| 12 | AP8225275 | Vorderradbolzen | 1 | Technische Daten:Hinterrad-Trommelbremse[f.t.] |
| 13 | AP8225148 | Lager | 2 | Technische Daten:Hinterrad-Trommelbremse[f.t.] |
| 14 | AP8201955 | Kilomzählerdeckel | 1 | Technische Daten:Hinterrad-Trommelbremse[f.t.] |
| 15 | AP8214143 | Vorderradbremskabel | 1 | Technische Daten:Hinterrad-Trommelbremse[f.t.] |
| 16 | AP8150373 | Selbstsperr.mut Unt. M12x1,25 | 1 | Technische Daten:Hinterrad-Trommelbremse[f.t.] |
| 17 | AP8152290 | TE Schr. m. Flansch M8x40 | 1 | Technische Daten:Hinterrad-Trommelbremse[f.t.] |
| 18 | AP8152300 | Selbstsperrende Mutter M8 | 1 | Technische Daten:Hinterrad-Trommelbremse[f.t.] |
| 19 | AP8221102 | Drahtklemme D.6 | 1 | Technische Daten:Hinterrad-Trommelbremse[f.t.] |
| 20 | AP8225237 | Ausgleichscheibe 12x24x3 | 2 | Technische Daten:Hinterrad-Trommelbremse[f.t.] |
| 21 | AP8214115 | Einstll. Gaskabel | 1 | Technische Daten:Hinterrad-Trommelbremse[f.t.] |
| 22 | AP8214116 | Gummibalg | 1 | Technische Daten:Hinterrad-Trommelbremse[f.t.] |

| | |
|---------------------|-----------|
| Einheit | RAHMEN |
| Code | 28.29 |
| Beschreibung | Hinterrad |
| Inspektion | 1 |



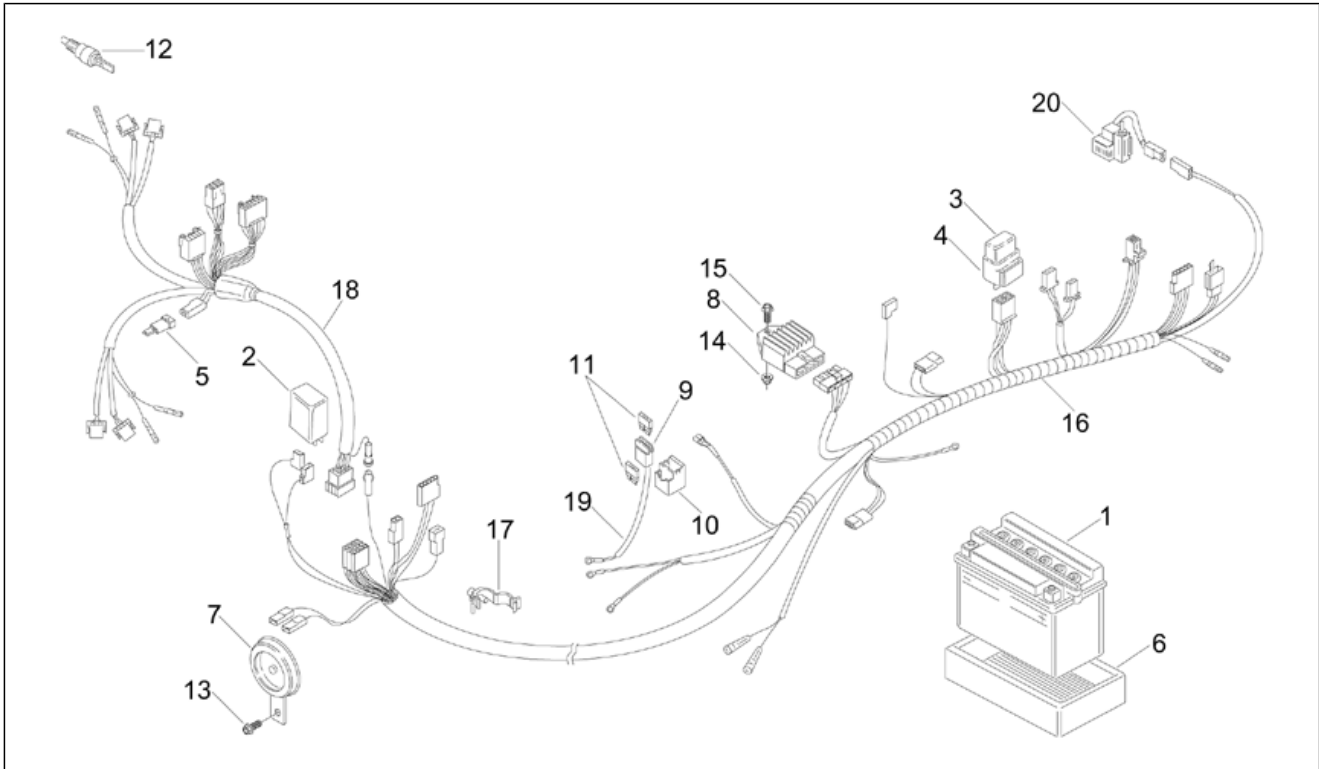
| Pos. | Code | Beschreibung | Menge | Varianten |
|------|-----------|-------------------------------|-------|-----------|
| 1 | AP8152244 | Mutter DAX geflanscht M14x1,5 | 1 | |
| 2 | 0000000 | Reifen | 1 | |
| 3 | 0000000 | Reifen | 1 | |
| 4 | AP8150471 | Sprengscheibe 14,5x24 | 1 | |
| 5 | AP8208387 | Hinterrad ohne Scheibe | 1 | |
| 6 | AP8213133 | Bremsbac.+Federn | 1 | |
| 7 | AP8221120 | Bremsseilhalter | 1 | |
| 8 | AP8213251 | Hinterradbremse Nocken | 1 | |
| 9 | AP8232678 | Hinterradbremshebel verchromt | 1 | |
| 10 | AP8214104 | Hinterradbremskabel | 1 | |
| 11 | AP8101103 | Einstll.schr. Hinterr.br. | 1 | |
| 12 | AP8213137 | Schraubenfederkompr. * | 2 | |
| 13 | AP8120769 | O-Ring 114 | 1 | |
| 14 | AP8152136 | TBEI Schraube | 1 | |
| 15 | AP8152299 | Selbstsperrende Mutter M6 | 1 | |

| | |
|---------------------|---------|
| Einheit | RAHMEN |
| Code | 28.30 |
| Beschreibung | Lichter |
| Inspektion | 1 |



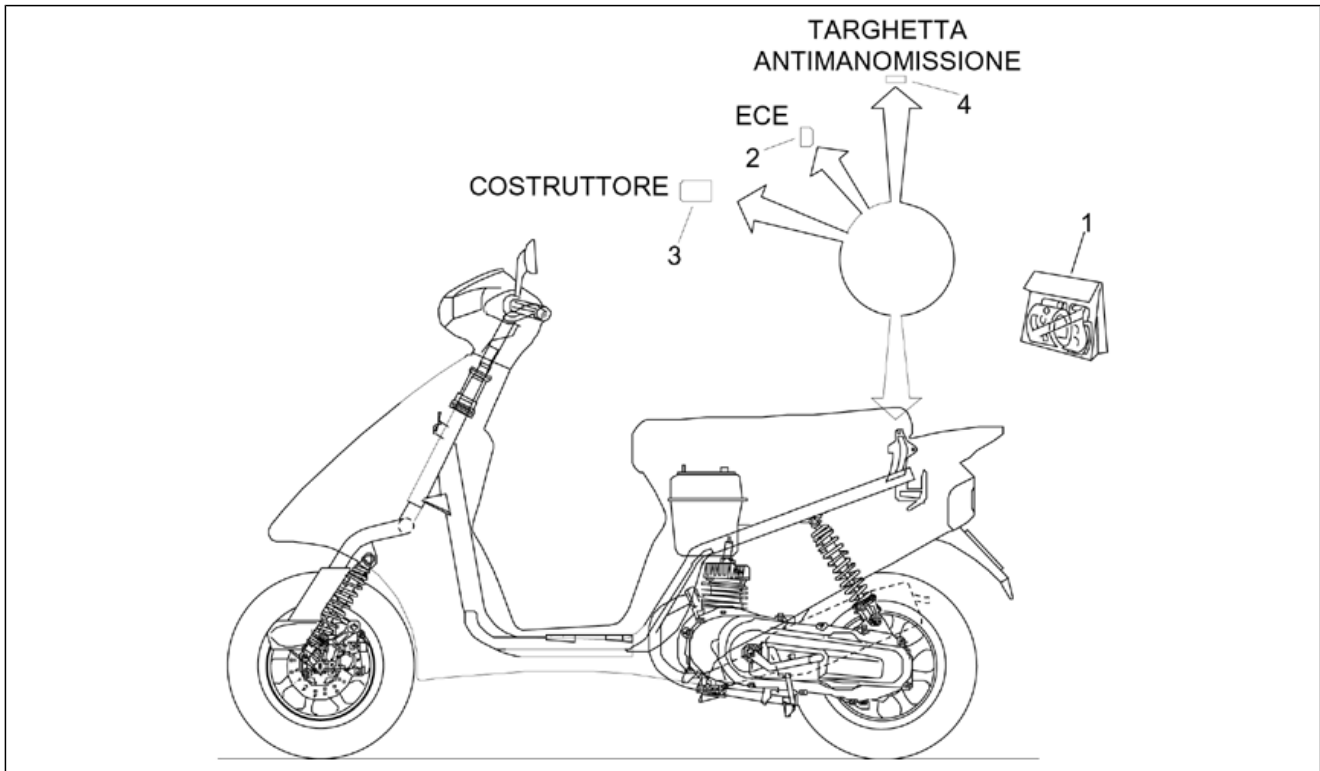
| Pos. | Code | Beschreibung | Menge | Varianten |
|------|-----------|----------------------------|-------|--|
| 1 | AP8212543 | Scheinwerfer | 1 | Land:Österreich[A], Belgien[B], Deutschland[D], Dänemark[DK], Spanien[E], Frankreich[F], Italien[I], Holland[NL], Finnland[SF] |
| 1 | AP8212575 | Scheinwerfer | 1 | Land:Schweiz[CH] |
| 2 | AP8212442 | Rücklicht | 1 | |
| 3 | AP8212381 | Verkabel.Scheinwerf. | 1 | Land:Österreich[A], Belgien[B], Deutschland[D], Dänemark[DK], Spanien[E], Italien[I], Finnland[SF] |
| 3 | AP8212471 | Verkabel.Scheinwerf. | 1 | Land:Schweiz[CH] |
| 3 | AP8212662 | Verkabel.Scheinwerf. | 1 | Land:Frankreich[F], Holland[NL] |
| 4 | AP8212422 | Verkabelung Rücklicht | 1 | |
| 5 | AP8212410 | V. Blinkerblende rechts | 1 | |
| 6 | AP8212411 | V. Blinkerblende links | 1 | |
| 7 | AP8212409 | Rücklichtblende | 1 | |
| 8 | AP8212413 | H. Blinkerblende rechts | 1 | |
| 9 | AP8212443 | H. Blinkerblende links | 1 | |
| 10 | AP8212459 | Rücklichtblende | 1 | |
| 11 | AP8112599 | Gummi * | 2 | |
| 12 | AP8121665 | T-Buchse | 2 | |
| 13 | AP8150421 | Gew.schr. 2,9x12 | 2 | |
| 14 | AP8221161 | Ausgleichscheibe 10x3,5x2* | 2 | |
| 15 | AP8124440 | Lampenhalter | 1 | Land:Schweiz[CH] |
| 15 | AP8212465 | Lampenhalter | 1 | Land:Österreich[A], Belgien[B], Deutschland[D], Dänemark[DK], Spanien[E], Italien[I], Holland[NL], Finnland[SF] |
| 16 | AP8152299 | Selbstsperrende Mutter M6 | 2 | |

| | |
|---------------------|--------------------|
| Einheit | RAHMEN |
| Code | 28.31 |
| Beschreibung | Elektrische Anlage |
| Inspektion | 1 |



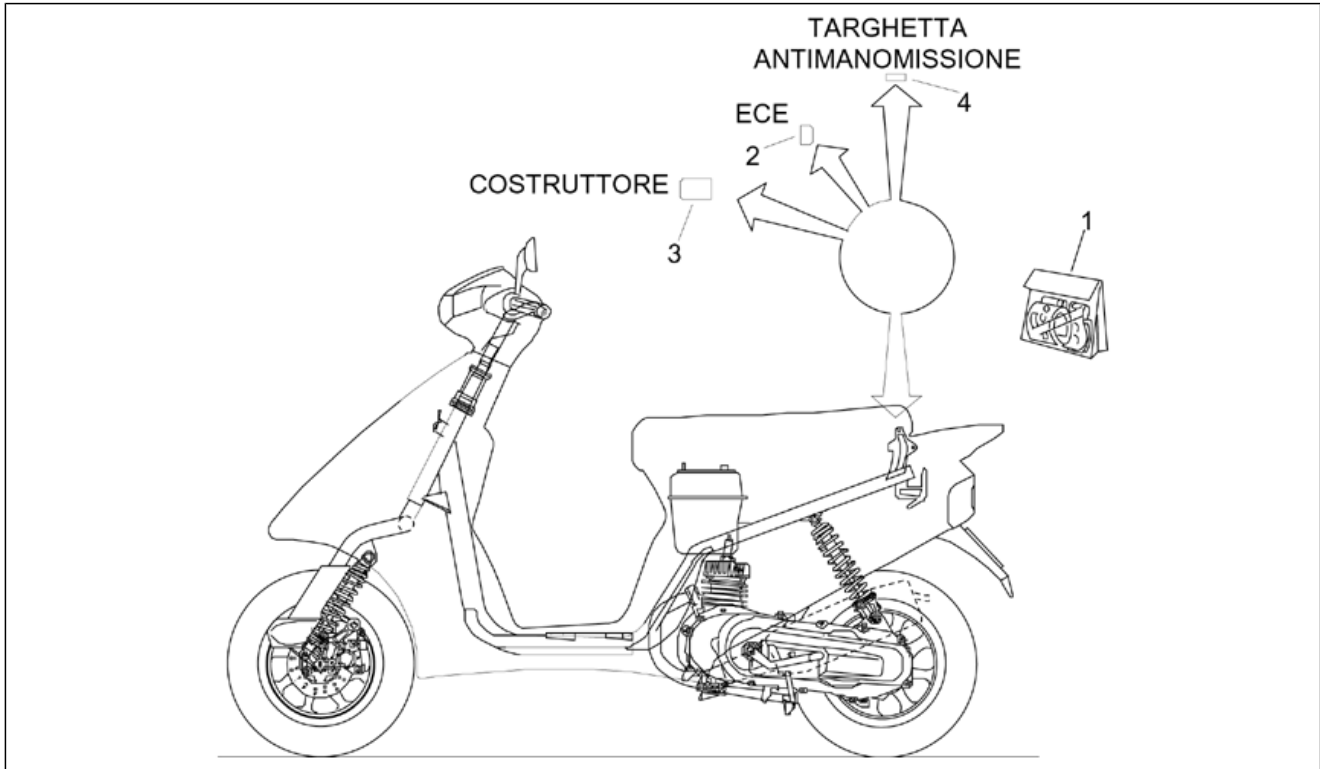
| Pos. | Code | Beschreibung | Menge | Varianten |
|------|-----------|---------------------------|-------|--|
| 1 | AP8212110 | Batterie 12V-4Ah | 1 | |
| 2 | AP8124235 | Blinken | 1 | |
| 3 | AP8212469 | Zündrelais 12V-20A | 1 | |
| 4 | AP8220283 | Gummi * | 1 | |
| 5 | AP8212382 | Diode | 1 | |
| 6 | AP8230535 | Batteriehalter | 1 | |
| 7 | AP8212611 | Hupe | 1 | |
| 8 | AP8212540 | Spannungsregler | 1 | |
| 9 | AP8120754 | Sicherungsblockgummi | 1 | |
| 10 | AP8220342 | Sicherungsblockgummi | 1 | |
| 11 | AP8112244 | Sicherung 7,5A | 1 | |
| 12 | AP8124399 | Bremslichtschalter | 1 | |
| 13 | AP8152277 | TE Schr. m. Flansch M6x12 | 1 | |
| 14 | AP8152299 | Selbstsperrende Mutter M6 | 1 | |
| 15 | AP8152278 | TE Schr. m. Flansch M6x16 | 1 | |
| 16 | AP8212571 | Hauptverkabelung | 1 | Land:Frankreich[F] |
| 16 | AP8212849 | Hauptverkabelung | 1 | Land:Österreich[A], Belgien[B], Schweiz[CH], Deutschland[D], Dänemark[DK], Spanien[E], Italien[I], Holland[NL], Finnland[SF] |
| 17 | AP8220269 | Kabelführungs | 1 | |
| 18 | AP8212513 | Lichtschalterkabel | 1 | |
| 19 | AP8212609 | Verkabelung Batterie | 1 | |
| 20 | AP8212671 | Schutzhelmfachleuchte | 1 | |

| | |
|---------------------|--------------------|
| Einheit | RAHMEN |
| Code | 28.32 |
| Beschreibung | Aufkleber und Deko |
| Inspektion | 1 |



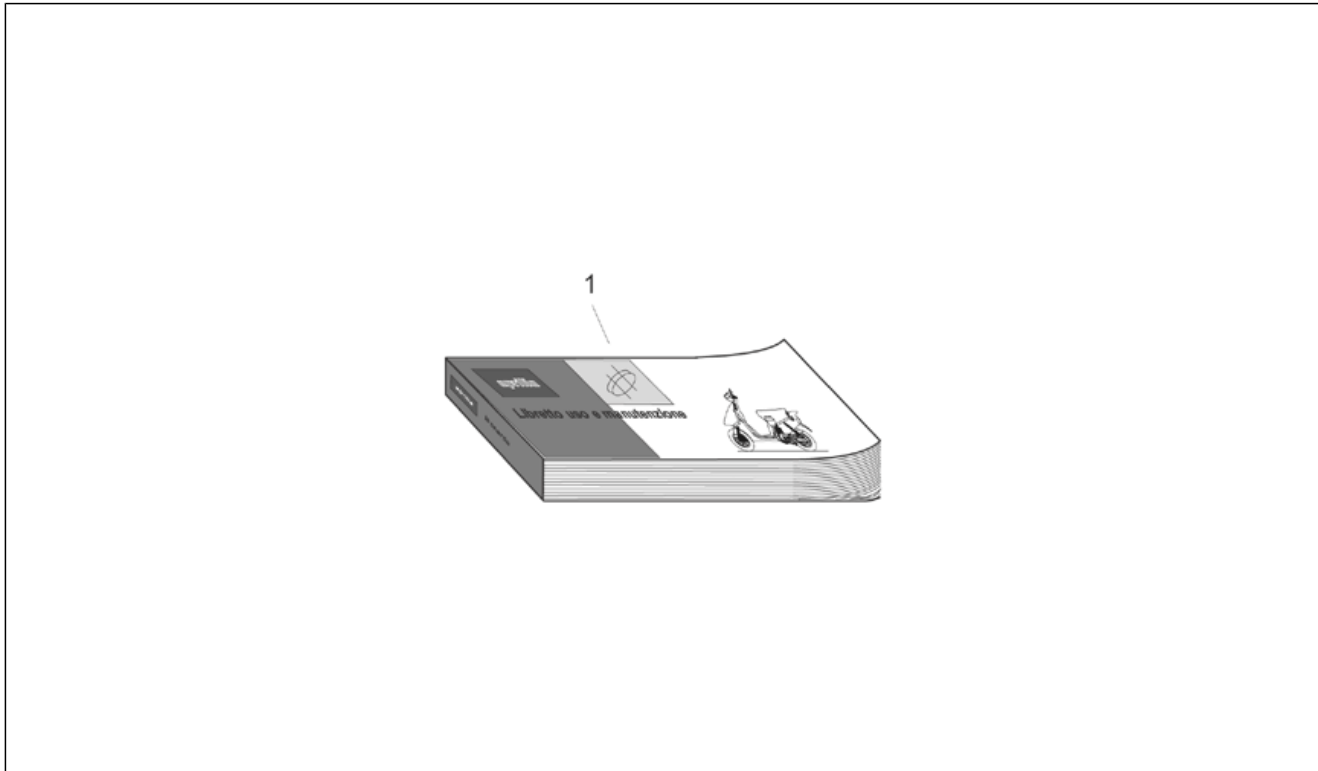
| Pos. | Code | Beschreibung | Menge | Varianten |
|------|-----------|------------------|-------|--|
| 1 | AP8215968 | Deko Serie | 1 | Baujahr:1996[T] Fahrzeugfarbe:Blau Aprilia/Grau Metall 1996[Bi/Gr] |
| 1 | AP8237369 | Deko Serie | 1 | Baujahr:1996[T] Fahrzeugfarbe:Kirschrot 1996-1997[Red] |
| 1 | AP8237371 | Deko Serie | 1 | Baujahr:1996[T] Fahrzeugfarbe:Blau Oxford 1996[Bi.ox] |
| 1 | AP8237376 | Deko Serie | 1 | Baujahr:1996[T] Fahrzeugfarbe:Tiefgrau 1996-1998[Grey] |
| 1 | AP8237783 | Deko Serie | 1 | Baujahr:1996[T] Fahrzeugfarbe:Tiefgrau (große Aufkleber) 1996[Gr.b] |
| 1 | AP8247177 | Deko Serie | 1 | Baujahr:1997[V] Fahrzeugfarbe:Kirschrot 1996-1997[Red] |
| 1 | AP8247178 | Deko Serie | 1 | Baujahr:1997[V] Fahrzeugfarbe:Blau Oxford 1996[Bi.ox] |
| 1 | AP8247179 | Deko Serie | 1 | Baujahr:1997[V] Fahrzeugfarbe:Tiefgrau 1996-1998[Grey] |
| 1 | AP8247499 | Deko Serie | 1 | Baujahr:1998[W] Fahrzeugfarbe:Violett Malve 1998[Violet] |
| 1 | AP8247503 | Deko Serie | 1 | Baujahr:1998[W] Fahrzeugfarbe:Hellblau Azurit 1998[a.cya] |
| 1 | AP8247509 | Deko Serie | 1 | Baujahr:1998[W] Fahrzeugfarbe:Tiefgrau 1996-1998[Grey] |
| 2 | AP8237587 | ECE Schild | 1 | Baujahr:1996[T] Land:Holland[NL] |
| 2 | AP8237587 | ECE Schild | 1 | Land:Deutschland[D] Technische Daten:Hinterrad-Trommelbremse[f.t.] |
| 2 | AP8247478 | ECE Schild | 1 | Baujahr:1997[V] Land:Schweiz[CH], Spanien[E] Technische Daten:Scheibenbremse Hinterrad[f.d.] |
| 2 | AP8247478 | ECE Schild | 1 | Baujahr:1998[W] Land:Schweiz[CH] |
| 3 | AP8215668 | Herstellerschild | 1 | Baujahr:1996[T] |

| | |
|---------------------|--------------------|
| Einheit | RAHMEN |
| Code | 28.32 |
| Beschreibung | Aufkleber und Deko |
| Inspektion | 1 |



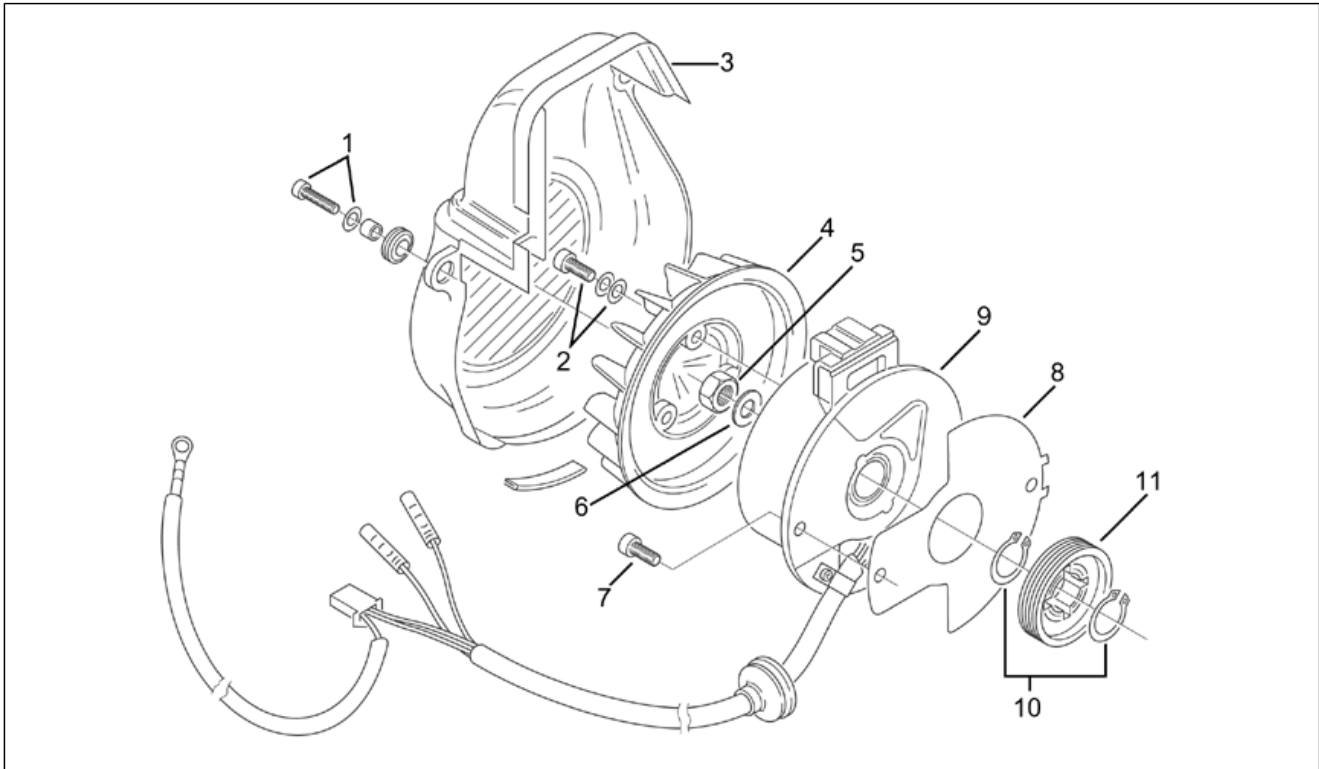
| Pos. | Code | Beschreibung | Menge | Varianten |
|------|-----------|---------------------------|-------|---|
| | | | | Land:Frankreich[F] |
| 3 | AP8215698 | Herstellerschild | 1 | Baujahr:1996[T] Land:Belgien[B] |
| 3 | AP8237075 | Herstellerschild | 1 | Baujahr:1996[T] Land:Belgien[B] |
| 3 | AP8237514 | Herstellerschild | 1 | Land:Deutschland[D] Technische Daten:Hinterrad-Trommelbremse[f.t.] |
| 3 | AP8237993 | Herstellerschild | 1 | Baujahr:1997[V] Land:Deutschland[D] Technische Daten:Scheibenbremse Hinterrad[f.d.] |
| 3 | AP8247477 | Herstellerschild | 1 | Baujahr:1997[V] Land:Schweiz[CH] Technische Daten:Scheibenbremse Hinterrad[f.d.] |
| 3 | AP8247477 | Herstellerschild | 1 | Baujahr:1998[W] Land:Schweiz[CH] |
| 3 | AP8247496 | Herstellerschild | 1 | Baujahr:1997[V] Land:Spanien[E] Technische Daten:Scheibenbremse Hinterrad[f.d.] |
| 3 | AP8257451 | Herstellerschild | 1 | Baujahr:1998[W] Land:Deutschland[D] Technische Daten:Scheibenbremse Hinterrad[f.d.] |
| 4 | AP8215670 | Fälschungssicheres Schild | 1 | Land:Holland[NL] Technische Daten:Version mit Beschränkung 45 km/h[45Km] |
| 4 | AP8215747 | Fälschungssicheres Schild | 1 | Land:Österreich[A] |
| 4 | AP8237325 | Fälschungssicheres Schild | 1 | Land:Holland[NL] Technische Daten:Version mit Beschränkung 25 km/h[25Km] |

| | |
|---------------------|--------------------|
| Einheit | RAHMEN |
| Code | 28.33 |
| Beschreibung | Bed./Wart.-Anleit. |
| Inspektion | 1 |



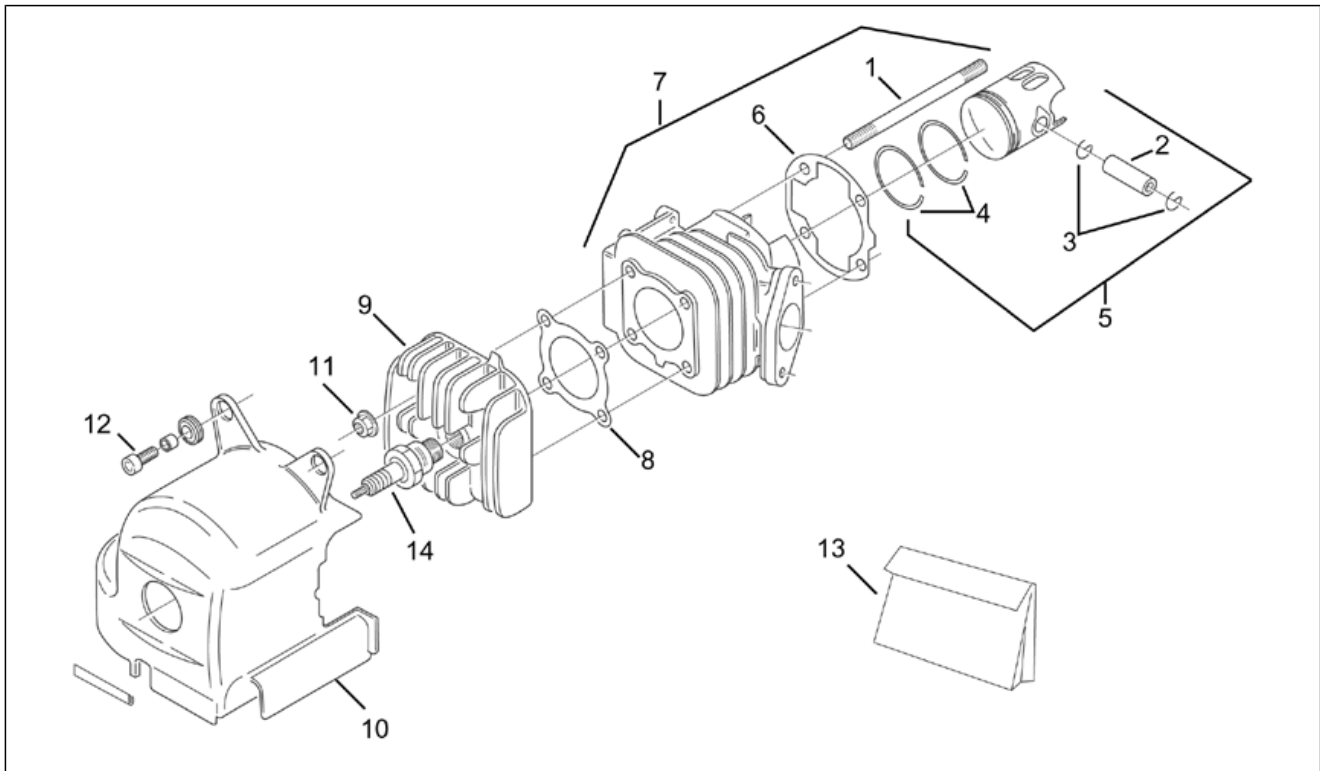
| Pos. | Code | Beschreibung | Menge | Varianten |
|------|-----------|-------------------------------|-------|--|
| 1 | AP8201744 | Bed./Wart.-Anleit. -D-F-UK- | 1 | Baujahr: 1996[T] Land: Deutschland[D], Frankreich[F] Technische Daten: Scheibenbremse Hinterrad[f.d.] |
| 1 | AP8201783 | Bed./Wart.-Anleit. -NL-P- | 1 | Baujahr: 1996[T] Land: Holland[NL] Technische Daten: Scheibenbremse Hinterrad[f.d.] |
| 1 | AP8201928 | Bed./Wart.-Anleit. -D-F-UK- | 1 | Baujahr: 1996[T] Land: Österreich[A], Belgien[B], Deutschland[D], Frankreich[F] Technische Daten: Hinterrad-Trommelbremse[f.t.] |
| 1 | AP8201929 | Bed./Wart.-Anleit. -NL-DK-SF- | 1 | Baujahr: 1996[T] Land: Dänemark[DK], Holland[NL], Finnland[SF] Technische Daten: Hinterrad-Trommelbremse[f.t.] |
| 1 | AP8201968 | Bed./Wart.-Anleit. -I- | 1 | Baujahr: 1996[T] Land: Italien[I] |
| 1 | AP8202055 | Bed./Wart.-Anleit. -D-F-UK- | 1 | Baujahr: 1997[V] Land: Österreich[A], Deutschland[D] Technische Daten: Hinterrad-Trommelbremse[f.t.] |
| 1 | AP8202056 | Bed./Wart.-Anleit. -NL-DK-SF- | 1 | Baujahr: 1997[V] Land: Dänemark[DK], Holland[NL], Finnland[SF] |
| 1 | AP8202057 | Bed./Wart.-Anleit. -D-F-UK- | 1 | Baujahr: 1997[V] Land: Schweiz[CH], Deutschland[D] Technische Daten: Scheibenbremse Hinterrad[f.d.] |
| 1 | AP8202065 | Bed./Wart.-Anleit. -I- | 1 | Baujahr: 1997[V], 1998[W] Land: Italien[I] |
| 1 | AP8202092 | Bed./Wart.-Anleit. -E- | 1 | Baujahr: 1997[V] Land: Spanien[E] |
| 1 | AP8202098 | Bed./Wart.-Anleit. -I-F-D- | 1 | Baujahr: 1998[W] Land: Österreich[A], Schweiz[CH], Deutschland[D] |
| 1 | AP8202099 | Bed./Wart.-Anleit. -NL-UK- | 1 | Baujahr: 1998[W] Land: Holland[NL] |

| | |
|---------------------|------------|
| Einheit | MOTOR |
| Code | 29.34 |
| Beschreibung | Schwungrad |
| Inspektion | 1 |



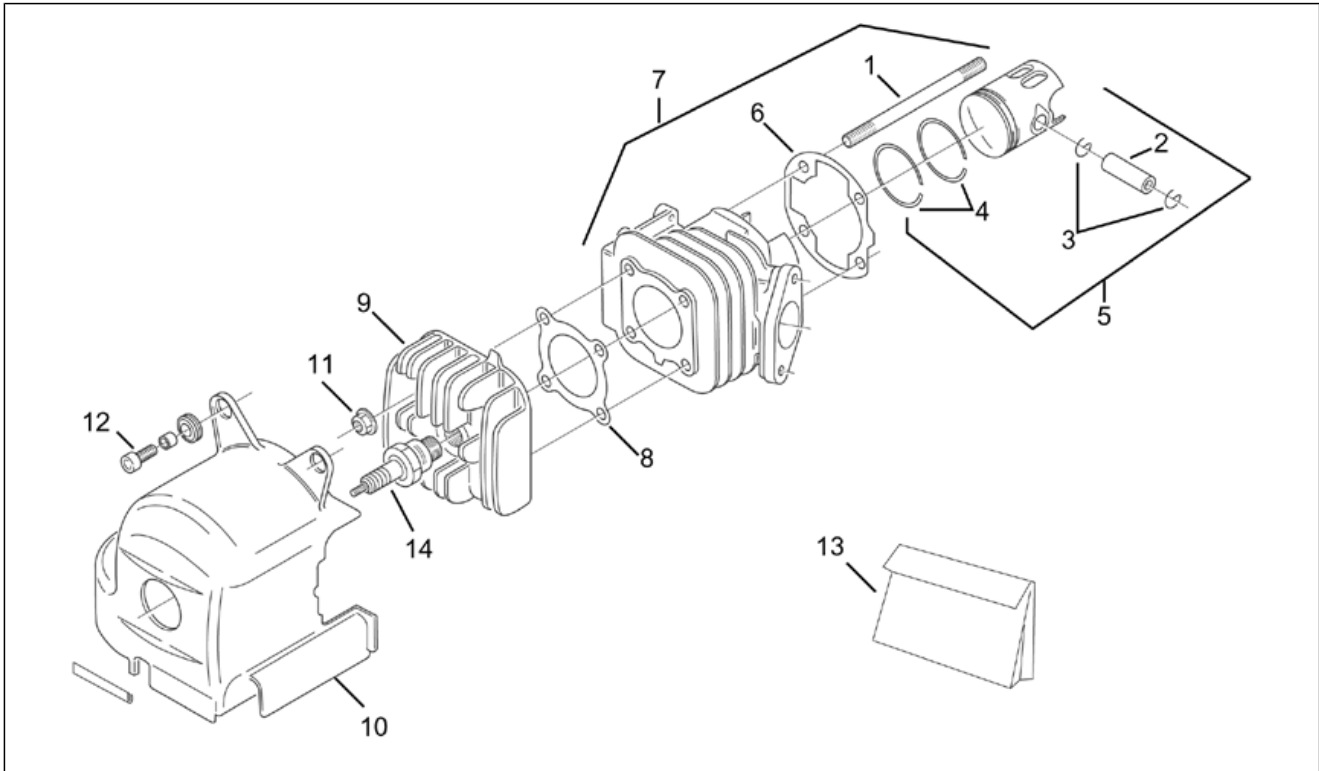
| Pos. | Code | Beschreibung | Menge | Varianten |
|------|-----------|------------------------------|-------|--|
| 1 | AP8206510 | TCCE Schr. m. U-sch. M6x20 | 1 | |
| 2 | AP8206499 | TCCE Schr. m. 2 U-sch. M6x16 | 1 | |
| 3 | AP8206528 | Lüfterleitblech | 1 | |
| 4 | AP8206105 | Kunststofflüfter D129 | 1 | |
| 5 | AP8206183 | Mutter M10x1,25 | 1 | |
| 6 | AP8206205 | Ausgleichscheibe D10,5x18x2 | 1 | |
| 7 | AP8502563 | TCCE Schraube M6x16 | 1 | |
| 8 | AP8206164 | Dichtung Schwungradständer | 1 | |
| 9 | AP8206512 | Schwungmagnetstarter | 1 | |
| 10 | AP8206179 | Seegerring für Welle D19 | 1 | |
| 11 | AP8206145 | Angetriebenes Ölpumpenrad | 1 | Land:Belgien[B], Frankreich[F] |
| 11 | AP8206746 | Angetriebenes Ölpumpenrad | 1 | Land:Österreich[A], Schweiz[CH], Deutschland[D], Dänemark[DK], Spanien[E], Italien[I], Holland[NL], Finnland[SF] |

| | |
|---------------------|--------------|
| Einheit | MOTOR |
| Code | 29.35 |
| Beschreibung | Zylinderkopf |
| Inspektion | 1 |



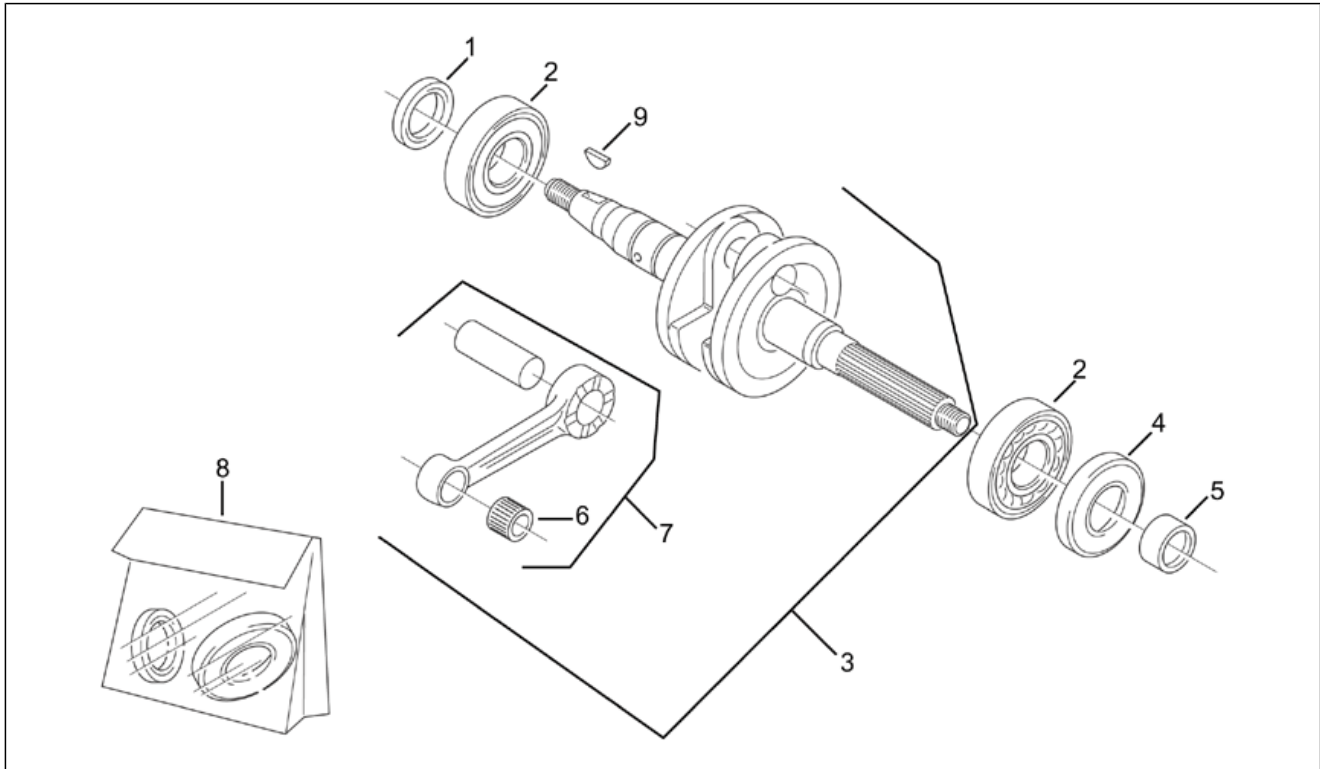
| Pos. | Code | Beschreibung | Menge | Varianten |
|------|-----------|-------------------------|-------|---|
| 1 | AP8206189 | Stiftschraube M6x1x106 | 1 | |
| 2 | AP8206174 | Bolzen D10x33 | 1 | |
| 3 | AP8206176 | Stiftsperring D10 | 1 | |
| 4 | AP8206120 | Satz Kolbenringe D40 | 1 | |
| 5 | AP8206218 | Kolben kpl. D40 | 1 | |
| 5 | AP8206219 | Kolben kpl. D40,5 | 1 | |
| 6 | AP8206161 | ZYLINDERFUSSDICHTUNG | 1 | |
| 7 | AP8206224 | Kolben + Zylinder | 1 | Land:Belgien[B], Schweiz[CH], Dänemark[DK], Spanien[E], Frankreich[F], Italien[I], Finnland[SF] |
| 7 | AP8206224 | Kolben + Zylinder | 1 | Land:Deutschland[D] Technische Daten: |
| 7 | AP8206224 | Kolben + Zylinder | 1 | Land:Holland[NL] Technische Daten: |
| 7 | AP8206456 | Kolben + Zylinder | 1 | Land:Deutschland[D], Holland[NL] Technische Daten:Version mit Beschränkung 25 km/h[25Km] |
| 7 | AP8206456 | Kolben + Zylinder | 1 | Land:Österreich[A] |
| 8 | AP8206166 | Dichtung Zylinderkopf | 1 | |
| 9 | AP8206104 | Zylinderkopf | 1 | Land:Belgien[B], Schweiz[CH], Dänemark[DK], Spanien[E], Frankreich[F], Italien[I], Finnland[SF] |
| 9 | AP8206104 | Zylinderkopf | 1 | Land:Deutschland[D] Technische Daten: |
| 9 | AP8206104 | Zylinderkopf | 1 | Land:Holland[NL] Technische Daten: |
| 9 | AP8206450 | Zylinderkopf | 1 | Land:Österreich[A] |
| 9 | AP8206450 | Zylinderkopf | 1 | Land:Deutschland[D], Holland[NL] Technische Daten:Version mit Beschränkung 25 km/h[25Km] |
| 10 | AP8206113 | Leitblechhaube Zylinder | 1 | |
| 11 | AP8206184 | Geflanschte Mutter M6x5 | 1 | |
| 12 | AP8502563 | TCCE Schraube M6x16 | 1 | |

| | |
|---------------------|--------------|
| Einheit | MOTOR |
| Code | 29.35 |
| Beschreibung | Zylinderkopf |
| Inspektion | 1 |



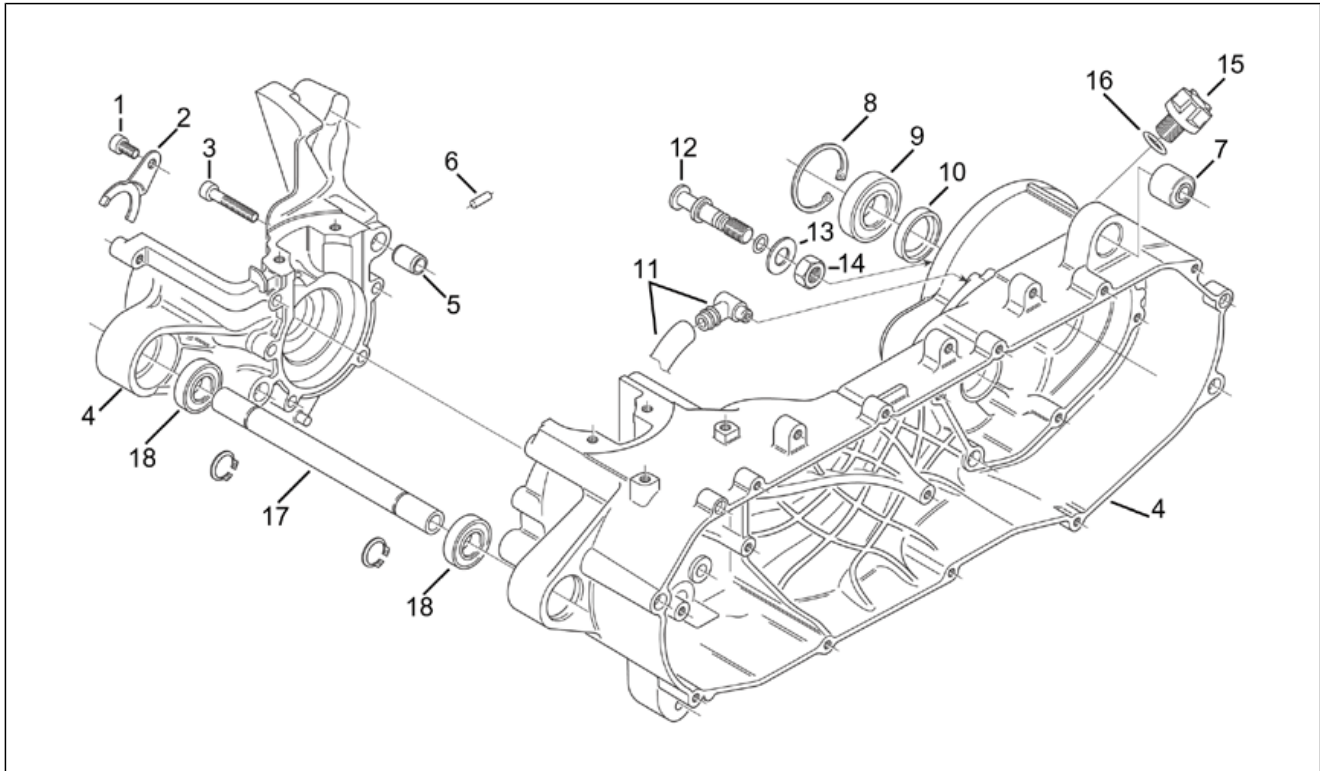
| Pos. | Code | Beschreibung | Menge | Varianten |
|------|-----------|-------------------|-------|-----------|
| 13 | AP8206782 | Dichtungen - Satz | 1 | |
| 14 | AP8206870 | Zündkerze BR7HS | 1 | |

| | |
|---------------------|--------------|
| Einheit | MOTOR |
| Code | 29.36 |
| Beschreibung | Pleuelstange |
| Inspektion | 1 |



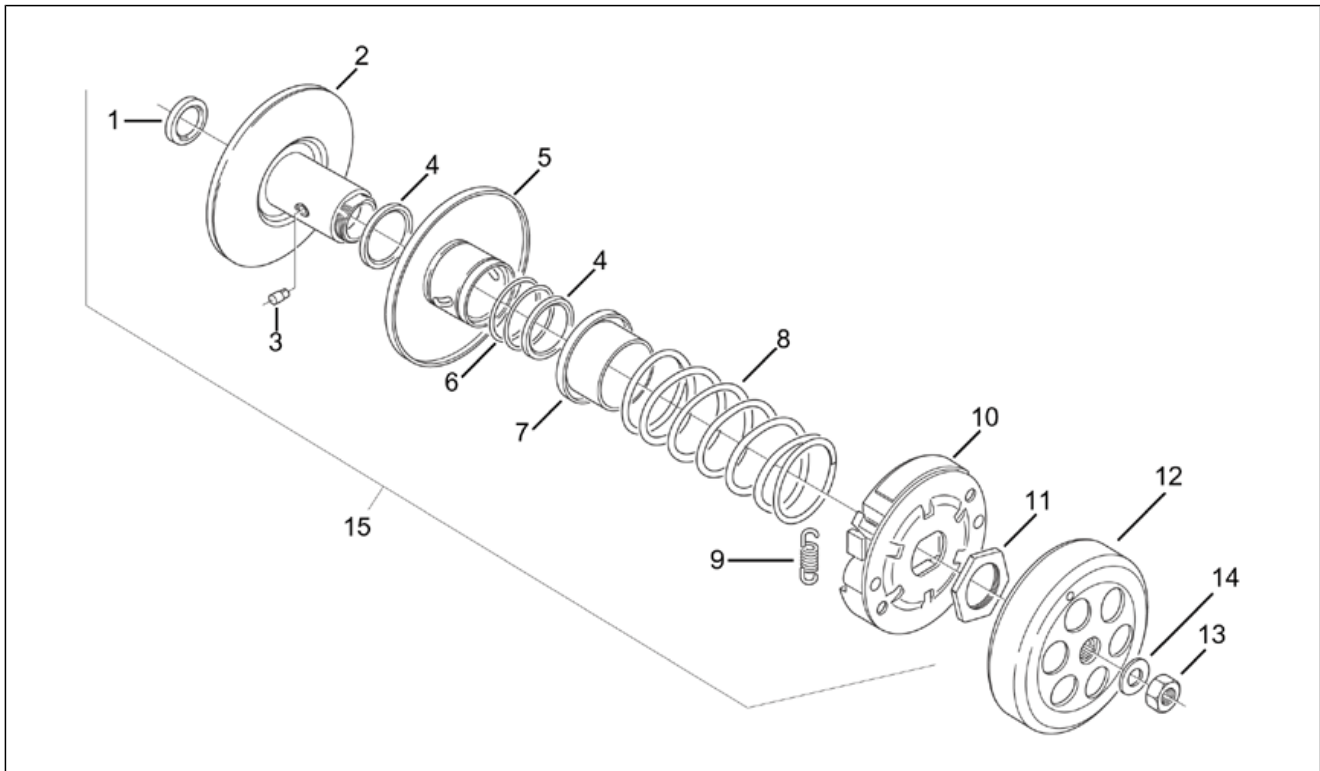
| Pos. | Code | Beschreibung | Menge | Varianten |
|------|-----------|------------------------------|-------|-----------|
| 1 | AP8206212 | Ölabstreifring | 1 | |
| 2 | AP8206208 | Lager D20x47x14 | 1 | |
| 3 | AP8206221 | Baugruppe Kurbelwelle | 1 | |
| 4 | AP8206213 | Ölabstreifring | 1 | |
| 5 | AP8206187 | Distanzscheibe D15x20x12 | 1 | |
| 6 | AP8206154 | Käfig auf Bolzen 10x14x12,5 | 1 | |
| 7 | AP8206223 | Baugruppe Pleuelstange kplt. | 1 | |
| 8 | AP8206500 | Dichtungssatz | 1 | |
| 9 | AP8206182 | Keil Schwungmagnet | 1 | |

| | |
|---------------------|------------------|
| Einheit | MOTOR |
| Code | 29.37 |
| Beschreibung | Mittlere gehäuse |
| Inspektion | 1 |



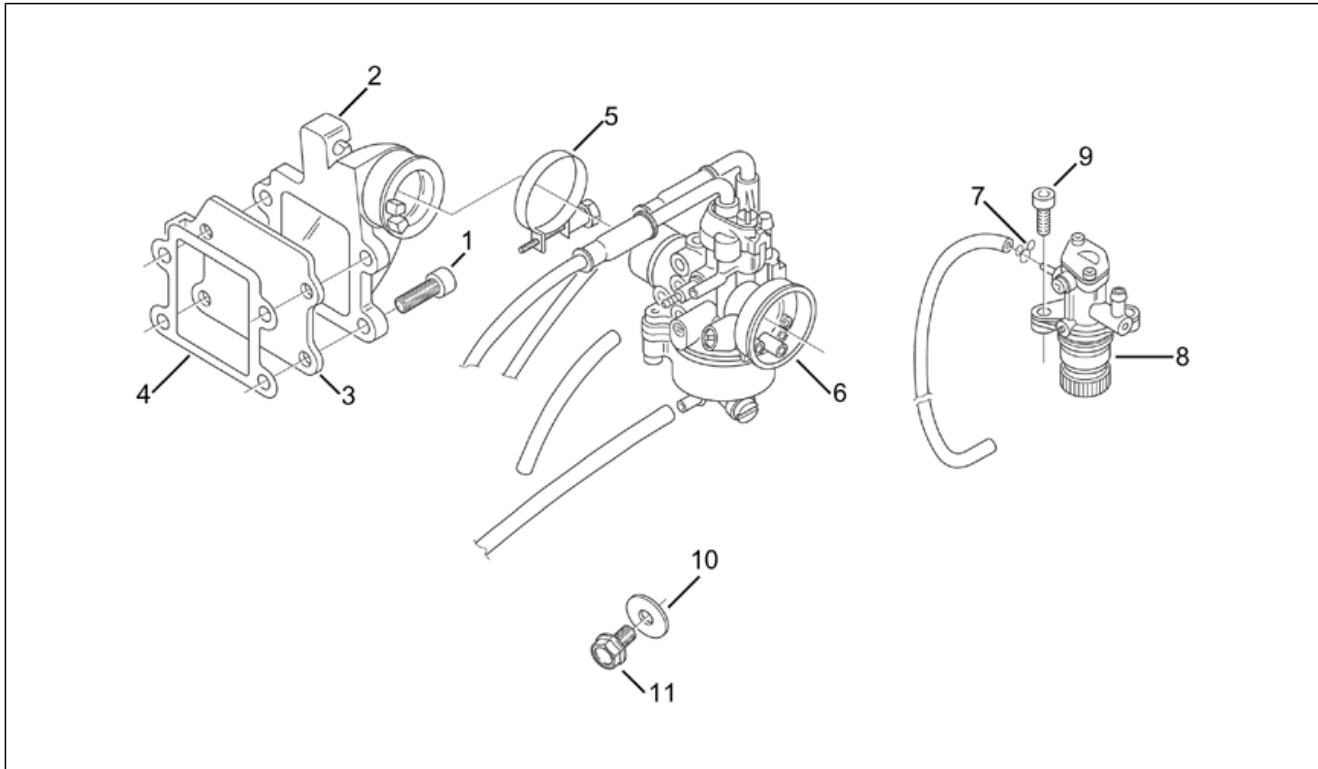
| Pos. | Code | Beschreibung | Menge | Varianten |
|------|-----------|--------------------------------|-------|-----------|
| 1 | AP8206202 | TCCE Schraube M6x12 | 1 | |
| 2 | AP8206138 | Fixierplatte Olpumpe | 1 | |
| 3 | AP8502567 | TCCE Schraube M6x35 | 1 | |
| 4 | AP8206121 | Gehäuse-kpl. | 1 | |
| 5 | AP8206169 | Stift Gehäuse D12x16 | 1 | |
| 6 | AP8206578 | Rolle D3x11,8 | 1 | |
| 7 | AP8206129 | Silent-Bloc Gehäuse | 1 | |
| 8 | AP8501481 | Seegerring für Bohrung D40 | 1 | |
| 9 | AP8206558 | Lager D17x40x12 | 1 | |
| 10 | AP8206215 | Ölabstreifring | 1 | |
| 11 | AP8206131 | Ansch.+Entlüft.schl. 10x14x210 | 1 | |
| 12 | AP8206171 | Bolzen für Bremsbacken | 1 | |
| 13 | AP8502471 | Sprengscheibe D10x21x2 | 1 | |
| 14 | AP8206490 | Mutter M10x1,25 | 1 | |
| 15 | AP8206475 | Ölschraube | 1 | |
| 16 | AP8206482 | O-Ring D13,3x2,4 | 1 | |
| 17 | AP8206188 | Distanzscheibe D10x15x176 | 1 | |
| 18 | AP8206209 | Lager D15x32x8 | 1 | |

| | |
|---------------------|----------|
| Einheit | MOTOR |
| Code | 29.38 |
| Beschreibung | Kupplung |
| Inspektion | 1 |



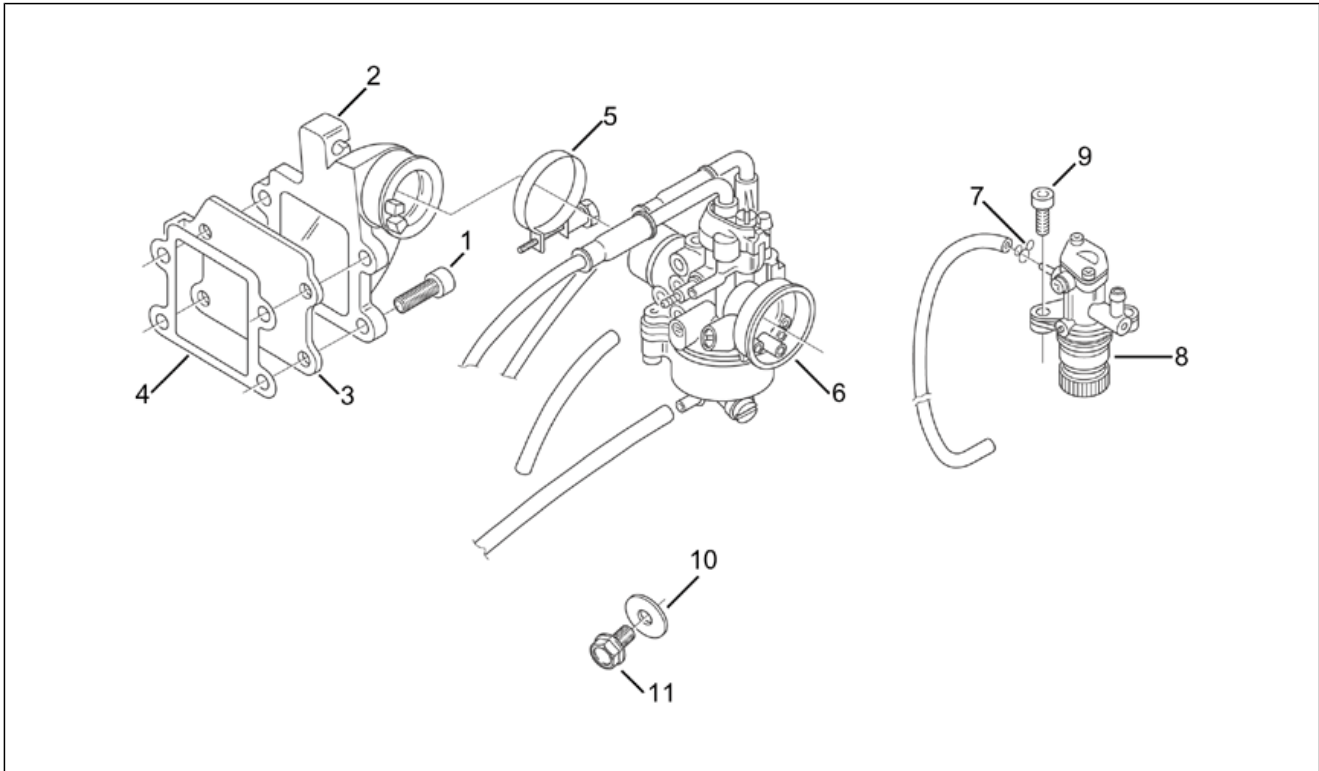
| Pos. | Code | Beschreibung | Menge | Varianten |
|------|-----------|---------------------------|-------|--|
| 1 | AP8206214 | Ölabstreifring | 1 | |
| 2 | AP8206157 | Sekundäre Festscheibe | 1 | |
| 3 | AP8206198 | Führungsrolle Wandler | 1 | |
| 4 | AP8206200 | Ölabstreifring D32x39x4 | 1 | |
| 5 | AP8206158 | Sekundäre Gleitscheibe | 1 | |
| 6 | AP8206197 | O-Ring D37,8x1,7 | 1 | |
| 7 | AP8206178 | Becher Wandlerfeder | 1 | |
| 8 | AP8206191 | Feder | 1 | |
| 9 | AP8206196 | Kupplungbackenfeder | 1 | Land:Österreich[A], Belgien[B], Schweiz[CH], Dänemark[DK], Holland[NL], Finnland[SF] |
| 9 | AP8206196 | Kupplungbackenfeder | 1 | Land:Deutschland[D] Technische Daten:Version mit Beschränkung 25 km/h[25Km] |
| 9 | AP8206418 | Kupplungbackenfeder | 1 | Land:Deutschland[D] Technische Daten:Version mit Beschränkung 45 km/h[45Km] |
| 9 | AP8206418 | Kupplungbackenfeder | 1 | Land:Spanien[E], Frankreich[F], Italien[I] |
| 10 | AP8206703 | Fliehkraftkupplung | 1 | |
| 11 | AP8206199 | Mutter M28x1 | 1 | |
| 12 | AP8206135 | Baugruppe Kupplungskasten | 1 | |
| 13 | AP8206186 | Mutter M10x1 H=8 | 1 | |
| 14 | AP8502471 | Sprengscheibe D10x21x2 | 1 | |
| 15 | AP8206699 | Wandler mit Kupplung | 1 | Land:Österreich[A], Belgien[B], Schweiz[CH], Dänemark[DK], Holland[NL], Finnland[SF] |
| 15 | AP8206699 | Wandler mit Kupplung | 1 | Land:Deutschland[D] Technische Daten:Version mit Beschränkung 25 km/h[25Km] |
| 15 | AP8206786 | Wandler mit Kupplung | 1 | Land:Deutschland[D] Technische Daten:Version mit Beschränkung 45 km/h[45Km] |
| 15 | AP8206786 | Wandler mit Kupplung | 1 | Land:Spanien[E], Frankreich[F], Italien[I] |

| | |
|---------------------|--------------------|
| Einheit | MOTOR |
| Code | 29.39 |
| Beschreibung | Vergaser - Ölpumpe |
| Inspektion | 1 |



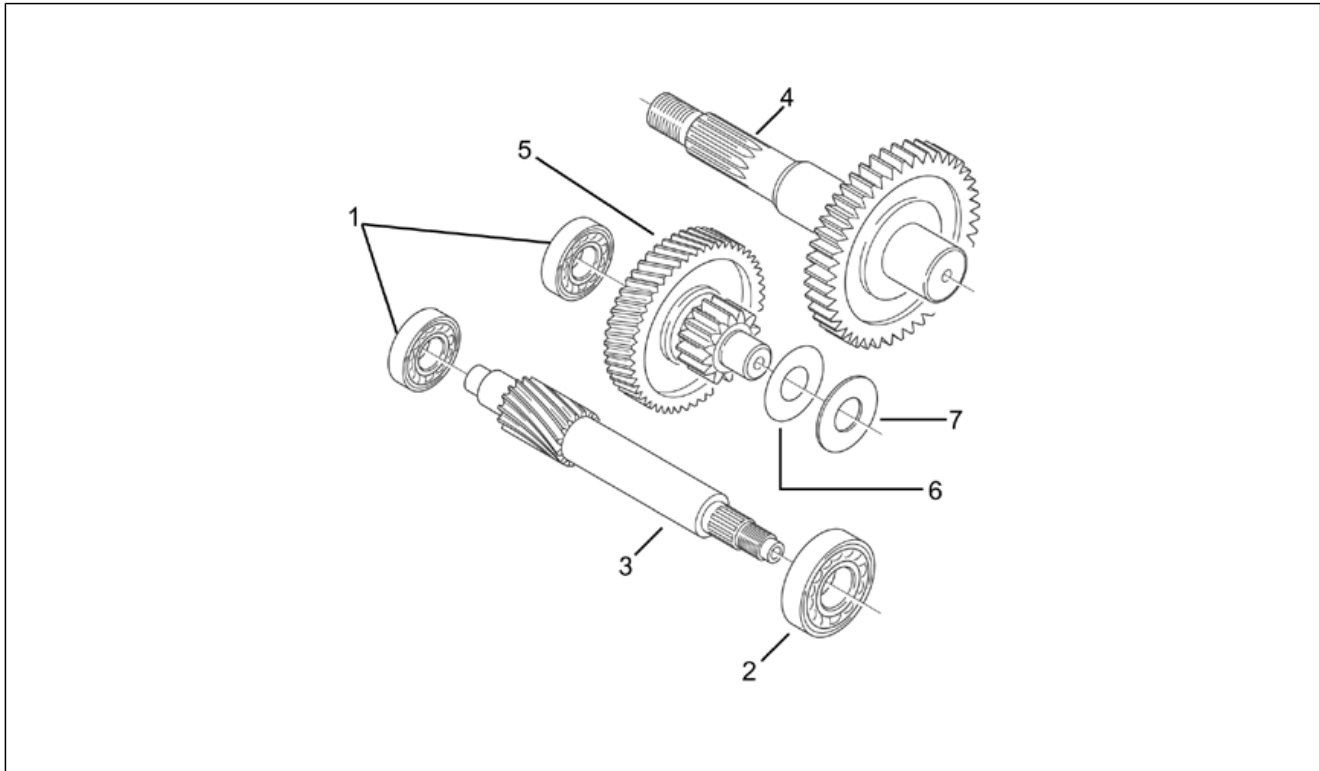
| Pos. | Code | Beschreibung | Menge | Varianten |
|------|-----------|---------------------|-------|--|
| 1 | AP8502564 | TCCE Schraube M6x20 | 1 | |
| 2 | AP8206454 | Ansaugkrümmer D11 | 1 | Land:Österreich[A], Deutschland[D] |
| 2 | AP8206454 | Ansaugkrümmer D11 | 1 | Land:Holland[NL] Technische Daten:Version mit Beschränkung 25 km/h[25Km] |
| 2 | AP8206514 | Ansaugkrümmer | 1 | Land:Belgien[B], Schweiz[CH], Dänemark[DK], Spanien[E], Frankreich[F], Italien[I], Finnland[SF] |
| 2 | AP8206514 | Ansaugkrümmer | 1 | Land:Holland[NL] Technische Daten:Version mit Beschränkung 45 km/h[45Km] |
| 3 | AP8206518 | Lamellenventil | 1 | |
| 4 | AP8206787 | Ventildichtung | 1 | |
| 5 | AP8206181 | Muffenschelle | 1 | |
| 6 | AP8206520 | Vergaser phbn 12-Bs | 1 | Land:Spanien[E], Frankreich[F], Italien[I] |
| 6 | AP8206676 | Vergaser phbn 12-Gs | 1 | Land:Deutschland[D] Technische Daten:Version mit Beschränkung 45 km/h[45Km] |
| 6 | AP8206677 | Vergaser phbn 12-Gs | 1 | Land:Dänemark[DK], Finnland[SF] |
| 6 | AP8206677 | Vergaser phbn 12-Gs | 1 | Land:Holland[NL] Technische Daten:Version mit Beschränkung 45 km/h[45Km] |
| 6 | AP8206678 | Vergaser phbn 12-Gs | 1 | Land:Österreich[A], Belgien[B] |
| 6 | AP8206683 | Vergaser phbn 12-Gs | 1 | Land:Deutschland[D], Holland[NL] Technische Daten:Version mit Beschränkung 25 km/h[25Km] |
| 6 | AP8206788 | Vergaser phbn 12-Gs | 1 | Land:Schweiz[CH] |
| 7 | AP8206180 | Schelle | 1 | Land:Belgien[B], Frankreich[F] |
| 7 | AP8206711 | Schelle | 1 | Land:Österreich[A], Schweiz[CH], Deutschland[D], Dänemark[DK], Spanien[E], Italien[I], Holland[NL], Finnland[SF] |
| 8 | AP8206119 | Ölpumpe | 1 | |

| | |
|---------------------|--------------------|
| Einheit | MOTOR |
| Code | 29.39 |
| Beschreibung | Vergaser - Ölpumpe |
| Inspektion | 1 |



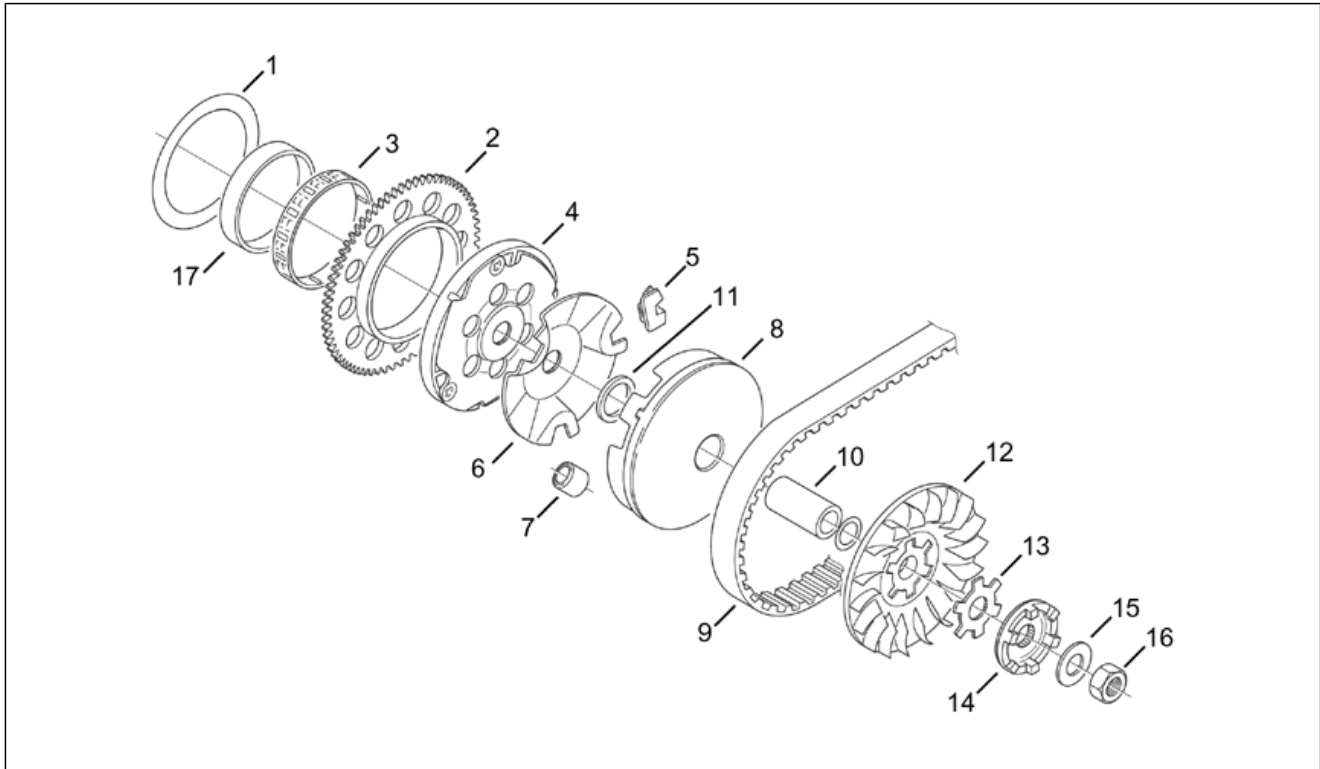
| Pos. | Code | Beschreibung | Menge | Varianten |
|------|-----------|---------------------------|-------|-----------|
| 9 | AP8508887 | TCCE Schraube | 1 | |
| 10 | AP8206167 | Dichtung | 1 | |
| 11 | AP8206203 | TE Schr. m. Flansch M8x15 | 1 | |

| | |
|---------------------|----------------|
| Einheit | MOTOR |
| Code | 29.40 |
| Beschreibung | Endübersetzung |
| Inspektion | 1 |



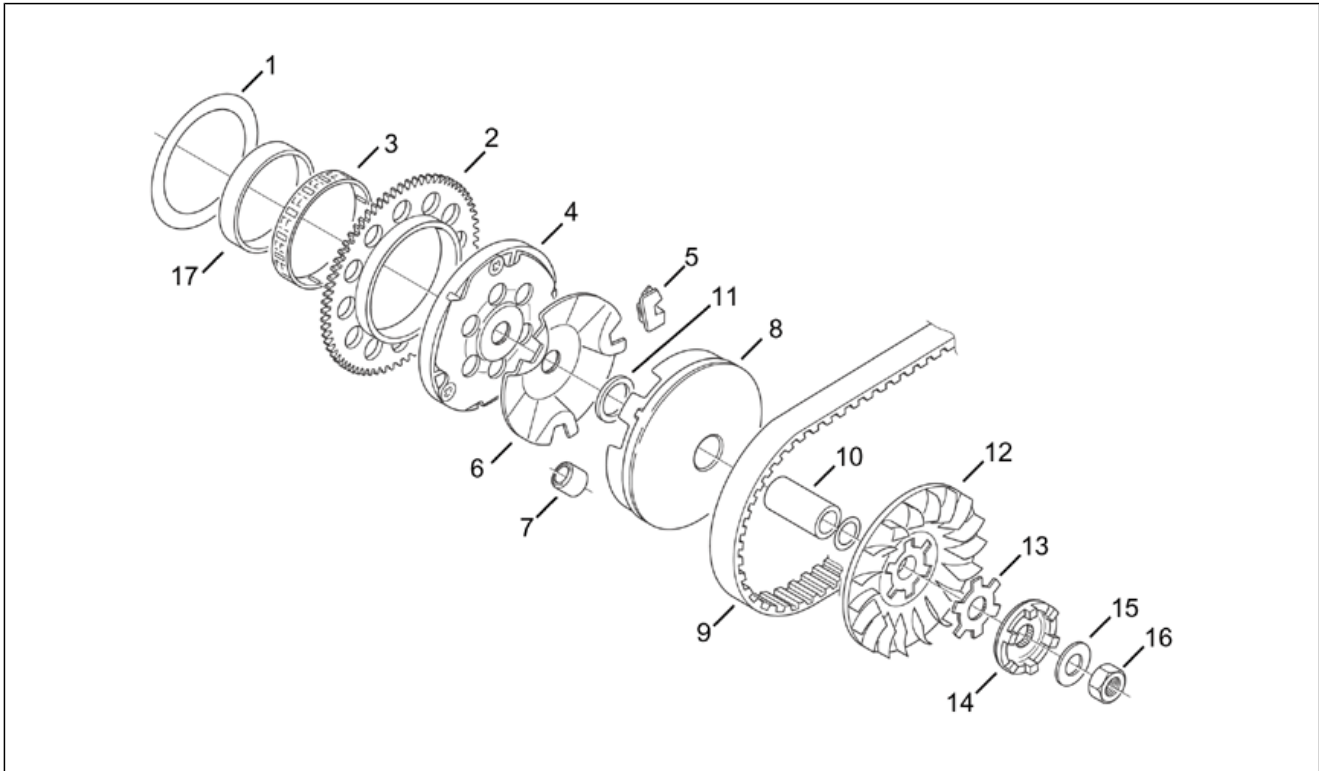
| Pos. | Code | Beschreibung | Menge | Varianten |
|------|-----------|--------------------------------|-------|-----------|
| 1 | AP8206159 | Lager D10x30x9 | 1 | |
| 2 | AP8502626 | Lager D17x40x12 | 1 | |
| 3 | AP8206425 | Getriebe Z=13 | 1 | |
| 4 | AP8206123 | Antriebswelle Z=43 | 1 | |
| 5 | AP8206142 | Doppeltes Freilaufgrad Z=14/52 | 1 | |
| 6 | AP8206150 | Tellerfeder | 1 | |
| 7 | AP8206195 | Stahlscheibe blau D14x29x1 | 1 | |

| | |
|---------------------|---------|
| Einheit | MOTOR |
| Code | 29.41 |
| Beschreibung | Wandler |
| Inspektion | 1 |



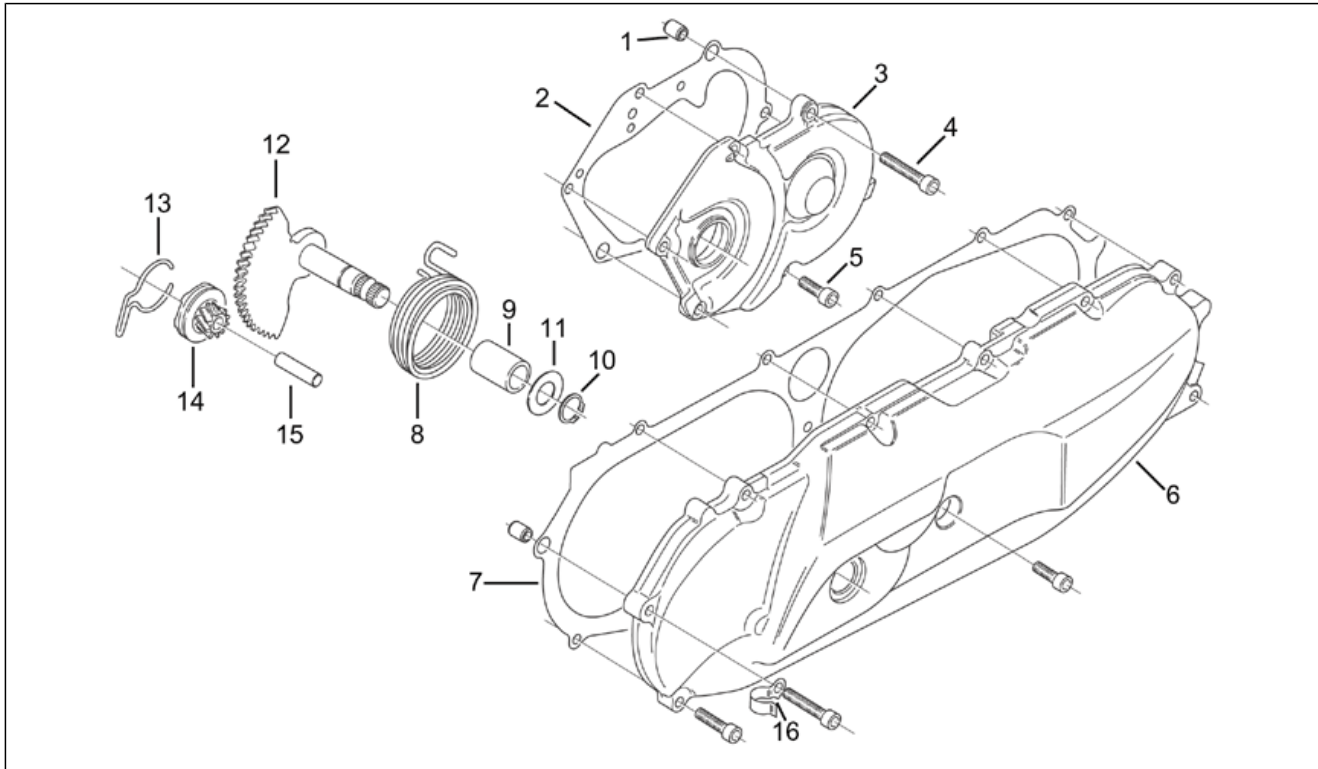
| Pos. | Code | Beschreibung | Menge | Varianten |
|------|-----------|-------------------------------|-------|---|
| 1 | AP8206207 | Stahlscheibe blau D57x74x0,8 | 1 | |
| 2 | AP8206144 | Zahnkranz Elektrostarter Z=71 | 1 | |
| 3 | AP8206210 | Käfig D57x61x10 | 1 | |
| 4 | AP8206147 | Freilaufgrad kplt. | 1 | |
| 5 | AP8206698 | Dübel | 1 | |
| 6 | AP8206136 | Stiftplatte | 1 | |
| 7 | AP8206455 | Fliehkraftmasse bohrung D8,5 | 1 | Land:Dänemark[DK], Finnland[SF] |
| 7 | AP8206455 | Fliehkraftmasse bohrung D8,5 | 1 | Land:Deutschland[D], Holland[NL] Technische Daten:Version mit Beschränkung 45 km/h[45Km] |
| 7 | AP8206701 | Fliehkraftmasse bohrung D8,8 | 1 | Land:Belgien[B], Schweiz[CH], Spanien[E], Frankreich[F], Italien[I] |
| 7 | AP8206789 | Fliehkraftmasse bohrung D3,1 | 1 | Land:Österreich[A] |
| 7 | AP8206789 | Fliehkraftmasse bohrung D3,1 | 1 | Land:Deutschland[D], Holland[NL] Technische Daten:Version mit Beschränkung 25 km/h[25Km] |
| 8 | AP8222335 | Bewegliche Hauptriemenscheibe | 1 | |
| 9 | AP8206109 | Keilriemen | 1 | |
| 10 | AP8222336 | Buchse 13x18x38,2 | 1 | |
| 11 | AP8206420 | Distanzscheibe D18x23x6,5 | 1 | Land:Italien[I] |
| 11 | AP8206478 | Distanzscheibe D18x23x5 | 1 | Land:Belgien[B], Holland[NL], Finnland[SF] |
| 11 | AP8206478 | Distanzscheibe D18x23x5 | 1 | Land:Deutschland[D] Technische Daten:Version mit Beschränkung 25 km/h[25Km] |
| 11 | AP8206566 | Distanzscheibe D18x23x2,5 | 1 | Land:Deutschland[D] Technische Daten:Version mit Beschränkung 45 km/h[45Km] |
| 11 | AP8206597 | Distanzscheibe D18x23x4 | 1 | Land:Dänemark[DK], Spanien[E], Frankreich[F] |
| 11 | AP8206693 | Distanzscheibe D18x23x3,5 | 1 | Land:Schweiz[CH] |
| 11 | AP8222458 | Distanzscheibe D18x23x3,5 | 1 | Land:Österreich[A] |

| | |
|---------------------|---------|
| Einheit | MOTOR |
| Code | 29.41 |
| Beschreibung | Wandler |
| Inspektion | 1 |



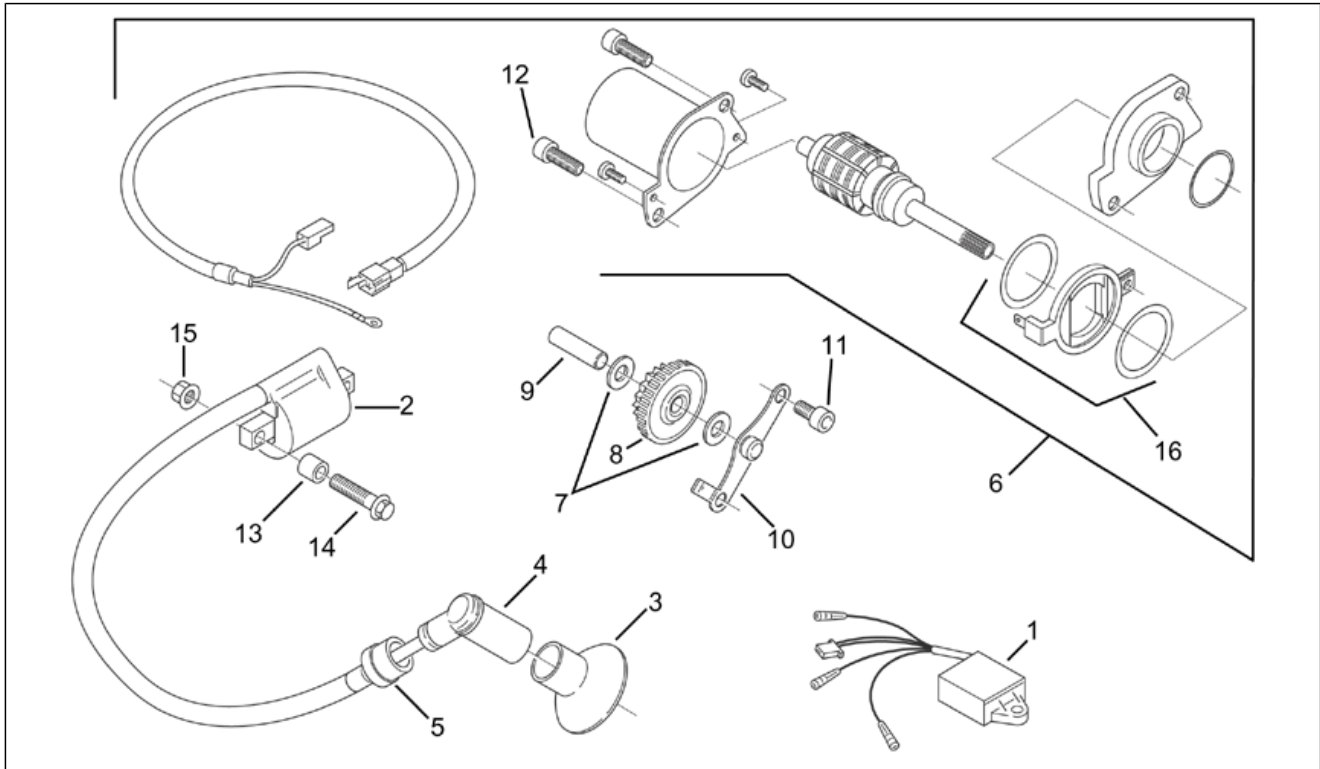
| Pos. | Code | Beschreibung | Menge | Varianten |
|------|-----------|--------------------------|-------|-----------|
| 12 | AP8206116 | Feste Hauptriemenscheibe | 1 | |
| 13 | AP8206140 | Platte | 1 | |
| 14 | AP8206141 | Starter-Zahnbecher | 1 | |
| 15 | AP8206204 | Konische Sprengscheibe | 1 | |
| 16 | AP8206183 | Mutter M10x1,25 | 1 | |
| 17 | AP8206153 | Gehäusebuchse D53x57x10 | 1 | |

| | |
|---------------------|--------------------|
| Einheit | MOTOR |
| Code | 29.42 |
| Beschreibung | Deckel kickstarter |
| Inspektion | 1 |



| Pos. | Code | Beschreibung | Menge | Varianten |
|------|-----------|-------------------------------|-------|-----------|
| 1 | AP8206170 | Stift Abdeckung D10x14 | 1 | |
| 2 | AP8206163 | Deckeldichtung Kupplungsseite | 1 | |
| 3 | AP8206112 | Getriebedeckel | 1 | |
| 4 | AP8502567 | TCCE Schraube M6x35 | 1 | |
| 5 | AP8502564 | TCCE Schraube M6x20 | 1 | |
| 6 | AP8206111 | Zünddeckel | 1 | |
| 7 | AP8206162 | Dichtung startdeckel | 1 | |
| 8 | AP8206149 | Rückholfeder Starterhebel | 1 | |
| 9 | AP8206152 | Starterwellebuchse 15x20x30 | 1 | |
| 10 | AP8501469 | Seegerring für Welle D15 | 1 | |
| 11 | AP8206193 | Stahlscheibe blau D15,1x28x1 | 1 | |
| 12 | AP8206122 | Baugruppe Starterwelle | 1 | |
| 13 | AP8206148 | Kickstarterfeder | 1 | |
| 14 | AP8206692 | Starter-Schieberad | 1 | |
| 15 | AP8206172 | Bolzen D8x32 | 1 | |
| 16 | AP8206137 | Kabelführungs | 1 | |

| | |
|---------------------|------------|
| Einheit | MOTOR |
| Code | 29.43 |
| Beschreibung | Zündgruppe |
| Inspektion | 1 |



| Pos. | Code | Beschreibung | Menge | Varianten |
|------|-----------|-------------------------------|-------|---|
| 1 | AP8206470 | Steuergerät für Schwungrad | 1 | Land:Österreich[A], Belgien[B], Schweiz[CH], Deutschland[D], Dänemark[DK], Spanien[E], Italien[I], Holland[NL], Finnland[SF] |
| 1 | AP8212579 | Steuerg.zundf.shne. | 1 | Land:Frankreich[F] |
| 2 | AP8206125 | Zuendtransform.cpl. | 1 | |
| 3 | AP8220438 | Gummi | 1 | |
| 4 | AP8206108 | Zündkerzenkappe | 1 | Land:Österreich[A], Belgien[B], Schweiz[CH], Deutschland[D], Dänemark[DK], Spanien[E], Frankreich[F], Holland[NL], Finnland[SF] |
| 4 | AP8220439 | Zündkerzenkappe | 1 | Land:Italien[I] |
| 5 | AP8220440 | Drahtabdeckgummi | 1 | |
| 6 | AP8212977 | Startermotor | 1 | |
| 7 | AP8206206 | Ausgleichscheibe D8x16x2 | 1 | |
| 8 | AP8206665 | Doppeltes Freilauftrad+buche | 1 | |
| 9 | AP8206172 | Bolzen D8x32 | 1 | |
| 10 | AP8206139 | Platte doppeltes Freilauftrad | 1 | |
| 11 | AP8206202 | TCCE Schraube M6x12 | 1 | |
| 12 | AP8502564 | TCCE Schraube M6x20 | 1 | |
| 13 | AP8121041 | Distanzscheibe * | 2 | |
| 14 | AP8152281 | TE Schr. m. Flansch M6x30 | 2 | |
| 15 | AP8152299 | Selbstsperrende Mutter M6 | 2 | |
| 16 | AP8224093 | Bürstenhalter mit OR | 1 | |