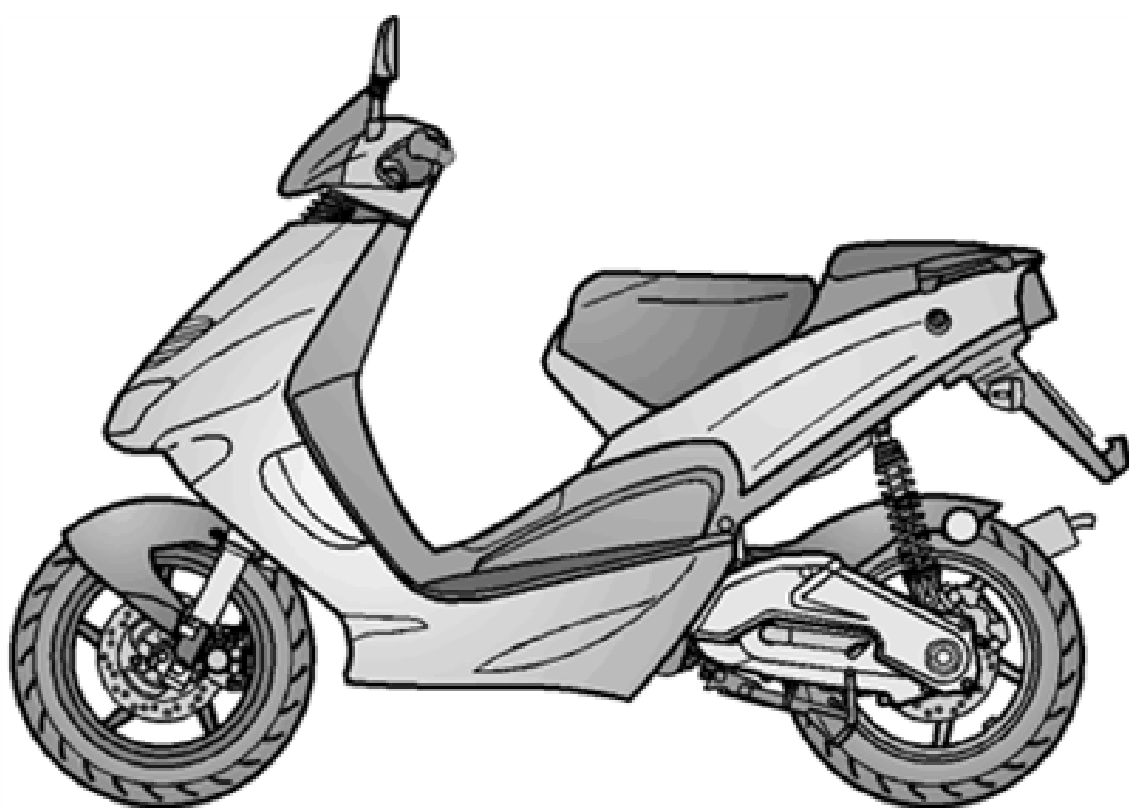


**aprilia**<sup>®</sup>

## ERSATZTEILKATALOG



### **SR 50 AIR 1997-2001**

Vorsatzcode Fahrgestell: ZD4LY

Vorsatzcode Motor:

## Inhaltsverzeichnis

Fertige Produkte.....	4
Alphanumerisches Verzeichnis.....	6
RAHMEN.....	11
Tafel 28.01 - Rahmen.....	11
Tafel 28.02 - Hauptständer - Pleuelstange.....	12
Tafel 28.03 - Gabel I.....	13
Tafel 28.04 - Gabel II.....	15
Tafel 28.05 - Gabel III.....	16
Tafel 28.06 - Frontaufbau I.....	19
Tafel 28.07 - Frontaufbau II.....	21
Tafel 28.08 - Frontaufbau III.....	23
Tafel 28.09 - Frontaufbau IV.....	25
Tafel 28.10 - Frontaufbau V.....	27
Tafel 28.11 - Mittlerer aufbau I.....	29
Tafel 28.12 - Mittlerer aufbau II.....	30
Tafel 28.13 - Fahrersitz.....	32
Tafel 28.14 - Soziussitz.....	33
Tafel 28.15 - Heckaufbau I.....	35
Tafel 28.16 - Heckaufbau II.....	37
Tafel 28.17 - Heckaufbau III.....	38
Tafel 28.18 - Lenkstange - Instrumenteneinheit.....	40
Tafel 28.19 - Schaltungen I.....	41
Tafel 28.20 - Schaltungen II.....	42
Tafel 28.21 - Ölbehälter.....	43
Tafel 28.22 - Kraftstofftank.....	44
Tafel 28.23 - Filtergehäuse.....	45
Tafel 28.25 - Fluchtgerecht Schalldämpfer Auspuffrohr.....	46
Tafel 28.26 - "Barilotto" Auspuffrohr.....	47
Tafel 28.27 - Vorderrad.....	48
Tafel 28.28 - Hinterrad trommelbremse.....	50
Tafel 28.29 - Lichter.....	51
Tafel 28.30 - Elektrische Anlage.....	53
Tafel 28.31 - Schilden.....	54
Tafel 28.32 - Frontaufbau Deko Serie.....	55
Tafel 28.33 - Karosserie zent.Deko-Satz.....	56
Tafel 28.34 - R.Kar.Deko-Satz.....	57
Tafel 28.35 - Deko technische Serie.....	58
MOTOR.....	59
Tafel 29.24 - Stoßdämpfer.....	59
Tafel 29.36 - Mittlere gehäuse.....	61
Tafel 29.37 - Zylinderkopf.....	62
Tafel 29.38 - Pleuelstange.....	63
Tafel 29.39 - Deckel.....	64

---

Tafel 29.40 - Wandler.....	65
Tafel 29.41 - Kupplung.....	66
Tafel 29.42 - Endübersetzung.....	67
Tafel 29.43 - Einspeisung - Ölpumpe.....	68
Tafel 29.44 - Vergaser I.....	69
Tafel 29.45 - Vergaser II.....	70
Tafel 29.46 - Schwungrad.....	72
Tafel 29.47 - Zündgruppe.....	73
ZUBEHÖR.....	74
Tafel 30.48 - Acc. - Windschilder.....	74
Tafel 30.49 - Acc. - Koffer, Taschen.....	75
Tafel 30.50 - Acc. - Fahrwerk.....	76
Tafel 30.51 - Acc. - Sonstiges.....	77
Tafel 30.52 - Acc. - Diebstahl.....	78

## Fertige Produkte

Code	Gültigkeit
AP67702AT01	
AP67702AT03	
AP67702BE01	
AP67702BE03	
AP67702CH01	
AP67702CH03	
AP67702DE01	
AP67702DE03	
AP67702DK01	
AP67702DK03	
AP67702EL01	
AP67702EL03	
AP67702ES01	
AP67702ES03	
AP67702FI01	
AP67702FR01	
AP67702FR03	
AP67702IT01	
AP67702IT03	
AP67702NL01	
AP67702NL03	
AP67702PT01	
AP67702PT03	
AP67707AT01	
AP67707AT03	
AP67707BE01	
AP67707BE03	
AP67707BE05	
AP67707BE07	
AP67707BE08	
AP67707BE09	
AP67707BE13	
AP67707BE14	
AP67707BE17	
AP67707BE18	
AP67707BE19	
AP67707BE20	
AP67707BE21	
AP67707BE22	
AP67707BE30	
AP67707BE31	
AP67707BE32	

Code	Gültigkeit
AP67707BR01	
AP67707BR02	
AP67707EL01	
AP67707ES01	
AP67707ES02	
AP67707ES03	
AP67707ES07	
AP67707ES08	
AP67707ES09	
AP67707FR03	
AP67707FR05	
AP67707FR08	
AP67707FR09	
AP67707FR20	
AP67707FR22	
AP67707GB07	
AP67707GB08	
AP67707GB09	
AP67707GB20	
AP67707GB21	
AP67707IL03	
AP67707IT01	
AP67707IT02	
AP67707IT03	
AP67707IT04	
AP67707PT02	
AP67707PT04	
AP67707PT08	
AP67711IT03	
AP67711IT04	
AP67711IT05	
AP67711IT07	
AP67711IT08	
AP67711IT09	
AP67711IT20	
AP67711IT21	
AP67711IT22	

Code	Nr. der Tafel	Pos.	Code	Nr. der Tafel	Pos.	Code	Nr. der Tafel	Pos.
0000000	28.27	1	AP8124814	28.22	2	AP8152298	28.17	11
0000000	28.28	2	AP8124818	28.30	1	AP8152298	28.22	11
AP8101606	28.16	8	AP8125757	28.20	3	AP8152299	28.26	8
AP8101944	28.21	4	AP8125782	28.27	24	AP8152299	28.30	16
AP8102223	28.21	8	AP8134167	28.28	13	AP8152300	28.01	17
AP8102224	28.21	7	AP8134620	28.01	5	AP8152300	28.19	11
AP8102375	28.01	13	AP8144277	28.02	12	AP8152301	28.02	14
AP8102375	28.08	7	AP8149297	28.07	3	AP8152301	28.19	14
AP8102375	28.15	7	AP8150015	29.24	11	AP8152302	28.06	3
AP8102375	28.17	9	AP8150020	28.02	19	AP8152339	28.10	3
AP8102376	28.01	12	AP8150020	28.19	13	AP8201225	29.43	11
AP8102376	28.08	6	AP8150044	29.24	13	AP8201305	28.16	13
AP8102376	28.11	2	AP8150045	29.24	12	AP8201431	28.02	3
AP8102376	28.15	8	AP8150086	28.19	12	AP8201546	28.27	7
AP8102376	28.16	18	AP8150178	28.26	4	AP8201546	28.28	4
AP8102376	28.17	10	AP8150179	28.26	5	AP8201564	28.16	4
AP8102376	28.22	6	AP8150210	29.24	7	AP8201600	28.01	6
AP8102378	29.43	12	AP8150220	28.14	5	AP8201620	28.16	15
AP8102671	28.18	16	AP8150270	28.29	11	AP8201683	28.23	3
AP8102782	28.08	2	AP8150340	28.26	6	AP8201747	28.01	19
AP8102880	28.01	7	AP8150373	28.27	14	AP8201747	28.16	12
AP8104118	28.35	2	AP8150403	29.24	14	AP8201748	28.16	20
AP8104120	28.35	2	AP8150413	28.06	6	AP8201749	28.16	16
AP8104121	28.35	2	AP8150413	28.08	10	AP8201757	28.22	3
AP8104197	30.49	3	AP8150413	28.09	3	AP8201763	28.01	14
AP8112244	28.30	3	AP8150413	28.11	11	AP8201763	28.08	1
AP8113003	28.27	20	AP8150413	28.15	4	AP8201763	28.11	3
AP8113004	28.27	21	AP8150413	28.16	2	AP8201763	28.15	6
AP8113006	28.27	8	AP8150420	28.06	9	AP8201763	28.17	8
AP8113414	28.20	6	AP8150421	28.18	15	AP8201763	28.22	7
AP8113549	28.27	8	AP8150430	28.16	5	AP8201799	28.23	6
AP8113577	28.27	9	AP8150430	29.24	16	AP8201812	29.24	4
AP8113637	28.20	7	AP8150432	28.02	17	AP8201818	28.18	7
AP8113638	28.27	6	AP8150471	28.28	15	AP8201824	28.22	4
AP8113640	28.27	10	AP8150473	28.19	16	AP8201835	28.18	3
AP8113861	28.20	15	AP8152018	28.02	15	AP8201836	28.18	2
AP8118472	28.19	3	AP8152018	28.27	16	AP8201845	28.01	4
AP8120416	28.01	22	AP8152140	28.01	8	AP8201925	28.27	15
AP8120416	28.30	19	AP8152194	28.16	14	AP8201975	28.18	3
AP8120422	28.30	18	AP8152244	28.28	1	AP8201976	28.18	2
AP8120508	28.17	6	AP8152246	28.10	5	AP8201993	28.35	2
AP8120531	28.06	10	AP8152246	28.11	9	AP8202071	28.18	7
AP8120531	28.08	3	AP8152246	28.25	11	AP8202184	28.35	2
AP8120531	28.10	2	AP8152260	28.25	6	AP8202268	30.50	1
AP8120754	28.30	12	AP8152260	28.26	10	AP8202269	30.50	1
AP8120769	28.28	14	AP8152277	28.13	3	AP8202270	30.50	1
AP8120853	28.14	3	AP8152278	28.14	6	AP8202362	28.01	9
AP8120864	28.27	19	AP8152279	28.16	10	AP8203561	28.03	2
AP8120865	28.27	18	AP8152279	28.21	5	AP8203564	28.05	4
AP8120870	28.25	12	AP8152279	28.22	5	AP8203565	28.05	6
AP8120952	29.43	6	AP8152280	28.11	10	AP8203570	28.05	2
AP8121075	28.25	13	AP8152280	28.23	10	AP8203571	28.05	1
AP8121075	29.24	9	AP8152280	28.30	17	AP8203572	28.05	3
AP8121096	29.24	5	AP8152282	29.24	15	AP8203649	28.03	1
AP8121309	28.01	18	AP8152283	28.16	3	AP8203652	28.03	3
AP8121697	28.02	13	AP8152285	28.01	15	AP8203666	28.01	2
AP8121718	29.24	10	AP8152286	28.26	6	AP8203673	28.03	9
AP8121725	28.23	7	AP8152288	28.17	12	AP8203698	28.05	6
AP8123701	28.04	6	AP8152288	28.25	9	AP8203702	28.03	4
AP8123708	28.04	5	AP8152288	28.26	9	AP8203718	29.24	3
AP8124015	28.29	6	AP8152288	28.27	4	AP8203736	28.05	8
AP8124016	28.29	7	AP8152289	28.25	8	AP8203737	28.05	7
AP8124208	28.20	12	AP8152289	28.27	22	AP8203752	28.03	4
AP8124209	28.19	9	AP8152289	29.24	6	AP8203753	28.03	5
AP8124235	28.30	2	AP8152290	28.19	15	AP8203754	28.03	6
AP8124414	28.29	4	AP8152298	28.09	4	AP8203755	28.03	7
AP8124415	28.29	5	AP8152298	28.15	5	AP8203756	28.04	1

Code	Nr. der Tafel	Pos.	Code	Nr. der Tafel	Pos.	Code	Nr. der Tafel	Pos.
AP8203757	28.04	2	AP8206170	29.42	1	AP8206495	29.46	1
AP8203758	28.04	3	AP8206171	29.36	15	AP8206499	29.46	6
AP8203759	28.04	4	AP8206172	29.39	1	AP8206500	29.38	8
AP8203760	28.04	7	AP8206172	29.47	9	AP8206501	29.38	3
AP8203761	28.04	8	AP8206174	29.37	2	AP8206502	29.37	7
AP8203762	28.03	8	AP8206176	29.37	3	AP8206503	29.36	8
AP8203763	28.35	3	AP8206179	29.46	14	AP8206507	29.39	7
AP8203776	28.03	1	AP8206181	29.43	5	AP8206508	29.39	8
AP8203777	28.03	2	AP8206182	29.38	9	AP8206509	29.47	8
AP8203778	28.03	3	AP8206183	29.40	1	AP8206510	29.46	1
AP8203779	28.03	5	AP8206183	29.46	9	AP8206519	29.36	16
AP8203780	28.03	6	AP8206186	29.41	13	AP8206528	29.46	7
AP8203781	28.04	1	AP8206187	29.38	5	AP8206530	29.42	10
AP8203782	28.04	2	AP8206193	29.39	5	AP8206531	29.42	9
AP8203783	28.04	3	AP8206195	29.42	12	AP8206557	29.43	3
AP8203784	28.04	4	AP8206202	29.36	1	AP8206558	29.36	12
AP8203785	28.04	6	AP8206202	29.47	11	AP8206565	29.43	2
AP8203786	28.04	5	AP8206203	29.36	22	AP8206566	29.40	7
AP8203787	28.04	7	AP8206204	29.40	2	AP8206578	29.36	6
AP8203788	28.04	8	AP8206205	29.46	10	AP8206597	29.40	7
AP8203789	28.05	4	AP8206206	29.47	7	AP8206680	29.44	9
AP8203790	28.05	5	AP8206208	29.38	2	AP8206681	29.44	9
AP8203792	28.05	7	AP8206210	29.40	10	AP8206692	29.39	2
AP8203793	28.05	8	AP8206212	29.38	1	AP8206694	29.39	6
AP8203794	28.05	3	AP8206213	29.38	4	AP8206698	29.40	12
AP8203795	28.05	2	AP8206214	29.41	1	AP8206700	29.47	10
AP8203796	28.05	1	AP8206215	29.36	13	AP8206701	29.40	14
AP8203797	28.03	8	AP8206218	29.37	5	AP8206702	29.40	6
AP8203798	28.35	3	AP8206219	29.37	5	AP8206707	29.45	3
AP8203863	28.05	5	AP8206220	29.37	4	AP8206708	29.45	10
AP8203944	29.24	3	AP8206223	29.38	7	AP8206711	29.43	8
AP8203945	28.03	9	AP8206233	29.36	9	AP8206724	29.44	9
AP8203945	28.03	9	AP8206420	29.40	7	AP8206729	29.41	8
AP8203961	28.05	7	AP8206420	29.40	7	AP8206732	29.41	11
AP8203962	28.05	8	AP8206423	29.42	9	AP8206733	29.41	12
AP8203964	28.05	7	AP8206424	29.42	10	AP8206734	29.41	16
AP8203965	28.05	8	AP8206425	29.42	8	AP8206735	29.41	2
AP8203986	28.03	9	AP8206455	29.40	14	AP8206736	29.41	5
AP8203987	28.05	7	AP8206459	29.47	6	AP8206737	29.41	7
AP8203988	28.05	8	AP8206460	29.37	9	AP8206738	29.41	10
AP8203992	28.05	4	AP8206461	29.46	8	AP8206739	29.41	9
AP8203993	28.05	5	AP8206462	29.46	13	AP8206740	29.41	6
AP8203994	28.05	7	AP8206464	29.39	6	AP8206741	29.41	3
AP8203995	28.05	8	AP8206465	29.37	12	AP8206743	29.41	4
AP8206109	29.40	16	AP8206466	29.43	2	AP8206744	29.41	15
AP8206112	29.42	3	AP8206467	29.43	9	AP8206746	29.46	15
AP8206116	29.40	5	AP8206468	29.36	4	AP8206750	29.44	9
AP8206120	29.37	4	AP8206470	29.47	1	AP8206751	29.44	9
AP8206122	29.39	4	AP8206471	29.46	3	AP8206783	29.37	13
AP8206125	29.47	2	AP8206472	29.37	11	AP8206785	29.44	9
AP8206129	29.36	10	AP8206473	29.43	7	AP8206796	29.45	3
AP8206131	29.36	14	AP8206474	29.46	5	AP8206797	29.45	3
AP8206136	29.40	13	AP8206475	29.36	19	AP8206870	29.37	14
AP8206138	29.36	2	AP8206479	29.40	8	AP8206886	29.44	3
AP8206140	29.40	4	AP8206480	29.46	2	AP8206886	29.45	1
AP8206141	29.40	3	AP8206481	29.36	7	AP8206887	29.45	8
AP8206144	29.40	9	AP8206482	29.36	20	AP8206889	29.45	7
AP8206147	29.40	11	AP8206483	29.37	6	AP8206890	29.45	2
AP8206148	29.39	3	AP8206484	29.39	9	AP8206891	29.44	6
AP8206149	29.39	10	AP8206485	29.46	12	AP8206892	29.44	7
AP8206150	29.42	11	AP8206486	29.43	4	AP8206893	29.44	8
AP8206152	29.39	11	AP8206487	29.37	8	AP8206894	29.45	9
AP8206154	29.38	6	AP8206488	29.36	21	AP8206895	29.45	11
AP8206159	29.42	6	AP8206490	29.36	18	AP8206896	29.45	12
AP8206163	29.42	2	AP8206491	29.37	10	AP8206897	29.45	13
AP8206169	29.36	5	AP8206493	29.37	1	AP8206898	29.44	1
AP8206170	29.39	14	AP8206494	29.46	4	AP8206899	29.44	1

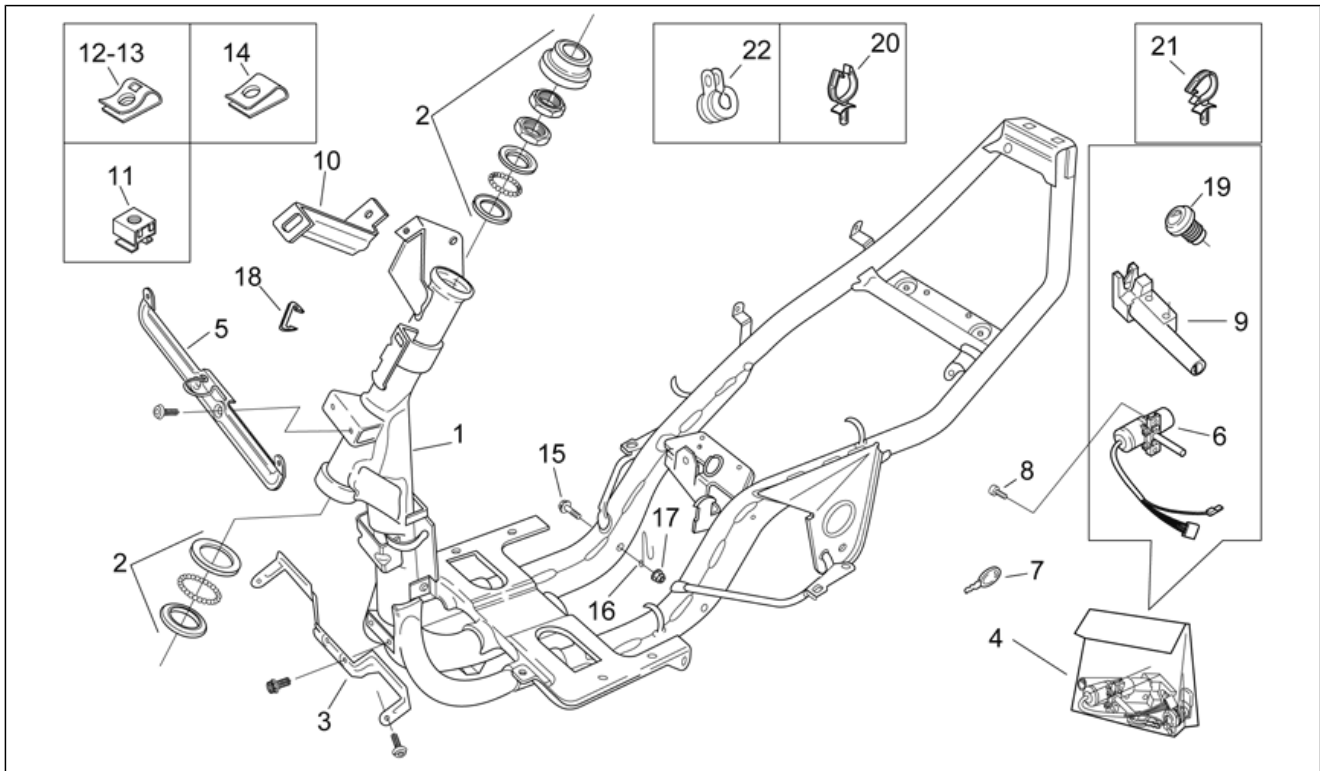
Code	Nr. der Tafel	Pos.	Code	Nr. der Tafel	Pos.	Code	Nr. der Tafel	Pos.
AP8206900	29.44	2	AP8213305	28.27	9	AP8220468	28.16	19
AP8206902	29.45	5	AP8213318	28.27	6	AP8220472	28.22	8
AP8206904	29.45	6	AP8213319	28.28	6	AP8220507	29.43	14
AP8206907	29.45	10	AP8213352	28.27	11	AP8220546	28.30	15
AP8206908	29.44	5	AP8213375	28.20	9	AP8220548	29.43	13
AP8206909	29.44	4	AP8213400	28.20	16	AP8220571	28.28	12
AP8206910	29.44	9	AP8213484	28.20	1	AP8221046	28.11	1
AP8206911	29.44	9	AP8214131	28.28	11	AP8221114	28.23	11
AP8206912	29.45	4	AP8214159	28.19	10	AP8221119	28.27	17
AP8206913	29.45	5	AP8214162	28.20	14	AP8221120	28.28	9
AP8206914	29.45	5	AP8214163	28.18	5	AP8221160	28.02	18
AP8206936	28.05	6	AP8214200	28.28	8	AP8221184	28.02	16
AP8208443	28.28	3	AP8218114	28.19	4	AP8221204	28.02	5
AP8208445	28.27	2	AP8218136	28.19	1	AP8221211	28.02	6
AP8208664	28.28	3	AP8218153	28.19	2	AP8221213	28.01	11
AP8208705	28.27	2	AP8218154	28.19	5	AP8221215	28.02	9
AP8212110	28.30	6	AP8218210	28.18	1	AP8221218	28.17	5
AP8212382	28.30	13	AP8218236	28.19	1	AP8221218	28.17	6
AP8212407	28.18	9	AP8218265	28.19	6	AP8221218	28.17	6
AP8212408	28.18	10	AP8218265	28.20	13	AP8221240	28.02	2
AP8212481	28.21	6	AP8218274	28.19	2	AP8221242	28.18	6
AP8212529	28.19	7	AP8218275	28.19	6	AP8221248	28.01	16
AP8212540	28.30	7	AP8218275	28.20	13	AP8221297	28.26	5
AP8212566	28.29	3	AP8218331	28.20	10	AP8221310	28.01	21
AP8212607	28.29	2	AP8218549	28.20	2	AP8221311	28.01	20
AP8212611	28.30	8	AP8219212	28.25	7	AP8221321	28.16	7
AP8212670	28.30	10	AP8219212	28.26	11	AP8222275	29.45	4
AP8212680	28.29	1	AP8219236	28.25	5	AP8222288	29.45	4
AP8212698	28.29	20	AP8219316	28.25	1	AP8222335	29.40	15
AP8212738	28.30	14	AP8219321	28.25	2	AP8222336	29.40	17
AP8212764	28.20	11	AP8219321	28.26	2	AP8222479	29.45	4
AP8212767	28.19	8	AP8219333	28.25	4	AP8222484	29.24	1
AP8212771	28.29	12	AP8219357	28.25	1	AP8222484	29.24	1
AP8212774	28.29	9	AP8219358	28.25	1	AP8222524	29.24	1
AP8212775	28.29	8	AP8219359	28.25	1	AP8222525	29.24	1
AP8212776	28.29	17	AP8219359	28.25	1	AP8222526	29.24	1
AP8212776	28.29	17	AP8219387	28.26	1	AP8222527	29.24	1
AP8212777	28.30	11	AP8219388	28.26	1	AP8222531	29.24	1
AP8212778	28.30	9	AP8219404	28.26	1	AP8222579	29.24	1
AP8212793	28.18	11	AP8219411	28.26	1	AP8222621	29.24	1
AP8212813	28.29	13	AP8219479	28.26	1	AP8222680	29.45	4
AP8212837	28.20	11	AP8219487	28.26	3	AP8222682	29.45	4
AP8212841	28.29	10	AP8219507	28.25	14	AP8222685	29.45	5
AP8212854	28.29	14	AP8219508	28.26	12	AP8222755	30.50	3
AP8212862	28.29	13	AP8219509	28.26	12	AP8222756	30.50	3
AP8212873	28.18	13	AP8220195	28.21	2	AP8222757	30.50	3
AP8212881	28.18	12	AP8220219	28.06	11	AP8222758	30.50	2
AP8212899	28.18	11	AP8220313	28.16	11	AP8222759	30.50	2
AP8212903	28.29	12	AP8220342	28.30	5	AP8222760	30.50	2
AP8212930	28.18	14	AP8220349	28.13	4	AP8222761	30.50	4
AP8212933	28.29	16	AP8220356	28.02	8	AP8222761	30.50	4
AP8212934	28.29	15	AP8220357	28.25	10	AP8222761	30.50	4
AP8212936	28.29	9	AP8220364	28.23	5	AP8224057	28.30	4
AP8212937	28.29	8	AP8220366	28.02	4	AP8224062	28.29	19
AP8212938	28.30	11	AP8220367	28.28	12	AP8224063	28.29	18
AP8213133	28.28	5	AP8220370	28.23	9	AP8224093	29.47	13
AP8213137	28.28	10	AP8220376	28.02	11	AP8224147	28.30	11
AP8213198	28.27	23	AP8220385	28.23	8	AP8224163	28.29	14
AP8213199	28.27	10	AP8220396	28.02	10	AP8224196	28.29	13
AP8213227	28.27	23	AP8220421	28.21	3	AP8224245	28.29	17
AP8213231	28.27	3	AP8220422	28.18	8	AP8224245	28.29	17
AP8213248	28.27	11	AP8220438	29.47	3	AP8224389	28.29	24
AP8213272	28.20	4	AP8220439	29.47	4	AP8224390	28.29	23
AP8213275	28.20	1	AP8220440	29.47	5	AP8224391	28.29	22
AP8213284	28.20	2	AP8220453	28.18	17	AP8224392	28.29	21
AP8213298	28.20	5	AP8220454	28.18	4	AP8224393	28.29	25
AP8213299	28.20	8	AP8220467	28.23	1	AP8225123	28.27	5



Code	Nr. der Tafel	Pos.	Code	Nr. der Tafel	Pos.	Code	Nr. der Tafel	Pos.
AP8225271	28.27	12	AP8238454	28.06	4	AP8247168	28.31	1
AP8225323	28.27	13	AP8238455	28.08	4	AP8247169	28.31	3
AP8226331	28.17	1	AP8238456	28.09	1	AP8247169	28.31	3
AP8226384	28.17	4	AP8238456	28.09	1	AP8247170	28.31	3
AP8226384	28.17	4	AP8238457	28.09	2	AP8247170	28.31	3
AP8226431	28.10	1	AP8238457	28.09	2	AP8247171	28.31	4
AP8226431	28.10	1	AP8238458	28.15	1	AP8247172	28.31	4
AP8226434	28.10	1	AP8238460	28.07	1	AP8247174	28.31	1
AP8226464	28.10	1	AP8238462	28.14	4	AP8247175	28.31	1
AP8226465	28.10	1	AP8238462	28.14	4	AP8247176	28.31	1
AP8226526	28.17	1	AP8238507	28.11	8	AP8248116	28.25	3
AP8226527	28.17	3	AP8238510	28.15	2	AP8248147	28.06	2
AP8226537	28.17	1	AP8238511	28.15	3	AP8248653	28.06	5
AP8226538	28.17	3	AP8238512	28.10	4	AP8248653	28.06	5
AP8226539	28.10	1	AP8238514	28.11	4	AP8248655	28.07	2
AP8226542	28.10	1	AP8238515	28.11	5	AP8248655	28.07	2
AP8226571	28.17	4	AP8238540	28.12	1	AP8248656	28.08	5
AP8226602	28.17	1	AP8238540	28.12	1	AP8248656	28.08	5
AP8226603	28.17	3	AP8238675	28.08	9	AP8248657	28.08	9
AP8226650	28.10	1	AP8238681	28.16	9	AP8248657	28.08	9
AP8226651	28.10	1	AP8238748	28.06	7	AP8248658	28.12	3
AP8226668	28.10	1	AP8238749	28.06	8	AP8248658	28.12	3
AP8226669	28.10	1	AP8238856	28.16	1	AP8248661	28.16	17
AP8226670	28.10	1	AP8238857	28.07	3	AP8248662	28.15	2
AP8226671	28.10	1	AP8238857	28.07	3	AP8248663	28.15	3
AP8229165	28.13	2	AP8238857	28.07	3	AP8248664	28.22	9
AP8229166	28.14	2	AP8239218	29.24	8	AP8248665	28.11	4
AP8229192	28.14	2	AP8239257	28.25	3	AP8248666	28.11	5
AP8229293	28.13	2	AP8239258	28.10	4	AP8248748	28.12	2
AP8229318	28.14	2	AP8239316	28.08	4	AP8248752	29.24	8
AP8229319	28.14	2	AP8239317	28.15	1	AP8248800	28.06	5
AP8229321	28.14	2	AP8239318	28.07	1	AP8248801	28.07	3
AP8231548	28.23	2	AP8239319	28.14	1	AP8248802	28.07	2
AP8231549	28.23	4	AP8239320	28.06	4	AP8248803	28.08	5
AP8232524	28.26	3	AP8239321	28.13	1	AP8248804	28.08	9
AP8232678	28.28	7	AP8239322	28.14	4	AP8248805	28.12	3
AP8232820	29.24	2	AP8239330	28.12	2	AP8248806	28.11	6
AP8232944	28.01	1	AP8239331	28.09	1	AP8248807	28.11	7
AP8232946	28.01	3	AP8239332	28.09	2	AP8248808	28.16	17
AP8232983	28.02	1	AP8239333	28.12	1	AP8248809	28.15	2
AP8232989	28.02	7	AP8239388	28.08	4	AP8248810	28.15	3
AP8234079	28.17	7	AP8239389	28.15	1	AP8248811	28.22	9
AP8234130	28.01	10	AP8239390	28.07	1	AP8248812	28.08	4
AP8234142	28.26	7	AP8239471	28.22	1	AP8248813	28.09	1
AP8235073	29.24	2	AP8239819	28.08	4	AP8248814	28.09	2
AP8237324	28.31	1	AP8239820	28.09	1	AP8248815	28.15	1
AP8237852	28.31	2	AP8239821	28.09	2	AP8248816	28.07	1
AP8237853	28.31	3	AP8239822	28.15	1	AP8248817	28.12	1
AP8238335	28.22	1	AP8239823	28.07	1	AP8248818	28.06	4
AP8238335	28.22	1	AP8239824	28.12	1	AP8248819	28.13	1
AP8238340	28.17	3	AP8239825	28.12	2	AP8248820	28.14	1
AP8238341	28.16	6	AP8239826	28.06	4	AP8248822	28.14	4
AP8238344	28.06	5	AP8239827	28.13	1	AP8248850	28.07	3
AP8238345	28.06	1	AP8239828	28.14	1	AP8248851	28.08	4
AP8238358	28.16	17	AP8239829	29.24	8	AP8248852	28.09	1
AP8238361	28.07	2	AP8239830	28.14	4	AP8248853	28.09	2
AP8238362	28.08	5	AP8239835	28.08	4	AP8248854	28.15	1
AP8238363	28.12	3	AP8239836	28.15	1	AP8248855	28.07	1
AP8238364	28.22	9	AP8239837	28.07	1	AP8248856	28.12	1
AP8238367	28.11	6	AP8239838	28.06	4	AP8248857	28.06	4
AP8238368	28.11	7	AP8239839	28.13	1	AP8248858	28.13	1
AP8238433	28.21	1	AP8239840	28.14	1	AP8248859	28.14	1
AP8238450	28.13	1	AP8239841	28.14	4	AP8248860	28.14	4
AP8238451	28.14	1	AP8239941	28.12	2	AP8249111	29.24	8
AP8238452	28.12	2	AP8247165	28.31	1	AP8249115	28.12	2
AP8238452	28.12	2	AP8247166	28.31	3	AP8249115	28.12	2
AP8238454	28.06	4	AP8247167	28.31	1	AP8249221	28.11	6

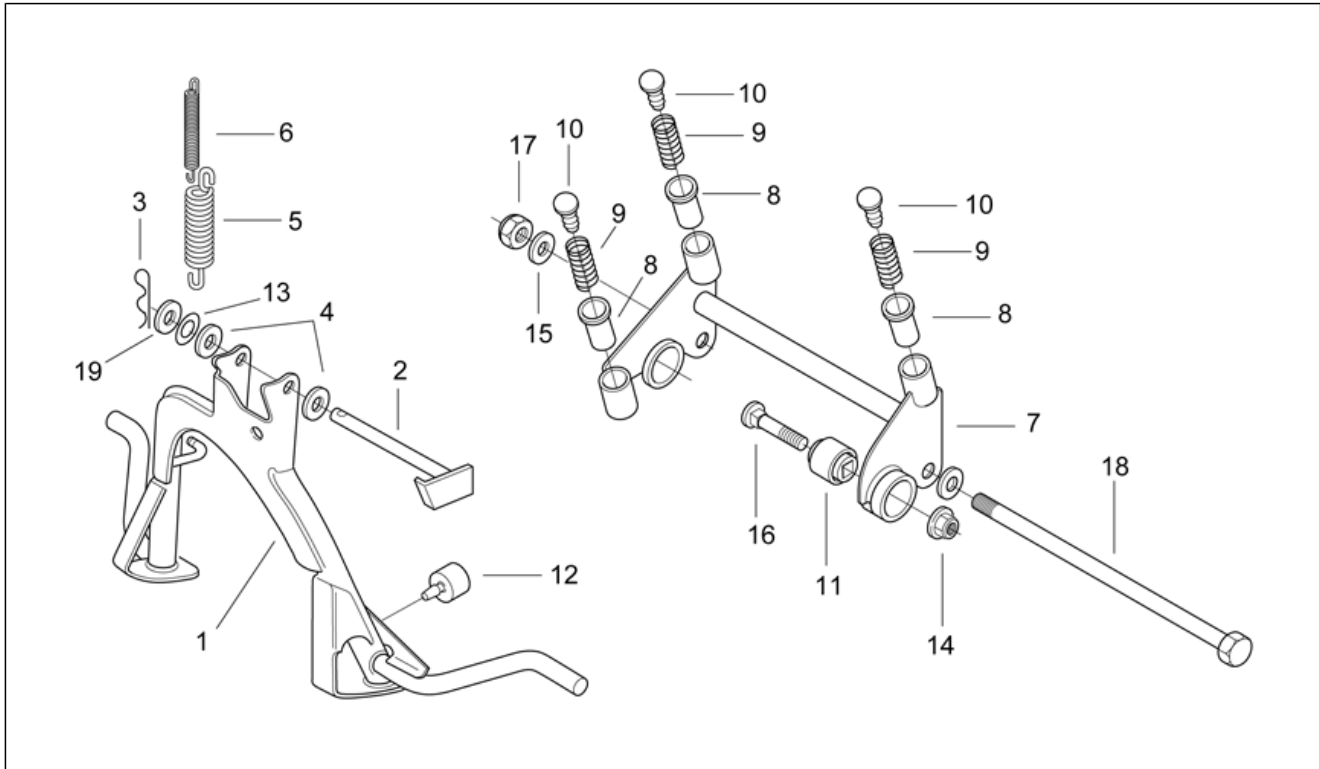
Code	Nr. der Tafel	Pos.	Code	Nr. der Tafel	Pos.	Code	Nr. der Tafel	Pos.
AP8249222	28.11	7	AP8258238	28.06	4	AP8790153	30.48	3
AP8249267	28.12	1	AP8258239	28.14	1	AP8790154	30.51	2
AP8249289	28.08	4	AP8267181	28.32	1	AP8790155	30.48	2
AP8249290	28.09	1	AP8267182	28.32	1	AP8790186	30.49	4
AP8249291	28.09	2	AP8267183	28.32	1	AP8790197	30.48	4
AP8249292	28.15	1	AP8267184	28.33	1	AP8792066	30.49	1
AP8249293	28.07	1	AP8267185	28.33	1	AP8792080	30.49	2
AP8249294	28.13	1	AP8267186	28.33	1	AP8792126	30.49	2
AP8249295	28.14	1	AP8267187	28.34	1	AP8792329	30.49	2
AP8249296	28.12	1	AP8267188	28.34	1			
AP8249455	28.14	4	AP8267189	28.34	1			
AP8249455	28.14	4	AP8267190	28.35	1			
AP8249530	28.11	6	AP8267220	28.32	1			
AP8249531	28.11	7	AP8267220	28.32	1			
AP8249532	28.16	17	AP8267221	28.32	1			
AP8249536	28.08	4	AP8267222	28.33	1			
AP8249539	28.15	1	AP8267222	28.33	1			
AP8249540	28.07	1	AP8267223	28.33	1			
AP8249541	28.12	1	AP8267224	28.34	1			
AP8249542	28.12	2	AP8267224	28.34	1			
AP8249543	28.06	4	AP8267225	28.34	1			
AP8249545	28.14	1	AP8267226	28.35	1			
AP8249548	28.08	4	AP8267243	28.32	1			
AP8249551	28.15	1	AP8267244	28.33	1			
AP8249552	28.07	1	AP8267245	28.34	1			
AP8249553	28.12	1	AP8267246	28.32	1			
AP8249554	28.06	4	AP8267247	28.33	1			
AP8249554	28.06	4	AP8267248	28.34	1			
AP8249556	28.14	1	AP8267251	28.34	1			
AP8249557	28.14	4	AP8267252	28.32	1			
AP8249558	28.17	2	AP8267253	28.35	1			
AP8249698	28.06	1	AP8267254	28.34	1			
AP8249708	28.13	1	AP8267255	28.32	1			
AP8249709	28.14	1	AP8267283	28.35	1			
AP8249711	28.06	4	AP8267369	28.32	1			
AP8249711	28.06	4	AP8267370	28.32	1			
AP8249712	28.08	4	AP8267371	28.32	1			
AP8249713	28.09	1	AP8267372	28.33	1			
AP8249714	28.15	1	AP8267373	28.33	1			
AP8249715	28.09	2	AP8267374	28.33	1			
AP8249717	28.14	4	AP8267375	28.34	1			
AP8249762	28.22	10	AP8267376	28.34	1			
AP8249879	28.06	2	AP8267377	28.34	1			
AP8249883	28.07	1	AP8267378	28.35	1			
AP8249885	28.12	1	AP8501469	29.39	12			
AP8249892	28.12	3	AP8501481	29.36	11			
AP8249922	28.15	1	AP8502471	29.36	17			
AP8249926	28.14	1	AP8502471	29.41	14			
AP8249927	28.08	4	AP8502563	29.46	11			
AP8249928	28.15	1	AP8502564	29.42	5			
AP8249931	28.14	1	AP8502564	29.43	1			
AP8257578	28.31	1	AP8502564	29.47	12			
AP8257627	28.31	2	AP8502567	29.36	3			
AP8257628	28.31	1	AP8502567	29.39	13			
AP8258034	28.08	8	AP8502567	29.42	4			
AP8258039	28.08	4	AP8502626	29.42	7			
AP8258040	28.11	6	AP8508887	29.43	10			
AP8258040	28.11	6	AP8700792	30.51	3			
AP8258041	28.11	7	AP8700793	30.51	3			
AP8258041	28.11	7	AP8700794	30.51	3			
AP8258200	28.07	1	AP8706369	30.49	2			
AP8258201	28.12	1	AP8720115	30.52	1			
AP8258202	28.12	2	AP8720116	30.52	2			
AP8258232	28.12	1	AP8720117	30.52	3			
AP8258235	28.08	4	AP8720118	30.52	4			
AP8258236	28.15	1	AP8790150	30.51	1			
AP8258237	28.12	1	AP8790152	30.48	1			

<b>Einheit</b>	RAHMEN
<b>Code</b>	28.01
<b>Beschreibung</b>	Rahmen
<b>Inspektion</b>	1



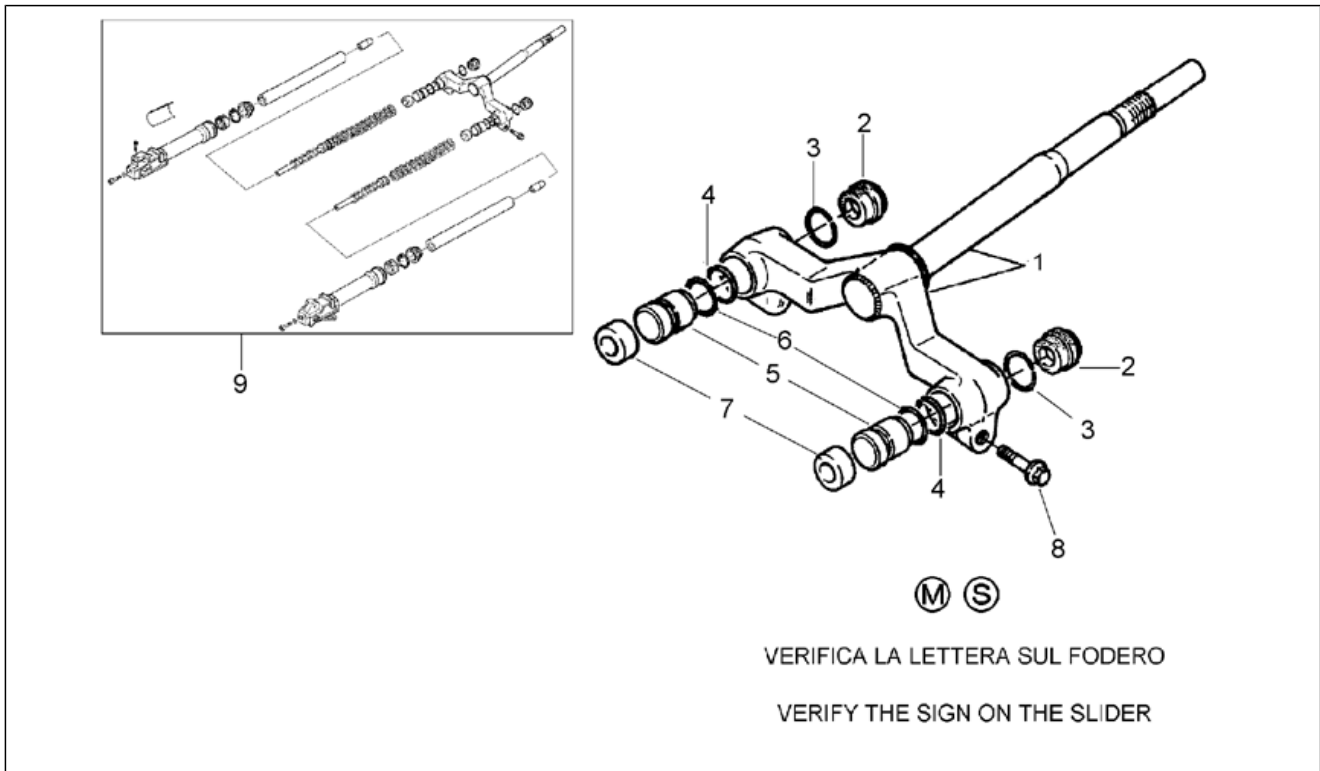
Pos.	Code	Beschreibung	Menge	Varianten
1	AP8232944	Rahmen mit Kataphorese	1	
2	AP8203666	Satz Kugelringe	1	
3	AP8232946	Unterbodenplatte	1	
4	AP8201845	Kit Schließvorrichtungen	1	
5	AP8134620	Frontschildbefestigung	1	
6	AP8201600	Lenkschloß	1	
7	AP8102880	Schl. gefr. Aprilia	1	
8	AP8152140	Reißschraube M6x17	1	
9	AP8202362	Sitzschloß	1	
10	AP8234130	Frontschildbefestigung	1	
11	AP8221213	Käfigmutter M6	2	
12	AP8102376	Klammer M6	11	
13	AP8102375	Klammer M5	4	
14	AP8201763	Clip f. Blechschr. D5,5*	6	
15	AP8152285	TE Schr. m. Flansch	1	Land:Österreich[A], Belgien[B], Schweiz[CH], Deutschland[D], Dänemark[DK], Spanien[E], Frankreich[F], Holland[NL], Portugal[P], Finnland[SF]
16	AP8221248	Kabelführung Zündkerze	1	Land:Österreich[A], Belgien[B], Schweiz[CH], Deutschland[D], Dänemark[DK], Spanien[E], Frankreich[F], Holland[NL], Portugal[P], Finnland[SF]
17	AP8152300	Selbstsperrende Mutter M8	1	Land:Österreich[A], Belgien[B], Schweiz[CH], Deutschland[D], Dänemark[DK], Spanien[E], Frankreich[F], Holland[NL], Portugal[P], Finnland[SF]
18	AP8121309	Steckverbinder kl.Feder	1	
19	AP8201747	Schloss	1	
20	AP8221311	Kabelführung d18	1	
21	AP8221310	Kabelführungs	5	
22	AP8120416	Schelle schwarz 178x4	3	

<b>Einheit</b>	RAHMEN
<b>Code</b>	28.02
<b>Beschreibung</b>	Hauptständer - Pleuelstange
<b>Inspektion</b>	1



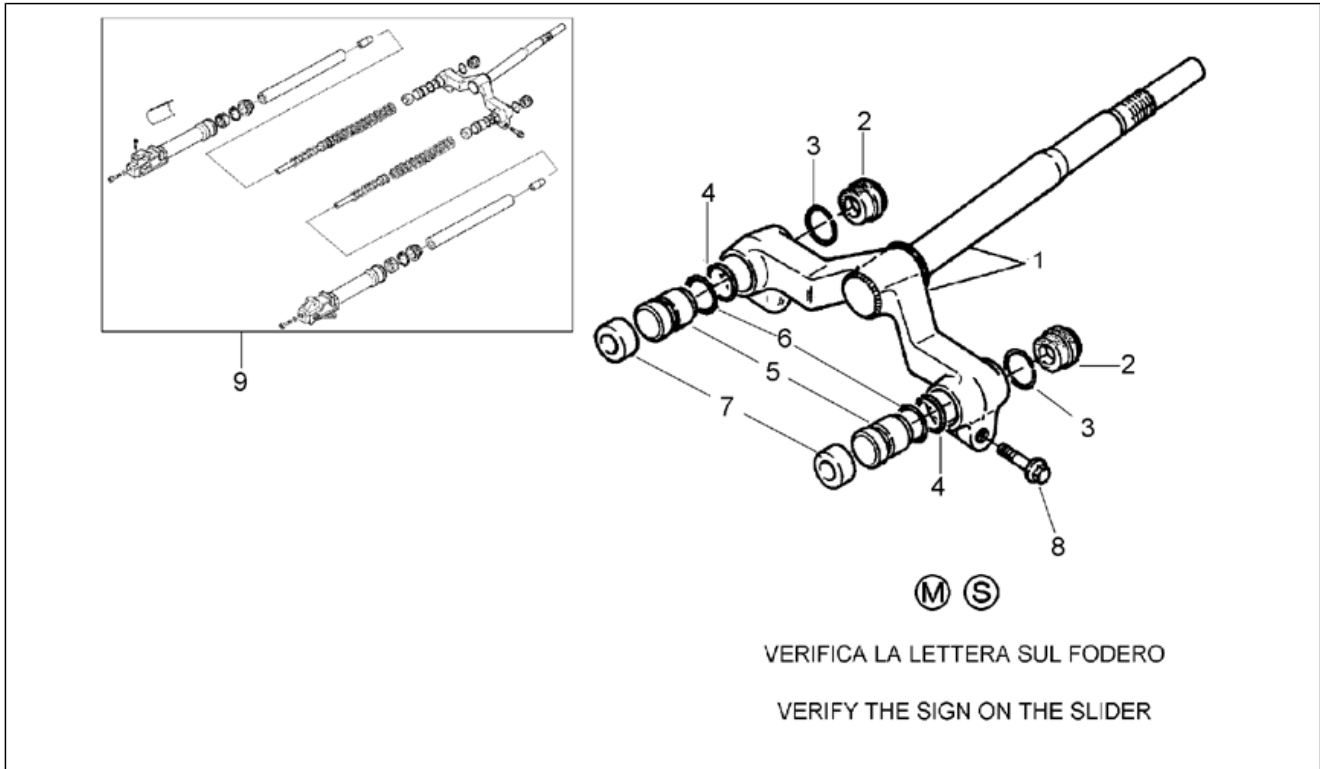
Pos.	Code	Beschreibung	Menge	Varianten
1	AP8232983	Hauptständer	1	
2	AP8221240	Ständerbolzen mit Scheibe	1	
3	AP8201431	Splint *	1	
4	AP8220366	Gummi	2	
5	AP8221204	Hauptständer Schraubenfeder	1	
6	AP8221211	Rückholfeder Ständer	1	
7	AP8232989	Motor-Pleuelstange	1	
8	AP8220356	Gummibecher	3	
9	AP8221215	Pleuelstangenfeder	3	
10	AP8220396	Stift	3	
11	AP8220376	Silent-Block Nebenpleuel	2	
12	AP8144277	Anschlagstopfen Ständer	1	
13	AP8121697	Tellerfeder	1	
14	AP8152301	Selbstsperrende Mutter	2	
15	AP8152018	Scheibe 12,2x22x2	1	
16	AP8221184	Fixierbolzen Nebenpleuel	2	
17	AP8150432	Selbstsperr.mut Unt. M12*	1	
18	AP8221160	Bolzen M12	1	
19	AP8150020	Ausgleichscheibe 10,5x21x2*	1	

<b>Einheit</b>	RAHMEN
<b>Code</b>	28.03
<b>Beschreibung</b>	Gabel I
<b>Inspektion</b>	1



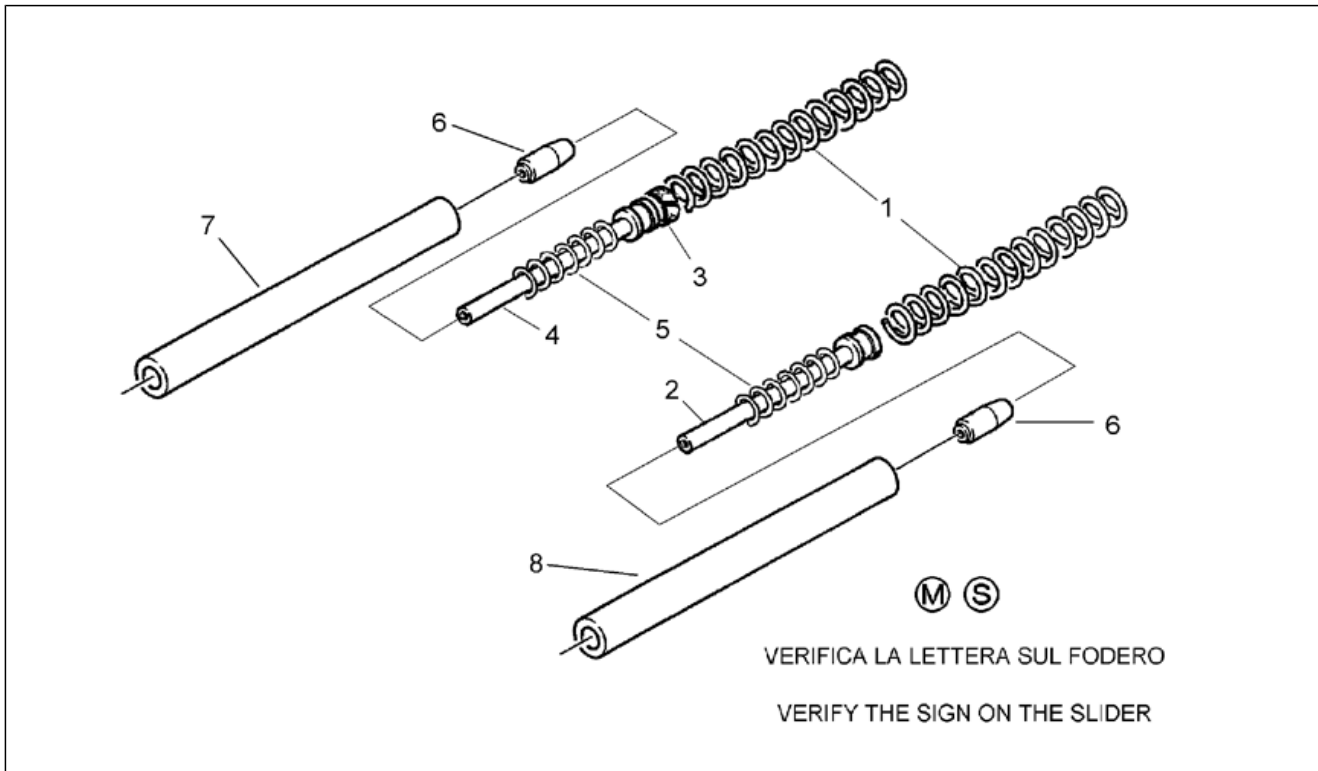
Pos.	Code	Beschreibung	Menge	Varianten
1	AP8203649	Fuß mit Rohr	1	<b>Technische Daten:</b> Gabel mit Buchstaben M auf dem Schaft[M]
1	AP8203776	Fuß mit Rohr	1	<b>Technische Daten:</b> Gabel mit Buchstaben S auf dem Schaft[S]
2	AP8203561	Verschlußschraube	2	<b>Technische Daten:</b> Gabel mit Buchstaben M auf dem Schaft[M]
2	AP8203777	Verschlußschraube	2	<b>Technische Daten:</b> Gabel mit Buchstaben S auf dem Schaft[S]
3	AP8203652	O-Ring	2	<b>Technische Daten:</b> Gabel mit Buchstaben M auf dem Schaft[M]
3	AP8203778	Ring	2	<b>Technische Daten:</b> Gabel mit Buchstaben S auf dem Schaft[S]
4	AP8203702	Sperring	2	<b>Technische Daten:</b> Gabel mit Buchstaben S auf dem Schaft[S]
4	AP8203752	Sperring	2	<b>Technische Daten:</b> Gabel mit Buchstaben M auf dem Schaft[M]
5	AP8203753	Deckel	2	<b>Technische Daten:</b> Gabel mit Buchstaben M auf dem Schaft[M]
5	AP8203779	Deckel	2	<b>Technische Daten:</b> Gabel mit Buchstaben S auf dem Schaft[S]
6	AP8203754	O-Ring	2	<b>Technische Daten:</b> Gabel mit Buchstaben M auf dem Schaft[M]
6	AP8203780	O-Ring	2	<b>Technische Daten:</b> Gabel mit Buchstaben S auf dem Schaft[S]
7	AP8203755	Leitung	2	<b>Technische Daten:</b> Gabel mit Buchstaben M auf dem Schaft[M]
8	AP8203762	Schraube M10x35	1	<b>Technische Daten:</b> Gabel mit Buchstaben M auf dem Schaft[M]
8	AP8203797	Schraube	1	<b>Technische Daten:</b> Gabel mit Buchstaben S auf dem Schaft[S]
9	AP8203673	Baugruppe vordere Gabel	1	<b>Baujahr:</b> 1997[V], 1998[W]
9	AP8203945	Baugruppe vordere Gabel	1	<b>Baujahr:</b> 2000[Y]

<b>Einheit</b>	RAHMEN
<b>Code</b>	28.03
<b>Beschreibung</b>	Gabel I
<b>Inspektion</b>	1



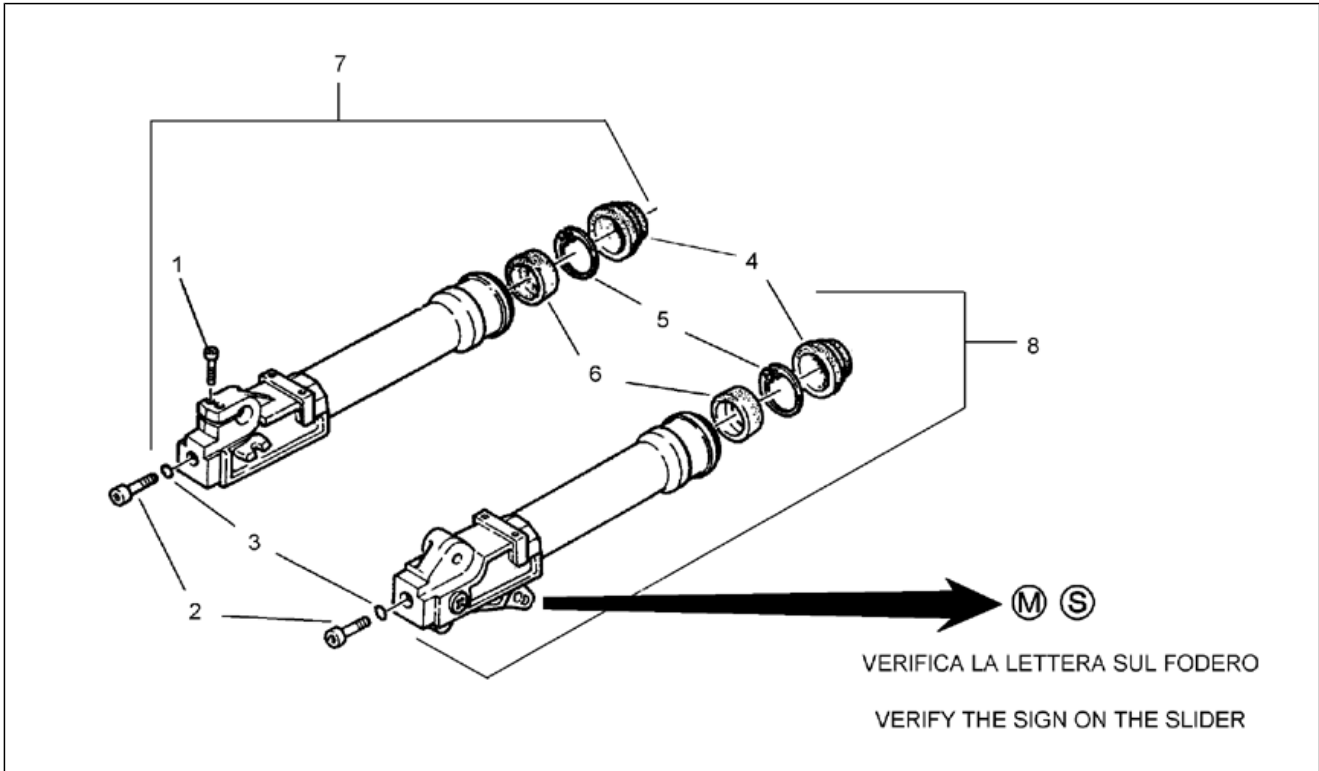
Pos.	Code	Beschreibung	Menge	Varianten
				Land:Spanien[E], Frankreich[F]
9	AP8203945	Baugruppe vordere Gabel	1	Baujahr:1999[X]
9	AP8203986	Baugruppe vordere Gabel	1	Baujahr:2001[1], 2000[Y]

<b>Einheit</b>	RAHMEN
<b>Code</b>	28.04
<b>Beschreibung</b>	Gabel II
<b>Inspektion</b>	1



Pos.	Code	Beschreibung	Menge	Varianten
1	AP8203756	Feder	2	<b>Technische Daten:</b> Gabel mit Buchstaben M auf dem Schaft[M]
1	AP8203781	Feder	2	<b>Technische Daten:</b> Gabel mit Buchstaben S auf dem Schaft[S]
2	AP8203757	Linker Stoßdämpfer	1	<b>Technische Daten:</b> Gabel mit Buchstaben M auf dem Schaft[M]
2	AP8203782	Linker Stoßdämpfer	1	<b>Technische Daten:</b> Gabel mit Buchstaben S auf dem Schaft[S]
3	AP8203758	Ring Gabelstempel	1	<b>Technische Daten:</b> Gabel mit Buchstaben M auf dem Schaft[M]
3	AP8203783	Ring Gabelstempel	1	<b>Technische Daten:</b> Gabel mit Buchstaben S auf dem Schaft[S]
4	AP8203759	Rechter Stoßdämpfer	1	<b>Technische Daten:</b> Gabel mit Buchstaben M auf dem Schaft[M]
4	AP8203784	Rechter Stoßdämpfer	1	<b>Technische Daten:</b> Gabel mit Buchstaben S auf dem Schaft[S]
5	AP8123708	Gegenfeder	2	<b>Technische Daten:</b> Gabel mit Buchstaben M auf dem Schaft[M]
5	AP8203786	Gegenfeder	2	<b>Technische Daten:</b> Gabel mit Buchstaben S auf dem Schaft[S]
6	AP8123701	Bodenstopfen	2	<b>Technische Daten:</b> Gabel mit Buchstaben M auf dem Schaft[M]
6	AP8203785	Bodenstopfen	2	<b>Technische Daten:</b> Gabel mit Buchstaben S auf dem Schaft[S]
7	AP8203760	Rechter Schlauch	1	<b>Technische Daten:</b> Gabel mit Buchstaben M auf dem Schaft[M]
7	AP8203787	Rechter Schlauch	1	<b>Technische Daten:</b> Gabel mit Buchstaben S auf dem Schaft[S]
8	AP8203761	Linker Schlauch	1	<b>Technische Daten:</b> Gabel mit Buchstaben M auf dem Schaft[M]
8	AP8203788	Linker Schlauch	1	<b>Technische Daten:</b> Gabel mit Buchstaben S auf dem Schaft[S]

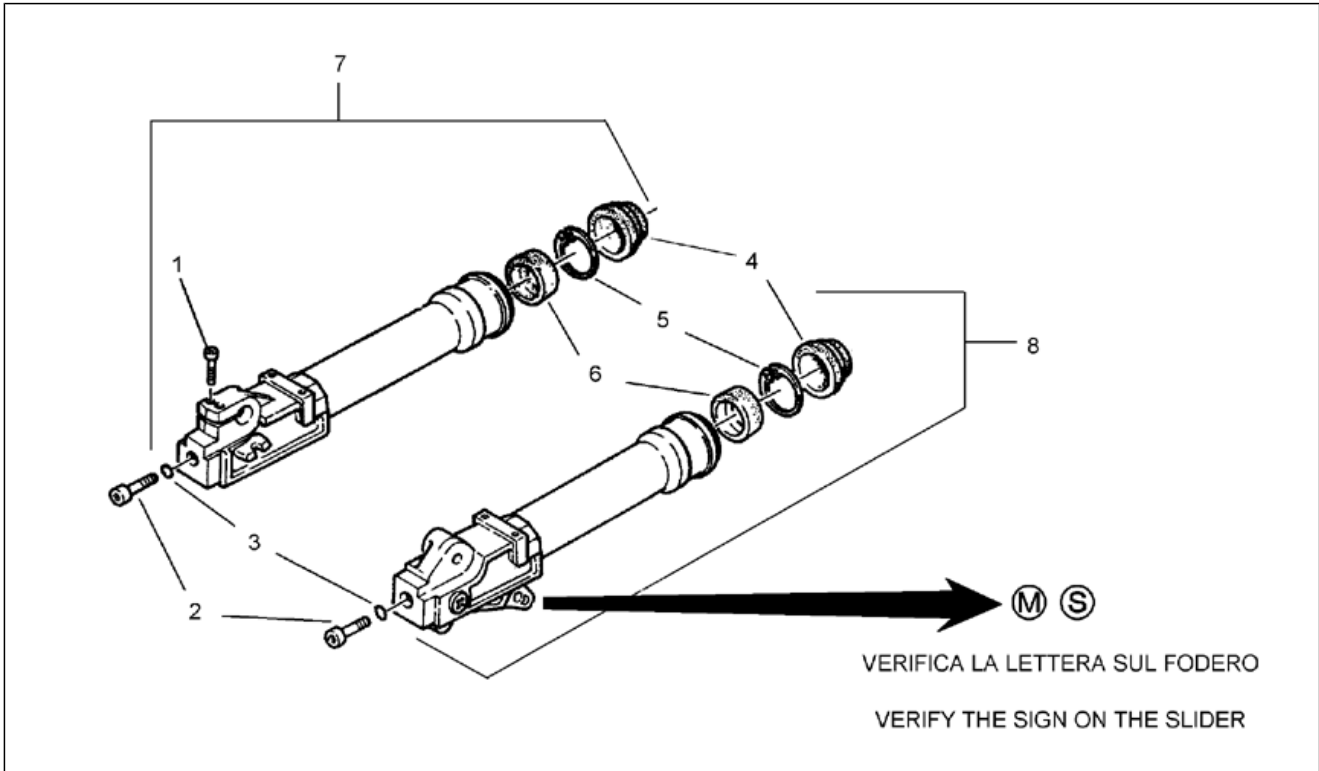
<b>Einheit</b>	RAHMEN
<b>Code</b>	28.05
<b>Beschreibung</b>	Gabel III
<b>Inspektion</b>	1



Pos.	Code	Beschreibung	Menge	Varianten
1	AP8203571	Schraube	1	<b>Technische Daten:</b> Gabel mit Buchstaben M auf dem Schaft[M]
1	AP8203796	Schraube M6x20	1	<b>Technische Daten:</b> Gabel mit Buchstaben S auf dem Schaft[S]
2	AP8203570	Zylinderschraube M8x30	2	<b>Technische Daten:</b> Gabel mit Buchstaben M auf dem Schaft[M]
2	AP8203795	Schraube	2	<b>Technische Daten:</b> Gabel mit Buchstaben S auf dem Schaft[S]
3	AP8203572	Dichtscheibe	2	<b>Technische Daten:</b> Gabel mit Buchstaben M auf dem Schaft[M]
3	AP8203794	Ausgleichscheibe	2	<b>Technische Daten:</b> Gabel mit Buchstaben S auf dem Schaft[S]
4	AP8203564	Staubschutz	2	<b>Technische Daten:</b> Gabel mit Buchstaben M auf dem Schaft[M]
4	AP8203789	Staubschutz	2	<b>Baujahr:</b> 1997[V], 1998[W], 1999[X] <b>Technische Daten:</b> Gabel mit Buchstaben S auf dem Schaft[S]
4	AP8203992	Staubschutz	2	<b>Baujahr:</b> 2001[1], 2000[Y] <b>Technische Daten:</b> Gabel mit Buchstaben S auf dem Schaft[S]
5	AP8203790	Sperring	2	<b>Baujahr:</b> 1997[V], 1998[W], 1999[X] <b>Technische Daten:</b> Gabel mit Buchstaben S auf dem Schaft[S]
5	AP8203863	Seegerring	2	<b>Technische Daten:</b> Gabel mit Buchstaben M auf dem Schaft[M]
5	AP8203993	Sperring	2	<b>Baujahr:</b> 2001[1], 2000[Y] <b>Technische Daten:</b> Gabel mit Buchstaben S auf dem Schaft[S]
6	AP8203565	Gasket ring	2	<b>Technische Daten:</b> Gabel mit Buchstaben M auf dem Schaft[M]
6	AP8203698	Ölabstreifring	2	<b>Baujahr:</b> 1997[V], 1998[W], 1999[X] <b>Technische Daten:</b> Gabel mit Buchstaben S auf dem Schaft[S]

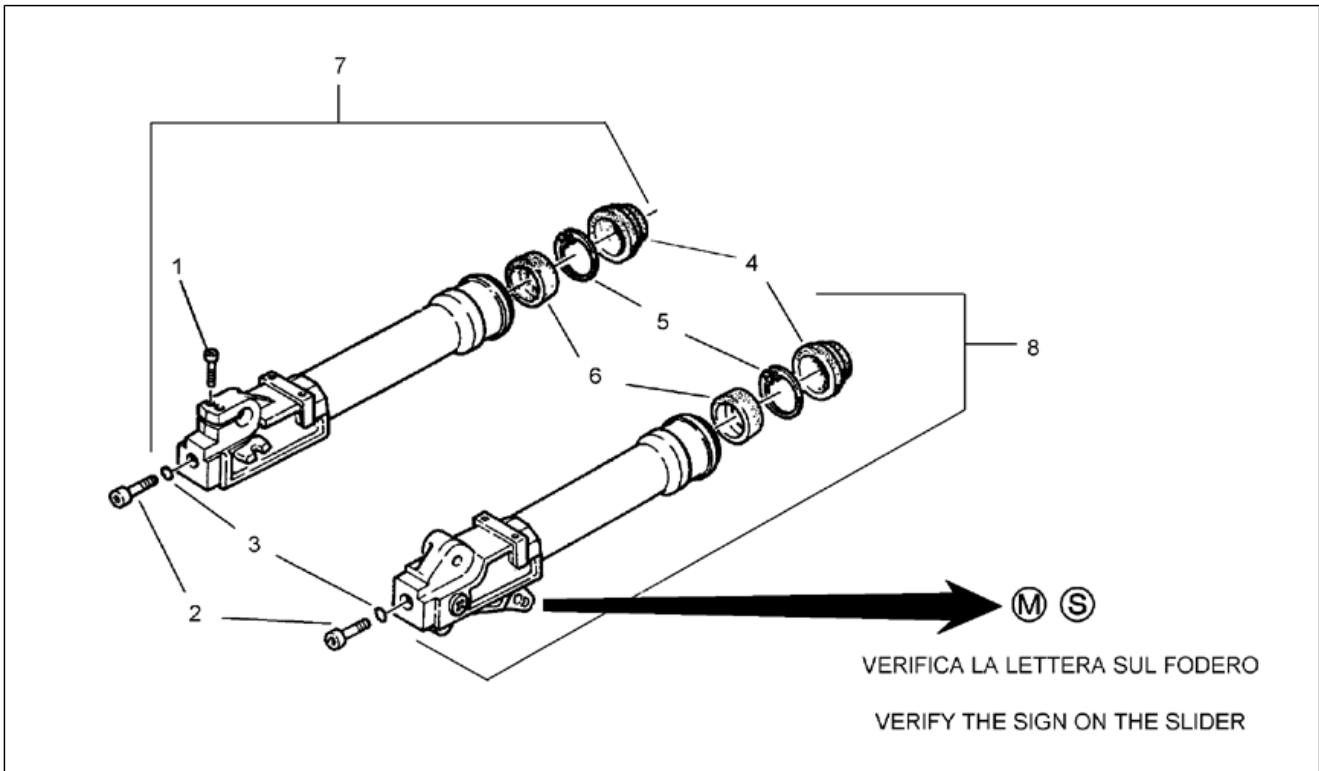


<b>Einheit</b>	RAHMEN
<b>Code</b>	28.05
<b>Beschreibung</b>	Gabel III
<b>Inspektion</b>	1



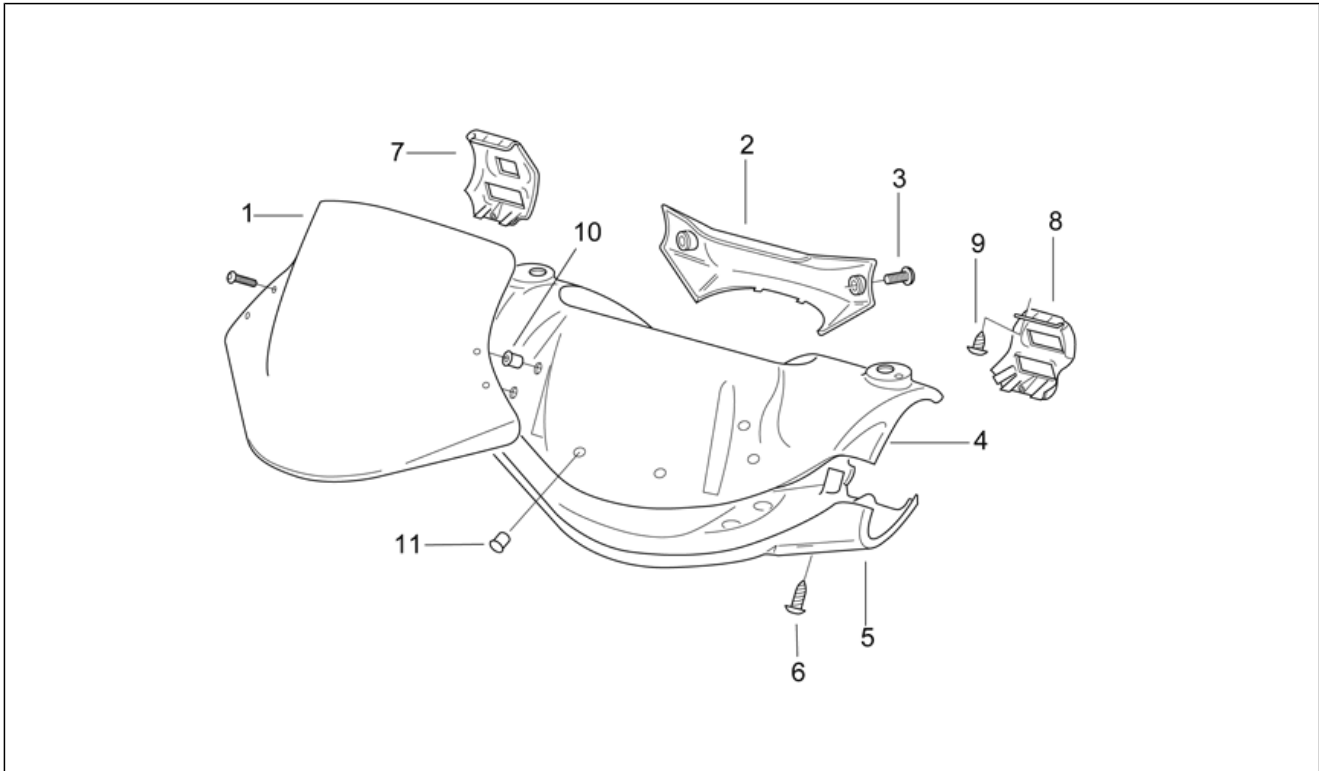
Pos.	Code	Beschreibung	Menge	Varianten
6	AP8206936	Ölabstreifring	2	<b>Baujahr:</b> 2001[1], 2000[Y] <b>Technische Daten:</b> Gabel mit Buchstaben S auf dem Schaft[S]
7	AP8203737	Rechte Hülse	1	<b>Baujahr:</b> 1997[V], 1998[W] <b>Technische Daten:</b> Gabel mit Buchstaben M auf dem Schaft[M]
7	AP8203792	Rechte Hülse	1	<b>Baujahr:</b> 1997[V], 1998[W] <b>Technische Daten:</b> Gabel mit Buchstaben S auf dem Schaft[S]
7	AP8203961	Futter rechts grau	1	<b>Baujahr:</b> 1999[X] <b>Technische Daten:</b> Gabel mit Buchstaben M auf dem Schaft[M]
7	AP8203964	Futter rechts grau	1	<b>Baujahr:</b> 1999[X] <b>Technische Daten:</b> Gabel mit Buchstaben S auf dem Schaft[S]
7	AP8203987	Rechte Hülse	1	<b>Baujahr:</b> 2001[1], 2000[Y] <b>Technische Daten:</b> Gabel mit Buchstaben M auf dem Schaft[M]
7	AP8203994	Rechte Hülse	1	<b>Baujahr:</b> 2001[1], 2000[Y] <b>Technische Daten:</b> Gabel mit Buchstaben S auf dem Schaft[S]
8	AP8203736	Linke Hülse	1	<b>Baujahr:</b> 1997[V], 1998[W] <b>Technische Daten:</b> Gabel mit Buchstaben M auf dem Schaft[M]
8	AP8203793	Linke Hülse	1	<b>Baujahr:</b> 1997[V], 1998[W] <b>Technische Daten:</b> Gabel mit Buchstaben S auf dem Schaft[S]
8	AP8203962	Futter links grau	1	<b>Baujahr:</b> 1999[X] <b>Technische Daten:</b> Gabel mit Buchstaben M auf dem Schaft[M]
8	AP8203965	Futter links grau	1	<b>Baujahr:</b> 1999[X] <b>Technische Daten:</b> Gabel mit Buchstaben S auf dem Schaft[S]
8	AP8203988	Linke Hülse	1	<b>Baujahr:</b> 2001[1], 2000[Y]

<b>Einheit</b>	RAHMEN
<b>Code</b>	28.05
<b>Beschreibung</b>	Gabel III
<b>Inspektion</b>	1



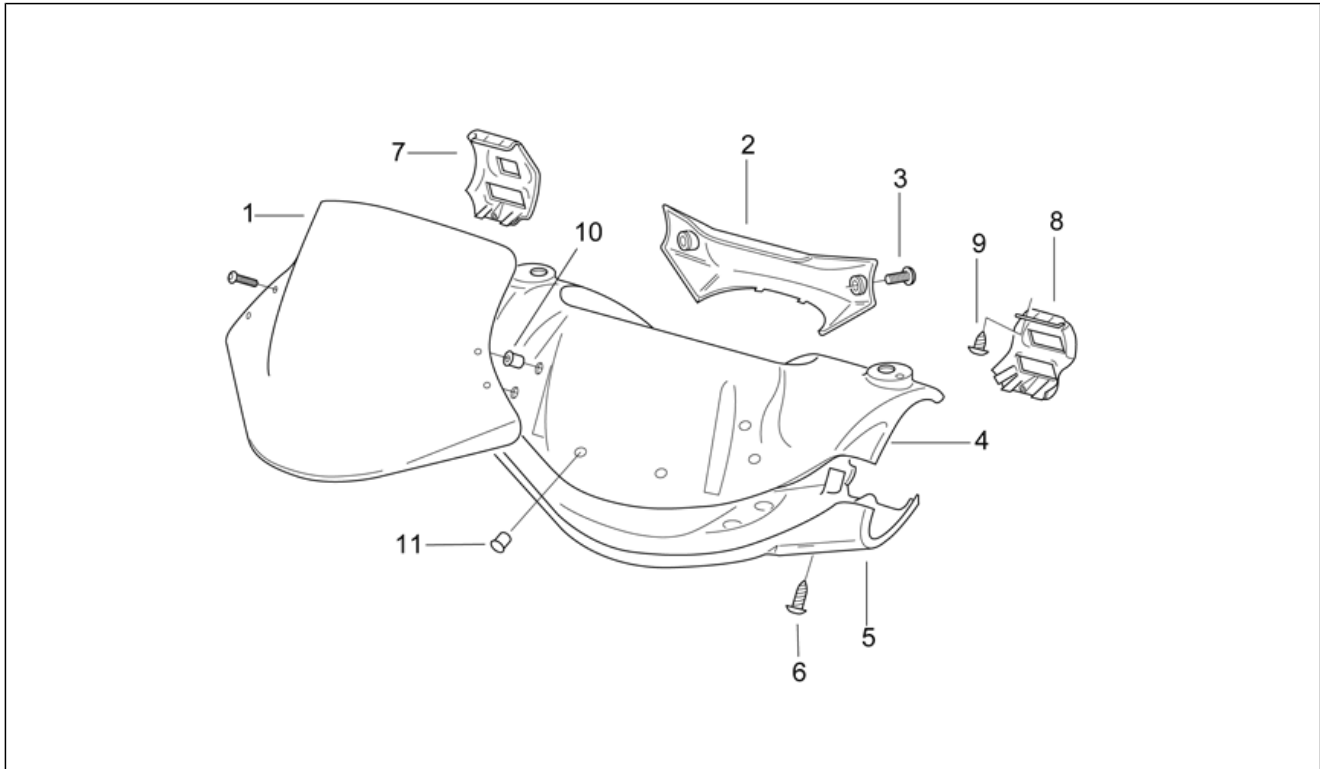
Pos.	Code	Beschreibung	Menge	Varianten
				<b>Technische Daten:</b> Gabel mit Buchstaben M auf dem Schaft[M]
8	AP8203995	Linke Hülse	1	<b>Baujahr:</b> 2001[1], 2000[Y] <b>Technische Daten:</b> Gabel mit Buchstaben S auf dem Schaft[S]

<b>Einheit</b>	RAHMEN
<b>Code</b>	28.06
<b>Beschreibung</b>	Frontaufbau I
<b>Inspektion</b>	1



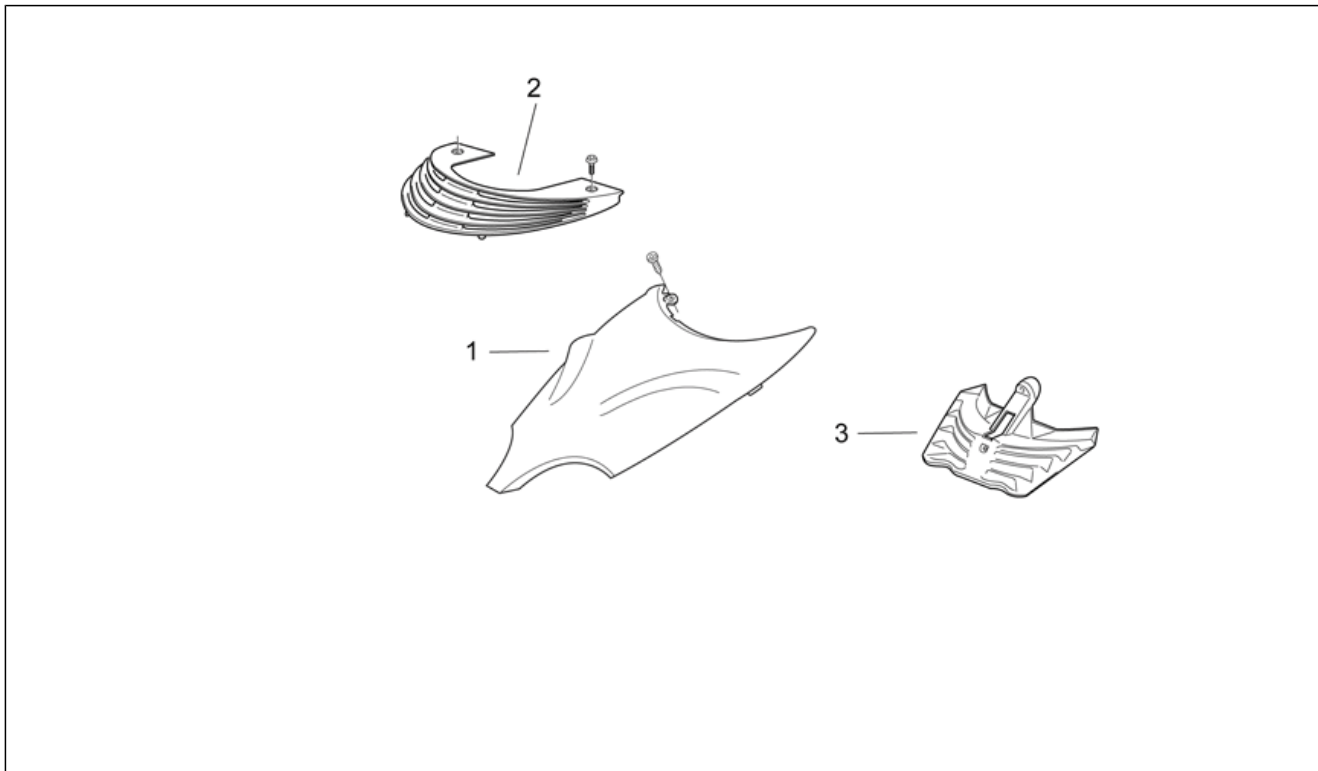
Pos.	Code	Beschreibung	Menge	Varianten
1	AP8238345	Windabweiser blau	1	Baujahr:1997[V], 1998[W], 1999[X], 2000[Y]
1	AP8249698	Windabweiser blau	1	Baujahr:2001[1]
2	AP8248147	Lenkerplatte grau metal.	1	Baujahr:1997[V], 1998[W], 1999[X]
2	AP8249879	Lenkstangenplatte m.schwarz	1	Baujahr:2001[1], 2000[Y]
3	AP8152302	TBEI Schraube m.Flansch M5x12	2	
4	AP8238454	Instrumententafel, rot	1	Baujahr:1997[V] Fahrzeugfarbe:Kirschrot / Grau Aluminium 180 '97[re/ag]
4	AP8238454	Instrumententafel, rot	1	Baujahr:1999[X] Fahrzeugfarbe:Kirschrot / Grau Mercury '99[re/mg]
4	AP8239320	Instrumententafel, Apr.blau	1	Baujahr:1997[V] Fahrzeugfarbe:Blau Apr. / Grau Met. (I.M.A)-All.180 (I.M.B) '97[bl/gr]
4	AP8239826	Instrumententafel, sol.h.bl.	1	Baujahr:1998[W] Fahrzeugfarbe:Hellblau Solid / Grau Quartz '98[cy/gr]
4	AP8239838	Instrumententafel, chr.gelb	1	Baujahr:1998[W] Fahrzeugfarbe:Gelb Chrom / Grau Quartz '98[ye/gr]
4	AP8248818	Tafel blau Cyber	1	Baujahr:1999[X] Fahrzeugfarbe:Blau Cyber / Grau Silver '99[bc/gs]
4	AP8248857	Tafel mondweiß/grau B.	1	Baujahr:1999[X] Fahrzeugfarbe:Mondweiß / Grau Blade '99[bl/gb]
4	AP8249543	Instrumententafel, eb.schwarz	1	Baujahr:2000[Y] Fahrzeugfarbe:Schwarz Ebenholz Met. 2000[e.bl]
4	AP8249554	Instrumententafel, hot red	1	Baujahr:2000[Y] Fahrzeugfarbe:Hot red 2000[r.hot]
4	AP8249554	Instrumententafel, hot red	1	Baujahr:2001[1] Fahrzeugfarbe:"Hot Red ""Sport"" 2001"[red]
4	AP8249711	Instrumententafel, el.blau	1	Baujahr:2000[Y] Fahrzeugfarbe:Electric Blue 2000[b.el]
4	AP8249711	Instrumententafel, el.blau	1	Baujahr:2001[1] Fahrzeugfarbe:"Electric Blue ""Sport"" 2001"[blue]
4	AP8258238	Instrumententafel, gelb	1	Baujahr:2001[1] Fahrzeugfarbe:"Zitronengelb ""Sport"" 2001"[l.ye]

<b>Einheit</b>	RAHMEN
<b>Code</b>	28.06
<b>Beschreibung</b>	Frontaufbau I
<b>Inspektion</b>	1



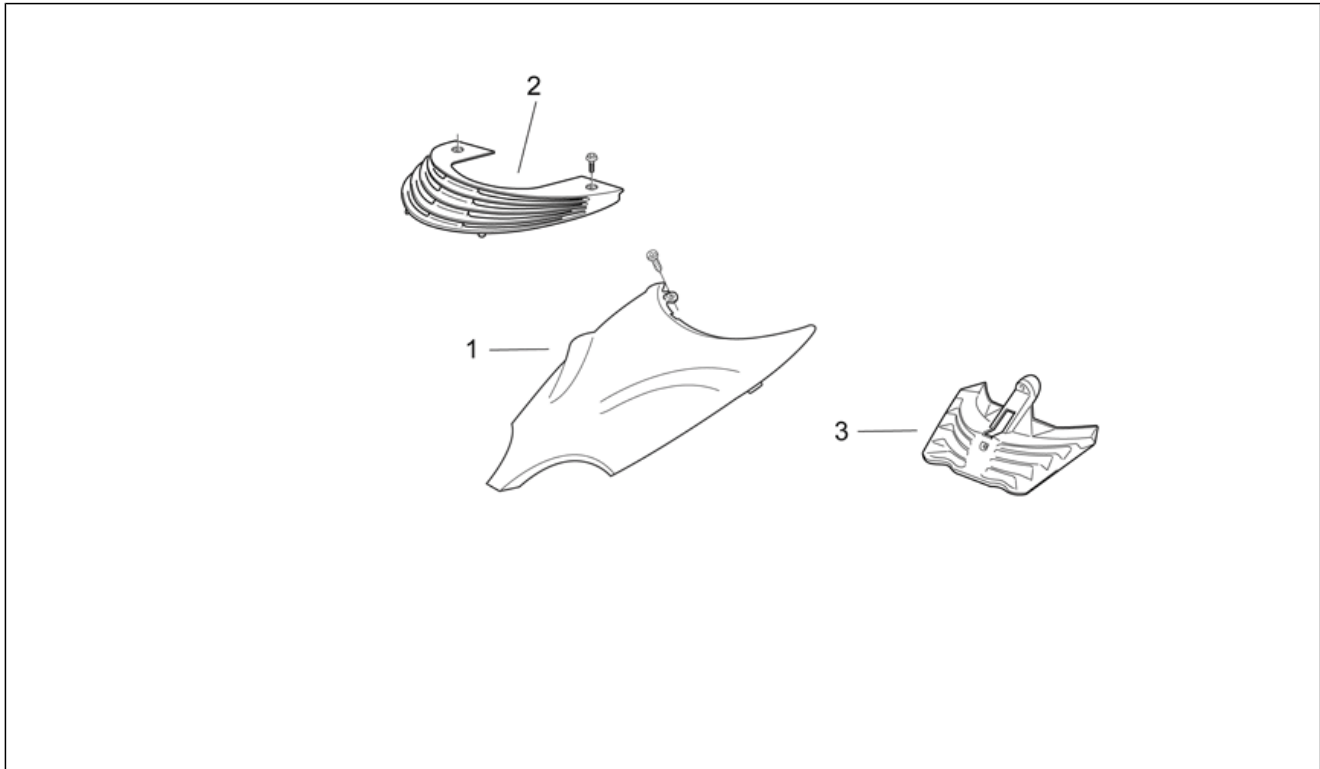
Pos.	Code	Beschreibung	Menge	Varianten
5	AP8238344	Grundplatte, grau	1	<b>Baujahr:</b> 1997[V], 1998[W]
5	AP8248653	Zylinderk.basis schwarz metal.	1	<b>Baujahr:</b> 1999[X] <b>Fahrzeugfarbe:</b> Kirschrot / Grau Mercury '99[re/mg]
5	AP8248653	Zylinderk.basis schwarz metal.	1	<b>Baujahr:</b> 2001[1], 2000[Y]
5	AP8248800	Kopfbasis blau	1	<b>Baujahr:</b> 1999[X] <b>Fahrzeugfarbe:</b> Blau Cyber / Grau Silver '99[bc/gs], Mondweiß / Grau Blade '99[bl/gb]
6	AP8150413	Gew.schr. 3,9x14	8	
7	AP8238748	Tasterhltr. rechts, schwarz	1	
8	AP8238749	Tasterhltr. links, schwarz	1	
9	AP8150420	Gewindeschraube Edelstahl *	4	
10	AP8120531	Gummi mit Einsatz	4	
11	AP8220219	Gummi	2	

<b>Einheit</b>	RAHMEN
<b>Code</b>	28.07
<b>Beschreibung</b>	Frontaufbau II
<b>Inspektion</b>	1



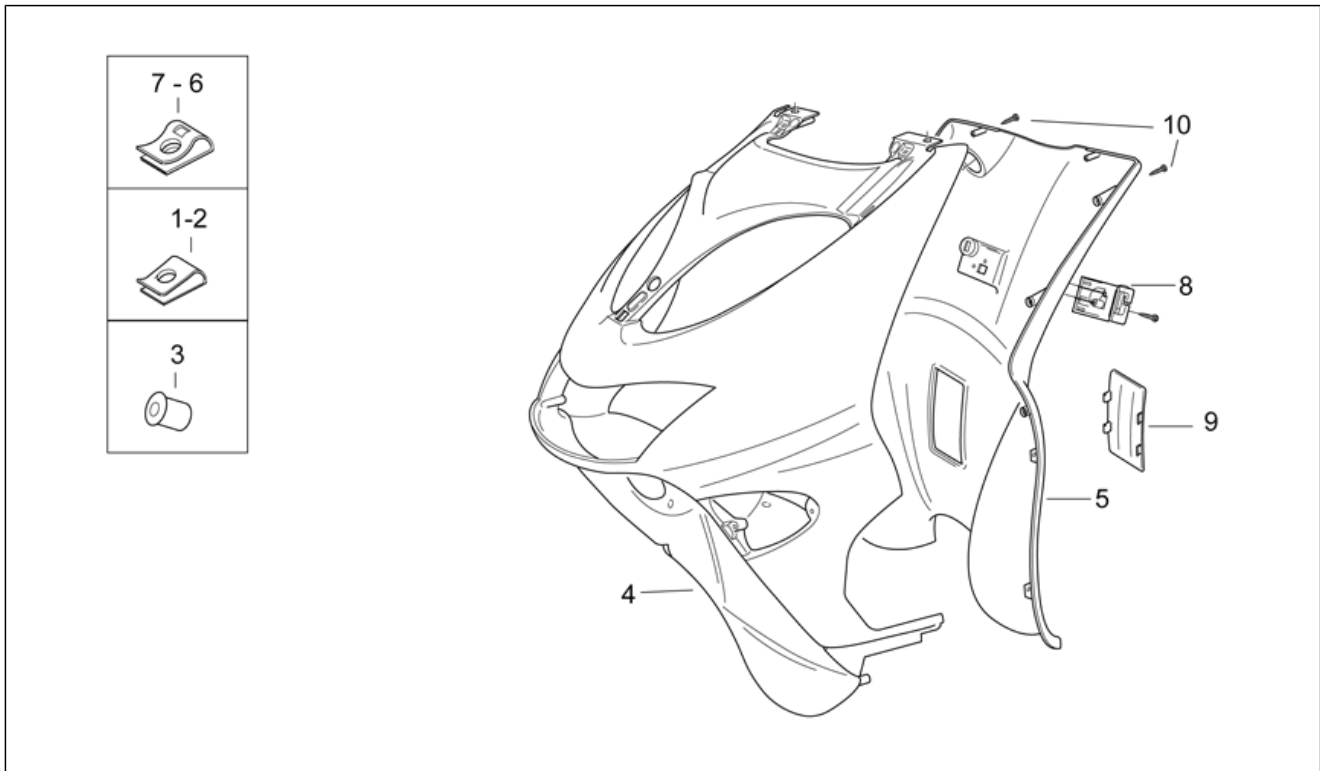
Pos.	Code	Beschreibung	Menge	Varianten
1	AP8238460	Fronthaube, rot + Deko	1	<b>Baujahr:</b> 1997[V] <b>Fahrzeugfarbe:</b> Kirschrot / Grau Aluminium 180 '97[re/ag]
1	AP8239318	Fronthaube, blau mit Deko	1	<b>Baujahr:</b> 1997[V] <b>Fahrzeugfarbe:</b> Blau Apr. / Grau Met. (I.M.A)-All.180 (I.M.B) '97[bl/gr]
1	AP8239390	Fronthaube, blau mit Deko	1	<b>Baujahr:</b> 1997[V] <b>Fahrzeugfarbe:</b> Blau Apr. / Grau Met. (I.M.A)-All.180 (I.M.B) '97[bl/gr]
1	AP8239823	Fronthaube, h.blau+Deko	1	<b>Baujahr:</b> 1998[W] <b>Fahrzeugfarbe:</b> Hellblau Solid / Grau Quartz '98[cy/gr]
1	AP8239837	Fronthaube, gelb+Deko	1	<b>Baujahr:</b> 1998[W] <b>Fahrzeugfarbe:</b> Gelb Chrom / Grau Quartz '98[ye/gr]
1	AP8248816	Hau.vo.blau cyber+Dek.	1	<b>Baujahr:</b> 1999[X] <b>Fahrzeugfarbe:</b> Blau Cyber / Grau Silver '99[bc/gs]
1	AP8248855	Hau.vo.m.weiß/gr.b.+Dek.	1	<b>Baujahr:</b> 1999[X] <b>Fahrzeugfarbe:</b> Mondweiß / Grau Blade '99[bl/gb]
1	AP8249293	Fronthaube, rot + Deko	1	<b>Baujahr:</b> 1999[X] <b>Fahrzeugfarbe:</b> Kirschrot / Grau Mercury '99[re/mg]
1	AP8249540	Fronthaube eb.schwarz+Deko	1	<b>Baujahr:</b> 2000[Y] <b>Fahrzeugfarbe:</b> Schwarz Ebenholz Met. 2000[e.bl]
1	AP8249552	Fronthaube, hot red+Deko	1	<b>Baujahr:</b> 2000[Y] <b>Fahrzeugfarbe:</b> Hot red 2000[r.hot]
1	AP8249883	Fronthaube, el.blau+Deko	1	<b>Baujahr:</b> 2000[Y] <b>Fahrzeugfarbe:</b> Electric Blue 2000[b.el]
1	AP8258200	Haube v. schwarz Aprilia+Deko.	1	<b>Baujahr:</b> 2001[1]
2	AP8238361	Obere Haubenblende schwarz	1	<b>Baujahr:</b> 1997[V], 1998[W]
2	AP8248655	Obere Haubenblende schwarz	1	<b>Baujahr:</b> 1999[X] <b>Fahrzeugfarbe:</b> Kirschrot / Grau Mercury '99[re/mg]
2	AP8248655	Obere Haubenblende schwarz	1	<b>Baujahr:</b> 2001[1], 2000[Y]
2	AP8248802	Ob.Haubenblende blau	1	<b>Baujahr:</b> 1999[X] <b>Fahrzeugfarbe:</b> Blau Cyber / Grau Silver '99[bc/gs], Mondweiß / Grau Blade '99[bl/gb]

<b>Einheit</b>	RAHMEN
<b>Code</b>	28.07
<b>Beschreibung</b>	Frontaufbau II
<b>Inspektion</b>	1



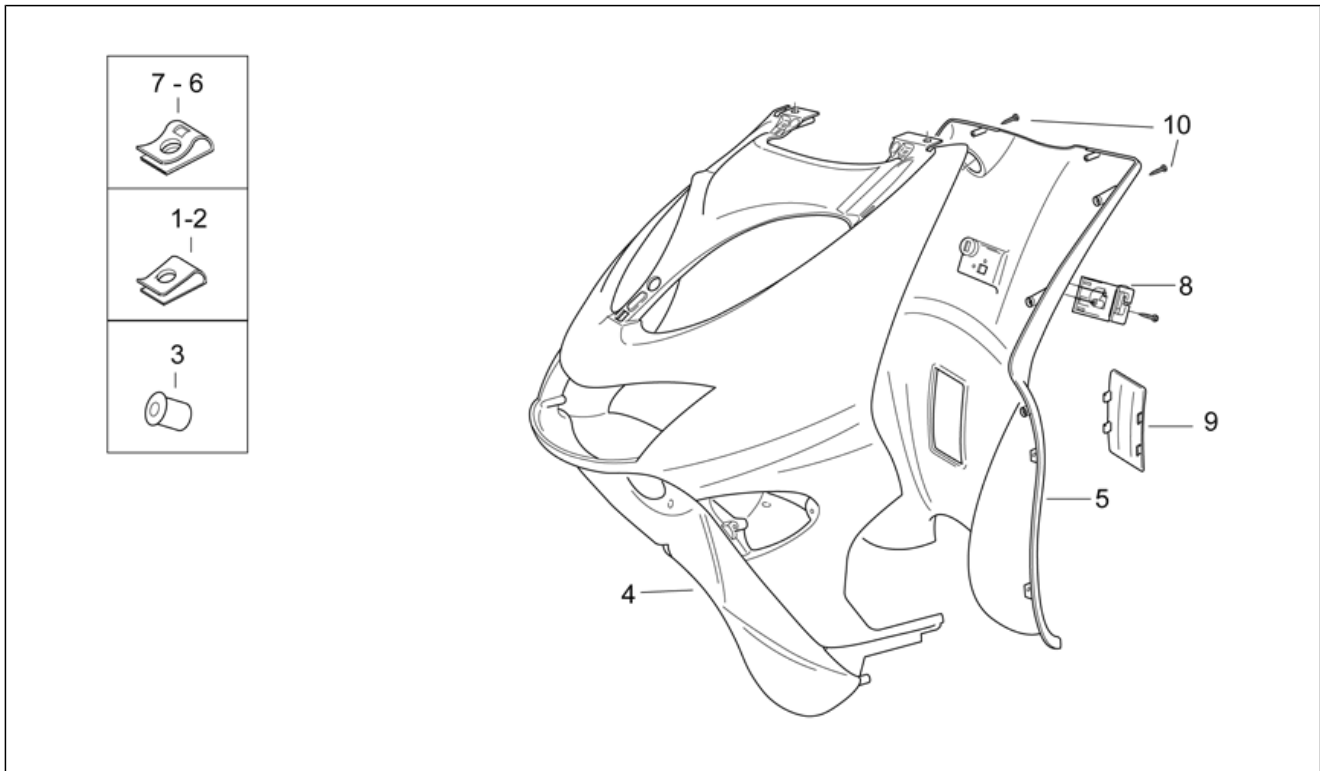
Pos.	Code	Beschreibung	Menge	Varianten
3	AP8149297	Verschluss Haube, silber	1	<b>Baujahr:</b> 2001[1]
3	AP8238857	Leuchtend grünes Heck	1	<b>Baujahr:</b> 2000[Y]
3	AP8238857	Leuchtend grünes Heck	1	<b>Baujahr:</b> 1999[X] <b>Fahrzeugfarbe:</b> Kirschrot / Grau Mercury '99[re/mg]
3	AP8238857	Leuchtend grünes Heck	1	<b>Baujahr:</b> 1997[V], 1998[W]
3	AP8248801	Haubenverschluss	1	<b>Baujahr:</b> 1999[X] <b>Fahrzeugfarbe:</b> Blau Cyber / Grau Silver '99[bc/gs]
3	AP8248850	Haubenverschluss	1	<b>Baujahr:</b> 1999[X] <b>Fahrzeugfarbe:</b> Mondweiß / Grau Blade '99[bl/gb]

<b>Einheit</b>	RAHMEN
<b>Code</b>	28.08
<b>Beschreibung</b>	Frontaufbau III
<b>Inspektion</b>	1



Pos.	Code	Beschreibung	Menge	Varianten
1	AP8201763	Clip f. Blechschr. D5,5*	2	
2	AP8102782	Clip f. Blechschr. D4,2	2	
3	AP8120531	Gummi mit Einsatz	4	
4	AP8238455	Frontschild, rot+Deko	1	<b>Baujahr:</b> 1997[V] <b>Fahrzeugfarbe:</b> Kirschrot / Grau Aluminium 180 '97[re/ag]
4	AP8239316	Frontschild, blau+Deko	1	<b>Baujahr:</b> 1997[V] <b>Fahrzeugfarbe:</b> Blau Apr. / Grau Met. (I.M.A)-All.180 (I.M.B) '97[bl/gr]
4	AP8239388	Frontschild, blau+Deko	1	<b>Baujahr:</b> 1997[V] <b>Fahrzeugfarbe:</b> Blau Apr. / Grau Met. (I.M.A)-All.180 (I.M.B) '97[bl/gr]
4	AP8239819	Frontschild, h.b.+Deko	1	<b>Baujahr:</b> 1998[W] <b>Fahrzeugfarbe:</b> Hellblau Solid / Grau Quartz '98[cy/gr]
4	AP8239835	Frontschild, gelb+Deko	1	<b>Baujahr:</b> 1998[W] <b>Fahrzeugfarbe:</b> Gelb Chrom / Grau Quartz '98[ye/gr]
4	AP8248812	Schild cyber blau + Deko	1	<b>Baujahr:</b> 1999[X] <b>Fahrzeugfarbe:</b> Blau Cyber / Grau Silver '99[bc/gs]
4	AP8248851	Frontschild, l.weiß+Deko	1	<b>Baujahr:</b> 1999[X] <b>Fahrzeugfarbe:</b> Mondweiß / Grau Blade '99[bl/gb]
4	AP8249289	Frontschild, rot+Deko	1	<b>Baujahr:</b> 1999[X] <b>Fahrzeugfarbe:</b> Kirschrot / Grau Mercury '99[re/mg]
4	AP8249536	Schild vorn eb.schwarz	1	<b>Baujahr:</b> 2000[Y] <b>Fahrzeugfarbe:</b> Schwarz Ebenholz Met. 2000[e.bl]
4	AP8249548	Schild v.hot rot+Deko	1	<b>Baujahr:</b> 2000[Y] <b>Fahrzeugfarbe:</b> Hot red 2000[r.hot]
4	AP8249712	Frontschild el.blau+Deko	1	<b>Baujahr:</b> 2000[Y] <b>Fahrzeugfarbe:</b> Electric Blue 2000[b.el]
4	AP8249927	Frontschild el.blau	1	<b>Baujahr:</b> 2001[1] <b>Fahrzeugfarbe:</b> "Electric Blue ""Sport"" 2001"[blue]
4	AP8258039	Schild v.hot rot+Deko	1	<b>Baujahr:</b> 2001[1] <b>Fahrzeugfarbe:</b> "Hot Red ""Sport"" 2001"[red]
4	AP8258235	Frontschild, gelb+Deko	1	<b>Baujahr:</b> 2001[1]

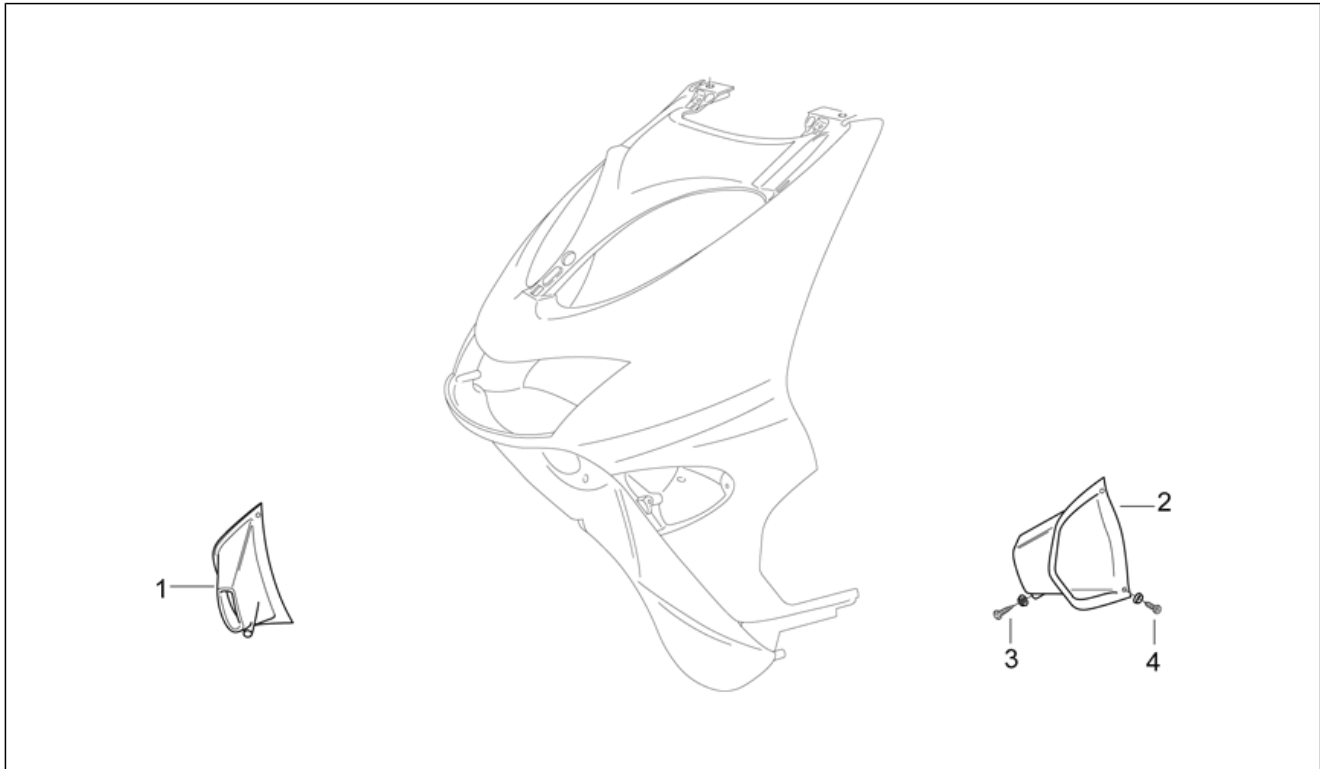
<b>Einheit</b>	RAHMEN
<b>Code</b>	28.08
<b>Beschreibung</b>	Frontaufbau III
<b>Inspektion</b>	1



Pos.	Code	Beschreibung	Menge	Varianten
				<b>Fahrzeugfarbe:</b> "Zitronengelb ""Sport"" 2001"[l,ye]
5	AP8238362	Innenschild, grau	1	<b>Baujahr:</b> 1997[V], 1998[W]
5	AP8248656	int. Schild Schw.Metall.	1	<b>Baujahr:</b> 2001[1], 2000[Y]
5	AP8248656	int. Schild Schw.Metall.	1	<b>Baujahr:</b> 1999[X] <b>Fahrzeugfarbe:</b> Kirschrot / Grau Mercury '99[re/mg]
5	AP8248803	Innenschild, blau	1	<b>Baujahr:</b> 1999[X] <b>Fahrzeugfarbe:</b> Blau Cyber / Grau Silver '99[bc/gs], Mondweiß / Grau Blade '99[bl/gb]
6	AP8102376	Klammer M6	3	
7	AP8102375	Klammer M5	2	
8	AP8258034	Kplt.Untersitzhaken	1	
9	AP8238675	Gegeb.Typendeck, grau	1	<b>Baujahr:</b> 1997[V], 1998[W]
9	AP8248657	Gegeb.Typendeck, schw.	1	<b>Baujahr:</b> 1999[X] <b>Fahrzeugfarbe:</b> Kirschrot / Grau Mercury '99[re/mg]
9	AP8248657	Gegeb.Typendeck, schw.	1	<b>Baujahr:</b> 2001[1], 2000[Y]
9	AP8248804	Gegeb.Typendeck, blau	1	<b>Baujahr:</b> 1999[X] <b>Fahrzeugfarbe:</b> Blau Cyber / Grau Silver '99[bc/gs], Mondweiß / Grau Blade '99[bl/gb]
10	AP8150413	Gew.schr. 3,9x14	4	

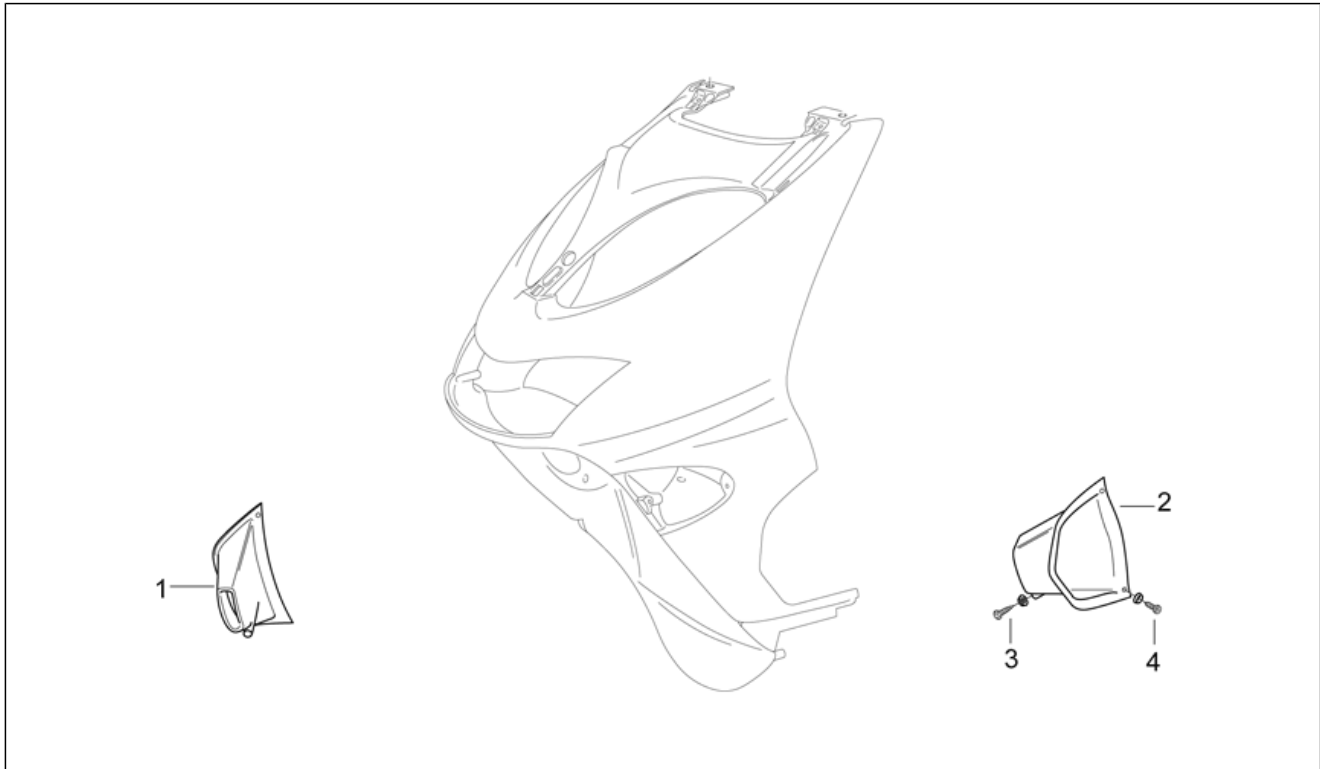


<b>Einheit</b>	RAHMEN
<b>Code</b>	28.09
<b>Beschreibung</b>	Frontaufbau IV
<b>Inspektion</b>	1



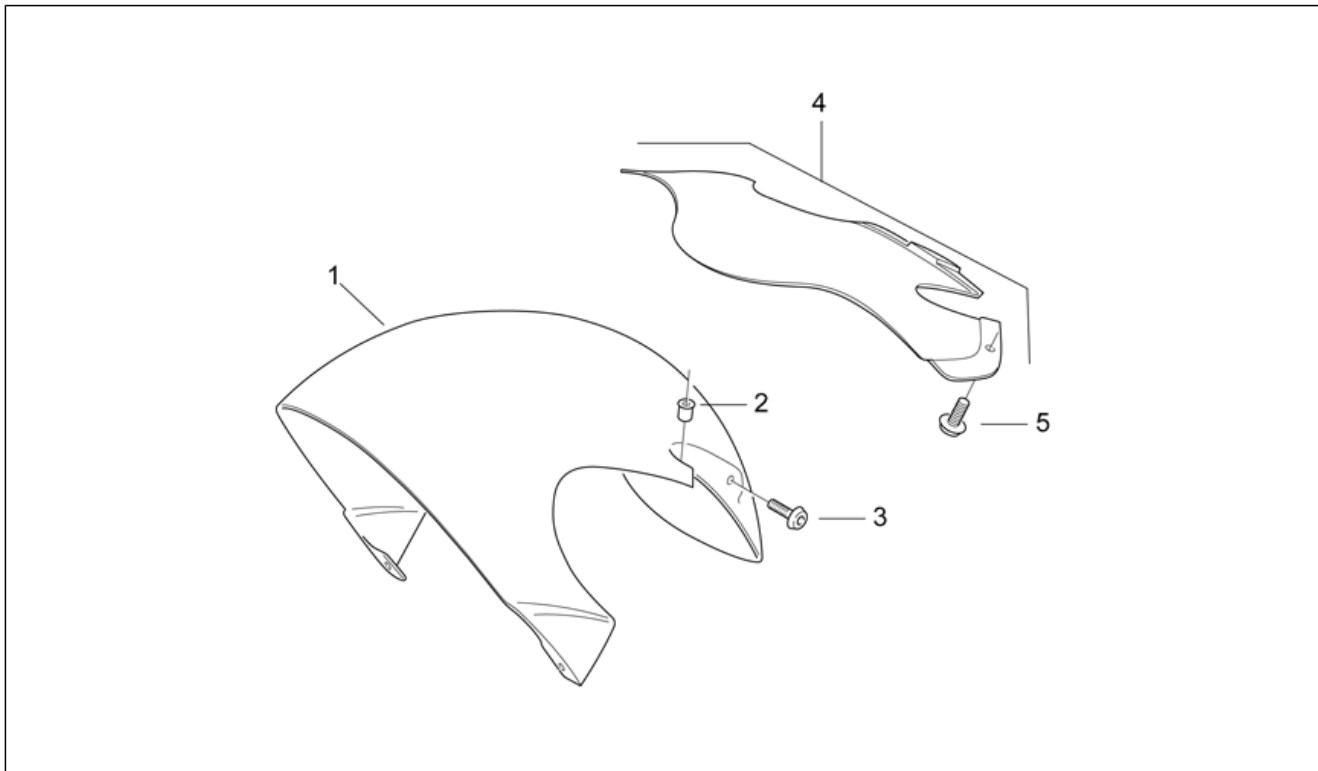
Pos.	Code	Beschreibung	Menge	Varianten
1	AP8238456	Lufteinlaß rechts, alu.180	1	<b>Baujahr:</b> 1997[V] <b>Fahrzeugfarbe:</b> Kirschrot / Grau Aluminium 180 '97[re/ag]
1	AP8238456	Lufteinlaß rechts, alu.180	1	<b>Baujahr:</b> 1997[V] <b>Fahrzeugfarbe:</b> Blau Apr. / Grau Met. (I.M.A)-All.180 (I.M.B) '97[bl/gr]
1	AP8239331	Lufteinlaß rechts, grau	1	<b>Baujahr:</b> 1997[V] <b>Fahrzeugfarbe:</b> Blau Apr. / Grau Met. (I.M.A)-All.180 (I.M.B) '97[bl/gr]
1	AP8239820	Lufteinlaß rechts, q.grau	1	<b>Baujahr:</b> 1998[W]
1	AP8248813	Lufteinlaß re.bl. Cyber	1	<b>Baujahr:</b> 1999[X] <b>Fahrzeugfarbe:</b> Blau Cyber / Grau Silver '99[bc/gs]
1	AP8248852	Lufteinlaß rechts l.weiss	1	<b>Baujahr:</b> 1999[X] <b>Fahrzeugfarbe:</b> Mondweiß / Grau Blade '99[bl/gb]
1	AP8249290	Lufteinlaß rs rot	1	<b>Baujahr:</b> 1999[X] <b>Fahrzeugfarbe:</b> Kirschrot / Grau Mercury '99[re/mg]
1	AP8249713	Lufteinlaß rechts, met.schw.	1	<b>Baujahr:</b> 2001[1], 2000[Y]
2	AP8238457	Lufteinlaß links, alu.180	1	<b>Baujahr:</b> 1997[V] <b>Fahrzeugfarbe:</b> Kirschrot / Grau Aluminium 180 '97[re/ag]
2	AP8238457	Lufteinlaß links, alu.180	1	<b>Baujahr:</b> 1997[V] <b>Fahrzeugfarbe:</b> Blau Apr. / Grau Met. (I.M.A)-All.180 (I.M.B) '97[bl/gr]
2	AP8239332	Lufteinlaß links, grau	1	<b>Baujahr:</b> 1997[V] <b>Fahrzeugfarbe:</b> Blau Apr. / Grau Met. (I.M.A)-All.180 (I.M.B) '97[bl/gr]
2	AP8239821	Lufteinlaß links, q.grau	1	<b>Baujahr:</b> 1998[W]
2	AP8248814	Lufteinlaß li.blau Cyber	1	<b>Baujahr:</b> 1999[X] <b>Fahrzeugfarbe:</b> Blau Cyber / Grau Silver '99[bc/gs]
2	AP8248853	Lufteinlaß links l.weiss	1	<b>Baujahr:</b> 1999[X] <b>Fahrzeugfarbe:</b> Mondweiß / Grau Blade '99[bl/gb]
2	AP8249291	Lufteinlaß ls rot	1	<b>Baujahr:</b> 1999[X] <b>Fahrzeugfarbe:</b> Kirschrot / Grau Mercury '99[re/mg]
2	AP8249715	Lufteinlaß links, m.schwarz	1	<b>Baujahr:</b> 2001[1], 2000[Y]

<b>Einheit</b>	RAHMEN
<b>Code</b>	28.09
<b>Beschreibung</b>	Frontaufbau IV
<b>Inspektion</b>	1



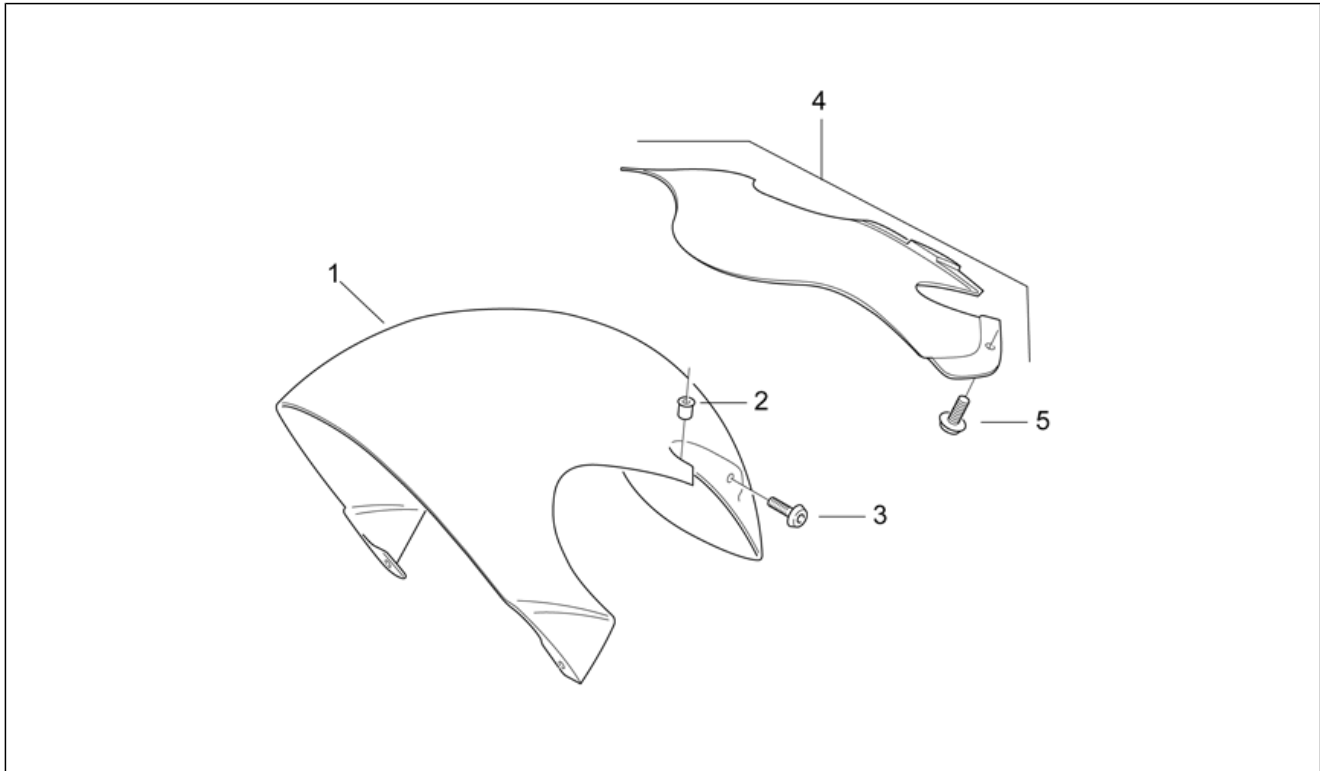
Pos.	Code	Beschreibung	Menge	Varianten
3	AP8150413	Gew.schr. 3,9x14	10	
4	AP8152298	TBEI Schraube m.Flansch M5x16	4	

<b>Einheit</b>	RAHMEN
<b>Code</b>	28.10
<b>Beschreibung</b>	Frontaufbau V
<b>Inspektion</b>	1



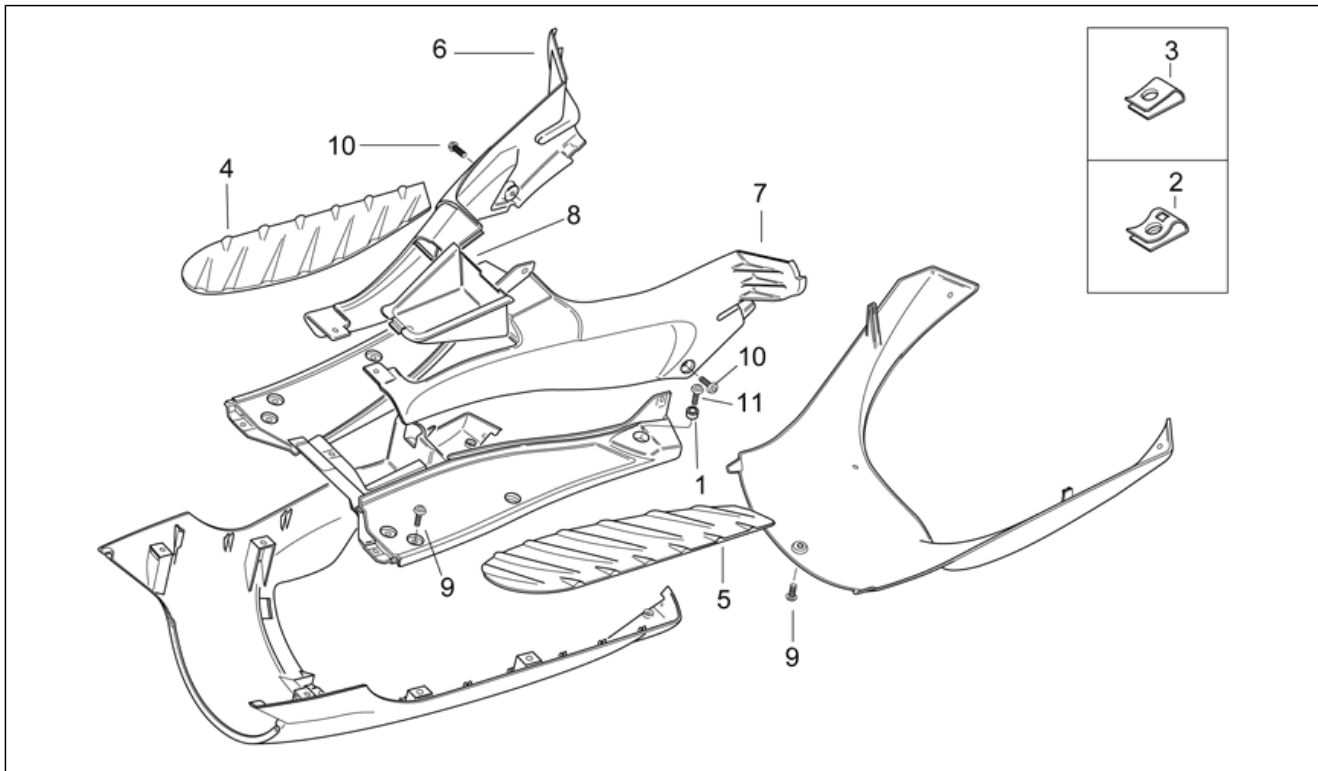
Pos.	Code	Beschreibung	Menge	Varianten
1	AP8226431	V. Schutzblech, rot	1	<b>Baujahr:</b> 1999[X] <b>Fahrzeugfarbe:</b> Kirschrot / Grau Mercury '99[re/mg]
1	AP8226431	V. Schutzblech, rot	1	<b>Baujahr:</b> 1997[V] <b>Fahrzeugfarbe:</b> Kirschrot / Grau Aluminium 180 '97[re/ag]
1	AP8226434	V. Schutzblech, blau Ap.	1	<b>Baujahr:</b> 1997[V] <b>Fahrzeugfarbe:</b> Blau Apr. / Grau Met. (I.M.A)-All.180 (I.M.B) '97[bl/gr]
1	AP8226464	V. Schutzblech, h.bl.	1	<b>Baujahr:</b> 1998[W] <b>Fahrzeugfarbe:</b> Hellblau Solid / Grau Quartz '98[cy/gr]
1	AP8226465	V. Schutzblech, chr.gelb	1	<b>Baujahr:</b> 1998[W] <b>Fahrzeugfarbe:</b> Gelb Chrom / Grau Quartz '98[ye/gr]
1	AP8226539	Schutzbl.vorn blau Cyber	1	<b>Baujahr:</b> 1999[X] <b>Fahrzeugfarbe:</b> Blau Cyber / Grau Silver '99[bc/gs]
1	AP8226542	Schutzbl.vorn mondweiß	1	<b>Baujahr:</b> 1999[X] <b>Fahrzeugfarbe:</b> Mondweiß / Grau Blade '99[bl/gb]
1	AP8226650	V. Schutzblech, h.red durch.l.	1	<b>Baujahr:</b> 2001[1] <b>Fahrzeugfarbe:</b> "Hot Red ""Sport"" 2001"[red]
1	AP8226651	V.Schutzbl., e.blau durch.l.	1	<b>Baujahr:</b> 2001[1] <b>Fahrzeugfarbe:</b> "Electric Blue ""Sport"" 2001"[blue]
1	AP8226668	V. Schutzblech, rot durch.l.	1	<b>Baujahr:</b> 2000[Y] <b>Fahrzeugfarbe:</b> Hot red 2000[r.hot]
1	AP8226669	V. Schutzblech eb.sch.durch.l.	1	<b>Baujahr:</b> 2000[Y] <b>Fahrzeugfarbe:</b> Schwarz Ebenholz Met. 2000[e.bl]
1	AP8226670	V.Schutzbl., e.blau durch.l.	1	<b>Baujahr:</b> 2000[Y] <b>Fahrzeugfarbe:</b> Electric Blue 2000[b.el]
1	AP8226671	Schutzblech v.gelb	1	<b>Baujahr:</b> 2001[1] <b>Fahrzeugfarbe:</b> "Zitronengelb ""Sport"" 2001"[l.ye]
2	AP8120531	Gummi mit Einsatz	2	
3	AP8152339	TBEI Schraube m.Flansch M5x9	2	
4	AP8238512	Unt. Schld.abd., schw.	1	<b>Land:</b> Österreich[A], Belgien[B], Brasilien[BR], Deutschland[D], Dänemark[DK], Spanien[E], Frankreich[F],

<b>Einheit</b>	RAHMEN
<b>Code</b>	28.10
<b>Beschreibung</b>	Frontaufbau V
<b>Inspektion</b>	1



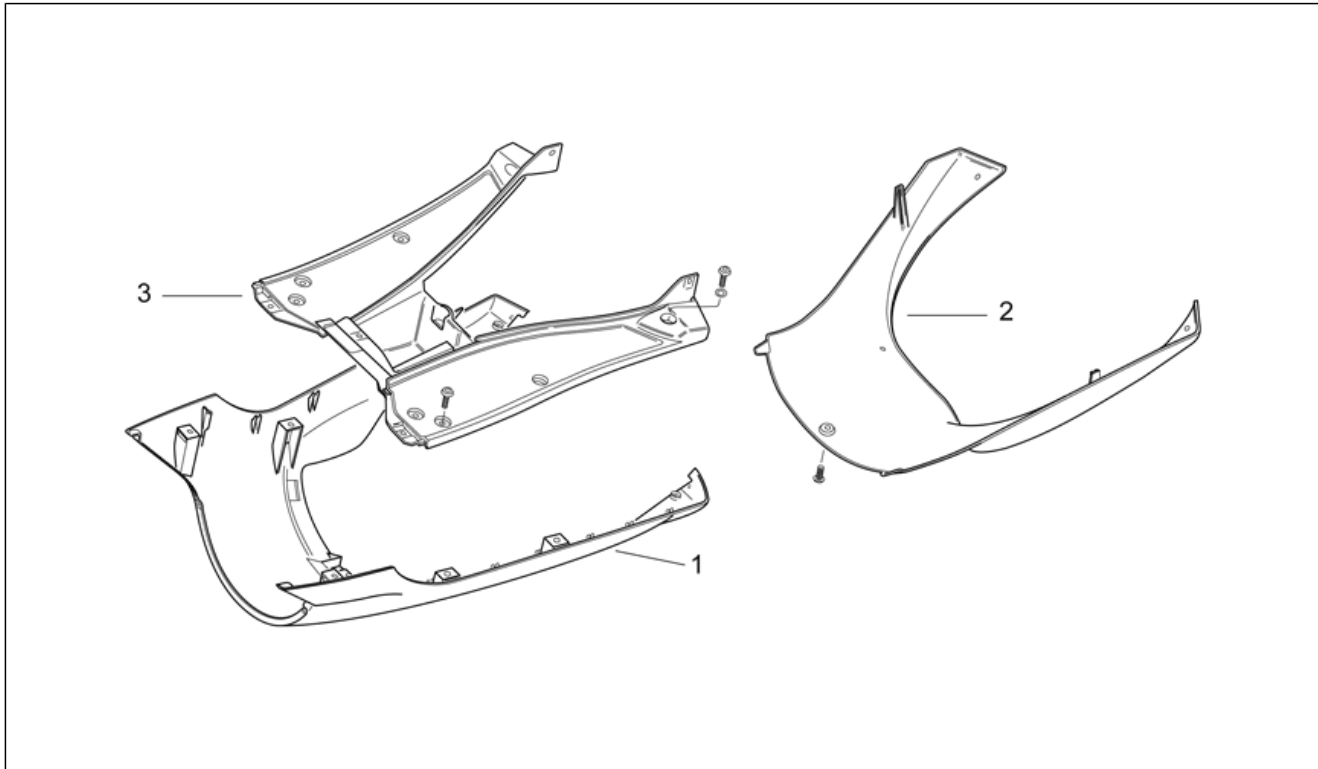
Pos.	Code	Beschreibung	Menge	Varianten
				Griechenland[GR], Italien[I], Israel[IL], Holland[NL], Portugal[P], Finnland[SF]
4	AP8239258	Unterer Deckel Lochschild	1	Land:Schweiz[CH]
5	AP8152246	TBEI Schraube m.Flansch M6x16	3	

<b>Einheit</b>	RAHMEN
<b>Code</b>	28.11
<b>Beschreibung</b>	Mittlerer aufbau I
<b>Inspektion</b>	1



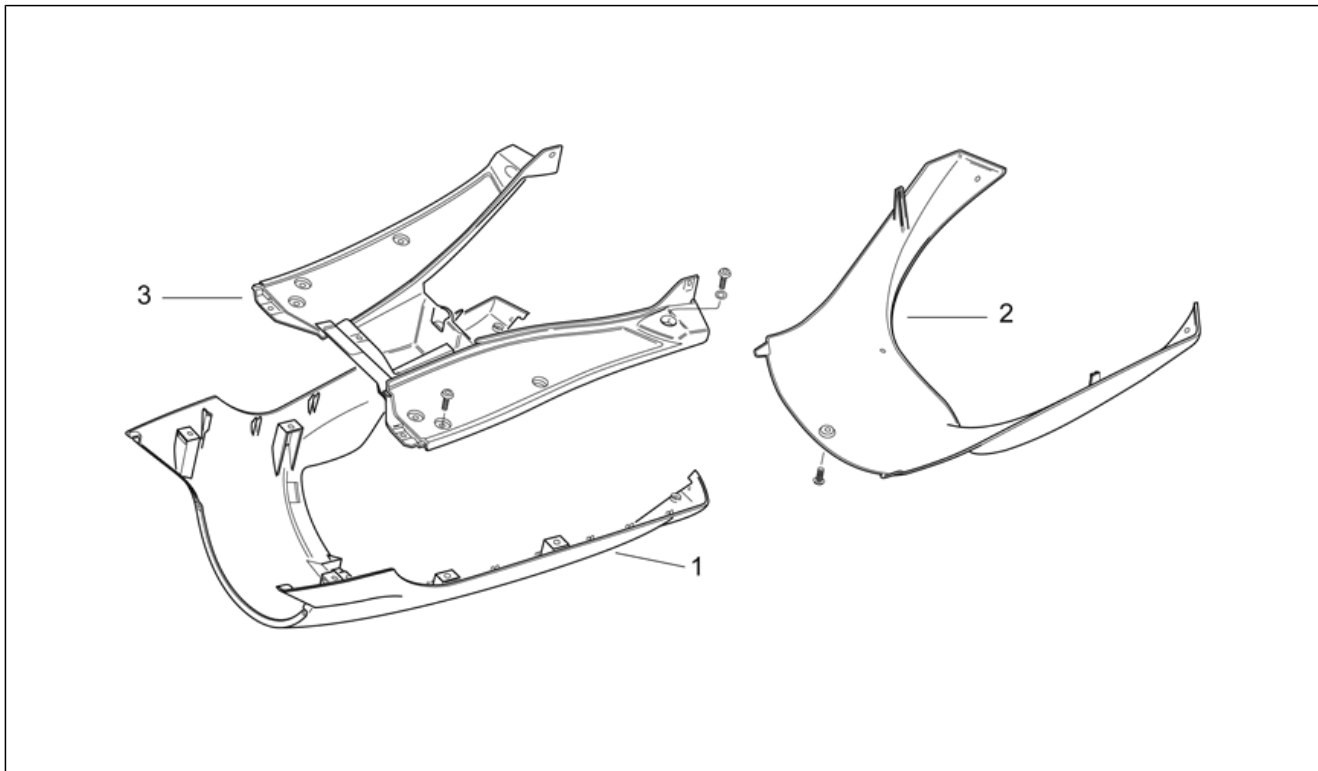
Pos.	Code	Beschreibung	Menge	Varianten
1	AP8221046	Distanzscheibe D6x8x13,5*	2	
2	AP8102376	Klammer M6	3	
3	AP8201763	Clip f. Blechschr. D5,5*	6	
4	AP8238514	Rechte Fußmatte	1	Baujahr:1997[V], 1998[W]
4	AP8248665	Rechte Fußmatte, schwarz	1	Baujahr:2001[1], 1999[X], 2000[Y]
5	AP8238515	Linke Fußmatte	1	Baujahr:1997[V], 1998[W]
5	AP8248666	Linke Fußmatte, schwarz	1	Baujahr:2001[1], 1999[X], 2000[Y]
6	AP8238367	Rechter Tunnel, grau	1	Baujahr:1997[V], 1998[W]
6	AP8248806	Tunnel rechts blau	1	Baujahr:1999[X] Fahrzeugfarbe:Blau Cyber / Grau Silver '99[bc/gs], Mondweiß / Grau Blade '99[bl/gb]
6	AP8249221	Rechter Tunnel, grau	1	Baujahr:1999[X] Fahrzeugfarbe:Kirschrot / Grau Mercury '99[re/mg]
6	AP8249530	Rechter Tunnel, m.schwarz	1	Baujahr:2000[Y]
6	AP8258040	Rechter Tunnel, m.schwarz	1	Baujahr:2001[1]
6	AP8258040	Rechter Tunnel, m.schwarz	1	Baujahr:2000[Y]
7	AP8238368	Linker Tunnel, grau	1	Baujahr:1997[V], 1998[W]
7	AP8248807	Tunnel links blau	1	Baujahr:1999[X] Fahrzeugfarbe:Blau Cyber / Grau Silver '99[bc/gs], Mondweiß / Grau Blade '99[bl/gb]
7	AP8249222	Linker Tunnel, grau	1	Baujahr:1999[X] Fahrzeugfarbe:Kirschrot / Grau Mercury '99[re/mg]
7	AP8249531	Linker Tunnel, m.schwarz	1	Baujahr:2000[Y]
7	AP8258041	Linker Tunnel, m.schwarz	1	Baujahr:2000[Y]
7	AP8258041	Linker Tunnel, m.schwarz	1	Baujahr:2001[1]
8	AP8238507	Werkzeugkasten, grau	1	
9	AP8152246	TBEI Schraube m.Flansch M6x16	5	
10	AP8152280	TE Schr. m. Flansch M6x25	2	
11	AP8150413	Gew.schr. 3,9x14	12	

<b>Einheit</b>	RAHMEN
<b>Code</b>	28.12
<b>Beschreibung</b>	Mittlerer aufbau II
<b>Inspektion</b>	1



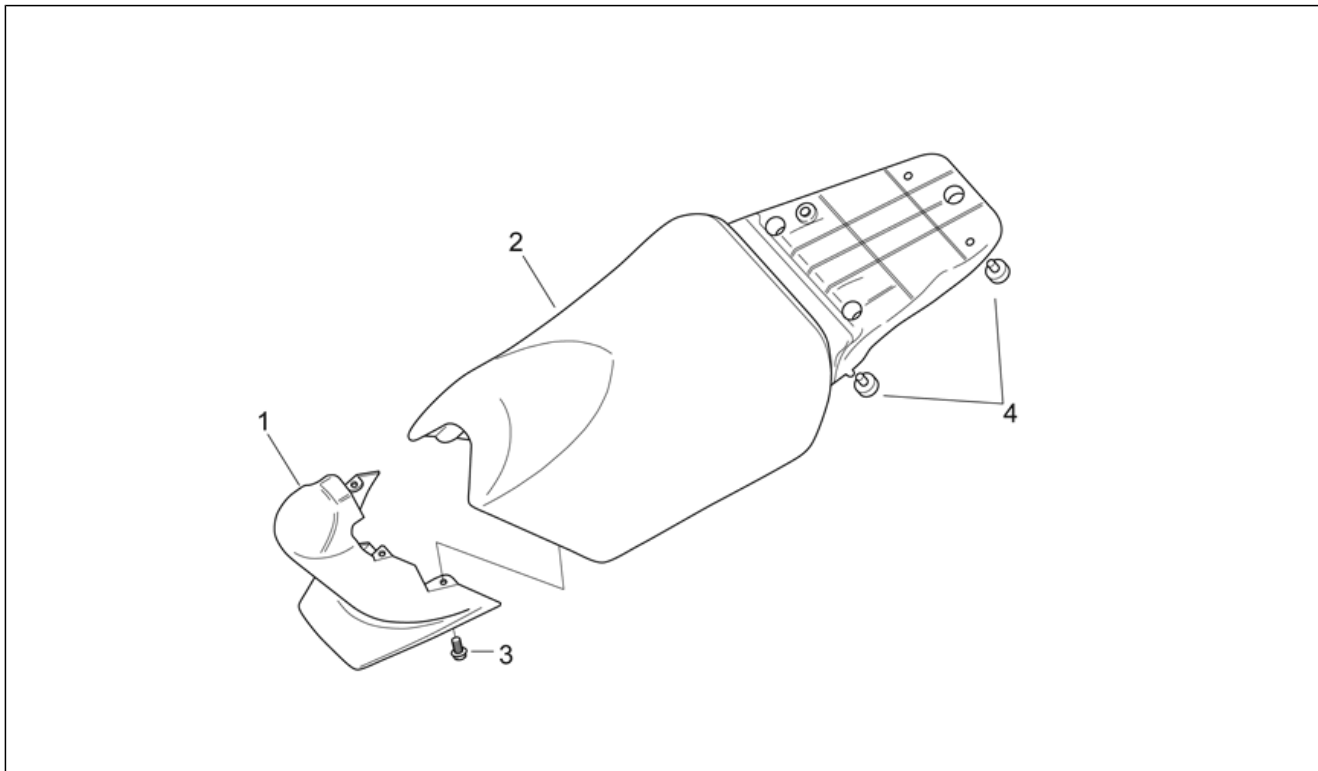
Pos.	Code	Beschreibung	Menge	Varianten
1	AP8238540	Unterboden, alum. 180	1	Baujahr:1997[V] Fahrzeugfarbe:Kirschrot / Grau Aluminium 180 '97[re/ag]
1	AP8238540	Unterboden, alum. 180	1	Baujahr:1997[V] Fahrzeugfarbe:Blau Apr. / Grau Met. (I.M.A)-All.180 (I.M.B) '97[bl/gr]
1	AP8239333	Unterboden, grau	1	Baujahr:1997[V] Fahrzeugfarbe:Blau Apr. / Grau Met. (I.M.A)-All.180 (I.M.B) '97[bl/gr]
1	AP8239824	Unterboden, quarzgrau	1	Baujahr:1998[W]
1	AP8248817	Unterboden, Silver-grau	1	Baujahr:1999[X] Fahrzeugfarbe:Blau Cyber / Grau Silver '99[bc/gs]
1	AP8248856	Unterboden, grau	1	Baujahr:1999[X] Fahrzeugfarbe:Mondweiß / Grau Blade '99[bl/gb]
1	AP8249267	Unterb. mercurygrau	1	Baujahr:1999[X] Fahrzeugfarbe:Blau Cyber / Grau Silver '99[bc/gs]
1	AP8249296	Unterb. mercurygrau	1	Baujahr:1999[X] Fahrzeugfarbe:Kirschrot / Grau Mercury '99[re/mg]
1	AP8249541	Unterb. Fußbrett grau+Deko	1	Baujahr:2000[Y] Fahrzeugfarbe:Schwarz Ebenholz Met. 2000[e.bl]
1	AP8249553	Unterb. Fußbrett grau+Deko	1	Baujahr:2000[Y] Fahrzeugfarbe:Hot red 2000[r.hot]
1	AP8249885	Unterb. Fußbrett grau+Deko	1	Baujahr:2000[Y] Fahrzeugfarbe:Electric Blue 2000[b.el]
1	AP8258201	Unterb. Schwarz+Deko	1	Baujahr:2001[1] Fahrzeugfarbe:"Hot Red ""Sport"" 2001"[red]
1	AP8258232	Unterb. Schwarz+Deko	1	Baujahr:2001[1] Fahrzeugfarbe:"Electric Blue ""Sport"" 2001"[blue]
1	AP8258237	Unterb. Schwarz+Deko	1	Baujahr:2001[1] Fahrzeugfarbe:"Zitronengelb ""Sport"" 2001"[l.ye]
2	AP8238452	Wannenschutz, allu.180	1	Baujahr:1997[V] Fahrzeugfarbe:Blau Apr. / Grau Met. (I.M.A)-All.180 (I.M.B) '97[bl/gr]

<b>Einheit</b>	RAHMEN
<b>Code</b>	28.12
<b>Beschreibung</b>	Mittlerer aufbau II
<b>Inspektion</b>	1



Pos.	Code	Beschreibung	Menge	Varianten
2	AP8238452	Wannenschutz, allu.180	1	<b>Baujahr:</b> 1997[V] <b>Fahrzeugfarbe:</b> Kirschrot / Grau Aluminium 180 '97[re/ag]
2	AP8239330	Wannenschutz, grau	1	<b>Baujahr:</b> 1997[V] <b>Fahrzeugfarbe:</b> Blau Apr. / Grau Met. (I.M.A)-All.180 (I.M.B) '97[bl/gr]
2	AP8239825	Wannenschutz, q.grau	1	<b>Baujahr:</b> 1998[W]
2	AP8239941	Wannenschutz, b.grau	1	<b>Baujahr:</b> 1999[X] <b>Fahrzeugfarbe:</b> Mondweiß / Grau Blade '99[bl/gb]
2	AP8248748	Ölwanenschutz grau Silver	1	<b>Baujahr:</b> 1999[X] <b>Fahrzeugfarbe:</b> Blau Cyber / Grau Silver '99[bc/gs]
2	AP8249115	Ölwanenschutz grau Silver	1	<b>Baujahr:</b> 1999[X] <b>Fahrzeugfarbe:</b> Kirschrot / Grau Mercury '99[re/mg]
2	AP8249115	Ölwanenschutz grau Silver	1	<b>Baujahr:</b> 1999[X] <b>Fahrzeugfarbe:</b> Blau Cyber / Grau Silver '99[bc/gs]
2	AP8249542	Wannenschutz, grau	1	<b>Baujahr:</b> 2000[Y]
2	AP8258202	Wannenschutz, sch.	1	<b>Baujahr:</b> 2001[1]
3	AP8238363	Fußbrett, grau	1	<b>Baujahr:</b> 1997[V], 1998[W]
3	AP8248658	Fußbrett, met.schwarz	1	<b>Baujahr:</b> 1999[X] <b>Fahrzeugfarbe:</b> Kirschrot / Grau Mercury '99[re/mg]
3	AP8248658	Fußbrett, met.schwarz	1	<b>Baujahr:</b> 2000[Y]
3	AP8248805	Fußbrett, blau	1	<b>Baujahr:</b> 1999[X] <b>Fahrzeugfarbe:</b> Blau Cyber / Grau Silver '99[bc/gs], Mondweiß / Grau Blade '99[bl/gb]
3	AP8249892	Fußbrett, schwarz	1	<b>Baujahr:</b> 2001[1]

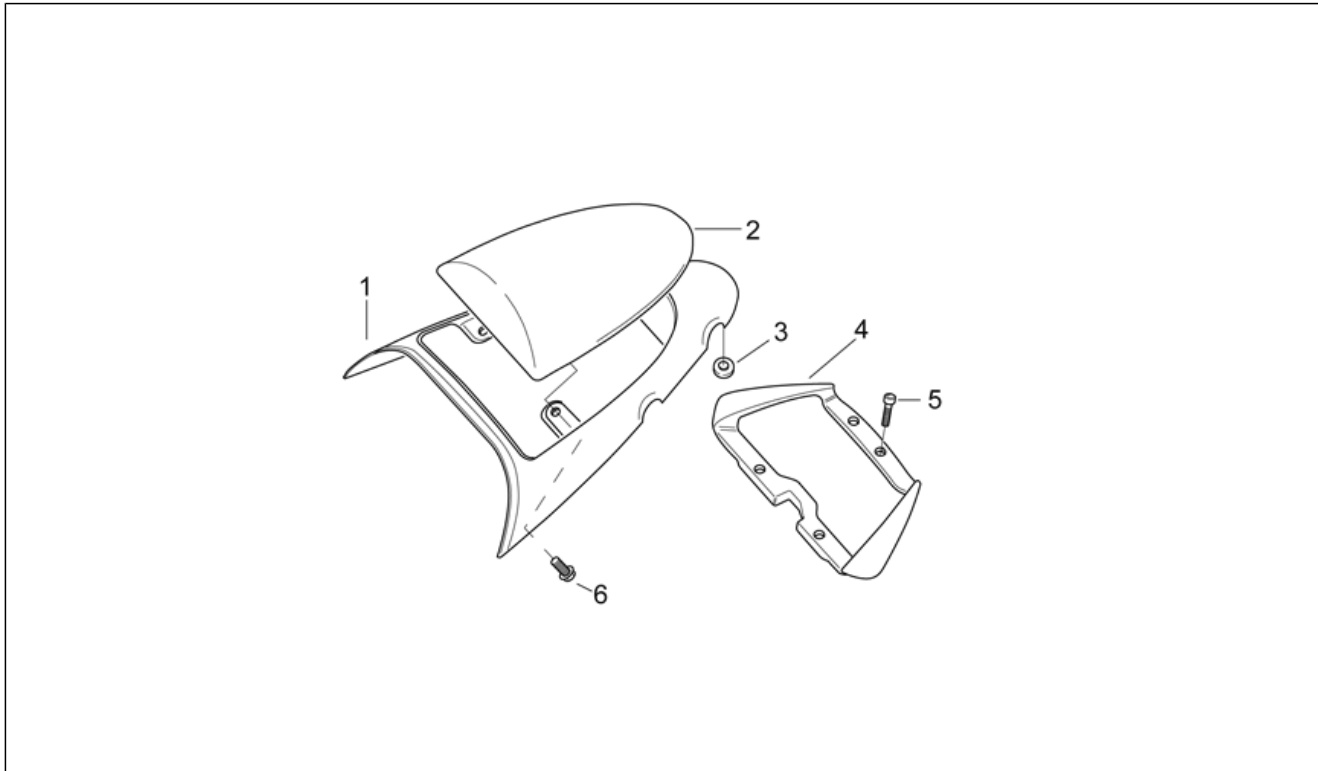
<b>Einheit</b>	RAHMEN
<b>Code</b>	28.13
<b>Beschreibung</b>	Fahrersitz
<b>Inspektion</b>	1



Pos.	Code	Beschreibung	Menge	Varianten
1	AP8238450	Sitzstütze, rot	1	<b>Baujahr:</b> 1997[V] <b>Fahrzeugfarbe:</b> Kirschrot / Grau Aluminium 180 '97[re/ag]
1	AP8239321	Sitzstütze, Aprilia-Blau	1	<b>Baujahr:</b> 1997[V] <b>Fahrzeugfarbe:</b> Blau Apr. / Grau Met. (I.M.A)-All.180 (I.M.B) '97[bl/gr]
1	AP8239827	Sitzstütze, h.b. sol.	1	<b>Baujahr:</b> 1998[W] <b>Fahrzeugfarbe:</b> Hellblau Solid / Grau Quartz '98[cy/gr]
1	AP8239839	Sitzstütze, chr.g.	1	<b>Baujahr:</b> 1998[W] <b>Fahrzeugfarbe:</b> Gelb Chrom / Grau Quartz '98[ye/gr]
1	AP8248819	Sitzstütze blau cyber+Deko	1	<b>Baujahr:</b> 1999[X] <b>Fahrzeugfarbe:</b> Blau Cyber / Grau Silver '99[bc/gs]
1	AP8248858	Sitzstütze mondweiß+Deko	1	<b>Baujahr:</b> 1999[X] <b>Fahrzeugfarbe:</b> Mondweiß / Grau Blade '99[bl/gb]
1	AP8249294	Sattelspitze rot+Dek.	1	<b>Baujahr:</b> 1999[X] <b>Fahrzeugfarbe:</b> Kirschrot / Grau Mercury '99[re/mg]
1	AP8249708	Verkl.stange schwarz	1	<b>Baujahr:</b> 2001[1], 2000[Y]
2	AP8229165	Sitz kpl, grau	1	<b>Baujahr:</b> 1997[V], 1998[W]
2	AP8229293	Sitz kpl, schwarz	1	<b>Baujahr:</b> 2001[1], 1999[X], 2000[Y]
3	AP8152277	TE Schr. m. Flansch M6x12	2	
4	AP8220349	Gummi	4	

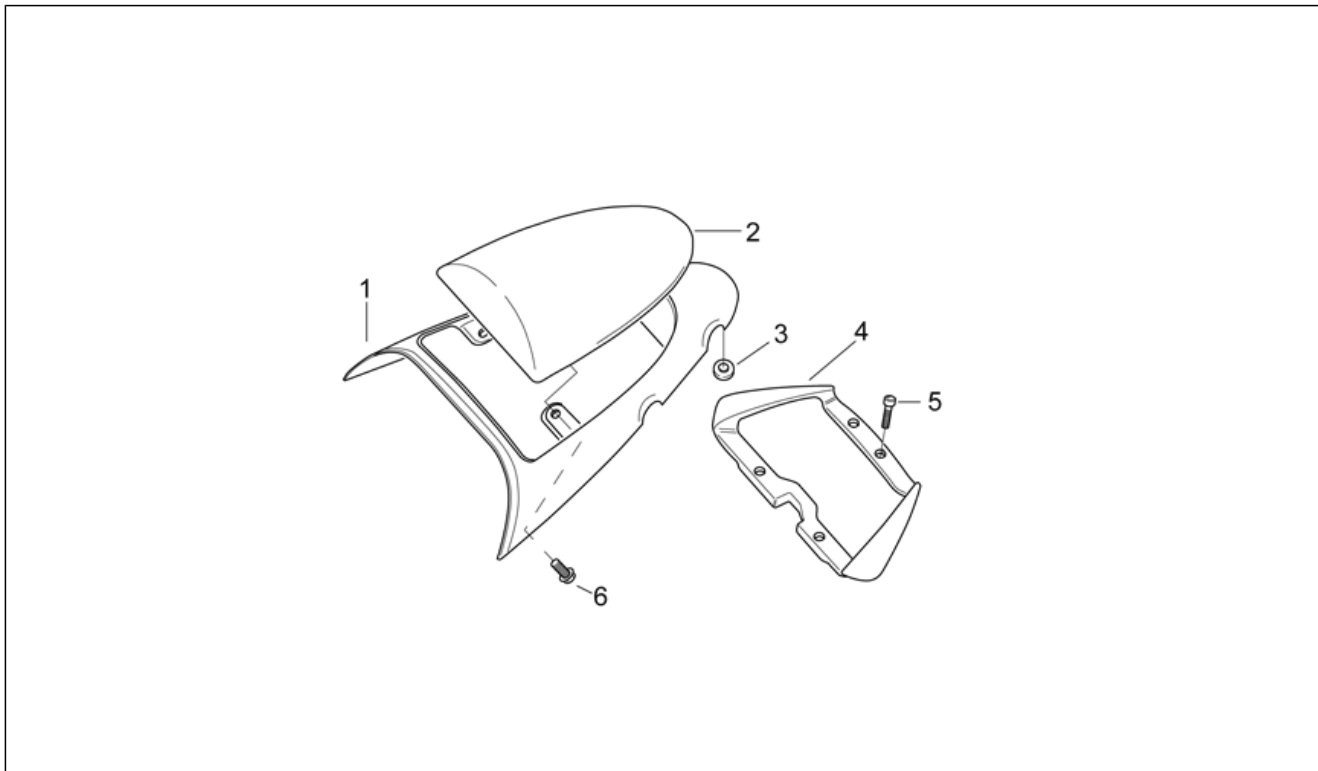


<b>Einheit</b>	RAHMEN
<b>Code</b>	28.14
<b>Beschreibung</b>	Soziussitz
<b>Inspektion</b>	1



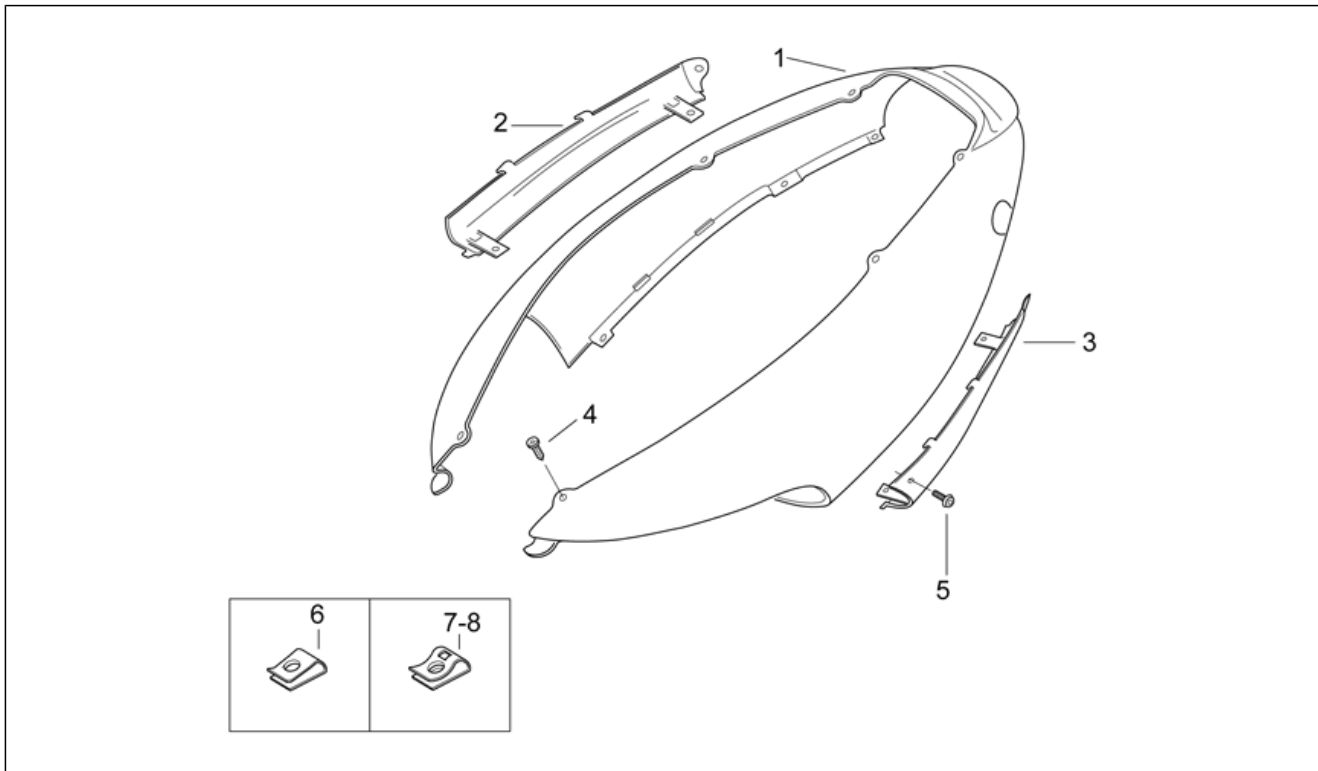
Pos.	Code	Beschreibung	Menge	Varianten
1	AP8238451	Sitzabdeckung, rot+Deko	1	Baujahr:1997[V] Fahrzeugfarbe:Kirschrot / Grau Aluminium 180 '97[re/ag]
1	AP8239319	Sitzabdeckung, blau+Deko	1	Baujahr:1997[V] Fahrzeugfarbe:Blau Apr. / Grau Met. (I.M.A)-All.180 (I.M.B) '97[bl/gr]
1	AP8239828	Sitzabdeckung, h.blau+Deko	1	Baujahr:1998[W] Fahrzeugfarbe:Hellblau Solid / Grau Quartz '98[cy/gr]
1	AP8239840	Sitzabdeckung, h.gelb+Deko	1	Baujahr:1998[W] Fahrzeugfarbe:Gelb Chrom / Grau Quartz '98[ye/gr]
1	AP8248820	Sitzabdeck.blau cy.+Deko	1	Baujahr:1999[X] Fahrzeugfarbe:Blau Cyber / Grau Silver '99[bc/gs]
1	AP8248859	Sitzabdeck.mondw.+Deko	1	Baujahr:1999[X] Fahrzeugfarbe:Mondweiß / Grau Blade '99[bl/gb]
1	AP8249295	Sitzabdeckung, rot+Deko	1	Baujahr:1999[X] Fahrzeugfarbe:Kirschrot / Grau Mercury '99[re/mg]
1	AP8249545	Sitzabdeckung, e.schwarz+Deko	1	Baujahr:2000[Y] Fahrzeugfarbe:Schwarz Ebenholz Met. 2000[e.bl]
1	AP8249556	Sitzabdeckung, hot red+Deko	1	Baujahr:2000[Y] Fahrzeugfarbe:Hot red 2000[r.hot]
1	AP8249709	Sitzabdeckung, el.blau+Deko	1	Baujahr:2000[Y] Fahrzeugfarbe:Electric Blue 2000[b.el]
1	AP8249926	Sitzabdeckung, hot red+Deko	1	Baujahr:2001[1] Fahrzeugfarbe:"Hot Red ""Sport"" 2001"[red]
1	AP8249931	Sitzabdeckung, el.blau+Deko	1	Baujahr:2001[1] Fahrzeugfarbe:"Electric Blue ""Sport"" 2001"[blue]
1	AP8258239	Sitzabdeckung, h.gelb+Deko	1	Baujahr:2001[1] Fahrzeugfarbe:"Zitronengelb ""Sport"" 2001"[l.ye]
2	AP8229166	Soziussitz, grau	1	Baujahr:1997[V], 1998[W]
2	AP8229192	Soziussitz, schwarz	1	Baujahr:1999[X], 2000[Y]
2	AP8229318	Soziussitz, gelb	1	Baujahr:2001[1] Fahrzeugfarbe:"Zitronengelb ""Sport"" 2001"[l.ye]
2	AP8229319	Soziussitz, blau	1	Baujahr:2001[1]

<b>Einheit</b>	RAHMEN
<b>Code</b>	28.14
<b>Beschreibung</b>	Soziussitz
<b>Inspektion</b>	1



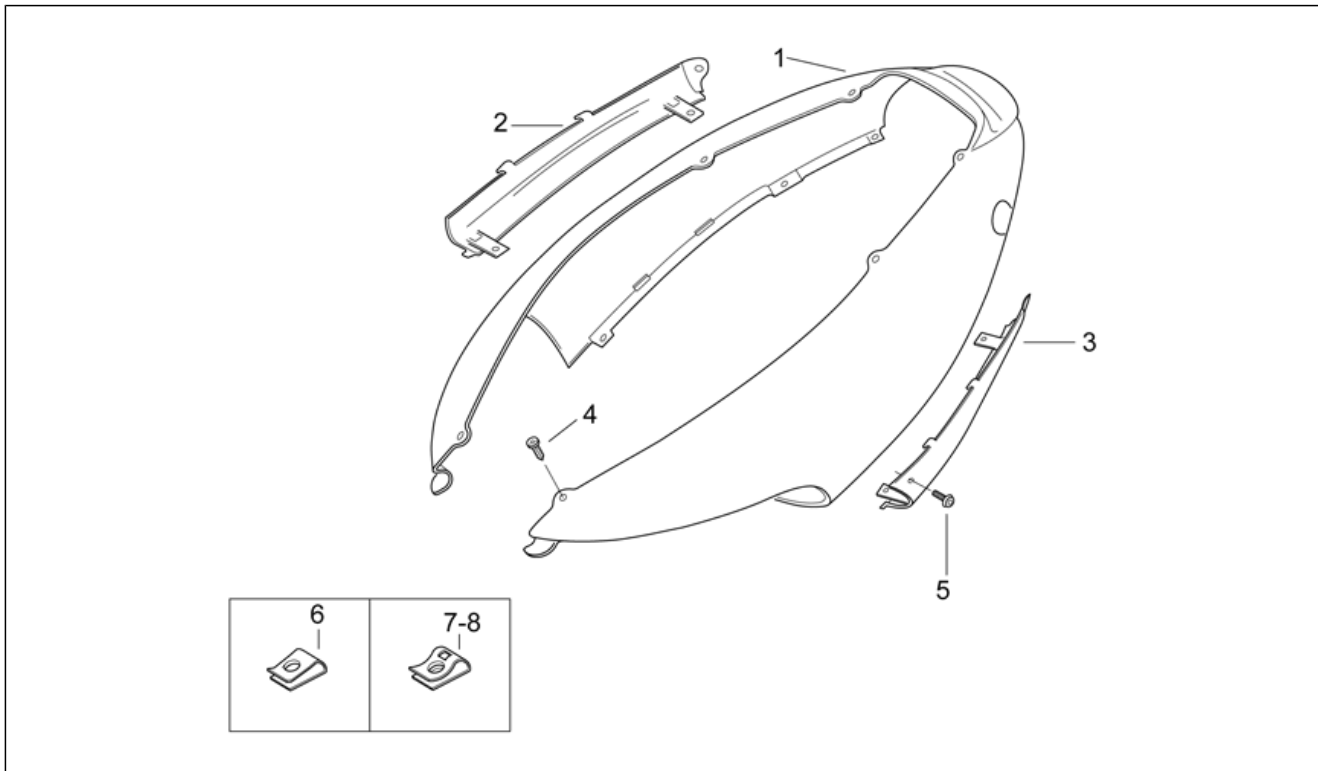
Pos.	Code	Beschreibung	Menge	Varianten
				Fahrzeugfarbe:"Electric Blue ""Sport"" 2001"[blue]
2	AP8229321	Soziussitz, hot red	1	Baujahr:2001[1] Fahrzeugfarbe:"Hot Red ""Sport"" 2001"[red]
3	AP8120853	Seitenteil-Auflagegummi	2	
4	AP8238462	Soziusgriff, rot	1	Baujahr:1999[X] Fahrzeugfarbe:Kirschrot / Grau Mercury '99[re/mg]
4	AP8238462	Soziusgriff, rot	1	Baujahr:1997[V] Fahrzeugfarbe:Kirschrot / Grau Aluminium 180 '97[re/ag]
4	AP8239322	Soziusgriff, Arpilia-Blau	1	Baujahr:1997[V] Fahrzeugfarbe:Blau Apr. / Grau Met. (I.M.A)-All.180 (I.M.B) '97[bl/gr]
4	AP8239830	Soziusgriff, h.blau solid	1	Baujahr:1998[W] Fahrzeugfarbe:Hellblau Solid / Grau Quartz '98[cy/gr]
4	AP8239841	Soziusgriff, chr.gelb	1	Baujahr:1998[W] Fahrzeugfarbe:Gelb Chrom / Grau Quartz '98[ye/gr]
4	AP8248822	Soziusgriff, cyber blau	1	Baujahr:1999[X] Fahrzeugfarbe:Blau Cyber / Grau Silver '99[bc/gs]
4	AP8248860	Soziusgriff mondweiß	1	Baujahr:1999[X] Fahrzeugfarbe:Mondweiß / Grau Blade '99[bl/gb]
4	AP8249455	Soziusgriff schwarz	1	Baujahr:2000[Y] Fahrzeugfarbe:Schwarz Ebenholz Met. 2000[e.bl]
4	AP8249455	Soziusgriff schwarz	1	Baujahr:2001[1]
4	AP8249557	Soziusgriff, hot red	1	Baujahr:2000[Y] Fahrzeugfarbe:Hot red 2000[r.hot]
4	AP8249717	Soziusgriff, e.blau	1	Baujahr:2000[Y] Fahrzeugfarbe:Electric Blue 2000[b.el]
5	AP8150220	TCEI Schraube M6x30	4	
6	AP8152278	TE Schr. m. Flansch M6x16	3	

<b>Einheit</b>	RAHMEN
<b>Code</b>	28.15
<b>Beschreibung</b>	Heckaufbau I
<b>Inspektion</b>	1



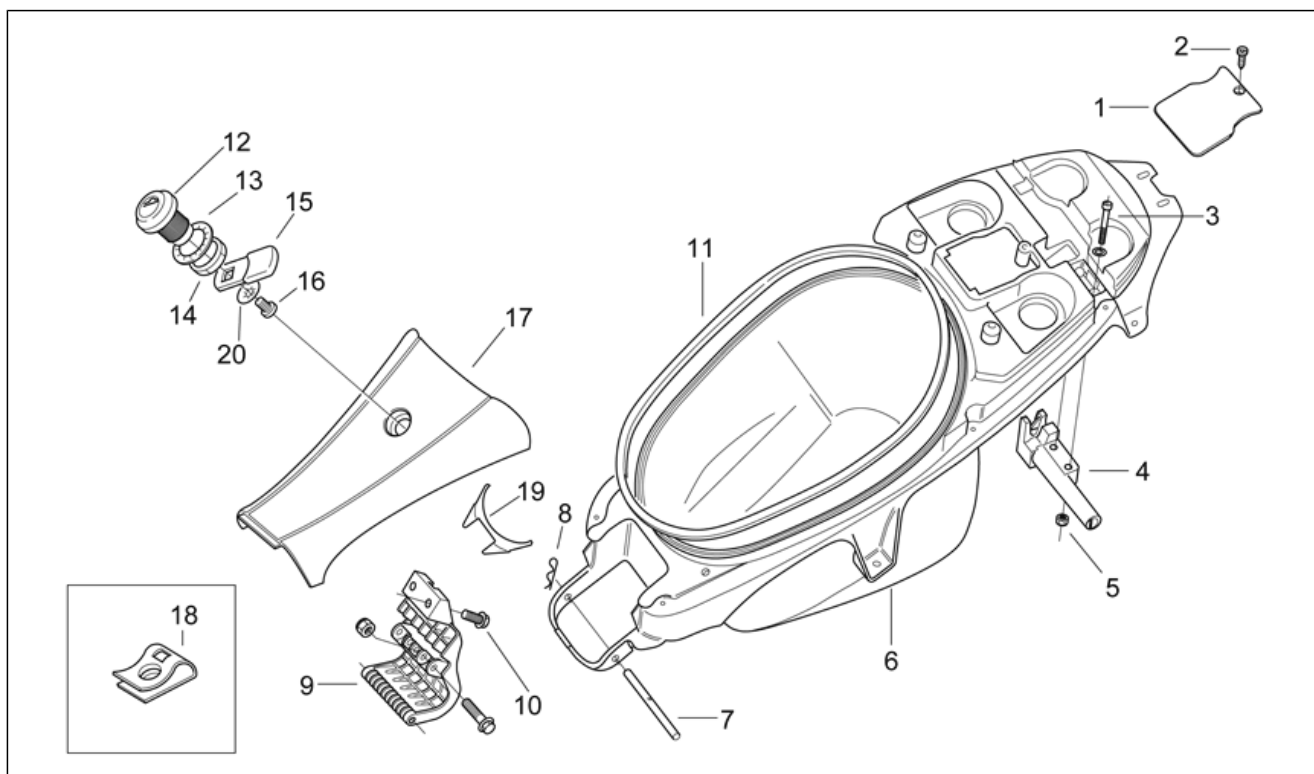
Pos.	Code	Beschreibung	Menge	Varianten
1	AP8238458	Heckteil, rot + Deko	1	<b>Baujahr:</b> 1997[V] <b>Fahrzeugfarbe:</b> Kirschrot / Grau Aluminium 180 '97[re/ag]
1	AP8239317	Heckteil, blau+Deko	1	<b>Baujahr:</b> 1997[V] <b>Fahrzeugfarbe:</b> Blau Apr. / Grau Met. (I.M.A)-All.180 (I.M.B) '97[bl/gr]
1	AP8239389	Heckteil, blau+Deko	1	<b>Baujahr:</b> 1997[V] <b>Fahrzeugfarbe:</b> Blau Apr. / Grau Met. (I.M.A)-All.180 (I.M.B) '97[bl/gr]
1	AP8239822	Heckteil, h.blau+Deko	1	<b>Baujahr:</b> 1998[W] <b>Fahrzeugfarbe:</b> Hellblau Solid / Grau Quartz '98[cy/gr]
1	AP8239836	Heckteil, chr.gelb+Deko	1	<b>Baujahr:</b> 1998[W] <b>Fahrzeugfarbe:</b> Gelb Chrom / Grau Quartz '98[ye/gr]
1	AP8248815	Heck, blau Cyber+Deko.	1	<b>Baujahr:</b> 1999[X] <b>Fahrzeugfarbe:</b> Blau Cyber / Grau Silver '99[bc/gs]
1	AP8248854	Heck mondw./grau b.+Dek.	1	<b>Baujahr:</b> 1999[X] <b>Fahrzeugfarbe:</b> Mondweiß / Grau Blade '99[bl/gb]
1	AP8249292	Heck Kirschrot+Dek.	1	<b>Baujahr:</b> 1999[X] <b>Fahrzeugfarbe:</b> Kirschrot / Grau Mercury '99[re/mg]
1	AP8249539	Heckteil, eb.schwarz+Deko	1	<b>Baujahr:</b> 2000[Y] <b>Fahrzeugfarbe:</b> Schwarz Ebenholz Met. 2000[e.bl]
1	AP8249551	Heck hot red+Deko	1	<b>Baujahr:</b> 2000[Y] <b>Fahrzeugfarbe:</b> Hot red 2000[r.hot]
1	AP8249714	Heckteil, e.blue+Deko	1	<b>Baujahr:</b> 2000[Y] <b>Fahrzeugfarbe:</b> Electric Blue 2000[b.el]
1	AP8249922	Heck hot red+Deko	1	<b>Baujahr:</b> 2001[1] <b>Fahrzeugfarbe:</b> "Hot Red ""Sport"" 2001"[red]
1	AP8249928	Heckteil, e.blue+Deko	1	<b>Baujahr:</b> 2001[1] <b>Fahrzeugfarbe:</b> "Electric Blue ""Sport"" 2001"[blue]
1	AP8258236	Heckteil, gelb+Deko	1	<b>Baujahr:</b> 2001[1] <b>Fahrzeugfarbe:</b> "Zitronengelb ""Sport"" 2001"[l.ve]
2	AP8238510	R. kl. Seitenteil, grau	1	<b>Baujahr:</b> 1997[V], 1998[W]
2	AP8248662	Seitent. rechts titangrau	1	<b>Baujahr:</b> 1999[X]

<b>Einheit</b>	RAHMEN
<b>Code</b>	28.15
<b>Beschreibung</b>	Heckaufbau I
<b>Inspektion</b>	1



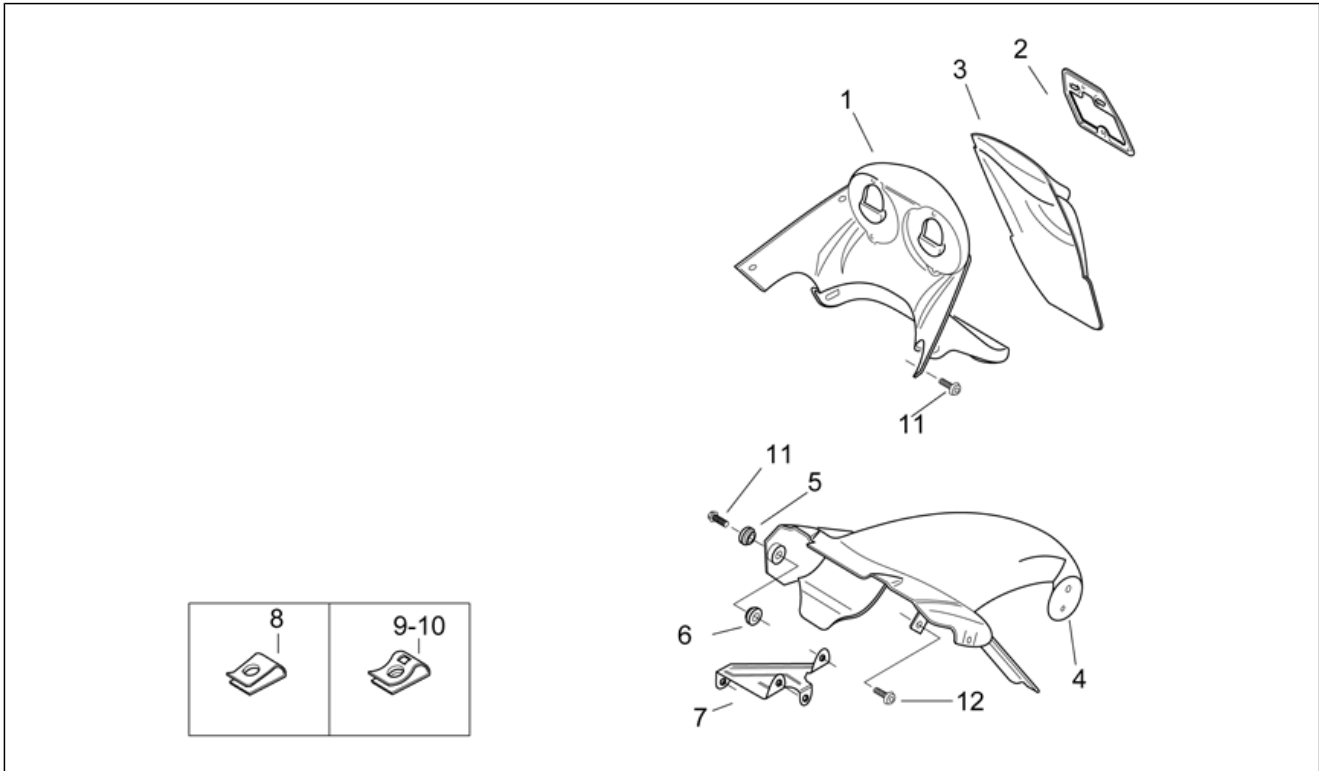
Pos.	Code	Beschreibung	Menge	Varianten
2	AP8248809	R. kl. Seitenteil, blau	1	<b>Fahrzeugfarbe:</b> Kirschrot / Grau Mercury '99[re/mg] <b>Baujahr:</b> 1999[X] <b>Fahrzeugfarbe:</b> Blau Cyber / Grau Silver '99[bc/gs], Mondweiß / Grau Blade '99[bl/gb]
3	AP8238511	L. kl. Seitenteil, grau	1	<b>Baujahr:</b> 1997[V], 1998[W]
3	AP8248663	Seitent. links titangrau	1	<b>Baujahr:</b> 1999[X] <b>Fahrzeugfarbe:</b> Kirschrot / Grau Mercury '99[re/mg]
3	AP8248810	L. kl. Seitenteil, blau	1	<b>Baujahr:</b> 1999[X] <b>Fahrzeugfarbe:</b> Blau Cyber / Grau Silver '99[bc/gs], Mondweiß / Grau Blade '99[bl/gb]
4	AP8150413	Gew.schr. 3,9x14	10	
5	AP8152298	TBEI Schraube m.Flansch M5x16	6	
6	AP8201763	Clip f. Blechschr. D5,5*	2	
7	AP8102375	Klammer M5	10	
8	AP8102376	Klammer M6	1	

<b>Einheit</b>	RAHMEN
<b>Code</b>	28.16
<b>Beschreibung</b>	Heckaufbau II
<b>Inspektion</b>	1



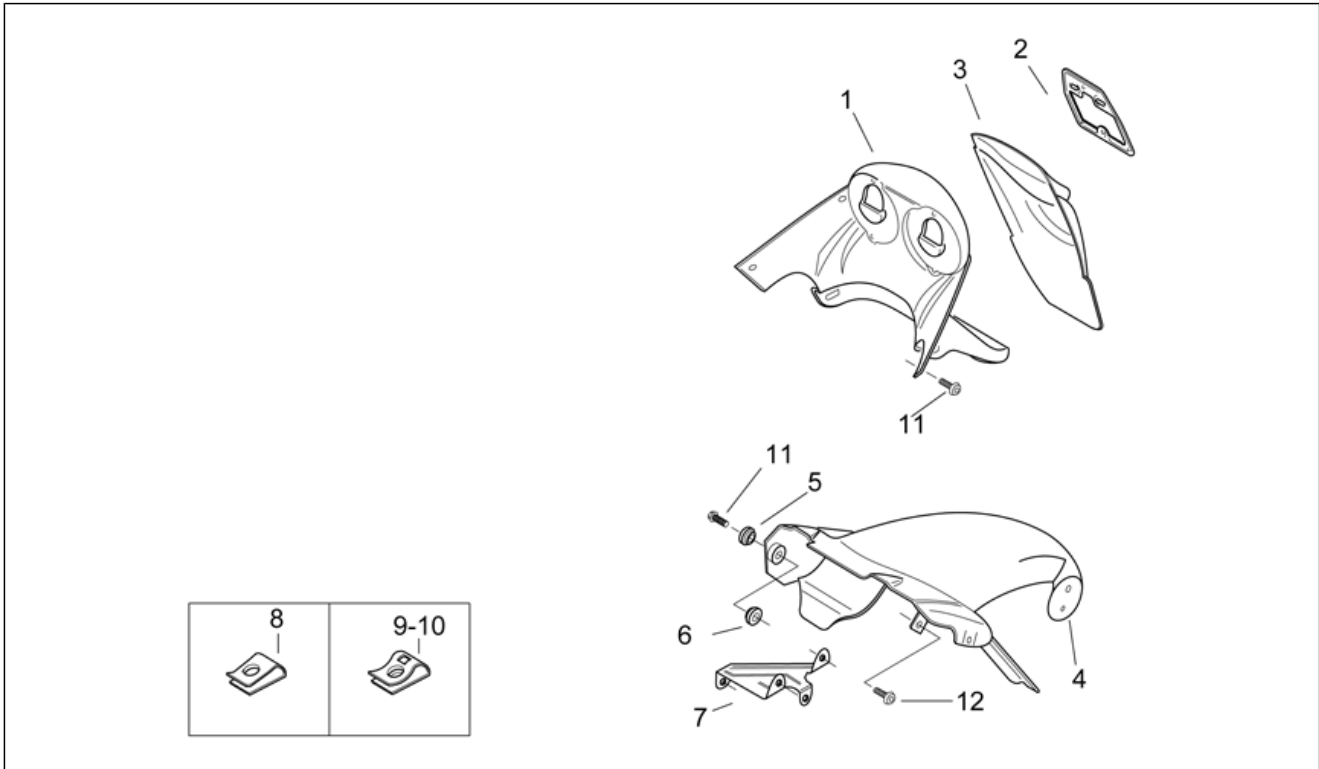
Pos.	Code	Beschreibung	Menge	Varianten
1	AP8238856	Klp. Benz.std.gb., schwarz	1	
2	AP8150413	Gew.schr. 3,9x14	1	
3	AP8152283	TE Schr. m. Flansch	2	
4	AP8201564	Sitzschloß	1	
5	AP8150430	Selbstsperr.mut Unt.	2	
6	AP8238341	Schutzhelmfach	1	
7	AP8221321	Sitzgelenkbolzen	1	
8	AP8101606	Splint	1	
9	AP8238681	Sitzgelenk, schwarz	1	
10	AP8152279	TE Schr. m. Flansch M6x20	2	
11	AP8220313	Kofferdichtung	1	
12	AP8201747	Schloss	1	
13	AP8201305	Schloßscheibe Nickel *	1	
14	AP8152194	Mutter unten M19x1*	1	
15	AP8201620	Hebel	1	
16	AP8201749	Linsenschraube M4x6	1	
17	AP8238358	Tunneldeckel, grau	1	<b>Baujahr:</b> 1997[V], 1998[W]
17	AP8248661	Tunnelabd. titangrau	1	<b>Baujahr:</b> 1999[X] <b>Fahrzeugfarbe:</b> Kirschrot / Grau Mercury '99[re/mg]
17	AP8248808	Tunnelabdeck. blau	1	<b>Baujahr:</b> 1999[X] <b>Fahrzeugfarbe:</b> Blau Cyber / Grau Silver '99[bc/gs], Mondweiß / Grau Blade '99[bl/gb]
17	AP8249532	Tunneldeckel, m.schwarz	1	<b>Baujahr:</b> 2001[1], 2000[Y]
18	AP8102376	Klammer M6	7	
19	AP8220468	Gummi Sitzgelenk	1	
20	AP8201748	Ausgleichscheibe	1	

<b>Einheit</b>	RAHMEN
<b>Code</b>	28.17
<b>Beschreibung</b>	Heckaufbau III
<b>Inspektion</b>	1



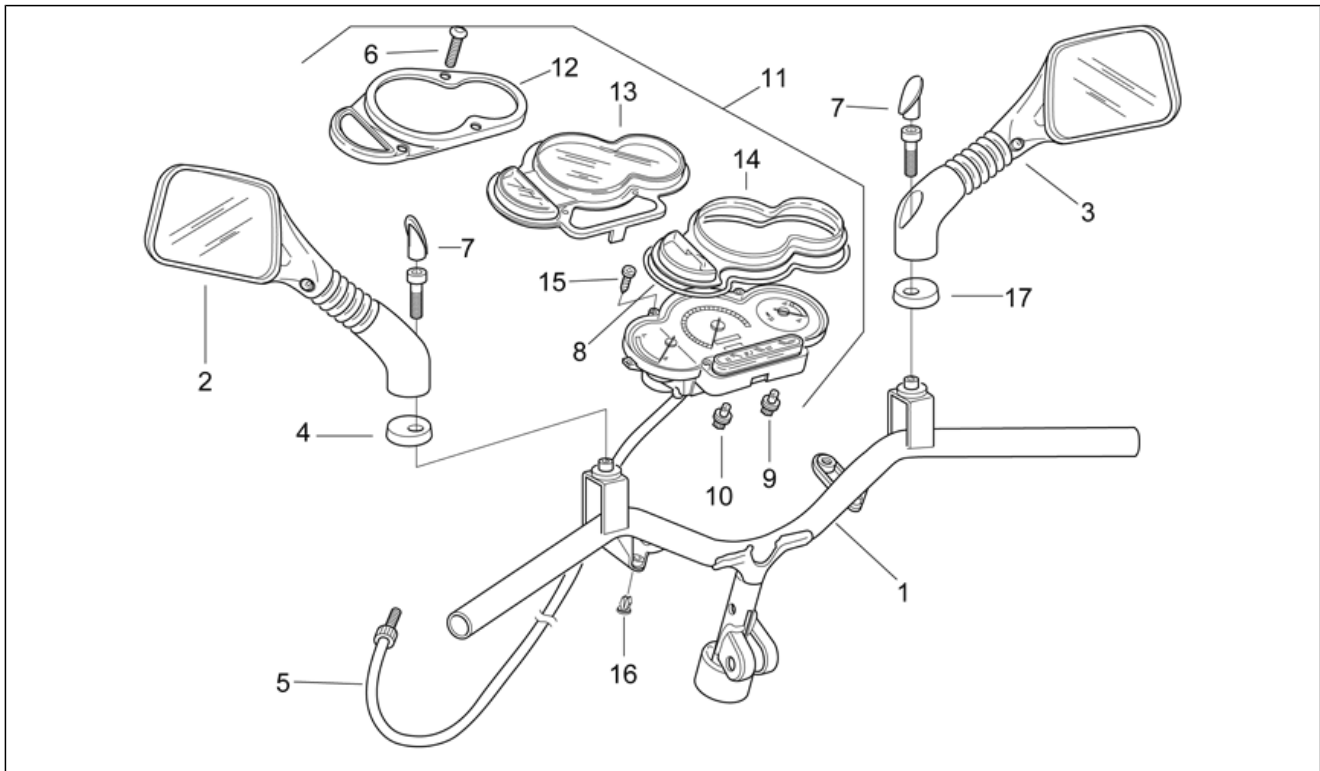
Pos.	Code	Beschreibung	Menge	Varianten
1	AP8226331	Kennzeichenplatte, grau	1	<b>Baujahr:</b> 1997[V], 1998[W]
1	AP8226526	Nummernschildbef. titangrau	1	<b>Baujahr:</b> 1999[X] <b>Fahrzeugfarbe:</b> Kirschrot / Grau Mercury '99[re/mg]
1	AP8226537	Kennzeich.platte blau	1	<b>Baujahr:</b> 1999[X] <b>Fahrzeugfarbe:</b> Blau Cyber / Grau Silver '99[bc/gs], Mondweiß / Grau Blade '99[bl/gb]
1	AP8226602	Kennzeichenpl., m.schwarz	1	<b>Baujahr:</b> 2001[1], 2000[Y]
2	AP8249558	Kennzeichenhalter	1	<b>Land:</b> Italien[I]
3	AP8226527	Spritzschutz h. titangrau	1	<b>Baujahr:</b> 1999[X] <b>Fahrzeugfarbe:</b> Kirschrot / Grau Mercury '99[re/mg]
3	AP8226538	Spritzschutz hinten blau	1	<b>Baujahr:</b> 1999[X] <b>Fahrzeugfarbe:</b> Blau Cyber / Grau Silver '99[bc/gs], Mondweiß / Grau Blade '99[bl/gb]
3	AP8226603	Hinteres Spritzschutz m.schw.	1	<b>Baujahr:</b> 2001[1], 2000[Y]
3	AP8238340	Hinteres Spritzschutz, grau	1	<b>Baujahr:</b> 1997[V], 1998[W]
4	AP8226384	H. Schutzblech, schwarz	1	<b>Land:</b> Österreich[A], Belgien[B], Brasilien[BR], Schweiz[CH], Deutschland[D], Dänemark[DK], Spanien[E], Frankreich[F], Griechenland[GR], Israel[IL], Holland[NL], Portugal[P], Finnland[SF]
4	AP8226384	H. Schutzblech, schwarz	1	<b>Land:</b> Italien[I] <b>Technische Daten:</b> Version ohne Katalysator[nocat]
4	AP8226571	H. Schutzblech, schwarz	1	<b>Land:</b> Italien[I] <b>Technische Daten:</b> Version mit Katalysator[cat]
5	AP8221218	Buchse Schutzblech	1	
6	AP8120508	T-Buchse *	1	<b>Land:</b> Italien[I] <b>Technische Daten:</b> Version mit Katalysator[cat]
6	AP8221218	Buchse Schutzblech	1	<b>Land:</b> Italien[I] <b>Technische Daten:</b> Version ohne Katalysator[nocat]
6	AP8221218	Buchse Schutzblech	1	<b>Land:</b> Österreich[A], Belgien[B], Brasilien[BR], Schweiz[CH], Deutschland[D], Dänemark[DK], Spanien[E], Frankreich[F], Griechenland[GR], Israel[IL], Holland[NL], Portugal[P], Finnland[SF]

<b>Einheit</b>	RAHMEN
<b>Code</b>	28.17
<b>Beschreibung</b>	Heckaufbau III
<b>Inspektion</b>	1



Pos.	Code	Beschreibung	Menge	Varianten
7	AP8234079	Hltr. hint. Kotflügel	1	
8	AP8201763	Clip f. Blechschr. D5,5*	2	
9	AP8102375	Klammer M5	10	
10	AP8102376	Klammer M6	1	
11	AP8152298	TBEI Schraube m.Flansch M5x16	6	
12	AP8152288	TE Schr. m. Flansch	1	

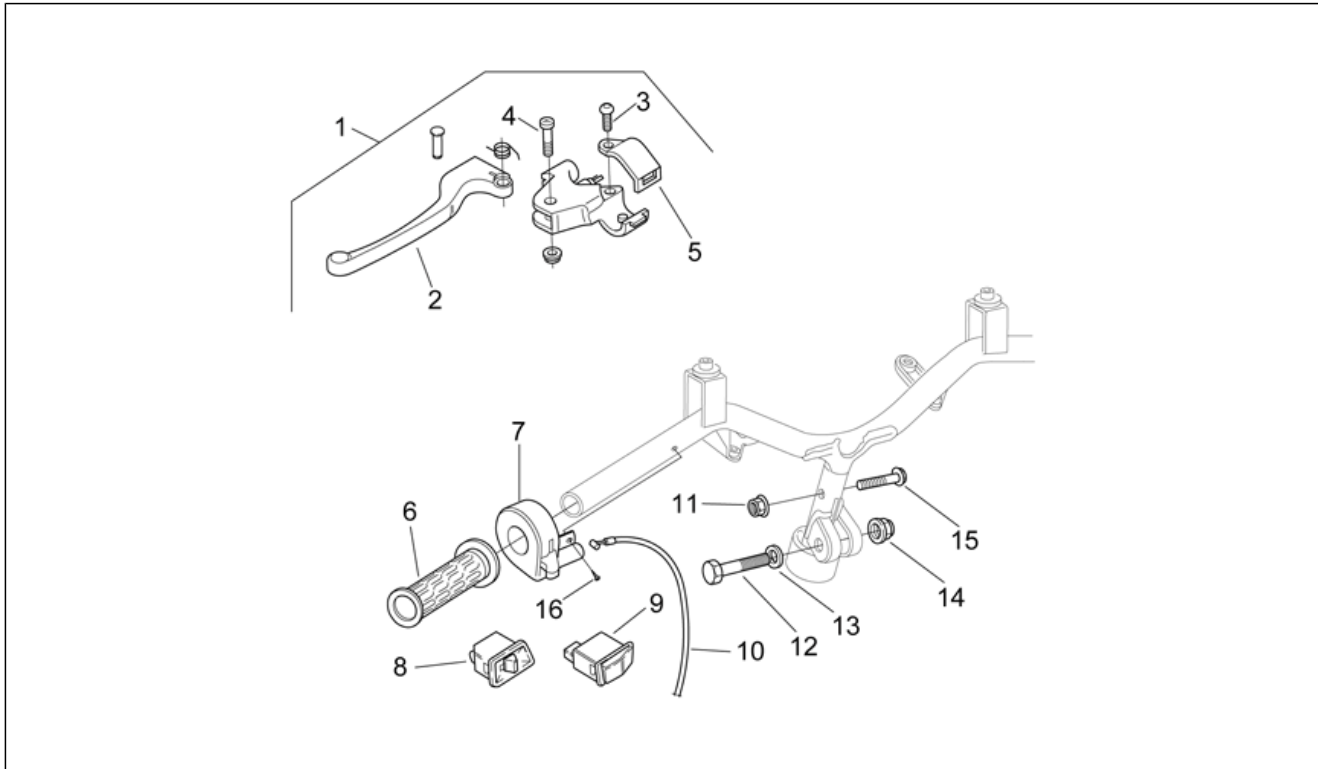
<b>Einheit</b>	RAHMEN
<b>Code</b>	28.18
<b>Beschreibung</b>	Lenkstange - Instrumenteneinheit
<b>Inspektion</b>	1



Pos.	Code	Beschreibung	Menge	Varianten
1	AP8218210	Lenkstange galv.	1	
2	AP8201836	Rückspiegel links	1	<b>Technische Daten:</b> "Spiegel mit der Schrift ""Arsauto""[Ar]
2	AP8201976	Rückspiegel links	1	<b>Technische Daten:</b> Spiegel mit Symbol Fico Mirrors auf der Rückseite[Fi]
3	AP8201835	Rückspiegel rechts	1	<b>Technische Daten:</b> "Spiegel mit der Schrift ""Arsauto""[Ar]
3	AP8201975	Rückspiegel rechts	1	<b>Technische Daten:</b> Spiegel mit Symbol Fico Mirrors auf der Rückseite[Fi]
4	AP8220454	Gummi linker Spiegel	1	
5	AP8214163	Tachometerkabel	1	
6	AP8221242	Gewindeschraube Spezial 3,5x20	4	
7	AP8201818	Verschl. Spgl rch + lks.	2	<b>Technische Daten:</b> "Spiegel mit der Schrift ""Arsauto""[Ar]
7	AP8202071	Verschl. Spgl rch + lks.	2	<b>Technische Daten:</b> Spiegel mit Symbol Fico Mirrors auf der Rückseite[Fi]
8	AP8220422	Dichtung Instrumentenblende	1	
9	AP8212407	Lampenhalter kplt. 12V-1,2W	5	
10	AP8212408	Lampenhalter kplt.	2	
11	AP8212793	Instrum.tafel kplt.	1	<b>Land:</b> Österreich[A], Belgien[B], Brasilien[BR], Deutschland[D], Dänemark[DK], Spanien[E], Frankreich[F], Griechenland[GR], Italien[I], Holland[NL], Portugal[P], Finnland[SF]
11	AP8212899	Instrum.tafel kplt. -exp-	1	<b>Land:</b> Schweiz[CH], Israel[IL]
12	AP8212881	Blende ohne Kontrolleuchten	1	
13	AP8212873	Instrumentenblenden schutz	1	
14	AP8212930	Leuchtschirm, gelb	1	
15	AP8150421	Gew.schr. 2,9x12	4	
16	AP8102671	Kunststoffniet	2	
17	AP8220453	Gummi rechter Spiegel	1	

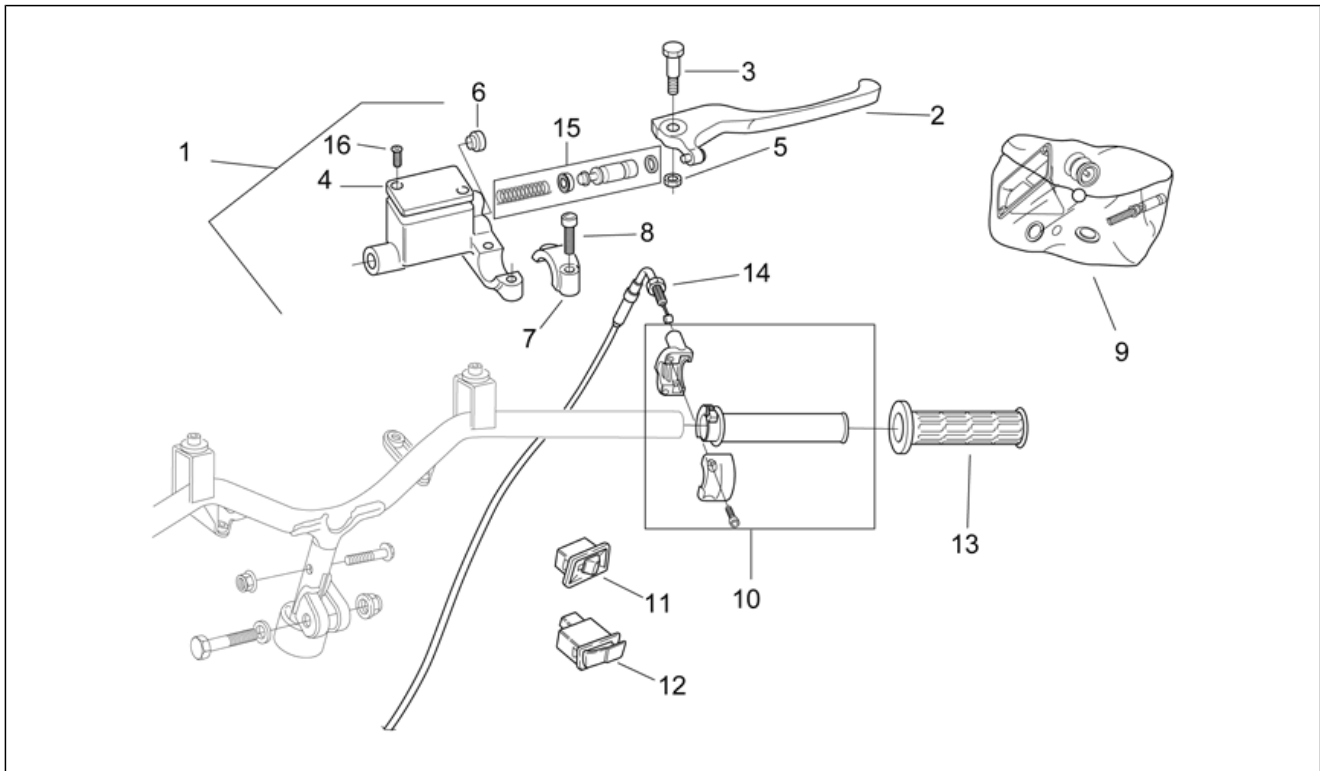


<b>Einheit</b>	RAHMEN
<b>Code</b>	28.19
<b>Beschreibung</b>	Schaltungen I
<b>Inspektion</b>	1



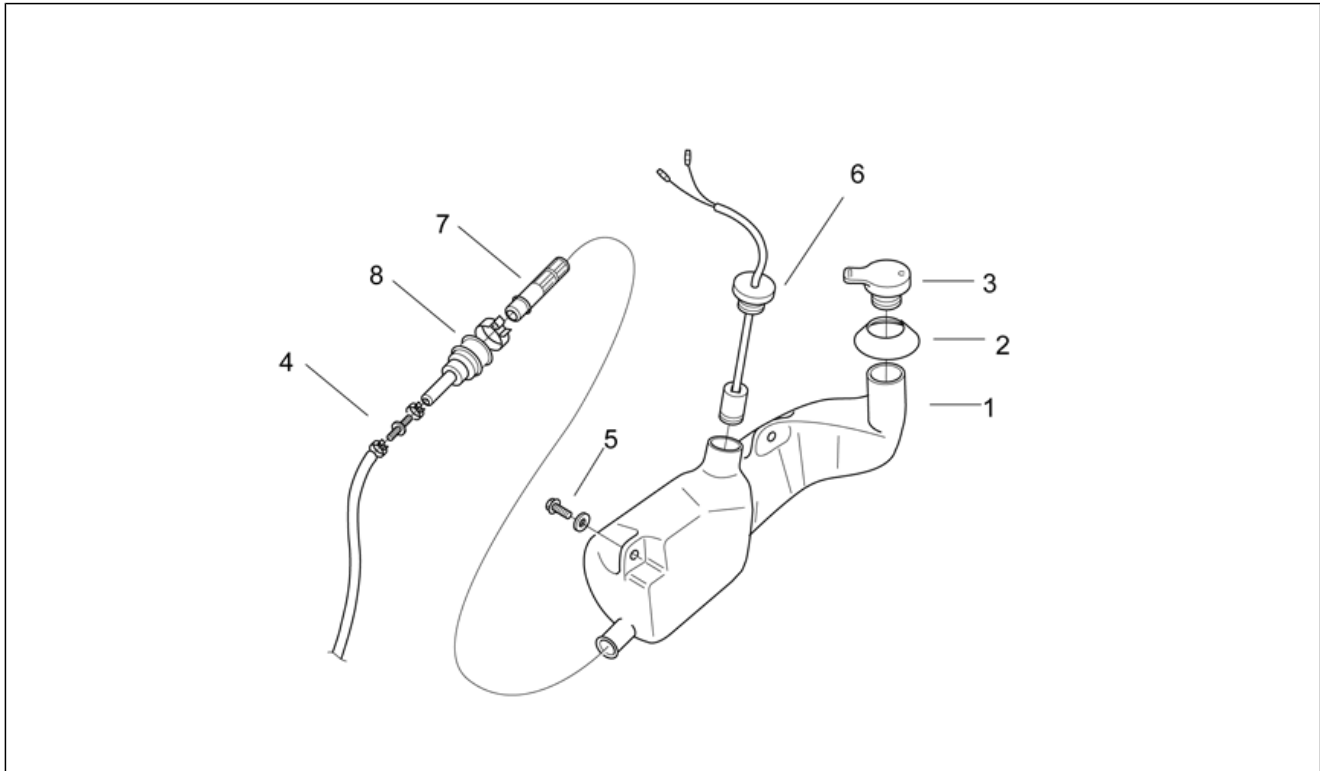
Pos.	Code	Beschreibung	Menge	Varianten
1	AP8218136	Linke Hinterradbremsschaltung	1	Baujahr:2001[1], 2000[Y]
1	AP8218236	H. bremshebel	1	Baujahr:1997[V], 1998[W], 1999[X]
2	AP8218153	Hinterradbremshel	1	Baujahr:2001[1], 2000[Y]
2	AP8218274	Hinterradbremshel	1	Baujahr:1997[V], 1998[W], 1999[X]
3	AP8118472	Schraube	1	
4	AP8218114	Bremshebelbolzen	1	
5	AP8218154	Bremshebel-Bügelbolzen	1	
6	AP8218265	Handgriffe paar, grau	1	Baujahr:1997[V], 1998[W]
6	AP8218275	Handgriffe paar, schwarz	1	Baujahr:2001[1], 1999[X], 2000[Y]
7	AP8212529	Starterschaltung	1	
8	AP8212767	Blinker Lichtknopf	1	
9	AP8124209	Hupknopf	1	
10	AP8214159	Starterzugkabel	1	
11	AP8152300	Selbstsperrende Mutter M8	1	
12	AP8150086	TCEI Schraube	1	
13	AP8150020	Ausgleichscheibe 10,5x21x2*	1	
14	AP8152301	Selbstsperrende Mutter	1	
15	AP8152290	TE Schr. m. Flansch M8x40	1	
16	AP8150473	Linsenschraube 2,9x9,5	1	

<b>Einheit</b>	RAHMEN
<b>Code</b>	28.20
<b>Beschreibung</b>	Schaltungen II
<b>Inspektion</b>	1



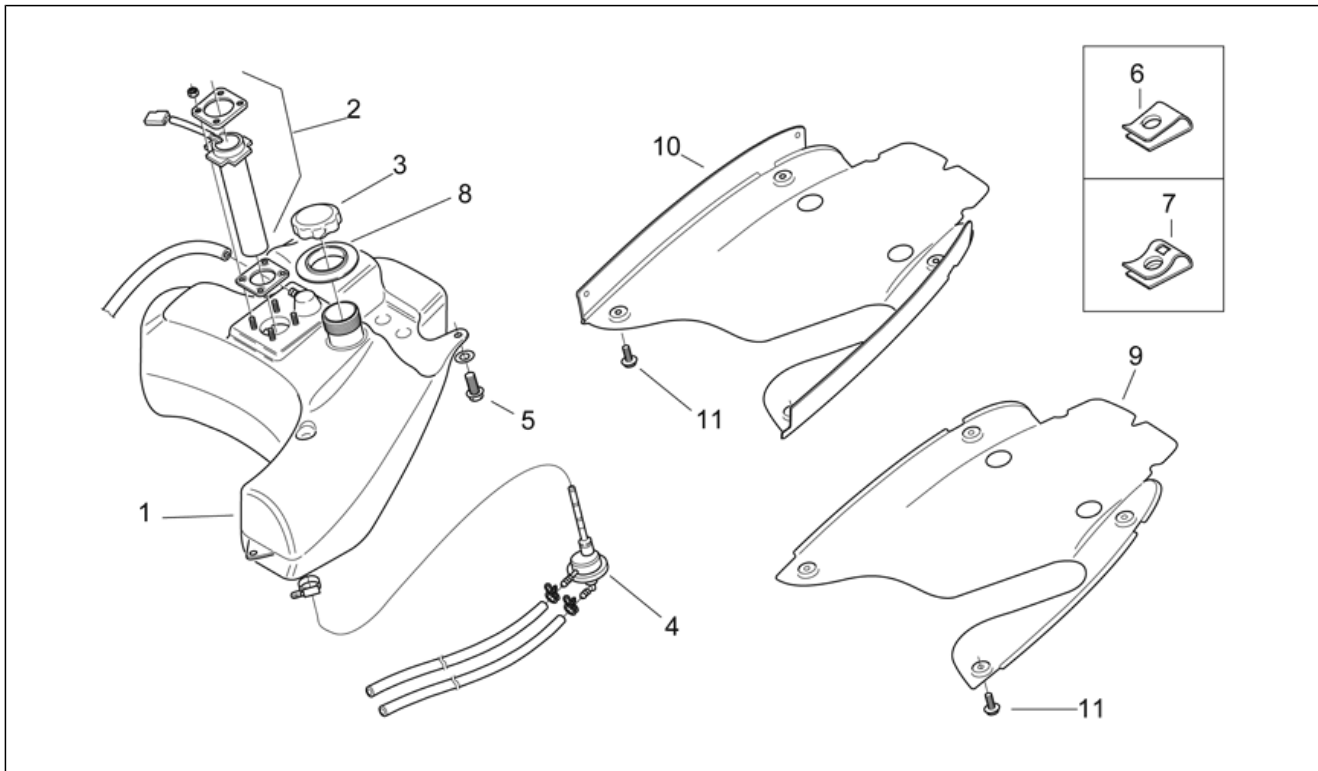
Pos.	Code	Beschreibung	Menge	Varianten
1	AP8213275	Vorderradbremspumpe D12	1	<b>Baujahr:</b> 1997[V], 1998[W], 1999[X]
1	AP8213484	Vorderradbremspumpe d12	1	<b>Baujahr:</b> 2001[1], 2000[Y]
2	AP8213284	Polierter bremshebel	1	<b>Baujahr:</b> 1997[V], 1998[W], 1999[X]
2	AP8218549	Bremshebel, schwarz	1	<b>Baujahr:</b> 2001[1], 2000[Y]
3	AP8125757	Schraube Hebel	1	
4	AP8213272	Tankdeckel	1	
5	AP8213298	Mutter	1	
6	AP8113414	Schauglas Bremspumpe	1	
7	AP8113637	Bremshebel-Bügelbolzen	1	
8	AP8213299	Kappenschraube	2	
9	AP8213375	Bausatz Pumpenüberholung	1	
10	AP8218331	Gasschaltung ohne Griff	1	
11	AP8212764	3-Wege Lichtknopf	1	<b>Land:</b> Schweiz[CH], Israel[IL]
11	AP8212837	2-Wege Lichtknopf	1	<b>Land:</b> Österreich[A], Belgien[B], Brasilien[BR], Deutschland[D], Dänemark[DK], Spanien[E], Frankreich[F], Griechenland[GR], Italien[I], Holland[NL], Portugal[P], Finnland[SF]
12	AP8124208	Startknopf	1	
13	AP8218265	Handgriffe paar, grau	1	<b>Baujahr:</b> 1997[V], 1998[W]
13	AP8218275	Handgriffe paar, schwarz	1	<b>Baujahr:</b> 2001[1], 1999[X], 2000[Y]
14	AP8214162	Gaszugkabel	1	
15	AP8113861	Kolben kpl.	1	
16	AP8213400	Schraube Pumpendeckel	2	

<b>Einheit</b>	RAHMEN
<b>Code</b>	28.21
<b>Beschreibung</b>	Ölbehälter
<b>Inspektion</b>	1



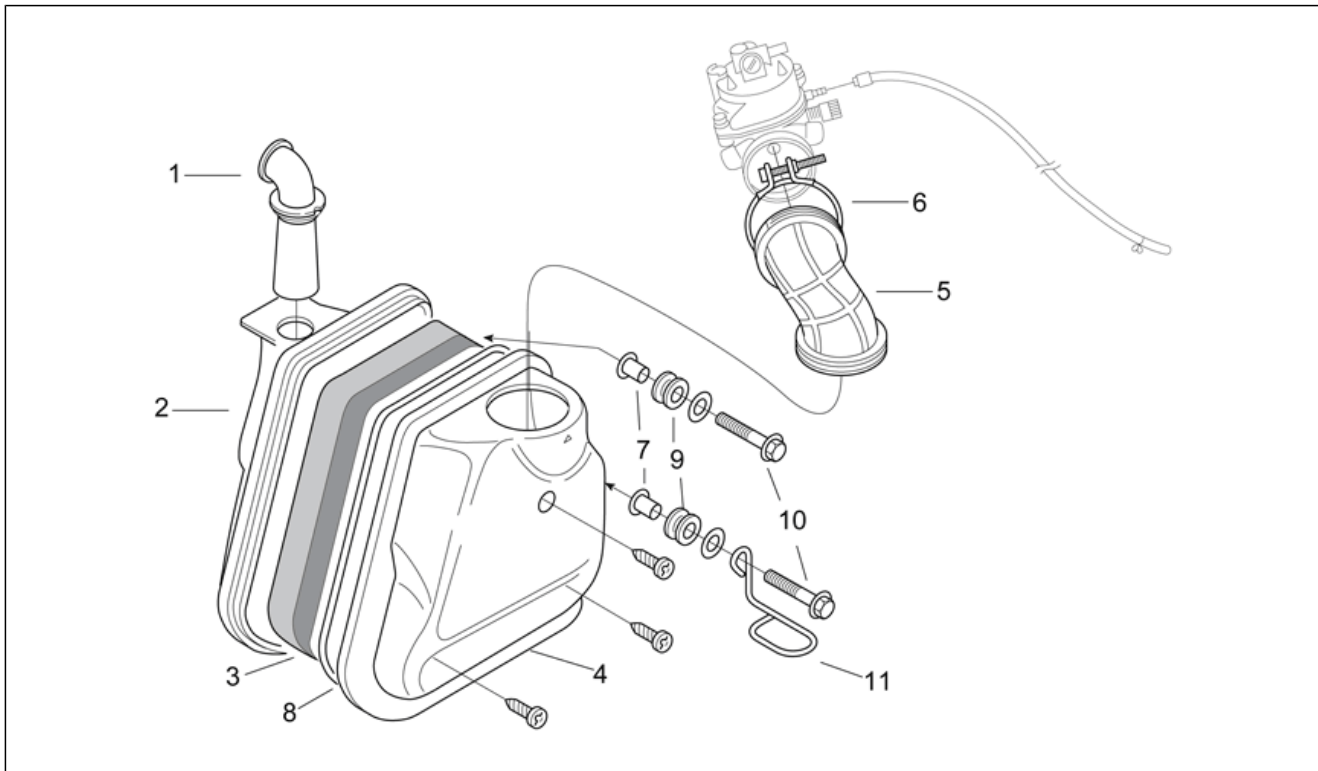
Pos.	Code	Beschreibung	Menge	Varianten
1	AP8238433	Öltank	1	
2	AP8220195	Ölabstreifring	1	
3	AP8220421	Öltankschraube	1	
4	AP8101944	2-Wege Anschluß	1	
5	AP8152279	TE Schr. m. Flansch M6x20	4	
6	AP8212481	Anzeige Ölreserve	1	
7	AP8102224	Gemisch-Ölfilter	1	
8	AP8102223	Gummi *	1	

<b>Einheit</b>	RAHMEN
<b>Code</b>	28.22
<b>Beschreibung</b>	Kraftstofftank
<b>Inspektion</b>	1



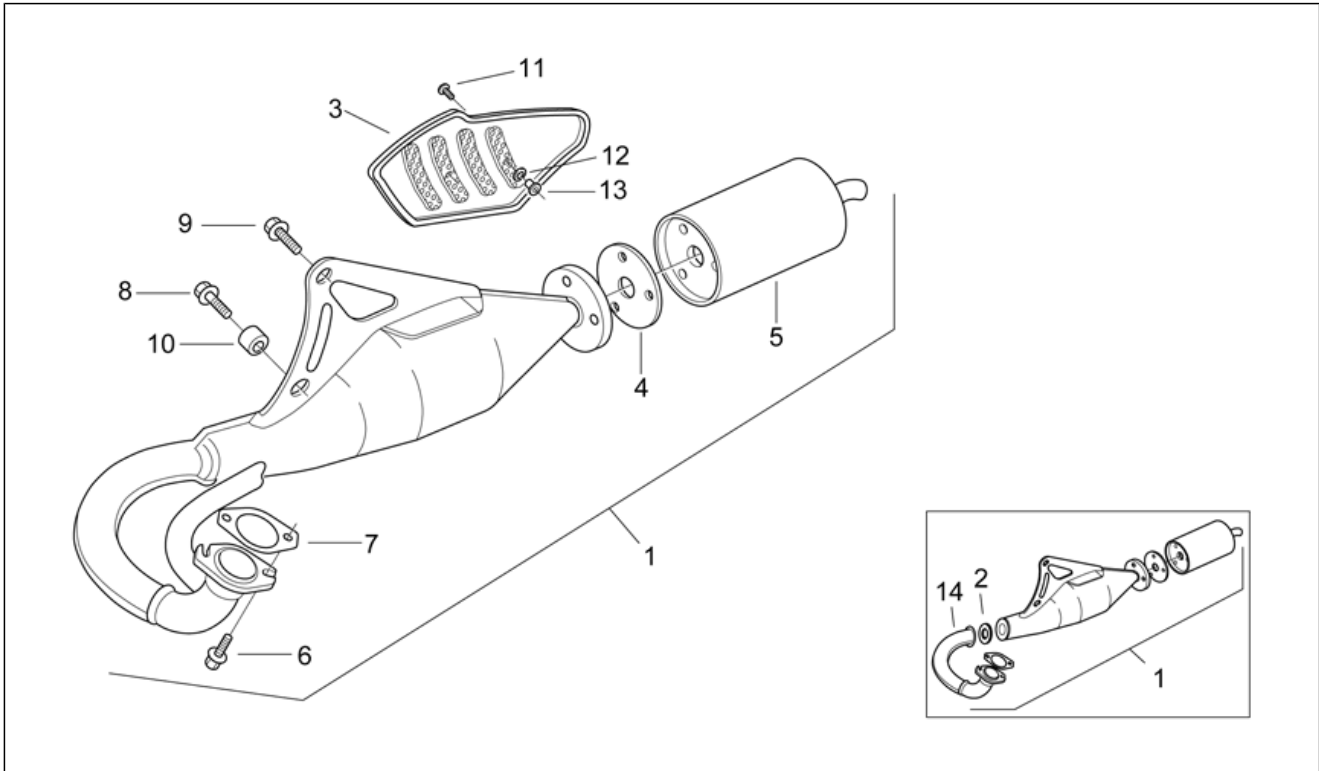
Pos.	Code	Beschreibung	Menge	Varianten
1	AP8238335	Kraftstofftank	1	<b>Land:</b> Italien[I] <b>Technische Daten:</b> Version ohne Katalysator[nocat]
1	AP8238335	Kraftstofftank	1	<b>Land:</b> Österreich[A], Belgien[B], Brasilien[BR], Deutschland[D], Dänemark[DK], Spanien[E], Frankreich[F], Griechenland[GR], Israel[IL], Holland[NL], Portugal[P], Finnland[SF]
1	AP8239471	Kraftstofftank	1	<b>Land:</b> Schweiz[CH], Italien[I] <b>Technische Daten:</b> Version mit Katalysator[cat]
2	AP8124814	Kraftstoffmeßsonde	1	
3	AP8201757	Tankverschlußschraube	1	
4	AP8201824	Unterdruck-Kraftstoffhahn	1	
5	AP8152279	TE Schr. m. Flansch M6x20	1	
6	AP8102376	Klammer M6	2	
7	AP8201763	Clip f. Blechschr. D5,5*	2	
8	AP8220472	Gummi Tankstutzen	1	
9	AP8238364	Tankschutz grau	1	<b>Baujahr:</b> 1997[V], 1998[W]
9	AP8248664	Tankverkl. Titangrau	1	<b>Baujahr:</b> 1999[X] <b>Fahrzeugfarbe:</b> Kirschrot / Grau Mercury '99[re/mg]
9	AP8248811	Tankschutz	1	<b>Baujahr:</b> 1999[X] <b>Fahrzeugfarbe:</b> Blau Cyber / Grau Silver '99[bc/gs], Mondweiß / Grau Blade '99[bl/gb]
10	AP8249762	Tankschutz m.schwarz	1	<b>Baujahr:</b> 2001[1], 2000[Y]
11	AP8152298	TBEI Schraube m.Flansch M5x16	4	

<b>Einheit</b>	RAHMEN
<b>Code</b>	28.23
<b>Beschreibung</b>	Filtergehäuse
<b>Inspektion</b>	1



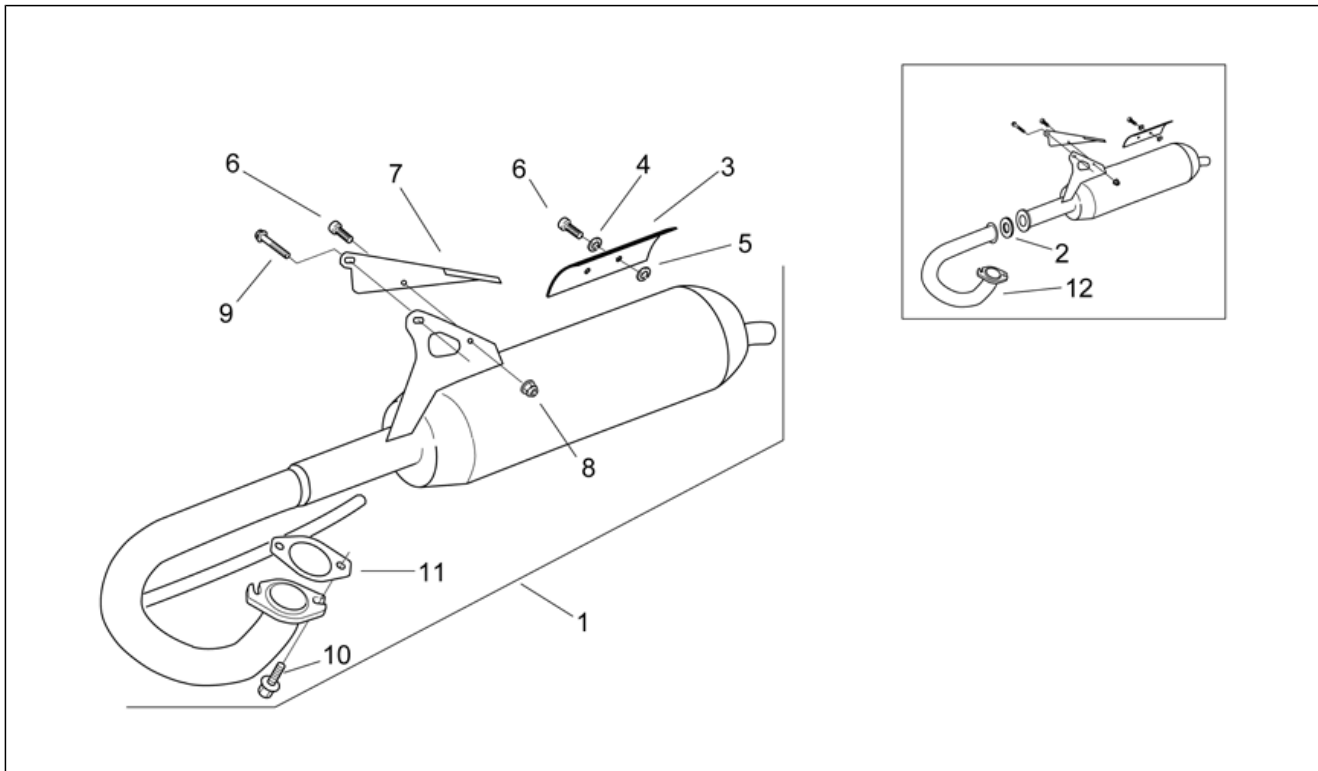
Pos.	Code	Beschreibung	Menge	Varianten
1	AP8220467	Ansaugmuffe	1	
2	AP8231548	Filtereinsatzgehäuse	1	
3	AP8201683	Luftfilter	1	
4	AP8231549	Deckel Filtergehäuse	1	
5	AP8220364	Ansaugmuffe	1	
6	AP8201799	Muffenschelle	1	
7	AP8121725	T-Buchse *	2	
8	AP8220385	Dichtung Filtergehäuse	1	
9	AP8220370	Gummi Filtergehäuse	2	
10	AP8152280	TE Schr. m. Flansch M6x25	2	
11	AP8221114	Kabelführungs	1	

<b>Einheit</b>	RAHMEN
<b>Code</b>	28.25
<b>Beschreibung</b>	Fluchtgerecht Schalldämpfer Auspuffrohr
<b>Inspektion</b>	1



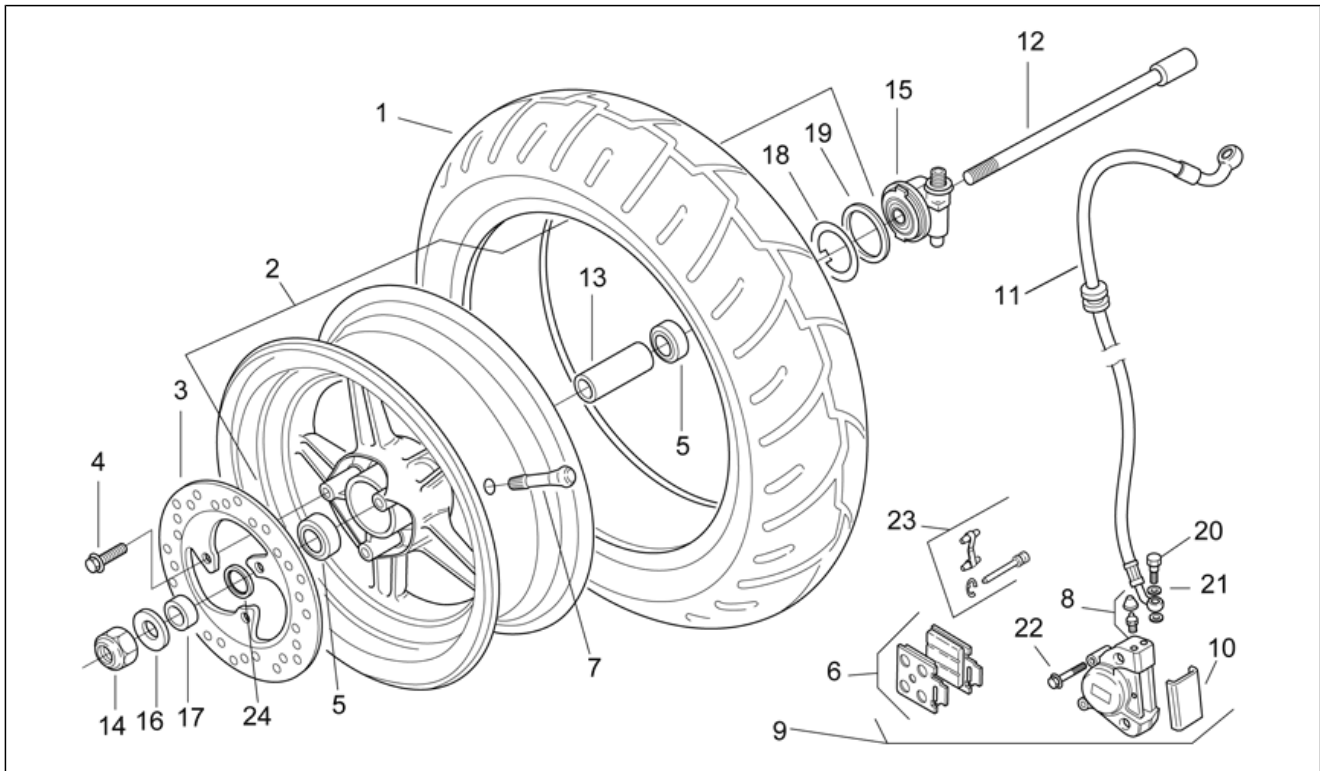
Pos.	Code	Beschreibung	Menge	Varianten
1	AP8219316	Auspuff	1	Land:Brasilien[BR], Griechenland[GR], Italien[I], Israel[IL]
1	AP8219357	Auspuff -B-	1	Land:Belgien[B] Technische Daten:Version mit Beschränkung 25 km/h[25]
1	AP8219358	Auspuff -exp-	1	Land:Spanien[E], Portugal[P]
1	AP8219359	Auspuff -F-	1	Land:Belgien[B] Technische Daten:Version mit Beschränkung 45 km/h[45]
1	AP8219359	Auspuff -F-	1	Land:Frankreich[F]
2	AP8219321	Dichtung Auspuffrohrflansch	1	Land:Belgien[B], Spanien[E], Frankreich[F], Portugal[P]
3	AP8239257	Auspuffrohrschutz, alu.	1	Baujahr:1997[V]
3	AP8248116	Auspuffrohrschutz, schwarz	1	Baujahr:2001[1], 1998[W], 1999[X], 2000[Y]
4	AP8219333	Dichtung Auspuffrohr	1	
5	AP8219236	Schalldämpfer	1	
6	AP8152260	TE Schr. m. Flansch	2	
7	AP8219212	Dichtung Auspuffrohr	1	
8	AP8152289	TE Schr. m. Flansch	1	
9	AP8152288	TE Schr. m. Flansch	1	
10	AP8220357	Silent-Block Ausp. grü	1	
11	AP8152246	TBEI Schraube m.Flansch M6x16	3	
12	AP8120870	Isolierscheibe	2	
13	AP8121075	T-Buchse *	3	
14	AP8219507	Auspuff-Anfangsrohr	1	Land:Spanien[E], Portugal[P]

<b>Einheit</b>	RAHMEN
<b>Code</b>	28.26
<b>Beschreibung</b>	"Barilotto" Auspuffrohr
<b>Inspektion</b>	1



Pos.	Code	Beschreibung	Menge	Varianten
1	AP8219387	Kat.Auspuffrohr -NL-	1	Land:Dänemark[DK], Holland[NL], Finnland[SF]
1	AP8219388	Kat.Auspuffrohr -D-	1	Land:Deutschland[D]
1	AP8219404	Kat.Auspuffrohr -A-	1	Land:Österreich[A]
1	AP8219411	Kat.Auspuffrohr -Ch-	1	Land:Schweiz[CH]
1	AP8219479	Kat.Auspuffrohr -I-	1	Land:Italien[I] Technische Daten:Version mit Katalysator[cat]
2	AP8219321	Dichtung Auspuffrohrflansch	1	Land:Österreich[A], Dänemark[DK], Holland[NL], Finnland[SF]
3	AP8219487	Auspuffrohrschutz	1	Land:Italien[I] Technische Daten:Version mit Katalysator[cat]
3	AP8232524	Auspuffrohrschutz, chr. schw.	1	Land:Österreich[A], Schweiz[CH], Deutschland[D], Dänemark[DK], Holland[NL], Finnland[SF]
4	AP8150178	Ausgleichscheibe 6,4x12,5*	2	
5	AP8150179	Ausgleichscheibe 6,6x18*	2	Land:Österreich[A], Schweiz[CH], Deutschland[D], Dänemark[DK], Holland[NL], Finnland[SF]
5	AP8221297	Isolierscheibe	3	Land:Italien[I] Technische Daten:Version mit Katalysator[cat]
6	AP8150340	TBEI Schraube	3	Land:Österreich[A], Schweiz[CH], Deutschland[D], Dänemark[DK], Holland[NL], Finnland[SF]
6	AP8152286	TE Schr. m. Flansch M8x20	1	Land:Italien[I] Technische Daten:Version mit Katalysator[cat]
7	AP8234142	H. Schutzblechplatte	1	Land:Österreich[A], Schweiz[CH], Deutschland[D], Dänemark[DK], Holland[NL], Finnland[SF]
8	AP8152299	Selbstsperrende Mutter M6	1	
9	AP8152288	TE Schr. m. Flansch	1	
10	AP8152260	TE Schr. m. Flansch	2	
11	AP8219212	Dichtung Auspuffrohr	1	
12	AP8219508	Auspuff-Anfangsrohr	1	Land:Dänemark[DK], Holland[NL], Finnland[SF]
12	AP8219509	Auspuff-Anfangsrohr	1	Land:Österreich[A]

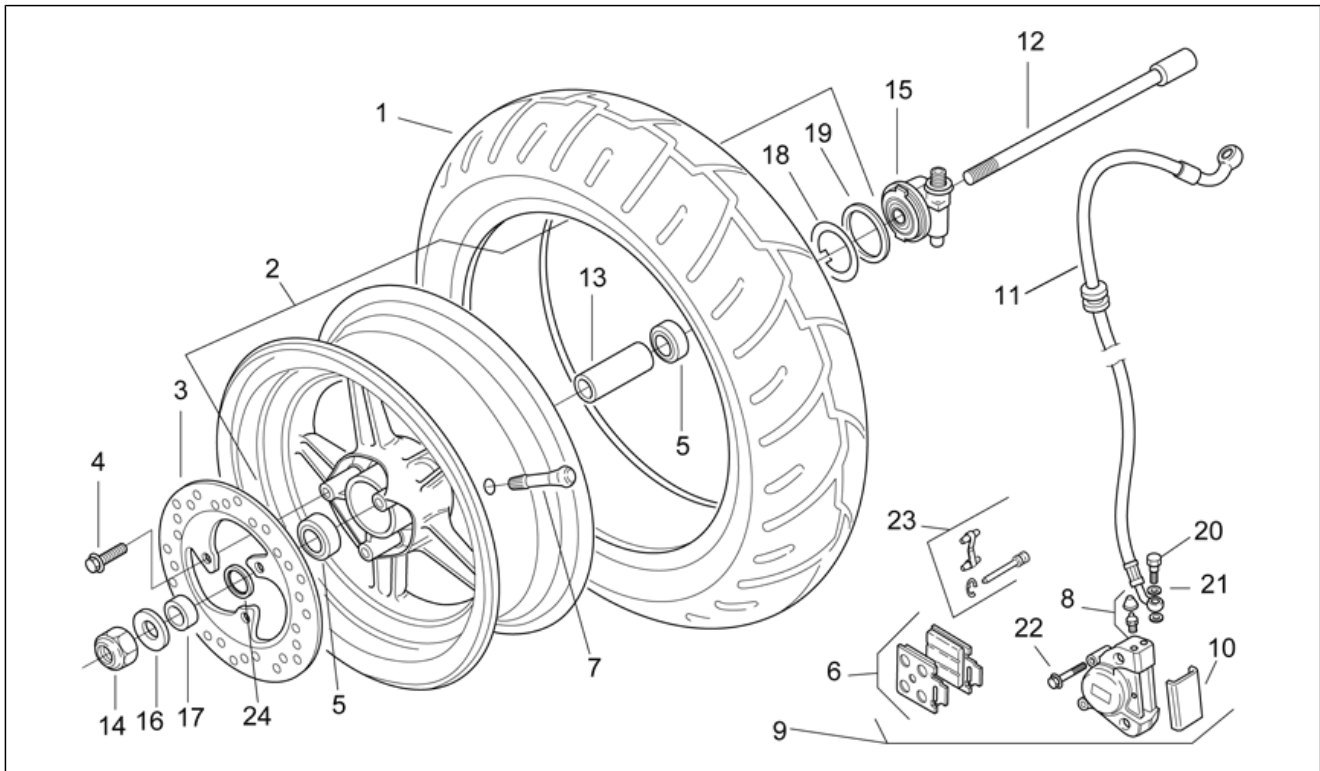
<b>Einheit</b>	RAHMEN
<b>Code</b>	28.27
<b>Beschreibung</b>	Vorderrad
<b>Inspektion</b>	1



Pos.	Code	Beschreibung	Menge	Varianten
1	0000000	Reifen	1	
2	AP8208445	Vorderrad, silber	1	<b>Baujahr:</b> 1997[V], 1998[W], 1999[X]
2	AP8208705	Vorderrad Grey/RifleTube	1	<b>Baujahr:</b> 2001[1], 2000[Y]
3	AP8213231	Bremsscheibe D190	1	
4	AP8152288	TE Schr. m. Flansch	3	
5	AP8225123	Lager	2	
6	AP8113638	Beläge (Paar)	1	<b>Technische Daten:</b> "Bremssattel mit der Schrift ""Aprilia""[Ap]
6	AP8213318	Beläge (Paar)	1	<b>Technische Daten:</b> "Bremssattel mit der Schrift ""Brembo""[Br]
7	AP8201546	Schlauchloses Reifenventil	1	
8	AP8113006	Entlüftungsanschluß	1	<b>Technische Daten:</b> "Bremssattel mit der Schrift ""Aprilia""[Ap]
8	AP8113549	Entlüftungsanschluß	1	<b>Technische Daten:</b> "Bremssattel mit der Schrift ""Brembo""[Br]
9	AP8113577	Vorderradbremsszange gold D32	1	<b>Technische Daten:</b> "Bremssattel mit der Schrift ""Aprilia""[Ap]
9	AP8213305	Vorderradbremsszange D32	1	<b>Technische Daten:</b> "Bremssattel mit der Schrift ""Brembo""[Br]
10	AP8113640	Deckel Bremszangen	1	<b>Technische Daten:</b> "Bremssattel mit der Schrift ""Aprilia""[Ap]
10	AP8213199	Deckel Bremszangen	1	<b>Technische Daten:</b> "Bremssattel mit der Schrift ""Brembo""[Br]
11	AP8213248	Vorderradbremssleitung	1	<b>Baujahr:</b> 1997[V], 1998[W]
11	AP8213352	Vorderradbremssleitung	1	<b>Baujahr:</b> 2001[1], 1999[X], 2000[Y]
12	AP8225271	Vorderradbolzen	1	
13	AP8225323	Innen V.rad Distanzscheibe	1	
14	AP8150373	Selbstsperr.mut Unt. M12x1,25	1	
15	AP8201925	Vorgelegte Kilometerzähler	1	
16	AP8152018	Scheibe 12,2x22x2	1	

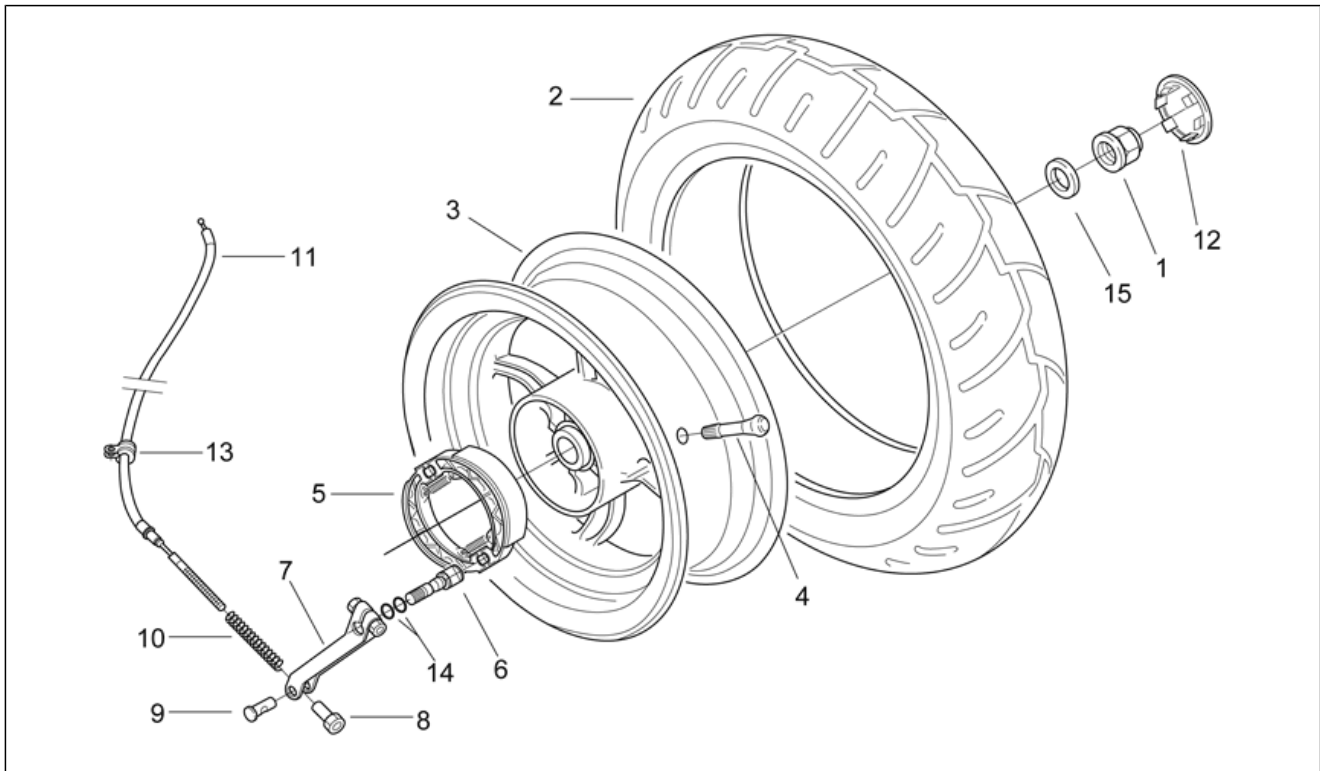


<b>Einheit</b>	RAHMEN
<b>Code</b>	28.27
<b>Beschreibung</b>	Vorderrad
<b>Inspektion</b>	1



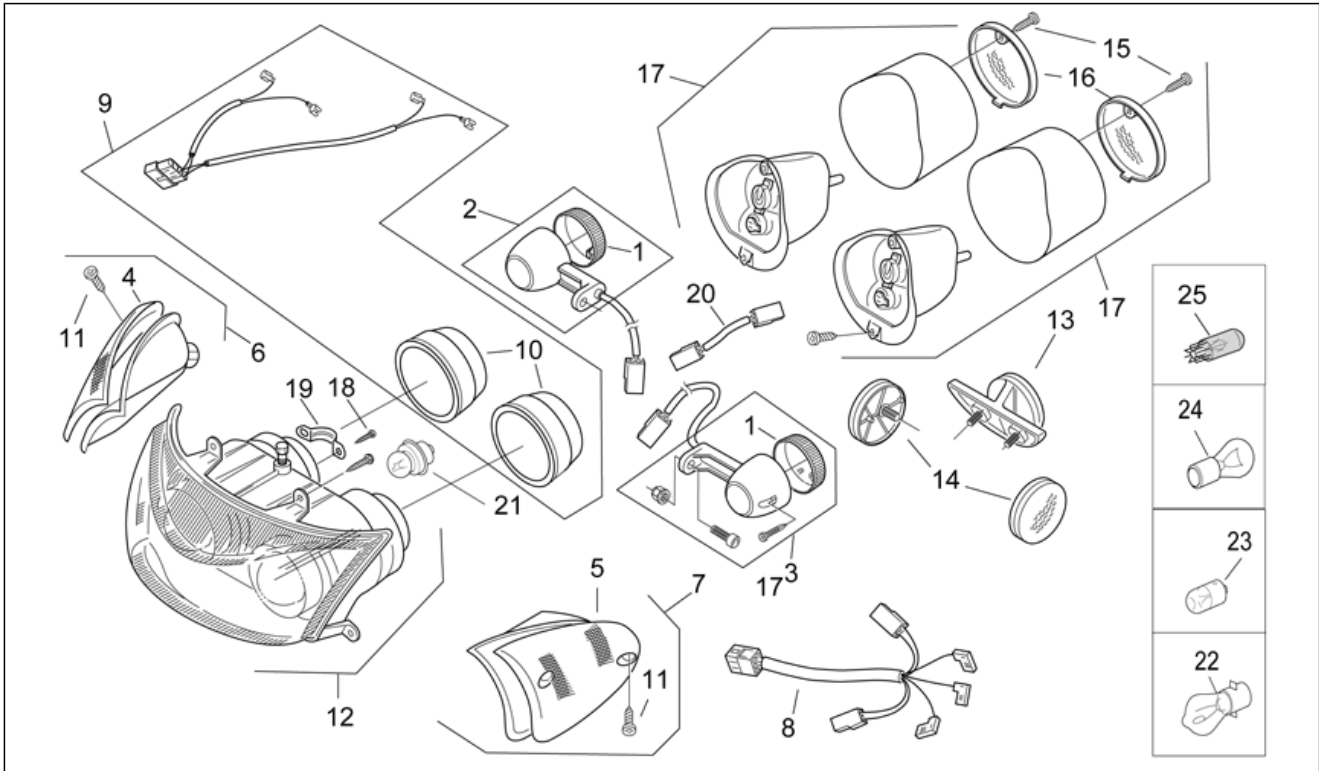
Pos.	Code	Beschreibung	Menge	Varianten
17	AP8221119	Vorderrad Distanzscheibe	1	
18	AP8120865	Mitnehmer	1	
19	AP8120864	O-Ring Vorgelege	1	
20	AP8113003	Fixierschraube Ölschlauch	1	
21	AP8113004	Ausgleichscheibe 10x14x1,6*	2	
22	AP8152289	TE Schr. m. Flansch	2	
23	AP8213198	Greiferbolzen	1	<b>Technische Daten:</b> "Bremssattel mit der Schrift ""Brebo""[Br]
23	AP8213227	Bolzen+Bremse Felder	1	<b>Technische Daten:</b> "Bremssattel mit der Schrift ""Aprilia""[Ap]
24	AP8125782	Gasket ring	1	

<b>Einheit</b>	RAHMEN
<b>Code</b>	28.28
<b>Beschreibung</b>	Hinterrad trommelbremse
<b>Inspektion</b>	1



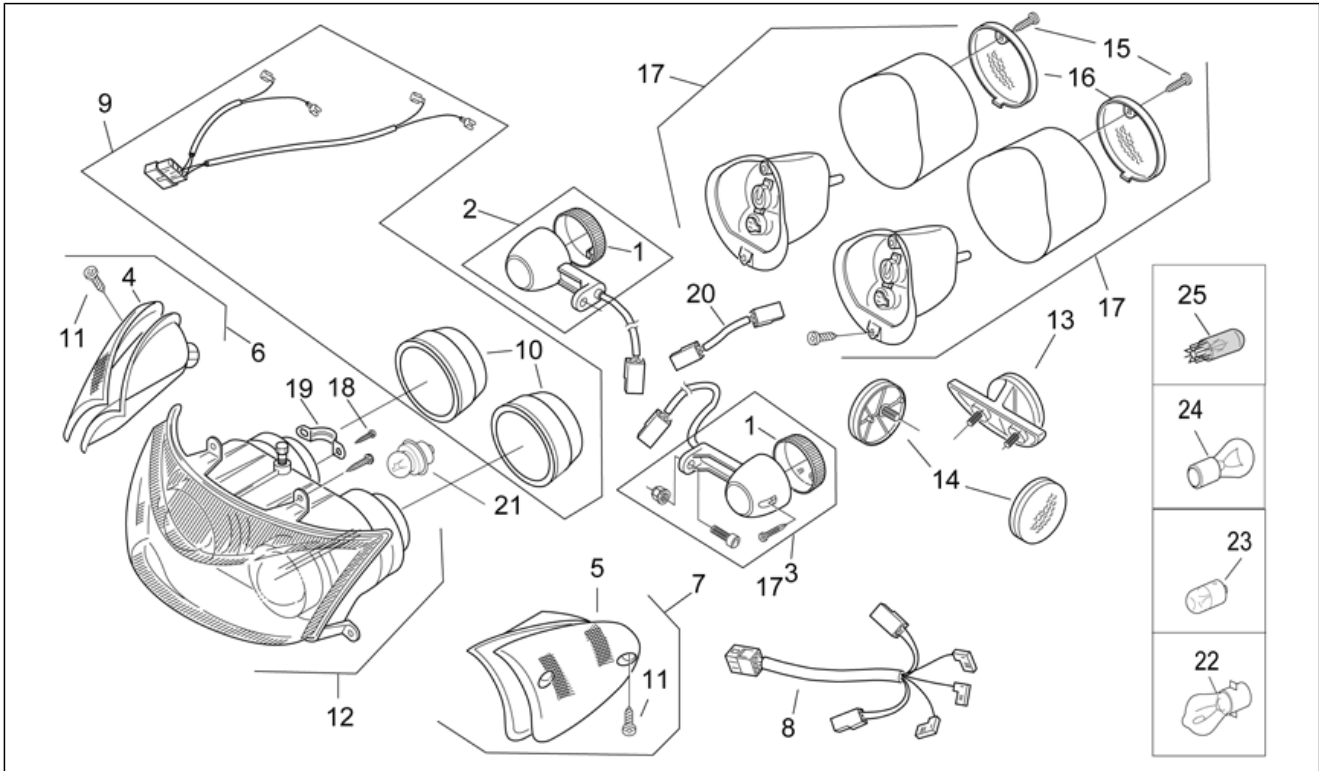
Pos.	Code	Beschreibung	Menge	Varianten
1	AP8152244	Mutter DAX geflanscht M14x1,5	1	
2	0000000	Reifen	1	
3	AP8208443	Hinterrad ohne Scheibe	1	<b>Baujahr:</b> 1997[V], 1998[W], 1999[X]
3	AP8208664	Hinterrad ohne Scheibe	1	<b>Baujahr:</b> 2001[1], 2000[Y]
4	AP8201546	Schlauchloses Reifenventil	1	
5	AP8213133	Bremsbac.+Federn	1	
6	AP8213319	Hinterradbremse Nocken	1	
7	AP8232678	Hinterradbremshebel verchromt	1	
8	AP8214200	Einstil.schr. Hinterr.br.	1	
9	AP8221120	Bremsseilhalter	1	
10	AP8213137	Schraubenfederkompr. *	1	
11	AP8214131	Hinterradbremskabel	1	
12	AP8220367	Hinterradschraube	1	<b>Baujahr:</b> 1997[V], 1998[W], 1999[X]
12	AP8220571	Hinterradschraube	1	<b>Baujahr:</b> 2001[1], 2000[Y]
13	AP8134167	Platte Bremsschlauch	1	
14	AP8120769	O-Ring 114	2	
15	AP8150471	Sprengscheibe 14,5x24	1	

<b>Einheit</b>	RAHMEN
<b>Code</b>	28.29
<b>Beschreibung</b>	Lichter
<b>Inspektion</b>	1



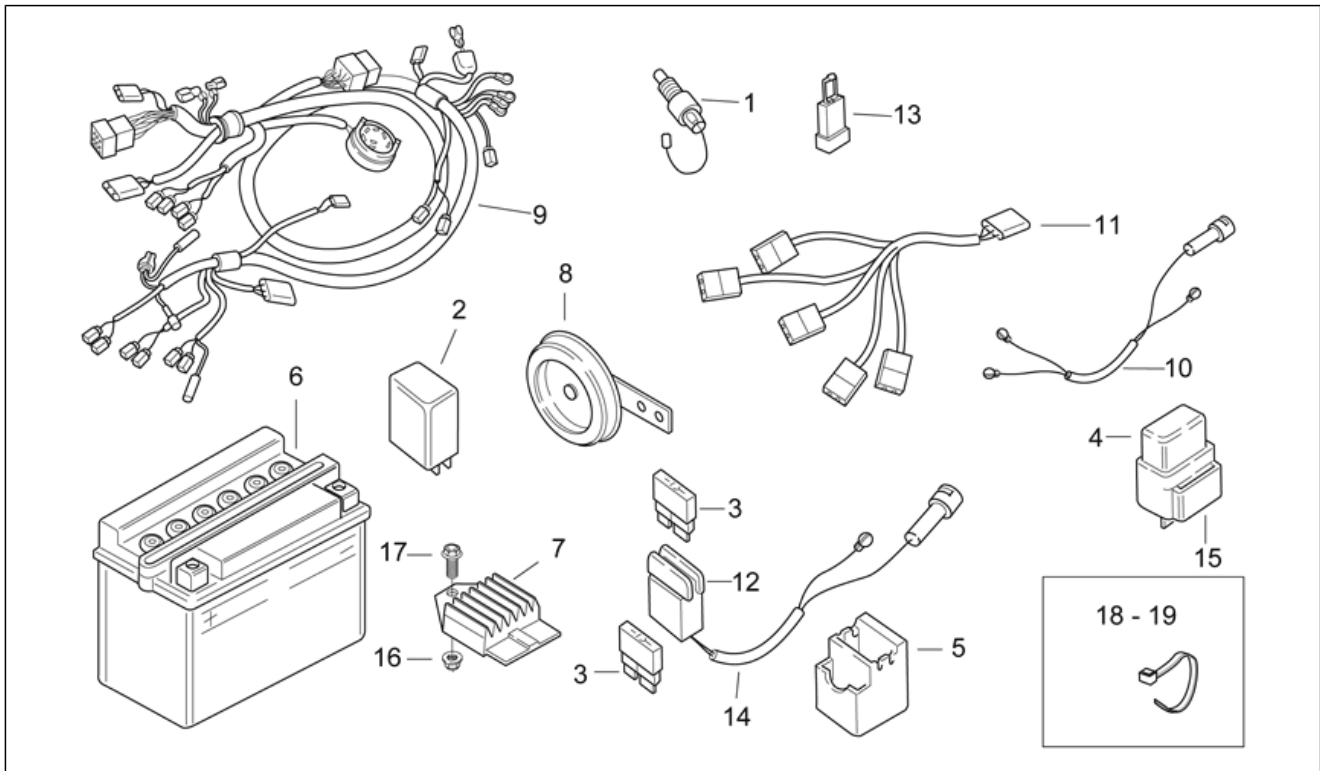
Pos.	Code	Beschreibung	Menge	Varianten
1	AP8212680	Blinkerblende	2	
2	AP8212607	Vorderblinker links/ Hinterblinker rechts	1	
3	AP8212566	Vorderblinker rechts / Hinterblinker links	1	
4	AP8124414	V. Blinkerblende rechts	1	
5	AP8124415	V. Blinkerblende links	1	
6	AP8124015	Vorderblinker rechts	1	
7	AP8124016	Vorderblinker links	1	
8	AP8212775	Verkabelung Rücklicht	1	<b>Land:</b> Belgien[B], Brasilien[BR], Deutschland[D], Dänemark[DK], Spanien[E], Frankreich[F], Griechenland[GR], Italien[I], Israel[IL], Holland[NL], Portugal[P], Finnland[SF]
8	AP8212937	Verkabelung Rücklicht	1	<b>Land:</b> Österreich[A], Schweiz[CH]
9	AP8212774	Verkabel.Scheinwerf.	1	<b>Land:</b> Österreich[A], Belgien[B], Brasilien[BR], Deutschland[D], Dänemark[DK], Spanien[E], Frankreich[F], Griechenland[GR], Italien[I], Holland[NL], Portugal[P], Finnland[SF]
9	AP8212936	Verkabel.Scheinwerf.	1	<b>Land:</b> Schweiz[CH], Israel[IL]
10	AP8212841	Scheinwerferhaube	2	
11	AP8150270	Linsenschraube 4,2x20*	4	
12	AP8212771	Scheinwerfer	1	<b>Land:</b> Österreich[A], Belgien[B], Brasilien[BR], Deutschland[D], Dänemark[DK], Spanien[E], Frankreich[F], Griechenland[GR], Italien[I], Holland[NL], Portugal[P], Finnland[SF]
12	AP8212903	Scheinwerfer -35+35W-	1	<b>Land:</b> Schweiz[CH], Israel[IL]
13	AP8212813	Rückstrahler Rücklicht	1	<b>Land:</b> Belgien[B], Brasilien[BR], Deutschland[D], Dänemark[DK], Spanien[E], Frankreich[F], Griechenland[GR], Italien[I], Israel[IL], Holland[NL], Portugal[P], Finnland[SF]
13	AP8212862	Kennzeichenl.+Rückstr.	1	<b>Baujahr:</b> 1997[V], 1998[W], 1999[X] <b>Land:</b> Österreich[A], Schweiz[CH]
13	AP8224196	Kennzeichenleuchte	1	<b>Baujahr:</b> 2001[1], 2000[Y] <b>Land:</b> Österreich[A], Schweiz[CH]

<b>Einheit</b>	RAHMEN
<b>Code</b>	28.29
<b>Beschreibung</b>	Lichter
<b>Inspektion</b>	1



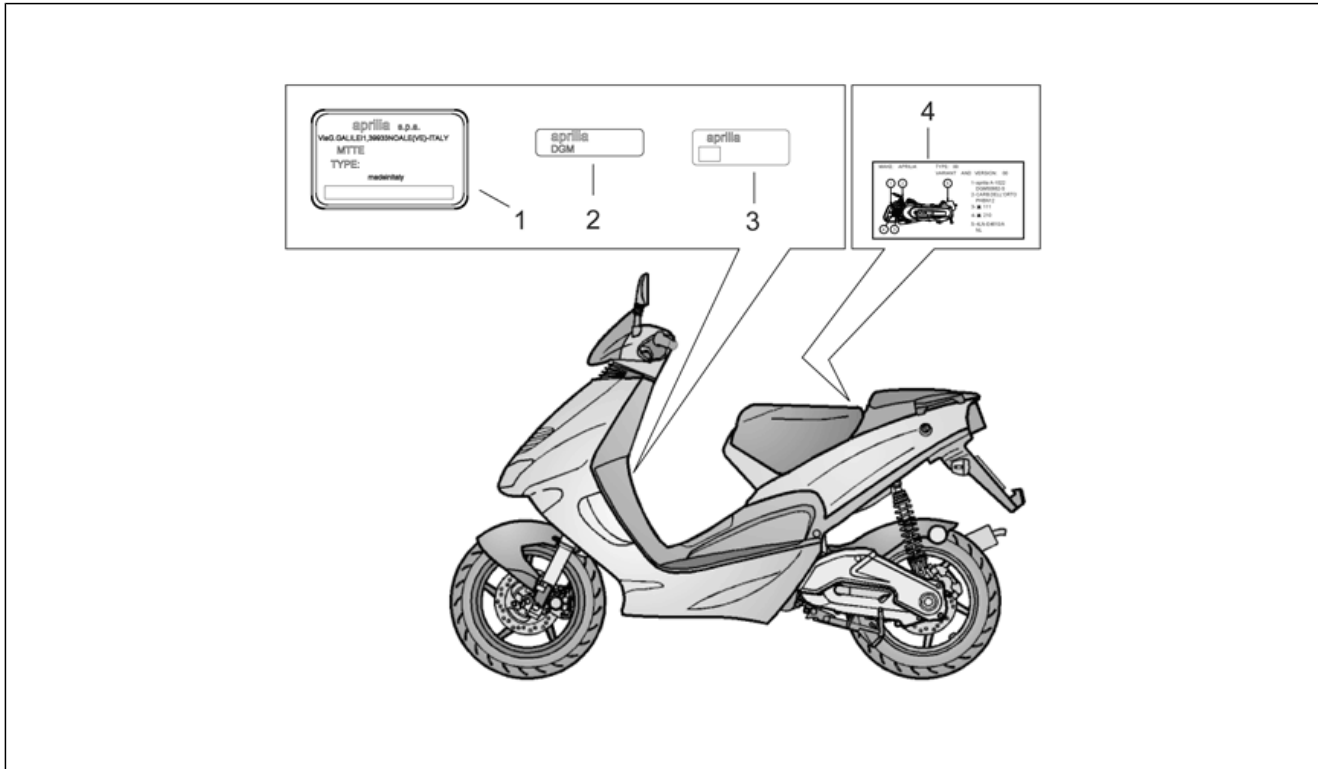
Pos.	Code	Beschreibung	Menge	Varianten
14	AP8212854	Rückstrahler, gelb	2	<b>Baujahr:</b> 1997[V], 1998[W], 1999[X]
14	AP8224163	Rückstrahler, gelb	2	<b>Baujahr:</b> 2001[1], 2000[Y]
15	AP8212934	Gew.schr. weiß 3,9x16	2	
16	AP8212933	Abdeckblende	2	
17	AP8212776	Rücklicht	1	<b>Baujahr:</b> 1999[X]
17	AP8212776	Rücklicht	1	<b>Baujahr:</b> 1997[V], 1998[W]
17	AP8224245	Rücklicht	1	<b>Baujahr:</b> 1999[X]
17	AP8224245	Rücklicht	1	<b>Baujahr:</b> 2001[1], 2000[Y]
18	AP8224063	Gew.schr. M2,9x6,5	2	
19	AP8224062	Platte	1	
20	AP8212698	Kabel vord. Blinker	1	
21	AP8224392	Lampen S3 15w 12v	1	<b>Land:</b> Österreich[A], Belgien[B], Brasilien[BR], Deutschland[D], Dänemark[DK], Spanien[E], Frankreich[F], Griechenland[GR], Italien[I], Holland[NL], Portugal[P], Finnland[SF]
22	AP8224391	Lampen S2 35/35w 12v	1	<b>Land:</b> Schweiz[CH], Israel[IL]
	AP8224390	Lampen R10W 12v	1	
	AP8224389	Lampen P21/5W 12V	1	
25	AP8224393	Lampen WY5W 12V	1	

<b>Einheit</b>	RAHMEN
<b>Code</b>	28.30
<b>Beschreibung</b>	Elektrische Anlage
<b>Inspektion</b>	1



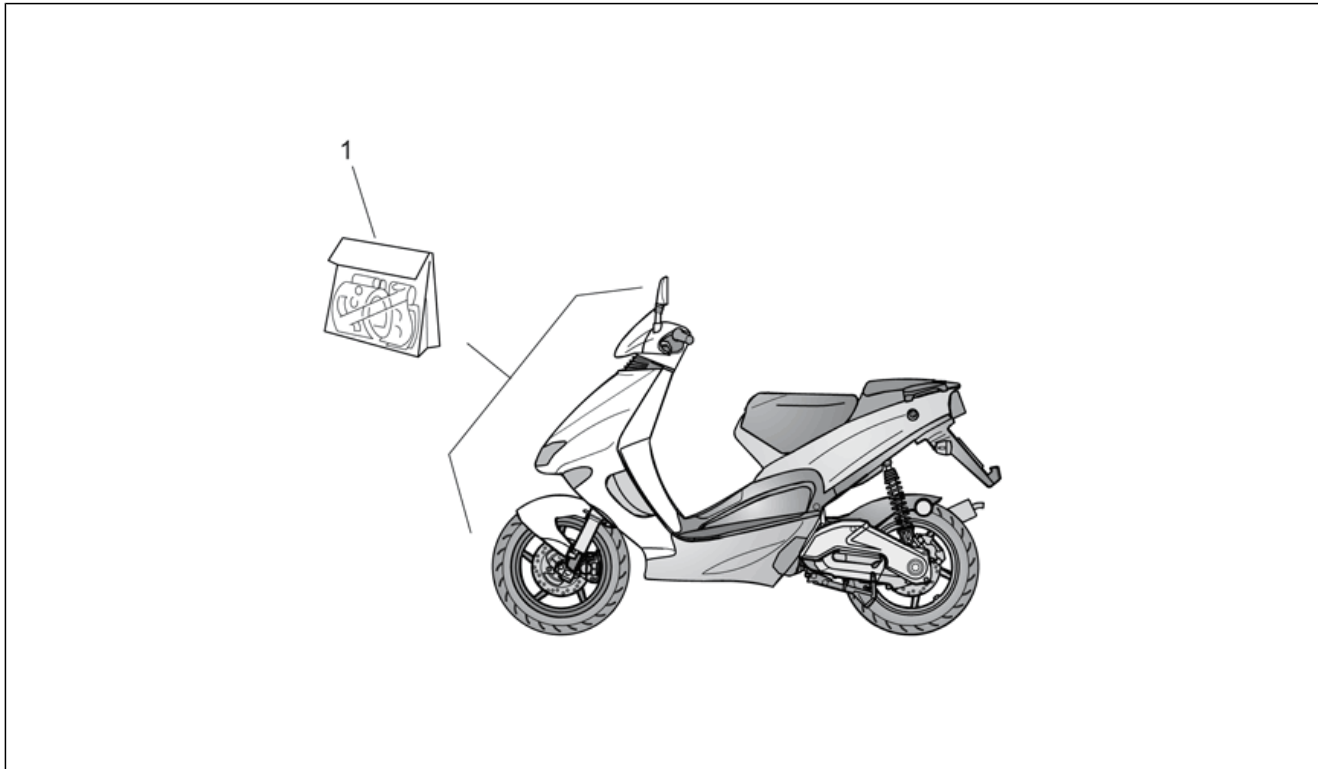
Pos.	Code	Beschreibung	Menge	Varianten
1	AP8124818	Bremslichtschalter	1	
2	AP8124235	Blinken	1	
3	AP8112244	Sicherung 7,5A	2	
4	AP8224057	Zündrelais	1	
5	AP8220342	Sicherungsblockgummi	1	
6	AP8212110	Batterie 12V-4Ah	1	
7	AP8212540	Spannungsregler	1	
8	AP8212611	Hupe	1	
9	AP8212778	Hauptverkabelung	1	
10	AP8212670	Verkabelung Starter	1	
11	AP8212777	Kabel Lenker	1	Land:Österreich[A], Belgien[B], Brasilien[BR], Deutschland[D], Dänemark[DK], Spanien[E], Frankreich[F], Griechenland[GR], Italien[I], Holland[NL], Portugal[P], Finnland[SF]
11	AP8212938	Kabel Lenker	1	Baujahr:1997[V], 1998[W], 1999[X] Land:Schweiz[CH], Israel[IL]
11	AP8224147	Kabel Lenker	1	Baujahr:2001[1], 2000[Y] Land:Schweiz[CH], Israel[IL]
12	AP8120754	Sicherungsblockgummi	1	
13	AP8212382	Diode	1	
14	AP8212738	Verkabelung Sicherungen	1	
15	AP8220546	Auflagegummi Relais	1	
16	AP8152299	Selbstsperrende Mutter M6	1	
17	AP8152280	TE Schr. m. Flansch M6x25	1	
18	AP8120422	Schelle schwarz 98x2*	4	
19	AP8120416	Schelle schwarz 178x4	2	

<b>Einheit</b>	RAHMEN
<b>Code</b>	28.31
<b>Beschreibung</b>	Schilden
<b>Inspektion</b>	1



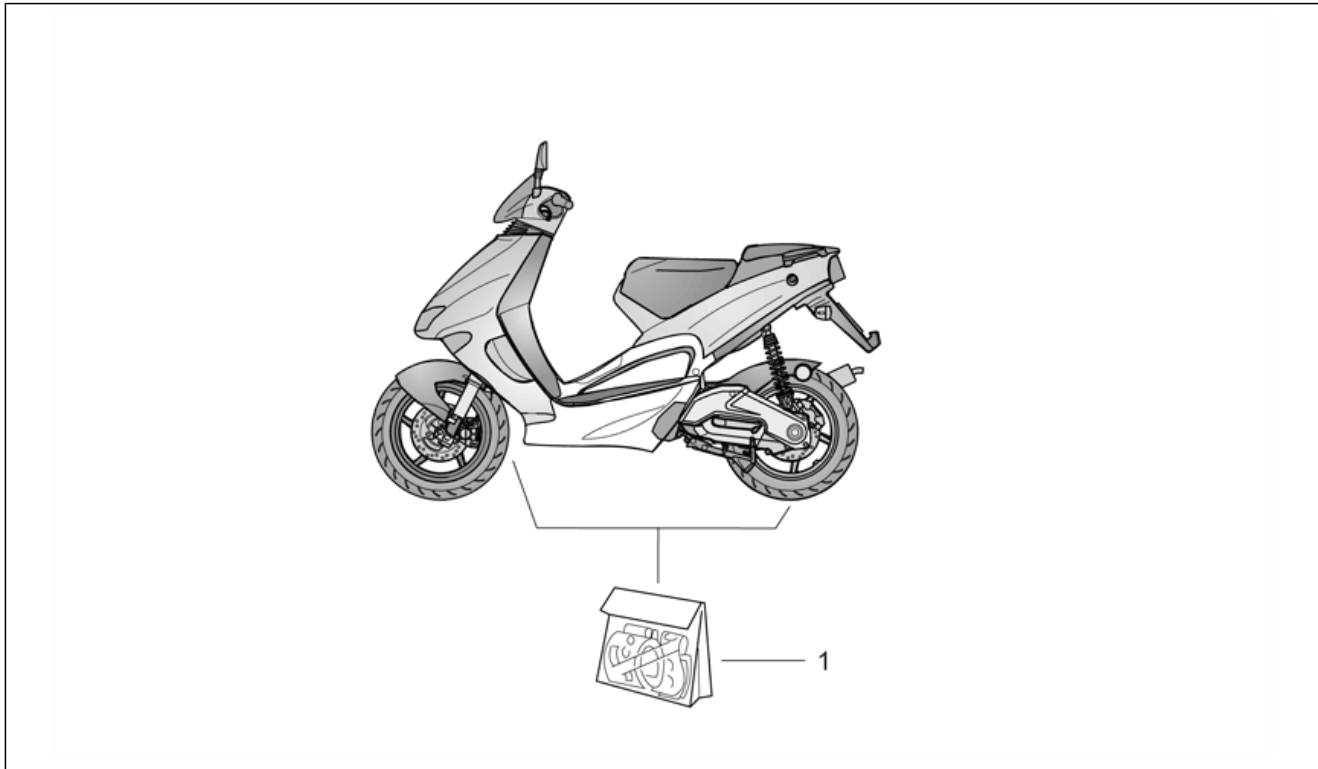
Pos.	Code	Beschreibung	Menge	Varianten
1	AP8237324	Herstellerschild	1	Land:Griechenland[GR], Italien[I], Israel[IL] Technische Daten:Version ohne Katalysator[nocat]
1	AP8247165	Herstellerschild	1	Land:Spanien[E], Frankreich[F], Portugal[P]
1	AP8247167	Herstellerschild	1	Land:Deutschland[D]
1	AP8247168	Herstellerschild	1	Land:Dänemark[DK], Holland[NL], Finnland[SF]
1	AP8247174	Herstellerschild	1	Land:Österreich[A]
1	AP8247175	Herstellerschild	1	Land:Belgien[B] Technische Daten:Version mit Beschränkung 25 km/h[25]
1	AP8247176	Herstellerschild	1	Land:Schweiz[CH]
1	AP8257578	Herstellerschild	1	Land:Belgien[B] Technische Daten:Version mit Beschränkung 45 km/h[45]
1	AP8257628	Herstellerschild	1	Land:Italien[I] Technische Daten:Version mit Katalysator[cat]
2	AP8237852	Schild DGM	1	Land:Griechenland[GR], Italien[I], Israel[IL] Technische Daten:Version ohne Katalysator[nocat]
2	AP8257627	DGM Schild	1	Land:Italien[I] Technische Daten:Version mit Katalysator[cat]
3	AP8237853	Schild ECE	1	Land:Griechenland[GR], Italien[I], Israel[IL]
3	AP8247166	Schild ECE	1	Land:Deutschland[D], Dänemark[DK], Holland[NL], Finnland[SF]
3	AP8247169	Schild ECE	1	Land:Belgien[B] Technische Daten:Version mit Beschränkung 25 km/h[25]
3	AP8247169	Schild ECE	1	Land:Österreich[A], Schweiz[CH]
3	AP8247170	Schild ECE	1	Land:Spanien[E], Frankreich[F], Portugal[P]
3	AP8247170	Schild ECE	1	Land:Belgien[B] Technische Daten:Version mit Beschränkung 45 km/h[45]
4	AP8247171	Fälschungssicheres Schild	1	Land:Österreich[A]
4	AP8247172	Fälschungssicheres Schild	1	Land:Dänemark[DK], Holland[NL], Finnland[SF]

<b>Einheit</b>	RAHMEN
<b>Code</b>	28.32
<b>Beschreibung</b>	Frontaufbau Deko Serie
<b>Inspektion</b>	1



Pos.	Code	Beschreibung	Menge	Varianten
1	AP8267181	Frontaufbau Deko Serie	1	<b>Baujahr:</b> 2000[Y] <b>Fahrzeugfarbe:</b> Electric Blue 2000[b.el]
1	AP8267182	Frontaufbau Deko Serie	1	<b>Baujahr:</b> 2000[Y] <b>Fahrzeugfarbe:</b> Schwarz Ebenholz Met. 2000[e.bl]
1	AP8267183	Frontaufbau Deko Serie	1	<b>Baujahr:</b> 2000[Y] <b>Fahrzeugfarbe:</b> Hot red 2000[r.hot]
1	AP8267220	Frontaufbau Deko Serie	1	<b>Baujahr:</b> 1997[V] <b>Fahrzeugfarbe:</b> Blau Apr. / Grau Met. (I.M.A)-All.180 (I.M.B) '97[bl/gr]
1	AP8267220	Frontaufbau Deko Serie	1	<b>Baujahr:</b> 1997[V] <b>Fahrzeugfarbe:</b> Kirschrot / Grau Aluminium 180 '97[re/ag]
1	AP8267221	Frontaufbau Deko Serie	1	<b>Baujahr:</b> 1997[V] <b>Fahrzeugfarbe:</b> Blau Apr. / Grau Met. (I.M.A)-All.180 (I.M.B) '97[bl/gr]
1	AP8267243	Frontaufbau Deko Serie	1	<b>Baujahr:</b> 1999[X] <b>Fahrzeugfarbe:</b> Blau Cyber / Grau Silver '99[bc/gS]
1	AP8267246	Frontaufbau Deko Serie	1	<b>Baujahr:</b> 1999[X] <b>Fahrzeugfarbe:</b> Mondweiß / Grau Blade '99[bl/gb], Kirschrot / Grau Mercury '99[re/mg]
1	AP8267252	Frontaufbau Deko Serie	1	<b>Baujahr:</b> 1998[W] <b>Fahrzeugfarbe:</b> Hellblau Solid / Grau Quartz '98[cy/gr]
1	AP8267255	Frontaufbau Deko Serie	1	<b>Baujahr:</b> 1998[W] <b>Fahrzeugfarbe:</b> Gelb Chrom / Grau Quartz '98[ye/gr]
1	AP8267369	Frontaufbau Deko Serie	1	<b>Baujahr:</b> 2001[1] <b>Fahrzeugfarbe:</b> "Electric Blue ""Sport"" 2001"[blue]
1	AP8267370	Frontaufbau Deko Serie	1	<b>Baujahr:</b> 2001[1] <b>Fahrzeugfarbe:</b> "Hot Red ""Sport"" 2001"[red]
1	AP8267371	Frontaufbau Deko Serie	1	<b>Baujahr:</b> 2001[1] <b>Fahrzeugfarbe:</b> "Zitronengelb ""Sport"" 2001"[l.ye]

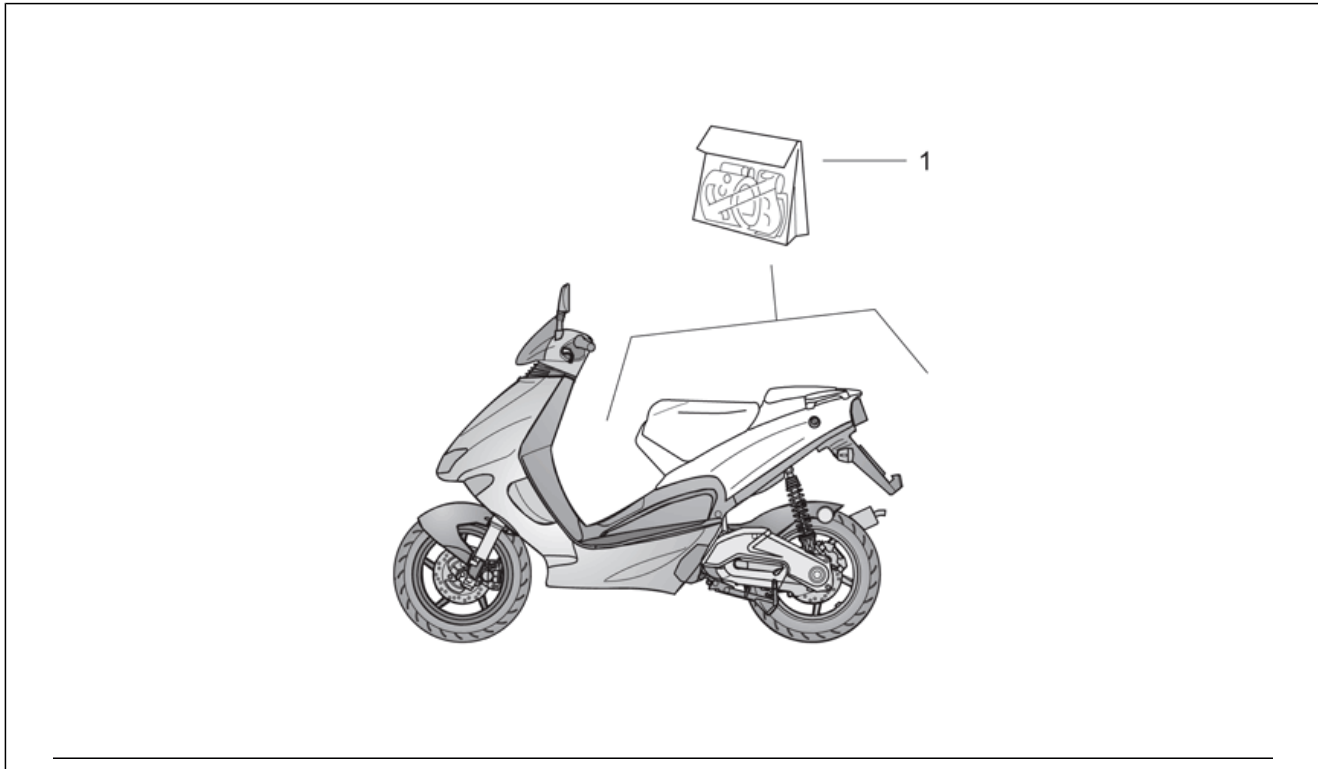
<b>Einheit</b>	RAHMEN
<b>Code</b>	28.33
<b>Beschreibung</b>	Karosserie zent.Deko-Satz
<b>Inspektion</b>	1



Pos.	Code	Beschreibung	Menge	Varianten
1	AP8267184	Karosserie zent.Deko-Satz	1	<b>Baujahr:</b> 2000[Y] <b>Fahrzeugfarbe:</b> Electric Blue 2000[b.el]
1	AP8267185	Karosserie zent.Deko-Satz	1	<b>Baujahr:</b> 2000[Y] <b>Fahrzeugfarbe:</b> Schwarz Ebenholz Met. 2000[e.bl]
1	AP8267186	Karosserie zent.Deko-Satz	1	<b>Baujahr:</b> 2000[Y] <b>Fahrzeugfarbe:</b> Hot red 2000[r.hot]
1	AP8267222	Karosserie zent.Deko-Satz	1	<b>Baujahr:</b> 1997[V] <b>Fahrzeugfarbe:</b> Kirschrot / Grau Aluminium 180 '97[re/ag]
1	AP8267222	Karosserie zent.Deko-Satz	1	<b>Baujahr:</b> 1997[V] <b>Fahrzeugfarbe:</b> Blau Apr. / Grau Met. (I.M.A)-All.180 (I.M.B) '97[bl/gr]
1	AP8267223	Karosserie zent.Deko-Satz	1	<b>Baujahr:</b> 1997[V] <b>Fahrzeugfarbe:</b> Blau Apr. / Grau Met. (I.M.A)-All.180 (I.M.B) '97[bl/gr]
1	AP8267244	Karosserie zent.Deko-Satz	1	<b>Baujahr:</b> 1999[X] <b>Fahrzeugfarbe:</b> Blau Cyber / Grau Silver '99[bc/gS]
1	AP8267247	Karosserie zent.Deko-Satz	1	<b>Baujahr:</b> 1999[X] <b>Fahrzeugfarbe:</b> Mondweiß / Grau Blade '99[bl/gb], Kirschrot / Grau Mercury '99[re/mg]
1	AP8267372	Karosserie zent.Deko-Satz	1	<b>Baujahr:</b> 2001[1] <b>Fahrzeugfarbe:</b> "Electric Blue ""Sport"" 2001"[blue]
1	AP8267373	Karosserie zent.Deko-Satz	1	<b>Baujahr:</b> 2001[1] <b>Fahrzeugfarbe:</b> "Hot Red ""Sport"" 2001"[red]
1	AP8267374	Karosserie zent.Deko-Satz	1	<b>Baujahr:</b> 2001[1] <b>Fahrzeugfarbe:</b> "Zitronengelb ""Sport"" 2001"[l.ve]

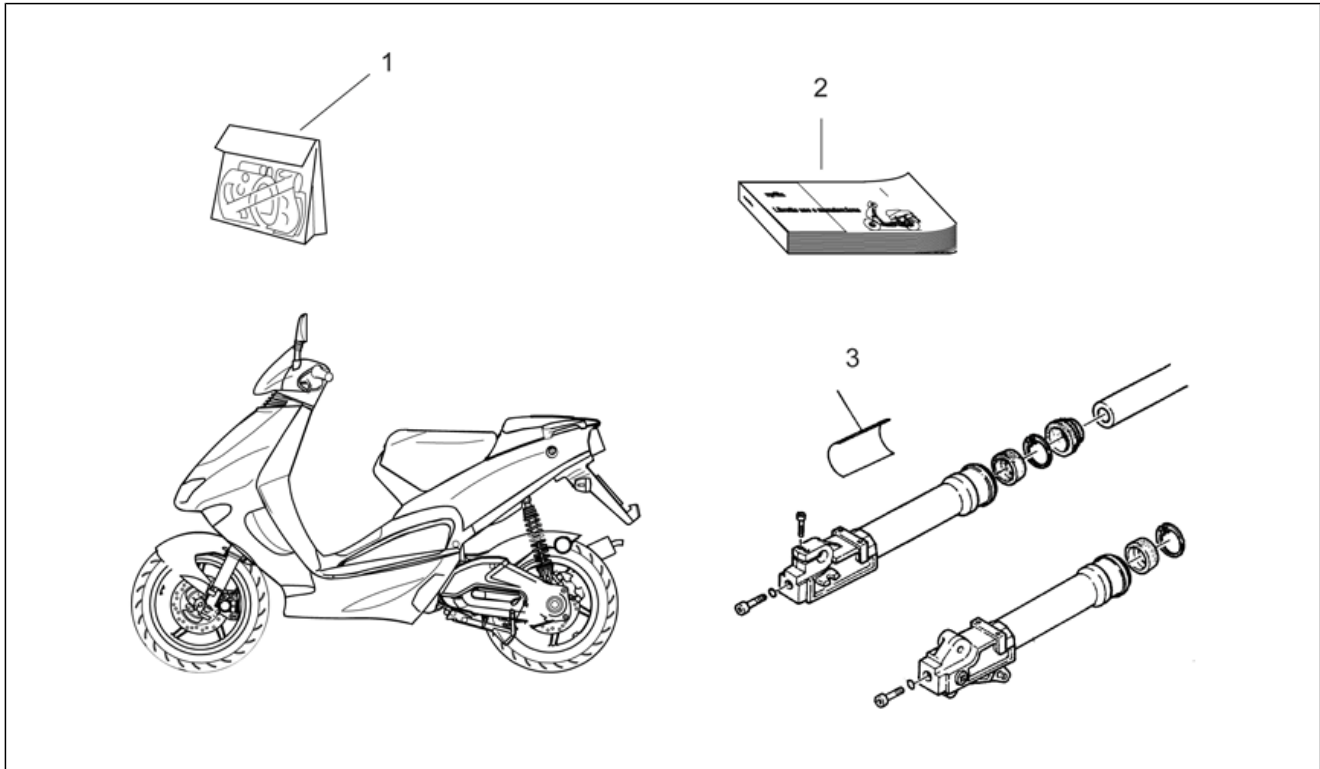


<b>Einheit</b>	RAHMEN
<b>Code</b>	28.34
<b>Beschreibung</b>	R.Kar.Deko-Satz
<b>Inspektion</b>	1



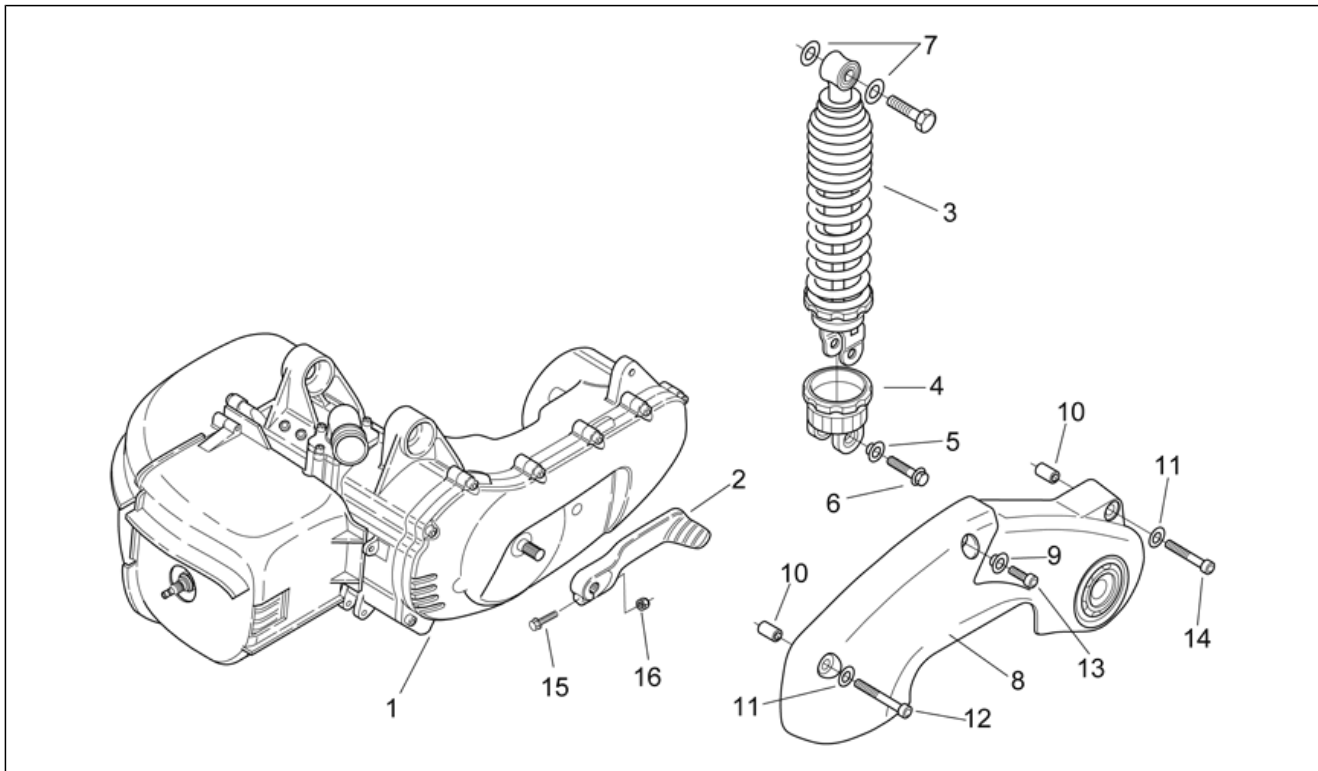
Pos.	Code	Beschreibung	Menge	Varianten
1	AP8267187	R.Kar.Deko-Satz	1	<b>Baujahr:</b> 2000[Y] <b>Fahrzeugfarbe:</b> Electric Blue 2000[b.el]
1	AP8267188	R.Kar.Deko-Satz	1	<b>Baujahr:</b> 2000[Y] <b>Fahrzeugfarbe:</b> Schwarz Ebenholz Met. 2000[e.bl]
1	AP8267189	R.Kar.Deko-Satz	1	<b>Baujahr:</b> 2000[Y] <b>Fahrzeugfarbe:</b> Hot red 2000[r.hot]
1	AP8267224	R.Kar.Deko-Satz	1	<b>Baujahr:</b> 1997[V] <b>Fahrzeugfarbe:</b> Kirschrot / Grau Aluminium 180 '97[re/ag]
1	AP8267224	R.Kar.Deko-Satz	1	<b>Baujahr:</b> 1997[V] <b>Fahrzeugfarbe:</b> Blau Apr. / Grau Met. (I.M.A)-All.180 (I.M.B) '97[bl/gr]
1	AP8267225	R.Kar.Deko-Satz	1	<b>Baujahr:</b> 1997[V] <b>Fahrzeugfarbe:</b> Blau Apr. / Grau Met. (I.M.A)-All.180 (I.M.B) '97[bl/gr]
1	AP8267245	R.Kar.Deko-Satz	1	<b>Baujahr:</b> 1999[X] <b>Fahrzeugfarbe:</b> Blau Cyber / Grau Silver '99[bc/gs]
1	AP8267248	R.Kar.Deko-Satz	1	<b>Baujahr:</b> 1999[X] <b>Fahrzeugfarbe:</b> Mondweiß / Grau Blade '99[bl/gb], Kirschrot / Grau Mercury '99[re/mg]
1	AP8267251	R.Kar.Deko-Satz	1	<b>Baujahr:</b> 1998[W] <b>Fahrzeugfarbe:</b> Hellblau Solid / Grau Quartz '98[cy/gr]
1	AP8267254	R.Kar.Deko-Satz	1	<b>Baujahr:</b> 1998[W] <b>Fahrzeugfarbe:</b> Gelb Chrom / Grau Quartz '98[ye/gr]
1	AP8267375	R.Kar.Deko-Satz	1	<b>Baujahr:</b> 2001[1] <b>Fahrzeugfarbe:</b> "Electric Blue ""Sport"" 2001"[blue]
1	AP8267376	R.Kar.Deko-Satz	1	<b>Baujahr:</b> 2001[1] <b>Fahrzeugfarbe:</b> "Hot Red ""Sport"" 2001"[red]
1	AP8267377	R.Kar.Deko-Satz	1	<b>Baujahr:</b> 2001[1] <b>Fahrzeugfarbe:</b> "Zitronengelb ""Sport"" 2001"[l.ye]

<b>Einheit</b>	RAHMEN
<b>Code</b>	28.35
<b>Beschreibung</b>	Deko technische Serie
<b>Inspektion</b>	1



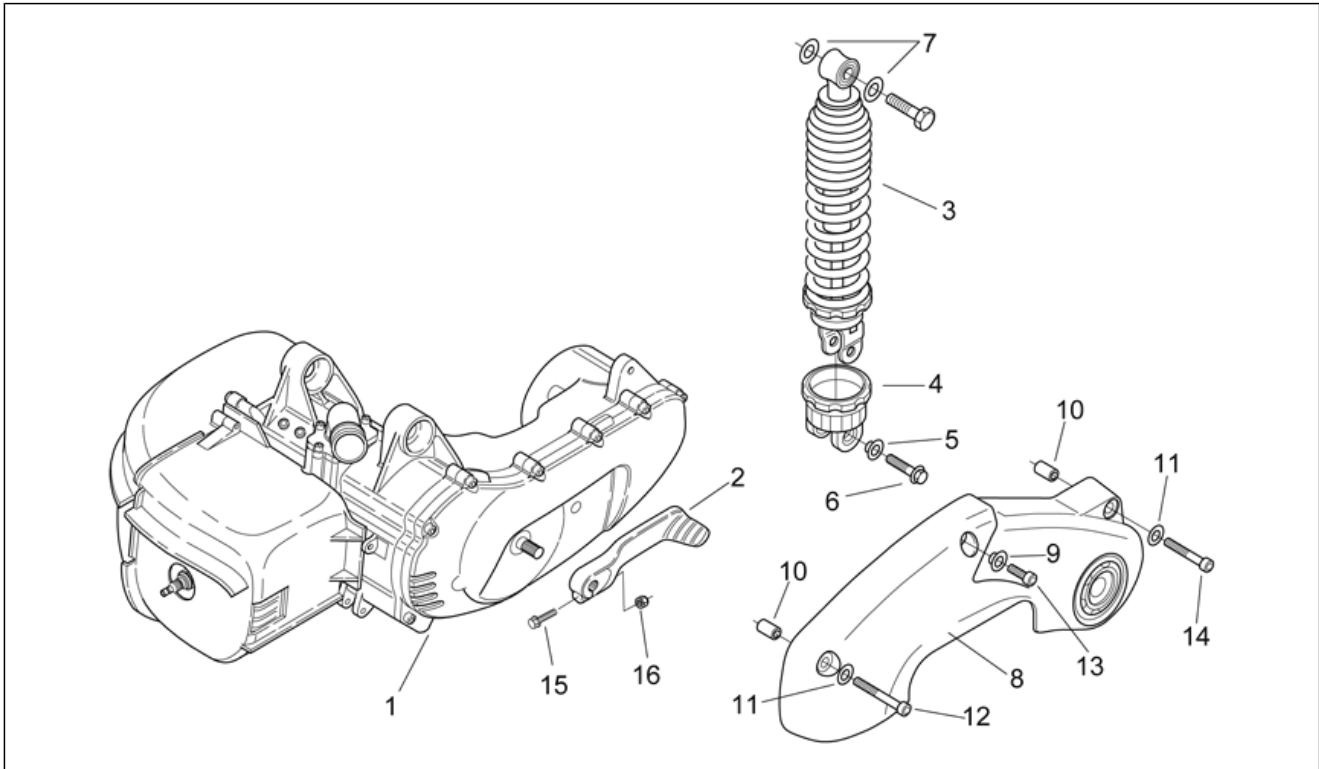
Pos.	Code	Beschreibung	Menge	Varianten
1	AP8267190	Deko technische Serie	1	<b>Baujahr:</b> 2000[Y]
1	AP8267226	Deko technische Serie	1	<b>Baujahr:</b> 1997[V]
1	AP8267253	Deko technische Serie	1	<b>Baujahr:</b> 1998[W]
1	AP8267283	Deko technische Serie	1	<b>Baujahr:</b> 1999[X]
1	AP8267378	Deko technische Serie	1	<b>Baujahr:</b> 2001[1]
2	AP8104118	Bed./Wart.-Anleit. -I-F-D-	1	<b>Land:</b> Österreich[A], Belgien[B], Schweiz[CH], Deutschland[D], Frankreich[F]
2	AP8104120	Bed./Wart.-Anleit. -NL-DK-SF	1	<b>Land:</b> Belgien[B], Dänemark[DK], Holland[NL], Finnland[SF]
2	AP8104121	Bed./Wart.-Anleit. -GR-J-UK-	1	<b>Land:</b> Griechenland[GR]
2	AP8201993	Bed./Wart.-Anleit. -P-E-UK-	1	<b>Land:</b> Brasilien[BR], Spanien[E], Israel[IL], Portugal[P]
2	AP8202184	Bedienungs- und Wartungsanl.	1	<b>Land:</b> Italien[I]
3	AP8203763	Schaft Deko	1	<b>Technische Daten:</b> Gabel mit Buchstaben M auf dem Schaft[M]
3	AP8203798	Schaft Deko	1	<b>Technische Daten:</b> Gabel mit Buchstaben S auf dem Schaft[S]

<b>Einheit</b>	MOTOR
<b>Code</b>	29.24
<b>Beschreibung</b>	Stoßdämpfer
<b>Inspektion</b>	1



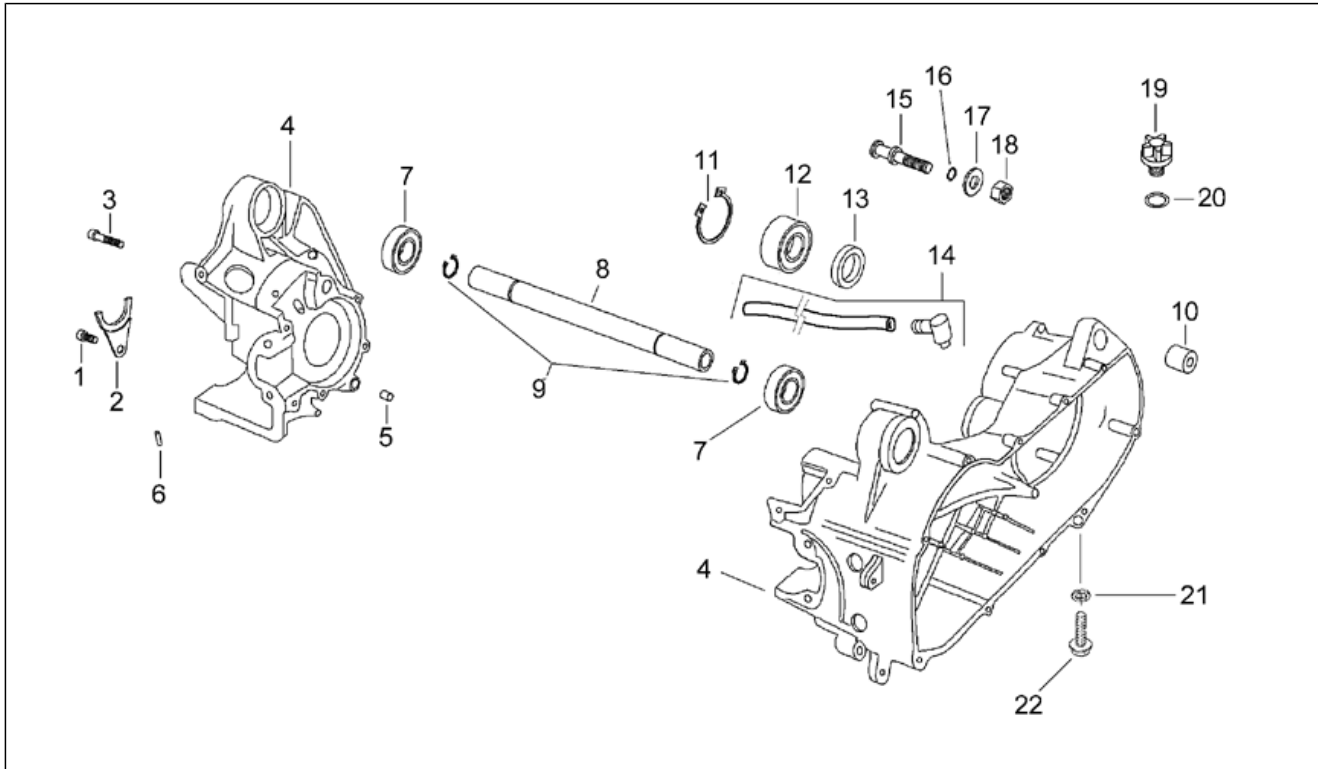
Pos.	Code	Beschreibung	Menge	Varianten
1	AP8222484	Motoreinheit	1	<b>Land:</b> Belgien[B] <b>Technische Daten:</b> Version mit Beschränkung 45 km/h[45]
1	AP8222484	Motoreinheit	1	<b>Land:</b> Spanien[E], Frankreich[F], Griechenland[GR], Italien[I], Israel[IL], Portugal[P] <b>Technische Daten:</b> Version ohne Katalysator[nocat]
1	AP8222524	Motoreinheit -A-	1	<b>Land:</b> Österreich[A]
1	AP8222525	Motoreinheit -NL-	1	<b>Land:</b> Dänemark[DK], Holland[NL], Finnland[SF]
1	AP8222526	Motoreinheit -D-	1	<b>Land:</b> Deutschland[D]
1	AP8222527	Motoreinheit -B-	1	<b>Land:</b> Belgien[B] <b>Technische Daten:</b> Version mit Beschränkung 25 km/h[25]
1	AP8222531	Motoreinheit -CH-	1	<b>Land:</b> Schweiz[CH]
1	AP8222579	Motoreinheit	1	<b>Land:</b> Brasilien[BR]
1	AP8222621	Motoreinheit	1	<b>Land:</b> Italien[I] <b>Technische Daten:</b> Version mit Katalysator[cat]
2	AP8232820	Kickstarterhebel kpl.	1	<b>Baujahr:</b> 1997[V], 1998[W], 1999[X]
2	AP8235073	Kickstarterhebel kpl.	1	<b>Baujahr:</b> 2001[1], 2000[Y]
3	AP8203718	Stoßdämpfer-blau ring	1	<b>Baujahr:</b> 1997[V], 1998[W], 1999[X]
3	AP8203944	Stoßdämpfer m. gelber Feder	1	<b>Baujahr:</b> 2001[1], 2000[Y]
4	AP8201812	Deckel Stoßdämpfer, schwarz	1	
5	AP8121096	T-Buchse 8,2x12x4	1	
6	AP8152289	TE Schr. m. Flansch	1	
7	AP8150210	Gebogene Sprengscheibe *	2	
8	AP8239218	Wandlerdeckel, grau + Deko	1	<b>Baujahr:</b> 1997[V]
8	AP8239829	Wandlerdeckel, alu + Deko	1	<b>Baujahr:</b> 1998[W]
8	AP8248752	Abdeck.Wandler Alu.+Deko.	1	<b>Baujahr:</b> 1999[X]
8	AP8249111	Deckel Wandler grau	1	<b>Baujahr:</b> 2001[1], 2000[Y]
9	AP8121075	T-Buchse *	1	
10	AP8121718	Buchse	2	
11	AP8150015	Ausgleichscheibe 6,6x18x1,6*	3	

<b>Einheit</b>	MOTOR
<b>Code</b>	29.24
<b>Beschreibung</b>	Stoßdämpfer
<b>Inspektion</b>	1



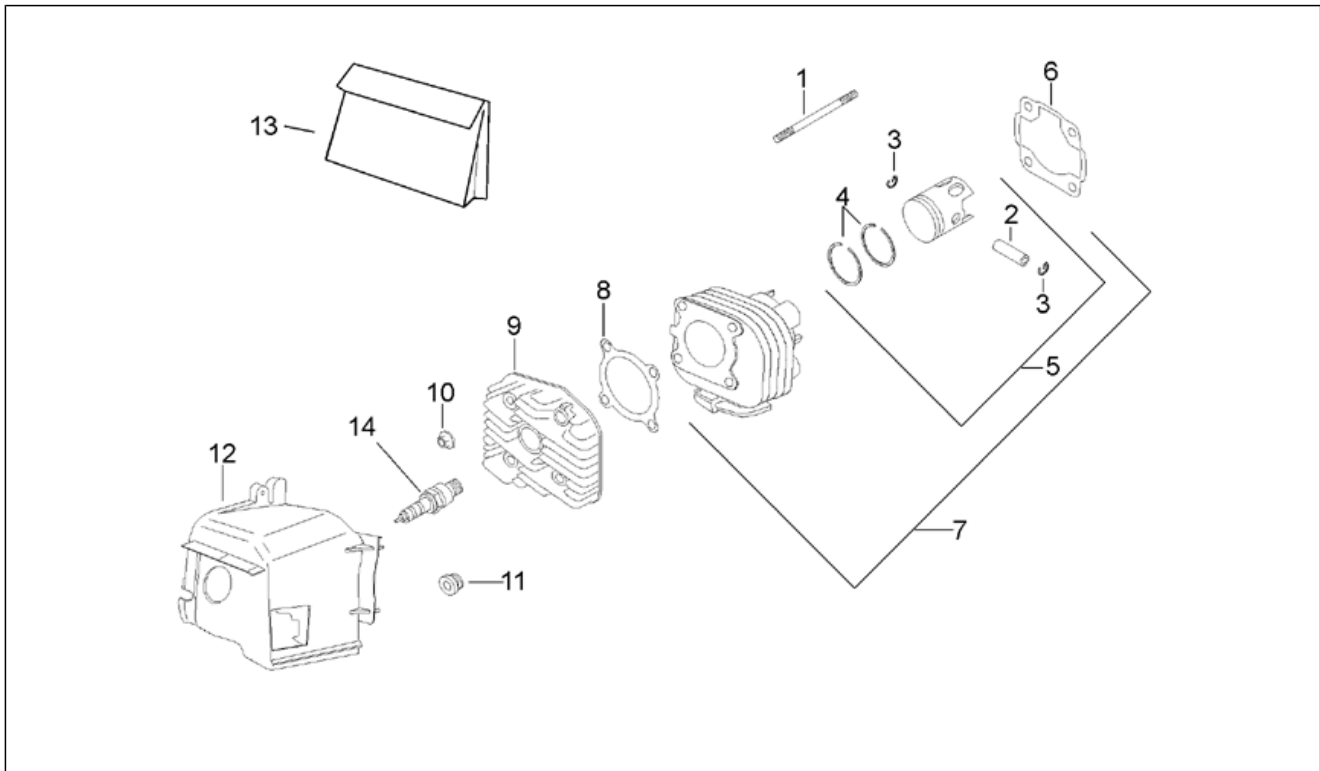
Pos.	Code	Beschreibung	Menge	Varianten
12	AP8150045	TCEI Schraube M6x55	2	
13	AP8150044	TCEI Schraube M6x20	1	
14	AP8150403	TCEI Schraube M6x45	1	
15	AP8152282	TE Schr. m. Flansch M6x35	1	Baujahr:2001[1], 2000[Y]
16	AP8150430	Selbstsperr.mut Unt.	1	Baujahr:2001[1], 2000[Y]

<b>Einheit</b>	MOTOR
<b>Code</b>	29.36
<b>Beschreibung</b>	Mittlere gehäuse
<b>Inspektion</b>	1



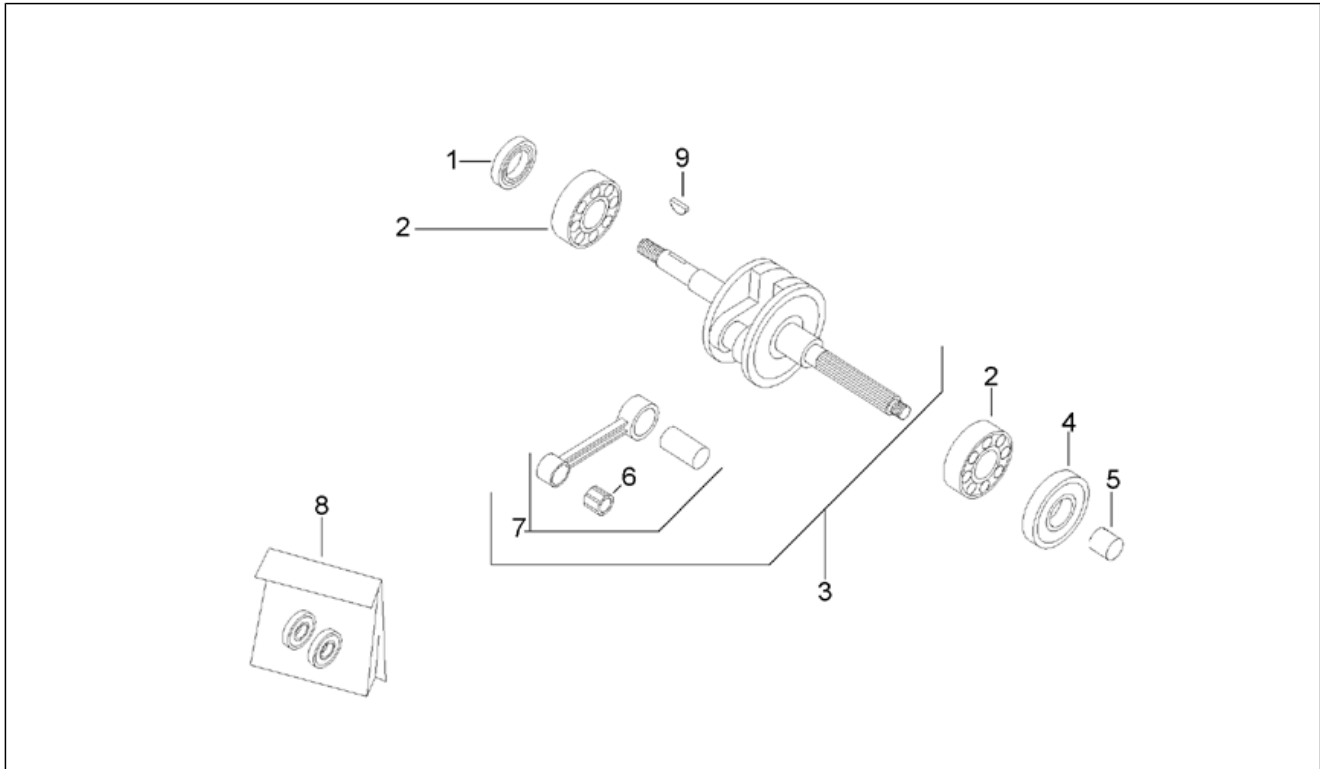
Pos.	Code	Beschreibung	Menge	Varianten
1	AP8206202	TCCE Schraube M6x12	1	
2	AP8206138	Fixierplatte Olpumpe	1	
3	AP8502567	TCCE Schraube M6x35	5	
4	AP8206468	Kurbelgehäuse	1	
5	AP8206169	Stift Gehäuse D12x16	2	
6	AP8206578	Rolle D3x11,8	1	
7	AP8206481	Dichtes Lager D17x35x10	2	
8	AP8206503	Distanzscheibe D12x17x227	1	
9	AP8206233	Seegerring für Welle D17	2	
10	AP8206129	Silent-Bloc Gehäuse	1	
11	AP8501481	Seegerring für Bohrung D40	1	
12	AP8206558	Lager D17x40x12	1	
13	AP8206215	Ölabstreifring	1	
14	AP8206131	Ansch.+Entlüft.schl. 10x14x210	1	
15	AP8206171	Bolzen für Bremsbacken	1	
16	AP8206519	O-Ring D6,8x2	1	
17	AP8502471	Sprengscheibe D10x21x2	1	
18	AP8206490	Mutter M10x1,25	1	
19	AP8206475	Ölschraube	1	
20	AP8206482	O-Ring D13,3x2,4	1	
21	AP8206488	Schraubendichtung 8,2x15x1,2	1	
22	AP8206203	TE Schr. m. Flansch M8x15	1	

<b>Einheit</b>	MOTOR
<b>Code</b>	29.37
<b>Beschreibung</b>	Zylinderkopf
<b>Inspektion</b>	1



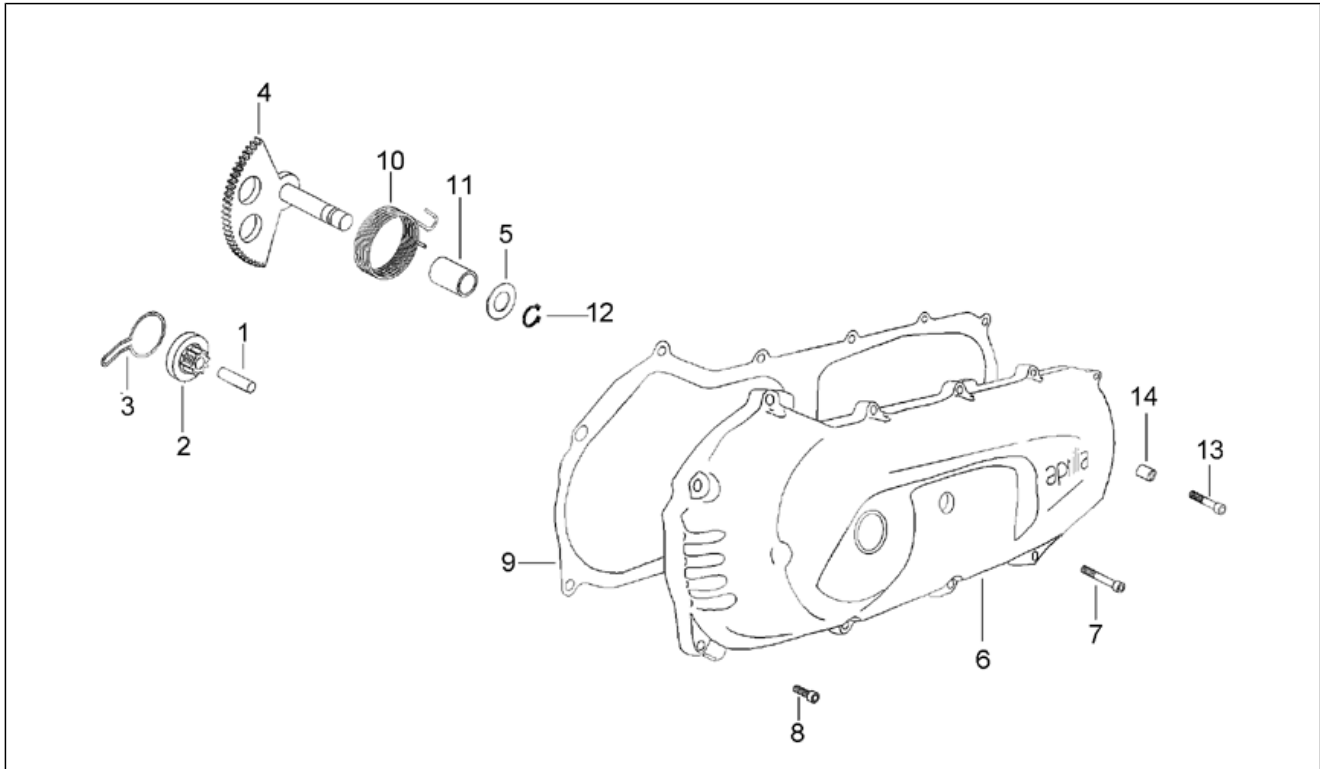
Pos.	Code	Beschreibung	Menge	Varianten
1	AP8206493	Stiftschraube M7x1x109	4	
2	AP8206174	Bolzen D10x33	1	
3	AP8206176	Stiftsperring D10	2	
4	AP8206120	Satz Kolbenringe D40	2	
4	AP8206220	Satz Kolbenringe D40,5	2	
5	AP8206218	Kolben kpl. D40	1	
5	AP8206219	Kolben kpl. D40,5	1	
6	AP8206483	ZYLINDERFUSSDICHTUNG	1	
7	AP8206502	Kolben + Zylinder	1	
8	AP8206487	Dichtung Zylinderkopf	1	
9	AP8206460	Zylinderkopf	1	
10	AP8206491	Geflanschte Mutter M7x1	4	
11	AP8206472	Gummi Zyl.leitbl.	1	
12	AP8206465	Leitblechhaube Zylinder	1	
13	AP8206783	Dichtungen - Satz	1	
14	AP8206870	Zündkerze BR7HS	1	

<b>Einheit</b>	MOTOR
<b>Code</b>	29.38
<b>Beschreibung</b>	Pleuelstange
<b>Inspektion</b>	1



Pos.	Code	Beschreibung	Menge	Varianten
1	AP8206212	Ölabstreifring	1	
2	AP8206208	Lager D20x47x14	2	
3	AP8206501	Baugruppe Kurbelwelle	1	
4	AP8206213	Ölabstreifring	1	
5	AP8206187	Distanzscheibe D15x20x12	1	
6	AP8206154	Käfig auf Bolzen 10x14x12,5	1	
7	AP8206223	Baugruppe Pleuelstange kplt.	1	
8	AP8206500	Dichtungssatz	1	
9	AP8206182	Keil Schwungmagnet	1	

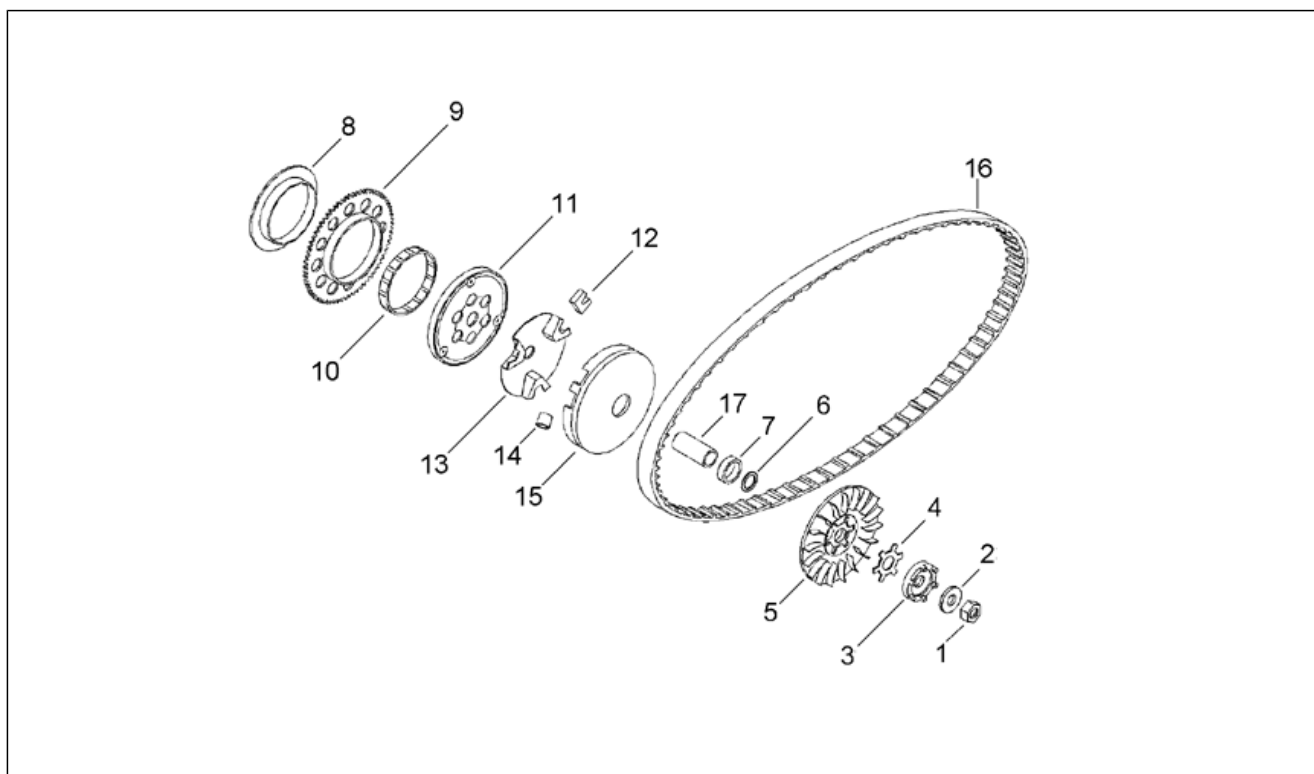
<b>Einheit</b>	MOTOR
<b>Code</b>	29.39
<b>Beschreibung</b>	Deckel
<b>Inspektion</b>	1



Pos.	Code	Beschreibung	Menge	Varianten
1	AP8206172	Bolzen D8x32	1	
2	AP8206692	Starter-Schieberad	1	
3	AP8206148	Kickstarterfeder	1	
4	AP8206122	Baugruppe Starterwelle	1	
5	AP8206193	Stahlscheibe blau D15,1x28x1	1	
6	AP8206464	Starterdeckel	1	
6	AP8206694	Starterdeckel	1	Land:Deutschland[D]
7	AP8206507	TCCE Schraube M6x45	1	
8	AP8206508	TCCE Schraube M6x25	9	
9	AP8206484	Dichtung startdeckel	1	
10	AP8206149	Rückholfeder Starterhebel	1	
11	AP8206152	Starterwellebuchse 15x20x30	1	
12	AP8501469	Seegerring für Welle D15	1	
13	AP8502567	TCCE Schraube M6x35	5	
14	AP8206170	Stift Abdeckung D10x14	2	

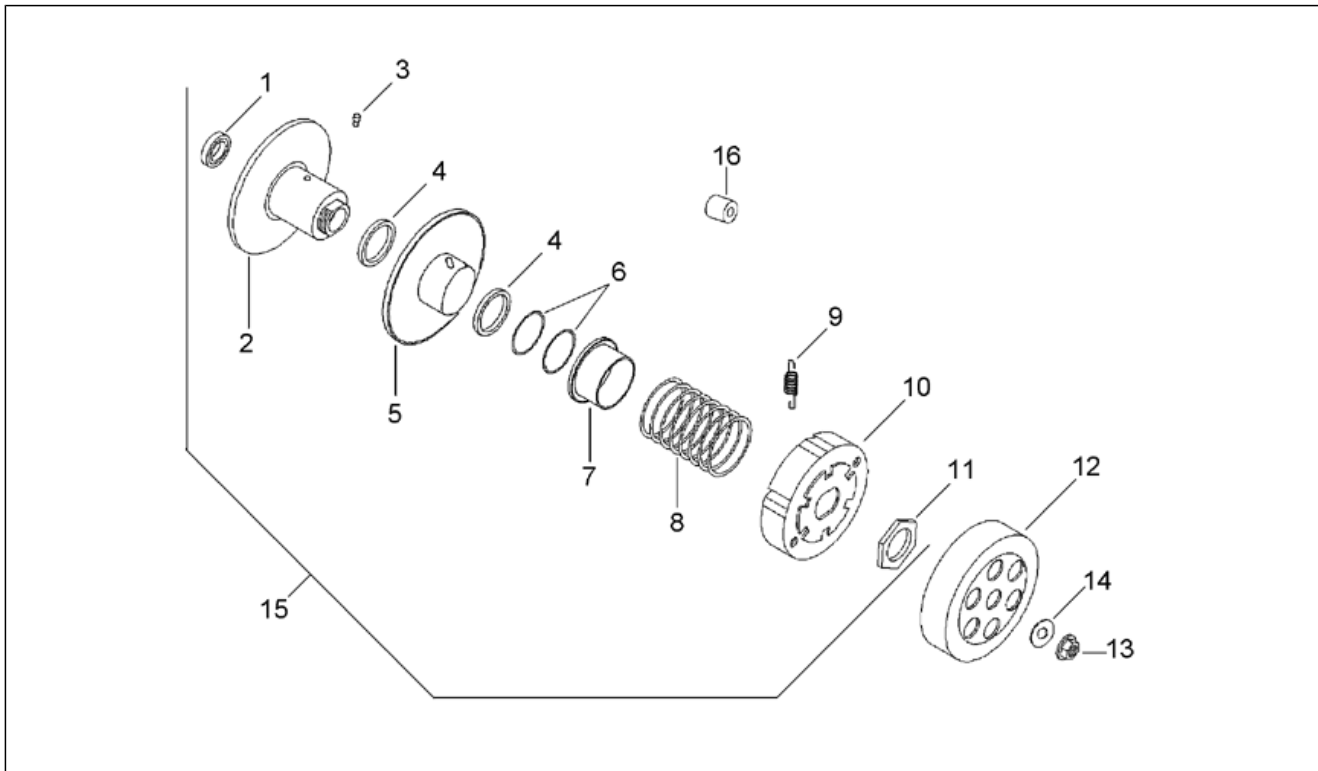


<b>Einheit</b>	MOTOR
<b>Code</b>	29.40
<b>Beschreibung</b>	Wandler
<b>Inspektion</b>	1



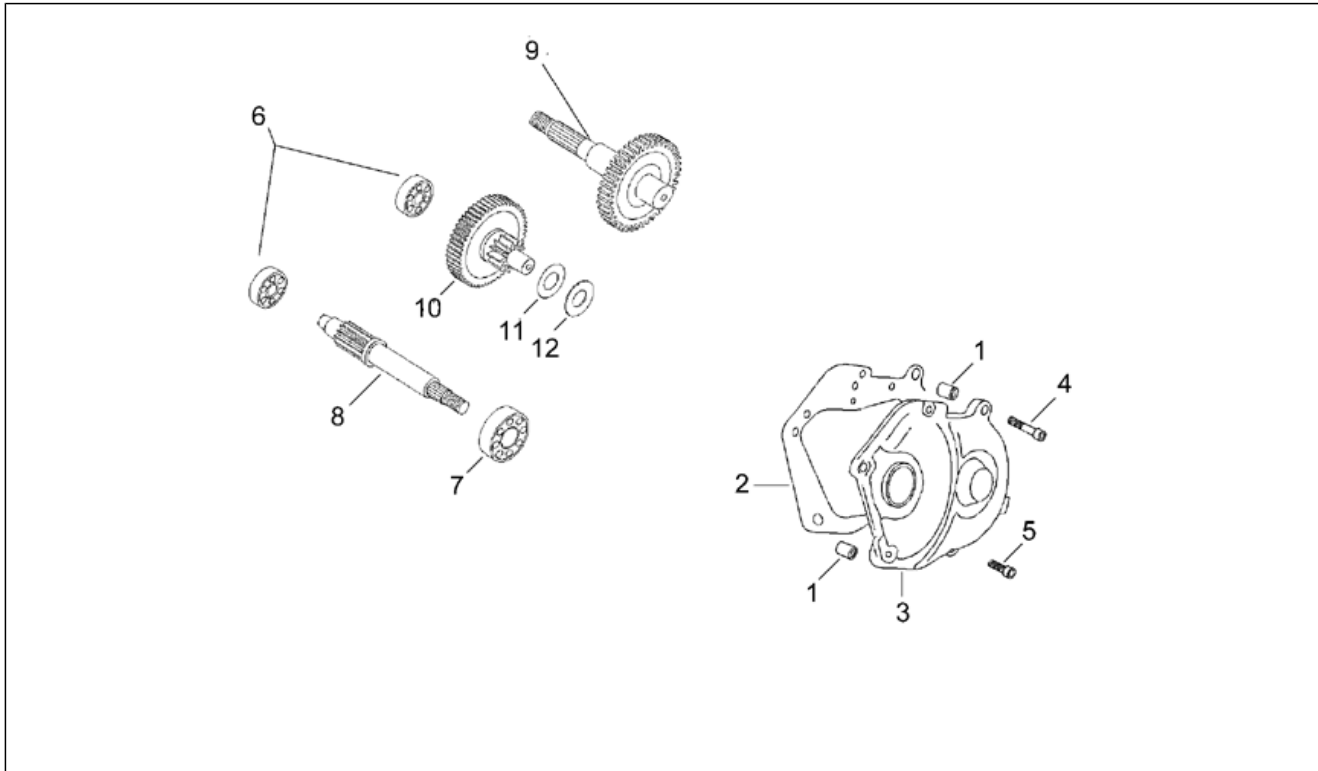
Pos.	Code	Beschreibung	Menge	Varianten
1	AP8206183	Mutter M10x1,25	1	
2	AP8206204	Konische Sprengscheibe	1	
3	AP8206141	Starter-Zahnbecher	1	
4	AP8206140	Platte	1	
5	AP8206116	Feste Hauptriemenscheibe	1	
6	AP8206702	Stahlscheibe blau D13x18,5x1	1	
7	AP8206420	Distanzscheibe D18x23x6,5	1	<b>Land:</b> Brasilien[BR], Schweiz[CH], Spanien[E], Frankreich[F], Griechenland[GR], Italien[I], Israel[IL], Portugal[P]
7	AP8206420	Distanzscheibe D18x23x6,5	1	<b>Land:</b> Belgien[B] <b>Technische Daten:</b> Version mit Beschränkung 45 km/h[45]
7	AP8206566	Distanzscheibe D18x23x2,5	1	<b>Land:</b> Deutschland[D]
7	AP8206597	Distanzscheibe D18x23x4	1	<b>Land:</b> Dänemark[DK], Holland[NL], Finnland[SF]
8	AP8206479	T-Buchse	1	
9	AP8206144	Zahnkranz Elektrostarter Z=71	1	
10	AP8206210	Käfig D57x61x10	1	
11	AP8206147	Freilaufrolle kplt.	1	
12	AP8206698	Dübel	3	
13	AP8206136	Stiftplatte	1	
14	AP8206455	Fliehkraftmasse bohrung D8,5	6	<b>Land:</b> Österreich[A], Deutschland[D], Dänemark[DK], Holland[NL], Finnland[SF]
14	AP8206701	Fliehkraftmasse bohrung D8,8	6	<b>Land:</b> Belgien[B], Brasilien[BR], Schweiz[CH], Spanien[E], Frankreich[F], Griechenland[GR], Italien[I], Israel[IL], Portugal[P]
15	AP8222335	Bewegliche Hauptriemenscheibe	1	
16	AP8206109	Keilriemen	1	
17	AP8222336	Buchse 13x18x38,2	1	

<b>Einheit</b>	MOTOR
<b>Code</b>	29.41
<b>Beschreibung</b>	Kupplung
<b>Inspektion</b>	1



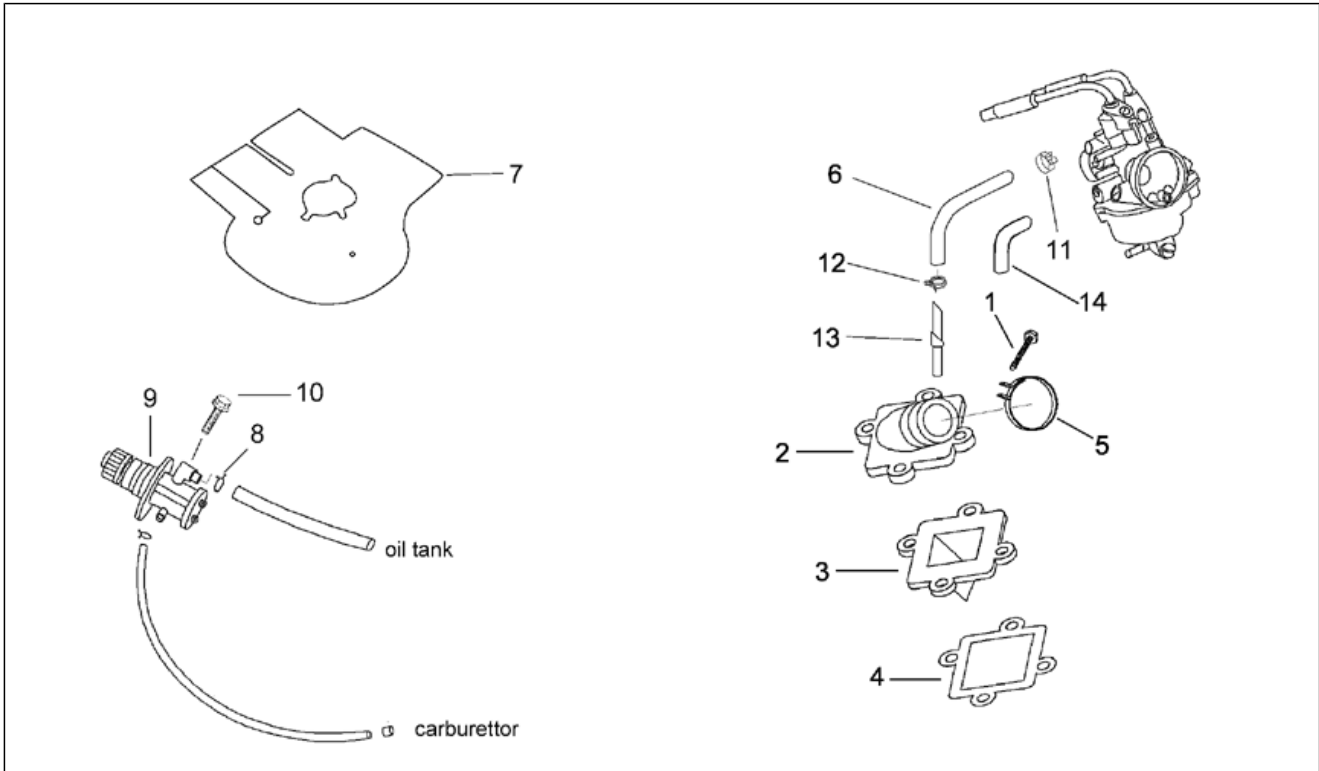
Pos.	Code	Beschreibung	Menge	Varianten
1	AP8206214	Ölabstreifring	1	
2	AP8206735	Sekundäre Festscheibe	1	
3	AP8206741	Führungsrolle Wandler	2	
4	AP8206743	Ölabstreifring D34x39x4	2	
5	AP8206736	Sekundäre Gleitscheibe	1	
6	AP8206740	O-Ring D36x1,5	2	
7	AP8206737	Becher Wandlerfeder	1	
8	AP8206729	Feder	1	
9	AP8206739	Kupplungbackenfeder	1	
10	AP8206738	Fliehkraftkupplung	1	
11	AP8206732	Mutter M28x1	1	
12	AP8206733	Baugruppe Kupplungskasten	1	
13	AP8206186	Mutter M10x1 H=8	1	
14	AP8502471	Sprengscheibe D10x21x2	1	
15	AP8206744	Wandler mit Kupplung	1	
16	AP8206734	Gummi Bremsbacken D4x11	1	

<b>Einheit</b>	MOTOR
<b>Code</b>	29.42
<b>Beschreibung</b>	Endübersetzung
<b>Inspektion</b>	1



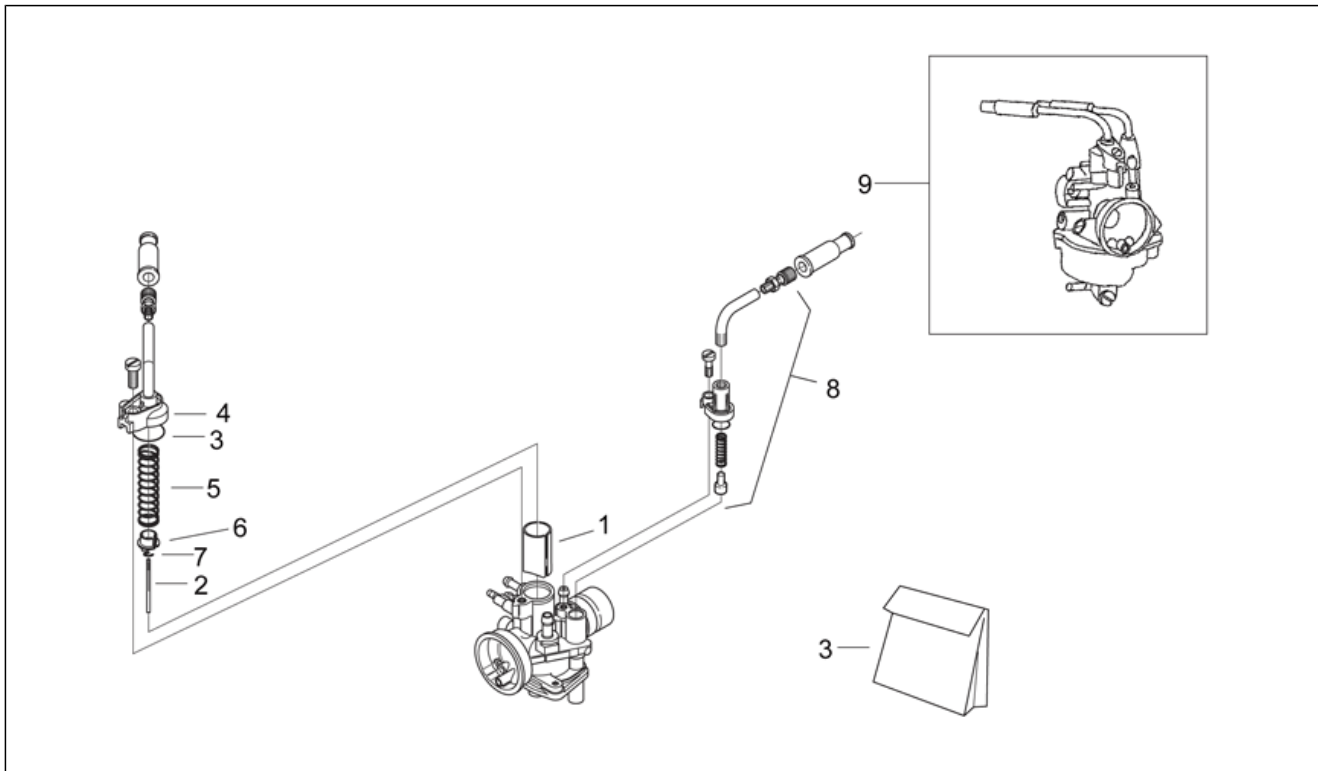
Pos.	Code	Beschreibung	Menge	Varianten
1	AP8206170	Stift Abdeckung D10x14	2	
2	AP8206163	Deckeldichtung Kupplungsseite	1	
3	AP8206112	Getriebedeckel	1	
4	AP8502567	TCCE Schraube M6x35	5	
5	AP8502564	TCCE Schraube M6x20	7	
6	AP8206159	Lager D10x30x9	2	
7	AP8502626	Lager D17x40x12	1	
8	AP8206425	Getriebe Z=13	1	
9	AP8206423	Antriebswelle Z=44	1	Land:Deutschland[D], Dänemark[DK], Holland[NL], Finnland[SF]
9	AP8206531	Antriebswelle Z=42	1	Land:Österreich[A], Belgien[B], Brasilien[BR], Schweiz[CH], Spanien[E], Frankreich[F], Griechenland[GR], Italien[I], Israel[IL], Portugal[P]
10	AP8206424	Doppeltes Freilaufgrad Z=12/52	1	Land:Deutschland[D], Dänemark[DK], Holland[NL], Finnland[SF]
10	AP8206530	Doppeltes Freilaufgrad Z=13/52	1	Land:Österreich[A], Belgien[B], Brasilien[BR], Schweiz[CH], Spanien[E], Frankreich[F], Griechenland[GR], Italien[I], Israel[IL], Portugal[P]
11	AP8206150	Tellerfeder	1	
12	AP8206195	Stahlscheibe blau D14x29x1	1	

<b>Einheit</b>	MOTOR
<b>Code</b>	29.43
<b>Beschreibung</b>	Einspeisung - Ölpumpe
<b>Inspektion</b>	1



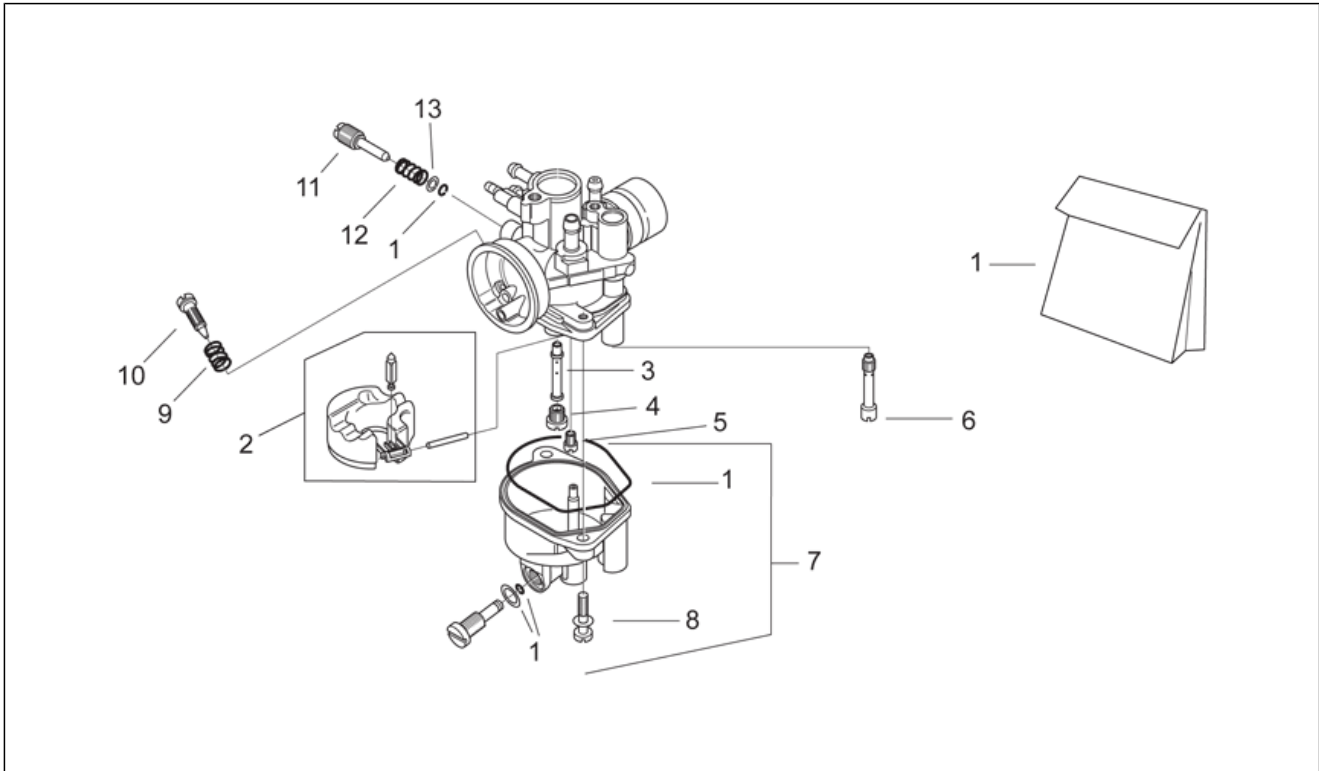
Pos.	Code	Beschreibung	Menge	Varianten
1	AP8502564	TCCE Schraube M6x20	1	
2	AP8206466	Ansaugkrümmer	1	Land:Belgien[B], Brasilien[BR], Dänemark[DK], Spanien[E], Frankreich[F], Griechenland[GR], Italien[I], Israel[IL], Holland[NL], Portugal[P], Finnland[SF]
2	AP8206565	Ansaugkrümmer D12	1	Land:Österreich[A], Schweiz[CH], Deutschland[D]
3	AP8206557	Ventiltraeger kpl.	1	
4	AP8206486	Ventildichtung	1	
5	AP8206181	Muffenschelle	1	
6	AP8120952	Kraftstoffleitung 5,5x10	1	
7	AP8206473	Vergaserschutz	1	
8	AP8206711	Schelle	1	
9	AP8206467	Ölpumpe	1	
10	AP8508887	TCCE Schraube	2	
11	AP8201225	Schlauchschelle D8,5x5,5	1	
12	AP8102378	Schelle D11,3	1	
13	AP8220548	Kondensablaß	1	
14	AP8220507	Leitung	1	

<b>Einheit</b>	MOTOR
<b>Code</b>	29.44
<b>Beschreibung</b>	Vergaser I
<b>Inspektion</b>	1



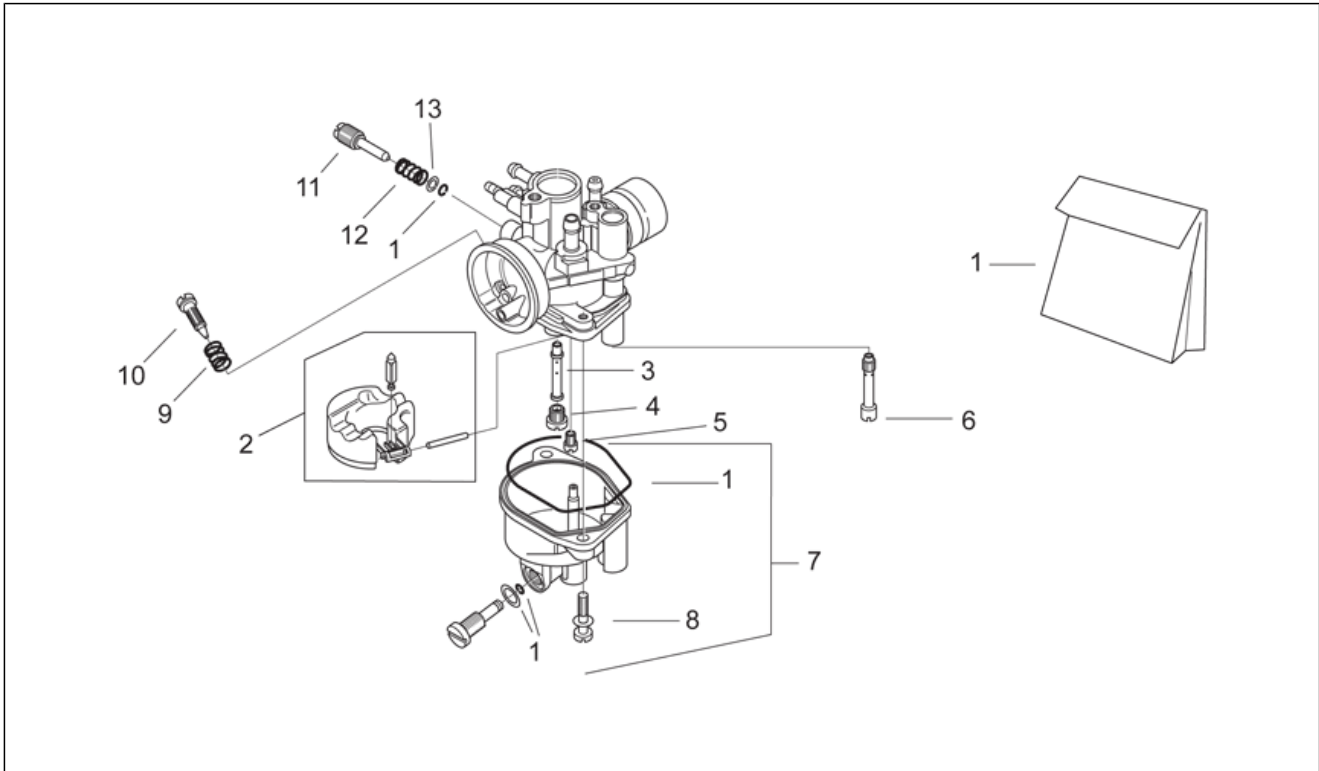
Pos.	Code	Beschreibung	Menge	Varianten
1	AP8206898	Gasventil 30	1	Land:Österreich[A], Schweiz[CH], Deutschland[D], Dänemark[DK], Holland[NL], Finnland[SF]
1	AP8206899	Gasventil 40	1	Land:Belgien[B], Brasilien[BR], Spanien[E], Frankreich[F], Griechenland[GR], Italien[I], Israel[IL], Portugal[P]
2	AP8206900	Vergasernadel A12	1	
3	AP8206886	Dichtungsbeutel	1	
4	AP8206909	Deckel Gemischkam.	1	
5	AP8206908	Rückholfeder Gasven.	1	
6	AP8206891	Sicherung Kegelnadel	1	
7	AP8206892	Sicherung Kegelnadel	1	
8	AP8206893	Kabelzugstarter	1	
9	AP8206680	Vergaser phbn 12-Gs	1	Land:Dänemark[DK], Holland[NL], Finnland[SF]
9	AP8206681	Vergaser phbn 12-Gs	1	Land:Deutschland[D]
9	AP8206724	Vergaser phbn 12-Gs	1	Land:Spanien[E], Frankreich[F], Griechenland[GR], Italien[I], Israel[IL], Portugal[P] Technische Daten:Version ohne Katalysator[nocat]
9	AP8206750	Vergaser phbn 12-Gs	1	Land:Österreich[A]
9	AP8206751	Vergaser phbn 12-Gs	1	Land:Belgien[B]
9	AP8206785	Vergaser phbn 12-Gs	1	Land:Schweiz[CH]
9	AP8206910	Vergaser phbn 12-Gs	1	Land:Brasilien[BR]
9	AP8206911	Vergaser phbn 12-Gs	1	Land:Italien[I] Technische Daten:Version mit Katalysator[cat]

<b>Einheit</b>	MOTOR
<b>Code</b>	29.45
<b>Beschreibung</b>	Vergaser II
<b>Inspektion</b>	1



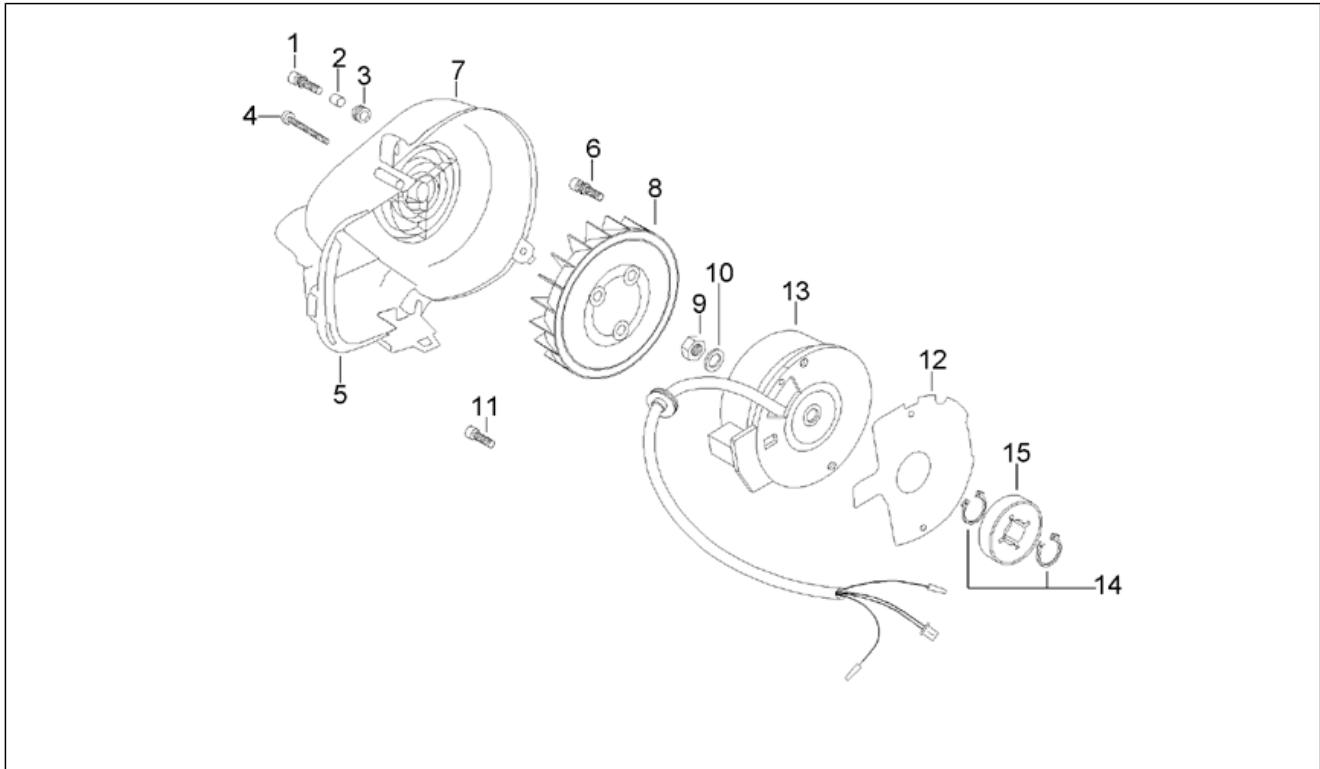
Pos.	Code	Beschreibung	Menge	Varianten
1	AP8206886	Dichtungsbeutel	1	
2	AP8206890	Schwimmer	1	
3	AP8206707	Nadelventil GA209	1	<b>Land:</b> Österreich[A], Schweiz[CH], Dänemark[DK], Holland[NL], Finnland[SF]
3	AP8206796	Nadelventil GA210	1	<b>Land:</b> Belgien[B], Deutschland[D], Spanien[E], Frankreich[F], Griechenland[GR], Italien[I], Israel[IL], Portugal[P]
3	AP8206797	Nadelventil GA211	1	<b>Land:</b> Brasilien[BR]
4	AP8206912	Maximaldüse 64	1	<b>Land:</b> Dänemark[DK], Holland[NL], Finnland[SF]
4	AP8222275	Maximaldüse 78	1	<b>Land:</b> Belgien[B], Spanien[E], Frankreich[F], Griechenland[GR], Italien[I], Israel[IL], Portugal[P] <b>Technische Daten:</b> Version ohne Katalysator[nocat]
4	AP8222288	Maximaldüse 72	1	<b>Land:</b> Deutschland[D]
4	AP8222479	Maximaldüse 70	1	<b>Land:</b> Schweiz[CH]
4	AP8222680	Maximaldüse 82	1	<b>Land:</b> Brasilien[BR]
4	AP8222682	Maximaldüse 62	1	<b>Land:</b> Österreich[A], Italien[I] <b>Technische Daten:</b> Version mit Katalysator[cat]
5	AP8206902	Leerlaufstrahl 32	1	<b>Land:</b> Österreich[A], Schweiz[CH]
5	AP8206913	Leerlaufstrahl 40	1	<b>Land:</b> Belgien[B], Brasilien[BR], Spanien[E], Frankreich[F], Griechenland[GR], Italien[I], Israel[IL], Portugal[P]
5	AP8206914	Leerlaufstrahl 36	1	<b>Land:</b> Dänemark[DK], Holland[NL], Finnland[SF]
5	AP8222685	Leerlaufstrahl 34	1	<b>Land:</b> Deutschland[D]
6	AP8206904	Startdüse 45	1	
7	AP8206889	Schwimmergehäuse	1	
8	AP8206887	Fixierschraube Schel.	1	
9	AP8206894	Fed. Einst.schr. Leerl.	1	
10	AP8206708	LuftEinst.schr. Leerl.	1	<b>Land:</b> Schweiz[CH]
10	AP8206907	LuftEinst.schr. Leerl.	1	<b>Land:</b> Österreich[A], Belgien[B], Brasilien[BR], Deutschland[D], Dänemark[DK], Spanien[E], Frankreich[F], Griechenland[GR], Italien[I], Israel[IL], Holland[NL], Portugal[P], Finnland[SF]

<b>Einheit</b>	MOTOR
<b>Code</b>	29.45
<b>Beschreibung</b>	Vergaser II
<b>Inspektion</b>	1



Pos.	Code	Beschreibung	Menge	Varianten
11	AP8206895	Einst.schr. Gasv.	1	
12	AP8206896	Fed. Einst.schr. Gasv.	1	
13	AP8206897	Flachscheibe	1	

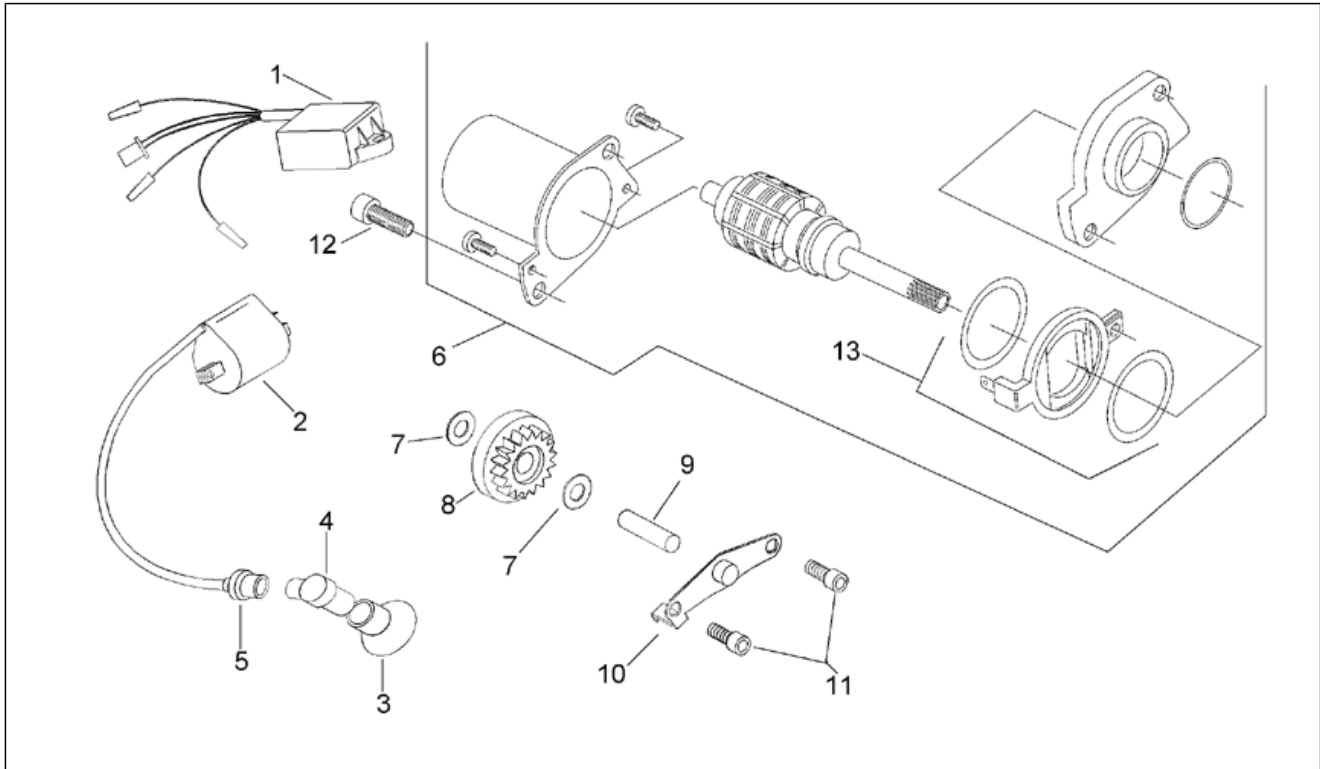
<b>Einheit</b>	MOTOR
<b>Code</b>	29.46
<b>Beschreibung</b>	Schwungrad
<b>Inspektion</b>	1



Pos.	Code	Beschreibung	Menge	Varianten
1	AP8206495	TCCE Schr. m. U-sch.	2	Baujahr:2001[1], 1999[X], 2000[Y]
1	AP8206510	TCCE Schr. m. U-sch. M6x20	2	Baujahr:1997[V], 1998[W]
2	AP8206480	Buchse 6,5x8,5x10	1	
3	AP8206471	Silent-Block	1	
4	AP8206494	Schraube 5,5x40	1	
5	AP8206474	Dichtung leitblech	1	
6	AP8206499	TCCE Schr. m. 2 U-sch. M6x16	3	
7	AP8206528	Lüfterleitblech	1	
8	AP8206461	Kunststofflüfter	1	
9	AP8206183	Mutter M10x1,25	2	
10	AP8206205	Ausgleichscheibe D10,5x18x2	1	
11	AP8502563	TCCE Schraube M6x16	2	
12	AP8206485	Dichtung Schwungradständer	1	
13	AP8206462	Schwungmagnetstarter	1	
14	AP8206179	Seegerring für Welle D19	2	
15	AP8206746	Angetriebenes Ölpumpenrad	1	

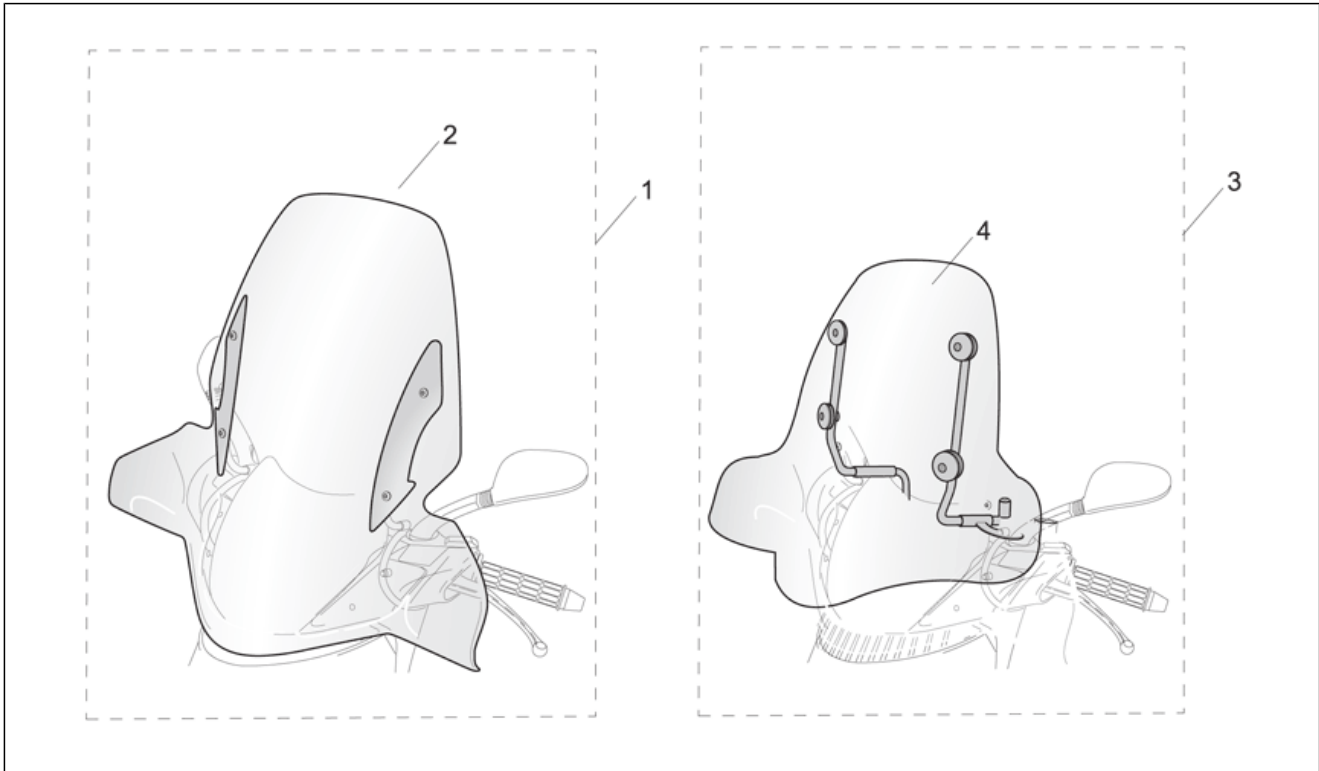


<b>Einheit</b>	MOTOR
<b>Code</b>	29.47
<b>Beschreibung</b>	Zündgruppe
<b>Inspektion</b>	1



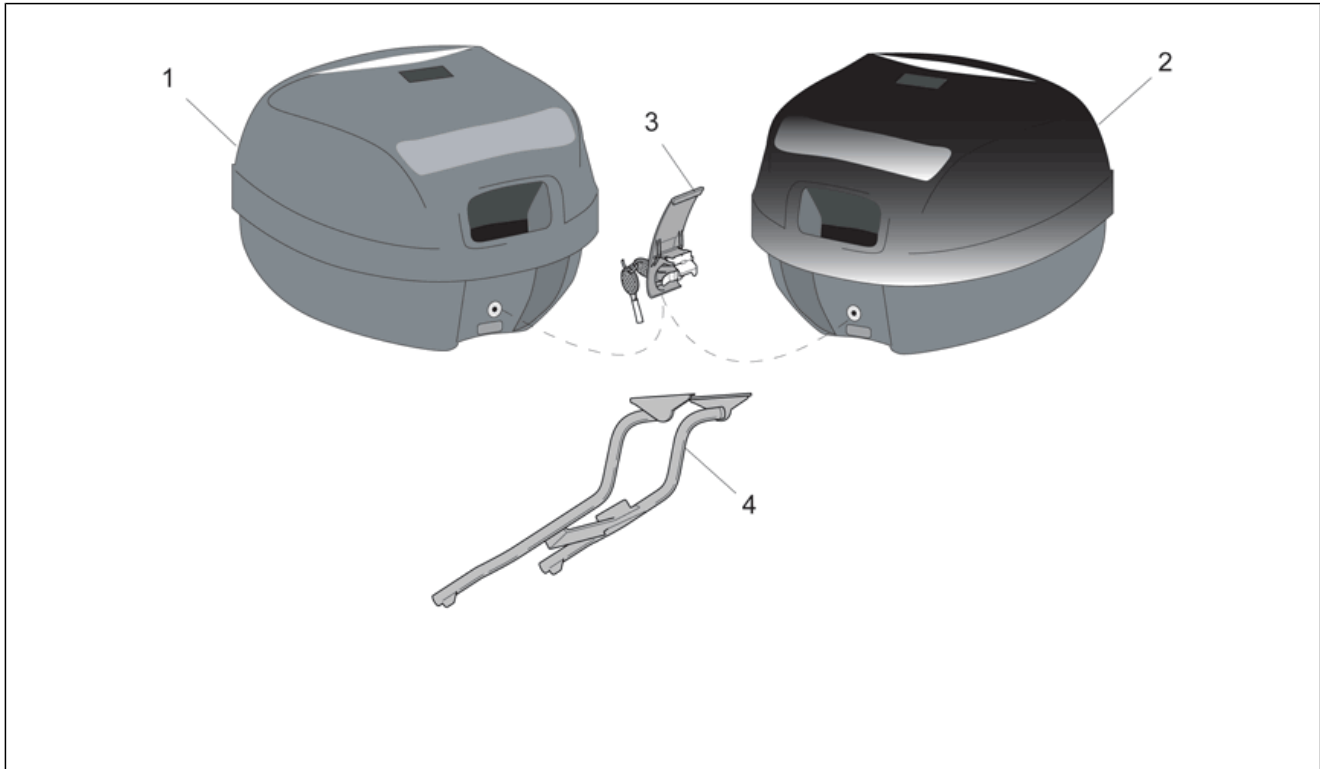
Pos.	Code	Beschreibung	Menge	Varianten
1	AP8206470	Steuergerät für Schwungrad	1	
2	AP8206125	Zuendtransform.cpl.	1	
3	AP8220438	Gummi	1	
4	AP8220439	Zündkerzenkappe	1	
5	AP8220440	Drahtabdeckgummi	1	
6	AP8206459	Startermotor	1	
7	AP8206206	Ausgleichscheibe D8x16x2	2	
8	AP8206509	Doppeltes Freilaufad+buche	1	
9	AP8206172	Bolzen D8x32	1	
10	AP8206700	Platte doppeltes Freilaufad	1	
11	AP8206202	TCCE Schraube M6x12	2	
12	AP8502564	TCCE Schraube M6x20	2	
13	AP8224093	Bürstenhalter mit OR	1	

<b>Einheit</b>	ZUBEHÖR
<b>Code</b>	30.48
<b>Beschreibung</b>	Acc. - Windschilder
<b>Inspektion</b>	1



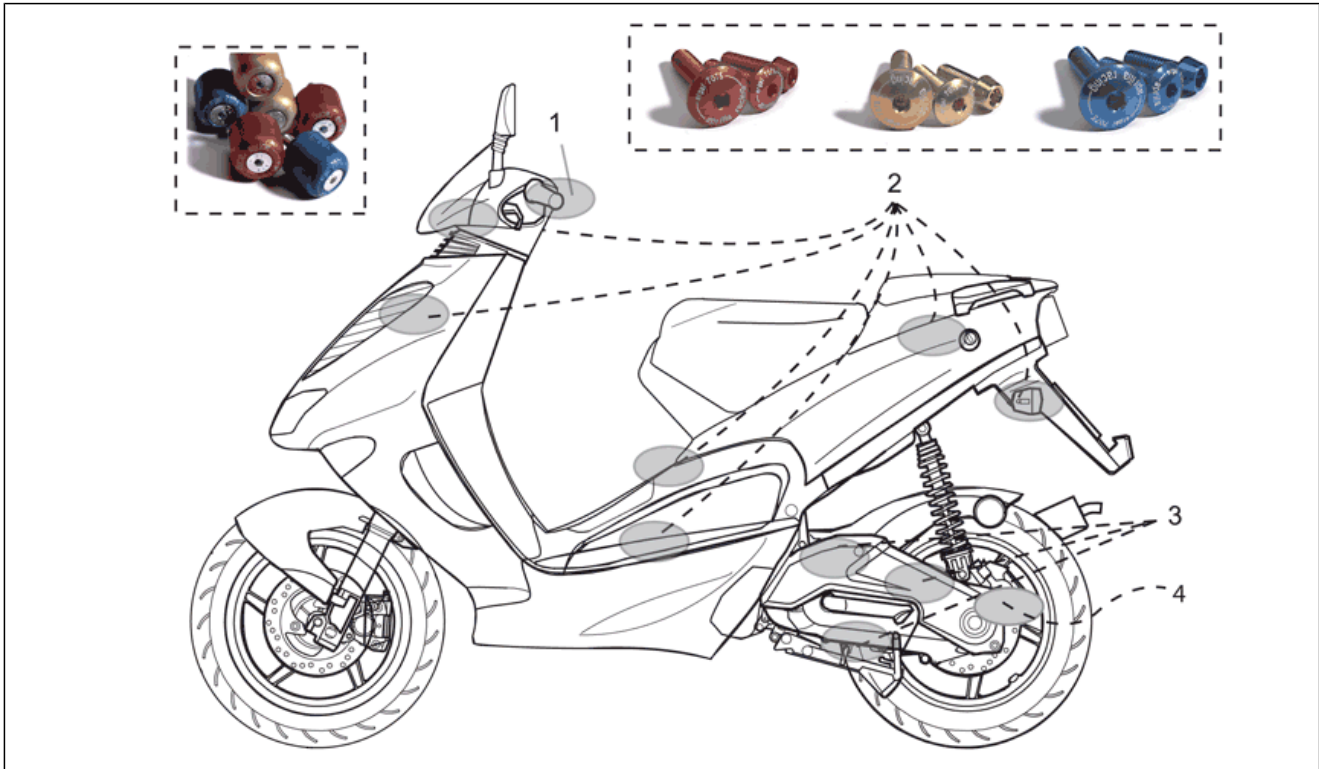
Pos.	Code	Beschreibung	Menge	Varianten
1	AP8790152	Windschutzscheibe Kpl. Big	1	Technische Daten:Zubehör[A]
2	AP8790155	Windschutzsch.o/Halter. Big	1	Technische Daten:Zubehör[A]
3	AP8790153	Windschutzscheibe Kpl. Sport	1	Technische Daten:Zubehör[A]
4	AP8790197	Windschutzsch.o/Halter. Sport	1	Technische Daten:Zubehör[A]

<b>Einheit</b>	ZUBEHÖR
<b>Code</b>	30.49
<b>Beschreibung</b>	Acc. - Koffer, Taschen
<b>Inspektion</b>	1



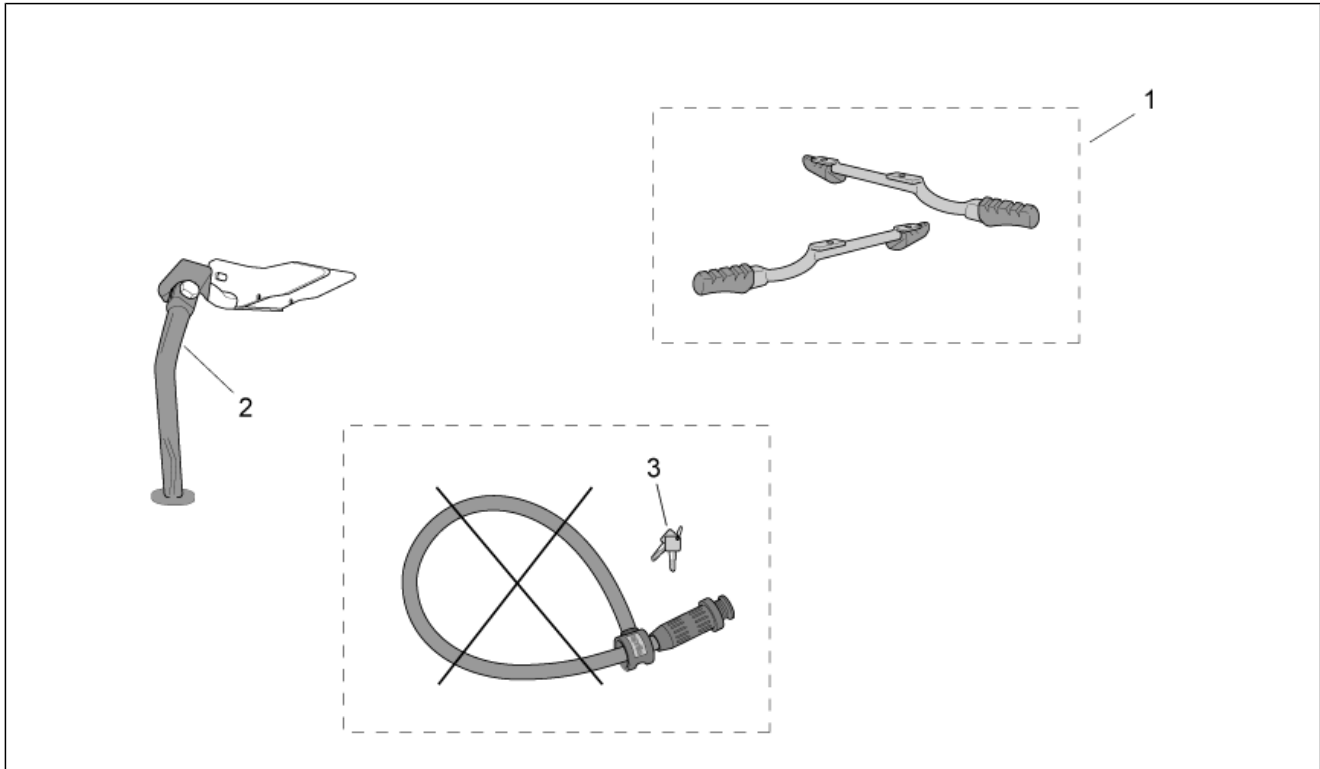
Pos.	Code	Beschreibung	Menge	Varianten
1	AP8792066	Koffer gaufriert New-C 32L	1	Technische Daten:Zubehör[A]
2	AP8706369	Koffer blau lack. New-C 28L	1	Technische Daten:Zubehör[A]
2	AP8792080	Koffer schwarz lack. New-C 28L	1	Technische Daten:Zubehör[A]
2	AP8792126	Koffer hot red lack. New-C 28L	1	Technische Daten:Zubehör[A]
2	AP8792329	Koffer rot lack. New-C 28L	1	Technische Daten:Zubehör[A]
3	AP8104197	Kofferschloß kpl.	1	Technische Daten:Zubehör[A]
4	AP8790186	Platte kpl.Kofferhalt. New-C	1	Technische Daten:Zubehör[A]

<b>Einheit</b>	ZUBEHÖR
<b>Code</b>	30.50
<b>Beschreibung</b>	Acc. - Fahrwerk
<b>Inspektion</b>	1



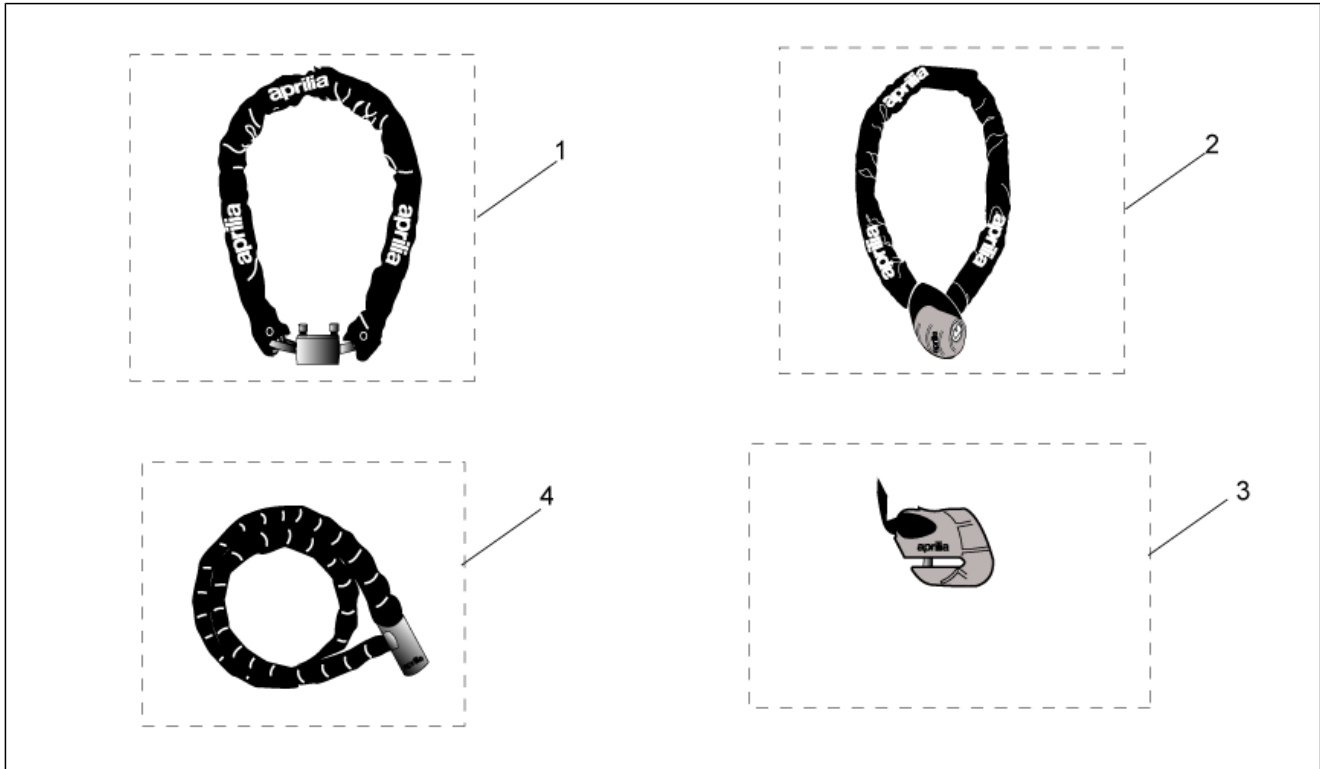
Pos.	Code	Beschreibung	Menge	Varianten
1	AP8202268	Schwingschutzge.rot-Paar Ergal	1	
1	AP8202269	Schwingschutzgew.blau-P. Ergal	1	
1	AP8202270	Schwingschutzgew.gold-P. Ergal	1	
2	AP8222758	Schrauben Karros.rot Ergal	1	
2	AP8222759	Schrauben Karros.blau Ergal	1	
2	AP8222760	Schrauben Karros.gold Ergal	1	
3	AP8222755	Schrauben Gehäuse m.rot Ergal	1	
3	AP8222756	Schrauben Gehäuse m.blau Ergal	1	
3	AP8222757	Schrauben Gehäuse m.gold Ergal	1	
4	AP8222761	Öleinfüllschraube rot Ergal	1	
4	AP8222761	Öleinfüllschraube rot Ergal	1	
4	AP8222761	Öleinfüllschraube rot Ergal	1	

<b>Einheit</b>	ZUBEHÖR
<b>Code</b>	30.51
<b>Beschreibung</b>	Acc. - Sonstiges
<b>Inspektion</b>	1



Pos.	Code	Beschreibung	Menge	Varianten
1	AP8790150	Soziusrasten (Paar)	1	Technische Daten:Zubehör[A]
2	AP8790154	Seitenständer	1	Technische Daten:Zubehör[A]
3	AP8700792	Schlüsslersatzdie. B.Guard UK-D	1	Technische Daten:Zubehör[A]
3	AP8700793	Schlüsslersatzdie. B.Guard F-NL	1	Technische Daten:Zubehör[A]
3	AP8700794	Schlüsslersatzdie. B.Guard I-E	1	Technische Daten:Zubehör[A]

<b>Einheit</b>	ZUBEHÖR
<b>Code</b>	30.52
<b>Beschreibung</b>	Acc. - Diefstahl
<b>Inspektion</b>	1



Pos.	Code	Beschreibung	Menge	Varianten
1	AP8720115	Iron Guard 10x150 mm	1	Technische Daten:Zubehör[A]
2	AP8720116	Iron Guard 8x120 mm	1	Technische Daten:Zubehör[A]
3	AP8720117	Iron Guard Disk 5 mm	1	Technische Daten:Zubehör[A]
4	AP8720118	Easy Guard 150 mm	1	Technische Daten:Zubehör[A]