

aprilia[®]

ERSATZTEILKATALOG



Area 51 1998-2000

Vorsatzcode Fahrgestell: ZD4MY

Vorsatzcode Motor:

AREA 51

520W

Inhaltsverzeichnis

| | |
|---|----|
| Fertige Produkte..... | 4 |
| Alphanumerisches Verzeichnis..... | 5 |
| RAHMEN..... | 10 |
| Tafel 28.01 - Rahmen I..... | 10 |
| Tafel 28.02 - Rahmen II..... | 11 |
| Tafel 28.03 - Hauptständer - Motoranschluß..... | 12 |
| Tafel 28.04 - Pleuelst. - Hinterradaufhängung..... | 13 |
| Tafel 28.05 - Vorderradaufhängung I..... | 14 |
| Tafel 28.06 - Vorderradaufhängung II..... | 15 |
| Tafel 28.07 - Frontaufbau I..... | 16 |
| Tafel 28.08 - Frontaufbau II..... | 18 |
| Tafel 28.09 - Mittlerer aufbau I..... | 19 |
| Tafel 28.10 - Mittlerer aufbau II..... | 20 |
| Tafel 28.11 - Mittlerer aufbau III..... | 21 |
| Tafel 28.12 - Sitz - Schutzhelmfach..... | 23 |
| Tafel 28.13 - Heckaufbau I..... | 24 |
| Tafel 28.14 - Heckaufbau II..... | 25 |
| Tafel 28.15 - Heckaufbau III..... | 27 |
| Tafel 28.16 - Kennzeichenplatte..... | 28 |
| Tafel 28.17 - Lenkstange - Instrumenteneinheit..... | 29 |
| Tafel 28.18 - Schaltungen..... | 30 |
| Tafel 28.19 - Kühler..... | 31 |
| Tafel 28.20 - Öltank..... | 32 |
| Tafel 28.21 - Kraftstofftank..... | 33 |
| Tafel 28.22 - Filtergehäuse..... | 35 |
| Tafel 28.24 - Auspuffrohr..... | 36 |
| Tafel 28.25 - Vorderrad..... | 38 |
| Tafel 28.26 - Hinterrad..... | 39 |
| Tafel 28.27 - Lichter..... | 40 |
| Tafel 28.28 - Elektrische Anlage..... | 42 |
| Tafel 28.29 - Deko und Bausatz Schlösser..... | 44 |
| Tafel 28.30 - Schilder und Anleit..... | 45 |
| MOTOR..... | 47 |
| Tafel 29.23 - Motor..... | 47 |
| Tafel 29.31 - Mittlere gehäuse..... | 48 |
| Tafel 29.32 - Zylinderkopf I..... | 49 |
| Tafel 29.33 - Zylinderkopf II..... | 50 |
| Tafel 29.34 - Pleuelstange..... | 51 |
| Tafel 29.35 - Deckel kickstarter..... | 52 |
| Tafel 29.36 - Wandler..... | 53 |
| Tafel 29.37 - Kupplung I..... | 54 |
| Tafel 29.38 - Kupplung II..... | 55 |
| Tafel 29.39 - Endübersetzung..... | 56 |

| | |
|---|----|
| Tafel 29.40 - Einspeisung - Ölpumpe..... | 57 |
| Tafel 29.41 - Vergaser I..... | 58 |
| Tafel 29.42 - Vergaser II..... | 59 |
| Tafel 29.43 - Schwungrad-Wasserpumpe..... | 61 |
| Tafel 29.44 - Zündgruppe..... | 62 |
| ZUBEHÖR..... | 63 |
| Tafel 30.45 - Acc. - Sonstiges..... | 63 |
| Tafel 30.46 - Acc. - Diebstahl..... | 64 |

Fertige Produkte

| Code | Gültigkeit |
|-------------|------------|
| AP67600AT02 | |
| AP67600AT03 | |
| AP67600CH01 | |
| AP67600CH02 | |
| AP67600CH03 | |
| AP67600CH05 | |
| AP67600CH06 | |
| AP67600DE01 | |
| AP67600DE02 | |
| AP67600DE03 | |
| AP67600DE04 | |
| AP67600DE05 | |
| AP67600DE06 | |
| AP67600FI01 | |
| AP67600IT01 | |
| AP67600NL01 | |
| AP67600NL02 | |
| AP67600NL03 | |
| AP67600NL05 | |
| AP67600NL06 | |
| AP67600NL07 | |
| AP67600PT01 | |
| AP67600PT02 | |
| AP67600PT03 | |
| AP67601IT05 | |
| AP67601IT06 | |
| AP67601IT07 | |
| AP7999001 | |

| Code | Nr. der Tafel | Pos. | Code | Nr. der Tafel | Pos. | Code | Nr. der Tafel | Pos. |
|-----------|---------------|------|-----------|---------------|------|-----------|---------------|------|
| 0000000 | 28.25 | 1 | AP8121075 | 28.05 | 2 | AP8150430 | 28.29 | 6 |
| 0000000 | 28.26 | 1 | AP8121075 | 28.19 | 19 | AP8150432 | 28.04 | 11 |
| AP8101573 | 28.19 | 15 | AP8121075 | 28.24 | 9 | AP8150436 | 28.03 | 16 |
| AP8101595 | 28.21 | 16 | AP8121133 | 28.02 | 12 | AP8150436 | 28.04 | 5 |
| AP8101743 | 28.20 | 9 | AP8121309 | 28.28 | 28 | AP8150444 | 28.07 | 7 |
| AP8101743 | 28.21 | 6 | AP8121725 | 28.22 | 11 | AP8150444 | 28.16 | 8 |
| AP8101770 | 28.20 | 8 | AP8121856 | 28.28 | 12 | AP8150444 | 28.18 | 8 |
| AP8101770 | 28.21 | 4 | AP8124235 | 28.28 | 18 | AP8150471 | 28.25 | 11 |
| AP8101861 | 28.02 | 2 | AP8124400 | 28.27 | 5 | AP8150471 | 28.26 | 7 |
| AP8101912 | 28.19 | 3 | AP8124818 | 28.28 | 9 | AP8150477 | 28.27 | 16 |
| AP8101944 | 28.20 | 6 | AP8125757 | 28.18 | 6 | AP8150479 | 28.06 | 11 |
| AP8101944 | 28.21 | 3 | AP8132720 | 28.02 | 13 | AP8152003 | 29.23 | 6 |
| AP8102223 | 28.20 | 7 | AP8132812 | 28.02 | 20 | AP8152025 | 28.06 | 8 |
| AP8102224 | 28.20 | 5 | AP8134167 | 28.22 | 14 | AP8152030 | 28.06 | 10 |
| AP8102349 | 28.19 | 18 | AP8144157 | 28.28 | 21 | AP8152037 | 28.06 | 4 |
| AP8102375 | 28.02 | 4 | AP8144277 | 28.03 | 7 | AP8152040 | 28.15 | 8 |
| AP8102375 | 28.08 | 1 | AP8150013 | 28.05 | 6 | AP8152172 | 28.01 | 10 |
| AP8102375 | 28.10 | 3 | AP8150013 | 28.28 | 13 | AP8152176 | 28.03 | 17 |
| AP8102375 | 28.11 | 7 | AP8150014 | 28.12 | 16 | AP8152244 | 28.25 | 5 |
| AP8102375 | 28.12 | 8 | AP8150014 | 28.15 | 9 | AP8152244 | 28.26 | 6 |
| AP8102375 | 28.13 | 4 | AP8150014 | 28.29 | 7 | AP8152246 | 28.12 | 14 |
| AP8102375 | 28.14 | 3 | AP8150014 | 29.23 | 7 | AP8152246 | 28.24 | 11 |
| AP8102375 | 28.15 | 4 | AP8150015 | 28.21 | 23 | AP8152246 | 28.24 | 11 |
| AP8102375 | 28.19 | 6 | AP8150015 | 28.22 | 13 | AP8152260 | 28.24 | 4 |
| AP8102375 | 28.27 | 11 | AP8150015 | 28.24 | 10 | AP8152267 | 28.27 | 10 |
| AP8102376 | 28.02 | 5 | AP8150020 | 28.17 | 11 | AP8152269 | 28.21 | 17 |
| AP8102376 | 28.10 | 4 | AP8150045 | 28.12 | 17 | AP8152273 | 28.12 | 15 |
| AP8102376 | 28.12 | 7 | AP8150045 | 28.29 | 8 | AP8152273 | 28.15 | 3 |
| AP8102376 | 28.21 | 9 | AP8150048 | 28.03 | 13 | AP8152273 | 28.28 | 14 |
| AP8102378 | 28.21 | 20 | AP8150049 | 28.04 | 7 | AP8152275 | 28.05 | 18 |
| AP8102378 | 29.40 | 12 | AP8150051 | 28.02 | 15 | AP8152277 | 28.01 | 12 |
| AP8102381 | 28.10 | 5 | AP8150092 | 28.03 | 21 | AP8152278 | 28.18 | 7 |
| AP8102671 | 28.02 | 10 | AP8150092 | 28.04 | 4 | AP8152278 | 28.21 | 15 |
| AP8102671 | 28.12 | 20 | AP8150092 | 28.05 | 17 | AP8152278 | 28.28 | 11 |
| AP8102717 | 28.17 | 17 | AP8150158 | 28.15 | 7 | AP8152281 | 28.01 | 6 |
| AP8102731 | 28.05 | 3 | AP8150158 | 28.16 | 2 | AP8152281 | 28.14 | 5 |
| AP8102732 | 28.19 | 13 | AP8150165 | 29.23 | 3 | AP8152281 | 28.22 | 10 |
| AP8102765 | 28.19 | 5 | AP8150179 | 28.18 | 19 | AP8152281 | 28.28 | 17 |
| AP8102811 | 28.21 | 13 | AP8150204 | 28.10 | 13 | AP8152281 | 28.29 | 9 |
| AP8102880 | 28.28 | 7 | AP8150204 | 28.15 | 6 | AP8152287 | 28.02 | 8 |
| AP8102880 | 28.29 | 4 | AP8150204 | 28.16 | 9 | AP8152287 | 28.03 | 5 |
| AP8102903 | 28.21 | 11 | AP8150220 | 29.23 | 8 | AP8152287 | 28.25 | 14 |
| AP8104197 | 30.45 | 6 | AP8150285 | 28.17 | 18 | AP8152287 | 28.26 | 9 |
| AP8109121 | 28.19 | 20 | AP8150287 | 28.04 | 6 | AP8152288 | 28.24 | 6 |
| AP8110089 | 28.04 | 13 | AP8150292 | 28.03 | 14 | AP8152289 | 28.05 | 16 |
| AP8112244 | 28.28 | 22 | AP8150310 | 28.03 | 15 | AP8152289 | 28.24 | 5 |
| AP8112600 | 28.28 | 31 | AP8150310 | 28.04 | 8 | AP8152290 | 28.17 | 13 |
| AP8112916 | 28.16 | 7 | AP8150323 | 28.17 | 10 | AP8152298 | 28.01 | 13 |
| AP8113003 | 28.25 | 15 | AP8150359 | 28.16 | 6 | AP8152298 | 28.09 | 4 |
| AP8113003 | 28.26 | 10 | AP8150376 | 28.03 | 11 | AP8152298 | 28.10 | 7 |
| AP8113004 | 28.25 | 16 | AP8150382 | 28.11 | 11 | AP8152298 | 28.11 | 9 |
| AP8113004 | 28.26 | 11 | AP8150413 | 28.07 | 6 | AP8152298 | 28.12 | 9 |
| AP8113005 | 28.25 | 26 | AP8150413 | 28.08 | 7 | AP8152298 | 28.14 | 2 |
| AP8113005 | 28.26 | 15 | AP8150413 | 28.09 | 5 | AP8152298 | 28.19 | 4 |
| AP8113006 | 28.25 | 22 | AP8150413 | 28.10 | 6 | AP8152298 | 28.20 | 4 |
| AP8113006 | 28.26 | 16 | AP8150413 | 28.13 | 3 | AP8152299 | 28.28 | 25 |
| AP8113414 | 28.18 | 17 | AP8150413 | 28.14 | 4 | AP8152300 | 28.02 | 3 |
| AP8113644 | 28.25 | 24 | AP8150413 | 28.16 | 11 | AP8152300 | 28.03 | 4 |
| AP8113663 | 28.26 | 18 | AP8150413 | 28.18 | 12 | AP8152300 | 28.17 | 14 |
| AP8113678 | 28.25 | 25 | AP8150413 | 28.19 | 12 | AP8152301 | 28.03 | 8 |
| AP8113678 | 28.26 | 19 | AP8150416 | 28.10 | 11 | AP8152301 | 28.06 | 9 |
| AP8117073 | 28.21 | 2 | AP8150421 | 28.08 | 6 | AP8152301 | 28.17 | 12 |
| AP8120253 | 29.23 | 5 | AP8150421 | 28.17 | 4 | AP8152302 | 28.08 | 4 |
| AP8120573 | 28.02 | 9 | AP8150423 | 28.27 | 9 | AP8152306 | 28.02 | 17 |
| AP8120754 | 28.28 | 24 | AP8150425 | 28.11 | 10 | AP8152306 | 28.08 | 5 |
| AP8120870 | 28.24 | 8 | AP8150425 | 28.22 | 8 | AP8152313 | 28.02 | 7 |
| AP8120952 | 29.40 | 14 | AP8150430 | 28.12 | 18 | AP8152318 | 28.06 | 7 |

| Code | Nr. der Tafel | Pos. |
|-----------|---------------|------|
| AP8152330 | 28.01 | 5 |
| AP8152330 | 28.28 | 16 |
| AP8152330 | 28.29 | 10 |
| AP8152338 | 28.10 | 9 |
| AP8152339 | 28.10 | 8 |
| AP8152339 | 28.11 | 8 |
| AP8152341 | 28.16 | 3 |
| AP8152341 | 28.21 | 22 |
| AP8152342 | 28.24 | 11 |
| AP8201225 | 29.40 | 6 |
| AP8201457 | 28.02 | 11 |
| AP8201546 | 28.25 | 13 |
| AP8201546 | 28.26 | 5 |
| AP8201564 | 28.12 | 6 |
| AP8201564 | 28.29 | 3 |
| AP8201643 | 28.12 | 10 |
| AP8201683 | 28.22 | 6 |
| AP8201727 | 28.27 | 12 |
| AP8201763 | 28.11 | 12 |
| AP8201763 | 28.19 | 11 |
| AP8201799 | 28.22 | 3 |
| AP8201807 | 28.19 | 16 |
| AP8201808 | 28.19 | 17 |
| AP8202024 | 28.25 | 3 |
| AP8202025 | 28.17 | 2 |
| AP8202028 | 28.30 | 5 |
| AP8202030 | 28.29 | 1 |
| AP8202031 | 28.21 | 21 |
| AP8202031 | 28.29 | 5 |
| AP8202033 | 28.21 | 5 |
| AP8202069 | 29.33 | 7 |
| AP8202100 | 28.30 | 5 |
| AP8202101 | 28.30 | 5 |
| AP8202102 | 28.30 | 5 |
| AP8202103 | 28.30 | 5 |
| AP8202117 | 28.21 | 12 |
| AP8202117 | 28.21 | 12 |
| AP8202128 | 28.12 | 19 |
| AP8202137 | 28.21 | 12 |
| AP8202137 | 28.21 | 12 |
| AP8202154 | 28.21 | 10 |
| AP8202185 | 28.30 | 5 |
| AP8202207 | 28.19 | 1 |
| AP8203666 | 28.01 | 3 |
| AP8203746 | 28.04 | 3 |
| AP8203826 | 28.04 | 15 |
| AP8203827 | 28.05 | 7 |
| AP8203828 | 28.05 | 12 |
| AP8203829 | 28.05 | 14 |
| AP8203830 | 28.05 | 9 |
| AP8203831 | 28.05 | 11 |
| AP8203833 | 28.05 | 8 |
| AP8203836 | 28.05 | 1 |
| AP8203838 | 28.06 | 6 |
| AP8203839 | 28.06 | 2 |
| AP8203840 | 28.06 | 16 |
| AP8203841 | 28.06 | 13 |
| AP8203842 | 28.06 | 14 |
| AP8203866 | 28.06 | 5 |
| AP8203867 | 28.06 | 15 |
| AP8203868 | 28.06 | 12 |
| AP8203869 | 28.05 | 15 |
| AP8203870 | 28.05 | 13 |
| AP8203871 | 28.05 | 10 |
| AP8203872 | 28.06 | 1 |
| AP8203926 | 28.04 | 3 |
| AP8203931 | 28.04 | 16 |

| Code | Nr. der Tafel | Pos. |
|-----------|---------------|------|
| AP8203941 | 28.05 | 5 |
| AP8206109 | 29.36 | 9 |
| AP8206112 | 29.39 | 3 |
| AP8206116 | 29.36 | 13 |
| AP8206119 | 29.40 | 8 |
| AP8206122 | 29.35 | 4 |
| AP8206123 | 29.39 | 7 |
| AP8206131 | 29.31 | 16 |
| AP8206136 | 29.36 | 6 |
| AP8206138 | 29.31 | 2 |
| AP8206140 | 29.36 | 14 |
| AP8206141 | 29.36 | 15 |
| AP8206142 | 29.39 | 10 |
| AP8206144 | 29.36 | 2 |
| AP8206147 | 29.36 | 4 |
| AP8206148 | 29.35 | 3 |
| AP8206149 | 29.35 | 10 |
| AP8206150 | 29.39 | 9 |
| AP8206152 | 29.35 | 11 |
| AP8206154 | 29.34 | 6 |
| AP8206159 | 29.39 | 11 |
| AP8206163 | 29.39 | 2 |
| AP8206169 | 29.31 | 5 |
| AP8206170 | 29.35 | 13 |
| AP8206170 | 29.39 | 1 |
| AP8206172 | 29.35 | 1 |
| AP8206172 | 29.44 | 5 |
| AP8206179 | 29.43 | 14 |
| AP8206181 | 29.40 | 5 |
| AP8206182 | 29.34 | 9 |
| AP8206183 | 29.36 | 17 |
| AP8206183 | 29.43 | 9 |
| AP8206186 | 29.38 | 6 |
| AP8206187 | 29.34 | 5 |
| AP8206192 | 29.43 | 8 |
| AP8206193 | 29.35 | 5 |
| AP8206195 | 29.39 | 8 |
| AP8206202 | 29.31 | 1 |
| AP8206202 | 29.44 | 7 |
| AP8206203 | 29.31 | 17 |
| AP8206204 | 29.36 | 16 |
| AP8206205 | 29.43 | 10 |
| AP8206206 | 29.44 | 2 |
| AP8206208 | 29.34 | 2 |
| AP8206210 | 29.36 | 3 |
| AP8206212 | 29.34 | 1 |
| AP8206213 | 29.34 | 4 |
| AP8206214 | 29.37 | 1 |
| AP8206215 | 29.31 | 10 |
| AP8206223 | 29.34 | 7 |
| AP8206383 | 29.32 | 14 |
| AP8206419 | 29.36 | 7 |
| AP8206420 | 29.36 | 11 |
| AP8206425 | 29.39 | 6 |
| AP8206459 | 29.44 | 1 |
| AP8206462 | 29.43 | 13 |
| AP8206466 | 29.40 | 2 |
| AP8206475 | 29.31 | 6 |
| AP8206478 | 29.36 | 11 |
| AP8206479 | 29.36 | 1 |
| AP8206481 | 29.31 | 8 |
| AP8206482 | 29.31 | 7 |
| AP8206484 | 29.35 | 9 |
| AP8206485 | 29.43 | 12 |
| AP8206486 | 29.40 | 4 |
| AP8206488 | 29.31 | 18 |
| AP8206491 | 29.32 | 1 |

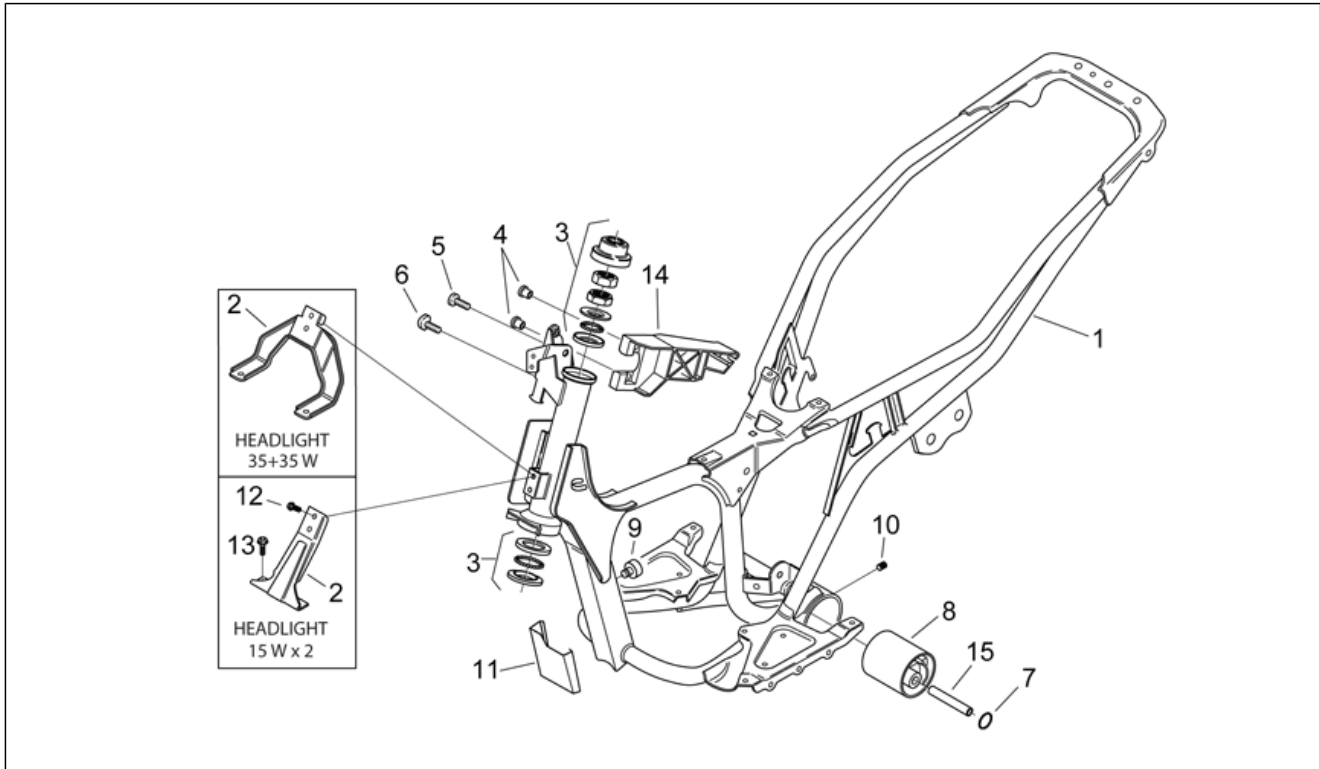
| Code | Nr. der Tafel | Pos. |
|-----------|---------------|------|
| AP8206493 | 29.32 | 11 |
| AP8206500 | 29.34 | 8 |
| AP8206501 | 29.34 | 3 |
| AP8206507 | 29.35 | 7 |
| AP8206508 | 29.35 | 8 |
| AP8206508 | 29.43 | 20 |
| AP8206530 | 29.39 | 10 |
| AP8206531 | 29.39 | 7 |
| AP8206557 | 29.40 | 3 |
| AP8206558 | 29.31 | 9 |
| AP8206565 | 29.40 | 2 |
| AP8206569 | 29.43 | 25 |
| AP8206570 | 29.40 | 10 |
| AP8206571 | 29.34 | 10 |
| AP8206572 | 29.43 | 7 |
| AP8206573 | 29.43 | 23 |
| AP8206575 | 29.32 | 10 |
| AP8206576 | 29.43 | 18 |
| AP8206577 | 29.43 | 6 |
| AP8206578 | 29.31 | 15 |
| AP8206580 | 29.43 | 24 |
| AP8206582 | 29.43 | 4 |
| AP8206583 | 29.43 | 22 |
| AP8206584 | 29.43 | 2 |
| AP8206585 | 29.43 | 3 |
| AP8206586 | 29.43 | 21 |
| AP8206587 | 29.32 | 4 |
| AP8206588 | 29.32 | 3 |
| AP8206589 | 29.43 | 1 |
| AP8206665 | 29.44 | 4 |
| AP8206692 | 29.35 | 2 |
| AP8206694 | 29.35 | 6 |
| AP8206696 | 29.40 | 11 |
| AP8206698 | 29.36 | 5 |
| AP8206700 | 29.44 | 3 |
| AP8206701 | 29.36 | 7 |
| AP8206702 | 29.36 | 12 |
| AP8206707 | 29.42 | 3 |
| AP8206708 | 29.42 | 10 |
| AP8206711 | 29.40 | 7 |
| AP8206729 | 29.38 | 1 |
| AP8206732 | 29.38 | 4 |
| AP8206733 | 29.38 | 5 |
| AP8206734 | 29.38 | 9 |
| AP8206735 | 29.37 | 2 |
| AP8206736 | 29.37 | 5 |
| AP8206737 | 29.37 | 7 |
| AP8206740 | 29.37 | 6 |
| AP8206741 | 29.37 | 3 |
| AP8206742 | 29.38 | 10 |
| AP8206743 | 29.37 | 4 |
| AP8206746 | 29.43 | 17 |
| AP8206761 | 29.37 | 8 |
| AP8206761 | 29.38 | 8 |
| AP8206762 | 29.38 | 2 |
| AP8206763 | 29.38 | 3 |
| AP8206773 | 29.33 | 1 |
| AP8206774 | 29.33 | 2 |
| AP8206775 | 29.33 | 3 |
| AP8206776 | 29.33 | 4 |
| AP8206777 | 29.33 | 5 |
| AP8206778 | 29.33 | 6 |
| AP8206779 | 29.33 | 8 |
| AP8206780 | 29.33 | 9 |
| AP8206784 | 29.32 | 13 |
| AP8206795 | 29.42 | 5 |
| AP8206795 | 29.42 | 5 |

| Code | Nr. der Tafel | Pos. | Code | Nr. der Tafel | Pos. | Code | Nr. der Tafel | Pos. |
|-----------|---------------|------|-----------|---------------|------|-----------|---------------|------|
| AP8206796 | 29.42 | 3 | AP8212915 | 28.18 | 11 | AP8220484 | 28.17 | 6 |
| AP8206797 | 29.42 | 3 | AP8212919 | 28.27 | 2 | AP8220486 | 28.01 | 8 |
| AP8206855 | 29.41 | 9 | AP8212920 | 28.27 | 6 | AP8220503 | 28.21 | 7 |
| AP8206855 | 29.41 | 9 | AP8212922 | 28.28 | 15 | AP8220521 | 28.19 | 8 |
| AP8206856 | 29.32 | 2 | AP8212923 | 28.28 | 10 | AP8220523 | 28.19 | 7 |
| AP8206858 | 29.32 | 5 | AP8212927 | 28.21 | 8 | AP8220524 | 28.01 | 7 |
| AP8206859 | 29.31 | 4 | AP8212963 | 28.17 | 1 | AP8220543 | 28.06 | 18 |
| AP8206860 | 29.32 | 7 | AP8212995 | 28.17 | 1 | AP8220548 | 29.40 | 13 |
| AP8206861 | 29.32 | 6 | AP8212996 | 28.17 | 1 | AP8221007 | 28.01 | 4 |
| AP8206862 | 29.32 | 8 | AP8212997 | 28.17 | 1 | AP8221007 | 28.28 | 27 |
| AP8206863 | 29.32 | 8 | AP8212999 | 28.27 | 1 | AP8221017 | 28.02 | 16 |
| AP8206864 | 29.32 | 5 | AP8213227 | 28.25 | 23 | AP8221057 | 28.02 | 14 |
| AP8206865 | 29.41 | 9 | AP8213227 | 28.26 | 17 | AP8221172 | 28.22 | 12 |
| AP8206866 | 29.41 | 9 | AP8213231 | 28.26 | 3 | AP8221204 | 28.03 | 2 |
| AP8206867 | 29.41 | 9 | AP8213289 | 28.18 | 13 | AP8221211 | 28.03 | 3 |
| AP8206868 | 29.41 | 9 | AP8213294 | 28.18 | 14 | AP8221213 | 28.02 | 6 |
| AP8206871 | 29.32 | 15 | AP8213295 | 28.26 | 14 | AP8221228 | 28.21 | 19 |
| AP8206883 | 29.33 | 10 | AP8213298 | 28.18 | 5 | AP8221245 | 28.04 | 9 |
| AP8206884 | 29.33 | 11 | AP8213340 | 28.25 | 8 | AP8221254 | 28.04 | 12 |
| AP8206886 | 29.41 | 3 | AP8213370 | 28.25 | 17 | AP8221256 | 28.17 | 3 |
| AP8206886 | 29.42 | 1 | AP8213379 | 28.25 | 12 | AP8221260 | 28.12 | 11 |
| AP8206887 | 29.42 | 8 | AP8213380 | 28.26 | 13 | AP8221264 | 28.03 | 12 |
| AP8206889 | 29.42 | 7 | AP8213398 | 28.18 | 16 | AP8221267 | 28.03 | 6 |
| AP8206890 | 29.42 | 2 | AP8213399 | 28.18 | 4 | AP8221269 | 28.04 | 10 |
| AP8206891 | 29.41 | 6 | AP8213400 | 28.18 | 18 | AP8221271 | 28.04 | 14 |
| AP8206892 | 29.41 | 7 | AP8213401 | 28.18 | 9 | AP8221273 | 28.01 | 15 |
| AP8206893 | 29.41 | 8 | AP8213402 | 28.18 | 15 | AP8221274 | 28.03 | 19 |
| AP8206894 | 29.42 | 9 | AP8214175 | 28.18 | 1 | AP8221275 | 28.03 | 18 |
| AP8206896 | 29.42 | 12 | AP8214176 | 28.18 | 2 | AP8221276 | 28.03 | 20 |
| AP8206897 | 29.42 | 13 | AP8218320 | 28.17 | 9 | AP8221279 | 28.17 | 5 |
| AP8206898 | 29.41 | 1 | AP8218411 | 28.18 | 3 | AP8221287 | 28.04 | 17 |
| AP8206899 | 29.41 | 1 | AP8218412 | 28.17 | 16 | AP8222335 | 29.36 | 8 |
| AP8206900 | 29.41 | 2 | AP8219212 | 28.24 | 3 | AP8222336 | 29.36 | 10 |
| AP8206901 | 29.42 | 4 | AP8219349 | 28.24 | 1 | AP8222432 | 29.42 | 4 |
| AP8206902 | 29.42 | 5 | AP8219349 | 28.24 | 1 | AP8222474 | 29.31 | 12 |
| AP8206903 | 29.42 | 6 | AP8219389 | 28.24 | 7 | AP8222475 | 29.31 | 13 |
| AP8206903 | 29.42 | 6 | AP8219389 | 28.24 | 7 | AP8222479 | 29.42 | 4 |
| AP8206904 | 29.42 | 6 | AP8219439 | 28.24 | 1 | AP8222519 | 29.23 | 1 |
| AP8206904 | 29.42 | 6 | AP8219440 | 28.24 | 1 | AP8222519 | 29.23 | 1 |
| AP8206907 | 29.42 | 10 | AP8219441 | 28.24 | 1 | AP8222568 | 29.23 | 1 |
| AP8206908 | 29.41 | 5 | AP8219442 | 28.24 | 1 | AP8222569 | 29.23 | 1 |
| AP8206912 | 29.42 | 4 | AP8219443 | 28.24 | 1 | AP8222570 | 29.23 | 1 |
| AP8206917 | 29.41 | 9 | AP8219444 | 28.24 | 1 | AP8222571 | 29.23 | 1 |
| AP8206920 | 29.41 | 4 | AP8219445 | 28.24 | 1 | AP8222576 | 28.21 | 14 |
| AP8206921 | 29.42 | 4 | AP8219452 | 28.24 | 7 | AP8222591 | 29.23 | 1 |
| AP8206921 | 29.42 | 4 | AP8219452 | 28.24 | 7 | AP8222684 | 29.42 | 4 |
| AP8206922 | 29.42 | 5 | AP8219453 | 28.24 | 13 | AP8222685 | 29.42 | 5 |
| AP8206923 | 29.42 | 11 | AP8219454 | 28.24 | 12 | AP8222693 | 29.23 | 1 |
| AP8206924 | 29.41 | 9 | AP8219454 | 28.24 | 12 | AP8224014 | 28.28 | 6 |
| AP8206943 | 29.32 | 9 | AP8219483 | 28.24 | 1 | AP8224014 | 28.29 | 2 |
| AP8208457 | 28.26 | 2 | AP8220192 | 28.21 | 18 | AP8224023 | 28.15 | 5 |
| AP8208546 | 28.26 | 4 | AP8220263 | 28.28 | 26 | AP8224048 | 28.17 | 1 |
| AP8212110 | 28.28 | 4 | AP8220342 | 28.28 | 23 | AP8224057 | 28.28 | 20 |
| AP8212481 | 28.20 | 3 | AP8220349 | 28.01 | 9 | AP8224058 | 28.18 | 10 |
| AP8212540 | 28.28 | 2 | AP8220349 | 28.12 | 2 | AP8224059 | 28.18 | 10 |
| AP8212588 | 28.28 | 30 | AP8220357 | 28.24 | 2 | AP8224060 | 28.18 | 11 |
| AP8212611 | 28.28 | 1 | AP8220364 | 28.22 | 2 | AP8224064 | 28.27 | 3 |
| AP8212652 | 28.27 | 15 | AP8220367 | 28.25 | 6 | AP8224065 | 28.27 | 6 |
| AP8212702 | 28.27 | 14 | AP8220367 | 28.26 | 8 | AP8224082 | 28.27 | 7 |
| AP8212708 | 28.28 | 19 | AP8220370 | 28.22 | 9 | AP8224083 | 28.27 | 4 |
| AP8212709 | 29.44 | 8 | AP8220385 | 28.22 | 7 | AP8224084 | 28.27 | 13 |
| AP8212812 | 28.28 | 3 | AP8220421 | 28.20 | 2 | AP8224085 | 28.27 | 2 |
| AP8212814 | 29.44 | 6 | AP8220450 | 28.19 | 14 | AP8224086 | 28.17 | 8 |
| AP8212907 | 28.27 | 1 | AP8220467 | 28.22 | 1 | AP8224087 | 28.17 | 7 |
| AP8212908 | 28.27 | 8 | AP8220469 | 28.12 | 3 | AP8224093 | 29.44 | 10 |
| AP8212913 | 28.27 | 4 | AP8220479 | 29.31 | 14 | AP8224112 | 28.28 | 29 |
| AP8212914 | 28.18 | 10 | AP8220480 | 28.22 | 1 | AP8224113 | 28.28 | 8 |

| Code | Nr. der Tafel | Pos. | Code | Nr. der Tafel | Pos. | Code | Nr. der Tafel | Pos. |
|-----------|---------------|------|-----------|---------------|------|-----------|---------------|------|
| AP8225328 | 28.25 | 4 | AP8239150 | 28.08 | 2 | AP8249357 | 28.10 | 1 |
| AP8225344 | 28.25 | 7 | AP8239152 | 28.09 | 1 | AP8249358 | 28.11 | 3 |
| AP8225345 | 28.25 | 18 | AP8239155 | 28.10 | 2 | AP8249359 | 28.11 | 4 |
| AP8225346 | 28.25 | 9 | AP8239159 | 28.10 | 1 | AP8249360 | 28.14 | 1 |
| AP8225347 | 28.25 | 10 | AP8239160 | 28.09 | 3 | AP8249361 | 28.14 | 1 |
| AP8225348 | 28.25 | 19 | AP8239162 | 28.11 | 3 | AP8249362 | 28.07 | 2 |
| AP8225349 | 28.25 | 21 | AP8239163 | 28.11 | 4 | AP8249363 | 28.07 | 3 |
| AP8225350 | 28.25 | 20 | AP8239166 | 28.11 | 5 | AP8249364 | 28.07 | 4 |
| AP8225351 | 28.25 | 2 | AP8239167 | 28.11 | 6 | AP8249366 | 28.08 | 8 |
| AP8226414 | 28.08 | 3 | AP8239168 | 28.12 | 12 | AP8249371 | 28.14 | 6 |
| AP8226415 | 28.16 | 4 | AP8239170 | 28.12 | 5 | AP8249372 | 28.09 | 6 |
| AP8226416 | 28.15 | 1 | AP8239174 | 28.19 | 2 | AP8249373 | 28.11 | 1 |
| AP8226416 | 28.15 | 1 | AP8239192 | 29.23 | 4 | AP8249374 | 28.11 | 2 |
| AP8226452 | 28.16 | 1 | AP8239215 | 28.14 | 1 | AP8249375 | 28.13 | 1 |
| AP8226463 | 28.16 | 5 | AP8239265 | 28.09 | 2 | AP8249376 | 28.13 | 2 |
| AP8226496 | 28.08 | 3 | AP8239428 | 28.10 | 10 | AP8249674 | 28.07 | 2 |
| AP8226506 | 28.15 | 1 | AP8239429 | 28.10 | 12 | AP8249675 | 28.09 | 6 |
| AP8226506 | 28.15 | 1 | AP8239498 | 28.07 | 5 | AP8249676 | 28.08 | 8 |
| AP8226585 | 28.16 | 4 | AP8239604 | 28.12 | 13 | AP8249681 | 28.14 | 6 |
| AP8226586 | 28.16 | 5 | AP8248105 | 28.17 | 15 | AP8249682 | 28.11 | 1 |
| AP8226587 | 28.15 | 1 | AP8248106 | 28.08 | 8 | AP8249683 | 28.11 | 2 |
| AP8226588 | 28.15 | 1 | AP8248197 | 28.07 | 3 | AP8249684 | 28.13 | 1 |
| AP8226589 | 28.16 | 1 | AP8248198 | 28.07 | 4 | AP8249685 | 28.13 | 2 |
| AP8226590 | 28.08 | 3 | AP8248199 | 28.09 | 6 | AP8249686 | 28.07 | 2 |
| AP8226618 | 28.08 | 3 | AP8248200 | 28.08 | 8 | AP8249687 | 28.09 | 6 |
| AP8229226 | 28.12 | 1 | AP8248205 | 28.14 | 6 | AP8249688 | 28.08 | 8 |
| AP8229281 | 28.12 | 1 | AP8248206 | 28.11 | 1 | AP8249693 | 28.14 | 6 |
| AP8229304 | 28.12 | 1 | AP8248207 | 28.11 | 2 | AP8249694 | 28.11 | 1 |
| AP8230535 | 28.28 | 5 | AP8248208 | 28.13 | 1 | AP8249695 | 28.11 | 2 |
| AP8232820 | 29.23 | 2 | AP8248209 | 28.13 | 2 | AP8249696 | 28.13 | 1 |
| AP8232990 | 28.01 | 1 | AP8248210 | 28.11 | 1 | AP8249697 | 28.13 | 2 |
| AP8232990 | 28.02 | 1 | AP8248211 | 28.11 | 2 | AP8257065 | 28.30 | 4 |
| AP8232992 | 28.04 | 2 | AP8248212 | 28.13 | 1 | AP8257067 | 28.30 | 1 |
| AP8232993 | 28.04 | 1 | AP8248213 | 28.13 | 2 | AP8257075 | 28.30 | 4 |
| AP8232994 | 28.03 | 1 | AP8248267 | 28.14 | 1 | AP8257076 | 28.30 | 4 |
| AP8232995 | 28.14 | 6 | AP8248304 | 28.07 | 3 | AP8257077 | 28.30 | 4 |
| AP8232996 | 28.03 | 9 | AP8248305 | 28.07 | 4 | AP8257085 | 28.30 | 4 |
| AP8234079 | 28.15 | 2 | AP8248306 | 28.09 | 6 | AP8257086 | 28.30 | 1 |
| AP8234120 | 28.01 | 2 | AP8248307 | 28.08 | 8 | AP8257087 | 28.30 | 1 |
| AP8234139 | 28.03 | 10 | AP8248310 | 28.14 | 6 | AP8257091 | 28.29 | 11 |
| AP8234140 | 28.06 | 3 | AP8248311 | 28.13 | 1 | AP8257092 | 28.29 | 11 |
| AP8234141 | 28.05 | 4 | AP8248312 | 28.13 | 2 | AP8257129 | 28.30 | 4 |
| AP8234143 | 28.16 | 10 | AP8248362 | 28.22 | 15 | AP8257131 | 28.30 | 3 |
| AP8234148 | 28.19 | 9 | AP8248387 | 28.07 | 3 | AP8257133 | 28.29 | 11 |
| AP8234149 | 28.19 | 10 | AP8248388 | 28.07 | 4 | AP8257134 | 28.30 | 3 |
| AP8234151 | 28.01 | 14 | AP8248389 | 28.09 | 6 | AP8257210 | 28.29 | 11 |
| AP8234155 | 28.01 | 2 | AP8248390 | 28.08 | 8 | AP8257679 | 28.30 | 4 |
| AP8234159 | 28.16 | 10 | AP8248393 | 28.14 | 6 | AP8257724 | 28.29 | 11 |
| AP8234162 | 28.06 | 17 | AP8248394 | 28.13 | 1 | AP8257780 | 28.30 | 2 |
| AP8234180 | 28.16 | 10 | AP8248395 | 28.13 | 2 | AP8257894 | 28.29 | 11 |
| AP8234181 | 28.16 | 10 | AP8248459 | 28.01 | 11 | AP8257900 | 28.29 | 11 |
| AP8235042 | 28.02 | 19 | AP8248567 | 28.14 | 1 | AP8501467 | 29.43 | 5 |
| AP8235043 | 28.02 | 18 | AP8248567 | 28.14 | 1 | AP8501469 | 29.35 | 12 |
| AP8237946 | 28.30 | 3 | AP8248568 | 28.12 | 4 | AP8501481 | 29.31 | 11 |
| AP8237947 | 28.30 | 4 | AP8248828 | 28.08 | 9 | AP8502471 | 29.38 | 7 |
| AP8237947 | 28.30 | 4 | AP8249193 | 28.07 | 2 | AP8502559 | 29.32 | 12 |
| AP8237948 | 28.30 | 2 | AP8249194 | 28.07 | 2 | AP8502563 | 29.43 | 11 |
| AP8237948 | 28.30 | 2 | AP8249195 | 28.07 | 2 | AP8502564 | 29.39 | 5 |
| AP8238852 | 28.26 | 12 | AP8249196 | 28.07 | 2 | AP8502564 | 29.40 | 1 |
| AP8239139 | 28.22 | 4 | AP8249279 | 28.22 | 15 | AP8502564 | 29.44 | 9 |
| AP8239140 | 28.22 | 5 | AP8249350 | 28.07 | 1 | AP8502567 | 29.31 | 3 |
| AP8239141 | 28.21 | 1 | AP8249351 | 28.07 | 5 | AP8502567 | 29.39 | 4 |
| AP8239142 | 28.20 | 1 | AP8249352 | 28.09 | 1 | AP8502626 | 29.39 | 12 |
| AP8239143 | 28.07 | 1 | AP8249353 | 28.09 | 2 | AP8508669 | 29.43 | 16 |
| AP8239145 | 28.07 | 3 | AP8249354 | 28.09 | 3 | AP8508887 | 29.40 | 9 |
| AP8239147 | 28.07 | 4 | AP8249355 | 28.10 | 10 | AP8509130 | 29.43 | 19 |
| AP8239149 | 28.09 | 6 | AP8249356 | 28.10 | 12 | AP8509211 | 29.43 | 15 |

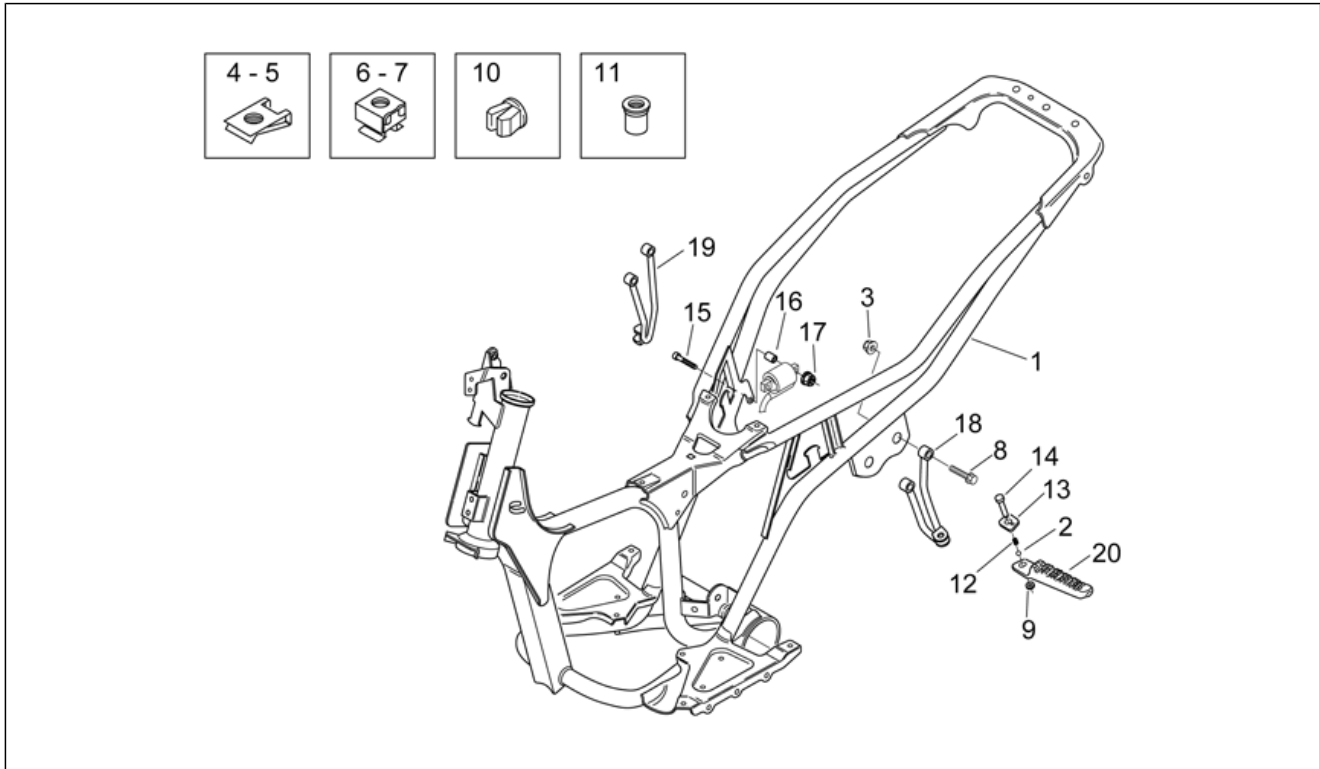
| Code | Nr. der Tafel | Pos. |
|-----------|---------------|------|
| AP8700792 | 30.45 | 8 |
| AP8700793 | 30.45 | 8 |
| AP8700794 | 30.45 | 8 |
| AP8720115 | 30.46 | 1 |
| AP8720116 | 30.46 | 2 |
| AP8720117 | 30.46 | 3 |
| AP8720118 | 30.46 | 4 |
| AP8791006 | 30.45 | 1 |
| AP8791008 | 30.45 | 2 |
| AP8791009 | 30.45 | 3 |
| AP8792037 | 30.45 | 7 |
| AP8792066 | 30.45 | 4 |
| AP8792080 | 30.45 | 5 |

| | |
|---------------------|----------|
| Einheit | RAHMEN |
| Code | 28.01 |
| Beschreibung | Rahmen I |
| Inspektion | 1 |



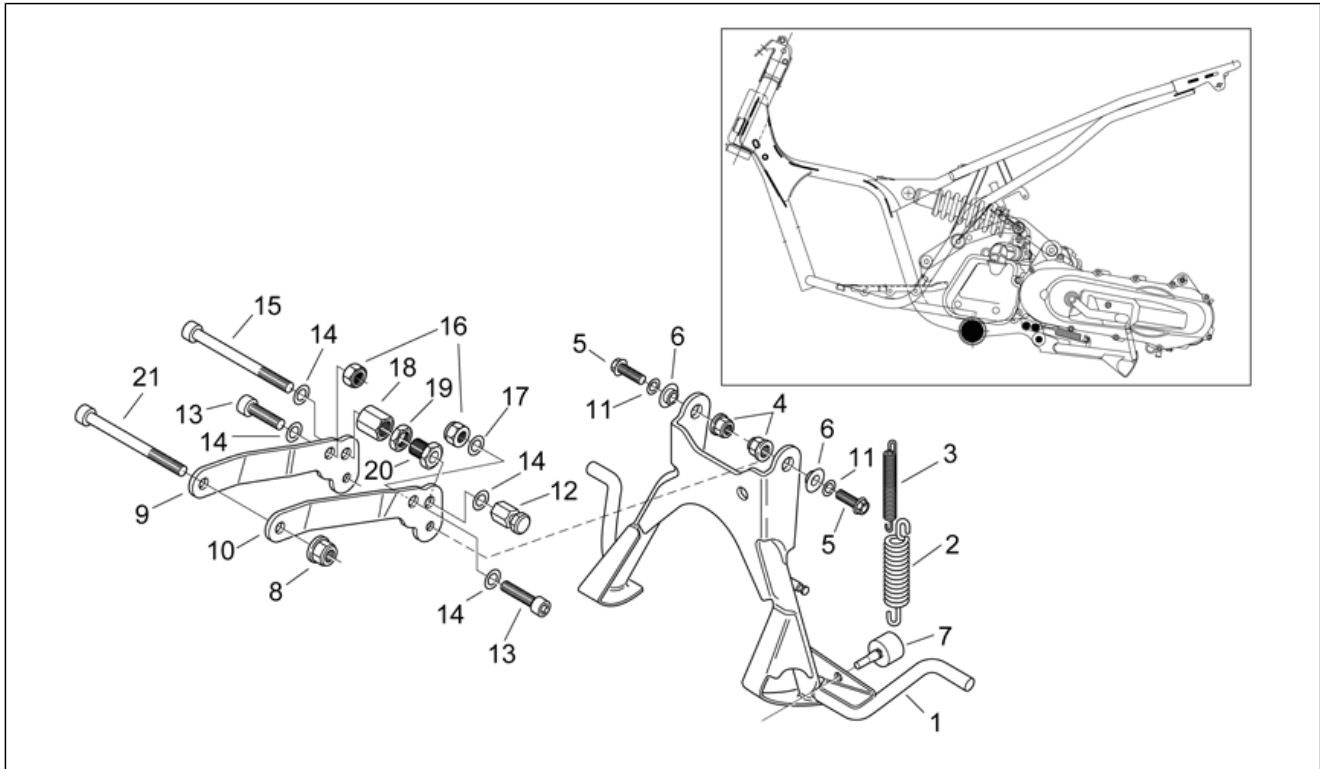
| Pos. | Code | Beschreibung | Menge | Varianten |
|------|-----------|-------------------------------|-------|--|
| 1 | AP8232990 | Rahmen mit Kataphorese | 1 | |
| 2 | AP8234120 | Tunnelhalter | 1 | Land:Österreich[A], Belgien[B], Brasilien[BR], Deutschland[D], Dänemark[DK], Spanien[E], Frankreich[F], Griechenland[GR], Italien[I], Holland[NL], Portugal[P], Finnland[SF], Großbritannien[UK] |
| 2 | AP8234155 | Tunnelhalter | 1 | Land:Schweiz[CH], Israel[IL], Japan[J], Rep. Korea[ROK] |
| 3 | AP8203666 | Satz Kugelringe | 1 | |
| 4 | AP8221007 | Distanzscheibe 6,5X10X11* | 2 | |
| 5 | AP8152330 | Reißschraube M6x25 | 1 | |
| 6 | AP8152281 | TE Schr. m. Flansch M6x30 | 1 | |
| 7 | AP8220524 | O-Ring 15,6X1,78 | 2 | |
| 8 | AP8220486 | Silent-Block Nebenpleuel | 1 | |
| 9 | AP8220349 | Gummi | 1 | |
| 10 | AP8152172 | Inbus-Senkschraube M5x18 | 1 | |
| 11 | AP8248459 | Verkabelungen Schutz | 1 | |
| 12 | AP8152277 | TE Schr. m. Flansch M6x12 | 2 | |
| 13 | AP8152298 | TBEI Schraube m.Flansch M5x16 | 2 | |
| 14 | AP8234151 | Versteif.platte Schild | 1 | |
| 15 | AP8221273 | Distanzscheibe | 1 | |

| | |
|---------------------|-----------|
| Einheit | RAHMEN |
| Code | 28.02 |
| Beschreibung | Rahmen II |
| Inspektion | 1 |



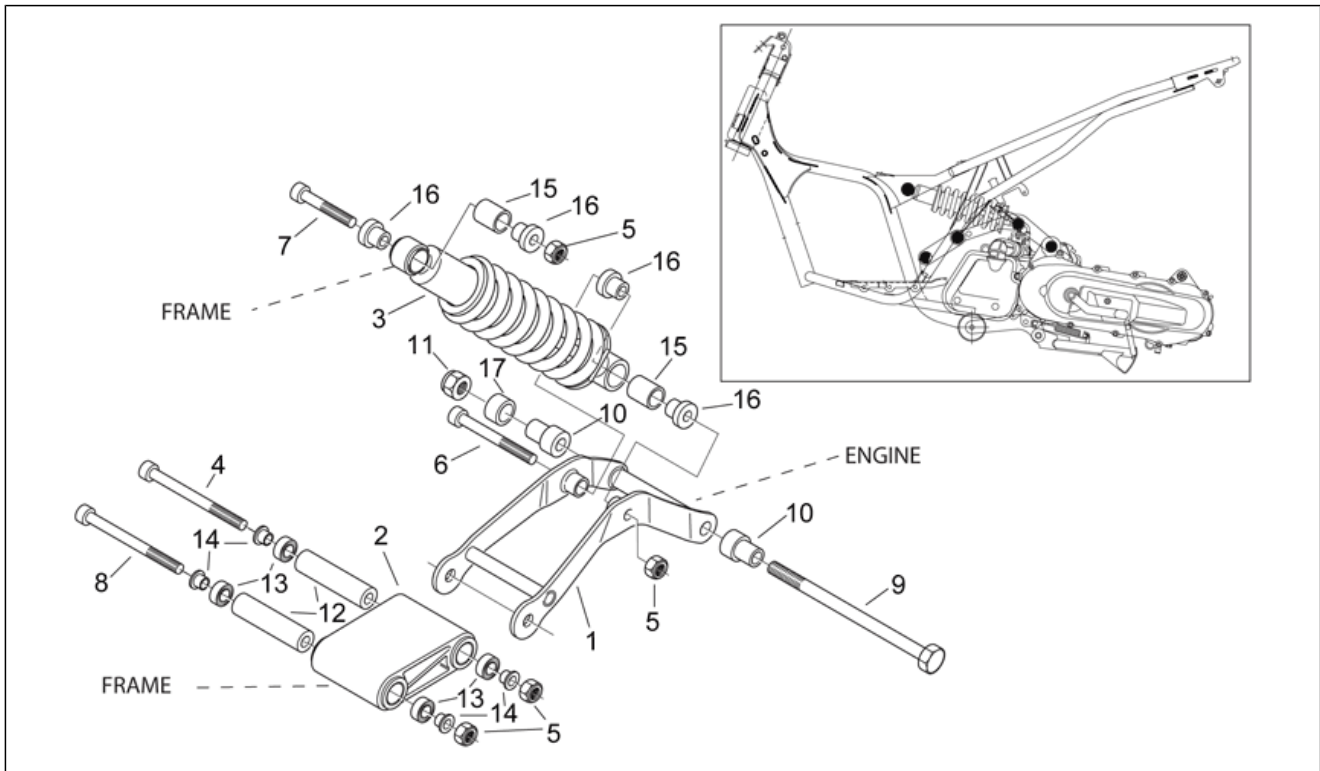
| Pos. | Code | Beschreibung | Menge | Varianten |
|------|-----------|------------------------------|-------|---|
| 1 | AP8232990 | Rahmen mit Kataphorese | 1 | |
| 2 | AP8101861 | Kugel D6,35 | 2 | |
| 3 | AP8152300 | Selbstsperrende Mutter M8 | 4 | |
| 4 | AP8102375 | Klammer M5 | 15 | |
| 5 | AP8102376 | Klammer M6 | 4 | |
| 6 | AP8221213 | Käfigmutter M6 | 1 | |
| 7 | AP8152313 | Käfigmutter M6 | 3 | |
| 8 | AP8152287 | TE Schr. m. Flansch M8x25 | 4 | |
| 9 | AP8120573 | Sperring | 4 | |
| 10 | AP8102671 | Kunststoffniet | 2 | |
| 11 | AP8201457 | Kunststoffniet * | 2 | |
| 12 | AP8121133 | Schraubenfederkompr. | 2 | |
| 13 | AP8132720 | Fixierplatte | 2 | |
| 14 | AP8221057 | Rastenbolzen | 2 | |
| 15 | AP8150051 | TCEI Schraube | 2 | |
| 16 | AP8221017 | Distanzscheibe | 2 | |
| 17 | AP8152306 | Selbstsperrende Mutter M5 | 2 | |
| 18 | AP8235043 | Halter linke Soziusfußraste | 1 | Land:Österreich[A], Belgien[B], Schweiz[CH], Deutschland[D], Spanien[E], Frankreich[F], Griechenland[GR], Israel[IL], Holland[NL], Portugal[P], Rep. Korea[ROK], Großbritannien[UK] |
| 19 | AP8235042 | Halter rechte Soziusfußraste | 1 | Land:Österreich[A], Belgien[B], Schweiz[CH], Deutschland[D], Spanien[E], Frankreich[F], Griechenland[GR], Israel[IL], Holland[NL], Portugal[P], Rep. Korea[ROK], Großbritannien[UK] |
| 20 | AP8132812 | Soziusrasten (Paar) | 1 | Land:Österreich[A], Belgien[B], Schweiz[CH], Deutschland[D], Spanien[E], Frankreich[F], Griechenland[GR], Israel[IL], Holland[NL], Portugal[P], Rep. Korea[ROK], Großbritannien[UK] |

| | |
|---------------------|------------------------------|
| Einheit | RAHMEN |
| Code | 28.03 |
| Beschreibung | Hauptständer - Motoranschluß |
| Inspektion | 1 |



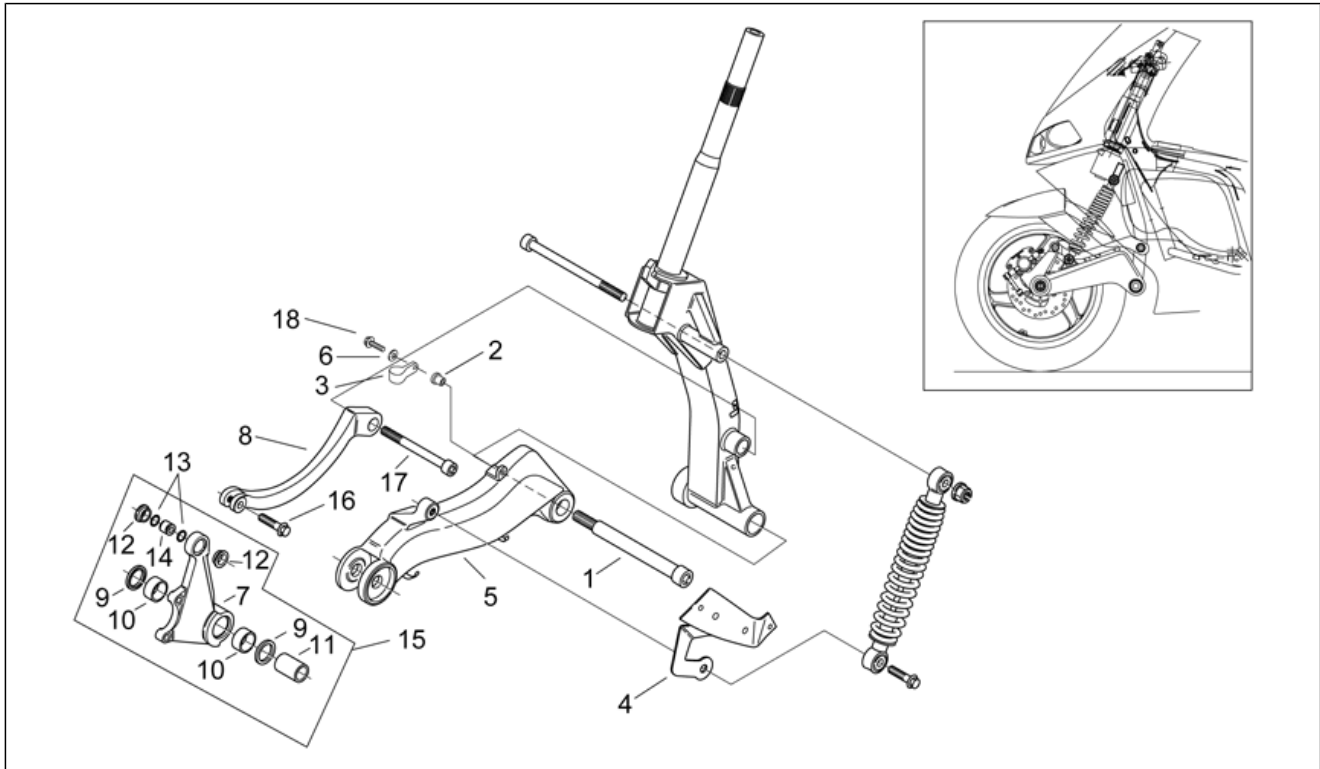
| Pos. | Code | Beschreibung | Menge | Varianten |
|------|-----------|------------------------------|-------|-----------|
| 1 | AP8232994 | Hauptständer | 1 | |
| 2 | AP8221204 | Hauptständer Schraubenfeder | 1 | |
| 3 | AP8221211 | Rückholfeder Ständer | 1 | |
| 4 | AP8152300 | Selbstsperrende Mutter M8 | 2 | |
| 5 | AP8152287 | TE Schr. m. Flansch M8x25 | 2 | |
| 6 | AP8221267 | T-Buchse | 2 | |
| 7 | AP8144277 | Anschlagstopfen Ständer | 1 | |
| 8 | AP8152301 | Selbstsperrende Mutter | 1 | |
| 9 | AP8232996 | Vord. Motorplatte r. | 1 | |
| 10 | AP8234139 | Vord. Motorplatte l. | 1 | |
| 11 | AP8150376 | Ausgleichscheibe 8,5x15x0,8 | 2 | |
| 12 | AP8221264 | Federn Fixierstift | 1 | |
| 13 | AP8150048 | TCEI Schraube | 2 | |
| 14 | AP8150292 | Gebogene Sprengscheibe * | 4 | |
| 15 | AP8150310 | TCEI Schraube M10x120 | 1 | |
| 16 | AP8150436 | Selbstsperr.mut Unt. | 2 | |
| 17 | AP8152176 | Ausgleichscheibe 10,5X18X2* | 1 | |
| 18 | AP8221275 | Einstellschraube | 1 | |
| 19 | AP8221274 | Einstellschraube Gegenmutter | 1 | |
| 20 | AP8221276 | Regelschraube | 1 | |
| 21 | AP8150092 | TCEI Schraube M10x115* | 1 | |

| | |
|---------------------|---------------------------------|
| Einheit | RAHMEN |
| Code | 28.04 |
| Beschreibung | Pleuelst. - Hinterradaufhängung |
| Inspektion | 1 |



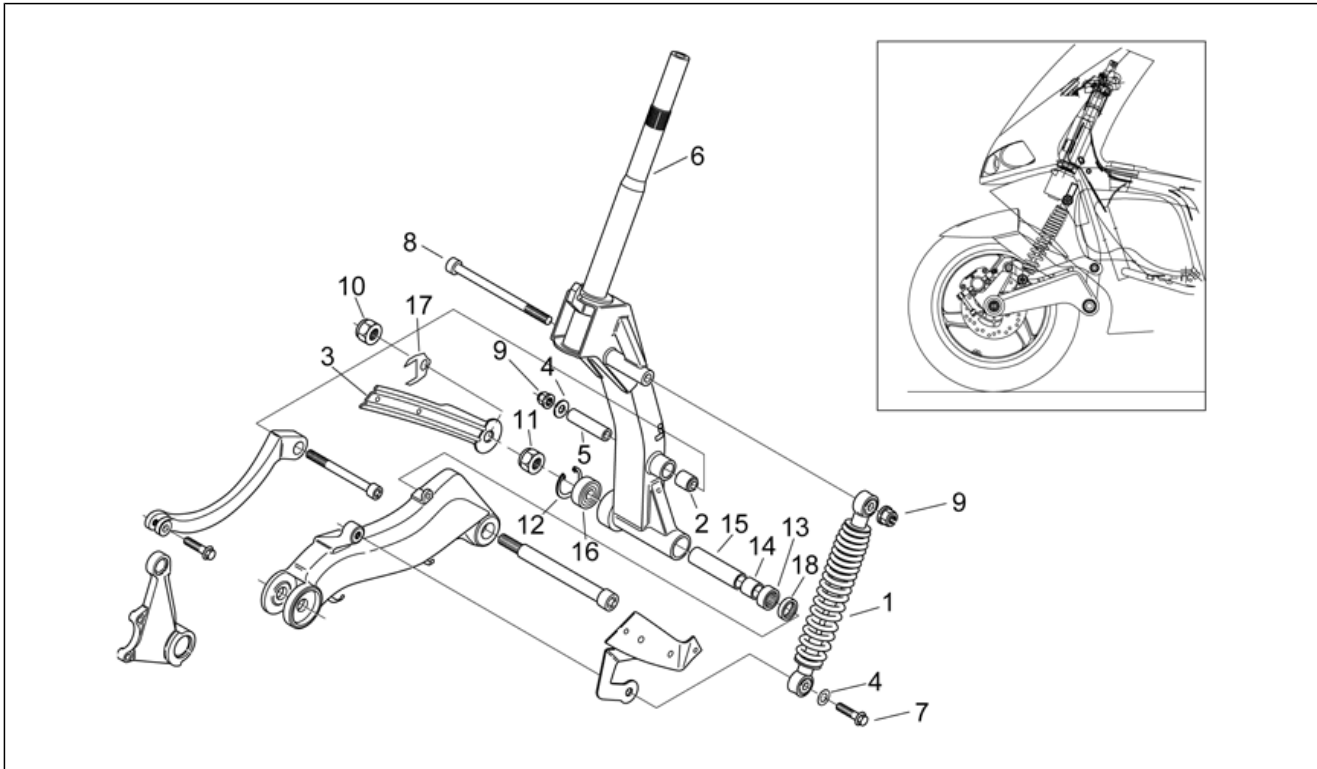
| Pos. | Code | Beschreibung | Menge | Varianten |
|------|-----------|------------------------------|-------|---|
| 1 | AP8232993 | Doppelte Pleuelstange | 1 | |
| 2 | AP8232992 | Einfache Pleuelstange | 1 | |
| 3 | AP8203746 | Stoßdämpfer | 1 | Land:Brasilien[BR], Dänemark[DK], Italien[I], Japan[J], Finnland[SF] |
| 3 | AP8203926 | Stoßdämpfer | 1 | Land:Österreich[A], Belgien[B], Schweiz[CH], Deutschland[D], Spanien[E], Frankreich[F], Griechenland[GR], Israel[IL], Holland[NL], Portugal[P], Rep. Korea[ROK], Großbritannien[UK] |
| 4 | AP8150092 | TCEI Schraube M10x115* | 1 | |
| 5 | AP8150436 | Selbstsperr.mut Unt. | 4 | |
| 6 | AP8150287 | TCEI Schraube M10x90 | 1 | |
| 7 | AP8150049 | Schraube M10x60 | 1 | |
| 8 | AP8150310 | TCEI Schraube M10x120 | 1 | |
| 9 | AP8221245 | Sechskantschraube M12X200 | 1 | |
| 10 | AP8221269 | Motoranschluß Distanzscheibe | 2 | |
| 11 | AP8150432 | Selbstsperr.mut Unt. M12* | 1 | |
| 12 | AP8221254 | Distanzsch. Einzelpleuel | 2 | |
| 13 | AP8110089 | Lager | 4 | |
| 14 | AP8221271 | T-Buchse | 4 | |
| 15 | AP8203826 | Silent-Block | 2 | |
| 16 | AP8203931 | T-Buchse | 4 | |
| 17 | AP8221287 | Distanzscheibe | 1 | |

| | |
|---------------------|-----------------------|
| Einheit | RAHMEN |
| Code | 28.05 |
| Beschreibung | Vorderradaufhängung I |
| Inspektion | 1 |



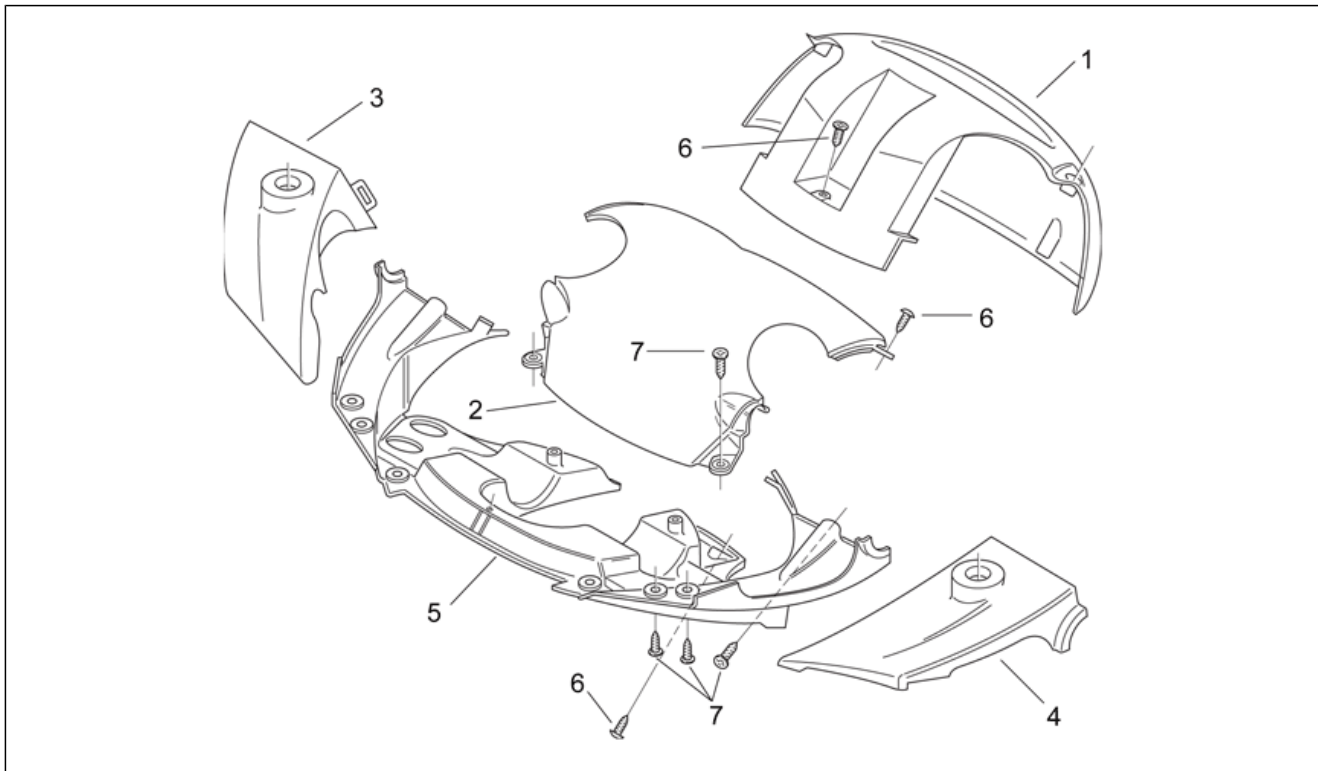
| Pos. | Code | Beschreibung | Menge | Varianten |
|------|-----------|------------------------------|-------|-----------|
| 1 | AP8203836 | Bolzen D17 | 1 | |
| 2 | AP8121075 | T-Buchse * | 1 | |
| 3 | AP8102731 | Schelle | 1 | |
| 4 | AP8234141 | Linker Schutzblechhalter | 1 | |
| 5 | AP8203941 | Horizontaler Gabelarm, grau | 1 | |
| 6 | AP8150013 | Ausgleichscheibe 5,5x15x1,6* | 1 | |
| 7 | AP8203827 | Bremszangen Anschluß elox. | 1 | |
| 8 | AP8203833 | Zugelement Kataph. | 1 | |
| 9 | AP8203830 | Staubschutz | 2 | |
| 10 | AP8203871 | Selbstschm. Buchse | 2 | |
| 11 | AP8203831 | Einsatzgeh. Buchse 25X36X17 | 1 | |
| 12 | AP8203828 | Kunststoffbuchse | 2 | |
| 13 | AP8203870 | O-Ring 12X1 | 2 | |
| 14 | AP8203829 | Buchse | 1 | |
| 15 | AP8203869 | Bremszangen Anschluß Kpl. | 1 | |
| 16 | AP8152289 | TE Schr. m. Flansch | 1 | |
| 17 | AP8150092 | TCEI Schraube M10x115* | 1 | |
| 18 | AP8152275 | TE Schr. m. Flansch M5x25 | 1 | |

| | |
|---------------------|------------------------|
| Einheit | RAHMEN |
| Code | 28.06 |
| Beschreibung | Vorderradaufhängung II |
| Inspektion | 1 |



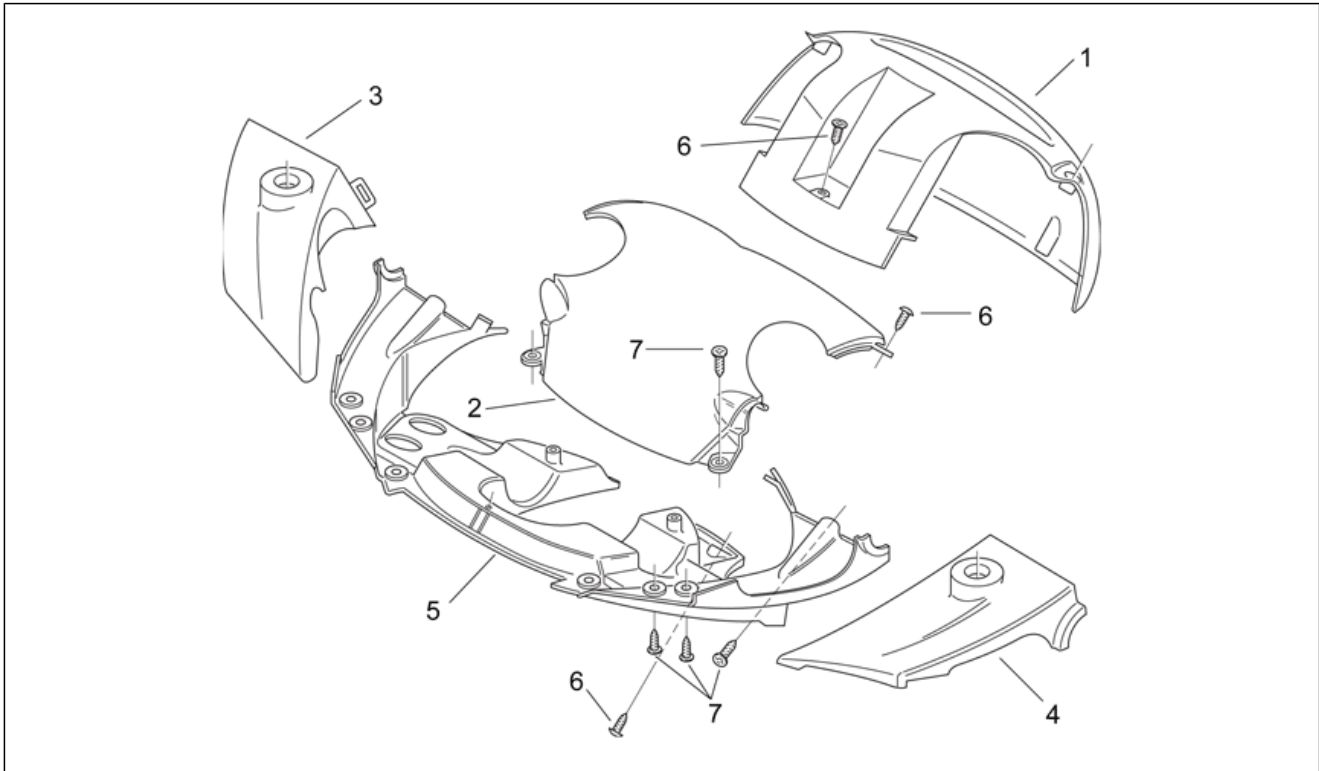
| Pos. | Code | Beschreibung | Menge | Varianten |
|------|-----------|-------------------------------|-------|-----------|
| 1 | AP8203872 | Stoßdämpfer | 1 | |
| 2 | AP8203839 | Silent-Block | 1 | |
| 3 | AP8234140 | V. Schutzblechplatte | 1 | |
| 4 | AP8152037 | Scheibe | 2 | |
| 5 | AP8203866 | Distanzscheibe | 1 | |
| 6 | AP8203838 | Vertikaler Gabelarm, kataph. | 1 | |
| 7 | AP8152318 | TE Schr. m. Flansch M10x35 | 1 | |
| 8 | AP8152025 | TCEI Schraube M10X165 | 1 | |
| 9 | AP8152301 | Selbstsperrende Mutter | 2 | |
| 10 | AP8152030 | Selbstsperr.mut Unt. M14x1,5* | 2 | |
| 11 | AP8150479 | Mutter unten M14x1,5 | 1 | |
| 12 | AP8203868 | Seegerring D40 | 1 | |
| 13 | AP8203841 | Nadellager | 1 | |
| 14 | AP8203842 | Ring | 1 | |
| 15 | AP8203867 | Distanzstück Lager | 1 | |
| 16 | AP8203840 | Kugellager | 1 | |
| 17 | AP8234162 | Vrd. Schutzblech Anschlagpl. | 1 | |
| 18 | AP8220543 | Gasket ring 22X28X4 | 1 | |

| | |
|---------------------|---------------|
| Einheit | RAHMEN |
| Code | 28.07 |
| Beschreibung | Frontaufbau I |
| Inspektion | 1 |



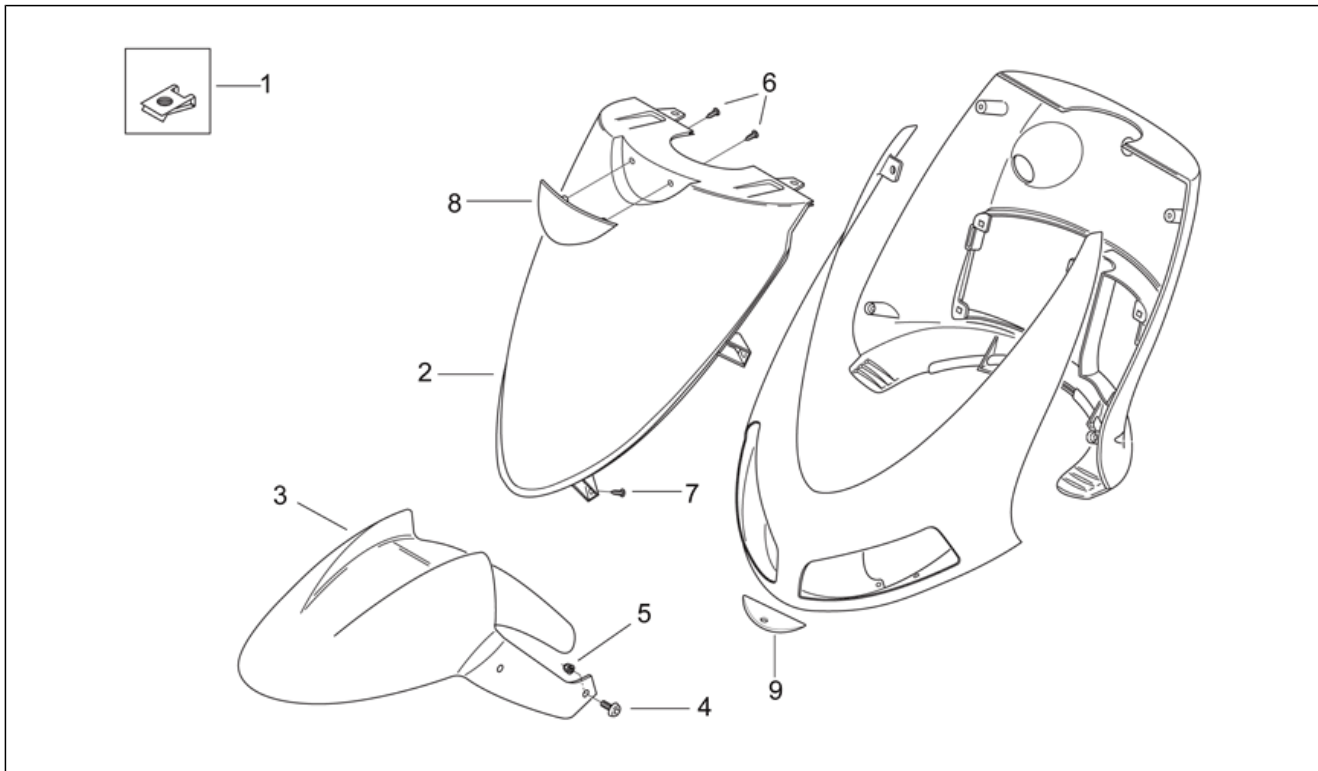
| Pos. | Code | Beschreibung | Menge | Varianten |
|------|-----------|-----------------------------|-------|---|
| 1 | AP8239143 | Instrumententafel, hellblau | 1 | Baujahr:1998[W], 1999[X] |
| 1 | AP8249350 | Instrumententafel, schwarz | 1 | Baujahr:2000[Y] |
| 2 | AP8249193 | Kuppel, cyber h.blau | 1 | Baujahr:1998[W], 1999[X] Fahrzeugfarbe:Hellblau Cyber '98-'99[cyan] |
| 2 | AP8249194 | Kuppel, cyber blau | 1 | Baujahr:1998[W], 1999[X] Fahrzeugfarbe:Blau Cyber / Grau Cyber '98-'99[B/G] |
| 2 | AP8249195 | Kuppel, cyber gelb | 1 | Baujahr:1998[W], 1999[X] Fahrzeugfarbe:Gelb Cyber / Hellblau Cyber '98-'99[ye/cy] |
| 2 | AP8249196 | Kuppel, cyber lila | 1 | Baujahr:1998[W], 1999[X] Fahrzeugfarbe:Violett Cyber / Hellblau Cyber '98-'99[vi/cy] |
| 2 | AP8249362 | Kuppel, fluo rot | 1 | Baujahr:2000[Y] Fahrzeugfarbe:Rot / Schwarz Superbike 2000[SBK] |
| 2 | AP8249674 | Kuppel, Mercury grau | 1 | Baujahr:2000[Y] Fahrzeugfarbe:Grau Mercury / Schwarz Aprilia 2000[gr/bl] |
| 2 | AP8249686 | Kuppel, flashy gelb | 1 | Baujahr:2000[Y] Fahrzeugfarbe:Gelb Flashy / Schwarz Aprilia 2000[ye/bl] |
| 3 | AP8239145 | Pumpenabd.re., cyber h.blau | 1 | Baujahr:1998[W], 1999[X] Fahrzeugfarbe:Hellblau Cyber '98-'99[cyan] |
| 3 | AP8248197 | Pumpenabd.re., cyber blau | 1 | Baujahr:1998[W], 1999[X] Fahrzeugfarbe:Blau Cyber / Grau Cyber '98-'99[B/G] |
| 3 | AP8248304 | Pumpenabd.re., cyber gelb | 1 | Baujahr:1998[W], 1999[X] Fahrzeugfarbe:Gelb Cyber / Hellblau Cyber '98-'99[ye/cy] |
| 3 | AP8248387 | Pumpenabd.re., cyber lila | 1 | Baujahr:1998[W], 1999[X] Fahrzeugfarbe:Violett Cyber / Hellblau Cyber '98-'99[vi/cy] |
| 3 | AP8249363 | Pumpenabd.re., Ap.schwarz | 1 | Baujahr:2000[Y] |
| 4 | AP8239147 | Pumpenabd.li., cyber h.blau | 1 | Baujahr:1998[W], 1999[X] Fahrzeugfarbe:Hellblau Cyber '98-'99[cyan] |
| 4 | AP8248198 | Pumpenabd.li., cyber blau | 1 | Baujahr:1998[W], 1999[X] Fahrzeugfarbe:Blau Cyber / Grau Cyber '98-'99[B/G] |
| 4 | AP8248305 | Pumpenabd.li., cyber gelb | 1 | Baujahr:1998[W], 1999[X] Fahrzeugfarbe:Gelb Cyber / Hellblau Cyber '98-'99[ye/cy] |
| 4 | AP8248388 | Pumpenabd.li., cyber lila | 1 | Baujahr:1998[W], 1999[X] |

| | |
|---------------------|---------------|
| Einheit | RAHMEN |
| Code | 28.07 |
| Beschreibung | Frontaufbau I |
| Inspektion | 1 |



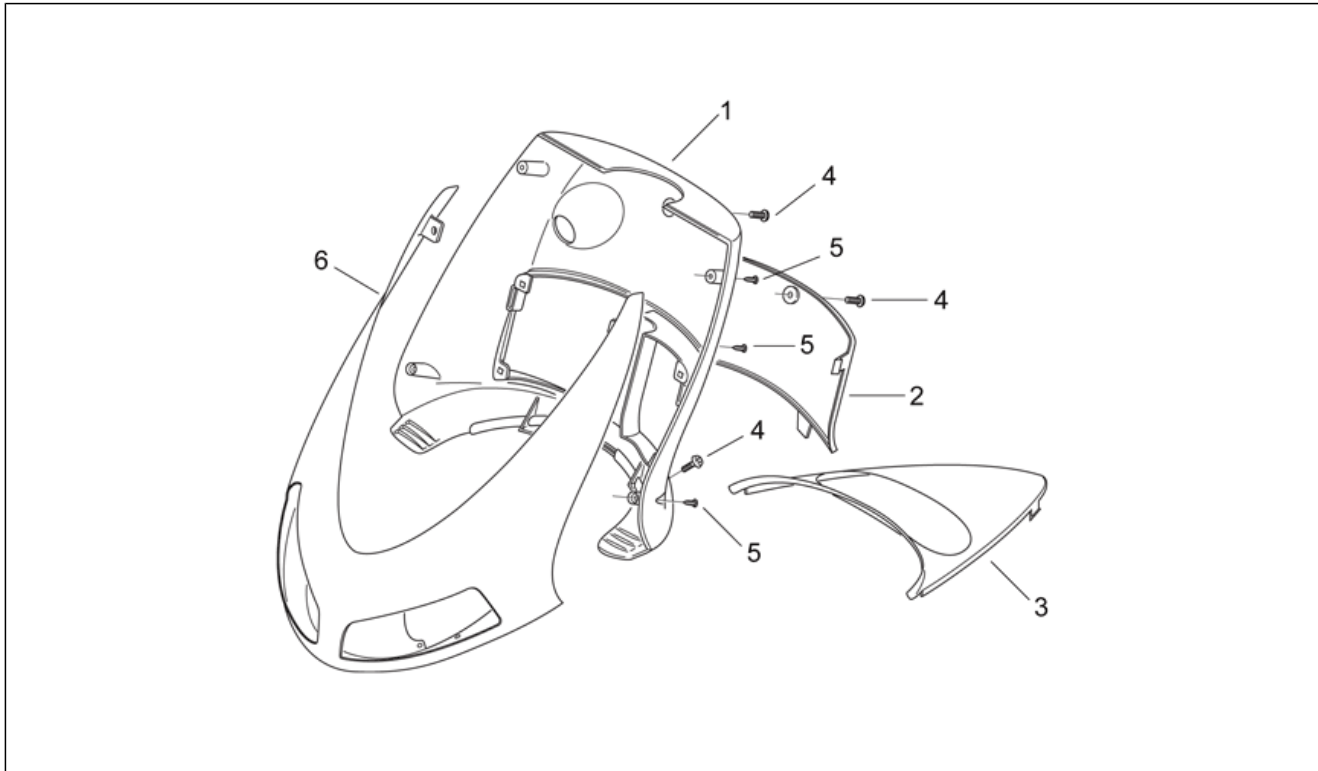
| Pos. | Code | Beschreibung | Menge | Varianten |
|------|-----------|---------------------------|-------|---|
| | | | | Fahrzeugfarbe: Violett Cyber / Hellblau Cyber '98-'99[vi/cy] |
| 4 | AP8249364 | Pumpenabd.li., Ap.schwarz | 1 | Baujahr: 2000[Y] |
| 5 | AP8239498 | Grundplatte, hellblau | 1 | Baujahr: 1998[W], 1999[X] |
| 5 | AP8249351 | Grundplatte, schwarz | 1 | Baujahr: 2000[Y] |
| 6 | AP8150413 | Gew.schr. 3,9x14 | 5 | |
| 7 | AP8150444 | Gewindeschraube Edelstahl | 8 | |

| | |
|---------------------|----------------|
| Einheit | RAHMEN |
| Code | 28.08 |
| Beschreibung | Frontaufbau II |
| Inspektion | 1 |



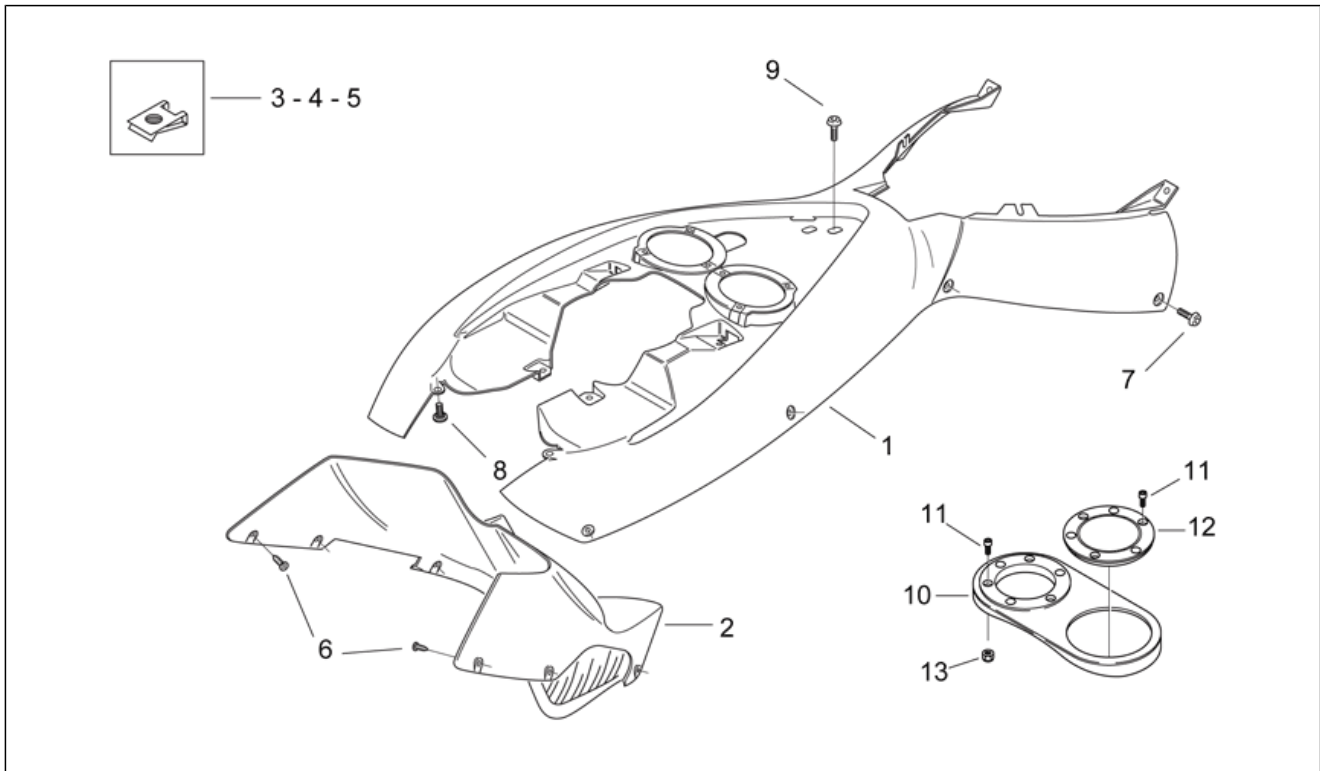
| Pos. | Code | Beschreibung | Menge | Varianten |
|------|-----------|-------------------------------|-------|---|
| 1 | AP8102375 | Klammer M5 | 2 | |
| 2 | AP8239150 | Fronthaube, blau | 1 | |
| 3 | AP8226414 | V. Schutzblech, cyber h.bl. | 1 | Baujahr: 1998[W], 1999[X] Fahrzeugfarbe: Hellblau Cyber '98-'99[cyan], Violett Cyber / Hellblau Cyber '98-'99[vi/cy], Gelb Cyber / Hellblau Cyber '98-'99[ye/cy] |
| 3 | AP8226496 | V. Schutzblech, cyber grau | 1 | Baujahr: 1998[W], 1999[X] Fahrzeugfarbe: Blau Cyber / Grau Cyber '98-'99[B/G] |
| 3 | AP8226590 | Schutzbl.vorn rot fluo. | 1 | Baujahr: 2000[Y] Fahrzeugfarbe: Rot / Schwarz Superbike 2000[SBK] |
| 3 | AP8226618 | V. Schutzblech, m.grau | 1 | Baujahr: 2000[Y] Fahrzeugfarbe: Grau Mercury / Schwarz Aprilia 2000[gr/bl], Gelb Flashy / Schwarz Aprilia 2000[ye/bl] |
| 4 | AP8152302 | TBEI Schraube m.Flansch M5x12 | 4 | |
| 5 | AP8152306 | Selbstsperrende Mutter M5 | 4 | |
| 6 | AP8150421 | Gew.schr. 2,9x12 | 2 | |
| 7 | AP8150413 | Gew.schr. 3,9x14 | 2 | |
| 8 | AP8248106 | Haubenabd., cyber h.blau | 1 | Baujahr: 1998[W], 1999[X] Fahrzeugfarbe: Hellblau Cyber '98-'99[cyan] |
| 8 | AP8248200 | Haubenabd., cyber blau | 1 | Baujahr: 1998[W], 1999[X] Fahrzeugfarbe: Blau Cyber / Grau Cyber '98-'99[B/G] |
| 8 | AP8248307 | Haubenabd., cyber gelb | 1 | Baujahr: 1998[W], 1999[X] Fahrzeugfarbe: Gelb Cyber / Hellblau Cyber '98-'99[ye/cy] |
| 8 | AP8248390 | Haubenabd., cyber lila | 1 | Baujahr: 1998[W], 1999[X] Fahrzeugfarbe: Violett Cyber / Hellblau Cyber '98-'99[vi/cy] |
| 8 | AP8249366 | Haubenabd., fluo rot | 1 | Baujahr: 2000[Y] Fahrzeugfarbe: Rot / Schwarz Superbike 2000[SBK] |
| 8 | AP8249676 | Haubenabd., m.grau | 1 | Baujahr: 2000[Y] Fahrzeugfarbe: Grau Mercury / Schwarz Aprilia 2000[gr/bl] |
| 8 | AP8249688 | Haubenabd., flashy gelb | 1 | Baujahr: 2000[Y] Fahrzeugfarbe: Gelb Flashy / Schwarz Aprilia 2000[ye/bl] |
| 9 | AP8248828 | Unterer Schild Schutz | 1 | |

| | |
|---------------------|--------------------|
| Einheit | RAHMEN |
| Code | 28.09 |
| Beschreibung | Mittlerer aufbau I |
| Inspektion | 1 |



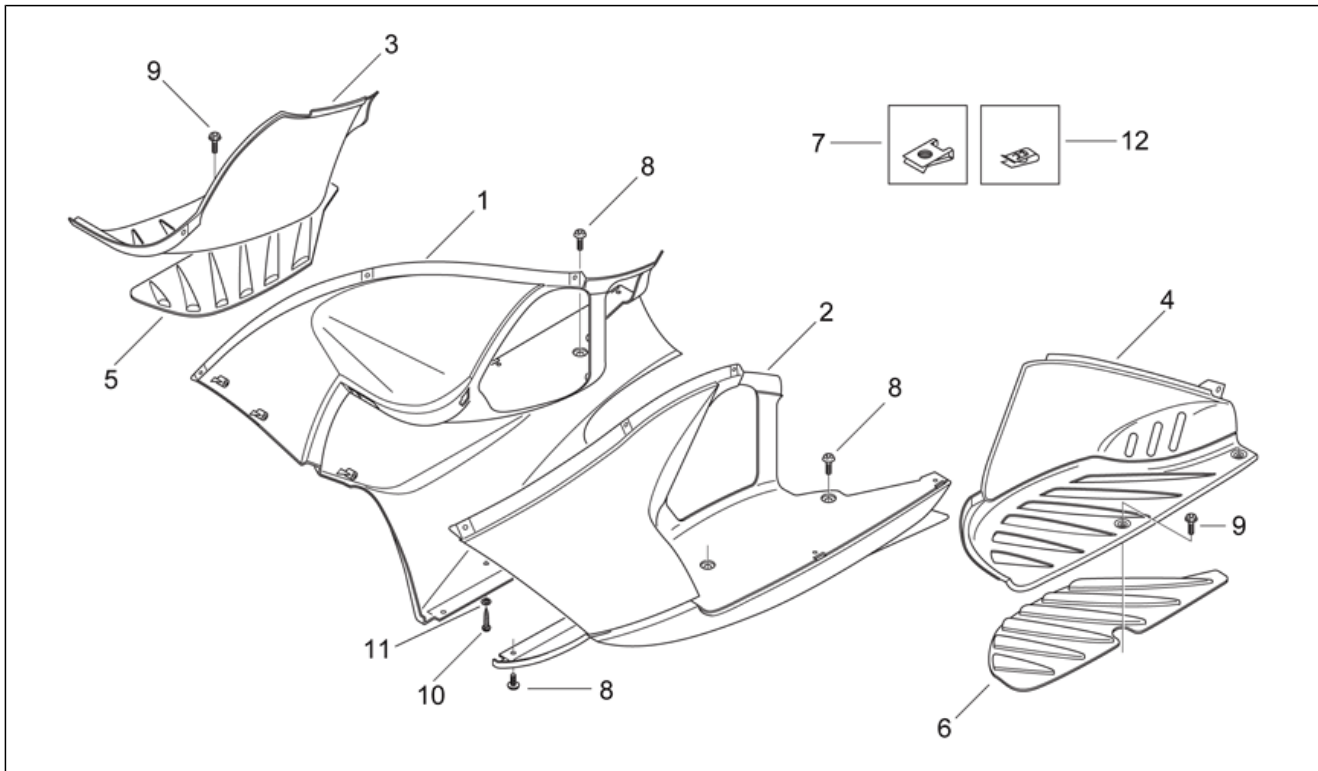
| Pos. | Code | Beschreibung | Menge | Varianten |
|------|-----------|-------------------------------|-------|---|
| 1 | AP8239152 | Innenschild, hellblau | 1 | Baujahr:1998[W], 1999[X] |
| 1 | AP8249352 | Innenschild, schwarz | 1 | Baujahr:2000[Y] |
| 2 | AP8239265 | Zugangskl., hellblau | 1 | Baujahr:1998[W], 1999[X] |
| 2 | AP8249353 | Zugangskl., schwarz | 1 | Baujahr:2000[Y] |
| 3 | AP8239160 | Verschl.Tanks. h.blau | 1 | Baujahr:1998[W], 1999[X] |
| 3 | AP8249354 | Verschl.Tanks. Schwarz | 1 | Baujahr:2000[Y] |
| 4 | AP8152298 | TBEI Schraube m.Flansch M5x16 | 4 | |
| 5 | AP8150413 | Gew.schr. 3,9x14 | 9 | |
| 6 | AP8239149 | Außenschild, cyber h.blau | 1 | Baujahr:1998[W], 1999[X] Fahrzeugfarbe:Hellblau Cyber '98-'99[cyan] |
| 6 | AP8248199 | Außenschild, cyber blau | 1 | Baujahr:1998[W], 1999[X] Fahrzeugfarbe:Blau Cyber / Grau Cyber '98-'99[B/G] |
| 6 | AP8248306 | Außenschild, cyber gelb | 1 | Baujahr:1998[W], 1999[X] Fahrzeugfarbe:Gelb Cyber / Hellblau Cyber '98-'99[ye/cy] |
| 6 | AP8248389 | Außenschild, cyber lila | 1 | Baujahr:1998[W], 1999[X] Fahrzeugfarbe:Violett Cyber / Hellblau Cyber '98-'99[vi/cy] |
| 6 | AP8249372 | Außenschild, Ap.schwarz | 1 | Baujahr:2000[Y] Fahrzeugfarbe:Rot / Schwarz Superbike 2000[SBK] |
| 6 | AP8249675 | Außenschild, m.grau | 1 | Baujahr:2000[Y] Fahrzeugfarbe:Grau Mercury / Schwarz Aprilia 2000[gr/bl] |
| 6 | AP8249687 | Außenschild, flashy gelb | 1 | Baujahr:2000[Y] Fahrzeugfarbe:Gelb Flashy / Schwarz Aprilia 2000[ye/bl] |

| | |
|---------------------|---------------------|
| Einheit | RAHMEN |
| Code | 28.10 |
| Beschreibung | Mittlerer aufbau II |
| Inspektion | 1 |



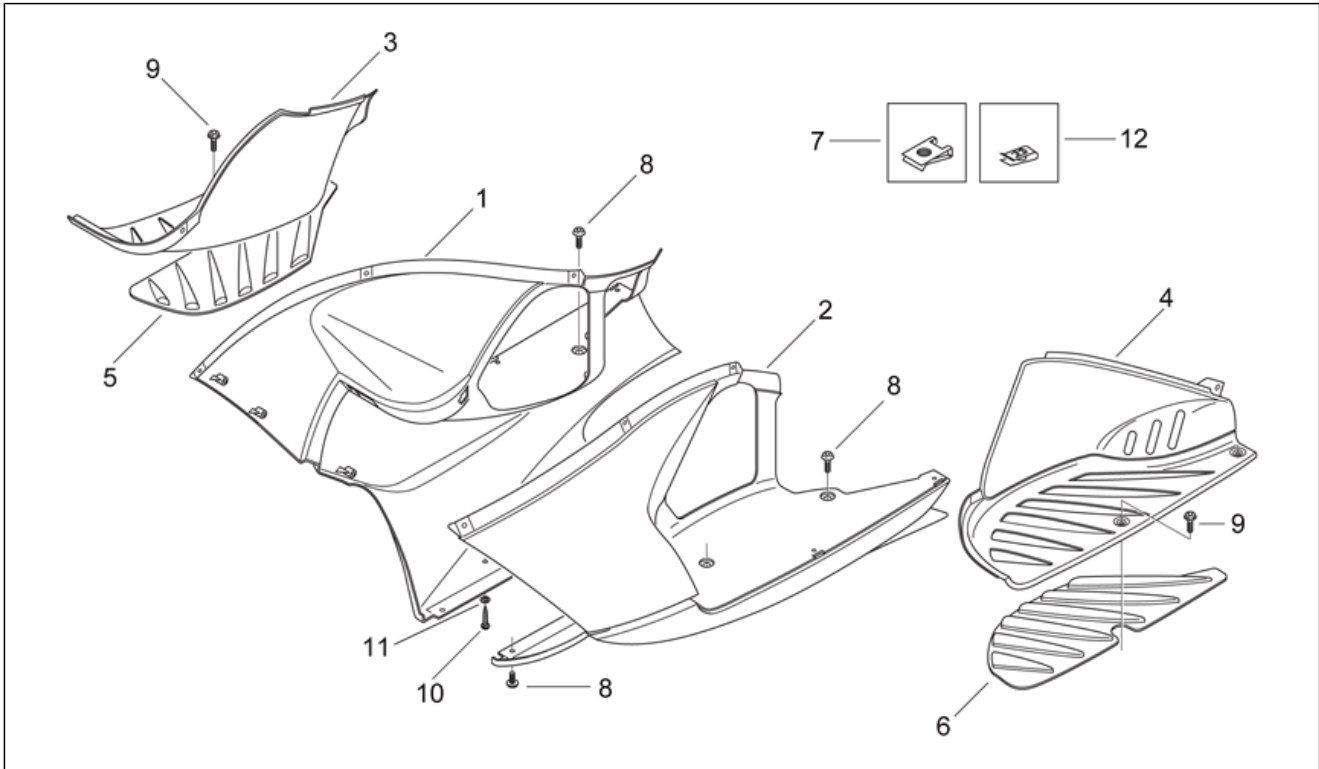
| Pos. | Code | Beschreibung | Menge | Varianten |
|------|-----------|-------------------------------|-------|--------------------------|
| 1 | AP8239159 | Tunnelver. oben blau | 1 | Baujahr:1998[W], 1999[X] |
| 1 | AP8249357 | Tunnelver. oben schwarz | 1 | Baujahr:2000[Y] |
| 2 | AP8239155 | Vorderes Spritzschutz, schw. | 1 | |
| 3 | AP8102375 | Klammer M5 | 7 | |
| 4 | AP8102376 | Klammer M6 | 4 | |
| 5 | AP8102381 | Klammer M4 | 3 | |
| 6 | AP8150413 | Gew.schr. 3,9x14 | 7 | |
| 7 | AP8152298 | TBEI Schraube m.Flansch M5x16 | 8 | |
| 8 | AP8152339 | TBEI Schraube m.Flansch M5x9 | 2 | |
| 9 | AP8152338 | TBEI Schraube m.Flansch | 1 | |
| 10 | AP8239428 | Fla. Tankschr. h.blau | 1 | Baujahr:1998[W], 1999[X] |
| 10 | AP8249355 | Fla. Tankschr. Schw. | 1 | Baujahr:2000[Y] |
| 11 | AP8150416 | TCEI Schraube | 6 | |
| 12 | AP8239429 | Klp. Benz.std.gb., h.blau | 1 | Baujahr:1998[W], 1999[X] |
| 12 | AP8249356 | Klp. Benz.std.gb., schwarz | 1 | Baujahr:2000[Y] |
| 13 | AP8150204 | Mutter M4 | 3 | |

| | |
|---------------------|----------------------|
| Einheit | RAHMEN |
| Code | 28.11 |
| Beschreibung | Mittlerer aufbau III |
| Inspektion | 1 |



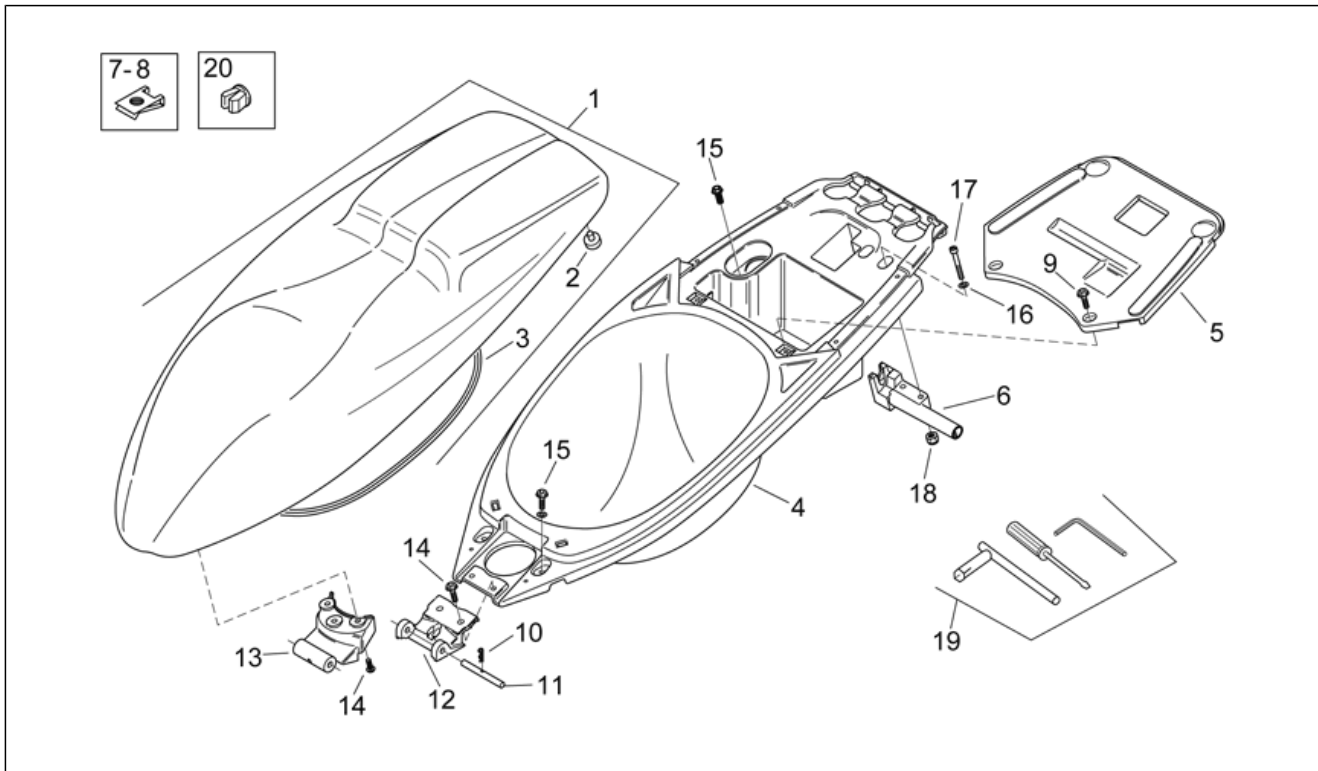
| Pos. | Code | Beschreibung | Menge | Varianten |
|------|-----------|------------------------------|-------|---|
| 1 | AP8248206 | R.Fußbrett, cyber hellblau | 1 | Baujahr: 1998[W], 1999[X] Fahrzeugfarbe: Hellblau Cyber '98-'99[cyan], Violett Cyber / Hellblau Cyber '98-'99[vi/cy], Gelb Cyber / Hellblau Cyber '98-'99[ye/cy] |
| 1 | AP8248210 | R.Fußbrett, cyber grau | 1 | Baujahr: 1998[W], 1999[X] Fahrzeugfarbe: Blau Cyber / Grau Cyber '98-'99[B/G] |
| 1 | AP8249373 | R. rot Fußbrett, Ap. Schw. | 1 | Baujahr: 2000[Y] Fahrzeugfarbe: Rot / Schwarz Superbike 2000[SBK] |
| 1 | AP8249682 | R.Fußbrett, mercury grau | 1 | Baujahr: 2000[Y] Fahrzeugfarbe: Grau Mercury / Schwarz Aprilia 2000[gr/bl] |
| 1 | AP8249694 | R.Fußbrett, flashy gelb | 1 | Baujahr: 2000[Y] Fahrzeugfarbe: Gelb Flashy / Schwarz Aprilia 2000[ye/bl] |
| 2 | AP8248207 | L.Fußbrett, cyber hellblau | 1 | Baujahr: 1998[W], 1999[X] Fahrzeugfarbe: Hellblau Cyber '98-'99[cyan], Violett Cyber / Hellblau Cyber '98-'99[vi/cy], Gelb Cyber / Hellblau Cyber '98-'99[ye/cy] |
| 2 | AP8248211 | L.Fußbrett, cyber grau | 1 | Baujahr: 1998[W], 1999[X] Fahrzeugfarbe: Blau Cyber / Grau Cyber '98-'99[B/G] |
| 2 | AP8249374 | L.Fußbrett rot, Ap. schw. | 1 | Baujahr: 2000[Y] Fahrzeugfarbe: Rot / Schwarz Superbike 2000[SBK] |
| 2 | AP8249683 | L.Fußbrett, mercury grau | 1 | Baujahr: 2000[Y] Fahrzeugfarbe: Grau Mercury / Schwarz Aprilia 2000[gr/bl] |
| 2 | AP8249695 | L.Fußbrett, flashy gelb | 1 | Baujahr: 2000[Y] Fahrzeugfarbe: Gelb Flashy / Schwarz Aprilia 2000[ye/bl] |
| 3 | AP8239162 | Tunnelver. re. hellbl. | 1 | Baujahr: 1998[W], 1999[X] |
| 3 | AP8249358 | Tunnelver. re. Schwarz | 1 | Baujahr: 2000[Y] |
| 4 | AP8239163 | Tunnelver. li. hellblau | 1 | Baujahr: 1998[W], 1999[X] |
| 4 | AP8249359 | Tunnelver. li. Schwarz | 1 | Baujahr: 2000[Y] |
| 5 | AP8239166 | Rechte Fußmatte, silber | 1 | |
| 6 | AP8239167 | Linke Fußmatte, silber | 1 | |
| 7 | AP8102375 | Klammer M5 | 16 | |
| 8 | AP8152339 | TBEI Schraube m.Flansch M5x9 | 4 | |

| | |
|---------------------|----------------------|
| Einheit | RAHMEN |
| Code | 28.11 |
| Beschreibung | Mittlerer aufbau III |
| Inspektion | 1 |



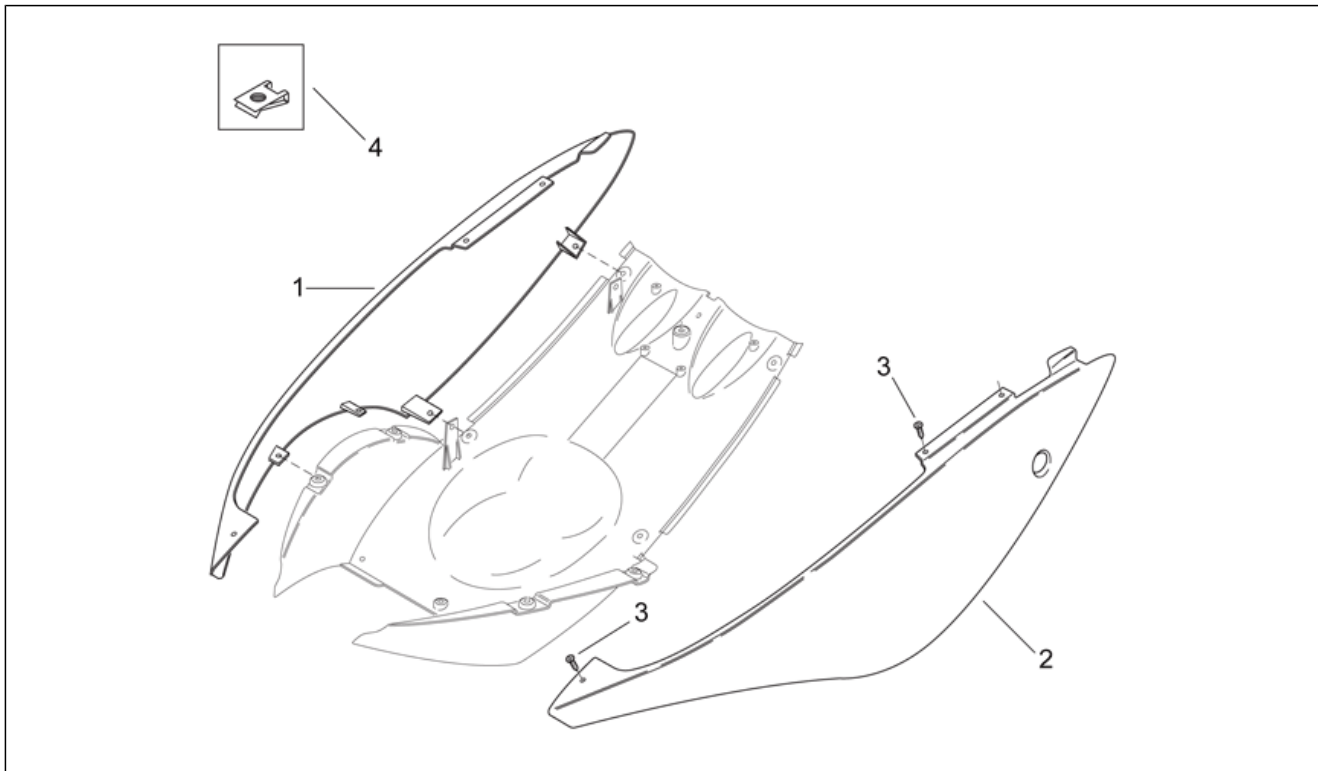
| Pos. | Code | Beschreibung | Menge | Varianten |
|------|-----------|-------------------------------|-------|-----------|
| 9 | AP8152298 | TBEI Schraube m.Flansch M5x16 | 9 | |
| 10 | AP8150425 | Linsenschraube 5,5x22* | 5 | |
| 11 | AP8150382 | Ausgleichscheibe 15x5,5X1,2 | 5 | |
| 12 | AP8201763 | Clip f. Blehschr. D5,5* | 3 | |

| | |
|---------------------|-----------------------|
| Einheit | RAHMEN |
| Code | 28.12 |
| Beschreibung | Sitz - Schutzhelmfach |
| Inspektion | 1 |



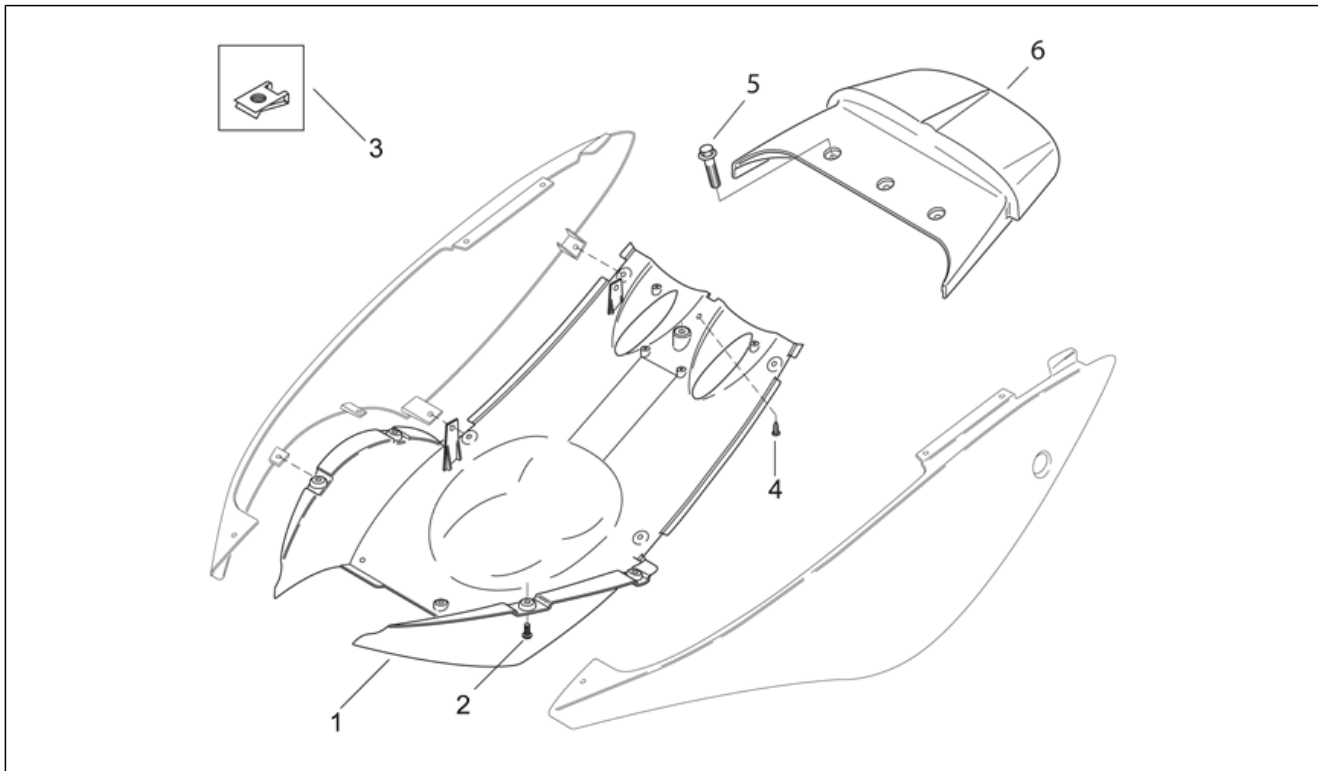
| Pos. | Code | Beschreibung | Menge | Varianten |
|------|-----------|-------------------------------|-------|---|
| 1 | AP8229226 | Sitz kpl, blau | 1 | Baujahr: 1998[W], 1999[X] Fahrzeugfarbe: Hellblau Cyber '98-'99[cyan], Violett Cyber / Hellblau Cyber '98-'99[vi/cy], Gelb Cyber / Hellblau Cyber '98-'99[ye/cy] |
| 1 | AP8229281 | Sitz kpl., hellblau | 1 | Baujahr: 1998[W], 1999[X] Fahrzeugfarbe: Blau Cyber / Grau Cyber '98-'99[B/G] |
| 1 | AP8229304 | Sitz kpl., schwarz | 1 | Baujahr: 2000[Y] |
| 2 | AP8220349 | Gummi | 4 | |
| 3 | AP8220469 | Kofferdichtung | 1 | |
| 4 | AP8248568 | Schutzhelmfach | 1 | |
| 5 | AP8239170 | Insp.kl. Batterie | 1 | |
| 6 | AP8201564 | Sitzschloß | 1 | |
| 7 | AP8102376 | Klammer M6 | 2 | |
| 8 | AP8102375 | Klammer M5 | 6 | |
| 9 | AP8152298 | TBEI Schraube m.Flansch M5x16 | 2 | |
| 10 | AP8201643 | Splint | 1 | |
| 11 | AP8221260 | Sitzgelenkbolzen | 1 | |
| 12 | AP8239168 | Unt. Sitzgelenk, schwarz | 1 | |
| 13 | AP8239604 | Ob. Sitzgelenk, schwarz | 1 | |
| 14 | AP8152246 | TBEI Schraube m.Flansch M6x16 | 5 | |
| 15 | AP8152273 | Flanschschraube M5x15 | 1 | |
| 16 | AP8150014 | Ausgleichscheibe 6,4x12,5* | 2 | |
| 17 | AP8150045 | TCEI Schraube M6x55 | 2 | |
| 18 | AP8150430 | Selbstsperr.mut Unt. | 2 | |
| 19 | AP8202128 | Werkzeugtasche | 1 | |
| 20 | AP8102671 | Kunststoffniet | 3 | |

| | |
|---------------------|--------------|
| Einheit | RAHMEN |
| Code | 28.13 |
| Beschreibung | Heckaufbau I |
| Inspektion | 1 |



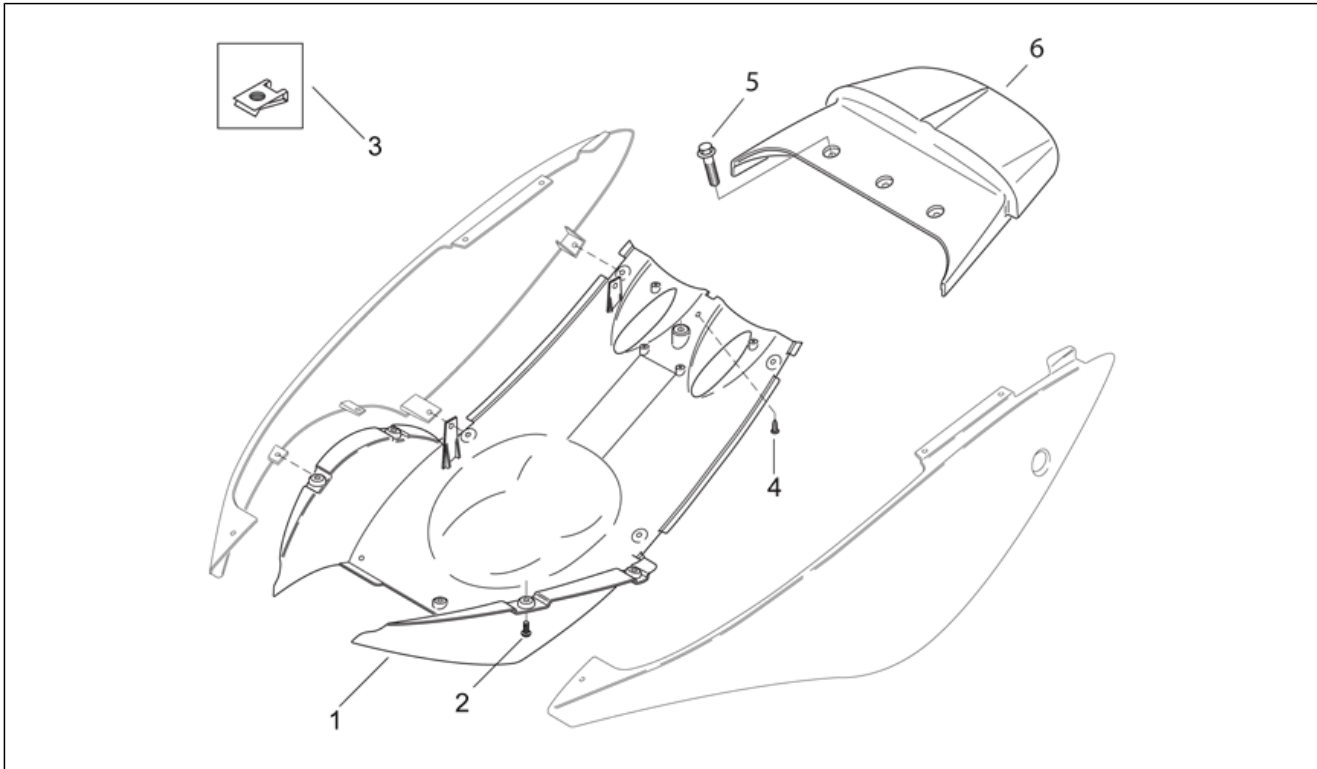
| Pos. | Code | Beschreibung | Menge | Varianten |
|------|-----------|-------------------------------|-------|---|
| 1 | AP8248208 | Halbheck rechts, cyber h.blau | 1 | Baujahr:1998[W], 1999[X] Fahrzeugfarbe:Hellblau Cyber '98-'99[cyan] |
| 1 | AP8248212 | Halbheck rechts, cyber blau | 1 | Baujahr:1998[W], 1999[X] Fahrzeugfarbe:Blau Cyber / Grau Cyber '98-'99[B/G] |
| 1 | AP8248311 | Halbheck rechts, cyber gelb | 1 | Baujahr:1998[W], 1999[X] Fahrzeugfarbe:Gelb Cyber / Hellblau Cyber '98-'99[ye/cy] |
| 1 | AP8248394 | Halbheck rechts, cyber lila | 1 | Baujahr:1998[W], 1999[X] Fahrzeugfarbe:Violett Cyber / Hellblau Cyber '98-'99[vi/cy] |
| 1 | AP8249375 | Halbheck rechts, Ap.schw. | 1 | Baujahr:2000[Y] Fahrzeugfarbe:Rot / Schwarz Superbike 2000[SBK] |
| 1 | AP8249684 | Halbheck rechts, m.grau | 1 | Baujahr:2000[Y] Fahrzeugfarbe:Grau Mercury / Schwarz Aprilia 2000[gr/bl] |
| 1 | AP8249696 | Halbheck rechts, flashy gelb | 1 | Baujahr:2000[Y] Fahrzeugfarbe:Gelb Flashy / Schwarz Aprilia 2000[ye/bl] |
| 2 | AP8248209 | Halbheck links, cyber h.blau | 1 | Baujahr:1998[W], 1999[X] Fahrzeugfarbe:Hellblau Cyber '98-'99[cyan] |
| 2 | AP8248213 | Halbheck links, cyber blau | 1 | Baujahr:1998[W], 1999[X] Fahrzeugfarbe:Blau Cyber / Grau Cyber '98-'99[B/G] |
| 2 | AP8248312 | Halbheck links, cyber gelb | 1 | Baujahr:1998[W], 1999[X] Fahrzeugfarbe:Gelb Cyber / Hellblau Cyber '98-'99[ye/cy] |
| 2 | AP8248395 | Halbheck links, cyber lila | 1 | Baujahr:1998[W], 1999[X] Fahrzeugfarbe:Violett Cyber / Hellblau Cyber '98-'99[vi/cy] |
| 2 | AP8249376 | Halbheck links, Ap.schw. | 1 | Baujahr:2000[Y] Fahrzeugfarbe:Rot / Schwarz Superbike 2000[SBK] |
| 2 | AP8249685 | Halbheck links, m.grau | 1 | Baujahr:2000[Y] Fahrzeugfarbe:Grau Mercury / Schwarz Aprilia 2000[gr/bl] |
| 2 | AP8249697 | Halbheck links, m.gelb | 1 | Baujahr:2000[Y] Fahrzeugfarbe:Gelb Flashy / Schwarz Aprilia 2000[ye/bl] |
| 3 | AP8150413 | Gew.schr. 3,9x14 | 6 | |
| 4 | AP8102375 | Klammer M5 | 5 | |

| | |
|---------------------|---------------|
| Einheit | RAHMEN |
| Code | 28.14 |
| Beschreibung | Heckaufbau II |
| Inspektion | 1 |



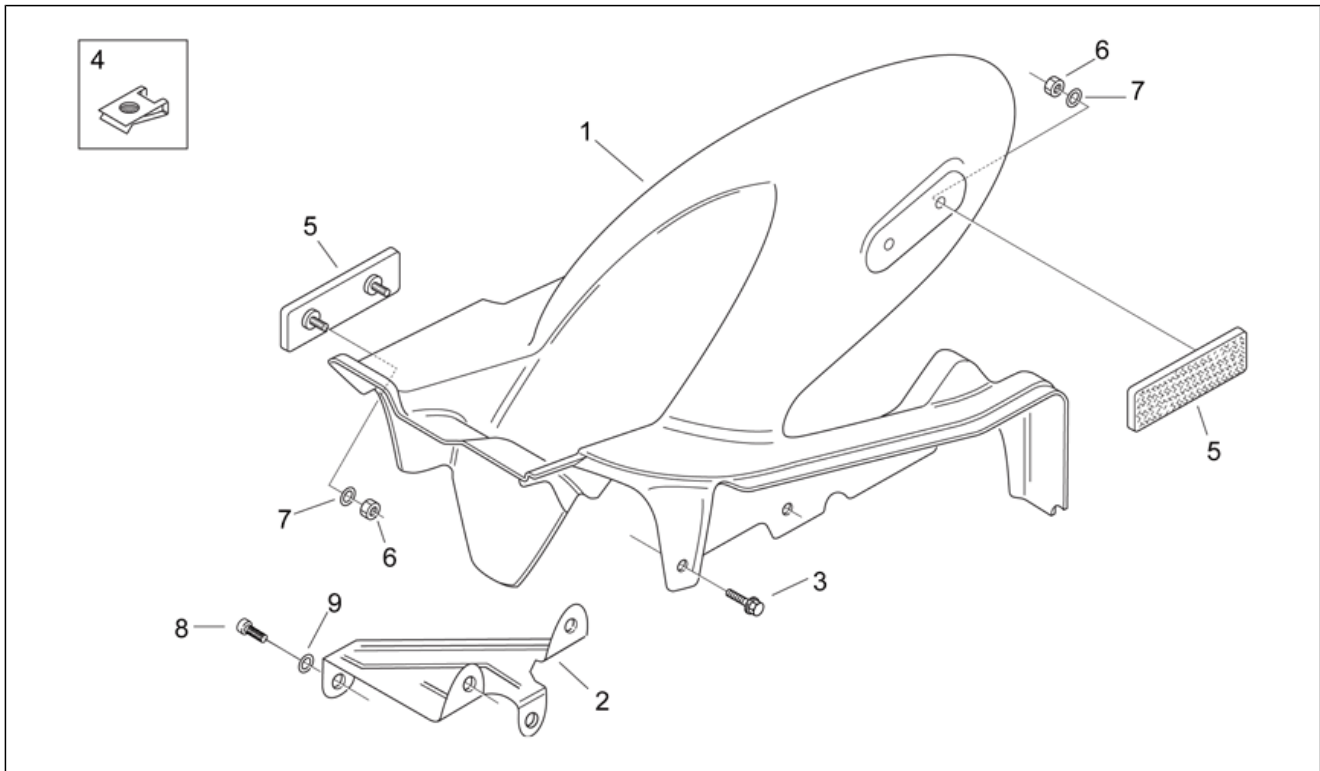
| Pos. | Code | Beschreibung | Menge | Varianten |
|------|-----------|-------------------------------|-------|--|
| 1 | AP8239215 | U. Verschl.Hellblau R.verkl. | 1 | Baujahr: 1998[W], 1999[X] Land: Brasilien[BR], Dänemark[DK], Italien[I], Japan[J], Finnland[SF] |
| 1 | AP8248267 | U. Verschl.Hellblau R.verkl. | 1 | Baujahr: 1998[W] Land: Österreich[A], Belgien[B], Schweiz[CH], Deutschland[D], Spanien[E], Frankreich[F], Griechenland[GR], Israel[IL], Holland[NL], Portugal[P], Rep. Korea[ROK], Großbritannien[UK] |
| 1 | AP8248567 | U. Verschl.Hellblau R.verkl. | 1 | Baujahr: 1999[X] Land: Österreich[A], Belgien[B], Schweiz[CH], Deutschland[D], Spanien[E], Frankreich[F], Griechenland[GR], Israel[IL], Holland[NL], Portugal[P], Rep. Korea[ROK], Großbritannien[UK] |
| 1 | AP8248567 | U. Verschl.Hellblau R.verkl. | 1 | Baujahr: 1998[W] Land: Österreich[A], Belgien[B], Schweiz[CH], Deutschland[D], Spanien[E], Frankreich[F], Griechenland[GR], Israel[IL], Holland[NL], Portugal[P], Rep. Korea[ROK], Großbritannien[UK] |
| 1 | AP8249360 | U. Verschl. t.grau R.verkl. | 1 | Baujahr: 2000[Y] Land: Brasilien[BR], Dänemark[DK], Italien[I], Japan[J], Finnland[SF] |
| 1 | AP8249361 | U. Verschl. t.grau R.verkl. | 1 | Baujahr: 2000[Y] Land: Österreich[A], Belgien[B], Schweiz[CH], Deutschland[D], Spanien[E], Frankreich[F], Griechenland[GR], Israel[IL], Holland[NL], Portugal[P], Rep. Korea[ROK], Großbritannien[UK] |
| 2 | AP8152298 | TBEI Schraube m.Flansch M5x16 | 8 | |
| 3 | AP8102375 | Klammer M5 | 5 | |
| 4 | AP8150413 | Gew.schr. 3,9x14 | 1 | |
| 5 | AP8152281 | TE Schr. m. Flansch M6x30 | 3 | |
| 6 | AP8232995 | Soziusgriff, cyber h.blau | 1 | Baujahr: 1998[W], 1999[X] Fahrzeugfarbe: Hellblau Cyber '98-'99[cyan] |
| 6 | AP8248205 | Soziusgriff, cyber blau | 1 | Baujahr: 1998[W], 1999[X] Fahrzeugfarbe: Blau Cyber / Grau Cyber '98-'99[B/G] |

| | |
|---------------------|---------------|
| Einheit | RAHMEN |
| Code | 28.14 |
| Beschreibung | Heckaufbau II |
| Inspektion | 1 |



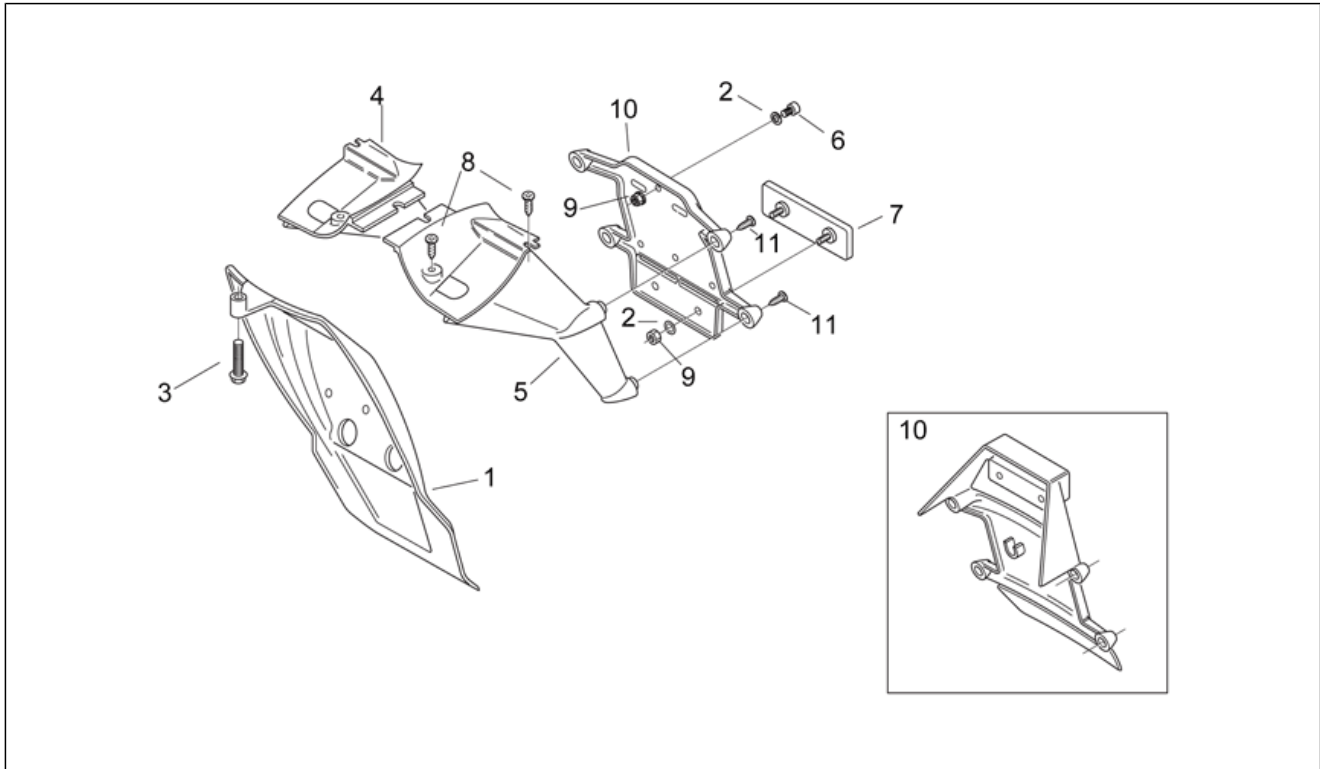
| Pos. | Code | Beschreibung | Menge | Varianten |
|------|-----------|-------------------------|-------|---|
| 6 | AP8248310 | Soziusgriff, cyber gelb | 1 | Baujahr: 1998[W], 1999[X] Fahrzeugfarbe: Gelb Cyber / Hellblau Cyber '98-'99[ye/cy] |
| 6 | AP8248393 | Soziusgriff, cyber lila | 1 | Baujahr: 1998[W], 1999[X] Fahrzeugfarbe: Violett Cyber / Hellblau Cyber '98-'99[vi/cy] |
| 6 | AP8249371 | Soziusgriff rot fluor. | 1 | Baujahr: 2000[Y] Fahrzeugfarbe: Rot / Schwarz Superbike 2000[SBK] |
| 6 | AP8249681 | Soziusgriff, grau m. | 1 | Baujahr: 2000[Y] Fahrzeugfarbe: Grau Mercury / Schwarz Aprilia 2000[gr/bl] |
| 6 | AP8249693 | Soziusgriff V.fl.gelb | 1 | Baujahr: 2000[Y] Fahrzeugfarbe: Gelb Flashy / Schwarz Aprilia 2000[ye/bl] |

| | |
|---------------------|----------------|
| Einheit | RAHMEN |
| Code | 28.15 |
| Beschreibung | Heckaufbau III |
| Inspektion | 1 |



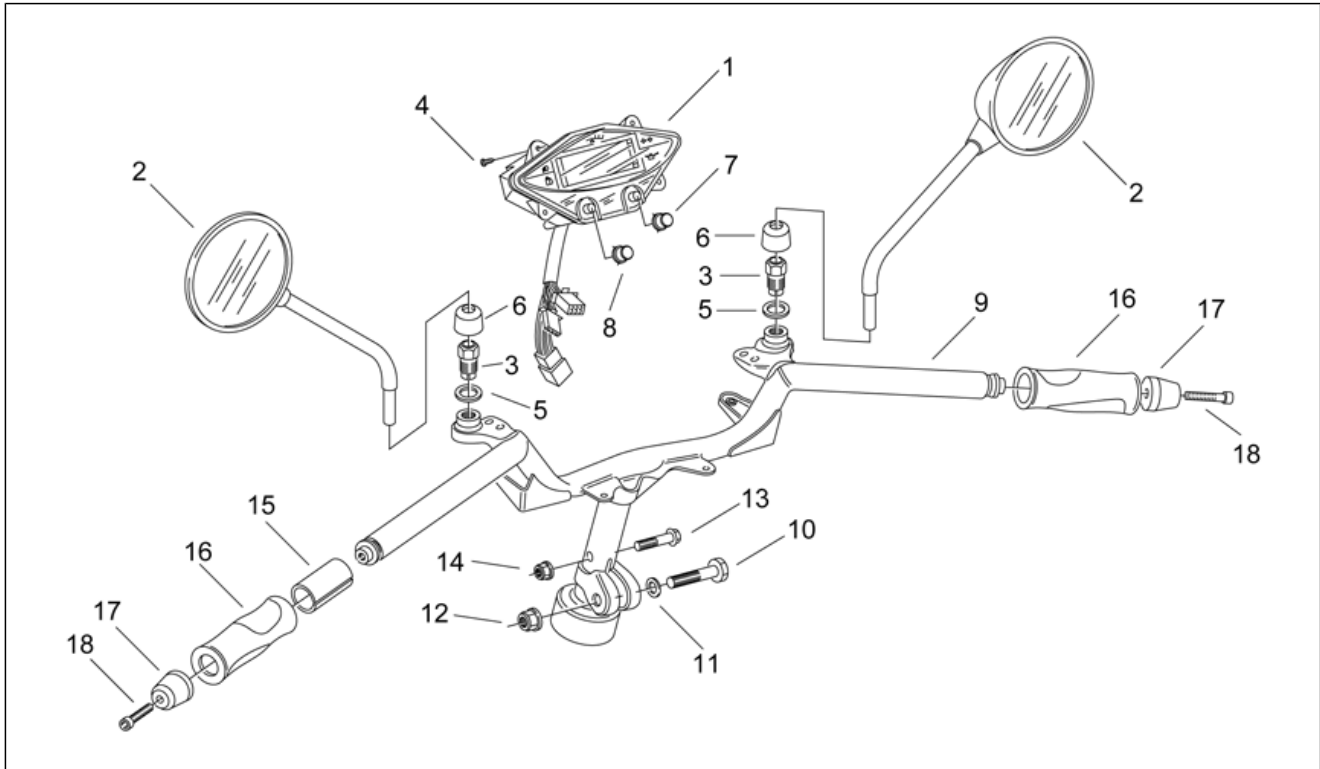
| Pos. | Code | Beschreibung | Menge | Varianten |
|------|-----------|-----------------------------|-------|---|
| 1 | AP8226416 | H. Schutzblech, grau | 1 | Baujahr: 1998[W], 1999[X] Land: Italien[I] Technische Daten: Version ohne Katalysator[nocat] |
| 1 | AP8226416 | H. Schutzblech, grau | 1 | Baujahr: 1998[W], 1999[X] Land: Belgien[B], Brasilien[BR], Dänemark[DK], Spanien[E], Frankreich[F], Griechenland[GR], Israel[IL], Japan[J], Portugal[P], Rep. Korea[ROK], Großbritannien[UK] |
| 1 | AP8226506 | H. Schutzblech, nylon | 1 | Baujahr: 1998[W], 1999[X] Land: Österreich[A], Schweiz[CH], Deutschland[D], Holland[NL], Finnland[SF] |
| 1 | AP8226506 | H. Schutzblech, nylon | 1 | Baujahr: 1998[W], 1999[X] Land: Italien[I] Technische Daten: Version mit Katalysator[cat] |
| 1 | AP8226587 | H. Schutzblech, schwarz | 1 | Baujahr: 2000[Y] Land: Belgien[B], Brasilien[BR], Dänemark[DK], Spanien[E], Frankreich[F], Griechenland[GR], Israel[IL], Japan[J], Portugal[P], Rep. Korea[ROK], Großbritannien[UK] |
| 1 | AP8226588 | H. Schutzblech, nylon schw. | 1 | Baujahr: 2000[Y] Land: Österreich[A], Schweiz[CH], Deutschland[D], Italien[I], Holland[NL], Finnland[SF] |
| 2 | AP8234079 | Hltr. hint. Kotflügel | 1 | |
| 3 | AP8152273 | Flanschschraube M5x15 | 2 | |
| 4 | AP8102375 | Klammer M5 | 2 | |
| 5 | AP8224023 | Rückstrahler, gelb | 2 | |
| 6 | AP8150204 | Mutter M4 | 4 | |
| 7 | AP8150158 | Ausgleichscheibe 4,3X9X0,8 | 4 | |
| 8 | AP8152040 | TCEI Schraube | 1 | |
| 9 | AP8150014 | Ausgleichscheibe 6,4x12,5* | 1 | |

| | |
|---------------------|-------------------|
| Einheit | RAHMEN |
| Code | 28.16 |
| Beschreibung | Kennzeichenplatte |
| Inspektion | 1 |



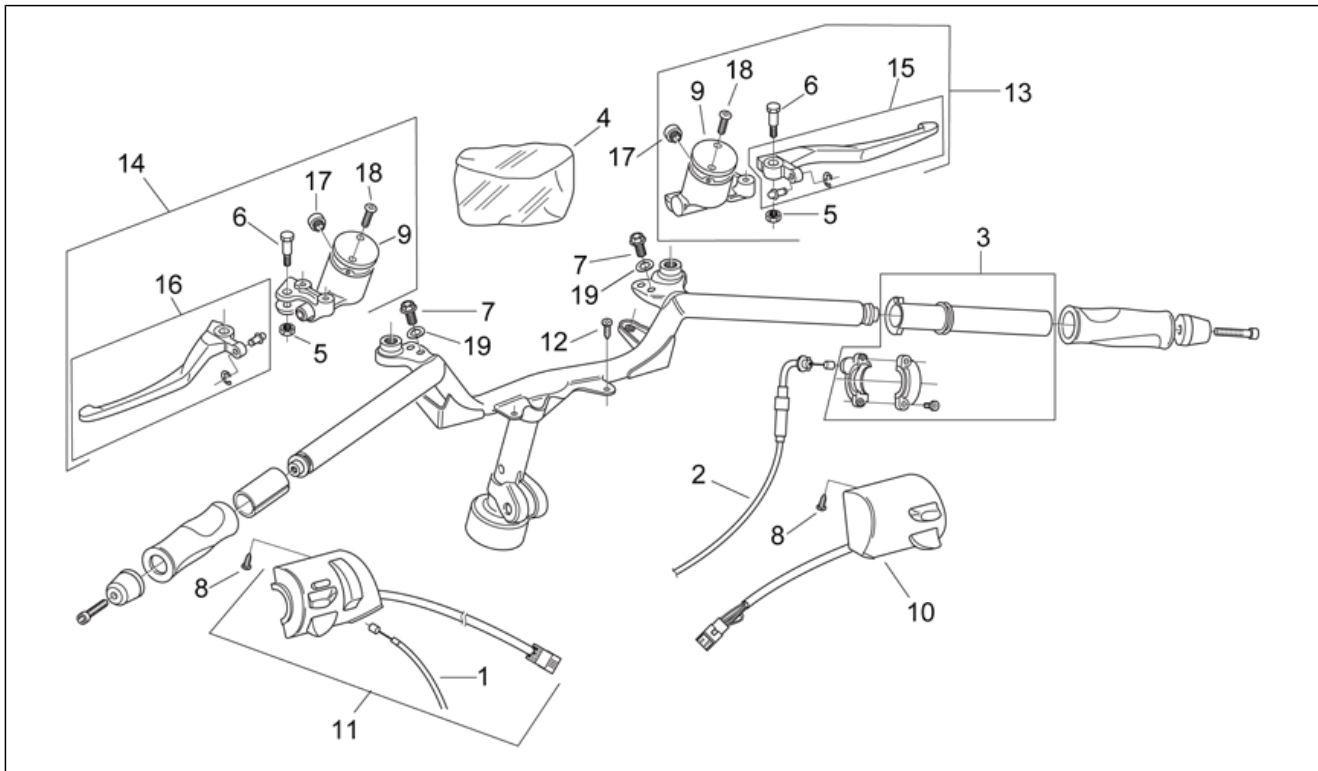
| Pos. | Code | Beschreibung | Menge | Varianten |
|------|-----------|-------------------------------|-------|---|
| 1 | AP8226452 | Verl. Nummernsch.bef. h.blau | 1 | Baujahr: 1998[W], 1999[X] |
| 1 | AP8226589 | Verl. Nummernsch.bef. Schw. | 1 | Baujahr: 2000[Y] |
| 2 | AP8150158 | Ausgleichscheibe 4,3X9X0,8 | 5 | |
| 3 | AP8152341 | TE Schr. m. Flansch M5x40 | 1 | |
| 4 | AP8226415 | Kennzeichenplatte, r.hellblau | 1 | Baujahr: 1998[W], 1999[X] |
| 4 | AP8226585 | Kennzeichenplatte, r.schwarz | 1 | Baujahr: 2000[Y] |
| 5 | AP8226463 | Kennzeichenplatte l.,hellblau | 1 | Baujahr: 1998[W], 1999[X] |
| 5 | AP8226586 | Kennzeichenplatte l.,schwarz | 1 | Baujahr: 2000[Y] |
| 6 | AP8150359 | Linsenschraube | 3 | |
| 7 | AP8112916 | Rückstrahler Rücklicht | 1 | |
| 8 | AP8150444 | Gewindeschraube Edelstahl | 4 | |
| 9 | AP8150204 | Mutter M4 | 5 | |
| 10 | AP8234143 | Kennzeichenhalter h.blau | 1 | Baujahr: 1998[W], 1999[X] Land: Brasilien[BR], Italien[I] |
| 10 | AP8234159 | Kennzeichenplatte | 1 | Baujahr: 1998[W], 1999[X] Land: Österreich[A], Belgien[B], Schweiz[CH], Deutschland[D], Dänemark[DK], Spanien[E], Frankreich[F], Griechenland[GR], Israel[IL], Japan[J], Holland[NL], Portugal[P], Rep. Korea[ROK], Finnland[SF], Großbritannien[UK] |
| 10 | AP8234180 | Kennzeichenhalter schw. | 1 | Baujahr: 2000[Y] Land: Brasilien[BR], Italien[I] |
| 10 | AP8234181 | Kennzeichenplatte | 1 | Baujahr: 2000[Y] Land: Österreich[A], Belgien[B], Schweiz[CH], Deutschland[D], Dänemark[DK], Spanien[E], Frankreich[F], Griechenland[GR], Israel[IL], Japan[J], Holland[NL], Portugal[P], Rep. Korea[ROK], Finnland[SF], Großbritannien[UK] |
| 11 | AP8150413 | Gew.schr. 3,9x14 | 4 | |

| | |
|---------------------|----------------------------------|
| Einheit | RAHMEN |
| Code | 28.17 |
| Beschreibung | Lenkstange - Instrumenteneinheit |
| Inspektion | 1 |



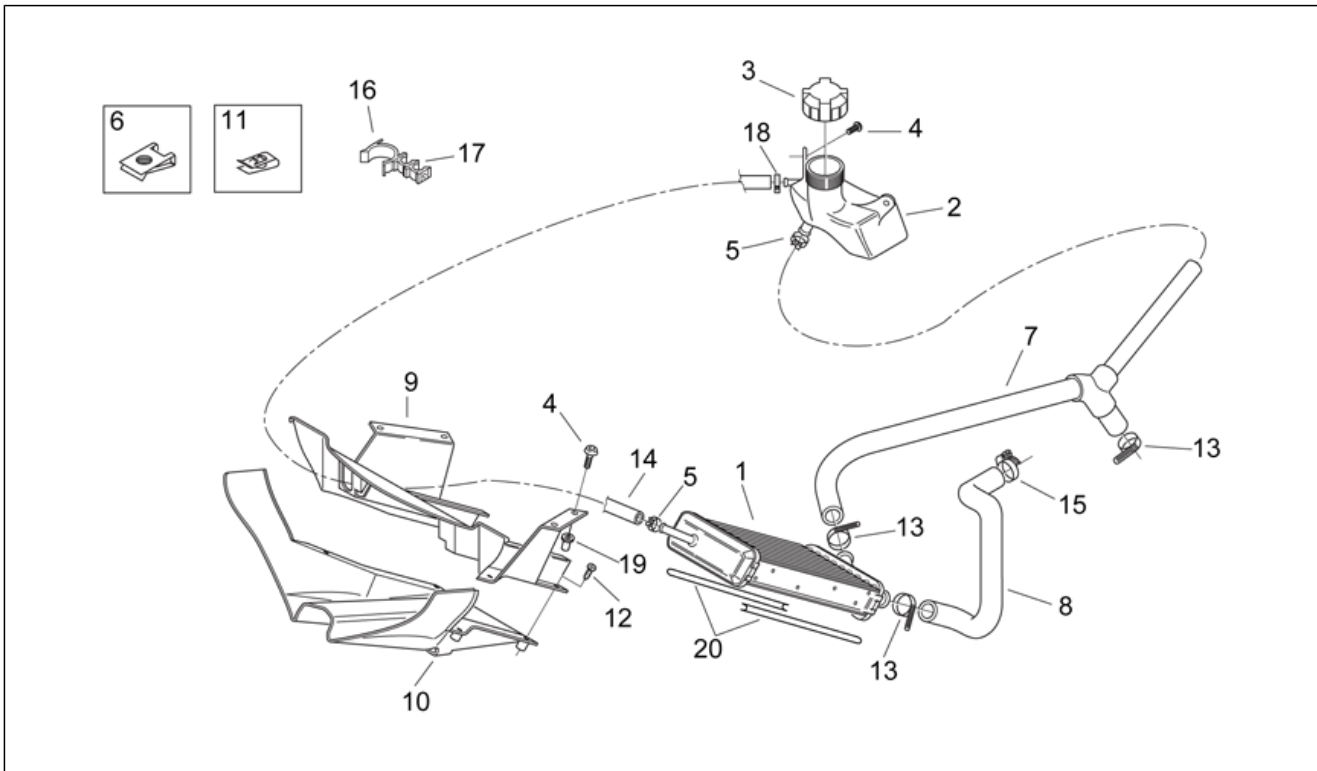
| Pos. | Code | Beschreibung | Menge | Varianten |
|------|-----------|-------------------------------|-------|--|
| 1 | AP8212963 | Digital-Instrumententafel | 1 | Land:Österreich[A], Belgien[B], Brasilien[BR], Dänemark[DK], Spanien[E], Frankreich[F], Griechenland[GR], Italien[I], Holland[NL], Portugal[P], Finnland[SF] |
| 1 | AP8212995 | Digital-Instrumententafel | 1 | Land:Israel[IL], Japan[J], Rep. Korea[ROK] |
| 1 | AP8212996 | Digital-Instrumententafel | 1 | Land:Deutschland[D] |
| 1 | AP8212997 | Digital-Instrumententafel | 1 | Land:Schweiz[CH] |
| 1 | AP8224048 | Digital-Instrumententafel | 1 | Land:Großbritannien[UK] |
| 2 | AP8202025 | Rückspiegel rechts/links | 2 | |
| 3 | AP8221256 | Mutter mit Bremszange | 2 | |
| 4 | AP8150421 | Gew.schr. 2,9x12 | 4 | |
| 5 | AP8221279 | Spiegelfixierrosette | 2 | |
| 6 | AP8220484 | Gummi r./l. Spiegel | 2 | |
| 7 | AP8224087 | MODE' Kn. Instrum. | 1 | |
| 8 | AP8224086 | SET' Kn. Instrument. | 1 | |
| 9 | AP8218320 | Lenkstange galv. | 1 | |
| 10 | AP8150323 | Sechskantschraube | 1 | |
| 11 | AP8150020 | Ausgleichscheibe 10,5x21x2* | 1 | |
| 12 | AP8152301 | Selbstsperrende Mutter | 1 | |
| 13 | AP8152290 | TE Schr. m. Flansch M8x40 | 1 | |
| 14 | AP8152300 | Selbstsperrende Mutter M8 | 1 | |
| 15 | AP8248105 | Lichtschalt.schutz li. | 1 | |
| 16 | AP8218412 | Handgriffe paar, schwarz/grau | 1 | |
| 17 | AP8102717 | Lenkstangen-Schwingschutz | 2 | |
| 18 | AP8150285 | TCEI Schraube M6x35 | 2 | |

| | |
|---------------------|-------------|
| Einheit | RAHMEN |
| Code | 28.18 |
| Beschreibung | Schaltungen |
| Inspektion | 1 |



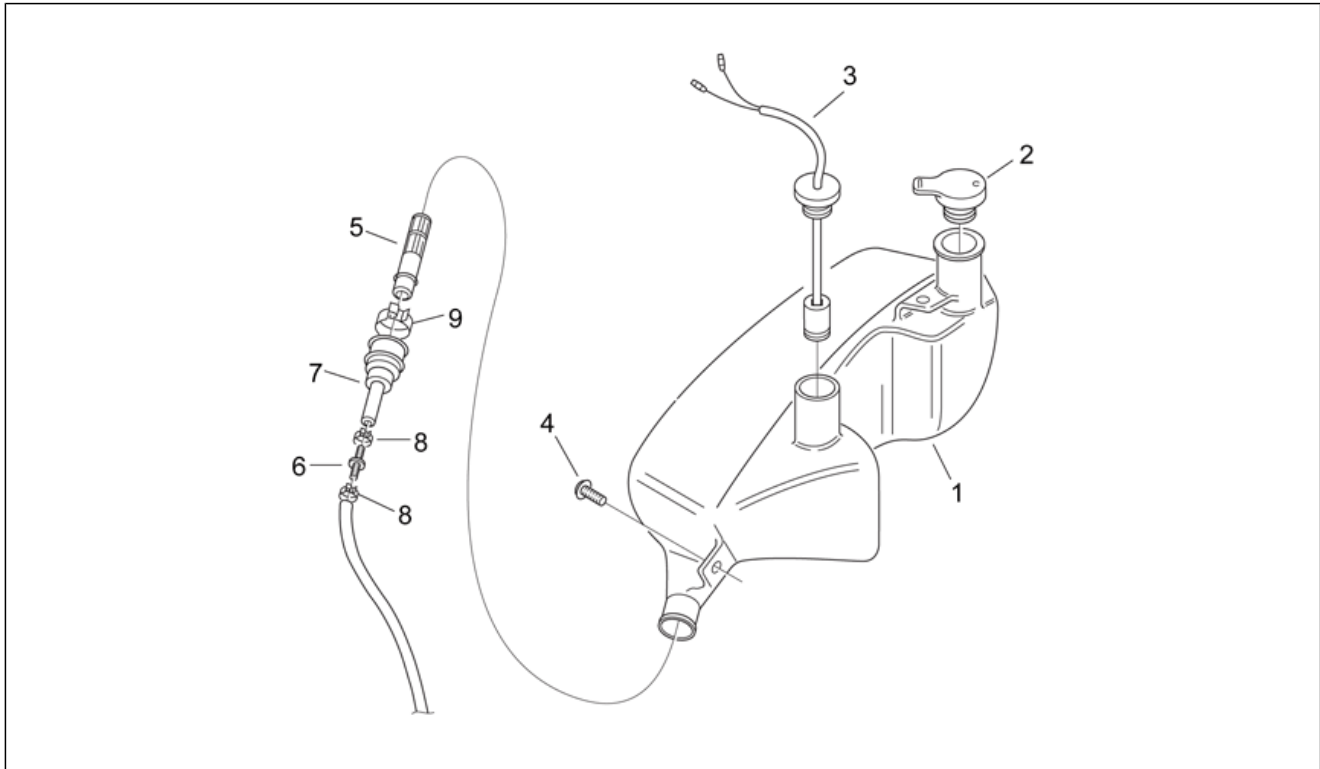
| Pos. | Code | Beschreibung | Menge | Varianten |
|------|-----------|---------------------------|-------|--|
| 1 | AP8214175 | Starterzugkabel | 1 | |
| 2 | AP8214176 | Gaszugkabel | 1 | |
| 3 | AP8218411 | Gasschaltung ohne Griff | 1 | |
| 4 | AP8213399 | Bausatz Pumpenüberholung | 2 | |
| 5 | AP8213298 | Mutter | 2 | |
| 6 | AP8125757 | Schraube Hebel | 2 | |
| 7 | AP8152278 | TE Schr. m. Flansch M6x16 | 4 | |
| 8 | AP8150444 | Gewindeschraube Edelstahl | 2 | |
| 9 | AP8213401 | Pumpendeckel | 2 | |
| 10 | AP8212914 | R. Lichtumsch. m. K. | 1 | Land:Österreich[A], Belgien[B], Brasilien[BR], Deutschland[D], Dänemark[DK], Spanien[E], Frankreich[F], Griechenland[GR], Italien[I], Holland[NL], Portugal[P], Finnland[SF], Großbritannien[UK] |
| 10 | AP8224058 | R. Lichtumsch. m. K. | 1 | Land:Japan[J] |
| 10 | AP8224059 | R. Lichtumsch. m. K. | 1 | Land:Schweiz[CH], Israel[IL], Rep. Korea[ROK] |
| 11 | AP8212915 | L. Lichtumsch. m. K. | 1 | Land:Österreich[A], Belgien[B], Brasilien[BR], Deutschland[D], Dänemark[DK], Spanien[E], Frankreich[F], Griechenland[GR], Italien[I], Japan[J], Holland[NL], Portugal[P], Finnland[SF], Großbritannien[UK] |
| 11 | AP8224060 | L. Lichtumsch. m. K. | 1 | Land:Schweiz[CH], Israel[IL], Rep. Korea[ROK] |
| 12 | AP8150413 | Gew.schr. 3,9x14 | 2 | |
| 13 | AP8213289 | Vorderradbrenspumpe | 1 | |
| 14 | AP8213294 | Hinterradbrenspumpe | 1 | |
| 15 | AP8213402 | Vorderradbrenshebel | 1 | |
| 16 | AP8213398 | H.brenshebel | 1 | |
| 17 | AP8113414 | Schauglas Brenspumpe | 2 | |
| 18 | AP8213400 | Schraube Pumpendeckel | 4 | |
| 19 | AP8150179 | Ausgleichscheibe 6,6x18* | 2 | |

| | |
|---------------------|--------|
| Einheit | RAHMEN |
| Code | 28.19 |
| Beschreibung | Kühler |
| Inspektion | 1 |



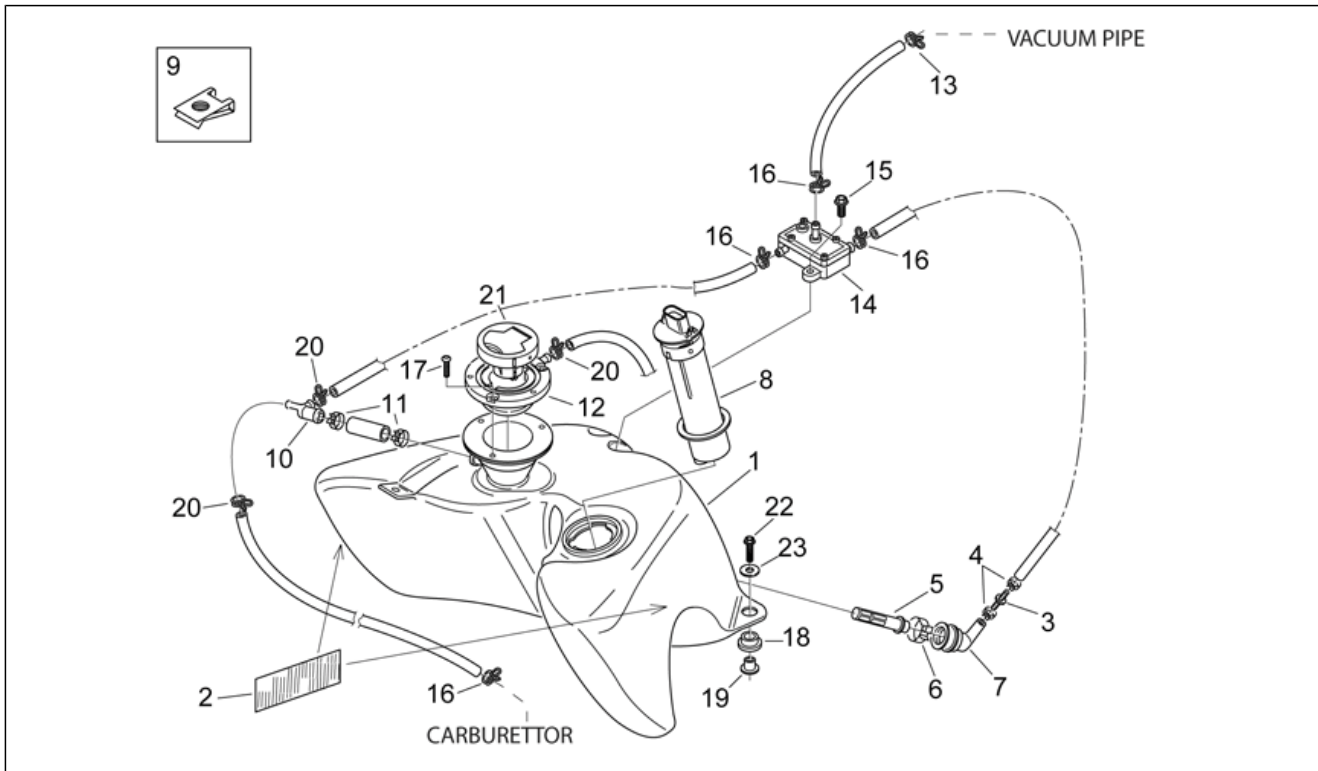
| Pos. | Code | Beschreibung | Menge | Varianten |
|------|-----------|-------------------------------|-------|-----------|
| 1 | AP8202207 | Kühler | 1 | |
| 2 | AP8239174 | Ausdehngefäß | 1 | |
| 3 | AP8101912 | Kühlerschraube unbelüftet | 1 | |
| 4 | AP8152298 | TBEI Schraube m.Flansch M5x16 | 6 | |
| 5 | AP8102765 | Schlauschelle weiß D.13,5x6 | 2 | |
| 6 | AP8102375 | Klammer M5 | 5 | |
| 7 | AP8220523 | Pumpen-Kühlerschlauch | 1 | |
| 8 | AP8220521 | Zylinderkopf-Kühlerschlauch | 1 | |
| 9 | AP8234148 | Obere Kühlerbefestigung | 1 | |
| 10 | AP8234149 | Untere Kühlerbefestigung | 1 | |
| 11 | AP8201763 | Clip f. Blechschr. D5,5* | 2 | |
| 12 | AP8150413 | Gew.schr. 3,9x14 | 6 | |
| 13 | AP8102732 | Schelle 17-25 | 3 | |
| 14 | AP8220450 | Gewebeschlauch Gummit | 1 | |
| 15 | AP8101573 | Schelle D16-24x8* | 1 | |
| 16 | AP8201807 | Kabelführungs D22 | 1 | |
| 17 | AP8201808 | Kabelführungs D8 | 2 | |
| 18 | AP8102349 | Schlauschelle weiß D17,5x8 | 1 | |
| 19 | AP8121075 | T-Buchse * | 2 | |
| 20 | AP8109121 | V-belt Gummidichtung | 2 | |

| | |
|---------------------|--------|
| Einheit | RAHMEN |
| Code | 28.20 |
| Beschreibung | Öltank |
| Inspektion | 1 |



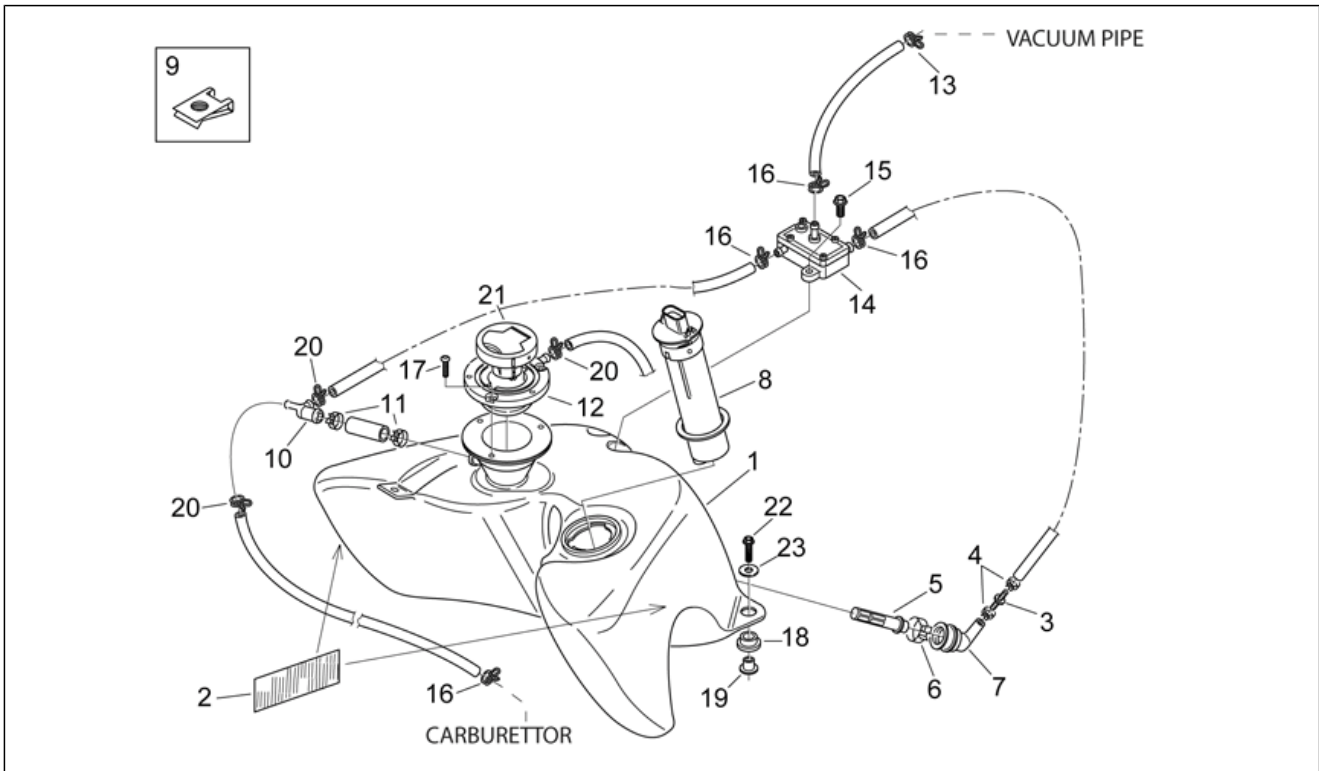
| Pos. | Code | Beschreibung | Menge | Varianten |
|------|-----------|-------------------------------|-------|-----------|
| 1 | AP8239142 | Öltank | 1 | |
| 2 | AP8220421 | Öltankschraube | 1 | |
| 3 | AP8212481 | Anzeige Ölreserve | 1 | |
| 4 | AP8152298 | TBEI Schraube m.Flansch M5x16 | 2 | |
| 5 | AP8102224 | Gemisch-Ölfilter | 1 | |
| 6 | AP8101944 | 2-Wege Anschluß | 1 | |
| 7 | AP8102223 | Gummi * | 1 | |
| 8 | AP8101770 | Schlauchschelle D8x5,5* | 2 | |
| 9 | AP8101743 | Schlauchschelle D23,5x8* | 1 | |

| | |
|---------------------|----------------|
| Einheit | RAHMEN |
| Code | 28.21 |
| Beschreibung | Kraftstofftank |
| Inspektion | 1 |



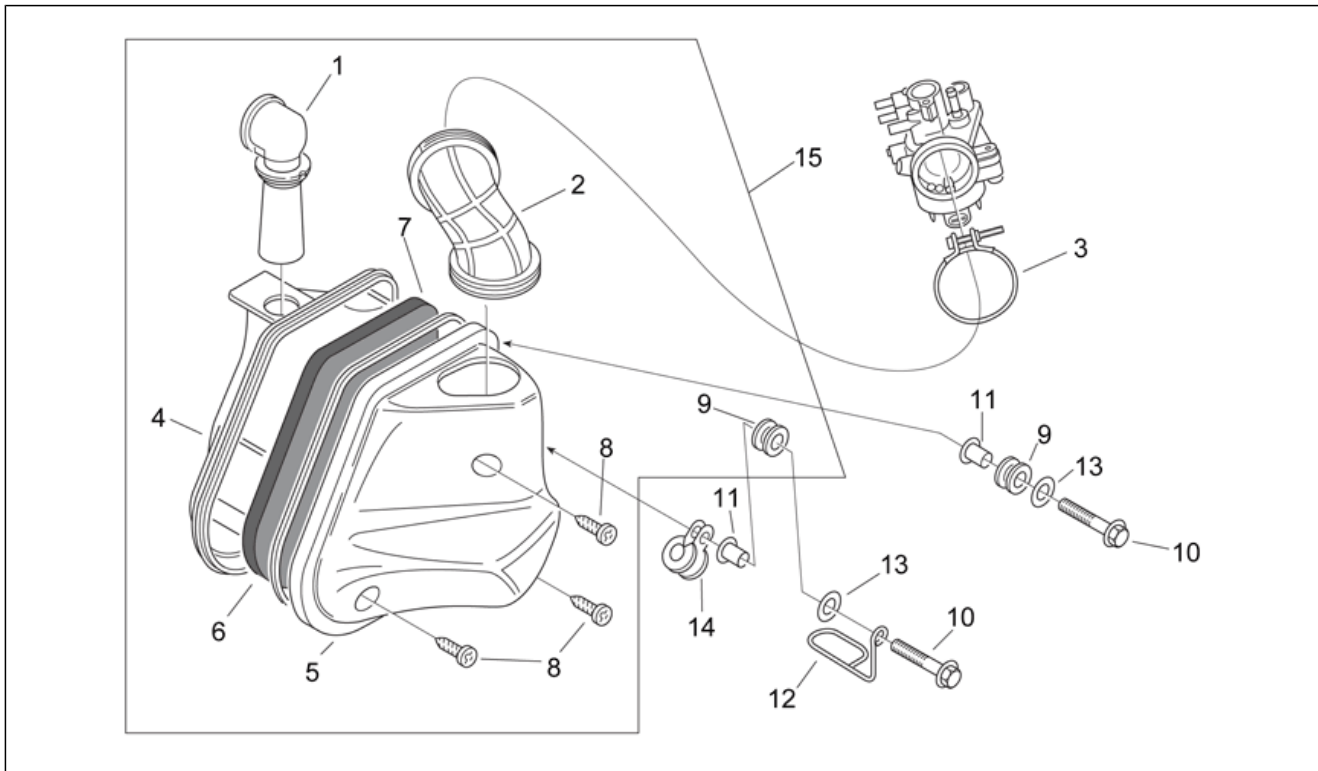
| Pos. | Code | Beschreibung | Menge | Varianten |
|------|-----------|---------------------------|-------|---|
| 1 | AP8239141 | Kraftstofftank | 1 | |
| 2 | AP8117073 | Klebeschwamm | 1 | |
| 3 | AP8101944 | 2-Wege Anschluß | 1 | |
| 4 | AP8101770 | Schlauchschelle D8x5,5* | 2 | |
| 5 | AP8202033 | Kraftstofffilter | 1 | |
| 6 | AP8101743 | Schlauchschelle D23,5x8* | 1 | |
| 7 | AP8220503 | Tankschlepp | 1 | |
| 8 | AP8212927 | Kraftstoffmeßsonde | 1 | |
| 9 | AP8102376 | Klammer M6 | 1 | |
| 10 | AP8202154 | 3-Wegeanschluß | 1 | |
| 11 | AP8102903 | Schlauchschelle D16,5x6,6 | 2 | |
| 12 | AP8202117 | Tankstutzen | 1 | Land:Österreich[A], Belgien[B], Brasilien[BR], Deutschland[D], Dänemark[DK], Spanien[E], Frankreich[F], Griechenland[GR], Israel[IL], Japan[J], Holland[NL], Portugal[P], Rep. Korea[ROK], Finnland[SF], Großbritannien[UK] |
| 12 | AP8202117 | Tankstutzen | 1 | Land:Italien[I] Technische Daten:Version ohne Katalysator[nocat] |
| 12 | AP8202137 | Tankstutzen | 1 | Land:Schweiz[CH] |
| 12 | AP8202137 | Tankstutzen | 1 | Land:Italien[I] Technische Daten:Version mit Katalysator[cat] |
| 13 | AP8102811 | Schelle D9,6 | 1 | |
| 14 | AP8222576 | Kraftstoffpumpe | 1 | |
| 15 | AP8152278 | TE Schr. m. Flansch M6x16 | 1 | |
| 16 | AP8101595 | Schelle D10,1 | 4 | |
| 17 | AP8152269 | TBEI Spez.schr. | 3 | |
| 18 | AP8220192 | Gummi * | 2 | |
| 19 | AP8221228 | Buchse | 2 | |
| 20 | AP8102378 | Schelle D11,3 | 3 | |

| | |
|---------------------|----------------|
| Einheit | RAHMEN |
| Code | 28.21 |
| Beschreibung | Kraftstofftank |
| Inspektion | 1 |



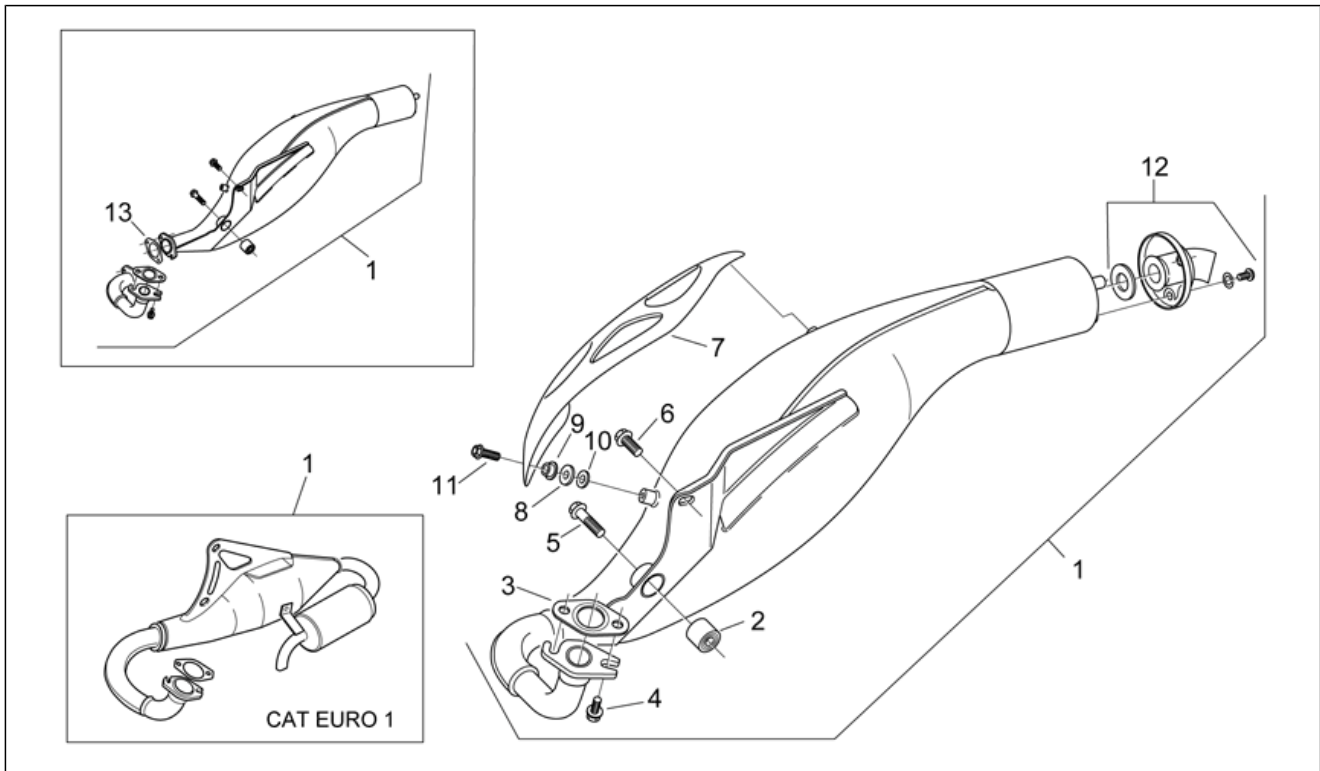
| Pos. | Code | Beschreibung | Menge | Varianten |
|------|-----------|------------------------------|-------|-----------|
| 21 | AP8202031 | Tankschraube, schwarz | 1 | |
| 22 | AP8152341 | TE Schr. m. Flansch M5x40 | 2 | |
| 23 | AP8150015 | Ausgleichscheibe 6,6x18x1,6* | 2 | |

| | |
|---------------------|---------------|
| Einheit | RAHMEN |
| Code | 28.22 |
| Beschreibung | Filtergehäuse |
| Inspektion | 1 |



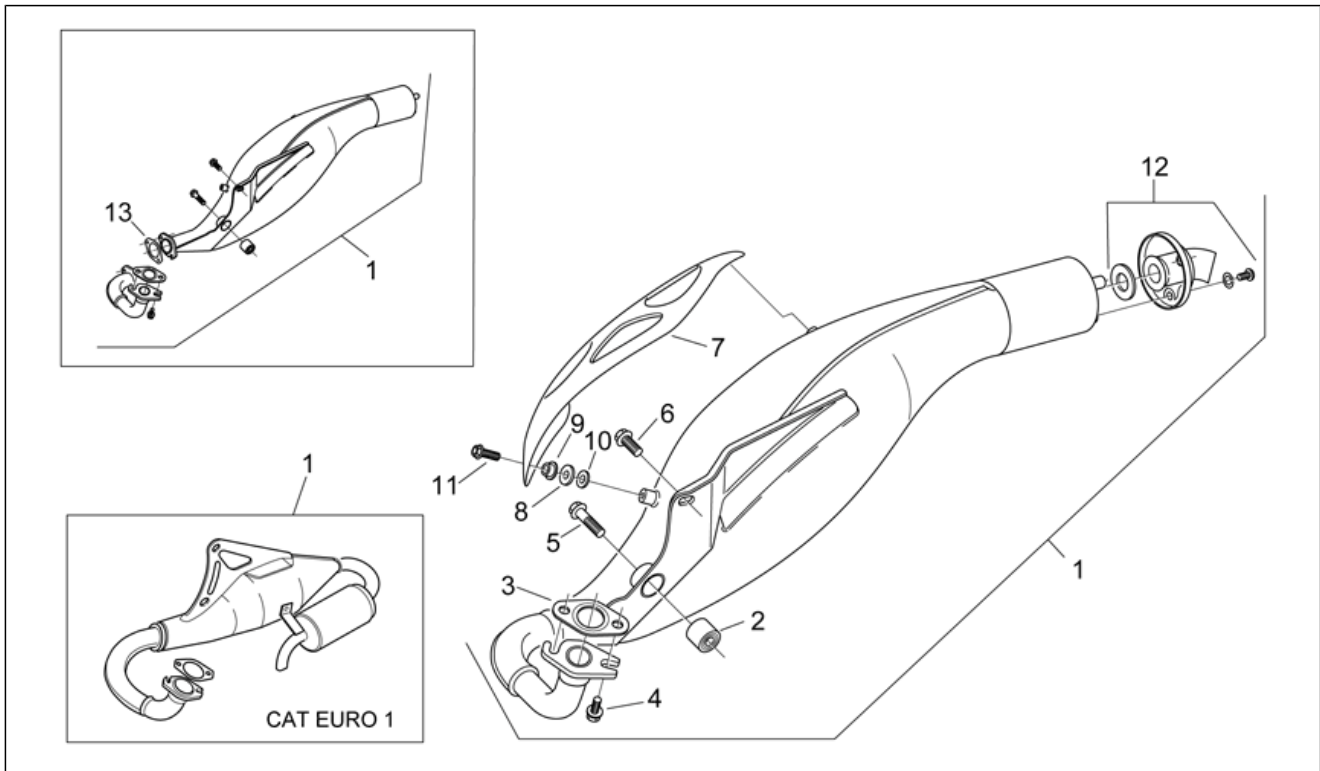
| Pos. | Code | Beschreibung | Menge | Varianten |
|------|-----------|------------------------------|-------|---|
| 1 | AP8220467 | Ansaugmuffe | 1 | Land:Österreich[A], Schweiz[CH], Deutschland[D], Holland[NL], Finnland[SF] |
| 1 | AP8220480 | Ansaugmuffe | 1 | Land:Belgien[B], Brasilien[BR], Dänemark[DK], Spanien[E], Frankreich[F], Griechenland[GR], Italien[I], Israel[IL], Japan[J], Portugal[P], Rep. Korea[ROK], Großbritannien[UK] |
| 2 | AP8220364 | Ansaugmuffe | 1 | |
| 3 | AP8201799 | Muffenschelle | 1 | |
| 4 | AP8239139 | Filtereinsatzgehäuse | 1 | |
| 5 | AP8239140 | Deckel Filtergehäuse | 1 | |
| 6 | AP8201683 | Luftfilter | 1 | |
| 7 | AP8220385 | Dichtung Filtergehäuse | 1 | |
| 8 | AP8150425 | Linsenschraube 5,5x22* | 3 | |
| 9 | AP8220370 | Gummi Filtergehäuse | 2 | |
| 10 | AP8152281 | TE Schr. m. Flansch M6x30 | 2 | |
| 11 | AP8121725 | T-Buchse * | 2 | |
| 12 | AP8221172 | Kabelführungs | 1 | |
| 13 | AP8150015 | Ausgleichscheibe 6,6x18x1,6* | 2 | |
| 14 | AP8134167 | Platte Bremsschlauch | 1 | |
| 15 | AP8248362 | Filterkasten | 1 | Land:Österreich[A], Schweiz[CH], Deutschland[D], Holland[NL], Finnland[SF] |
| 15 | AP8249279 | Filterkasten | 1 | Land:Belgien[B], Brasilien[BR], Dänemark[DK], Spanien[E], Frankreich[F], Griechenland[GR], Italien[I], Israel[IL], Japan[J], Portugal[P], Rep. Korea[ROK], Großbritannien[UK] |

| | |
|---------------------|-------------|
| Einheit | RAHMEN |
| Code | 28.24 |
| Beschreibung | Auspuffrohr |
| Inspektion | 1 |



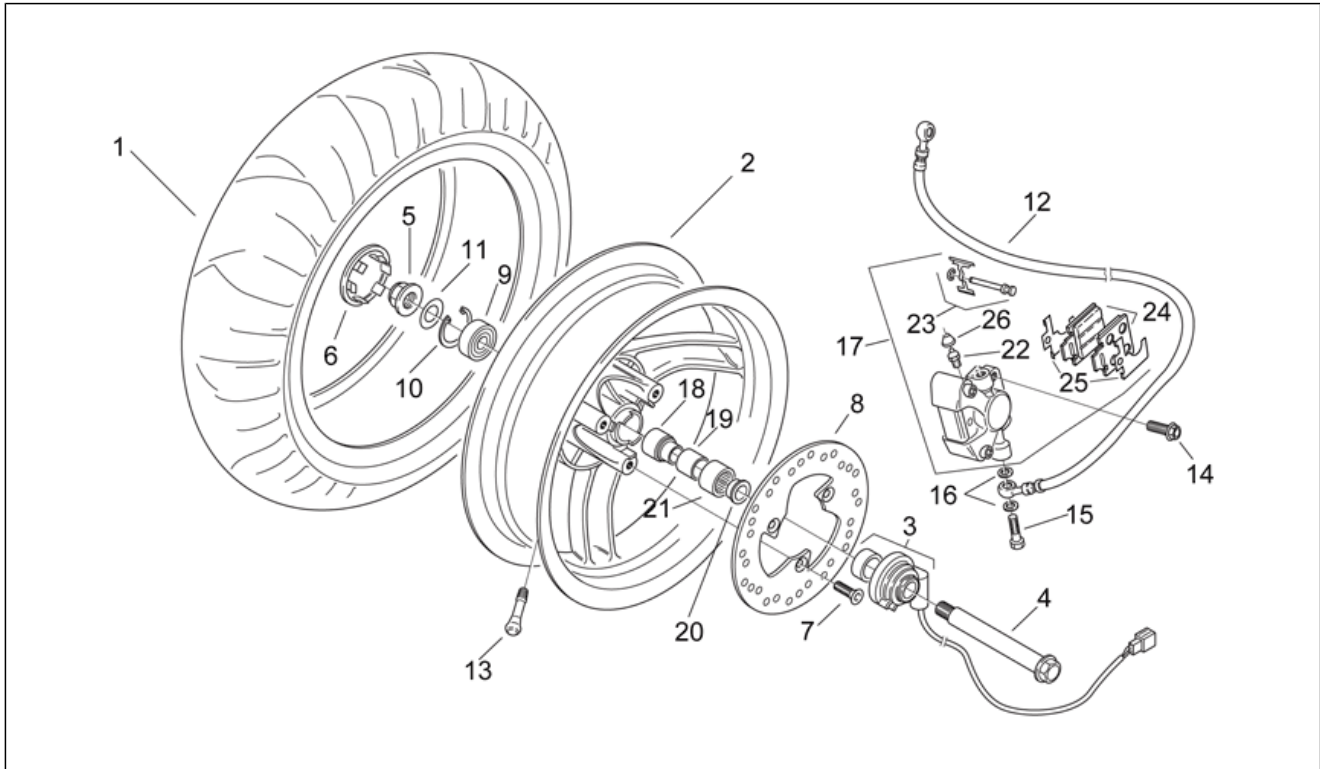
| Pos. | Code | Beschreibung | Menge | Varianten |
|------|-----------|------------------------------|-------|---|
| 1 | AP8219349 | Auspuffrohr | 1 | Land:Italien[I] Technische Daten: Version ohne Katalysator[nocat] |
| 1 | AP8219349 | Auspuffrohr | 1 | Land:Brasilien[BR], Griechenland[GR], Israel[IL] |
| 1 | AP8219439 | Kat.Auspuffrohr -D- | 1 | Land:Deutschland[D] |
| 1 | AP8219440 | Kat.Auspuffrohr -NL- | 1 | Land:Holland[NL], Finnland[SF] |
| 1 | AP8219441 | Kat.Auspuffrohr -A- | 1 | Land:Österreich[A] |
| 1 | AP8219442 | Kat.Auspuffrohr -Ch- | 1 | Land:Schweiz[CH] |
| 1 | AP8219443 | Auspuffrohr -J- | 1 | Land:Japan[J], Rep. Korea[ROK] |
| 1 | AP8219444 | Auspuffrohr -E- | 1 | Land:Spanien[E], Portugal[P], Großbritannien[UK] |
| 1 | AP8219445 | Auspuffrohr -F- | 1 | Land:Belgien[B], Dänemark[DK], Frankreich[F] |
| 1 | AP8219483 | Kat.Auspuffrohr -I- | 1 | Land:Italien[I] Technische Daten: Version mit Katalysator[cat] |
| 2 | AP8220357 | Silent-Block Ausp. grü | 1 | |
| 3 | AP8219212 | Dichtung Auspuffrohr | 1 | |
| 4 | AP8152260 | TE Schr. m. Flansch | 2 | |
| 5 | AP8152289 | TE Schr. m. Flansch | 1 | |
| 6 | AP8152288 | TE Schr. m. Flansch | 1 | |
| 7 | AP8219389 | Auspuffrohrschutz, schwarz | 1 | Land:Belgien[B], Brasilien[BR], Dänemark[DK], Spanien[E], Frankreich[F], Griechenland[GR], Israel[IL], Japan[J], Portugal[P], Rep. Korea[ROK], Großbritannien[UK] |
| 7 | AP8219389 | Auspuffrohrschutz, schwarz | 1 | Land:Italien[I] Technische Daten: Version ohne Katalysator[nocat] |
| 7 | AP8219452 | Auspuffschutz Stahl | 1 | Land:Österreich[A], Schweiz[CH], Deutschland[D], Holland[NL], Finnland[SF] |
| 7 | AP8219452 | Auspuffschutz Stahl | 1 | Land:Italien[I] Technische Daten: Version mit Katalysator[cat] |
| 8 | AP8120870 | Isolierscheibe | 2 | |
| 9 | AP8121075 | T-Buchse * | 2 | |
| 10 | AP8150015 | Ausgleichscheibe 6,6x18x1,6* | 2 | |

| | |
|---------------------|-------------|
| Einheit | RAHMEN |
| Code | 28.24 |
| Beschreibung | Auspuffrohr |
| Inspektion | 1 |



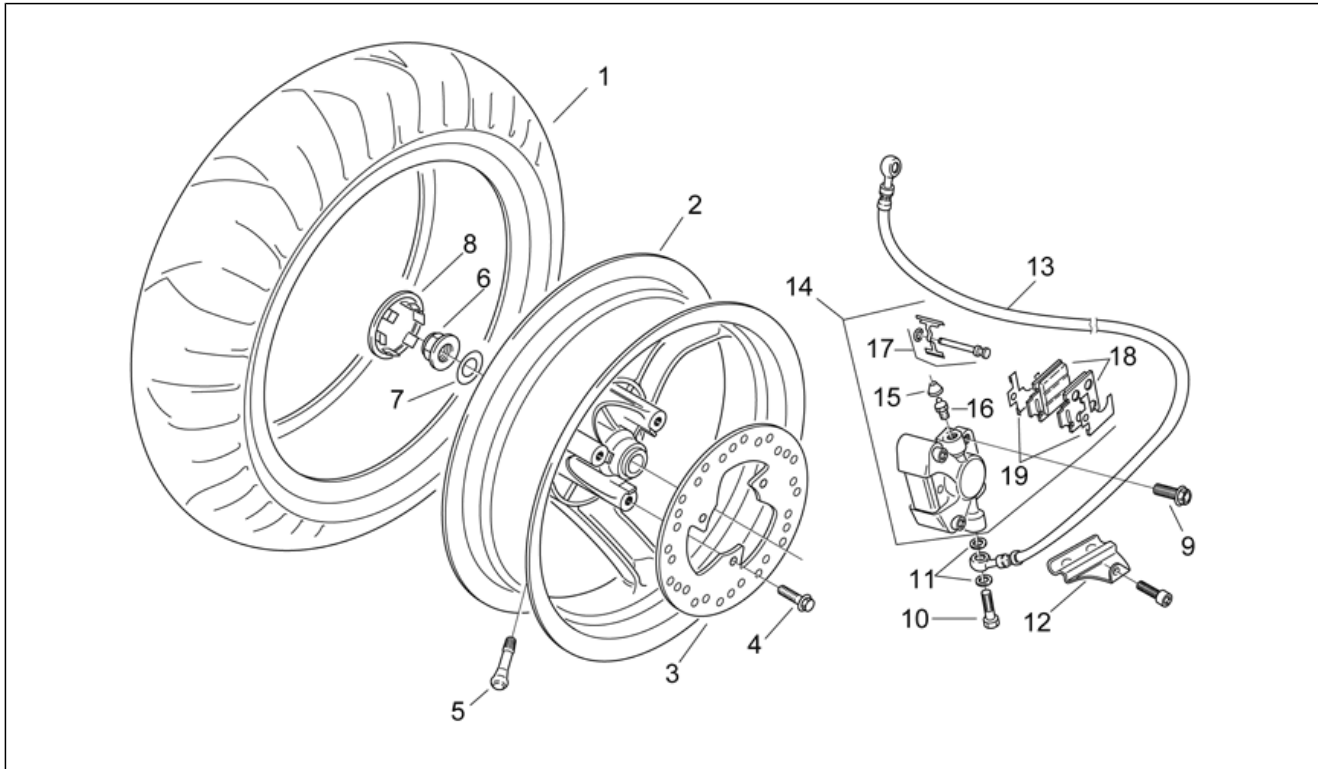
| Pos. | Code | Beschreibung | Menge | Varianten |
|------|-----------|-------------------------------|-------|--|
| 11 | AP8152246 | TBEI Schraube m.Flansch M6x16 | 2 | Land: Österreich[A], Belgien[B], Brasilien[BR], Schweiz[CH], Deutschland[D], Dänemark[DK], Spanien[E], Frankreich[F], Griechenland[GR], Israel[IL], Japan[J], Holland[NL], Portugal[P], Rep. Korea[ROK], Finnland[SF], Großbritannien[UK] |
| 11 | AP8152246 | TBEI Schraube m.Flansch M6x16 | 2 | Land: Italien[I] Technische Daten: Version ohne Katalysator[nocat] |
| 11 | AP8152342 | TE Schr. m. Flansch M6x12 | 2 | Land: Italien[I] Technische Daten: Version mit Katalysator[cat] |
| 12 | AP8219454 | Auspuffendstück | 1 | Land: Österreich[A], Belgien[B], Brasilien[BR], Schweiz[CH], Deutschland[D], Dänemark[DK], Spanien[E], Frankreich[F], Griechenland[GR], Israel[IL], Japan[J], Holland[NL], Portugal[P], Rep. Korea[ROK], Finnland[SF], Großbritannien[UK] |
| 12 | AP8219454 | Auspuffendstück | 1 | Land: Italien[I] Technische Daten: Version ohne Katalysator[nocat] |
| 13 | AP8219453 | Dichtung Auspuffrohrflansch | 1 | Land: Spanien[E], Holland[NL], Portugal[P], Finnland[SF], Großbritannien[UK] |

| | |
|---------------------|-----------|
| Einheit | RAHMEN |
| Code | 28.25 |
| Beschreibung | Vorderrad |
| Inspektion | 1 |



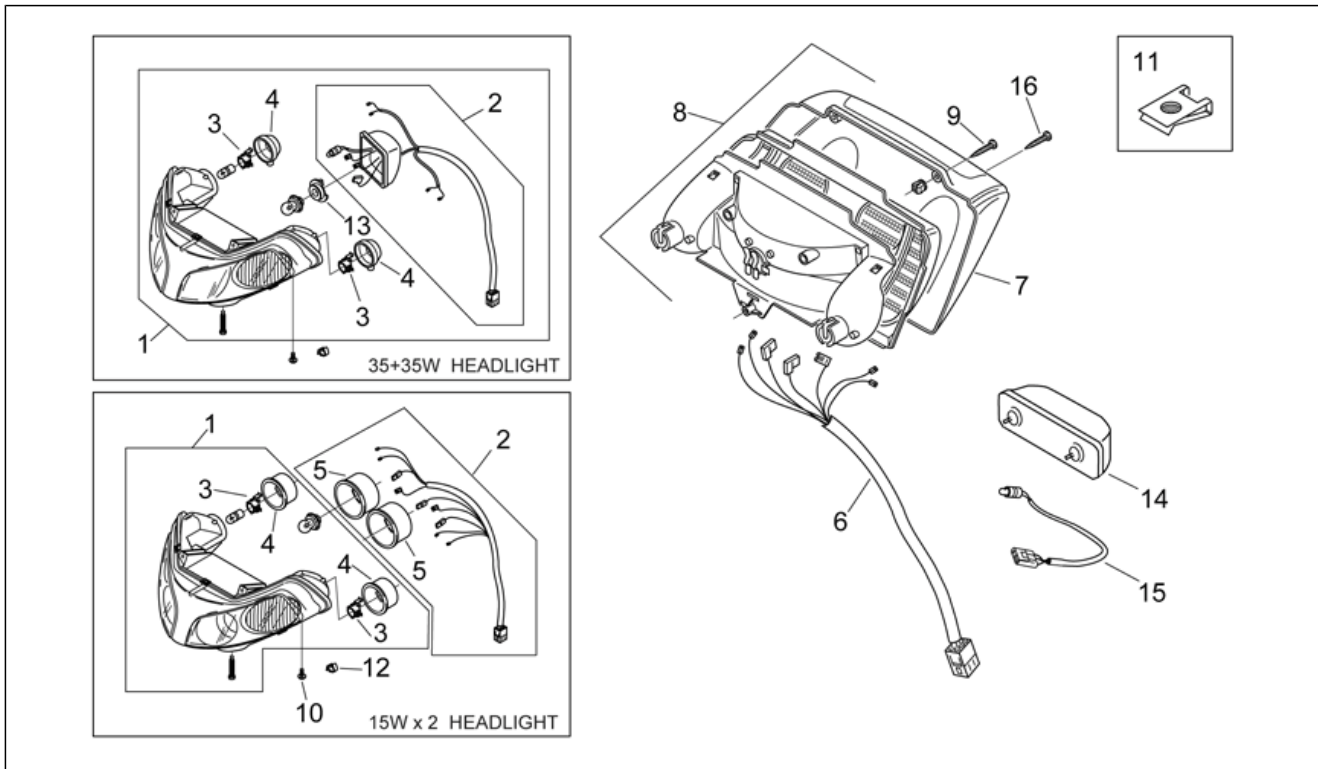
| Pos. | Code | Beschreibung | Menge | Varianten |
|------|-----------|-------------------------------|-------|-----------|
| 1 | 0000000 | Reifen | 1 | |
| 2 | AP8225351 | Vorderrad | 1 | |
| 3 | AP8202024 | Vorgelegte Kilometerzähler | 1 | |
| 4 | AP8225328 | Vorderradbolzen | 1 | |
| 5 | AP8152244 | Mutter DAX geflanscht M14x1,5 | 1 | |
| 6 | AP8220367 | Hinterradschraube | 1 | |
| 7 | AP8225344 | Schraube | 3 | |
| 8 | AP8213340 | Vorderradbremsscheibe D190 | 1 | |
| 9 | AP8225346 | Lager 6203-2RS | 1 | |
| 10 | AP8225347 | Sperring | 1 | |
| 11 | AP8150471 | Sprengscheibe 14,5x24 | 1 | |
| 12 | AP8213379 | Vorderradbremseleitung | 1 | |
| 13 | AP8201546 | Schlauchloses Reifenventil | 1 | |
| 14 | AP8152287 | TE Schr. m. Flansch M8x25 | 2 | |
| 15 | AP8113003 | Fixierschraube Ölschlauch | 2 | |
| 16 | AP8113004 | Ausgleichscheibe 10x14x1,6* | 4 | |
| 17 | AP8213370 | Vorderradbremsszange rot D30 | 1 | |
| 18 | AP8225345 | Buchse 17X30X30,7 | 1 | |
| 19 | AP8225348 | Ring | 1 | |
| 20 | AP8225350 | Buchse 17X24,5X11 | 1 | |
| 21 | AP8225349 | Rollenlager | 1 | |
| 22 | AP8113006 | Entlüftungsanschluß | 1 | |
| 23 | AP8213227 | Bolzen+Bremse Felder | 1 | |
| 24 | AP8113644 | Beläge (Paar) | 1 | |
| 25 | AP8113678 | Vorderunpfeifenplatte-paar | 1 | |
| 26 | AP8113005 | Entlüftungskappe | 1 | |

| | |
|---------------------|-----------|
| Einheit | RAHMEN |
| Code | 28.26 |
| Beschreibung | Hinterrad |
| Inspektion | 1 |



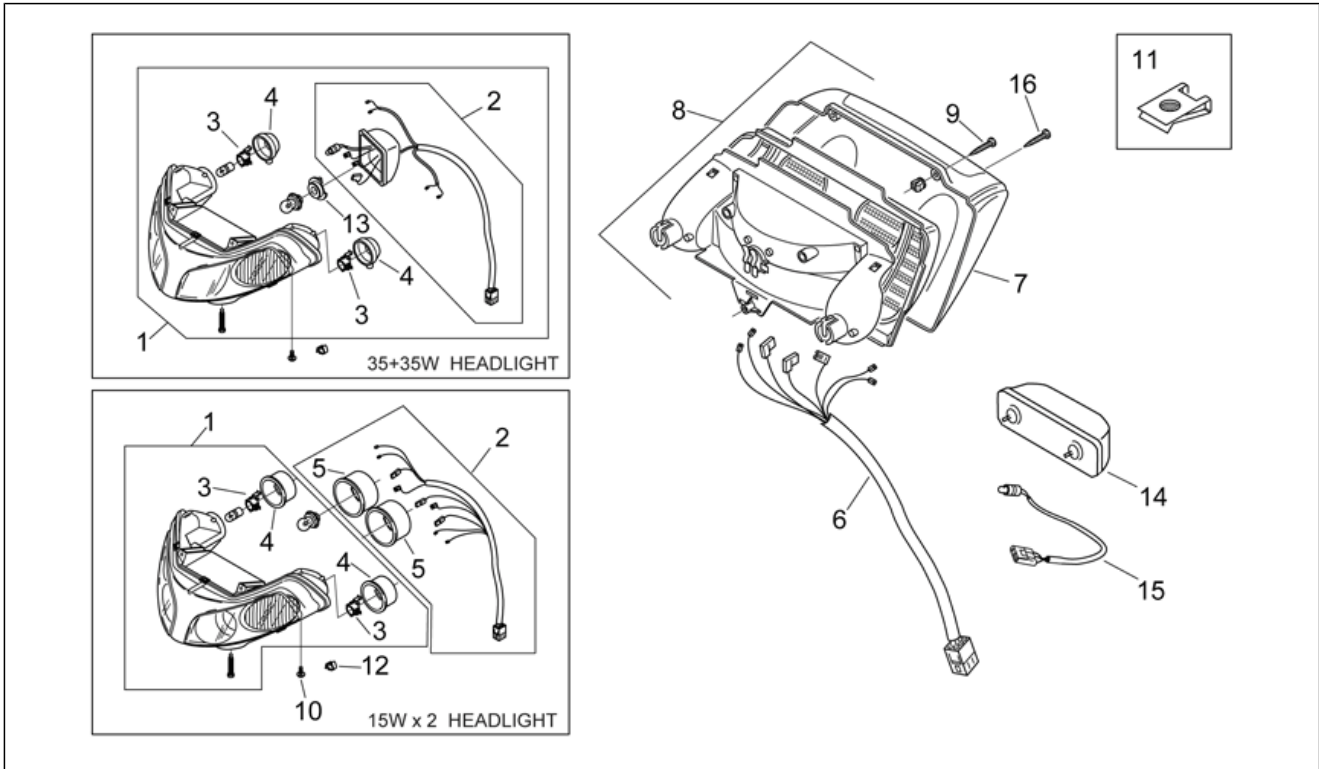
| Pos. | Code | Beschreibung | Menge | Varianten |
|------|-----------|-------------------------------|-------|-----------|
| 1 | 0000000 | Reifen | 1 | |
| 2 | AP8208457 | Hinterrad ohne Scheibe | 1 | |
| 3 | AP8213231 | Bremsscheibe D190 | 1 | |
| 4 | AP8208546 | Schraube | 3 | |
| 5 | AP8201546 | Schlauchloses Reifenventil | 1 | |
| 6 | AP8152244 | Mutter DAX geflanscht M14x1,5 | 1 | |
| 7 | AP8150471 | Sprengscheibe 14,5x24 | 1 | |
| 8 | AP8220367 | Hinterradschraube | 1 | |
| 9 | AP8152287 | TE Schr. m. Flansch M8x25 | 2 | |
| 10 | AP8113003 | Fixierschraube Ölschlauch | 2 | |
| 11 | AP8113004 | Ausgleichscheibe 10x14x1,6* | 4 | |
| 12 | AP8238852 | Halteplatte Bremsschlauch | 1 | |
| 13 | AP8213380 | Hinterradbremsschlauch | 1 | |
| 14 | AP8213295 | Hinterradbremssattel, rot D28 | 1 | |
| 15 | AP8113005 | Entlüftungskappe | 1 | |
| 16 | AP8113006 | Entlüftungsanschluß | 1 | |
| 17 | AP8213227 | Bolzen+Bremse Felder | 1 | |
| 18 | AP8113663 | H.Beläge (Paar) | 1 | |
| 19 | AP8113678 | Vorderunpfeifenplatte-paar | 1 | |

| | |
|---------------------|---------|
| Einheit | RAHMEN |
| Code | 28.27 |
| Beschreibung | Lichter |
| Inspektion | 1 |



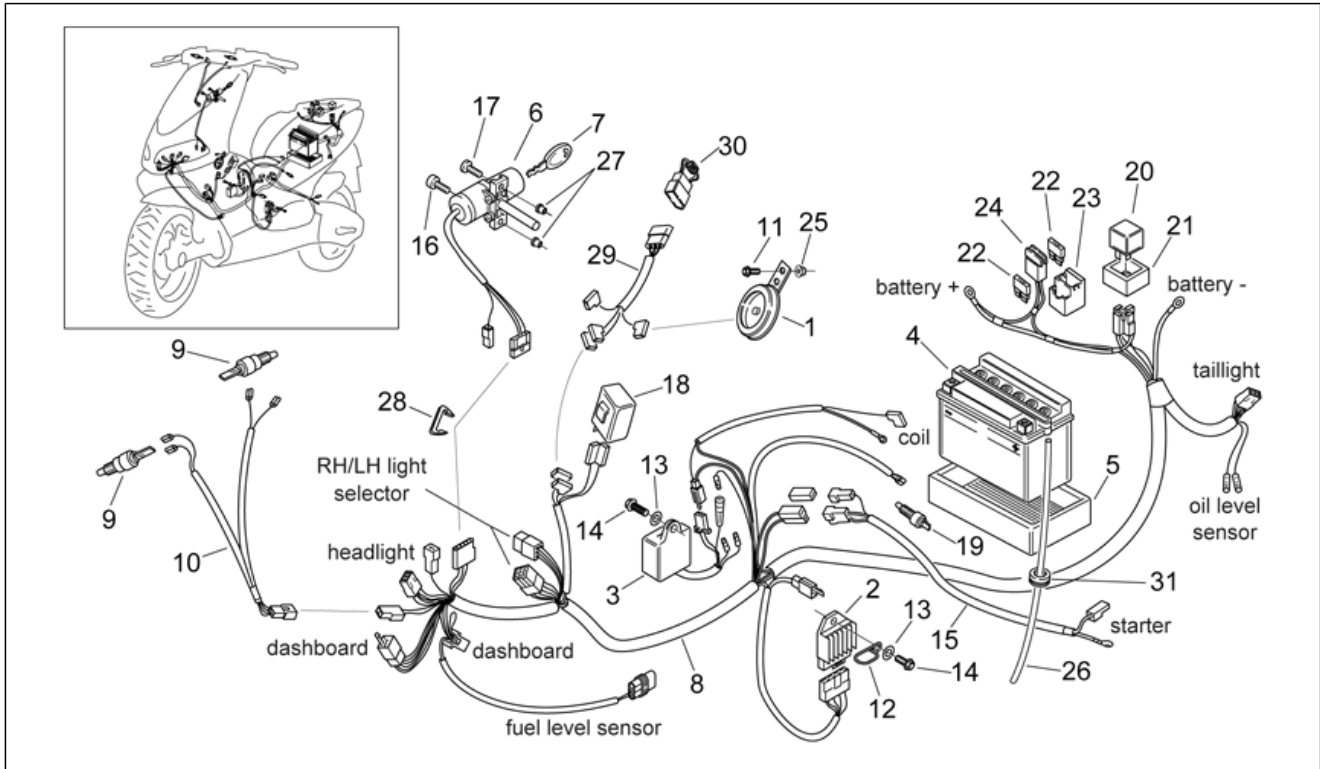
| Pos. | Code | Beschreibung | Menge | Varianten |
|------|-----------|------------------------|-------|--|
| 1 | AP8212907 | Scheinwerfer | 1 | Land: Österreich[A], Belgien[B], Brasilien[BR], Deutschland[D], Dänemark[DK], Spanien[E], Frankreich[F], Griechenland[GR], Italien[I], Holland[NL], Portugal[P], Finnland[SF], Großbritannien[UK] |
| 1 | AP8212999 | Scheinwerfer -35+35W- | 1 | Land: Schweiz[CH], Israel[IL], Japan[J], Rep. Korea[ROK] |
| 2 | AP8212919 | Verkabel.Scheinwerf. | 1 | Land: Österreich[A], Belgien[B], Brasilien[BR], Deutschland[D], Dänemark[DK], Spanien[E], Frankreich[F], Griechenland[GR], Italien[I], Holland[NL], Portugal[P], Finnland[SF], Großbritannien[UK] |
| 2 | AP8224085 | Kabel Scheinw. | 1 | Land: Schweiz[CH], Israel[IL], Japan[J], Rep. Korea[ROK] |
| 3 | AP8224064 | Lampenhalter kplt. | 2 | |
| 4 | AP8212913 | Scheinwerferhaube | 2 | Land: Österreich[A], Belgien[B], Brasilien[BR], Deutschland[D], Dänemark[DK], Spanien[E], Frankreich[F], Griechenland[GR], Italien[I], Holland[NL], Portugal[P], Finnland[SF], Großbritannien[UK] |
| 4 | AP8224083 | Scheinwerferhaube | 2 | Land: Schweiz[CH], Israel[IL], Japan[J], Rep. Korea[ROK] |
| 5 | AP8124400 | Scheinwerferhaube | 2 | Land: Österreich[A], Belgien[B], Brasilien[BR], Deutschland[D], Dänemark[DK], Spanien[E], Frankreich[F], Griechenland[GR], Italien[I], Holland[NL], Portugal[P], Finnland[SF], Großbritannien[UK] |
| 6 | AP8212920 | Verkabelung Rücklicht | 1 | Land: Belgien[B], Brasilien[BR], Deutschland[D], Dänemark[DK], Spanien[E], Frankreich[F], Griechenland[GR], Italien[I], Holland[NL], Portugal[P], Finnland[SF], Großbritannien[UK] |
| 6 | AP8224065 | Verkabelung Rücklicht | 1 | Land: Österreich[A], Schweiz[CH], Israel[IL], Japan[J], Rep. Korea[ROK] |
| 7 | AP8224082 | Rücklichtblende | 1 | |
| 8 | AP8212908 | Rücklicht | 1 | |
| 9 | AP8150423 | Linsenschraube 4,2x25* | 2 | |
| 10 | AP8152267 | TBEI Spez.schr. M5x12 | 2 | |
| 11 | AP8102375 | Klammer M5 | 2 | |
| 12 | AP8201727 | Kabelführungs schw. | 3 | |

| | |
|---------------------|---------|
| Einheit | RAHMEN |
| Code | 28.27 |
| Beschreibung | Lichter |
| Inspektion | 1 |



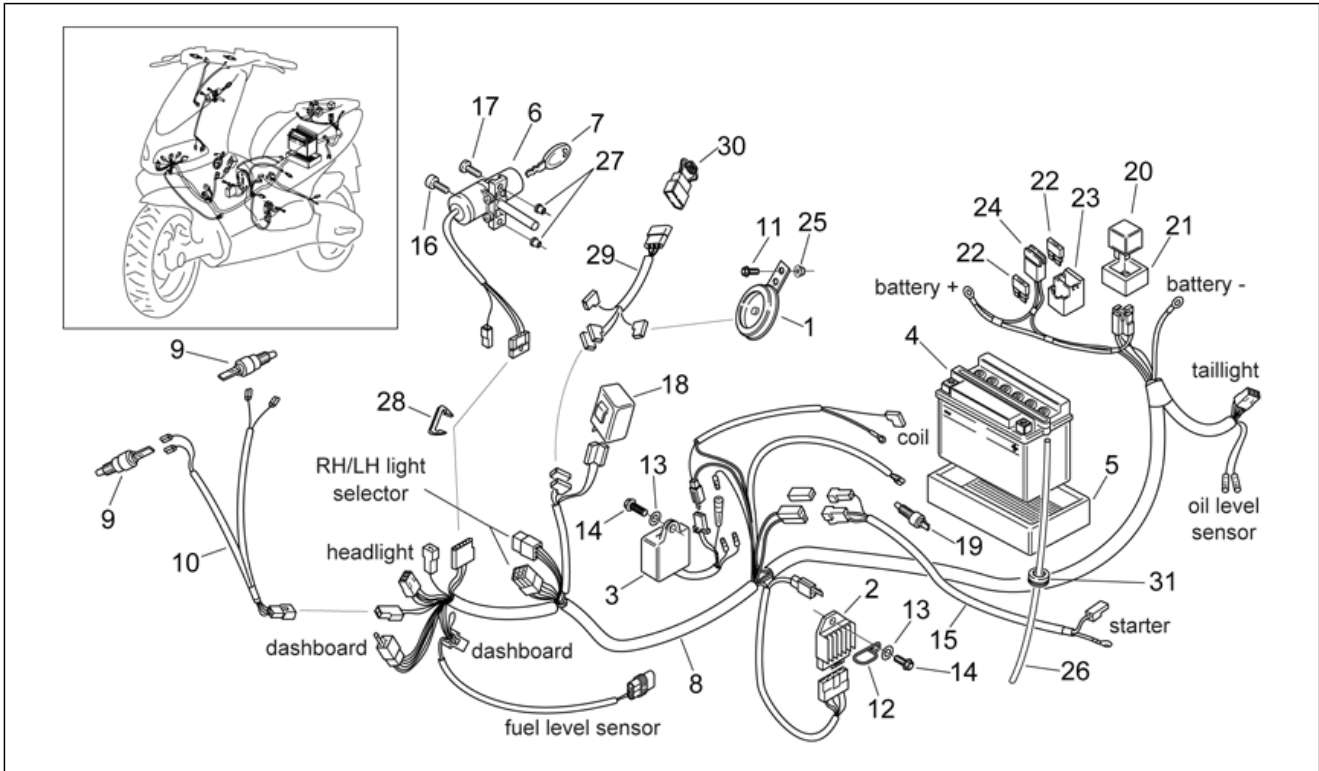
| Pos. | Code | Beschreibung | Menge | Varianten |
|------|-----------|-----------------------|-------|--|
| 13 | AP8224084 | Lampenhalter kplt. | 1 | Land:Schweiz[CH], Israel[IL], Japan[J], Rep. Korea[ROK] |
| 14 | AP8212702 | Kennzeichenleuchte | 1 | Land:Österreich[A], Schweiz[CH], Israel[IL], Japan[J], Rep. Korea[ROK] |
| 15 | AP8212652 | Kofferlichtkabel | 1 | Land:Österreich[A], Schweiz[CH], Israel[IL], Japan[J], Rep. Korea[ROK] |
| 16 | AP8150477 | Linsenschraube 3,5x32 | 1 | |

| | |
|---------------------|--------------------|
| Einheit | RAHMEN |
| Code | 28.28 |
| Beschreibung | Elektrische Anlage |
| Inspektion | 1 |



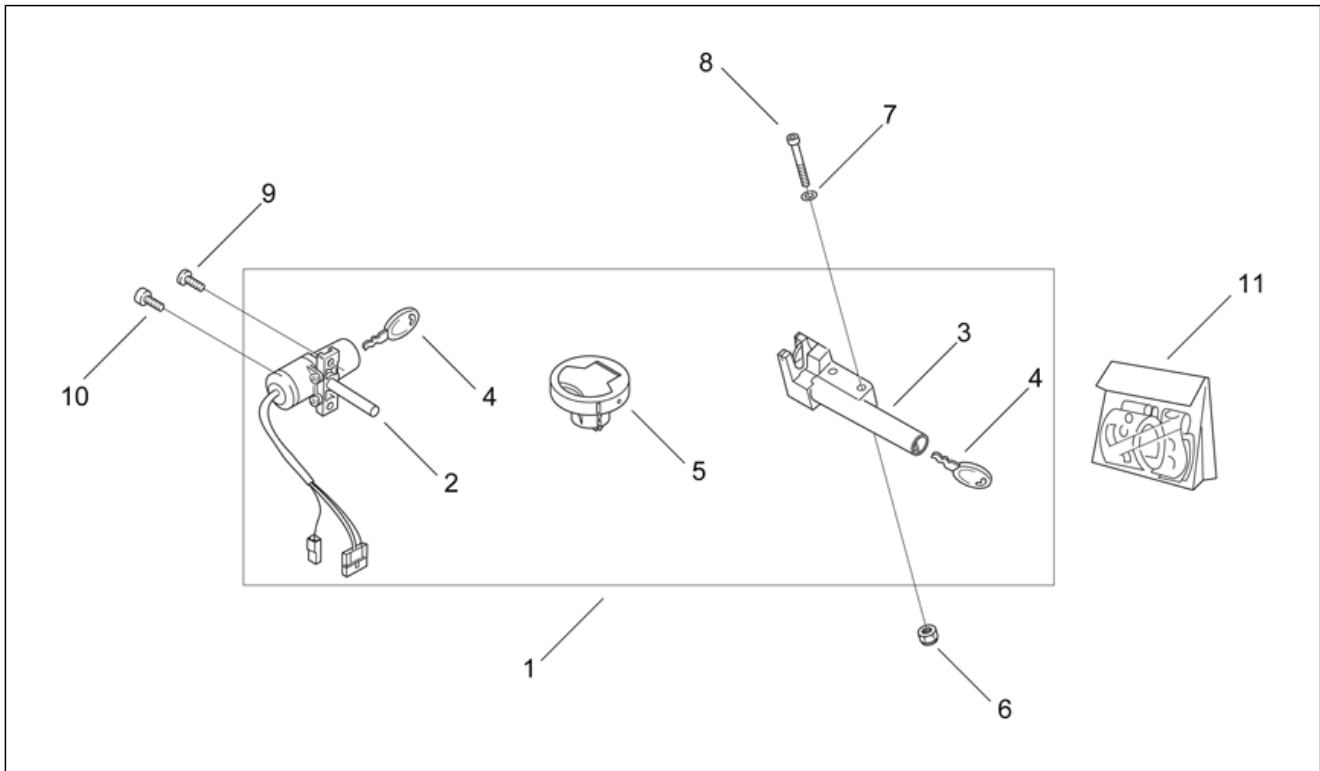
| Pos. | Code | Beschreibung | Menge | Varianten |
|------|-----------|--------------------------------|-------|-----------|
| 1 | AP8212611 | Hupe | 1 | |
| 2 | AP8212540 | Spannungsregler | 1 | |
| 3 | AP8212812 | Steuergerät | 1 | |
| 4 | AP8212110 | Batterie 12V-4Ah | 1 | |
| 5 | AP8230535 | Batteriehalter | 1 | |
| 6 | AP8224014 | Lenkschloß | 1 | |
| 7 | AP8102880 | Schl. gefr. Aprilia | 1 | |
| 8 | AP8224113 | Hauptverkabelung | 1 | |
| 9 | AP8124818 | Bremslichtschalter | 2 | |
| 10 | AP8212923 | Verkab. Bremssch. | 1 | |
| 11 | AP8152278 | TE Schr. m. Flansch M6x16 | 1 | |
| 12 | AP8121856 | Kabelführungs | 1 | |
| 13 | AP8150013 | Ausgleichscheibe 5,5x15x1,6* | 2 | |
| 14 | AP8152273 | Flanschschraube M5x15 | 2 | |
| 15 | AP8212922 | Verkabelung Starter | 1 | |
| 16 | AP8152330 | Reißschraube M6x25 | 1 | |
| 17 | AP8152281 | TE Schr. m. Flansch M6x30 | 1 | |
| 18 | AP8124235 | Blinken | 1 | |
| 19 | AP8212708 | Thermistor | 1 | |
| 20 | AP8224057 | Zündrelais | 1 | |
| 21 | AP8144157 | Auflagegummi Relais | 1 | |
| 22 | AP8112244 | Sicherung 7,5A | 2 | |
| 23 | AP8220342 | Sicherungsblockgummi | 1 | |
| 24 | AP8120754 | Sicherungsblockgummi | 1 | |
| 25 | AP8152299 | Selbstsperrende Mutter M6 | 1 | |
| 26 | AP8220263 | Entlüftungsschlauch Kühler 4x8 | 1 | |
| 27 | AP8221007 | Distanzscheibe 6,5X10X11* | 2 | |
| 28 | AP8121309 | Steckverbinder kl.Feder | 1 | |

| | |
|---------------------|--------------------|
| Einheit | RAHMEN |
| Code | 28.28 |
| Beschreibung | Elektrische Anlage |
| Inspektion | 1 |



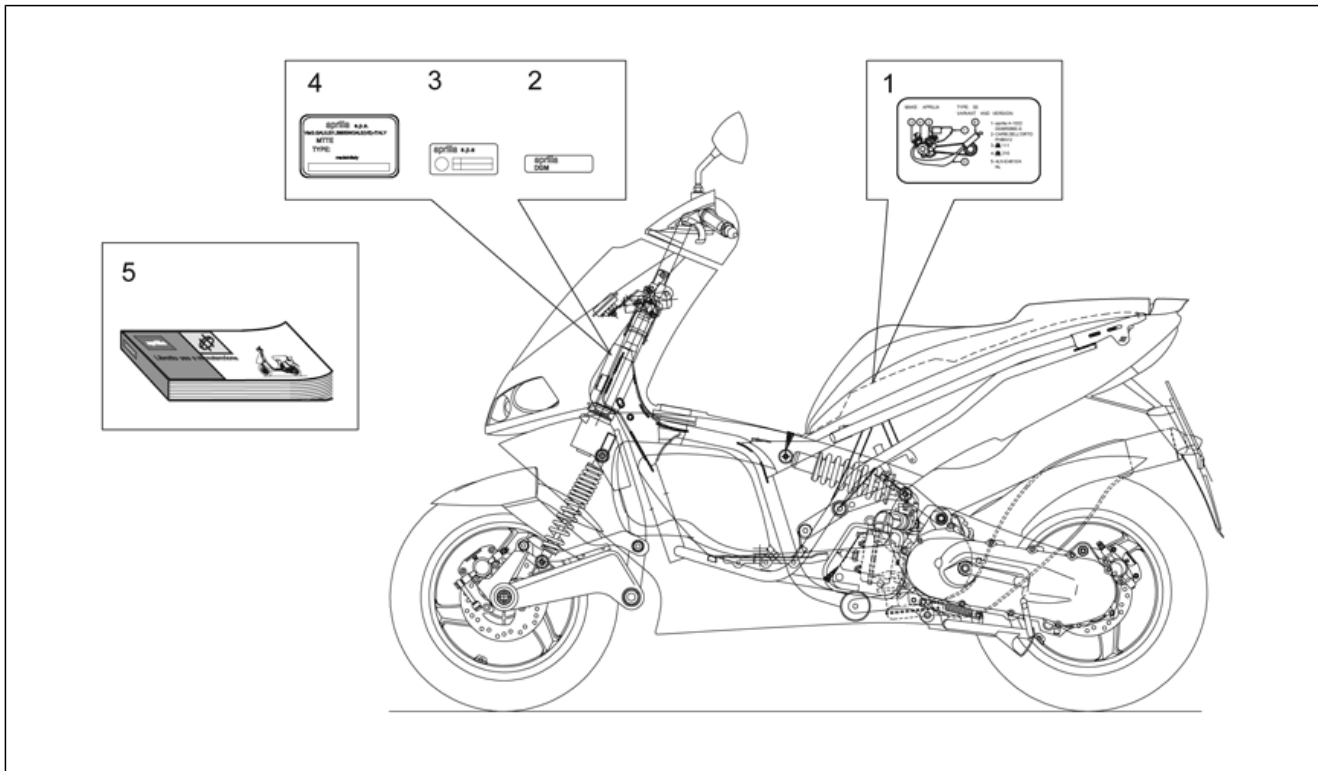
| Pos. | Code | Beschreibung | Menge | Varianten |
|------|-----------|--------------------|-------|-----------------|
| 29 | AP8224112 | Hupe Schnittstelle | 1 | Baujahr:1998[W] |
| 30 | AP8212588 | Sicherheitsdiode | 1 | |
| 31 | AP8112600 | Gummi | 1 | |

| | |
|---------------------|----------------------------|
| Einheit | RAHMEN |
| Code | 28.29 |
| Beschreibung | Deko und Bausatz Schlösser |
| Inspektion | 1 |



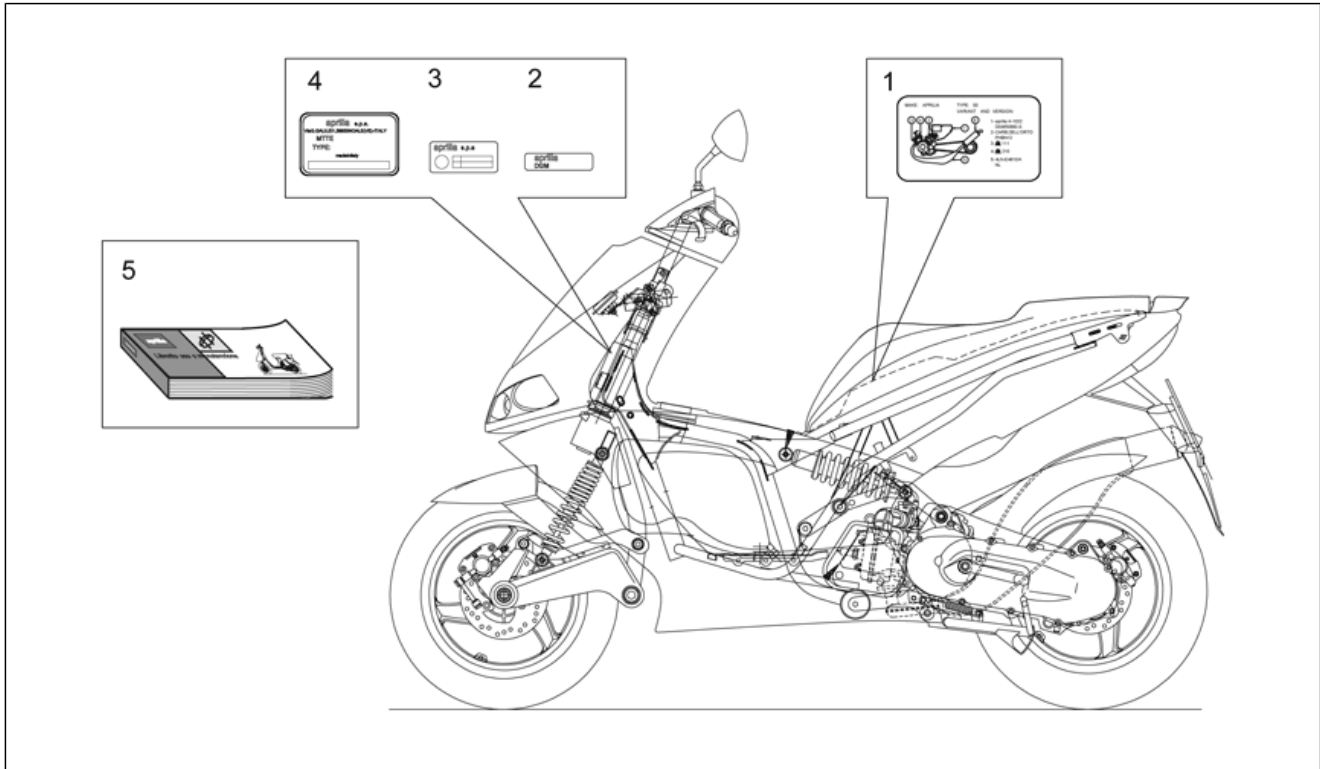
| Pos. | Code | Beschreibung | Menge | Varianten |
|------|-----------|----------------------------|-------|---|
| 1 | AP8202030 | Kit Schließvorrichtungen | 1 | |
| 2 | AP8224014 | Lenkschloß | 1 | |
| 3 | AP8201564 | Sitzschloß | 1 | |
| 4 | AP8102880 | Schl. gefr. Aprilia | 1 | |
| 5 | AP8202031 | Tankschraube, schwarz | 1 | |
| 6 | AP8150430 | Selbstsperr.mut Unt. | 2 | |
| 7 | AP8150014 | Ausgleichscheibe 6,4x12,5* | 2 | |
| 8 | AP8150045 | TCEI Schraube M6x55 | 2 | |
| 9 | AP8152281 | TE Schr. m. Flansch M6x30 | 1 | |
| 10 | AP8152330 | Reißschraube M6x25 | 1 | |
| 11 | AP8257091 | Deko Serie | 1 | Baujahr:1998[W], 1999[X] Fahrzeugfarbe:Blau Cyber / Grau Cyber '98-'99[B/G] |
| 11 | AP8257092 | Deko Serie | 1 | Baujahr:1998[W], 1999[X] Fahrzeugfarbe:Hellblau Cyber '98-'99[cyan] |
| 11 | AP8257133 | Deko Serie | 1 | Baujahr:1998[W], 1999[X] Fahrzeugfarbe:Gelb Cyber / Hellblau Cyber '98-'99[ye/cy] |
| 11 | AP8257210 | Deko Serie | 1 | Baujahr:1998[W], 1999[X] Fahrzeugfarbe:Violett Cyber / Hellblau Cyber '98-'99[vi/cy] |
| 11 | AP8257724 | Deko Serie | 1 | Baujahr:2000[Y] Fahrzeugfarbe:Rot / Schwarz Superbike 2000[SBK] |
| 11 | AP8257894 | Deko Serie | 1 | Baujahr:2000[Y] Fahrzeugfarbe:Gelb Flashy / Schwarz Aprilia 2000[ye/bl] |
| 11 | AP8257900 | Deko Serie | 1 | Baujahr:2000[Y] Fahrzeugfarbe:Grau Mercury / Schwarz Aprilia 2000[gr/bl] |

| | |
|---------------------|----------------------|
| Einheit | RAHMEN |
| Code | 28.30 |
| Beschreibung | Schilder und Anleit. |
| Inspektion | 1 |



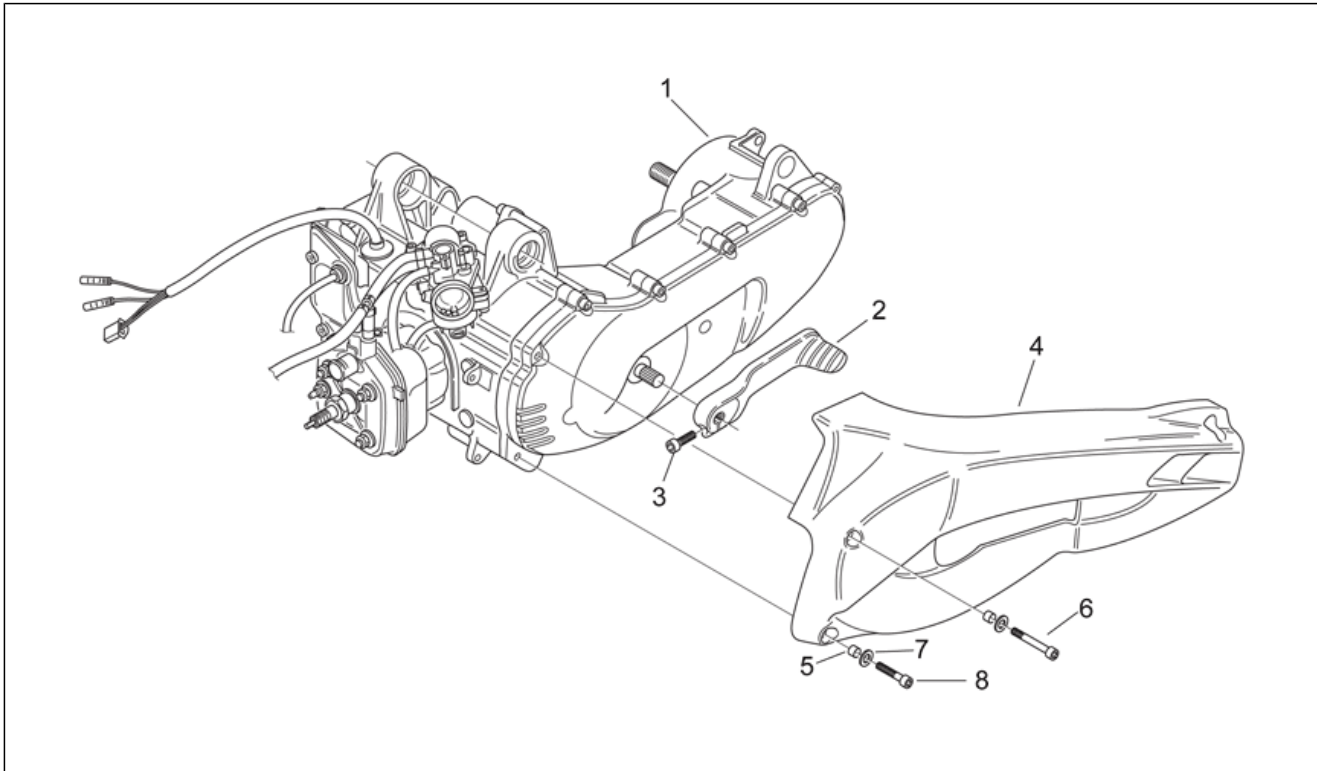
| Pos. | Code | Beschreibung | Menge | Varianten |
|------|-----------|------------------------------|-------|---|
| 1 | AP8257067 | Fälschungssicheres Schild | 1 | Land:Dänemark[DK] |
| 1 | AP8257086 | Fälschungssicheres Schild | 1 | Land:Holland[NL], Finnland[SF] |
| 1 | AP8257087 | Fälschungssicheres Schild | 1 | Land:Österreich[A] |
| 2 | AP8237948 | DGM Schild | 1 | Land:Griechenland[GR] |
| 2 | AP8237948 | DGM Schild | 1 | Land:Italien[I] Technische Daten:Version ohne Katalysator[nocat] |
| 2 | AP8257780 | DGM Schild | 1 | Land:Italien[I] Technische Daten:Version mit Katalysator[cat] |
| 3 | AP8237946 | ECE Schild | 1 | Land:Belgien[B], Dänemark[DK], Spanien[E], Frankreich[F], Griechenland[GR], Italien[I], Israel[IL], Portugal[P], Großbritannien[UK] |
| 3 | AP8257131 | ECE Schild | 1 | Land:Österreich[A], Schweiz[CH] |
| 3 | AP8257134 | ECE Schild | 1 | Land:Deutschland[D], Holland[NL], Finnland[SF] |
| 4 | AP8237947 | Herstellerschild | 1 | Land:Brasilien[BR], Griechenland[GR], Israel[IL], Japan[J], Rep. Korea[ROK] |
| 4 | AP8237947 | Herstellerschild | 1 | Land:Italien[I] Technische Daten:Version ohne Katalysator[nocat] |
| 4 | AP8257065 | Herstellerschild | 1 | Land:Dänemark[DK], Spanien[E], Frankreich[F], Portugal[P], Großbritannien[UK] |
| 4 | AP8257075 | Herstellerschild | 1 | Land:Deutschland[D] |
| 4 | AP8257076 | Herstellerschild | 1 | Land:Holland[NL], Finnland[SF] |
| 4 | AP8257077 | Herstellerschild | 1 | Land:Österreich[A] |
| 4 | AP8257085 | Herstellerschild | 1 | Land:Belgien[B] |
| 4 | AP8257129 | Herstellerschild | 1 | Land:Schweiz[CH] |
| 4 | AP8257679 | Herstellerschild | 1 | Land:Italien[I] Technische Daten:Version mit Katalysator[cat] |
| 5 | AP8202028 | Bedienungs- und Wartungsanl. | 1 | Land:Italien[I] Technische Daten:Version ohne Katalysator[nocat] |
| 5 | AP8202100 | Bed./Wart.-Anl. I-F-D | 1 | Land:Österreich[A], Belgien[B], Schweiz[CH], Deutschland[D], Frankreich[F] |

| | |
|---------------------|----------------------|
| Einheit | RAHMEN |
| Code | 28.30 |
| Beschreibung | Schilder und Anleit. |
| Inspektion | 1 |



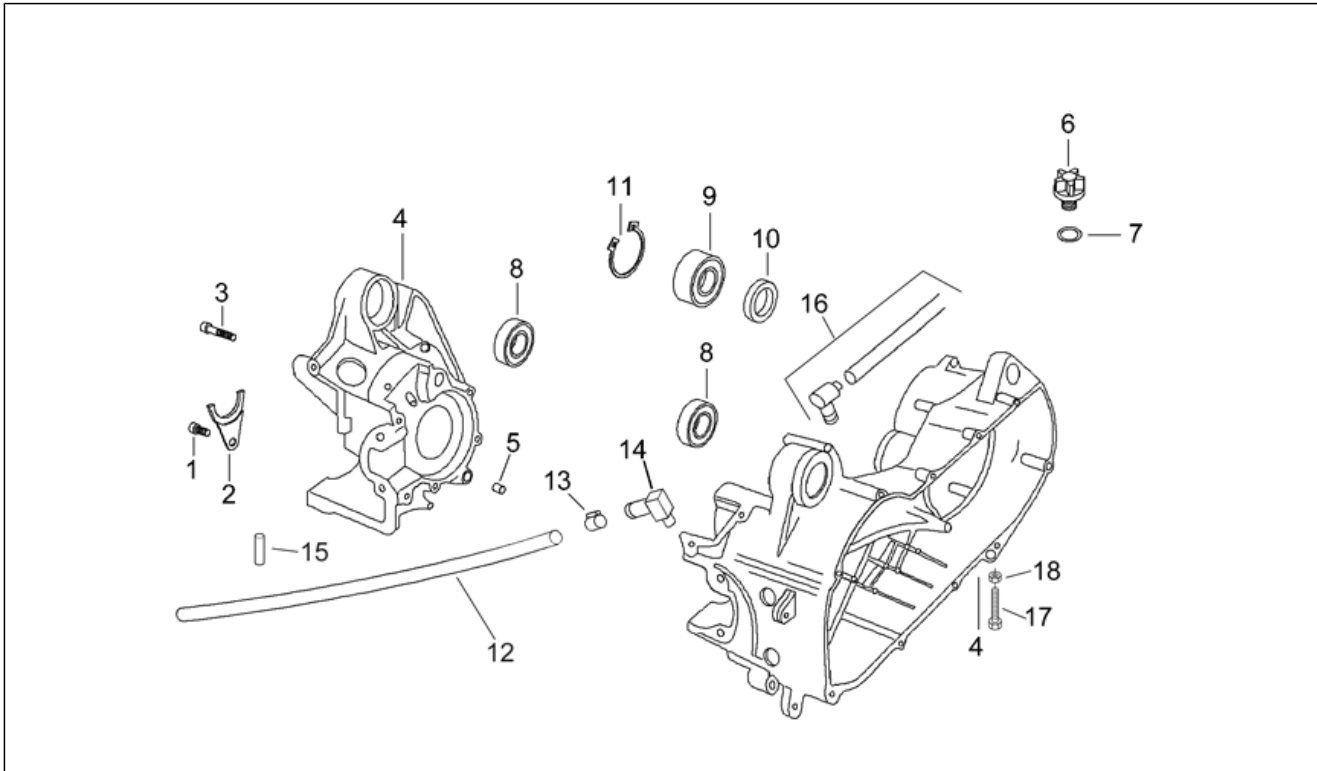
| Pos. | Code | Beschreibung | Menge | Varianten |
|------|-----------|--------------------------|-------|--|
| 5 | AP8202101 | Bed./Wart.-Anl. P-E-UK | 1 | Land: Brasilien[BR], Spanien[E], Israel[IL], Japan[J], Portugal[P], Rep. Korea[ROK], Großbritannien[UK] |
| 5 | AP8202102 | Bed./Wart.-Anl. NL-DK-SF | 1 | Land: Dänemark[DK], Holland[NL], Finnland[SF] |
| 5 | AP8202103 | Bed./Wart.-Anl. GR | 1 | Land: Griechenland[GR] |
| 5 | AP8202185 | Bed./Wart.-Anleit. | 1 | Land: Italien[I] Technische Daten: Version mit Katalysator[cat] |

| | |
|---------------------|-------|
| Einheit | MOTOR |
| Code | 29.23 |
| Beschreibung | Motor |
| Inspektion | 1 |



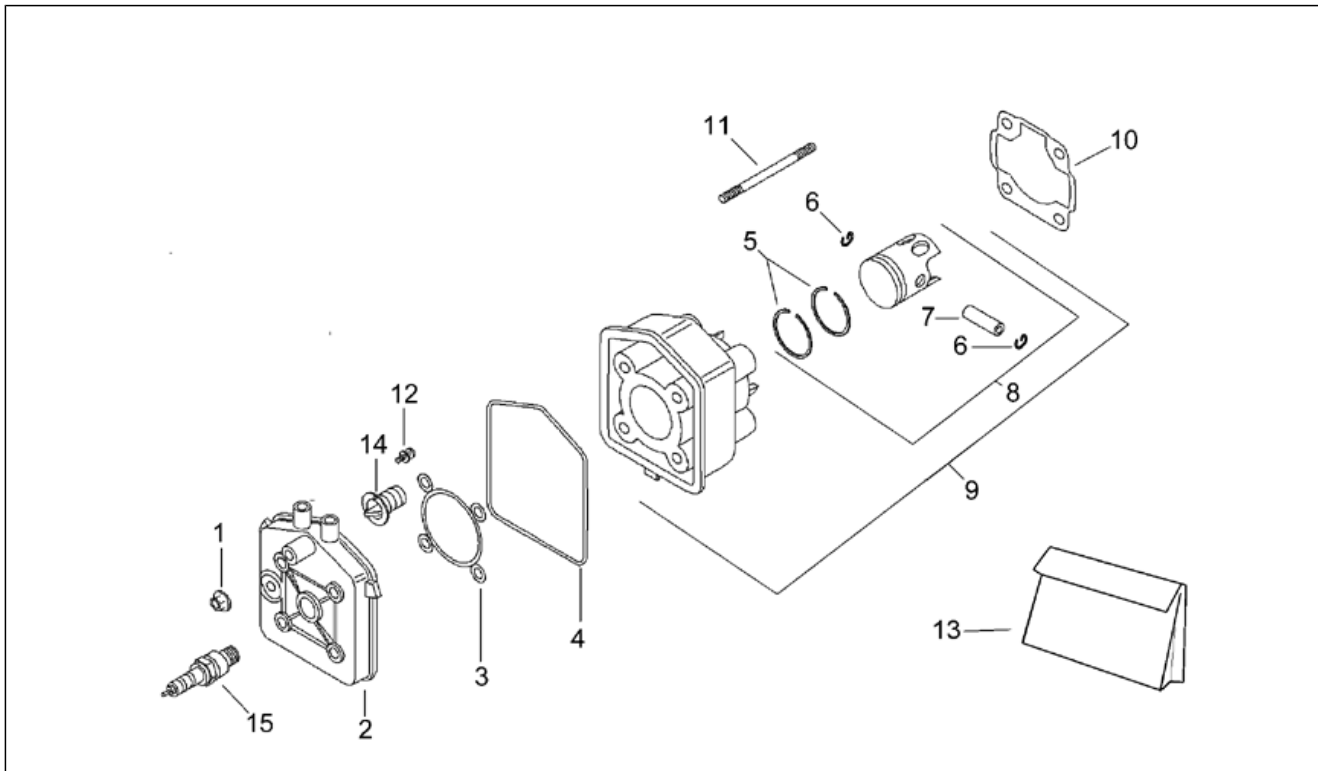
| Pos. | Code | Beschreibung | Menge | Varianten |
|------|-----------|----------------------------|-------|--|
| 1 | AP8222519 | Motoreinheit-I- | 1 | Land:Belgien[B], Dänemark[DK], Spanien[E], Frankreich[F], Griechenland[GR], Israel[IL], Japan[J], Portugal[P], Rep. Korea[ROK], Großbritannien[UK] |
| 1 | AP8222519 | Motoreinheit-I- | 1 | Land:Italien[I] Technische Daten:Version ohne Katalysator[nocat] |
| 1 | AP8222568 | Motoreinheit-D- | 1 | Land:Deutschland[D] |
| 1 | AP8222569 | Motoreinheit-NL- | 1 | Land:Holland[NL], Finnland[SF] |
| 1 | AP8222570 | Motoreinheit-A- | 1 | Land:Österreich[A] |
| 1 | AP8222571 | Motoreinheit-CH- | 1 | Land:Schweiz[CH] |
| 1 | AP8222591 | Motoreinheit-BR- | 1 | Land:Brasilien[BR] |
| 1 | AP8222693 | Motoreinheit MA | 1 | Land:Italien[I] Technische Daten:Version mit Katalysator[cat] |
| 2 | AP8232820 | Kickstarterhebel kpl. | 1 | |
| 3 | AP8150165 | TCEI Schraube M6x25 | 1 | |
| 4 | AP8239192 | Wandlerdeckel, grau | 1 | |
| 5 | AP8120253 | Distanzscheibe | 4 | |
| 6 | AP8152003 | TCEI Schraube M6x40 | 2 | |
| 7 | AP8150014 | Ausgleichscheibe 6,4x12,5* | 5 | |
| 8 | AP8150220 | TCEI Schraube M6x30 | 3 | |

| | |
|---------------------|------------------|
| Einheit | MOTOR |
| Code | 29.31 |
| Beschreibung | Mittlere gehäuse |
| Inspektion | 1 |



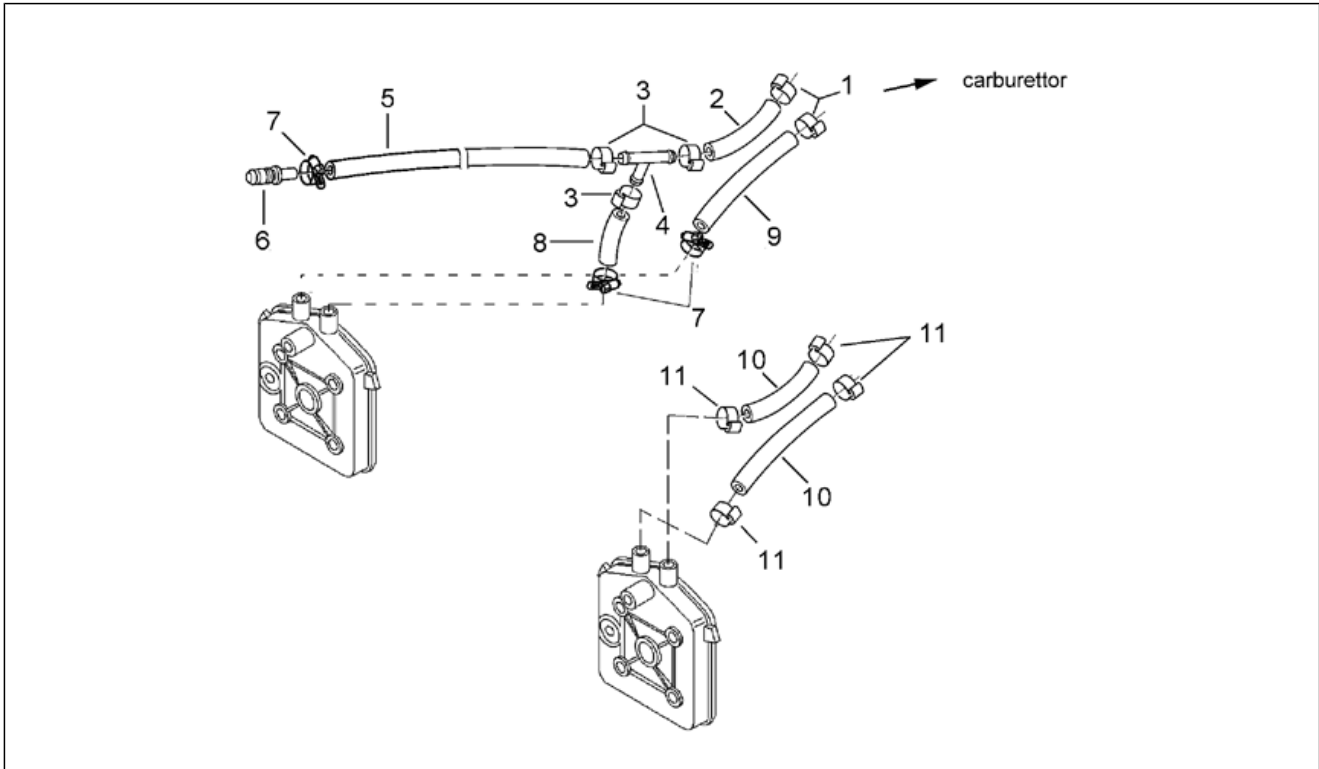
| Pos. | Code | Beschreibung | Menge | Varianten |
|------|-----------|--------------------------------|-------|-----------|
| 1 | AP8206202 | TCCE Schraube M6x12 | 3 | |
| 2 | AP8206138 | Fixierplatte Olpumpe | 1 | |
| 3 | AP8502567 | TCCE Schraube M6x35 | 5 | |
| 4 | AP8206859 | Gehäuse mit Bremszangenansatz | 1 | |
| 5 | AP8206169 | Stift Gehäuse D12x16 | 2 | |
| 6 | AP8206475 | Ölschraube | 1 | |
| 7 | AP8206482 | O-Ring D13,3x2,4 | 1 | |
| 8 | AP8206481 | Dichtes Lager D17x35x10 | 2 | |
| 9 | AP8206558 | Lager D17x40x12 | 1 | |
| 10 | AP8206215 | Ölabstreifring | 1 | |
| 11 | AP8501481 | Seegerring für Bohrung D40 | 1 | |
| 12 | AP8222474 | Leitung 650 mm | 1 | |
| 13 | AP8222475 | Anschluß Unterdruckschlauch | 1 | |
| 14 | AP8220479 | Messingansch. U.druckschlauch | 1 | |
| 15 | AP8206578 | Rolle D3x11,8 | 1 | |
| 16 | AP8206131 | Ansch.+Entlüft.schl. 10x14x210 | 1 | |
| 17 | AP8206203 | TE Schr. m. Flansch M8x15 | 1 | |
| 18 | AP8206488 | Schraubendichtung 8,2x15x1,2 | 1 | |

| | |
|---------------------|----------------|
| Einheit | MOTOR |
| Code | 29.32 |
| Beschreibung | Zylinderkopf I |
| Inspektion | 1 |



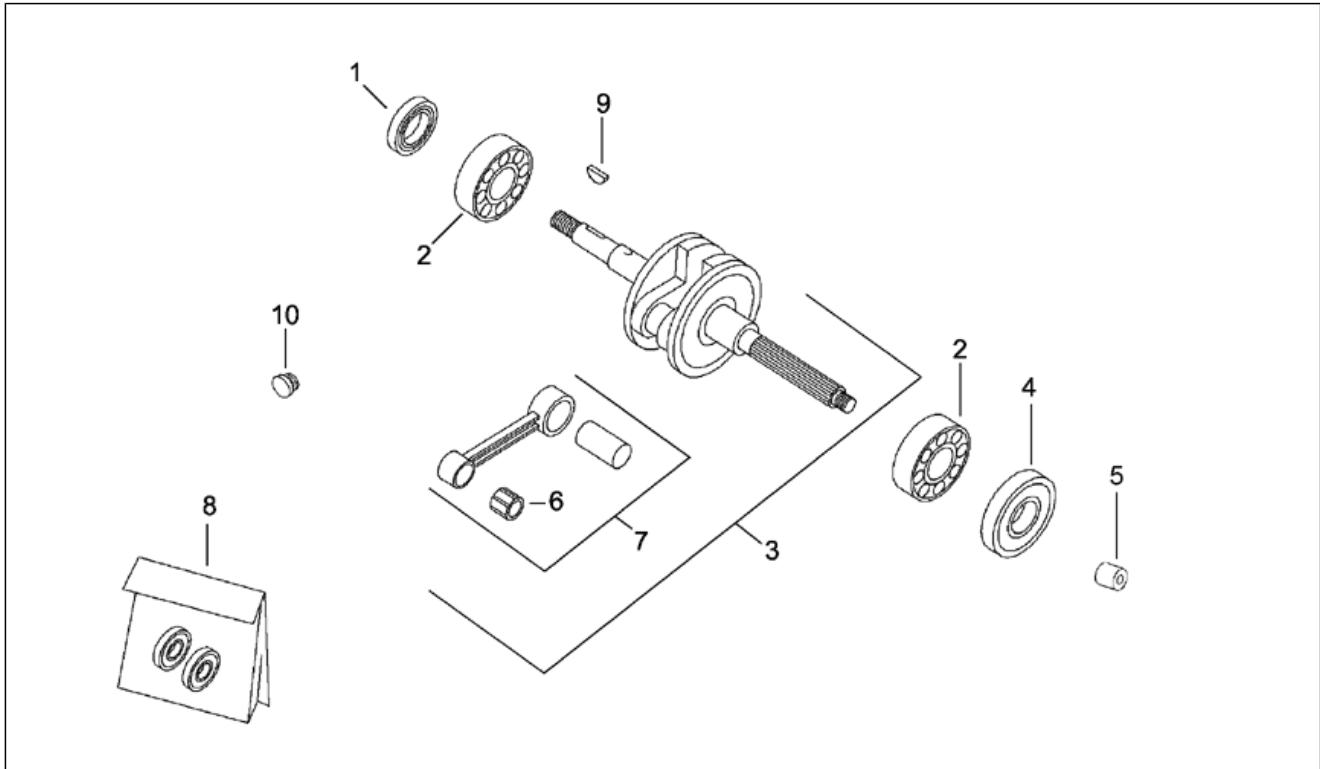
| Pos. | Code | Beschreibung | Menge | Varianten |
|------|-----------|----------------------------|-------|-----------|
| 1 | AP8206491 | Geflanschte Mutter M7x1 | 4 | |
| 2 | AP8206856 | Zylinderkopf | 1 | |
| 3 | AP8206588 | Innen Dichtung D2,26 | 1 | |
| 4 | AP8206587 | Außen-dichtung D2,26 | 1 | |
| 5 | AP8206858 | Satz Kolbenringe D40 | 1 | |
| 5 | AP8206864 | Satz Kolbenringe D40,5 | 1 | |
| 6 | AP8206861 | Stiftsperring D11,8 | 2 | |
| 7 | AP8206860 | Bolzen D10X33 | 1 | |
| 8 | AP8206862 | Kolben kpl. D40 | 1 | |
| 8 | AP8206863 | Kolben kpl. D40,5 | 1 | |
| 9 | AP8206943 | Kolben + Zylinder | 1 | |
| 10 | AP8206575 | ZYLINDERFUSSDICHTUNG | 1 | |
| 11 | AP8206493 | Stiftschraube M7x1x109 | 4 | |
| 12 | AP8502559 | Schraube+Zahnscheibe M4x10 | 2 | |
| 13 | AP8206784 | Dichtungen - Satz | 1 | |
| 14 | AP8206383 | Thermostat | 1 | |
| 15 | AP8206871 | Zündkerze BR8HS | 1 | |

| | |
|---------------------|-----------------|
| Einheit | MOTOR |
| Code | 29.33 |
| Beschreibung | Zylinderkopf II |
| Inspektion | 1 |



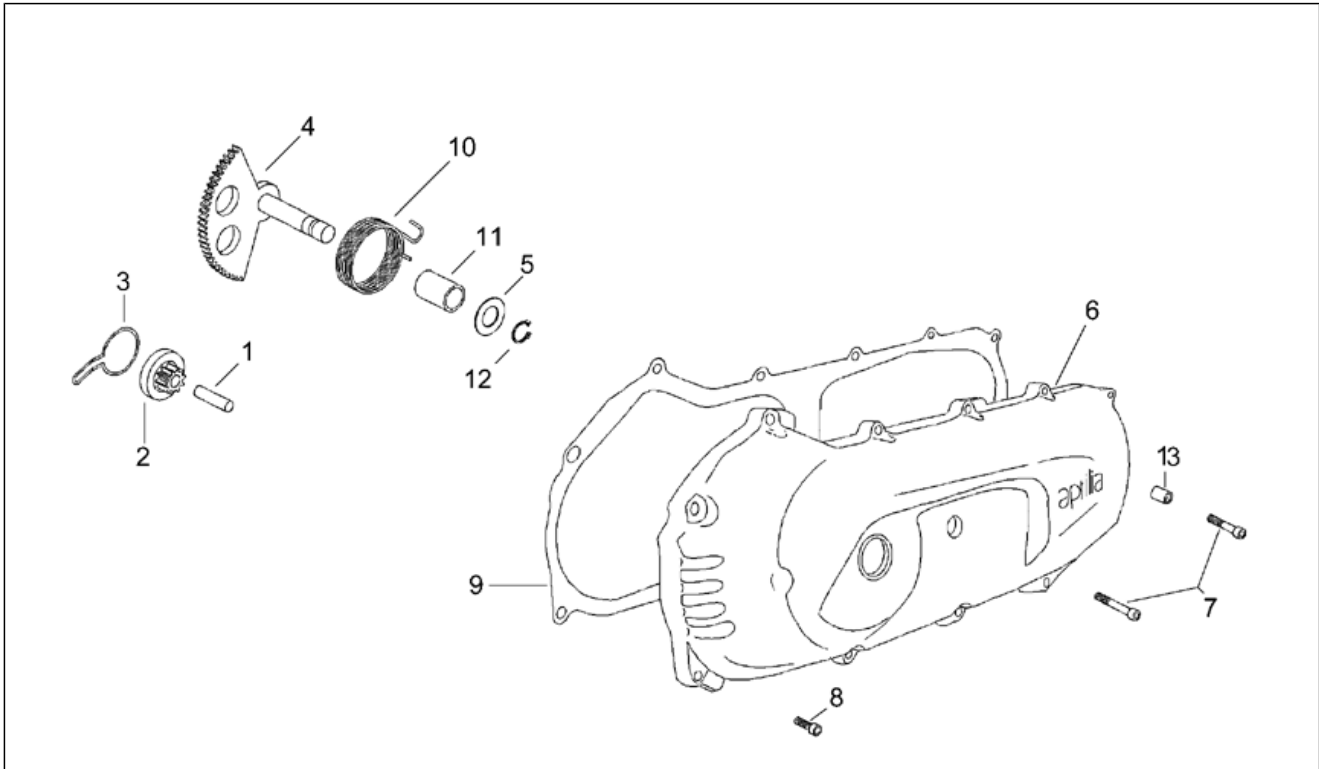
| Pos. | Code | Beschreibung | Menge | Varianten |
|------|-----------|--------------------------------|-------|--------------------------|
| 1 | AP8206773 | Schelle 35620 | 2 | Baujahr:1998[W] |
| 2 | AP8206774 | Leitung 30 MM | 1 | Baujahr:1998[W] |
| 3 | AP8206775 | Schelle 35621 | 3 | Baujahr:1998[W] |
| 4 | AP8206776 | Schlauchverbinder | 1 | Baujahr:1998[W] |
| 5 | AP8206777 | Leitung 220 MM | 1 | Baujahr:1998[W] |
| 6 | AP8206778 | Deckel | 1 | Baujahr:1998[W] |
| 7 | AP8202069 | Schelle D10 | 3 | Baujahr:1998[W] |
| 8 | AP8206779 | Leitung 45 mm | 1 | Baujahr:1998[W] |
| 9 | AP8206780 | Leitung 80 MM | 1 | Baujahr:1998[W] |
| 10 | AP8206883 | Verb.Leit. Zylinderk.-Vergaser | 2 | Baujahr:1999[X], 2000[Y] |
| 11 | AP8206884 | Schlauchschelle D8 | 4 | Baujahr:1999[X], 2000[Y] |

| | |
|---------------------|--------------|
| Einheit | MOTOR |
| Code | 29.34 |
| Beschreibung | Pleuelstange |
| Inspektion | 1 |



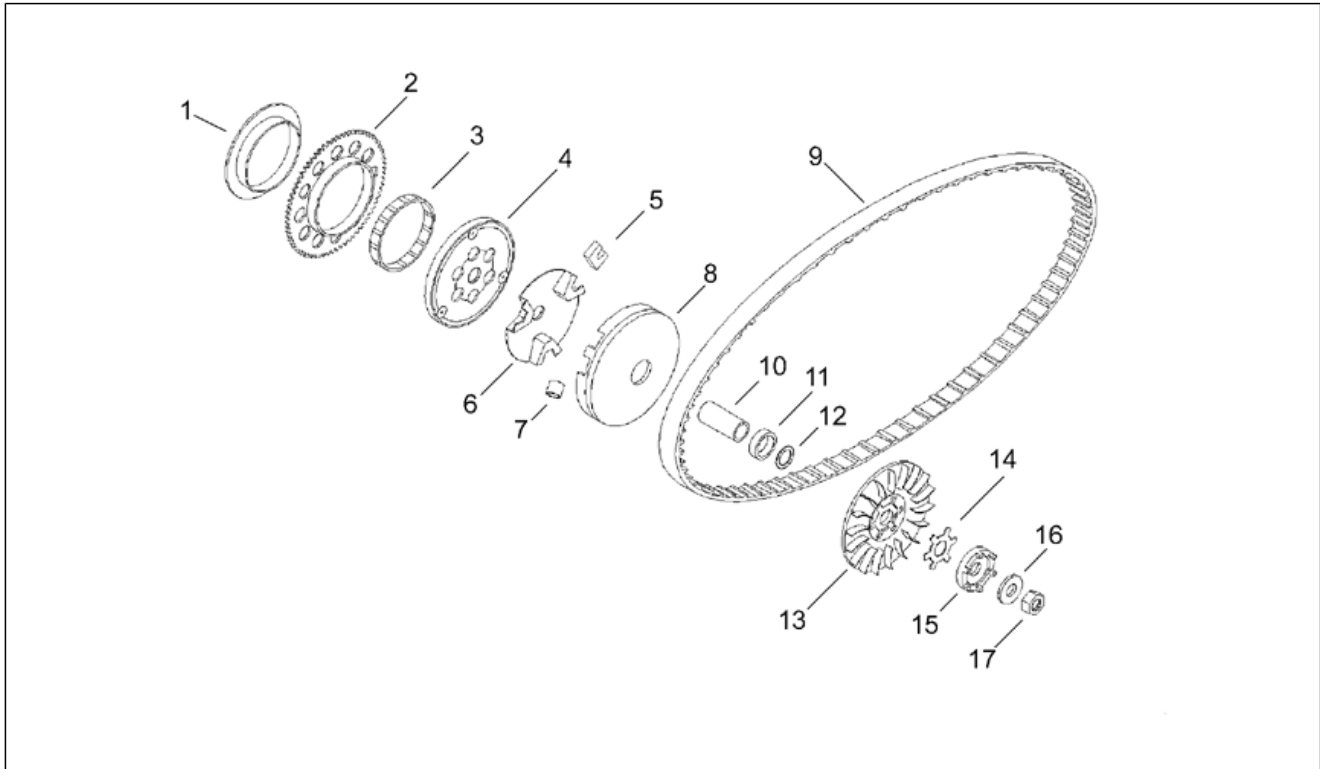
| Pos. | Code | Beschreibung | Menge | Varianten |
|------|-----------|------------------------------|-------|-----------|
| 1 | AP8206212 | Ölabstreifring | 1 | |
| 2 | AP8206208 | Lager D20x47x14 | 2 | |
| 3 | AP8206501 | Baugruppe Kurbelwelle | 1 | |
| 4 | AP8206213 | Ölabstreifring | 1 | |
| 5 | AP8206187 | Distanzscheibe D15x20x12 | 1 | |
| 6 | AP8206154 | Käfig auf Bolzen 10x14x12,5 | 1 | |
| 7 | AP8206223 | Baugruppe Pleuelstange kplt. | 1 | |
| 8 | AP8206500 | Dichtungssatz | 1 | |
| 9 | AP8206182 | Keil Schwungmagnet | 1 | |
| 10 | AP8206571 | Verschußgummi | 2 | |

| | |
|---------------------|--------------------|
| Einheit | MOTOR |
| Code | 29.35 |
| Beschreibung | Deckel kickstarter |
| Inspektion | 1 |



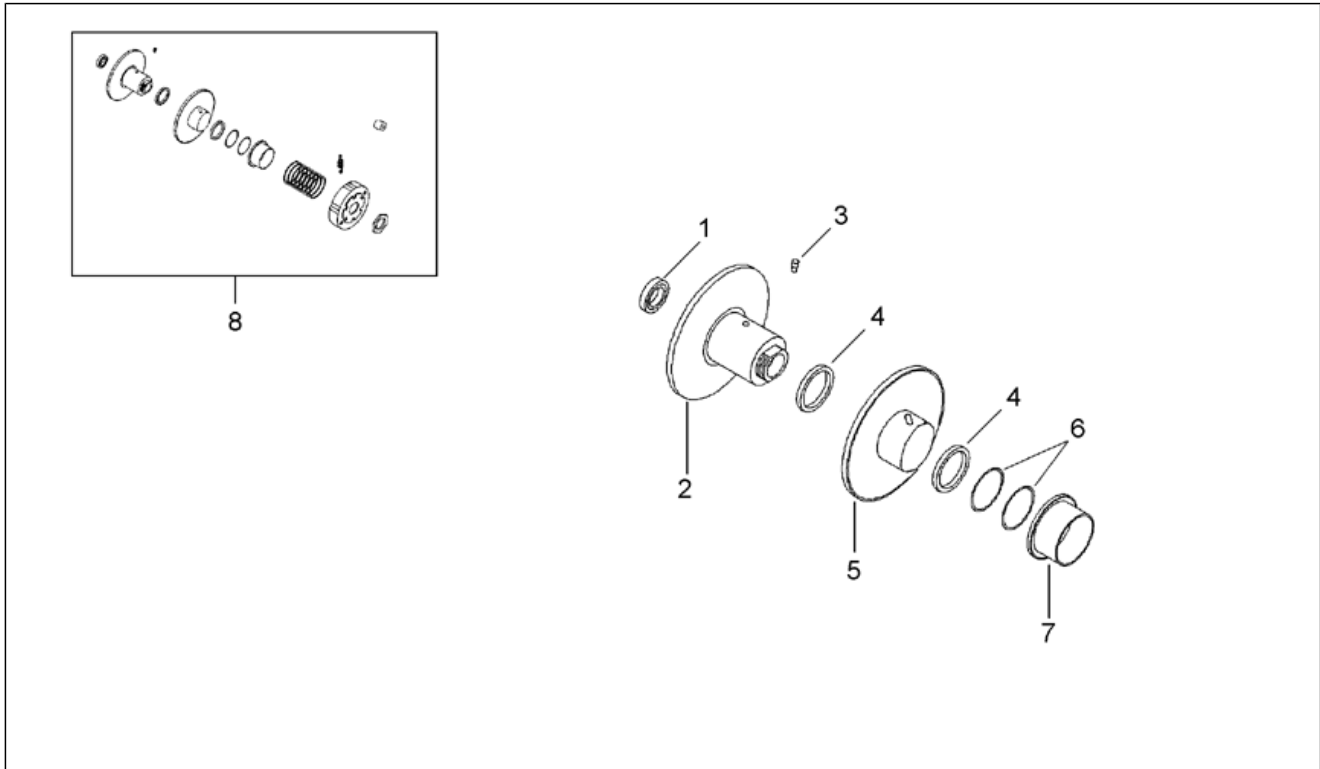
| Pos. | Code | Beschreibung | Menge | Varianten |
|------|-----------|------------------------------|-------|-----------|
| 1 | AP8206172 | Bolzen D8x32 | 1 | |
| 2 | AP8206692 | Starter-Schieberad | 1 | |
| 3 | AP8206148 | Kickstarterfeder | 1 | |
| 4 | AP8206122 | Baugruppe Starterwelle | 1 | |
| 5 | AP8206193 | Stahlscheibe blau D15,1x28x1 | 1 | |
| 6 | AP8206694 | Starterdeckel | 1 | |
| 7 | AP8206507 | TCCE Schraube M6x45 | 1 | |
| 8 | AP8206508 | TCCE Schraube M6x25 | 1 | |
| 9 | AP8206484 | Dichtung startdeckel | 1 | |
| 10 | AP8206149 | Rückholfeder Starterhebel | 1 | |
| 11 | AP8206152 | Starterwellebuchse 15x20x30 | 1 | |
| 12 | AP8501469 | Seegerring für Welle D15 | 1 | |
| 13 | AP8206170 | Stift Abdeckung D10x14 | 2 | |

| | |
|---------------------|---------|
| Einheit | MOTOR |
| Code | 29.36 |
| Beschreibung | Wandler |
| Inspektion | 1 |



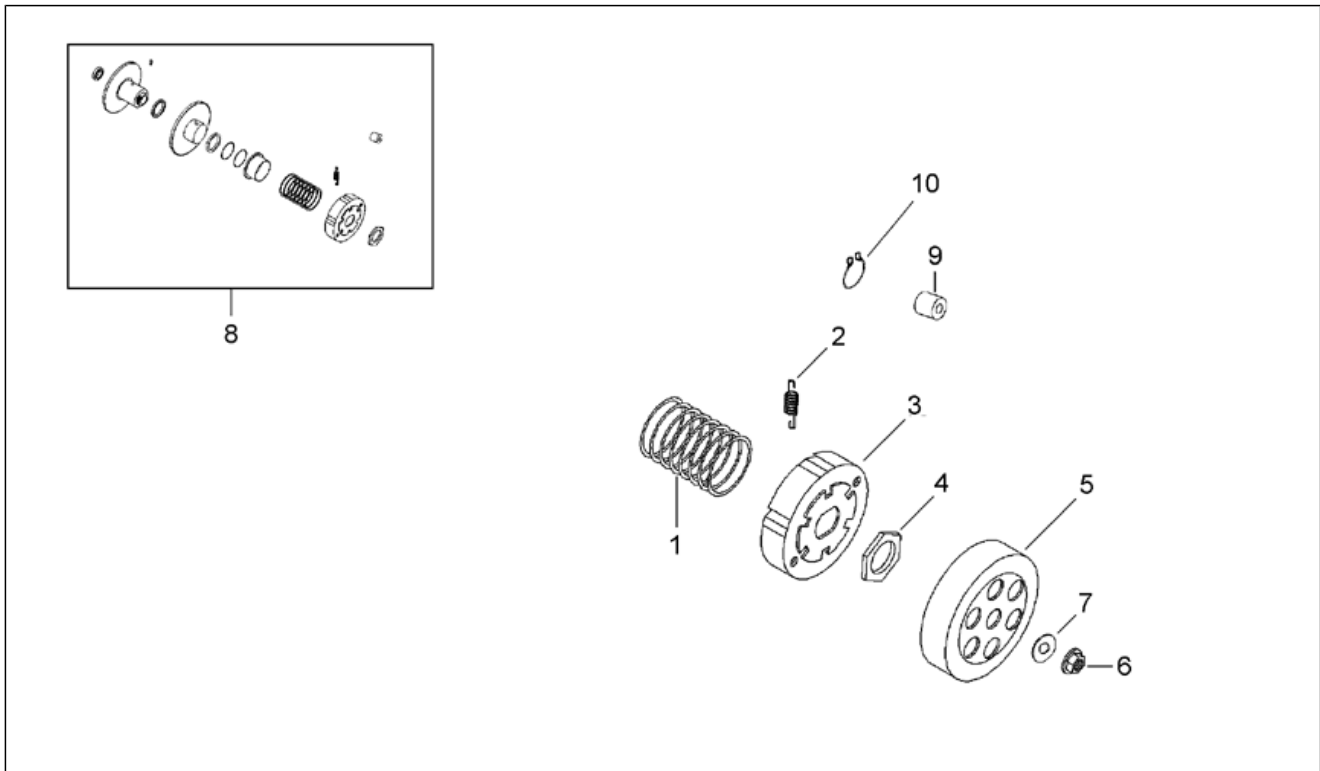
| Pos. | Code | Beschreibung | Menge | Varianten |
|------|-----------|-------------------------------|-------|---|
| 1 | AP8206479 | T-Buchse | 1 | |
| 2 | AP8206144 | Zahnkranz Elektrostarter Z=71 | 1 | |
| 3 | AP8206210 | Käfig D57x61x10 | 1 | |
| 4 | AP8206147 | Freilaufgrad kplt. | 1 | |
| 5 | AP8206698 | Dübel | 3 | |
| 6 | AP8206136 | Stiftplatte | 1 | |
| 7 | AP8206419 | Fliehkraftmasse bohrung d9,8 | 6 | Land:Belgien[B], Brasilien[BR], Dänemark[DK], Spanien[E], Frankreich[F], Griechenland[GR], Italien[I], Israel[IL], Japan[J], Portugal[P], Rep. Korea[ROK], Großbritannien[UK] |
| 7 | AP8206701 | Fliehkraftmasse bohrung D8,8 | 6 | Land:Österreich[A], Schweiz[CH], Deutschland[D], Holland[NL], Finnland[SF] |
| 8 | AP8222335 | Bewegliche Hauptriemenscheibe | 1 | |
| 9 | AP8206109 | Keilriemen | 1 | |
| 10 | AP8222336 | Buchse 13x18x38,2 | 1 | |
| 11 | AP8206420 | Distanzscheibe D18x23x6,5 | 1 | Land:Belgien[B], Brasilien[BR], Schweiz[CH], Dänemark[DK], Spanien[E], Frankreich[F], Griechenland[GR], Italien[I], Israel[IL], Japan[J], Holland[NL], Portugal[P], Rep. Korea[ROK], Finnland[SF], Großbritannien[UK] |
| 11 | AP8206478 | Distanzscheibe D18x23x5 | 1 | Land:Österreich[A], Deutschland[D] |
| 12 | AP8206702 | Stahlscheibe blau D13x18,5x1 | 1 | |
| 13 | AP8206116 | Feste Hauptriemenscheibe | 1 | |
| 14 | AP8206140 | Platte | 1 | |
| 15 | AP8206141 | Starter-Zahnbecher | 1 | |
| 16 | AP8206204 | Konische Sprengscheibe | 1 | |
| 17 | AP8206183 | Mutter M10x1,25 | 1 | |

| | |
|---------------------|------------|
| Einheit | MOTOR |
| Code | 29.37 |
| Beschreibung | Kupplung I |
| Inspektion | 1 |



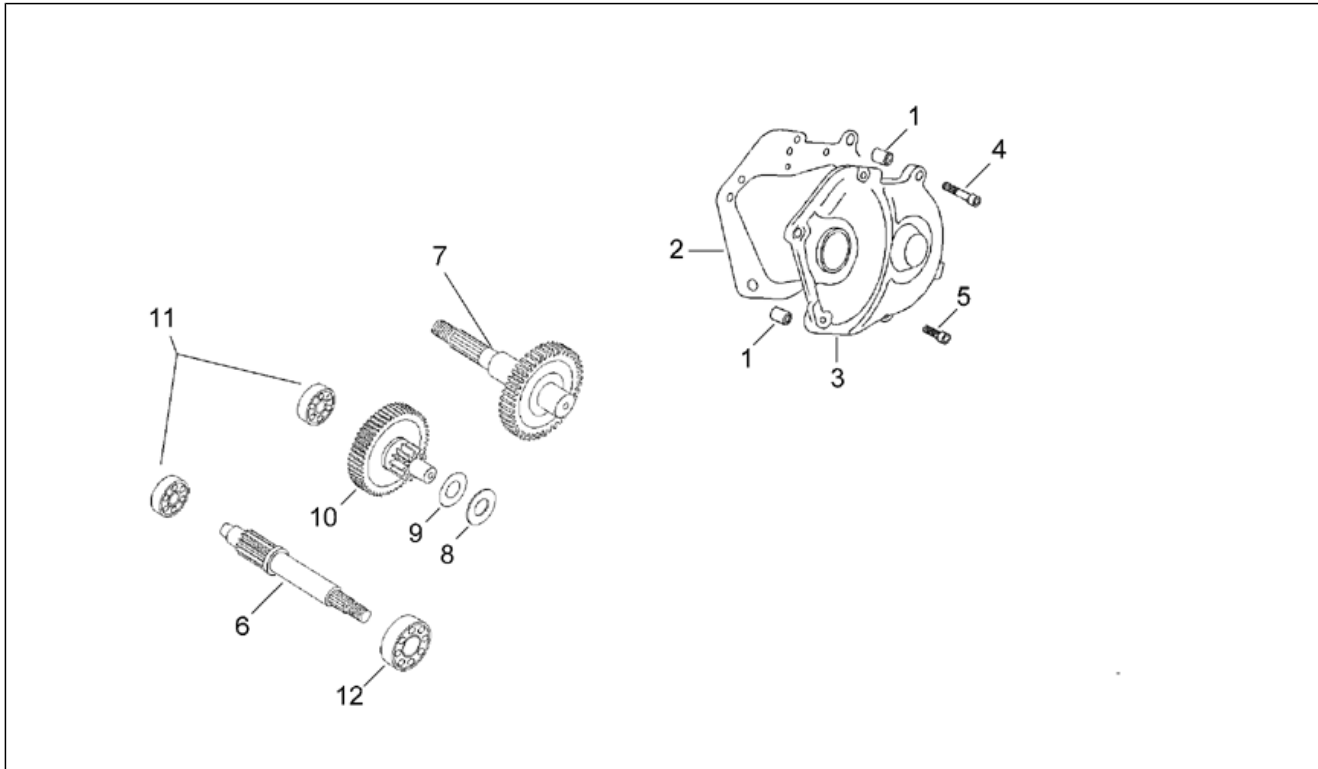
| Pos. | Code | Beschreibung | Menge | Varianten |
|------|-----------|-------------------------|-------|-----------|
| 1 | AP8206214 | Ölabstreifring | 1 | |
| 2 | AP8206735 | Sekundäre Festscheibe | 1 | |
| 3 | AP8206741 | Führungsrolle Wandler | 2 | |
| 4 | AP8206743 | Ölabstreifring D34x39x4 | 2 | |
| 5 | AP8206736 | Sekundäre Gleitscheibe | 1 | |
| 6 | AP8206740 | O-Ring D36x1,5 | 2 | |
| 7 | AP8206737 | Becher Wandlerfeder | 1 | |
| 8 | AP8206761 | Wandler mit Kupplung | 1 | |

| | |
|---------------------|-------------|
| Einheit | MOTOR |
| Code | 29.38 |
| Beschreibung | Kupplung II |
| Inspektion | 1 |



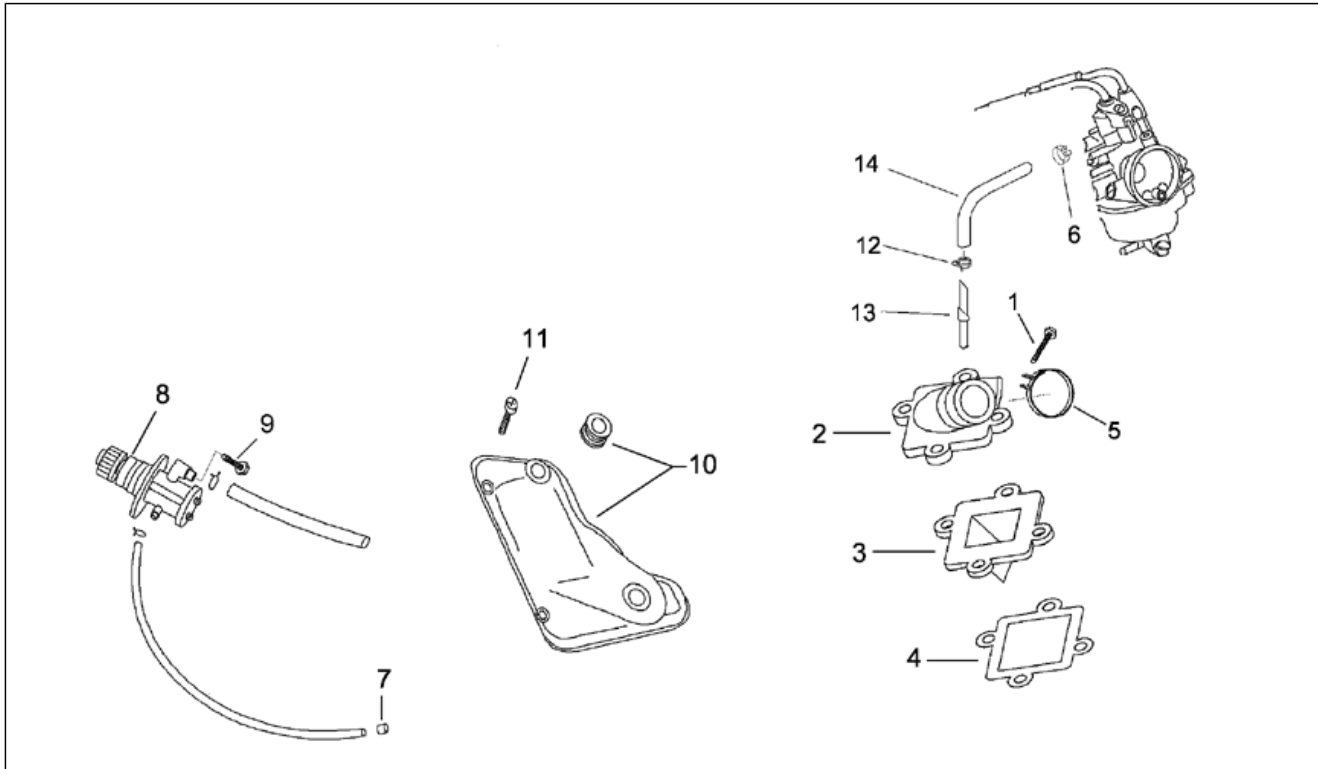
| Pos. | Code | Beschreibung | Menge | Varianten |
|------|-----------|---------------------------|-------|-----------|
| 1 | AP8206729 | Feder | 1 | |
| 2 | AP8206762 | Kupplungbackenfeder | 3 | |
| 3 | AP8206763 | Fliehkraftkupplung | 1 | |
| 4 | AP8206732 | Mutter M28x1 | 1 | |
| 5 | AP8206733 | Baugruppe Kupplungskasten | 1 | |
| 6 | AP8206186 | Mutter M10x1 H=8 | 1 | |
| 7 | AP8502471 | Sprengscheibe D10x21x2 | 1 | |
| 8 | AP8206761 | Wandler mit Kupplung | 1 | |
| 9 | AP8206734 | Gummi Bremsbacken D4x11 | 3 | |
| 10 | AP8206742 | Seegerring für Welle D5 | 3 | |

| | |
|---------------------|----------------|
| Einheit | MOTOR |
| Code | 29.39 |
| Beschreibung | Endübersetzung |
| Inspektion | 1 |



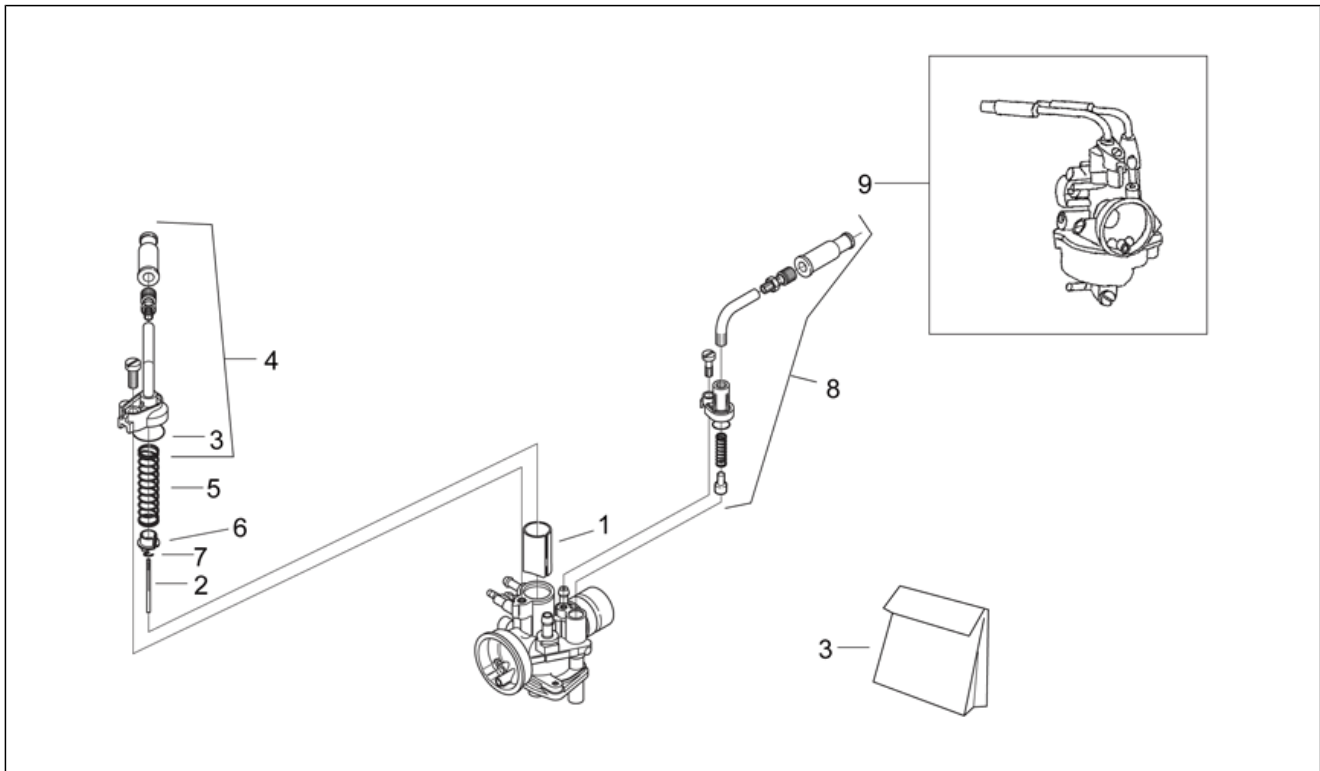
| Pos. | Code | Beschreibung | Menge | Varianten |
|------|-----------|-----------------------------------|-------|--|
| 1 | AP8206170 | Stift Abdeckung D10x14 | 2 | |
| 2 | AP8206163 | Deckeldichtung Kupplungsseite | 1 | |
| 3 | AP8206112 | Getriebedeckel | 1 | |
| 4 | AP8502567 | TCCE Schraube M6x35 | 3 | |
| 5 | AP8502564 | TCCE Schraube M6x20 | 3 | |
| 6 | AP8206425 | Getriebe Z=13 | 1 | |
| 7 | AP8206123 | Antriebswelle Z=43 | 1 | Land: Belgien[B], Brasilien[BR], Dänemark[DK], Spanien[E], Frankreich[F], Griechenland[GR], Italien[I], Israel[IL], Japan[J], Portugal[P], Rep. Korea[ROK], Großbritannien[UK] |
| 7 | AP8206531 | Antriebswelle Z=42 | 1 | Land: Österreich[A], Schweiz[CH], Deutschland[D], Holland[NL], Finnland[SF] |
| 8 | AP8206195 | Stahlscheibe blau D14x29x1 | 1 | |
| 9 | AP8206150 | Tellerfeder | 1 | |
| 10 | AP8206142 | Doppeltes Freilaufzahnrad Z=14/52 | 1 | Land: Belgien[B], Brasilien[BR], Schweiz[CH], Dänemark[DK], Spanien[E], Frankreich[F], Griechenland[GR], Italien[I], Israel[IL], Japan[J], Portugal[P], Rep. Korea[ROK], Großbritannien[UK] |
| 10 | AP8206530 | Doppeltes Freilaufzahnrad Z=13/52 | 1 | Land: Österreich[A], Deutschland[D], Holland[NL], Finnland[SF] |
| 11 | AP8206159 | Lager D10x30x9 | 2 | |
| 12 | AP8502626 | Lager D17x40x12 | 1 | |

| | |
|---------------------|-----------------------|
| Einheit | MOTOR |
| Code | 29.40 |
| Beschreibung | Einspeisung - Ölpumpe |
| Inspektion | 1 |



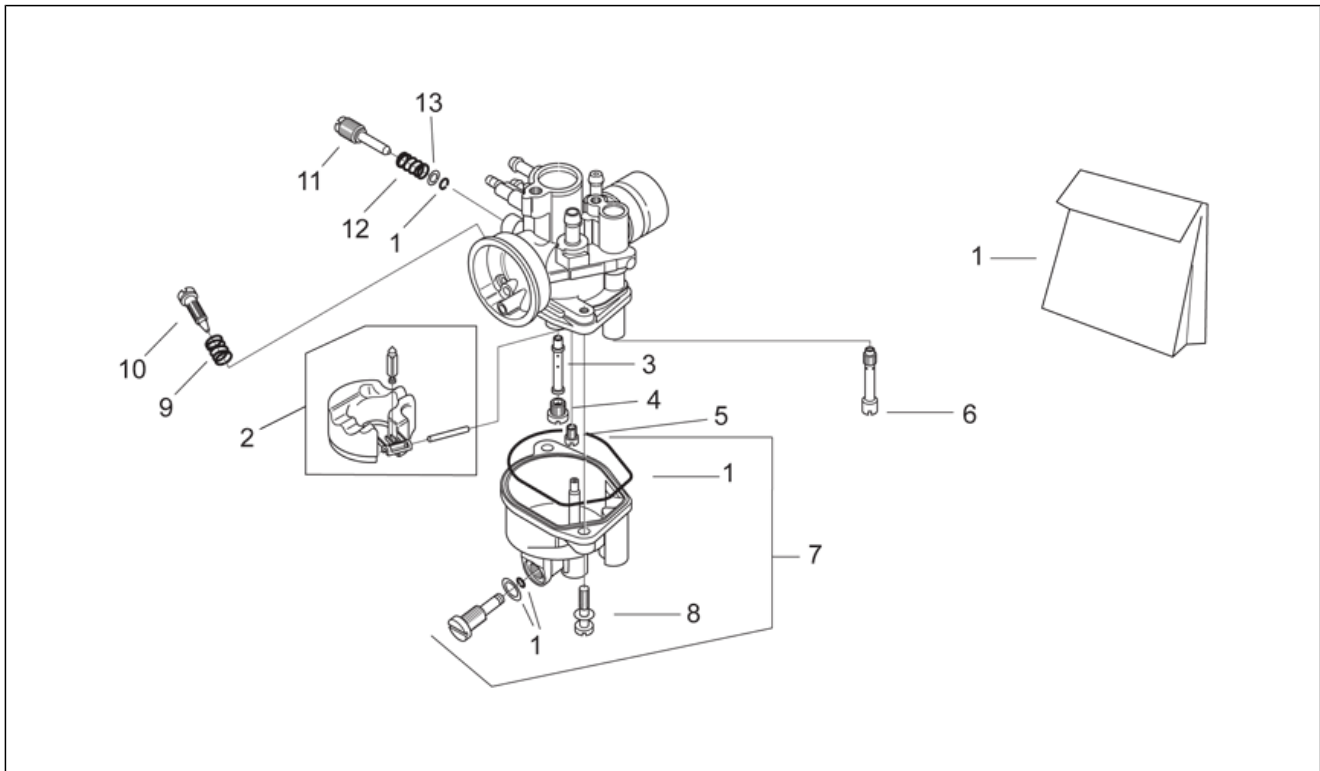
| Pos. | Code | Beschreibung | Menge | Varianten |
|------|-----------|--------------------------|-------|---|
| 1 | AP8502564 | TCCE Schraube M6x20 | 1 | |
| 2 | AP8206466 | Ansaugkrümmer | 1 | Land:Belgien[B], Brasilien[BR], Schweiz[CH], Dänemark[DK], Spanien[E], Frankreich[F], Griechenland[GR], Italien[I], Israel[IL], Japan[J], Holland[NL], Portugal[P], Rep. Korea[ROK], Finnland[SF], Großbritannien[UK] |
| 2 | AP8206565 | Ansaugkrümmer D12 | 1 | Land:Österreich[A], Deutschland[D] |
| 3 | AP8206557 | Ventilträger kpl. | 1 | |
| 4 | AP8206486 | Ventildichtung | 1 | |
| 5 | AP8206181 | Muffenschelle | 1 | |
| 6 | AP8201225 | Schlauchselle D8,5x5,5 | 1 | |
| 7 | AP8206711 | Schelle | 1 | |
| 8 | AP8206119 | Ölpumpe | 1 | |
| 9 | AP8508887 | TCCE Schraube | 2 | |
| 10 | AP8206570 | Deckel+Gummi | 1 | |
| 11 | AP8206696 | Linsenschraube | 2 | |
| 12 | AP8102378 | Schelle D11,3 | 1 | |
| 13 | AP8220548 | Kondensablaß | 1 | |
| 14 | AP8120952 | Kraftstoffleitung 5,5x10 | 1 | |

| | |
|---------------------|------------|
| Einheit | MOTOR |
| Code | 29.41 |
| Beschreibung | Vergaser I |
| Inspektion | 1 |



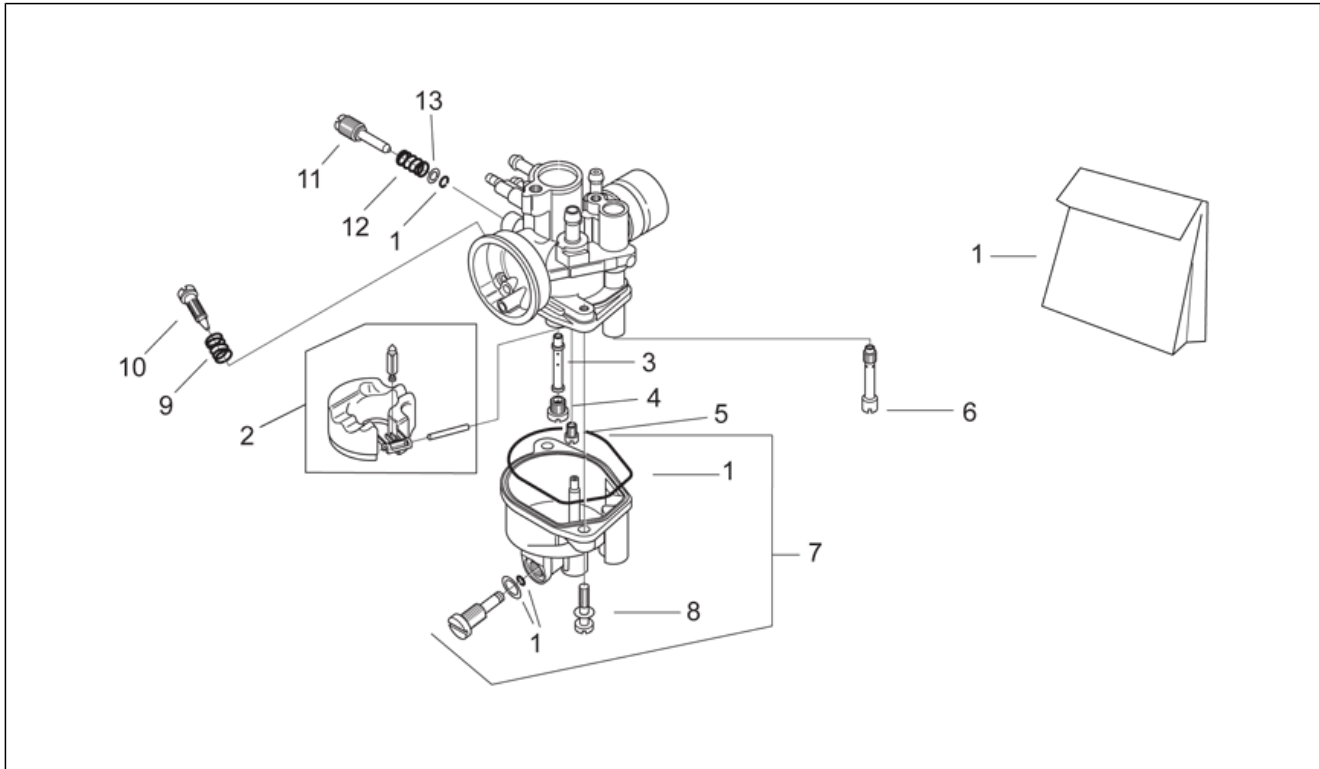
| Pos. | Code | Beschreibung | Menge | Varianten |
|------|-----------|----------------------|-------|--|
| 1 | AP8206898 | Gasventil 30 | 1 | Land:Österreich[A], Schweiz[CH], Deutschland[D] |
| 1 | AP8206899 | Gasventil 40 | 1 | Land:Belgien[B], Brasilien[BR], Dänemark[DK], Spanien[E], Frankreich[F], Griechenland[GR], Italien[I], Israel[IL], Japan[J], Holland[NL], Portugal[P], Rep. Korea[ROK], Finnland[SF], Großbritannien[UK] |
| 2 | AP8206900 | Vergasernadel A12 | 1 | |
| 3 | AP8206886 | Dichtungsbeutel | 1 | |
| 4 | AP8206920 | Deckel Gemischkam. | 1 | |
| 5 | AP8206908 | Rückholfeder Gasven. | 1 | |
| 6 | AP8206891 | Sicherung Kegelnadel | 1 | |
| 7 | AP8206892 | Sicherung Kegelnadel | 1 | |
| 8 | AP8206893 | Kabelzugstarter | 1 | |
| 9 | AP8206855 | Vergaser PHBN 12-GS | 1 | Land:Italien[I] Technische Daten:Version ohne Katalysator[nocat] |
| 9 | AP8206855 | Vergaser PHBN 12-GS | 1 | Land:Belgien[B], Dänemark[DK], Spanien[E], Frankreich[F], Griechenland[GR], Israel[IL], Japan[J], Portugal[P], Rep. Korea[ROK], Großbritannien[UK] |
| 9 | AP8206865 | Vergaser PHBN 12-GS | 1 | Land:Österreich[A] |
| 9 | AP8206866 | Vergaser PHBN 12-GS | 1 | Land:Deutschland[D] |
| 9 | AP8206867 | Vergaser PHBN 12-GS | 1 | Land:Schweiz[CH] |
| 9 | AP8206868 | Vergaser PHBN 12-GS | 1 | Land:Holland[NL], Finnland[SF] |
| 9 | AP8206917 | Vergaser phbn 12-Gs | 1 | Land:Italien[I] Technische Daten:Version mit Katalysator[cat] |
| 9 | AP8206924 | Vergaser phbn 12-Gs | 1 | Land:Brasilien[BR] |

| | |
|---------------------|-------------|
| Einheit | MOTOR |
| Code | 29.42 |
| Beschreibung | Vergaser II |
| Inspektion | 1 |



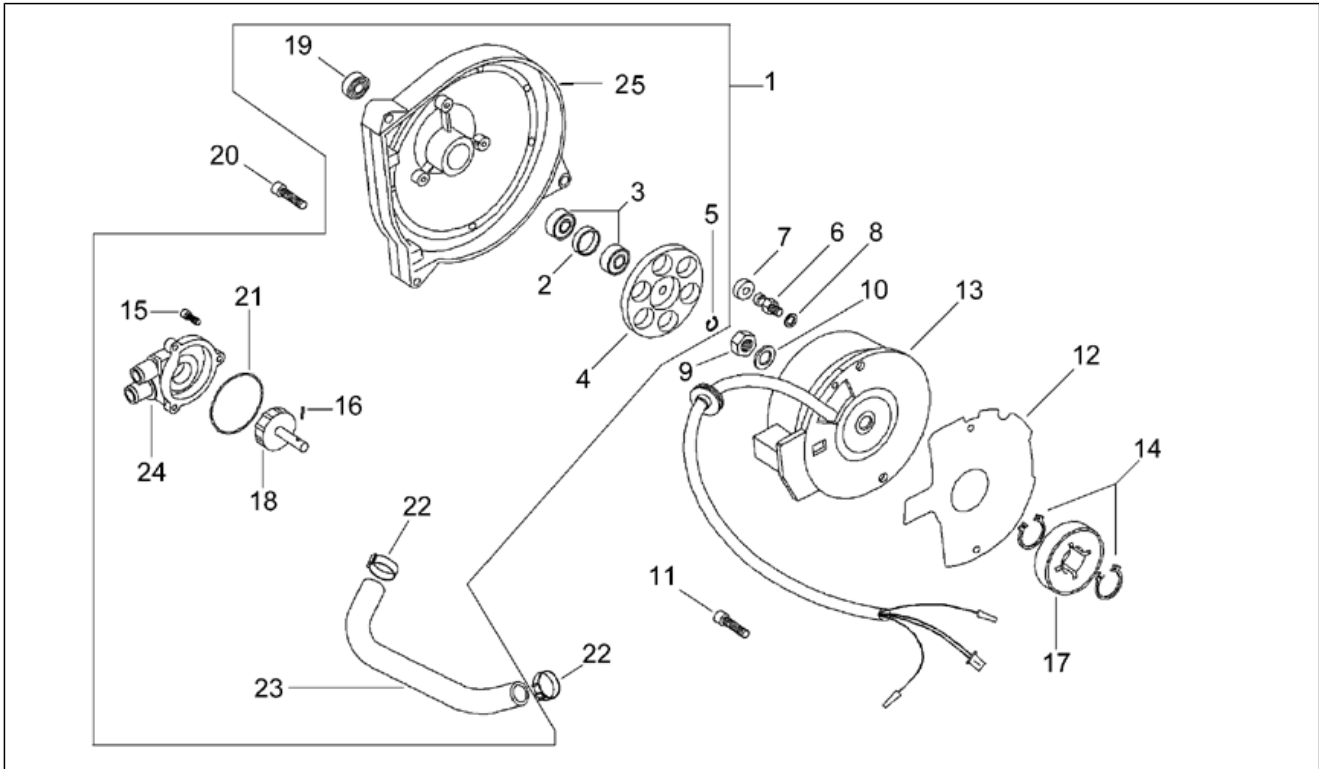
| Pos. | Code | Beschreibung | Menge | Varianten |
|------|-----------|-------------------|-------|---|
| 1 | AP8206886 | Dichtungsbeutel | 1 | |
| 2 | AP8206890 | Schwimmer | 1 | |
| 3 | AP8206707 | Nadelventil GA209 | 1 | Land:Österreich[A], Schweiz[CH], Deutschland[D] |
| 3 | AP8206796 | Nadelventil GA210 | 1 | Land:Holland[NL], Finnland[SF] |
| 3 | AP8206797 | Nadelventil GA211 | 1 | Land:Belgien[B], Brasilien[BR], Dänemark[DK], Spanien[E], Frankreich[F], Griechenland[GR], Italien[I], Israel[IL], Japan[J], Portugal[P], Rep. Korea[ROK], Großbritannien[UK] |
| 4 | AP8206901 | Maximaldüse 68 | 1 | Land:Holland[NL], Finnland[SF] |
| 4 | AP8206912 | Maximaldüse 64 | 1 | Land:Österreich[A] |
| 4 | AP8206921 | Maximaldüse 84 | 1 | Land:Belgien[B], Dänemark[DK], Spanien[E], Frankreich[F], Griechenland[GR], Israel[IL], Japan[J], Portugal[P], Rep. Korea[ROK], Großbritannien[UK] |
| 4 | AP8206921 | Maximaldüse 84 | 1 | Land:Italien[I] Technische Daten:Version ohne Katalysator[nocat] |
| 4 | AP8222432 | Maximaldüse 88 | 1 | Land:Brasilien[BR] |
| 4 | AP8222479 | Maximaldüse 70 | 1 | Land:Schweiz[CH], Deutschland[D] |
| 4 | AP8222684 | Maximaldüse 74 | 1 | Land:Italien[I] Technische Daten:Version mit Katalysator[cat] |
| 5 | AP8206795 | Leerlaufstrahl 38 | 1 | Land:Italien[I] Technische Daten:Version ohne Katalysator[nocat] |
| 5 | AP8206795 | Leerlaufstrahl 38 | 1 | Land:Belgien[B], Brasilien[BR], Deutschland[D], Dänemark[DK], Spanien[E], Frankreich[F], Griechenland[GR], Israel[IL], Japan[J], Portugal[P], Rep. Korea[ROK], Großbritannien[UK] |
| 5 | AP8206902 | Leerlaufstrahl 32 | 1 | Land:Österreich[A], Holland[NL], Finnland[SF] |
| 5 | AP8206922 | Leerlaufstrahl 30 | 1 | Land:Schweiz[CH] |
| 5 | AP8222685 | Leerlaufstrahl 34 | 1 | Land:Italien[I] Technische Daten:Version mit Katalysator[cat] |
| 6 | AP8206903 | Startdüse 45 | 1 | Land:Italien[I] Technische Daten:Version ohne Katalysator[nocat] |

| | |
|---------------------|-------------|
| Einheit | MOTOR |
| Code | 29.42 |
| Beschreibung | Vergaser II |
| Inspektion | 1 |



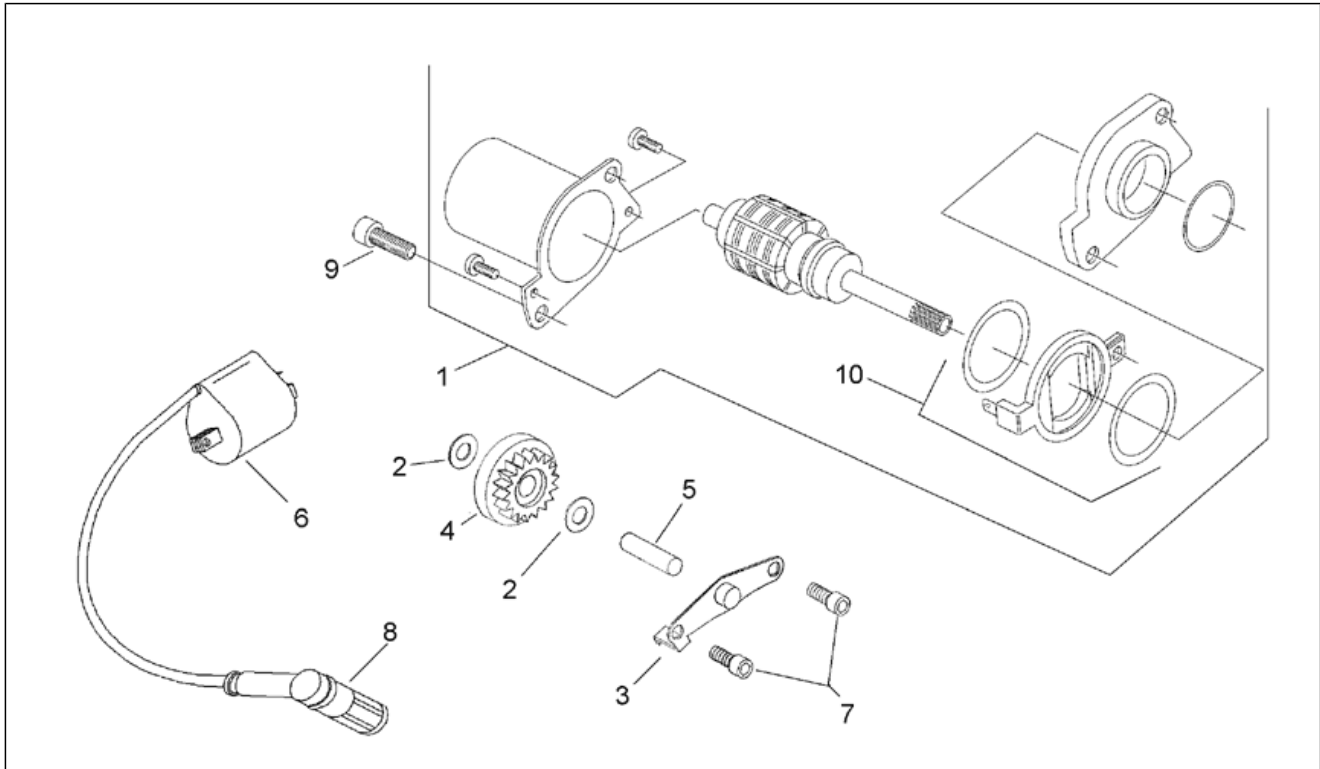
| Pos. | Code | Beschreibung | Menge | Varianten |
|------|-----------|-------------------------|-------|---|
| 6 | AP8206903 | Startdüse 45 | 1 | Land: Belgien[B], Brasilien[BR], Schweiz[CH], Dänemark[DK], Spanien[E], Frankreich[F], Griechenland[GR], Israel[IL], Japan[J], Portugal[P], Rep. Korea[ROK], Großbritannien[UK] |
| 6 | AP8206904 | Startdüse 45 | 1 | Land: Österreich[A], Deutschland[D], Holland[NL], Finnland[SF] |
| 6 | AP8206904 | Startdüse 45 | 1 | Land: Italien[I] Technische Daten: Version mit Katalysator[cat] |
| 7 | AP8206889 | Schwimmergehäuse | 1 | |
| 8 | AP8206887 | Fixierschraube Schel. | 1 | |
| 9 | AP8206894 | Fed. Einst.schr. Leerl. | 1 | |
| 10 | AP8206708 | LuftEinst.schr. Leerl. | 1 | Land: Schweiz[CH] |
| 10 | AP8206907 | LuftEinst.schr. Leerl. | 1 | Land: Österreich[A], Belgien[B], Brasilien[BR], Deutschland[D], Dänemark[DK], Spanien[E], Frankreich[F], Griechenland[GR], Italien[I], Israel[IL], Japan[J], Holland[NL], Portugal[P], Rep. Korea[ROK], Finnland[SF], Großbritannien[UK] |
| 11 | AP8206923 | Einst.schr. Gasv. | 1 | |
| 12 | AP8206896 | Fed. Einst.schr. Gasv. | 1 | |
| 13 | AP8206897 | Flachscheibe | 1 | |

| | |
|---------------------|------------------------|
| Einheit | MOTOR |
| Code | 29.43 |
| Beschreibung | Schwungrad-Wasserpumpe |
| Inspektion | 1 |



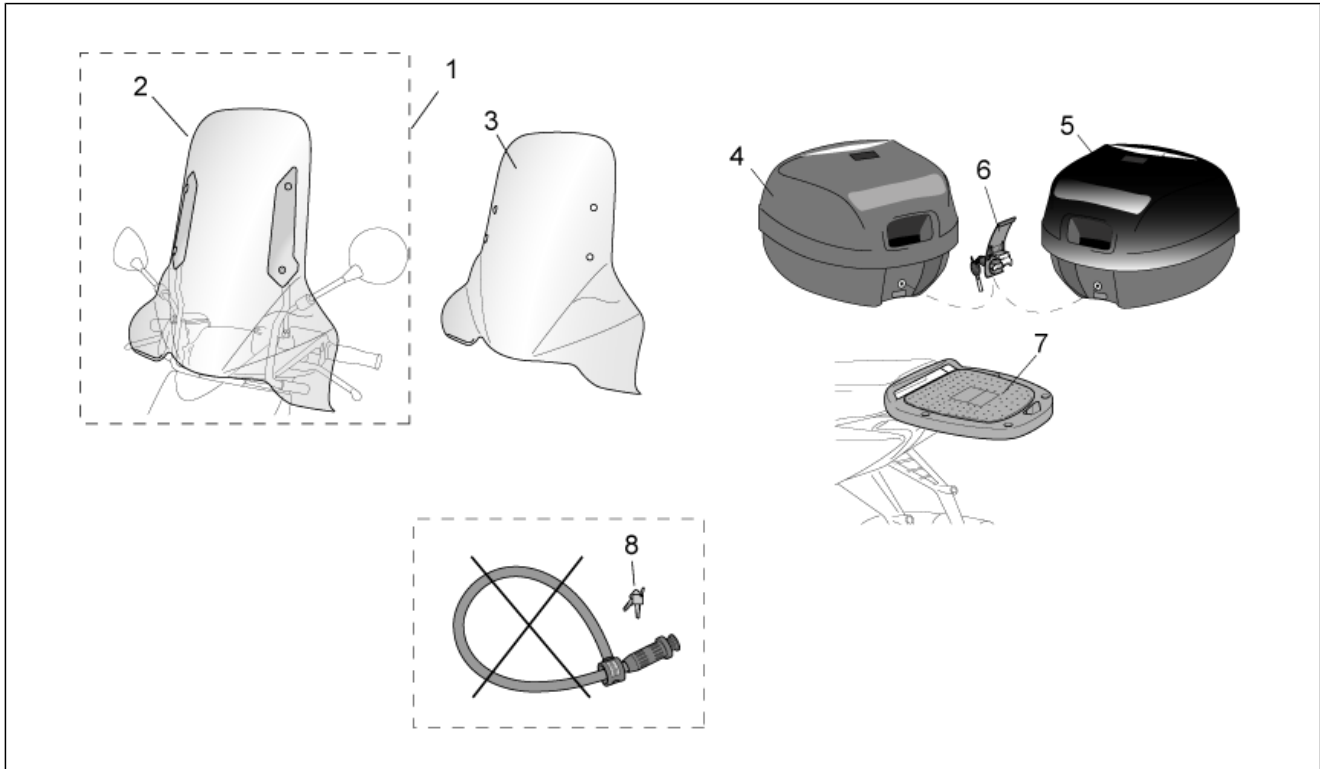
| Pos. | Code | Beschreibung | Menge | Varianten |
|------|-----------|-----------------------------|-------|-----------|
| 1 | AP8206589 | Zuenderdeckel | 1 | |
| 2 | AP8206584 | Distanzscheibe D21,9x17,5 | 1 | |
| 3 | AP8206585 | Lager D8x22x7 | 2 | |
| 4 | AP8206582 | Zugelement pumpenrad | 1 | |
| 5 | AP8501467 | Seegerring für Welle D8 | 1 | |
| 6 | AP8206577 | Bolzen Pumpenläuferwelle | 3 | |
| 7 | AP8206572 | Gummi Pumpenzapfen | 3 | |
| 8 | AP8206192 | Unterlegscheibe D6 | 3 | |
| 9 | AP8206183 | Mutter M10x1,25 | 2 | |
| 10 | AP8206205 | Ausgleichscheibe D10,5x18x2 | 1 | |
| 11 | AP8502563 | TCCE Schraube M6x16 | 2 | |
| 12 | AP8206485 | Dichtung Schwungradständer | 1 | |
| 13 | AP8206462 | Schwungmagnetstarter | 1 | |
| 14 | AP8206179 | Seegerring für Welle D19 | 2 | |
| 15 | AP8509211 | TCCE Schraube | 3 | |
| 16 | AP8508669 | Rolle D3x21,8 | 1 | |
| 17 | AP8206746 | Angetriebenes Ölpumpenrad | 1 | |
| 18 | AP8206576 | Bolzen Wasserpumpe+Läufer | 1 | |
| 19 | AP8509130 | Ölabstreifring D10X18X4 | 1 | |
| 20 | AP8206508 | TCCE Schraube M6x25 | 5 | |
| 21 | AP8206586 | O-Ring D53,7x1,78 | 1 | |
| 22 | AP8206583 | Schelle | 2 | |
| 23 | AP8206573 | Pumpen-Zylinderschlauch | 1 | |
| 24 | AP8206580 | Wasserpumpenkörper, grau | 1 | |
| 25 | AP8206569 | Zuenderdeckel | 1 | |

| | |
|---------------------|------------|
| Einheit | MOTOR |
| Code | 29.44 |
| Beschreibung | Zündgruppe |
| Inspektion | 1 |



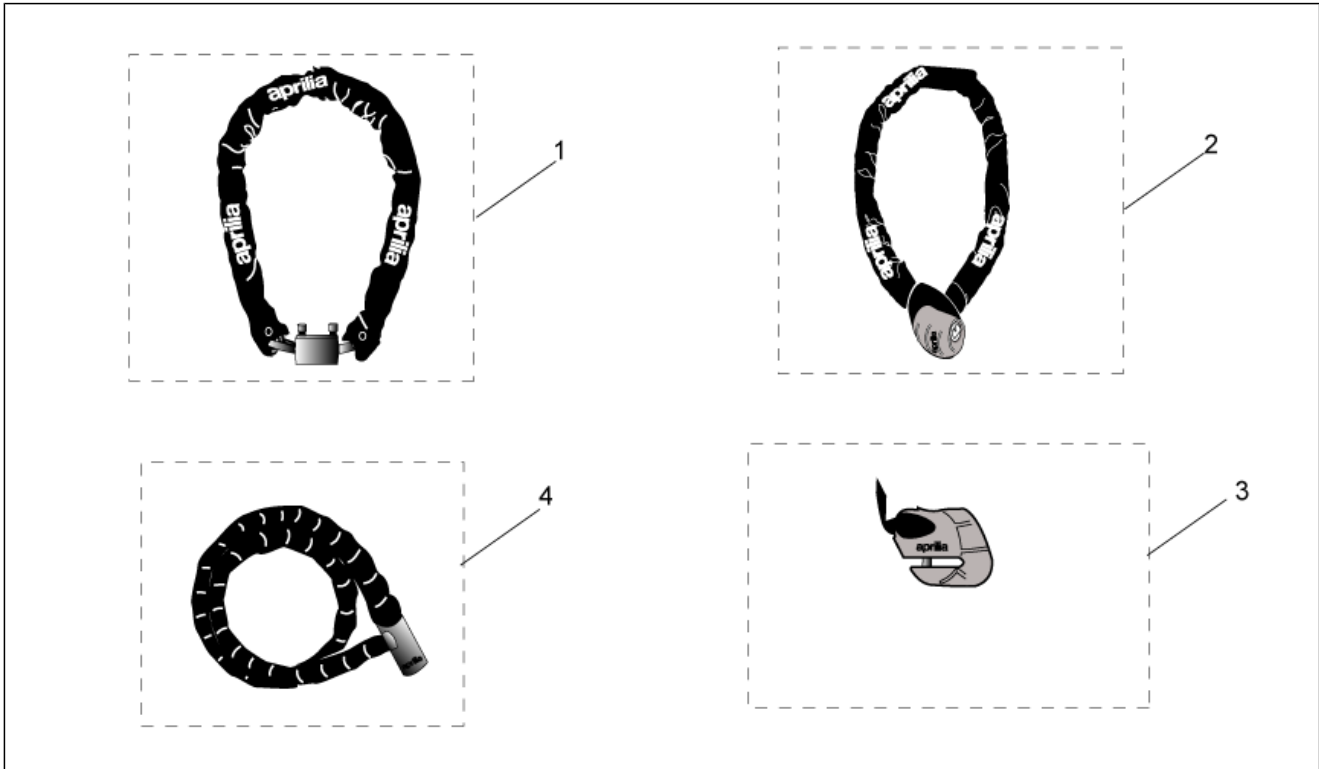
| Pos. | Code | Beschreibung | Menge | Varianten |
|------|-----------|-------------------------------|-------|-----------|
| 1 | AP8206459 | Startermotor | 1 | |
| 2 | AP8206206 | Ausgleichscheibe D8x16x2 | 2 | |
| 3 | AP8206700 | Platte doppeltes Freilaufgrad | 1 | |
| 4 | AP8206665 | Doppeltes Freilaufgrad+buche | 1 | |
| 5 | AP8206172 | Bolzen D8x32 | 1 | |
| 6 | AP8212814 | Zuendtransform.cpl. | 1 | |
| 7 | AP8206202 | TCCE Schraube M6x12 | 2 | |
| 8 | AP8212709 | Zündkerzenkappe blau | 1 | |
| 9 | AP8502564 | TCCE Schraube M6x20 | 2 | |
| 10 | AP8224093 | Bürstenhalter mit OR | 1 | |

| | |
|---------------------|------------------|
| Einheit | ZUBEHÖR |
| Code | 30.45 |
| Beschreibung | Acc. - Sonstiges |
| Inspektion | 1 |



| Pos. | Code | Beschreibung | Menge | Varianten |
|------|-----------|---------------------------------|-------|--|
| 1 | AP8791006 | Windschutzscheibe Kpl. Big | 1 | Technische Daten:Zubehör[A] |
| 2 | AP8791008 | Windschutzsch.o/Halter. Big | 1 | Technische Daten:Zubehör[A] |
| 3 | AP8791009 | Windschutzsch.o/Halter. Sport | 1 | Technische Daten:Zubehör[A] |
| 4 | AP8792066 | Koffer gaufriert New-C 32L | 1 | Technische Daten:Zubehör[A] |
| 5 | AP8792080 | Koffer schwarz lack. New-C 28L | 1 | Technische Daten:Zubehör[A] |
| 6 | AP8104197 | Kofferschloß kpl. | 1 | Technische Daten:Zubehör[A] |
| 7 | AP8792037 | Kofferhalter Conc/New-C | 1 | Technische Daten:Zubehör[A] |
| 8 | AP8700792 | Schlüsslersatzdie. B.Guard UK-D | 1 | Land:Deutschland[D], Großbritannien[UK] Technische Daten:Zubehör[A] |
| 8 | AP8700793 | Schlüsslersatzdie. B.Guard F-NL | 1 | Land:Frankreich[F], Holland[NL] Technische Daten:Zubehör[A] |
| 8 | AP8700794 | Schlüsslersatzdie. B.Guard I-E | 1 | Land:Spanien[E], Italien[I] Technische Daten:Zubehör[A] |

| | |
|---------------------|------------------|
| Einheit | ZUBEHÖR |
| Code | 30.46 |
| Beschreibung | Acc. - Diefstahl |
| Inspektion | 1 |



| Pos. | Code | Beschreibung | Menge | Varianten |
|------|-----------|----------------------|-------|-----------------------------|
| 1 | AP8720115 | Iron Guard 10x150 mm | 1 | Technische Daten:Zubehör[A] |
| 2 | AP8720116 | Iron Guard 8x120 mm | 1 | Technische Daten:Zubehör[A] |
| 3 | AP8720117 | Iron Guard Disk 5 mm | 1 | Technische Daten:Zubehör[A] |
| 4 | AP8720118 | Easy Guard 150 mm | 1 | Technische Daten:Zubehör[A] |