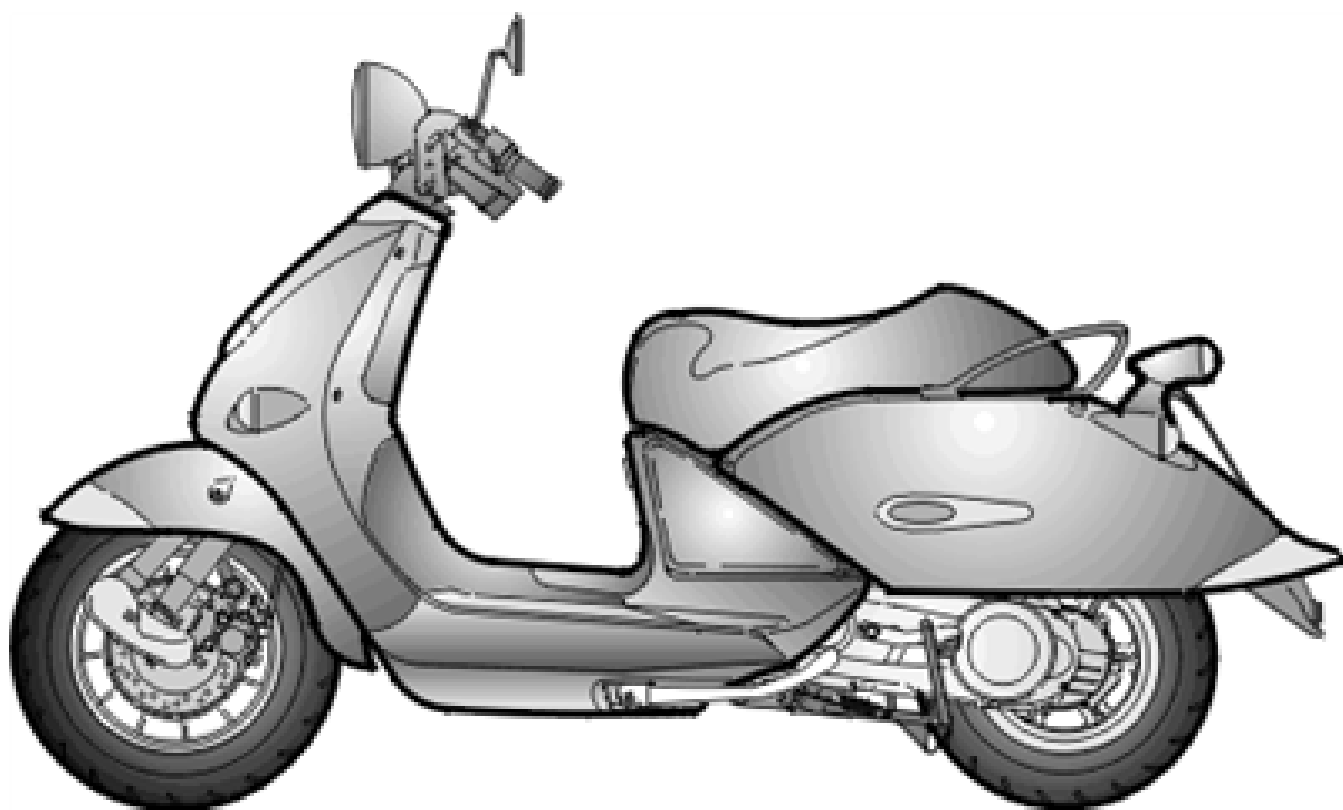


aprilia[®]

ERSATZTEILKATALOG



Mojito Custom 50 2T (eng.Aprilia) 99-04

Vorsatzcode Fahrgestell: ZD4PK01, ZD4PKA1, ZD4PKB1,
ZD4PKC1, ZD4PKD1, ZD4PKE1, ZD4PKG1, ZD4PKU1



Vorsatzcode Motor:

Inhaltsverzeichnis

Fertige Produkte.....	5
Alphanumerisches Verzeichnis.....	6
RAHMEN.....	11
Tafel 28.01 - Rahmen.....	11
Tafel 28.02 - Hauptständer.....	12
Tafel 28.03 - Vorderradaufhängung.....	13
Tafel 28.04 - Frontaufbau I.....	14
Tafel 28.05 - Frontaufbau II.....	15
Tafel 28.06 - Frontaufbau III.....	16
Tafel 28.07 - Mittlerer aufbau I.....	18
Tafel 28.08 - Mittlerer aufbau II.....	19
Tafel 28.09 - Mittlerer aufbau III.....	20
Tafel 28.10 - Sitz - Schäkel.....	22
Tafel 28.11 - Schutzhelmfach.....	23
Tafel 28.12 - Heckaufbau I.....	24
Tafel 28.13 - Heckaufbau II.....	25
Tafel 28.14 - Heckaufbau III.....	28
Tafel 28.15 - Lenkstange.....	30
Tafel 28.16 - Instrumententafel.....	32
Tafel 28.17 - Schaltungen links.....	33
Tafel 28.18 - Schaltungen rechts.....	34
Tafel 28.19 - Kraftstofftank.....	35
Tafel 28.20 - Öltank.....	37
Tafel 28.21 - Filtergehäuse.....	38
Tafel 28.22 - Motor - Hinterradaufhängung.....	39
Tafel 28.23 - Auspuffrohr.....	41
Tafel 28.24 - Vorderrad.....	43
Tafel 28.25 - Hinterrad.....	45
Tafel 28.26 - Lichter.....	47
Tafel 28.27 - USA Lichter.....	49
Tafel 28.28 - Elektrische Anlage.....	51
Tafel 28.29 - Deko und Bausatz Schlösser.....	53
Tafel 28.30 - Schilder und Anleit.....	55
MOTOR.....	58
Tafel 29.31 - Gehäuse.....	58
Tafel 29.32 - Kühlgruppe.....	59
Tafel 29.33 - Zylinderkopf.....	60
Tafel 29.34 - Pleuelstange.....	61
Tafel 29.35 - Deckel - Kick starter.....	62
Tafel 29.36 - Wandler I.....	63
Tafel 29.37 - Wandler II.....	65
Tafel 29.38 - Übersetzung.....	67
Tafel 29.39 - Kupplung I.....	68

Tafel 29.40 - Kupplung II.....	69
Tafel 29.41 - Ölpumpe.....	70
Tafel 29.42 - Einspeisung.....	71
Tafel 29.43 - Vergaser I.....	73
Tafel 29.44 - Vergaser II.....	74
Tafel 29.45 - Schwungrad.....	76
Tafel 29.46 - Startermotor.....	77
Tafel 29.47 - Zündung.....	78
ZUBEHÖR.....	79
Tafel 30.48 - Acc. - Windschilder.....	79
Tafel 30.49 - Acc. - Koffer-Sonstiges.....	80
Tafel 30.50 - Acc. - Diebstahl.....	81



MOJITO 50
551X Mojito Custom 50 2T (eng.Aprilia) 99-04

Vorsatzcode Fahrgestell: ZD4PK01,
ZD4PKA1, ZD4PKB1, ZD4PKC1, ZD4PKD1,
ZD4PKE1, ZD4PKG1, ZD4PKU1
Vorsatzcode Motor:

Fertige Produkte

Code	Gültigkeit
AP60000BE12	

Code	Nr. der Tafel	Pos.
0000000	28.24	2
0000000	28.25	3
AP1BFA000012	29.34	6
AP1BHA000104	29.31	2
AP1BMA000093	29.36	9
AP1BMA000098	29.39	1
AP1BMA000099	29.39	9
AP1BMA000129	29.36	10
AP1BMA000177	29.39	11
AP1BMA000180	29.39	14
AP1BOA000028	29.38	1
AP1BOA000029	29.38	3
AP1BTA000071	29.35	9
AP2ADA000001	29.42	8
AP2ADA000001	29.42	8
AP2ADA000123	29.42	8
AP2ADA000123	29.42	8
AP2ADA000127	29.42	8
AP2AVN000112	29.32	10
AP2BEN000088	29.33	3
AP2EDA000196	29.33	9
AP2FBN000021	29.41	4
AP2FBN000034	29.41	8
AP2GAN000110	29.38	10
AP2GLN000104	29.34	7
AP2HAA000051	29.41	11
AP2HAN000022	29.41	10
AP2HAN000035	29.41	9
AP2IBA000105	29.41	2
AP2MCA000014	29.36	13
AP2MCA000014	29.37	12
AP2MDA000182	29.39	2
AP2MDA000183	29.39	3
AP2MDA000184	29.39	4
AP2MDA000185	29.39	5
AP2MDA000186	29.39	6
AP2MDA000187	29.39	7
AP2MDA000188	29.39	10
AP2MDA000426	29.40	9
AP2MDA000428	29.40	1
AP2MEA000091	29.36	6
AP2MEA000092	29.36	7
AP2MEA000095	29.36	8
AP2MEA000096	29.36	11
AP2MEA000097	29.36	12
AP2MEA000419	29.37	8
AP2MEA000420	29.37	9
AP2MEA000421	29.37	7
AP2MEA000422	29.37	10
AP2MEA000423	29.37	11
AP2MEA000424	29.37	6
AP2MEN000187	29.37	15
AP2MEN000189	29.37	13
AP2QBA000058	29.46	10
AP2QBA000456	29.46	10
AP2QCA000041	29.46	1
AP2QCA000455	29.46	1
AP2RBA000032	29.45	2
AP2RBA000172	29.45	1
AP2RCA000033	28.28	26
AP2RCA000033	29.47	1
AP2RDA000034	29.47	3
AP3AAN000054	29.42	4
AP3ABA000062	29.42	6
AP3AEA000002	29.42	9
AP3AUN000062	29.31	21
AP3AVA000063	29.42	5

Code	Nr. der Tafel	Pos.
AP3AVN000086	29.42	2
AP3AVN000086	29.42	2
AP3BBA000003	29.33	1
AP3BDN000005	29.33	4
AP3BVA000004	29.33	2
AP3EAN000048	29.31	10
AP3EAN000053	29.33	8
AP3EBN000042	29.34	1
AP3EBN000043	29.34	2
AP3EBN000044	29.34	5
AP3EBN000046	29.38	9
AP3EBN000047	29.31	8
AP3EVA000011	29.33	7
AP3FBN000049	29.38	6
AP3FCN000004	29.35	7
AP3FCN000024	29.46	11
AP3FCN000038	29.31	1
AP3GAN000040	29.34	3
AP3GAN000051	29.38	8
AP3HAA000044	29.31	3
AP3HAA000045	29.35	4
AP3HAA000064	29.31	19
AP3HAA000068	29.31	11
AP3HAN000055	29.31	4
AP3HAN000056	29.31	5
AP3HVA000021	29.31	14
AP3HVA000026	29.35	3
AP3HVN000057	29.35	6
AP3HZA000090	29.35	2
AP3HZA000134	29.35	2
AP3IAA000052	29.41	7
AP3ICA000054	29.41	3
AP3IVA000022	29.41	1
AP3MAN000045	29.36	14
AP3MAN000075	29.36	15
AP3MAN000075	29.36	15
AP3MAN000087	29.36	15
AP3MAN000087	29.36	15
AP3MAN000087	29.36	15
AP3MAN000087	29.37	14
AP3MAN000087	29.37	14
AP3MAN000089	29.36	15
AP3MAN000091	29.36	15
AP3MAN000091	29.37	14
AP3MAN000198	29.37	14
AP3MAN000198	29.37	14
AP3MAN00058	29.38	5
AP3NAN000059	29.38	4
AP3NBA000027	29.38	2
AP3NVA000627	29.31	26
AP3QAA000038	29.46	9
AP3QAA000039	29.31	24
AP3QAA000039	29.46	4
AP3QEA000031	29.36	1
AP3QEA000031	29.37	1
AP3REA000035	29.47	4
AP3REA000036	29.47	5
AP3TAA000042	29.35	11
AP3TAA000055	29.35	8
AP3TAA000073	29.35	1
AP3TAN000036	29.36	5
AP3TAN000060	29.36	3
AP3TAN000060	29.37	3
AP3TAN000172	29.37	5
AP3TCA000072	29.35	10
AP3TDA000074	29.36	2
AP3TDA000074	29.37	2

Code	Nr. der Tafel	Pos.
AP3UAA000046	29.32	5
AP3UAN000061	29.32	6
AP3UBA000076	29.32	1
AP3UCA000078	29.32	3
AP3UCA000079	29.32	4
AP3UDA000077	29.32	2
AP4ADN000006	29.31	25
AP4ADN000007	29.31	17
AP4ADN000008	29.31	15
AP4ADN000009	29.31	16
AP4ADN000012	29.46	5
AP4ADN000013	29.31	7
AP4ADN000014	29.32	8
AP4ADN000014	29.42	2
AP4ADN000015	29.32	9
AP4ADN000015	29.42	3
AP4ADN000016	29.31	12
AP4ADN000016	29.35	5
AP4ADN000016	29.46	8
AP4ADN000017	29.32	7
AP4ADN000023	29.45	6
AP4ADN000027	29.45	4
AP4ADN000028	29.41	5
AP4AHN000067	29.31	20
AP4APN000029	29.32	12
AP4ATN000079	29.36	16
AP4AUN000011	29.31	6
AP4BAN000001	29.33	6
AP4BAN000002	29.33	5
AP4BDN000039	29.39	8
AP4BDN000039	29.40	8
AP4BEN000010	29.45	3
AP4DFN000032	29.41	6
AP4DFN000033	29.42	1
AP4DGN000066	29.45	7
AP4DGN000077	29.45	5
AP4DGN000078	29.32	11
AP4DHN000020	29.36	4
AP4DHN000020	29.37	4
AP4EEN000037	29.31	23
AP4EEN000063	29.31	22
AP4FAN000030	29.34	9
AP4GAN000003	29.34	4
AP4GAN000025	29.38	7
AP4GAN000026	29.31	9
AP5RAR000030	29.44	1
AP5RAR000031	29.44	2
AP5RAR000032	29.44	3
AP5RAR000033	29.44	4
AP5RAR000034	29.44	5
AP5RAR000035	29.44	6
AP5RAR000036	29.44	7
AP5RAR000037	29.44	8
AP5RAR000037	29.44	8
AP5RAR000038	29.44	9
AP5RAR000039	29.44	10
AP5RAR000040	29.44	11
AP5RAR000040	29.44	11
AP5RAR000040	29.44	11
AP5RAR000041	29.43	17
AP5RAR000042	29.43	18
AP5RAR000043	29.43	14
AP5RAR000044	29.43	15
AP5RAR000045	29.43	16
AP5RAR000046	29.44	17
AP5RAR000047	29.43	1
AP5RAR000048	29.43	2

Code	Nr. der Tafel	Pos.
AP5RAR000049	29.43	3
AP5RAR000050	29.43	4
AP5RAR000051	29.43	5
AP5RAR000052	29.43	6
AP5RAR000053	29.43	7
AP5RAR000054	29.43	8
AP5RAR000055	29.43	9
AP5RAR000056	29.43	10
AP5RAR000057	29.43	11
AP5RAR000058	29.43	12
AP5RAR000059	29.43	13
AP5RAR000060	29.44	18
AP5RAR000061	29.44	16
AP5RAR000062	29.44	15
AP5RAR000063	29.44	14
AP5RAR000064	29.44	13
AP5RAR000065	29.42	7
AP5RAR000065	29.44	12
AP5RAR000066	29.44	8
AP5RAR000066	29.44	8
AP5RAR000067	29.44	8
AP5RAR000068	29.44	11
AP5RER000001	29.33	12
AP5RER000002	29.33	11
AP5RER000003	29.33	10
AP5RER000004	29.33	11
AP5RER000005	29.33	10
AP5RER000006	29.33	11
AP5RER000007	29.33	10
AP5RHR000189	29.31	13
AP5RHR000189	29.31	18
AP5RMR000020	29.39	12
AP5RMR000021	29.39	13
AP5RMR000085	29.40	10
AP5RMR000087	29.40	6
AP5RMR000088	29.40	4
AP5RMR000089	29.40	13
AP5RMR000090	29.40	11
AP5RMR000092	29.40	2
AP5RMR000096	29.40	12
AP5RMR000097	29.40	5
AP5RMR000099	29.40	7
AP5RMR000100	29.40	3
AP5RQR000023	29.46	3
AP5RQR000026	29.46	6
AP5RQR000027	29.46	7
AP5RQR000069	29.46	2
AP5RQR000181	29.46	3
AP5RQR000182	29.46	7
AP5RQR000183	29.46	2
AP5RZR000028	29.33	13
AP5RZR000029	29.34	8
AP8101103	28.25	10
AP8101595	28.11	23
AP8101595	28.19	20
AP8101595	28.19	27
AP8101606	28.02	3
AP8101743	28.20	5
AP8101770	28.20	6
AP8101944	28.20	3
AP8102224	28.20	4
AP8102375	28.01	11
AP8102375	28.03	24
AP8102375	28.04	8
AP8102375	28.19	18
AP8102375	28.20	11
AP8102376	28.01	10

Code	Nr. der Tafel	Pos.
AP8102376	28.14	8
AP8102376	28.19	5
AP8102381	28.04	9
AP8102381	28.11	17
AP8102381	28.13	10
AP8102401	28.19	14
AP8102523	28.07	6
AP8102523	28.29	6
AP8102671	28.06	5
AP8102782	28.05	4
AP8102782	28.09	4
AP8102782	28.11	18
AP8102782	28.12	8
AP8102880	28.28	24
AP8102880	28.29	4
AP8102903	28.19	25
AP8104071	28.19	23
AP8104072	28.19	24
AP8104197	30.49	3
AP8112176	28.28	13
AP8112244	28.28	14
AP8112599	28.15	24
AP8112811	28.28	11
AP8112916	28.14	1
AP8113003	28.18	11
AP8113003	28.24	20
AP8113004	28.24	22
AP8113063	28.18	5
AP8113321	28.24	17
AP8113644	28.24	16
AP8117004	28.01	20
AP8118376	28.17	8
AP8118425	28.17	1
AP8118425	28.18	1
AP8118490	28.17	10
AP8118634	28.15	4
AP8118635	28.15	5
AP8118636	28.15	6
AP8119588	28.23	16
AP8120030	28.24	24
AP8120116	28.19	21
AP8120531	28.26	12
AP8120754	28.28	12
AP8120865	28.24	4
AP8120952	28.19	22
AP8120956	28.19	19
AP8121035	28.14	10
AP8121725	28.21	13
AP8121728	28.26	10
AP8121736	28.14	19
AP8121790	28.15	25
AP8121795	28.10	12
AP8121795	28.10	3
AP8121811	28.05	10
AP8121811	28.15	10
AP8121889	28.24	25
AP8124235	28.28	4
AP8124718	28.27	13
AP8124818	28.17	9
AP8124889	28.27	4
AP8124923	28.27	22
AP8124925	28.27	19
AP8125743	28.24	5
AP8127113	28.27	23
AP8127277	28.27	24
AP8127500	28.27	5
AP8127501	28.27	6

Code	Nr. der Tafel	Pos.
AP8127503	28.27	2
AP8127504	28.27	3
AP8129298	28.10	1
AP8134167	28.25	11
AP8134951	28.27	1
AP8139950	28.13	1
AP8139999	28.13	1
AP8144064	28.14	20
AP8144064	28.23	11
AP8144296	28.15	26
AP8146794	28.15	22
AP8148014	28.14	6
AP8148587	28.06	11
AP8149034	28.27	11
AP8149411	28.09	1
AP8149411	28.09	1
AP8149411	28.09	1
AP8149412	28.09	2
AP8149412	28.09	2
AP8149412	28.09	2
AP8149413	28.14	5
AP8149419	28.14	5
AP8149426	28.09	1
AP8149426	28.09	1
AP8149426	28.09	1
AP8149427	28.09	2
AP8149427	28.09	2
AP8149427	28.09	2
AP8149427	28.09	2
AP8150011	28.14	2
AP8150011	28.27	14
AP8150012	28.06	10
AP8150013	28.11	20
AP8150013	28.20	10
AP8150013	28.26	1
AP8150014	28.10	10
AP8150015	28.19	7
AP8150017	28.02	8
AP8150017	28.03	12
AP8150017	28.11	16
AP8150017	28.23	5
AP8150020	28.01	9
AP8150020	28.15	17
AP8150020	28.15	19
AP8150020	28.22	13
AP8150020	28.22	8
AP8150026	28.22	16
AP8150044	28.26	9
AP8150101	28.03	3
AP8150137	28.25	19
AP8150158	28.04	6
AP8150158	28.14	15
AP8150159	28.13	11
AP8150171	28.14	11
AP8150171	28.23	4
AP8150196	28.22	11
AP8150201	28.15	16
AP8150204	28.13	12
AP8150204	28.14	3
AP8150204	28.19	17
AP8150204	28.27	15
AP8150210	28.22	12
AP8150227	28.22	7
AP8150277	28.23	14
AP8150286	28.15	9
AP8150333	28.23	8
AP8150359	28.14	4
AP8150373	28.24	8

Code	Nr. der Tafel	Pos.
AP8150376	28.02	9
AP8150376	28.23	6
AP8150382	28.14	21
AP8150413	28.01	18
AP8150413	28.05	5
AP8150413	28.06	4
AP8150413	28.07	4
AP8150413	28.13	2
AP8150413	28.21	11
AP8150413	28.26	11
AP8150413	28.26	17
AP8150415	28.12	7
AP8150420	28.05	11
AP8150421	28.13	13
AP8150421	28.15	11
AP8150421	28.15	11
AP8150423	28.21	10
AP8150426	28.07	7
AP8150429	28.28	25
AP8150430	28.11	11
AP8150431	28.03	10
AP8150432	28.03	4
AP8150444	28.05	9
AP8150451	28.27	8
AP8152018	28.24	10
AP8152043	28.04	5
AP8152043	28.14	14
AP8152043	28.15	11
AP8152043	28.24	26
AP8152088	28.25	9
AP8152136	28.10	4
AP8152140	28.28	22
AP8152140	28.29	2
AP8152194	28.11	12
AP8152194	28.29	9
AP8152244	28.25	7
AP8152246	28.05	6
AP8152246	28.10	9
AP8152246	28.11	5
AP8152246	28.19	4
AP8152260	28.23	2
AP8152268	28.14	16
AP8152273	28.20	9
AP8152273	28.26	8
AP8152275	28.11	21
AP8152275	28.14	18
AP8152275	28.19	12
AP8152277	28.27	31
AP8152277	28.28	16
AP8152278	28.01	12
AP8152278	28.14	12
AP8152278	28.19	6
AP8152278	28.22	14
AP8152278	28.25	21
AP8152278	28.28	18
AP8152278	28.29	3
AP8152279	28.11	4
AP8152279	28.27	29
AP8152280	28.21	12
AP8152282	28.22	2
AP8152282	28.25	22
AP8152287	28.24	23
AP8152290	28.15	14
AP8152298	28.04	4
AP8152298	28.05	7
AP8152298	28.06	13
AP8152299	28.16	11

Code	Nr. der Tafel	Pos.
AP8152299	28.25	23
AP8152299	28.27	30
AP8152299	28.27	32
AP8152299	28.28	17
AP8152300	28.15	15
AP8152301	28.01	8
AP8152301	28.15	18
AP8152301	28.22	10
AP8152301	28.22	6
AP8152302	28.06	6
AP8152306	28.06	14
AP8152306	28.14	17
AP8152306	28.19	11
AP8152306	28.23	12
AP8152306	28.27	17
AP8152338	28.27	16
AP8152338	28.27	7
AP8152341	28.06	9
AP8152345	28.08	4
AP8152345	28.09	7
AP8152345	28.12	6
AP8152345	28.13	3
AP8152351	28.04	7
AP8152351	28.05	8
AP8152351	28.08	5
AP8152351	28.09	6
AP8152351	28.12	10
AP8152392	28.27	10
AP8158408	28.13	4
AP8158417	28.12	2
AP8158418	28.12	3
AP8158470	28.05	1
AP8158471	28.05	1
AP8177041	28.29	14
AP8177042	28.29	14
AP8201305	28.11	13
AP8201305	28.29	10
AP8201457	28.01	19
AP8201534	28.12	5
AP8201602	28.03	11
AP8201643	28.10	11
AP8201643	28.11	6
AP8201679	28.24	12
AP8201679	28.25	6
AP8201748	28.11	14
AP8201748	28.29	11
AP8201749	28.11	15
AP8201749	28.29	12
AP8201757	28.19	15
AP8201763	28.01	14
AP8201763	28.09	5
AP8201763	28.12	9
AP8201763	28.19	3
AP8201764	28.01	15
AP8201772	28.01	16
AP8202135	28.07	5
AP8202135	28.29	5
AP8202138	28.21	9
AP8202141	28.24	13
AP8202144	28.11	22
AP8202149	28.29	7
AP8202166	28.15	21
AP8202167	28.11	10
AP8202167	28.29	13
AP8202169	28.11	1
AP8202169	28.29	8
AP8202170	28.15	20

Code	Nr. der Tafel	Pos.
AP8202317	28.30	4
AP8202318	28.30	4
AP8202319	28.30	4
AP8202320	28.30	4
AP8202324	28.30	4
AP8202361	28.30	4
AP8203519	28.03	13
AP8203520	28.03	7
AP8203521	28.03	8
AP8203522	28.03	6
AP8203523	28.03	15
AP8203524	28.03	14
AP8203536	28.03	9
AP8203538	28.03	5
AP8203542	28.03	2
AP8203923	28.01	13
AP8203930	28.22	5
AP8203947	28.03	16
AP8203970	28.03	21
AP8203971	28.03	20
AP8203972	28.03	19
AP8203973	28.03	23
AP8203976	28.15	13
AP8208601	28.24	1
AP8208601	28.24	1
AP8208605	28.25	1
AP8208849	28.25	1
AP8212110	28.28	6
AP8212382	28.28	7
AP8213137	28.25	25
AP8213224	28.24	15
AP8213227	28.24	18
AP8213231	28.24	6
AP8213373	28.25	24
AP8213406	28.25	17
AP8213407	28.25	15
AP8213408	28.25	16
AP8213424	28.25	2
AP8213425	28.18	7
AP8213426	28.24	21
AP8213441	28.24	14
AP8213453	28.24	27
AP8213457	28.24	19
AP8213472	28.12	11
AP8214193	28.25	14
AP8214194	28.16	10
AP8214195	28.18	4
AP8218479	28.18	8
AP8218481	28.18	6
AP8218482	28.18	10
AP8218484	28.15	4
AP8218485	28.15	5
AP8218486	28.15	6
AP8218487	28.15	7
AP8218488	28.15	8
AP8218489	28.15	2
AP8218490	28.15	1
AP8218491	28.15	3
AP8218492	28.17	4
AP8218494	28.18	2
AP8218495	28.17	5
AP8218496	28.17	7
AP8218497	28.17	6
AP8219212	28.23	3
AP8219321	28.23	15
AP8219449	28.23	1
AP8219465	28.23	1

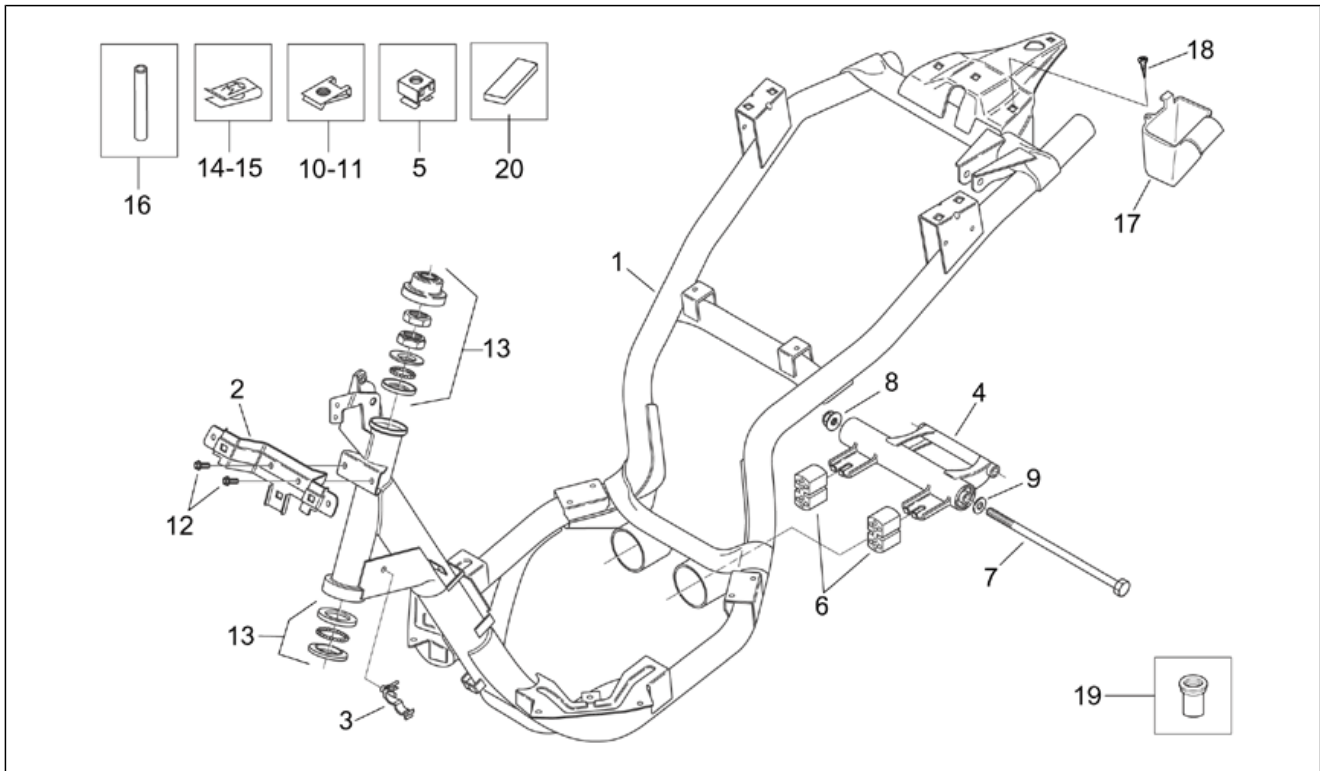
Code	Nr. der Tafel	Pos.
AP8219465	28.23	1
AP8219467	28.23	1
AP8219471	28.23	1
AP8219472	28.23	1
AP8219488	28.23	9
AP8219489	28.23	10
AP8219501	28.23	13
AP8219522	28.23	1
AP8219523	28.23	1
AP8219576	28.23	1
AP8219595	28.23	1
AP8220104	28.21	15
AP8220135	28.17	3
AP8220177	28.03	1
AP8220177	28.16	9
AP8220238	28.02	5
AP8220263	28.19	26
AP8220263	28.28	21
AP8220269	28.01	3
AP8220313	28.11	19
AP8220349	28.10	7
AP8220357	28.23	7
AP8220367	28.25	5
AP8220370	28.21	14
AP8220385	28.21	5
AP8220399	28.01	6
AP8220407	28.07	2
AP8220421	28.20	8
AP8220480	28.21	1
AP8220503	28.20	7
AP8220536	28.21	2
AP8220544	28.21	6
AP8220545	28.28	15
AP8220545	29.47	2
AP8220546	28.28	9
AP8220547	28.10	2
AP8220550	28.22	3
AP8220552	28.18	9
AP8220553	28.26	22
AP8220553	28.27	20
AP8220555	28.16	4
AP8220568	28.19	13
AP8221120	28.25	12
AP8221172	28.25	20
AP8221204	28.02	6
AP8221211	28.02	7
AP8221213	28.01	5
AP8221213	28.15	12
AP8221218	28.14	9
AP8221280	28.22	9
AP8221281	28.01	7
AP8221282	28.10	8
AP8221290	28.02	2
AP8221291	28.25	8
AP8221292	28.02	4
AP8221293	28.11	9
AP8221294	28.11	7
AP8221295	28.11	8
AP8221304	28.22	4
AP8222377	28.19	10
AP8222577	28.22	15
AP8222577	28.22	15
AP8222600	28.22	15
AP8222605	28.22	15
AP8222606	28.22	15
AP8222717	28.22	15
AP8222719	28.22	15

Code	Nr. der Tafel	Pos.
AP8222719	28.22	15
AP8222720	28.22	15
AP8222720	28.22	15
AP8222721	28.22	15
AP8222722	28.22	15
AP8223058	28.22	5
AP8224057	28.28	3
AP8224073	28.28	10
AP8224075	28.26	20
AP8224079	28.19	16
AP8224080	28.20	2
AP8224081	28.28	23
AP8224081	28.29	1
AP8224089	28.26	6
AP8224090	28.17	2
AP8224091	28.18	3
AP8224092	28.16	8
AP8224092	28.16	8
AP8224102	28.28	2
AP8224114	28.13	5
AP8224163	28.06	12
AP8224164	28.13	14
AP8224169	28.27	28
AP8224170	28.28	20
AP8224171	28.26	18
AP8224172	28.26	19
AP8224177	28.26	7
AP8224178	28.28	1
AP8224191	28.16	8
AP8224192	28.28	19
AP8224205	28.28	27
AP8224221	28.28	5
AP8224223	28.26	13
AP8224224	28.26	21
AP8224225	28.26	24
AP8224226	28.26	25
AP8224227	28.26	4
AP8224228	28.26	5
AP8224229	28.26	3
AP8224231	28.16	1
AP8224232	28.16	2
AP8224233	28.16	7
AP8224234	28.26	16
AP8224236	28.26	23
AP8224236	28.27	21
AP8224237	28.26	14
AP8224237	28.27	9
AP8224240	28.16	5
AP8224242	28.26	15
AP8224243	28.26	2
AP8224244	28.16	6
AP8224263	28.18	3
AP8224489	28.16	8
AP8224532	28.27	18
AP8224533	28.28	1
AP8224535	28.16	8
AP8224565	28.27	25
AP8224566	28.27	26
AP8224567	28.27	27
AP8225123	28.24	3
AP8225356	28.24	9
AP8225357	28.24	11
AP8225358	28.24	7
AP8225368	28.23	17
AP8226570	28.06	1
AP8226787	28.06	1
AP8226797	28.06	1

Code	Nr. der Tafel	Pos.
AP8229300	28.10	1
AP8230535	28.28	8
AP8234156	28.19	2
AP8234157	28.01	2
AP8234161	28.25	18
AP8234174	28.15	23
AP8234175	28.15	22
AP8234176	28.03	22
AP8234217	28.27	12
AP8235047	28.02	1
AP8235048	28.25	13
AP8235060	28.01	4
AP8235089	28.22	1
AP8235129	28.01	1
AP8248148	28.21	3
AP8248149	28.21	4
AP8248150	28.21	7
AP8248151	28.21	8
AP8248152	28.25	4
AP8248153	28.19	1
AP8248154	28.19	8
AP8248154	28.19	8
AP8248156	28.19	9
AP8248157	28.20	1
AP8248158	28.10	6
AP8248160	28.11	2
AP8248161	28.11	3
AP8248163	28.14	7
AP8248165	28.14	6
AP8248171	28.06	8
AP8248175	28.09	3
AP8248182	28.03	17
AP8248183	28.03	18
AP8248184	28.04	2
AP8248185	28.04	3
AP8248571	28.13	9
AP8248688	28.07	3
AP8248689	28.14	5
AP8248690	28.04	1
AP8248691	28.04	10
AP8248889	28.13	8
AP8248961	28.06	7
AP8248962	28.08	3
AP8248963	28.05	2
AP8248965	28.07	1
AP8248966	28.06	1
AP8248967	28.06	2
AP8248968	28.06	3
AP8248969	28.08	1
AP8248970	28.09	1
AP8248970	28.09	1
AP8248971	28.09	2
AP8248971	28.09	2
AP8248972	28.12	1
AP8248976	28.08	2
AP8248977	28.13	7
AP8248980	28.12	4
AP8248981	28.13	6
AP8248983	28.10	5
AP8248985	28.19	8
AP8248985	28.19	8
AP8249095	28.01	17
AP8249096	28.05	3
AP8249104	28.13	15
AP8249105	28.13	16
AP8249207	28.05	2
AP8249208	28.07	1

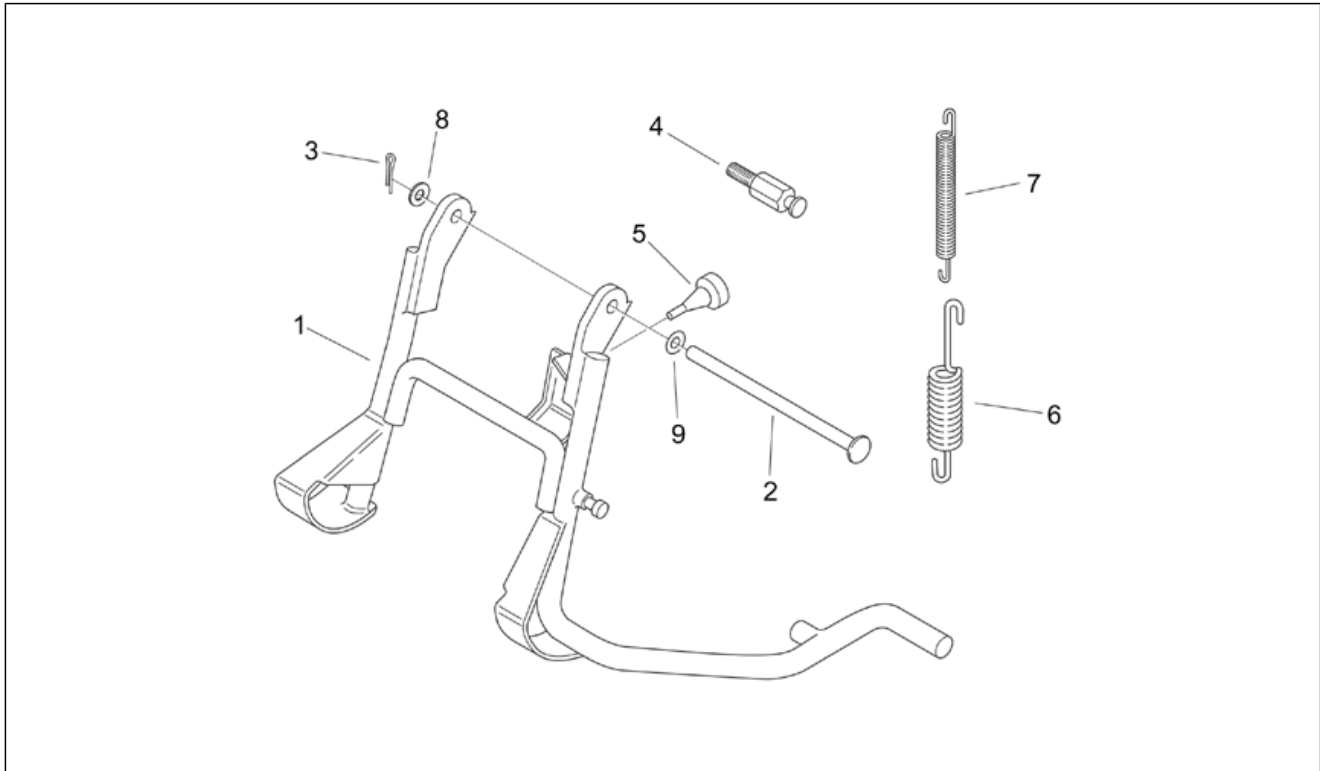
Code	Nr. der Tafel	Pos.
AP8249209	28.06	3
AP8249210	28.12	1
AP8249211	28.12	4
AP8249212	28.04	1
AP8249214	28.09	1
AP8249214	28.09	1
AP8249215	28.09	2
AP8249215	28.09	2
AP8249217	28.13	7
AP8249218	28.13	6
AP8249228	28.14	7
AP8249265	28.16	3
AP8249558	28.14	13
AP8249877	28.15	7
AP8249877	28.15	7
AP8249878	28.15	8
AP8249878	28.15	8
AP8257079	28.30	2
AP8257084	28.29	14
AP8257505	28.30	5
AP8257505	28.30	5
AP8257598	28.30	1
AP8257599	28.30	5
AP8257615	28.30	3
AP8257787	28.29	14
AP8257829	28.30	3
AP8257830	28.30	3
AP8257831	28.30	3
AP8257832	28.30	3
AP8257833	28.30	3
AP8258973	28.13	7
AP8258974	28.13	6
AP8258980	28.13	1
AP8267028	28.30	3
AP8267028	28.30	3
AP8267297	28.30	5
AP8267615	28.29	14
AP8267616	28.29	14
AP8268014	28.13	1
AP8268015	28.13	7
AP8268016	28.13	6
AP8277005	28.13	5
AP8277006	28.30	3
AP8277007	28.30	6
AP8277064	28.29	14
AP8277065	28.29	14
AP8277463	28.30	6
AP8700792	30.49	6
AP8700793	30.49	6
AP8700794	30.49	6
AP8720115	30.50	1
AP8720116	30.50	2
AP8720117	30.50	3
AP8720118	30.50	4
AP8791067	30.48	1
AP8791068	30.48	2
AP8791075	30.48	3
AP8791076	30.48	4
AP8792066	30.49	1
AP8792080	30.49	2
AP8792093	30.49	4
AP8795022	30.49	5

Einheit	RAHMEN
Code	28.01
Beschreibung	Rahmen
Inspektion	1



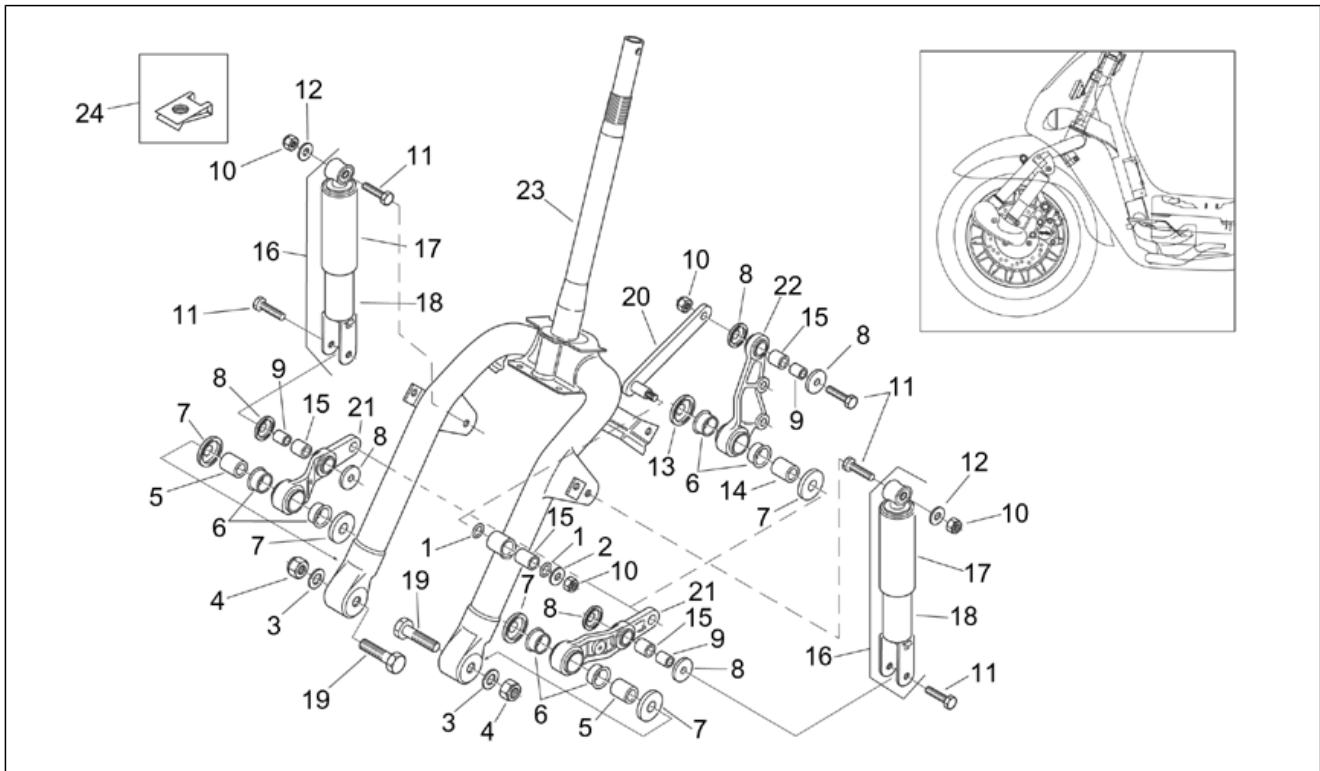
Pos.	Code	Beschreibung	Menge	Varianten
1	AP8235129	Rahmen mit Kataphorese	1	
2	AP8234157	Ob. Karosserieaufna.	1	
3	AP8220269	Kabelführungs	1	
4	AP8235060	Motor-Pleuelstange	1	
5	AP8221213	Käfigmutter M6	11	
6	AP8220399	Zümseinst.Stopfen	2	
7	AP8221281	Sechskantschraube	1	
8	AP8152301	Selbstsperrende Mutter	1	
9	AP8150020	Ausgleichscheibe 10,5x21x2*	1	
10	AP8102376	Klammer M6	10	
11	AP8102375	Klammer M5	2	
12	AP8152278	TE Schr. m. Flansch M6x16	2	
13	AP8203923	Satz Kugelringe	1	
14	AP8201763	Clip f. Blechschr. D5,5*	8	
15	AP8201764	Clip f. Blechschr. D5,5*	2	
16	AP8201772	Schutzhuelse	1	
17	AP8249095	Schloßschutz	1	
18	AP8150413	Gew.schr. 3,9x14	1	
19	AP8201457	Kunststoffniet *	2	
20	AP8117004	Klebeschwamm 15x8	1	

Einheit	RAHMEN
Code	28.02
Beschreibung	Hauptständer
Inspektion	1



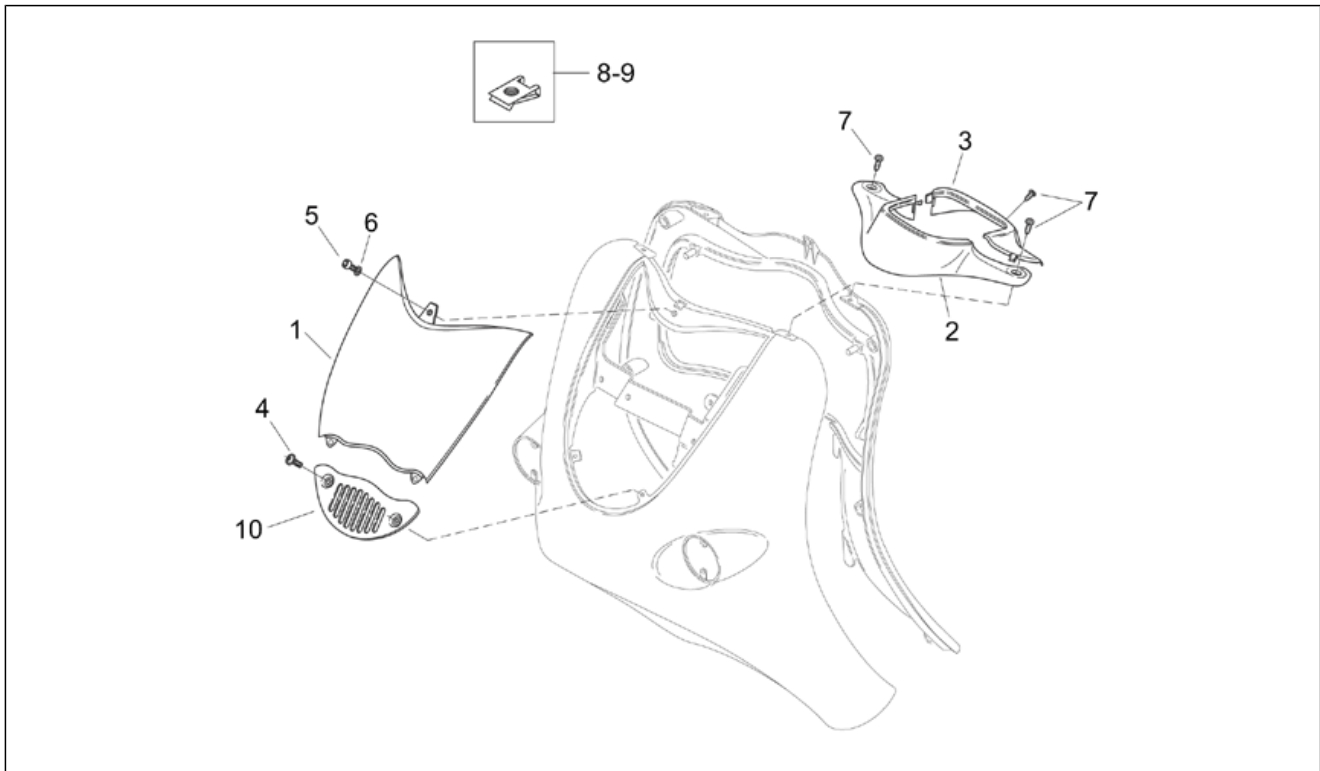
Pos.	Code	Beschreibung	Menge	Varianten
1	AP8235047	Hauptständer	1	
2	AP8221290	Ständerbolzen	1	
3	AP8101606	Splint	1	
4	AP8221292	Federschraube	1	
5	AP8220238	Gummi	1	
6	AP8221204	Hauptständer Schraubenfeder	1	
7	AP8221211	Rückholfeder Ständer	1	
8	AP8150017	Ausgleichscheibe 8,4x16x1,6	1	
9	AP8150376	Ausgleichscheibe 8,5x15x0,8	1	

Einheit	RAHMEN
Code	28.03
Beschreibung	Vorderradaufhängung
Inspektion	1



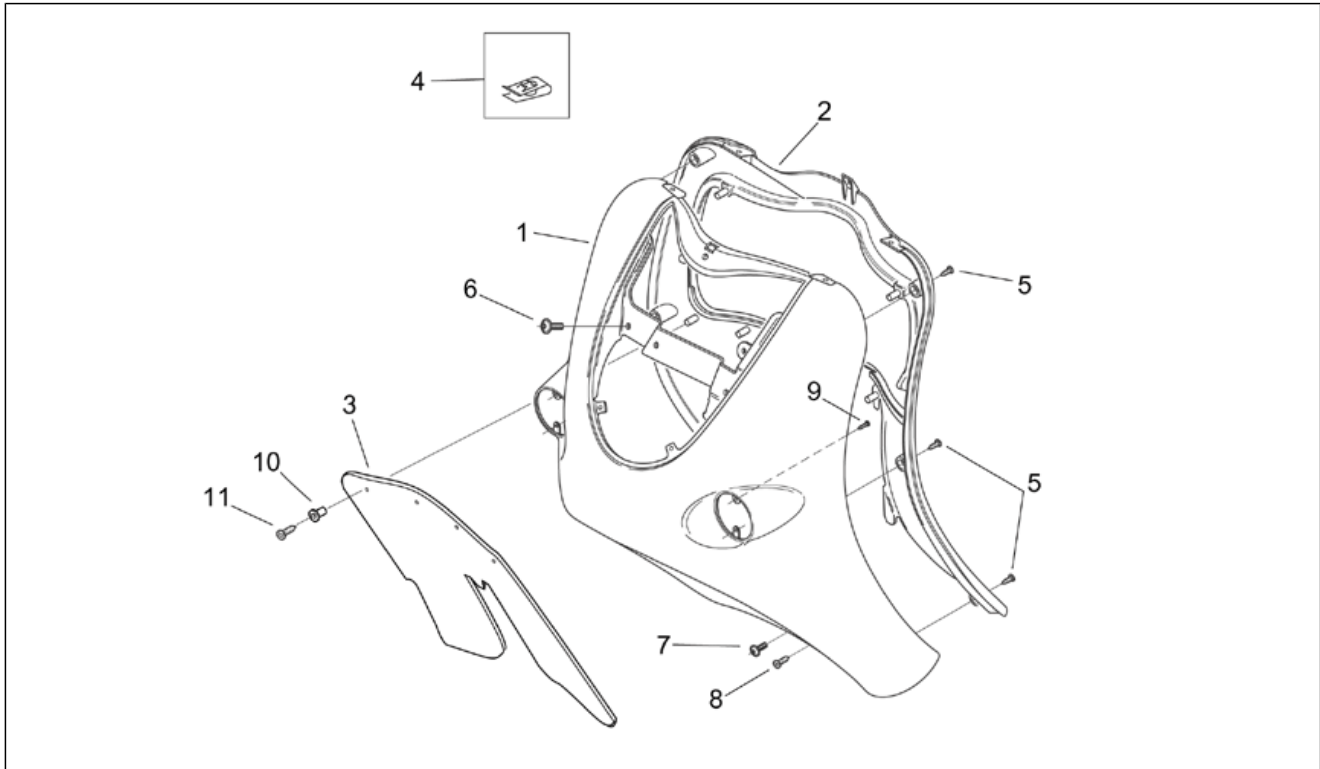
Pos.	Code	Beschreibung	Menge	Varianten
1	AP8220177	O-Ring 115	2	
2	AP8203542	Spezial-U-scheibe	1	
3	AP8150101	Ausgleichscheibe 13x24x2,5*	2	
4	AP8150432	Selbstsperr.mut Unt. M12*	2	
5	AP8203538	Buchse	2	
6	AP8203522	Nylon buchse	6	
7	AP8203520	Becher	5	
8	AP8203521	Becher D20	6	
9	AP8203536	Buchse	3	
10	AP8150431	Mutter unten M8	4	
11	AP8201602	Sechskantschraube M8x35	5	
12	AP8150017	Ausgleichscheibe 8,4x16x1,6	2	
13	AP8203519	Becher D28	1	
14	AP8203524	Buchse	1	
15	AP8203523	Nylon buchse	4	
16	AP8203947	Stoßdämpfergabel	2	
17	AP8248182	Deckel Stoßdämpfer ob.	2	
18	AP8248183	Deck. Stoßdämpfer un.	2	
19	AP8203972	Sechskantschraube m12x50	2	
20	AP8203971	Platte	1	
21	AP8203970	Pleuelstange	2	
22	AP8234176	Bremszange platte	1	
23	AP8203973	Gabel	1	
24	AP8102375	Klammer M5	4	

Einheit	RAHMEN
Code	28.04
Beschreibung	Frontaufbau I
Inspektion	1



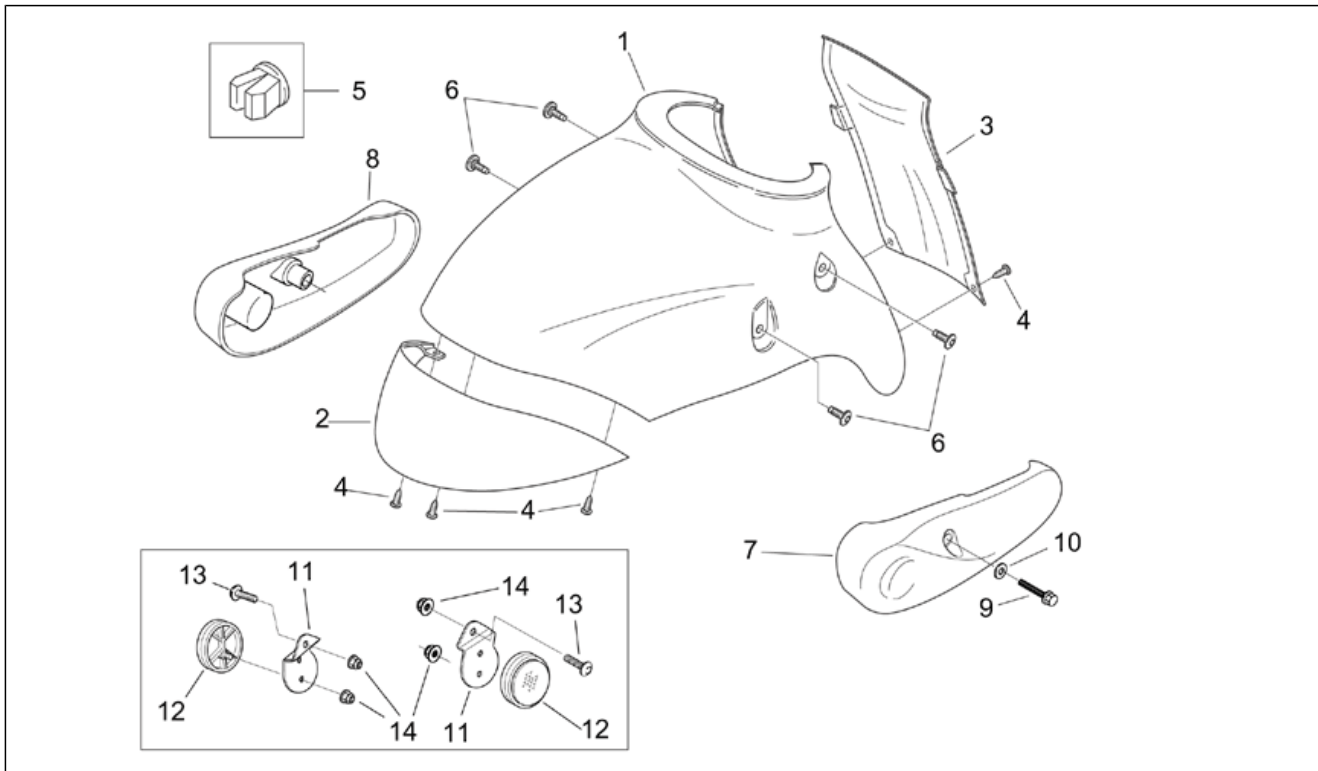
Pos.	Code	Beschreibung	Menge	Varianten
1	AP8248690	Fronthaube, kalkweiß	1	Farbe: Hellblau Varadero / Weiß Chalk '99-'00-'03-'04[v.cya]
1	AP8249212	Fronthaube, mattschw.	1	Farbe: Schwarz Aprilia / Schwarz Matt '99-'00-'03-'04[a.blk]
2	AP8248184	Bundring vorn Chrom	1	
3	AP8248185	Bundring hinten Chrom	1	
4	AP8152298	TBEI Schraube m.Flansch M5x16	2	
5	AP8152043	TCEI Schraube M4x10	1	
6	AP8150158	Ausgleichscheibe 4,3X9X0,8	1	
7	AP8152351	Linsenschraube 4,2x16*	3	
8	AP8102375	Klammer M5	2	
9	AP8102381	Klammer M4	1	
10	AP8248691	Chromblende	1	

Einheit	RAHMEN
Code	28.05
Beschreibung	Frontaufbau II
Inspektion	1



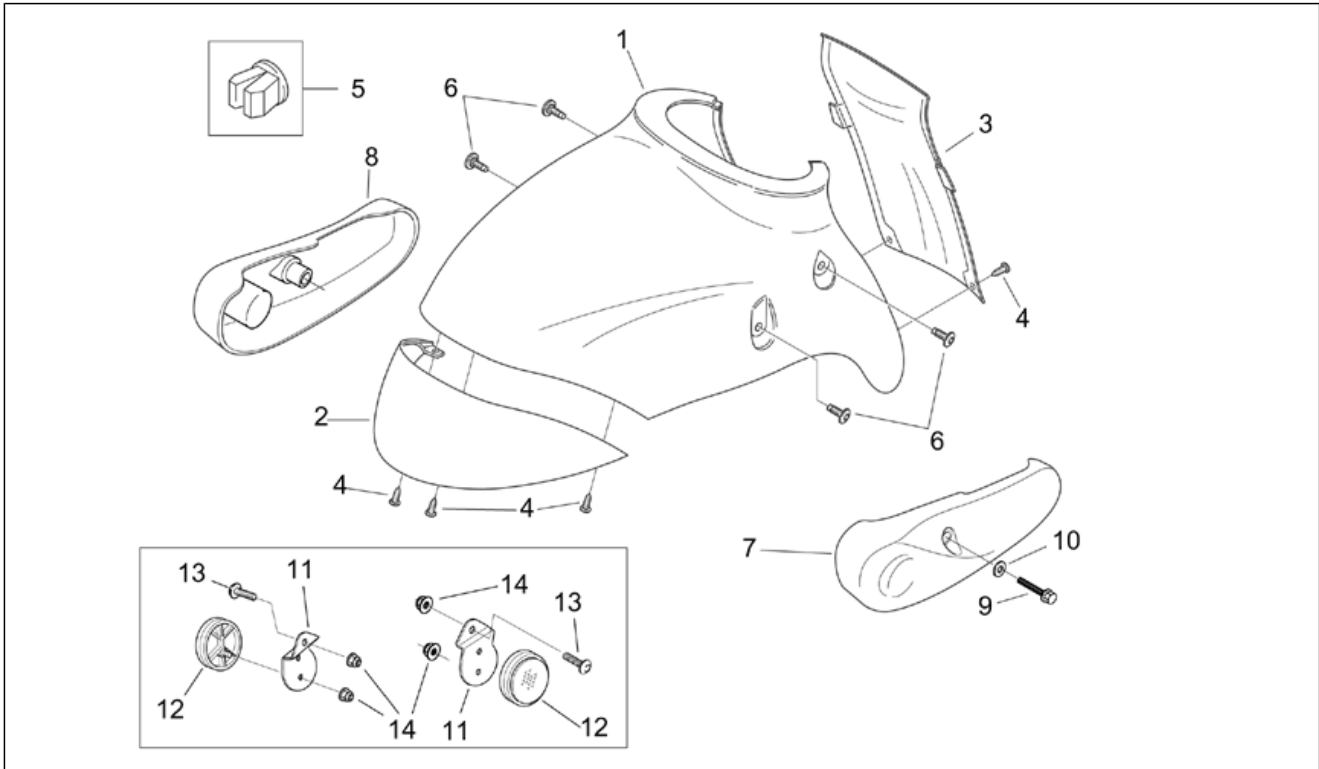
Pos.	Code	Beschreibung	Menge	Varianten
1	AP8158470	Schild v. schwarz Aprilia	1	Farbe:Schwarz Aprilia / Schwarz Matt '99-'00-'03-'04[a.blk]
1	AP8158471	Schild vorne blau	1	Farbe:Hellblau Varadero / Weiß Chalk '99-'00-'03-'04[v.cya]
2	AP8249207	Innenschild, Ap.schw.	1	Farbe:Schwarz Aprilia / Schwarz Matt '99-'00-'03-'04[a.blk]
2	AP8248963	int. Schild blau	1	Farbe:Hellblau Varadero / Weiß Chalk '99-'00-'03-'04[v.cya]
3	AP8249096	Wasserschutz	1	
4	AP8102782	Clip f. Blechschr. D4,2	3	
5	AP8150413	Gew.schr. 3,9x14	6	
6	AP8152246	TBEI Schraube m.Flansch M6x16	2	
7	AP8152298	TBEI Schraube m.Flansch M5x16	1	
8	AP8152351	Linsenschraube 4,2x16*	1	
9	AP8150444	Gewindeschraube Edelstahl	4	
10	AP8121811	T-Buchse	4	
11	AP8150420	Gewindeschraube Edelstahl *	4	

Einheit	RAHMEN
Code	28.06
Beschreibung	Frontaufbau III
Inspektion	1



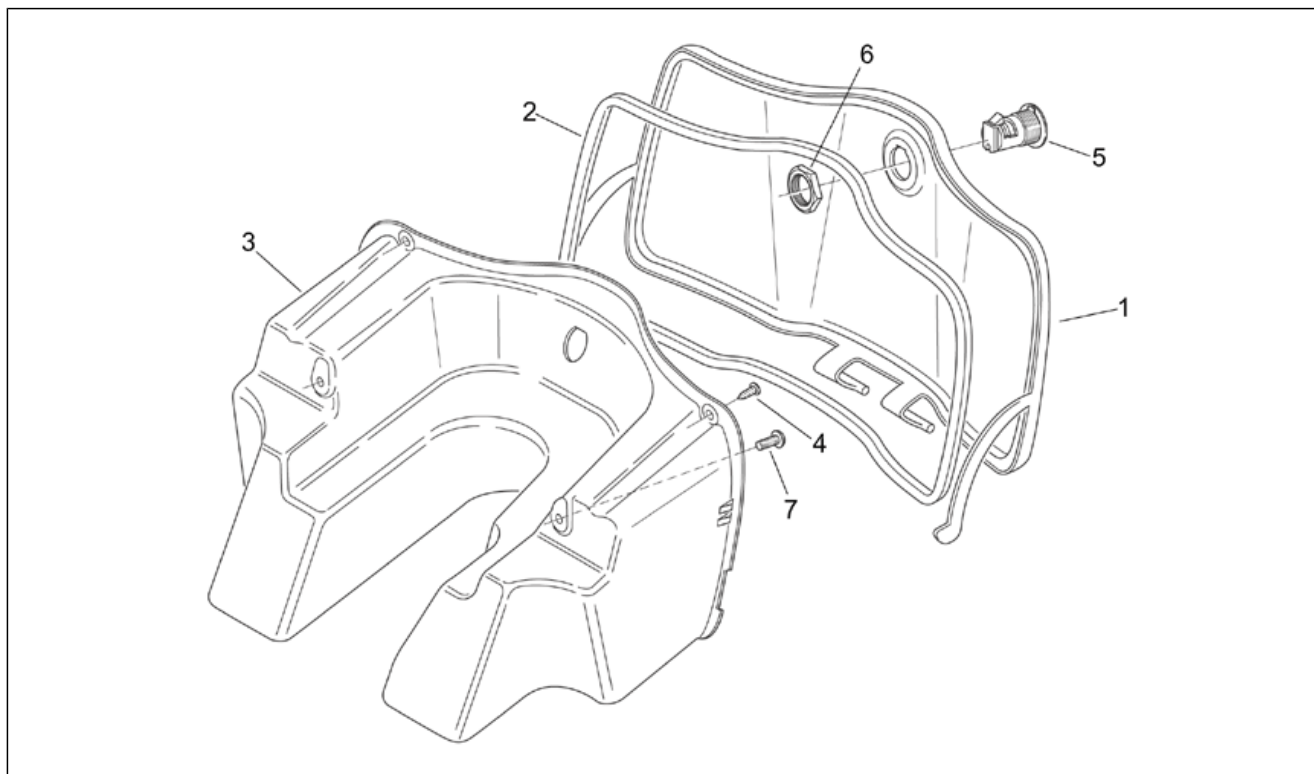
Pos.	Code	Beschreibung	Menge	Varianten
1	AP8226570	Schutzbl. v. apriliaschw.	1	Land: Österreich[A] Belgien[B] Schweiz[CH] Deutschland[D] Dänemark[DK] Spanien[E] A,B,D,DK,GR,F,I,NL[EU] Frankreich[F] Griechenland[GR] Italien[I] Israel[IL] Japan[J] Holland[NL] Portugal[P] Finnland[SF] E[SP] Großbritannien[UK] Farbe: Schwarz Aprilia / Schwarz Matt '99-'00-'03-'04[a.blk]
1	AP8248966	V. Schutzblech, h.bl.	1	Land: Österreich[A] Belgien[B] Schweiz[CH] Deutschland[D] Dänemark[DK] Spanien[E] A,B,D,DK,GR,F,I,NL[EU] Frankreich[F] Griechenland[GR] Italien[I] Israel[IL] Japan[J] Holland[NL] Portugal[P] Finnland[SF] E[SP] Großbritannien[UK] Farbe: Hellblau Varadero / Weiß Chalk '99-'00-'03-'04[v.cya]
1	AP8226797	V. Schutzblech, h.bl.	1	Land: Vereinigte Staaten von Amerika[CF] [CZ]Vereinigte Staaten von Amerika[USA] Farbe: Hellblau Varadero / Weiß Chalk '99-'00-'03-'04[v.cya]
1	AP8226787	Schutzbl. v. apriliaschw.	1	Land: Vereinigte Staaten von Amerika[CF] [CZ]Vereinigte Staaten von Amerika[USA] Farbe: Schwarz Aprilia / Schwarz Matt '99-'00-'03-'04[a.blk]
2	AP8248967	Abz. Schutzbl. v. verchromt	1	
3	AP8248968	Schutzbl.verschl. v. bl.	1	Farbe: Hellblau Varadero / Weiß Chalk '99-'00-'03-'04[v.cya]
3	AP8249209	Schutzbl.verschl. v. schw.	1	Farbe: Schwarz Aprilia / Schwarz Matt '99-'00-'03-'04[a.blk]
4	AP8150413	Gew.schr. 3,9x14	5	
5	AP8102671	Kunststoffniet	5	
6	AP8152302	TBEI Schraube m.Flansch M5x12	4	
7	AP8248961	Chromdeck. Pleuel ls	1	
8	AP8248171	Chromdeck. Pleuel rs	1	
9	AP8152341	TE Schr. m. Flansch M5x40	2	
10	AP8150012	Ausgleichscheibe 5,3x10x1*	2	
11	AP8148587	Rückstrahler-Fixierung	2	Land: Vereinigte Staaten von Amerika[CF] [CZ]Vereinigte Staaten von Amerika[USA]
12	AP8224163	Rückstrahler, gelb	2	Land: Vereinigte Staaten von Amerika[CF] [CZ]Vereinigte Staaten von Amerika[USA]

Einheit	RAHMEN
Code	28.06
Beschreibung	Frontaufbau III
Inspektion	1



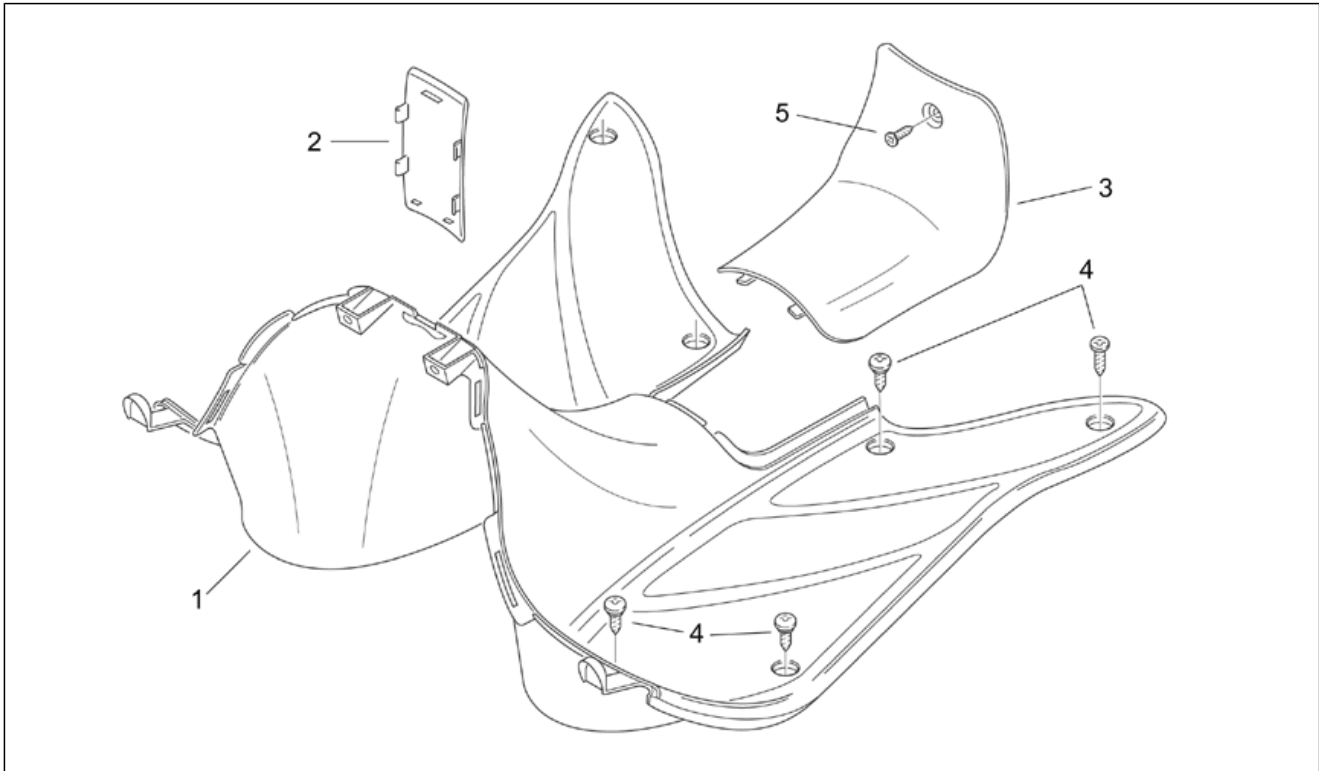
Pos.	Code	Beschreibung	Menge	Varianten
13	AP8152298	TBEI Schraube m.Flansch M5x16	2	Land:Vereinigte Staaten von Amerika[CF] [CZ]Vereinigte Staaten von Amerika[USA]
14	AP8152306	Selbstsperrende Mutter M5	4	Land:Vereinigte Staaten von Amerika[CF] [CZ]Vereinigte Staaten von Amerika[USA]

Einheit	RAHMEN
Code	28.07
Beschreibung	Mittlerer aufbau I
Inspektion	1



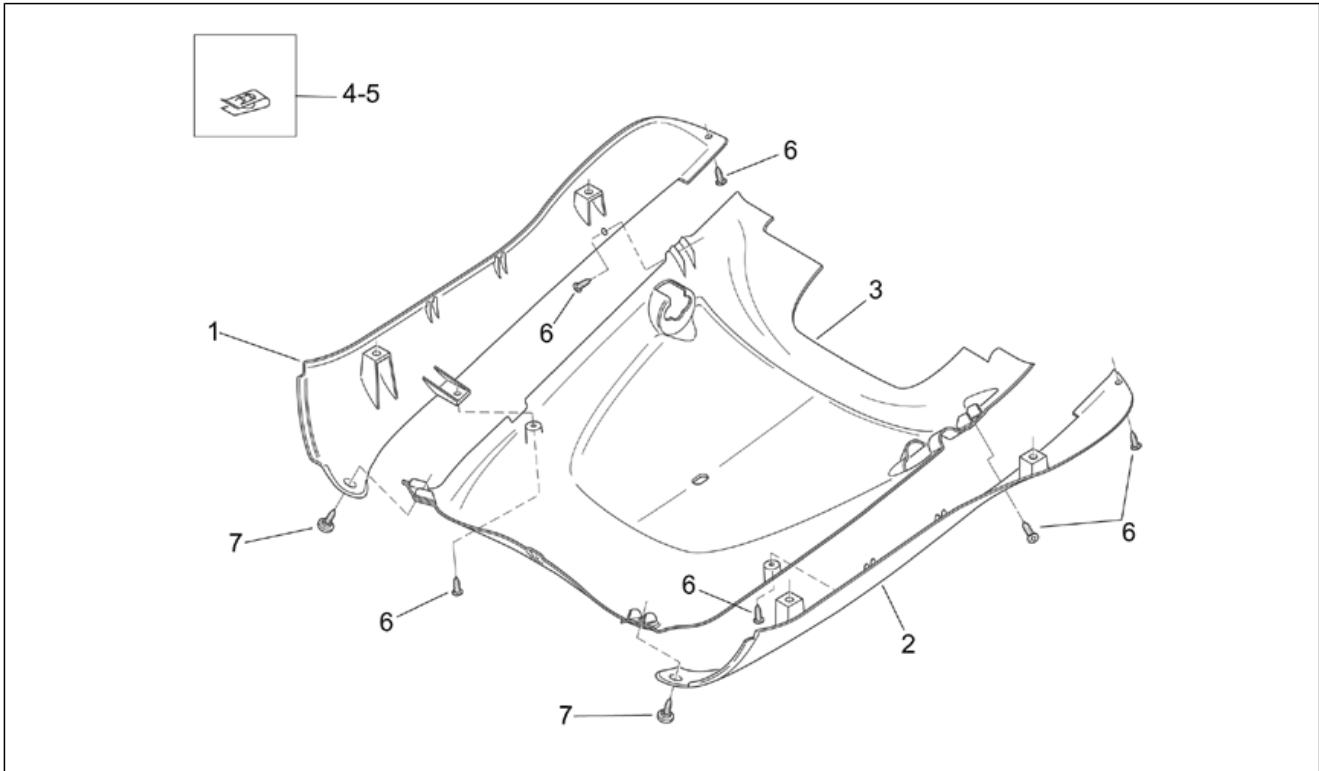
Pos.	Code	Beschreibung	Menge	Varianten
1	AP8249208	Stauraumklappe a.schw.	1	Farbe:Schwarz Aprilia / Schwarz Matt '99-'00-'03-'04[a.blk]
1	AP8248965	Stauraumklappe blau	1	Farbe:Hellblau Varadero / Weiß Chalk '99-'00-'03-'04[v.cya]
2	AP8220407	Kofferdichtung	1	
3	AP8248688	Handschuhfach	1	
4	AP8150413	Gew.schr. 3,9x14	2	
5	AP8202135	Schloß Handsch.f. vorn	1	
6	AP8102523	Schloß mutter M22x1,5	1	
7	AP8150426	Linsenschraube 5,5x15,9*	2	

Einheit	RAHMEN
Code	28.08
Beschreibung	Mittlerer aufbau II
Inspektion	1



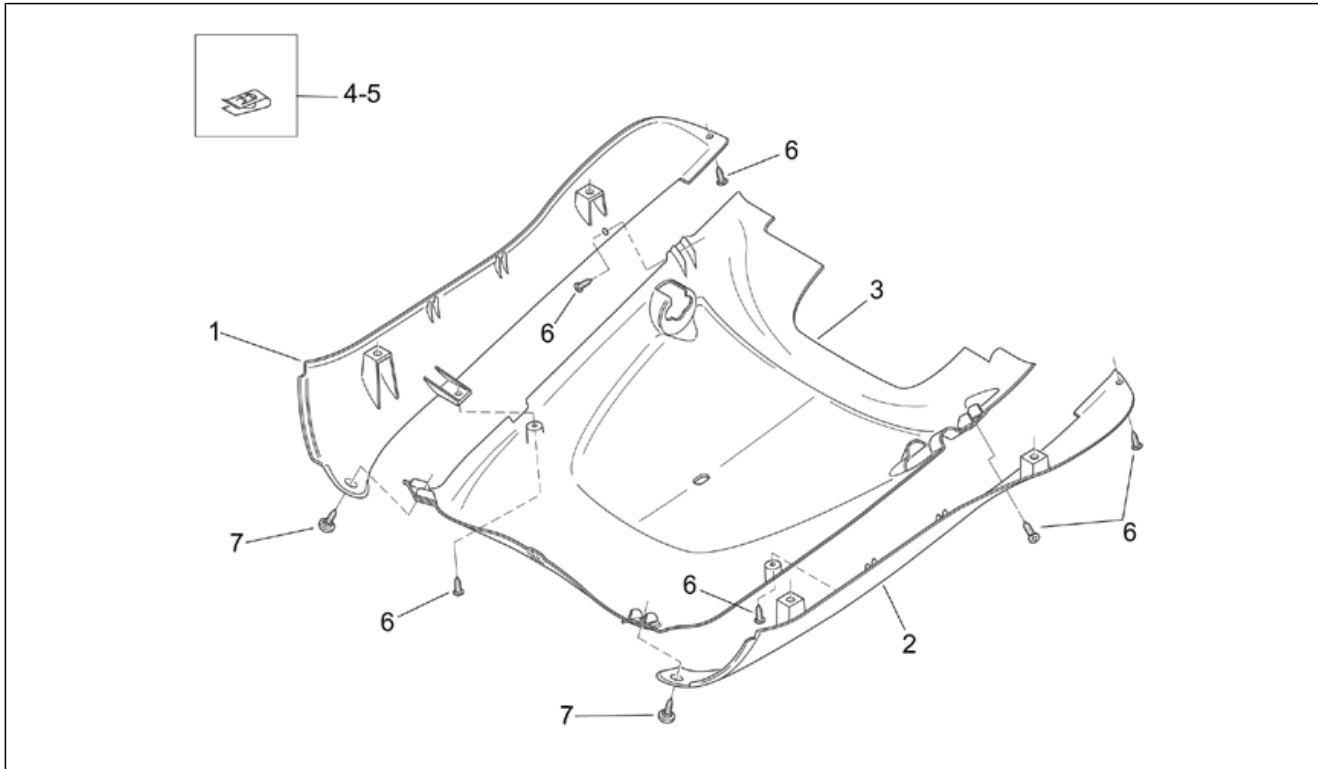
Pos.	Code	Beschreibung	Menge	Varianten
1	AP8248969	Fußbrett, schwarz	1	
2	AP8248976	Gegeb.Typendeckel, schw.	1	
3	AP8248962	Inspektionsdeckel, schwarz	1	
4	AP8152345	Linsenschraube 5,5x20	8	
5	AP8152351	Linsenschraube 4,2x16*	1	

Einheit	RAHMEN
Code	28.09
Beschreibung	Mittlerer aufbau III
Inspektion	1



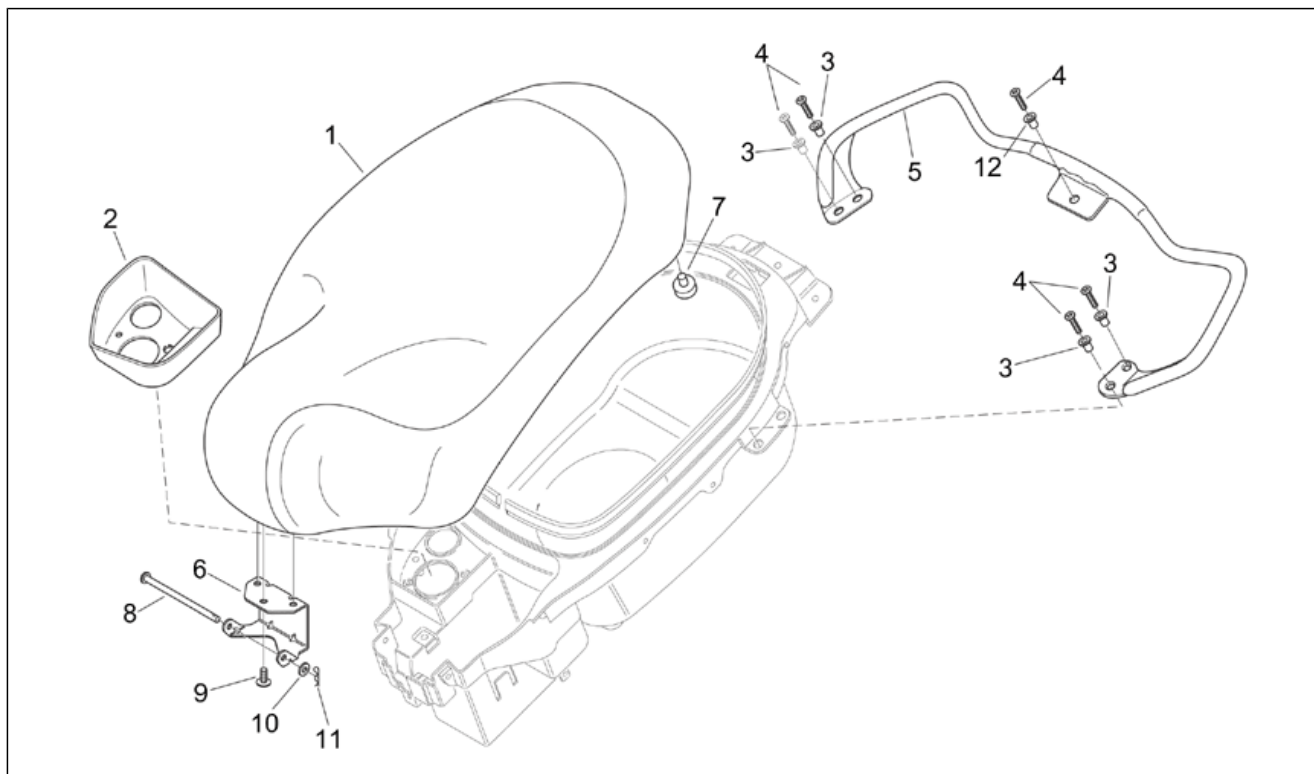
Pos.	Code	Beschreibung	Menge	Varianten
1	AP8149426	Seite Unterb. rs hellblau	1	Baujahr: 03[03] apr[apr] Farbe: Hellblau Varadero / Weiß Chalk '99-'00-'03-'04[v.cya]
1	AP8149411	Seite Unterb. rs schw.	1	Baujahr: 1999[X] Farbe: Schwarz Aprilia / Schwarz Matt '99-'00-'03-'04[a.blk]
1	AP8149426	Seite Unterb. rs hellblau	1	Baujahr: 2000[Y] Farbe: Hellblau Varadero / Weiß Chalk '99-'00-'03-'04[v.cya]
1	AP8149411	Seite Unterb. rs schw.	1	Baujahr: 2000[Y] Farbe: Schwarz Aprilia / Schwarz Matt '99-'00-'03-'04[a.blk]
1	AP8149426	Seite Unterb. rs hellblau	1	Baujahr: 1999[X] Farbe: Hellblau Varadero / Weiß Chalk '99-'00-'03-'04[v.cya]
1	AP8249214	Seite Unterb. rs schw.	1	Baujahr: 1999[X] Farbe: Schwarz Aprilia / Schwarz Matt '99-'00-'03-'04[a.blk]
1	AP8248970	Seite Unterb. rs hellblau	1	Baujahr: 1999[X] Farbe: Hellblau Varadero / Weiß Chalk '99-'00-'03-'04[v.cya]
1	AP8248970	Seite Unterb. rs hellblau	1	Baujahr: 2000[Y] Farbe: Hellblau Varadero / Weiß Chalk '99-'00-'03-'04[v.cya]
1	AP8249214	Seite Unterb. rs schw.	1	Baujahr: 2000[Y] Farbe: Schwarz Aprilia / Schwarz Matt '99-'00-'03-'04[a.blk]
1	AP8149411	Seite Unterb. rs schw.	1	Baujahr: 03[03] apr[apr] Farbe: Schwarz Aprilia / Schwarz Matt '99-'00-'03-'04[a.blk]
2	AP8248971	Seite Unterb. ls hellblau	1	Baujahr: 2000[Y] Farbe: Hellblau Varadero / Weiß Chalk '99-'00-'03-'04[v.cya]
2	AP8149427	Seite Unterb. ls hellblau	1	Baujahr: 1999[X] Farbe: Hellblau Varadero / Weiß Chalk '99-'00-'03-'04[v.cya]
2	AP8249215	Seite Unterb. ls schw.	1	Baujahr: 1999[X] Farbe: Schwarz Aprilia / Schwarz Matt '99-'00-'03-'04[a.blk]
2	AP8149427	Seite Unterb. ls hellblau	1	Baujahr: 03[03] apr[apr] Farbe: Hellblau Varadero / Weiß Chalk '99-'00-'03-'04[v.cya]
2	AP8149412	Seite Unterb. ls schw.	1	Baujahr: 03[03] apr[apr] Farbe: Schwarz Aprilia / Schwarz Matt '99-'00-'03-'04[a.blk]
2	AP8248971	Seite Unterb. ls hellblau	1	Baujahr: 1999[X] Farbe: Hellblau Varadero / Weiß Chalk '99-'00-'03-'04[v.cya]

Einheit	RAHMEN
Code	28.09
Beschreibung	Mittlerer aufbau III
Inspektion	1



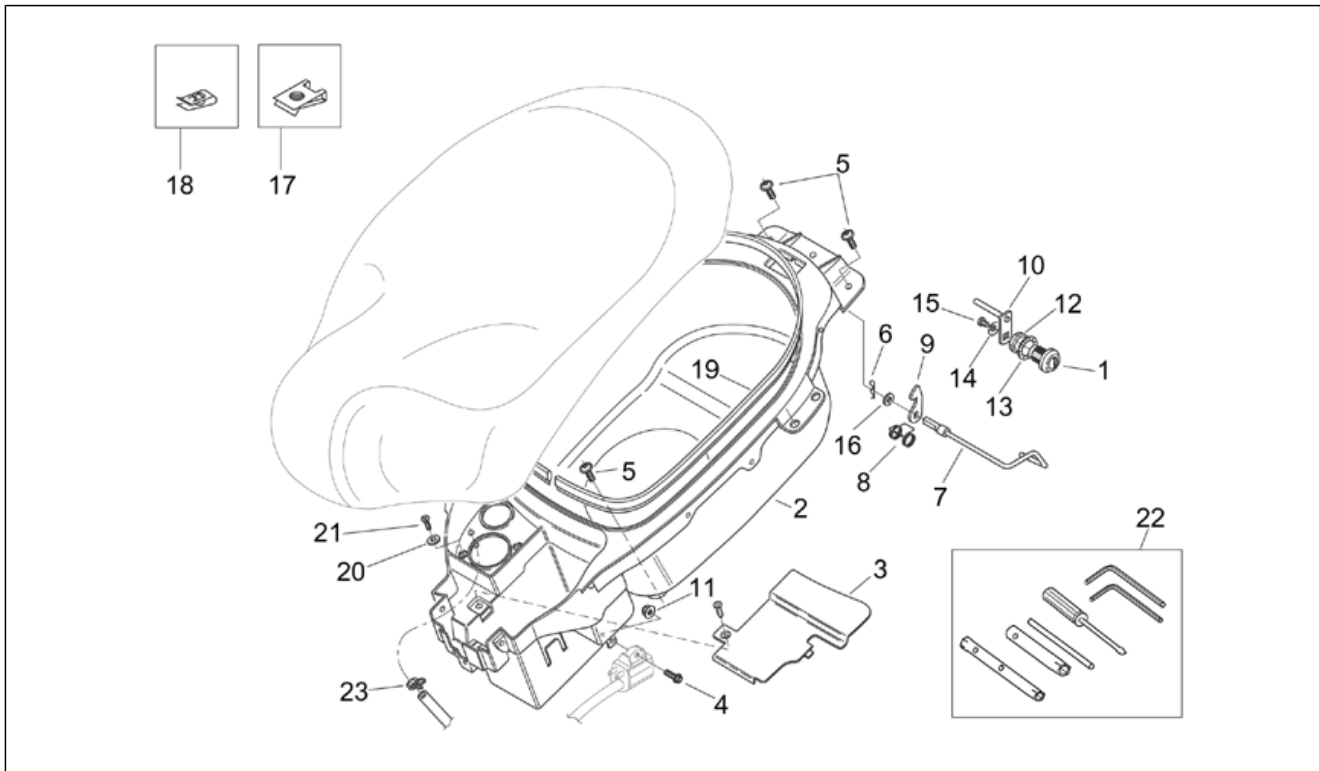
Pos.	Code	Beschreibung	Menge	Varianten
2	AP8249215	Seite Unterb. ls schw.	1	Baujahr: 2000[Y] Farbe: Schwarz Aprilia / Schwarz Matt '99-'00-'03-'04[a.blk]
2	AP8149412	Seite Unterb. ls schw.	1	Baujahr: 1999[X] Farbe: Schwarz Aprilia / Schwarz Matt '99-'00-'03-'04[a.blk]
2	AP8149427	Seite Unterb. ls hellblau	1	Baujahr: 2000[Y] Farbe: Hellblau Varadero / Weiß Chalk '99-'00-'03-'04[v.cya]
2	AP8149412	Seite Unterb. ls schw.	1	Baujahr: 2000[Y] Farbe: Schwarz Aprilia / Schwarz Matt '99-'00-'03-'04[a.blk]
3	AP8248175	Unt. Bodensch. schw.	1	
4	AP8102782	Clip f. Blechschr. D4,2	5	
5	AP8201763	Clip f. Blechschr. D5,5*	6	
6	AP8152351	Linsenschraube 4,2x16*	4	
7	AP8152345	Linsenschraube 5,5x20	2	

Einheit	RAHMEN
Code	28.10
Beschreibung	Sitz - Schäkel
Inspektion	1



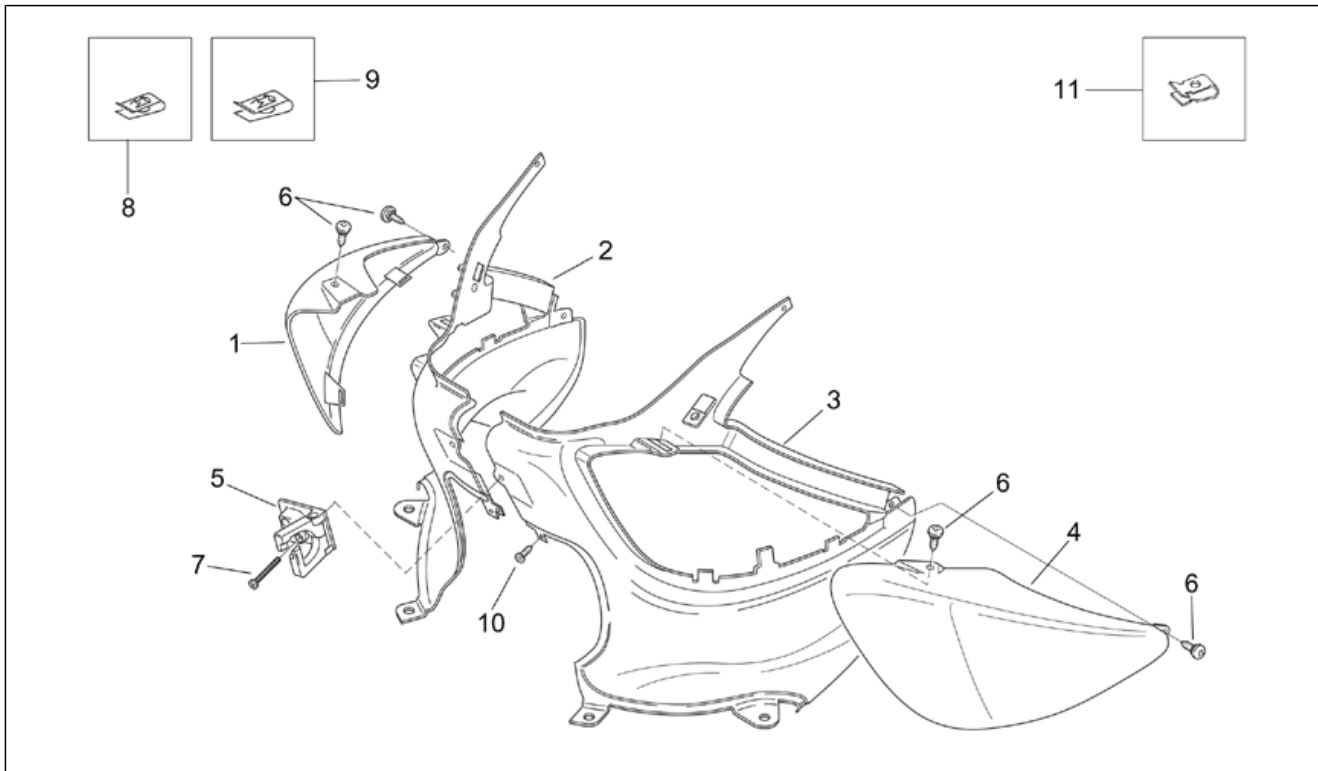
Pos.	Code	Beschreibung	Menge	Varianten
1	AP8129298	Doppelsitz, schwarz	1	
1	AP8229300	Einzelstz schwarz	1	
2	AP8220547	Stutzenhaube	1	
3	AP8121795	T-Buchse	4	
4	AP8152136	TBEI Schraube M6x35	5	
5	AP8248983	Soziusgriff verchromt	1	
6	AP8248158	Sitzgelenk	1	
7	AP8220349	Gummi	4	
8	AP8221282	Sitzgelenkbolzen	1	
9	AP8152246	TBEI Schraube m.Flansch M6x16	3	
10	AP8150014	Ausgleichscheibe 6,4x12,5*	1	
11	AP8201643	Splint	2	
12	AP8121795	T-Buchse	1	

Einheit	RAHMEN
Code	28.11
Beschreibung	Schutzhelmfach
Inspektion	1



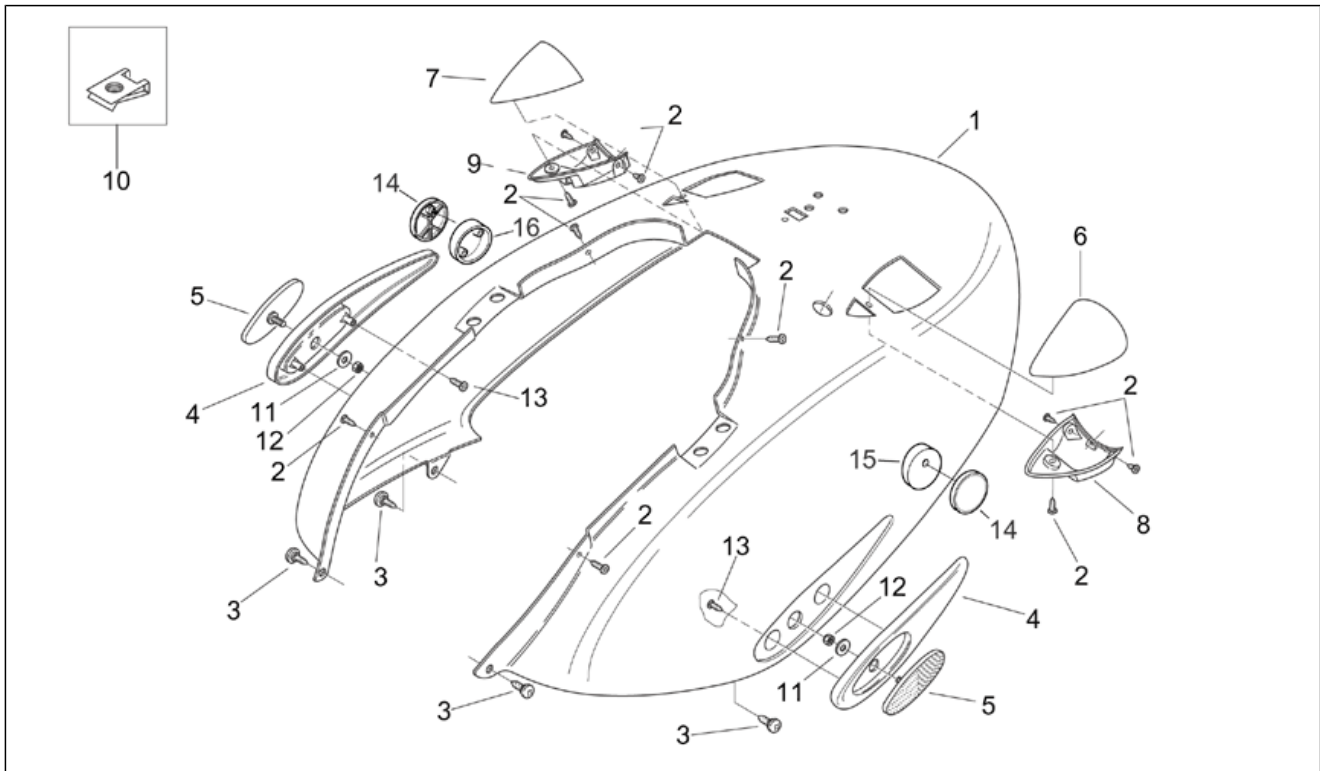
Pos.	Code	Beschreibung	Menge	Varianten
1	AP8202169	Kofferschloß	1	
2	AP8248160	Schutzhelmfach	1	
3	AP8248161	Batteriedeckel	1	
4	AP8152279	TE Schr. m. Flansch M6x20	1	
5	AP8152246	TBEI Schraube m.Flansch M6x16	4	
6	AP8201643	Splint	1	
7	AP8221294	Schließumlen. Sitz	1	
8	AP8221295	Sitzfeder	1	
9	AP8221293	Sitzhaken	1	
10	AP8202167	Sitzhebel	1	
11	AP8150430	Selbstsperr.mut Unt.	1	
12	AP8152194	Mutter unten M19x1*	1	
13	AP8201305	Schloßscheibe Nickel *	1	
14	AP8201748	Ausgleichscheibe	1	
15	AP8201749	Linsenschraube M4x6	1	
16	AP8150017	Ausgleichscheibe 8,4x16x1,6	1	
17	AP8102381	Klammer M4	2	
18	AP8102782	Clip f. Blechschr. D4,2	1	
19	AP8220313	Kofferdichtung	1	
20	AP8150013	Ausgleichscheibe 5,5x15x1,6*	2	
21	AP8152275	TE Schr. m. Flansch M5x25	2	
22	AP8202144	Werkzeugtasche	1	
23	AP8101595	Schelle D10,1	1	

Einheit	RAHMEN
Code	28.12
Beschreibung	Heckaufbau I
Inspektion	1



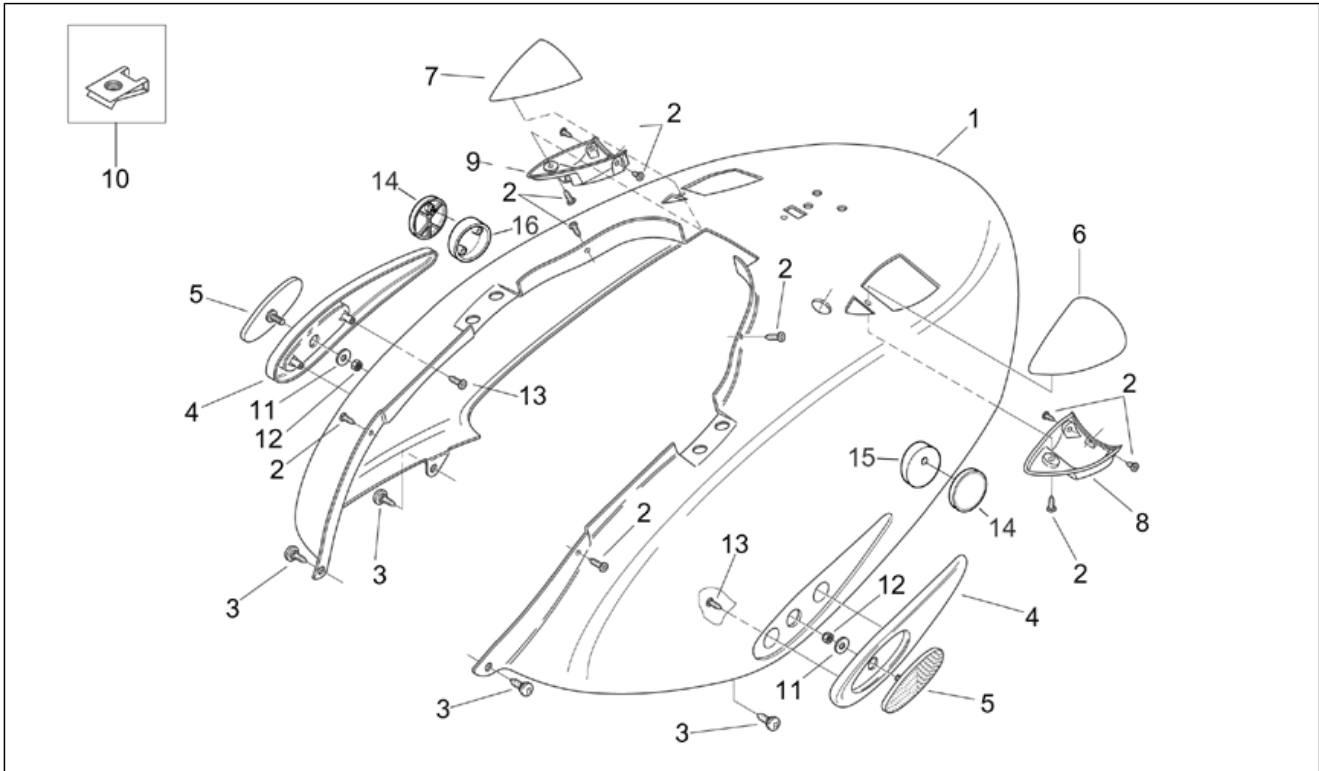
Pos.	Code	Beschreibung	Menge	Varianten
1	AP8249210	Untersitz rs apriliaschw.	1	Farbe:Schwarz Aprilia / Schwarz Matt '99-'00-'03-'04[a.blk]
1	AP8248972	Untersitz rs blau	1	Farbe:Hellblau Varadero / Weiß Chalk '99-'00-'03-'04[v.cya]
2	AP8158417	Seitendeckel rs schw.	1	
3	AP8158418	Seitendeckel ls schw.	1	
4	AP8249211	Untersitz ls apriliaschw.	1	Farbe:Schwarz Aprilia / Schwarz Matt '99-'00-'03-'04[a.blk]
4	AP8248980	Untersitz ls blau	1	Farbe:Hellblau Varadero / Weiß Chalk '99-'00-'03-'04[v.cya]
5	AP8201534	Kplt.Untersitzhaken	1	
6	AP8152345	Linsenschraube 5,5x20	4	
7	AP8150415	Linsenschraube	2	
8	AP8102782	Clip f. Blehschr. D4,2	3	
9	AP8201763	Clip f. Blehschr. D5,5*	6	
10	AP8152351	Linsenschraube 4,2x16*	2	
11	AP8213472	Klemme	1	

Einheit	RAHMEN
Code	28.13
Beschreibung	Heckaufbau II
Inspektion	1



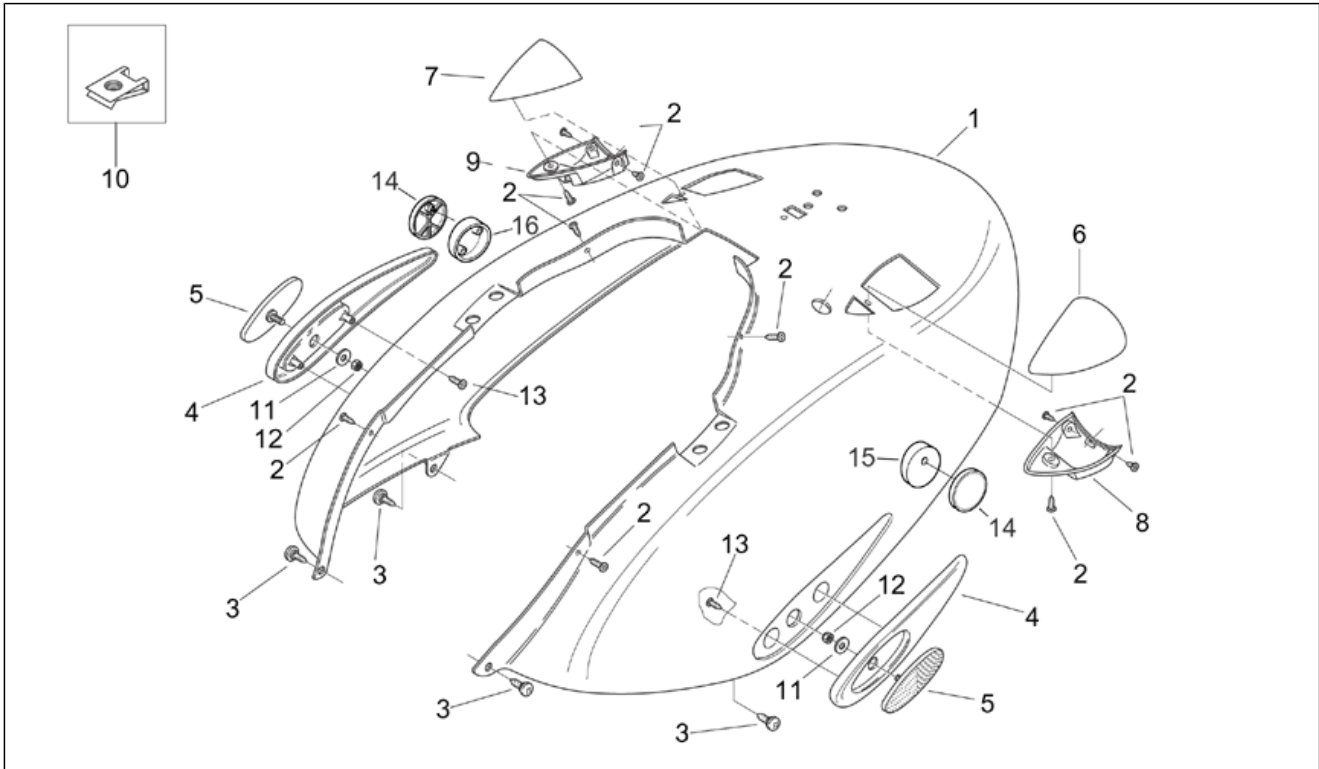
Pos.	Code	Beschreibung	Menge	Varianten
1	AP8139999	Heck schwarz Aprilia	1	Land: Österreich[A] Belgien[B] Schweiz[CH] Deutschland[D] Dänemark[DK] Spanien[E] A,B,D,DK,GR,F,I,NL[EU] Frankreich[F] Griechenland[GR] Italien[I] Israel[IL] Japan[J] Holland[NL] Portugal[P] Finnland[SF] E[SP] Großbritannien[UK] Farbe: Schwarz Aprilia / Schwarz Matt '99-'00-'03-'04[a.blk]
1	AP8258980	Heck schwarz Aprilia	1	Land: Vereinigte Staaten von Amerika[CF] [CZ]Vereinigte Staaten von Amerika[USA] Farbe: Schwarz Aprilia / Schwarz Matt '99-'00-'03-'04[a.blk]
1	AP8268014	Heck varadero bl.	1	Land: Vereinigte Staaten von Amerika[CF] [CZ]Vereinigte Staaten von Amerika[USA] Farbe: Hellblau Varadero / Weiß Chalk '99-'00-'03-'04[v.cya]
1	AP8139950	Heck varadero bl.	1	Land: Österreich[A] Belgien[B] Schweiz[CH] Deutschland[D] Dänemark[DK] Spanien[E] A,B,D,DK,GR,F,I,NL[EU] Frankreich[F] Griechenland[GR] Italien[I] Israel[IL] Japan[J] Holland[NL] Portugal[P] Finnland[SF] E[SP] Großbritannien[UK] Farbe: Hellblau Varadero / Weiß Chalk '99-'00-'03-'04[v.cya]
2	AP8150413	Gew.schr. 3,9x14	10	
3	AP8152345	Linsenschraube 5,5x20	4	
4	AP8158408	Ovales Abzeich.	2	
5	AP8277005	Rückstrahler deko	2	Land: Vereinigte Staaten von Amerika[CF] [CZ]Vereinigte Staaten von Amerika[USA]
5	AP8224114	Ov. Rückstr. gelb	2	Land: Österreich[A] Belgien[B] Schweiz[CH] Deutschland[D] Dänemark[DK] Spanien[E] A,B,D,DK,GR,F,I,NL[EU] Frankreich[F] Griechenland[GR] Italien[I] Israel[IL] Japan[J] Holland[NL] Portugal[P] Finnland[SF] E[SP] Großbritannien[UK]
6	AP8258974	Blinkerdeck.l.s, schw.	1	Land: Vereinigte Staaten von Amerika[CF] [CZ]Vereinigte Staaten von Amerika[USA] Farbe: Schwarz Aprilia / Schwarz Matt '99-'00-'03-'04[a.blk]
6	AP8268016	Blinkerdeck.l.s, hellbl.	1	Land: Vereinigte Staaten von Amerika[CF] [CZ]Vereinigte Staaten von Amerika[USA] Farbe: Hellblau Varadero / Weiß Chalk '99-'00-'03-'04[v.cya]

Einheit	RAHMEN
Code	28.13
Beschreibung	Heckaufbau II
Inspektion	1



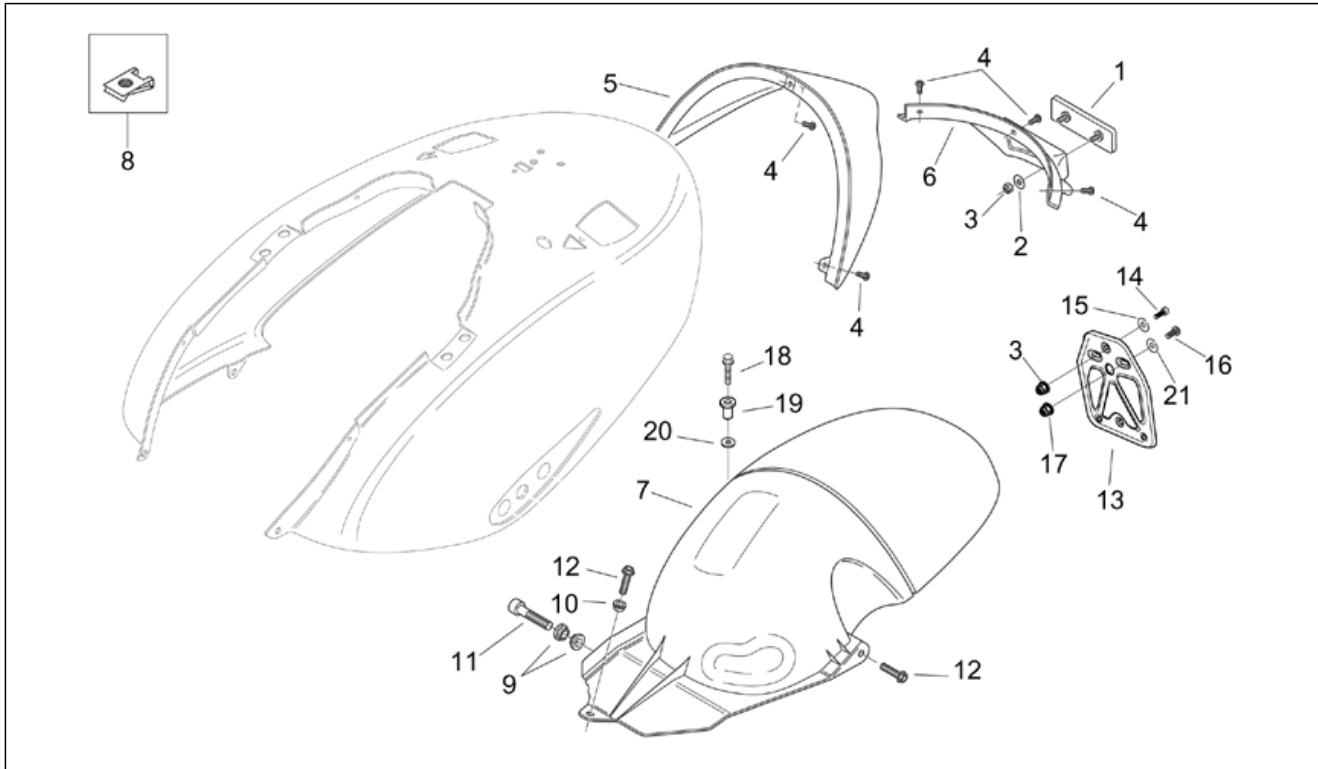
Pos.	Code	Beschreibung	Menge	Varianten
6	AP8248981	Blinkerdeck.ls, hellbl.	1	Land: Österreich[A] Belgien[B] Schweiz[CH] Deutschland[D] Dänemark[DK] Spanien[E] A,B,D,DK,GR,F,I,NL[EU] Frankreich[F] Griechenland[GR] Italien[I] Israel[IL] Japan[J] Holland[NL] Portugal[P] Finnland[SF] E[SP] Großbritannien[UK] Farbe: Hellblau Varadero / Weiß Chalk '99-'00-'03-'04[v.cya]
6	AP8249218	Blinkerdeck.ls, schw.	1	Land: Österreich[A] Belgien[B] Schweiz[CH] Deutschland[D] Dänemark[DK] Spanien[E] A,B,D,DK,GR,F,I,NL[EU] Frankreich[F] Griechenland[GR] Italien[I] Israel[IL] Japan[J] Holland[NL] Portugal[P] Finnland[SF] E[SP] Großbritannien[UK] Farbe: Schwarz Aprilia / Schwarz Matt '99-'00-'03-'04[a.blk]
7	AP8258973	Blinkerdeck.rs, schw.	1	Land: Vereinigte Staaten von Amerika[CF] [CZ]Vereinigte Staaten von Amerika[USA] Farbe: Schwarz Aprilia / Schwarz Matt '99-'00-'03-'04[a.blk]
7	AP8268015	Blinkerdeck.rs, hellbl.	1	Land: Vereinigte Staaten von Amerika[CF] [CZ]Vereinigte Staaten von Amerika[USA] Farbe: Hellblau Varadero / Weiß Chalk '99-'00-'03-'04[v.cya]
7	AP8248977	Blinkerdeck.rs, hellbl.	1	Land: Österreich[A] Belgien[B] Schweiz[CH] Deutschland[D] Dänemark[DK] Spanien[E] A,B,D,DK,GR,F,I,NL[EU] Frankreich[F] Griechenland[GR] Italien[I] Israel[IL] Japan[J] Holland[NL] Portugal[P] Finnland[SF] E[SP] Großbritannien[UK] Farbe: Hellblau Varadero / Weiß Chalk '99-'00-'03-'04[v.cya]
7	AP8249217	Blinkerdeck.rs, schw.	1	Land: Österreich[A] Belgien[B] Schweiz[CH] Deutschland[D] Dänemark[DK] Spanien[E] A,B,D,DK,GR,F,I,NL[EU] Frankreich[F] Griechenland[GR] Italien[I] Israel[IL] Japan[J] Holland[NL] Portugal[P] Finnland[SF] E[SP] Großbritannien[UK] Farbe: Schwarz Aprilia / Schwarz Matt '99-'00-'03-'04[a.blk]
8	AP8248889	Sitz Blinker ls schwarz	1	
9	AP8248571	Sitz Blinker rs schwarz	1	
10	AP8102381	Klammer M4	6	

Einheit	RAHMEN
Code	28.13
Beschreibung	Heckaufbau II
Inspektion	1



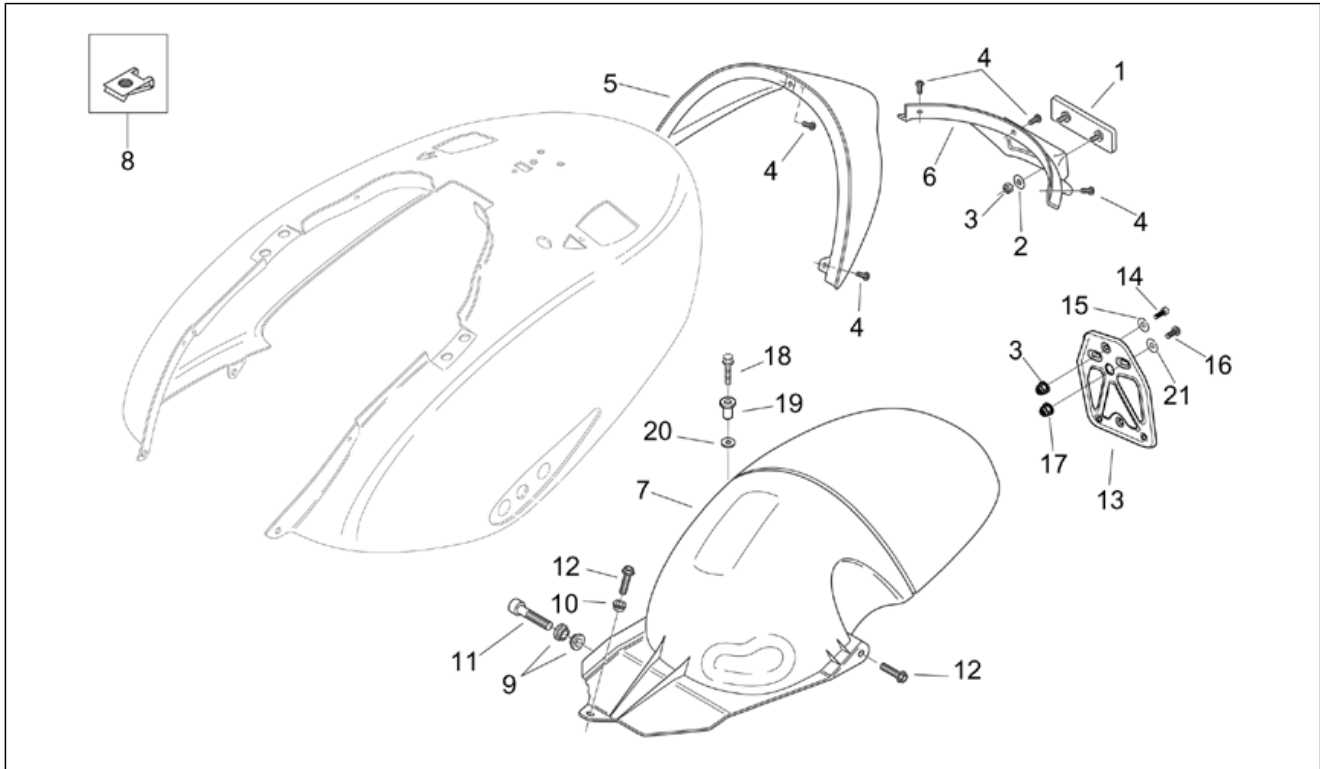
Pos.	Code	Beschreibung	Menge	Varianten
11	AP8150159	Ausgleichscheibe 4,3x16*	2	Land:Österreich[A] Belgien[B] Schweiz[CH] Deutschland[D] Dänemark[DK] Spanien[E] A,B,D,DK,GR,F,I,NL[EU] Frankreich[F] Griechenland[GR] Italien[I] Israel[IL] Japan[J] Holland[NL] Portugal[P] Finnland[SF] E[SP] Großbritannien[UK]
12	AP8150204	Mutter M4	2	Land:Österreich[A] Belgien[B] Schweiz[CH] Deutschland[D] Dänemark[DK] Spanien[E] A,B,D,DK,GR,F,I,NL[EU] Frankreich[F] Griechenland[GR] Italien[I] Israel[IL] Japan[J] Holland[NL] Portugal[P] Finnland[SF] E[SP] Großbritannien[UK]
13	AP8150421	Gew.schr. 2,9x12	4	
14	AP8224164	Rückstrahler Rücklicht, rot	2	Land:Vereinigte Staaten von Amerika[CF] [CZ]Vereinigte Staaten von Amerika[USA]
15	AP8249104	Rückstr.halter v. rs.	1	Land:Vereinigte Staaten von Amerika[CF] [CZ]Vereinigte Staaten von Amerika[USA]
16	AP8249105	Rückstr.halter v. ls.	1	Land:Vereinigte Staaten von Amerika[CF] [CZ]Vereinigte Staaten von Amerika[USA]

Einheit	RAHMEN
Code	28.14
Beschreibung	Heckaufbau III
Inspektion	1



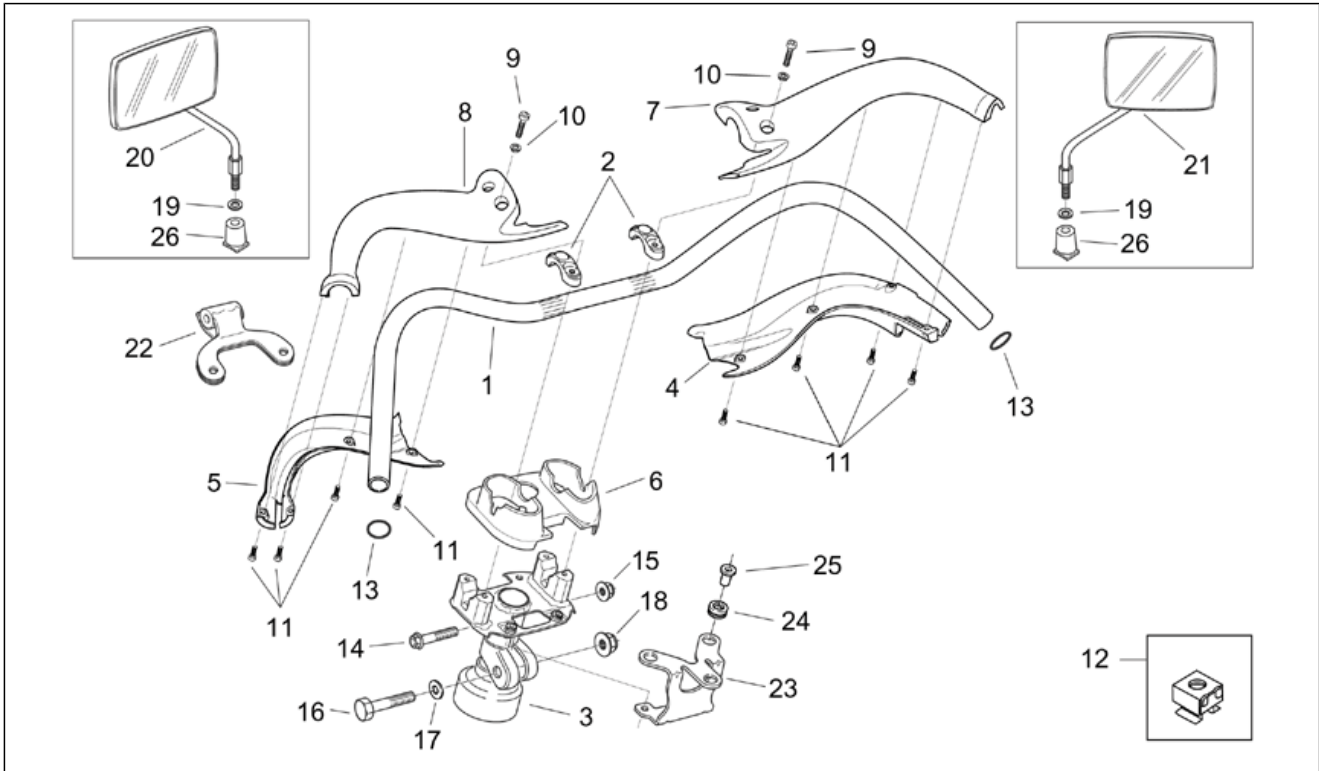
Pos.	Code	Beschreibung	Menge	Varianten
1	AP8112916	Rückstrahler Rücklicht	1	Land: Österreich[A] Belgien[B] Schweiz[CH] Deutschland[D] Dänemark[DK] Spanien[E] A,B,D,DK,GR,F,I,NL[EU] Frankreich[F] Griechenland[GR] Italien[I] Israel[IL] Japan[J] Holland[NL] Portugal[P] Finnland[SF] E[SP] Großbritannien[UK]
2	AP8150011	Ausgleichscheibe 4,3x12x1	2	Land: Österreich[A] Belgien[B] Schweiz[CH] Deutschland[D] Dänemark[DK] Spanien[E] A,B,D,DK,GR,F,I,NL[EU] Frankreich[F] Griechenland[GR] Italien[I] Israel[IL] Japan[J] Holland[NL] Portugal[P] Finnland[SF] E[SP] Großbritannien[UK]
3	AP8150204	Mutter M4	5	Land: Österreich[A] Belgien[B] Schweiz[CH] Deutschland[D] Dänemark[DK] Spanien[E] A,B,D,DK,GR,F,I,NL[EU] Frankreich[F] Griechenland[GR] Italien[I] Israel[IL] Japan[J] Holland[NL] Portugal[P] Finnland[SF] E[SP] Großbritannien[UK]
4	AP8150359	Linsenschraube	6	
5	AP8149413	Schlagschutz hin., a.sch.	1	Land: Vereinigte Staaten von Amerika[CF] [CZ]Vereinigte Staaten von Amerika[USA] Farbe: Schwarz Aprilia / Schwarz Matt '99-'00-'03-'04[a.blk]
5	AP8248689	Schlagschutz hin. verchr.	1	Land: Österreich[A] Belgien[B] Schweiz[CH] Deutschland[D] Dänemark[DK] Spanien[E] A,B,D,DK,GR,F,I,NL[EU] Frankreich[F] Griechenland[GR] Italien[I] Israel[IL] Japan[J] Holland[NL] Portugal[P] Finnland[SF] E[SP] Großbritannien[UK] Farbe: Schwarz Aprilia / Schwarz Matt '99-'00-'03-'04[a.blk] Hellblau Varadero / Weiß Chalk '99-'00-'03-'04[v.cya]
5	AP8149419	Schlagschutz hin., v.blau	1	Land: Vereinigte Staaten von Amerika[CF] [CZ]Vereinigte Staaten von Amerika[USA] Farbe: Hellblau Varadero / Weiß Chalk '99-'00-'03-'04[v.cya]
6	AP8248165	Hinteres Spritzschutz, schw.	1	Land: Österreich[A] Belgien[B] Schweiz[CH] Deutschland[D] Dänemark[DK] Spanien[E] A,B,D,DK,GR,F,I,NL[EU] Frankreich[F] Griechenland[GR] Italien[I] Israel[IL] Japan[J] Holland[NL] Portugal[P] Finnland[SF] E[SP] Großbritannien[UK]

Einheit	RAHMEN
Code	28.14
Beschreibung	Heckaufbau III
Inspektion	1



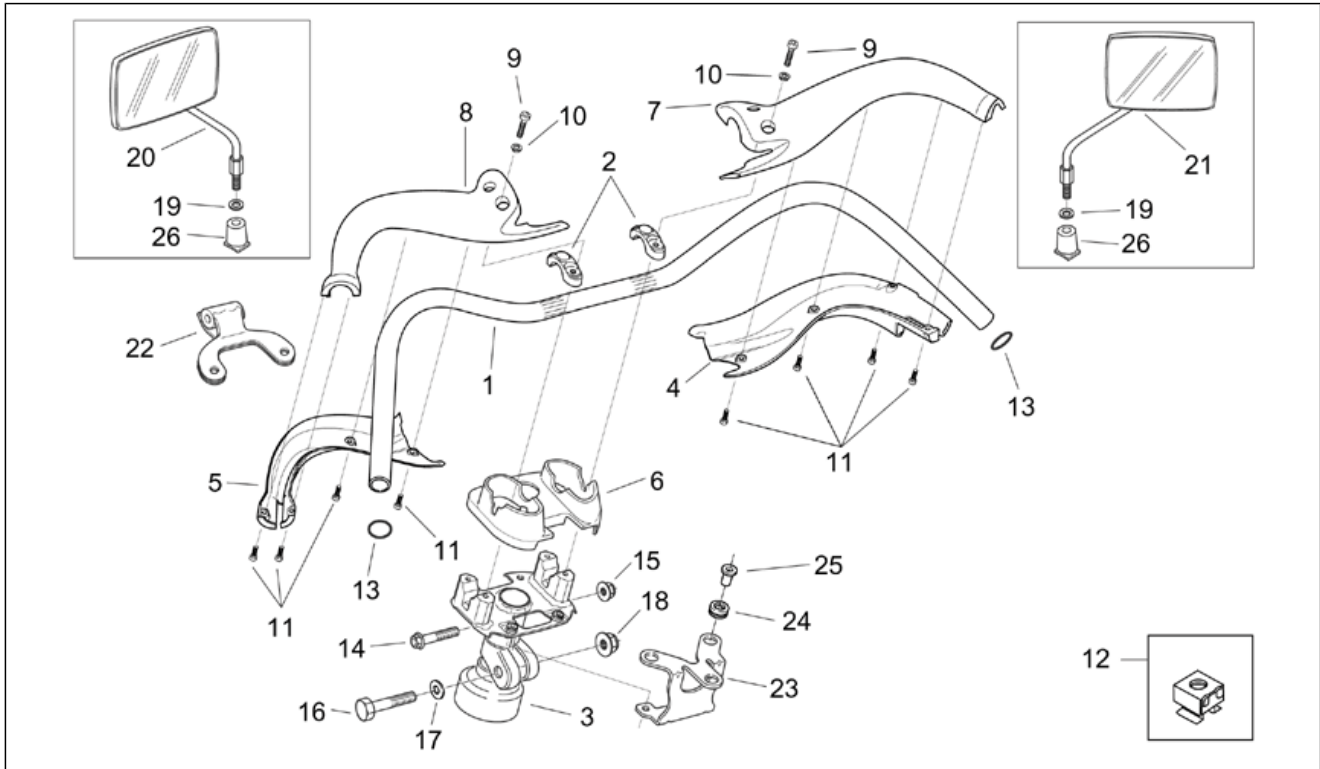
Pos.	Code	Beschreibung	Menge	Varianten
6	AP8148014	Hinteres Spritzschutz, schw.	1	Land:Vereinigte Staaten von Amerika[CF] [CZ]Vereinigte Staaten von Amerika[USA]
7	AP8248163	Hinteres Schutzblech	1	Technische Spezifikation:Version ohne Katalysator[nocat]
7	AP8249228	Hinteres Schutzblech	1	Technische Spezifikation:Version mit Katalysator[cat]
8	AP8102376	Klammer M6	1	
9	AP8221218	Buchse Schutzblech	2	
10	AP8121035	T-Buchse *	1	
11	AP8150171	TCEI Schraube M8x40	1	
12	AP8152278	TE Schr. m. Flansch M6x16	2	
13	AP8249558	Kennzeichenhalter	1	Land:Italien[I]
14	AP8152043	TCEI Schraube M4x10	3	Land:Italien[I]
15	AP8150158	Ausgleichscheibe 4,3X9X0,8	3	Land:Italien[I]
16	AP8152268	TBEI Spez.schr. M5x16	3	Land:Italien[I]
17	AP8152306	Selbstsperrende Mutter M5	3	Land:Italien[I]
18	AP8152275	TE Schr. m. Flansch M5x25	1	
19	AP8121736	T-Buchse	1	
20	AP8144064	Wärmeschutzscheibe	1	
21	AP8150382	Ausgleichscheibe 15x5,5X1,2	3	Land:Italien[I]

Einheit	RAHMEN
Code	28.15
Beschreibung	Lenkstange
Inspektion	1



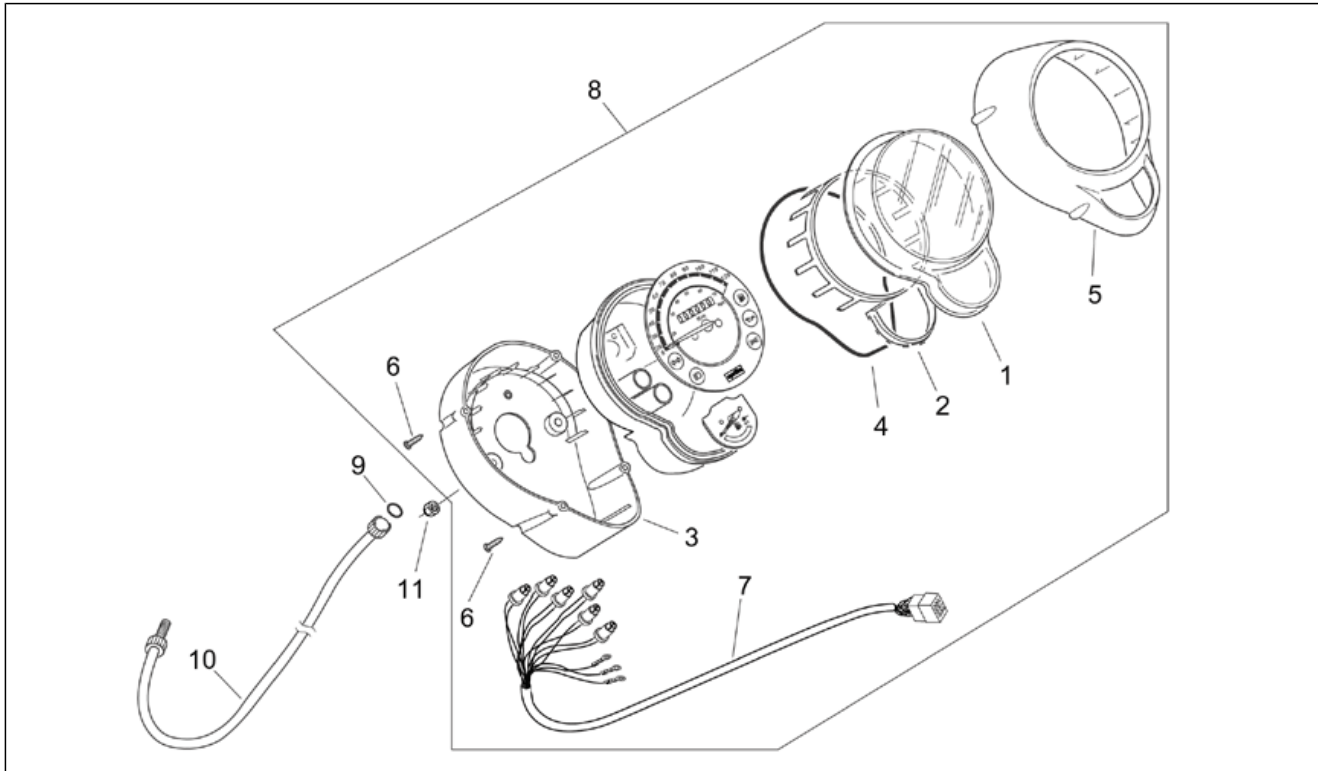
Pos.	Code	Beschreibung	Menge	Varianten
1	AP8218490	Lenkerschlauch	1	
2	AP8218489	Bügelbolzen oben	2	
3	AP8218491	Unterer Bügel	1	
4	AP8218484	Lenkerverkl. u. rs	1	Land: Österreich[A] Belgien[B] Schweiz[CH] Deutschland[D] Dänemark[DK] Spanien[E] A,B,D,DK,GR,F,I,NL[EU] Frankreich[F] Griechenland[GR] Italien[I] Israel[IL] Japan[J] Holland[NL] Portugal[P] Finnland[SF] E[SP] Großbritannien[UK]
4	AP8118634	Lenkerverkl. u. rs	1	Land: Vereinigte Staaten von Amerika[CF] [CZ]Vereinigte Staaten von Amerika[USA]
5	AP8218485	Lenkerverkl. u. ls	1	Land: Österreich[A] Belgien[B] Schweiz[CH] Deutschland[D] Dänemark[DK] Spanien[E] A,B,D,DK,GR,F,I,NL[EU] Frankreich[F] Griechenland[GR] Italien[I] Israel[IL] Japan[J] Holland[NL] Portugal[P] Finnland[SF] E[SP] Großbritannien[UK]
5	AP8118635	Lenkerverkl. u. ls	1	Land: Vereinigte Staaten von Amerika[CF] [CZ]Vereinigte Staaten von Amerika[USA]
6	AP8118636	Lenkerverkl. zentr.	1	Land: Vereinigte Staaten von Amerika[CF] [CZ]Vereinigte Staaten von Amerika[USA]
6	AP8218486	Lenkerverkl. zentr.	1	Land: Österreich[A] Belgien[B] Schweiz[CH] Deutschland[D] Dänemark[DK] Spanien[E] A,B,D,DK,GR,F,I,NL[EU] Frankreich[F] Griechenland[GR] Italien[I] Israel[IL] Japan[J] Holland[NL] Portugal[P] Finnland[SF] E[SP] Großbritannien[UK]
7	AP8218487	Lenkerverkl. o.rs	1	Baujahr: 1999[X]
7	AP8249877	Lenkerverkl. o.rs	1	Baujahr: 1999[X]
7	AP8249877	Lenkerverkl. o.rs	1	Baujahr: 2003[3] 2004[4] 2000[Y]
8	AP8249878	Lenkerverkl. o.ls	1	Baujahr: 2003[3] 2004[4] 2000[Y]
8	AP8218488	Lenkerverkl. o.ls	1	Baujahr: 1999[X]
8	AP8249878	Lenkerverkl. o.ls	1	Baujahr: 1999[X]
9	AP8150286	TCEI Schraube M10x80	4	
10	AP8121811	T-Buchse	4	

Einheit	RAHMEN
Code	28.15
Beschreibung	Lenkstange
Inspektion	1



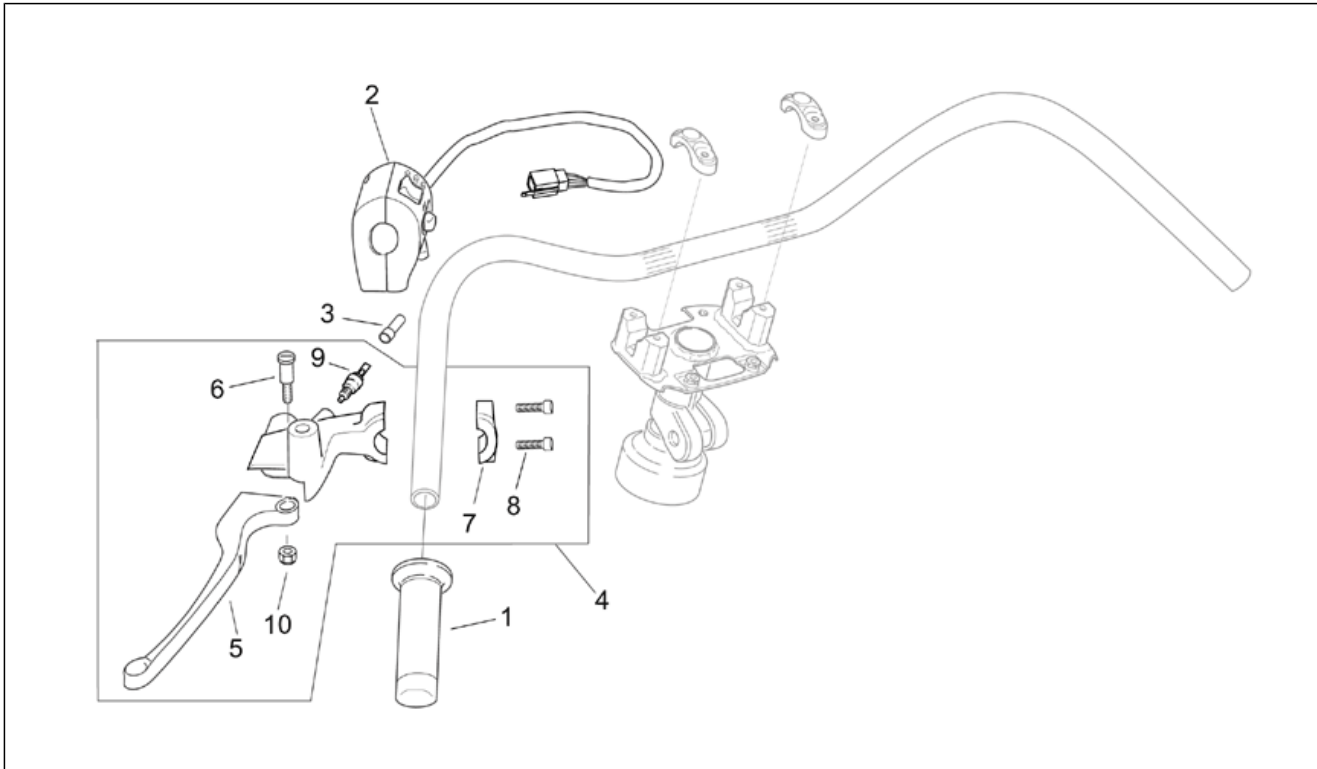
Pos.	Code	Beschreibung	Menge	Varianten
11	AP8150421	Gew.schr. 2,9x12	8	Baujahr:2003[3] 2004[4] 2000[Y]
11	AP8152043	TCEI Schraube M4x10	8	Baujahr:1999[X]
11	AP8150421	Gew.schr. 2,9x12	8	Baujahr:1999[X]
12	AP8221213	Käfigmutter M6	2	
13	AP8203976	O-Ring	2	
14	AP8152290	TE Schr. m. Flansch M8x40	1	
15	AP8152300	Selbstsperrende Mutter M8	1	
16	AP8150201	Sechskantschraube M10x55	1	
17	AP8150020	Ausgleichscheibe 10,5x21x2*	1	
18	AP8152301	Selbstsperrende Mutter	1	
19	AP8150020	Ausgleichscheibe 10,5x21x2*	2	
20	AP8202170	Rückspiegel links	1	
21	AP8202166	Rückspiegel rechts	1	
22	AP8234175	Scheinw.bügel	1	Land:Österreich[A] Belgien[B] Schweiz[CH] Deutschland[D] Dänemark[DK] Spanien[E] A,B,D,DK,GR,F,I,NL[EU] Frankreich[F] Griechenland[GR] Italien[I] Israel[IL] Japan[J] Holland[NL] Portugal[P] Finnland[SF] E[SP] Großbritannien[UK]
22	AP8146794	Scheinw.bügel	1	Land:Vereinigte Staaten von Amerika[CF] [CZ]Vereinigte Staaten von Amerika[USA]
23	AP8234174	Instr.haltebügel	1	
24	AP8112599	Gummi *	3	
25	AP8121790	T-Buchse *	3	
26	AP8144296	Gummi Spiegel	2	

Einheit	RAHMEN
Code	28.16
Beschreibung	Instrumententafel
Inspektion	1



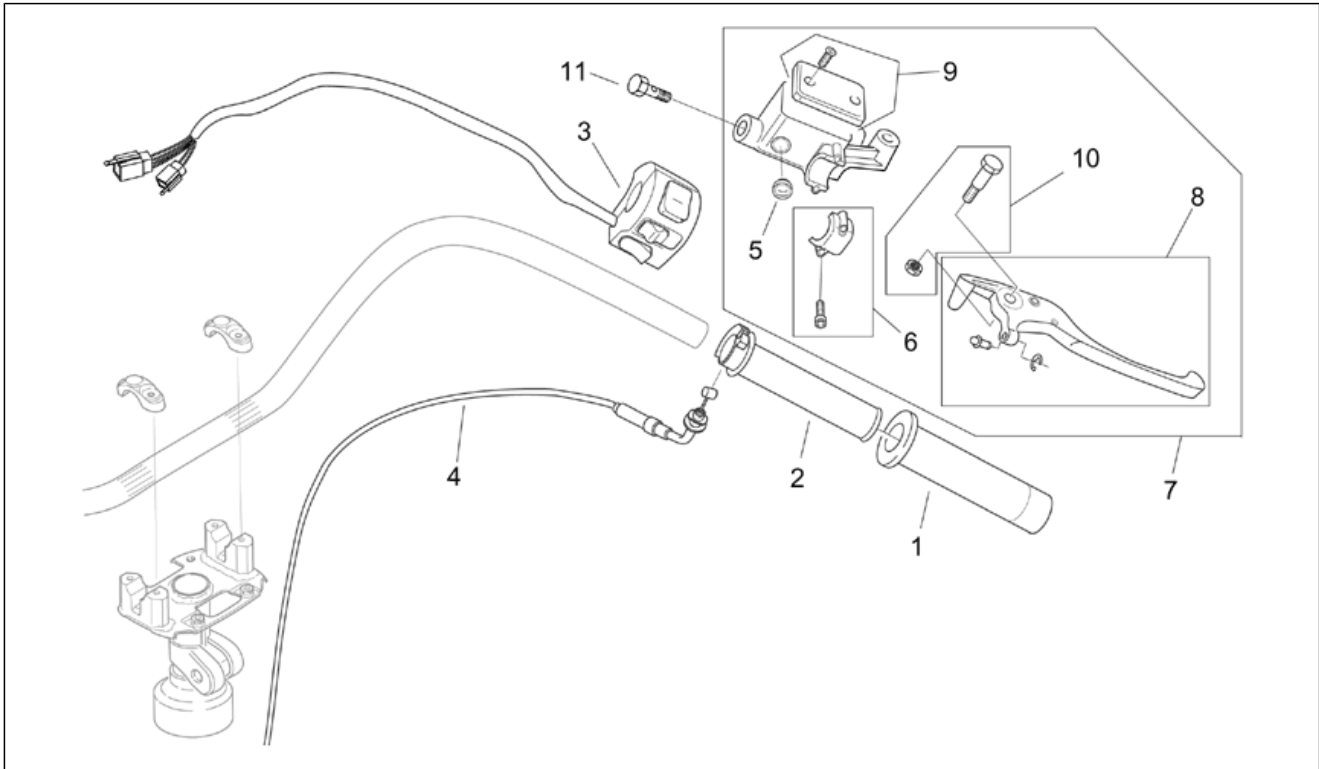
Pos.	Code	Beschreibung	Menge	Varianten
1	AP8224231	Instrumenten-Abdeckblende	1	
2	AP8224232	Streuschirm	1	
3	AP8249265	Untere Schale	1	
4	AP8220555	Dichtung	1	
5	AP8224240	Verchromter Rahmen	1	
6	AP8224244	Gew.schr. 2,2x16	4	
7	AP8224233	Verkab. mit Lampen	1	
8	AP8224092	Instrumententafel	1	Baujahr: 1999[X] 2000[Y] Land: Österreich[A] Belgien[B] Schweiz[CH] Dänemark[DK] Spanien[E] Frankreich[F] Griechenland[GR] Italien[I] Israel[IL] Japan[J] Holland[NL] Portugal[P] Finnland[SF] Großbritannien[UK]
8	AP8224191	Instrumententafel	1	Baujahr: 1999[X] Land: Deutschland[D]
8	AP8224535	Instrumententafel	1	Baujahr: 03[03] apr[apr] Land: Vereinigte Staaten von Amerika[CF] [CZ]Vereinigte Staaten von Amerika[USA]
8	AP8224092	Instrumententafel	1	Baujahr: 2000[Y] Land: Deutschland[D]
8	AP8224489	Instrumententafel	1	Baujahr: 2003[3] Land: Österreich[A] Belgien[B] Schweiz[CH] Deutschland[D] Dänemark[DK] Spanien[E] A,B,D,DK,GR,F,I,NL[EU] Frankreich[F] Griechenland[GR] Italien[I] Israel[IL] Japan[J] Holland[NL] Portugal[P] Finnland[SF] E[SP] Großbritannien[UK]
9	AP8220177	O-Ring 115	1	
10	AP8214194	Tachometerkabel	1	
11	AP8152299	Selbstsperrende Mutter M6	3	

Einheit	RAHMEN
Code	28.17
Beschreibung	Schaltungen links
Inspektion	1



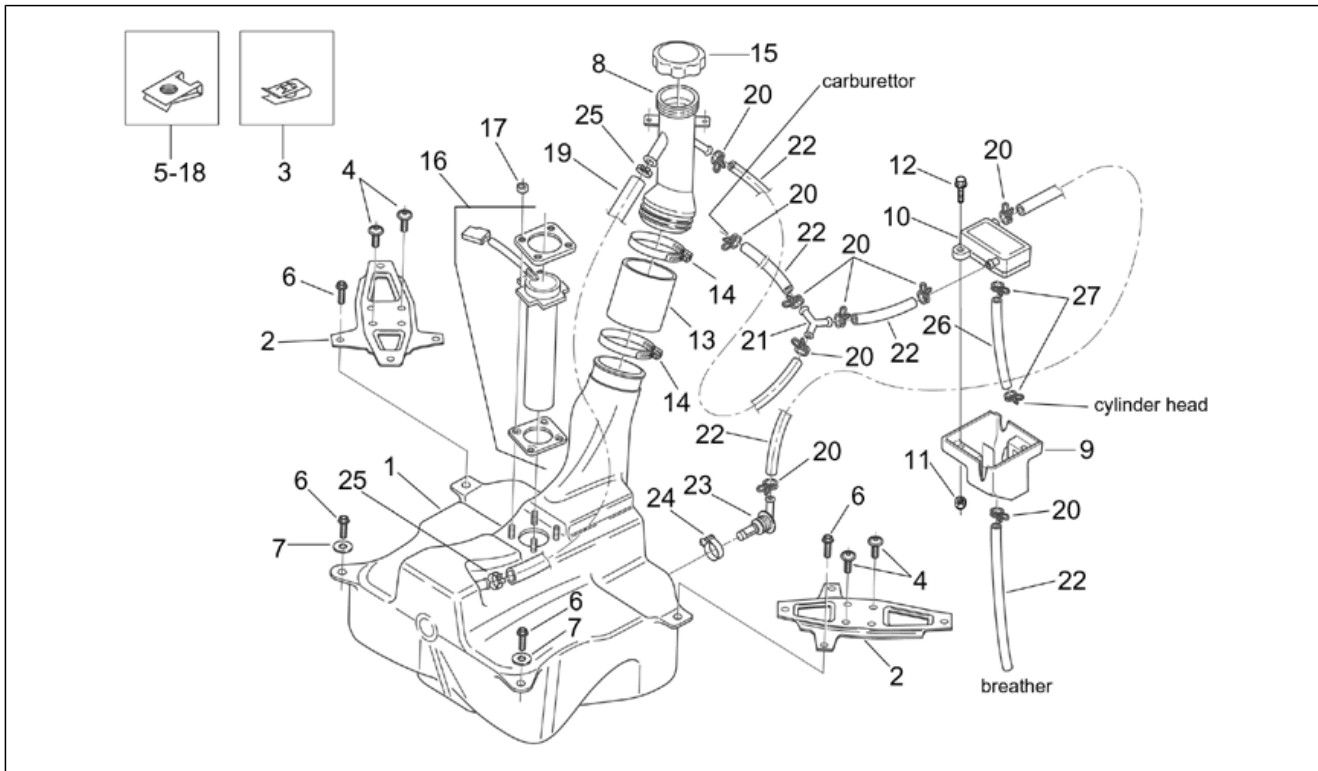
Pos.	Code	Beschreibung	Menge	Varianten
1	AP8118425	Handgriffe paar	1	
2	AP8224090	L. Lichtumsch. m. K.	1	
3	AP8220135	Gummi *	1	
4	AP8218492	H. bremshebel	1	
5	AP8218495	Hinterradbremshebel	1	
6	AP8218497	Bremshebelbolzen	1	
7	AP8218496	Bügelbolzen	1	
8	AP8118376	Schraube	1	
9	AP8124818	Bremslichtschalter	1	
10	AP8118490	Mutter	1	

Einheit	RAHMEN
Code	28.18
Beschreibung	Schaltungen rechts
Inspektion	1



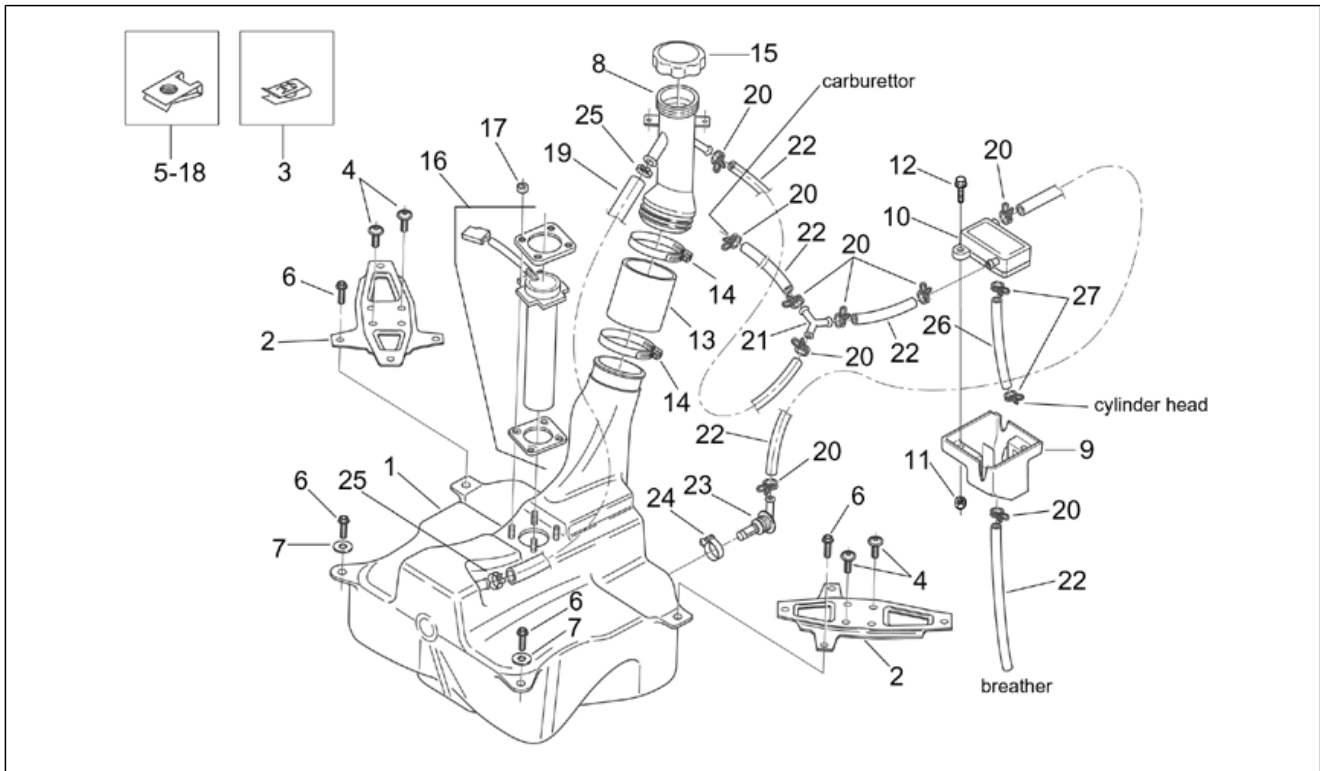
Pos.	Code	Beschreibung	Menge	Varianten
1	AP8118425	Handgriffe paar	1	
2	AP8218494	Gasschaltung ohne Griff	1	
3	AP8224263	Motor Stop-Start Vorr.	1	Land: Vereinigte Staaten von Amerika[CF] [CZ]Japan[J] Vereinigte Staaten von Amerika[USA]
3	AP8224091	R. Lichtumsch. m. K.	1	Land: Österreich[A] Belgien[B] Schweiz[CH] Deutschland[D] Dänemark[DK] Spanien[E] A,B,D,DK,GR,F,I,NL[EU] Frankreich[F] Griechenland[GR] Italien[I] Israel[IL] Holland[NL] Portugal[P] Finnland[SF] E[SP] Großbritannien[UK]
4	AP8214195	Gaszugkabel	1	
5	AP8113063	Schauglas Bremspumpe	1	
6	AP8218481	Bügelbolzen	1	
7	AP8213425	Vorderradbremspumpe d13	1	
8	AP8218479	Vorderradbremshebel	1	
9	AP8220552	Öltankschraube kplt.	1	
10	AP8218482	Hebelbolzen kpl.	1	
11	AP8113003	Fixierschraube Ölschlauch	1	

Einheit	RAHMEN
Code	28.19
Beschreibung	Kraftstofftank
Inspektion	1



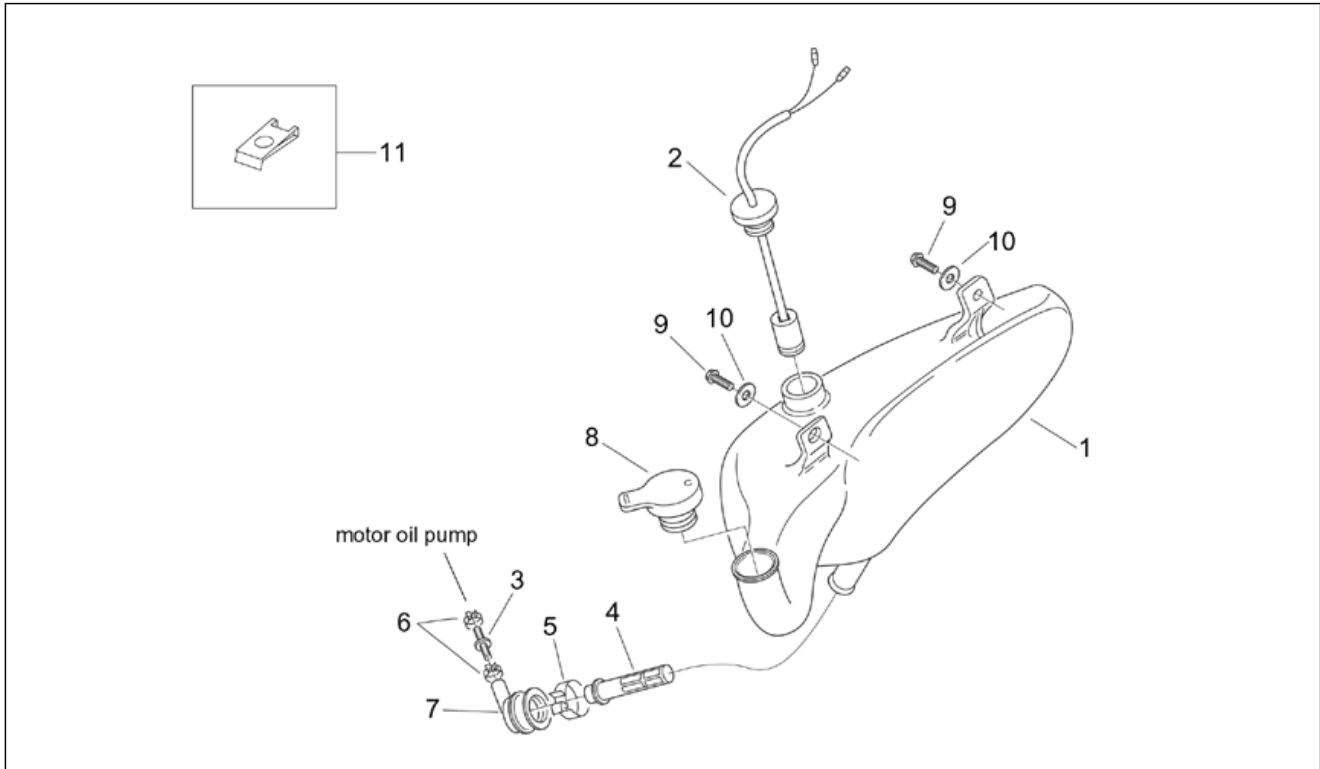
Pos.	Code	Beschreibung	Menge	Varianten
1	AP8248153	Kraftstofftank	1	
2	AP8234156	Bügel Fußauflage	2	
3	AP8201763	Clip f. Blechschr. D5,5*	2	
4	AP8152246	TBEI Schraube m.Flansch M6x16	4	
5	AP8102376	Klammer M6	4	
6	AP8152278	TE Schr. m. Flansch M6x16	4	
7	AP8150015	Ausgleichscheibe 6,6x18x1,6*	2	
8	AP8248985	Tankstutzen	1	Baujahr: 03[03] apr[apr] Technische Spezifikation: Version mit Katalysator[cat]
8	AP8248985	Tankstutzen	1	Baujahr: 1999[X] 2000[Y] Land: Österreich[A] Schweiz[CH] Deutschland[D] Dänemark[DK] Italien[I] Holland[NL] Finnland[SF] Technische Spezifikation: Version mit Katalysator[cat]
8	AP8248154	Benzinstutzen	1	Baujahr: 1999[X] 2000[Y] Land: Belgien[B] Spanien[E] Frankreich[F] Griechenland[GR] Israel[IL] Japan[J] Portugal[P] Großbritannien[UK]
8	AP8248154	Benzinstutzen	1	Baujahr: 1999[X] 2000[Y] Land: Italien[I] Technische Spezifikation: Version ohne Katalysator[nocat]
9	AP8248156	Kraftstoffpumpenschutz	1	
10	AP8222377	Kraftstoffpumpe	1	
11	AP8152306	Selbstsperrende Mutter M5	2	
12	AP8152275	TE Schr. m. Flansch M5x25	2	
13	AP8220568	Kraftstoffmuffe	1	
14	AP8102401	Schelle D50-70x8*	2	
15	AP8201757	Tankverschlußschraube	1	
16	AP8224079	Kraftstoffmeßsonde	1	
17	AP8150204	Mutter M4	4	
18	AP8102375	Klammer M5	2	
19	AP8120956	Entlüftungsschlauch Kühler	1	

Einheit	RAHMEN
Code	28.19
Beschreibung	Kraftstofftank
Inspektion	1



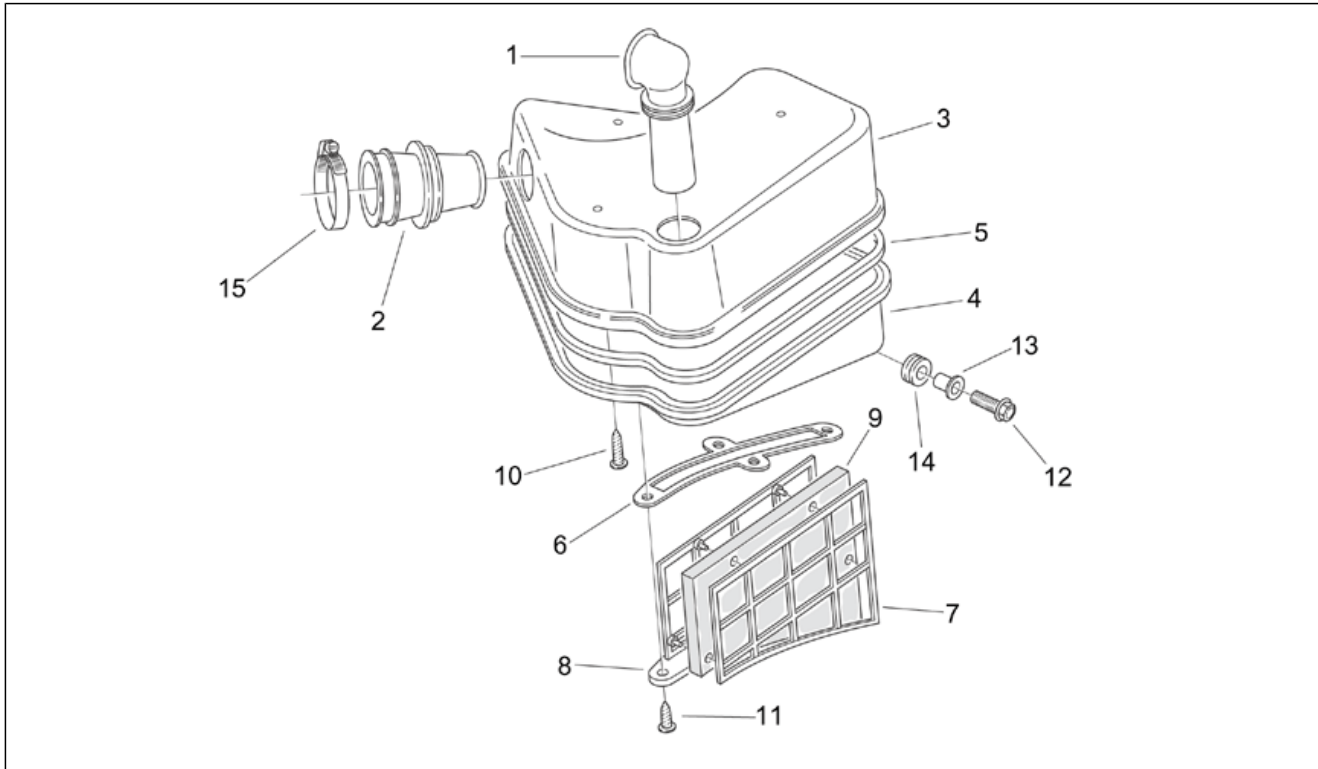
Pos.	Code	Beschreibung	Menge	Varianten
20	AP8101595	Schelle D10,1	10	
21	AP8120116	3-Wegeanschluß	1	
22	AP8120952	Kraftstoffleitung 5,5x10	1	
23	AP8104071	Anschluß komplett	1	
24	AP8104072	Schelle	1	
25	AP8102903	Schlauchschelle D16,5X6,6	2	
26	AP8220263	Entlüftungsschlauch Kühler 4x8	1	
27	AP8101595	Schelle D10,1	2	

Einheit	RAHMEN
Code	28.20
Beschreibung	Öltank
Inspektion	1



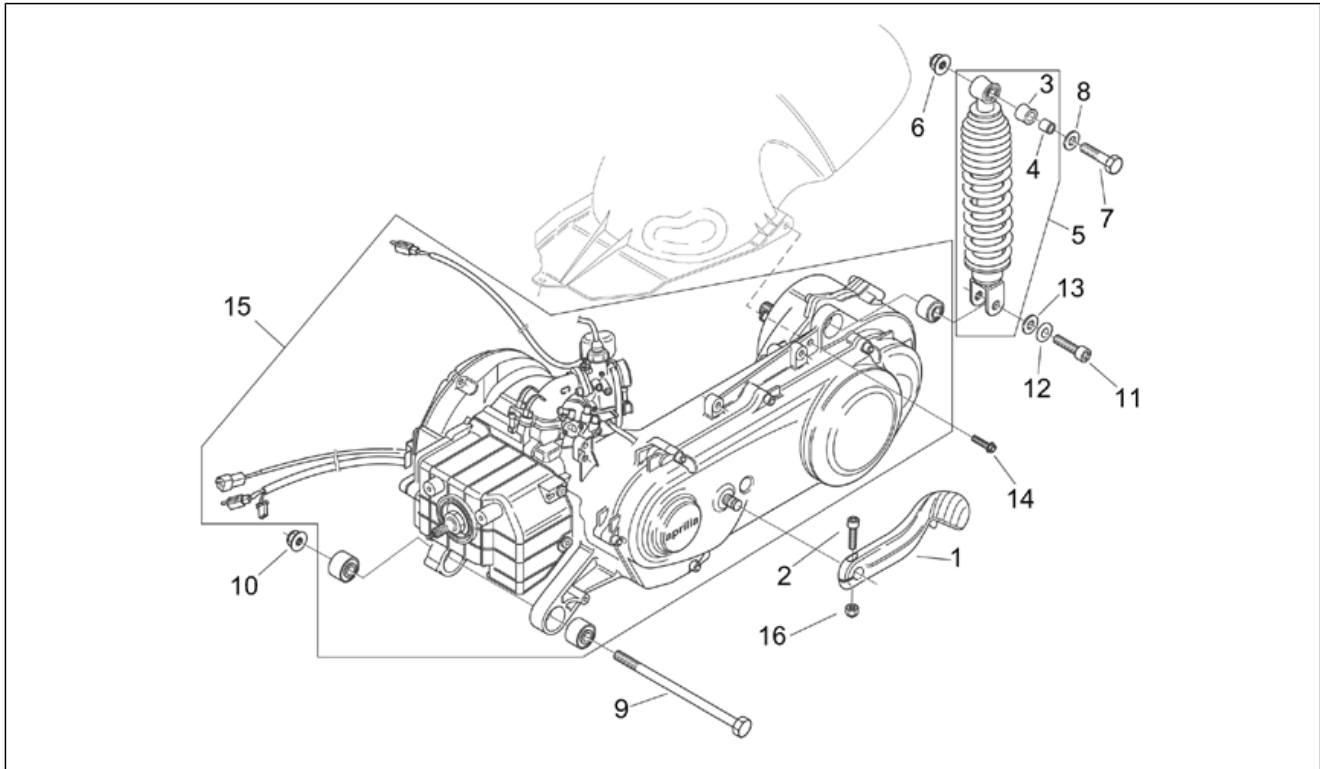
Pos.	Code	Beschreibung	Menge	Varianten
1	AP8248157	Öltank	1	
2	AP8224080	Anzeige Ölreserve	1	
3	AP8101944	2-Wege Anschluß	1	
4	AP8102224	Gemisch-Ölfilter	1	
5	AP8101743	Schlauchschelle D23,5x8*	1	
6	AP8101770	Schlauchschelle D8x5,5*	2	
7	AP8220503	Tankschraube	1	
8	AP8220421	Öltankschraube	1	
9	AP8152273	Flanschschraube M5x15	2	
10	AP8150013	Ausgleichscheibe 5,5x15x1,6*	2	
11	AP8102375	Klammer M5	1	

Einheit	RAHMEN
Code	28.21
Beschreibung	Filtergehäuse
Inspektion	1



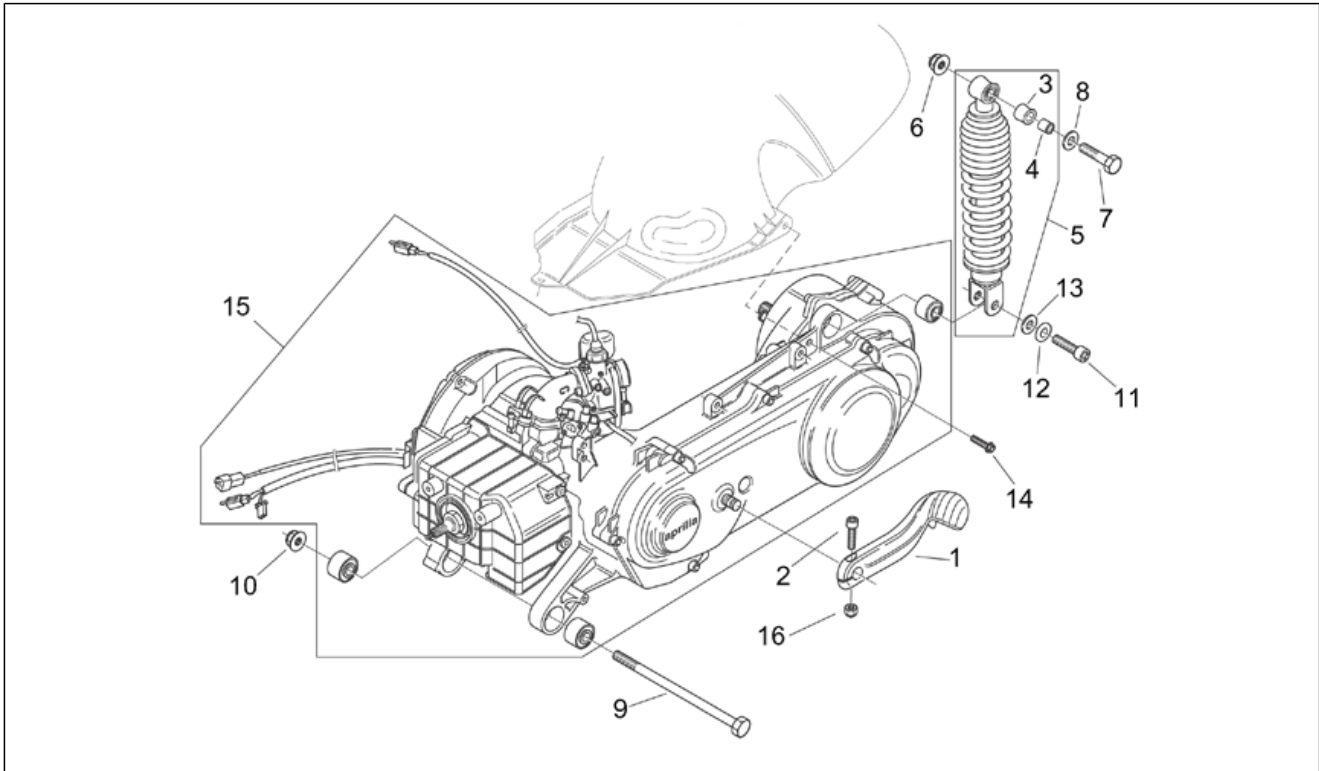
Pos.	Code	Beschreibung	Menge	Varianten
1	AP8220480	Ansaugmuffe	1	
2	AP8220536	Ansaugmuffe	1	
3	AP8248148	Deckel Filtergehäuse	1	
4	AP8248149	Boden Filtergehäuse	1	
5	AP8220385	Dichtung Filtergehäuse	1	
6	AP8220544	Dichtung Filternetz	1	
7	AP8248150	Filternetz	1	
8	AP8248151	Deckel Netzfilter	1	
9	AP8202138	Luftfilter	1	
10	AP8150423	Linsenschraube 4,2x25*	3	
11	AP8150413	Gew.schr. 3,9x14	4	
12	AP8152280	TE Schr. m. Flansch M6x25	2	
13	AP8121725	T-Buchse *	2	
14	AP8220370	Gummi Filtergehäuse	2	
15	AP8220104	Schelle D25-45x8*	1	

Einheit	RAHMEN
Code	28.22
Beschreibung	Motor - Hinterradaufhängung
Inspektion	1



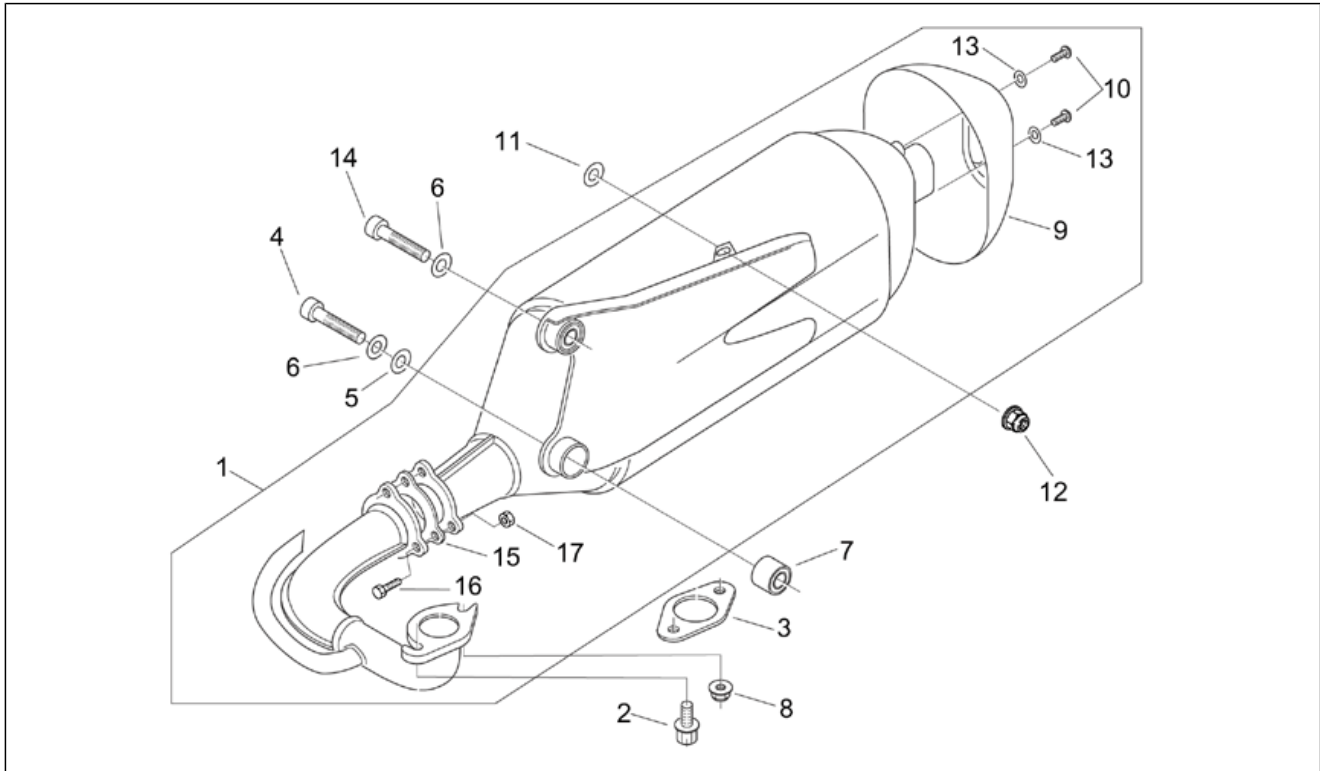
Pos.	Code	Beschreibung	Menge	Varianten
1	AP8235089	Kickstarterhebel kpl.	1	
2	AP8152282	TE Schr. m. Flansch M6x35	1	
3	AP8220550	Gummi	1	
4	AP8221304	Buchse	1	
5	AP8223058	Stoßdämpfer	1	Land: Vereinigte Staaten von Amerika[CF] [CZ]Vereinigte Staaten von Amerika[USA]
5	AP8203930	Stoßdämpfer	1	Land: Österreich[A] Belgien[B] Schweiz[CH] Deutschland[D] Dänemark[DK] Spanien[E] A,B,D,DK,GR,F,I,NL[EU] Frankreich[F] Griechenland[GR] Italien[I] Israel[IL] Japan[J] Holland[NL] Portugal[P] Finnland[SF] E[SP] Großbritannien[UK]
6	AP8152301	Selbstsperrende Mutter	1	
7	AP8150227	Sechskantschraube	1	
8	AP8150020	Ausgleichscheibe 10,5x21x2*	1	
9	AP8221280	Sechskantschraube m10x190	1	
10	AP8152301	Selbstsperrende Mutter	1	
11	AP8150196	TCEI Schraube	1	
12	AP8150210	Gebogene Sprengscheibe *	1	
13	AP8150020	Ausgleichscheibe 10,5x21x2*	1	
14	AP8152278	TE Schr. m. Flansch M6x16	1	
15	AP8222721	Motor	1	Baujahr: 1999[X] Land: Belgien[B] Technische Spezifikation: Version mit Beschränkung 25 km/h[25]
15	AP8222722	Motor	1	Baujahr: 1999[X] Land: Deutschland[D]
15	AP8222720	Motor	1	Baujahr: 1999[X] Land: Spanien[E] Frankreich[F] Griechenland[GR] Italien[I] Israel[IL] Japan[J] Portugal[P] Großbritannien[UK] Technische Spezifikation: Version ohne Katalysator[nocat]
15	AP8222577	Motor	1	Baujahr: 1999[X]

Einheit	RAHMEN
Code	28.22
Beschreibung	Motor - Hinterradaufhängung
Inspektion	1



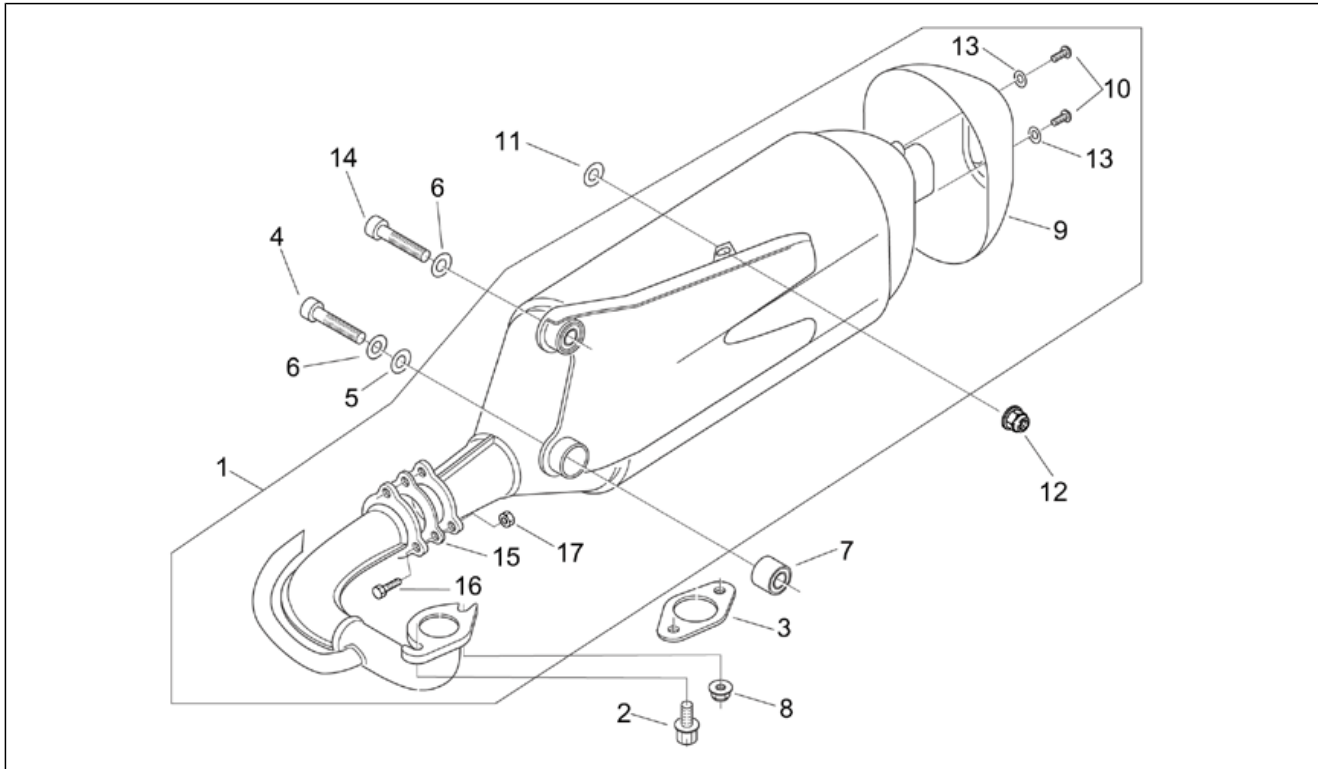
Pos.	Code	Beschreibung	Menge	Varianten
				Land:Belgien[B] Technische Spezifikation: Version mit Beschränkung 45 km/h[45]
15	AP8222577	Motor	1	Baujahr: 1999[X] Land:Spanien[E] Frankreich[F] Griechenland[GR] Italien[I] Israel[IL] Japan[J] Portugal[P] Großbritannien[UK] Technische Spezifikation: Version ohne Katalysator[nocat]
15	AP8222720	Motor	1	Baujahr: 1999[X] Land:Belgien[B] Technische Spezifikation: Version mit Beschränkung 45 km/h[45]
15	AP8222719	Motor	1	Baujahr: 03[03] apr[apr] Technische Spezifikation: Version mit Katalysator[cat]
15	AP8222605	Motor	1	Baujahr: 1999[X] Land:Österreich[A] Schweiz[CH] Dänemark[DK] Italien[I] Holland[NL] Finnland[SF] Technische Spezifikation: Version mit Katalysator[cat]
15	AP8222600	Motor	1	Baujahr: 1999[X] Land:Deutschland[D]
15	AP8222717	Motor	1	Baujahr: 2000[Y] Land:Österreich[A] Schweiz[CH] Dänemark[DK] Italien[I] Holland[NL] Finnland[SF] Technische Spezifikation: Version mit Katalysator[cat]
15	AP8222719	Motor	1	Baujahr: 2000[Y] Land:Österreich[A] Schweiz[CH] Dänemark[DK] Italien[I] Holland[NL] Finnland[SF] Technische Spezifikation: Version mit Katalysator[cat]
15	AP8222606	Motor	1	Baujahr: 1999[X] Land:Belgien[B] Technische Spezifikation: Version mit Beschränkung 25 km/h[25]
16	AP8150026	Mutter M6	1	

Einheit	RAHMEN
Code	28.23
Beschreibung	Auspuffrohr
Inspektion	1



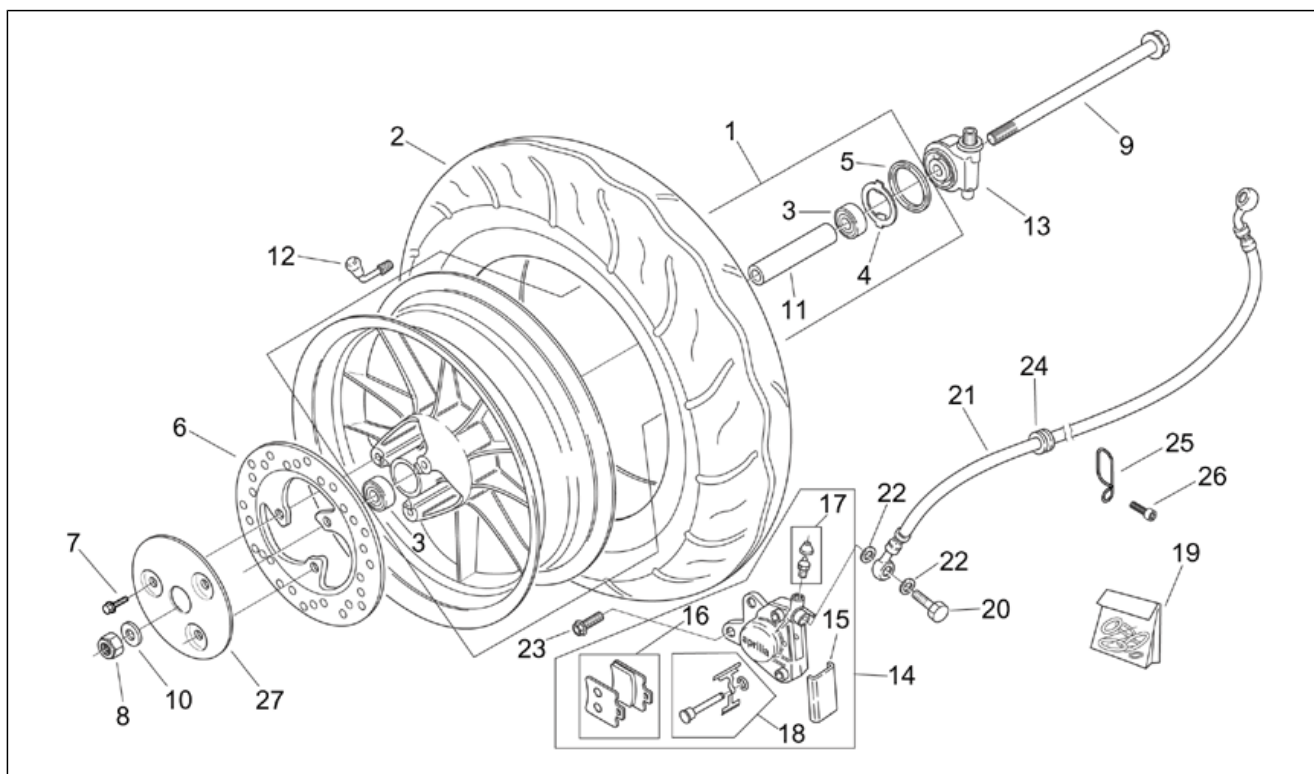
Pos.	Code	Beschreibung	Menge	Varianten
1	AP8219523	Kat.Auspuffrohr	1	Baujahr: 1999[X] 2000[Y] Land: Deutschland[D]
1	AP8219449	Auspuff	1	Baujahr: 1999[X] 2000[Y] Land: Griechenland[GR] Italien[I] Israel[IL] Japan[J] Technische Spezifikation: Version ohne Katalysator[nocat]
1	AP8219465	Auspuff	1	Baujahr: 1999[X] 2000[Y] Land: Frankreich[F]
1	AP8219465	Auspuff	1	Baujahr: 1999[X] 2000[Y] Land: Belgien[B] Technische Spezifikation: Version mit Beschränkung 45 km/h[45]
1	AP8219472	Auspuff	1	Baujahr: 1999[X] 2000[Y] Land: Belgien[B] Technische Spezifikation: Version mit Beschränkung 25 km/h[25]
1	AP8219467	Auspuff	1	Baujahr: 1999[X] 2000[Y] Land: Spanien[E] Portugal[P] Großbritannien[UK]
1	AP8219522	Kat.Auspuffrohr	1	Baujahr: 2000[Y] Land: Österreich[A] Schweiz[CH] Dänemark[DK] Italien[I] Holland[NL] Finnland[SF] Technische Spezifikation: Version mit Katalysator[cat]
1	AP8219576	Kat.Auspuffrohr	1	Baujahr: 2003[3] Land: Österreich[A] Belgien[B] Deutschland[D] Dänemark[DK] Spanien[E] A,B,D,DK,GR,F,I,NL[EU] Frankreich[F] Griechenland[GR] Italien[I] Holland[NL] E[SP] Großbritannien[UK] Technische Spezifikation: Version mit Katalysator[cat]
1	AP8219471	Kat.Auspuffrohr	1	Baujahr: 1999[X] Land: Österreich[A] Schweiz[CH] Dänemark[DK] Italien[I] Holland[NL] Finnland[SF] Technische Spezifikation: Version mit Katalysator[cat]
1	AP8219595	Kat.Auspuffrohr	1	Baujahr: 03[03] apr[apr] Land: Vereinigte Staaten von Amerika[CF] [CZ]Vereinigte Staaten von Amerika[USA]

Einheit	RAHMEN
Code	28.23
Beschreibung	Auspuffrohr
Inspektion	1



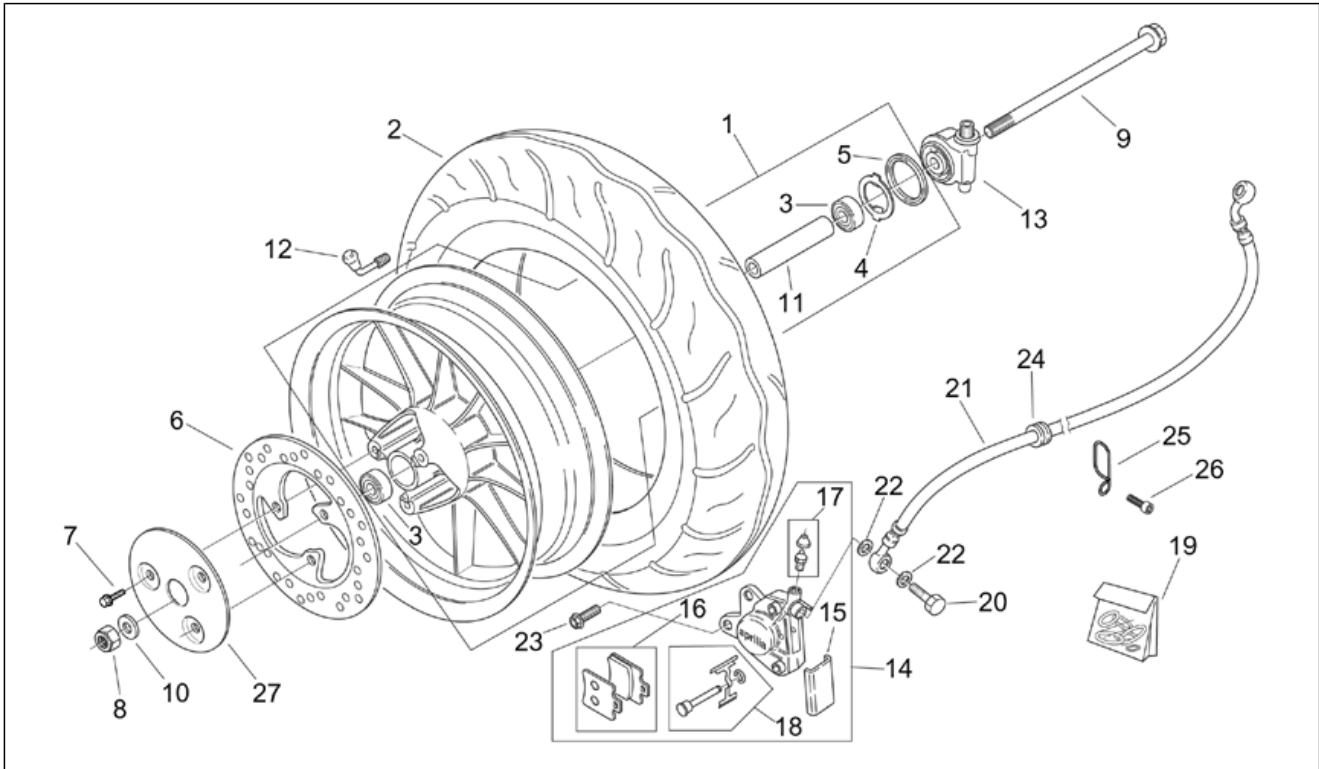
Pos.	Code	Beschreibung	Menge	Varianten
				Technische Spezifikation: Version mit Katalysator[cat]
2	AP8152260	TE Schr. m. Flansch	2	
3	AP8219212	Dichtung Auspuffrohr	1	
4	AP8150171	TCEI Schraube M8x40	1	
5	AP8150017	Ausgleichscheibe 8,4x16x1,6	1	
6	AP8150376	Ausgleichscheibe 8,5x15x0,8	2	
7	AP8220357	Silent-Block Ausp. grü	1	
8	AP8150333	Serpress Mutter	1	
9	AP8219488	Auspuffendstück	1	Baujahr: 1999[X] 2000[Y]
10	AP8219489	TCEI Schraube M5x10	2	Baujahr: 1999[X] 2000[Y]
11	AP8144064	Wärmeschutzscheibe	1	
12	AP8152306	Selbstsperrende Mutter M5	1	
13	AP8219501	U-scheibe Inox 6,4x12x1,6	2	Baujahr: 1999[X] 2000[Y]
14	AP8150277	TCEI Schraube M8x50	1	
15	AP8219321	Dichtung Auspuffrohrflansch	1	
16	AP8119588	Sechskantschraube M6x20	3	
17	AP8225368	Mutter M6	3	

Einheit	RAHMEN
Code	28.24
Beschreibung	Vorderrad
Inspektion	1



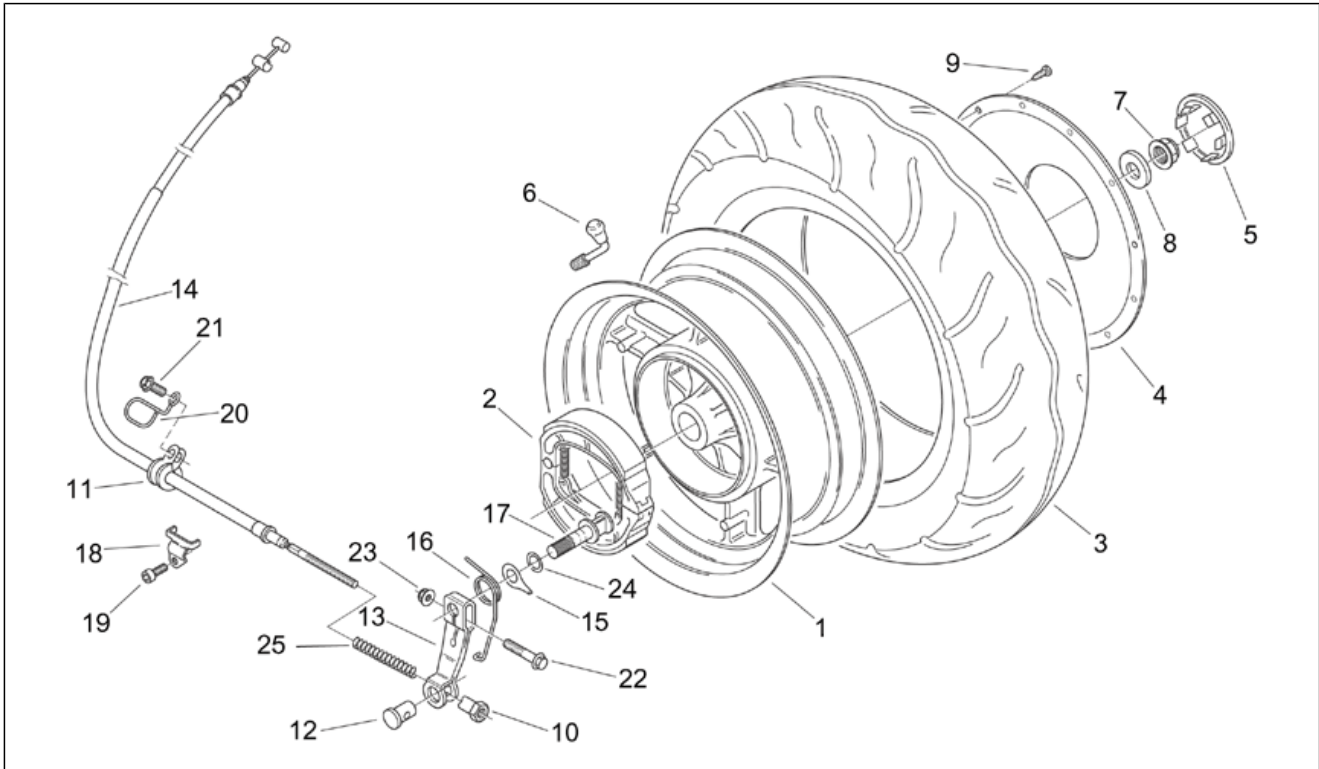
Pos.	Code	Beschreibung	Menge	Varianten
1	AP8208601	Vorderrad	1	Land:Österreich[A] Belgien[B] Schweiz[CH] Deutschland[D] Dänemark[DK] Spanien[E] A,B,D,DK,GR,F,I,NL[EU] Frankreich[F] Griechenland[GR] Italien[I] Israel[IL] Japan[J] Holland[NL] Portugal[P] Finnland[SF] E[SP] Großbritannien[UK]
1	AP8208601	Vorderrad	1	Land:Vereinigte Staaten von Amerika[CF] [CZ]Vereinigte Staaten von Amerika[USA]
2	0000000	Reifen	1	
3	AP8225123	Lager	2	
4	AP8120865	Mitnehmer	1	
5	AP8125743	Gasket ring D40x50x4	1	
6	AP8213231	Bremsscheibe D190	1	
7	AP8225358	TBEI Schraube M8x25	3	
8	AP8150373	Selbstsperr.mut Unt. M12x1,25	1	
9	AP8225356	Vorderradbolzen	1	
10	AP8152018	Scheibe 12,2x22x2	1	
11	AP8225357	Vorderrad Distanzscheibe	1	
12	AP8201679	Schlauchloses Reifenventil	1	
13	AP8202141	Vorgelegte Kilometerzähler	1	
14	AP8213441	Vorderradbremzange	1	
15	AP8213224	Deckel Bremszangen	1	
16	AP8113644	Beläge (Paar)	1	
17	AP8113321	Entlüftung+Haube	1	
18	AP8213227	Bolzen+Bremse Felder	1	
19	AP8213457	Bausatz Bremszangenüberholung	1	
20	AP8113003	Fixierschraube Ölschlauch	1	
21	AP8213426	Vorderradbremseleitung	1	
22	AP8113004	Ausgleichscheibe 10x14x1,6*	2	
23	AP8152287	TE Schr. m. Flansch M8x25	2	

Einheit	RAHMEN
Code	28.24
Beschreibung	Vorderrad
Inspektion	1



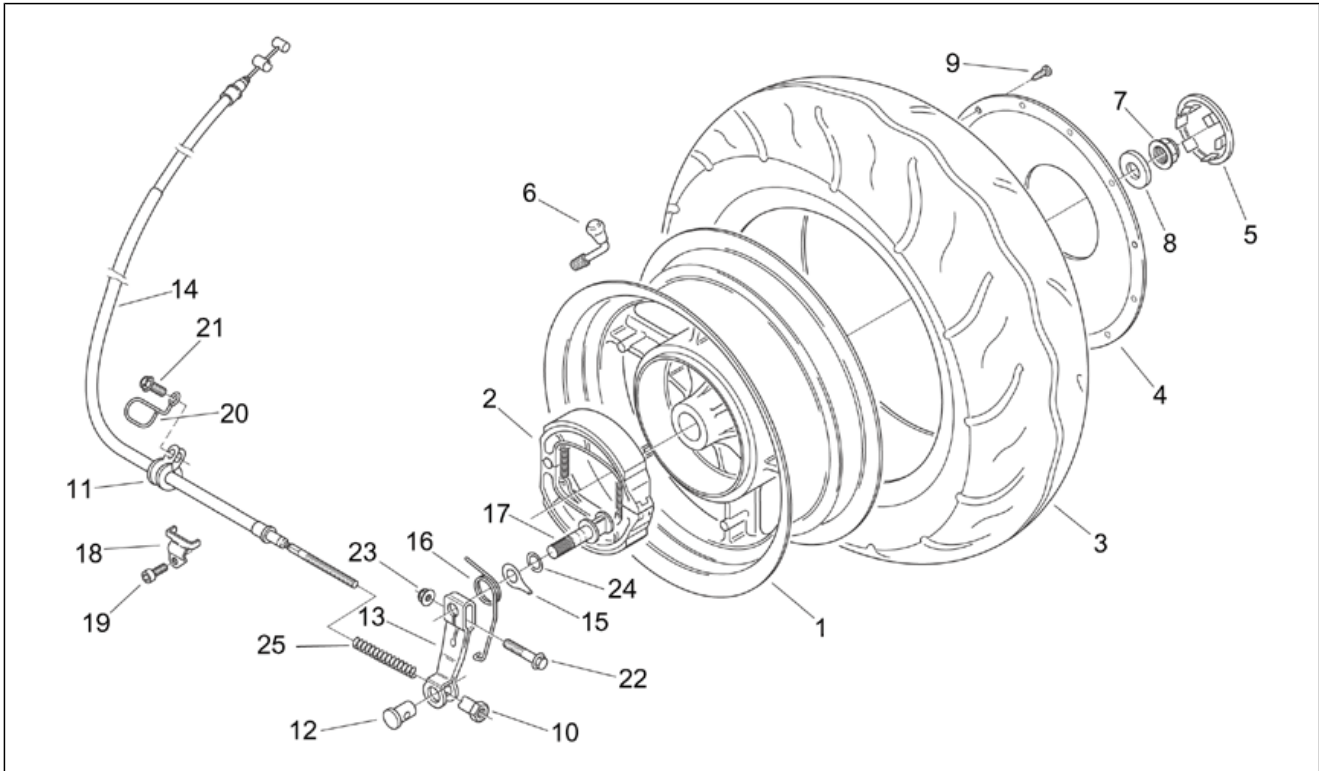
Pos.	Code	Beschreibung	Menge	Varianten
24	AP8120030	Gummi	1	
25	AP8121889	Kabelführungs	1	
26	AP8152043	TCEI Schraube M4x10	1	
27	AP8213453	Scheibenabdeckwanne	1	

Einheit	RAHMEN
Code	28.25
Beschreibung	Hinterrad
Inspektion	1



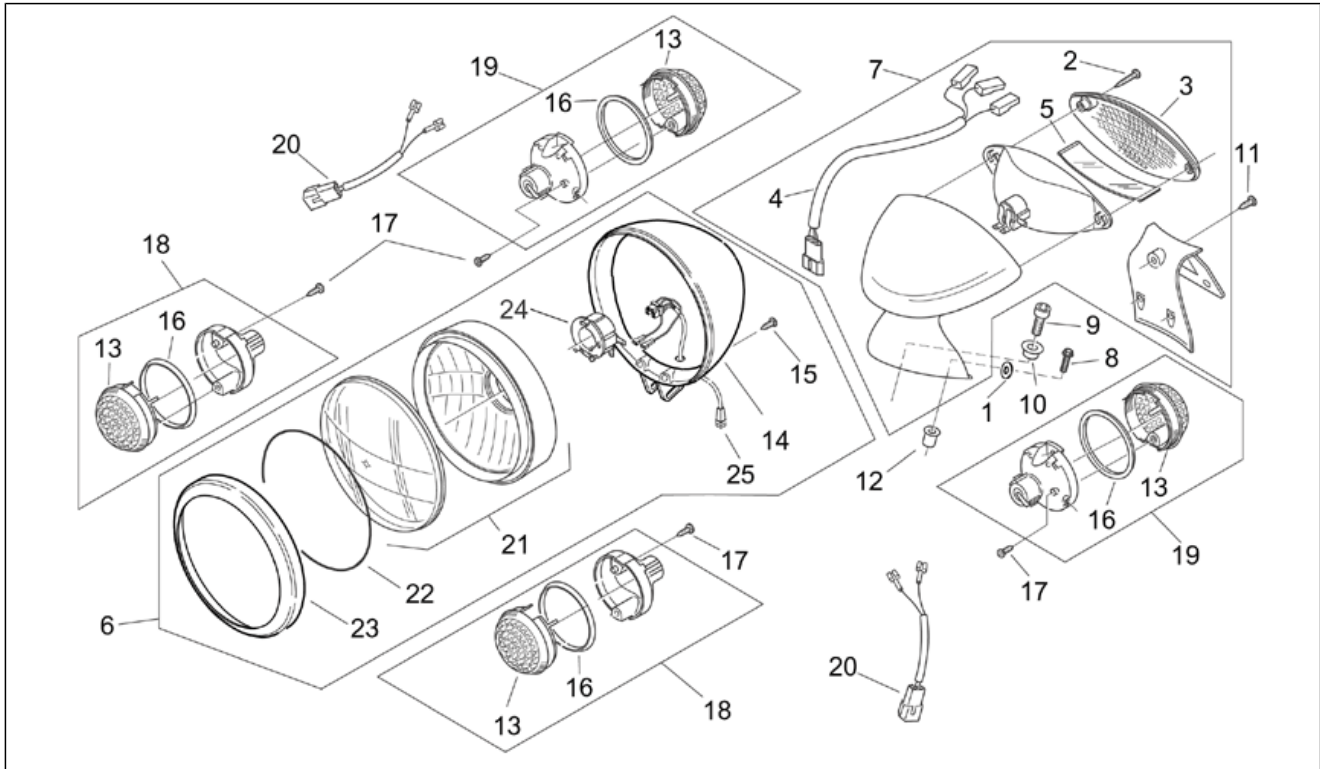
Pos.	Code	Beschreibung	Menge	Varianten
1	AP8208849	Hinterrad ohne Scheibe	1	Land: Vereinigte Staaten von Amerika[CF] [CZ] Vereinigte Staaten von Amerika[USA]
1	AP8208605	Hinterrad ohne Scheibe	1	Land: Österreich[A] Belgien[B] Schweiz[CH] Deutschland[D] Dänemark[DK] Spanien[E] A,B,D,DK,GR,F,I,NL[EU] Frankreich[F] Griechenland[GR] Italien[I] Israel[IL] Japan[J] Holland[NL] Portugal[P] Finnland[SF] E[SP] Großbritannien[UK]
2	AP8213424	Bremsbac.+Federn	1	
3	0000000	Reifen	1	
4	AP8248152	Radspeichenabd. hi.	1	
5	AP8220367	Hinterradschraube	1	
6	AP8201679	Schlauchloses Reifenventil	1	
7	AP8152244	Mutter DAX geflanscht M14x1,5	1	
8	AP8221291	Scheibe 15x31x3	1	
9	AP8152088	TE Blechschraube 4,8x12	3	
10	AP8101103	Einstll.schr. Hinterr.br.	1	
11	AP8134167	Platte Bremsschlauch	1	
12	AP8221120	Bremsseilhalter	1	
13	AP8235048	H.bremshebel	1	
14	AP8214193	Hinterradbremskabel	1	
15	AP8213407	Verschleißanz. Brems.	1	
16	AP8213408	Bremshebelfeder	1	
17	AP8213406	Hinterradbremse Nocken	1	
18	AP8234161	Platte	1	
19	AP8150137	TCEI Schraube M6x16	1	
20	AP8221172	Kabelführungs	1	
21	AP8152278	TE Schr. m. Flansch M6x16	1	
22	AP8152282	TE Schr. m. Flansch M6x35	1	
23	AP8152299	Selbstsperrende Mutter M6	1	

Einheit	RAHMEN
Code	28.25
Beschreibung	Hinterrad
Inspektion	1



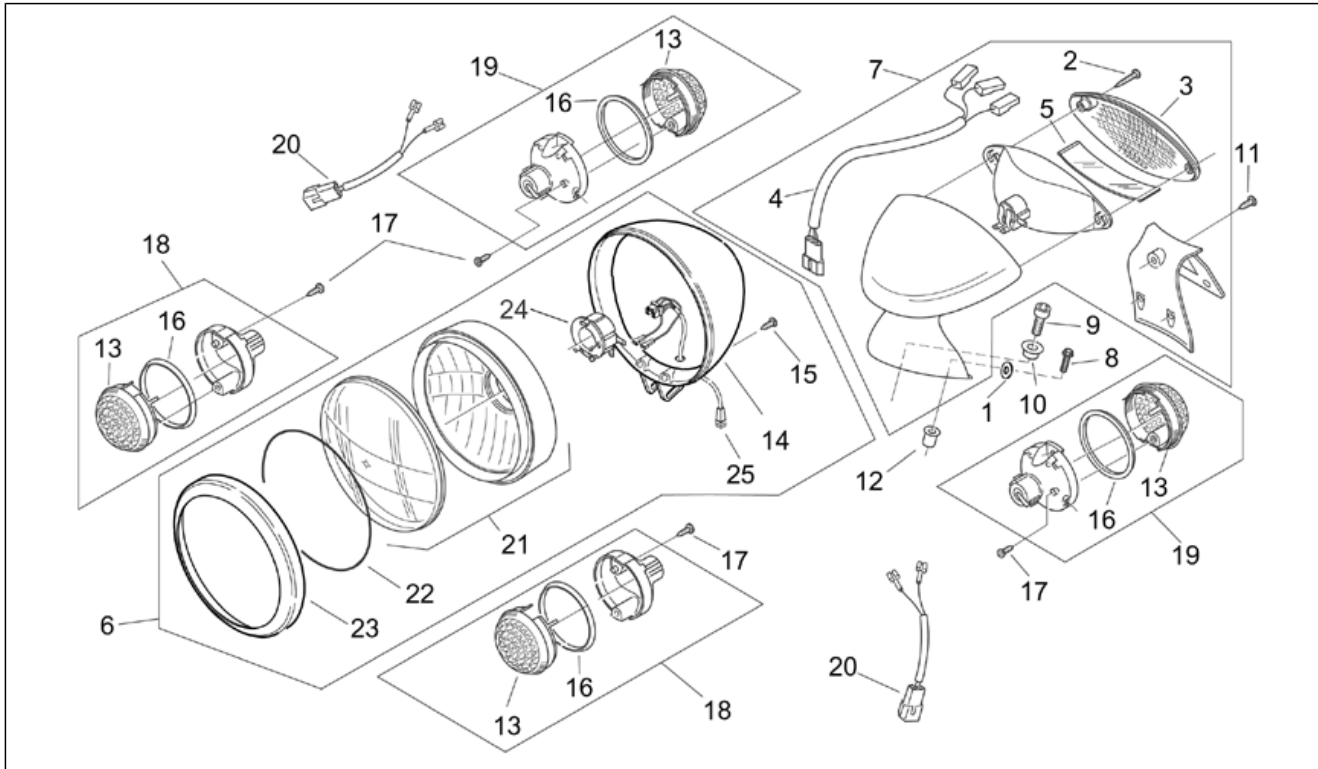
Pos.	Code	Beschreibung	Menge	Varianten
24	AP8213373	Staubschutzdichtung	2	
25	AP8213137	Schraubenfederkompr. *	1	

Einheit	RAHMEN
Code	28.26
Beschreibung	Lichter
Inspektion	1



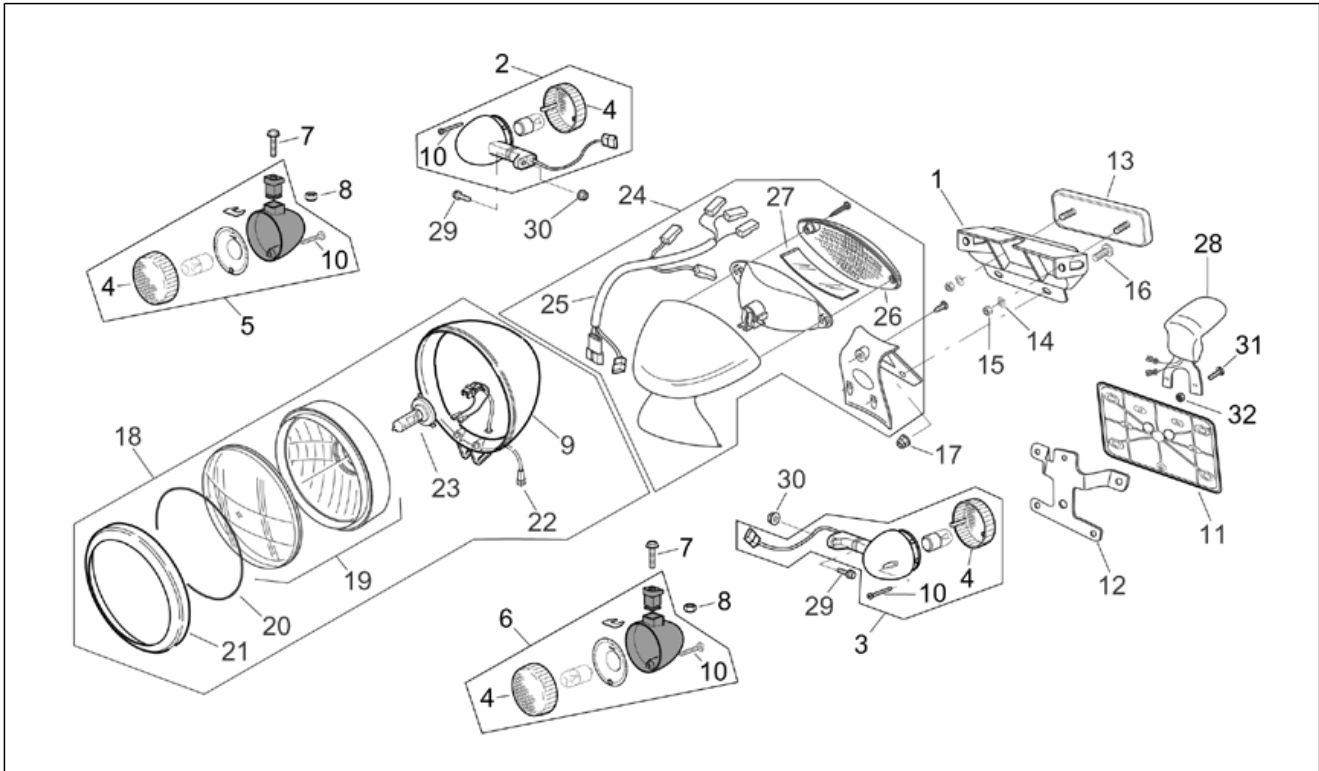
Pos.	Code	Beschreibung	Menge	Varianten
1	AP8150013	Ausgleichscheibe 5,5x15x1,6*	2	
2	AP8224243	Gew.schr. 3,9x25	2	
3	AP8224229	Rücklichtblende	1	
4	AP8224227	Verkabelung Rücklicht	1	Land:Österreich[A] Belgien[B] Schweiz[CH] Deutschland[D] Dänemark[DK] Spanien[E] A,B,D,DK,GR,F,I,NL[EU] Frankreich[F] Griechenland[GR] Italien[I] Israel[IL] Japan[J] Holland[NL] Portugal[P] Finnland[SF] E[SP] Großbritannien[UK]
5	AP8224228	Blende Kennzeich.leuch.	1	
6	AP8224089	Scheinwerfer	1	Land:Österreich[A] Belgien[B] Schweiz[CH] Deutschland[D] Dänemark[DK] Spanien[E] A,B,D,DK,GR,F,I,NL[EU] Frankreich[F] Griechenland[GR] Italien[I] Israel[IL] Japan[J] Holland[NL] Portugal[P] Finnland[SF] E[SP] Großbritannien[UK]
7	AP8224177	Rücklicht verchromt	1	Land:Österreich[A] Belgien[B] Schweiz[CH] Deutschland[D] Dänemark[DK] Spanien[E] A,B,D,DK,GR,F,I,NL[EU] Frankreich[F] Griechenland[GR] Italien[I] Israel[IL] Japan[J] Holland[NL] Portugal[P] Finnland[SF] E[SP] Großbritannien[UK]
8	AP8152273	Flanschschraube M5x15	2	
9	AP8150044	TCEI Schraube M6x20	1	
10	AP8121728	T-Buchse	1	
11	AP8150413	Gew.schr. 3,9x14	3	
12	AP8120531	Gummi mit Einsatz	2	
13	AP8224223	Blinkerblende	4	
14	AP8224237	Haube	1	
15	AP8224242	Gew.schr. 3,9x16	2	
16	AP8224234	Verchromte Nutmutter	4	
17	AP8150413	Gew.schr. 3,9x14	8	
18	AP8224171	Blinker vorn orange	2	
19	AP8224172	Blinker hinten orange	2	

Einheit	RAHMEN
Code	28.26
Beschreibung	Lichter
Inspektion	1



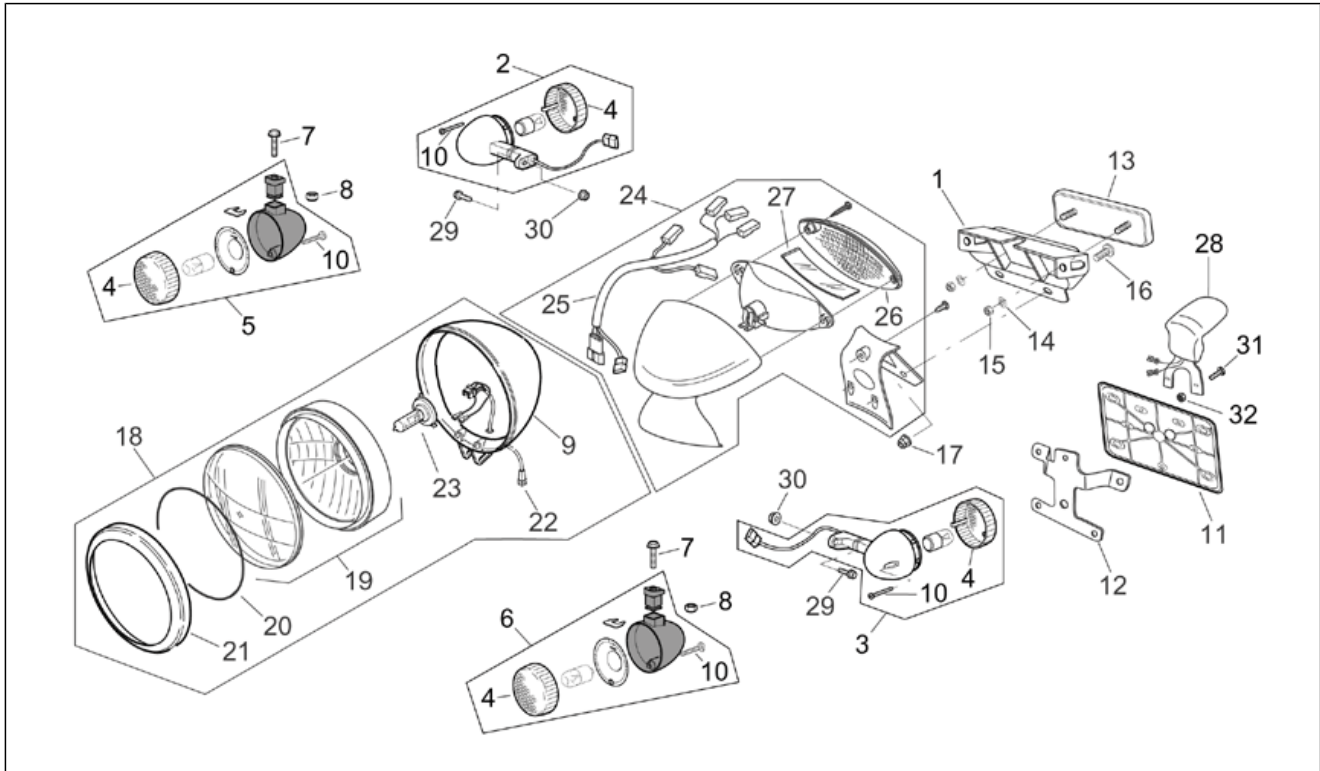
Pos.	Code	Beschreibung	Menge	Varianten
20	AP8224075	Blinkerkabel	2	Land:Österreich[A] Belgien[B] Schweiz[CH] Deutschland[D] Dänemark[DK] Spanien[E] A,B,D,DK,GR,F,I,NL[EU] Frankreich[F] Griechenland[GR] Italien[I] Israel[IL] Japan[J] Holland[NL] Portugal[P] Finnland[SF] E[SP] Großbritannien[UK]
21	AP8224224	Scheinwerfereinheit	1	Land:Österreich[A] Belgien[B] Schweiz[CH] Deutschland[D] Dänemark[DK] Spanien[E] A,B,D,DK,GR,F,I,NL[EU] Frankreich[F] Griechenland[GR] Italien[I] Israel[IL] Japan[J] Holland[NL] Portugal[P] Finnland[SF] E[SP] Großbritannien[UK]
22	AP8220553	Dichtung	1	Land:Österreich[A] Belgien[B] Schweiz[CH] Deutschland[D] Dänemark[DK] Spanien[E] A,B,D,DK,GR,F,I,NL[EU] Frankreich[F] Griechenland[GR] Italien[I] Israel[IL] Japan[J] Holland[NL] Portugal[P] Finnland[SF] E[SP] Großbritannien[UK]
23	AP8224236	Verchromte Nutmutter	1	Land:Österreich[A] Belgien[B] Schweiz[CH] Deutschland[D] Dänemark[DK] Spanien[E] A,B,D,DK,GR,F,I,NL[EU] Frankreich[F] Griechenland[GR] Italien[I] Israel[IL] Japan[J] Holland[NL] Portugal[P] Finnland[SF] E[SP] Großbritannien[UK]
24	AP8224225	Lampenhalter kplt.	1	Land:Österreich[A] Belgien[B] Schweiz[CH] Deutschland[D] Dänemark[DK] Spanien[E] A,B,D,DK,GR,F,I,NL[EU] Frankreich[F] Griechenland[GR] Italien[I] Israel[IL] Japan[J] Holland[NL] Portugal[P] Finnland[SF] E[SP] Großbritannien[UK]
25	AP8224226	Verkabel.Scheinwerf.	1	Land:Österreich[A] Belgien[B] Schweiz[CH] Deutschland[D] Dänemark[DK] Spanien[E] A,B,D,DK,GR,F,I,NL[EU] Frankreich[F] Griechenland[GR] Italien[I] Israel[IL] Japan[J] Holland[NL] Portugal[P] Finnland[SF] E[SP] Großbritannien[UK]

Einheit	RAHMEN
Code	28.27
Beschreibung	USA Lichter
Inspektion	1



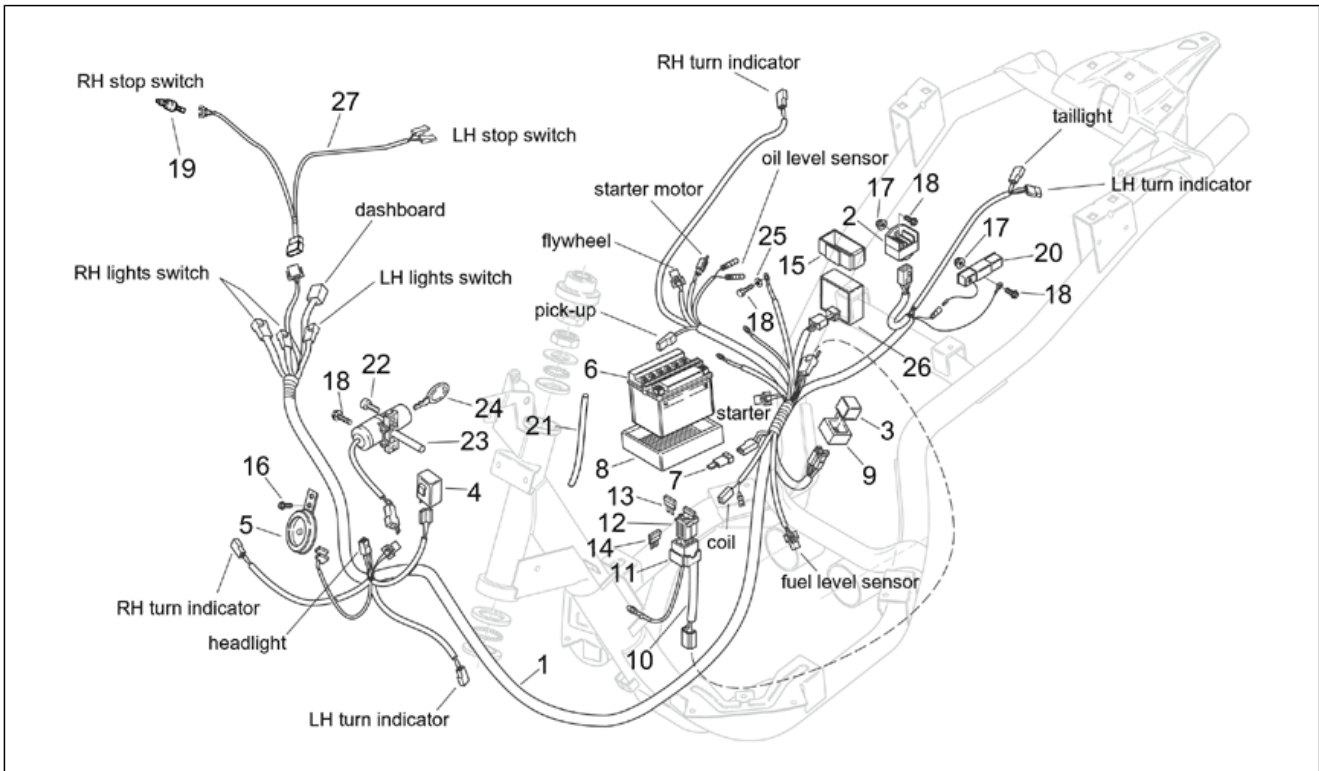
Pos.	Code	Beschreibung	Menge	Varianten
1	AP8134951	Blinkerhalterungsplatte	1	Land: Vereinigte Staaten von Amerika [CF] [CZ] Vereinigte Staaten von Amerika [USA]
2	AP8127503	Rückblinker links	1	Land: Vereinigte Staaten von Amerika [CF] [CZ] Vereinigte Staaten von Amerika [USA]
3	AP8127504	Rückblinker rechts	1	Land: Vereinigte Staaten von Amerika [CF] [CZ] Vereinigte Staaten von Amerika [USA]
4	AP8124889	Blinkerblende	4	Land: Vereinigte Staaten von Amerika [CF] [CZ] Vereinigte Staaten von Amerika [USA]
5	AP8127500	Vorderblinker rechts	1	Land: Vereinigte Staaten von Amerika [CF] [CZ] Vereinigte Staaten von Amerika [USA]
6	AP8127501	Vorderblinker links	1	Land: Vereinigte Staaten von Amerika [CF] [CZ] Vereinigte Staaten von Amerika [USA]
7	AP8152338	TBEI Schraube m.Flansch	2	Land: Vereinigte Staaten von Amerika [CF] [CZ] Vereinigte Staaten von Amerika [USA]
8	AP8150451	Selbstsperr.mut Unt.	2	Land: Vereinigte Staaten von Amerika [CF] [CZ] Vereinigte Staaten von Amerika [USA]
9	AP8224237	Haube	1	Land: Vereinigte Staaten von Amerika [CF] [CZ] Vereinigte Staaten von Amerika [USA]
10	AP8152392	Gew.schr. 2,9x32	4	Land: Vereinigte Staaten von Amerika [CF] [CZ] Vereinigte Staaten von Amerika [USA]
11	AP8149034	Kennzeichenhalter	1	Land: Vereinigte Staaten von Amerika [CF] [CZ] Vereinigte Staaten von Amerika [USA]
12	AP8234217	Kennzeichenplatte	1	Land: Vereinigte Staaten von Amerika [CF] [CZ] Vereinigte Staaten von Amerika [USA]
13	AP8124718	Rückstrahler Rücklicht, rot	1	Land: Vereinigte Staaten von Amerika [CF] [CZ] Vereinigte Staaten von Amerika [USA]
14	AP8150011	Ausgleichscheibe 4,3x12x1	2	Land: Vereinigte Staaten von Amerika [CF] [CZ] Vereinigte Staaten von Amerika [USA]
15	AP8150204	Mutter M4	2	Land: Vereinigte Staaten von Amerika [CF] [CZ] Vereinigte Staaten von Amerika [USA]
16	AP8152338	TBEI Schraube m.Flansch	2	Land: Vereinigte Staaten von Amerika [CF] [CZ] Vereinigte Staaten von Amerika [USA]

Einheit	RAHMEN
Code	28.27
Beschreibung	USA lichter
Inspektion	1



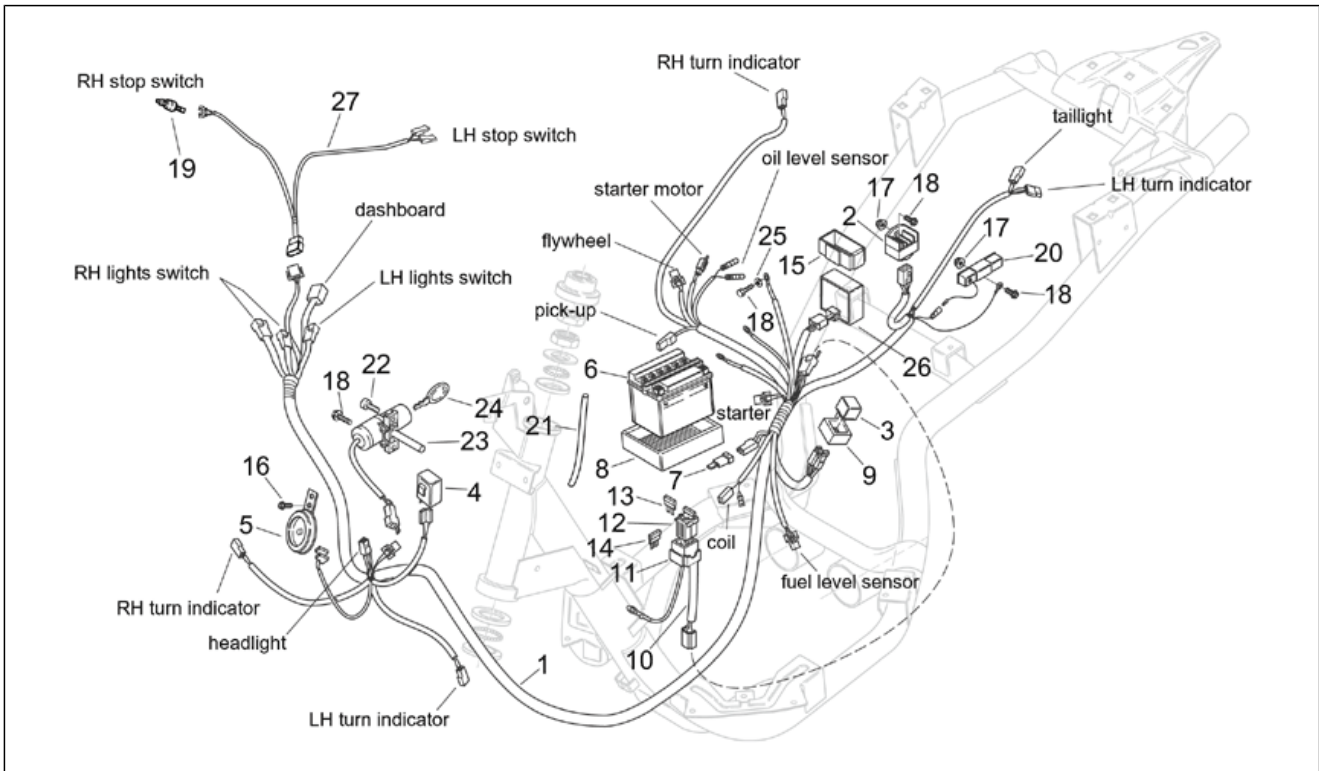
Pos.	Code	Beschreibung	Menge	Varianten
17	AP8152306	Selbstsperrende Mutter M5	2	Land:Vereinigte Staaten von Amerika[CF] [CZ]Vereinigte Staaten von Amerika[USA]
18	AP8224532	Scheinwerfer	1	Land:Vereinigte Staaten von Amerika[CF] [CZ]Vereinigte Staaten von Amerika[USA]
19	AP8124925	Scheinwerferereinheit	1	Land:Vereinigte Staaten von Amerika[CF] [CZ]Vereinigte Staaten von Amerika[USA]
20	AP8220553	Dichtung	1	Land:Vereinigte Staaten von Amerika[CF] [CZ]Vereinigte Staaten von Amerika[USA]
21	AP8224236	Verchromte Nutmutter	1	Land:Vereinigte Staaten von Amerika[CF] [CZ]Vereinigte Staaten von Amerika[USA]
22	AP8124923	Verkabel.Scheinwerf.	1	Land:Vereinigte Staaten von Amerika[CF] [CZ]Vereinigte Staaten von Amerika[USA]
23	AP8127113	Lampen HS1 35+35W 12V	1	Land:Vereinigte Staaten von Amerika[CF] [CZ]Vereinigte Staaten von Amerika[USA]
24	AP8127277	Rücklicht verchromt	1	Land:Vereinigte Staaten von Amerika[CF] [CZ]Vereinigte Staaten von Amerika[USA]
25	AP8224565	Verkabelung Rücklicht	1	Land:Vereinigte Staaten von Amerika[CF] [CZ]Vereinigte Staaten von Amerika[USA]
26	AP8224566	Rücklichtblende-usa-	1	Land:Vereinigte Staaten von Amerika[CF] [CZ]Vereinigte Staaten von Amerika[USA]
27	AP8224567	Blende Kennzeich.leuch.rot	1	Land:Vereinigte Staaten von Amerika[CF] [CZ]Vereinigte Staaten von Amerika[USA]
28	AP8224169	Kennzeichenleuchte	1	Land:Vereinigte Staaten von Amerika[CF] [CZ]Vereinigte Staaten von Amerika[USA]
29	AP8152279	TE Schr. m. Flansch M6x20	2	Land:Vereinigte Staaten von Amerika[CF] [CZ]Vereinigte Staaten von Amerika[USA]
30	AP8152299	Selbstsperrende Mutter M6	2	Land:Vereinigte Staaten von Amerika[CF] [CZ]Vereinigte Staaten von Amerika[USA]
31	AP8152277	TE Schr. m. Flansch M6x12	2	Land:Vereinigte Staaten von Amerika[CF] [CZ]Vereinigte Staaten von Amerika[USA]
32	AP8152299	Selbstsperrende Mutter M6	2	Land:Vereinigte Staaten von Amerika[CF] [CZ]Vereinigte Staaten von Amerika[USA]

Einheit	RAHMEN
Code	28.28
Beschreibung	Elektrische Anlage
Inspektion	1



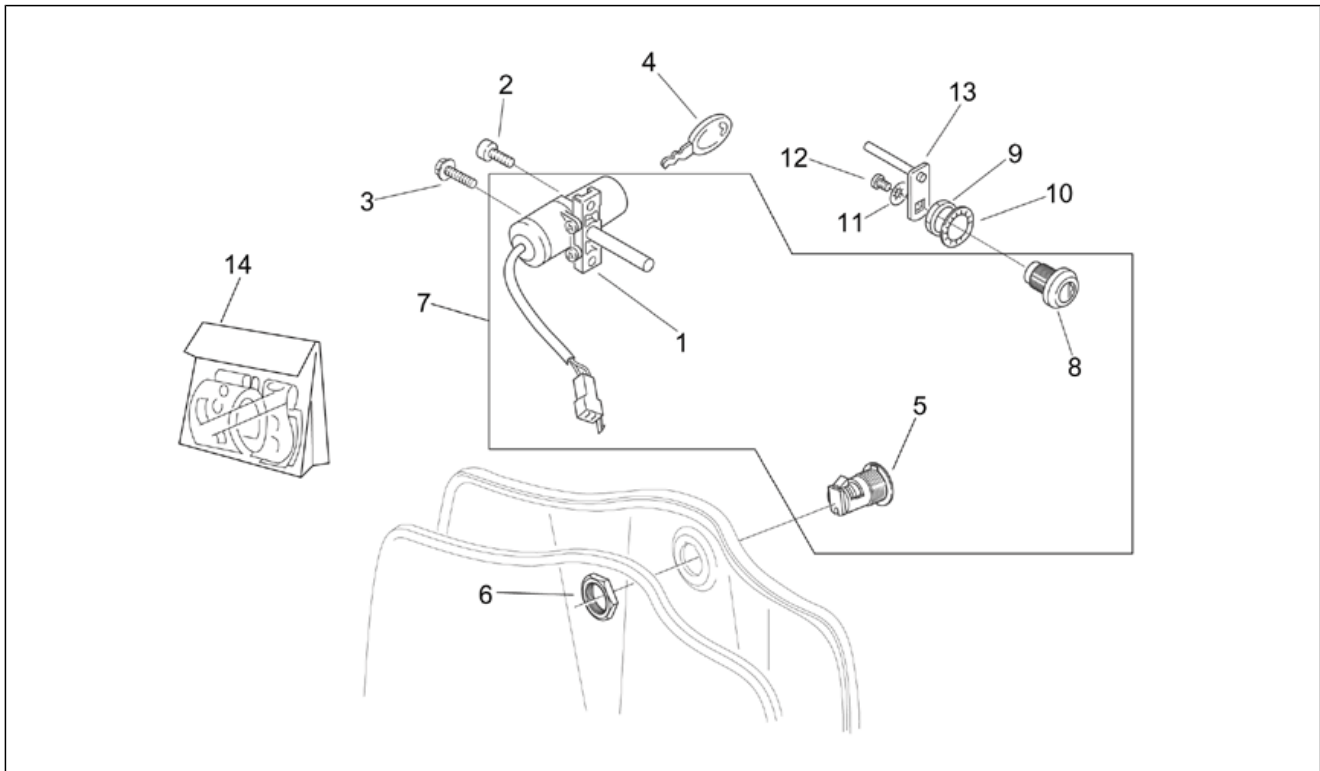
Pos.	Code	Beschreibung	Menge	Varianten
1	AP8224533	Hauptverkabelung	1	Land: Vereinigte Staaten von Amerika[CF] [CZ] Vereinigte Staaten von Amerika[USA]
1	AP8224178	Hauptverkabelung	1	Land: Österreich[A] Belgien[B] Schweiz[CH] Deutschland[D] Dänemark[DK] Spanien[E] A,B,D,DK,GR,F,I,NL[EU] Frankreich[F] Griechenland[GR] Italien[I] Israel[IL] Japan[J] Holland[NL] Portugal[P] Finnland[SF] E[SP] Großbritannien[UK]
2	AP8224102	Spannungsregler	1	
3	AP8224057	Zündrelais	1	
4	AP8124235	Blinken	1	
5	AP8224221	Hupe	1	
6	AP8212110	Batterie 12V-4Ah	1	
7	AP8212382	Diode	1	
8	AP8230535	Batteriehalter	1	
9	AP8220546	Auflagegummi Relais	1	
10	AP8224073	Verkabelung Sicherungen	1	
11	AP8112811	Sicherungsblockgummi	1	
12	AP8120754	Sicherungsblockgummi	2	
13	AP8112176	Sicherung 15A	2	
14	AP8112244	Sicherung 7,5A	1	
15	AP8220545	Kabelgummi	1	
16	AP8152277	TE Schr. m. Flansch M6x12	1	
17	AP8152299	Selbstsperrende Mutter M6	2	
18	AP8152278	TE Schr. m. Flansch M6x16	3	
19	AP8224192	Bremslichtschalter mit Gummi	2	
20	AP8224170	Widerstand mit Verkabelung	1	Land: Österreich[A] Belgien[B] Schweiz[CH] Deutschland[D] Dänemark[DK] Spanien[E] A,B,D,DK,GR,F,I,NL[EU] Frankreich[F] Griechenland[GR] Italien[I] Israel[IL] Japan[J] Holland[NL] Portugal[P] Finnland[SF] E[SP] Großbritannien[UK]

Einheit	RAHMEN
Code	28.28
Beschreibung	Elektrische Anlage
Inspektion	1



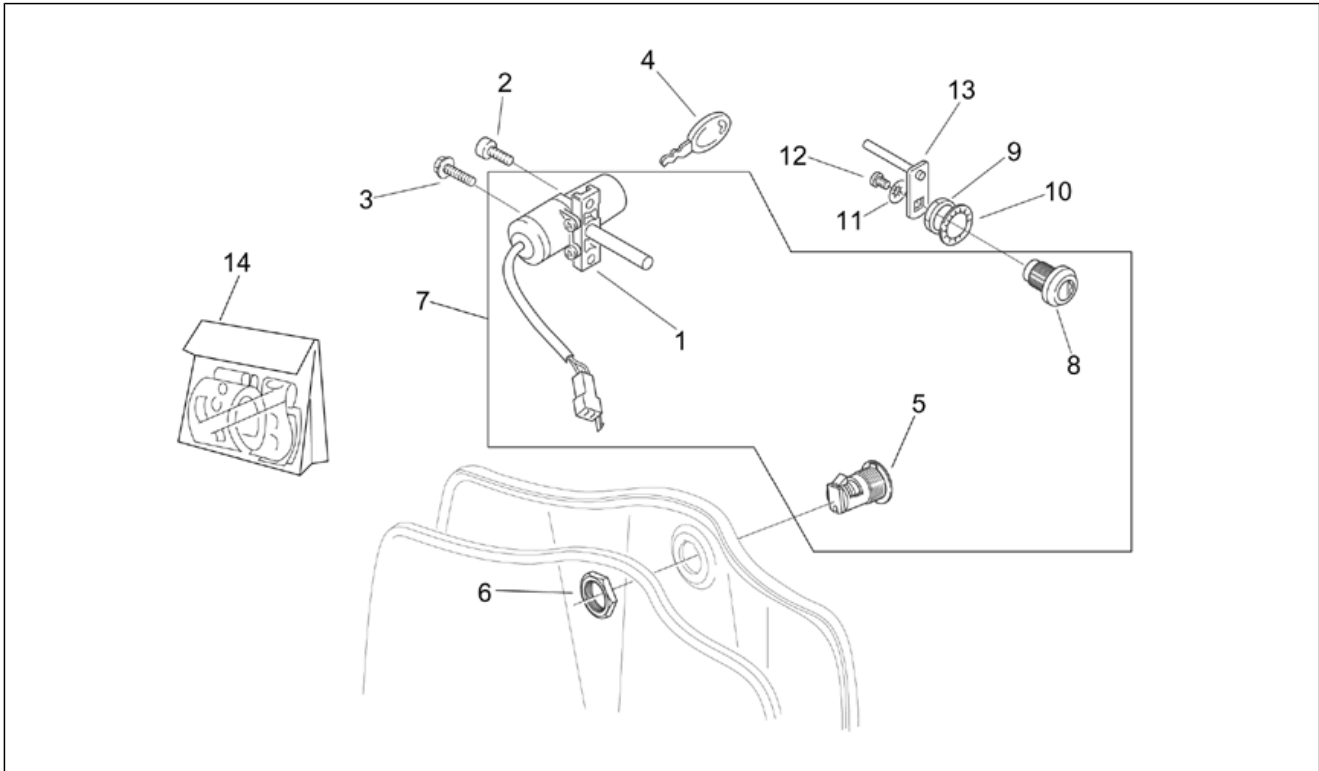
Pos.	Code	Beschreibung	Menge	Varianten
21	AP8220263	Entlüftungsschlauch Kühler 4x8	1	
22	AP8152140	Reißschraube M6x17	1	
23	AP8224081	Lenkschloß	1	
24	AP8102880	Schl. gefr. Aprilia	1	
25	AP8150429	Sprengscheibe 6,4x11x0,5*	1	
26	AP2RCA000033	Steuergerät	1	
27	AP8224205	Verkab. Bremssch.	1	

Einheit	RAHMEN
Code	28.29
Beschreibung	Deko und Bausatz Schlösser
Inspektion	1



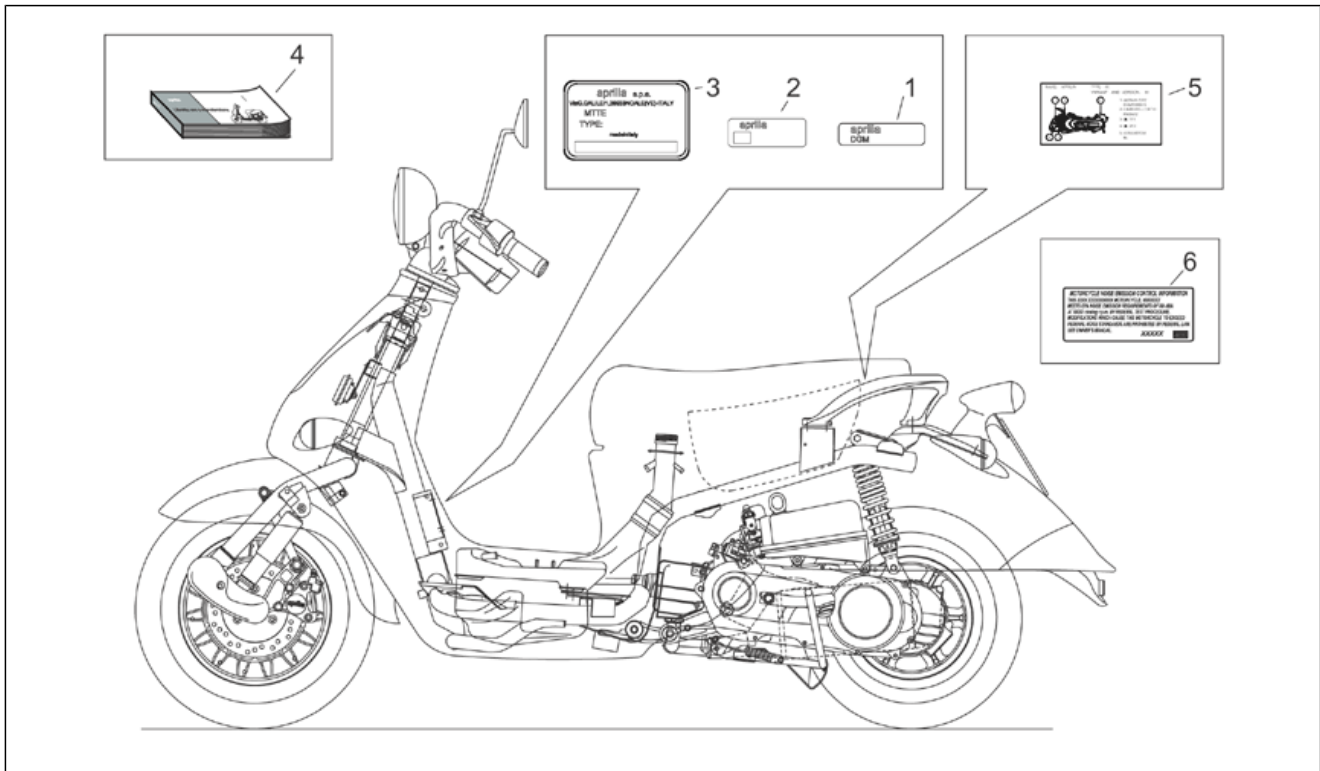
Pos.	Code	Beschreibung	Menge	Varianten
1	AP8224081	Lenkschloß	1	
2	AP8152140	Reißschraube M6x17	1	
3	AP8152278	TE Schr. m. Flansch M6x16	3	
4	AP8102880	Schl. gefr. Aprilia	1	
5	AP8202135	Schloß Handsch.f. vorn	1	
6	AP8102523	Schloß mutter M22x1,5	1	
7	AP8202149	Kit Schließvorrichtungen	1	
8	AP8202169	Kofferschloß	1	
9	AP8152194	Mutter unten M19x1*	1	
10	AP8201305	Schloßscheibe Nickel *	1	
11	AP8201748	Ausgleichscheibe	1	
12	AP8201749	Linsenschraube M4x6	1	
13	AP8202167	Sitzhebel	1	
14	AP8277065	Deko Serie, Mojito	1	Land: Vereinigte Staaten von Amerika[CF] [CZ]Vereinigte Staaten von Amerika[USA] Farbe: Hellblau Varadero / Weiß Chalk '99-'00-'03-'04[v.cya]
14	AP8277064	Deko Serie, Mojito	1	Land: Vereinigte Staaten von Amerika[CF] [CZ]Vereinigte Staaten von Amerika[USA] Farbe: Schwarz Aprilia / Schwarz Matt '99-'00-'03-'04[a.blk]
14	AP8257084	Deko Serie, Habana	1	Farbe: Hellblau Varadero / Weiß Chalk '99-'00-'03-'04[v.cya]
14	AP8177042	Deko Serie, Mojito	1	Land: Österreich[A] Belgien[B] Schweiz[CH] Deutschland[D] Dänemark[DK] A,B,D,DK,GR,F,I,NL[EU] Frankreich[F] Griechenland[GR] Italien[I] Israel[IL] Japan[J] Holland[NL] Portugal[P] Finnland[SF] Großbritannien[UK] Farbe: Schwarz Aprilia / Schwarz Matt '99-'00-'03-'04[a.blk]
14	AP8257787	Deko Serie, Habana	1	Farbe: Schwarz Aprilia / Schwarz Matt '99-'00-'03-'04[a.blk]
14	AP8177041	Deko Serie, Mojito	1	Land: Österreich[A] Belgien[B] Schweiz[CH] Deutschland[D] Dänemark[DK] A,B,D,DK,GR,F,I,NL[EU] Frankreich[F] Griechenland[GR] Italien[I] Israel[IL] Japan[J] Holland[NL] Portugal[P] Finnland[SF] Großbritannien[UK] Farbe: Hellblau Varadero / Weiß Chalk '99-'00-'03-'04[v.cya]

Einheit	RAHMEN
Code	28.29
Beschreibung	Deko und Bausatz Schlösser
Inspektion	1



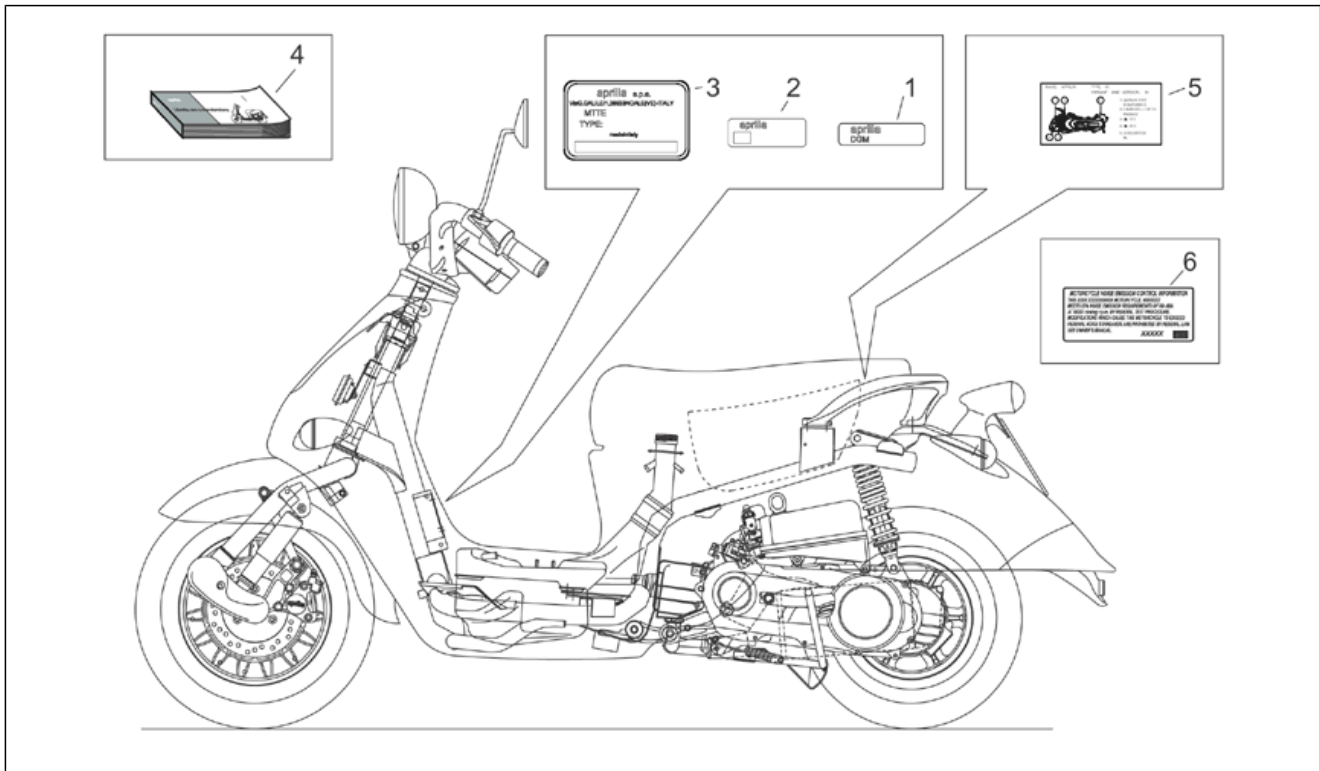
Pos.	Code	Beschreibung	Menge	Varianten
14	AP8267616	Deko Serie, Compay	1	Land:Spanien[E] E[SP] Farbe:Schwarz Aprilia / Schwarz Matt '99-'00-'03-'04[a.blk]
14	AP8267615	Deko Serie, Compay	1	Land:Spanien[E] E[SP] Farbe:Hellblau Varadero / Weiß Chalk '99-'00-'03-'04[v.cya]

Einheit	RAHMEN
Code	28.30
Beschreibung	Schilder und Anleit.
Inspektion	1



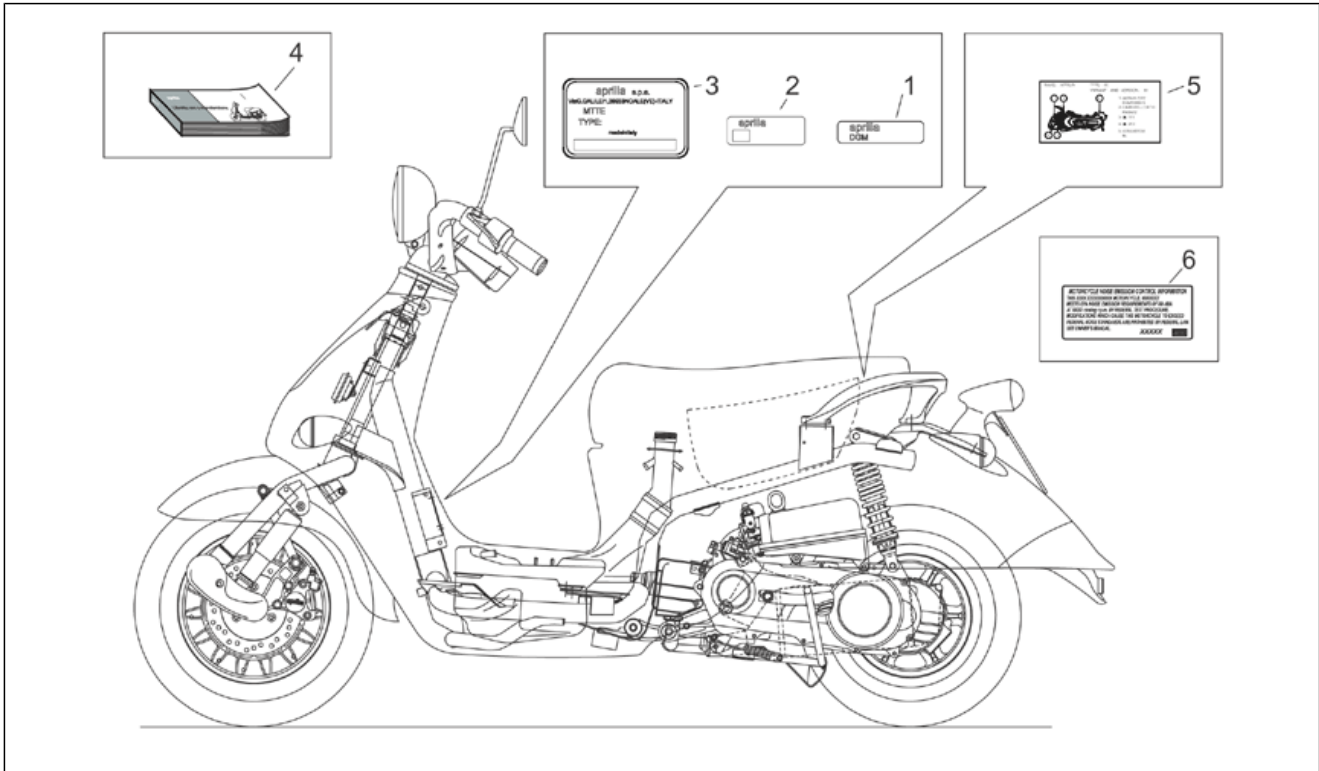
Pos.	Code	Beschreibung	Menge	Varianten
1	AP8257598	DGM Schild	1	Baujahr: 1999[X] 2000[Y] Land: Griechenland[GR] Italien[I] Technische Spezifikation: Version ohne Katalysator[nocat]
2	AP8257079	CEE Schild	1	Baujahr: 1999[X] 2000[Y]
3	AP8257830	Herstellerschild	1	Baujahr: 1999[X] 2000[Y] Land: Deutschland[D]
3	AP8257832	Herstellerschild	1	Baujahr: 1999[X] 2000[Y] Land: Belgien[B] Technische Spezifikation: Version mit Beschränkung 45 km/h[45]
3	AP8277006	Herstellerschild	1	Baujahr: 03[03] apr[apr] Land: Vereinigte Staaten von Amerika[CF] [CZ]Vereinigte Staaten von Amerika[USA] Technische Spezifikation: Version mit Katalysator[cat]
3	AP8257615	Herstellerschild	1	Baujahr: 1999[X] 2000[Y] Land: Griechenland[GR] Italien[I] Israel[IL] Japan[J] Technische Spezifikation: Version ohne Katalysator[nocat]
3	AP8257831	Herstellerschild	1	Baujahr: 1999[X] Land: Österreich[A] Schweiz[CH] Dänemark[DK] Italien[I] Holland[NL] Finnland[SF] Technische Spezifikation: Version mit Katalysator[cat]
3	AP8267028	Herstellerschild	1	Baujahr: 2000[Y] Land: Österreich[A] Schweiz[CH] Dänemark[DK] Italien[I] Holland[NL] Finnland[SF] Technische Spezifikation: Version mit Katalysator[cat]
3	AP8257833	Herstellerschild	1	Baujahr: 1999[X] 2000[Y] Land: Belgien[B] Technische Spezifikation: Version mit Beschränkung 25 km/h[25]
3	AP8267028	Herstellerschild	1	Baujahr: 2003[3] Land: Österreich[A] Belgien[B] Deutschland[D] Dänemark[DK] Spanien[E] A,B,D,DK,GR,F,I,NL[EU] Frankreich[F] Griechenland[GR] Italien[I] Holland[NL] E[SP] Großbritannien[UK]

Einheit	RAHMEN
Code	28.30
Beschreibung	Schilder und Anleit.
Inspektion	1



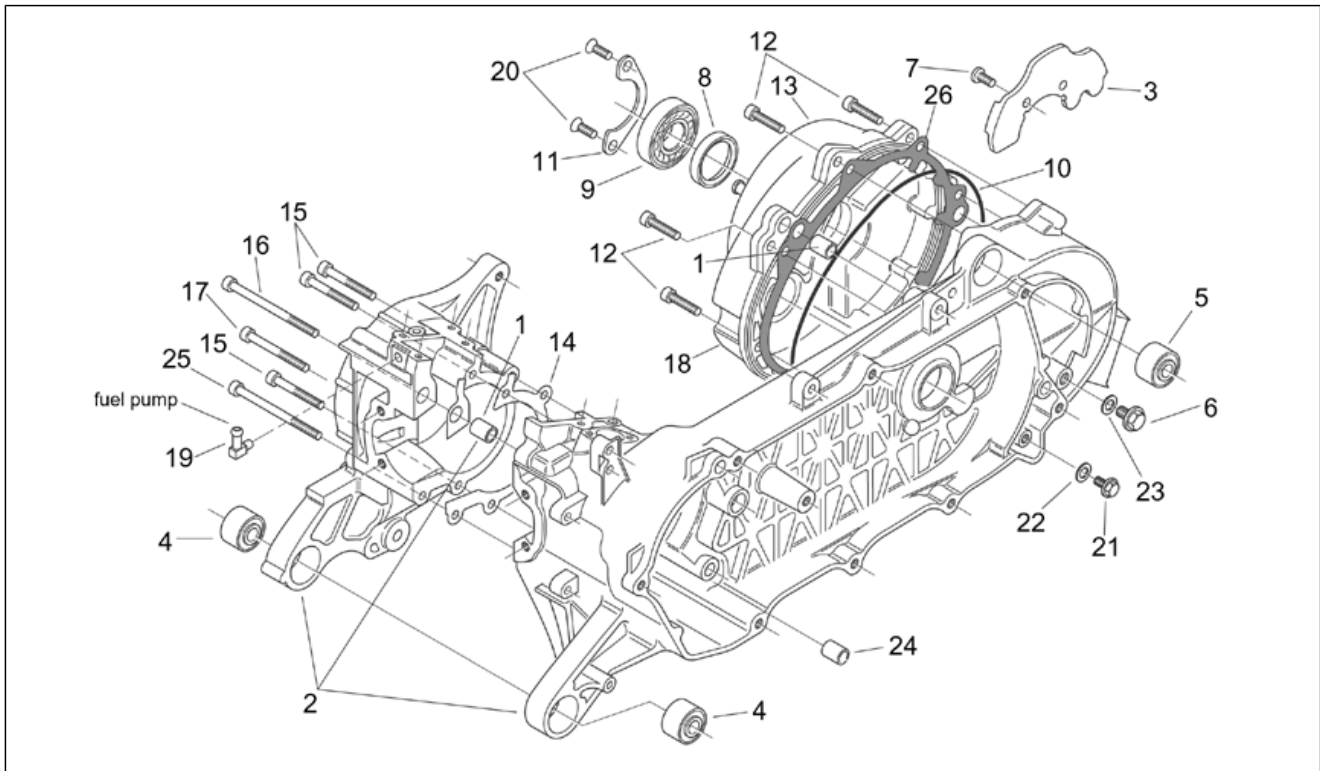
Pos.	Code	Beschreibung	Menge	Varianten
				Technische Spezifikation: Version mit Katalysator[cat]
3	AP8257829	Herstellerschild	1	Baujahr: 1999[X] 2000[Y] Land: Spanien[E] Frankreich[F] Portugal[P] Großbritannien[UK]
4	AP8202361	Bed./Wart.-Anleit. -USA-	1	Baujahr: 03[03] apr[apr] Land: Vereinigte Staaten von Amerika[CF] [CZ]Vereinigte Staaten von Amerika[USA]
4	AP8202317	Bed./Wart.-Anl. I-F-D	1	Land: Österreich[A] Belgien[B] Schweiz[CH] Deutschland[D] A,B,D,DK,GR,F,I,NL[EU] Frankreich[F] Italien[I]
4	AP8202318	Bed./Wart.-Anl. P-E-UK	1	Land: Israel[IL] Portugal[P] Großbritannien[UK]
4	AP8202319	Bed./Wart.-Anl. NL-DK-SF	1	Land: Belgien[B] Dänemark[DK] A,B,D,DK,GR,F,I,NL[EU] Holland[NL] Finnland[SF]
4	AP8202320	Betr./Wart,anl. gr-j-uk	1	Land: A,B,D,DK,GR,F,I,NL[EU] Griechenland[GR] Japan[J]
4	AP8202324	Bed./Wart.-Anleit. -P-E-	1	Land: Spanien[E] E[SP]
5	AP8257599	Fälschungssicheres Schild	1	Baujahr: 1999[X] Land: Deutschland[D]
5	AP8257505	Fälschungssicheres Schild	1	Baujahr: 1999[X] 2000[Y] Land: Österreich[A] Schweiz[CH] Dänemark[DK] Italien[I] Holland[NL] Finnland[SF] Technische Spezifikation: Version mit Katalysator[cat]
5	AP8267297	Fälschungssicheres Schild	1	Baujahr: 2003[3] Land: Österreich[A] Belgien[B] Deutschland[D] Dänemark[DK] Spanien[E] A,B,D,DK,GR,F,I,NL[EU] Frankreich[F] Griechenland[GR] Italien[I] Holland[NL] E[SP] Großbritannien[UK] Technische Spezifikation: Version mit Katalysator[cat]
5	AP8257505	Fälschungssicheres Schild	1	Baujahr: 2000[Y] Land: Deutschland[D]
6	AP8277007	Lautherausgabe selbstkleber	1	Baujahr: 2003[3] Land: Vereinigte Staaten von Amerika[CF] [CZ]Vereinigte Staaten von Amerika[USA] Technische Spezifikation: Version mit Katalysator[cat]
6	AP8277463	Lautherausgabe selbstkleber	1	Baujahr: 2004[4]

Einheit	RAHMEN
Code	28.30
Beschreibung	Schilder und Anleit.
Inspektion	1



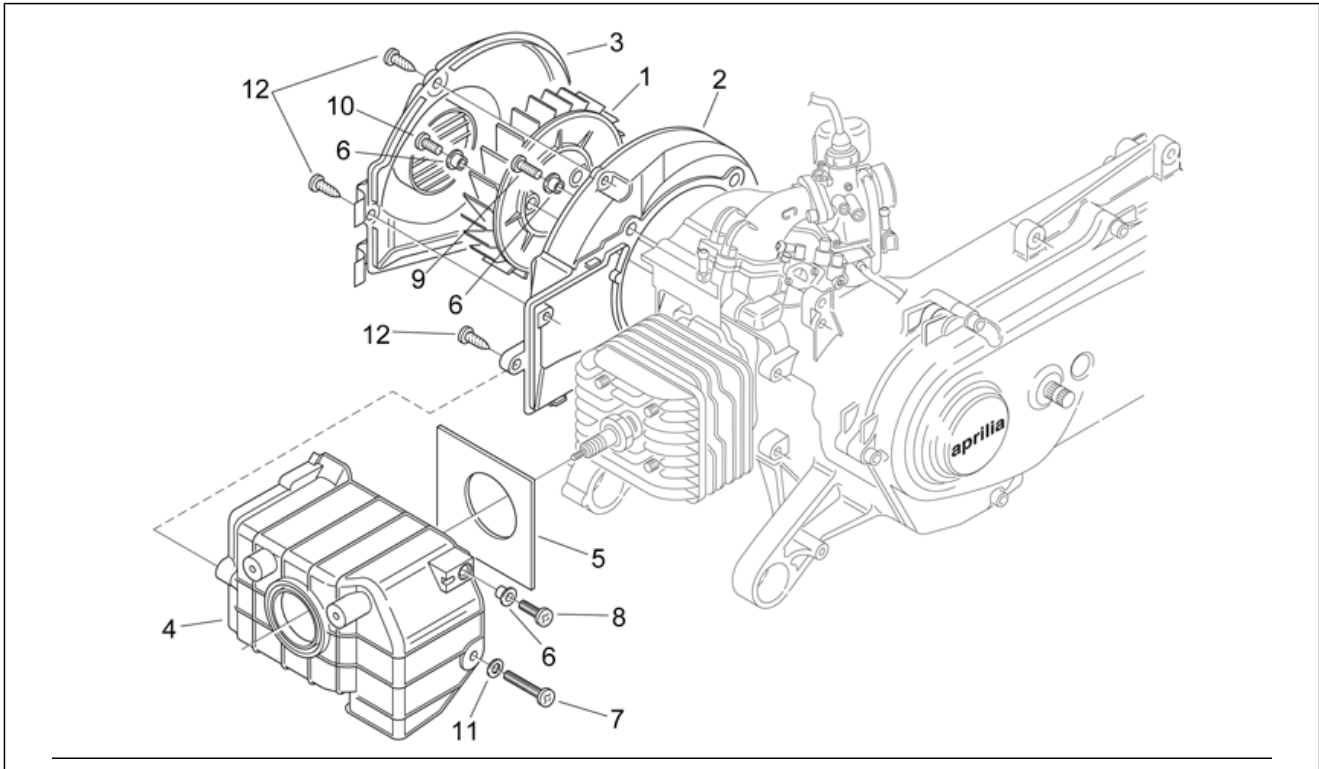
Pos.	Code	Beschreibung	Menge	Varianten
				Land: Vereinigte Staaten von Amerika[CF] [CZ] Vereinigte Staaten von Amerika[USA] Technische Spezifikation: Version mit Katalysator[cat]

Einheit	MOTOR
Code	29.31
Beschreibung	Gehäuse
Inspektion	1



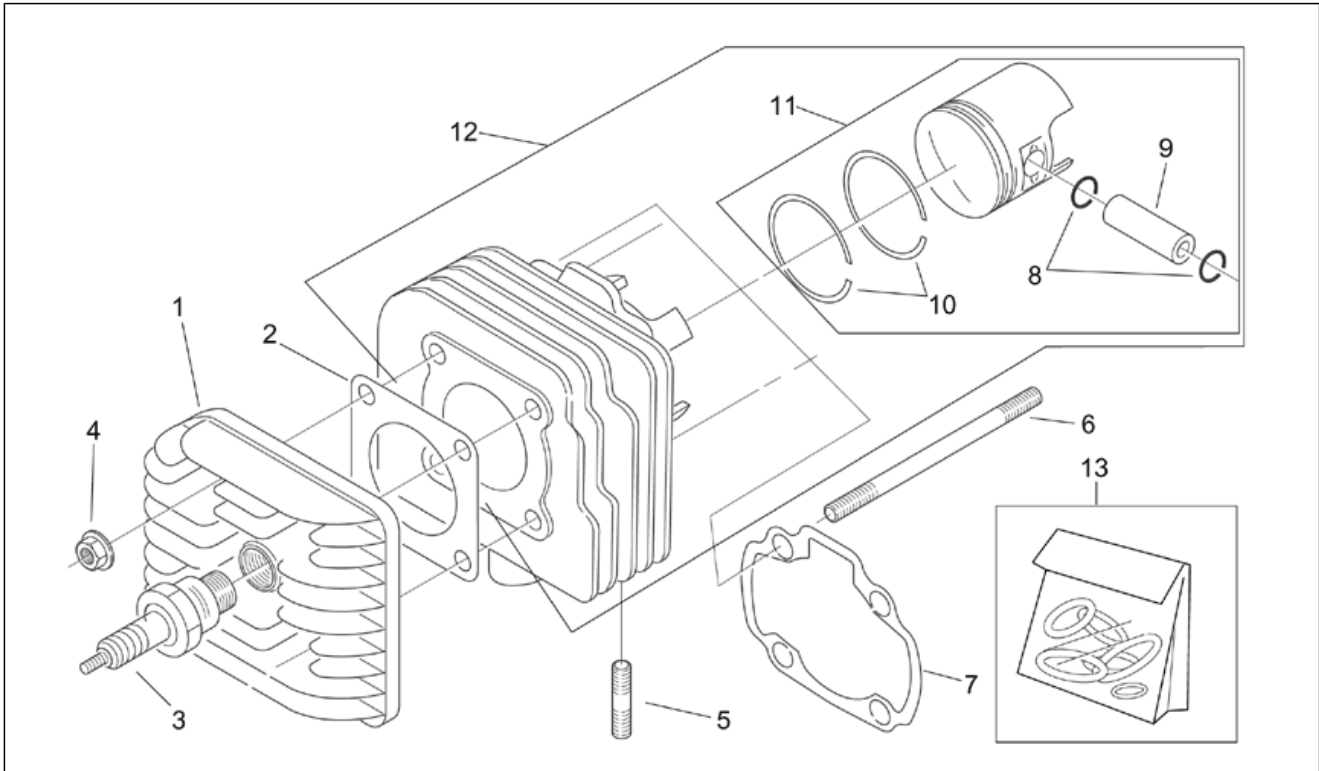
Pos.	Code	Beschreibung	Menge	Varianten
1	AP3FCN000038	Stift	4	
2	AP1BHA000104	Kurbelgehäuse	1	
3	AP3HAA000044	Antriebsplatte	1	
4	AP3HAN000055	Silent-Block	2	
5	AP3HAN000056	Silent-Block	1	
6	AP4AUN000011	TE Schr. m. Flansch	1	
7	AP4ADN000013	Schraube	2	
8	AP3EBN000047	Ölabstreifring 29x42x6	1	
9	AP4GAN000026	Lager d22x50x14	1	
10	AP3EAN000048	O-Ring d2,4x161	1	
11	AP3HAA000068	Lagerplatte	1	
12	AP4ADN000016	TCEI Schraube	8	
13	AP5RHR000189	Getriebedeckel	1	
14	AP3HVA000021	Dichtung	1	
15	AP4ADN000008	TCEI Schraube	3	
16	AP4ADN000009	TCEI Schraube	1	
17	AP4ADN000007	TCEI Schraube	1	
18	AP5RHR000189	Getriebedeckel	1	
19	AP3HAA000064	Anschluß Unterdruckschlauch	1	
20	AP4AHN000067	Schraube	2	
21	AP3AUN000062	TE Schr. m. Flansch	1	
22	AP4EEN000063	Alu-Scheibe	1	
23	AP4EEN000037	Alu-Scheibe	1	
24	AP3QAA000039	Buchse	1	
25	AP4ADN000006	TCEI Schraube	1	
26	AP3NVA000627	Papier Dichtung	1	

Einheit	MOTOR
Code	29.32
Beschreibung	Kühlgruppe
Inspektion	1



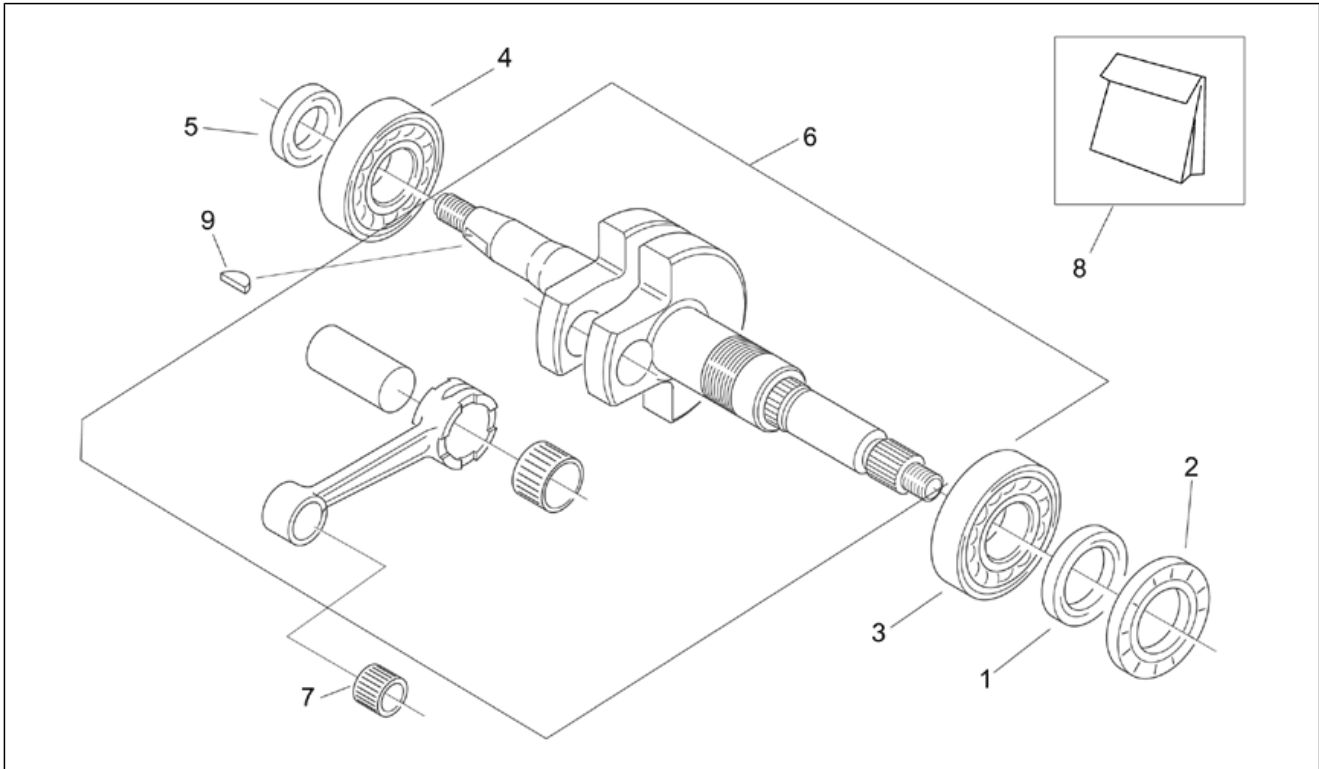
Pos.	Code	Beschreibung	Menge	Varianten
1	AP3UBA000076	Kunststofflüfter	1	
2	AP3UDA000077	Boden Lüfterleitblech	1	
3	AP3UCA000078	Lüfterleitblech	1	
4	AP3UCA000079	Leitblechhaube Zylinder	1	
5	AP3UAA000046	Schalldämmplatte	1	
6	AP3UAN000061	T-Buchse	7	
7	AP4ADN000017	Schraube	1	
8	AP4ADN000014	Schraube	1	
9	AP4ADN000015	Schraube	4	
10	AP2AVN000112	Schraube m.unverl.Sche.	2	
11	AP4DGN000078	Flachscheibe 6,4x12x1,6	1	
12	AP4APN000029	Schraube	5	

Einheit	MOTOR
Code	29.33
Beschreibung	Zylinderkopf
Inspektion	1



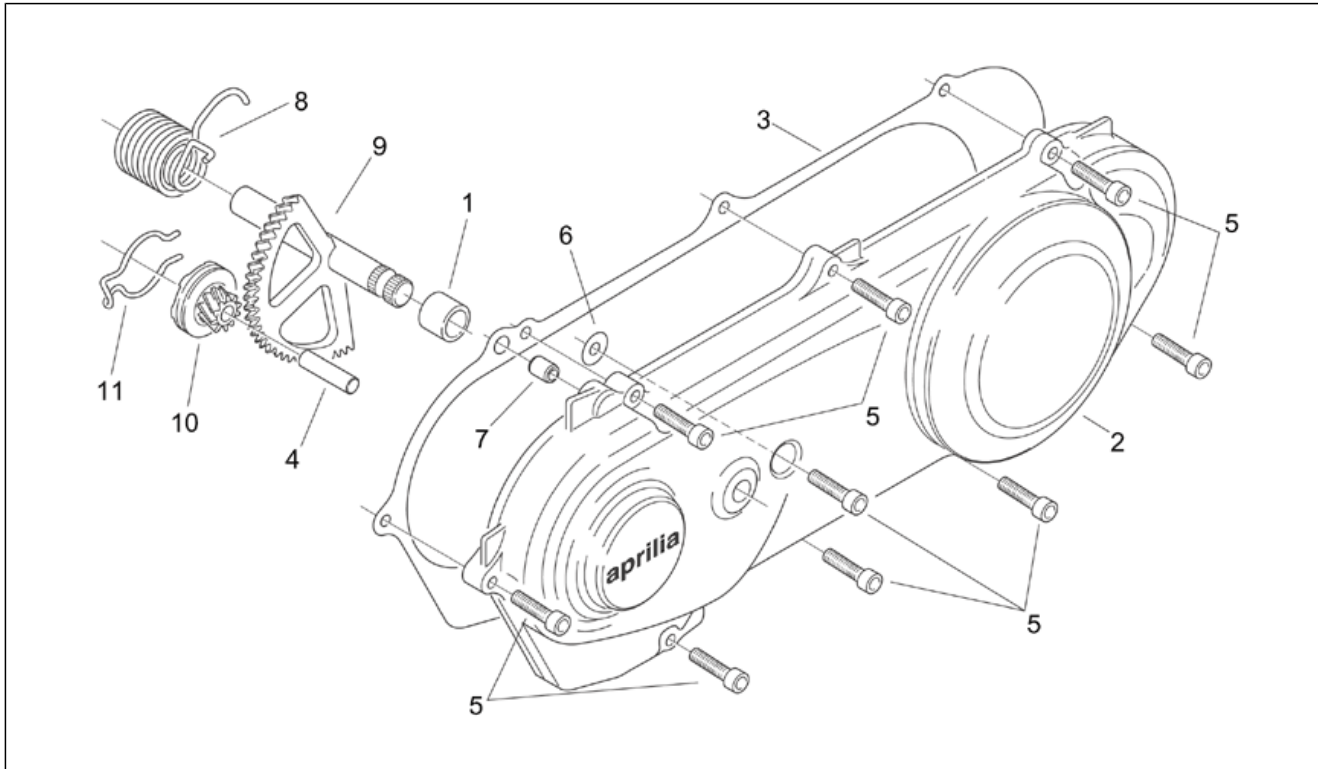
Pos.	Code	Beschreibung	Menge	Varianten
1	AP3BBA000003	Zylinderkopf	1	
2	AP3BVA000004	Dichtung Zylinderkopf	1	
3	AP2BEN000088	Zündkerze BPR7HS	1	
4	AP3BDN000005	Geflanschte Mutter	4	
5	AP4BAN000002	Stiftschraube	1	
6	AP4BAN000001	Stiftschraube	4	
7	AP3EVA000011	ZYLINDERFUSSDICHTUNG	1	
8	AP3EAN000053	Stiftsperring	2	
9	AP2EDA000196	Bolzen	1	
10	AP5RER000005	Satz Kolbenringe d41,5	1	
10	AP5RER000007	Satz Kolbenringe d42	1	
10	AP5RER000003	Satz Kolbenringe d41	1	
11	AP5RER000004	Kolben kpl. d41,5	1	
11	AP5RER000002	Kolben kpl. d41	1	
11	AP5RER000006	Kolben kpl. d42	1	
12	AP5RER000001	Kolben + Zylinder	1	
13	AP5RZR000028	Dichtungen - Satz	1	

Einheit	MOTOR
Code	29.34
Beschreibung	Pleuelstange
Inspektion	1



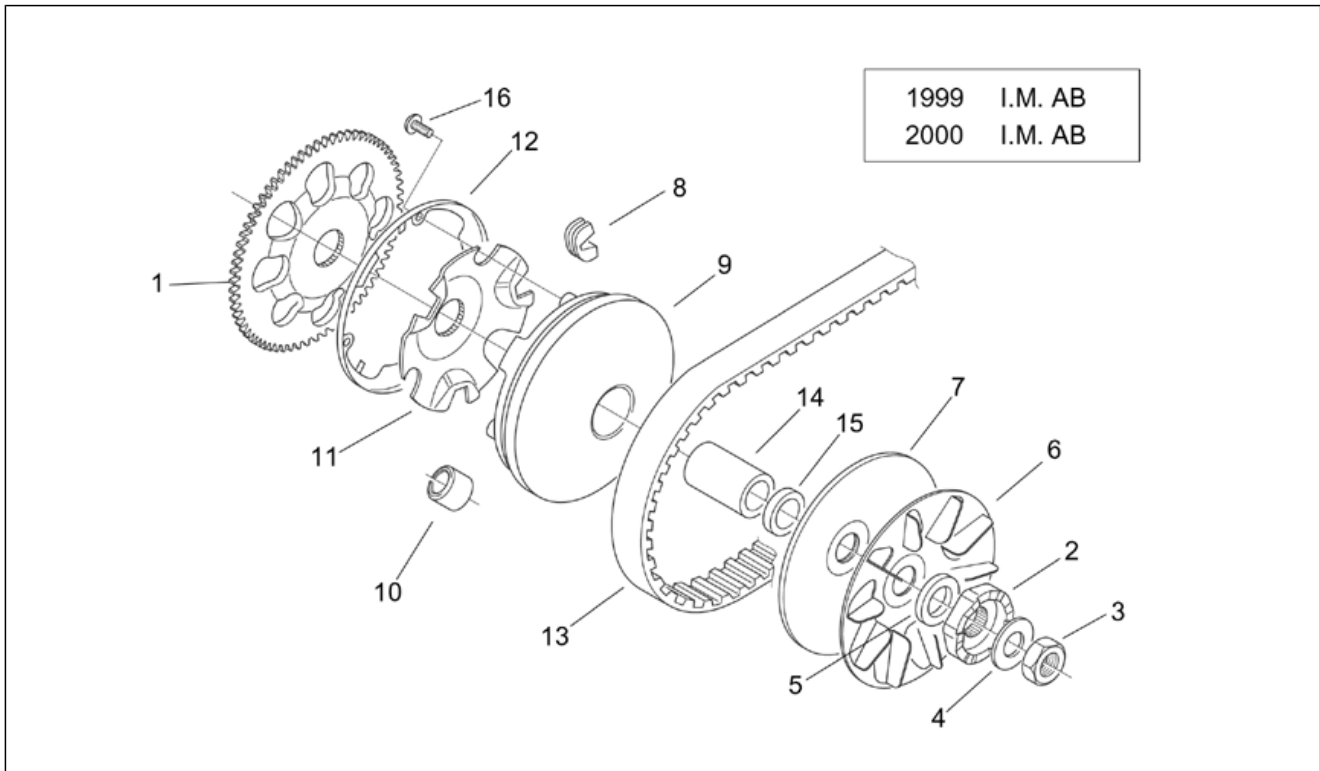
Pos.	Code	Beschreibung	Menge	Varianten
1	AP3EBN000042	Ölabstreifring 25x37x6	1	
2	AP3EBN000043	Ölabstreifring 24x43x6	1	
3	AP3GAN000040	Lager d25x52x13	1	
4	AP4GAN000003	Lager d20x47x14	1	
5	AP3EBN000044	Ölabstreifring 17x27x6	1	
6	AP1BFA000012	Kurbelwelle kpl.	1	
7	AP2GLN000104	Käfig auf Bolzen 10x14x12,5	1	
8	AP5RZR000029	Dichtungssatz	1	
9	AP4FAN000030	Keil Schwungmagnet	1	

Einheit	MOTOR
Code	29.35
Beschreibung	Deckel - Kick starter
Inspektion	1



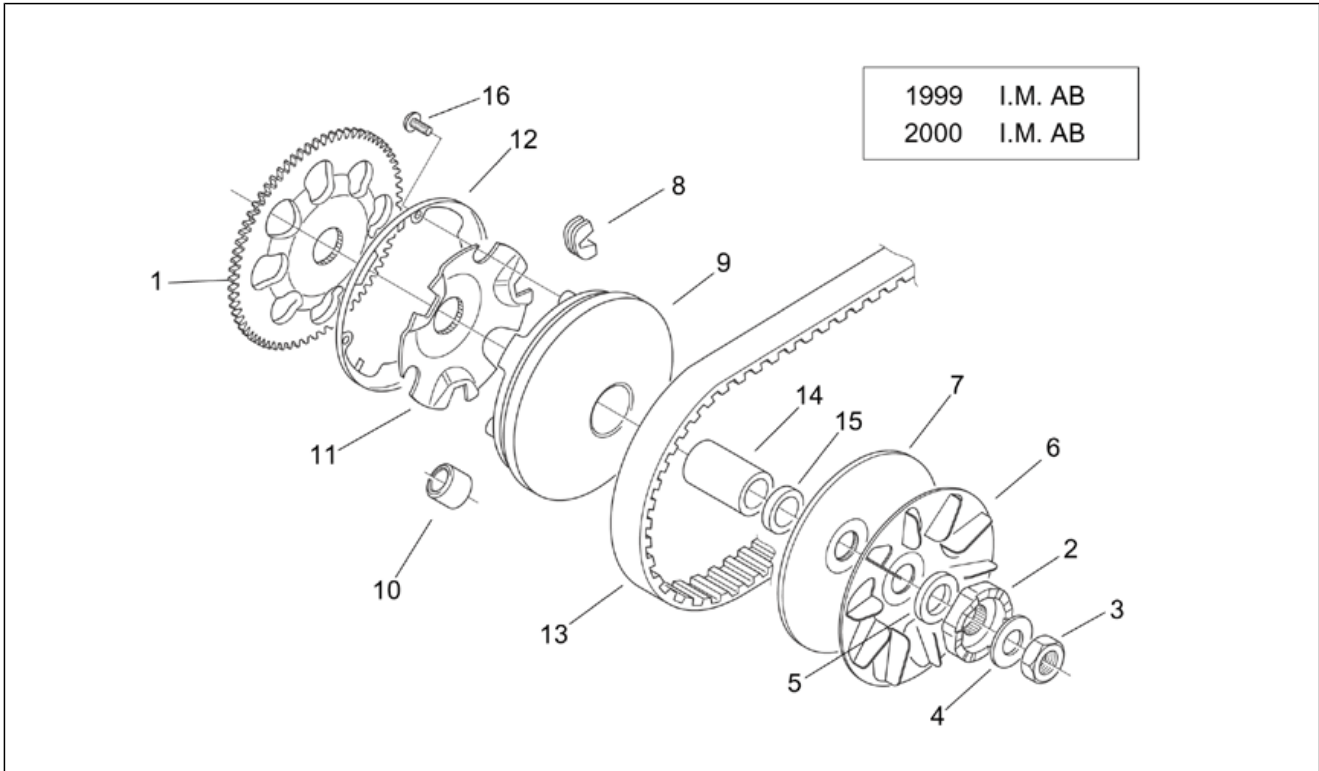
Pos.	Code	Beschreibung	Menge	Varianten
1	AP3TAA000073	Starterwellebuchse	1	
2	AP3HZA000090	Starterdeckel, grau	1	
2	AP3HZA000134	Starterdeckel, schwarz	1	
3	AP3HVA000026	Dichtung startdeckel	1	
4	AP3HAA000045	Bolzen	1	
5	AP4ADN000016	TCEI Schraube	9	
6	AP3HVN000057	Dichtung	1	
7	AP3FCN000004	Stift Abdeckung d9x14	2	
8	AP3TAA000055	Rückholfeder Starterhebel	1	
9	AP1BTA000071	Baugruppe Starterwelle	1	
10	AP3TCA000072	Starter-Schieberad	1	
11	AP3TAA000042	Kickstarterfeder	1	

Einheit	MOTOR
Code	29.36
Beschreibung	Wandler I
Inspektion	1



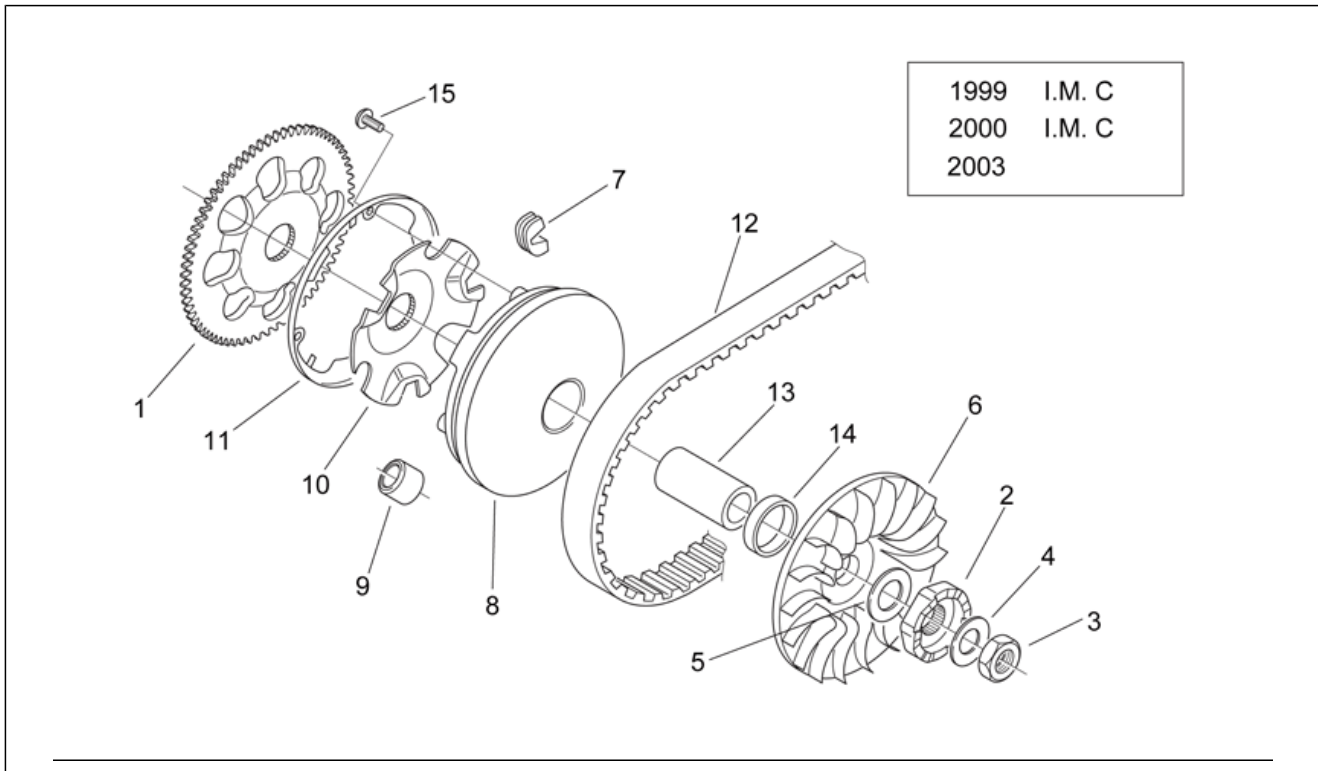
Pos.	Code	Beschreibung	Menge	Varianten
1	AP3QEA000031	Zahnkranz Elektrostarter	1	
2	AP3TDA000074	Starter-Zahnbecher	1	
3	AP3TAN000060	Mutter unten m12x1,25	1	
4	AP4DHN000020	Tellerfeder	1	
5	AP3TAN000036	Distanzscheibe 14x23x3,6	1	
6	AP2MEA000091	Lüfter	1	
7	AP2MEA000092	Feste Hauptriemenscheibe	1	
8	AP2MEA000095	Dübel	3	
9	AP1BMA000093	Bewegliche Hauptriemenscheibe	1	
10	AP1BMA000129	Fliehkraftmasse bohrung d9,6	6	
11	AP2MEA000096	Stiftplatte	1	
12	AP2MEA000097	Deckel Riemenschei.	1	
13	AP2MCA000014	Keilriemen	1	
14	AP3MAN000045	Buchse 16x22x40,9	1	
15	AP3MAN000087	Distanzscheibe 4 mm	1	Baujahr: 2000[Y] Land: Österreich[A] Schweiz[CH] Dänemark[DK] Italien[I] Holland[NL] Finnland[SF] Technische Spezifikation: Version mit Katalysator[cat]
15	AP3MAN000075	Distanzscheibe	1	Baujahr: 1999[X] 2000[Y] Land: Spanien[E] Frankreich[F] Griechenland[GR] Italien[I] Israel[IL] Japan[J] Portugal[P] Großbritannien[UK] Technische Spezifikation: Version ohne Katalysator[nocat]
15	AP3MAN000089	Distanzscheibe	1	Baujahr: 1999[X] Land: Österreich[A] Schweiz[CH] Dänemark[DK] Italien[I] Holland[NL] Finnland[SF] Technische Spezifikation: Version mit Katalysator[cat]
15	AP3MAN000091	Distanzscheibe	1	Baujahr: 1999[X] 2000[Y] Land: Belgien[B] Technische Spezifikation: Version mit Beschränkung 25 km/h[25]
15	AP3MAN000087	Distanzscheibe 4 mm	1	Baujahr: 1999[X] 2000[Y]

Einheit	MOTOR
Code	29.36
Beschreibung	Wandler I
Inspektion	1



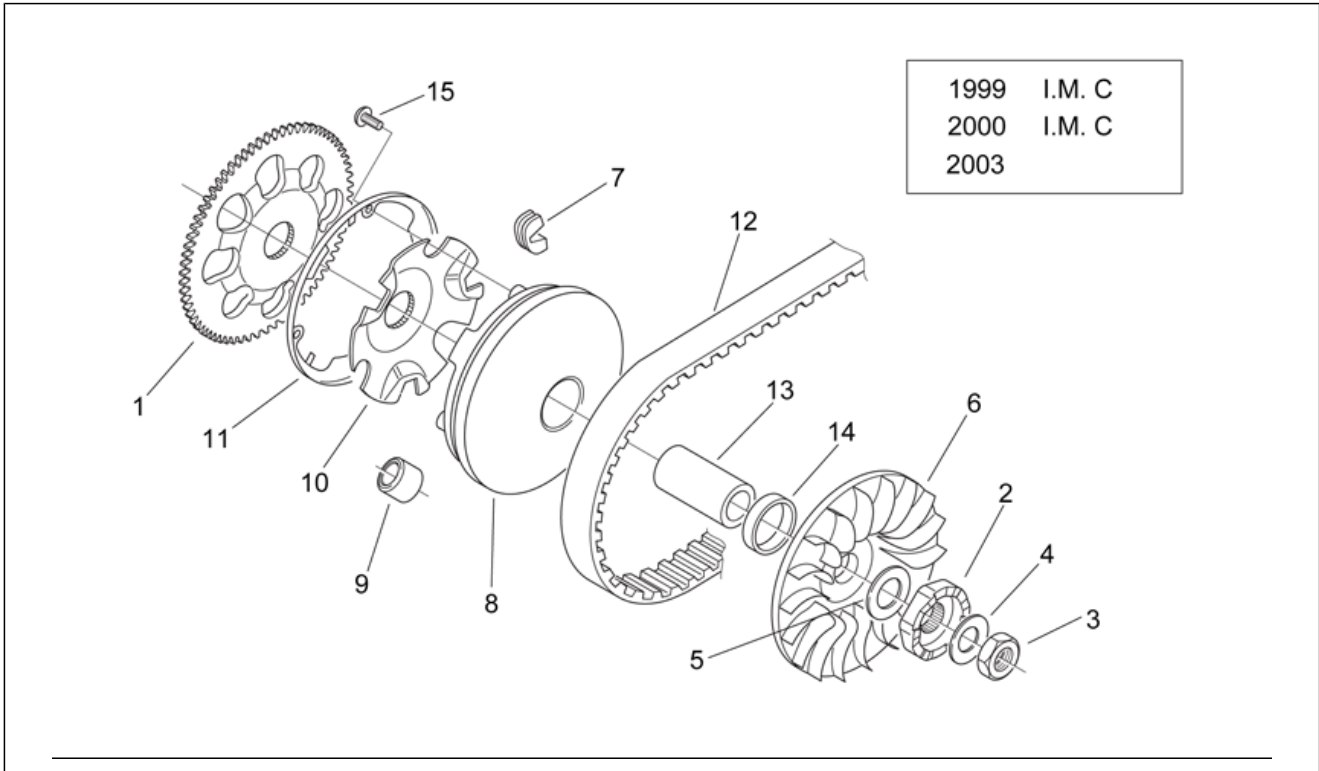
Pos.	Code	Beschreibung	Menge	Varianten
				Land:Deutschland[D]
15	AP3MAN000075	Distanzscheibe	1	Baujahr:1999[X] 2000[Y] Land:Belgien[B] Technische Spezifikation:Version mit Beschränkung 45 km/h[45]
16	AP4ATN000079	Schraube	3	

Einheit	MOTOR
Code	29.37
Beschreibung	Wandler II
Inspektion	1



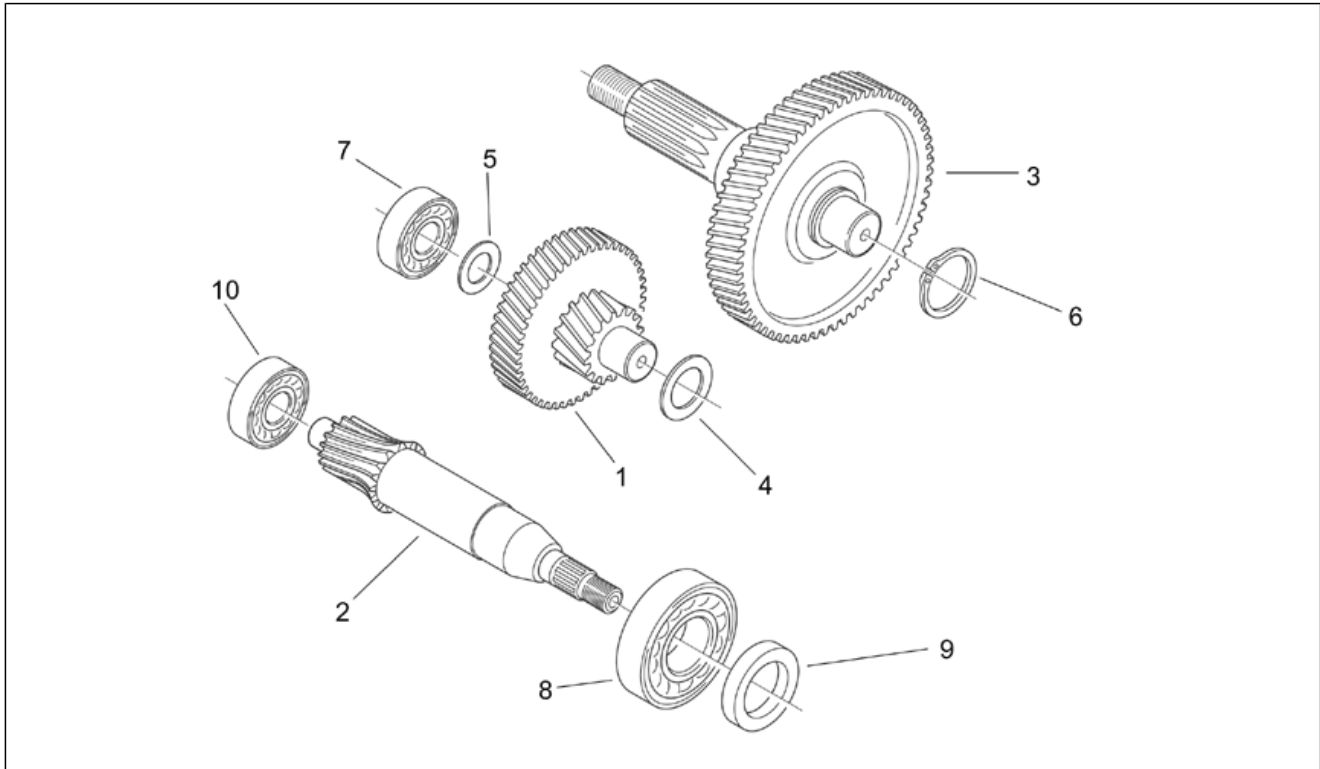
Pos.	Code	Beschreibung	Menge	Varianten
1	AP3QEA000031	Zahnkranz Elektrostarter	1	
2	AP3TDA000074	Starter-Zahnbecher	1	
3	AP3TAN000060	Mutter unten m12x1,25	1	
4	AP4DHN000020	Tellerfeder	1	
5	AP3TAN000172	Distanzscheibe 14,3x23x1	1	
6	AP2MEA000424	Feste Hauptriemenscheibe	1	
7	AP2MEA000421	Dübel	3	
8	AP2MEA000419	Bewegliche Hauptriemenscheibe	1	
9	AP2MEA000420	Fliehkraftmasse 7,7g	6	
10	AP2MEA000422	Stiftplatte	1	
11	AP2MEA000423	Deckel Riemenschei. 0,5 mm	1	
12	AP2MCA000014	Keilriemen	1	
13	AP2MEN000189	Buchse	1	
14	AP3MAN000087	Distanzscheibe 4 mm	1	Baujahr: 1999[X] 2000[Y] Land: Belgien[B] Technische Spezifikation: Version mit Beschränkung 45 km/h[45]
14	AP3MAN000091	Distanzscheibe	1	Baujahr: 1999[X] 2000[Y] Land: Belgien[B] Technische Spezifikation: Version mit Beschränkung 25 km/h[25]
14	AP3MAN000198	Distanzscheibe 3,5 mm	1	Baujahr: 1999[X] 2000[Y] Land: Deutschland[D]
14	AP3MAN000198	Distanzscheibe 3,5 mm	1	Baujahr: 03[03] apr[apr] Technische Spezifikation: Version mit Katalysator[cat]
14	AP3MAN000087	Distanzscheibe 4 mm	1	Baujahr: 1999[X] 2000[Y] Land: Spanien[E] Frankreich[F] Griechenland[GR] Italien[I] Israel[IL] Japan[J] Portugal[P] Großbritannien[UK] Technische Spezifikation: Version ohne Katalysator[nocat]
14	AP3MAN000198	Distanzscheibe 3,5 mm	1	Baujahr: 1999[X] 2000[Y]

Einheit	MOTOR
Code	29.37
Beschreibung	Wandler II
Inspektion	1



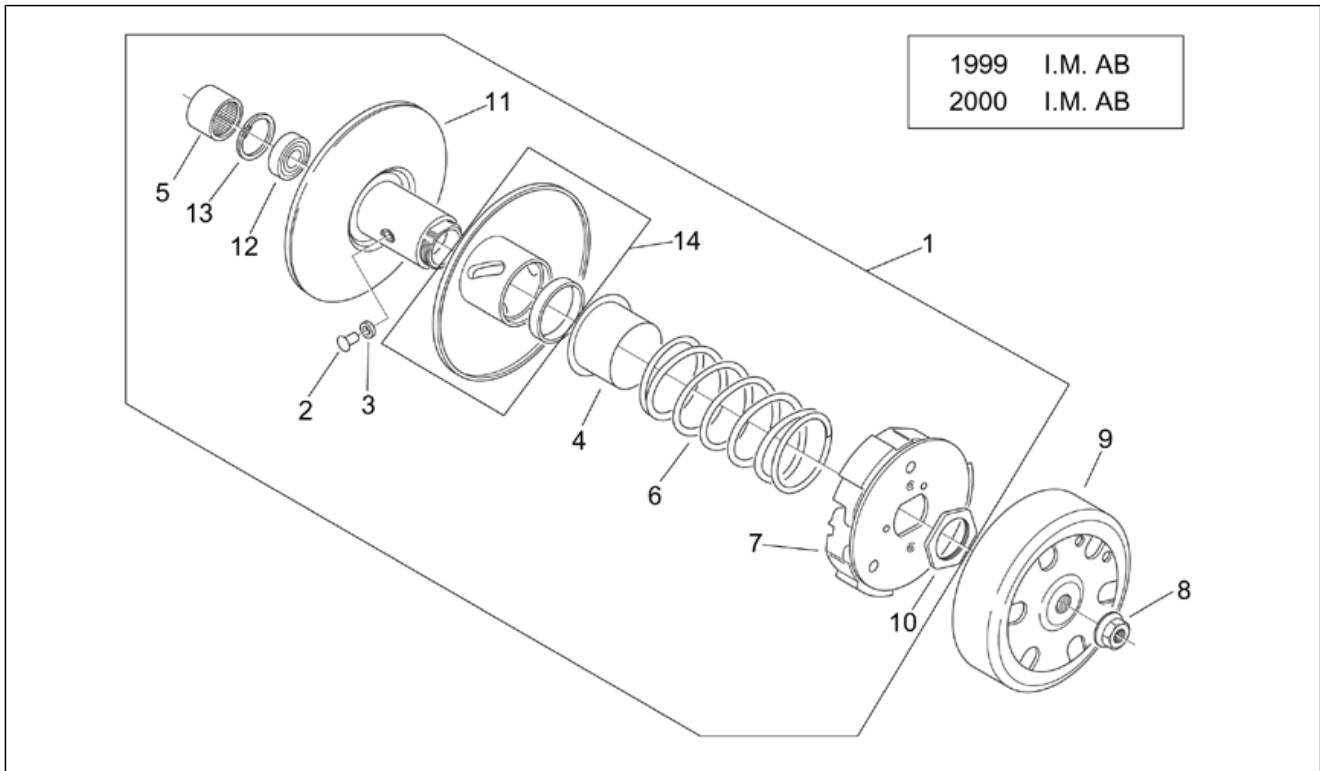
Pos.	Code	Beschreibung	Menge	Varianten
				Land:Österreich[A] Schweiz[CH] Dänemark[DK] Italien[I] Holland[NL] Finnland[SF] Technische Spezifikation:Version mit Katalysator[cat]
15	AP2MEN000187	Schraube	3	

Einheit	MOTOR
Code	29.38
Beschreibung	Übersetzung
Inspektion	1



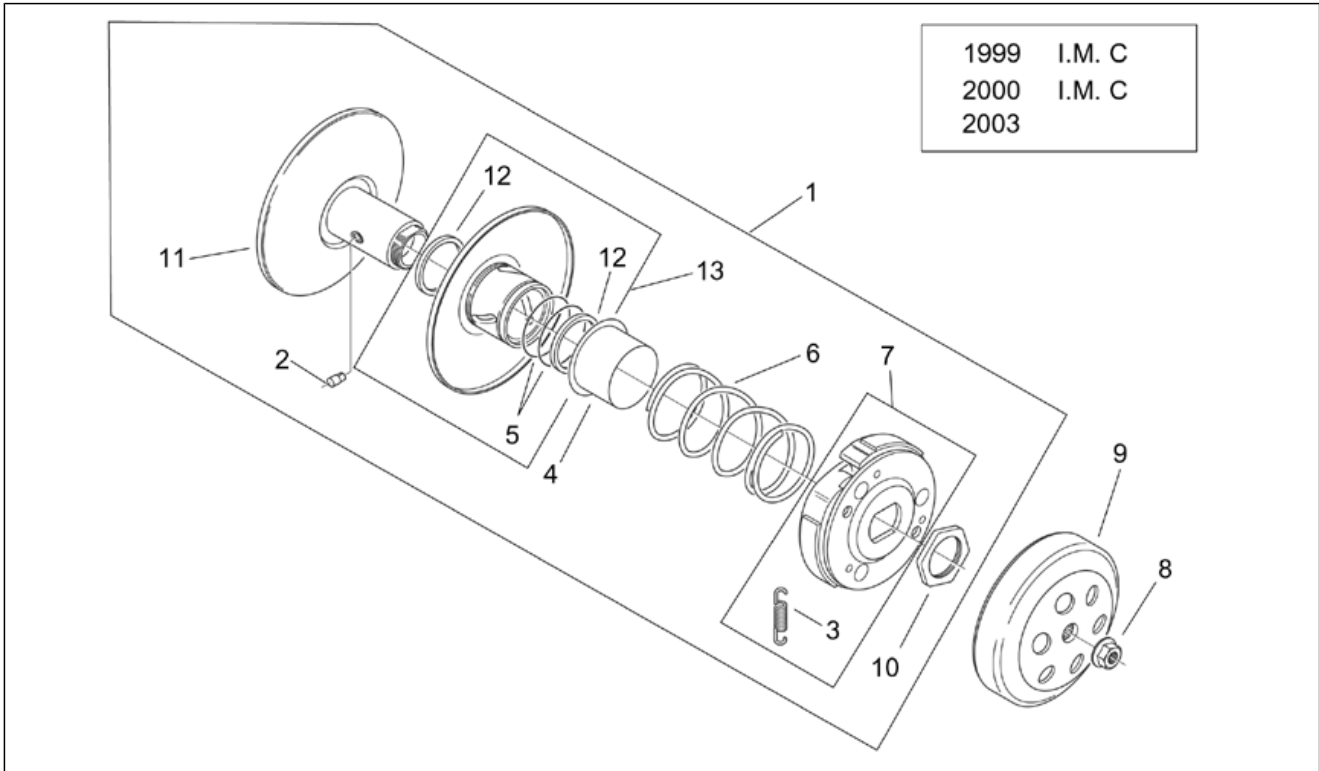
Pos.	Code	Beschreibung	Menge	Varianten
1	AP1BOA000028	Doppeltes Freilaufgrad Z=17/51	1	
2	AP3NBA000027	Getriebe	1	
3	AP1BOA000029	Antriebswelle Z=64	1	
4	AP3NAN000059	Scheibe links	1	
5	AP3NAN000058	Scheibe rechts	1	
6	AP3FBN000049	Seegerring	1	
7	AP4GAN000025	Lager d12x32x10	2	
8	AP3GAN000051	Lager d22x50x14	1	
9	AP3EBN000046	Ölabstreifring 22x32x5	1	
10	AP2GAN000110	Lager	1	

Einheit	MOTOR
Code	29.39
Beschreibung	Kupplung I
Inspektion	1



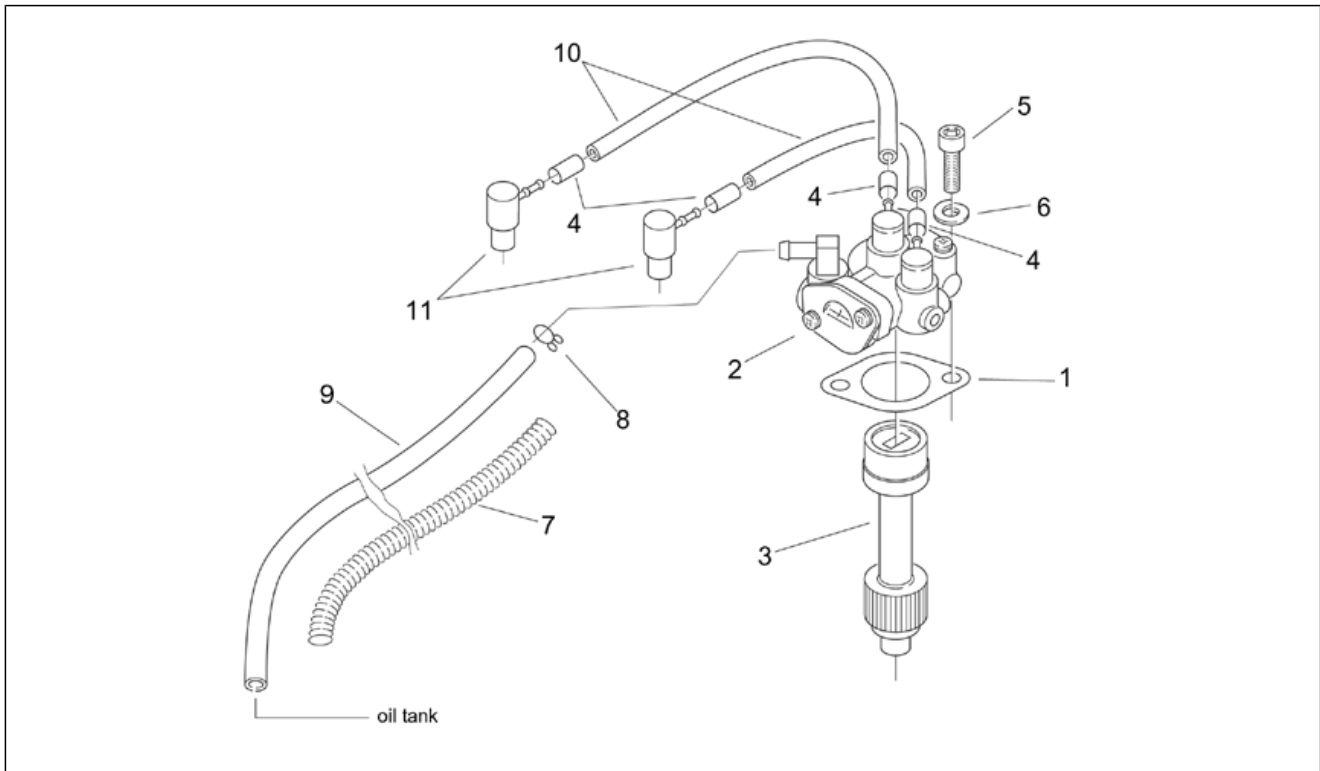
Pos.	Code	Beschreibung	Menge	Varianten
1	AP1BMA000098	Wandler mit Kupplung	1	
2	AP2MDA000182	Führungsrolle Wandler	3	
3	AP2MDA000183	Führungsrolle Wandl.	3	
4	AP2MDA000184	Becher Wandlerfeder	1	
5	AP2MDA000185	Rollenlager	1	
6	AP2MDA000186	Feder	1	
7	AP2MDA000187	Fliehkraftkupplung	1	
8	AP4BDN000039	Geflanschte Mutter m10x1,5	1	
9	AP1BMA000099	Baugruppe Kupplungskasten	1	
10	AP2MDA000188	Mutter	1	
11	AP1BMA000177	Sekundäre Festscheibe	1	
12	AP5RMR000020	Lager	1	
13	AP5RMR000021	Seegerring	1	
14	AP1BMA000180	Sekundäre Gleitscheibe	1	

Einheit	MOTOR
Code	29.40
Beschreibung	Kupplung II
Inspektion	1



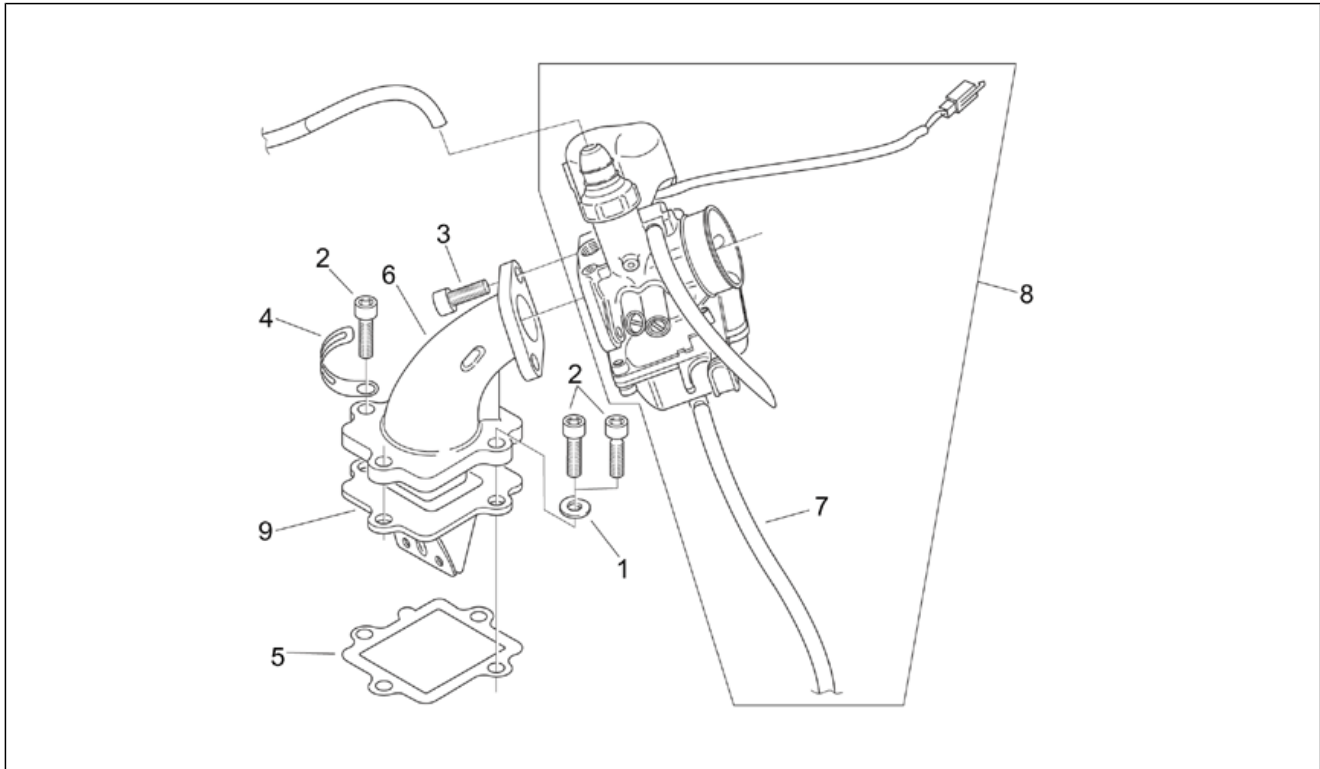
Pos.	Code	Beschreibung	Menge	Varianten
1	AP2MDA000428	Wandler mit Kupplung	1	
2	AP5RMR000092	Führungsrolle Wandler	2	
3	AP5RMR000100	Kupplungbackenfeder	1	
4	AP5RMR000088	Becher Wandlerfeder	1	
5	AP5RMR000097	O-Ring	2	
6	AP5RMR000087	Feder	1	
7	AP5RMR000099	Fliehkraftkupplung	1	
8	AP4BDN000039	Geflanschte Mutter m10x1,5	1	
9	AP2MDA000426	Baugruppe Kupplungskasten	1	
10	AP5RMR000085	Mutter	1	
11	AP5RMR000090	Sekundäre Festscheibe	1	
12	AP5RMR000096	Ölabstreifring	2	
13	AP5RMR000089	Sekundäre Gleitscheibe	1	

Einheit	MOTOR
Code	29.41
Beschreibung	Ölpumpe
Inspektion	1



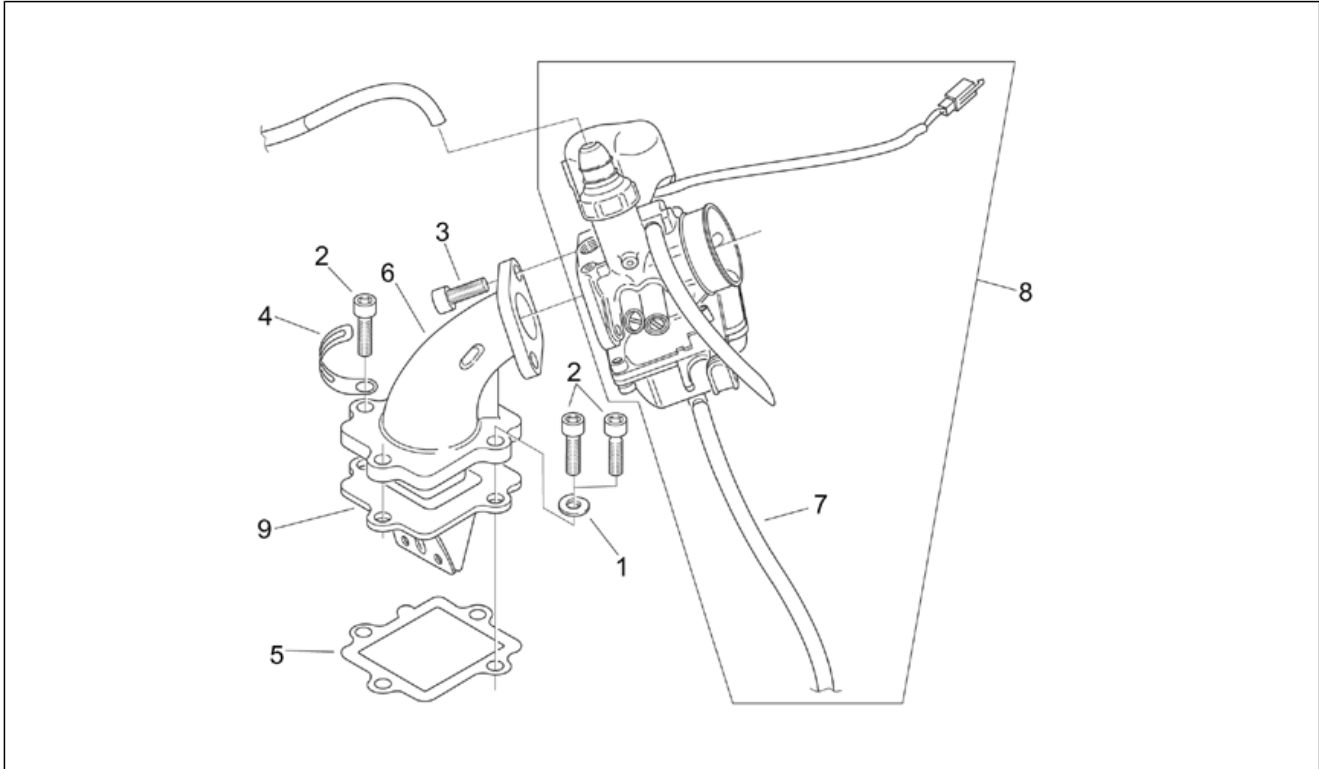
Pos.	Code	Beschreibung	Menge	Varianten
1	AP3IVA000022	Dicht. Ölgem.pumpe	1	
2	AP2IBA000105	Ölpumpe	1	
3	AP3ICA000054	Ölpumpenwelle	1	
4	AP2FBN000021	Klammer	4	
5	AP4ADN000028	TCEI Schraube	2	
6	AP4DFN000032	Unterlegscheibe	2	
7	AP3IAA000052	Feder	1	
8	AP2FBN000034	Schelle	1	
9	AP2HAN000035	Ölschlauch	1	
10	AP2HAN000022	Ölschlauch	1	
11	AP2HAA000051	Sperrventil Öl	2	

Einheit	MOTOR
Code	29.42
Beschreibung	Einspeisung
Inspektion	1



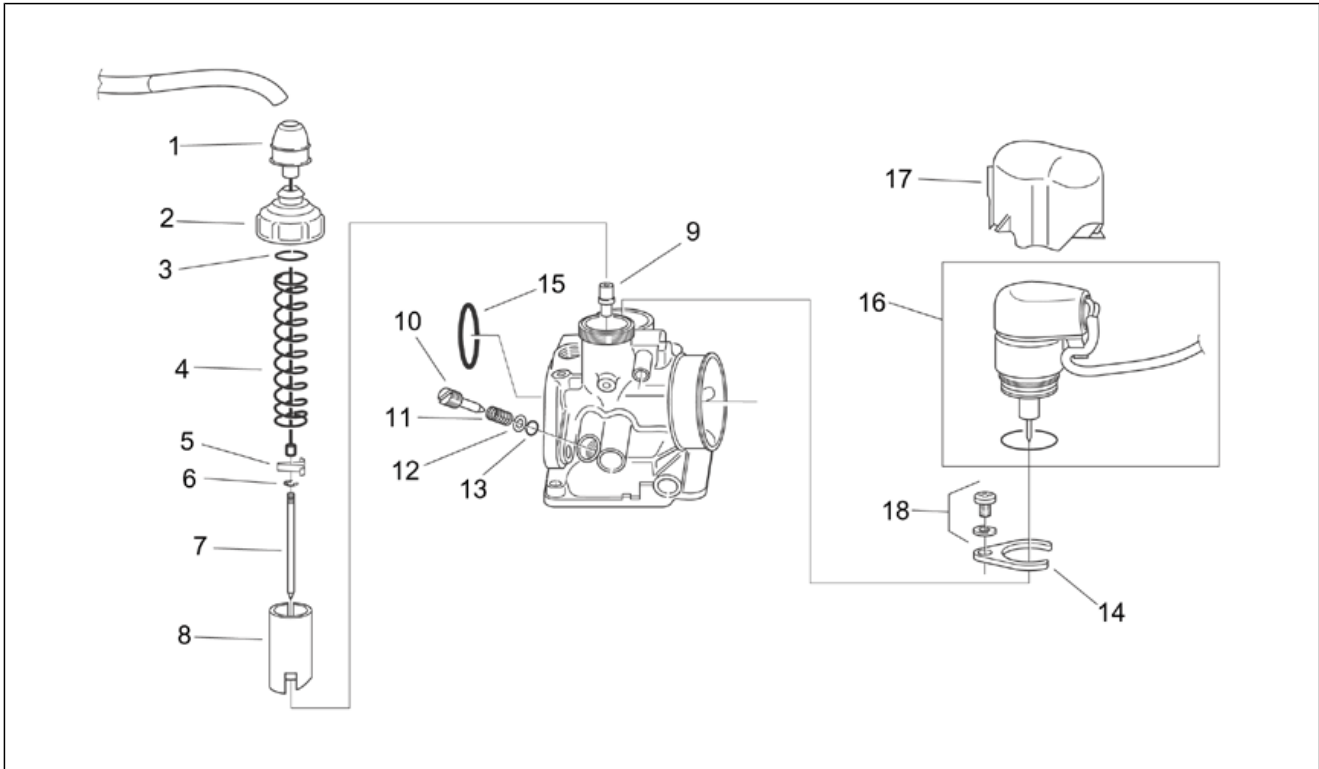
Pos.	Code	Beschreibung	Menge	Varianten
1	AP4DFN000033	Unterlegscheibe	2	
2	AP4ADN000014	Schraube	4	Baujahr: 1999[X] 2000[Y] Land: Belgien[B] Spanien[E] Frankreich[F] Griechenland[GR] Italien[I] Israel[IL] Japan[J] Portugal[P] Großbritannien[UK] Technische Spezifikation: Version ohne Katalysator[nocat]
2	AP3AVN000086	Reißschraube	2	Baujahr: 03[03] apr[apr] Technische Spezifikation: Version mit Katalysator[cat]
2	AP3AVN000086	Reißschraube	2	Baujahr: 1999[X] 2000[Y] Land: Österreich[A] Schweiz[CH] Deutschland[D] Dänemark[DK] Italien[I] Holland[NL] Finnland[SF] Technische Spezifikation: Version mit Katalysator[cat]
3	AP4ADN000015	Schraube	2	
4	AP3AAN000054	Schelle	2	
5	AP3AVA000063	Ventildichtung	1	
6	AP3ABA000062	Ansaugkrümmer	1	
7	AP5RAR000065	Leitung	1	
8	AP2ADA000001	Vergaser	1	Baujahr: 1999[X] 2000[Y] Land: Belgien[B] Technische Spezifikation: Version mit Beschränkung 45 km/h[45]
8	AP2ADA000127	Vergaser	1	Baujahr: 1999[X] 2000[Y] Land: Belgien[B] Technische Spezifikation: Version mit Beschränkung 25 km/h[25]
8	AP2ADA000123	Vergaser	1	Baujahr: 03[03] apr[apr] Technische Spezifikation: Version mit Katalysator[cat]
8	AP2ADA000123	Vergaser	1	Baujahr: 1999[X] 2000[Y] Land: Österreich[A] Schweiz[CH] Deutschland[D] Dänemark[DK] Italien[I] Japan[J] Holland[NL] Finnland[SF] Technische Spezifikation: Version mit Katalysator[cat]
8	AP2ADA000001	Vergaser	1	Baujahr: 1999[X] 2000[Y] Land: Spanien[E] Frankreich[F] Griechenland[GR] Italien[I] Israel[IL] Portugal[P] Großbritannien[UK]

Einheit	MOTOR
Code	29.42
Beschreibung	Einspeisung
Inspektion	1



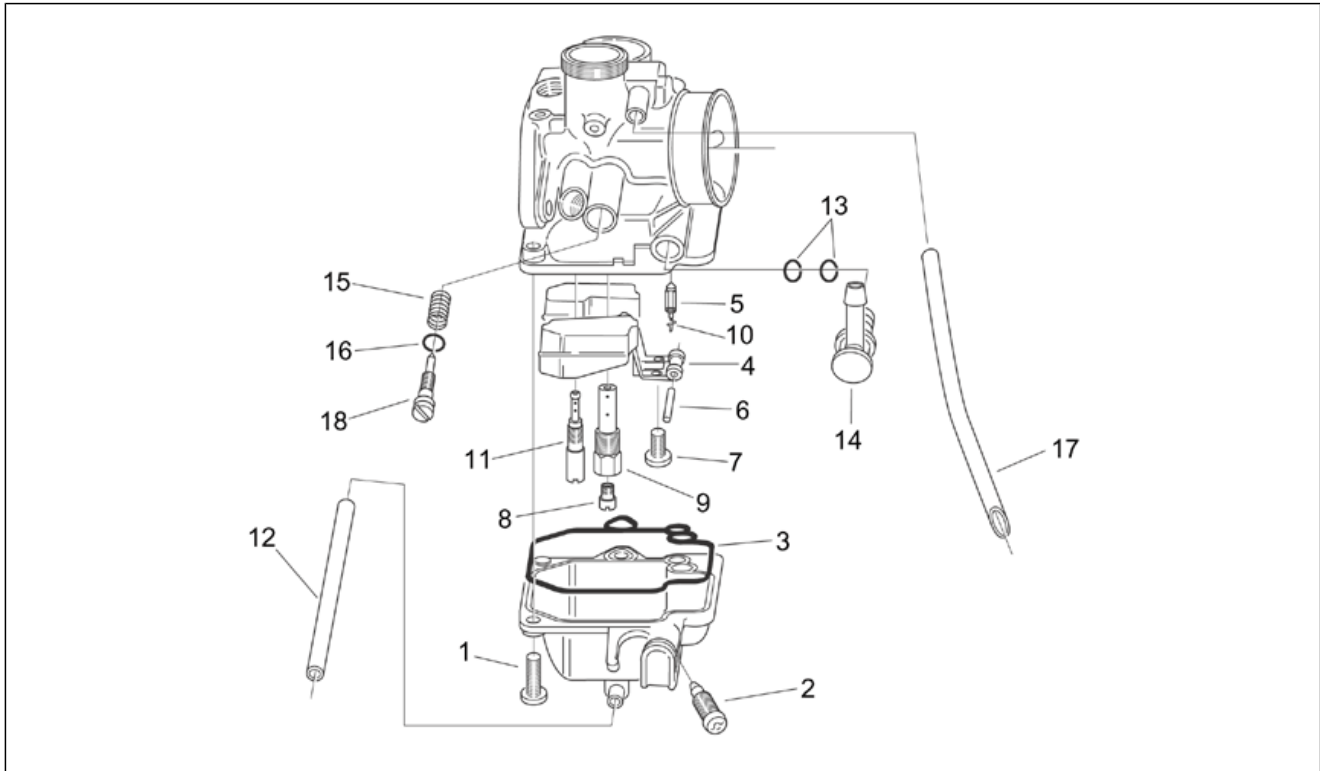
Pos.	Code	Beschreibung	Menge	Varianten
				Technische Spezifikation: Version ohne Katalysator[nocat]
9	AP3AEA000002	Ventiltraeger kpl.	1	

Einheit	MOTOR
Code	29.43
Beschreibung	Vergaser I
Inspektion	1



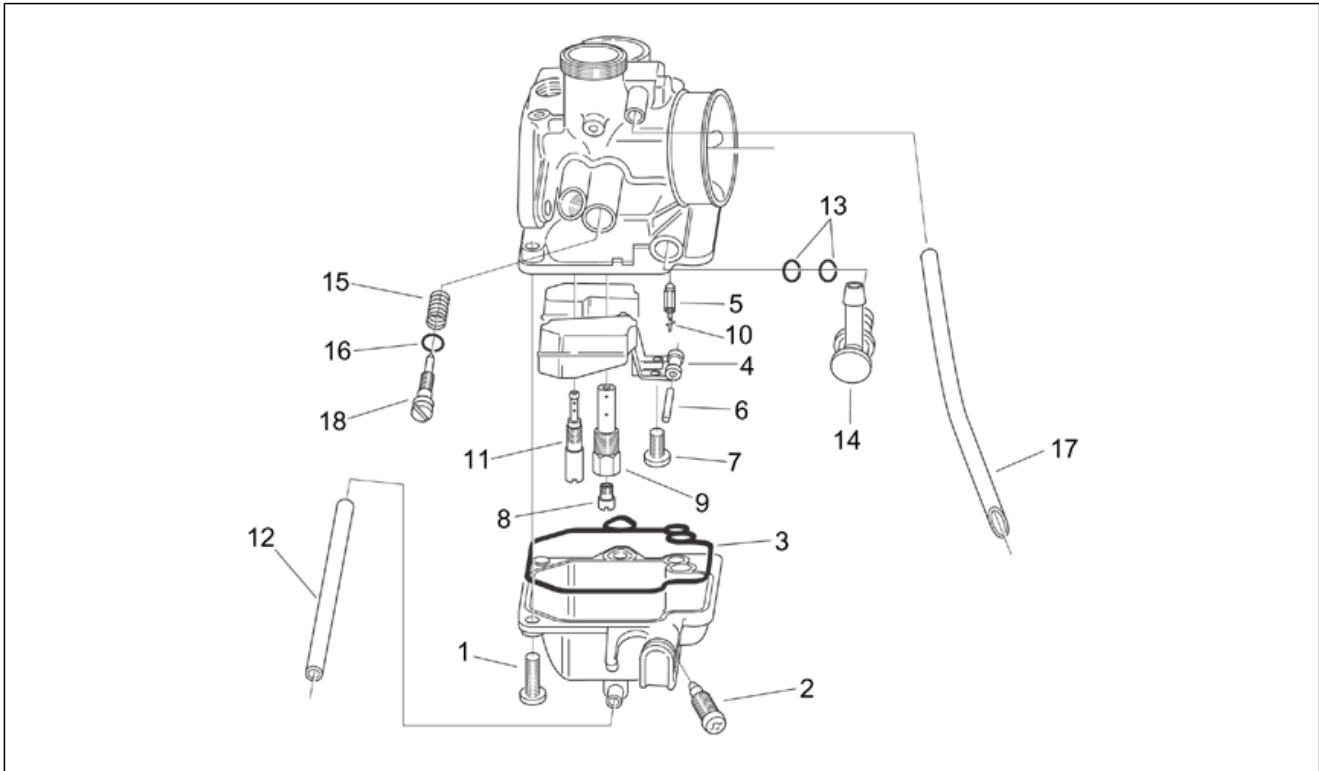
Pos.	Code	Beschreibung	Menge	Varianten
1	AP5RAR000047	Deckel	1	
2	AP5RAR000048	Deckel Gasventil	1	
3	AP5RAR000049	Dichtung	1	
4	AP5RAR000050	Feder	1	
5	AP5RAR000051	Platte	1	
6	AP5RAR000052	Nadelsicherung	1	
7	AP5RAR000053	Nadel	1	
8	AP5RAR000054	Ventil	1	
9	AP5RAR000055	Nadelventil	1	
10	AP5RAR000056	Luftschraube Benzin	1	
11	AP5RAR000057	Feder	1	
12	AP5RAR000058	Ausgleichscheibe	1	
13	AP5RAR000059	O-Ring	1	
14	AP5RAR000043	Starterplatte	1	
15	AP5RAR000044	O-Ring	1	
16	AP5RAR000045	Starterventil	1	
17	AP5RAR000041	Außendeckel	1	
18	AP5RAR000042	Schraube	1	

Einheit	MOTOR
Code	29.44
Beschreibung	Vergaser II
Inspektion	1



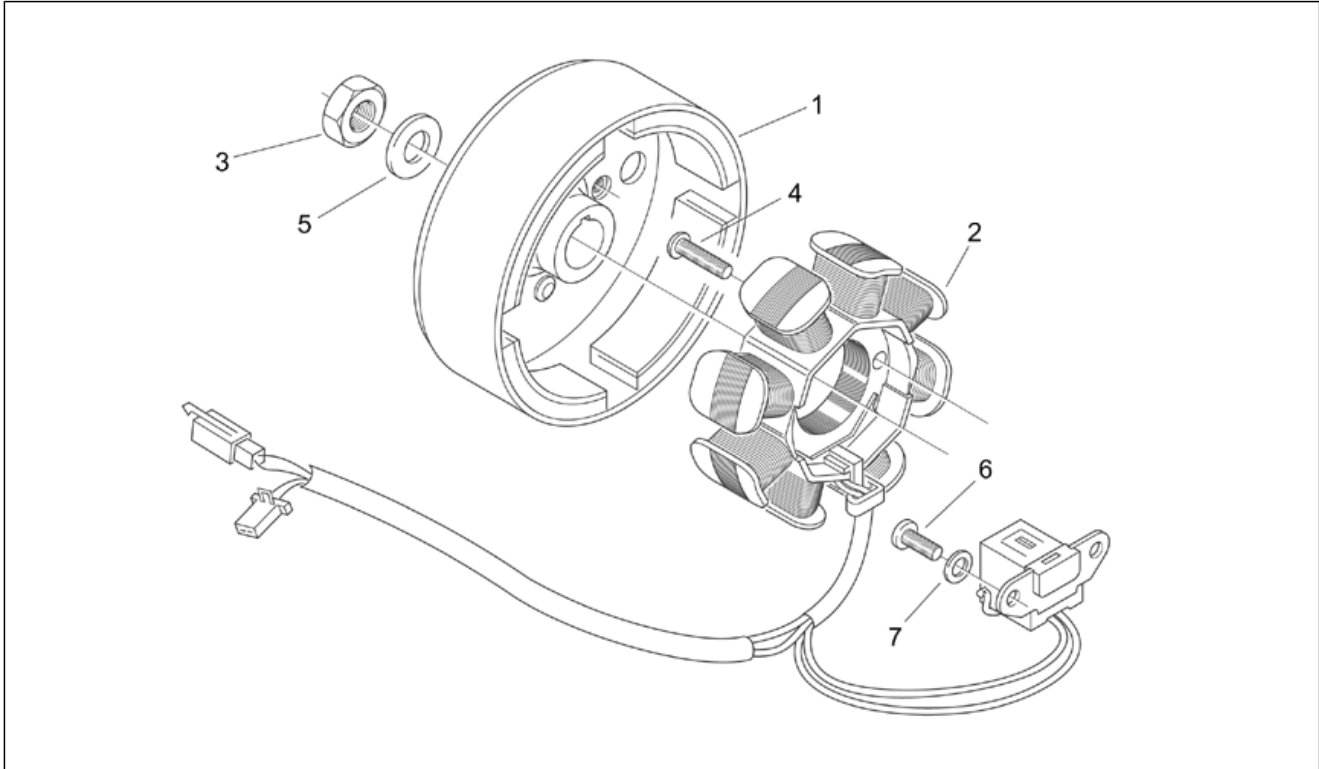
Pos.	Code	Beschreibung	Menge	Varianten
1	AP5RAR000030	Schraube	2	
2	AP5RAR000031	Ablaßschraube Benz.	1	
3	AP5RAR000032	Dichtung	1	
4	AP5RAR000033	Schwimmer	1	
5	AP5RAR000034	Nadelventil	1	
6	AP5RAR000035	Schwimmerstift	1	
7	AP5RAR000036	Schraube	1	
8	AP5RAR000066	Hauptdüse	1	Baujahr: 1999[X] 2000[Y] Land: Österreich[A] Schweiz[CH] Deutschland[D] Dänemark[DK] Italien[I] Holland[NL] Finnland[SF] Technische Spezifikation: Version mit Katalysator[cat]
8	AP5RAR000037	Hauptdüse	1	Baujahr: 1999[X] 2000[Y] Land: Belgien[B] Technische Spezifikation: Version mit Beschränkung 45 km/h[45]
8	AP5RAR000066	Hauptdüse	1	Baujahr: 03[03] apr[apr] Technische Spezifikation: Version mit Katalysator[cat]
8	AP5RAR000037	Hauptdüse	1	Baujahr: 1999[X] 2000[Y] Land: Spanien[E] Frankreich[F] Griechenland[GR] Italien[I] Israel[IL] Japan[J] Portugal[P] Großbritannien[UK] Technische Spezifikation: Version ohne Katalysator[nocat]
8	AP5RAR000067	Hauptdüse	1	Baujahr: 1999[X] 2000[Y] Land: Belgien[B] Technische Spezifikation: Version mit Beschränkung 25 km/h[25]
9	AP5RAR000038	Düsenhalter	1	
10	AP5RAR000039	Fixierung	1	
11	AP5RAR000040	Leerlaufstrahl	1	Baujahr: 1999[X] 2000[Y] Land: Belgien[B] Technische Spezifikation: Version mit Beschränkung 45 km/h[45]
11	AP5RAR000040	Leerlaufstrahl	1	Baujahr: 1999[X] 2000[Y]

Einheit	MOTOR
Code	29.44
Beschreibung	Vergaser II
Inspektion	1



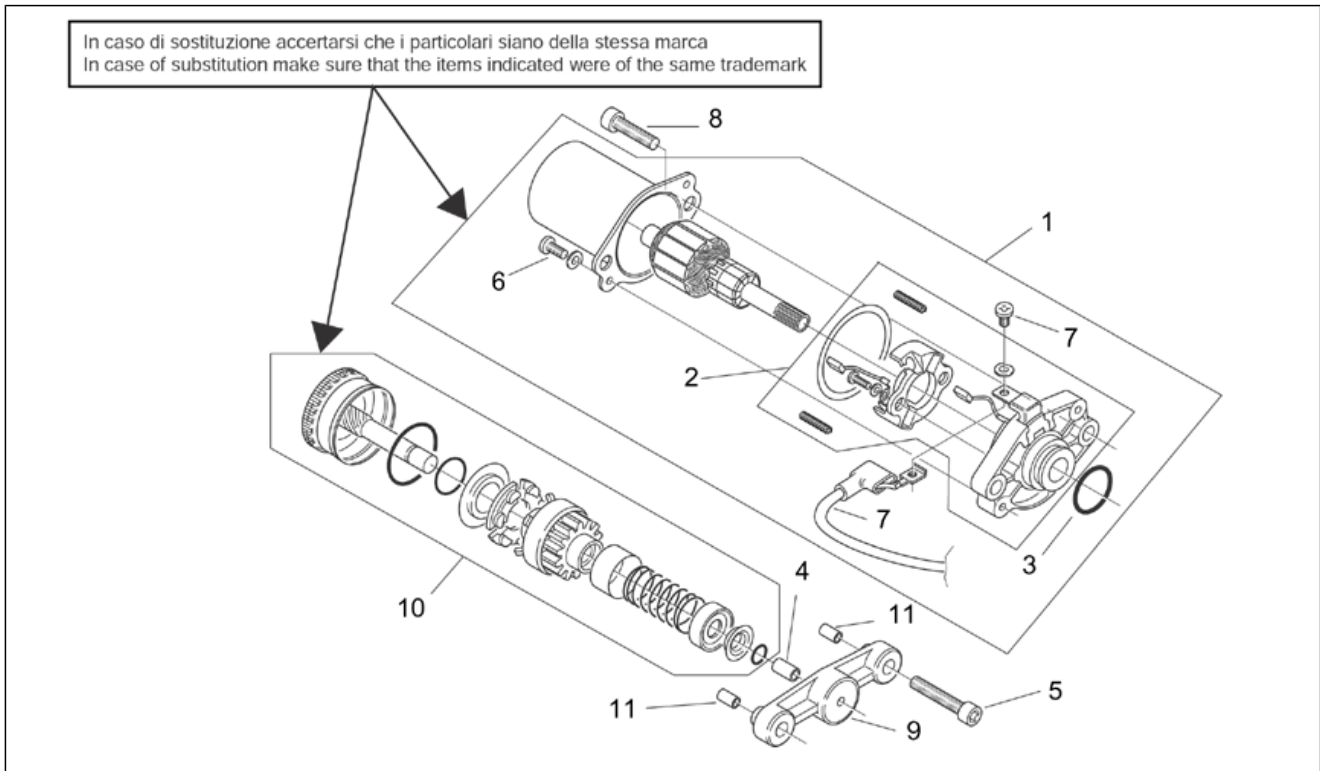
Pos.	Code	Beschreibung	Menge	Varianten
				Land:Österreich[A] Schweiz[CH] Deutschland[D] Dänemark[DK] Spanien[E] Frankreich[F] Griechenland[GR] Italien[I] Israel[IL] Japan[J] Holland[NL] Portugal[P] Finnland[SF] Großbritannien[UK]
11	AP5RAR000040	Leerlaufstrahl	1	Baujahr:03[03] apr[apr]
11	AP5RAR000068	Leerlaufstrahl	1	Baujahr:1999[X] 2000[Y] Land:Belgien[B] Technische Spezifikation:Version mit Beschränkung 25 km/h[25]
12	AP5RAR000065	Leitung	1	
13	AP5RAR000064	O-Ring	2	
14	AP5RAR000063	Anschluss	1	
15	AP5RAR000062	Feder	1	
16	AP5RAR000061	O-Ring	1	
17	AP5RAR000046	Leitung	1	
18	AP5RAR000060	Regelschr. Leerlauf	1	

Einheit	MOTOR
Code	29.45
Beschreibung	Schwungrad
Inspektion	1



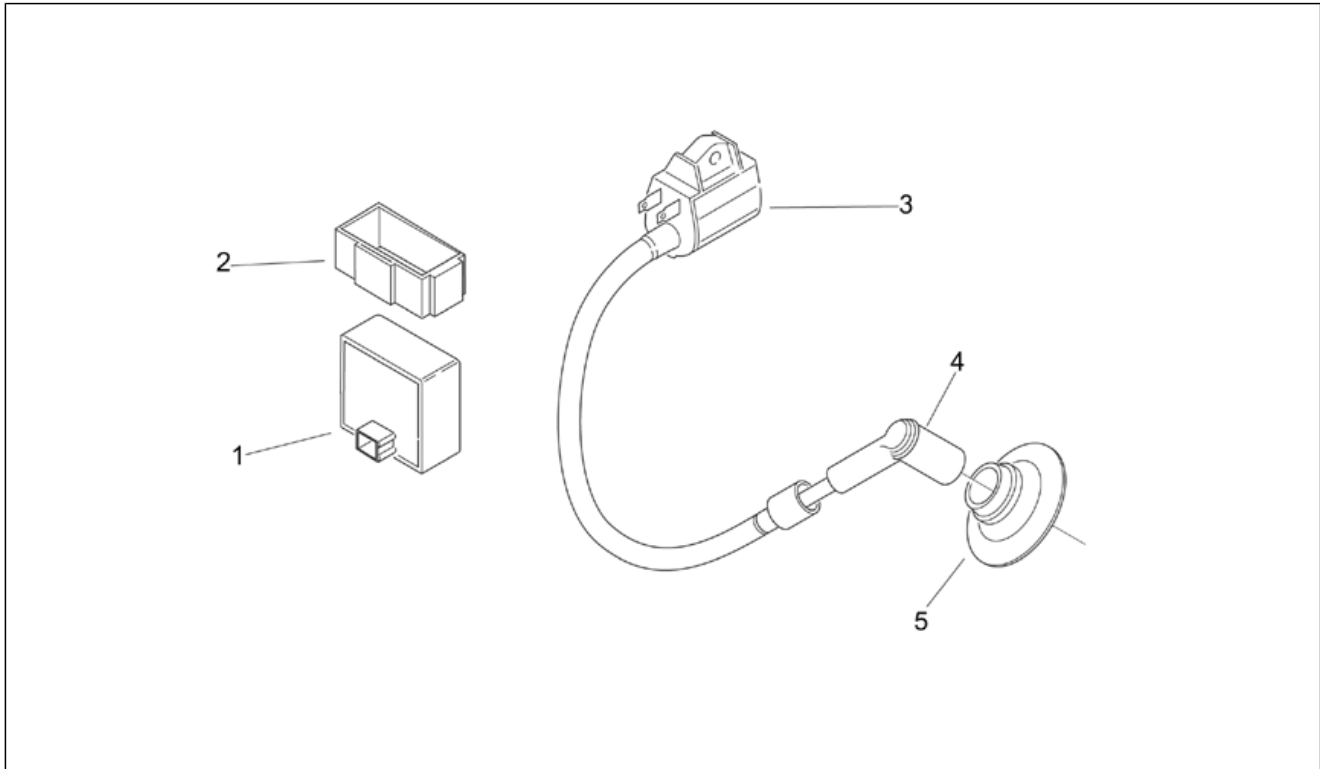
Pos.	Code	Beschreibung	Menge	Varianten
1	AP2RBA000172	Rotor	1	
2	AP2RBA000032	Stator	1	
3	AP4BEN000010	Mutter m10x1,25	1	
4	AP4ADN000027	Schraube	2	
5	AP4DGN000077	Flachscheibe	1	
6	AP4ADN000023	Schraube M5x12	2	
7	AP4DGN000066	Flachscheibe	2	

Einheit	MOTOR
Code	29.46
Beschreibung	Startermotor
Inspektion	1



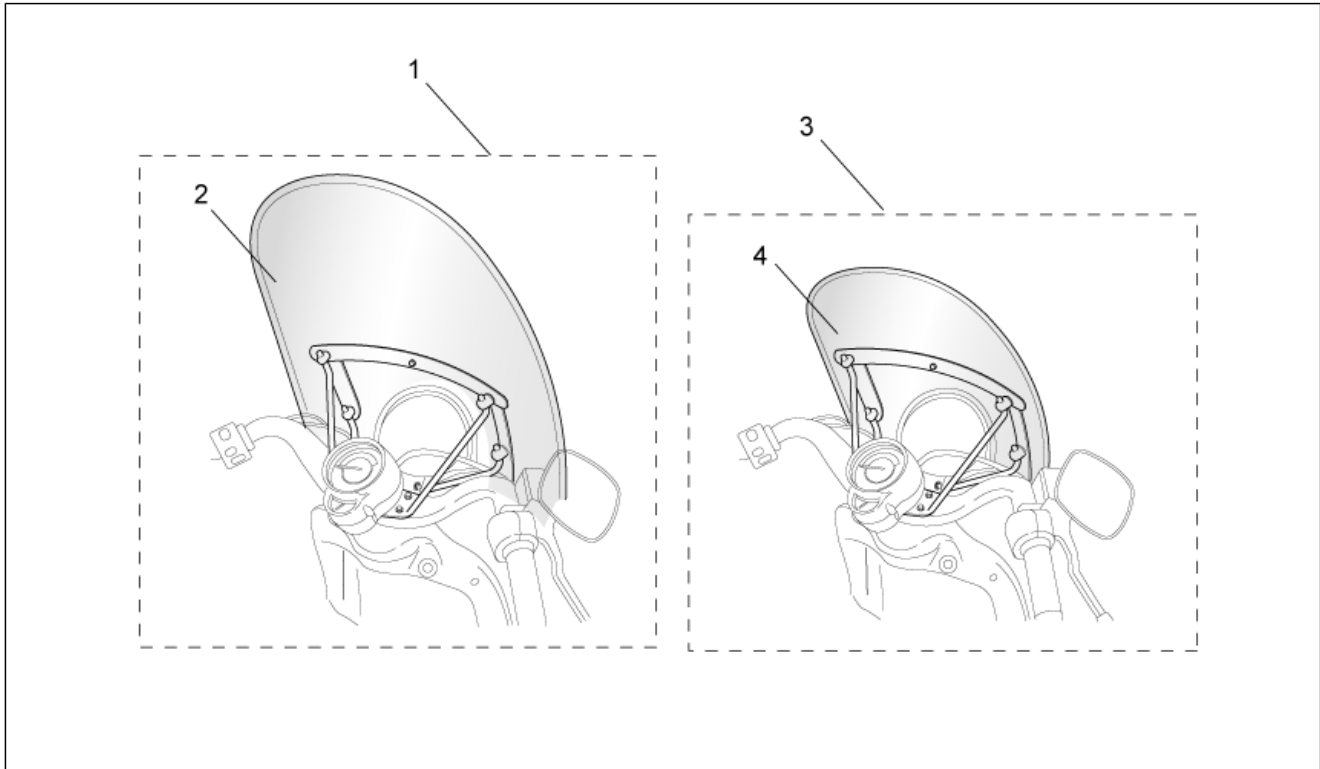
Pos.	Code	Beschreibung	Menge	Varianten
1	AP2QCA000041	Startermotor	1	Technische Spezifikation: Marke MITSUBA[MI]
1	AP2QCA000455	Startermotor	1	Technische Spezifikation: Marke DUCATI ENERGIA[D]
2	AP5RQR000183	Aust.satz Anlasser	1	Technische Spezifikation: Marke DUCATI ENERGIA[D]
2	AP5RQR000069	Aust.satz Anlasser	1	Technische Spezifikation: Marke MITSUBA[MI]
3	AP5RQR000181	O-Ring	1	Technische Spezifikation: Marke DUCATI ENERGIA[D]
3	AP5RQR000023	O-Ring	1	Technische Spezifikation: Marke MITSUBA[MI]
4	AP3QAA000039	Buchse	1	
5	AP4ADN000012	TCEI Schraube	2	
6	AP5RQR000026	Schraube	2	
7	AP5RQR000027	Verkabelung mit Schraube	1	Technische Spezifikation: Marke MITSUBA[MI]
7	AP5RQR000182	Verkabelung	1	Technische Spezifikation: Marke DUCATI ENERGIA[D]
8	AP4ADN000016	TCEI Schraube	2	
9	AP3QAA000038	Lagerbügel Bendix	1	
10	AP2QBA000456	Bendix	1	Technische Spezifikation: Marke DUCATI ENERGIA[D]
10	AP2QBA000058	Bendix	1	Technische Spezifikation: Marke MITSUBA[MI]
11	AP3FCN000024	Stift	2	

Einheit	MOTOR
Code	29.47
Beschreibung	Zündung
Inspektion	1



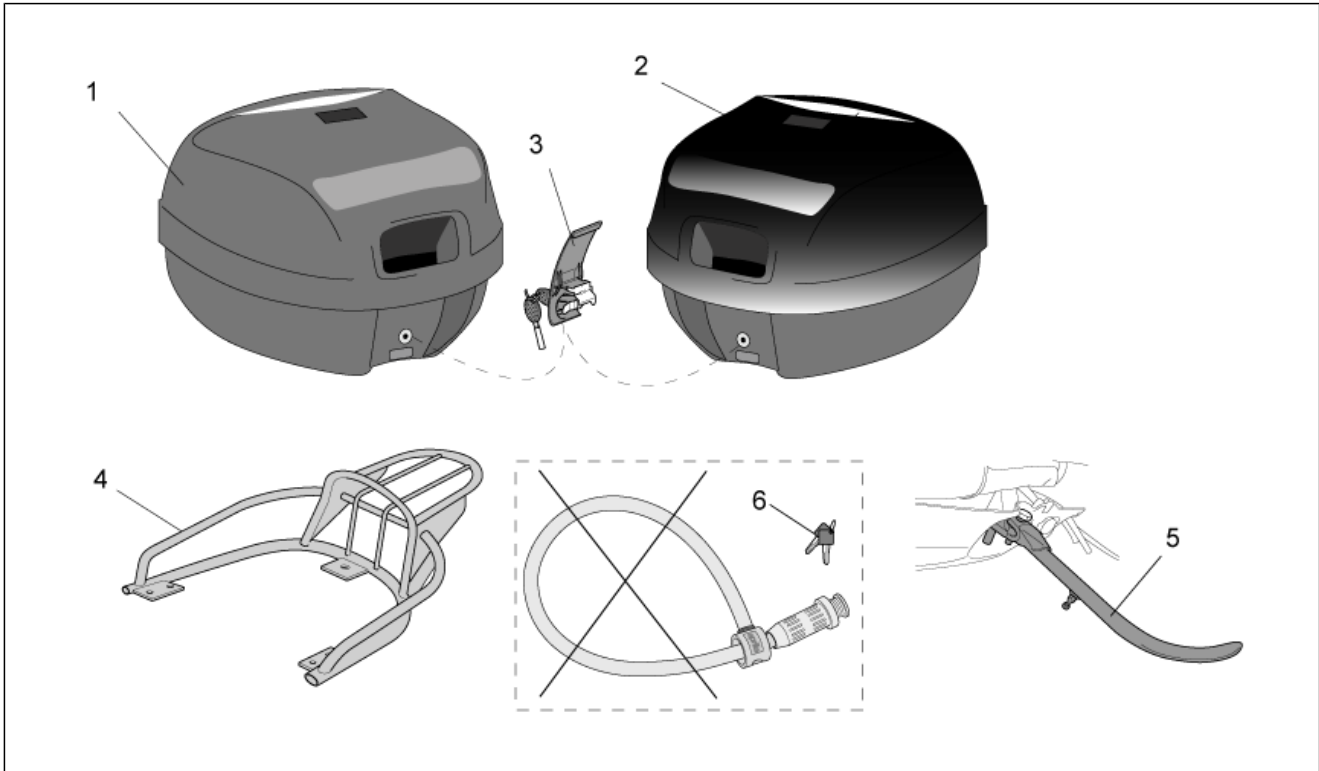
Pos.	Code	Beschreibung	Menge	Varianten
1	AP2RCA000033	Steuergerät	1	
2	AP8220545	Kabelgummi	1	
3	AP2RDA000034	Zuendtransform.cpl.	1	
4	AP3REA000035	Zündkerzenkappe	1	
5	AP3REA000036	Gummi	1	

Einheit	ZUBEHÖR
Code	30.48
Beschreibung	Acc. - Windschilder
Inspektion	1



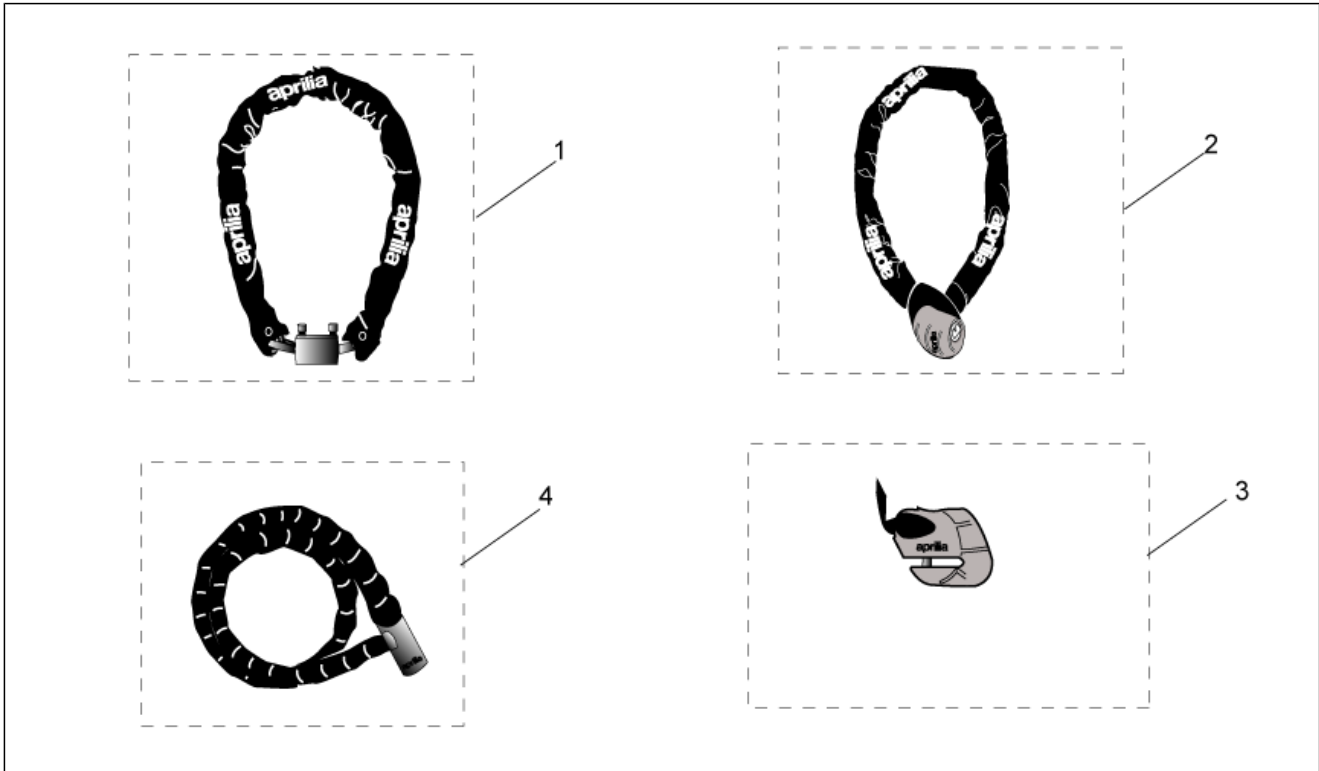
Pos.	Code	Beschreibung	Menge	Varianten
1	AP8791067	Windschutzscheibe Kpl. Big	1	Technische Spezifikation:Zubehör[A]
2	AP8791068	Windschutzsch.o/Halter. Big	1	Technische Spezifikation:Zubehör[A]
3	AP8791075	Windschutzscheibe Kpl. Sport	1	Technische Spezifikation:Zubehör[A]
4	AP8791076	Windschutzsch.o/Halter. Sport	1	Technische Spezifikation:Zubehör[A]

Einheit	ZUBEHÖR
Code	30.49
Beschreibung	Acc. - Koffer-Sonstiges
Inspektion	1



Pos.	Code	Beschreibung	Menge	Varianten
1	AP8792066	Koffer gaufriert New-C 32L	1	Technische Spezifikation:Zubehör[A]
2	AP8792080	Koffer schwarz lack. New-C 28L	1	Technische Spezifikation:Zubehör[A]
3	AP8104197	Kofferschloß kpl.	1	Technische Spezifikation:Zubehör[A]
4	AP8792093	Gepäckträger mitklipbaren Rück	1	Technische Spezifikation:Zubehör[A]
5	AP8795022	Seitenständer	1	Technische Spezifikation:Zubehör[A]
6	AP8700794	Schlüssellersatzdie. B.Guard I-E	1	Land:Spanien[E] Italien[I] Technische Spezifikation:Zubehör[A]
6	AP8700793	Schlüssellersatzdie. B.Guard F-NL	1	Land:Frankreich[F] Holland[NL] Technische Spezifikation:Zubehör[A]
6	AP8700792	Schlüssellersatzdie. B.Guard UK-D	1	Land:Deutschland[D] Großbritannien[UK] Technische Spezifikation:Zubehör[A]

Einheit	ZUBEHÖR
Code	30.50
Beschreibung	Acc. - Diedstahl
Inspektion	1



Pos.	Code	Beschreibung	Menge	Varianten
1	AP8720115	Iron Guard 10x150 mm	1	Technische Spezifikation:Zubehör[A]
2	AP8720116	Iron Guard 8x120 mm	1	Technische Spezifikation:Zubehör[A]
3	AP8720117	Iron Guard Disk 5 mm	1	Technische Spezifikation:Zubehör[A]
4	AP8720118	Easy Guard 150 mm	1	Technische Spezifikation:Zubehör[A]