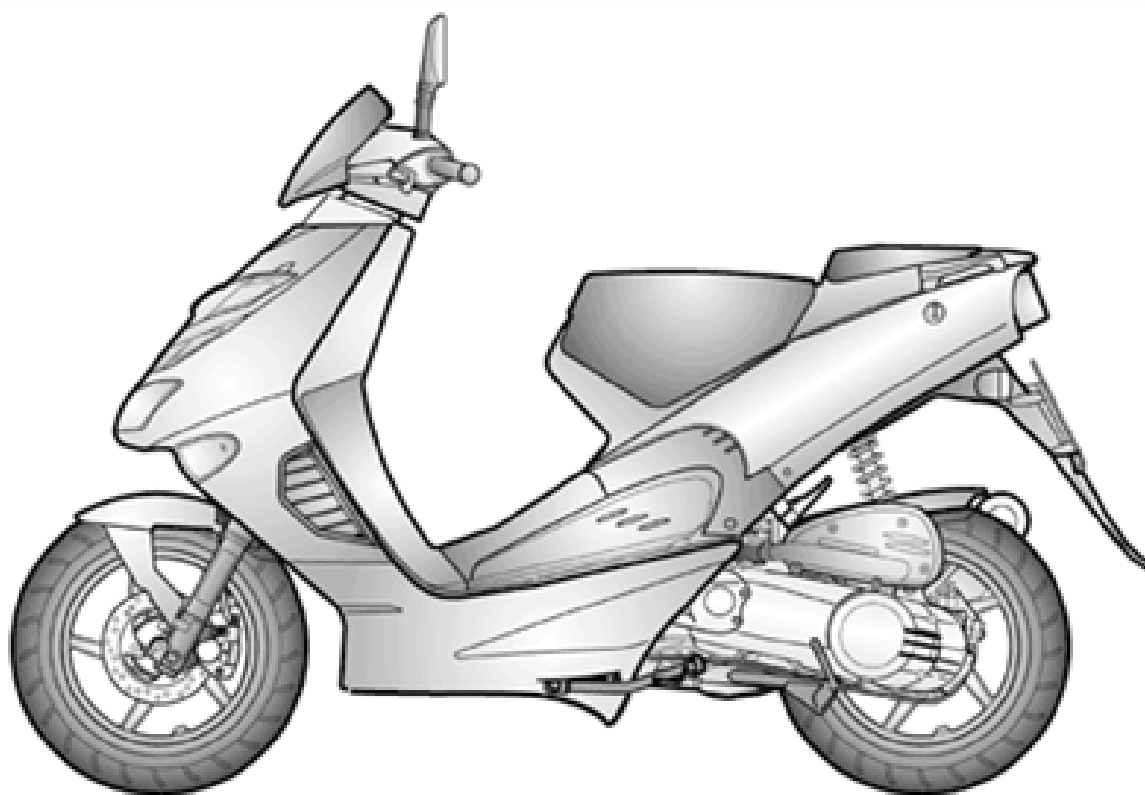


**aprilia**<sup>®</sup>

## ERSATZTEILKATALOG



**SR 50 H2O (Ditech+Carb.) 00-04**

Vorsatzcode Fahrgestell: ZD4RL0,  
ZD4RLA, ZD4RLB, ZD4RLC, ZD4RLE, ZD4TP



Vorsatzcode Motor:

## Inhaltsverzeichnis

Fertige Produkte.....	5
Alphanumerisches Verzeichnis.....	7
RAHMEN.....	15
Tafel 28.01 - Rahmen.....	15
Tafel 28.02 - Hauptständer - Pleuelstange.....	17
Tafel 28.03 - Gabel I.....	18
Tafel 28.04 - Gabel II.....	20
Tafel 28.05 - Frontaufbau I.....	22
Tafel 28.06 - Frontaufbau II.....	26
Tafel 28.07 - Frontaufbau III.....	31
Tafel 28.08 - Frontaufbau IV.....	34
Tafel 28.09 - Mittlerer aufbau I.....	39
Tafel 28.10 - Mittlerer aufbau II.....	40
Tafel 28.11 - Sitz - Schäkel.....	43
Tafel 28.12 - Heckaufbau I.....	47
Tafel 28.13 - Heckaufbau II.....	49
Tafel 28.14 - Heckaufbau III.....	52
Tafel 28.15 - Lenkstange - Instrumenteneinheit.....	54
Tafel 28.16 - Lenkstange - Tasten.....	56
Tafel 28.17 - Schaltungen links.....	57
Tafel 28.18 - Schaltungen rechts.....	58
Tafel 28.19 - Ölbehälter.....	59
Tafel 28.20 - Kraftstofftank.....	60
Tafel 28.21 - Kühlanlage.....	62
Tafel 28.22 - Filtergehäuse.....	63
Tafel 28.25 - Auspuffrohr.....	66
Tafel 28.26 - Vorderrad.....	68
Tafel 28.27 - Vorderradbremzange.....	72
Tafel 28.28 - Hinterrad Scheibenbremse.....	75
Tafel 28.29 - Hinterrad trommelbremse.....	82
Tafel 28.30 - Vorderer lichter.....	83
Tafel 28.31 - Vorderer lichter USA.....	85
Tafel 28.32 - Hinterer lichter.....	86
Tafel 28.33 - Elektrische Anlage.....	88
Tafel 28.34 - Bausatz Schlösser.....	91
Tafel 28.35 - Schilder und Anleit.....	92
Tafel 28.36 - Frontaufbau und technische Deko.....	94
Tafel 28.37 - Mittlerer und Heck Aufbau Deko.....	96
MOTOR.....	100
Tafel 29.23 - Motor (Vergaser).....	100
Tafel 29.24 - Motor (Ditech).....	102
Tafel 29.38 - Gehäuse (Vergaser).....	109
Tafel 29.39 - Gehäuse (Ditech).....	110

Tafel 29.40 - Wasserpumpenritzel.....	115
Tafel 29.41 - Kolben + Zylinder.....	117
Tafel 29.42 - Zylinderkopf.....	118
Tafel 29.43 - Kurbelwelle.....	121
Tafel 29.44 - Getriebedeckel (Vergaser).....	124
Tafel 29.45 - Getriebedeckel (Ditech).....	125
Tafel 29.46 - Wandler.....	126
Tafel 29.47 - Übersetzung.....	128
Tafel 29.48 - Adler kupplung.....	129
Tafel 29.49 - Hong Zeng kupplung.....	130
Tafel 29.50 - Ölpumpe (Vergaser).....	132
Tafel 29.51 - Einspeisung (Vergaser).....	133
Tafel 29.52 - Vergaser I.....	134
Tafel 29.53 - Vergaser II.....	135
Tafel 29.54 - Luftkompressor (Ditech).....	136
Tafel 29.55 - Klappenkörper (Ditech).....	137
Tafel 29.56 - Spritzeinheit (Ditech).....	138
Tafel 29.57 - Schwungrad.....	148
Tafel 29.58 - Startermotor.....	153
Tafel 29.59 - Zündung.....	154
ZUBEHÖR.....	157
Tafel 30.60 - Acc. - Windschilder.....	157
Tafel 30.61 - Acc. - Koffer, Taschen.....	158
Tafel 30.62 - Acc. - Fahrwerk.....	159
Tafel 30.63 - Acc. - Sonstiges.....	160
Tafel 30.64 - Acc. - Diebstahl.....	161

## Fertige Produkte

Code	Gültigkeit
AP67714AT01	
AP67714AT02	
AP67714AT05	
AP67714AT07	
AP67714AT08	
AP67714AU04	
AP67714AU06	
AP67714AU07	
AP67714BE01	
AP67714BE03	
AP67714BE05	
AP67714BE06	
AP67714BE07	
AP67714BE08	
AP67714CH01	
AP67714CH02	
AP67714CH04	
AP67714CH05	
AP67714CH06	
AP67714CH07	
AP67714CH08	
AP67714DE01	
AP67714DE02	
AP67714DE03	
AP67714DE04	
AP67714DE05	
AP67714DE06	
AP67714DE07	
AP67714DE08	
AP67714DK01	
AP67714DK02	
AP67714DK05	
AP67714DK06	
AP67714DK07	
AP67714DK08	
AP67714EL07	
AP67714EL08	
AP67714ES01	
AP67714ES04	
AP67714ES05	
AP67714ES06	
AP67714ES07	

Code	Gültigkeit
AP67714ES08	
AP67714FR01	
AP67714FR02	
AP67714FR05	
AP67714FR07	
AP67714FR08	
AP67714GB01	
AP67714GB02	
AP67714GB03	
AP67714GB04	
AP67714GB05	
AP67714GB07	
AP67714GB08	
AP67714IT01	
AP67714IT02	
AP67714IT03	
AP67714IT04	
AP67714IT05	
AP67714IT06	
AP67714IT07	
AP67714IT08	
AP67714NL01	
AP67714NL02	
AP67714NL03	
AP67714NL04	
AP67714NL05	
AP67714NL06	
AP67714NL07	
AP67714NL08	
AP67714PT05	
AP7999001	

Code	Nr. der Tafel	Pos.	Code	Nr. der Tafel	Pos.	Code	Nr. der Tafel	Pos.
0000000	28.26	1	AP2EAN000258	29.56	3	AP3AEA000547	29.56	1
0000000	28.28	1	AP2EAN000258	29.56	3	AP3AEA000631	29.56	1
0000000	28.29	5	AP2EAN000258	29.56	3	AP3AEA000631	29.56	1
854933	28.20	17	AP2EAN000258	29.56	3	AP3AEA000631	29.56	1
860594	28.30	14	AP2EAN000312	29.42	14	AP3AEA000631	29.56	1
860595	28.30	15	AP2FBN000021	29.50	4	AP3AEA000631	29.56	1
AP1BFA000147	29.43	6	AP2FBN000034	29.50	8	AP3AFA000162	29.54	1
AP1BFA000699	29.43	6	AP2FBN000034	29.55	11	AP3AGA000137	29.56	14
AP1BHA000151	29.38	2	AP2FDN000175	29.23	16	AP3AGA000137	29.56	14
AP1BHA000159	29.39	2	AP2FDN000175	29.24	11	AP3AGA000137	29.56	14
AP1BHA000159	29.39	2	AP2FDN000176	29.23	18	AP3AGA000137	29.56	14
AP1BHA000159	29.39	2	AP2FDN000176	29.24	12	AP3AGA000614	29.56	14
AP1BHA000159	29.39	2	AP2FDN000200	29.56	12	AP3AGA000614	29.56	14
AP1BHA000624	29.39	2	AP2FDN000201	29.55	5	AP3AGA000614	29.56	14
AP1BHA000624	29.39	2	AP2GAN000113	29.47	10	AP3AGA000614	29.56	14
AP1BHA000624	29.39	2	AP2GAN000219	29.43	3	AP3AGA000614	29.56	14
AP1BHA000624	29.39	2	AP2GLN000192	29.43	7	AP3AGA000614	29.56	14
AP1BHA000624	29.39	2	AP2HAA000051	29.50	11	AP3AGA000614	29.56	14
AP1BHA000624	29.39	2	AP2HAA000487	29.50	11	AP3ATN000193	29.44	8
AP1BHA000624	29.39	2	AP2HAN000022	29.50	10	AP3AUN000062	29.38	19
AP1BHA000624	29.39	2	AP2HAN000035	29.50	9	AP3AUN000062	29.39	20
AP1BHA000706	29.39	2	AP2HAN000224	29.55	10	AP3AUN000124	29.40	4
AP1BHA000706	29.39	2	AP2IBA000161	29.50	2	AP3AUN000124	29.42	8
AP1BHA000706	29.39	2	AP2MCA000014	29.46	12	AP3AVA000063	29.51	5
AP1BHA000706	29.39	2	AP2MDA000425	29.48	1	AP3AVA000063	29.55	2
AP1BHA000706	29.39	2	AP2MDA000426	29.48	9	AP3AVA000438	29.56	13
AP1BHA000706	29.39	2	AP2MDA000428	29.48	1	AP3AVN000086	29.51	2
AP1BHA000706	29.39	2	AP2MEA000419	29.46	8	AP3AVN000086	29.55	7
AP1BHA000706	29.39	2	AP2MEA000420	29.46	9	AP3AVN000199	29.56	7
AP1BHA000706	29.39	2	AP2MEA000423	29.46	11	AP3AVN000199	29.56	7
AP1BHA000706	29.39	2	AP2MEA000424	29.46	6	AP3AVN000199	29.56	7
AP1BOA000028	29.47	1	AP2MEA000530	29.46	7	AP3AVN000199	29.56	7
AP1BOA000029	29.47	3	AP2MEA000557	29.46	9	AP3AVN000245	29.56	7
AP1BTA000071	29.44	14	AP2MEA000661	29.46	9	AP3AVN000245	29.56	7
AP2AAN000212	29.56	11	AP2MEA000805	29.46	9	AP3AVN000245	29.56	7
AP2ADA000080	29.51	8	AP2MEN000187	29.46	10	AP3AVN000245	29.56	7
AP2ADA000441	29.51	8	AP2MEN000188	29.46	13	AP3AVN000245	29.56	7
AP2APN000213	29.45	2	AP2QBA000058	29.58	10	AP3AVN000245	29.56	7
AP2AVN000256	29.56	4	AP2QBA000456	29.58	10	AP3AVN000245	29.56	7
AP2BAA000060	29.42	6	AP2QCA000041	29.58	1	AP3BBA000171	29.42	2
AP2BAA000067	29.42	11	AP2QCA000455	29.58	1	AP3BBA000171	29.42	2
AP2BAA000164	29.42	12	AP2RBA000075	29.57	2	AP3BBA000171	29.42	2
AP2BAA000643	29.42	6	AP2RBA000075	29.57	2	AP3BBA000171	29.42	2
AP2BEN000088	29.42	3	AP2RBA000075	29.57	2	AP3BBA000174	29.42	1
AP2BEN000276	29.42	4	AP2RBA000075	29.57	2	AP3BBA000606	29.42	2
AP2BVA000040	29.41	1	AP2RBA000075	29.57	2	AP3BBA000606	29.42	2
AP2DHN000202	29.40	8	AP2RBA000075	29.57	2	AP3BBA000606	29.42	2
AP2EAN000081	29.42	14	AP2RBA000075	29.57	2	AP3BBA000606	29.42	2
AP2EAN000081	29.42	14	AP2RBA000075	29.57	2	AP3BBA000606	29.42	2
AP2EAN000185	29.54	5	AP2RBA000075	29.57	2	AP3BBA000606	29.42	2
AP2EAN000186	29.56	3	AP2RCA000033	29.59	1	AP3BBA000606	29.42	2
AP2EAN000186	29.56	3	AP2RDA000034	29.59	3	AP3BBA000606	29.42	2
AP2EAN000186	29.56	3	AP2REA000111	29.59	4	AP3BDN000005	29.42	5
AP2EAN000186	29.56	3	AP3AAN000054	29.40	13	AP3EAN000048	29.38	10
AP2EAN000186	29.56	6	AP3AAN000054	29.51	4	AP3EAN000048	29.39	11
AP2EAN000186	29.56	6	AP3AAN000054	29.55	6	AP3EAN000082	29.40	3
AP2EAN000186	29.56	6	AP3ABA000062	29.51	6	AP3EAN000096	29.41	5
AP2EAN000186	29.56	6	AP3ABN000092	29.40	7	AP3EAN000097	29.44	6
AP2EAN000186	29.56	6	AP3ACA000132	29.55	1	AP3EBN000042	29.43	1
AP2EAN000257	29.56	6	AP3AEA000002	29.51	9	AP3EBN000043	29.43	2
AP2EAN000257	29.56	6	AP3AEA000002	29.55	3	AP3EBN000044	29.43	5
AP2EAN000257	29.56	6	AP3AEA000133	29.56	1	AP3EBN000046	29.47	9
AP2EAN000257	29.56	6	AP3AEA000547	29.56	1	AP3EBN000047	29.38	8
AP2EAN000257	29.56	6	AP3AEA000547	29.56	1	AP3EBN000047	29.39	9
AP2EAN000257	29.56	6	AP3AEA000547	29.56	1	AP3EBN000180	29.43	5
AP2EAN000257	29.56	6	AP3AEA000547	29.56	1	AP3EBN000183	29.43	1
AP2EAN000258	29.56	3	AP3AEA000547	29.56	1	AP3ECN000080	29.40	9
AP2EAN000258	29.56	3	AP3AEA000547	29.56	1	AP3EDA000143	29.41	6
AP2EAN000258	29.56	3	AP3AEA000547	29.56	1			

Code	Nr. der Tafel	Pos.
AP3EDN000281	29.40	25
AP3EDN000281	29.42	16
AP3EVA000433	29.41	4
AP3FBN000049	29.47	6
AP3FCN000268	29.39	3
AP3FCN000269	29.38	1
AP3FCN000269	29.39	1
AP3FCN000270	29.44	13
AP3FCN000271	29.58	11
AP3GAN000040	29.43	3
AP3GAN000051	29.47	8
AP3GAN000214	29.43	4
AP3GAN000214	29.43	4
AP3GAN000214	29.43	4
AP3GAN000214	29.43	4
AP3GAN000214	29.43	4
AP3GAN000214	29.43	4
AP3HAA000044	29.38	3
AP3HAA000044	29.39	4
AP3HAA000045	29.44	11
AP3HAA000068	29.38	11
AP3HAA000068	29.39	12
AP3HAA000083	29.44	4
AP3HAA000158	29.44	5
AP3HAA000632	29.40	22
AP3HAN000056	29.38	5
AP3HAN000056	29.39	6
AP3HAN000171	29.38	4
AP3HAN000173	29.44	7
AP3HVA000021	29.38	14
AP3HVA000160	29.39	15
AP3HVA000468	29.45	6
AP3HZA000152	29.38	13
AP3HZA000152	29.39	14
AP3HZA000154	29.44	2
AP3HZA000157	29.44	3
AP3IAA000052	29.50	7
AP3ICA000054	29.50	3
AP3IVA000022	29.50	1
AP3LAA000010	29.23	15
AP3LAA000010	29.24	10
AP3LAA000100	29.40	18
AP3LAA000102	29.40	19
AP3LAA000110	29.42	10
AP3LAA000173	29.40	11
AP3LAA000586	29.42	15
AP3LAA000625	29.40	19
AP3LBA000130	29.40	2
AP3LBA000587	29.40	24
AP3LCA000101	29.40	14
AP3LCA000166	29.40	16
AP3LDA000109	29.40	10
AP3LZA000023	29.40	1
AP3LZA000108	29.40	1
AP3MAA000450	29.45	3
AP3MAN000087	29.46	14
AP3MAN000190	29.46	14
AP3MAN000264	29.45	5
AP3MAN000272	29.46	14
AP3MDA000619	29.49	9
AP3MDA000621	29.49	1
AP3MDA000759	29.49	1
AP3MEA000620	29.46	6
AP3MEA000715	29.46	11
AP3MEA000840	29.46	11
AP3MEN000255	29.46	13

Code	Nr. der Tafel	Pos.
AP3MEN000302	29.46	10
AP3NAN000058	29.47	5
AP3NAN000059	29.47	4
AP3NBA000027	29.47	2
AP3NFVA000627	29.38	24
AP3NVA000627	29.39	24
AP3QAA000038	29.58	9
AP3QAA000039	29.38	22
AP3QAA000039	29.39	23
AP3QAA000039	29.58	4
AP3QEA000031	29.46	1
AP3RAA000730	29.57	9
AP3RCA000447	29.59	1
AP3RDA000448	29.59	3
AP3TAA000042	29.44	16
AP3TAA000055	29.44	17
AP3TAA000073	29.44	1
AP3TAN000060	29.46	3
AP3TAN000172	29.46	5
AP3TCA000072	29.44	15
AP3TDA000074	29.46	2
AP3UAN000061	29.42	18
AP3UAN000300	29.40	28
AP4ADN000006	29.38	23
AP4ADN000007	29.38	17
AP4ADN000007	29.39	16
AP4ADN000008	29.38	15
AP4ADN000009	29.38	16
AP4ADN000012	29.58	5
AP4ADN000013	29.38	7
AP4ADN000013	29.39	8
AP4ADN000014	29.40	27
AP4ADN000014	29.42	7
AP4ADN000014	29.51	10
AP4ADN000014	29.55	8
AP4ADN000015	29.51	3
AP4ADN000016	29.38	12
AP4ADN000016	29.39	13
AP4ADN000016	29.40	12
AP4ADN000016	29.40	6
AP4ADN000016	29.44	12
AP4ADN000016	29.45	4
AP4ADN000016	29.58	8
AP4ADN000017	29.40	12
AP4ADN000023	29.57	8
AP4ADN000027	29.54	2
AP4ADN000027	29.57	5
AP4ADN000028	29.50	5
AP4ADN000101	29.57	6
AP4ADN000178	29.39	17
AP4ADN000179	29.39	18
AP4AHN000067	29.38	18
AP4AHN000067	29.39	19
AP4APN000267	29.40	26
AP4APN000267	29.42	17
AP4ATN000177	29.44	10
AP4AUN000011	29.38	6
AP4AUN000011	29.39	7
AP4BAN000002	29.41	2
AP4BAN000076	29.41	3
AP4BAN000222	29.56	8
AP4BDN000039	29.48	8
AP4BEN000010	29.57	4
AP4BEN000223	29.56	5
AP4DAN000125	29.40	17
AP4DFN000032	29.44	9
AP4DFN000032	29.50	6

Code	Nr. der Tafel	Pos.
AP4DFN000032	29.54	3
AP4DFN000032	29.56	9
AP4DFN000033	29.40	20
AP4DFN000033	29.51	1
AP4DFN000033	29.55	9
AP4DGN000066	29.57	3
AP4DGN000077	29.57	7
AP4DHN000020	29.46	4
AP4EEN000037	29.38	21
AP4EEN000037	29.39	22
AP4EEN000063	29.38	20
AP4EEN000063	29.39	21
AP4EEN000063	29.40	5
AP4EEN000063	29.42	9
AP4FAN000030	29.43	9
AP4FCN000095	29.40	15
AP4GAN000003	29.43	4
AP4GAN000003	29.43	4
AP4GAN000003	29.43	4
AP4GAN000003	29.43	4
AP4GAN000025	29.47	7
AP4GAN000026	29.38	9
AP4GAN000026	29.39	10
AP4GAN000083	29.39	5
AP4GAN000103	29.40	21
AP5RAR000030	29.53	1
AP5RAR000031	29.53	2
AP5RAR000032	29.53	3
AP5RAR000033	29.53	4
AP5RAR000034	29.53	5
AP5RAR000035	29.53	6
AP5RAR000036	29.53	7
AP5RAR000038	29.53	9
AP5RAR000039	29.53	10
AP5RAR000040	29.53	11
AP5RAR000041	29.52	17
AP5RAR000042	29.52	18
AP5RAR000043	29.52	14
AP5RAR000044	29.52	15
AP5RAR000045	29.52	16
AP5RAR000046	29.53	17
AP5RAR000047	29.52	1
AP5RAR000048	29.52	2
AP5RAR000049	29.52	3
AP5RAR000050	29.52	4
AP5RAR000051	29.52	5
AP5RAR000052	29.52	6
AP5RAR000053	29.52	7
AP5RAR000054	29.52	8
AP5RAR000056	29.52	10
AP5RAR000057	29.52	11
AP5RAR000058	29.52	12
AP5RAR000059	29.52	13
AP5RAR000060	29.53	18
AP5RAR000061	29.53	16
AP5RAR000062	29.53	15
AP5RAR000063	29.53	14
AP5RAR000064	29.53	13
AP5RAR000065	29.51	7
AP5RAR000065	29.53	12
AP5RAR000066	29.53	8
AP5RAR000098	29.52	19
AP5RAR000099	29.52	9
AP5RAR000102	29.56	10
AP5RAR000104	29.54	6
AP5RAR000108	29.56	16





Code	Nr. der Tafel	Pos.
AP8150015	28.19	2
AP8150015	28.20	4
AP8150015	28.25	2
AP8150017	28.02	8
AP8150020	28.02	13
AP8150020	28.16	6
AP8150026	29.23	3
AP8150052	28.31	12
AP8150086	28.02	14
AP8150086	28.16	7
AP8150137	28.01	23
AP8150137	28.29	19
AP8150137	28.34	14
AP8150157	28.22	9
AP8150158	28.14	11
AP8150158	28.14	19
AP8150165	29.23	8
AP8150179	28.07	18
AP8150179	29.23	10
AP8150204	28.14	12
AP8150204	28.14	18
AP8150220	28.11	4
AP8150220	28.14	7
AP8150270	28.30	6
AP8150280	28.32	11
AP8150333	28.25	10
AP8150373	28.26	14
AP8150376	28.02	9
AP8150376	28.25	21
AP8150382	28.10	8
AP8150403	29.23	9
AP8150413	28.05	6
AP8150413	28.06	5
AP8150413	28.07	7
AP8150413	28.10	11
AP8150413	28.12	2
AP8150413	28.13	2
AP8150413	28.22	20
AP8150413	28.32	13
AP8150420	28.05	9
AP8150421	28.15	10
AP8150425	28.09	2
AP8150425	28.10	7
AP8150426	28.06	4
AP8150430	28.13	5
AP8150430	28.14	23
AP8150430	28.31	13
AP8150430	28.34	6
AP8150432	29.23	23
AP8150432	29.24	6
AP8150444	28.08	11
AP8150471	28.28	16
AP8150471	28.29	3
AP8152003	29.40	23
AP8152018	28.26	11
AP8152018	29.23	22
AP8152018	29.24	7
AP8152043	28.14	17
AP8152140	28.01	8
AP8152140	28.34	13
AP8152181	28.22	15
AP8152194	28.13	14
AP8152194	28.34	8
AP8152244	28.28	12
AP8152244	28.29	2
AP8152246	28.08	5
AP8152246	28.21	12

Code	Nr. der Tafel	Pos.
AP8152246	28.25	5
AP8152260	28.25	6
AP8152272	28.19	14
AP8152273	29.59	10
AP8152274	28.22	18
AP8152277	28.01	21
AP8152277	28.12	5
AP8152277	28.28	19
AP8152278	28.01	19
AP8152278	28.11	8
AP8152278	28.14	8
AP8152278	28.21	8
AP8152278	28.29	21
AP8152278	28.33	12
AP8152279	28.13	10
AP8152279	28.19	1
AP8152279	28.20	5
AP8152279	28.31	10
AP8152280	28.10	9
AP8152282	28.13	21
AP8152282	28.14	26
AP8152282	28.29	12
AP8152282	29.23	4
AP8152283	28.13	3
AP8152283	28.34	5
AP8152288	28.28	20
AP8152289	28.25	8
AP8152289	28.27	8
AP8152290	28.16	4
AP8152290	28.25	20
AP8152291	28.25	19
AP8152298	28.07	13
AP8152298	28.14	1
AP8152298	28.14	15
AP8152299	28.13	22
AP8152299	28.29	13
AP8152299	28.33	11
AP8152299	29.23	12
AP8152300	28.16	5
AP8152301	28.02	15
AP8152301	28.16	3
AP8152302	28.05	3
AP8152302	28.07	14
AP8152302	28.14	22
AP8152306	28.08	9
AP8152306	28.14	20
AP8152306	28.22	19
AP8152306	28.32	12
AP8152318	29.23	5
AP8152318	29.24	3
AP8152329	28.22	5
AP8152339	28.08	3
AP8158085	28.05	4
AP8158085	28.05	4
AP8158085	28.05	4
AP8158085	28.05	4
AP8167659	28.35	5
AP8176137	28.20	17
AP8201225	28.20	21
AP8201534	28.07	5
AP8201546	28.26	7
AP8201546	28.28	5
AP8201546	28.29	4
AP8201620	28.13	15
AP8201620	28.34	9
AP8201643	28.13	8
AP8201685	28.01	16

Code	Nr. der Tafel	Pos.
AP8201695	28.21	1
AP8201748	28.13	20
AP8201748	28.34	11
AP8201749	28.13	16
AP8201749	28.34	10
AP8201757	28.20	3
AP8201763	28.01	14
AP8201763	28.07	3
AP8201763	28.09	6
AP8201763	28.10	6
AP8201763	28.12	3
AP8201763	28.14	9
AP8201799	28.22	13
AP8201807	28.21	13
AP8201824	28.20	6
AP8201925	28.26	15
AP8201975	28.15	3
AP8201976	28.15	2
AP8202071	28.15	7
AP8202204	28.22	3
AP8202204	28.22	3
AP8202204	28.22	3
AP8202212	28.21	1
AP8202216	28.01	16
AP8202218	28.34	1
AP8202223	28.35	2
AP8202224	28.35	2
AP8202225	28.35	2
AP8202226	28.35	2
AP8202238	28.01	9
AP8202246	28.13	4
AP8202246	28.34	4
AP8202247	28.13	12
AP8202247	28.34	3
AP8202268	30.62	1
AP8202269	30.62	1
AP8202270	30.62	1
AP8202280	28.22	11
AP8202281	28.22	3
AP8202281	28.22	3
AP8202281	28.22	3
AP8202281	28.22	3
AP8202281	28.22	3
AP8202282	28.35	2
AP8202436	28.20	18
AP8203561	28.03	2
AP8203564	28.04	4
AP8203565	28.04	6
AP8203566	28.04	5
AP8203570	28.04	11
AP8203571	28.04	9
AP8203572	28.04	10
AP8203652	28.03	3
AP8203666	28.01	2
AP8203702	28.03	4
AP8203752	28.03	4
AP8203753	28.03	5
AP8203754	28.03	6
AP8203755	28.03	7
AP8203756	28.03	8
AP8203757	28.03	9
AP8203758	28.03	10
AP8203759	28.03	11
AP8203760	28.04	2
AP8203761	28.04	3

Code	Nr. der Tafel	Pos.	Code	Nr. der Tafel	Pos.	Code	Nr. der Tafel	Pos.
AP8203762	28.03	12	AP8208896	28.26	2	AP8214163	28.15	8
AP8203762	28.03	12	AP8208896	28.26	2	AP8214200	28.29	15
AP8203777	28.03	2	AP8208896	28.26	2	AP8214202	28.18	9
AP8203778	28.03	3	AP8208896	28.26	2	AP8214203	28.18	9
AP8203779	28.03	5	AP8208897	28.28	2	AP8214220	28.29	17
AP8203780	28.03	6	AP8208897	28.28	2	AP8217034	28.07	15
AP8203781	28.03	8	AP8208897	28.28	2	AP8218114	28.17	17
AP8203782	28.03	9	AP8208897	28.28	2	AP8218136	28.17	14
AP8203783	28.03	10	AP8208908	28.26	2	AP8218153	28.17	15
AP8203784	28.03	11	AP8208908	28.26	2	AP8218154	28.17	18
AP8203785	28.04	1	AP8208909	28.28	2	AP8218210	28.15	1
AP8203786	28.03	13	AP8208909	28.28	2	AP8218265	28.17	1
AP8203787	28.04	2	AP8212110	28.33	6	AP8218265	28.18	12
AP8203788	28.04	3	AP8212382	28.33	10	AP8218275	28.17	1
AP8203794	28.04	10	AP8212469	28.33	5	AP8218275	28.18	12
AP8203795	28.04	11	AP8212611	28.33	8	AP8218331	28.18	10
AP8203796	28.04	9	AP8212698	28.32	4	AP8218549	28.17	4
AP8203797	28.03	12	AP8212767	28.16	10	AP8218549	28.18	2
AP8203977	29.23	6	AP8212771	28.30	3	AP8219212	28.25	7
AP8203977	29.24	4	AP8212775	28.32	8	AP8219389	28.25	13
AP8203977	29.24	4	AP8212837	28.16	8	AP8219452	28.25	13
AP8203986	28.03	14	AP8212841	28.30	1	AP8219452	28.25	3
AP8203987	28.04	7	AP8212841	28.31	9	AP8219498	28.25	1
AP8203988	28.04	8	AP8212903	28.30	3	AP8219516	28.25	1
AP8203992	28.04	4	AP8212933	28.32	7	AP8219530	28.25	14
AP8203993	28.04	5	AP8212934	28.32	6	AP8219531	28.25	15
AP8203994	28.04	7	AP8212936	28.30	8	AP8219532	28.25	16
AP8203995	28.04	8	AP8212937	28.32	8	AP8219533	28.25	17
AP8206233	29.24	9	AP8212994	28.16	8	AP8219534	28.25	18
AP8206936	28.04	6	AP8213198	28.27	4	AP8219535	28.25	12
AP8208646	28.29	6	AP8213199	28.27	5	AP8219540	28.25	12
AP8208705	28.26	2	AP8213213	28.27	2	AP8219543	28.25	12
AP8208705	28.26	2	AP8213227	28.27	4	AP8220195	28.19	8
AP8208708	28.26	2	AP8213231	28.26	3	AP8220238	28.01	18
AP8208708	28.26	2	AP8213231	28.28	3	AP8220238	28.02	7
AP8208709	28.28	2	AP8213246	28.27	3	AP8220263	28.20	10
AP8208709	28.28	2	AP8213248	28.27	1	AP8220263	28.33	19
AP8208710	28.28	2	AP8213272	28.17	6	AP8220283	28.33	21
AP8208784	28.26	2	AP8213272	28.18	4	AP8220313	28.13	11
AP8208785	28.28	2	AP8213298	28.17	7	AP8220346	28.02	11
AP8208812	28.28	13	AP8213298	28.18	5	AP8220349	28.11	2
AP8208812	28.28	13	AP8213299	28.17	10	AP8220357	28.25	9
AP8208812	28.28	13	AP8213299	28.18	8	AP8220399	28.02	12
AP8208812	28.28	13	AP8213373	28.29	9	AP8220402	28.19	17
AP8208824	28.28	13	AP8213375	28.17	2	AP8220421	28.19	9
AP8208824	28.28	13	AP8213375	28.18	11	AP8220453	28.15	5
AP8208824	28.28	13	AP8213400	28.17	12	AP8220454	28.15	4
AP8208825	28.26	2	AP8213400	28.18	13	AP8220468	28.13	19
AP8208825	28.26	2	AP8213406	28.29	8	AP8220471	28.07	16
AP8208825	28.26	2	AP8213407	28.29	10	AP8220472	28.20	7
AP8208825	28.26	2	AP8213408	28.29	11	AP8220474	28.21	7
AP8208826	28.26	2	AP8213424	28.29	7	AP8220545	29.59	2
AP8208826	28.26	2	AP8213457	28.28	18	AP8220546	28.33	13
AP8208826	28.26	2	AP8213474	28.28	11	AP8220551	28.15	17
AP8208827	28.28	2	AP8213479	28.28	7	AP8220562	29.23	13
AP8208827	28.28	2	AP8213482	28.27	2	AP8220562	29.24	2
AP8208827	28.28	2	AP8213482	28.27	2	AP8220565	28.21	5
AP8208827	28.28	2	AP8213484	28.18	1	AP8220571	28.28	13
AP8208828	28.28	2	AP8213485	28.17	3	AP8220571	28.29	1
AP8208828	28.28	2	AP8213488	28.28	7	AP8220578	28.21	6
AP8208828	28.28	2	AP8213488	28.28	7	AP8220579	28.28	13
AP8208893	28.26	2	AP8213488	28.28	7	AP8220579	28.28	13
AP8208893	28.26	2	AP8213488	28.28	7	AP8220580	28.06	6
AP8208893	28.26	2	AP8213488	28.28	7	AP8220587	28.22	2
AP8208894	28.28	2	AP8213488	28.28	7	AP8220588	28.22	14
AP8208894	28.28	2	AP8213488	28.28	7	AP8220592	28.13	23
AP8208894	28.28	2	AP8213488	28.28	7	AP8220596	28.20	15

Code	Nr. der Tafel	Pos.
AP8220597	28.20	19
AP8220598	28.20	22
AP8220603	28.22	16
AP8220604	28.22	17
AP8220605	28.22	23
AP8220711	29.56	18
AP8221036	29.59	9
AP8221046	28.10	10
AP8221119	28.26	10
AP8221120	28.29	16
AP8221213	28.01	11
AP8221218	28.14	6
AP8221242	28.15	6
AP8221297	28.25	4
AP8221307	29.23	19
AP8221307	29.24	5
AP8221310	28.01	15
AP8221311	28.01	5
AP8221312	28.13	13
AP8221312	28.34	7
AP8221313	29.23	21
AP8221314	29.23	20
AP8221315	28.02	2
AP8221317	28.02	5
AP8221318	28.02	6
AP8221321	28.13	7
AP8221322	29.24	8
AP8221323	28.02	4
AP8221328	28.02	2
AP8222681	29.24	1
AP8222681	29.24	1
AP8222692	29.23	1
AP8222708	28.19	13
AP8222715	29.23	2
AP8222724	29.23	1
AP8222765	29.24	1
AP8222765	29.24	1
AP8222765	29.24	1
AP8222765	29.24	1
AP8222768	29.24	1
AP8222768	29.24	1
AP8222770	29.24	1
AP8222770	29.24	1
AP8222770	29.24	1
AP8222771	29.24	1
AP8222771	29.24	1
AP8222771	29.24	1
AP8222775	29.24	1
AP8222775	29.24	1
AP8222775	29.24	1
AP8222775	29.24	1
AP8222776	29.23	1
AP8222777	29.24	1
AP8222777	29.24	1
AP8222777	29.24	1
AP8222778	29.24	1
AP8222778	29.24	1
AP8222778	29.24	1
AP8222778	29.24	1
AP8223004	28.03	1
AP8223015	29.24	4
AP8223015	29.24	4
AP8223015	29.24	4
AP8223015	29.24	4
AP8223015	29.24	4
AP8223015	29.24	4
AP8223015	29.24	4
AP8223024	29.23	6
AP8223024	29.24	4
AP8223025	29.24	4
AP8223025	29.24	4
AP8223037	28.04	1

Code	Nr. der Tafel	Pos.
AP8223038	28.03	2
AP8223039	28.03	3
AP8223040	28.04	4
AP8223041	28.03	5
AP8223042	28.03	6
AP8223043	28.04	7
AP8223044	28.04	8
AP8223045	28.03	15
AP8223046	28.03	10
AP8223047	28.04	6
AP8223048	28.04	5
AP8223049	28.03	8
AP8223050	28.03	13
AP8223051	28.04	13
AP8223052	28.04	10
AP8223053	28.04	11
AP8223054	28.04	9
AP8224057	28.33	4
AP8224062	28.30	9
AP8224063	28.30	10
AP8224073	28.33	14
AP8224102	28.33	7
AP8224130	28.16	12
AP8224148	28.30	8
AP8224163	28.08	8
AP8224164	28.14	29
AP8224170	28.33	23
AP8224173	28.32	16
AP8224174	28.32	15
AP8224193	28.31	1
AP8224196	28.32	14
AP8224197	28.31	4
AP8224198	28.31	5
AP8224210	28.30	13
AP8224211	28.30	4
AP8224212	28.30	12
AP8224213	28.30	7
AP8224214	28.30	5
AP8224215	28.30	11
AP8224245	28.32	9
AP8224248	28.33	9
AP8224251	28.31	8
AP8224258	28.31	7
AP8224258	28.32	17
AP8224259	28.31	6
AP8224261	29.59	6
AP8224262	29.59	5
AP8224262	29.59	5
AP8224268	28.32	5
AP8224279	28.33	9
AP8224296	28.33	7
AP8224304	29.59	7
AP8224320	28.33	9
AP8224321	28.15	11
AP8224326	28.33	20
AP8224326	29.51	11
AP8224340	28.32	2
AP8224341	28.32	3
AP8224342	28.04	12
AP8224343	28.01	6
AP8224343	28.34	2
AP8224344	28.15	13
AP8224345	28.15	14
AP8224346	28.32	1
AP8224347	28.32	10
AP8224368	28.15	16
AP8224369	28.15	15

Code	Nr. der Tafel	Pos.
AP8224389	28.32	18
AP8224390	28.30	17
AP8224390	28.31	16
AP8224390	28.32	20
AP8224391	28.31	15
AP8224392	28.30	16
AP8224393	28.32	19
AP8224398	29.59	5
AP8224398	29.59	5
AP8224398	29.59	5
AP8224401	28.33	9
AP8224402	28.15	11
AP8224406	28.30	15
AP8224408	29.59	5
AP8224414	29.59	5
AP8224414	29.59	5
AP8224414	29.59	5
AP8224417	29.59	5
AP8224417	29.59	5
AP8224448	29.59	5
AP8224478	28.33	24
AP8224484	28.15	11
AP8224485	28.15	11
AP8224491	28.33	9
AP8224491	28.33	9
AP8224492	28.33	26
AP8224521	28.15	11
AP8225123	28.26	5
AP8225271	28.26	12
AP8225323	28.26	13
AP8225358	28.26	4
AP8225358	28.28	4
AP8225359	28.30	2
AP8225367	28.05	13
AP8225369	28.05	11
AP8225369	28.13	26
AP8226602	28.14	2
AP8226603	28.14	4
AP8226626	28.14	4
AP8226627	28.14	2
AP8226628	28.08	1
AP8226650	28.08	1
AP8226651	28.08	1
AP8226660	28.14	5
AP8226671	28.08	1
AP8226671	28.08	1
AP8226672	28.08	1
AP8226672	28.08	1
AP8226678	28.08	1
AP8226678	28.08	1
AP8226689	28.08	1
AP8226689	28.08	1
AP8226700	28.08	1
AP8226701	28.08	1
AP8226727	28.08	1
AP8226728	28.08	1
AP8226728	28.08	1
AP8226733	28.08	1
AP8226734	28.08	1
AP8226748	28.08	1
AP8226749	28.14	25
AP8226760	28.08	1
AP8226768	28.08	1
AP8226771	28.08	1
AP8226827	28.08	1

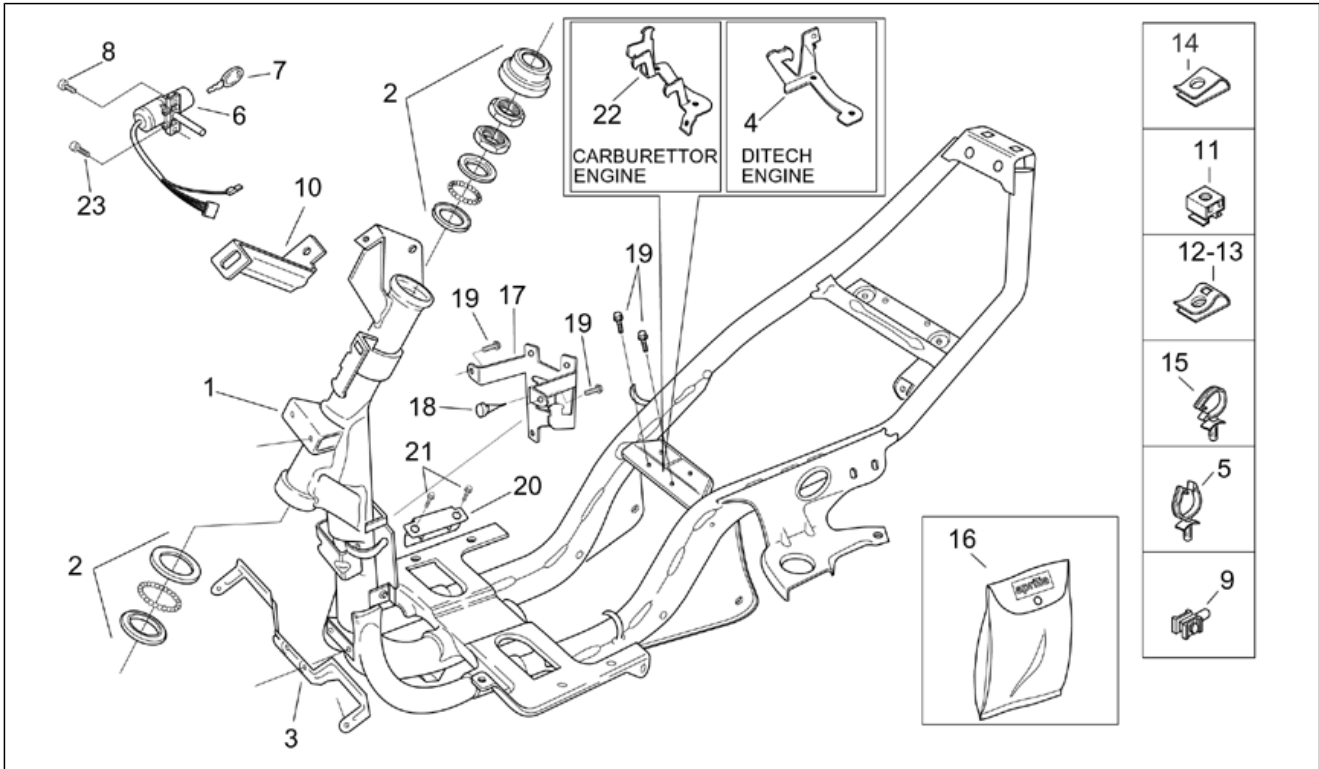
Code	Nr. der Tafel	Pos.	Code	Nr. der Tafel	Pos.	Code	Nr. der Tafel	Pos.
AP8226828	28.08	1	AP8249298	28.22	7	AP8258039	28.07	1
AP8226835	28.08	1	AP8249299	28.22	8	AP8258058	28.13	6
AP8226836	28.08	1	AP8249300	28.20	26	AP8258059	28.20	23
AP8229192	28.11	7	AP8249348	28.10	1	AP8258091	28.05	4
AP8229293	28.11	1	AP8249447	28.11	6	AP8258169	28.09	4
AP8229293	28.11	1	AP8249448	28.05	4	AP8258208	28.07	1
AP8229297	28.11	7	AP8249452	28.12	1	AP8258209	28.12	1
AP8229297	28.11	7	AP8249455	28.11	3	AP8258210	28.06	1
AP8229318	28.11	7	AP8249532	28.13	17	AP8258211	28.10	1
AP8229318	28.11	7	AP8249532	28.13	17	AP8258213	28.05	4
AP8229319	28.11	7	AP8249532	28.13	17	AP8258213	28.05	4
AP8229321	28.11	7	AP8249532	28.13	17	AP8258213	28.05	4
AP8229321	28.11	7	AP8249554	28.05	4	AP8258213	28.05	4
AP8229344	28.11	1	AP8249558	28.14	16	AP8258214	28.11	6
AP8229344	28.11	1	AP8249582	28.22	1	AP8258233	28.10	1
AP8229344	28.11	1	AP8249584	28.12	1	AP8258234	28.10	1
AP8229344	28.11	1	AP8249585	28.06	1	AP8258235	28.07	1
AP8229345	28.11	7	AP8249586	28.10	1	AP8258236	28.12	1
AP8229354	28.11	1	AP8249587	28.11	6	AP8258238	28.05	4
AP8229355	28.11	7	AP8249698	28.05	1	AP8258239	28.11	6
AP8229358	28.11	7	AP8249708	28.12	4	AP8258253	28.14	28
AP8229358	28.11	7	AP8249711	28.05	4	AP8258336	28.05	4
AP8229359	28.11	7	AP8249713	28.07	11	AP8258336	28.05	4
AP8229383	28.11	1	AP8249715	28.07	12	AP8258336	28.05	4
AP8229384	28.11	7	AP8249762	28.14	14	AP8258337	28.05	4
AP8232941	28.21	4	AP8249764	28.09	3	AP8258482	28.07	1
AP8234130	28.01	10	AP8249766	28.15	12	AP8258483	28.12	1
AP8234161	28.29	22	AP8249767	28.06	2	AP8258484	28.06	1
AP8234184	28.01	17	AP8249767	28.06	2	AP8258485	28.10	1
AP8234189	28.01	4	AP8249767	28.06	2	AP8258486	28.11	6
AP8234190	28.01	20	AP8249767	28.06	2	AP8258547	28.06	2
AP8234191	28.01	3	AP8249768	28.06	1	AP8258549	28.07	1
AP8234194	28.07	17	AP8249769	28.06	3	AP8258550	28.12	1
AP8234195	28.13	24	AP8249769	28.06	3	AP8258551	28.06	1
AP8234196	28.02	17	AP8249769	28.06	3	AP8258552	28.10	1
AP8234199	28.22	22	AP8249769	28.06	3	AP8258553	28.05	4
AP8234200	28.22	21	AP8249879	28.05	2	AP8258554	28.05	4
AP8234210	28.33	25	AP8249880	29.23	7	AP8258555	28.11	6
AP8235048	28.29	14	AP8249892	28.10	3	AP8258556	28.06	3
AP8235069	28.01	1	AP8249893	28.10	1	AP8258556	28.06	3
AP8235072	28.02	1	AP8249894	28.10	1	AP8258556	28.06	3
AP8235090	28.02	1	AP8249919	28.06	3	AP8258558	28.06	2
AP8235110	28.02	10	AP8249919	28.06	3	AP8258558	28.06	2
AP8238433	28.19	7	AP8249919	28.06	3	AP8258558	28.06	2
AP8238507	28.09	5	AP8249920	28.06	2	AP8258558	28.06	2
AP8238512	28.08	4	AP8249920	28.06	2	AP8258558	28.06	2
AP8238681	28.13	9	AP8249920	28.06	2	AP8258559	28.09	3
AP8238748	28.05	7	AP8249922	28.12	1	AP8258560	28.09	4
AP8238749	28.05	8	AP8249923	28.06	1	AP8258561	28.13	17
AP8238750	28.21	2	AP8249923	28.06	1	AP8258561	28.13	17
AP8238769	28.21	10	AP8249923	28.06	1	AP8258561	28.13	17
AP8238806	28.05	12	AP8249924	28.10	1	AP8258561	28.13	17
AP8238856	28.13	1	AP8249925	28.10	1	AP8258561	28.13	17
AP8239070	28.05	4	AP8249926	28.11	6	AP8258561	28.13	17
AP8239471	28.20	1	AP8249927	28.07	1	AP8258562	28.14	14
AP8248653	28.05	5	AP8249928	28.12	1	AP8258564	28.05	1
AP8248656	28.07	2	AP8249929	28.10	1	AP8258565	28.28	13
AP8248657	28.07	6	AP8249930	28.10	1	AP8258676	28.07	1
AP8248665	28.10	2	AP8249931	28.11	6	AP8258677	28.12	1
AP8248666	28.10	4	AP8249956	28.22	12	AP8258678	28.06	1
AP8249100	28.31	2	AP8257757	28.35	1	AP8258679	28.10	1
AP8249101	28.31	3	AP8257841	28.35	4	AP8258681	28.11	6
AP8249104	28.08	7	AP8257842	28.35	1	AP8258729	28.07	1
AP8249105	28.08	6	AP8257843	28.35	4	AP8258730	28.12	1
AP8249136	28.31	14	AP8257973	28.35	3	AP8258731	28.06	1
AP8249137	28.05	8	AP8258037	28.07	1	AP8258732	28.10	1
AP8249285	28.05	5	AP8258038	28.07	1	AP8258733	28.11	6

Code	Nr. der Tafel	Pos.
AP8258781	28.07	1
AP8258782	28.12	1
AP8258783	28.06	1
AP8258784	28.10	1
AP8258785	28.11	6
AP8258786	28.06	2
AP8258787	28.09	3
AP8258788	28.09	4
AP8258789	28.13	17
AP8258790	28.14	14
AP8258809	28.07	1
AP8258810	28.12	1
AP8258811	28.06	1
AP8258812	28.10	1
AP8258813	28.11	6
AP8258815	28.06	3
AP8258822	28.07	1
AP8258823	28.12	1
AP8258824	28.06	1
AP8258825	28.10	1
AP8258826	28.11	6
AP8258827	28.06	3
AP8258827	28.06	3
AP8258829	28.07	1
AP8258830	28.12	1
AP8258831	28.06	1
AP8258832	28.10	1
AP8258834	28.05	4
AP8258835	28.11	6
AP8258843	28.07	1
AP8258844	28.12	1
AP8258845	28.06	1
AP8258846	28.10	1
AP8258848	28.05	4
AP8258849	28.11	6
AP8258850	28.05	1
AP8258933	28.07	1
AP8258934	28.12	1
AP8258998	28.09	5
AP8267191	28.36	1
AP8267192	28.37	1
AP8267193	28.37	2
AP8267194	28.36	1
AP8267195	28.37	1
AP8267196	28.37	2
AP8267197	28.36	1
AP8267198	28.37	1
AP8267199	28.37	2
AP8267200	28.36	1
AP8267201	28.37	1
AP8267202	28.37	2
AP8267249	28.36	2
AP8267288	28.37	1
AP8267289	28.37	1
AP8267290	28.37	1
AP8267291	28.37	1
AP8267368	28.35	1
AP8267393	28.35	1
AP8267397	28.35	4
AP8267398	28.35	1
AP8267404	28.36	1
AP8267405	28.36	1
AP8267406	28.37	1
AP8267407	28.37	1
AP8267408	28.37	2
AP8267409	28.37	2
AP8267411	28.36	1

Code	Nr. der Tafel	Pos.
AP8267412	28.37	1
AP8267413	28.37	2
AP8267440	28.36	2
AP8267586	28.35	1
AP8267592	28.36	1
AP8267593	28.36	1
AP8267594	28.37	1
AP8267595	28.37	1
AP8267596	28.37	2
AP8267597	28.37	2
AP8267655	28.37	2
AP8267656	28.37	1
AP8267657	28.36	1
AP8267702	28.37	2
AP8267703	28.37	1
AP8267704	28.36	1
AP8267898	28.36	1
AP8267899	28.36	1
AP8267900	28.36	1
AP8267901	28.36	1
AP8267902	28.36	1
AP8267903	28.37	1
AP8267904	28.37	1
AP8267906	28.37	1
AP8267907	28.37	1
AP8267908	28.37	2
AP8267909	28.37	2
AP8267910	28.37	2
AP8267911	28.37	2
AP8267912	28.37	2
AP8268203	28.07	1
AP8268204	28.12	1
AP8268205	28.06	1
AP8268215	28.10	1
AP8268216	28.11	6
AP8268244	28.07	1
AP8268245	28.12	1
AP8268246	28.06	1
AP8268247	28.10	1
AP8268248	28.11	6
AP8276065	28.20	16
AP8276090	29.56	19
AP8277017	28.36	1
AP8277018	28.37	1
AP8277019	28.37	2
AP8277039	28.35	1
AP8277332	28.36	1
AP8277334	28.36	1
AP8277337	28.37	1
AP8277339	28.37	1
AP8277342	28.37	2
AP8277344	28.37	2
AP8277444	28.35	5
AP8700792	30.63	3
AP8700793	30.63	3
AP8700794	30.63	3
AP8720115	30.64	1
AP8720116	30.64	2
AP8720117	30.64	3
AP8720118	30.64	4
AP8790154	30.63	2
AP8791128	30.60	2
AP8791129	30.60	1
AP8791130	30.60	4
AP8791131	30.60	3
AP8792066	30.61	1

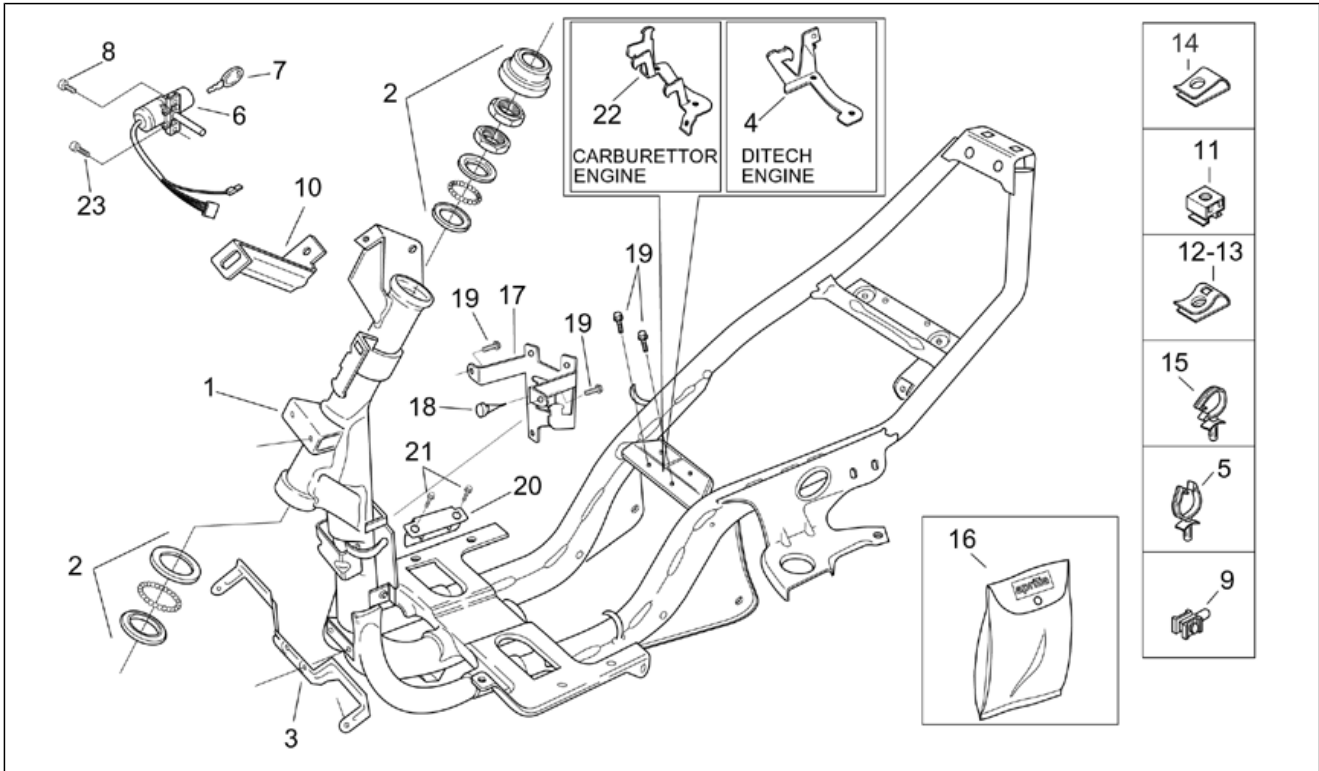
Code	Nr. der Tafel	Pos.
AP8792080	30.61	2
AP8792157	30.63	1
AP8793051	30.61	4

<b>Einheit</b>	RAHMEN
<b>Code</b>	28.01
<b>Beschreibung</b>	Rahmen
<b>Inspektion</b>	1



Pos.	Code	Beschreibung	Menge	Varianten
1	AP8235069	Rahmen mit Kataphorese	1	
2	AP8203666	Satz Kugelringe	1	
3	AP8234191	Unterbodenplatte	1	
4	AP8234189	Ölpumpen aufnahme	1	<b>Technische Daten:</b> "Motor ""DITECH"" mit Benzindirekteinspritzung"[ie]
5	AP8221311	Kabelführung d18	2	
6	AP8224343	Lenkschloß	1	
7	AP8102880	Schl. gefr. Aprilia	1	
8	AP8152140	Reißschraube M6x17	1	
9	AP8202238	Kabelführungs Haken	1	
10	AP8234130	Frontschildbefestigung	1	
11	AP8221213	Käfigmutter M6	2	
12	AP8102376	Klammer M6	9	
13	AP8102375	Klammer M5	4	
14	AP8201763	Clip f. Blechschr. D5,5*	3	
15	AP8221310	Kabelführungs	2	
16	AP8201685	Werkzeugtasche	1	<b>Technische Daten:</b> Motor mit Vergaser[carb]
16	AP8202216	Werkzeugtasche	1	<b>Technische Daten:</b> "Motor ""DITECH"" mit Benzindirekteinspritzung"[ie]
17	AP8234184	Fixierplatte Steuergerät	1	<b>Technische Daten:</b> "Motor ""DITECH"" mit Benzindirekteinspritzung"[ie]
18	AP8220238	Gummi	1	<b>Technische Daten:</b> "Motor ""DITECH"" mit Benzindirekteinspritzung"[ie]
19	AP8152278	TE Schr. m. Flansch M6x16	4	
20	AP8234190	Fixierplatte Spule	1	<b>Technische Daten:</b> "Motor ""DITECH"" mit Benzindirekteinspritzung"[ie]
21	AP8152277	TE Schr. m. Flansch M6x12	3	<b>Technische Daten:</b> "Motor ""DITECH"" mit Benzindirekteinspritzung"[ie]
22	AP8134639	Elek.komponenten halter	1	<b>Technische Daten:</b> Motor mit Vergaser[carb]

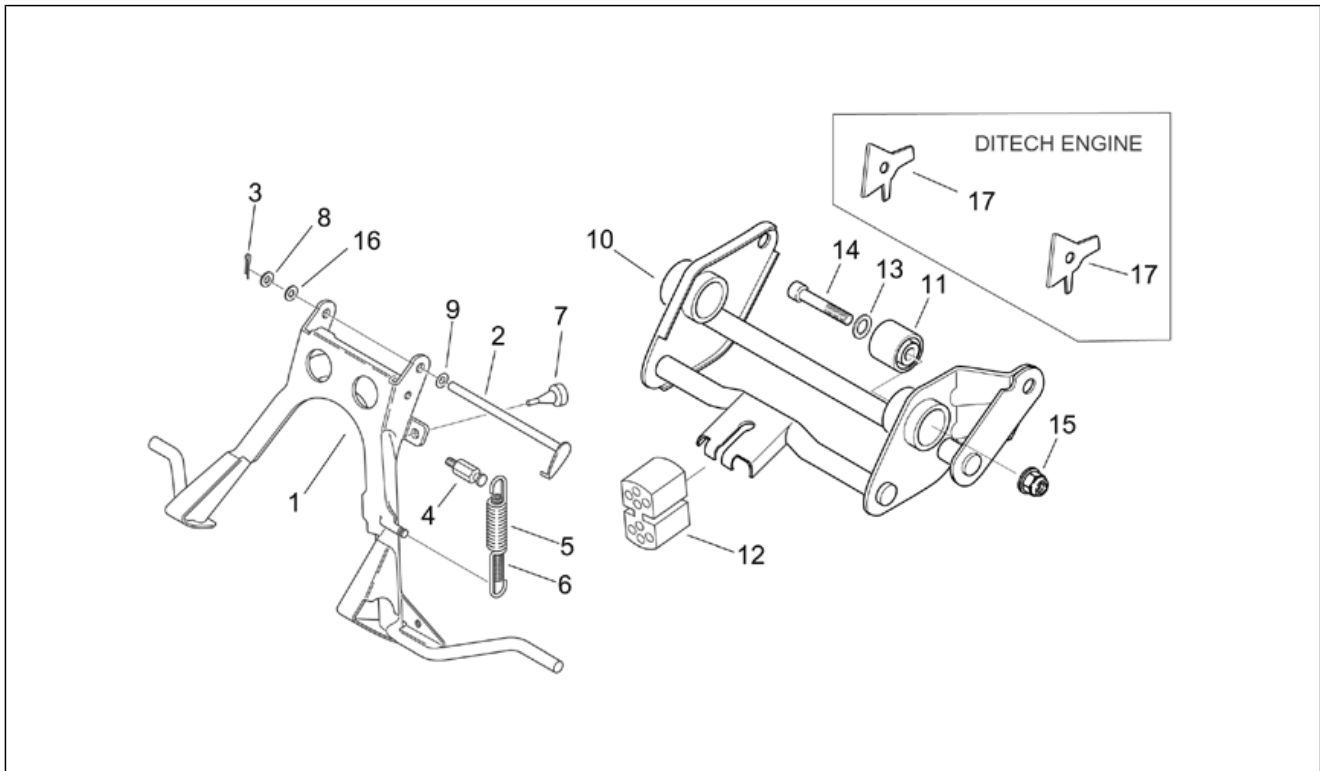
<b>Einheit</b>	RAHMEN
<b>Code</b>	28.01
<b>Beschreibung</b>	Rahmen
<b>Inspektion</b>	1



Pos.	Code	Beschreibung	Menge	Varianten
23	AP8150137	TCEI Schraube M6x16	1	

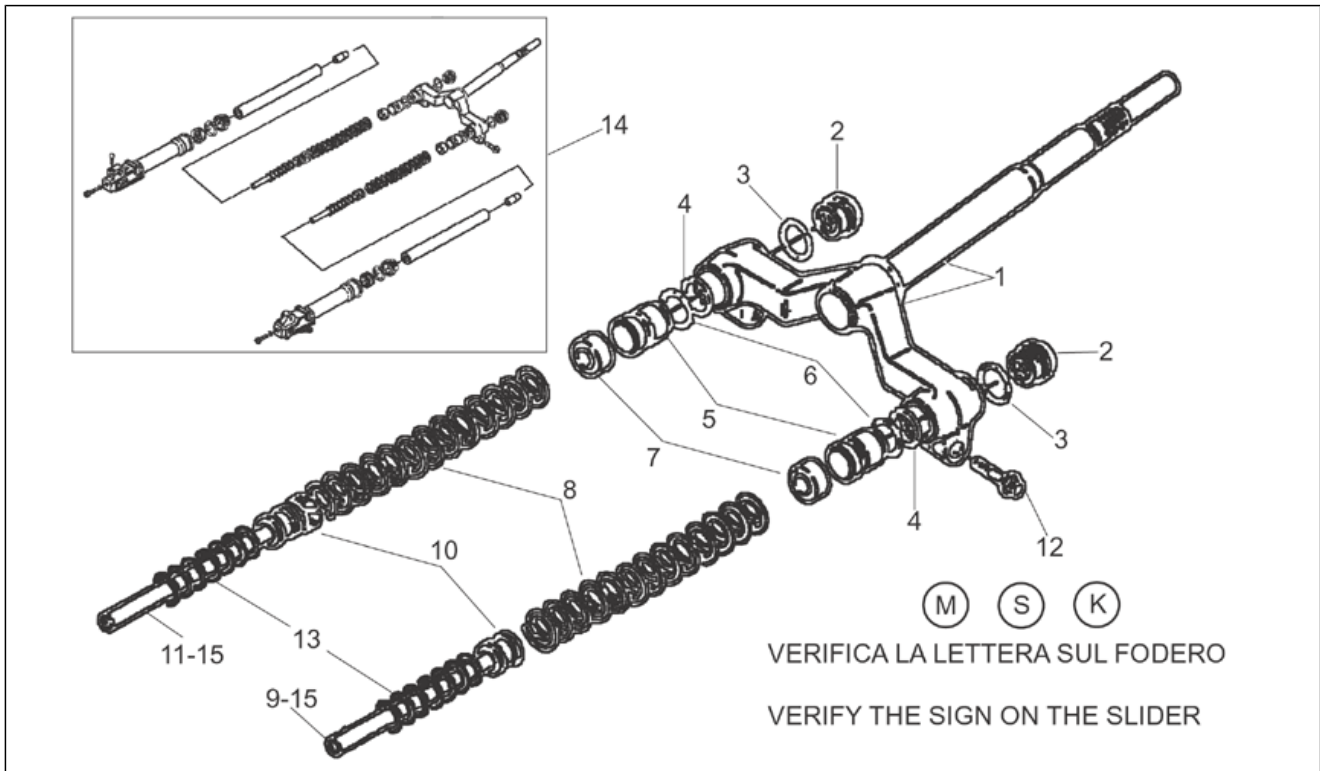


<b>Einheit</b>	RAHMEN
<b>Code</b>	28.02
<b>Beschreibung</b>	Hauptständer - Pleuelstange
<b>Inspektion</b>	1



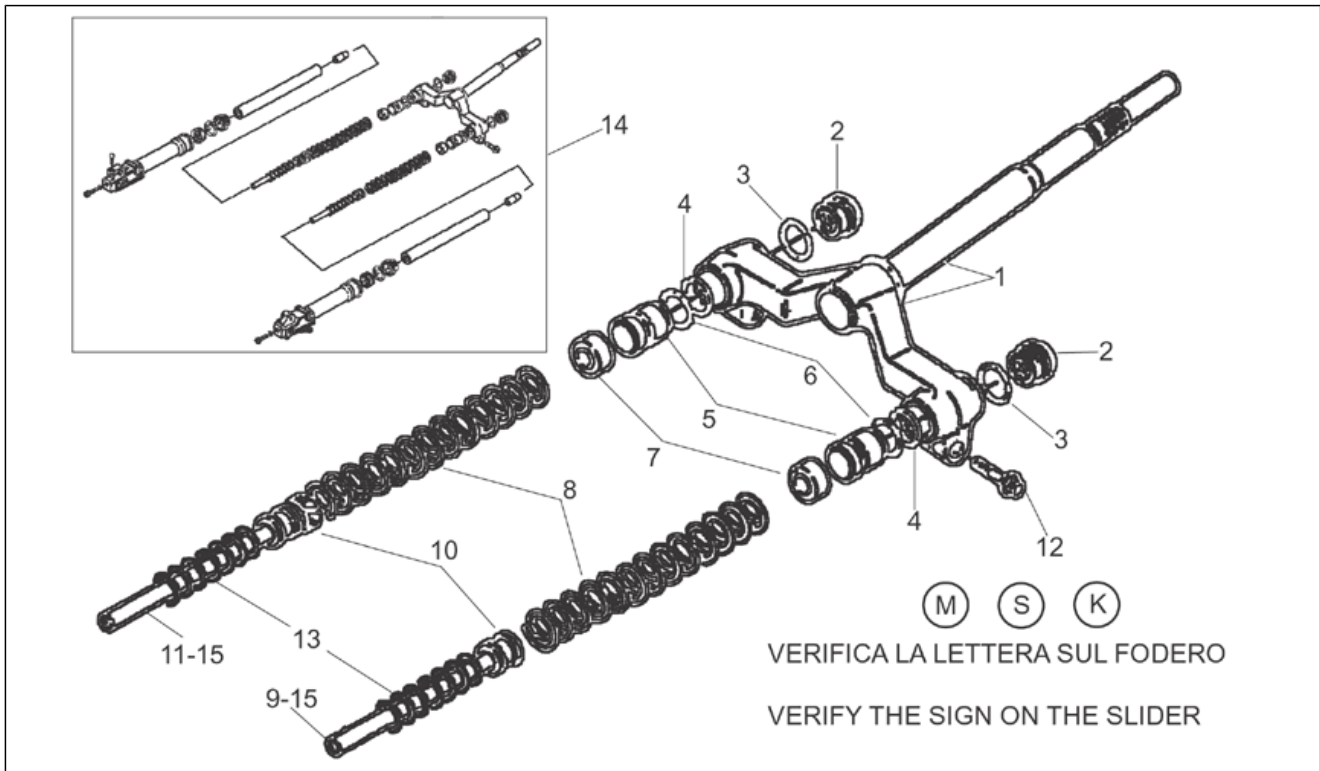
Pos.	Code	Beschreibung	Menge	Varianten
1	AP8235072	Hauptständer	1	<b>Technische Daten:</b> Motor mit Vergaser[carb]
1	AP8235090	Hauptständer	1	<b>Technische Daten:</b> "Motor ""DITECH"" mit Benzindirekteinspritzung"[ie]
2	AP8221315	Ständerbolzen mm 141,5	1	<b>Technische Daten:</b> Motor mit Vergaser[carb]
2	AP8221328	Ständerbolzen mm 151,8	1	<b>Technische Daten:</b> "Motor ""DITECH"" mit Benzindirekteinspritzung"[ie]
3	AP8101606	Splint	1	
4	AP8221323	Federschraube	2	
5	AP8221317	Hauptständer Schraubenfeder	1	
6	AP8221318	Rückholfeder Ständer	1	
7	AP8220238	Gummi	1	
8	AP8150017	Ausgleichscheibe 8,4x16x1,6	1	
9	AP8150376	Ausgleichscheibe 8,5x15x0,8	1	
10	AP8235110	Motor-Pleuelstange	1	
11	AP8220346	Silent-Block	2	
12	AP8220399	Zümseinst.Stopfen	1	
13	AP8150020	Ausgleichscheibe 10,5x21x2*	2	
14	AP8150086	TCEI Schraube	2	
15	AP8152301	Selbstsperrende Mutter	2	
16	AP8121697	Tellerfeder	1	
17	AP8234196	Pleuelstange Platte	2	<b>Technische Daten:</b> "Motor ""DITECH"" mit Benzindirekteinspritzung"[ie]

<b>Einheit</b>	RAHMEN
<b>Code</b>	28.03
<b>Beschreibung</b>	Gabel I
<b>Inspektion</b>	1



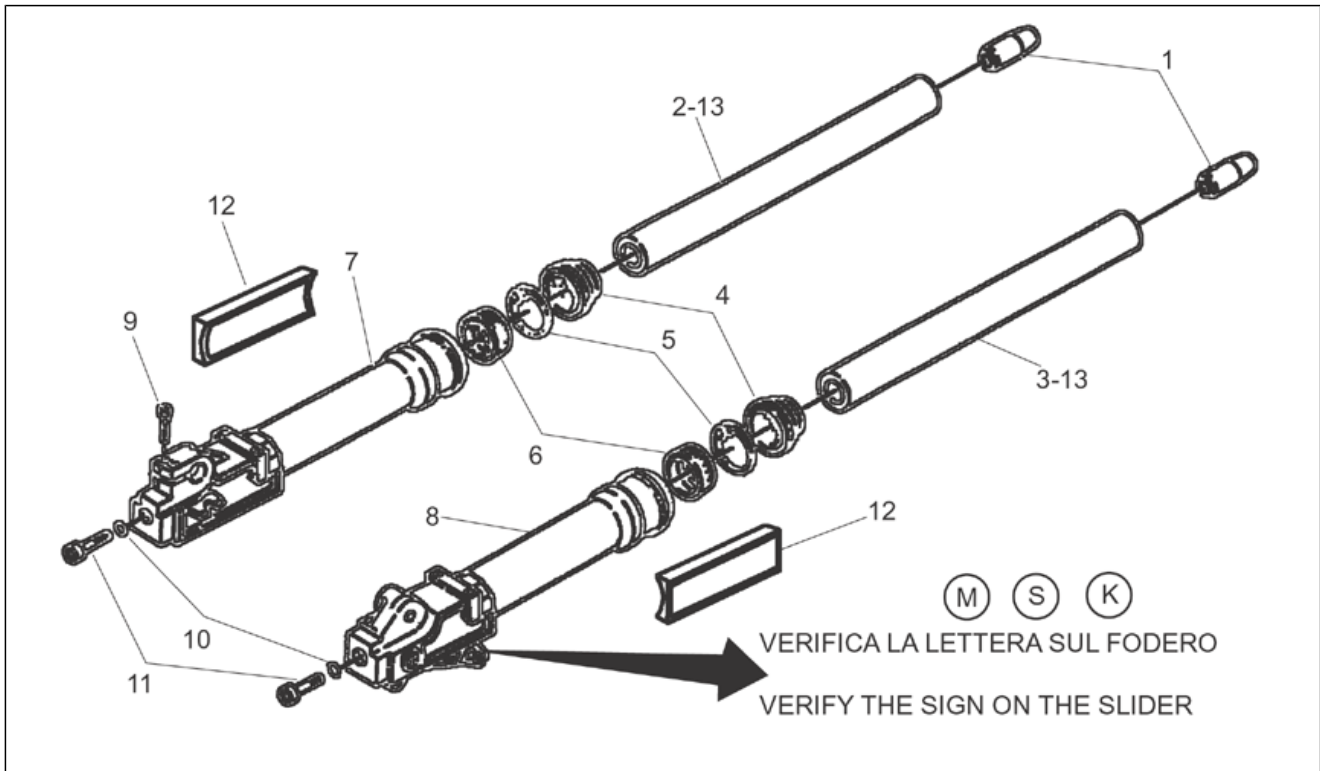
Pos.	Code	Beschreibung	Menge	Varianten
1	AP8223004	Fuß mit Rohr	1	
2	AP8203561	Verschlussschraube	2	<b>Technische Daten:</b> Gabel mit Buchstaben M auf dem Schaft[MA]
2	AP8203777	Verschlussschraube	2	<b>Technische Daten:</b> Gabel mit Buchstaben S auf dem Schaft[S]
2	AP8223038	Verschlussschraube	2	<b>Technische Daten:</b> Marke KAIFA[K]
3	AP8203652	O-Ring	2	<b>Technische Daten:</b> Gabel mit Buchstaben M auf dem Schaft[MA]
3	AP8203778	Ring	2	<b>Technische Daten:</b> Gabel mit Buchstaben S auf dem Schaft[S]
3	AP8223039	Ring	2	<b>Technische Daten:</b> Marke KAIFA[K]
4	AP8203702	Sperring	2	<b>Technische Daten:</b> Gabel mit Buchstaben S auf dem Schaft[S]
4	AP8203752	Sperring	2	<b>Technische Daten:</b> Gabel mit Buchstaben M auf dem Schaft[MA]
5	AP8203753	Deckel	2	<b>Technische Daten:</b> Gabel mit Buchstaben M auf dem Schaft[MA]
5	AP8203779	Deckel	2	<b>Technische Daten:</b> Gabel mit Buchstaben S auf dem Schaft[S]
5	AP8223041	Deckel	2	<b>Technische Daten:</b> Marke KAIFA[K]
6	AP8203754	O-Ring	2	<b>Technische Daten:</b> Gabel mit Buchstaben M auf dem Schaft[MA]
6	AP8203780	O-Ring	2	<b>Technische Daten:</b> Gabel mit Buchstaben S auf dem Schaft[S]
6	AP8223042	O-Ring	2	<b>Technische Daten:</b> Marke KAIFA[K]
7	AP8203755	Leitung	2	<b>Technische Daten:</b> Gabel mit Buchstaben M auf dem Schaft[MA]
8	AP8203756	Feder	2	<b>Technische Daten:</b> Gabel mit Buchstaben M auf dem Schaft[MA]
8	AP8203781	Feder	2	<b>Technische Daten:</b> Gabel mit Buchstaben S auf dem Schaft[S]

<b>Einheit</b>	RAHMEN
<b>Code</b>	28.03
<b>Beschreibung</b>	Gabel I
<b>Inspektion</b>	1



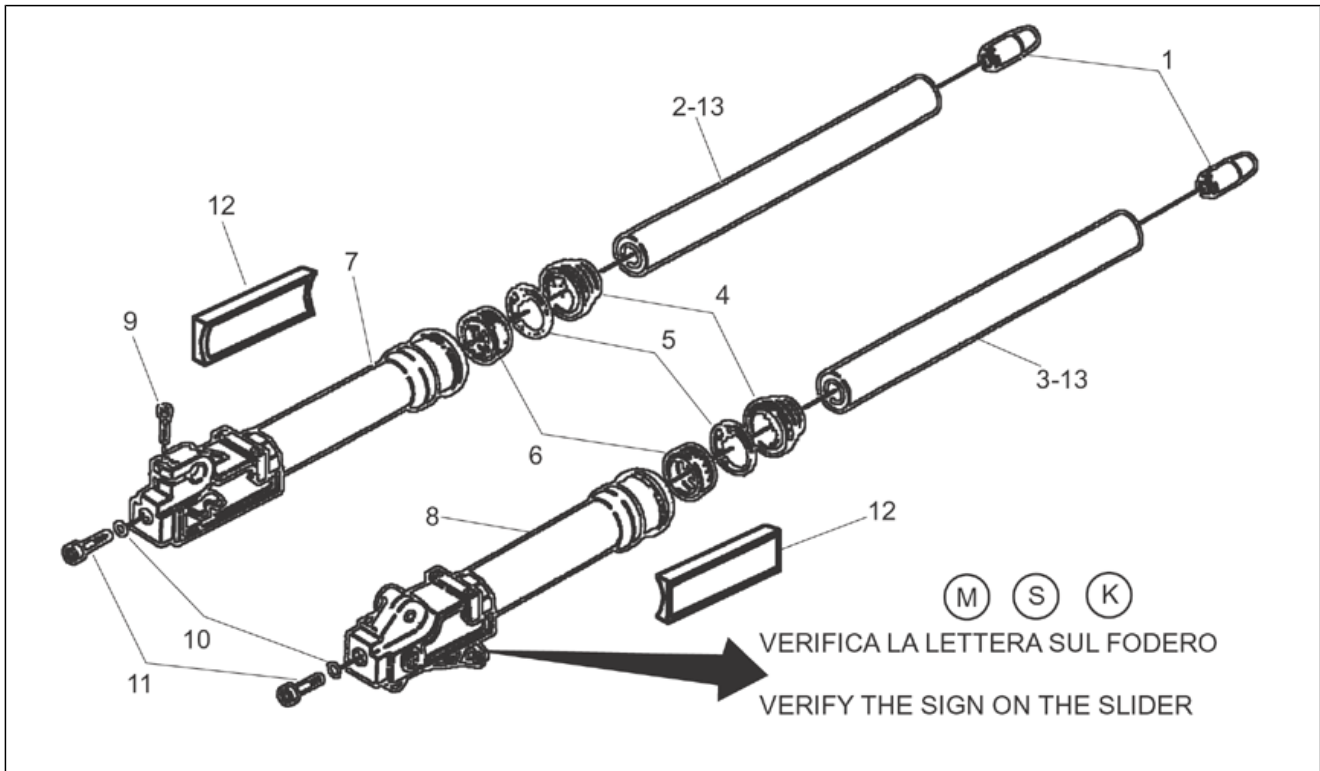
Pos.	Code	Beschreibung	Menge	Varianten
8	AP8223049	Feder	2	<b>Technische Daten:</b> Marke KAIFA[K]
9	AP8203757	Linker Stoßdämpfer	1	<b>Technische Daten:</b> Gabel mit Buchstaben M auf dem Schaft[MA]
9	AP8203782	Linker Stoßdämpfer	1	<b>Technische Daten:</b> Gabel mit Buchstaben S auf dem Schaft[S]
10	AP8203758	Ring Gabelstempel	1	<b>Technische Daten:</b> Gabel mit Buchstaben M auf dem Schaft[MA]
10	AP8203783	Ring Gabelstempel	1	<b>Technische Daten:</b> Gabel mit Buchstaben S auf dem Schaft[S]
10	AP8223046	Ring Gabelstempel	1	<b>Technische Daten:</b> Marke KAIFA[K]
11	AP8203759	Rechter Stoßdämpfer	1	<b>Technische Daten:</b> Gabel mit Buchstaben M auf dem Schaft[MA]
11	AP8203784	Rechter Stoßdämpfer	1	<b>Technische Daten:</b> Gabel mit Buchstaben S auf dem Schaft[S]
12	AP8203762	Schraube M10x35	2	<b>Technische Daten:</b> Marke KAIFA[K]
12	AP8203762	Schraube M10x35	2	<b>Technische Daten:</b> Gabel mit Buchstaben M auf dem Schaft[MA]
12	AP8203797	Schraube	2	<b>Technische Daten:</b> Gabel mit Buchstaben S auf dem Schaft[S]
13	AP8123708	Gegenfeder	2	<b>Technische Daten:</b> Gabel mit Buchstaben M auf dem Schaft[MA]
13	AP8203786	Gegenfeder	2	<b>Technische Daten:</b> Gabel mit Buchstaben S auf dem Schaft[S]
13	AP8223050	Gegenfeder	2	<b>Technische Daten:</b> Marke KAIFA[K]
14	AP8203986	Baugruppe vordere Gabel	1	
15	AP8223045	Pumpenrad kplt.	2	<b>Technische Daten:</b> Marke KAIFA[K]

<b>Einheit</b>	RAHMEN
<b>Code</b>	28.04
<b>Beschreibung</b>	Gabel II
<b>Inspektion</b>	1



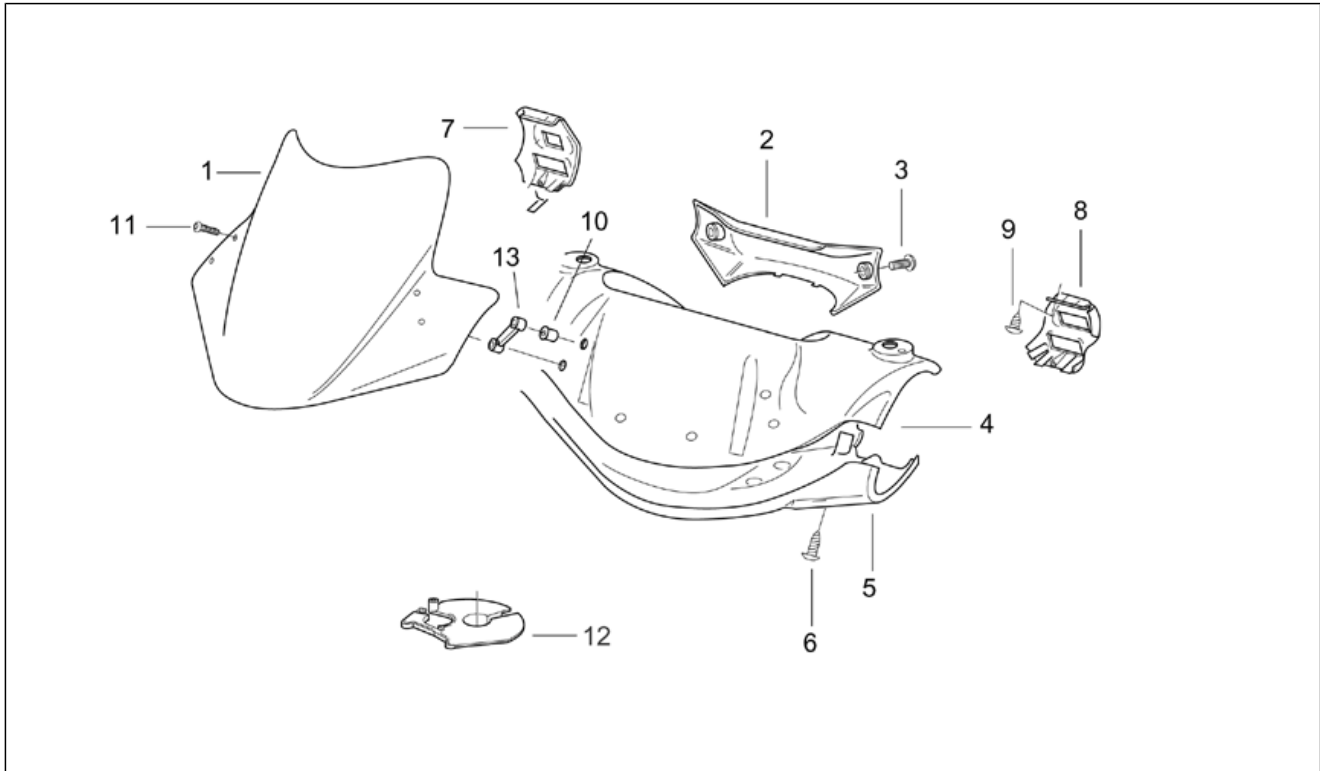
Pos.	Code	Beschreibung	Menge	Varianten
1	AP8123701	Bodenstopfen	2	<b>Technische Daten:</b> Gabel mit Buchstaben M auf dem Schaft[MA]
1	AP8203785	Bodenstopfen	2	<b>Technische Daten:</b> Gabel mit Buchstaben S auf dem Schaft[S]
1	AP8223037	Bodenstopfen	2	<b>Technische Daten:</b> Marke KAIFA[K]
2	AP8203760	Rechter Schlauch	1	<b>Technische Daten:</b> Gabel mit Buchstaben M auf dem Schaft[MA]
2	AP8203787	Rechter Schlauch	1	<b>Technische Daten:</b> Gabel mit Buchstaben S auf dem Schaft[S]
3	AP8203761	Linker Schlauch	1	<b>Technische Daten:</b> Gabel mit Buchstaben M auf dem Schaft[MA]
3	AP8203788	Linker Schlauch	1	<b>Technische Daten:</b> Gabel mit Buchstaben S auf dem Schaft[S]
4	AP8203564	Staubschutz	2	<b>Technische Daten:</b> Gabel mit Buchstaben M auf dem Schaft[MA]
4	AP8203992	Staubschutz	2	<b>Technische Daten:</b> Gabel mit Buchstaben S auf dem Schaft[S]
4	AP8223040	Staubschutz	2	<b>Technische Daten:</b> Marke KAIFA[K]
5	AP8203566	Sperring	2	<b>Technische Daten:</b> Gabel mit Buchstaben M auf dem Schaft[MA]
5	AP8203993	Sperring	2	<b>Technische Daten:</b> Gabel mit Buchstaben S auf dem Schaft[S]
5	AP8223048	Sperring	2	<b>Technische Daten:</b> Marke KAIFA[K]
6	AP8203565	Gasket ring	2	<b>Technische Daten:</b> Gabel mit Buchstaben M auf dem Schaft[MA]
6	AP8206936	Ölabstreifring	2	<b>Technische Daten:</b> Gabel mit Buchstaben S auf dem Schaft[S]
6	AP8223047	Ölabstreifring	2	<b>Technische Daten:</b> Marke KAIFA[K]
7	AP8203987	Rechte Hülse	1	<b>Technische Daten:</b> Gabel mit Buchstaben M auf dem Schaft[MA]
7	AP8203994	Rechte Hülse	1	<b>Technische Daten:</b> Gabel mit Buchstaben S auf dem Schaft[S]

<b>Einheit</b>	RAHMEN
<b>Code</b>	28.04
<b>Beschreibung</b>	Gabel II
<b>Inspektion</b>	1



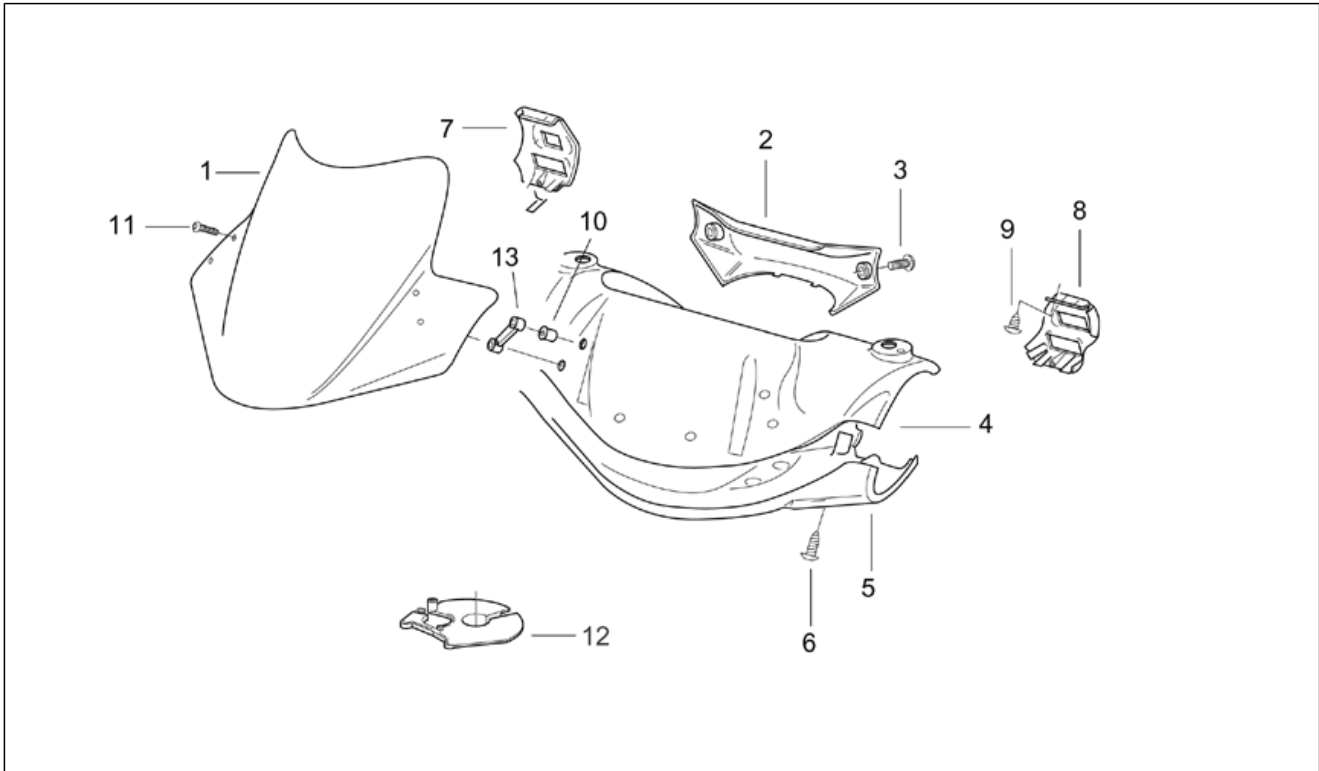
Pos.	Code	Beschreibung	Menge	Varianten
7	AP8223043	Rechte Hülse	1	<b>Technische Daten:</b> Marke KAIFA[K]
8	AP8203988	Linke Hülse	1	<b>Technische Daten:</b> Gabel mit Buchstaben M auf dem Schaft[MA]
8	AP8203995	Linke Hülse	1	<b>Technische Daten:</b> Gabel mit Buchstaben S auf dem Schaft[S]
8	AP8223044	Linke Hülse	1	<b>Technische Daten:</b> Marke KAIFA[K]
9	AP8203571	Schraube	1	<b>Technische Daten:</b> Gabel mit Buchstaben M auf dem Schaft[MA]
9	AP8203796	Schraube M6x20	1	<b>Technische Daten:</b> Gabel mit Buchstaben S auf dem Schaft[S]
9	AP8223054	TCEI Schraube M6x20	1	<b>Technische Daten:</b> Marke KAIFA[K]
10	AP8203572	Dichtscheibe	2	<b>Technische Daten:</b> Gabel mit Buchstaben M auf dem Schaft[MA]
10	AP8203794	Ausgleichscheibe	2	<b>Technische Daten:</b> Gabel mit Buchstaben S auf dem Schaft[S]
10	AP8223052	Ausgleichscheibe	2	<b>Technische Daten:</b> Marke KAIFA[K]
11	AP8203570	Zylinderschraube M8x30	2	<b>Technische Daten:</b> Gabel mit Buchstaben M auf dem Schaft[MA]
11	AP8203795	Schraube	2	<b>Technische Daten:</b> Gabel mit Buchstaben S auf dem Schaft[S]
11	AP8223053	Schraube	2	<b>Technische Daten:</b> Marke KAIFA[K]
12	AP8224342	Rückstrahler	2	
13	AP8223051	Schaft kpl.	2	<b>Technische Daten:</b> Marke KAIFA[K]

<b>Einheit</b>	RAHMEN
<b>Code</b>	28.05
<b>Beschreibung</b>	Frontaufbau I
<b>Inspektion</b>	1



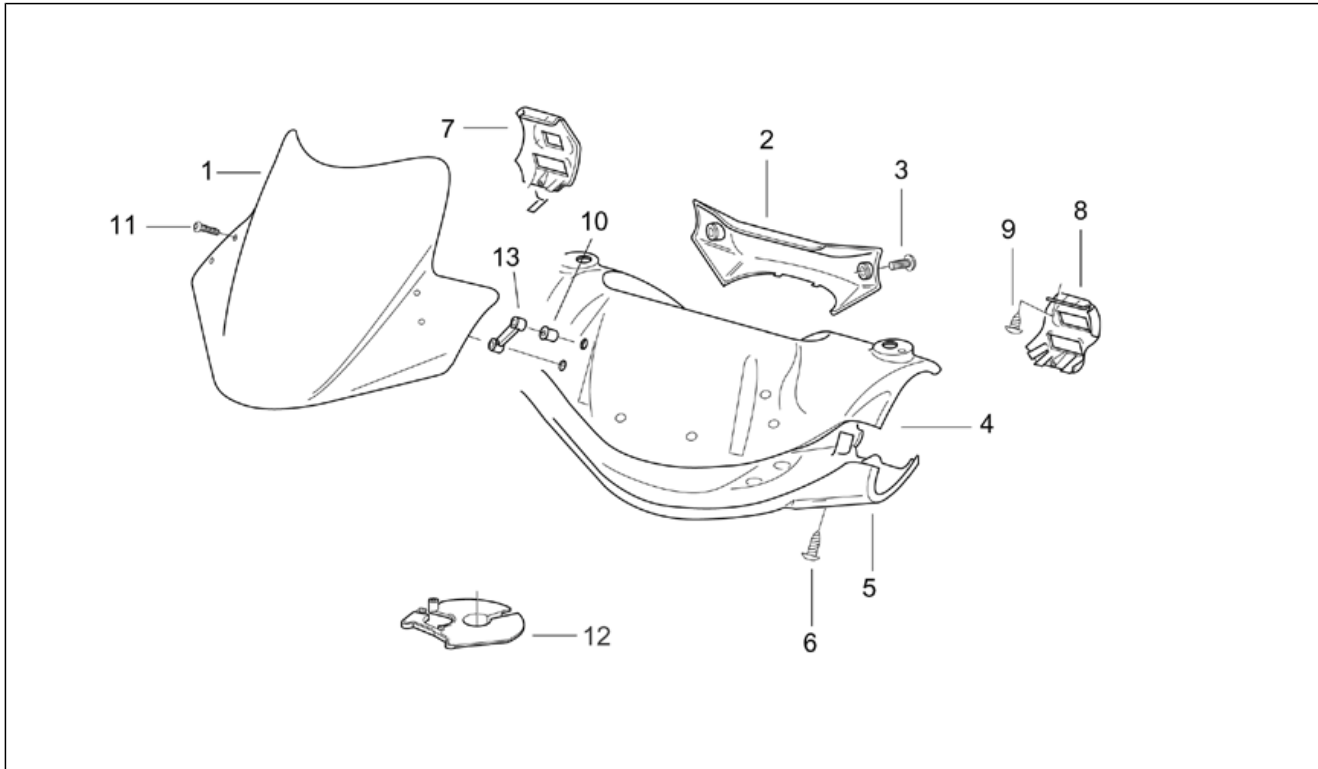
Pos.	Code	Beschreibung	Menge	Varianten
1	AP8249698	Windabweiser blau	1	
1	AP8258564	Sportscheibe schwarz	1	
1	AP8258850	Windabweiser, rot	1	
2	AP8249879	Lenkstangenplatte m.schwarz	1	
3	AP8152302	TBEI Schraube m.Flansch M5x12	2	
4	AP8149300	Instrumententafel, hot red	1	<b>Fahrzeugfarbe:</b> "Hot red ""Sport"" 2000-2001"[h.red] <b>Land:</b> Vereinigte Staaten von Amerika[AM], Vereinigte Staaten von Amerika[USA]
4	AP8149301	Instrumententafel, e.blau	1	<b>Fahrzeugfarbe:</b> "Electric Blue ""Sport"" 2000-2001"[el.bl] <b>Land:</b> Vereinigte Staaten von Amerika[AM], Vereinigte Staaten von Amerika[USA]
4	AP8158085	Instrumententafel, schwarz	1	<b>Baujahr:</b> 2003[3] <b>Fahrzeugfarbe:</b> Tuono 2003[tuono] <b>Land:</b> Vereinigte Staaten von Amerika[AM], Kanada[CA], Kanada[CN], Vereinigte Staaten von Amerika[USA]
4	AP8158085	Instrumententafel, schwarz	1	<b>Baujahr:</b> 2004[4] <b>Fahrzeugfarbe:</b> Rot Fluo 2004[r.fluo] <b>Land:</b> Vereinigte Staaten von Amerika[AM], Kanada[CA], Kanada[CN], Vereinigte Staaten von Amerika[USA]
4	AP8158085	Instrumententafel, schwarz	1	<b>Baujahr:</b> 2002[2] <b>Fahrzeugfarbe:</b> Haga 2002[haga] <b>Land:</b> Vereinigte Staaten von Amerika[AM], Vereinigte Staaten von Amerika[USA]
4	AP8158085	Instrumententafel, schwarz	1	<b>Fahrzeugfarbe:</b> Schwarz Diablo 2001-2002[bl.di] <b>Land:</b> Vereinigte Staaten von Amerika[AM], Vereinigte Staaten von Amerika[USA]
4	AP8239070	Instrumententafel, schwarz	1	<b>Baujahr:</b> 2001[1], 2000[Y] <b>Fahrzeugfarbe:</b> "Schwarz Aprilia ""Racing"" 2000-2001"[bl/re] <b>Land:</b> Österreich[A], Australien[AA], Australien[AUS], Belgien[B], Schweiz[CH], Deutschland[D], Dänemark[DK], Spanien[E], A, B, CH, D, DK, E, F, I, NL, P, UK[EU], Frankreich[F], Griechenland[GR], Italien[I], Japan[J], Japan[JJ], Holland[NL], Portugal[P], Großbritannien[UK]

<b>Einheit</b>	RAHMEN
<b>Code</b>	28.05
<b>Beschreibung</b>	Frontaufbau I
<b>Inspektion</b>	1



Pos.	Code	Beschreibung	Menge	Varianten
4	AP8249448	Instrumententafel, nik. Grau	1	<b>Baujahr:</b> 2001[1], 2000[Y] <b>Fahrzeugfarbe:</b> "Grau Nik ""Racing"" 2000-2001"[gr/ye] <b>Land:</b> Österreich[A], Australien[AA], Australien[AUS], Belgien[B], Schweiz[CH], Deutschland[D], Dänemark[DK], Spanien[E], A, B, CH, D, DK, E, F, I, NL, P, UK[EU], Frankreich[F], Griechenland[GR], Italien[I], Japan[J], Japan[J], Holland[NL], Portugal[P], Großbritannien[UK]
4	AP8249554	Instrumententafel, hot red	1	<b>Baujahr:</b> 2001[1], 2000[Y] <b>Fahrzeugfarbe:</b> "Hot red ""Sport"" 2000-2001"[h.red] <b>Land:</b> Österreich[A], Australien[AA], Australien[AUS], Belgien[B], Schweiz[CH], Deutschland[D], Dänemark[DK], Spanien[E], A, B, CH, D, DK, E, F, I, NL, P, UK[EU], Frankreich[F], Griechenland[GR], Italien[I], Japan[J], Japan[J], Holland[NL], Portugal[P], Großbritannien[UK]
4	AP8249711	Instrumententafel, el.blau	1	<b>Baujahr:</b> 2001[1], 2000[Y] <b>Fahrzeugfarbe:</b> "Electric Blue ""Sport"" 2000-2001"[el.bl] <b>Land:</b> Österreich[A], Australien[AA], Australien[AUS], Belgien[B], Schweiz[CH], Deutschland[D], Dänemark[DK], Spanien[E], A, B, CH, D, DK, E, F, I, NL, P, UK[EU], Frankreich[F], Griechenland[GR], Italien[I], Japan[J], Japan[J], Holland[NL], Portugal[P], Großbritannien[UK]
4	AP8258091	Instrumententafel, nik. Grau	1	<b>Fahrzeugfarbe:</b> "Grau Nik ""Racing"" 2000-2001"[gr/ye] <b>Land:</b> Vereinigte Staaten von Amerika[AM], Vereinigte Staaten von Amerika[USA]
4	AP8258213	Instrumententafel, schwarz	1	<b>Baujahr:</b> 2001[1], 2002[2] <b>Fahrzeugfarbe:</b> Schwarz Diablo 2001-2002[bl.di] <b>Land:</b> Österreich[A], Australien[AA], Australien[AUS], Belgien[B], Schweiz[CH], Deutschland[D], Dänemark[DK], Spanien[E], A, B, CH, D, DK, E, F, I, NL, P, UK[EU], Frankreich[F], Griechenland[GR], Italien[I], Japan[J], Japan[J], Holland[NL], Portugal[P], Großbritannien[UK]
4	AP8258213	Instrumententafel, schwarz	1	<b>Baujahr:</b> 2003[3] <b>Fahrzeugfarbe:</b> GP1 2003[gp1] <b>Land:</b> Vereinigte Staaten von Amerika[AM], Kanada[CA], Kanada[CN], Vereinigte Staaten von Amerika[USA]
4	AP8258213	Instrumententafel, schwarz	1	<b>Baujahr:</b> 2002[2]

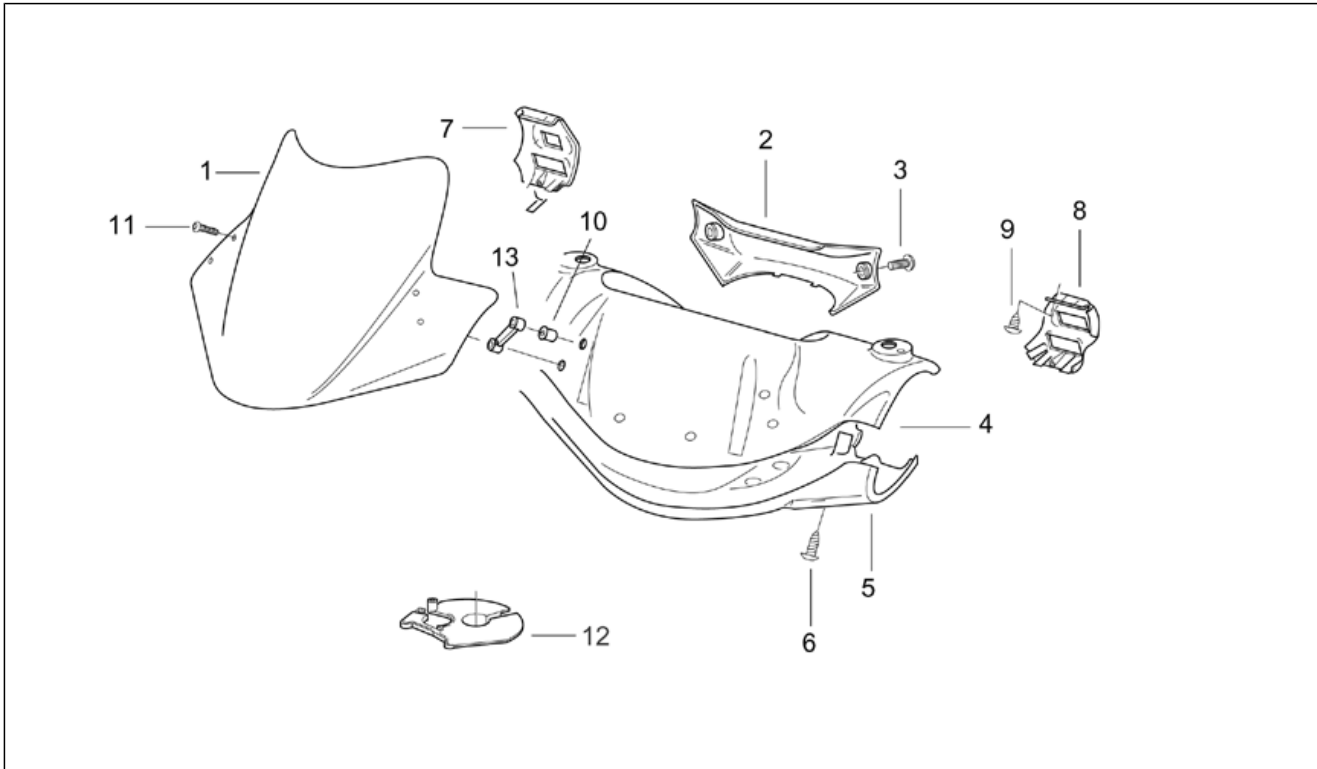
<b>Einheit</b>	RAHMEN
<b>Code</b>	28.05
<b>Beschreibung</b>	Frontaufbau I
<b>Inspektion</b>	1



Pos.	Code	Beschreibung	Menge	Varianten
				<b>Fahrzeugfarbe:</b> Haga 2002[haga], Silver Strained 2002[st.si]
4	AP8258213	Instrumententafel, schwarz	1	<b>Baujahr:</b> 2003[3] <b>Fahrzeugfarbe:</b> Haga 2002[haga], Rot Fluo 2003[r.flu], Silver Strained 2002[st.si]
4	AP8258238	Instrumententafel, gelb	1	<b>Baujahr:</b> 2001[1] <b>Fahrzeugfarbe:</b> Zitronengelb 2001[le.ye] <b>Land:</b> Österreich[A], Australien[AA], Australien[AUS], Belgien[B], Schweiz[CH], Deutschland[D], Dänemark[DK], Spanien[E], A, B, CH, D, DK, E, F, I, NL, P, UK[EU], Frankreich[F], Griechenland[GR], Italien[I], Japan[J], Japan[J], Holland[NL], Portugal[P], Großbritannien[UK]
4	AP8258336	Instrumententafel, schwarz	1	<b>Fahrzeugfarbe:</b> "Schwarz Aprilia ""Racing"" 2000-2001"[bl/re] <b>Land:</b> Vereinigte Staaten von Amerika[AM], Vereinigte Staaten von Amerika[USA]
4	AP8258336	Instrumententafel, schwarz	1	<b>Baujahr:</b> 2004[4] <b>Fahrzeugfarbe:</b> Replica Poggiali Weiß 2004[RP] <b>Land:</b> Vereinigte Staaten von Amerika[AM], Kanada[CA], Kanada[CN], Vereinigte Staaten von Amerika[USA]
4	AP8258336	Instrumententafel, schwarz	1	<b>Baujahr:</b> 2003[3] <b>Fahrzeugfarbe:</b> "SBK ""Racing"" 2003"[sbk] <b>Land:</b> Vereinigte Staaten von Amerika[AM], Kanada[CA], Kanada[CN], Vereinigte Staaten von Amerika[USA]
4	AP8258337	Armatur.paneel gelb	1	<b>Fahrzeugfarbe:</b> Zitronengelb 2001[le.ye] <b>Land:</b> Vereinigte Staaten von Amerika[AM], Vereinigte Staaten von Amerika[USA]
4	AP8258553	Instrumententafel, grau	1	<b>Baujahr:</b> 2002[2] <b>Fahrzeugfarbe:</b> Grau Dust 2002[du/gr] <b>Land:</b> Österreich[A], Australien[AA], Australien[AUS], Belgien[B], Schweiz[CH], Deutschland[D], Dänemark[DK], Spanien[E], A, B, CH, D, DK, E, F, I, NL, P, UK[EU], Frankreich[F], Griechenland[GR], Italien[I], Japan[J], Japan[J], Holland[NL], Portugal[P], Großbritannien[UK]
4	AP8258554	Instrumententafel, grau	1	<b>Fahrzeugfarbe:</b> Grau Dust 2002[du/gr]

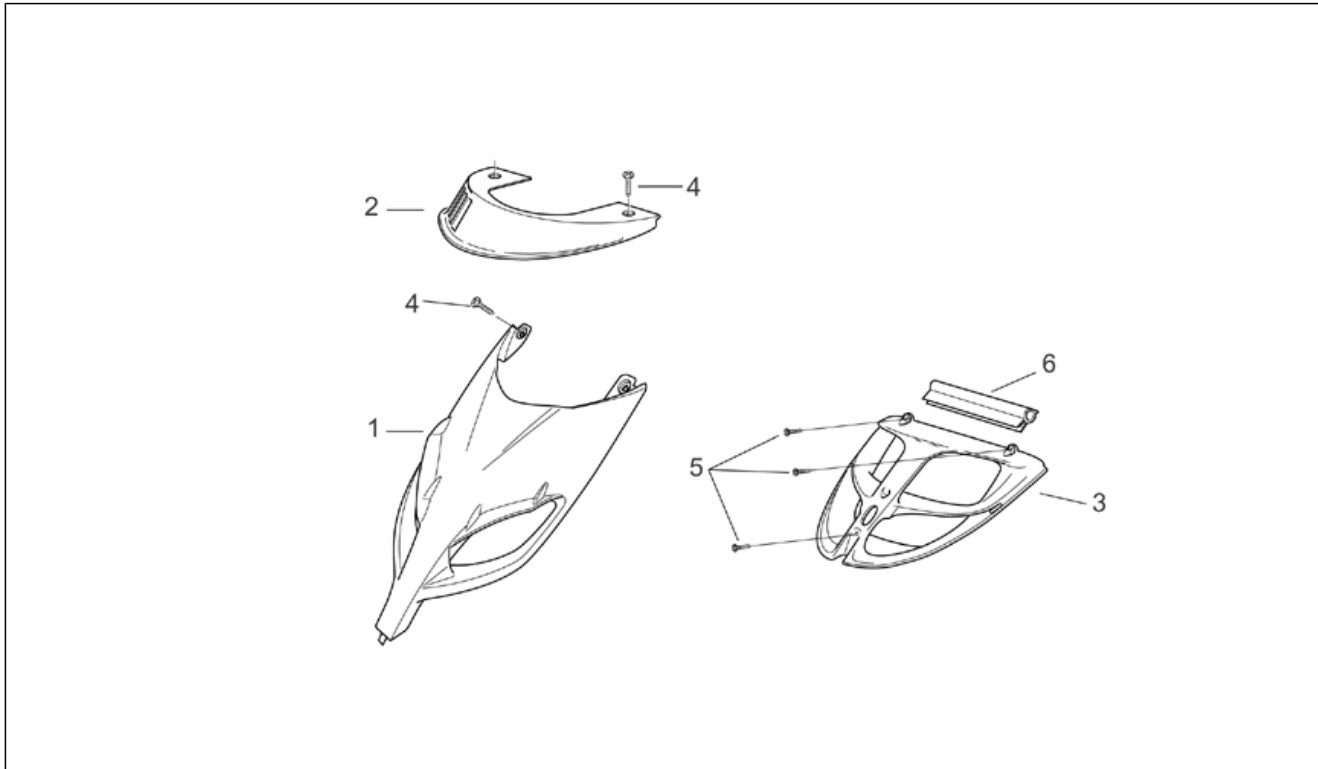


<b>Einheit</b>	RAHMEN
<b>Code</b>	28.05
<b>Beschreibung</b>	Frontaufbau I
<b>Inspektion</b>	1



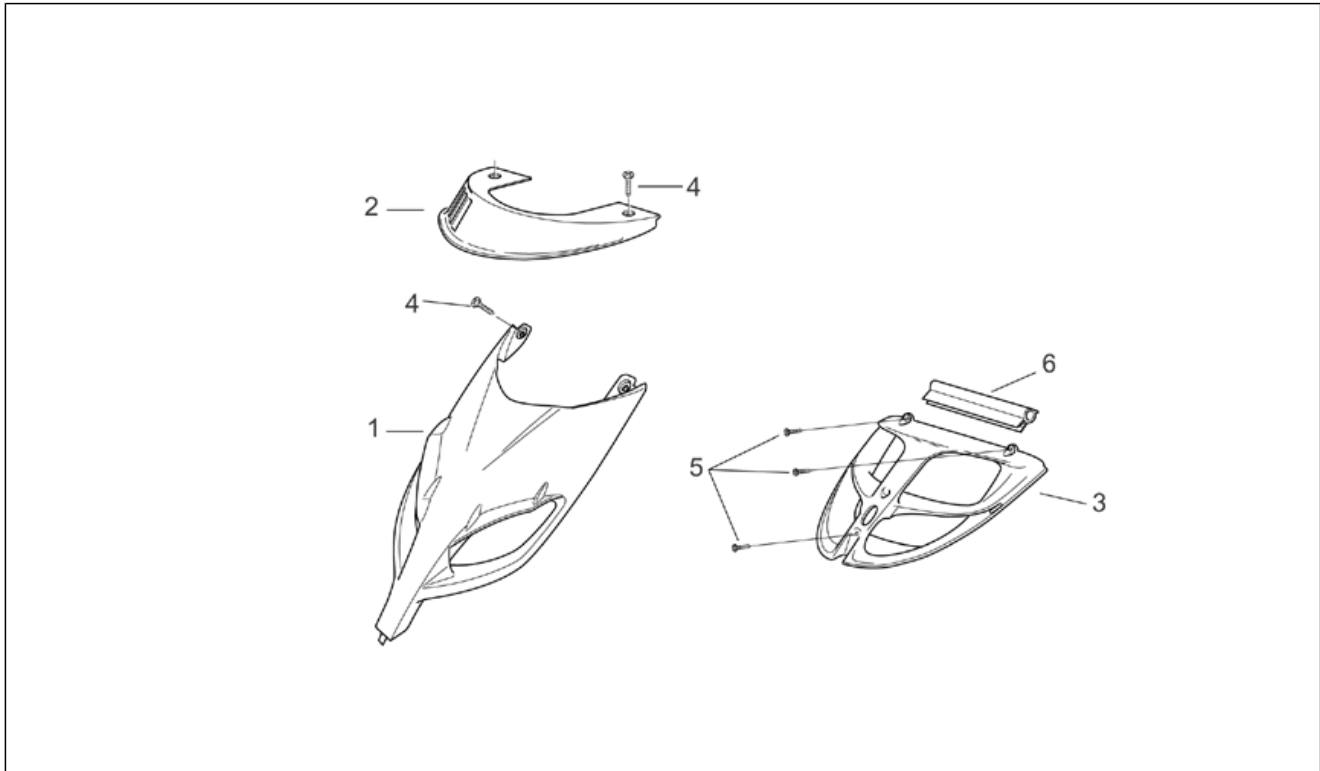
Pos.	Code	Beschreibung	Menge	Varianten
				<b>Land:</b> Vereinigte Staaten von Amerika[AM], Vereinigte Staaten von Amerika[USA]
4	AP8258834	Instrumententafel, rot	1	<b>Baujahr:</b> 2003[3], 2004[4] <b>Fahrzeugfarbe:</b> "Blau Limited ""Racing"" 2003"[b.lim] <b>Land:</b> Vereinigte Staaten von Amerika[AM], Kanada[CA], Kanada[CN], Vereinigte Staaten von Amerika[USA]
4	AP8258848	Instrumententafel, rot	1	<b>Baujahr:</b> 2003[3] <b>Fahrzeugfarbe:</b> Rot Tulip 2003[t.red] <b>Land:</b> Vereinigte Staaten von Amerika[AM], Kanada[CA], Kanada[CN], Vereinigte Staaten von Amerika[USA]
5	AP8248653	Zylinderk.basis schwarz metal.	1	<b>Land:</b> Österreich[A], Australien[AA], Australien[AUS], Belgien[B], Schweiz[CH], Deutschland[D], Dänemark[DK], Spanien[E], A, B, CH, D, DK, E, F, I, NL, P, UK[EU], Frankreich[F], Griechenland[GR], Italien[I], Japan[J], Japan[J], Holland[NL], Portugal[P], Großbritannien[UK]
5	AP8249285	Zylinderk.basis schwarz metal.	1	<b>Land:</b> Vereinigte Staaten von Amerika[AM], Kanada[CA], Kanada[CN], Vereinigte Staaten von Amerika[USA]
6	AP8150413	Gew.schr. 3,9x14	8	
7	AP8238748	Tasterhltr. rechts, schwarz	1	
8	AP8238749	Tasterhltr. links, schwarz	1	<b>Land:</b> Österreich[A], Australien[AA], Australien[AUS], Belgien[B], Schweiz[CH], Deutschland[D], Dänemark[DK], Spanien[E], A, B, CH, D, DK, E, F, I, NL, P, UK[EU], Frankreich[F], Griechenland[GR], Italien[I], Japan[J], Japan[J], Holland[NL], Portugal[P], Großbritannien[UK]
8	AP8249137	Tasterhltr. links, schwarz	1	<b>Land:</b> Vereinigte Staaten von Amerika[AM], Kanada[CA], Kanada[CN], Vereinigte Staaten von Amerika[USA]
9	AP8150420	Gewindeschraube Edelstahl *	4	
10	AP8120531	Gummi mit Einsatz	4	
11	AP8225369	TBEI Schraube	4	
12	AP8238806	Unt. Schl. schw. Sptz.	1	
13	AP8225367	Distanzscheibe	2	

<b>Einheit</b>	RAHMEN
<b>Code</b>	28.06
<b>Beschreibung</b>	Frontaufbau II
<b>Inspektion</b>	1



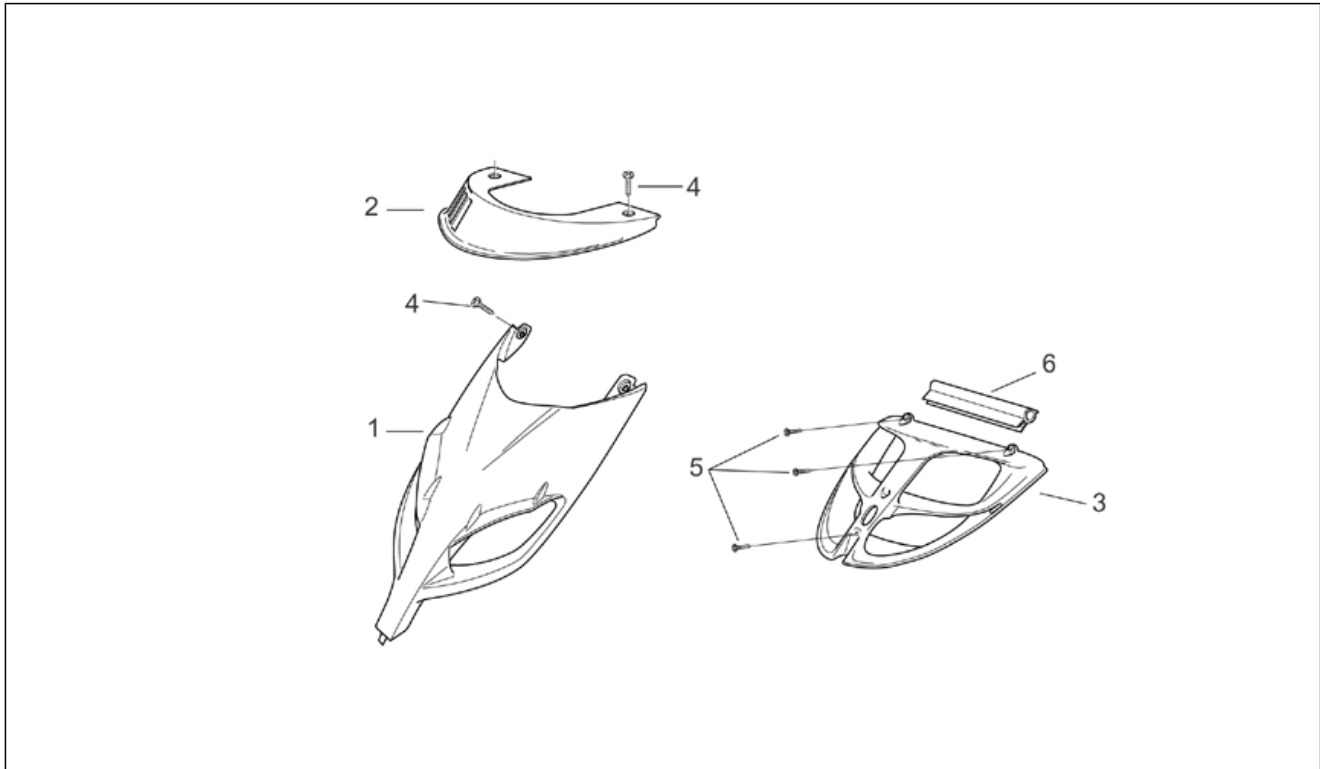
Pos.	Code	Beschreibung	Menge	Varianten
1	AP8249585	Haube v. schwarz Aprilia	1	Baujahr:2001[1], 2000[Y] Fahrzeugfarbe:"Schwarz Aprilia ""Racing"" 2000-2001"[bl/re]
1	AP8249768	Fronthaube, nik grau	1	Baujahr:2001[1], 2000[Y] Fahrzeugfarbe:"Grau Nik ""Racing"" 2000-2001"[gr/ye]
1	AP8249923	Haube v. schwarz Aprilia	1	Baujahr:2001[1], 2000[Y] Fahrzeugfarbe:"Hot red ""Sport"" 2000-2001"[h.red]
1	AP8249923	Haube v. schwarz Aprilia	1	Baujahr:2001[1] Fahrzeugfarbe:Zitronengelb 2001[le.ze]
1	AP8249923	Haube v. schwarz Aprilia	1	Baujahr:2001[1], 2000[Y] Fahrzeugfarbe:"Electric Blue ""Sport"" 2000-2001"[el.bl]
1	AP8258210	Fronthaube, schwarz	1	Baujahr:2001[1] Fahrzeugfarbe:Schwarz Diablo 2001-2002[bl.di]
1	AP8258484	Fronthaube, schwarz	1	Baujahr:2002[2] Fahrzeugfarbe:Schwarz Diablo 2001-2002[bl.di]
1	AP8258551	Fronthaube, schwarz	1	Baujahr:2002[2] Fahrzeugfarbe:Grau Dust 2002[du/gr]
1	AP8258678	Fronthaube, silber	1	Baujahr:2002[2], 2003[3] Fahrzeugfarbe:Rot Fluo 2003[r.flu], Silver Strained 2002[st.si]
1	AP8258731	Fronthaube, schwarz	1	Baujahr:2002[2] Fahrzeugfarbe:Haga 2002[haga]
1	AP8258783	Haube	1	Baujahr:2003[3] Fahrzeugfarbe:Tuomo 2003[tuomo] Land:Vereinigte Staaten von Amerika[AM], Kanada[CA], Kanada[CN], Vereinigte Staaten von Amerika[USA]
1	AP8258811	Haube, weiß	1	Baujahr:2003[3] Fahrzeugfarbe:"SBK ""Racing"" 2003"[sbk] Land:Vereinigte Staaten von Amerika[AM], Kanada[CA], Kanada[CN], Vereinigte Staaten von Amerika[USA]
1	AP8258824	Haube, silver	1	Baujahr:2003[3] Fahrzeugfarbe:GP1 2003[gp1]

<b>Einheit</b>	RAHMEN
<b>Code</b>	28.06
<b>Beschreibung</b>	Frontaufbau II
<b>Inspektion</b>	1



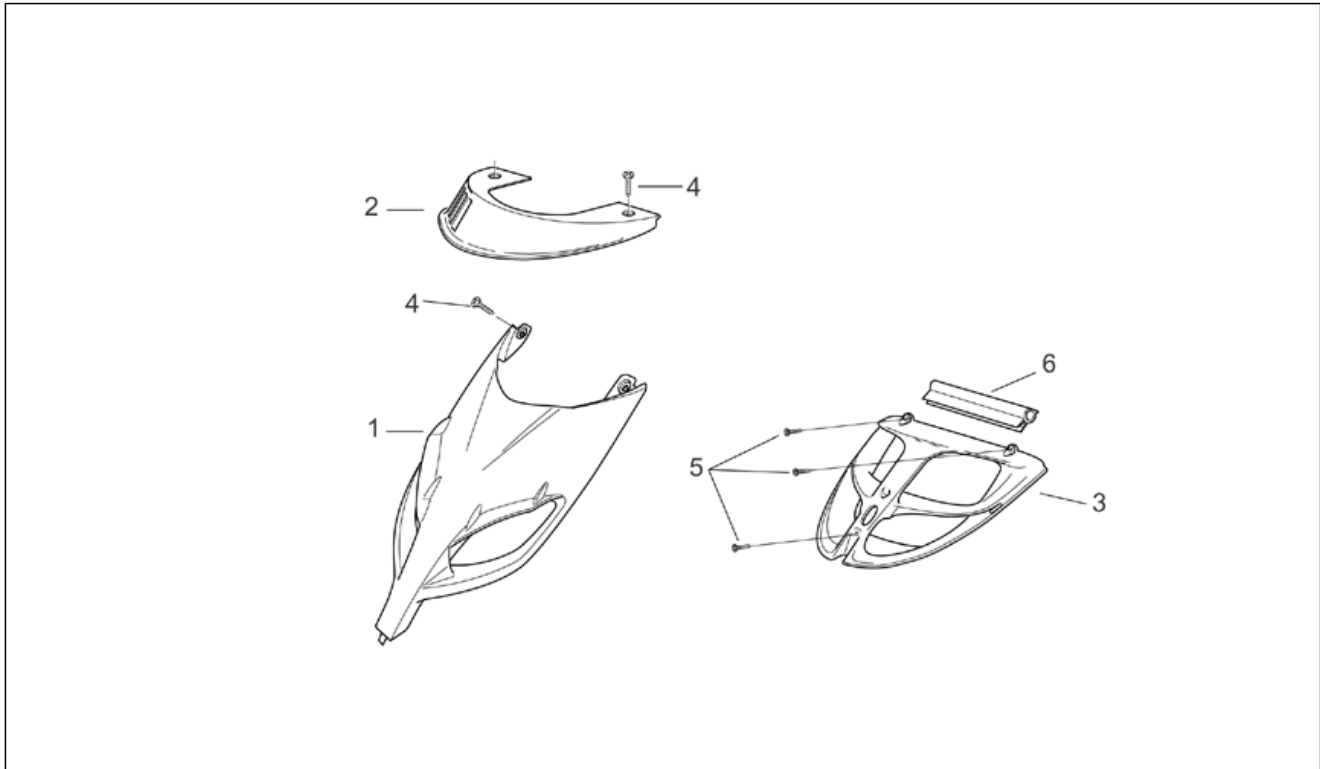
Pos.	Code	Beschreibung	Menge	Varianten
1	AP8258831	Haube, blau	1	<b>Land:</b> Vereinigte Staaten von Amerika[AM], Kanada[CA], Kanada[CN], Vereinigte Staaten von Amerika[USA] <b>Baujahr:</b> 2003[3], 2004[4] <b>Fahrzeugfarbe:</b> "Blau Limited ""Racing"" 2003"[b.lim] <b>Land:</b> Vereinigte Staaten von Amerika[AM], Kanada[CA], Kanada[CN], Vereinigte Staaten von Amerika[USA]
1	AP8258845	Haube, rot	1	<b>Baujahr:</b> 2003[3] <b>Fahrzeugfarbe:</b> Rot Tulip 2003[t.red] <b>Land:</b> Vereinigte Staaten von Amerika[AM], Kanada[CA], Kanada[CN], Vereinigte Staaten von Amerika[USA]
1	AP8268205	Haube v. schwarz Aprilia	1	<b>Baujahr:</b> 2004[4] <b>Fahrzeugfarbe:</b> Rot Fluo 2004[r.fluo] <b>Land:</b> Vereinigte Staaten von Amerika[AM], Kanada[CA], Kanada[CN], Vereinigte Staaten von Amerika[USA]
1	AP8268246	Haube v. schwarz Aprilia	1	<b>Baujahr:</b> 2004[4] <b>Fahrzeugfarbe:</b> Replica Poggiali Weiß 2004[RP] <b>Land:</b> Vereinigte Staaten von Amerika[AM], Kanada[CA], Kanada[CN], Vereinigte Staaten von Amerika[USA]
2	AP8249767	Obere Haubenblende rot	1	<b>Baujahr:</b> 2003[3], 2004[4] <b>Fahrzeugfarbe:</b> "Blau Limited ""Racing"" 2003"[b.lim] <b>Land:</b> Vereinigte Staaten von Amerika[AM], Kanada[CA], Kanada[CN], Vereinigte Staaten von Amerika[USA]
2	AP8249767	Obere Haubenblende rot	1	<b>Baujahr:</b> 2002[2] <b>Fahrzeugfarbe:</b> Haga 2002[haga]
2	AP8249767	Obere Haubenblende rot	1	<b>Baujahr:</b> 2001[1], 2000[Y] <b>Fahrzeugfarbe:</b> "Schwarz Aprilia ""Racing"" 2000-2001"[bl/re], "Grau Nik ""Racing"" 2000-2001"[gr/ye]
2	AP8249767	Obere Haubenblende rot	1	<b>Baujahr:</b> 2001[1] <b>Fahrzeugfarbe:</b> Schwarz Diablo 2001-2002[bl.di]
2	AP8249920	Obere Haubenblende schwarz	1	<b>Baujahr:</b> 2001[1] <b>Fahrzeugfarbe:</b> Zitronengelb 2001[le.ye]
2	AP8249920	Obere Haubenblende schwarz	1	<b>Baujahr:</b> 2001[1], 2000[Y] <b>Fahrzeugfarbe:</b> "Hot red ""Sport"" 2000-2001"[h.red]
2	AP8249920	Obere Haubenblende schwarz	1	<b>Baujahr:</b> 2001[1], 2000[Y]

<b>Einheit</b>	RAHMEN
<b>Code</b>	28.06
<b>Beschreibung</b>	Frontaufbau II
<b>Inspektion</b>	1



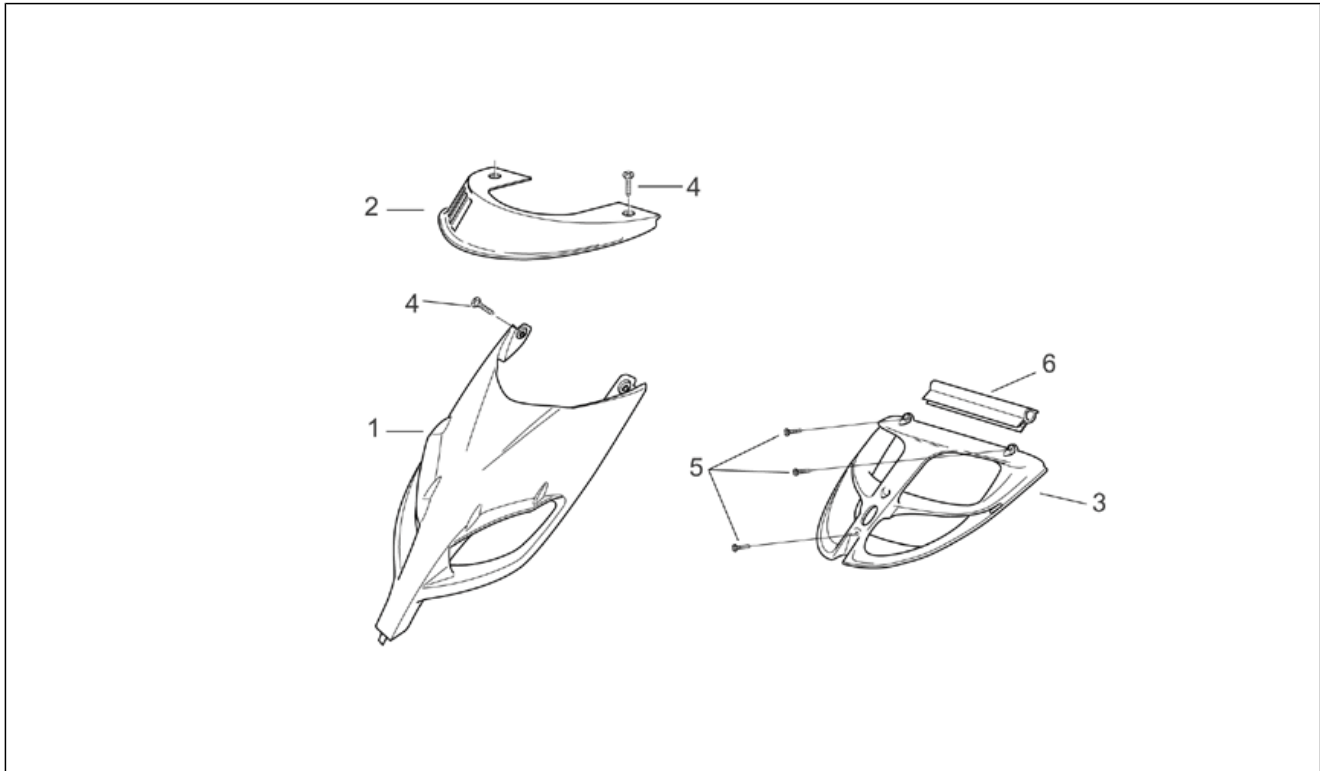
Pos.	Code	Beschreibung	Menge	Varianten
				<b>Fahrzeugfarbe:</b> "Electric Blue ""Sport"" 2000-2001"[el.bl]
2	AP8258547	Obere Haubenblende, orange	1	<b>Baujahr:</b> 2002[2] <b>Fahrzeugfarbe:</b> Schwarz Diablo 2001-2002[bl.di]
2	AP8258558	Obere Haubenblende schwarz	1	<b>Baujahr:</b> 2003[3] <b>Fahrzeugfarbe:</b> "SBK ""Racing"" 2003"[sbk] <b>Land:</b> Vereinigte Staaten von Amerika[AM], Kanada[CA], Kanada[CN], Vereinigte Staaten von Amerika[USA]
2	AP8258558	Obere Haubenblende schwarz	1	<b>Baujahr:</b> 2003[3] <b>Fahrzeugfarbe:</b> Rot Tulip 2003[t.red] <b>Land:</b> Vereinigte Staaten von Amerika[AM], Kanada[CA], Kanada[CN], Vereinigte Staaten von Amerika[USA]
2	AP8258558	Obere Haubenblende schwarz	1	<b>Baujahr:</b> 2002[2], 2003[3] <b>Fahrzeugfarbe:</b> Grau Dust 2002[du.gr], Rot Fluo 2003[r.flu], Silver Strained 2002[st.si]
2	AP8258558	Obere Haubenblende schwarz	1	<b>Baujahr:</b> 2003[3] <b>Fahrzeugfarbe:</b> GP1 2003[gp1] <b>Land:</b> Vereinigte Staaten von Amerika[AM], Kanada[CA], Kanada[CN], Vereinigte Staaten von Amerika[USA]
2	AP8258558	Obere Haubenblende schwarz	1	<b>Baujahr:</b> 2004[4] <b>Fahrzeugfarbe:</b> Rot Fluo 2004[r.fluo], Replica Poggiali Weiß 2004[RP] <b>Land:</b> Vereinigte Staaten von Amerika[AM], Kanada[CA], Kanada[CN], Vereinigte Staaten von Amerika[USA]
2	AP8258786	Obere Haubenblende schwarz	1	<b>Baujahr:</b> 2003[3] <b>Fahrzeugfarbe:</b> Tuono 2003[tuono] <b>Land:</b> Vereinigte Staaten von Amerika[AM], Kanada[CA], Kanada[CN], Vereinigte Staaten von Amerika[USA]
3	AP8249769	Kühlergrill, rot	1	<b>Baujahr:</b> 2003[3], 2004[4] <b>Fahrzeugfarbe:</b> "Blau Limited ""Racing"" 2003"[b.lim] <b>Land:</b> Vereinigte Staaten von Amerika[AM], Kanada[CA], Kanada[CN], Vereinigte Staaten von Amerika[USA]
3	AP8249769	Kühlergrill, rot	1	<b>Baujahr:</b> 2001[1], 2002[2] <b>Fahrzeugfarbe:</b> Schwarz Diablo 2001-2002[bl.di], Haga 2002[haga]

<b>Einheit</b>	RAHMEN
<b>Code</b>	28.06
<b>Beschreibung</b>	Frontaufbau II
<b>Inspektion</b>	1



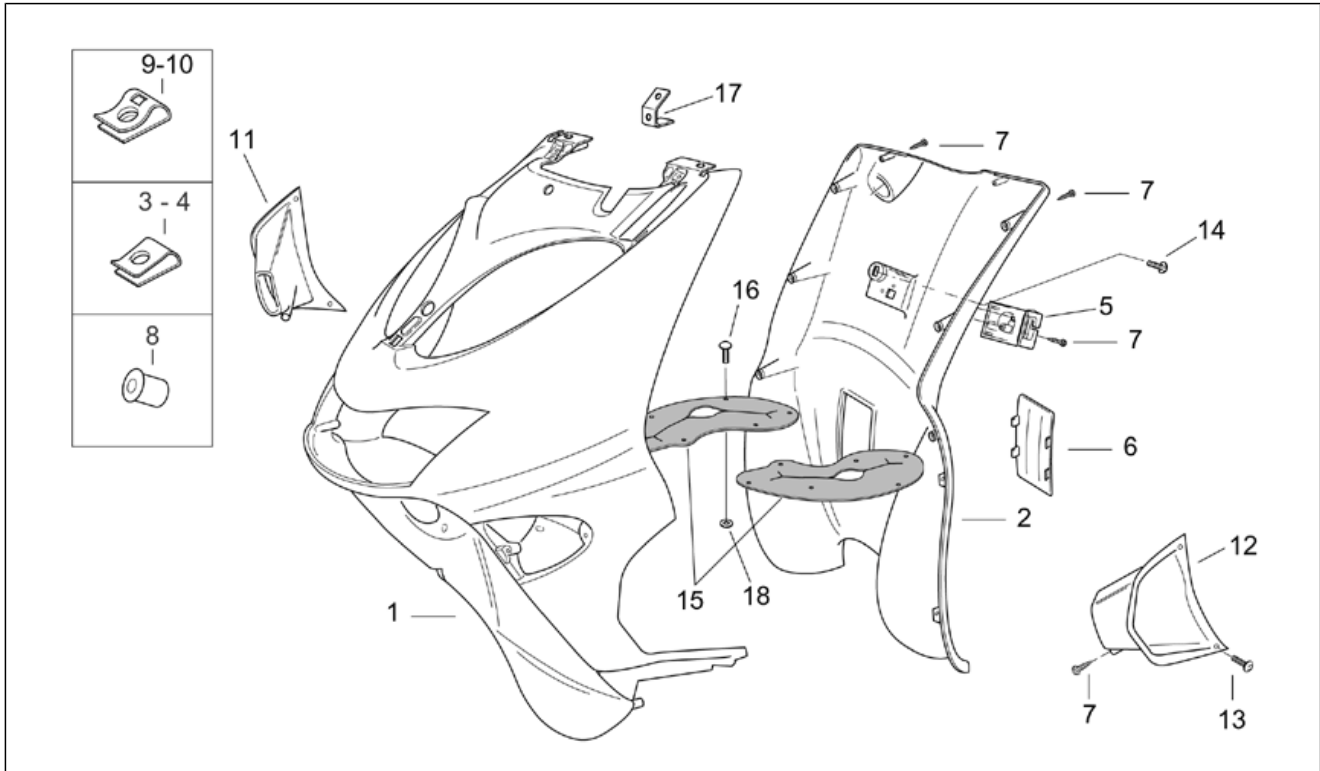
Pos.	Code	Beschreibung	Menge	Varianten
3	AP8249769	Kühlergrill, rot	1	<b>Baujahr:</b> 2003[3] <b>Fahrzeugfarbe:</b> Rot Fluo 2003[r.flu]
3	AP8249769	Kühlergrill, rot	1	<b>Baujahr:</b> 2001[1], 2000[Y] <b>Fahrzeugfarbe:</b> "Schwarz Aprilia ""Racing"" 2000-2001"[bl/re], "Grau Nik ""Racing"" 2000-2001"[gr/ye]
3	AP8249919	Kühlergrill, silber	1	<b>Baujahr:</b> 2001[1], 2000[Y] <b>Fahrzeugfarbe:</b> "Electric Blue ""Sport"" 2000-2001"[el.bl]
3	AP8249919	Kühlergrill, silber	1	<b>Baujahr:</b> 2001[1] <b>Fahrzeugfarbe:</b> Zitronengelb 2001[le.ye]
3	AP8249919	Kühlergrill, silber	1	<b>Baujahr:</b> 2001[1], 2000[Y] <b>Fahrzeugfarbe:</b> "Hot red ""Sport"" 2000-2001"[h.red]
3	AP8258556	Kühlergrill, schwarz	1	<b>Baujahr:</b> 2004[4] <b>Fahrzeugfarbe:</b> Rot Fluo 2004[r.fluo], Replica Poggiali Weiß 2004[RP] <b>Land:</b> Vereinigte Staaten von Amerika[AM], Kanada[CA], Kanada[CN], Vereinigte Staaten von Amerika[USA]
3	AP8258556	Kühlergrill, schwarz	1	<b>Baujahr:</b> 2002[2] <b>Fahrzeugfarbe:</b> Grau Dust 2002[du/gr], Silver Strained 2002[st.si]
3	AP8258556	Kühlergrill, schwarz	1	<b>Baujahr:</b> 2003[3] <b>Fahrzeugfarbe:</b> "SBK ""Racing"" 2003"[sbk] <b>Land:</b> Vereinigte Staaten von Amerika[AM], Kanada[CA], Kanada[CN], Vereinigte Staaten von Amerika[USA]
3	AP8258815	Kühlerblende, gold	1	<b>Baujahr:</b> 2003[3] <b>Fahrzeugfarbe:</b> Tuono 2003[tuono] <b>Land:</b> Vereinigte Staaten von Amerika[AM], Kanada[CA], Kanada[CN], Vereinigte Staaten von Amerika[USA]
3	AP8258827	Kühlerblende	1	<b>Baujahr:</b> 2003[3] <b>Fahrzeugfarbe:</b> Rot Tulip 2003[t.red] <b>Land:</b> Vereinigte Staaten von Amerika[AM], Kanada[CA], Kanada[CN], Vereinigte Staaten von Amerika[USA]
3	AP8258827	Kühlerblende	1	<b>Baujahr:</b> 2003[3] <b>Fahrzeugfarbe:</b> GP1 2003[gp1]

<b>Einheit</b>	RAHMEN
<b>Code</b>	28.06
<b>Beschreibung</b>	Frontaufbau II
<b>Inspektion</b>	1



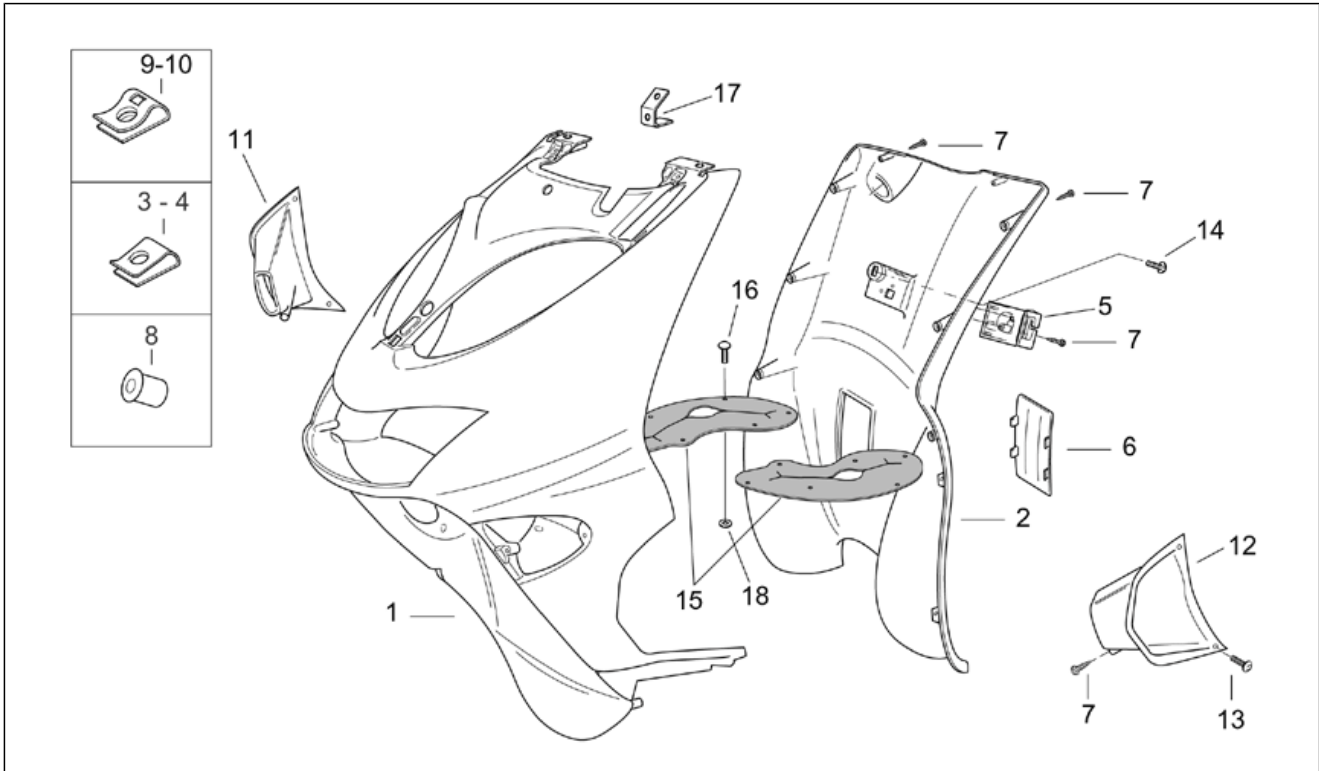
Pos.	Code	Beschreibung	Menge	Varianten
				Land: Vereinigte Staaten von Amerika[AM], Kanada[CA], Kanada[CN], Vereinigte Staaten von Amerika[USA]
4	AP8150426	Linsenschraube 5,5x15,9*	4	
5	AP8150413	Gew.schr. 3,9x14	3	
6	AP8220580	Hauben Dichtung	1	

<b>Einheit</b>	RAHMEN
<b>Code</b>	28.07
<b>Beschreibung</b>	Frontaufbau III
<b>Inspektion</b>	1



Pos.	Code	Beschreibung	Menge	Varianten
1	AP8249927	Frontschild el.blau	1	<b>Baujahr:</b> 2001[1], 2000[Y] <b>Fahrzeugfarbe:</b> "Electric Blue ""Sport"" 2000-2001"[el.bl]
1	AP8258037	Schild v. schwarz Aprilia	1	<b>Baujahr:</b> 2001[1], 2000[Y] <b>Fahrzeugfarbe:</b> "Schwarz Aprilia ""Racing"" 2000-2001"[bl/re]
1	AP8258038	Frontschild, nik grau	1	<b>Baujahr:</b> 2001[1], 2000[Y] <b>Fahrzeugfarbe:</b> "Grau Nik ""Racing"" 2000-2001"[gr/ye]
1	AP8258039	Schild v.hot rot+Deko	1	<b>Baujahr:</b> 2001[1], 2000[Y] <b>Fahrzeugfarbe:</b> "Hot red ""Sport"" 2000-2001"[h.red]
1	AP8258208	Schild v.schwarz diablo+Deko	1	<b>Baujahr:</b> 2001[1] <b>Fahrzeugfarbe:</b> Schwarz Diablo 2001-2002[bl.di]
1	AP8258235	Frontschild, gelb+Deko	1	<b>Baujahr:</b> 2001[1] <b>Fahrzeugfarbe:</b> Zitronengelb 2001[le.ye]
1	AP8258482	Schild v.schwarz diablo+Deko	1	<b>Baujahr:</b> 2002[2] <b>Fahrzeugfarbe:</b> Schwarz Diablo 2001-2002[bl.di]
1	AP8258549	Frontschild, grau+Deko	1	<b>Baujahr:</b> 2002[2] <b>Fahrzeugfarbe:</b> Grau Dust 2002[du/gr]
1	AP8258676	Vord. ob. Schild., silber	1	<b>Baujahr:</b> 2002[2] <b>Fahrzeugfarbe:</b> Silver Strained 2002[st.si]
1	AP8258729	Schild v.schwarz diablo+Deko	1	<b>Baujahr:</b> 2002[2] <b>Fahrzeugfarbe:</b> Haga 2002[haga]
1	AP8258781	Frontschild, schwarz	1	<b>Baujahr:</b> 2003[3] <b>Fahrzeugfarbe:</b> Tuono 2003[tuono] <b>Land:</b> Vereinigte Staaten von Amerika[AM], Kanada[CA], Kanada[CN], Vereinigte Staaten von Amerika[USA]
1	AP8258809	Frontschild, schwarz	1	<b>Baujahr:</b> 2003[3] <b>Fahrzeugfarbe:</b> "SBK ""Racing"" 2003"[sbk] <b>Land:</b> Vereinigte Staaten von Amerika[AM], Kanada[CA], Kanada[CN], Vereinigte Staaten von Amerika[USA]
1	AP8258822	Frontschild, schwarz	1	<b>Baujahr:</b> 2003[3] <b>Fahrzeugfarbe:</b> GP1 2003[gp1] <b>Land:</b> Vereinigte Staaten von Amerika[AM], Kanada[CA], Kanada[CN], Vereinigte Staaten von Amerika[USA]

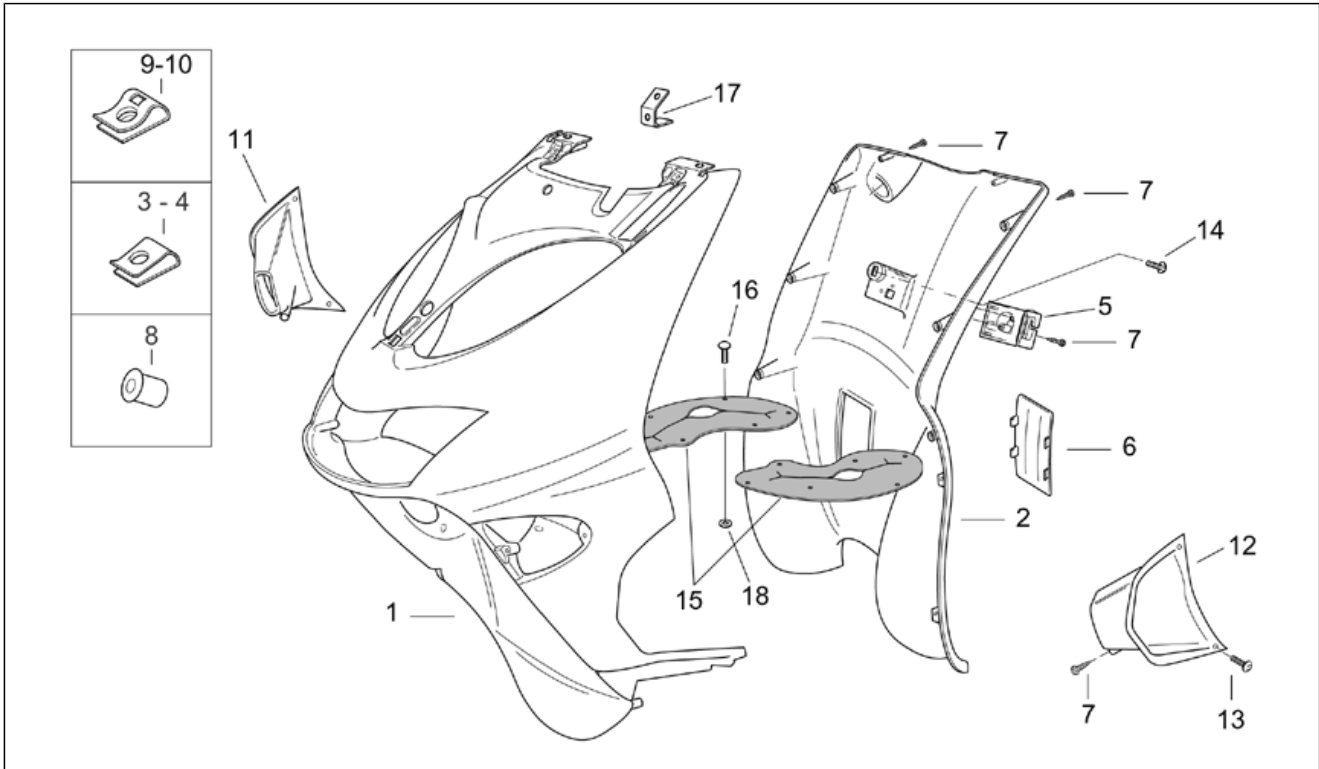
<b>Einheit</b>	RAHMEN
<b>Code</b>	28.07
<b>Beschreibung</b>	Frontaufbau III
<b>Inspektion</b>	1



Pos.	Code	Beschreibung	Menge	Varianten
1	AP8258829	Frontschild, rot	1	<b>Baujahr:</b> 2003[3], 2004[4] <b>Fahrzeugfarbe:</b> "Blau Limited ""Racing"" 2003"[b.lim] <b>Land:</b> Vereinigte Staaten von Amerika[AM], Kanada[CA], Kanada[CN], Vereinigte Staaten von Amerika[USA]
1	AP8258843	Frontschild, rot	1	<b>Baujahr:</b> 2003[3] <b>Fahrzeugfarbe:</b> Rot Tulip 2003[t.red] <b>Land:</b> Vereinigte Staaten von Amerika[AM], Kanada[CA], Kanada[CN], Vereinigte Staaten von Amerika[USA]
1	AP8258933	Frontschild, rot	1	<b>Baujahr:</b> 2003[3] <b>Fahrzeugfarbe:</b> Rot Fluo 2003[r.flu]
1	AP8268203	Frontschild, rot	1	<b>Baujahr:</b> 2004[4] <b>Fahrzeugfarbe:</b> Rot Fluo 2004[r.fluo] <b>Land:</b> Vereinigte Staaten von Amerika[AM], Kanada[CA], Kanada[CN], Vereinigte Staaten von Amerika[USA]
1	AP8268244	Frontschild, A.weiß	1	<b>Baujahr:</b> 2004[4] <b>Fahrzeugfarbe:</b> Replica Poggiali Weiß 2004[RP] <b>Land:</b> Vereinigte Staaten von Amerika[AM], Kanada[CA], Kanada[CN], Vereinigte Staaten von Amerika[USA]
2	AP8248656	int. Schild Schw.Metall.	1	
3	AP8201763	Clip f. Blechsch. D5,5*	2	
4	AP8102782	Clip f. Blechsch. D4,2	2	
5	AP8201534	Kplt.Untersitzhaken	1	
6	AP8248657	Gegeb.Typendeck, schw.	1	
7	AP8150413	Gew.schr. 3,9x14	16	
8	AP8120531	Gummi mit Einsatz	5	
9	AP8102375	Klammer M5	12	
10	AP8102376	Klammer M6	3	
11	AP8249713	Lufteinlaß rechts, met.schw.	1	
12	AP8249715	Lufteinlaß links, m.schwarz	1	
13	AP8152298	TBEI Schraube m.Flansch M5x16	4	
14	AP8152302	TBEI Schraube m.Flansch M5x12	1	

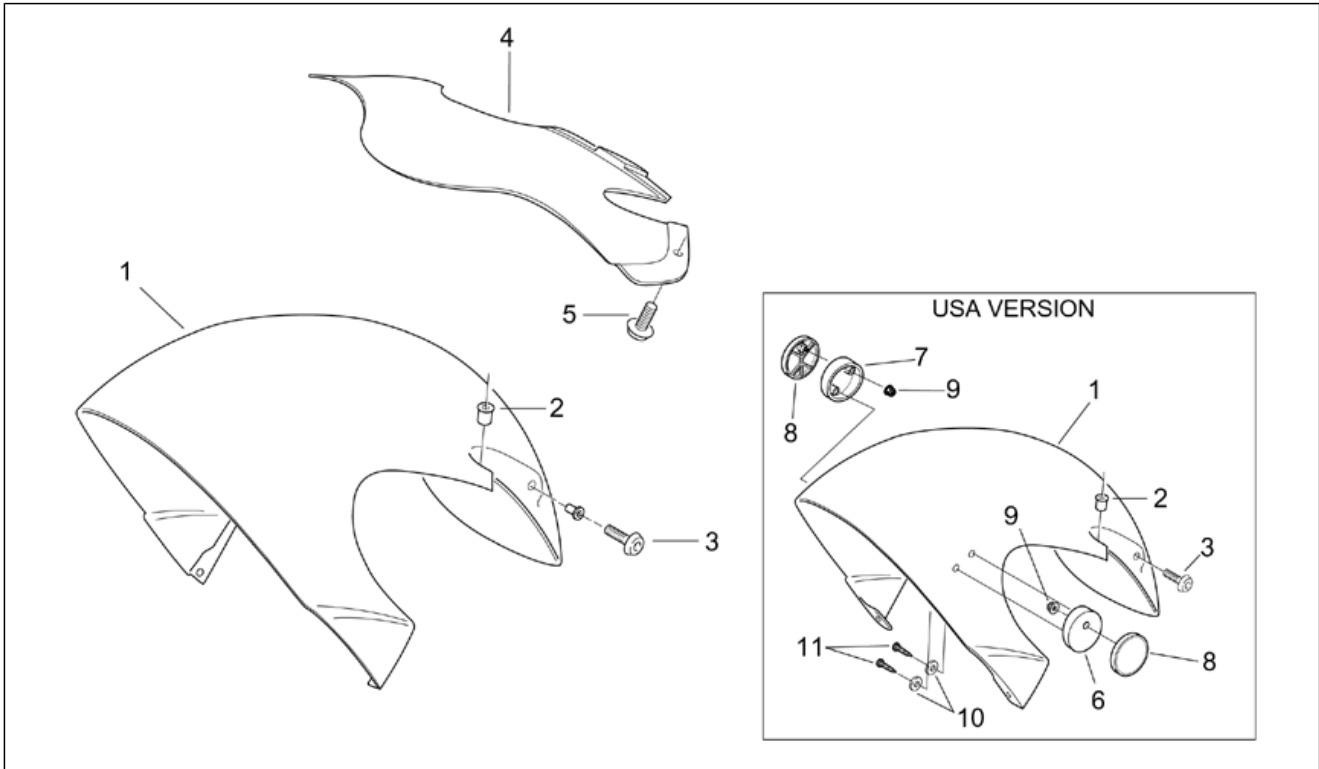


<b>Einheit</b>	RAHMEN
<b>Code</b>	28.07
<b>Beschreibung</b>	Frontaufbau III
<b>Inspektion</b>	1



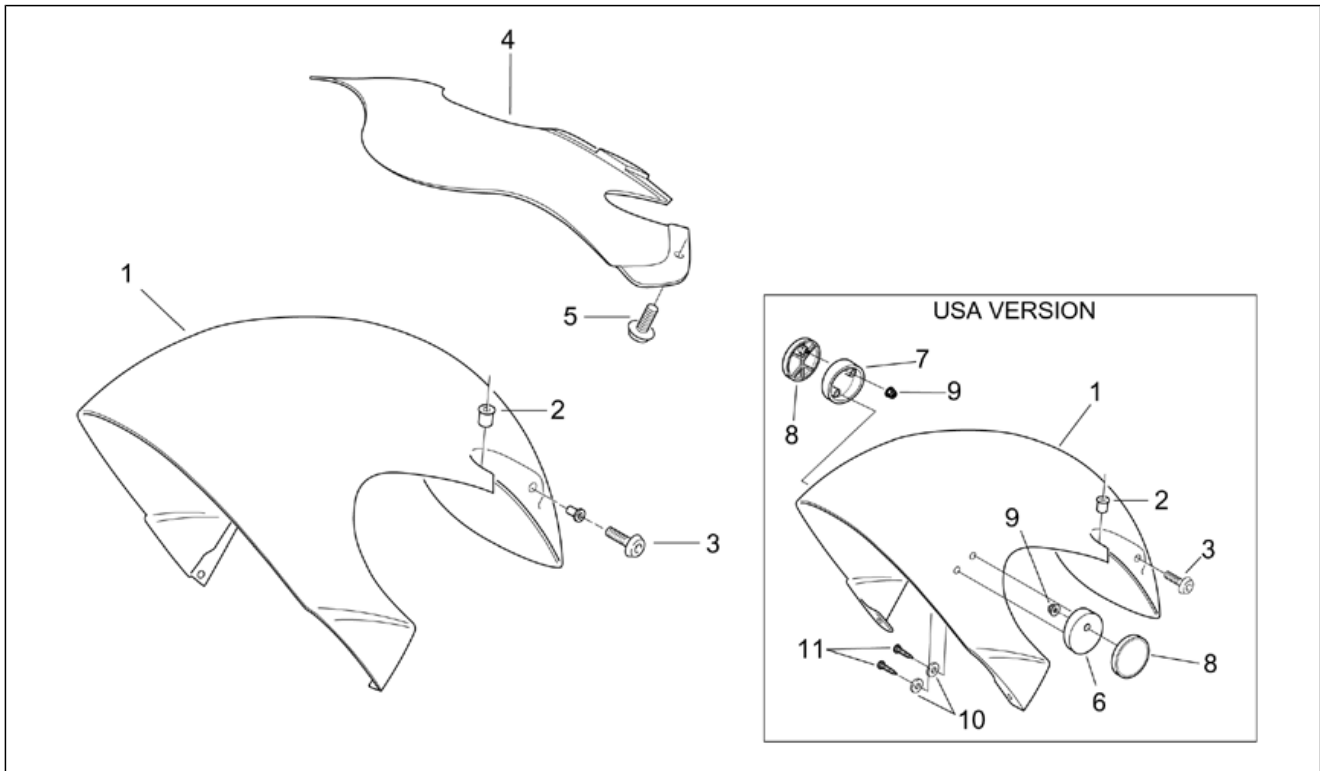
Pos.	Code	Beschreibung	Menge	Varianten
15	AP8217034	U. Verschl. Gabel	2	
16	AP8220471	Kunststoffniet	12	
17	AP8234194	Kühlergitter aufnahme	1	
18	AP8150179	Ausgleichscheibe 6,6x18*	12	

<b>Einheit</b>	RAHMEN
<b>Code</b>	28.08
<b>Beschreibung</b>	Frontaufbau IV
<b>Inspektion</b>	1



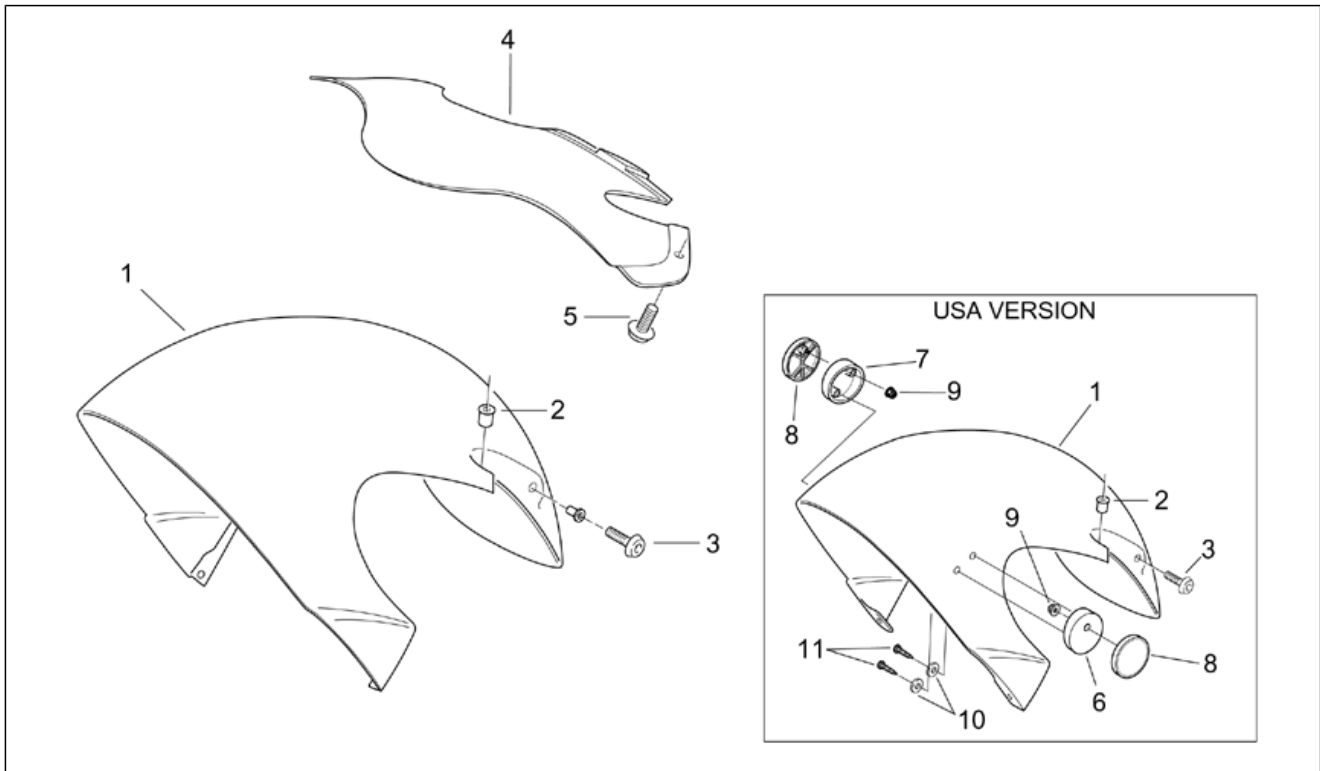
Pos.	Code	Beschreibung	Menge	Varianten
1	AP8226628	V. Schutzblech, rot durch.l.	1	<b>Baujahr:</b> 2001[1], 2000[Y] <b>Fahrzeugfarbe:</b> "Schwarz Aprilia ""Racing"" 2000-2001"[bl/re] <b>Land:</b> Österreich[A], Australien[AA], Australien[AUS], Belgien[B], Schweiz[CH], Deutschland[D], Dänemark[DK], Spanien[E], A, B, CH, D, DK, E, F, I, NL, P, UK[EU], Frankreich[F], Griechenland[GR], Italien[I], Japan[J], Japan[J], Holland[NL], Portugal[P], Großbritannien[UK]
1	AP8226650	V. Schutzblech, h.red durch.l.	1	<b>Baujahr:</b> 2001[1], 2000[Y] <b>Fahrzeugfarbe:</b> "Hot red ""Sport"" 2000-2001"[h.red] <b>Land:</b> Österreich[A], Australien[AA], Australien[AUS], Belgien[B], Schweiz[CH], Deutschland[D], Dänemark[DK], Spanien[E], A, B, CH, D, DK, E, F, I, NL, P, UK[EU], Frankreich[F], Griechenland[GR], Italien[I], Japan[J], Japan[J], Holland[NL], Portugal[P], Großbritannien[UK]
1	AP8226651	V.Schutzbl., e.blau durch.l.	1	<b>Baujahr:</b> 2001[1], 2000[Y] <b>Fahrzeugfarbe:</b> "Electric Blue ""Sport"" 2000-2001"[el.bl] <b>Land:</b> Österreich[A], Australien[AA], Australien[AUS], Belgien[B], Schweiz[CH], Deutschland[D], Dänemark[DK], Spanien[E], A, B, CH, D, DK, E, F, I, NL, P, UK[EU], Frankreich[F], Griechenland[GR], Italien[I], Japan[J], Japan[J], Holland[NL], Portugal[P], Großbritannien[UK]
1	AP8226671	Schutzblech v.gelb	1	<b>Baujahr:</b> 2001[1], 2000[Y] <b>Fahrzeugfarbe:</b> "Grau Nik ""Racing"" 2000-2001"[gr/ye] <b>Land:</b> Österreich[A], Australien[AA], Australien[AUS], Belgien[B], Schweiz[CH], Deutschland[D], Dänemark[DK], Spanien[E], A, B, CH, D, DK, E, F, I, NL, P, UK[EU], Frankreich[F], Griechenland[GR], Italien[I], Japan[J], Japan[J], Holland[NL], Portugal[P], Großbritannien[UK]
1	AP8226671	Schutzblech v.gelb	1	<b>Baujahr:</b> 2001[1] <b>Fahrzeugfarbe:</b> Zitronengelb 2001[le. ye] <b>Land:</b> Österreich[A], Australien[AA], Australien[AUS], Belgien[B], Schweiz[CH], Deutschland[D], Dänemark[DK], Spanien[E], A, B, CH, D, DK, E, F, I, NL, P, UK[EU], Frankreich[F], Griechenland[GR], Italien[I], Japan[J], Japan[J], Holland[NL], Portugal[P], Großbritannien[UK]

<b>Einheit</b>	RAHMEN
<b>Code</b>	28.08
<b>Beschreibung</b>	Frontaufbau IV
<b>Inspektion</b>	1



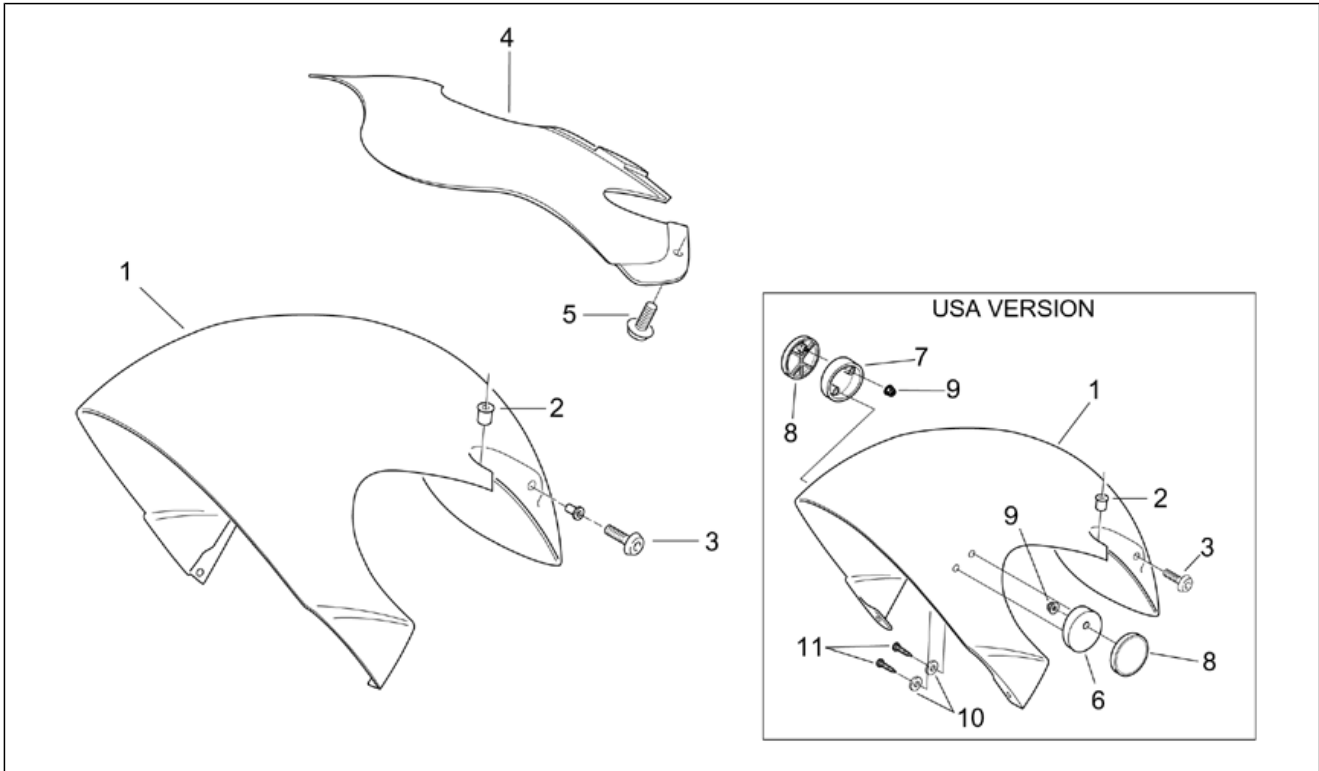
Pos.	Code	Beschreibung	Menge	Varianten
1	AP8226672	V. Schutzblech, rot durch.l.	1	<b>Baujahr:</b> 2001[1] <b>Fahrzeugfarbe:</b> Schwarz Diablo 2001-2002[bl.di] <b>Land:</b> Österreich[A], Australien[AA], Australien[AUS], Belgien[B], Schweiz[CH], Deutschland[D], Dänemark[DK], Spanien[E], A, B, CH, D, DK, E, F, I, NL, P, UK[EU], Frankreich[F], Griechenland[GR], Italien[I], Japan[J], Japan[J], Holland[NL], Portugal[P], Großbritannien[UK]
1	AP8226672	V. Schutzblech, rot durch.l.	1	<b>Baujahr:</b> 2002[2] <b>Fahrzeugfarbe:</b> Haga 2002[haga] <b>Land:</b> Österreich[A], Australien[AA], Australien[AUS], Belgien[B], Schweiz[CH], Deutschland[D], Dänemark[DK], Spanien[E], A, B, CH, D, DK, E, F, I, NL, P, UK[EU], Frankreich[F], Griechenland[GR], Italien[I], Japan[J], Japan[J], Holland[NL], Portugal[P], Großbritannien[UK]
1	AP8226678	V. Schutzblech, zitrgelb	1	<b>Baujahr:</b> 2001[1], 2000[Y] <b>Fahrzeugfarbe:</b> "Grau Nik ""Racing"" 2000-2001"[gr/ye] <b>Land:</b> Vereinigte Staaten von Amerika[AM], Vereinigte Staaten von Amerika[USA]
1	AP8226678	V. Schutzblech, zitrgelb	1	<b>Baujahr:</b> 2001[1] <b>Fahrzeugfarbe:</b> Zitronengelb 2001[le.ye] <b>Land:</b> Vereinigte Staaten von Amerika[AM], Vereinigte Staaten von Amerika[USA]
1	AP8226689	Schutzbl.vorn rot f.	1	<b>Baujahr:</b> 2001[1] <b>Fahrzeugfarbe:</b> Schwarz Diablo 2001-2002[bl.di] <b>Land:</b> Vereinigte Staaten von Amerika[AM], Vereinigte Staaten von Amerika[USA]
1	AP8226689	Schutzbl.vorn rot f.	1	<b>Baujahr:</b> 2002[2] <b>Fahrzeugfarbe:</b> Haga 2002[haga] <b>Land:</b> Vereinigte Staaten von Amerika[AM], Vereinigte Staaten von Amerika[USA]
1	AP8226689	Schutzbl.vorn rot f.	1	<b>Baujahr:</b> 2001[1], 2000[Y] <b>Fahrzeugfarbe:</b> "Schwarz Aprilia ""Racing"" 2000-2001"[bl/re] <b>Land:</b> Vereinigte Staaten von Amerika[AM], Vereinigte Staaten von Amerika[USA]

<b>Einheit</b>	RAHMEN
<b>Code</b>	28.08
<b>Beschreibung</b>	Frontaufbau IV
<b>Inspektion</b>	1



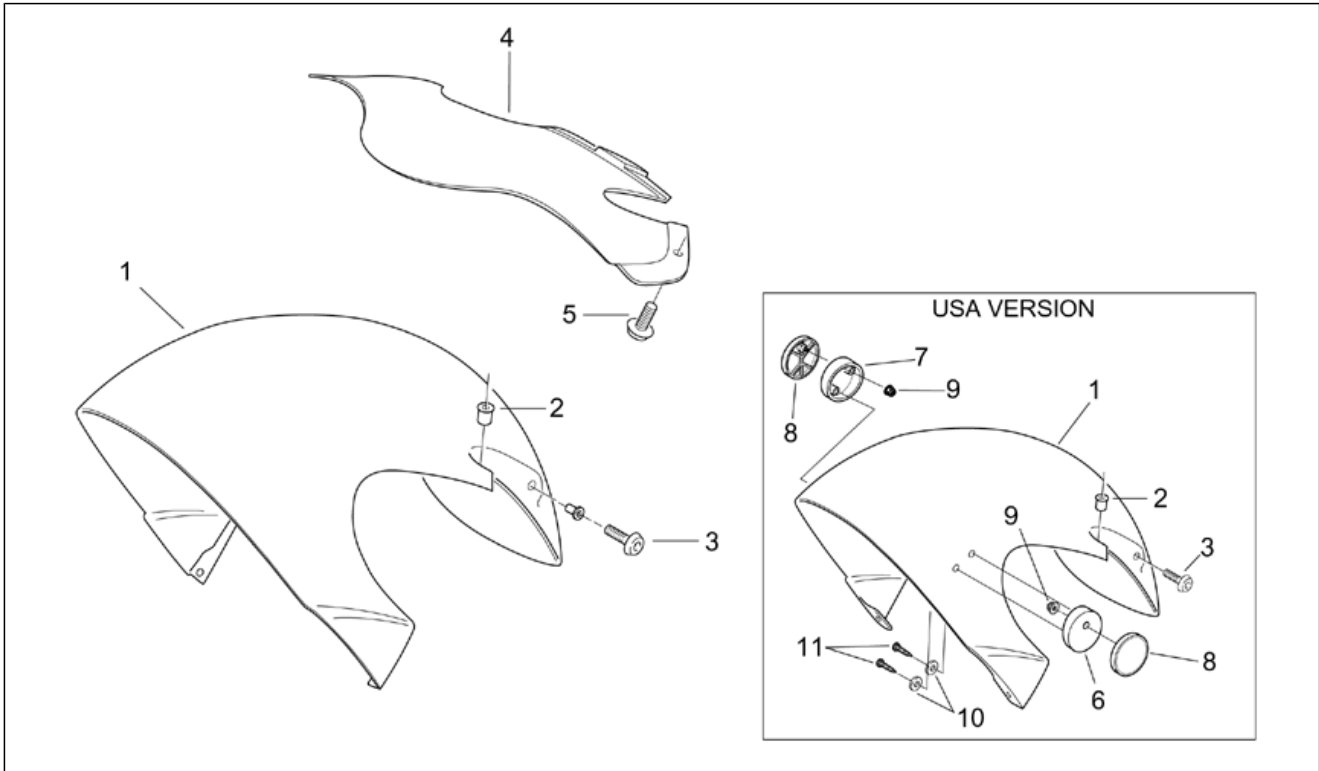
Pos.	Code	Beschreibung	Menge	Varianten
1	AP8226700	Schutzbl.vorn V.hellrot	1	<b>Baujahr:</b> 2001[1], 2000[Y] <b>Fahrzeugfarbe:</b> "Hot red ""Sport"" 2000-2001"[h.red] <b>Land:</b> Vereinigte Staaten von Amerika[AM], Vereinigte Staaten von Amerika[USA]
1	AP8226701	Schutzbl. vorn blau	1	<b>Baujahr:</b> 2001[1], 2000[Y] <b>Fahrzeugfarbe:</b> "Electric Blue ""Sport"" 2000-2001"[el.bl] <b>Land:</b> Vereinigte Staaten von Amerika[AM], Vereinigte Staaten von Amerika[USA]
1	AP8226727	V. Schutzblech, schwarz	1	<b>Baujahr:</b> 2002[2] <b>Fahrzeugfarbe:</b> Schwarz Diablo 2001-2002[bl.di] <b>Land:</b> Österreich[A], Australien[AA], Australien[AUS], Belgien[B], Schweiz[CH], Deutschland[D], Dänemark[DK], Spanien[E], A, B, CH, D, DK, E, F, I, NL, P, UK[EU], Frankreich[F], Griechenland[GR], Italien[I], Japan[J], Japan[J], Holland[NL], Portugal[P], Großbritannien[UK]
1	AP8226728	V. Schutzblech, schwarz	1	<b>Baujahr:</b> 2002[2] <b>Fahrzeugfarbe:</b> Schwarz Diablo 2001-2002[bl.di] <b>Land:</b> Vereinigte Staaten von Amerika[AM], Vereinigte Staaten von Amerika[USA]
1	AP8226728	V. Schutzblech, schwarz	1	<b>Baujahr:</b> 2003[3] <b>Fahrzeugfarbe:</b> GP1 2003[gp1] <b>Land:</b> Vereinigte Staaten von Amerika[AM], Kanada[CA], Kanada[CN], Vereinigte Staaten von Amerika[USA]
1	AP8226728	V. Schutzblech, schwarz	1	<b>Baujahr:</b> 2003[3] <b>Fahrzeugfarbe:</b> "SBK ""Racing"" 2003"[sbk] <b>Land:</b> Vereinigte Staaten von Amerika[AM], Kanada[CA], Kanada[CN], Vereinigte Staaten von Amerika[USA]
1	AP8226733	V. Schutzblech, grau	1	<b>Baujahr:</b> 2002[2] <b>Fahrzeugfarbe:</b> Grau Dust 2002[du/gr] <b>Land:</b> Österreich[A], Australien[AA], Australien[AUS], Belgien[B], Schweiz[CH], Deutschland[D], Dänemark[DK], Spanien[E], A, B, CH, D, DK, E, F, I, NL, P, UK[EU], Frankreich[F], Griechenland[GR], Italien[I], Japan[J], Japan[J], Holland[NL], Portugal[P], Großbritannien[UK]
1	AP8226734	V. Schutzblech, grau	1	<b>Baujahr:</b> 2002[2]

<b>Einheit</b>	RAHMEN
<b>Code</b>	28.08
<b>Beschreibung</b>	Frontaufbau IV
<b>Inspektion</b>	1



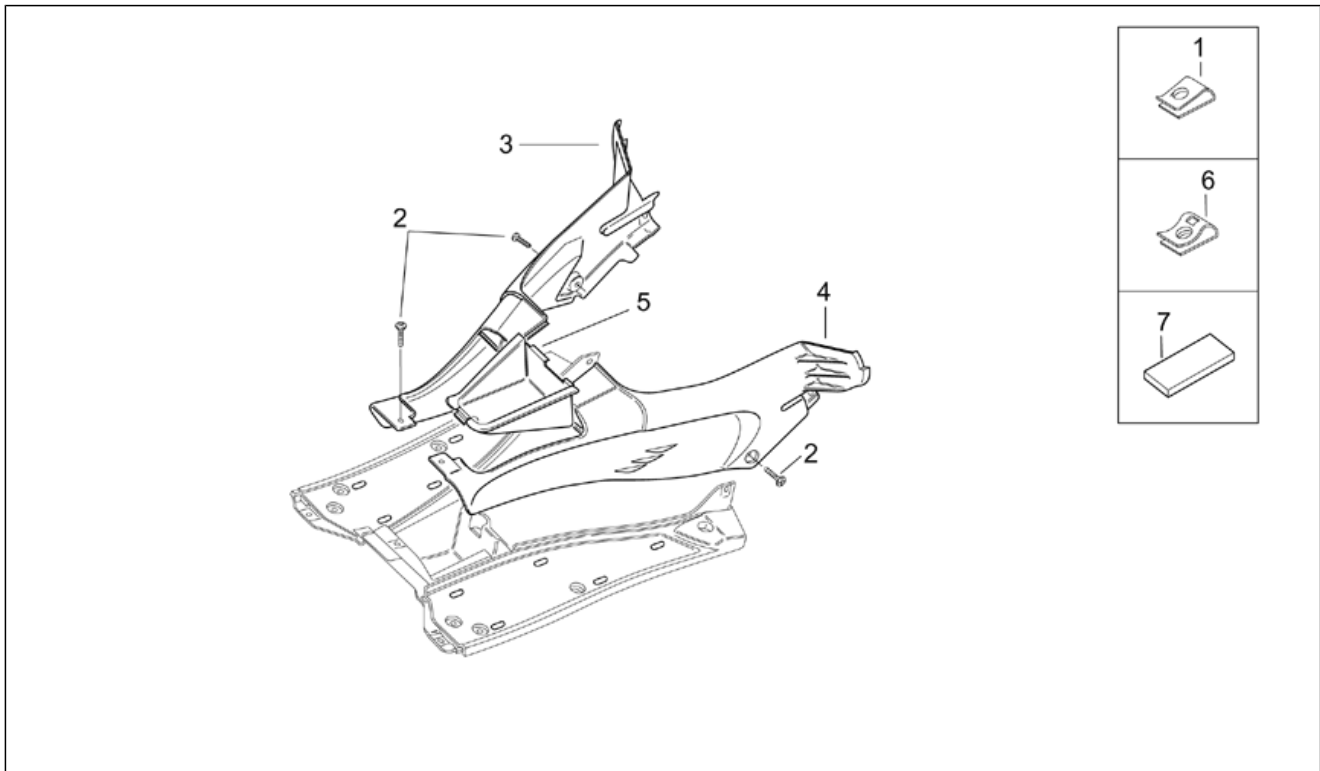
Pos.	Code	Beschreibung	Menge	Varianten
				<b>Fahrzeugfarbe:</b> Grau Dust 2002[du/gr] <b>Land:</b> Vereinigte Staaten von Amerika[AM], Vereinigte Staaten von Amerika[USA]
1	AP8226748	V. Schutzblech, schwarz	1	<b>Baujahr:</b> 2002[2], 2003[3] <b>Fahrzeugfarbe:</b> Rot Fluo 2003[r.flu], Silver Strained 2002[st.si]
1	AP8226760	V. Schutzblech, schwarz	1	<b>Baujahr:</b> 2003[3] <b>Fahrzeugfarbe:</b> Tuono 2003[tuono] <b>Land:</b> Vereinigte Staaten von Amerika[AM], Kanada[CA], Kanada[CN], Vereinigte Staaten von Amerika[USA]
1	AP8226768	V. Schutzblech, blau	1	<b>Baujahr:</b> 2003[3], 2004[4] <b>Fahrzeugfarbe:</b> "Blau Limited ""Racing"" 2003"[b.lim] <b>Land:</b> Vereinigte Staaten von Amerika[AM], Kanada[CA], Kanada[CN], Vereinigte Staaten von Amerika[USA]
1	AP8226771	V. Schutzblech, rot	1	<b>Baujahr:</b> 2003[3] <b>Fahrzeugfarbe:</b> Rot Tulip 2003[t.red] <b>Land:</b> Vereinigte Staaten von Amerika[AM], Kanada[CA], Kanada[CN], Vereinigte Staaten von Amerika[USA]
1	AP8226827	V. Schutzblech, schwarz	1	<b>Baujahr:</b> 2004[4] <b>Fahrzeugfarbe:</b> Rot Fluo 2004[r.fluo] <b>Land:</b> Österreich[A], Australien[AA], Australien[AUS], Belgien[B], Schweiz[CH], Deutschland[D], Dänemark[DK], Spanien[E], A, B, CH, D, DK, E, F, I, NL, P, UK[EU], Frankreich[F], Griechenland[GR], Italien[I], Japan[J], Japan[J], Holland[NL], Portugal[P], Großbritannien[UK]
1	AP8226828	V. Schutzblech, schwarz	1	<b>Baujahr:</b> 2004[4] <b>Fahrzeugfarbe:</b> Rot Fluo 2004[r.fluo] <b>Land:</b> Vereinigte Staaten von Amerika[AM], Kanada[CA], Kanada[CN], Vereinigte Staaten von Amerika[USA]
1	AP8226835	V. Schutzblech, A.weiß	1	<b>Baujahr:</b> 2004[4] <b>Fahrzeugfarbe:</b> Replica Poggiali Weiß 2004[RP] <b>Land:</b> Österreich[A], Australien[AA], Australien[AUS], Belgien[B], Schweiz[CH], Deutschland[D], Dänemark[DK], Spanien[E], A, B, CH, D, DK, E, F, I, NL, P, UK[EU],

<b>Einheit</b>	RAHMEN
<b>Code</b>	28.08
<b>Beschreibung</b>	Frontaufbau IV
<b>Inspektion</b>	1



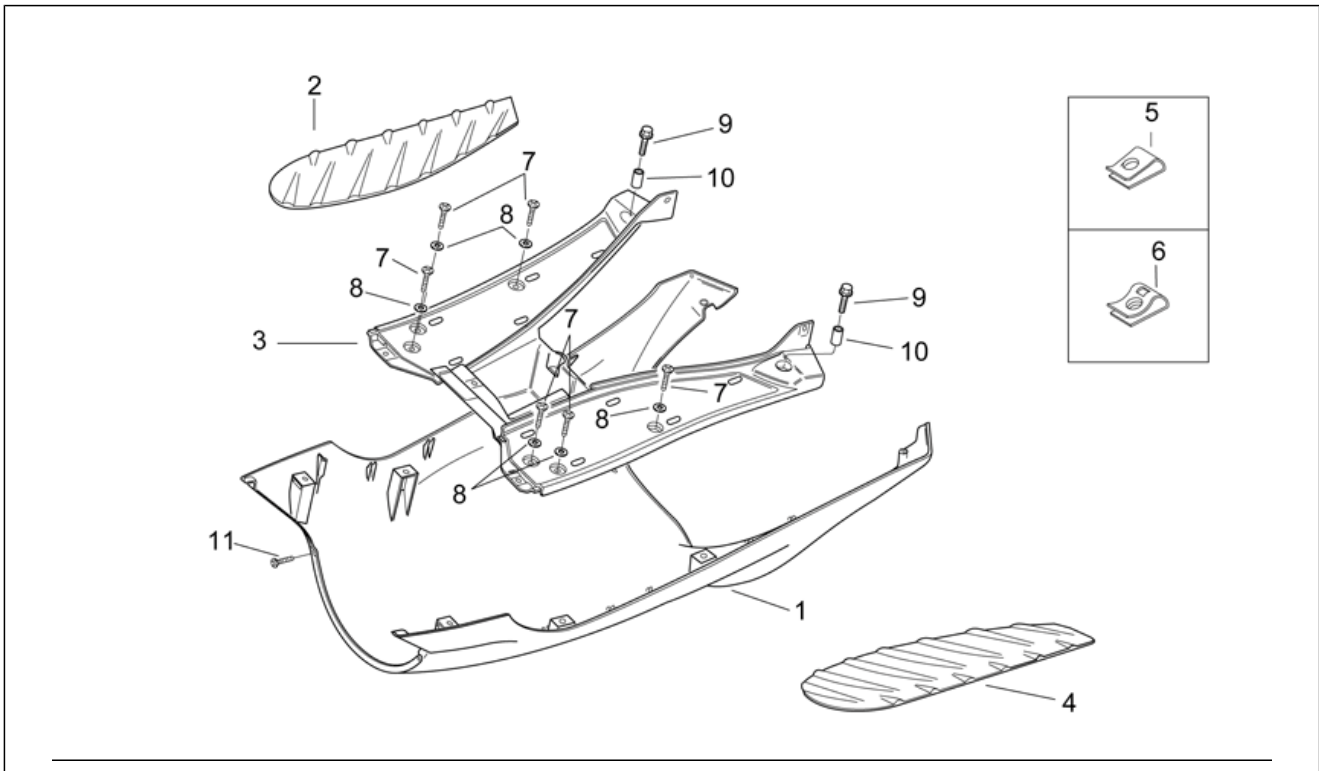
Pos.	Code	Beschreibung	Menge	Varianten
				Frankreich[F], Griechenland[GR], Italien[I], Japan[J], Japan[J], Holland[NL], Portugal[P], Großbritannien[UK]
1	AP8226836	V. Schutzblech, A.weiß	1	<b>Baujahr:</b> 2004[4] <b>Fahrzeugfarbe:</b> Replica Poggiali Weiß 2004[RP] <b>Land:</b> Vereinigte Staaten von Amerika[AM], Kanada[CA], Kanada[CN], Vereinigte Staaten von Amerika[USA]
2	AP8120531	Gummi mit Einsatz	2	
3	AP8152339	TBEI Schraube m.Flansch M5x9	2	
4	AP8238512	Unt. Schld.abd., schw.	1	
5	AP8152246	TBEI Schraube m.Flansch M6x16	3	
6	AP8249105	Rückstr.halter v. ls.	1	<b>Land:</b> Vereinigte Staaten von Amerika[AM], Kanada[CA], Kanada[CN], Vereinigte Staaten von Amerika[USA]
7	AP8249104	Rückstr.halter v. rs.	1	<b>Land:</b> Vereinigte Staaten von Amerika[AM], Kanada[CA], Kanada[CN], Vereinigte Staaten von Amerika[USA]
8	AP8224163	Rückstrahler, gelb	2	<b>Land:</b> Vereinigte Staaten von Amerika[AM], Kanada[CA], Kanada[CN], Vereinigte Staaten von Amerika[USA]
9	AP8152306	Selbstsperrende Mutter M5	2	<b>Land:</b> Vereinigte Staaten von Amerika[AM], Kanada[CA], Kanada[CN], Vereinigte Staaten von Amerika[USA]
10	AP8150011	Ausgleichscheibe 4,3x12x1	4	<b>Land:</b> Vereinigte Staaten von Amerika[AM], Kanada[CA], Kanada[CN], Vereinigte Staaten von Amerika[USA]
11	AP8150444	Gewindeschraube Edelstahl	4	<b>Land:</b> Vereinigte Staaten von Amerika[AM], Kanada[CA], Kanada[CN], Vereinigte Staaten von Amerika[USA]

<b>Einheit</b>	RAHMEN
<b>Code</b>	28.09
<b>Beschreibung</b>	Mittlerer aufbau I
<b>Inspektion</b>	1



Pos.	Code	Beschreibung	Menge	Varianten
1	AP8102376	Klammer M6	3	
2	AP8150425	Linsenschraube 5,5x22*	3	
3	AP8249764	Rechter Tunnel, schwarz	1	
3	AP8258559	Rechter Tunnel, grau	1	
3	AP8258787	Tunnel rechts gold	1	
4	AP8258169	Linker Tunnel, schwarz	1	
4	AP8258560	Linker Tunnel, grau	1	
4	AP8258788	Tunnel links gold	1	
5	AP8238507	Werkzeugkasten, grau	1	<b>Technische Daten:</b> Motor mit Vergaser[carb]
5	AP8258998	Werkzeugkasten	1	<b>Technische Daten:</b> "Motor ""DITECH"" mit Benzindirekteinspritzung"[ie]
6	AP8201763	Clip f. Blechschr. D5,5*	6	
7	AP8117041	Klebeschwamm 6x30	1	

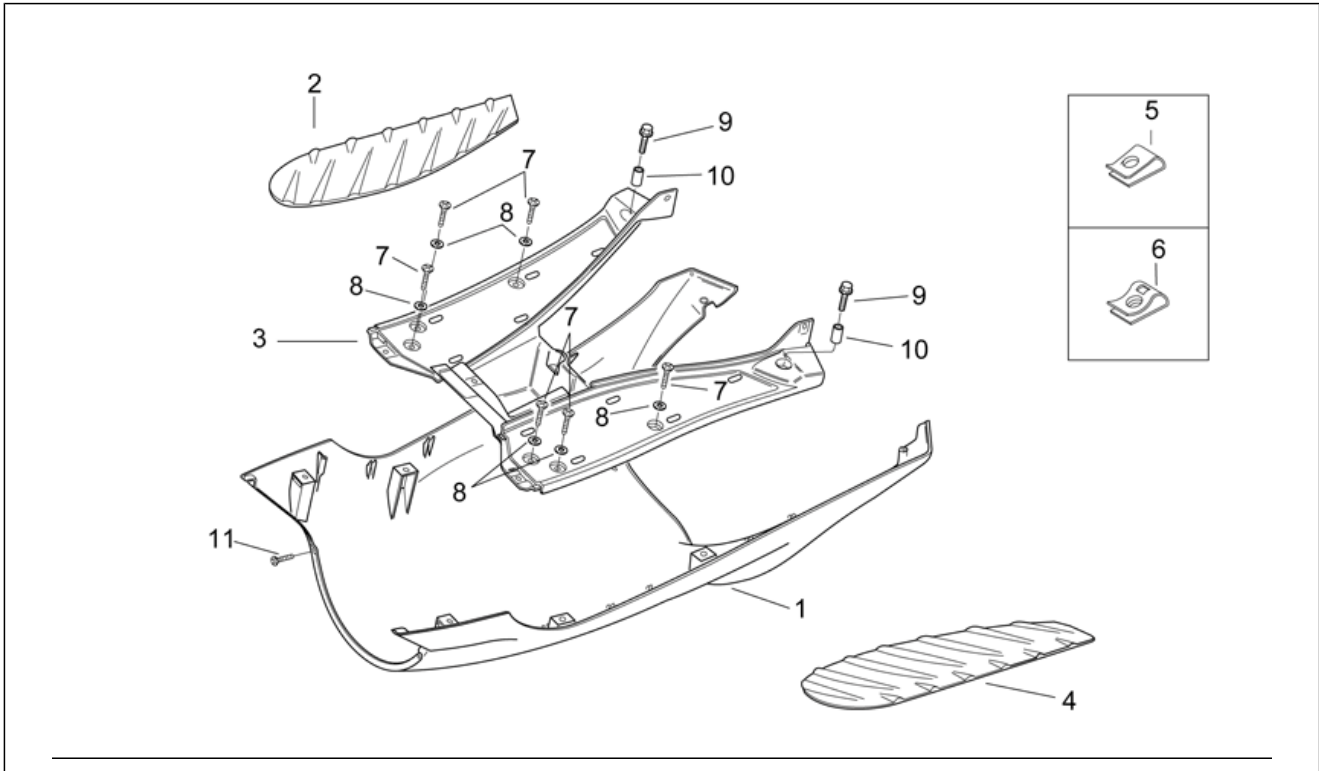
<b>Einheit</b>	RAHMEN
<b>Code</b>	28.10
<b>Beschreibung</b>	Mittlerer aufbau II
<b>Inspektion</b>	1



Pos.	Code	Beschreibung	Menge	Varianten
1	AP8249348	Unterb.gelb	1	<b>Baujahr:</b> 2001[1], 2000[Y] <b>Fahrzeugfarbe:</b> "Grau Nik ""Racing"" 2000-2001"[gr/ye] <b>Technische Daten:</b> Motor mit Vergaser[carb]
1	AP8249586	Unterboden, rot	1	<b>Baujahr:</b> 2001[1], 2000[Y] <b>Fahrzeugfarbe:</b> "Schwarz Aprilia ""Racing"" 2000-2001"[bl/re] <b>Technische Daten:</b> Motor mit Vergaser[carb]
1	AP8249893	Unterb.gelb	1	<b>Baujahr:</b> 2001[1], 2000[Y] <b>Fahrzeugfarbe:</b> "Grau Nik ""Racing"" 2000-2001"[gr/ye] <b>Technische Daten:</b> "Motor ""DITECH"" mit Benzindirekteinspritzung"[ie]
1	AP8249894	Unterboden, rot	1	<b>Baujahr:</b> 2001[1], 2000[Y] <b>Fahrzeugfarbe:</b> "Schwarz Aprilia ""Racing"" 2000-2001"[bl/re] <b>Technische Daten:</b> "Motor ""DITECH"" mit Benzindirekteinspritzung"[ie]
1	AP8249924	Unterb. Schwarz	1	<b>Baujahr:</b> 2001[1], 2000[Y] <b>Fahrzeugfarbe:</b> "Hot red ""Sport"" 2000-2001"[h.red] <b>Technische Daten:</b> Motor mit Vergaser[carb]
1	AP8249925	Unterb. Schwarz	1	<b>Baujahr:</b> 2001[1], 2000[Y] <b>Fahrzeugfarbe:</b> "Hot red ""Sport"" 2000-2001"[h.red] <b>Technische Daten:</b> "Motor ""DITECH"" mit Benzindirekteinspritzung"[ie]
1	AP8249929	Unterb. Schwarz	1	<b>Baujahr:</b> 2001[1], 2000[Y] <b>Fahrzeugfarbe:</b> "Electric Blue ""Sport"" 2000-2001"[el.bl] <b>Technische Daten:</b> Motor mit Vergaser[carb]
1	AP8249930	Unterb. Schwarz	1	<b>Baujahr:</b> 2001[1], 2000[Y] <b>Fahrzeugfarbe:</b> "Electric Blue ""Sport"" 2000-2001"[el.bl] <b>Technische Daten:</b> "Motor ""DITECH"" mit Benzindirekteinspritzung"[ie]
1	AP8258211	Unterboden, rot	1	<b>Baujahr:</b> 2001[1] <b>Fahrzeugfarbe:</b> Schwarz Diablo 2001-2002[bl.di] <b>Technische Daten:</b> "Motor ""DITECH"" mit Benzindirekteinspritzung"[ie]

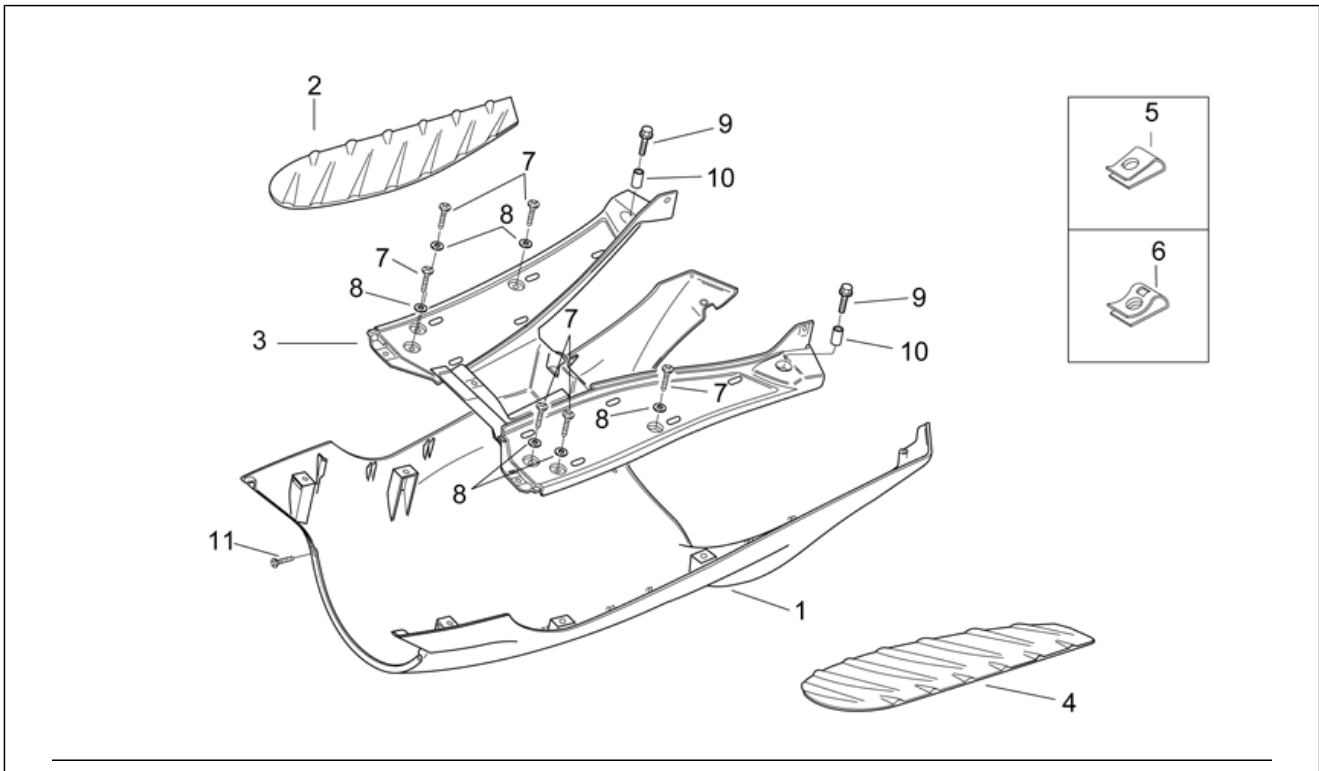


<b>Einheit</b>	RAHMEN
<b>Code</b>	28.10
<b>Beschreibung</b>	Mittlerer aufbau II
<b>Inspektion</b>	1



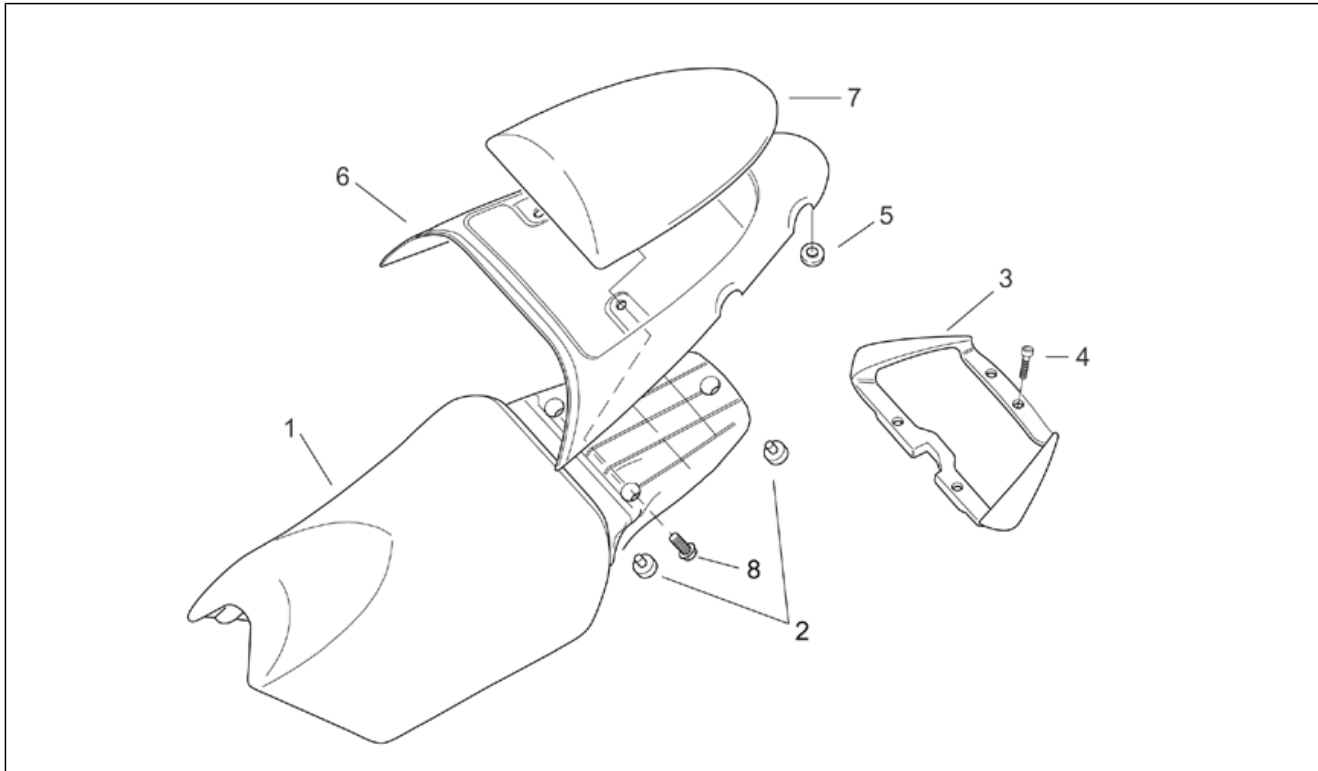
Pos.	Code	Beschreibung	Menge	Varianten
1	AP8258233	Unterb. Schwarz	1	<b>Baujahr:</b> 2001[1] <b>Fahrzeugfarbe:</b> Zitronengelb 2001[le.ye] <b>Technische Daten:</b> "Motor ""DITECH"" mit Benzindirekteinspritzung"[ie]
1	AP8258234	Unterb. Schwarz	1	<b>Baujahr:</b> 2001[1] <b>Fahrzeugfarbe:</b> Zitronengelb 2001[le.ye] <b>Technische Daten:</b> Motor mit Vergaser[carb]
1	AP8258485	Unterboden, rot	1	<b>Baujahr:</b> 2002[2] <b>Fahrzeugfarbe:</b> Schwarz Diablo 2001-2002[bl.di] <b>Technische Daten:</b> "Motor ""DITECH"" mit Benzindirekteinspritzung"[ie]
1	AP8258552	Unterb. Schwarz	1	<b>Baujahr:</b> 2002[2] <b>Fahrzeugfarbe:</b> Grau Dust 2002[du.gr] <b>Technische Daten:</b> "Motor ""DITECH"" mit Benzindirekteinspritzung"[ie]
1	AP8258679	Unterb. Schwarz	1	<b>Baujahr:</b> 2002[2], 2003[3] <b>Fahrzeugfarbe:</b> Rot Fluo 2003[r.flu], Silver Strained 2002[st.si]
1	AP8258732	Unterb. Schwarz	1	<b>Baujahr:</b> 2002[2] <b>Fahrzeugfarbe:</b> Haga 2002[haga]
1	AP8258784	Unterb.	1	<b>Baujahr:</b> 2003[3] <b>Fahrzeugfarbe:</b> Tuono 2003[tuono] <b>Land:</b> Vereinigte Staaten von Amerika[AM], Kanada[CA], Kanada[CN], Vereinigte Staaten von Amerika[USA]
1	AP8258812	Unterb.	1	<b>Baujahr:</b> 2003[3] <b>Fahrzeugfarbe:</b> "SBK ""Racing"" 2003"[sbk] <b>Land:</b> Vereinigte Staaten von Amerika[AM], Kanada[CA], Kanada[CN], Vereinigte Staaten von Amerika[USA]
1	AP8258825	Unterb.	1	<b>Baujahr:</b> 2003[3] <b>Fahrzeugfarbe:</b> GP1 2003[gp1] <b>Land:</b> Vereinigte Staaten von Amerika[AM], Kanada[CA], Kanada[CN], Vereinigte Staaten von Amerika[USA]
1	AP8258832	Unterb.	1	<b>Baujahr:</b> 2003[3], 2004[4] <b>Fahrzeugfarbe:</b> "Blau Limited ""Racing"" 2003"[b.lim]

<b>Einheit</b>	RAHMEN
<b>Code</b>	28.10
<b>Beschreibung</b>	Mittlerer aufbau II
<b>Inspektion</b>	1



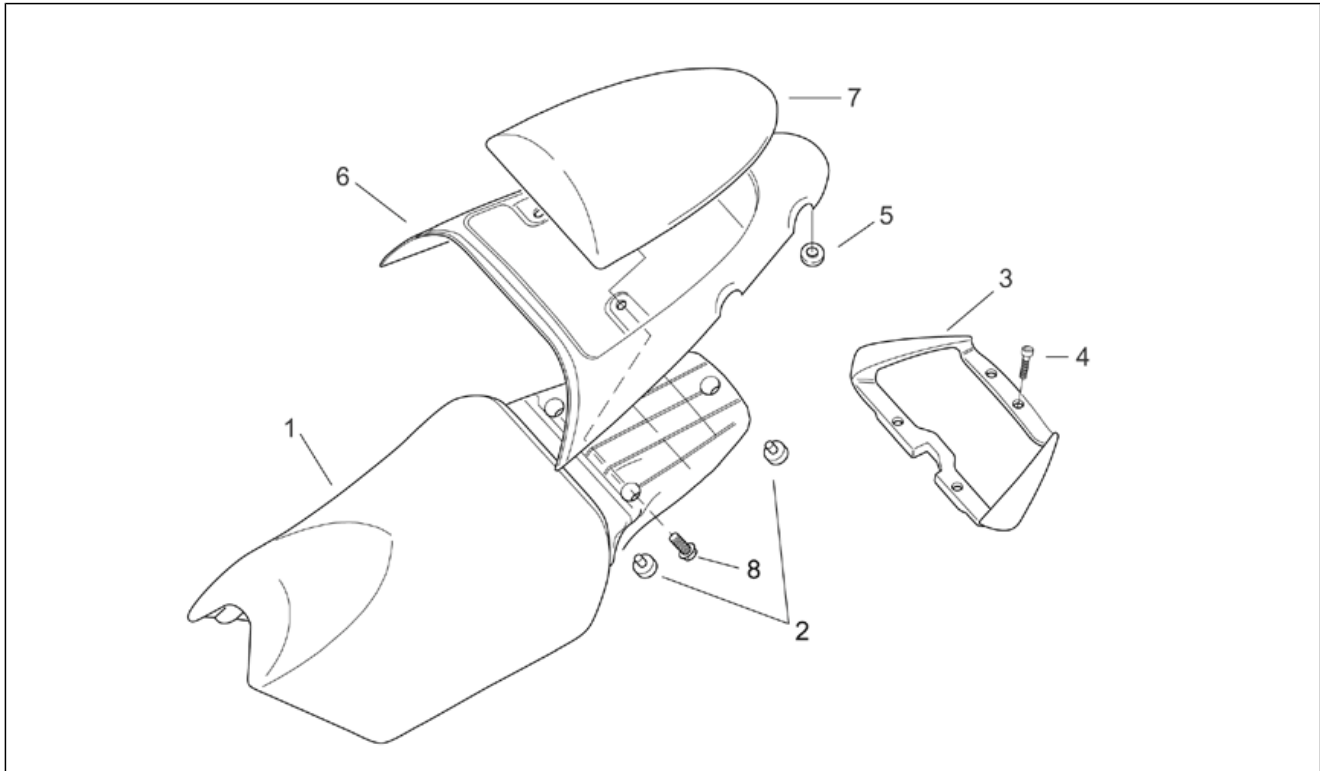
Pos.	Code	Beschreibung	Menge	Varianten
1	AP8258846	Unterb.	1	Land:Vereinigte Staaten von Amerika[AM], Kanada[CA], Kanada[CN], Vereinigte Staaten von Amerika[USA]
1	AP8268215	Unterb.	1	Baujahr:2003[3] Fahrzeugfarbe:Rot Tulip 2003[t.red] Land:Vereinigte Staaten von Amerika[AM], Kanada[CA], Kanada[CN], Vereinigte Staaten von Amerika[USA]
1	AP8268247	Unterb.	1	Baujahr:2004[4] Fahrzeugfarbe:Rot Fluo 2004[r.fluo] Land:Vereinigte Staaten von Amerika[AM], Kanada[CA], Kanada[CN], Vereinigte Staaten von Amerika[USA]
2	AP8248665	Rechte Fußmatte, schwarz	1	
3	AP8249892	Fußbrett, schwarz	1	
4	AP8248666	Linke Fußmatte, schwarz	1	
5	AP8102376	Klammer M6	3	
6	AP8201763	Clip f. Blehschr. D5,5*	6	
7	AP8150425	Linsenschraube 5,5x22*	6	
8	AP8150382	Ausgleichscheibe 15x5,5X1,2	6	
9	AP8152280	TE Schr. m. Flansch M6x25	2	
10	AP8221046	Distanzscheibe D6x8x13,5*	2	
11	AP8150413	Gew.schr. 3,9x14	8	

<b>Einheit</b>	RAHMEN
<b>Code</b>	28.11
<b>Beschreibung</b>	Sitz - Schakel
<b>Inspektion</b>	1



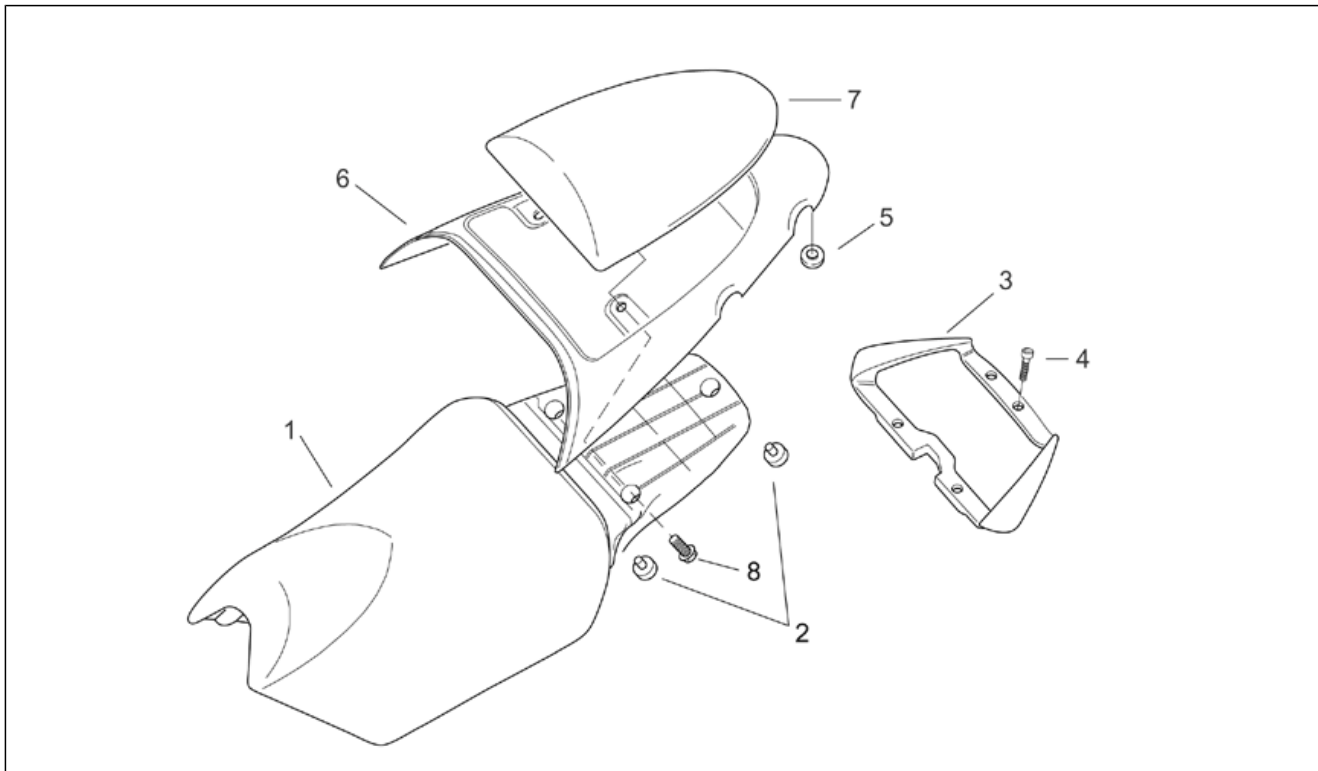
Pos.	Code	Beschreibung	Menge	Varianten
1	AP8229293	Sitz kpl, schwarz	1	<b>Baujahr:</b> 2003[3], 2004[4] <b>Fahrzeugfarbe:</b> "Blau Limited ""Racing"" 2003"[b.lim] <b>Land:</b> Vereinigte Staaten von Amerika[AM], Kanada[CA], Kanada[CN], Vereinigte Staaten von Amerika[USA]
1	AP8229293	Sitz kpl, schwarz	1	<b>Fahrzeugfarbe:</b> Schwarz Diablo 2001-2002[bl.di], "Schwarz Aprilia ""Racing"" 2000-2001"[bl/re], "Electric Blue ""Sport"" 2000-2001"[el.bl], "Gru Nik ""Racing"" 2000-2001"[gr/ye], "Hot red ""Sport"" 2000-2001"[h.red], Zitronengelb 2001[le.ze], Rot Fluo 2003[r.flu], Silver Strained 2002[st.si]
1	AP8229344	Sitz kpl, schwarz	1	<b>Baujahr:</b> 2003[3] <b>Fahrzeugfarbe:</b> GP1 2003[gp1] <b>Land:</b> Vereinigte Staaten von Amerika[AM], Kanada[CA], Kanada[CN], Vereinigte Staaten von Amerika[USA]
1	AP8229344	Sitz kpl, schwarz	1	<b>Baujahr:</b> 2004[4] <b>Fahrzeugfarbe:</b> Rot Fluo 2004[r.fluo], Replica Poggiali Wei 2004[RP] <b>Land:</b> Vereinigte Staaten von Amerika[AM], Kanada[CA], Kanada[CN], Vereinigte Staaten von Amerika[USA]
1	AP8229344	Sitz kpl, schwarz	1	<b>Baujahr:</b> 2003[3] <b>Fahrzeugfarbe:</b> "SBK ""Racing"" 2003"[sbk] <b>Land:</b> Vereinigte Staaten von Amerika[AM], Kanada[CA], Kanada[CN], Vereinigte Staaten von Amerika[USA]
1	AP8229344	Sitz kpl, schwarz	1	<b>Baujahr:</b> 2002[2] <b>Fahrzeugfarbe:</b> Grau Dust 2002[du/gr], Haga 2002[haga]
1	AP8229354	Sitz	1	<b>Baujahr:</b> 2003[3] <b>Fahrzeugfarbe:</b> Tuono 2003[tuono] <b>Land:</b> Vereinigte Staaten von Amerika[AM], Kanada[CA], Kanada[CN], Vereinigte Staaten von Amerika[USA]
1	AP8229383	Sitz	1	<b>Baujahr:</b> 2003[3] <b>Fahrzeugfarbe:</b> Rot Tulip 2003[t.red] <b>Land:</b> Vereinigte Staaten von Amerika[AM], Kanada[CA], Kanada[CN], Vereinigte Staaten von Amerika[USA]
2	AP8220349	Gummi	4	

<b>Einheit</b>	RAHMEN
<b>Code</b>	28.11
<b>Beschreibung</b>	Sitz - Schakel
<b>Inspektion</b>	1



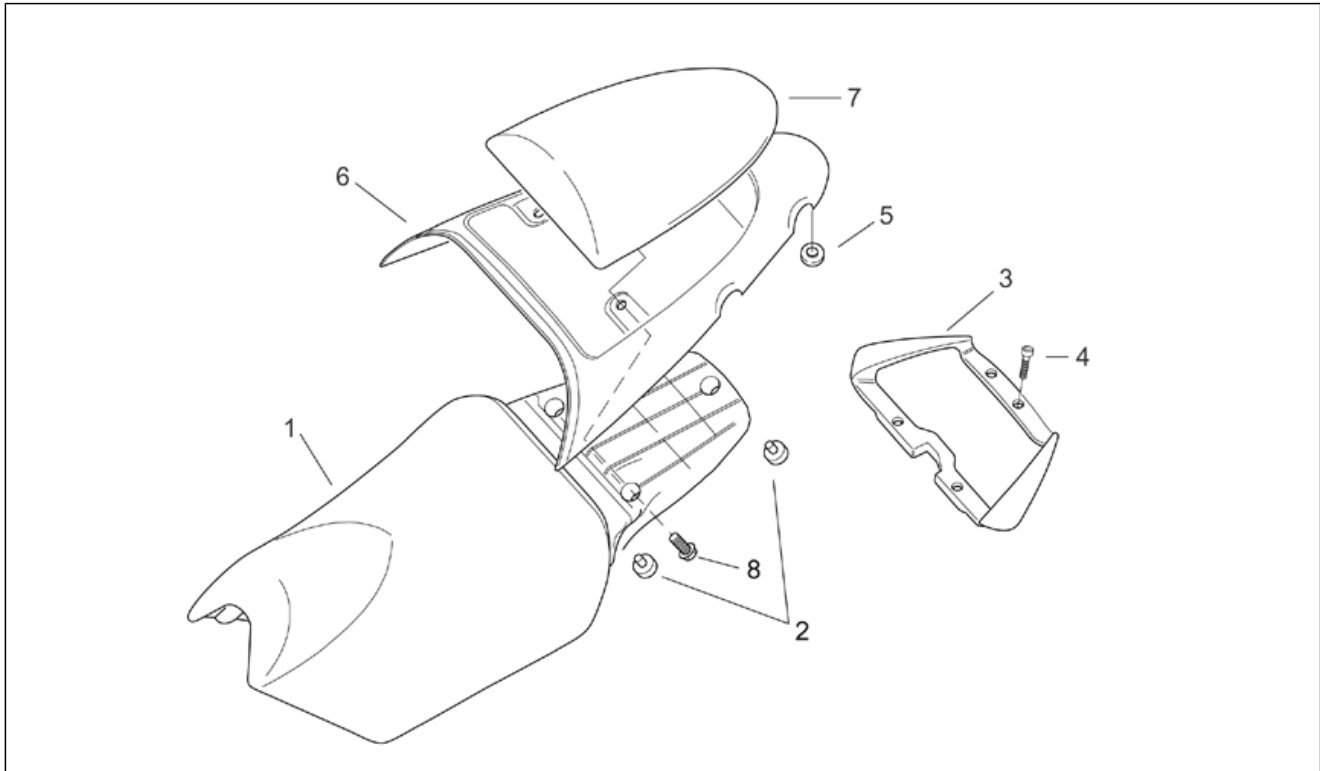
Pos.	Code	Beschreibung	Menge	Varianten
3	AP8249455	Soziusgriff schwarz	1	
4	AP8150220	TCEI Schraube M6x30	4	
5	AP8144081	Gummi	2	
6	AP8249447	Sitzabdeckung, gelb	1	<b>Baujahr:</b> 2001[1], 2000[Y] <b>Fahrzeugfarbe:</b> "Grau Nik ""Racing"" 2000-2001"[gr/ye]
6	AP8249587	Sitzabdeckung rot	1	<b>Baujahr:</b> 2001[1], 2000[Y] <b>Fahrzeugfarbe:</b> "Schwarz Aprilia ""Racing"" 2000-2001"[bl/re]
6	AP8249926	Sitzabdeckung, hot red+Deko	1	<b>Baujahr:</b> 2001[1], 2000[Y] <b>Fahrzeugfarbe:</b> "Hot red ""Sport"" 2000-2001"[h.red]
6	AP8249931	Sitzabdeckung, el.blau+Deko	1	<b>Baujahr:</b> 2001[1], 2000[Y] <b>Fahrzeugfarbe:</b> "Electric Blue ""Sport"" 2000-2001"[el.bl]
6	AP8258214	Sitzdeckel Schwarz diablo	1	<b>Baujahr:</b> 2001[1] <b>Fahrzeugfarbe:</b> Schwarz Diablo 2001-2002[bl.di]
6	AP8258239	Sitzabdeckung, hgelb+Deko	1	<b>Baujahr:</b> 2001[1] <b>Fahrzeugfarbe:</b> Zitronengelb 2001[le.ze]
6	AP8258486	Sitzdeckel Schwarz diablo	1	<b>Baujahr:</b> 2002[2] <b>Fahrzeugfarbe:</b> Schwarz Diablo 2001-2002[bl.di]
6	AP8258555	Sitzdeckel Schwarz diablo	1	<b>Baujahr:</b> 2002[2] <b>Fahrzeugfarbe:</b> Grau Dust 2002[du/gr]
6	AP8258681	Sitzabdeckung silber	1	<b>Baujahr:</b> 2002[2], 2003[3] <b>Fahrzeugfarbe:</b> Rot Fluo 2003[r.flu], Silver Strained 2002[st.si]
6	AP8258733	Sitzdeckel Schwarz diablo	1	<b>Baujahr:</b> 2002[2] <b>Fahrzeugfarbe:</b> Haga 2002[haga]
6	AP8258785	Sitzabdeckung, Kohlen	1	<b>Baujahr:</b> 2003[3] <b>Fahrzeugfarbe:</b> Tuono 2003[tuono] <b>Land:</b> Vereinigte Staaten von Amerika[AM], Kanada[CA], Kanada[CN], Vereinigte Staaten von Amerika[USA]
6	AP8258813	Sitzdeckel Schwarz	1	<b>Baujahr:</b> 2003[3] <b>Fahrzeugfarbe:</b> "SBK ""Racing"" 2003"[sbk] <b>Land:</b> Vereinigte Staaten von Amerika[AM], Kanada[CA], Kanada[CN], Vereinigte Staaten von Amerika[USA]

<b>Einheit</b>	RAHMEN
<b>Code</b>	28.11
<b>Beschreibung</b>	Sitz - Schäkel
<b>Inspektion</b>	1



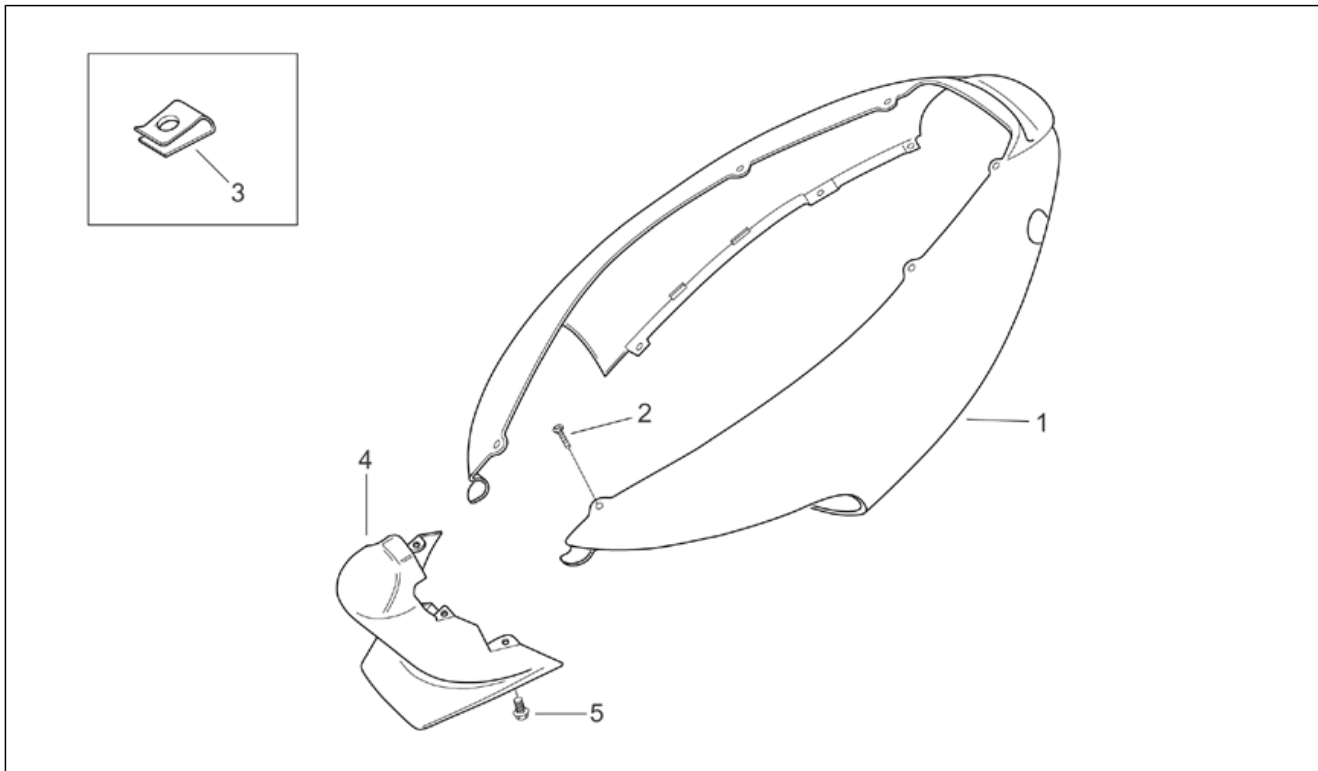
Pos.	Code	Beschreibung	Menge	Varianten
6	AP8258826	Sitzabdeckung silber	1	<b>Baujahr:</b> 2003[3] <b>Fahrzeugfarbe:</b> GP1 2003[gp1] <b>Land:</b> Vereinigte Staaten von Amerika[AM], Kanada[CA], Kanada[CN], Vereinigte Staaten von Amerika[USA]
6	AP8258835	Sitzabdeckung rot	1	<b>Baujahr:</b> 2003[3], 2004[4] <b>Fahrzeugfarbe:</b> "Blau Limited ""Racing"" 2003"[b.lim] <b>Land:</b> Vereinigte Staaten von Amerika[AM], Kanada[CA], Kanada[CN], Vereinigte Staaten von Amerika[USA]
6	AP8258849	Sitzabdeckung rot	1	<b>Baujahr:</b> 2003[3] <b>Fahrzeugfarbe:</b> Rot Tulip 2003[t.red] <b>Land:</b> Vereinigte Staaten von Amerika[AM], Kanada[CA], Kanada[CN], Vereinigte Staaten von Amerika[USA]
6	AP8268216	Sitzabdeckung rot	1	<b>Baujahr:</b> 2004[4] <b>Fahrzeugfarbe:</b> Rot Fluo 2004[r.fluo] <b>Land:</b> Vereinigte Staaten von Amerika[AM], Kanada[CA], Kanada[CN], Vereinigte Staaten von Amerika[USA]
6	AP8268248	Sitzdeckel Schwarz	1	<b>Baujahr:</b> 2004[4] <b>Fahrzeugfarbe:</b> Replica Poggiali Weiß 2004[RP] <b>Land:</b> Vereinigte Staaten von Amerika[AM], Kanada[CA], Kanada[CN], Vereinigte Staaten von Amerika[USA]
7	AP8229192	Soziussitz, schwarz	1	<b>Baujahr:</b> 2001[1], 2002[2], 2003[3] <b>Fahrzeugfarbe:</b> Schwarz Diablo 2001-2002[bl.di], Rot Fluo 2003[r.flu], Silver Strained 2002[st.si]
7	AP8229297	Soziussitz rot fluor.	1	<b>Baujahr:</b> 2001[1], 2000[Y] <b>Fahrzeugfarbe:</b> "Schwarz Aprilia ""Racing"" 2000-2001"[bl/re]
7	AP8229297	Soziussitz rot fluor.	1	<b>Baujahr:</b> 2004[4] <b>Fahrzeugfarbe:</b> Rot Fluo 2004[r.fluo] <b>Land:</b> Vereinigte Staaten von Amerika[AM], Kanada[CA], Kanada[CN], Vereinigte Staaten von Amerika[USA]
7	AP8229318	Soziussitz, gelb	1	<b>Baujahr:</b> 2001[1], 2000[Y] <b>Fahrzeugfarbe:</b> "Grau Nik ""Racing"" 2000-2001"[gr/ye]
7	AP8229318	Soziussitz, gelb	1	<b>Baujahr:</b> 2001[1] <b>Fahrzeugfarbe:</b> Zitronengelb 2001[le.ye]

<b>Einheit</b>	RAHMEN
<b>Code</b>	28.11
<b>Beschreibung</b>	Sitz - Schäkel
<b>Inspektion</b>	1



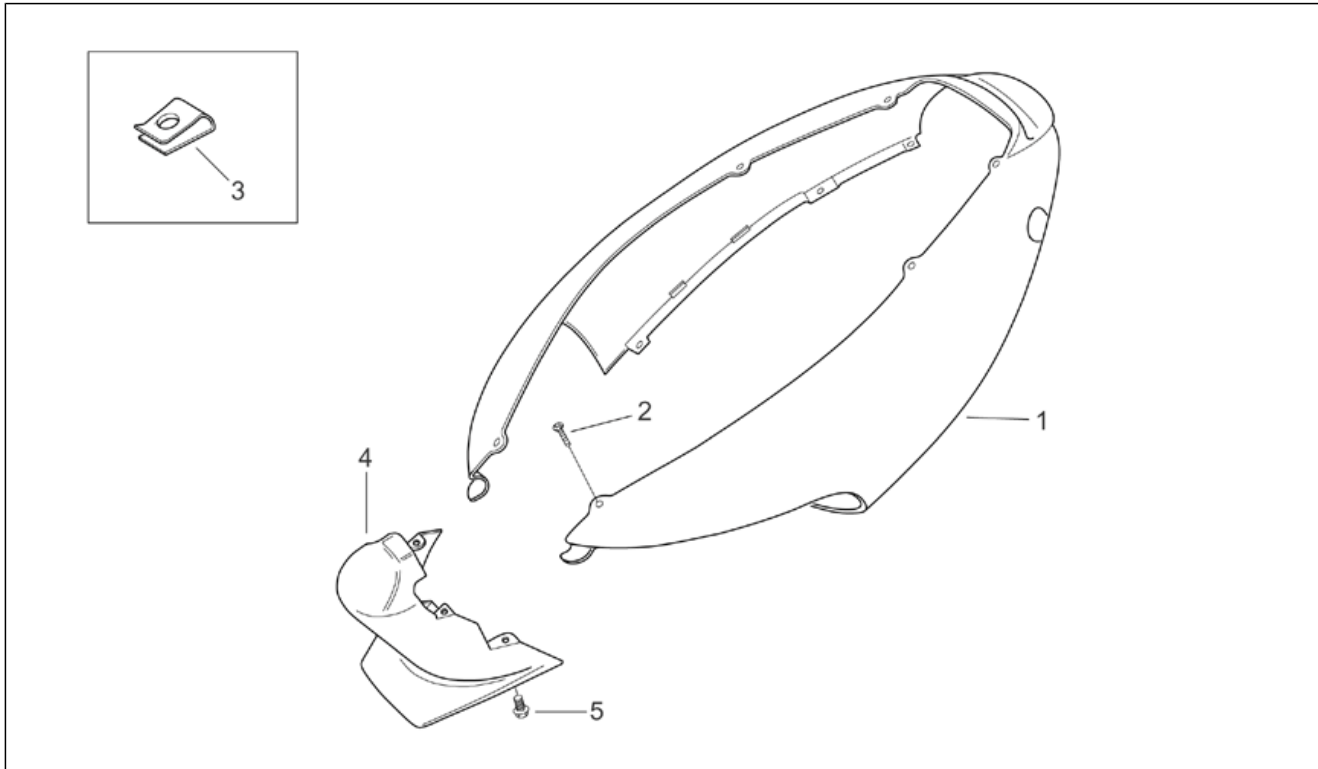
Pos.	Code	Beschreibung	Menge	Varianten
7	AP8229319	Soziussitz, blau	1	<b>Baujahr:</b> 2001[1], 2000[Y] <b>Fahrzeugfarbe:</b> "Electric Blue ""Sport"" 2000-2001"[el.bl]
7	AP8229321	Soziussitz, hot red	1	<b>Baujahr:</b> 2001[1], 2000[Y] <b>Fahrzeugfarbe:</b> "Hot red ""Sport"" 2000-2001"[h.red]
7	AP8229321	Soziussitz, hot red	1	<b>Baujahr:</b> 2003[3], 2004[4] <b>Fahrzeugfarbe:</b> "Blau Limited ""Racing"" 2003"[b.lim] <b>Land:</b> Vereinigte Staaten von Amerika[AM], Kanada[CA], Kanada[CN], Vereinigte Staaten von Amerika[USA]
7	AP8229345	Soziussitz, schwarz	1	<b>Baujahr:</b> 2002[2] <b>Fahrzeugfarbe:</b> Grau Dust 2002[du/gr], Haga 2002[haga]
7	AP8229355	Soziussitz, grün	1	<b>Baujahr:</b> 2003[3] <b>Fahrzeugfarbe:</b> Tuono 2003[tuono] <b>Land:</b> Vereinigte Staaten von Amerika[AM], Kanada[CA], Kanada[CN], Vereinigte Staaten von Amerika[USA]
7	AP8229358	Soziussitz	1	<b>Baujahr:</b> 2004[4] <b>Fahrzeugfarbe:</b> Replica Poggiali Weiß 2004[RP] <b>Land:</b> Vereinigte Staaten von Amerika[AM], Kanada[CA], Kanada[CN], Vereinigte Staaten von Amerika[USA]
7	AP8229358	Soziussitz	1	<b>Baujahr:</b> 2003[3] <b>Fahrzeugfarbe:</b> "SBK ""Racing"" 2003"[sbk] <b>Land:</b> Vereinigte Staaten von Amerika[AM], Kanada[CA], Kanada[CN], Vereinigte Staaten von Amerika[USA]
7	AP8229359	Soziussitz, grau	1	<b>Baujahr:</b> 2003[3] <b>Fahrzeugfarbe:</b> GP1 2003[gp1] <b>Land:</b> Vereinigte Staaten von Amerika[AM], Kanada[CA], Kanada[CN], Vereinigte Staaten von Amerika[USA]
7	AP8229384	Soziussitz rot	1	<b>Baujahr:</b> 2003[3] <b>Fahrzeugfarbe:</b> Rot Tulip 2003[t.red] <b>Land:</b> Vereinigte Staaten von Amerika[AM], Kanada[CA], Kanada[CN], Vereinigte Staaten von Amerika[USA]
8	AP8152278	TE Schr. m. Flansch M6x16	3	

<b>Einheit</b>	RAHMEN
<b>Code</b>	28.12
<b>Beschreibung</b>	Heckaufbau I
<b>Inspektion</b>	1



Pos.	Code	Beschreibung	Menge	Varianten
1	AP8249452	Heckteil, nik grau	1	<b>Baujahr:</b> 2001[1], 2000[Y] <b>Fahrzeugfarbe:</b> "Grau Nik ""Racing"" 2000-2001"[gr/ye]
1	AP8249584	Heck schwarz Aprilia	1	<b>Baujahr:</b> 2001[1], 2000[Y] <b>Fahrzeugfarbe:</b> "Schwarz Aprilia ""Racing"" 2000-2001"[bl/re]
1	AP8249922	Heck hot red+Deko	1	<b>Baujahr:</b> 2001[1], 2000[Y] <b>Fahrzeugfarbe:</b> "Hot red ""Sport"" 2000-2001"[h.red]
1	AP8249928	Heckteil, e.blue+Deko	1	<b>Baujahr:</b> 2001[1], 2000[Y] <b>Fahrzeugfarbe:</b> "Electric Blue ""Sport"" 2000-2001"[el.bl]
1	AP8258209	Heck schwarz diablo	1	<b>Baujahr:</b> 2001[1] <b>Fahrzeugfarbe:</b> Schwarz Diablo 2001-2002[bl.di]
1	AP8258236	Heckteil, gelb+Deko	1	<b>Baujahr:</b> 2001[1] <b>Fahrzeugfarbe:</b> Zitronengelb 2001[le.ye]
1	AP8258483	Heckteil, schwarz+ Dekal	1	<b>Baujahr:</b> 2002[2] <b>Fahrzeugfarbe:</b> Schwarz Diablo 2001-2002[bl.di]
1	AP8258550	Heckteil, grau	1	<b>Baujahr:</b> 2002[2] <b>Fahrzeugfarbe:</b> Grau Dust 2002[du/gr]
1	AP8258677	Heckteil, silver	1	<b>Baujahr:</b> 2002[2] <b>Fahrzeugfarbe:</b> Silver Strained 2002[st.si]
1	AP8258730	Heck schwarz diablo	1	<b>Baujahr:</b> 2002[2] <b>Fahrzeugfarbe:</b> Haga 2002[haga]
1	AP8258782	Heckteil, d. schwarz	1	<b>Baujahr:</b> 2003[3] <b>Fahrzeugfarbe:</b> Tuono 2003[tuono] <b>Land:</b> Vereinigte Staaten von Amerika[AM], Kanada[CA], Kanada[CN], Vereinigte Staaten von Amerika[USA]
1	AP8258810	Heckteil, d. schwarz	1	<b>Baujahr:</b> 2003[3] <b>Fahrzeugfarbe:</b> "SBK ""Racing"" 2003"[sbk] <b>Land:</b> Vereinigte Staaten von Amerika[AM], Kanada[CA], Kanada[CN], Vereinigte Staaten von Amerika[USA]
1	AP8258823	Heckteil, d. schwarz	1	<b>Baujahr:</b> 2003[3] <b>Fahrzeugfarbe:</b> GP1 2003[gp1] <b>Land:</b> Vereinigte Staaten von Amerika[AM], Kanada[CA], Kanada[CN], Vereinigte Staaten von Amerika[USA]

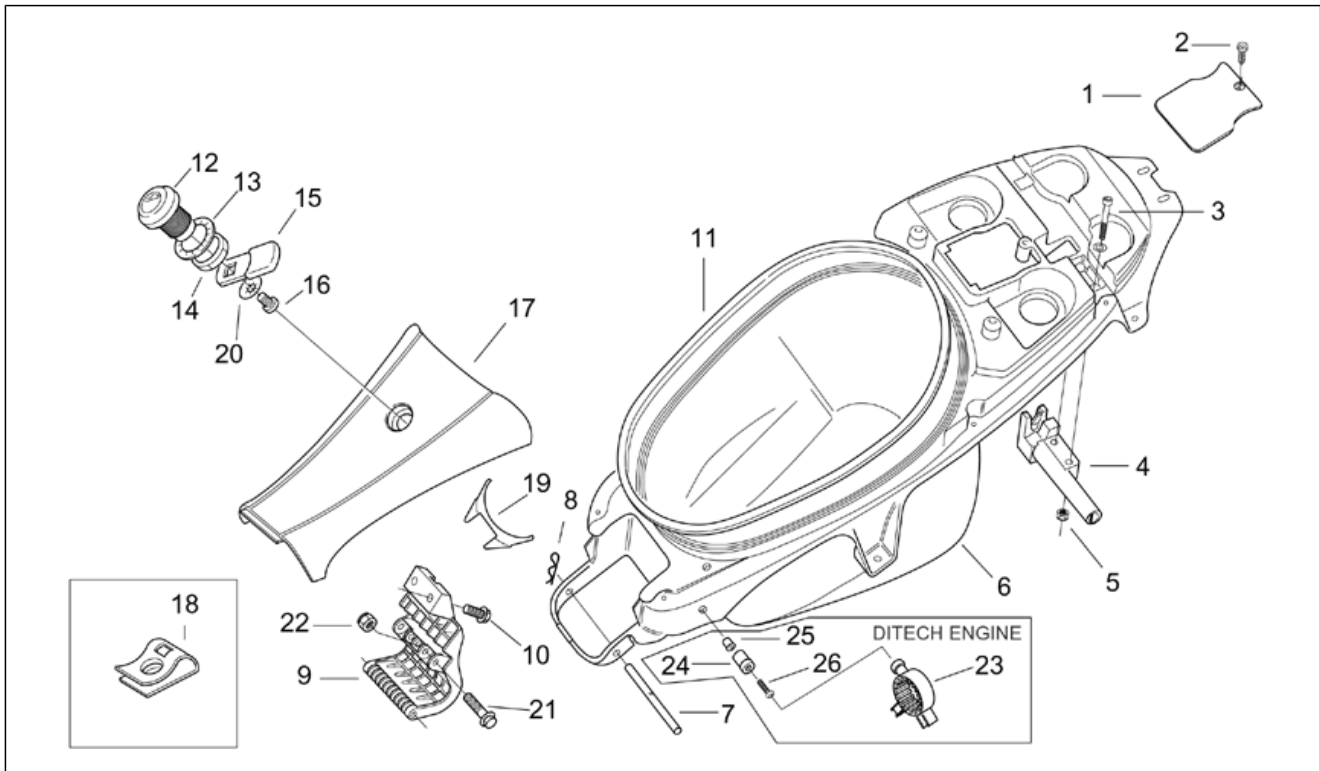
<b>Einheit</b>	RAHMEN
<b>Code</b>	28.12
<b>Beschreibung</b>	Heckaufbau I
<b>Inspektion</b>	1



Pos.	Code	Beschreibung	Menge	Varianten
1	AP8258830	Heckteil, blau	1	<b>Baujahr:</b> 2003[3], 2004[4] <b>Fahrzeugfarbe:</b> "Blau Limited ""Racing"" 2003"[b.lim] <b>Land:</b> Vereinigte Staaten von Amerika[AM], Kanada[CA], Kanada[CN], Vereinigte Staaten von Amerika[USA]
1	AP8258844	Heckteil, rot	1	<b>Baujahr:</b> 2003[3] <b>Fahrzeugfarbe:</b> Rot Tulip 2003[t.red] <b>Land:</b> Vereinigte Staaten von Amerika[AM], Kanada[CA], Kanada[CN], Vereinigte Staaten von Amerika[USA]
1	AP8258934	Heckteil, rot	1	<b>Baujahr:</b> 2003[3] <b>Fahrzeugfarbe:</b> Rot Fluo 2003[r.flu]
1	AP8268204	Heckteil, grau	1	<b>Baujahr:</b> 2004[4] <b>Fahrzeugfarbe:</b> Rot Fluo 2004[r.fluo] <b>Land:</b> Vereinigte Staaten von Amerika[AM], Kanada[CA], Kanada[CN], Vereinigte Staaten von Amerika[USA]
1	AP8268245	Heckteil, A.weiß	1	<b>Baujahr:</b> 2004[4] <b>Fahrzeugfarbe:</b> Replica Poggiali Weiß 2004[RP] <b>Land:</b> Vereinigte Staaten von Amerika[AM], Kanada[CA], Kanada[CN], Vereinigte Staaten von Amerika[USA]
2	AP8150413	Gew.schr. 3,9x14	10	
3	AP8201763	Clip f. Blechschr. D5,5*	4	
4	AP8249708	Verkl.stange schwarz	1	
5	AP8152277	TE Schr. m. Flansch M6x12	2	

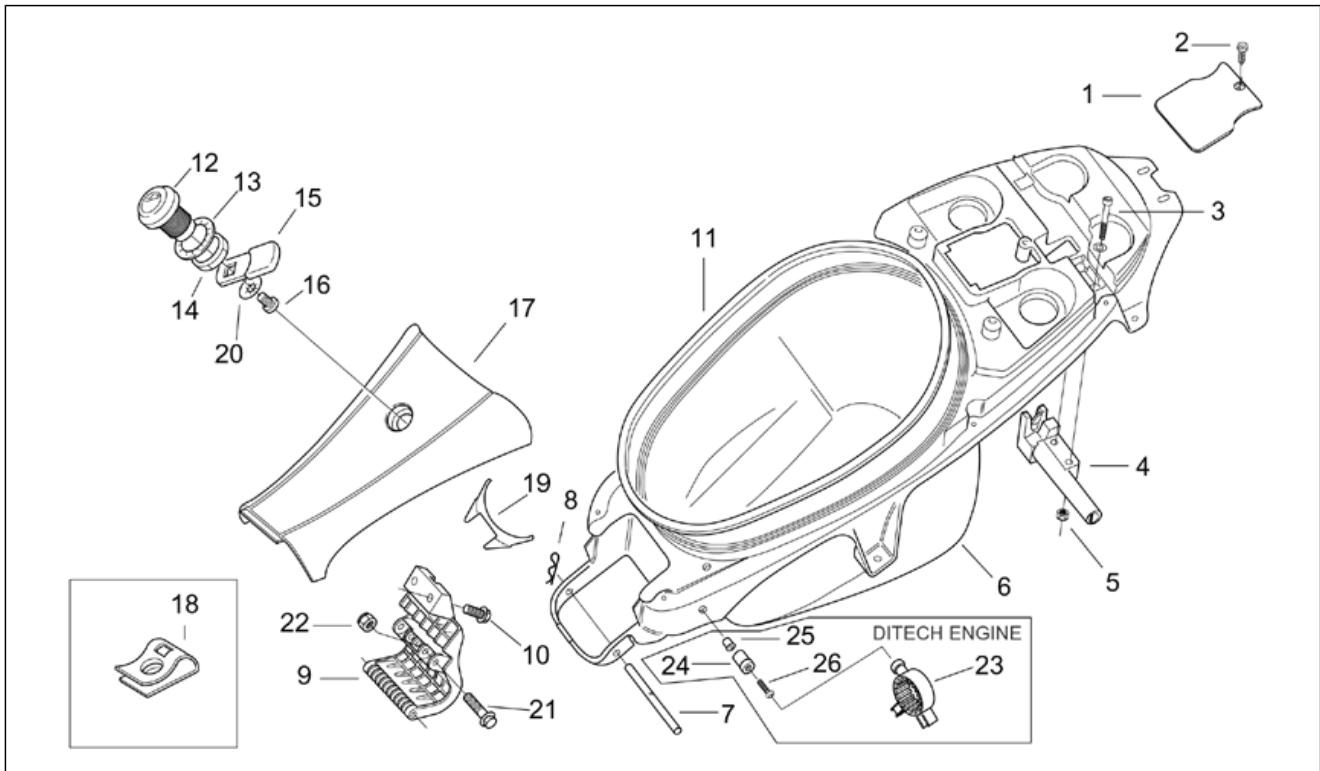


<b>Einheit</b>	RAHMEN
<b>Code</b>	28.13
<b>Beschreibung</b>	Heckaufbau II
<b>Inspektion</b>	1



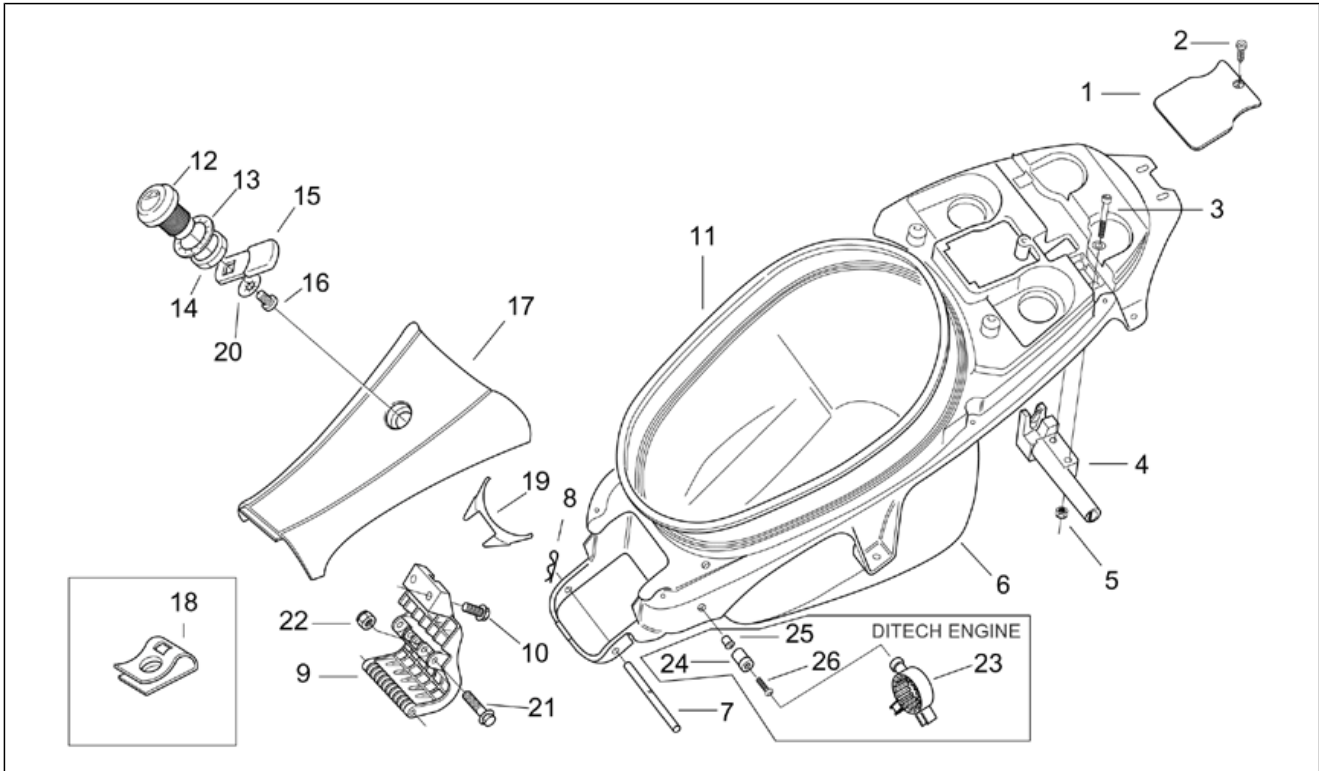
Pos.	Code	Beschreibung	Menge	Varianten
1	AP8238856	Klp. Benz.std.gb., schwarz	1	
2	AP8150413	Gew.schr. 3,9x14	1	
3	AP8152283	TE Schr. m. Flansch	2	
4	AP8202246	Sitzschloß	1	
5	AP8150430	Selbstperr.mut Unt.	2	
6	AP8258058	Schutzhelmfach	1	
7	AP8221321	Sitzgelenkbolzen	1	
8	AP8201643	Splint	1	
9	AP8238681	Sitzgelenk, schwarz	1	
10	AP8152279	TE Schr. m. Flansch M6x20	2	
11	AP8220313	Kofferdichtung	1	
12	AP8202247	Schloss	1	
13	AP8221312	Zahnscheibe	1	
14	AP8152194	Mutter unten M19x1*	1	
15	AP8201620	Hebel	1	
16	AP8201749	Linsenschraube M4x6	1	
17	AP8249532	Tunneldeckel, m.schwarz	1	<b>Baujahr:</b> 2002[2] <b>Fahrzeugfarbe:</b> Haga 2002[haga]
17	AP8249532	Tunneldeckel, m.schwarz	1	<b>Baujahr:</b> 2002[2] <b>Fahrzeugfarbe:</b> Silver Strained 2002[st.si]
17	AP8249532	Tunneldeckel, m.schwarz	1	<b>Fahrzeugfarbe:</b> Schwarz Diablo 2001-2002[bl.di], "Schwarz Aprilia ""Racing"" 2000-2001"[b/re], "Electric Blue ""Sport"" 2000-2001"[el.bl], "Grau Nik ""Racing"" 2000-2001"[gr/ye], "Hot red ""Sport"" 2000-2001"[h.red], Zitronengelb 2001[le.ze], Rot Fluo 2003[r.flu]
17	AP8249532	Tunneldeckel, m.schwarz	1	<b>Baujahr:</b> 2004[4] <b>Fahrzeugfarbe:</b> Replica Poggiali Weiß 2004[RP] <b>Land:</b> Vereinigte Staaten von Amerika[AM], Kanada[CA], Kanada[CN], Vereinigte Staaten von Amerika[USA]
17	AP8258561	Tunneldeckel, grau	1	<b>Baujahr:</b> 2003[3], 2004[4] <b>Fahrzeugfarbe:</b> "Blau Limited ""Racing"" 2003"[b.lim]

<b>Einheit</b>	RAHMEN
<b>Code</b>	28.13
<b>Beschreibung</b>	Heckaufbau II
<b>Inspektion</b>	1



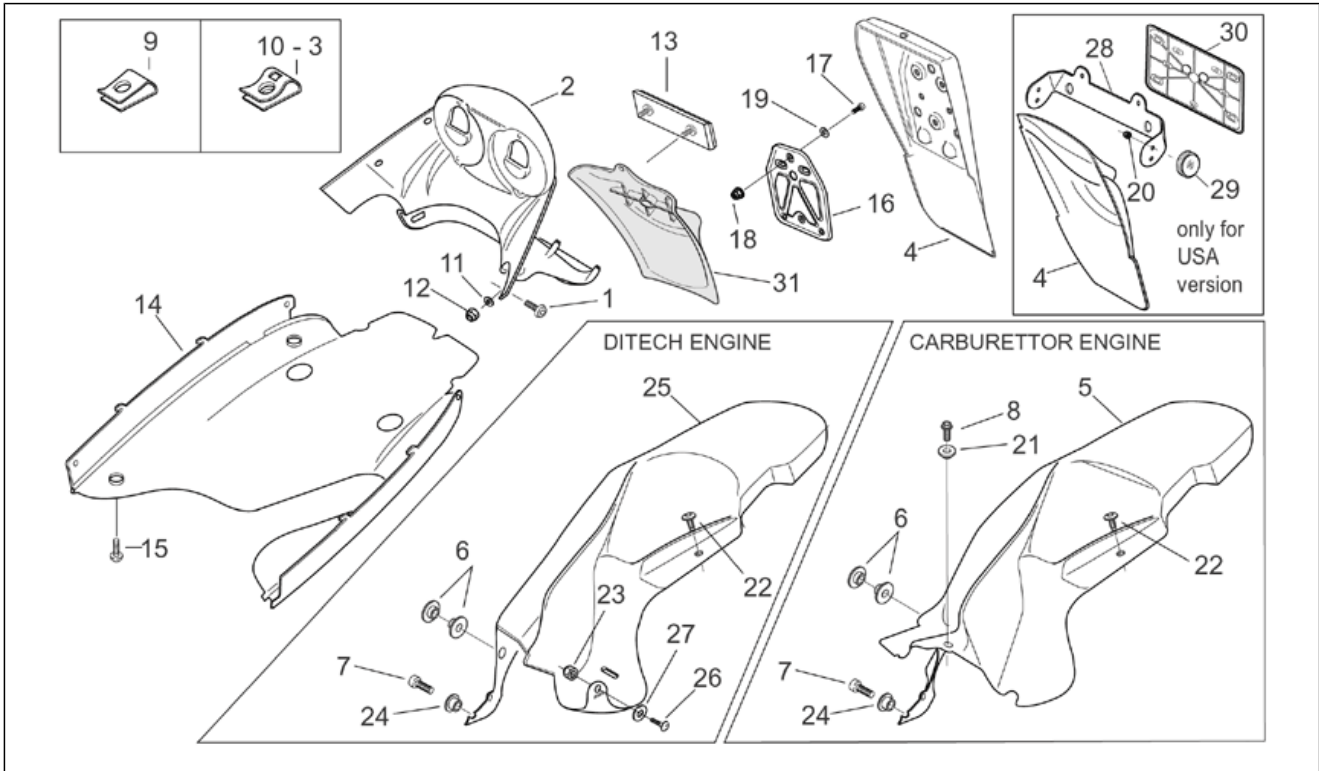
Pos.	Code	Beschreibung	Menge	Varianten
				Land:Vereinigte Staaten von Amerika[AM], Kanada[CA], Kanada[CN], Vereinigte Staaten von Amerika[USA]
17	AP8258561	Tunneldeckel, grau	1	Baujahr:2003[3] Fahrzeugfarbe:GP1 2003[gp1] Land:Vereinigte Staaten von Amerika[AM], Kanada[CA], Kanada[CN], Vereinigte Staaten von Amerika[USA]
17	AP8258561	Tunneldeckel, grau	1	Baujahr:2003[3] Fahrzeugfarbe:Rot Tulip 2003[t.red] Land:Vereinigte Staaten von Amerika[AM], Kanada[CA], Kanada[CN], Vereinigte Staaten von Amerika[USA]
17	AP8258561	Tunneldeckel, grau	1	Baujahr:2002[2] Fahrzeugfarbe:Grau Dust 2002[du/gr]
17	AP8258561	Tunneldeckel, grau	1	Baujahr:2004[4] Fahrzeugfarbe:Rot Fluo 2004[r.fluo] Land:Vereinigte Staaten von Amerika[AM], Kanada[CA], Kanada[CN], Vereinigte Staaten von Amerika[USA]
17	AP8258561	Tunneldeckel, grau	1	Baujahr:2003[3] Fahrzeugfarbe:"SBK ""Racing"" 2003"[sbk] Land:Vereinigte Staaten von Amerika[AM], Kanada[CA], Kanada[CN], Vereinigte Staaten von Amerika[USA]
17	AP8258789	Tunnelabdeck.	1	Baujahr:2003[3] Fahrzeugfarbe:Tuono 2003[tuono] Land:Vereinigte Staaten von Amerika[AM], Kanada[CA], Kanada[CN], Vereinigte Staaten von Amerika[USA]
18	AP8102376	Klammer M6	7	
19	AP8220468	Gummi Sitzgelenk	1	
20	AP8201748	Ausgleichscheibe	1	
21	AP8152282	TE Schr. m. Flansch M6x35	2	
22	AP8152299	Selbstsperrende Mutter M6	2	
23	AP8220592	Halter Kraftstoffpumpe	1	Technische Daten:"Motor ""DITECH"" mit Benzindirekteinspritzung"[ie]
24	AP8234195	Stift	1	Technische Daten:"Motor ""DITECH"" mit Benzindirekteinspritzung"[ie]

<b>Einheit</b>	RAHMEN
<b>Code</b>	28.13
<b>Beschreibung</b>	Heckaufbau II
<b>Inspektion</b>	1



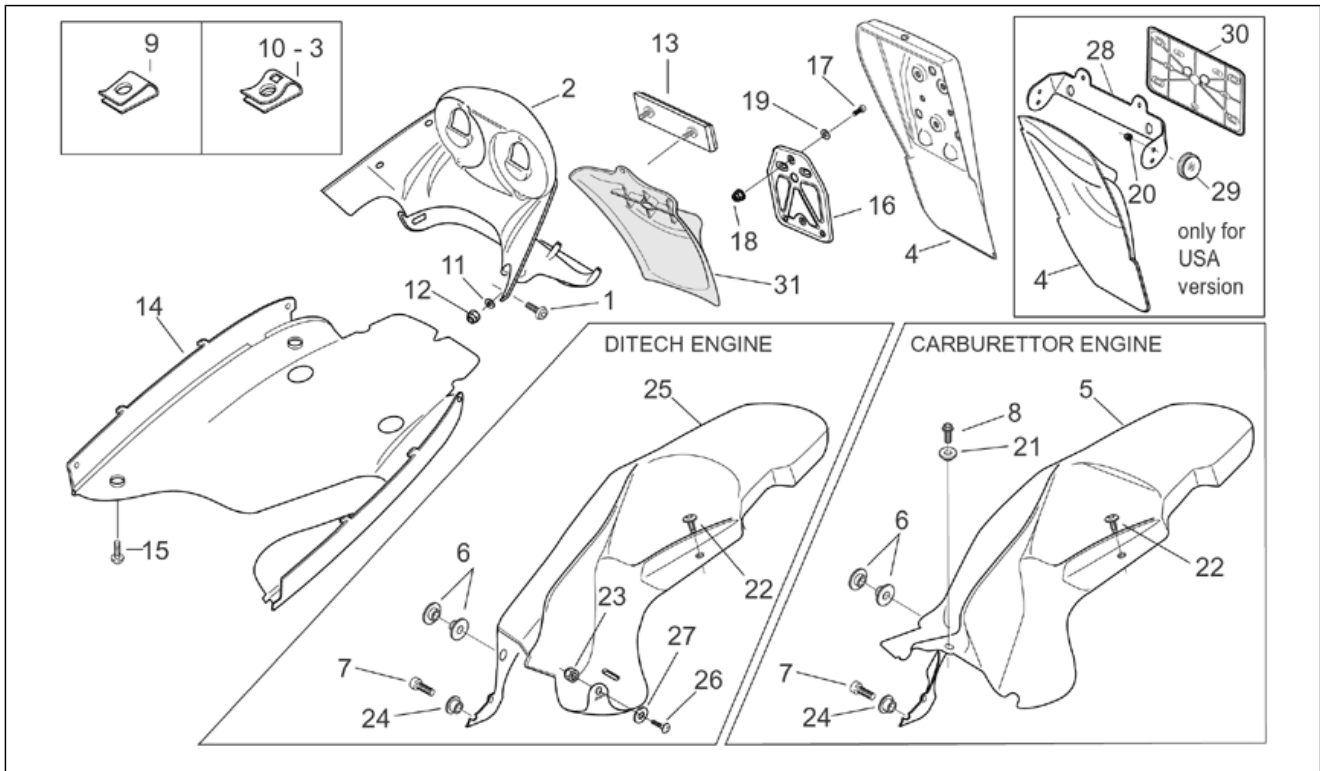
Pos.	Code	Beschreibung	Menge	Varianten
25	AP8120531	Gummi mit Einsatz	1	Technische Daten:"Motor ""DITECH"" mit Benzindirekteinspritzung"[ie]
26	AP8225369	TBEI Schraube	1	Technische Daten:"Motor ""DITECH"" mit Benzindirekteinspritzung"[ie]

<b>Einheit</b>	RAHMEN
<b>Code</b>	28.14
<b>Beschreibung</b>	Heckaufbau III
<b>Inspektion</b>	1



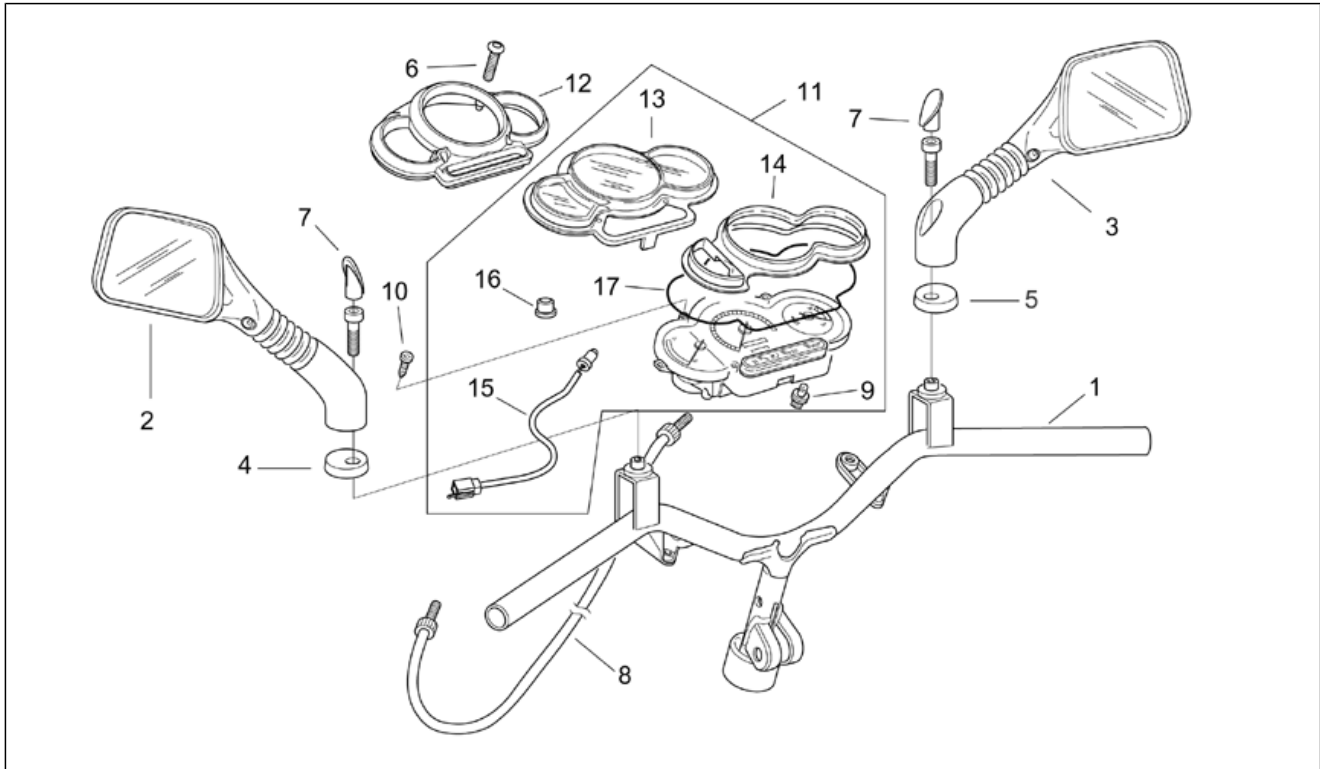
Pos.	Code	Beschreibung	Menge	Varianten
1	AP8152298	TBEI Schraube m.Flansch M5x16	2	
2	AP8226602	Kennzeichenpl., m.schwarz	1	<b>Land:</b> Australien[AA], Vereinigte Staaten von Amerika[AM], Australien[AUS], Kanada[CA], Kanada[CN], Vereinigte Staaten von Amerika[USA]
2	AP8226627	Kennzeichenplatte, schwarz	1	<b>Land:</b> Österreich[A], Belgien[B], Schweiz[CH], Deutschland[D], Dänemark[DK], Spanien[E], A, B, CH, D, DK, E, F, I, NL, P, UK[EU], Frankreich[F], Griechenland[GR], Italien[I], Japan[J], Japan[JJ], Holland[NL], Portugal[P], Großbritannien[UK]
3	AP8102376	Klammer M6	1	
4	AP8226603	Hinteres Spritzschutz m.schw.	1	<b>Land:</b> Vereinigte Staaten von Amerika[AM], Kanada[CA], Kanada[CN], Vereinigte Staaten von Amerika[USA]
4	AP8226626	Hinteres Spritzschutz, schw.	1	<b>Land:</b> Österreich[A], Australien[AA], Australien[AUS], Belgien[B], Schweiz[CH], Deutschland[D], Dänemark[DK], Spanien[E], A, B, CH, D, DK, E, F, I, NL, P, UK[EU], Frankreich[F], Griechenland[GR], Italien[I], Japan[J], Japan[JJ], Holland[NL], Portugal[P], Großbritannien[UK]
5	AP8226660	Hinteres Schutzblech	1	<b>Technische Daten:</b> Motor mit Vergaser[carb]
6	AP8221218	Buchse Schutzblech	2	
7	AP8150220	TCEI Schraube M6x30	1	
8	AP8152278	TE Schr. m. Flansch M6x16	1	<b>Technische Daten:</b> Motor mit Vergaser[carb]
9	AP8201763	Clip f. Blechschr. D5,5*	2	
10	AP8102375	Klammer M5	4	
11	AP8150158	Ausgleichscheibe 4,3X9X0,8	2	
12	AP8150204	Mutter M4	2	
13	AP8112916	Rückstrahler Rücklicht	1	
14	AP8249762	Tankschutz m.schwarz	1	
14	AP8258562	Tankschutz grau	1	
14	AP8258790	Tankschutz gold	1	
15	AP8152298	TBEI Schraube m.Flansch M5x16	4	
16	AP8249558	Kennzeichenhalter	1	<b>Land:</b> Italien[I]

<b>Einheit</b>	RAHMEN
<b>Code</b>	28.14
<b>Beschreibung</b>	Heckaufbau III
<b>Inspektion</b>	1



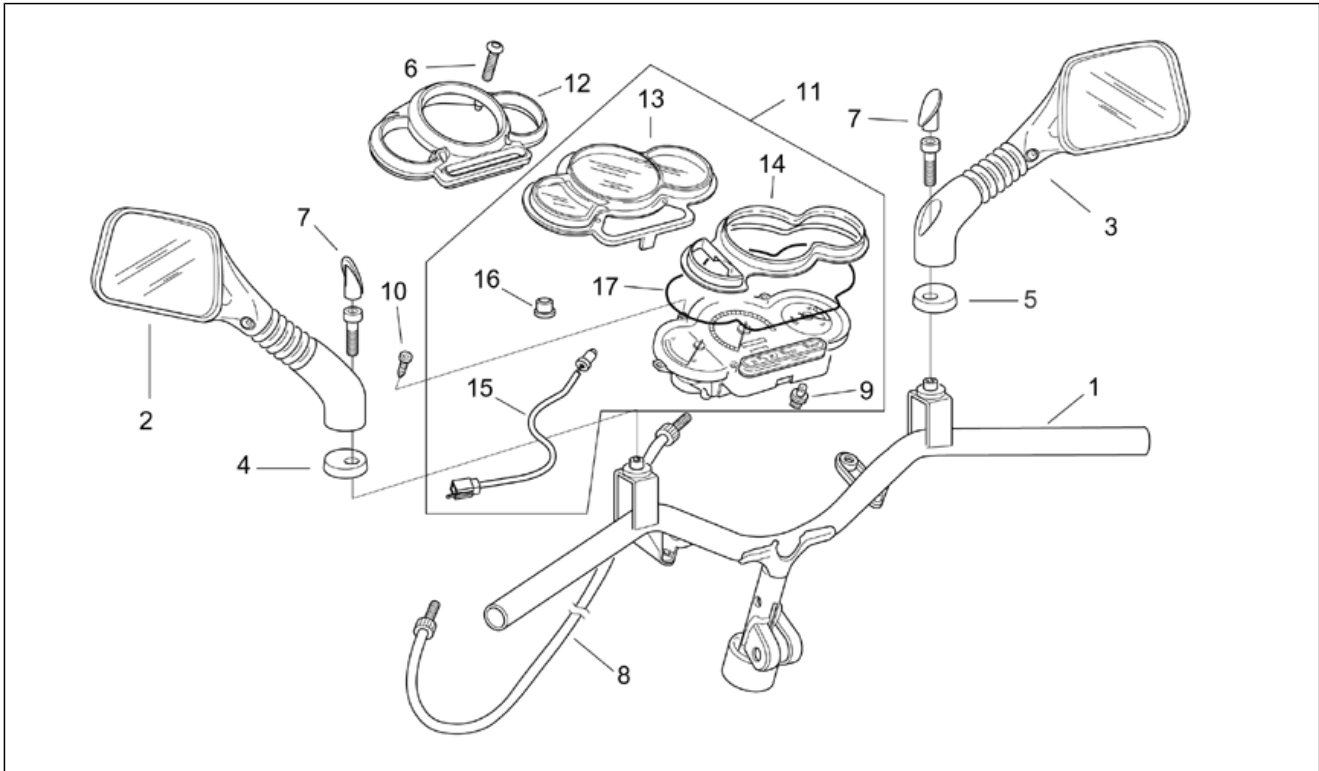
Pos.	Code	Beschreibung	Menge	Varianten
17	AP8152043	TCEI Schraube M4x10	3	Land:Italien[I]
18	AP8150204	Mutter M4	3	Land:Italien[I]
19	AP8150158	Ausgleichscheibe 4,3X9X0,8	3	Land:Italien[I]
20	AP8152306	Selbstsperrende Mutter M5	4	Land:Vereinigte Staaten von Amerika[AM], Kanada[CA], Kanada[CN], Vereinigte Staaten von Amerika[USA] Technische Daten:"Motor ""DITECH"" mit Benzindirekteinspritzung"[ie]
21	AP8121075	T-Buchse *	1	Technische Daten:Motor mit Vergaser[carb]
22	AP8152302	TBEI Schraube m.Flansch M5x12	1	
23	AP8150430	Selbstsperr.mut Unt.	1	Technische Daten:"Motor ""DITECH"" mit Benzindirekteinspritzung"[ie]
24	AP8121811	T-Buchse	1	
25	AP8226749	Hinteres Schutzblech	1	Baujahr:2002[2], 2003[3], 2004[4] Technische Daten:"Motor ""DITECH"" mit Benzindirekteinspritzung"[ie]
26	AP8152282	TE Schr. m. Flansch M6x35	1	Technische Daten:"Motor ""DITECH"" mit Benzindirekteinspritzung"[ie]
27	AP8121075	T-Buchse *	1	Technische Daten:"Motor ""DITECH"" mit Benzindirekteinspritzung"[ie]
28	AP8258253	H.rückstrahler Support	1	Land:Vereinigte Staaten von Amerika[AM], Kanada[CA], Kanada[CN], Vereinigte Staaten von Amerika[USA] Technische Daten:"Motor ""DITECH"" mit Benzindirekteinspritzung"[ie]
29	AP8224164	Rückstrahler Rücklicht, rot	2	Land:Vereinigte Staaten von Amerika[AM], Kanada[CA], Kanada[CN], Vereinigte Staaten von Amerika[USA] Technische Daten:"Motor ""DITECH"" mit Benzindirekteinspritzung"[ie]
30	AP8149034	Kennzeichenhalter	1	Land:Vereinigte Staaten von Amerika[AM], Kanada[CA], Kanada[CN], Vereinigte Staaten von Amerika[USA] Technische Daten:"Motor ""DITECH"" mit Benzindirekteinspritzung"[ie]
31	AP8149303	Halte.K-zeich.-beleu., schw.	1	Land:Australien[AA], Australien[AUS]

<b>Einheit</b>	RAHMEN
<b>Code</b>	28.15
<b>Beschreibung</b>	Lenkstange - Instrumenteneinheit
<b>Inspektion</b>	1



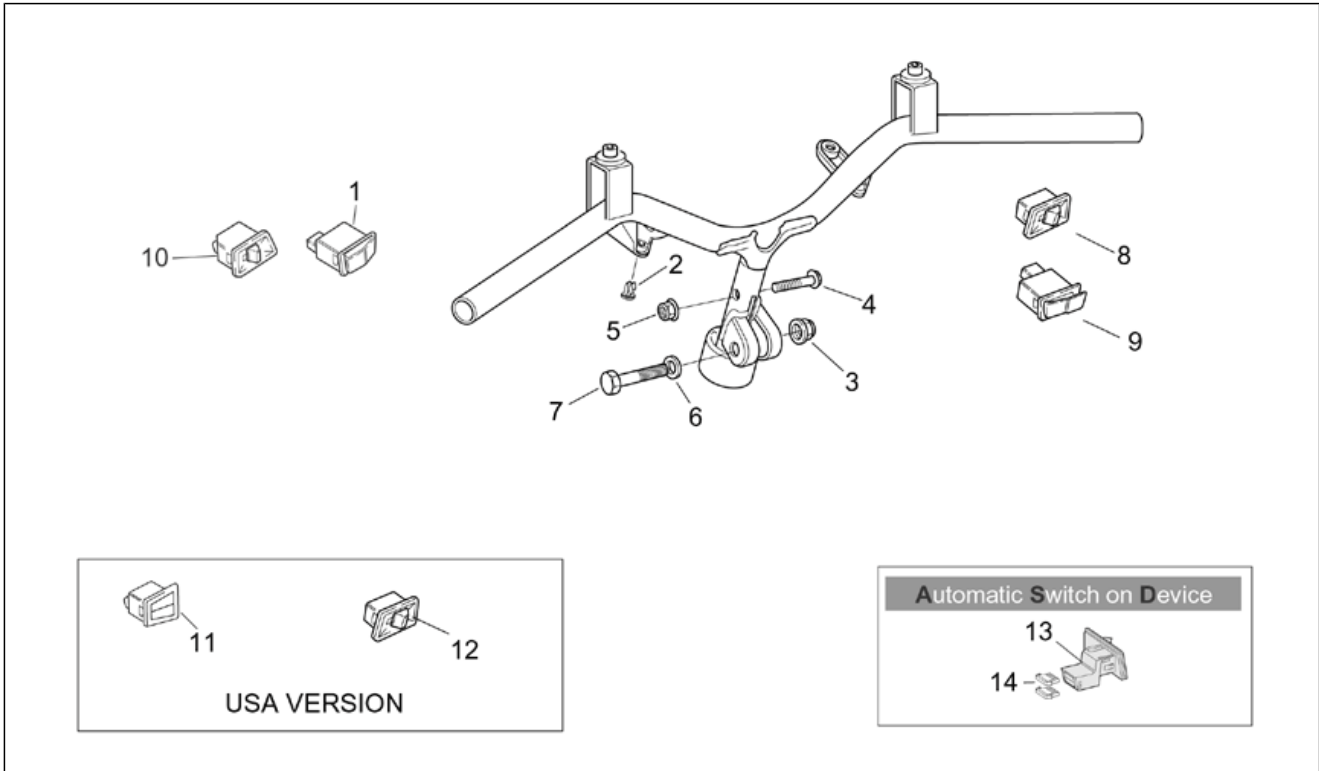
Pos.	Code	Beschreibung	Menge	Varianten
1	AP8218210	Lenkstange galv.	1	
2	AP8201976	Rückspiegel links	1	
3	AP8201975	Rückspiegel rechts	1	
4	AP8220454	Gummi linker Spiegel	1	
5	AP8220453	Gummi rechter Spiegel	1	
6	AP8221242	Gewindeschraube Spezial 3,5x20	4	
7	AP8202071	Verschl. Spgl rch + lks.	2	
8	AP8214163	Tachometerkabel	1	
9	AP8124762	Lampenhalter kplt.	7	
10	AP8150421	Gew.schr. 2,9x12	4	
11	AP8224321	Instrum.tafel kplt.	1	Land:Japan[J], Japan[JJ]
11	AP8224402	Instrum.tafel kplt.	1	Land:Vereinigte Staaten von Amerika[AM], Vereinigte Staaten von Amerika[USA] Technische Daten:"Motor ""DITECH"" mit Benzindirekteinspritzung"[ie]
11	AP8224484	Instrum.tafel kplt.	1	Land:Österreich[A], Australien[AA], Australien[AUS], Belgien[B], Schweiz[CH], Deutschland[D], Dänemark[DK], Spanien[E], A, B, CH, D, DK, E, F, I, NL, P, UK[EU], Frankreich[F], Italien[I], Holland[NL], Portugal[P], Großbritannien[UK] Technische Daten:"Motor ""DITECH"" mit Benzindirekteinspritzung"[ie]
11	AP8224485	Instrum.tafel kplt.	1	Land:Österreich[A], Belgien[B], Schweiz[CH], Deutschland[D], Dänemark[DK], Spanien[E], Frankreich[F], Griechenland[GR], Italien[I], Holland[NL], Portugal[P], Großbritannien[UK] Technische Daten:Motor mit Vergaser[carb]
11	AP8224521	Instrum.tafel kplt.	1	Land:Kanada[CA], Kanada[CN] Technische Daten:"Motor ""DITECH"" mit Benzindirekteinspritzung"[ie]
12	AP8249766	Blende ohne Kontrolleuchten	1	
13	AP8224344	Instrumentenblenden schutz	1	

<b>Einheit</b>	RAHMEN
<b>Code</b>	28.15
<b>Beschreibung</b>	Lenkstange - Instrumenteneinheit
<b>Inspektion</b>	1



Pos.	Code	Beschreibung	Menge	Varianten
14	AP8224345	Beleuchtungsschirm	1	
15	AP8224369	Verkabelung Instrumentenbrett	1	<b>Technische Daten:</b> "Motor ""DITECH"" mit Benzindirekteinspritzung"[ie]
16	AP8224368	Deckel	1	<b>Technische Daten:</b> Motor mit Vergaser[carb]
17	AP8220551	O-Ring	1	

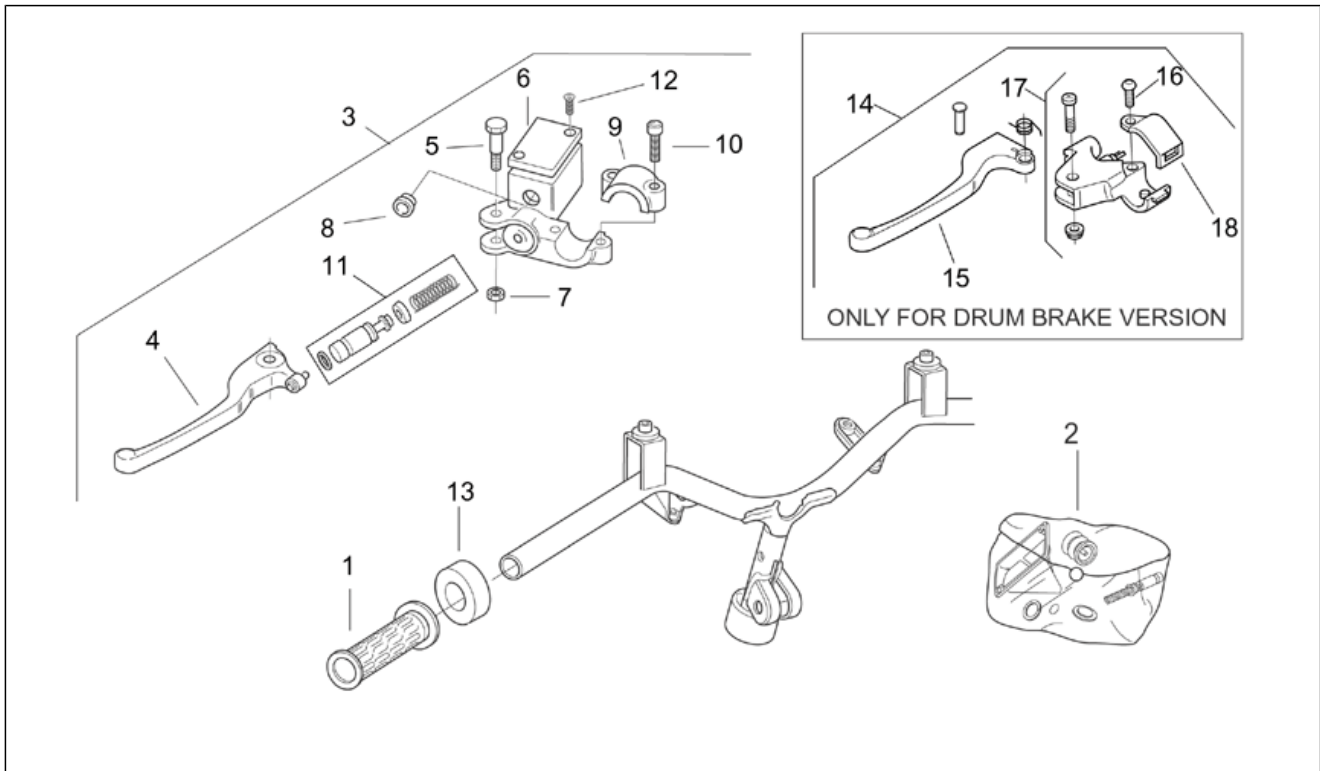
<b>Einheit</b>	RAHMEN
<b>Code</b>	28.16
<b>Beschreibung</b>	Lenkstange - Tasten
<b>Inspektion</b>	1



Pos.	Code	Beschreibung	Menge	Varianten
1	AP8124209	Hupknopf	1	
2	AP8102671	Kunststoffniet	2	
3	AP8152301	Selbstsperrende Mutter	1	
4	AP8152290	TE Schr. m. Flansch M8x40	1	
5	AP8152300	Selbstsperrende Mutter M8	2	
6	AP8150020	Ausgleichscheibe 10,5x21x2*	1	
7	AP8150086	TCEI Schraube	1	
8	AP8212837	2-Wege Lichtknopf	1	<b>Land:</b> Österreich[A], Australien[AA], Australien[AUS], Belgien[B], Schweiz[CH], Deutschland[D], Dänemark[DK], Spanien[E], A, B, CH, D, DK, E, F, I, NL, P, UK[EU], Frankreich[F], Griechenland[GR], Italien[I], Holland[NL], Portugal[P], Großbritannien[UK] <b>Technische Daten:</b> Lichtausschalter[SD]
8	AP8212994	2-Wege Lichtknopf	1	<b>Land:</b> Japan[J], Japan[JJ]
9	AP8124208	Startknopf	1	
10	AP8212767	Blinker Lichtknopf	1	
11	AP8124081	Lichtschalter	1	<b>Land:</b> Vereinigte Staaten von Amerika[AM], Kanada[CA], Kanada[CN], Vereinigte Staaten von Amerika[USA]
12	AP8224130	Stopschalter Motor	1	<b>Land:</b> Vereinigte Staaten von Amerika[AM], Kanada[CA], Kanada[CN], Vereinigte Staaten von Amerika[USA]
13	AP8104546	Deckel	1	<b>Land:</b> Österreich[A], Australien[AA], Australien[AUS], Belgien[B], Schweiz[CH], Deutschland[D], Dänemark[DK], Spanien[E], A, B, CH, D, DK, E, F, I, NL, P, UK[EU], Frankreich[F], Griechenland[GR], Italien[I], Holland[NL], Portugal[P], Großbritannien[UK] <b>Technische Daten:</b> Lichter immer eingeschaltet[ASD]
14	AP8127487	Verbinder	1	<b>Land:</b> Österreich[A], Australien[AA], Australien[AUS], Belgien[B], Schweiz[CH], Deutschland[D], Dänemark[DK], Spanien[E], A, B, CH, D, DK, E, F, I, NL, P, UK[EU], Frankreich[F], Griechenland[GR], Italien[I], Holland[NL], Portugal[P], Großbritannien[UK] <b>Technische Daten:</b> Lichter immer eingeschaltet[ASD]

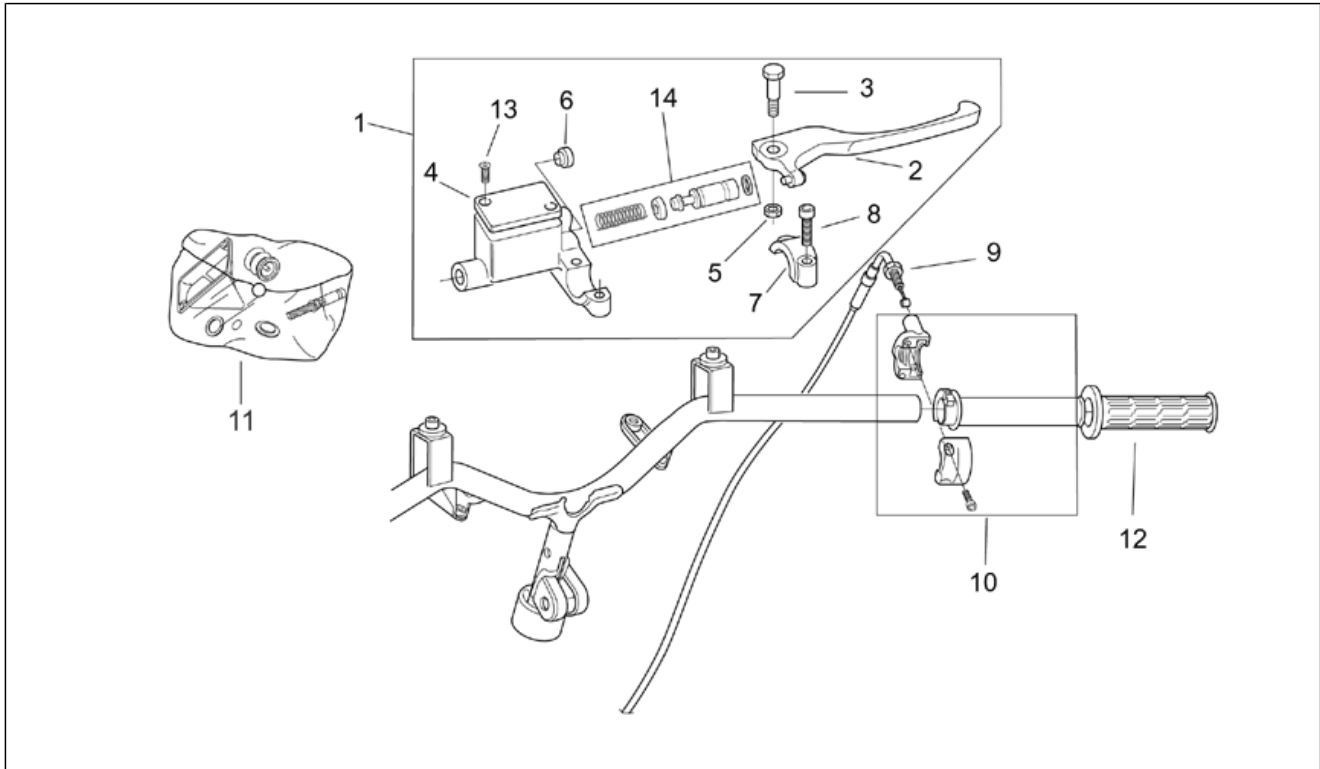


<b>Einheit</b>	RAHMEN
<b>Code</b>	28.17
<b>Beschreibung</b>	Schaltungen links
<b>Inspektion</b>	1



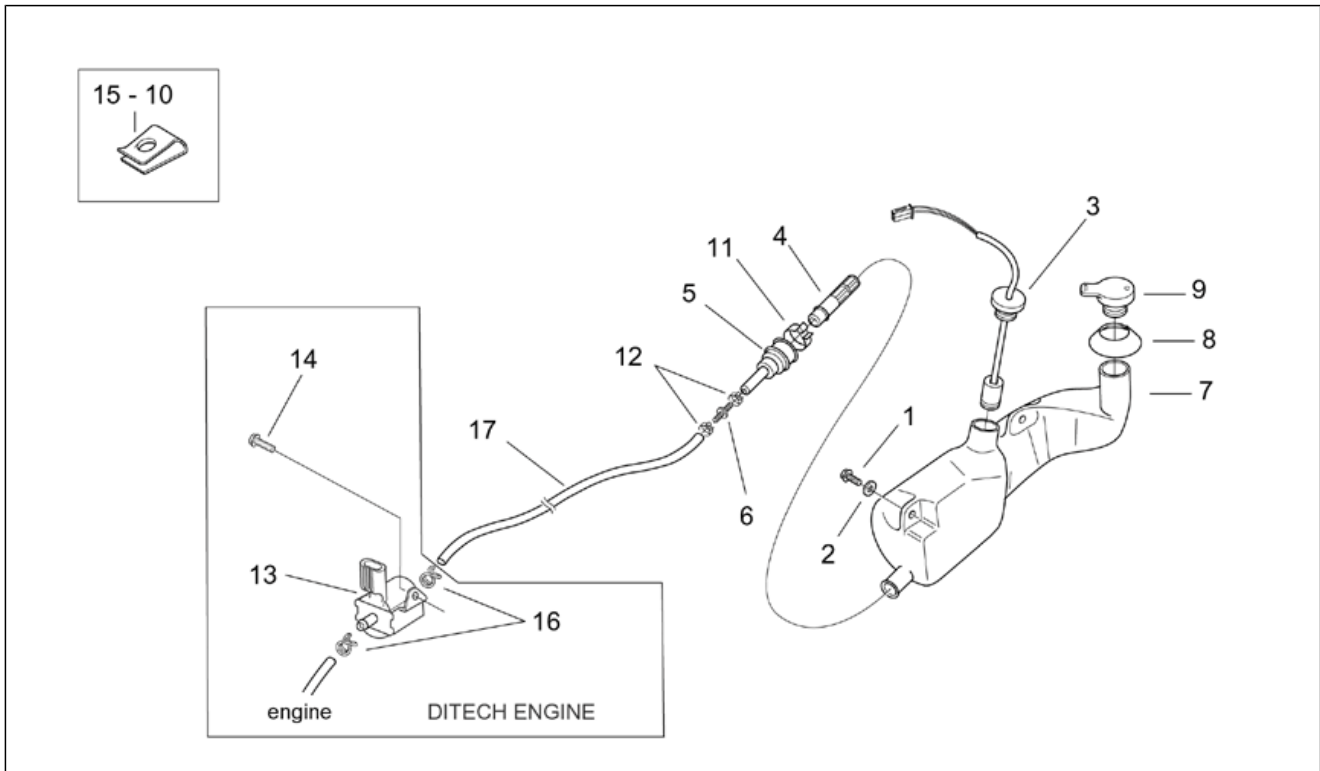
Pos.	Code	Beschreibung	Menge	Varianten
1	AP8218265	Handgriffe paar, grau	1	
1	AP8218275	Handgriffe paar, schwarz	1	
2	AP8213375	Bausatz Pumpenüberholung	1	<b>Technische Daten:</b> Scheibenbremse Hinterrad[f.d.]
3	AP8213485	Hinterradbremspumpe	1	<b>Technische Daten:</b> Scheibenbremse Hinterrad[f.d.]
4	AP8218549	Bremshebel, schwarz	1	<b>Technische Daten:</b> Scheibenbremse Hinterrad[f.d.]
5	AP8125757	Schraube Hebel	1	<b>Technische Daten:</b> Scheibenbremse Hinterrad[f.d.]
6	AP8213272	Tankdeckel	1	<b>Technische Daten:</b> Scheibenbremse Hinterrad[f.d.]
7	AP8213298	Mutter	1	<b>Technische Daten:</b> Scheibenbremse Hinterrad[f.d.]
8	AP8113414	Schauglas Bremspumpe	1	<b>Technische Daten:</b> Scheibenbremse Hinterrad[f.d.]
9	AP8113637	Bremshebel-Bügelbolzen	1	<b>Technische Daten:</b> Scheibenbremse Hinterrad[f.d.]
10	AP8213299	Kappenschraube	2	<b>Technische Daten:</b> Scheibenbremse Hinterrad[f.d.]
11	AP8113861	Kolben kpl.	1	<b>Technische Daten:</b> Scheibenbremse Hinterrad[f.d.]
12	AP8213400	Schraube Pumpendeckel	2	<b>Technische Daten:</b> Scheibenbremse Hinterrad[f.d.]
13	AP8148454	Verschluss Schutzblech	1	<b>Technische Daten:</b> Hinterrad-Trommelbremse[f.t.]
14	AP8218136	Linke Hinterradbremsschaltung	1	<b>Technische Daten:</b> Hinterrad-Trommelbremse[f.t.]
15	AP8218153	Hinterradbremshebel	1	<b>Technische Daten:</b> Hinterrad-Trommelbremse[f.t.]
16	AP8118472	Schraube	1	<b>Technische Daten:</b> Hinterrad-Trommelbremse[f.t.]
17	AP8218114	Bremshebelbolzen	1	<b>Technische Daten:</b> Hinterrad-Trommelbremse[f.t.]
18	AP8218154	Bremshebel-Bügelbolzen	1	<b>Technische Daten:</b> Hinterrad-Trommelbremse[f.t.]

<b>Einheit</b>	RAHMEN
<b>Code</b>	28.18
<b>Beschreibung</b>	Schaltungen rechts
<b>Inspektion</b>	1



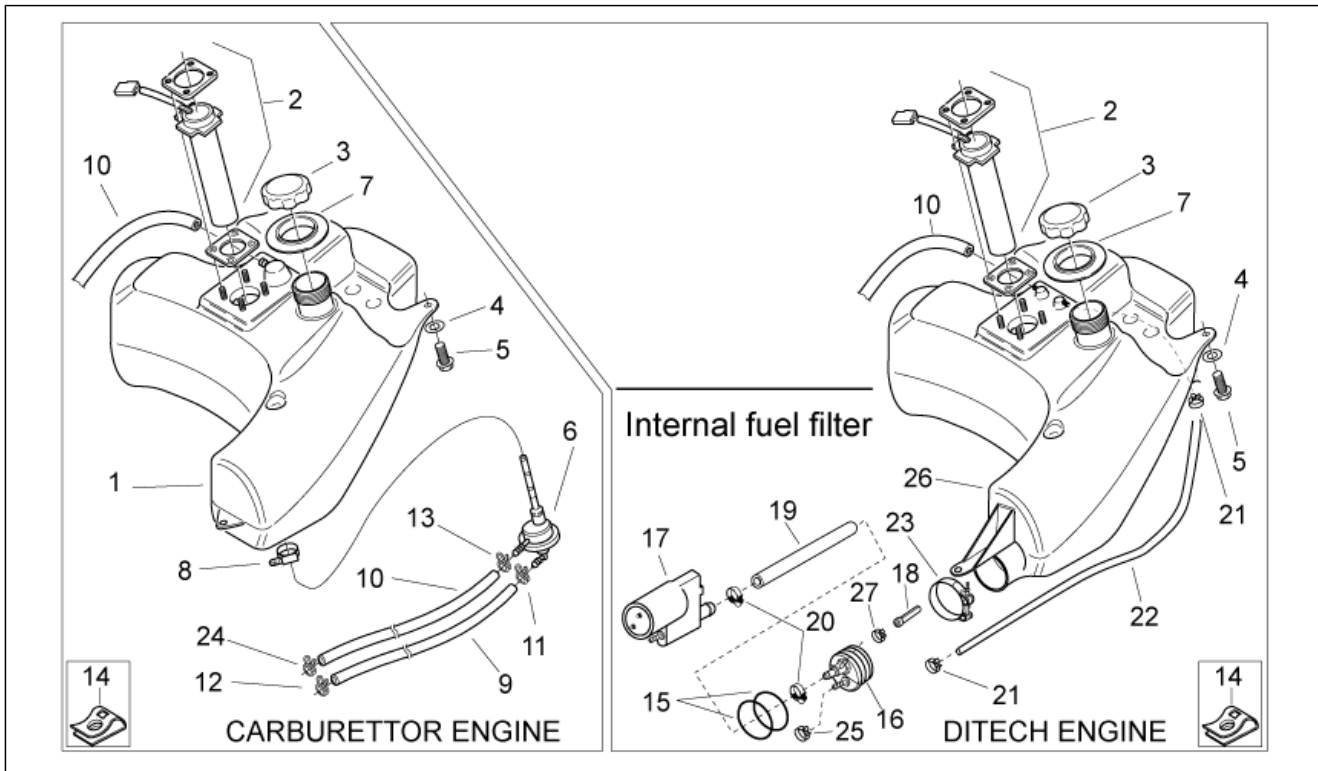
Pos.	Code	Beschreibung	Menge	Varianten
1	AP8213484	Vorderradbremspumpe d12	1	
2	AP8218549	Bremshebel, schwarz	1	
3	AP8125757	Schraube Hebel	1	
4	AP8213272	Tankdeckel	1	
5	AP8213298	Mutter	1	
6	AP8113414	Schauglas Bremspumpe	1	
7	AP8113637	Bremshebel-Bügelbolzen	1	
8	AP8213299	Kappenschraube	2	
9	AP8214202	Gaszugkabel	1	<b>Technische Daten:</b> "Motor ""DITECH"" mit Benzindirekteinspritzung"[ie]
9	AP8214203	Gaszugkabel	1	<b>Technische Daten:</b> Motor mit Vergaser[carb]
10	AP8218331	Gasschaltung ohne Griff	1	
11	AP8213375	Bausatz Pumpenüberholung	1	
12	AP8218265	Handgriffe paar, grau	1	
12	AP8218275	Handgriffe paar, schwarz	1	
13	AP8213400	Schraube Pumpendeckel	2	
14	AP8113861	Kolben kpl.	1	

<b>Einheit</b>	RAHMEN
<b>Code</b>	28.19
<b>Beschreibung</b>	Ölbehälter
<b>Inspektion</b>	1



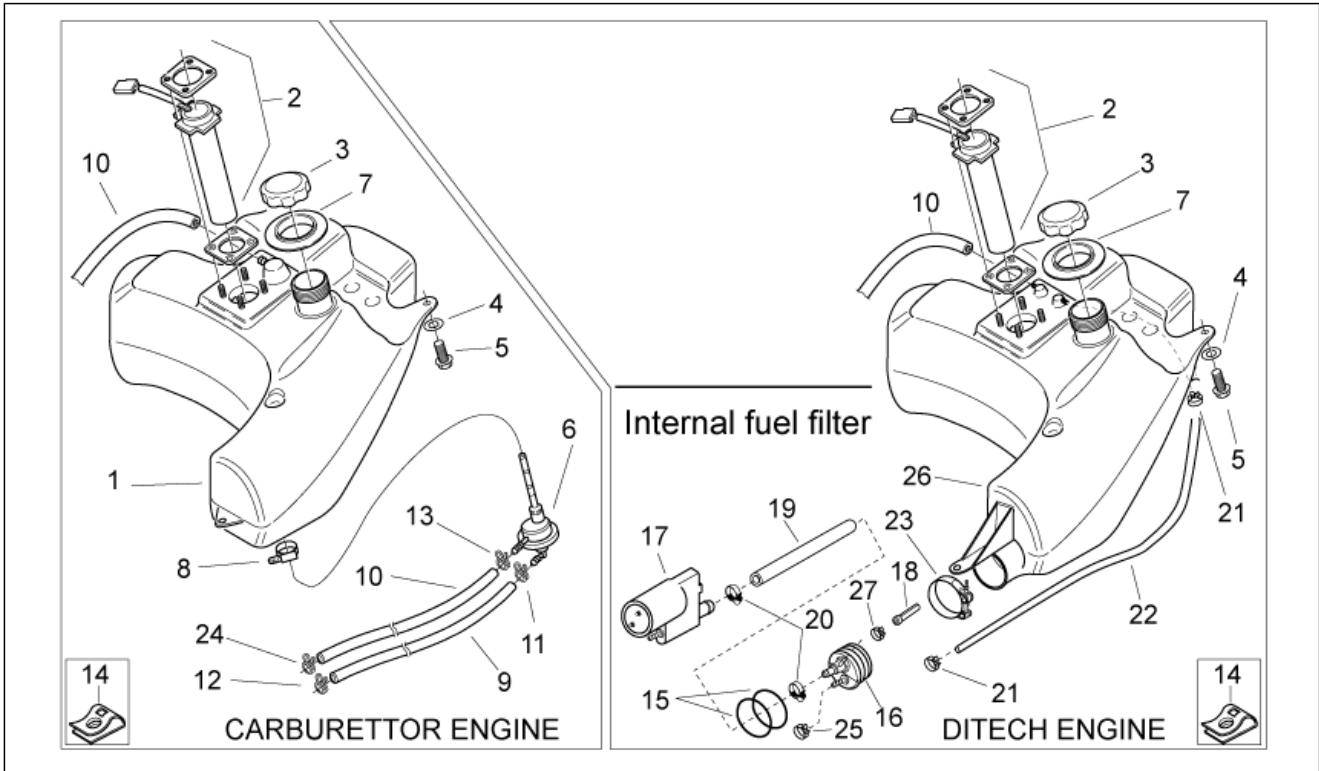
Pos.	Code	Beschreibung	Menge	Varianten
1	AP8152279	TE Schr. m. Flansch M6x20	2	
2	AP8150015	Ausgleichscheibe 6,6x18x1,6*	2	
3	AP8124811	Anzeige Ölreserve	1	
4	AP8102224	Gemisch-Ölfilter	1	
5	AP8102223	Gummi *	1	
6	AP8101944	2-Wege Anschluß	1	
7	AP8238433	Öltank	1	
8	AP8220195	Ölabstreifring	1	
9	AP8220421	Öltankschraube	1	
10	AP8102376	Klammer M6	2	
11	AP8101743	Schlauchschelle D23,5x8*	1	
12	AP8101770	Schlauchschelle D8x5,5*	2	
13	AP8222708	Ölpumpe	1	<b>Technische Daten:</b> "Motor ""DITECH"" mit Benzindirekteinspritzung"[ie]
14	AP8152272	TE Schr. m. Flansch M5x12	1	<b>Technische Daten:</b> "Motor ""DITECH"" mit Benzindirekteinspritzung"[ie]
15	AP8102375	Klammer M5	1	<b>Technische Daten:</b> "Motor ""DITECH"" mit Benzindirekteinspritzung"[ie]
16	AP8101770	Schlauchschelle D8x5,5*	2	<b>Technische Daten:</b> "Motor ""DITECH"" mit Benzindirekteinspritzung"[ie]
17	AP8220402	Leitung 5x9	1	

<b>Einheit</b>	RAHMEN
<b>Code</b>	28.20
<b>Beschreibung</b>	Kraftstofftank
<b>Inspektion</b>	1



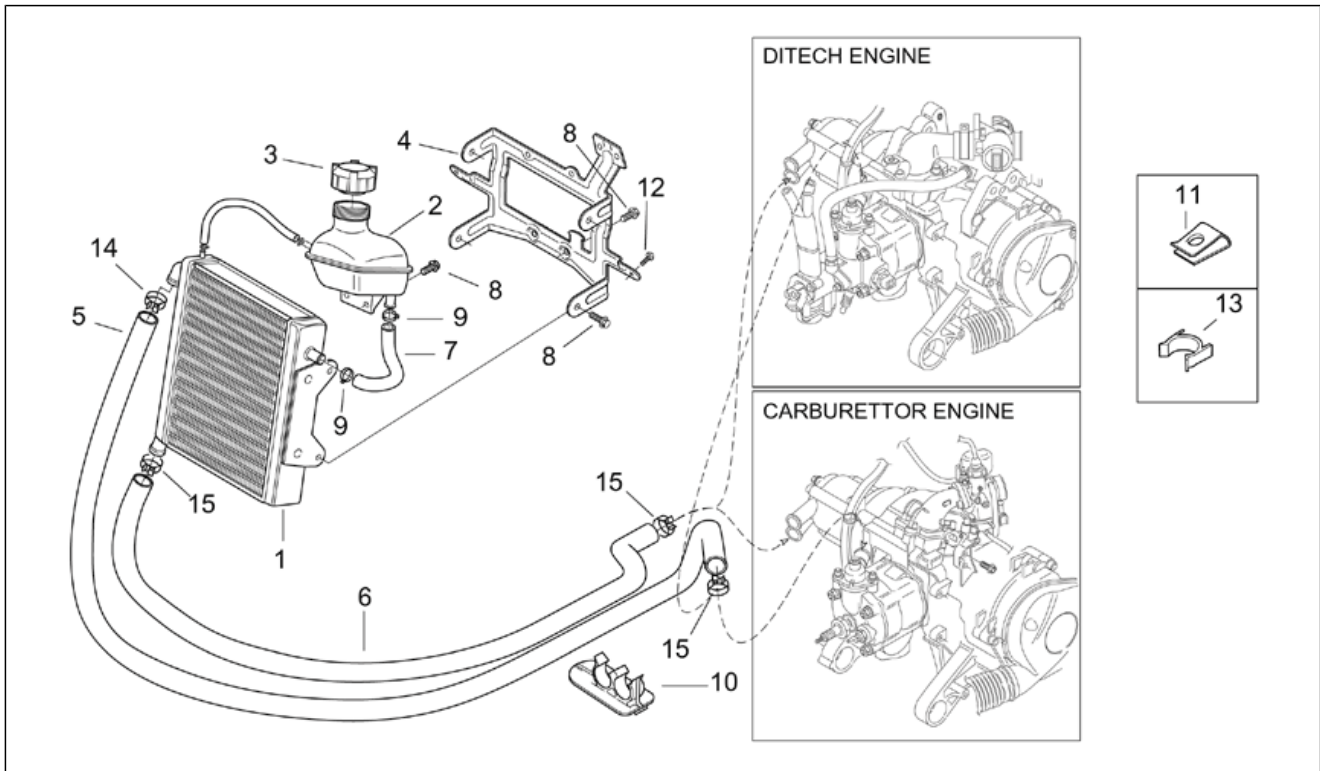
Pos.	Code	Beschreibung	Menge	Varianten
1	AP8239471	Kraftstofftank	1	<b>Technische Daten:</b> Motor mit Vergaser[carb]
2	AP8124814	Kraftstoffmeßsonde	1	
3	AP8201757	Tankverschlußschraube	1	
4	AP8150015	Ausgleichscheibe 6,6x18x1,6*	3	
5	AP8152279	TE Schr. m. Flansch M6x20	3	
6	AP8201824	Unterdruck-Kraftstoffhahn	1	<b>Technische Daten:</b> Motor mit Vergaser[carb]
7	AP8220472	Gummi Tankstutzen	1	
8	AP8101573	Schelle D16-24x8*	1	<b>Technische Daten:</b> Motor mit Vergaser[carb]
9	AP8120952	Kraftstoffleitung 5,5x10	1	<b>Technische Daten:</b> Motor mit Vergaser[carb]
10	AP8220263	Entlüftungsschlauch Kühler 4x8	1	
11	AP8101595	Schelle D10,1	1	<b>Technische Daten:</b> Motor mit Vergaser[carb]
12	AP8102811	Schelle D9,6	1	<b>Technische Daten:</b> Motor mit Vergaser[carb]
13	AP8102377	Schelle D9,1*	1	<b>Technische Daten:</b> Motor mit Vergaser[carb]
14	AP8102376	Klammer M6	2	
15	AP8220596	O-Ring 37,69x3,53	2	<b>Technische Daten:</b> "Motor ""DITECH"" mit Benzindirekteinspritzung"[ie]
16	AP8276065	Flansch Benzintank	1	<b>Technische Daten:</b> "Motor ""DITECH"" mit Benzindirekteinspritzung"[ie]
17	854933	Kraftstoffpumpe	1	<b>Technische Daten:</b> "Motor ""DITECH"" mit Benzindirekteinspritzung"[ie], Einzelne Benzinpumpe[single]
17	AP8176137	Benzinpumpe kpl.	1	<b>Technische Daten:</b> "Motor ""DITECH"" mit Benzindirekteinspritzung"[ie], Benzinpumpe für Garantieeingriffe[warr]
18	AP8202436	Kraftstofffilter, Kit	1	<b>Technische Daten:</b> "Motor ""DITECH"" mit Benzindirekteinspritzung"[ie]
19	AP8220597	Kraftstoffleitung	1	<b>Technische Daten:</b> Länge 60 mm[60mm], "Motor ""DITECH"" mit Benzindirekteinspritzung"[ie]
20	AP8102273	Schlauchschele	4	<b>Technische Daten:</b> "Motor ""DITECH"" mit Benzindirekteinspritzung"[ie]

<b>Einheit</b>	RAHMEN
<b>Code</b>	28.20
<b>Beschreibung</b>	Kraftstofftank
<b>Inspektion</b>	1



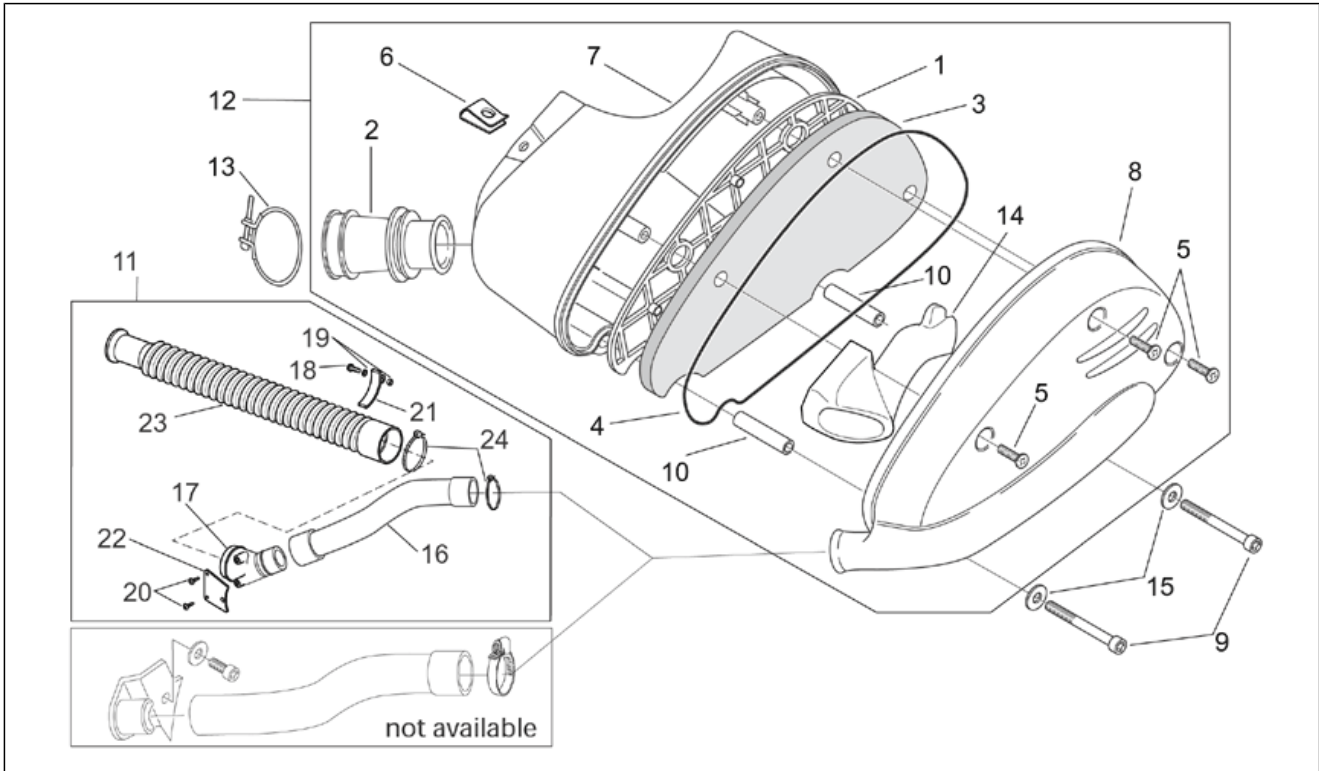
Pos.	Code	Beschreibung	Menge	Varianten
21	AP8201225	Schlauchschelle D8,5x5,5	2	<b>Technische Daten:</b> "Motor ""DITECH"" mit Benzindirekteinspritzung"[ie]
22	AP8220598	Entlüftungsschlauch Kühler	1	<b>Technische Daten:</b> "Motor ""DITECH"" mit Benzindirekteinspritzung"[ie]
23	AP8258059	Verschl. Flansch	1	<b>Technische Daten:</b> "Motor ""DITECH"" mit Benzindirekteinspritzung"[ie]
24	AP8120179	Schelle D8	1	<b>Technische Daten:</b> Motor mit Vergaser[carb]
25	AP8102764	Schlauchschelle weiß d.13x6	1	<b>Technische Daten:</b> "Motor ""DITECH"" mit Benzindirekteinspritzung"[ie]
26	AP8249300	Kraftstofftank	1	<b>Technische Daten:</b> "Motor ""DITECH"" mit Benzindirekteinspritzung"[ie]
27	AP8102349	Schlauchschelle weiß D17,5x8	1	<b>Technische Daten:</b> "Motor ""DITECH"" mit Benzindirekteinspritzung"[ie]

<b>Einheit</b>	RAHMEN
<b>Code</b>	28.21
<b>Beschreibung</b>	Kühlanlage
<b>Inspektion</b>	1



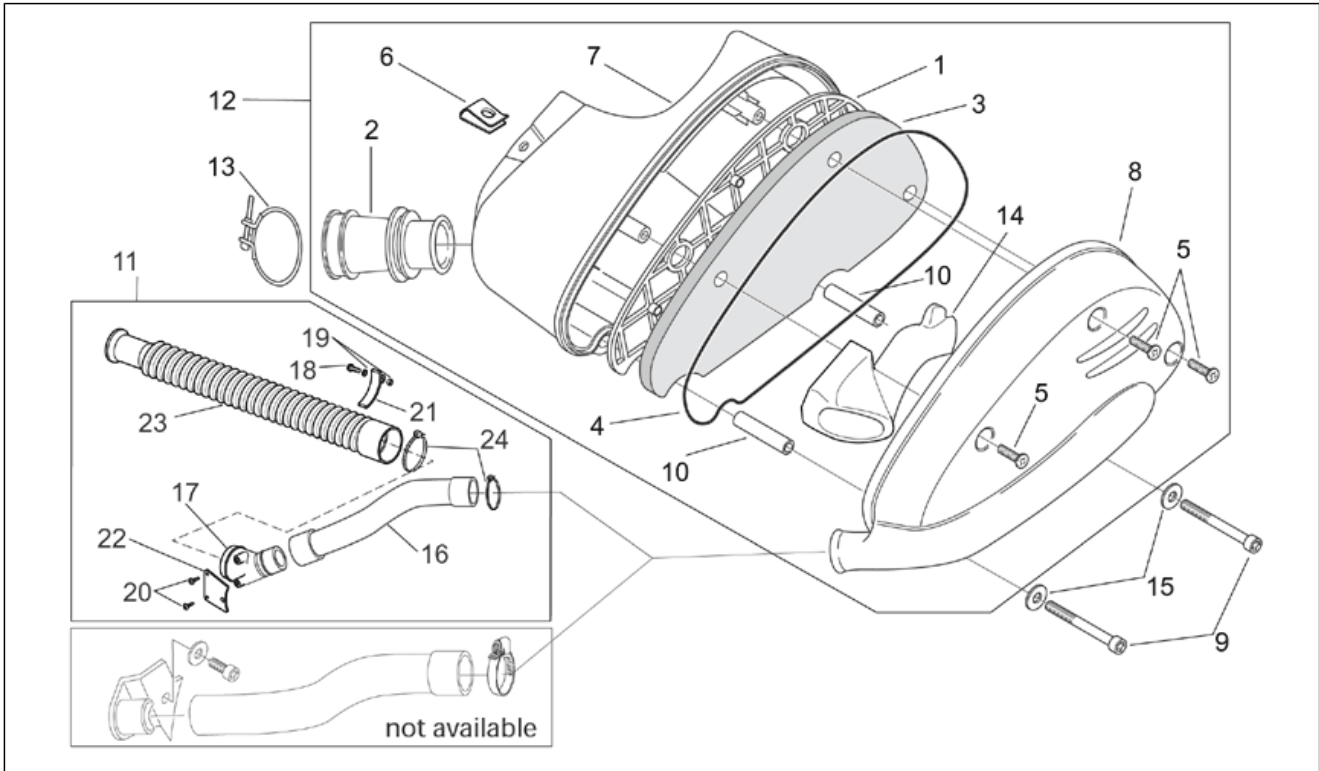
Pos.	Code	Beschreibung	Menge	Varianten
1	AP8201695	Kühler, schwarz	1	
1	AP8202212	Kühler, aluminium	1	
2	AP8238750	Ausdehngefäß	1	
3	AP8101912	Kühlerschraube unbelüftet	1	
4	AP8232941	Kühlerbefestigung	1	
5	AP8220565	Zylinderkopf-Kühlerschlauch	1	
6	AP8220578	Pumpen-Kühlerschlauch	1	
7	AP8220474	Schlauch Ausdehngefäß-Kühler	1	
8	AP8152278	TE Schr. m. Flansch M6x16	6	
9	AP8102765	Schlauchschele weiß D.13,5x6	2	
10	AP8238769	Wasserschlauchhalter	1	
11	AP8102376	Klammer M6	7	
12	AP8152246	TBEI Schraube m.Flansch M6x16	1	
13	AP8201807	Kabelführungs D22	2	
14	AP8101573	Schelle D16-24x8*	1	
15	AP8102732	Schelle 17-25	2	

<b>Einheit</b>	RAHMEN
<b>Code</b>	28.22
<b>Beschreibung</b>	Filtergehäuse
<b>Inspektion</b>	1



Pos.	Code	Beschreibung	Menge	Varianten
1	AP8249582	Stütznetz Filter	1	
2	AP8220587	Vergasermuffe	1	
3	AP8202204	Luftfilter	1	<b>Baujahr:</b> 2000[Y] <b>Technische Daten:</b> Version mit voller Leistung[fp], "Motor ""DITECH"" mit Benzindirekteinspritzung"[ie]
3	AP8202204	Luftfilter	1	<b>Baujahr:</b> 2001[1] <b>Technische Daten:</b> Motor mit Vergaser[carb]
3	AP8202204	Luftfilter	1	<b>Baujahr:</b> 2001[1] <b>Land:</b> Österreich[A], Australien[AA], Australien[AUS], Belgien[B], Schweiz[CH], Deutschland[D], Dänemark[DK], Spanien[E], A, B, CH, D, DK, E, F, I, NL, P, UK[EU], Frankreich[F], Italien[I], Japan[J], Japan[JJ], Holland[NL], Portugal[P], Großbritannien[UK] <b>Technische Daten:</b> Version mit voller Leistung[fp], "Motor ""DITECH"" mit Benzindirekteinspritzung"[ie]
3	AP8202281	Luftfilter	1	<b>Baujahr:</b> 2000[Y] <b>Technische Daten:</b> Version mit Leistungsminderung 25 Kw[25k], "Motor ""DITECH"" mit Benzindirekteinspritzung"[ie]
3	AP8202281	Luftfilter	1	<b>Baujahr:</b> 2001[1] <b>Land:</b> Vereinigte Staaten von Amerika[AM], Vereinigte Staaten von Amerika[USA] <b>Technische Daten:</b> "Motor ""DITECH"" mit Benzindirekteinspritzung"[ie]
3	AP8202281	Luftfilter	1	<b>Baujahr:</b> 2001[1] <b>Technische Daten:</b> Motor mit Vergaser[carb]
3	AP8202281	Luftfilter	1	<b>Baujahr:</b> 2000[Y] <b>Technische Daten:</b> Version mit voller Leistung[fp], "Motor ""DITECH"" mit Benzindirekteinspritzung"[ie]
3	AP8202281	Luftfilter	1	<b>Baujahr:</b> 2001[1] <b>Land:</b> Österreich[A], Australien[AA], Australien[AUS], Belgien[B], Schweiz[CH], Deutschland[D], Dänemark[DK], Spanien[E], A, B, CH, D, DK, E, F, I, NL, P, UK[EU],

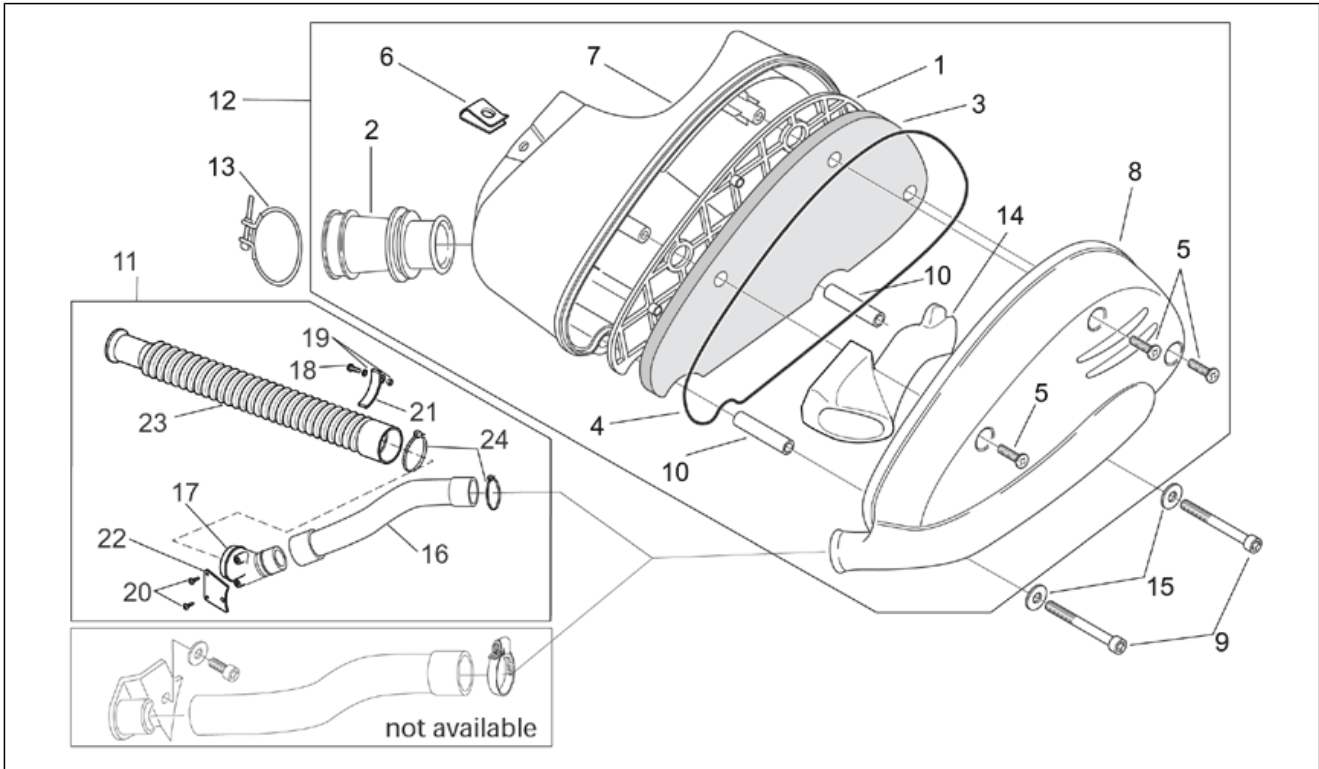
<b>Einheit</b>	RAHMEN
<b>Code</b>	28.22
<b>Beschreibung</b>	Filtergehäuse
<b>Inspektion</b>	1



Pos.	Code	Beschreibung	Menge	Varianten
				Frankreich[F], Italien[I], Japan[J], Japan[J], Holland[NL], Portugal[P], Großbritannien[UK] <b>Technische Daten:</b> Version mit voller Leistung[fp], "Motor ""DITECH"" mit Benzindirekteinspritzung"[ie]
3	AP8202281	Luftfilter	1	<b>Baujahr:</b> 2002[2], 2003[3], 2004[4]
3	AP8202281	Luftfilter	1	<b>Baujahr:</b> 2001[1] <b>Land:</b> Belgien[B], Deutschland[D], Dänemark[DK], A, B, CH, D, DK, E, F, I, NL, P, UK[EU], Holland[NL] <b>Technische Daten:</b> Version mit Leistungsminderung 25 Kw[25k], "Motor ""DITECH"" mit Benzindirekteinspritzung"[ie]
4	AP8120593	Dichtung D4	1	
5	AP8152329	Kreuz.schl.flnschschr. M5x20	3	
6	AP8102375	Klammer M5	1	
7	AP8249298	Filtereinsatzgehäuse	1	
8	AP8249299	Deckel Filtergehäuse	1	
9	AP8150157	TCEI Schraube M6x60	2	
10	AP8121984	Distanzscheibe	2	
11	AP8202280	Lufteinlaß kit	1	
12	AP8249956	Filterkasten	1	
13	AP8201799	Muffenschelle	1	
14	AP8220588	Filtergehäuse Hülse	1	
15	AP8152181	Scheibe 6,4x15x1	2	
16	AP8220603	Ansaugmuffe	1	
17	AP8220604	Anschluss	1	
18	AP8152274	TE Schr. m. Flansch M5x20	1	
19	AP8152306	Selbstsperrende Mutter M5	1	
20	AP8150413	Gew.schr. 3,9x14	2	
21	AP8234200	Schlauchschutz	1	
22	AP8234199	leitung halter	1	

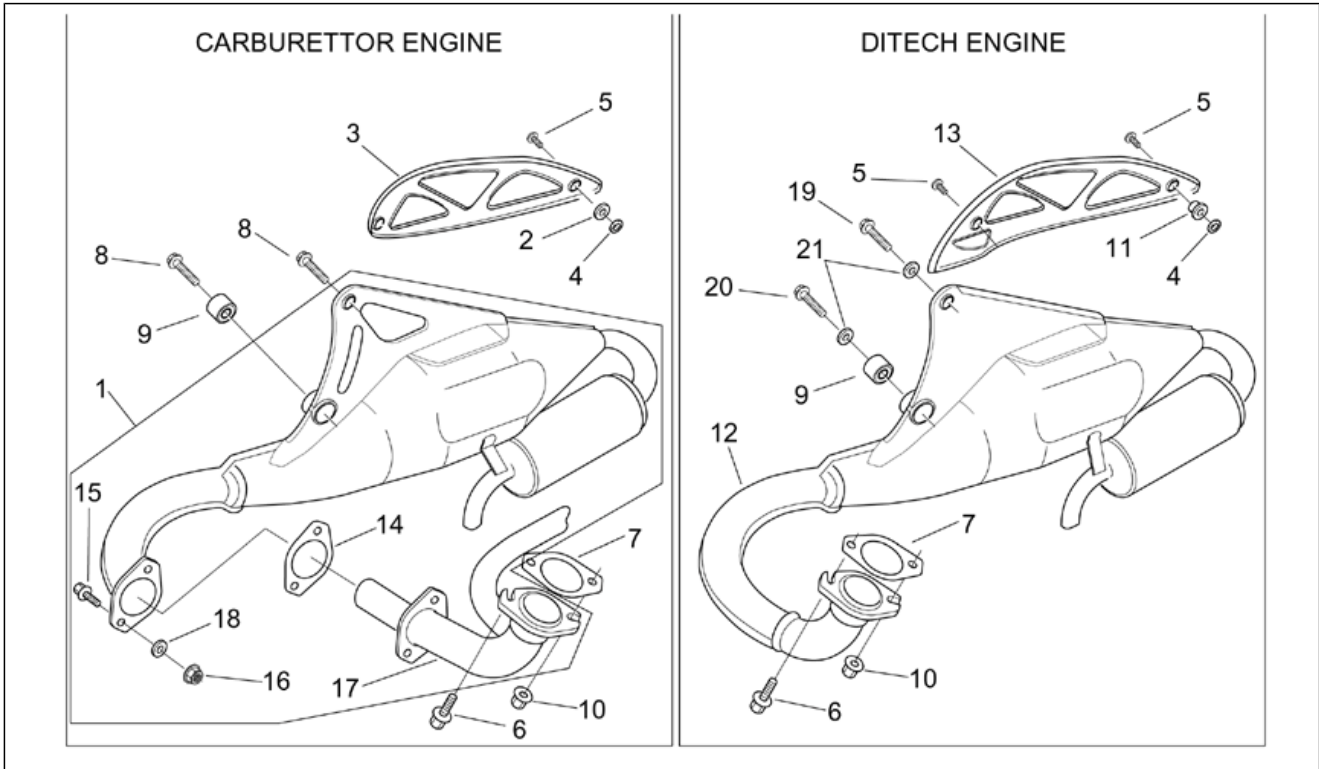


<b>Einheit</b>	RAHMEN
<b>Code</b>	28.22
<b>Beschreibung</b>	Filtergehäuse
<b>Inspektion</b>	1



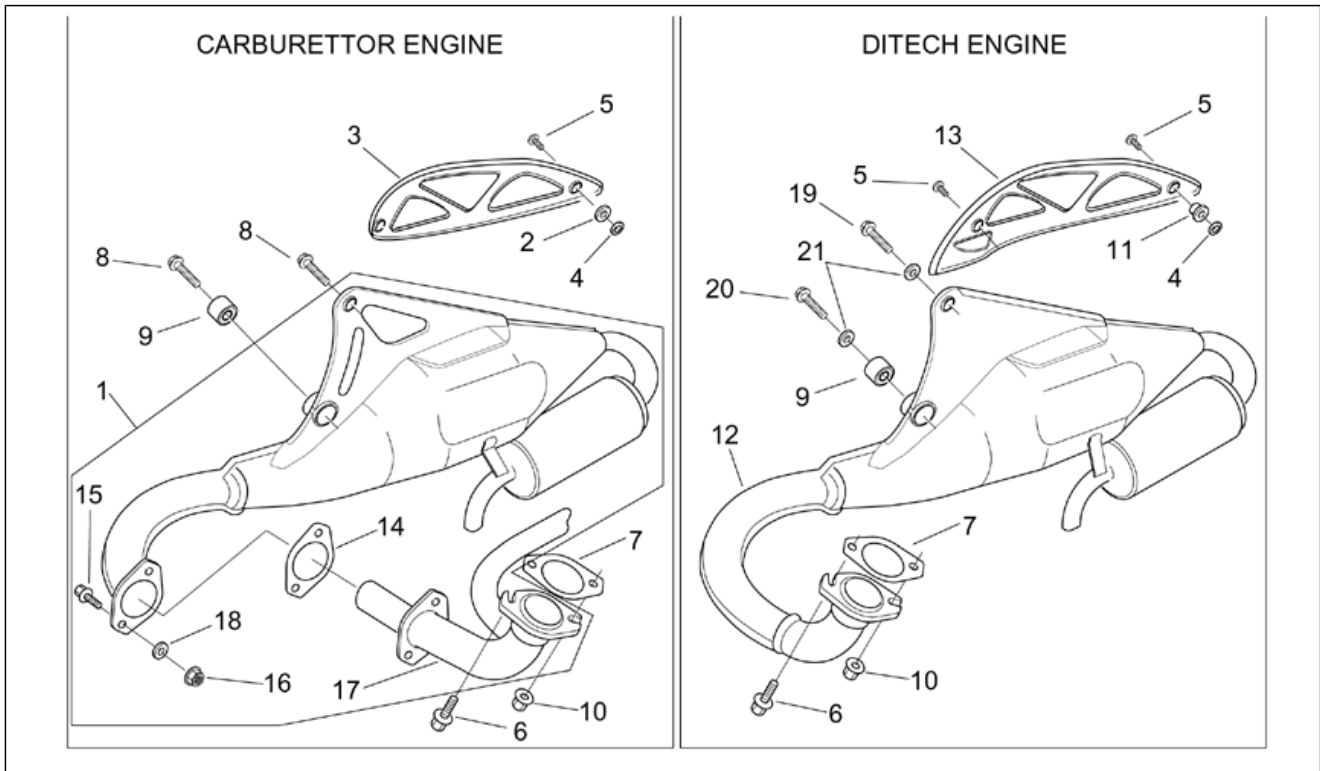
Pos.	Code	Beschreibung	Menge	Varianten
23	AP8220605	Leitung	1	
24	AP8120416	Schelle schwarz 178x4	2	

<b>Einheit</b>	RAHMEN
<b>Code</b>	28.25
<b>Beschreibung</b>	Auspuffrohr
<b>Inspektion</b>	1



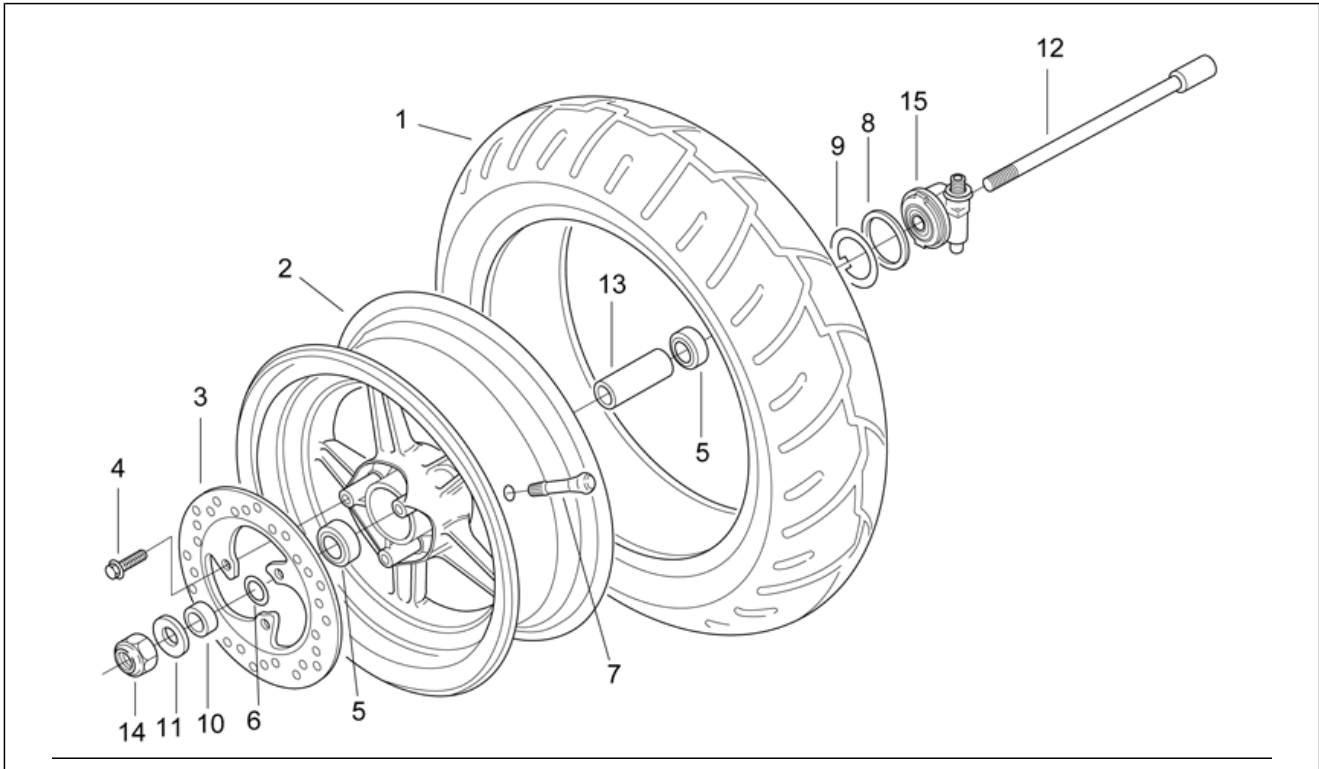
Pos.	Code	Beschreibung	Menge	Varianten
1	AP8219498	Kat.Auspuffrohr	1	<b>Land:</b> Österreich[A], Belgien[B], Deutschland[D], Dänemark[DK], Spanien[E], Frankreich[F], Griechenland[GR], Italien[I], Japan[J], Holland[NL], Portugal[P], Großbritannien[UK] <b>Technische Daten:</b> Motor mit Vergaser[carb]
1	AP8219516	Kat.Auspuffrohr	1	<b>Land:</b> Schweiz[CH] <b>Technische Daten:</b> Motor mit Vergaser[carb]
2	AP8150015	Ausgleichscheibe 6,6x18x1,6*	2	<b>Technische Daten:</b> Motor mit Vergaser[carb]
3	AP8219452	Auspuffschutz Stahl	1	<b>Technische Daten:</b> Motor mit Vergaser[carb]
4	AP8221297	Isolierscheibe	2	
5	AP8152246	TBEI Schraube m.Flansch M6x16	2	
6	AP8152260	TE Schr. m. Flansch	1	
7	AP8219212	Dichtung Auspuffrohr	1	
8	AP8152289	TE Schr. m. Flansch	2	<b>Technische Daten:</b> Motor mit Vergaser[carb]
9	AP8220357	Silent-Block Ausp. grü	1	
10	AP8150333	Serpress Mutter	1	
11	AP8121075	T-Buchse *	2	<b>Technische Daten:</b> "Motor ""DITECH"" mit Benzindirekteinspritzung"[ie]
12	AP8219535	Auspuff	1	<b>Land:</b> Österreich[A], Australien[AA], Australien[AUS], Belgien[B], Schweiz[CH], Deutschland[D], Dänemark[DK], Spanien[E], A, B, CH, D, DK, E, F, I, NL, P, UK[EU], Frankreich[F], Italien[I], Japan[J], Japan[JJ], Holland[NL], Portugal[P], Großbritannien[UK] <b>Technische Daten:</b> Einzelteil mit Zulassung EURO 1[E1], "Motor ""DITECH"" mit Benzindirekteinspritzung"[ie]
12	AP8219540	Auspuff	1	<b>Land:</b> Vereinigte Staaten von Amerika[AM], Kanada[CA], Kanada[CN], Vereinigte Staaten von Amerika[USA] <b>Technische Daten:</b> "Motor ""DITECH"" mit Benzindirekteinspritzung"[ie]
12	AP8219543	Auspuff	1	<b>Land:</b> Österreich[A], Australien[AA], Australien[AUS], Belgien[B], Schweiz[CH], Deutschland[D], Dänemark[DK], Spanien[E], A, B, CH, D, DK, E, F, I, NL, P, UK[EU],

<b>Einheit</b>	RAHMEN
<b>Code</b>	28.25
<b>Beschreibung</b>	Auspuffrohr
<b>Inspektion</b>	1



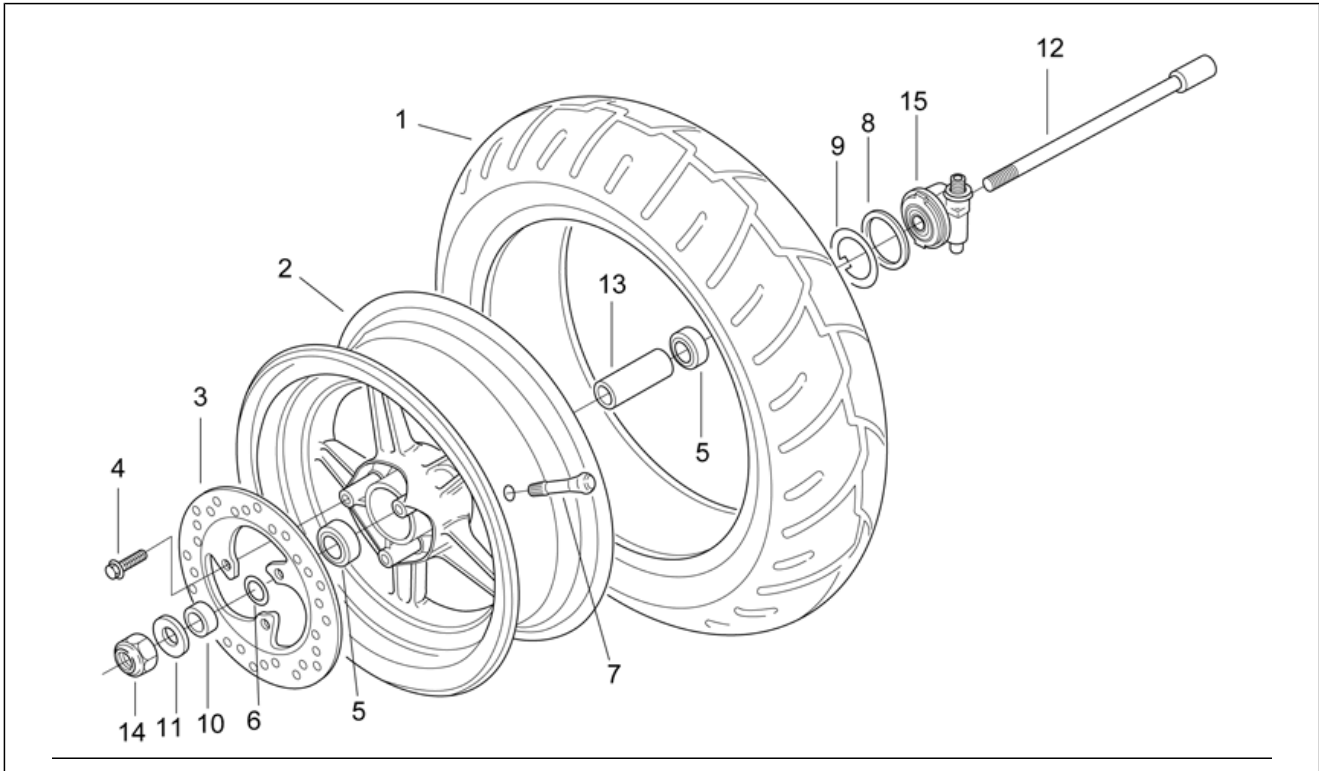
Pos.	Code	Beschreibung	Menge	Varianten
				Frankreich[F], Italien[I], Japan[J], Japan[J], Holland[NL], Portugal[P], Großbritannien[UK] <b>Technische Daten:</b> Einzelteil mit Zulassung EURO 2[E2], "Motor ""DITECH"" mit Benzindirekteinspritzung"[ie]
13	AP8219389	Auspuffrohrschutz, schwarz	1	<b>Technische Daten:</b> Einzelteil mit Zulassung EURO 1[E1], "Motor ""DITECH"" mit Benzindirekteinspritzung"[ie]
13	AP8219452	Auspuffschutz Stahl	1	<b>Technische Daten:</b> Einzelteil mit Zulassung EURO 2[E2], "Motor ""DITECH"" mit Benzindirekteinspritzung"[ie]
14	AP8219530	Dichtung Auspuffrohrflansch	1	<b>Technische Daten:</b> Motor mit Vergaser[carb]
15	AP8219531	Schraube	2	<b>Technische Daten:</b> Motor mit Vergaser[carb]
16	AP8219532	Mutter	2	<b>Technische Daten:</b> Motor mit Vergaser[carb]
17	AP8219533	Auspuff-Anfangsrohr	1	<b>Technische Daten:</b> Motor mit Vergaser[carb]
18	AP8219534	Ausgleichscheibe	2	<b>Technische Daten:</b> Motor mit Vergaser[carb]
19	AP8152291	TE Schr. m. Flansch	1	<b>Technische Daten:</b> "Motor ""DITECH"" mit Benzindirekteinspritzung"[ie]
20	AP8152290	TE Schr. m. Flansch M8x40	1	<b>Technische Daten:</b> "Motor ""DITECH"" mit Benzindirekteinspritzung"[ie]
21	AP8150376	Ausgleichscheibe 8,5x15x0,8	2	<b>Technische Daten:</b> "Motor ""DITECH"" mit Benzindirekteinspritzung"[ie]

<b>Einheit</b>	RAHMEN
<b>Code</b>	28.26
<b>Beschreibung</b>	Vorderrad
<b>Inspektion</b>	1



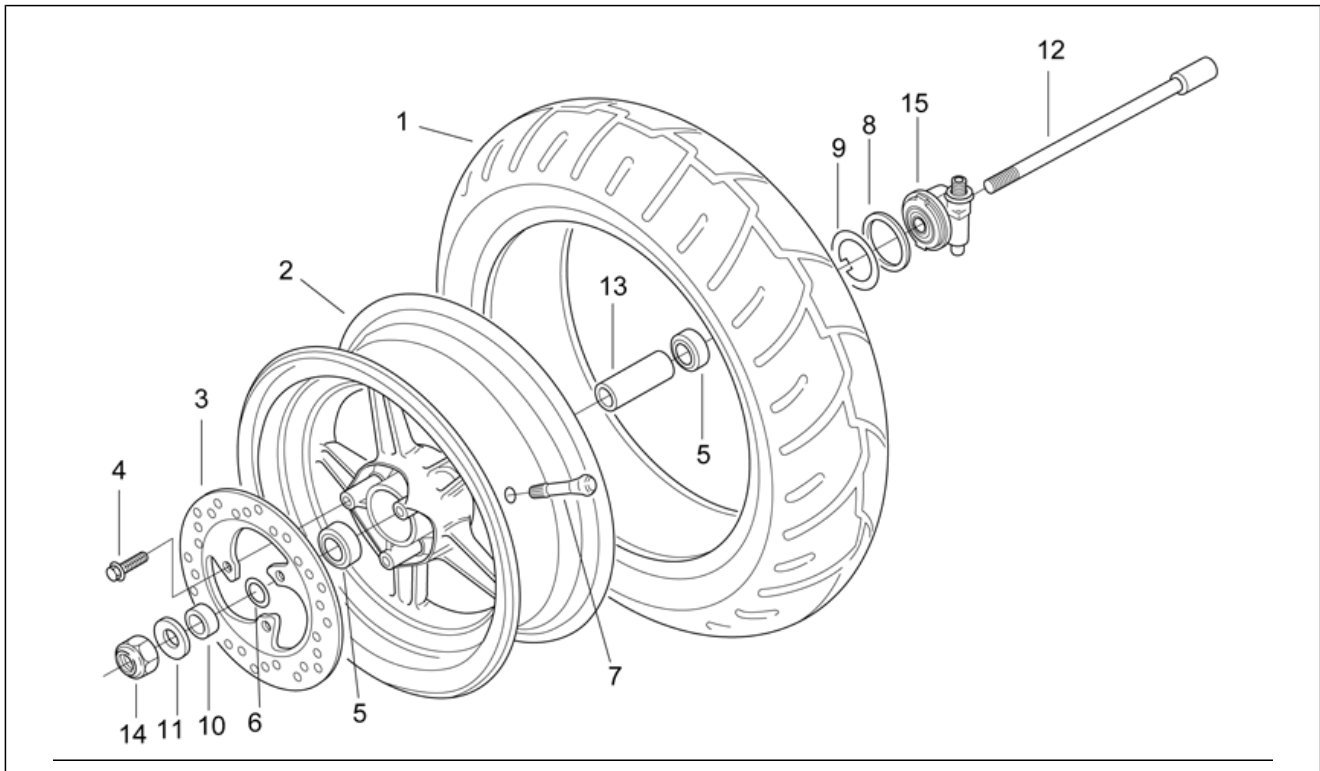
Pos.	Code	Beschreibung	Menge	Varianten
1	0000000	Reifen	1	
2	AP8208705	Vorderrad Grey/RifleTube	1	<b>Baujahr:</b> 2001[1], 2000[Y] <b>Fahrzeugfarbe:</b> "Electric Blue ""Sport"" 2000-2001"[el.bl], "Hot red ""Sport"" 2000-2001"[h.red], Zitronengelb 2001[le.ye]
2	AP8208705	Vorderrad Grey/RifleTube	1	<b>Baujahr:</b> 2002[2], 2003[3] <b>Fahrzeugfarbe:</b> Rot Fluo 2003[r.flu], Silver Strained 2002[st.si]
2	AP8208708	Vorderrad, blau	1	<b>Baujahr:</b> 2002[2] <b>Fahrzeugfarbe:</b> Schwarz Diablo 2001-2002[bl.di], Haga 2002[haga] <b>Technische Daten:</b> Räder mit Marke Grimeca[gr]
2	AP8208708	Vorderrad, blau	1	<b>Baujahr:</b> 2001[1], 2000[Y] <b>Fahrzeugfarbe:</b> Schwarz Diablo 2001-2002[bl.di], "Schwarz Aprilia ""Racing"" 2000-2001"[bl/re], "Grau Nik ""Racing"" 2000-2001"[gr/ye] <b>Technische Daten:</b> Räder mit Marke Grimeca[gr]
2	AP8208784	Vorderrad, schwarz	1	<b>Baujahr:</b> 2002[2] <b>Fahrzeugfarbe:</b> Grau Dust 2002[du/gr]
2	AP8208825	Vorderrad Grey/Gold Sand	1	<b>Baujahr:</b> 2003[3] <b>Fahrzeugfarbe:</b> Rot Tulip 2003[t.red] <b>Land:</b> Vereinigte Staaten von Amerika[AM], Kanada[CA], Kanada[CN], Vereinigte Staaten von Amerika[USA] <b>Technische Daten:</b> Räder mit Marke Grimeca[gr]
2	AP8208825	Vorderrad Grey/Gold Sand	1	<b>Baujahr:</b> 2003[3] <b>Fahrzeugfarbe:</b> Tuono 2003[tuono] <b>Land:</b> Vereinigte Staaten von Amerika[AM], Kanada[CA], Kanada[CN], Vereinigte Staaten von Amerika[USA] <b>Technische Daten:</b> Räder mit Marke Grimeca[gr]
2	AP8208825	Vorderrad Grey/Gold Sand	1	<b>Baujahr:</b> 2003[3] <b>Fahrzeugfarbe:</b> GP1 2003[gp1] <b>Land:</b> Vereinigte Staaten von Amerika[AM], Kanada[CA], Kanada[CN], Vereinigte Staaten von Amerika[USA] <b>Technische Daten:</b> Räder mit Marke Grimeca[gr]

<b>Einheit</b>	RAHMEN
<b>Code</b>	28.26
<b>Beschreibung</b>	Vorderrad
<b>Inspektion</b>	1



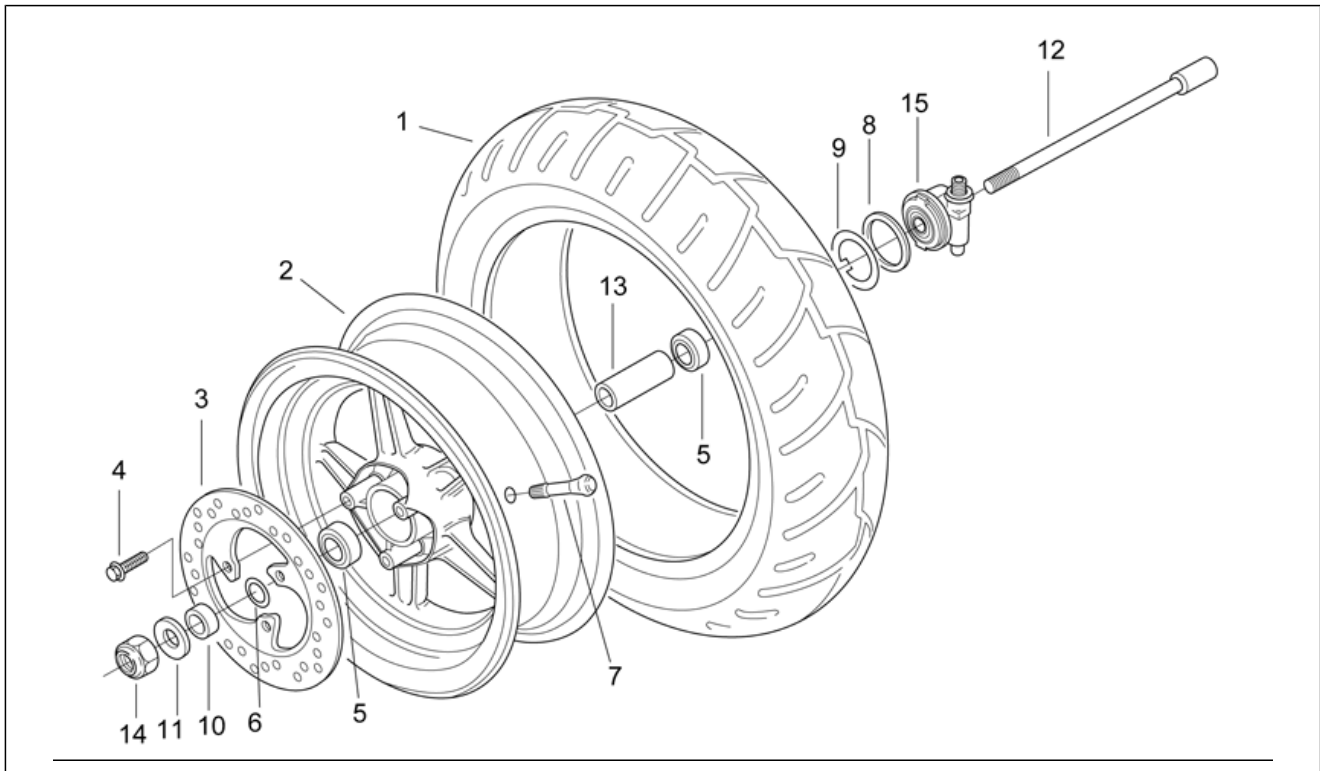
Pos.	Code	Beschreibung	Menge	Varianten
2	AP8208825	Vorderrad Grey/Gold Sand	1	<b>Baujahr:</b> 2004[4] <b>Fahrzeugfarbe:</b> Rot Fluo 2004[r.fluo] <b>Land:</b> Vereinigte Staaten von Amerika[AM], Kanada[CA], Kanada[CN], Vereinigte Staaten von Amerika[USA] <b>Technische Daten:</b> Räder mit Marke Grimeca[gr]
2	AP8208826	Vorderrad Gold	1	<b>Baujahr:</b> 2004[4] <b>Fahrzeugfarbe:</b> Replica Poggiali Weiß 2004[RP] <b>Land:</b> Vereinigte Staaten von Amerika[AM], Kanada[CA], Kanada[CN], Vereinigte Staaten von Amerika[USA] <b>Technische Daten:</b> Räder mit Marke Grimeca[gr]
2	AP8208826	Vorderrad Gold	1	<b>Baujahr:</b> 2003[3] <b>Fahrzeugfarbe:</b> "SBK ""Racing"" 2003"[sbk] <b>Land:</b> Vereinigte Staaten von Amerika[AM], Kanada[CA], Kanada[CN], Vereinigte Staaten von Amerika[USA] <b>Technische Daten:</b> Räder mit Marke Grimeca[gr]
2	AP8208826	Vorderrad Gold	1	<b>Baujahr:</b> 2003[3], 2004[4] <b>Fahrzeugfarbe:</b> "Blau Limited ""Racing"" 2003"[b.lim] <b>Land:</b> Vereinigte Staaten von Amerika[AM], Kanada[CA], Kanada[CN], Vereinigte Staaten von Amerika[USA] <b>Technische Daten:</b> Räder mit Marke Grimeca[gr]
2	AP8208893	Vorderrad Gold	1	<b>Baujahr:</b> 2003[3], 2004[4] <b>Fahrzeugfarbe:</b> "Blau Limited ""Racing"" 2003"[b.lim] <b>Land:</b> Vereinigte Staaten von Amerika[AM], Kanada[CA], Kanada[CN], Vereinigte Staaten von Amerika[USA] <b>Technische Daten:</b> Räder mit Marke ZNL[znl]
2	AP8208893	Vorderrad Gold	1	<b>Baujahr:</b> 2003[3] <b>Fahrzeugfarbe:</b> "SBK ""Racing"" 2003"[sbk] <b>Land:</b> Vereinigte Staaten von Amerika[AM], Kanada[CA], Kanada[CN], Vereinigte Staaten von Amerika[USA] <b>Technische Daten:</b> Räder mit Marke ZNL[znl]
2	AP8208893	Vorderrad Gold	1	<b>Baujahr:</b> 2004[4] <b>Fahrzeugfarbe:</b> Replica Poggiali Weiß 2004[RP] <b>Land:</b> Vereinigte Staaten von Amerika[AM], Kanada[CA], Kanada[CN], Vereinigte Staaten von Amerika[USA] <b>Technische Daten:</b> Räder mit Marke ZNL[znl]

<b>Einheit</b>	RAHMEN
<b>Code</b>	28.26
<b>Beschreibung</b>	Vorderrad
<b>Inspektion</b>	1



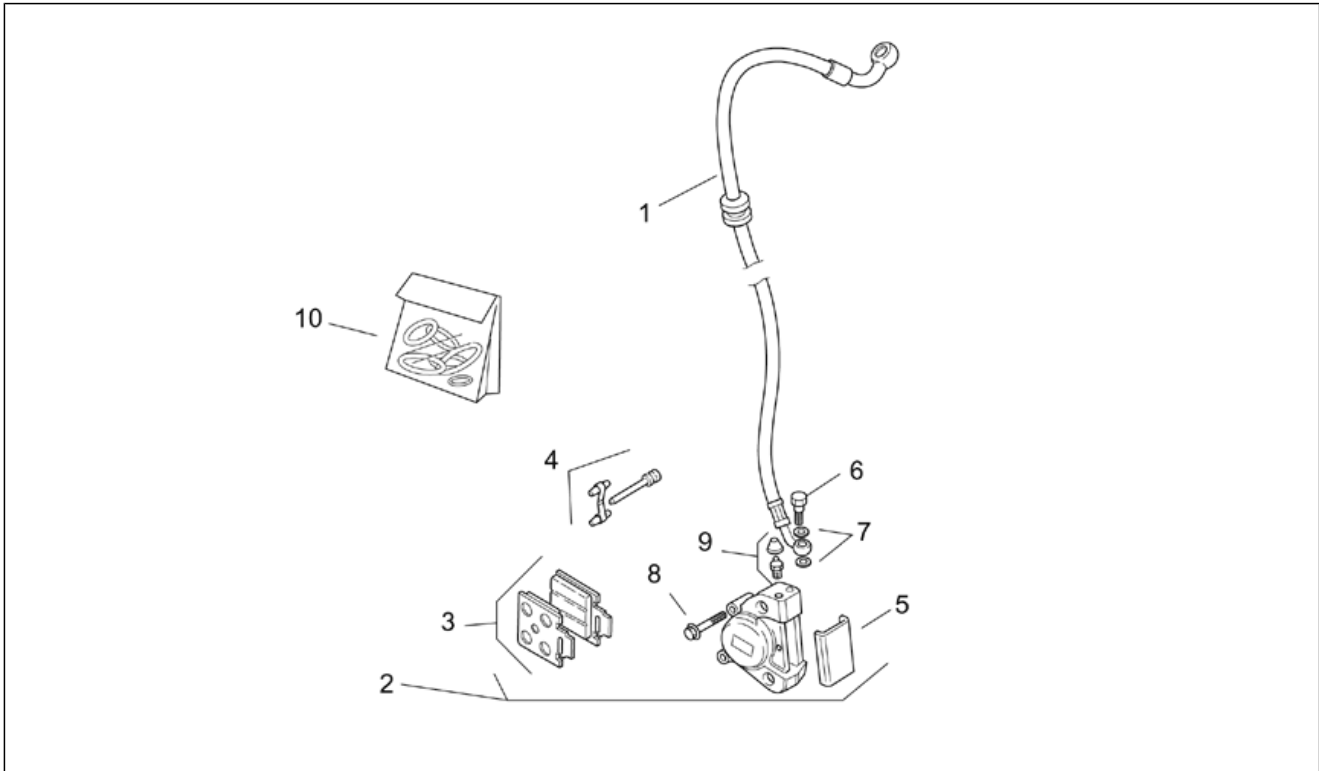
Pos.	Code	Beschreibung	Menge	Varianten
2	AP8208896	Vorderrad Grey/Gold Sand	1	<b>Baujahr:</b> 2004[4] <b>Fahrzeugfarbe:</b> Rot Fluo 2004[r.fluo] <b>Land:</b> Vereinigte Staaten von Amerika[AM], Kanada[CA], Kanada[CN], Vereinigte Staaten von Amerika[USA] <b>Technische Daten:</b> Räder mit Marke ZNL[znl]
2	AP8208896	Vorderrad Grey/Gold Sand	1	<b>Baujahr:</b> 2003[3] <b>Fahrzeugfarbe:</b> Tuono 2003[tuono] <b>Land:</b> Vereinigte Staaten von Amerika[AM], Kanada[CA], Kanada[CN], Vereinigte Staaten von Amerika[USA] <b>Technische Daten:</b> Räder mit Marke ZNL[znl]
2	AP8208896	Vorderrad Grey/Gold Sand	1	<b>Baujahr:</b> 2003[3] <b>Fahrzeugfarbe:</b> GP1 2003[gp1] <b>Land:</b> Vereinigte Staaten von Amerika[AM], Kanada[CA], Kanada[CN], Vereinigte Staaten von Amerika[USA] <b>Technische Daten:</b> Räder mit Marke ZNL[znl]
2	AP8208896	Vorderrad Grey/Gold Sand	1	<b>Baujahr:</b> 2003[3] <b>Fahrzeugfarbe:</b> Rot Tulip 2003[t.red] <b>Land:</b> Vereinigte Staaten von Amerika[AM], Kanada[CA], Kanada[CN], Vereinigte Staaten von Amerika[USA] <b>Technische Daten:</b> Räder mit Marke ZNL[znl]
2	AP8208908	Vorderrad, blau	1	<b>Baujahr:</b> 2002[2] <b>Fahrzeugfarbe:</b> Schwarz Diablo 2001-2002[bl.di], Haga 2002[haga] <b>Technische Daten:</b> Räder mit Marke ZNL[znl]
2	AP8208908	Vorderrad, blau	1	<b>Baujahr:</b> 2001[1], 2000[Y] <b>Fahrzeugfarbe:</b> Schwarz Diablo 2001-2002[bl.di], "Schwarz Aprilia ""Racing"" 2000-2001"[bl/re], "Grau Nik ""Racing"" 2000-2001"[gr/ye] <b>Technische Daten:</b> Räder mit Marke ZNL[znl]
3	AP8213231	Bremsscheibe D190	1	
4	AP8225358	TBEI Schraube M8x25	3	
5	AP8225123	Lager	2	
6	AP8125782	Gasket ring	1	
7	AP8201546	Schlauchloses Reifenventil	1	

<b>Einheit</b>	RAHMEN
<b>Code</b>	28.26
<b>Beschreibung</b>	Vorderrad
<b>Inspektion</b>	1



Pos.	Code	Beschreibung	Menge	Varianten
8	AP8120864	O-Ring Vorgelege	1	
9	AP8120865	Mitnehmer	1	
10	AP8221119	Vorderrad Distanzscheibe	1	
11	AP8152018	Scheibe 12,2x22x2	1	
12	AP8225271	Vorderradbolzen	1	
13	AP8225323	Innen V.rad Distanzscheibe	1	
14	AP8150373	Selbstsperr.mut Unt. M12x1,25	1	
15	AP8201925	Vorgelegte Kilometerzähler	1	

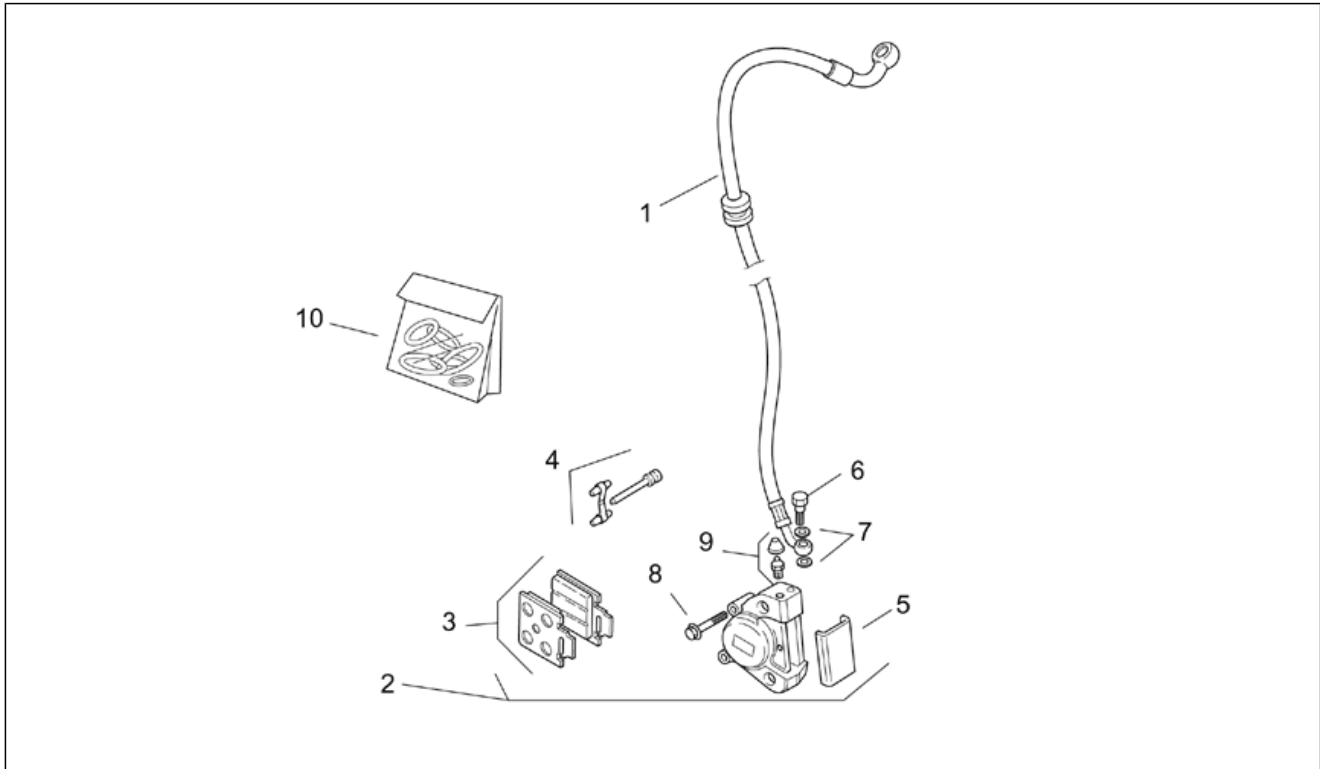
<b>Einheit</b>	RAHMEN
<b>Code</b>	28.27
<b>Beschreibung</b>	Vorderradbremzange
<b>Inspektion</b>	1



Pos.	Code	Beschreibung	Menge	Varianten
1	AP8213248	Vorderradbremseleitung	1	
2	AP8113577	Vorderradbremzange gold D32	1	<b>Baujahr:</b> 2002[2] <b>Fahrzeugfarbe:</b> Schwarz Diablo 2001-2002[bl.di], Grau Dust 2002[du/gr], Haga 2002[haga] <b>Technische Daten:</b> "Bremsattel mit der Schrift ""Aprilia""[Ap]
2	AP8113577	Vorderradbremzange gold D32	1	<b>Baujahr:</b> 2001[1], 2000[Y] <b>Fahrzeugfarbe:</b> Schwarz Diablo 2001-2002[bl.di], "Schwarz Aprilia ""Racing"" 2000-2001"[bl/re], "Grau Nik ""Racing"" 2000-2001"[gr/ye] <b>Technische Daten:</b> "Bremsattel mit der Schrift ""Aprilia""[Ap]
2	AP8113577	Vorderradbremzange gold D32	1	<b>Baujahr:</b> 2003[3], 2004[4] <b>Fahrzeugfarbe:</b> "Blau Limited ""Racing"" 2003"[b.lim] <b>Land:</b> Vereinigte Staaten von Amerika[AM], Kanada[CA], Kanada[CN], Vereinigte Staaten von Amerika[USA] <b>Technische Daten:</b> "Bremsattel mit der Schrift ""Aprilia""[Ap]
2	AP8113577	Vorderradbremzange gold D32	1	<b>Baujahr:</b> 2003[3] <b>Fahrzeugfarbe:</b> GP1 2003[gp1] <b>Land:</b> Vereinigte Staaten von Amerika[AM], Kanada[CA], Kanada[CN], Vereinigte Staaten von Amerika[USA] <b>Technische Daten:</b> "Bremsattel mit der Schrift ""Aprilia""[Ap]
2	AP8113577	Vorderradbremzange gold D32	1	<b>Baujahr:</b> 2003[3] <b>Fahrzeugfarbe:</b> "SBK ""Racing"" 2003"[sbk] <b>Land:</b> Vereinigte Staaten von Amerika[AM], Kanada[CA], Kanada[CN], Vereinigte Staaten von Amerika[USA] <b>Technische Daten:</b> "Bremsattel mit der Schrift ""Aprilia""[Ap]
2	AP8113577	Vorderradbremzange gold D32	1	<b>Baujahr:</b> 2003[3] <b>Fahrzeugfarbe:</b> Rot Tulip 2003[t.red] <b>Land:</b> Vereinigte Staaten von Amerika[AM], Kanada[CA], Kanada[CN], Vereinigte Staaten von Amerika[USA] <b>Technische Daten:</b> "Bremsattel mit der Schrift ""Aprilia""[Ap]

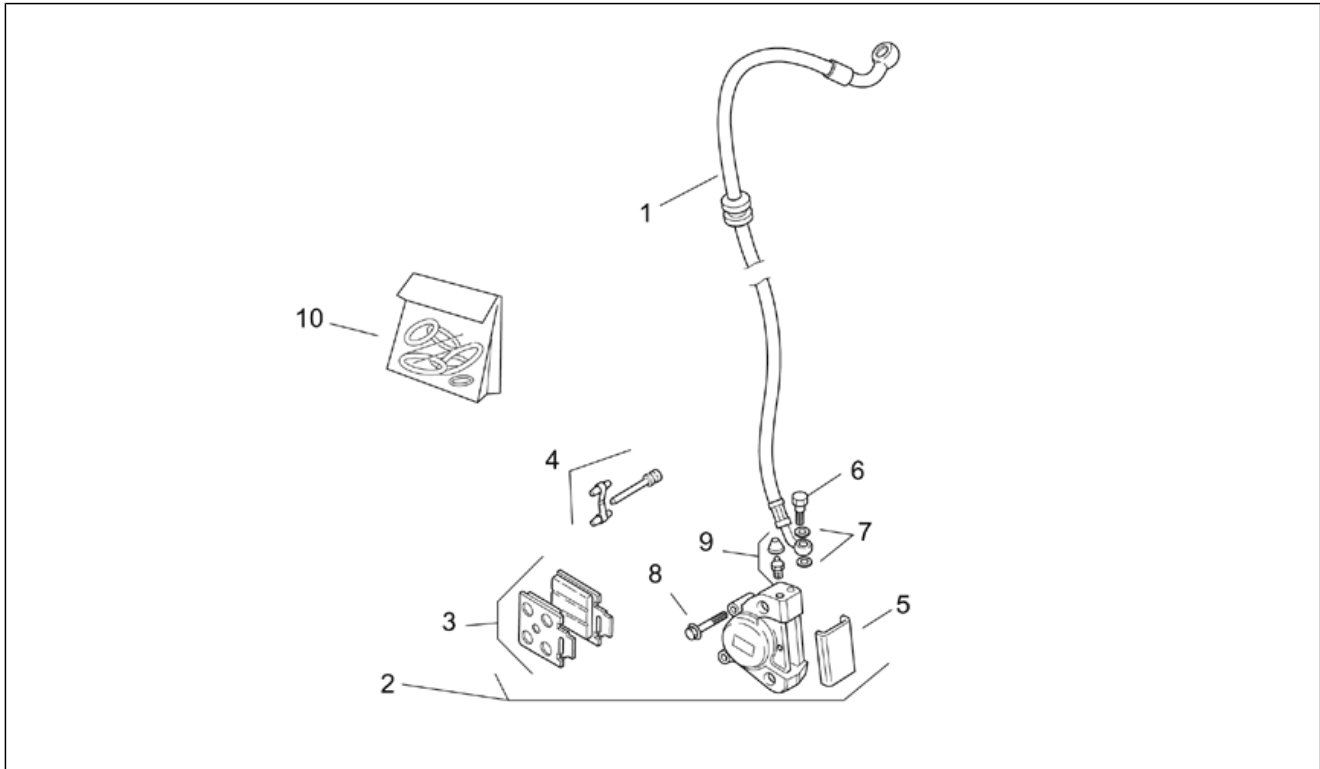


<b>Einheit</b>	RAHMEN
<b>Code</b>	28.27
<b>Beschreibung</b>	Vorderradbremzange
<b>Inspektion</b>	1



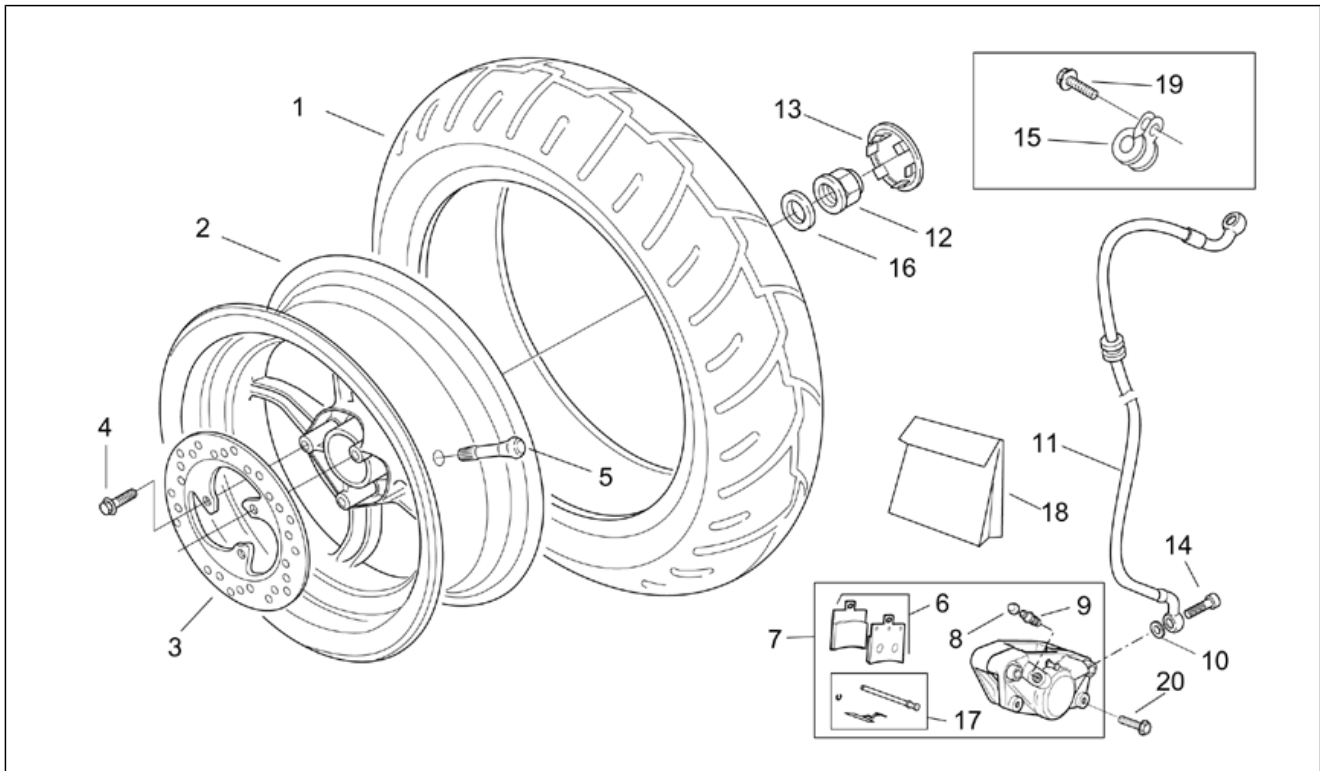
Pos.	Code	Beschreibung	Menge	Varianten
2	AP8113577	Vorderradbremzange gold D32	1	<b>Baujahr:</b> 2003[3] <b>Fahrzeugfarbe:</b> Tuono 2003[tuono] <b>Land:</b> Vereinigte Staaten von Amerika[AM], Kanada[CA], Kanada[CN], Vereinigte Staaten von Amerika[USA] <b>Technische Daten:</b> "Bremsattel mit der Schrift ""Aprilia""[Ap]
2	AP8113577	Vorderradbremzange gold D32	1	<b>Baujahr:</b> 2004[4] <b>Fahrzeugfarbe:</b> Rot Fluo 2004[r.fluo], Replica Poggiali Weiß 2004[RP] <b>Land:</b> Vereinigte Staaten von Amerika[AM], Kanada[CA], Kanada[CN], Vereinigte Staaten von Amerika[USA] <b>Technische Daten:</b> "Bremsattel mit der Schrift ""Aprilia""[Ap]
2	AP8213213	Vorderradbremzange schwarz	1	<b>Technische Daten:</b> "Bremsattel mit der Schrift ""Brembo""[Br]
2	AP8213482	Vorderradbremzange schwarz D32	1	<b>Baujahr:</b> 2001[1], 2000[Y] <b>Fahrzeugfarbe:</b> "Electric Blue ""Sport"" 2000-2001"[el.bl], "Hot red ""Sport"" 2000-2001"[h.red], Zitronengelb 2001[le.ye] <b>Technische Daten:</b> "Bremsattel mit der Schrift ""Aprilia""[Ap]
2	AP8213482	Vorderradbremzange schwarz D32	1	<b>Baujahr:</b> 2002[2] <b>Fahrzeugfarbe:</b> Silver Strained 2002[st.si] <b>Technische Daten:</b> "Bremsattel mit der Schrift ""Aprilia""[Ap]
3	AP8113638	Beläge (Paar)	1	<b>Technische Daten:</b> "Bremsattel mit der Schrift ""Aprilia""[Ap]
3	AP8213246	Beläge (paar)	1	<b>Technische Daten:</b> "Bremsattel mit der Schrift ""Brembo""[Br]
4	AP8213198	Greiferbolzen	1	<b>Technische Daten:</b> "Bremsattel mit der Schrift ""Brembo""[Br]
4	AP8213227	Bolzen+Bremse Felder	1	<b>Technische Daten:</b> "Bremsattel mit der Schrift ""Aprilia""[Ap]

<b>Einheit</b>	RAHMEN
<b>Code</b>	28.27
<b>Beschreibung</b>	Vorderradbremzange
<b>Inspektion</b>	1



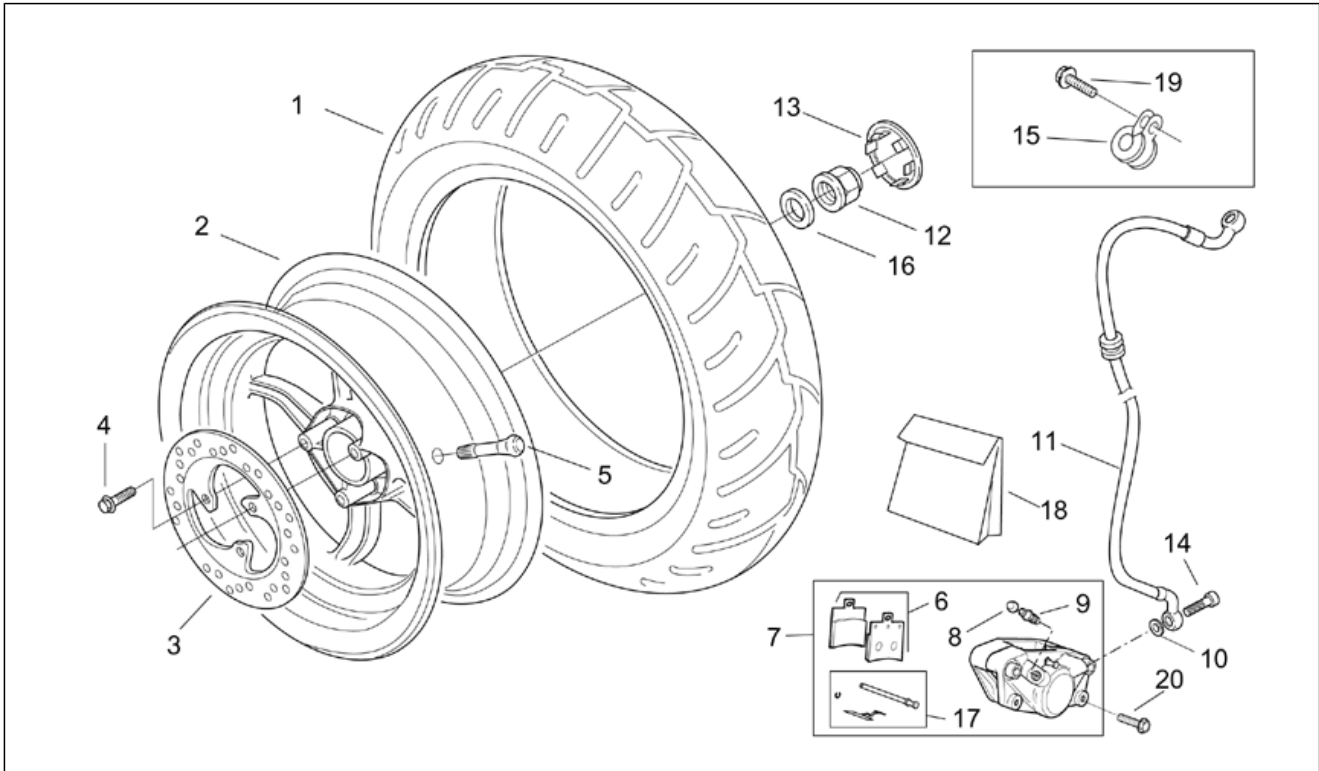
Pos.	Code	Beschreibung	Menge	Varianten
5	AP8113640	Deckel Bremszangen	1	<b>Technische Daten:</b> "Bremssattel mit der Schrift ""Aprilia""""[Ap]
5	AP8213199	Deckel Bremszangen	1	<b>Technische Daten:</b> "Bremssattel mit der Schrift ""Brembo""""[Br]
6	AP8113003	Fixierschraube Ölschlauch	1	
7	AP8113004	Ausgleichscheibe 10x14x1,6*	2	
8	AP8152289	TE Schr. m. Flansch	2	
9	AP8113006	Entlüftungsanschluß	1	<b>Technische Daten:</b> "Bremssattel mit der Schrift ""Aprilia""""[Ap]
9	AP8113549	Entlüftungsanschluß	1	<b>Technische Daten:</b> "Bremssattel mit der Schrift ""Brembo""""[Br]
10	AP8113122	Bausatz Bremszangenüberholung	1	<b>Technische Daten:</b> "Bremssattel mit der Schrift ""Aprilia""""[Ap]

<b>Einheit</b>	RAHMEN
<b>Code</b>	28.28
<b>Beschreibung</b>	Hinterrad Scheibenbremse
<b>Inspektion</b>	1



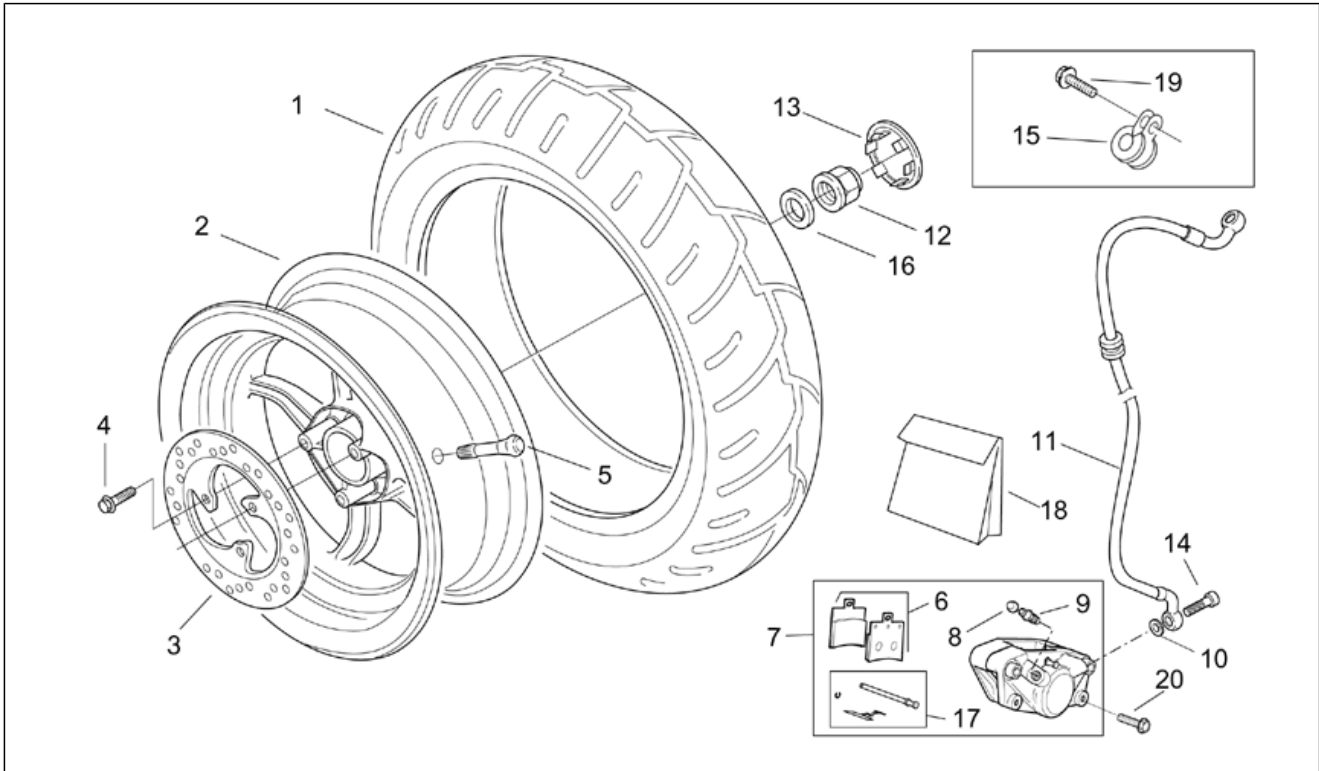
Pos.	Code	Beschreibung	Menge	Varianten
1	0000000	Reifen	1	<b>Technische Daten:</b> Scheibenbremse Hinterrad[f.d.]
2	AP8208709	Hinterrad, blau	1	<b>Baujahr:</b> 2001[1], 2000[Y] <b>Fahrzeugfarbe:</b> Schwarz Diablo 2001-2002[bl.dj], "Schwarz Aprilia ""Racing"" 2000-2001"[bl/re], "Grau Nik ""Racing"" 2000-2001"[gr/ye] <b>Technische Daten:</b> Scheibenbremse Hinterrad[f.d.], Räder mit Marke Grimeca[gr]
2	AP8208709	Hinterrad, blau	1	<b>Baujahr:</b> 2002[2] <b>Fahrzeugfarbe:</b> Schwarz Diablo 2001-2002[bl.dj], Haga 2002[haga] <b>Technische Daten:</b> Scheibenbremse Hinterrad[f.d.], Räder mit Marke Grimeca[gr]
2	AP8208710	Hinterrad, grau	1	<b>Baujahr:</b> 2001[1], 2000[Y] <b>Fahrzeugfarbe:</b> "Electric Blue ""Sport"" 2000-2001"[el.bl], "Hot red ""Sport"" 2000-2001"[h.red], Zitronengelb 2001[le.ze] <b>Technische Daten:</b> Scheibenbremse Hinterrad[f.d.]
2	AP8208785	Hinterrad, schwarz	1	<b>Baujahr:</b> 2002[2] <b>Fahrzeugfarbe:</b> Grau Dust 2002[du/gr] <b>Technische Daten:</b> Scheibenbremse Hinterrad[f.d.]
2	AP8208827	Hinterrad Grey/GoldSand	1	<b>Baujahr:</b> 2003[3] <b>Fahrzeugfarbe:</b> GP1 2003[gp1] <b>Land:</b> Vereinigte Staaten von Amerika[AM], Kanada[CA], Kanada[CN], Vereinigte Staaten von Amerika[USA] <b>Technische Daten:</b> Scheibenbremse Hinterrad[f.d.], Räder mit Marke Grimeca[gr]
2	AP8208827	Hinterrad Grey/GoldSand	1	<b>Baujahr:</b> 2003[3] <b>Fahrzeugfarbe:</b> Rot Tulip 2003[t.red] <b>Land:</b> Vereinigte Staaten von Amerika[AM], Kanada[CA], Kanada[CN], Vereinigte Staaten von Amerika[USA] <b>Technische Daten:</b> Scheibenbremse Hinterrad[f.d.], Räder mit Marke Grimeca[gr]
2	AP8208827	Hinterrad Grey/GoldSand	1	<b>Baujahr:</b> 2003[3] <b>Fahrzeugfarbe:</b> Tuono 2003[tuono]

<b>Einheit</b>	RAHMEN
<b>Code</b>	28.28
<b>Beschreibung</b>	Hinterrad Scheibenbremse
<b>Inspektion</b>	1



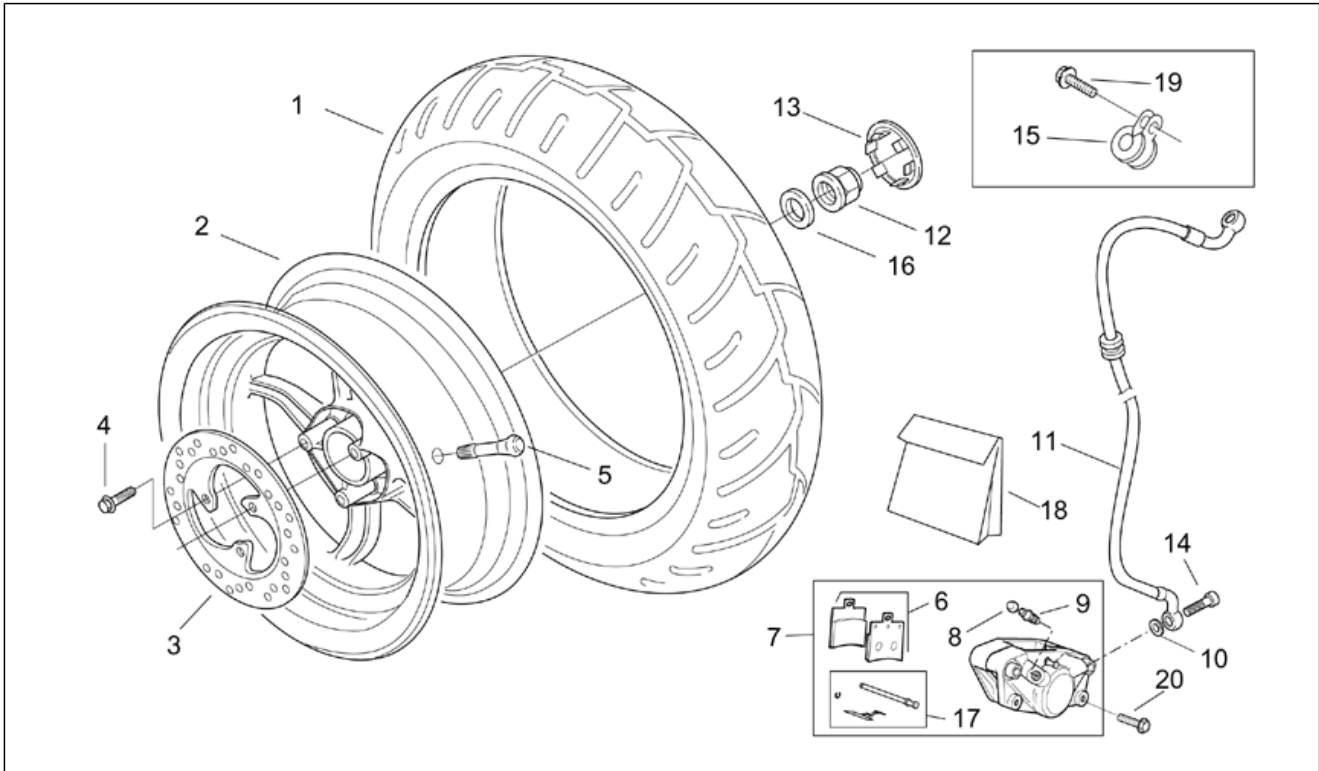
Pos.	Code	Beschreibung	Menge	Varianten
				<b>Land:</b> Vereinigte Staaten von Amerika[AM], Kanada[CA], Kanada[CN], Vereinigte Staaten von Amerika[USA] <b>Technische Daten:</b> Scheibenbremse Hinterrad[f.d.], Räder mit Marke Grimeca[gr]
2	AP8208827	Hinterrad Grey/GoldSand	1	<b>Baujahr:</b> 2004[4] <b>Fahrzeugfarbe:</b> Rot Fluo 2004[r.fluo] <b>Land:</b> Vereinigte Staaten von Amerika[AM], Kanada[CA], Kanada[CN], Vereinigte Staaten von Amerika[USA] <b>Technische Daten:</b> Scheibenbremse Hinterrad[f.d.], Räder mit Marke Grimeca[gr]
2	AP8208828	Hinterrad Gold	1	<b>Baujahr:</b> 2003[3], 2004[4] <b>Fahrzeugfarbe:</b> "Blau Limited ""Racing"" 2003"[b.lim] <b>Land:</b> Vereinigte Staaten von Amerika[AM], Kanada[CA], Kanada[CN], Vereinigte Staaten von Amerika[USA] <b>Technische Daten:</b> Scheibenbremse Hinterrad[f.d.], Räder mit Marke Grimeca[gr]
2	AP8208828	Hinterrad Gold	1	<b>Baujahr:</b> 2004[4] <b>Fahrzeugfarbe:</b> Replica Poggiali Weiß 2004[RP] <b>Land:</b> Vereinigte Staaten von Amerika[AM], Kanada[CA], Kanada[CN], Vereinigte Staaten von Amerika[USA] <b>Technische Daten:</b> Scheibenbremse Hinterrad[f.d.], Räder mit Marke Grimeca[gr]
2	AP8208828	Hinterrad Gold	1	<b>Baujahr:</b> 2003[3] <b>Fahrzeugfarbe:</b> "SBK ""Racing"" 2003"[sbk] <b>Land:</b> Vereinigte Staaten von Amerika[AM], Kanada[CA], Kanada[CN], Vereinigte Staaten von Amerika[USA] <b>Technische Daten:</b> Scheibenbremse Hinterrad[f.d.], Räder mit Marke Grimeca[gr]
2	AP8208894	Hinterrad Gold	1	<b>Baujahr:</b> 2004[4] <b>Fahrzeugfarbe:</b> Replica Poggiali Weiß 2004[RP] <b>Land:</b> Vereinigte Staaten von Amerika[AM], Kanada[CA], Kanada[CN], Vereinigte Staaten von Amerika[USA] <b>Technische Daten:</b> Scheibenbremse Hinterrad[f.d.], Räder mit Marke ZNL[zn]
2	AP8208894	Hinterrad Gold	1	<b>Baujahr:</b> 2003[3] <b>Fahrzeugfarbe:</b> "SBK ""Racing"" 2003"[sbk]

<b>Einheit</b>	RAHMEN
<b>Code</b>	28.28
<b>Beschreibung</b>	Hinterrad Scheibenbremse
<b>Inspektion</b>	1



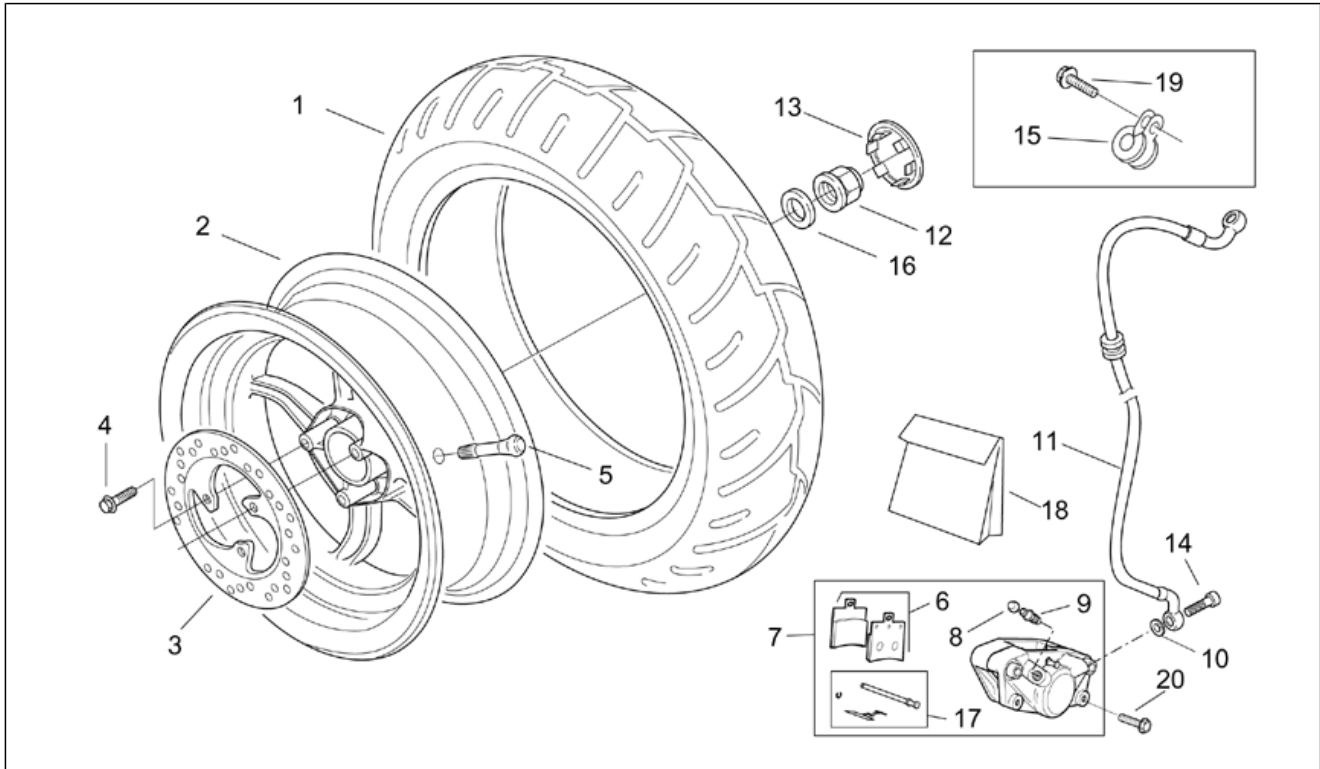
Pos.	Code	Beschreibung	Menge	Varianten
				<b>Land:</b> Vereinigte Staaten von Amerika[AM], Kanada[CA], Kanada[CN], Vereinigte Staaten von Amerika[USA] <b>Technische Daten:</b> Scheibenbremse Hinterrad[f.d.], Räder mit Marke ZNL[znl]
2	AP8208894	Hinterrad Gold	1	<b>Baujahr:</b> 2003[3], 2004[4] <b>Fahrzeugfarbe:</b> "Blau Limited ""Racing"" 2003"[b.lim] <b>Land:</b> Vereinigte Staaten von Amerika[AM], Kanada[CA], Kanada[CN], Vereinigte Staaten von Amerika[USA] <b>Technische Daten:</b> Scheibenbremse Hinterrad[f.d.], Räder mit Marke ZNL[znl]
2	AP8208897	Hinterrad Grey/GoldSand	1	<b>Baujahr:</b> 2003[3] <b>Fahrzeugfarbe:</b> Tuono 2003[tuono] <b>Land:</b> Vereinigte Staaten von Amerika[AM], Kanada[CA], Kanada[CN], Vereinigte Staaten von Amerika[USA] <b>Technische Daten:</b> Scheibenbremse Hinterrad[f.d.], Räder mit Marke ZNL[znl]
2	AP8208897	Hinterrad Grey/GoldSand	1	<b>Baujahr:</b> 2003[3] <b>Fahrzeugfarbe:</b> GP1 2003[gp1] <b>Land:</b> Vereinigte Staaten von Amerika[AM], Kanada[CA], Kanada[CN], Vereinigte Staaten von Amerika[USA] <b>Technische Daten:</b> Scheibenbremse Hinterrad[f.d.], Räder mit Marke ZNL[znl]
2	AP8208897	Hinterrad Grey/GoldSand	1	<b>Baujahr:</b> 2004[4] <b>Fahrzeugfarbe:</b> Rot Fluo 2004[r.fluo] <b>Land:</b> Vereinigte Staaten von Amerika[AM], Kanada[CA], Kanada[CN], Vereinigte Staaten von Amerika[USA] <b>Technische Daten:</b> Scheibenbremse Hinterrad[f.d.], Räder mit Marke ZNL[znl]
2	AP8208897	Hinterrad Grey/GoldSand	1	<b>Baujahr:</b> 2003[3] <b>Fahrzeugfarbe:</b> Rot Tulip 2003[t.red] <b>Land:</b> Vereinigte Staaten von Amerika[AM], Kanada[CA], Kanada[CN], Vereinigte Staaten von Amerika[USA] <b>Technische Daten:</b> Scheibenbremse Hinterrad[f.d.], Räder mit Marke ZNL[znl]
2	AP8208909	Hinterrad, blau	1	<b>Baujahr:</b> 2001[1], 2000[Y]

<b>Einheit</b>	RAHMEN
<b>Code</b>	28.28
<b>Beschreibung</b>	Hinterrad Scheibenbremse
<b>Inspektion</b>	1



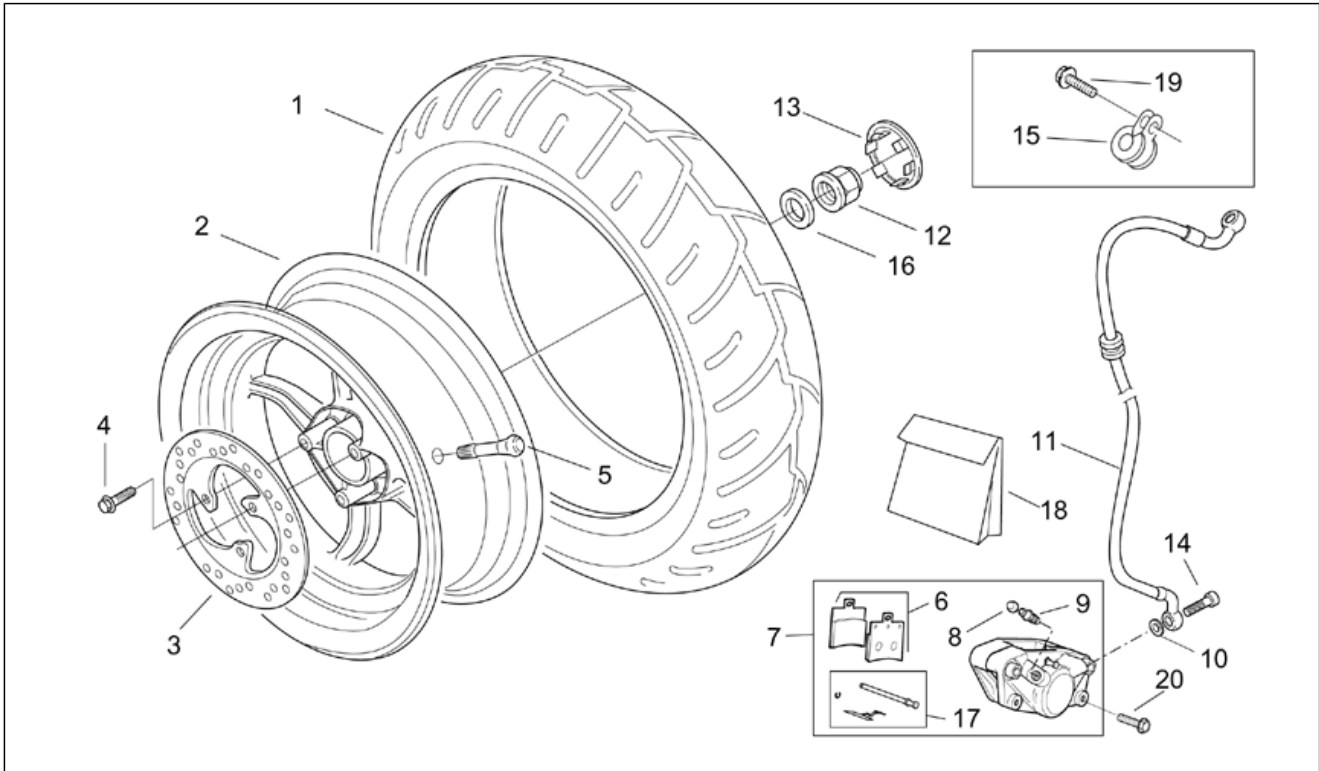
Pos.	Code	Beschreibung	Menge	Varianten
				<b>Fahrzeugfarbe:</b> Schwarz Diablo 2001-2002[bl.di], "Schwarz Aprilia ""Racing"" 2000-2001"[bl/re], "Grau Nik ""Racing"" 2000-2001"[gr/ye] <b>Technische Daten:</b> Scheibenbremse Hinterrad[f.d.], Räder mit Marke ZNL[znl]
2	AP8208909	Hinterrad, blau	1	<b>Baujahr:</b> 2002[2] <b>Fahrzeugfarbe:</b> Schwarz Diablo 2001-2002[bl.di], Haga 2002[haga] <b>Technische Daten:</b> Scheibenbremse Hinterrad[f.d.], Räder mit Marke ZNL[znl]
3	AP8213231	Bremsscheibe D190	1	<b>Technische Daten:</b> Scheibenbremse Hinterrad[f.d.]
4	AP8225358	TBEI Schraube M8x25	3	<b>Technische Daten:</b> Scheibenbremse Hinterrad[f.d.]
5	AP8201546	Schlauchloses Reifenventil	1	<b>Technische Daten:</b> Scheibenbremse Hinterrad[f.d.]
6	AP8113869	Beläge (Paar)	1	<b>Technische Daten:</b> Scheibenbremse Hinterrad[f.d.]
7	AP8213479	Hinterradbremsszange, schw.	1	<b>Baujahr:</b> 2001[1], 2000[Y] <b>Fahrzeugfarbe:</b> "Electric Blue ""Sport"" 2000-2001"[el.bl], "Hot red ""Sport"" 2000-2001"[h.red], Zitronengelb 2001[le.ze] <b>Technische Daten:</b> Scheibenbremse Hinterrad[f.d.]
7	AP8213488	Hinterradbremsszange	1	<b>Baujahr:</b> 2001[1], 2000[Y] <b>Fahrzeugfarbe:</b> Schwarz Diablo 2001-2002[bl.di], "Schwarz Aprilia ""Racing"" 2000-2001"[bl/re], "Grau Nik ""Racing"" 2000-2001"[gr/ye] <b>Technische Daten:</b> Scheibenbremse Hinterrad[f.d.]
7	AP8213488	Hinterradbremsszange	1	<b>Baujahr:</b> 2003[3] <b>Fahrzeugfarbe:</b> Rot Tulip 2003[t.red] <b>Land:</b> Vereinigte Staaten von Amerika[AM], Kanada[CA], Kanada[CN], Vereinigte Staaten von Amerika[USA] <b>Technische Daten:</b> Scheibenbremse Hinterrad[f.d.]
7	AP8213488	Hinterradbremsszange	1	<b>Baujahr:</b> 2004[4] <b>Fahrzeugfarbe:</b> Rot Fluo 2004[r.fluo], Replica Poggiali Weiß 2004[RP] <b>Land:</b> Vereinigte Staaten von Amerika[AM], Kanada[CA], Kanada[CN], Vereinigte Staaten von Amerika[USA] <b>Technische Daten:</b> Scheibenbremse Hinterrad[f.d.]

<b>Einheit</b>	RAHMEN
<b>Code</b>	28.28
<b>Beschreibung</b>	Hinterrad Scheibenbremse
<b>Inspektion</b>	1



Pos.	Code	Beschreibung	Menge	Varianten
7	AP8213488	Hinterradbremsszange	1	<b>Baujahr:</b> 2003[3] <b>Fahrzeugfarbe:</b> "SBK ""Racing"" 2003"[sbk] <b>Land:</b> Vereinigte Staaten von Amerika[AM], Kanada[CA], Kanada[CN], Vereinigte Staaten von Amerika[USA] <b>Technische Daten:</b> Scheibenbremse Hinterrad[f.d.]
7	AP8213488	Hinterradbremsszange	1	<b>Baujahr:</b> 2002[2] <b>Fahrzeugfarbe:</b> Schwarz Diablo 2001-2002[bl.dj], Grau Dust 2002[du/gr], Haga 2002[haga] <b>Technische Daten:</b> Scheibenbremse Hinterrad[f.d.]
7	AP8213488	Hinterradbremsszange	1	<b>Baujahr:</b> 2003[3], 2004[4] <b>Fahrzeugfarbe:</b> "Blau Limited ""Racing"" 2003"[b.lim] <b>Land:</b> Vereinigte Staaten von Amerika[AM], Kanada[CA], Kanada[CN], Vereinigte Staaten von Amerika[USA] <b>Technische Daten:</b> Scheibenbremse Hinterrad[f.d.]
7	AP8213488	Hinterradbremsszange	1	<b>Baujahr:</b> 2003[3] <b>Fahrzeugfarbe:</b> GP1 2003[gp1] <b>Land:</b> Vereinigte Staaten von Amerika[AM], Kanada[CA], Kanada[CN], Vereinigte Staaten von Amerika[USA] <b>Technische Daten:</b> Scheibenbremse Hinterrad[f.d.]
7	AP8213488	Hinterradbremsszange	1	<b>Baujahr:</b> 2003[3] <b>Fahrzeugfarbe:</b> Tuono 2003[tuono] <b>Land:</b> Vereinigte Staaten von Amerika[AM], Kanada[CA], Kanada[CN], Vereinigte Staaten von Amerika[USA] <b>Technische Daten:</b> Scheibenbremse Hinterrad[f.d.]
8	AP8113005	Entlüftungskappe	1	<b>Technische Daten:</b> Scheibenbremse Hinterrad[f.d.]
9	AP8113006	Entlüftungsanschluß	1	<b>Technische Daten:</b> Scheibenbremse Hinterrad[f.d.]
10	AP8113004	Ausgleichscheibe 10x14x1,6*	1	<b>Technische Daten:</b> Scheibenbremse Hinterrad[f.d.]
11	AP8213474	Hinterradbremssleitung	1	<b>Technische Daten:</b> Scheibenbremse Hinterrad[f.d.]
12	AP8152244	Mutter DAX geflanscht M14x1,5	1	<b>Technische Daten:</b> Scheibenbremse Hinterrad[f.d.]
13	AP8208812	Hinterradschraube	1	<b>Baujahr:</b> 2003[3] <b>Fahrzeugfarbe:</b> Tuono 2003[tuono] <b>Land:</b> Vereinigte Staaten von Amerika[AM], Kanada[CA], Kanada[CN], Vereinigte Staaten von Amerika[USA] <b>Technische Daten:</b> Scheibenbremse Hinterrad[f.d.]

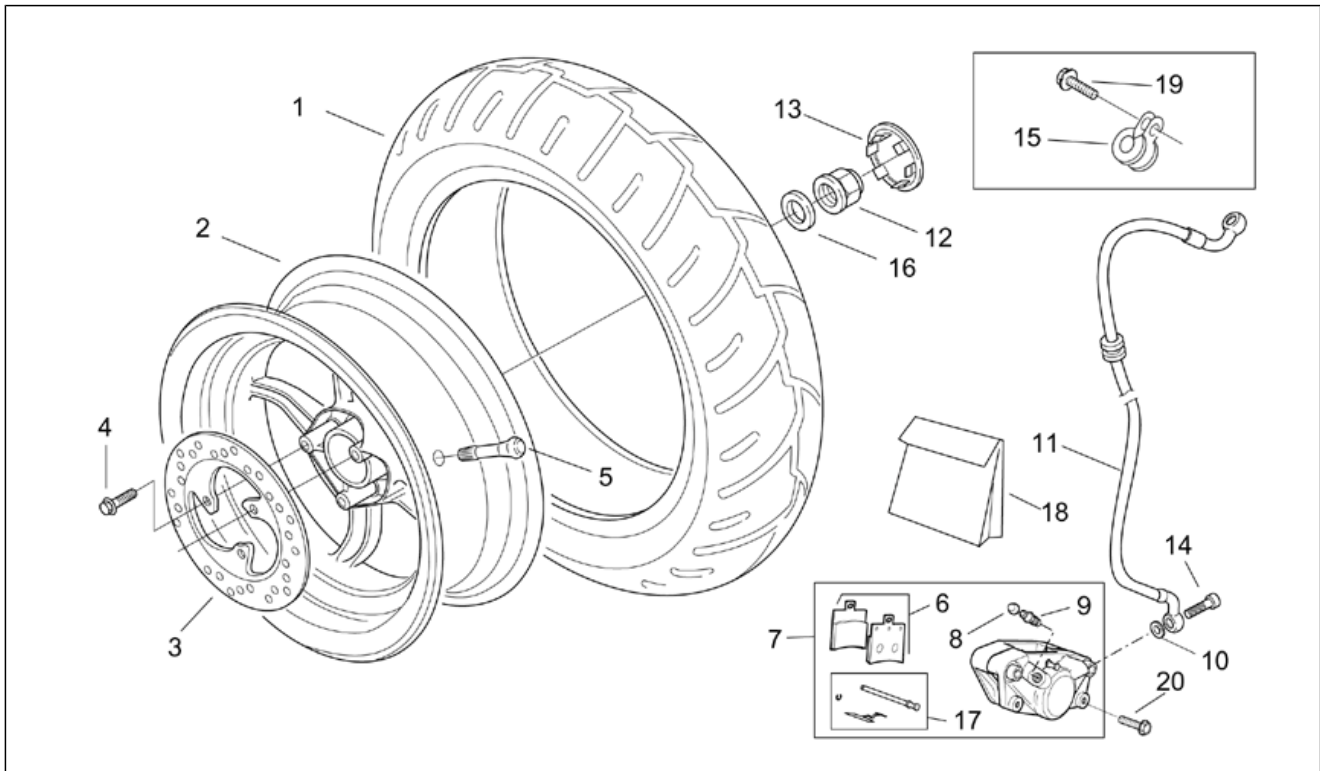
<b>Einheit</b>	RAHMEN
<b>Code</b>	28.28
<b>Beschreibung</b>	Hinterrad Scheibenbremse
<b>Inspektion</b>	1



Pos.	Code	Beschreibung	Menge	Varianten
13	AP8208812	Hinterradschraube	1	<b>Baujahr:</b> 2004[4] <b>Fahrzeugfarbe:</b> Rot Fluo 2004[r.fluo] <b>Land:</b> Vereinigte Staaten von Amerika[AM], Kanada[CA], Kanada[CN], Vereinigte Staaten von Amerika[USA] <b>Technische Daten:</b> Scheibenbremse Hinterrad[f.d.]
13	AP8208812	Hinterradschraube	1	<b>Baujahr:</b> 2003[3] <b>Fahrzeugfarbe:</b> GP1 2003[gp1] <b>Land:</b> Vereinigte Staaten von Amerika[AM], Kanada[CA], Kanada[CN], Vereinigte Staaten von Amerika[USA] <b>Technische Daten:</b> Scheibenbremse Hinterrad[f.d.]
13	AP8208812	Hinterradschraube	1	<b>Baujahr:</b> 2003[3] <b>Fahrzeugfarbe:</b> Rot Tulip 2003[t.red] <b>Land:</b> Vereinigte Staaten von Amerika[AM], Kanada[CA], Kanada[CN], Vereinigte Staaten von Amerika[USA] <b>Technische Daten:</b> Scheibenbremse Hinterrad[f.d.]
13	AP8208824	Hinterradschraube	1	<b>Baujahr:</b> 2003[3] <b>Fahrzeugfarbe:</b> "SBK ""Racing"" 2003"[sbk] <b>Land:</b> Vereinigte Staaten von Amerika[AM], Kanada[CA], Kanada[CN], Vereinigte Staaten von Amerika[USA] <b>Technische Daten:</b> Scheibenbremse Hinterrad[f.d.]
13	AP8208824	Hinterradschraube	1	<b>Baujahr:</b> 2004[4] <b>Fahrzeugfarbe:</b> Replica Poggiali Weiß 2004[RP] <b>Land:</b> Vereinigte Staaten von Amerika[AM], Kanada[CA], Kanada[CN], Vereinigte Staaten von Amerika[USA] <b>Technische Daten:</b> Scheibenbremse Hinterrad[f.d.]
13	AP8208824	Hinterradschraube	1	<b>Baujahr:</b> 2003[3], 2004[4] <b>Fahrzeugfarbe:</b> "Blau Limited ""Racing"" 2003"[b.lim] <b>Land:</b> Vereinigte Staaten von Amerika[AM], Kanada[CA], Kanada[CN], Vereinigte Staaten von Amerika[USA] <b>Technische Daten:</b> Scheibenbremse Hinterrad[f.d.]
13	AP8220571	Hinterradschraube	1	<b>Baujahr:</b> 2001[1], 2000[Y] <b>Fahrzeugfarbe:</b> "Electric Blue ""Sport"" 2000-2001"[el.bl], "Hot red ""Sport"" 2000-2001"[h.red], Zitronengelb 2001[le.ye] <b>Technische Daten:</b> Scheibenbremse Hinterrad[f.d.]

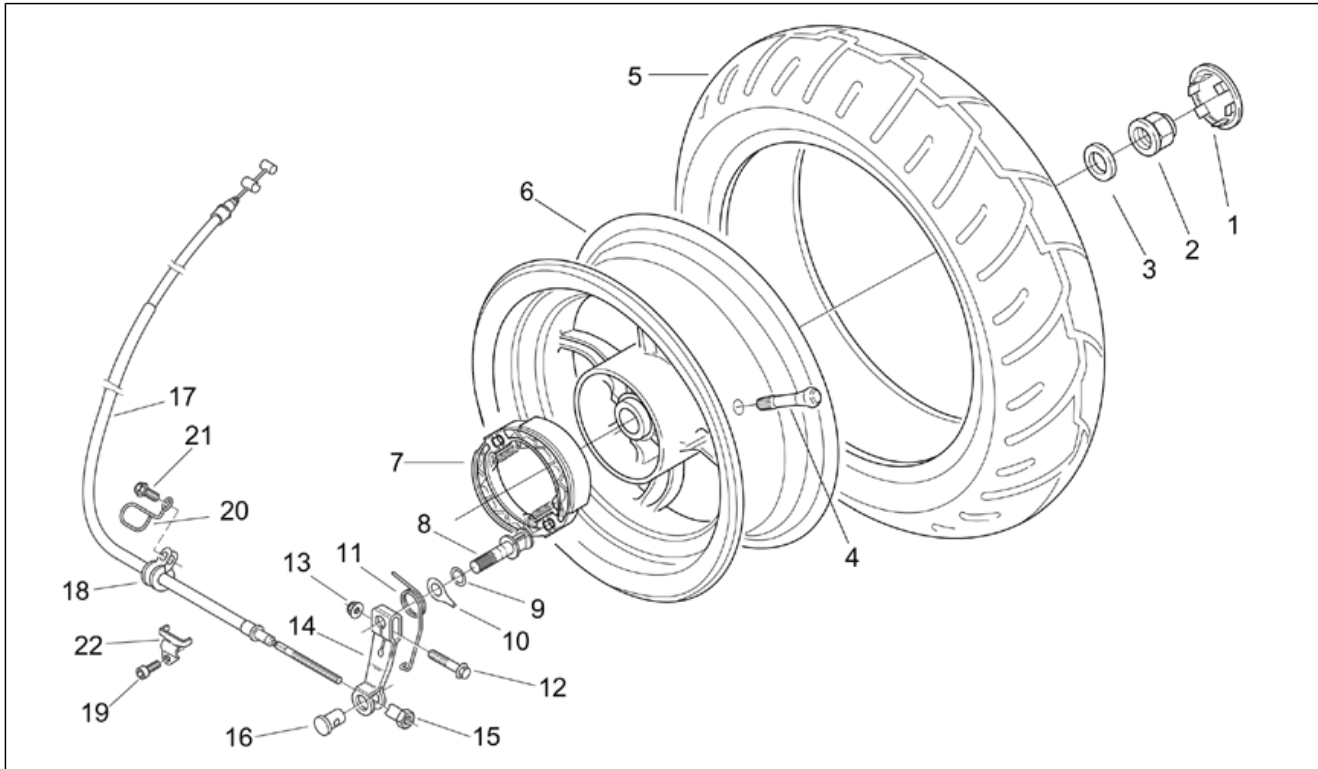


<b>Einheit</b>	RAHMEN
<b>Code</b>	28.28
<b>Beschreibung</b>	Hinterrad Scheibenbremse
<b>Inspektion</b>	1



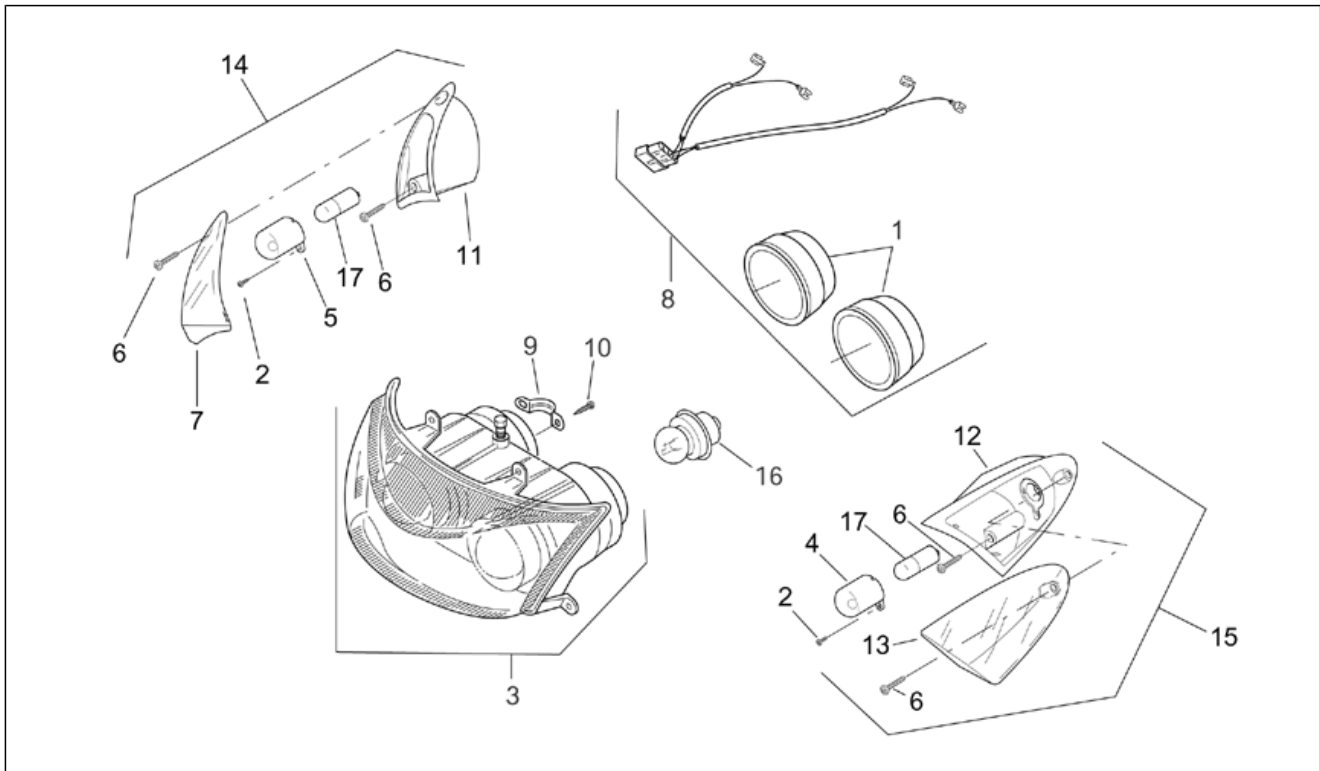
Pos.	Code	Beschreibung	Menge	Varianten
13	AP8220579	Hinterradschraube	1	<b>Baujahr:</b> 2002[2] <b>Fahrzeugfarbe:</b> Schwarz Diablo 2001-2002[bl.di], Haga 2002[haga] <b>Technische Daten:</b> Scheibenbremse Hinterrad[f.d.]
13	AP8220579	Hinterradschraube	1	<b>Baujahr:</b> 2001[1], 2000[Y] <b>Fahrzeugfarbe:</b> Schwarz Diablo 2001-2002[bl.di], "Schwarz Aprilia ""Racing"" 2000-2001"[bl/re], "Grau Nik ""Racing"" 2000-2001"[gr/ye] <b>Technische Daten:</b> Scheibenbremse Hinterrad[f.d.]
13	AP8258565	Hinterradschraube	1	<b>Baujahr:</b> 2002[2] <b>Fahrzeugfarbe:</b> Grau Dust 2002[du/gr] <b>Technische Daten:</b> Scheibenbremse Hinterrad[f.d.]
14	AP8113003	Fixierschraube Ölschlauch	1	<b>Technische Daten:</b> Scheibenbremse Hinterrad[f.d.]
15	AP8134167	Platte Bremsschlauch	1	<b>Technische Daten:</b> Scheibenbremse Hinterrad[f.d.]
16	AP8150471	Sprengscheibe 14,5x24	1	<b>Technische Daten:</b> Scheibenbremse Hinterrad[f.d.]
17	AP8113871	Bolzen+Bremse Felder	1	<b>Technische Daten:</b> Scheibenbremse Hinterrad[f.d.]
18	AP8213457	Bausatz Bremszangenüberholung	1	<b>Technische Daten:</b> Scheibenbremse Hinterrad[f.d.]
19	AP8152277	TE Schr. m. Flansch M6x12	1	<b>Technische Daten:</b> Scheibenbremse Hinterrad[f.d.]
20	AP8152288	TE Schr. m. Flansch	1	<b>Technische Daten:</b> Scheibenbremse Hinterrad[f.d.]

<b>Einheit</b>	RAHMEN
<b>Code</b>	28.29
<b>Beschreibung</b>	Hinterrad trommelbremse
<b>Inspektion</b>	1



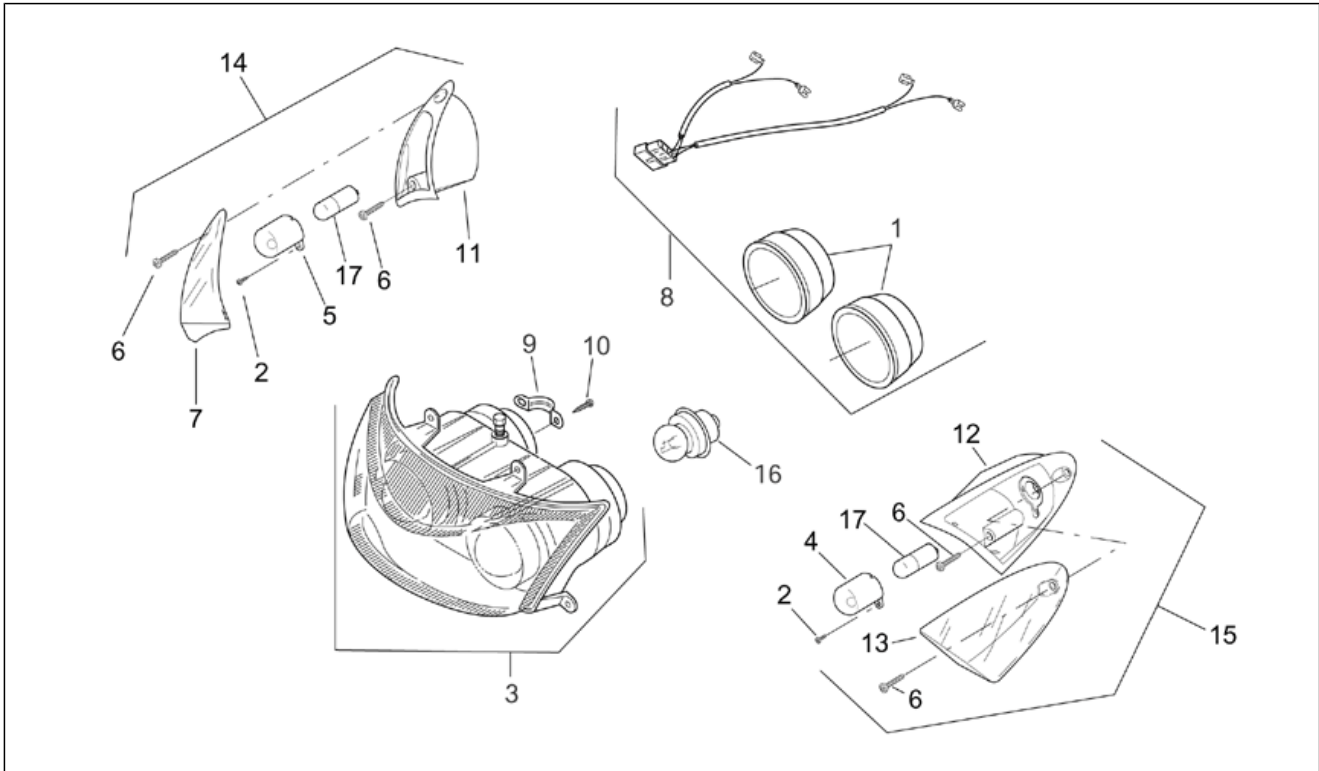
Pos.	Code	Beschreibung	Menge	Varianten
1	AP8220571	Hinterradschraube	1	Technische Daten:Hinterrad-Trommelbremse[f.t.]
2	AP8152244	Mutter DAX geflanscht M14x1,5	1	Technische Daten:Hinterrad-Trommelbremse[f.t.]
3	AP8150471	Sprengscheibe 14,5x24	1	Technische Daten:Hinterrad-Trommelbremse[f.t.]
4	AP8201546	Schlauchloses Reifenventil	1	Technische Daten:Hinterrad-Trommelbremse[f.t.]
5	0000000	Reifen	1	Technische Daten:Hinterrad-Trommelbremse[f.t.]
6	AP8208646	Hinterrad ohne Scheibe	1	Technische Daten:Hinterrad-Trommelbremse[f.t.]
7	AP8213424	Bremsbac.+Federn	1	Technische Daten:Hinterrad-Trommelbremse[f.t.]
8	AP8213406	Hinterradbremse Nocken	1	Technische Daten:Hinterrad-Trommelbremse[f.t.]
9	AP8213373	Staubschutzdichtung	1	Technische Daten:Hinterrad-Trommelbremse[f.t.]
10	AP8213407	Verschleißanz. Brems.	1	Technische Daten:Hinterrad-Trommelbremse[f.t.]
11	AP8213408	Bremshebelfeder	1	Technische Daten:Hinterrad-Trommelbremse[f.t.]
12	AP8152282	TE Schr. m. Flansch M6x35	1	Technische Daten:Hinterrad-Trommelbremse[f.t.]
13	AP8152299	Selbstsperrende Mutter M6	1	Technische Daten:Hinterrad-Trommelbremse[f.t.]
14	AP8235048	H.bremshebel	1	Technische Daten:Hinterrad-Trommelbremse[f.t.]
15	AP8214200	Einstll.schr. Hinterr.br.	1	Technische Daten:Hinterrad-Trommelbremse[f.t.]
16	AP8221120	Bremsseilhalter	1	Technische Daten:Hinterrad-Trommelbremse[f.t.]
17	AP8214220	Hinterradbremskabel	1	Technische Daten:Hinterrad-Trommelbremse[f.t.]
18	AP8134167	Platte Brems Schlauch	1	Technische Daten:Hinterrad-Trommelbremse[f.t.]
19	AP8150137	TCEI Schraube M6x16	1	Technische Daten:Hinterrad-Trommelbremse[f.t.]
20	AP8121856	Kabelführungs	1	Technische Daten:Hinterrad-Trommelbremse[f.t.]
21	AP8152278	TE Schr. m. Flansch M6x16	1	Technische Daten:Hinterrad-Trommelbremse[f.t.]
22	AP8234161	Platte	1	Technische Daten:Hinterrad-Trommelbremse[f.t.]

<b>Einheit</b>	RAHMEN
<b>Code</b>	28.30
<b>Beschreibung</b>	Vorderer Lichter
<b>Inspektion</b>	1



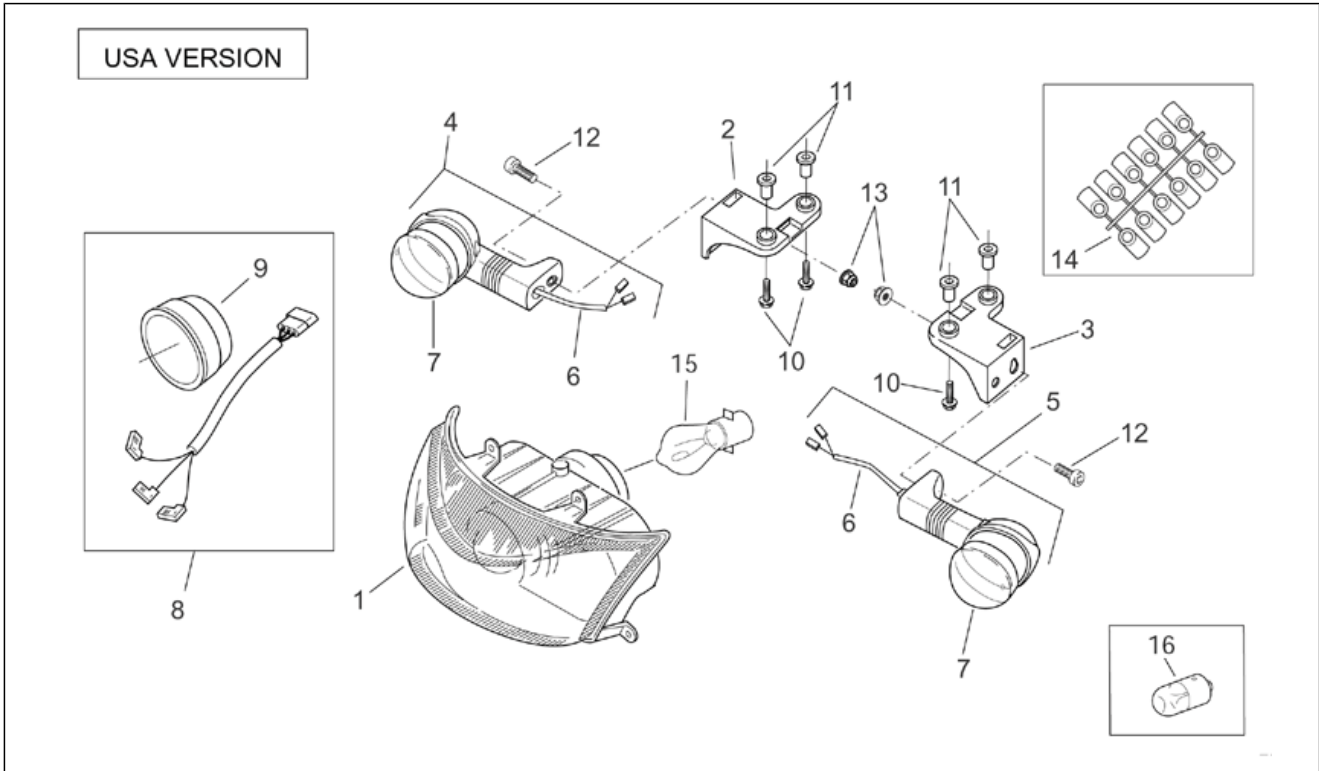
Pos.	Code	Beschreibung	Menge	Varianten
1	AP8212841	Scheinwerferhaube	2	
2	AP8225359	Schraube	2	
3	AP8212771	Scheinwerfer	1	<b>Land:</b> Österreich[A], Australien[AA], Australien[AUS], Belgien[B], Schweiz[CH], Deutschland[D], Dänemark[DK], Spanien[E], A, B, CH, D, DK, E, F, I, NL, P, UK[EU], Frankreich[F], Griechenland[GR], Italien[I], Holland[NL], Portugal[P], Großbritannien[UK]
3	AP8212903	Scheinwerfer -35+35W-	1	<b>Land:</b> Japan[J], Japan[JJ]
4	AP8224211	Schirm links	1	
5	AP8224214	Schirm rechts	1	
6	AP8150270	Linsenschraube 4,2x20*	4	
7	AP8224213	V. Blinkerblende rechts	1	
8	AP8212936	Verkabel.Scheinwerf.	1	<b>Land:</b> Japan[J], Japan[JJ]
8	AP8224148	Verkabel.Scheinwerf.	1	<b>Land:</b> Österreich[A], Australien[AA], Australien[AUS], Belgien[B], Schweiz[CH], Deutschland[D], Dänemark[DK], Spanien[E], A, B, CH, D, DK, E, F, I, NL, P, UK[EU], Frankreich[F], Griechenland[GR], Italien[I], Holland[NL], Portugal[P], Großbritannien[UK]
9	AP8224062	Platte	1	
10	AP8224063	Gew.schr. M2,9x6,5	2	
11	AP8224215	Blinkerspiegel rechts	1	
12	AP8224212	Blinkerspiegel links	1	
13	AP8224210	V. Blinkerblende links	1	
14	860594	Vorderblinker rechts	1	<b>Land:</b> Österreich[A], Australien[AA], Australien[AUS], Belgien[B], Schweiz[CH], Deutschland[D], Dänemark[DK], Spanien[E], A, B, CH, D, DK, E, F, I, NL, P, UK[EU], Frankreich[F], Griechenland[GR], Italien[I], Japan[J], Japan[JJ], Holland[NL], Portugal[P], Großbritannien[UK]
15	860595	Vorderblinker links	1	<b>Land:</b> Vereinigte Staaten von Amerika[AM], Kanada[CA], Kanada[CN], Vereinigte Staaten von Amerika[USA]
15	AP8124517	Vorderblinker links	1	<b>Land:</b> Österreich[A], Australien[AA], Australien[AUS], Belgien[B], Schweiz[CH], Deutschland[D], Dänemark[DK],

<b>Einheit</b>	RAHMEN
<b>Code</b>	28.30
<b>Beschreibung</b>	Vorderer Lichter
<b>Inspektion</b>	1



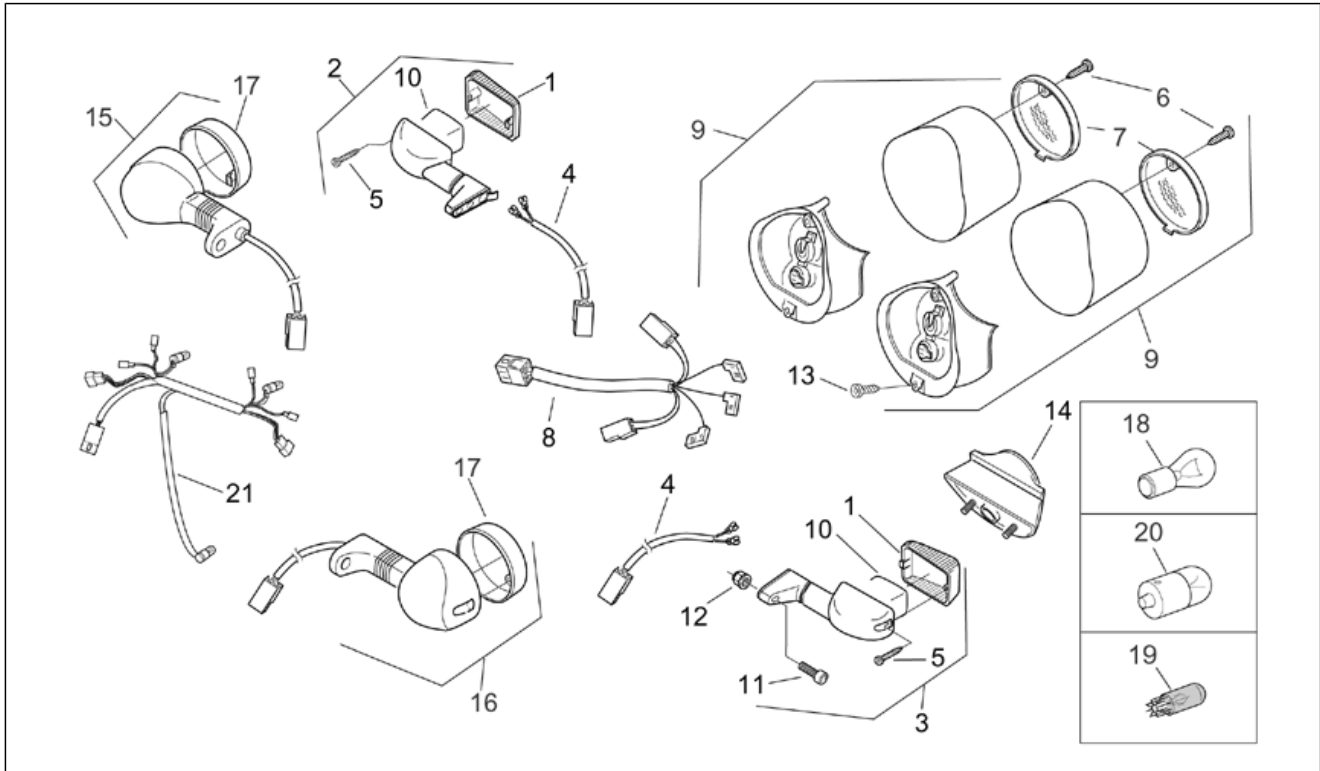
Pos.	Code	Beschreibung	Menge	Varianten
				Spanien[E], A, B, CH, D, DK, E, F, I, NL, P, UK[EU], Frankreich[F], Griechenland[GR], Italien[I], Japan[J], Japan[J], Holland[NL], Portugal[P], Großbritannien[UK]
15	AP8224406	Vorderblinker links	1	<b>Land:</b> Vereinigte Staaten von Amerika[AM], Kanada[CA], Kanada[CN], Vereinigte Staaten von Amerika[USA]
16	AP8224392	Lampen S3 15w 12v	1	
17	AP8224390	Lampen R10W 12v	2	

<b>Einheit</b>	RAHMEN
<b>Code</b>	28.31
<b>Beschreibung</b>	Vorderer Lichter USA
<b>Inspektion</b>	1



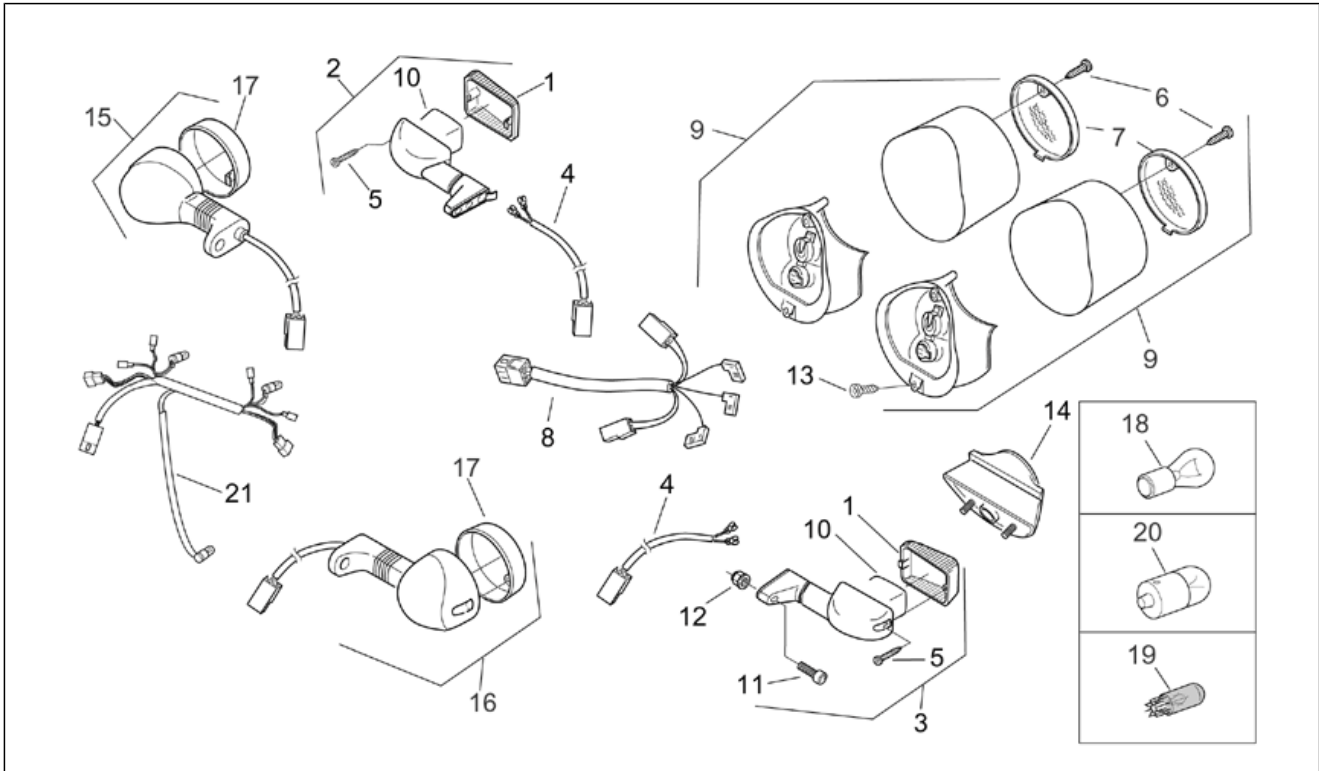
Pos.	Code	Beschreibung	Menge	Varianten
1	AP8224193	Scheinwerfer	1	Land: Vereinigte Staaten von Amerika[AM], Kanada[CA], Kanada[CN], Vereinigte Staaten von Amerika[USA]
2	AP8249100	R.Blinkerhalterung	1	Land: Vereinigte Staaten von Amerika[AM], Kanada[CA], Kanada[CN], Vereinigte Staaten von Amerika[USA]
3	AP8249101	L.Blinkerhalterung	1	Land: Vereinigte Staaten von Amerika[AM], Kanada[CA], Kanada[CN], Vereinigte Staaten von Amerika[USA]
4	AP8224197	Vorderblinker rechts / Hinterblinker links	1	Land: Vereinigte Staaten von Amerika[AM], Kanada[CA], Kanada[CN], Vereinigte Staaten von Amerika[USA]
5	AP8224198	Vorderblinker links/ Hinterblinker rechts	1	Land: Vereinigte Staaten von Amerika[AM], Kanada[CA], Kanada[CN], Vereinigte Staaten von Amerika[USA]
6	AP8224259	Blinkerkabel vorne	2	Land: Vereinigte Staaten von Amerika[AM], Kanada[CA], Kanada[CN], Vereinigte Staaten von Amerika[USA]
7	AP8224258	Blinkerblende	2	Land: Vereinigte Staaten von Amerika[AM], Kanada[CA], Kanada[CN], Vereinigte Staaten von Amerika[USA]
8	AP8224251	Verkabel.Scheinwerf.	1	Land: Vereinigte Staaten von Amerika[AM], Kanada[CA], Kanada[CN], Vereinigte Staaten von Amerika[USA]
9	AP8212841	Scheinwerferhaube	1	Land: Vereinigte Staaten von Amerika[AM], Kanada[CA], Kanada[CN], Vereinigte Staaten von Amerika[USA]
10	AP8152279	TE Schr. m. Flansch M6x20	4	Land: Vereinigte Staaten von Amerika[AM], Kanada[CA], Kanada[CN], Vereinigte Staaten von Amerika[USA]
11	AP8121795	T-Buchse	4	Land: Vereinigte Staaten von Amerika[AM], Kanada[CA], Kanada[CN], Vereinigte Staaten von Amerika[USA]
12	AP8150052	TCEI Schraube M6x16	2	Land: Vereinigte Staaten von Amerika[AM], Kanada[CA], Kanada[CN], Vereinigte Staaten von Amerika[USA]
13	AP8150430	Selbstsperr.mut Unt.	2	Land: Vereinigte Staaten von Amerika[AM], Kanada[CA], Kanada[CN], Vereinigte Staaten von Amerika[USA]
14	AP8249136	Serie Unt.sch. Scheinw.	1	Land: Vereinigte Staaten von Amerika[AM], Kanada[CA], Kanada[CN], Vereinigte Staaten von Amerika[USA]
15	AP8224391	Lampen S2 35/35w 12v	1	Land: Vereinigte Staaten von Amerika[AM], Kanada[CA], Kanada[CN], Vereinigte Staaten von Amerika[USA]
16	AP8224390	Lampen R10W 12v	2	Land: Vereinigte Staaten von Amerika[AM], Kanada[CA], Kanada[CN], Vereinigte Staaten von Amerika[USA]

<b>Einheit</b>	RAHMEN
<b>Code</b>	28.32
<b>Beschreibung</b>	Hinterer Lichter
<b>Inspektion</b>	1



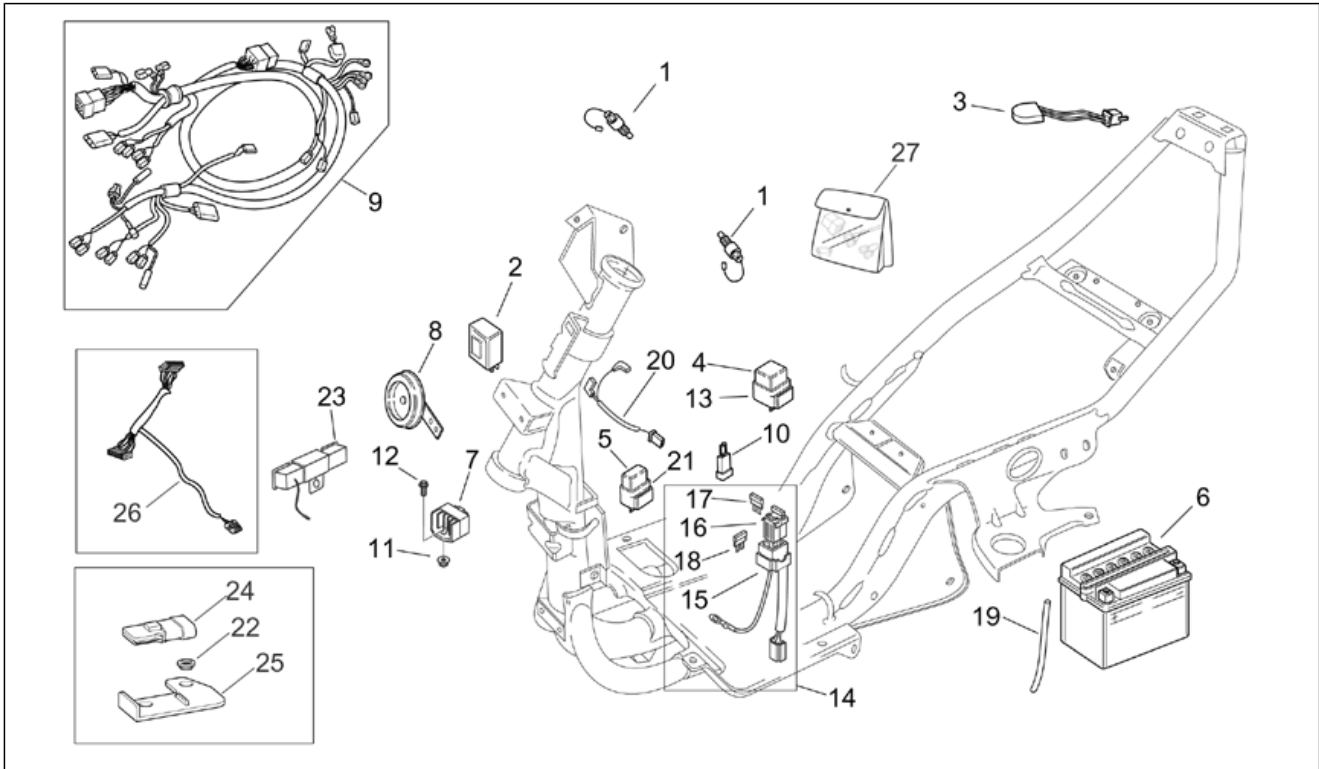
Pos.	Code	Beschreibung	Menge	Varianten
1	AP8224346	Blinkerblende	2	
2	AP8224340	Rückblinker rechts	1	
3	AP8224341	Rückblinker links	1	
4	AP8212698	Kabel vord. Blinker	2	
5	AP8224268	Schraube 2,9x25	2	
6	AP8212934	Gew.schr. weiß 3,9x16	2	
7	AP8212933	Abdeckblende	1	
8	AP8212775	Verkabelung Rücklicht	1	Land:Österreich[A], Belgien[B], Schweiz[CH], Deutschland[D], Dänemark[DK], Spanien[E], A, B, CH, D, DK, E, F, I, NL, P, UK[EU], Frankreich[F], Griechenland[GR], Italien[I], Holland[NL], Portugal[P], Großbritannien[UK]
8	AP8212937	Verkabelung Rücklicht	1	Land:Japan[J], Japan[JJ]
9	AP8224245	Rücklicht	1	
10	AP8224347	Wanne unten	2	
11	AP8150280	TCEI Schraube	2	
12	AP8152306	Selbstsperrende Mutter M5	2	
13	AP8150413	Gew.schr. 3,9x14	4	
14	AP8224196	Kennzeichenleuchte	1	Land:Australien[AA], Vereinigte Staaten von Amerika[AM], Australien[AUS], Kanada[CA], Kanada[CN], Japan[J], Japan[JJ], Vereinigte Staaten von Amerika[USA]
15	AP8224174	Vorderblinker links/ Hinterblinker rechts	1	Land:Vereinigte Staaten von Amerika[AM], Kanada[CA], Kanada[CN], Vereinigte Staaten von Amerika[USA]
16	AP8224173	Vorderblinker rechts / Hinterblinker links	1	Land:Vereinigte Staaten von Amerika[AM], Kanada[CA], Kanada[CN], Vereinigte Staaten von Amerika[USA]
17	AP8224258	Blinkerblende	2	Land:Vereinigte Staaten von Amerika[AM], Kanada[CA], Kanada[CN], Vereinigte Staaten von Amerika[USA]
18	AP8224389	Lampen P21/5W 12V	1	
19	AP8224393	Lampen WY5W 12V	1	
20	AP8224390	Lampen R10W 12v	1	

<b>Einheit</b>	RAHMEN
<b>Code</b>	28.32
<b>Beschreibung</b>	Hinterer Lichter
<b>Inspektion</b>	1



Pos.	Code	Beschreibung	Menge	Varianten
21	AP8124612	Verkabelung Rücklicht	1	Land:Australien[AA], Vereinigte Staaten von Amerika[AM], Australien[AUS], Kanada[CA], Kanada[CN], Vereinigte Staaten von Amerika[USA]

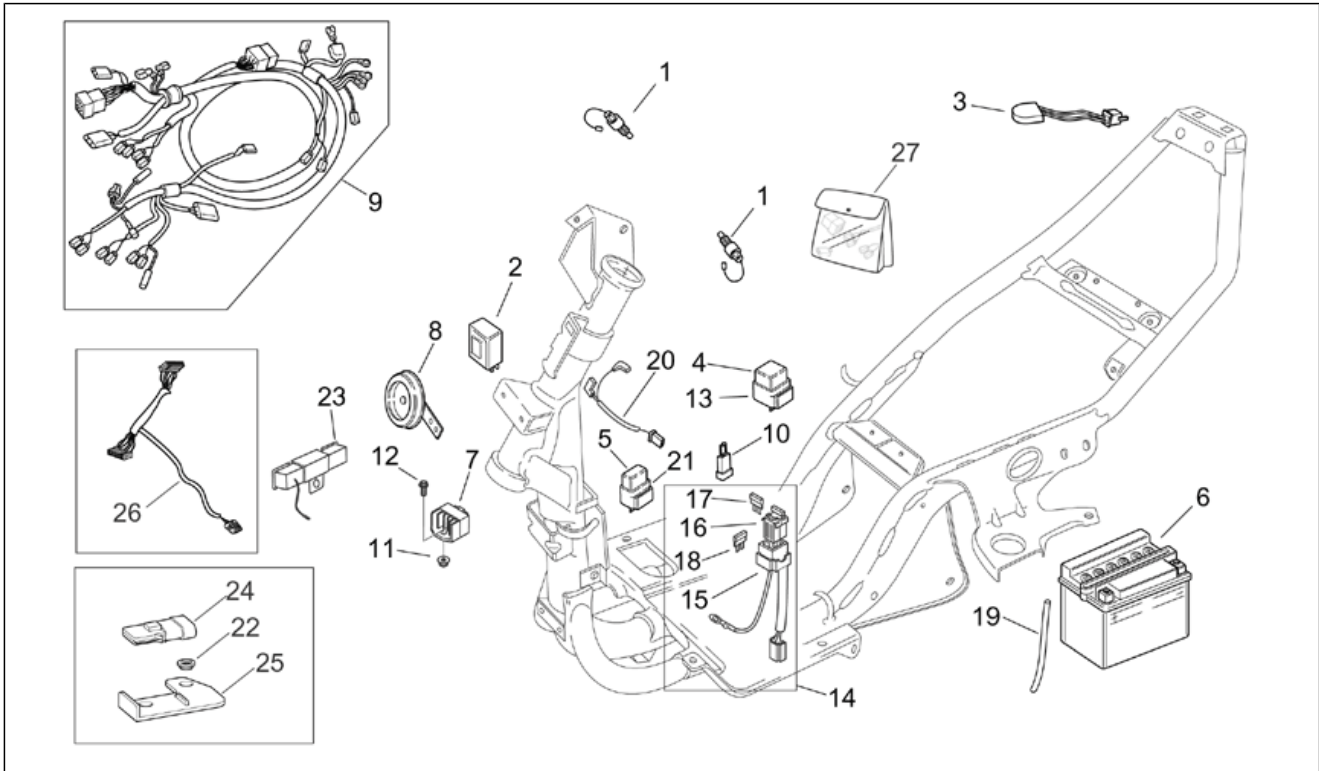
<b>Einheit</b>	RAHMEN
<b>Code</b>	28.33
<b>Beschreibung</b>	Elektrische Anlage
<b>Inspektion</b>	1



Pos.	Code	Beschreibung	Menge	Varianten
1	AP8124818	Bremslichtschalter	2	
2	AP8124235	Blinken	1	
3	AP8124754	Thermoschalter	1	<b>Technische Daten:</b> Motor mit Vergaser[carb]
4	AP8224057	Zündrelais	1	
5	AP8212469	Zündrelais 12V-20A	1	<b>Technische Daten:</b> "Motor ""DITECH"" mit Benzindirekteinspritzung"[ie]
6	AP8124637	Batterie	1	<b>Technische Daten:</b> "Motor ""DITECH"" mit Benzindirekteinspritzung"[ie]
6	AP8212110	Batterie 12V-4Ah	1	<b>Technische Daten:</b> Motor mit Vergaser[carb]
7	AP8224102	Spannungsregler	1	<b>Technische Daten:</b> Motor mit Vergaser[carb]
7	AP8224296	Spannungsregler	1	<b>Technische Daten:</b> "Motor ""DITECH"" mit Benzindirekteinspritzung"[ie]
8	AP8212611	Hupe	1	
9	AP8224248	Hauptverkabelung	1	<b>Land:</b> Österreich[A], Australien[AA], Australien[AUS], Belgien[B], Schweiz[CH], Deutschland[D], Dänemark[DK], Spanien[E], A, B, CH, D, DK, E, F, I, NL, P, UK[EU], Frankreich[F], Italien[I], Holland[NL], Portugal[P], Großbritannien[UK] <b>Technische Daten:</b> "Motor ""DITECH"" mit Benzindirekteinspritzung"[ie]
9	AP8224279	Hauptverkabelung	1	<b>Land:</b> Österreich[A], Belgien[B], Schweiz[CH], Deutschland[D], Dänemark[DK], Spanien[E], Frankreich[F], Griechenland[GR], Italien[I], Holland[NL], Portugal[P], Großbritannien[UK] <b>Technische Daten:</b> Motor mit Vergaser[carb]
9	AP8224320	Hauptverkabelung	1	<b>Land:</b> Japan[J], Japan[JJ]
9	AP8224401	Hauptverkabelung	1	<b>Land:</b> Vereinigte Staaten von Amerika[AM], Vereinigte Staaten von Amerika[USA] <b>Technische Daten:</b> Vers.nicht vorgerüstet für Kit große Höhe[NAK]
9	AP8224491	Hauptverkabelung	1	<b>Land:</b> Vereinigte Staaten von Amerika[AM], Vereinigte Staaten von Amerika[USA] <b>Technische Daten:</b> Vers.vorgerüstet für Kit große Höhe[KA]

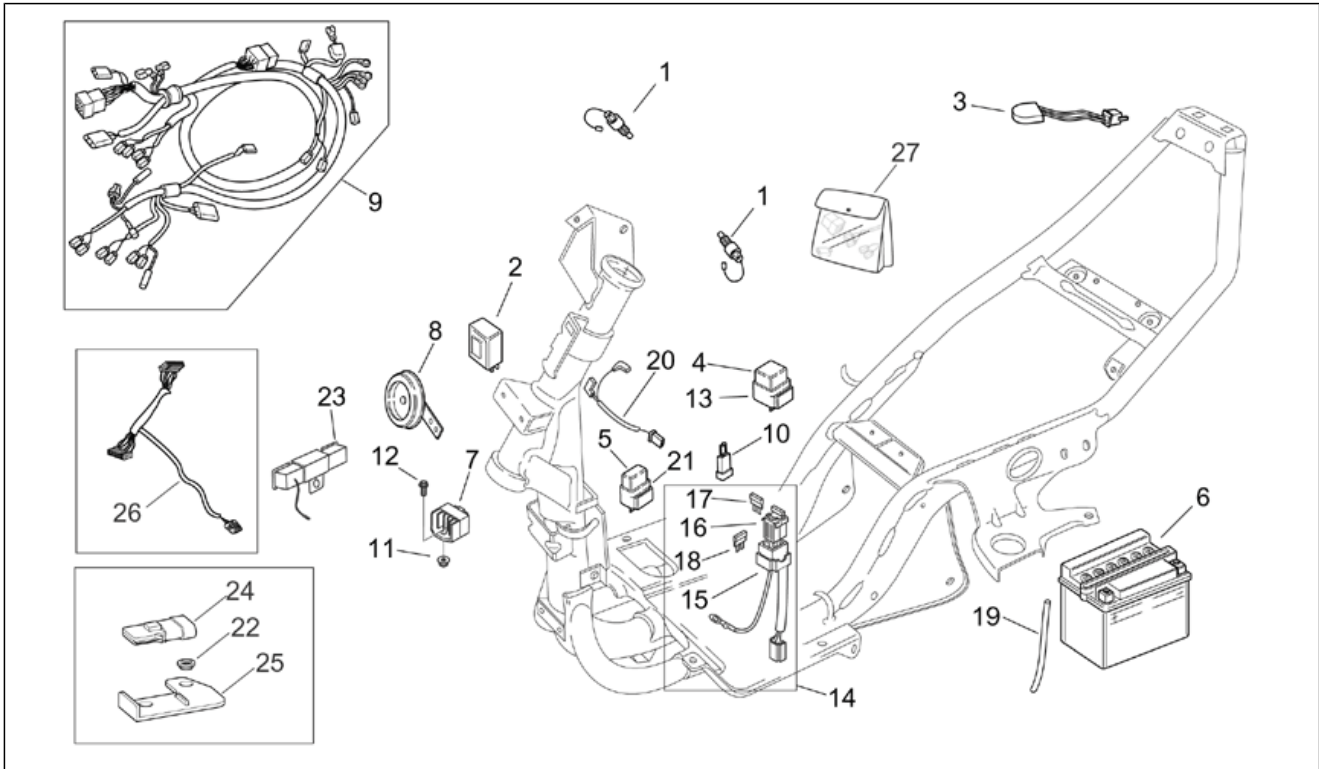


<b>Einheit</b>	RAHMEN
<b>Code</b>	28.33
<b>Beschreibung</b>	Elektrische Anlage
<b>Inspektion</b>	1



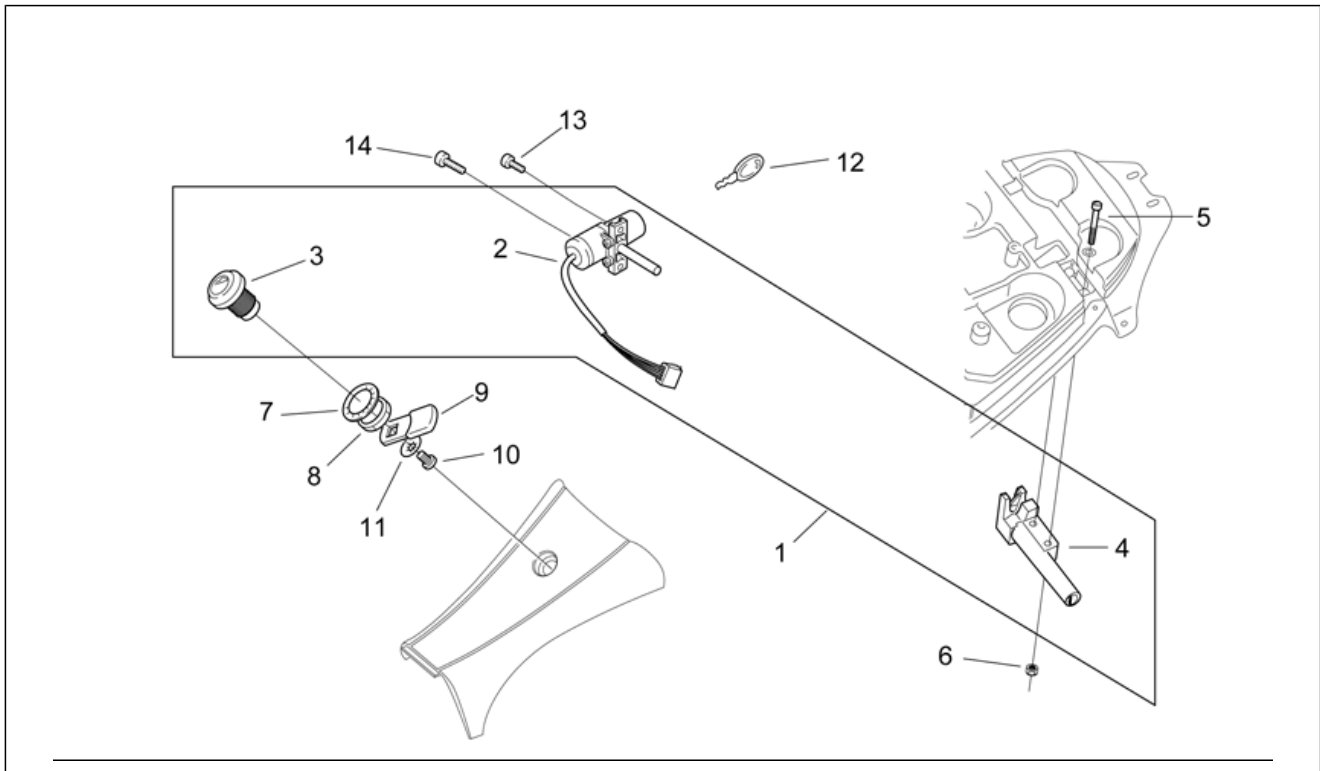
Pos.	Code	Beschreibung	Menge	Varianten
9	AP8224491	Hauptverkabelung	1	Land:Kanada[CA], Kanada[CN]
10	AP8212382	Diode	1	
11	AP8152299	Selbstsperrende Mutter M6	1	
12	AP8152278	TE Schr. m. Flansch M6x16	1	
13	AP8220546	Auflagegummi Relais	1	
14	AP8224073	Verkabelung Sicherungen	1	
15	AP8112811	Sicherungsblockgummi	1	
16	AP8120754	Sicherungsblockgummi	2	
17	AP8112176	Sicherung 15A	2	
18	AP8112244	Sicherung 7,5A	1	Technische Daten:Motor mit Vergaser[carb]
18	AP8124857	Sicherung	1	Technische Daten:"Motor ""DITECH"" mit Benzindirekteinspritzung"[ie]
19	AP8220263	Entlüftungsschlauch Kühler 4x8	1	Technische Daten:Motor mit Vergaser[carb]
20	AP8224326	Heizapparatkabel	1	Technische Daten:Motor mit Vergaser[carb]
21	AP8220283	Gummi *	1	Technische Daten:"Motor ""DITECH"" mit Benzindirekteinspritzung"[ie]
22	AP8121811	T-Buchse	1	Land:Vereinigte Staaten von Amerika[AM], Kanada[CA], Kanada[CN], Vereinigte Staaten von Amerika[USA] Technische Daten:"Motor ""DITECH"" mit Benzindirekteinspritzung"[ie]
23	AP8224170	Widerstand mit Verkabelung	1	Technische Daten:"Motor ""DITECH"" mit Benzindirekteinspritzung"[ie], Lichtausschalter[SD]
24	AP8224478	Druckfühler	1	Land:Vereinigte Staaten von Amerika[AM], Kanada[CA], Kanada[CN], Vereinigte Staaten von Amerika[USA] Technische Daten:"Motor ""DITECH"" mit Benzindirekteinspritzung"[ie]
25	AP8234210	Sensor halter	1	Land:Vereinigte Staaten von Amerika[AM], Kanada[CA], Kanada[CN], Vereinigte Staaten von Amerika[USA] Technische Daten:"Motor ""DITECH"" mit Benzindirekteinspritzung"[ie]

<b>Einheit</b>	RAHMEN
<b>Code</b>	28.33
<b>Beschreibung</b>	Elektrische Anlage
<b>Inspektion</b>	1



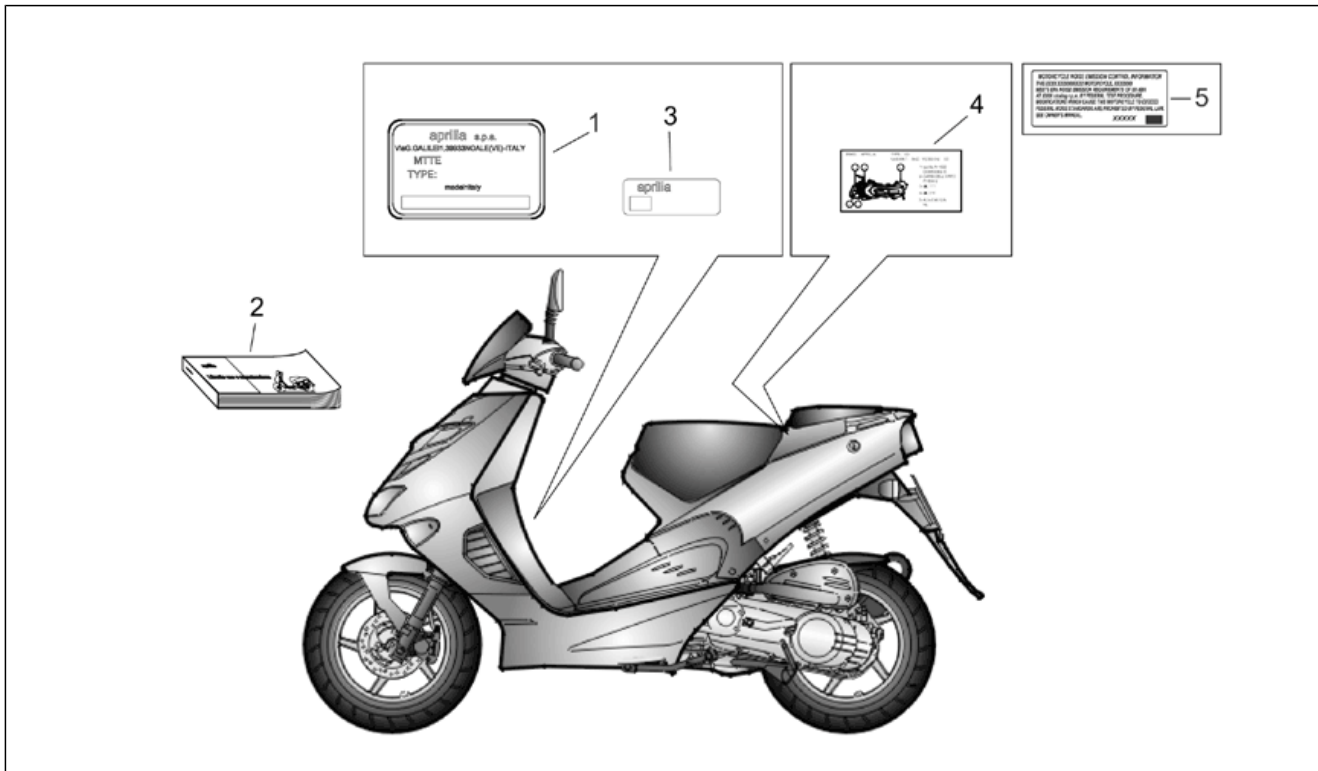
Pos.	Code	Beschreibung	Menge	Varianten
26	AP8224492	High quota wiring	1	Land: Vereinigte Staaten von Amerika[AM], Kanada[CA], Kanada[CN], Vereinigte Staaten von Amerika[USA] Technische Daten: "Motor ""DITECH"" mit Benzindirekteinspritzung"[ie]
27	AP8127477	Kabel Einspritzsystem	1	

<b>Einheit</b>	RAHMEN
<b>Code</b>	28.34
<b>Beschreibung</b>	Bausatz Schlösser
<b>Inspektion</b>	1



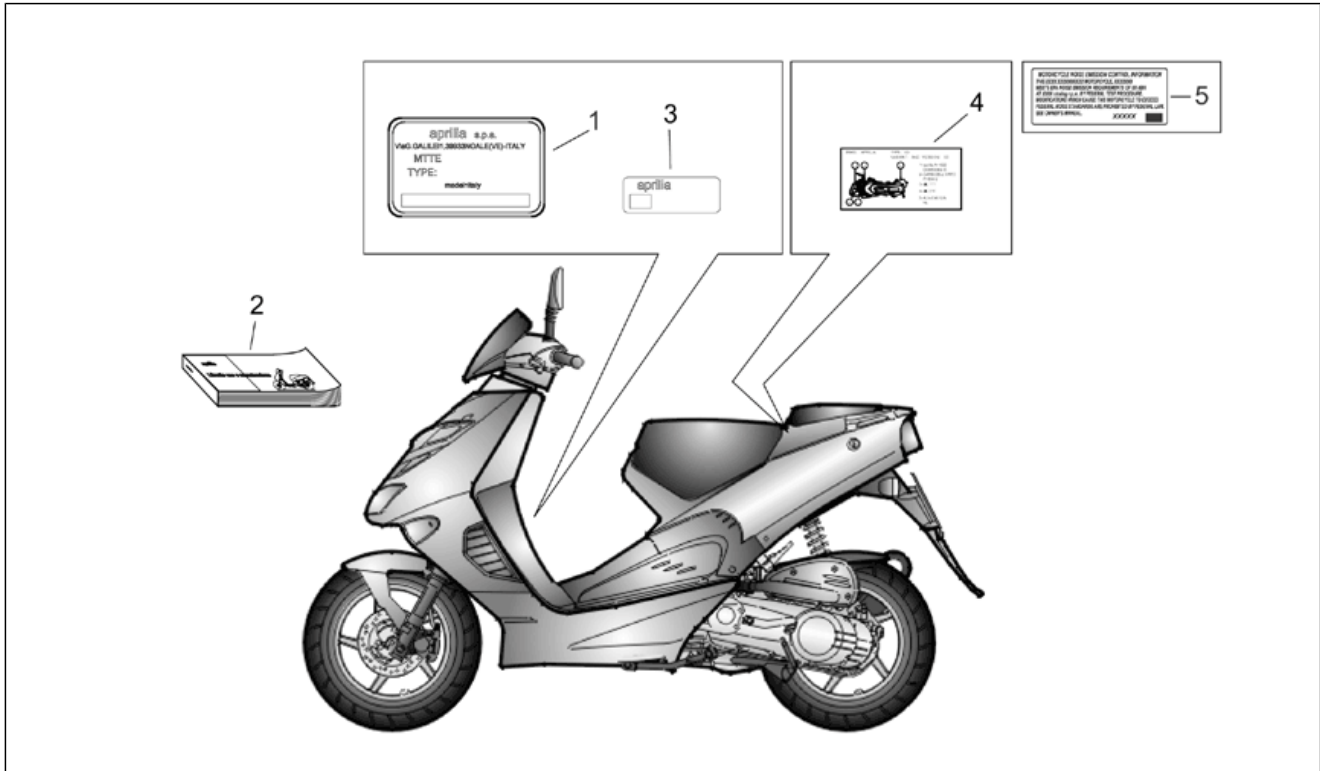
Pos.	Code	Beschreibung	Menge	Varianten
1	AP8202218	Kit Schließvorrichtungen	1	
2	AP8224343	Lenkschloß	1	
3	AP8202247	Schloss	1	
4	AP8202246	Sitzschloß	1	
5	AP8152283	TE Schr. m. Flansch	2	
6	AP8150430	Selbstsperr.mut Unt.	2	
7	AP8221312	Zahnscheibe	1	
8	AP8152194	Mutter unten M19x1*	1	
9	AP8201620	Hebel	1	
10	AP8201749	Linsenschraube M4x6	1	
11	AP8201748	Ausgleichscheibe	1	
12	AP8102880	Schl. gefr. Aprilia	1	
13	AP8152140	Reißschraube M6x17	1	
14	AP8150137	TCEI Schraube M6x16	1	

<b>Einheit</b>	RAHMEN
<b>Code</b>	28.35
<b>Beschreibung</b>	Schilder und Anleit.
<b>Inspektion</b>	1



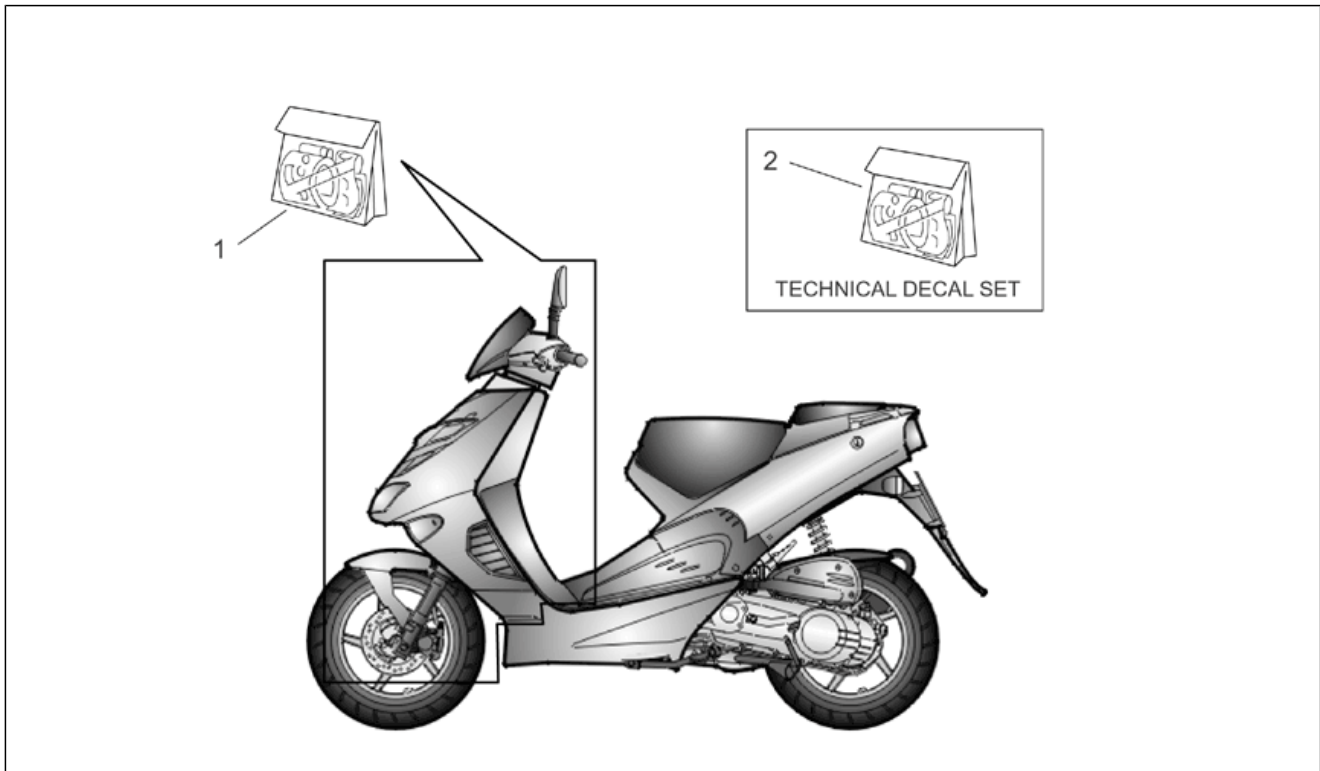
Pos.	Code	Beschreibung	Menge	Varianten
1	AP8257757	Herstellerschild	1	<b>Technische Daten:</b> Motor mit Vergaser[carb]
1	AP8257842	Herstellerschild	1	<b>Land:</b> Österreich[A], Belgien[B], Schweiz[CH], Deutschland[D], Dänemark[DK], Spanien[E], A, B, CH, D, DK, E, F, I, NL, P, UK[EU], Frankreich[F], Italien[I], Japan[J], Japan[J], Holland[NL], Portugal[P], Großbritannien[UK] <b>Technische Daten:</b> Einzelteil mit Zulassung EURO 1[E1], "Motor ""DITECH"" mit Benzindirekteinspritzung"[ie]
1	AP8267368	Herstellerschild	1	<b>Technische Daten:</b> Version mit Leistungsminderung 25 Kw[25k]
1	AP8267393	Herstellerschild	1	<b>Land:</b> Vereinigte Staaten von Amerika[AM], Vereinigte Staaten von Amerika[USA] <b>Technische Daten:</b> "Motor ""DITECH"" mit Benzindirekteinspritzung"[ie]
1	AP8267398	Herstellerschild	1	<b>Land:</b> Österreich[A], Belgien[B], Schweiz[CH], Deutschland[D], Dänemark[DK], Spanien[E], A, B, CH, D, DK, E, F, I, NL, P, UK[EU], Frankreich[F], Italien[I], Japan[J], Japan[J], Holland[NL], Portugal[P], Großbritannien[UK] <b>Technische Daten:</b> Einzelteil mit Zulassung EURO 2[E2], "Motor ""DITECH"" mit Benzindirekteinspritzung"[ie]
1	AP8267586	Herstellerschild	1	<b>Land:</b> Australien[AA], Australien[AUS] <b>Technische Daten:</b> "Motor ""DITECH"" mit Benzindirekteinspritzung"[ie]
1	AP8277039	Herstellerschild	1	<b>Land:</b> Kanada[CA], Kanada[CN] <b>Technische Daten:</b> "Motor ""DITECH"" mit Benzindirekteinspritzung"[ie]
2	AP8202223	Bed./Wart.-Anl. -I-F-D-	1	<b>Land:</b> Österreich[A], Belgien[B], Schweiz[CH], Deutschland[D], Frankreich[F], Italien[I]
2	AP8202224	Bed./Wart.-Anl. -NL-DK-SF-	1	<b>Land:</b> Belgien[B], Dänemark[DK], Holland[NL]
2	AP8202225	Bed./Wart.-Anl. -P-E-UK-	1	<b>Land:</b> Australien[AA], Australien[AUS], Spanien[E], Portugal[P], Großbritannien[UK]
2	AP8202226	Bed./Wart.-Anl. -GR-J-UK-	1	<b>Land:</b> Griechenland[GR], Japan[J], Japan[J]
2	AP8202282	Bed./Wart.-Anl. -USA-	1	<b>Land:</b> Vereinigte Staaten von Amerika[AM], Kanada[CA], Kanada[CN], Vereinigte Staaten von Amerika[USA]

<b>Einheit</b>	RAHMEN
<b>Code</b>	28.35
<b>Beschreibung</b>	Schilder und Anleit.
<b>Inspektion</b>	1



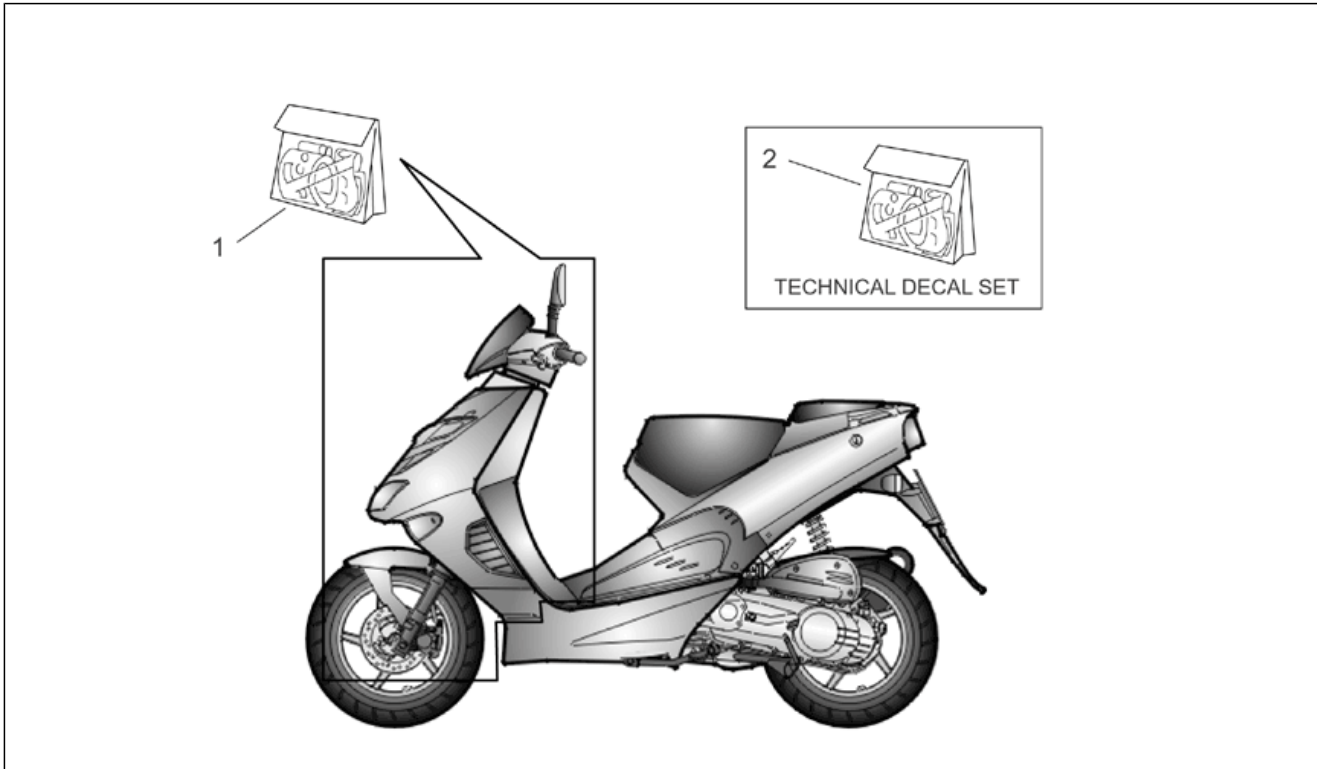
Pos.	Code	Beschreibung	Menge	Varianten
3	AP8257973	ECE Schild	1	<b>Land:</b> Australien[AA], Australien[AUS], Japan[J], Japan[JJ]
4	AP8257841	Fälschungssicheres Schild	1	<b>Technische Daten:</b> Motor mit Vergaser[carb]
4	AP8257843	Fälschungssicheres Schild	1	<b>Land:</b> Österreich[A], Vereinigte Staaten von Amerika[AM], Belgien[B], Kanada[CA], Schweiz[CH], Kanada[CN], Deutschland[D], Dänemark[DK], Spanien[E], A, B, CH, D, DK, E, F, I, NL, P, UK[EU], Frankreich[F], Italien[I], Holland[NL], Portugal[P], Großbritannien[UK], Vereinigte Staaten von Amerika[USA] <b>Technische Daten:</b> Einzelteil mit Zulassung EURO 1[E1], "Motor ""DITECH"" mit Benzindirekteinspritzung"[ie]
4	AP8267397	Fälschungssicheres Schild	1	<b>Land:</b> Österreich[A], Vereinigte Staaten von Amerika[AM], Belgien[B], Kanada[CA], Schweiz[CH], Kanada[CN], Deutschland[D], Dänemark[DK], Spanien[E], A, B, CH, D, DK, E, F, I, NL, P, UK[EU], Frankreich[F], Italien[I], Holland[NL], Portugal[P], Großbritannien[UK], Vereinigte Staaten von Amerika[USA] <b>Technische Daten:</b> Einzelteil mit Zulassung EURO 2[E2], "Motor ""DITECH"" mit Benzindirekteinspritzung"[ie]
5	AP8167659	Lautherausgabe selbstkleber	1	<b>Baujahr:</b> 2002[2], 2003[3] <b>Land:</b> Vereinigte Staaten von Amerika[AM], Kanada[CA], Kanada[CN], Vereinigte Staaten von Amerika[USA] <b>Technische Daten:</b> "Motor ""DITECH"" mit Benzindirekteinspritzung"[ie]
5	AP8277444	Lautherausgabe selbstkleber	1	<b>Baujahr:</b> 2004[4] <b>Land:</b> Vereinigte Staaten von Amerika[AM], Kanada[CA], Kanada[CN], Vereinigte Staaten von Amerika[USA] <b>Technische Daten:</b> "Motor ""DITECH"" mit Benzindirekteinspritzung"[ie]

<b>Einheit</b>	RAHMEN
<b>Code</b>	28.36
<b>Beschreibung</b>	Frontaufbau und technische Deko
<b>Inspektion</b>	1



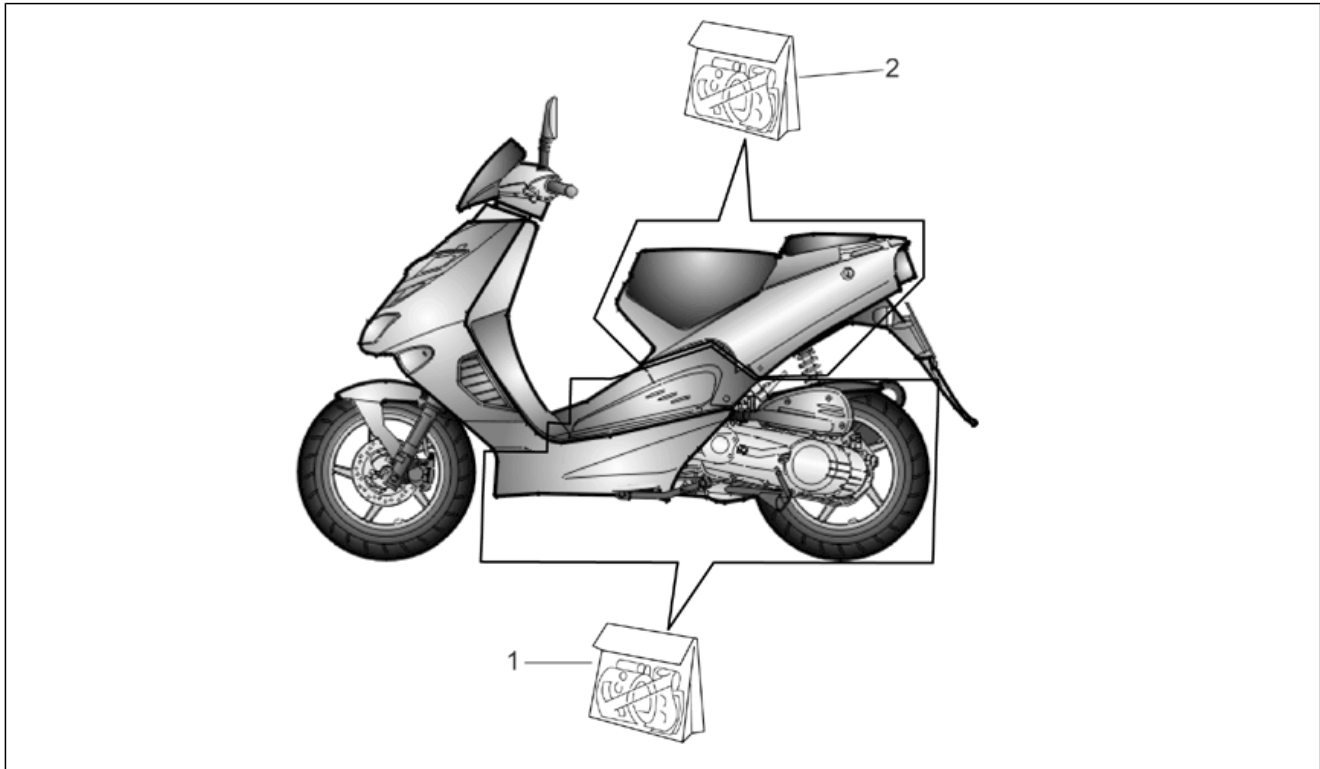
Pos.	Code	Beschreibung	Menge	Varianten
1	AP8267191	Frontaufbau Deko Serie	1	<b>Baujahr:</b> 2001[1], 2000[Y] <b>Fahrzeugfarbe:</b> "Electric Blue ""Sport"" 2000-2001"[el.bl]
1	AP8267194	Frontaufbau Deko Serie	1	<b>Baujahr:</b> 2001[1], 2000[Y] <b>Fahrzeugfarbe:</b> "Hot red ""Sport"" 2000-2001"[h.red]
1	AP8267197	Frontaufbau Deko Serie	1	<b>Baujahr:</b> 2001[1], 2000[Y] <b>Fahrzeugfarbe:</b> "Grau Nik ""Racing"" 2000-2001"[gr/ye]
1	AP8267200	Frontaufbau Deko Serie	1	<b>Baujahr:</b> 2001[1], 2000[Y] <b>Fahrzeugfarbe:</b> "Schwarz Aprilia ""Racing"" 2000-2001"[bl/re]
1	AP8267404	Frontaufbau Deko Serie	1	<b>Baujahr:</b> 2001[1] <b>Fahrzeugfarbe:</b> Schwarz Diablo 2001-2002[bl.di] <b>Technische Daten:</b> "Motor ""DITECH"" mit Benzindirekteinspritzung"[ie]
1	AP8267405	Frontaufbau Deko Serie	1	<b>Baujahr:</b> 2001[1] <b>Fahrzeugfarbe:</b> Zitronengelb 2001[le.ze] <b>Technische Daten:</b> "Motor ""DITECH"" mit Benzindirekteinspritzung"[ie]
1	AP8267411	Frontaufbau Deko Serie	1	<b>Baujahr:</b> 2001[1] <b>Fahrzeugfarbe:</b> Zitronengelb 2001[le.ze] <b>Technische Daten:</b> Motor mit Vergaser[carb]
1	AP8267592	Frontaufbau Deko Serie	1	<b>Baujahr:</b> 2002[2] <b>Fahrzeugfarbe:</b> Schwarz Diablo 2001-2002[bl.di]
1	AP8267593	Frontaufbau Deko Serie	1	<b>Baujahr:</b> 2002[2] <b>Fahrzeugfarbe:</b> Grau Dust 2002[du/gr]
1	AP8267657	Frontaufbau Deko Serie	1	<b>Baujahr:</b> 2002[2] <b>Fahrzeugfarbe:</b> Silver Strained 2002[st.si]
1	AP8267704	Frontaufbau Deko Serie	1	<b>Baujahr:</b> 2002[2] <b>Fahrzeugfarbe:</b> Haga 2002[haga]
1	AP8267898	Frontaufbau Deko Serie	1	<b>Baujahr:</b> 2003[3] <b>Fahrzeugfarbe:</b> Tuono 2003[tuono] <b>Technische Daten:</b> "Motor ""DITECH"" mit Benzindirekteinspritzung"[ie]
1	AP8267899	Frontaufbau Deko Serie	1	<b>Baujahr:</b> 2003[3]

<b>Einheit</b>	RAHMEN
<b>Code</b>	28.36
<b>Beschreibung</b>	Frontaufbau und technische Deko
<b>Inspektion</b>	1



Pos.	Code	Beschreibung	Menge	Varianten
				<b>Fahrzeugfarbe:</b> "SBK ""Racing"" 2003"[sbk] <b>Technische Daten:</b> "Motor ""DITECH"" mit Benzindirekteinspritzung"[ie]
1	AP8267900	Frontaufbau Deko Serie	1	<b>Baujahr:</b> 2003[3] <b>Fahrzeugfarbe:</b> GP1 2003[gp1] <b>Technische Daten:</b> "Motor ""DITECH"" mit Benzindirekteinspritzung"[ie]
1	AP8267901	Frontaufbau Deko Serie	1	<b>Baujahr:</b> 2003[3] <b>Fahrzeugfarbe:</b> Rot Tulip 2003[t.red] <b>Technische Daten:</b> "Motor ""DITECH"" mit Benzindirekteinspritzung"[ie]
1	AP8267902	Frontaufbau Deko Serie	1	<b>Baujahr:</b> 2003[3], 2004[4] <b>Fahrzeugfarbe:</b> "Blau Limited ""Racing"" 2003"[b.lim] <b>Technische Daten:</b> "Motor ""DITECH"" mit Benzindirekteinspritzung"[ie]
1	AP8277017	Frontaufbau Deko Serie	1	<b>Baujahr:</b> 2003[3] <b>Fahrzeugfarbe:</b> Rot Fluo 2003[r.flu]
1	AP8277332	Frontaufbau Deko Serie	1	<b>Baujahr:</b> 2004[4] <b>Fahrzeugfarbe:</b> Rot Fluo 2004[r.fluo] <b>Land:</b> Vereinigte Staaten von Amerika[AM], Kanada[CA], Kanada[CN], Vereinigte Staaten von Amerika[USA]
1	AP8277334	Frontaufbau Deko Serie	1	<b>Baujahr:</b> 2004[4] <b>Fahrzeugfarbe:</b> Replica Poggiali Weiß 2004[RP] <b>Land:</b> Vereinigte Staaten von Amerika[AM], Kanada[CA], Kanada[CN], Vereinigte Staaten von Amerika[USA]
2	AP8267249	Deko technische Serie	1	<b>Land:</b> Österreich[A], Australien[AA], Australien[AUS], Belgien[B], Schweiz[CH], Deutschland[D], Dänemark[DK], Spanien[E], A, B, CH, D, DK, E, F, I, NL, P, UK[EU], Frankreich[F], Griechenland[GR], Italien[I], Japan[J], Japan[J], Holland[NL], Portugal[P], Großbritannien[UK]
2	AP8267440	Deko technische Serie	1	<b>Land:</b> Vereinigte Staaten von Amerika[AM], Kanada[CA], Kanada[CN], Vereinigte Staaten von Amerika[USA]

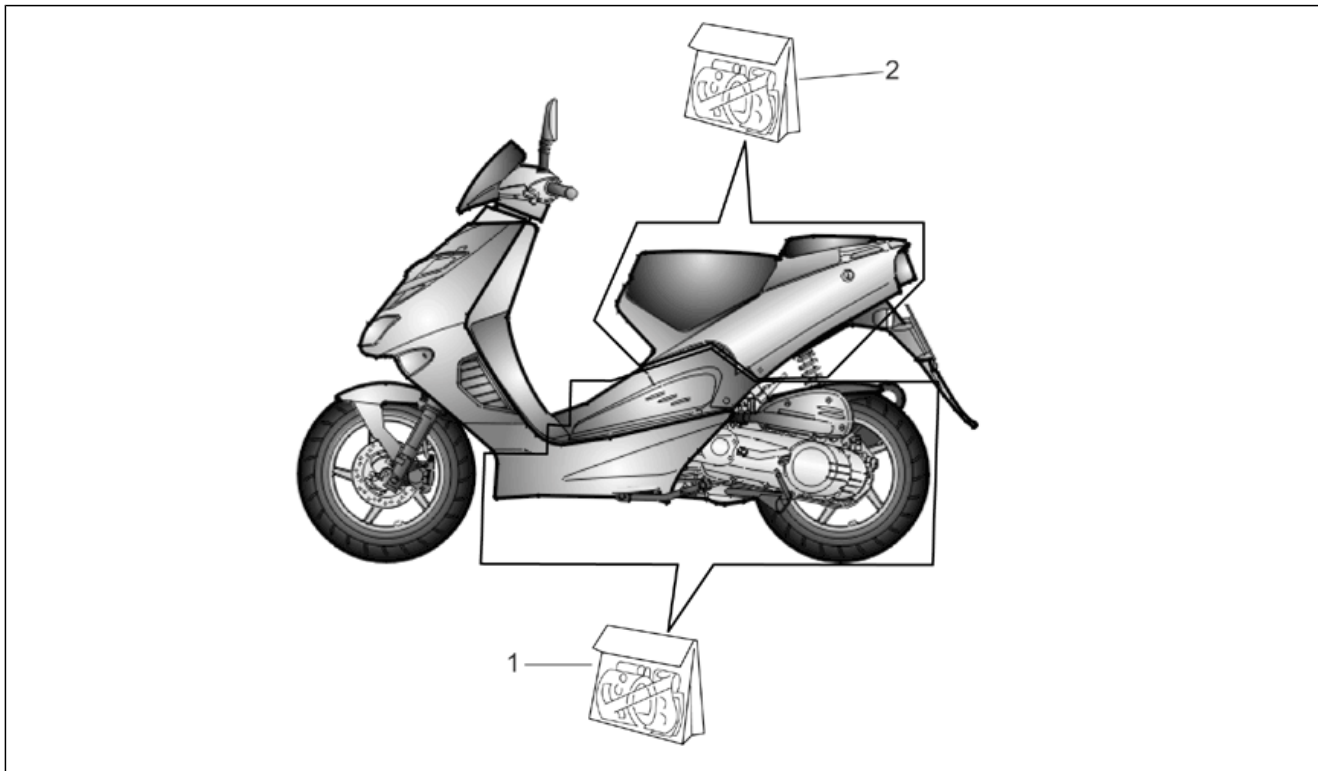
<b>Einheit</b>	RAHMEN
<b>Code</b>	28.37
<b>Beschreibung</b>	Mittlerer und Heck Aufbau Deko
<b>Inspektion</b>	1



Pos.	Code	Beschreibung	Menge	Varianten
1	AP8267192	Karosserie zent.Deko-Satz	1	<b>Baujahr:</b> 2001[1], 2000[Y] <b>Fahrzeugfarbe:</b> "Electric Blue ""Sport"" 2000-2001"[el.bl] <b>Technische Daten:</b> Motor mit Vergaser[carb]
1	AP8267195	Karosserie zent.Deko-Satz	1	<b>Baujahr:</b> 2001[1], 2000[Y] <b>Fahrzeugfarbe:</b> "Hot red ""Sport"" 2000-2001"[h.red] <b>Technische Daten:</b> Motor mit Vergaser[carb]
1	AP8267198	Karosserie zent.Deko-Satz	1	<b>Baujahr:</b> 2001[1], 2000[Y] <b>Fahrzeugfarbe:</b> "Grau Nik ""Racing"" 2000-2001"[gr/ye] <b>Technische Daten:</b> Motor mit Vergaser[carb]
1	AP8267201	Karosserie zent.Deko-Satz	1	<b>Baujahr:</b> 2001[1], 2000[Y] <b>Fahrzeugfarbe:</b> "Schwarz Aprilia ""Racing"" 2000-2001"[bl/re] <b>Technische Daten:</b> Motor mit Vergaser[carb]
1	AP8267288	Karosserie zent.Deko-Satz	1	<b>Baujahr:</b> 2001[1], 2000[Y] <b>Fahrzeugfarbe:</b> "Schwarz Aprilia ""Racing"" 2000-2001"[bl/re] <b>Technische Daten:</b> "Motor ""DITECH"" mit Benzindirekteinspritzung"[ie]
1	AP8267289	Karosserie zent.Deko-Satz	1	<b>Baujahr:</b> 2001[1], 2000[Y] <b>Fahrzeugfarbe:</b> "Grau Nik ""Racing"" 2000-2001"[gr/ye] <b>Technische Daten:</b> "Motor ""DITECH"" mit Benzindirekteinspritzung"[ie]
1	AP8267290	Karosserie zent.Deko-Satz	1	<b>Baujahr:</b> 2001[1], 2000[Y] <b>Fahrzeugfarbe:</b> "Hot red ""Sport"" 2000-2001"[h.red] <b>Technische Daten:</b> "Motor ""DITECH"" mit Benzindirekteinspritzung"[ie]
1	AP8267291	Karosserie zent.Deko-Satz	1	<b>Baujahr:</b> 2001[1], 2000[Y] <b>Fahrzeugfarbe:</b> "Electric Blue ""Sport"" 2000-2001"[el.bl] <b>Technische Daten:</b> "Motor ""DITECH"" mit Benzindirekteinspritzung"[ie]
1	AP8267406	Karosserie zent.Deko-Satz	1	<b>Baujahr:</b> 2001[1] <b>Fahrzeugfarbe:</b> Schwarz Diablo 2001-2002[bl.di] <b>Technische Daten:</b> "Motor ""DITECH"" mit Benzindirekteinspritzung"[ie]

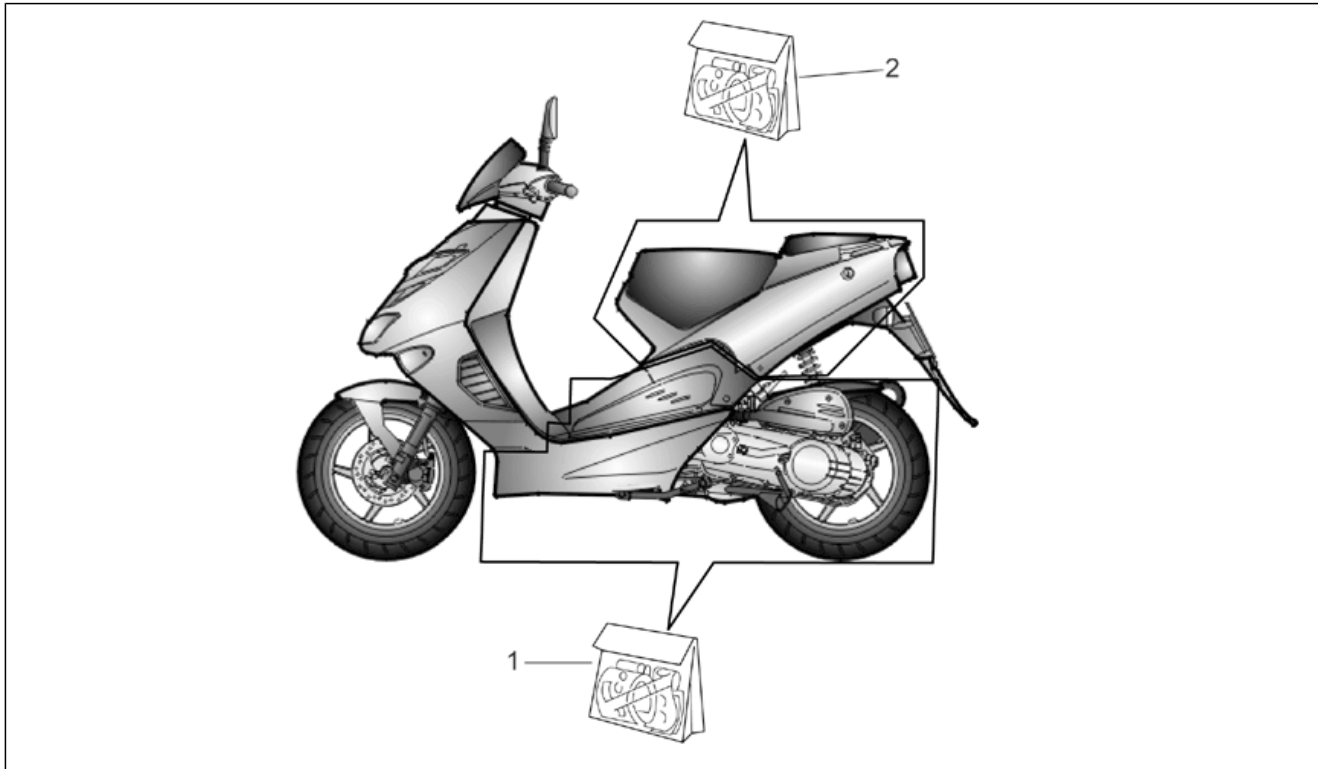


<b>Einheit</b>	RAHMEN
<b>Code</b>	28.37
<b>Beschreibung</b>	Mittlerer und Heck Aufbau Deko
<b>Inspektion</b>	1



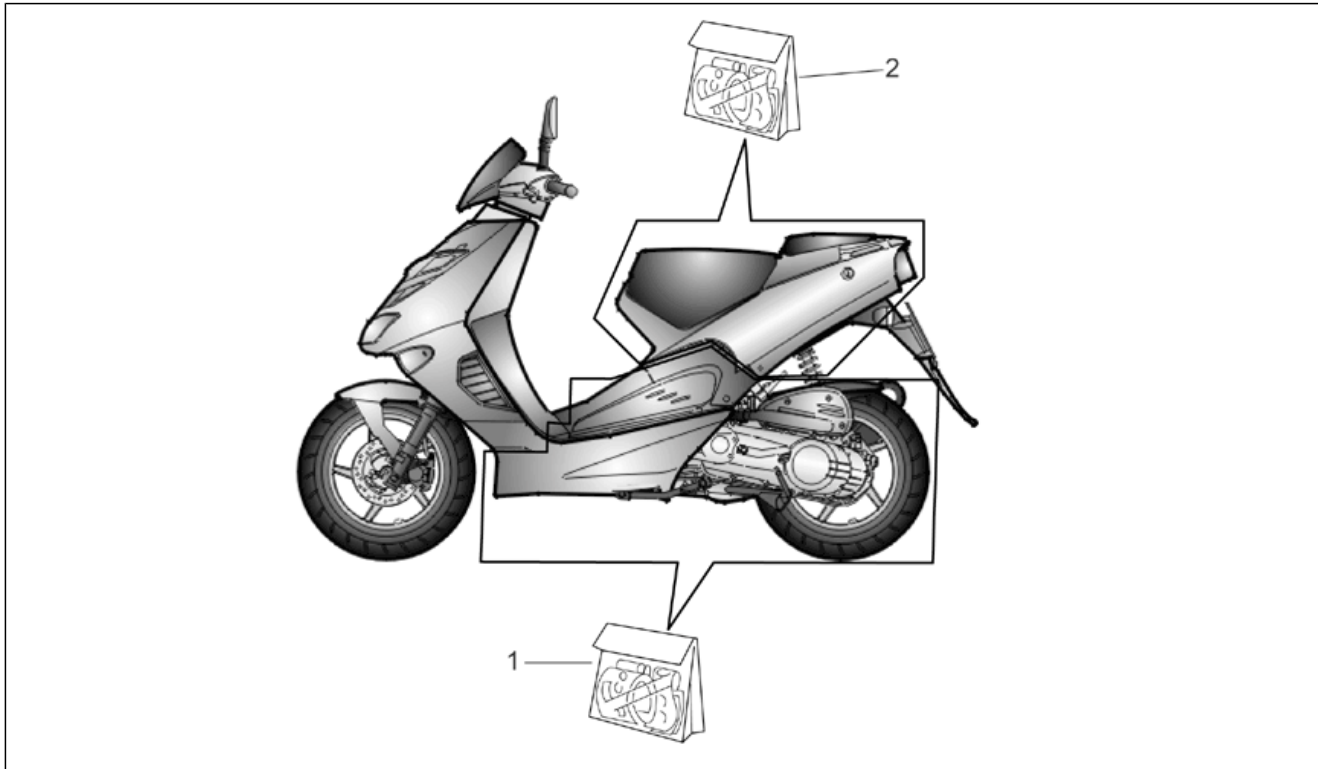
Pos.	Code	Beschreibung	Menge	Varianten
1	AP8267407	Karosserie zent.Deko-Satz	1	<b>Baujahr:</b> 2001[1] <b>Fahrzeugfarbe:</b> Zitronengelb 2001[le. ye] <b>Technische Daten:</b> "Motor ""DITECH"" mit Benzindirekteinspritzung"[ie]
1	AP8267412	Karosserie zent.Deko-Satz	1	<b>Baujahr:</b> 2001[1] <b>Fahrzeugfarbe:</b> Zitronengelb 2001[le. ye] <b>Technische Daten:</b> Motor mit Vergaser[carb]
1	AP8267594	Karosserie zent.Deko-Satz	1	<b>Baujahr:</b> 2002[2] <b>Fahrzeugfarbe:</b> Schwarz Diablo 2001-2002[bl.dj]
1	AP8267595	Karosserie zent.Deko-Satz	1	<b>Baujahr:</b> 2002[2] <b>Fahrzeugfarbe:</b> Grau Dust 2002[du.gr]
1	AP8267656	Karosserie zent.Deko-Satz	1	<b>Baujahr:</b> 2002[2] <b>Fahrzeugfarbe:</b> Silver Strained 2002[st.si]
1	AP8267703	Karosserie zent.Deko-Satz	1	<b>Baujahr:</b> 2002[2] <b>Fahrzeugfarbe:</b> Haga 2002[haga]
1	AP8267903	Karosserie zent.Deko-Satz	1	<b>Baujahr:</b> 2003[3] <b>Fahrzeugfarbe:</b> Tuono 2003[tuono]
1	AP8267903	Karosserie zent.Deko-Satz	1	<b>Baujahr:</b> 2003[3] <b>Fahrzeugfarbe:</b> GP1 2003[gp1]
1	AP8267904	Karosserie zent.Deko-Satz	1	<b>Baujahr:</b> 2003[3] <b>Fahrzeugfarbe:</b> "SBK ""Racing"" 2003"[sbk]
1	AP8267906	Karosserie zent.Deko-Satz	1	<b>Baujahr:</b> 2003[3] <b>Fahrzeugfarbe:</b> Rot Tulip 2003[t.red]
1	AP8267907	Karosserie zent.Deko-Satz	1	<b>Baujahr:</b> 2003[3], 2004[4] <b>Fahrzeugfarbe:</b> "Blau Limited ""Racing"" 2003"[b.lim]
1	AP8277018	Karosserie zent.Deko-Satz	1	<b>Baujahr:</b> 2003[3] <b>Fahrzeugfarbe:</b> Rot Fluo 2003[r.flu]
1	AP8277337	Karosserie zent.Deko-Satz	1	<b>Baujahr:</b> 2004[4] <b>Fahrzeugfarbe:</b> Rot Fluo 2004[r.fluo] <b>Land:</b> Vereinigte Staaten von Amerika[AM], Kanada[CA], Kanada[CN], Vereinigte Staaten von Amerika[USA]
1	AP8277339	Karosserie zent.Deko-Satz	1	<b>Baujahr:</b> 2004[4] <b>Fahrzeugfarbe:</b> Replica Poggiali Weiß 2004[RP]

<b>Einheit</b>	RAHMEN
<b>Code</b>	28.37
<b>Beschreibung</b>	Mittlerer und Heck Aufbau Deko
<b>Inspektion</b>	1



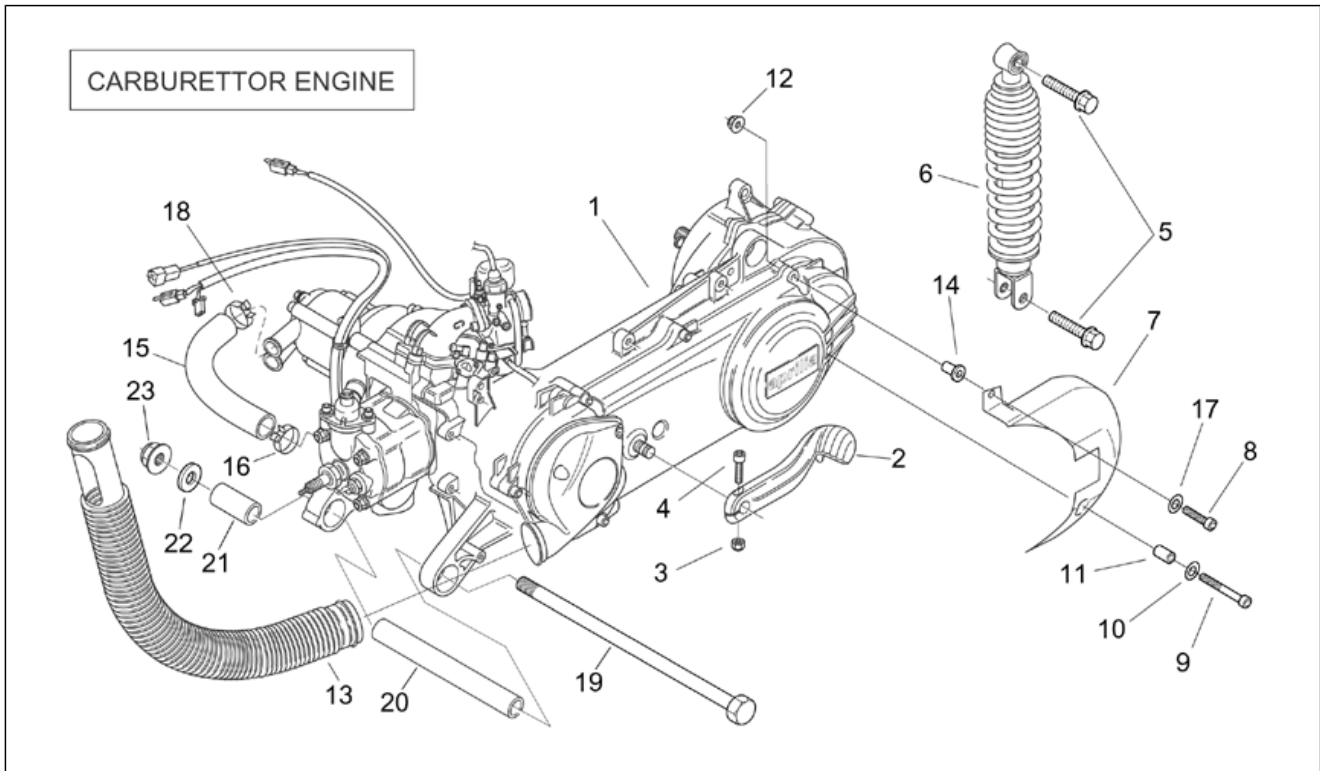
Pos.	Code	Beschreibung	Menge	Varianten
				Land:Vereinigte Staaten von Amerika[AM], Kanada[CA], Kanada[CN], Vereinigte Staaten von Amerika[USA]
2	AP8267193	R.Kar.Deko-Satz	1	Baujahr:2001[1], 2000[Y] Fahrzeugfarbe:"Electric Blue ""Sport"" 2000-2001"[el.bl]
2	AP8267196	R.Kar.Deko-Satz	1	Baujahr:2001[1], 2000[Y] Fahrzeugfarbe:"Hot red ""Sport"" 2000-2001"[h.red]
2	AP8267199	R.Kar.Deko-Satz	1	Baujahr:2001[1], 2000[Y] Fahrzeugfarbe:"Grau Nik ""Racing"" 2000-2001"[gr/ye]
2	AP8267202	R.Kar.Deko-Satz	1	Baujahr:2001[1], 2000[Y] Fahrzeugfarbe:"Schwarz Aprilia ""Racing"" 2000-2001"[bl/re]
2	AP8267408	R.Kar.Deko-Satz	1	Baujahr:2001[1] Fahrzeugfarbe:Schwarz Diablo 2001-2002[bl.di] Technische Daten:"Motor ""DITECH"" mit Benzindirekteinspritzung"[ie]
2	AP8267409	R.Kar.Deko-Satz	1	Baujahr:2001[1] Fahrzeugfarbe:Zitronengelb 2001[le.ze] Technische Daten:"Motor ""DITECH"" mit Benzindirekteinspritzung"[ie]
2	AP8267413	R.Kar.Deko-Satz	1	Baujahr:2001[1] Fahrzeugfarbe:Zitronengelb 2001[le.ze] Technische Daten:Motor mit Vergaser[carb]
2	AP8267596	R.Kar.Deko-Satz	1	Baujahr:2002[2] Fahrzeugfarbe:Schwarz Diablo 2001-2002[bl.di]
2	AP8267597	R.Kar.Deko-Satz	1	Baujahr:2002[2] Fahrzeugfarbe:Grau Dust 2002[du/gr]
2	AP8267655	R.Kar.Deko-Satz	1	Baujahr:2002[2] Fahrzeugfarbe:Silver Strained 2002[st.si]
2	AP8267702	R.Kar.Deko-Satz	1	Baujahr:2002[2] Fahrzeugfarbe:Haga 2002[haga]
2	AP8267908	R.Kar.Deko-Satz	1	Baujahr:2003[3] Fahrzeugfarbe:Tuomo 2003[tuomo]
2	AP8267909	R.Kar.Deko-Satz	1	Baujahr:2003[3]

<b>Einheit</b>	RAHMEN
<b>Code</b>	28.37
<b>Beschreibung</b>	Mittlerer und Heck Aufbau Deko
<b>Inspektion</b>	1



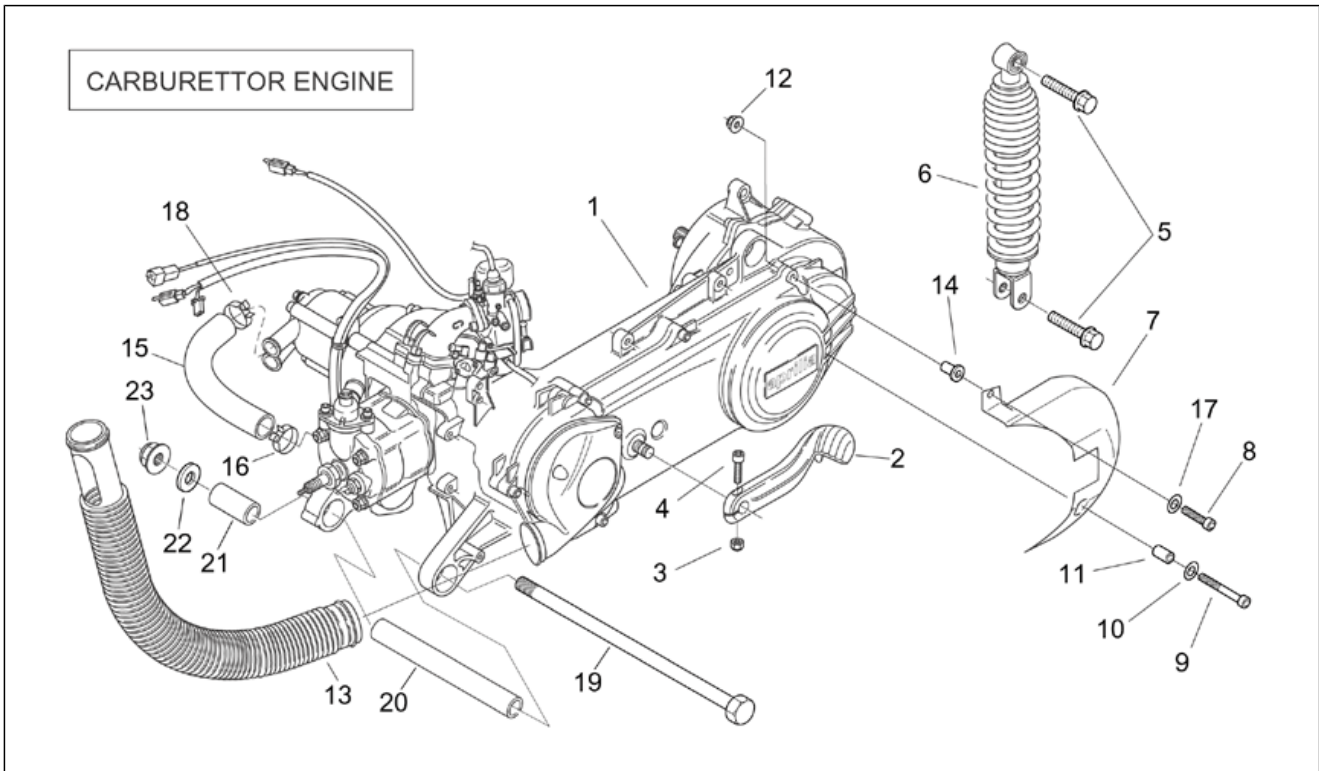
Pos.	Code	Beschreibung	Menge	Varianten
				<b>Fahrzeugfarbe:</b> "SBK ""Racing"" 2003"[sbk]
2	AP8267910	R.Kar.Deko-Satz	1	<b>Baujahr:</b> 2003[3] <b>Fahrzeugfarbe:</b> GP1 2003[gp1]
2	AP8267911	R.Kar.Deko-Satz	1	<b>Baujahr:</b> 2003[3] <b>Fahrzeugfarbe:</b> Rot Tulip 2003[t.red]
2	AP8267912	R.Kar.Deko-Satz	1	<b>Baujahr:</b> 2003[3], 2004[4] <b>Fahrzeugfarbe:</b> "Blau Limited ""Racing"" 2003"[b.lim]
2	AP8277019	R.Kar.Deko-Satz	1	<b>Baujahr:</b> 2003[3] <b>Fahrzeugfarbe:</b> Rot Fluo 2003[r.flu]
2	AP8277342	R.Kar.Deko-Satz	1	<b>Baujahr:</b> 2004[4] <b>Fahrzeugfarbe:</b> Rot Fluo 2004[r.fluo] <b>Land:</b> Vereinigte Staaten von Amerika[AM], Kanada[CA], Kanada[CN], Vereinigte Staaten von Amerika[USA]
2	AP8277344	R.Kar.Deko-Satz	1	<b>Baujahr:</b> 2004[4] <b>Fahrzeugfarbe:</b> Replica Poggiali Weiß 2004[RP] <b>Land:</b> Vereinigte Staaten von Amerika[AM], Kanada[CA], Kanada[CN], Vereinigte Staaten von Amerika[USA]

<b>Einheit</b>	MOTOR
<b>Code</b>	29.23
<b>Beschreibung</b>	Motor (Vergaser)
<b>Inspektion</b>	1



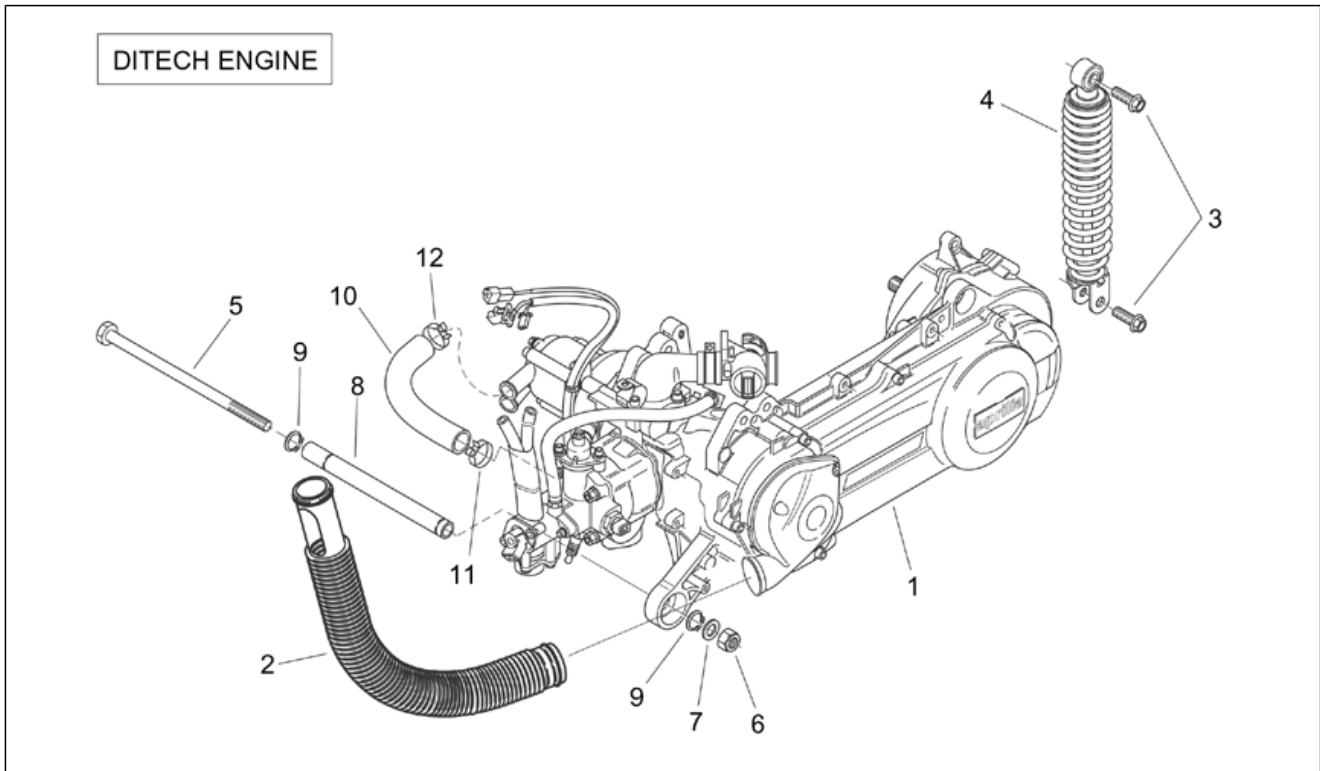
Pos.	Code	Beschreibung	Menge	Varianten
1	AP8222692	Motor	1	Land:Österreich[A], Belgien[B], Deutschland[D], Dänemark[DK], Spanien[E], Frankreich[F], Griechenland[GR], Italien[I], Japan[J], Holland[NL], Portugal[P], Großbritannien[UK] <b>Technische Daten:</b> Motor mit Vergaser[carb], Scheibenbremse Hinterrad[f.d.]
1	AP8222724	Motor	1	Land:Schweiz[CH] <b>Technische Daten:</b> Motor mit Vergaser[carb], Scheibenbremse Hinterrad[f.d.]
1	AP8222776	Motor	1	<b>Technische Daten:</b> Motor mit Vergaser[carb], Hinterrad-Trommelbremse[f.t.]
2	AP8222715	Kickstarterhebel kpl.	1	<b>Technische Daten:</b> Motor mit Vergaser[carb]
3	AP8150026	Mutter M6	1	<b>Technische Daten:</b> Motor mit Vergaser[carb]
4	AP8152282	TE Schr. m. Flansch M6x35	1	<b>Technische Daten:</b> Motor mit Vergaser[carb]
5	AP8152318	TE Schr. m. Flansch M10x35	2	<b>Technische Daten:</b> Motor mit Vergaser[carb]
6	AP8203977	Stoßdämpfer-gelb ring	1	<b>Technische Daten:</b> Motor mit Vergaser[carb]
6	AP8223024	Stoßdämpfer-grau ring	1	<b>Technische Daten:</b> Motor mit Vergaser[carb]
7	AP8249880	Wandlerdeckel, schwarz	1	<b>Technische Daten:</b> Motor mit Vergaser[carb]
8	AP8150165	TCEI Schraube M6x25	1	<b>Technische Daten:</b> Motor mit Vergaser[carb]
9	AP8150403	TCEI Schraube M6x45	1	<b>Technische Daten:</b> Motor mit Vergaser[carb]
10	AP8150179	Ausgleichscheibe 6,6x18*	1	<b>Technische Daten:</b> Motor mit Vergaser[carb]
11	AP8121020	Distanzscheibe 6,5x10x19*	1	<b>Technische Daten:</b> Motor mit Vergaser[carb]
12	AP8152299	Selbstsperrende Mutter M6	1	<b>Technische Daten:</b> Motor mit Vergaser[carb]
13	AP8220562	Lufteinlaß Wandler	1	<b>Technische Daten:</b> Motor mit Vergaser[carb]
14	AP8121728	T-Buchse	1	<b>Technische Daten:</b> Motor mit Vergaser[carb]
15	AP3LAA000010	Pumpen-Zylinderschlauch	1	<b>Technische Daten:</b> Motor mit Vergaser[carb]
16	AP2FDN000175	Schelle	1	<b>Technische Daten:</b> Motor mit Vergaser[carb]
17	AP8150014	Ausgleichscheibe 6,4x12,5*	2	<b>Technische Daten:</b> Motor mit Vergaser[carb]
18	AP2FDN000176	Schelle	1	<b>Technische Daten:</b> Motor mit Vergaser[carb]
19	AP8221307	Bolzen M12	1	<b>Technische Daten:</b> Motor mit Vergaser[carb]

<b>Einheit</b>	MOTOR
<b>Code</b>	29.23
<b>Beschreibung</b>	Motor (Vergaser)
<b>Inspektion</b>	1



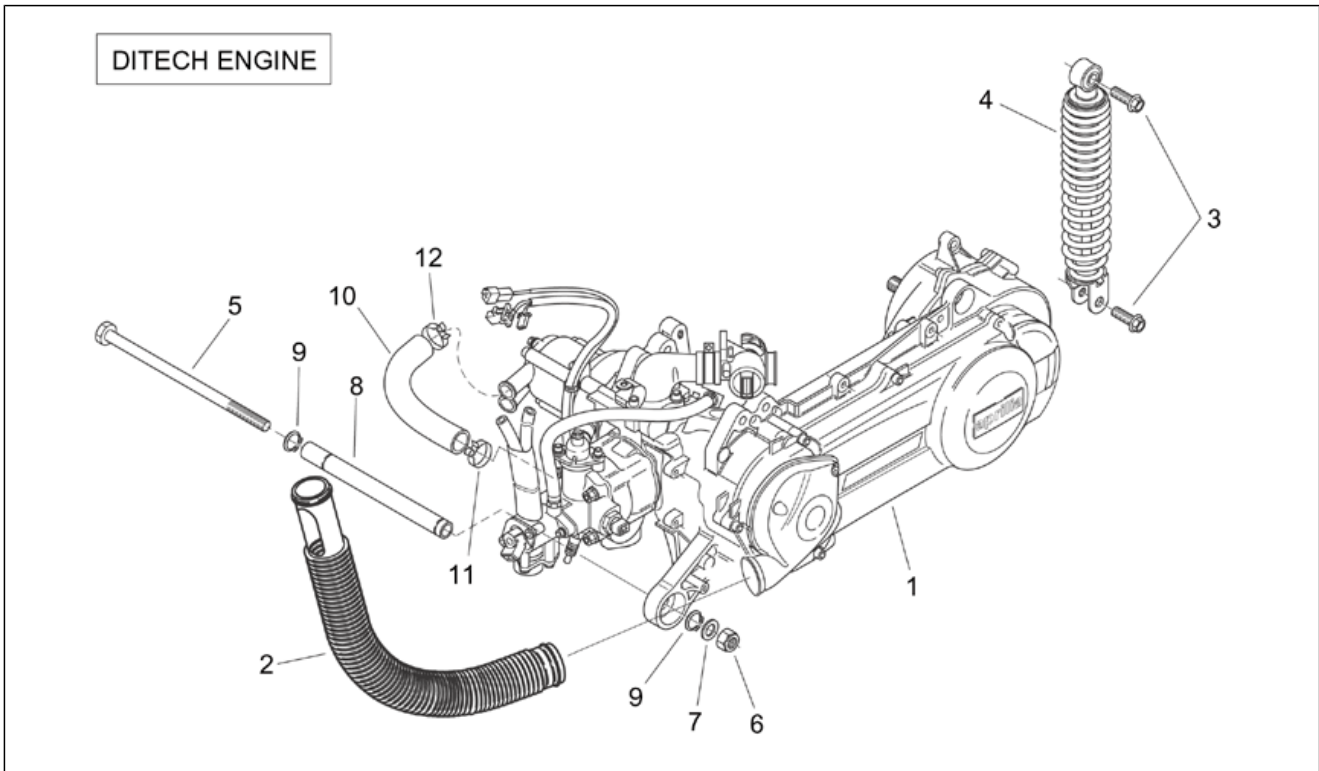
Pos.	Code	Beschreibung	Menge	Varianten
20	AP8221314	Distanzscheibe 13x18x132	1	Technische Daten:Motor mit Vergaser[carb]
21	AP8221313	Distanzscheibe 13x18x23	1	Technische Daten:Motor mit Vergaser[carb]
22	AP8152018	Scheibe 12,2x22x2	1	Technische Daten:Motor mit Vergaser[carb]
23	AP8150432	Selbstsperr.mut Unt. M12*	1	Technische Daten:Motor mit Vergaser[carb]

<b>Einheit</b>	MOTOR
<b>Code</b>	29.24
<b>Beschreibung</b>	Motor (Ditech)
<b>Inspektion</b>	1



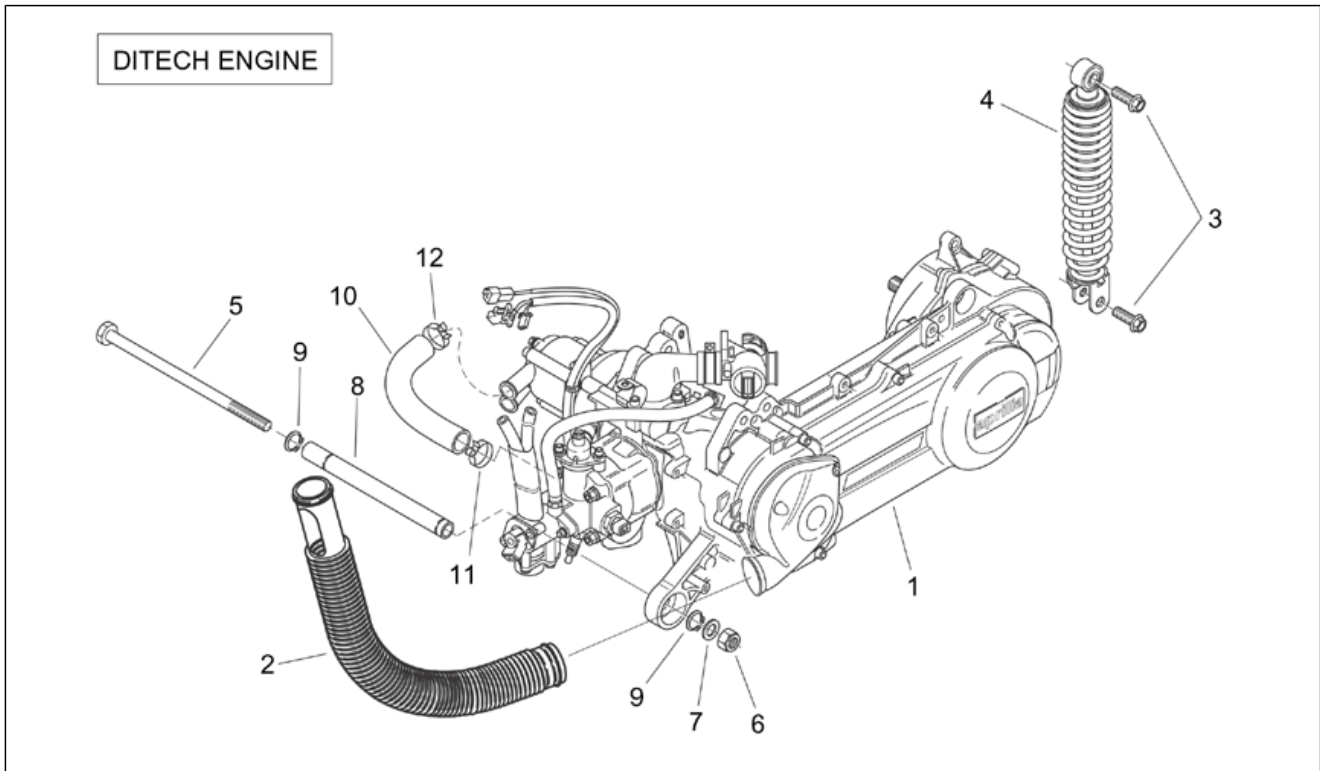
Pos.	Code	Beschreibung	Menge	Varianten
1	AP8222681	Elektr.Einspritz Motor	1	<b>Baujahr:</b> 2000[Y] <b>Technische Daten:</b> Version mit voller Leistung[fp], "Motor ""DITECH"" mit Benzindirekteinspritzung"[ie]
1	AP8222681	Elektr.Einspritz Motor	1	<b>Baujahr:</b> 2001[1] <b>Land:</b> Österreich[A], Australien[AA], Australien[AUS], Belgien[B], Schweiz[CH], Deutschland[D], Dänemark[DK], Spanien[E], A, B, CH, D, DK, E, F, I, NL, P, UK[EU], Frankreich[F], Italien[I], Japan[J], Japan[JJ], Holland[NL], Portugal[P], Großbritannien[UK] <b>Technische Daten:</b> Version mit voller Leistung[fp], "Motor ""DITECH"" mit Benzindirekteinspritzung"[ie]
1	AP8222765	Elektr.Einspritz Motor	1	<b>Baujahr:</b> 2002[2] <b>Land:</b> Österreich[A], Australien[AA], Australien[AUS], Belgien[B], Schweiz[CH], Deutschland[D], Dänemark[DK], Spanien[E], A, B, CH, D, DK, E, F, I, NL, P, UK[EU], Frankreich[F], Italien[I], Japan[J], Japan[JJ], Holland[NL], Portugal[P], Großbritannien[UK] <b>Technische Daten:</b> Version mit voller Leistung[fp], "Motor ""DITECH"" mit Benzindirekteinspritzung"[ie]
1	AP8222765	Elektr.Einspritz Motor	1	<b>Baujahr:</b> 2001[1] <b>Land:</b> Österreich[A], Australien[AA], Australien[AUS], Belgien[B], Schweiz[CH], Deutschland[D], Dänemark[DK], Spanien[E], A, B, CH, D, DK, E, F, I, NL, P, UK[EU], Frankreich[F], Italien[I], Japan[J], Japan[JJ], Holland[NL], Portugal[P], Großbritannien[UK] <b>Technische Daten:</b> Version mit voller Leistung[fp], "Motor ""DITECH"" mit Benzindirekteinspritzung"[ie]
1	AP8222765	Elektr.Einspritz Motor	1	<b>Baujahr:</b> 2000[Y] <b>Technische Daten:</b> Version mit voller Leistung[fp], "Motor ""DITECH"" mit Benzindirekteinspritzung"[ie]
1	AP8222768	Elektr.Einspritz Motor	1	<b>Baujahr:</b> 2002[2] <b>Land:</b> Vereinigte Staaten von Amerika[AM], Vereinigte Staaten von Amerika[USA] <b>Technische Daten:</b> "Motor ""DITECH"" mit Benzindirekteinspritzung"[ie]
1	AP8222768	Elektr.Einspritz Motor	1	<b>Baujahr:</b> 2001[1]

<b>Einheit</b>	MOTOR
<b>Code</b>	29.24
<b>Beschreibung</b>	Motor (Ditech)
<b>Inspektion</b>	1



Pos.	Code	Beschreibung	Menge	Varianten
				<b>Land:</b> Vereinigte Staaten von Amerika[AM], Vereinigte Staaten von Amerika[USA] <b>Technische Daten:</b> "Motor ""DITECH"" mit Benzindirekteinspritzung"[ie]
1	AP8222770	Elektr.Einspritz Motor	1	<b>Baujahr:</b> 2001[1] <b>Land:</b> Belgien[B], Deutschland[D], Dänemark[DK], A, B, CH, D, DK, E, F, I, NL, P, UK[EU], Holland[NL] <b>Technische Daten:</b> Version mit Leistungsminderung 25 Kw[25k], "Motor ""DITECH"" mit Benzindirekteinspritzung"[ie]
1	AP8222770	Elektr.Einspritz Motor	1	<b>Baujahr:</b> 2002[2] <b>Land:</b> Belgien[B], Deutschland[D], Dänemark[DK], A, B, CH, D, DK, E, F, I, NL, P, UK[EU], Holland[NL] <b>Technische Daten:</b> Version mit Leistungsminderung 25 Kw[25k], "Motor ""DITECH"" mit Benzindirekteinspritzung"[ie]
1	AP8222771	Elektr.Einspritz Motor	1	<b>Baujahr:</b> 2001[1] <b>Land:</b> Belgien[B], Deutschland[D], Dänemark[DK], A, B, CH, D, DK, E, F, I, NL, P, UK[EU], Holland[NL] <b>Technische Daten:</b> Version mit Leistungsminderung 25 Kw[25k], "Motor ""DITECH"" mit Benzindirekteinspritzung"[ie]
1	AP8222771	Elektr.Einspritz Motor	1	<b>Baujahr:</b> 2002[2] <b>Land:</b> Belgien[B], Deutschland[D], Dänemark[DK], A, B, CH, D, DK, E, F, I, NL, P, UK[EU], Holland[NL] <b>Technische Daten:</b> Version mit Leistungsminderung 25 Kw[25k], "Motor ""DITECH"" mit Benzindirekteinspritzung"[ie]
1	AP8222771	Elektr.Einspritz Motor	1	<b>Baujahr:</b> 2000[Y] <b>Technische Daten:</b> Version mit Leistungsminderung 25 Kw[25k], "Motor ""DITECH"" mit Benzindirekteinspritzung"[ie]
1	AP8222775	Elektr.Einspritz Motor	1	<b>Baujahr:</b> 2001[1] <b>Land:</b> Österreich[A], Australien[AA], Australien[AUS], Belgien[B], Schweiz[CH], Deutschland[D], Dänemark[DK], Spanien[E], A, B, CH, D, DK, E, F, I, NL, P, UK[EU],

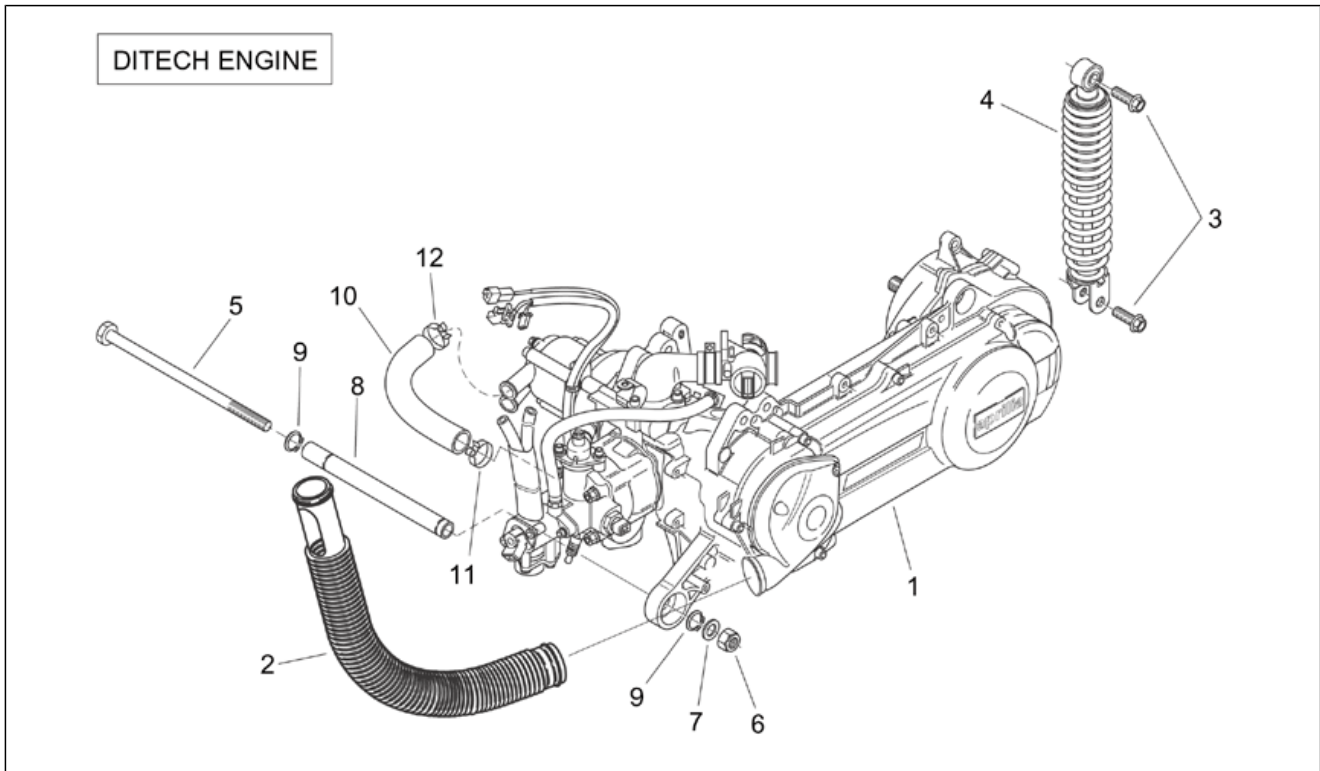
<b>Einheit</b>	MOTOR
<b>Code</b>	29.24
<b>Beschreibung</b>	Motor (Ditech)
<b>Inspektion</b>	1



Pos.	Code	Beschreibung	Menge	Varianten
				Frankreich[F], Italien[I], Japan[J], Japan[JJ], Holland[NL], Portugal[P], Großbritannien[UK] <b>Technische Daten:</b> Version mit voller Leistung[fp], "Motor ""DITECH"" mit Benzindirekteinspritzung"[ie]
1	AP8222775	Elektr.Einspritz Motor	1	<b>Baujahr:</b> 2002[2] <b>Land:</b> Österreich[A], Australien[AA], Australien[AUS], Belgien[B], Schweiz[CH], Deutschland[D], Dänemark[DK], Spanien[E], A, B, CH, D, DK, E, F, I, NL, P, UK[EU], Frankreich[F], Italien[I], Japan[J], Japan[JJ], Holland[NL], Portugal[P], Großbritannien[UK] <b>Technische Daten:</b> Version mit voller Leistung[fp], "Motor ""DITECH"" mit Benzindirekteinspritzung"[ie]
1	AP8222775	Elektr.Einspritz Motor	1	<b>Baujahr:</b> 2000[Y] <b>Technische Daten:</b> Version mit voller Leistung[fp], "Motor ""DITECH"" mit Benzindirekteinspritzung"[ie]
1	AP8222777	Elektr.Einspritz Motor	1	<b>Baujahr:</b> 2001[1] <b>Land:</b> Belgien[B], Deutschland[D], Dänemark[DK], A, B, CH, D, DK, E, F, I, NL, P, UK[EU], Holland[NL] <b>Technische Daten:</b> Version mit Leistungsminderung 25 Kw[25k], "Motor ""DITECH"" mit Benzindirekteinspritzung"[ie]
1	AP8222777	Elektr.Einspritz Motor	1	<b>Baujahr:</b> 2000[Y] <b>Technische Daten:</b> Version mit Leistungsminderung 25 Kw[25k], "Motor ""DITECH"" mit Benzindirekteinspritzung"[ie]
1	AP8222777	Elektr.Einspritz Motor	1	<b>Baujahr:</b> 2002[2] <b>Land:</b> Belgien[B], Deutschland[D], Dänemark[DK], A, B, CH, D, DK, E, F, I, NL, P, UK[EU], Holland[NL] <b>Technische Daten:</b> Version mit Leistungsminderung 25 Kw[25k], "Motor ""DITECH"" mit Benzindirekteinspritzung"[ie]
1	AP8222778	Elektr.Einspritz Motor	1	<b>Baujahr:</b> 2001[1] <b>Land:</b> Vereinigte Staaten von Amerika[AM], Vereinigte Staaten von Amerika[USA] <b>Technische Daten:</b> "Motor ""DITECH"" mit Benzindirekteinspritzung"[ie]

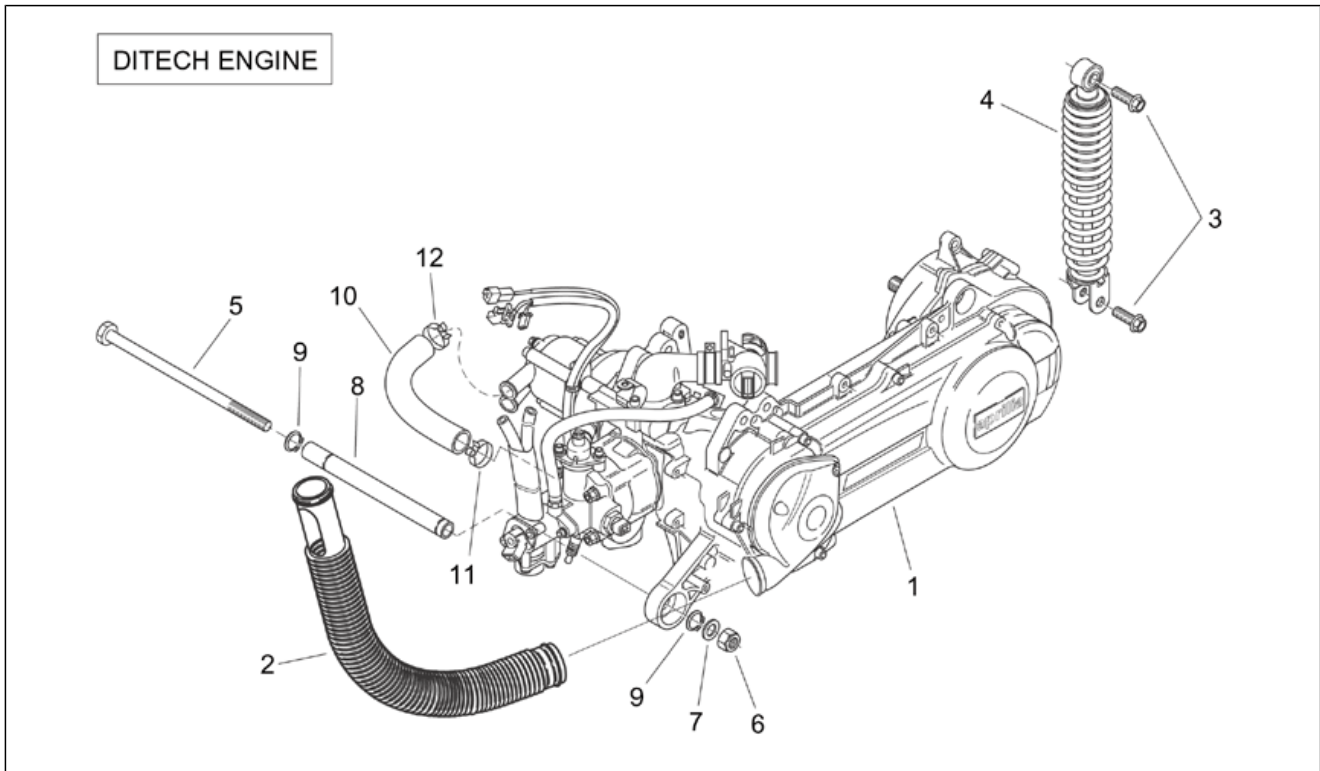


<b>Einheit</b>	MOTOR
<b>Code</b>	29.24
<b>Beschreibung</b>	Motor (Ditech)
<b>Inspektion</b>	1



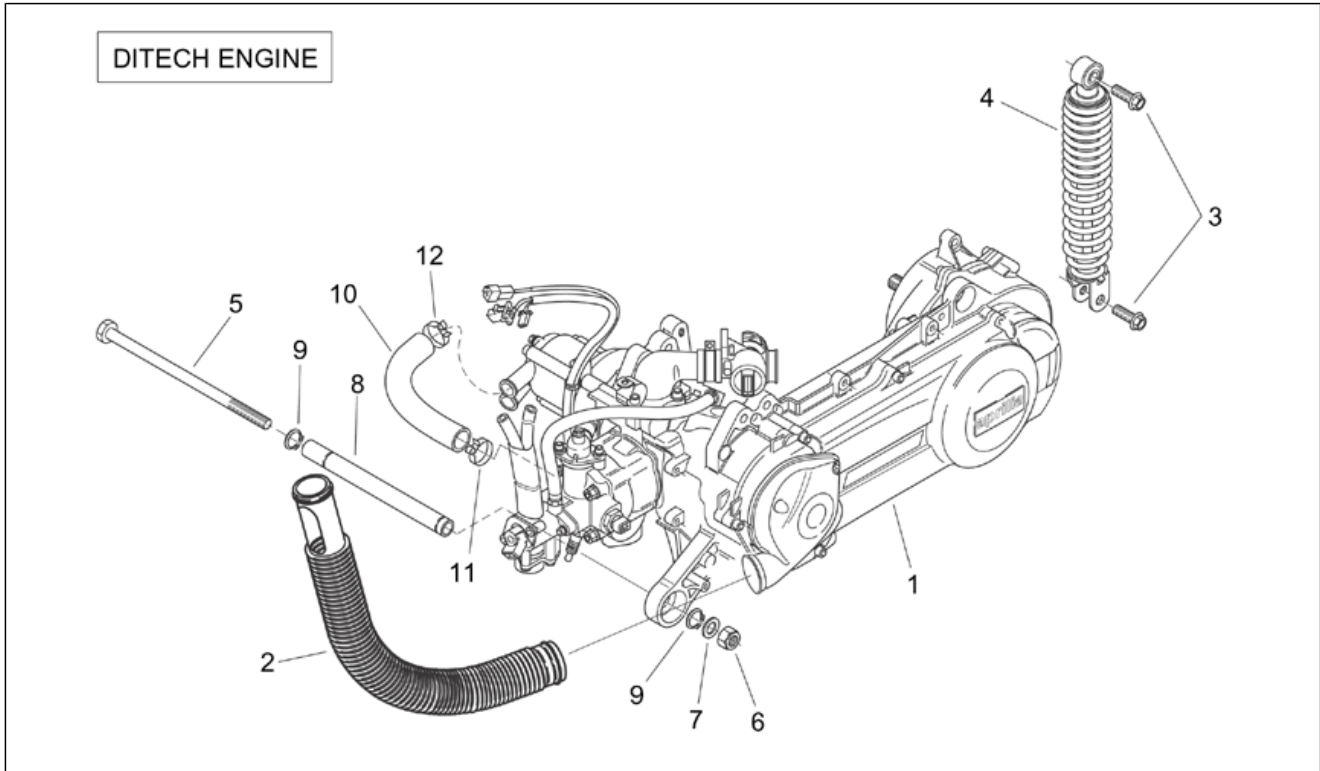
Pos.	Code	Beschreibung	Menge	Varianten
1	AP8222778	Elektr.Einspritz Motor	1	<b>Baujahr:</b> 2003[3], 2004[4] <b>Land:</b> Vereinigte Staaten von Amerika[AM], Kanada[CA], Kanada[CN], Vereinigte Staaten von Amerika[USA] <b>Technische Daten:</b> "Motor ""DITECH"" mit Benzindirekteinspritzung"[ie]
1	AP8222778	Elektr.Einspritz Motor	1	<b>Baujahr:</b> 2002[2] <b>Land:</b> Vereinigte Staaten von Amerika[AM], Vereinigte Staaten von Amerika[USA] <b>Technische Daten:</b> "Motor ""DITECH"" mit Benzindirekteinspritzung"[ie]
2	AP8220562	Lufteinlaß Wandler	1	<b>Technische Daten:</b> "Motor ""DITECH"" mit Benzindirekteinspritzung"[ie]
3	AP8152318	TE Schr. m. Flansch M10x35	2	<b>Technische Daten:</b> "Motor ""DITECH"" mit Benzindirekteinspritzung"[ie]
4	AP8203977	Stoßdämpfer-gelb ring	1	<b>Baujahr:</b> 2000[Y] <b>Technische Daten:</b> "Motor ""DITECH"" mit Benzindirekteinspritzung"[ie]
4	AP8203977	Stoßdämpfer-gelb ring	1	<b>Baujahr:</b> 2001[1], 2002[2] <b>Fahrzeugfarbe:</b> Schwarz Diablo 2001-2002[bl.di], "Schwarz Aprilia ""Racing"" 2000-2001"[bl/re], "Electric Blue ""Sport"" 2000-2001"[el.bl], "Grau Nik ""Racing"" 2000-2001"[gr/ye], "Hot red ""Sport"" 2000-2001"[h.red], Haga 2002[haga], Zitronengelb 2001[le.ye] <b>Land:</b> Österreich[A], Australien[AA], Australien[AUS], Belgien[B], Schweiz[CH], Deutschland[D], Dänemark[DK], Spanien[E], A, B, CH, D, DK, E, F, I, NL, P, UK[EU], Frankreich[F], Italien[I], Japan[J], Japan[JJ], Holland[NL], Portugal[P], Großbritannien[UK] <b>Technische Daten:</b> "Motor ""DITECH"" mit Benzindirekteinspritzung"[ie]
4	AP8223015	Stoßdämpfer	1	<b>Baujahr:</b> 2003[3], 2004[4] <b>Fahrzeugfarbe:</b> "Blau Limited ""Racing"" 2003"[b.lim] <b>Land:</b> Vereinigte Staaten von Amerika[AM], Kanada[CA], Kanada[CN], Vereinigte Staaten von Amerika[USA]

<b>Einheit</b>	MOTOR
<b>Code</b>	29.24
<b>Beschreibung</b>	Motor (Ditech)
<b>Inspektion</b>	1



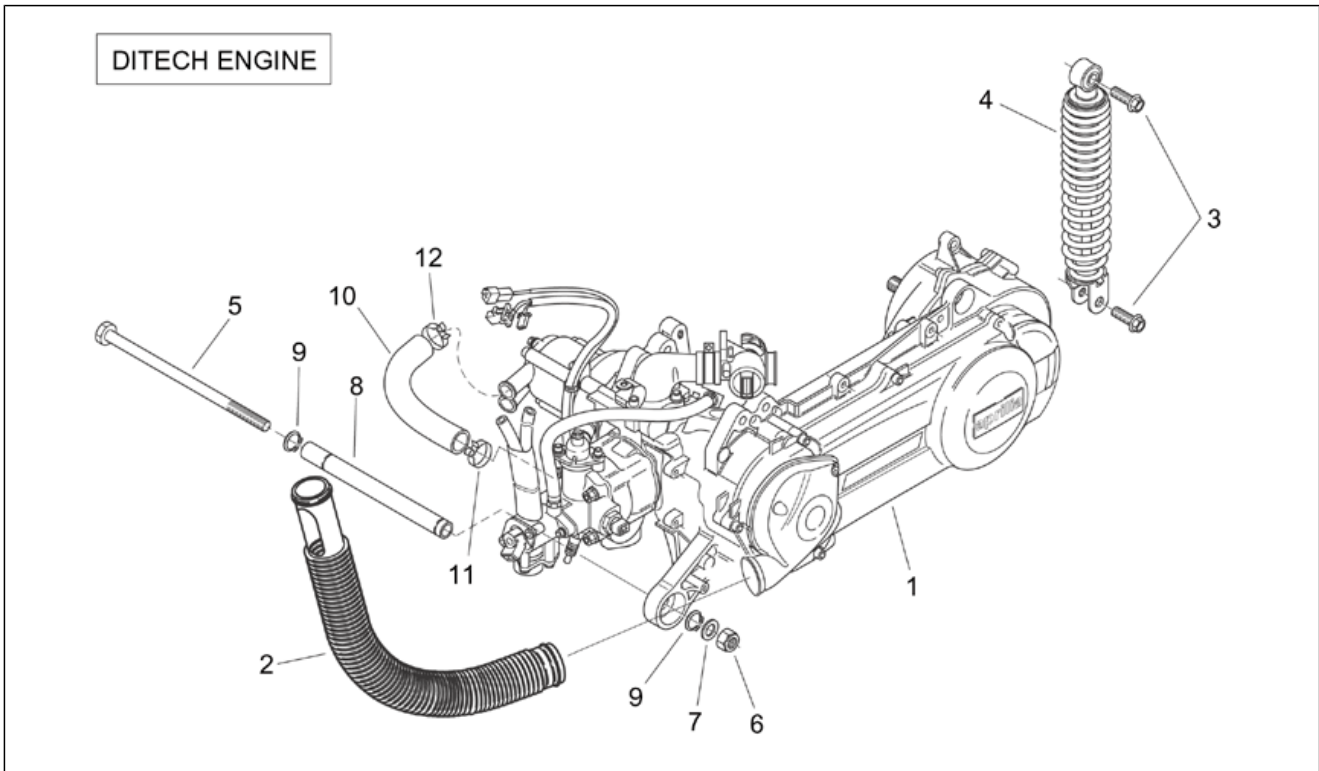
Pos.	Code	Beschreibung	Menge	Varianten
				<b>Technische Daten:</b> "Motor ""DITECH"" mit Benzindirekteinspritzung"[ie]
4	AP8223015	Stoßdämpfer	1	<b>Baujahr:</b> 2001[1], 2002[2] <b>Fahrzeugfarbe:</b> Schwarz Diablo 2001-2002[bl.di], "Schwarz Aprilia ""Racing"" 2000-2001"[bl/re], "Electric Blue ""Sport"" 2000-2001"[el.bl], "Grau Nik ""Racing"" 2000-2001"[gr/ye], "Hot red ""Sport"" 2000-2001"[h.red], Haga 2002[haga], Zitronengelb 2001[le.ye] <b>Land:</b> Vereinigte Staaten von Amerika[AM], Vereinigte Staaten von Amerika[USA] <b>Technische Daten:</b> "Motor ""DITECH"" mit Benzindirekteinspritzung"[ie]
4	AP8223015	Stoßdämpfer	1	<b>Baujahr:</b> 2004[4] <b>Fahrzeugfarbe:</b> Rot Fluo 2004[r.fluo], Replica Poggiali Weiß 2004[RP] <b>Land:</b> Vereinigte Staaten von Amerika[AM], Kanada[CA], Kanada[CN], Vereinigte Staaten von Amerika[USA] <b>Technische Daten:</b> "Motor ""DITECH"" mit Benzindirekteinspritzung"[ie]
4	AP8223015	Stoßdämpfer	1	<b>Baujahr:</b> 2003[3] <b>Fahrzeugfarbe:</b> Rot Tulip 2003[t.red] <b>Land:</b> Vereinigte Staaten von Amerika[AM], Kanada[CA], Kanada[CN], Vereinigte Staaten von Amerika[USA] <b>Technische Daten:</b> "Motor ""DITECH"" mit Benzindirekteinspritzung"[ie]
4	AP8223015	Stoßdämpfer	1	<b>Baujahr:</b> 2003[3] <b>Fahrzeugfarbe:</b> GP1 2003[gp1] <b>Land:</b> Vereinigte Staaten von Amerika[AM], Kanada[CA], Kanada[CN], Vereinigte Staaten von Amerika[USA] <b>Technische Daten:</b> "Motor ""DITECH"" mit Benzindirekteinspritzung"[ie]
4	AP8223015	Stoßdämpfer	1	<b>Baujahr:</b> 2003[3] <b>Fahrzeugfarbe:</b> "SBK ""Racing"" 2003"[sbk] <b>Land:</b> Vereinigte Staaten von Amerika[AM], Kanada[CA], Kanada[CN], Vereinigte Staaten von Amerika[USA]

<b>Einheit</b>	MOTOR
<b>Code</b>	29.24
<b>Beschreibung</b>	Motor (Ditech)
<b>Inspektion</b>	1



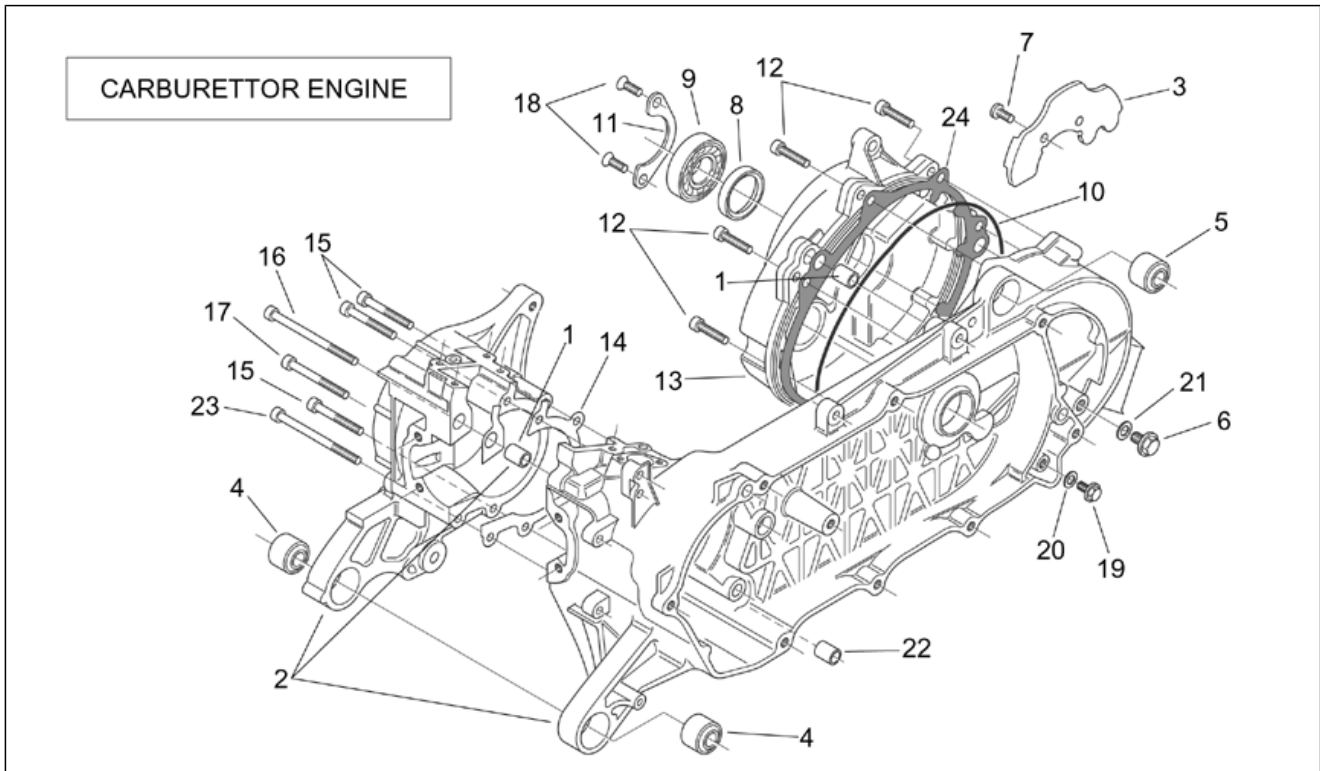
Pos.	Code	Beschreibung	Menge	Varianten
				<b>Technische Daten:</b> "Motor ""DITECH"" mit Benzindirekteinspritzung"[ie]
4	AP8223024	Stoßdämpfer-grau ring	1	<b>Baujahr:</b> 2002[2] <b>Fahrzeugfarbe:</b> Grau Dust 2002[du/gr] <b>Land:</b> Österreich[A], Australien[AA], Australien[AUS], Belgien[B], Schweiz[CH], Deutschland[D], Dänemark[DK], Spanien[E], A, B, CH, D, DK, E, F, I, NL, P, UK[EU], Frankreich[F], Italien[I], Japan[J], Japan[JJ], Holland[NL], Portugal[P], Großbritannien[UK] <b>Technische Daten:</b> "Motor ""DITECH"" mit Benzindirekteinspritzung"[ie]
4	AP8223025	Stoßdämpfer-grau ring	1	<b>Baujahr:</b> 2002[2] <b>Fahrzeugfarbe:</b> Grau Dust 2002[du/gr] <b>Land:</b> Vereinigte Staaten von Amerika[AM], Vereinigte Staaten von Amerika[USA] <b>Technische Daten:</b> "Motor ""DITECH"" mit Benzindirekteinspritzung"[ie]
4	AP8223025	Stoßdämpfer-grau ring	1	<b>Baujahr:</b> 2003[3] <b>Fahrzeugfarbe:</b> Tuono 2003[tuono] <b>Land:</b> Vereinigte Staaten von Amerika[AM], Kanada[CA], Kanada[CN], Vereinigte Staaten von Amerika[USA] <b>Technische Daten:</b> "Motor ""DITECH"" mit Benzindirekteinspritzung"[ie]
5	AP8221307	Bolzen M12	1	<b>Technische Daten:</b> "Motor ""DITECH"" mit Benzindirekteinspritzung"[ie]
6	AP8150432	Selbstsperr.mut Unt. M12*	1	<b>Technische Daten:</b> "Motor ""DITECH"" mit Benzindirekteinspritzung"[ie]
7	AP8152018	Scheibe 12,2x22x2	1	<b>Technische Daten:</b> "Motor ""DITECH"" mit Benzindirekteinspritzung"[ie]
8	AP8221322	Motor-Drehzapfen	1	<b>Technische Daten:</b> "Motor ""DITECH"" mit Benzindirekteinspritzung"[ie]
9	AP8206233	Seegerring für Welle D17	2	<b>Technische Daten:</b> "Motor ""DITECH"" mit Benzindirekteinspritzung"[ie]

<b>Einheit</b>	MOTOR
<b>Code</b>	29.24
<b>Beschreibung</b>	Motor (Ditech)
<b>Inspektion</b>	1



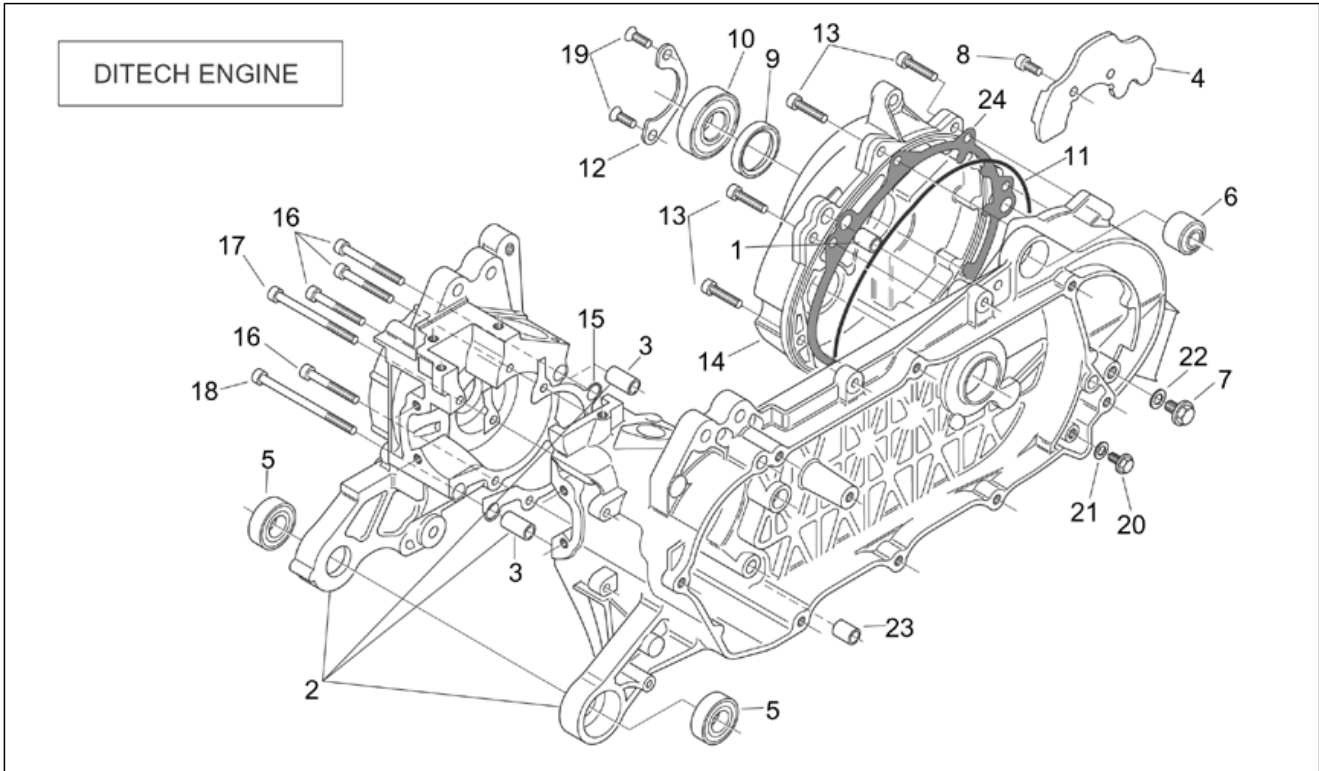
Pos.	Code	Beschreibung	Menge	Varianten
10	AP3LAA000010	Pumpen-Zylinderschlauch	1	<b>Technische Daten:</b> "Motor ""DITECH"" mit Benzindirekteinspritzung"[ie]
11	AP2FDN000175	Schelle	1	<b>Technische Daten:</b> "Motor ""DITECH"" mit Benzindirekteinspritzung"[ie]
12	AP2FDN000176	Schelle	1	<b>Technische Daten:</b> "Motor ""DITECH"" mit Benzindirekteinspritzung"[ie]

<b>Einheit</b>	MOTOR
<b>Code</b>	29.38
<b>Beschreibung</b>	Gehäuse (Vergaser)
<b>Inspektion</b>	1



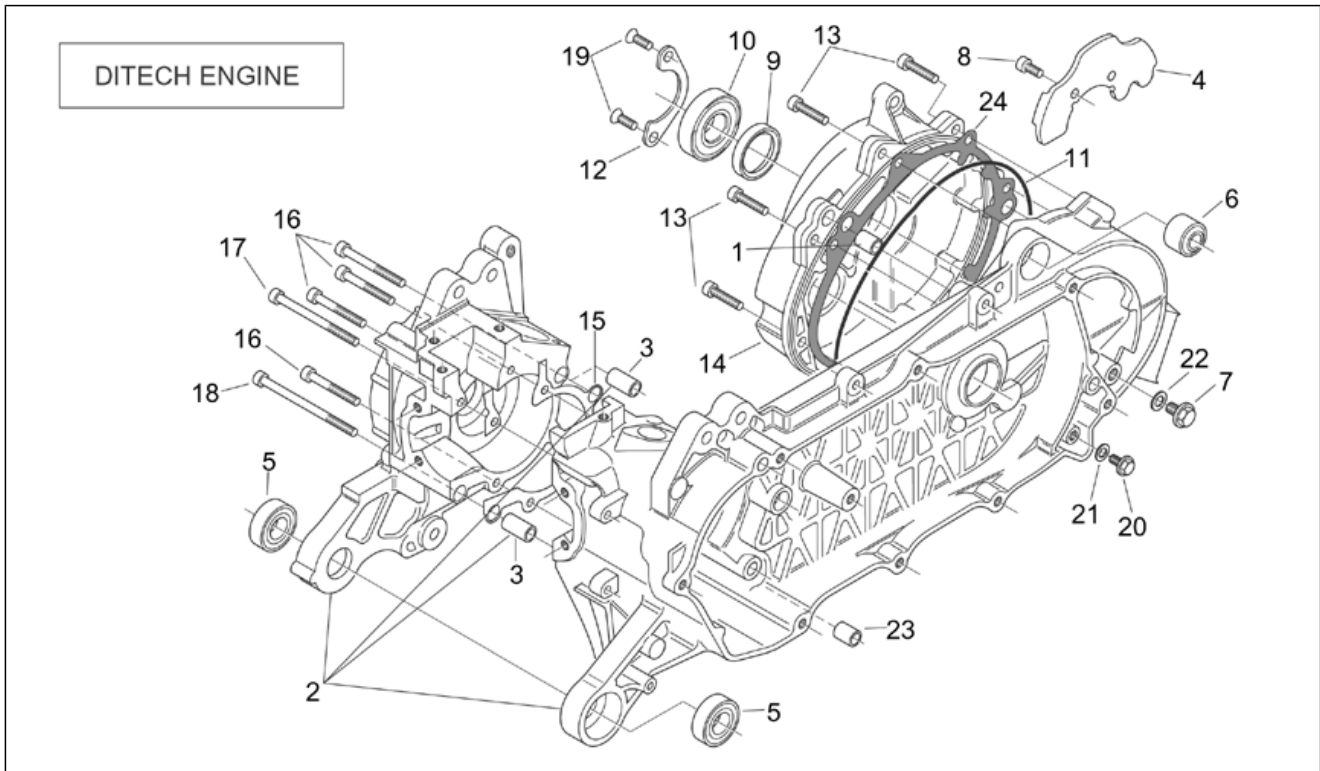
Pos.	Code	Beschreibung	Menge	Varianten
1	AP3FCN000269	Stift	4	Technische Daten:Motor mit Vergaser[carb]
2	AP1BHA000151	Kurbelgehäuse	1	Technische Daten:Motor mit Vergaser[carb]
3	AP3HAA000044	Antriebsplatte	1	Technische Daten:Motor mit Vergaser[carb]
4	AP3HAN000171	Silent-Block	2	Technische Daten:Motor mit Vergaser[carb]
5	AP3HAN000056	Silent-Block	1	Technische Daten:Motor mit Vergaser[carb]
6	AP4AUN000011	TE Schr. m. Flansch	1	Technische Daten:Motor mit Vergaser[carb]
7	AP4ADN000013	Schraube	2	Technische Daten:Motor mit Vergaser[carb]
8	AP3EBN000047	Ölabstreifring 29x42x6	1	Technische Daten:Motor mit Vergaser[carb]
9	AP4GAN000026	Lager d22x50x14	1	Technische Daten:Motor mit Vergaser[carb]
10	AP3EAN000048	O-Ring d2,4x161	1	Technische Daten:Motor mit Vergaser[carb]
11	AP3HAA000068	Lagerplatte	1	Technische Daten:Motor mit Vergaser[carb]
12	AP4ADN000016	TCEI Schraube	8	Technische Daten:Motor mit Vergaser[carb]
13	AP3HZA000152	Getriebedeckel	1	Technische Daten:Motor mit Vergaser[carb], Scheibenbremse Hinterrad[f.d.]
13	AP5RHR000229	Getriebedeckel	1	Technische Daten:Motor mit Vergaser[carb], Hinterrad- Trommelbremse[ft.]
14	AP3HVA000021	Dichtung	1	Technische Daten:Motor mit Vergaser[carb]
15	AP4ADN000008	TCEI Schraube	3	Technische Daten:Motor mit Vergaser[carb]
16	AP4ADN000009	TCEI Schraube	1	Technische Daten:Motor mit Vergaser[carb]
17	AP4ADN000007	TCEI Schraube	1	Technische Daten:Motor mit Vergaser[carb]
18	AP4AHN000067	Schraube	2	Technische Daten:Motor mit Vergaser[carb]
19	AP3AUN000062	TE Schr. m. Flansch	1	Technische Daten:Motor mit Vergaser[carb]
20	AP4EEN000063	Alu-Scheibe	1	Technische Daten:Motor mit Vergaser[carb]
21	AP4EEN000037	Alu-Scheibe	1	Technische Daten:Motor mit Vergaser[carb]
22	AP3QAA000039	Buchse	1	Technische Daten:Motor mit Vergaser[carb]
23	AP4ADN000006	TCEI Schraube	1	Technische Daten:Motor mit Vergaser[carb]
24	AP3NVA000627	Papier Dichtung	1	Technische Daten:Motor mit Vergaser[carb]

<b>Einheit</b>	MOTOR
<b>Code</b>	29.39
<b>Beschreibung</b>	Gehäuse (Ditech)
<b>Inspektion</b>	1



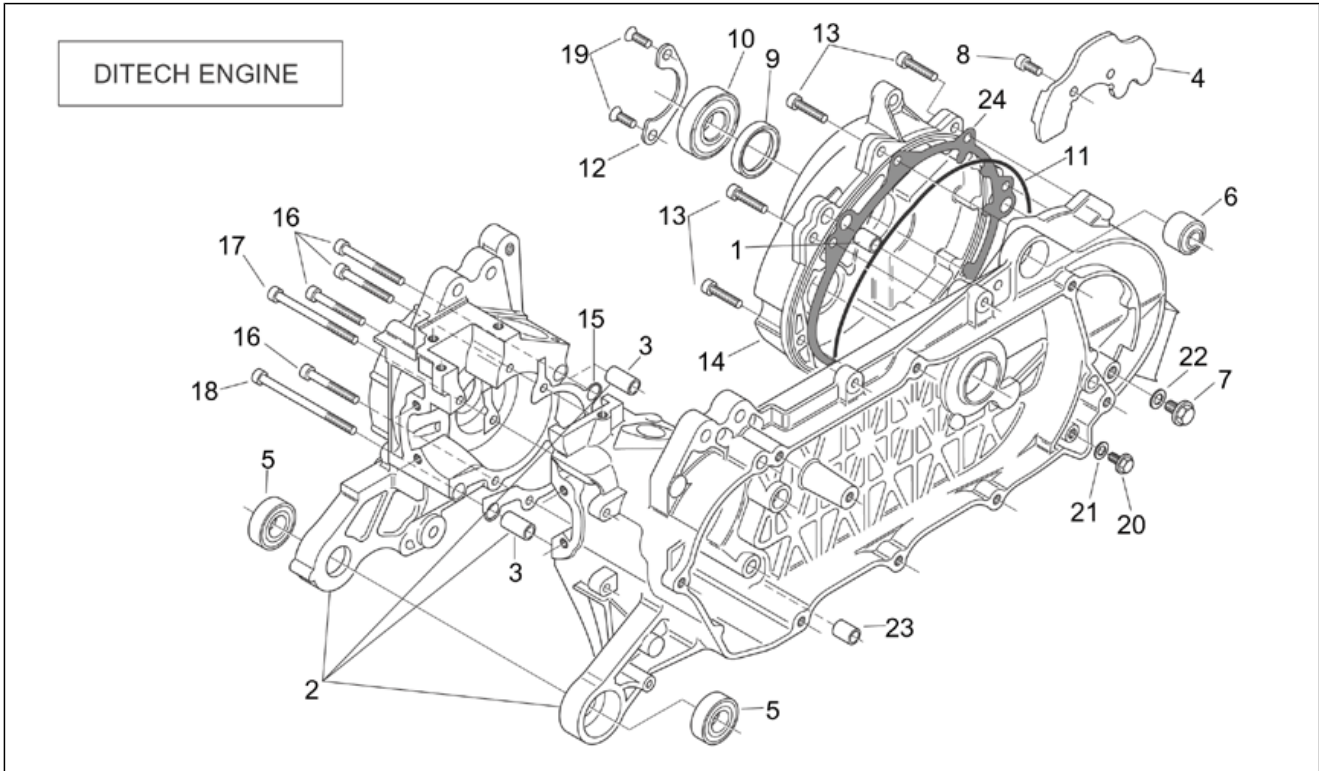
Pos.	Code	Beschreibung	Menge	Varianten
1	AP3FCN000269	Stift	2	<b>Technische Daten:</b> "Motor ""DITECH"" mit Benzindirekteinspritzung"[ie]
2	AP1BHA000159	Kurbelgehäuse	1	<b>Baujahr:</b> 2001[1] <b>Land:</b> Österreich[A], Australien[AA], Australien[AUS], Belgien[B], Schweiz[CH], Deutschland[D], Dänemark[DK], Spanien[E], A, B, CH, D, DK, E, F, I, NL, P, UK[EU], Frankreich[F], Italien[I], Japan[J], Japan[JJ], Holland[NL], Portugal[P], Großbritannien[UK] <b>Technische Daten:</b> Version mit voller Leistung[fp], "Motor ""DITECH"" mit Benzindirekteinspritzung"[ie]
2	AP1BHA000159	Kurbelgehäuse	1	<b>Baujahr:</b> 2000[Y] <b>Technische Daten:</b> Version mit voller Leistung[fp], "Motor ""DITECH"" mit Benzindirekteinspritzung"[ie]
2	AP1BHA000159	Kurbelgehäuse	1	<b>Baujahr:</b> 2002[2] <b>Land:</b> Belgien[B], Deutschland[D], Dänemark[DK], A, B, CH, D, DK, E, F, I, NL, P, UK[EU], Holland[NL] <b>Technische Daten:</b> Version mit Leistungsminderung 25 Kw[25k], "Motor ""DITECH"" mit Benzindirekteinspritzung"[ie]
2	AP1BHA000159	Kurbelgehäuse	1	<b>Baujahr:</b> 2001[1] <b>Land:</b> Belgien[B], Deutschland[D], Dänemark[DK], A, B, CH, D, DK, E, F, I, NL, P, UK[EU], Holland[NL] <b>Technische Daten:</b> Version mit Leistungsminderung 25 Kw[25k], "Motor ""DITECH"" mit Benzindirekteinspritzung"[ie]
2	AP1BHA000624	Kurbelgehäuse	1	<b>Baujahr:</b> 2000[Y] <b>Technische Daten:</b> Version mit Leistungsminderung 25 Kw[25k], "Motor ""DITECH"" mit Benzindirekteinspritzung"[ie]
2	AP1BHA000624	Kurbelgehäuse	1	<b>Baujahr:</b> 2002[2] <b>Land:</b> Belgien[B], Deutschland[D], Dänemark[DK], A, B, CH, D, DK, E, F, I, NL, P, UK[EU], Holland[NL] <b>Technische Daten:</b> Version mit Leistungsminderung 25 Kw[25k], "Motor ""DITECH"" mit Benzindirekteinspritzung"[ie]

<b>Einheit</b>	MOTOR
<b>Code</b>	29.39
<b>Beschreibung</b>	Gehäuse (Ditech)
<b>Inspektion</b>	1



Pos.	Code	Beschreibung	Menge	Varianten
2	AP1BHA000624	Kurbelgehäuse	1	<b>Baujahr:</b> 2001[1] <b>Land:</b> Belgien[B], Deutschland[D], Dänemark[DK], A, B, CH, D, DK, E, F, I, NL, P, UK[EU], Holland[NL] <b>Technische Daten:</b> Version mit Leistungsminderung 25 Kw[25k], "Motor ""DITECH"" mit Benzindirekteinspritzung"[ie]
2	AP1BHA000624	Kurbelgehäuse	1	<b>Baujahr:</b> 2001[1] <b>Land:</b> Vereinigte Staaten von Amerika[AM], Vereinigte Staaten von Amerika[USA] <b>Technische Daten:</b> "Motor ""DITECH"" mit Benzindirekteinspritzung"[ie]
2	AP1BHA000624	Kurbelgehäuse	1	<b>Baujahr:</b> 2002[2] <b>Land:</b> Vereinigte Staaten von Amerika[AM], Vereinigte Staaten von Amerika[USA] <b>Technische Daten:</b> "Motor ""DITECH"" mit Benzindirekteinspritzung"[ie]
2	AP1BHA000624	Kurbelgehäuse	1	<b>Baujahr:</b> 2000[Y] <b>Technische Daten:</b> Version mit voller Leistung[fp], "Motor ""DITECH"" mit Benzindirekteinspritzung"[ie]
2	AP1BHA000624	Kurbelgehäuse	1	<b>Baujahr:</b> 2002[2] <b>Land:</b> Österreich[A], Australien[AA], Australien[AUS], Belgien[B], Schweiz[CH], Deutschland[D], Dänemark[DK], Spanien[E], A, B, CH, D, DK, E, F, I, NL, P, UK[EU], Frankreich[F], Italien[I], Japan[J], Japan[JJ], Holland[NL], Portugal[P], Großbritannien[UK] <b>Technische Daten:</b> Version mit voller Leistung[fp], "Motor ""DITECH"" mit Benzindirekteinspritzung"[ie]
2	AP1BHA000624	Kurbelgehäuse	1	<b>Baujahr:</b> 2001[1] <b>Land:</b> Österreich[A], Australien[AA], Australien[AUS], Belgien[B], Schweiz[CH], Deutschland[D], Dänemark[DK], Spanien[E], A, B, CH, D, DK, E, F, I, NL, P, UK[EU], Frankreich[F], Italien[I], Japan[J], Japan[JJ], Holland[NL], Portugal[P], Großbritannien[UK] <b>Technische Daten:</b> Version mit voller Leistung[fp], "Motor ""DITECH"" mit Benzindirekteinspritzung"[ie]
2	AP1BHA000706	Kurbelgehäuse	1	<b>Baujahr:</b> 2000[Y]

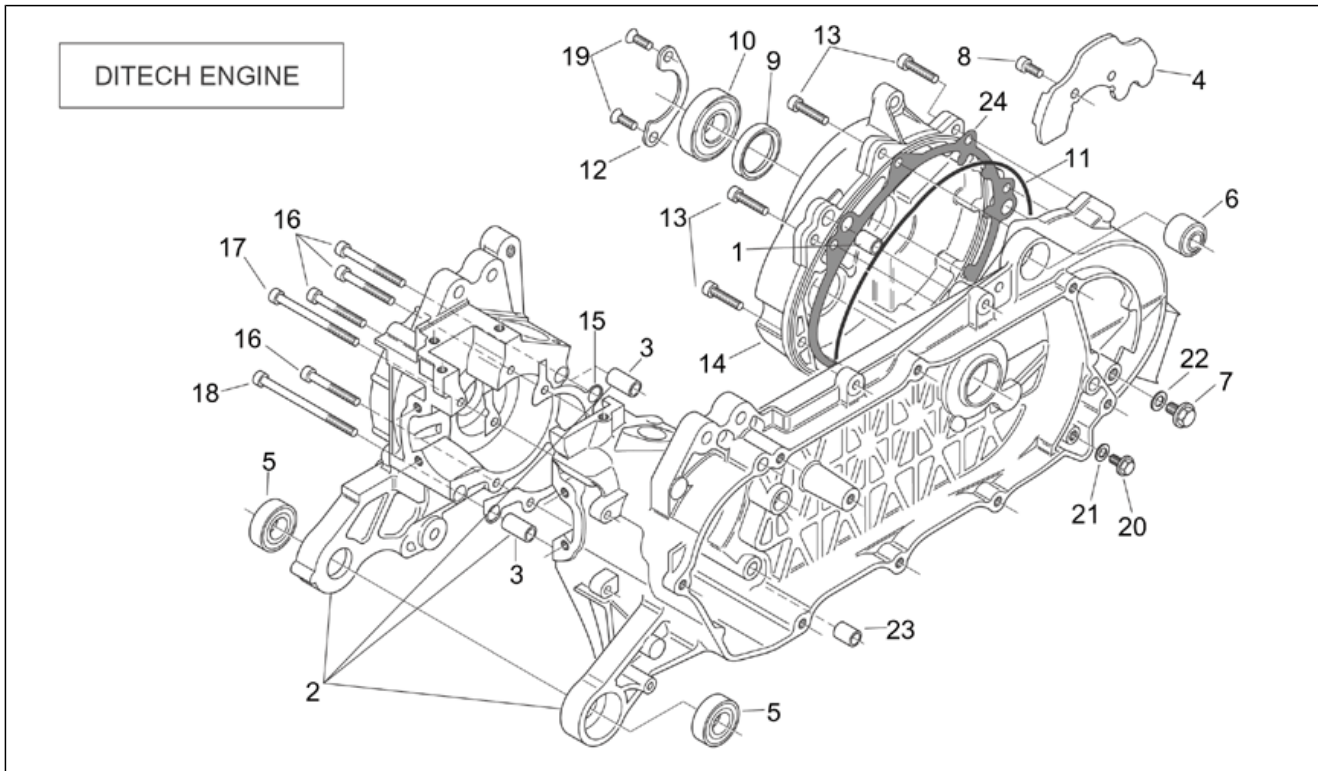
<b>Einheit</b>	MOTOR
<b>Code</b>	29.39
<b>Beschreibung</b>	Gehäuse (Ditech)
<b>Inspektion</b>	1



Pos.	Code	Beschreibung	Menge	Varianten
				<b>Technische Daten:</b> Version mit voller Leistung[fp], "Motor ""DITECH"" mit Benzindirekteinspritzung"[ie]
2	AP1BHA000706	Kurbelgehäuse	1	<b>Baujahr:</b> 2001[1] <b>Land:</b> Österreich[A], Australien[AA], Australien[AUS], Belgien[B], Schweiz[CH], Deutschland[D], Dänemark[DK], Spanien[E], A, B, CH, D, DK, E, F, I, NL, P, UK[EU], Frankreich[F], Italien[I], Japan[J], Japan[JJ], Holland[NL], Portugal[P], Großbritannien[UK] <b>Technische Daten:</b> Version mit voller Leistung[fp], "Motor ""DITECH"" mit Benzindirekteinspritzung"[ie]
2	AP1BHA000706	Kurbelgehäuse	1	<b>Baujahr:</b> 2002[2] <b>Land:</b> Österreich[A], Australien[AA], Australien[AUS], Belgien[B], Schweiz[CH], Deutschland[D], Dänemark[DK], Spanien[E], A, B, CH, D, DK, E, F, I, NL, P, UK[EU], Frankreich[F], Italien[I], Japan[J], Japan[JJ], Holland[NL], Portugal[P], Großbritannien[UK] <b>Technische Daten:</b> Version mit voller Leistung[fp], "Motor ""DITECH"" mit Benzindirekteinspritzung"[ie]
2	AP1BHA000706	Kurbelgehäuse	1	<b>Baujahr:</b> 2002[2] <b>Land:</b> Belgien[B], Deutschland[D], Dänemark[DK], A, B, CH, D, DK, E, F, I, NL, P, UK[EU], Holland[NL] <b>Technische Daten:</b> Version mit Leistungsminderung 25 Kw[25k], "Motor ""DITECH"" mit Benzindirekteinspritzung"[ie]
2	AP1BHA000706	Kurbelgehäuse	1	<b>Baujahr:</b> 2001[1] <b>Land:</b> Belgien[B], Deutschland[D], Dänemark[DK], A, B, CH, D, DK, E, F, I, NL, P, UK[EU], Holland[NL] <b>Technische Daten:</b> Version mit Leistungsminderung 25 Kw[25k], "Motor ""DITECH"" mit Benzindirekteinspritzung"[ie]
2	AP1BHA000706	Kurbelgehäuse	1	<b>Baujahr:</b> 2002[2] <b>Land:</b> Vereinigte Staaten von Amerika[AM], Vereinigte Staaten von Amerika[USA] <b>Technische Daten:</b> "Motor ""DITECH"" mit Benzindirekteinspritzung"[ie]
2	AP1BHA000706	Kurbelgehäuse	1	<b>Baujahr:</b> 2000[Y]

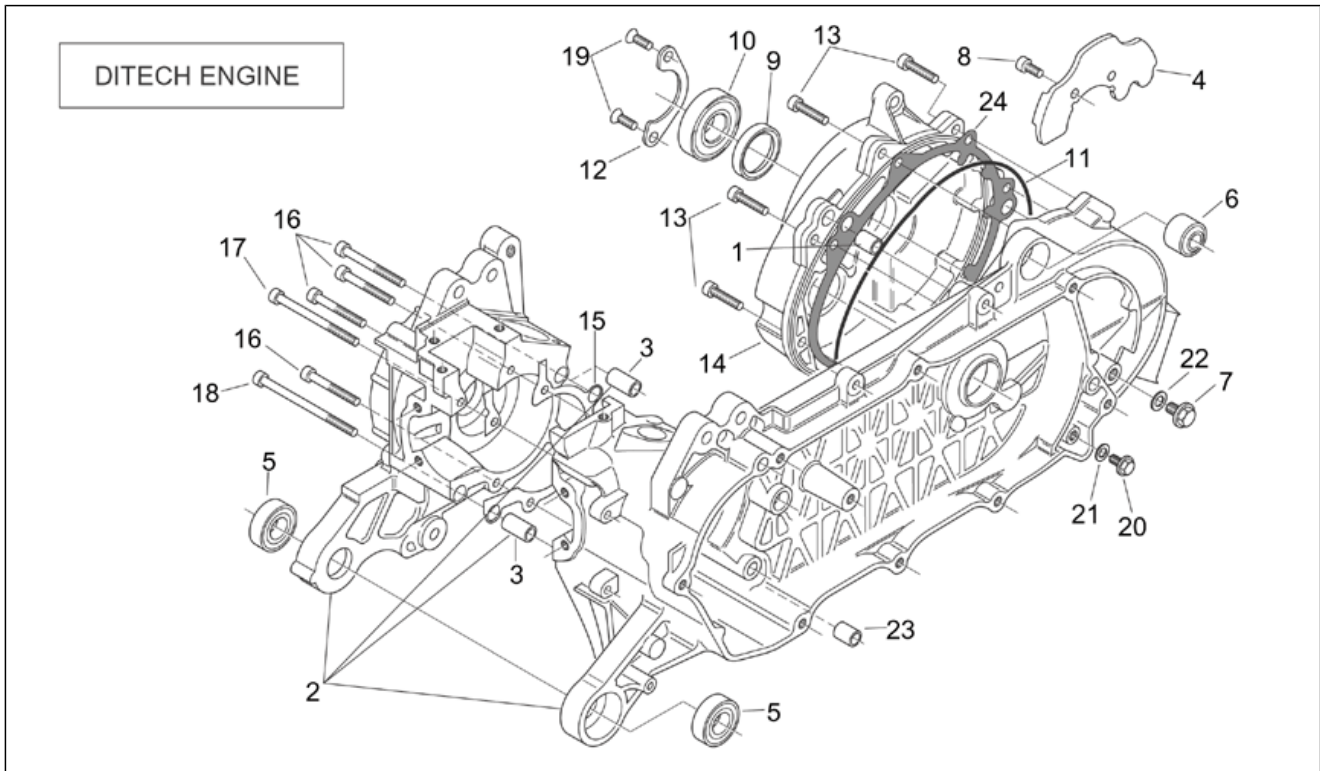


<b>Einheit</b>	MOTOR
<b>Code</b>	29.39
<b>Beschreibung</b>	Gehäuse (Ditech)
<b>Inspektion</b>	1



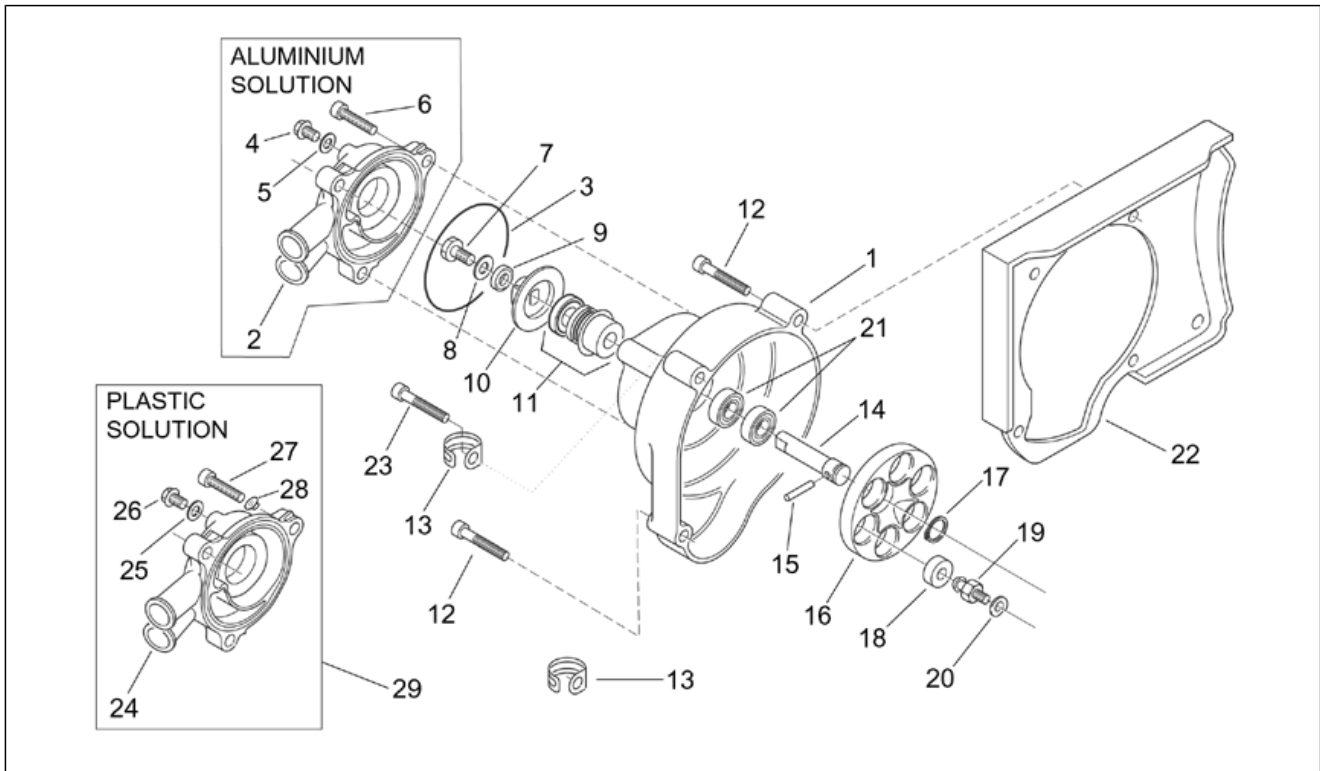
Pos.	Code	Beschreibung	Menge	Varianten
				<b>Technische Daten:</b> Version mit Leistungsminderung 25 Kw[25k], "Motor ""DITECH"" mit Benzindirekteinspritzung"[ie]
2	AP1BHA000706	Kurbelgehäuse	1	<b>Baujahr:</b> 2001[1] <b>Land:</b> Vereinigte Staaten von Amerika[AM], Vereinigte Staaten von Amerika[USA] <b>Technische Daten:</b> "Motor ""DITECH"" mit Benzindirekteinspritzung"[ie]
2	AP1BHA000706	Kurbelgehäuse	1	<b>Baujahr:</b> 2003[3], 2004[4] <b>Land:</b> Vereinigte Staaten von Amerika[AM], Kanada[CA], Kanada[CN], Vereinigte Staaten von Amerika[USA] <b>Technische Daten:</b> "Motor ""DITECH"" mit Benzindirekteinspritzung"[ie]
3	AP3FCN000268	Stift	2	<b>Technische Daten:</b> "Motor ""DITECH"" mit Benzindirekteinspritzung"[ie]
4	AP3HAA000044	Antriebsplatte	1	<b>Technische Daten:</b> "Motor ""DITECH"" mit Benzindirekteinspritzung"[ie]
5	AP4GAN000083	Lager d17x35x10	1	<b>Technische Daten:</b> "Motor ""DITECH"" mit Benzindirekteinspritzung"[ie]
6	AP3HAN000056	Silent-Block	1	<b>Technische Daten:</b> "Motor ""DITECH"" mit Benzindirekteinspritzung"[ie]
7	AP4AUN000011	TE Schr. m. Flansch	1	<b>Technische Daten:</b> "Motor ""DITECH"" mit Benzindirekteinspritzung"[ie]
8	AP4ADN000013	Schraube	2	<b>Technische Daten:</b> "Motor ""DITECH"" mit Benzindirekteinspritzung"[ie]
9	AP3EBN000047	Ölabstreifring 29x42x6	1	<b>Technische Daten:</b> "Motor ""DITECH"" mit Benzindirekteinspritzung"[ie]
10	AP4GAN000026	Lager d22x50x14	1	<b>Technische Daten:</b> "Motor ""DITECH"" mit Benzindirekteinspritzung"[ie]
11	AP3EAN000048	O-Ring d2,4x161	1	<b>Technische Daten:</b> "Motor ""DITECH"" mit Benzindirekteinspritzung"[ie]
12	AP3HAA000068	Lagerplatte	1	<b>Technische Daten:</b> "Motor ""DITECH"" mit Benzindirekteinspritzung"[ie]

<b>Einheit</b>	MOTOR
<b>Code</b>	29.39
<b>Beschreibung</b>	Gehäuse (Ditech)
<b>Inspektion</b>	1



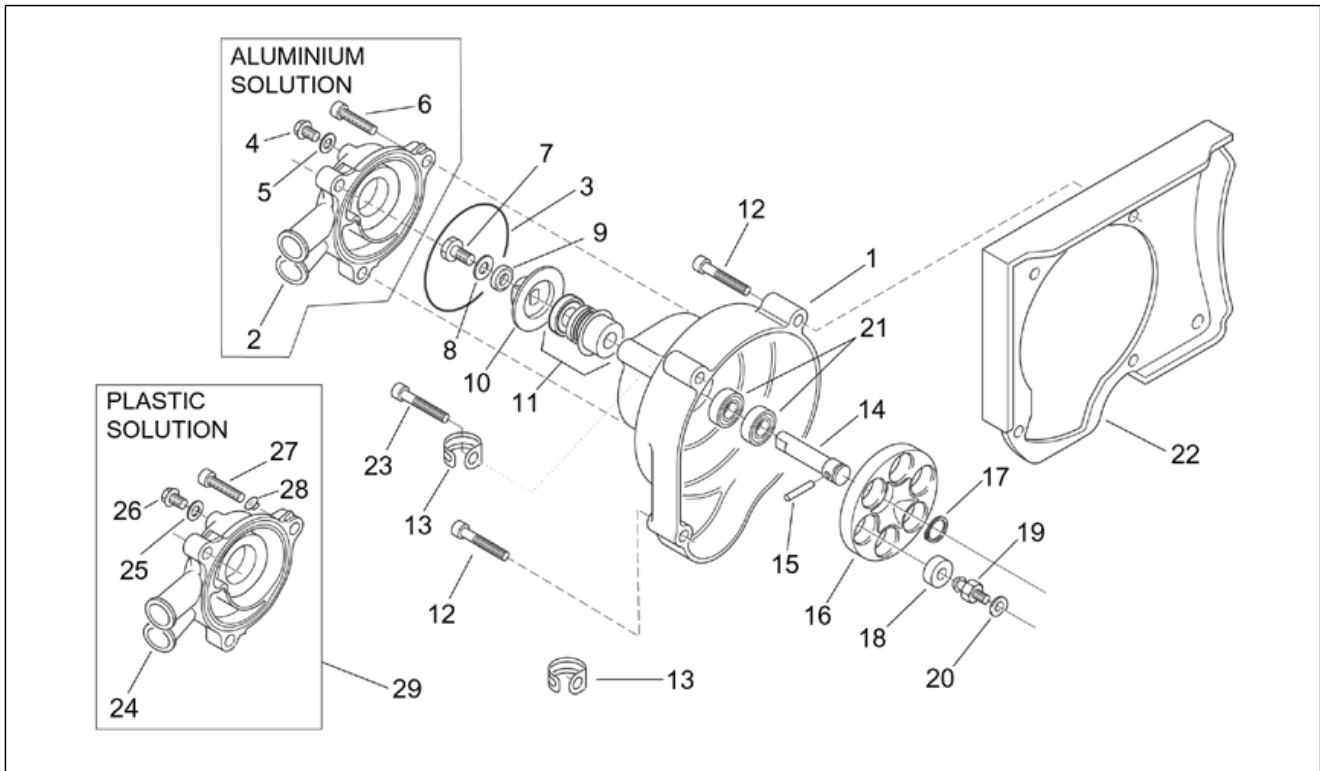
Pos.	Code	Beschreibung	Menge	Varianten
13	AP4ADN000016	TCEI Schraube	8	<b>Technische Daten:</b> "Motor ""DITECH"" mit Benzindirekteinspritzung"[ie]
14	AP3HZA000152	Getriebedeckel	1	<b>Technische Daten:</b> "Motor ""DITECH"" mit Benzindirekteinspritzung"[ie]
15	AP3HVA000160	Dichtung	1	<b>Technische Daten:</b> "Motor ""DITECH"" mit Benzindirekteinspritzung"[ie]
16	AP4ADN000007	TCEI Schraube	4	<b>Technische Daten:</b> "Motor ""DITECH"" mit Benzindirekteinspritzung"[ie]
17	AP4ADN000178	TCEI Schraube	1	<b>Technische Daten:</b> "Motor ""DITECH"" mit Benzindirekteinspritzung"[ie]
18	AP4ADN000179	TCEI Schraube	1	<b>Technische Daten:</b> "Motor ""DITECH"" mit Benzindirekteinspritzung"[ie]
19	AP4AHN000067	Schraube	2	<b>Technische Daten:</b> "Motor ""DITECH"" mit Benzindirekteinspritzung"[ie]
20	AP3AUN000062	TE Schr. m. Flansch	1	<b>Technische Daten:</b> "Motor ""DITECH"" mit Benzindirekteinspritzung"[ie]
21	AP4EEN000063	Alu-Scheibe	1	<b>Technische Daten:</b> "Motor ""DITECH"" mit Benzindirekteinspritzung"[ie]
22	AP4EEN000037	Alu-Scheibe	1	<b>Technische Daten:</b> "Motor ""DITECH"" mit Benzindirekteinspritzung"[ie]
23	AP3QAA000039	Buchse	1	<b>Technische Daten:</b> "Motor ""DITECH"" mit Benzindirekteinspritzung"[ie]
24	AP3NVA000627	Papier Dichtung	1	<b>Technische Daten:</b> "Motor ""DITECH"" mit Benzindirekteinspritzung"[ie]

<b>Einheit</b>	MOTOR
<b>Code</b>	29.40
<b>Beschreibung</b>	Wasserpumpenritzel
<b>Inspektion</b>	1



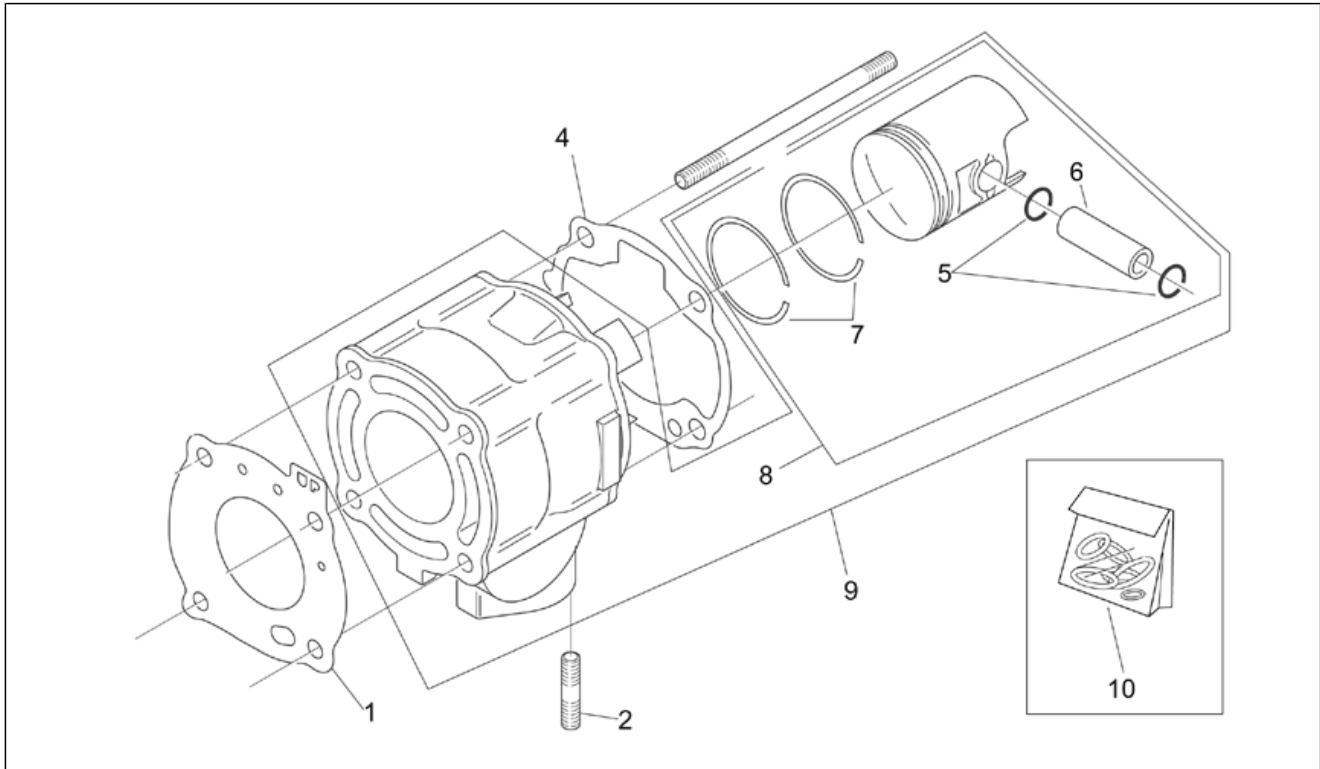
Pos.	Code	Beschreibung	Menge	Varianten
1	AP3LZA000023	Schwungraddeckel, schwarz	1	<b>Technische Daten:</b> Motor mit Vergaser[carb]
1	AP3LZA000108	Schwungraddeckel, schwarz	1	<b>Technische Daten:</b> "Motor ""DITECH"" mit Benzindirekteinspritzung"[ie]
2	AP3LBA000130	Alum.wasserpumpenkörper, schw.	1	
3	AP3EAN000082	O-Ring 65x2,1	1	
4	AP3AUN000124	TE Schr. m. Flansch	1	
5	AP4EEN000063	Alu-Scheibe	1	
6	AP4ADN000016	TCEI Schraube	3	
7	AP3ABN000092	Läufer Schraube	1	
8	AP2DHN000202	Elast.scheibe	1	<b>Technische Daten:</b> "Motor ""DITECH"" mit Benzindirekteinspritzung"[ie]
9	AP3ECN000080	Dichtscheibe	1	
10	AP3LDA000109	Läufer	1	
11	AP3LAA000173	Pumpe Mechanische Dichtung	1	
12	AP4ADN000016	TCEI Schraube	4	<b>Technische Daten:</b> "Motor ""DITECH"" mit Benzindirekteinspritzung"[ie]
12	AP4ADN000017	Schraube	4	<b>Technische Daten:</b> Motor mit Vergaser[carb]
13	AP3AAN000054	Schelle	2	
14	AP3LCA000101	Läufer Welle	1	
15	AP4FCN000095	Rolle d2,5x19,8	1	
16	AP3LCA000166	Zugelement pumpenrad	1	
17	AP4DAN000125	Seegerring d12	1	
18	AP3LAA000100	Gummi Pumpenzapfen	3	
19	AP3LAA000102	Bolzen Pumpenläuferwelle	3	<b>Technische Daten:</b> Bis Motornummer ABL021010175[T1]
19	AP3LAA000625	Bolzen Pumpenläuferwelle	3	<b>Technische Daten:</b> Motor mit Vergaser[carb], Ab Motornummer ABL021010176[F1]
20	AP4DFN000033	Unterlegscheibe	3	
21	AP4GAN000103	Kugellager 6900	2	

<b>Einheit</b>	MOTOR
<b>Code</b>	29.40
<b>Beschreibung</b>	Wasserpumpenritzel
<b>Inspektion</b>	1



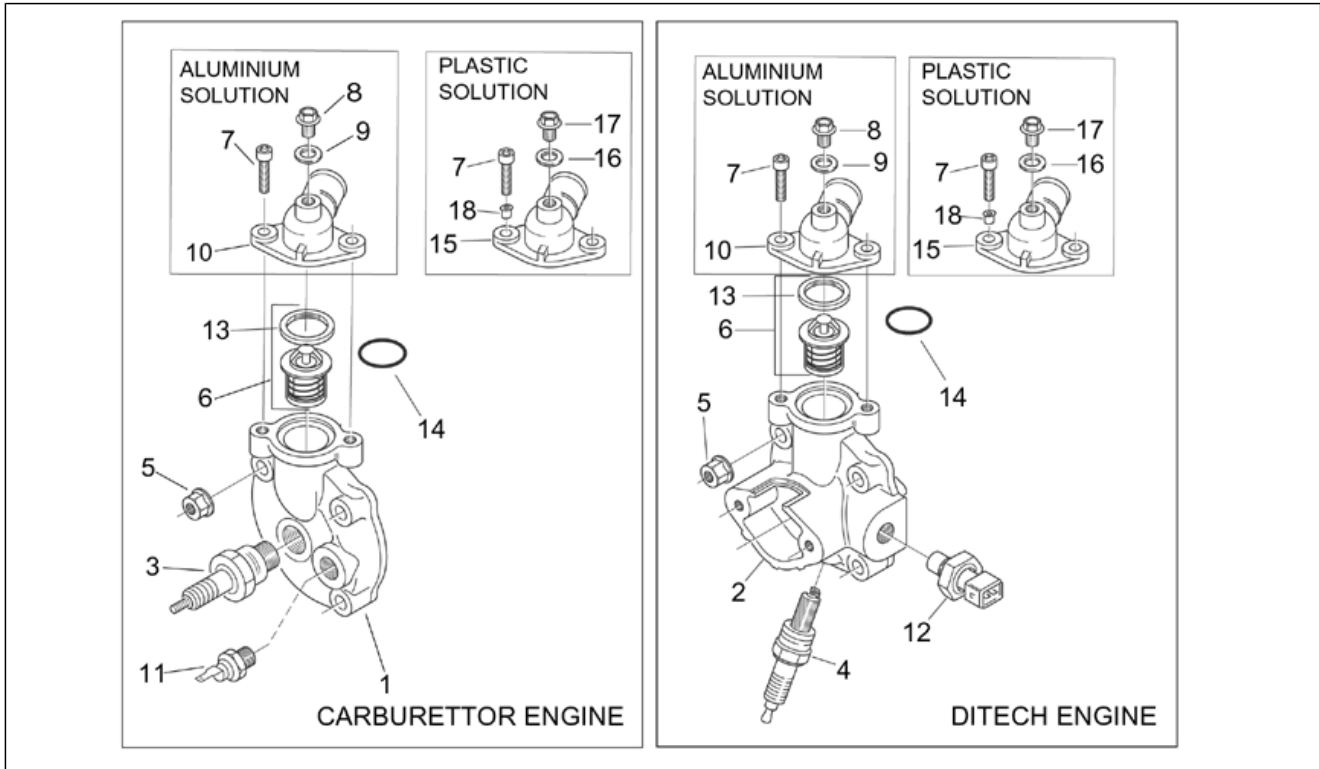
Pos.	Code	Beschreibung	Menge	Varianten
22	AP3HAA000632	Platte	1	<b>Technische Daten:</b> Motor mit Vergaser[carb], Ab Motornummer ABL021010176[F1]
23	AP8152003	TCEI Schraube M6x40	2	<b>Technische Daten:</b> Motor mit Vergaser[carb]
24	AP3LBA000587	Plastic wasserpumpenkörper	1	
25	AP3EDN000281	Papier Dichtung	1	
26	AP4APN000267	Gew.schr. 5,5x13	1	
27	AP4ADN000014	Schraube	3	
28	AP3UAN000300	T-Buchse	3	

<b>Einheit</b>	MOTOR
<b>Code</b>	29.41
<b>Beschreibung</b>	Kolben + Zylinder
<b>Inspektion</b>	1



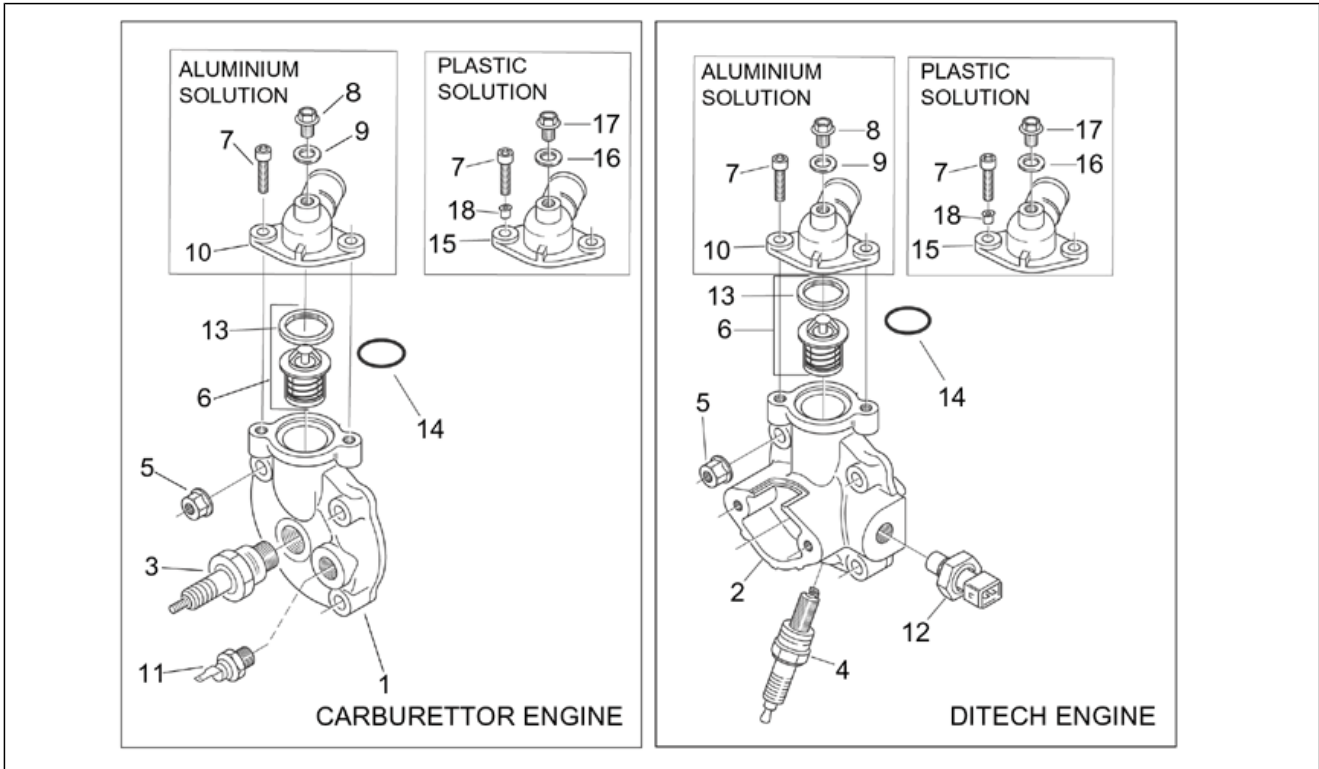
Pos.	Code	Beschreibung	Menge	Varianten
1	AP2BVA000040	Dichtung Zylinderkopf	1	
2	AP4BAN000002	Stiftschraube	1	
3	AP4BAN000076	Stiftschraube	4	
4	AP3EVA000433	ZYLINDERFUSSDICHTUNG	1	
5	AP3EAN000096	Stiftsperring	2	
6	AP3EDA000143	Bolzen	1	
7	AP5RER000074	Satz Kolbenringe d41	1	
7	AP5RER000077	Satz Kolbenringe d41,5	1	
7	AP5RER000081	Satz Kolbenringe d42	1	
8	AP5RER000073	Kolben kpl. d41	1	<b>Technische Daten:</b> Motor mit Vergaser[carb]
8	AP5RER000075	Kolben kpl. d41,5	1	<b>Technische Daten:</b> Motor mit Vergaser[carb]
8	AP5RER000079	Kolben kpl. d42	1	<b>Technische Daten:</b> Motor mit Vergaser[carb]
8	AP5RER000084	Kolben kpl. d41	1	<b>Technische Daten:</b> "Motor ""DITECH"" mit Benzindirekteinspritzung"[ie]
8	AP5RER000085	Kolben kpl. d41,5	1	<b>Technische Daten:</b> "Motor ""DITECH"" mit Benzindirekteinspritzung"[ie]
8	AP5RER000087	Kolben kpl. d42	1	<b>Technische Daten:</b> "Motor ""DITECH"" mit Benzindirekteinspritzung"[ie]
9	AP5RER000072	Kolben + Zylinder	1	<b>Technische Daten:</b> Motor mit Vergaser[carb]
9	AP5RER000089	Kolben + Zylinder	1	<b>Technische Daten:</b> "Motor ""DITECH"" mit Benzindirekteinspritzung"[ie]
10	AP5RZR000096	Dichtungen - Satz	1	<b>Technische Daten:</b> Motor mit Vergaser[carb]
10	AP5RZR000098	Dichtungen - Satz	1	<b>Technische Daten:</b> "Motor ""DITECH"" mit Benzindirekteinspritzung"[ie]

<b>Einheit</b>	MOTOR
<b>Code</b>	29.42
<b>Beschreibung</b>	Zylinderkopf
<b>Inspektion</b>	1



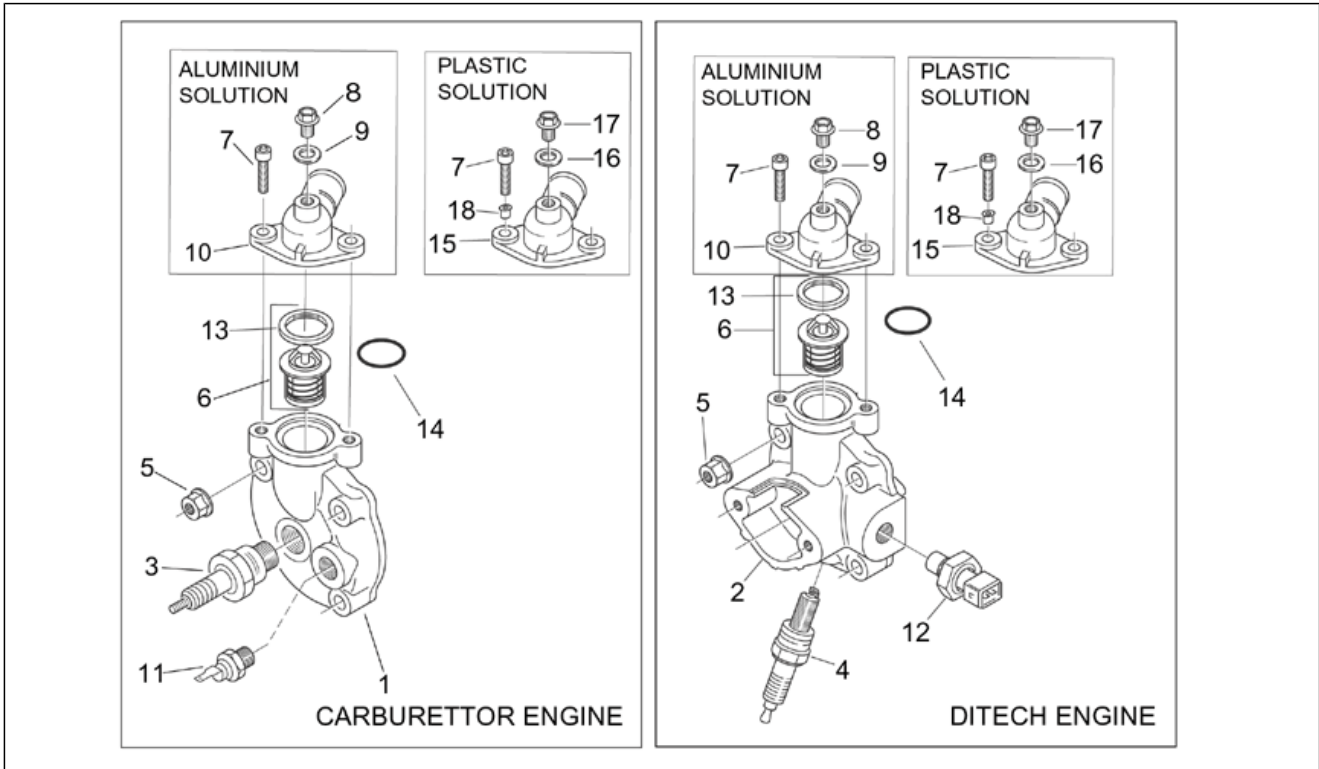
Pos.	Code	Beschreibung	Menge	Varianten
1	AP3BBA000174	Zylinderkopf	1	<b>Technische Daten:</b> Motor mit Vergaser[carb]
2	AP3BBA000171	Zylinderkopf	1	<b>Baujahr:</b> 2000[Y] <b>Technische Daten:</b> Version mit voller Leistung[fp], "Motor ""DITECH"" mit Benzindirekteinspritzung"[ie]
2	AP3BBA000171	Zylinderkopf	1	<b>Baujahr:</b> 2001[1] <b>Land:</b> Österreich[A], Australien[AA], Australien[AUS], Belgien[B], Schweiz[CH], Deutschland[D], Dänemark[DK], Spanien[E], A, B, CH, D, DK, E, F, I, NL, P, UK[EU], Frankreich[F], Italien[I], Japan[J], Japan[JJ], Holland[NL], Portugal[P], Großbritannien[UK] <b>Technische Daten:</b> Version mit voller Leistung[fp], "Motor ""DITECH"" mit Benzindirekteinspritzung"[ie]
2	AP3BBA000171	Zylinderkopf	1	<b>Baujahr:</b> 2002[2] <b>Land:</b> Belgien[B], Deutschland[D], Dänemark[DK], A, B, CH, D, DK, E, F, I, NL, P, UK[EU], Holland[NL] <b>Technische Daten:</b> Version mit Leistungsminderung 25 Kw[25k], "Motor ""DITECH"" mit Benzindirekteinspritzung"[ie]
2	AP3BBA000171	Zylinderkopf	1	<b>Baujahr:</b> 2001[1] <b>Land:</b> Belgien[B], Deutschland[D], Dänemark[DK], A, B, CH, D, DK, E, F, I, NL, P, UK[EU], Holland[NL] <b>Technische Daten:</b> Version mit Leistungsminderung 25 Kw[25k], "Motor ""DITECH"" mit Benzindirekteinspritzung"[ie]
2	AP3BBA000606	Zylinderkopf	1	<b>Baujahr:</b> 2001[1] <b>Land:</b> Belgien[B], Deutschland[D], Dänemark[DK], A, B, CH, D, DK, E, F, I, NL, P, UK[EU], Holland[NL] <b>Technische Daten:</b> Version mit Leistungsminderung 25 Kw[25k], "Motor ""DITECH"" mit Benzindirekteinspritzung"[ie]
2	AP3BBA000606	Zylinderkopf	1	<b>Baujahr:</b> 2002[2] <b>Land:</b> Belgien[B], Deutschland[D], Dänemark[DK], A, B, CH, D, DK, E, F, I, NL, P, UK[EU], Holland[NL] <b>Technische Daten:</b> Version mit Leistungsminderung 25 Kw[25k], "Motor ""DITECH"" mit Benzindirekteinspritzung"[ie]

<b>Einheit</b>	MOTOR
<b>Code</b>	29.42
<b>Beschreibung</b>	Zylinderkopf
<b>Inspektion</b>	1



Pos.	Code	Beschreibung	Menge	Varianten
2	AP3BBA000606	Zylinderkopf	1	<b>Baujahr:</b> 2000[Y] <b>Technische Daten:</b> Version mit voller Leistung[fp], "Motor ""DITECH"" mit Benzindirekteinspritzung"[ie]
2	AP3BBA000606	Zylinderkopf	1	<b>Land:</b> Vereinigte Staaten von Amerika[AM], Kanada[CA], Kanada[CN], Vereinigte Staaten von Amerika[USA] <b>Technische Daten:</b> "Motor ""DITECH"" mit Benzindirekteinspritzung"[ie]
2	AP3BBA000606	Zylinderkopf	1	<b>Baujahr:</b> 2001[1] <b>Land:</b> Österreich[A], Australien[AA], Australien[AUS], Belgien[B], Schweiz[CH], Deutschland[D], Dänemark[DK], Spanien[E], A, B, CH, D, DK, E, F, I, NL, P, UK[EU], Frankreich[F], Italien[I], Japan[J], Japan[JJ], Holland[NL], Portugal[P], Großbritannien[UK] <b>Technische Daten:</b> Version mit voller Leistung[fp], "Motor ""DITECH"" mit Benzindirekteinspritzung"[ie]
2	AP3BBA000606	Zylinderkopf	1	<b>Baujahr:</b> 2002[2] <b>Land:</b> Österreich[A], Australien[AA], Australien[AUS], Belgien[B], Schweiz[CH], Deutschland[D], Dänemark[DK], Spanien[E], A, B, CH, D, DK, E, F, I, NL, P, UK[EU], Frankreich[F], Italien[I], Japan[J], Japan[JJ], Holland[NL], Portugal[P], Großbritannien[UK] <b>Technische Daten:</b> Version mit voller Leistung[fp], "Motor ""DITECH"" mit Benzindirekteinspritzung"[ie]
2	AP3BBA000606	Zylinderkopf	1	<b>Baujahr:</b> 2000[Y] <b>Technische Daten:</b> Version mit Leistungsminderung 25 Kw[25k], "Motor ""DITECH"" mit Benzindirekteinspritzung"[ie]
3	AP2BEN000088	Zündkerze BPR7HS	1	<b>Technische Daten:</b> Motor mit Vergaser[carb]
4	AP2BEN000276	Zündkerze CPR8E	1	<b>Technische Daten:</b> "Motor ""DITECH"" mit Benzindirekteinspritzung"[ie]
5	AP3BDN000005	Geflanschte Mutter	4	
6	AP2BAA000060	Thermostat	1	<b>Technische Daten:</b> Motor mit Vergaser[carb]
6	AP2BAA000643	Thermostat	1	<b>Technische Daten:</b> "Motor ""DITECH"" mit Benzindirekteinspritzung"[ie]

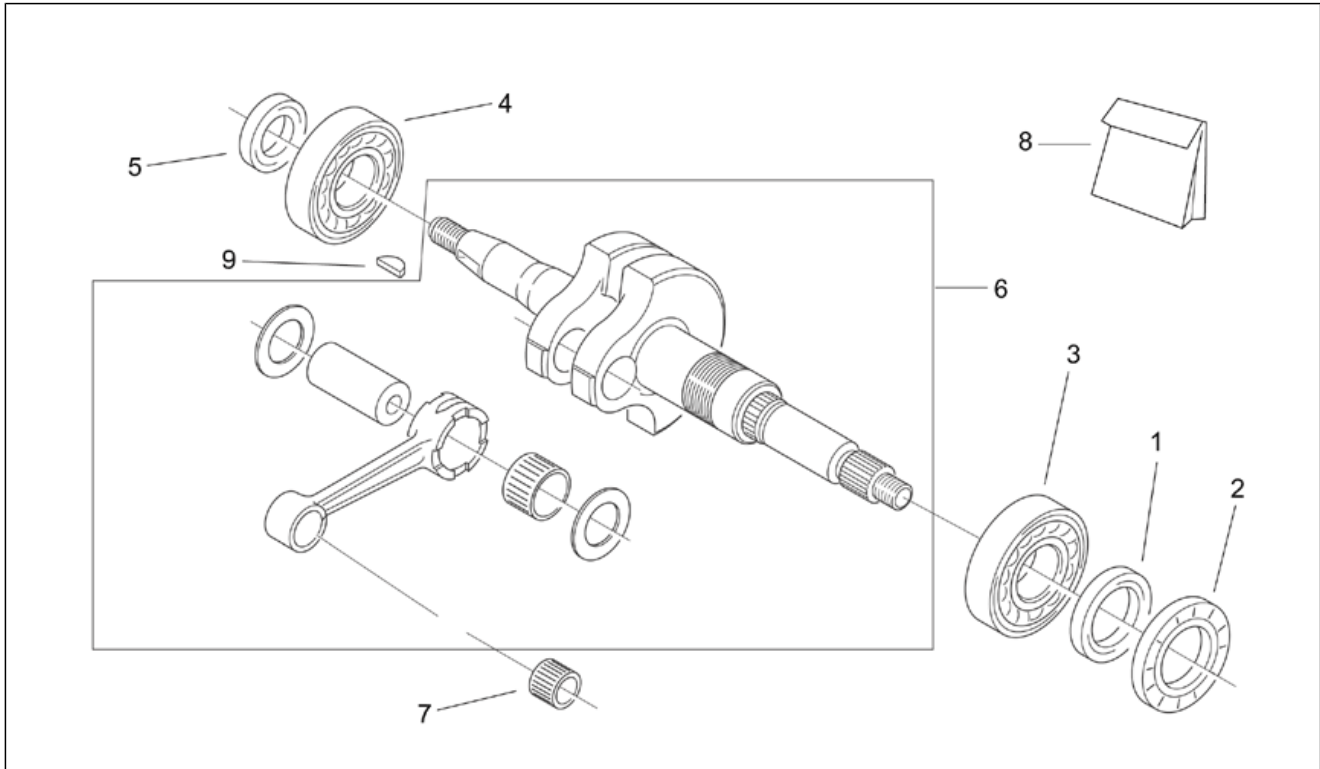
<b>Einheit</b>	MOTOR
<b>Code</b>	29.42
<b>Beschreibung</b>	Zylinderkopf
<b>Inspektion</b>	1



Pos.	Code	Beschreibung	Menge	Varianten
7	AP4ADN000014	Schraube	2	
8	AP3AUN000124	TE Schr. m. Flansch	1	
9	AP4EEN000063	Alu-Scheibe	1	
10	AP3LAA000110	Anschl. Wasseraus.aluminium	1	
11	AP2BAA000067	Thermistor	1	<b>Technische Daten:</b> Motor mit Vergaser[carb]
12	AP2BAA000164	Thermistor	1	<b>Technische Daten:</b> "Motor ""DITECH"" mit Benzindirekteinspritzung"[ie]
13	AP5RLR000114	Thermostatdichtung	1	
14	AP2EAN000081	O-Ring	1	<b>Technische Daten:</b> Motor mit Vergaser[carb], Scheibenbremse Hinterrad[f.d.]
14	AP2EAN000081	O-Ring	1	<b>Technische Daten:</b> "Motor ""DITECH"" mit Benzindirekteinspritzung"[ie]
14	AP2EAN000312	O-Ring	1	<b>Technische Daten:</b> Motor mit Vergaser[carb], Hinterrad-Trommelbremse[f.t.]
15	AP3LAA000586	Anschl. Wasseraus.plastic	1	
16	AP3EDN000281	Papier Dichtung	1	
17	AP4APN000267	Gew.schr. 5,5x13	1	
18	AP3UAN000061	T-Buchse	2	

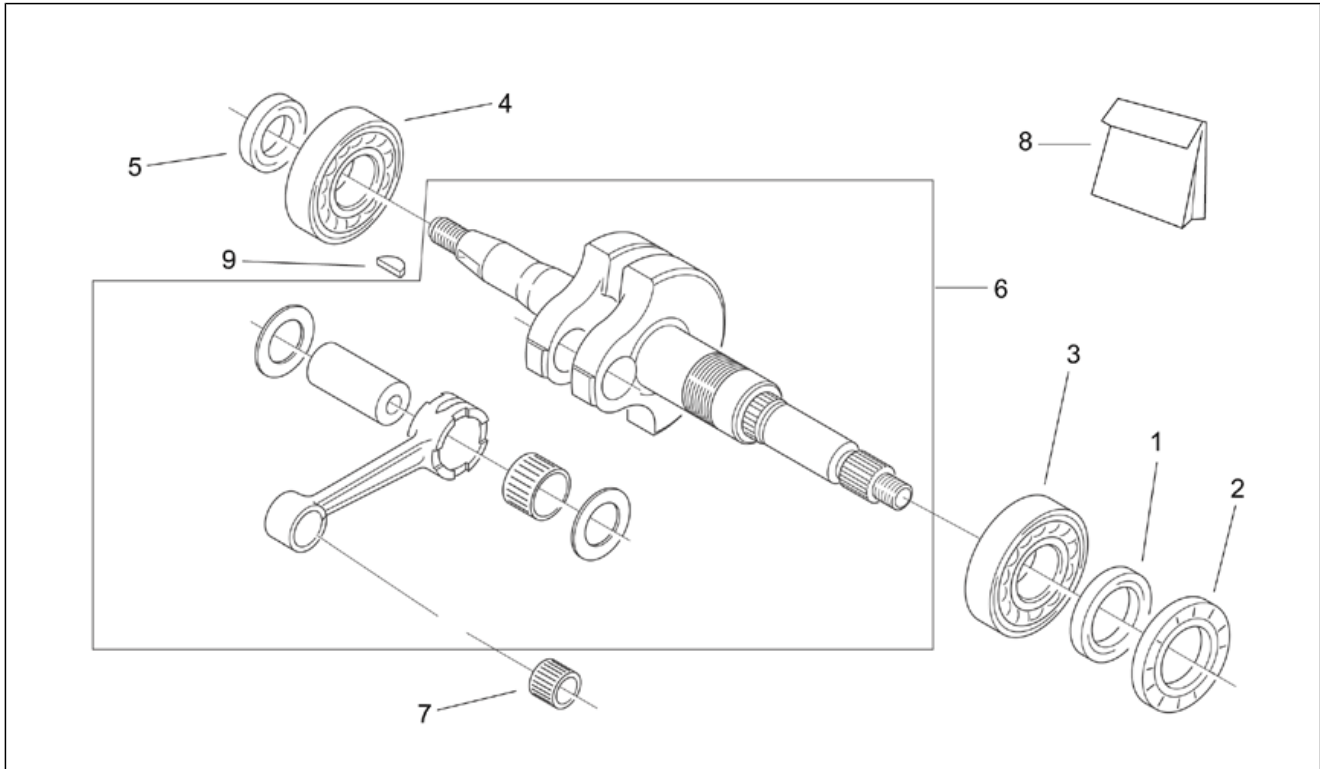


<b>Einheit</b>	MOTOR
<b>Code</b>	29.43
<b>Beschreibung</b>	Kurbelwelle
<b>Inspektion</b>	1



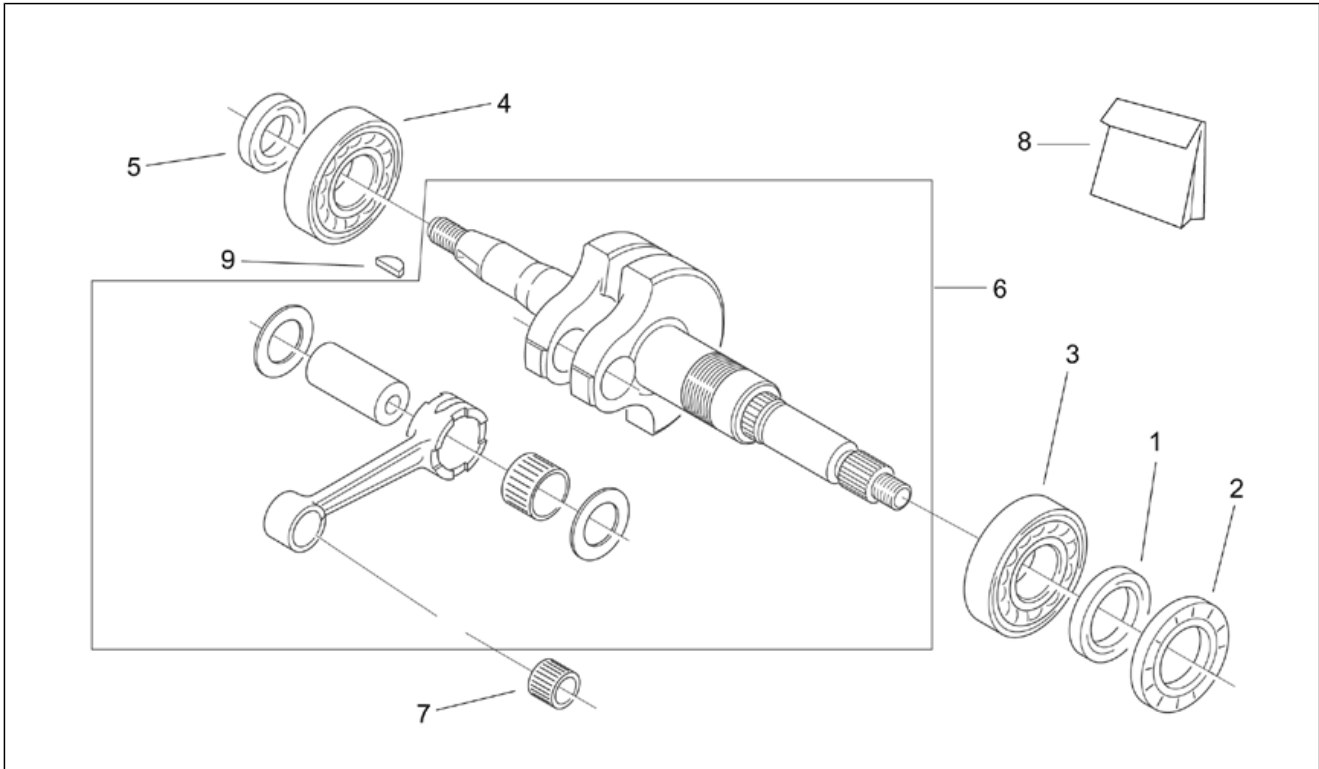
Pos.	Code	Beschreibung	Menge	Varianten
1	AP3EBN000042	Ölabstreifring 25x37x6	1	<b>Technische Daten:</b> Motor mit Vergaser[carb]
1	AP3EBN000183	Ölabstreifring 25X37X6	1	<b>Technische Daten:</b> "Motor ""DITECH"" mit Benzindirekteinspritzung"[ie]
2	AP3EBN000043	Ölabstreifring 24x43x6	1	<b>Technische Daten:</b> Motor mit Vergaser[carb]
3	AP2GAN000219	Lager	1	<b>Technische Daten:</b> "Motor ""DITECH"" mit Benzindirekteinspritzung"[ie]
3	AP3GAN000040	Lager d25x52x13	1	<b>Technische Daten:</b> Motor mit Vergaser[carb]
4	AP3GAN000214	Lager	1	<b>Baujahr:</b> 2000[Y] <b>Technische Daten:</b> Version mit Leistungsminderung 25 Kw[25k], "Motor ""DITECH"" mit Benzindirekteinspritzung"[ie]
4	AP3GAN000214	Lager	1	<b>Baujahr:</b> 2000[Y] <b>Technische Daten:</b> Version mit voller Leistung[fp], "Motor ""DITECH"" mit Benzindirekteinspritzung"[ie]
4	AP3GAN000214	Lager	1	<b>Land:</b> Vereinigte Staaten von Amerika[AM], Kanada[CA], Kanada[CN], Vereinigte Staaten von Amerika[USA] <b>Technische Daten:</b> "Motor ""DITECH"" mit Benzindirekteinspritzung"[ie]
4	AP3GAN000214	Lager	1	<b>Baujahr:</b> 2001[1] <b>Land:</b> Belgien[B], Deutschland[D], Dänemark[DK], A, B, CH, D, DK, E, F, I, NL, P, UK[EU], Holland[NL] <b>Technische Daten:</b> Version mit Leistungsminderung 25 Kw[25k], "Motor ""DITECH"" mit Benzindirekteinspritzung"[ie]
4	AP3GAN000214	Lager	1	<b>Baujahr:</b> 2002[2] <b>Land:</b> Belgien[B], Deutschland[D], Dänemark[DK], A, B, CH, D, DK, E, F, I, NL, P, UK[EU], Holland[NL] <b>Technische Daten:</b> Version mit Leistungsminderung 25 Kw[25k], "Motor ""DITECH"" mit Benzindirekteinspritzung"[ie]
4	AP3GAN000214	Lager	1	<b>Baujahr:</b> 2002[2] <b>Land:</b> Österreich[A], Australien[AA], Australien[AUS], Belgien[B], Schweiz[CH], Deutschland[D], Dänemark[DK], Spanien[E], A, B, CH, D, DK, E, F, I, NL, P, UK[EU],

<b>Einheit</b>	MOTOR
<b>Code</b>	29.43
<b>Beschreibung</b>	Kurbelwelle
<b>Inspektion</b>	1



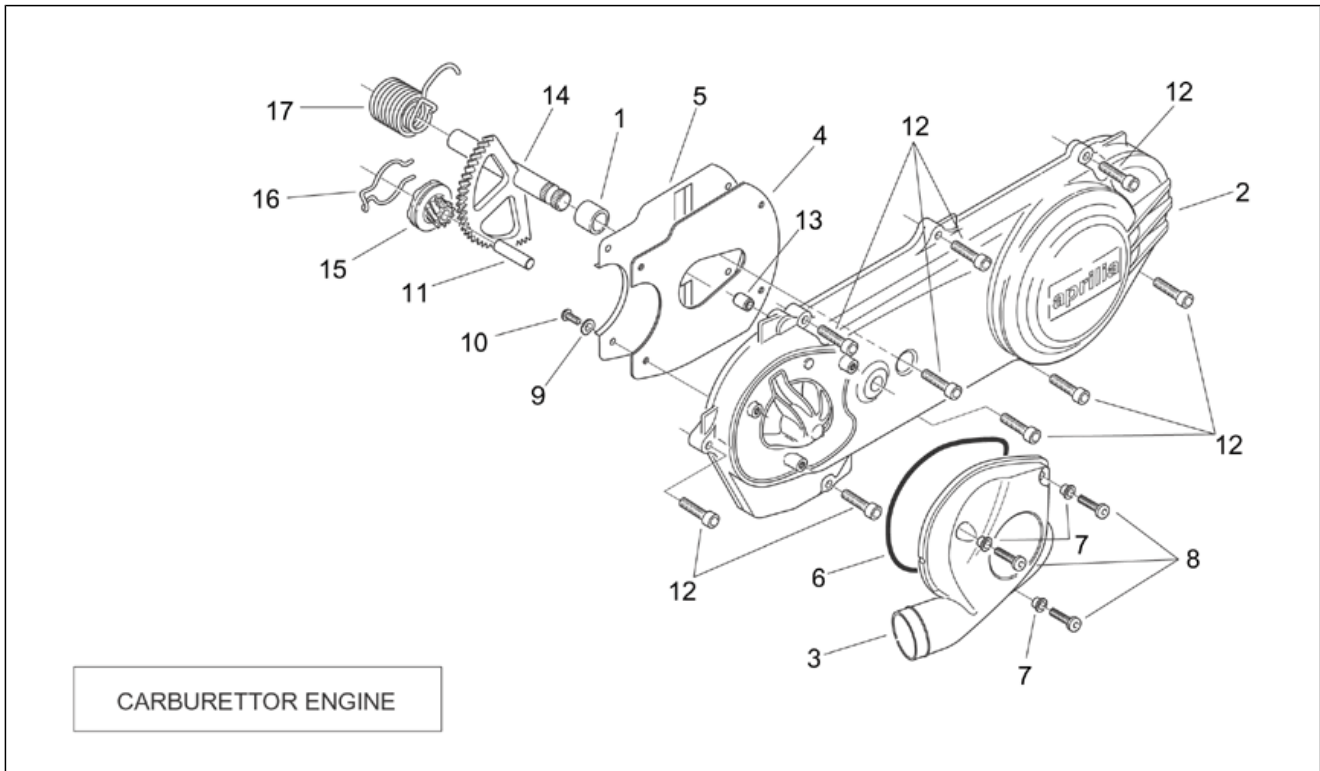
Pos.	Code	Beschreibung	Menge	Varianten
				Frankreich[F], Italien[I], Japan[J], Japan[JJ], Holland[NL], Portugal[P], Großbritannien[UK] <b>Technische Daten:</b> Version mit voller Leistung[fp], "Motor ""DITECH"" mit Benzindirekteinspritzung"[ie]
4	AP3GAN000214	Lager	1	<b>Baujahr:</b> 2001[1] <b>Land:</b> Österreich[A], Australien[AA], Australien[AUS], Belgien[B], Schweiz[CH], Deutschland[D], Dänemark[DK], Spanien[E], A, B, CH, D, DK, E, F, I, NL, P, UK[EU], Frankreich[F], Italien[I], Japan[J], Japan[JJ], Holland[NL], Portugal[P], Großbritannien[UK] <b>Technische Daten:</b> Version mit voller Leistung[fp], "Motor ""DITECH"" mit Benzindirekteinspritzung"[ie]
4	AP4GAN000003	Lager d20x47x14	1	<b>Baujahr:</b> 2000[Y] <b>Technische Daten:</b> Version mit voller Leistung[fp], "Motor ""DITECH"" mit Benzindirekteinspritzung"[ie]
4	AP4GAN000003	Lager d20x47x14	1	<b>Baujahr:</b> 2001[1] <b>Land:</b> Belgien[B], Deutschland[D], Dänemark[DK], A, B, CH, D, DK, E, F, I, NL, P, UK[EU], Holland[NL] <b>Technische Daten:</b> Version mit Leistungsminderung 25 Kw[25k], "Motor ""DITECH"" mit Benzindirekteinspritzung"[ie]
4	AP4GAN000003	Lager d20x47x14	1	<b>Baujahr:</b> 2001[1] <b>Land:</b> Österreich[A], Australien[AA], Australien[AUS], Belgien[B], Schweiz[CH], Deutschland[D], Dänemark[DK], Spanien[E], A, B, CH, D, DK, E, F, I, NL, P, UK[EU], Frankreich[F], Italien[I], Japan[J], Japan[JJ], Holland[NL], Portugal[P], Großbritannien[UK] <b>Technische Daten:</b> Version mit voller Leistung[fp], "Motor ""DITECH"" mit Benzindirekteinspritzung"[ie]
4	AP4GAN000003	Lager d20x47x14	1	<b>Technische Daten:</b> Motor mit Vergaser[carb]
4	AP4GAN000003	Lager d20x47x14	1	<b>Baujahr:</b> 2002[2] <b>Land:</b> Belgien[B], Deutschland[D], Dänemark[DK], A, B, CH, D, DK, E, F, I, NL, P, UK[EU], Holland[NL] <b>Technische Daten:</b> Version mit Leistungsminderung 25 Kw[25k], "Motor ""DITECH"" mit Benzindirekteinspritzung"[ie]

<b>Einheit</b>	MOTOR
<b>Code</b>	29.43
<b>Beschreibung</b>	Kurbelwelle
<b>Inspektion</b>	1



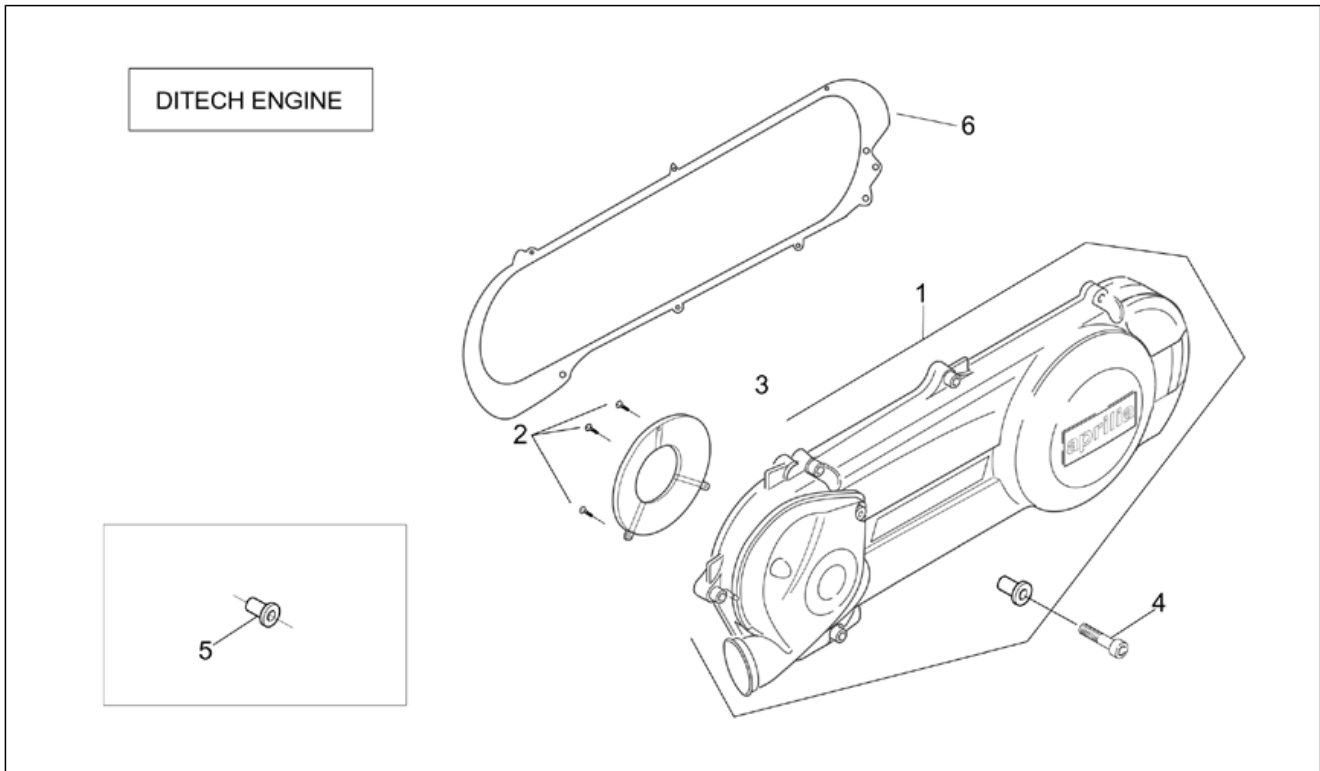
Pos.	Code	Beschreibung	Menge	Varianten
5	AP3EBN000044	Ölabstreifring 17x27x6	1	<b>Technische Daten:</b> Motor mit Vergaser[carb]
5	AP3EBN000180	Ölabstreifring 17X27X6	1	<b>Technische Daten:</b> "Motor ""DITECH"" mit Benzindirekteinspritzung"[ie]
6	AP1BFA000147	Kurbelwelle kpl.	1	<b>Technische Daten:</b> Motor mit Vergaser[carb]
6	AP1BFA000699	Kurbelwelle kpl.	1	<b>Technische Daten:</b> "Motor ""DITECH"" mit Benzindirekteinspritzung"[ie]
7	AP2GLN000192	Käfig auf Bolzen 12x16x16	1	
8	AP5RZR000097	Dichtungssatz	1	<b>Technische Daten:</b> Motor mit Vergaser[carb]
8	AP5RZR000099	Dichtungssatz	1	<b>Technische Daten:</b> "Motor ""DITECH"" mit Benzindirekteinspritzung"[ie]
9	AP4FAN000030	Keil Schwungmagnet	1	

<b>Einheit</b>	MOTOR
<b>Code</b>	29.44
<b>Beschreibung</b>	Getriebedeckel (Vergaser)
<b>Inspektion</b>	1



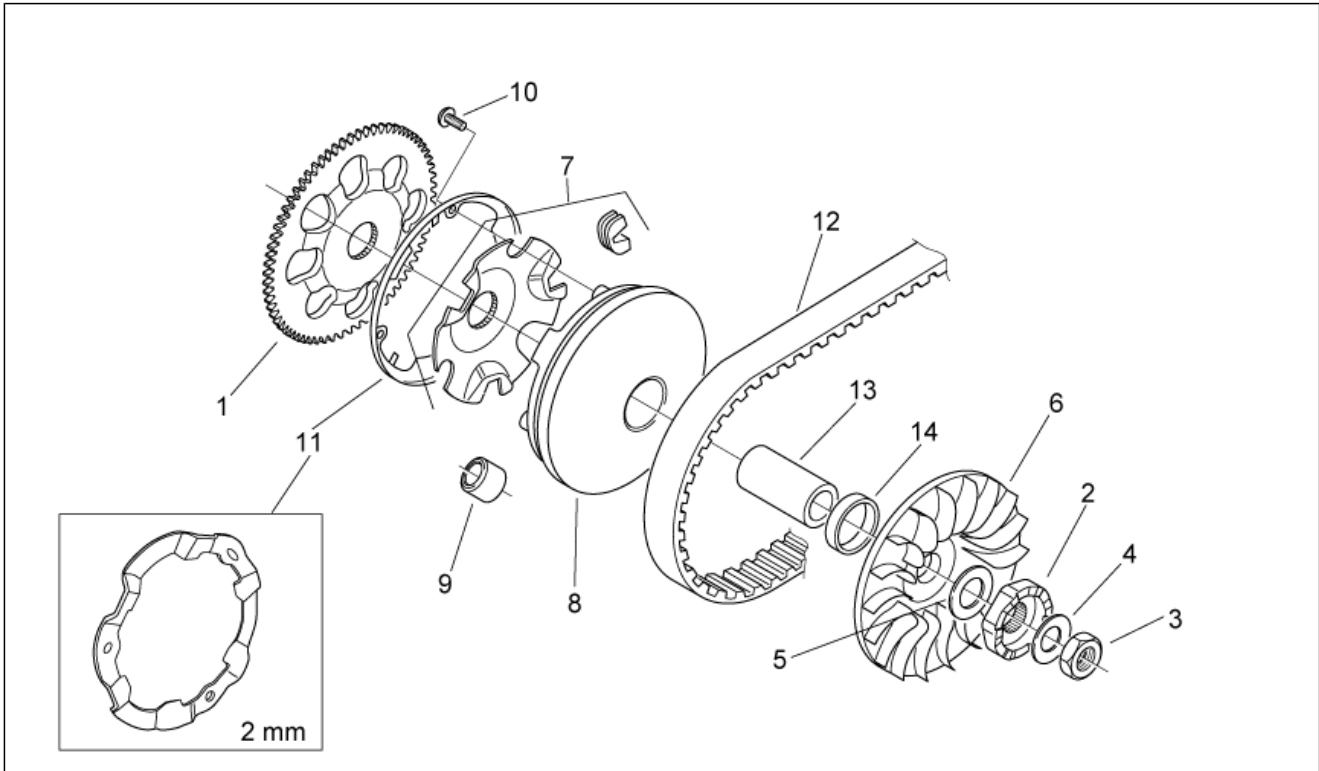
Pos.	Code	Beschreibung	Menge	Varianten
1	AP3TAA000073	Starterwellebuchse	1	Technische Daten:Motor mit Vergaser[carb]
2	AP3HZA000154	Starterdeckel	1	Technische Daten:Motor mit Vergaser[carb]
3	AP3HZA000157	Belüftung Deckel	1	Technische Daten:Motor mit Vergaser[carb]
4	AP3HAA000083	Schalldämmplatte	1	Technische Daten:Motor mit Vergaser[carb]
5	AP3HAA000158	Leitblech	1	Technische Daten:Motor mit Vergaser[carb]
6	AP3EAN000097	Dichtung	1	Technische Daten:Motor mit Vergaser[carb]
7	AP3HAN000173	T-Buchse	3	Technische Daten:Motor mit Vergaser[carb]
8	AP3ATN000193	TBEI Schraube	3	Technische Daten:Motor mit Vergaser[carb]
9	AP4DFN000032	Unterlegscheibe	2	Technische Daten:Motor mit Vergaser[carb]
10	AP4ATN000177	TBEI Schraube M5x10	4	Technische Daten:Motor mit Vergaser[carb]
11	AP3HAA000045	Bolzen	1	Technische Daten:Motor mit Vergaser[carb]
12	AP4ADN000016	TCEI Schraube	9	Technische Daten:Motor mit Vergaser[carb]
13	AP3FCN000270	Stift	2	Technische Daten:Motor mit Vergaser[carb]
14	AP1BTA000071	Baugruppe Starterwelle	1	Technische Daten:Motor mit Vergaser[carb]
15	AP3TCA000072	Starter-Schieberad	1	Technische Daten:Motor mit Vergaser[carb]
16	AP3TAA000042	Kickstarterfeder	1	Technische Daten:Motor mit Vergaser[carb]
17	AP3TAA000055	Rückholfeder Starterhebel	1	Technische Daten:Motor mit Vergaser[carb]

<b>Einheit</b>	MOTOR
<b>Code</b>	29.45
<b>Beschreibung</b>	Getriebedeckel (Ditech)
<b>Inspektion</b>	1



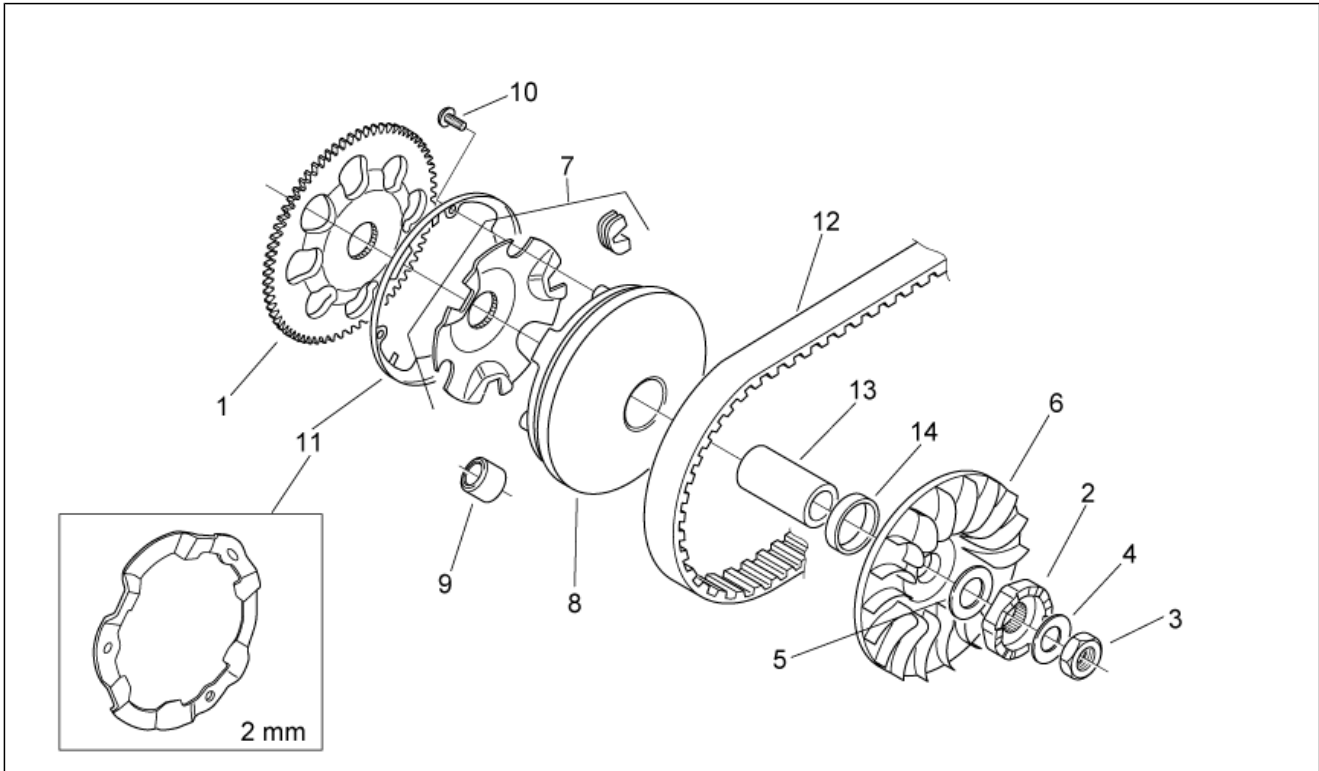
Pos.	Code	Beschreibung	Menge	Varianten
1	AP5RHR000002	Wandlerdeckel	1	<b>Technische Daten:</b> "Motor ""DITECH"" mit Benzindirekteinspritzung"[ie]
2	AP2APN000213	Gew.schr. 3,9x14	3	<b>Technische Daten:</b> "Motor ""DITECH"" mit Benzindirekteinspritzung"[ie]
3	AP3MAA000450	Leitblech Schott	1	<b>Technische Daten:</b> "Motor ""DITECH"" mit Benzindirekteinspritzung"[ie]
4	AP4ADN000016	TCEI Schraube	8	<b>Technische Daten:</b> "Motor ""DITECH"" mit Benzindirekteinspritzung"[ie]
5	AP3MAN000264	T-Buchse	8	<b>Technische Daten:</b> "Motor ""DITECH"" mit Benzindirekteinspritzung"[ie]
6	AP3HVA000468	Dicht. Deck. Wandl.	1	<b>Technische Daten:</b> "Motor ""DITECH"" mit Benzindirekteinspritzung"[ie]

<b>Einheit</b>	MOTOR
<b>Code</b>	29.46
<b>Beschreibung</b>	Wandler
<b>Inspektion</b>	1



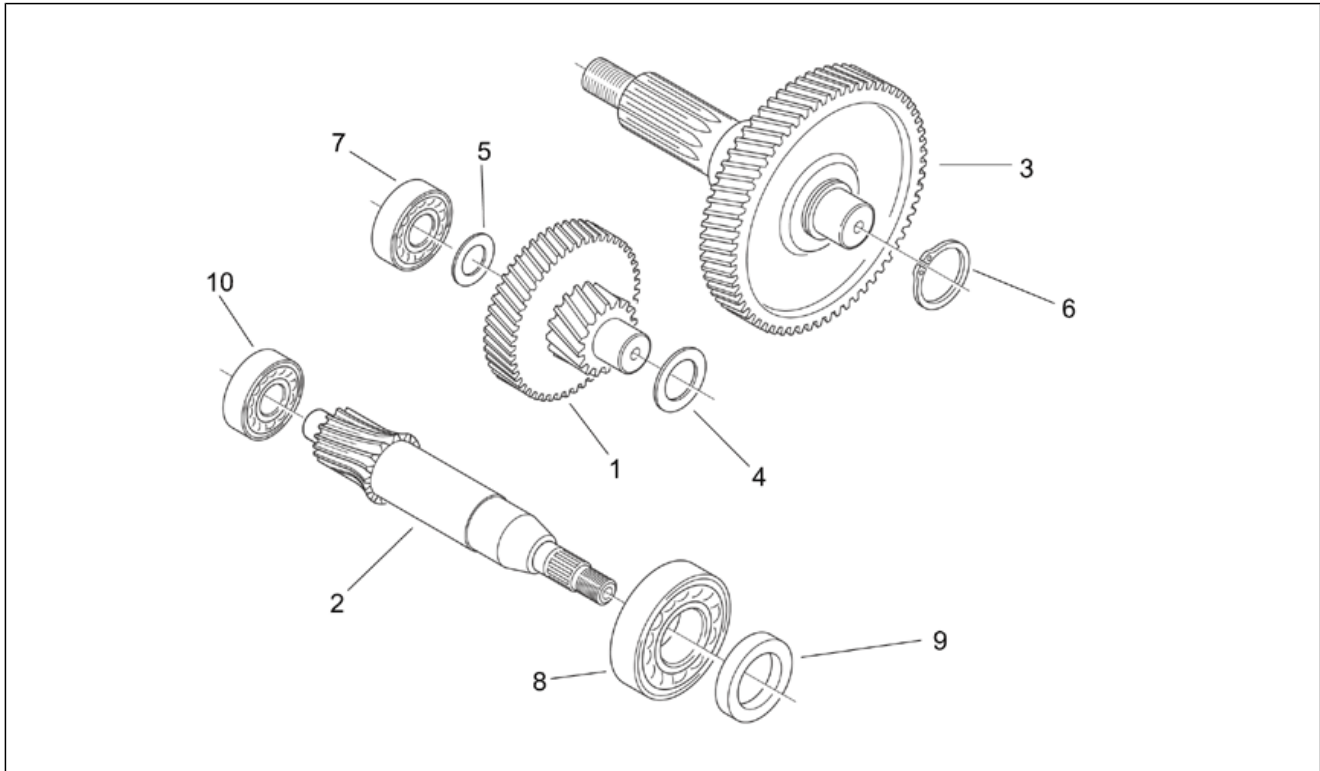
Pos.	Code	Beschreibung	Menge	Varianten
1	AP3QEA000031	Zahnkranz Elektrostarter	1	
2	AP3TDA000074	Starter-Zahnbecher	1	
3	AP3TAN000060	Mutter unten m12x1,25	1	
4	AP4DHN000020	Tellerfeder	1	
5	AP3TAN000172	Distanzscheibe 14,3x23x1	1	
6	AP2MEA000424	Feste Hauptriemenscheibe	1	<b>Technische Daten:</b> Altantic 500[AD]
6	AP3MEA000620	Feste Hauptriemenscheibe	1	<b>Technische Daten:</b> Marke HONG ZENG[HZ]
7	AP2MEA000530	Stiftplatte	1	<b>Technische Daten:</b> Altantic 500[AD]
7	AP5RMR000235	Stiftplatte	1	<b>Technische Daten:</b> Marke HONG ZENG[HZ]
8	AP2MEA000419	Bewegliche Hauptriemenscheibe	1	<b>Technische Daten:</b> Altantic 500[AD]
8	AP5RMR000234	Bewegliche Hauptriemenscheibe	1	<b>Technische Daten:</b> Marke HONG ZENG[HZ]
9	AP2MEA000420	Fliehkraftmasse 7,7g	6	<b>Land:</b> Österreich[A], Australien[AA], Australien[AUS], Belgien[B], Schweiz[CH], Deutschland[D], Dänemark[DK], Spanien[E], A, B, CH, D, DK, E, F, I, NL, P, UK[EU], Frankreich[F], Griechenland[GR], Italien[I], Japan[J], Japan[JJ], Holland[NL], Portugal[P], Großbritannien[UK] <b>Technische Daten:</b> Altantic 500[AD]
9	AP2MEA000557	Fliehkraftmasse	6	<b>Technische Daten:</b> Version mit Leistungsminderung 25 Kw[25k], Altantic 500[AD]
9	AP2MEA000661	Fliehkraftmasse	6	<b>Land:</b> Vereinigte Staaten von Amerika[AM], Kanada[CA], Kanada[CN], Vereinigte Staaten von Amerika[USA] <b>Technische Daten:</b> Altantic 500[AD]
9	AP2MEA000805	Fliehkraftmasse 11,3g	6	<b>Land:</b> Vereinigte Staaten von Amerika[AM], Kanada[CA], Kanada[CN], Vereinigte Staaten von Amerika[USA] <b>Technische Daten:</b> Marke HONG ZENG[HZ]
9	AP5RMR000237	Fliehkraftmasse	6	<b>Technische Daten:</b> Marke HONG ZENG[HZ]
10	AP2MEN000187	Schraube	3	<b>Technische Daten:</b> Altantic 500[AD]
10	AP3MEN000302	Schraube	3	<b>Technische Daten:</b> Marke HONG ZENG[HZ]
11	AP2MEA000423	Deckel Riemenschei. 0,5 mm	1	<b>Technische Daten:</b> Altantic 500[AD]
11	AP3MEA000715	Deckel Riemenschei. 2 mm	1	<b>Land:</b> Österreich[A], Australien[AA], Australien[AUS], Belgien[B], Schweiz[CH], Deutschland[D], Dänemark[DK],

<b>Einheit</b>	MOTOR
<b>Code</b>	29.46
<b>Beschreibung</b>	Wandler
<b>Inspektion</b>	1



Pos.	Code	Beschreibung	Menge	Varianten
				Spanien[E], A, B, CH, D, DK, E, F, I, NL, P, UK[EU], Frankreich[F], Griechenland[GR], Italien[I], Japan[J], Japan[J], Holland[NL], Portugal[P], Großbritannien[UK] <b>Technische Daten:</b> Marke HONG ZENG[HZ]
11	AP3MEA000840	Deckel Riemenschei. 0,5 mm	1	<b>Land:</b> Vereinigte Staaten von Amerika[AM], Kanada[CA], Kanada[CN], Vereinigte Staaten von Amerika[USA] <b>Technische Daten:</b> Marke HONG ZENG[HZ]
12	AP2MCA000014	Keilriemen	1	<b>Technische Daten:</b> Altantic 500[AD]
13	AP2MEN000188	Buchse	1	<b>Technische Daten:</b> Altantic 500[AD]
13	AP3MEN000255	Buchse	1	<b>Technische Daten:</b> Marke HONG ZENG[HZ]
14	AP3MAN000087	Distanzscheibe 4 mm	1	<b>Land:</b> Vereinigte Staaten von Amerika[AM], Kanada[CA], Kanada[CN], Vereinigte Staaten von Amerika[USA] <b>Technische Daten:</b> Altantic 500[AD]
14	AP3MAN000190	Distanzscheibe	1	<b>Land:</b> Österreich[A], Australien[AA], Australien[AUS], Belgien[B], Schweiz[CH], Deutschland[D], Dänemark[DK], Spanien[E], A, B, CH, D, DK, E, F, I, NL, P, UK[EU], Frankreich[F], Griechenland[GR], Italien[I], Japan[J], Japan[J], Holland[NL], Portugal[P], Großbritannien[UK] <b>Technische Daten:</b> Altantic 500[AD]
14	AP3MAN000272	Distanzscheibe	1	<b>Technische Daten:</b> Version mit Leistungsminderung 25 Kw[25k], Altantic 500[AD]

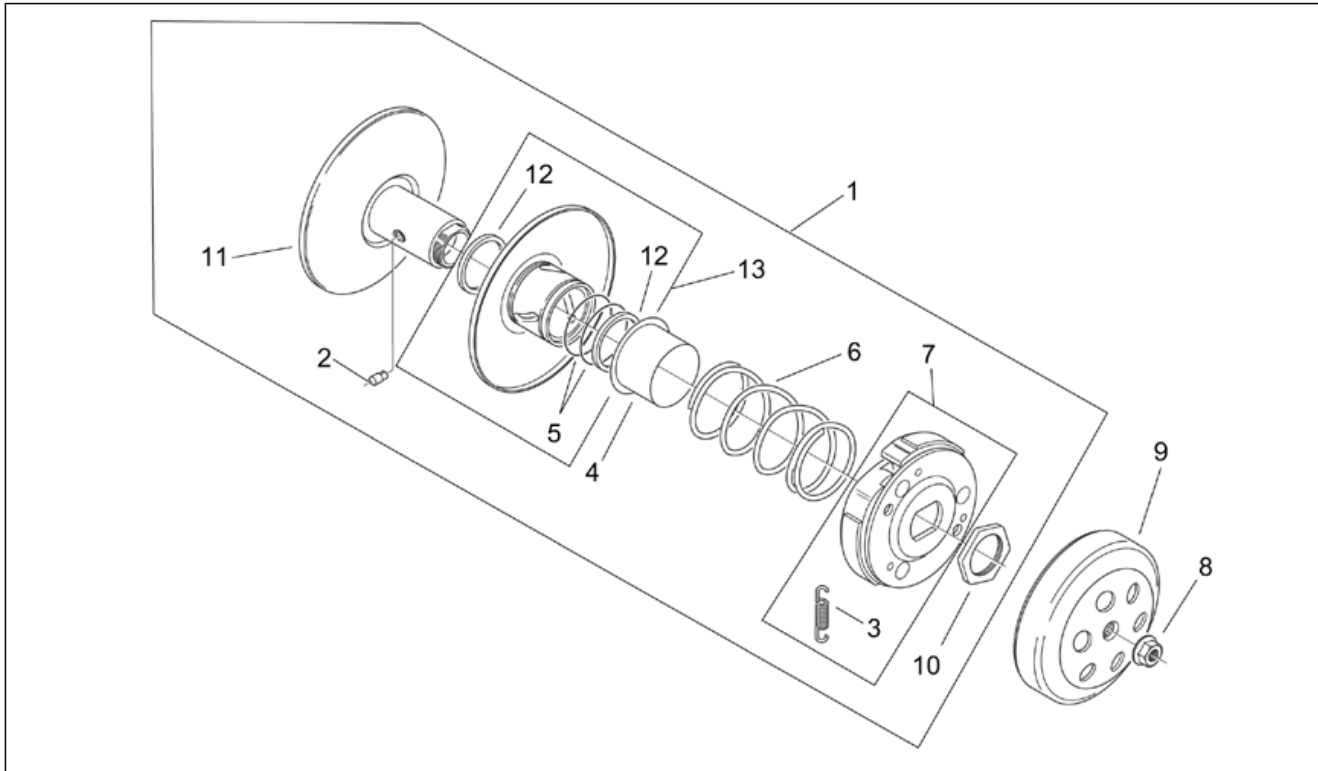
<b>Einheit</b>	MOTOR
<b>Code</b>	29.47
<b>Beschreibung</b>	Übersetzung
<b>Inspektion</b>	1



Pos.	Code	Beschreibung	Menge	Varianten
1	AP1BOA000028	Doppeltes Freilaufgrad Z=17/51	1	
2	AP3NBA000027	Getriebe	1	
3	AP1BOA000029	Antriebswelle Z=64	1	
4	AP3NAN000059	Scheibe links	1	
5	AP3NAN000058	Scheibe rechts	1	
6	AP3FBN000049	Seegerring	1	
7	AP4GAN000025	Lager d12x32x10	1	
8	AP3GAN000051	Lager d22x50x14	1	
9	AP3EBN000046	Ölabstreifring 22x32x5	1	
10	AP2GAN000113	Lager d12X32X10	1	

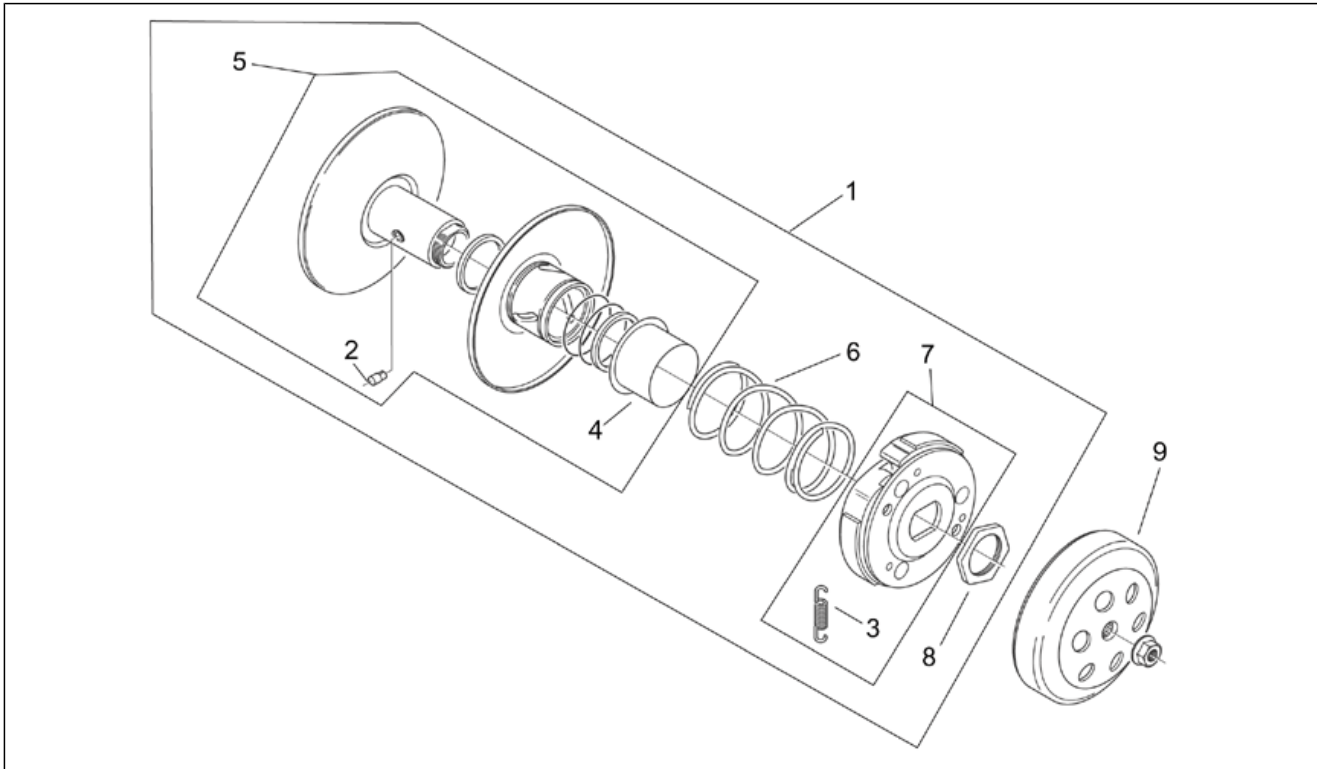


<b>Einheit</b>	MOTOR
<b>Code</b>	29.48
<b>Beschreibung</b>	Adler kupplung
<b>Inspektion</b>	1



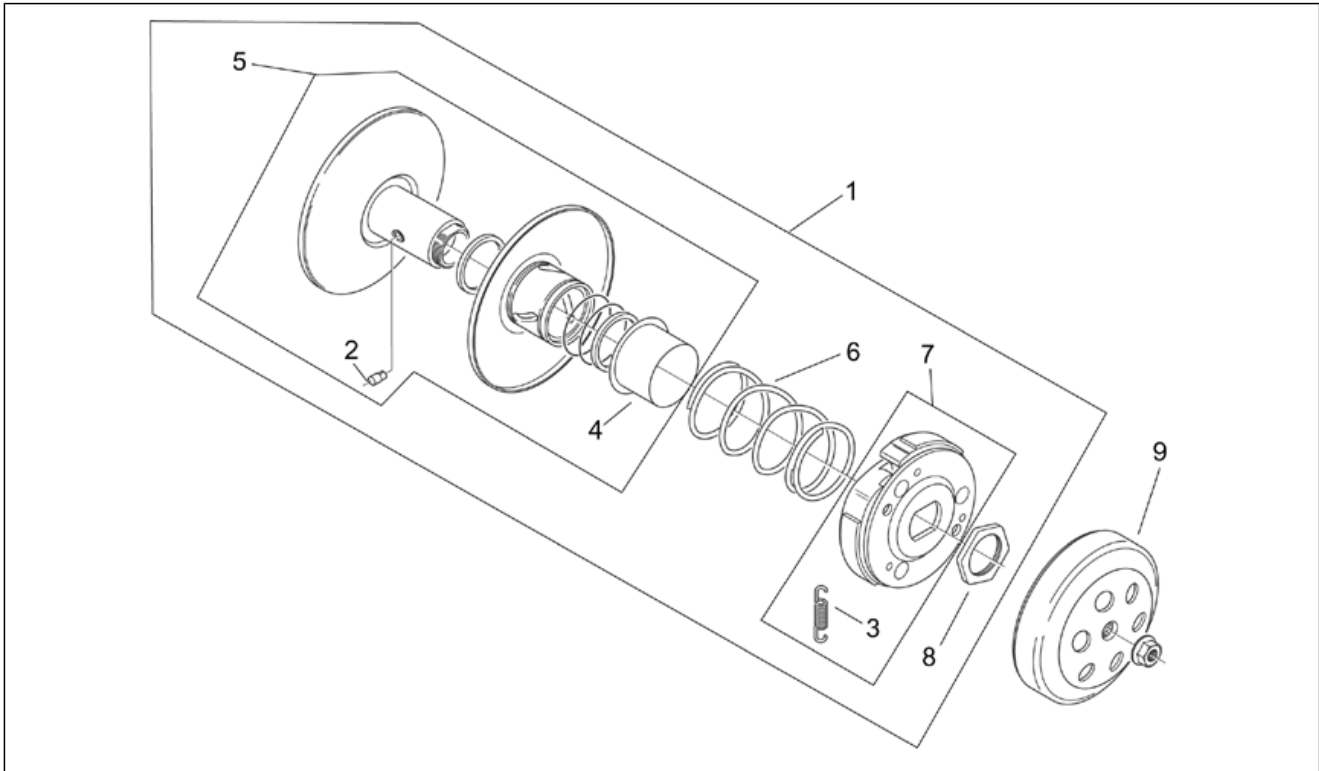
Pos.	Code	Beschreibung	Menge	Varianten
1	AP2MDA000425	Wandler mit Kupplung	1	<b>Technische Daten:</b> Altantic 500[AD], Motor mit Vergaser[carb]
1	AP2MDA000428	Wandler mit Kupplung	1	<b>Technische Daten:</b> Altantic 500[AD], "Motor ""DITECH"" mit Benzindirekteinspritzung"[ie]
2	AP5RMR000092	Führungsrolle Wandler	3	<b>Technische Daten:</b> Altantic 500[AD]
3	AP5RMR000098	Kupplungbackenfeder	3	<b>Technische Daten:</b> Altantic 500[AD], Motor mit Vergaser[carb]
3	AP5RMR000100	Kupplungbackenfeder	1	<b>Technische Daten:</b> Altantic 500[AD], "Motor ""DITECH"" mit Benzindirekteinspritzung"[ie]
4	AP5RMR000088	Becher Wandlerfeder	1	<b>Technische Daten:</b> Altantic 500[AD]
5	AP5RMR000097	O-Ring	2	<b>Technische Daten:</b> Altantic 500[AD]
6	AP5RMR000087	Feder	1	<b>Technische Daten:</b> Altantic 500[AD]
7	AP5RMR000086	Fliehkraftkupplung	1	<b>Technische Daten:</b> Altantic 500[AD], Motor mit Vergaser[carb]
7	AP5RMR000099	Fliehkraftkupplung	1	<b>Technische Daten:</b> Altantic 500[AD], "Motor ""DITECH"" mit Benzindirekteinspritzung"[ie]
8	AP4BDN000039	Geflanschte Mutter m10x1,5	1	<b>Technische Daten:</b> Altantic 500[AD]
9	AP2MDA000426	Baugruppe Kupplungskasten	1	<b>Technische Daten:</b> Altantic 500[AD]
10	AP5RMR000085	Mutter	1	<b>Technische Daten:</b> Altantic 500[AD]
11	AP5RMR000090	Sekundäre Festscheibe	1	<b>Technische Daten:</b> Altantic 500[AD]
12	AP5RMR000096	Ölabstreifring	2	<b>Technische Daten:</b> Altantic 500[AD]
13	AP5RMR000089	Sekundäre Gleitscheibe	1	<b>Technische Daten:</b> Altantic 500[AD]

<b>Einheit</b>	MOTOR
<b>Code</b>	29.49
<b>Beschreibung</b>	Hong Zeng kupplung
<b>Inspektion</b>	1



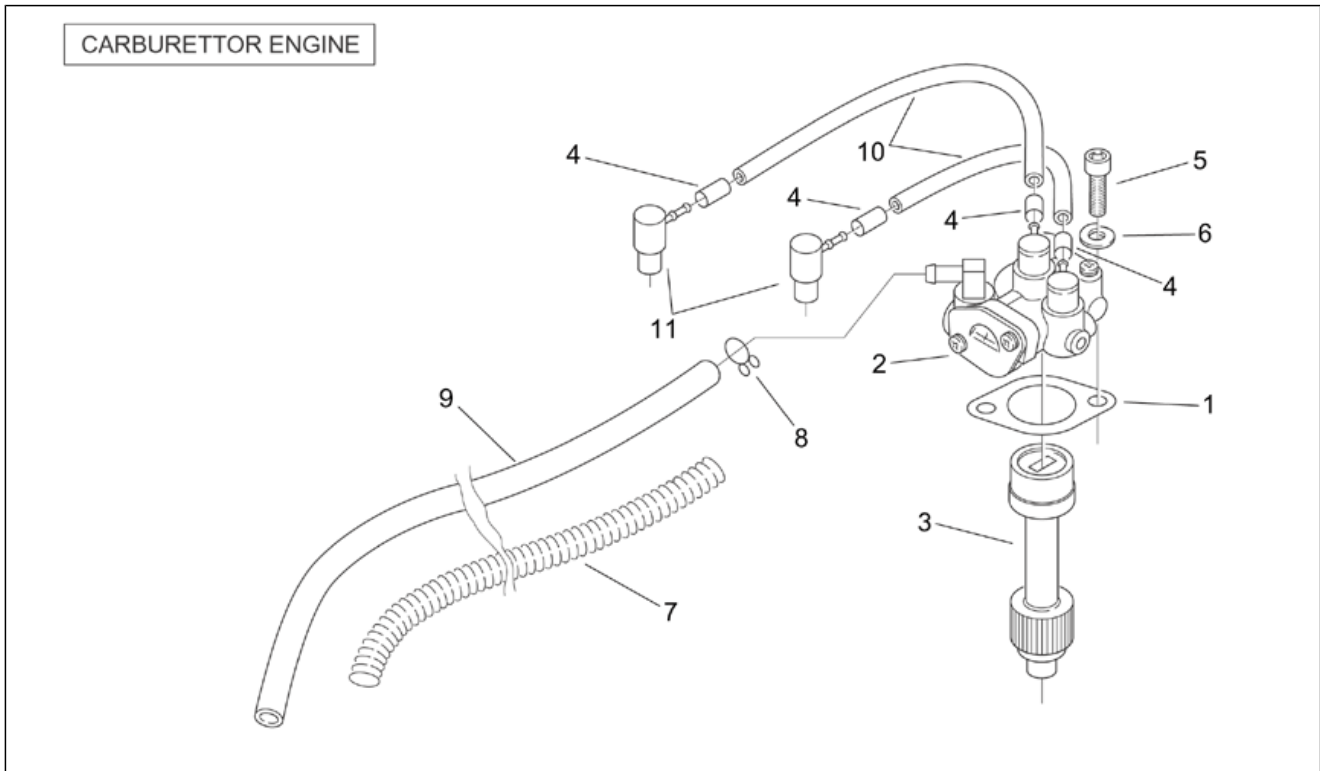
Pos.	Code	Beschreibung	Menge	Varianten
1	AP3MDA000621	Sek. Riemensch. kpl.	1	<b>Land:</b> Österreich[A], Australien[AA], Australien[AUS], Belgien[B], Schweiz[CH], Deutschland[D], Dänemark[DK], Spanien[E], A, B, CH, D, DK, E, F, I, NL, P, UK[EU], Frankreich[F], Griechenland[GR], Italien[I], Japan[J], Japan[J], Holland[NL], Portugal[P], Großbritannien[UK] <b>Technische Daten:</b> Marke HONG ZENG[HZ], "Motor ""DITECH"" mit Benzindirekteinspritzung"[ie]
1	AP3MDA000759	Sek. Riemensch. kpl.	1	<b>Land:</b> Vereinigte Staaten von Amerika[AM], Kanada[CA], Kanada[CN], Vereinigte Staaten von Amerika[USA] <b>Technische Daten:</b> Marke HONG ZENG[HZ], "Motor ""DITECH"" mit Benzindirekteinspritzung"[ie]
2	AP5RMR000245	Führungsbolzen	3	<b>Technische Daten:</b> Marke HONG ZENG[HZ], "Motor ""DITECH"" mit Benzindirekteinspritzung"[ie]
3	AP5RMR000246	Kupplungbackenfeder 12Kg	1	<b>Land:</b> Österreich[A], Australien[AA], Australien[AUS], Belgien[B], Schweiz[CH], Deutschland[D], Dänemark[DK], Spanien[E], A, B, CH, D, DK, E, F, I, NL, P, UK[EU], Frankreich[F], Griechenland[GR], Italien[I], Japan[J], Japan[J], Holland[NL], Portugal[P], Großbritannien[UK] <b>Technische Daten:</b> Marke HONG ZENG[HZ], "Motor ""DITECH"" mit Benzindirekteinspritzung"[ie]
3	AP5RMR000248	Kupplungbackenfeder 10Kg	1	<b>Land:</b> Vereinigte Staaten von Amerika[AM], Kanada[CA], Kanada[CN], Vereinigte Staaten von Amerika[USA] <b>Technische Daten:</b> Marke HONG ZENG[HZ], "Motor ""DITECH"" mit Benzindirekteinspritzung"[ie]
4	AP5RMR000242	Becher Wandlerfeder	1	<b>Technische Daten:</b> Marke HONG ZENG[HZ], "Motor ""DITECH"" mit Benzindirekteinspritzung"[ie]
5	AP5RMR000243	Ver.Sek.driven shaft.kpl.	1	<b>Technische Daten:</b> Marke HONG ZENG[HZ], "Motor ""DITECH"" mit Benzindirekteinspritzung"[ie]
6	AP5RMR000241	Feder	1	<b>Technische Daten:</b> Marke HONG ZENG[HZ], "Motor ""DITECH"" mit Benzindirekteinspritzung"[ie]
7	AP5RMR000240	Fliehkraftkupplung	1	<b>Technische Daten:</b> Marke HONG ZENG[HZ], "Motor ""DITECH"" mit Benzindirekteinspritzung"[ie]
8	AP5RMR000239	Mutter	1	<b>Technische Daten:</b> Marke HONG ZENG[HZ], "Motor ""DITECH"" mit Benzindirekteinspritzung"[ie]

<b>Einheit</b>	MOTOR
<b>Code</b>	29.49
<b>Beschreibung</b>	Hong Zeng kupplung
<b>Inspektion</b>	1



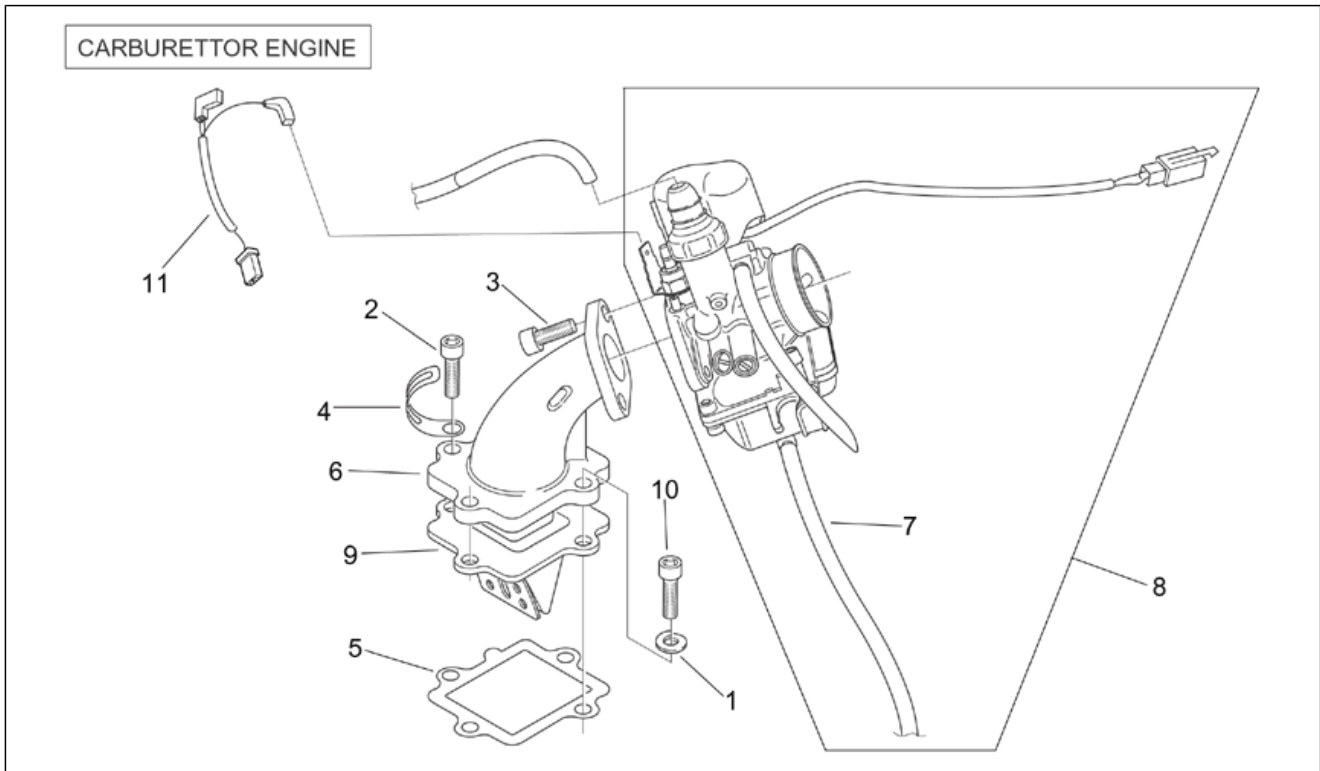
Pos.	Code	Beschreibung	Menge	Varianten
9	AP3MDA000619	Kupplungsglocke	1	<b>Technische Daten:</b> Marke HONG ZENG[HZ], "Motor ""DITECH"" mit Benzindirekteinspritzung"[ie]

<b>Einheit</b>	MOTOR
<b>Code</b>	29.50
<b>Beschreibung</b>	Ölpumpe (Vergaser)
<b>Inspektion</b>	1



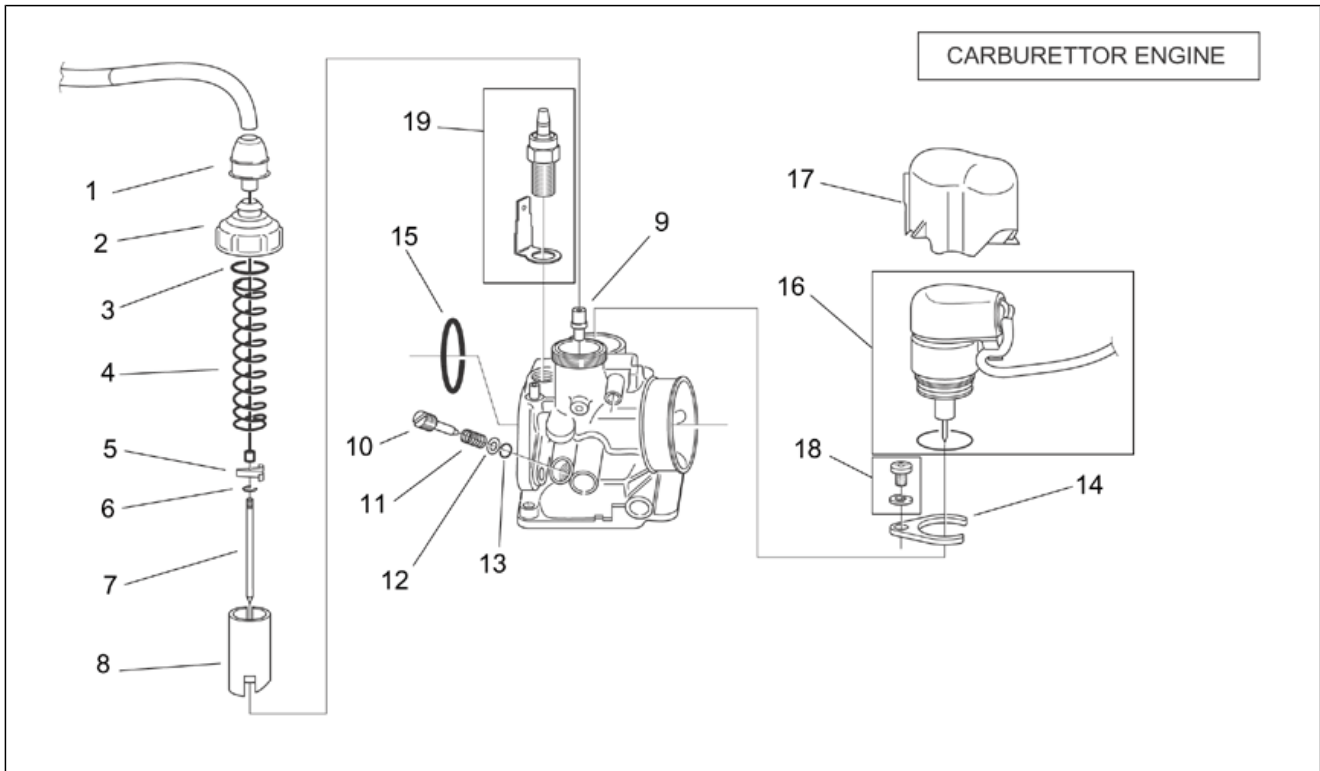
Pos.	Code	Beschreibung	Menge	Varianten
1	AP3IVA000022	Dicht. Ölgem.pumpe	1	<b>Technische Daten:</b> Motor mit Vergaser[carb]
2	AP2IBA000161	Ölpumpe	1	<b>Technische Daten:</b> Motor mit Vergaser[carb]
3	AP3ICA000054	Ölpumpenwelle	1	<b>Technische Daten:</b> Motor mit Vergaser[carb]
4	AP2FBN000021	Klammer	4	<b>Technische Daten:</b> Motor mit Vergaser[carb]
5	AP4ADN000028	TCEI Schraube	2	<b>Technische Daten:</b> Motor mit Vergaser[carb]
6	AP4DFN000032	Unterlegscheibe	2	<b>Technische Daten:</b> Motor mit Vergaser[carb]
7	AP3IAA000052	Feder	1	<b>Technische Daten:</b> Motor mit Vergaser[carb]
8	AP2FBN000034	Schelle	1	<b>Technische Daten:</b> Motor mit Vergaser[carb]
9	AP2HAN000035	Ölschlauch	1	<b>Technische Daten:</b> Motor mit Vergaser[carb]
10	AP2HAN000022	Ölschlauch	1	<b>Technische Daten:</b> Motor mit Vergaser[carb]
11	AP2HAA000051	Sperrventil Öl	2	<b>Technische Daten:</b> Motor mit Vergaser[carb], Bis Motornummer ABL022021976[T3]
11	AP2HAA000487	Messingsperrventil Öl	2	<b>Technische Daten:</b> Motor mit Vergaser[carb], Ab Motornummer ABL022021977[F3]

<b>Einheit</b>	MOTOR
<b>Code</b>	29.51
<b>Beschreibung</b>	Einspeisung (Vergaser)
<b>Inspektion</b>	1



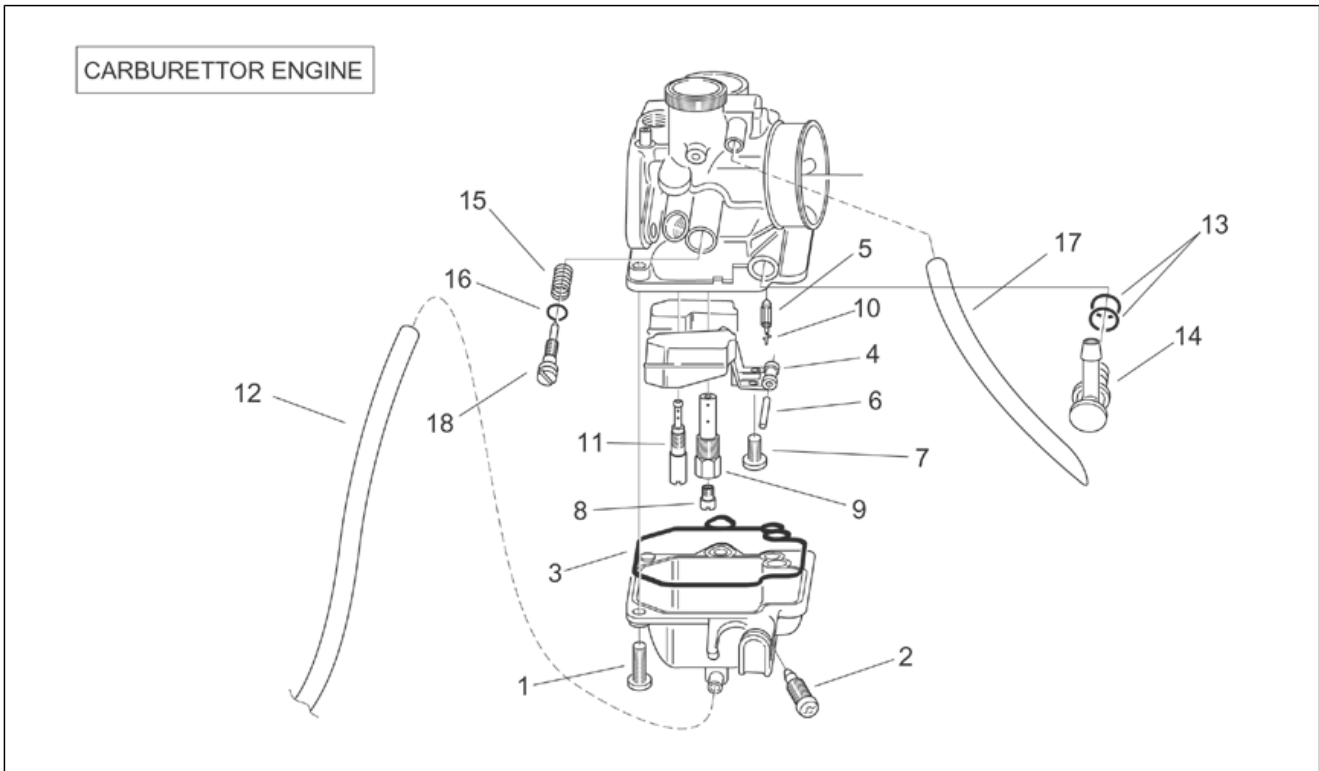
Pos.	Code	Beschreibung	Menge	Varianten
1	AP4DFN000033	Unterlegscheibe	3	<b>Technische Daten:</b> Motor mit Vergaser[carb]
2	AP3AVN000086	Reißschraube	2	<b>Technische Daten:</b> Motor mit Vergaser[carb]
3	AP4ADN000015	Schraube	2	<b>Technische Daten:</b> Motor mit Vergaser[carb]
4	AP3AAN000054	Schelle	1	<b>Technische Daten:</b> Motor mit Vergaser[carb]
5	AP3AVA000063	Ventildichtung	1	<b>Technische Daten:</b> Motor mit Vergaser[carb]
6	AP3ABA000062	Ansaugkrümmer	1	<b>Technische Daten:</b> Motor mit Vergaser[carb]
7	AP5RAR000065	Leitung	1	<b>Technische Daten:</b> Motor mit Vergaser[carb]
8	AP2ADA000080	Vergaser mit Warmhalteinsatz	1	<b>Land:</b> Österreich[A], Belgien[B], Deutschland[D], Dänemark[DK], Spanien[E], Frankreich[F], Griechenland[GR], Italien[I], Japan[J], Holland[NL], Portugal[P], Großbritannien[UK] <b>Technische Daten:</b> Motor mit Vergaser[carb]
8	AP2ADA000441	Vergaser mit Warmhalteinsatz	1	<b>Land:</b> Schweiz[CH] <b>Technische Daten:</b> Motor mit Vergaser[carb]
9	AP3AEA000002	Ventilträger kpl.	1	<b>Technische Daten:</b> Motor mit Vergaser[carb]
10	AP4ADN000014	Schraube	2	<b>Technische Daten:</b> Motor mit Vergaser[carb]
11	AP8224326	Heizapparatkabel	1	<b>Technische Daten:</b> Motor mit Vergaser[carb]

<b>Einheit</b>	MOTOR
<b>Code</b>	29.52
<b>Beschreibung</b>	Vergaser I
<b>Inspektion</b>	1



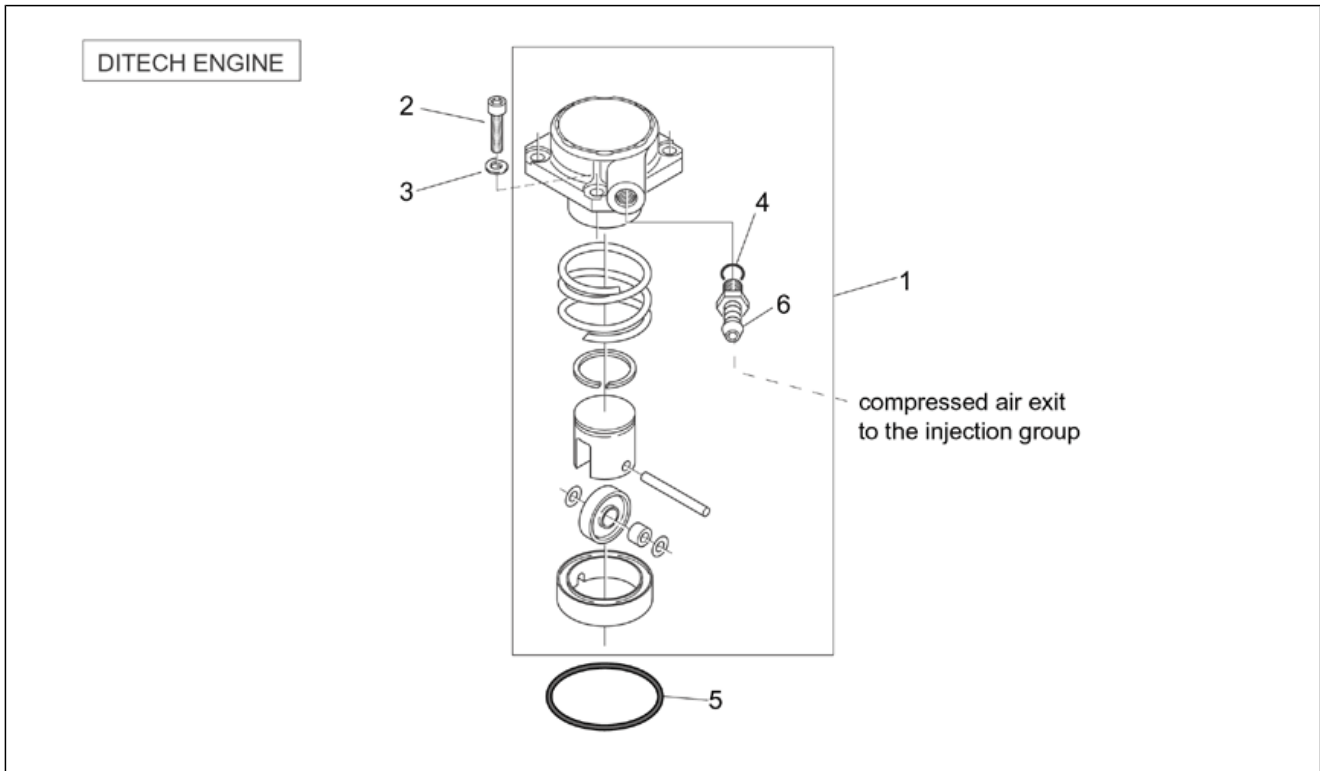
Pos.	Code	Beschreibung	Menge	Varianten
1	AP5RAR000047	Deckel	1	Technische Daten:Motor mit Vergaser[carb]
2	AP5RAR000048	Deckel Gasventil	1	Technische Daten:Motor mit Vergaser[carb]
3	AP5RAR000049	Dichtung	1	Technische Daten:Motor mit Vergaser[carb]
4	AP5RAR000050	Feder	1	Technische Daten:Motor mit Vergaser[carb]
5	AP5RAR000051	Platte	1	Technische Daten:Motor mit Vergaser[carb]
6	AP5RAR000052	Nadelsicherung	1	Technische Daten:Motor mit Vergaser[carb]
7	AP5RAR000053	Nadel	1	Technische Daten:Motor mit Vergaser[carb]
8	AP5RAR000054	Ventil	1	Technische Daten:Motor mit Vergaser[carb]
9	AP5RAR000099	Nadelventil	1	Technische Daten:Motor mit Vergaser[carb]
10	AP5RAR000056	Luftschraube Benzin	1	Technische Daten:Motor mit Vergaser[carb]
11	AP5RAR000057	Feder	1	Technische Daten:Motor mit Vergaser[carb]
12	AP5RAR000058	Ausgleichscheibe	1	Technische Daten:Motor mit Vergaser[carb]
13	AP5RAR000059	O-Ring	1	Technische Daten:Motor mit Vergaser[carb]
14	AP5RAR000043	Starterplatte	1	Technische Daten:Motor mit Vergaser[carb]
15	AP5RAR000044	O-Ring	1	Technische Daten:Motor mit Vergaser[carb]
16	AP5RAR000045	Starterventil	1	Technische Daten:Motor mit Vergaser[carb]
17	AP5RAR000041	Außendeckel	1	Technische Daten:Motor mit Vergaser[carb]
18	AP5RAR000042	Schraube	1	Technische Daten:Motor mit Vergaser[carb]
19	AP5RAR000098	Heizapparat	1	Technische Daten:Motor mit Vergaser[carb]

<b>Einheit</b>	MOTOR
<b>Code</b>	29.53
<b>Beschreibung</b>	Vergaser II
<b>Inspektion</b>	1



Pos.	Code	Beschreibung	Menge	Varianten
1	AP5RAR000030	Schraube	2	Technische Daten:Motor mit Vergaser[carb]
2	AP5RAR000031	Ablaßschraube Benz.	1	Technische Daten:Motor mit Vergaser[carb]
3	AP5RAR000032	Dichtung	1	Technische Daten:Motor mit Vergaser[carb]
4	AP5RAR000033	Schwimmer	1	Technische Daten:Motor mit Vergaser[carb]
5	AP5RAR000034	Nadelventil	1	Technische Daten:Motor mit Vergaser[carb]
6	AP5RAR000035	Schwimmerstift	1	Technische Daten:Motor mit Vergaser[carb]
7	AP5RAR000036	Schraube	1	Technische Daten:Motor mit Vergaser[carb]
8	AP5RAR000066	Hauptdüse	1	Technische Daten:Motor mit Vergaser[carb]
9	AP5RAR000038	Düsenhalter	1	Technische Daten:Motor mit Vergaser[carb]
10	AP5RAR000039	Fixierung	1	Technische Daten:Motor mit Vergaser[carb]
11	AP5RAR000040	Leerlaufstrahl	1	Technische Daten:Motor mit Vergaser[carb]
12	AP5RAR000065	Leitung	1	Technische Daten:Motor mit Vergaser[carb]
13	AP5RAR000064	O-Ring	2	Technische Daten:Motor mit Vergaser[carb]
14	AP5RAR000063	Anschluss	1	Technische Daten:Motor mit Vergaser[carb]
15	AP5RAR000062	Feder	1	Technische Daten:Motor mit Vergaser[carb]
16	AP5RAR000061	O-Ring	1	Technische Daten:Motor mit Vergaser[carb]
17	AP5RAR000046	Leitung	1	Technische Daten:Motor mit Vergaser[carb]
18	AP5RAR000060	Regelschr. Leerlauf	1	Technische Daten:Motor mit Vergaser[carb]

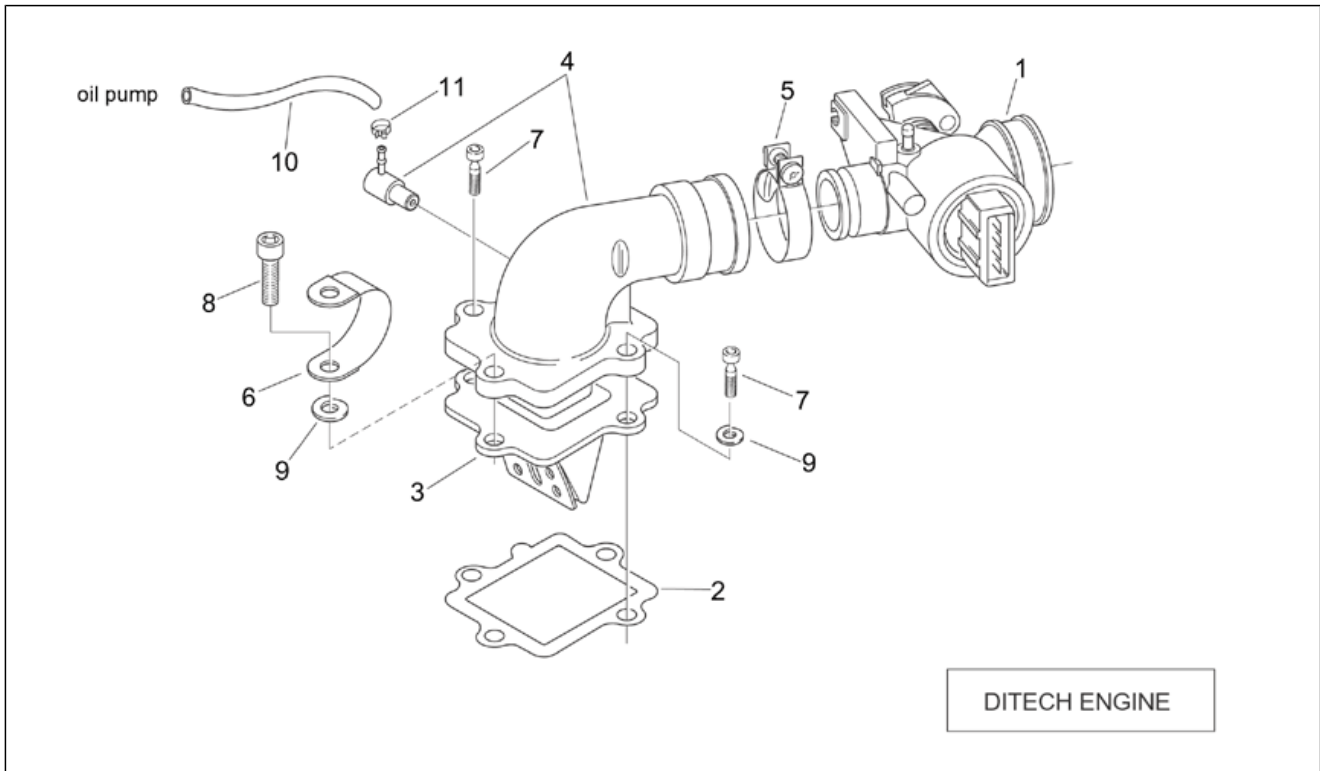
<b>Einheit</b>	MOTOR
<b>Code</b>	29.54
<b>Beschreibung</b>	Luftkompressor (Ditech)
<b>Inspektion</b>	1



Pos.	Code	Beschreibung	Menge	Varianten
1	AP3AFA000162	Kompressor	1	<b>Technische Daten:</b> "Motor ""DITECH"" mit Benzindirekteinspritzung"[ie]
2	AP4ADN000027	Schraube	4	<b>Technische Daten:</b> "Motor ""DITECH"" mit Benzindirekteinspritzung"[ie]
3	AP4DFN000032	Unterlegscheibe	4	<b>Technische Daten:</b> "Motor ""DITECH"" mit Benzindirekteinspritzung"[ie]
4	AP5RAR000112	O-Ring	1	<b>Technische Daten:</b> "Motor ""DITECH"" mit Benzindirekteinspritzung"[ie]
5	AP2EAN000185	O-Ring 44,2x1,8	1	<b>Technische Daten:</b> "Motor ""DITECH"" mit Benzindirekteinspritzung"[ie]
6	AP5RAR000104	Kompressor Anschluß	1	<b>Technische Daten:</b> "Motor ""DITECH"" mit Benzindirekteinspritzung"[ie]

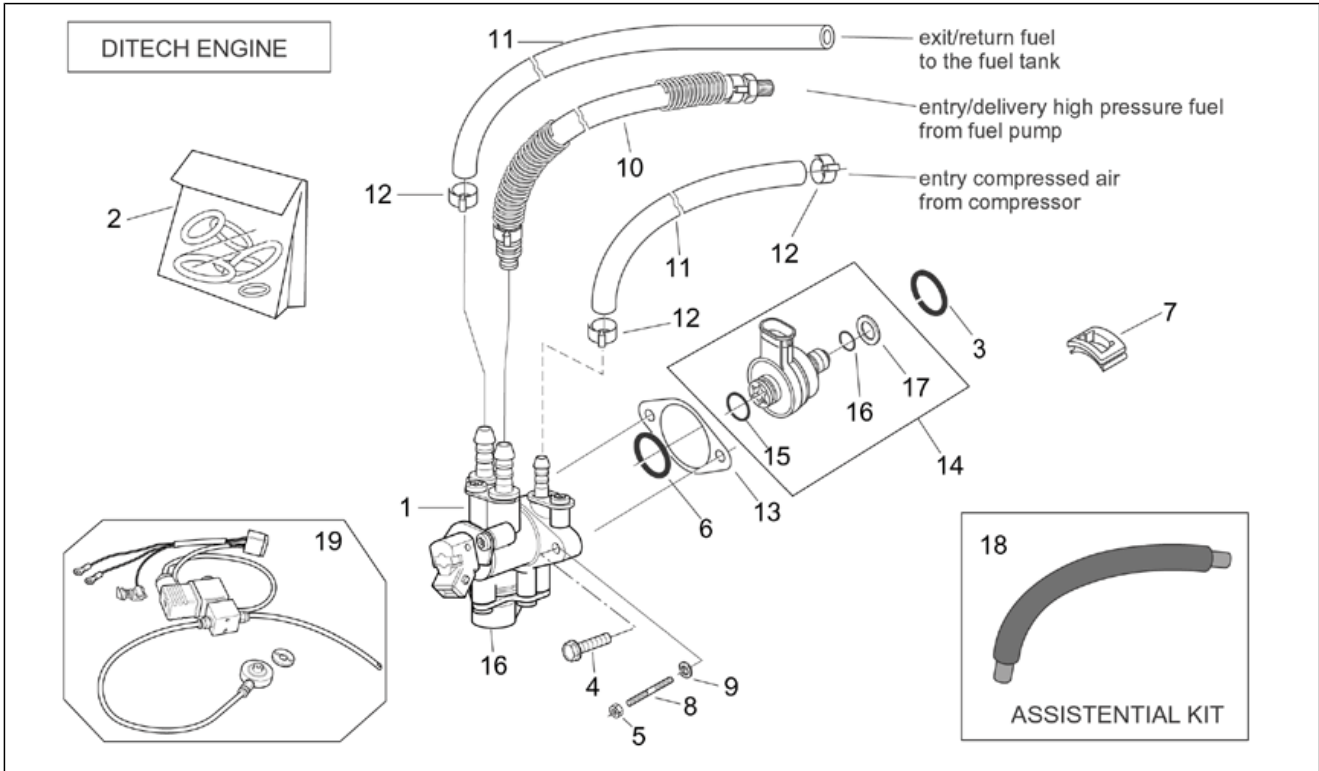


<b>Einheit</b>	MOTOR
<b>Code</b>	29.55
<b>Beschreibung</b>	Klappenkörper (Ditech)
<b>Inspektion</b>	1



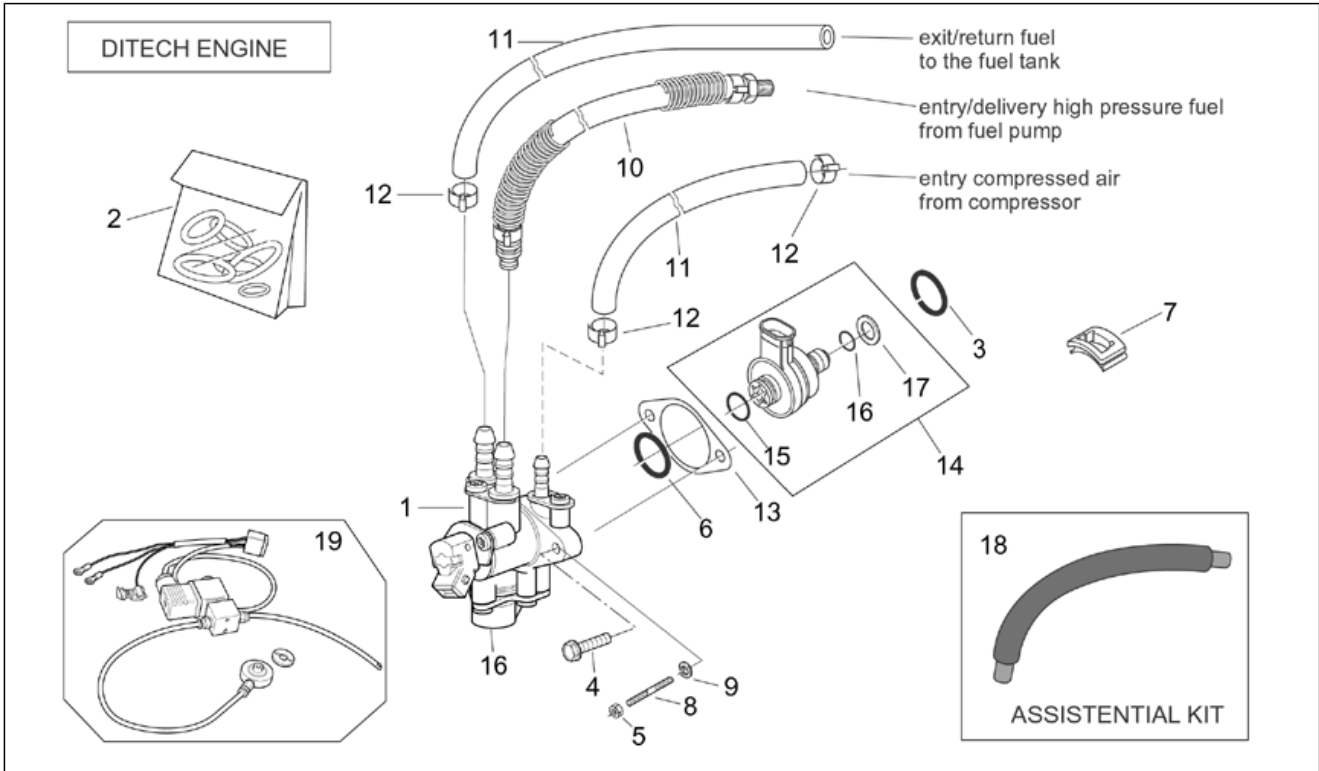
Pos.	Code	Beschreibung	Menge	Varianten
1	AP3ACA000132	Klappenkörper kpl.	1	<b>Technische Daten:</b> "Motor ""DITECH"" mit Benzindirekteinspritzung"[ie]
2	AP3AVA000063	Ventildichtung	1	<b>Technische Daten:</b> "Motor ""DITECH"" mit Benzindirekteinspritzung"[ie]
3	AP3AEA000002	Ventilträger kpl.	1	<b>Technische Daten:</b> "Motor ""DITECH"" mit Benzindirekteinspritzung"[ie]
4	AP5RAR000175	Ansaugkrümmer	1	<b>Technische Daten:</b> "Motor ""DITECH"" mit Benzindirekteinspritzung"[ie]
5	AP2FDN000201	Schelle	1	<b>Technische Daten:</b> "Motor ""DITECH"" mit Benzindirekteinspritzung"[ie]
6	AP3AAN000054	Schelle	1	<b>Technische Daten:</b> "Motor ""DITECH"" mit Benzindirekteinspritzung"[ie]
7	AP3AVN000086	Reißschraube	2	<b>Technische Daten:</b> "Motor ""DITECH"" mit Benzindirekteinspritzung"[ie]
8	AP4ADN000014	Schraube	2	<b>Technische Daten:</b> "Motor ""DITECH"" mit Benzindirekteinspritzung"[ie]
9	AP4DFN000033	Unterlegscheibe	3	<b>Technische Daten:</b> "Motor ""DITECH"" mit Benzindirekteinspritzung"[ie]
10	AP2HAN000224	Ölschlauch	1	<b>Technische Daten:</b> "Motor ""DITECH"" mit Benzindirekteinspritzung"[ie]
11	AP2FBN000034	Schelle	1	<b>Technische Daten:</b> "Motor ""DITECH"" mit Benzindirekteinspritzung"[ie]

<b>Einheit</b>	MOTOR
<b>Code</b>	29.56
<b>Beschreibung</b>	Spritzeinheit (Ditech)
<b>Inspektion</b>	1



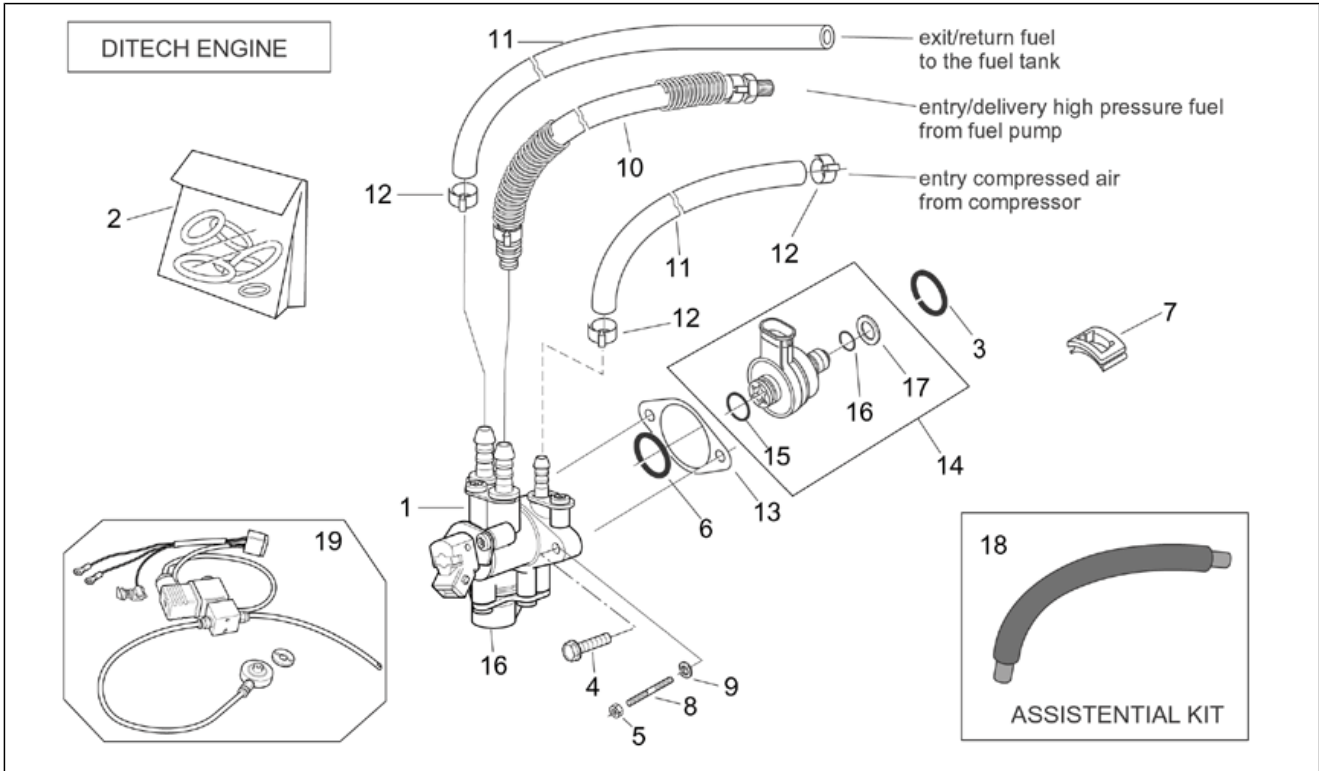
Pos.	Code	Beschreibung	Menge	Varianten
1	AP3AEA000133	Eingabe ventil	1	<b>Technische Daten:</b> Ab Motornummer ABL011004546[F2], "Motor ""DITECH"" mit Benzindirekteinspritzung"[ie]
1	AP3AEA000547	Eingabe ventil	1	<b>Baujahr:</b> 2000[Y] <b>Technische Daten:</b> Version mit voller Leistung[fp], "Motor ""DITECH"" mit Benzindirekteinspritzung"[ie]
1	AP3AEA000547	Eingabe ventil	1	<b>Baujahr:</b> 2000[Y] <b>Technische Daten:</b> Version mit Leistungsminderung 25 Kw[25k], "Motor ""DITECH"" mit Benzindirekteinspritzung"[ie]
1	AP3AEA000547	Eingabe ventil	1	<b>Baujahr:</b> 2002[2] <b>Land:</b> Belgien[B], Deutschland[D], Dänemark[DK], A, B, CH, D, DK, E, F, I, NL, P, UK[EU], Holland[NL] <b>Technische Daten:</b> Version mit Leistungsminderung 25 Kw[25k], "Motor ""DITECH"" mit Benzindirekteinspritzung"[ie]
1	AP3AEA000547	Eingabe ventil	1	<b>Baujahr:</b> 2001[1] <b>Land:</b> Österreich[A], Australien[AA], Australien[AUS], Belgien[B], Schweiz[CH], Deutschland[D], Dänemark[DK], Spanien[E], A, B, CH, D, DK, E, F, I, NL, P, UK[EU], Frankreich[F], Italien[I], Japan[J], Japan[J], Holland[NL], Portugal[P], Großbritannien[UK] <b>Technische Daten:</b> Version mit voller Leistung[fp], "Motor ""DITECH"" mit Benzindirekteinspritzung"[ie]
1	AP3AEA000547	Eingabe ventil	1	<b>Baujahr:</b> 2001[1] <b>Land:</b> Belgien[B], Deutschland[D], Dänemark[DK], A, B, CH, D, DK, E, F, I, NL, P, UK[EU], Holland[NL] <b>Technische Daten:</b> Version mit Leistungsminderung 25 Kw[25k], "Motor ""DITECH"" mit Benzindirekteinspritzung"[ie]
1	AP3AEA000547	Eingabe ventil	1	<b>Baujahr:</b> 2002[2] <b>Land:</b> Österreich[A], Australien[AA], Australien[AUS], Belgien[B], Schweiz[CH], Deutschland[D], Dänemark[DK], Spanien[E], A, B, CH, D, DK, E, F, I, NL, P, UK[EU], Frankreich[F], Italien[I], Japan[J], Japan[J], Holland[NL], Portugal[P], Großbritannien[UK]

<b>Einheit</b>	MOTOR
<b>Code</b>	29.56
<b>Beschreibung</b>	Spritzeinheit (Ditech)
<b>Inspektion</b>	1



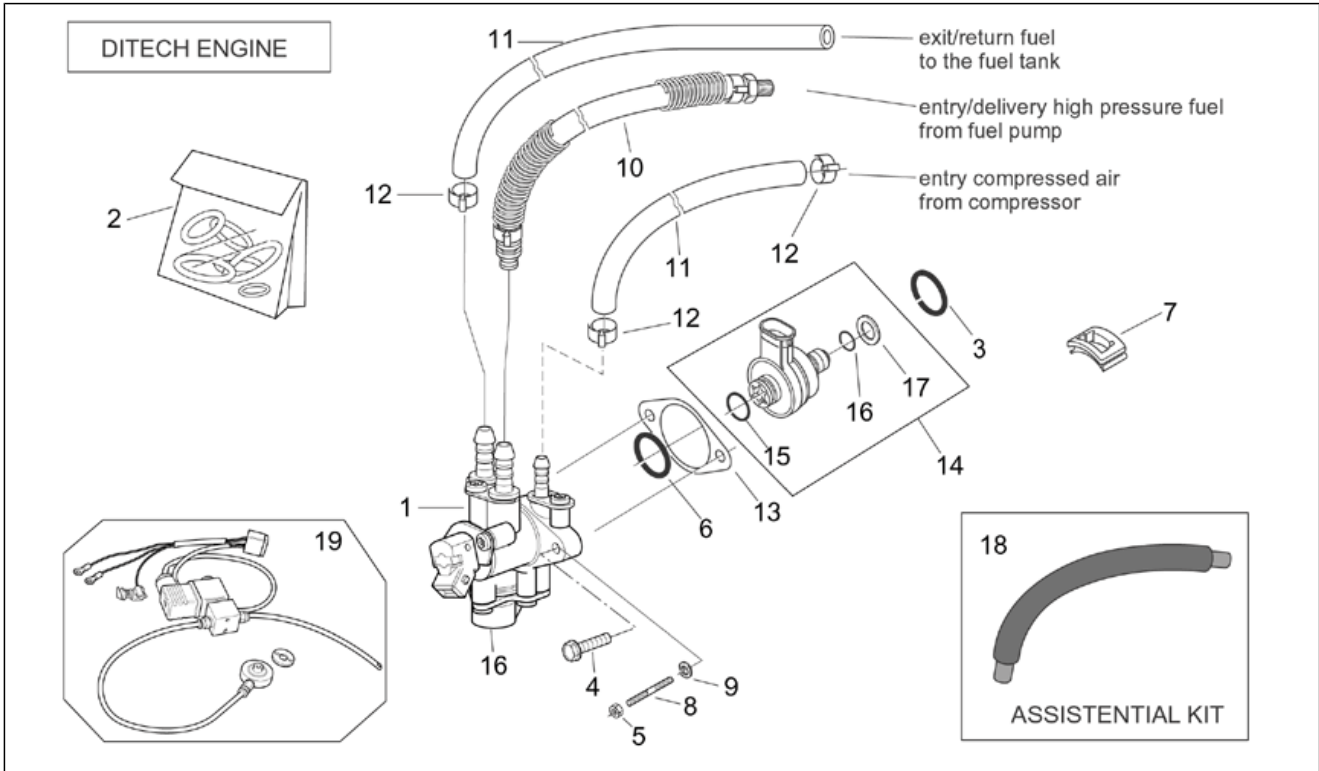
Pos.	Code	Beschreibung	Menge	Varianten
				<b>Technische Daten:</b> Version mit voller Leistung[fp], "Motor ""DITECH"" mit Benzindirekteinspritzung"[ie]
1	AP3AEA000547	Eingabe ventil	1	<b>Land:</b> Vereinigte Staaten von Amerika[AM], Kanada[CA], Kanada[CN], Vereinigte Staaten von Amerika[USA] <b>Technische Daten:</b> "Motor ""DITECH"" mit Benzindirekteinspritzung"[ie]
1	AP3AEA000631	Eingabe ventil	1	<b>Baujahr:</b> 2002[2] <b>Land:</b> Belgien[B], Deutschland[D], Dänemark[DK], A, B, CH, D, DK, E, F, I, NL, P, UK[EU], Holland[NL] <b>Technische Daten:</b> Version mit Leistungsminderung 25 Kw[25k], "Motor ""DITECH"" mit Benzindirekteinspritzung"[ie]
1	AP3AEA000631	Eingabe ventil	1	<b>Technische Daten:</b> "Motor ""DITECH"" mit Benzindirekteinspritzung"[ie], Bis Motornummer ABL011004545[T2]
1	AP3AEA000631	Eingabe ventil	1	<b>Baujahr:</b> 2001[1] <b>Land:</b> Österreich[A], Australien[AA], Australien[AUS], Belgien[B], Schweiz[CH], Deutschland[D], Dänemark[DK], Spanien[E], A, B, CH, D, DK, E, F, I, NL, P, UK[EU], Frankreich[F], Italien[I], Japan[J], Japan[JJ], Holland[NL], Portugal[P], Großbritannien[UK] <b>Technische Daten:</b> Version mit voller Leistung[fp], "Motor ""DITECH"" mit Benzindirekteinspritzung"[ie]
1	AP3AEA000631	Eingabe ventil	1	<b>Baujahr:</b> 2001[1] <b>Land:</b> Belgien[B], Deutschland[D], Dänemark[DK], A, B, CH, D, DK, E, F, I, NL, P, UK[EU], Holland[NL] <b>Technische Daten:</b> Version mit Leistungsminderung 25 Kw[25k], "Motor ""DITECH"" mit Benzindirekteinspritzung"[ie]
1	AP3AEA000631	Eingabe ventil	1	<b>Baujahr:</b> 2000[Y] <b>Technische Daten:</b> Version mit voller Leistung[fp], "Motor ""DITECH"" mit Benzindirekteinspritzung"[ie]
2	AP5RZR000232	O-ring kit	1	<b>Technische Daten:</b> "Motor ""DITECH"" mit Benzindirekteinspritzung"[ie]
3	AP2EAN000186	O-Ring 17x3,5	1	<b>Baujahr:</b> 2001[1]

<b>Einheit</b>	MOTOR
<b>Code</b>	29.56
<b>Beschreibung</b>	Spritzeinheit (Ditech)
<b>Inspektion</b>	1



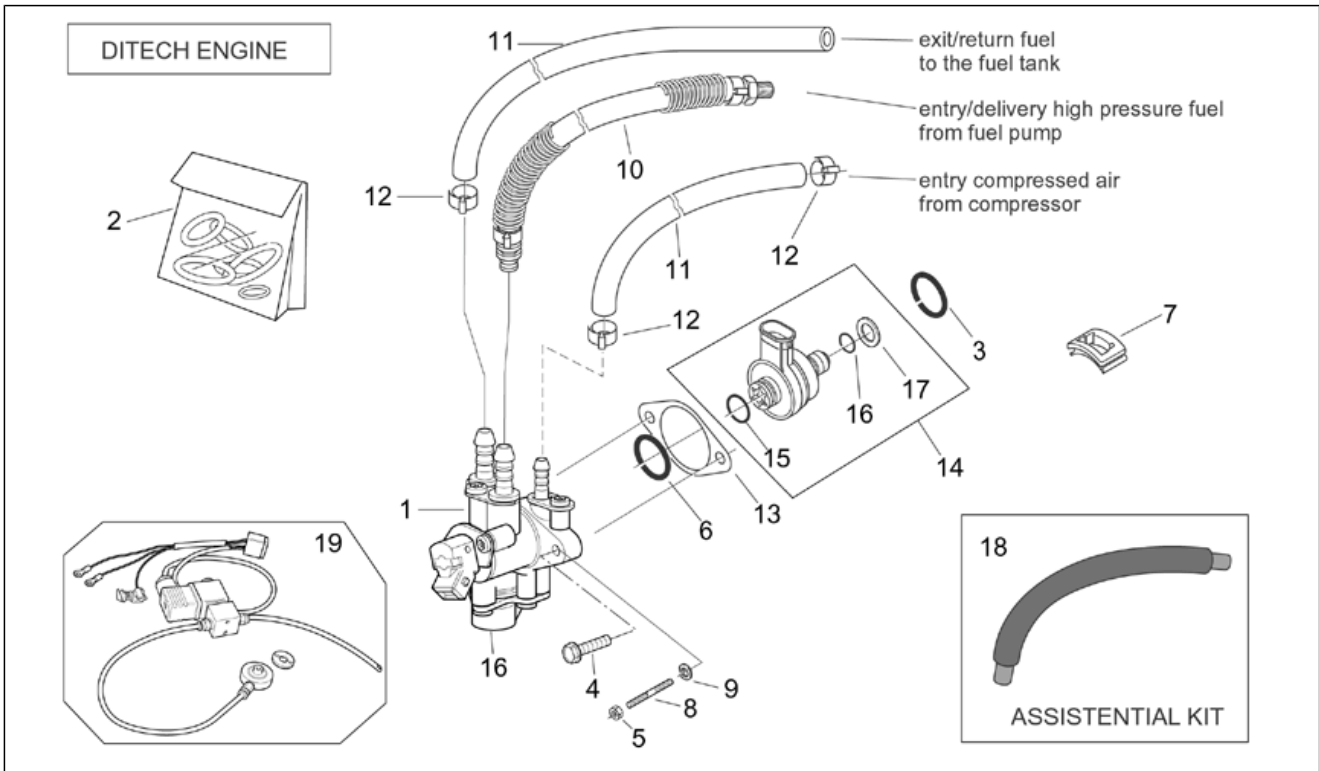
Pos.	Code	Beschreibung	Menge	Varianten
				<b>Land:</b> Belgien[B], Deutschland[D], Dänemark[DK], A, B, CH, D, DK, E, F, I, NL, P, UK[EU], Holland[NL] <b>Technische Daten:</b> Version mit Leistungsminderung 25 Kw[25k], "Motor ""DITECH"" mit Benzindirekteinspritzung"[ie]
3	AP2EAN000186	O-Ring 17x3,5	1	<b>Baujahr:</b> 2000[Y] <b>Technische Daten:</b> Version mit voller Leistung[fp], "Motor ""DITECH"" mit Benzindirekteinspritzung"[ie]
3	AP2EAN000186	O-Ring 17x3,5	1	<b>Baujahr:</b> 2002[2] <b>Land:</b> Belgien[B], Deutschland[D], Dänemark[DK], A, B, CH, D, DK, E, F, I, NL, P, UK[EU], Holland[NL] <b>Technische Daten:</b> Version mit Leistungsminderung 25 Kw[25k], "Motor ""DITECH"" mit Benzindirekteinspritzung"[ie]
3	AP2EAN000186	O-Ring 17x3,5	1	<b>Baujahr:</b> 2001[1] <b>Land:</b> Österreich[A], Australien[AA], Australien[AUS], Belgien[B], Schweiz[CH], Deutschland[D], Dänemark[DK], Spanien[E], A, B, CH, D, DK, E, F, I, NL, P, UK[EU], Frankreich[F], Italien[I], Japan[J], Japan[JJ], Holland[NL], Portugal[P], Großbritannien[UK] <b>Technische Daten:</b> Version mit voller Leistung[fp], "Motor ""DITECH"" mit Benzindirekteinspritzung"[ie]
3	AP2EAN000258	O-Ring	1	<b>Baujahr:</b> 2000[Y] <b>Technische Daten:</b> Version mit Leistungsminderung 25 Kw[25k], "Motor ""DITECH"" mit Benzindirekteinspritzung"[ie]
3	AP2EAN000258	O-Ring	1	<b>Baujahr:</b> 2001[1] <b>Land:</b> Belgien[B], Deutschland[D], Dänemark[DK], A, B, CH, D, DK, E, F, I, NL, P, UK[EU], Holland[NL] <b>Technische Daten:</b> Version mit Leistungsminderung 25 Kw[25k], "Motor ""DITECH"" mit Benzindirekteinspritzung"[ie]
3	AP2EAN000258	O-Ring	1	<b>Baujahr:</b> 2002[2] <b>Land:</b> Österreich[A], Australien[AA], Australien[AUS], Belgien[B], Schweiz[CH], Deutschland[D], Dänemark[DK], Spanien[E], A, B, CH, D, DK, E, F, I, NL, P, UK[EU],

<b>Einheit</b>	MOTOR
<b>Code</b>	29.56
<b>Beschreibung</b>	Spritzeinheit (Ditech)
<b>Inspektion</b>	1



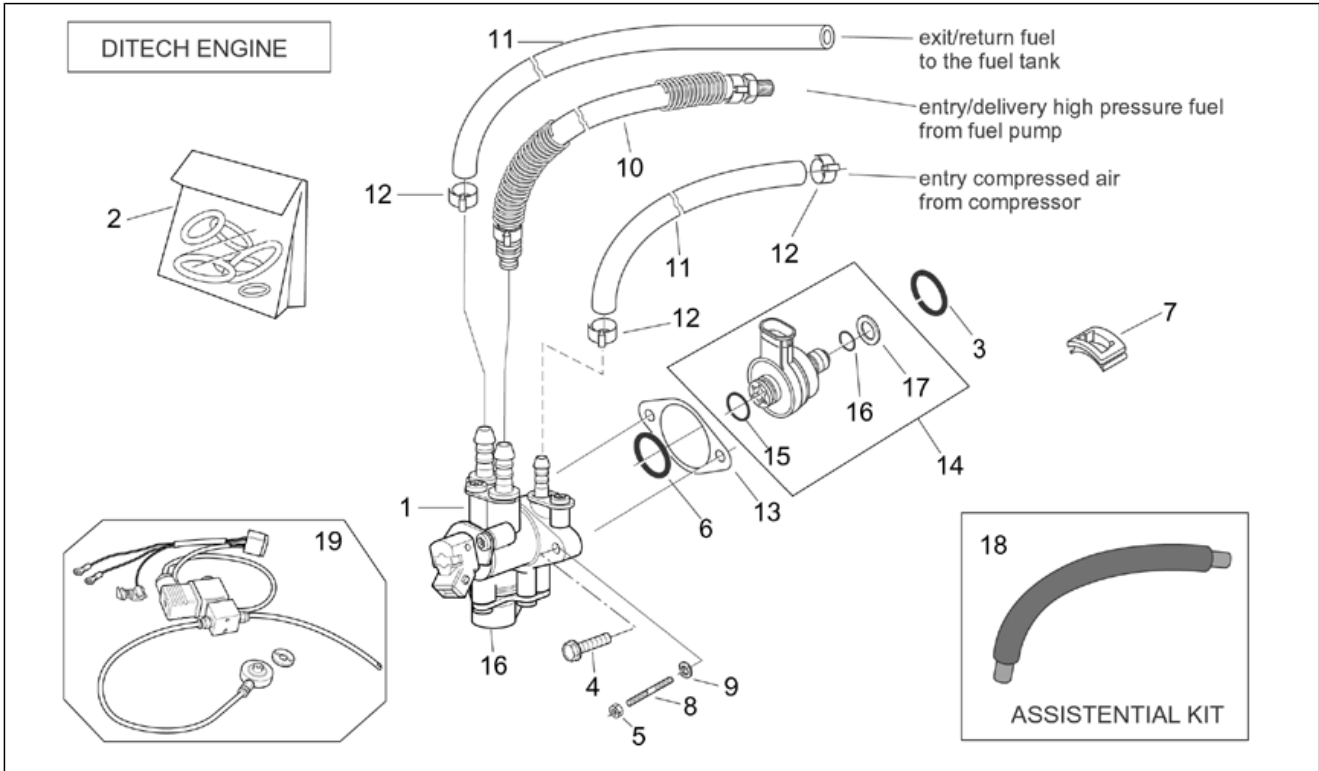
Pos.	Code	Beschreibung	Menge	Varianten
				Frankreich[F], Italien[I], Japan[J], Japan[JJ], Holland[NL], Portugal[P], Großbritannien[UK] <b>Technische Daten:</b> Version mit voller Leistung[fp], "Motor ""DITECH"" mit Benzindirekteinspritzung"[ie]
3	AP2EAN000258	O-Ring	1	<b>Baujahr:</b> 2000[Y] <b>Technische Daten:</b> Version mit voller Leistung[fp], "Motor ""DITECH"" mit Benzindirekteinspritzung"[ie]
3	AP2EAN000258	O-Ring	1	<b>Baujahr:</b> 2001[1] <b>Land:</b> Österreich[A], Australien[AA], Australien[AUS], Belgien[B], Schweiz[CH], Deutschland[D], Dänemark[DK], Spanien[E], A, B, CH, D, DK, E, F, I, NL, P, UK[EU], Frankreich[F], Italien[I], Japan[J], Japan[JJ], Holland[NL], Portugal[P], Großbritannien[UK] <b>Technische Daten:</b> Version mit voller Leistung[fp], "Motor ""DITECH"" mit Benzindirekteinspritzung"[ie]
3	AP2EAN000258	O-Ring	1	<b>Baujahr:</b> 2002[2] <b>Land:</b> Belgien[B], Deutschland[D], Dänemark[DK], A, B, CH, D, DK, E, F, I, NL, P, UK[EU], Holland[NL] <b>Technische Daten:</b> Version mit Leistungsminderung 25 Kw[25k], "Motor ""DITECH"" mit Benzindirekteinspritzung"[ie]
3	AP2EAN000258	O-Ring	1	<b>Land:</b> Vereinigte Staaten von Amerika[AM], Kanada[CA], Kanada[CN], Vereinigte Staaten von Amerika[USA] <b>Technische Daten:</b> "Motor ""DITECH"" mit Benzindirekteinspritzung"[ie]
4	AP2AVN000256	Schraube	2	<b>Technische Daten:</b> "Motor ""DITECH"" mit Benzindirekteinspritzung"[ie]
5	AP4BEN000223	Mutter M5	2	<b>Technische Daten:</b> "Motor ""DITECH"" mit Benzindirekteinspritzung"[ie], Bis Motornummer ABL011004545[T2]
6	AP2EAN000186	O-Ring 17x3,5	1	<b>Baujahr:</b> 2002[2] <b>Land:</b> Belgien[B], Deutschland[D], Dänemark[DK], A, B, CH, D, DK, E, F, I, NL, P, UK[EU], Holland[NL]

<b>Einheit</b>	MOTOR
<b>Code</b>	29.56
<b>Beschreibung</b>	Spritzeinheit (Ditech)
<b>Inspektion</b>	1



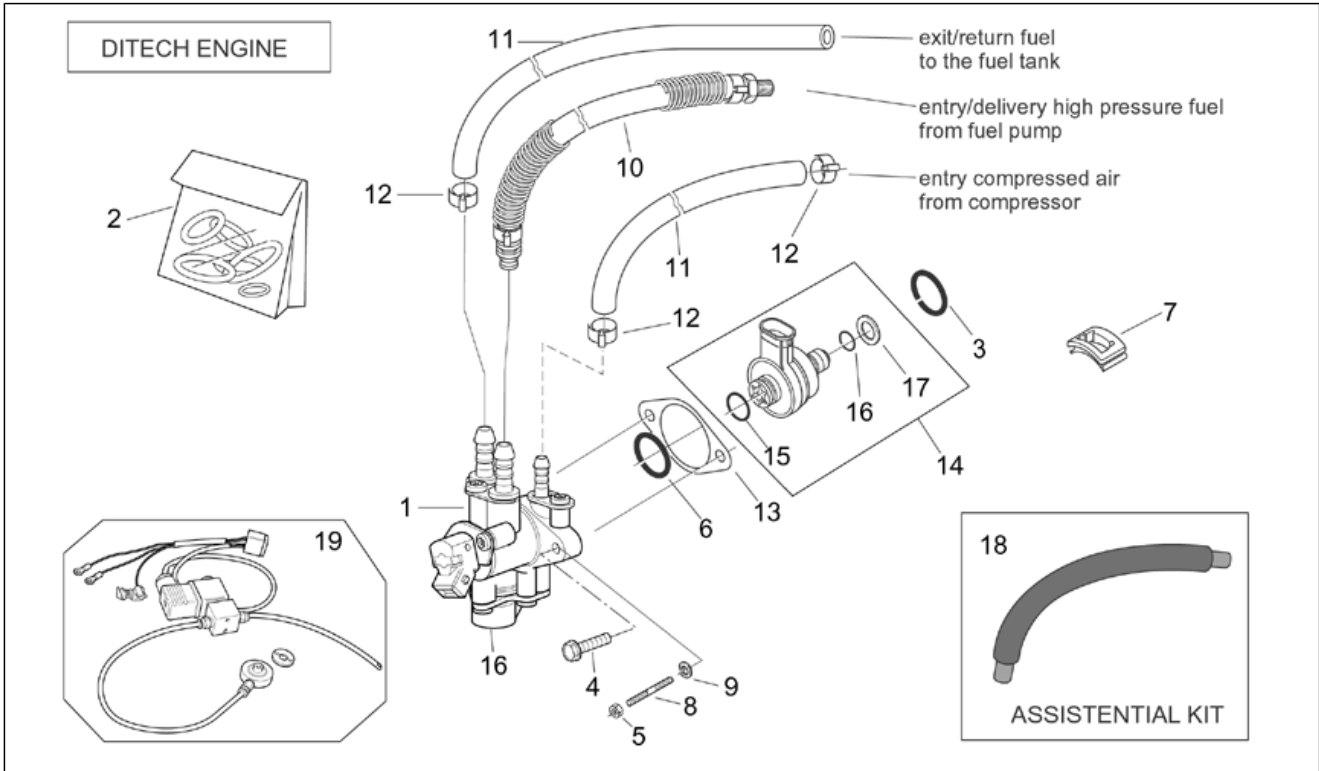
Pos.	Code	Beschreibung	Menge	Varianten
				<b>Technische Daten:</b> Version mit Leistungsminderung 25 Kw[25k], "Motor ""DITECH"" mit Benzindirekteinspritzung"[ie]
6	AP2EAN000186	O-Ring 17x3,5	1	<b>Baujahr:</b> 2001[1] <b>Land:</b> Belgien[B], Deutschland[D], Dänemark[DK], A, B, CH, D, DK, E, F, I, NL, P, UK[EU], Holland[NL] <b>Technische Daten:</b> Version mit Leistungsminderung 25 Kw[25k], "Motor ""DITECH"" mit Benzindirekteinspritzung"[ie]
6	AP2EAN000186	O-Ring 17x3,5	1	<b>Baujahr:</b> 2001[1] <b>Land:</b> Österreich[A], Australien[AA], Australien[AUS], Belgien[B], Schweiz[CH], Deutschland[D], Dänemark[DK], Spanien[E], A, B, CH, D, DK, E, F, I, NL, P, UK[EU], Frankreich[F], Italien[I], Japan[J], Japan[J], Holland[NL], Portugal[P], Großbritannien[UK] <b>Technische Daten:</b> Version mit voller Leistung[fp], "Motor ""DITECH"" mit Benzindirekteinspritzung"[ie]
6	AP2EAN000186	O-Ring 17x3,5	1	<b>Baujahr:</b> 2000[Y] <b>Technische Daten:</b> Version mit voller Leistung[fp], "Motor ""DITECH"" mit Benzindirekteinspritzung"[ie]
6	AP2EAN000257	O-Ring	1	<b>Baujahr:</b> 2001[1] <b>Land:</b> Belgien[B], Deutschland[D], Dänemark[DK], A, B, CH, D, DK, E, F, I, NL, P, UK[EU], Holland[NL] <b>Technische Daten:</b> Version mit Leistungsminderung 25 Kw[25k], "Motor ""DITECH"" mit Benzindirekteinspritzung"[ie]
6	AP2EAN000257	O-Ring	1	<b>Baujahr:</b> 2002[2] <b>Land:</b> Belgien[B], Deutschland[D], Dänemark[DK], A, B, CH, D, DK, E, F, I, NL, P, UK[EU], Holland[NL] <b>Technische Daten:</b> Version mit Leistungsminderung 25 Kw[25k], "Motor ""DITECH"" mit Benzindirekteinspritzung"[ie]
6	AP2EAN000257	O-Ring	1	<b>Baujahr:</b> 2000[Y] <b>Technische Daten:</b> Version mit voller Leistung[fp], "Motor ""DITECH"" mit Benzindirekteinspritzung"[ie]

<b>Einheit</b>	MOTOR
<b>Code</b>	29.56
<b>Beschreibung</b>	Spritzeinheit (Ditech)
<b>Inspektion</b>	1



Pos.	Code	Beschreibung	Menge	Varianten
6	AP2EAN000257	O-Ring	1	<b>Land:</b> Vereinigte Staaten von Amerika[AM], Kanada[CA], Kanada[CN], Vereinigte Staaten von Amerika[USA] <b>Technische Daten:</b> "Motor ""DITECH"" mit Benzindirekteinspritzung"[ie]
6	AP2EAN000257	O-Ring	1	<b>Baujahr:</b> 2000[Y] <b>Technische Daten:</b> Version mit Leistungsminderung 25 Kw[25k], "Motor ""DITECH"" mit Benzindirekteinspritzung"[ie]
6	AP2EAN000257	O-Ring	1	<b>Baujahr:</b> 2002[2] <b>Land:</b> Österreich[A], Australien[AA], Australien[AUS], Belgien[B], Schweiz[CH], Deutschland[D], Dänemark[DK], Spanien[E], A, B, CH, D, DK, E, F, I, NL, P, UK[EU], Frankreich[F], Italien[I], Japan[J], Japan[JJ], Holland[NL], Portugal[P], Großbritannien[UK] <b>Technische Daten:</b> Version mit voller Leistung[fp], "Motor ""DITECH"" mit Benzindirekteinspritzung"[ie]
6	AP2EAN000257	O-Ring	1	<b>Baujahr:</b> 2001[1] <b>Land:</b> Österreich[A], Australien[AA], Australien[AUS], Belgien[B], Schweiz[CH], Deutschland[D], Dänemark[DK], Spanien[E], A, B, CH, D, DK, E, F, I, NL, P, UK[EU], Frankreich[F], Italien[I], Japan[J], Japan[JJ], Holland[NL], Portugal[P], Großbritannien[UK] <b>Technische Daten:</b> Version mit voller Leistung[fp], "Motor ""DITECH"" mit Benzindirekteinspritzung"[ie]
7	AP3AVN000199	Verschuß gummi	1	<b>Baujahr:</b> 2001[1] <b>Land:</b> Österreich[A], Australien[AA], Australien[AUS], Belgien[B], Schweiz[CH], Deutschland[D], Dänemark[DK], Spanien[E], A, B, CH, D, DK, E, F, I, NL, P, UK[EU], Frankreich[F], Italien[I], Japan[J], Japan[JJ], Holland[NL], Portugal[P], Großbritannien[UK] <b>Technische Daten:</b> Version mit voller Leistung[fp], "Motor ""DITECH"" mit Benzindirekteinspritzung"[ie]
7	AP3AVN000199	Verschuß gummi	1	<b>Baujahr:</b> 2002[2] <b>Land:</b> Belgien[B], Deutschland[D], Dänemark[DK], A, B, CH, D, DK, E, F, I, NL, P, UK[EU], Holland[NL]

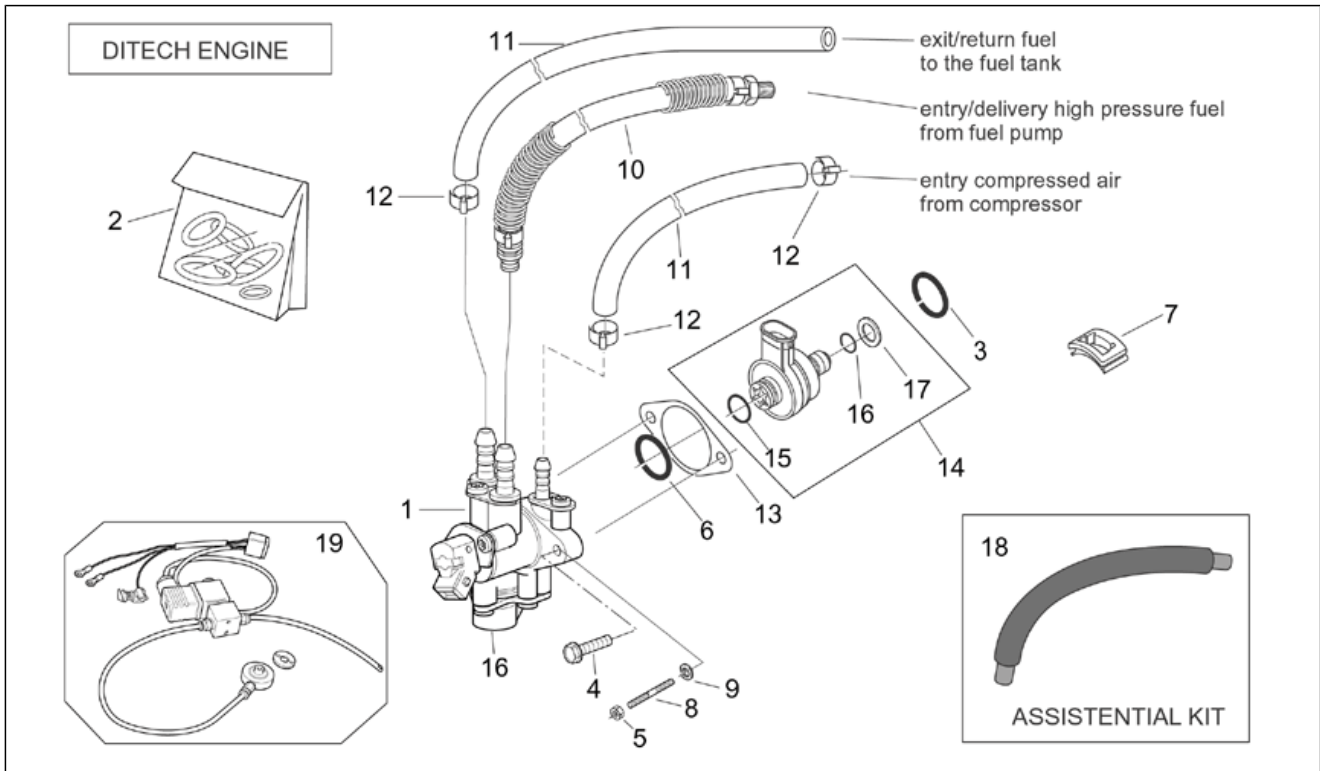
<b>Einheit</b>	MOTOR
<b>Code</b>	29.56
<b>Beschreibung</b>	Spritzeinheit (Ditech)
<b>Inspektion</b>	1



Pos.	Code	Beschreibung	Menge	Varianten
				<b>Technische Daten:</b> Version mit Leistungsminderung 25 Kw[25k], "Motor ""DITECH"" mit Benzindirekteinspritzung"[ie]
7	AP3AVN000199	Verschuß gummi	1	<b>Baujahr:</b> 2000[Y] <b>Technische Daten:</b> Version mit voller Leistung[fp], "Motor ""DITECH"" mit Benzindirekteinspritzung"[ie]
7	AP3AVN000199	Verschuß gummi	1	<b>Baujahr:</b> 2001[1] <b>Land:</b> Belgien[B], Deutschland[D], Dänemark[DK], A, B, CH, D, DK, E, F, I, NL, P, UK[EU], Holland[NL] <b>Technische Daten:</b> Version mit Leistungsminderung 25 Kw[25k], "Motor ""DITECH"" mit Benzindirekteinspritzung"[ie]
7	AP3AVN000245	Verschuß gummi	1	<b>Baujahr:</b> 2002[2] <b>Land:</b> Österreich[A], Australien[AA], Australien[AUS], Belgien[B], Schweiz[CH], Deutschland[D], Dänemark[DK], Spanien[E], A, B, CH, D, DK, E, F, I, NL, P, UK[EU], Frankreich[F], Italien[I], Japan[J], Japan[JJ], Holland[NL], Portugal[P], Großbritannien[UK] <b>Technische Daten:</b> Version mit voller Leistung[fp], "Motor ""DITECH"" mit Benzindirekteinspritzung"[ie]
7	AP3AVN000245	Verschuß gummi	1	<b>Land:</b> Vereinigte Staaten von Amerika[AM], Kanada[CA], Kanada[CN], Vereinigte Staaten von Amerika[USA] <b>Technische Daten:</b> "Motor ""DITECH"" mit Benzindirekteinspritzung"[ie]
7	AP3AVN000245	Verschuß gummi	1	<b>Baujahr:</b> 2001[1] <b>Land:</b> Belgien[B], Deutschland[D], Dänemark[DK], A, B, CH, D, DK, E, F, I, NL, P, UK[EU], Holland[NL] <b>Technische Daten:</b> Version mit Leistungsminderung 25 Kw[25k], "Motor ""DITECH"" mit Benzindirekteinspritzung"[ie]
7	AP3AVN000245	Verschuß gummi	1	<b>Baujahr:</b> 2002[2] <b>Land:</b> Belgien[B], Deutschland[D], Dänemark[DK], A, B, CH, D, DK, E, F, I, NL, P, UK[EU], Holland[NL] <b>Technische Daten:</b> Version mit Leistungsminderung 25 Kw[25k], "Motor ""DITECH"" mit Benzindirekteinspritzung"[ie]

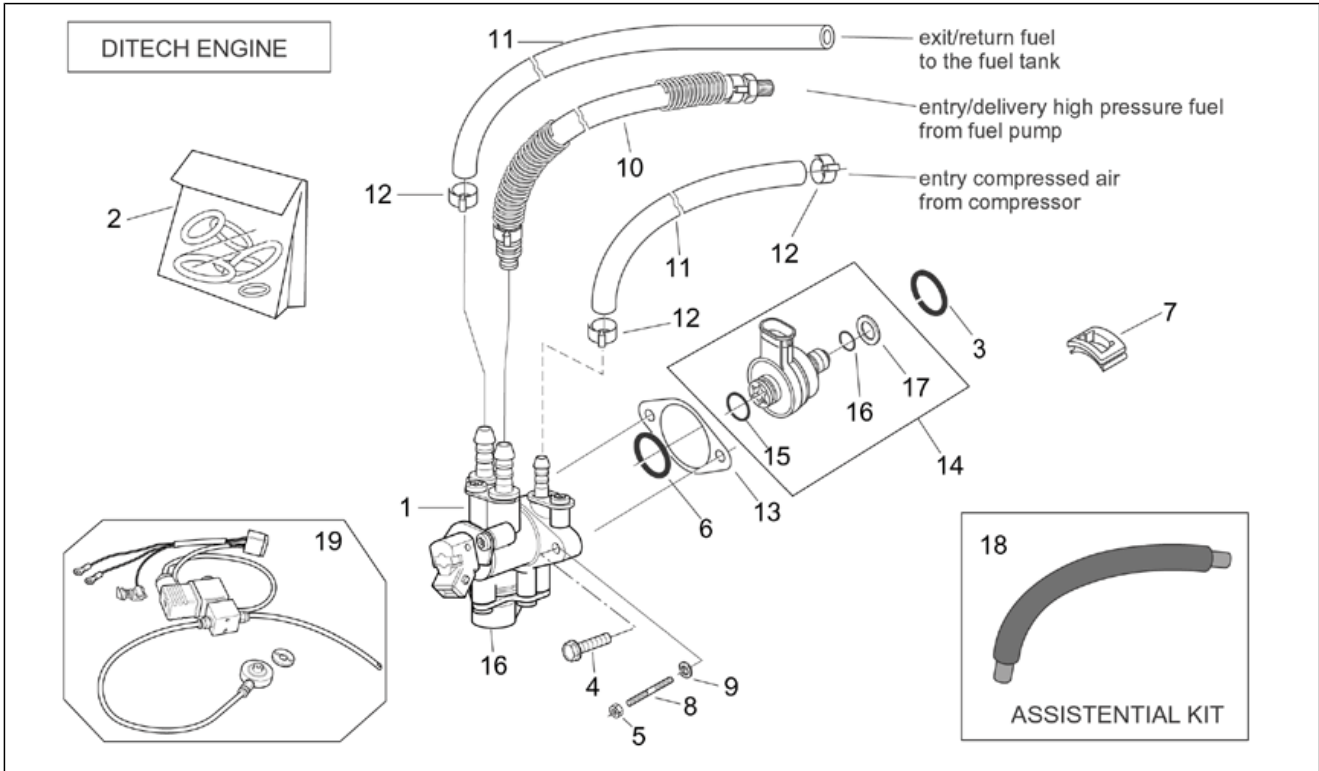


<b>Einheit</b>	MOTOR
<b>Code</b>	29.56
<b>Beschreibung</b>	Spritzeinheit (Ditech)
<b>Inspektion</b>	1



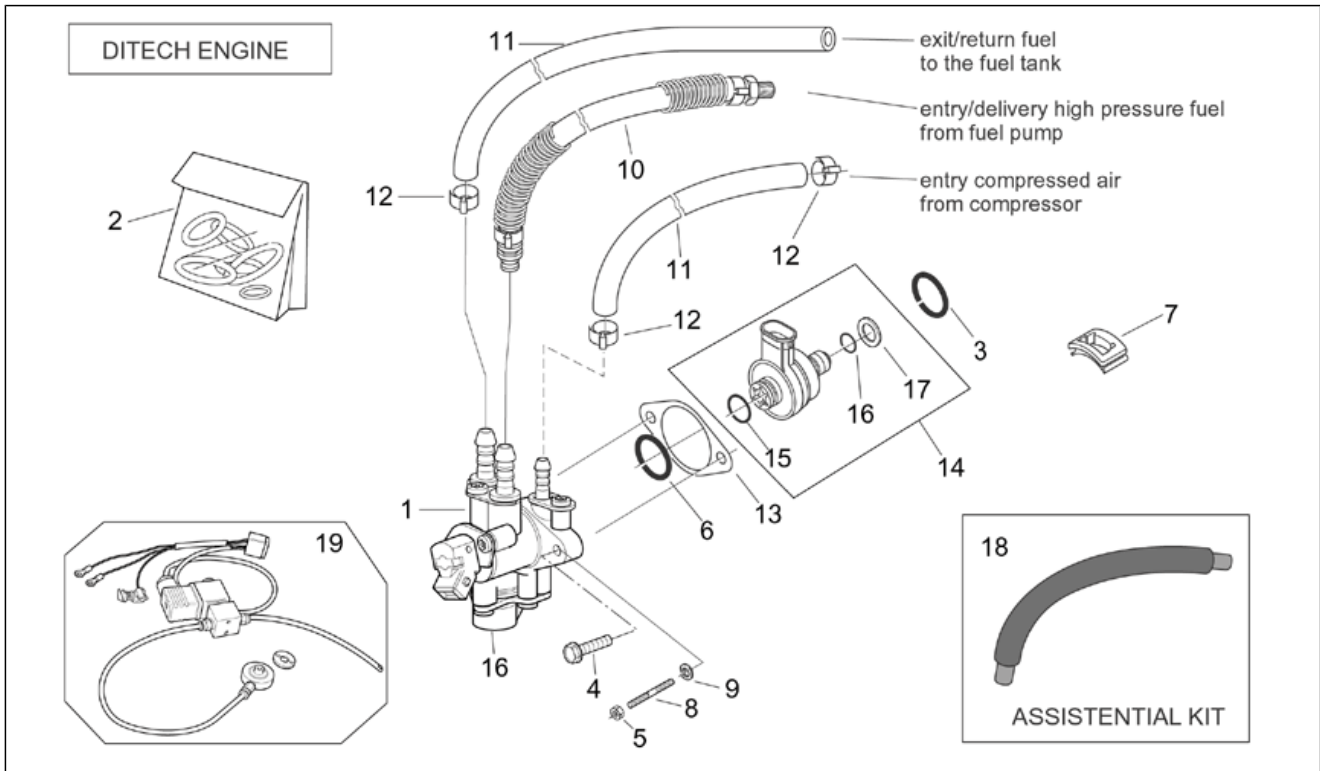
Pos.	Code	Beschreibung	Menge	Varianten
7	AP3AVN000245	Verschuß gummi	1	<b>Baujahr:</b> 2000[Y] <b>Technische Daten:</b> Version mit voller Leistung[fp], "Motor ""DITECH"" mit Benzindirekteinspritzung"[ie]
7	AP3AVN000245	Verschuß gummi	1	<b>Baujahr:</b> 2000[Y] <b>Technische Daten:</b> Version mit Leistungsminderung 25 Kw[25k], "Motor ""DITECH"" mit Benzindirekteinspritzung"[ie]
7	AP3AVN000245	Verschuß gummi	1	<b>Baujahr:</b> 2001[1] <b>Land:</b> Österreich[A], Australien[AA], Australien[AUS], Belgien[B], Schweiz[CH], Deutschland[D], Dänemark[DK], Spanien[E], A, B, CH, D, DK, E, F, I, NL, P, UK[EU], Frankreich[F], Italien[I], Japan[J], Japan[JJ], Holland[NL], Portugal[P], Großbritannien[UK] <b>Technische Daten:</b> Version mit voller Leistung[fp], "Motor ""DITECH"" mit Benzindirekteinspritzung"[ie]
8	AP4BAN000222	Stiftschraube	2	<b>Technische Daten:</b> "Motor ""DITECH"" mit Benzindirekteinspritzung"[ie], Bis Motornummer ABL011004545[T2]
9	AP4DFN000032	Unterlegscheibe	2	<b>Technische Daten:</b> "Motor ""DITECH"" mit Benzindirekteinspritzung"[ie], Bis Motornummer ABL011004545[T2]
10	AP5RAR000102	Hochdruck Leitung kpl.	1	<b>Technische Daten:</b> "Motor ""DITECH"" mit Benzindirekteinspritzung"[ie]
11	AP2AAN000212	Hochdruck Leitung	1	<b>Technische Daten:</b> "Motor ""DITECH"" mit Benzindirekteinspritzung"[ie]
12	AP2FDN000200	Schelle	3	<b>Technische Daten:</b> "Motor ""DITECH"" mit Benzindirekteinspritzung"[ie]
13	AP3AVA000438	Papier Dichtung	1	<b>Technische Daten:</b> "Motor ""DITECH"" mit Benzindirekteinspritzung"[ie]
14	AP3AGA000137	Luft Einspritz	1	<b>Baujahr:</b> 2002[2] <b>Land:</b> Belgien[B], Deutschland[D], Dänemark[DK], A, B, CH, D, DK, E, F, I, NL, P, UK[EU], Holland[NL]

<b>Einheit</b>	MOTOR
<b>Code</b>	29.56
<b>Beschreibung</b>	Spritzeinheit (Ditech)
<b>Inspektion</b>	1



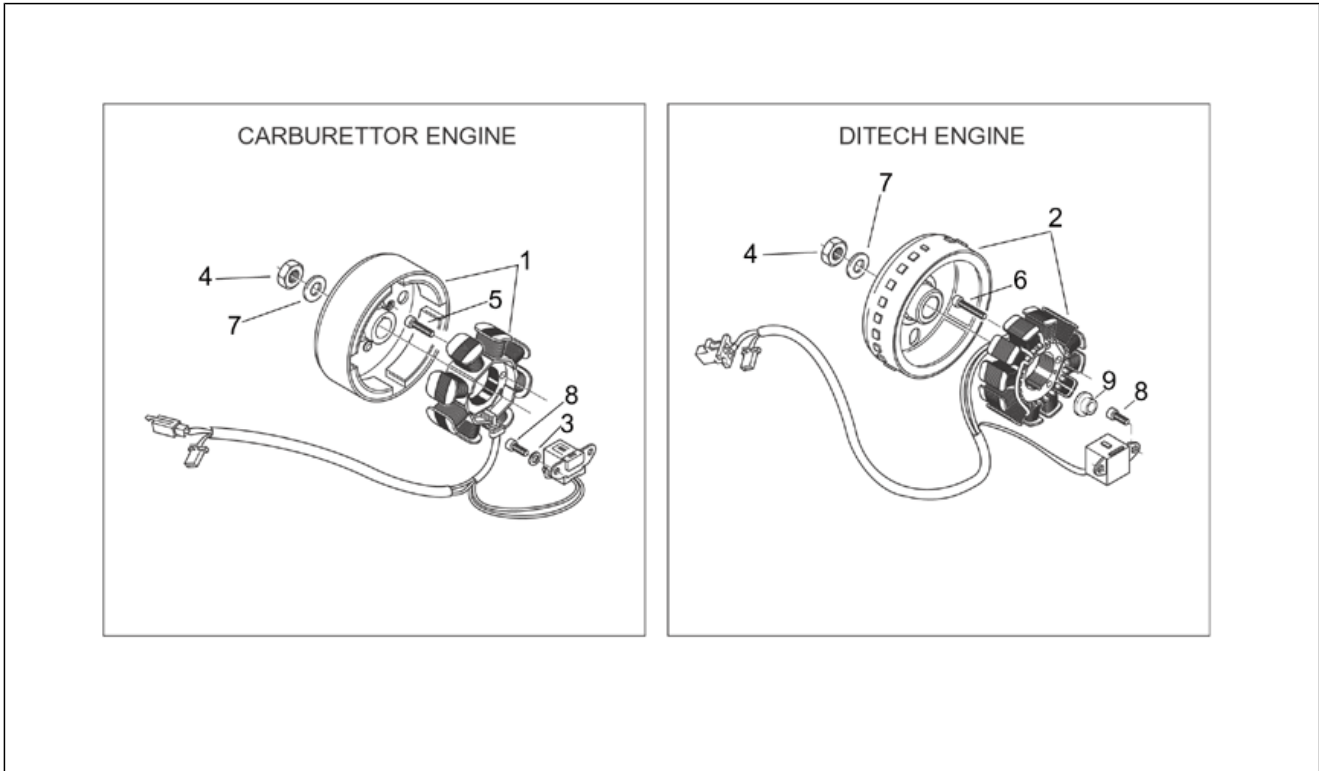
Pos.	Code	Beschreibung	Menge	Varianten
				<b>Technische Daten:</b> Version mit Leistungsminderung 25 Kw[25k], "Motor ""DITECH"" mit Benzindirekteinspritzung"[ie]
14	AP3AGA000137	Luft Einspritz	1	<b>Baujahr:</b> 2001[1] <b>Land:</b> Österreich[A], Australien[AA], Australien[AUS], Belgien[B], Schweiz[CH], Deutschland[D], Dänemark[DK], Spanien[E], A, B, CH, D, DK, E, F, I, NL, P, UK[EU], Frankreich[F], Italien[I], Japan[J], Japan[JJ], Holland[NL], Portugal[P], Großbritannien[UK] <b>Technische Daten:</b> Version mit voller Leistung[fp], "Motor ""DITECH"" mit Benzindirekteinspritzung"[ie]
14	AP3AGA000137	Luft Einspritz	1	<b>Baujahr:</b> 2000[Y] <b>Technische Daten:</b> Version mit voller Leistung[fp], "Motor ""DITECH"" mit Benzindirekteinspritzung"[ie]
14	AP3AGA000137	Luft Einspritz	1	<b>Baujahr:</b> 2001[1] <b>Land:</b> Belgien[B], Deutschland[D], Dänemark[DK], A, B, CH, D, DK, E, F, I, NL, P, UK[EU], Holland[NL] <b>Technische Daten:</b> Version mit Leistungsminderung 25 Kw[25k], "Motor ""DITECH"" mit Benzindirekteinspritzung"[ie]
14	AP3AGA000614	Luft Einspritz	1	<b>Baujahr:</b> 2001[1] <b>Land:</b> Belgien[B], Deutschland[D], Dänemark[DK], A, B, CH, D, DK, E, F, I, NL, P, UK[EU], Holland[NL] <b>Technische Daten:</b> Version mit Leistungsminderung 25 Kw[25k], "Motor ""DITECH"" mit Benzindirekteinspritzung"[ie]
14	AP3AGA000614	Luft Einspritz	1	<b>Baujahr:</b> 2002[2] <b>Land:</b> Belgien[B], Deutschland[D], Dänemark[DK], A, B, CH, D, DK, E, F, I, NL, P, UK[EU], Holland[NL] <b>Technische Daten:</b> Version mit Leistungsminderung 25 Kw[25k], "Motor ""DITECH"" mit Benzindirekteinspritzung"[ie]
14	AP3AGA000614	Luft Einspritz	1	<b>Baujahr:</b> 2000[Y] <b>Technische Daten:</b> Version mit voller Leistung[fp], "Motor ""DITECH"" mit Benzindirekteinspritzung"[ie]

<b>Einheit</b>	MOTOR
<b>Code</b>	29.56
<b>Beschreibung</b>	Spritzeinheit (Ditech)
<b>Inspektion</b>	1



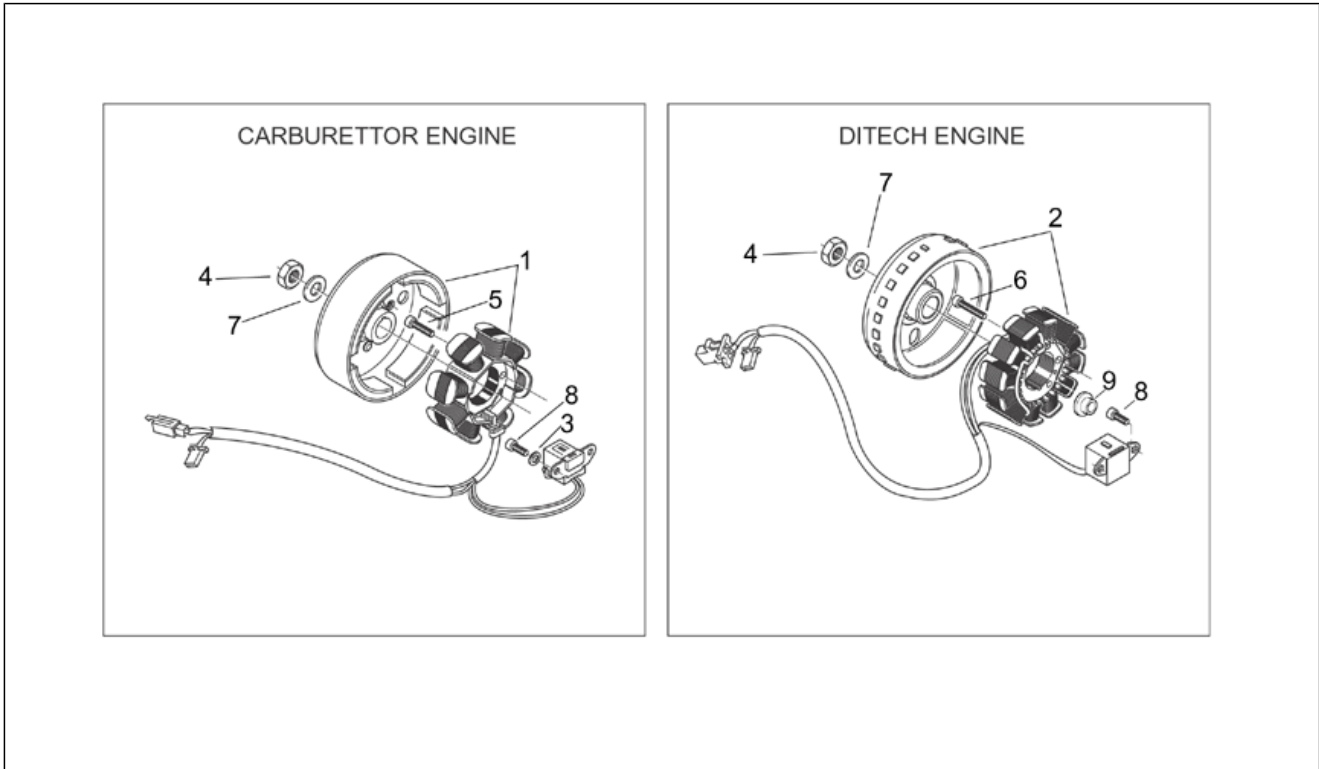
Pos.	Code	Beschreibung	Menge	Varianten
14	AP3AGA000614	Luft Einspritz	1	<b>Baujahr:</b> 2001[1] <b>Land:</b> Österreich[A], Australien[AA], Australien[AUS], Belgien[B], Schweiz[CH], Deutschland[D], Dänemark[DK], Spanien[E], A, B, CH, D, DK, E, F, I, NL, P, UK[EU], Frankreich[F], Italien[I], Japan[J], Japan[JJ], Holland[NL], Portugal[P], Großbritannien[UK] <b>Technische Daten:</b> Version mit voller Leistung[fp], "Motor ""DITECH"" mit Benzindirekteinspritzung"[ie]
14	AP3AGA000614	Luft Einspritz	1	<b>Baujahr:</b> 2000[Y] <b>Technische Daten:</b> Version mit Leistungsminderung 25 Kw[25k], "Motor ""DITECH"" mit Benzindirekteinspritzung"[ie]
14	AP3AGA000614	Luft Einspritz	1	<b>Baujahr:</b> 2002[2] <b>Land:</b> Österreich[A], Australien[AA], Australien[AUS], Belgien[B], Schweiz[CH], Deutschland[D], Dänemark[DK], Spanien[E], A, B, CH, D, DK, E, F, I, NL, P, UK[EU], Frankreich[F], Italien[I], Japan[J], Japan[JJ], Holland[NL], Portugal[P], Großbritannien[UK] <b>Technische Daten:</b> Version mit voller Leistung[fp], "Motor ""DITECH"" mit Benzindirekteinspritzung"[ie]
14	AP3AGA000614	Luft Einspritz	1	<b>Land:</b> Vereinigte Staaten von Amerika[AM], Kanada[CA], Kanada[CN], Vereinigte Staaten von Amerika[USA] <b>Technische Daten:</b> "Motor ""DITECH"" mit Benzindirekteinspritzung"[ie]
15	AP5RAR000109	Ob.O-Ring	1	<b>Technische Daten:</b> "Motor ""DITECH"" mit Benzindirekteinspritzung"[ie]
16	AP5RAR000108	Unt.O-Ring	1	<b>Technische Daten:</b> "Motor ""DITECH"" mit Benzindirekteinspritzung"[ie]
17	AP5RAR000110	Teflon Ring	1	<b>Technische Daten:</b> "Motor ""DITECH"" mit Benzindirekteinspritzung"[ie]
18	AP8220711	Leitung	1	
19	AP8276090	Kit Emulsion Ausspülung	1	

<b>Einheit</b>	MOTOR
<b>Code</b>	29.57
<b>Beschreibung</b>	Schwungrad
<b>Inspektion</b>	1



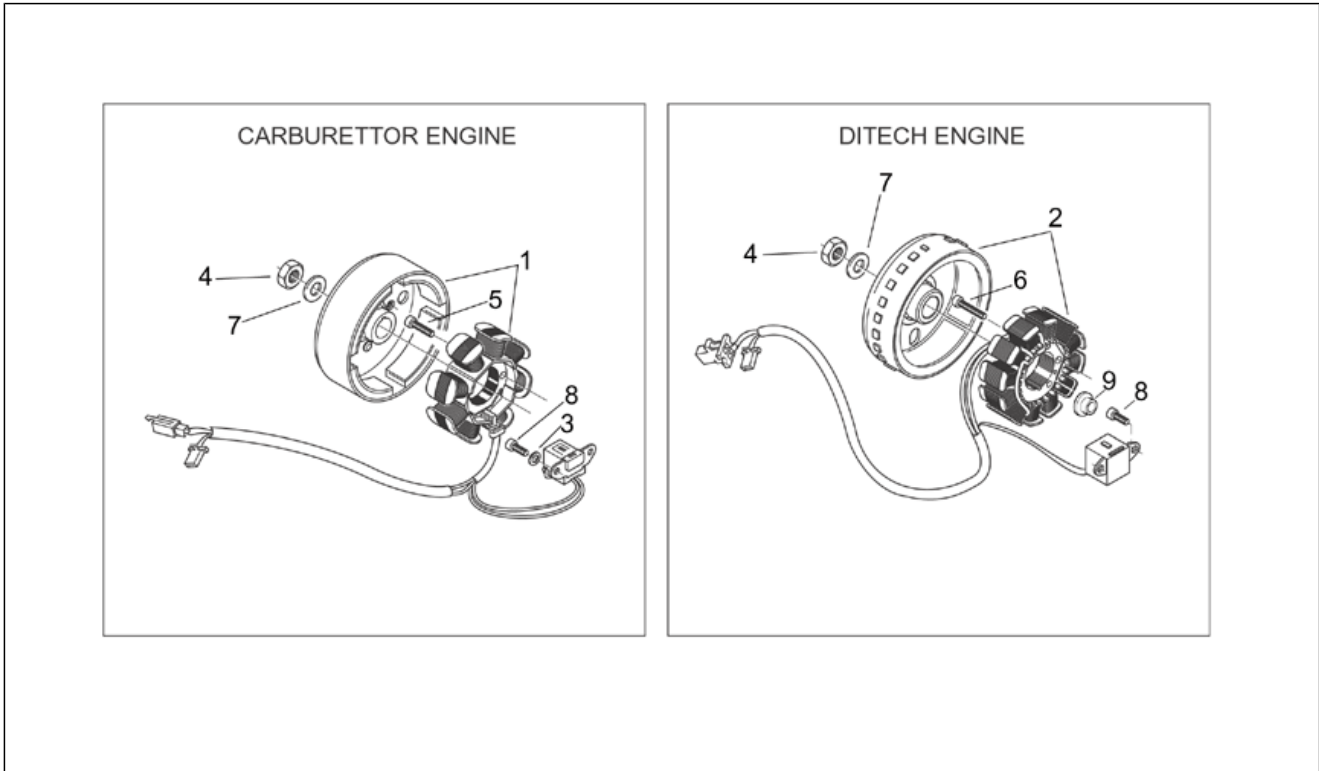
Pos.	Code	Beschreibung	Menge	Varianten
1	AP5RSR000123	Schwungrad kpl.	1	<b>Technische Daten:</b> Motor mit Vergaser[carb], Marke KOKUSAN[KO]
1	AP5RSR000124	Schwungrad kpl.	1	<b>Technische Daten:</b> Marke A.E.T.[AET], Motor mit Vergaser[carb]
2	AP2RBA000075	Schwungrad kpl.	1	<b>Baujahr:</b> 2001[1] <b>Land:</b> Österreich[A], Australien[AA], Australien[AUS], Belgien[B], Schweiz[CH], Deutschland[D], Dänemark[DK], Spanien[E], A, B, CH, D, DK, E, F, I, NL, P, UK[EU], Frankreich[F], Italien[I], Japan[J], Japan[JJ], Holland[NL], Portugal[P], Großbritannien[UK] <b>Technische Daten:</b> Version mit voller Leistung[fp], "Motor ""DITECH"" mit Benzindirekteinspritzung"[ie]
2	AP2RBA000075	Schwungrad kpl.	1	<b>Baujahr:</b> 2002[2] <b>Land:</b> Belgien[B], Deutschland[D], Dänemark[DK], A, B, CH, D, DK, E, F, I, NL, P, UK[EU], Holland[NL] <b>Technische Daten:</b> Version mit Leistungsminderung 25 Kw[25k], "Motor ""DITECH"" mit Benzindirekteinspritzung"[ie]
2	AP2RBA000075	Schwungrad kpl.	1	<b>Baujahr:</b> 2001[1] <b>Land:</b> Belgien[B], Deutschland[D], Dänemark[DK], A, B, CH, D, DK, E, F, I, NL, P, UK[EU], Holland[NL] <b>Technische Daten:</b> Version mit Leistungsminderung 25 Kw[25k], "Motor ""DITECH"" mit Benzindirekteinspritzung"[ie]
2	AP2RBA000075	Schwungrad kpl.	1	<b>Baujahr:</b> 2000[Y] <b>Technische Daten:</b> Version mit voller Leistung[fp], "Motor ""DITECH"" mit Benzindirekteinspritzung"[ie]
2	AP2RBA000075	Schwungrad kpl.	1	<b>Baujahr:</b> 2000[Y] <b>Technische Daten:</b> Version mit Leistungsminderung 25 Kw[25k], Marke DUCATI ENERGIA[D], "Motor ""DITECH"" mit Benzindirekteinspritzung"[ie]
2	AP2RBA000075	Schwungrad kpl.	1	<b>Baujahr:</b> 2002[2] <b>Land:</b> Österreich[A], Australien[AA], Australien[AUS], Belgien[B], Schweiz[CH], Deutschland[D], Dänemark[DK], Spanien[E], A, B, CH, D, DK, E, F, I, NL, P, UK[EU],

<b>Einheit</b>	MOTOR
<b>Code</b>	29.57
<b>Beschreibung</b>	Schwungrad
<b>Inspektion</b>	1



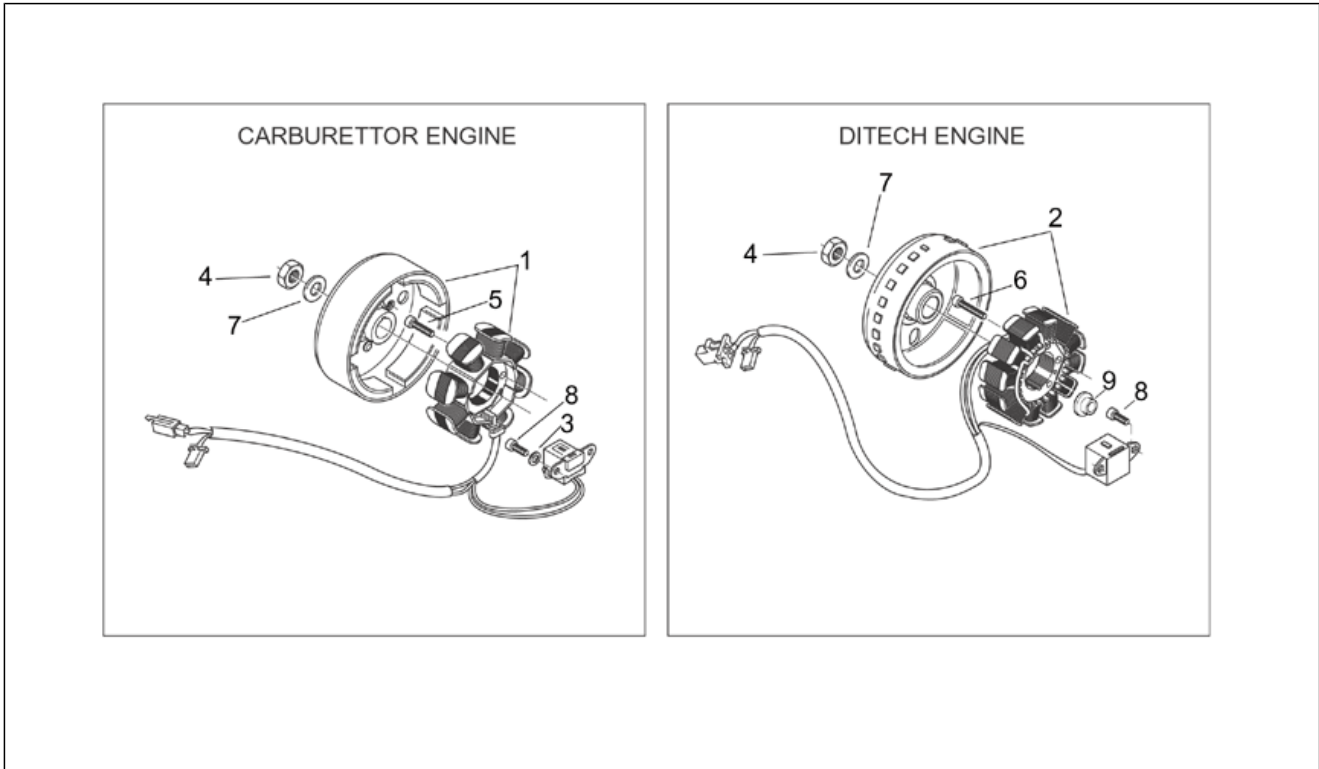
Pos.	Code	Beschreibung	Menge	Varianten
				Frankreich[F], Italien[I], Japan[J], Japan[JJ], Holland[NL], Portugal[P], Großbritannien[UK] <b>Technische Daten:</b> Version mit voller Leistung[fp], "Motor ""DITECH"" mit Benzindirekteinspritzung"[ie]
2	AP2RBA000075	Schwungrad kpl.	1	<b>Baujahr:</b> 2001[1] <b>Land:</b> Vereinigte Staaten von Amerika[AM], Vereinigte Staaten von Amerika[USA] <b>Technische Daten:</b> "Motor ""DITECH"" mit Benzindirekteinspritzung"[ie]
2	AP2RBA000075	Schwungrad kpl.	1	<b>Baujahr:</b> 2002[2] <b>Land:</b> Vereinigte Staaten von Amerika[AM], Vereinigte Staaten von Amerika[USA] <b>Technische Daten:</b> "Motor ""DITECH"" mit Benzindirekteinspritzung"[ie]
2	AP5RSR000227	Schwungrad kpl.	1	<b>Baujahr:</b> 2002[2] <b>Land:</b> Vereinigte Staaten von Amerika[AM], Vereinigte Staaten von Amerika[USA] <b>Technische Daten:</b> "Motor ""DITECH"" mit Benzindirekteinspritzung"[ie], Marke MITSUBA[M]
2	AP5RSR000227	Schwungrad kpl.	1	<b>Baujahr:</b> 2002[2] <b>Land:</b> Österreich[A], Australien[AA], Australien[AUS], Belgien[B], Schweiz[CH], Deutschland[D], Dänemark[DK], Spanien[E], A, B, CH, D, DK, E, F, I, NL, P, UK[EU], Frankreich[F], Italien[I], Japan[J], Japan[JJ], Holland[NL], Portugal[P], Großbritannien[UK] <b>Technische Daten:</b> Version mit voller Leistung[fp], "Motor ""DITECH"" mit Benzindirekteinspritzung"[ie], Marke MITSUBA[M]
2	AP5RSR000227	Schwungrad kpl.	1	<b>Baujahr:</b> 2003[3], 2004[4] <b>Land:</b> Vereinigte Staaten von Amerika[AM], Kanada[CA], Kanada[CN], Vereinigte Staaten von Amerika[USA] <b>Technische Daten:</b> "Motor ""DITECH"" mit Benzindirekteinspritzung"[ie], Marke MITSUBA[M]
2	AP5RSR000227	Schwungrad kpl.	1	<b>Baujahr:</b> 2002[2] <b>Land:</b> Belgien[B], Deutschland[D], Dänemark[DK], A, B, CH, D, DK, E, F, I, NL, P, UK[EU], Holland[NL]

<b>Einheit</b>	MOTOR
<b>Code</b>	29.57
<b>Beschreibung</b>	Schwungrad
<b>Inspektion</b>	1



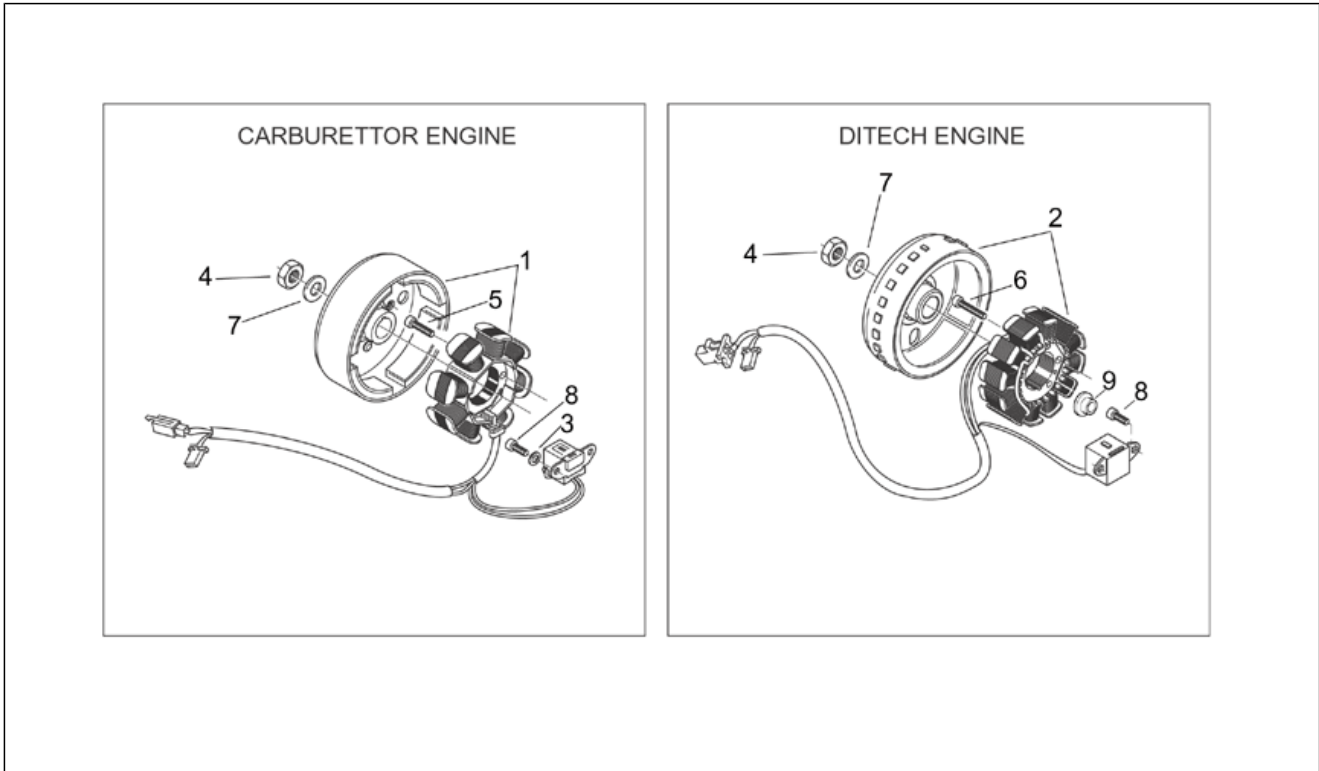
Pos.	Code	Beschreibung	Menge	Varianten
				<b>Technische Daten:</b> Version mit Leistungsminderung 25 Kw[25k], "Motor ""DITECH"" mit Benzindirekteinspritzung"[ie], Marke MITSUBA[M]
2	AP5RSR000227	Schwungrad kpl.	1	<b>Baujahr:</b> 2001[1] <b>Land:</b> Österreich[A], Australien[AA], Australien[AUS], Belgien[B], Schweiz[CH], Deutschland[D], Dänemark[DK], Spanien[E], A, B, CH, D, DK, E, F, I, NL, P, UK[EU], Frankreich[F], Italien[I], Japan[J], Japan[JJ], Holland[NL], Portugal[P], Großbritannien[UK] <b>Technische Daten:</b> Version mit voller Leistung[fp], "Motor ""DITECH"" mit Benzindirekteinspritzung"[ie], Marke MITSUBA[M]
2	AP5RSR000227	Schwungrad kpl.	1	<b>Baujahr:</b> 2001[1] <b>Land:</b> Belgien[B], Deutschland[D], Dänemark[DK], A, B, CH, D, DK, E, F, I, NL, P, UK[EU], Holland[NL] <b>Technische Daten:</b> Version mit Leistungsminderung 25 Kw[25k], "Motor ""DITECH"" mit Benzindirekteinspritzung"[ie], Marke MITSUBA[M]
2	AP5RSR000227	Schwungrad kpl.	1	<b>Baujahr:</b> 2000[Y] <b>Technische Daten:</b> Version mit Leistungsminderung 25 Kw[25k], "Motor ""DITECH"" mit Benzindirekteinspritzung"[ie], Marke MITSUBA[M]
2	AP5RSR000227	Schwungrad kpl.	1	<b>Baujahr:</b> 2000[Y] <b>Technische Daten:</b> Version mit voller Leistung[fp], "Motor ""DITECH"" mit Benzindirekteinspritzung"[ie], Marke MITSUBA[M]
2	AP5RSR000227	Schwungrad kpl.	1	<b>Baujahr:</b> 2001[1] <b>Land:</b> Vereinigte Staaten von Amerika[AM], Vereinigte Staaten von Amerika[USA] <b>Technische Daten:</b> "Motor ""DITECH"" mit Benzindirekteinspritzung"[ie], Marke MITSUBA[M]
2	AP5RSR000228	Schwungrad kpl.	1	<b>Baujahr:</b> 2002[2] <b>Land:</b> Vereinigte Staaten von Amerika[AM], Vereinigte Staaten von Amerika[USA] <b>Technische Daten:</b> Marke DUCATI ENERGIA[D], "Motor ""DITECH"" mit Benzindirekteinspritzung"[ie]

<b>Einheit</b>	MOTOR
<b>Code</b>	29.57
<b>Beschreibung</b>	Schwungrad
<b>Inspektion</b>	1



Pos.	Code	Beschreibung	Menge	Varianten
2	AP5RSR000228	Schwungrad kpl.	1	<b>Baujahr:</b> 2003[3], 2004[4] <b>Land:</b> Vereinigte Staaten von Amerika[AM], Kanada[CA], Kanada[CN], Vereinigte Staaten von Amerika[USA] <b>Technische Daten:</b> Marke DUCATI ENERGIA[D], "Motor ""DITECH"" mit Benzindirekteinspritzung"[ie]
2	AP5RSR000228	Schwungrad kpl.	1	<b>Baujahr:</b> 2001[1] <b>Land:</b> Vereinigte Staaten von Amerika[AM], Vereinigte Staaten von Amerika[USA] <b>Technische Daten:</b> Marke DUCATI ENERGIA[D], "Motor ""DITECH"" mit Benzindirekteinspritzung"[ie]
2	AP5RSR000228	Schwungrad kpl.	1	<b>Baujahr:</b> 2002[2] <b>Land:</b> Österreich[A], Australien[AA], Australien[AUS], Belgien[B], Schweiz[CH], Deutschland[D], Dänemark[DK], Spanien[E], A, B, CH, D, DK, E, F, I, NL, P, UK[EU], Frankreich[F], Italien[I], Japan[J], Japan[JJ], Holland[NL], Portugal[P], Großbritannien[UK] <b>Technische Daten:</b> Marke DUCATI ENERGIA[D], Version mit voller Leistung[fp], "Motor ""DITECH"" mit Benzindirekteinspritzung"[ie]
2	AP5RSR000228	Schwungrad kpl.	1	<b>Baujahr:</b> 2000[Y] <b>Technische Daten:</b> Version mit Leistungsminderung 25 Kw[25k], Marke DUCATI ENERGIA[D], "Motor ""DITECH"" mit Benzindirekteinspritzung"[ie]
2	AP5RSR000228	Schwungrad kpl.	1	<b>Baujahr:</b> 2002[2] <b>Land:</b> Belgien[B], Deutschland[D], Dänemark[DK], A, B, CH, D, DK, E, F, I, NL, P, UK[EU], Holland[NL] <b>Technische Daten:</b> Version mit Leistungsminderung 25 Kw[25k], Marke DUCATI ENERGIA[D], "Motor ""DITECH"" mit Benzindirekteinspritzung"[ie]
2	AP5RSR000228	Schwungrad kpl.	1	<b>Baujahr:</b> 2000[Y] <b>Technische Daten:</b> Marke DUCATI ENERGIA[D], Version mit voller Leistung[fp], "Motor ""DITECH"" mit Benzindirekteinspritzung"[ie]
2	AP5RSR000228	Schwungrad kpl.	1	<b>Baujahr:</b> 2001[1]

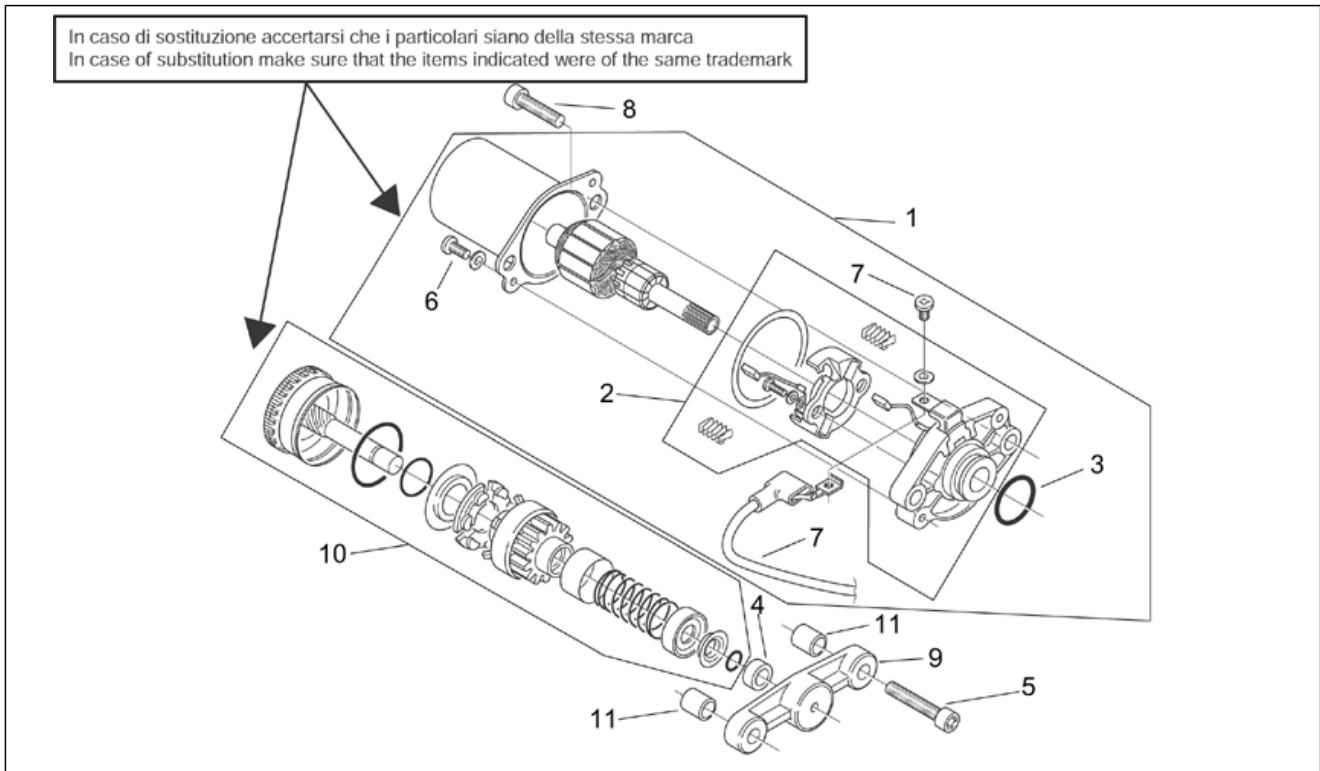
<b>Einheit</b>	MOTOR
<b>Code</b>	29.57
<b>Beschreibung</b>	Schwungrad
<b>Inspektion</b>	1



Pos.	Code	Beschreibung	Menge	Varianten
				<b>Land:</b> Österreich[A], Australien[AA], Australien[AUS], Belgien[B], Schweiz[CH], Deutschland[D], Dänemark[DK], Spanien[E], A, B, CH, D, DK, E, F, I, NL, P, UK[EU], Frankreich[F], Italien[I], Japan[J], Japan[JJ], Holland[NL], Portugal[P], Großbritannien[UK] <b>Technische Daten:</b> Marke DUCATI ENERGIA[D], Version mit voller Leistung[fp], "Motor ""DITECH"" mit Benzindirekteinspritzung"[ie]
2	AP5RSR000228	Schwungrad kpl.	1	<b>Baujahr:</b> 2001[1] <b>Land:</b> Belgien[B], Deutschland[D], Dänemark[DK], A, B, CH, D, DK, E, F, I, NL, P, UK[EU], Holland[NL] <b>Technische Daten:</b> Version mit Leistungsminderung 25 Kw[25k], Marke DUCATI ENERGIA[D], "Motor ""DITECH"" mit Benzindirekteinspritzung"[ie]
3	AP4DGN000066	Flachscheibe	2	
4	AP4BEN000010	Mutter m10x1,25	1	
5	AP4ADN000027	Schraube	2	<b>Technische Daten:</b> Motor mit Vergaser[carb]
6	AP4ADN000101	Schraube	2	<b>Technische Daten:</b> "Motor ""DITECH"" mit Benzindirekteinspritzung"[ie]
7	AP4DGN000077	Flachscheibe	1	
8	AP4ADN000023	Schraube M5x12	2	
9	AP3RAA000730	Buchse	1	

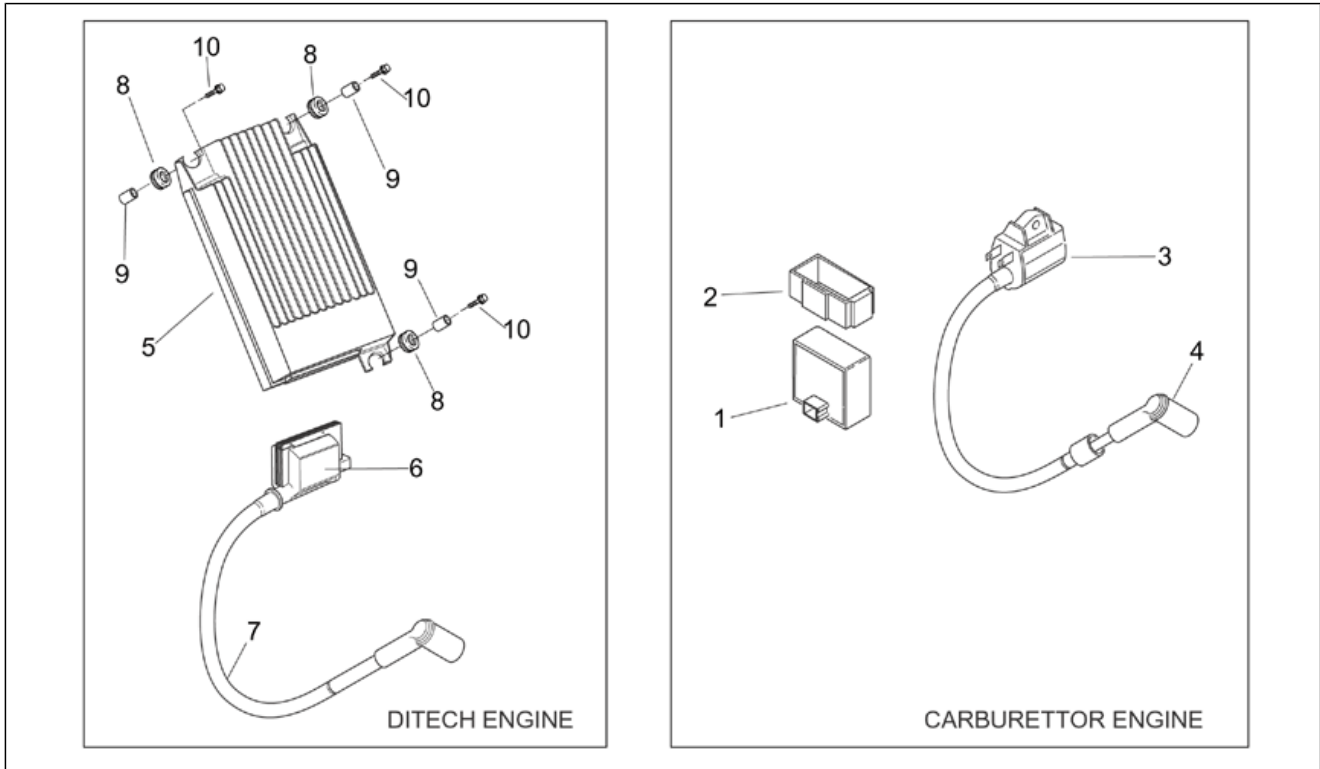


<b>Einheit</b>	MOTOR
<b>Code</b>	29.58
<b>Beschreibung</b>	Startermotor
<b>Inspektion</b>	1



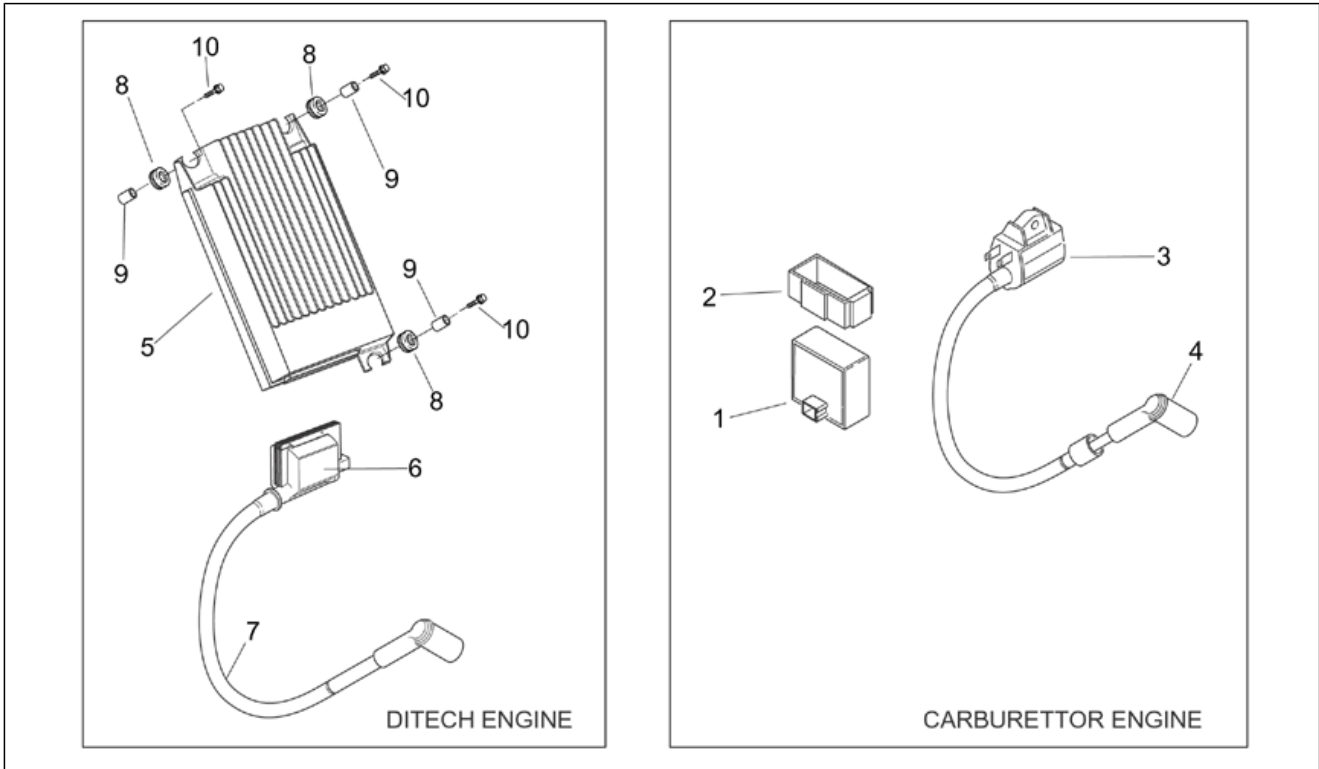
Pos.	Code	Beschreibung	Menge	Varianten
1	AP2QCA000041	Startermotor	1	<b>Technische Daten:</b> Marke MITSUBA[M]
1	AP2QCA000455	Startermotor	1	<b>Technische Daten:</b> Marke DUCATI ENERGIA[D]
2	AP5RQR000069	Aust.satz Anlasser	1	<b>Technische Daten:</b> Marke MITSUBA[M]
2	AP5RQR000183	Aust.satz Anlasser	1	<b>Technische Daten:</b> Marke DUCATI ENERGIA[D]
3	AP5RQR000023	O-Ring	1	<b>Technische Daten:</b> Marke MITSUBA[M]
3	AP5RQR000181	O-Ring	1	<b>Technische Daten:</b> Marke DUCATI ENERGIA[D]
4	AP3QAA000039	Buchse	1	
5	AP4ADN000012	TCEI Schraube	2	
6	AP5RQR000026	Schraube	2	
7	AP5RQR000027	Verkabelung mit Schraube	1	<b>Technische Daten:</b> Marke MITSUBA[M]
7	AP5RQR000182	Verkabelung	1	<b>Technische Daten:</b> Marke DUCATI ENERGIA[D]
8	AP4ADN000016	TCEI Schraube	2	
9	AP3QAA000038	Lagerbügel Bendix	1	
10	AP2QBA000058	Bendix	1	<b>Technische Daten:</b> Marke MITSUBA[M]
10	AP2QBA000456	Bendix	1	<b>Technische Daten:</b> Marke DUCATI ENERGIA[D]
11	AP3FCN000271	Stift	2	

<b>Einheit</b>	MOTOR
<b>Code</b>	29.59
<b>Beschreibung</b>	Zündung
<b>Inspektion</b>	1



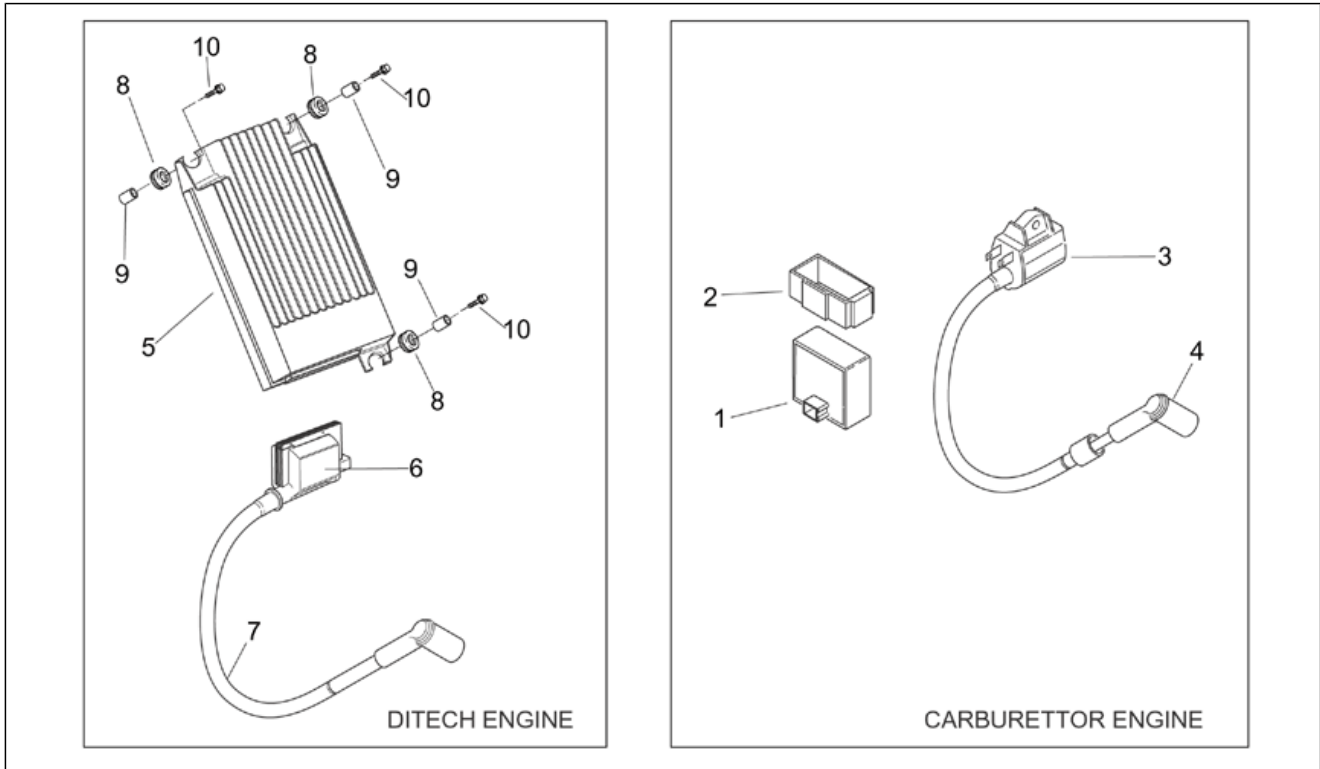
Pos.	Code	Beschreibung	Menge	Varianten
1	AP2RCA000033	Steuergerät	1	<b>Technische Daten:</b> Motor mit Vergaser[carb], Marke KOKUSAN[KO]
1	AP3RCA000447	Steuergerät	1	<b>Technische Daten:</b> Marke A.E.T.[AET], Motor mit Vergaser[carb]
2	AP8220545	Kabelgummi	1	<b>Technische Daten:</b> Motor mit Vergaser[carb]
3	AP2RDA000034	Zuendtransform.cpl.	1	<b>Technische Daten:</b> Motor mit Vergaser[carb], Marke KOKUSAN[KO]
3	AP3RDA000448	Zuendtransform.cpl.	1	<b>Technische Daten:</b> Marke A.E.T.[AET], Motor mit Vergaser[carb]
4	AP2REA000111	Zündkerzenkappe	1	<b>Technische Daten:</b> Motor mit Vergaser[carb]
5	AP8224262	Steuergerät	1	<b>Baujahr:</b> 2000[Y] <b>Technische Daten:</b> Version mit voller Leistung[fp], "Motor ""DITECH"" mit Benzindirekteinspritzung"[ie]
5	AP8224262	Steuergerät	1	<b>Baujahr:</b> 2001[1] <b>Land:</b> Österreich[A], Australien[AA], Australien[AUS], Belgien[B], Schweiz[CH], Deutschland[D], Dänemark[DK], Spanien[E], A, B, CH, D, DK, E, F, I, NL, P, UK[EU], Frankreich[F], Italien[I], Japan[J], Japan[JJ], Holland[NL], Portugal[P], Großbritannien[UK] <b>Technische Daten:</b> Version mit voller Leistung[fp], "Motor ""DITECH"" mit Benzindirekteinspritzung"[ie]
5	AP8224398	Steuergerät	1	<b>Baujahr:</b> 2000[Y] <b>Technische Daten:</b> Version mit Leistungsminderung 25 Kw[25k], "Motor ""DITECH"" mit Benzindirekteinspritzung"[ie]
5	AP8224398	Steuergerät	1	<b>Baujahr:</b> 2001[1] <b>Land:</b> Belgien[B], Deutschland[D], Dänemark[DK], A, B, CH, D, DK, E, F, I, NL, P, UK[EU], Holland[NL] <b>Technische Daten:</b> Version mit Leistungsminderung 25 Kw[25k], "Motor ""DITECH"" mit Benzindirekteinspritzung"[ie]
5	AP8224398	Steuergerät	1	<b>Baujahr:</b> 2002[2] <b>Land:</b> Belgien[B], Deutschland[D], Dänemark[DK], A, B, CH, D, DK, E, F, I, NL, P, UK[EU], Holland[NL]

<b>Einheit</b>	MOTOR
<b>Code</b>	29.59
<b>Beschreibung</b>	Zündung
<b>Inspektion</b>	1



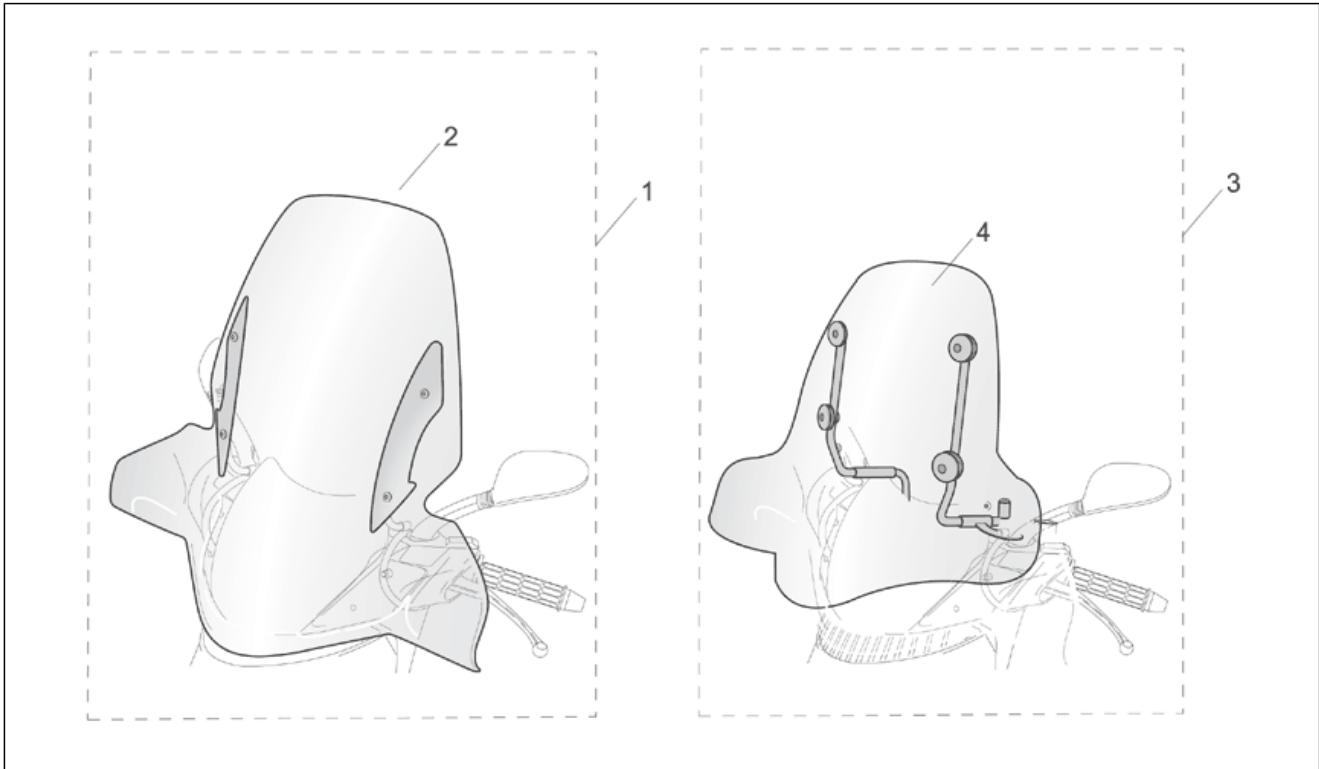
Pos.	Code	Beschreibung	Menge	Varianten
				<b>Technische Daten:</b> Version mit Leistungsminderung 25 Kw[25k], "Motor ""DITECH"" mit Benzindirekteinspritzung"[ie]
5	AP8224408	Steuergerät	1	<b>Land:</b> Vereinigte Staaten von Amerika[AM], Kanada[CA], Kanada[CN], Vereinigte Staaten von Amerika[USA] <b>Technische Daten:</b> "Motor ""DITECH"" mit Benzindirekteinspritzung"[ie]
5	AP8224414	Steuergerät	1	<b>Baujahr:</b> 2002[2] <b>Land:</b> Österreich[A], Australien[AA], Australien[AUS], Belgien[B], Schweiz[CH], Deutschland[D], Dänemark[DK], Spanien[E], A, B, CH, D, DK, E, F, I, NL, P, UK[EU], Frankreich[F], Italien[I], Japan[J], Japan[JJ], Holland[NL], Portugal[P], Großbritannien[UK] <b>Technische Daten:</b> Einzelteil mit Zulassung EURO 1[E1], Version mit voller Leistung[fp], "Motor ""DITECH"" mit Benzindirekteinspritzung"[ie]
5	AP8224414	Steuergerät	1	<b>Baujahr:</b> 2001[1] <b>Land:</b> Österreich[A], Australien[AA], Australien[AUS], Belgien[B], Schweiz[CH], Deutschland[D], Dänemark[DK], Spanien[E], A, B, CH, D, DK, E, F, I, NL, P, UK[EU], Frankreich[F], Italien[I], Japan[J], Japan[JJ], Holland[NL], Portugal[P], Großbritannien[UK] <b>Technische Daten:</b> Version mit voller Leistung[fp], "Motor ""DITECH"" mit Benzindirekteinspritzung"[ie]
5	AP8224414	Steuergerät	1	<b>Baujahr:</b> 2000[Y] <b>Technische Daten:</b> Version mit voller Leistung[fp], "Motor ""DITECH"" mit Benzindirekteinspritzung"[ie]
5	AP8224417	Steuergerät	1	<b>Baujahr:</b> 2002[2] <b>Land:</b> Belgien[B], Deutschland[D], Dänemark[DK], A, B, CH, D, DK, E, F, I, NL, P, UK[EU], Holland[NL] <b>Technische Daten:</b> Version mit Leistungsminderung 25 Kw[25k], "Motor ""DITECH"" mit Benzindirekteinspritzung"[ie]
5	AP8224417	Steuergerät	1	<b>Baujahr:</b> 2001[1] <b>Land:</b> Belgien[B], Deutschland[D], Dänemark[DK], A, B, CH, D, DK, E, F, I, NL, P, UK[EU], Holland[NL]

<b>Einheit</b>	MOTOR
<b>Code</b>	29.59
<b>Beschreibung</b>	Zündung
<b>Inspektion</b>	1



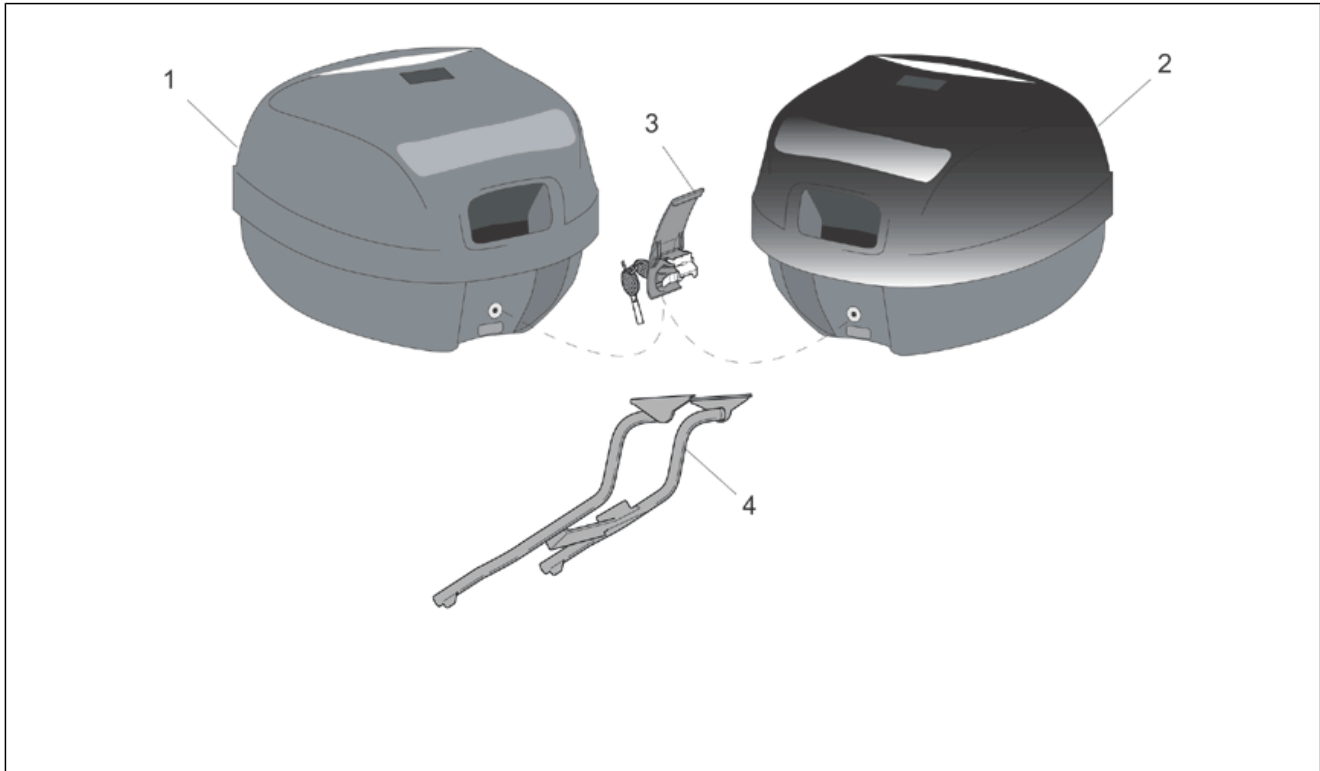
Pos.	Code	Beschreibung	Menge	Varianten
				<b>Technische Daten:</b> Version mit Leistungsminderung 25 Kw[25k], "Motor ""DITECH"" mit Benzindirekteinspritzung"[ie]
5	AP8224448	Steuergerät	1	<b>Baujahr:</b> 2002[2] <b>Land:</b> Österreich[A], Australien[AA], Australien[AUS], Belgien[B], Schweiz[CH], Deutschland[D], Dänemark[DK], Spanien[E], A, B, CH, D, DK, E, F, I, NL, P, UK[EU], Frankreich[F], Italien[I], Japan[J], Japan[JJ], Holland[NL], Portugal[P], Großbritannien[UK] <b>Technische Daten:</b> Einzelteil mit Zulassung EURO 2[E2], Version mit voller Leistung[fp], "Motor ""DITECH"" mit Benzindirekteinspritzung"[ie]
6	AP8224261	Zuendtransform.cpl.	1	<b>Technische Daten:</b> "Motor ""DITECH"" mit Benzindirekteinspritzung"[ie]
7	AP8224304	Zuendkabel	1	<b>Technische Daten:</b> "Motor ""DITECH"" mit Benzindirekteinspritzung"[ie]
8	AP8120405	Gummi	3	<b>Technische Daten:</b> "Motor ""DITECH"" mit Benzindirekteinspritzung"[ie]
9	AP8221036	Buchse 5,3x8x7,1	3	<b>Technische Daten:</b> "Motor ""DITECH"" mit Benzindirekteinspritzung"[ie]
10	AP8152273	Flanschschraube M5x15	3	<b>Technische Daten:</b> "Motor ""DITECH"" mit Benzindirekteinspritzung"[ie]

<b>Einheit</b>	ZUBEHÖR
<b>Code</b>	30.60
<b>Beschreibung</b>	Acc. - Windschilder
<b>Inspektion</b>	1



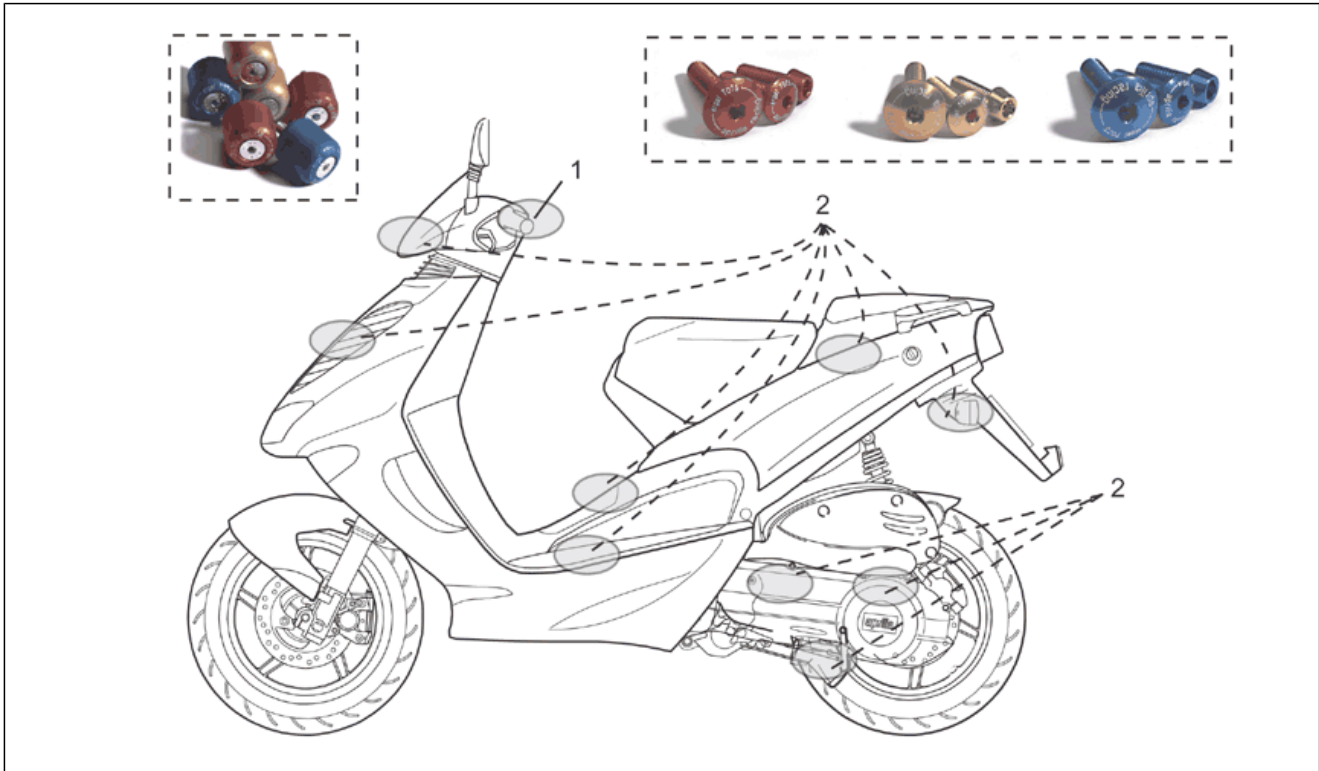
Pos.	Code	Beschreibung	Menge	Varianten
1	AP8791129	Windschutzscheibe Kpl. Big	1	Technische Daten:Zubehör[A]
2	AP8791128	Windschutzsch.o/Halter. Big	1	Technische Daten:Zubehör[A]
3	AP8791131	Windschutzscheibe Kpl. Sport	1	Technische Daten:Zubehör[A]
4	AP8791130	Windschutzsch.o/Halter. Sport	1	Technische Daten:Zubehör[A]

<b>Einheit</b>	ZUBEHÖR
<b>Code</b>	30.61
<b>Beschreibung</b>	Acc. - Koffer, Taschen
<b>Inspektion</b>	1



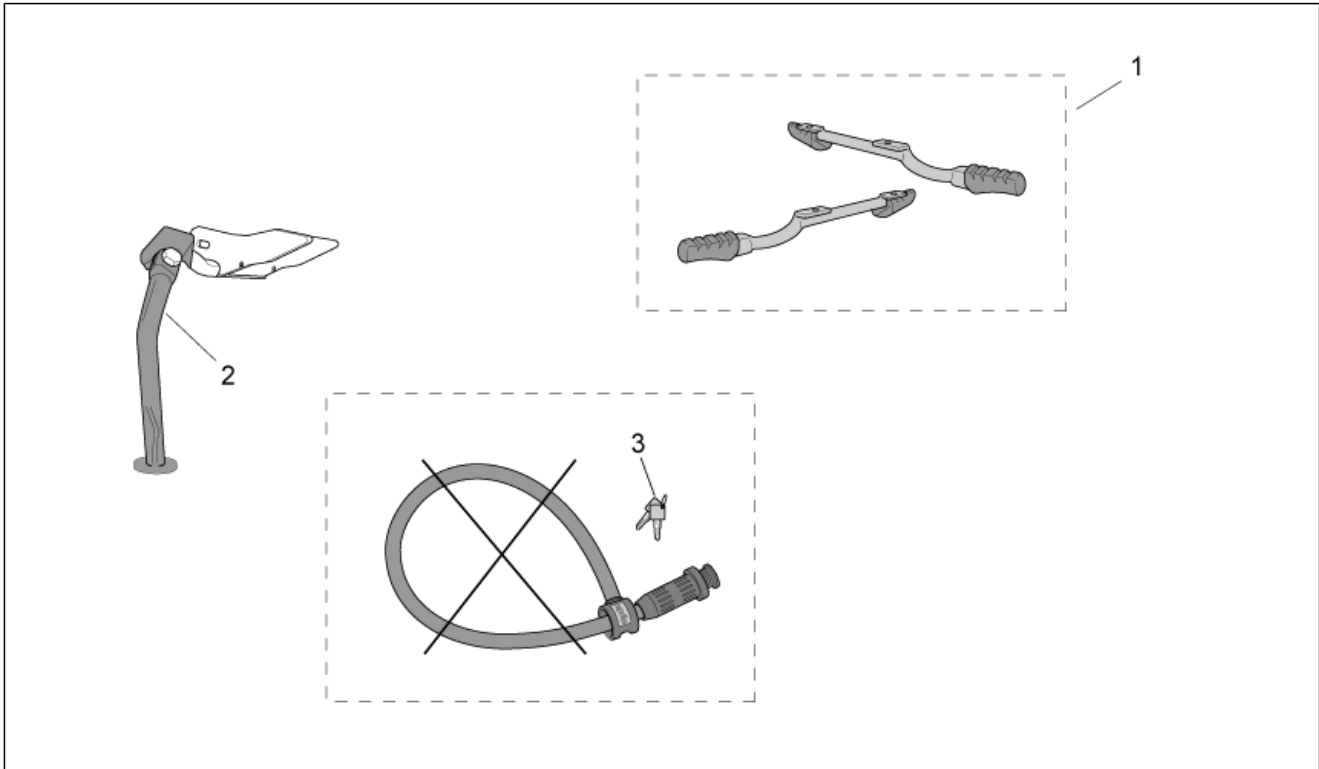
Pos.	Code	Beschreibung	Menge	Varianten
1	AP8792066	Koffer gaufriert New-C 32L	1	Technische Daten:Zubehör[A]
2	AP8792080	Koffer schwarz lack. New-C 28L	1	Technische Daten:Zubehör[A]
3	AP8104197	Kofferschloß kpl.	1	Technische Daten:Zubehör[A]
4	AP8793051	Halterplatte Koffer kpl. New-C	1	Technische Daten:Zubehör[A]

<b>Einheit</b>	ZUBEHÖR
<b>Code</b>	30.62
<b>Beschreibung</b>	Acc. - Fahrwerk
<b>Inspektion</b>	1



Pos.	Code	Beschreibung	Menge	Varianten
1	AP8202268	Schwingschutzge.rot-Paar Ergal	1	
1	AP8202269	Schwingschutzgew.blau-P. Ergal	1	
1	AP8202270	Schwingschutzgew.gold-P. Ergal	1	
2	AP8140651	Schrauben Kar.+Gehäu.rot Ergal	1	
2	AP8140652	Schrauben Kar.+Gehä.blau Ergal	1	
2	AP8140653	Schrauben Kar.+Gehä.gold Ergal	1	

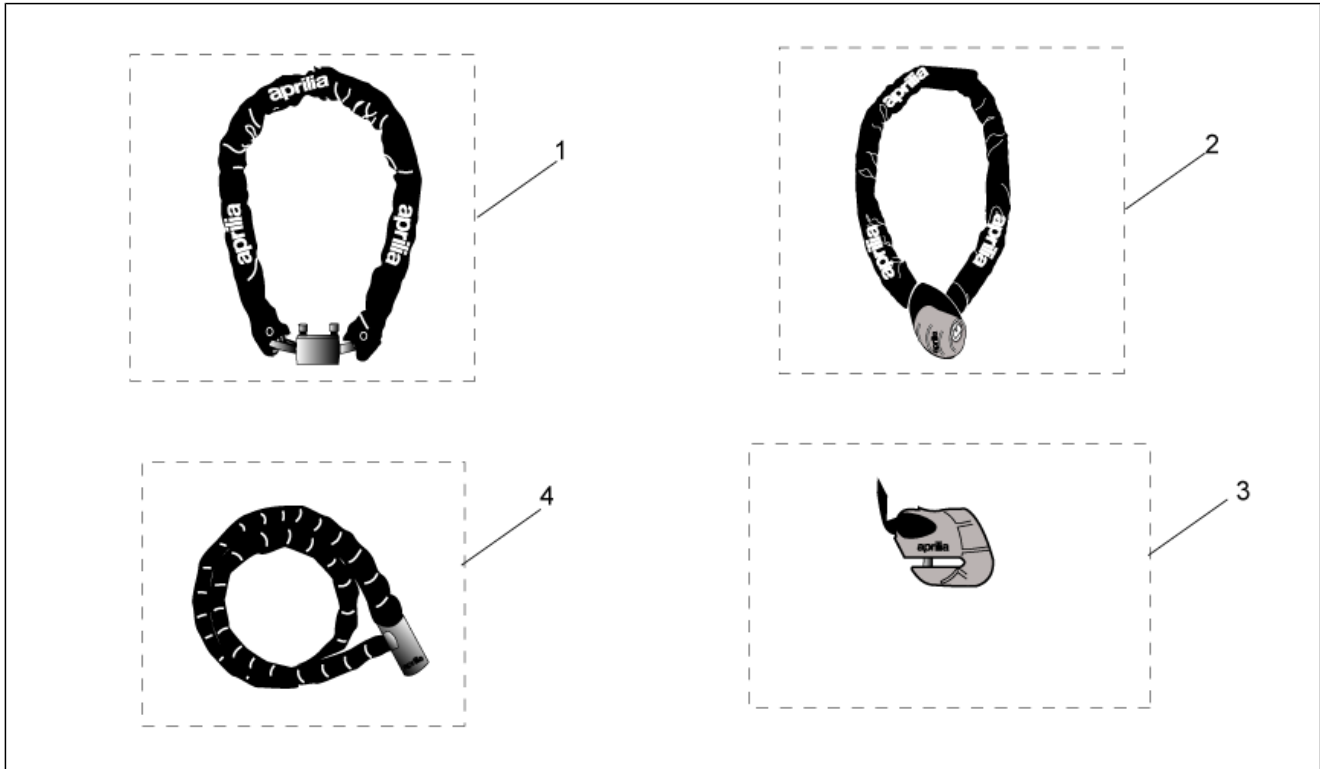
<b>Einheit</b>	ZUBEHÖR
<b>Code</b>	30.63
<b>Beschreibung</b>	Acc. - Sonstiges
<b>Inspektion</b>	1



Pos.	Code	Beschreibung	Menge	Varianten
1	AP8792157	Soziusrasten (Paar)	1	Technische Daten:Zubehör[A]
2	AP8790154	Seitenständer	1	Technische Daten:Zubehör[A]
3	AP8700792	Schlüsslersatzdie. B.Guard UK-D	1	Technische Daten:Zubehör[A]
3	AP8700793	Schlüsslersatzdie. B.Guard F-NL	1	Technische Daten:Zubehör[A]
3	AP8700794	Schlüsslersatzdie. B.Guard I-E	1	Technische Daten:Zubehör[A]



<b>Einheit</b>	ZUBEHÖR
<b>Code</b>	30.64
<b>Beschreibung</b>	Acc. - Diedstahl
<b>Inspektion</b>	1



Pos.	Code	Beschreibung	Menge	Varianten
1	AP8720115	Iron Guard 10x150 mm	1	Technische Daten:Zubehör[A]
2	AP8720116	Iron Guard 8x120 mm	1	Technische Daten:Zubehör[A]
3	AP8720117	Iron Guard Disk 5 mm	1	Technische Daten:Zubehör[A]
4	AP8720118	Easy Guard 150 mm	1	Technische Daten:Zubehör[A]