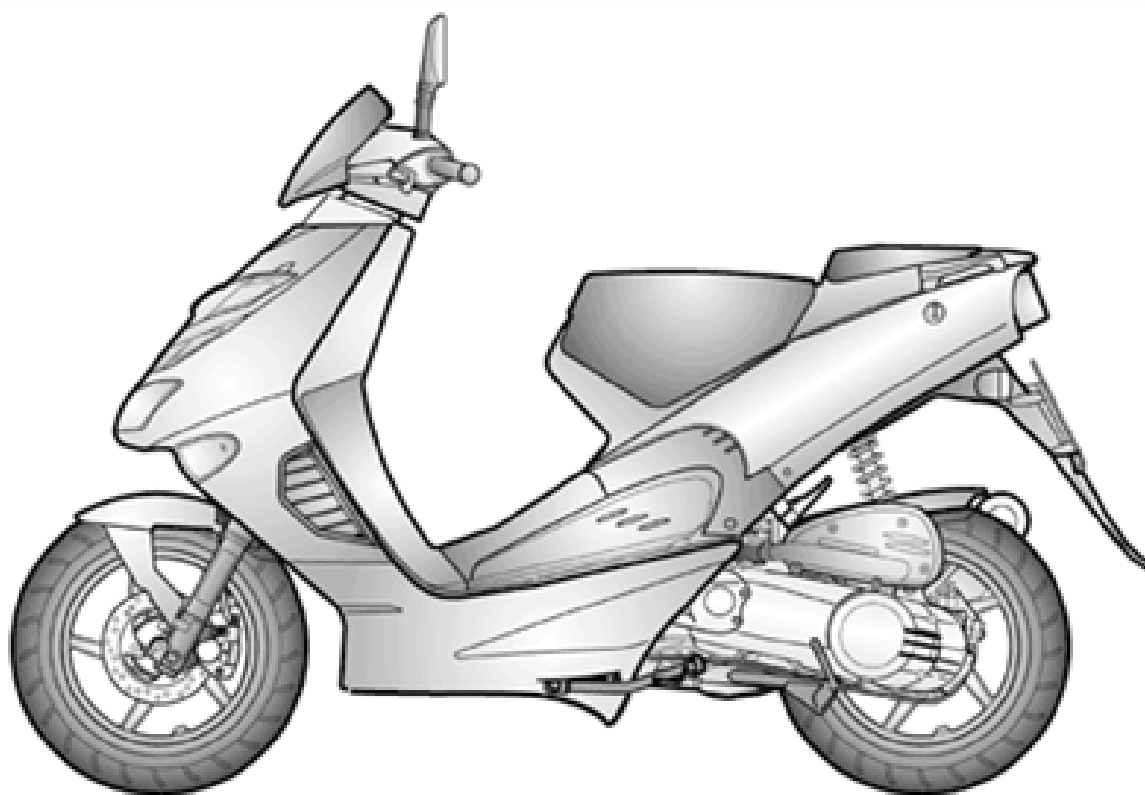


**aprilia**<sup>®</sup>

## ERSATZTEILKATALOG



### SR 50 H2O (Ditech E2) 02-04

Vorsatzcode Fahrgestell: ZD4RLD, ZD4RLE, ZD4TP  
Vorsatzcode Motor:

## Inhaltsverzeichnis

Fertige Produkte.....	4
Alphanumerisches Verzeichnis.....	7
RAHMEN.....	12
Tafel 28.01 - Rahmen.....	12
Tafel 28.02 - Hauptständer - Pleuelstange.....	13
Tafel 28.03 - Gabel I.....	14
Tafel 28.04 - Gabel II.....	16
Tafel 28.05 - Frontaufbau I.....	18
Tafel 28.06 - Frontaufbau II.....	20
Tafel 28.07 - Frontaufbau III.....	22
Tafel 28.08 - Frontaufbau IV.....	24
Tafel 28.09 - Mittlerer aufbau I.....	25
Tafel 28.10 - Mittlerer aufbau II.....	27
Tafel 28.11 - Sitz - Schäkel.....	29
Tafel 28.12 - Heckaufbau I.....	32
Tafel 28.13 - Heckaufbau II.....	33
Tafel 28.14 - Heckaufbau III.....	35
Tafel 28.15 - Lenkstange - Instrumenteneinheit.....	37
Tafel 28.16 - Lenkstange - Tasten.....	38
Tafel 28.17 - Schaltungen links.....	39
Tafel 28.18 - Schaltungen rechts.....	40
Tafel 28.19 - Ölbehälter.....	41
Tafel 28.20 - Kraftstofftank.....	42
Tafel 28.21 - Kühlanlage.....	43
Tafel 28.22 - Filtergehäuse.....	44
Tafel 28.24 - Auspuffrohr.....	45
Tafel 28.25 - Vorderrad.....	46
Tafel 28.26 - Vorderradbremzange.....	48
Tafel 28.27 - Hinterrad Scheibenbremse.....	49
Tafel 28.28 - Vorderer lichter.....	52
Tafel 28.29 - Hinterer lichter.....	53
Tafel 28.30 - Elektrische Anlage.....	55
Tafel 28.31 - Bausatz Schlösser.....	57
Tafel 28.32 - Schilder und Anleit.....	58
Tafel 28.33 - Frontaufbau und technische Deko.....	59
Tafel 28.34 - Mittlerer und Heck Aufbau Deko.....	60
MOTOR.....	62
Tafel 29.23 - Motor (Ditech).....	62
Tafel 29.35 - Gehäuse (Ditech).....	63
Tafel 29.36 - Wasserpumpenritzel.....	64
Tafel 29.37 - Kolben + Zylinder.....	65
Tafel 29.38 - Zylinderkopf.....	66
Tafel 29.39 - Kurbelwelle.....	67

---

Tafel 29.40 - Getriebedeckel (Ditech).....	68
Tafel 29.41 - Wandler.....	69
Tafel 29.42 - Übersetzung.....	70
Tafel 29.43 - Adler kupplung.....	71
Tafel 29.44 - Hong Zeng kupplung.....	72
Tafel 29.45 - Luftkompressor (Ditech).....	73
Tafel 29.46 - Klappenkörper (Ditech).....	74
Tafel 29.47 - Spritzeinheit (Ditech).....	75
Tafel 29.48 - Schwungrad.....	76
Tafel 29.49 - Startermotor.....	77
Tafel 29.50 - Zündung.....	78
ZUBEHÖR.....	79
Tafel 30.51 - Acc. - Windschilder.....	79
Tafel 30.52 - Acc. - Koffer, Taschen.....	80
Tafel 30.53 - Acc. - Fahrwerk.....	81
Tafel 30.54 - Acc. - Sonstiges.....	82
Tafel 30.55 - Acc. - Diebstahl.....	83

## Fertige Produkte

Code	Gültigkeit
AP67719AT07	
AP67719AT08	
AP67719AT13	
AP67719AT14	
AP67719AU04	
AP67719AU06	
AP67719AU07	
AP67719AU12	
AP67719AU13	
AP67719AU15	
AP67719AU16	
AP67719AU17	
AP67719BE03	
AP67719BE08	
AP67719BE09	
AP67719BE13	
AP67719BE14	
AP67719BE15	
AP67719CH04	
AP67719CH06	
AP67719CH08	
AP67719DE03	
AP67719DE04	
AP67719DE06	
AP67719DE07	
AP67719DE08	
AP67719DE09	
AP67719DE12	
AP67719DE13	
AP67719DE14	
AP67719DE15	
AP67719DE16	
AP67719DK07	
AP67719DK08	
AP67719DK09	
AP67719DK12	
AP67719DK13	
AP67719DK14	
AP67719DK15	
AP67719EL13	
AP67719ES07	
AP67719ES08	

Code	Gültigkeit
AP67719ES09	
AP67719ES12	
AP67719ES13	
AP67719ES14	
AP67719ES15	
AP67719ES16	
AP67719EU08	
AP67719EU12	
AP67719EU13	
AP67719EU14	
AP67719FR07	
AP67719FR08	
AP67719FR09	
AP67719FR12	
AP67719FR13	
AP67719FR14	
AP67719FR15	
AP67719GB03	
AP67719GB04	
AP67719GB07	
AP67719GB08	
AP67719GB09	
AP67719GB12	
AP67719GB13	
AP67719GB14	
AP67719GB15	
AP67719GB16	
AP67719IT01	
AP67719IT03	
AP67719IT04	
AP67719IT06	
AP67719IT07	
AP67719IT08	
AP67719IT12	
AP67719IT13	
AP67719IT14	
AP67719IT15	
AP67719IT16	
AP67719IT17	
AP67719IT18	
AP67719NL03	
AP67719NL04	
AP67719NL06	
AP67719NL07	
AP67719NL08	

---

Code	Gültigkeit
AP67719NL09	
AP67719NL12	
AP67719NL13	
AP67719NL14	
AP67719NL15	
AP67719NL16	
AP67719NL17	
AP67719NL18	

Code	Nr. der Tafel	Pos.	Code	Nr. der Tafel	Pos.	Code	Nr. der Tafel	Pos.
0000000	28.25	1	AP3EBN000183	29.39	1	AP4ADN000179	29.35	18
0000000	28.27	1	AP3ECN000080	29.36	9	AP4AHN000067	29.35	19
854933	28.20	17	AP3EDA000143	29.37	6	AP4APN000267	29.36	19
AP1BFA000699	29.39	6	AP3EDN000281	29.36	25	AP4APN000267	29.38	3
AP1BHAA000624	29.35	2	AP3EDN000281	29.38	11	AP4AUN000011	29.35	7
AP1BOA000028	29.42	1	AP3EVA000433	29.37	4	AP4BAN000002	29.37	2
AP1BOA000029	29.42	3	AP3FBN000049	29.42	6	AP4BAN000076	29.37	3
AP2AAN000212	29.47	9	AP3FCN000268	29.35	3	AP4BDN000039	29.43	8
AP2APN000213	29.40	2	AP3FCN000269	29.35	1	AP4BEN000010	29.48	4
AP2AVN000256	29.47	2	AP3FCN000271	29.49	11	AP4DAN000125	29.36	17
AP2BAA000164	29.38	12	AP3GAN000051	29.42	8	AP4DFN000032	29.45	3
AP2BAA000643	29.38	6	AP3GAN000214	29.39	4	AP4DFN000033	29.36	20
AP2BEN000276	29.38	4	AP3HAA000044	29.35	4	AP4DFN000033	29.46	9
AP2BVA000040	29.37	1	AP3HAA000068	29.35	12	AP4DGN000066	29.48	3
AP2DHN000202	29.36	8	AP3HAN000056	29.35	6	AP4DGN000077	29.48	7
AP2EAN000081	29.38	14	AP3HVA000160	29.35	15	AP4DHN000020	29.41	4
AP2EAN000185	29.45	5	AP3HVA000468	29.40	6	AP4EEN000037	29.35	22
AP2EAN000257	29.47	6	AP3HZA000152	29.35	14	AP4EEN000063	29.35	21
AP2EAN000258	29.47	5	AP3LAA000010	29.23	10	AP4EEN000063	29.36	5
AP2FBN000034	29.46	11	AP3LAA000100	29.36	18	AP4EEN000063	29.38	9
AP2FDN000175	29.23	11	AP3LAA000110	29.38	10	AP4FAN000030	29.39	8
AP2FDN000176	29.23	12	AP3LAA000173	29.36	11	AP4FCN000095	29.36	15
AP2FDN000200	29.47	7	AP3LAA000586	29.38	15	AP4GAN000025	29.42	7
AP2FDN000201	29.46	5	AP3LBA000130	29.36	2	AP4GAN000026	29.35	10
AP2GAN000113	29.42	10	AP3LBA000587	29.36	24	AP4GAN000083	29.35	5
AP2GAN000219	29.39	3	AP3LCA000101	29.36	14	AP4GAN000103	29.36	21
AP2GLN000192	29.39	7	AP3LCA000166	29.36	16	AP5RAR000102	29.47	10
AP2HAA000487	29.46	12	AP3LDA000109	29.36	10	AP5RAR000104	29.45	6
AP2HAN000224	29.46	10	AP3LZA000108	29.36	1	AP5RAR000108	29.47	12
AP2MCA000014	29.41	12	AP3MAA000450	29.40	3	AP5RAR000109	29.47	11
AP2MDA000426	29.43	9	AP3MAN000190	29.41	14	AP5RAR000110	29.47	13
AP2MDA000427	29.43	1	AP3MAN000264	29.40	5	AP5RAR000112	29.45	4
AP2MEA000419	29.41	8	AP3MDA000619	29.44	9	AP5RER000074	29.37	7
AP2MEA000420	29.41	9	AP3MDA000621	29.44	1	AP5RER000077	29.37	7
AP2MEA000423	29.41	11	AP3MEA000620	29.41	6	AP5RER000081	29.37	7
AP2MEA000424	29.41	6	AP3MEA000715	29.41	11	AP5RER000084	29.37	8
AP2MEA000530	29.41	7	AP3MEN000255	29.41	13	AP5RER000085	29.37	8
AP2MEA000790	29.41	9	AP3MEN000302	29.41	10	AP5RER000087	29.37	8
AP2MEN000187	29.41	10	AP3NAN000058	29.42	5	AP5RER000089	29.37	9
AP2MEN000188	29.41	13	AP3NAN000059	29.42	4	AP5RHR000002	29.40	1
AP2QBA000058	29.49	10	AP3NBA000027	29.42	2	AP5RLR000114	29.38	13
AP2QBA000456	29.49	10	AP3NVA000627	29.35	24	AP5RMR000085	29.43	10
AP2QCA000041	29.49	1	AP3QAA000038	29.49	9	AP5RMR000087	29.43	6
AP2QCA000455	29.49	1	AP3QAA000039	29.35	23	AP5RMR000088	29.43	4
AP3AAN000054	29.36	13	AP3QAA000039	29.49	4	AP5RMR000089	29.43	13
AP3AAN000054	29.46	6	AP3QEA000031	29.41	1	AP5RMR000090	29.43	11
AP3ABA000642	29.46	4	AP3RAA000730	29.48	1	AP5RMR000092	29.43	2
AP3ABN000092	29.36	7	AP3TAN000060	29.41	3	AP5RMR000096	29.43	12
AP3ACA000132	29.46	1	AP3TAN000172	29.41	5	AP5RMR000097	29.43	5
AP3AEA000002	29.46	3	AP3TDA000074	29.41	2	AP5RMR000207	29.43	3
AP3AEA000547	29.47	1	AP3UAN000061	29.38	1	AP5RMR000208	29.43	7
AP3AFA000162	29.45	1	AP3UAN000300	29.36	22	AP5RMR000234	29.41	8
AP3AGA000614	29.47	3	AP4ADN000007	29.35	16	AP5RMR000235	29.41	7
AP3AUN000062	29.35	20	AP4ADN000012	29.49	5	AP5RMR000237	29.41	9
AP3AUN000124	29.36	4	AP4ADN000013	29.35	8	AP5RMR000239	29.44	8
AP3AUN000124	29.38	8	AP4ADN000014	29.36	23	AP5RMR000240	29.44	7
AP3AVA000063	29.46	2	AP4ADN000014	29.38	7	AP5RMR000241	29.44	6
AP3AVN000086	29.46	7	AP4ADN000014	29.46	8	AP5RMR000242	29.44	4
AP3AVN000245	29.47	4	AP4ADN000016	29.35	13	AP5RMR000243	29.44	5
AP3BBA000606	29.38	2	AP4ADN000016	29.36	12	AP5RMR000245	29.44	2
AP3BDN000005	29.38	5	AP4ADN000016	29.36	6	AP5RMR000246	29.44	3
AP3EAN000048	29.35	11	AP4ADN000016	29.40	4	AP5RQR000023	29.49	3
AP3EAN000082	29.36	3	AP4ADN000016	29.49	8	AP5RQR000026	29.49	6
AP3EAN000096	29.37	5	AP4ADN000023	29.48	5	AP5RQR000027	29.49	7
AP3EBN000046	29.42	9	AP4ADN000027	29.45	2	AP5RQR000069	29.49	2
AP3EBN000047	29.35	9	AP4ADN000101	29.48	6	AP5RQR000181	29.49	3
AP3EBN000180	29.39	5	AP4ADN000178	29.35	17	AP5RQR000182	29.49	7

Code	Nr. der Tafel	Pos.
AP5RQR000183	29.49	2
AP5RSR000227	29.48	2
AP5RSR000228	29.48	2
AP5RZR000098	29.37	10
AP5RZR000099	29.39	2
AP5RZR000232	29.47	8
AP8101573	28.21	14
AP8101606	28.02	3
AP8101743	28.19	11
AP8101770	28.19	12
AP8101770	28.19	16
AP8101912	28.21	3
AP8101944	28.19	6
AP8102223	28.19	5
AP8102224	28.19	4
AP8102273	28.20	13
AP8102349	28.20	1
AP8102375	28.01	13
AP8102375	28.07	9
AP8102375	28.14	10
AP8102375	28.19	15
AP8102375	28.22	6
AP8102375	28.30	19
AP8102376	28.01	12
AP8102376	28.07	10
AP8102376	28.09	1
AP8102376	28.10	5
AP8102376	28.13	18
AP8102376	28.14	3
AP8102376	28.19	10
AP8102376	28.20	14
AP8102376	28.21	11
AP8102671	28.16	2
AP8102732	28.21	15
AP8102764	28.20	8
AP8102765	28.21	9
AP8102782	28.07	4
AP8102880	28.01	7
AP8102880	28.31	12
AP8104197	30.52	3
AP8104546	28.16	11
AP8112176	28.30	17
AP8112811	28.30	15
AP8112916	28.14	13
AP8113003	28.26	6
AP8113003	28.27	14
AP8113004	28.26	7
AP8113004	28.27	10
AP8113005	28.27	8
AP8113006	28.26	9
AP8113006	28.27	9
AP8113122	28.26	10
AP8113414	28.17	8
AP8113414	28.18	6
AP8113577	28.26	2
AP8113637	28.17	9
AP8113637	28.18	7
AP8113638	28.26	3
AP8113640	28.26	5
AP8113861	28.17	11
AP8113861	28.18	14
AP8113869	28.27	6
AP8113871	28.27	17
AP8117041	28.09	7
AP8120405	29.50	4
AP8120416	28.22	24
AP8120531	28.05	10

Code	Nr. der Tafel	Pos.
AP8120531	28.07	8
AP8120531	28.08	2
AP8120531	28.13	25
AP8120593	28.22	4
AP8120754	28.30	16
AP8120864	28.25	8
AP8120865	28.25	9
AP8121075	28.24	11
AP8121697	28.02	16
AP8121811	28.14	21
AP8121811	28.30	24
AP8121984	28.22	10
AP8123701	28.04	1
AP8123708	28.03	13
AP8124081	28.16	13
AP8124208	28.16	9
AP8124209	28.16	1
AP8124235	28.30	2
AP8124516	28.28	14
AP8124517	28.28	15
AP8124637	28.30	6
AP8124762	28.15	9
AP8124811	28.19	3
AP8124814	28.20	2
AP8124857	28.30	18
AP8125757	28.17	5
AP8125757	28.18	3
AP8125782	28.25	6
AP8127002	28.29	15
AP8127305	28.30	1
AP8127477	28.30	21
AP8127487	28.16	12
AP8134167	28.27	15
AP8140651	30.53	2
AP8140652	30.53	2
AP8140653	30.53	2
AP8144081	28.11	5
AP8149302	28.29	19
AP8149303	28.14	5
AP8149303	28.14	5
AP8150015	28.19	2
AP8150015	28.20	4
AP8150017	28.02	8
AP8150020	28.02	13
AP8150020	28.16	6
AP8150086	28.02	14
AP8150086	28.16	7
AP8150137	28.31	14
AP8150157	28.22	9
AP8150158	28.14	11
AP8150158	28.14	19
AP8150179	28.07	18
AP8150202	28.29	11
AP8150204	28.14	12
AP8150204	28.14	18
AP8150220	28.11	4
AP8150220	28.14	7
AP8150270	28.28	6
AP8150272	28.01	22
AP8150280	28.29	11
AP8150333	28.24	10
AP8150373	28.25	14
AP8150376	28.02	9
AP8150376	28.24	2
AP8150382	28.10	8
AP8150413	28.05	6
AP8150413	28.06	5

Code	Nr. der Tafel	Pos.
AP8150413	28.07	7
AP8150413	28.10	11
AP8150413	28.12	2
AP8150413	28.13	2
AP8150413	28.22	20
AP8150413	28.29	13
AP8150420	28.05	9
AP8150421	28.15	10
AP8150425	28.09	2
AP8150425	28.10	7
AP8150426	28.06	4
AP8150430	28.13	5
AP8150430	28.14	23
AP8150430	28.31	6
AP8150432	29.23	6
AP8150471	28.27	16
AP8152018	28.25	11
AP8152018	29.23	7
AP8152043	28.14	17
AP8152140	28.01	8
AP8152140	28.31	13
AP8152181	28.22	15
AP8152194	28.13	14
AP8152194	28.31	8
AP8152244	28.27	12
AP8152246	28.08	5
AP8152246	28.21	12
AP8152246	28.24	5
AP8152260	28.24	6
AP8152272	28.19	14
AP8152273	29.50	6
AP8152274	28.22	18
AP8152277	28.01	21
AP8152277	28.12	5
AP8152277	28.27	19
AP8152278	28.01	19
AP8152278	28.11	8
AP8152278	28.21	8
AP8152278	28.30	12
AP8152279	28.13	10
AP8152279	28.19	1
AP8152279	28.20	5
AP8152280	28.10	9
AP8152282	28.13	21
AP8152282	28.14	8
AP8152283	28.13	3
AP8152283	28.31	5
AP8152288	28.27	20
AP8152289	28.26	8
AP8152290	28.16	4
AP8152290	28.24	3
AP8152291	28.24	8
AP8152298	28.07	13
AP8152298	28.14	1
AP8152298	28.14	15
AP8152299	28.13	22
AP8152299	28.29	12
AP8152299	28.30	11
AP8152300	28.16	5
AP8152301	28.02	15
AP8152301	28.16	3
AP8152302	28.05	3
AP8152302	28.07	14
AP8152302	28.14	22
AP8152306	28.22	19
AP8152306	28.29	12
AP8152318	29.23	3



Code	Nr. der Tafel	Pos.
AP8152329	28.22	5
AP8152339	28.08	3
AP8158085	28.05	4
AP8176137	28.20	17
AP8201225	28.20	12
AP8201546	28.25	7
AP8201546	28.27	5
AP8201620	28.13	15
AP8201620	28.31	9
AP8201643	28.13	8
AP8201695	28.21	1
AP8201748	28.13	20
AP8201748	28.31	11
AP8201749	28.13	16
AP8201749	28.31	10
AP8201757	28.20	3
AP8201763	28.01	14
AP8201763	28.07	3
AP8201763	28.09	6
AP8201763	28.10	6
AP8201763	28.12	3
AP8201763	28.14	9
AP8201799	28.22	13
AP8201807	28.21	13
AP8201925	28.25	15
AP8201975	28.15	3
AP8201976	28.15	2
AP8202071	28.15	7
AP8202212	28.21	1
AP8202216	28.01	16
AP8202218	28.31	1
AP8202223	28.32	2
AP8202224	28.32	2
AP8202225	28.32	2
AP8202238	28.01	9
AP8202246	28.13	4
AP8202246	28.31	4
AP8202247	28.13	12
AP8202247	28.31	3
AP8202268	30.53	1
AP8202269	30.53	1
AP8202270	30.53	1
AP8202280	28.22	11
AP8202302	28.22	3
AP8202402	28.20	20
AP8202436	28.20	18
AP8203561	28.03	2
AP8203564	28.04	4
AP8203565	28.04	6
AP8203566	28.04	5
AP8203570	28.04	11
AP8203571	28.04	9
AP8203572	28.04	10
AP8203652	28.03	3
AP8203666	28.01	2
AP8203702	28.03	4
AP8203752	28.03	4
AP8203753	28.03	5
AP8203754	28.03	6
AP8203755	28.03	7
AP8203756	28.03	8
AP8203757	28.03	9
AP8203758	28.03	10
AP8203759	28.03	11
AP8203760	28.04	2
AP8203761	28.04	3
AP8203762	28.03	12

Code	Nr. der Tafel	Pos.
AP8203762	28.03	12
AP8203777	28.03	2
AP8203778	28.03	3
AP8203779	28.03	5
AP8203780	28.03	6
AP8203781	28.03	8
AP8203782	28.03	9
AP8203783	28.03	10
AP8203784	28.03	11
AP8203785	28.04	1
AP8203786	28.03	13
AP8203787	28.04	2
AP8203788	28.04	3
AP8203794	28.04	10
AP8203795	28.04	11
AP8203796	28.04	9
AP8203797	28.03	12
AP8203977	29.23	4
AP8203977	29.23	4
AP8203977	29.23	4
AP8203986	28.03	14
AP8203987	28.04	7
AP8203988	28.04	8
AP8203992	28.04	4
AP8203993	28.04	5
AP8203994	28.04	7
AP8203995	28.04	8
AP8206233	29.23	9
AP8206936	28.04	6
AP8206992	29.23	1
AP8208708	28.25	2
AP8208709	28.27	2
AP8208784	28.25	2
AP8208785	28.27	2
AP8208812	28.27	13
AP8208812	28.27	13
AP8208824	28.27	13
AP8208824	28.27	13
AP8208825	28.25	2
AP8208825	28.25	2
AP8208826	28.25	2
AP8208826	28.25	2
AP8208827	28.27	2
AP8208827	28.27	2
AP8208828	28.27	2
AP8208828	28.27	2
AP8208893	28.25	2
AP8208893	28.25	2
AP8208894	28.27	2
AP8208894	28.27	2
AP8208896	28.25	2
AP8208896	28.25	2
AP8208897	28.27	2
AP8208897	28.27	2
AP8208908	28.25	2
AP8208909	28.27	2
AP8212382	28.30	10
AP8212611	28.30	8
AP8212698	28.29	4
AP8212767	28.16	10
AP8212771	28.28	3
AP8212775	28.29	8
AP8212837	28.16	8
AP8212841	28.28	1
AP8212903	28.28	3
AP8212933	28.29	7
AP8212934	28.29	6

Code	Nr. der Tafel	Pos.
AP8213227	28.26	4
AP8213231	28.25	3
AP8213231	28.27	3
AP8213248	28.26	1
AP8213272	28.17	6
AP8213272	28.18	4
AP8213298	28.17	7
AP8213298	28.18	5
AP8213299	28.17	10
AP8213299	28.18	8
AP8213375	28.17	2
AP8213375	28.18	11
AP8213400	28.17	12
AP8213400	28.18	13
AP8213457	28.27	18
AP8213474	28.27	11
AP8213484	28.18	1
AP8213485	28.17	3
AP8213488	28.27	7
AP8214163	28.15	8
AP8214202	28.18	9
AP8217034	28.07	15
AP8218210	28.15	1
AP8218265	28.17	1
AP8218265	28.18	12
AP8218275	28.17	1
AP8218275	28.18	12
AP8218331	28.18	10
AP8218549	28.17	4
AP8218549	28.18	2
AP8219212	28.24	7
AP8219452	28.24	1
AP8219543	28.24	12
AP8219593	28.24	12
AP8220195	28.19	8
AP8220238	28.01	18
AP8220238	28.02	7
AP8220263	28.20	10
AP8220283	28.30	20
AP8220313	28.13	11
AP8220346	28.02	11
AP8220349	28.11	2
AP8220357	28.24	9
AP8220399	28.02	12
AP8220402	28.19	17
AP8220421	28.19	9
AP8220453	28.15	5
AP8220454	28.15	4
AP8220468	28.13	19
AP8220471	28.07	16
AP8220472	28.20	7
AP8220474	28.21	7
AP8220546	28.30	13
AP8220551	28.15	16
AP8220562	29.23	2
AP8220565	28.21	5
AP8220578	28.21	6
AP8220579	28.27	13
AP8220580	28.06	6
AP8220587	28.22	2
AP8220592	28.13	23
AP8220596	28.20	15
AP8220597	28.20	19
AP8220597	28.20	21
AP8220598	28.20	11
AP8220603	28.22	16
AP8220604	28.22	17

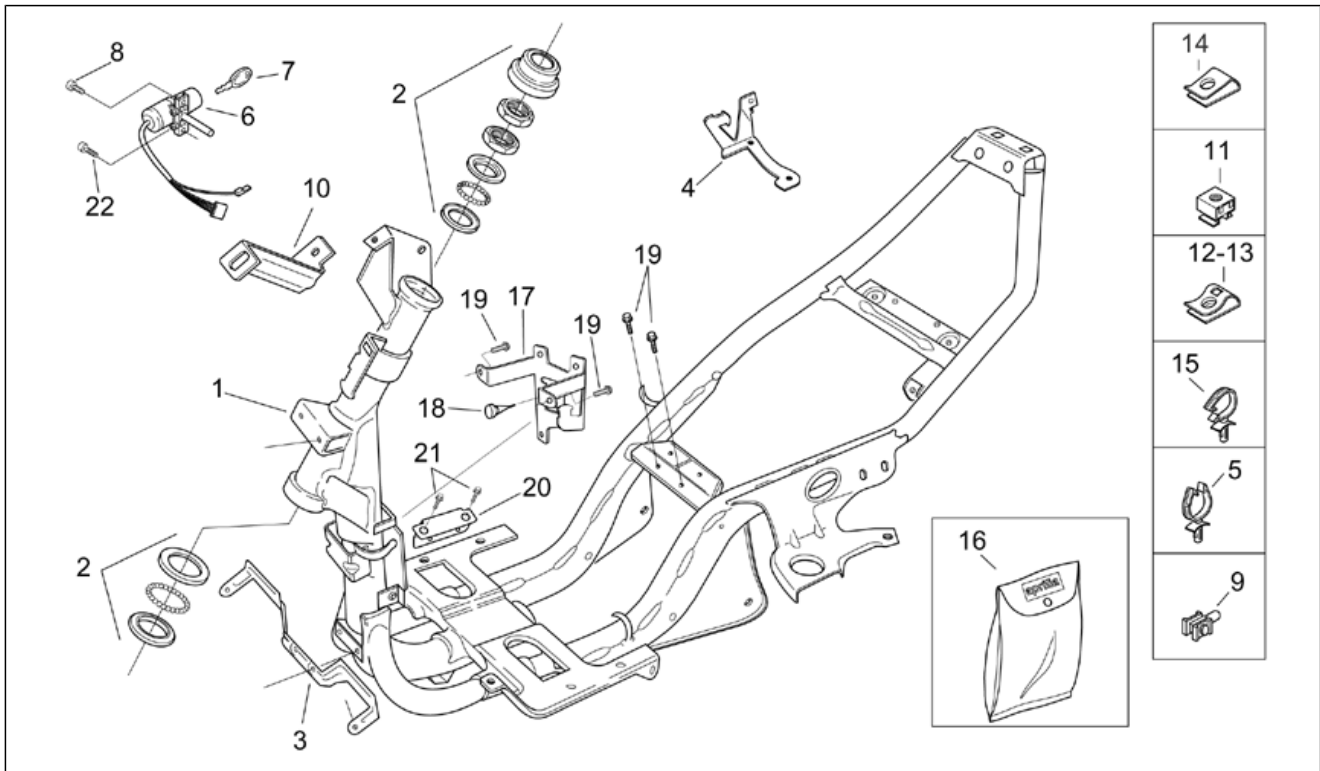
Code	Nr. der Tafel	Pos.
AP8220605	28.22	23
AP8220608	28.22	14
AP8220711	29.47	14
AP8221036	29.50	5
AP8221046	28.10	10
AP8221119	28.25	10
AP8221213	28.01	11
AP8221218	28.14	6
AP8221242	28.15	6
AP8221297	28.24	4
AP8221307	29.23	5
AP8221310	28.01	15
AP8221311	28.01	5
AP8221312	28.13	13
AP8221312	28.31	7
AP8221317	28.02	5
AP8221318	28.02	6
AP8221321	28.13	7
AP8221322	29.23	8
AP8221323	28.02	4
AP8221328	28.02	2
AP8222708	28.19	13
AP8222775	29.23	1
AP8223004	28.03	1
AP8223024	29.23	4
AP8223024	29.23	4
AP8223037	28.04	1
AP8223038	28.03	2
AP8223039	28.03	3
AP8223040	28.04	4
AP8223041	28.03	5
AP8223042	28.03	6
AP8223043	28.04	7
AP8223044	28.04	8
AP8223045	28.03	15
AP8223046	28.03	10
AP8223047	28.04	6
AP8223048	28.04	5
AP8223049	28.03	8
AP8223050	28.03	13
AP8223051	28.04	13
AP8223052	28.04	10
AP8223053	28.04	11
AP8223054	28.04	9
AP8224057	28.30	4
AP8224062	28.28	9
AP8224063	28.28	10
AP8224073	28.30	14
AP8224130	28.16	14
AP8224148	28.28	8
AP8224149	28.28	8
AP8224170	28.30	3
AP8224196	28.29	14
AP8224196	28.29	14
AP8224210	28.28	13
AP8224211	28.28	4
AP8224212	28.28	12
AP8224213	28.28	7
AP8224214	28.28	5
AP8224215	28.28	11
AP8224245	28.29	9
AP8224248	28.30	9
AP8224261	29.50	2
AP8224268	28.29	5
AP8224296	28.30	7
AP8224340	28.29	2
AP8224341	28.29	3

Code	Nr. der Tafel	Pos.
AP8224342	28.04	12
AP8224343	28.01	6
AP8224343	28.31	2
AP8224344	28.15	13
AP8224345	28.15	14
AP8224346	28.29	1
AP8224347	28.29	10
AP8224369	28.15	15
AP8224379	29.50	3
AP8224389	28.29	16
AP8224390	28.28	17
AP8224390	28.29	18
AP8224392	28.28	16
AP8224393	28.29	17
AP8224448	29.50	1
AP8224462	28.30	5
AP8224478	28.30	23
AP8224484	28.15	11
AP8224491	28.30	9
AP8224514	28.28	18
AP8224521	28.15	11
AP8224522	29.50	1
AP8225123	28.25	5
AP8225271	28.25	12
AP8225323	28.25	13
AP8225358	28.25	4
AP8225358	28.27	4
AP8225359	28.28	2
AP8225367	28.05	13
AP8225369	28.05	11
AP8225369	28.13	26
AP8226626	28.14	4
AP8226627	28.14	2
AP8226672	28.08	1
AP8226727	28.08	1
AP8226727	28.08	1
AP8226733	28.08	1
AP8226749	28.14	20
AP8226759	28.08	1
AP8226767	28.08	1
AP8226770	28.08	1
AP8226792	28.14	2
AP8226827	28.08	1
AP8226835	28.08	1
AP8226841	28.08	1
AP8229192	28.11	7
AP8229293	28.11	1
AP8229293	28.11	1
AP8229297	28.11	7
AP8229319	28.11	7
AP8229321	28.11	7
AP8229344	28.11	1
AP8229344	28.11	1
AP8229344	28.11	1
AP8229345	28.11	7
AP8229354	28.11	1
AP8229355	28.11	7
AP8229358	28.11	7
AP8229358	28.11	7
AP8229359	28.11	7
AP8229359	28.11	7
AP8229383	28.11	1
AP8229384	28.11	7
AP8232941	28.21	4
AP8234130	28.01	10
AP8234184	28.01	17
AP8234189	28.01	4

Code	Nr. der Tafel	Pos.
AP8234190	28.01	20
AP8234191	28.01	3
AP8234194	28.07	17
AP8234195	28.13	24
AP8234196	28.02	17
AP8234199	28.22	22
AP8234200	28.22	21
AP8234210	28.30	22
AP8235069	28.01	1
AP8235110	28.02	10
AP8235116	28.02	1
AP8238433	28.19	7
AP8238681	28.13	9
AP8238748	28.05	7
AP8238749	28.05	8
AP8238750	28.21	2
AP8238769	28.21	10
AP8238806	28.05	12
AP8238856	28.13	1
AP8239070	28.05	4
AP8239070	28.05	4
AP8248653	28.05	5
AP8248656	28.07	2
AP8248657	28.07	6
AP8248665	28.10	2
AP8248666	28.10	4
AP8249137	28.05	8
AP8249298	28.22	7
AP8249299	28.22	8
AP8249300	28.20	6
AP8249455	28.11	3
AP8249532	28.13	17
AP8249532	28.13	17
AP8249558	28.14	16
AP8249698	28.05	1
AP8249698	28.05	1
AP8249698	28.05	1
AP8249708	28.12	4
AP8249713	28.07	11
AP8249715	28.07	12
AP8249762	28.14	14
AP8249762	28.14	14
AP8249764	28.09	3
AP8249764	28.09	3
AP8249766	28.15	12
AP8249767	28.06	2
AP8249767	28.06	2
AP8249769	28.06	3
AP8249769	28.06	3
AP8249879	28.05	2
AP8249892	28.10	3
AP8258034	28.07	5
AP8258036	28.08	4
AP8258058	28.13	6
AP8258059	28.20	9
AP8258169	28.09	4
AP8258169	28.09	4
AP8258213	28.05	4
AP8258213	28.05	4
AP8258213	28.05	4
AP8258241	28.22	12
AP8258242	28.22	1
AP8258336	28.05	4
AP8258482	28.07	1
AP8258483	28.12	1
AP8258484	28.06	1
AP8258485	28.10	1

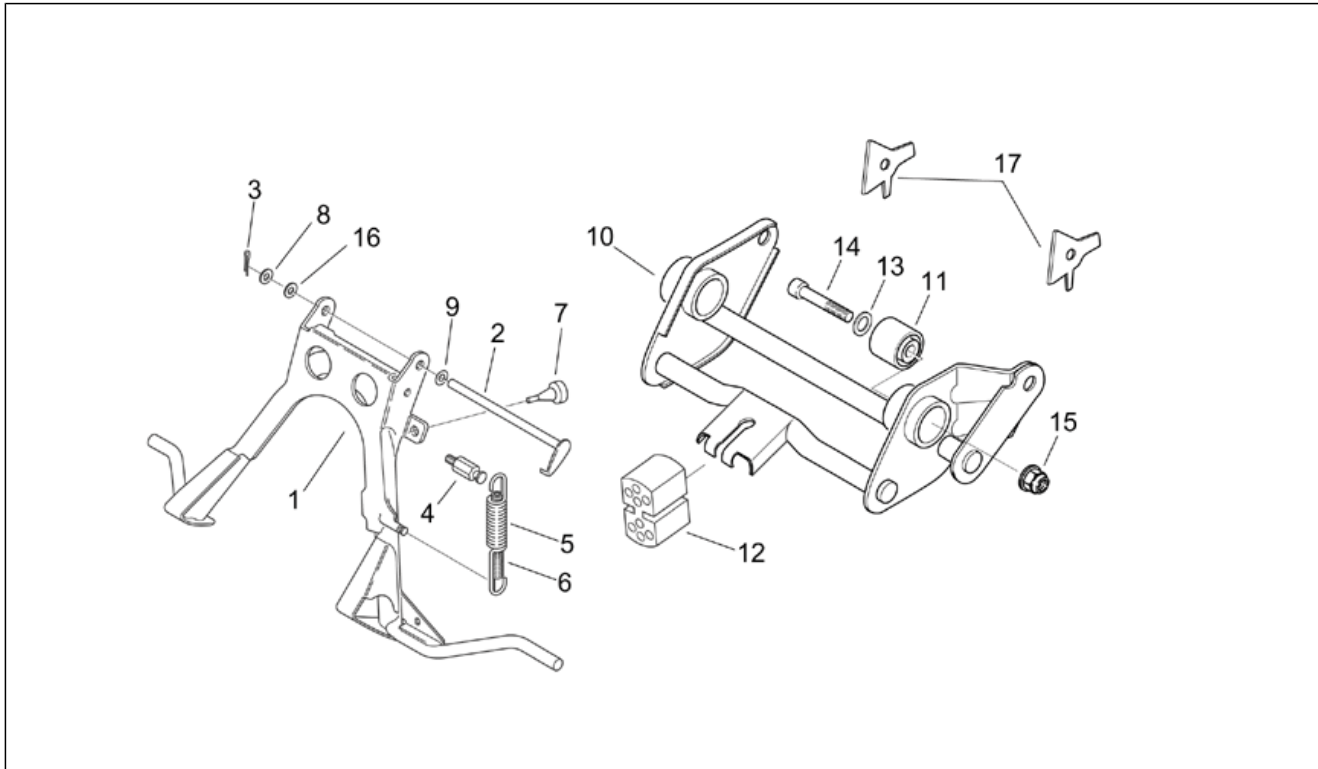
Code	Nr. der Tafel	Pos.	Code	Nr. der Tafel	Pos.	Code	Nr. der Tafel	Pos.
AP8258486	28.11	6	AP8258846	28.10	1	AP8277422	28.34	1
AP8258547	28.06	2	AP8258847	28.05	4	AP8277423	28.34	2
AP8258549	28.07	1	AP8258848	28.05	4	AP8700792	30.54	3
AP8258550	28.12	1	AP8258849	28.11	6	AP8700793	30.54	3
AP8258551	28.06	1	AP8258850	28.05	1	AP8700794	30.54	3
AP8258552	28.10	1	AP8258998	28.09	5	AP8720115	30.55	1
AP8258553	28.05	4	AP8267249	28.33	2	AP8720116	30.55	2
AP8258555	28.11	6	AP8267397	28.32	3	AP8720117	30.55	3
AP8258556	28.06	3	AP8267398	28.32	1	AP8720118	30.55	4
AP8258556	28.06	3	AP8267592	28.33	1	AP8790154	30.54	2
AP8258556	28.06	3	AP8267593	28.33	1	AP8791128	30.51	2
AP8258558	28.06	2	AP8267594	28.34	1	AP8791129	30.51	1
AP8258558	28.06	2	AP8267595	28.34	1	AP8791130	30.51	4
AP8258558	28.06	2	AP8267596	28.34	2	AP8791131	30.51	3
AP8258559	28.09	3	AP8267597	28.34	2	AP8792066	30.52	1
AP8258559	28.09	3	AP8267660	28.34	2	AP8792080	30.52	2
AP8258559	28.09	3	AP8267661	28.34	1	AP8792157	30.54	1
AP8258560	28.09	4	AP8267662	28.33	1	AP8793051	30.52	4
AP8258560	28.09	4	AP8267701	28.33	3			
AP8258560	28.09	4	AP8267898	28.33	1			
AP8258561	28.13	17	AP8267899	28.33	1			
AP8258561	28.13	17	AP8267900	28.33	1			
AP8258561	28.13	17	AP8267901	28.33	1			
AP8258562	28.14	14	AP8267902	28.33	1			
AP8258562	28.14	14	AP8267903	28.34	1			
AP8258562	28.14	14	AP8267904	28.34	1			
AP8258564	28.05	1	AP8267905	28.34	1			
AP8258564	28.05	1	AP8267906	28.34	1			
AP8258565	28.27	13	AP8267907	28.34	1			
AP8258700	28.07	1	AP8267908	28.34	2			
AP8258701	28.12	1	AP8267909	28.34	2			
AP8258702	28.06	1	AP8267910	28.34	2			
AP8258703	28.10	1	AP8267911	28.34	2			
AP8258704	28.05	4	AP8267912	28.34	2			
AP8258705	28.11	6	AP8267980	28.32	1			
AP8258706	28.05	1	AP8267981	28.32	3			
AP8258781	28.07	1	AP8268203	28.07	1			
AP8258782	28.12	1	AP8268204	28.12	1			
AP8258783	28.06	1	AP8268205	28.06	1			
AP8258784	28.10	1	AP8268215	28.10	1			
AP8258785	28.11	6	AP8268216	28.11	6			
AP8258786	28.06	2	AP8268218	28.07	1			
AP8258787	28.09	3	AP8268219	28.12	1			
AP8258788	28.09	4	AP8268220	28.10	1			
AP8258789	28.13	17	AP8268221	28.11	6			
AP8258790	28.14	14	AP8268244	28.07	1			
AP8258809	28.07	1	AP8268245	28.12	1			
AP8258810	28.12	1	AP8268246	28.06	1			
AP8258811	28.06	1	AP8268247	28.10	1			
AP8258812	28.10	1	AP8268248	28.11	6			
AP8258813	28.11	6	AP8268271	28.07	1			
AP8258815	28.06	3	AP8268272	28.12	1			
AP8258822	28.07	1	AP8268273	28.06	1			
AP8258823	28.12	1	AP8268274	28.11	6			
AP8258824	28.06	1	AP8276065	28.20	16			
AP8258825	28.10	1	AP8276065	28.20	22			
AP8258826	28.11	6	AP8276090	29.47	15			
AP8258827	28.06	3	AP8277332	28.33	1			
AP8258829	28.07	1	AP8277333	28.33	1			
AP8258830	28.12	1	AP8277334	28.33	1			
AP8258831	28.06	1	AP8277337	28.34	1			
AP8258832	28.10	1	AP8277338	28.34	1			
AP8258833	28.05	4	AP8277339	28.34	1			
AP8258835	28.11	6	AP8277342	28.34	2			
AP8258843	28.07	1	AP8277343	28.34	2			
AP8258844	28.12	1	AP8277344	28.34	2			
AP8258845	28.06	1	AP8277421	28.33	1			

<b>Einheit</b>	RAHMEN
<b>Code</b>	28.01
<b>Beschreibung</b>	Rahmen
<b>Inspektion</b>	1



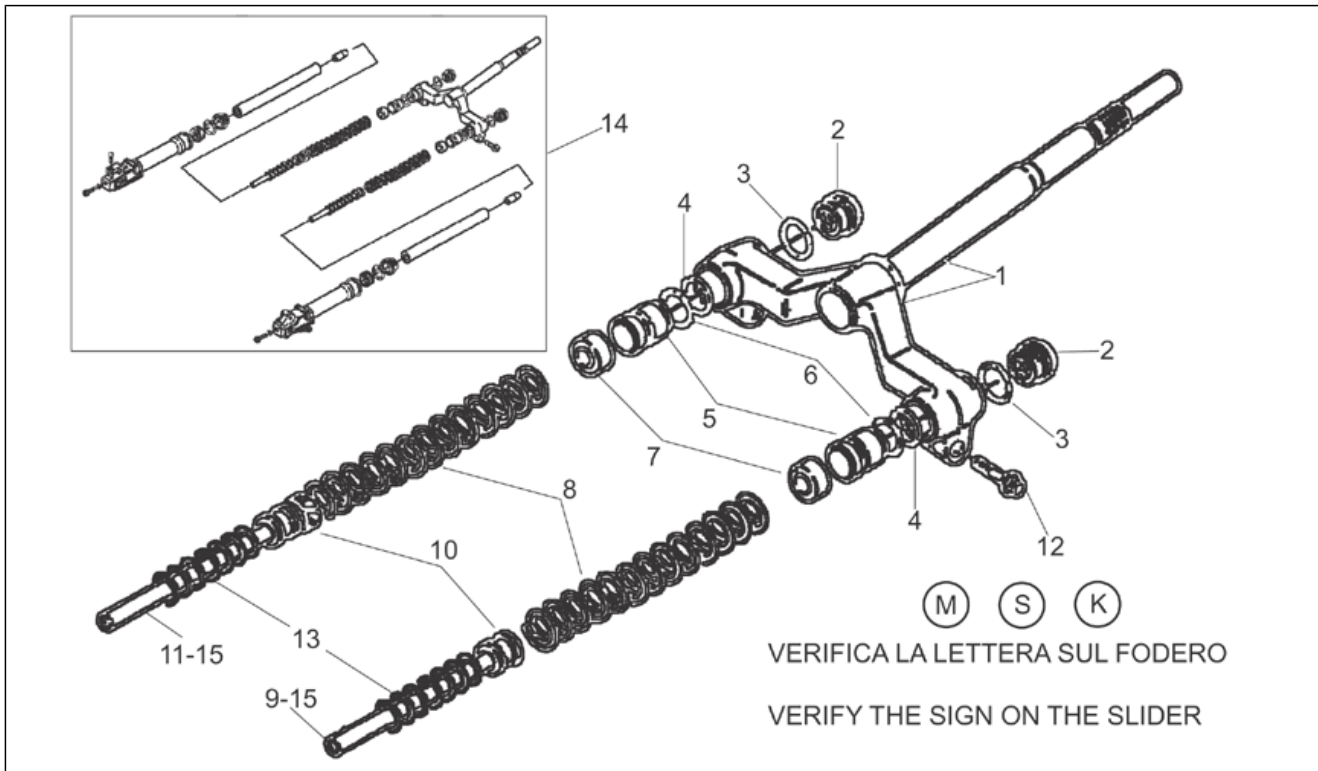
Pos.	Code	Beschreibung	Menge	Varianten
1	AP8235069	Rahmen mit Kataphorese	1	
2	AP8203666	Satz Kugelringe	1	
3	AP8234191	Unterbodenplatte	1	
4	AP8234189	Ölpumpen aufnahme	1	
5	AP8221311	Kabelführung d18	2	
6	AP8224343	Lenkschloß	1	
7	AP8102880	Schl. gefr. Aprilia	1	
8	AP8152140	Reißschraube M6x17	1	
9	AP8202238	Kabelführungs Haken	1	
10	AP8234130	Frontschildbefestigung	1	
11	AP8221213	Käfigmutter M6	2	
12	AP8102376	Klammer M6	9	
13	AP8102375	Klammer M5	4	
14	AP8201763	Clip f. Blechschr. D5,5*	3	
15	AP8221310	Kabelführungs	2	
16	AP8202216	Werkzeugtasche	1	
17	AP8234184	Fixierplatte Steuergerät	1	
18	AP8220238	Gummi	1	
19	AP8152278	TE Schr. m. Flansch M6x16	4	
20	AP8234190	Fixierplatte Spule	1	
21	AP8152277	TE Schr. m. Flansch M6x12	3	
22	AP8150272	Gebogene Sprengscheibe 5,3x10x0,5	1	

<b>Einheit</b>	RAHMEN
<b>Code</b>	28.02
<b>Beschreibung</b>	Hauptständer - Pleuelstange
<b>Inspektion</b>	1



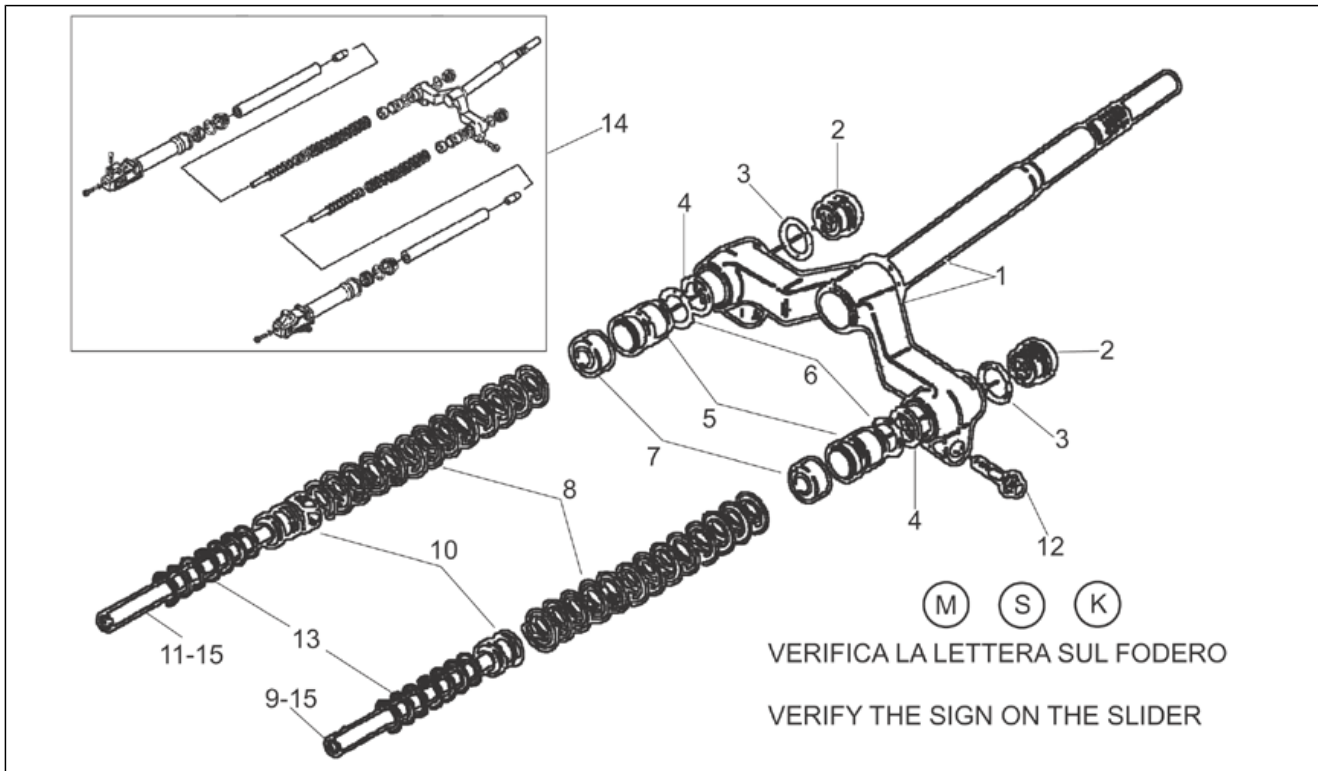
Pos.	Code	Beschreibung	Menge	Varianten
1	AP8235116	Hauptständer	1	
2	AP8221328	Ständerbolzen mm 151,8	1	
3	AP8101606	Splint	1	
4	AP8221323	Federschraube	2	
5	AP8221317	Hauptständer Schraubenfeder	1	
6	AP8221318	Rückholfeder Ständer	1	
7	AP8220238	Gummi	1	
8	AP8150017	Ausgleichscheibe 8,4x16x1,6	1	
9	AP8150376	Ausgleichscheibe 8,5x15x0,8	1	
10	AP8235110	Motor-Pleuelstange	1	
11	AP8220346	Silent-Block	2	
12	AP8220399	Zümseinst.Stopfen	1	
13	AP8150020	Ausgleichscheibe 10,5x21x2*	2	
14	AP8150086	TCEI Schraube	2	
15	AP8152301	Selbstsperrende Mutter	2	
16	AP8121697	Tellerfeder	1	
17	AP8234196	Pleuelstange Platte	2	

<b>Einheit</b>	RAHMEN
<b>Code</b>	28.03
<b>Beschreibung</b>	Gabel I
<b>Inspektion</b>	1



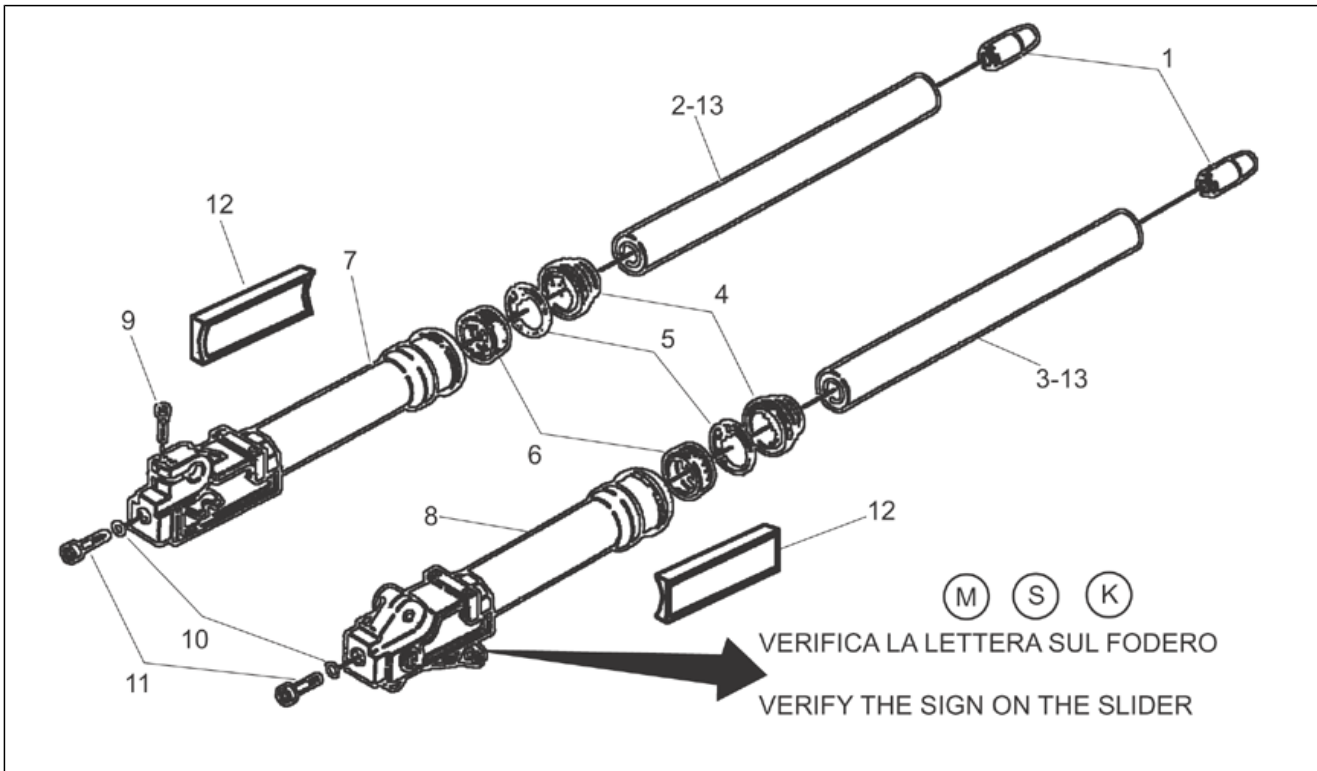
Pos.	Code	Beschreibung	Menge	Varianten
1	AP8223004	Fuß mit Rohr	1	
2	AP8203561	Verschlußschraube	2	<b>Technische Daten:</b> Gabel mit Buchstaben M auf dem Schaft[MA]
2	AP8203777	Verschlußschraube	2	<b>Technische Daten:</b> Gabel mit Buchstaben S auf dem Schaft[S]
2	AP8223038	Verschlußschraube	2	<b>Technische Daten:</b> Marke KAIFA[K]
3	AP8203652	O-Ring	2	<b>Technische Daten:</b> Gabel mit Buchstaben M auf dem Schaft[MA]
3	AP8203778	Ring	2	<b>Technische Daten:</b> Gabel mit Buchstaben S auf dem Schaft[S]
3	AP8223039	Ring	2	<b>Technische Daten:</b> Marke KAIFA[K]
4	AP8203702	Sperring	2	<b>Technische Daten:</b> Gabel mit Buchstaben S auf dem Schaft[S]
4	AP8203752	Sperring	2	<b>Technische Daten:</b> Gabel mit Buchstaben M auf dem Schaft[MA]
5	AP8203753	Deckel	2	<b>Technische Daten:</b> Gabel mit Buchstaben M auf dem Schaft[MA]
5	AP8203779	Deckel	2	<b>Technische Daten:</b> Gabel mit Buchstaben S auf dem Schaft[S]
5	AP8223041	Deckel	2	<b>Technische Daten:</b> Marke KAIFA[K]
6	AP8203754	O-Ring	2	<b>Technische Daten:</b> Gabel mit Buchstaben M auf dem Schaft[MA]
6	AP8203780	O-Ring	2	<b>Technische Daten:</b> Gabel mit Buchstaben S auf dem Schaft[S]
6	AP8223042	O-Ring	2	<b>Technische Daten:</b> Marke KAIFA[K]
7	AP8203755	Leitung	2	<b>Technische Daten:</b> Gabel mit Buchstaben M auf dem Schaft[MA]
8	AP8203756	Feder	2	<b>Technische Daten:</b> Gabel mit Buchstaben M auf dem Schaft[MA]
8	AP8203781	Feder	2	<b>Technische Daten:</b> Gabel mit Buchstaben S auf dem Schaft[S]

<b>Einheit</b>	RAHMEN
<b>Code</b>	28.03
<b>Beschreibung</b>	Gabel I
<b>Inspektion</b>	1



Pos.	Code	Beschreibung	Menge	Varianten
8	AP8223049	Feder	2	<b>Technische Daten:</b> Marke KAIFA[K]
9	AP8203757	Linker Stoßdämpfer	1	<b>Technische Daten:</b> Gabel mit Buchstaben M auf dem Schaft[MA]
9	AP8203782	Linker Stoßdämpfer	1	<b>Technische Daten:</b> Gabel mit Buchstaben S auf dem Schaft[S]
10	AP8203758	Ring Gabelstempel	1	<b>Technische Daten:</b> Gabel mit Buchstaben M auf dem Schaft[MA]
10	AP8203783	Ring Gabelstempel	1	<b>Technische Daten:</b> Gabel mit Buchstaben S auf dem Schaft[S]
10	AP8223046	Ring Gabelstempel	1	<b>Technische Daten:</b> Marke KAIFA[K]
11	AP8203759	Rechter Stoßdämpfer	1	<b>Technische Daten:</b> Gabel mit Buchstaben M auf dem Schaft[MA]
11	AP8203784	Rechter Stoßdämpfer	1	<b>Technische Daten:</b> Gabel mit Buchstaben S auf dem Schaft[S]
12	AP8203762	Schraube M10x35	2	<b>Technische Daten:</b> Marke KAIFA[K]
12	AP8203762	Schraube M10x35	2	<b>Technische Daten:</b> Gabel mit Buchstaben M auf dem Schaft[MA]
12	AP8203797	Schraube	2	<b>Technische Daten:</b> Gabel mit Buchstaben S auf dem Schaft[S]
13	AP8123708	Gegenfeder	2	<b>Technische Daten:</b> Gabel mit Buchstaben M auf dem Schaft[MA]
13	AP8203786	Gegenfeder	2	<b>Technische Daten:</b> Gabel mit Buchstaben S auf dem Schaft[S]
13	AP8223050	Gegenfeder	2	<b>Technische Daten:</b> Marke KAIFA[K]
14	AP8203986	Baugruppe vordere Gabel	1	
15	AP8223045	Pumpenrad kplt.	2	<b>Technische Daten:</b> Marke KAIFA[K]

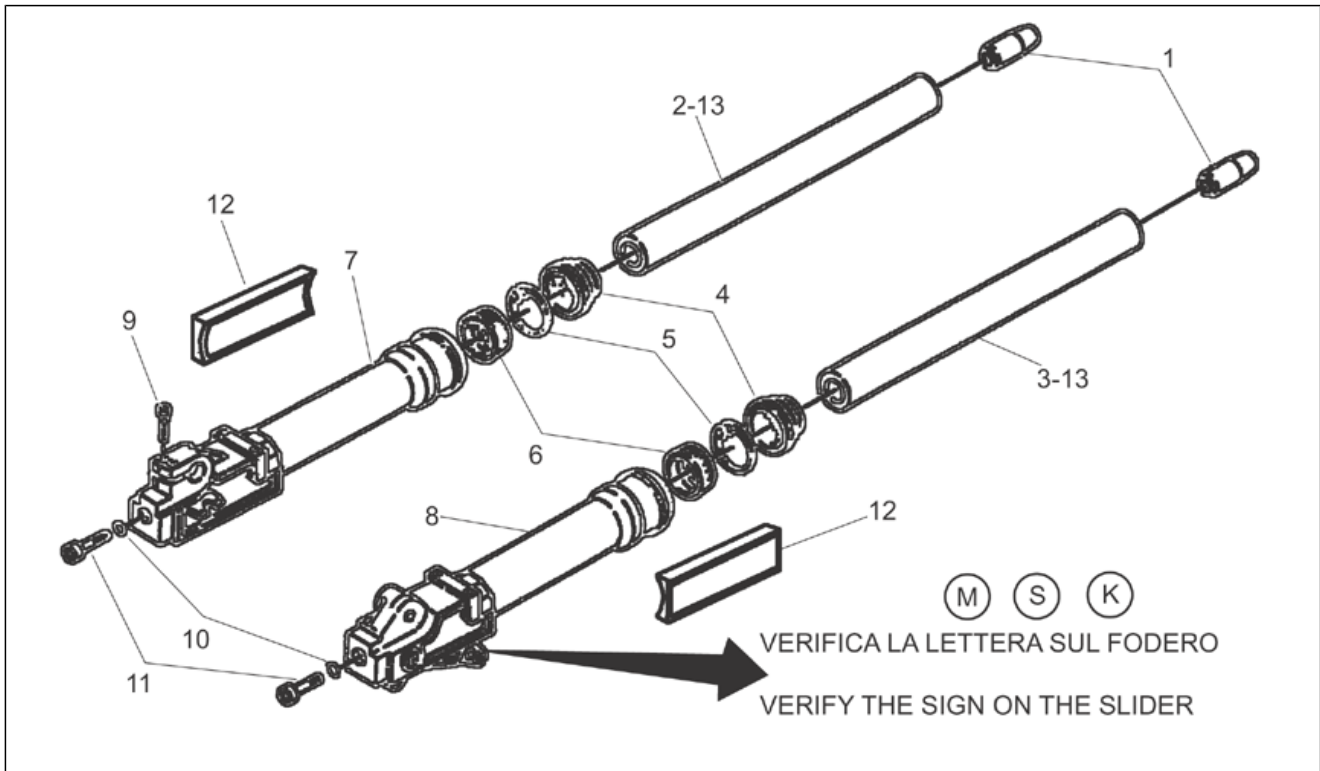
<b>Einheit</b>	RAHMEN
<b>Code</b>	28.04
<b>Beschreibung</b>	Gabel II
<b>Inspektion</b>	1



Pos.	Code	Beschreibung	Menge	Varianten
1	AP8123701	Bodenstopfen	2	<b>Technische Daten:</b> Gabel mit Buchstaben M auf dem Schaft[MA]
1	AP8203785	Bodenstopfen	2	<b>Technische Daten:</b> Gabel mit Buchstaben S auf dem Schaft[S]
1	AP8223037	Bodenstopfen	2	<b>Technische Daten:</b> Marke KAIFA[K]
2	AP8203760	Rechter Schlauch	1	<b>Technische Daten:</b> Gabel mit Buchstaben M auf dem Schaft[MA]
2	AP8203787	Rechter Schlauch	1	<b>Technische Daten:</b> Gabel mit Buchstaben S auf dem Schaft[S]
3	AP8203761	Linker Schlauch	1	<b>Technische Daten:</b> Gabel mit Buchstaben M auf dem Schaft[MA]
3	AP8203788	Linker Schlauch	1	<b>Technische Daten:</b> Gabel mit Buchstaben S auf dem Schaft[S]
4	AP8203564	Staubschutz	2	<b>Technische Daten:</b> Gabel mit Buchstaben M auf dem Schaft[MA]
4	AP8203992	Staubschutz	2	<b>Technische Daten:</b> Gabel mit Buchstaben S auf dem Schaft[S]
4	AP8223040	Staubschutz	2	<b>Technische Daten:</b> Marke KAIFA[K]
5	AP8203566	Sperring	2	<b>Technische Daten:</b> Gabel mit Buchstaben M auf dem Schaft[MA]
5	AP8203993	Sperring	2	<b>Technische Daten:</b> Gabel mit Buchstaben S auf dem Schaft[S]
5	AP8223048	Sperring	2	<b>Technische Daten:</b> Marke KAIFA[K]
6	AP8203565	Gasket ring	2	<b>Technische Daten:</b> Gabel mit Buchstaben M auf dem Schaft[MA]
6	AP8206936	Ölabstreifring	2	<b>Technische Daten:</b> Gabel mit Buchstaben S auf dem Schaft[S]
6	AP8223047	Ölabstreifring	2	<b>Technische Daten:</b> Marke KAIFA[K]
7	AP8203987	Rechte Hülse	1	<b>Technische Daten:</b> Gabel mit Buchstaben M auf dem Schaft[MA]
7	AP8203994	Rechte Hülse	1	<b>Technische Daten:</b> Gabel mit Buchstaben S auf dem Schaft[S]

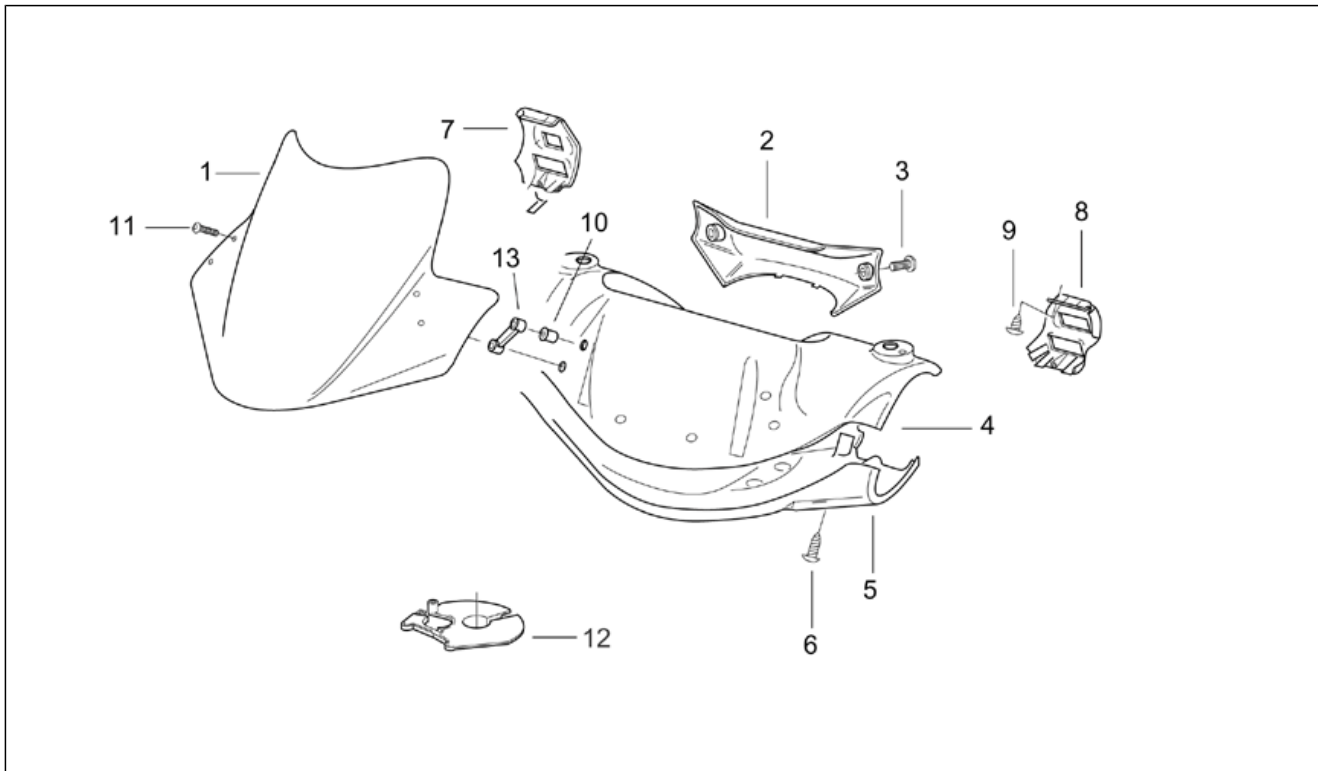


<b>Einheit</b>	RAHMEN
<b>Code</b>	28.04
<b>Beschreibung</b>	Gabel II
<b>Inspektion</b>	1



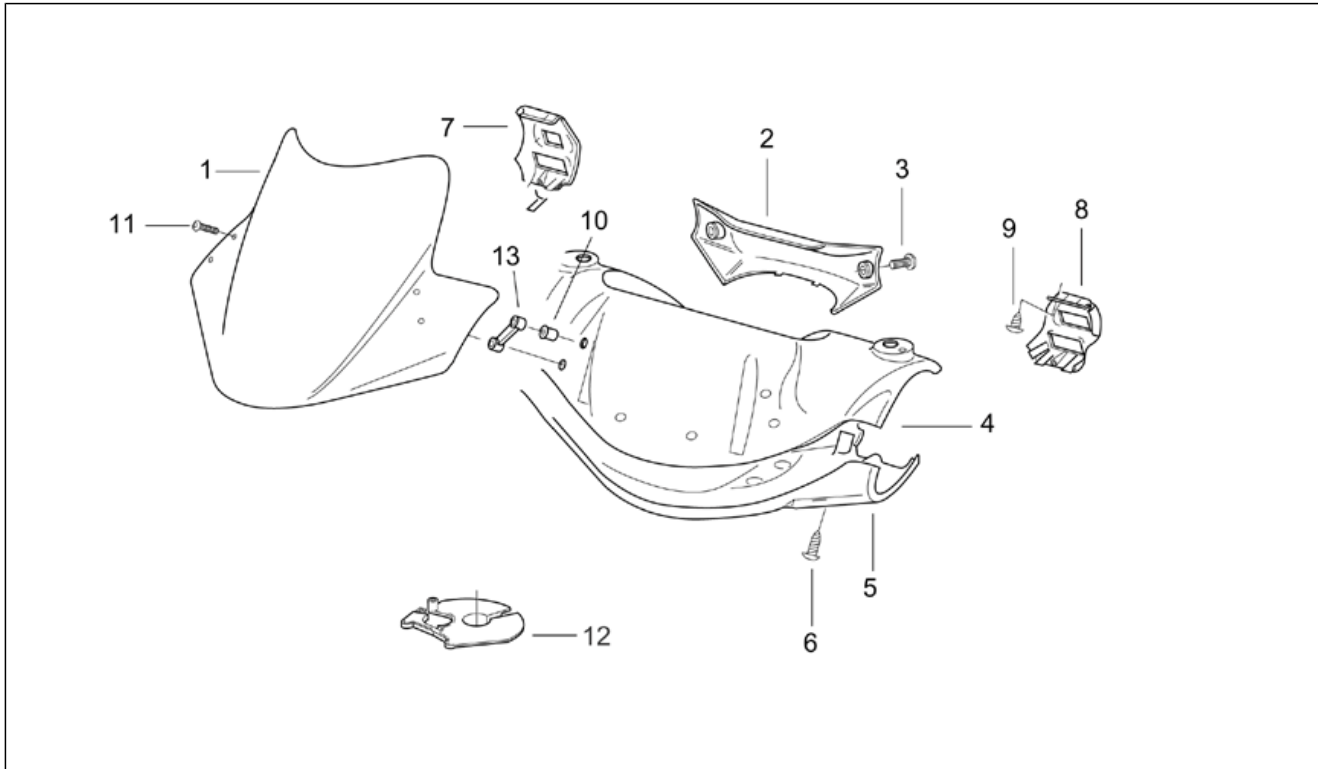
Pos.	Code	Beschreibung	Menge	Varianten
7	AP8223043	Rechte Hülse	1	<b>Technische Daten:</b> Marke KAIFA[K]
8	AP8203988	Linke Hülse	1	<b>Technische Daten:</b> Gabel mit Buchstaben M auf dem Schaft[MA]
8	AP8203995	Linke Hülse	1	<b>Technische Daten:</b> Gabel mit Buchstaben S auf dem Schaft[S]
8	AP8223044	Linke Hülse	1	<b>Technische Daten:</b> Marke KAIFA[K]
9	AP8203571	Schraube	1	<b>Technische Daten:</b> Gabel mit Buchstaben M auf dem Schaft[MA]
9	AP8203796	Schraube M6x20	1	<b>Technische Daten:</b> Gabel mit Buchstaben S auf dem Schaft[S]
9	AP8223054	TCEI Schraube M6x20	1	<b>Technische Daten:</b> Marke KAIFA[K]
10	AP8203572	Dichtscheibe	2	<b>Technische Daten:</b> Gabel mit Buchstaben M auf dem Schaft[MA]
10	AP8203794	Ausgleichscheibe	2	<b>Technische Daten:</b> Gabel mit Buchstaben S auf dem Schaft[S]
10	AP8223052	Ausgleichscheibe	2	<b>Technische Daten:</b> Marke KAIFA[K]
11	AP8203570	Zylinderschraube M8x30	2	<b>Technische Daten:</b> Gabel mit Buchstaben M auf dem Schaft[MA]
11	AP8203795	Schraube	2	<b>Technische Daten:</b> Gabel mit Buchstaben S auf dem Schaft[S]
11	AP8223053	Schraube	2	<b>Technische Daten:</b> Marke KAIFA[K]
12	AP8224342	Rückstrahler	2	<b>Technische Daten:</b> Version mit Beschränkung 45 km/h[45Km]
13	AP8223051	Schaft kpl.	2	<b>Technische Daten:</b> Marke KAIFA[K]

<b>Einheit</b>	RAHMEN
<b>Code</b>	28.05
<b>Beschreibung</b>	Frontaufbau I
<b>Inspektion</b>	1



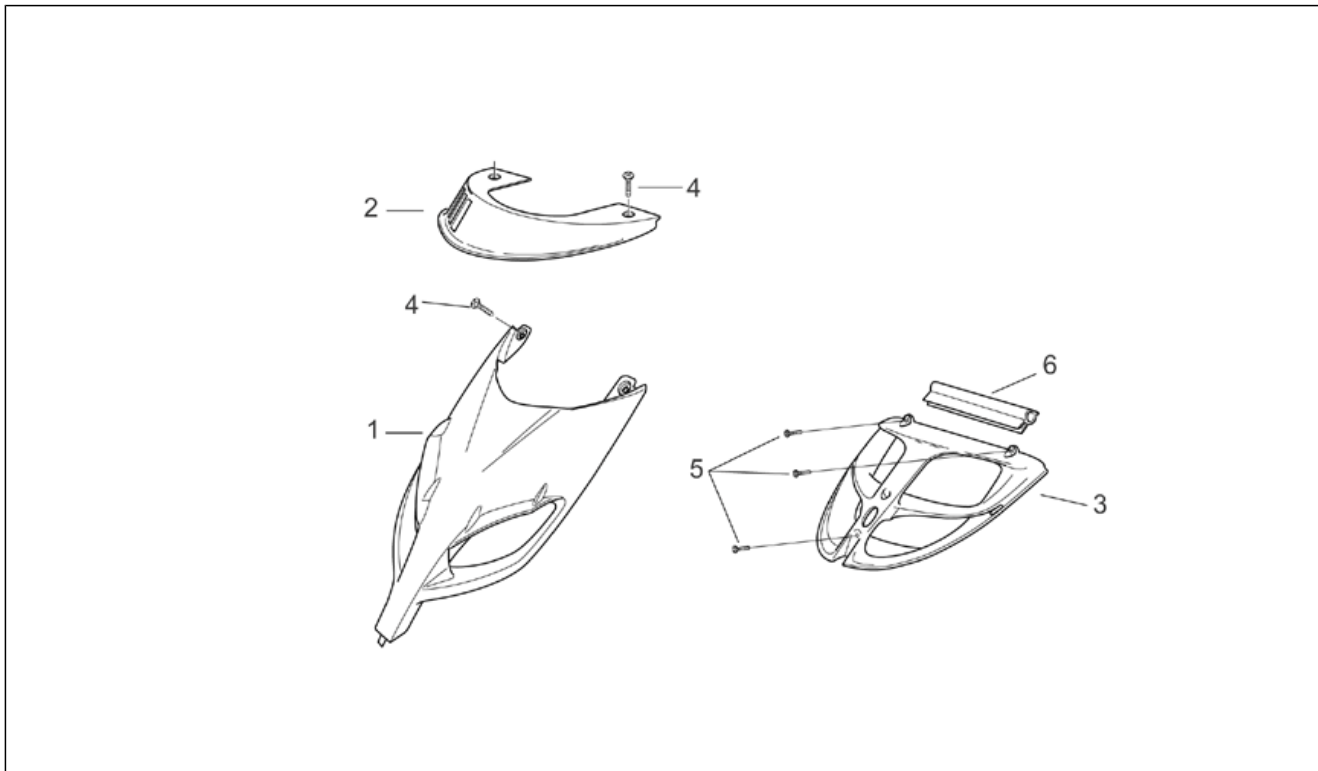
Pos.	Code	Beschreibung	Menge	Varianten
1	AP8249698	Windabweiser blau	1	<b>Baujahr:</b> 2003[3] <b>Fahrzeugfarbe:</b> Blau Limited 2003[b], GP1 2003[g], Sbk 2003[s]
1	AP8249698	Windabweiser blau	1	<b>Baujahr:</b> 2004[4]
1	AP8249698	Windabweiser blau	1	<b>Baujahr:</b> 2002[2] <b>Fahrzeugfarbe:</b> Schwarz Diablo 2002[bl.di]
1	AP8258564	Sportscheibe schwarz	1	<b>Baujahr:</b> 2002[2] <b>Fahrzeugfarbe:</b> Grau Dust 2002[du/gr]
1	AP8258564	Sportscheibe schwarz	1	<b>Baujahr:</b> 2003[3] <b>Fahrzeugfarbe:</b> Tuono 2003[t]
1	AP8258706	Windabweiser blau	1	<b>Baujahr:</b> 2002[2] <b>Fahrzeugfarbe:</b> Blau Way 2002[way.b]
1	AP8258850	Windabweiser, rot	1	<b>Baujahr:</b> 2003[3] <b>Fahrzeugfarbe:</b> Rot Tulip 2003[r]
2	AP8249879	Lenkstangenplatte m.schwarz	1	
3	AP8152302	TBEI Schraube m.Flansch M5x12	2	
4	AP8158085	Instrumententafel, schwarz	1	<b>Baujahr:</b> 2003[3] <b>Fahrzeugfarbe:</b> GP1 2003[g], Tuono 2003[t] <b>Land:</b> Schweiz[CH], B, CH, D, DK, E, F, I, NL, P[EU] <b>Technische Daten:</b> Version mit voller Leistung[f.p.]
4	AP8239070	Instrumententafel, schwarz	1	<b>Baujahr:</b> 2004[4] <b>Fahrzeugfarbe:</b> Replica Poggiali Weiß 2004[RP], Replica Poggiali Schwarz 2004[RP.bl]
4	AP8239070	Instrumententafel, schwarz	1	<b>Baujahr:</b> 2003[3] <b>Fahrzeugfarbe:</b> Sbk 2003[s] <b>Technische Daten:</b> Version mit Beschränkung 45 km/h[45Km]
4	AP8258213	Instrumententafel, schwarz	1	<b>Baujahr:</b> 2003[3] <b>Fahrzeugfarbe:</b> GP1 2003[g], Tuono 2003[t] <b>Technische Daten:</b> Version mit Beschränkung 45 km/h[45Km]
4	AP8258213	Instrumententafel, schwarz	1	<b>Baujahr:</b> 2002[2] <b>Fahrzeugfarbe:</b> Schwarz Diablo 2002[bl.di]

<b>Einheit</b>	RAHMEN
<b>Code</b>	28.05
<b>Beschreibung</b>	Frontaufbau I
<b>Inspektion</b>	1



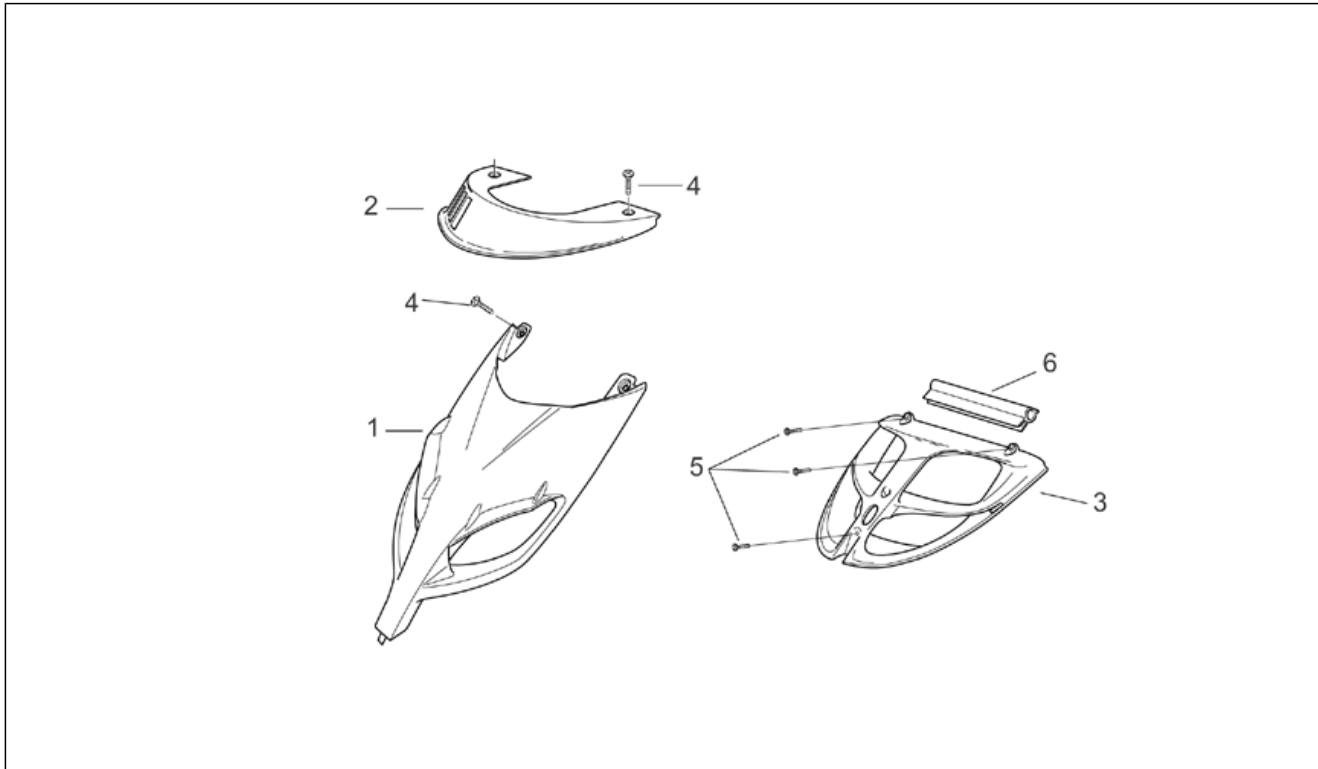
Pos.	Code	Beschreibung	Menge	Varianten
4	AP8258213	Instrumententafel, schwarz	1	<b>Baujahr:</b> 2004[4] <b>Fahrzeugfarbe:</b> Bleigrau 2004[grey], Rot Fluo 2004[r.fluo]
4	AP8258336	Instrumententafel, schwarz	1	<b>Baujahr:</b> 2003[3] <b>Fahrzeugfarbe:</b> Sbk 2003[s] <b>Land:</b> Schweiz[CH], B, CH, D, DK, E, F, I, NL, P[EU] <b>Technische Daten:</b> Version mit voller Leistung[f.p.]
4	AP8258553	Instrumententafel, grau	1	<b>Baujahr:</b> 2002[2] <b>Fahrzeugfarbe:</b> Grau Dust 2002[du/gr]
4	AP8258704	Instrumententafel, blau	1	<b>Baujahr:</b> 2002[2] <b>Fahrzeugfarbe:</b> Blau Way 2002[way.b]
4	AP8258833	Instrumententafel, rot	1	<b>Baujahr:</b> 2003[3] <b>Fahrzeugfarbe:</b> Blau Limited 2003[b]
4	AP8258847	Instrumententafel, rot	1	<b>Baujahr:</b> 2003[3] <b>Fahrzeugfarbe:</b> Rot Tulip 2003[r] <b>Technische Daten:</b> Version mit Beschränkung 45 km/h[45Km]
4	AP8258848	Instrumententafel, rot	1	<b>Baujahr:</b> 2003[3] <b>Fahrzeugfarbe:</b> Rot Tulip 2003[r] <b>Land:</b> Schweiz[CH], B, CH, D, DK, E, F, I, NL, P[EU] <b>Technische Daten:</b> Version mit voller Leistung[f.p.]
5	AP8248653	Zylinderk.basis schwarz metal.	1	
6	AP8150413	Gew.schr. 3,9x14	8	
7	AP8238748	Tasterhltr. rechts, schwarz	1	
8	AP8238749	Tasterhltr. links, schwarz	1	<b>Technische Daten:</b> Version mit Beschränkung 45 km/h[45Km]
8	AP8249137	Tasterhltr. links, schwarz	1	<b>Land:</b> Schweiz[CH], B, CH, D, DK, E, F, I, NL, P[EU] <b>Technische Daten:</b> Version mit voller Leistung[f.p.]
9	AP8150420	Gewindeschraube Edelstahl *	4	
10	AP8120531	Gummi mit Einsatz	4	
11	AP8225369	TBEI Schraube	4	
12	AP8238806	Unt. Schl. schw. Sptz.	1	
13	AP8225367	Distanzscheibe	2	

<b>Einheit</b>	RAHMEN
<b>Code</b>	28.06
<b>Beschreibung</b>	Frontaufbau II
<b>Inspektion</b>	1



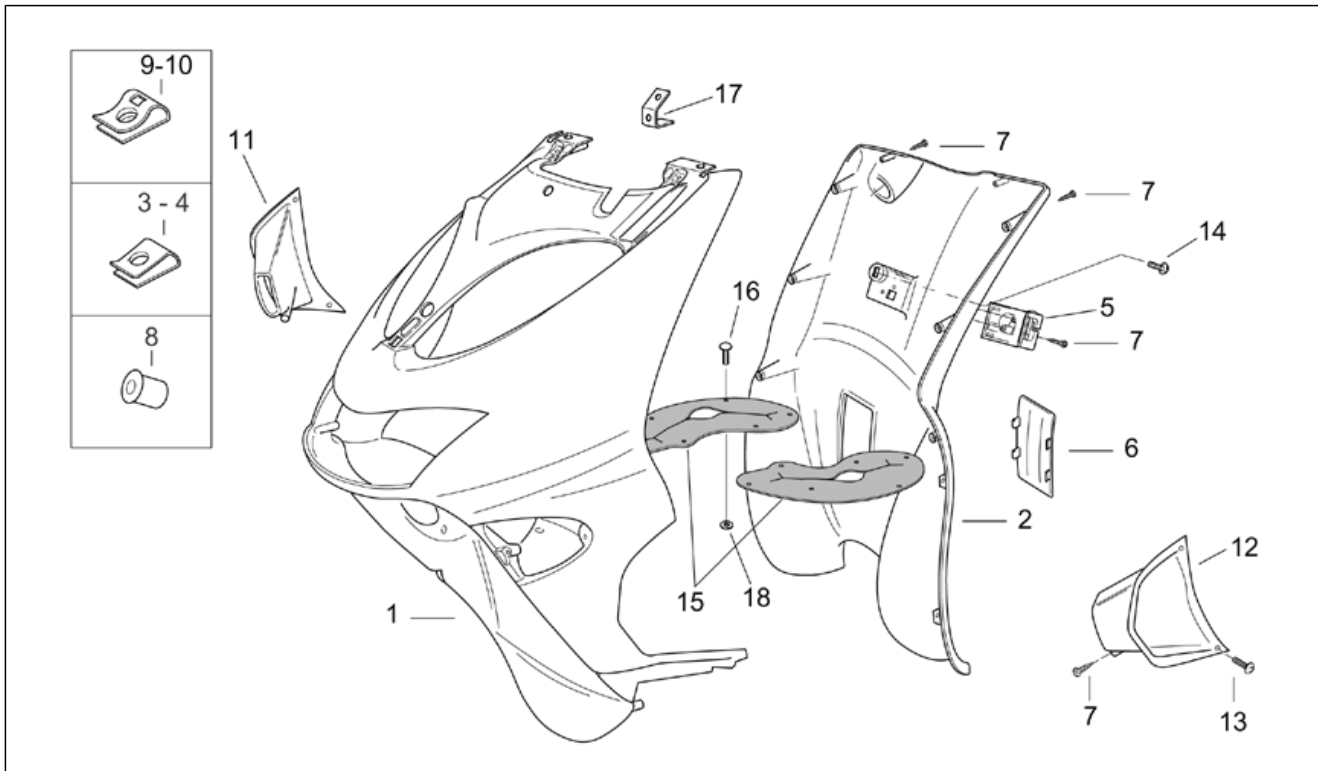
Pos.	Code	Beschreibung	Menge	Varianten
1	AP8258484	Fronthaube, schwarz	1	<b>Baujahr:</b> 2002[2] <b>Fahrzeugfarbe:</b> Schwarz Diablo 2002[bl.di]
1	AP8258551	Fronthaube, schwarz	1	<b>Baujahr:</b> 2002[2] <b>Fahrzeugfarbe:</b> Grau Dust 2002[du/gr]
1	AP8258702	Fronthaube, blau	1	<b>Baujahr:</b> 2002[2] <b>Fahrzeugfarbe:</b> Blau Way 2002[way.b]
1	AP8258783	Haube	1	<b>Baujahr:</b> 2003[3] <b>Fahrzeugfarbe:</b> Tuono 2003[t]
1	AP8258811	Haube, weiß	1	<b>Baujahr:</b> 2003[3] <b>Fahrzeugfarbe:</b> Sbk 2003[s]
1	AP8258824	Haube, silver	1	<b>Baujahr:</b> 2003[3] <b>Fahrzeugfarbe:</b> GP1 2003[g]
1	AP8258831	Haube, blau	1	<b>Baujahr:</b> 2003[3] <b>Fahrzeugfarbe:</b> Blau Limited 2003[b]
1	AP8258845	Haube, rot	1	<b>Baujahr:</b> 2003[3] <b>Fahrzeugfarbe:</b> Rot Tulip 2003[r]
1	AP8268205	Haube v. schwarz Aprilia	1	<b>Baujahr:</b> 2004[4] <b>Fahrzeugfarbe:</b> Bleigrau 2004[grey], Rot Fluo 2004[r.fluo]
1	AP8268246	Haube v. schwarz Aprilia	1	<b>Baujahr:</b> 2004[4] <b>Fahrzeugfarbe:</b> Replica Poggiali Weiß 2004[RP]
1	AP8268273	Haube v. schwarz Aprilia	1	<b>Baujahr:</b> 2004[4] <b>Fahrzeugfarbe:</b> Replica Poggiali Schwarz 2004[RP.bl]
2	AP8249767	Obere Haubenblende rot	1	<b>Baujahr:</b> 2003[3] <b>Fahrzeugfarbe:</b> Blau Limited 2003[b]
2	AP8249767	Obere Haubenblende rot	1	<b>Baujahr:</b> 2002[2] <b>Fahrzeugfarbe:</b> Blau Way 2002[way.b]
2	AP8258547	Obere Haubenblende, orange	1	<b>Baujahr:</b> 2002[2] <b>Fahrzeugfarbe:</b> Schwarz Diablo 2002[bl.di]
2	AP8258558	Obere Haubenblende schwarz	1	<b>Baujahr:</b> 2003[3] <b>Fahrzeugfarbe:</b> GP1 2003[g], Rot Tulip 2003[r], Sbk 2003[s]
2	AP8258558	Obere Haubenblende schwarz	1	<b>Baujahr:</b> 2004[4]
2	AP8258558	Obere Haubenblende schwarz	1	<b>Baujahr:</b> 2002[2]

<b>Einheit</b>	RAHMEN
<b>Code</b>	28.06
<b>Beschreibung</b>	Frontaufbau II
<b>Inspektion</b>	1



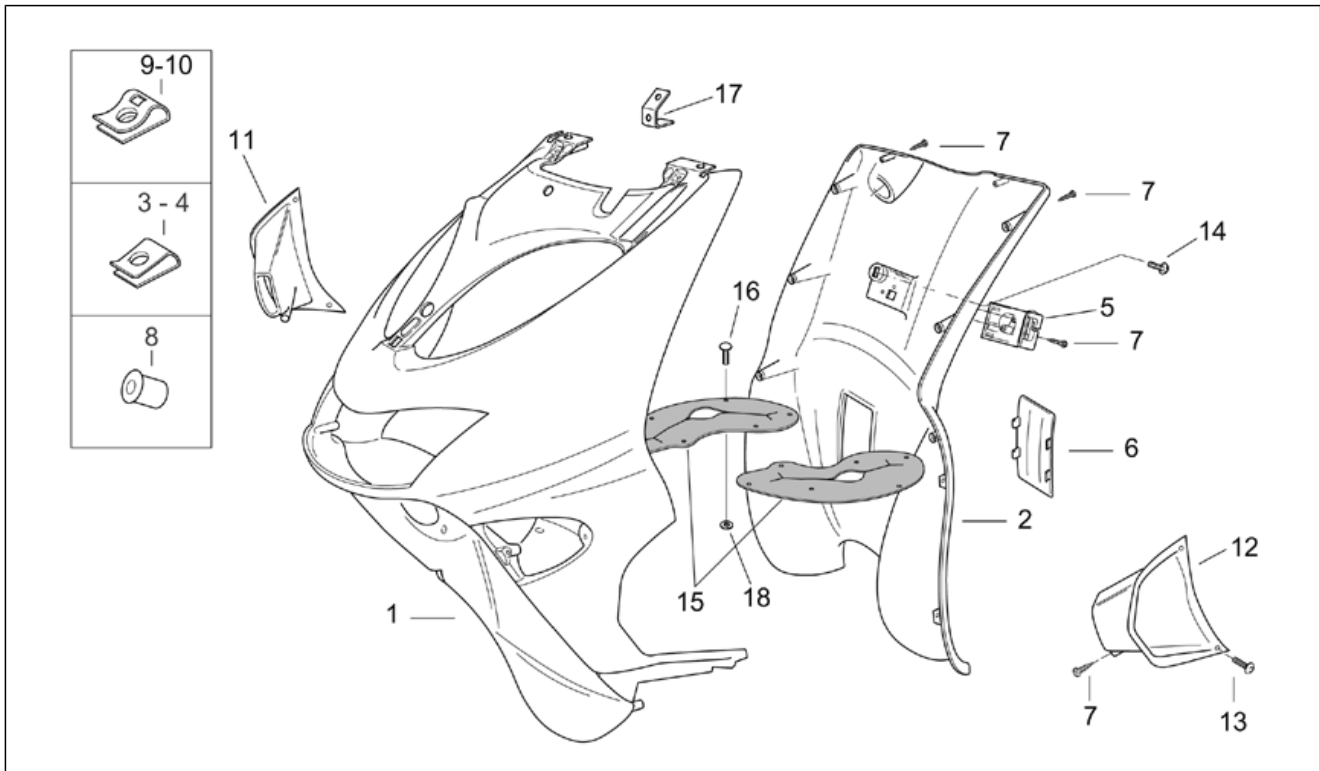
Pos.	Code	Beschreibung	Menge	Varianten
				<b>Fahrzeugfarbe:</b> Grau Dust 2002[du/gr]
2	AP8258786	Obere Haubenblende schwarz	1	<b>Baujahr:</b> 2003[3] <b>Fahrzeugfarbe:</b> Tuono 2003[t]
3	AP8249769	Kühlergrill, rot	1	<b>Baujahr:</b> 2003[3] <b>Fahrzeugfarbe:</b> Blau Limited 2003[b]
3	AP8249769	Kühlergrill, rot	1	<b>Baujahr:</b> 2002[2] <b>Fahrzeugfarbe:</b> Schwarz Diablo 2002[bl.di], Blau Way 2002[way.b]
3	AP8258556	Kühlergrill, schwarz	1	<b>Baujahr:</b> 2003[3] <b>Fahrzeugfarbe:</b> Sbk 2003[s]
3	AP8258556	Kühlergrill, schwarz	1	<b>Baujahr:</b> 2002[2] <b>Fahrzeugfarbe:</b> Grau Dust 2002[du/gr]
3	AP8258556	Kühlergrill, schwarz	1	<b>Baujahr:</b> 2004[4]
3	AP8258815	Kühlerblende, gold	1	<b>Baujahr:</b> 2003[3] <b>Fahrzeugfarbe:</b> Tuono 2003[t]
3	AP8258827	Kühlerblende	1	<b>Baujahr:</b> 2003[3] <b>Fahrzeugfarbe:</b> GP1 2003[g], Rot Tulip 2003[r]
4	AP8150426	Linsenschraube 5,5x15,9*	4	
5	AP8150413	Gew.schr. 3,9x14	3	
6	AP8220580	Hauben Dichtung	1	

<b>Einheit</b>	RAHMEN
<b>Code</b>	28.07
<b>Beschreibung</b>	Frontaufbau III
<b>Inspektion</b>	1



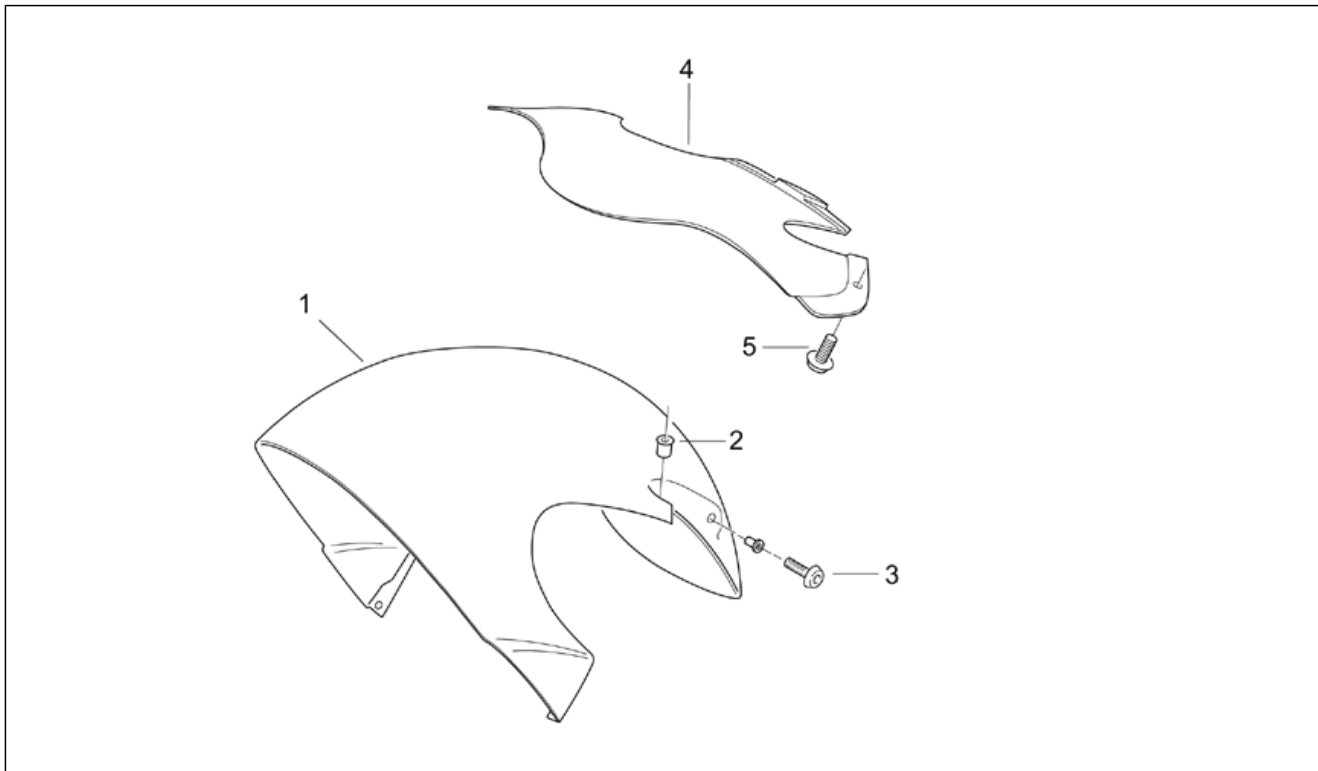
Pos.	Code	Beschreibung	Menge	Varianten
1	AP8258482	Schild v.schwarz diablo+Deko	1	Baujahr:2002[2] Fahrzeugfarbe:Schwarz Diablo 2002[bl.di]
1	AP8258549	Frontschild, grau+Deko	1	Baujahr:2002[2] Fahrzeugfarbe:Grau Dust 2002[du/gr]
1	AP8258700	Frontschild, blau	1	Baujahr:2002[2] Fahrzeugfarbe:Blau Way 2002[way.b]
1	AP8258781	Frontschild, schwarz	1	Baujahr:2003[3] Fahrzeugfarbe:Tuono 2003[t]
1	AP8258809	Frontschild, schwarz	1	Baujahr:2003[3] Fahrzeugfarbe:Sbk 2003[s]
1	AP8258822	Frontschild, schwarz	1	Baujahr:2003[3] Fahrzeugfarbe:GP1 2003[g]
1	AP8258829	Frontschild, rot	1	Baujahr:2003[3] Fahrzeugfarbe:Blau Limited 2003[b]
1	AP8258843	Frontschild, rot	1	Baujahr:2003[3] Fahrzeugfarbe:Rot Tulip 2003[r]
1	AP8268203	Frontschild, rot	1	Baujahr:2004[4] Fahrzeugfarbe:Rot Fluo 2004[r.fluo]
1	AP8268218	Frontschild, grau	1	Baujahr:2004[4] Fahrzeugfarbe:Bleigrau 2004[grey]
1	AP8268244	Frontschild, A.weiß	1	Baujahr:2004[4] Fahrzeugfarbe:Replica Poggiali Weiß 2004[RP]
1	AP8268271	Frontschild, schwarz Ap.	1	Baujahr:2004[4] Fahrzeugfarbe:Replica Poggiali Schwarz 2004[RP.bl]
2	AP8248656	int. Schild Schw.Metall.	1	
3	AP8201763	Clip f. Blechschr. D5,5*	2	
4	AP8102782	Clip f. Blechschr. D4,2	2	
5	AP8258034	Kplt.Untersitzhaken	1	
6	AP8248657	Gegeb.Typendeck, schw.	1	
7	AP8150413	Gew.schr. 3,9x14	16	
8	AP8120531	Gummi mit Einsatz	5	

<b>Einheit</b>	RAHMEN
<b>Code</b>	28.07
<b>Beschreibung</b>	Frontaufbau III
<b>Inspektion</b>	1



Pos.	Code	Beschreibung	Menge	Varianten
9	AP8102375	Klammer M5	12	
10	AP8102376	Klammer M6	3	
11	AP8249713	Lufteinlaß rechts, met.schw.	1	
12	AP8249715	Lufteinlaß links, m.schwarz	1	
13	AP8152298	TBEI Schraube m.Flansch M5x16	4	
14	AP8152302	TBEI Schraube m.Flansch M5x12	1	
15	AP8217034	U. Verschl. Gabel	2	
16	AP8220471	Kunststoffniet	12	
17	AP8234194	Kühlergitter aufnahme	1	
18	AP8150179	Ausgleichscheibe 6,6x18*	12	

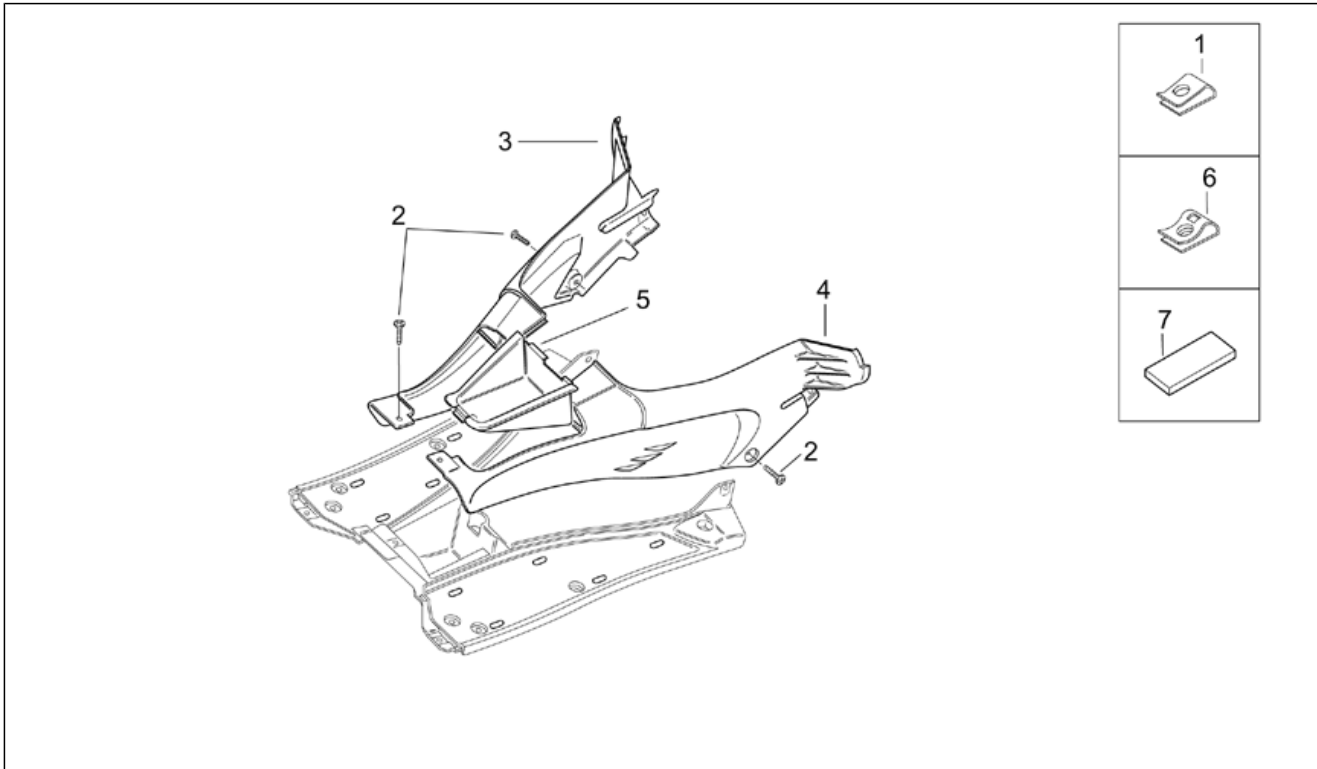
<b>Einheit</b>	RAHMEN
<b>Code</b>	28.08
<b>Beschreibung</b>	Frontaufbau IV
<b>Inspektion</b>	1



Pos.	Code	Beschreibung	Menge	Varianten
1	AP8226672	V. Schutzblech, rot durch.l.	1	Baujahr:2002[2] Fahrzeugfarbe:Blau Way 2002[way.b]
1	AP8226727	V. Schutzblech, schwarz	1	Baujahr:2002[2] Fahrzeugfarbe:Schwarz Diablo 2002[bl.di]
1	AP8226727	V. Schutzblech, schwarz	1	Baujahr:2003[3] Fahrzeugfarbe:GP1 2003[g], Sbk 2003[s]
1	AP8226733	V. Schutzblech, grau	1	Baujahr:2002[2] Fahrzeugfarbe:Grau Dust 2002[du/gr]
1	AP8226759	V. Schutzblech, schwarz	1	Baujahr:2003[3] Fahrzeugfarbe:Tuono 2003[t]
1	AP8226767	V. Schutzblech, blau	1	Baujahr:2003[3] Fahrzeugfarbe:Blau Limited 2003[b]
1	AP8226770	V. Schutzblech, rot	1	Baujahr:2003[3] Fahrzeugfarbe:Rot Tulip 2003[r]
1	AP8226827	V. Schutzblech, schwarz	1	Baujahr:2004[4] Fahrzeugfarbe:Bleigrau 2004[grey], Rot Fluo 2004[r.fluo]
1	AP8226835	V. Schutzblech, A.weiß	1	Baujahr:2004[4] Fahrzeugfarbe:Replica Poggiali Weiß 2004[RP]
1	AP8226841	Schutzbl.vorn schwarz a.	1	Baujahr:2004[4] Fahrzeugfarbe:Replica Poggiali Schwarz 2004[RP.bl]
2	AP8120531	Gummi mit Einsatz	2	
3	AP8152339	TBEI Schraube m.Flansch M5x9	2	
4	AP8258036	Unt. Schild.abd., schw.	1	
5	AP8152246	TBEI Schraube m.Flansch M6x16	3	

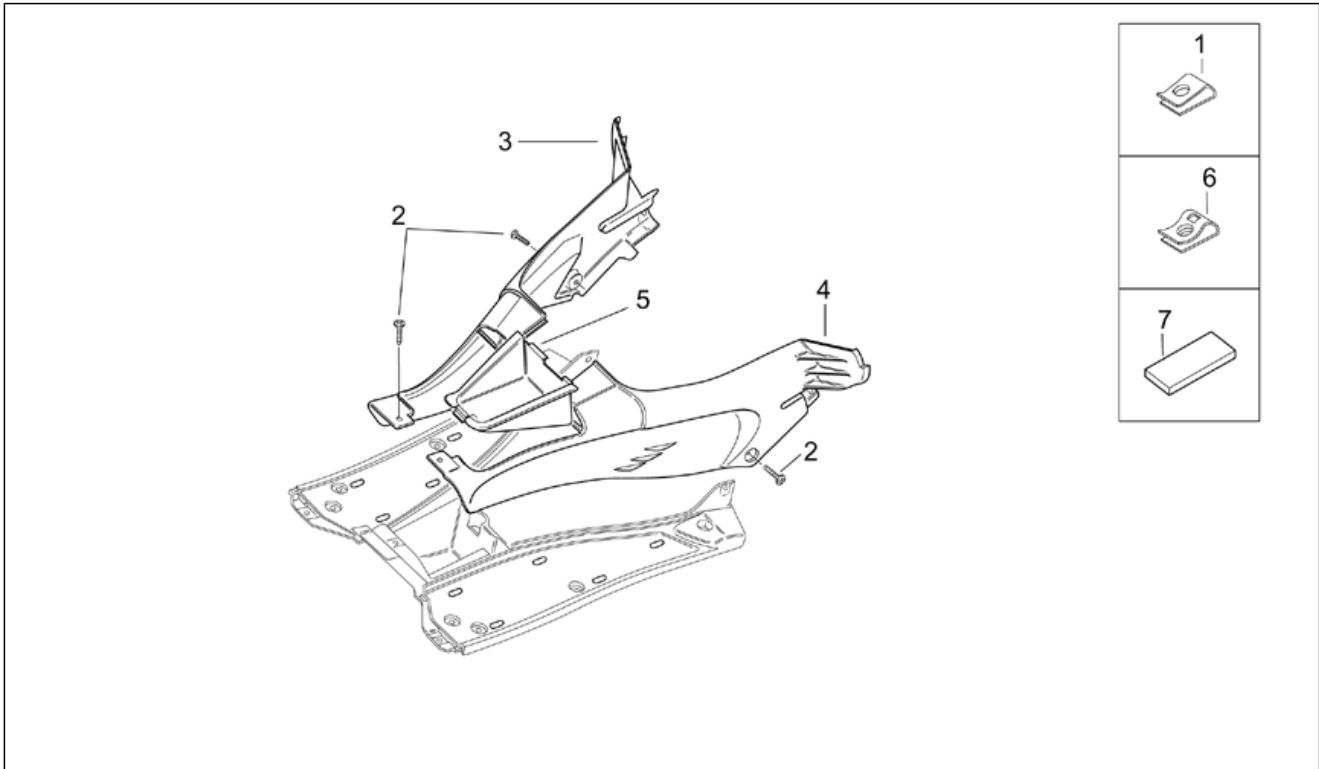


<b>Einheit</b>	RAHMEN
<b>Code</b>	28.09
<b>Beschreibung</b>	Mittlerer aufbau I
<b>Inspektion</b>	1



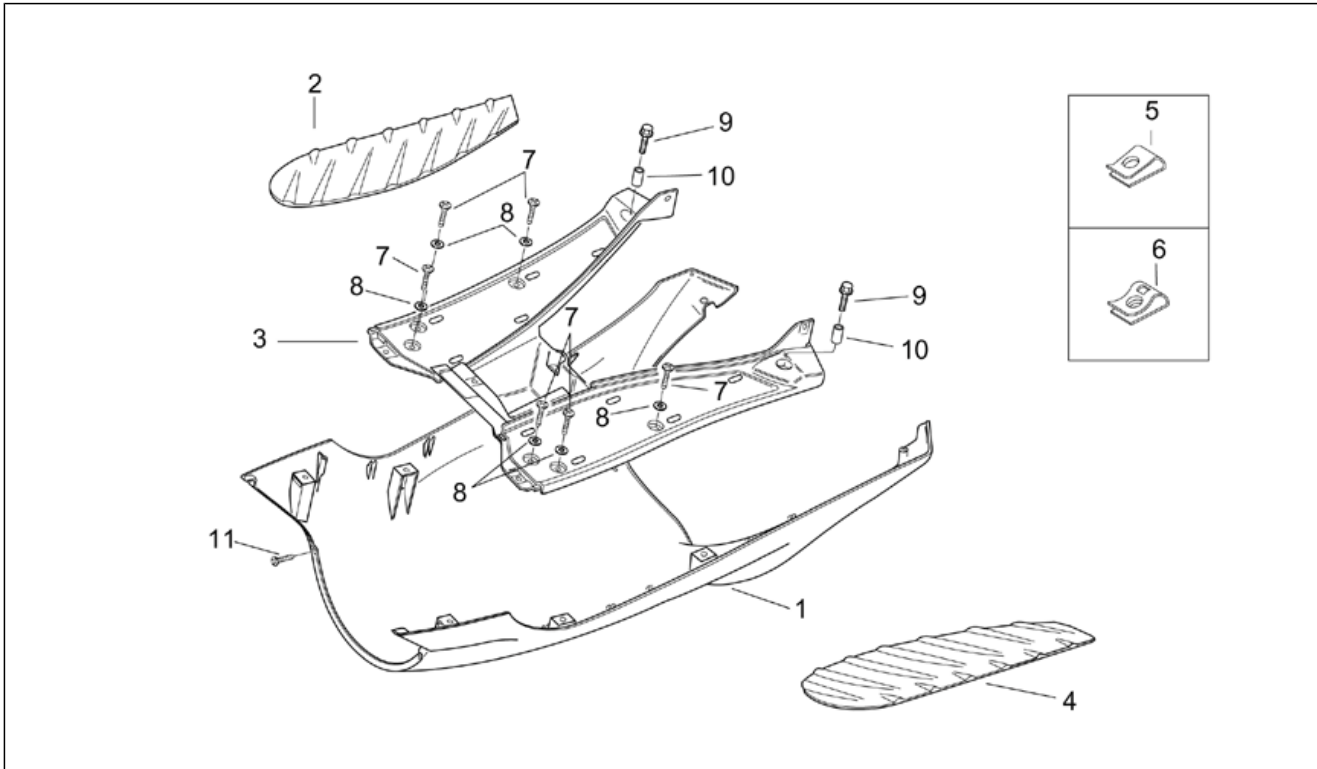
Pos.	Code	Beschreibung	Menge	Varianten
1	AP8102376	Klammer M6	3	
2	AP8150425	Linsenschraube 5,5x22*	3	
3	AP8249764	Rechter Tunnel, schwarz	1	<b>Baujahr:</b> 2002[2] <b>Fahrzeugfarbe:</b> Schwarz Diablo 2002[bl.di], Blau Way 2002[way.b]
3	AP8249764	Rechter Tunnel, schwarz	1	<b>Baujahr:</b> 2004[4] <b>Fahrzeugfarbe:</b> Replica Poggiali Weiß 2004[RP]
3	AP8258559	Rechter Tunnel, grau	1	<b>Baujahr:</b> 2002[2] <b>Fahrzeugfarbe:</b> Grau Dust 2002[du/gr]
3	AP8258559	Rechter Tunnel, grau	1	<b>Baujahr:</b> 2004[4] <b>Fahrzeugfarbe:</b> Bleigrau 2004[grey], Rot Fluo 2004[r.fluo], Replica Poggiali Schwarz 2004[RP.bl]
3	AP8258559	Rechter Tunnel, grau	1	<b>Baujahr:</b> 2003[3] <b>Fahrzeugfarbe:</b> Blau Limited 2003[b], GP1 2003[g], Rot Tulip 2003[r], Sbk 2003[s]
3	AP8258787	Tunnel rechts gold	1	<b>Baujahr:</b> 2003[3] <b>Fahrzeugfarbe:</b> Tuono 2003[t]
4	AP8258169	Linker Tunnel, schwarz	1	<b>Baujahr:</b> 2004[4] <b>Fahrzeugfarbe:</b> Replica Poggiali Weiß 2004[RP]
4	AP8258169	Linker Tunnel, schwarz	1	<b>Baujahr:</b> 2002[2] <b>Fahrzeugfarbe:</b> Schwarz Diablo 2002[bl.di], Blau Way 2002[way.b]
4	AP8258560	Linker Tunnel, grau	1	<b>Baujahr:</b> 2002[2] <b>Fahrzeugfarbe:</b> Grau Dust 2002[du/gr]
4	AP8258560	Linker Tunnel, grau	1	<b>Baujahr:</b> 2003[3] <b>Fahrzeugfarbe:</b> Blau Limited 2003[b], GP1 2003[g], Rot Tulip 2003[r], Sbk 2003[s]
4	AP8258560	Linker Tunnel, grau	1	<b>Baujahr:</b> 2004[4] <b>Fahrzeugfarbe:</b> Bleigrau 2004[grey], Rot Fluo 2004[r.fluo], Replica Poggiali Schwarz 2004[RP.bl]
4	AP8258788	Tunnel links gold	1	<b>Baujahr:</b> 2003[3] <b>Fahrzeugfarbe:</b> Tuono 2003[t]
5	AP8258998	Werkzeugkasten	1	

<b>Einheit</b>	RAHMEN
<b>Code</b>	28.09
<b>Beschreibung</b>	Mittlerer aufbau I
<b>Inspektion</b>	1



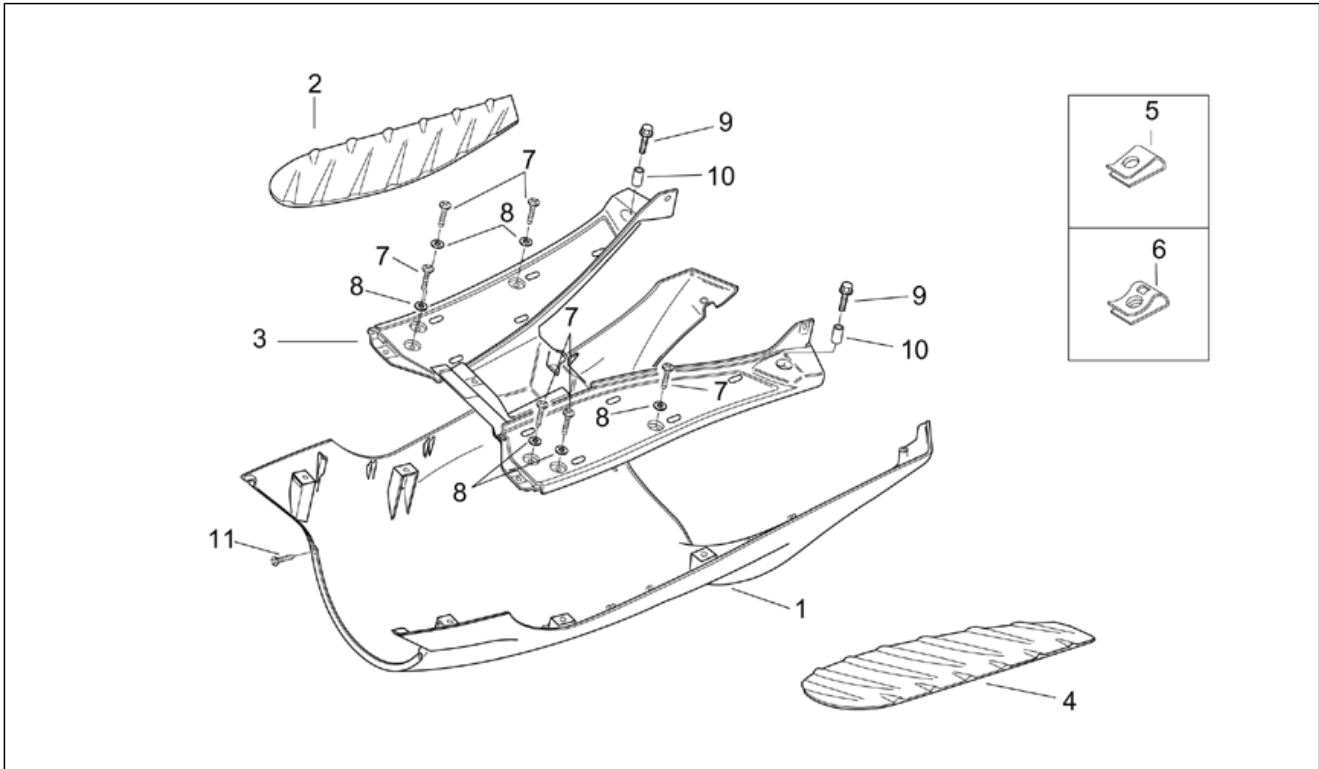
Pos.	Code	Beschreibung	Menge	Varianten
6	AP8201763	Clip f. Blehschr. D5,5*	6	
7	AP8117041	Klebeschwamm 6x30	1	

<b>Einheit</b>	RAHMEN
<b>Code</b>	28.10
<b>Beschreibung</b>	Mittlerer aufbau II
<b>Inspektion</b>	1



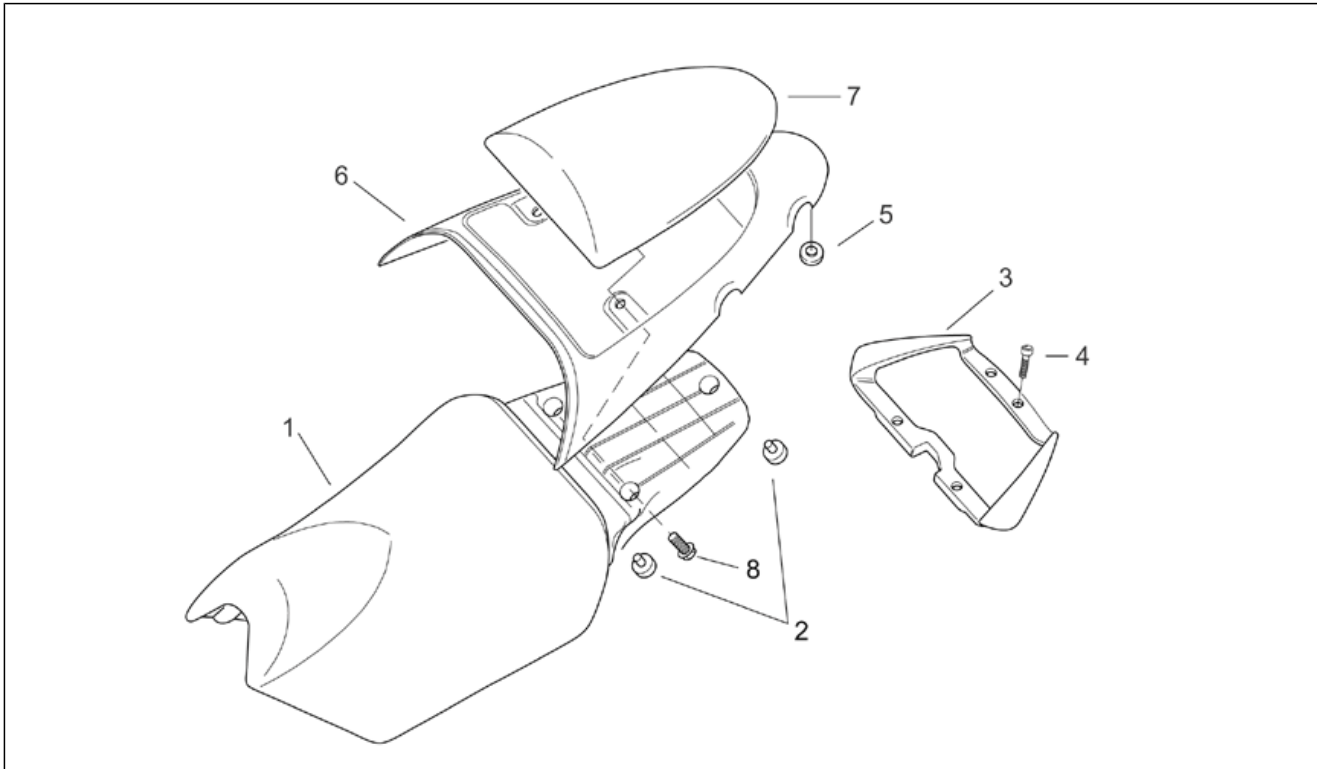
Pos.	Code	Beschreibung	Menge	Varianten
1	AP8258485	Unterboden, rot	1	Baujahr:2002[2] Fahrzeugfarbe:Schwarz Diablo 2002[bl.di]
1	AP8258552	Unterb. Schwarz	1	Baujahr:2002[2] Fahrzeugfarbe:Grau Dust 2002[du/gr]
1	AP8258703	Unterboden, rot	1	Baujahr:2002[2] Fahrzeugfarbe:Blau Way 2002[way.b]
1	AP8258784	Unterb.	1	Baujahr:2003[3] Fahrzeugfarbe:Tuomo 2003[t]
1	AP8258812	Unterb.	1	Baujahr:2003[3] Fahrzeugfarbe:Sbk 2003[s]
1	AP8258825	Unterb.	1	Baujahr:2003[3] Fahrzeugfarbe:GP1 2003[g]
1	AP8258832	Unterb.	1	Baujahr:2003[3] Fahrzeugfarbe:Blau Limited 2003[b]
1	AP8258846	Unterb.	1	Baujahr:2003[3] Fahrzeugfarbe:Rot Tulip 2003[r]
1	AP8268215	Unterb.	1	Baujahr:2004[4] Fahrzeugfarbe:Rot Fluo 2004[r.fluo]
1	AP8268220	Unterb.	1	Baujahr:2004[4] Fahrzeugfarbe:Bleigrau 2004[grey]
1	AP8268247	Unterb.	1	Baujahr:2004[4] Fahrzeugfarbe:Replica Poggiali Weiß 2004[RP], Replica Poggiali Schwarz 2004[RP.bl]
2	AP8248665	Rechte Fußmatte, schwarz	1	
3	AP8249892	Fußbrett, schwarz	1	
4	AP8248666	Linke Fußmatte, schwarz	1	
5	AP8102376	Klammer M6	3	
6	AP8201763	Clip f. Blechsch. D5,5*	6	
7	AP8150425	Linsenschraube 5,5x22*	6	
8	AP8150382	Ausgleichscheibe 15x5,5X1,2	6	
9	AP8152280	TE Schr. m. Flansch M6x25	2	

<b>Einheit</b>	RAHMEN
<b>Code</b>	28.10
<b>Beschreibung</b>	Mittlerer aufbau II
<b>Inspektion</b>	1



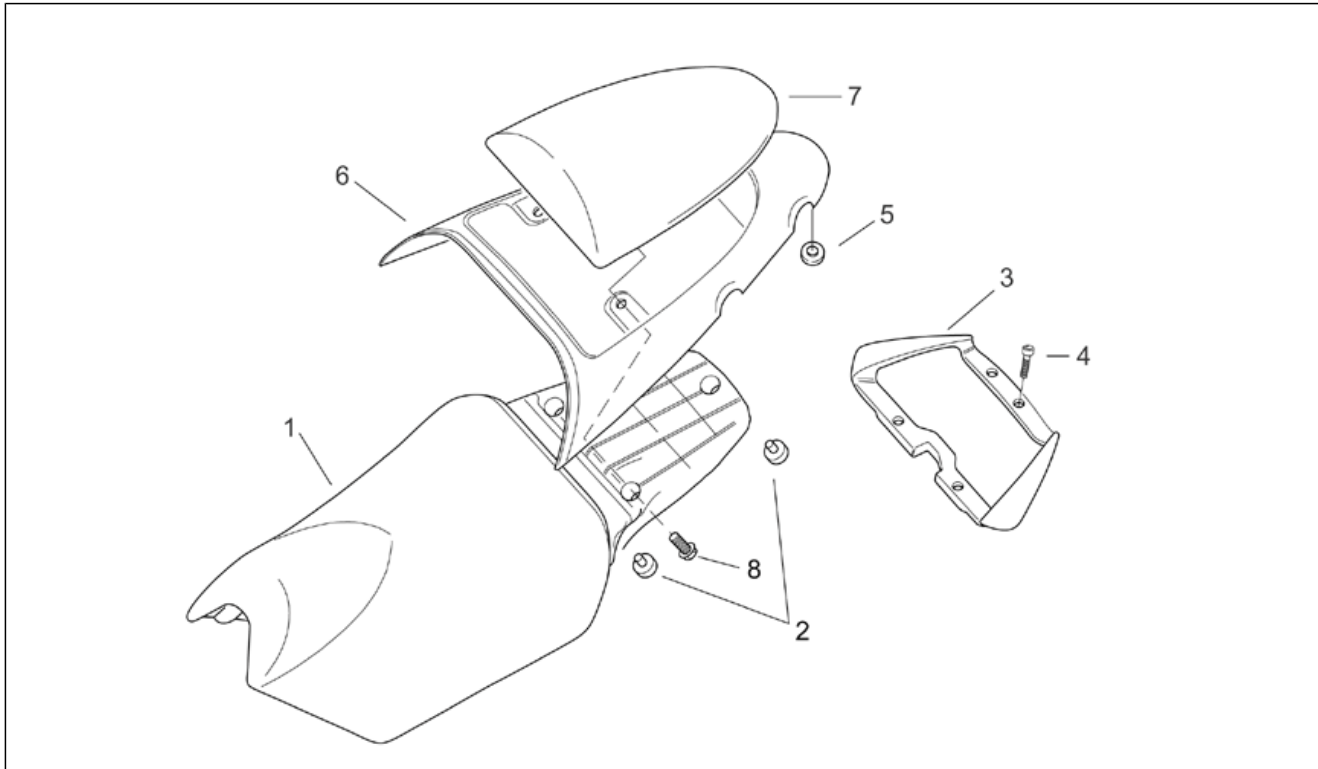
Pos.	Code	Beschreibung	Menge	Varianten
10	AP8221046	Distanzscheibe D6x8x13,5*	2	
11	AP8150413	Gew.schr. 3,9x14	8	

<b>Einheit</b>	RAHMEN
<b>Code</b>	28.11
<b>Beschreibung</b>	Sitz - Schakel
<b>Inspektion</b>	1



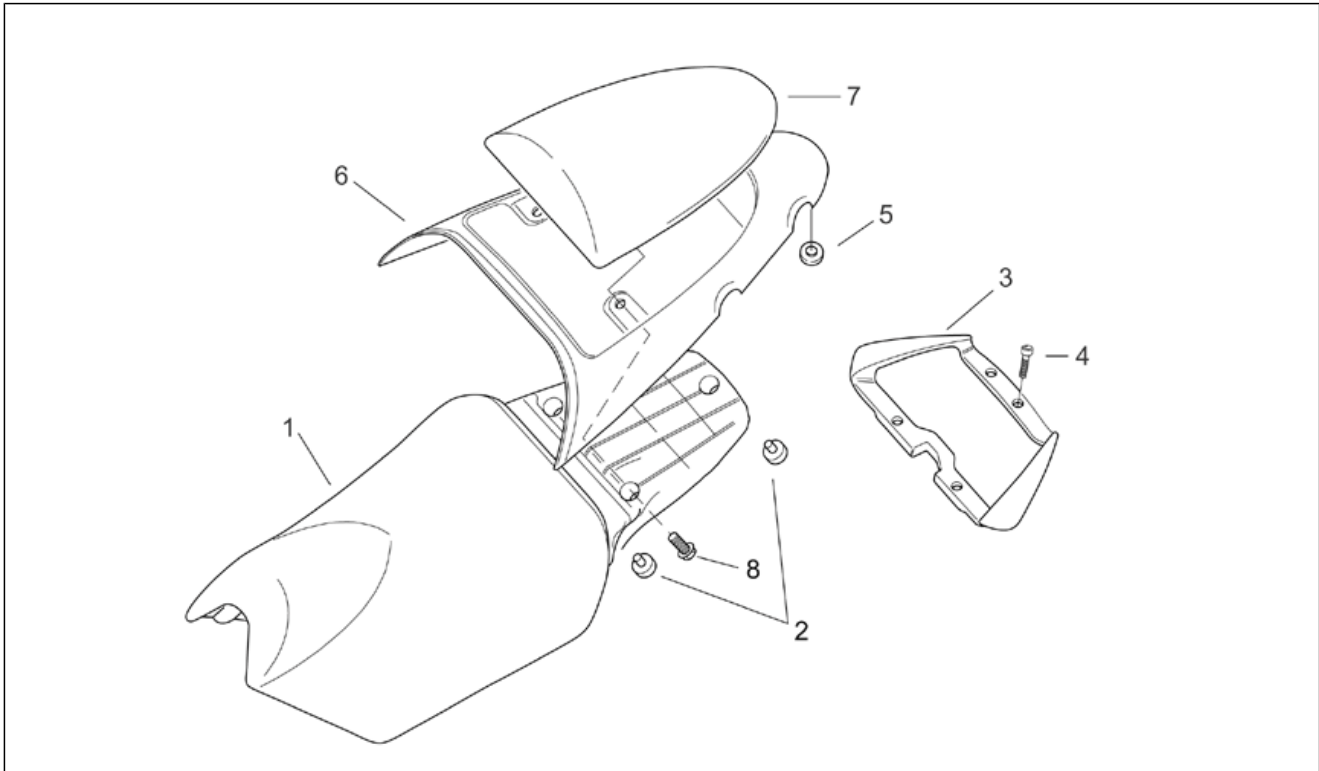
Pos.	Code	Beschreibung	Menge	Varianten
1	AP8229293	Sitz kpl, schwarz	1	<b>Baujahr:</b> 2003[3] <b>Fahrzeugfarbe:</b> Blau Limited 2003[b]
1	AP8229293	Sitz kpl, schwarz	1	<b>Baujahr:</b> 2002[2] <b>Fahrzeugfarbe:</b> Schwarz Diablo 2002[bl.di], Blau Way 2002[way.b]
1	AP8229344	Sitz kpl, schwarz	1	<b>Baujahr:</b> 2002[2] <b>Fahrzeugfarbe:</b> Grau Dust 2002[du/gr]
1	AP8229344	Sitz kpl, schwarz	1	<b>Baujahr:</b> 2003[3] <b>Fahrzeugfarbe:</b> GP1 2003[g], Sbk 2003[s]
1	AP8229344	Sitz kpl, schwarz	1	<b>Baujahr:</b> 2004[4]
1	AP8229354	Sitz	1	<b>Baujahr:</b> 2003[3] <b>Fahrzeugfarbe:</b> Tuono 2003[t]
1	AP8229383	Sitz	1	<b>Baujahr:</b> 2003[3] <b>Fahrzeugfarbe:</b> Rot Tulip 2003[r]
2	AP8220349	Gummi	4	
3	AP8249455	Soziusgriff schwarz	1	
4	AP8150220	TCEI Schraube M6x30	4	
5	AP8144081	Gummi	2	
6	AP8258486	Sitzdeckel Schwarz diablo	1	<b>Baujahr:</b> 2002[2] <b>Fahrzeugfarbe:</b> Schwarz Diablo 2002[bl.di]
6	AP8258555	Sitzdeckel Schwarz diablo	1	<b>Baujahr:</b> 2002[2] <b>Fahrzeugfarbe:</b> Grau Dust 2002[du/gr]
6	AP8258705	Sitzabdeckung, blau	1	<b>Baujahr:</b> 2002[2] <b>Fahrzeugfarbe:</b> Blau Way 2002[way.b]
6	AP8258785	Sitzabdeckung, Kohlen	1	<b>Baujahr:</b> 2003[3] <b>Fahrzeugfarbe:</b> Tuono 2003[t]
6	AP8258813	Sitzdeckel Schwarz	1	<b>Baujahr:</b> 2003[3] <b>Fahrzeugfarbe:</b> Sbk 2003[s]
6	AP8258826	Sitzabdeckung silber	1	<b>Baujahr:</b> 2003[3] <b>Fahrzeugfarbe:</b> GP1 2003[g]
6	AP8258835	Sitzabdeckung rot	1	<b>Baujahr:</b> 2003[3] <b>Fahrzeugfarbe:</b> Blau Limited 2003[b]

<b>Einheit</b>	RAHMEN
<b>Code</b>	28.11
<b>Beschreibung</b>	Sitz - Schakel
<b>Inspektion</b>	1



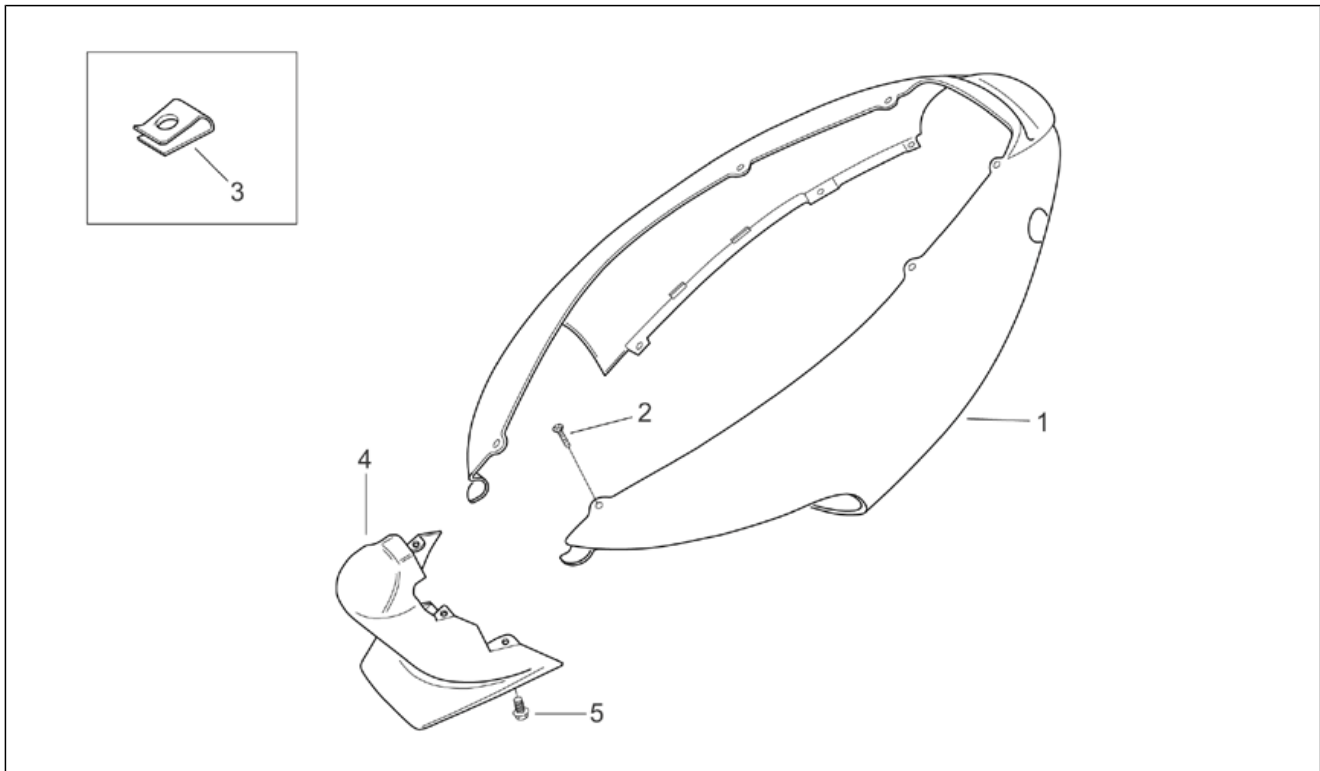
Pos.	Code	Beschreibung	Menge	Varianten
6	AP8258849	Sitzabdeckung rot	1	Baujahr:2003[3] Fahrzeugfarbe:Rot Tulip 2003[r]
6	AP8268216	Sitzabdeckung rot	1	Baujahr:2004[4] Fahrzeugfarbe:Rot Fluo 2004[r.fluo]
6	AP8268221	Sitzabdeckung, grau	1	Baujahr:2004[4] Fahrzeugfarbe:Bleigrau 2004[grey]
6	AP8268248	Sitzdeckel Schwarz	1	Baujahr:2004[4] Fahrzeugfarbe:Replica Poggiali Wei 2004[RP]
6	AP8268274	Sitzdeckel Schwarz	1	Baujahr:2004[4] Fahrzeugfarbe:Replica Poggiali Schwarz 2004[RP.bl]
7	AP8229192	Soziussitz, schwarz	1	Baujahr:2002[2] Fahrzeugfarbe:Schwarz Diablo 2002[bl.di]
7	AP8229297	Soziussitz rot fluor.	1	Baujahr:2004[4] Fahrzeugfarbe:Rot Fluo 2004[r.fluo]
7	AP8229319	Soziussitz, blau	1	Baujahr:2002[2] Fahrzeugfarbe:Blau Way 2002[way.b]
7	AP8229321	Soziussitz, hot red	1	Baujahr:2003[3] Fahrzeugfarbe:Blau Limited 2003[b]
7	AP8229345	Soziussitz, schwarz	1	Baujahr:2002[2] Fahrzeugfarbe:Grau Dust 2002[du/gr]
7	AP8229355	Soziussitz, grun	1	Baujahr:2003[3] Fahrzeugfarbe:Tuomo 2003[t]
7	AP8229358	Soziussitz	1	Baujahr:2003[3] Fahrzeugfarbe:Sbk 2003[s]
7	AP8229358	Soziussitz	1	Baujahr:2004[4] Fahrzeugfarbe:Replica Poggiali Wei 2004[RP], Replica Poggiali Schwarz 2004[RP.bl]
7	AP8229359	Soziussitz, grau	1	Baujahr:2004[4] Fahrzeugfarbe:Bleigrau 2004[grey]
7	AP8229359	Soziussitz, grau	1	Baujahr:2003[3] Fahrzeugfarbe:GP1 2003[g]
7	AP8229384	Soziussitz rot	1	Baujahr:2003[3]

<b>Einheit</b>	RAHMEN
<b>Code</b>	28.11
<b>Beschreibung</b>	Sitz - Schäkel
<b>Inspektion</b>	1



Pos.	Code	Beschreibung	Menge	Varianten
				Fahrzeugfarbe:Rot Tulip 2003[r]
8	AP8152278	TE Schr. m. Flansch M6x16	3	

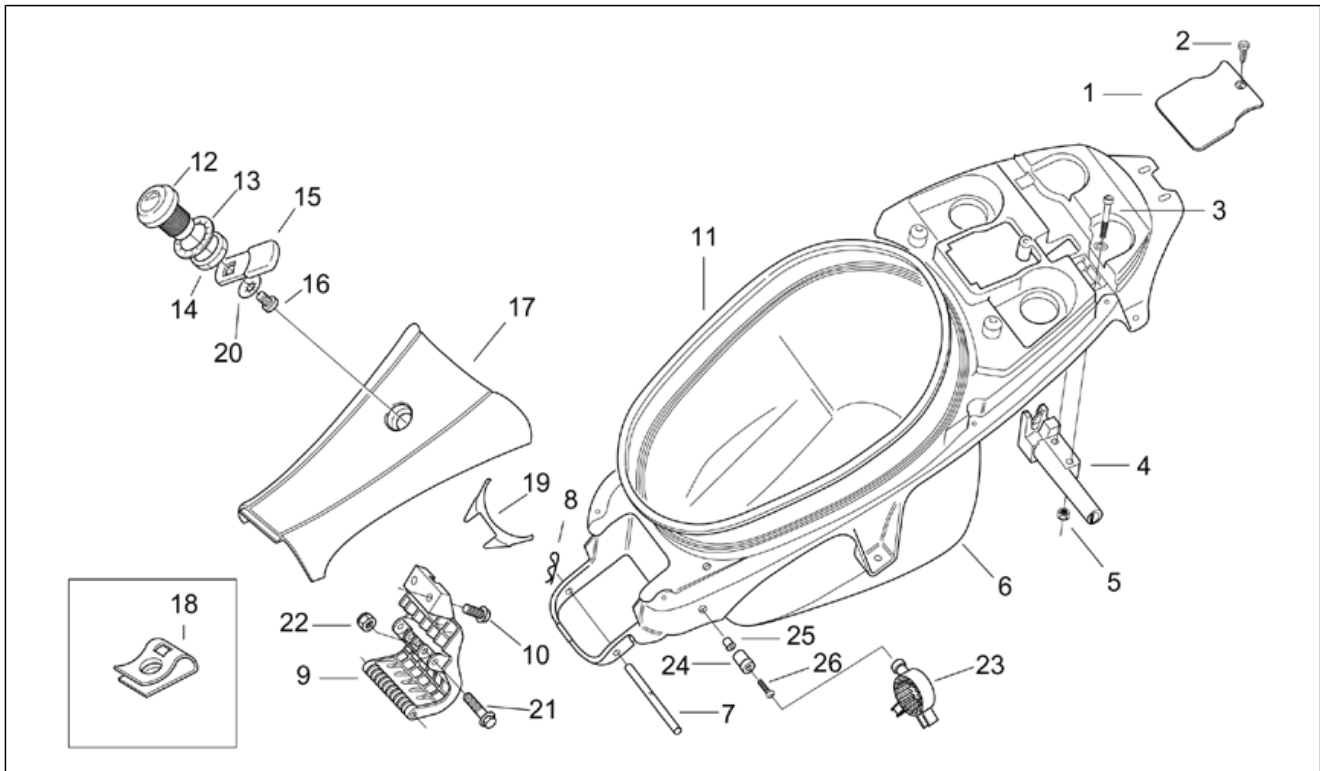
<b>Einheit</b>	RAHMEN
<b>Code</b>	28.12
<b>Beschreibung</b>	Heckaufbau I
<b>Inspektion</b>	1



Pos.	Code	Beschreibung	Menge	Varianten
1	AP8258483	Heckteil, schwarz+ Dekal	1	Baujahr:2002[2] Fahrzeugfarbe:Schwarz Diablo 2002[bl.di]
1	AP8258550	Heckteil, grau	1	Baujahr:2002[2] Fahrzeugfarbe:Grau Dust 2002[du/gr]
1	AP8258701	Heckteil, blau	1	Baujahr:2002[2] Fahrzeugfarbe:Blau Way 2002[way.b]
1	AP8258782	Heckteil, d. schwarz	1	Baujahr:2003[3] Fahrzeugfarbe:Tuomo 2003[t]
1	AP8258810	Heckteil, d. schwarz	1	Baujahr:2003[3] Fahrzeugfarbe:Sbk 2003[s]
1	AP8258823	Heckteil, d. schwarz	1	Baujahr:2003[3] Fahrzeugfarbe:GP1 2003[g]
1	AP8258830	Heckteil, blau	1	Baujahr:2003[3] Fahrzeugfarbe:Blau Limited 2003[b]
1	AP8258844	Heckteil, rot	1	Baujahr:2003[3] Fahrzeugfarbe:Rot Tulip 2003[r]
1	AP8268204	Heckteil, grau	1	Baujahr:2004[4] Fahrzeugfarbe:Rot Fluo 2004[r.fluo]
1	AP8268219	Heckteil, m.grau	1	Baujahr:2004[4] Fahrzeugfarbe:Bleigrau 2004[grey]
1	AP8268245	Heckteil, A.weiß	1	Baujahr:2004[4] Fahrzeugfarbe:Replica Poggiali Weiß 2004[RP]
1	AP8268272	Heck schwarz a.	1	Baujahr:2004[4] Fahrzeugfarbe:Replica Poggiali Schwarz 2004[RP.bl]
2	AP8150413	Gew.schr. 3,9x14	10	
3	AP8201763	Clip f. Blehschr. D5,5*	4	
4	AP8249708	Verkl.stange schwarz	1	
5	AP8152277	TE Schr. m. Flansch M6x12	2	

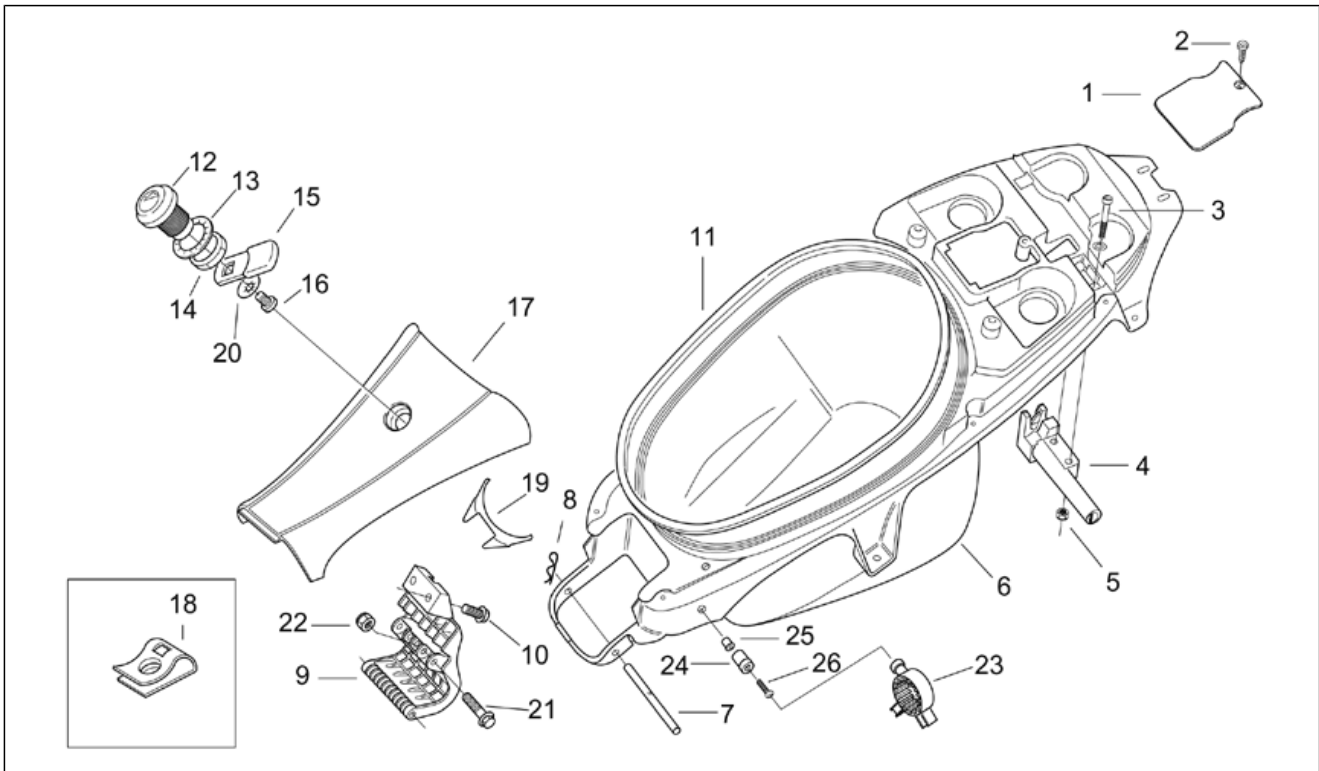


<b>Einheit</b>	RAHMEN
<b>Code</b>	28.13
<b>Beschreibung</b>	Heckaufbau II
<b>Inspektion</b>	1



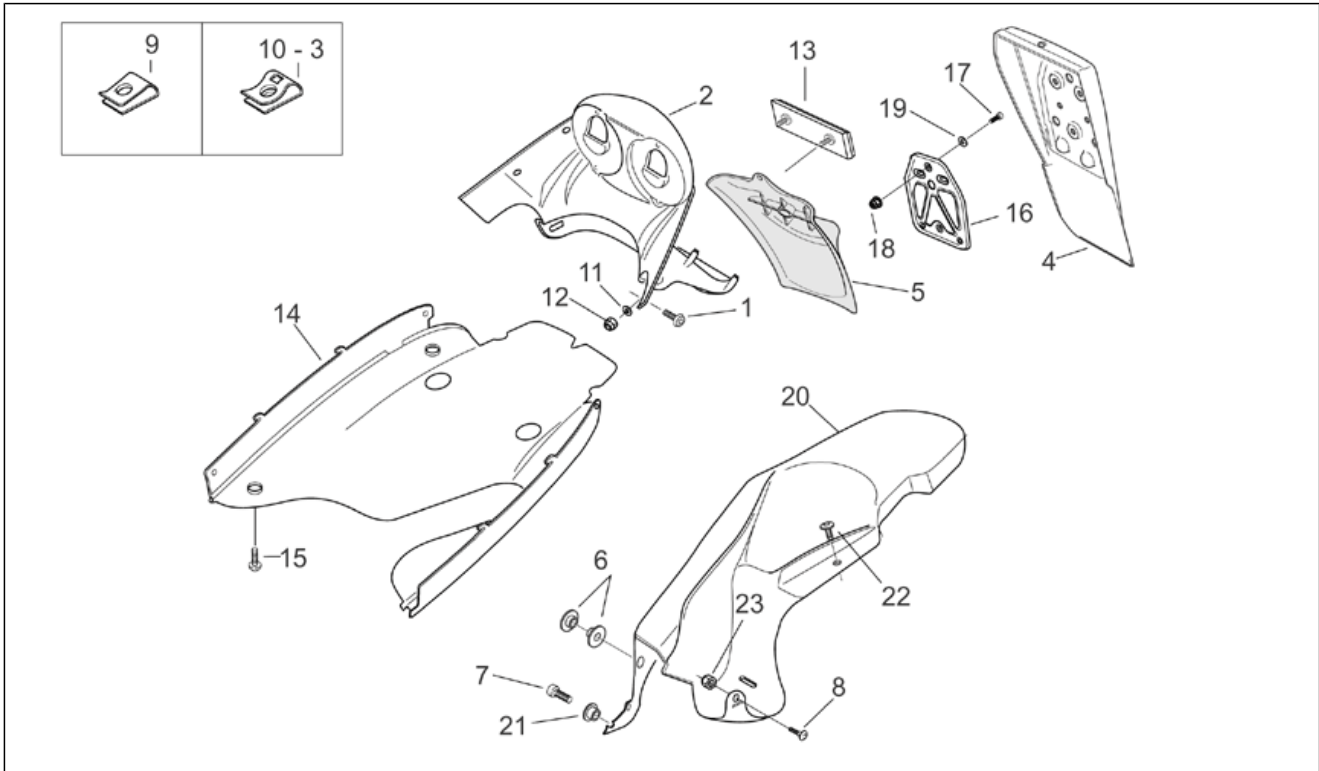
Pos.	Code	Beschreibung	Menge	Varianten
1	AP8238856	Klp. Benz.std.gb., schwarz	1	
2	AP8150413	Gew.schr. 3,9x14	1	
3	AP8152283	TE Schr. m. Flansch	2	
4	AP8202246	Sitzschloß	1	
5	AP8150430	Selbstsperr.mut Unt.	2	
6	AP8258058	Schutzhelmfach	1	
7	AP8221321	Sitzgelenkbolzen	1	
8	AP8201643	Splint	1	
9	AP8238681	Sitzgelenk, schwarz	1	
10	AP8152279	TE Schr. m. Flansch M6x20	2	
11	AP8220313	Kofferdichtung	1	
12	AP8202247	Schloss	1	
13	AP8221312	Zahnscheibe	1	
14	AP8152194	Mutter unten M19x1*	1	
15	AP8201620	Hebel	1	
16	AP8201749	Linsenschraube M4x6	1	
17	AP8249532	Tunneldeckel, m.schwarz	1	<b>Baujahr:</b> 2004[4] <b>Fahrzeugfarbe:</b> Replica Poggiali Weiß 2004[RP]
17	AP8249532	Tunneldeckel, m.schwarz	1	<b>Baujahr:</b> 2002[2] <b>Fahrzeugfarbe:</b> Schwarz Diablo 2002[bl.di], Blau Way 2002[way.b]
17	AP8258561	Tunneldeckel, grau	1	<b>Baujahr:</b> 2003[3] <b>Fahrzeugfarbe:</b> Blau Limited 2003[b], GP1 2003[g], Rot Tulip 2003[r], Sbk 2003[s]
17	AP8258561	Tunneldeckel, grau	1	<b>Baujahr:</b> 2004[4] <b>Fahrzeugfarbe:</b> Bleigrau 2004[grey], Rot Fluo 2004[r.fluo], Replica Poggiali Schwarz 2004[RP.bl]
17	AP8258561	Tunneldeckel, grau	1	<b>Baujahr:</b> 2002[2] <b>Fahrzeugfarbe:</b> Grau Dust 2002[du/gr]
17	AP8258789	Tunnelabdeck.	1	<b>Baujahr:</b> 2003[3]

<b>Einheit</b>	RAHMEN
<b>Code</b>	28.13
<b>Beschreibung</b>	Heckaufbau II
<b>Inspektion</b>	1



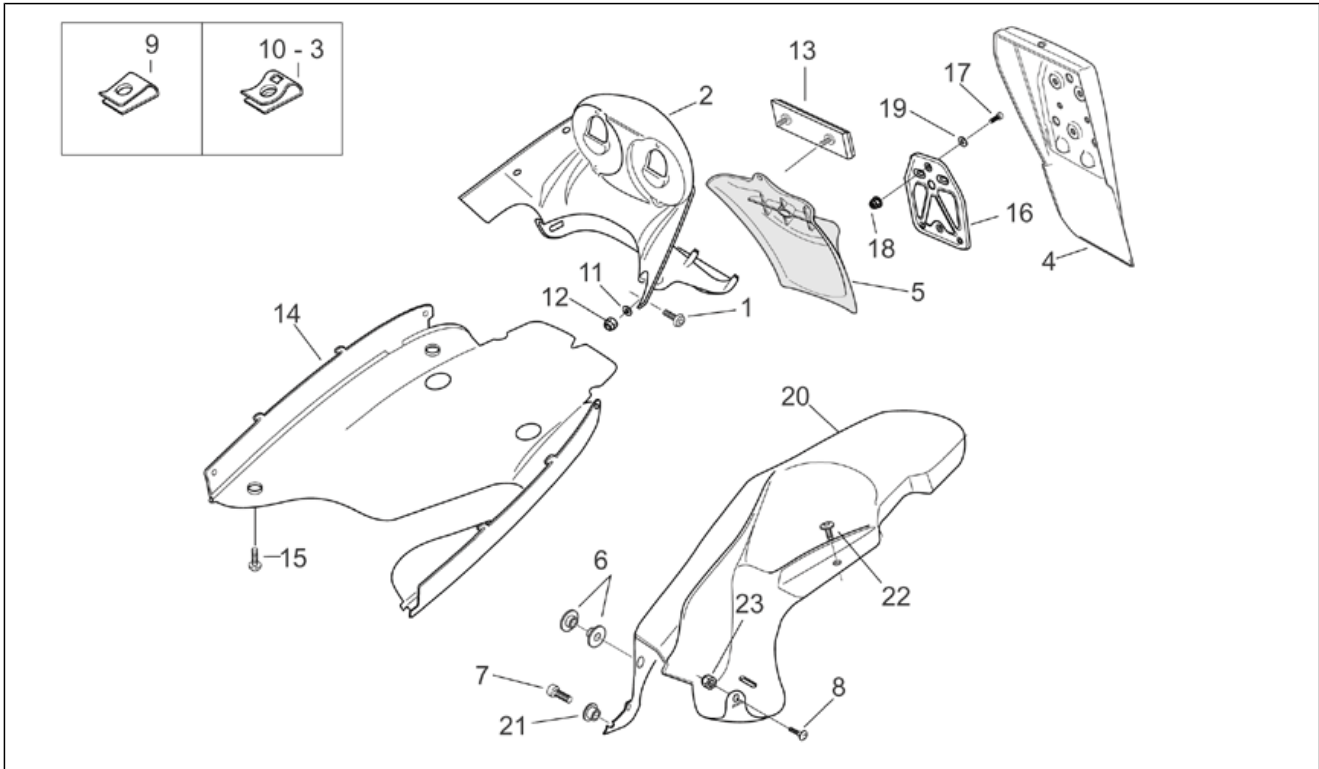
Pos.	Code	Beschreibung	Menge	Varianten
				Fahrzeugfarbe:Tuono 2003[t]
18	AP8102376	Klammer M6	7	
19	AP8220468	Gummi Sitzgelenk	1	
20	AP8201748	Ausgleichscheibe	1	
21	AP8152282	TE Schr. m. Flansch M6x35	2	
22	AP8152299	Selbstsperrende Mutter M6	2	
23	AP8220592	Halter Kraftstoffpumpe	1	
24	AP8234195	Stift	1	
25	AP8120531	Gummi mit Einsatz	1	
26	AP8225369	TBEI Schraube	1	

<b>Einheit</b>	RAHMEN
<b>Code</b>	28.14
<b>Beschreibung</b>	Heckaufbau III
<b>Inspektion</b>	1



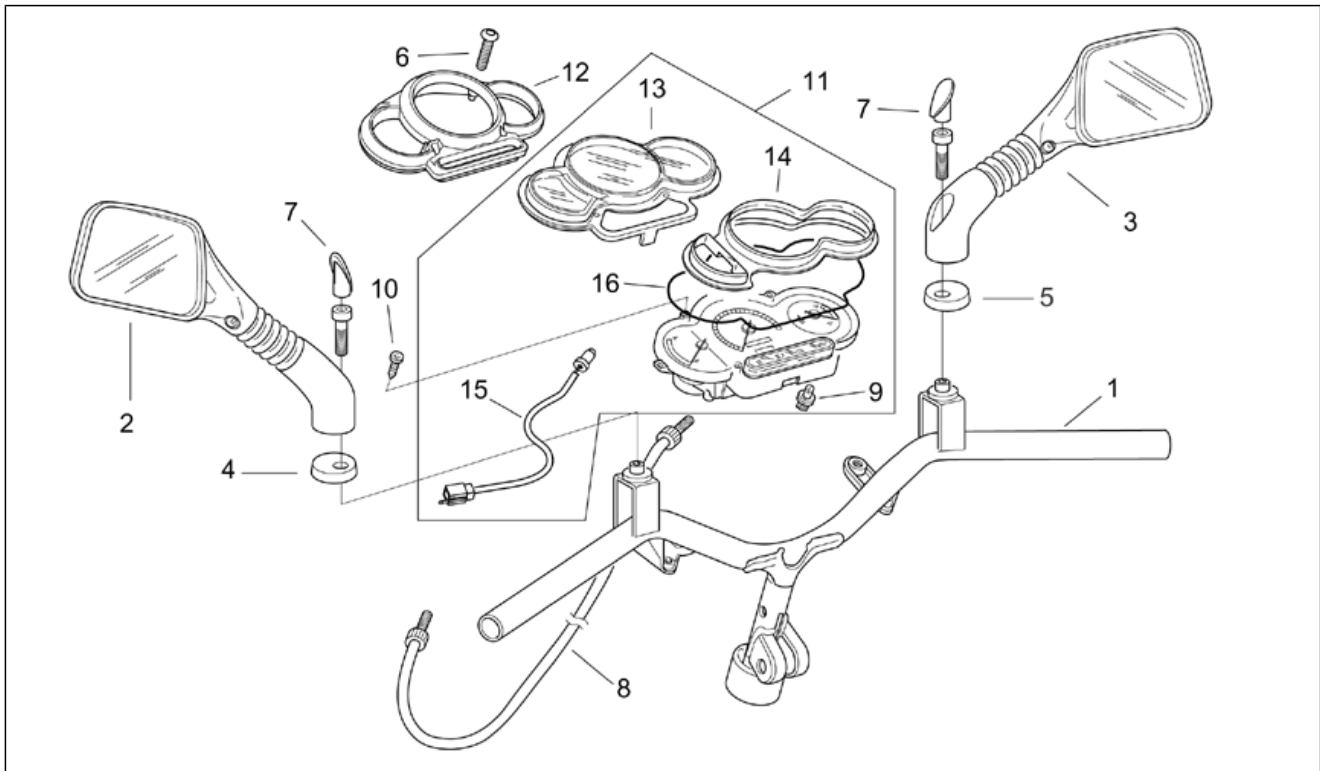
Pos.	Code	Beschreibung	Menge	Varianten
1	AP8152298	TBEI Schraube m.Flansch M5x16	2	
2	AP8226627	Kennzeichenplatte, schwarz	1	<b>Technische Daten:</b> Version mit Beschränkung 45 km/h[45Km]
2	AP8226792	Kennzeichenplatte, schwarz	1	<b>Land:</b> Schweiz[CH], B, CH, D, DK, E, F, I, NL, P[EU] <b>Technische Daten:</b> Version mit voller Leistung[f.p.]
3	AP8102376	Klammer M6	1	
4	AP8226626	Hinteres Spritzschutz, schw.	1	<b>Technische Daten:</b> Version mit Beschränkung 45 km/h[45Km]
5	AP8149303	Halter.K-zeich.-beleu., schw.	1	<b>Land:</b> Schweiz[CH], B, CH, D, DK, E, F, I, NL, P[EU] <b>Technische Daten:</b> Version mit voller Leistung[f.p.]
5	AP8149303	Halter.K-zeich.-beleu., schw.	1	<b>Land:</b> Australien[AA], Australien[AUS]
6	AP8221218	Buchse Schutzblech	2	
7	AP8150220	TCEI Schraube M6x30	1	
8	AP8152282	TE Schr. m. Flansch M6x35	1	
9	AP8201763	Clip f. Blechschr. D5,5*	2	
10	AP8102375	Klammer M5	4	
11	AP8150158	Ausgleichscheibe 4,3X9X0,8	2	
12	AP8150204	Mutter M4	2	
13	AP8112916	Rückstrahler Rücklicht	1	<b>Technische Daten:</b> Version mit Beschränkung 45 km/h[45Km]
14	AP8249762	Tankschutz m.schwarz	1	<b>Baujahr:</b> 2002[2] <b>Fahrzeugfarbe:</b> Schwarz Diablo 2002[bl.di], Blau Way 2002[way.b]
14	AP8249762	Tankschutz m.schwarz	1	<b>Baujahr:</b> 2004[4] <b>Fahrzeugfarbe:</b> Replica Poggiali Weiß 2004[RP]
14	AP8258562	Tankschutz grau	1	<b>Baujahr:</b> 2002[2] <b>Fahrzeugfarbe:</b> Grau Dust 2002[du/gr]
14	AP8258562	Tankschutz grau	1	<b>Baujahr:</b> 2004[4] <b>Fahrzeugfarbe:</b> Bleigrau 2004[grey], Rot Fluo 2004[r.fluo], Replica Poggiali Schwarz 2004[RP.bl]
14	AP8258562	Tankschutz grau	1	<b>Baujahr:</b> 2003[3]

<b>Einheit</b>	RAHMEN
<b>Code</b>	28.14
<b>Beschreibung</b>	Heckaufbau III
<b>Inspektion</b>	1



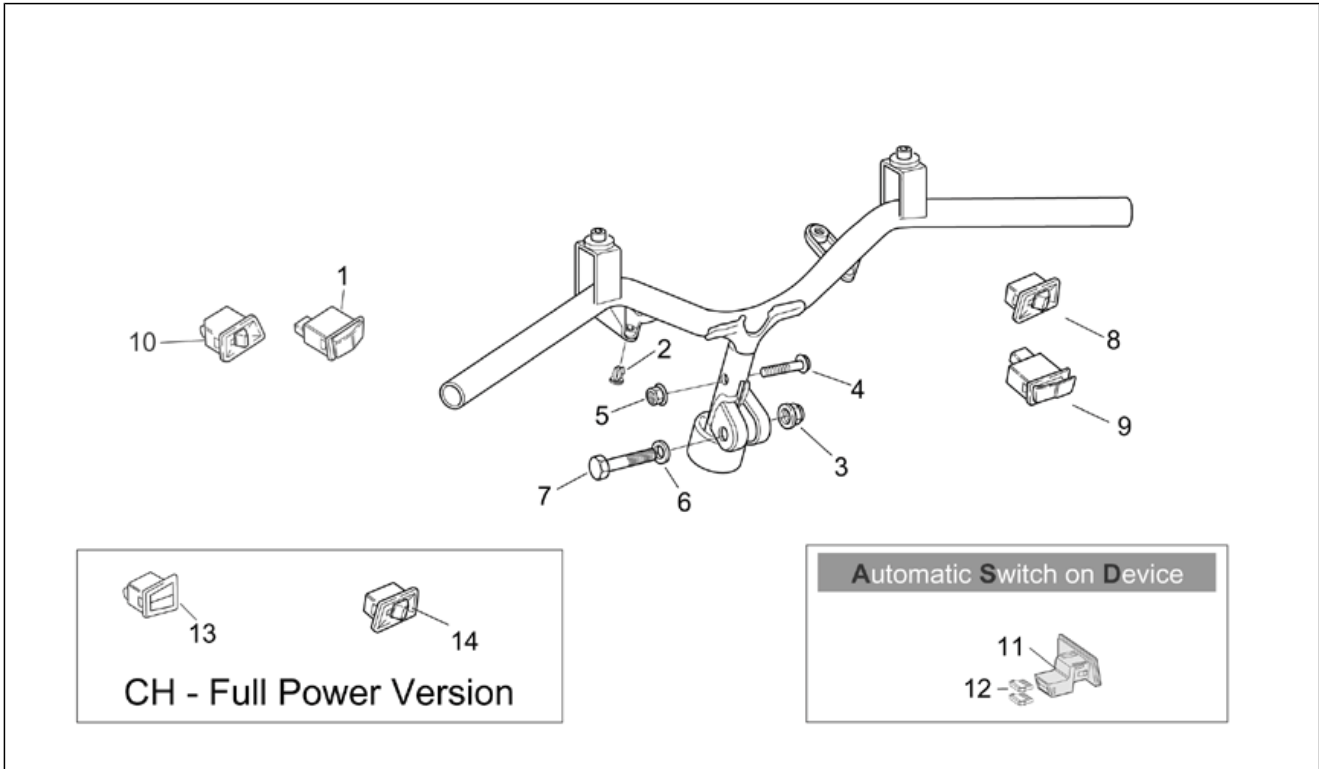
Pos.	Code	Beschreibung	Menge	Varianten
				Fahrzeugfarbe:Blau Limited 2003[b], GP1 2003[g], Rot Tulip 2003[r], Sbk 2003[s]
14	AP8258790	Tankschutz gold	1	Baujahr:2003[3] Fahrzeugfarbe:Tuono 2003[t]
15	AP8152298	TBEI Schraube m.Flansch M5x16	4	
16	AP8249558	Kennzeichenhalter	1	
17	AP8152043	TCEI Schraube M4x10	3	
18	AP8150204	Mutter M4	3	
19	AP8150158	Ausgleichscheibe 4,3X9X0,8	3	
20	AP8226749	Hinteres Schutzblech	1	
21	AP8121811	T-Buchse	1	
22	AP8152302	TBEI Schraube m.Flansch M5x12	1	
23	AP8150430	Selbstsperr.mut Unt.	1	

<b>Einheit</b>	RAHMEN
<b>Code</b>	28.15
<b>Beschreibung</b>	Lenkstange - Instrumenteneinheit
<b>Inspektion</b>	1



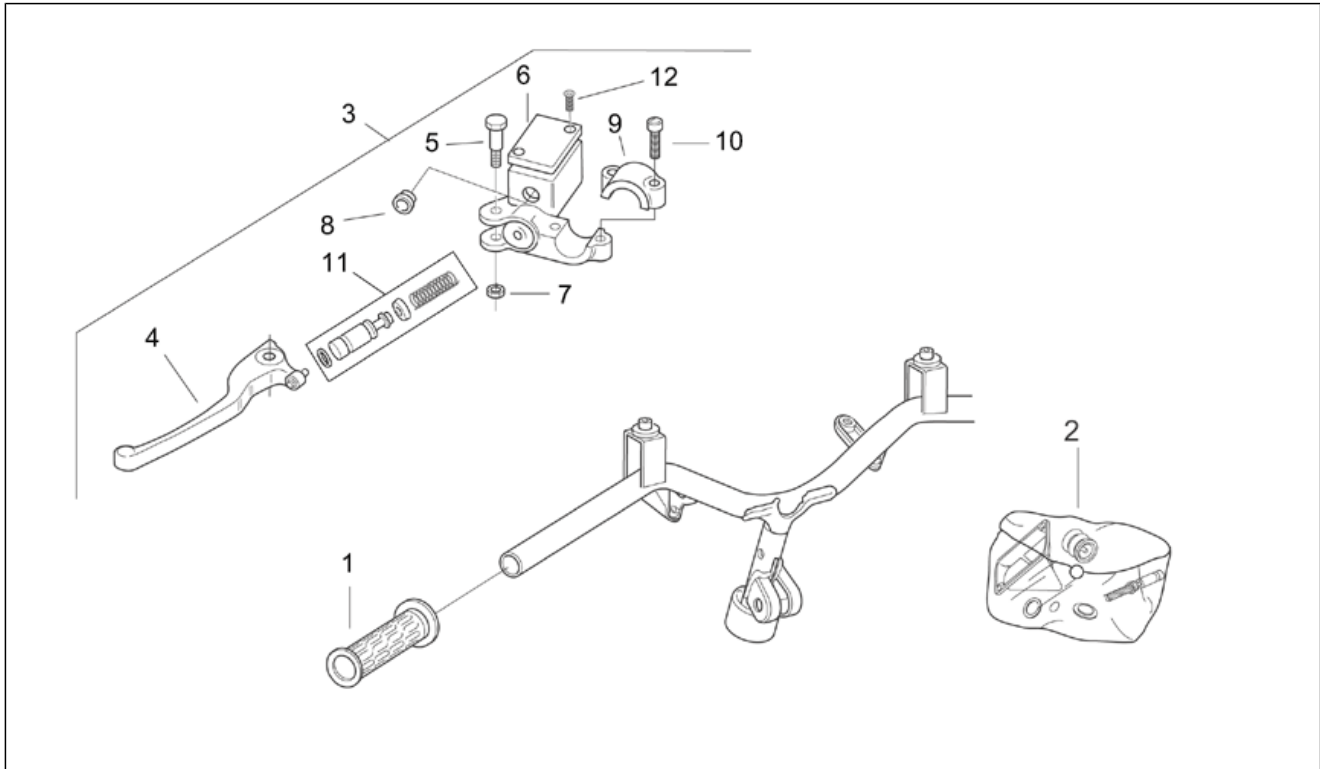
Pos.	Code	Beschreibung	Menge	Varianten
1	AP8218210	Lenkstange galv.	1	
2	AP8201976	Rückspiegel links	1	
3	AP8201975	Rückspiegel rechts	1	
4	AP8220454	Gummi linker Spiegel	1	
5	AP8220453	Gummi rechter Spiegel	1	
6	AP8221242	Gewindeschraube Spezial 3,5x20	4	
7	AP8202071	Verschl. Spgl rch + lks.	2	
8	AP8214163	Tachometerkabel	1	
9	AP8124762	Lampenhalter kplt.	7	
10	AP8150421	Gew.schr. 2,9x12	4	
11	AP8224484	Instrum.tafel kplt.	1	<b>Technische Daten:</b> Version mit Beschränkung 45 km/h[45Km]
11	AP8224521	Instrum.tafel kplt.	1	<b>Land:</b> Schweiz[CH], B, CH, D, DK, E, F, I, NL, P[EU] <b>Technische Daten:</b> Version mit voller Leistung[f.p.]
12	AP8249766	Blende ohne Kontrolleuchten	1	
13	AP8224344	Instrumentenblenden schutz	1	
14	AP8224345	Beleuchtungsschirm	1	
15	AP8224369	Verkabelung Instrumentenbrett	1	
16	AP8220551	O-Ring	1	

<b>Einheit</b>	RAHMEN
<b>Code</b>	28.16
<b>Beschreibung</b>	Lenkstange - Tasten
<b>Inspektion</b>	1



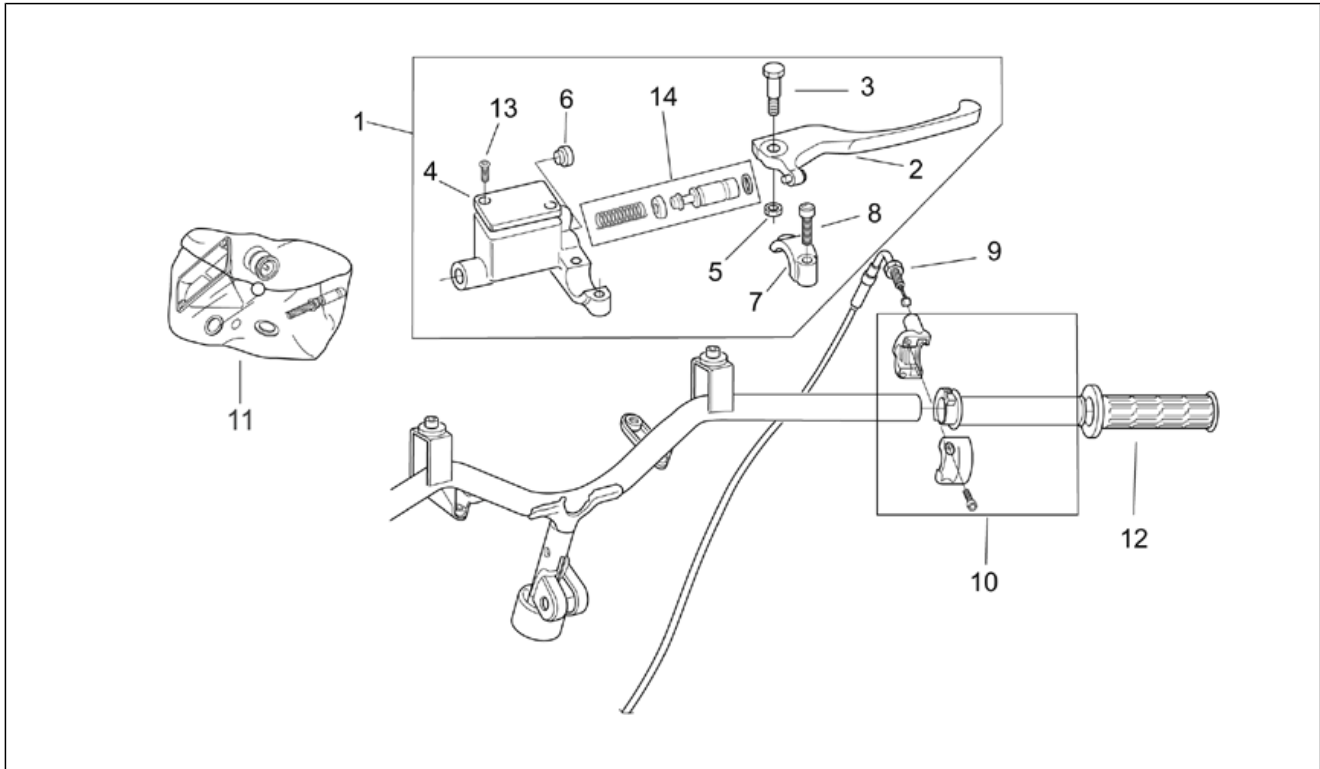
Pos.	Code	Beschreibung	Menge	Varianten
1	AP8124209	Hupknopf	1	
2	AP8102671	Kunststoffniet	2	
3	AP8152301	Selbstsperrende Mutter	1	
4	AP8152290	TE Schr. m. Flansch M8x40	1	
5	AP8152300	Selbstsperrende Mutter M8	2	
6	AP8150020	Ausgleichscheibe 10,5x21x2*	1	
7	AP8150086	TCEI Schraube	1	
8	AP8212837	2-Wege Lichtknopf	1	<b>Technische Daten:</b> Version mit Beschränkung 45 km/h[45Km], Lichtausschalter[SD]
9	AP8124208	Startknopf	1	
10	AP8212767	Blinker Lichtknopf	1	
11	AP8104546	Deckel	1	<b>Technische Daten:</b> Lichter immer eingeschaltet[ASD]
12	AP8127487	Verbinder	1	<b>Technische Daten:</b> Lichter immer eingeschaltet[ASD]
13	AP8124081	Lichtschalter	1	<b>Land:</b> Schweiz[CH], B, CH, D, DK, E, F, I, NL, P[EU] <b>Technische Daten:</b> Version mit voller Leistung[f.p.], Lichtausschalter[SD]
14	AP8224130	Stopschalter Motor	1	<b>Land:</b> Schweiz[CH], B, CH, D, DK, E, F, I, NL, P[EU] <b>Technische Daten:</b> Version mit voller Leistung[f.p.]

<b>Einheit</b>	RAHMEN
<b>Code</b>	28.17
<b>Beschreibung</b>	Schaltungen links
<b>Inspektion</b>	1



Pos.	Code	Beschreibung	Menge	Varianten
1	AP8218265	Handgriffe paar, grau	1	
1	AP8218275	Handgriffe paar, schwarz	1	
2	AP8213375	Bausatz Pumpenüberholung	1	
3	AP8213485	Hinterradbremspumpe	1	
4	AP8218549	Bremshebel, schwarz	1	
5	AP8125757	Schraube Hebel	1	
6	AP8213272	Tankdeckel	1	
7	AP8213298	Mutter	1	
8	AP8113414	Schauglas Bremspumpe	1	
9	AP8113637	Bremshebel-Bügelbolzen	1	
10	AP8213299	Kappenschraube	2	
11	AP8113861	Kolben kpl.	1	
12	AP8213400	Schraube Pumpendeckel	2	

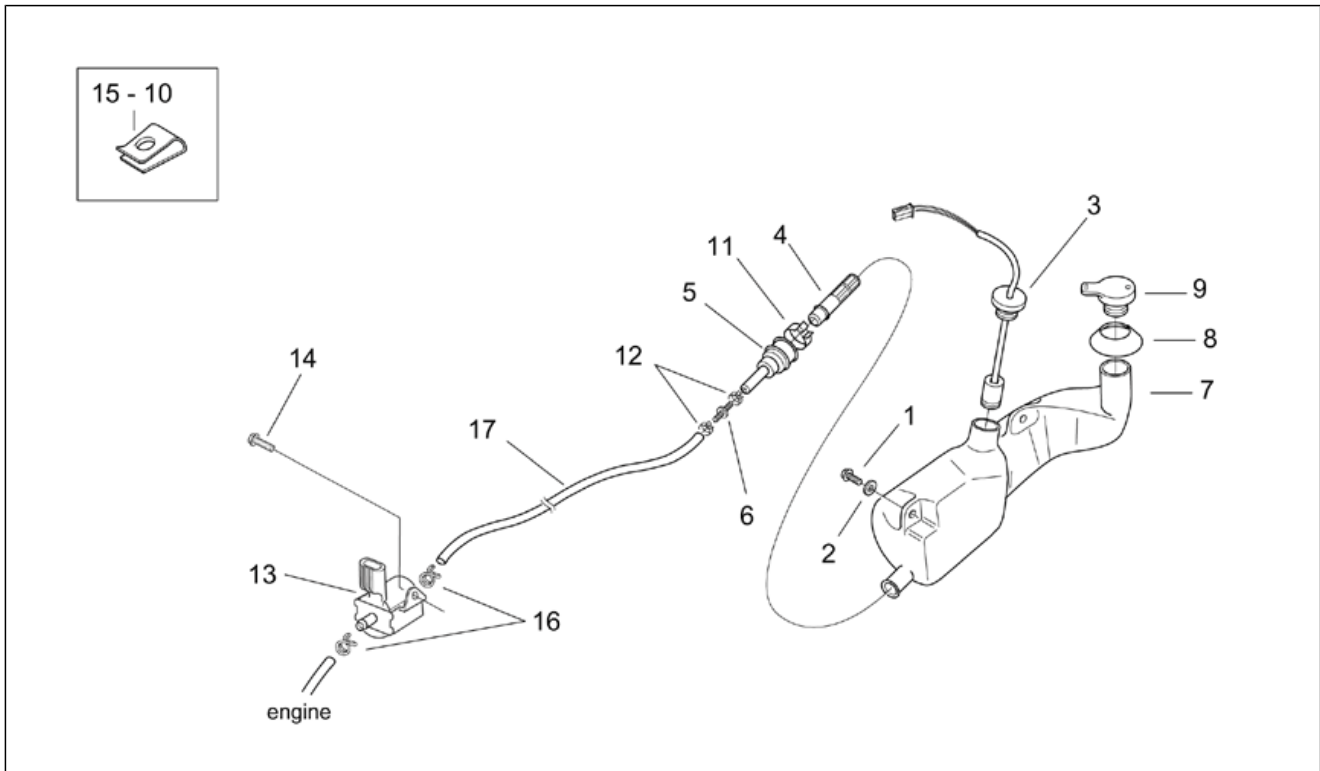
<b>Einheit</b>	RAHMEN
<b>Code</b>	28.18
<b>Beschreibung</b>	Schaltungen rechts
<b>Inspektion</b>	1



Pos.	Code	Beschreibung	Menge	Varianten
1	AP8213484	Vorderradbremspumpe d12	1	
2	AP8218549	Bremshebel, schwarz	1	
3	AP8125757	Schraube Hebel	1	
4	AP8213272	Tankdeckel	1	
5	AP8213298	Mutter	1	
6	AP8113414	Schauglas Bremspumpe	1	
7	AP8113637	Bremshebel-Bügelbolzen	1	
8	AP8213299	Kappenschraube	2	
9	AP8214202	Gaszugkabel	1	
10	AP8218331	Gasschaltung ohne Griff	1	
11	AP8213375	Bausatz Pumpenüberholung	1	
12	AP8218265	Handgriffe paar, grau	1	
12	AP8218275	Handgriffe paar, schwarz	1	
13	AP8213400	Schraube Pumpendeckel	2	
14	AP8113861	Kolben kpl.	1	

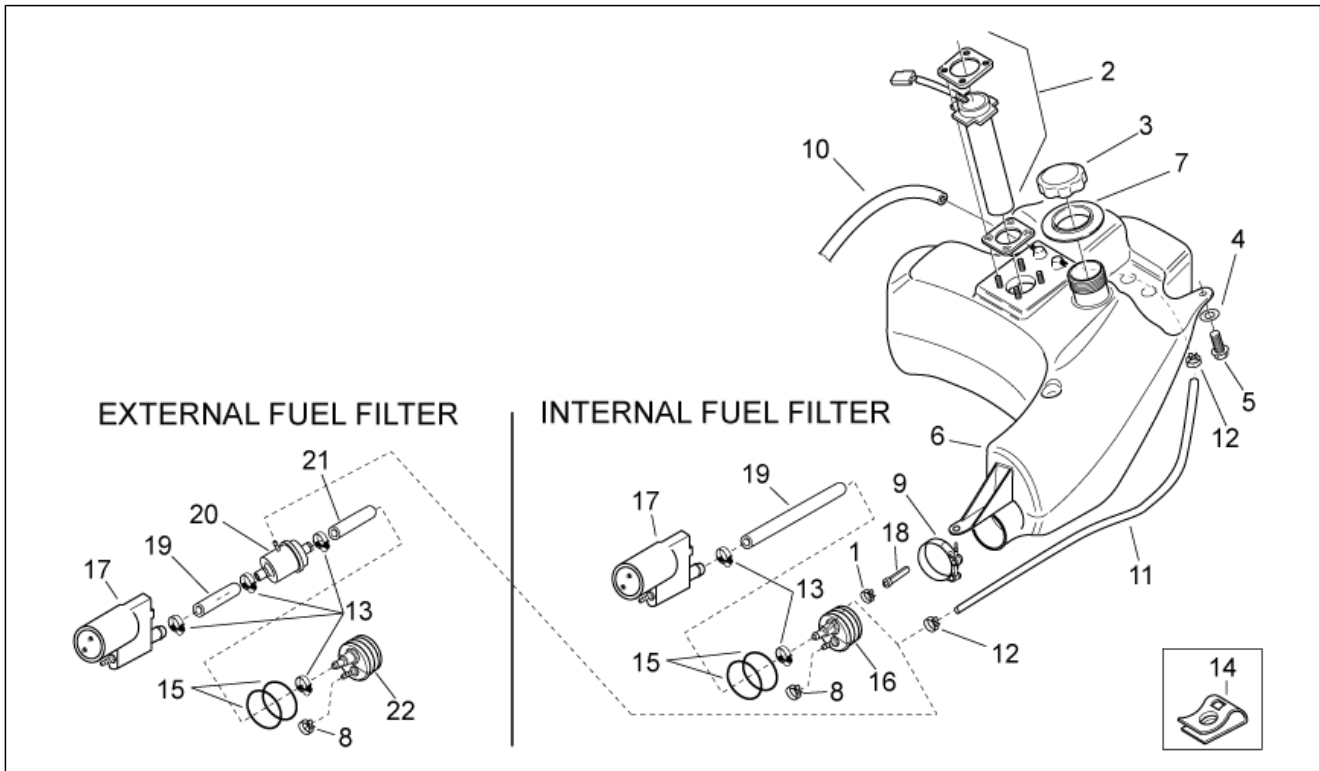


<b>Einheit</b>	RAHMEN
<b>Code</b>	28.19
<b>Beschreibung</b>	Ölbehälter
<b>Inspektion</b>	1



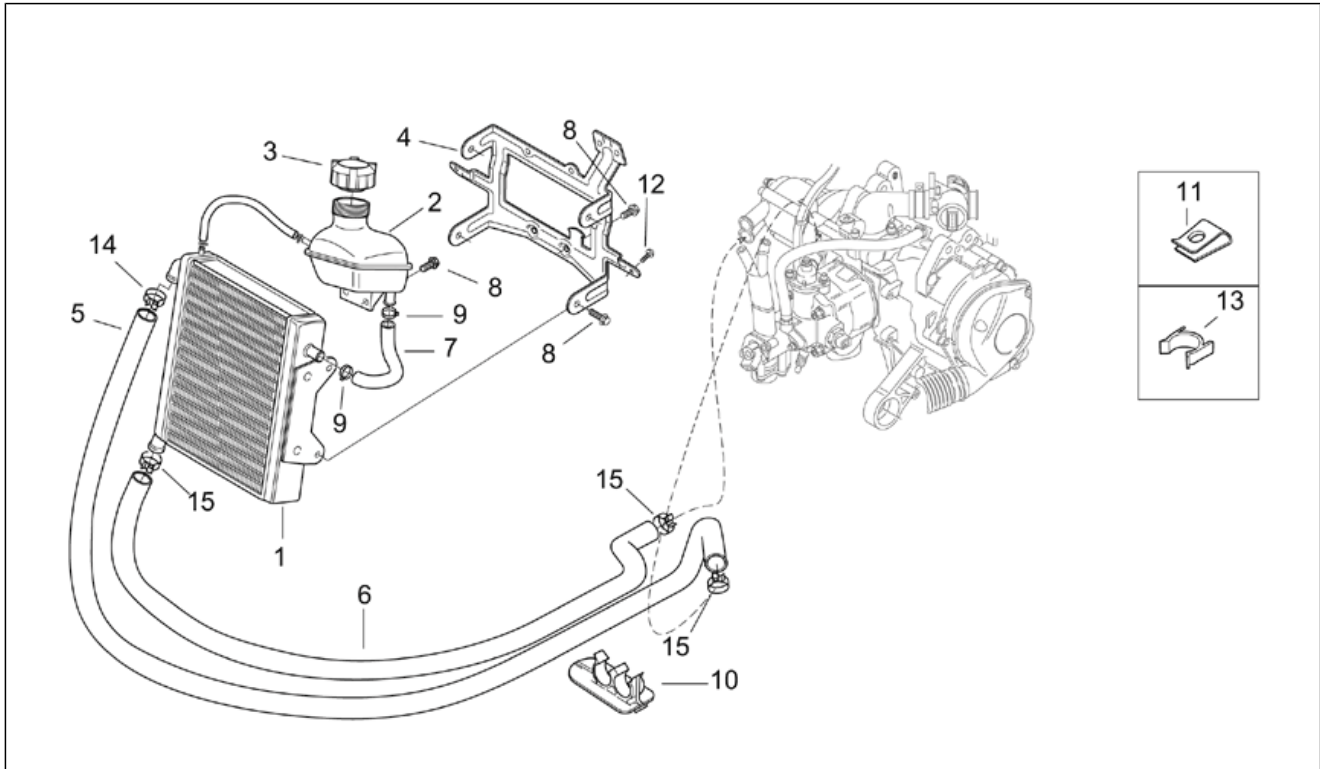
Pos.	Code	Beschreibung	Menge	Varianten
1	AP8152279	TE Schr. m. Flansch M6x20	2	
2	AP8150015	Ausgleichscheibe 6,6x18x1,6*	2	
3	AP8124811	Anzeige Ölreserve	1	
4	AP8102224	Gemisch-Ölfilter	1	
5	AP8102223	Gummi *	1	
6	AP8101944	2-Wege Anschluß	1	
7	AP8238433	Öltank	1	
8	AP8220195	Ölabstreifring	1	
9	AP8220421	Öltankschraube	1	
10	AP8102376	Klammer M6	2	
11	AP8101743	Schlauschelle D23,5x8*	1	
12	AP8101770	Schlauschelle D8x5,5*	2	
13	AP8222708	Ölpumpe	1	
14	AP8152272	TE Schr. m. Flansch M5x12	1	
15	AP8102375	Klammer M5	1	
16	AP8101770	Schlauschelle D8x5,5*	2	
17	AP8220402	Leitung 5x9	1	

<b>Einheit</b>	RAHMEN
<b>Code</b>	28.20
<b>Beschreibung</b>	Kraftstofftank
<b>Inspektion</b>	1



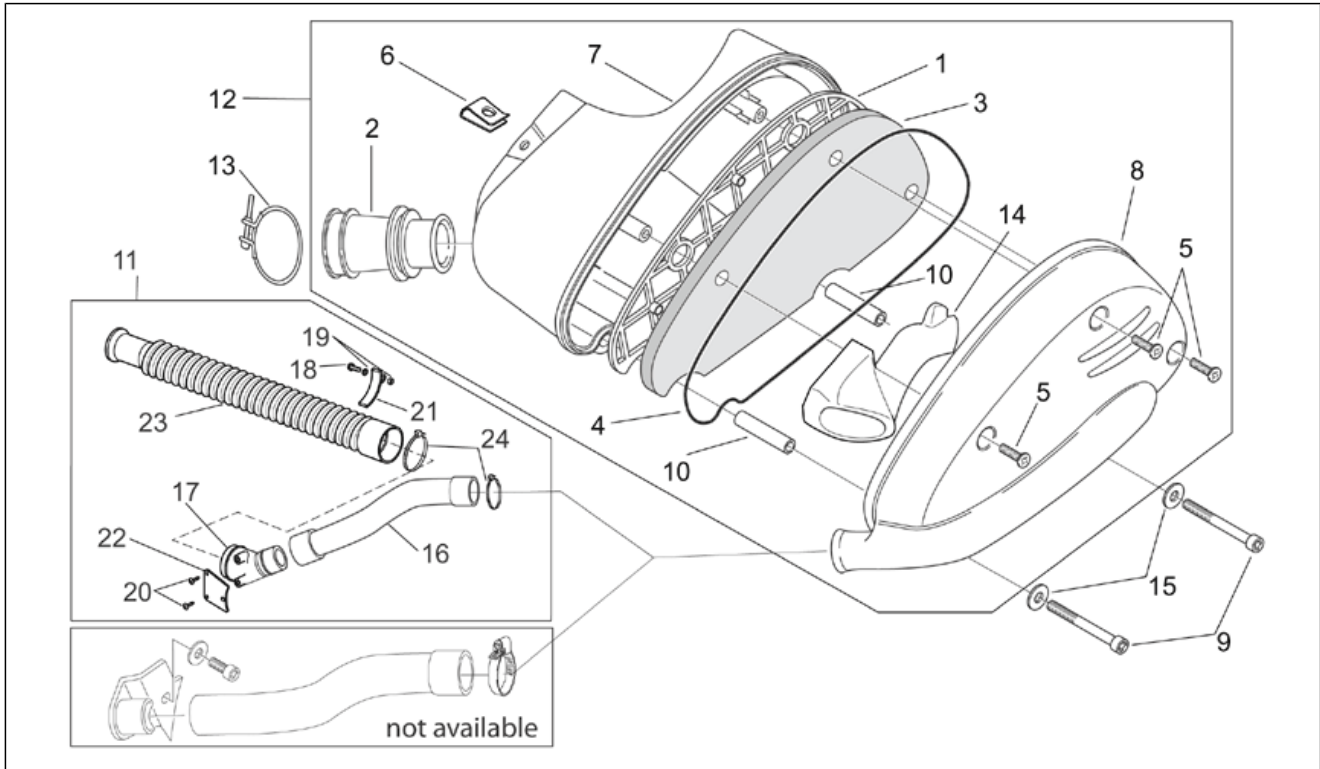
Pos.	Code	Beschreibung	Menge	Varianten
1	AP8102349	Schlauchschelle weiß D17,5x8	1	
2	AP8124814	Kraftstoffmeßsonde	1	
3	AP8201757	Tankverschlußschraube	1	
4	AP8150015	Ausgleichscheibe 6,6x18x1,6*	3	
5	AP8152279	TE Schr. m. Flansch M6x20	3	
6	AP8249300	Kraftstofftank	1	
7	AP8220472	Gummi Tankstutzen	1	
8	AP8102764	Schlauchschelle weiß d.13x6	1	
9	AP8258059	Verschl. Flansch	1	
10	AP8220263	Entlüftungsschlauch Kühler 4x8	1	
11	AP8220598	Entlüftungsschlauch Kühler	1	
12	AP8201225	Schlauchschelle D8,5x5,5	2	
13	AP8102273	Schlauchschelle	4	
14	AP8102376	Klammer M6	2	
15	AP8220596	O-Ring 37,69x3,53	2	
16	AP8276065	Flansch Benzintank	1	
17	854933	Kraftstoffpumpe	1	<b>Technische Daten:</b> Einzelne Benzinpumpe[single]
17	AP8176137	Benzinpumpe kpl.	1	<b>Technische Daten:</b> Benzinpumpe für Garantieeingriffe[warr]
18	AP8202436	Kraftstofffilter, Kit	1	
19	AP8220597	Kraftstoffleitung	1	<b>Technische Daten:</b> Länge 60 mm[60mm]
20	AP8202402	Kraftstofffilter	1	
21	AP8220597	Kraftstoffleitung	1	<b>Technische Daten:</b> Länge 50 mm[50mm]
22	AP8276065	Flansch Benzintank	1	

<b>Einheit</b>	RAHMEN
<b>Code</b>	28.21
<b>Beschreibung</b>	Kühlanlage
<b>Inspektion</b>	1



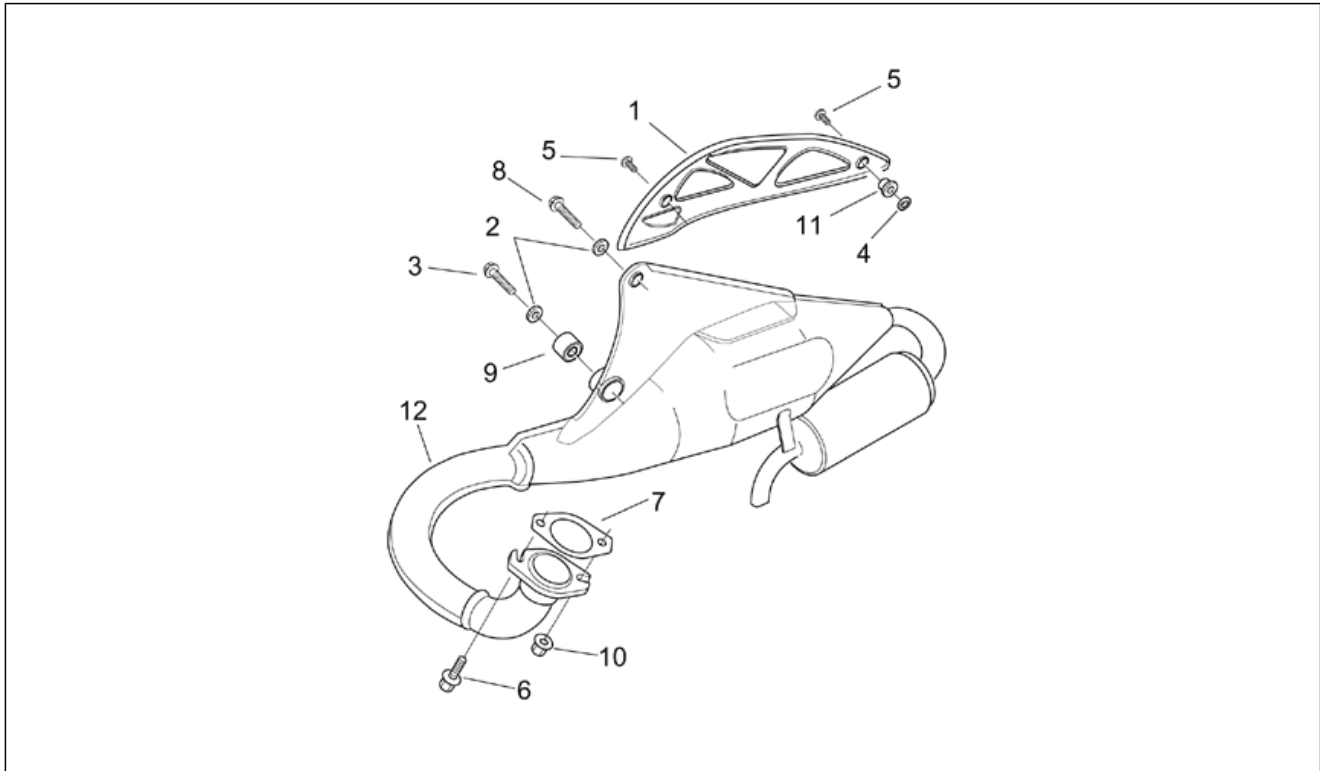
Pos.	Code	Beschreibung	Menge	Varianten
1	AP8201695	Kühler, schwarz	1	
1	AP8202212	Kühler, aluminium	1	
2	AP8238750	Ausdehngefäß	1	
3	AP8101912	Kühlerschraube unbelüftet	1	
4	AP8232941	Kühlerbefestigung	1	
5	AP8220565	Zylinderkopf-Kühlerschlauch	1	
6	AP8220578	Pumpen-Kühlerschlauch	1	
7	AP8220474	Schlauch Ausdehngefäß-Kühler	1	
8	AP8152278	TE Schr. m. Flansch M6x16	6	
9	AP8102765	Schlauchschelle weiß D.13,5x6	2	
10	AP8238769	Wasserschlauchhalter	1	
11	AP8102376	Klammer M6	7	
12	AP8152246	TBEI Schraube m.Flansch M6x16	1	
13	AP8201807	Kabelführungs D22	2	
14	AP8101573	Schelle D16-24x8*	1	
15	AP8102732	Schelle 17-25	2	

<b>Einheit</b>	RAHMEN
<b>Code</b>	28.22
<b>Beschreibung</b>	Filtergehäuse
<b>Inspektion</b>	1



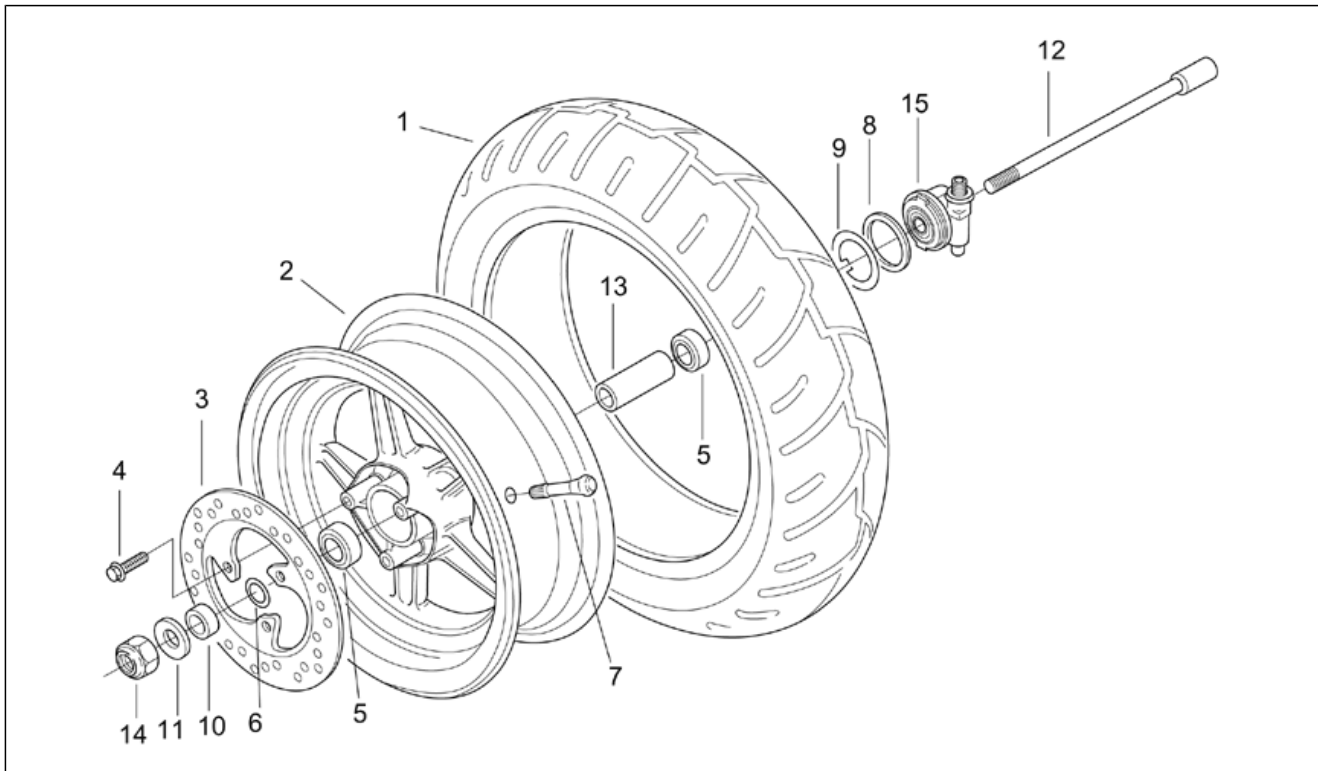
Pos.	Code	Beschreibung	Menge	Varianten
1	AP8258242	Stütznetz Filter	1	
2	AP8220587	Vergasermuffe	1	
3	AP8202302	Luftfilter	1	
4	AP8120593	Dichtung D4	1	
5	AP8152329	Kreuz.schl.flnschschr. M5x20	3	
6	AP8102375	Klammer M5	1	
7	AP8249298	Filtereinsatzgehäuse	1	
8	AP8249299	Deckel Filtergehäuse	1	
9	AP8150157	TCEI Schraube M6x60	2	
10	AP8121984	Distanzscheibe	2	
11	AP8202280	Lufteinlaß kit	1	
12	AP8258241	Filterkasten	1	
13	AP8201799	Muffenschelle	1	
14	AP8220608	Filtergehäuse Hülse	1	
15	AP8152181	Scheibe 6,4x15x1	2	
16	AP8220603	Ansaugmuffe	1	
17	AP8220604	Anschluss	1	
18	AP8152274	TE Schr. m. Flansch M5x20	1	
19	AP8152306	Selbstsperrende Mutter M5	1	
20	AP8150413	Gew.schr. 3,9x14	2	
21	AP8234200	Schlauchschutz	1	
22	AP8234199	leitung halter	1	
23	AP8220605	Leitung	1	
24	AP8120416	Schelle schwarz 178x4	2	

<b>Einheit</b>	RAHMEN
<b>Code</b>	28.24
<b>Beschreibung</b>	Auspuffrohr
<b>Inspektion</b>	1



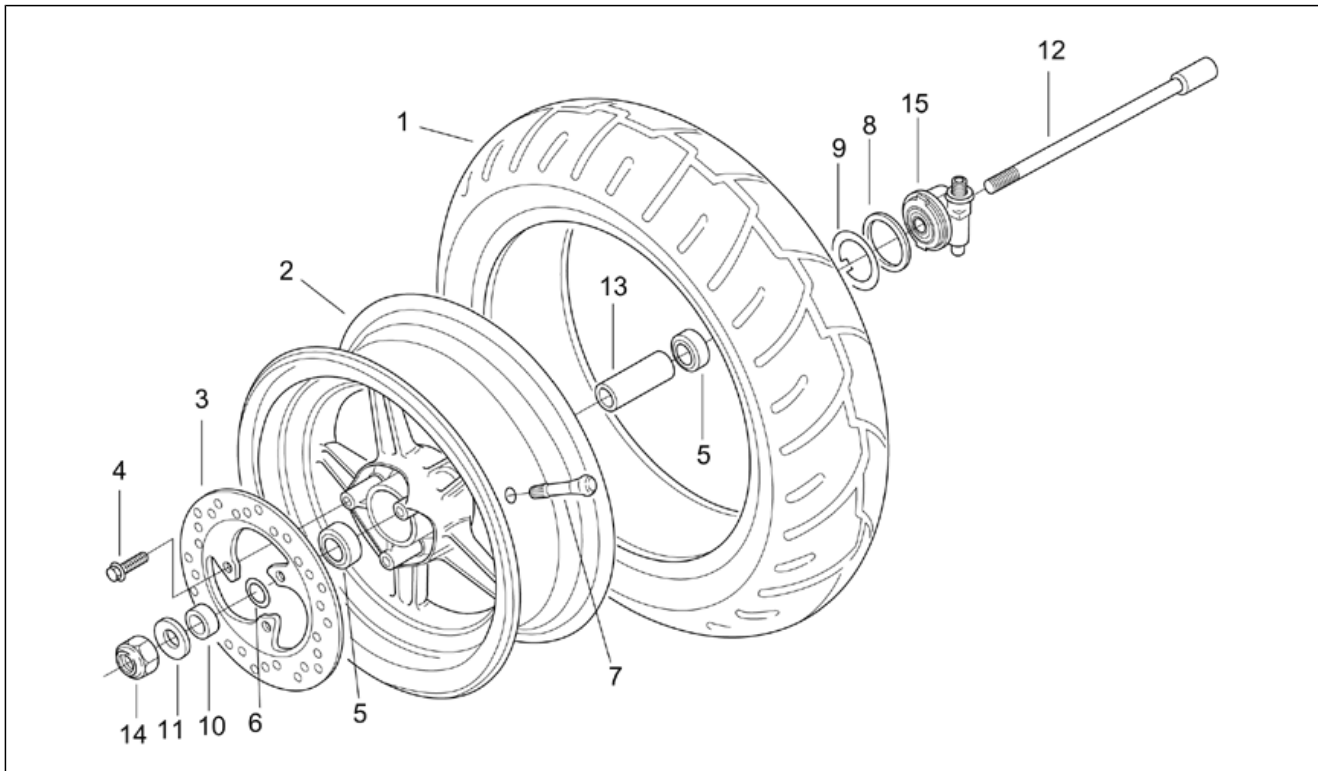
Pos.	Code	Beschreibung	Menge	Varianten
1	AP8219452	Auspuffschutz Stahl	1	
2	AP8150376	Ausgleichscheibe 8,5x15x0,8	2	
3	AP8152290	TE Schr. m. Flansch M8x40	1	
4	AP8221297	Isolierscheibe	2	
5	AP8152246	TBEI Schraube m.Flansch M6x16	2	
6	AP8152260	TE Schr. m. Flansch	1	
7	AP8219212	Dichtung Auspuffrohr	1	
8	AP8152291	TE Schr. m. Flansch	1	
9	AP8220357	Silent-Block Ausp. grü	1	
10	AP8150333	Serpress Mutter	1	
11	AP8121075	T-Buchse *	2	
12	AP8219543	Auspuff	1	<b>Technische Daten:</b> Version mit Beschränkung 45 km/h[45Km]
12	AP8219593	Auspuff	1	<b>Land:</b> Schweiz[CH], B, CH, D, DK, E, F, I, NL, P[EU] <b>Technische Daten:</b> Version mit voller Leistung[f.p.]

<b>Einheit</b>	RAHMEN
<b>Code</b>	28.25
<b>Beschreibung</b>	Vorderrad
<b>Inspektion</b>	1



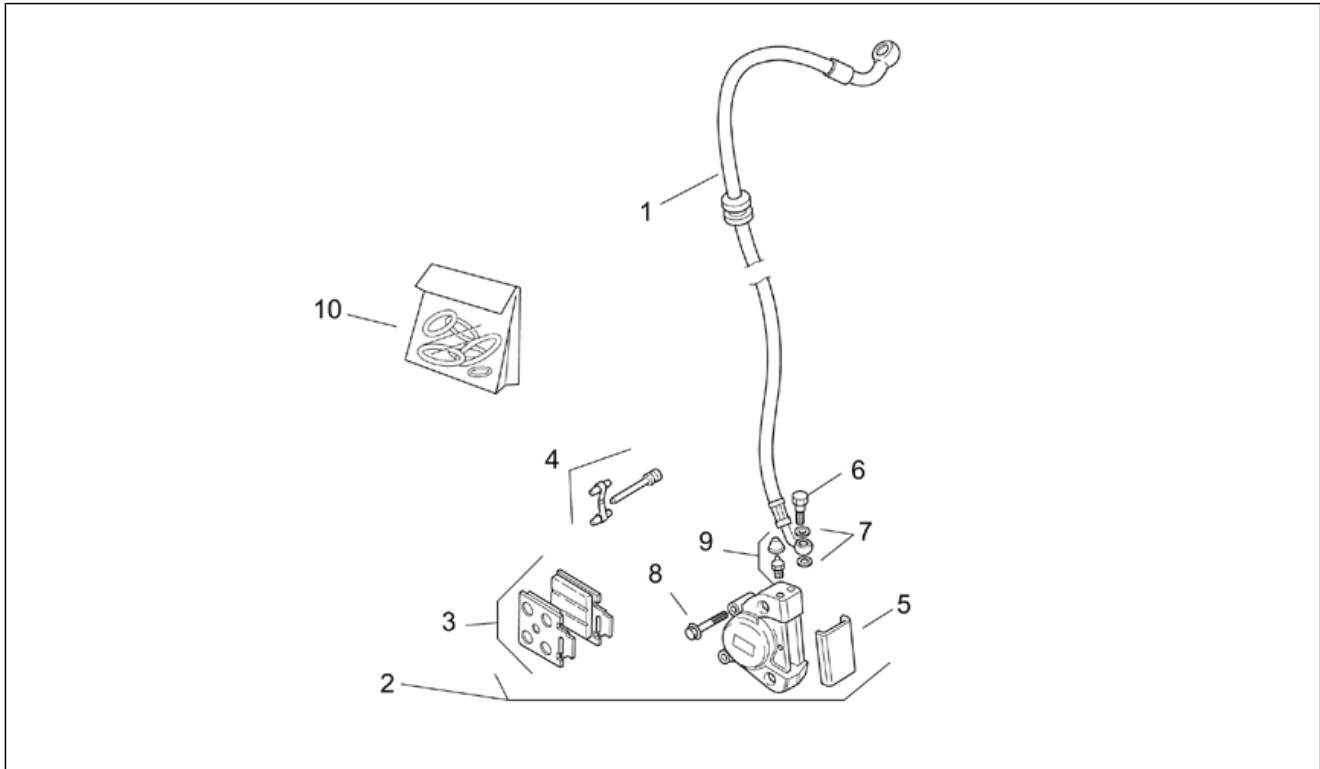
Pos.	Code	Beschreibung	Menge	Varianten
1	0000000	Reifen	1	
2	AP8208708	Vorderrad, blau	1	<b>Baujahr:</b> 2002[2] <b>Fahrzeugfarbe:</b> Schwarz Diablo 2002[bl.di], Blau Way 2002[way.b] <b>Technische Daten:</b> Räder mit Marke Grimeca[gr]
2	AP8208784	Vorderrad, schwarz	1	<b>Baujahr:</b> 2002[2] <b>Fahrzeugfarbe:</b> Grau Dust 2002[du/gr]
2	AP8208825	Vorderrad Grey/Gold Sand	1	<b>Baujahr:</b> 2004[4] <b>Fahrzeugfarbe:</b> Bleigrau 2004[grey], Rot Fluo 2004[r.fluo] <b>Technische Daten:</b> Räder mit Marke Grimeca[gr]
2	AP8208825	Vorderrad Grey/Gold Sand	1	<b>Baujahr:</b> 2003[3] <b>Fahrzeugfarbe:</b> GP1 2003[g], Rot Tulip 2003[r], Tuono 2003[t] <b>Technische Daten:</b> Räder mit Marke Grimeca[gr]
2	AP8208826	Vorderrad Gold	1	<b>Baujahr:</b> 2003[3] <b>Fahrzeugfarbe:</b> Blau Limited 2003[b], Sbk 2003[s] <b>Technische Daten:</b> Räder mit Marke Grimeca[gr]
2	AP8208826	Vorderrad Gold	1	<b>Baujahr:</b> 2004[4] <b>Fahrzeugfarbe:</b> Replica Poggiali Weiß 2004[RP], Replica Poggiali Schwarz 2004[RP.bl] <b>Technische Daten:</b> Räder mit Marke Grimeca[gr]
2	AP8208893	Vorderrad Gold	1	<b>Baujahr:</b> 2003[3] <b>Fahrzeugfarbe:</b> Blau Limited 2003[b], Sbk 2003[s] <b>Technische Daten:</b> Räder mit Marke ZNL[znl]
2	AP8208893	Vorderrad Gold	1	<b>Baujahr:</b> 2004[4] <b>Fahrzeugfarbe:</b> Replica Poggiali Weiß 2004[RP], Replica Poggiali Schwarz 2004[RP.bl] <b>Technische Daten:</b> Räder mit Marke ZNL[znl]
2	AP8208896	Vorderrad Grey/Gold Sand	1	<b>Baujahr:</b> 2003[3] <b>Fahrzeugfarbe:</b> GP1 2003[g], Rot Tulip 2003[r], Tuono 2003[t] <b>Technische Daten:</b> Räder mit Marke ZNL[znl]
2	AP8208896	Vorderrad Grey/Gold Sand	1	<b>Baujahr:</b> 2004[4] <b>Fahrzeugfarbe:</b> Bleigrau 2004[grey], Rot Fluo 2004[r.fluo]

<b>Einheit</b>	RAHMEN
<b>Code</b>	28.25
<b>Beschreibung</b>	Vorderrad
<b>Inspektion</b>	1



Pos.	Code	Beschreibung	Menge	Varianten
				<b>Technische Daten:</b> Räder mit Marke ZNL[znI]
2	AP8208908	Vorderrad, blau	1	<b>Baujahr:</b> 2002[2] <b>Fahrzeugfarbe:</b> Schwarz Diablo 2002[bl.di], Blau Way 2002[way.b] <b>Technische Daten:</b> Räder mit Marke ZNL[znI]
3	AP8213231	Bremsscheibe D190	1	
4	AP8225358	TBEI Schraube M8x25	3	
5	AP8225123	Lager	2	
6	AP8125782	Gasket ring	1	
7	AP8201546	Schlauchloses Reifenventil	1	
8	AP8120864	O-Ring Vorgelege	1	
9	AP8120865	Mitnehmer	1	
10	AP8221119	Vorderrad Distanzscheibe	1	
11	AP8152018	Scheibe 12,2x22x2	1	
12	AP8225271	Vorderradbolzen	1	
13	AP8225323	Innen V.rad Distanzscheibe	1	
14	AP8150373	Selbstsperr.mut Unt. M12x1,25	1	
15	AP8201925	Vorgelegte Kilometerzähler	1	

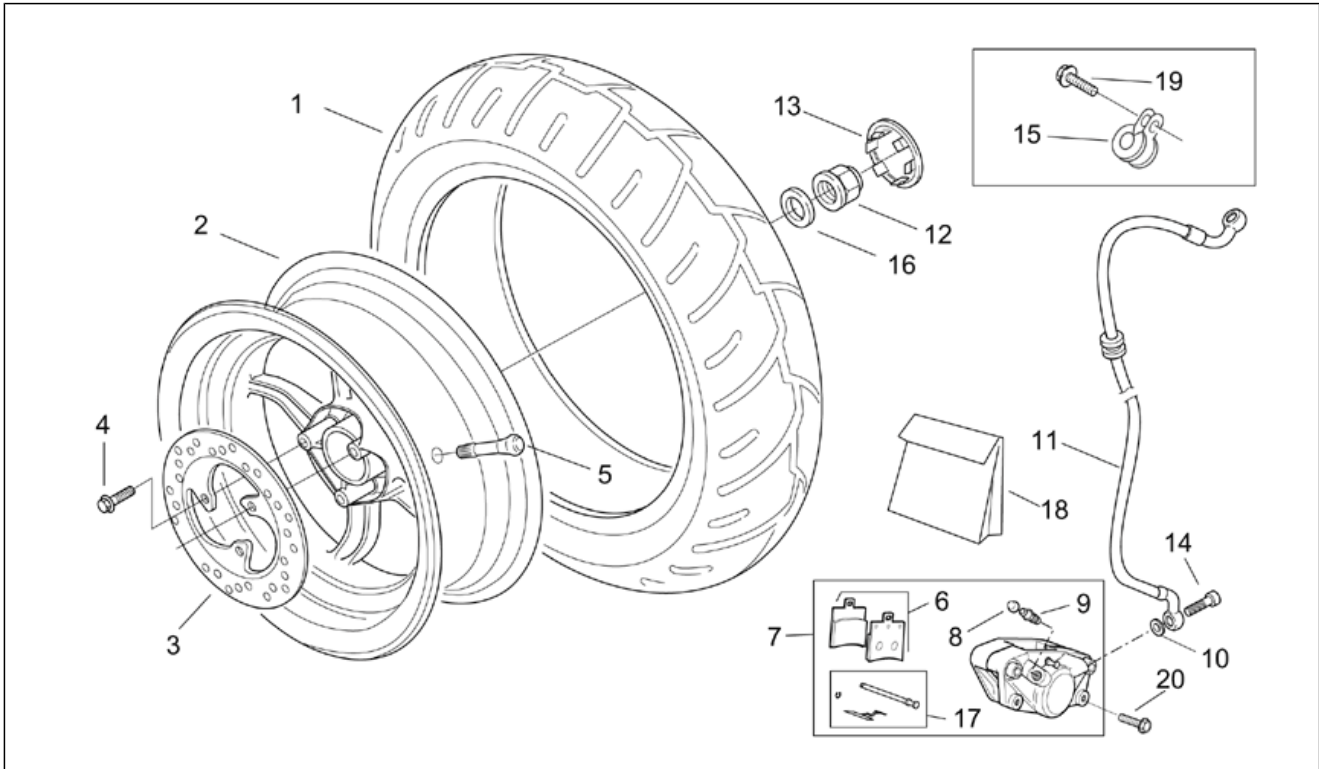
<b>Einheit</b>	RAHMEN
<b>Code</b>	28.26
<b>Beschreibung</b>	Vorderradbremzange
<b>Inspektion</b>	1



Pos.	Code	Beschreibung	Menge	Varianten
1	AP8213248	Vorderradbremseleitung	1	
2	AP8113577	Vorderradbremzange gold D32	1	
3	AP8113638	Beläge (Paar)	1	
4	AP8213227	Bolzen+Bremse Felder	1	
5	AP8113640	Deckel Bremszangen	1	
6	AP8113003	Fixierschraube Ölschlauch	1	
7	AP8113004	Ausgleichscheibe 10x14x1,6*	2	
8	AP8152289	TE Schr. m. Flansch	2	
9	AP8113006	Entlüftungsanschluß	1	
10	AP8113122	Bausatz Bremszangenüberholung	1	

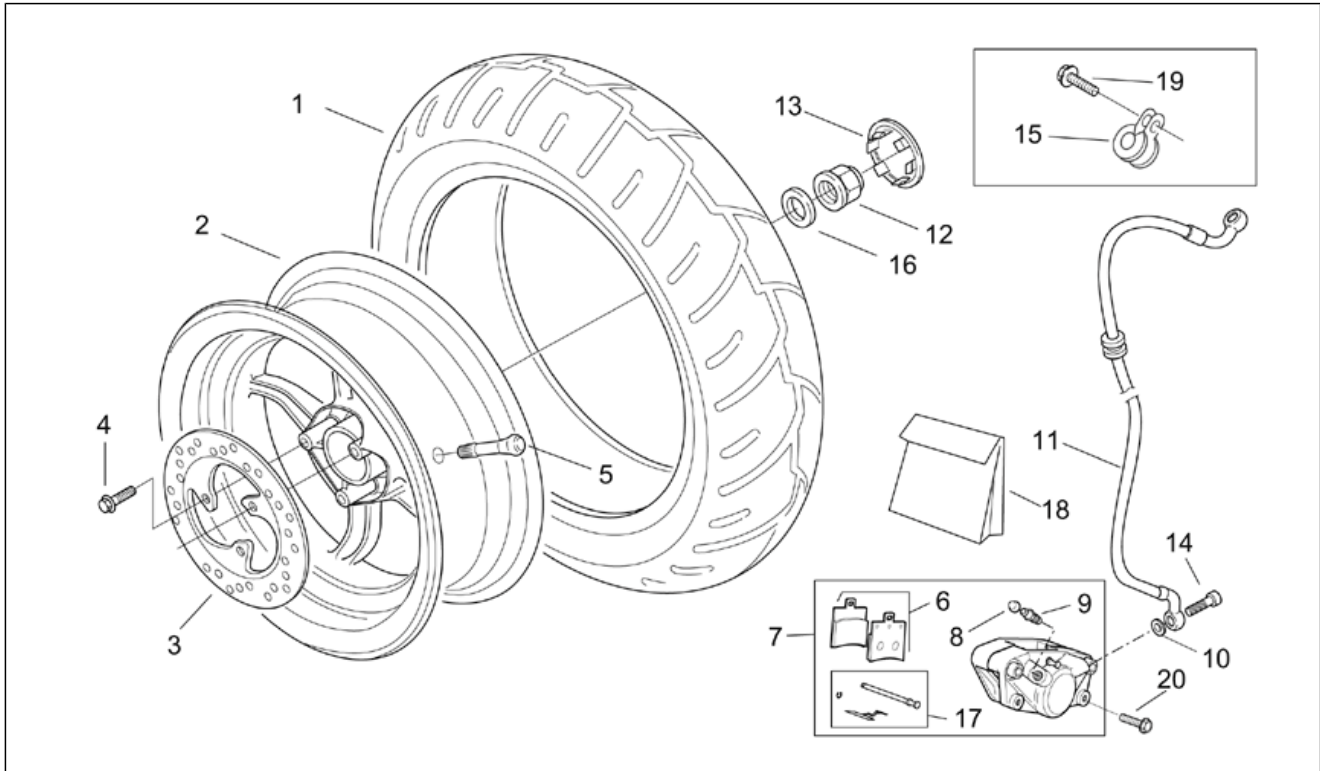


<b>Einheit</b>	RAHMEN
<b>Code</b>	28.27
<b>Beschreibung</b>	Hinterrad Scheibenbremse
<b>Inspektion</b>	1



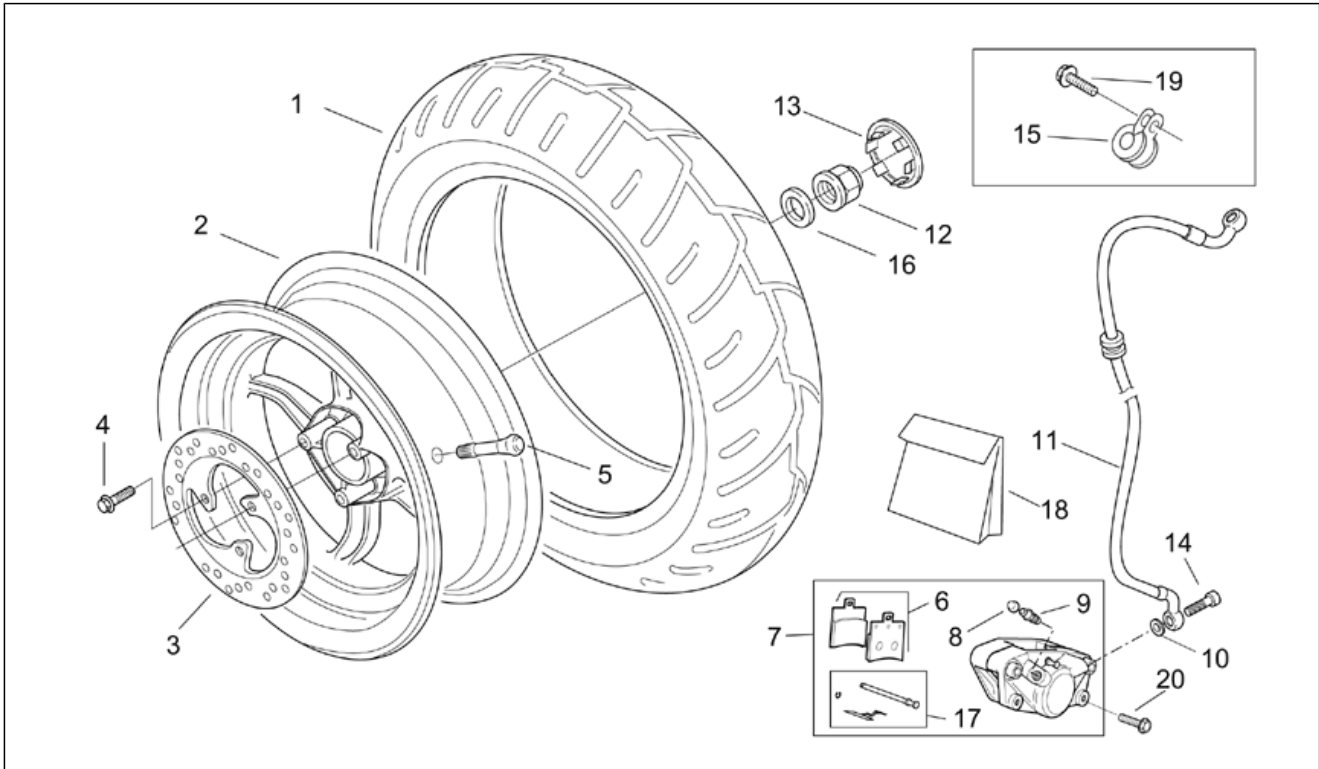
Pos.	Code	Beschreibung	Menge	Varianten
1	0000000	Reifen	1	
2	AP8208709	Hinterrad, blau	1	<b>Baujahr:</b> 2002[2] <b>Fahrzeugfarbe:</b> Schwarz Diablo 2002[bl.di], Blau Way 2002[way.b] <b>Technische Daten:</b> Räder mit Marke Grimeca[gr]
2	AP8208785	Hinterrad, schwarz	1	<b>Baujahr:</b> 2002[2] <b>Fahrzeugfarbe:</b> Grau Dust 2002[du/gr]
2	AP8208827	Hinterrad Grey/GoldSand	1	<b>Baujahr:</b> 2003[3] <b>Fahrzeugfarbe:</b> GP1 2003[g], Rot Tulip 2003[r], Tuono 2003[t] <b>Technische Daten:</b> Räder mit Marke Grimeca[gr]
2	AP8208827	Hinterrad Grey/GoldSand	1	<b>Baujahr:</b> 2004[4] <b>Fahrzeugfarbe:</b> Bleigrau 2004[grey], Rot Fluo 2004[r.fluo] <b>Technische Daten:</b> Räder mit Marke Grimeca[gr]
2	AP8208828	Hinterrad Gold	1	<b>Baujahr:</b> 2003[3] <b>Fahrzeugfarbe:</b> Blau Limited 2003[b], Sbk 2003[s] <b>Technische Daten:</b> Räder mit Marke Grimeca[gr]
2	AP8208828	Hinterrad Gold	1	<b>Baujahr:</b> 2004[4] <b>Fahrzeugfarbe:</b> Replica Poggiali Weiß 2004[RP], Replica Poggiali Schwarz 2004[RP.bl] <b>Technische Daten:</b> Räder mit Marke Grimeca[gr]
2	AP8208894	Hinterrad Gold	1	<b>Baujahr:</b> 2004[4] <b>Fahrzeugfarbe:</b> Replica Poggiali Weiß 2004[RP], Replica Poggiali Schwarz 2004[RP.bl] <b>Technische Daten:</b> Räder mit Marke ZNL[znl]
2	AP8208894	Hinterrad Gold	1	<b>Baujahr:</b> 2003[3] <b>Fahrzeugfarbe:</b> Blau Limited 2003[b], Sbk 2003[s] <b>Technische Daten:</b> Räder mit Marke ZNL[znl]
2	AP8208897	Hinterrad Grey/GoldSand	1	<b>Baujahr:</b> 2003[3] <b>Fahrzeugfarbe:</b> GP1 2003[g], Rot Tulip 2003[r], Tuono 2003[t] <b>Technische Daten:</b> Räder mit Marke ZNL[znl]
2	AP8208897	Hinterrad Grey/GoldSand	1	<b>Baujahr:</b> 2004[4] <b>Fahrzeugfarbe:</b> Bleigrau 2004[grey], Rot Fluo 2004[r.fluo]

<b>Einheit</b>	RAHMEN
<b>Code</b>	28.27
<b>Beschreibung</b>	Hinterrad Scheibenbremse
<b>Inspektion</b>	1



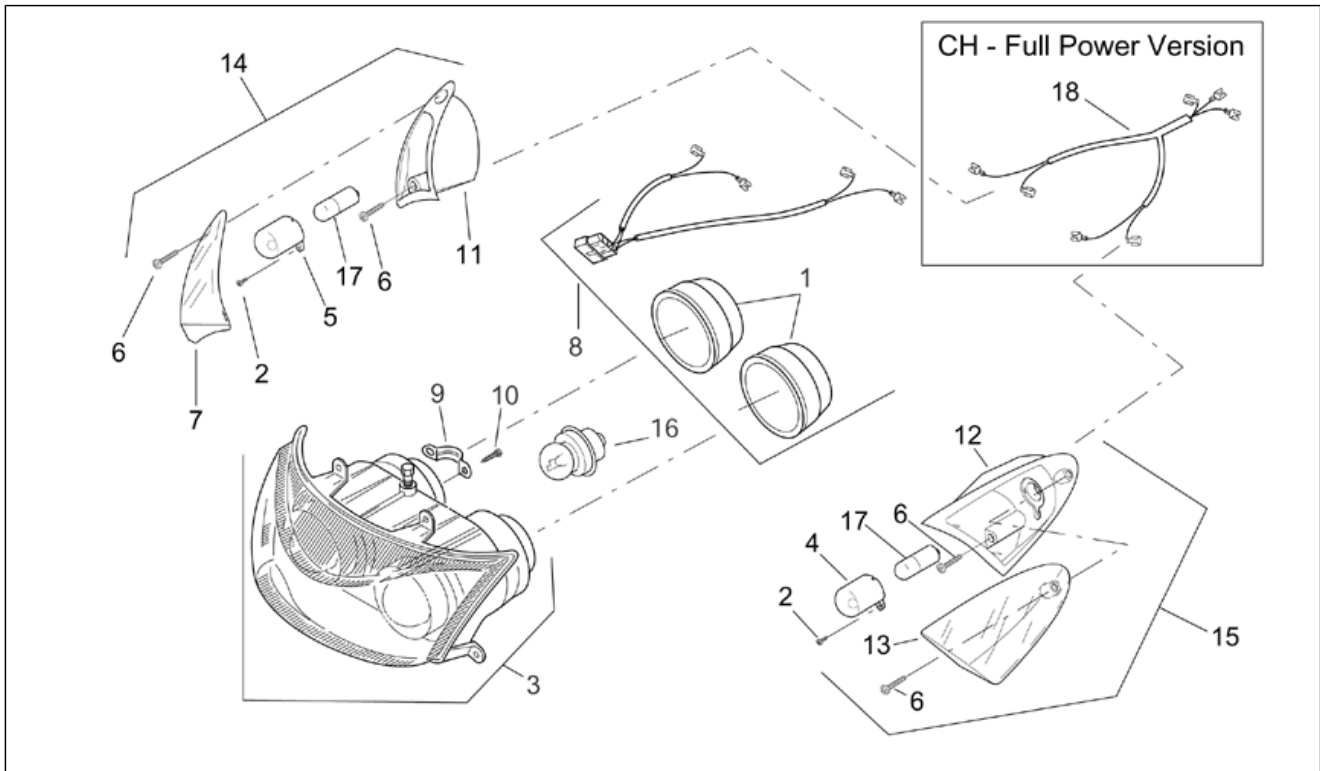
Pos.	Code	Beschreibung	Menge	Varianten
				<b>Technische Daten:</b> Räder mit Marke ZNL[znI]
2	AP8208909	Hinterrad, blau	1	<b>Baujahr:</b> 2002[2] <b>Fahrzeugfarbe:</b> Schwarz Diablo 2002[bl.di], Blau Way 2002[way.b] <b>Technische Daten:</b> Räder mit Marke ZNL[znI]
3	AP8213231	Bremsscheibe D190	1	
4	AP8225358	TBEI Schraube M8x25	3	
5	AP8201546	Schlauchloses Reifenventil	1	
6	AP8113869	Beläge (Paar)	1	
7	AP8213488	Hinterradbremzange	1	
8	AP8113005	Entlüftungskappe	1	
9	AP8113006	Entlüftungsanschluß	1	
10	AP8113004	Ausgleichscheibe 10x14x1,6*	1	
11	AP8213474	Hinterradbremseleitung	1	
12	AP8152244	Mutter DAX geflanscht M14x1,5	1	
13	AP8208812	Hinterradschraube	1	<b>Baujahr:</b> 2004[4] <b>Fahrzeugfarbe:</b> Bleigrau 2004[grey], Rot Fluo 2004[r.fluo]
13	AP8208812	Hinterradschraube	1	<b>Baujahr:</b> 2003[3] <b>Fahrzeugfarbe:</b> GP1 2003[g], Rot Tulip 2003[r], Tuono 2003[t]
13	AP8208824	Hinterradschraube	1	<b>Baujahr:</b> 2003[3] <b>Fahrzeugfarbe:</b> Blau Limited 2003[b], Sbk 2003[s]
13	AP8208824	Hinterradschraube	1	<b>Baujahr:</b> 2004[4] <b>Fahrzeugfarbe:</b> Replica Poggiali Weiß 2004[RP], Replica Poggiali Schwarz 2004[RP.bl]
13	AP8220579	Hinterradschraube	1	<b>Baujahr:</b> 2002[2] <b>Fahrzeugfarbe:</b> Schwarz Diablo 2002[bl.di], Blau Way 2002[way.b]
13	AP8258565	Hinterradschraube	1	<b>Baujahr:</b> 2002[2] <b>Fahrzeugfarbe:</b> Grau Dust 2002[du/gr]
14	AP8113003	Fixierschraube Ölschlauch	1	

<b>Einheit</b>	RAHMEN
<b>Code</b>	28.27
<b>Beschreibung</b>	Hinterrad Scheibenbremse
<b>Inspektion</b>	1



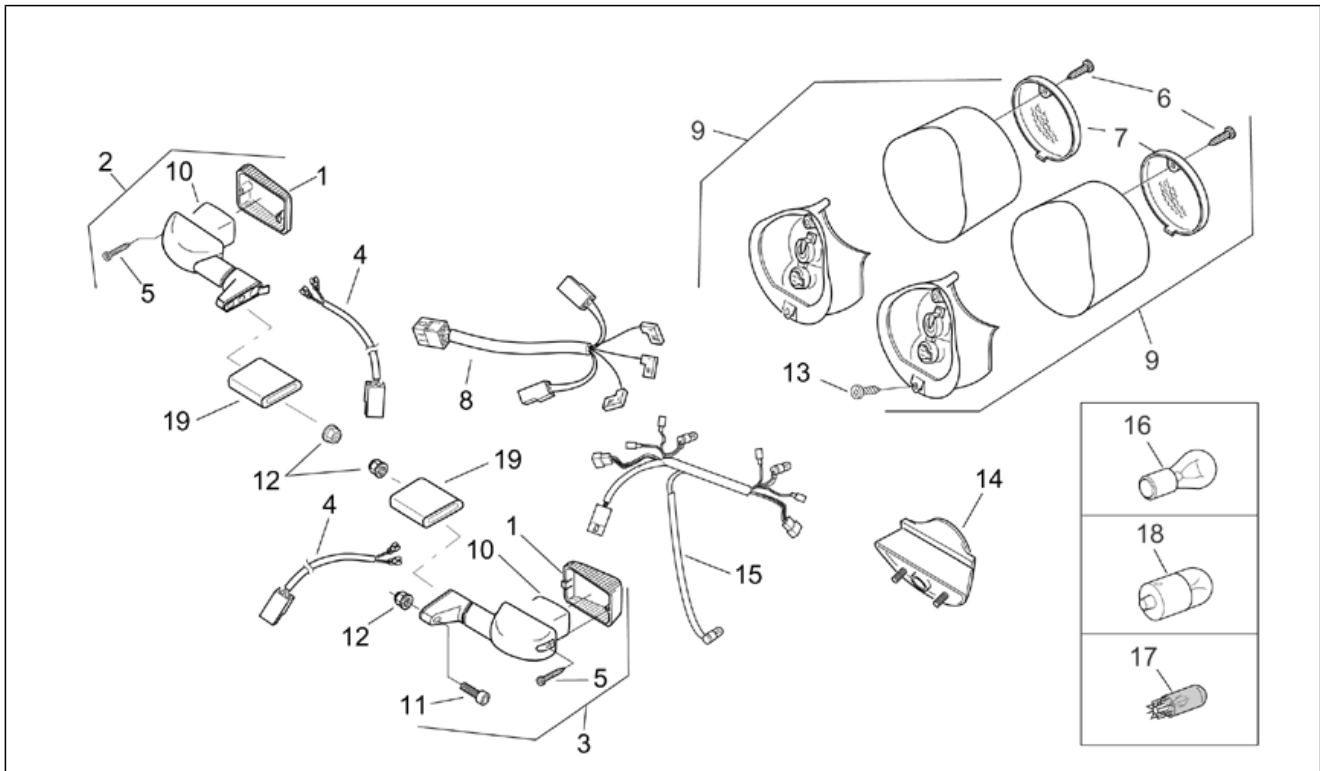
Pos.	Code	Beschreibung	Menge	Varianten
15	AP8134167	Platte Bremsschlauch	1	
16	AP8150471	Sprengscheibe 14,5x24	1	
17	AP8113871	Bolzen+Bremse Felder	1	
18	AP8213457	Bausatz Bremszangenüberholung	1	
19	AP8152277	TE Schr. m. Flansch M6x12	1	
20	AP8152288	TE Schr. m. Flansch	1	

<b>Einheit</b>	RAHMEN
<b>Code</b>	28.28
<b>Beschreibung</b>	Vorderer Lichter
<b>Inspektion</b>	1



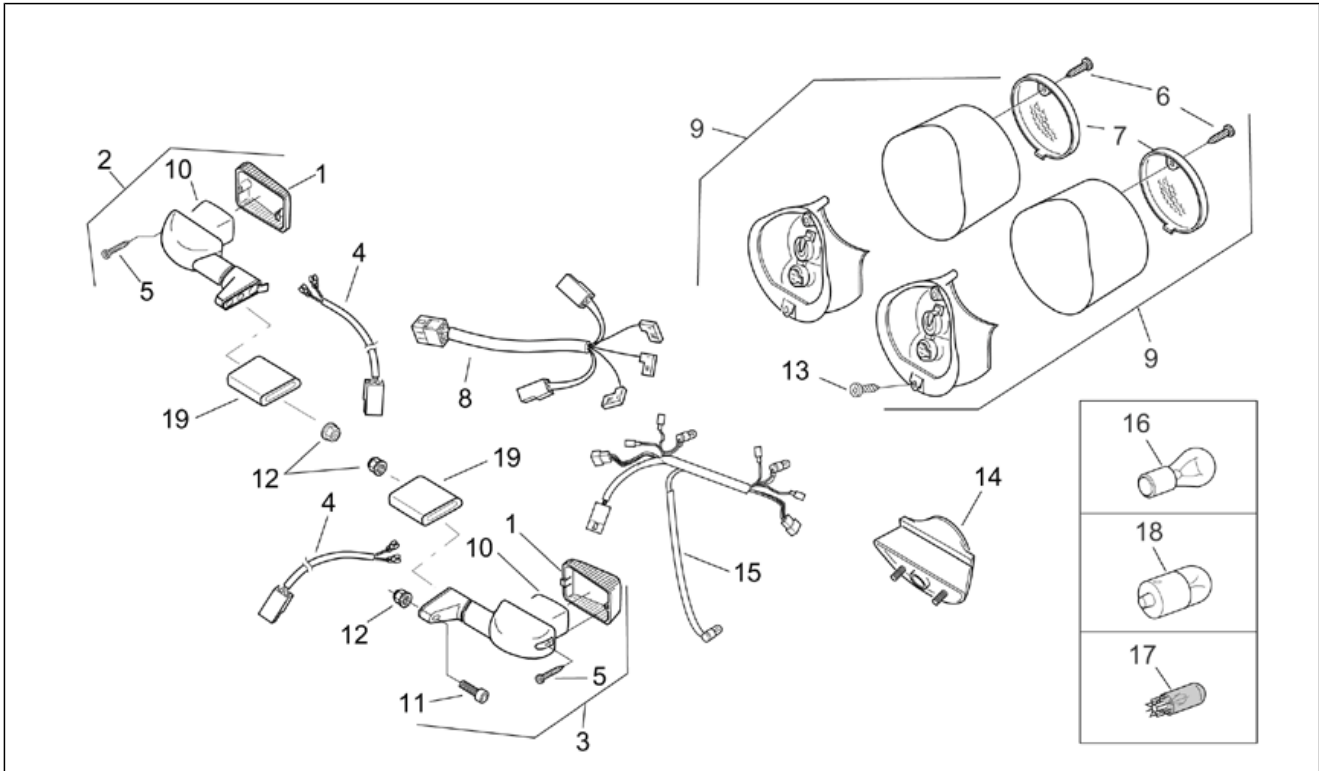
Pos.	Code	Beschreibung	Menge	Varianten
1	AP8212841	Scheinwerferhaube	2	
2	AP8225359	Schraube	2	
3	AP8212771	Scheinwerfer	1	<b>Technische Daten:</b> Version mit Beschränkung 45 km/h[45Km]
3	AP8212903	Scheinwerfer -35+35W-	1	<b>Land:</b> Schweiz[CH], B, CH, D, DK, E, F, I, NL, P[EU] <b>Technische Daten:</b> Version mit voller Leistung[f.p.]
4	AP8224211	Schirm links	1	
5	AP8224214	Schirm rechts	1	
6	AP8150270	Linsenschraube 4,2x20*	4	
7	AP8224213	V. Blinkerblende rechts	1	
8	AP8224148	Verkabel.Scheinwerf.	1	<b>Technische Daten:</b> Version mit Beschränkung 45 km/h[45Km]
8	AP8224149	Verkabel.Scheinwerf.	1	<b>Land:</b> Schweiz[CH], B, CH, D, DK, E, F, I, NL, P[EU] <b>Technische Daten:</b> Version mit voller Leistung[f.p.]
9	AP8224062	Platte	1	
10	AP8224063	Gew.schr. M2,9x6,5	2	
11	AP8224215	Blinkerspiegel rechts	1	
12	AP8224212	Blinkerspiegel links	1	
13	AP8224210	V. Blinkerblende links	1	
14	AP8124516	Vorderblinker rechts	1	
15	AP8124517	Vorderblinker links	1	
16	AP8224392	Lampen S3 15w 12v	1	
17	AP8224390	Lampen R10W 12v	2	
18	AP8224514	Blinkerkabel kit -CH-	1	<b>Land:</b> Schweiz[CH], B, CH, D, DK, E, F, I, NL, P[EU] <b>Technische Daten:</b> Version mit voller Leistung[f.p.]

<b>Einheit</b>	RAHMEN
<b>Code</b>	28.29
<b>Beschreibung</b>	Hinterer Lichter
<b>Inspektion</b>	1



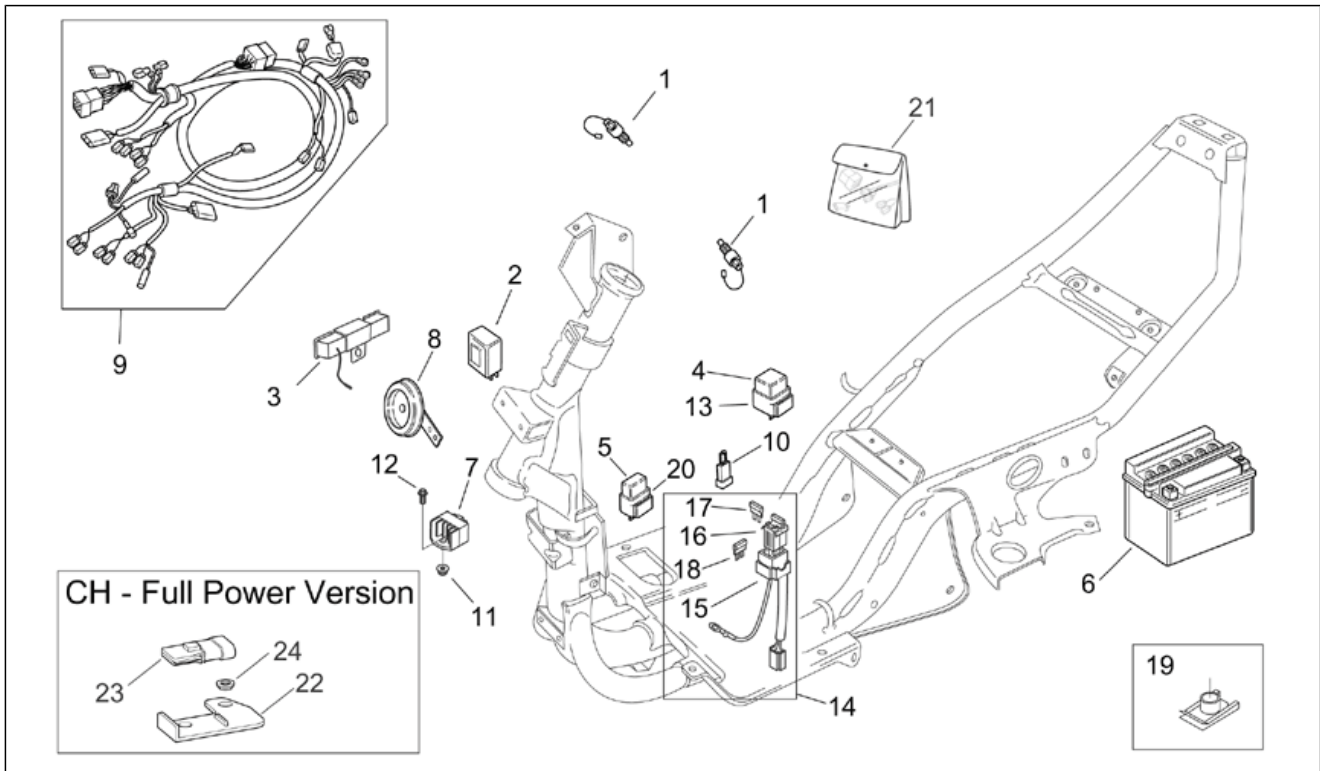
Pos.	Code	Beschreibung	Menge	Varianten
1	AP8224346	Blinkerblende	2	
2	AP8224340	Rückblinker rechts	1	
3	AP8224341	Rückblinker links	1	
4	AP8212698	Kabel vord. Blinker	2	
5	AP8224268	Schraube 2,9x25	2	
6	AP8212934	Gew.schr. weiß 3,9x16	2	
7	AP8212933	Abdeckblende	1	
8	AP8212775	Verkabelung Rücklicht	1	<b>Technische Daten:</b> Version mit Beschränkung 45 km/h[45Km]
9	AP8224245	Rücklicht	1	
10	AP8224347	Wanne unten	2	
11	AP8150202	TCEI Schraube M6x50	2	<b>Land:</b> Schweiz[CH], B, CH, D, DK, E, F, I, NL, P[EU] <b>Technische Daten:</b> Version mit voller Leistung[f.p.]
11	AP8150280	TCEI Schraube	2	<b>Technische Daten:</b> Version mit Beschränkung 45 km/h[45Km]
12	AP8152299	Selbstsperrende Mutter M6	2	<b>Land:</b> Schweiz[CH], B, CH, D, DK, E, F, I, NL, P[EU] <b>Technische Daten:</b> Version mit voller Leistung[f.p.]
12	AP8152306	Selbstsperrende Mutter M5	2	<b>Technische Daten:</b> Version mit Beschränkung 45 km/h[45Km]
13	AP8150413	Gew.schr. 3,9x14	4	
14	AP8224196	Kennzeichenleuchte	1	<b>Land:</b> Australien[AA], Australien[AUS] <b>Technische Daten:</b> Version mit Beschränkung 45 km/h[45Km]
14	AP8224196	Kennzeichenleuchte	1	<b>Land:</b> Schweiz[CH], B, CH, D, DK, E, F, I, NL, P[EU] <b>Technische Daten:</b> Version mit voller Leistung[f.p.]
15	AP8127002	Verkabelung Rücklicht	1	<b>Land:</b> Schweiz[CH], B, CH, D, DK, E, F, I, NL, P[EU] <b>Technische Daten:</b> Version mit voller Leistung[f.p.]
16	AP8224389	Lampen P21/5W 12V	1	
17	AP8224393	Lampen WY5W 12V	1	
18	AP8224390	Lampen R10W 12V	1	

<b>Einheit</b>	RAHMEN
<b>Code</b>	28.29
<b>Beschreibung</b>	Hinterer Lichter
<b>Inspektion</b>	1



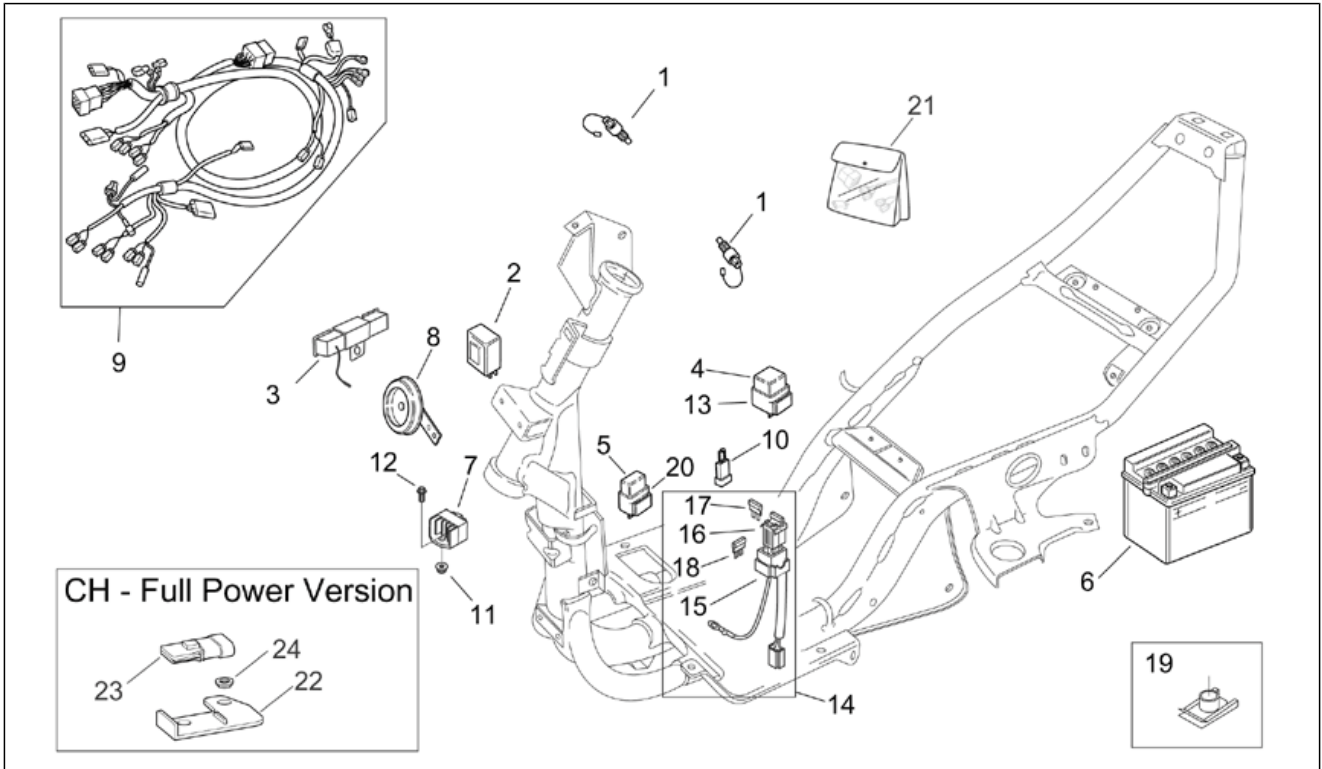
Pos.	Code	Beschreibung	Menge	Varianten
19	AP8149302	Verlänger. Blinker	2	Land:Schweiz[CH], B, CH, D, DK, E, F, I, NL, P[EU] Technische Daten:Version mit voller Leistung[f.p.]

<b>Einheit</b>	RAHMEN
<b>Code</b>	28.30
<b>Beschreibung</b>	Elektrische Anlage
<b>Inspektion</b>	1



Pos.	Code	Beschreibung	Menge	Varianten
1	AP8127305	Knopf stop	2	
2	AP8124235	Blinken	1	
3	AP8224170	Widerstand mit Verkabelung	1	<b>Technische Daten:</b> Version mit Beschränkung 45 km/h[45Km], Lichtausschalter[SD]
4	AP8224057	Zündrelais	1	
5	AP8224462	Zündrelais 12V-30A	1	
6	AP8124637	Batterie	1	
7	AP8224296	Spannungsregler	1	
8	AP8212611	Hupe	1	
9	AP8224248	Hauptverkabelung	1	<b>Technische Daten:</b> Version mit Beschränkung 45 km/h[45Km]
9	AP8224491	Hauptverkabelung	1	<b>Land:</b> Schweiz[CH], B, CH, D, DK, E, F, I, NL, P[EU] <b>Technische Daten:</b> Version mit voller Leistung[f.p.]
10	AP8212382	Diode	1	
11	AP8152299	Selbstsperrende Mutter M6	1	
12	AP8152278	TE Schr. m. Flansch M6x16	1	
13	AP8220546	Auflagegummi Relais	1	
14	AP8224073	Verkabelung Sicherungen	1	
15	AP8112811	Sicherungsblockgummi	1	
16	AP8120754	Sicherungsblockgummi	2	
17	AP8112176	Sicherung 15A	2	
18	AP8124857	Sicherung	1	
19	AP8102375	Klammer M5	3	
20	AP8220283	Gummi *	1	
21	AP8127477	Kabel Einspritzsystem	1	
22	AP8234210	Sensor halter	1	<b>Land:</b> Schweiz[CH], B, CH, D, DK, E, F, I, NL, P[EU] <b>Technische Daten:</b> Version mit voller Leistung[f.p.]
23	AP8224478	Druckfühler	1	<b>Land:</b> Schweiz[CH], B, CH, D, DK, E, F, I, NL, P[EU] <b>Technische Daten:</b> Version mit voller Leistung[f.p.]

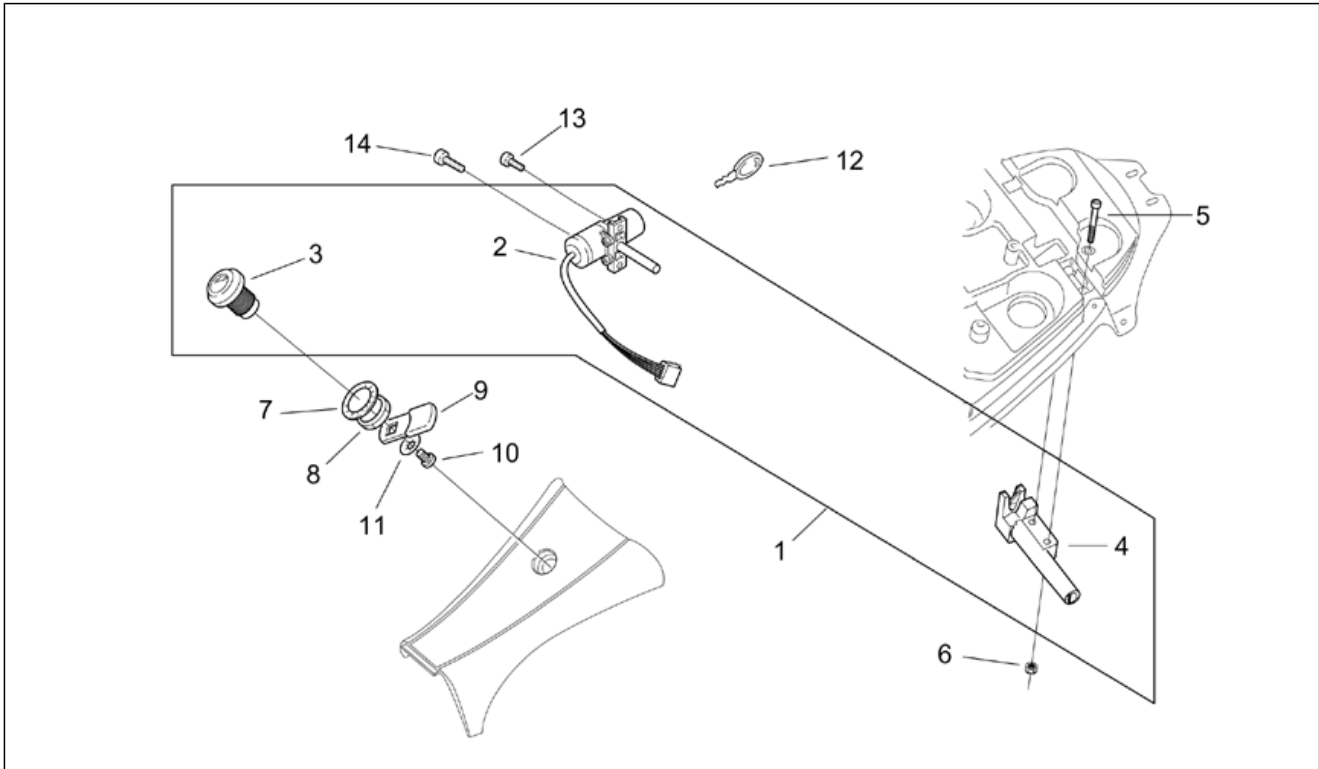
<b>Einheit</b>	RAHMEN
<b>Code</b>	28.30
<b>Beschreibung</b>	Elektrische Anlage
<b>Inspektion</b>	1



Pos.	Code	Beschreibung	Menge	Varianten
24	AP8121811	T-Buchse	1	Land:Schweiz[CH], B, CH, D, DK, E, F, I, NL, P[EU] Technische Daten:Version mit voller Leistung[f.p.]

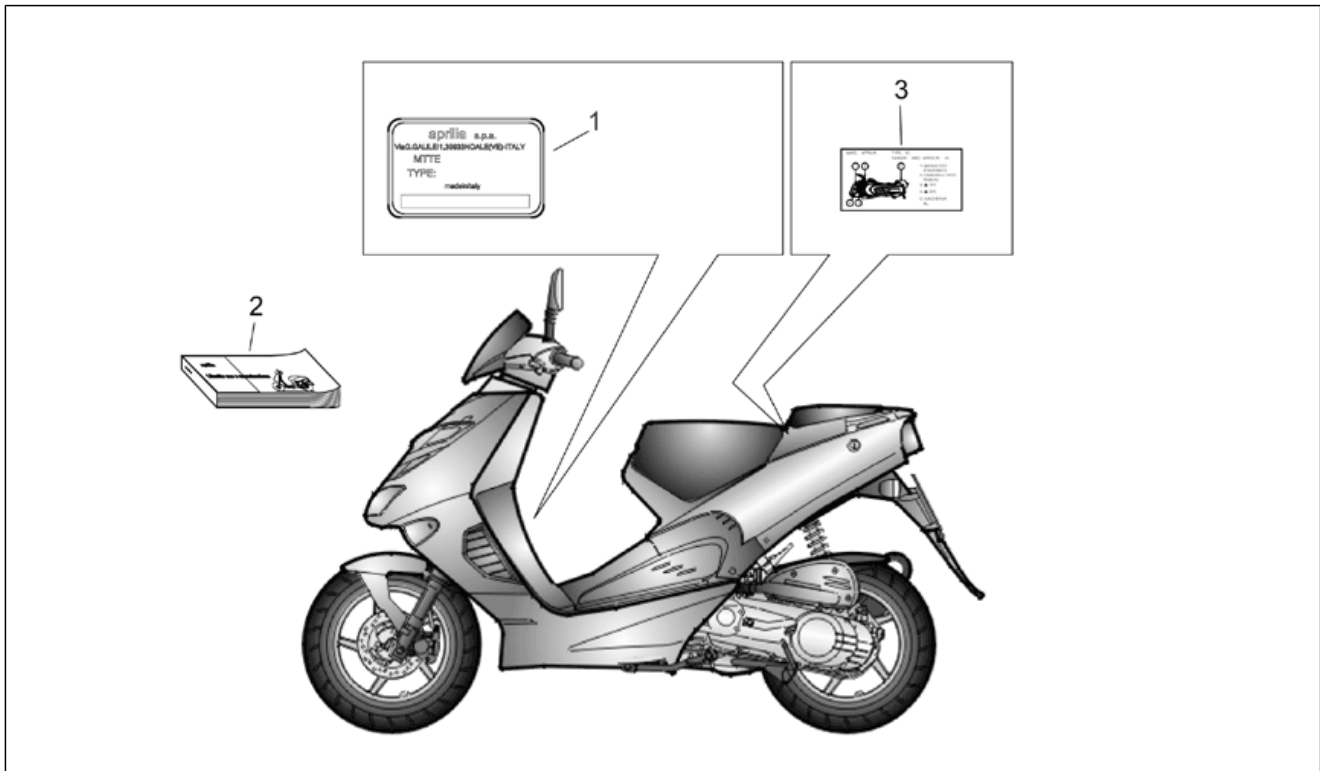


<b>Einheit</b>	RAHMEN
<b>Code</b>	28.31
<b>Beschreibung</b>	Bausatz Schlösser
<b>Inspektion</b>	1



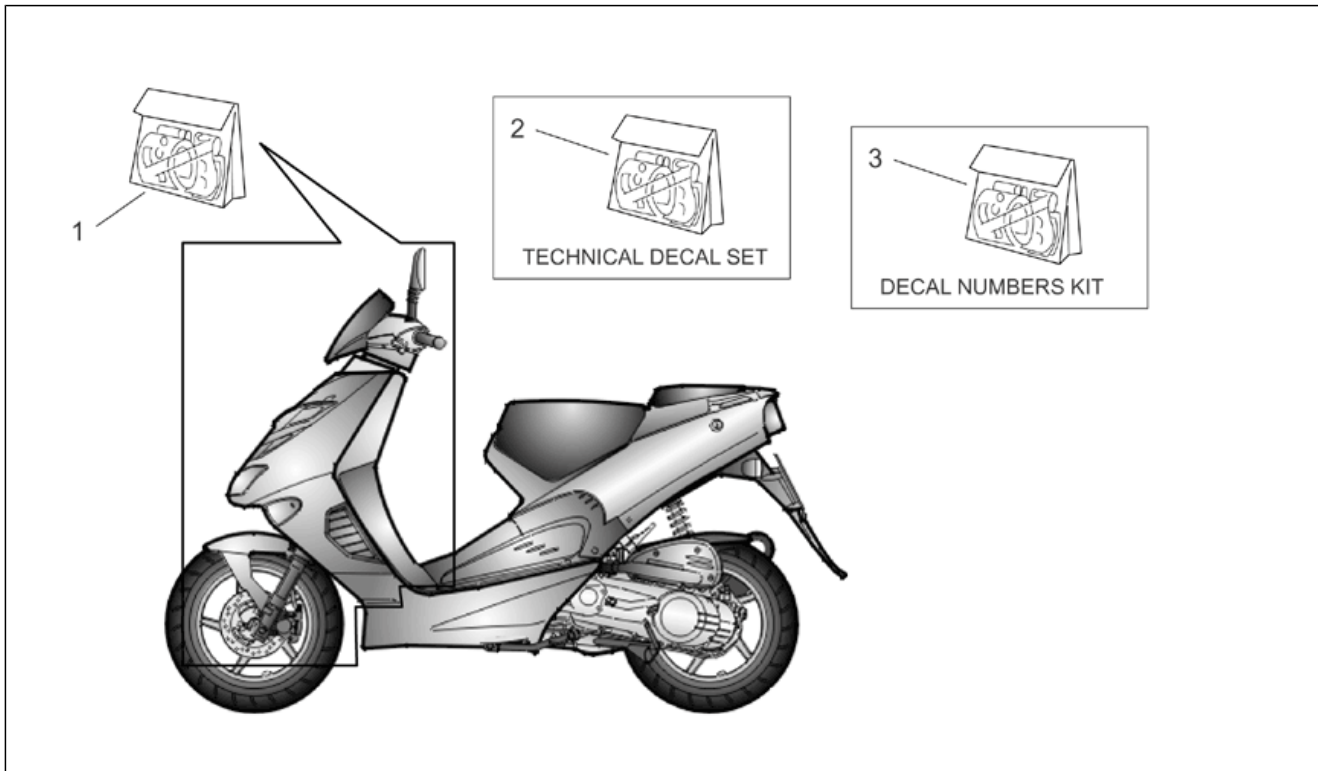
Pos.	Code	Beschreibung	Menge	Varianten
1	AP8202218	Kit Schließvorrichtungen	1	
2	AP8224343	Lenkschloß	1	
3	AP8202247	Schloss	1	
4	AP8202246	Sitzschloß	1	
5	AP8152283	TE Schr. m. Flansch	2	
6	AP8150430	Selbstsperr.mut Unt.	2	
7	AP8221312	Zahnscheibe	1	
8	AP8152194	Mutter unten M19x1*	1	
9	AP8201620	Hebel	1	
10	AP8201749	Linsenschraube M4x6	1	
11	AP8201748	Ausgleichscheibe	1	
12	AP8102880	Schl. gefr. Aprilia	1	
13	AP8152140	Reißschraube M6x17	1	
14	AP8150137	TCEI Schraube M6x16	1	

<b>Einheit</b>	RAHMEN
<b>Code</b>	28.32
<b>Beschreibung</b>	Schilder und Anleit.
<b>Inspektion</b>	1



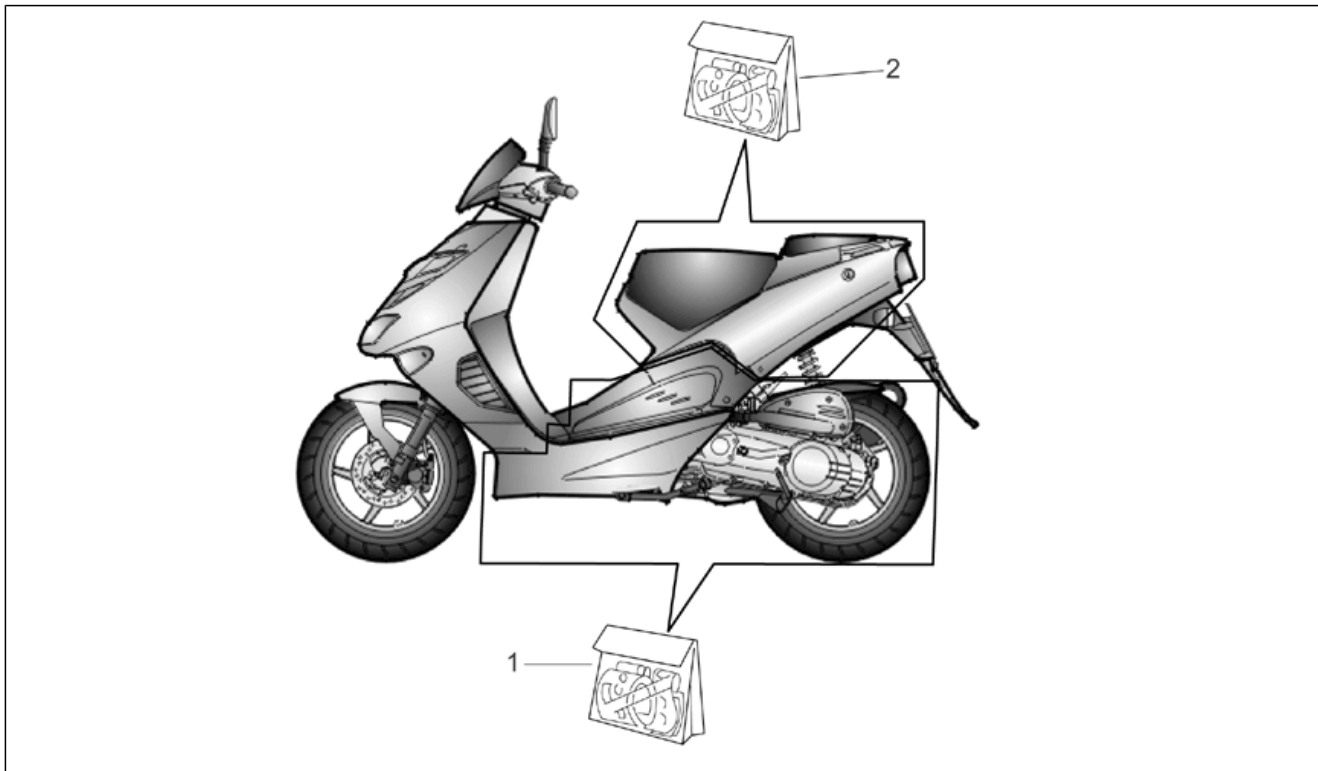
Pos.	Code	Beschreibung	Menge	Varianten
1	AP8267398	Herstellerschild	1	<b>Technische Daten:</b> Version mit Beschränkung 45 km/h[45Km]
1	AP8267980	Herstellerschild	1	<b>Land:</b> Schweiz[CH], B, CH, D, DK, E, F, I, NL, P[EU] <b>Technische Daten:</b> Version mit voller Leistung[f.p.]
2	AP8202223	Bed./Wart.-Anl. -I-F-D-	1	<b>Land:</b> Österreich[A], Belgien[B], Schweiz[CH], Deutschland[D], Frankreich[F], Italien[I]
2	AP8202224	Bed./Wart.-Anl. -NL-DK-SF-	1	<b>Land:</b> Dänemark[DK], Holland[NL]
2	AP8202225	Bed./Wart.-Anl. -P-E-UK-	1	<b>Land:</b> Spanien[E], Portugal[P], Großbritannien[UK]
3	AP8267397	Fälschungssicheres Schild	1	<b>Technische Daten:</b> Version mit Beschränkung 45 km/h[45Km]
3	AP8267981	Fälschungssicheres Schild	1	<b>Land:</b> Schweiz[CH], B, CH, D, DK, E, F, I, NL, P[EU] <b>Technische Daten:</b> Version mit voller Leistung[f.p.]

<b>Einheit</b>	RAHMEN
<b>Code</b>	28.33
<b>Beschreibung</b>	Frontaufbau und technische Deko
<b>Inspektion</b>	1



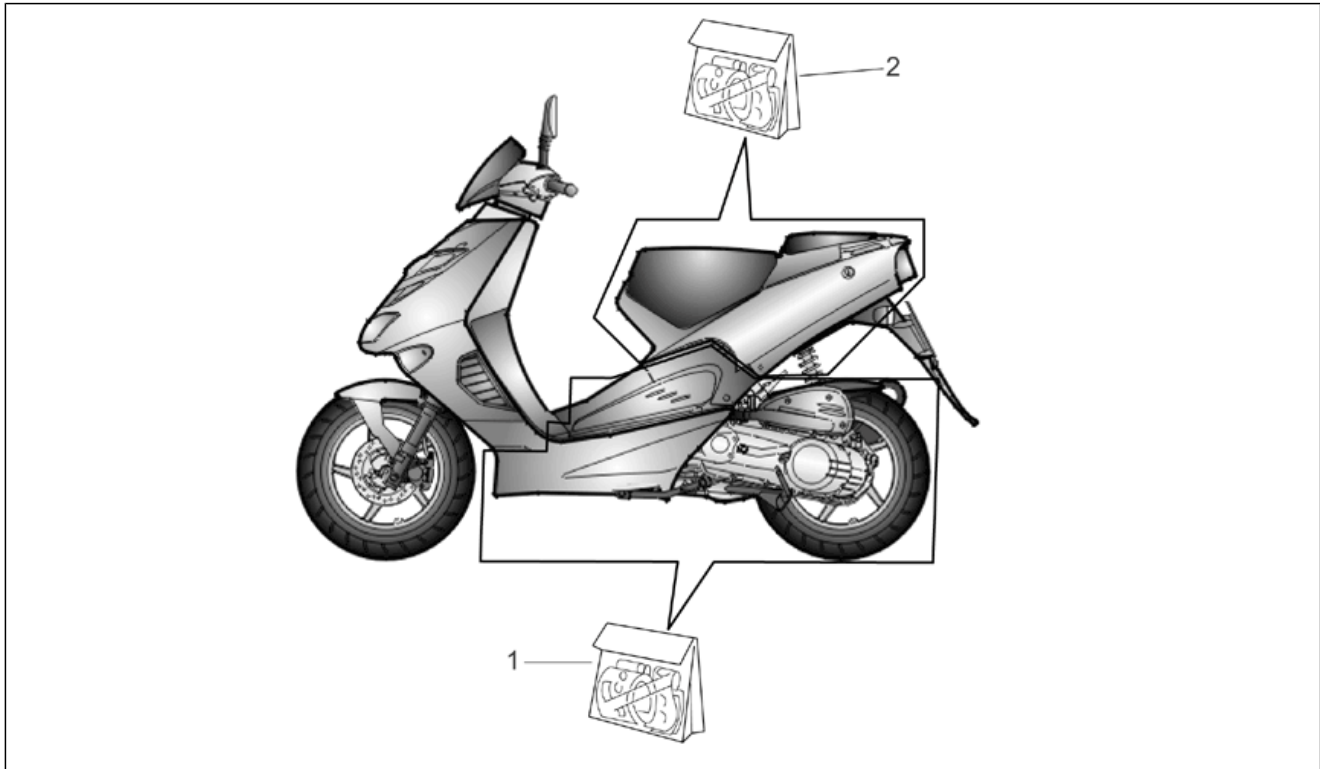
Pos.	Code	Beschreibung	Menge	Varianten
1	AP8267592	Frontaufbau Deko Serie	1	Baujahr:2002[2] Fahrzeugfarbe:Schwarz Diablo 2002[bl.di]
1	AP8267593	Frontaufbau Deko Serie	1	Baujahr:2002[2] Fahrzeugfarbe:Grau Dust 2002[du/gr]
1	AP8267662	Frontaufbau Deko Serie	1	Baujahr:2002[2] Fahrzeugfarbe:Blau Way 2002[way.b]
1	AP8267898	Frontaufbau Deko Serie	1	Baujahr:2003[3] Fahrzeugfarbe:Tuono 2003[t]
1	AP8267899	Frontaufbau Deko Serie	1	Baujahr:2003[3] Fahrzeugfarbe:Sbk 2003[s]
1	AP8267900	Frontaufbau Deko Serie	1	Baujahr:2003[3] Fahrzeugfarbe:GP1 2003[g]
1	AP8267901	Frontaufbau Deko Serie	1	Baujahr:2003[3] Fahrzeugfarbe:Rot Tulip 2003[r]
1	AP8267902	Frontaufbau Deko Serie	1	Baujahr:2003[3] Fahrzeugfarbe:Blau Limited 2003[b]
1	AP8277332	Frontaufbau Deko Serie	1	Baujahr:2004[4] Fahrzeugfarbe:Rot Fluo 2004[r.fluo]
1	AP8277333	Frontaufbau Deko Serie	1	Baujahr:2004[4] Fahrzeugfarbe:Bleigrau 2004[grey]
1	AP8277334	Frontaufbau Deko Serie	1	Baujahr:2004[4] Fahrzeugfarbe:Replica Poggiali Weiß 2004[RP]
1	AP8277421	Frontaufbau Deko Serie	1	Baujahr:2004[4] Fahrzeugfarbe:Replica Poggiali Schwarz 2004[RP.bl]
2	AP8267249	Deko technische Serie	1	
3	AP8267701	Deko kit no.	1	

<b>Einheit</b>	RAHMEN
<b>Code</b>	28.34
<b>Beschreibung</b>	Mittlerer und Heck Aufbau Deko
<b>Inspektion</b>	1



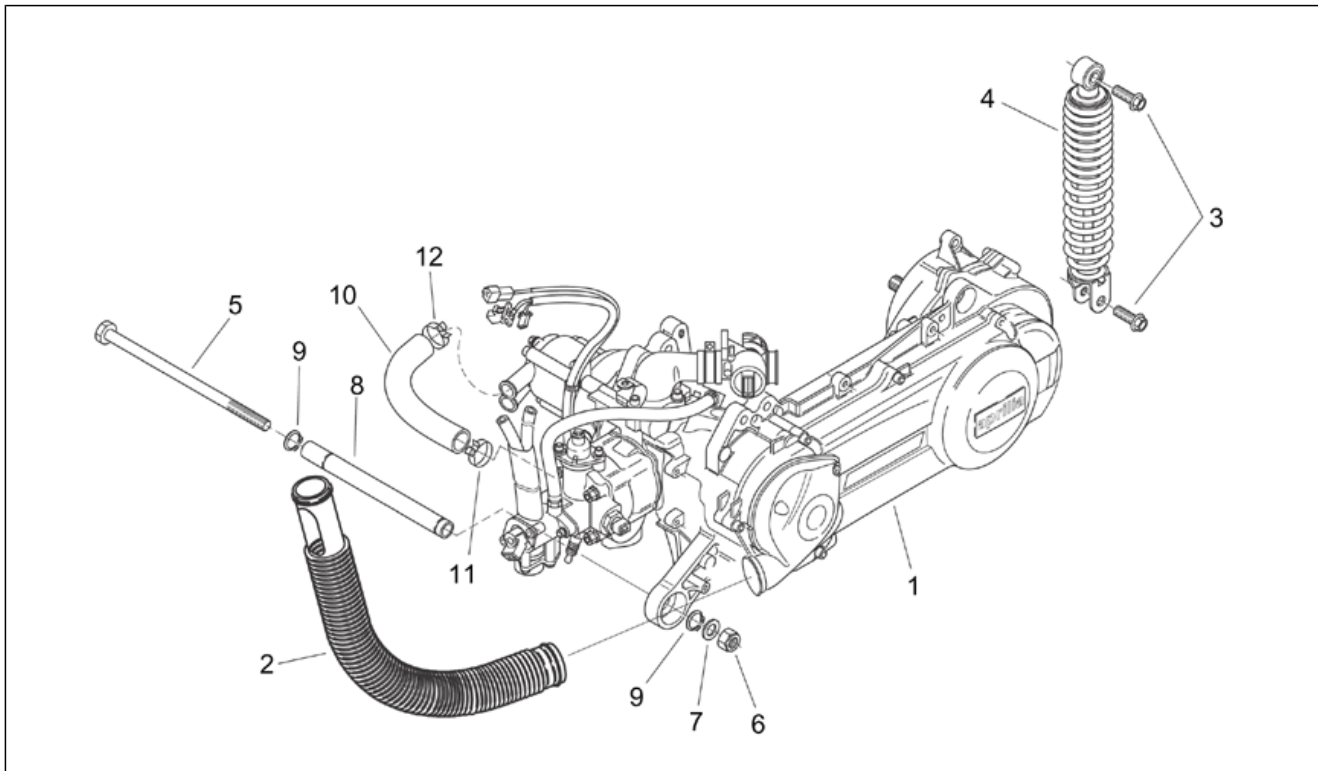
Pos.	Code	Beschreibung	Menge	Varianten
1	AP8267594	Karosserie zent.Deko-Satz	1	Baujahr:2002[2] Fahrzeugfarbe:Schwarz Diablo 2002[bl.di]
1	AP8267595	Karosserie zent.Deko-Satz	1	Baujahr:2002[2] Fahrzeugfarbe:Grau Dust 2002[du/gr]
1	AP8267661	Karosserie zent.Deko-Satz	1	Baujahr:2002[2] Fahrzeugfarbe:Blau Way 2002[way.b]
1	AP8267903	Karosserie zent.Deko-Satz	1	Baujahr:2003[3] Fahrzeugfarbe:Tuono 2003[t]
1	AP8267904	Karosserie zent.Deko-Satz	1	Baujahr:2003[3] Fahrzeugfarbe:Sbk 2003[s]
1	AP8267905	Karosserie zent.Deko-Satz	1	Baujahr:2003[3] Fahrzeugfarbe:GP1 2003[g]
1	AP8267906	Karosserie zent.Deko-Satz	1	Baujahr:2003[3] Fahrzeugfarbe:Rot Tulip 2003[r]
1	AP8267907	Karosserie zent.Deko-Satz	1	Baujahr:2003[3] Fahrzeugfarbe:Blau Limited 2003[b]
1	AP8277337	Karosserie zent.Deko-Satz	1	Baujahr:2004[4] Fahrzeugfarbe:Rot Fluo 2004[r.fluo]
1	AP8277338	Karosserie zent.Deko-Satz	1	Baujahr:2004[4] Fahrzeugfarbe:Bleigrau 2004[grey]
1	AP8277339	Karosserie zent.Deko-Satz	1	Baujahr:2004[4] Fahrzeugfarbe:Replica Poggiali Weiß 2004[RP]
1	AP8277422	Karosserie zent.Deko-Satz	1	Baujahr:2004[4] Fahrzeugfarbe:Replica Poggiali Schwarz 2004[RP.bl]
2	AP8267596	R.Kar.Deko-Satz	1	Baujahr:2002[2] Fahrzeugfarbe:Schwarz Diablo 2002[bl.di]
2	AP8267597	R.Kar.Deko-Satz	1	Baujahr:2002[2] Fahrzeugfarbe:Grau Dust 2002[du/gr]
2	AP8267660	R.Kar.Deko-Satz	1	Baujahr:2002[2] Fahrzeugfarbe:Blau Way 2002[way.b]
2	AP8267908	R.Kar.Deko-Satz	1	Baujahr:2003[3] Fahrzeugfarbe:Tuono 2003[t]

<b>Einheit</b>	RAHMEN
<b>Code</b>	28.34
<b>Beschreibung</b>	Mittlerer und Heck Aufbau Deko
<b>Inspektion</b>	1



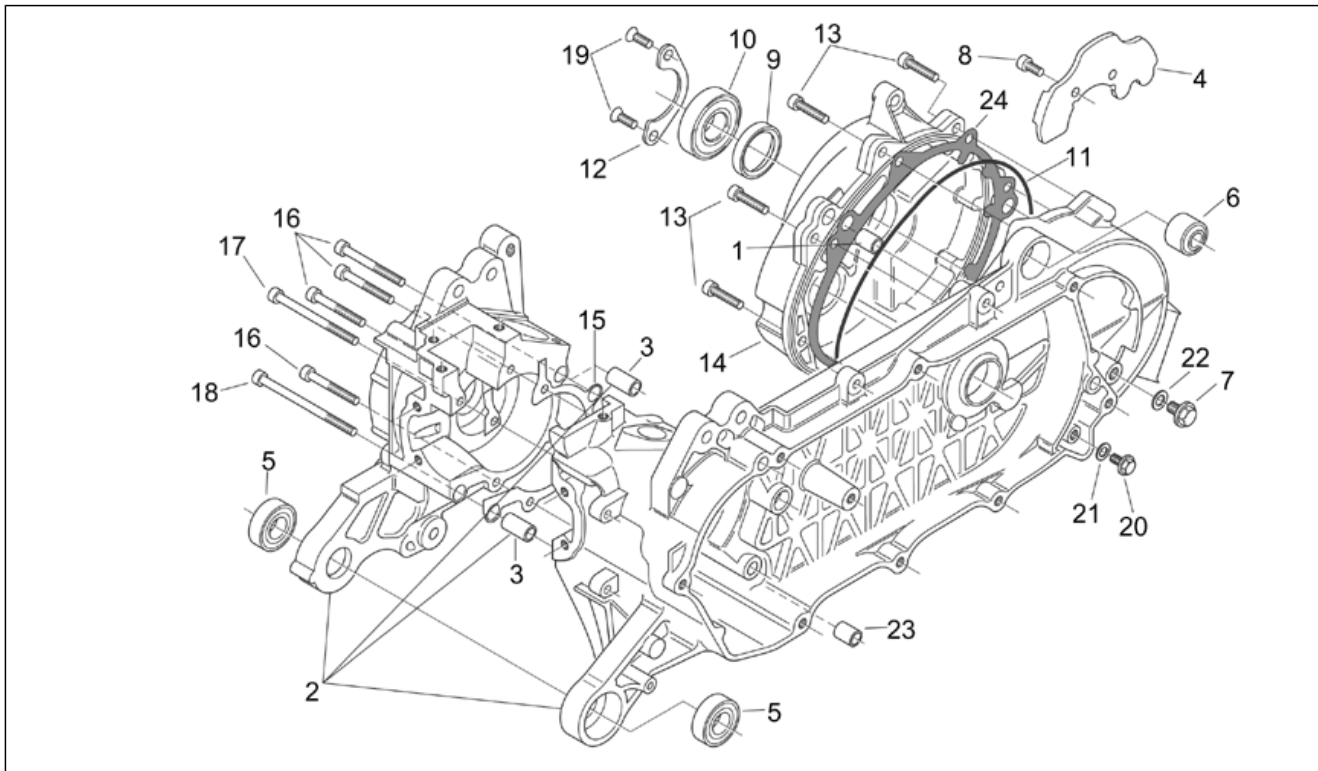
Pos.	Code	Beschreibung	Menge	Varianten
2	AP8267909	R.Kar.Deko-Satz	1	Baujahr:2003[3] Fahrzeugfarbe:Sbk 2003[s]
2	AP8267910	R.Kar.Deko-Satz	1	Baujahr:2003[3] Fahrzeugfarbe:GP1 2003[g]
2	AP8267911	R.Kar.Deko-Satz	1	Baujahr:2003[3] Fahrzeugfarbe:Rot Tulip 2003[r]
2	AP8267912	R.Kar.Deko-Satz	1	Baujahr:2003[3] Fahrzeugfarbe:Blau Limited 2003[b]
2	AP8277342	R.Kar.Deko-Satz	1	Baujahr:2004[4] Fahrzeugfarbe:Rot Fluo 2004[r.fluo]
2	AP8277343	R.Kar.Deko-Satz	1	Baujahr:2004[4] Fahrzeugfarbe:Bleigrau 2004[grey]
2	AP8277344	R.Kar.Deko-Satz	1	Baujahr:2004[4] Fahrzeugfarbe:Replica Poggiali Weiß 2004[RP]
2	AP8277423	R.Kar.Deko-Satz	1	Baujahr:2004[4] Fahrzeugfarbe:Replica Poggiali Schwarz 2004[RP.bl]

<b>Einheit</b>	MOTOR
<b>Code</b>	29.23
<b>Beschreibung</b>	Motor (Ditech)
<b>Inspektion</b>	1



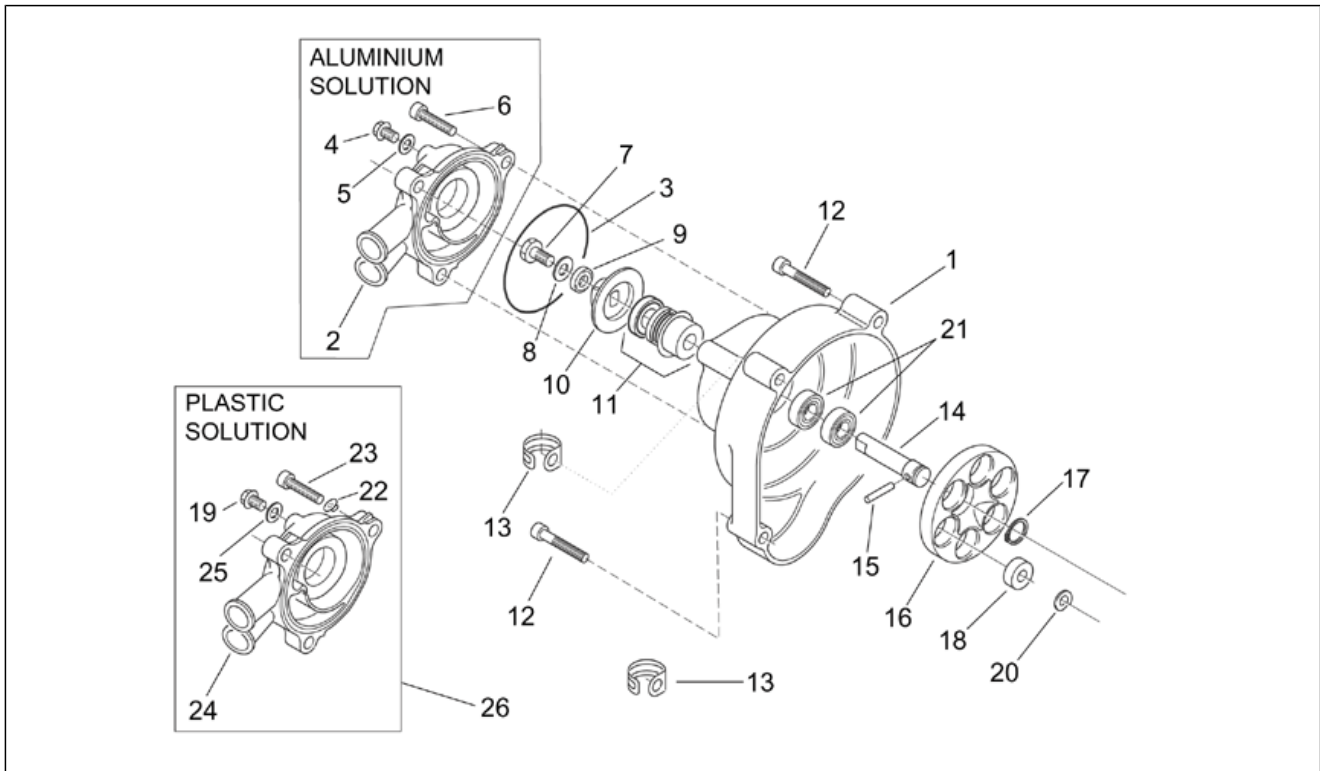
Pos.	Code	Beschreibung	Menge	Varianten
1	AP8206992	Elektr.Einspritz Motor	1	<b>Land:</b> Schweiz[CH], B, CH, D, DK, E, F, I, NL, P[EU] <b>Technische Daten:</b> Version mit voller Leistung[f.p.]
1	AP8222775	Elektr.Einspritz Motor	1	<b>Technische Daten:</b> Version mit Beschränkung 45 km/h[45Km]
2	AP8220562	Lufteinlaß Wandler	1	
3	AP8152318	TE Schr. m. Flansch M10x35	2	
4	AP8203977	Stoßdämpfer-gelb ring	1	<b>Baujahr:</b> 2003[3] <b>Fahrzeugfarbe:</b> Blau Limited 2003[b], Rot Tulip 2003[r], Sbk 2003[s]
4	AP8203977	Stoßdämpfer-gelb ring	1	<b>Baujahr:</b> 2002[2] <b>Fahrzeugfarbe:</b> Schwarz Diablo 2002[bl.di], Blau Way 2002[way.b]
4	AP8203977	Stoßdämpfer-gelb ring	1	<b>Baujahr:</b> 2004[4]
4	AP8223024	Stoßdämpfer-grau ring	1	<b>Baujahr:</b> 2002[2] <b>Fahrzeugfarbe:</b> Grau Dust 2002[du/gr]
4	AP8223024	Stoßdämpfer-grau ring	1	<b>Baujahr:</b> 2003[3] <b>Fahrzeugfarbe:</b> Tuono 2003[t]
5	AP8221307	Bolzen M12	1	
6	AP8150432	Selbstsperr.mut Unt. M12*	1	
7	AP8152018	Scheibe 12,2x22x2	1	
8	AP8221322	Motor-Drehzapfen	1	
9	AP8206233	Seegerring für Welle D17	2	
10	AP3LAA000010	Pumpen-Zylinderschlauch	1	
11	AP2FDN000175	Schelle	1	
12	AP2FDN000176	Schelle	1	

<b>Einheit</b>	MOTOR
<b>Code</b>	29.35
<b>Beschreibung</b>	Gehäuse (Ditech)
<b>Inspektion</b>	1



Pos.	Code	Beschreibung	Menge	Varianten
1	AP3FCN000269	Stift	2	
2	AP1BHA000624	Kurbelgehäuse	1	
3	AP3FCN000268	Stift	2	
4	AP3HAA000044	Antriebsplatte	1	
5	AP4GAN000083	Lager d17x35x10	1	
6	AP3HAN000056	Silent-Block	1	
7	AP4AUN000011	TE Schr. m. Flansch	1	
8	AP4ADN000013	Schraube	2	
9	AP3EBN000047	Ölabstreifring 29x42x6	1	
10	AP4GAN000026	Lager d22x50x14	1	
11	AP3EAN000048	O-Ring d2,4x161	1	
12	AP3HAA000068	Lagerplatte	1	
13	AP4ADN000016	TCEI Schraube	8	
14	AP3HZA000152	Getriebedeckel	1	
15	AP3HVA000160	Dichtung	1	
16	AP4ADN000007	TCEI Schraube	4	
17	AP4ADN000178	TCEI Schraube	1	
18	AP4ADN000179	TCEI Schraube	1	
19	AP4AHN000067	Schraube	2	
20	AP3AUN000062	TE Schr. m. Flansch	1	
21	AP4EEN000063	Alu-Scheibe	1	
22	AP4EEN000037	Alu-Scheibe	1	
23	AP3QAA000039	Buchse	1	
24	AP3NVA000627	Papier Dichtung	1	

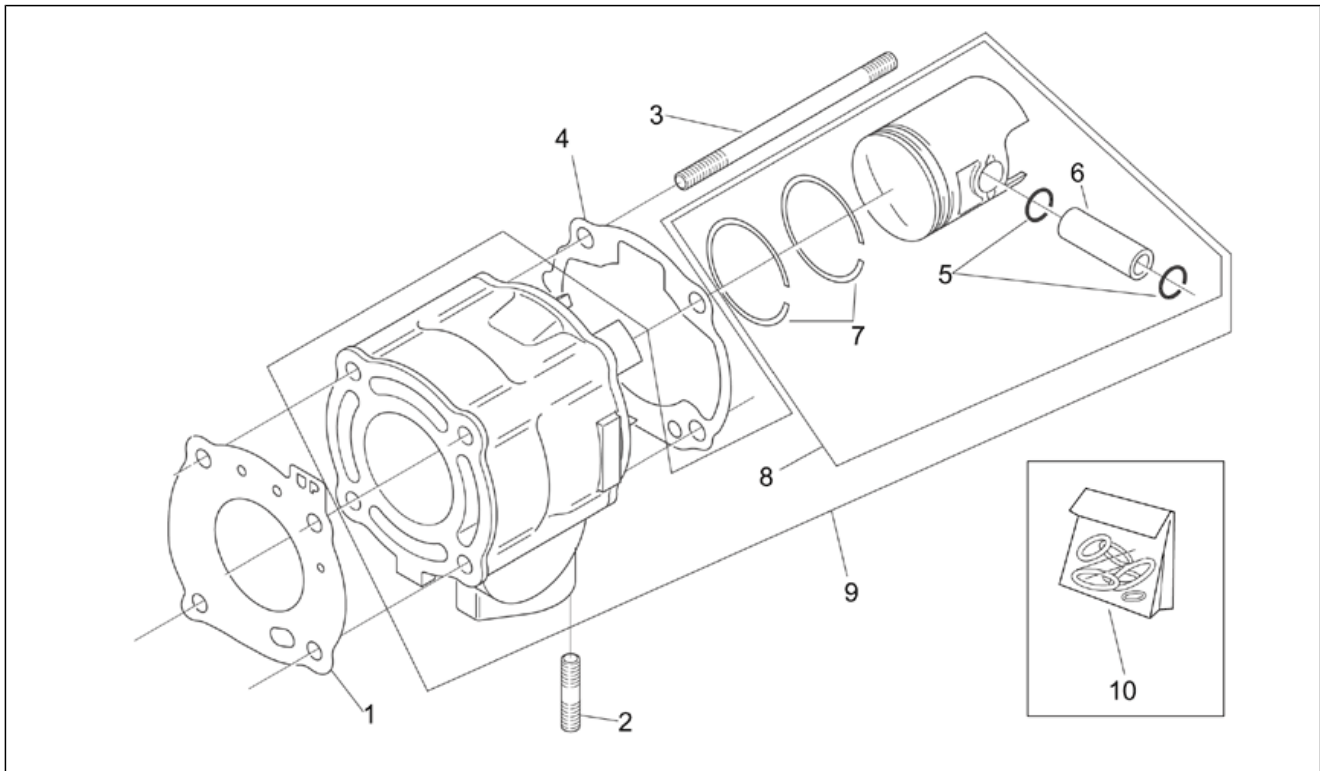
<b>Einheit</b>	MOTOR
<b>Code</b>	29.36
<b>Beschreibung</b>	Wasserpumpenritzel
<b>Inspektion</b>	1



Pos.	Code	Beschreibung	Menge	Varianten
1	AP3LZA000108	Schwungraddeckel, schwarz	1	
2	AP3LBA000130	Alum.wasserpumpenkörper, schw.	1	
3	AP3EAN000082	O-Ring 65x2,1	1	
4	AP3AUN000124	TE Schr. m. Flansch	1	
5	AP4EEN000063	Alu-Scheibe	1	
6	AP4ADN000016	TCEI Schraube	3	
7	AP3ABN000092	Läufer Schraube	1	
8	AP2DHN000202	Elast.scheibe	1	
9	AP3ECN000080	Dichtscheibe	1	
10	AP3LDA000109	Läufer	1	
11	AP3LAA000173	Pumpe Mechanische Dichtung	1	
12	AP4ADN000016	TCEI Schraube	4	
13	AP3AAN000054	Schelle	2	
14	AP3LCA000101	Läufer Welle	1	
15	AP4FCN000095	Rolle d2,5x19,8	1	
16	AP3LCA000166	Zugelement pumpenrad	1	
17	AP4DAN000125	Seegerring d12	1	
18	AP3LAA000100	Gummi Pumpenzapfen	3	
19	AP4APN000267	Gew.schr. 5,5x13	1	
20	AP4DFN000033	Unterlegscheibe	3	
21	AP4GAN000103	Kugellager 6900	2	
22	AP3UAN000300	T-Buchse	3	
23	AP4ADN000014	Schraube	3	
24	AP3LBA000587	Plastic wasserpumpenkörper	1	
25	AP3EDN000281	Papier Dichtung	1	

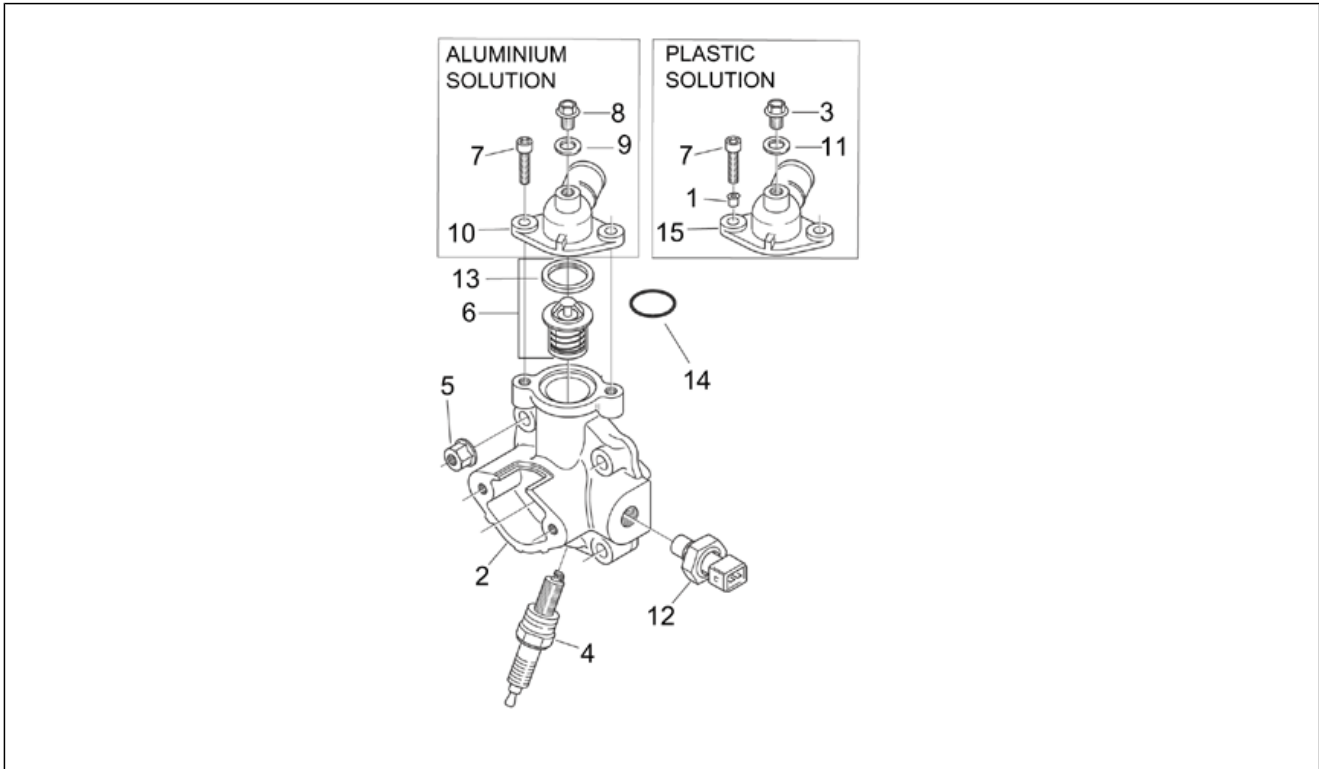


<b>Einheit</b>	MOTOR
<b>Code</b>	29.37
<b>Beschreibung</b>	Kolben + Zylinder
<b>Inspektion</b>	1



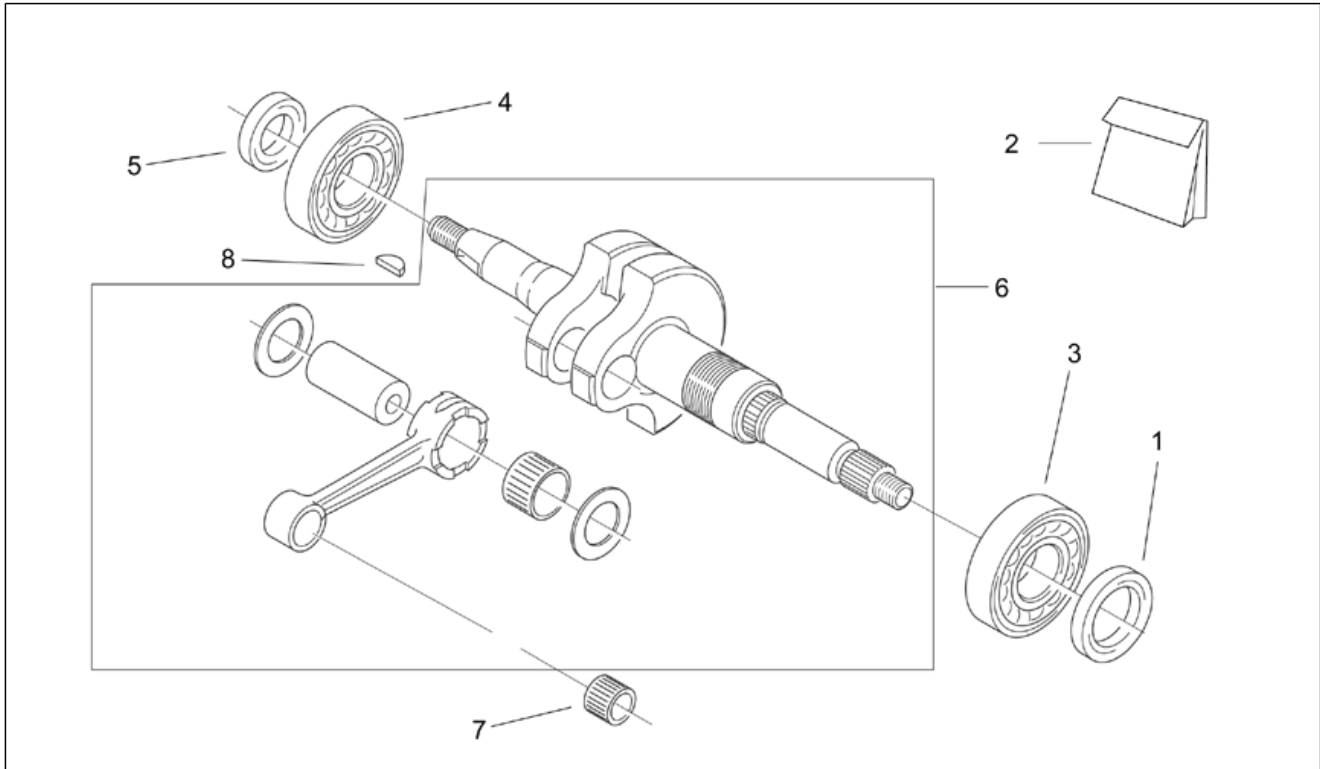
Pos.	Code	Beschreibung	Menge	Varianten
1	AP2BVA000040	Dichtung Zylinderkopf	1	
2	AP4BAN000002	Stiftschraube	1	
3	AP4BAN000076	Stiftschraube	4	
4	AP3EVA000433	ZYLINDERFUSSDICHTUNG	1	
5	AP3EAN000096	Stiftsperring	2	
6	AP3EDA000143	Bolzen	1	
7	AP5RER000074	Satz Kolbenringe d41	1	
7	AP5RER000077	Satz Kolbenringe d41,5	1	
7	AP5RER000081	Satz Kolbenringe d42	1	
8	AP5RER000084	Kolben kpl. d41	1	
8	AP5RER000085	Kolben kpl. d41,5	1	
8	AP5RER000087	Kolben kpl. d42	1	
9	AP5RER000089	Kolben + Zylinder	1	
10	AP5RZR000098	Dichtungen - Satz	1	

<b>Einheit</b>	MOTOR
<b>Code</b>	29.38
<b>Beschreibung</b>	Zylinderkopf
<b>Inspektion</b>	1



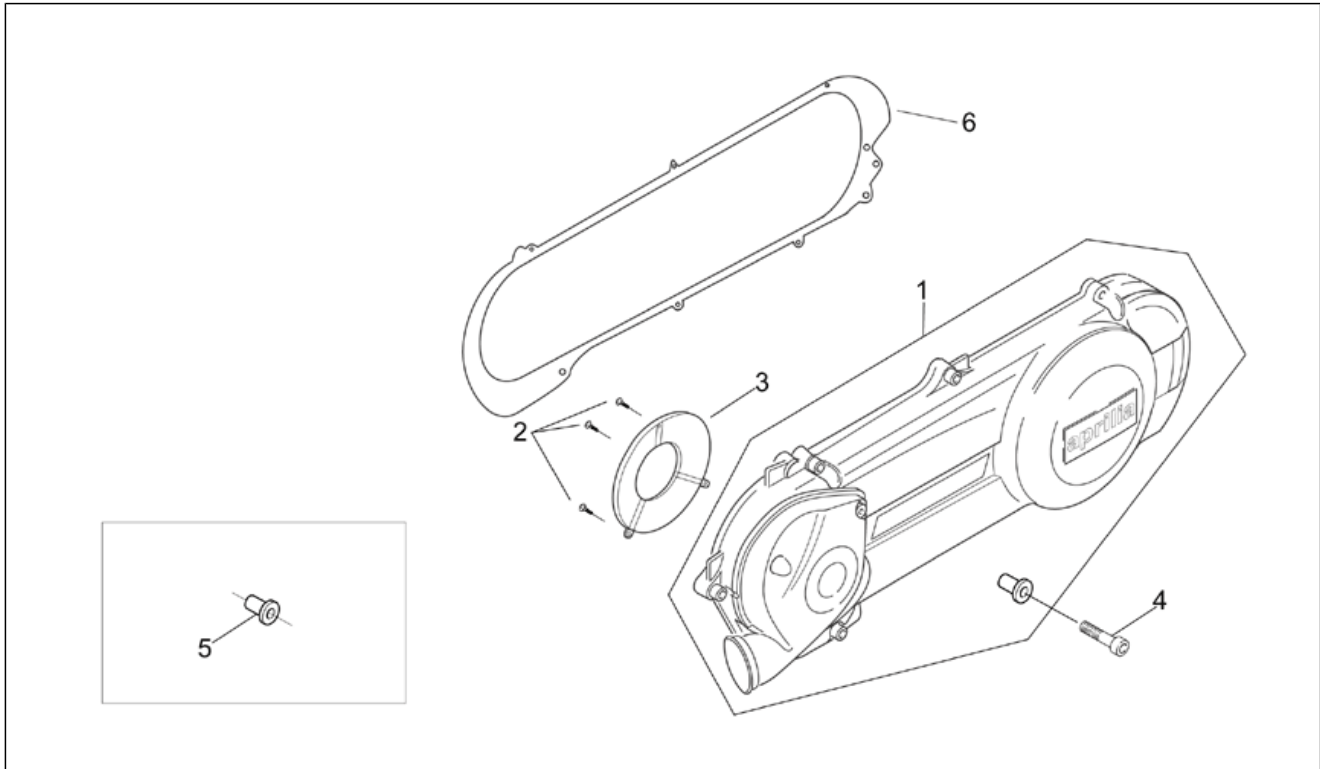
Pos.	Code	Beschreibung	Menge	Varianten
1	AP3UAN000061	T-Buchse	2	
2	AP3BBA000606	Zylinderkopf	1	
3	AP4APN000267	Gew.schr. 5,5x13	1	
4	AP2BEN000276	Zündkerze CPR8E	1	
5	AP3BDN000005	Geflanschte Mutter	4	
6	AP2BAA000643	Thermostat	1	
7	AP4ADN000014	Schraube	2	
8	AP3AUN000124	TE Schr. m. Flansch	1	
9	AP4EEN000063	Alu-Scheibe	1	
10	AP3LAA000110	Anschl. Wasseraus.aluminium	1	
11	AP3EDN000281	Papier Dichtung	1	
12	AP2BAA000164	Thermistor	1	
13	AP5RLR000114	Thermostatdichtung	1	
14	AP2EAN000081	O-Ring	1	
15	AP3LAA000586	Anschl. Wasseraus.plastic	1	

<b>Einheit</b>	MOTOR
<b>Code</b>	29.39
<b>Beschreibung</b>	Kurbelwelle
<b>Inspektion</b>	1



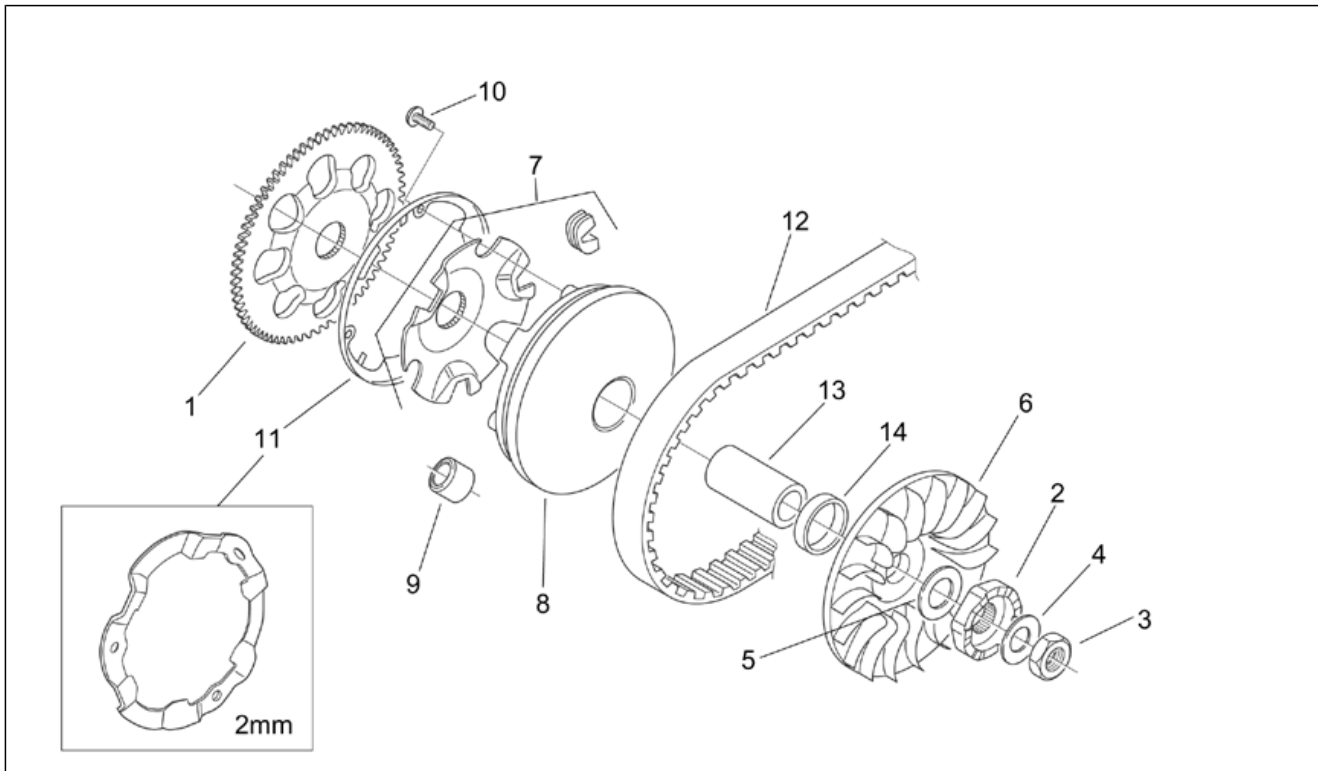
Pos.	Code	Beschreibung	Menge	Varianten
1	AP3EBN000183	Ölabstreifring 25X37X6	1	
2	AP5RZR000099	Dichtungssatz	1	
3	AP2GAN000219	Lager	1	
4	AP3GAN000214	Lager	1	
5	AP3EBN000180	Ölabstreifring 17X27X6	1	
6	AP1BFA000699	Kurbelwelle kpl.	1	
7	AP2GLN000192	Käfig auf Bolzen 12x16x16	1	
8	AP4FAN000030	Keil Schwunmagnet	1	

<b>Einheit</b>	MOTOR
<b>Code</b>	29.40
<b>Beschreibung</b>	Getriebedeckel (Ditech)
<b>Inspektion</b>	1



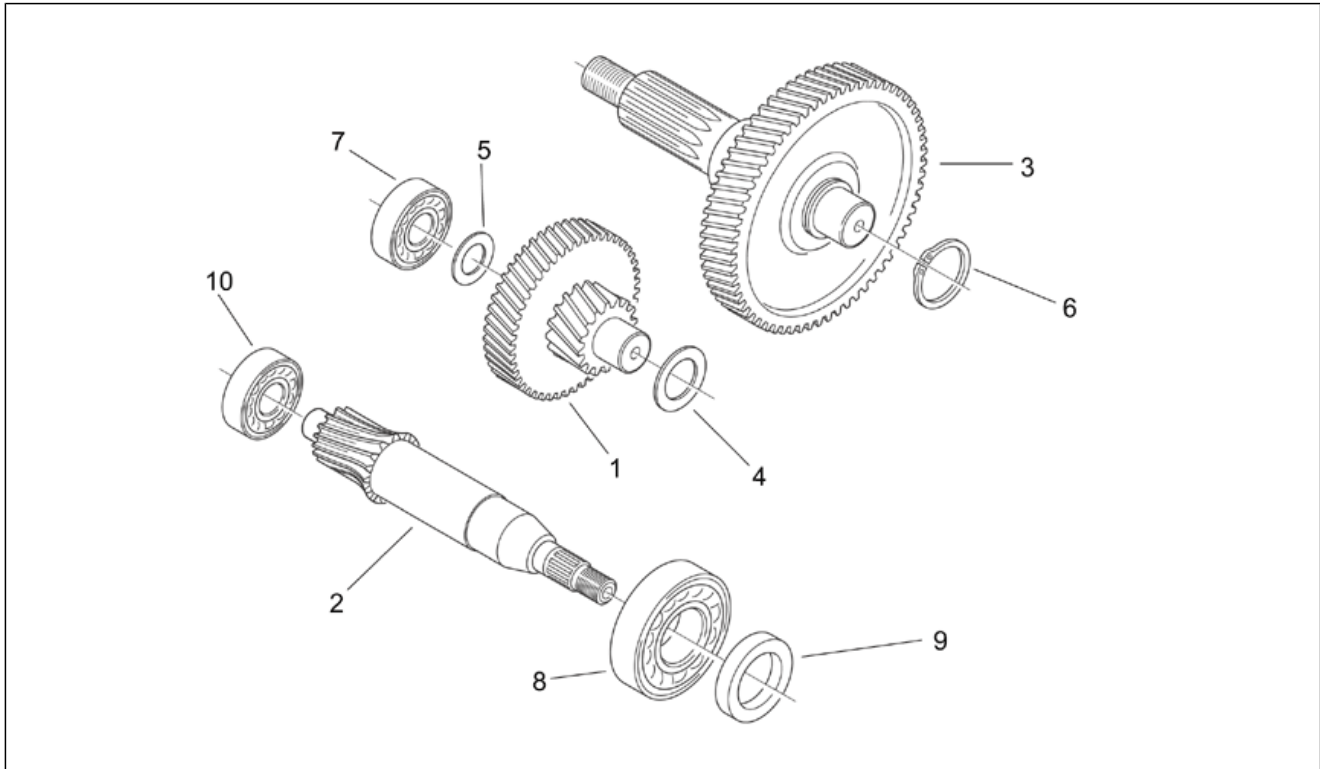
Pos.	Code	Beschreibung	Menge	Varianten
1	AP5RHR000002	Wandlerdeckel	1	
2	AP2APN000213	Gew.schr. 3,9x14	3	
3	AP3MAA000450	Leitblech Schott	1	
4	AP4ADN000016	TCEI Schraube	8	
5	AP3MAN000264	T-Buchse	8	
6	AP3HVA000468	Dicht. Deck. Wandl.	1	

<b>Einheit</b>	MOTOR
<b>Code</b>	29.41
<b>Beschreibung</b>	Wandler
<b>Inspektion</b>	1



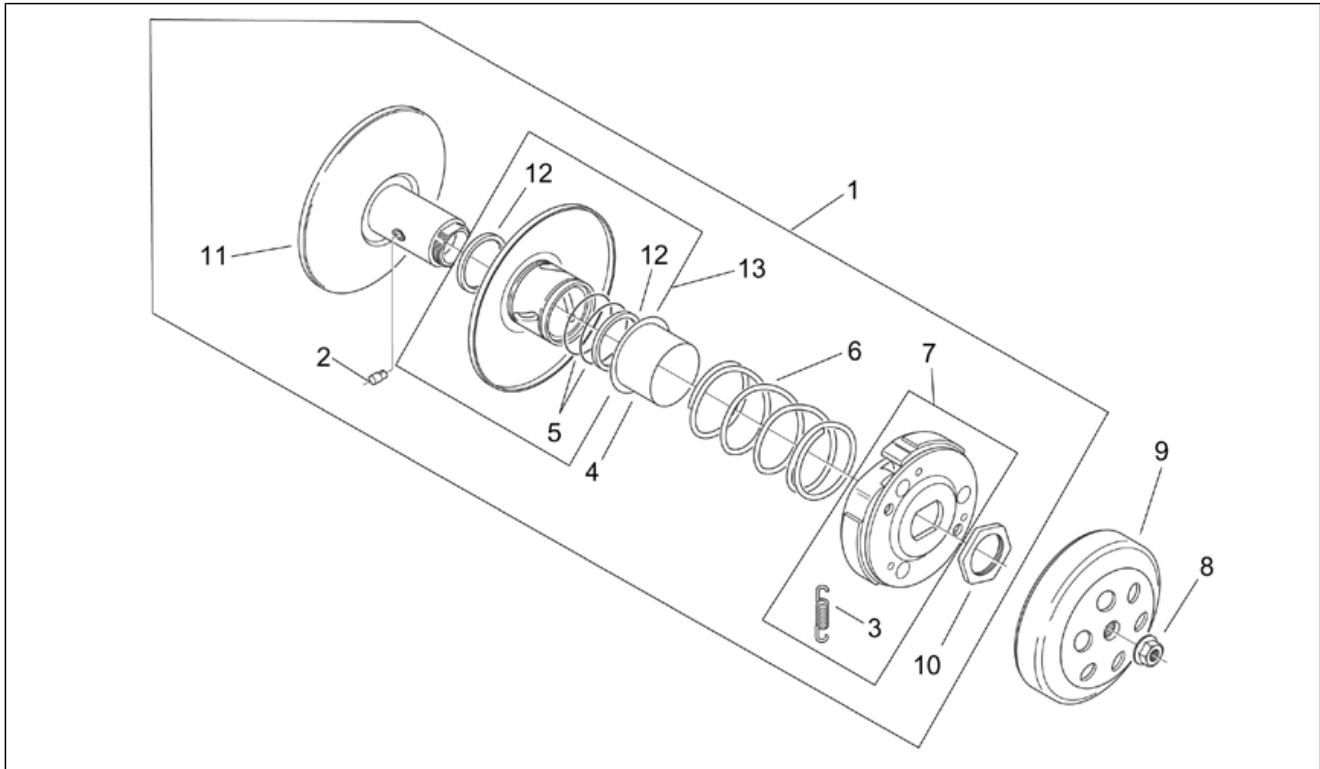
Pos.	Code	Beschreibung	Menge	Varianten
1	AP3QEA000031	Zahnkranz Elektrostarter	1	
2	AP3TDA000074	Starter-Zahnbecher	1	
3	AP3TAN000060	Mutter unten m12x1,25	1	
4	AP4DHN000020	Tellerfeder	1	
5	AP3TAN000172	Distanzscheibe 14,3x23x1	1	
6	AP2MEA000424	Feste Hauptriemenscheibe	1	<b>Technische Daten:</b> Altantic 500[AD]
6	AP3MEA000620	Feste Hauptriemenscheibe	1	<b>Technische Daten:</b> Marke HONG ZENG[HZ]
7	AP2MEA000530	Stiftplatte	1	<b>Technische Daten:</b> Altantic 500[AD]
7	AP5RMR000235	Stiftplatte	1	<b>Technische Daten:</b> Marke HONG ZENG[HZ]
8	AP2MEA000419	Bewegliche Hauptriemenscheibe	1	<b>Technische Daten:</b> Altantic 500[AD]
8	AP5RMR000234	Bewegliche Hauptriemenscheibe	1	<b>Technische Daten:</b> Marke HONG ZENG[HZ]
9	AP2MEA000420	Fliehkraftmasse 7,7g	6	<b>Technische Daten:</b> Version mit Beschränkung 45 km/h[45Km], Altantic 500[AD]
9	AP2MEA000790	Fliehkraftmasse 6,8 gr.	6	<b>Land:</b> Schweiz[CH], B, CH, D, DK, E, F, I, NL, P[EU] <b>Technische Daten:</b> Altantic 500[AD], Version mit voller Leistung[f.p.]
9	AP5RMR000237	Fliehkraftmasse	6	<b>Technische Daten:</b> Marke HONG ZENG[HZ]
10	AP2MEN000187	Schraube	3	<b>Technische Daten:</b> Altantic 500[AD]
10	AP3MEN000302	Schraube	3	<b>Technische Daten:</b> Marke HONG ZENG[HZ]
11	AP2MEA000423	Deckel Riemenschei. 0,5 mm	1	
11	AP3MEA000715	Deckel Riemenschei. 2 mm	1	
12	AP2MCA000014	Keilriemen	1	<b>Technische Daten:</b> Altantic 500[AD]
13	AP2MEN000188	Buchse	1	<b>Technische Daten:</b> Altantic 500[AD]
13	AP3MEN000255	Buchse	1	<b>Technische Daten:</b> Marke HONG ZENG[HZ]
14	AP3MAN000190	Distanzscheibe	1	<b>Technische Daten:</b> Version mit Beschränkung 45 km/h[45Km], Altantic 500[AD]

<b>Einheit</b>	MOTOR
<b>Code</b>	29.42
<b>Beschreibung</b>	Übersetzung
<b>Inspektion</b>	1



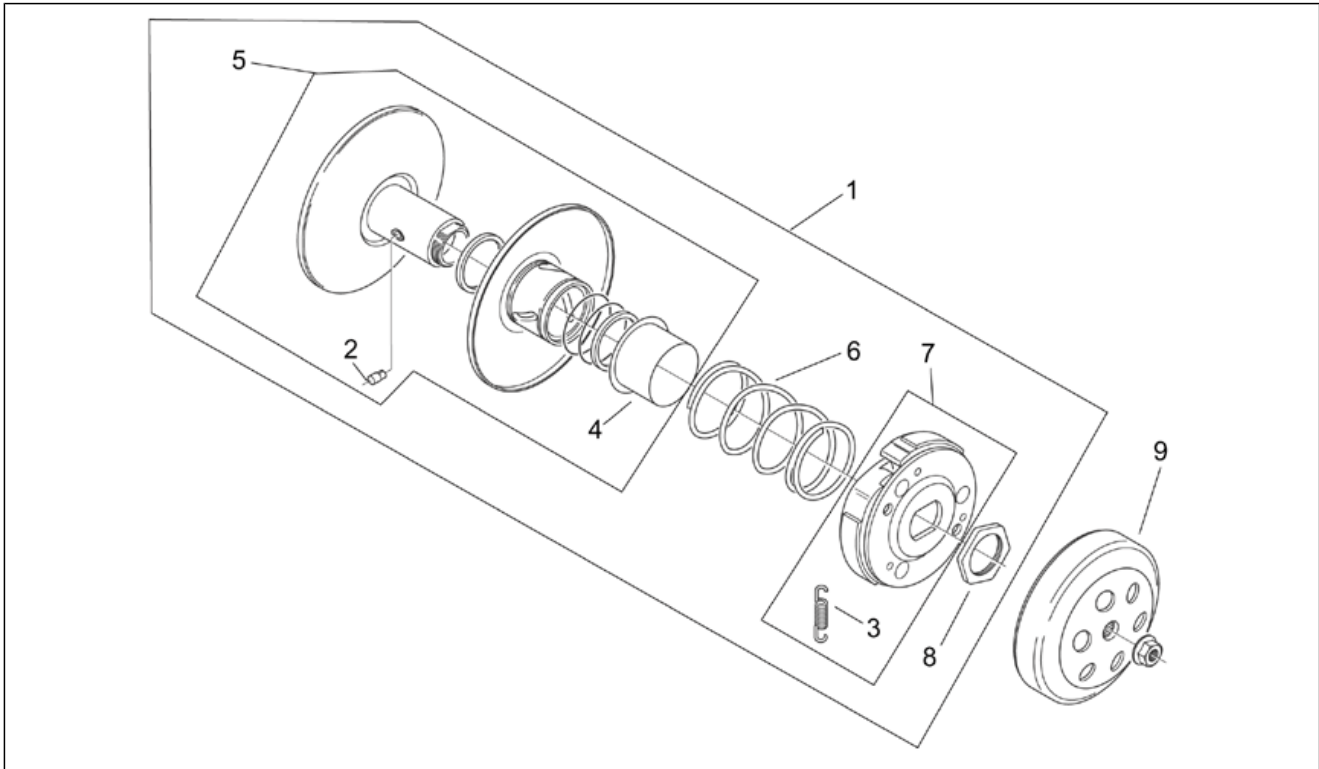
Pos.	Code	Beschreibung	Menge	Varianten
1	AP1BOA000028	Doppeltes Freilaufgrad Z=17/51	1	
2	AP3NBA000027	Getriebe	1	
3	AP1BOA000029	Antriebswelle Z=64	1	
4	AP3NAN000059	Scheibe links	1	
5	AP3NAN000058	Scheibe rechts	1	
6	AP3FBN000049	Seegerring	1	
7	AP4GAN000025	Lager d12x32x10	1	
8	AP3GAN000051	Lager d22x50x14	1	
9	AP3EBN000046	Ölabstreifring 22x32x5	1	
10	AP2GAN000113	Lager d12X32X10	1	

<b>Einheit</b>	MOTOR
<b>Code</b>	29.43
<b>Beschreibung</b>	Adler kupplung
<b>Inspektion</b>	1



Pos.	Code	Beschreibung	Menge	Varianten
1	AP2MDA000427	Wandler mit Kupplung	1	Technische Daten:Altantic 500[AD]
2	AP5RMR000092	Führungsrolle Wandler	3	Technische Daten:Altantic 500[AD]
3	AP5RMR000207	Kupplungbackenfeder	1	Technische Daten:Altantic 500[AD]
4	AP5RMR000088	Becher Wandlerfeder	1	Technische Daten:Altantic 500[AD]
5	AP5RMR000097	O-Ring	2	Technische Daten:Altantic 500[AD]
6	AP5RMR000087	Feder	1	Technische Daten:Altantic 500[AD]
7	AP5RMR000208	Fliehkraftkupplung	1	Technische Daten:Altantic 500[AD]
8	AP4BDN000039	Geflanschte Mutter m10x1,5	1	Technische Daten:Altantic 500[AD]
9	AP2MDA000426	Baugruppe Kupplungskasten	1	Technische Daten:Altantic 500[AD]
10	AP5RMR000085	Mutter	1	Technische Daten:Altantic 500[AD]
11	AP5RMR000090	Sekundäre Festscheibe	1	Technische Daten:Altantic 500[AD]
12	AP5RMR000096	Ölabstreifring	2	Technische Daten:Altantic 500[AD]
13	AP5RMR000089	Sekundäre Gleitscheibe	1	Technische Daten:Altantic 500[AD]

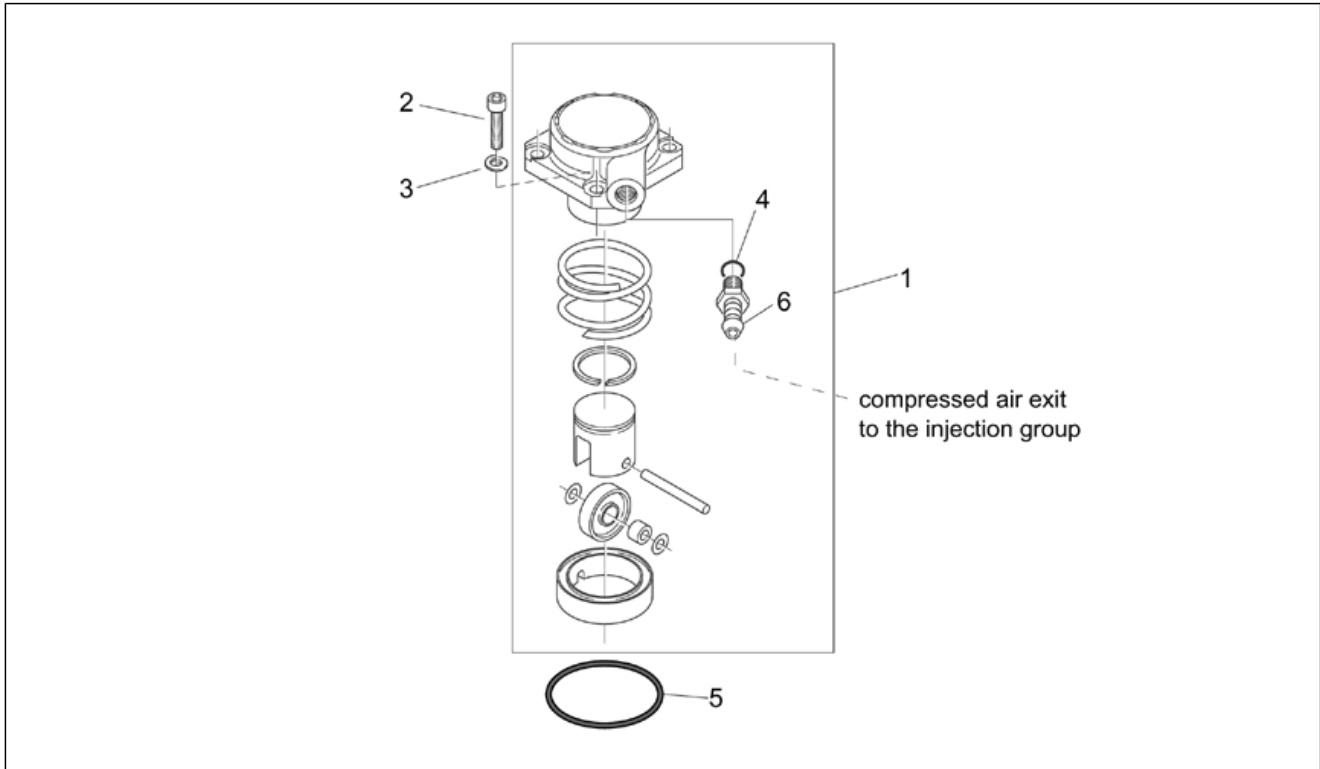
<b>Einheit</b>	MOTOR
<b>Code</b>	29.44
<b>Beschreibung</b>	Hong Zeng kupplung
<b>Inspektion</b>	1



Pos.	Code	Beschreibung	Menge	Varianten
1	AP3MDA000621	Sek. Riemensch. kpl.	1	<b>Technische Daten:</b> Marke HONG ZENG[HZ]
2	AP5RMR000245	Führungsbolzen	3	<b>Technische Daten:</b> Marke HONG ZENG[HZ]
3	AP5RMR000246	Kupplungbackenfeder 12Kg	1	<b>Technische Daten:</b> Marke HONG ZENG[HZ]
4	AP5RMR000242	Becher Wandlerfeder	1	<b>Technische Daten:</b> Marke HONG ZENG[HZ]
5	AP5RMR000243	Ver.Sek.driven shaft.kpl.	1	<b>Technische Daten:</b> Marke HONG ZENG[HZ]
6	AP5RMR000241	Feder	1	<b>Technische Daten:</b> Marke HONG ZENG[HZ]
7	AP5RMR000240	Fliehkraftkupplung	1	<b>Technische Daten:</b> Marke HONG ZENG[HZ]
8	AP5RMR000239	Mutter	1	<b>Technische Daten:</b> Marke HONG ZENG[HZ]
9	AP3MDA000619	Kupplungsglocke	1	<b>Technische Daten:</b> Marke HONG ZENG[HZ]

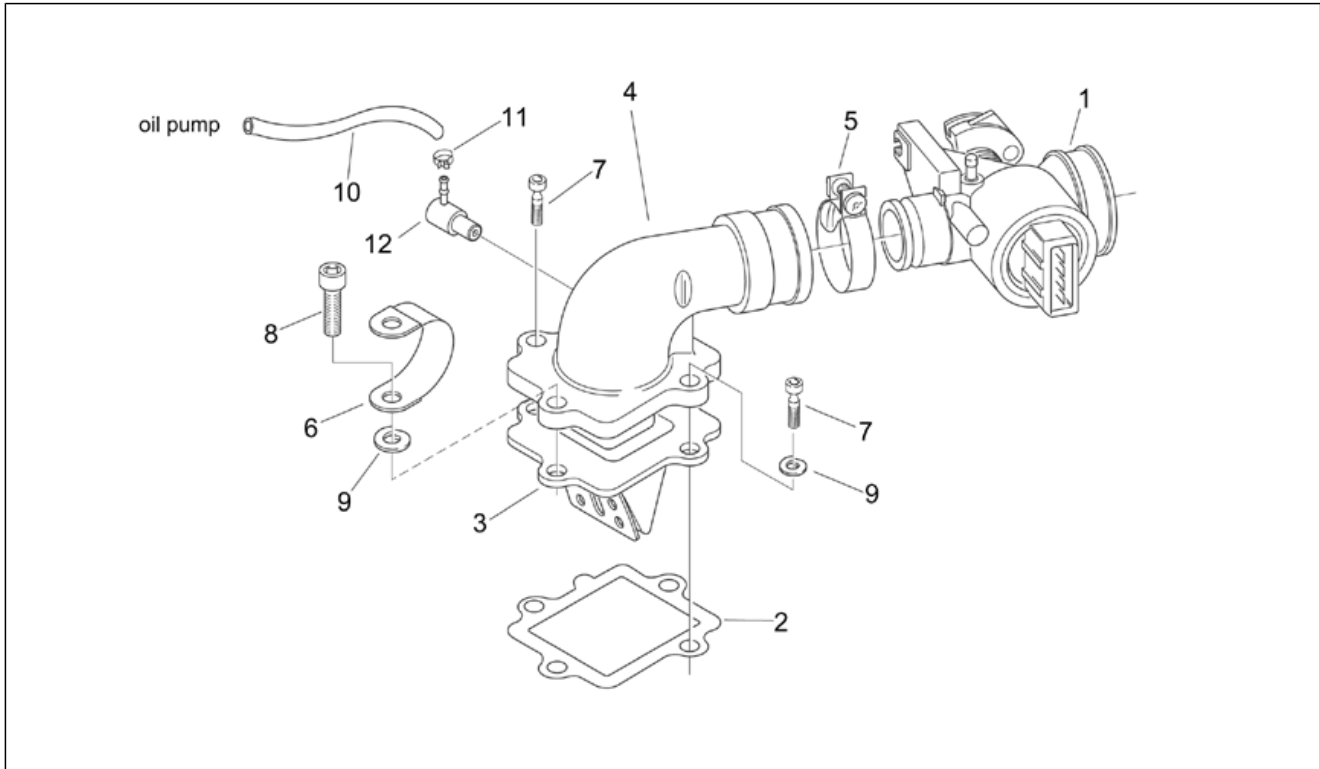


<b>Einheit</b>	MOTOR
<b>Code</b>	29.45
<b>Beschreibung</b>	Luftkompressor (Ditech)
<b>Inspektion</b>	1



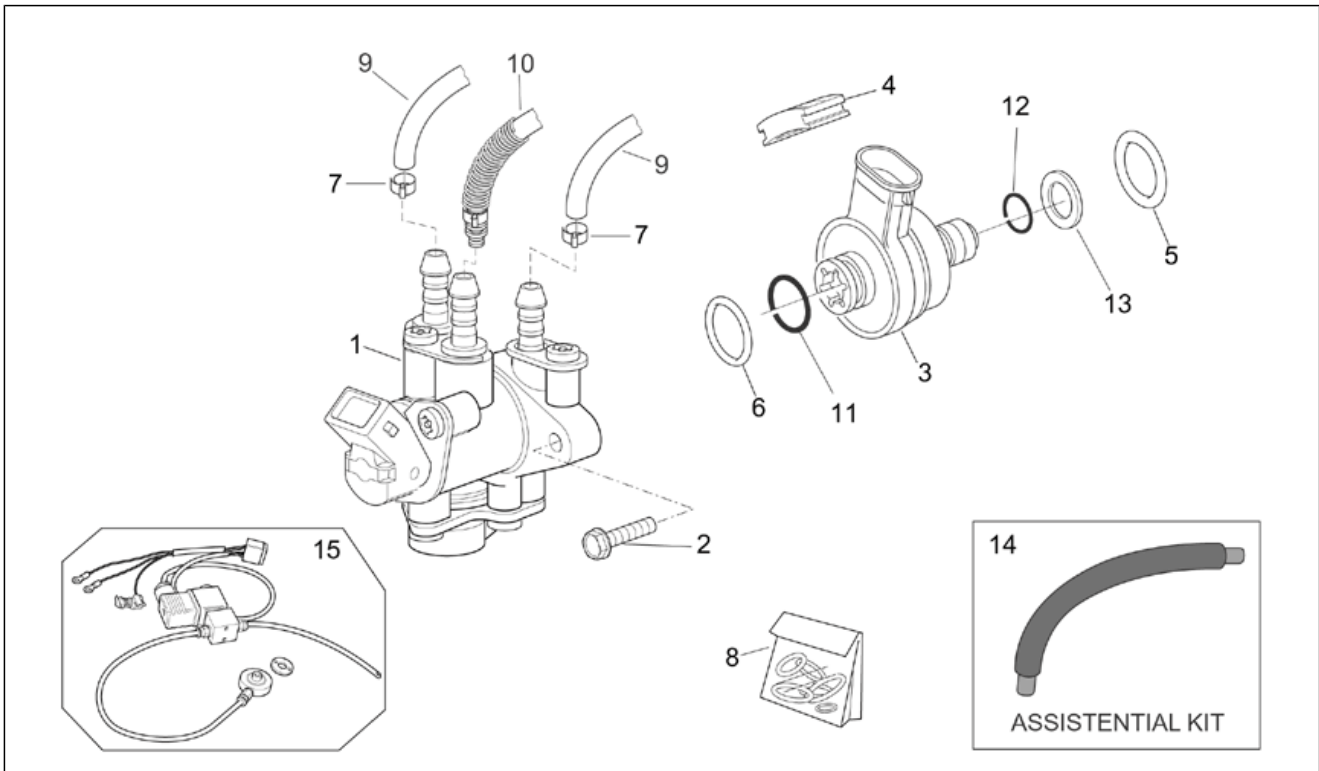
Pos.	Code	Beschreibung	Menge	Varianten
1	AP3AFA000162	Kompressor	1	
2	AP4ADN000027	Schraube	4	
3	AP4DFN000032	Unterlegscheibe	4	
4	AP5RAR000112	O-Ring	1	
5	AP2EAN000185	O-Ring 44,2x1,8	1	
6	AP5RAR000104	Kompressor Anschluß	1	

<b>Einheit</b>	MOTOR
<b>Code</b>	29.46
<b>Beschreibung</b>	Klappenkörper (Ditech)
<b>Inspektion</b>	1



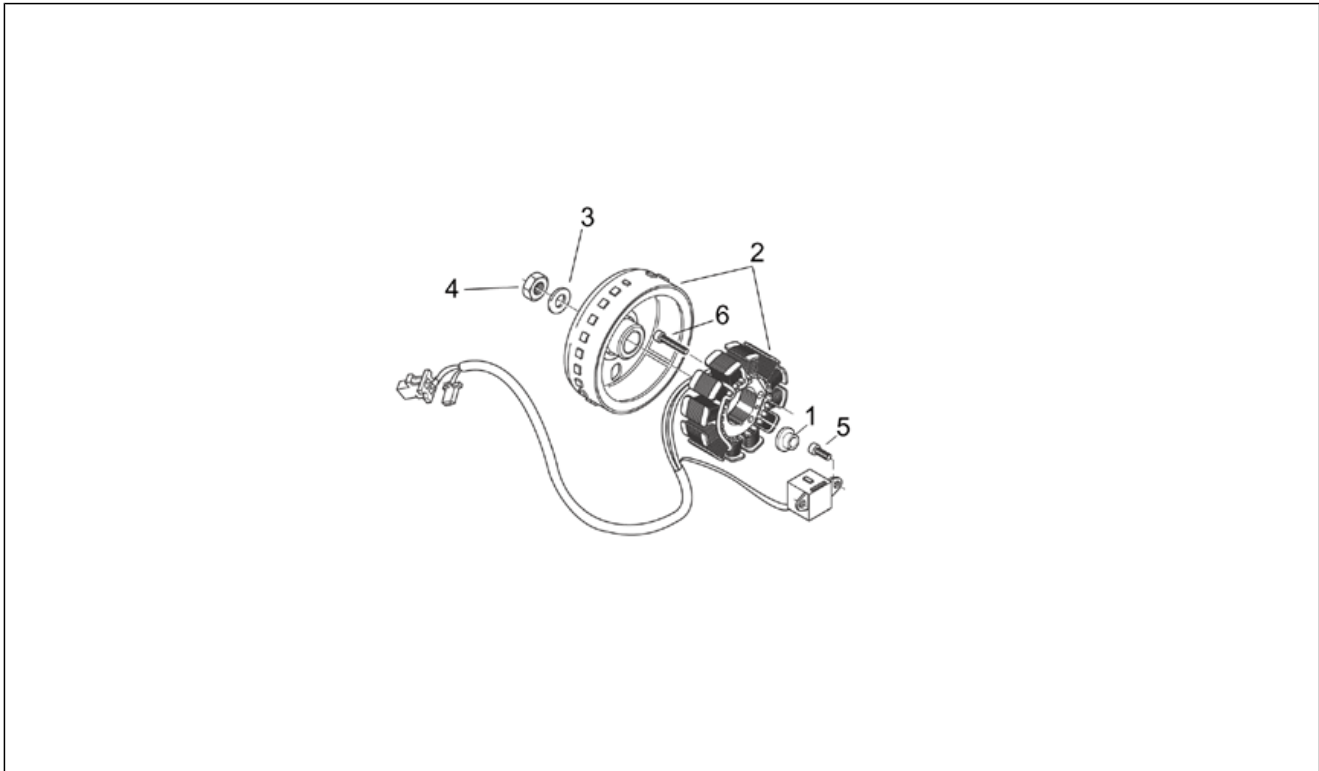
Pos.	Code	Beschreibung	Menge	Varianten
1	AP3ACA000132	Klappenkörper kpl.	1	
2	AP3AVA000063	Ventildichtung	1	
3	AP3AEA000002	Ventilträger kpl.	1	
4	AP3ABA000642	Ansaugkrümmer	1	
5	AP2FDN000201	Schelle	1	
6	AP3AAN000054	Schelle	1	
7	AP3AVN000086	Reißschraube	2	
8	AP4ADN000014	Schraube	2	
9	AP4DFN000033	Unterlegscheibe	3	
10	AP2HAN000224	Ölschlauch	1	
11	AP2FBN000034	Schelle	1	
12	AP2HAA000487	Messingsperrventil Öl	1	

<b>Einheit</b>	MOTOR
<b>Code</b>	29.47
<b>Beschreibung</b>	Spritzeinheit (Ditech)
<b>Inspektion</b>	1



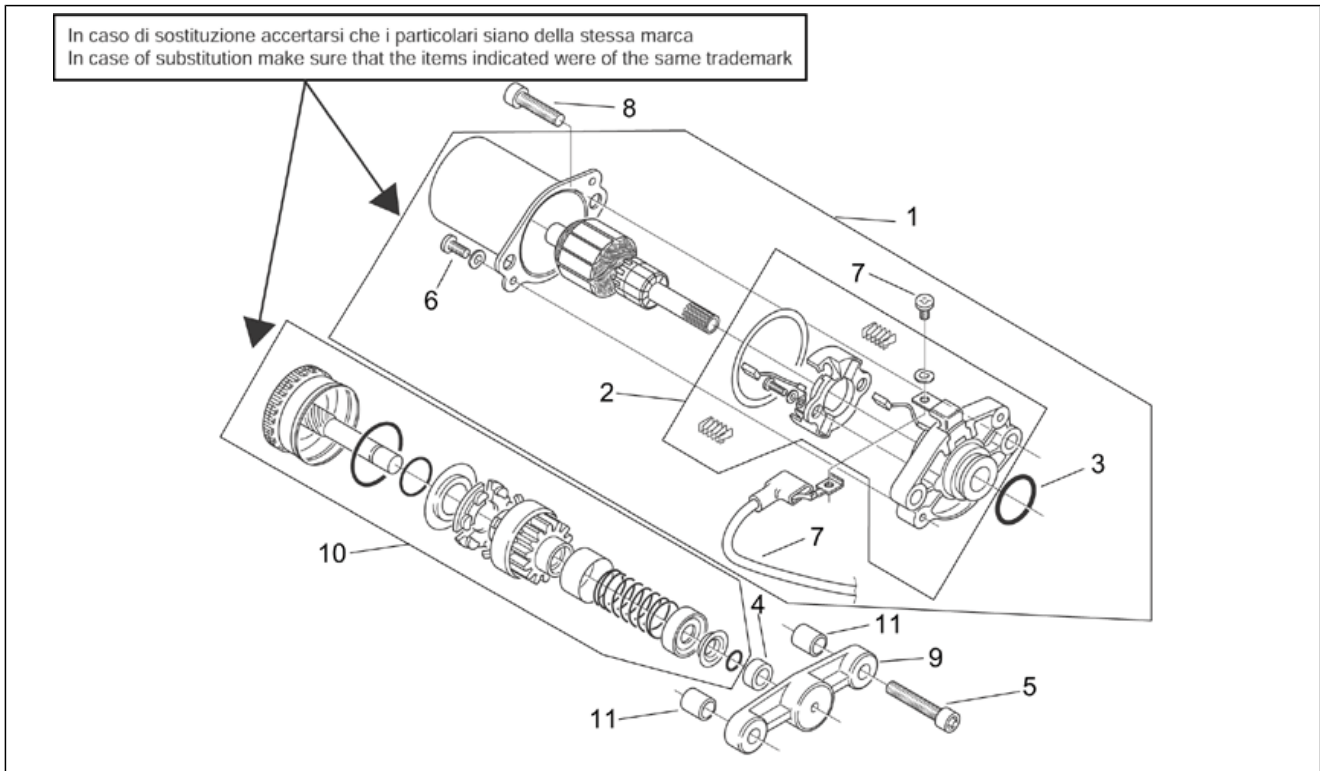
Pos.	Code	Beschreibung	Menge	Varianten
1	AP3AEA000547	Eingabe ventil	1	
2	AP2AVN000256	Schraube	2	
3	AP3AGA000614	Luft Einspritz	1	
4	AP3AVN000245	Verschuß gummi	1	
5	AP2EAN000258	O-Ring	1	
6	AP2EAN000257	O-Ring	1	
7	AP2FDN000200	Schelle	3	
8	AP5RZR000232	O-ring kit	1	
9	AP2AAN000212	Hochdruck Leitung	1	
10	AP5RAR000102	Hochdruck Leitung kpl.	1	
11	AP5RAR000109	Ob.O-Ring	1	
12	AP5RAR000108	Unt.O-Ring	1	
13	AP5RAR000110	Teflon Ring	1	
14	AP8220711	Leitung	1	
15	AP8276090	Kit Emulsion Ausspülung	1	

<b>Einheit</b>	MOTOR
<b>Code</b>	29.48
<b>Beschreibung</b>	Schwungrad
<b>Inspektion</b>	1



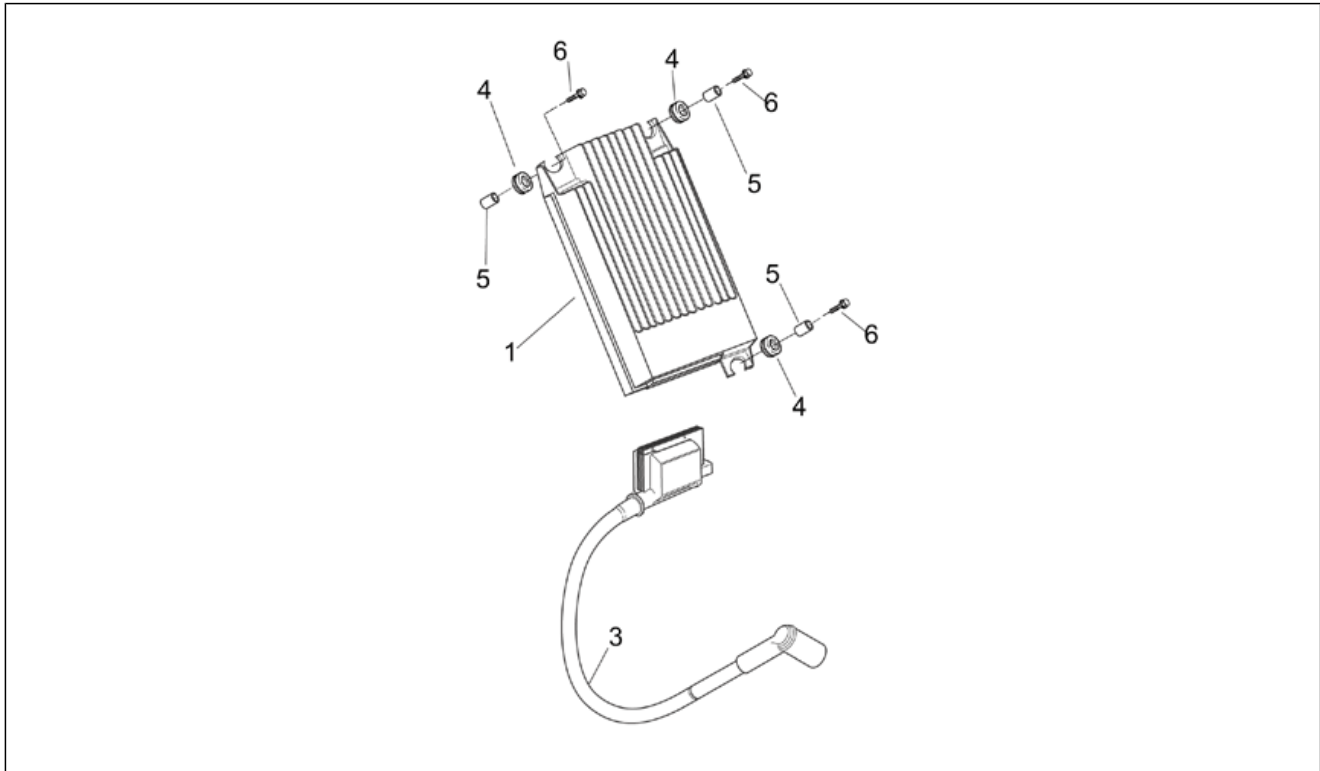
Pos.	Code	Beschreibung	Menge	Varianten
1	AP3RAA000730	Buchse	1	
2	AP5RSR000227	Schwungrad kpl.	1	<b>Technische Daten:</b> Marke MITSUBA[M]
2	AP5RSR000228	Schwungrad kpl.	1	<b>Technische Daten:</b> Marke DUCATI ENERGIA[D]
3	AP4DGN000066	Flachscheibe	2	
4	AP4BEN000010	Mutter m10x1,25	1	
5	AP4ADN000023	Schraube M5x12	2	
6	AP4ADN000101	Schraube	2	
7	AP4DGN000077	Flachscheibe	1	

<b>Einheit</b>	MOTOR
<b>Code</b>	29.49
<b>Beschreibung</b>	Startermotor
<b>Inspektion</b>	1



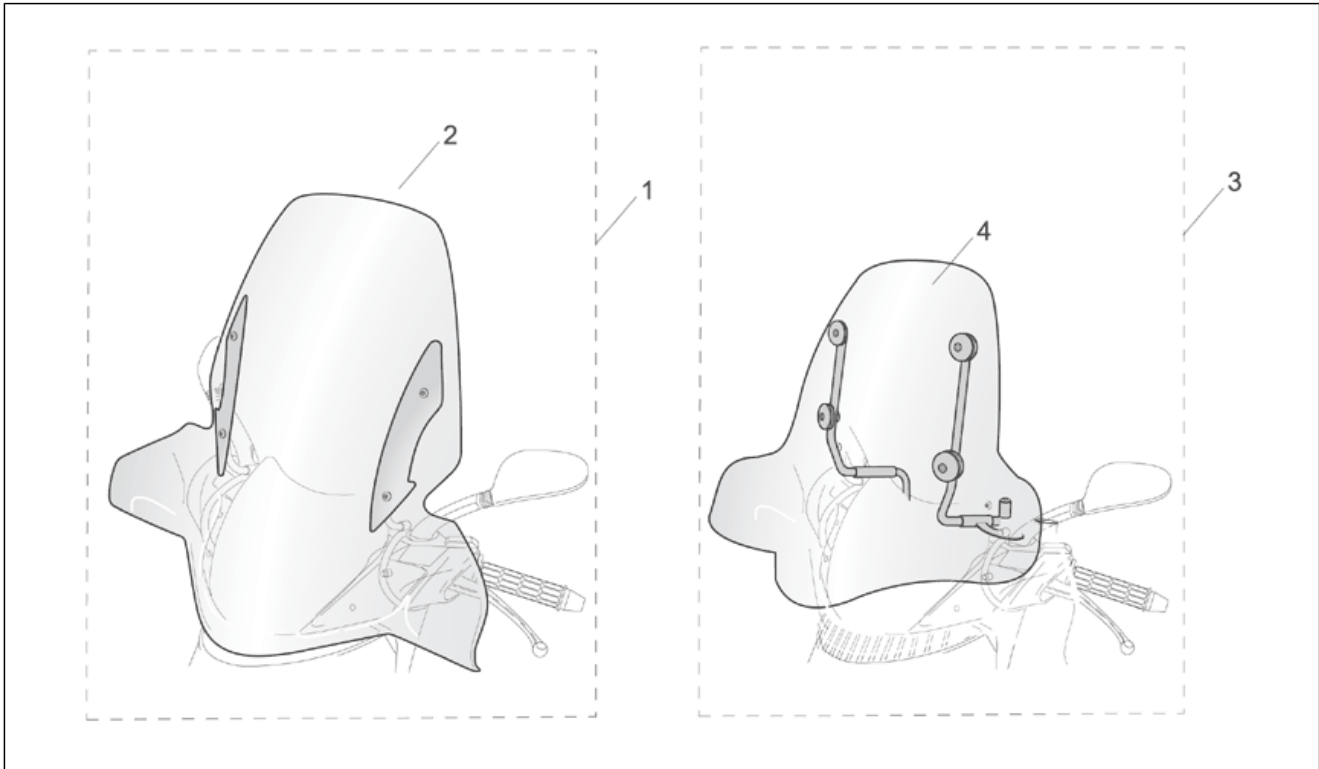
Pos.	Code	Beschreibung	Menge	Varianten
1	AP2QCA000041	Startermotor	1	<b>Technische Daten:</b> Marke MITSUBA[M]
1	AP2QCA000455	Startermotor	1	<b>Technische Daten:</b> Marke DUCATI ENERGIA[D]
2	AP5RQR000069	Aust.satz Anlasser	1	<b>Technische Daten:</b> Marke MITSUBA[M]
2	AP5RQR000183	Aust.satz Anlasser	1	<b>Technische Daten:</b> Marke DUCATI ENERGIA[D]
3	AP5RQR000023	O-Ring	1	<b>Technische Daten:</b> Marke MITSUBA[M]
3	AP5RQR000181	O-Ring	1	<b>Technische Daten:</b> Marke DUCATI ENERGIA[D]
4	AP3QAA000039	Buchse	1	
5	AP4ADN000012	TCEI Schraube	2	
6	AP5RQR000026	Schraube	2	
7	AP5RQR000027	Verkabelung mit Schraube	1	<b>Technische Daten:</b> Marke MITSUBA[M]
7	AP5RQR000182	Verkabelung	1	<b>Technische Daten:</b> Marke DUCATI ENERGIA[D]
8	AP4ADN000016	TCEI Schraube	2	
9	AP3QAA000038	Lagerbügel Bendix	1	
10	AP2QBA000058	Bendix	1	<b>Technische Daten:</b> Marke MITSUBA[M]
10	AP2QBA000456	Bendix	1	<b>Technische Daten:</b> Marke DUCATI ENERGIA[D]
11	AP3FCN000271	Stift	2	

<b>Einheit</b>	MOTOR
<b>Code</b>	29.50
<b>Beschreibung</b>	Zündung
<b>Inspektion</b>	1



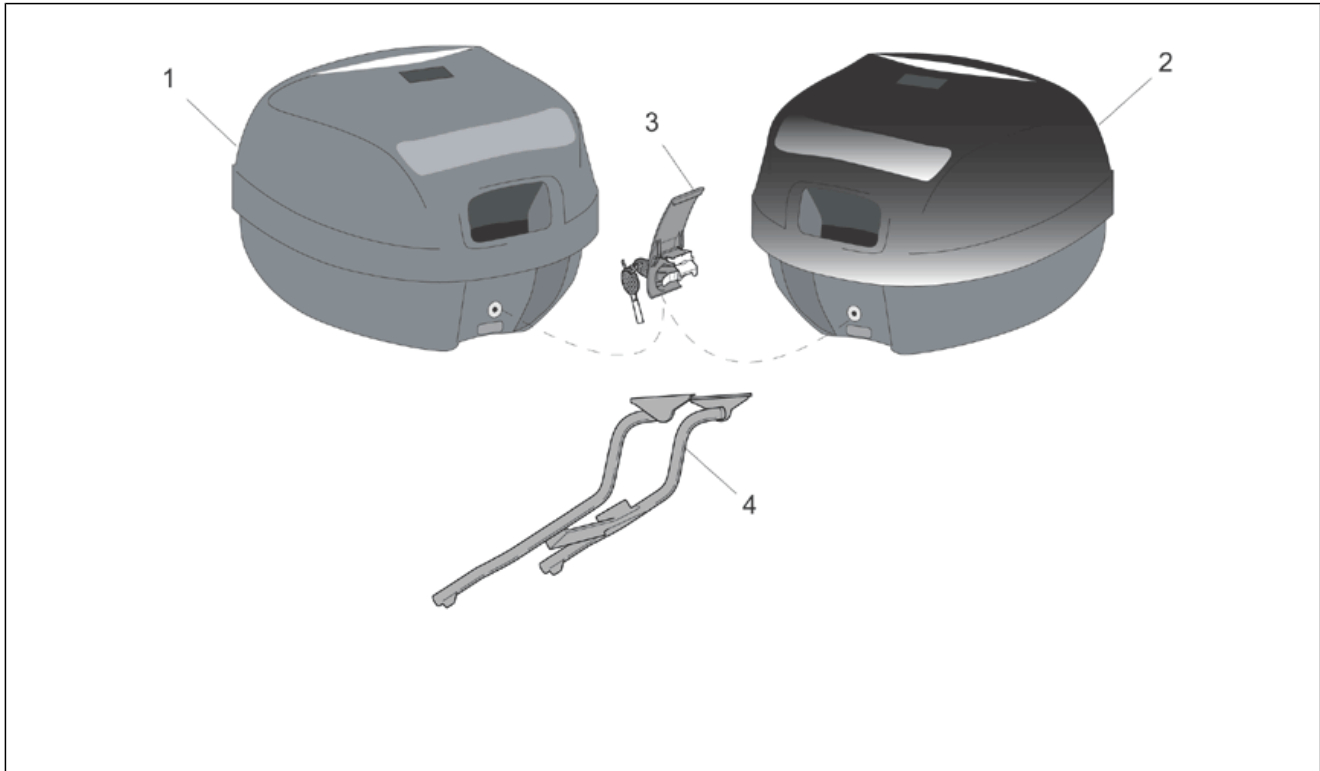
Pos.	Code	Beschreibung	Menge	Varianten
1	AP8224448	Steuergerät	1	<b>Technische Daten:</b> Version mit Beschränkung 45 km/h[45Km]
1	AP8224522	Steuergerät	1	<b>Land:</b> Schweiz[CH], B, CH, D, DK, E, F, I, NL, P[EU] <b>Technische Daten:</b> Version mit voller Leistung[f.p.]
2	AP8224261	Zuendtransform.cpl.	1	
3	AP8224379	Zuendkabel	1	
4	AP8120405	Gummi	3	
5	AP8221036	Buchse 5,3x8x7,1	3	
6	AP8152273	Flanschschraube M5x15	3	

<b>Einheit</b>	ZUBEHÖR
<b>Code</b>	30.51
<b>Beschreibung</b>	Acc. - Windschilder
<b>Inspektion</b>	1



Pos.	Code	Beschreibung	Menge	Varianten
1	AP8791129	Windschutzscheibe Kpl. Big	1	Technische Daten:Zubehör[A]
2	AP8791128	Windschutzsch.o/Halter. Big	1	Technische Daten:Zubehör[A]
3	AP8791131	Windschutzscheibe Kpl. Sport	1	Technische Daten:Zubehör[A]
4	AP8791130	Windschutzsch.o/Halter. Sport	1	Technische Daten:Zubehör[A]

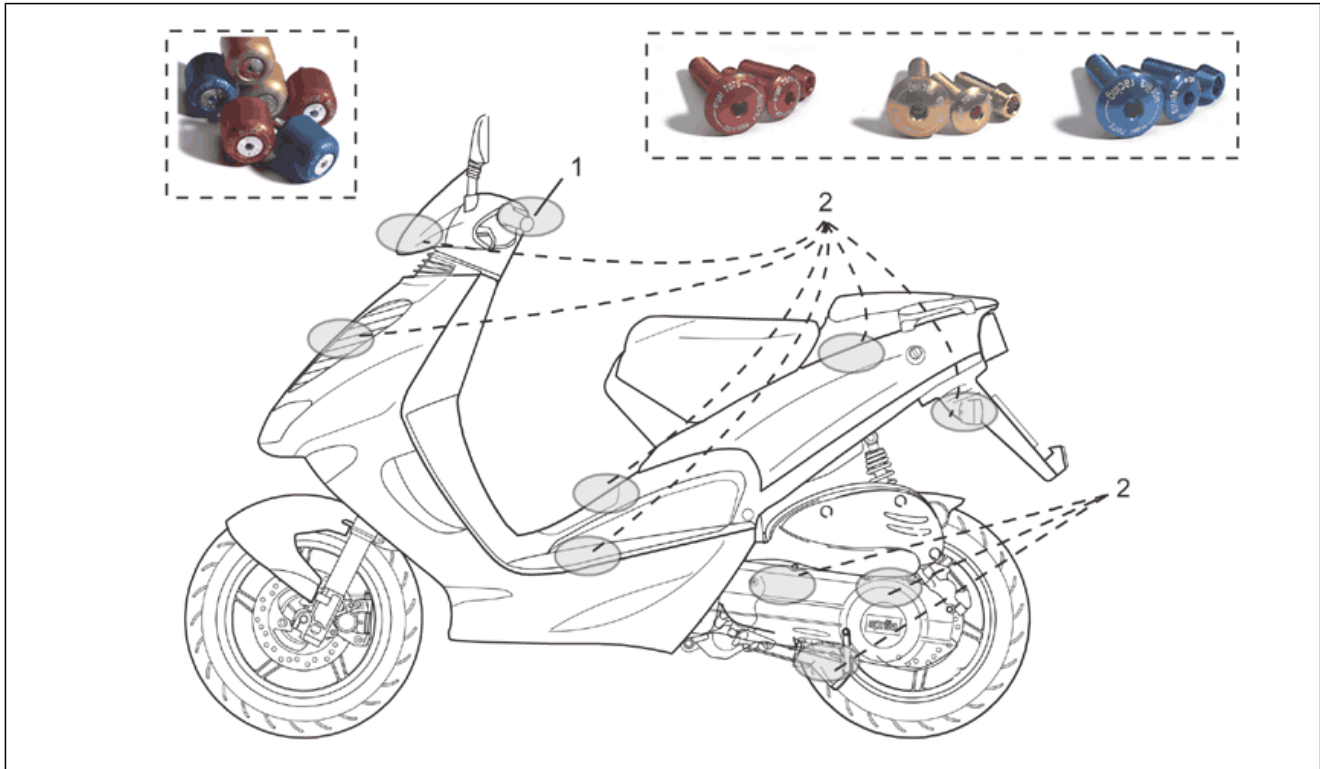
<b>Einheit</b>	ZUBEHÖR
<b>Code</b>	30.52
<b>Beschreibung</b>	Acc. - Koffer, Taschen
<b>Inspektion</b>	1



Pos.	Code	Beschreibung	Menge	Varianten
1	AP8792066	Koffer gaufriert New-C 32L	1	Technische Daten:Zubehör[A]
2	AP8792080	Koffer schwarz lack. New-C 28L	1	Technische Daten:Zubehör[A]
3	AP8104197	Kofferschloß kpl.	1	Technische Daten:Zubehör[A]
4	AP8793051	Halterplatte Koffer kpl. New-C	1	Technische Daten:Zubehör[A]

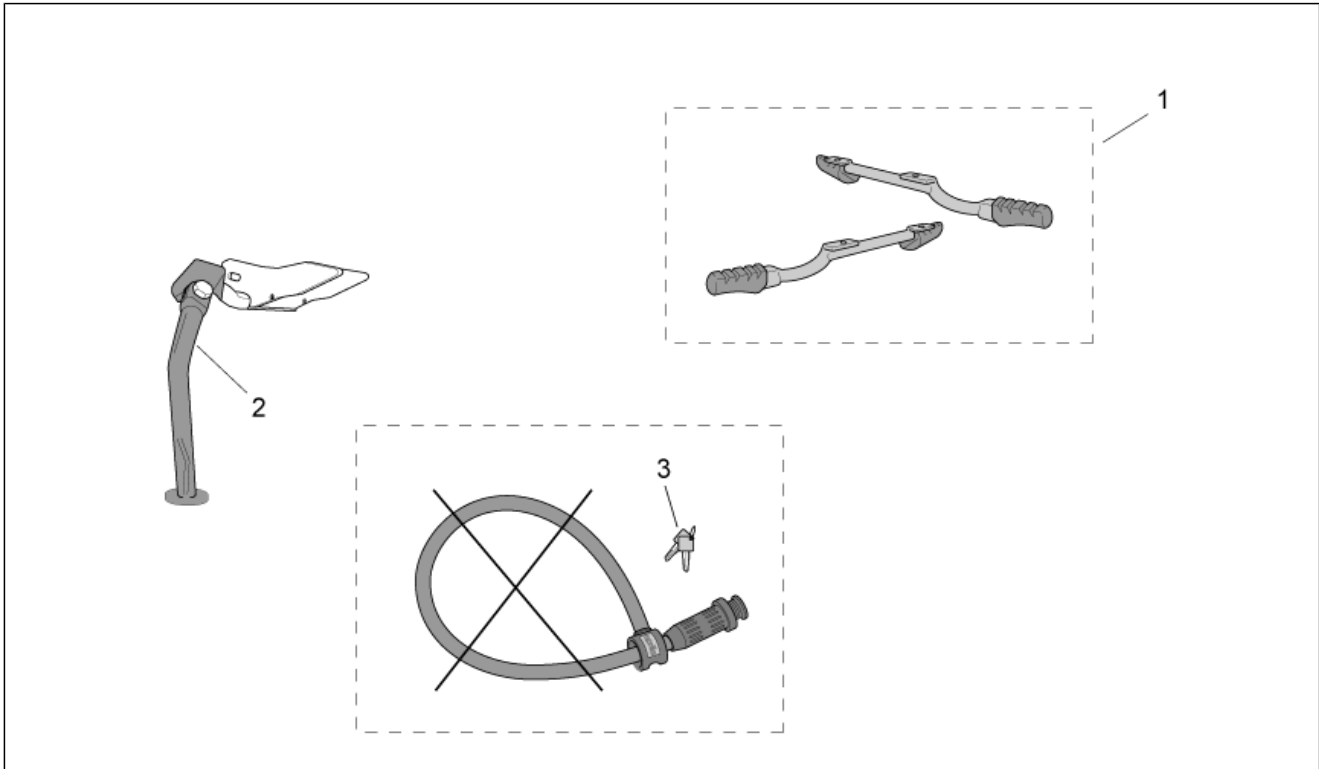


<b>Einheit</b>	ZUBEHÖR
<b>Code</b>	30.53
<b>Beschreibung</b>	Acc. - Fahrwerk
<b>Inspektion</b>	1



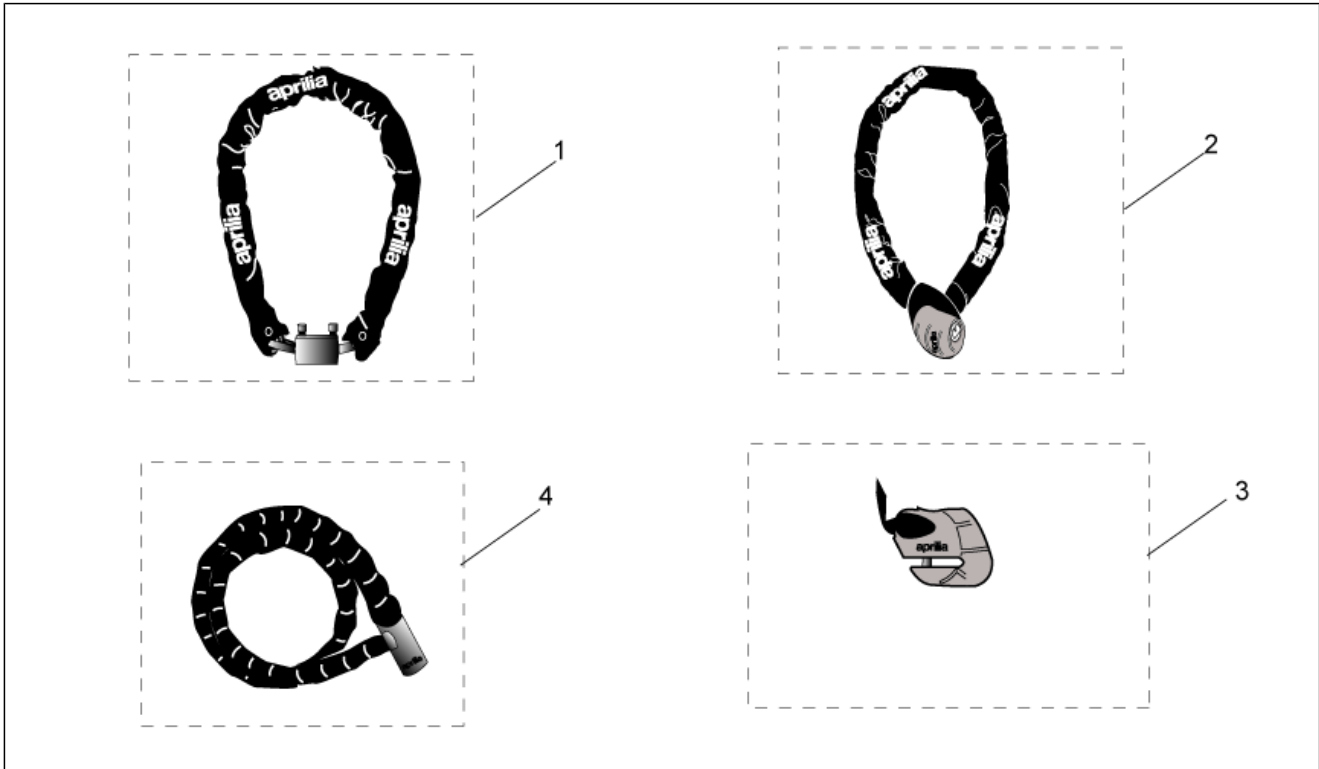
Pos.	Code	Beschreibung	Menge	Varianten
1	AP8202268	Schwingschutzge.rot-Paar Ergal	1	
1	AP8202269	Schwingschutzgew.blau-P. Ergal	1	
1	AP8202270	Schwingschutzgew.gold-P. Ergal	1	
2	AP8140651	Schrauben Kar.+Gehäu.rot Ergal	1	
2	AP8140652	Schrauben Kar.+Gehä.blau Ergal	1	
2	AP8140653	Schrauben Kar.+Gehä.gold Ergal	1	

<b>Einheit</b>	ZUBEHÖR
<b>Code</b>	30.54
<b>Beschreibung</b>	Acc. - Sonstiges
<b>Inspektion</b>	1



Pos.	Code	Beschreibung	Menge	Varianten
1	AP8792157	Soziusrasten (Paar)	1	Technische Daten:Zubehör[A]
2	AP8790154	Seitenständer	1	Technische Daten:Zubehör[A]
3	AP8700792	Schlüsslersatzdie. B.Guard UK-D	1	Technische Daten:Zubehör[A]
3	AP8700793	Schlüsslersatzdie. B.Guard F-NL	1	Technische Daten:Zubehör[A]
3	AP8700794	Schlüsslersatzdie. B.Guard I-E	1	Technische Daten:Zubehör[A]

<b>Einheit</b>	ZUBEHÖR
<b>Code</b>	30.55
<b>Beschreibung</b>	Acc. - Diedstahl
<b>Inspektion</b>	1



Pos.	Code	Beschreibung	Menge	Varianten
1	AP8720115	Iron Guard 10x150 mm	1	Technische Daten:Zubehör[A]
2	AP8720116	Iron Guard 8x120 mm	1	Technische Daten:Zubehör[A]
3	AP8720117	Iron Guard Disk 5 mm	1	Technische Daten:Zubehör[A]
4	AP8720118	Easy Guard 150 mm	1	Technische Daten:Zubehör[A]