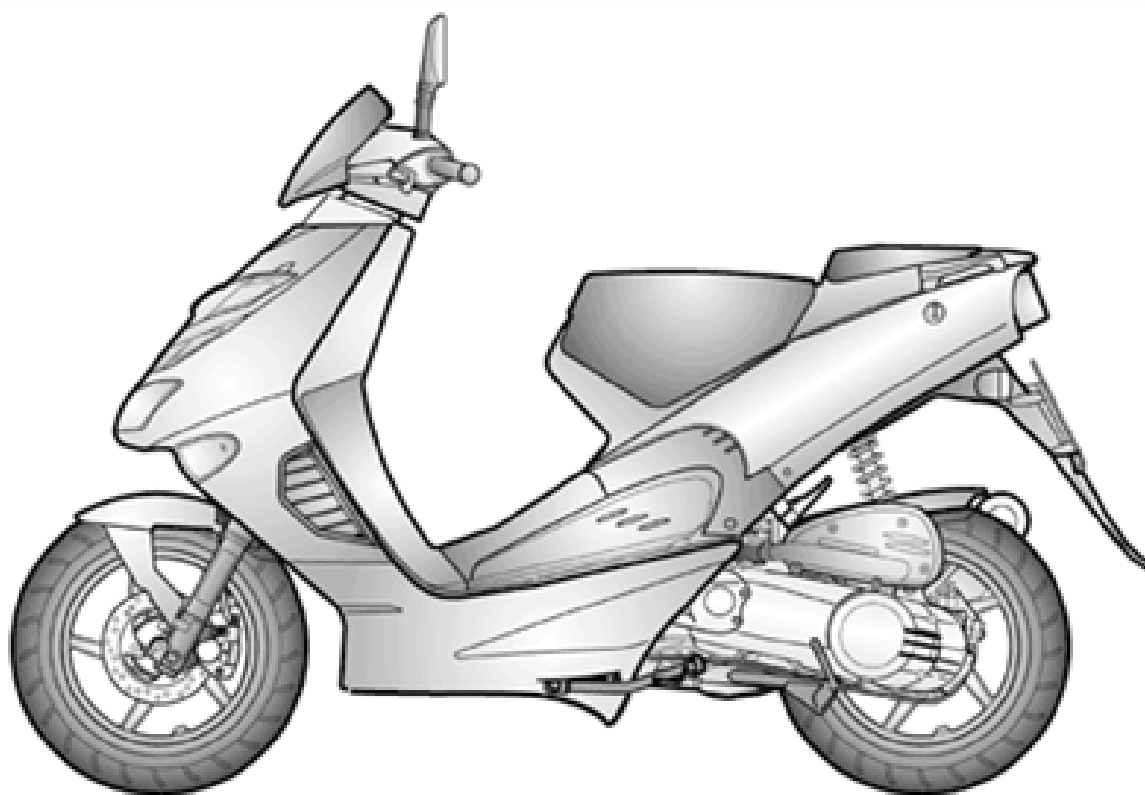


aprilia[®]

ERSATZTEILKATALOG



SR 50 H2O IE+Carb. 2003-2012 (APAC, EMEA)

Vorsatzcode Fahrgestell: ZD4TE

Vorsatzcode Motor:

Inhaltsverzeichnis

Fertige Produkte.....	4
Alphanumerisches Verzeichnis.....	7
RAHMEN.....	13
Tafel 28.01 - Rahmen.....	13
Tafel 28.02 - Hauptständer - Pleuelstange.....	14
Tafel 28.03 - Gabel I.....	15
Tafel 28.04 - Gabel II.....	16
Tafel 28.05 - Gabel III.....	18
Tafel 28.06 - Frontaufbau I.....	20
Tafel 28.07 - Frontaufbau II.....	23
Tafel 28.08 - Frontaufbau III.....	27
Tafel 28.09 - Frontaufbau IV.....	30
Tafel 28.10 - Mittlerer aufbau I.....	32
Tafel 28.11 - Mittlerer aufbau II.....	33
Tafel 28.12 - Sitz - Schäkel.....	35
Tafel 28.13 - Heckaufbau I.....	40
Tafel 28.14 - Heckaufbau II.....	43
Tafel 28.15 - Heckaufbau III.....	45
Tafel 28.16 - Lenkstange - Instrumenteneinheit.....	46
Tafel 28.17 - Lenkstange - Tasten.....	47
Tafel 28.18 - Schaltungen links.....	48
Tafel 28.19 - Schaltungen rechts.....	49
Tafel 28.20 - Ölbehälter.....	51
Tafel 28.21 - Kraftstofftank I.....	52
Tafel 28.22 - Kraftstofftank II.....	54
Tafel 28.23 - Kühlanlage.....	56
Tafel 28.24 - Filtergehäuse.....	57
Tafel 28.27 - Auspuffrohr.....	58
Tafel 28.28 - Vorderrad.....	59
Tafel 28.29 - Vorderradbremzange.....	62
Tafel 28.30 - Hinterrad Scheibenbremse.....	63
Tafel 28.31 - Vorderer lichter.....	68
Tafel 28.32 - Hinterer lichter.....	69
Tafel 28.33 - Elektrische anlage I.....	70
Tafel 28.34 - Elektrische anlage II.....	73
Tafel 28.35 - Bausatz Schösser.....	75
Tafel 28.36 - Schilder und Anleit.....	76
Tafel 28.37 - Frontaufbau und technische Deko.....	77
Tafel 28.38 - Mittlerer und Heck Aufbau Deko.....	79
MOTOR.....	82
Tafel 29.25 - Motor I.....	82
Tafel 29.26 - Motor II.....	83
Tafel 29.39 - Gehäuse.....	84

Tafel 29.40 - Kurbelwelle.....	86
Tafel 29.41 - Kolben + Zylinder.....	87
Tafel 29.42 - Zylinderkopf/Klappenkörper.....	89
Tafel 29.43 - Zylinderkopf/Vergaser.....	90
Tafel 29.44 - Spritzeinheit.....	93
Tafel 29.45 - Getriebedeckel.....	94
Tafel 29.46 - Wandler.....	96
Tafel 29.47 - Kupplung.....	97
Tafel 29.48 - Endübersetzung.....	98
Tafel 29.49 - Schwungrad.....	99
Tafel 29.50 - Startermotor.....	100
Tafel 29.51 - Ölpumpe.....	101
Tafel 29.52 - Wasserpumpenritzel.....	102
Tafel 29.53 - Secondary air.....	103
ZUBEHÖR.....	104
Tafel 30.54 - Acc. - Windschilder.....	104
Tafel 30.55 - Acc. - Koffer, Taschen.....	105
Tafel 30.56 - Acc. - Fahrwerk.....	106
Tafel 30.57 - Acc. - Sonstiges.....	107
Tafel 30.58 - Acc. - Diebstahl.....	108

Fertige Produkte

Code	Gültigkeit
AP67410DE17	
AP67410DE18	
AP67410DE19	
AP67410DE22	
AP67410ES12	
AP67410ES13	
AP67410ES14	
AP67410ES15	
AP67410ES16	
AP67410ES17	
AP67410ES18	
AP67410ES19	
AP67410ES22	
AP67410EU01	
AP67410EU13	
AP67410EU14	
AP67410EU15	
AP67410EU16	
AP67410EU17	
AP67410EU18	
AP67410EU19	
AP67410GB12	
AP67410GB13	
AP67410GB14	
AP67410GB15	
AP67410GB16	
AP67410IT01	
AP67410IT12	
AP67410IT13	
AP67410IT14	
AP67410IT15	
AP67410IT16	
AP67410IT17	
AP67410IT18	
AP67410IT19	
AP67410IT22	
AP67410NL12	
AP67410NL13	
AP67410NL14	
AP67410NL15	
AP67410NL17	
AP67410NL18	

Code	Gültigkeit
AP67410NL19	
AP67410NL22	
AP67450BE19	
AP67450BE20	
AP67450BE22	
AP67450DB20	
AP67450DB21	
AP67450DB23	
AP67450DB24	
AP67450DB27	
AP67450DE17	
AP67450DE19	
AP67450DE20	
AP67450DE21	
AP67450DE22	
AP67450EA20	
AP67450EA21	
AP67450EA23	
AP67450EA24	
AP67450EA25	
AP67450EA26	
AP67450EA27	
AP67450EB20	
AP67450EB21	
AP67450EB23	
AP67450EB24	
AP67450EB27	
AP67450EC20	
AP67450EC21	
AP67450EC23	
AP67450EC24	
AP67450EC27	
AP67450EU01	
AP67450EU19	
AP67450EU20	
AP67450EU21	
AP67450EU22	
AP67450GA20	
AP67450GA21	
AP67450GA23	
AP67450GA24	
AP67450GA25	
AP67450GA26	
AP67450GA27	
AP67450GB01	

Code	Gültigkeit
AP67450GB02	
AP67450GB17	
AP67450GB18	
AP67450GB19	
AP67450GB20	
AP67450GB21	
AP67450GB22	
AP67450GE20	
AP67450GE21	
AP67450IT01	
AP67450IT02	
AP67450IT17	
AP67450IT18	
AP67450IT19	
AP67450IT20	
AP67450IT21	
AP67450IT22	
AP67450JP17	
AP67450JP22	
AP67450NL01	
AP67450NL02	
AP67450NL17	
AP67450NL18	
AP67450NL19	
AP67450NL20	
AP67450NL21	
AP67450NL22	
AP67451JP17	
AP67451JP22	

Code	Nr. der Tafel	Pos.	Code	Nr. der Tafel	Pos.	Code	Nr. der Tafel	Pos.
0000000	28.30	1	AP8113004	28.29	7	AP8144081	28.15	16
0000000	28.31	16	AP8113004	28.30	10	AP8148454	28.18	13
0000000	28.31	16	AP8113005	28.29	10	AP8149303	28.15	17
0000000	28.31	17	AP8113005	28.30	8	AP8150015	28.20	2
0000000	28.32	14	AP8113006	28.29	9	AP8150015	28.21	4
0000000	28.32	15	AP8113006	28.30	9	AP8150015	28.22	4
0000000	28.32	16	AP8113122	28.29	11	AP8150015	28.27	3
0000000	28.33	17	AP8113414	28.18	8	AP8150017	28.27	6
0000000	28.33	18	AP8113414	28.19	6	AP8150020	28.17	6
0000000	28.34	17	AP8113577	28.29	2	AP8150020	28.30	25
0000000	28.34	18	AP8113637	28.18	9	AP8150086	28.17	7
278940	28.02	6	AP8113637	28.19	7	AP8150086	28.30	24
600475	28.18	4	AP8113638	28.29	3	AP8150137	28.01	3
600475	28.19	2	AP8113640	28.29	5	AP8150137	28.35	14
853010	28.30	2	AP8113789	29.45	19	AP8150157	28.24	9
854933	28.21	17	AP8113789	29.50	1	AP8150158	28.15	21
856147	28.37	4	AP8113861	28.18	11	AP8150158	28.15	9
856148	28.37	4	AP8113861	28.19	14	AP8150158	28.21	21
899819	28.37	4	AP8113871	28.30	17	AP8150158	28.22	17
899820	28.37	4	AP8117041	28.09	7	AP8150179	28.08	18
89989200XR4	28.12	6	AP8117041	28.10	7	AP8150204	28.15	10
89989300XR4	28.12	6	AP8120179	28.22	15	AP8150204	28.15	20
AP8101573	28.22	8	AP8120405	28.33	30	AP8150204	28.21	20
AP8101595	28.22	11	AP8120416	28.24	11	AP8150204	28.22	16
AP8101743	28.20	11	AP8120416	29.50	5	AP8150220	28.12	4
AP8101747	28.30	22	AP8120531	28.06	10	AP8150220	29.39	18
AP8101770	28.20	12	AP8120531	28.08	8	AP8150270	28.31	6
AP8101912	28.23	3	AP8120531	28.09	2	AP8150280	28.32	11
AP8101944	28.20	6	AP8120531	28.14	25	AP8150292	28.30	26
AP8102223	28.20	5	AP8120593	28.24	4	AP8150354	28.27	8
AP8102224	28.20	4	AP8120754	28.33	16	AP8150373	28.28	14
AP8102273	28.21	13	AP8120754	28.34	16	AP8150376	28.02	3
AP8102273	29.53	12	AP8120864	28.28	8	AP8150376	28.27	7
AP8102349	28.21	1	AP8120865	28.28	9	AP8150382	28.11	8
AP8102375	28.01	13	AP8120952	28.22	9	AP8150412	29.25	5
AP8102375	28.08	9	AP8121811	28.33	21	AP8150412	29.26	5
AP8102375	28.15	8	AP8121984	28.24	10	AP8150413	28.06	6
AP8102375	28.20	13	AP8123701	28.05	1	AP8150413	28.07	5
AP8102375	28.24	6	AP8123708	28.04	9	AP8150413	28.08	7
AP8102375	28.33	19	AP8124081	28.17	11	AP8150413	28.11	11
AP8102375	28.34	19	AP8124208	28.17	9	AP8150413	28.13	2
AP8102376	28.01	12	AP8124209	28.17	1	AP8150413	28.14	2
AP8102376	28.08	10	AP8124235	28.33	2	AP8150413	28.24	18
AP8102376	28.10	1	AP8124516	28.31	14	AP8150413	28.32	13
AP8102376	28.11	5	AP8124517	28.31	15	AP8150420	28.06	9
AP8102376	28.14	18	AP8124637	28.33	6	AP8150421	28.16	10
AP8102376	28.15	3	AP8124648	28.34	7	AP8150425	28.10	2
AP8102376	28.20	10	AP8124762	28.16	9	AP8150425	28.11	7
AP8102376	28.21	14	AP8124811	28.20	3	AP8150426	28.07	4
AP8102376	28.22	14	AP8124814	28.21	2	AP8150430	28.14	5
AP8102376	28.23	11	AP8124814	28.22	2	AP8150430	28.35	6
AP8102377	28.22	13	AP8125757	28.18	5	AP8150451	28.34	27
AP8102671	28.17	2	AP8125757	28.19	3	AP8150506	28.27	9
AP8102764	28.21	8	AP8125782	28.28	6	AP8150515	29.25	11
AP8102765	28.23	9	AP8125801	28.30	23	AP8150515	29.26	11
AP8102782	28.08	4	AP8125802	28.30	12	AP8152003	29.39	19
AP8102811	28.22	12	AP8125803	28.30	16	AP8152018	28.28	11
AP8104197	30.55	3	AP8127305	28.33	1	AP8152043	28.15	19
AP8104546	28.17	8	AP8127305	28.34	1	AP8152140	28.01	8
AP8104613	28.01	7	AP8127418	28.33	7	AP8152140	28.35	13
AP8104613	28.35	12	AP8127477	28.33	34	AP8152181	28.24	15
AP8110118	29.40	1	AP8133729	28.19	1	AP8152194	28.14	14
AP8112811	28.33	15	AP8133730	28.18	3	AP8152194	28.35	8
AP8112811	28.34	15	AP8133735	28.29	2	AP8152246	28.09	5
AP8112916	28.15	11	AP8134167	28.30	15	AP8152246	28.14	27
AP8113003	28.29	6	AP8139702	28.06	7	AP8152246	28.23	12
AP8113003	28.30	14	AP8144081	28.12	5	AP8152246	28.27	5

Code	Nr. der Tafel	Pos.	Code	Nr. der Tafel	Pos.	Code	Nr. der Tafel	Pos.
AP8152273	28.33	31	AP8201749	28.14	16	AP8203786	28.04	9
AP8152275	28.34	26	AP8201749	28.35	10	AP8203787	28.05	2
AP8152277	28.13	5	AP8201757	28.21	3	AP8203788	28.05	3
AP8152277	28.30	19	AP8201757	28.22	3	AP8203794	28.05	10
AP8152277	28.33	26	AP8201763	28.01	14	AP8203795	28.05	11
AP8152277	28.34	4	AP8201763	28.08	3	AP8203796	28.05	9
AP8152278	28.01	17	AP8201763	28.10	6	AP8203797	28.03	4
AP8152278	28.12	8	AP8201763	28.11	6	AP8203986	28.03	5
AP8152278	28.23	8	AP8201763	28.13	3	AP8203986	28.04	10
AP8152278	28.33	12	AP8201763	28.15	7	AP8203987	28.05	7
AP8152278	28.34	12	AP8201799	28.24	13	AP8203988	28.05	8
AP8152279	28.14	10	AP8201807	28.23	13	AP8203992	28.05	4
AP8152279	28.20	1	AP8201824	28.22	6	AP8203993	28.05	5
AP8152279	28.21	5	AP8201925	28.28	15	AP8203994	28.05	7
AP8152279	28.22	5	AP8201975	28.16	3	AP8203995	28.05	8
AP8152280	28.11	9	AP8201976	28.16	2	AP8206936	28.05	6
AP8152282	28.14	21	AP8202071	28.16	7	AP8208705	28.28	2
AP8152282	29.25	12	AP8202212	28.23	1	AP8208705	28.28	2
AP8152283	28.14	3	AP8202218	28.35	1	AP8208814	28.30	2
AP8152283	28.35	5	AP8202238	28.01	9	AP8208814	28.30	2
AP8152287	28.02	2	AP8202246	28.14	4	AP8208814	28.30	2
AP8152288	28.30	20	AP8202246	28.35	4	AP8208825	28.28	2
AP8152289	28.29	8	AP8202247	28.14	12	AP8208826	28.28	2
AP8152290	28.17	4	AP8202247	28.35	3	AP8208826	28.28	2
AP8152294	28.02	4	AP8202268	30.56	1	AP8208826	28.28	2
AP8152298	28.08	13	AP8202269	30.56	1	AP8208843	28.30	2
AP8152298	28.15	1	AP8202270	30.56	1	AP8208843	28.30	2
AP8152298	28.15	13	AP8202302	28.24	3	AP8208843	28.30	2
AP8152298	28.15	6	AP8202336	28.36	2	AP8208856	28.30	2
AP8152299	28.14	22	AP8202367	29.44	22	AP8208856	28.30	2
AP8152299	28.33	11	AP8202368	28.01	16	AP8208856	28.30	2
AP8152299	28.34	11	AP8202375	28.35	1	AP8208856	28.30	2
AP8152299	29.39	20	AP8202381	28.36	2	AP8208856	28.30	2
AP8152300	28.02	5	AP8202382	28.36	2	AP8208856	28.30	2
AP8152300	28.17	5	AP8202402	28.21	22	AP8208857	28.30	13
AP8152301	28.02	10	AP8202436	28.21	18	AP8208857	28.30	13
AP8152301	28.17	3	AP8203561	28.03	2	AP8208857	28.30	13
AP8152301	29.25	6	AP8203564	28.05	4	AP8208857	28.30	13
AP8152301	29.25	8	AP8203565	28.05	6	AP8208893	28.28	2
AP8152301	29.26	6	AP8203566	28.05	5	AP8208893	28.28	2
AP8152301	29.26	8	AP8203570	28.05	11	AP8208893	28.28	2
AP8152302	28.06	3	AP8203571	28.05	9	AP8208893	28.28	2
AP8152302	28.08	14	AP8203572	28.05	10	AP8208893	28.28	2
AP8152302	28.15	14	AP8203652	28.03	3	AP8208893	28.28	2
AP8152306	28.32	12	AP8203666	28.01	2	AP8208896	28.28	2
AP8152306	28.34	25	AP8203702	28.04	1	AP8208896	28.28	2
AP8152318	29.25	3	AP8203752	28.04	1	AP8208896	28.28	2
AP8152318	29.26	3	AP8203753	28.04	2	AP8208896	28.28	2
AP8152329	28.24	5	AP8203754	28.04	3	AP8208896	28.28	2
AP8152339	28.09	6	AP8203755	28.04	4	AP8208896	28.28	2
AP8152341	28.09	3	AP8203756	28.04	5	AP8208896	28.28	2
AP8152410	29.25	7	AP8203757	28.04	6	AP8208898	28.30	2
AP8152410	29.26	7	AP8203758	28.04	7	AP8208898	28.30	2
AP8152504	28.30	4	AP8203759	28.04	8	AP8208898	28.30	2
AP8158085	28.06	4	AP8203760	28.05	2	AP8208898	28.30	2
AP8176137	28.21	17	AP8203761	28.05	3	AP8208898	28.30	2
AP8201225	28.21	12	AP8203762	28.03	4	AP8208898	28.30	2
AP8201534	28.08	5	AP8203762	28.03	4	AP8208899	28.28	2
AP8201546	28.28	7	AP8203777	28.03	2	AP8208899	28.28	2
AP8201546	28.30	5	AP8203778	28.03	3	AP8208900	28.30	2
AP8201620	28.14	15	AP8203779	28.04	2	AP8208900	28.30	2
AP8201620	28.35	9	AP8203780	28.04	3	AP8209085	28.28	1
AP8201643	28.14	8	AP8203781	28.04	5	AP8212110	28.34	6
AP8201685	28.01	16	AP8203782	28.04	6	AP8212382	28.33	10
AP8201695	28.23	1	AP8203783	28.04	7	AP8212382	28.34	10
AP8201748	28.14	20	AP8203784	28.04	8	AP8212611	28.33	8
AP8201748	28.35	11	AP8203785	28.05	1	AP8212611	28.34	8

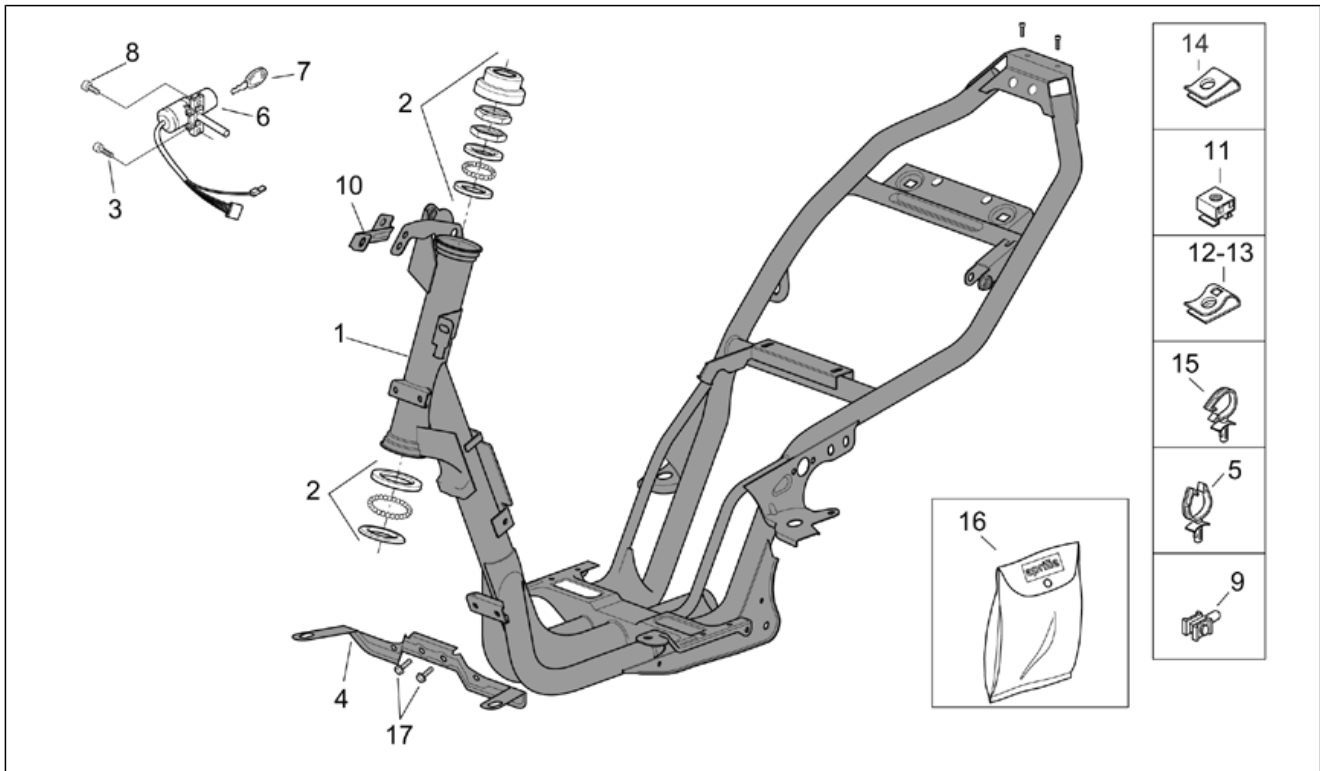
Code	Nr. der Tafel	Pos.	Code	Nr. der Tafel	Pos.	Code	Nr. der Tafel	Pos.
AP8212698	28.32	4	AP8218210	28.16	1	AP8221321	28.14	7
AP8212767	28.17	10	AP8218265	28.18	1	AP8221347	29.25	9
AP8212771	28.31	3	AP8218265	28.19	12	AP8221347	29.26	9
AP8212775	28.32	8	AP8218275	28.18	1	AP8221348	28.02	9
AP8212841	28.31	1	AP8218275	28.19	12	AP8221350	29.44	23
AP8212903	28.31	3	AP8218331	28.19	10	AP8221352	29.44	20
AP8212933	28.32	7	AP8218549	28.18	4	AP8222443	29.43	11
AP8212934	28.32	6	AP8218549	28.19	2	AP8222755	30.56	3
AP8212937	28.32	17	AP8219389	28.27	1	AP8222756	30.56	3
AP8213227	28.29	4	AP8219452	28.27	1	AP8222757	30.56	3
AP8213231	28.28	3	AP8219530	28.27	10	AP8222758	30.56	2
AP8213248	28.29	1	AP8219531	28.27	11	AP8222759	30.56	2
AP8213272	28.18	6	AP8219532	28.27	12	AP8222760	30.56	2
AP8213272	28.19	4	AP8219580	28.27	2	AP8222788	29.25	1
AP8213298	28.18	7	AP8219589	28.27	2	AP8222791	29.26	1
AP8213298	28.19	5	AP8219605	28.27	13	AP8223004	28.03	1
AP8213299	28.18	10	AP8219612	28.27	14	AP8223019	29.48	4
AP8213299	28.19	8	AP8220195	28.20	8	AP8223036	29.25	4
AP8213375	28.18	2	AP8220238	28.33	4	AP8223036	29.26	4
AP8213375	28.19	11	AP8220263	28.21	10	AP8223037	28.05	1
AP8213400	28.18	12	AP8220263	28.22	10	AP8223038	28.03	2
AP8213400	28.19	13	AP8220283	28.33	20	AP8223039	28.03	3
AP8213457	28.30	18	AP8220313	28.14	11	AP8223040	28.05	4
AP8213482	28.29	2	AP8220349	28.12	2	AP8223041	28.04	2
AP8213484	28.19	1	AP8220399	28.02	7	AP8223042	28.04	3
AP8213485	28.18	3	AP8220402	28.20	14	AP8223043	28.05	7
AP8213506	28.30	6	AP8220421	28.20	9	AP8223044	28.05	8
AP8213519	28.30	3	AP8220453	28.16	5	AP8223045	28.04	11
AP8213521	28.30	11	AP8220454	28.16	4	AP8223046	28.04	7
AP8213522	28.30	7	AP8220468	28.14	19	AP8223047	28.05	6
AP8213529	28.30	7	AP8220471	28.08	16	AP8223048	28.05	5
AP8213546	28.29	1	AP8220472	28.21	7	AP8223049	28.04	5
AP8213557	28.30	7	AP8220472	28.22	7	AP8223050	28.04	9
AP8213571	28.29	3	AP8220474	28.23	7	AP8223051	28.05	13
AP8213572	28.29	4	AP8220546	28.33	13	AP8223052	28.05	10
AP8213573	28.29	5	AP8220546	28.34	13	AP8223053	28.05	11
AP8213574	28.29	9	AP8220551	28.16	17	AP8223054	28.05	9
AP8213574	28.30	9	AP8220562	29.25	2	AP8223059	29.25	4
AP8213575	28.29	10	AP8220580	28.07	6	AP8223059	29.26	4
AP8213575	28.30	8	AP8220587	28.24	2	AP8224026	28.33	5
AP8213576	28.29	11	AP8220592	28.14	23	AP8224026	28.34	5
AP8213577	28.30	6	AP8220592	28.34	22	AP8224062	28.31	9
AP8213578	28.30	17	AP8220596	28.21	15	AP8224063	28.31	10
AP8213579	28.30	18	AP8220598	28.21	11	AP8224148	28.31	8
AP8213580	28.18	9	AP8220603	28.24	16	AP8224149	28.31	8
AP8213582	28.18	10	AP8220604	28.24	17	AP8224196	28.32	18
AP8213582	28.18	10	AP8220605	28.24	20	AP8224210	28.31	13
AP8213582	28.19	8	AP8220608	28.24	14	AP8224211	28.31	4
AP8213582	28.19	8	AP8220617	29.39	10	AP8224212	28.31	12
AP8213583	28.18	12	AP8220630	28.23	6	AP8224213	28.31	7
AP8213583	28.19	13	AP8220631	28.23	5	AP8224214	28.31	5
AP8213584	28.18	5	AP8220646	29.26	2	AP8224215	28.31	11
AP8213584	28.19	3	AP8220647	28.24	21	AP8224245	28.32	9
AP8213585	28.18	7	AP8220648	29.53	11	AP8224261	28.33	32
AP8213585	28.19	5	AP8220649	28.23	5	AP8224268	28.32	5
AP8213586	28.18	9	AP8220655	29.26	12	AP8224284	28.34	14
AP8213586	28.19	7	AP8221036	28.33	29	AP8224340	28.32	2
AP8213593	28.18	2	AP8221046	28.11	10	AP8224341	28.32	3
AP8213594	28.18	4	AP8221119	28.28	10	AP8224342	28.05	12
AP8213595	28.18	6	AP8221213	28.01	11	AP8224343	28.01	6
AP8213597	28.19	2	AP8221218	28.15	5	AP8224343	28.35	2
AP8213598	28.19	4	AP8221242	28.16	6	AP8224344	28.16	13
AP8213600	28.19	11	AP8221297	28.27	4	AP8224345	28.16	14
AP8214163	28.16	8	AP8221310	28.01	15	AP8224346	28.32	1
AP8214222	28.19	9	AP8221311	28.01	5	AP8224347	28.32	10
AP8214232	28.19	9	AP8221312	28.14	13	AP8224368	28.16	16
AP8217034	28.08	15	AP8221312	28.35	7	AP8224369	28.16	15

Code	Nr. der Tafel	Pos.	Code	Nr. der Tafel	Pos.	Code	Nr. der Tafel	Pos.
AP8224379	28.33	33	AP8229359	28.12	7	AP8249892	28.11	3
AP8224462	28.33	3	AP8229383	28.12	1	AP8258055	28.10	5
AP8224478	28.33	22	AP8229384	28.12	7	AP8258059	28.21	9
AP8224484	28.16	11	AP8229396	28.12	1	AP8258169	28.10	4
AP8224485	28.16	11	AP8229397	28.12	7	AP8258213	28.06	4
AP8224497	28.33	9	AP8229439	28.12	1	AP8258213	28.06	4
AP8224498	28.33	27	AP8229459	28.12	1	AP8258241	28.24	12
AP8224499	28.33	14	AP8229460	28.12	7	AP8258336	28.06	4
AP8224506	28.34	9	AP8232941	28.23	4	AP8258336	28.06	4
AP8224508	28.34	20	AP8234130	28.01	10	AP8258556	28.07	3
AP8224550	29.44	21	AP8234184	28.33	28	AP8258556	28.07	3
AP8224578	28.34	21	AP8234190	28.33	25	AP8258556	28.07	3
AP8224584	28.01	6	AP8234191	28.01	4	AP8258556	28.07	3
AP8224584	28.35	2	AP8234194	28.08	17	AP8258558	28.07	2
AP8224631	28.33	9	AP8234195	28.14	24	AP8258558	28.07	2
AP8224632	28.34	9	AP8234195	28.34	24	AP8258558	28.07	2
AP8224633	28.16	11	AP8234210	28.33	23	AP8258558	28.07	2
AP8224634	28.16	11	AP8234213	29.39	17	AP8258559	28.10	3
AP8225123	28.28	5	AP8234214	28.24	19	AP8258560	28.10	4
AP8225271	28.28	12	AP8234218	28.23	10	AP8258561	28.14	17
AP8225319	28.30	27	AP8234223	28.33	24	AP8258561	28.14	17
AP8225322	28.30	28	AP8234223	28.34	2	AP8258561	28.14	17
AP8225323	28.28	13	AP8234224	28.34	3	AP8258562	28.15	12
AP8225358	28.28	4	AP8235147	28.01	1	AP8258564	28.06	1
AP8225359	28.31	2	AP8235150	28.02	1	AP8258676	28.08	1
AP8225367	28.06	13	AP8235151	28.02	8	AP8258677	28.13	1
AP8225369	28.06	11	AP8235164	28.02	8	AP8258678	28.07	1
AP8225369	28.14	26	AP8238433	28.20	7	AP8258679	28.11	1
AP8225369	28.34	23	AP8238512	28.09	4	AP8258681	28.12	6
AP8225374	29.39	8	AP8238681	28.14	9	AP8258781	28.08	1
AP8225383	28.30	13	AP8238748	28.06	7	AP8258782	28.13	1
AP8225383	28.30	13	AP8238749	28.06	8	AP8258783	28.07	1
AP8225383	28.30	13	AP8238750	28.23	2	AP8258784	28.11	1
AP8225392	28.30	13	AP8238806	28.06	12	AP8258785	28.12	6
AP8225392	28.30	13	AP8238856	28.14	1	AP8258786	28.07	2
AP8225393	28.30	21	AP8239070	28.06	4	AP8258787	28.10	3
AP8226626	28.15	4	AP8239070	28.06	4	AP8258788	28.10	4
AP8226627	28.15	2	AP8239070	28.06	4	AP8258789	28.14	17
AP8226727	28.09	1	AP8239471	28.22	1	AP8258790	28.15	12
AP8226748	28.09	1	AP8248653	28.06	5	AP8258801	28.14	6
AP8226759	28.09	1	AP8248656	28.08	2	AP8258809	28.08	1
AP8226762	28.15	15	AP8248657	28.08	6	AP8258810	28.13	1
AP8226767	28.09	1	AP8248665	28.11	2	AP8258811	28.07	1
AP8226770	28.09	1	AP8248666	28.11	4	AP8258812	28.11	1
AP8226790	28.15	15	AP8249137	28.06	8	AP8258813	28.12	6
AP8226792	28.15	2	AP8249298	28.24	7	AP8258815	28.07	3
AP8226827	28.09	1	AP8249299	28.24	8	AP8258822	28.08	1
AP8226834	28.09	1	AP8249300	28.21	6	AP8258823	28.13	1
AP8226835	28.09	1	AP8249455	28.12	3	AP8258824	28.07	1
AP8226841	28.09	1	AP8249532	28.14	17	AP8258825	28.11	1
AP8226872	28.09	1	AP8249532	28.14	17	AP8258826	28.12	6
AP8226930	28.09	1	AP8249532	28.14	17	AP8258827	28.07	3
AP8229192	28.12	7	AP8249558	28.15	18	AP8258828	29.25	10
AP8229293	28.12	1	AP8249582	28.24	1	AP8258829	28.08	1
AP8229293	28.12	1	AP8249698	28.06	1	AP8258830	28.13	1
AP8229297	28.12	7	AP8249698	28.06	1	AP8258831	28.07	1
AP8229297	28.12	7	AP8249698	28.06	1	AP8258832	28.11	1
AP8229321	28.12	7	AP8249708	28.13	4	AP8258833	28.06	4
AP8229344	28.12	1	AP8249713	28.08	11	AP8258835	28.12	6
AP8229344	28.12	1	AP8249715	28.08	12	AP8258843	28.08	1
AP8229344	28.12	1	AP8249762	28.15	12	AP8258844	28.13	1
AP8229344	28.12	1	AP8249764	28.10	3	AP8258845	28.07	1
AP8229354	28.12	1	AP8249766	28.16	12	AP8258846	28.11	1
AP8229355	28.12	7	AP8249767	28.07	2	AP8258847	28.06	4
AP8229358	28.12	7	AP8249769	28.07	3	AP8258847	28.06	4
AP8229358	28.12	7	AP8249769	28.07	3	AP8258848	28.06	4
AP8229359	28.12	7	AP8249879	28.06	2	AP8258849	28.12	6

Code	Nr. der Tafel	Pos.	Code	Nr. der Tafel	Pos.	Code	Nr. der Tafel	Pos.
AP8258850	28.06	1	AP8269357	28.13	1	AP8515027	29.41	6
AP8258933	28.08	1	AP8269358	28.07	1	AP8515028	29.41	6
AP8258934	28.13	1	AP8269359	28.11	1	AP8515029	29.41	7
AP8258998	28.10	5	AP8269363	28.08	1	AP8515030	29.42	1
AP8267249	28.37	2	AP8269364	28.13	1	AP8515030	29.43	1
AP8267655	28.38	2	AP8269365	28.07	1	AP8515031	29.42	2
AP8267656	28.38	1	AP8269372	28.08	1	AP8515031	29.43	2
AP8267657	28.37	1	AP8269373	28.13	1	AP8515032	29.42	6
AP8267701	28.37	3	AP8269374	28.07	1	AP8515033	29.42	3
AP8267757	28.36	3	AP8276020	29.26	10	AP8515034	29.42	5
AP8267758	28.36	1	AP8276021	29.45	9	AP8515035	29.42	4
AP8267881	28.36	3	AP8276035	29.43	24	AP8515036	29.42	7
AP8267882	28.36	1	AP8276041	29.41	6	AP8515037	29.43	37
AP8267898	28.37	1	AP8276042	29.39	21	AP8515037	29.44	1
AP8267899	28.37	1	AP8276043	29.41	8	AP8515038	29.42	11
AP8267900	28.37	1	AP8276044	29.41	6	AP8515039	29.44	12
AP8267901	28.37	1	AP8276045	29.41	6	AP8515040	29.44	13
AP8267902	28.37	1	AP8276065	28.21	16	AP8515041	29.40	6
AP8267903	28.38	1	AP8276065	28.21	24	AP8515041	29.44	14
AP8267904	28.38	1	AP8277017	28.37	1	AP8515042	29.44	15
AP8267905	28.38	1	AP8277018	28.38	1	AP8515043	29.44	16
AP8267906	28.38	1	AP8277019	28.38	2	AP8515044	29.44	17
AP8267907	28.38	1	AP8277332	28.37	1	AP8515045	29.44	18
AP8267908	28.38	2	AP8277333	28.37	1	AP8515046	29.44	19
AP8267909	28.38	2	AP8277334	28.37	1	AP8515047	29.44	2
AP8267910	28.38	2	AP8277335	28.37	1	AP8515048	29.40	9
AP8267911	28.38	2	AP8277336	28.37	1	AP8515049	29.44	10
AP8267912	28.38	2	AP8277337	28.38	1	AP8515050	29.43	44
AP8268203	28.08	1	AP8277338	28.38	1	AP8515050	29.44	9
AP8268204	28.13	1	AP8277339	28.38	1	AP8515050	29.52	14
AP8268205	28.07	1	AP8277340	28.38	1	AP8515051	29.44	5
AP8268214	28.07	1	AP8277341	28.38	1	AP8515051	29.49	8
AP8268215	28.11	1	AP8277342	28.38	2	AP8515051	29.53	1
AP8268216	28.12	6	AP8277343	28.38	2	AP8515052	29.44	7
AP8268217	28.12	6	AP8277344	28.38	2	AP8515053	29.44	8
AP8268218	28.08	1	AP8277345	28.38	2	AP8515054	29.44	6
AP8268219	28.13	1	AP8277346	28.38	2	AP8515055	29.45	1
AP8268220	28.11	1	AP8277421	28.37	1	AP8515056	29.45	4
AP8268221	28.12	6	AP8277422	28.38	1	AP8515057	29.47	1
AP8268222	28.12	6	AP8277423	28.38	2	AP8515058	29.47	13
AP8268237	28.08	1	AP8277443	28.36	1	AP8515059	29.47	5
AP8268238	28.13	1	AP8515001	29.41	8	AP8515060	29.46	1
AP8268239	28.07	1	AP8515002	29.39	21	AP8515061	29.46	8
AP8268240	28.11	1	AP8515003	29.39	1	AP8515062	29.46	10
AP8268241	28.06	4	AP8515004	29.39	11	AP8515063	29.46	2
AP8268242	28.12	6	AP8515005	29.39	2	AP8515064	29.48	1
AP8268243	28.06	1	AP8515006	29.39	4	AP8515065	29.48	9
AP8268244	28.08	1	AP8515007	29.39	5	AP8515066	29.48	6
AP8268245	28.13	1	AP8515008	29.40	1	AP8515067	29.48	2
AP8268246	28.07	1	AP8515009	29.40	2	AP8515069	29.48	7
AP8268247	28.11	1	AP8515010	29.40	3	AP8515070	29.49	1
AP8268248	28.12	6	AP8515011	29.40	3	AP8515071	29.49	11
AP8268257	28.08	1	AP8515012	29.40	3	AP8515072	29.49	12
AP8268258	28.13	1	AP8515013	29.40	3	AP8515073	29.49	9
AP8268271	28.08	1	AP8515014	29.40	4	AP8515074	29.49	4
AP8268272	28.13	1	AP8515015	29.40	5	AP8515075	29.49	5
AP8268273	28.07	1	AP8515016	29.40	8	AP8515076	29.49	6
AP8268274	28.12	6	AP8515017	29.41	3	AP8515076	29.52	3
AP8268286	28.06	4	AP8515018	29.41	4	AP8515079	29.51	1
AP8268717	28.08	1	AP8515019	29.41	1	AP8515080	29.51	8
AP8268718	28.13	1	AP8515020	29.41	1	AP8515081	29.51	3
AP8268719	28.07	1	AP8515021	29.41	1	AP8515082	29.51	4
AP8268720	28.12	6	AP8515022	29.41	2	AP8515083	29.52	1
AP8268721	28.11	1	AP8515023	29.41	4	AP8515084	29.52	2
AP8268723	28.08	1	AP8515024	29.41	4	AP8515085	29.52	4
AP8268724	28.13	1	AP8515025	29.41	6	AP8515086	29.52	5
AP8269356	28.08	1	AP8515026	29.41	6	AP8515087	29.52	6

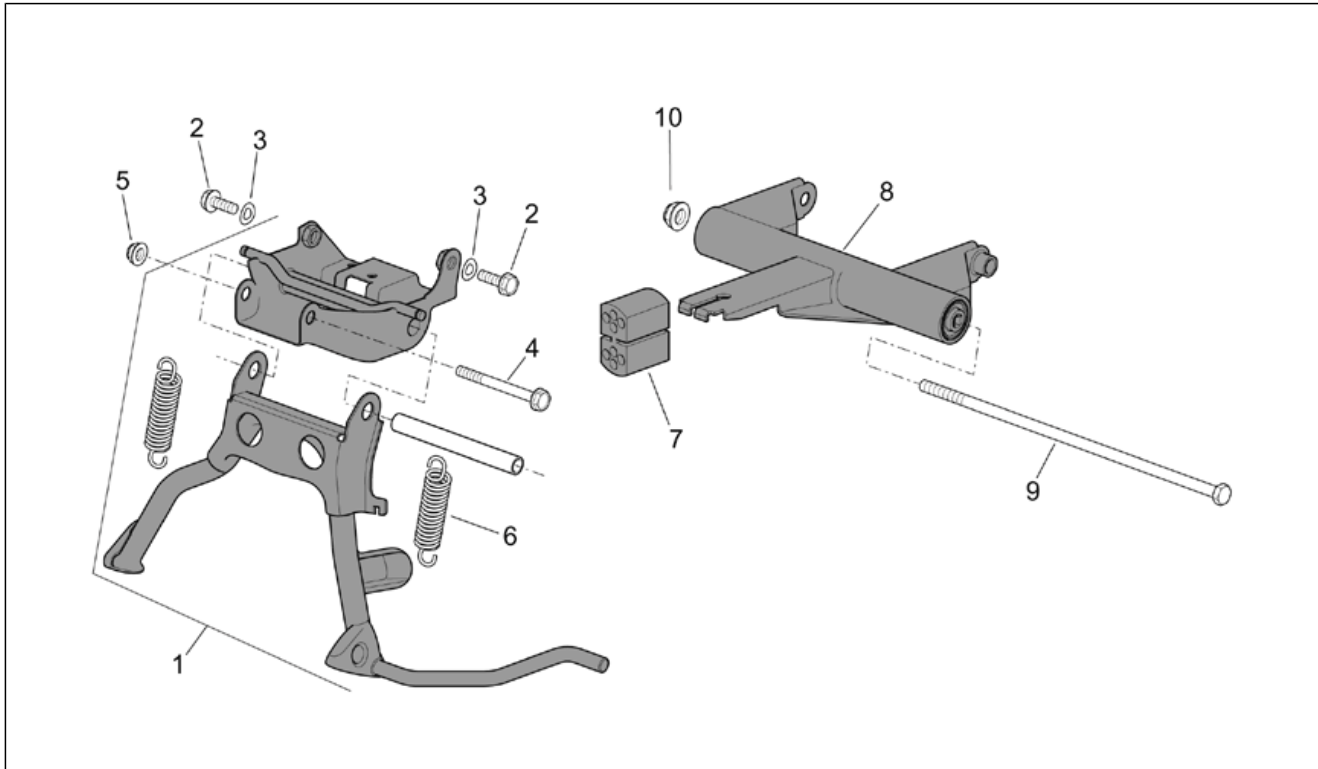
Code	Nr. der Tafel	Pos.	Code	Nr. der Tafel	Pos.	Code	Nr. der Tafel	Pos.
AP8515088	29.52	7	AP8550032	29.45	21	AP8551043	29.45	12
AP8515089	29.52	8	AP8550035	29.39	9	AP8551049	29.47	12
AP8515090	29.42	10	AP8550039	29.49	10	AP8551052	29.45	6
AP8515091	29.45	13	AP8550073	29.49	7	AP8551055	29.47	7
AP8515092	29.39	1	AP8550079	29.45	5	AP8560010	29.43	40
AP8515093	29.45	1	AP8550083	29.39	16	AP8560010	29.44	4
AP8515094	29.49	5	AP8550094	29.39	15	AP8560015	29.43	39
AP8515096	29.43	38	AP8550095	29.39	14	AP8560015	29.44	3
AP8515096	29.44	11	AP8550107	29.39	13	AP8570075	29.53	10
AP8515097	29.43	5	AP8550107	29.45	7	AP8570088	29.45	10
AP8515098	29.40	4	AP8550107	29.48	3	AP8570090	29.53	4
AP8515099	29.52	2	AP8550155	29.49	7	AP8570105	29.50	2
AP8515100	29.43	43	AP8550155	29.51	7	AP8570106	29.50	3
AP8515101	29.52	13	AP8550157	29.51	5	AP8570116	29.53	3
AP8515102	29.51	8	AP8550169	29.40	7	AP8570119	29.46	8
AP8515103	29.49	1	AP8550169	29.49	3	AP8570120	29.46	5
AP8515104	29.49	9	AP8550169	29.51	6	AP8570121	29.46	7
AP8515105	29.49	12	AP8550178	29.42	9	AP8577025	29.43	41
AP8515106	29.43	42	AP8550178	29.43	7	AP8700792	30.57	3
AP8515107	29.50	2	AP8550208	29.43	34	AP8700793	30.57	3
AP8515109	29.50	3	AP8550209	29.43	23	AP8700794	30.57	3
AP8515110	29.46	10	AP8550212	29.43	36	AP8720115	30.58	1
AP8515111	29.46	8	AP8550214	29.43	28	AP8720116	30.58	2
AP8515112	29.46	7	AP8550215	29.43	19	AP8720117	30.58	3
AP8515113	29.46	5	AP8550220	29.43	30	AP8720118	30.58	4
AP8515114	29.48	9	AP8550221	29.43	35	AP8791128	30.54	2
AP8515115	29.48	2	AP8550227	29.43	33	AP8791129	30.54	1
AP8515116	29.43	4	AP8550231	29.43	32	AP8791130	30.54	4
AP8515117	29.43	3	AP8550232	29.43	14	AP8791131	30.54	3
AP8515118	29.53	2	AP8550235	29.43	31	AP8791240	30.57	2
AP8515119	29.53	9	AP8550236	29.43	18	AP8792066	30.55	1
AP8515120	29.53	8	AP8550238	29.43	22	AP8792080	30.55	2
AP8515121	29.53	6	AP8550256	29.50	4	AP8792348	30.57	1
AP8515122	29.53	7	AP8550266	29.39	7	AP8793051	30.55	4
AP8515123	29.41	7	AP8550270	29.45	14	B044418	28.37	4
AP8515124	29.41	6	AP8550271	29.42	8	CM001905	28.23	15
AP8515125	29.41	6	AP8550271	29.43	6	CM001906	28.23	14
AP8515126	29.41	6	AP8550334	29.52	10	CM001907	28.23	16
AP8515127	29.41	6	AP8550361	29.52	11	CM081208	28.18	3
AP8515128	29.43	8	AP8550390	29.46	13	CM081209	28.19	1
AP8515129	29.43	9	AP8550390	29.47	2	CM223702	29.44	24
AP8515130	29.43	10	AP8550470	29.48	10	CM223801	28.21	19
AP8515131	29.43	11	AP8550514	29.39	10	CM223801	28.21	23
AP8515132	29.43	12	AP8550586	29.52	9			
AP8515133	29.43	13	AP8551003	29.52	12			
AP8515134	29.43	15	AP8551005	29.47	3			
AP8515135	29.43	16	AP8551013	29.46	14			
AP8515136	29.43	17	AP8551016	29.45	2			
AP8515137	29.43	20	AP8551017	29.49	2			
AP8515138	29.43	21	AP8551018	29.41	5			
AP8515139	29.43	25	AP8551019	29.47	9			
AP8515140	29.43	26	AP8551020	29.46	3			
AP8515141	29.43	27	AP8551021	29.47	15			
AP8515142	29.43	29	AP8551022	29.47	8			
AP8550003	29.39	3	AP8551023	29.47	4			
AP8550005	29.39	6	AP8551025	29.47	14			
AP8550010	29.39	12	AP8551030	29.47	11			
AP8550010	29.45	3	AP8551031	29.48	11			
AP8550013	29.51	2	AP8551033	29.46	9			
AP8550014	29.51	9	AP8551034	29.46	12			
AP8550022	29.45	11	AP8551035	29.48	5			
AP8550023	29.45	8	AP8551036	29.46	4			
AP8550027	29.45	15	AP8551037	29.46	6			
AP8550028	29.45	16	AP8551038	29.46	11			
AP8550029	29.45	17	AP8551039	29.48	8			
AP8550030	29.45	18	AP8551041	29.47	6			
AP8550031	29.45	20	AP8551042	29.47	10			

Einheit	RAHMEN
Code	28.01
Beschreibung	Rahmen
Inspektion	1



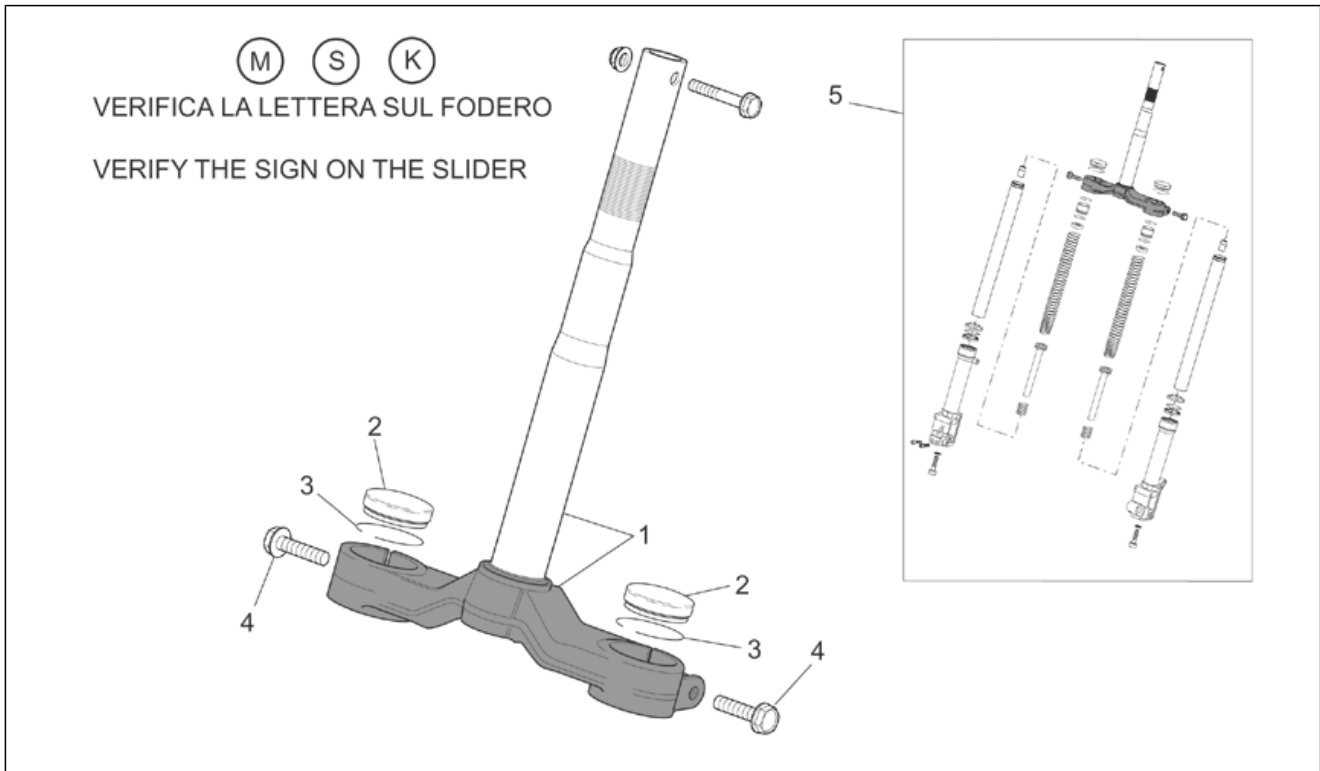
Pos.	Code	Beschreibung	Menge	Varianten
1	AP8235147	Rahmen mit Kataphorese	1	
2	AP8203666	Satz Kugelringe	1	
3	AP8150137	TCEI Schraube M6x16	1	
4	AP8234191	Unterbodenplatte	1	
5	AP8221311	Kabelführung d18	2	
6	AP8224343	Lenkschloß	1	Technische Spezifikation: Version mit Einspritzung (C361M) [ie]
6	AP8224584	Lenkschloß	1	Technische Spezifikation: Version mit Vergaser (C364M) [carb]
7	AP8104613	"Aprilia" schlüssel ohne tran.	1	
8	AP8152140	Reißschraube M6x17	1	
9	AP8202238	Kabelführungs Haken	1	
10	AP8234130	Frontschildbefestigung	1	
11	AP8221213	Käfigmutter M6	2	
12	AP8102376	Klammer M6	12	
13	AP8102375	Klammer M5	4	
14	AP8201763	Clip f. Blechschr. D5,5*	3	
15	AP8221310	Kabelführungs	2	
16	AP8201685	Werkzeugtasche	1	Technische Spezifikation: Version mit Vergaser (C364M) [carb]
16	AP8202368	Werkzeugtasche	1	Technische Spezifikation: Version mit Einspritzung (C361M) [ie]
17	AP8152278	TE Schr. m. Flansch M6x16	4	

Einheit	RAHMEN
Code	28.02
Beschreibung	Hauptständer - Pleuelstange
Inspektion	1



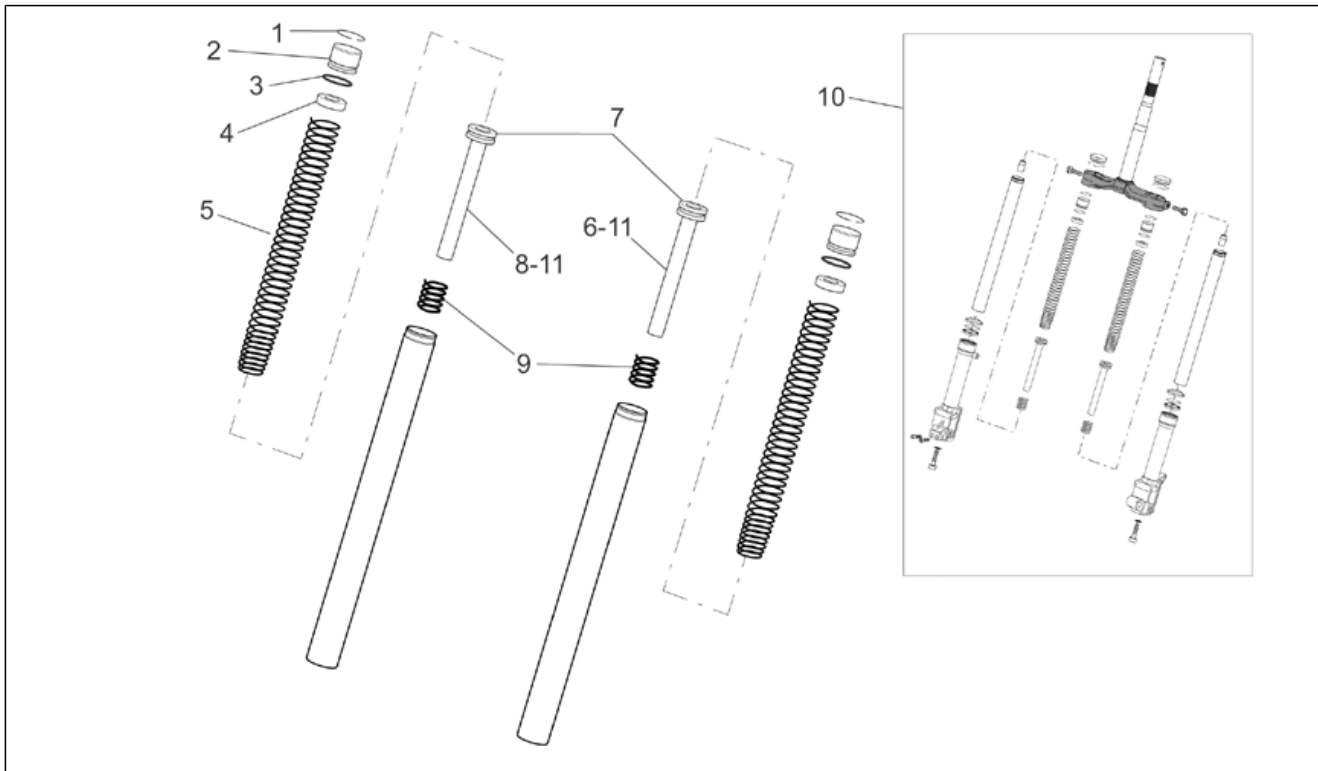
Pos.	Code	Beschreibung	Menge	Varianten
1	AP8235150	Hauptständer	1	
2	AP8152287	TE Schr. m. Flansch M8x25	2	
3	AP8150376	Ausgleichscheibe 8,5x15x0,8	2	
4	AP8152294	TE Schr. m. Flansch	1	
5	AP8152300	Selbstsperrende Mutter M8	1	
6	278940	Feder	1	
7	AP8220399	Zümseinst.Stopfen	1	
8	AP8235151	Motor-Pleuelstange	1	Technische Spezifikation: Version mit Einspritzung (C361M) [ie]
8	AP8235164	Motor-Pleuelstange	1	Technische Spezifikation: Version mit Vergaser (C364M) [carb]
9	AP8221348	Bolzen	1	
10	AP8152301	Selbstsperrende Mutter	1	

Einheit	RAHMEN
Code	28.03
Beschreibung	Gabel I
Inspektion	1



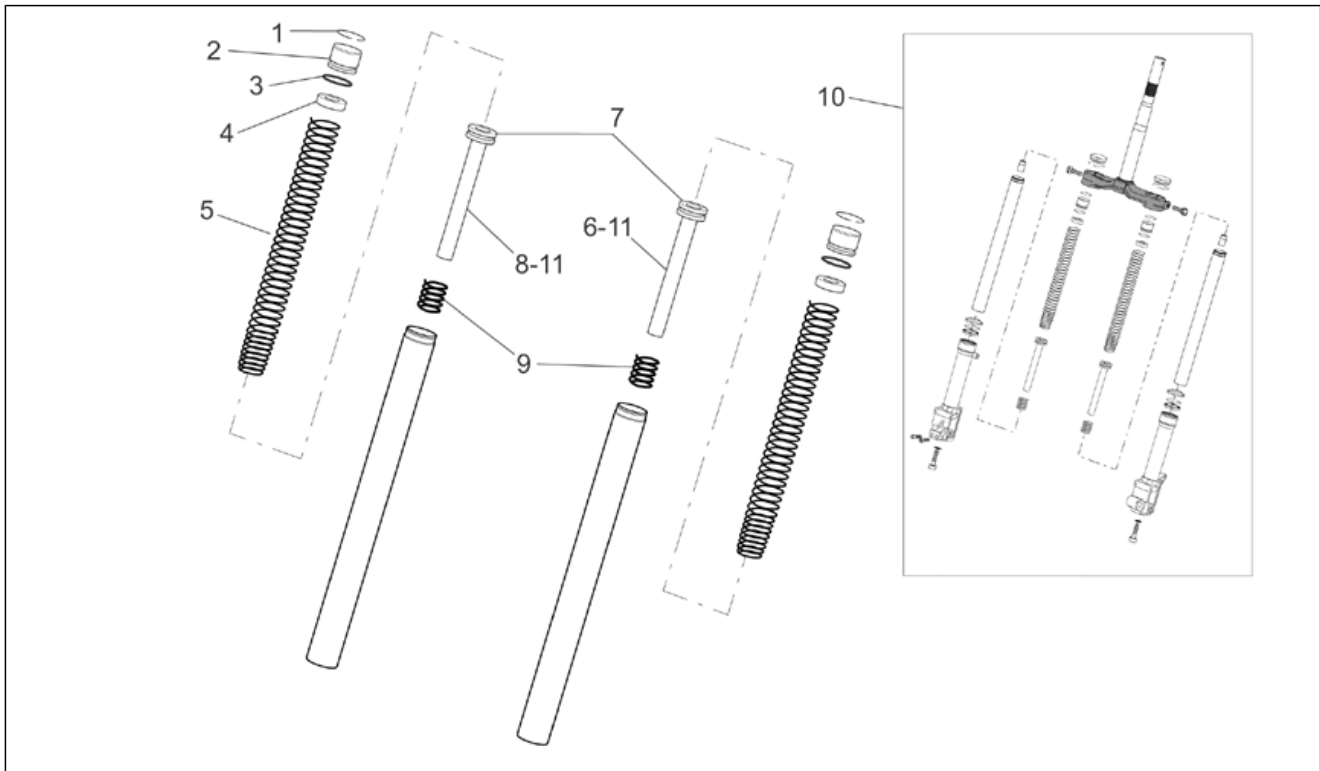
Pos.	Code	Beschreibung	Menge	Varianten
1	AP8223004	Fuß mit Rohr	1	
2	AP8223038	Verschlussschraube	2	Technische Spezifikation: Marke KAIFA[K]
2	AP8203777	Verschlussschraube	2	Technische Spezifikation: Gabel mit Buchstaben S auf dem Schaft[S]
2	AP8203561	Verschlussschraube	2	Technische Spezifikation: Gabel mit Buchstaben M auf dem Schaft[MA]
3	AP8203652	O-Ring	2	Technische Spezifikation: Gabel mit Buchstaben M auf dem Schaft[MA]
3	AP8223039	Ring	2	Technische Spezifikation: Marke KAIFA[K]
3	AP8203778	Ring	2	Technische Spezifikation: Gabel mit Buchstaben S auf dem Schaft[S]
4	AP8203762	Schraube M10x35	2	Technische Spezifikation: Gabel mit Buchstaben M auf dem Schaft[MA]
4	AP8203762	Schraube M10x35	2	Technische Spezifikation: Marke KAIFA[K]
4	AP8203797	Schraube	2	Technische Spezifikation: Gabel mit Buchstaben S auf dem Schaft[S]
5	AP8203986	Baugruppe vordere Gabel	1	

Einheit	RAHMEN
Code	28.04
Beschreibung	Gabel II
Inspektion	1



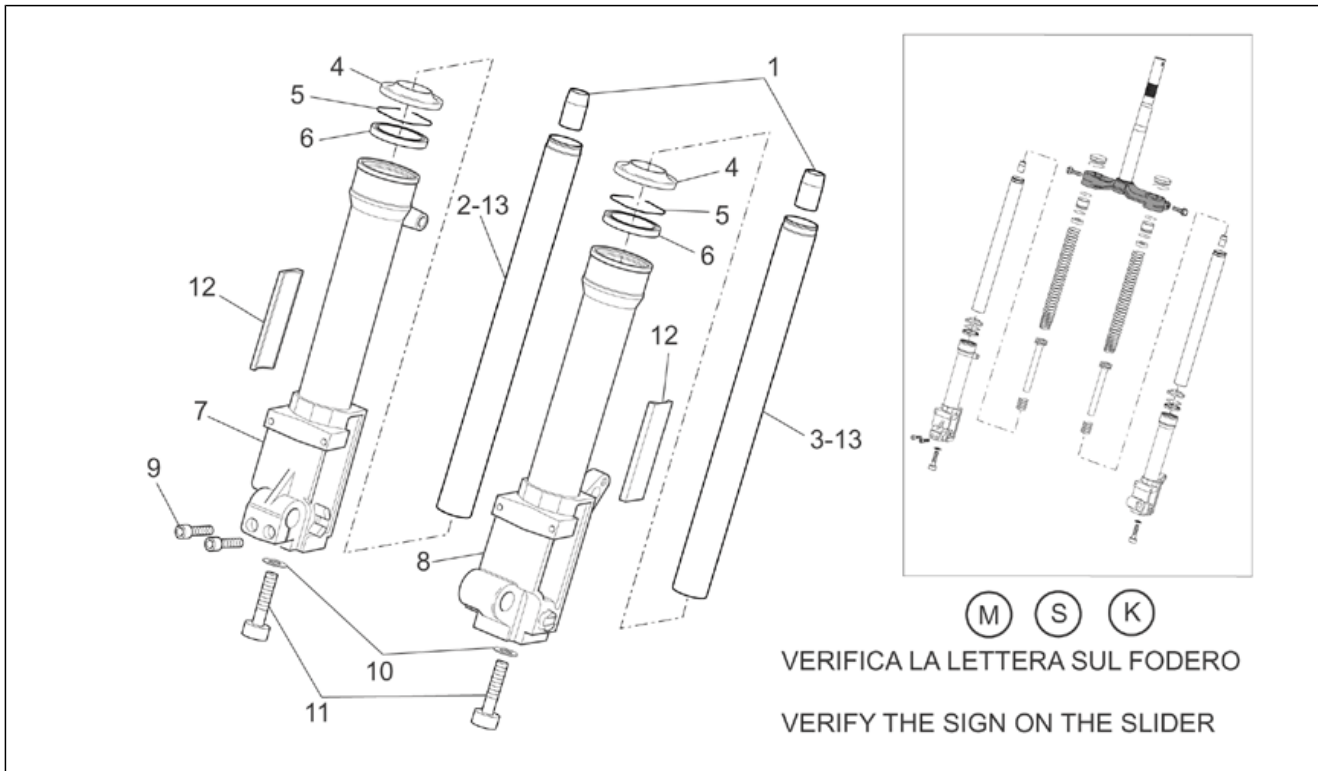
Pos.	Code	Beschreibung	Menge	Varianten
1	AP8203752	Sperring	2	Technische Spezifikation: Gabel mit Buchstaben M auf dem Schaft[MA]
1	AP8203702	Sperring	2	Technische Spezifikation: Gabel mit Buchstaben S auf dem Schaft[S]
2	AP8203753	Deckel	2	Technische Spezifikation: Gabel mit Buchstaben M auf dem Schaft[MA]
2	AP8203779	Deckel	2	Technische Spezifikation: Gabel mit Buchstaben S auf dem Schaft[S]
2	AP8223041	Deckel	2	Technische Spezifikation: Marke KAIFA[K]
3	AP8223042	O-Ring	2	Technische Spezifikation: Marke KAIFA[K]
3	AP8203780	O-Ring	2	Technische Spezifikation: Gabel mit Buchstaben S auf dem Schaft[S]
3	AP8203754	O-Ring	2	Technische Spezifikation: Gabel mit Buchstaben M auf dem Schaft[MA]
4	AP8203755	Leitung	2	Technische Spezifikation: Gabel mit Buchstaben M auf dem Schaft[MA]
5	AP8203781	Feder	2	Technische Spezifikation: Gabel mit Buchstaben S auf dem Schaft[S]
5	AP8223049	Feder	2	Technische Spezifikation: Marke KAIFA[K]
5	AP8203756	Feder	2	Technische Spezifikation: Gabel mit Buchstaben M auf dem Schaft[MA]
6	AP8203782	Linker Stoßdämpfer	1	Technische Spezifikation: Gabel mit Buchstaben S auf dem Schaft[S]
6	AP8203757	Linker Stoßdämpfer	1	Technische Spezifikation: Gabel mit Buchstaben M auf dem Schaft[MA]
7	AP8223046	Ring Gabelstempel	1	Technische Spezifikation: Marke KAIFA[K]
7	AP8203758	Ring Gabelstempel	1	Technische Spezifikation: Gabel mit Buchstaben M auf dem Schaft[MA]
7	AP8203783	Ring Gabelstempel	1	Technische Spezifikation: Gabel mit Buchstaben S auf dem Schaft[S]
8	AP8203784	Rechter Stoßdämpfer	1	Technische Spezifikation: Gabel mit Buchstaben S auf dem Schaft[S]

Einheit	RAHMEN
Code	28.04
Beschreibung	Gabel II
Inspektion	1



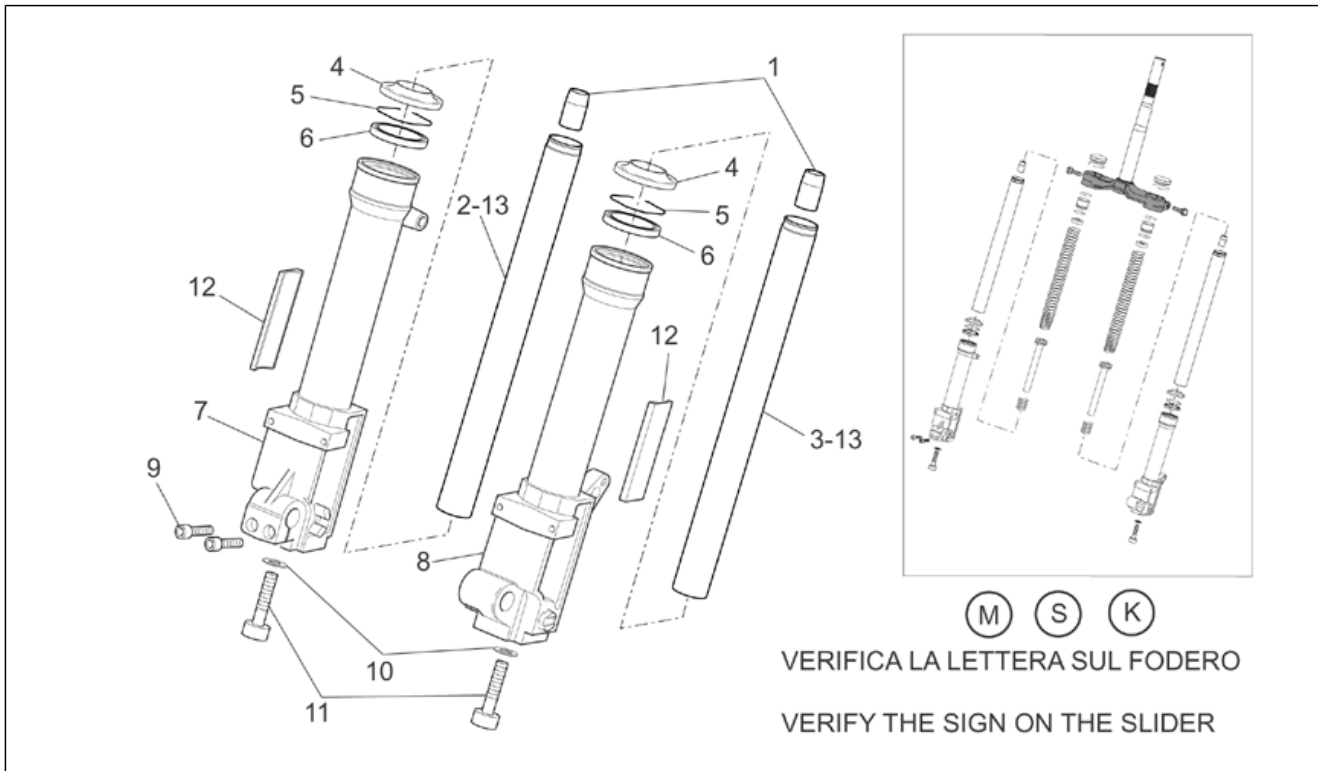
Pos.	Code	Beschreibung	Menge	Varianten
8	AP8203759	Rechter Stoßdämpfer	1	Technische Spezifikation: Gabel mit Buchstaben M auf dem Schaft[MA]
9	AP8223050	Gegenfeder	2	Technische Spezifikation: Marke KAIFA[K]
9	AP8203786	Gegenfeder	2	Technische Spezifikation: Gabel mit Buchstaben S auf dem Schaft[S]
9	AP8123708	Gegenfeder	2	Technische Spezifikation: Gabel mit Buchstaben M auf dem Schaft[MA]
10	AP8203986	Baugruppe vordere Gabel	1	
11	AP8223045	Pumpenrad kplt.	2	Technische Spezifikation: Marke KAIFA[K]

Einheit	RAHMEN
Code	28.05
Beschreibung	Gabel III
Inspektion	1



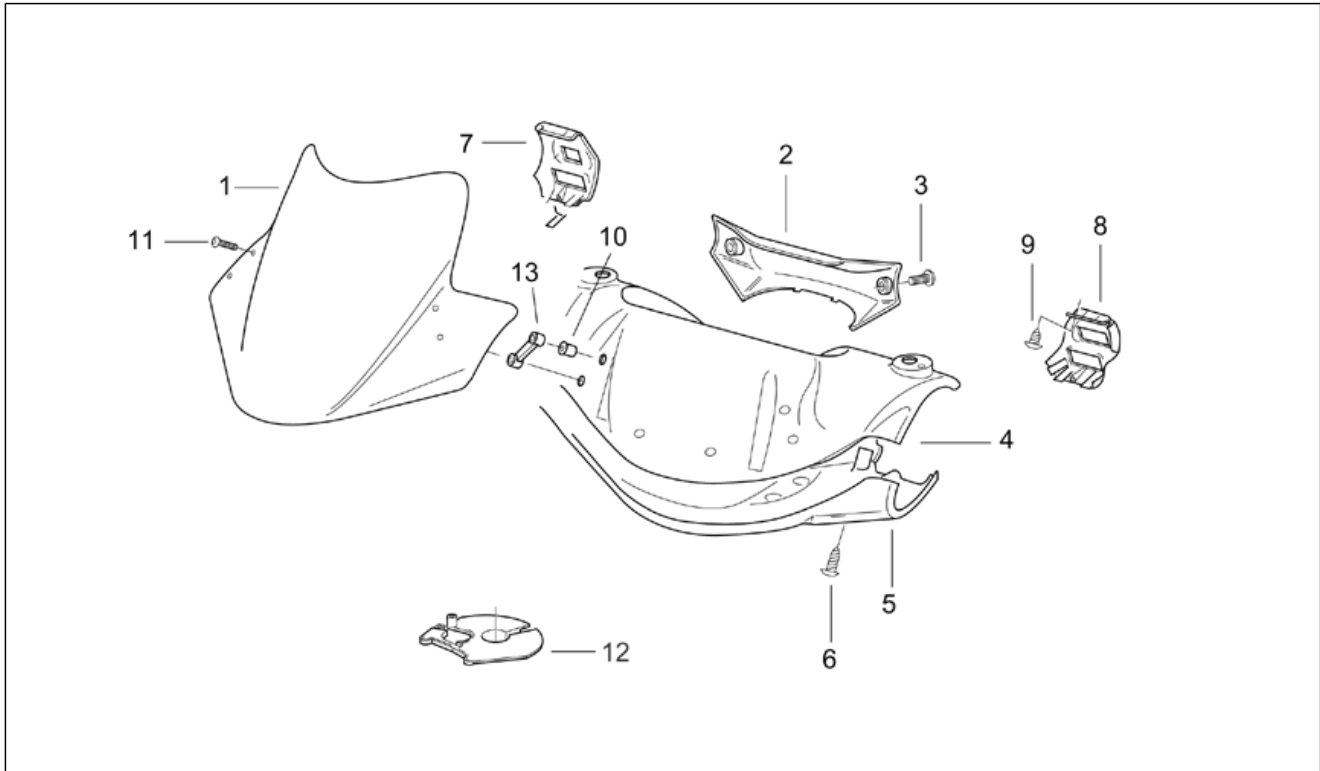
Pos.	Code	Beschreibung	Menge	Varianten
1	AP8223037	Bodenstopfen	2	Technische Spezifikation: Marke KAIFA[K]
1	AP8123701	Bodenstopfen	2	Technische Spezifikation: Gabel mit Buchstaben M auf dem Schaft[MA]
1	AP8203785	Bodenstopfen	2	Technische Spezifikation: Gabel mit Buchstaben S auf dem Schaft[S]
2	AP8203787	Rechter Schlauch	1	Technische Spezifikation: Gabel mit Buchstaben S auf dem Schaft[S]
2	AP8203760	Rechter Schlauch	1	Technische Spezifikation: Gabel mit Buchstaben M auf dem Schaft[MA]
3	AP8203788	Linker Schlauch	1	Technische Spezifikation: Gabel mit Buchstaben S auf dem Schaft[S]
3	AP8203761	Linker Schlauch	1	Technische Spezifikation: Gabel mit Buchstaben M auf dem Schaft[MA]
4	AP8203992	Staubschutz	2	Technische Spezifikation: Gabel mit Buchstaben S auf dem Schaft[S]
4	AP8223040	Staubschutz	2	Technische Spezifikation: Marke KAIFA[K]
4	AP8203564	Staubschutz	2	Technische Spezifikation: Gabel mit Buchstaben M auf dem Schaft[MA]
5	AP8203566	Sperring	2	Technische Spezifikation: Gabel mit Buchstaben M auf dem Schaft[MA]
5	AP8223048	Sperring	2	Technische Spezifikation: Marke KAIFA[K]
5	AP8203993	Sperring	2	Technische Spezifikation: Gabel mit Buchstaben S auf dem Schaft[S]
6	AP8223047	Ölabstreifring	2	Technische Spezifikation: Marke KAIFA[K]
6	AP8206936	Ölabstreifring	2	Technische Spezifikation: Gabel mit Buchstaben S auf dem Schaft[S]
6	AP8203565	Gasket ring	2	Technische Spezifikation: Gabel mit Buchstaben M auf dem Schaft[MA]
7	AP8203994	Rechte Hülse	1	Technische Spezifikation: Gabel mit Buchstaben S auf dem Schaft[S]
7	AP8203987	Rechte Hülse	1	Technische Spezifikation: Gabel mit Buchstaben M auf dem Schaft[MA]

Einheit	RAHMEN
Code	28.05
Beschreibung	Gabel III
Inspektion	1



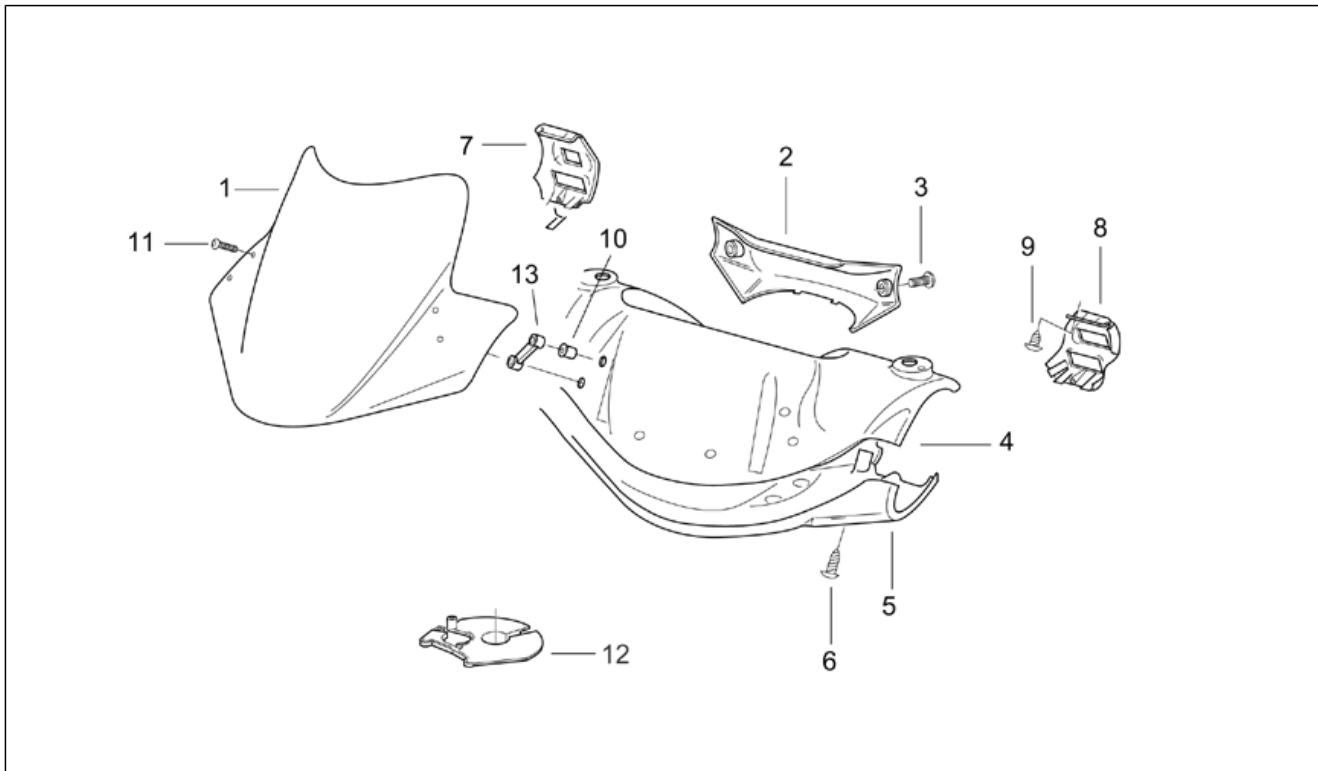
Pos.	Code	Beschreibung	Menge	Varianten
7	AP8223043	Rechte Hülse	1	Technische Spezifikation: Marke KAIFA[K]
8	AP8203988	Linke Hülse	1	Technische Spezifikation: Gabel mit Buchstaben M auf dem Schaft[MA]
8	AP8203995	Linke Hülse	1	Technische Spezifikation: Gabel mit Buchstaben S auf dem Schaft[S]
8	AP8223044	Linke Hülse	1	Technische Spezifikation: Marke KAIFA[K]
9	AP8203571	Schraube	1	Technische Spezifikation: Gabel mit Buchstaben M auf dem Schaft[MA]
9	AP8203796	Schraube M6x20	1	Technische Spezifikation: Gabel mit Buchstaben S auf dem Schaft[S]
9	AP8223054	TCEI Schraube M6x20	2	Technische Spezifikation: Marke KAIFA[K]
10	AP8203794	Ausgleichscheibe	2	Technische Spezifikation: Gabel mit Buchstaben S auf dem Schaft[S]
10	AP8223052	Ausgleichscheibe	2	Technische Spezifikation: Marke KAIFA[K]
10	AP8203572	Dichtscheibe	2	Technische Spezifikation: Gabel mit Buchstaben M auf dem Schaft[MA]
11	AP8203795	Schraube	2	Technische Spezifikation: Gabel mit Buchstaben S auf dem Schaft[S]
11	AP8203570	Zylinderschraube M8x30	2	Technische Spezifikation: Gabel mit Buchstaben M auf dem Schaft[MA]
11	AP8223053	Schraube	2	Technische Spezifikation: Marke KAIFA[K]
12	AP8224342	Rückstrahler	2	
13	AP8223051	Schaft kpl.	2	Technische Spezifikation: Marke KAIFA[K]

Einheit	RAHMEN
Code	28.06
Beschreibung	Frontaufbau I
Inspektion	1



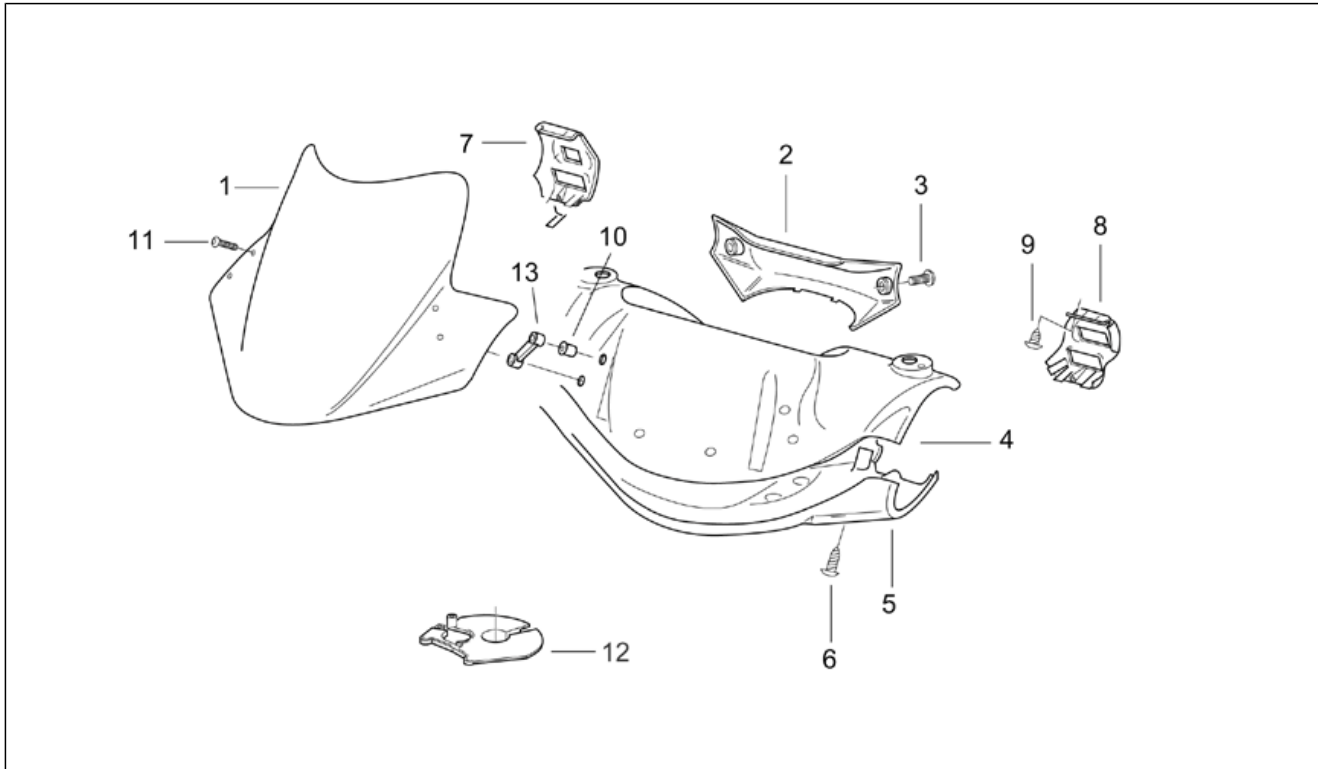
Pos.	Code	Beschreibung	Menge	Varianten
1	AP8249698	Windabweiser blau	1	Baujahr: 2004[4] 2011[B] Technische Spezifikation: Version mit Einspritzung (C361M) [ie] Farbe: Rot Fluo 899817[red fluo] Schwarz Diablo 899818[n.diablo]
1	AP8258564	Sportscheibe schwarz	1	Baujahr: 2003[3]
1	AP8268243	Sportscheibe grau	1	Baujahr: 2004[4] Technische Spezifikation: Version mit Vergaser (C364M) [carb]
1	AP8249698	Windabweiser blau	1	Baujahr: 2003[3]
1	AP8249698	Windabweiser blau	1	Baujahr: 2008[8] Farbe: Schwarz Aprilia 2008 (t.B.856145)[black] Grau Excalibur 2008 (t.B.856146)[g.ex] Technische Spezifikation: Version mit Vergaser (C364M) [carb]
1	AP8258850	Windabweiser, rot	1	Baujahr: 2003[3]
2	AP8249879	Lenkstangenplatte m.schwarz	1	
3	AP8152302	TBEI Schraube m.Flansch M5x12	2	
4	AP8239070	Instrumententafel, schwarz	1	Baujahr: 2003[3] Farbe: "SBK "" Racing"" 2003"[sbk]
4	AP8258833	Instrumententafel, rot	1	Baujahr: 2003[3] Farbe: "Blau Limited "" Racing"" 2003"[b.lim]
4	AP8239070	Instrumententafel, schwarz	1	Baujahr: 2008[8] Farbe: Schwarz Aprilia 2008 (t.B.856145)[black] Grau Excalibur 2008 (t.B.856146)[g.ex] Technische Spezifikation: Version mit Vergaser (C364M) [carb] Version mit Abblendlicht vorne[LO]
4	AP8258336	Instrumententafel, schwarz	1	Baujahr: 2004[4] Farbe: Replica Poggiali Weiß 2004[RP] Replica Poggiali Schwarz 2004[RP.bl] Technische Spezifikation: Version mit Vergaser (C364M) [carb] Version mit Frontscheinw. Fernl./Abblendl.[HI/LO] Version mit Einspritzung (C361M)[ie]

Einheit	RAHMEN
Code	28.06
Beschreibung	Frontaufbau I
Inspektion	1



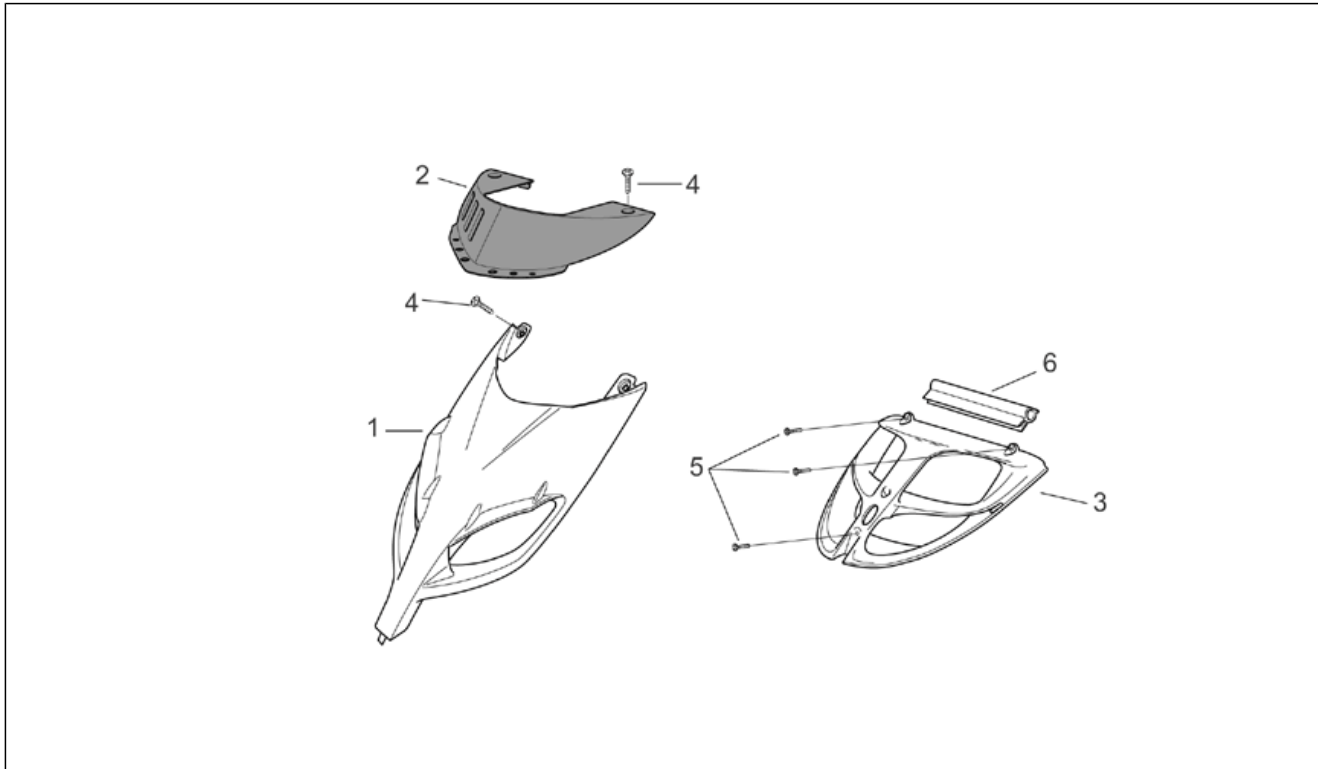
Pos.	Code	Beschreibung	Menge	Varianten
4	AP8258213	Instrumententafel, schwarz	1	Baujahr: 2004[4] 2011[B] Farbe: Bleigrau 2004[grey] Rot Fluo 2004[r.fluo] Schwarz Diablo 899818[n.diablo] Technische Spezifikation: Version mit Vergaser (C364M) [carb] Version mit Einspritzung (C361M)[ie] Version mit Abblendlicht vorne[LO]
4	AP8268286	Instrumententafel, grau	1	Baujahr: 2004[4] Farbe: Grau Graphite 2004[graph] Technische Spezifikation: Version mit Vergaser (C364M) [carb] Version mit Frontscheinw. Fernl./Abblendl.[HI/LO]
4	AP8268241	Instrumententafel, grau	1	Baujahr: 2004[4] Farbe: Grau Graphite 2004[graph] Technische Spezifikation: Version mit Vergaser (C364M) [carb] Version mit Abblendlicht vorne[LO]
4	AP8258213	Instrumententafel, schwarz	1	Baujahr: 2003[3] Farbe: Rot Fluo 899817[red fluo] Schwarz GP1 2003[gp1] Tuono 2003[tuono]
4	AP8258848	Instrumententafel, rot	1	Baujahr: 2004[4] Farbe: Rot Tulip 2004[tulip] Technische Spezifikation: Version mit Vergaser (C364M) [carb] Version mit Frontscheinw. Fernl./Abblendl.[HI/LO]
4	AP8258847	Instrumententafel, rot	1	Baujahr: 2003[3] Farbe: Rot Tulip 2003[t.red]
4	AP8258847	Instrumententafel, rot	1	Baujahr: 2004[4] Farbe: Rot Tulip 2004[tulip] Technische Spezifikation: Version mit Vergaser (C364M) [carb] Version mit Abblendlicht vorne[LO]
4	AP8258336	Instrumententafel, schwarz	1	Baujahr: 2008[8] Farbe: Schwarz Aprilia 2008 (t.B.856145)[black] Grau Excalibur 2008 (t.B.856146)[g.ex] Technische Spezifikation: Version mit Vergaser (C364M) [carb] Version mit Frontscheinw. Fernl./Abblendl.[HI/LO]
4	AP8158085	Instrumententafel, schwarz	1	Baujahr: 2004[4] Farbe: Bleigrau 2004[grey] Rot Fluo 2004[r.fluo]

Einheit	RAHMEN
Code	28.06
Beschreibung	Frontaufbau I
Inspektion	1



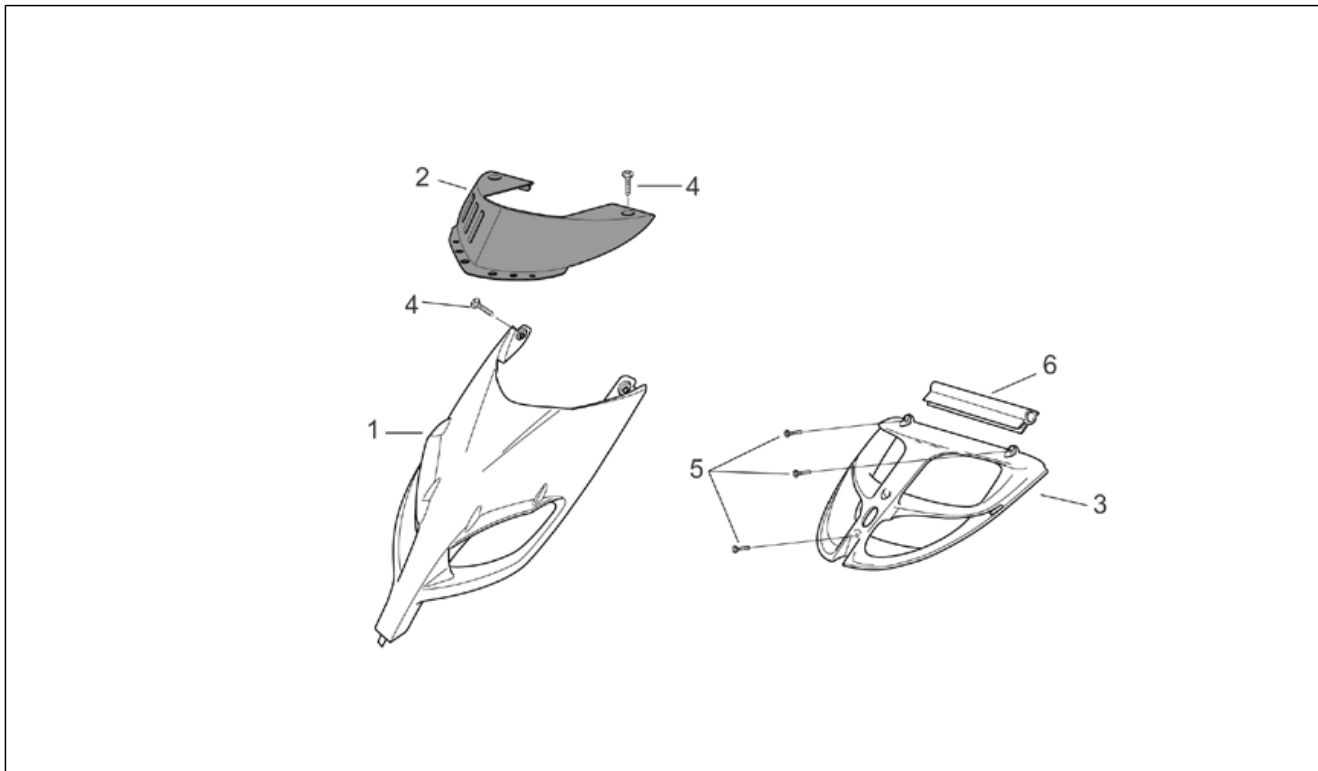
Pos.	Code	Beschreibung	Menge	Varianten
				Technische Spezifikation: Version mit Vergaser (C364M) [carb] Version mit Frontscheinw. Fernl./Abblendl.[HI/LO] Version mit Einspritzung (C361M)[ie]
4	AP8239070	Instrumententafel, schwarz	1	Baujahr: 2004[4] Farbe: Replica Poggiali Weiß 2004[RP] Replica Poggiali Schwarz 2004[RP.b] Technische Spezifikation: Version mit Vergaser (C364M) [carb] Version mit Einspritzung (C361M)[ie] Version mit Abblendlicht vorne[LO]
5	AP8248653	Zylinderk.basis schwarz metal.	1	
6	AP8150413	Gew.schr. 3,9x14	8	
7	AP8238748	Tasterhltr. rechts, schwarz	1	Technische Spezifikation: Version mit Abblendlicht vorne[LO]
7	AP8139702	Tasterhltr. rechts, schwarz	1	Technische Spezifikation: Version mit Frontscheinw. Fernl./Abblendl.[HI/LO]
8	AP8249137	Tasterhltr. links, schwarz	1	Technische Spezifikation: Version mit Frontscheinw. Fernl./Abblendl.[HI/LO]
8	AP8238749	Tasterhltr. links, schwarz	1	Technische Spezifikation: Version mit Abblendlicht vorne[LO]
9	AP8150420	Gewindeschraube Edelstahl *	4	
10	AP8120531	Gummi mit Einsatz	4	
11	AP8225369	TBEI Schraube	4	
12	AP8238806	Unt. Schl. schw. Sptz.	1	
13	AP8225367	Distanzscheibe	2	

Einheit	RAHMEN
Code	28.07
Beschreibung	Frontaufbau II
Inspektion	1



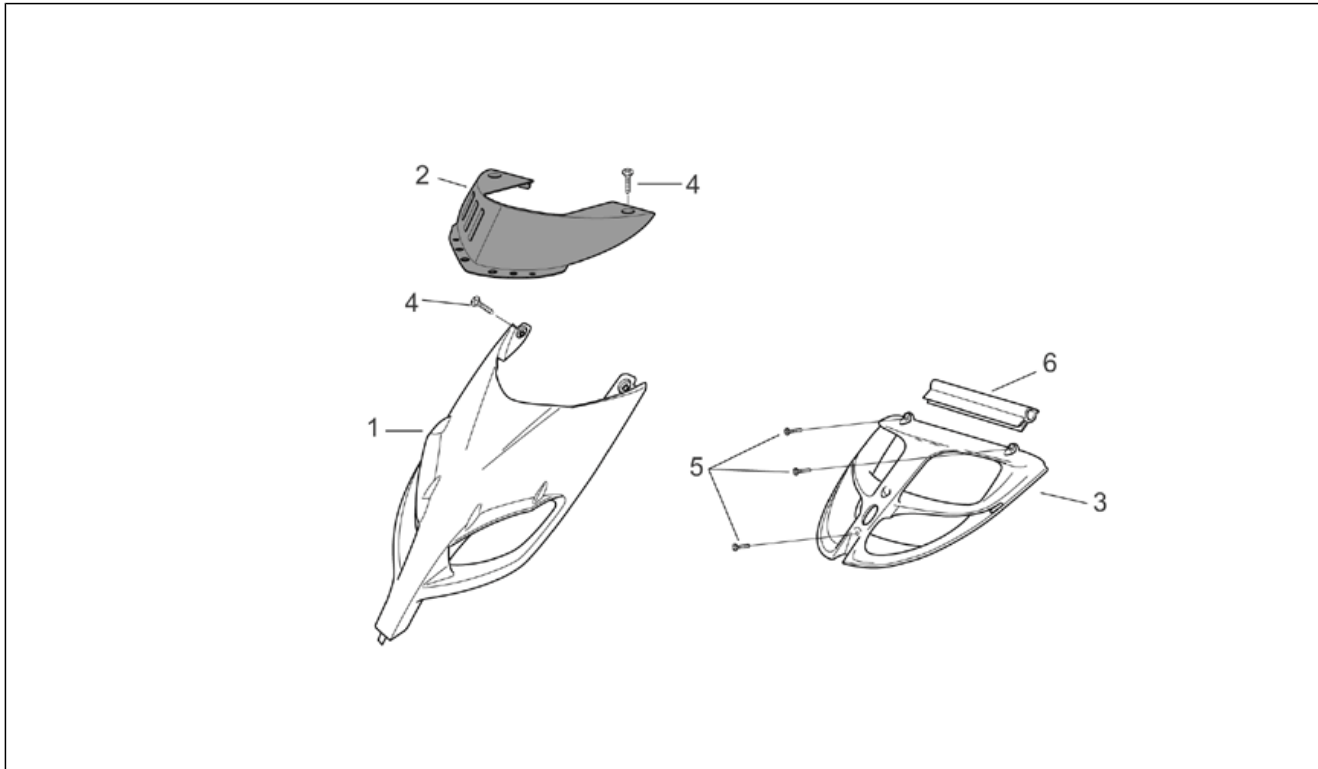
Pos.	Code	Beschreibung	Menge	Varianten
1	AP8269365	Fronthaube, grau	1	Baujahr: 2011[B] Farbe: Schwarz Diablo 899818[n.diablo]
1	AP8268214	Haube v. schwarz Aprilia	1	Baujahr: 2004[4] Farbe: Bleigrau 2004[grey] Rot Fluo 2004[r.fluo] Technische Spezifikation: Version mit Vergaser (C364M) [carb]
1	AP8268239	Fronthaube, grau	1	Baujahr: 2004[4] Farbe: Grau Graphite 2004[graph] Rot Tulip 2004[tulip] Technische Spezifikation: Version mit Vergaser (C364M) [carb]
1	AP8258811	Haube, weiß	1	Baujahr: 2003[3] Farbe: "SBK ""Racing"" 2003"[sbk] Technische Spezifikation: Version mit Einspritzung (C361M) [ie]
1	AP8269358	Fronthaube, schwarz	1	Baujahr: 2011[B] Farbe: Rot Fluo 899817[red fluo]
1	AP8268719	Haube v. schwarz Aprilia	1	Baujahr: 2008[8] Farbe: Schwarz Aprilia 2008 (t.B.856145)[black] Grau Excalibur 2008 (t.B.856146)[g.ex] Technische Spezifikation: Version mit Vergaser (C364M) [carb]
1	AP8258831	Haube, blau	1	Baujahr: 2003[3] Farbe: "Blau Limited ""Racing"" 2003"[b.lim] Technische Spezifikation: Version mit Einspritzung (C361M) [ie]
1	AP8258678	Fronthaube, silber	1	Baujahr: 2003[3] Farbe: Rot Fluo 2003[f.red] Grau Silver 2003[silver] Technische Spezifikation: Version mit Vergaser (C364M) [carb]
1	AP8258824	Haube, silver	1	Baujahr: 2003[3] Farbe: Schwarz GP1 2003[gp1] Technische Spezifikation: Version mit Einspritzung (C361M) [ie]
1	AP8268246	Haube v. schwarz Aprilia	1	Baujahr: 2004[4]

Einheit	RAHMEN
Code	28.07
Beschreibung	Frontaufbau II
Inspektion	1



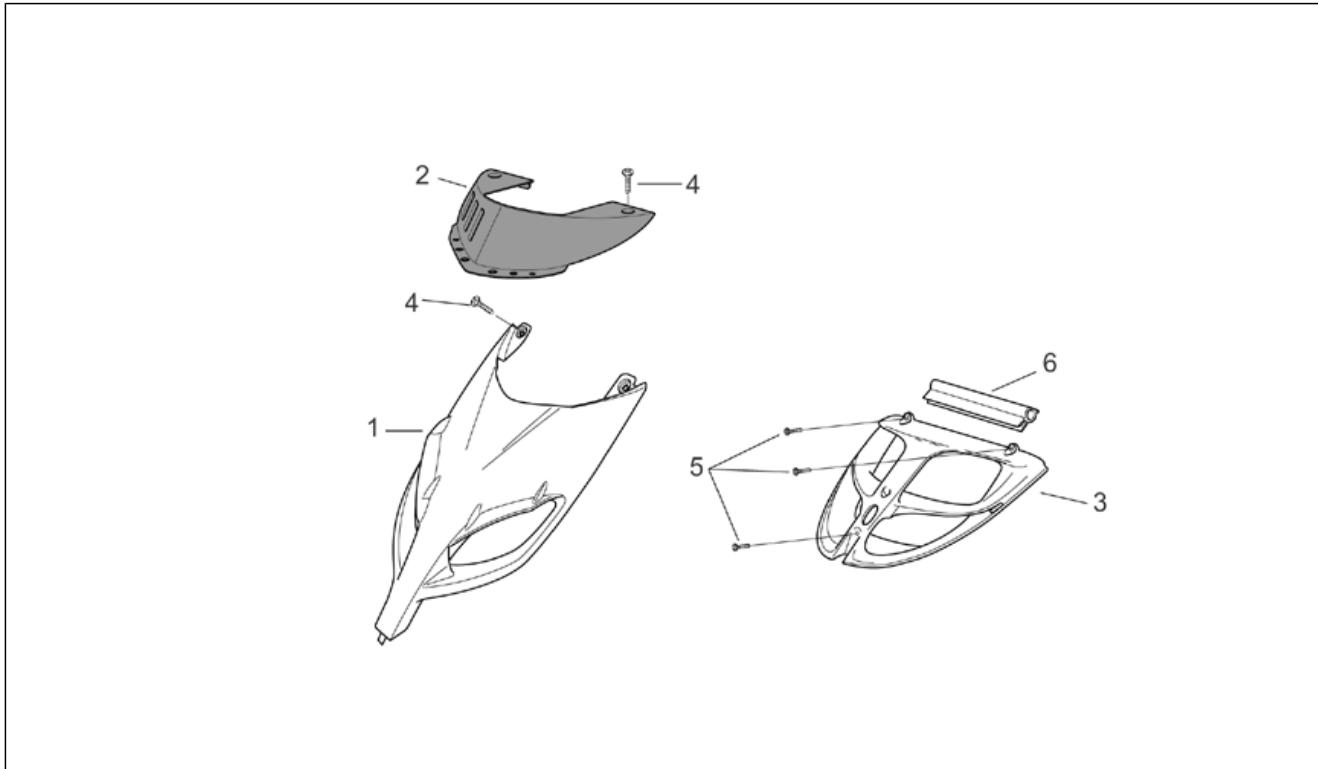
Pos.	Code	Beschreibung	Menge	Varianten
				Farbe: Replica Poggiali Weiß 2004[RP] Technische Spezifikation: Version mit Vergaser (C364M) [carb] Version mit Einspritzung (C361M)[ie]
1	AP8268205	Haube v. schwarz Aprilia	1	Baujahr: 2004[4] Farbe: Bleigrau 2004[grey] Rot Fluo 2004[r.fluo] Technische Spezifikation: Version mit Einspritzung (C361M) [ie]
1	AP8258845	Haube, rot	1	Baujahr: 2003[3] Farbe: Rot Tulip 2003[t.red] Technische Spezifikation: Version mit Einspritzung (C361M) [ie]
1	AP8269374	Haube vorn.l.Schwarz Diablo m.Aufkl.	1	Baujahr: 2012[C] Farbe: Weiß Aprilia 2012 (t.B.B044417)[wh]
1	AP8268273	Haube v. schwarz Aprilia	1	Baujahr: 2004[4] Farbe: Replica Poggiali Schwarz 2004[RP.bl] Technische Spezifikation: Version mit Vergaser (C364M) [carb] Version mit Einspritzung (C361M)[ie]
1	AP8258783	Haube	1	Baujahr: 2003[3] Farbe: Tuono 2003[tuono] Technische Spezifikation: Version mit Einspritzung (C361M) [ie]
2	AP8258558	Obere Haubenblende schwarz	1	Baujahr: 2004[4]
2	AP8258786	Obere Haubenblende schwarz	1	Baujahr: 2003[3] Farbe: Tuono 2003[tuono] Technische Spezifikation: Version mit Einspritzung (C361M) [ie]
2	AP8258558	Obere Haubenblende schwarz	1	Baujahr: 2003[3] Farbe: Schwarz GP1 2003[gp1] "SBK ""Racing"" 2003"[sbk] Rot Tulip 2003[t.red] Technische Spezifikation: Version mit Einspritzung (C361M) [ie]
2	AP8258558	Obere Haubenblende schwarz	1	Baujahr: 2008[8] 2011[B] Farbe: Schwarz Aprilia 2008 (t.B.856145)[black] Grau Excalibur 2008 (t.B.856146)[g.ex] Rot Fluo 899817[red fluo] Schwarz Diablo 899818[n.diablo]

Einheit	RAHMEN
Code	28.07
Beschreibung	Frontaufbau II
Inspektion	1



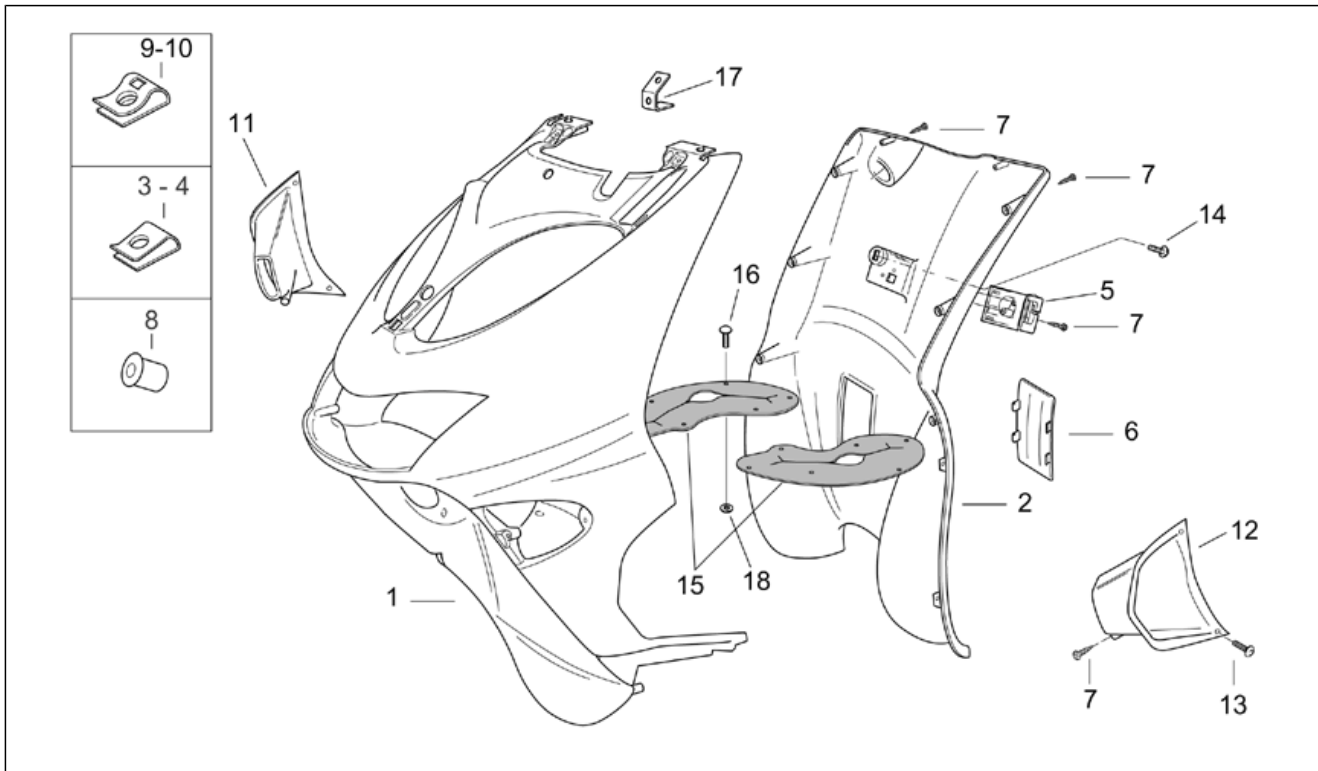
Pos.	Code	Beschreibung	Menge	Varianten
				Technische Spezifikation: Version mit Vergaser (C364M) [carb]
2	AP8258558	Obere Haubenblende schwarz	1	Baujahr: 2003[3] Farbe: Rot Fluo 2003[f.red] Grau Silver 2003[silver] Technische Spezifikation: Version mit Vergaser (C364M) [carb]
2	AP8249767	Obere Haubenblende rot	1	Baujahr: 2003[3] Farbe: "Blau Limited ""Racing"" 2003"[b.lim] Technische Spezifikation: Version mit Einspritzung (C361M) [ie]
3	AP8258556	Kühlergrill, schwarz	1	Baujahr: 2004[4]
3	AP8258556	Kühlergrill, schwarz	1	Baujahr: 2008[8] 2011[B] Farbe: Schwarz Aprilia 2008 (t.B.856145)[black] Grau Excalibur 2008 (t.B.856146)[g.ex] Schwarz Diablo 899818[n.diablo] Rot Fluo 899817[red fluo] Technische Spezifikation: Version mit Vergaser (C364M) [carb]
3	AP8249769	Kühlergrill, rot	1	Baujahr: 2003[3] Farbe: "Blau Limited ""Racing"" 2003"[b.lim] Technische Spezifikation: Version mit Einspritzung (C361M) [ie]
3	AP8258815	Kühlerblende, gold	1	Baujahr: 2003[3] Farbe: Tuono 2003[tuono] Technische Spezifikation: Version mit Einspritzung (C361M) [ie]
3	AP8258556	Kühlergrill, schwarz	1	Baujahr: 2003[3] Farbe: "SBK ""Racing"" 2003"[sbk] Technische Spezifikation: Version mit Einspritzung (C361M) [ie]
3	AP8258556	Kühlergrill, schwarz	1	Baujahr: 2003[3] Farbe: Grau Silver 2003[silver] Technische Spezifikation: Version mit Vergaser (C364M) [carb]
3	AP8249769	Kühlergrill, rot	1	Baujahr: 2003[3] Farbe: Rot Fluo 2003[f.red]

Einheit	RAHMEN
Code	28.07
Beschreibung	Frontaufbau II
Inspektion	1



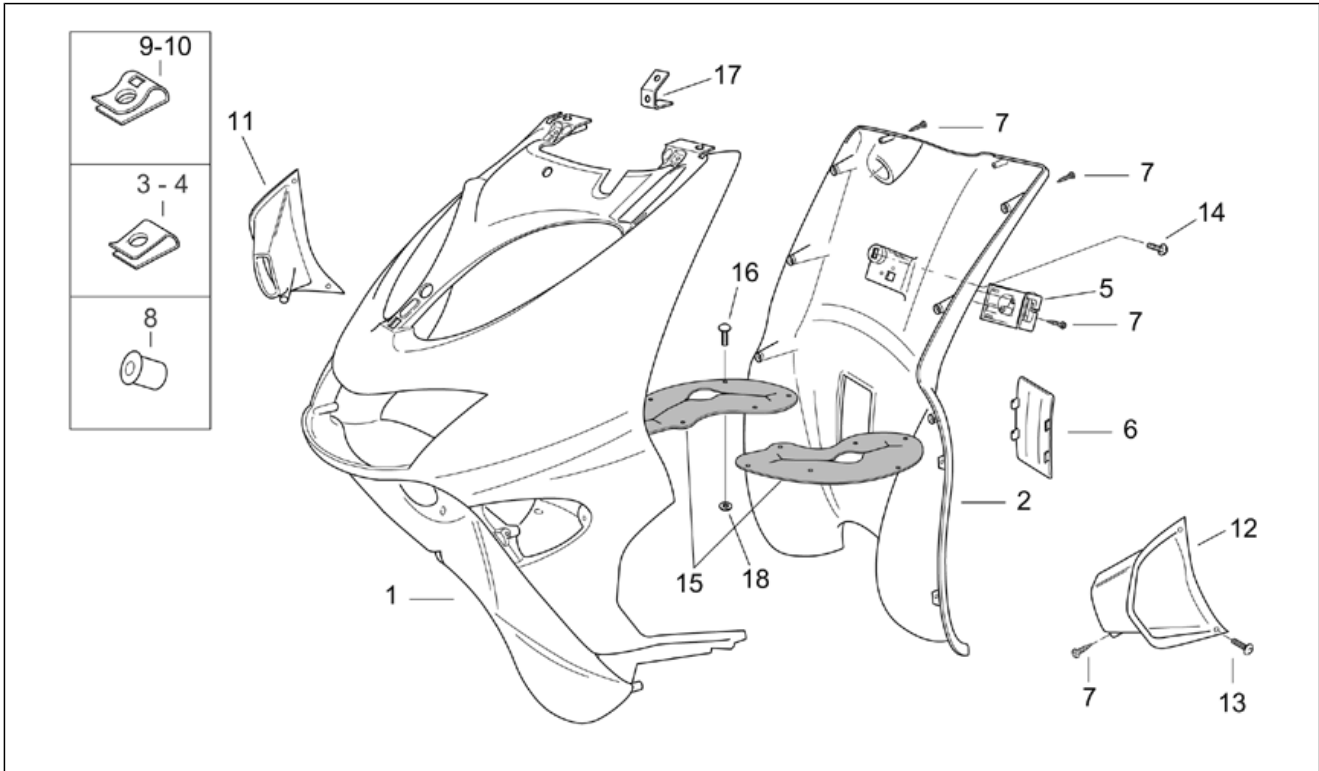
Pos.	Code	Beschreibung	Menge	Varianten
				Technische Spezifikation: Version mit Vergaser (C364M) [carb]
3	AP8258827	Kühlerblende	1	Baujahr: 2003[3] Farbe: Schwarz GP1 2003[gp1] Rot Tulip 2003[t.red] Technische Spezifikation: Version mit Einspritzung (C361M) [ie]
4	AP8150426	Linsenschraube 5,5x15,9*	4	
5	AP8150413	Gew.schr. 3,9x14	3	
6	AP8220580	Hauben Dichtung	1	

Einheit	RAHMEN
Code	28.08
Beschreibung	Frontaufbau III
Inspektion	1



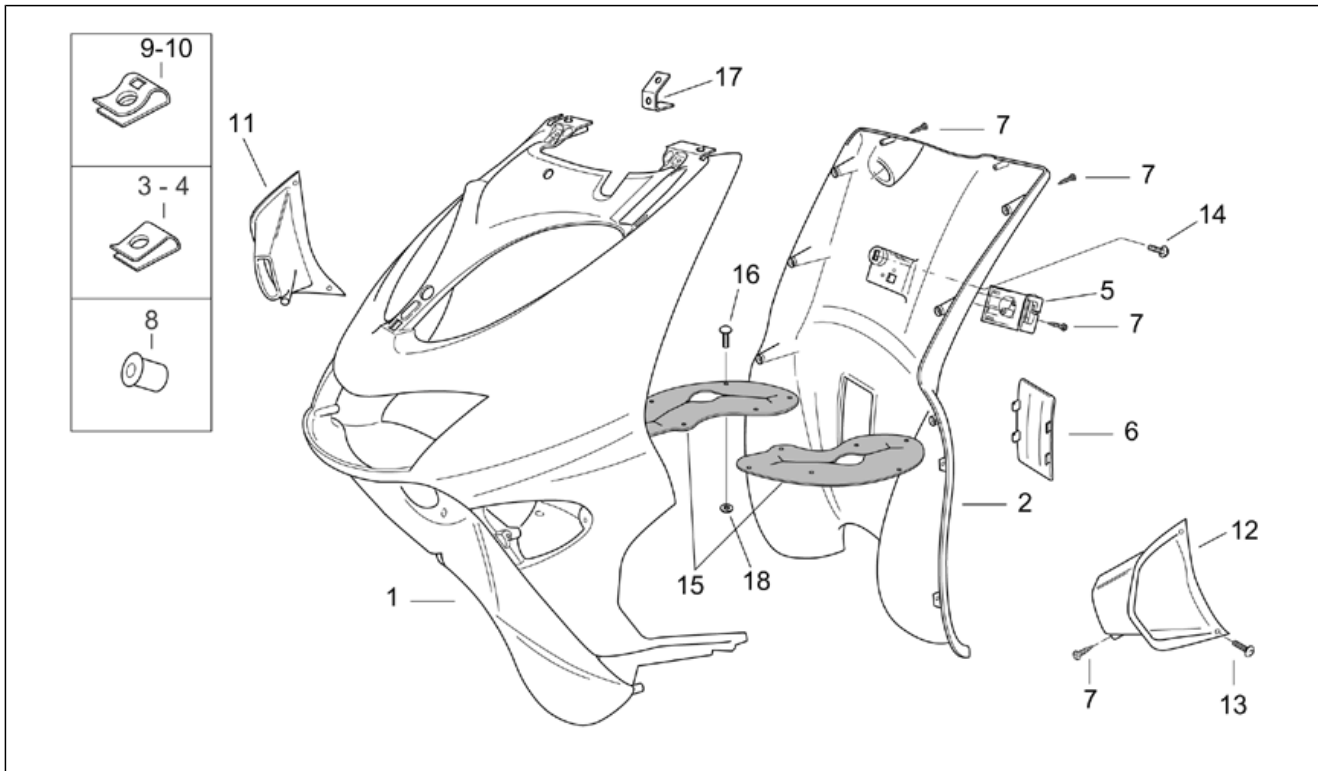
Pos.	Code	Beschreibung	Menge	Varianten
1	AP8258843	Frontschild, rot	1	Baujahr: 2003[3] Farbe: Rot Tulip 2003[t.red] Technische Spezifikation: Version mit Einspritzung (C361M)[ie]
1	AP8269356	Frontschild, rot	1	Baujahr: 2011[B] Farbe: Rot Fluo 899817[red fluo]
1	AP8268271	Frontschild, schwarz Ap.	1	Baujahr: 2004[4] Farbe: Replica Poggiali Schwarz 2004[RP.bl] Technische Spezifikation: Version mit Vergaser (C364M)[carb] Version mit Einspritzung (C361M)[ie]
1	AP8268717	Frontschild, schwarz	1	Baujahr: 2008[8] Farbe: Schwarz Aprilia 2008 (t.B.856145)[black] Technische Spezifikation: Version mit Vergaser (C364M)[carb]
1	AP8269363	Frontschild, schwarz	1	Baujahr: 2011[B] Farbe: Rot Fluo 899817[red fluo] Schwarz Diablo 899818[n.diablo]
1	AP8268203	Frontschild, rot	1	Baujahr: 2004[4] Farbe: Rot Fluo 2004[r.fluo] Technische Spezifikation: Version mit Vergaser (C364M)[carb] Version mit Einspritzung (C361M)[ie]
1	AP8258822	Frontschild, schwarz	1	Baujahr: 2003[3] Farbe: Schwarz GP1 2003[gp1] Technische Spezifikation: Version mit Einspritzung (C361M)[ie]
1	AP8268237	Frontschild, grau	1	Baujahr: 2004[4] Farbe: Grau Graphite 2004[graph] Technische Spezifikation: Version mit Vergaser (C364M)[carb]
1	AP8268244	Frontschild, A.weiß	1	Baujahr: 2004[4] Farbe: Replica Poggiali Weiß 2004[RP] Technische Spezifikation: Version mit Vergaser (C364M)[carb] Version mit Einspritzung (C361M)[ie]
1	AP8258933	Frontschild, rot	1	Baujahr: 2003[3]

Einheit	RAHMEN
Code	28.08
Beschreibung	Frontaufbau III
Inspektion	1



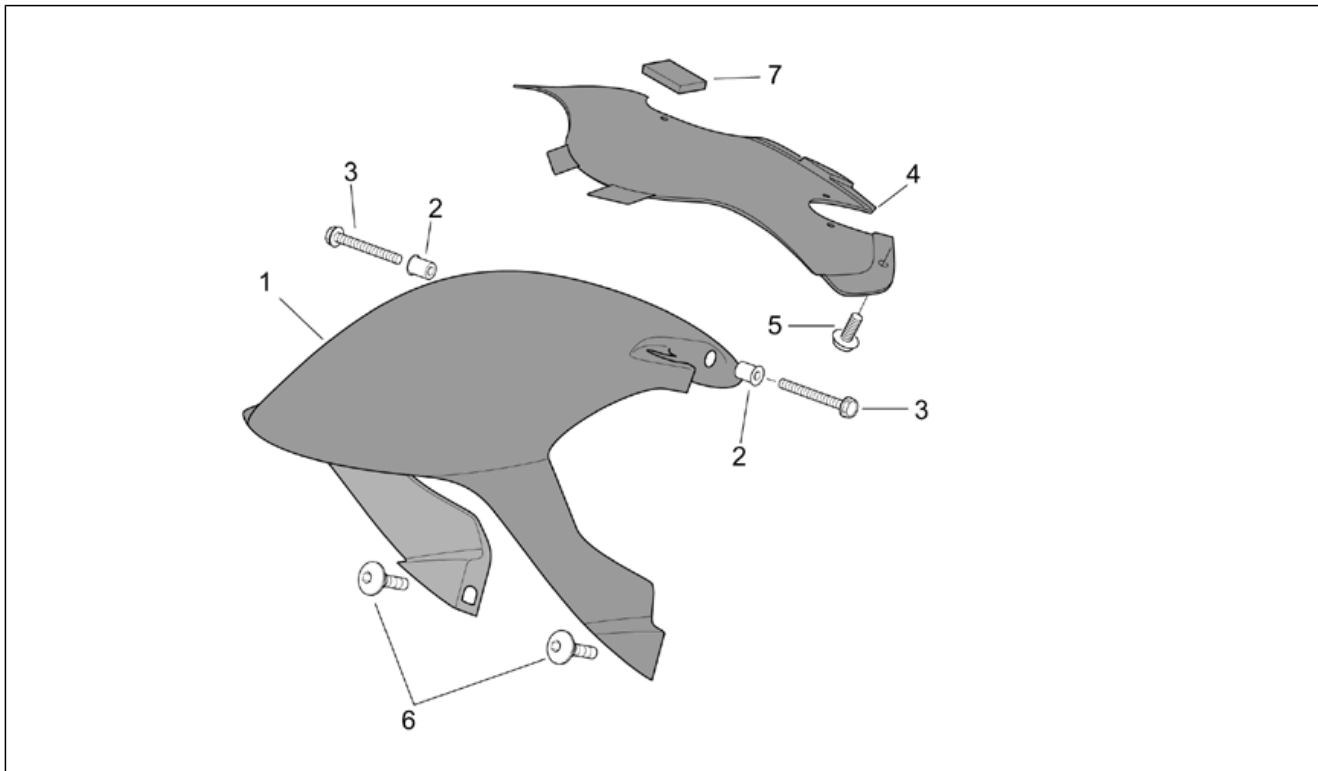
Pos.	Code	Beschreibung	Menge	Varianten
				Farbe: Rot Fluo 2003[f.red] Technische Spezifikation: Version mit Vergaser (C364M) [carb]
1	AP8258809	Frontschild, schwarz	1	Baujahr: 2003[3] Farbe: "SBK ""Racing"" 2003"[sbk] Technische Spezifikation: Version mit Einspritzung (C361M) [ie]
1	AP8258829	Frontschild, rot	1	Baujahr: 2003[3] Farbe: "Blau Limited ""Racing"" 2003"[b.lim] Technische Spezifikation: Version mit Einspritzung (C361M) [ie]
1	AP8268257	Frontschild, rot	1	Baujahr: 2004[4] Farbe: Rot Tulip 2004[tulip] Technische Spezifikation: Version mit Vergaser (C364M) [carb]
1	AP8268723	Frontschild, grau	1	Baujahr: 2008[8] Farbe: Grau Excalibur 2008 (t.B.856146)[g.ex] Technische Spezifikation: Version mit Vergaser (C364M) [carb]
1	AP8258676	Vord. ob. Schild., silber	1	Baujahr: 2003[3] Farbe: Grau Silver 2003[silver] Technische Spezifikation: Version mit Vergaser (C364M) [carb]
1	AP8269372	Schild vorn. I.Weiß m.Aufkl	1	Baujahr: 2012[C] Farbe: Weiß Aprilia 2012 (t.B.B044417)[wh]
1	AP8268218	Frontschild, grau	1	Baujahr: 2004[4] Farbe: Bleigrau 2004[grey] Technische Spezifikation: Version mit Vergaser (C364M) [carb] Version mit Einspritzung (C361M)[ie]
1	AP8258781	Frontschild, schwarz	1	Baujahr: 2003[3] Farbe: Tuono 2003[tuono] Technische Spezifikation: Version mit Einspritzung (C361M) [ie]
2	AP8248656	int. Schild Schw.Metall.	1	

Einheit	RAHMEN
Code	28.08
Beschreibung	Frontaufbau III
Inspektion	1



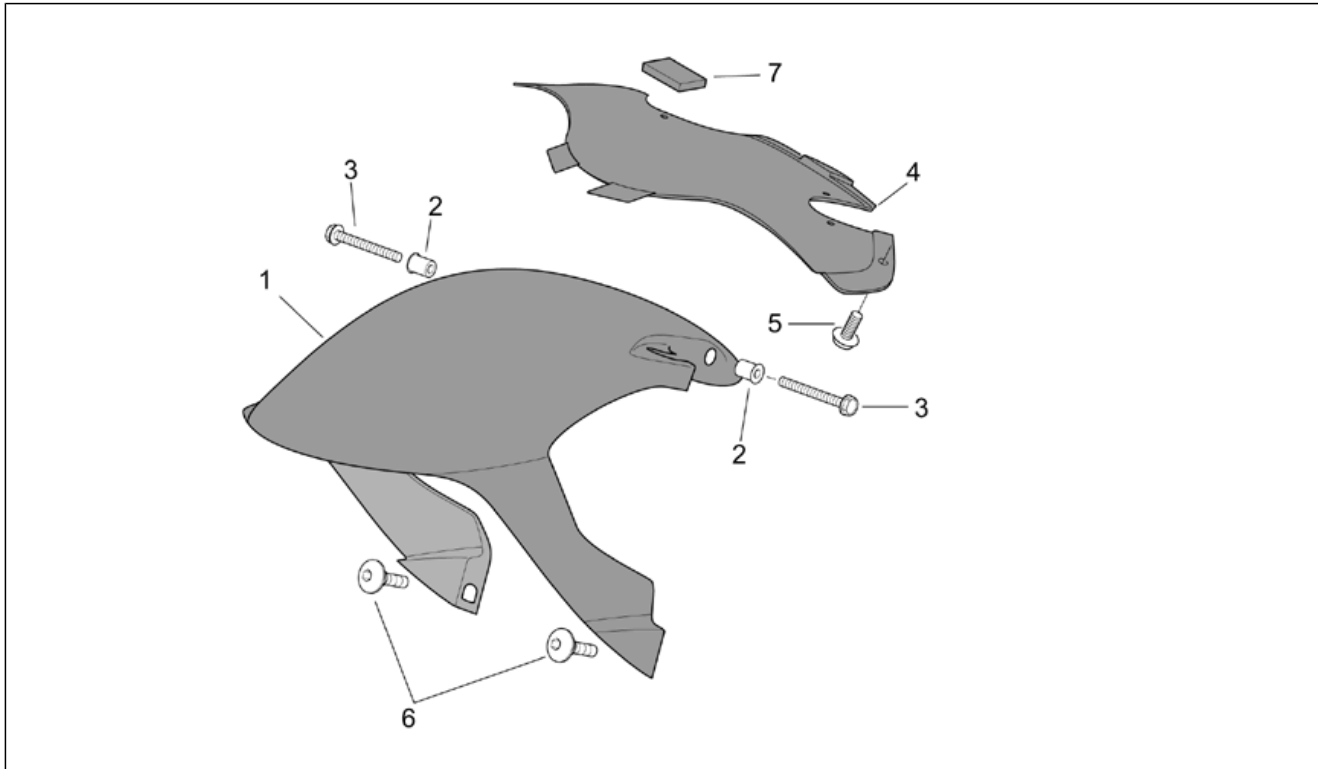
Pos.	Code	Beschreibung	Menge	Varianten
3	AP8201763	Clip f. Blechschr. D5,5*	2	
4	AP8102782	Clip f. Blechschr. D4,2	2	
5	AP8201534	Kplt.Untersitzhaken	1	
6	AP8248657	Gegeb.Typendeck, schw.	1	
7	AP8150413	Gew.schr. 3,9x14	16	
8	AP8120531	Gummi mit Einsatz	5	
9	AP8102375	Klammer M5	12	
10	AP8102376	Klammer M6	3	
11	AP8249713	Luftinlaß rechts, met.schw.	1	
12	AP8249715	Luftinlaß links, m.scwarz	1	
13	AP8152298	TBEI Schraube m.Flansch M5x16	4	
14	AP8152302	TBEI Schraube m.Flansch M5x12	1	
15	AP8217034	U. Verschl. Gabel	2	
16	AP8220471	Kunststoffniet	12	
17	AP8234194	Kühlergitter aufnahme	1	
18	AP8150179	Ausgleichscheibe 6,6x18*	12	

Einheit	RAHMEN
Code	28.09
Beschreibung	Frontaufbau IV
Inspektion	1



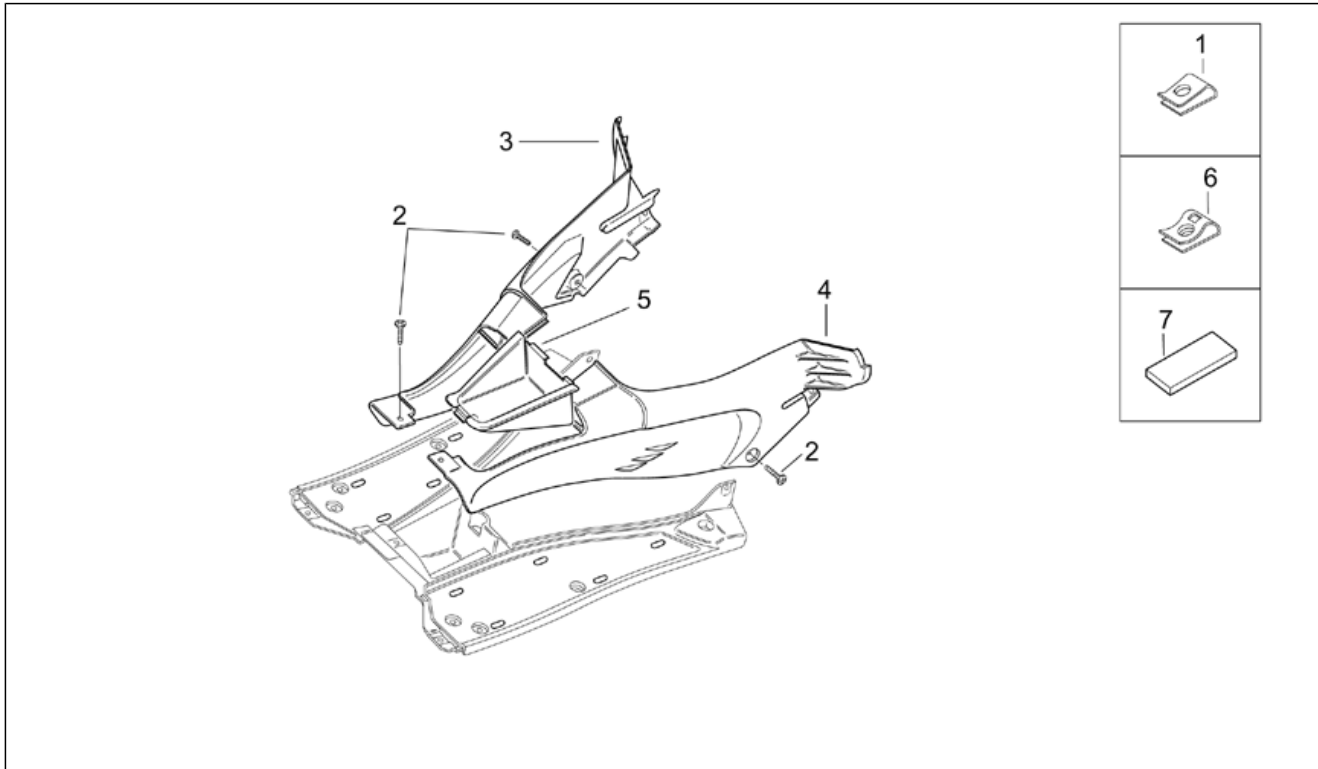
Pos.	Code	Beschreibung	Menge	Varianten
1	AP8226834	V. Schutzblech, grau	1	Baujahr: 2004[4] Farbe: Grau Graphite 2004[graph] Rot Tulip 2004[tulip] Technische Spezifikation: Version mit Vergaser (C364M) [carb]
1	AP8226827	V. Schutzblech, schwarz	1	Baujahr: 2004[4] Farbe: Bleigrau 2004[grey] Rot Fluo 2004[r.fluo] Technische Spezifikation: Version mit Vergaser (C364M) [carb] Version mit Einspritzung (C361M)[ie]
1	AP8226759	V. Schutzblech, schwarz	1	Baujahr: 2003[3] Farbe: Tuono 2003[tuono] Technische Spezifikation: Version mit Einspritzung (C361M) [ie]
1	AP8226727	V. Schutzblech, schwarz	1	Baujahr: 2003[3] Farbe: Schwarz GP1 2003[gp1] "SBK ""Racing"" 2003"[sbk] Technische Spezifikation: Version mit Einspritzung (C361M) [ie]
1	AP8226748	V. Schutzblech, schwarz	1	Baujahr: 2003[3] Farbe: Rot Fluo 2003[f.red] Grau Silver 2003[silver] Technische Spezifikation: Version mit Vergaser (C364M) [carb]
1	AP8226767	V. Schutzblech, blau	1	Baujahr: 2003[3] Farbe: "Blau Limited ""Racing"" 2003"[b.lim] Technische Spezifikation: Version mit Einspritzung (C361M) [ie]
1	AP8226770	V. Schutzblech, rot	1	Baujahr: 2003[3] Farbe: Rot Tulip 2003[t.red] Technische Spezifikation: Version mit Einspritzung (C361M) [ie]
1	AP8226841	Schutzbl.vorn schwarz a.	1	Baujahr: 2004[4] Farbe: Replica Poggiali Schwarz 2004[RP.bl] Technische Spezifikation: Version mit Vergaser (C364M) [carb] Version mit Einspritzung (C361M)[ie]
1	AP8226872	V. Schutzblech, rot	1	Baujahr: 2008[8] Farbe: Schwarz Aprilia 2008 (t.B.856145)[black] Grau Excalibur 2008 (t.B.856146)[g.ex]

Einheit	RAHMEN
Code	28.09
Beschreibung	Frontaufbau IV
Inspektion	1



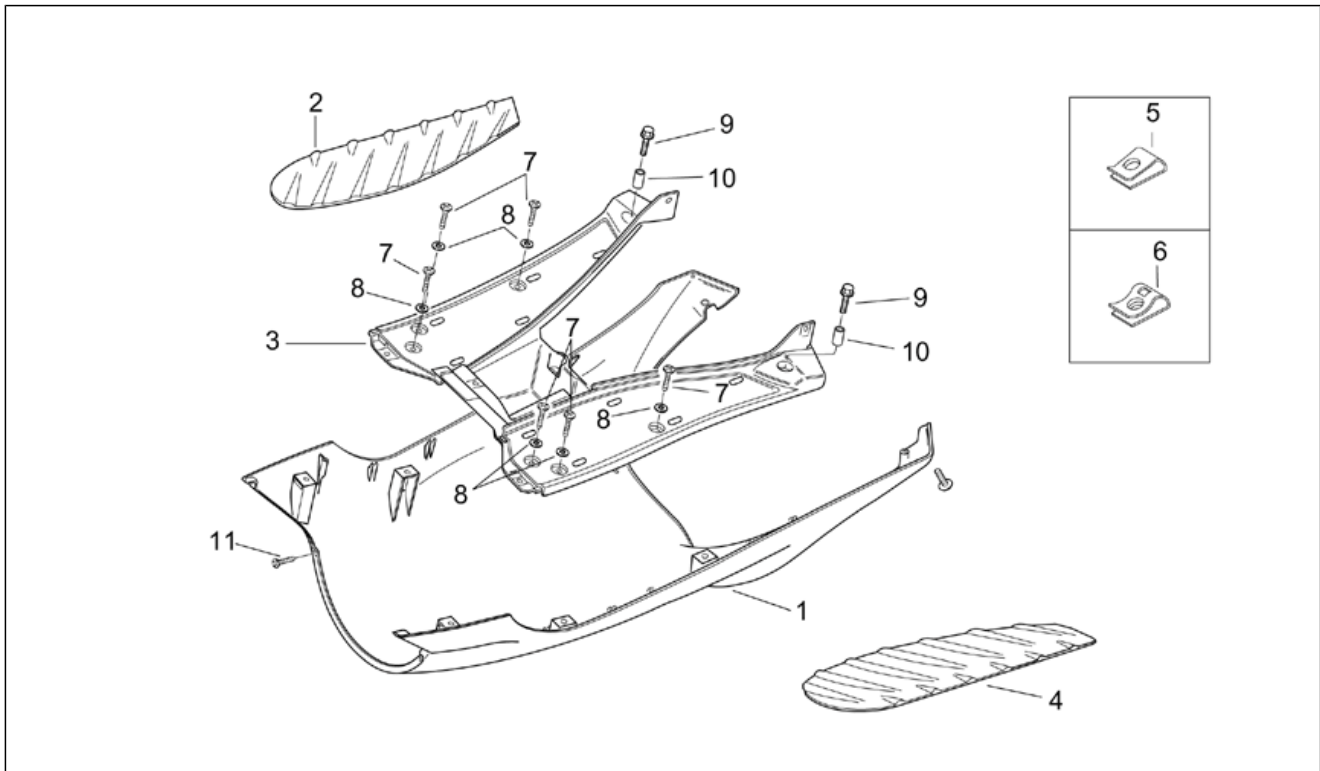
Pos.	Code	Beschreibung	Menge	Varianten
				Technische Spezifikation: Version mit Vergaser (C364M) [carb]
1	AP8226835	V. Schutzblech, A.weiß	1	Baujahr: 2004[4] Farbe: Replica Poggiali Weiß 2004[RP] Technische Spezifikation: Version mit Vergaser (C364M) [carb] Version mit Einspritzung (C361M)[ie]
1	AP8226930	V. Schutzblech, schwarz	1	Baujahr: 2011[B] 2012[C] Farbe: Rot Fluo 899817[red fluo] Schwarz Diablo 899818[n.diablo] Weiß Aprilia 2012 (t.B.B044417)[wh]
2	AP8120531	Gummi mit Einsatz	2	
3	AP8152341	TE Schr. m. Flansch M5x40	2	
4	AP8238512	Unt. Schld.abd., schw.	1	
5	AP8152246	TBEI Schraube m.Flansch M6x16	3	
6	AP8152339	TBEI Schraube m.Flansch M5x9	2	
7	AP8117041	Klebeschwamm 6x30	1	

Einheit	RAHMEN
Code	28.10
Beschreibung	Mittlerer aufbau I
Inspektion	1



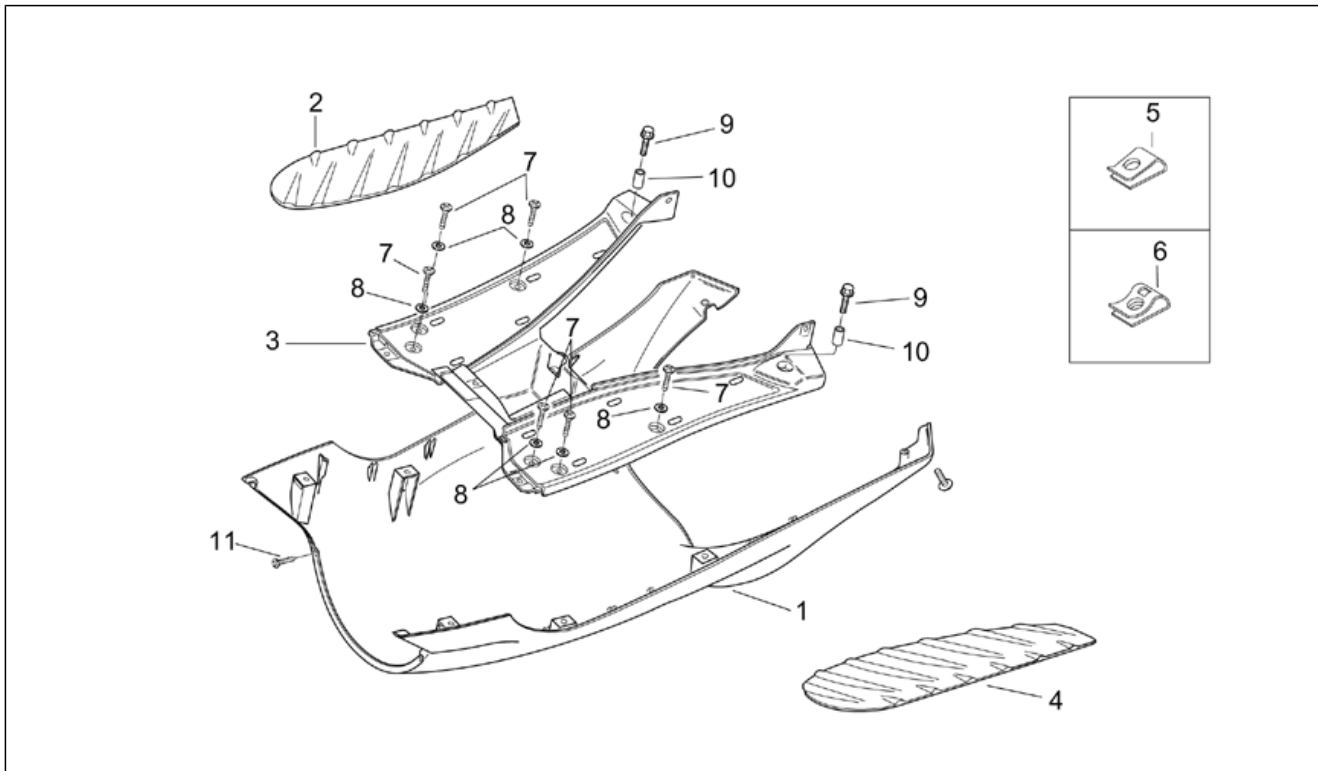
Pos.	Code	Beschreibung	Menge	Varianten
1	AP8102376	Klammer M6	3	
2	AP8150425	Linsenschraube 5,5x22*	3	
3	AP8258559	Rechter Tunnel, grau	1	
3	AP8258787	Tunnel rechts gold	1	
3	AP8249764	Rechter Tunnel, schwarz	1	
4	AP8258788	Tunnel links gold	1	
4	AP8258169	Linker Tunnel, schwarz	1	
4	AP8258560	Linker Tunnel, grau	1	
5	AP8258055	Werkzeugkasten	1	Technische Spezifikation: Version mit Vergaser (C364M) [carb]
5	AP8258998	Werkzeugkasten	1	Technische Spezifikation: Version mit Einspritzung (C361M) [ie]
6	AP8201763	Clip f. Blechschr. D5,5*	6	
7	AP8117041	Klebeschwamm 6x30	1	

Einheit	RAHMEN
Code	28.11
Beschreibung	Mittlerer aufbau II
Inspektion	1



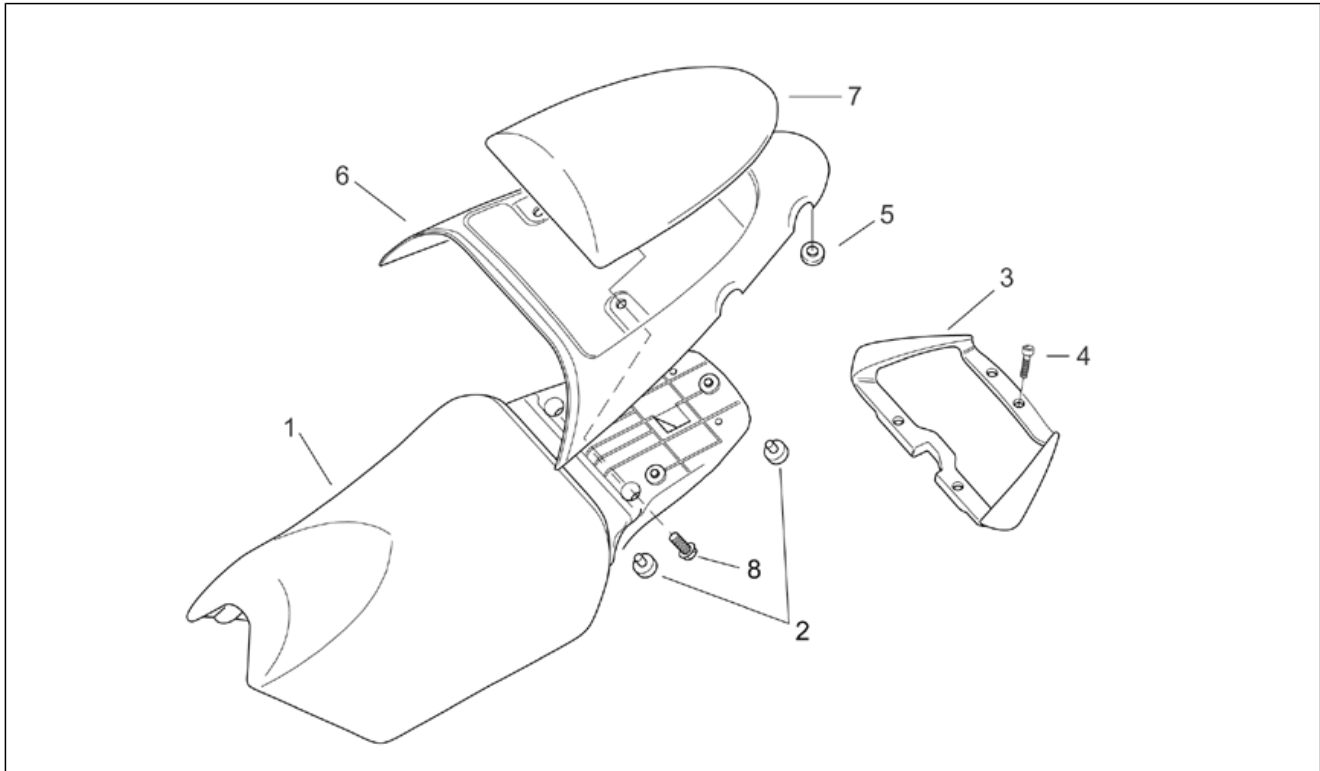
Pos.	Code	Beschreibung	Menge	Varianten
1	AP8268240	Unterb.	1	Baujahr: 2004[4] Farbe: Grau Graphite 2004[graph] Rot Tulip 2004[tulip] Technische Spezifikation: Version mit Vergaser (C364M) [carb]
1	AP8269359	Unterb.	1	Baujahr: 2011[B] Farbe: Rot Fluo 899817[red fluo] Schwarz Diablo 899818[n.diablo]
1	AP8258784	Unterb.	1	Baujahr: 2003[3] Farbe: Tuono 2003[tuono] Technische Spezifikation: Version mit Einspritzung (C361M) [ie]
1	AP8268247	Unterb.	1	Baujahr: 2004[4] Farbe: Replica Poggiali Weiß 2004[RP] Replica Poggiali Schwarz 2004[RP.bl] Technische Spezifikation: Version mit Vergaser (C364M) [carb] Version mit Einspritzung (C361M)[ie]
1	AP8268215	Unterb.	1	Baujahr: 2004[4] Farbe: Rot Fluo 2004[r.fluo] Technische Spezifikation: Version mit Vergaser (C364M) [carb] Version mit Einspritzung (C361M)[ie]
1	AP8258832	Unterb.	1	Baujahr: 2003[3] Farbe: "Blau Limited ""Racing"" 2003"[b.lim] Technische Spezifikation: Version mit Einspritzung (C361M) [ie]
1	AP8258825	Unterb.	1	Baujahr: 2003[3] Farbe: Schwarz GP1 2003[gp1] Technische Spezifikation: Version mit Einspritzung (C361M) [ie]
1	AP8268721	Unterb.	1	Baujahr: 2008[8] Farbe: Schwarz Aprilia 2008 (t.B.856145)[black] Grau Excalibur 2008 (t.B.856146)[g.ex] Technische Spezifikation: Version mit Vergaser (C364M) [carb]
1	AP8258846	Unterb.	1	Baujahr: 2003[3] Farbe: Rot Tulip 2003[t.red]

Einheit	RAHMEN
Code	28.11
Beschreibung	Mittlerer aufbau II
Inspektion	1



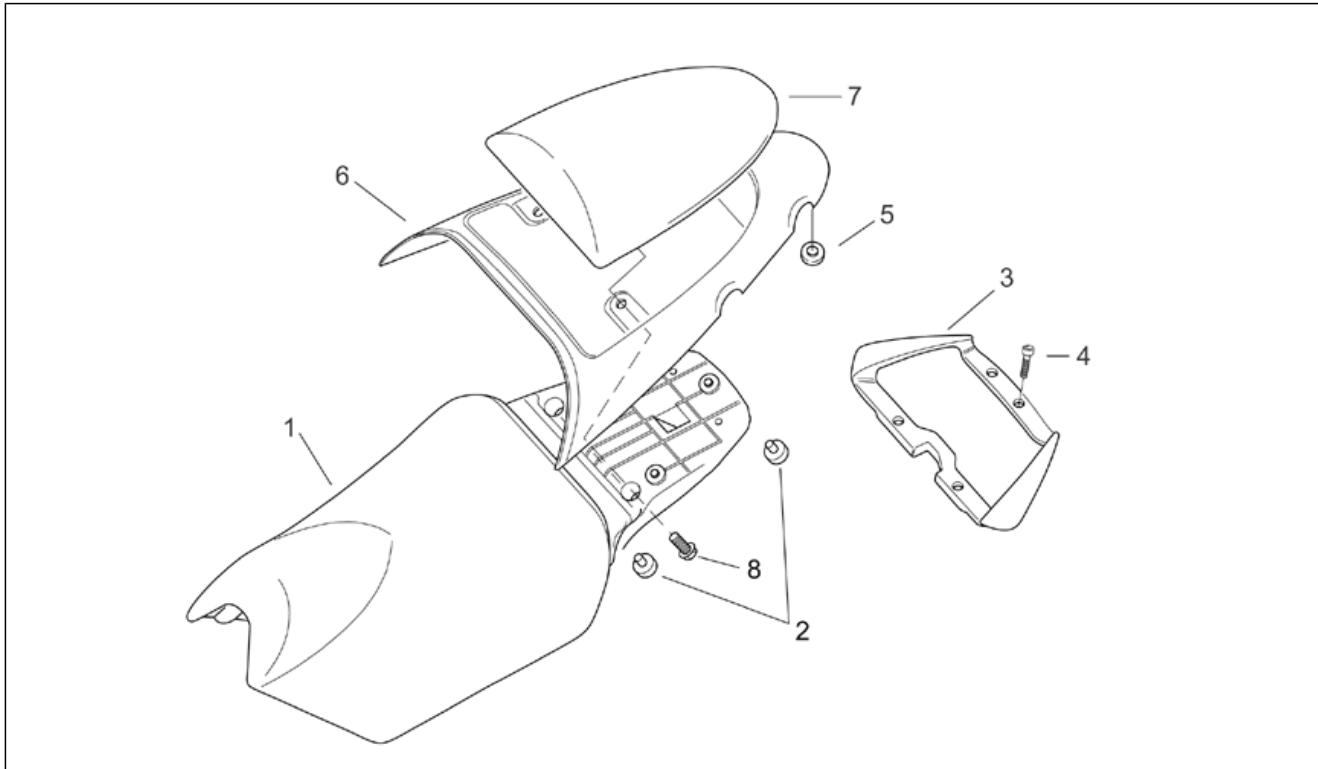
Pos.	Code	Beschreibung	Menge	Varianten
				Technische Spezifikation: Version mit Einspritzung (C361M) [ie]
1	AP8258679	Unterb. Schwarz	1	Baujahr: 2003[3] Farbe: Rot Fluo 2003[f.red] Grau Silver 2003[silver] Technische Spezifikation: Version mit Vergaser (C364M) [carb]
1	AP8258812	Unterb.	1	Baujahr: 2003[3] Farbe: "SBK ""Racing"" 2003"[sbk] Technische Spezifikation: Version mit Einspritzung (C361M) [ie]
1	AP8268220	Unterb.	1	Baujahr: 2004[4] Farbe: Bleigrau 2004[grey] Technische Spezifikation: Version mit Vergaser (C364M) [carb] Version mit Einspritzung (C361M)[ie]
2	AP8248665	Rechte Fußmatte, schwarz	1	
3	AP8249892	Fußbrett, schwarz	1	
4	AP8248666	Linke Fußmatte, schwarz	1	
5	AP8102376	Klammer M6	3	
6	AP8201763	Clip f. Blehschr. D5,5*	6	
7	AP8150425	Linsenschraube 5,5x22*	6	
8	AP8150382	Ausgleichscheibe 15x5,5X1,2	6	
9	AP8152280	TE Schr. m. Flansch M6x25	2	
10	AP8221046	Distanzscheibe D6x8x13,5*	2	
11	AP8150413	Gew.schr. 3,9x14	8	

Einheit	RAHMEN
Code	28.12
Beschreibung	Sitz - Schakel
Inspektion	1



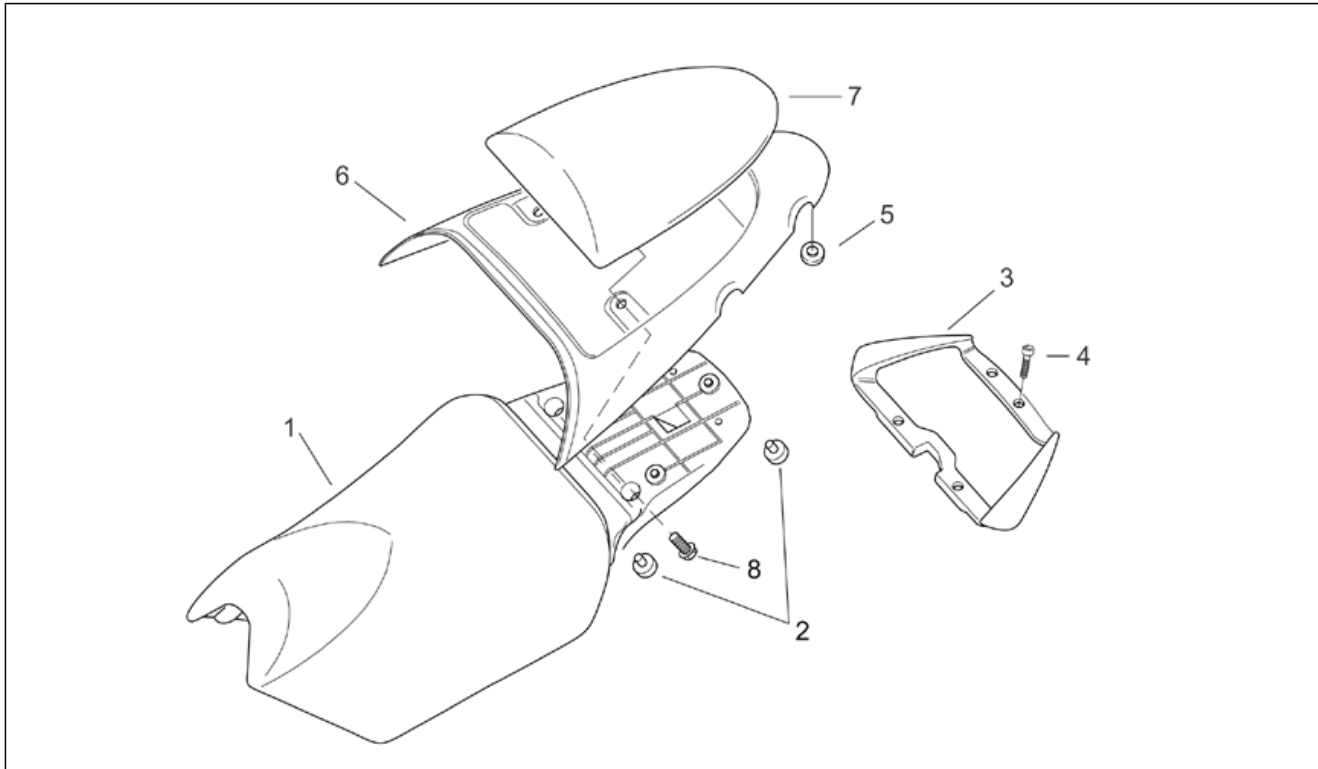
Pos.	Code	Beschreibung	Menge	Varianten
1	AP8229344	Sitz kpl, schwarz	1	Baujahr: 2004[4] Farbe: Rot Fluo 2004[r.fluo] Technische Spezifikation: Version mit Vergaser (C364M) [carb] Version mit Einspritzung (C361M)[ie]
1	AP8229383	Sitz	1	Baujahr: 2003[3] Farbe: Rot Tulip 2003[t.red] Technische Spezifikation: Version mit Einspritzung (C361M) [ie]
1	AP8229344	Sitz kpl, schwarz	1	Baujahr: 2004[4] Farbe: Bleigrau 2004[grey] Technische Spezifikation: Version mit Vergaser (C364M) [carb] Version mit Einspritzung (C361M)[ie]
1	AP8229396	Sitz, grau	1	Baujahr: 2004[4] Farbe: Grau Graphite 2004[graph] Rot Tulip 2004[tulip] Technische Spezifikation: Version mit Vergaser (C364M) [carb]
1	AP8229439	Sitz	1	Baujahr: 2008[8] Farbe: Schwarz Aprilia 2008 (t.B.856145)[black] Grau Excalibur 2008 (t.B.856146)[g.ex] Technische Spezifikation: Version mit Vergaser (C364M) [carb]
1	AP8229293	Sitz kpl, schwarz	1	Baujahr: 2003[3] Farbe: "Blau Limited ""Racing"" 2003"[b.lim] Technische Spezifikation: Version mit Einspritzung (C361M) [ie]
1	AP8229354	Sitz	1	Baujahr: 2003[3] Farbe: Tuono 2003[tuono] Technische Spezifikation: Version mit Einspritzung (C361M) [ie]
1	AP8229293	Sitz kpl, schwarz	1	Baujahr: 2003[3] Farbe: Rot Fluo 2003[f.red] Grau Silver 2003[silver] Technische Spezifikation: Version mit Vergaser (C364M) [carb]
1	AP8229344	Sitz kpl, schwarz	1	Baujahr: 2004[4]

Einheit	RAHMEN
Code	28.12
Beschreibung	Sitz - Schakel
Inspektion	1



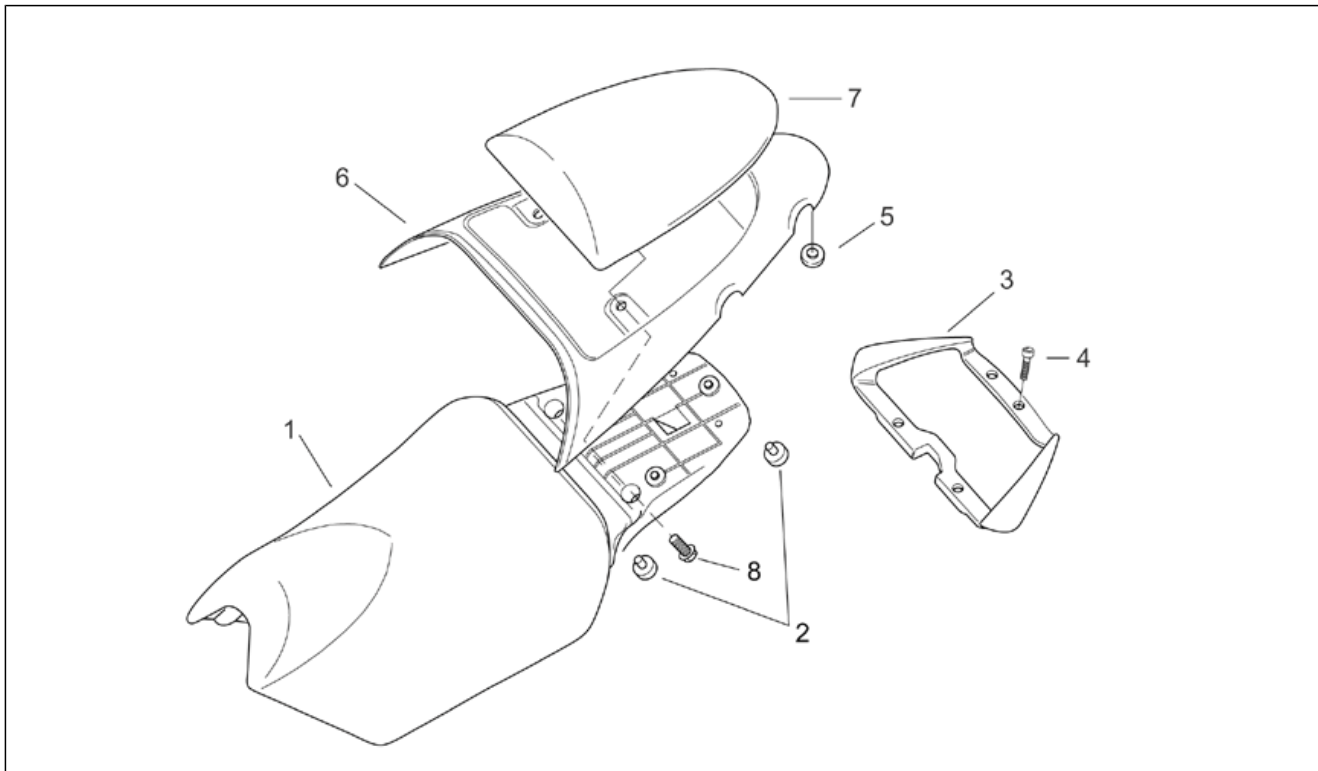
Pos.	Code	Beschreibung	Menge	Varianten
				Farbe: Replica Poggiali Wei 2004[RP] Replica Poggiali Schwarz 2004[RP.bl] Technische Spezifikation: Version mit Vergaser (C364M) [carb] Version mit Einspritzung (C361M)[ie]
1	AP8229459	Sitz rot/schwarz	1	Baujahr: 2011[B] Farbe: Schwarz Diablo 899818[n.diablo] Rot Fluo 899817[red fluo]
1	AP8229344	Sitz kpl, schwarz	1	Baujahr: 2003[3] Farbe: Schwarz GP1 2003[gp1] "SBK ""Racing"" 2003"[sbk] Technische Spezifikation: Version mit Einspritzung (C361M) [ie]
2	AP8220349	Gummi	4	
3	AP8249455	Soziusgriff schwarz	1	
4	AP8150220	TCEI Schraube M6x30	4	
5	AP8144081	Gummi	2	
6	AP8268242	Deckel, grau	1	Baujahr: 2004[4] Farbe: Grau Graphite 2004[graph] Rot Tulip 2004[tulip] Technische Spezifikation: Version mit Vergaser (C364M) [carb]
6	AP8268274	Sitzdeckel Schwarz	1	Baujahr: 2004[4] Farbe: Replica Poggiali Schwarz 2004[RP.bl] Technische Spezifikation: Version mit Vergaser (C364M) [carb] Version mit Einspritzung (C361M)[ie]
6	AP8258785	Sitzabdeckung, Kohlen	1	Baujahr: 2003[3] Farbe: Tuono 2003[tuono] Technische Spezifikation: Version mit Einspritzung (C361M) [ie]
6	AP8268217	Sitzabdeckung rot	1	Baujahr: 2004[4] Farbe: Rot Fluo 2004[r.fluo] Technische Spezifikation: Version mit Vergaser (C364M) [carb]
6	AP8258849	Sitzabdeckung rot	1	Baujahr: 2003[3] Farbe: Rot Tulip 2003[t.red]

Einheit	RAHMEN
Code	28.12
Beschreibung	Sitz - Schakel
Inspektion	1



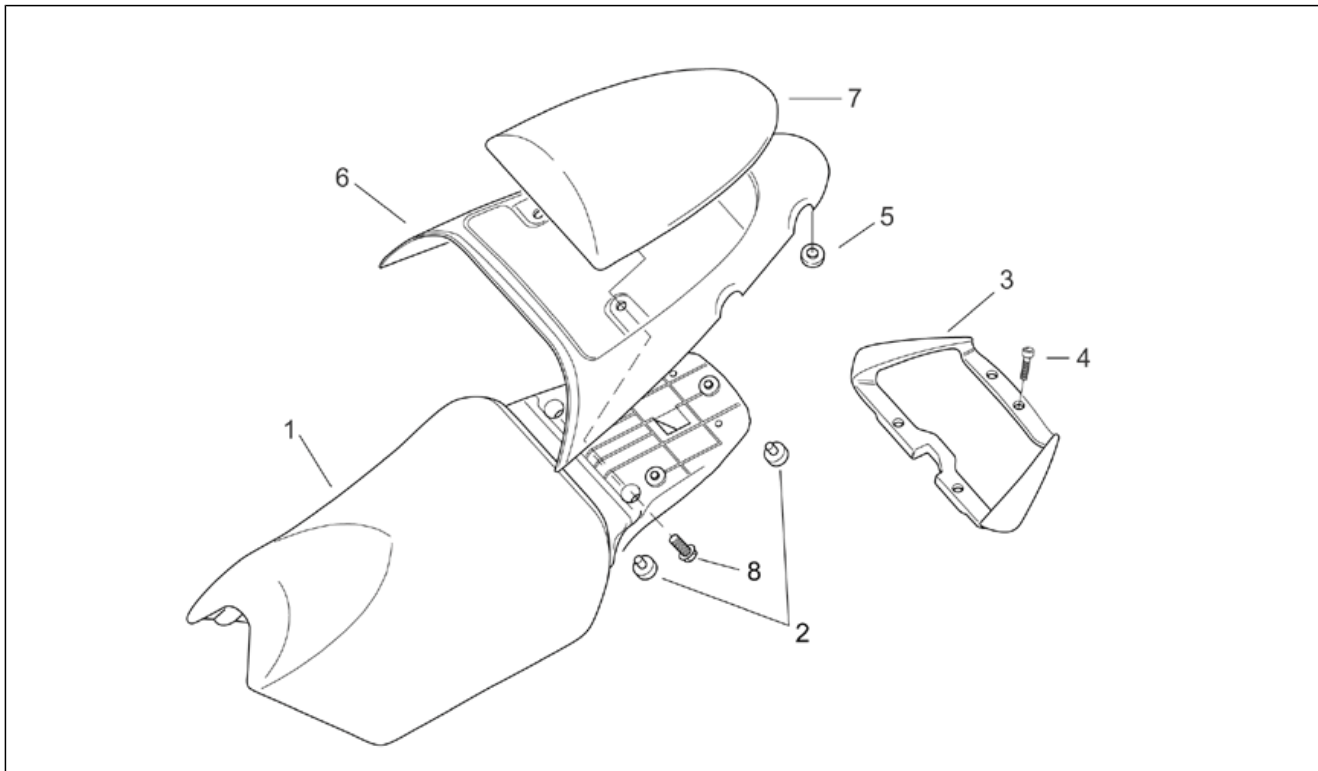
Pos.	Code	Beschreibung	Menge	Varianten
				Technische Spezifikation: Version mit Einspritzung (C361M) [ie]
6	AP8258813	Sitzdeckel Schwarz	1	Baujahr: 2003[3] Farbe: "SBK ""Racing"" 2003"[sbk] Technische Spezifikation: Version mit Einspritzung (C361M) [ie]
6	AP8268216	Sitzabdeckung rot	1	Baujahr: 2004[4] Farbe: Rot Fluo 2004[r.fluo] Technische Spezifikation: Version mit Einspritzung (C361M) [ie]
6	AP8268720	Sitzabdeckung rot	1	Baujahr: 2008[8] Farbe: Schwarz Aprilia 2008 (t.B.856145)[black] Grau Excalibur 2008 (t.B.856146)[g.ex] Technische Spezifikation: Version mit Vergaser (C364M) [carb]
6	AP8258835	Sitzabdeckung rot	1	Baujahr: 2003[3] Farbe: "Blau Limited ""Racing"" 2003"[b.lim] Technische Spezifikation: Version mit Einspritzung (C361M) [ie]
6	AP8258826	Sitzabdeckung silber	1	Baujahr: 2003[3] Farbe: Schwarz GP1 2003[gp1] Technische Spezifikation: Version mit Einspritzung (C361M) [ie]
6	89989200XR4	Sitzabdeckung rot	1	Farbe: Rot Fluo 899817[red fluo] Wei Aprilia 2012 (t.B.B044417)[wh]
6	AP8268248	Sitzdeckel Schwarz	1	Baujahr: 2004[4] Farbe: Replica Poggiali Wei 2004[RP] Technische Spezifikation: Version mit Vergaser (C364M) [carb] Version mit Einspritzung (C361M)[ie]
6	AP8258681	Sitzabdeckung silber	1	Baujahr: 2003[3] Farbe: Rot Fluo 2003[f.red] Grau Silver 2003[silver] Technische Spezifikation: Version mit Vergaser (C364M) [carb]
6	AP8268222	Sitzabdeckung, grau	1	Baujahr: 2004[4] Farbe: Bleigrau 2004[grey]

Einheit	RAHMEN
Code	28.12
Beschreibung	Sitz - Schäkel
Inspektion	1



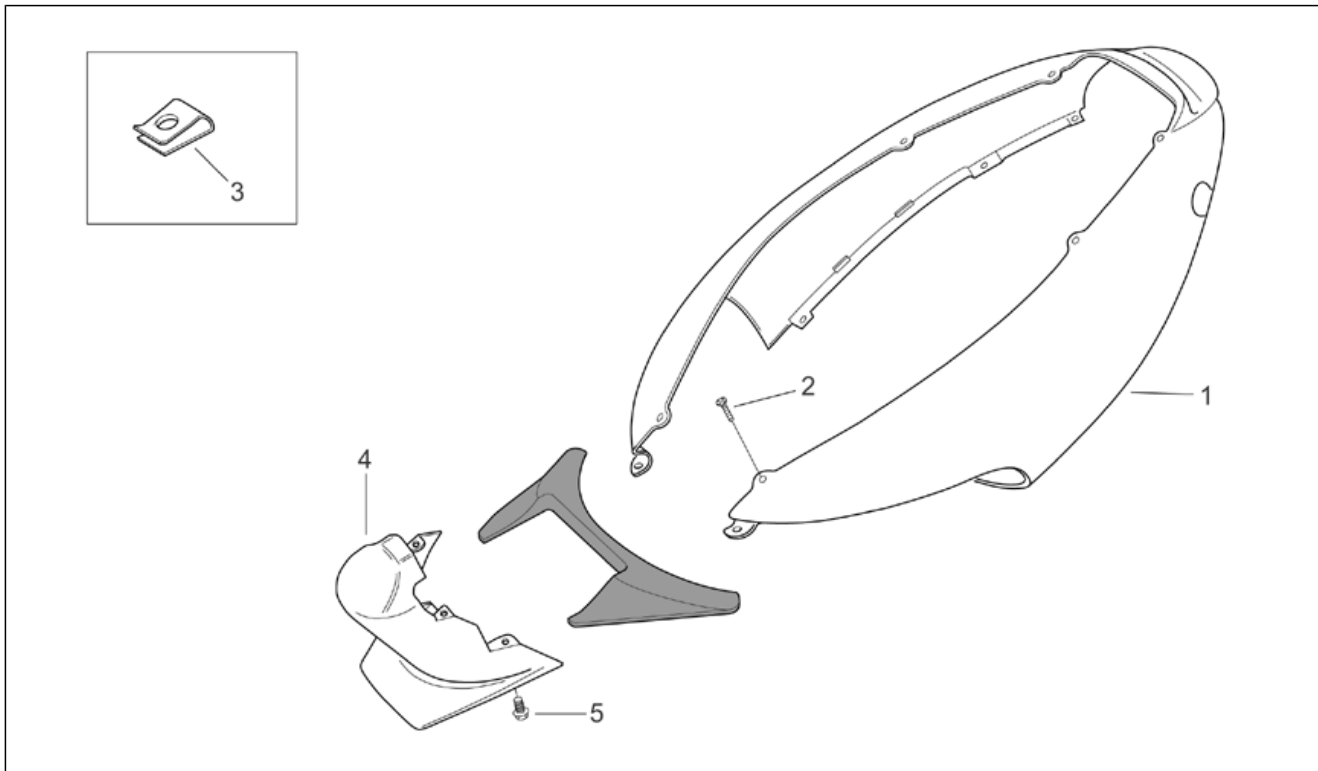
Pos.	Code	Beschreibung	Menge	Varianten
				Technische Spezifikation: Version mit Vergaser (C364M) [carb]
6	AP8268221	Sitzabdeckung, grau	1	Baujahr: 2004[4] Farbe: Bleigrau 2004[grey] Technische Spezifikation: Version mit Einspritzung (C361M) [ie]
6	89989300XR4	Sitzabdeckung rot	1	Baujahr: 2011[B] Farbe: Schwarz Diablo 899818[n.diablo]
7	AP8229321	Soziussitz, hot red	1	Baujahr: 2003[3] Farbe: "Blau Limited ""Racing"" 2003"[b.lim] Technische Spezifikation: Version mit Einspritzung (C361M) [ie]
7	AP8229192	Soziussitz, schwarz	1	Baujahr: 2003[3] Farbe: Rot Fluo 2003[f.red] Grau Silver 2003[silver] Technische Spezifikation: Version mit Vergaser (C364M) [carb]
7	AP8229297	Soziussitz rot fluor.	1	Baujahr: 2004[4] Farbe: Rot Fluo 2004[r.fluo] Technische Spezifikation: Version mit Vergaser (C364M) [carb] Version mit Einspritzung (C361M)[ie]
7	AP8229358	Soziussitz	1	Baujahr: 2003[3] Farbe: "SBK ""Racing"" 2003"[sbk] Technische Spezifikation: Version mit Einspritzung (C361M) [ie]
7	AP8229297	Soziussitz rot fluor.	1	Baujahr: 2008[8] Farbe: Schwarz Aprilia 2008 (t.B.856145)[black] Grau Excalibur 2008 (t.B.856146)[g.ex] Technische Spezifikation: Version mit Vergaser (C364M) [carb]
7	AP8229359	Soziussitz, grau	1	Baujahr: 2004[4] Farbe: Bleigrau 2004[grey] Technische Spezifikation: Version mit Vergaser (C364M) [carb] Version mit Einspritzung (C361M)[ie]
7	AP8229397	Soziussitz, grau	1	Baujahr: 2004[4] Farbe: Grau Graphite 2004[graph] Rot Tulip 2004[tulip]

Einheit	RAHMEN
Code	28.12
Beschreibung	Sitz - Schäkel
Inspektion	1



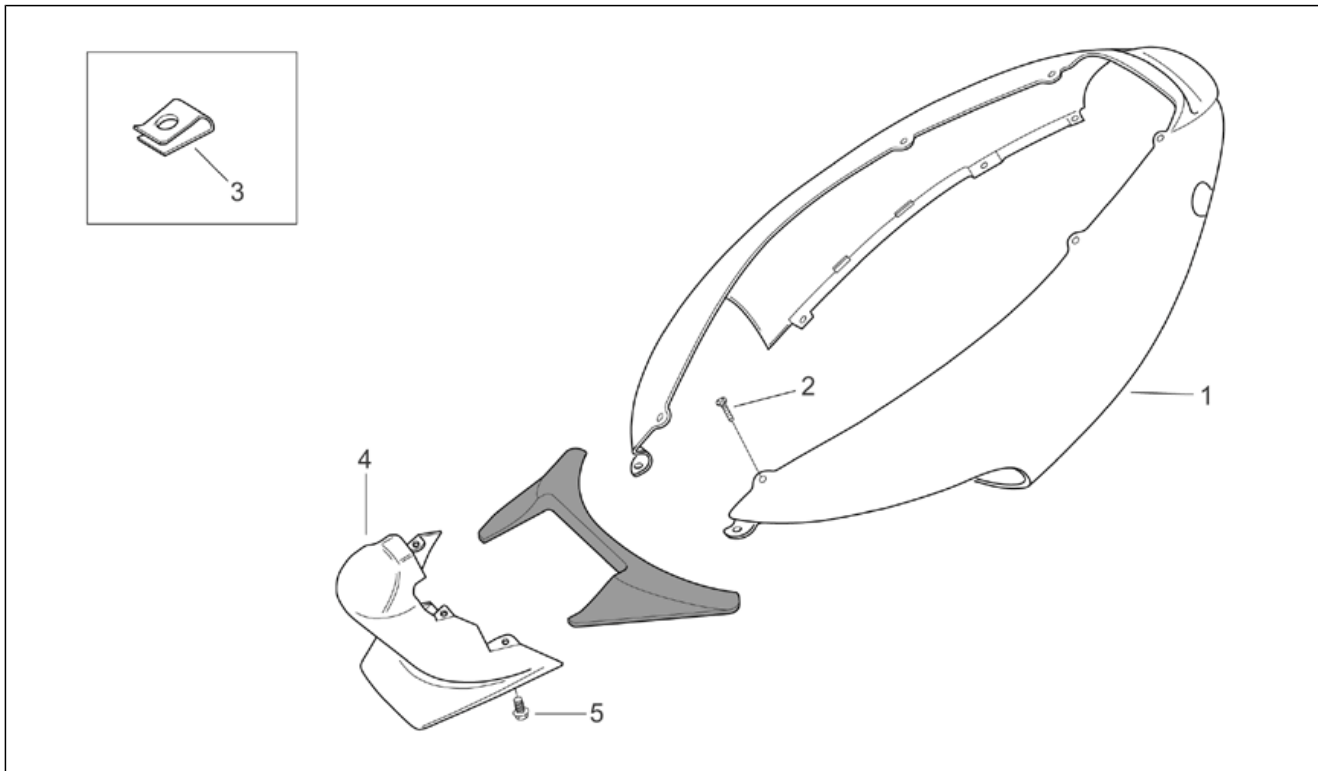
Pos.	Code	Beschreibung	Menge	Varianten
				Technische Spezifikation: Version mit Vergaser (C364M) [carb]
7	AP8229359	Soziussitz, grau	1	Baujahr: 2003[3] Farbe: Schwarz GP1 2003[gp1] Technische Spezifikation: Version mit Einspritzung (C361M) [ie]
7	AP8229384	Soziussitz rot	1	Baujahr: 2003[3] Farbe: Rot Tulip 2003[t.red] Technische Spezifikation: Version mit Einspritzung (C361M) [ie]
7	AP8229460	Soziussitz, schwarz	2	Farbe: Rot Fluo 899817[red fluo] Schwarz Diablo 899818[n.diablo]
7	AP8229358	Soziussitz	1	Baujahr: 2004[4] Farbe: Replica Poggiali Weiß 2004[RP] Replica Poggiali Schwarz 2004[RP.bl] Technische Spezifikation: Version mit Vergaser (C364M) [carb] Version mit Einspritzung (C361M)[ie]
7	AP8229355	Soziussitz, grün	1	Baujahr: 2003[3] Farbe: Tuono 2003[tuono] Technische Spezifikation: Version mit Einspritzung (C361M) [ie]
8	AP8152278	TE Schr. m. Flansch M6x16	3	

Einheit	RAHMEN
Code	28.13
Beschreibung	Heckaufbau I
Inspektion	1



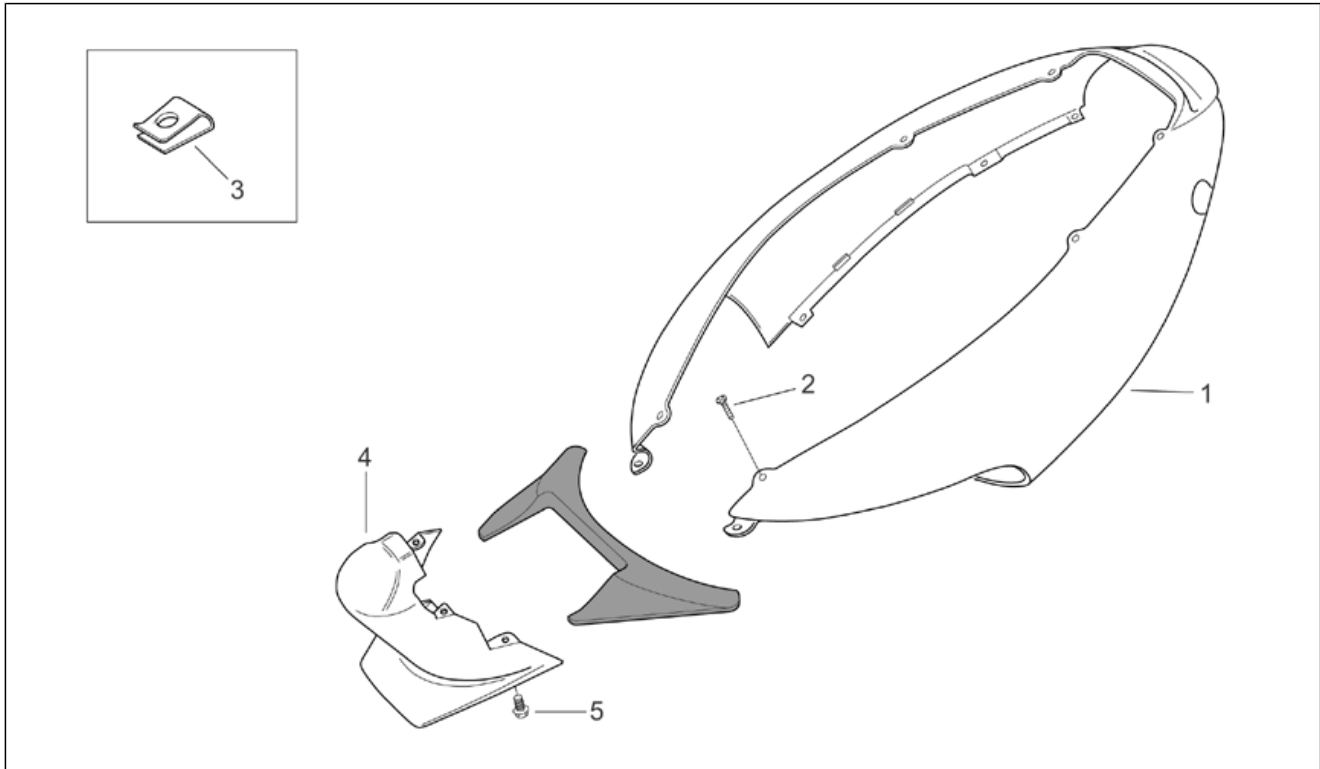
Pos.	Code	Beschreibung	Menge	Varianten
1	AP8258782	Heckteil, d. schwarz	1	Baujahr: 2003[3] Farbe: Tuono 2003[tuono] Technische Spezifikation: Version mit Einspritzung (C361M) [ie]
1	AP8258830	Heckteil, blau	1	Baujahr: 2003[3] Farbe: "Blau Limited ""Racing"" 2003"[b.lim] Technische Spezifikation: Version mit Einspritzung (C361M) [ie]
1	AP8268724	Heckteil, grau	1	Baujahr: 2008[8] Farbe: Grau Excalibur 2008 (t.B.856146)[g.ex] Technische Spezifikation: Version mit Vergaser (C364M) [carb]
1	AP8269357	Heckteil, rot	1	Baujahr: 2011[B] Farbe: Rot Fluo 899817[red fluo]
1	AP8268245	Heckteil, A.weiß	1	Baujahr: 2004[4] Farbe: Replica Poggiali Weiß 2004[RP] Technische Spezifikation: Version mit Vergaser (C364M) [carb] Version mit Einspritzung (C361M)[ie]
1	AP8268204	Heckteil, grau	1	Baujahr: 2004[4] Farbe: Rot Fluo 2004[r.fluo] Technische Spezifikation: Version mit Vergaser (C364M) [carb] Version mit Einspritzung (C361M)[ie]
1	AP8268238	Heckteil, grau	1	Baujahr: 2004[4] Farbe: Grau Graphite 2004[graph] Technische Spezifikation: Version mit Vergaser (C364M) [carb]
1	AP8268219	Heckteil, m.grau	1	Baujahr: 2004[4] Farbe: Bleigrau 2004[grey] Technische Spezifikation: Version mit Vergaser (C364M) [carb] Version mit Einspritzung (C361M)[ie]
1	AP8258823	Heckteil, d. schwarz	1	Baujahr: 2003[3] Farbe: Schwarz GP1 2003[gp1] Technische Spezifikation: Version mit Einspritzung (C361M) [ie]

Einheit	RAHMEN
Code	28.13
Beschreibung	Heckaufbau I
Inspektion	1



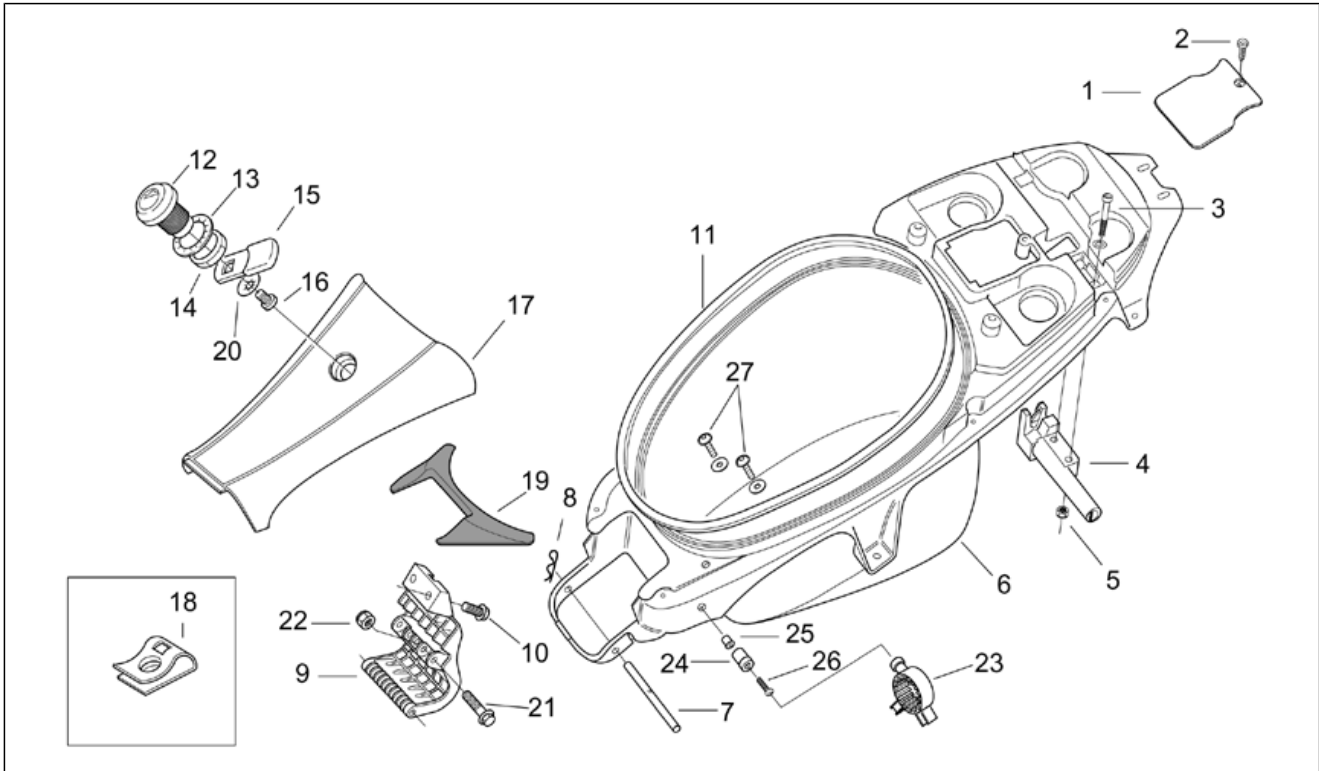
Pos.	Code	Beschreibung	Menge	Varianten
1	AP8269373	Heckteil I.Weiß Aprilia m.Aufkl.	1	Baujahr: 2012[C] Farbe: Weiß Aprilia 2012 (t.B.B044417)[wh]
1	AP8258934	Heckteil, rot	1	Baujahr: 2003[3] Farbe: Rot Fluo 2003[f.red] Technische Spezifikation: Version mit Vergaser (C364M) [carb]
1	AP8268258	Heckteil, rot	1	Baujahr: 2004[4] Farbe: Rot Tulip 2004[tulip] Technische Spezifikation: Version mit Vergaser (C364M) [carb]
1	AP8269364	Heck schwarz diablo	1	Baujahr: 2011[B] Farbe: Schwarz Diablo 899818[n.diablo]
1	AP8268718	Heck schwarz a.	1	Baujahr: 2008[8] Farbe: Schwarz Aprilia 2008 (t.B.856145)[black] Technische Spezifikation: Version mit Vergaser (C364M) [carb]
1	AP8258677	Heckteil, silver	1	Baujahr: 2003[3] Farbe: Grau Silver 2003[silver] Technische Spezifikation: Version mit Vergaser (C364M) [carb]
1	AP8258844	Heckteil, rot	1	Baujahr: 2003[3] Farbe: Rot Tulip 2003[t.red] Technische Spezifikation: Version mit Einspritzung (C361M) [ie]
1	AP8268272	Heck schwarz a.	1	Baujahr: 2004[4] Farbe: Replica Poggiali Schwarz 2004[RP.bl] Technische Spezifikation: Version mit Vergaser (C364M) [carb] Version mit Einspritzung (C361M)[ie]
1	AP8258810	Heckteil, d. schwarz	1	Baujahr: 2003[3] Farbe: "SBK ""Racing"" 2003"[sbk] Technische Spezifikation: Version mit Einspritzung (C361M) [ie]
2	AP8150413	Gew.schr. 3,9x14	10	
3	AP8201763	Clip f. Blechschr. D5,5*	4	

Einheit	RAHMEN
Code	28.13
Beschreibung	Heckaufbau I
Inspektion	1



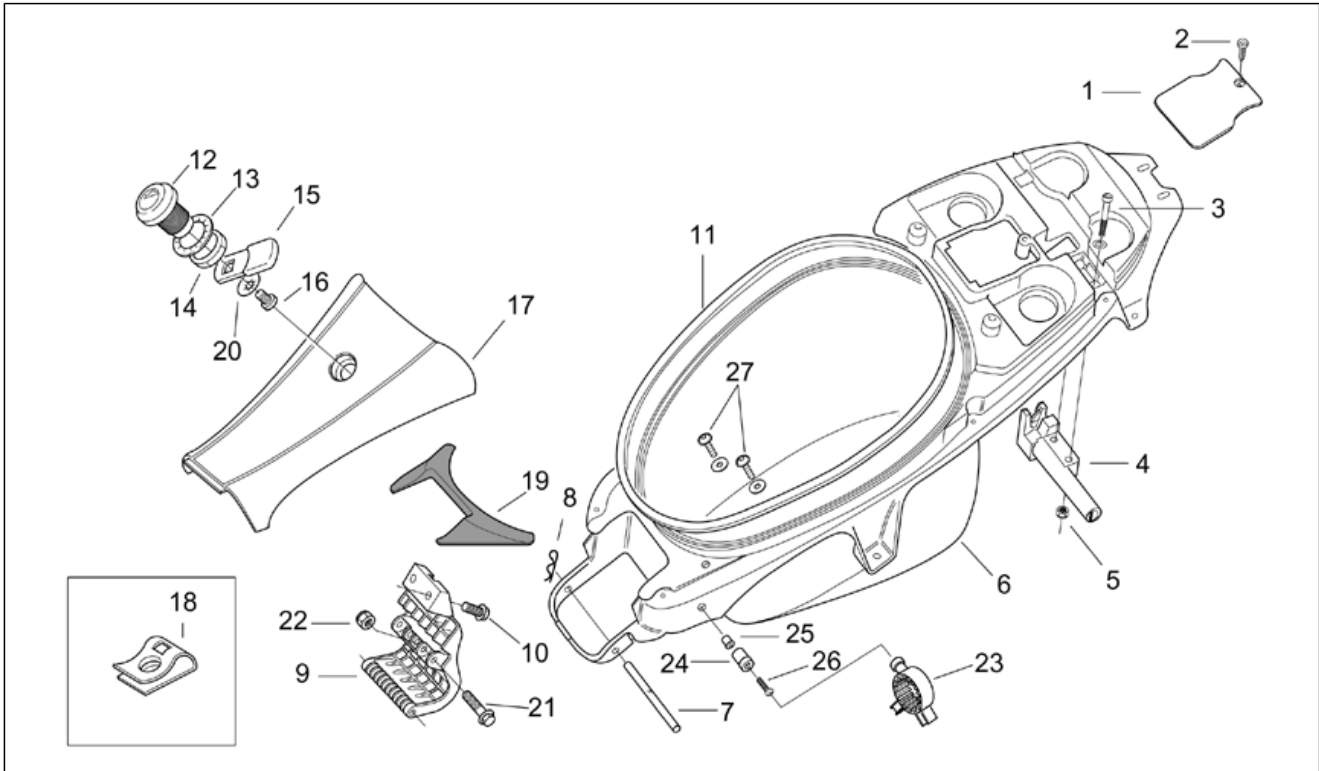
Pos.	Code	Beschreibung	Menge	Varianten
4	AP8249708	Verkl.stange schwarz	1	
5	AP8152277	TE Schr. m. Flansch M6x12	2	

Einheit	RAHMEN
Code	28.14
Beschreibung	Heckaufbau II
Inspektion	1



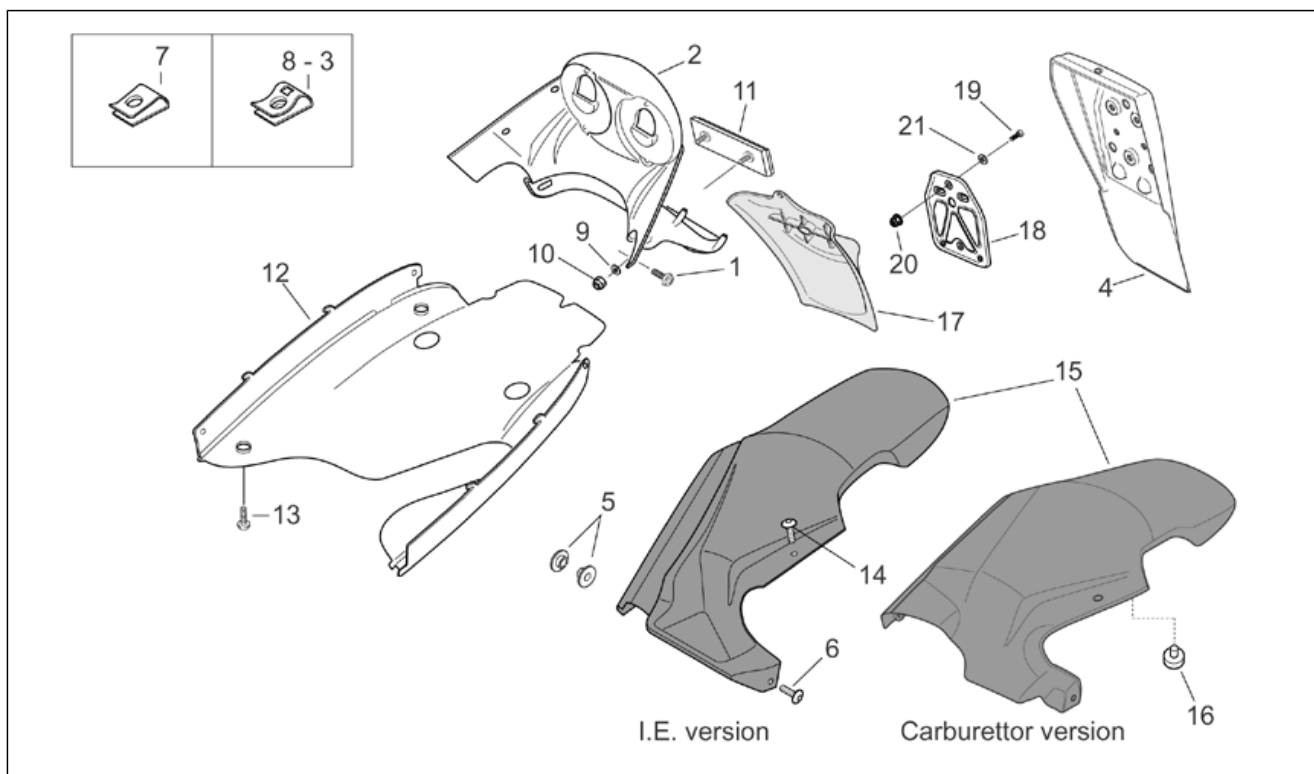
Pos.	Code	Beschreibung	Menge	Varianten
1	AP8238856	Klp. Benz.std.gb., schwarz	1	
2	AP8150413	Gew.schr. 3,9x14	1	
3	AP8152283	TE Schr. m. Flansch	2	
4	AP8202246	Sitzschloß	1	
5	AP8150430	Selbstsperr.mut Unt.	2	
6	AP8258801	Schutzhelmfach	1	
7	AP8221321	Sitzgelenkbolzen	1	
8	AP8201643	Splint	1	
9	AP8238681	Sitzgelenk, schwarz	1	
10	AP8152279	TE Schr. m. Flansch M6x20	2	
11	AP8220313	Kofferdichtung	1	
12	AP8202247	Schloss	1	
13	AP8221312	Zahnscheibe	1	
14	AP8152194	Mutter unten M19x1*	1	
15	AP8201620	Hebel	1	
16	AP8201749	Linsenschraube M4x6	1	
17	AP8258561	Tunneldeckel, grau	1	Baujahr: 2004[4] Farbe: Grau Graphite 2004[graph] Rot Tulip 2004[tulip] Technische Spezifikation: Version mit Vergaser (C364M) [carb]
17	AP8249532	Tunneldeckel, m.schwarz	1	Baujahr: 2003[3] Farbe: Rot Fluo 2003[f.red] Grau Silver 2003[silver] Technische Spezifikation: Version mit Vergaser (C364M) [carb]
17	AP8249532	Tunneldeckel, m.schwarz	1	Baujahr: 2004[4] 2011[B] Farbe: Replica Poggiali Weiß 2004[RP] Rot Fluo 899817[red fluo] Schwarz Diablo 899818[n.diablo] Technische Spezifikation: Version mit Vergaser (C364M) [carb] Version mit Einspritzung (C361M)[ie]
17	AP8258561	Tunneldeckel, grau	1	Baujahr: 2004[4]

Einheit	RAHMEN
Code	28.14
Beschreibung	Heckaufbau II
Inspektion	1



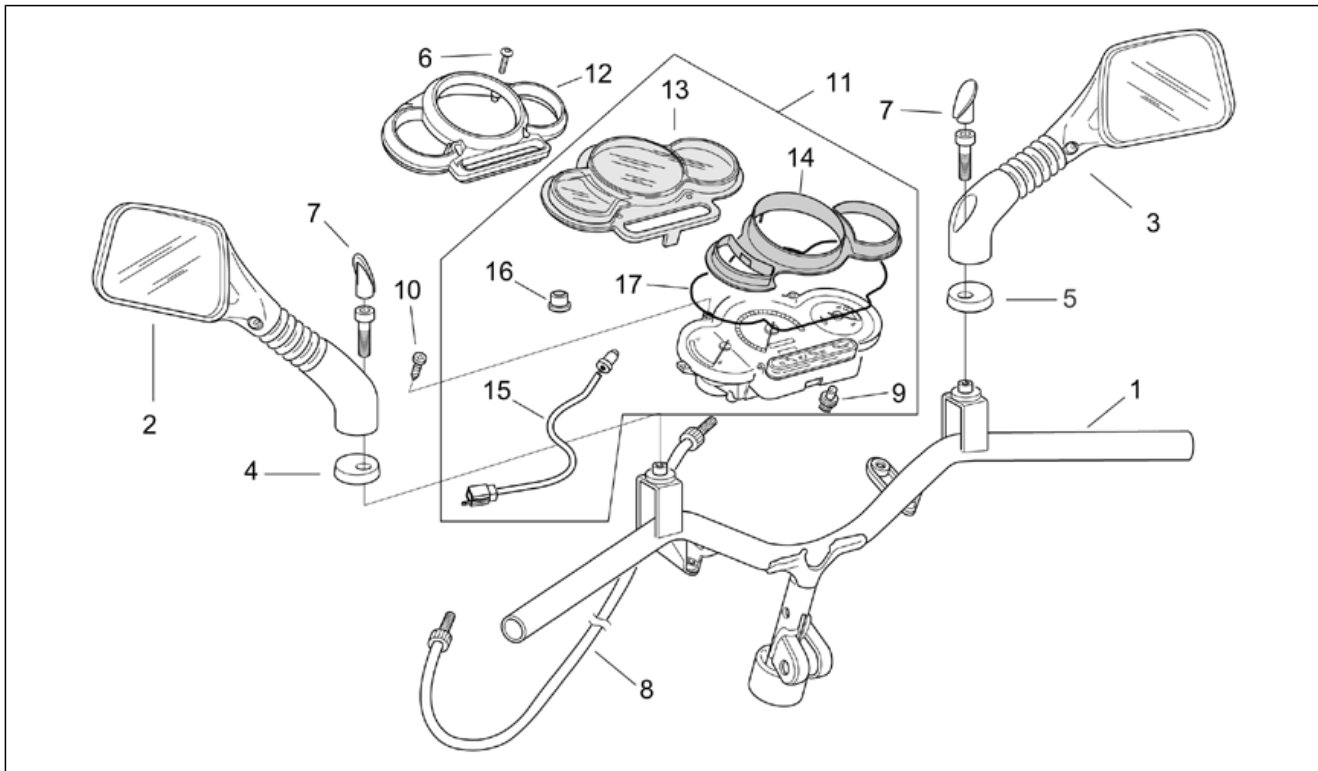
Pos.	Code	Beschreibung	Menge	Varianten
				Farbe: Bleigrau 2004[grey] Rot Fluo 2004[r.fluo] Replica Poggiali Schwarz 2004[RP.bl] Technische Spezifikation: Version mit Vergaser (C364M) [carb] Version mit Einspritzung (C361M)[ie]
17	AP8258561	Tunneldeckel, grau	1	Baujahr: 2003[3] Farbe: "Blau Limited ""Racing"" 2003"[b.lim] Schwarz GP1 2003[gp1] "SBK ""Racing"" 2003"[sbk] Rot Tulip 2003[t.red] Technische Spezifikation: Version mit Einspritzung (C361M) [ie]
17	AP8249532	Tunneldeckel, m.schwarz	1	Baujahr: 2008[8] 2011[B] Farbe: Schwarz Aprilia 2008 (t.B.856145)[black] Grau Excalibur 2008 (t.B.856146)[g.ex] Rot Fluo 899817[red fluo] Schwarz Diablo 899818[n.diablo] Technische Spezifikation: Version mit Vergaser (C364M) [carb]
17	AP8258789	Tunnelabdeck.	1	Baujahr: 2003[3] Farbe: Tuono 2003[tuono] Technische Spezifikation: Version mit Einspritzung (C361M) [ie]
18	AP8102376	Klammer M6	7	
19	AP8220468	Gummi Sitzgelenk	1	
20	AP8201748	Ausgleichscheibe	1	
21	AP8152282	TE Schr. m. Flansch M6x35	2	
22	AP8152299	Selbstsperrende Mutter M6	2	
23	AP8220592	Halter Kraftstoffpumpe	1	Technische Spezifikation: Version mit Einspritzung (C361M) [ie]
24	AP8234195	Stift	1	Technische Spezifikation: Version mit Einspritzung (C361M) [ie]
25	AP8120531	Gummi mit Einsatz	1	Technische Spezifikation: Version mit Einspritzung (C361M) [ie]
26	AP8225369	TBEI Schraube	1	Technische Spezifikation: Version mit Einspritzung (C361M) [ie]
27	AP8152246	TBEI Schraube m.Flansch M6x16	2	

Einheit	RAHMEN
Code	28.15
Beschreibung	Heckaufbau III
Inspektion	1



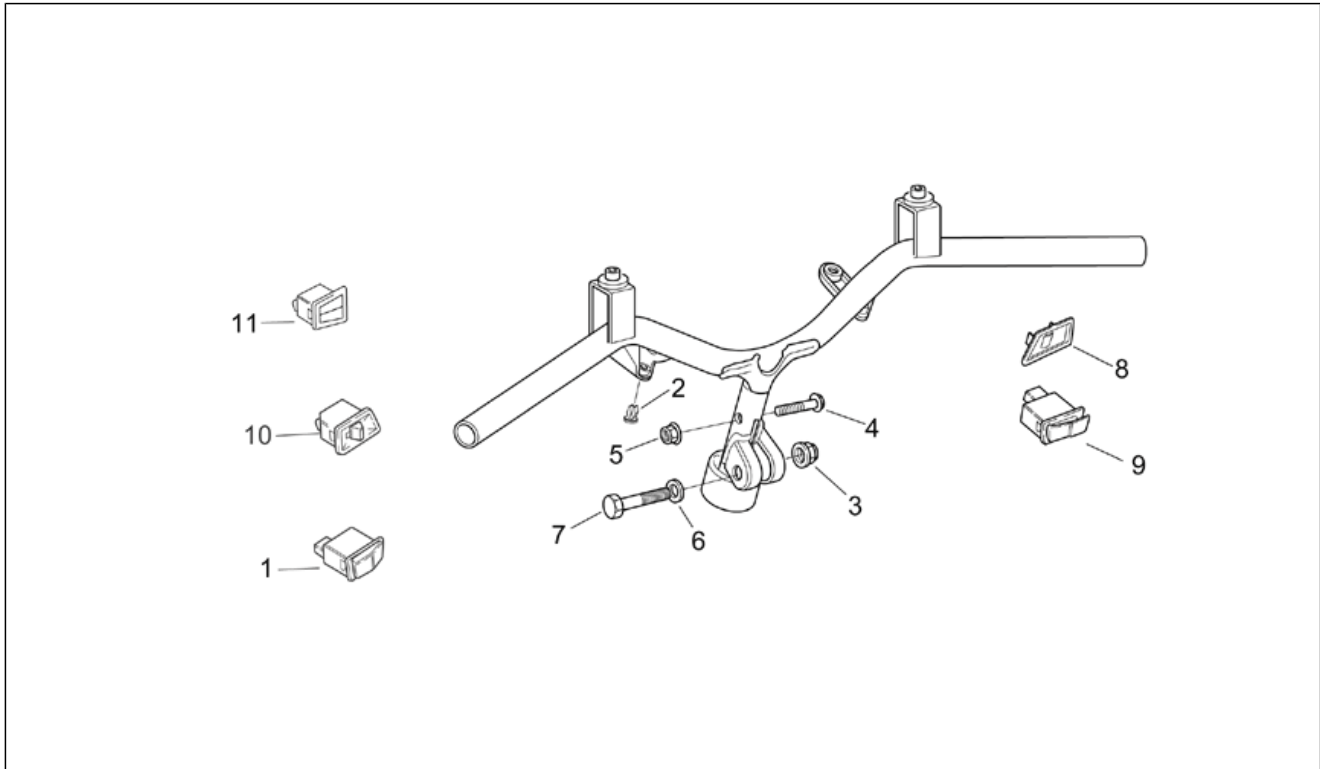
Pos.	Code	Beschreibung	Menge	Varianten
1	AP8152298	TBEI Schraube m.Flansch M5x16	2	
2	AP8226627	Kennzeichenplatte, schwarz	1	Land:Belgien[B] Deutschland[D] Europa[EU] Deutschland[GE] Italien[I] Holland[NL] Großbritannien[UK]
2	AP8226792	Kennzeichenplatte, schwarz	1	Land:Japan[J] Japan[JJ]
3	AP8102376	Klammer M6	1	
4	AP8226626	Hinteres Spritzschutz, schw.	1	
5	AP8221218	Buchse Schutzblech	2	
6	AP8152298	TBEI Schraube m.Flansch M5x16	1	
7	AP8201763	Clip f. Blechschr. D5,5*	2	
8	AP8102375	Klammer M5	4	
9	AP8150158	Ausgleichscheibe 4,3X9X0,8	2	
10	AP8150204	Mutter M4	2	
11	AP8112916	Rückstrahler Rücklicht	1	
12	AP8249762	Tankschutz m.schwarz	1	
12	AP8258562	Tankschutz grau	1	
12	AP8258790	Tankschutz gold	1	
13	AP8152298	TBEI Schraube m.Flansch M5x16	4	
14	AP8152302	TBEI Schraube m.Flansch M5x12	1	
15	AP8226790	Hinteres Schutzblech	1	Technische Spezifikation: Version mit Vergaser (C364M) [carb]
15	AP8226762	Hinteres Schutzblech	1	Technische Spezifikation: Version mit Einspritzung (C361M) [ie]
16	AP8144081	Gummi	1	Technische Spezifikation: Version mit Vergaser (C364M) [carb]
17	AP8149303	Halter.K-zeich.-belev., schw.	1	
18	AP8249558	Kennzeichenhalter	1	
19	AP8152043	TCEI Schraube M4x10	3	
20	AP8150204	Mutter M4	3	
21	AP8150158	Ausgleichscheibe 4,3X9X0,8	3	

Einheit	RAHMEN
Code	28.16
Beschreibung	Lenkstange - Instrumenteneinheit
Inspektion	1



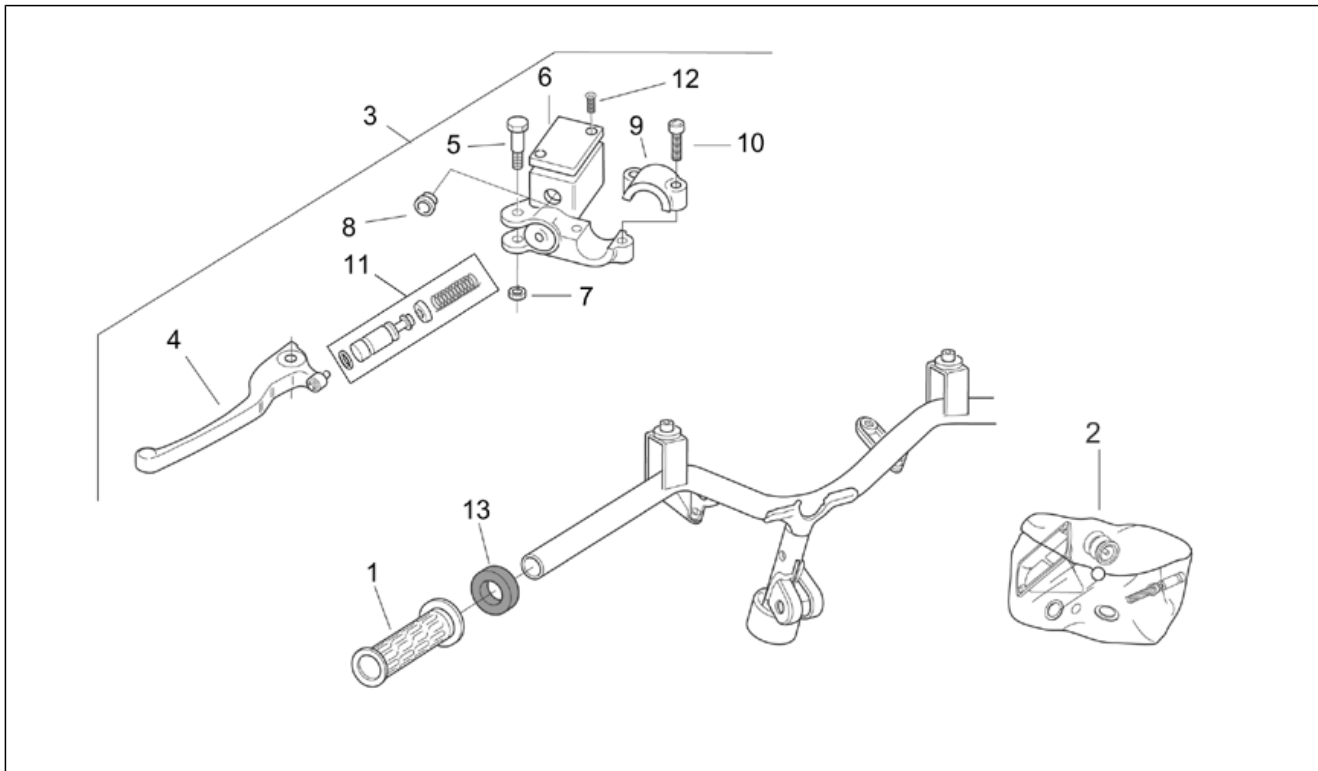
Pos.	Code	Beschreibung	Menge	Varianten
1	AP8218210	Lenkstange galv.	1	
2	AP8201976	Rückspiegel links	1	
3	AP8201975	Rückspiegel rechts	1	
4	AP8220454	Gummi linker Spiegel	1	
5	AP8220453	Gummi rechter Spiegel	1	
6	AP8221242	Gewindeschraube Spezial 3,5x20	4	
7	AP8202071	Verschl. Spgl rch + lks.	2	
8	AP8214163	Tachometerkabel	1	
9	AP8124762	Lampenhalter kplt.	7	
10	AP8150421	Gew.schr. 2,9x12	4	
11	AP8224634	Instrum.tafel kplt.	1	Technische Spezifikation: Version mit Vergaser (C364M) [carb] Version mit Frontscheinw. Fernl./Abblendl.[HI/LO]
11	AP8224633	Instrum.tafel kplt.	1	Technische Spezifikation: Version mit Frontscheinw. Fernl./Abblendl.[HI/LO] Version mit Einspritzung (C361M)[ie]
11	AP8224485	Instrum.tafel kplt.	1	Technische Spezifikation: Version mit Vergaser (C364M) [carb] Version mit Abblendlicht vorne[LO]
11	AP8224484	Instrum.tafel kplt.	1	Technische Spezifikation: Version mit Einspritzung (C361M) [ie] Version mit Abblendlicht vorne[LO]
12	AP8249766	Blende ohne Kontrolleuchten	1	
13	AP8224344	Instrumentenblenden schutz	1	
14	AP8224345	Beleuchtungsschirm	1	
15	AP8224369	Verkabelung Instrumentenbrett	1	Technische Spezifikation: Version mit Einspritzung (C361M) [ie]
16	AP8224368	Deckel	1	Technische Spezifikation: Version mit Vergaser (C364M) [carb]
17	AP8220551	O-Ring	1	

Einheit	RAHMEN
Code	28.17
Beschreibung	Lenkstange - Tasten
Inspektion	1



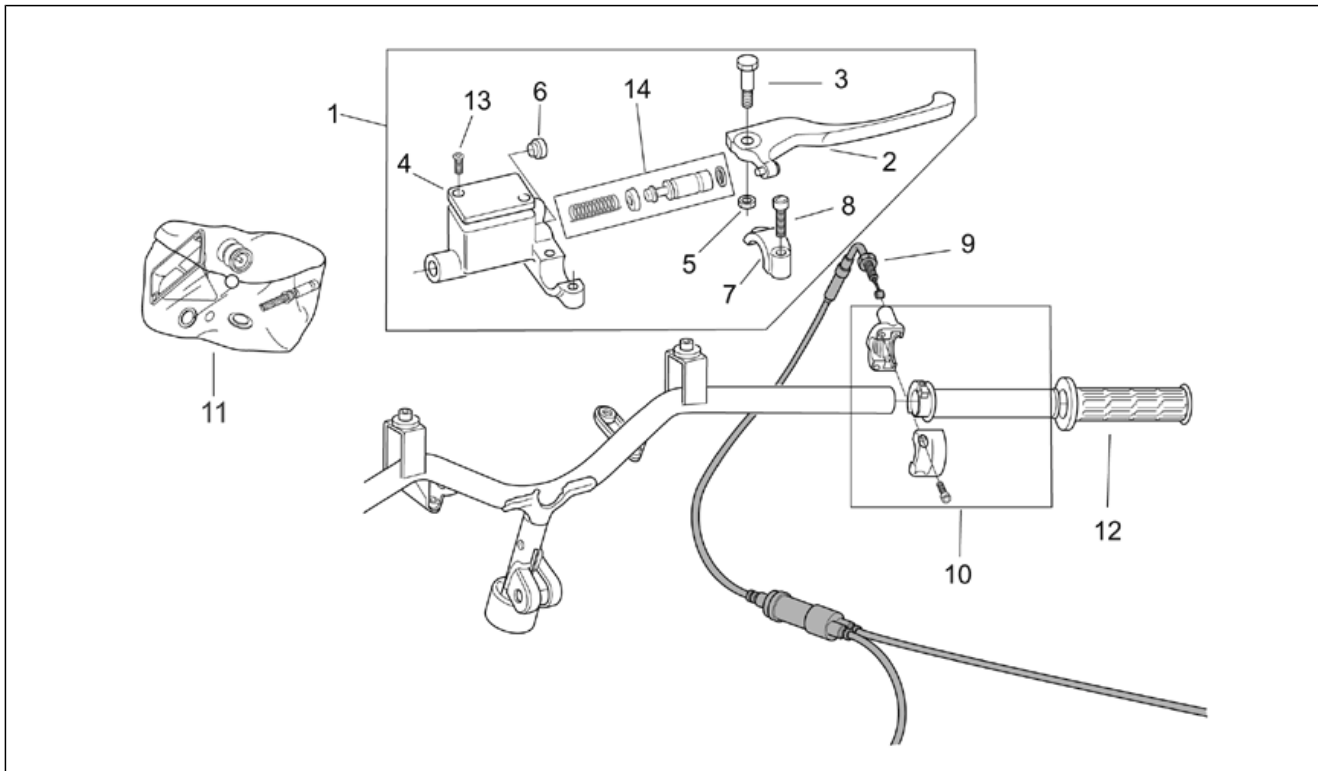
Pos.	Code	Beschreibung	Menge	Varianten
1	AP8124209	Hupknopf	1	
2	AP8102671	Kunststoffniet	2	
3	AP8152301	Selbstsperrende Mutter	1	
4	AP8152290	TE Schr. m. Flansch M8x40	1	
5	AP8152300	Selbstsperrende Mutter M8	2	
6	AP8150020	Ausgleichscheibe 10,5x21x2*	1	
7	AP8150086	TCEI Schraube	1	
8	AP8104546	Deckel	1	
9	AP8124208	Startknopf	1	
10	AP8212767	Blinker Lichtknopf	1	
11	AP8124081	Lichtschalter	1	Technische Spezifikation: Version mit Frontscheinw. Fernl./Abblendl.[HI/LO]

Einheit	RAHMEN
Code	28.18
Beschreibung	Schaltungen links
Inspektion	1



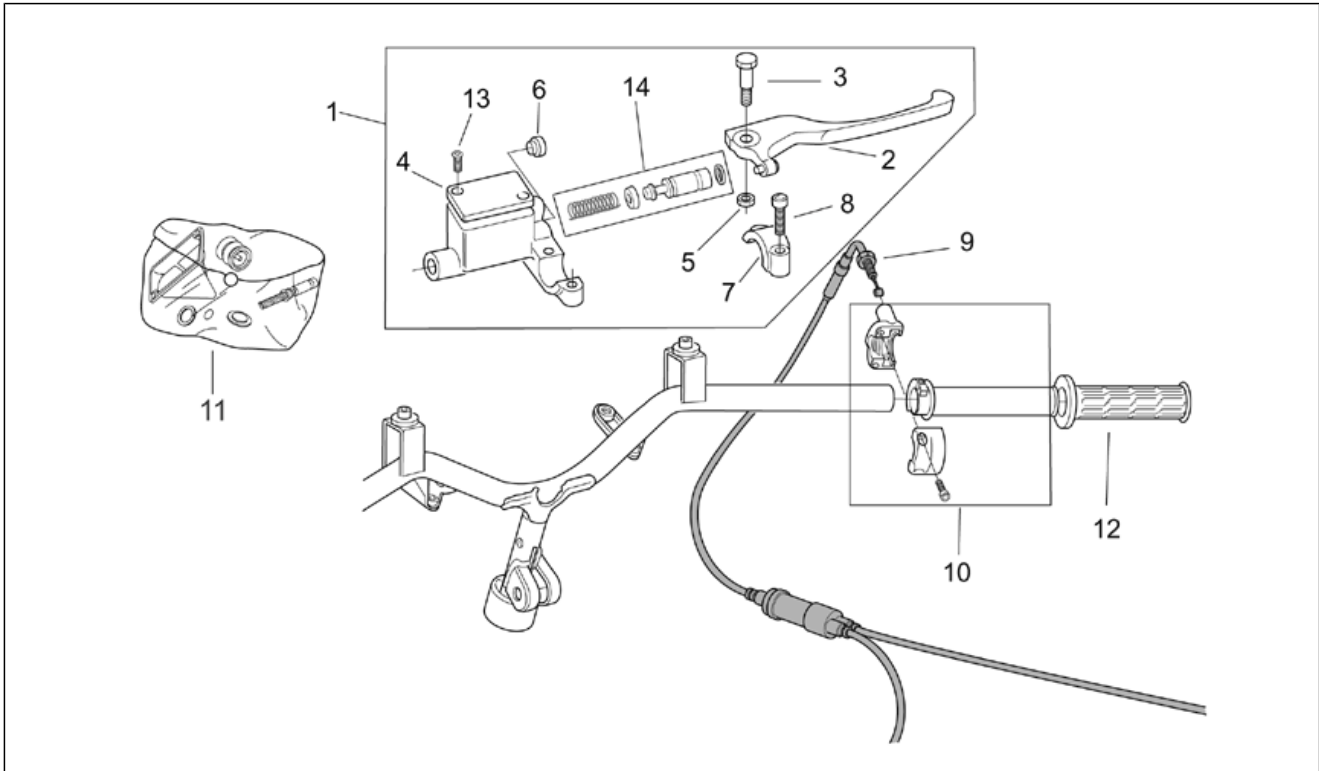
Pos.	Code	Beschreibung	Menge	Varianten
1	AP8218275	Handgriffe paar, schwarz	1	
1	AP8218265	Handgriffe paar, grau	1	
2	AP8213593	Bausatz Pumpenüberholung	1	Technische Spezifikation:Marke Heng Tong[ht]
2	AP8213375	Bausatz Pumpenüberholung	1	Technische Spezifikation:Marke Grimeca[gr]
3	AP8213485	Hinterradbremspumpe	1	Technische Spezifikation:Marke Grimeca[gr]
3	AP8133730	Hinterradbremspumpe	1	Technische Spezifikation:Marke Heng Tong[ht]
3	CM081208	Hinterradbremspumpe d.11	1	Technische Spezifikation:Heng-Tong D.11[HT1]
4	AP8218549	Bremshebel, schwarz	1	Technische Spezifikation:Marke Grimeca[gr]
4	AP8213594	Bremshebel, schwarz	1	Technische Spezifikation:Marke Heng Tong[ht]
4	600475	Bremshebel Heng Tong	1	Technische Spezifikation:Heng-Tong D.11[HT1]
5	AP8213584	Bremshebelbolzen	1	Technische Spezifikation:Marke Heng Tong[ht]
5	AP8125757	Schraube Hebel	1	Technische Spezifikation:Marke Grimeca[gr]
6	AP8213272	Tankdeckel	1	Technische Spezifikation:Marke Grimeca[gr]
6	AP8213595	Tankdeckel, Kpl.	1	Technische Spezifikation:Marke Heng Tong[ht]
7	AP8213298	Mutter	1	Technische Spezifikation:Marke Grimeca[gr]
7	AP8213585	Mutter	1	Technische Spezifikation:Marke Heng Tong[ht]
8	AP8113414	Schauglas Bremspumpe	1	Technische Spezifikation:Marke Grimeca[gr]
9	AP8213586	Bremshebel-Bügelbolzen	1	Technische Spezifikation:Marke Heng Tong[ht]
9	AP8113637	Bremshebel-Bügelbolzen	1	Technische Spezifikation:Marke Grimeca[gr]
9	AP8213580	L. Bügelbolzen	1	Technische Spezifikation:Heng-Tong D.11[HT1]
10	AP8213582	Kappenschraube	2	Technische Spezifikation:Marke Heng Tong[ht]
10	AP8213299	Kappenschraube	2	Technische Spezifikation:Marke Grimeca[gr]
10	AP8213582	Kappenschraube	2	Technische Spezifikation:Heng-Tong D.11[HT1]
11	AP8113861	Kolben kpl.	1	Technische Spezifikation:Marke Grimeca[gr]
12	AP8213400	Schraube Pumpendeckel	2	Technische Spezifikation:Marke Grimeca[gr]
12	AP8213583	Schraube Pumpendeckel	2	Technische Spezifikation:Marke Heng Tong[ht]
13	AP8148454	Verschlüß Schutzblech	1	

Einheit	RAHMEN
Code	28.19
Beschreibung	Schaltungen rechts
Inspektion	1



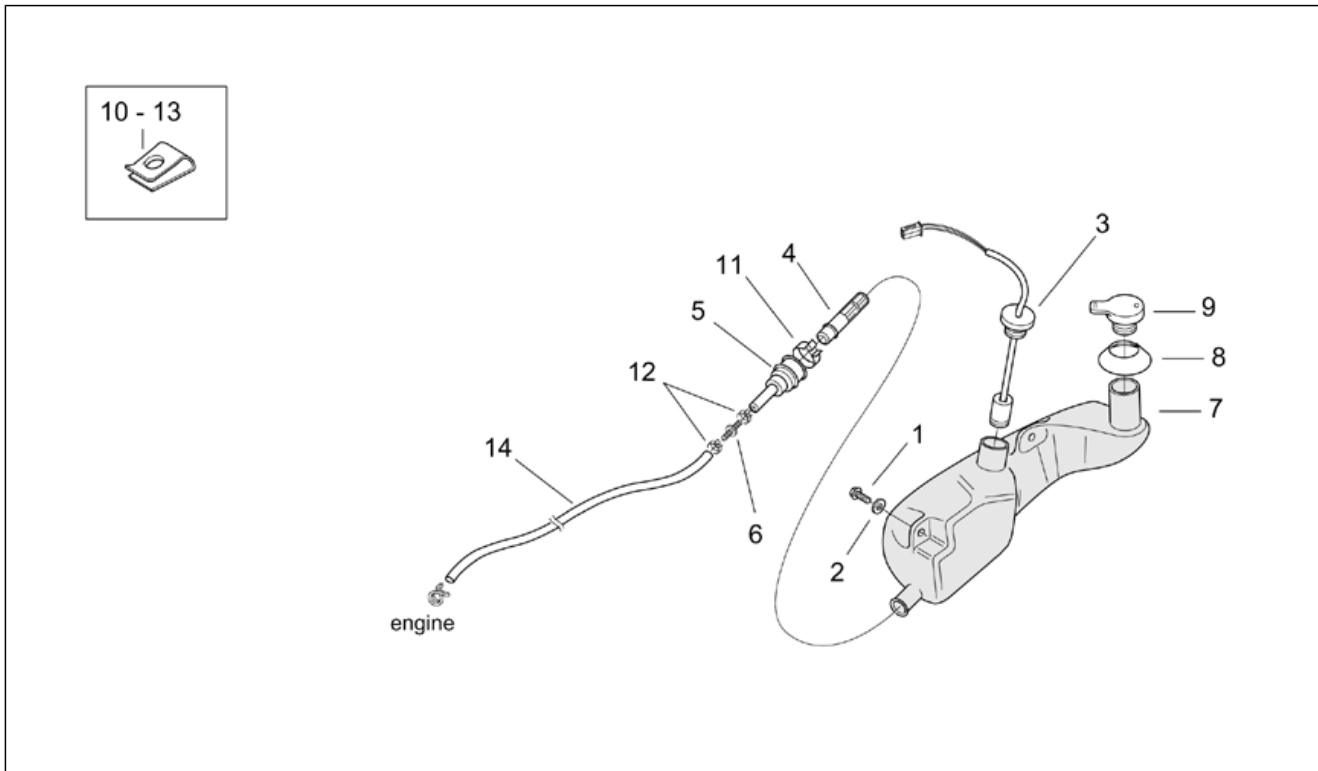
Pos.	Code	Beschreibung	Menge	Varianten
1	AP8133729	Vorderradbremspumpe d12	1	Technische Spezifikation:Marke Heng Tong[ht]
1	AP8213484	Vorderradbremspumpe d12	1	Technische Spezifikation:Marke Grimeca[gr]
1	CM081209	Vorderradbremspumpe d.11	1	Technische Spezifikation:Heng-Tong D.11[HT1]
2	600475	Bremshebel Heng Tong	1	Technische Spezifikation:Heng-Tong D.11[HT1]
2	AP8213597	Bremshebel, schwarz	1	Technische Spezifikation:Marke Heng Tong[ht]
2	AP8218549	Bremshebel, schwarz	1	Technische Spezifikation:Marke Grimeca[gr]
3	AP8213584	Bremshebelbolzen	1	Technische Spezifikation:Marke Heng Tong[ht]
3	AP8125757	Schraube Hebel	1	Technische Spezifikation:Marke Grimeca[gr]
4	AP8213598	Tankdeckel	1	Technische Spezifikation:Marke Heng Tong[ht]
4	AP8213272	Tankdeckel	1	Technische Spezifikation:Marke Grimeca[gr]
5	AP8213585	Mutter	1	Technische Spezifikation:Marke Heng Tong[ht]
5	AP8213298	Mutter	1	Technische Spezifikation:Marke Grimeca[gr]
6	AP8113414	Schauglas Bremspumpe	1	Technische Spezifikation:Marke Grimeca[gr]
7	AP8213586	Bremshebel-Bügelbolzen	1	Technische Spezifikation:Marke Heng Tong[ht]
7	AP8113637	Bremshebel-Bügelbolzen	1	Technische Spezifikation:Marke Grimeca[gr]
8	AP8213582	Kappenschraube	2	Technische Spezifikation:Marke Heng Tong[ht]
8	AP8213299	Kappenschraube	2	Technische Spezifikation:Marke Grimeca[gr]
8	AP8213582	Kappenschraube	2	Technische Spezifikation:Heng-Tong D.11[HT1]
9	AP8214222	Gaszugkabel	1	Technische Spezifikation:Version mit Einspritzung (C361M) [ie]
9	AP8214232	Gaszugkabel	1	Technische Spezifikation:Version mit Vergaser (C364M) [carb]
10	AP8218331	Gasschaltung ohne Griff	1	
11	AP8213600	Bausatz Pumpenüberholung	1	Technische Spezifikation:Marke Heng Tong[ht]
11	AP8213375	Bausatz Pumpenüberholung	1	Technische Spezifikation:Marke Grimeca[gr]
12	AP8218265	Handgriffe paar, grau	1	
12	AP8218275	Handgriffe paar, schwarz	1	
13	AP8213583	Schraube Pumpendeckel	2	Technische Spezifikation:Marke Heng Tong[ht]

Einheit	RAHMEN
Code	28.19
Beschreibung	Schaltungen rechts
Inspektion	1



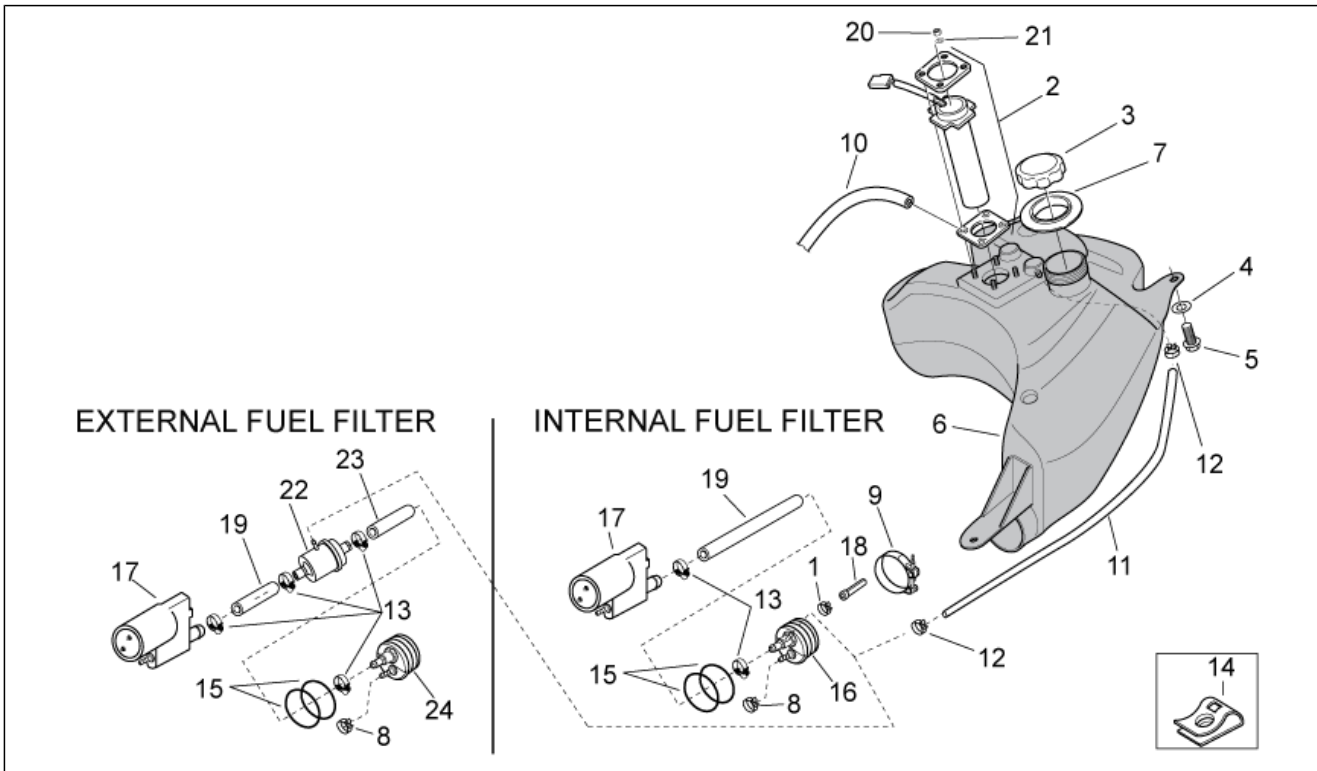
Pos.	Code	Beschreibung	Menge	Varianten
13	AP8213400	Schraube Pumpendeckel	2	Technische Spezifikation: Marke Grimeca[gr]
14	AP8113861	Kolben kpl.	1	Technische Spezifikation: Marke Grimeca[gr]

Einheit	RAHMEN
Code	28.20
Beschreibung	Ölbehälter
Inspektion	1



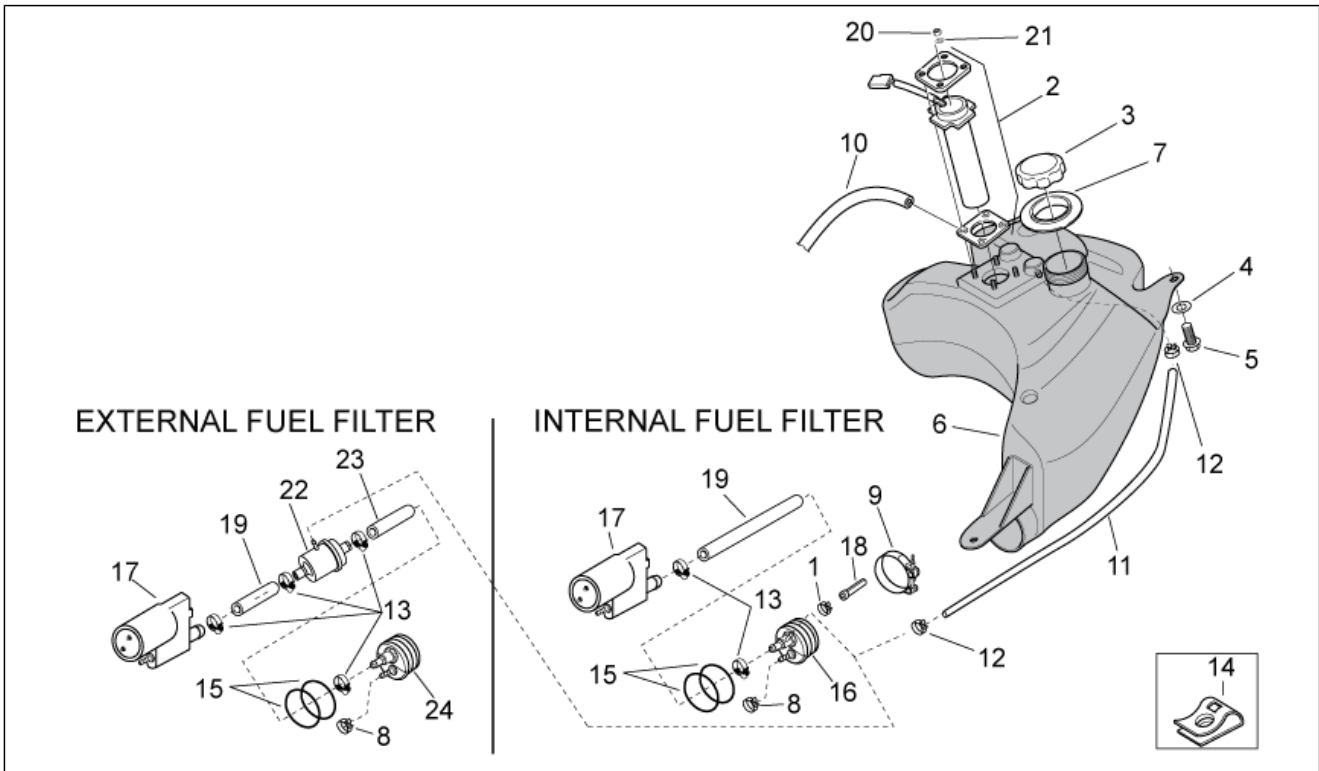
Pos.	Code	Beschreibung	Menge	Varianten
1	AP8152279	TE Schr. m. Flansch M6x20	2	
2	AP8150015	Ausgleichscheibe 6,6x18x1,6*	2	
3	AP8124811	Anzeige Ölreserve	1	
4	AP8102224	Gemisch-Ölfilter	1	
5	AP8102223	Gummi *	1	
6	AP8101944	2-Wege Anschluß	1	
7	AP8238433	Öltank	1	
8	AP8220195	Ölabstreifring	1	
9	AP8220421	Öltankschraube	1	
10	AP8102376	Klammer M6	2	
11	AP8101743	Schlauchschelle D23,5x8*	1	
12	AP8101770	Schlauchschelle D8x5,5*	2	
13	AP8102375	Klammer M5	1	
14	AP8220402	Leitung 5x9	1	

Einheit	RAHMEN
Code	28.21
Beschreibung	Kraftstofftank I
Inspektion	1



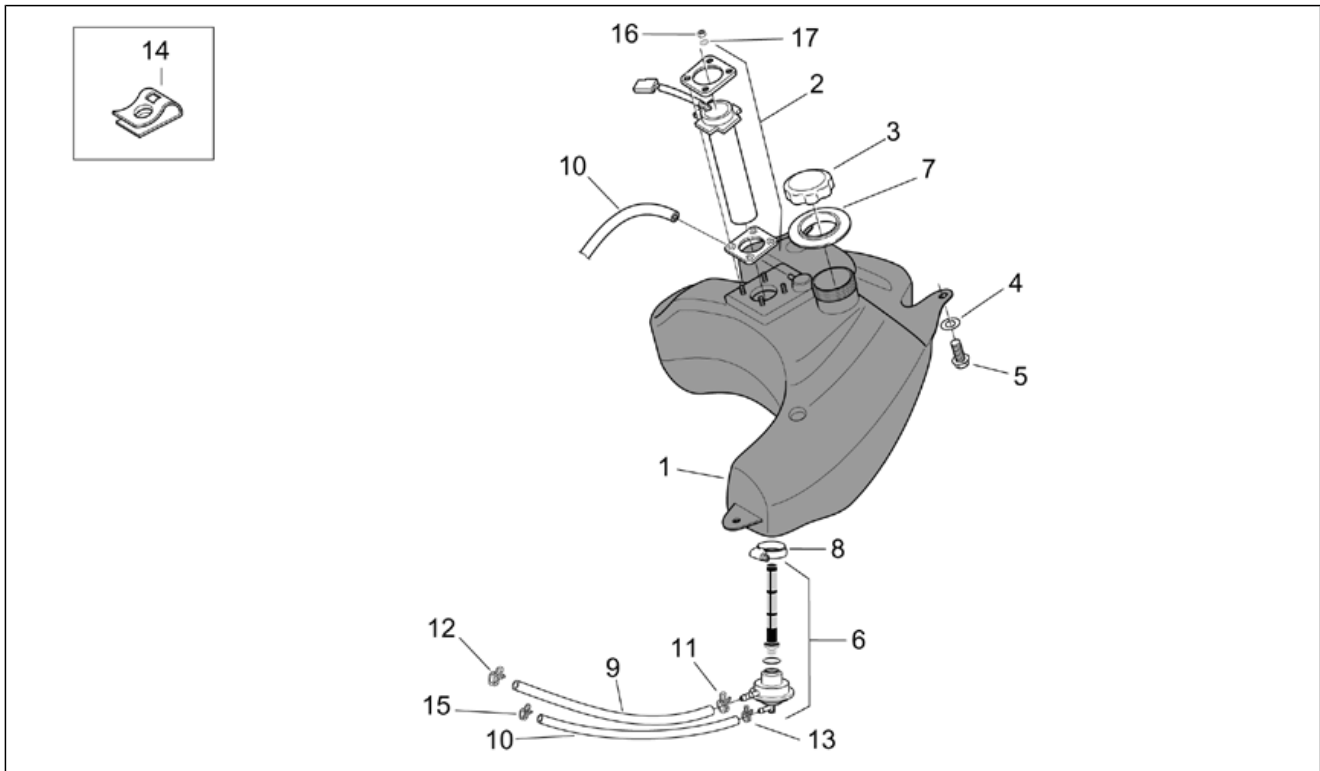
Pos.	Code	Beschreibung	Menge	Varianten
1	AP8102349	Schlauchselle weiß D17,5x8	1	Technische Spezifikation: Version mit Einspritzung (C361M) [ie]
2	AP8124814	Kraftstoffmeßsonde	1	Technische Spezifikation: Version mit Einspritzung (C361M) [ie]
3	AP8201757	Tankverschlußschraube	1	Technische Spezifikation: Version mit Einspritzung (C361M) [ie]
4	AP8150015	Ausgleichscheibe 6,6x18x1,6*	3	Technische Spezifikation: Version mit Einspritzung (C361M) [ie]
5	AP8152279	TE Schr. m. Flansch M6x20	3	Technische Spezifikation: Version mit Einspritzung (C361M) [ie]
6	AP8249300	Kraftstofftank	1	Technische Spezifikation: Version mit Einspritzung (C361M) [ie]
7	AP8220472	Gummi Tankstutzen	1	Technische Spezifikation: Version mit Einspritzung (C361M) [ie]
8	AP8102764	Schlauchselle weiß d.13x6	1	Technische Spezifikation: Version mit Einspritzung (C361M) [ie]
9	AP8258059	Verschl. Flansch	1	Technische Spezifikation: Version mit Einspritzung (C361M) [ie]
10	AP8220263	Entlüftungsschlauch Kühler 4x8	1	Technische Spezifikation: Version mit Einspritzung (C361M) [ie]
11	AP8220598	Entlüftungsschlauch Kühler	1	Technische Spezifikation: Version mit Einspritzung (C361M) [ie]
12	AP8201225	Schlauchselle D8,5x5,5	2	Technische Spezifikation: Version mit Einspritzung (C361M) [ie]
13	AP8102273	Schlauchselle	4	Technische Spezifikation: Version mit Einspritzung (C361M) [ie]
14	AP8102376	Klammer M6	2	Technische Spezifikation: Version mit Einspritzung (C361M) [ie]
15	AP8220596	O-Ring 37,69x3,53	2	Technische Spezifikation: Version mit Einspritzung (C361M) [ie]
16	AP8276065	Flansch Benzintank	1	Technische Spezifikation: Version mit Einspritzung (C361M) [ie]

Einheit	RAHMEN
Code	28.21
Beschreibung	Kraftstofftank I
Inspektion	1



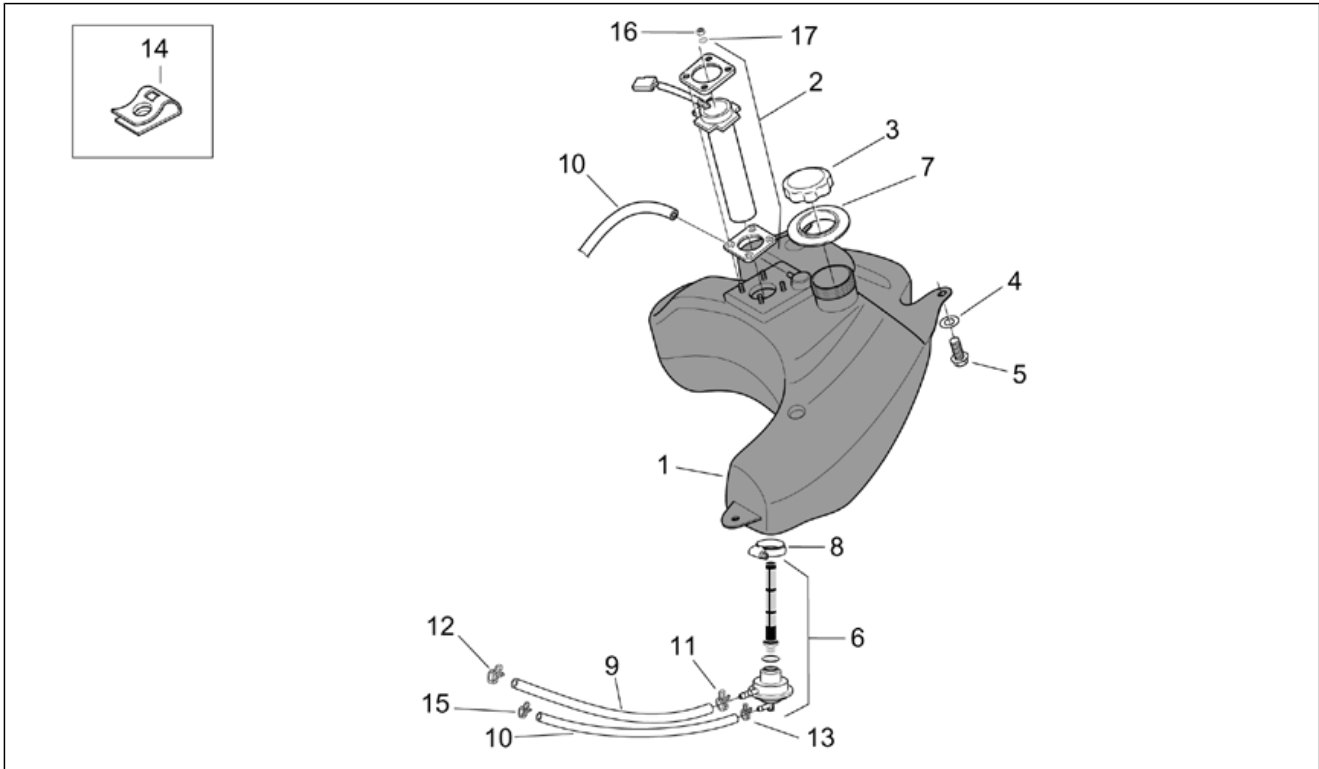
Pos.	Code	Beschreibung	Menge	Varianten
17	854933	Kraftstoffpumpe	1	Technische Spezifikation: Version mit Einspritzung (C361M) [ie] Einzelne Benzinpumpe[<i>single</i>]
17	AP8176137	Benzinpumpe kpl.	1	Technische Spezifikation: Version mit Einspritzung (C361M) [ie] Benzinpumpe für Garantieeingriffe[<i>warr</i>]
18	AP8202436	Kraftstofffilter, Kit	1	Technische Spezifikation: Version mit Einspritzung (C361M) [ie]
19	CM223801	Kraftstoffleitung	1	Technische Spezifikation: Länge 60 mm[60mm] Version mit Einspritzung (C361M)[ie]
20	AP8150204	Mutter M4	4	Technische Spezifikation: Version mit Einspritzung (C361M) [ie]
21	AP8150158	Ausgleichscheibe 4,3X9X0,8	4	Technische Spezifikation: Version mit Einspritzung (C361M) [ie]
22	AP8202402	Kraftstofffilter	1	Technische Spezifikation: Version mit Einspritzung (C361M) [ie]
23	CM223801	Kraftstoffleitung	1	Technische Spezifikation: Länge 50 mm[50mm] Version mit Einspritzung (C361M)[ie]
24	AP8276065	Flansch Benzintank	1	Technische Spezifikation: Version mit Einspritzung (C361M) [ie]

Einheit	RAHMEN
Code	28.22
Beschreibung	Kraftstofftank II
Inspektion	1



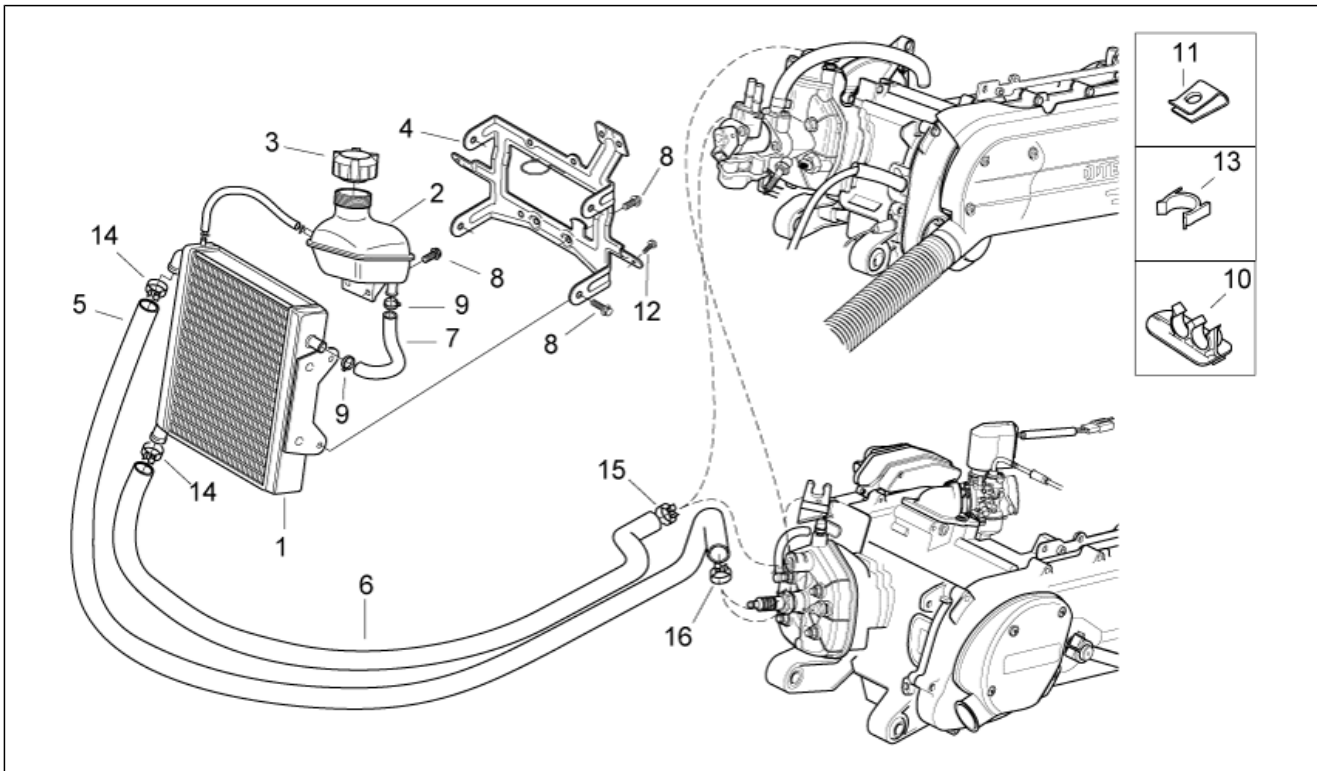
Pos.	Code	Beschreibung	Menge	Varianten
1	AP8239471	Kraftstofftank	1	Technische Spezifikation: Version mit Vergaser (C364M) [carb]
2	AP8124814	Kraftstoffmeßsonde	1	Technische Spezifikation: Version mit Vergaser (C364M) [carb]
3	AP8201757	Tankverschlußschraube	1	Technische Spezifikation: Version mit Vergaser (C364M) [carb]
4	AP8150015	Ausgleichscheibe 6,6x18x1,6*	3	Technische Spezifikation: Version mit Vergaser (C364M) [carb]
5	AP8152279	TE Schr. m. Flansch M6x20	3	Technische Spezifikation: Version mit Vergaser (C364M) [carb]
6	AP8201824	Unterdruck-Kraftstoffhahn	1	Technische Spezifikation: Version mit Vergaser (C364M) [carb]
7	AP8220472	Gummi Tankstutzen	1	Technische Spezifikation: Version mit Vergaser (C364M) [carb]
8	AP8101573	Schelle D16-24x8*	1	Technische Spezifikation: Version mit Vergaser (C364M) [carb]
9	AP8120952	Kraftstoffleitung 5,5x10	1	Technische Spezifikation: Version mit Vergaser (C364M) [carb]
10	AP8220263	Entlüftungsschlauch Kühler 4x8	2	Technische Spezifikation: Version mit Vergaser (C364M) [carb]
11	AP8101595	Schelle D10,1	1	Technische Spezifikation: Version mit Vergaser (C364M) [carb]
12	AP8102811	Schelle D9,6	1	Technische Spezifikation: Version mit Vergaser (C364M) [carb]
13	AP8102377	Schelle D9,1*	1	Technische Spezifikation: Version mit Vergaser (C364M) [carb]
14	AP8102376	Klammer M6	2	Technische Spezifikation: Version mit Vergaser (C364M) [carb]
15	AP8120179	Schelle D8	1	Technische Spezifikation: Version mit Vergaser (C364M) [carb]
16	AP8150204	Mutter M4	4	Technische Spezifikation: Version mit Vergaser (C364M) [carb]

Einheit	RAHMEN
Code	28.22
Beschreibung	Kraftstofftank II
Inspektion	1



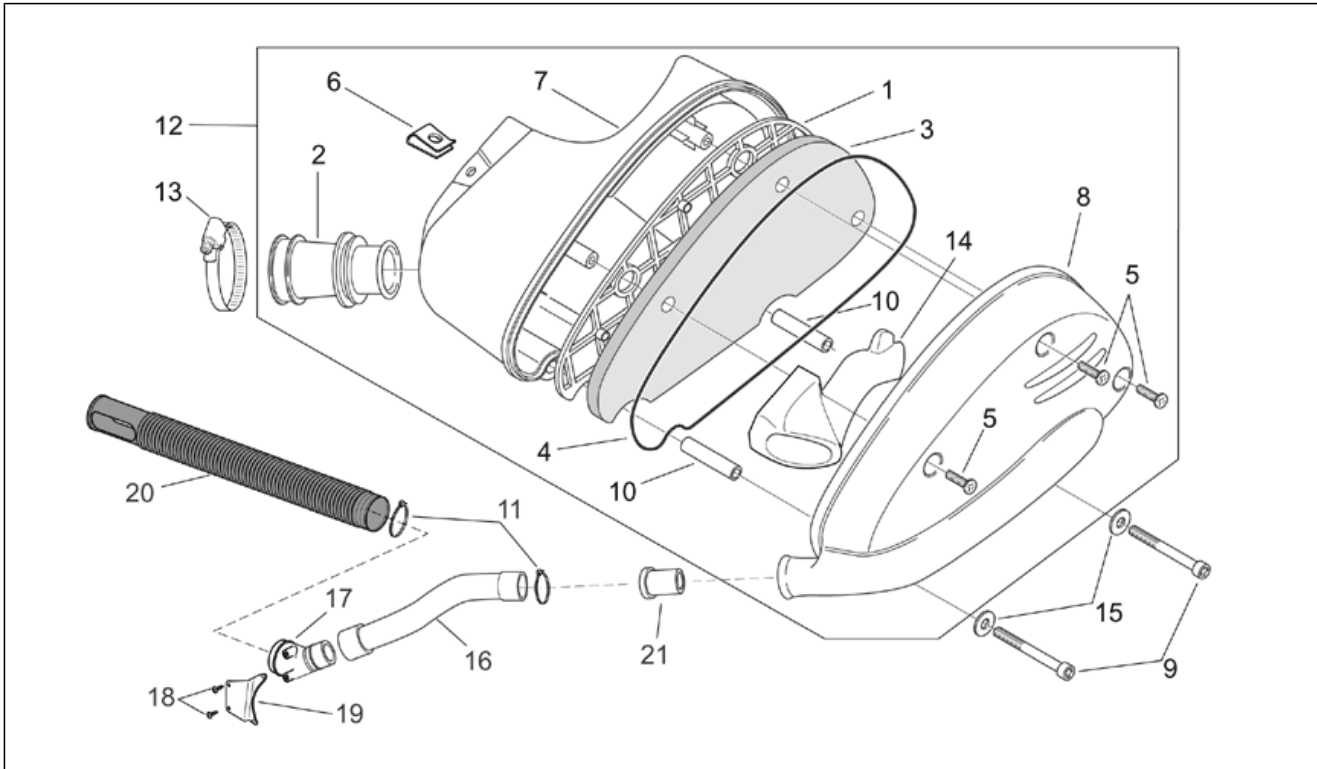
Pos.	Code	Beschreibung	Menge	Varianten
17	AP8150158	Ausgleichscheibe 4,3X9X0,8	4	Technische Spezifikation: Version mit Vergaser (C364M) [carb]

Einheit	RAHMEN
Code	28.23
Beschreibung	Kühlanlage
Inspektion	1



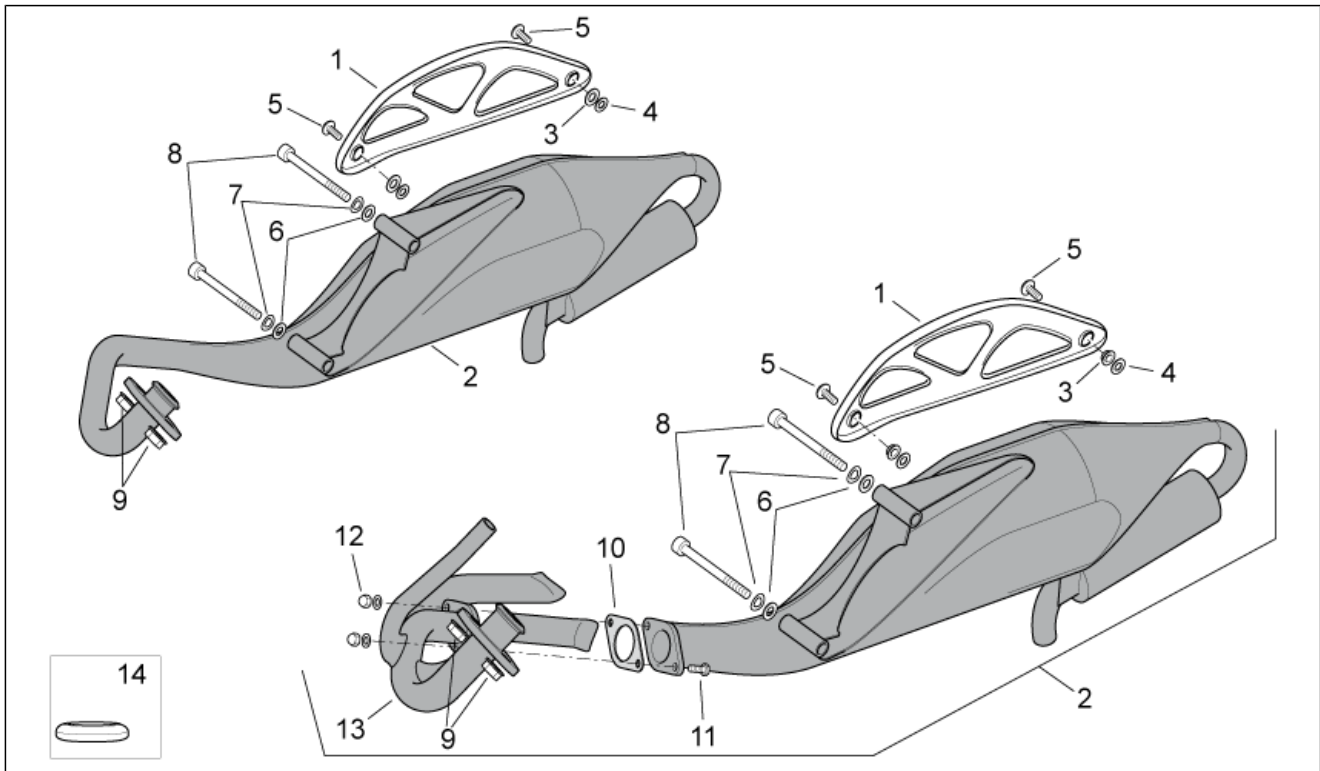
Pos.	Code	Beschreibung	Menge	Varianten
1	AP8201695	Kühler, schwarz	1	
1	AP8202212	Kühler, aluminium	1	
2	AP8238750	Ausdehngefäß	1	
3	AP8101912	Kühlerschraube unbelüftet	1	
4	AP8232941	Kühlerbefestigung	1	
5	AP8220649	Zylinderkopf-Kühlerschlauch	1	Technische Spezifikation: Version mit Vergaser (C364M) [carb]
5	AP8220631	Zylinderkopf-Kühlerschlauch	1	Technische Spezifikation: Version mit Einspritzung (C361M) [ie]
6	AP8220630	Pumpen-Kühlerschlauch	1	
7	AP8220474	Schlauch Ausdehngefäß-Kühler	1	
8	AP8152278	TE Schr. m. Flansch M6x16	6	
9	AP8102765	Schlauchschele weiß D.13,5x6	2	
10	AP8234218	Wasserschlauchhalter	2	
11	AP8102376	Klammer M6	7	
12	AP8152246	TBEI Schraube m.Flansch M6x16	1	
13	AP8201807	Kabelführungs D22	2	
14	CM001906	Schlauchschele	2	
15	CM001905	Schlauchschele	1	
16	CM001907	Schlauchschele	1	

Einheit	RAHMEN
Code	28.24
Beschreibung	Filtergehäuse
Inspektion	1



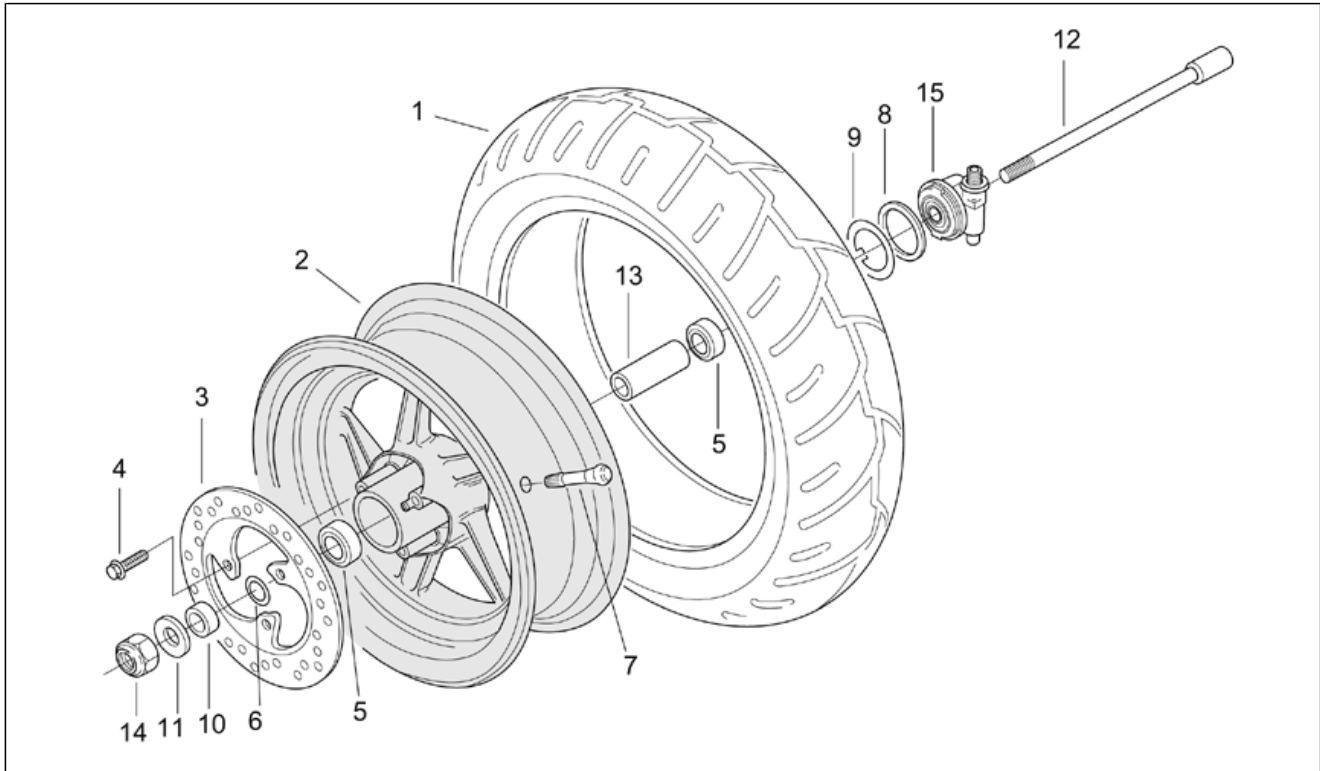
Pos.	Code	Beschreibung	Menge	Varianten
1	AP8249582	Stütznetz Filter	1	
2	AP8220587	Vergasermuffe	1	
3	AP8202302	Luftfilter	1	
4	AP8120593	Dichtung D4	1	
5	AP8152329	Kreuz.schl.flnschschr. M5x20	3	
6	AP8102375	Klammer M5	1	
7	AP8249298	Filtereinsatzgehäuse	1	
8	AP8249299	Deckel Filtergehäuse	1	
9	AP8150157	TCEI Schraube M6x60	2	
10	AP8121984	Distanzscheibe	2	
11	AP8120416	Schelle schwarz 178x4	2	
12	AP8258241	Filterkasten	1	
13	AP8201799	Muffenschelle	1	
14	AP8220608	Filtergehäuse Hülse	1	
15	AP8152181	Scheibe 6,4x15x1	2	
16	AP8220603	Ansaugmuffe	1	
17	AP8220604	Anschluss	1	
18	AP8150413	Gew.schr. 3,9x14	2	
19	AP8234214	leitung halter	1	
20	AP8220605	Leitung	1	
21	AP8220647	Kalibrierteckel	1	Technische Spezifikation: Version mit Vergaser (C364M) [carb]

Einheit	RAHMEN
Code	28.27
Beschreibung	Auspuffrohr
Inspektion	1



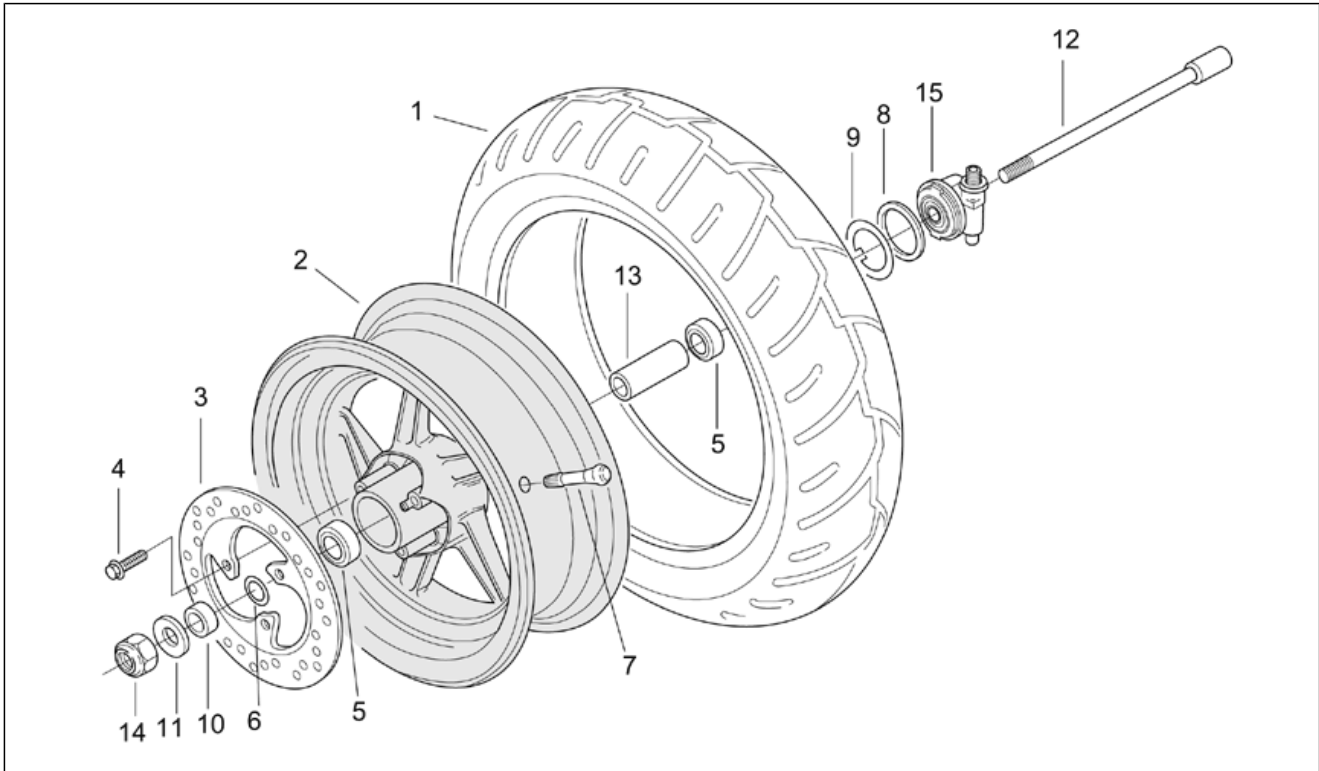
Pos.	Code	Beschreibung	Menge	Varianten
1	AP8219389	Auspuffrohrschutz, schwarz	1	
1	AP8219452	Auspuffschutz Stahl	1	
2	AP8219580	Auspuff	1	Technische Spezifikation: Version mit Einspritzung (C361M) [ie]
2	AP8219589	Auspuff	1	Technische Spezifikation: Version mit Vergaser (C364M) [carb]
3	AP8150015	Ausgleichscheibe 6,6x18x1,6*	2	
4	AP8221297	Isolierscheibe	2	
5	AP8152246	TBEI Schraube m.Flansch M6x16	2	
6	AP8150017	Ausgleichscheibe 8,4x16x1,6	2	
7	AP8150376	Ausgleichscheibe 8,5x15x0,8	2	
8	AP8150354	TCEI Schraube M8x85*	2	
9	AP8150506	Flanschmutter	2	
10	AP8219530	Dichtung Auspuffrohrflansch	1	Technische Spezifikation: Version mit Vergaser (C364M) [carb]
11	AP8219531	Schraube	2	Technische Spezifikation: Version mit Vergaser (C364M) [carb]
12	AP8219532	Mutter	2	Technische Spezifikation: Version mit Vergaser (C364M) [carb]
13	AP8219605	Krümmen	1	Technische Spezifikation: Version mit Vergaser (C364M) [carb]
14	AP8219612	Dichtung Auspuffrohr	1	

Einheit	RAHMEN
Code	28.28
Beschreibung	Vorderrad
Inspektion	1



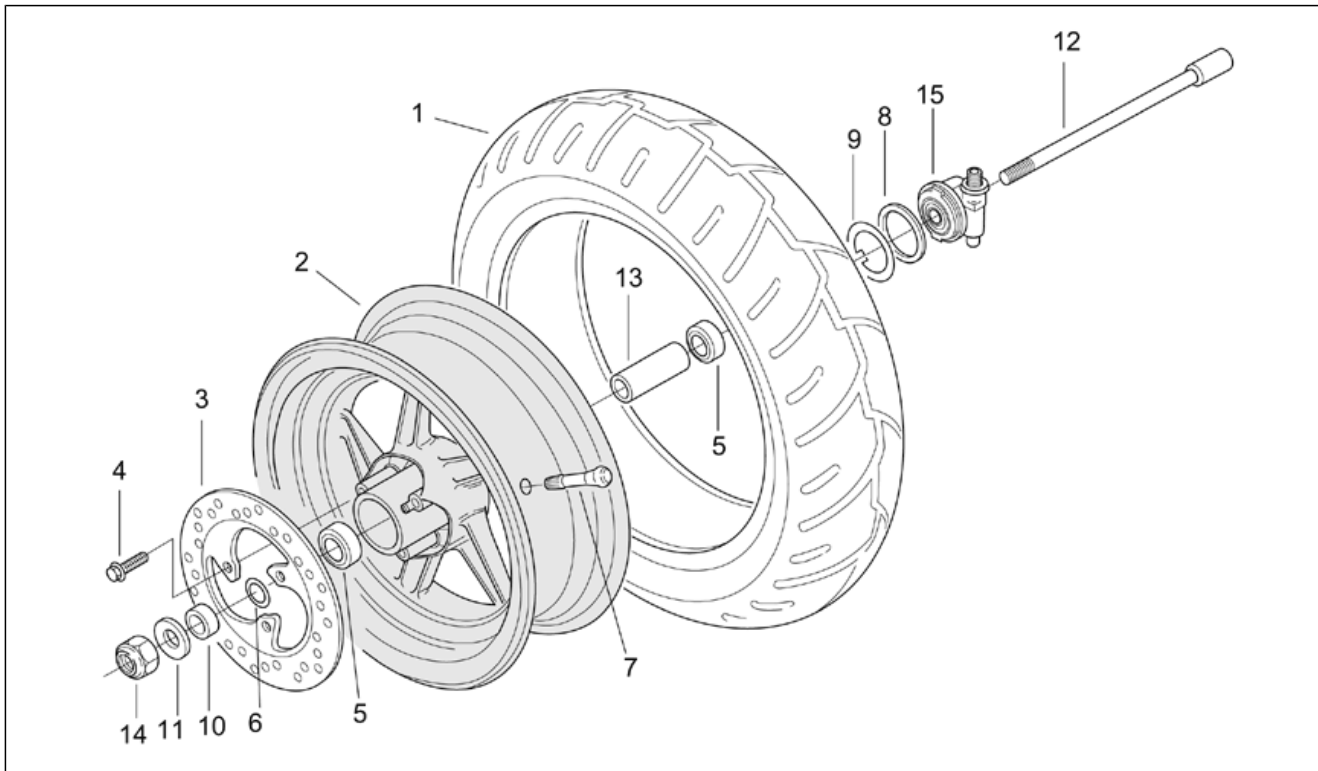
Pos.	Code	Beschreibung	Menge	Varianten
1	AP8209085	Vorder/Hinter Reifen	1	
2	AP8208893	Vorderrad Gold	1	Baujahr: 2003[3] Farbe: "Blau Limited ""Racing"" 2003"[b.lim] Technische Spezifikation: Version mit Einspritzung (C361M) [ie] Räder mit Marke ZNL[zn]
2	AP8208896	Vorderrad Grey/Gold Sand	1	Baujahr: 2004[4] Farbe: Grau Graphite 2004[graph] Rot Tulip 2004[tulip] Technische Spezifikation: Räder mit Marke ZNL[zn]
2	AP8208825	Vorderrad Grey/Gold Sand	1	Baujahr: 2008[8] 2011[B] 2012[C] 2003[3] 2004[4] Farbe: Schwarz Aprilia 2008 (t.B.856145)[black] Grau Excalibur 2008 (t.B.856146)[g.ex] Rot Fluo 899817[red fluo] Schwarz Diablo 899818[n.diablo] Weiß Aprilia 2012 (t.B.044417)[wh] Tuono 2003[tuono] Replica Poggiali Weiß 2004[RP] Rot Tulip 2003[t.red] Schwarz GP1 2003[gp1] Grau Graphite 2004[graph] Rot Tulip 2004[tulip] Technische Spezifikation: Marke Grimeca[gr] Version mit Einspritzung (C361M)[ie]
2	AP8208896	Vorderrad Grey/Gold Sand	1	Baujahr: 2003[3] Farbe: Tuono 2003[tuono] Technische Spezifikation: Version mit Einspritzung (C361M) [ie] Räder mit Marke ZNL[zn]
2	AP8208896	Vorderrad Grey/Gold Sand	1	Baujahr: 2004[4] Farbe: Replica Poggiali Weiß 2004[RP] Technische Spezifikation: Räder mit Marke ZNL[zn]
2	AP8208893	Vorderrad Gold	1	Baujahr: 2004[4] Farbe: Replica Poggiali Weiß 2004[RP] Replica Poggiali Schwarz 2004[RP.bl] Technische Spezifikation: Räder mit Marke ZNL[zn]
2	AP8208899	Vorderrad Grey/RifleTube	1	Baujahr: 2003[3] Farbe: Rot Fluo 2003[f.red] Technische Spezifikation: Version mit Vergaser (C364M) [carb] Räder mit Marke ZNL[zn]
2	AP8208826	Vorderrad Gold	1	Baujahr: 2003[3] Farbe: "SBK ""Racing"" 2003"[sbk]

Einheit	RAHMEN
Code	28.28
Beschreibung	Vorderrad
Inspektion	1



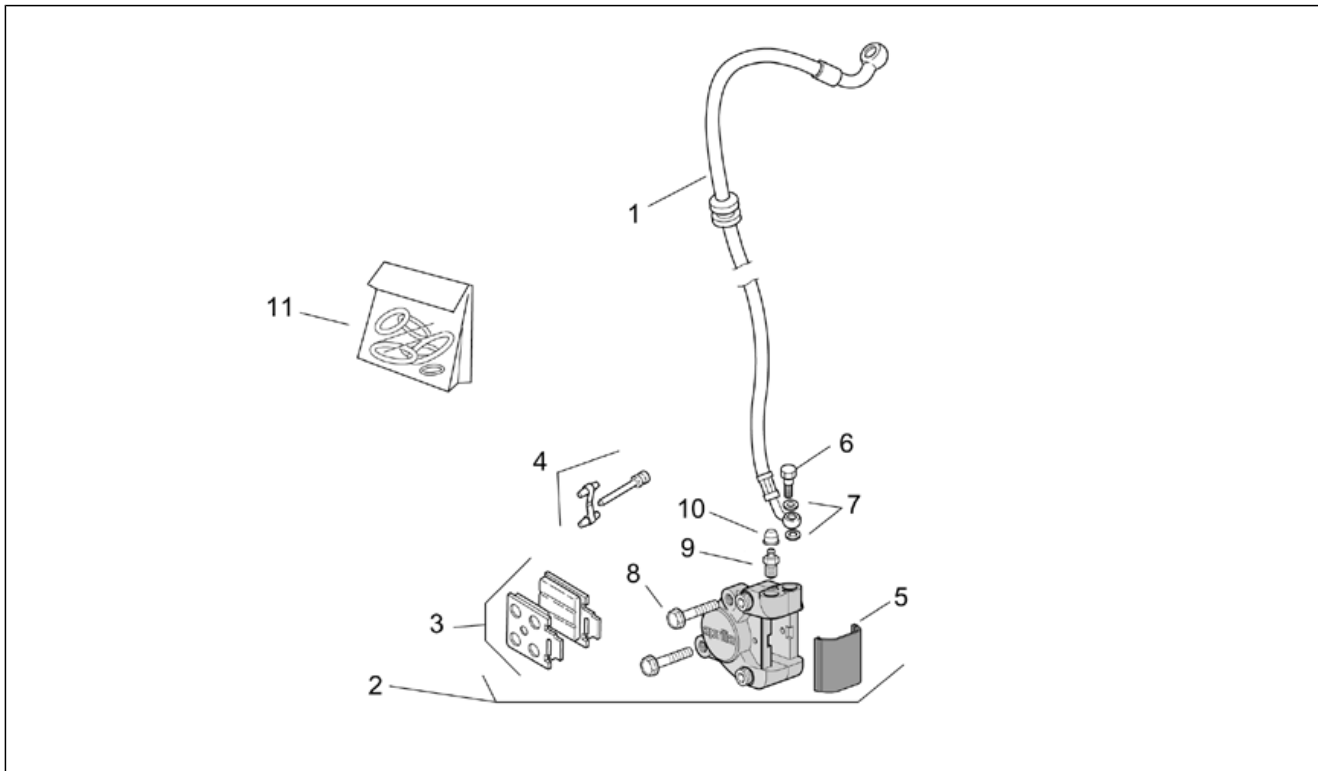
Pos.	Code	Beschreibung	Menge	Varianten
				Technische Spezifikation: Marke Grimeca[gr] Version mit Einspritzung (C361M)[ie]
2	AP8208896	Vorderrad Grey/Gold Sand	1	Baujahr: 2008[8] Farbe: Schwarz Aprilia 2008 (t.B.856145)[black] Technische Spezifikation: Räder mit Marke ZNL[znl]
2	AP8208826	Vorderrad Gold	1	Baujahr: 2003[3] Farbe: "Blau Limited ""Racing"" 2003"[b.lim] Technische Spezifikation: Marke Grimeca[gr] Version mit Einspritzung (C361M)[ie]
2	AP8208893	Vorderrad Gold	1	Baujahr: 2003[3] Farbe: "SBK ""Racing"" 2003"[sbk] Technische Spezifikation: Version mit Einspritzung (C361M)[ie] Räder mit Marke ZNL[znl]
2	AP8208896	Vorderrad Grey/Gold Sand	1	Baujahr: 2004[4] Farbe: Bleigrau 2004[grey] Rot Fluo 2004[r.fluo] Technische Spezifikation: Räder mit Marke ZNL[znl]
2	AP8208826	Vorderrad Gold	1	Baujahr: 2004[4] Farbe: Replica Poggiali Weiß 2004[RP] Replica Poggiali Schwarz 2004[RP.b] Technische Spezifikation: Marke Grimeca[gr]
2	AP8208705	Vorderrad Grey/RifleTube	1	Baujahr: 2003[3] Farbe: Rot Fluo 2003[f.red] Technische Spezifikation: Version mit Vergaser (C364M)[carb] Marke Grimeca[gr]
2	AP8208896	Vorderrad Grey/Gold Sand	1	Baujahr: 2003[3] Farbe: Schwarz GP1 2003[gp1] Technische Spezifikation: Version mit Einspritzung (C361M)[ie] Räder mit Marke ZNL[znl]
2	AP8208899	Vorderrad Grey/RifleTube	1	Baujahr: 2003[3] Farbe: Grau Silver 2003[silver] Technische Spezifikation: Version mit Vergaser (C364M)[carb] Räder mit Marke ZNL[znl]
2	AP8208896	Vorderrad Grey/Gold Sand	1	Baujahr: 2003[3] Farbe: Rot Tulip 2003[t.red]

Einheit	RAHMEN
Code	28.28
Beschreibung	Vorderrad
Inspektion	1



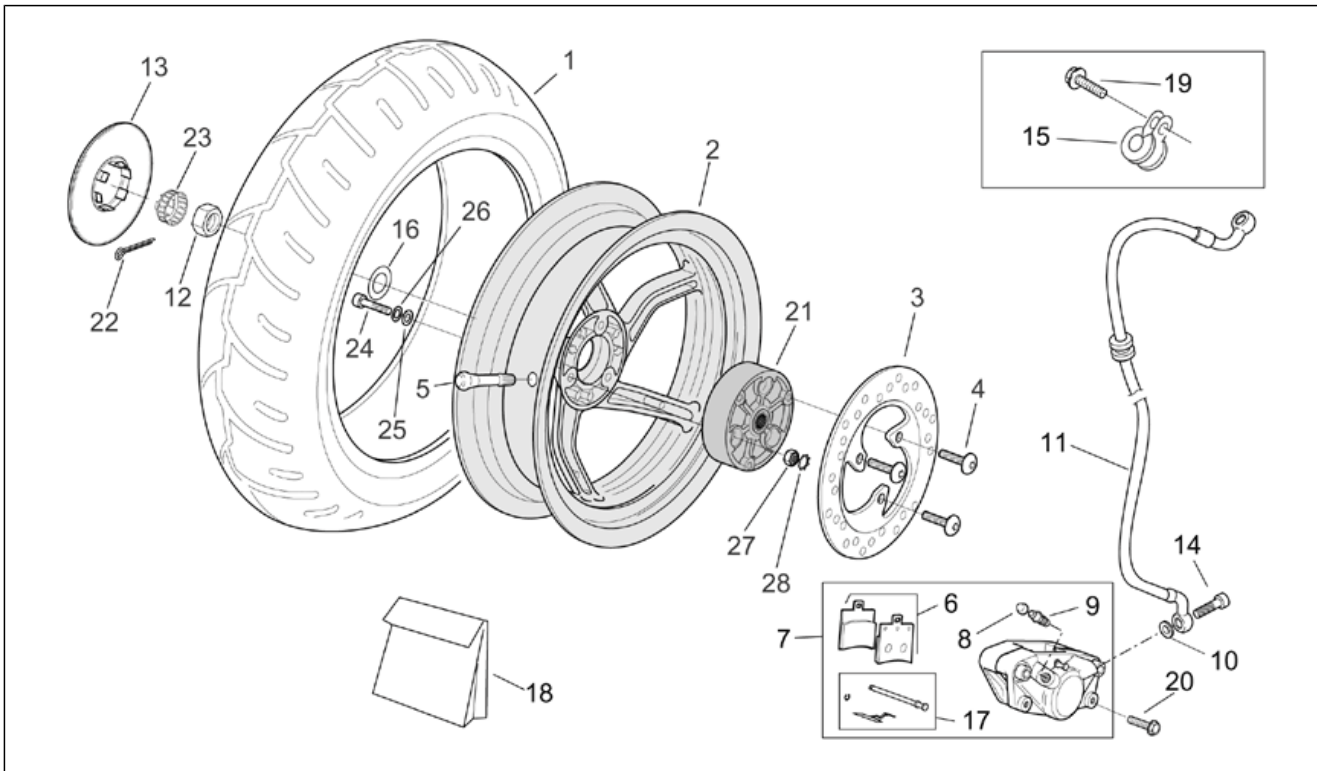
Pos.	Code	Beschreibung	Menge	Varianten
				Technische Spezifikation: Version mit Einspritzung (C361M) [ie] Räder mit Marke ZNL[zn]
2	AP8208705	Vorderrad Grey/RifleTube	1	Baujahr: 2003[3] Farbe: Grau Silver 2003[silver] Technische Spezifikation: Version mit Vergaser (C364M) [carb] Marke Grimeca[gr]
3	AP8213231	Bremsscheibe D190	1	
4	AP8225358	TBEI Schraube M8x25	3	
5	AP8225123	Lager	2	
6	AP8125782	Gasket ring	1	
7	AP8201546	Schlauchloses Reifenventil	1	
8	AP8120864	O-Ring Vorgelege	1	
9	AP8120865	Mitnehmer	1	
10	AP8221119	Vorderrad Distanzscheibe	1	
11	AP8152018	Scheibe 12,2x22x2	1	
12	AP8225271	Vorderradbolzen	1	
13	AP8225323	Innen V.rad Distanzscheibe	1	
14	AP8150373	Selbstsperr.mut Unt. M12x1,25	1	
15	AP8201925	Vorgelegte Kilometerzähler	1	

Einheit	RAHMEN
Code	28.29
Beschreibung	Vorderradbremzange
Inspektion	1



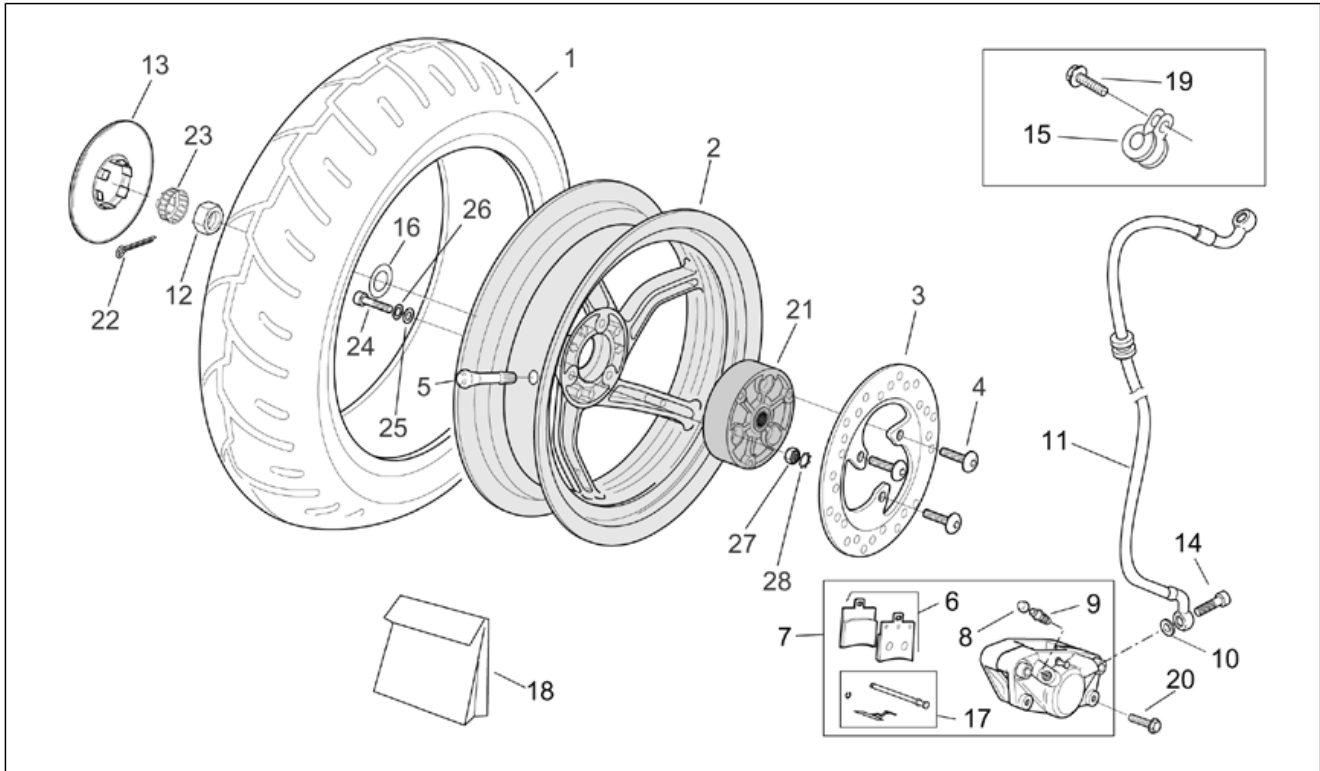
Pos.	Code	Beschreibung	Menge	Varianten
1	AP8213248	Vorderradbremseleitung	1	Technische Spezifikation: Marke Grimeca[gr]
1	AP8213546	Vorderradbremseleitung	1	Technische Spezifikation: Heng-Tong D.11[HT1] Marke Heng Tong[ht]
2	AP8113577	Vorderradbremzange gold D32	1	Technische Spezifikation: Marke Grimeca[gr]
2	AP8133735	Vorderradbremzange gold D32	1	Technische Spezifikation: Marke Heng Tong[ht] Heng-Tong D.11[HT1]
2	AP8213482	Vorderradbremzange schwarz D32	1	Technische Spezifikation: Marke Grimeca[gr]
3	AP8213571	Beläge (Paar)	1	Technische Spezifikation: Marke Heng Tong[ht] Heng-Tong D.11[HT1]
3	AP8113638	Beläge (Paar)	1	Technische Spezifikation: Marke Grimeca[gr]
4	AP8213227	Bolzen+Bremse Felder	1	Technische Spezifikation: Marke Grimeca[gr]
4	AP8213572	Bolzen+Bremse Felder	1	Technische Spezifikation: Marke Heng Tong[ht] Heng-Tong D.11[HT1]
5	AP8113640	Deckel Bremszangen	1	Technische Spezifikation: Marke Grimeca[gr]
5	AP8213573	Deckel Bremszangen	1	Technische Spezifikation: Marke Heng Tong[ht] Heng-Tong D.11[HT1]
6	AP8113003	Fixierschraube Ölschlauch	1	
7	AP8113004	Ausgleichscheibe 10x14x1,6*	2	
8	AP8152289	TE Schr. m. Flansch	2	
9	AP8213574	Entlüftungsanschluß	1	Technische Spezifikation: Marke Heng Tong[ht] Heng-Tong D.11[HT1]
9	AP8113006	Entlüftungsanschluß	1	Technische Spezifikation: Marke Grimeca[gr]
10	AP8213575	Entlüftungskappe	1	Technische Spezifikation: Marke Heng Tong[ht] Heng-Tong D.11[HT1]
10	AP8113005	Entlüftungskappe	1	Technische Spezifikation: Marke Grimeca[gr]
11	AP8113122	Bausatz Bremszangenüberholung	1	Technische Spezifikation: Marke Grimeca[gr]
11	AP8213576	Bausatz Bremszangenüberholung	1	Technische Spezifikation: Marke Heng Tong[ht] Heng-Tong D.11[HT1]

Einheit	RAHMEN
Code	28.30
Beschreibung	Hinterrad Scheibenbremse
Inspektion	1



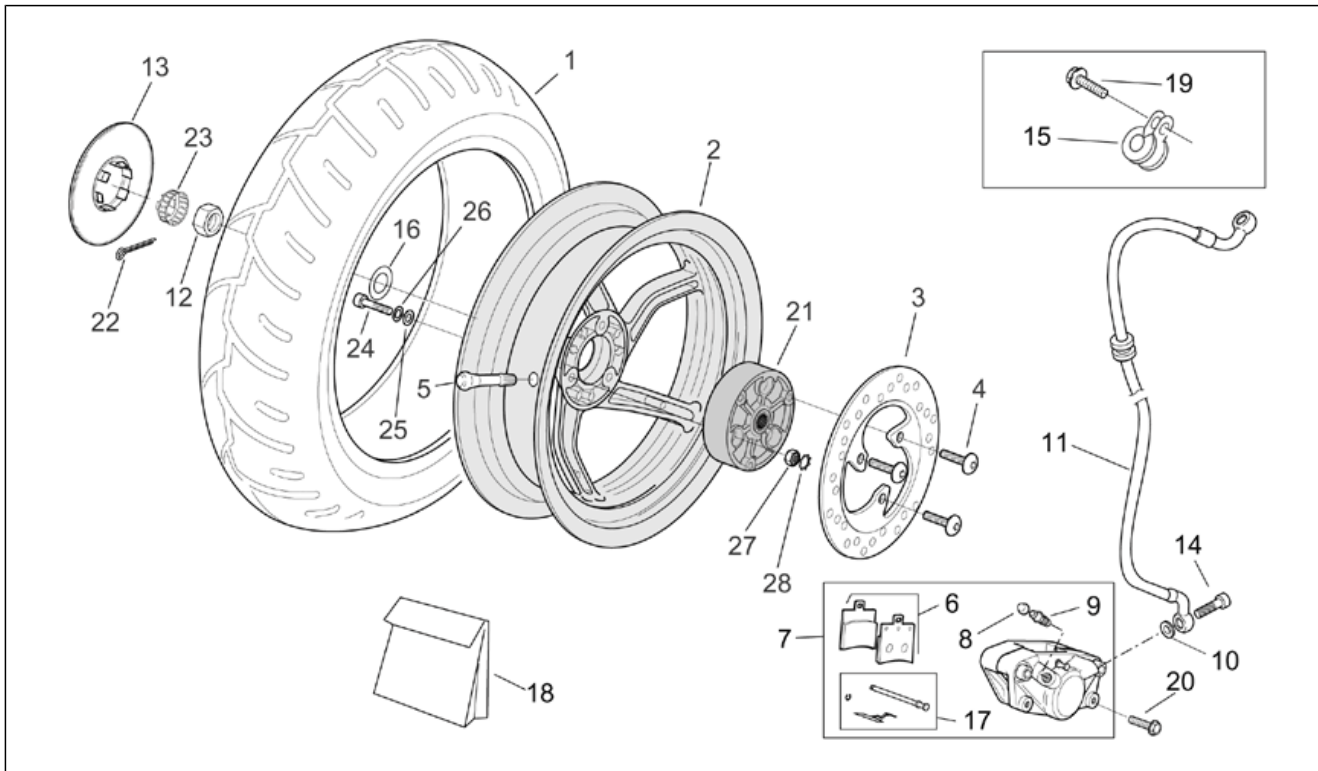
Pos.	Code	Beschreibung	Menge	Varianten
1	0000000	Reifen	1	
2	853010	Hinterrad Grey/Gold Sand	1	Baujahr: 2008[8] 2011[B] Farbe: Schwarz Aprilia 2008 (t.B.856145)[black] Grau Excalibur 2008 (t.B.856146)[g.ex] Schwarz Diablo 899818[n.diablo] Rot Fluo 899817[red fluo]
2	AP8208900	Hinterrad ohne Scheibe Grey/RifleTub	1	Baujahr: 2003[3] Farbe: Grau Silver 2003[silver] Technische Spezifikation: Version mit Vergaser (C364M) [carb] Räder mit Marke ZNL[zn]
2	AP8208843	Hinterrad ohne Scheibe Grey/RifleTube	1	Baujahr: 2003[3] Farbe: Rot Fluo 2003[f.red] Technische Spezifikation: Version mit Vergaser (C364M) [carb] Marke Grimeca[gr]
2	AP8208895	Hinterrad ohne Scheibe Gold	1	Baujahr: 2003[3] Farbe: "SBK ""Racing"" 2003"[sbk] Technische Spezifikation: Version mit Einspritzung (C361M) [ie] Räder mit Marke ZNL[zn]
2	AP8208856	Hinterrad ohne Scheibe Grey/GoldSand	1	Baujahr: 2004[4] Farbe: Grau Graphite 2004[graph] Rot Tulip 2004[tulip] Technische Spezifikation: Marke Grimeca[gr]
2	AP8208856	Hinterrad ohne Scheibe Grey/GoldSand	1	Baujahr: 2004[4] Farbe: Replica Poggiali Weiß 2004[RP] Technische Spezifikation: Marke Grimeca[gr]
2	AP8208814	Hinterrad ohne Scheibe Gold	1	Baujahr: 2003[3] Farbe: "SBK ""Racing"" 2003"[sbk] Technische Spezifikation: Marke Grimeca[gr] Version mit Einspritzung (C361M)[ie]
2	AP8208843	Hinterrad ohne Scheibe Grey/RifleTube	1	Baujahr: 2003[3] Farbe: Grau Silver 2003[silver] Technische Spezifikation: Version mit Vergaser (C364M) [carb] Marke Grimeca[gr]
2	AP8208898	Hinterrad ohne Scheibe Grey/GoldSand	1	Baujahr: 2004[4] Farbe: Grau Graphite 2004[graph] Rot Tulip 2004[tulip] Technische Spezifikation: Räder mit Marke ZNL[zn]

Einheit	RAHMEN
Code	28.30
Beschreibung	Hinterrad Scheibenbremse
Inspektion	1



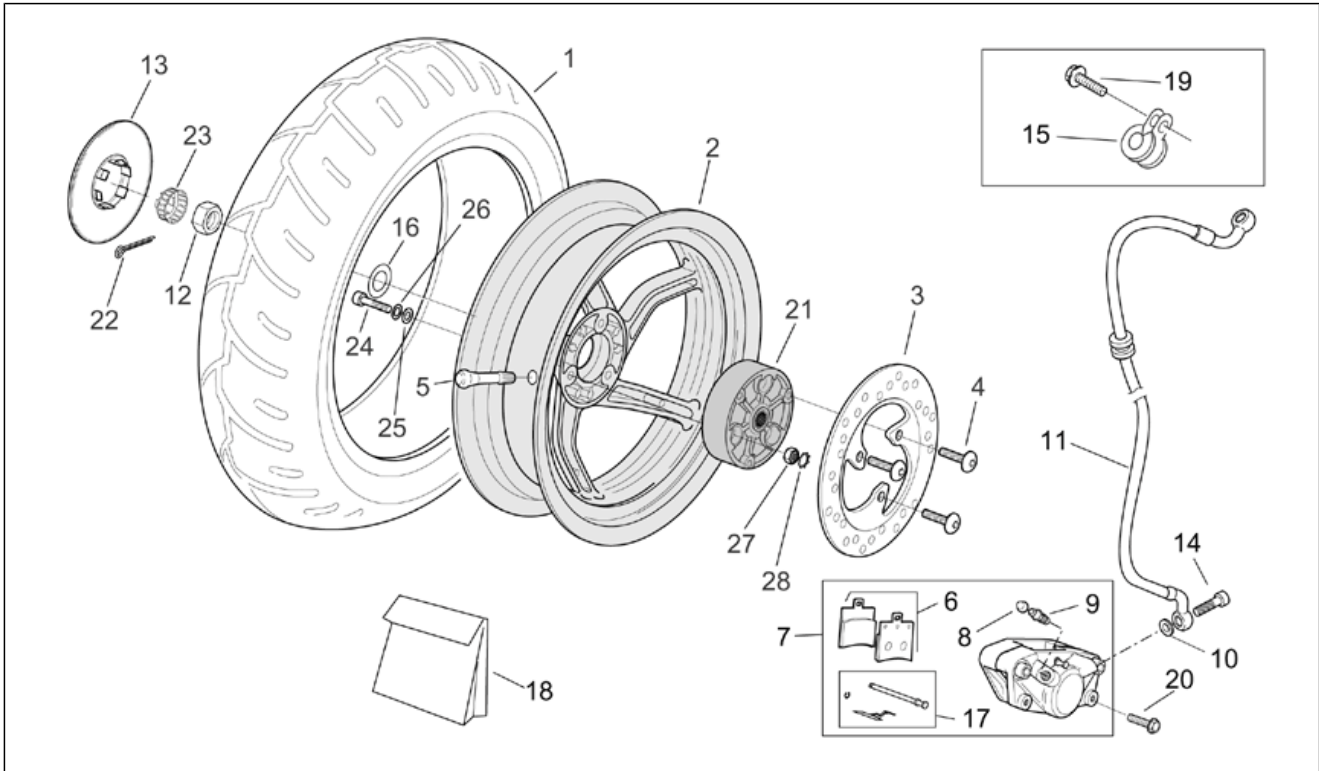
Pos.	Code	Beschreibung	Menge	Varianten
2	AP8208856	Hinterrad ohne Scheibe Grey/GoldSand	1	Baujahr: 2003[3] Farbe: Rot Tulip 2003[t.red] Technische Spezifikation: Marke Grimeca[gr] Version mit Einspritzung (C361M)[ie]
2	AP8208898	Hinterrad ohne Scheibe Grey/GoldSand	1	Baujahr: 2004[4] Farbe: Bleigrau 2004[grey] Rot Fluo 2004[r.fluo] Technische Spezifikation: Räder mit Marke ZNL[znl]
2	AP8208895	Hinterrad ohne Scheibe Gold	1	Baujahr: 2003[3] Farbe: "Blau Limited ""Racing"" 2003"[b.lim] Technische Spezifikation: Version mit Einspritzung (C361M) [ie] Räder mit Marke ZNL[znl]
2	AP8208895	Hinterrad ohne Scheibe Gold	1	Baujahr: 2004[4] Farbe: Replica Poggiali Weiß 2004[RP] Replica Poggiali Schwarz 2004[RP.bl] Technische Spezifikation: Räder mit Marke ZNL[znl]
2	AP8208898	Hinterrad ohne Scheibe Grey/GoldSand	1	Baujahr: 2003[3] Farbe: Schwarz GP1 2003[gp1] Technische Spezifikation: Version mit Einspritzung (C361M) [ie] Räder mit Marke ZNL[znl]
2	AP8208856	Hinterrad ohne Scheibe Grey/GoldSand	1	Baujahr: 2004[4] Farbe: Bleigrau 2004[grey] Rot Fluo 2004[r.fluo] Technische Spezifikation: Marke Grimeca[gr]
2	AP8208898	Hinterrad ohne Scheibe Grey/GoldSand	1	Baujahr: 2003[3] Farbe: Rot Tulip 2003[t.red] Technische Spezifikation: Version mit Einspritzung (C361M) [ie] Räder mit Marke ZNL[znl]
2	AP8208900	Hinterrad ohne Scheibe Grey/RifleTub	1	Baujahr: 2003[3] Farbe: Rot Fluo 2003[f.red] Technische Spezifikation: Version mit Vergaser (C364M) [carb] Räder mit Marke ZNL[znl]
2	AP8208898	Hinterrad ohne Scheibe Grey/GoldSand	1	Baujahr: 2003[3] Farbe: Tuono 2003[tuono] Technische Spezifikation: Version mit Einspritzung (C361M) [ie] Räder mit Marke ZNL[znl]

Einheit	RAHMEN
Code	28.30
Beschreibung	Hinterrad Scheibenbremse
Inspektion	1



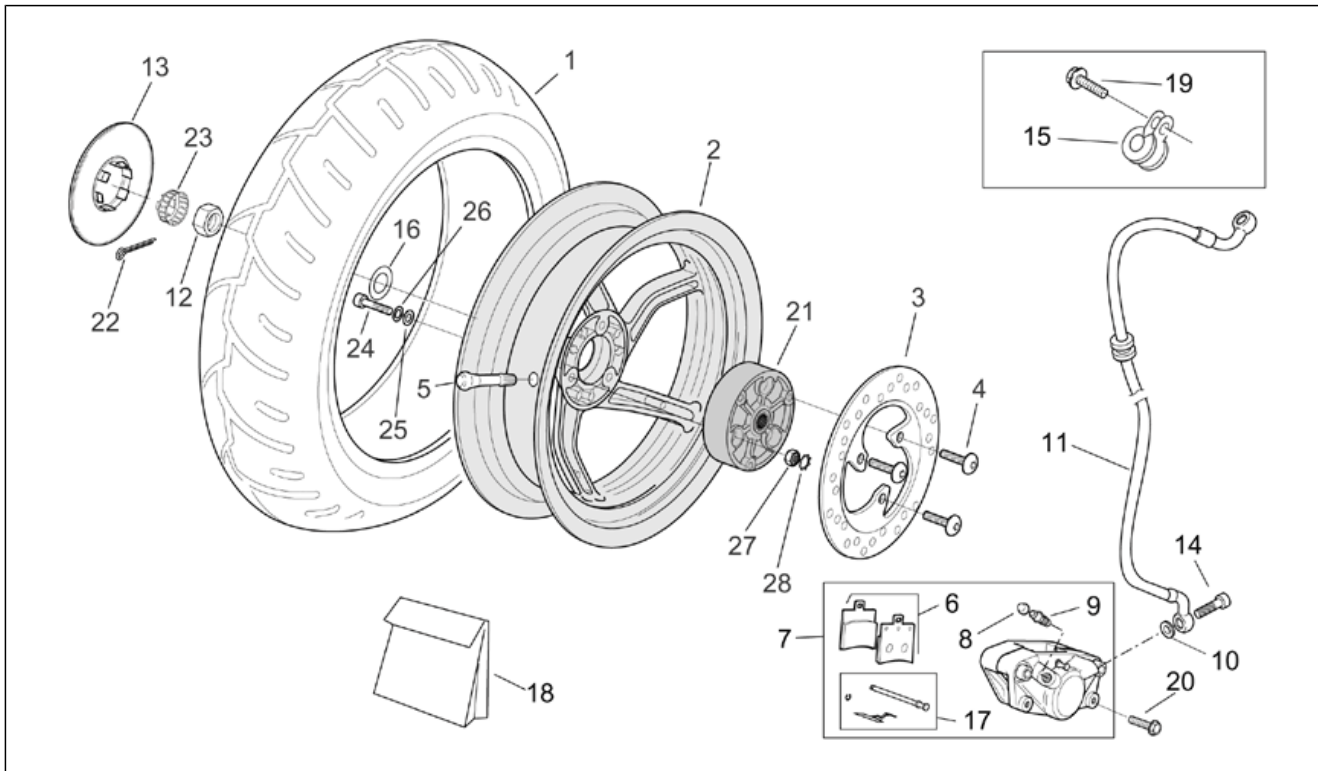
Pos.	Code	Beschreibung	Menge	Varianten
2	AP8208898	Hinterrad ohne Scheibe Grey/GoldSand	1	Baujahr: 2004[4] Farbe: Replica Poggiali Weiß 2004[RP] Technische Spezifikation: Räder mit Marke ZNL[zn]
2	AP8208856	Hinterrad ohne Scheibe Grey/GoldSand	1	Baujahr: 2003[3] Farbe: Schwarz GP1 2003[gp1] Technische Spezifikation: Marke Grimeca[gr] Version mit Einspritzung (C361M)[ie]
2	AP8208814	Hinterrad ohne Scheibe Gold	1	Baujahr: 2004[4] Farbe: Replica Poggiali Weiß 2004[RP] Replica Poggiali Schwarz 2004[RP.bl] Technische Spezifikation: Marke Grimeca[gr]
2	AP8208814	Hinterrad ohne Scheibe Gold	1	Baujahr: 2003[3] Farbe: "Blau Limited ""Racing"" 2003"[b.lim] Technische Spezifikation: Marke Grimeca[gr] Version mit Einspritzung (C361M)[ie]
2	AP8208856	Hinterrad ohne Scheibe Grey/GoldSand	1	Baujahr: 2003[3] Farbe: Tuono 2003[tuono] Technische Spezifikation: Marke Grimeca[gr] Version mit Einspritzung (C361M)[ie]
3	AP8213519	Bremsscheibe D190	1	
4	AP8152504	TE-Spezialschraube M8x25	3	
5	AP8201546	Schlauchloses Reifenventil	1	
6	AP8213506	Beläge (Paar)	1	Technische Spezifikation: Marke Grimeca[gr]
6	AP8213577	Beläge (Paar)	1	Technische Spezifikation: Marke Heng Tong[ht]
7	AP8213557	Hinterradbremzange D30	1	Technische Spezifikation: Marke Heng Tong[ht]
7	AP8213529	Hinterradbremzange, schw. D30	1	Technische Spezifikation: Marke Grimeca[gr]
7	AP8213522	Hinterradbremzange D30	1	Technische Spezifikation: Marke Grimeca[gr]
8	AP8213575	Entlüftungskappe	1	Technische Spezifikation: Marke Heng Tong[ht]
8	AP8113005	Entlüftungskappe	1	Technische Spezifikation: Marke Grimeca[gr]
9	AP8113006	Entlüftungsanschluß	1	Technische Spezifikation: Marke Grimeca[gr]
9	AP8213574	Entlüftungsanschluß	1	Technische Spezifikation: Marke Heng Tong[ht]
10	AP8113004	Ausgleichscheibe 10x14x1,6*	2	

Einheit	RAHMEN
Code	28.30
Beschreibung	Hinterrad Scheibenbremse
Inspektion	1



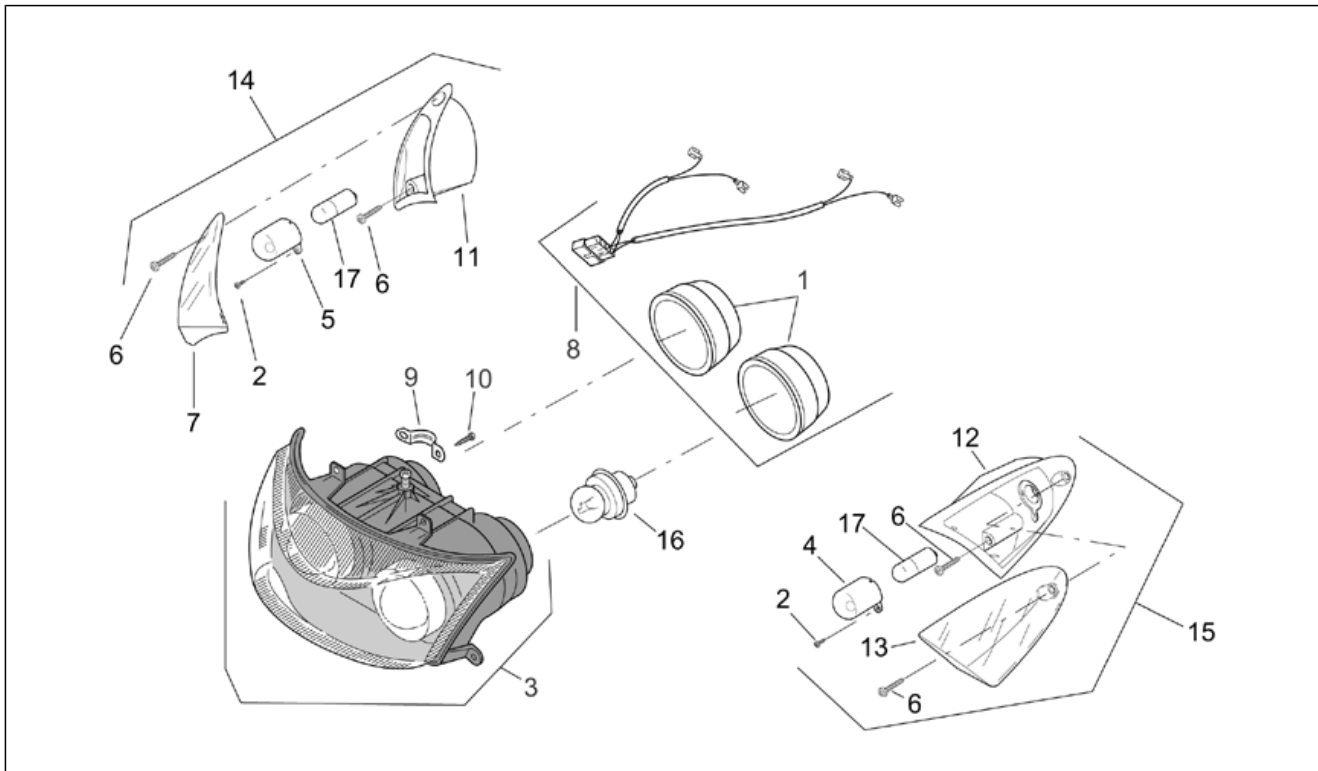
Pos.	Code	Beschreibung	Menge	Varianten
11	AP8213521	Hinterradbremseleitung	1	
12	AP8125802	Mutter Hinterrad	1	
13	AP8225383	Hinterradschraube	1	Baujahr: 2003[3] Farbe: "SBK "" Racing"" 2003"[sbk] Technische Spezifikation: Version mit Einspritzung (C361M) [ie]
13	AP8225392	Hinterradschraube	1	Baujahr: 2003[3] Farbe: Rot Fluo 2003[f.red] Technische Spezifikation: Version mit Vergaser (C364M) [carb]
13	AP8208857	Hinterradschraube	1	Baujahr: 2004[4] Farbe: Grau Graphite 2004[graph] Rot Tulip 2004[tulip] Technische Spezifikation: Version mit Vergaser (C364M) [carb]
13	AP8225383	Hinterradschraube	1	Baujahr: 2004[4] Farbe: Replica Poggiali Weiß 2004[RP] Replica Poggiali Schwarz 2004[RP.bl] Technische Spezifikation: Version mit Vergaser (C364M) [carb] Version mit Einspritzung (C361M)[ie]
13	AP8208857	Hinterradschraube	1	Baujahr: 2004[4] Farbe: Bleigrau 2004[grey] Rot Fluo 2004[r.fluo] Technische Spezifikation: Version mit Vergaser (C364M) [carb] Version mit Einspritzung (C361M)[ie]
13	AP8208857	Hinterradschraube	1	Baujahr: 2003[3] Farbe: Schwarz GP1 2003[gp1] Rot Tulip 2003[t.red] Tuono 2003[tuono] Technische Spezifikation: Version mit Einspritzung (C361M) [ie]
13	AP8225392	Hinterradschraube	1	Baujahr: 2003[3] Farbe: Grau Silver 2003[silver] Technische Spezifikation: Version mit Vergaser (C364M) [carb]
13	AP8208857	Hinterradschraube	1	Baujahr: 2008[8]

Einheit	RAHMEN
Code	28.30
Beschreibung	Hinterrad Scheibenbremse
Inspektion	1



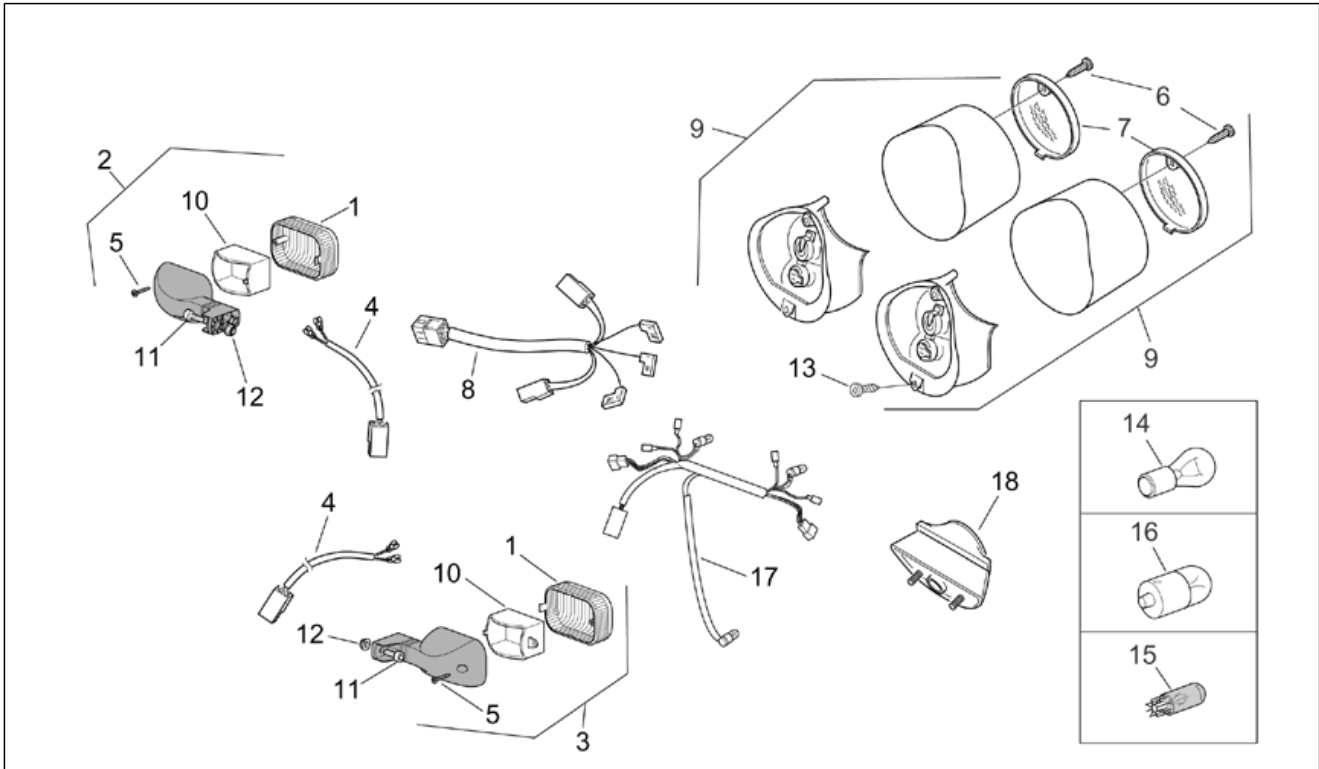
Pos.	Code	Beschreibung	Menge	Varianten
				Farbe: Schwarz Aprilia 2008 (t.B.856145)[black] Grau Excalibur 2008 (t.B.856146)[g.ex] Technische Spezifikation: Version mit Vergaser (C364M) [carb]
13	AP8225383	Hinterradschraube	1	Baujahr: 2003[3] Farbe: "Blau Limited ""Racing"" 2003"[b.lim] Technische Spezifikation: Version mit Einspritzung (C361M) [ie]
13	AP8208857	Hinterradschraube	1	Baujahr: 2004[4] Farbe: Replica Poggiali Weiß 2004[RP] Technische Spezifikation: Version mit Vergaser (C364M) [carb] Version mit Einspritzung (C361M)[ie]
14	AP8113003	Fixierschraube Ölschlauch	2	
15	AP8134167	Platte Bremsschlauch	2	
16	AP8125803	Ring	1	
17	AP8113871	Bolzen+Bremse Felder	1	Technische Spezifikation: Marke Grimeca[gr]
17	AP8213578	Bolzen+Bremse Felder	1	Technische Spezifikation: Marke Heng Tong[ht]
18	AP8213457	Bausatz Bremszangenüberholung	1	Technische Spezifikation: Marke Grimeca[gr]
18	AP8213579	Bausatz Bremszangenüberholung	1	Technische Spezifikation: Marke Heng Tong[ht]
19	AP8152277	TE Schr. m. Flansch M6x12	2	
20	AP8152288	TE Schr. m. Flansch M8x30	2	
21	AP8225393	Hinterradnabe	1	
22	AP8101747	Splint	1	
23	AP8125801	Kappe	1	
24	AP8150086	TCEI Schraube	3	
25	AP8150020	Ausgleichscheibe 10,5x21x2*	3	
26	AP8150292	Gebogene Sprengscheibe *	3	
27	AP8225319	Mutter M10x8,3	3	
28	AP8225322	Ausgleichscheibe	3	Baujahr: 2008[8]

Einheit	RAHMEN
Code	28.31
Beschreibung	Vorderer Lichter
Inspektion	1



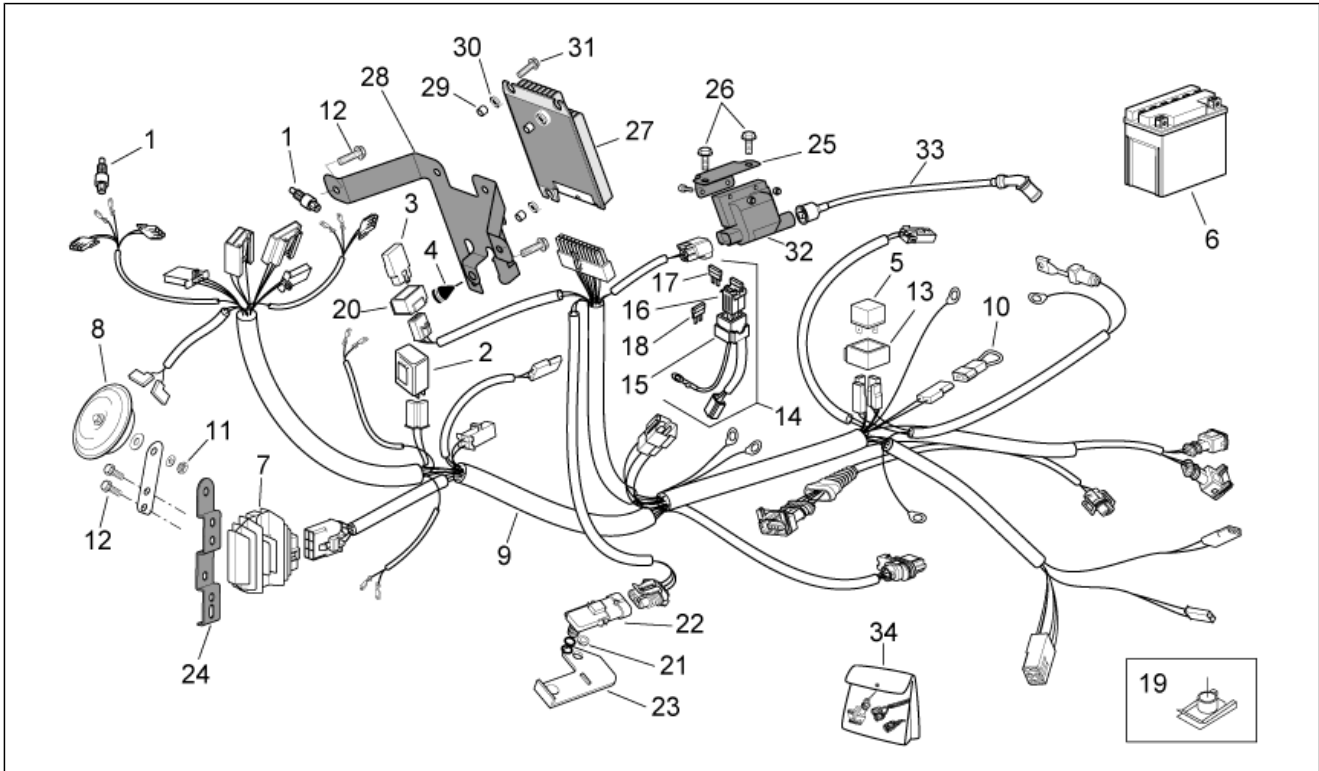
Pos.	Code	Beschreibung	Menge	Varianten
1	AP8212841	Scheinwerferhaube	2	
2	AP8225359	Schraube	2	
3	AP8212771	Scheinwerfer	1	Technische Spezifikation: Version mit Abblendlicht vorne[LO]
3	AP8212903	Scheinwerfer -35+35W-	1	Technische Spezifikation: Version mit Frontscheinw. Fernl./Abblendl.[HI/LO]
4	AP8224211	Schirm links	1	
5	AP8224214	Schirm rechts	1	
6	AP8150270	Linsenschraube 4,2x20*	4	
7	AP8224213	V. Blinkerblende rechts	1	
8	AP8224148	Verkabel.Scheinwerf.	1	Technische Spezifikation: Version mit Abblendlicht vorne[LO]
8	AP8224149	Verkabel.Scheinwerf.	1	Technische Spezifikation: Version mit Frontscheinw. Fernl./Abblendl.[HI/LO]
9	AP8224062	Platte	1	
10	AP8224063	Gew.schr. M2,9x6,5	2	
11	AP8224215	Blinkerspiegel rechts	1	
12	AP8224212	Blinkerspiegel links	1	
13	AP8224210	V. Blinkerblende links	1	
14	AP8124516	Vorderblinker rechts	1	
15	AP8124517	Vorderblinker links	1	
16	0000000	Reifen	2	Technische Spezifikation: Version mit Abblendlicht vorne[LO]
16	0000000	Reifen	1	Technische Spezifikation: Version mit Frontscheinw. Fernl./Abblendl.[HI/LO]
17	0000000	Reifen	2	

Einheit	RAHMEN
Code	28.32
Beschreibung	Hinterer Lichter
Inspektion	1



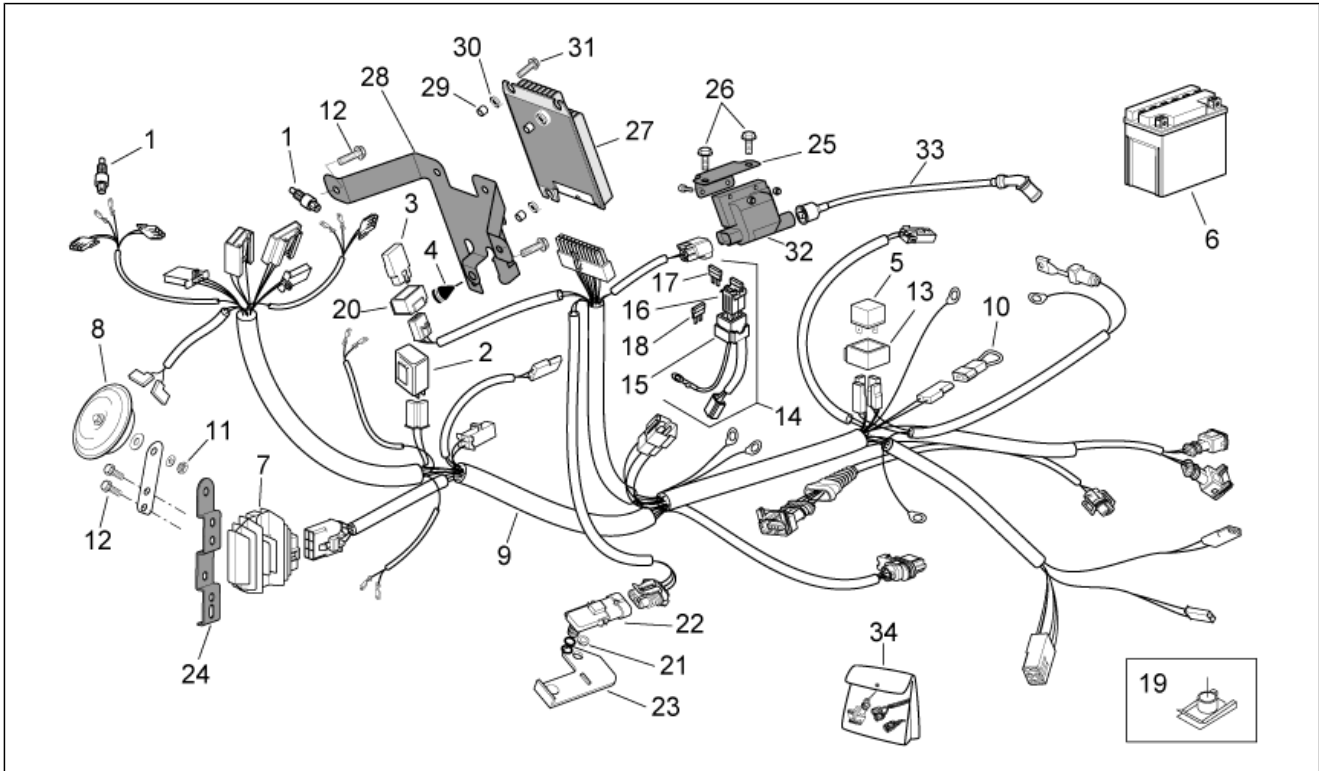
Pos.	Code	Beschreibung	Menge	Varianten
1	AP8224346	Blinkerblende	2	
2	AP8224340	Rückblinker rechts	1	
3	AP8224341	Rückblinker links	1	
4	AP8212698	Kabel vord. Blinker	2	
5	AP8224268	Schraube 2,9x25	2	
6	AP8212934	Gew.schr. weiß 3,9x16	2	
7	AP8212933	Abdeckblende	2	
8	AP8212775	Verkabelung Rücklicht	1	Land:Belgien[B] Deutschland[D] Europa[EU] Deutschland[GE] Italien[I] Holland[NL] Großbritannien[UK]
9	AP8224245	Rücklicht	1	
10	AP8224347	Wanne unten	2	
11	AP8150280	TCEI Schraube	2	
12	AP8152306	Selbstsperrende Mutter M5	2	
13	AP8150413	Gew.schr. 3,9x14	4	
14	0000000	Reifen	1	
15	0000000	Reifen	1	
16	0000000	Reifen	1	
17	AP8212937	Verkabelung Rücklicht	1	Land:Japan[J] Japan[JJ]
18	AP8224196	Kennzeichenleuchte	1	Land:Japan[J] Japan[JJ]

Einheit	RAHMEN
Code	28.33
Beschreibung	Elektrische anlage I
Inspektion	1



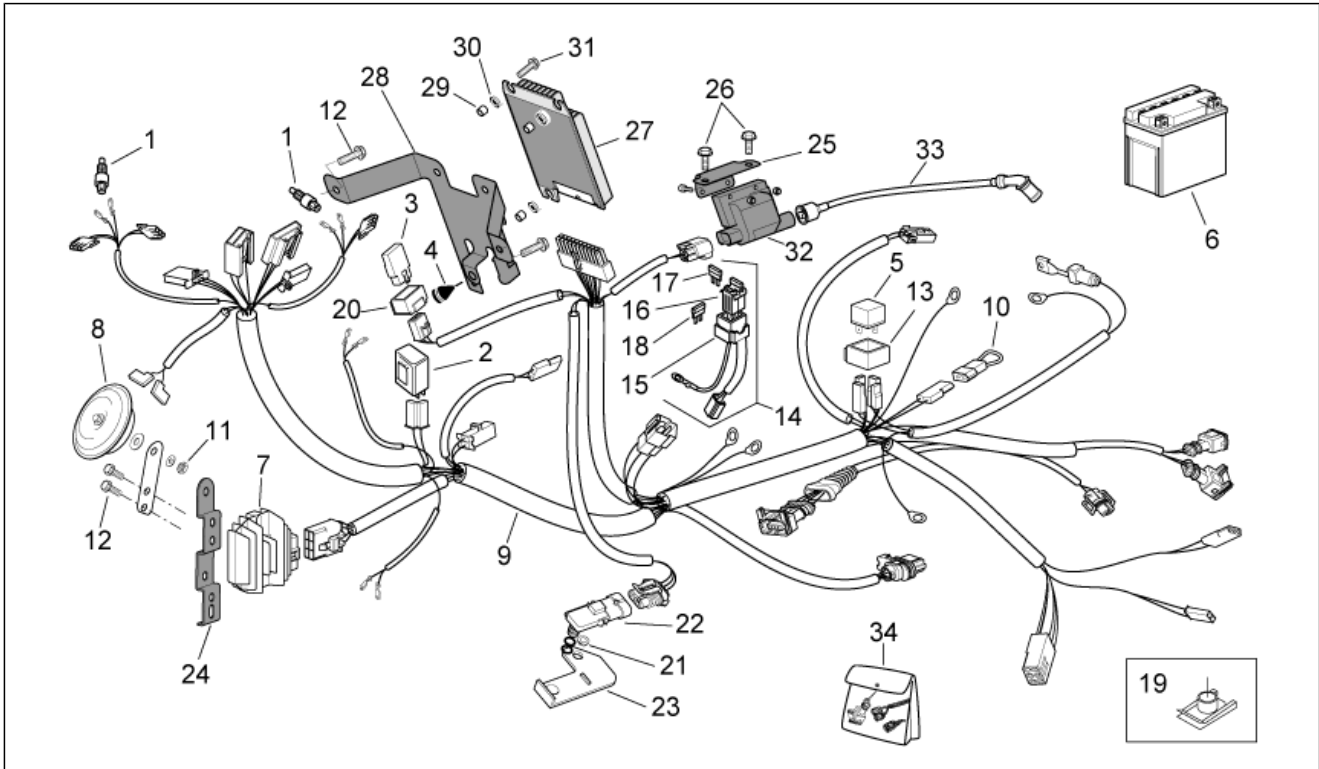
Pos.	Code	Beschreibung	Menge	Varianten
1	AP8127305	Knopf stop	2	Technische Spezifikation: Version mit Einspritzung (C361M) [ie]
2	AP8124235	Blinken	1	Technische Spezifikation: Version mit Einspritzung (C361M) [ie]
3	AP8224462	Zündrelais 12V-30A	1	Technische Spezifikation: Version mit Einspritzung (C361M) [ie]
4	AP8220238	Gummi	1	Technische Spezifikation: Version mit Einspritzung (C361M) [ie]
5	AP8224026	Zündrelais	1	Technische Spezifikation: Version mit Einspritzung (C361M) [ie]
6	AP8124637	Batterie	1	Technische Spezifikation: Version mit Einspritzung (C361M) [ie]
7	AP8127418	Spannungsregler	1	Technische Spezifikation: Version mit Einspritzung (C361M) [ie]
8	AP8212611	Hupe	1	Technische Spezifikation: Version mit Einspritzung (C361M) [ie]
9	AP8224631	Hauptverkabelung	1	Technische Spezifikation: Version mit Frontscheinw. Fernl./ Abblendl.[HI/LO] Version mit Einspritzung (C361M)[ie]
9	AP8224497	Hauptverkabelung	1	Technische Spezifikation: Version mit Einspritzung (C361M) [ie] Version mit Abblendlicht vorne[LO]
10	AP8212382	Diode	1	Technische Spezifikation: Version mit Einspritzung (C361M) [ie]
11	AP8152299	Selbstsperrende Mutter M6	1	Technische Spezifikation: Version mit Einspritzung (C361M) [ie]
12	AP8152278	TE Schr. m. Flansch M6x16	5	Technische Spezifikation: Version mit Einspritzung (C361M) [ie]
13	AP8220546	Auflagegummi Relais	1	Technische Spezifikation: Version mit Einspritzung (C361M) [ie]
14	AP8224499	Verkabelung Sicherungen	1	Technische Spezifikation: Version mit Einspritzung (C361M) [ie]
15	AP8112811	Sicherungsblockgummi	1	Technische Spezifikation: Version mit Einspritzung (C361M) [ie]

Einheit	RAHMEN
Code	28.33
Beschreibung	Elektrische anlage I
Inspektion	1



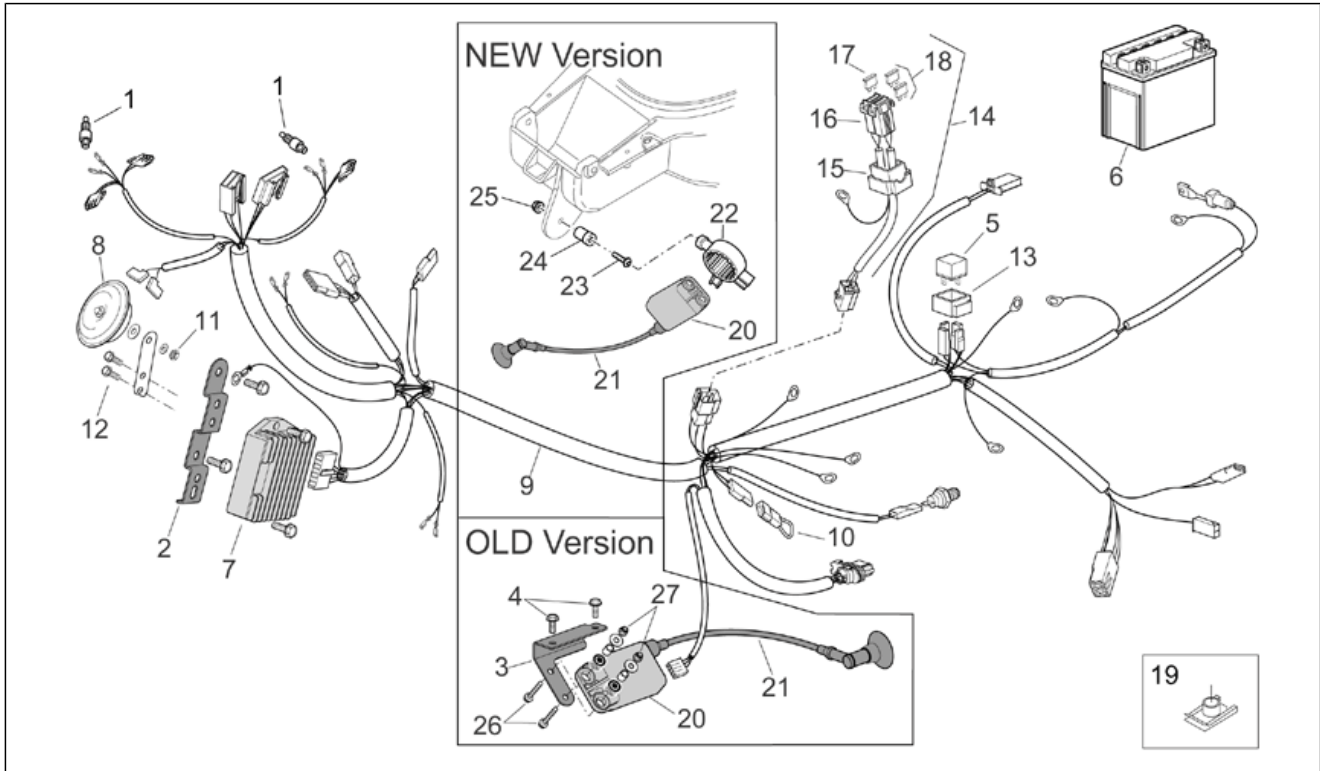
Pos.	Code	Beschreibung	Menge	Varianten
16	AP8120754	Sicherungsblockgummi	2	Technische Spezifikation: Version mit Einspritzung (C361M) [ie]
17	0000000	Reifen	2	Technische Spezifikation: Version mit Einspritzung (C361M) [ie]
18	0000000	Reifen	1	Technische Spezifikation: Version mit Einspritzung (C361M) [ie]
19	AP8102375	Klammer M5	3	Technische Spezifikation: Version mit Einspritzung (C361M) [ie]
20	AP8220283	Gummi *	1	Technische Spezifikation: Version mit Einspritzung (C361M) [ie]
21	AP8121811	T-Buchse	1	Technische Spezifikation: Version mit Einspritzung (C361M) [ie]
22	AP8224478	Druckfühler	1	Technische Spezifikation: Version mit Einspritzung (C361M) [ie]
23	AP8234210	Sensor halter	1	Technische Spezifikation: Version mit Einspritzung (C361M) [ie]
24	AP8234223	Halter Spannungsregler	1	Technische Spezifikation: Version mit Einspritzung (C361M) [ie]
25	AP8234190	Fixierplatte Spule	1	Technische Spezifikation: Version mit Einspritzung (C361M) [ie]
26	AP8152277	TE Schr. m. Flansch M6x12	3	Technische Spezifikation: Version mit Einspritzung (C361M) [ie]
27	AP8224498	Steuergerät	1	Technische Spezifikation: Version mit Einspritzung (C361M) [ie]
28	AP8234184	Fixierplatte Steuergerät	1	Technische Spezifikation: Version mit Einspritzung (C361M) [ie]
29	AP8221036	Buchse 5,3x8x7,1	3	Technische Spezifikation: Version mit Einspritzung (C361M) [ie]
30	AP8120405	Gummi	3	Technische Spezifikation: Version mit Einspritzung (C361M) [ie]
31	AP8152273	Flanschschraube M5x15	3	Technische Spezifikation: Version mit Einspritzung (C361M) [ie]

Einheit	RAHMEN
Code	28.33
Beschreibung	Elektrische anlage I
Inspektion	1



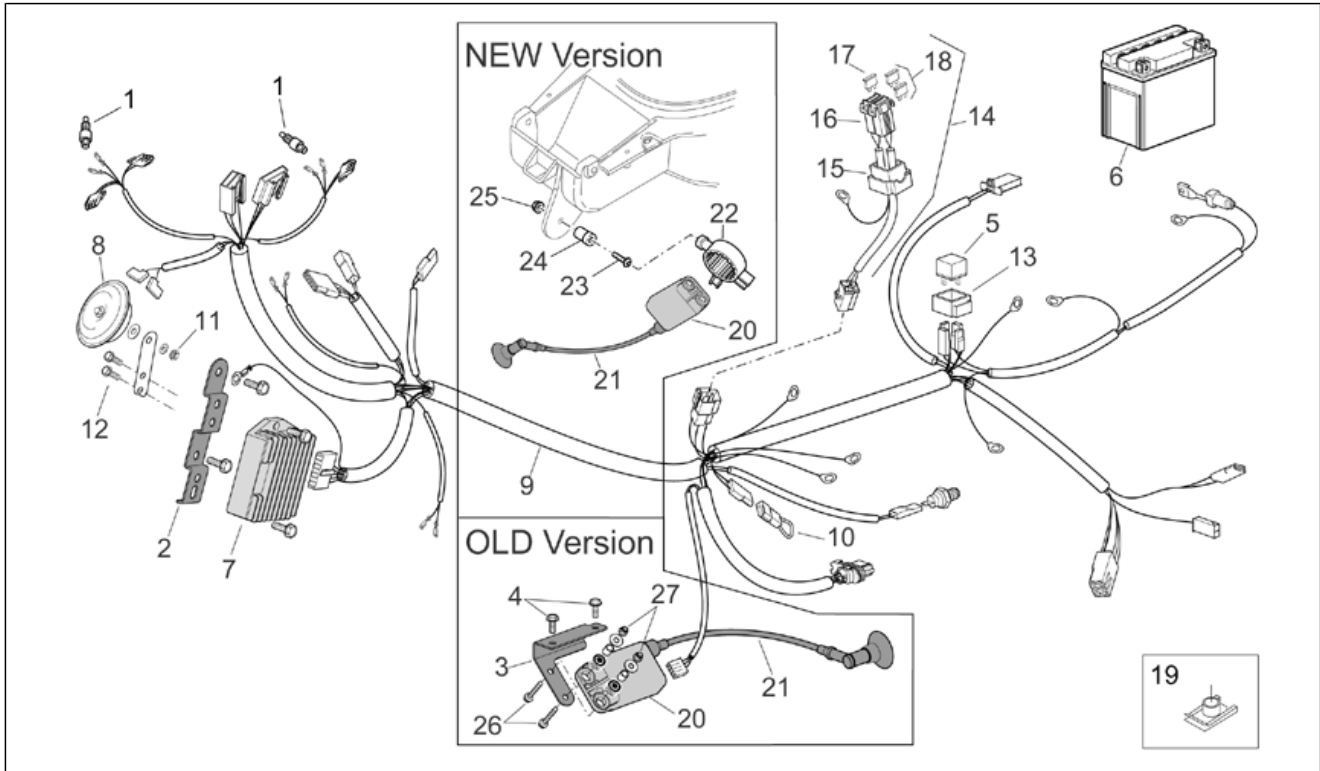
Pos.	Code	Beschreibung	Menge	Varianten
32	AP8224261	Zuendtransform.cpl.	1	Technische Spezifikation: Version mit Einspritzung (C361M) [ie]
33	AP8224379	Zuendkabel	1	Technische Spezifikation: Version mit Einspritzung (C361M) [ie]
34	AP8127477	Kabel Einspritzsystem	1	

Einheit	RAHMEN
Code	28.34
Beschreibung	Elektrische anlage II
Inspektion	1



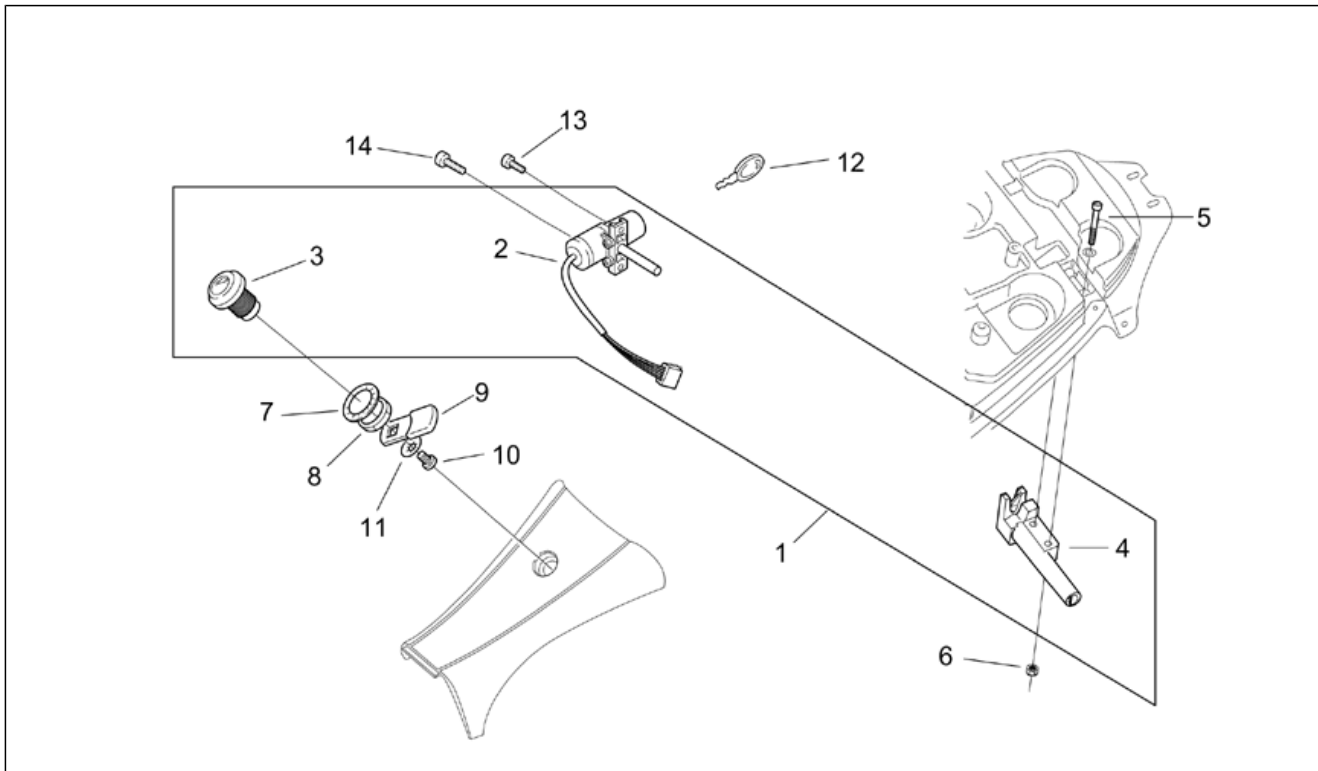
Pos.	Code	Beschreibung	Menge	Varianten
1	AP8127305	Knopf stop	2	Technische Spezifikation: Version mit Vergaser (C364M) [carb]
2	AP8234223	Halter Spannungsregler	1	Technische Spezifikation: Version mit Vergaser (C364M) [carb]
3	AP8234224	Fixierplatte Steuergerät	1	Technische Spezifikation: Version mit Vergaser (C364M) [carb]
4	AP8152277	TE Schr. m. Flansch M6x12	3	Technische Spezifikation: Version mit Vergaser (C364M) [carb]
5	AP8224026	Zündrelais	1	Technische Spezifikation: Version mit Vergaser (C364M) [carb]
6	AP8212110	Batterie 12V-4Ah	1	Technische Spezifikation: Version mit Vergaser (C364M) [carb]
7	AP8124648	Spannungsregler	1	Technische Spezifikation: Version mit Vergaser (C364M) [carb]
8	AP8212611	Hupe	1	Technische Spezifikation: Version mit Vergaser (C364M) [carb]
9	AP8224632	Hauptverkabelung	1	Technische Spezifikation: Version mit Vergaser (C364M) [carb] Version mit Frontscheinw. Fernl./Abblendl.[HI/LO]
9	AP8224506	Hauptverkabelung	1	Technische Spezifikation: Version mit Vergaser (C364M) [carb] Version mit Abblendlicht vorne[LO]
10	AP8212382	Diode	1	Technische Spezifikation: Version mit Vergaser (C364M) [carb]
11	AP8152299	Selbstsperrende Mutter M6	1	Technische Spezifikation: Version mit Vergaser (C364M) [carb]
12	AP8152278	TE Schr. m. Flansch M6x16	5	Technische Spezifikation: Version mit Vergaser (C364M) [carb]
13	AP8220546	Auflagegummi Relais	1	Technische Spezifikation: Version mit Vergaser (C364M) [carb]
14	AP8224284	Verkabelung Sicherungen	1	Technische Spezifikation: Version mit Vergaser (C364M) [carb]
15	AP8112811	Sicherungsblockgummi	1	Technische Spezifikation: Version mit Vergaser (C364M) [carb]

Einheit	RAHMEN
Code	28.34
Beschreibung	Elektrische anlage II
Inspektion	1



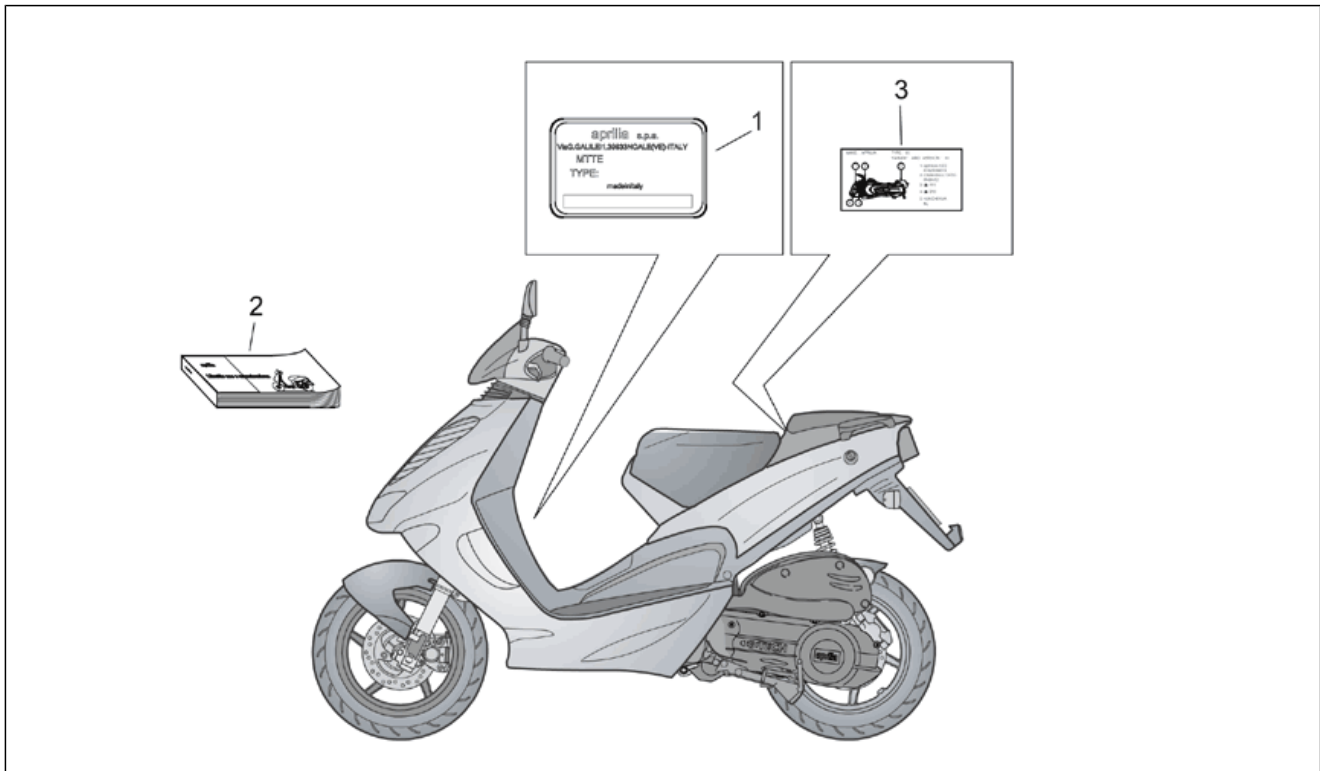
Pos.	Code	Beschreibung	Menge	Varianten
16	AP8120754	Sicherungsblockgummi	2	Technische Spezifikation: Version mit Vergaser (C364M) [carb]
17	0000000	Reifen	2	Technische Spezifikation: Version mit Vergaser (C364M) [carb]
18	0000000	Reifen	1	Technische Spezifikation: Version mit Vergaser (C364M) [carb]
19	AP8102375	Klammer M5	3	Technische Spezifikation: Version mit Vergaser (C364M) [carb]
20	AP8224508	Geber	1	Technische Spezifikation: Version mit Vergaser (C364M) [carb]
21	AP8224578	Zuendkabel	1	Technische Spezifikation: Version mit Vergaser (C364M) [carb]
22	AP8220592	Halter Kraftstoffpumpe	1	Technische Spezifikation: Version mit Vergaser (C364M) [carb]
23	AP8225369	TBEI Schraube	1	Technische Spezifikation: Version mit Vergaser (C364M) [carb]
24	AP8234195	Stift	1	Technische Spezifikation: Version mit Vergaser (C364M) [carb]
25	AP8152306	Selbstsperrende Mutter M5	1	Technische Spezifikation: Version mit Vergaser (C364M) [carb]
26	AP8152275	TE Schr. m. Flansch M5x25	2	Technische Spezifikation: Version mit Vergaser (C364M) [carb]
27	AP8150451	Selbstsperr.mut Unt.	2	Technische Spezifikation: Version mit Vergaser (C364M) [carb]

Einheit	RAHMEN
Code	28.35
Beschreibung	Bausatz Schlösser
Inspektion	1



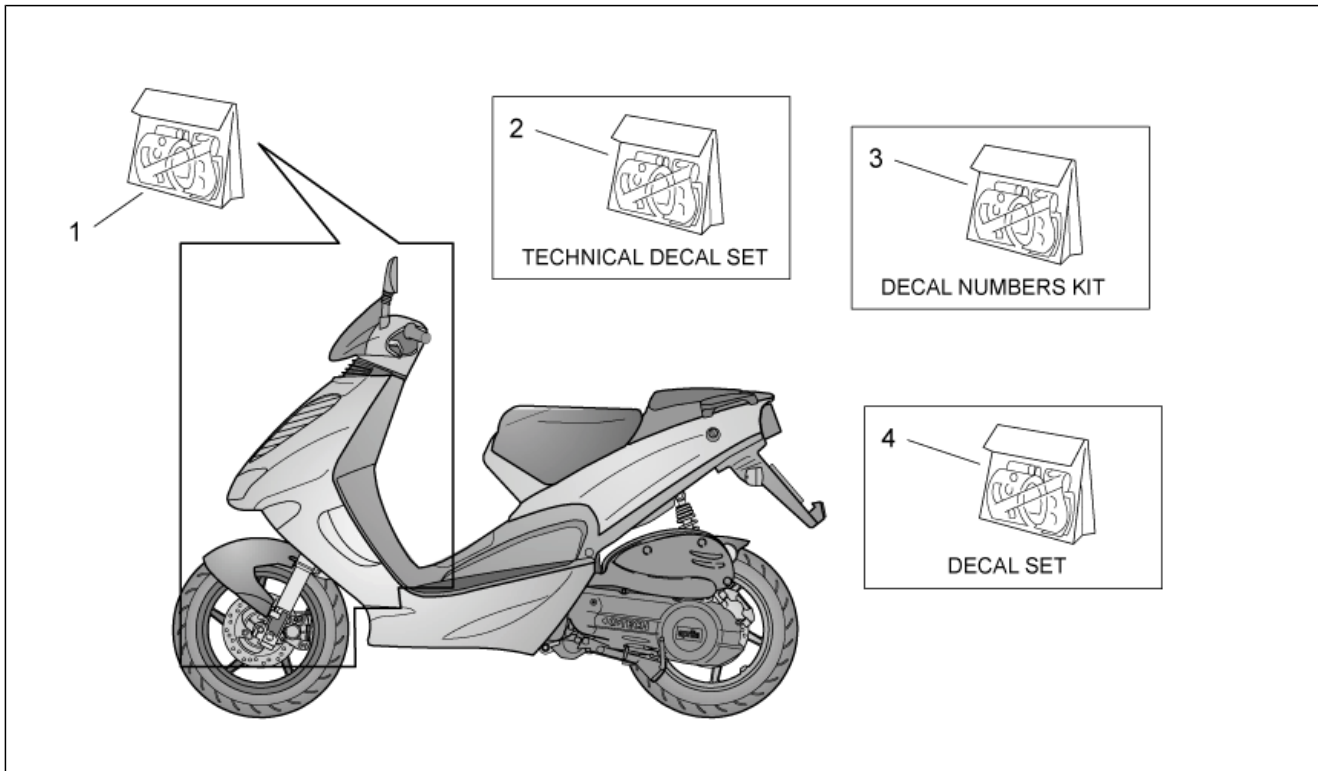
Pos.	Code	Beschreibung	Menge	Varianten
1	AP8202375	Kit Schließvorrichtungen	1	Technische Spezifikation: Version mit Vergaser (C364M) [carb]
1	AP8202218	Kit Schließvorrichtungen	1	Technische Spezifikation: Version mit Einspritzung (C361M) [ie]
2	AP8224584	Lenkschloß	1	Technische Spezifikation: Version mit Vergaser (C364M) [carb]
2	AP8224343	Lenkschloß	1	Technische Spezifikation: Version mit Einspritzung (C361M) [ie]
3	AP8202247	Schloss	1	
4	AP8202246	Sitzschloß	1	
5	AP8152283	TE Schr. m. Flansch	2	
6	AP8150430	Selbstsperr.mut Unt.	2	
7	AP8221312	Zahnscheibe	1	
8	AP8152194	Mutter unten M19x1*	1	
9	AP8201620	Hebel	1	
10	AP8201749	Linsenschraube M4x6	1	
11	AP8201748	Ausgleichscheibe	1	
12	AP8104613	"Aprilia" schlüssel ohne tran.	1	
13	AP8152140	Reißschraube M6x17	1	
14	AP8150137	TCEI Schraube M6x16	1	

Einheit	RAHMEN
Code	28.36
Beschreibung	Schilder und Anleit.
Inspektion	1



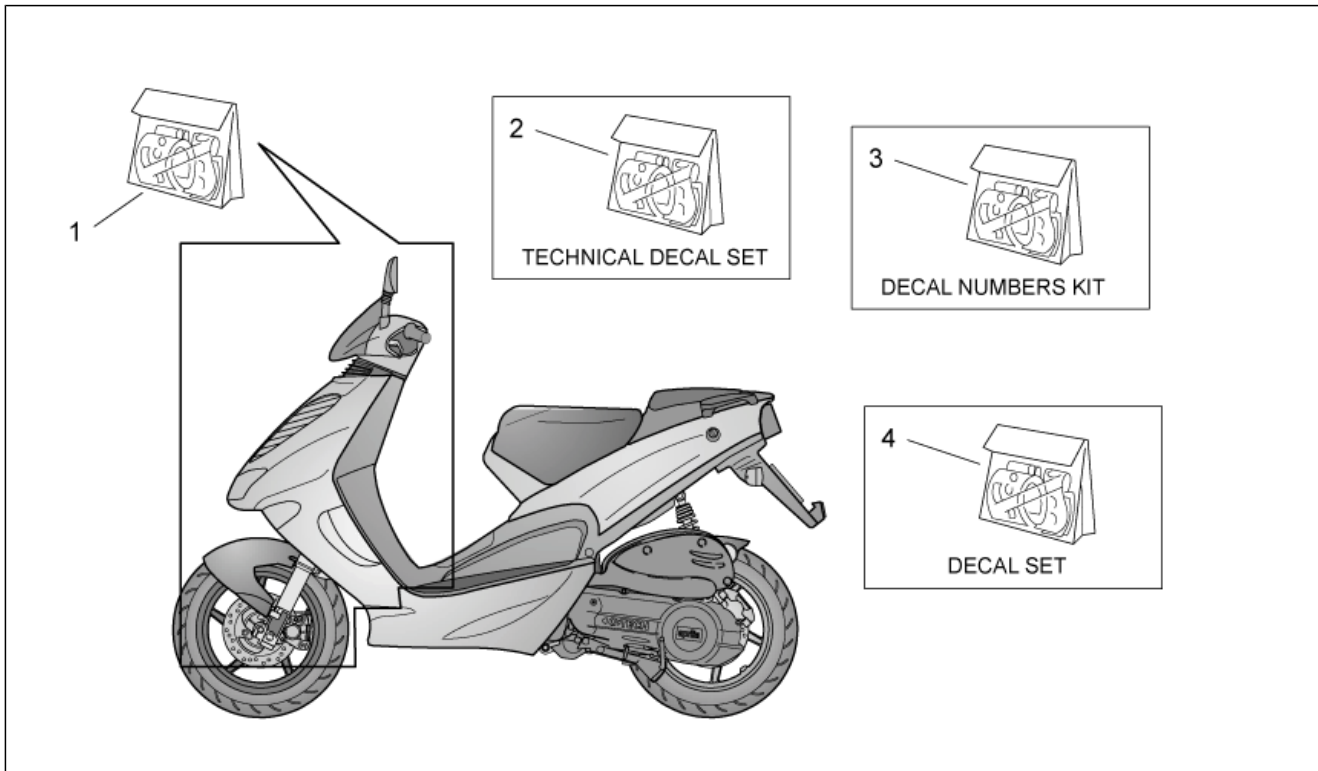
Pos.	Code	Beschreibung	Menge	Varianten
1	AP8277443	Herstellerschild	1	Land: Japan[J] Japan[JJ] Technische Spezifikation: Version mit Vergaser (C364M) [carb]
1	AP8267758	Herstellerschild	1	Technische Spezifikation: Version mit Einspritzung (C361M) [ie]
1	AP8267882	Herstellerschild	1	Land: Belgien[B] Deutschland[D] Europa[EU] Deutschland[GE] Italien[I] Holland[NL] Großbritannien[UK] Technische Spezifikation: Version mit Vergaser (C364M) [carb]
2	AP8202382	Bed./Wart.-Anl. -NL-DK-SF-	1	Land: Belgien[B] Europa[EU] Holland[NL] Technische Spezifikation: Version mit Vergaser (C364M) [carb] Version mit Einspritzung (C361M)[ie]
2	AP8202336	Bed./Wart.-Anl. -I-F-D-	1	Land: Belgien[B] Deutschland[D] Europa[EU] Deutschland[GE] Italien[I] Technische Spezifikation: Version mit Vergaser (C364M) [carb] Version mit Einspritzung (C361M)[ie]
2	AP8202381	Bed./Wart.-Anl.-GR-E-UK-	1	Land: Europa[EU] Großbritannien[UK] Technische Spezifikation: Version mit Vergaser (C364M) [carb] Version mit Einspritzung (C361M)[ie]
3	AP8267881	Fälschungssicheres Schild	1	Technische Spezifikation: Version mit Vergaser (C364M) [carb]
3	AP8267757	Fälschungssicheres Schild	1	Technische Spezifikation: Version mit Einspritzung (C361M) [ie]

Einheit	RAHMEN
Code	28.37
Beschreibung	Frontaufbau und technische Deko
Inspektion	1



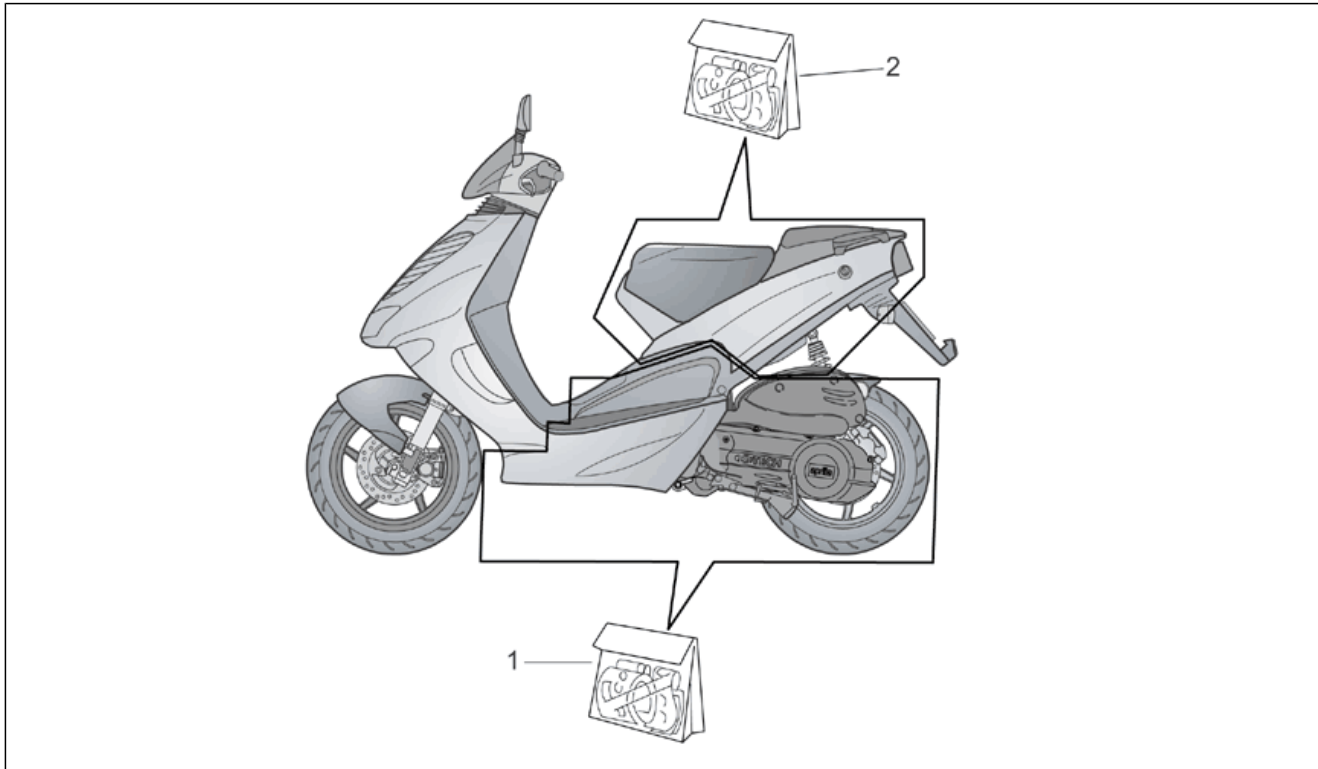
Pos.	Code	Beschreibung	Menge	Varianten
1	AP8277334	Frontaufbau Deko Serie	1	Baujahr: 2004[4] Farbe: Replica Poggiali Weiß 2004[RP] Technische Spezifikation: Version mit Vergaser (C364M) [carb] Version mit Einspritzung (C361M)[ie]
1	AP8267902	Frontaufbau Deko Serie	1	Baujahr: 2003[3] Farbe: "Blau Limited ""Racing"" 2003"[b.lim] Technische Spezifikation: Version mit Einspritzung (C361M) [ie]
1	AP8267900	Frontaufbau Deko Serie	1	Baujahr: 2003[3] Farbe: Schwarz GP1 2003[gp1] Technische Spezifikation: Version mit Einspritzung (C361M) [ie]
1	AP8267898	Frontaufbau Deko Serie	1	Baujahr: 2003[3] Farbe: Tuono 2003[tuono] Technische Spezifikation: Version mit Einspritzung (C361M) [ie]
1	AP8277332	Frontaufbau Deko Serie	1	Baujahr: 2004[4] Farbe: Rot Fluo 2004[r.fluo] Technische Spezifikation: Version mit Vergaser (C364M) [carb] Version mit Einspritzung (C361M)[ie]
1	AP8267657	Frontaufbau Deko Serie	1	Baujahr: 2003[3] Farbe: Grau Silver 2003[silver] Technische Spezifikation: Version mit Vergaser (C364M) [carb]
1	AP8277421	Frontaufbau Deko Serie	1	Baujahr: 2004[4] Farbe: Replica Poggiali Schwarz 2004[RP.b] Technische Spezifikation: Version mit Vergaser (C364M) [carb] Version mit Einspritzung (C361M)[ie]
1	AP8267901	Frontaufbau Deko Serie	1	Baujahr: 2003[3] Farbe: Rot Tulip 2003[t.red] Technische Spezifikation: Version mit Einspritzung (C361M) [ie]
1	AP8277336	Frontaufbau Deko Serie	1	Baujahr: 2004[4] Farbe: Grau Graphite 2004[graph]

Einheit	RAHMEN
Code	28.37
Beschreibung	Frontaufbau und technische Deko
Inspektion	1



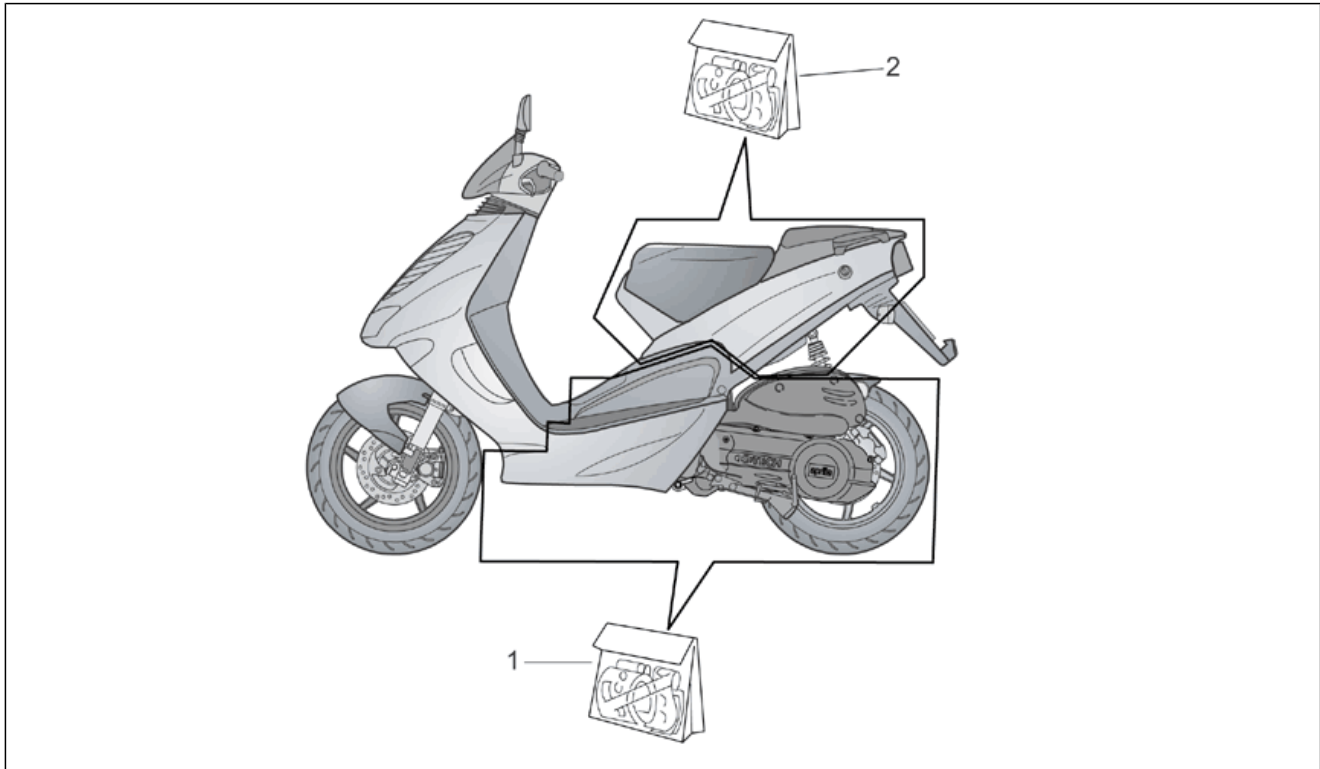
Pos.	Code	Beschreibung	Menge	Varianten
				Technische Spezifikation: Version mit Vergaser (C364M) [carb]
1	AP8277335	Frontaufbau Deko Serie	1	Baujahr: 2004[4] Farbe: Rot Tulip 2004[tulip] Technische Spezifikation: Version mit Vergaser (C364M) [carb]
1	AP8277333	Frontaufbau Deko Serie	1	Baujahr: 2004[4] Farbe: Bleigrau 2004[grey] Technische Spezifikation: Version mit Vergaser (C364M) [carb] Version mit Einspritzung (C361M)[ie]
1	AP8267899	Frontaufbau Deko Serie	1	Baujahr: 2003[3] Farbe: "SBK ""Racing"" 2003"[sbk] Technische Spezifikation: Version mit Einspritzung (C361M) [ie]
1	AP8277017	Frontaufbau Deko Serie	1	Baujahr: 2003[3] Farbe: Rot Fluo 2003[f.red] Technische Spezifikation: Version mit Vergaser (C364M) [carb]
2	AP8267249	Deko technische Serie	1	
3	AP8267701	Deko kit no.	1	
4	B044418	Deko Serie	1	Baujahr: 2012[C] Farbe: Weiß Aprilia 2012 (t.B.B044417)[wh]
4	899819	Deko Serie	1	Baujahr: 2011[B] Farbe: Rot Fluo 899817[red fluo]
4	899820	Deko Serie	1	Baujahr: 2011[B] Farbe: Schwarz Diablo 899818[n.diablo]
4	856147	Deko Serie	1	Baujahr: 2008[8] Farbe: Schwarz Aprilia 2008 (t.B.856145)[black] Technische Spezifikation: Version mit Vergaser (C364M) [carb]
4	856148	Deko Serie	1	Baujahr: 2008[8] Farbe: Grau Excalibur 2008 (t.B.856146)[g.ex] Technische Spezifikation: Version mit Vergaser (C364M) [carb]

Einheit	RAHMEN
Code	28.38
Beschreibung	Mittlerer und Heck Aufbau Deko
Inspektion	1



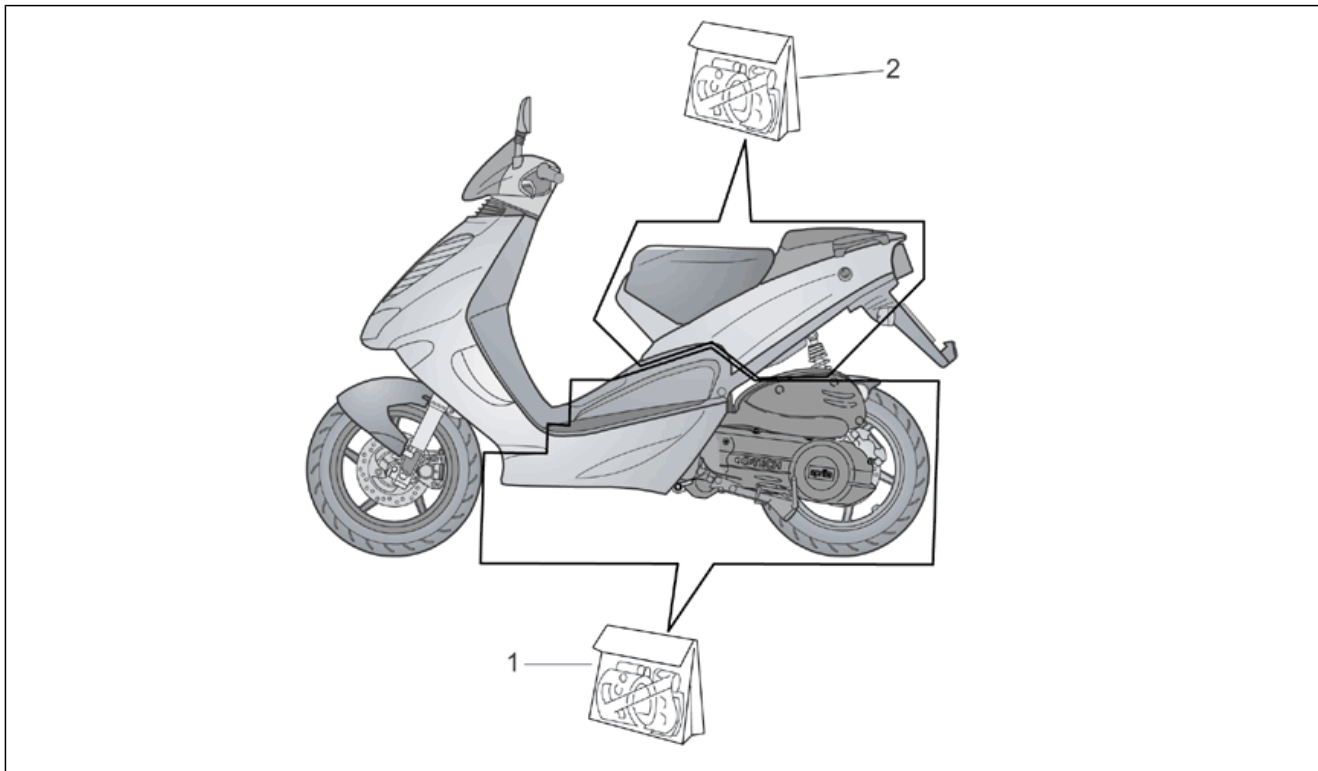
Pos.	Code	Beschreibung	Menge	Varianten
1	AP8267903	Karosserie zent.Deko-Satz	1	Baujahr: 2003[3] Farbe: Tuono 2003[tuono] Technische Spezifikation: Version mit Einspritzung (C361M) [ie]
1	AP8267905	Karosserie zent.Deko-Satz	1	Baujahr: 2003[3] Farbe: Schwarz GP1 2003[gp1] Technische Spezifikation: Version mit Einspritzung (C361M) [ie]
1	AP8267904	Karosserie zent.Deko-Satz	1	Baujahr: 2003[3] Farbe: "SBK ""Racing"" 2003"[sbk] Technische Spezifikation: Version mit Einspritzung (C361M) [ie]
1	AP8277341	Karosserie zent.Deko-Satz	1	Baujahr: 2004[4] Farbe: Grau Graphite 2004[graph] Technische Spezifikation: Version mit Vergaser (C364M) [carb]
1	AP8277018	Karosserie zent.Deko-Satz	1	Baujahr: 2003[3] Farbe: Rot Fluo 2003[f.red] Technische Spezifikation: Version mit Vergaser (C364M) [carb]
1	AP8267656	Karosserie zent.Deko-Satz	1	Baujahr: 2003[3] Farbe: Grau Silver 2003[silver] Technische Spezifikation: Version mit Vergaser (C364M) [carb]
1	AP8277340	Karosserie zent.Deko-Satz	1	Baujahr: 2004[4] Farbe: Rot Tulip 2004[tulip] Technische Spezifikation: Version mit Vergaser (C364M) [carb]
1	AP8267907	Karosserie zent.Deko-Satz	1	Baujahr: 2003[3] Farbe: "Blau Limited ""Racing"" 2003"[b.lim] Technische Spezifikation: Version mit Einspritzung (C361M) [ie]
1	AP8267906	Karosserie zent.Deko-Satz	1	Baujahr: 2003[3] Farbe: Rot Tulip 2003[t.red]

Einheit	RAHMEN
Code	28.38
Beschreibung	Mittlerer und Heck Aufbau Deko
Inspektion	1



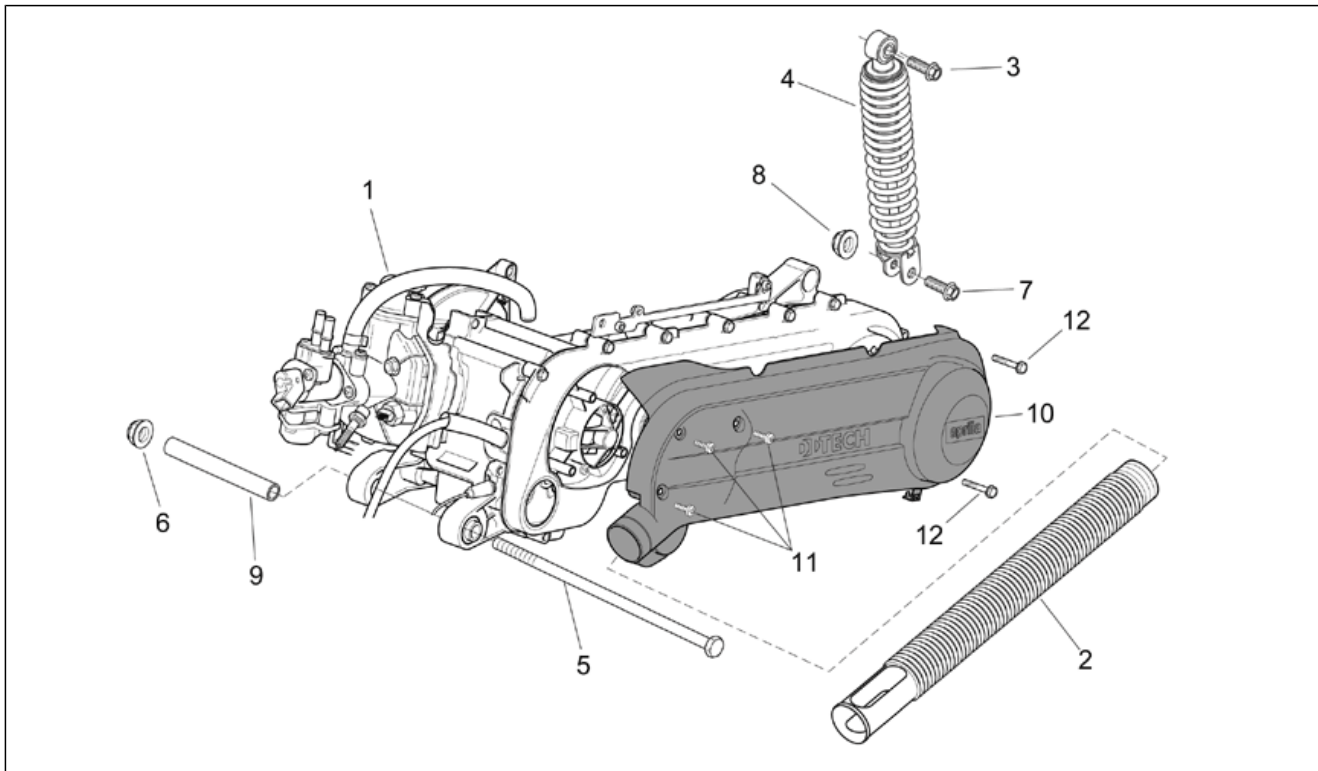
Pos.	Code	Beschreibung	Menge	Varianten
				Technische Spezifikation: Version mit Einspritzung (C361M)[ie]
1	AP8277339	Karosserie zent.Deko-Satz	1	Baujahr: 2004[4] Farbe: Replica Poggiali Weiß 2004[RP] Technische Spezifikation: Version mit Vergaser (C364M)[carb] Version mit Einspritzung (C361M)[ie]
1	AP8277337	Karosserie zent.Deko-Satz	1	Baujahr: 2004[4] Farbe: Rot Fluo 2004[r.fluo] Technische Spezifikation: Version mit Vergaser (C364M)[carb] Version mit Einspritzung (C361M)[ie]
1	AP8277422	Karosserie zent.Deko-Satz	1	Baujahr: 2004[4] Farbe: Replica Poggiali Schwarz 2004[RP.bl] Technische Spezifikation: Version mit Vergaser (C364M)[carb] Version mit Einspritzung (C361M)[ie]
1	AP8277338	Karosserie zent.Deko-Satz	1	Baujahr: 2004[4] Farbe: Bleigrau 2004[grey] Technische Spezifikation: Version mit Vergaser (C364M)[carb] Version mit Einspritzung (C361M)[ie]
2	AP8277344	R.Kar.Deko-Satz	1	Baujahr: 2004[4] Farbe: Replica Poggiali Weiß 2004[RP] Technische Spezifikation: Version mit Vergaser (C364M)[carb] Version mit Einspritzung (C361M)[ie]
2	AP8277346	R.Kar.Deko-Satz	1	Baujahr: 2004[4] Farbe: Grau Graphite 2004[graph] Technische Spezifikation: Version mit Vergaser (C364M)[carb]
2	AP8267911	R.Kar.Deko-Satz	1	Baujahr: 2003[3] Farbe: Rot Tulip 2003[t.red] Technische Spezifikation: Version mit Einspritzung (C361M)[ie]
2	AP8267908	R.Kar.Deko-Satz	1	Baujahr: 2003[3] Farbe: Tuono 2003[tuono] Technische Spezifikation: Version mit Einspritzung (C361M)[ie]
2	AP8267909	R.Kar.Deko-Satz	1	Baujahr: 2003[3]

Einheit	RAHMEN
Code	28.38
Beschreibung	Mittlerer und Heck Aufbau Deko
Inspektion	1



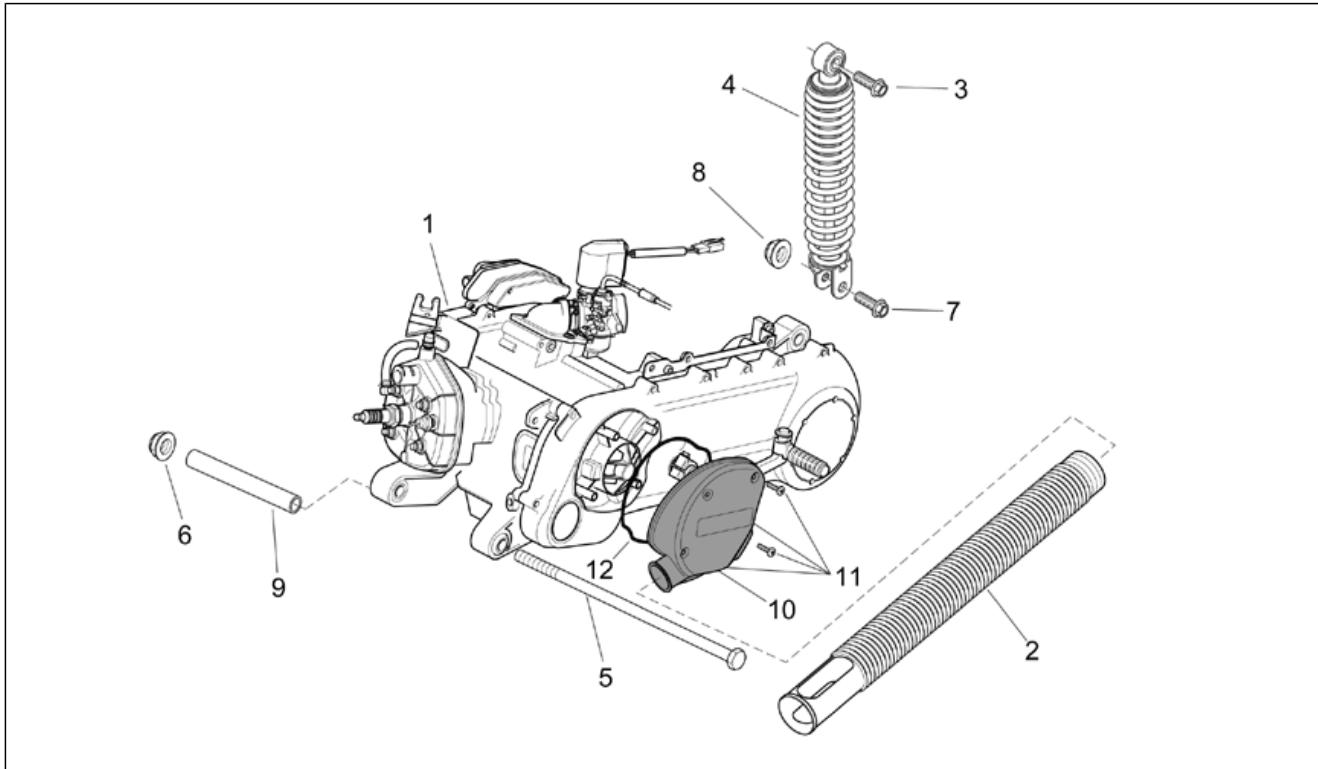
Pos.	Code	Beschreibung	Menge	Varianten
				Farbe: "SBK ""Racing"" 2003"[sbk] Technische Spezifikation: Version mit Einspritzung (C361M) [ie]
2	AP8267910	R.Kar.Deko-Satz	1	Baujahr: 2003[3] Farbe: Schwarz GP1 2003[gp1] Technische Spezifikation: Version mit Einspritzung (C361M) [ie]
2	AP8277423	R.Kar.Deko-Satz	1	Baujahr: 2004[4] Farbe: Replica Poggiali Schwarz 2004[RP.bl] Technische Spezifikation: Version mit Vergaser (C364M) [carb] Version mit Einspritzung (C361M)[ie]
2	AP8277019	R.Kar.Deko-Satz	1	Baujahr: 2003[3] Farbe: Rot Fluo 2003[f.red] Technische Spezifikation: Version mit Vergaser (C364M) [carb]
2	AP8277345	R.Kar.Deko-Satz	1	Baujahr: 2004[4] Farbe: Rot Tulip 2004[tulip] Technische Spezifikation: Version mit Vergaser (C364M) [carb]
2	AP8277343	R.Kar.Deko-Satz	1	Baujahr: 2004[4] Farbe: Bleigrau 2004[grey] Technische Spezifikation: Version mit Vergaser (C364M) [carb] Version mit Einspritzung (C361M)[ie]
2	AP8267912	R.Kar.Deko-Satz	1	Baujahr: 2003[3] Farbe: "Blau Limited ""Racing"" 2003"[b.lim] Technische Spezifikation: Version mit Einspritzung (C361M) [ie]
2	AP8277342	R.Kar.Deko-Satz	1	Baujahr: 2004[4] Farbe: Rot Fluo 2004[r.fluo] Technische Spezifikation: Version mit Vergaser (C364M) [carb] Version mit Einspritzung (C361M)[ie]
2	AP8267655	R.Kar.Deko-Satz	1	Baujahr: 2003[3] Farbe: Grau Silver 2003[silver] Technische Spezifikation: Version mit Vergaser (C364M) [carb]

Einheit	MOTOR
Code	29.25
Beschreibung	Motor I
Inspektion	1



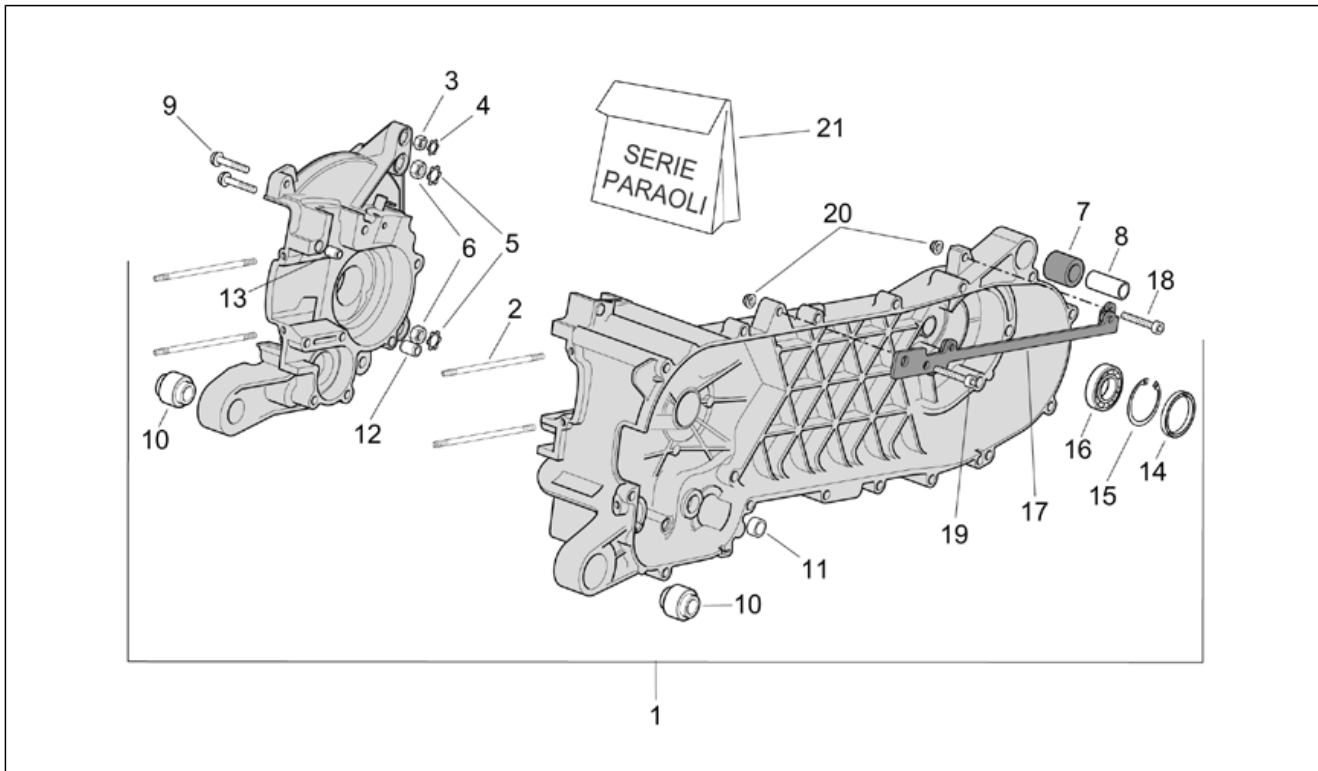
Pos.	Code	Beschreibung	Menge	Varianten
1	AP8222788	Elektr.Einspritz Motor	1	Technische Spezifikation: Version mit Einspritzung (C361M) [ie]
2	AP8220562	Luftinlaß Wandler	1	Technische Spezifikation: Version mit Einspritzung (C361M) [ie]
3	AP8152318	TE Schr. m. Flansch M10x35	1	Technische Spezifikation: Version mit Einspritzung (C361M) [ie]
4	AP8223036	Stoßdämpfer m. gelber Feder	1	Technische Spezifikation: Version mit Einspritzung (C361M) [ie]
4	AP8223059	Stoßdämpfergrau	1	Technische Spezifikation: Version mit Einspritzung (C361M) [ie]
5	AP8150412	Sechskantschraube	1	Technische Spezifikation: Version mit Einspritzung (C361M) [ie]
6	AP8152301	Selbstsperrende Mutter	1	Technische Spezifikation: Version mit Einspritzung (C361M) [ie]
7	AP8152410	TE Schr. m. Flansch M10x55	1	Technische Spezifikation: Version mit Einspritzung (C361M) [ie]
8	AP8152301	Selbstsperrende Mutter	1	Technische Spezifikation: Version mit Einspritzung (C361M) [ie]
9	AP8221347	Motor-Drehzapfen	1	Technische Spezifikation: Version mit Einspritzung (C361M) [ie]
10	AP8258828	Wandlerdeckel	1	Technische Spezifikation: Version mit Einspritzung (C361M) [ie]
11	AP8150515	Selbstschneidende Schraube Scheinwerferreg.	3	Technische Spezifikation: Version mit Einspritzung (C361M) [ie]
12	AP8152282	TE Schr. m. Flansch M6x35	2	Technische Spezifikation: Version mit Einspritzung (C361M) [ie]

Einheit	MOTOR
Code	29.26
Beschreibung	Motor II
Inspektion	1



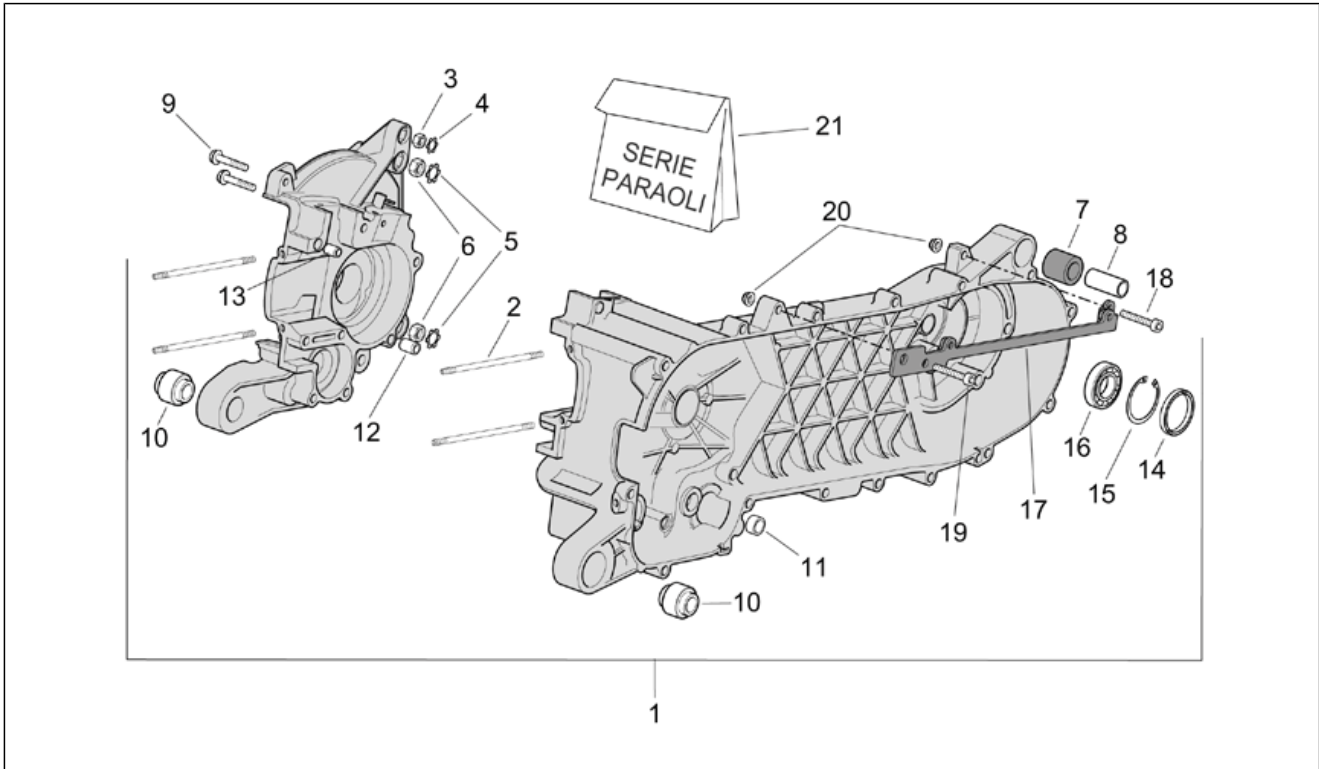
Pos.	Code	Beschreibung	Menge	Varianten
1	AP8222791	Motor, carb.	1	Technische Spezifikation: Version mit Vergaser (C364M) [carb]
2	AP8220646	Luftinlaß Wandler	1	Technische Spezifikation: Version mit Vergaser (C364M) [carb]
3	AP8152318	TE Schr. m. Flansch M10x35	1	Technische Spezifikation: Version mit Vergaser (C364M) [carb]
4	AP8223036	Stoßdämpfer m. gelber Feder	1	Technische Spezifikation: Version mit Vergaser (C364M) [carb]
4	AP8223059	Stoßdämpfergrau	1	Technische Spezifikation: Version mit Vergaser (C364M) [carb]
5	AP8150412	Sechskantschraube	1	Technische Spezifikation: Version mit Vergaser (C364M) [carb]
6	AP8152301	Selbstsperrende Mutter	1	Technische Spezifikation: Version mit Vergaser (C364M) [carb]
7	AP8152410	TE Schr. m. Flansch M10x55	1	Technische Spezifikation: Version mit Vergaser (C364M) [carb]
8	AP8152301	Selbstsperrende Mutter	1	Technische Spezifikation: Version mit Vergaser (C364M) [carb]
9	AP8221347	Motor-Drehzapfen	1	Technische Spezifikation: Version mit Vergaser (C364M) [carb]
10	AP8276020	Wandlerdeckel	1	Technische Spezifikation: Version mit Vergaser (C364M) [carb]
11	AP8150515	Selbstschneidende Schraube Scheinwerferreg.	4	Technische Spezifikation: Version mit Vergaser (C364M) [carb]
12	AP8220655	Staubschutzdichtung	1	Technische Spezifikation: Version mit Vergaser (C364M) [carb]

Einheit	MOTOR
Code	29.39
Beschreibung	Gehäuse
Inspektion	1



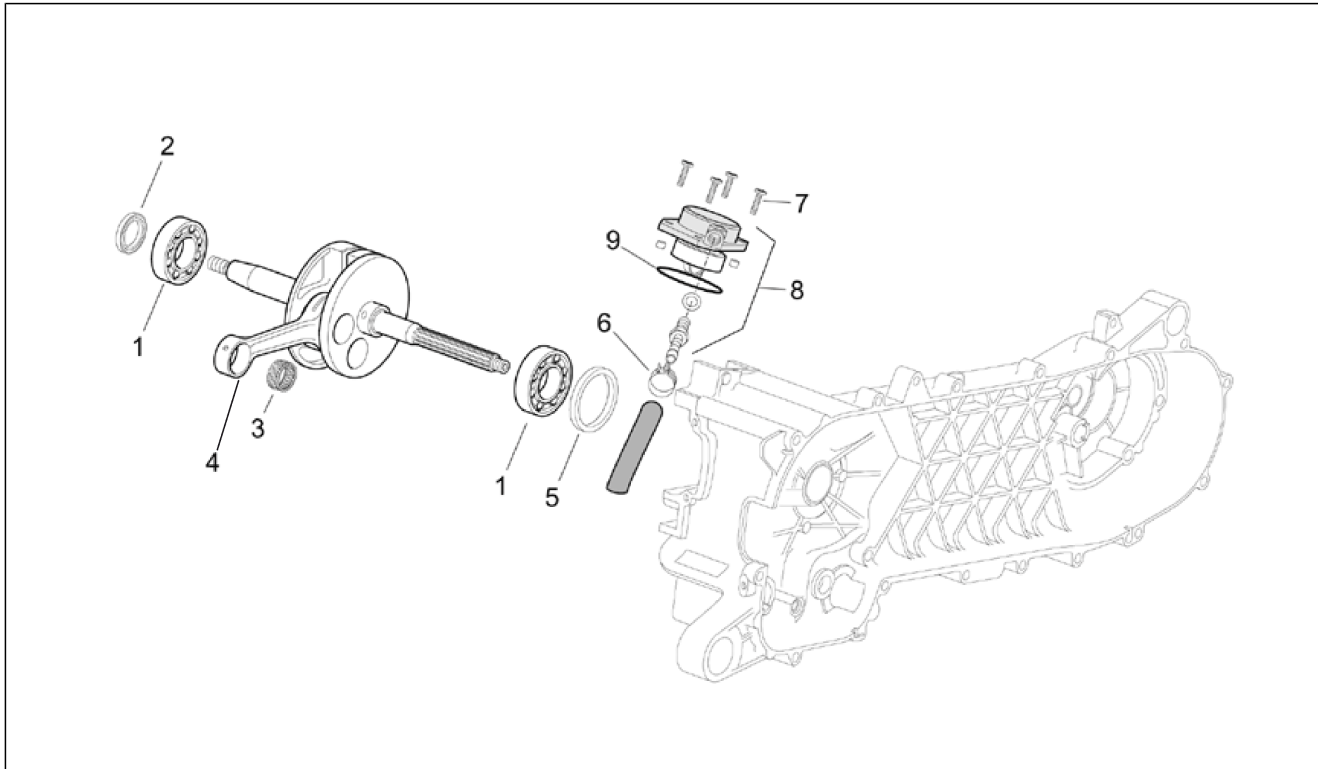
Pos.	Code	Beschreibung	Menge	Varianten
1	AP8515003	Kurbelgehäuse	1	Technische Spezifikation: Version mit Einspritzung (C361M) [ie]
1	AP8515092	Kurbelgehäuse	1	Technische Spezifikation: Version mit Vergaser (C364M) [carb]
2	AP8515005	Stiftschraube	4	
3	AP8550003	Mutter M6	1	
4	AP8515006	Sperring	1	
5	AP8515007	Sperring	2	
6	AP8550005	Mutter	2	
7	AP8550266	Stoßdämpfer Silent-Block	1	
8	AP8225374	Distanzscheibe	1	
9	AP8550035	Schraube M6x45	8	
10	AP8550514	Motor Silent-Block	2	Technische Spezifikation: Version mit Vergaser (C364M) [carb]
10	AP8220617	Schwingschutzlager	2	Technische Spezifikation: Version mit Einspritzung (C361M) [ie]
11	AP8515004	Gasket ring	1	
12	AP8550010	Buchse	1	
13	AP8550107	Stift d.9,5 h=15	2	
14	AP8550095	Gasket ring	1	
15	AP8550094	Sprengring	1	
16	AP8550083	Lager 20x47x14	1	
17	AP8234213	Fixierbügel filtergehäuse	1	
18	AP8150220	TCEI Schraube M6x30	1	
19	AP8152003	TCEI Schraube M6x40	1	
20	AP8152299	Selbstsperrende Mutter M6	2	
21	AP8515002	Dichtungssatz	1	Technische Spezifikation: Version mit Einspritzung (C361M) [ie]

Einheit	MOTOR
Code	29.39
Beschreibung	Gehäuse
Inspektion	1



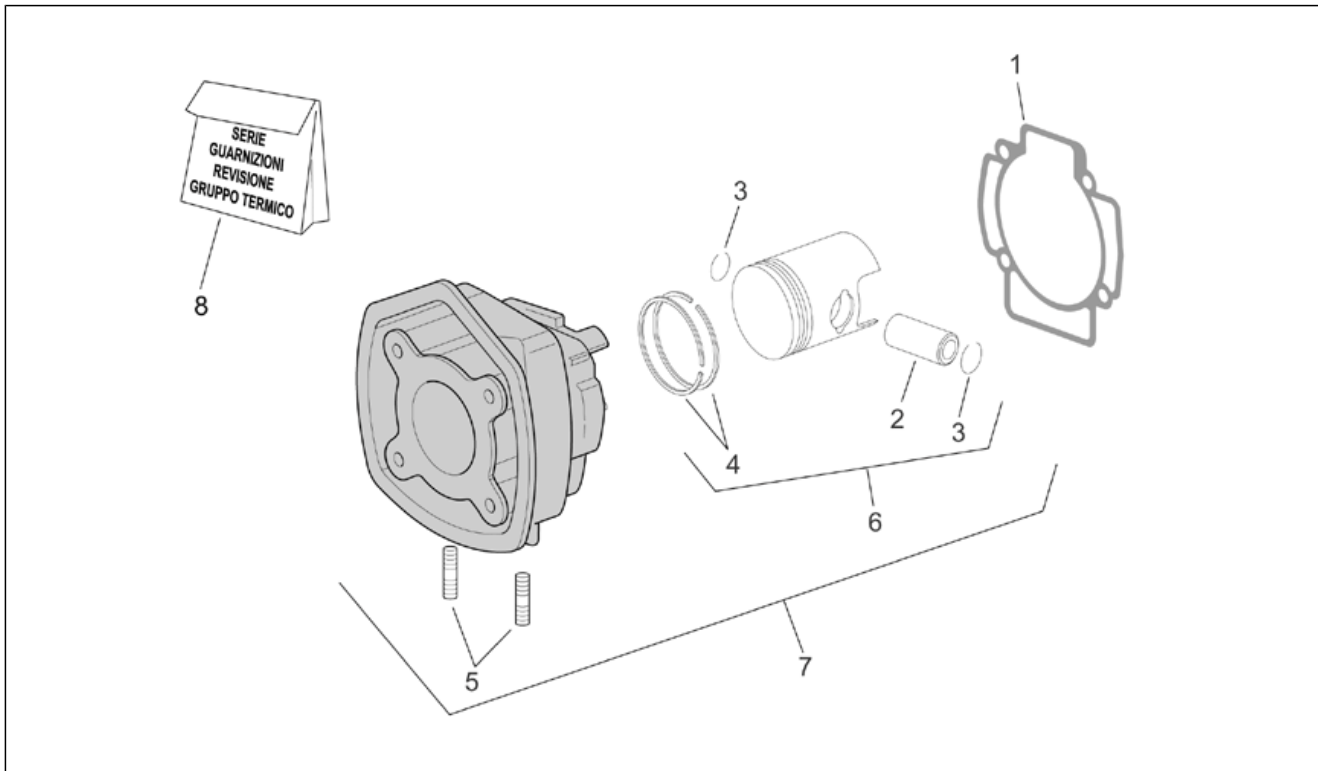
Pos.	Code	Beschreibung	Menge	Varianten
21	AP8276042	Dichtungssatz	1	Technische Spezifikation: Version mit Vergaser (C364M) [carb]

Einheit	MOTOR
Code	29.40
Beschreibung	Kurbelwelle
Inspektion	1



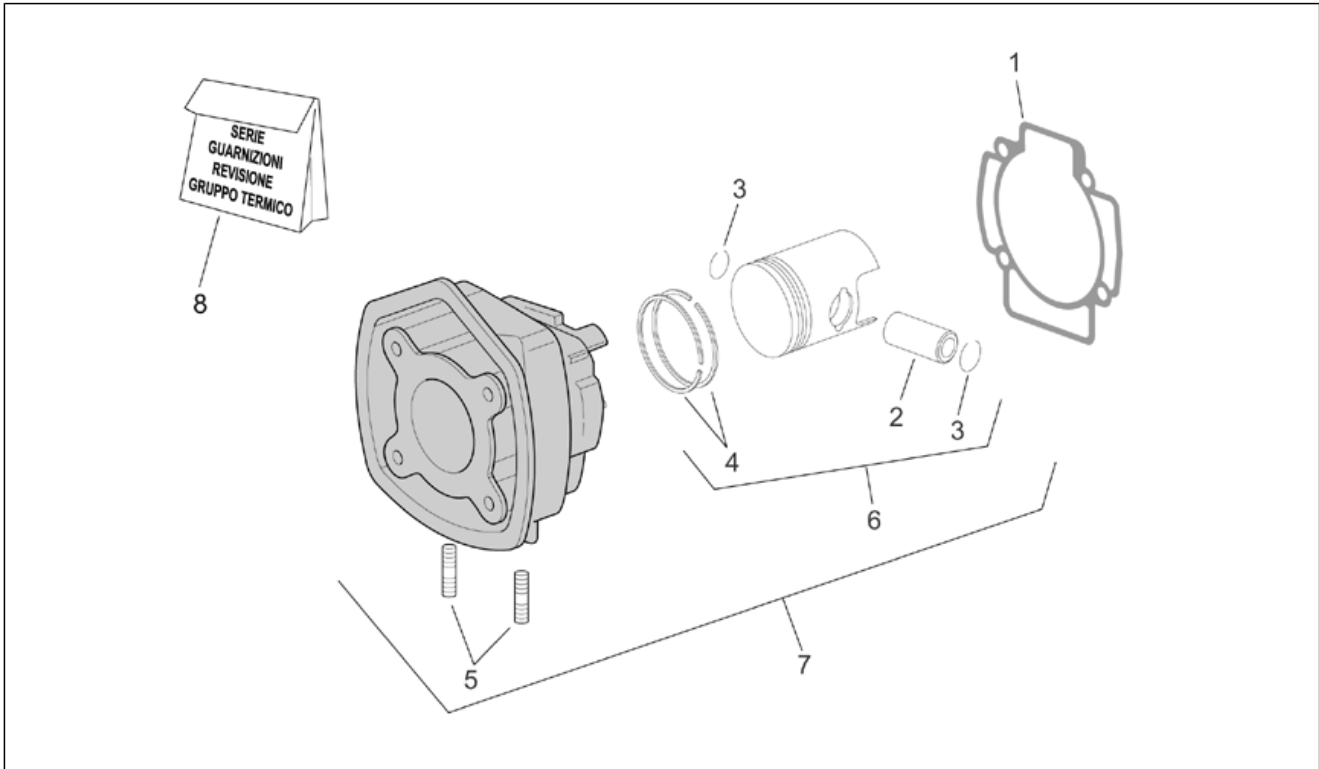
Pos.	Code	Beschreibung	Menge	Varianten
1	AP8515008	Lager 20x52x12	2	Technische Spezifikation: Version mit Vergaser (C364M) [carb]
1	AP8110118	Lager 20x52x12	2	Technische Spezifikation: Version mit Einspritzung (C361M) [ie]
2	AP8515009	Gasket ring	1	
3	AP8515012	Käfig auf Bolzen 3cat.SILVER	1	
3	AP8515010	Käfig auf Bolzen 1cat.COPPER	1	
3	AP8515013	Käfig auf Bolzen 4cat.GREEN	1	
3	AP8515011	Käfig auf Bolzen 2cat.BLUE	1	
4	AP8515098	Kurbelwelle kpl.	1	Technische Spezifikation: Version mit Vergaser (C364M) [carb]
4	AP8515014	Kurbelwelle kpl.	1	Technische Spezifikation: Version mit Einspritzung (C361M) [ie]
5	AP8515015	Gasket ring	1	
6	AP8515041	Schlauchschelle	1	Technische Spezifikation: Version mit Einspritzung (C361M) [ie]
7	AP8550169	Schraube	4	Technische Spezifikation: Version mit Einspritzung (C361M) [ie]
8	AP8515016	Kompressor	1	Technische Spezifikation: Version mit Einspritzung (C361M) [ie]
9	AP8515048	O-Ring	1	Technische Spezifikation: Version mit Einspritzung (C361M) [ie]

Einheit	MOTOR
Code	29.41
Beschreibung	Kolben + Zylinder
Inspektion	1



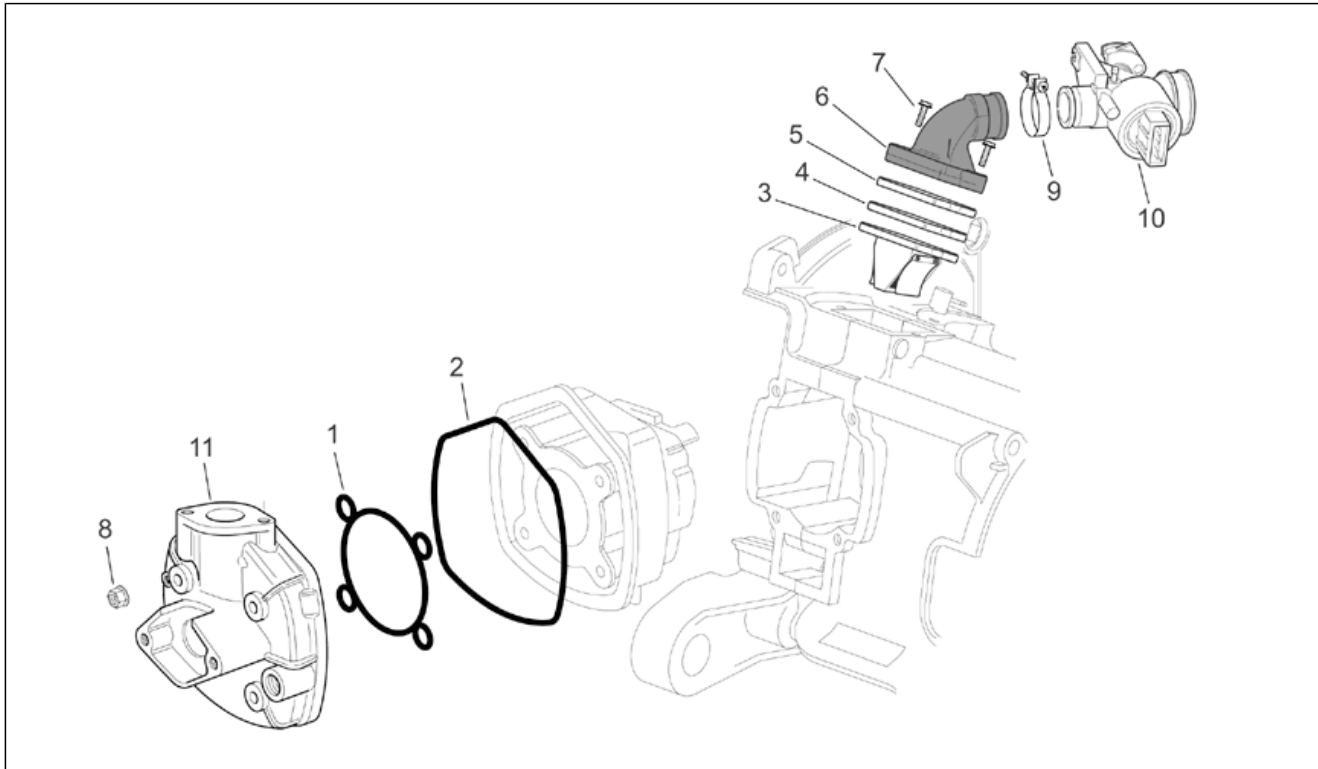
Pos.	Code	Beschreibung	Menge	Varianten
1	AP8515021	Dichtung sp0,8	1	
1	AP8515020	Dichtung sp0,6	1	
1	AP8515019	Dichtung sp0,4	1	
2	AP8515022	Bolzen	1	
3	AP8515017	Stiftsperring	2	
4	AP8515018	Dichtring d40	2	
4	AP8515024	Dichtring d40,4	2	
4	AP8515023	Dichtring d40,2	2	
5	AP8551018	Stiftschraube	2	
6	AP8515026	Kolben kpl. 2cat.(N)	1	Technische Spezifikation: Version mit Einspritzung (C361M) [ie]
6	AP8515124	Kolben kpl. 1cat.(M)	1	Technische Spezifikation: Version mit Vergaser (C364M) [carb]
6	AP8276045	Kolben kpl. 2M	1	Technische Spezifikation: Version mit Einspritzung (C361M) [ie]
6	AP8515028	Kolben kpl. 4cat.(P)	1	Technische Spezifikation: Version mit Einspritzung (C361M) [ie]
6	AP8515126	Kolben kpl. 3cat.(O)	1	Technische Spezifikation: Version mit Vergaser (C364M) [carb]
6	AP8515027	Kolben kpl. 3cat.(O)	1	Technische Spezifikation: Version mit Einspritzung (C361M) [ie]
6	AP8515025	Kolben kpl. 1cat.(M)	1	Technische Spezifikation: Version mit Einspritzung (C361M) [ie]
6	AP8515125	Kolben kpl. 2cat.(N)	1	Technische Spezifikation: Version mit Vergaser (C364M) [carb]
6	AP8515127	Kolben kpl. 4cat.(P)	1	Technische Spezifikation: Version mit Vergaser (C364M) [carb]
6	AP8276044	Kolben kpl. 1M	1	Technische Spezifikation: Version mit Einspritzung (C361M) [ie]
6	AP8276041	Kolben kpl. 2M	1	Technische Spezifikation: Version mit Vergaser (C364M) [carb]

Einheit	MOTOR
Code	29.41
Beschreibung	Kolben + Zylinder
Inspektion	1



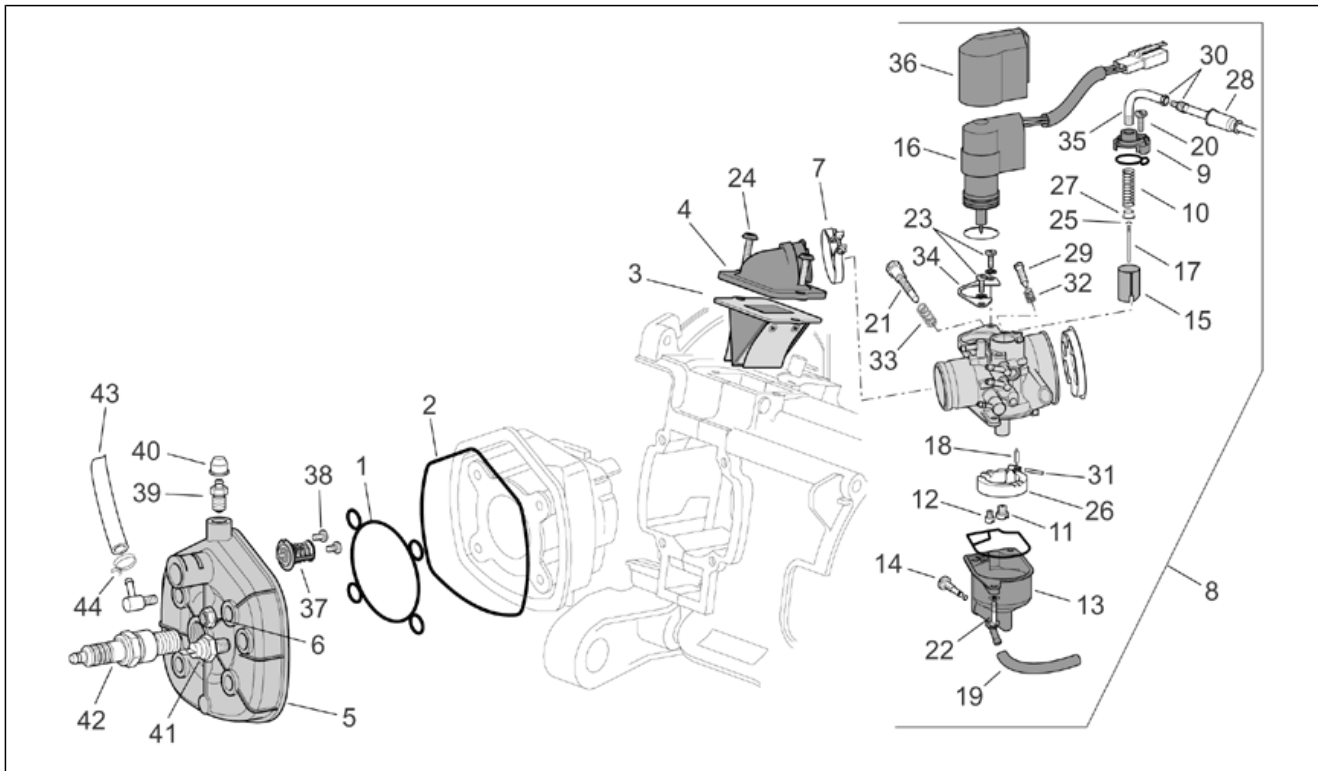
Pos.	Code	Beschreibung	Menge	Varianten
7	AP8515123	Kolben + Zylinder	1	Technische Spezifikation: Version mit Vergaser (C364M) [carb]
7	AP8515029	Kolben + Zylinder	1	Technische Spezifikation: Version mit Einspritzung (C361M) [ie]
8	AP8276043	Zylinder Dichtung Satz	1	Technische Spezifikation: Version mit Vergaser (C364M) [carb]
8	AP8515001	Zylinder Dichtung Satz	1	Technische Spezifikation: Version mit Einspritzung (C361M) [ie]

Einheit	MOTOR
Code	29.42
Beschreibung	Zylinderkopf/Klappenkörper
Inspektion	1



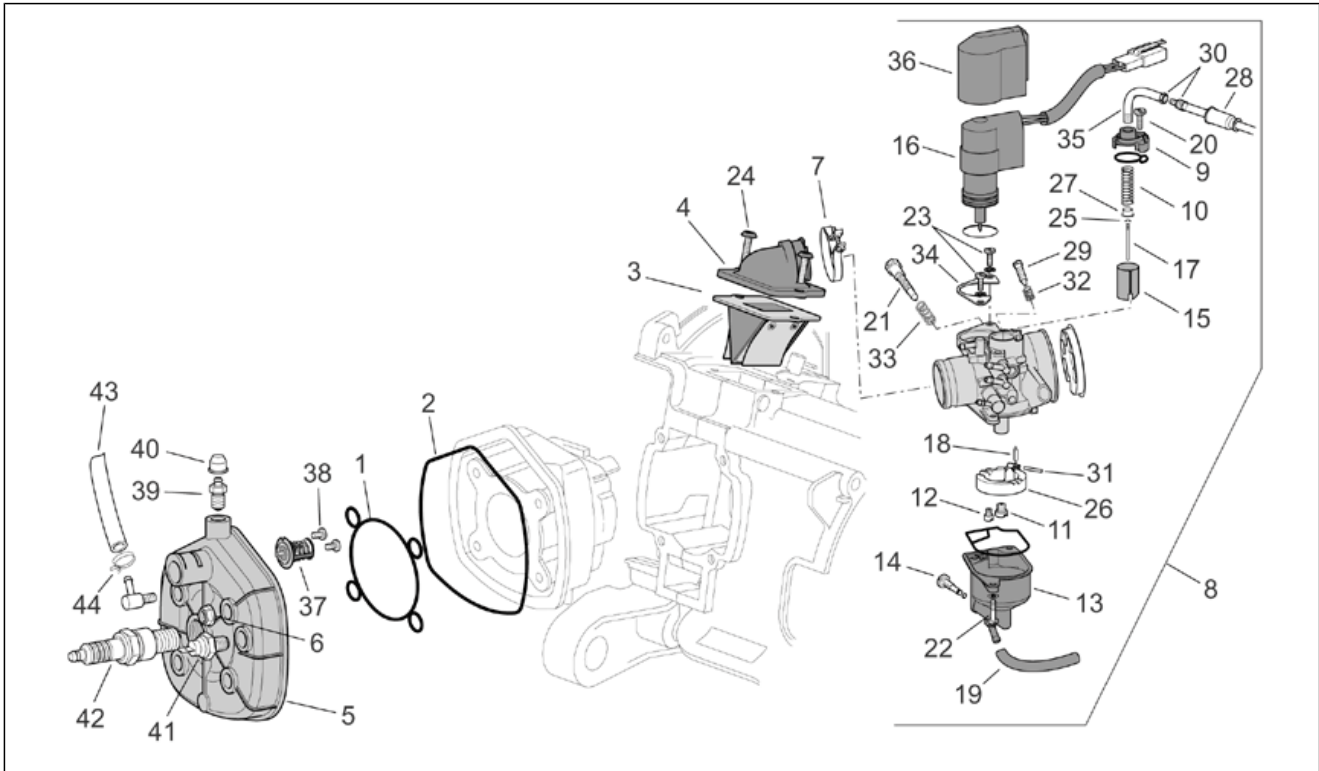
Pos.	Code	Beschreibung	Menge	Varianten
1	AP8515030	Innen Dichtung	1	
2	AP8515031	Außen-dichtung	1	
3	AP8515033	Ventiltraeger kpl.	1	Technische Spezifikation: Version mit Einspritzung (C361M) [ie]
4	AP8515035	Platte	1	Technische Spezifikation: Version mit Einspritzung (C361M) [ie]
5	AP8515034	Ventildichtung	1	Technische Spezifikation: Version mit Einspritzung (C361M) [ie]
6	AP8515032	Ansaugkrümmer	1	Technische Spezifikation: Version mit Einspritzung (C361M) [ie]
7	AP8515036	Reißschraube	2	Technische Spezifikation: Version mit Einspritzung (C361M) [ie]
8	AP8550271	Mutter M6	4	
9	AP8550178	Schelle	1	
10	AP8515090	Klappenkörper	1	Technische Spezifikation: Version mit Einspritzung (C361M) [ie]
11	AP8515038	Zylinderkopf	1	Technische Spezifikation: Version mit Einspritzung (C361M) [ie]

Einheit	MOTOR
Code	29.43
Beschreibung	Zylinderkopf/Vergaser
Inspektion	1



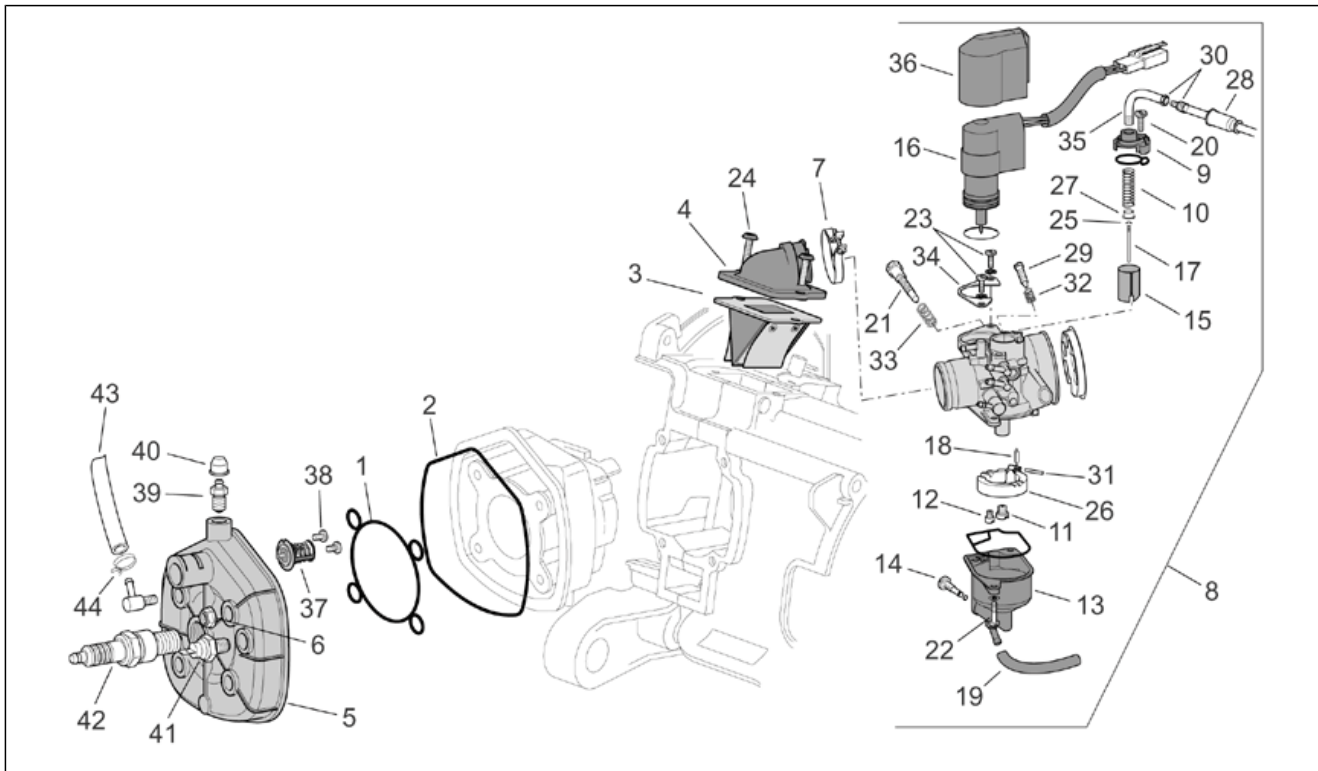
Pos.	Code	Beschreibung	Menge	Varianten
1	AP8515030	Innen Dichtung	1	
2	AP8515031	Außen-dichtung	1	
3	AP8515117	Ventilträger kpl.	1	Technische Spezifikation: Version mit Vergaser (C364M) [carb]
4	AP8515116	Ansaugkrümmer	1	Technische Spezifikation: Version mit Vergaser (C364M) [carb]
5	AP8515097	Zylinderkopf	1	Technische Spezifikation: Version mit Vergaser (C364M) [carb]
6	AP8550271	Mutter M6	4	
7	AP8550178	Schelle	1	
8	AP8515128	Vergaser kpl.	1	Technische Spezifikation: Version mit Vergaser (C364M) [carb]
9	AP8515129	Deckel Gasventil	1	Technische Spezifikation: Version mit Vergaser (C364M) [carb]
10	AP8515130	Feder Gasventil	1	Technische Spezifikation: Version mit Vergaser (C364M) [carb]
11	AP8222443	Maximaldüse 60	1	Land: Japan[J] Japan[JJ] Technische Spezifikation: Version mit Vergaser (C364M) [carb]
11	AP8515131	Maximaldüse 53	1	Land: Belgien[B] Deutschland[D] Europa[EU] Deutschland[GE] Italien[I] Holland[NL] Großbritannien[UK] Technische Spezifikation: Version mit Vergaser (C364M) [carb]
12	AP8515132	Leerlaufstrahl 32	1	Technische Spezifikation: Version mit Vergaser (C364M) [carb]
13	AP8515133	Wanne komplett	1	Technische Spezifikation: Version mit Vergaser (C364M) [carb]
14	AP8550232	Ablaßschraube Wanne	1	Technische Spezifikation: Version mit Vergaser (C364M) [carb]
15	AP8515134	Gasventil	1	Technische Spezifikation: Version mit Vergaser (C364M) [carb]

Einheit	MOTOR
Code	29.43
Beschreibung	Zylinderkopf/Vergaser
Inspektion	1



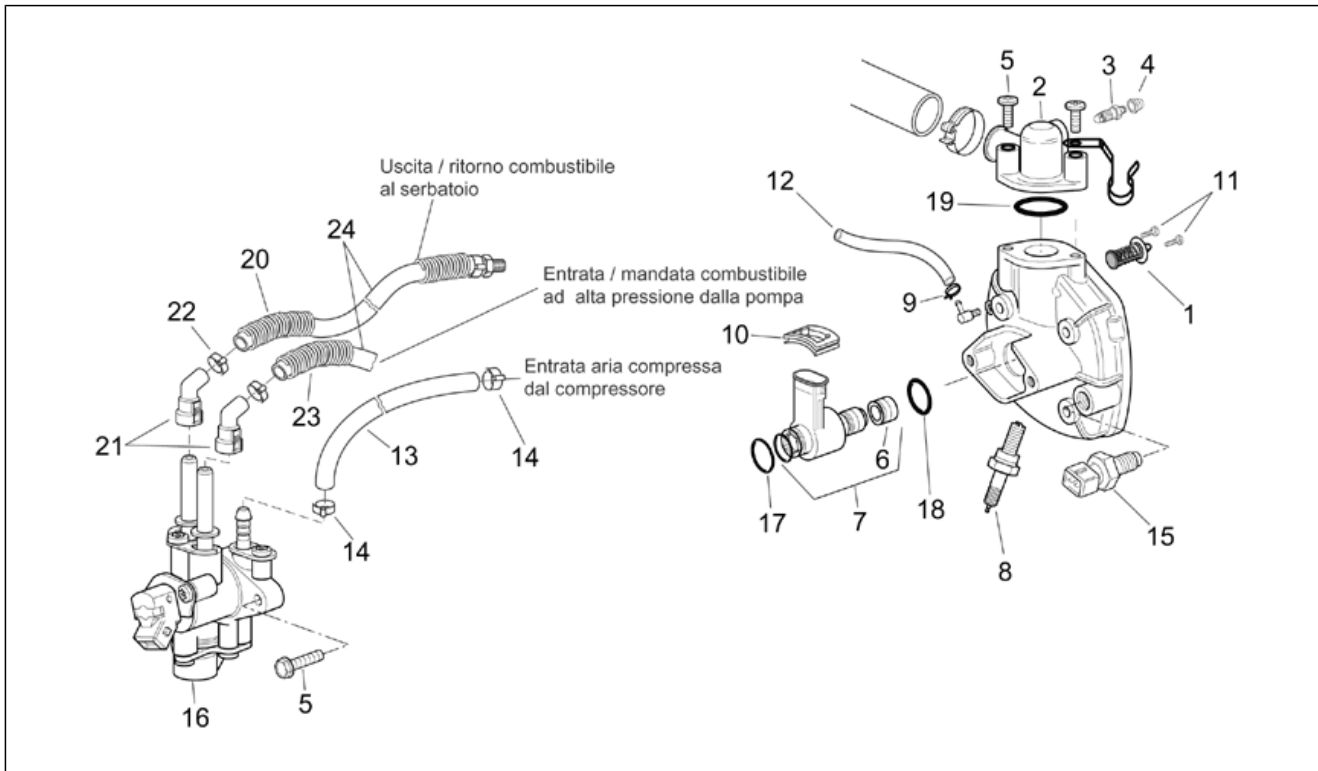
Pos.	Code	Beschreibung	Menge	Varianten
16	AP8515135	Starter	1	Technische Spezifikation: Version mit Vergaser (C364M) [carb]
17	AP8515136	Vergasernadel	1	Technische Spezifikation: Version mit Vergaser (C364M) [carb]
18	AP8550236	Verschlußnadel Benz.	1	Technische Spezifikation: Version mit Vergaser (C364M) [carb]
19	AP8550215	Ablaßrohr Wanne L=130	1	Technische Spezifikation: Version mit Vergaser (C364M) [carb]
20	AP8515137	Schraube	1	Technische Spezifikation: Version mit Vergaser (C364M) [carb]
21	AP8515138	Einstellschr.Gasvent.	1	Technische Spezifikation: Version mit Vergaser (C364M) [carb]
22	AP8550238	Fixierschraube Schel.	2	Technische Spezifikation: Version mit Vergaser (C364M) [carb]
23	AP8550209	Schraube	2	Technische Spezifikation: Version mit Vergaser (C364M) [carb]
24	AP8276035	Antitampering schraube	2	Technische Spezifikation: Version mit Vergaser (C364M) [carb]
25	AP8515139	Ring	1	Technische Spezifikation: Version mit Vergaser (C364M) [carb]
26	AP8515140	Schwimmer komplett	1	Technische Spezifikation: Version mit Vergaser (C364M) [carb]
27	AP8515141	Sicherung Kegelnadel	1	Technische Spezifikation: Version mit Vergaser (C364M) [carb]
28	AP8550214	Gaskabelhaube	1	Technische Spezifikation: Version mit Vergaser (C364M) [carb]
29	AP8515142	Einstellschr Luft	1	Technische Spezifikation: Version mit Vergaser (C364M) [carb]
30	AP8550220	Spannschraube Kabel	1	Technische Spezifikation: Version mit Vergaser (C364M) [carb]
31	AP8550235	Schwimmerstift	1	Technische Spezifikation: Version mit Vergaser (C364M) [carb]

Einheit	MOTOR
Code	29.43
Beschreibung	Zylinderkopf/Vergaser
Inspektion	1



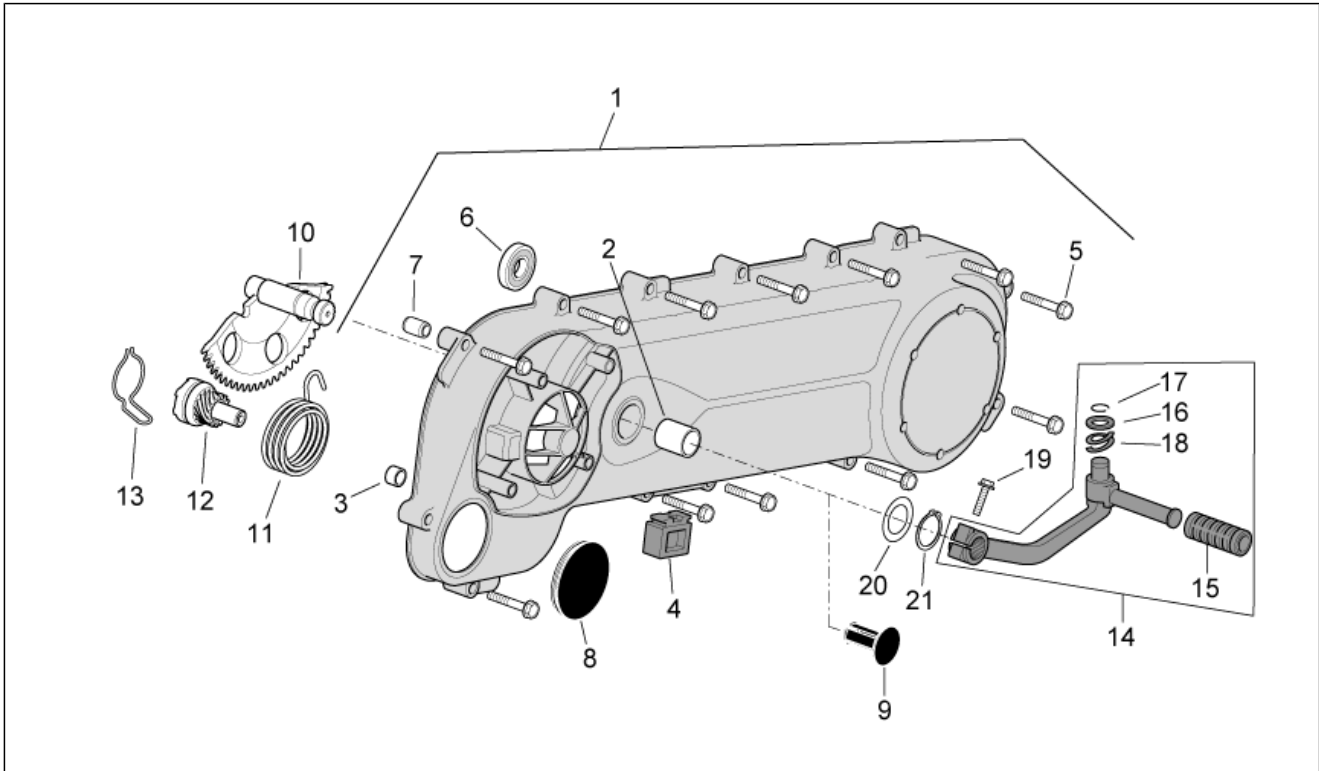
Pos.	Code	Beschreibung	Menge	Varianten
32	AP8550231	Fed. Einst.schr. Leerl.	1	Technische Spezifikation: Version mit Vergaser (C364M) [carb]
33	AP8550227	Fed. Einst.schr. Gasv.	1	Technische Spezifikation: Version mit Vergaser (C364M) [carb]
34	AP8550208	Platte	1	Technische Spezifikation: Version mit Vergaser (C364M) [carb]
35	AP8550221	Röhrchen	1	Technische Spezifikation: Version mit Vergaser (C364M) [carb]
36	AP8550212	Starter deckel	1	Technische Spezifikation: Version mit Vergaser (C364M) [carb]
37	AP8515037	Thermostat 60°	1	Technische Spezifikation: Version mit Vergaser (C364M) [carb]
38	AP8515096	Gewindeschraube	2	
39	AP8560015	Entlüftungsanschluß	1	Technische Spezifikation: Version mit Vergaser (C364M) [carb]
40	AP8560010	Kappe	1	Technische Spezifikation: Version mit Vergaser (C364M) [carb]
41	AP8577025	Thermistor	1	Technische Spezifikation: Version mit Vergaser (C364M) [carb]
42	AP8515106	Zündkerze Champion RN1C	1	Technische Spezifikation: Version mit Vergaser (C364M) [carb]
43	AP8515100	Bypasschlauch kopf-carb.	1	Technische Spezifikation: Version mit Vergaser (C364M) [carb]
44	AP8515050	Schlauchselle	4	Technische Spezifikation: Version mit Vergaser (C364M) [carb]

Einheit	MOTOR
Code	29.44
Beschreibung	Spritzeinheit
Inspektion	1



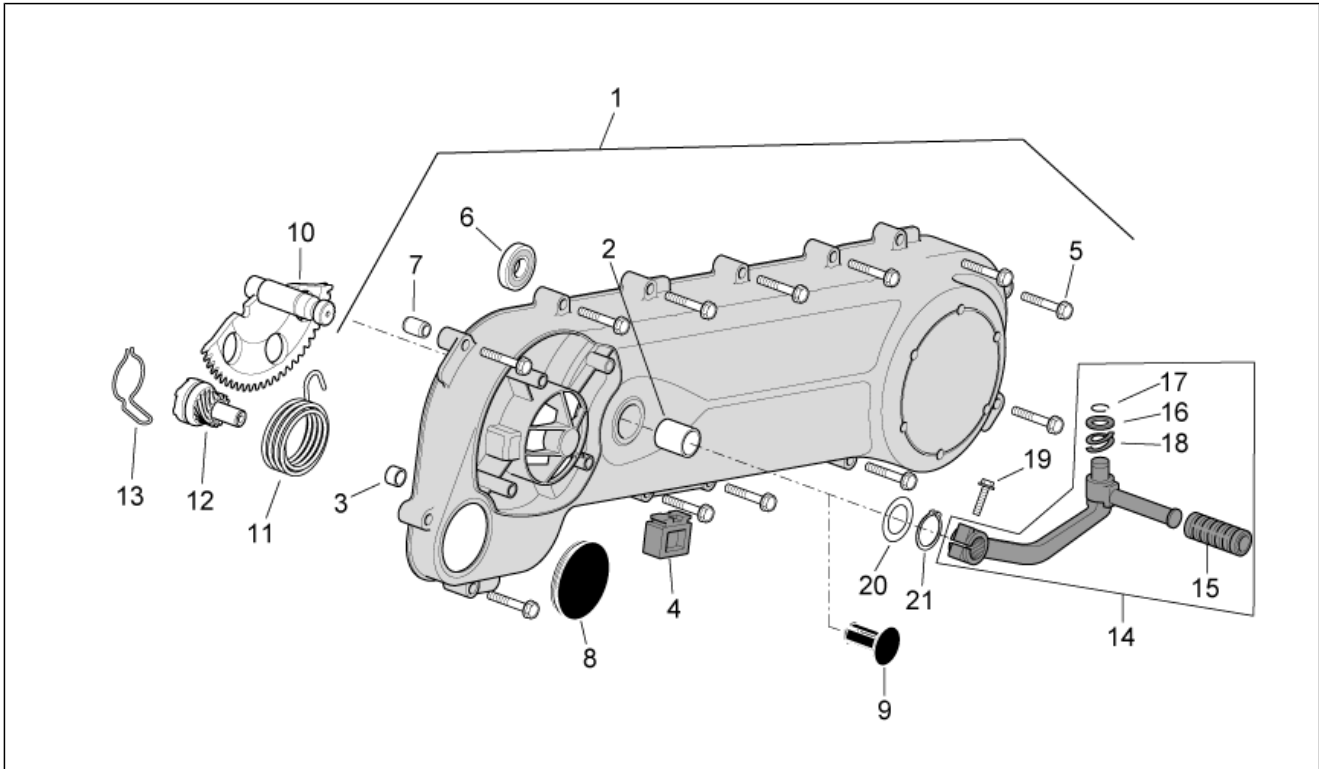
Pos.	Code	Beschreibung	Menge	Varianten
1	AP8515037	Thermostat 60°	1	
2	AP8515047	Anschl. Wasseraus.	1	
3	AP8560015	Entlüftungsanschluß	1	
4	AP8560010	Kappe	1	
5	AP8515051	TBIC Schraube	2	
6	AP8515054	Gasket ring	1	
7	AP8515052	Luft Einspritz	1	
8	AP8515053	Zündkerze RG6YCA	1	
9	AP8515050	Schlauchschelle	2	
10	AP8515049	Verschuß gummi	1	
11	AP8515096	Gewindeschraube	2	
12	AP8515039	Hochdruck Leitung	1	
13	AP8515040	Hochdruck Leitung	1	
14	AP8515041	Schlauchschelle	2	
15	AP8515042	Thermistor	1	
16	AP8515043	Eingabe ventil	1	
17	AP8515044	O-Ring	1	
18	AP8515045	O-Ring	1	
19	AP8515046	O-Ring	1	
20	AP8221352	Kraftstoffleit. Feder	1	
21	AP8224550	Verbinder 45°	2	
22	AP8202367	Schlauchschelle	4	
23	AP8221350	Kraftstoffleit. Feder	1	
24	CM223702	Hochdruck Leitung 7X13	2	

Einheit	MOTOR
Code	29.45
Beschreibung	Getriebedeckel
Inspektion	1



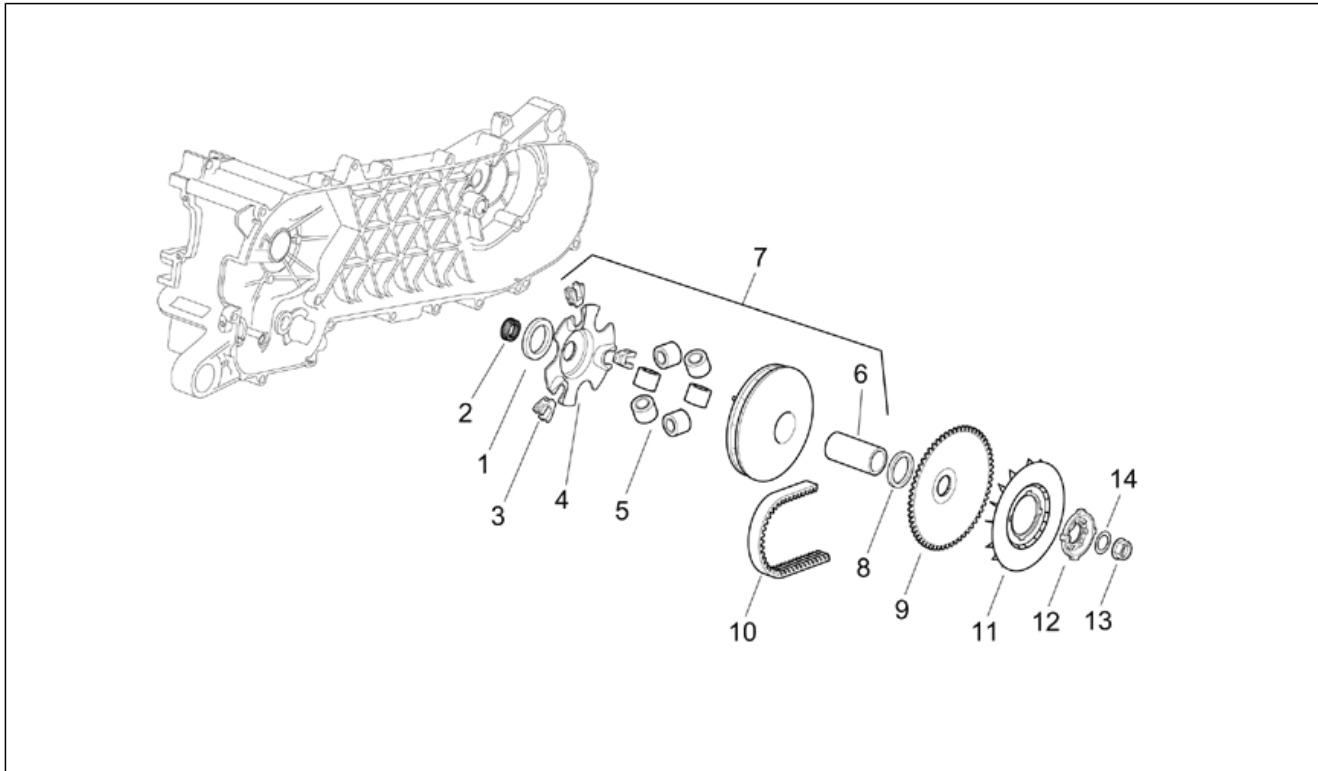
Pos.	Code	Beschreibung	Menge	Varianten
1	AP8515093	Getriebedeckel	1	Technische Spezifikation: Version mit Vergaser (C364M) [carb]
1	AP8515055	Getriebedeckel	1	Technische Spezifikation: Version mit Einspritzung (C361M) [ie]
2	AP8551016	Buchse	1	
3	AP8550010	Buchse	1	
4	AP8515056	Anschlagstopfen Ständer	1	
5	AP8550079	Schraube M6x35	12	
6	AP8551052	Lager	1	
7	AP8550107	Stift d.9,5 h=15	2	
8	AP8550023	Deckel	1	
9	AP8276021	Deckel	1	Technische Spezifikation: Version mit Einspritzung (C361M) [ie]
10	AP8570088	Kickstarterwelle	1	Technische Spezifikation: Version mit Vergaser (C364M) [carb]
11	AP8550022	Feder	1	Technische Spezifikation: Version mit Vergaser (C364M) [carb]
12	AP8551043	Ritzel mm	1	Technische Spezifikation: Version mit Vergaser (C364M) [carb]
13	AP8515091	Kleine Feder	1	Technische Spezifikation: Version mit Vergaser (C364M) [carb]
14	AP8550270	Kickstarterhebel kpl.	1	Technische Spezifikation: Version mit Vergaser (C364M) [carb]
15	AP8550027	Gummi	1	Technische Spezifikation: Version mit Vergaser (C364M) [carb]
16	AP8550028	Ausgleichscheibe 10,1x2,5	1	Technische Spezifikation: Version mit Vergaser (C364M) [carb]
17	AP8550029	Ring	1	Technische Spezifikation: Version mit Vergaser (C364M) [carb]
18	AP8550030	Feder	1	Technische Spezifikation: Version mit Vergaser (C364M) [carb]

Einheit	MOTOR
Code	29.45
Beschreibung	Getriebedeckel
Inspektion	1



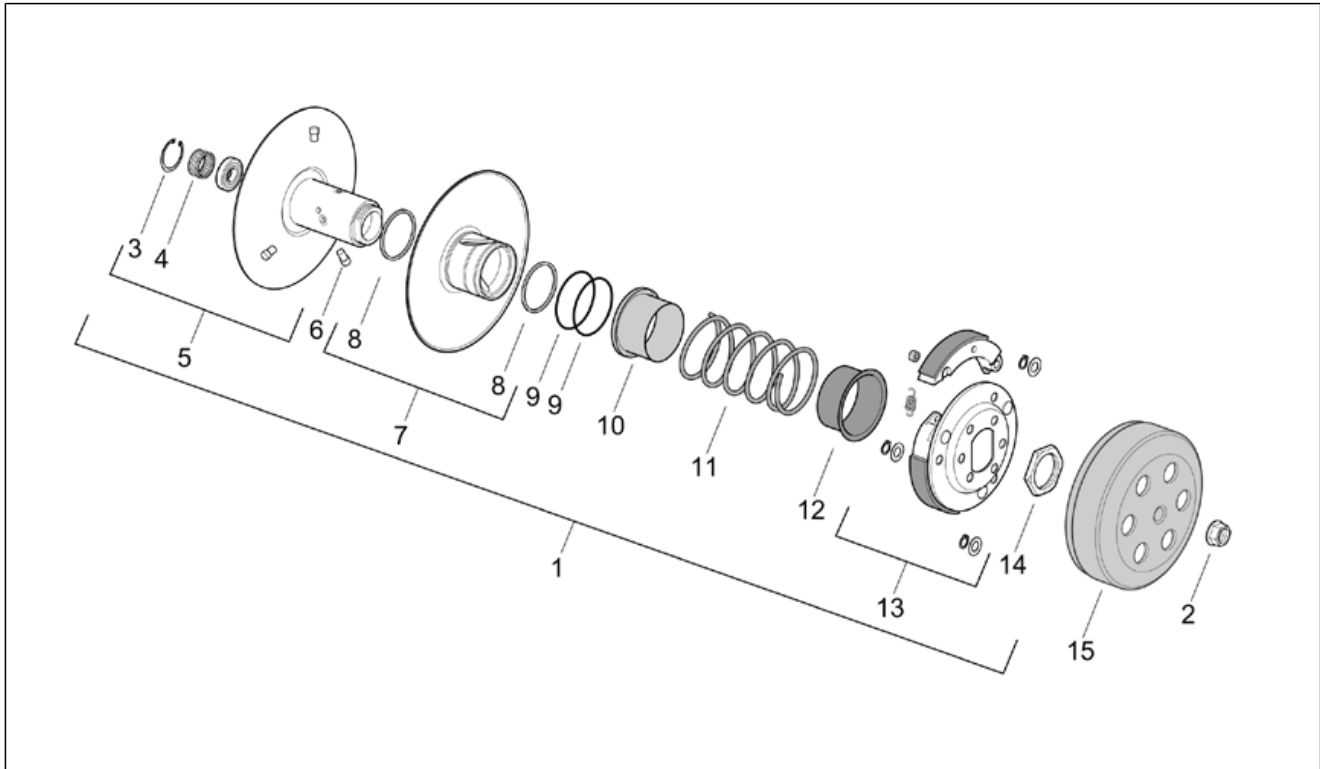
Pos.	Code	Beschreibung	Menge	Varianten
19	AP8113789	TE Schr. m. Flansch	1	Technische Spezifikation: Version mit Vergaser (C364M) [carb]
20	AP8550031	Ausgleichscheibe 16,3x23,8x0,6	1	Technische Spezifikation: Version mit Vergaser (C364M) [carb]
21	AP8550032	Seegerring	1	Technische Spezifikation: Version mit Vergaser (C364M) [carb]

Einheit	MOTOR
Code	29.46
Beschreibung	Wandler
Inspektion	1



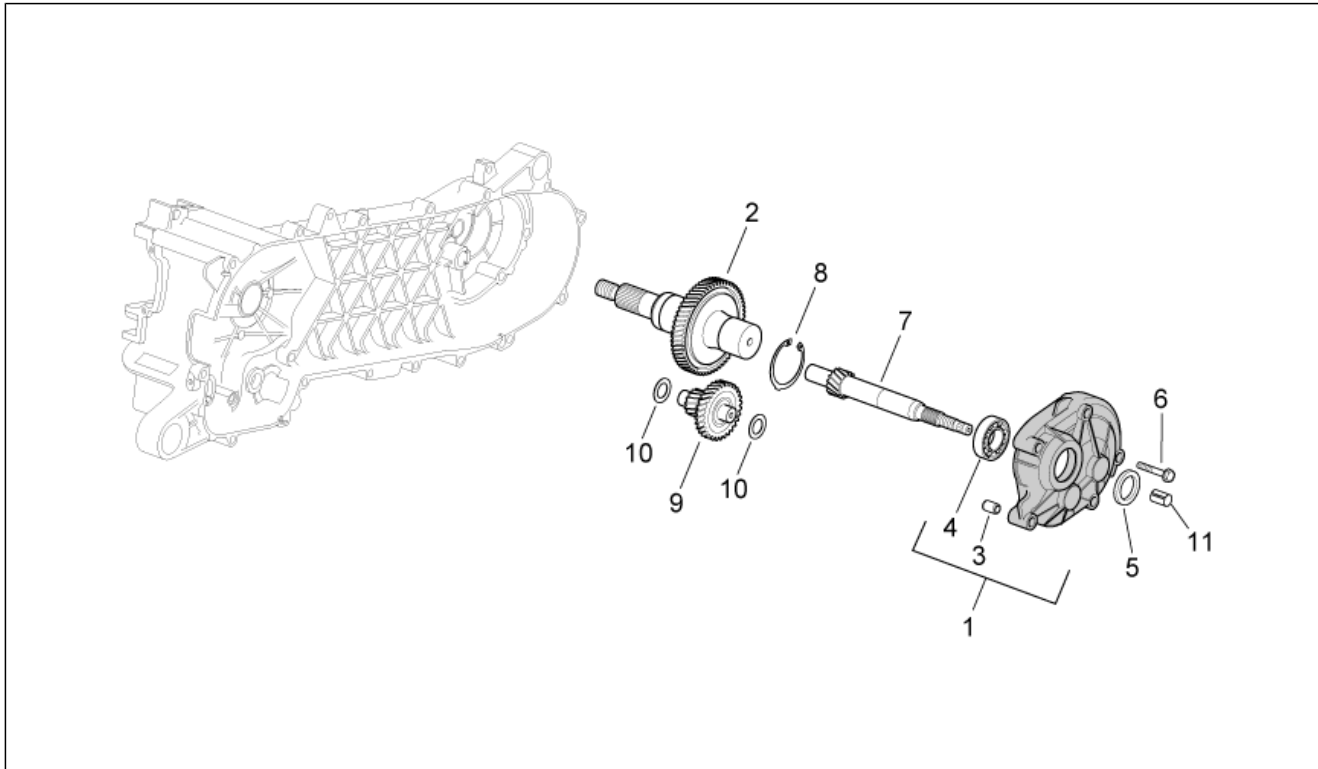
Pos.	Code	Beschreibung	Menge	Varianten
1	AP8515060	Buchse	1	
2	AP8515063	Zahnrad	1	
3	AP8551020	Dübel	3	
4	AP8551036	Stiftplatte	1	
5	AP8570120	Schwungmasse-Serie	1	Technische Spezifikation: Version mit Einspritzung (C361M) [ie]
5	AP8515113	Schwungmasse-Serie	1	Technische Spezifikation: Version mit Vergaser (C364M) [carb]
6	AP8551037	Buchse	1	
7	AP8515112	Antriebshalbriemenscheibe	1	Technische Spezifikation: Version mit Vergaser (C364M) [carb]
7	AP8570121	Antriebshalbriemenscheibe	1	Technische Spezifikation: Version mit Einspritzung (C361M) [ie]
8	AP8570119	Distanzscheibe	1	Land: Japan[J] Japan[JJ] Technische Spezifikation: Version mit Vergaser (C364M) [carb]
8	AP8515061	Distanzscheibe	1	Technische Spezifikation: Version mit Einspritzung (C361M) [ie]
8	AP8515111	Distanzscheibe	1	Land: Belgien[B] Deutschland[D] Europa[EU] Deutschland[GE] Italien[I] Holland[NL] Großbritannien[UK] Technische Spezifikation: Version mit Vergaser (C364M) [carb]
9	AP8551033	Feste Hauptriemenscheibe	1	
10	AP8515062	Keilriemen	1	Technische Spezifikation: Version mit Einspritzung (C361M) [ie]
10	AP8515110	Keilriemen	1	Technische Spezifikation: Version mit Vergaser (C364M) [carb]
11	AP8551038	Kühlflüter	1	
12	AP8551034	Zahnfederbecher	1	
13	AP8550390	Geflanschte Mutter	2	
14	AP8551013	Ausgleichscheibe	1	

Einheit	MOTOR
Code	29.47
Beschreibung	Kupplung
Inspektion	1



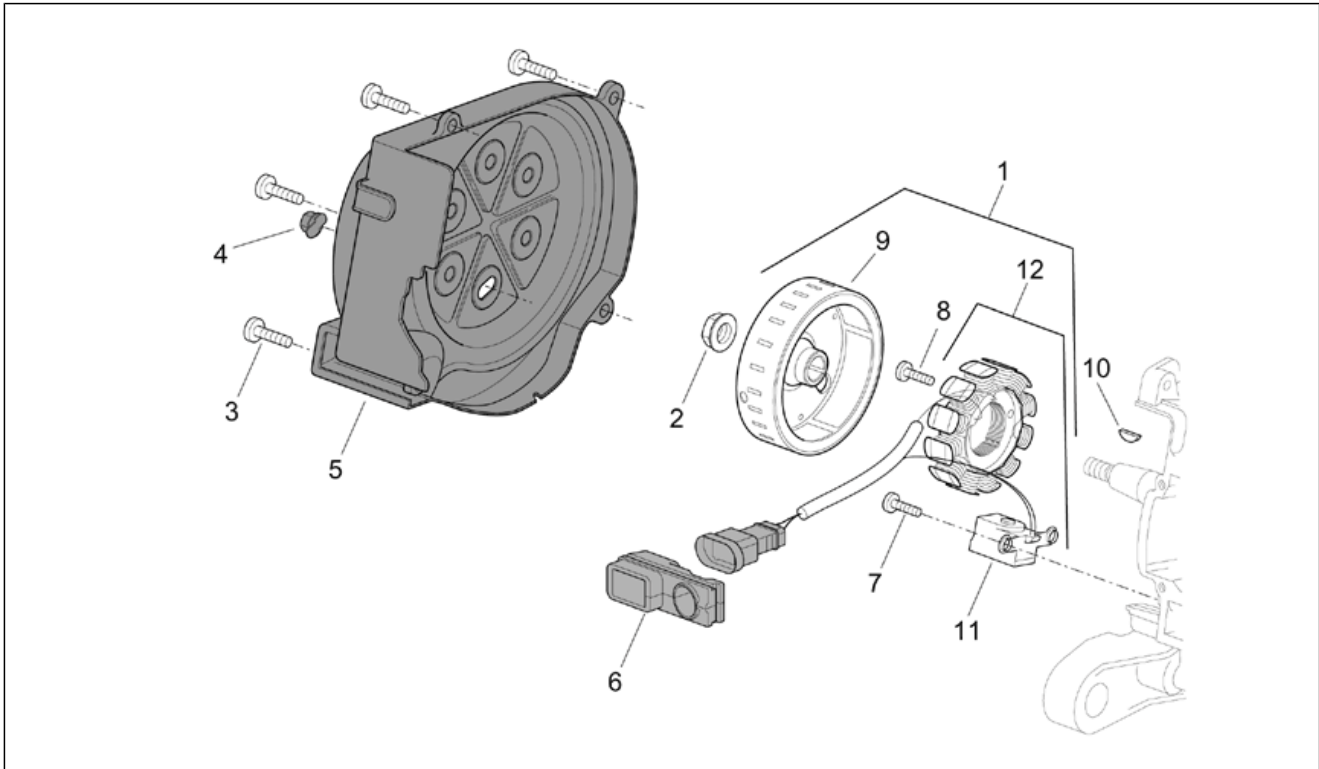
Pos.	Code	Beschreibung	Menge	Varianten
1	AP8515057	Sek. Riemensch. kpl.	1	
2	AP8550390	Geflanschte Mutter	2	
3	AP8551005	Seegerring	1	
4	AP8551023	Nadellager	1	
5	AP8515059	Sekundäre Festscheibe	1	
6	AP8551041	Führungsbolzen	3	
7	AP8551055	Sekundäre Gleitscheibe	1	
8	AP8551022	Ölabstreifring	2	
9	AP8551019	O-Ring	2	
10	AP8551042	Federbecher	1	
11	AP8551030	Feder	1	
12	AP8551049	Externer Federbecher	1	
13	AP8515058	Fliehkraftkupplung	1	
14	AP8551025	Mutter	1	
15	AP8551021	Kupplungsglocke	1	

Einheit	MOTOR
Code	29.48
Beschreibung	Endübersetzung
Inspektion	1



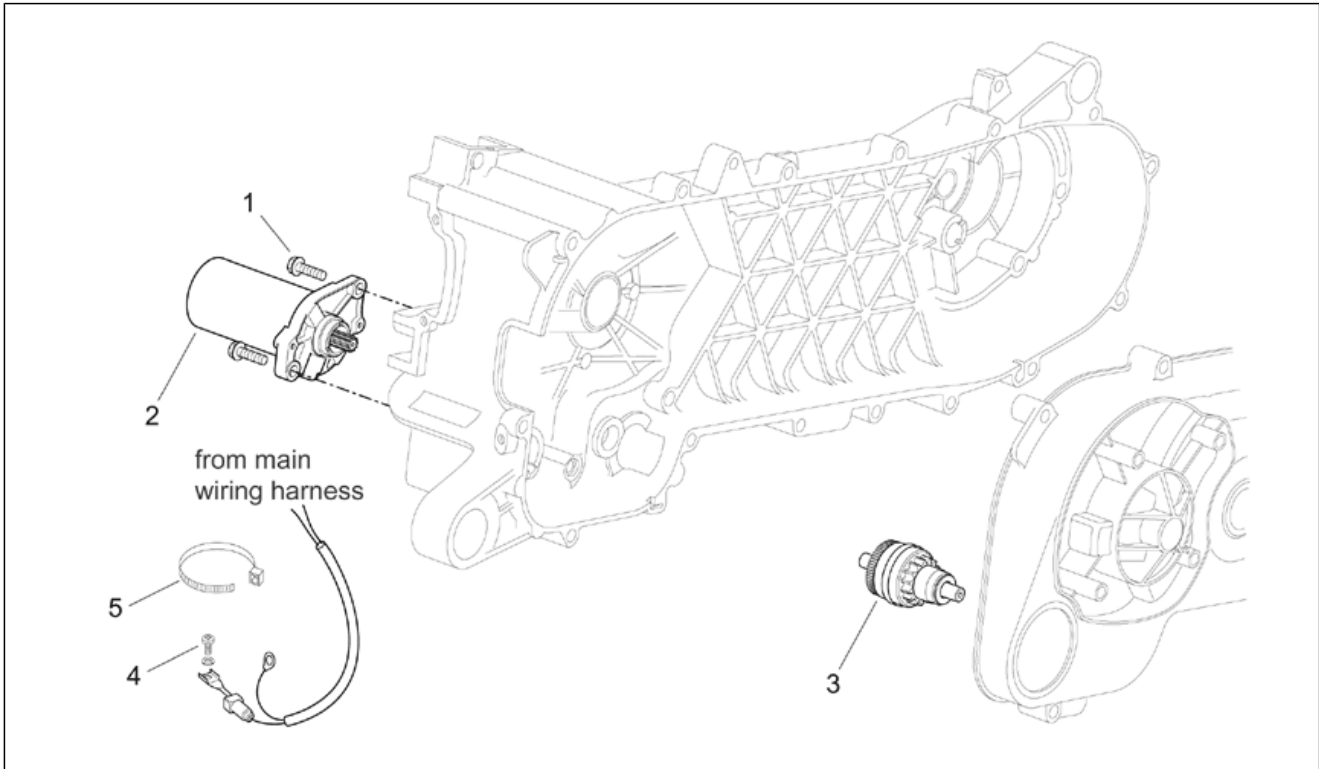
Pos.	Code	Beschreibung	Menge	Varianten
1	AP8515064	Getriebedeckel kpl.	1	
2	AP8515067	Antriebswelle	1	Technische Spezifikation: Version mit Einspritzung (C361M) [ie]
2	AP8515115	Antriebswelle	1	Technische Spezifikation: Version mit Vergaser (C364M) [carb]
3	AP8550107	Stift d.9,5 h=15	2	
4	AP8223019	Kugellager 40x17x12	1	
5	AP8551035	Ölabstreifring	1	
6	AP8515066	Schraube M6x40	5	
7	AP8515069	Getriebe Z=13	1	
8	AP8551039	Seegerring	1	
9	AP8515065	Doppeltes Freilauftrad	1	Technische Spezifikation: Version mit Einspritzung (C361M) [ie]
9	AP8515114	Doppeltes Freilauftrad	1	Technische Spezifikation: Version mit Vergaser (C364M) [carb]
10	AP8550470	Paßscheibe	2	
11	AP8551031	Ausgleichring	1	

Einheit	MOTOR
Code	29.49
Beschreibung	Schwungrad
Inspektion	1



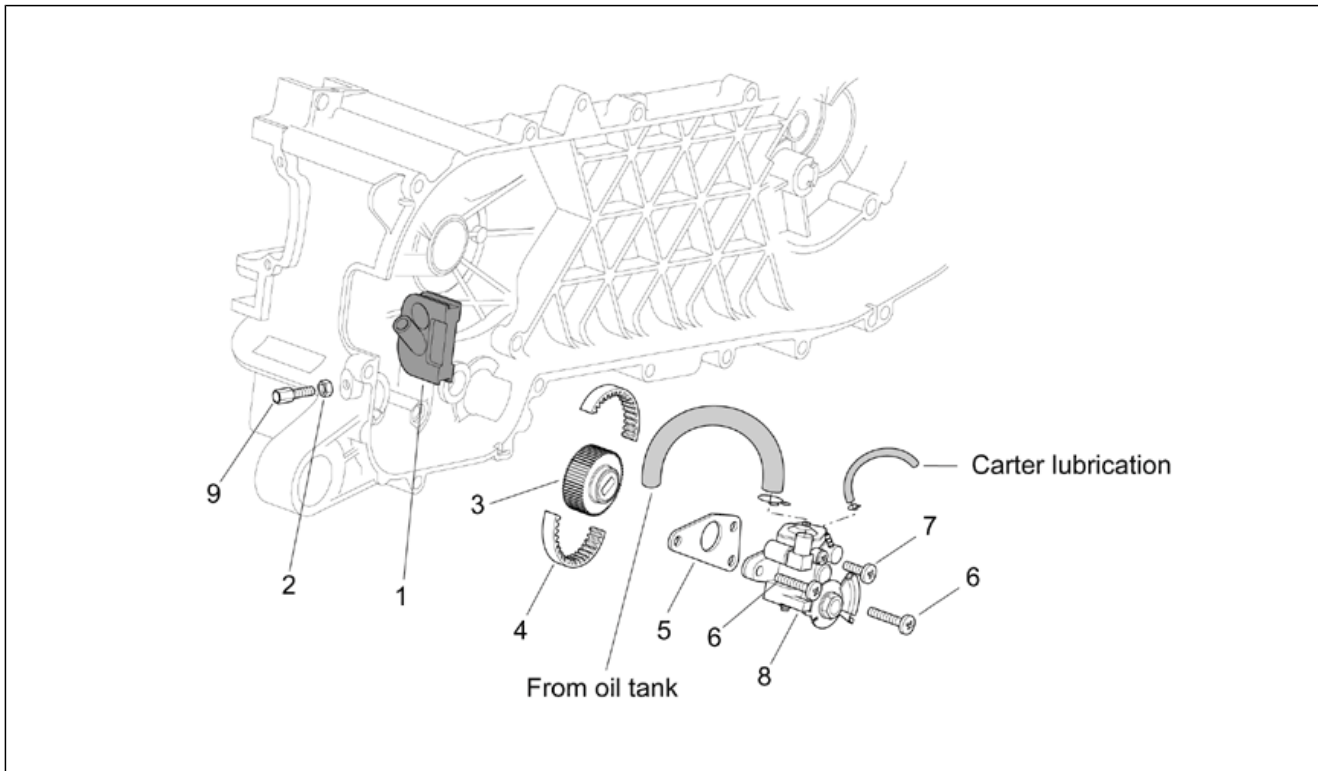
Pos.	Code	Beschreibung	Menge	Varianten
1	AP8515070	Schwungrad kpl.	1	Technische Spezifikation: Version mit Einspritzung (C361M) [ie]
1	AP8515103	Schwungrad kpl.	1	Technische Spezifikation: Version mit Vergaser (C364M) [carb]
2	AP8551017	Geflanschte Mutter	1	
3	AP8550169	Schraube	4	
4	AP8515074	Deckel	1	
5	AP8515075	Zuenderdeckel	1	Technische Spezifikation: Version mit Einspritzung (C361M) [ie]
5	AP8515094	Zuenderdeckel	1	Technische Spezifikation: Version mit Vergaser (C364M) [carb]
6	AP8515076	Kabelführung	1	
7	AP8550073	TBIC Schraube	2	Technische Spezifikation: Version mit Einspritzung (C361M) [ie]
7	AP8550155	TCEI Schraube	2	Technische Spezifikation: Version mit Vergaser (C364M) [carb]
8	AP8515051	TBIC Schraube	2	
9	AP8515073	Rotor kpl.	1	Technische Spezifikation: Version mit Einspritzung (C361M) [ie]
9	AP8515104	Rotor kpl.	1	Technische Spezifikation: Version mit Vergaser (C364M) [carb]
10	AP8550039	Keil	1	
11	AP8515071	Aussengeber	1	Technische Spezifikation: Version mit Einspritzung (C361M) [ie]
12	AP8515072	Stator kpl	1	Technische Spezifikation: Version mit Einspritzung (C361M) [ie]
12	AP8515105	Stator kpl	1	Technische Spezifikation: Version mit Vergaser (C364M) [carb]

Einheit	MOTOR
Code	29.50
Beschreibung	Startermotor
Inspektion	1



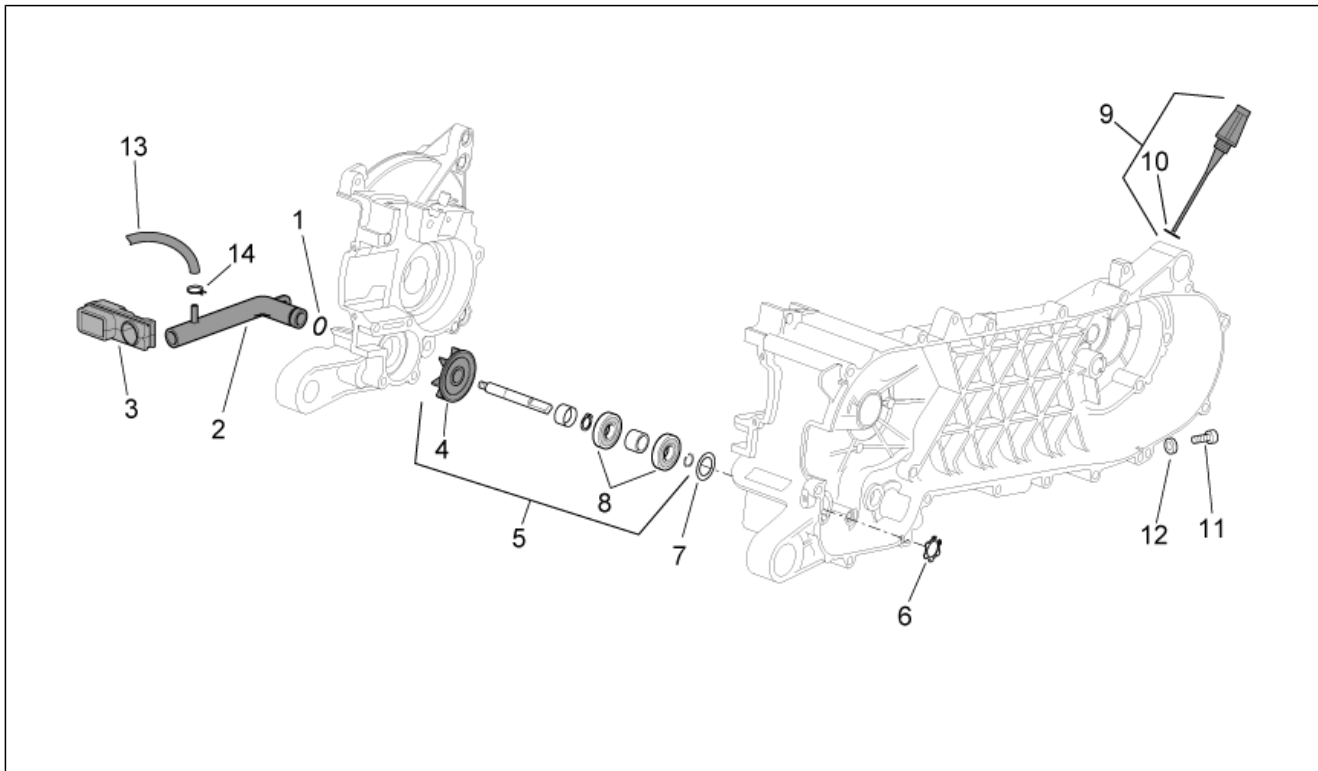
Pos.	Code	Beschreibung	Menge	Varianten
1	AP8113789	TE Schr. m. Flansch	2	
2	AP8570105	Startermotor	1	Technische Spezifikation: Version mit Einspritzung (C361M) [ie]
2	AP8515107	Startermotor	1	Technische Spezifikation: Version mit Vergaser (C364M) [carb]
3	AP8515109	Umlenk.Anlasser	1	Technische Spezifikation: Version mit Vergaser (C364M) [carb]
3	AP8570106	Umlenk.Anlasser	1	Technische Spezifikation: Version mit Einspritzung (C361M) [ie]
4	AP8550256	Schraube	1	
5	AP8120416	Schelle schwarz 178x4	1	

Einheit	MOTOR
Code	29.51
Beschreibung	Ölpumpe
Inspektion	1



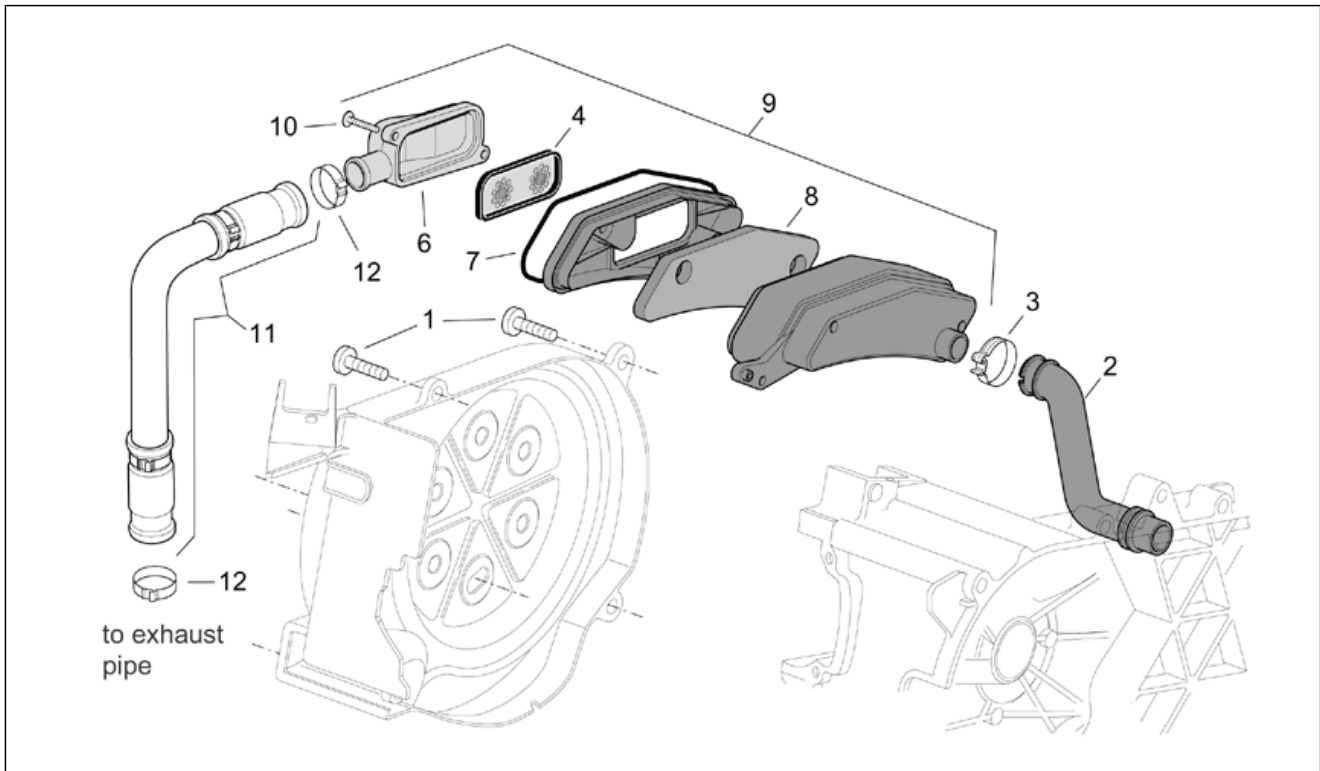
Pos.	Code	Beschreibung	Menge	Varianten
1	AP8515079	Kabelführung	1	
2	AP8550013	Mutter M6	1	
3	AP8515081	Ölpumpen-Zahnr., kpl.	1	
4	AP8515082	Zahnriemen	1	
5	AP8550157	Platte	1	
6	AP8550169	Schraube	2	
7	AP8550155	TCEI Schraube	1	
8	AP8515080	Ölpumpe	1	Technische Spezifikation: Version mit Einspritzung (C361M) [ie]
8	AP8515102	Ölpumpe	1	Technische Spezifikation: Version mit Vergaser (C364M) [carb]
9	AP8550014	Regelschraube	1	

Einheit	MOTOR
Code	29.52
Beschreibung	Wasserpumpenritzel
Inspektion	1



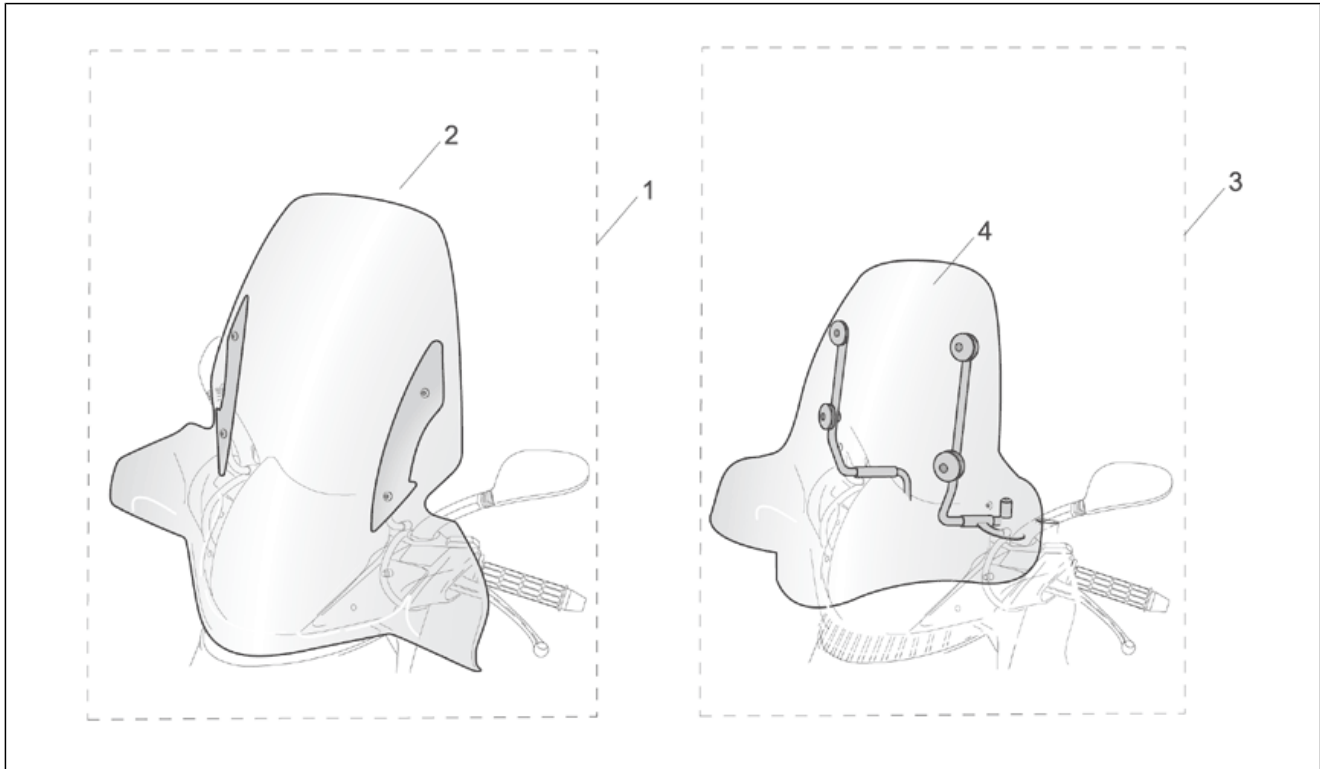
Pos.	Code	Beschreibung	Menge	Varianten
1	AP8515083	O-Ring	1	
2	AP8515084	Anschl. Wasseraus.	1	Technische Spezifikation: Version mit Einspritzung (C361M) [ie]
2	AP8515099	Anschl. Wasseraus.	1	Technische Spezifikation: Version mit Vergaser (C364M) [carb]
3	AP8515076	Kabelführung	1	
4	AP8515085	Läufer	1	
5	AP8515086	Welle Wasserpumpe, kpl.	1	
6	AP8515087	Sperring	1	
7	AP8515088	Paßscheibe	1	
8	AP8515089	Lager	2	
9	AP8550586	Ölstandstab	1	
10	AP8550334	O-Ring	1	
11	AP8550361	Auslaßschraube	1	
12	AP8551003	Dichtung	1	
13	AP8515101	Bypassschlauch carb-pumpe	1	Technische Spezifikation: Version mit Vergaser (C364M) [carb]
14	AP8515050	Schlauchschelle	1	

Einheit	MOTOR
Code	29.53
Beschreibung	Secondary air
Inspektion	1



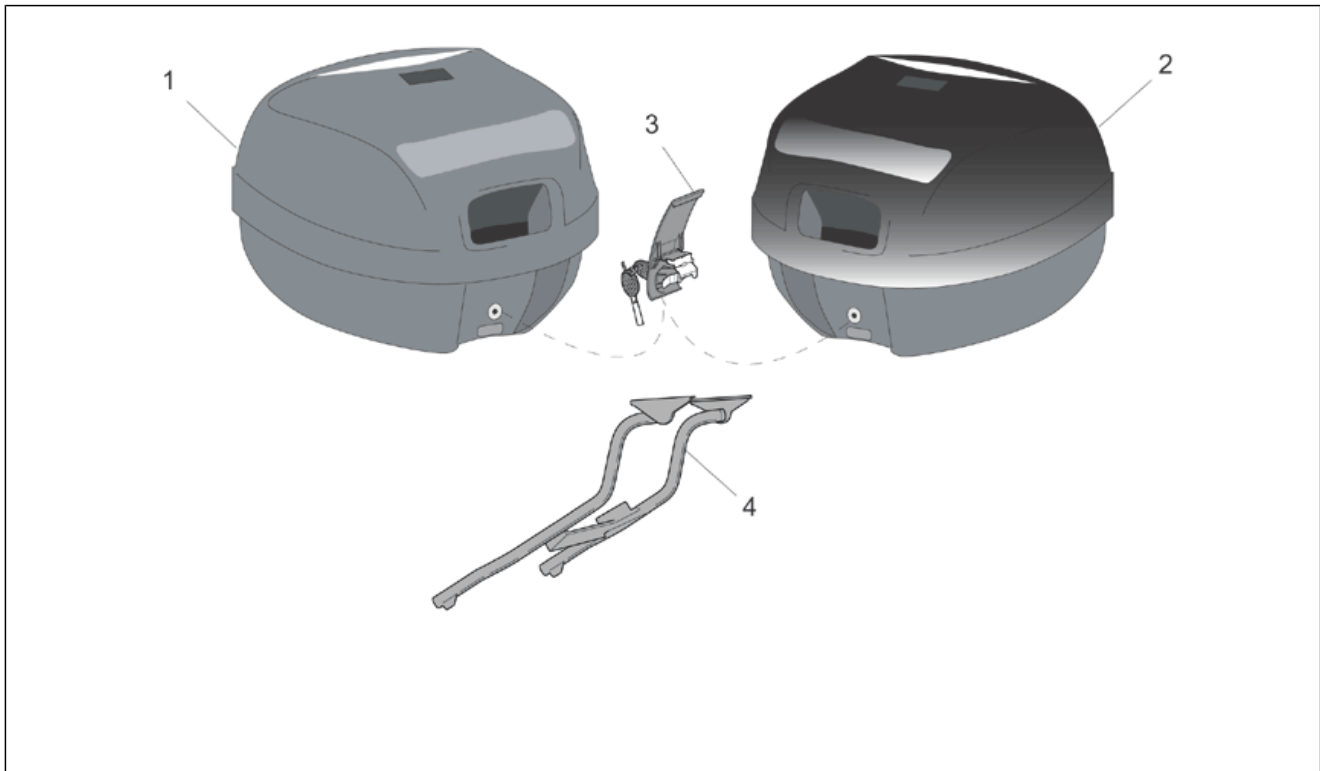
Pos.	Code	Beschreibung	Menge	Varianten
1	AP8515051	TBIC Schraube	2	Technische Spezifikation: Version mit Vergaser (C364M) [carb]
2	AP8515118	Ansaugleitung sas	1	Technische Spezifikation: Version mit Vergaser (C364M) [carb]
3	AP8570116	Schlauchselle	1	Technische Spezifikation: Version mit Vergaser (C364M) [carb]
4	AP8570090	Membran	1	Technische Spezifikation: Version mit Vergaser (C364M) [carb]
6	AP8515121	Deckel sas	1	Technische Spezifikation: Version mit Vergaser (C364M) [carb]
7	AP8515122	Dichtung	1	Technische Spezifikation: Version mit Vergaser (C364M) [carb]
8	AP8515120	Filter sas	1	Technische Spezifikation: Version mit Vergaser (C364M) [carb]
9	AP8515119	Sas gehäuse	1	Technische Spezifikation: Version mit Vergaser (C364M) [carb]
10	AP8570075	Gew.schr.	2	Technische Spezifikation: Version mit Vergaser (C364M) [carb]
11	AP8220648	Luftschlauch sas	1	Technische Spezifikation: Version mit Vergaser (C364M) [carb]
12	AP8102273	Schlauchselle	2	Technische Spezifikation: Version mit Vergaser (C364M) [carb]

Einheit	ZUBEHÖR
Code	30.54
Beschreibung	Acc. - Windschilder
Inspektion	1



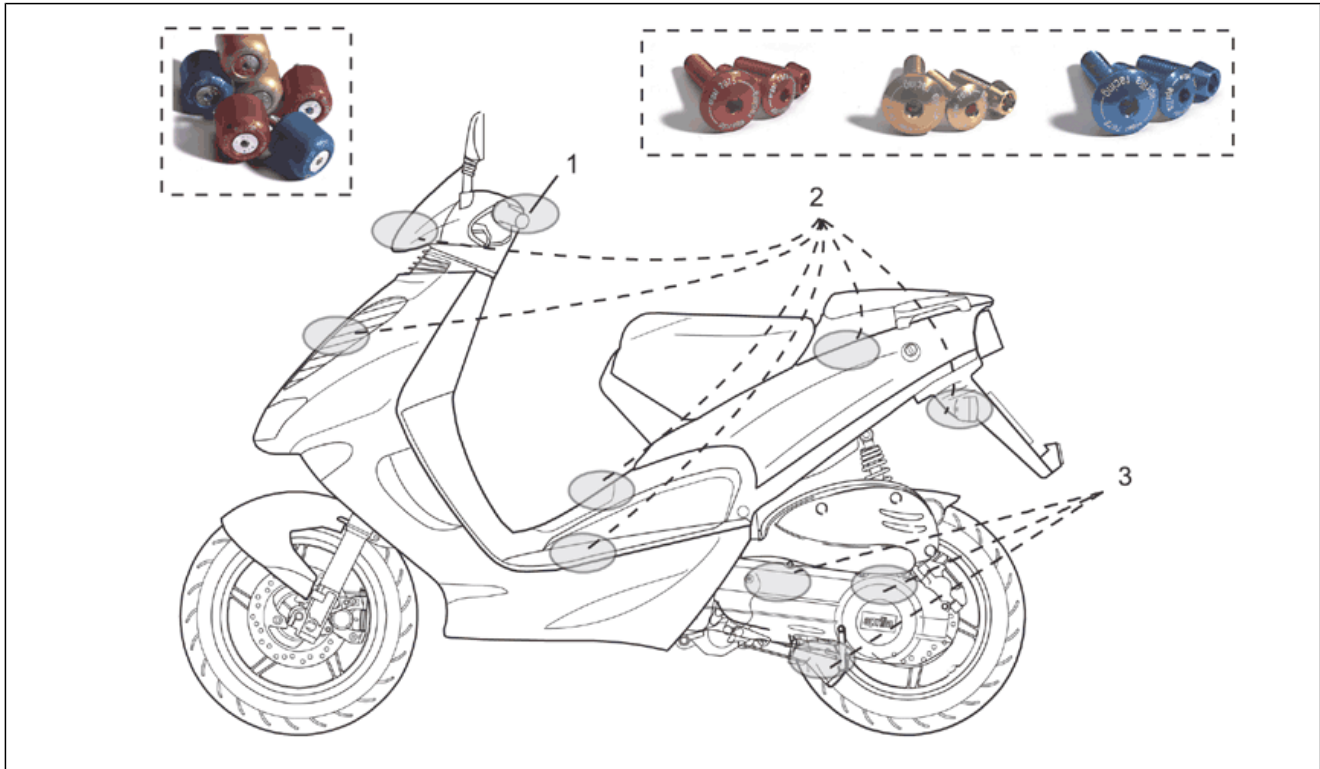
Pos.	Code	Beschreibung	Menge	Varianten
1	AP8791129	Windschutzscheibe Kpl. Big	1	Technische Spezifikation:Zubehör[A]
2	AP8791128	Windschutzsch.o/Halter. Big	1	Technische Spezifikation:Zubehör[A]
3	AP8791131	Windschutzscheibe Kpl. Sport	1	Technische Spezifikation:Zubehör[A]
4	AP8791130	Windschutzsch.o/Halter. Sport	1	Technische Spezifikation:Zubehör[A]

Einheit	ZUBEHÖR
Code	30.55
Beschreibung	Acc. - Koffer, Taschen
Inspektion	1



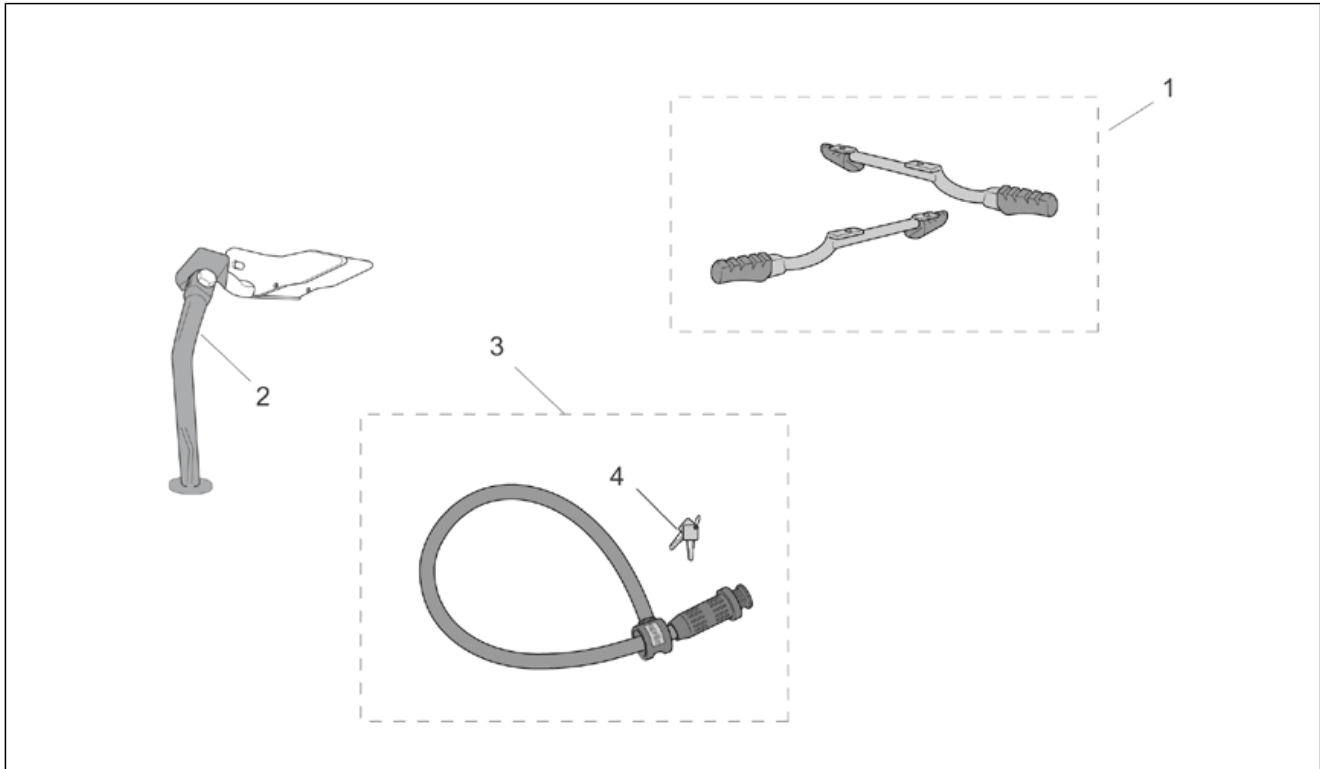
Pos.	Code	Beschreibung	Menge	Varianten
1	AP8792066	Koffer gaufriert New-C 32L	1	Technische Spezifikation:Zubehör[A]
2	AP8792080	Koffer schwarz lack. New-C 28L	1	Technische Spezifikation:Zubehör[A]
3	AP8104197	Kofferschloß kpl.	1	Technische Spezifikation:Zubehör[A]
4	AP8793051	Halterplatte Koffer kpl. New-C	1	Technische Spezifikation:Zubehör[A]

Einheit	ZUBEHÖR
Code	30.56
Beschreibung	Acc. - Fahrwerk
Inspektion	1



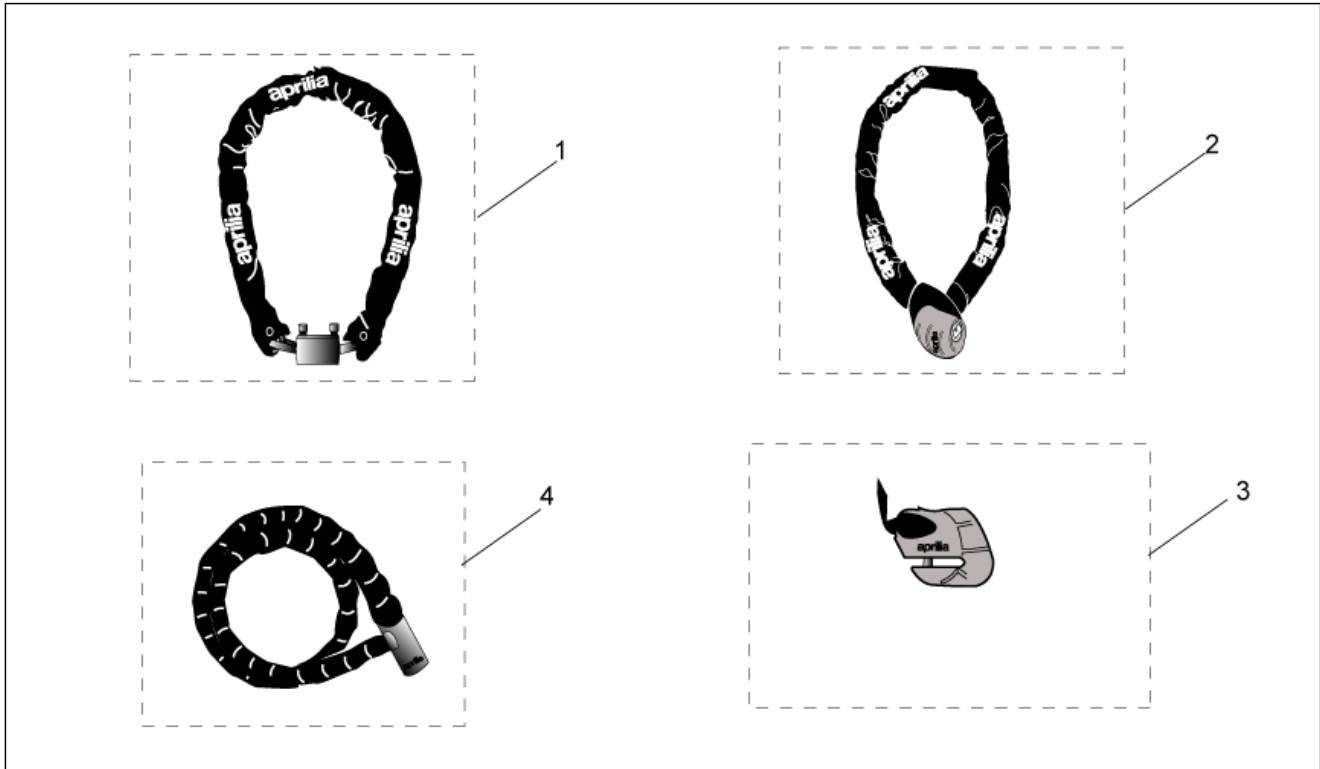
Pos.	Code	Beschreibung	Menge	Varianten
1	AP8202270	Schwingschutzgew.gold-P. Ergal	1	
1	AP8202269	Schwingschutzgew.blau-P. Ergal	1	
1	AP8202268	Schwingschutzge.rot-Paar Ergal	1	
2	AP8222760	Schrauben Karros.gold Ergal	1	
2	AP8222759	Schrauben Karros.blau Ergal	1	
2	AP8222758	Schrauben Karros.rot Ergal	1	
3	AP8222756	Schrauben Gehäuse m.blau Ergal	1	
3	AP8222757	Schrauben Gehäuse m.gold Ergal	1	
3	AP8222755	Schrauben Gehäuse m.rot Ergal	1	

Einheit	ZUBEHÖR
Code	30.57
Beschreibung	Acc. - Sonstiges
Inspektion	1



Pos.	Code	Beschreibung	Menge	Varianten
1	AP8792348	Soziusrasten (Paar)	1	Technische Spezifikation:Zubehör[A]
2	AP8791240	Seitenständer	1	Technische Spezifikation:Zubehör[A]
3	AP8700792	Schlüsslersatzdie. B.Guard UK-D	1	Technische Spezifikation:Zubehör[A]
3	AP8700794	Schlüsslersatzdie. B.Guard I-E	1	Technische Spezifikation:Zubehör[A]
3	AP8700793	Schlüsslersatzdie. B.Guard F-NL	1	Technische Spezifikation:Zubehör[A]

Einheit	ZUBEHÖR
Code	30.58
Beschreibung	Acc. - Diefstahl
Inspektion	1



Pos.	Code	Beschreibung	Menge	Varianten
1	AP8720115	Iron Guard 10x150 mm	1	Technische Spezifikation:Zubehör[A]
2	AP8720116	Iron Guard 8x120 mm	1	Technische Spezifikation:Zubehör[A]
3	AP8720117	Iron Guard Disk 5 mm	1	Technische Spezifikation:Zubehör[A]
4	AP8720118	Easy Guard 150 mm	1	Technische Spezifikation:Zubehör[A]