

**aprilia**<sup>®</sup>

## ERSATZTEILKATALOG



### SR 50 carb. my 2014

Vorsatzcode Fahrgestell: ZD4VFB00,  
ZD4VFD00, ZD4VFU00, ZD4VFJ, ZD4VZ000



Vorsatzcode Motor:

## Inhaltsverzeichnis

|  |           |
|--|-----------|
| Fertige Produkte.....                          | 5         |
| Alphanumerisches Verzeichnis.....              | 6         |
| <b>RAHMEN.....</b>                             | <b>10</b> |
| Tafel 28.01 - Rahmen.....                      | 10        |
| Tafel 28.02 - Hauptständer - Pleuelstange..... | 11        |
| Tafel 28.03 - Gabel I.....                     | 12        |
| Tafel 28.04 - Gabel II.....                    | 13        |
| Tafel 28.05 - Gabel III.....                   | 14        |
| Tafel 28.06 - Frontaufbau I.....               | 15        |
| Tafel 28.07 - Frontaufbau II.....              | 16        |
| Tafel 28.08 - Frontaufbau III.....             | 17        |
| Tafel 28.09 - Frontaufbau IV.....              | 18        |
| Tafel 28.10 - Mittlerer aufbau I.....          | 19        |
| Tafel 28.11 - Mittlerer aufbau II.....         | 20        |
| Tafel 28.12 - Sitz - Schäkel.....              | 21        |
| Tafel 28.13 - Heckaufbau I.....                | 22        |
| Tafel 28.14 - Heckaufbau II.....               | 23        |
| Tafel 28.15 - Heckaufbau III.....              | 24        |
| Tafel 28.16 - Instrumententafel.....           | 25        |
| Tafel 28.17 - Lenkstange.....                  | 26        |
| Tafel 28.18 - Schaltungen links.....           | 27        |
| Tafel 28.19 - Schaltungen rechts.....          | 28        |
| Tafel 28.20 - Ölbehälter.....                  | 29        |
| Tafel 28.22 - Kraftstofftank II.....           | 30        |
| Tafel 28.23 - Kühlanlage.....                  | 31        |
| Tafel 28.25 - Filtergehäuse I.....             | 32        |
| Tafel 28.29 - Vorderrad.....                   | 33        |
| Tafel 28.30 - Vorderradbremzange.....          | 34        |
| Tafel 28.31 - Hinterrad Scheibenbremse.....    | 35        |
| Tafel 28.32 - Vorderer lichter.....            | 36        |
| Tafel 28.33 - Hinterer lichter.....            | 37        |
| Tafel 28.35 - Elektrische anlage II.....       | 38        |
| Tafel 28.36 - Bausatz Schlösser.....           | 39        |
| Tafel 28.37 - Schilder und Anleit.....         | 40        |
| Tafel 28.38 - Deko.....                        | 41        |
| <b>MOTOR.....</b>                              | <b>44</b> |
| Tafel 29.27 - Motor II.....                    | 44        |
| Tafel 29.28 - Auspuffrohr.....                 | 45        |
| Tafel 29.39 - Gehäuse.....                     | 46        |
| Tafel 29.40 - Kurbelwelle.....                 | 47        |
| Tafel 29.41 - Kolben + Zylinder.....           | 48        |
| Tafel 29.42 - Zylinderkopf/Klappenkörper.....  | 49        |
| Tafel 29.43 - Zylinderkopf/Vergaser.....       | 50        |

---

|                                       |    |
|---------------------------------------|----|
| Tafel 29.45 - Getriebedeckel.....     | 53 |
| Tafel 29.46 - Wandler.....            | 54 |
| Tafel 29.47 - Kupplung.....           | 55 |
| Tafel 29.48 - Endübersetzung.....     | 56 |
| Tafel 29.49 - Schwungrad.....         | 57 |
| Tafel 29.50 - Startermotor.....       | 58 |
| Tafel 29.51 - Ölpumpe.....            | 59 |
| Tafel 29.52 - Wasserpumpenritzel..... | 60 |
| Tafel 29.53 - Secondary air.....      | 61 |

## Fertige Produkte

| Code           | Gültigkeit |
|----------------|------------|
| AP6211200ACE00 |            |
| AP6211200ACE31 |            |
| AP6211200ACE32 |            |
| AP6211200ACE34 |            |
| AP6211200ACE35 |            |
| AP6211200ACEXX |            |
| AP6211200EAE00 |            |
| AP6211200EAE31 |            |
| AP6211200EAE32 |            |
| AP6211200EAE33 |            |
| AP6211200EAE34 |            |
| AP6211200EAE35 |            |
| AP6211200EAEXX |            |
| AP6211200EBE00 |            |
| AP6211200EBE31 |            |
| AP6211200EBE32 |            |
| AP6211200EBE35 |            |
| AP6211200EBEXX |            |
| AP6211200ECE00 |            |
| AP6211200ECE31 |            |
| AP6211200ECE32 |            |
| AP6211200ECE33 |            |
| AP6211200ECE34 |            |
| AP6211200ECE35 |            |
| AP6211200ECEXX |            |
| AP6211200RBE00 |            |
| AP6211200RBE31 |            |
| AP6211200RBE34 |            |
| AP6211204JCE00 |            |
| AP6211204JCE31 |            |
| AP6211204JCE32 |            |
| AP6211204JCE33 |            |
| AP6211204JCE34 |            |
| AP6211300EBE00 |            |
| AP6211300EBE31 |            |
| AP6211300EBE32 |            |
| AP6211300EBE33 |            |
| AP6211300EBE34 |            |

| Code    | Nr. der Tafel | Pos. | Code          | Nr. der Tafel | Pos. | Code          | Nr. der Tafel | Pos. |
|---------|---------------|------|---------------|---------------|------|---------------|---------------|------|
| 0000000 | 28.35         | 17   | 289519        | 29.47         | 2    | 2H000327000H4 | 28.13         | 2    |
| 0000000 | 28.35         | 18   | 289553        | 29.52         | 6    | 2H000482      | 28.38         | 18   |
| 000267  | 29.49         | 10   | 289554        | 29.52         | 7    | 2R000078      | 28.12         | 1    |
| 000397  | 29.52         | 12   | 289575        | 29.43         | 23   | 2R000079      | 28.12         | 2    |
| 006416  | 29.45         | 18   | 289840        | 29.47         | 9    | 414834        | 29.48         | 6    |
| 006624  | 29.47         | 3    | 289903        | 29.43         | 28   | 414835        | 29.39         | 9    |
| 006647  | 29.39         | 15   | 289931        | 29.46         | 3    | 414837        | 29.45         | 16   |
| 012789  | 28.31         | 22   | 289933        | 29.47         | 15   | 414837        | 29.50         | 1    |
| 015585  | 29.49         | 7    | 289950        | 29.47         | 8    | 414838        | 29.45         | 5    |
| 015585  | 29.51         | 7    | 289952        | 29.47         | 4    | 430045        | 29.43         | 39   |
| 015597  | 29.49         | 8    | 289955        | 29.47         | 14   | 431125        | 29.40         | 1    |
| 015597  | 29.53         | 1    | 2H000169      | 28.38         | 18   | 431654        | 29.43         | 9    |
| 015715  | 29.49         | 7    | 2H000272      | 28.38         | 17   | 431860        | 29.39         | 12   |
| 015856  | 29.40         | 7    | 2H000273      | 28.38         | 12   | 431860        | 29.45         | 3    |
| 015856  | 29.49         | 3    | 2H000274      | 28.38         | 2    | 432456        | 29.43         | 14   |
| 015856  | 29.51         | 6    | 2H000275      | 28.38         | 3    | 433361        | 29.42         | 5    |
| 018644  | 29.50         | 4    | 2H000276      | 28.38         | 19   | 433987        | 29.45         | 17   |
| 020006  | 29.39         | 3    | 2H000277      | 28.38         | 20   | 434735        | 29.39         | 16   |
| 020008  | 29.39         | 6    | 2H000278      | 28.38         | 4    | 4352035       | 29.39         | 11   |
| 020106  | 29.51         | 2    | 2H000279      | 28.38         | 5    | 435363        | 29.48         | 4    |
| 063435  | 29.43         | 40   | 2H000280      | 28.38         | 25   | 436864        | 29.46         | 10   |
| 085285  | 29.43         | 32   | 2H000281      | 28.38         | 26   | 438031        | 29.43         | 42   |
| 113903  | 29.43         | 30   | 2H000282      | 28.38         | 22   | 463872        | 29.45         | 4    |
| 129953  | 28.33         | 11   | 2H000283      | 28.38         | 23   | 478028        | 29.47         | 11   |
| 146197  | 29.51         | 9    | 2H000284      | 28.38         | 6    | 478197        | 29.48         | 11   |
| 152608  | 29.43         | 33   | 2H000285      | 28.38         | 7    | 478498        | 29.39         | 14   |
| 159347  | 28.31         | 16   | 2H000286      | 28.38         | 8    | 478533        | 29.53         | 10   |
| 194423  | 28.31         | 23   | 2H000287      | 28.38         | 9    | 479495        | 29.46         | 1    |
| 239382  | 29.39         | 2    | 2H000288      | 28.38         | 13   | 4795526       | 29.47         | 5    |
| 239388  | 29.39         | 13   | 2H000289      | 28.38         | 14   | 479561        | 29.46         | 9    |
| 239388  | 29.45         | 7    | 2H000290      | 28.38         | 10   | 4795935       | 29.48         | 7    |
| 239388  | 29.48         | 3    | 2H000291      | 28.38         | 11   | 479866        | 29.46         | 12   |
| 239397  | 29.41         | 5    | 2H000292      | 28.38         | 15   | 480066        | 29.48         | 5    |
| 239404  | 29.41         | 2    | 2H000293      | 28.38         | 16   | 4802185       | 29.48         | 9    |
| 239455  | 29.41         | 3    | 2H000294      | 28.38         | 1    | 4802185       | 29.48         | 9    |
| 254485  | 28.01         | 6    | 2H000295      | 28.38         | 2    | 480227        | 29.46         | 4    |
| 254485  | 28.09         | 4    | 2H000296      | 28.38         | 3    | 480230        | 29.46         | 6    |
| 256756  | 29.43         | 38   | 2H000297      | 28.38         | 19   | 480953        | 29.48         | 8    |
| 265300  | 29.46         | 14   | 2H000298      | 28.38         | 20   | 482314        | 29.40         | 5    |
| 266625  | 29.39         | 8    | 2H000299      | 28.38         | 25   | 482315        | 29.40         | 2    |
| 266773  | 29.39         | 10   | 2H000300      | 28.38         | 26   | 482404        | 29.27         | 10   |
| 267823  | 29.39         | 7    | 2H000301      | 28.38         | 22   | 482432        | 29.27         | 12   |
| 269755  | 29.52         | 11   | 2H000302      | 28.38         | 23   | 482766        | 29.47         | 6    |
| 278940  | 28.02         | 6    | 2H000303      | 28.38         | 8    | 482916        | 29.43         | 26   |
| 286158  | 29.46         | 2    | 2H000304      | 28.38         | 9    | 482942        | 29.43         | 10   |
| 286162  | 29.51         | 4    | 2H000305      | 28.38         | 13   | 482988        | 29.42         | 2    |
| 286163  | 29.51         | 5    | 2H000306      | 28.38         | 14   | 482988        | 29.43         | 2    |
| 286209  | 29.45         | 2    | 2H000307      | 28.38         | 10   | 483395        | 29.43         | 37   |
| 286214  | 29.45         | 14   | 2H000308      | 28.38         | 11   | 483443        | 29.47         | 10   |
| 286217  | 29.45         | 15   | 2H000309      | 28.38         | 15   | 483537        | 29.45         | 12   |
| 287021  | 29.51         | 1    | 2H000310      | 28.38         | 16   | 483859        | 29.45         | 8    |
| 288245  | 29.42         | 8    | 2H000311      | 28.38         | 25   | 484260        | 29.43         | 35   |
| 288245  | 29.43         | 6    | 2H000312      | 28.38         | 26   | 484704        | 29.43         | 13   |
| 288289  | 29.42         | 1    | 2H000313      | 28.38         | 22   | 486081        | 29.39         | 10   |
| 288289  | 29.43         | 1    | 2H000314      | 28.38         | 23   | 486942        | 29.53         | 8    |
| 288639  | 29.48         | 10   | 2H000315      | 28.38         | 8    | 486943        | 29.53         | 7    |
| 288862  | 29.43         | 22   | 2H000316      | 28.38         | 9    | 487392        | 29.52         | 8    |
| 288863  | 29.43         | 34   | 2H000317      | 28.38         | 25   | 4874805       | 29.48         | 1    |
| 288865  | 29.43         | 20   | 2H000318      | 28.38         | 26   | 4874845       | 29.48         | 2    |
| 288872  | 29.43         | 25   | 2H000319      | 28.38         | 22   | 4874845       | 29.48         | 2    |
| 288873  | 29.43         | 27   | 2H000320      | 28.38         | 23   | 487730        | 29.52         | 4    |
| 288881  | 29.43         | 31   | 2H000321      | 28.38         | 8    | 4878020001    | 29.41         | 6    |
| 289005  | 29.49         | 2    | 2H000322      | 28.38         | 9    | 4878020002    | 29.41         | 6    |
| 289254  | 29.52         | 1    | 2H000323      | 28.38         | 24   | 4878020003    | 29.41         | 6    |
| 289262  | 29.51         | 3    | 2H000324000H4 | 28.08         | 1    | 4878020004    | 29.41         | 6    |
| 289495  | 29.45         | 11   | 2H000325000H4 | 28.08         | 2    | 487935        | 29.47         | 12   |
| 289519  | 29.46         | 13   | 2H000326000H4 | 28.13         | 1    | 488139        | 29.52         | 13   |

| Code    | Nr. der Tafel | Pos. | Code      | Nr. der Tafel | Pos. | Code      | Nr. der Tafel | Pos. |
|---------|---------------|------|-----------|---------------|------|-----------|---------------|------|
| 497338  | 29.41         | 8    | 829377    | 29.39         | 5    | AP8102738 | 28.22         | 10   |
| 497339  | 29.39         | 21   | 8294235   | 29.39         | 1    | AP8102765 | 28.23         | 12   |
| 497406  | 29.52         | 5    | 829633    | 29.41         | 1    | AP8102811 | 28.22         | 16   |
| 498337  | 29.39         | 21   | 829703    | 29.42         | 6    | AP8102947 | 28.36         | 4    |
| 498470  | 29.41         | 8    | 829820    | 29.45         | 9    | AP8104451 | 28.09         | 14   |
| 500501  | 29.40         | 3    | 8298225   | 29.45         | 1    | AP8104609 | 28.36         | 3    |
| 500502  | 29.40         | 3    | 830004    | 29.52         | 2    | AP8104611 | 28.36         | 2    |
| 500503  | 29.40         | 3    | 830096    | 29.42         | 10   | AP8104613 | 28.36         | 11   |
| 500504  | 29.40         | 3    | 830202    | 29.42         | 11   | AP8104622 | 28.36         | 11   |
| 563728  | 28.31         | 12   | 830212    | 29.45         | 13   | AP8112811 | 28.35         | 20   |
| 58062R  | 29.49         | 1    | 830487    | 29.42         | 7    | AP8112916 | 28.15         | 5    |
| 580734  | 28.32         | 8    | 830487    | 29.43         | 24   | AP8113003 | 28.18         | 4    |
| 58095R  | 28.35         | 1    | 830585    | 29.40         | 9    | AP8113003 | 28.19         | 4    |
| 58096R  | 28.35         | 10   | 830939    | 29.43         | 4    | AP8113003 | 28.30         | 5    |
| 58115R  | 28.35         | 14   | 831443    | 29.49         | 11   | AP8113003 | 28.31         | 14   |
| 58136R  | 29.49         | 1    | 831458    | 29.45         | 10   | AP8113004 | 28.18         | 5    |
| 582256  | 28.19         | 17   | 8318594   | 29.53         | 9    | AP8113004 | 28.19         | 5    |
| 58237R  | 28.35         | 2    | 832130    | 29.52         | 9    | AP8113004 | 28.30         | 6    |
| 584525  | 29.49         | 12   | 832925    | 29.52         | 2    | AP8113004 | 28.31         | 10   |
| 584526  | 29.49         | 9    | 833598    | 29.41         | 7    | AP8117033 | 28.14         | 13   |
| 584573  | 29.43         | 41   | 833708    | 29.43         | 8    | AP8117040 | 28.10         | 8    |
| 584810  | 28.35         | 12   | 833740    | 29.53         | 11   | AP8117073 | 28.08         | 13   |
| 598839  | 28.01         | 7    | 8338275   | 29.40         | 4    | AP8118699 | 28.18         | 6    |
| 598839  | 28.09         | 9    | 833982    | 29.46         | 10   | AP8118699 | 28.19         | 6    |
| 598839  | 28.23         | 14   | 842626    | 29.42         | 4    | AP8120179 | 28.22         | 15   |
| 598839  | 28.35         | 3    | 845611    | 29.46         | 11   | AP8120416 | 28.01         | 8    |
| 600475  | 28.18         | 10   | 852232    | 28.01         | 10   | AP8120416 | 28.15         | 13   |
| 600475  | 28.19         | 10   | 852751    | 28.06         | 7    | AP8120416 | 28.25         | 11   |
| 624522  | 28.22         | 17   | 852921    | 28.37         | 3    | AP8120416 | 28.32         | 13   |
| 638610  | 29.49         | 12   | 8530325   | 28.01         | 1    | AP8120416 | 28.35         | 22   |
| 638611  | 29.49         | 9    | 853482    | 28.37         | 4    | AP8120416 | 29.50         | 5    |
| 642032  | 28.18         | 7    | 855799    | 28.35         | 6    | AP8120422 | 28.35         | 21   |
| 665996  | 28.18         | 9    | 859841    | 28.36         | 17   | AP8120446 | 28.20         | 13   |
| 668009  | 29.27         | 4    | 860109    | 28.19         | 1    | AP8120531 | 28.06         | 11   |
| 672200  | 28.38         | 21   | 880065    | 29.28         | 2    | AP8120531 | 28.09         | 7    |
| 825185  | 29.41         | 6    | 880655    | 29.28         | 2    | AP8120593 | 28.25         | 4    |
| 82521R  | 29.45         | 6    | 890622    | 28.16         | 1    | AP8120657 | 28.01         | 9    |
| 82530R  | 29.50         | 2    | 890623    | 28.16         | 1    | AP8120657 | 28.35         | 23   |
| 82531R  | 29.50         | 3    | 896544    | 28.22         | 7    | AP8120754 | 28.35         | 19   |
| 825416  | 29.41         | 4    | 896570    | 28.22         | 13   | AP8120865 | 28.29         | 9    |
| 825865  | 29.42         | 9    | 896570    | 28.22         | 5    | AP8121096 | 29.28         | 17   |
| 825865  | 29.43         | 7    | 96921R    | 29.50         | 2    | AP8121679 | 28.14         | 10   |
| 82605R  | 29.51         | 8    | 96922R    | 29.50         | 3    | AP8121984 | 28.25         | 10   |
| 82632R  | 29.51         | 8    | AP8101573 | 28.22         | 9    | AP8125743 | 28.29         | 8    |
| 826490  | 29.43         | 5    | AP8101743 | 28.20         | 6    | AP8125782 | 28.29         | 6    |
| 8269405 | 29.40         | 4    | AP8101944 | 28.20         | 9    | AP8127098 | 28.33         | 15   |
| 826949  | 29.40         | 8    | AP8101944 | 28.22         | 4    | AP8127305 | 28.19         | 7    |
| 826972  | 29.49         | 5    | AP8102223 | 28.20         | 7    | AP8127461 | 28.36         | 12   |
| 827085  | 29.52         | 10   | AP8102224 | 28.20         | 5    | AP8127489 | 28.32         | 9    |
| 827208  | 29.53         | 2    | AP8102273 | 29.53         | 12   | AP8127489 | 28.33         | 10   |
| 827209  | 29.53         | 6    | AP8102349 | 28.23         | 11   | AP8133601 | 28.31         | 3    |
| 827301  | 29.41         | 1    | AP8102375 | 28.01         | 5    | AP8133735 | 28.30         | 1    |
| 827303  | 29.41         | 1    | AP8102375 | 28.10         | 5    | AP8134167 | 28.09         | 10   |
| 827517  | 29.49         | 5    | AP8102375 | 28.11         | 5    | AP8134167 | 28.31         | 15   |
| 82758R  | 29.53         | 4    | AP8102375 | 28.13         | 9    | AP8134460 | 28.23         | 17   |
| 827685  | 29.49         | 6    | AP8102375 | 28.15         | 12   | AP8144081 | 28.15         | 9    |
| 827685  | 29.52         | 3    | AP8102375 | 28.20         | 11   | AP8144187 | 28.22         | 3    |
| 82768R  | 29.40         | 10   | AP8102375 | 28.22         | 11   | AP8144343 | 28.22         | 2    |
| 827712  | 29.49         | 4    | AP8102375 | 28.23         | 10   | AP8144506 | 28.23         | 6    |
| 82775R  | 29.42         | 3    | AP8102375 | 28.25         | 6    | AP8144565 | 28.33         | 17   |
| 827853  | 29.41         | 4    | AP8102375 | 28.33         | 13   | AP8144691 | 28.23         | 5    |
| 827854  | 29.41         | 4    | AP8102381 | 28.06         | 9    | AP8149034 | 28.33         | 18   |
| 827893  | 29.47         | 7    | AP8102381 | 28.08         | 12   | AP8150013 | 28.35         | 8    |
| 828074  | 29.43         | 21   | AP8102381 | 28.13         | 10   | AP8150014 | 28.25         | 15   |
| 82827R  | 29.43         | 3    | AP8102671 | 28.06         | 13   | AP8150015 | 29.28         | 3    |
| 8284535 | 29.45         | 1    | AP8102671 | 28.17         | 10   | AP8150017 | 29.28         | 6    |
| 829376  | 29.39         | 4    | AP8102732 | 28.23         | 13   | AP8150020 | 28.02         | 12   |

| Code      | Nr. der Tafel | Pos. |
|-----------|---------------|------|
| AP8150020 | 28.17         | 6    |
| AP8150020 | 28.31         | 25   |
| AP8150086 | 28.17         | 5    |
| AP8150086 | 28.31         | 24   |
| AP8150107 | 28.17         | 12   |
| AP8150137 | 28.36         | 13   |
| AP8150157 | 28.25         | 9    |
| AP8150158 | 28.15         | 10   |
| AP8150165 | 28.14         | 11   |
| AP8150204 | 28.15         | 11   |
| AP8150220 | 29.39         | 18   |
| AP8150255 | 28.16         | 3    |
| AP8150292 | 28.31         | 26   |
| AP8150298 | 28.33         | 8    |
| AP8150354 | 29.28         | 8    |
| AP8150373 | 28.29         | 14   |
| AP8150376 | 28.02         | 3    |
| AP8150376 | 29.28         | 7    |
| AP8150382 | 28.16         | 5    |
| AP8150412 | 29.27         | 5    |
| AP8150413 | 28.06         | 8    |
| AP8150413 | 28.07         | 7    |
| AP8150413 | 28.08         | 9    |
| AP8150413 | 28.09         | 13   |
| AP8150413 | 28.12         | 9    |
| AP8150413 | 28.13         | 13   |
| AP8150413 | 28.16         | 6    |
| AP8150413 | 28.32         | 12   |
| AP8150421 | 28.07         | 8    |
| AP8150423 | 28.08         | 8    |
| AP8150444 | 28.12         | 10   |
| AP8150450 | 28.07         | 6    |
| AP8150450 | 28.13         | 11   |
| AP8150493 | 28.06         | 10   |
| AP8150493 | 28.32         | 11   |
| AP8150493 | 28.33         | 12   |
| AP8150509 | 28.12         | 8    |
| AP8150509 | 28.16         | 4    |
| AP8150509 | 28.33         | 16   |
| AP8150515 | 29.27         | 11   |
| AP8152003 | 29.39         | 19   |
| AP8152018 | 28.29         | 11   |
| AP8152056 | 28.29         | 4    |
| AP8152140 | 28.36         | 14   |
| AP8152194 | 28.36         | 7    |
| AP8152246 | 28.14         | 12   |
| AP8152246 | 28.36         | 15   |
| AP8152246 | 29.28         | 5    |
| AP8152269 | 28.06         | 12   |
| AP8152277 | 28.31         | 19   |
| AP8152277 | 28.35         | 5    |
| AP8152279 | 28.35         | 11   |
| AP8152287 | 28.02         | 2    |
| AP8152288 | 28.31         | 20   |
| AP8152288 | 28.31         | 4    |
| AP8152289 | 28.30         | 7    |
| AP8152290 | 28.17         | 8    |
| AP8152294 | 28.02         | 4    |
| AP8152298 | 28.09         | 5    |
| AP8152298 | 28.10         | 7    |
| AP8152298 | 28.11         | 8    |
| AP8152298 | 28.13         | 12   |
| AP8152298 | 28.15         | 7    |
| AP8152298 | 28.20         | 12   |
| AP8152298 | 28.22         | 14   |
| AP8152298 | 28.36         | 16   |
| AP8152299 | 28.35         | 7    |

| Code      | Nr. der Tafel | Pos. |
|-----------|---------------|------|
| AP8152299 | 29.39         | 20   |
| AP8152300 | 28.02         | 5    |
| AP8152300 | 28.17         | 9    |
| AP8152301 | 28.02         | 10   |
| AP8152301 | 28.17         | 7    |
| AP8152301 | 29.27         | 6    |
| AP8152301 | 29.27         | 8    |
| AP8152302 | 28.15         | 8    |
| AP8152302 | 28.23         | 15   |
| AP8152306 | 28.14         | 6    |
| AP8152306 | 28.15         | 14   |
| AP8152306 | 28.33         | 21   |
| AP8152306 | 28.35         | 5    |
| AP8152318 | 29.27         | 3    |
| AP8152329 | 28.25         | 5    |
| AP8152341 | 28.09         | 8    |
| AP8152351 | 28.07         | 9    |
| AP8152351 | 28.08         | 11   |
| AP8152351 | 28.09         | 12   |
| AP8152351 | 28.10         | 6    |
| AP8152351 | 28.11         | 6    |
| AP8152410 | 29.27         | 7    |
| AP8152477 | 28.17         | 11   |
| AP8179912 | 28.13         | 1    |
| AP8179913 | 28.13         | 2    |
| AP8201225 | 28.20         | 8    |
| AP8201457 | 28.37         | 1    |
| AP8201534 | 28.08         | 7    |
| AP8201546 | 28.29         | 7    |
| AP8201546 | 28.31         | 5    |
| AP8201620 | 28.36         | 8    |
| AP8201643 | 28.14         | 8    |
| AP8201748 | 28.36         | 9    |
| AP8201749 | 28.36         | 10   |
| AP8201824 | 28.22         | 8    |
| AP8202302 | 28.25         | 3    |
| AP8202394 | 28.17         | 2    |
| AP8202395 | 28.17         | 3    |
| AP8202403 | 28.29         | 15   |
| AP8202406 | 28.23         | 3    |
| AP8202419 | 28.36         | 17   |
| AP8202432 | 28.01         | 10   |
| AP8202444 | 28.25         | 17   |
| AP8202449 | 28.07         | 10   |
| AP8202449 | 28.08         | 10   |
| AP8202449 | 28.09         | 6    |
| AP8202449 | 28.11         | 7    |
| AP8203561 | 28.03         | 2    |
| AP8203652 | 28.03         | 3    |
| AP8203762 | 28.03         | 4    |
| AP8203762 | 28.03         | 4    |
| AP8203777 | 28.03         | 2    |
| AP8203778 | 28.03         | 3    |
| AP8203797 | 28.03         | 4    |
| AP8203986 | 28.03         | 5    |
| AP8206915 | 29.43         | 42   |
| AP8208907 | 28.31         | 13   |
| AP8208947 | 28.29         | 2    |
| AP8208949 | 28.31         | 2    |
| AP8209085 | 28.29         | 1    |
| AP8209085 | 28.31         | 1    |
| AP8213231 | 28.29         | 3    |
| AP8213455 | 28.18         | 11   |
| AP8213546 | 28.19         | 9    |
| AP8213548 | 28.18         | 9    |
| AP8213548 | 28.31         | 11   |
| AP8213557 | 28.31         | 7    |

| Code      | Nr. der Tafel | Pos. |
|-----------|---------------|------|
| AP8213571 | 28.30         | 2    |
| AP8213572 | 28.30         | 3    |
| AP8213573 | 28.30         | 4    |
| AP8213574 | 28.30         | 8    |
| AP8213574 | 28.31         | 9    |
| AP8213575 | 28.30         | 9    |
| AP8213575 | 28.31         | 8    |
| AP8213576 | 28.30         | 10   |
| AP8213577 | 28.31         | 6    |
| AP8213578 | 28.31         | 17   |
| AP8213579 | 28.31         | 18   |
| AP8213580 | 28.18         | 2    |
| AP8213581 | 28.19         | 2    |
| AP8213582 | 28.18         | 3    |
| AP8213582 | 28.19         | 3    |
| AP8213583 | 28.18         | 14   |
| AP8213583 | 28.19         | 14   |
| AP8213584 | 28.18         | 15   |
| AP8213584 | 28.19         | 15   |
| AP8213585 | 28.18         | 16   |
| AP8213585 | 28.19         | 16   |
| AP8213593 | 28.18         | 12   |
| AP8213595 | 28.18         | 13   |
| AP8213598 | 28.19         | 13   |
| AP8213600 | 28.19         | 11   |
| AP8214238 | 28.36         | 5    |
| AP8214239 | 28.19         | 17   |
| AP8214241 | 28.19         | 17   |
| AP8217040 | 28.01         | 11   |
| AP8218638 | 28.17         | 1    |
| AP8218639 | 28.19         | 12   |
| AP8219452 | 29.28         | 1    |
| AP8219530 | 29.28         | 10   |
| AP8219531 | 29.28         | 11   |
| AP8219532 | 29.28         | 12   |
| AP8219605 | 29.28         | 13   |
| AP8219612 | 29.28         | 14   |
| AP8220104 | 28.25         | 13   |
| AP8220150 | 28.16         | 2    |
| AP8220346 | 28.02         | 11   |
| AP8220349 | 28.12         | 7    |
| AP8220399 | 28.02         | 7    |
| AP8220402 | 28.20         | 10   |
| AP8220402 | 28.22         | 12   |
| AP8220421 | 28.20         | 2    |
| AP8220546 | 28.35         | 15   |
| AP8220587 | 28.25         | 2    |
| AP8220592 | 28.14         | 3    |
| AP8220592 | 28.35         | 8    |
| AP8220605 | 28.25         | 18   |
| AP8220608 | 28.25         | 14   |
| AP8220647 | 28.25         | 19   |
| AP8220664 | 28.23         | 8    |
| AP8220665 | 28.23         | 7    |
| AP8220668 | 28.23         | 7    |
| AP8220704 | 29.27         | 2    |
| AP8220708 | 28.20         | 4    |
| AP8220710 | 28.01         | 12   |
| AP8220712 | 28.25         | 16   |
| AP8221119 | 28.29         | 10   |
| AP8221218 | 28.15         | 6    |
| AP8221297 | 29.28         | 4    |
| AP8221310 | 28.01         | 4    |
| AP8221312 | 28.36         | 6    |
| AP8221321 | 28.14         | 7    |
| AP8221329 | 28.31         | 12   |
| AP8221344 | 29.28         | 9    |

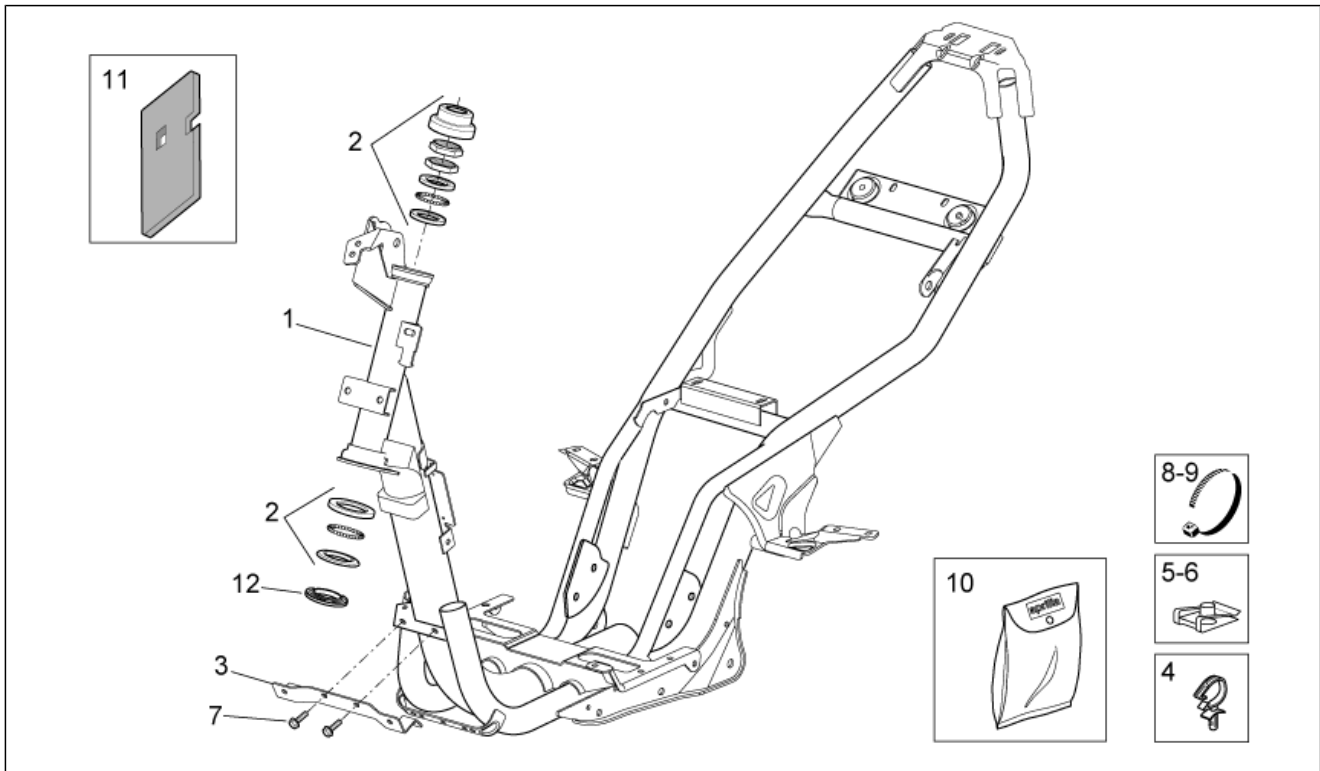


| Code      | Nr. der Tafel | Pos. |
|-----------|---------------|------|
| AP8221347 | 29.27         | 9    |
| AP8221348 | 28.02         | 9    |
| AP8223004 | 28.03         | 1    |
| AP8223037 | 28.05         | 1    |
| AP8223038 | 28.03         | 2    |
| AP8223039 | 28.03         | 3    |
| AP8223040 | 28.05         | 4    |
| AP8223041 | 28.04         | 1    |
| AP8223042 | 28.04         | 2    |
| AP8223043 | 28.05         | 7    |
| AP8223044 | 28.05         | 8    |
| AP8223045 | 28.04         | 6    |
| AP8223046 | 28.04         | 4    |
| AP8223047 | 28.05         | 6    |
| AP8223048 | 28.05         | 5    |
| AP8223049 | 28.04         | 3    |
| AP8223050 | 28.04         | 5    |
| AP8223051 | 28.05         | 10   |
| AP8223052 | 28.05         | 2    |
| AP8223053 | 28.05         | 3    |
| AP8223054 | 28.05         | 9    |
| AP8223060 | 28.01         | 2    |
| AP8224073 | 28.35         | 16   |
| AP8224164 | 28.33         | 20   |
| AP8224578 | 28.35         | 9    |
| AP8224586 | 28.32         | 1    |
| AP8224587 | 28.33         | 1    |
| AP8224589 | 28.32         | 2    |
| AP8224590 | 28.32         | 3    |
| AP8224591 | 28.33         | 4    |
| AP8224592 | 28.33         | 3    |
| AP8224619 | 28.18         | 1    |
| AP8224620 | 28.19         | 1    |
| AP8224621 | 28.35         | 13   |
| AP8224623 | 28.09         | 11   |
| AP8224624 | 28.33         | 7    |
| AP8224639 | 28.18         | 1    |
| AP8224644 | 28.20         | 3    |
| AP8224646 | 28.32         | 1    |
| AP8224652 | 28.36         | 1    |
| AP8224653 | 28.36         | 1    |
| AP8224655 | 28.33         | 14   |
| AP8224656 | 28.32         | 6    |
| AP8224657 | 28.32         | 7    |
| AP8224658 | 28.33         | 2    |
| AP8224659 | 28.32         | 4    |
| AP8224660 | 28.32         | 5    |
| AP8224661 | 28.33         | 6    |
| AP8224662 | 28.33         | 5    |
| AP8224666 | 28.32         | 10   |
| AP8225123 | 28.29         | 5    |
| AP8225271 | 28.29         | 12   |
| AP8225319 | 28.31         | 27   |
| AP8225322 | 28.31         | 21   |
| AP8225323 | 28.29         | 13   |
| AP8225369 | 28.14         | 4    |
| AP8225369 | 28.35         | 6    |
| AP8226790 | 28.15         | 4    |
| AP8226801 | 28.15         | 3    |
| AP8226802 | 28.09         | 1    |
| AP8226844 | 28.15         | 4    |
| AP8229401 | 28.12         | 3    |
| AP8229402 | 28.12         | 4    |
| AP8229403 | 28.12         | 5    |
| AP8229404 | 28.12         | 6    |
| AP8234195 | 28.14         | 5    |
| AP8234195 | 28.35         | 4    |

| Code      | Nr. der Tafel | Pos. |
|-----------|---------------|------|
| AP8234213 | 29.39         | 17   |
| AP8234218 | 28.23         | 16   |
| AP8234218 | 28.23         | 9    |
| AP8234232 | 28.23         | 4    |
| AP8234233 | 28.01         | 3    |
| AP8234234 | 28.35         | 4    |
| AP8235150 | 28.02         | 1    |
| AP8235151 | 28.02         | 8    |
| AP8235164 | 28.02         | 8    |
| AP8249298 | 28.25         | 7    |
| AP8249299 | 28.25         | 8    |
| AP8249582 | 28.25         | 1    |
| AP8258241 | 28.25         | 12   |
| AP8258253 | 28.33         | 19   |
| AP8268037 | 28.20         | 1    |
| AP8268041 | 28.14         | 1    |
| AP8268042 | 28.15         | 2    |
| AP8268043 | 28.06         | 6    |
| AP8268044 | 28.06         | 1    |
| AP8268046 | 28.10         | 3    |
| AP8268048 | 28.08         | 4    |
| AP8268053 | 28.08         | 5    |
| AP8268054 | 28.07         | 3    |
| AP8268055 | 28.08         | 3    |
| AP8268057 | 28.11         | 2    |
| AP8268058 | 28.15         | 1    |
| AP8268059 | 28.07         | 1    |
| AP8268062 | 28.14         | 9    |
| AP8268063 | 28.11         | 3    |
| AP8268064 | 28.11         | 4    |
| AP8268078 | 28.07         | 4    |
| AP8268079 | 28.06         | 2    |
| AP8268082 | 28.08         | 6    |
| AP8268083 | 28.09         | 2    |
| AP8268084 | 28.14         | 2    |
| AP8268174 | 28.22         | 1    |
| AP8268250 | 28.17         | 4    |
| AP8268251 | 28.06         | 4    |
| AP8268252 | 28.06         | 5    |
| AP8268253 | 28.09         | 3    |
| AP8268254 | 28.23         | 18   |
| AP8268255 | 28.33         | 9    |
| AP8268259 | 28.23         | 1    |
| AP8268292 | 28.07         | 2    |
| AP8268293 | 28.06         | 3    |
| AP8268294 | 28.11         | 1    |
| AP8268309 | 28.07         | 5    |
| AP8268313 | 28.08         | 1    |
| AP8268314 | 28.08         | 2    |
| AP8268315 | 28.13         | 1    |
| AP8268316 | 28.13         | 2    |
| AP8268345 | 28.08         | 1    |
| AP8268346 | 28.08         | 2    |
| AP8268580 | 28.08         | 1    |
| AP8268581 | 28.08         | 2    |
| AP8268582 | 28.13         | 1    |
| AP8268583 | 28.13         | 2    |
| AP8269259 | 28.13         | 3    |
| AP8269260 | 28.13         | 4    |
| AP8269395 | 28.10         | 1    |
| AP8269396 | 28.10         | 2    |
| AP8269397 | 28.10         | 4    |
| AP8269399 | 28.13         | 5    |
| AP8269400 | 28.13         | 7    |
| AP8269401 | 28.13         | 6    |
| AP8269402 | 28.13         | 8    |
| AP8276033 | 29.43         | 17   |

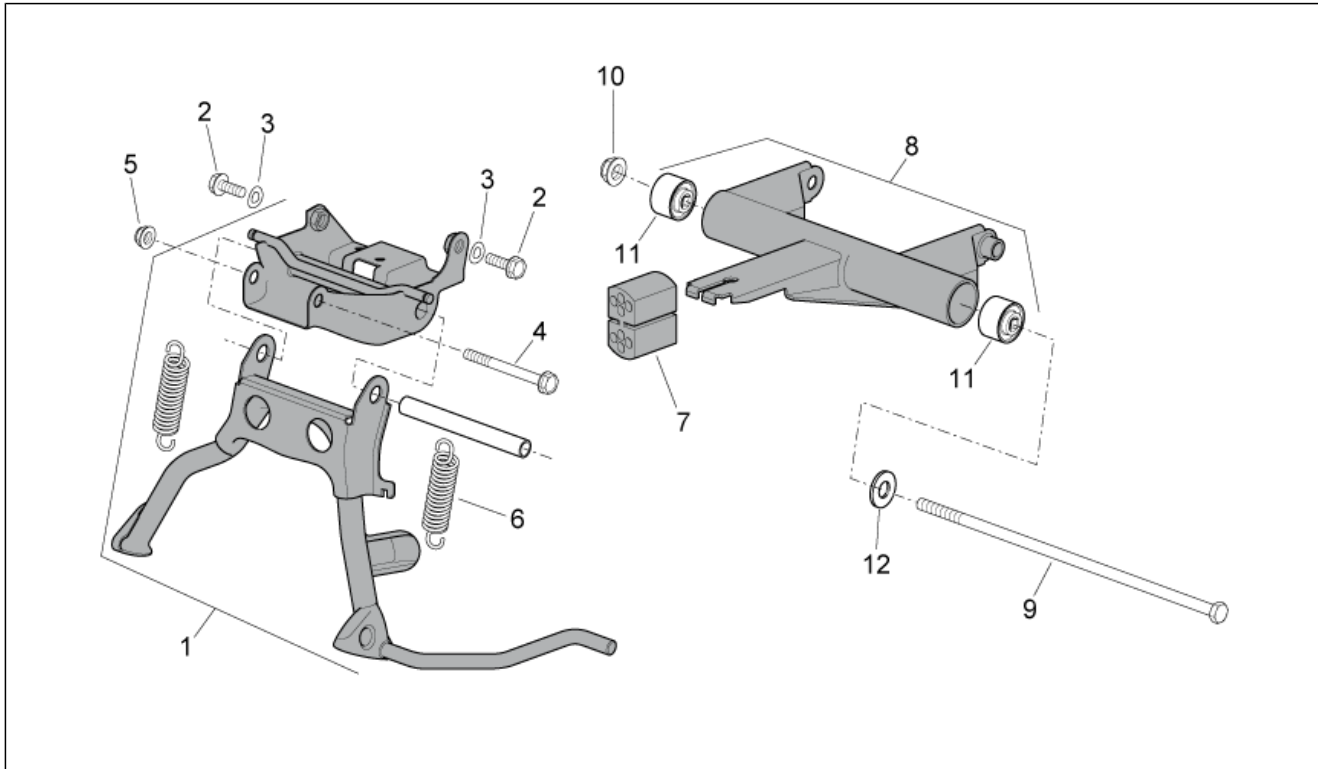
| Code      | Nr. der Tafel | Pos. |
|-----------|---------------|------|
| AP8277221 | 28.37         | 2    |
| AP8277579 | 28.05         | 11   |
| AP8277610 | 28.38         | 27   |
| AP8550215 | 29.43         | 19   |
| AP8570122 | 28.23         | 2    |
| AP8706087 | 29.28         | 16   |
| B013335   | 29.28         | 2    |
| B015754   | 29.43         | 8    |
| B043546   | 29.28         | 15   |
| CM001905  | 29.53         | 3    |
| CM001913  | 29.40         | 6    |
| CM002901  | 29.43         | 36   |
| CM002901  | 29.52         | 14   |
| CM081208  | 28.18         | 8    |
| CM081209  | 28.19         | 8    |
| CM086813  | 28.22         | 6    |
| CM100109  | 29.47         | 1    |
| CM1002045 | 29.47         | 13   |
| CM100601  | 29.46         | 8    |
| CM100608  | 29.46         | 8    |
| CM100615  | 29.46         | 8    |
| CM100615  | 29.46         | 8    |
| CM100616  | 29.46         | 8    |
| CM101509  | 29.51         | 10   |
| CM101605  | 29.51         | 11   |
| CM101704  | 29.43         | 11   |
| CM101711  | 29.43         | 11   |
| CM102103  | 29.43         | 12   |
| CM105905  | 29.43         | 16   |
| CM106229  | 29.43         | 43   |
| CM107510  | 29.43         | 17   |
| CM107701  | 29.43         | 29   |
| CM1102025 | 29.46         | 5    |
| CM1102035 | 29.46         | 5    |
| CM110301  | 29.46         | 7    |
| CM110304  | 29.46         | 7    |
| CM1273235 | 29.39         | 1    |
| CM128501  | 29.43         | 18   |
| CM141710  | 29.43         | 15   |
| CM141711  | 29.43         | 15   |
| CM1439035 | 29.27         | 1    |

|                     |        |
|---------------------|--------|
| <b>Einheit</b>      | RAHMEN |
| <b>Code</b>         | 28.01  |
| <b>Beschreibung</b> | Rahmen |
| <b>Inspektion</b>   | 1      |



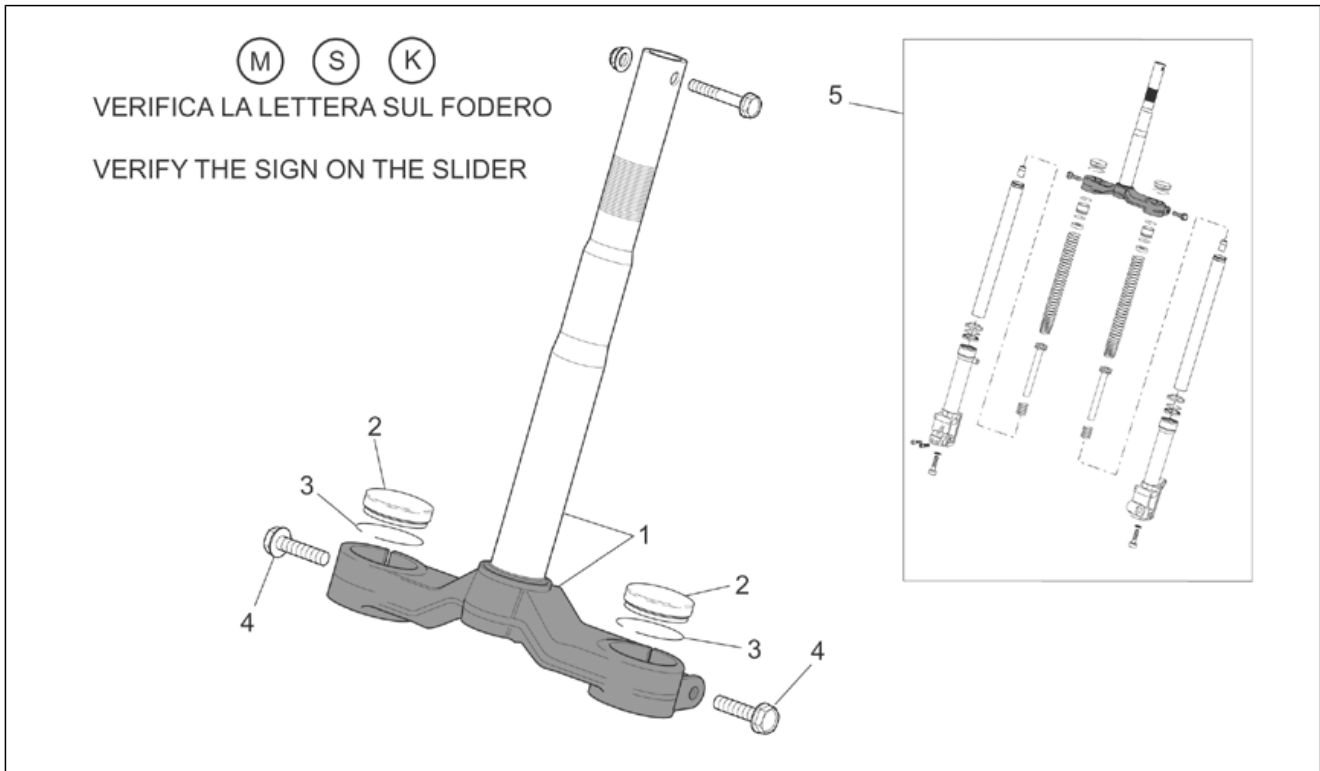
| Pos. | Code      | Beschreibung           | Menge | Varianten   |
|------|-----------|------------------------|-------|---|
| 1    | 8530325   | Rahmen mit Kataphorese | 1     |   |
| 2    | AP8223060 | Satz Kugelringe        | 1     |   |
| 3    | AP8234233 | Aufnahme               | 1     |   |
| 4    | AP8221310 | Kabelführungs          | 2     |   |
| 5    | AP8102375 | Klammer M5             | 5     |   |
| 6    | 254485    | Plattchen M6           | 8     |   |
| 7    | 598839    | TE Schr. m. Flansch    | 2     |   |
| 8    | AP8120416 | Schelle schwarz 178x4  | 2     |   |
| 9    | AP8120657 | Schelle                | 1     |   |
| 10   | 852232    | Werkzeugtasche         | 1     | <b>Technische Daten:</b> Version mit Vergaser (C364M)[carb]   |
| 10   | AP8202432 | Werkzeugtasche         | 1     | <b>Technische Daten:</b> Version mit Einspritzung (C361M)[ie] |
| 11   | AP8217040 | Gestanzter Schutz      | 1     |   |
| 12   | AP8220710 | Unt.Staubschutz        | 1     |   |

|                     |                             |
|---------------------|-----------------------------|
| <b>Einheit</b>      | RAHMEN                      |
| <b>Code</b>         | 28.02                       |
| <b>Beschreibung</b> | Hauptständer - Pleuelstange |
| <b>Inspektion</b>   | 1                           |



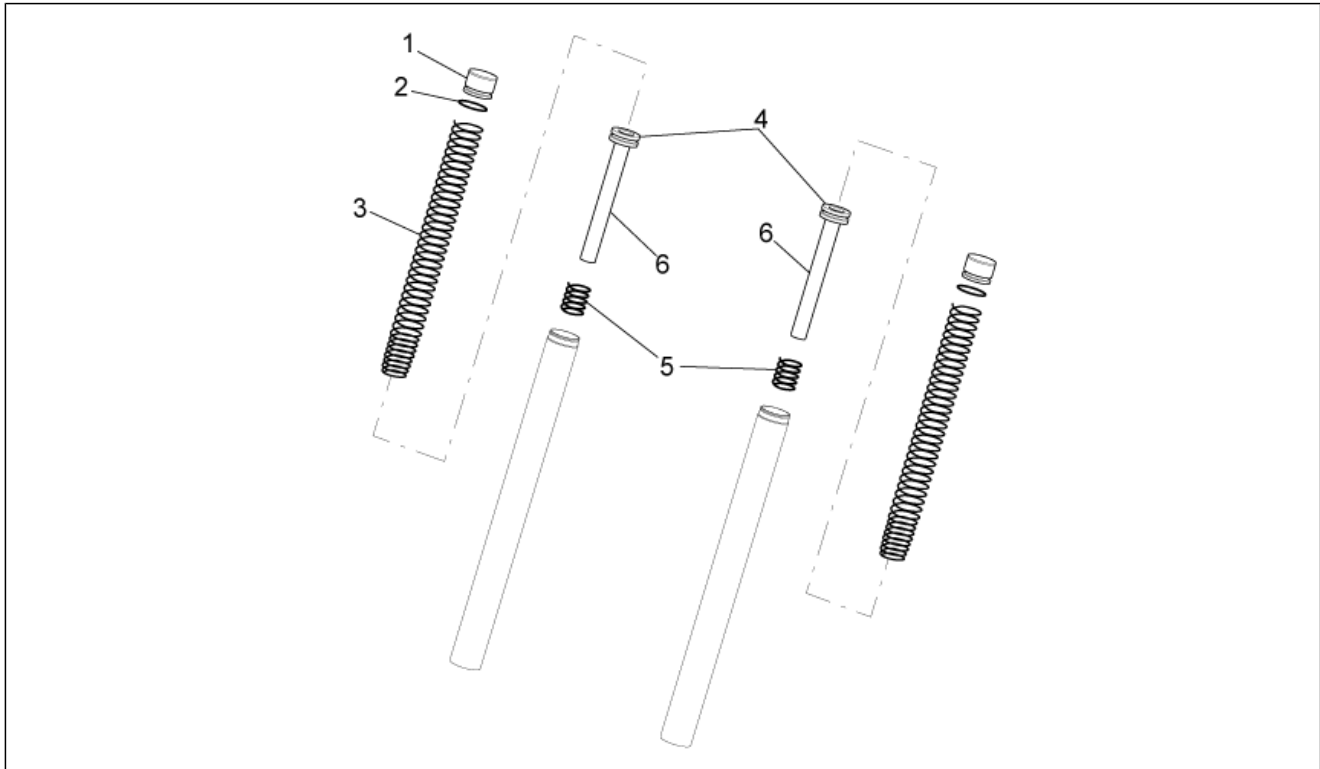
| Pos. | Code      | Beschreibung                | Menge | Varianten   |
|------|-----------|-----------------------------|-------|---|
| 1    | AP8235150 | Hauptständer                | 1     |   |
| 2    | AP8152287 | TE Schr. m. Flansch M8x25   | 2     |   |
| 3    | AP8150376 | Ausgleichscheibe 8,5x15x0,8 | 2     |   |
| 4    | AP8152294 | TE Schr. m. Flansch         | 1     |   |
| 5    | AP8152300 | Selbstsperrende Mutter M8   | 1     |   |
| 6    | 278940    | Feder                       | 2     |   |
| 7    | AP8220399 | Zümseinst.Stopfen           | 1     |   |
| 8    | AP8235151 | Motor-Pleuelstange          | 1     | Land:Australien[AU], Schweiz[CH]                    |
| 8    | AP8235164 | Motor-Pleuelstange          | 1     | Technische Daten:Version mit Vergaser (C364M)[carb] |
| 9    | AP8221348 | Bolzen                      | 1     |   |
| 10   | AP8152301 | Selbstsperrende Mutter      | 1     |   |
| 11   | AP8220346 | Silent-Block                | 2     |   |
| 12   | AP8150020 | Ausgleichscheibe 10,5x21x2* | 1     |   |

|                     |         |
|---------------------|---------|
| <b>Einheit</b>      | RAHMEN  |
| <b>Code</b>         | 28.03   |
| <b>Beschreibung</b> | Gabel I |
| <b>Inspektion</b>   | 1       |



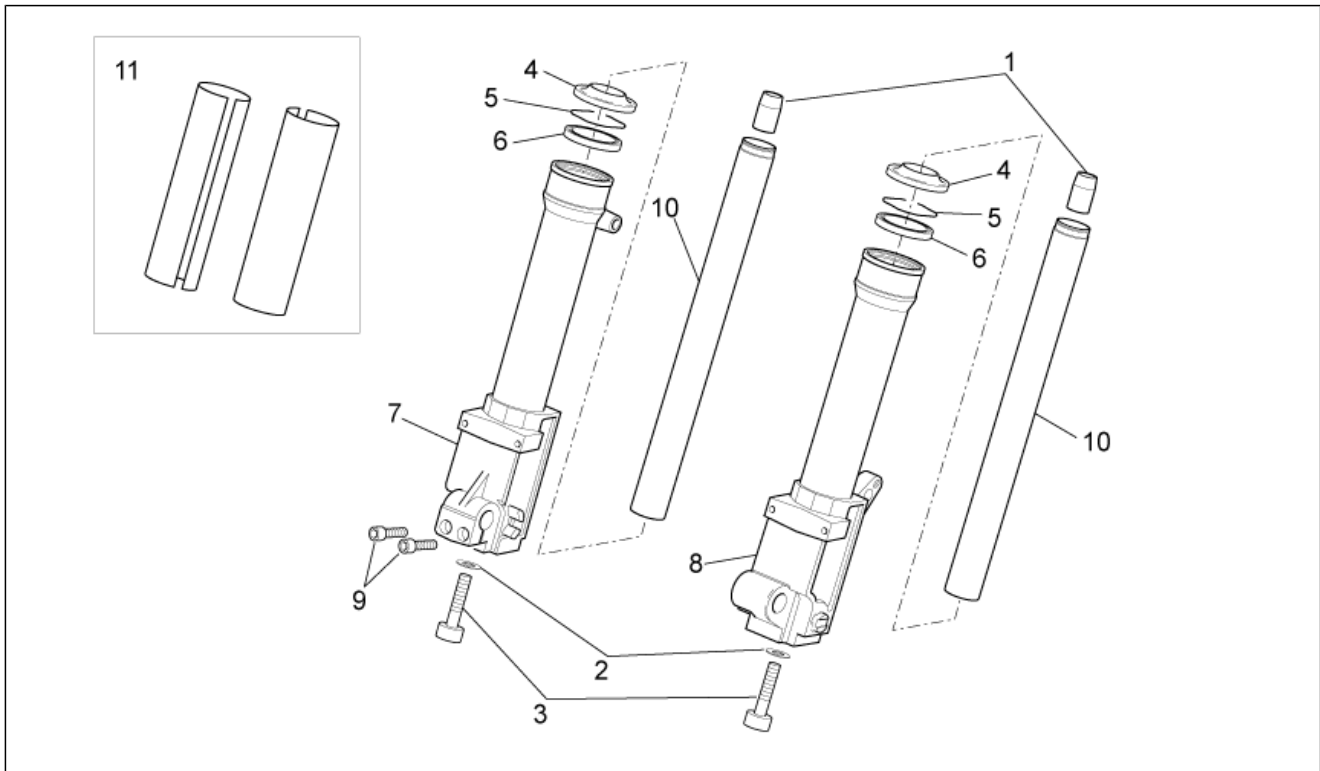
| Pos. | Code      | Beschreibung            | Menge | Varianten                         |
|------|-----------|-------------------------|-------|-----------------------------------|
| 1    | AP8223004 | Fuß mit Rohr            | 1     |                                   |
| 2    | AP8203561 | Verschlußschraube       | 2     | <b>Technische Daten:</b>          |
| 2    | AP8203777 | Verschlußschraube       | 2     | <b>Technische Daten:</b> Showa[S] |
| 2    | AP8223038 | Verschlußschraube       | 2     | <b>Technische Daten:</b> Kaifa[K] |
| 3    | AP8203652 | O-Ring                  | 2     | <b>Technische Daten:</b>          |
| 3    | AP8203778 | Ring                    | 2     | <b>Technische Daten:</b> Showa[S] |
| 3    | AP8223039 | Ring                    | 2     | <b>Technische Daten:</b> Kaifa[K] |
| 4    | AP8203762 | Schraube M10x35         | 2     | <b>Technische Daten:</b>          |
| 4    | AP8203762 | Schraube M10x35         | 2     | <b>Technische Daten:</b> Kaifa[K] |
| 4    | AP8203797 | Schraube                | 2     | <b>Technische Daten:</b> Showa[S] |
| 5    | AP8203986 | Baugruppe vordere Gabel | 1     |                                   |

|                     |          |
|---------------------|----------|
| <b>Einheit</b>      | RAHMEN   |
| <b>Code</b>         | 28.04    |
| <b>Beschreibung</b> | Gabel II |
| <b>Inspektion</b>   | 1        |



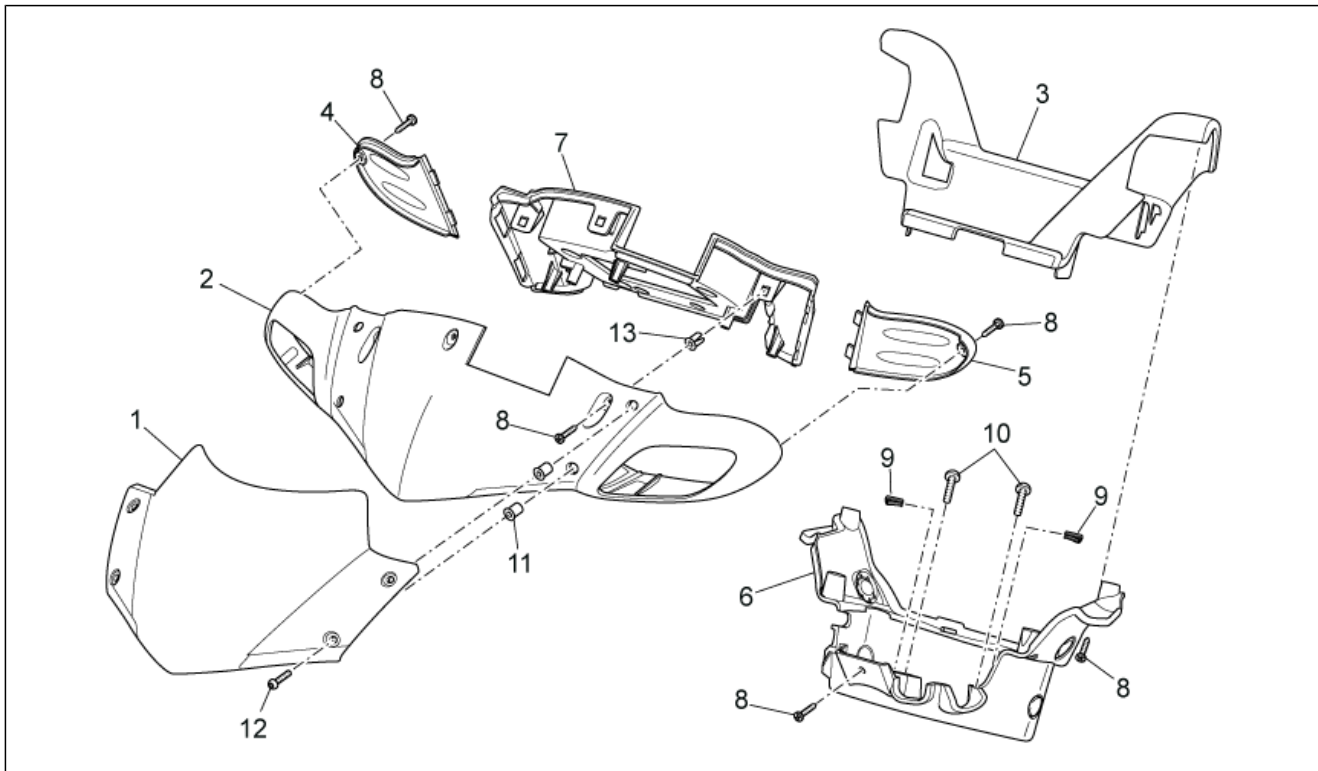
| Pos. | Code      | Beschreibung      | Menge | Varianten |
|------|-----------|-------------------|-------|-----------|
| 1    | AP8223041 | Deckel            | 2     |           |
| 2    | AP8223042 | O-Ring            | 2     |           |
| 3    | AP8223049 | Feder             | 2     |           |
| 4    | AP8223046 | Ring Gabelstempel | 1     |           |
| 5    | AP8223050 | Gegenfeder        | 2     |           |
| 6    | AP8223045 | Pumpenrad kplt.   | 2     |           |

|                     |           |
|---------------------|-----------|
| <b>Einheit</b>      | RAHMEN    |
| <b>Code</b>         | 28.05     |
| <b>Beschreibung</b> | Gabel III |
| <b>Inspektion</b>   | 1         |



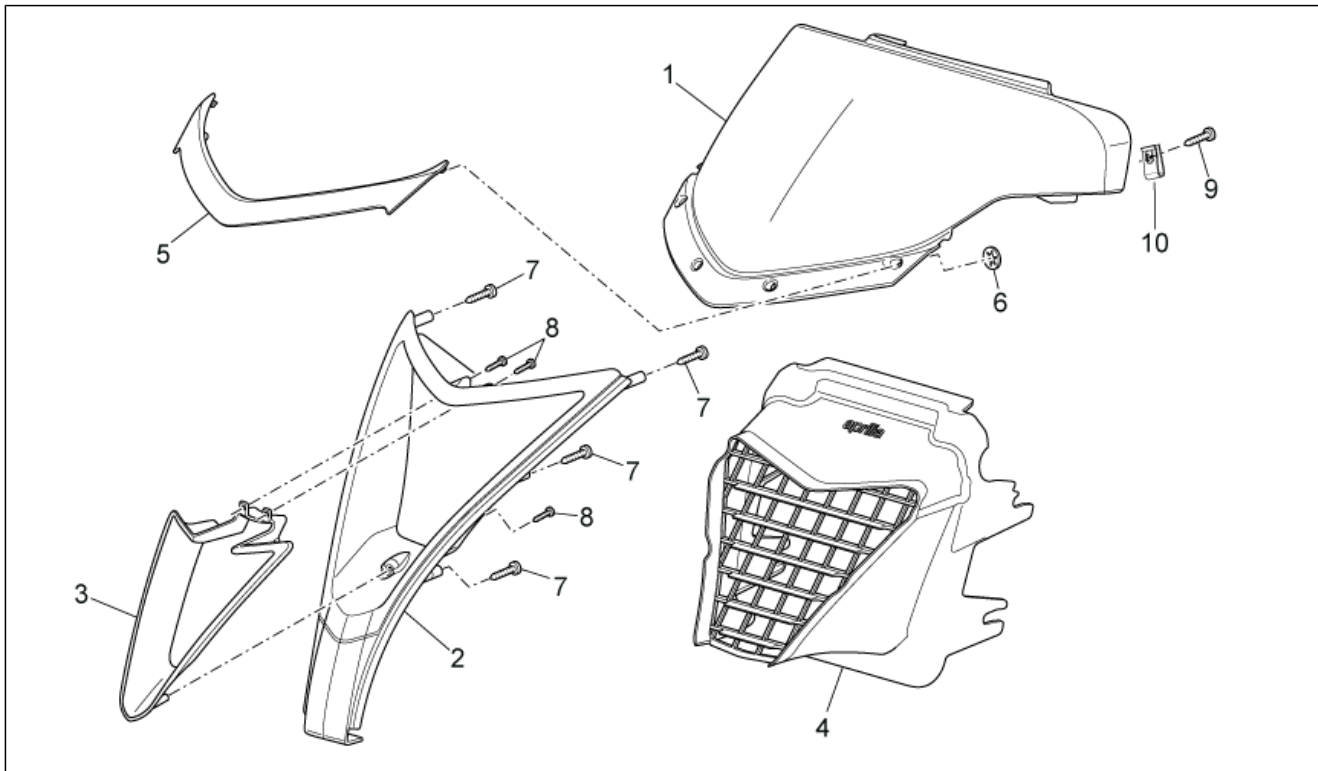
| Pos. | Code      | Beschreibung        | Menge | Varianten |
|------|-----------|---------------------|-------|-----------|
| 1    | AP8223037 | Bodenstopfen        | 2     |           |
| 2    | AP8223052 | Ausgleichscheibe    | 2     |           |
| 3    | AP8223053 | Schraube            | 2     |           |
| 4    | AP8223040 | Staubschutz         | 2     |           |
| 5    | AP8223048 | Sperring            | 2     |           |
| 6    | AP8223047 | Ölabstreifring      | 2     |           |
| 7    | AP8223043 | Rechte Hülse        | 1     |           |
| 8    | AP8223044 | Linke Hülse         | 1     |           |
| 9    | AP8223054 | TCEI Schraube M6x20 | 2     |           |
| 10   | AP8223051 | Schaft kpl.         | 2     |           |
| 11   | AP8277579 | Vorderradgabel Deko | 2     |           |

|                     |               |
|---------------------|---------------|
| <b>Einheit</b>      | RAHMEN        |
| <b>Code</b>         | 28.06         |
| <b>Beschreibung</b> | Frontaufbau I |
| <b>Inspektion</b>   | 1             |



| Pos. | Code      | Beschreibung              | Menge | Varianten |
|------|-----------|---------------------------|-------|-----------|
| 1    | AP8268044 | Sportscheibe schwarz      | 1     |           |
| 2    | AP8268079 | Instrumententafel, grau   | 1     |           |
| 3    | AP8268293 | Deckel Lenkstange schwarz | 1     |           |
| 4    | AP8268251 | Blinkerdeck.rs, grau      | 1     |           |
| 5    | AP8268252 | Blinkerdeck.ls, grau      | 1     |           |
| 6    | AP8268043 | Grundplatte, schwarz      | 1     |           |
| 7    | 852751    | Instrumententafel, grau   | 1     |           |
| 8    | AP8150413 | Gew.schr. 3,9x14          | 12    |           |
| 9    | AP8102381 | Klammer M4                | 2     |           |
| 10   | AP8150493 | TBEI Schraube M4x16       | 2     |           |
| 11   | AP8120531 | Gummi mit Einsatz         | 4     |           |
| 12   | AP8152269 | TBEI Spez.schr.           | 4     |           |
| 13   | AP8102671 | Kunststoffniet            | 3     |           |

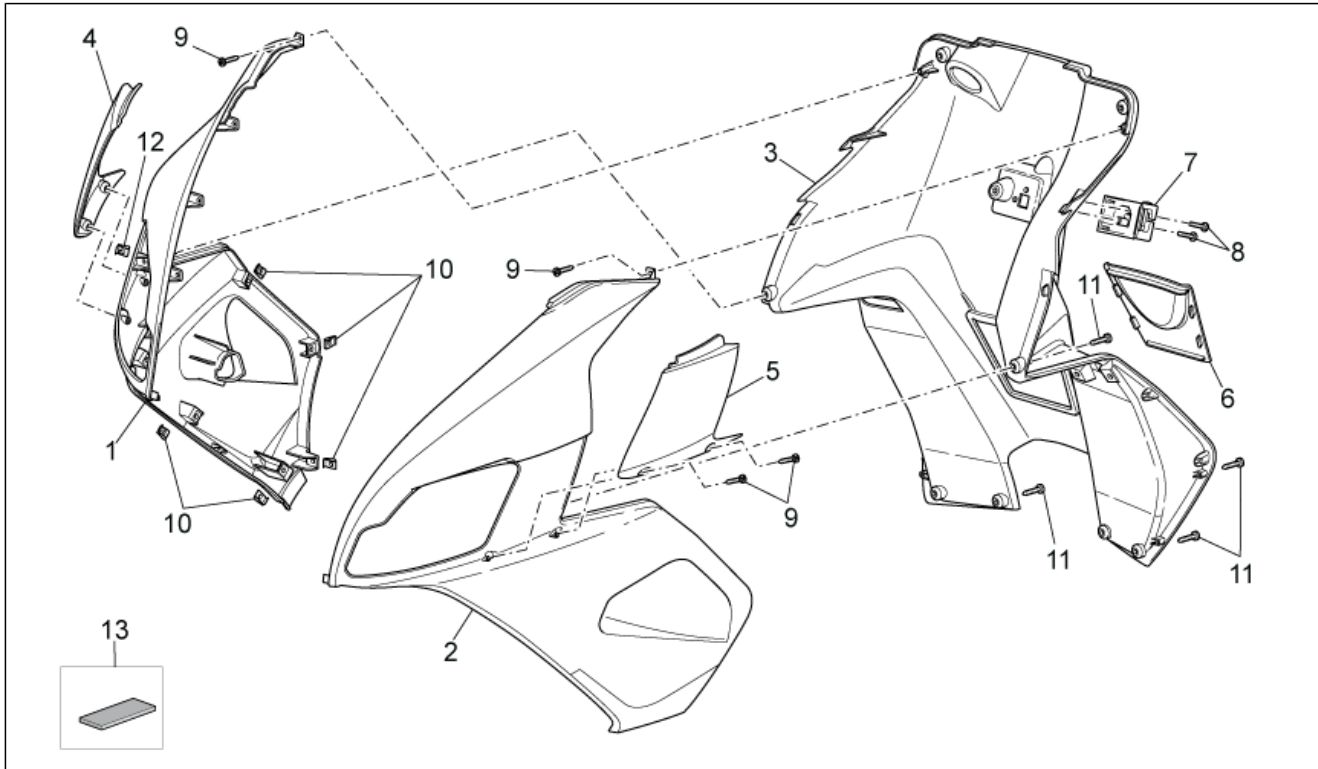
|                     |                |
|---------------------|----------------|
| <b>Einheit</b>      | RAHMEN         |
| <b>Code</b>         | 28.07          |
| <b>Beschreibung</b> | Frontaufbau II |
| <b>Inspektion</b>   | 1              |



| Pos. | Code      | Beschreibung               | Menge | Varianten |
|------|-----------|----------------------------|-------|-----------|
| 1    | AP8268059 | Fronthaube, weiß           | 1     |           |
| 2    | AP8268292 | Giterrahmen verchr.schwarz | 1     |           |
| 3    | AP8268054 | Kühlgitter grau            | 1     |           |
| 4    | AP8268078 | Leitblech, schwarz         | 1     |           |
| 5    | AP8268309 | Blende, weiß               | 1     |           |
| 6    | AP8150450 | Wellenscheibe D5           | 4     |           |
| 7    | AP8150413 | Gew.schr. 3,9x14           | 6     |           |
| 8    | AP8150421 | Gew.schr. 2,9x12           | 3     |           |
| 9    | AP8152351 | Linsenschraube 4,2x16*     | 2     |           |
| 10   | AP8202449 | Klammer                    | 2     |           |

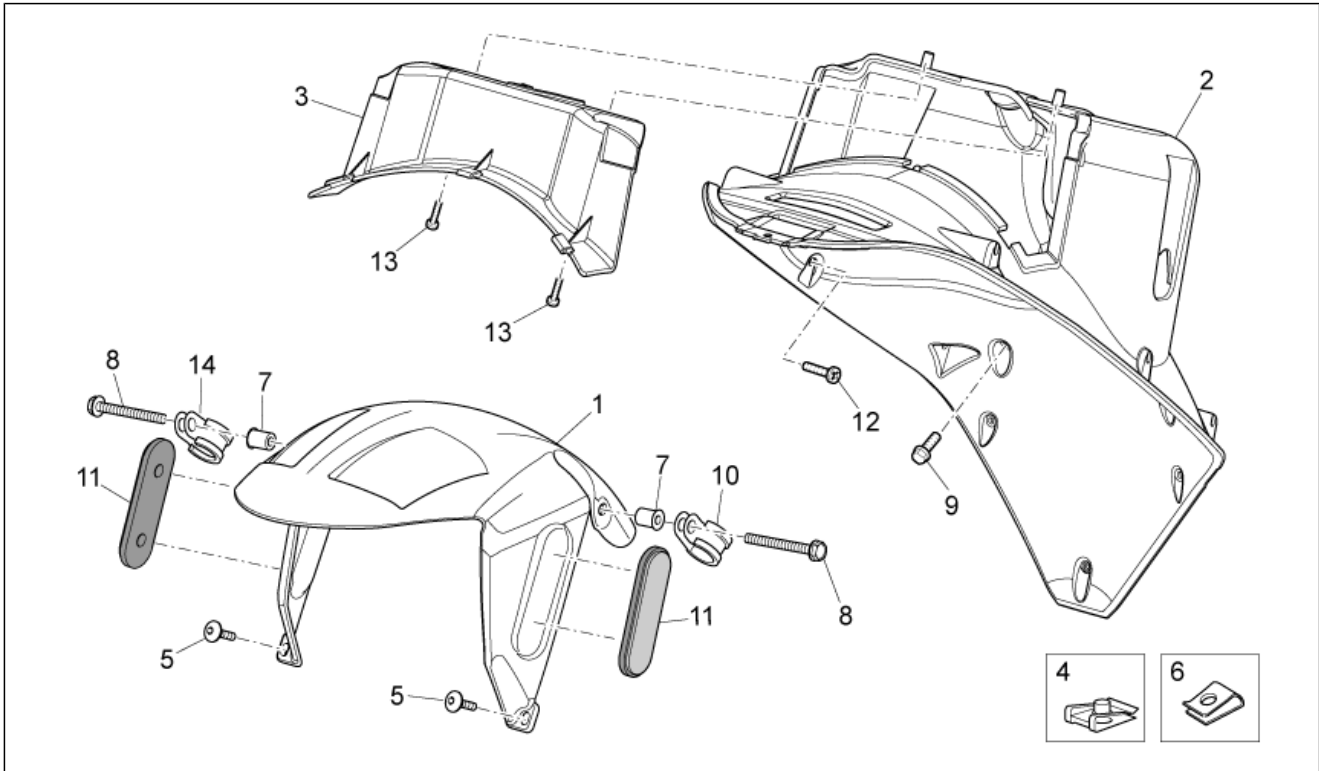


|                     |                 |
|---------------------|-----------------|
| <b>Einheit</b>      | RAHMEN          |
| <b>Code</b>         | 28.08           |
| <b>Beschreibung</b> | Frontaufbau III |
| <b>Inspektion</b>   | 1               |



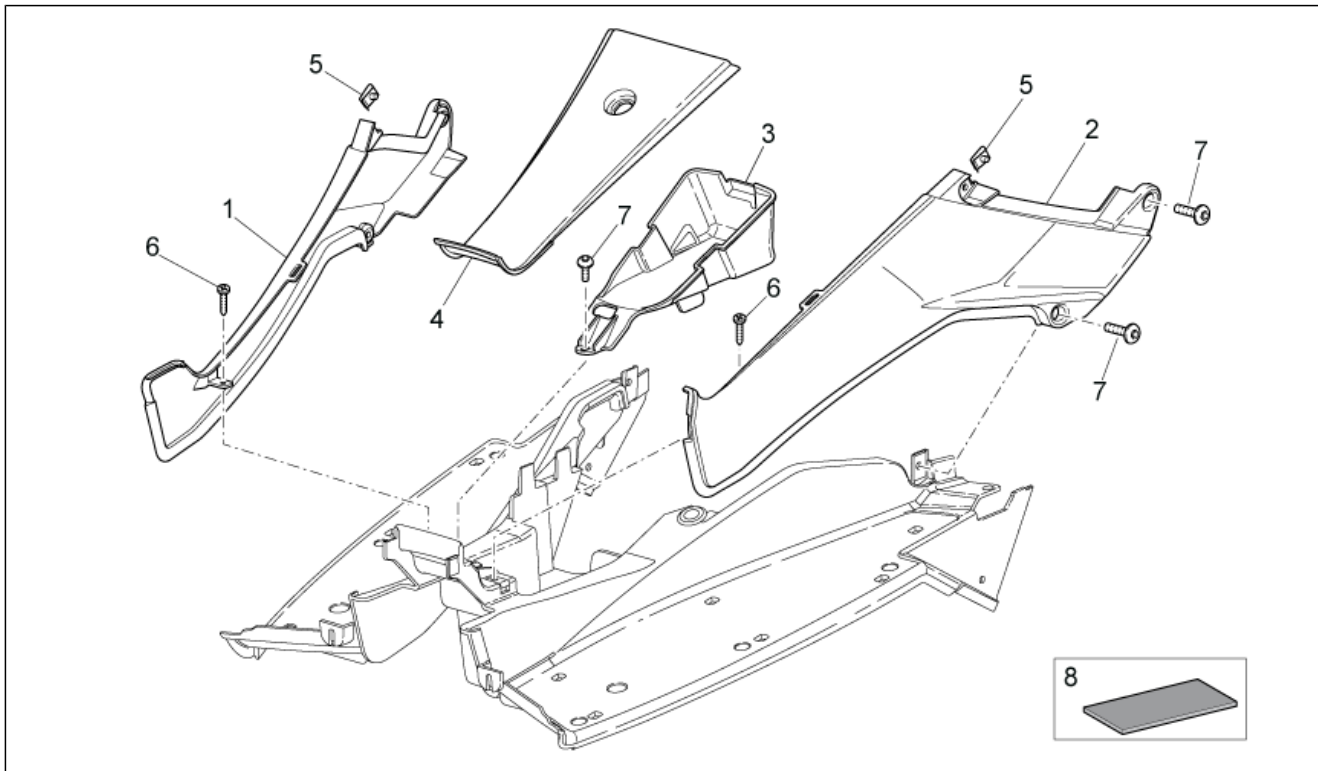
| Pos. | Code          | Beschreibung                | Menge | Varianten   |
|------|---------------|-----------------------------|-------|---|
| 1    | ZH000324000H4 | Vord.recht Schld.,silver    | 1     | <b>Fahrzeugfarbe:</b> Silber Komet[arg]<br><b>Technische Daten:</b> no decals[ND]     |
| 1    | AP8268313     | Vord.recht Schld., weiß     | 1     | <b>Fahrzeugfarbe:</b> Weiß Aprilia[white]<br><b>Technische Daten:</b> no decals[ND]   |
| 1    | AP8268345     | Vord.recht Schld., rot fluo | 1     | <b>Fahrzeugfarbe:</b> Rot Fluo[fluo]<br><b>Technische Daten:</b> no decals[ND]        |
| 1    | AP8268580     | Vord.recht Schld., schwarz  | 1     | <b>Fahrzeugfarbe:</b> Schwarz Diablo[black]<br><b>Technische Daten:</b> no decals[ND] |
| 2    | ZH000325000H4 | Vord.link Schld., silver    | 1     | <b>Fahrzeugfarbe:</b> Silber Komet[arg]<br><b>Technische Daten:</b> no decals[ND]     |
| 2    | AP8268314     | Vord.link Schld., weiß      | 1     | <b>Fahrzeugfarbe:</b> Weiß Aprilia[white]<br><b>Technische Daten:</b> no decals[ND]   |
| 2    | AP8268346     | Vord.link Schld., rot fluo  | 1     | <b>Fahrzeugfarbe:</b> Rot Fluo[fluo]<br><b>Technische Daten:</b> no decals[ND]        |
| 2    | AP8268581     | Vord.link Schld., schwarz   | 1     | <b>Fahrzeugfarbe:</b> Schwarz Diablo[black]<br><b>Technische Daten:</b> no decals[ND] |
| 3    | AP8268055     | Innenschild, schwarz        | 1     |   |
| 4    | AP8268048     | Deflektor r.schwarz         | 1     |   |
| 5    | AP8268053     | Deflektor l.schwarz         | 1     |   |
| 6    | AP8268082     | Gegeb.Typendeck, schwr.     | 1     |   |
| 7    | AP8201534     | Kplt.Untersitzhaken         | 1     |   |
| 8    | AP8150423     | Linsenschraube 4,2x25*      | 2     |   |
| 9    | AP8150413     | Gew.schr. 3,9x14            | 6     |   |
| 10   | AP8202449     | Klammer                     | 20    |   |
| 11   | AP8152351     | Linsenschraube 4,2x16*      | 10    |   |
| 12   | AP8102381     | Klammer M4                  | 4     |   |
| 13   | AP8117073     | Klebeschwamm                | 1     |   |

|                     |                |
|---------------------|----------------|
| <b>Einheit</b>      | RAHMEN         |
| <b>Code</b>         | 28.09          |
| <b>Beschreibung</b> | Frontaufbau IV |
| <b>Inspektion</b>   | 1              |



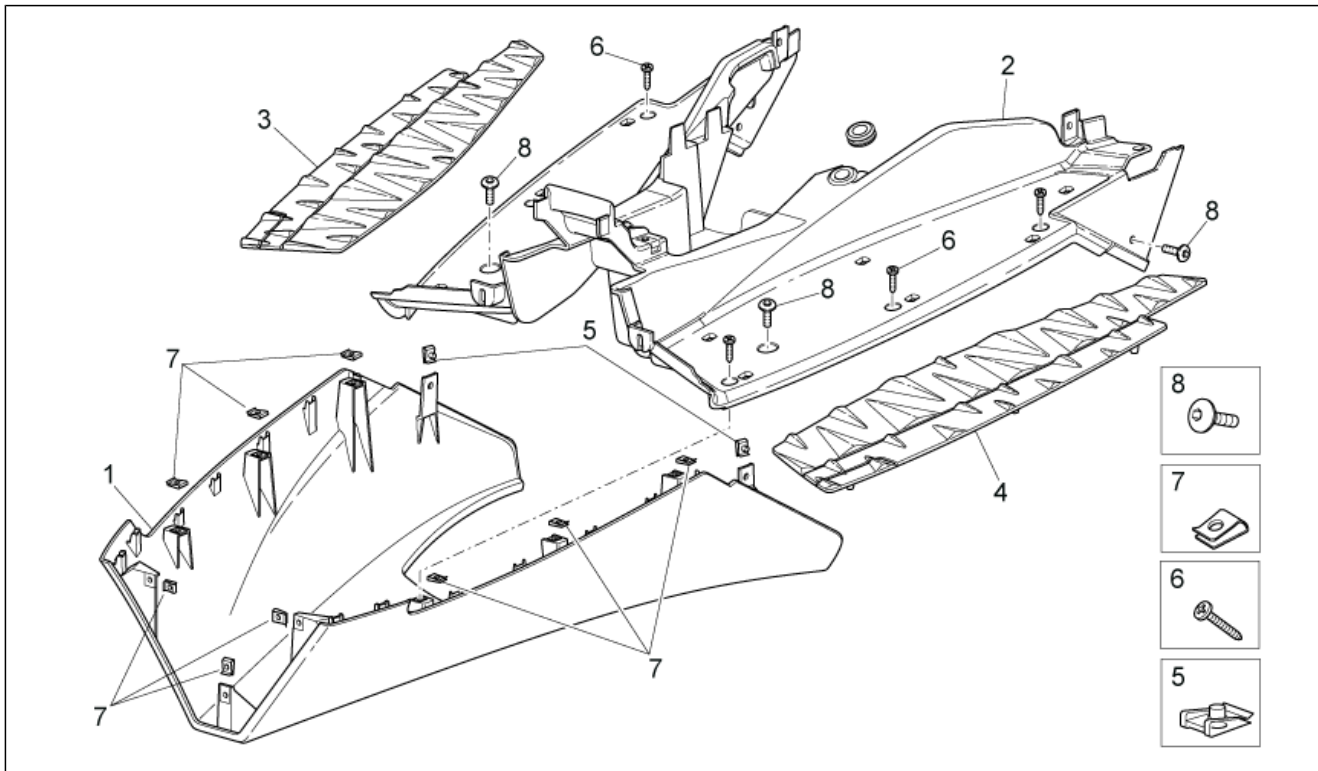
| Pos. | Code      | Beschreibung                  | Menge | Varianten |
|------|-----------|-------------------------------|-------|-----------|
| 1    | AP8226802 | Kotflügel v. schwarz          | 1     |           |
| 2    | AP8268083 | Wheel compartment             | 1     |           |
| 3    | AP8268253 | Klappe                        | 1     |           |
| 4    | 254485    | Plattchen M6                  | 2     |           |
| 5    | AP8152298 | TBEI Schraube m.Flansch M5x16 | 2     |           |
| 6    | AP8202449 | Klammer                       | 1     |           |
| 7    | AP8120531 | Gummi mit Einsatz             | 2     |           |
| 8    | AP8152341 | TE Schr. m. Flansch M5x40     | 2     |           |
| 9    | 598839    | TE Schr. m. Flansch           | 2     |           |
| 10   | AP8134167 | Platte Bremsschlauch          | 1     |           |
| 11   | AP8224623 | Rückstrahler, gelb            | 2     |           |
| 12   | AP8152351 | Linsenschraube 4,2x16*        | 10    |           |
| 13   | AP8150413 | Gew.schr. 3,9x14              | 2     |           |
| 14   | AP8104451 | Kabelführungs                 | 1     |           |

|                     |                    |
|---------------------|--------------------|
| <b>Einheit</b>      | RAHMEN             |
| <b>Code</b>         | 28.10              |
| <b>Beschreibung</b> | Mittlerer aufbau I |
| <b>Inspektion</b>   | 1                  |



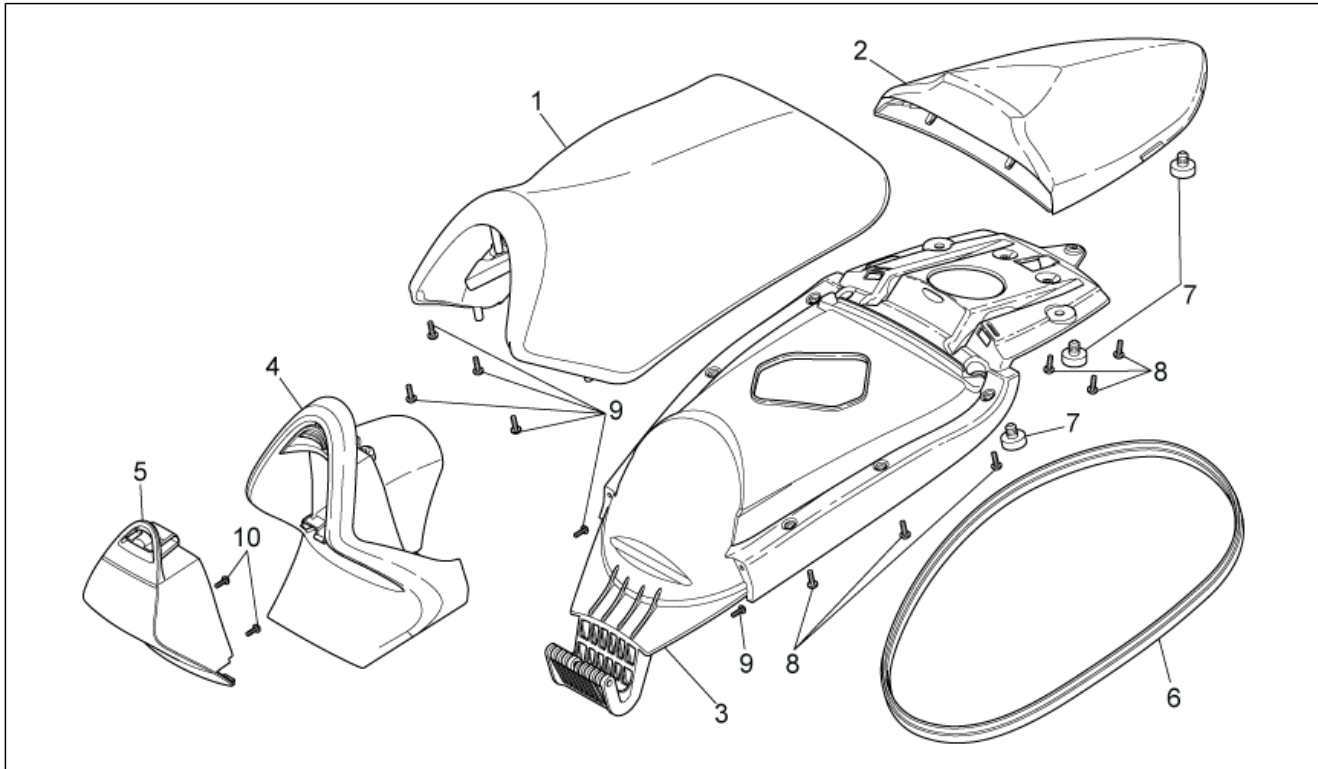
| Pos. | Code      | Beschreibung                  | Menge | Varianten |
|------|-----------|-------------------------------|-------|-----------|
| 1    | AP8269395 | Rechter Tunnel, schwarz       | 1     |           |
| 2    | AP8269396 | Linker Tunnel, schwarz        | 1     |           |
| 3    | AP8268046 | Konsole                       | 1     |           |
| 4    | AP8269397 | Tunneldeckel, schwarz         | 1     |           |
| 5    | AP8102375 | Klammer M5                    | 3     |           |
| 6    | AP8152351 | Linsenschraube 4,2x16*        | 2     |           |
| 7    | AP8152298 | TBEI Schraube m.Flansch M5x16 | 5     |           |
| 8    | AP8117040 | Haftschwamm schw. 6x60        | 1     |           |

|                     |                     |
|---------------------|---------------------|
| <b>Einheit</b>      | RAHMEN              |
| <b>Code</b>         | 28.11               |
| <b>Beschreibung</b> | Mittlerer aufbau II |
| <b>Inspektion</b>   | 1                   |



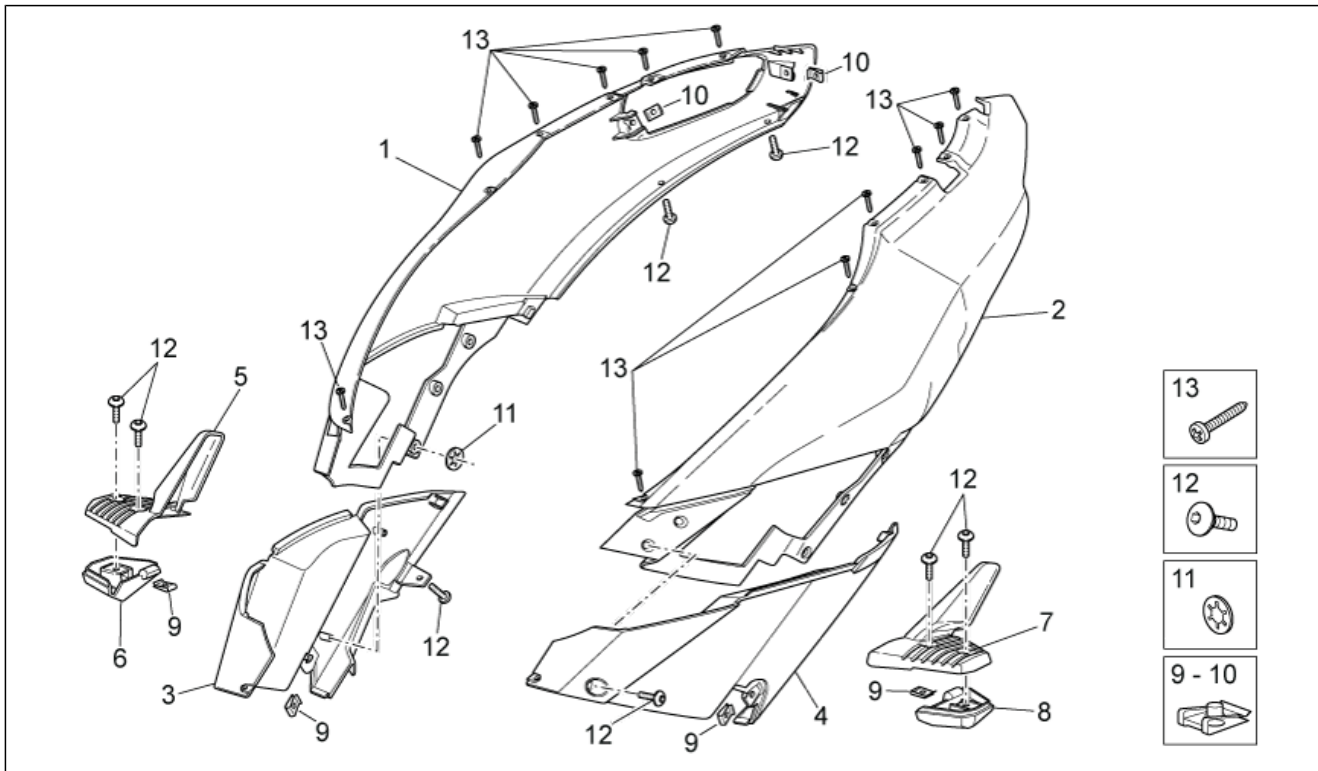
| Pos. | Code      | Beschreibung                  | Menge | Varianten                      |
|------|-----------|-------------------------------|-------|--------------------------------|
| 1    | AP8268294 | Unterb. Schwarz               | 1     | Technische Daten:no decals[ND] |
| 2    | AP8268057 | Fußbrett, schwarz             | 1     |                                |
| 3    | AP8268063 | Rechte Fußmatte, schwarz      | 1     |                                |
| 4    | AP8268064 | Linke Fußmatte, schwarz       | 1     |                                |
| 5    | AP8102375 | Klammer M5                    | 5     |                                |
| 6    | AP8152351 | Linsenschraube 4,2x16*        | 9     |                                |
| 7    | AP8202449 | Klammer                       | 13    |                                |
| 8    | AP8152298 | TBEI Schraube m.Flansch M5x16 | 8     |                                |

|                     |                |
|---------------------|----------------|
| <b>Einheit</b>      | RAHMEN         |
| <b>Code</b>         | 28.12          |
| <b>Beschreibung</b> | Sitz - Schäkel |
| <b>Inspektion</b>   | 1              |



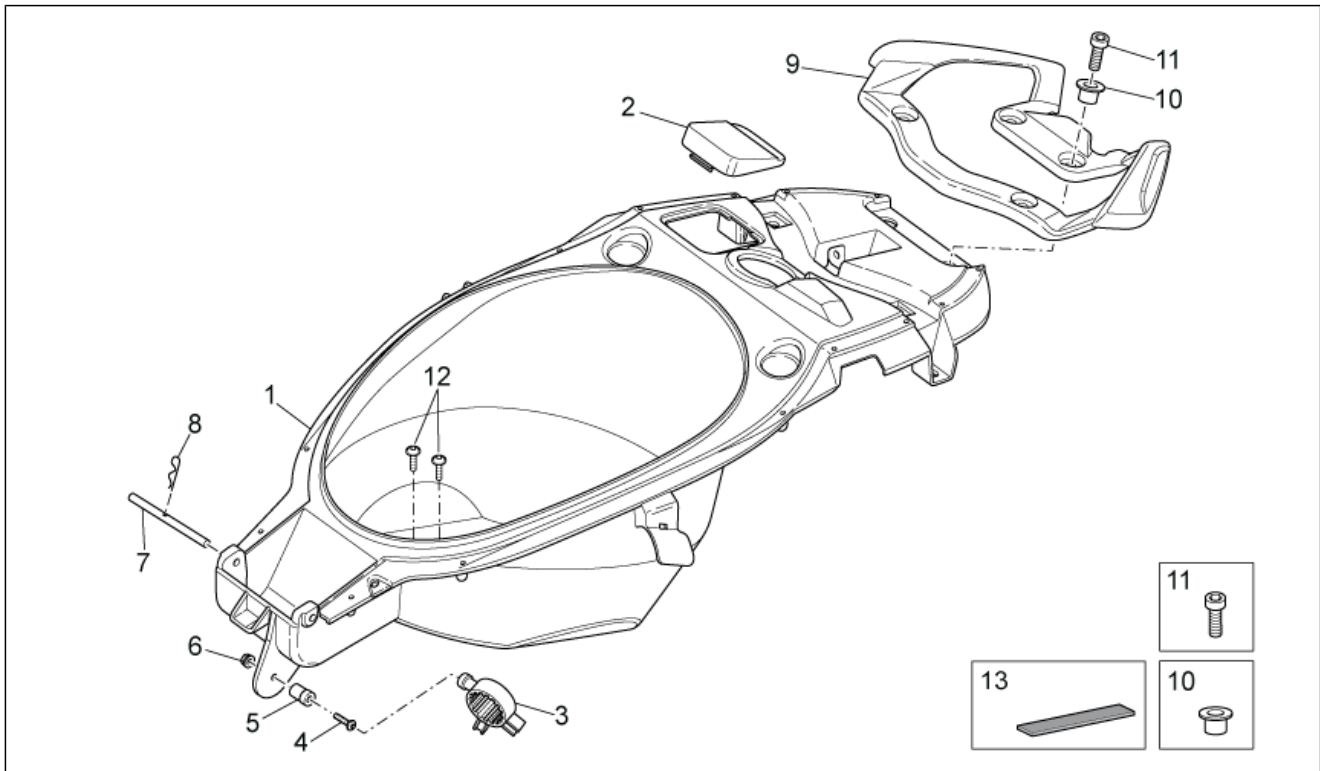
| Pos. | Code      | Beschreibung              | Menge | Varianten |
|------|-----------|---------------------------|-------|-----------|
| 1    | 2R000078  | Fahrersitz                | 1     |           |
| 2    | 2R000079  | Soziussitz                | 1     |           |
| 3    | AP8229401 | Unt.seite Sitz, cpl.      | 1     |           |
| 4    | AP8229402 | Verkl.stange schwarz      | 1     |           |
| 5    | AP8229403 | Gehäuse                   | 1     |           |
| 6    | AP8229404 | Dichtung                  | 1     |           |
| 7    | AP8220349 | Gummi                     | 5     |           |
| 8    | AP8150509 | Gew.schr. 5x14            | 9     |           |
| 9    | AP8150413 | Gew.schr. 3,9x14          | 6     |           |
| 10   | AP8150444 | Gewindeschraube Edelstahl | 2     |           |

|                     |              |
|---------------------|--------------|
| <b>Einheit</b>      | RAHMEN       |
| <b>Code</b>         | 28.13        |
| <b>Beschreibung</b> | Heckaufbau I |
| <b>Inspektion</b>   | 1            |



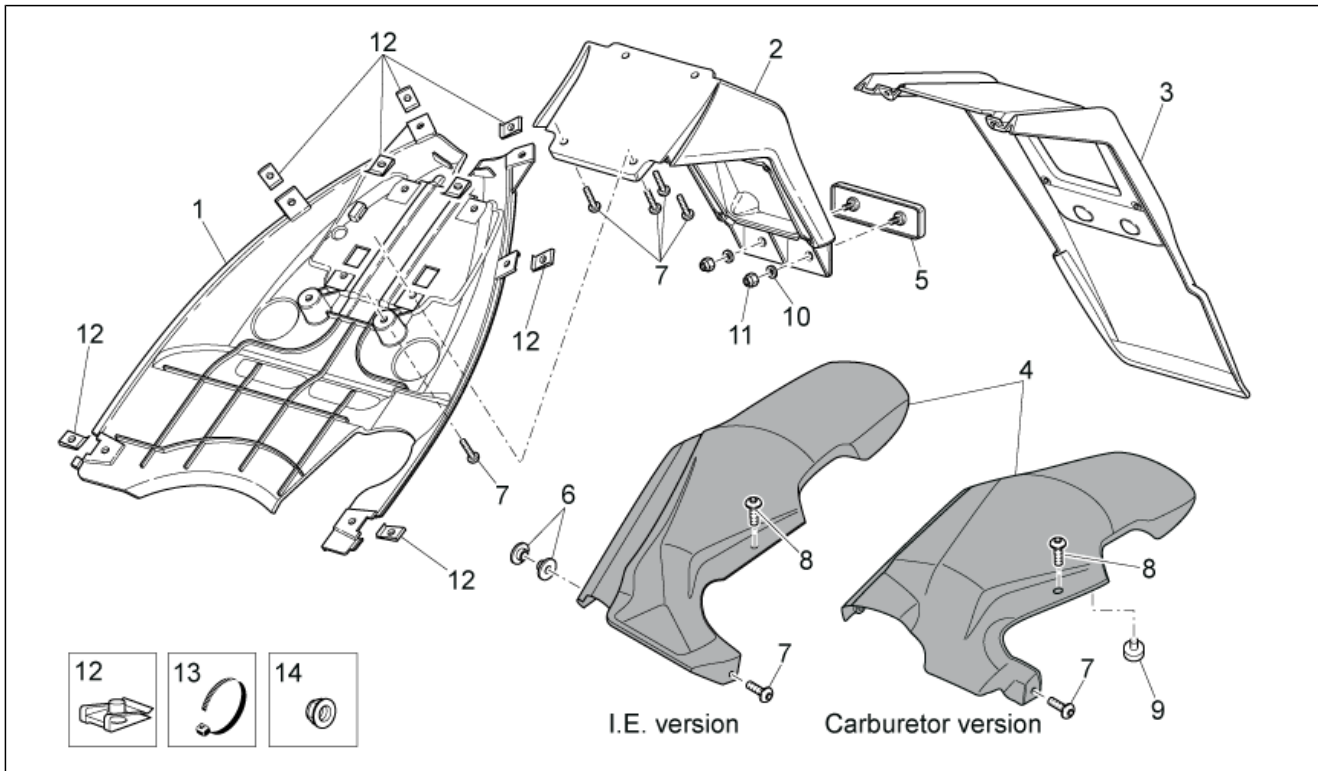
| Pos. | Code          | Beschreibung                   | Menge | Varianten   |
|------|---------------|--------------------------------|-------|---|
| 1    | ZH000326000H4 | Heckteil r., Silber            | 1     | <b>Fahrzeugfarbe:</b> Silber Komet[arg]<br><b>Technische Daten:</b> no decals[ND]     |
| 1    | AP8179912     | Heckteil r., rot fluo          | 1     | <b>Fahrzeugfarbe:</b> Rot Fluo[fluo]<br><b>Technische Daten:</b> no decals[ND]        |
| 1    | AP8268315     | Heckteil r., weiß              | 1     | <b>Fahrzeugfarbe:</b> Weiß Aprilia[white]<br><b>Technische Daten:</b> no decals[ND]   |
| 1    | AP8268582     | Heckteil r., schwarz           | 1     | <b>Fahrzeugfarbe:</b> Schwarz Diablo[black]<br><b>Technische Daten:</b> no decals[ND] |
| 2    | ZH000327000H4 | Heckteil l., Silber            | 1     | <b>Fahrzeugfarbe:</b> Silber Komet[arg]<br><b>Technische Daten:</b> no decals[ND]     |
| 2    | AP8179913     | Heckteil l., rot fluo          | 1     | <b>Fahrzeugfarbe:</b> Rot Fluo[fluo]<br><b>Technische Daten:</b> no decals[ND]        |
| 2    | AP8268316     | Heckteil l., s.weiß            | 1     | <b>Fahrzeugfarbe:</b> Weiß Aprilia[white]<br><b>Technische Daten:</b> no decals[ND]   |
| 2    | AP8268583     | Heckteil l., schwarz           | 1     | <b>Fahrzeugfarbe:</b> Schwarz Diablo[black]<br><b>Technische Daten:</b> no decals[ND] |
| 3    | AP8269259     | Sitzhalter schwarz             | 1     |   |
| 4    | AP8269260     | Sitzhalter schwarz             | 1     |   |
| 5    | AP8269399     | Soziusraste re.deckel, schw.   | 1     |   |
| 6    | AP8269401     | Re.Unt.Trittbrett, schwarz     | 1     |   |
| 7    | AP8269400     | Soziusraste Deckung ls,schwarz | 1     |   |
| 8    | AP8269402     | Li.Unt.Trittbrett, schwarz     | 1     |   |
| 9    | AP8102375     | Klammer M5                     | 4     |   |
| 10   | AP8102381     | Klammer M4                     | 4     |   |
| 11   | AP8150450     | Wellenscheibe D5               | 8     |   |
| 12   | AP8152298     | TBEI Schraube m.Flansch M5x16  | 2     |   |
| 13   | AP8150413     | Gew.schr. 3,9x14               | 12    |   |

|                     |               |
|---------------------|---------------|
| <b>Einheit</b>      | RAHMEN        |
| <b>Code</b>         | 28.14         |
| <b>Beschreibung</b> | Heckaufbau II |
| <b>Inspektion</b>   | 1             |



| Pos. | Code      | Beschreibung                  | Menge | Varianten   |
|------|-----------|-------------------------------|-------|---|
| 1    | AP8268041 | Schutzhelmfach                | 1     |   |
| 2    | AP8268084 | Klp. Benz.std.gb.             | 1     |   |
| 3    | AP8220592 | Halter Kraftstoffpumpe        | 1     | <b>Technische Daten:</b> Version mit Einspritzung (C361M)[ie] |
| 4    | AP8225369 | TBEI Schraube                 | 1     |   |
| 5    | AP8234195 | Stift                         | 1     |   |
| 6    | AP8152306 | Selbstsperrende Mutter M5     | 1     |   |
| 7    | AP8221321 | Sitzgelenkbolzen              | 1     |   |
| 8    | AP8201643 | Splint                        | 1     |   |
| 9    | AP8268062 | Soziusgriff schwarz           | 1     |   |
| 10   | AP8121679 | T-Buchse *                    | 4     |   |
| 11   | AP8150165 | TCEI Schraube M6x25           | 4     | <b>Technische Daten:</b> Version mit Einspritzung (C361M)[ie] |
| 12   | AP8152246 | TBEI Schraube m.Flansch M6x16 | 2     |   |
| 13   | AP8117033 | Klebeschwamm                  | 2     |   |

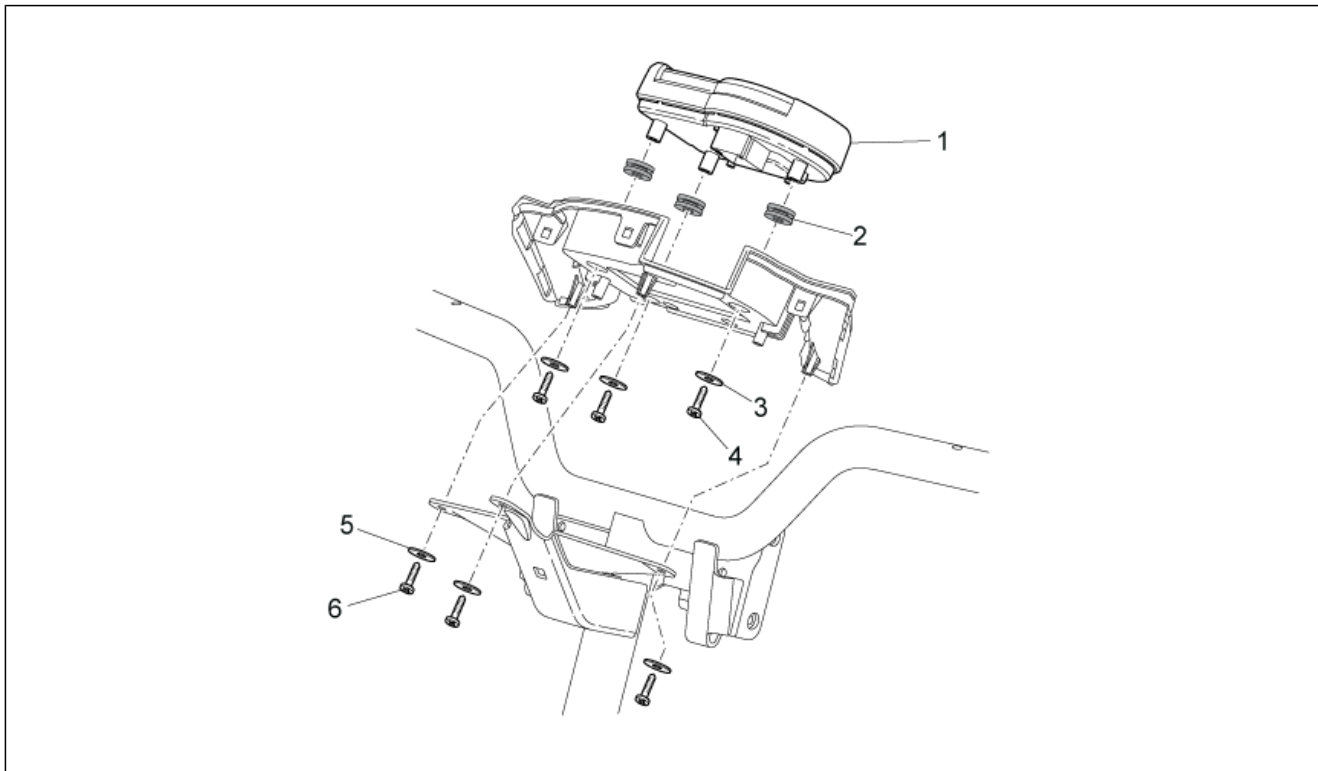
|                     |                |
|---------------------|----------------|
| <b>Einheit</b>      | RAHMEN         |
| <b>Code</b>         | 28.15          |
| <b>Beschreibung</b> | Heckaufbau III |
| <b>Inspektion</b>   | 1              |



| Pos. | Code      | Beschreibung                  | Menge | Varianten   |
|------|-----------|-------------------------------|-------|---|
| 1    | AP8268058 | Tankschutz schwarz            | 1     |   |
| 2    | AP8268042 | Kennzeichenplatte, schwarz    | 1     |   |
| 3    | AP8226801 | Hinteres Spritzschutz, schw.  | 1     |   |
| 4    | AP8226790 | Hinteres Schutzblech          | 1     | <b>Technische Daten:</b> Version mit Vergaser (C364M)[carb]   |
| 4    | AP8226844 | H. Schutzblech, schwarz       | 1     | <b>Technische Daten:</b> Version mit Einspritzung (C361M)[ie] |
| 5    | AP8112916 | Rückstrahler Rücklicht        | 1     |   |
| 6    | AP8221218 | Buchse Schutzblech            | 2     |   |
| 7    | AP8152298 | TBEI Schraube m.Flansch M5x16 | 14    |   |
| 8    | AP8152302 | TBEI Schraube m.Flansch M5x12 | 1     |   |
| 9    | AP8144081 | Gummi                         | 1     | <b>Technische Daten:</b> Version mit Vergaser (C364M)[carb]   |
| 10   | AP8150158 | Ausgleichscheibe 4,3X9X0,8    | 2     |   |
| 11   | AP8150204 | Mutter M4                     | 2     |   |
| 12   | AP8102375 | Klammer M5                    | 10    |   |
| 13   | AP8120416 | Schelle schwarz 178x4         | 1     |   |
| 14   | AP8152306 | Selbstsperrende Mutter M5     | 3     |   |

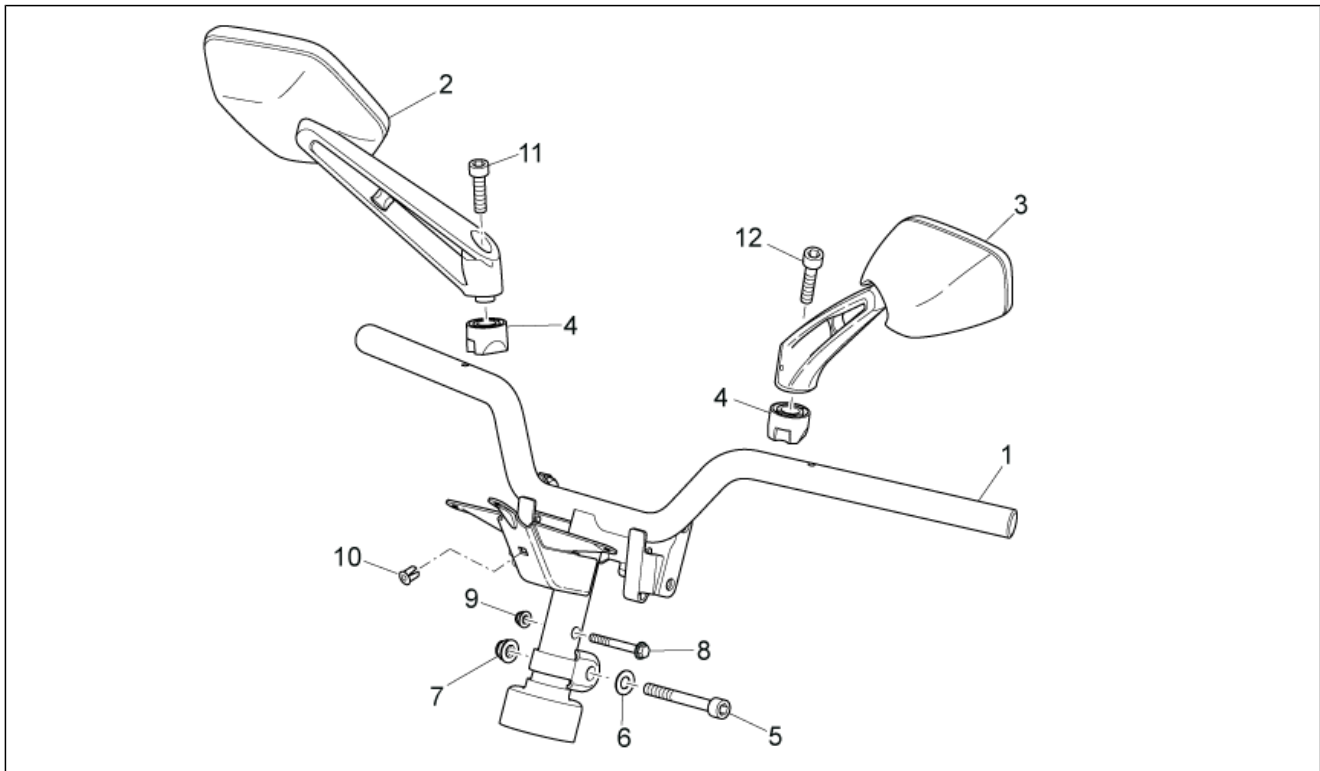


|                     |                   |
|---------------------|-------------------|
| <b>Einheit</b>      | RAHMEN            |
| <b>Code</b>         | 28.16             |
| <b>Beschreibung</b> | Instrumententafel |
| <b>Inspektion</b>   | 1                 |



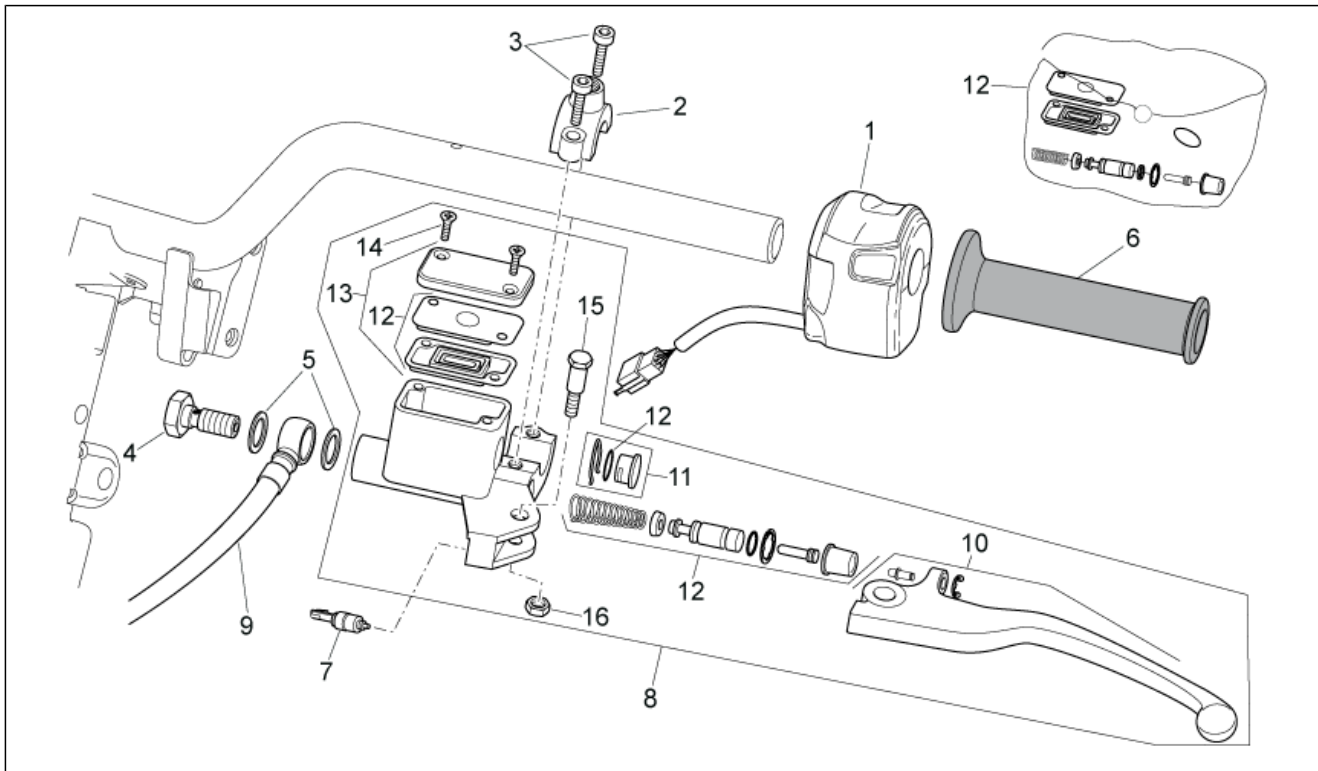
| Pos. | Code      | Beschreibung                | Menge | Varianten   |
|------|-----------|-----------------------------|-------|---|
| 1    | 890622    | Instrumententafel           | 1     | <b>Technische Daten:</b> Version mit Einspritzung (C361M)[ie] |
| 1    | 890623    | Instrumententafel           | 1     | <b>Technische Daten:</b> Version mit Vergaser (C364M)[carb]   |
| 2    | AP8220150 | Gummi                       | 3     |   |
| 3    | AP8150255 | Ausgleichscheibe 5x20x1,5   | 3     |   |
| 4    | AP8150509 | Gew.schr. 5x14              | 3     |   |
| 5    | AP8150382 | Ausgleichscheibe 15x5,5X1,2 | 3     |   |
| 6    | AP8150413 | Gew.schr. 3,9x14            | 3     |   |

|                     |            |
|---------------------|------------|
| <b>Einheit</b>      | RAHMEN     |
| <b>Code</b>         | 28.17      |
| <b>Beschreibung</b> | Lenkstange |
| <b>Inspektion</b>   | 1          |



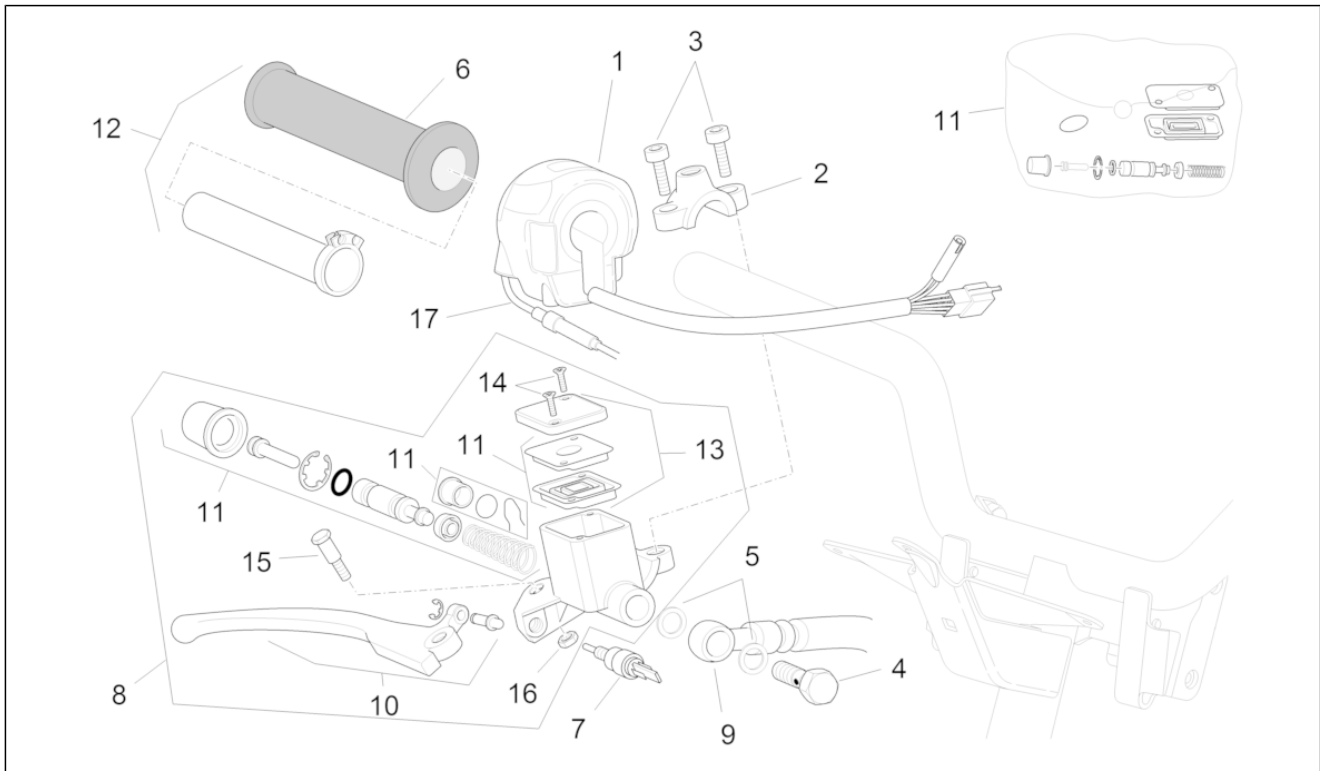
| Pos. | Code      | Beschreibung                | Menge | Varianten |
|------|-----------|-----------------------------|-------|-----------|
| 1    | AP8218638 | Lenkstange galv.            | 1     |           |
| 2    | AP8202394 | Rückspiegel rechts          | 1     |           |
| 3    | AP8202395 | Rückspiegel links           | 1     |           |
| 4    | AP8268250 | Grundplatte Rückspg.        | 2     |           |
| 5    | AP8150086 | TCEI Schraube               | 1     |           |
| 6    | AP8150020 | Ausgleichscheibe 10,5x21x2* | 1     |           |
| 7    | AP8152301 | Selbstsperrende Mutter      | 1     |           |
| 8    | AP8152290 | TE Schr. m. Flansch M8x40   | 1     |           |
| 9    | AP8152300 | Selbstsperrende Mutter M8   | 1     |           |
| 10   | AP8102671 | Kunststoffniet              | 1     |           |
| 11   | AP8152477 | Schraube                    | 1     |           |
| 12   | AP8150107 | TCEI Schraube M8x30         | 1     |           |

|                     |                   |
|---------------------|-------------------|
| <b>Einheit</b>      | RAHMEN            |
| <b>Code</b>         | 28.18             |
| <b>Beschreibung</b> | Schaltungen links |
| <b>Inspektion</b>   | 1                 |



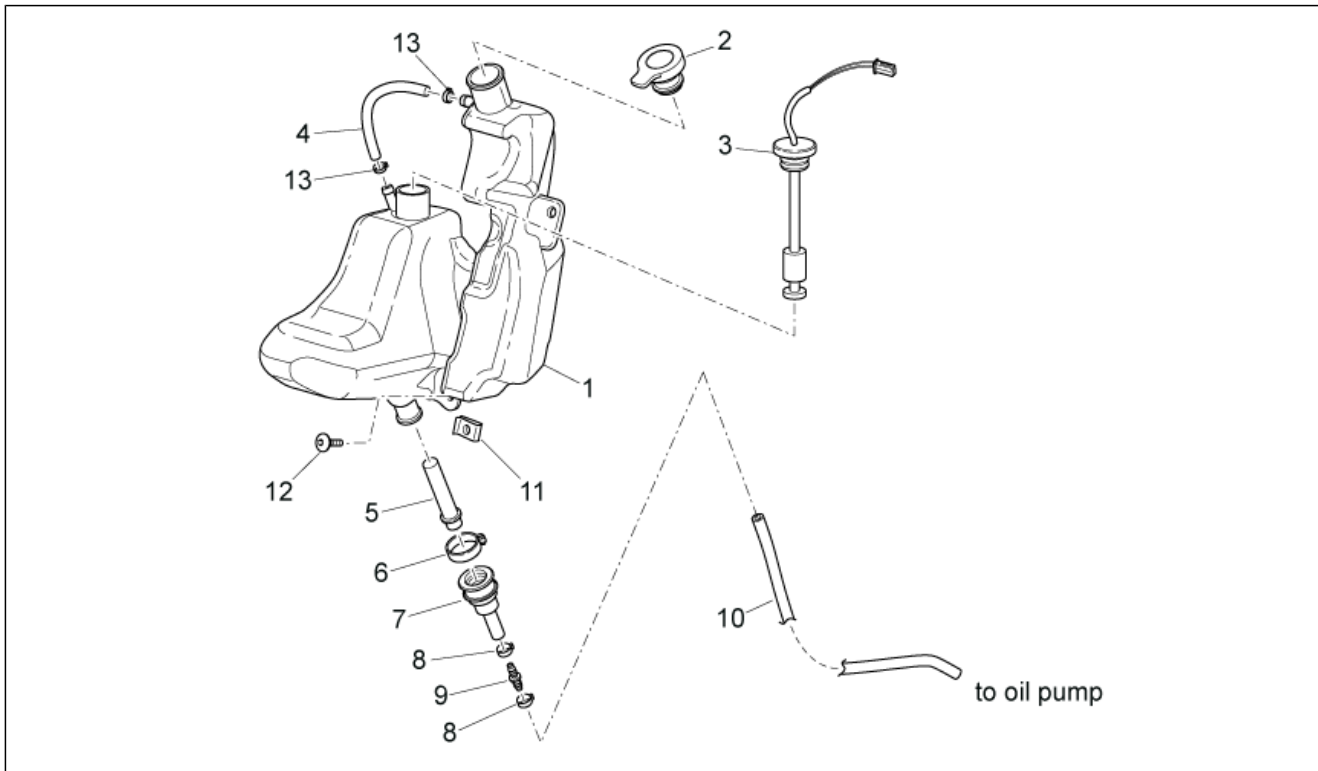
| Pos. | Code      | Beschreibung                | Menge | Varianten   |
|------|-----------|-----------------------------|-------|---|
| 1    | AP8224619 | Linker Lichtschalter        | 1     | <b>Technische Daten:</b> Version mit Einspritzung (C361M)[ie] |
| 1    | AP8224639 | Linker Lichtschalter        | 1     | <b>Technische Daten:</b> Version mit Vergaser (C364M)[carb]   |
| 2    | AP8213580 | L. Bügelbolzen              | 1     |   |
| 3    | AP8213582 | Kappenschraube              | 2     |   |
| 4    | AP8113003 | Fixierschraube Ölschlauch   | 1     |   |
| 5    | AP8113004 | Ausgleichscheibe 10x14x1,6* | 2     |   |
| 6    | AP8118699 | Handgriffe paar, schwarz    | 1     |   |
| 7    | 642032    | Knopf stop                  | 1     |   |
| 8    | CM081208  | Hinterradbremspumpe d.11    | 1     |   |
| 9    | 665996    | Hinterradbremseleitung      | 1     | <b>Technische Daten:</b> Heng-Tong D.11[ht1]                  |
| 9    | AP8213548 | Hinterradbremseleitung      | 1     | <b>Technische Daten:</b> Marke HT[ht]                         |
| 10   | 600475    | Bremshebel (Heng Tong)      | 1     | <b>Technische Daten:</b> Heng-Tong D.11[ht1]                  |
| 11   | AP8213455 | Schauglas Bremspumpe, Kpl.  | 1     | <b>Technische Daten:</b>                                      |
| 12   | AP8213593 | Bausatz Pumpenüberholung    | 1     | <b>Technische Daten:</b> Marke HT[ht]                         |
| 13   | AP8213595 | Tankdeckel, Kpl.            | 1     | <b>Technische Daten:</b> Marke HT[ht]                         |
| 14   | AP8213583 | Schraube Pumpendeckel       | 2     | <b>Technische Daten:</b> Marke HT[ht]                         |
| 15   | AP8213584 | Bremshebelbolzen            | 1     | <b>Technische Daten:</b> Marke HT[ht]                         |
| 16   | AP8213585 | Mutter                      | 1     | <b>Technische Daten:</b> Marke HT[ht]                         |

|                     |                    |
|---------------------|--------------------|
| <b>Einheit</b>      | RAHMEN             |
| <b>Code</b>         | 28.19              |
| <b>Beschreibung</b> | Schaltungen rechts |
| <b>Inspektion</b>   | 1                  |



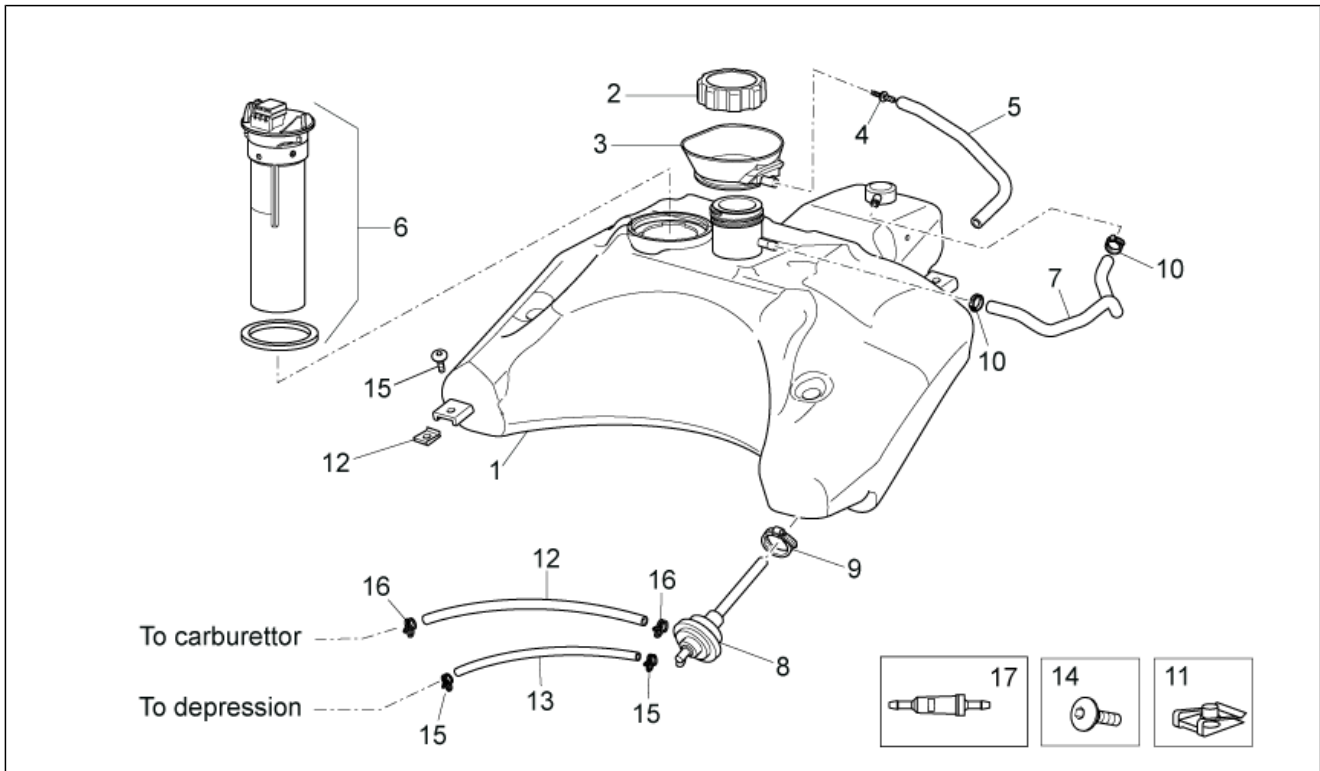
| Pos. | Code      | Beschreibung                | Menge | Varianten  |
|------|-----------|-----------------------------|-------|--|
| 1    | 860109    | Rechter Lichtschalter       | 1     | <b>Technische Daten:</b> Version mit Vergaser (C364M)[carb]            |
| 1    | AP8224620 | Rechter Lichtschalter       | 1     | <b>Technische Daten:</b> Version mit Einspritzung (C361M)[ie]          |
| 2    | AP8213581 | R. Bügelbolzen              | 1     |  |
| 3    | AP8213582 | Kappenschraube              | 2     |  |
| 4    | AP8113003 | Fixierschraube Ölschlauch   | 1     |  |
| 5    | AP8113004 | Ausgleichscheibe 10x14x1,6* | 2     |  |
| 6    | AP8118699 | Handgriffe paar, schwarz    | 1     |  |
| 7    | AP8127305 | Knopf stop                  | 1     |  |
| 8    | CM081209  | Vorderradbremspumpe d.11    | 1     |  |
| 9    | AP8213546 | Vorderradbremseleitung      | 1     |  |
| 10   | 600475    | Bremshebel (Heng Tong)      | 1     |  |
| 11   | AP8213600 | Bausatz Pumpenüberholung    | 1     |  |
| 12   | AP8218639 | Gasschaltung mit griff      | 1     |  |
| 13   | AP8213598 | Tankdeckel                  | 1     |  |
| 14   | AP8213583 | Schraube Pumpendeckel       | 2     |  |
| 15   | AP8213584 | Bremshebelbolzen            | 1     |  |
| 16   | AP8213585 | Mutter                      | 1     |  |
| 17   | 582256    | Gaszug verteil/vergaser     | 1     | <b>Technische Daten:</b> Version Schweiz E3 freie Geschwindigkeit[kit] |
| 17   | AP8214239 | Gaszugkabel                 | 1     | <b>Technische Daten:</b> Version mit Einspritzung (C361M)[ie]          |
| 17   | AP8214241 | Gaszugkabel                 | 1     | <b>Technische Daten:</b> Version mit Vergaser (C364M)[carb]            |

|                     |            |
|---------------------|------------|
| <b>Einheit</b>      | RAHMEN     |
| <b>Code</b>         | 28.20      |
| <b>Beschreibung</b> | Ölbehälter |
| <b>Inspektion</b>   | 1          |



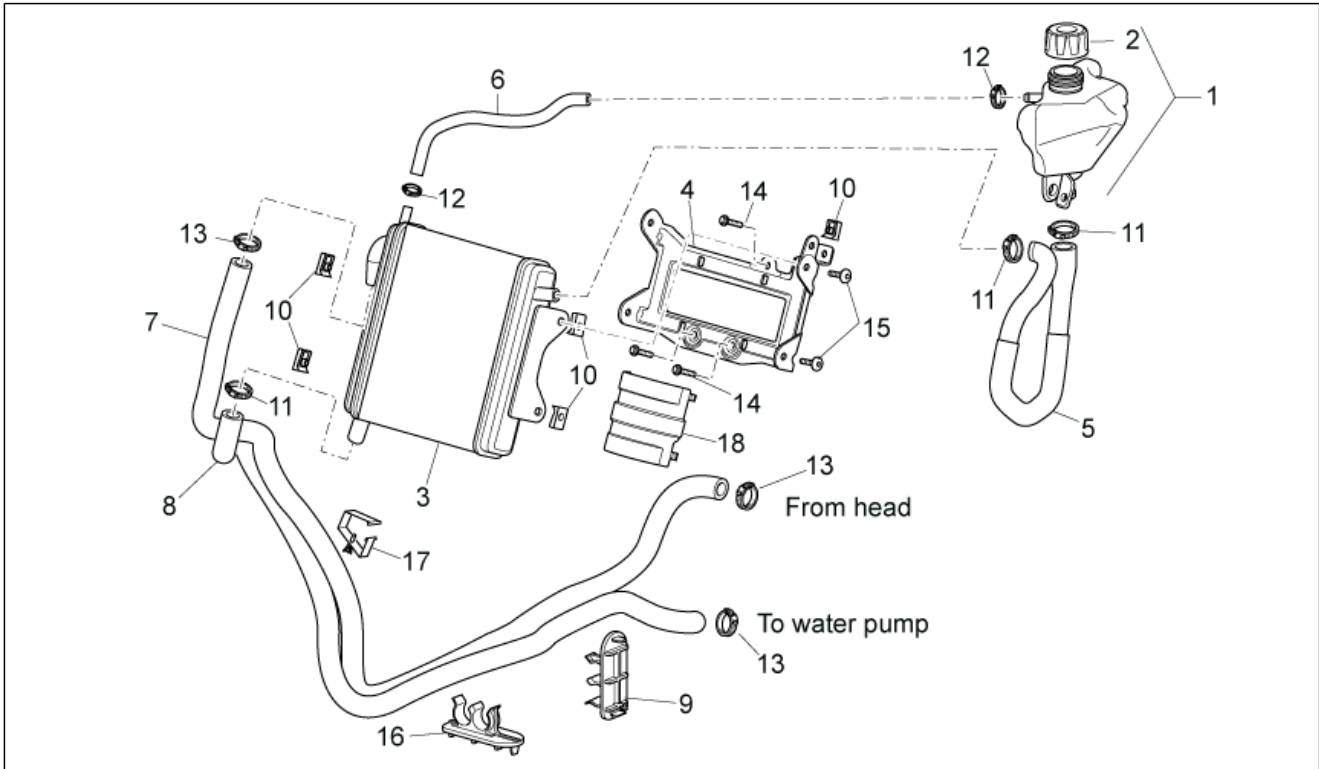
| Pos. | Code      | Beschreibung                    | Menge | Varianten |
|------|-----------|---------------------------------|-------|-----------|
| 1    | AP8268037 | Öltank                          | 1     |           |
| 2    | AP8220421 | Öltankschraube                  | 1     |           |
| 3    | AP8224644 | Anzeige Ölreserve               | 1     |           |
| 4    | AP8220708 | Ölschlauch 6x10,5               | 1     |           |
| 5    | AP8102224 | Gemisch-Ölfilter                | 1     |           |
| 6    | AP8101743 | Schlauchschelle D23,5x8*        | 1     |           |
| 7    | AP8102223 | Gummi *                         | 1     |           |
| 8    | AP8201225 | Schlauchschelle D8,5x5,5        | 2     |           |
| 9    | AP8101944 | 2-Wege Anschluß                 | 1     |           |
| 10   | AP8220402 | Leitung 5x9                     | 1     |           |
| 11   | AP8102375 | Klammer M5                      | 1     |           |
| 12   | AP8152298 | TBEI Schraube m.Flansch M5x16   | 1     |           |
| 13   | AP8120446 | Schlauchschelle, grün D11x6,6x1 | 2     |           |

|                     |                   |
|---------------------|-------------------|
| <b>Einheit</b>      | RAHMEN            |
| <b>Code</b>         | 28.22             |
| <b>Beschreibung</b> | Kraftstofftank II |
| <b>Inspektion</b>   | 1                 |



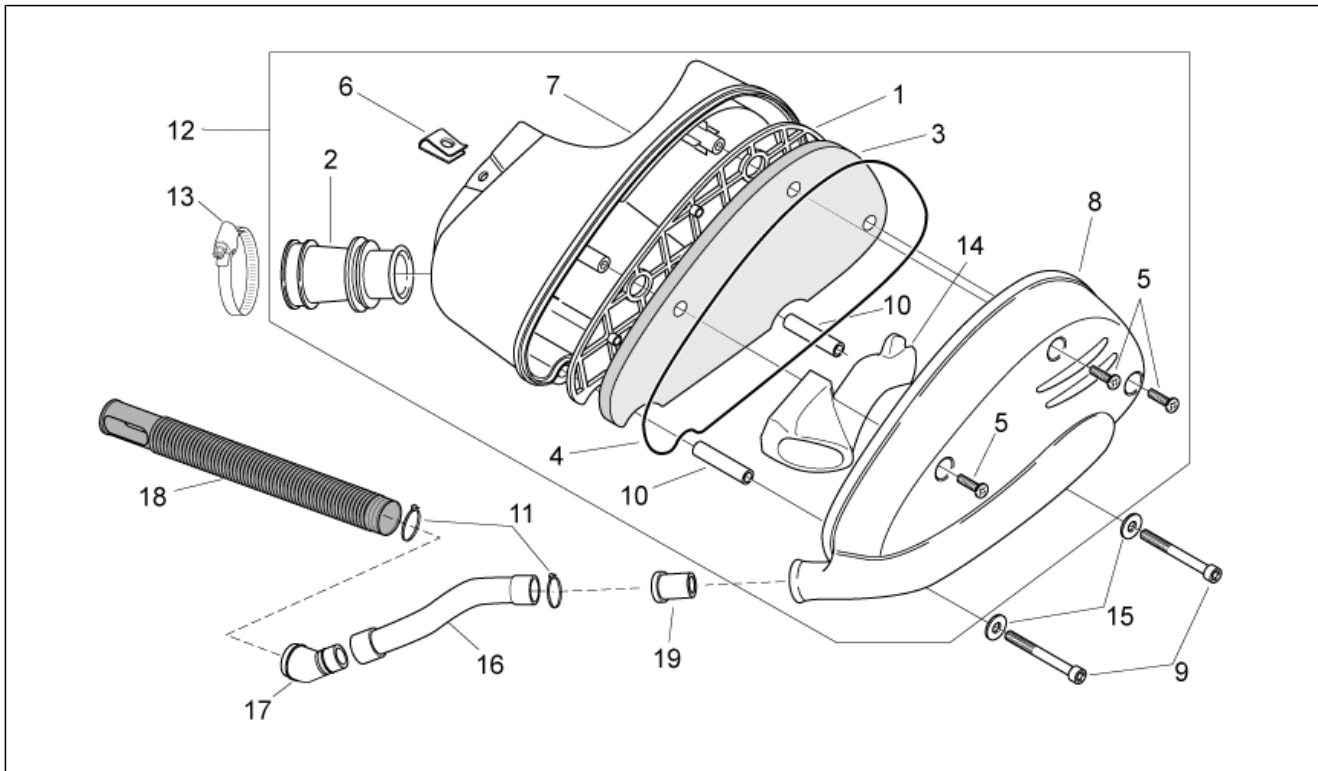
| Pos. | Code      | Beschreibung                   | Menge | Varianten   |
|------|-----------|--------------------------------|-------|---|
| 1    | AP8268174 | Kraftstofftank                 | 1     | <b>Technische Daten:</b> Version mit Vergaser (C364M)[carb] |
| 2    | AP8144343 | Tankverschlußschraube          | 1     | <b>Technische Daten:</b> Version mit Vergaser (C364M)[carb] |
| 3    | AP8144187 | Gummi Kraftstoffsammler        | 1     | <b>Technische Daten:</b> Version mit Vergaser (C364M)[carb] |
| 4    | AP8101944 | 2-Wege Anschluß                | 1     | <b>Technische Daten:</b> Version mit Vergaser (C364M)[carb] |
| 5    | 896570    | Entlüftungsschlauch Kühler 4x8 | 1     | <b>Technische Daten:</b> Version mit Vergaser (C364M)[carb] |
| 6    | CM086813  | Kraftstoffmeßsonde             | 1     | <b>Technische Daten:</b> Version mit Vergaser (C364M)[carb] |
| 7    | 896544    | Kraftstoffleitung 5,5x10       | 1     | <b>Technische Daten:</b> Version mit Vergaser (C364M)[carb] |
| 8    | AP8201824 | Unterdruck-Kraftstoffhahn      | 1     | <b>Technische Daten:</b> Version mit Vergaser (C364M)[carb] |
| 9    | AP8101573 | Schelle D16-24x8*              | 1     | <b>Technische Daten:</b> Version mit Vergaser (C364M)[carb] |
| 10   | AP8102738 | Schlauchschele                 | 2     | <b>Technische Daten:</b> Version mit Vergaser (C364M)[carb] |
| 11   | AP8102375 | Klammer M5                     | 3     | <b>Technische Daten:</b> Version mit Vergaser (C364M)[carb] |
| 12   | AP8220402 | Leitung 5x9                    | 1     | <b>Technische Daten:</b> Version mit Vergaser (C364M)[carb] |
| 13   | 896570    | Entlüftungsschlauch Kühler 4x8 | 1     | <b>Technische Daten:</b> Version mit Vergaser (C364M)[carb] |
| 14   | AP8152298 | TBEI Schraube m.Flansch M5x16  | 3     | <b>Technische Daten:</b> Version mit Vergaser (C364M)[carb] |
| 15   | AP8120179 | Schelle D8                     | 2     | <b>Technische Daten:</b> Version mit Vergaser (C364M)[carb] |
| 16   | AP8102811 | Schelle D9,6                   | 2     | <b>Technische Daten:</b> Version mit Vergaser (C364M)[carb] |
| 17   | 624522    | Unterdruck filter              | 1     | <b>Technische Daten:</b> Version mit Vergaser (C364M)[carb] |

|                     |            |
|---------------------|------------|
| <b>Einheit</b>      | RAHMEN     |
| <b>Code</b>         | 28.23      |
| <b>Beschreibung</b> | Kühlanlage |
| <b>Inspektion</b>   | 1          |



| Pos. | Code      | Beschreibung                       | Menge | Varianten   |
|------|-----------|------------------------------------|-------|---|
| 1    | AP8268259 | Ausdehngefäß                       | 1     |   |
| 2    | AP8570122 | Ausdehnsg. Schraube                | 1     |   |
| 3    | AP8202406 | Kühler                             | 1     |   |
| 4    | AP8234232 | Kühlerbefestigung                  | 1     |   |
| 5    | AP8144691 | Cooler-ausdehngefäß pipe           | 1     |   |
| 6    | AP8144506 | Entlüftungsschlauch Kühler 7,5X3,5 | 1     |   |
| 7    | AP8220665 | Zylinderkopf-Kühlerschlauch        | 1     | <b>Technische Daten:</b> Version mit Einspritzung (C361M)[ie] |
| 7    | AP8220668 | Zylinderkopf-Kühlerschlauch        | 1     | <b>Technische Daten:</b> Version mit Vergaser (C364M)[carb]   |
| 8    | AP8220664 | Pumpen-Kühlerschlauch              | 1     |   |
| 9    | AP8234218 | Wasserschlauchhalter               | 1     |   |
| 10   | AP8102375 | Klammer M5                         | 8     |   |
| 11   | AP8102349 | Schlauchschelle weiß D17,5x8       | 2     |   |
| 12   | AP8102765 | Schlauchschelle weiß D.13,5x6      | 2     |   |
| 13   | AP8102732 | Schelle 17-25                      | 3     |   |
| 14   | 598839    | TE Schr. m. Flansch                | 3     |   |
| 15   | AP8152302 | TBEI Schraube m.Flansch M5x12      | 4     |   |
| 16   | AP8234218 | Wasserschlauchhalter               | 1     |   |
| 17   | AP8134460 | Wasserschlauchhalter               | 1     |   |
| 18   | AP8268254 | Kabelschutz                        | 1     |   |

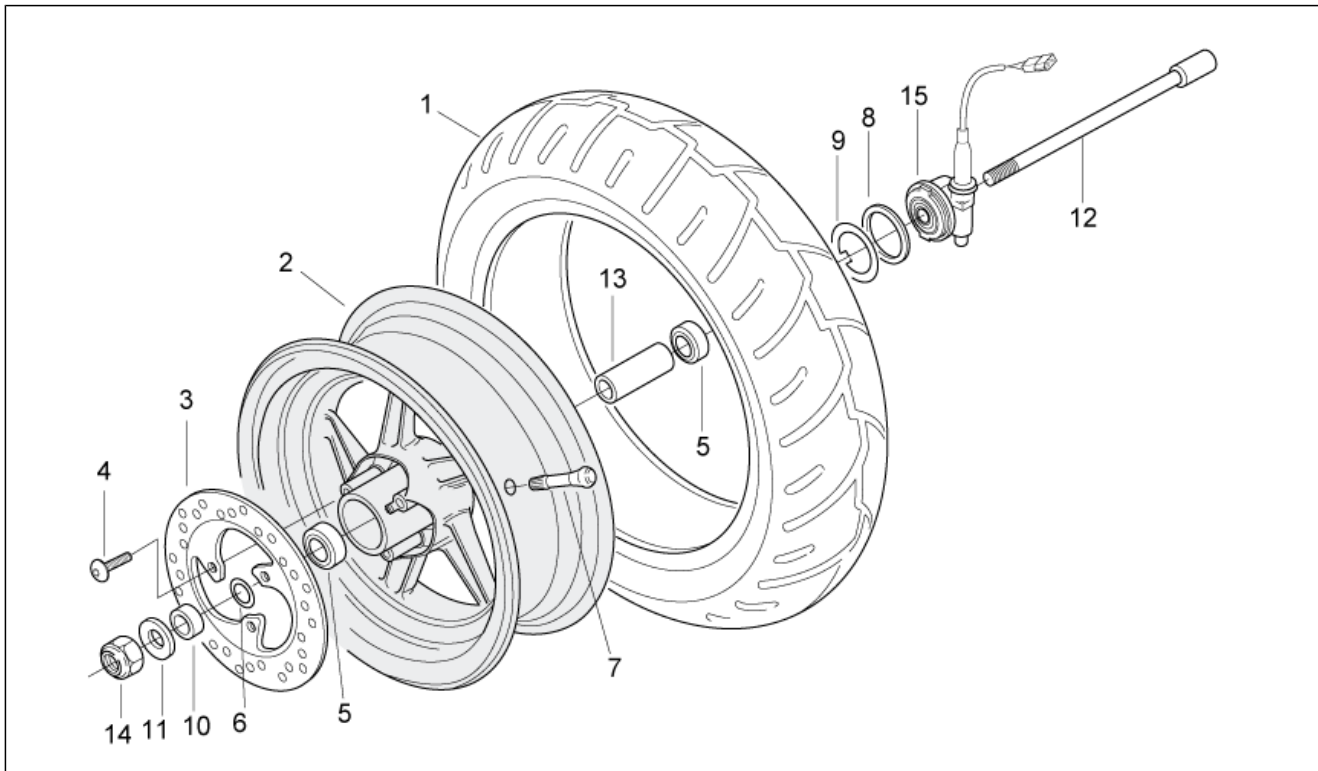
|                     |                 |
|---------------------|-----------------|
| <b>Einheit</b>      | RAHMEN          |
| <b>Code</b>         | 28.25           |
| <b>Beschreibung</b> | Filtergehäuse I |
| <b>Inspektion</b>   | 1               |



| Pos. | Code      | Beschreibung                 | Menge | Varianten   |
|------|-----------|------------------------------|-------|---|
| 1    | AP8249582 | Stütznetz Filter             | 1     | <b>Technische Daten:</b> Version mit Vergaser (C364M)[carb] |
| 2    | AP8220587 | Vergasermuffe                | 1     | <b>Technische Daten:</b> Version mit Vergaser (C364M)[carb] |
| 3    | AP8202302 | Luftfilter                   | 1     | <b>Technische Daten:</b> Version mit Vergaser (C364M)[carb] |
| 4    | AP8120593 | Dichtung D4                  | 1     | <b>Technische Daten:</b> Version mit Vergaser (C364M)[carb] |
| 5    | AP8152329 | Kreuz.schl.flnschschr. M5x20 | 3     | <b>Technische Daten:</b> Version mit Vergaser (C364M)[carb] |
| 6    | AP8102375 | Klammer M5                   | 1     | <b>Technische Daten:</b> Version mit Vergaser (C364M)[carb] |
| 7    | AP8249298 | Filtereinsatzgehäuse         | 1     | <b>Technische Daten:</b> Version mit Vergaser (C364M)[carb] |
| 8    | AP8249299 | Deckel Filtergehäuse         | 1     | <b>Technische Daten:</b> Version mit Vergaser (C364M)[carb] |
| 9    | AP8150157 | TCEI Schraube M6x60          | 2     | <b>Technische Daten:</b> Version mit Vergaser (C364M)[carb] |
| 10   | AP8121984 | Distanzscheibe               | 2     | <b>Technische Daten:</b> Version mit Vergaser (C364M)[carb] |
| 11   | AP8120416 | Schelle schwarz 178x4        | 2     | <b>Technische Daten:</b> Version mit Vergaser (C364M)[carb] |
| 12   | AP8258241 | Filterkasten                 | 1     | <b>Technische Daten:</b> Version mit Vergaser (C364M)[carb] |
| 13   | AP8220104 | Schelle D25-45x8*            | 1     | <b>Technische Daten:</b> Version mit Vergaser (C364M)[carb] |
| 14   | AP8220608 | Filtergehäuse Hülse          | 1     | <b>Technische Daten:</b> Version mit Vergaser (C364M)[carb] |
| 15   | AP8150014 | Ausgleichscheibe 6,4x12,5*   | 2     | <b>Technische Daten:</b> Version mit Vergaser (C364M)[carb] |
| 16   | AP8220712 | Ansaugmuffe                  | 1     | <b>Technische Daten:</b> Version mit Vergaser (C364M)[carb] |
| 17   | AP8202444 | Anschluss                    | 1     | <b>Technische Daten:</b> Version mit Vergaser (C364M)[carb] |
| 18   | AP8220605 | Leitung                      | 1     | <b>Technische Daten:</b> Version mit Vergaser (C364M)[carb] |
| 19   | AP8220647 | Kalibrierdeckel              | 1     | <b>Technische Daten:</b> Version mit Vergaser (C364M)[carb] |

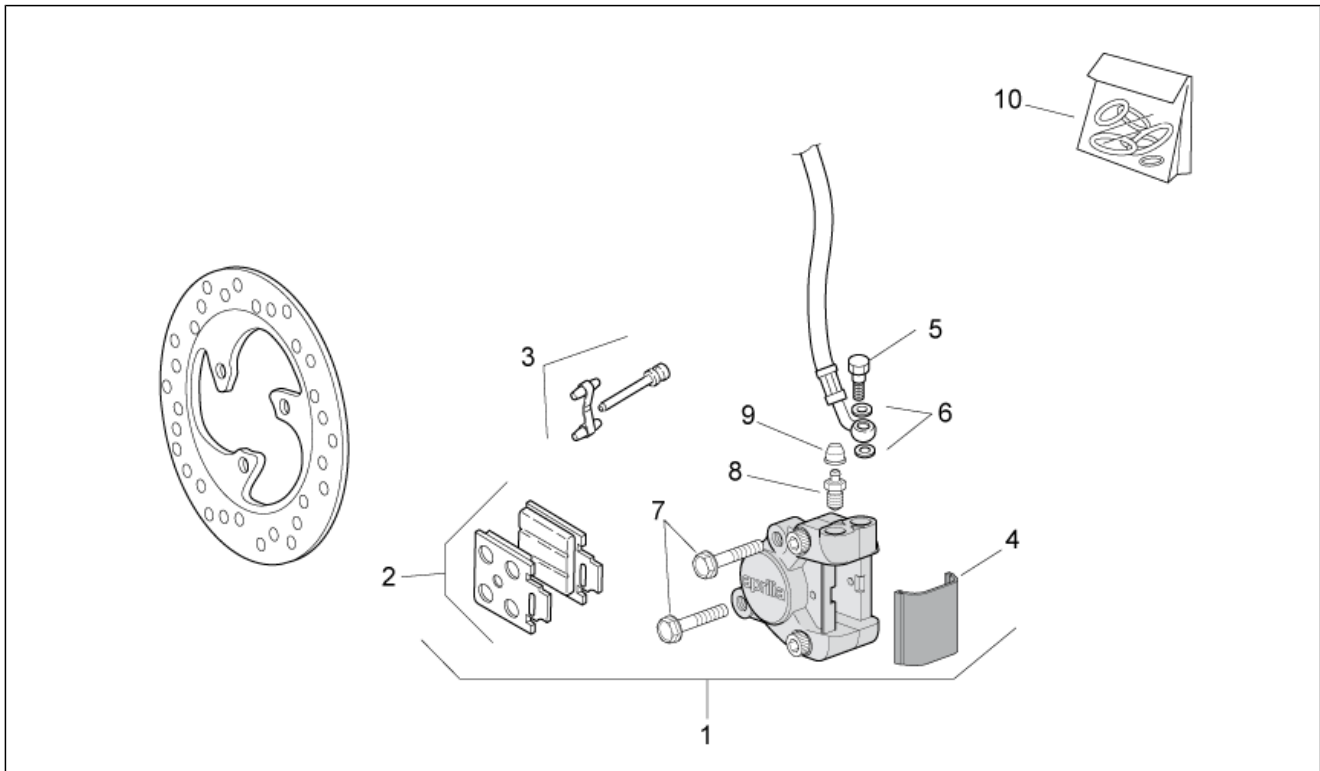


|                     |           |
|---------------------|-----------|
| <b>Einheit</b>      | RAHMEN    |
| <b>Code</b>         | 28.29     |
| <b>Beschreibung</b> | Vorderrad |
| <b>Inspektion</b>   | 1         |



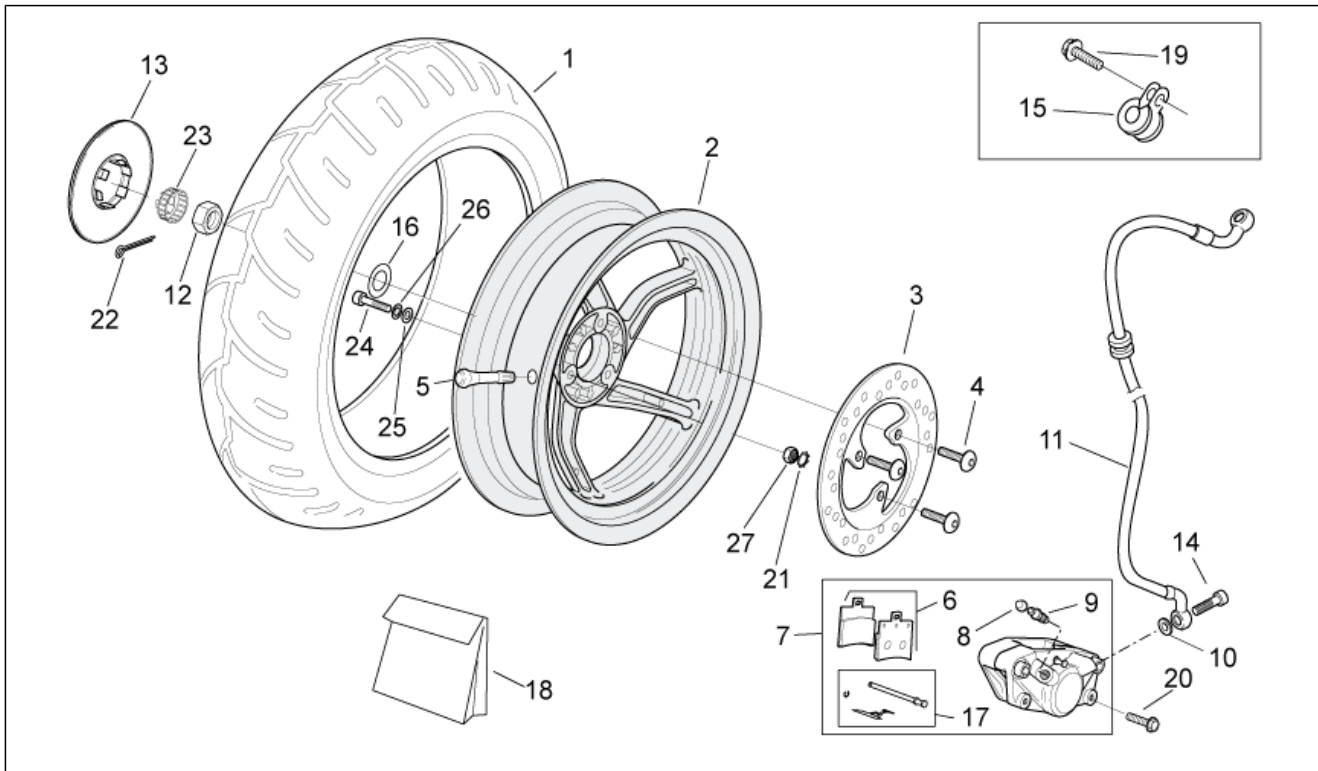
| Pos. | Code      | Beschreibung                  | Menge | Varianten |
|------|-----------|-------------------------------|-------|-----------|
| 1    | AP8209085 | Vorder/Hinter Reifen          | 1     |           |
| 2    | AP8208947 | Vorderrad, schwarz            | 1     |           |
| 3    | AP8213231 | Bremsscheibe D190             | 1     |           |
| 4    | AP8152056 | TBEI Schraube M8x30           | 3     |           |
| 5    | AP8225123 | Lager                         | 2     |           |
| 6    | AP8125782 | Gasket ring                   | 1     |           |
| 7    | AP8201546 | Schlauchloses Reifenventil    | 1     |           |
| 8    | AP8125743 | Gasket ring D40x50x4          | 1     |           |
| 9    | AP8120865 | Mitnehmer                     | 1     |           |
| 10   | AP8221119 | Vorderrad Distanzscheibe      | 1     |           |
| 11   | AP8152018 | Scheibe 12,2x22x2             | 1     |           |
| 12   | AP8225271 | Vorderradbolzen               | 1     |           |
| 13   | AP8225323 | Innen V.rad Distanzscheibe    | 1     |           |
| 14   | AP8150373 | Selbstsperr.mut Unt. M12x1,25 | 1     |           |
| 15   | AP8202403 | Sensorscheibe                 | 1     |           |

|                     |                    |
|---------------------|--------------------|
| <b>Einheit</b>      | RAHMEN             |
| <b>Code</b>         | 28.30              |
| <b>Beschreibung</b> | Vorderradbremzange |
| <b>Inspektion</b>   | 1                  |



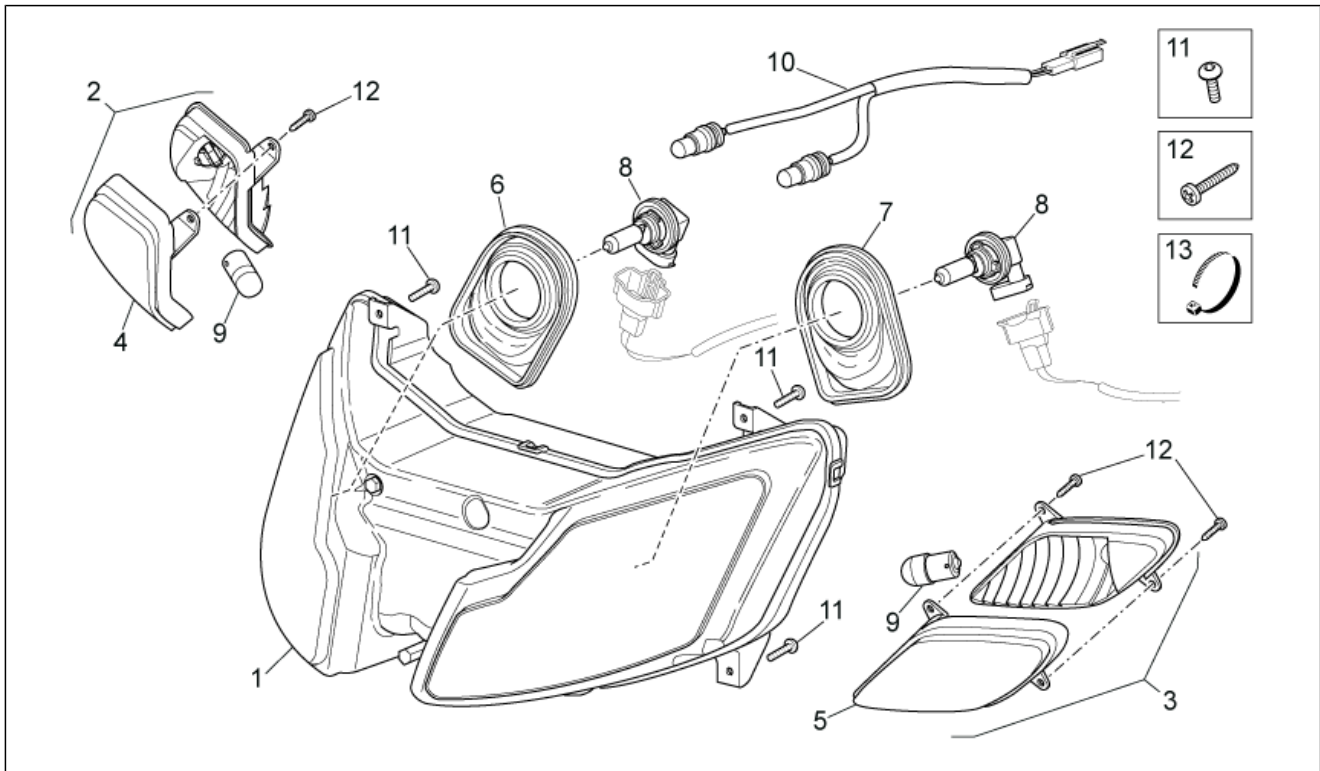
| Pos. | Code      | Beschreibung                  | Menge | Varianten |
|------|-----------|-------------------------------|-------|-----------|
| 1    | AP8133735 | Vorderradbremzange gold D32   | 1     |           |
| 2    | AP8213571 | Beläge (Paar)                 | 1     |           |
| 3    | AP8213572 | Bolzen+Bremse Felder          | 1     |           |
| 4    | AP8213573 | Deckel Bremszangen            | 1     |           |
| 5    | AP8113003 | Fixierschraube Ölschlauch     | 1     |           |
| 6    | AP8113004 | Ausgleichscheibe 10x14x1,6*   | 2     |           |
| 7    | AP8152289 | TE Schr. m. Flansch           | 2     |           |
| 8    | AP8213574 | Entlüftungsanschluß           | 1     |           |
| 9    | AP8213575 | Entlüftungskappe              | 1     |           |
| 10   | AP8213576 | Bausatz Bremszangenüberholung | 1     |           |

|                     |                          |
|---------------------|--------------------------|
| <b>Einheit</b>      | RAHMEN                   |
| <b>Code</b>         | 28.31                    |
| <b>Beschreibung</b> | Hinterrad Scheibenbremse |
| <b>Inspektion</b>   | 1                        |



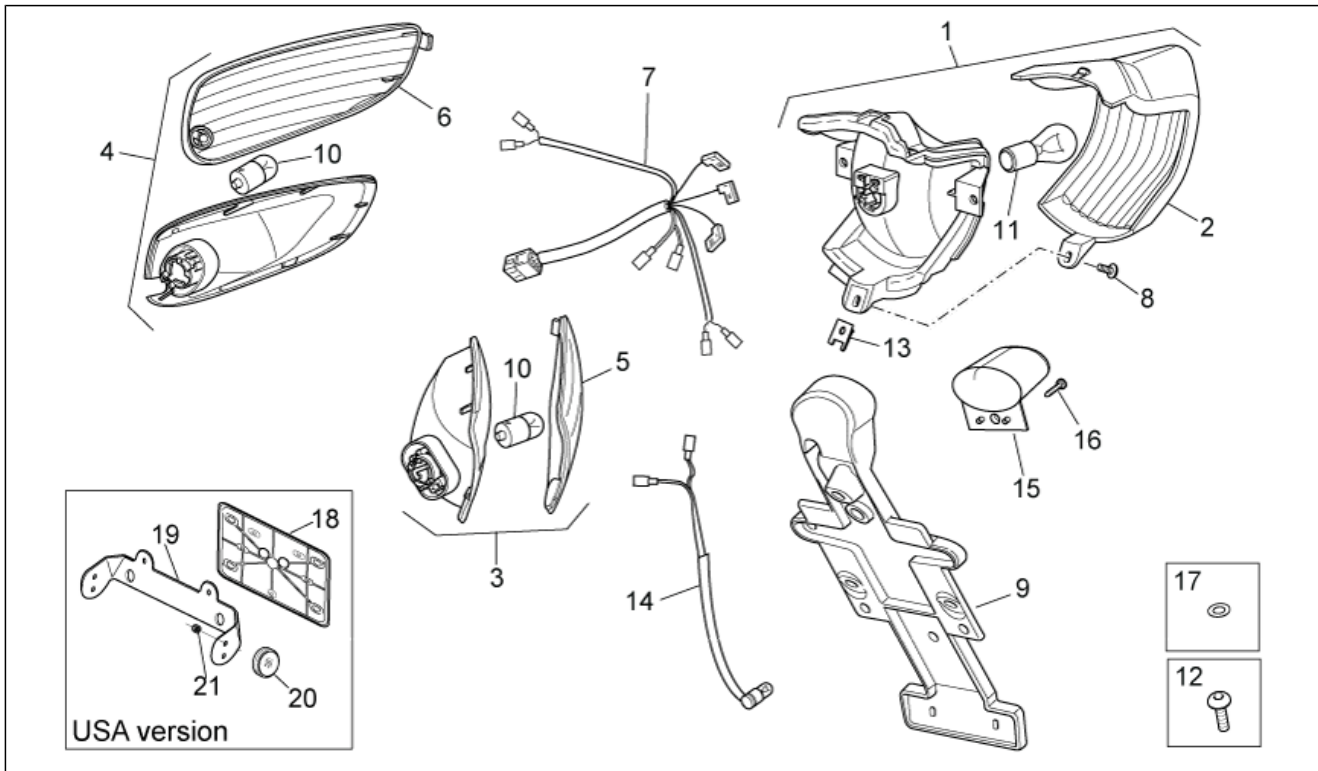
| Pos. | Code      | Beschreibung                   | Menge | Varianten |
|------|-----------|--------------------------------|-------|-----------|
| 1    | AP8209085 | Vorder/Hinter Reifen           | 1     |           |
| 2    | AP8208949 | Hinterrad, schwarz             | 1     |           |
| 3    | AP8133601 | Vorderradbremsscheibe          | 1     |           |
| 4    | AP8152288 | TE Schr. m. Flansch            | 3     |           |
| 5    | AP8201546 | Schlauchloses Reifenventil     | 1     |           |
| 6    | AP8213577 | Beläge (Paar)                  | 1     |           |
| 7    | AP8213557 | Hinterradbremssattel D30       | 1     |           |
| 8    | AP8213575 | Entlüftungskappe               | 1     |           |
| 9    | AP8213574 | Entlüftungsanschluß            | 1     |           |
| 10   | AP8113004 | Ausgleichscheibe 10x14x1,6*    | 2     |           |
| 11   | AP8213548 | Hinterradbremsschlauch         | 1     |           |
| 12   | 563728    | Mutter M16x13                  | 1     |           |
| 12   | AP8221329 | Mutter DAX geflanscht M16x1,25 | 1     |           |
| 13   | AP8208907 | Hinterradschraube blau         | 1     |           |
| 14   | AP8113003 | Fixierschraube Ölschlauch      | 2     |           |
| 15   | AP8134167 | Platte Bremsschlauch           | 2     |           |
| 16   | 159347    | Ring                           | 1     |           |
| 17   | AP8213578 | Bolzen+Bremse Felder           | 1     |           |
| 18   | AP8213579 | Bausatz Bremszangenüberholung  | 1     |           |
| 19   | AP8152277 | TE Schr. m. Flansch M6x12      | 2     |           |
| 20   | AP8152288 | TE Schr. m. Flansch            | 2     |           |
| 21   | AP8225322 | Ausgleichscheibe               | 3     |           |
| 22   | 012789    | Splint                         | 1     |           |
| 23   | 194423    | Abschlusskappe Mutter          | 1     |           |
| 24   | AP8150086 | TCEI Schraube                  | 3     |           |
| 25   | AP8150020 | Ausgleichscheibe 10,5x21x2*    | 3     |           |
| 26   | AP8150292 | Gebogene Sprengscheibe *       | 3     |           |
| 27   | AP8225319 | Mutter M10x8,3                 | 3     |           |

|                     |                  |
|---------------------|------------------|
| <b>Einheit</b>      | RAHMEN           |
| <b>Code</b>         | 28.32            |
| <b>Beschreibung</b> | Vorderer Lichter |
| <b>Inspektion</b>   | 1                |



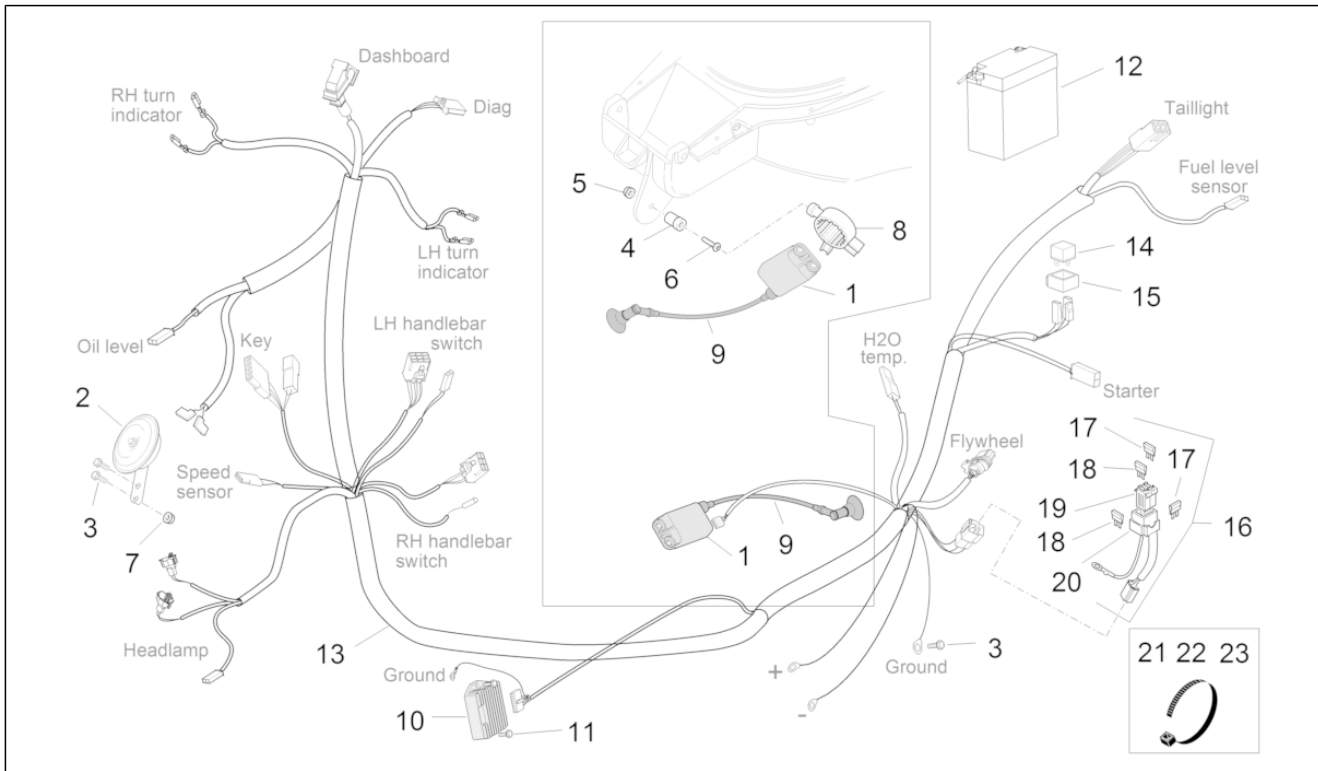
| Pos. | Code      | Beschreibung            | Menge | Varianten                        |
|------|-----------|-------------------------|-------|----------------------------------|
| 1    | AP8224586 | Scheinwerfer            | 1     | Land:Australien[AU], Europa[EU ] |
| 1    | AP8224646 | Scheinwerfer            | 1     | Land:Schweiz[CH], Japan[JP]      |
| 2    | AP8224589 | Vorderblinker rechts    | 1     |                                  |
| 3    | AP8224590 | Vorderblinker links     | 1     |                                  |
| 4    | AP8224659 | V. Blinkerblende rechts | 1     |                                  |
| 5    | AP8224660 | V. Blinkerblende links  | 1     |                                  |
| 6    | AP8224656 | Re.Scheinwerferhaube    | 1     |                                  |
| 7    | AP8224657 | Li.Scheinwerferhaube    | 1     |                                  |
| 8    | 580734    | Lampen 12V-35W H8       | 2     |                                  |
| 9    | AP8127489 | Lampen RY10W 12V        | 2     |                                  |
| 10   | AP8224666 | Verkabel.Scheinwerf.    | 1     |                                  |
| 11   | AP8150493 | TBEI Schraube M4x16     | 4     |                                  |
| 12   | AP8150413 | Gew.schr. 3,9x14        | 4     |                                  |
| 13   | AP8120416 | Schelle schwarz 178x4   | 1     |                                  |

|                     |                  |
|---------------------|------------------|
| <b>Einheit</b>      | RAHMEN           |
| <b>Code</b>         | 28.33            |
| <b>Beschreibung</b> | Hinterer Lichter |
| <b>Inspektion</b>   | 1                |



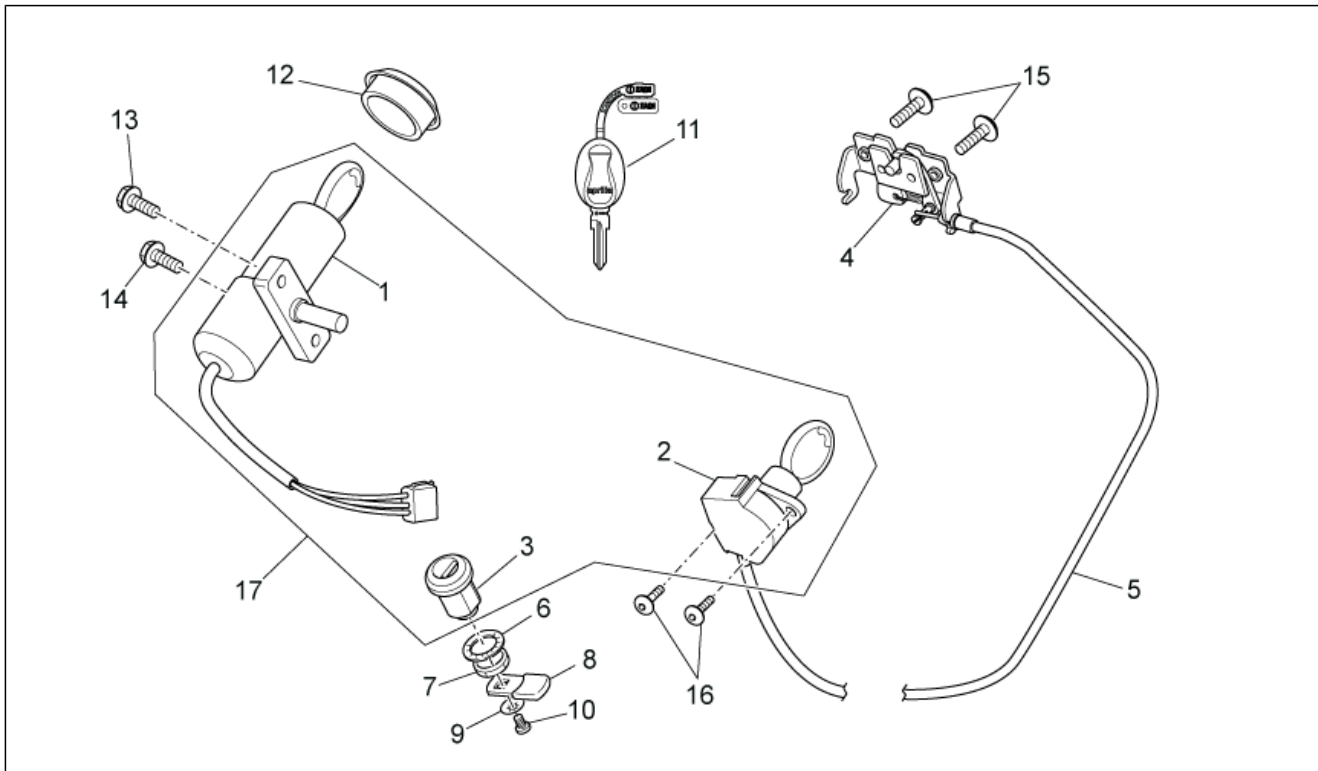
| Pos. | Code      | Beschreibung                  | Menge | Varianten                                   |
|------|-----------|-------------------------------|-------|---|
| 1    | AP8224587 | Rücklicht                     | 1     |   |
| 2    | AP8224658 | Rücklichtblende               | 1     |   |
| 3    | AP8224592 | Rückblinker links             | 1     |   |
| 4    | AP8224591 | Rückblinker rechts            | 1     |   |
| 5    | AP8224662 | H. Blinkerblende links        | 1     |   |
| 6    | AP8224661 | H. Blinkerblende rechts       | 1     |   |
| 7    | AP8224624 | Verkabelung Rücklicht         | 1     |   |
| 8    | AP8150298 | TBEI Schraube                 | 1     |   |
| 9    | AP8268255 | Halter.K-zeich.-beleu., schw. | 1     | Land:Australien[AU], Schweiz[CH], Japan[JP] |
| 10   | AP8127489 | Lampen RY10W 12V              | 2     |   |
| 11   | 129953    | Lampen 12V-21/5W              | 1     |   |
| 12   | AP8150493 | TBEI Schraube M4x16           | 4     |   |
| 13   | AP8102375 | Klammer M5                    | 1     |   |
| 14   | AP8224655 | Kennzeich.leuch.Kabel         | 1     | Land:Australien[AU], Schweiz[CH], Japan[JP] |
| 15   | AP8127098 | Kennzeichenleuchte            | 1     | Land:Australien[AU], Schweiz[CH], Japan[JP] |
| 16   | AP8150509 | Gew.schr. 5x14                | 1     | Land:Australien[AU], Schweiz[CH], Japan[JP] |
| 17   | AP8144565 | U-scheibe Nylon               | 4     |   |
| 18   | AP8149034 | Kennzeichenhalter             | 1     |   |
| 19   | AP8258253 | H.rückstrahler Support        | 1     |   |
| 20   | AP8224164 | Rückstrahler Rücklicht, rot   | 2     |   |
| 21   | AP8152306 | Selbstsperrende Mutter M5     | 4     |   |

|                     |                       |
|---------------------|-----------------------|
| <b>Einheit</b>      | RAHMEN                |
| <b>Code</b>         | 28.35                 |
| <b>Beschreibung</b> | Elektrische anlage II |
| <b>Inspektion</b>   | 1                     |



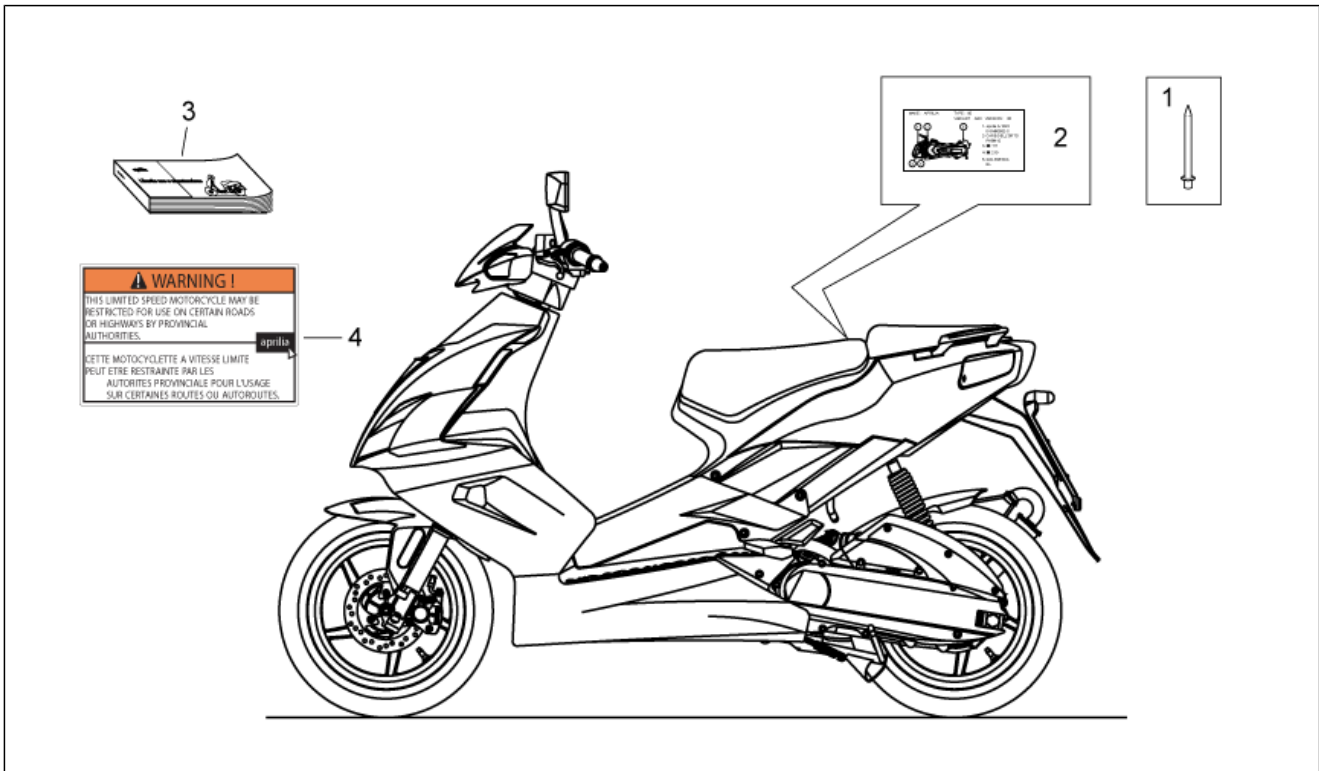
| Pos. | Code      | Beschreibung                  | Menge | Varianten   |
|------|-----------|-------------------------------|-------|---|
| 1    | 58095R    | Elektronische zündvorrichtung | 1     | <b>Technische Daten:</b> Version mit Vergaser (C364M)[carb] |
| 2    | 58237R    | Hupe 12v cc                   | 1     | <b>Technische Daten:</b> Version mit Vergaser (C364M)[carb] |
| 3    | 598839    | TE Schr. m. Flansch           | 3     | <b>Technische Daten:</b> Version mit Vergaser (C364M)[carb] |
| 4    | AP8234195 | Stift                         | 1     | <b>Technische Daten:</b> Version mit Vergaser (C364M)[carb] |
| 4    | AP8234234 | Halter Steuergerät            | 1     | <b>Technische Daten:</b> Version mit Vergaser (C364M)[carb] |
| 5    | AP8152277 | TE Schr. m. Flansch M6x12     | 2     | <b>Technische Daten:</b> Version mit Vergaser (C364M)[carb] |
| 5    | AP8152306 | Selbstsperrende Mutter M5     | 1     | <b>Technische Daten:</b> Version mit Vergaser (C364M)[carb] |
| 6    | 855799    | TE Schr. m. Flansch           | 2     | <b>Technische Daten:</b> Version mit Vergaser (C364M)[carb] |
| 6    | AP8225369 | TBEI Schraube                 | 1     | <b>Technische Daten:</b> Version mit Vergaser (C364M)[carb] |
| 7    | AP8152299 | Selbstsperrende Mutter M6     | 1     |   |
| 8    | AP8150013 | Ausgleichscheibe 5,5x15x1,6*  | 2     | <b>Technische Daten:</b> Version mit Vergaser (C364M)[carb] |
| 8    | AP8220592 | Halter Kraftstoffpumpe        | 1     | <b>Technische Daten:</b> Version mit Vergaser (C364M)[carb] |
| 9    | AP8224578 | Zuendkabel                    | 1     | <b>Technische Daten:</b> Version mit Vergaser (C364M)[carb] |
| 10   | 58096R    | Spannungsregler               | 1     | <b>Technische Daten:</b> Version mit Vergaser (C364M)[carb] |
| 11   | AP8152279 | TE Schr. m. Flansch M6x20     | 2     | <b>Technische Daten:</b> Version mit Vergaser (C364M)[carb] |
| 12   | 584810    | Batterie 12V-9Ah              | 1     | <b>Technische Daten:</b> Version mit Vergaser (C364M)[carb] |
| 13   | AP8224621 | Hauptverkabelung              | 1     | <b>Technische Daten:</b> Version mit Vergaser (C364M)[carb] |
| 14   | 58115R    | Starterrelais 12V-80A         | 1     | <b>Technische Daten:</b> Version mit Vergaser (C364M)[carb] |
| 15   | AP8220546 | Auflagegummi Relais           | 1     | <b>Technische Daten:</b> Version mit Vergaser (C364M)[carb] |
| 16   | AP8224073 | Verkabelung Sicherungen       | 1     | <b>Technische Daten:</b> Version mit Vergaser (C364M)[carb] |
| 17   | 0000000   | Reifen                        | 2     | <b>Technische Daten:</b> Version mit Vergaser (C364M)[carb] |
| 18   | 0000000   | Reifen                        | 2     | <b>Technische Daten:</b> Version mit Vergaser (C364M)[carb] |
| 19   | AP8120754 | Sicherungsblockgummi          | 2     | <b>Technische Daten:</b> Version mit Vergaser (C364M)[carb] |
| 20   | AP8112811 | Sicherungsblockgummi          | 1     | <b>Technische Daten:</b> Version mit Vergaser (C364M)[carb] |
| 21   | AP8120422 | Schelle schwarz 98x2*         | 2     | <b>Technische Daten:</b> Version mit Vergaser (C364M)[carb] |
| 22   | AP8120416 | Schelle schwarz 178x4         | 1     | <b>Technische Daten:</b> Version mit Vergaser (C364M)[carb] |
| 23   | AP8120657 | Schelle                       | 1     | <b>Technische Daten:</b> Version mit Vergaser (C364M)[carb] |

|                     |                   |
|---------------------|-------------------|
| <b>Einheit</b>      | RAHMEN            |
| <b>Code</b>         | 28.36             |
| <b>Beschreibung</b> | Bausatz Schlösser |
| <b>Inspektion</b>   | 1                 |



| Pos. | Code      | Beschreibung                   | Menge | Varianten   |
|------|-----------|--------------------------------|-------|---|
| 1    | AP8224652 | Lenkschloß                     | 1     | <b>Technische Daten:</b> Version mit Einspritzung (C361M)[ie] |
| 1    | AP8224653 | Lenkschloß                     | 1     | <b>Technische Daten:</b> Version mit Vergaser (C364M)[carb]   |
| 2    | AP8104611 | Sitzschloß                     | 1     |   |
| 3    | AP8104609 | Schloß Tankklappe              | 1     |   |
| 4    | AP8102947 | Sitz Verschlussplatte          | 1     |   |
| 5    | AP8214238 | Schloßkabel                    | 1     |   |
| 6    | AP8221312 | Zahnscheibe                    | 1     |   |
| 7    | AP8152194 | Mutter unten M19x1*            | 1     |   |
| 8    | AP8201620 | Hebel                          | 1     |   |
| 9    | AP8201748 | Ausgleichscheibe               | 1     |   |
| 10   | AP8201749 | Linsenschraube M4x6            | 1     |   |
| 11   | AP8104613 | "Aprilia" schlüssel ohne tran. | 1     | <b>Technische Daten:</b> Version mit Vergaser (C364M)[carb]   |
| 11   | AP8104622 | "Aprilia" schlüssel mit tran.  | 1     | <b>Technische Daten:</b> Version mit Einspritzung (C361M)[ie] |
| 12   | AP8127461 | Dichtung Zündschloß            | 1     |   |
| 13   | AP8150137 | TCEI Schraube M6x16            | 1     |   |
| 14   | AP8152140 | Reißschraube M6x17             | 1     |   |
| 15   | AP8152246 | TBEI Schraube m.Flansch M6x16  | 2     |   |
| 16   | AP8152298 | TBEI Schraube m.Flansch M5x16  | 2     |   |
| 17   | 859841    | Kit Schließvorrichtungen       | 1     | <b>Technische Daten:</b> Version mit Einspritzung (C361M)[ie] |
| 17   | AP8202419 | Kit Schließvorrichtungen       | 1     | <b>Technische Daten:</b> Version mit Vergaser (C364M)[carb]   |

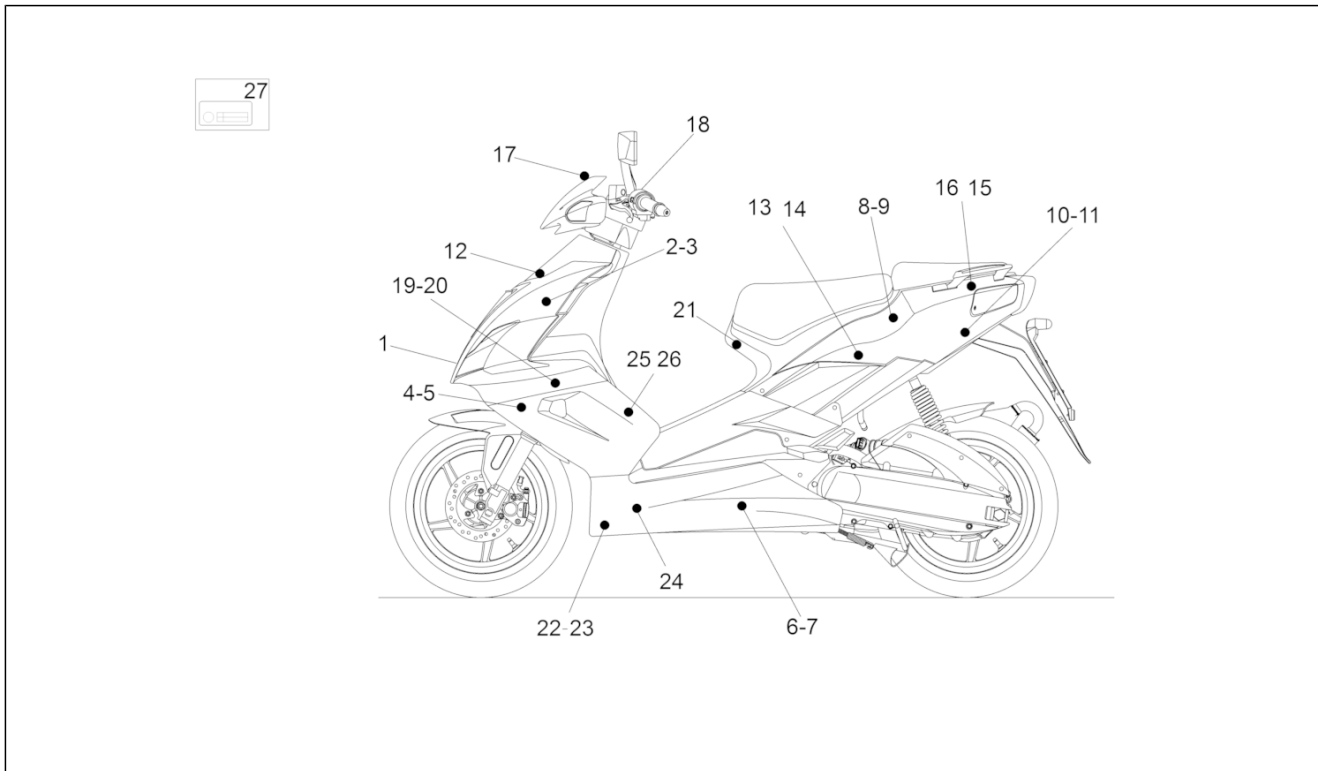
|                     |                      |
|---------------------|----------------------|
| <b>Einheit</b>      | RAHMEN               |
| <b>Code</b>         | 28.37                |
| <b>Beschreibung</b> | Schilder und Anleit. |
| <b>Inspektion</b>   | 1                    |



| Pos. | Code      | Beschreibung                   | Menge | Varianten |
|------|-----------|--------------------------------|-------|-----------|
| 1    | AP8201457 | Kunststoffniet *               | 2     |           |
| 2    | AP8277221 | Fälschungssicheres Schild      | 1     | Land:     |
| 3    | 852921    | Gebrauchsanleitung             | 1     |           |
| 4    | 853482    | "Limited speed motorc." sticke | 1     |           |

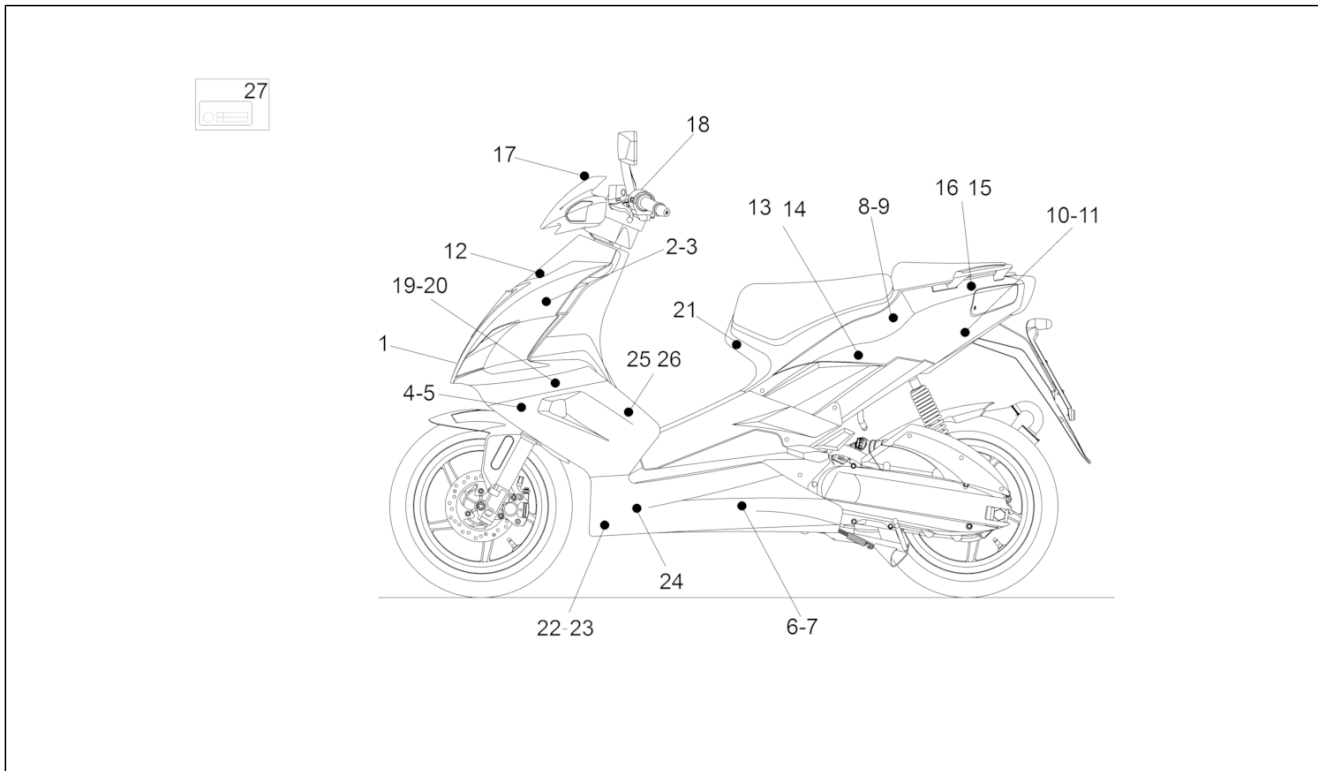


|                     |        |
|---------------------|--------|
| <b>Einheit</b>      | RAHMEN |
| <b>Code</b>         | 28.38  |
| <b>Beschreibung</b> | Deko   |
| <b>Inspektion</b>   | 1      |



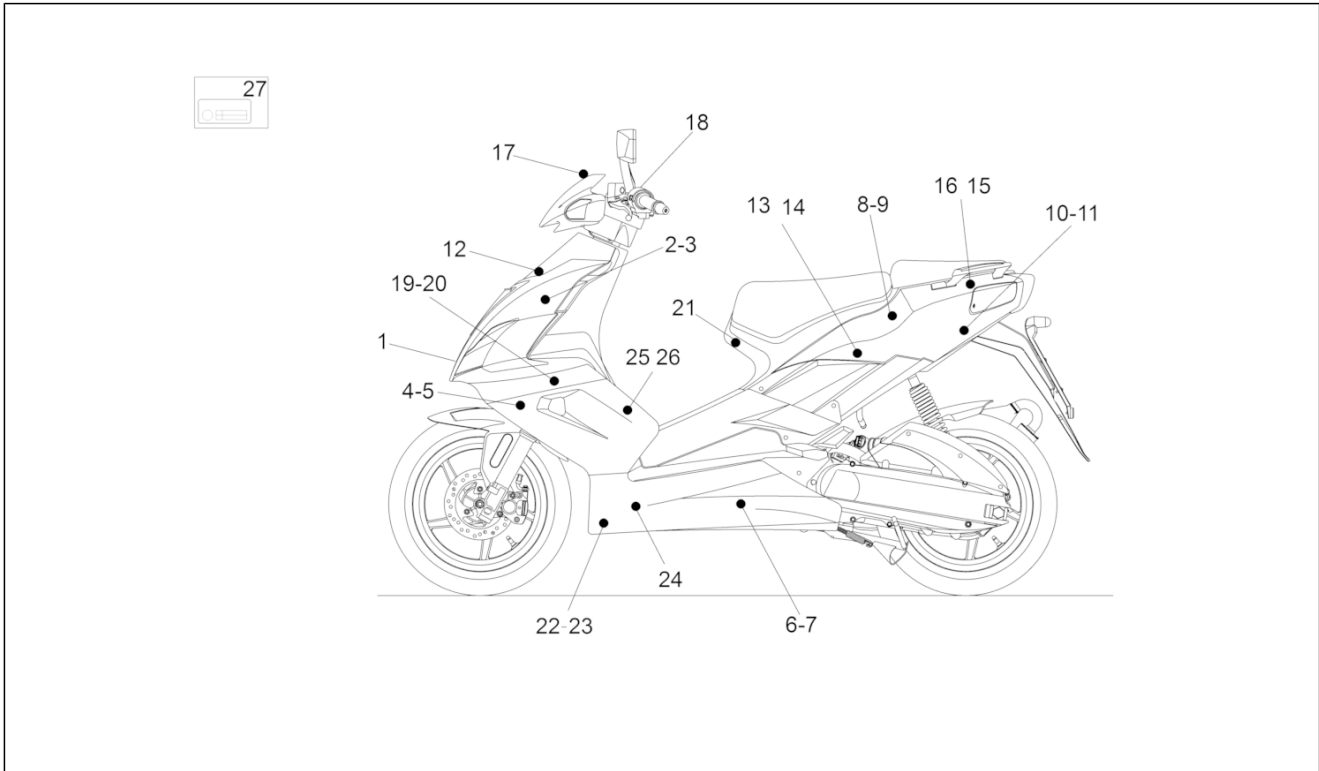
| Pos. | Code     | Beschreibung                 | Menge | Varianten  |
|------|----------|------------------------------|-------|--|
| 1    | 2H000294 | Aufkl.Gitterrahmen "Italia"  | 1     |  |
| 2    | 2H000274 | Mittlere streifen schwarz    | 1     | Fahrzeugfarbe:Schwarz Diablo[black], Rot Fluo[fluo]                    |
| 2    | 2H000295 | Mittlere streifen schwarz    | 1     | Fahrzeugfarbe:Silber Komet[arg], Weiß Aprilia[white]                   |
| 3    | 2H000275 | Mittlere streifen schwarz    | 1     | Fahrzeugfarbe:Silber Komet[arg], Schwarz Diablo[black], Rot Fluo[fluo] |
| 3    | 2H000296 | Mittlere streifen schwarz    | 1     | Fahrzeugfarbe:Silber Komet[arg], Weiß Aprilia[white]                   |
| 4    | 2H000278 | Aufkleber Schild vorne re SR | 1     |  |
| 5    | 2H000279 | Aufkleber Schild vorne li SR | 1     |  |
| 6    | 2H000284 | Re.unterb.Aufkl. Aprilia     | 1     |  |
| 7    | 2H000285 | Li.unterb.Aufkl. Aprilia     | 1     |  |
| 8    | 2H000286 | Deko Heckteil re. SR 50      | 1     | Fahrzeugfarbe:Schwarz Diablo[black]                                    |
| 8    | 2H000303 | Deko Heckteil re. SR 50      | 1     | Fahrzeugfarbe:Weiß Aprilia[white]                                      |
| 8    | 2H000315 | Deko Heckteil re. SR 50      | 1     | Fahrzeugfarbe:Rot Fluo[fluo]   |
| 8    | 2H000321 | Deko Heckteil re. SR 50      | 1     | Fahrzeugfarbe:Silber Komet[arg]  |
| 9    | 2H000287 | Deko Heckteil li. SR 50      | 1     | Fahrzeugfarbe:Silber Komet[arg]  |
| 9    | 2H000304 | Deko Heckteil li. SR 50      | 1     | Fahrzeugfarbe:Weiß Aprilia[white]                                      |
| 9    | 2H000316 | Deko Heckteil li. SR 50      | 1     | Fahrzeugfarbe:Rot Fluo[fluo]   |
| 9    | 2H000322 | Deko Heckteil li. SR 50      | 1     | Fahrzeugfarbe:Silber Komet[arg]  |
| 10   | 2H000290 | Streifen schwarz DX          | 1     | Fahrzeugfarbe:Schwarz Diablo[black], Rot Fluo[fluo]                    |
| 10   | 2H000307 | Streifen schwarz DX          | 1     | Fahrzeugfarbe:Silber Komet[arg], Weiß Aprilia[white]                   |
| 11   | 2H000291 | Streifen schwarz SX          | 1     | Fahrzeugfarbe:Schwarz Diablo[black], Rot Fluo[fluo]                    |
| 11   | 2H000308 | Streifen schwarz SX          | 1     | Fahrzeugfarbe:Silber Komet[arg], Weiß Aprilia[white]                   |
| 12   | 2H000273 | Deckel Haube SR              | 1     |  |
| 13   | 2H000288 | Aufkl. Heckteil re Karbon    | 1     | Fahrzeugfarbe:Schwarz Diablo[black], Rot Fluo[fluo]                    |
| 13   | 2H000305 | Aufkl. Heckteil re Karbon    | 1     | Fahrzeugfarbe:Silber Komet[arg], Weiß Aprilia[white]                   |
| 14   | 2H000289 | Aufkl. Heckteil li Karbon    | 1     | Fahrzeugfarbe:Schwarz Diablo[black], Rot Fluo[fluo]                    |
| 14   | 2H000306 | Aufkl. Heckteil li Karbon    | 1     | Fahrzeugfarbe:Silber Komet[arg], Weiß Aprilia[white]                   |
| 15   | 2H000292 | Deko Heckteil re.            | 1     | Fahrzeugfarbe:Schwarz Diablo[black], Rot Fluo[fluo]                    |

|                     |        |
|---------------------|--------|
| <b>Einheit</b>      | RAHMEN |
| <b>Code</b>         | 28.38  |
| <b>Beschreibung</b> | Deko   |
| <b>Inspektion</b>   | 1      |



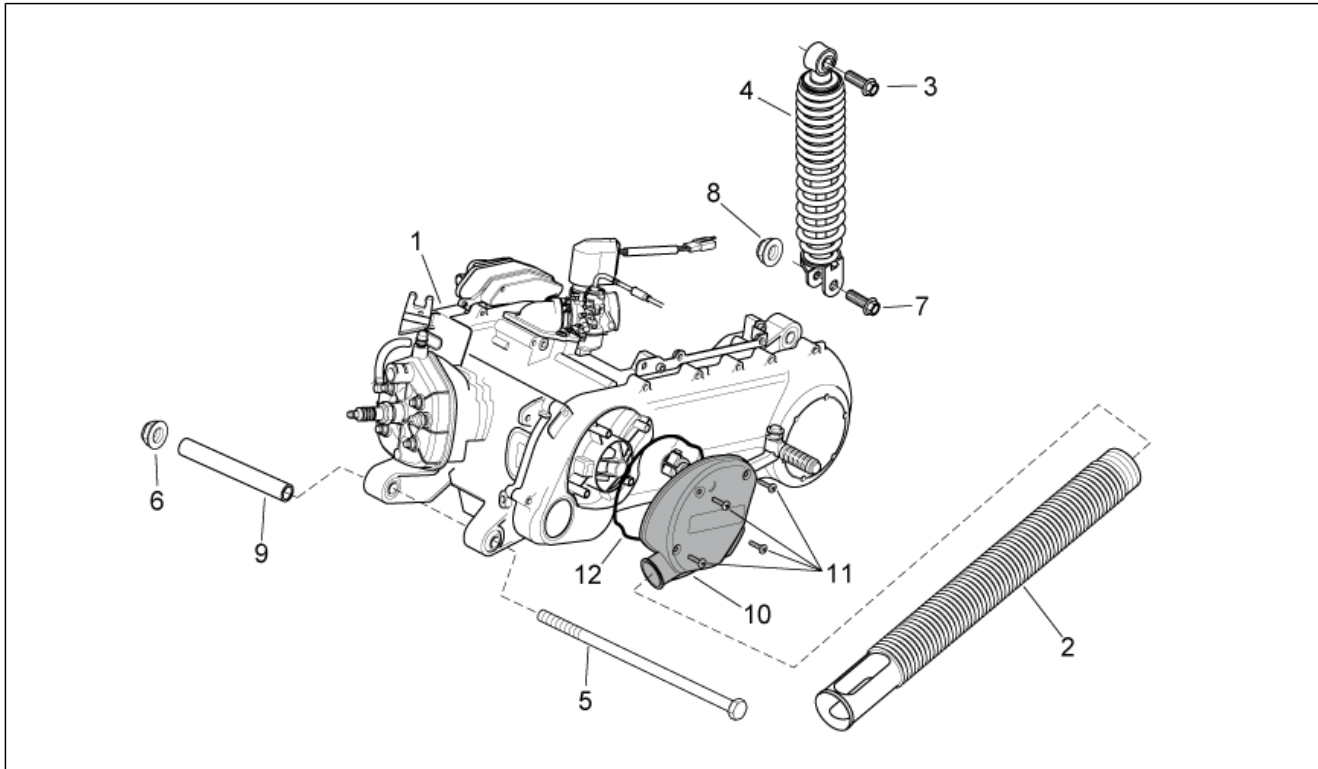
| Pos. | Code     | Beschreibung                                 | Menge | Varianten   |
|------|----------|--|-------|---|
| 15   | 2H000309 | Deko Heckteil re. ITALIA                     | 1     | Fahrzeugfarbe:Silber Komet[arg], Weiß Aprilia[white]  |
| 16   | 2H000293 | Deko Heckteil li.                            | 1     | Fahrzeugfarbe:Schwarz Diablo[black], Rot Fluo[fluo]   |
| 16   | 2H000310 | Deko Heckteil li. ITALIA                     | 1     | Fahrzeugfarbe:Silber Komet[arg], Weiß Aprilia[white]  |
| 17   | 2H000272 | Aufkleber kuppel                             | 1     |   |
| 18   | 2H000169 | Lenkstange Aufkl. "51"                       | 1     | Land:Schweiz[CH], Europa[EU ]                         |
| 18   | 2H000482 | Deko "52 WORLD CHAMPIONSHIPS"                | 1     | Land:Australien[AU]                                   |
| 19   | 2H000276 | Aufkleber Schild vorne re                    | 1     | Fahrzeugfarbe:Schwarz Diablo[black], Rot Fluo[fluo]   |
| 19   | 2H000297 | Aufkleber Schild vorne re                    | 1     | Fahrzeugfarbe:Silber Komet[arg], Weiß Aprilia[white]  |
| 20   | 2H000277 | Aufkleber Schild vorne li                    | 1     | Fahrzeugfarbe:Schwarz Diablo[black], Rot Fluo[fluo]   |
| 20   | 2H000298 | Aufkleber Schild vorne li                    | 1     | Fahrzeugfarbe:Silber Komet[arg], Weiß Aprilia[white]  |
| 21   | 672200   | "Schild ""Piaggio Technology"""              | 1     |   |
| 22   | 2H000282 | Aufkl. Streifen unt. RE Trittbrett-Unterteil | 1     | Fahrzeugfarbe:Schwarz Diablo[black]                   |
| 22   | 2H000301 | Aufkl. Streifen unt. RE Trittbrett-Unterteil | 1     | Fahrzeugfarbe:Weiß Aprilia[white]                     |
| 22   | 2H000313 | Aufkl. Streifen unt. RE Trittbrett-Unterteil | 1     | Fahrzeugfarbe:Rot Fluo[fluo]                          |
| 22   | 2H000319 | Aufkl. Streifen unt. RE Trittbrett-Unterteil | 1     | Fahrzeugfarbe:Silber Komet[arg]                       |
| 23   | 2H000283 | Aufkl. Streifen unt. LI Trittbrett-Unterteil | 1     | Fahrzeugfarbe:Schwarz Diablo[black]                   |
| 23   | 2H000302 | Aufkl. Streifen unt. LI Trittbrett-Unterteil | 1     | Fahrzeugfarbe:Weiß Aprilia[white]                     |
| 23   | 2H000314 | Aufkl. Streifen unt. LI Trittbrett-Unterteil | 1     | Fahrzeugfarbe:Rot Fluo[fluo]                          |
| 23   | 2H000320 | Aufkl. Streifen unt. LI Trittbrett-Unterteil | 1     | Fahrzeugfarbe:Silber Komet[arg]                       |
| 24   | 2H000323 | Unterb.Aufkl. "Factory"                      | 1     | Technische Daten:Version mit Einspritzung (C361M)[ie] |
| 25   | 2H000280 | Aufkleber Streifen re ob. externer Schild    | 1     | Fahrzeugfarbe:Schwarz Diablo[black]                   |
| 25   | 2H000299 | Aufkleber Streifen re ob. externer Schild    | 1     | Fahrzeugfarbe:Weiß Aprilia[white]                     |
| 25   | 2H000311 | Aufkleber Streifen re ob. externer Schild    | 1     | Fahrzeugfarbe:Rot Fluo[fluo]                          |
| 25   | 2H000317 | Aufkleber Streifen re ob. externer Schild    | 1     | Fahrzeugfarbe:Silber Komet[arg]                       |
| 26   | 2H000281 | Aufkleber Streifen li ob. externer Schild    | 1     | Fahrzeugfarbe:Schwarz Diablo[black]                   |
| 26   | 2H000300 | Aufkleber Streifen li ob. externer Schild    | 1     | Fahrzeugfarbe:Weiß Aprilia[white]                     |
| 26   | 2H000312 | Aufkleber Streifen li ob. externer Schild    | 1     | Fahrzeugfarbe:Rot Fluo[fluo]                          |
| 26   | 2H000318 | Aufkleber Streifen li ob. externer Schild    | 1     | Fahrzeugfarbe:Silber Komet[arg]                       |

|                     |        |
|---------------------|--------|
| <b>Einheit</b>      | RAHMEN |
| <b>Code</b>         | 28.38  |
| <b>Beschreibung</b> | Deko   |
| <b>Inspektion</b>   | 1      |



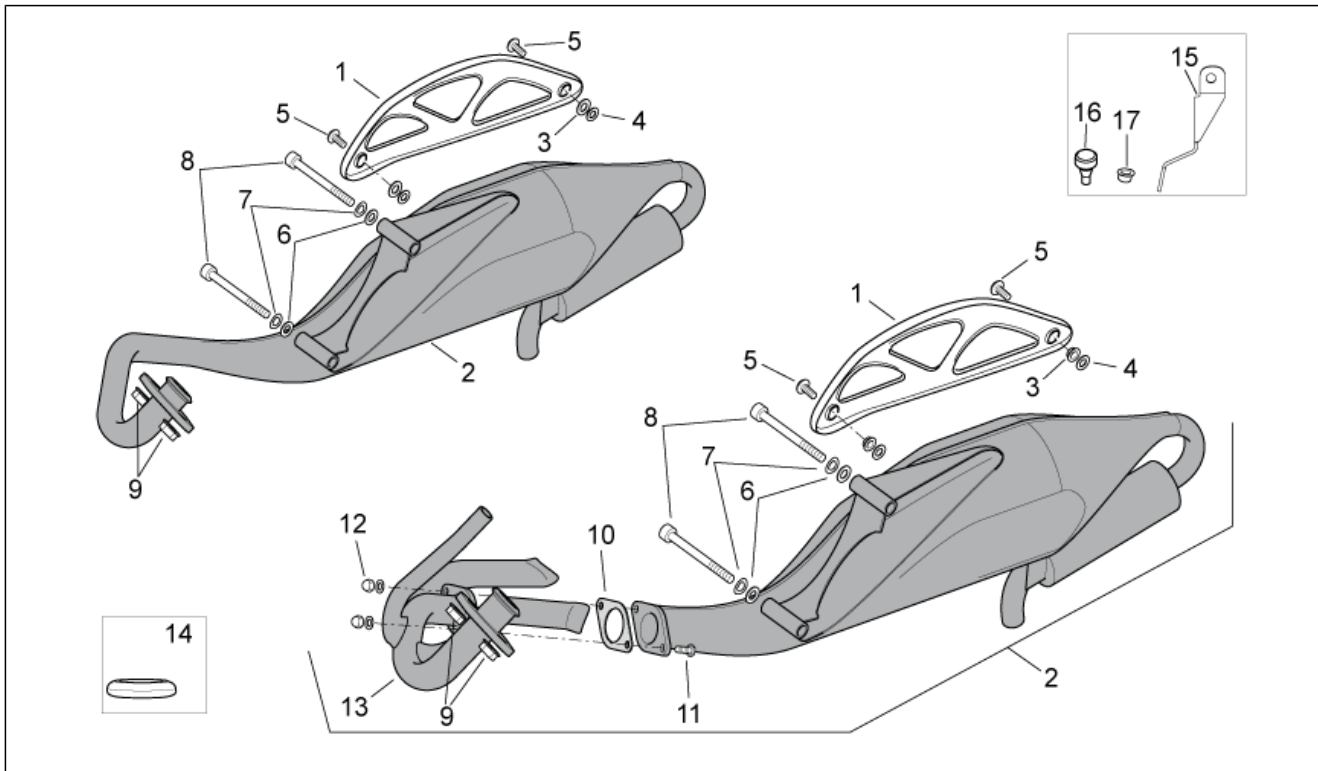
| Pos. | Code      | Beschreibung | Menge | Varianten           |
|------|-----------|--------------|-------|---------------------|
| 27   | AP8277610 | ECE Schild   | 1     | Land:Australien[AU] |

|                     |          |
|---------------------|----------|
| <b>Einheit</b>      | MOTOR    |
| <b>Code</b>         | 29.27    |
| <b>Beschreibung</b> | Motor II |
| <b>Inspektion</b>   | 1        |



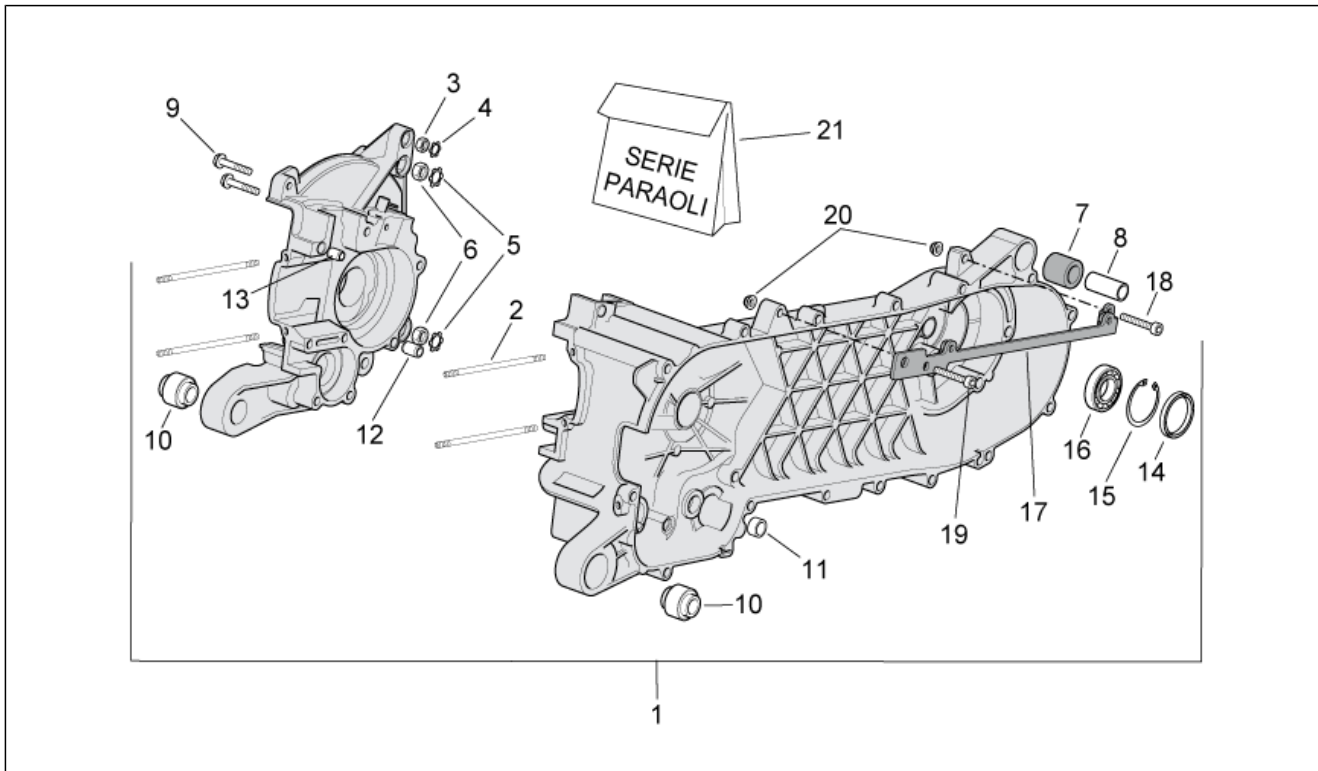
| Pos. | Code      | Beschreibung                                | Menge | Varianten   |
|------|-----------|---|-------|---|
| 1    | CM1439035 | Motor, carb.                                | 1     |   |
| 2    | AP8220704 | Lufteinlaß Wandler                          | 1     |   |
| 3    | AP8152318 | TE Schr. m. Flansch M10x35                  | 1     |   |
| 4    | 668009    | Stoßdämpfer                                 | 1     |   |
| 5    | AP8150412 | Sechskantschraube                           | 1     |   |
| 6    | AP8152301 | Selbstsperrende Mutter                      | 1     |   |
| 7    | AP8152410 | TE Schr. m. Flansch M10x55                  | 1     |   |
| 8    | AP8152301 | Selbstsperrende Mutter                      | 1     | <b>Technische Daten:</b> Version mit Vergaser (C364M)[carb] |
| 9    | AP8221347 | Motor-Drehzapfen                            | 1     | <b>Technische Daten:</b> Version mit Vergaser (C364M)[carb] |
| 10   | 482404    | Wandlerdeckel                               | 1     | <b>Technische Daten:</b> Version mit Vergaser (C364M)[carb] |
| 11   | AP8150515 | Selbstschneidende Schraube Scheinwerferreg. | 4     | <b>Technische Daten:</b> Version mit Vergaser (C364M)[carb] |
| 12   | 482432    | Staubschutzdichtung                         | 1     | <b>Technische Daten:</b> Version mit Vergaser (C364M)[carb] |

|                     |             |
|---------------------|-------------|
| <b>Einheit</b>      | MOTOR       |
| <b>Code</b>         | 29.28       |
| <b>Beschreibung</b> | Auspuffrohr |
| <b>Inspektion</b>   | 1           |



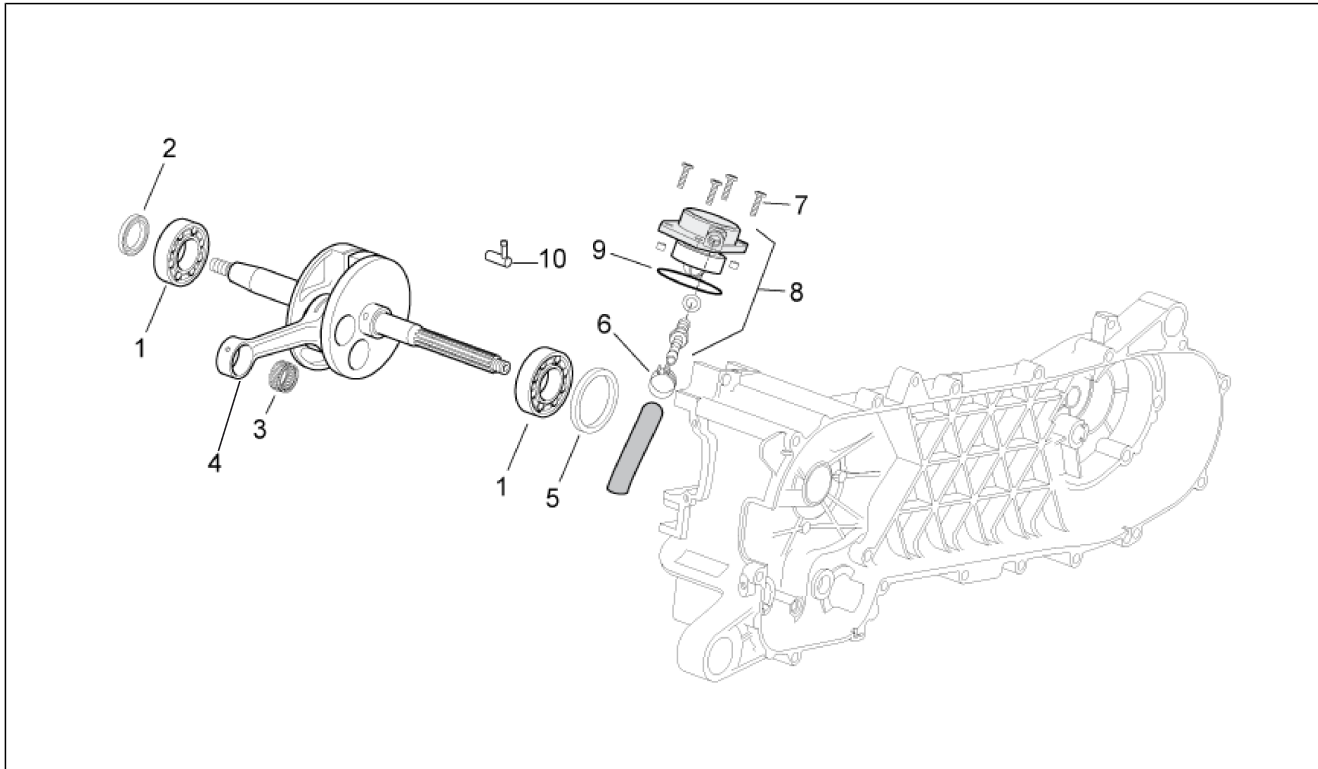
| Pos. | Code      | Beschreibung                  | Menge | Varianten   |
|------|-----------|-------------------------------|-------|---|
| 1    | AP8219452 | Auspuffschutz Stahl           | 1     |   |
| 2    | 880065    | Auspuff                       | 1     | <b>Technische Daten:</b> Version mit Vergaser (C364M)[carb]                             |
| 2    | 880655    | Auspuff                       | 1     | <b>Land:</b> Schweiz[CH]<br><b>Technische Daten:</b> Version mit Vergaser (C364M)[carb] |
| 2    | B013335   | Auspuff                       | 1     | <b>Technische Daten:</b> Version mit Einspritzung (C361M)[ie]                           |
| 3    | AP8150015 | Ausgleichscheibe 6,6x18x1,6*  | 2     |   |
| 4    | AP8221297 | Isolierscheibe                | 2     |   |
| 5    | AP8152246 | TBEI Schraube m.Flansch M6x16 | 2     |   |
| 6    | AP8150017 | Ausgleichscheibe 8,4x16x1,6   | 2     |   |
| 7    | AP8150376 | Ausgleichscheibe 8,5x15x0,8   | 2     |   |
| 8    | AP8150354 | TCEI Schraube M8x85*          | 2     |   |
| 9    | AP8221344 | Mutter                        | 2     |   |
| 10   | AP8219530 | Dichtung Auspuffrohrflansch   | 1     | <b>Technische Daten:</b> Version mit Vergaser (C364M)[carb]                             |
| 11   | AP8219531 | Schraube                      | 2     | <b>Technische Daten:</b> Version mit Vergaser (C364M)[carb]                             |
| 12   | AP8219532 | Mutter                        | 2     | <b>Technische Daten:</b> Version mit Vergaser (C364M)[carb]                             |
| 13   | AP8219605 | Krümmer                       | 1     | <b>Technische Daten:</b> Version mit Vergaser (C364M)[carb]                             |
| 14   | AP8219612 | Dichtung Auspuffrohr          | 1     |   |
| 15   | B043546   | Platte                        | 1     |   |
| 16   | AP8706087 | Gummi                         | 1     |   |
| 17   | AP8121096 | T-Buchse 8,2x12x4             | 2     |   |

|                     |         |
|---------------------|---------|
| <b>Einheit</b>      | MOTOR   |
| <b>Code</b>         | 29.39   |
| <b>Beschreibung</b> | Gehäuse |
| <b>Inspektion</b>   | 1       |



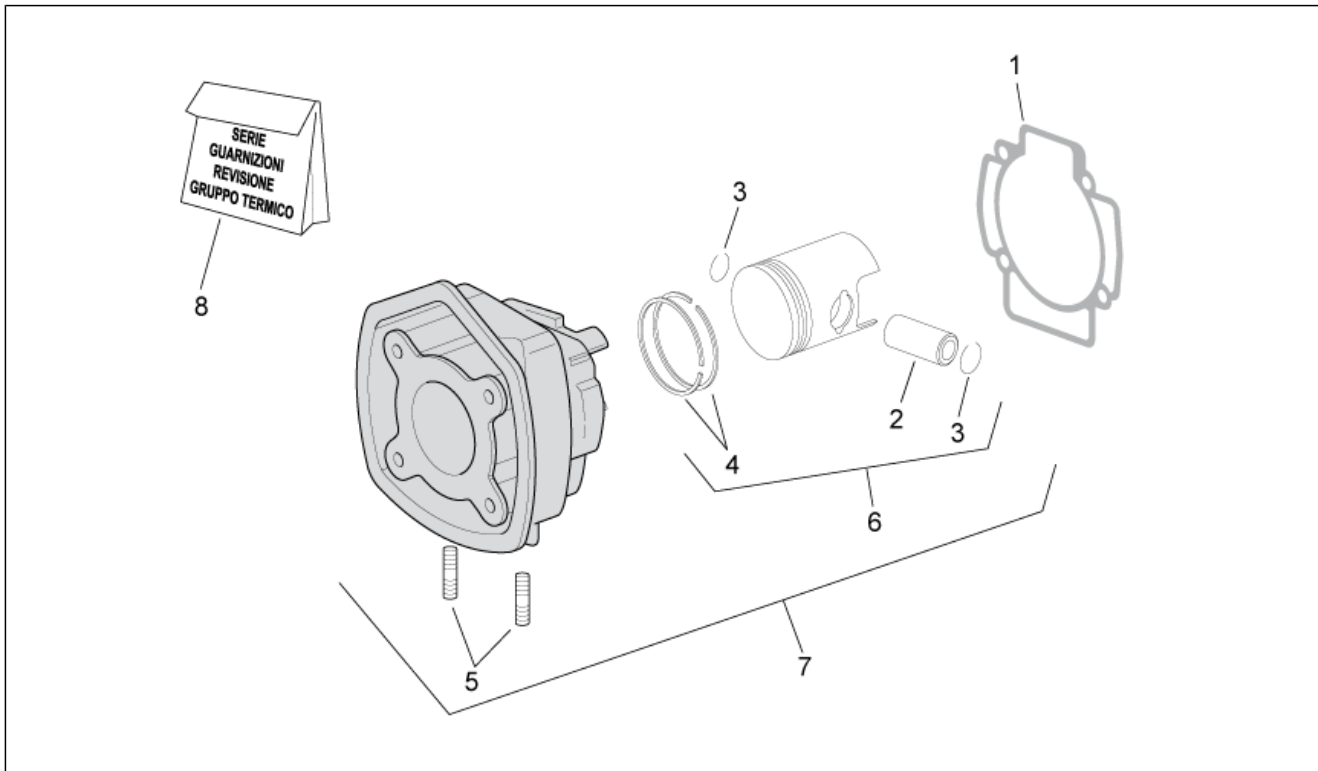
| Pos. | Code      | Beschreibung  | Menge | Varianten   |
|------|-----------|---|-------|---|
| 1    | 8294235   | Kurbelgehäuse   | 1     | <b>Technische Daten:</b> Version mit Einspritzung (C361M)[ie] |
| 1    | CM1273235 | Kurbelgehäuse   | 1     | <b>Technische Daten:</b> Version mit Vergaser (C364M)[carb]   |
| 2    | 239382    | Stiftschraube   | 4     |   |
| 3    | 020006    | Mutter  | 1     |   |
| 4    | 829376    | Sperring  | 1     |   |
| 5    | 829377    | Sperring  | 2     |   |
| 6    | 020008    | Mutter M8   | 2     |   |
| 7    | 267823    | Silent Block Anschluss Stoßdämpfer                    | 1     |   |
| 8    | 266625    | Distanzscheibe  | 1     |   |
| 9    | 414835    | Schraube  | 8     |   |
| 10   | 266773    | Schwingschutzlager                                    | 2     | <b>Technische Daten:</b> Version mit Vergaser (C364M)[carb]   |
| 10   | 486081    | Schwingschutzlager                                    | 2     | <b>Technische Daten:</b> Version mit Einspritzung (C361M)[ie] |
| 11   | 4352035   | Gasket ring   | 1     |   |
| 12   | 431860    | Buchse $\varnothing 8 \times \varnothing 12 \times 8$ | 1     |   |
| 13   | 239388    | Passhülse 6,5x9,5x15                                  | 2     |   |
| 14   | 478498    | Gasket ring   | 1     |   |
| 15   | 006647    | Seegerring  | 1     |   |
| 16   | 434735    | Lager 20x47x14  | 1     |   |
| 17   | AP8234213 | Fixierbügel filtergehäuse                             | 1     |   |
| 18   | AP8150220 | TCEI Schraube M6x30                                   | 1     |   |
| 19   | AP8152003 | TCEI Schraube M6x40                                   | 1     |   |
| 20   | AP8152299 | Selbstsperrende Mutter M6                             | 2     |   |
| 21   | 497339    | Dichtungssatz   | 1     | <b>Technische Daten:</b> Version mit Einspritzung (C361M)[ie] |
| 21   | 498337    | Dichtungssatz   | 1     | <b>Technische Daten:</b> Version mit Vergaser (C364M)[carb]   |

|                     |             |
|---------------------|-------------|
| <b>Einheit</b>      | MOTOR       |
| <b>Code</b>         | 29.40       |
| <b>Beschreibung</b> | Kurbelwelle |
| <b>Inspektion</b>   | 1           |



| Pos. | Code     | Beschreibung                  | Menge | Varianten   |
|------|----------|-------------------------------|-------|---|
| 1    | 431125   | Lager 20x52x12                | 2     |   |
| 2    | 482315   | Dichtungsring Schwungradseite | 1     |   |
| 3    | 500501   | Käfig auf Bolzen 1 cat.       | 1     |   |
| 3    | 500502   | Käfig auf Bolzen 2 cat.       | 1     |   |
| 3    | 500503   | Käfig auf Bolzen 3 cat.       | 1     |   |
| 3    | 500504   | Käfig auf Bolzen 4 cat.       | 1     |   |
| 4    | 8269405  | Kurbelwelle kpl.              | 1     | <b>Technische Daten:</b> Version mit Einspritzung (C361M)[ie] |
| 4    | 8338275  | Kurbelwelle kpl.              | 1     | <b>Technische Daten:</b> Version mit Vergaser (C364M)[carb]   |
| 5    | 482314   | Dichtungsring Antriebsseite   | 1     |   |
| 6    | CM001913 | Schlauchselle                 | 1     | <b>Technische Daten:</b> Version mit Einspritzung (C361M)[ie] |
| 7    | 015856   | Schraube M5x21                | 4     | <b>Technische Daten:</b> Version mit Einspritzung (C361M)[ie] |
| 8    | 826949   | Kompressor                    | 1     | <b>Technische Daten:</b> Version mit Einspritzung (C361M)[ie] |
| 9    | 830585   | O-Ring                        | 1     | <b>Technische Daten:</b> Version mit Einspritzung (C361M)[ie] |
| 10   | 82768R   | Ölventil kompl.               | 1     |   |

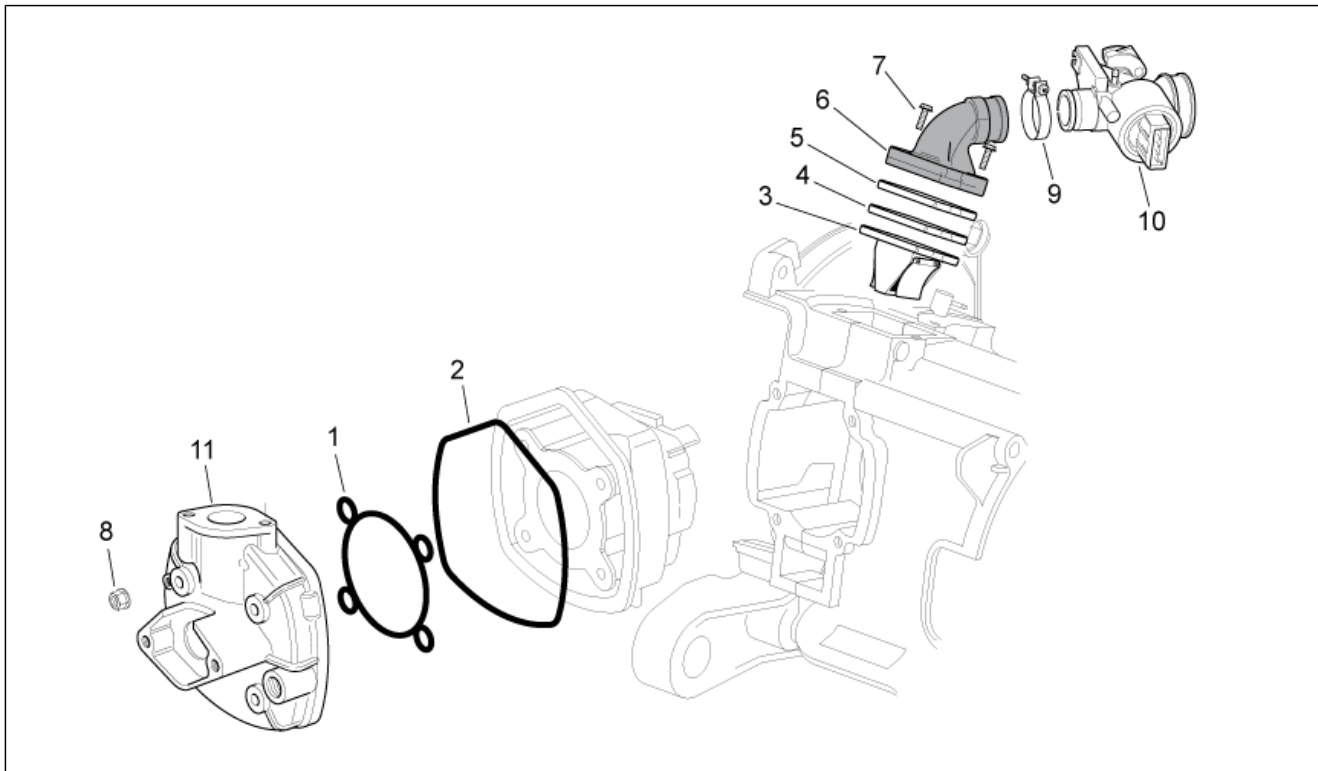
|                     |                   |
|---------------------|-------------------|
| <b>Einheit</b>      | MOTOR             |
| <b>Code</b>         | 29.41             |
| <b>Beschreibung</b> | Kolben + Zylinder |
| <b>Inspektion</b>   | 1                 |



| Pos. | Code       | Beschreibung                | Menge | Varianten   |
|------|------------|-----------------------------|-------|---|
| 1    | 827301     | Dichtung sp0,4              | 1     |   |
| 1    | 827303     | Dichtung sp0,6              | 1     |   |
| 1    | 829633     | Dichtung sp0,8              | 1     |   |
| 2    | 239404     | Bolzen                      | 1     |   |
| 3    | 239455     | Stiftsperring               | 2     |   |
| 4    | 825416     | Gasket ring                 | 2     |   |
| 4    | 827853     | Gasket ring                 | 2     |   |
| 4    | 827854     | Gasket ring                 | 2     |   |
| 5    | 239397     | Stiftschraube M6            | 2     |   |
| 6    | 4878020001 | Kolben kpl. 1cat.(M)        | 1     |   |
| 6    | 4878020002 | Kolben kpl. 2cat.(N)        | 1     |   |
| 6    | 4878020003 | Kolben kpl. 3cat.(O)        | 1     |   |
| 6    | 4878020004 | Kolben kpl. 4cat.(P)        | 1     |   |
| 6    | 825185     | Kolben kpl. 2M              | 1     |   |
| 7    | 833598     | Kolben mit Zylinder kpl. 1M | 1     |   |
| 8    | 497338     | Zylinder Dichtung Satz      | 1     | <b>Technische Daten:</b> Version mit Einspritzung (C361M)[ie] |
| 8    | 498470     | Zylinder Dichtung Satz      | 1     | <b>Technische Daten:</b> Version mit Vergaser (C364M)[carb]   |

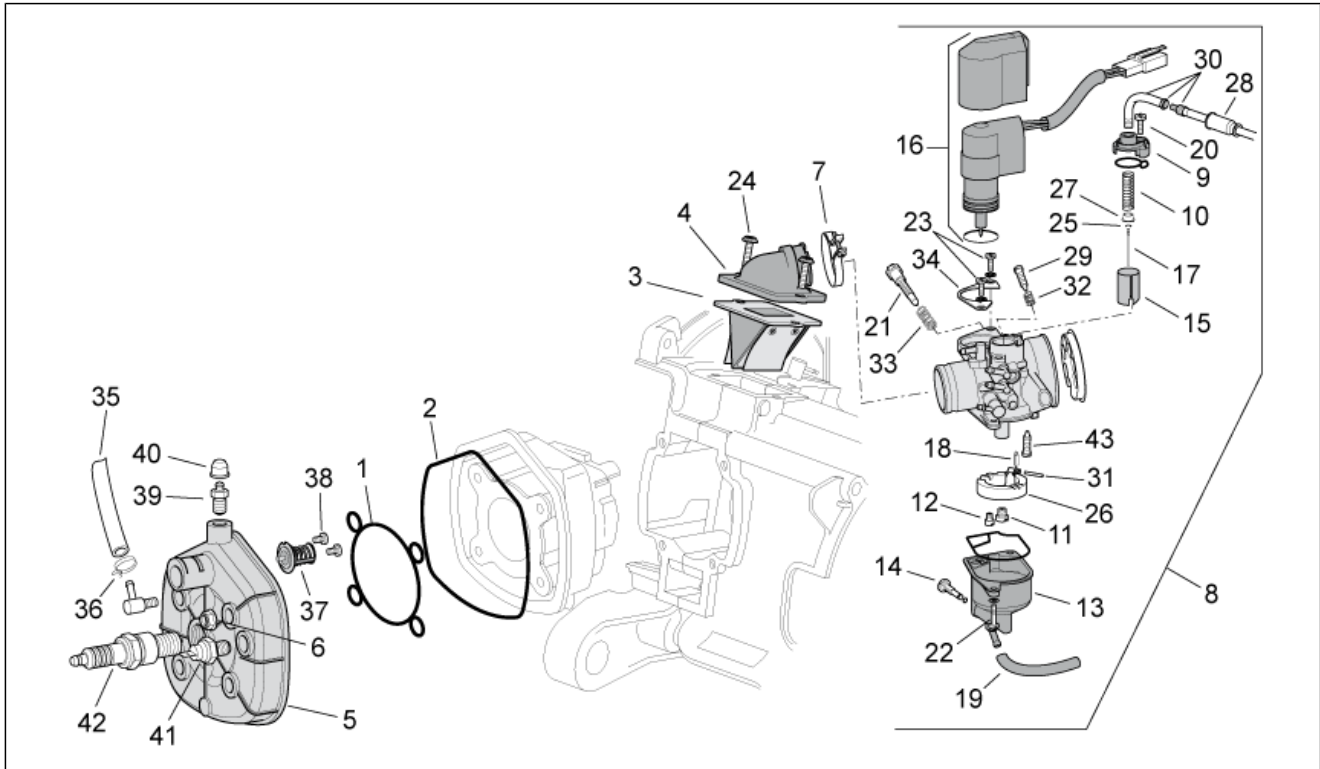


|                     |                            |
|---------------------|----------------------------|
| <b>Einheit</b>      | MOTOR                      |
| <b>Code</b>         | 29.42                      |
| <b>Beschreibung</b> | Zylinderkopf/Klappenkörper |
| <b>Inspektion</b>   | 1                          |



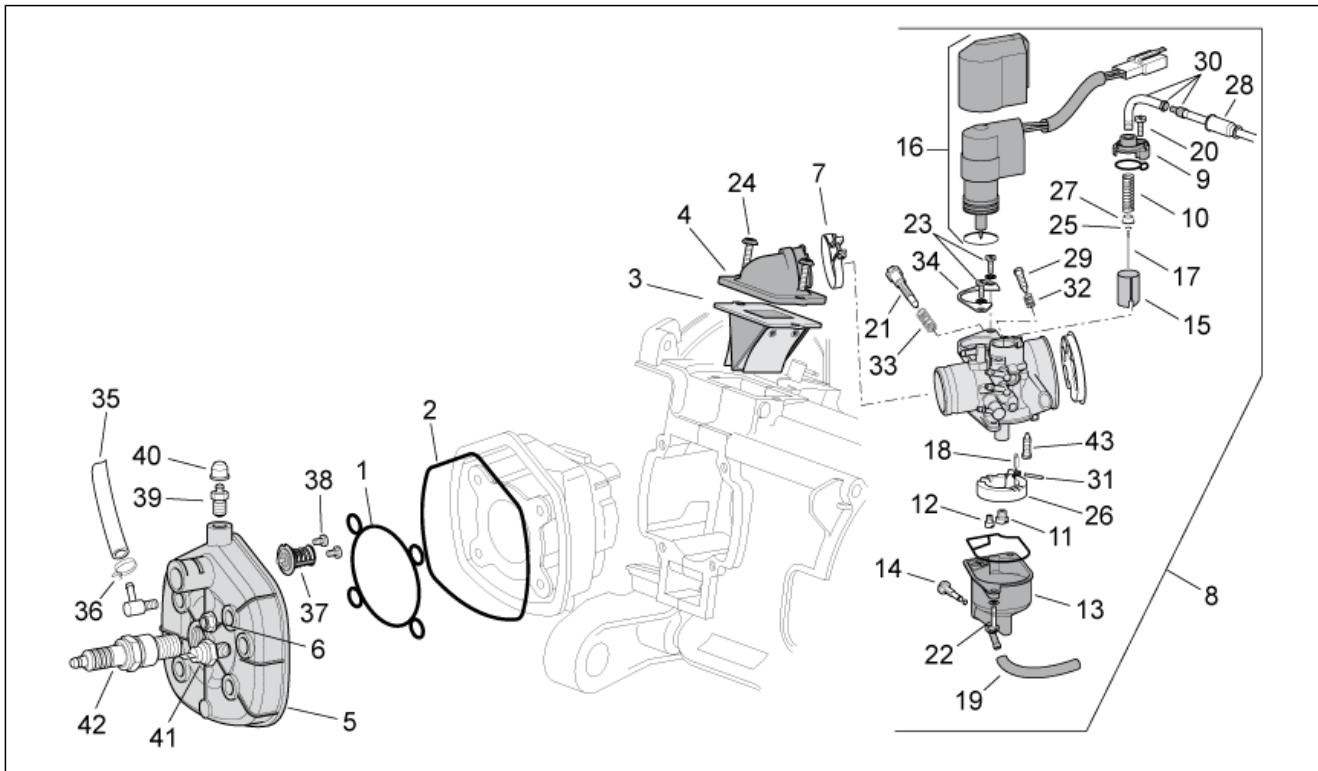
| Pos. | Code   | Beschreibung              | Menge | Varianten   |
|------|--------|---------------------------|-------|---|
| 1    | 288289 | Innen Dichtung            | 1     |   |
| 2    | 482988 | Außen-dichtung            | 1     |   |
| 3    | 82775R | Ventiltraeger kpl.        | 1     | <b>Technische Daten:</b> Version mit Einspritzung (C361M)[ie] |
| 4    | 842626 | Platte                    | 1     | <b>Technische Daten:</b> Version mit Einspritzung (C361M)[ie] |
| 5    | 433361 | Ventildichtung            | 1     | <b>Technische Daten:</b> Version mit Einspritzung (C361M)[ie] |
| 6    | 829703 | Ansaugkrümmer             | 1     | <b>Technische Daten:</b> Version mit Einspritzung (C361M)[ie] |
| 7    | 830487 | Schraube M6x25            | 2     | <b>Technische Daten:</b> Version mit Einspritzung (C361M)[ie] |
| 8    | 288245 | Mutter, selbstsichernd M6 | 4     |   |
| 9    | 825865 | Schelle                   | 1     |   |
| 10   | 830096 | Klappenkörper             | 1     | <b>Technische Daten:</b> Version mit Einspritzung (C361M)[ie] |
| 11   | 830202 | Zylinderkopf              | 1     | <b>Technische Daten:</b> Version mit Einspritzung (C361M)[ie] |

|                     |                       |
|---------------------|-----------------------|
| <b>Einheit</b>      | MOTOR                 |
| <b>Code</b>         | 29.43                 |
| <b>Beschreibung</b> | Zylinderkopf/Vergaser |
| <b>Inspektion</b>   | 1                     |



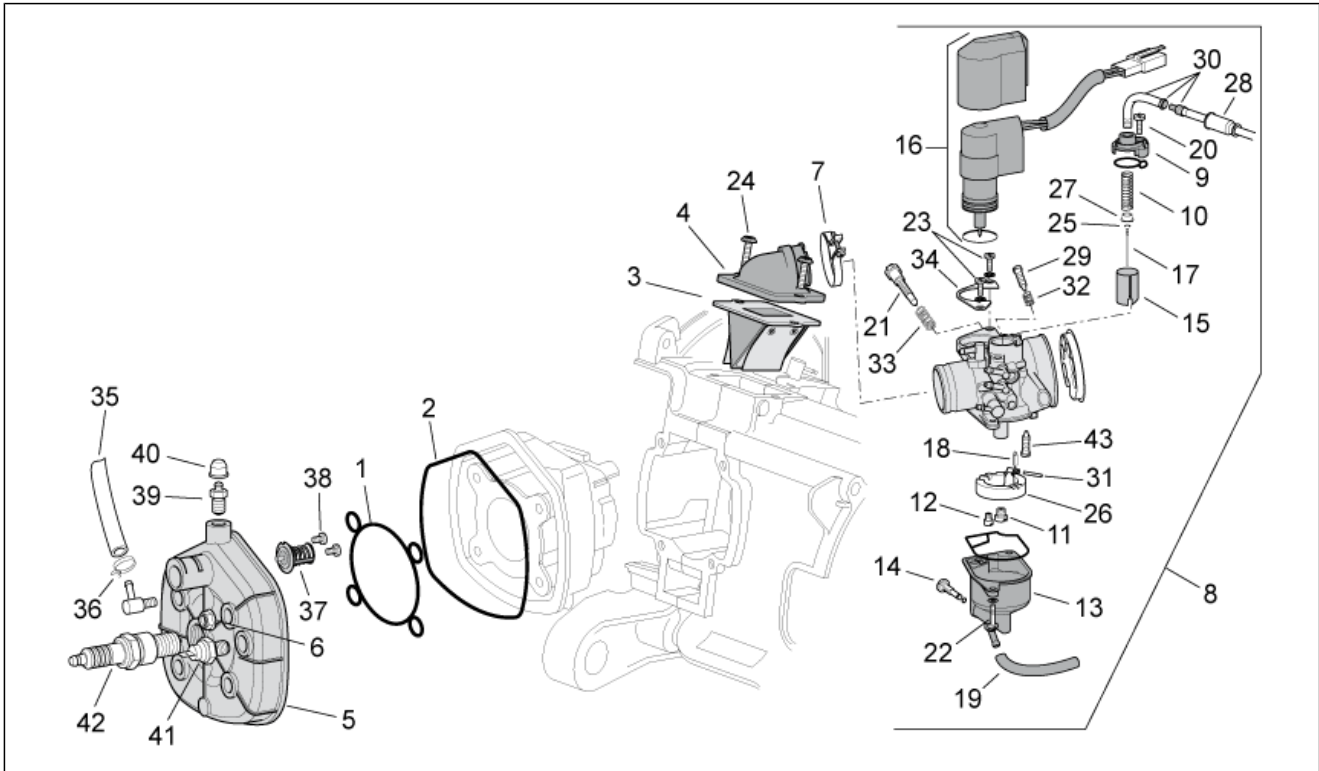
| Pos. | Code      | Beschreibung              | Menge | Varianten  |
|------|-----------|---------------------------|-------|--|
| 1    | 288289    | Innen Dichtung            | 1     |  |
| 2    | 482988    | Außen-dichtung            | 1     |  |
| 3    | 82827R    | Ventilträger kpl.         | 1     | <b>Technische Daten:</b> Version mit Vergaser (C364M)[carb]                                      |
| 4    | 830939    | Ansaugkrümmer             | 1     | <b>Technische Daten:</b> Version mit Vergaser (C364M)[carb]                                      |
| 5    | 826490    | Zylinderkopf              | 1     | <b>Technische Daten:</b> Version mit Vergaser (C364M)[carb]                                      |
| 6    | 288245    | Mutter, selbstsichernd M6 | 4     |  |
| 7    | 825865    | Schelle                   | 1     |  |
| 8    | 833708    | Vergaser kpl.             | 1     | <b>Land:</b><br><b>Technische Daten:</b> Version mit Vergaser (C364M)[carb]                      |
| 8    | B015754   | ***Vergaser kpl.          | 1     |  |
| 9    | 431654    | Deckel Gasventil          | 1     | <b>Technische Daten:</b> Version mit Vergaser (C364M)[carb]                                      |
| 10   | 482942    | Feder Gasventil           | 1     | <b>Technische Daten:</b> Version mit Vergaser (C364M)[carb]                                      |
| 11   | CM101704  | Maximaldüse 53            | 1     | <b>Land:</b><br><b>Technische Daten:</b> Version mit Vergaser (C364M)[carb]                      |
| 11   | CM101711  | Maximaldüse 60            | 1     | <b>Land:</b> Japan[JP]<br><b>Technische Daten:</b> Version Schweiz E3 freie Geschwindigkeit[kit] |
| 12   | CM102103  | Leerlaufstrahl            | 1     | <b>Technische Daten:</b> Version mit Vergaser (C364M)[carb]                                      |
| 13   | 484704    | Wanne komplett            | 1     | <b>Technische Daten:</b> Version mit Vergaser (C364M)[carb]                                      |
| 14   | 432456    | Schraube                  | 1     | <b>Technische Daten:</b> Version mit Vergaser (C364M)[carb]                                      |
| 15   | CM141710  | Gasventil                 | 1     | <b>Technische Daten:</b> Version mit Vergaser (C364M)[carb]                                      |
| 15   | CM141711  | Gasventil                 | 1     | <b>Land:</b><br><b>Technische Daten:</b> Version Schweiz E3 freie Geschwindigkeit[kit]           |
| 16   | CM105905  | Starter                   | 1     | <b>Technische Daten:</b> Version mit Vergaser (C364M)[carb]                                      |
| 17   | AP8276033 | Vergasernadel A13         | 1     | <b>Land:</b><br><b>Technische Daten:</b> Version Schweiz E3 freie Geschwindigkeit[kit]           |
| 17   | CM107510  | Vergasernadel             | 1     | <b>Technische Daten:</b> Version mit Vergaser (C364M)[carb]                                      |
| 18   | CM128501  | Verschlußnadel Benz.      | 1     | <b>Technische Daten:</b> Version mit Vergaser (C364M)[carb]                                      |

|                     |                       |
|---------------------|-----------------------|
| <b>Einheit</b>      | MOTOR                 |
| <b>Code</b>         | 29.43                 |
| <b>Beschreibung</b> | Zylinderkopf/Vergaser |
| <b>Inspektion</b>   | 1                     |



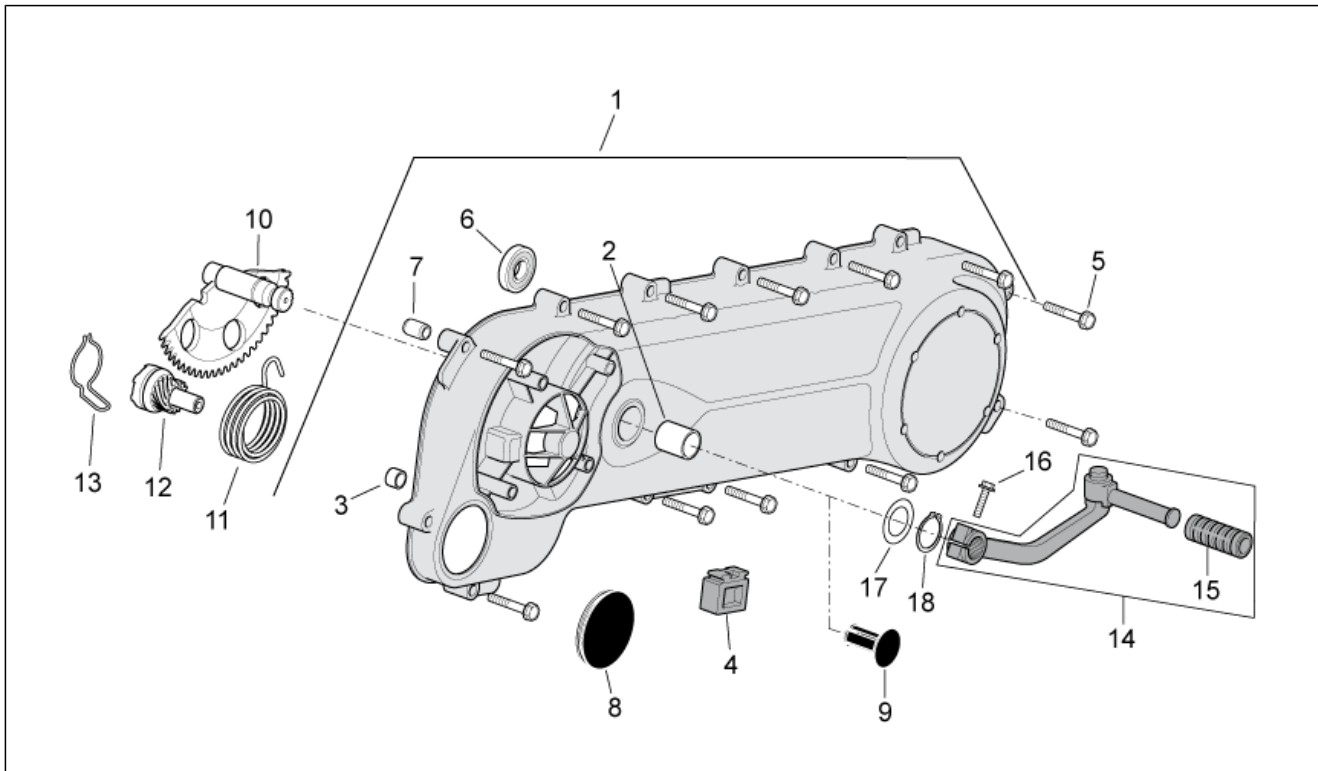
| Pos. | Code      | Beschreibung              | Menge | Varianten  |
|------|-----------|---------------------------|-------|--|
| 19   | AP8550215 | Ablaßrohr Wanne L=130     | 1     | <b>Technische Daten:</b> Version mit Vergaser (C364M)[carb]                            |
| 20   | 288865    | Schraube                  | 1     | <b>Technische Daten:</b> Version mit Vergaser (C364M)[carb]                            |
| 21   | 828074    | Einstellschr.Gasvent.     | 1     | <b>Technische Daten:</b> Version mit Vergaser (C364M)[carb]                            |
| 22   | 288862    | Fixierschraube Schel.     | 2     | <b>Technische Daten:</b> Version mit Vergaser (C364M)[carb]                            |
| 23   | 289575    | Schraube                  | 2     | <b>Technische Daten:</b> Version mit Vergaser (C364M)[carb]                            |
| 24   | 830487    | Schraube M6x25            | 2     | <b>Technische Daten:</b> Version mit Vergaser (C364M)[carb]                            |
| 25   | 288872    | Ring                      | 1     | <b>Technische Daten:</b> Version mit Vergaser (C364M)[carb]                            |
| 26   | 482916    | Schwimmer komplett        | 1     | <b>Technische Daten:</b> Version mit Vergaser (C364M)[carb]                            |
| 27   | 288873    | Sicherung Kegelnadel      | 1     | <b>Technische Daten:</b> Version mit Vergaser (C364M)[carb]                            |
| 28   | 289903    | Gaskabelhaube             | 1     | <b>Technische Daten:</b> Version mit Vergaser (C364M)[carb]                            |
| 29   | CM107701  | Einstellschr.Luft         | 1     | <b>Technische Daten:</b> Version mit Vergaser (C364M)[carb]                            |
| 30   | 113903    | Röhrchen Wechselschalter  | 1     | <b>Technische Daten:</b> Version mit Vergaser (C364M)[carb]                            |
| 31   | 288881    | Schwimmerstift            | 1     | <b>Technische Daten:</b> Version mit Vergaser (C364M)[carb]                            |
| 32   | 085285    | Feder                     | 1     | <b>Technische Daten:</b> Version mit Vergaser (C364M)[carb]                            |
| 33   | 152608    | Feder                     | 1     | <b>Technische Daten:</b> Version mit Vergaser (C364M)[carb]                            |
| 34   | 288863    | Platte                    | 1     | <b>Technische Daten:</b> Version mit Vergaser (C364M)[carb]                            |
| 35   | 484260    | Bypassschlauch kopf-carb. | 1     | <b>Technische Daten:</b> Version mit Vergaser (C364M)[carb]                            |
| 36   | CM002901  | Schlauchschele            | 4     | <b>Technische Daten:</b> Version mit Vergaser (C364M)[carb]                            |
| 37   | 483395    | Thermostat                | 1     | <b>Technische Daten:</b> Version mit Vergaser (C364M)[carb]                            |
| 38   | 256756    | Gewindeschraube           | 2     | <b>Technische Daten:</b> Version mit Vergaser (C364M)[carb]                            |
| 39   | 430045    | Entlüftungsschraube       | 1     | <b>Technische Daten:</b> Version mit Vergaser (C364M)[carb]                            |
| 40   | 063435    | Entlüftungskappe          | 1     | <b>Technische Daten:</b> Version mit Vergaser (C364M)[carb]                            |
| 41   | 584573    | Thermistor                | 1     | <b>Technische Daten:</b> Version mit Vergaser (C364M)[carb]                            |
| 42   | 438031    | Zündkerze Champion RN1C   | 1     | <b>Technische Daten:</b> Version mit Vergaser (C364M)[carb]                            |
| 42   | AP8206915 | Zündkerze BR9ES           | 1     | <b>Land:</b><br><b>Technische Daten:</b> Version Schweiz E3 freie Geschwindigkeit[kit] |
| 43   | CM106229  | Emulseur 208 HA           | 1     | <b>Land:</b>   |

|                     |                       |
|---------------------|-----------------------|
| <b>Einheit</b>      | MOTOR                 |
| <b>Code</b>         | 29.43                 |
| <b>Beschreibung</b> | Zylinderkopf/Vergaser |
| <b>Inspektion</b>   | 1                     |



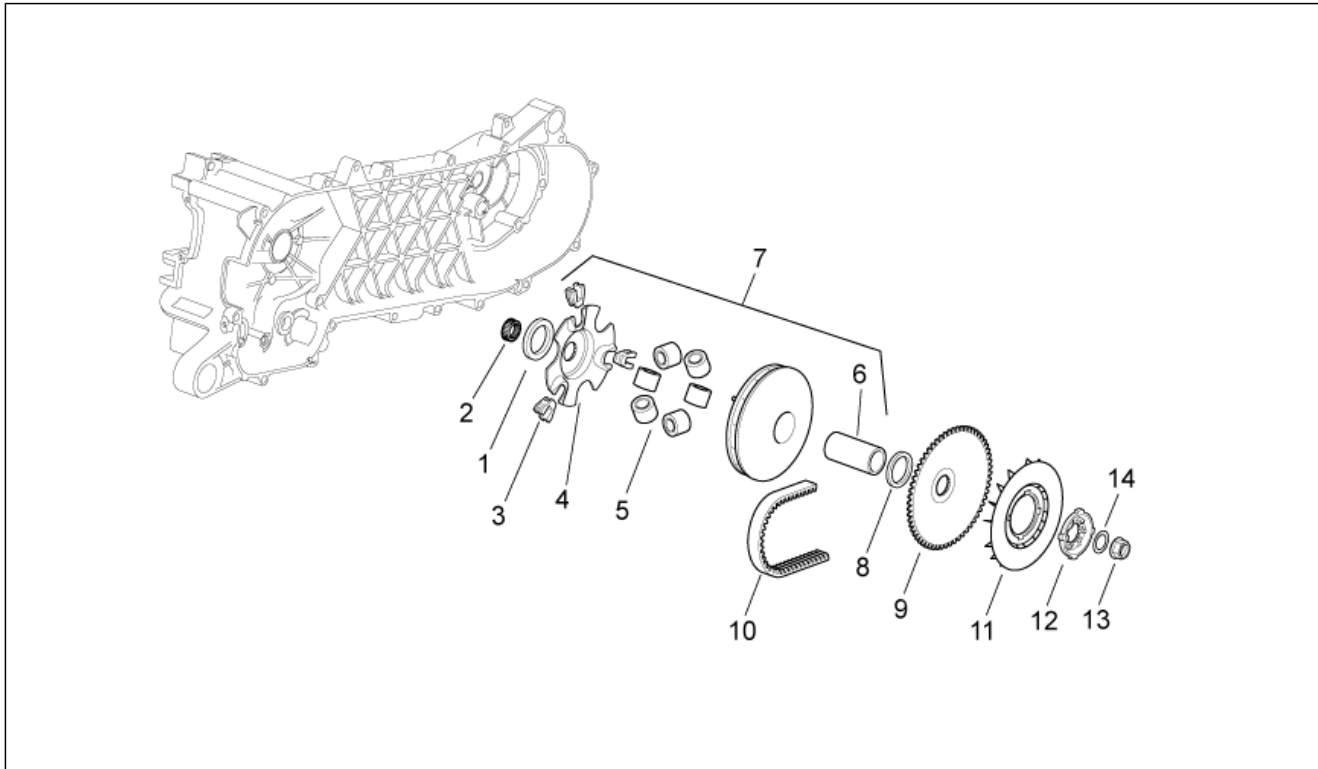
| Pos. | Code | Beschreibung | Menge | Varianten   |
|------|------|--------------|-------|---|
|      |      |              |       | Technische Daten:Version Schweiz E3 freie<br>Geschwindigkeit[kit] |

|                     |                |
|---------------------|----------------|
| <b>Einheit</b>      | MOTOR          |
| <b>Code</b>         | 29.45          |
| <b>Beschreibung</b> | Getriebedeckel |
| <b>Inspektion</b>   | 1              |



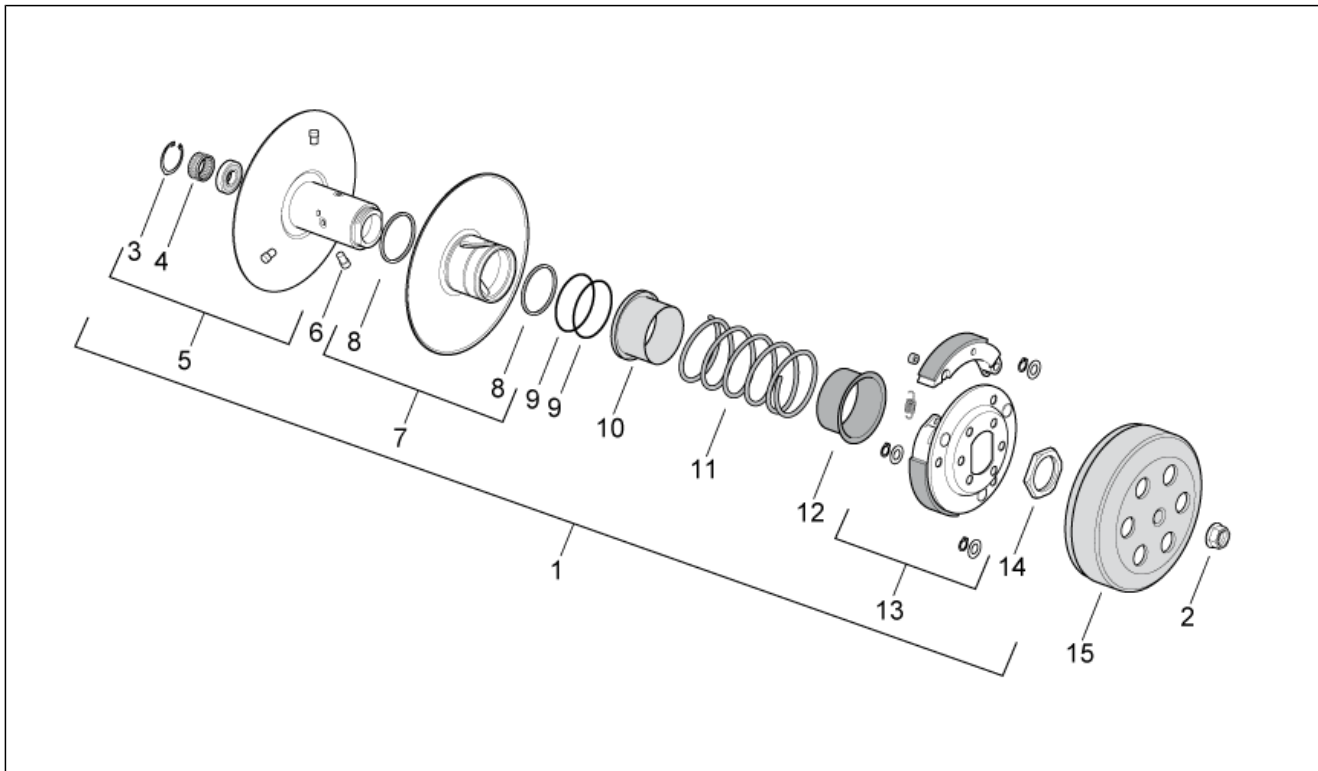
| Pos. | Code    | Beschreibung  | Menge | Varianten   |
|------|---------|---|-------|---|
| 1    | 8284535 | Getriebedeckel  | 1     | <b>Technische Daten:</b> Version mit Vergaser (C364M)[carb]   |
| 1    | 8298225 | Getriebedeckel  | 1     | <b>Technische Daten:</b> Version mit Einspritzung (C361M)[ie] |
| 2    | 286209  | Buchse  | 1     |   |
| 3    | 431860  | Buchse $\varnothing 8 \times \varnothing 12 \times 8$ | 1     |   |
| 4    | 463872  | Anschlagstopfen Ständer                               | 1     |   |
| 5    | 414838  | Schraube M6x35  | 12    |   |
| 6    | 82521R  | Lager   | 1     |   |
| 7    | 239388  | Passhülse 6,5x9,5x15                                  | 2     |   |
| 8    | 483859  | Deckel  | 1     |   |
| 9    | 829820  | Deckel  | 1     | <b>Technische Daten:</b> Version mit Einspritzung (C361M)[ie] |
| 10   | 831458  | Starterwelle  | 1     | <b>Technische Daten:</b> Version mit Vergaser (C364M)[carb]   |
| 11   | 289495  | Rückholfeder Starterhebel                             | 1     | <b>Technische Daten:</b> Version mit Vergaser (C364M)[carb]   |
| 12   | 483537  | Kickstarterritzel                                     | 1     | <b>Technische Daten:</b> Version mit Vergaser (C364M)[carb]   |
| 13   | 830212  | Sprungfeder   | 1     | <b>Technische Daten:</b> Version mit Vergaser (C364M)[carb]   |
| 14   | 286214  | Kickstarterhebel                                      | 1     | <b>Technische Daten:</b> Version mit Vergaser (C364M)[carb]   |
| 15   | 286217  | Schutzabdeckung                                       | 1     | <b>Technische Daten:</b> Version mit Vergaser (C364M)[carb]   |
| 16   | 414837  | TE Schr. m. Flansch M6x25                             | 1     | <b>Technische Daten:</b> Version mit Vergaser (C364M)[carb]   |
| 17   | 433987  | Ausgleichscheibe 16,3x23,8                            | 1     | <b>Technische Daten:</b> Version mit Vergaser (C364M)[carb]   |
| 18   | 006416  | Seegerring  | 1     | <b>Technische Daten:</b> Version mit Vergaser (C364M)[carb]   |

|                     |         |
|---------------------|---------|
| <b>Einheit</b>      | MOTOR   |
| <b>Code</b>         | 29.46   |
| <b>Beschreibung</b> | Wandler |
| <b>Inspektion</b>   | 1       |



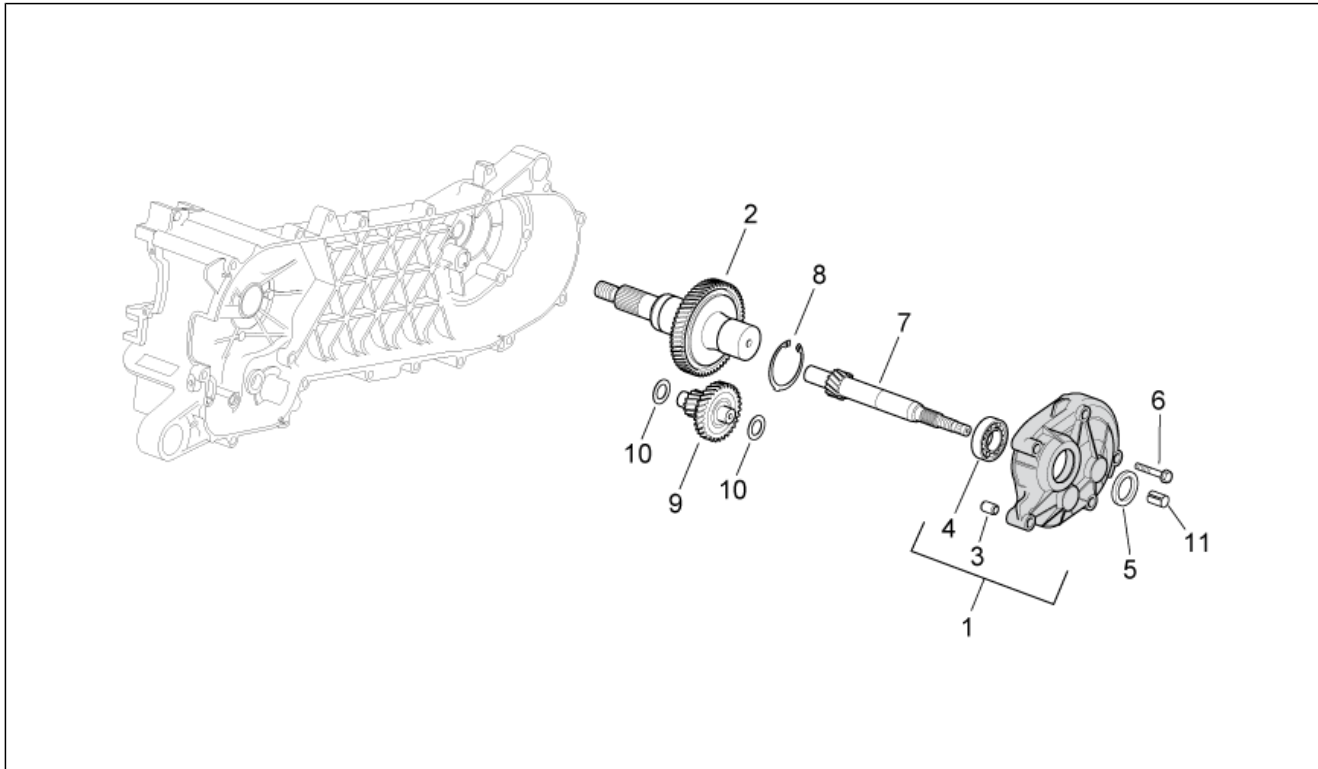
| Pos. | Code      | Beschreibung                | Menge | Varianten   |
|------|-----------|-----------------------------|-------|---|
| 1    | 479495    | Distanzscheibe              | 1     |   |
| 2    | 286158    | Zahnriemenscheibe           | 1     |   |
| 3    | 289931    | Gleitbacke                  | 3     |   |
| 4    | 480227    | Rollen Kontraste            | 1     |   |
| 5    | CM1102025 | Bausatz rollen              | 1     | <b>Technische Daten:</b> Version mit Vergaser (C364M)[carb]   |
| 5    | CM1102035 | Bausatz rollen              | 1     | <b>Technische Daten:</b> Version mit Einspritzung (C361M)[ie]   |
| 6    | 480230    | Distanzscheibe              | 1     |   |
| 7    | CM110301  | Antriebshalbriemenscheibe   | 1     | <b>Technische Daten:</b> Version mit Vergaser (C364M)[carb]   |
| 7    | CM110304  | Antriebshalbriemenscheibe   | 1     | <b>Technische Daten:</b> Version mit Einspritzung (C361M)[ie]   |
| 8    | CM100601  | Distanzscheibe              | 1     | <b>Land:</b><br><b>Technische Daten:</b> Version mit Einspritzung (C361M)[ie]   |
| 8    | CM100608  | Distanzscheibe 25 KM/H      | 1     | <b>Land:</b><br><b>Technische Daten:</b> Version mit Beschränkung 30 km/h[30km], Version mit Einspritzung (C361M)[ie] |
| 8    | CM100615  | Distanzscheibe              | 1     | <b>Land:</b><br><b>Technische Daten:</b> Version mit Vergaser (C364M)[carb]   |
| 8    | CM100615  | Distanzscheibe              | 1     | <b>Land:</b><br><b>Technische Daten:</b> Version mit Beschränkung 25 km/h[25km], Version mit Einspritzung (C361M)[ie] |
| 8    | CM100616  | Distanzscheibe 30 KM/H      | 1     | <b>Land:</b><br><b>Technische Daten:</b> Version mit Beschränkung 45 km/h[45km], Version mit Einspritzung (C361M)[ie] |
| 9    | 479561    | Riemenscheibenhälfte        | 1     |   |
| 10   | 436864    | Keilriemen                  | 1     | <b>Technische Daten:</b> Version mit Vergaser (C364M)[carb]   |
| 10   | 833982    | Keilriemen                  | 1     | <b>Technische Daten:</b> Version mit Einspritzung (C361M)[ie]   |
| 11   | 845611    | Lüfter                      | 1     |   |
| 12   | 479866    | Buchse verzahnt             | 1     |   |
| 13   | 289519    | Geflanschte Mutter M10x1,25 | 2     |   |
| 14   | 265300    | Ausgleichscheibe            | 1     |   |

|                     |          |
|---------------------|----------|
| <b>Einheit</b>      | MOTOR    |
| <b>Code</b>         | 29.47    |
| <b>Beschreibung</b> | Kupplung |
| <b>Inspektion</b>   | 1        |



| Pos. | Code      | Beschreibung                           | Menge | Varianten |
|------|-----------|--|-------|-----------|
| 1    | CM100109  | Sek. Riensch. kpl.                     | 1     |           |
| 2    | 289519    | Geflanschte Mutter M10x1,25            | 2     |           |
| 3    | 006624    | Ring                                   | 1     |           |
| 4    | 289952    | Nadelkaefig                            | 1     |           |
| 5    | 4795526   | Feste Nebenriemenscheibe komplett      | 1     |           |
| 6    | 482766    | Bolzen                                 | 3     |           |
| 7    | 827893    | Bewegliche Nebenriemenscheibe komplett | 1     |           |
| 8    | 289950    | Dichtring                              | 2     |           |
| 9    | 289840    | Dichtung                               | 2     |           |
| 10   | 483443    | Federteller Riemenscheibenseite        | 1     |           |
| 11   | 478028    | Feder Wandler                          | 1     |           |
| 12   | 487935    | Federteller Kupplungsseite             | 1     |           |
| 13   | CM1002045 | Fliehkraftkupplung                     | 1     |           |
| 14   | 289955    | Nutmutter                              | 1     |           |
| 15   | 289933    | Kupplungsglocke                        | 1     |           |

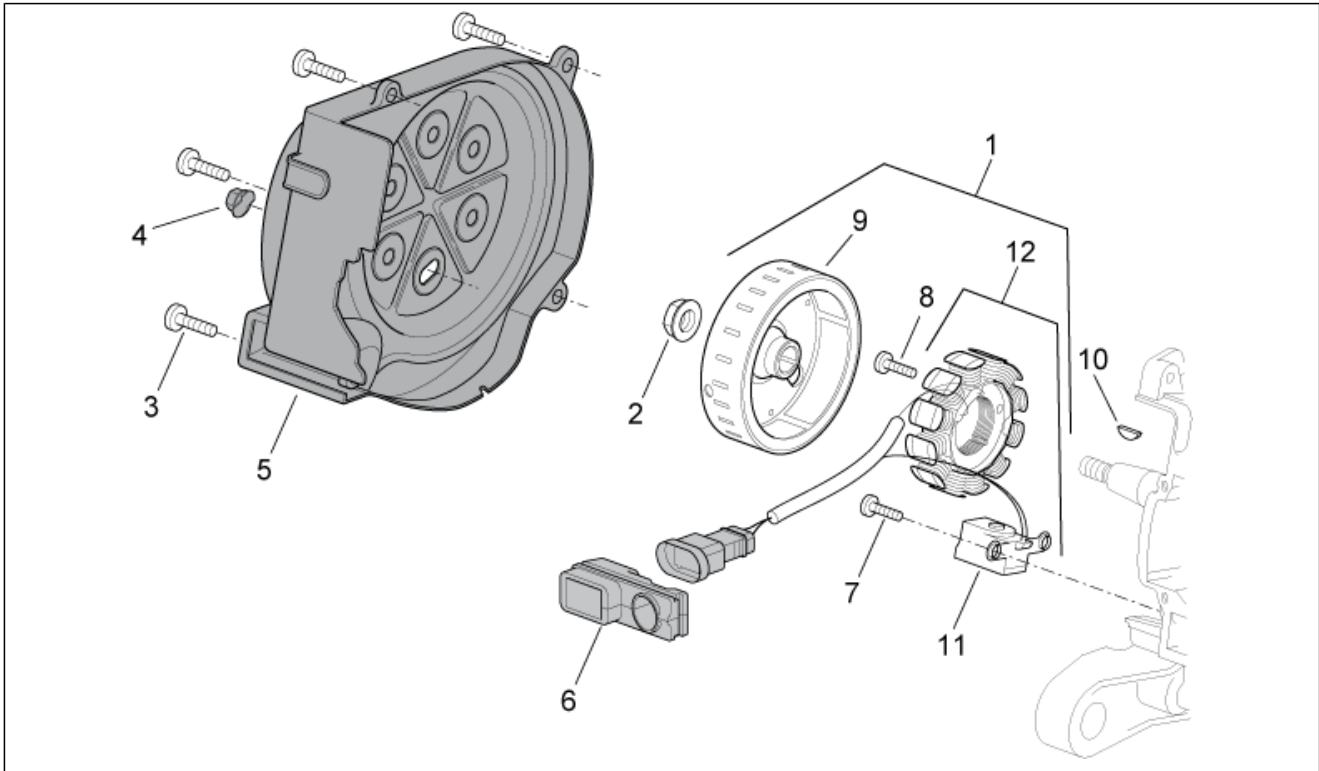
|                     |                |
|---------------------|----------------|
| <b>Einheit</b>      | MOTOR          |
| <b>Code</b>         | 29.48          |
| <b>Beschreibung</b> | Endübersetzung |
| <b>Inspektion</b>   | 1              |



| Pos. | Code    | Beschreibung                      | Menge | Varianten   |
|------|---------|-----------------------------------|-------|---|
| 1    | 4874805 | Deckel Radnabe mit inneren Teilen | 1     |   |
| 2    | 4874845 | Antriebswelle                     | 1     | <b>Technische Daten:</b> Version mit Vergaser (C364M)[carb]   |
| 2    | 4874845 | Antriebswelle                     | 1     | <b>Technische Daten:</b> Version mit Einspritzung (C361M)[ie] |
| 3    | 239388  | Passhülse 6,5x9,5x15              | 2     |   |
| 4    | 435363  | Lager                             | 1     |   |
| 5    | 480066  | Gasket ring                       | 1     |   |
| 6    | 414834  | TE Schr. m. Flansch M6x40         | 5     |   |
| 7    | 4795935 | Abtriebsriemenscheibewelle        | 1     |   |
| 8    | 480953  | Sprengtring                       | 1     |   |
| 9    | 4802185 | Doppeltes Freilaufgrad            | 1     | <b>Technische Daten:</b> Version mit Vergaser (C364M)[carb]   |
| 9    | 4802185 | Doppeltes Freilaufgrad            | 1     | <b>Technische Daten:</b> Version mit Einspritzung (C361M)[ie] |
| 10   | 288639  | Abstreifscheibe                   | 2     |   |
| 11   | 478197  | Ausgleichsring                    | 1     |   |

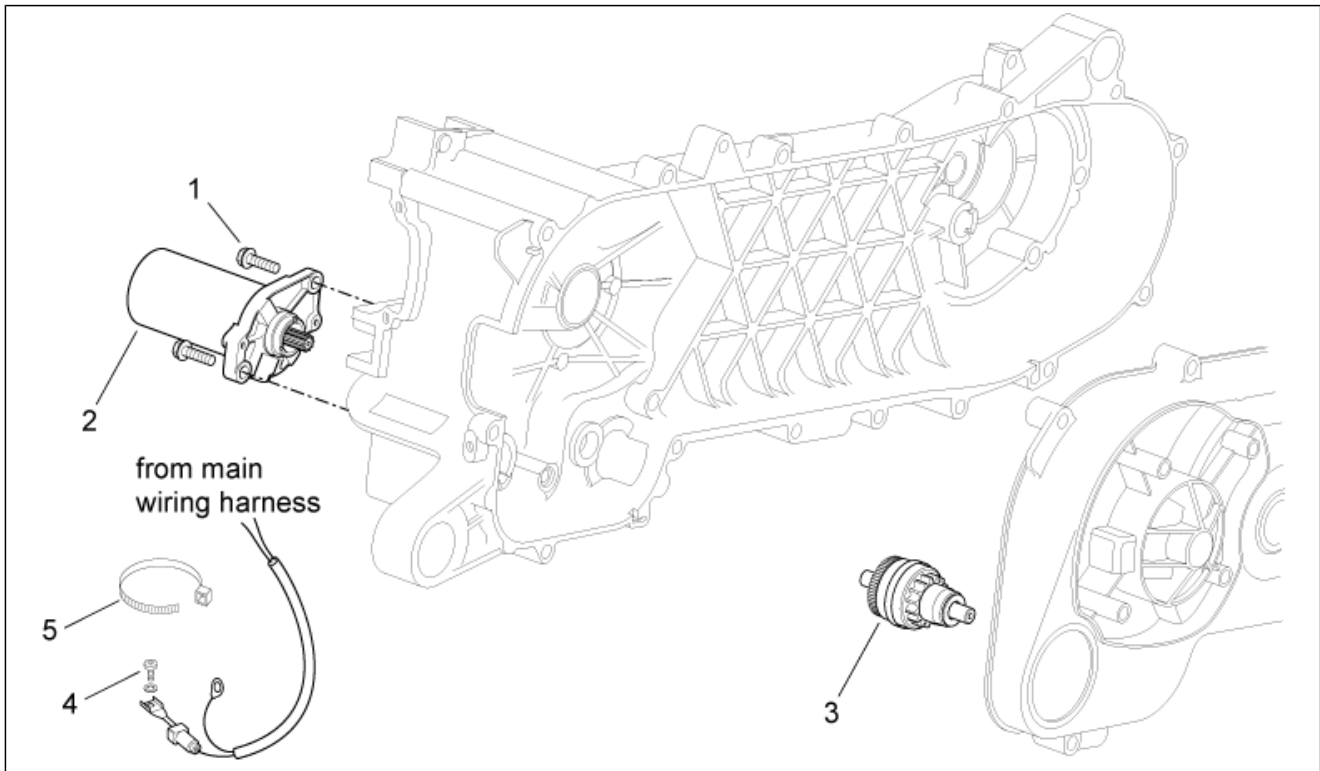


|                     |            |
|---------------------|------------|
| <b>Einheit</b>      | MOTOR      |
| <b>Code</b>         | 29.49      |
| <b>Beschreibung</b> | Schwungrad |
| <b>Inspektion</b>   | 1          |



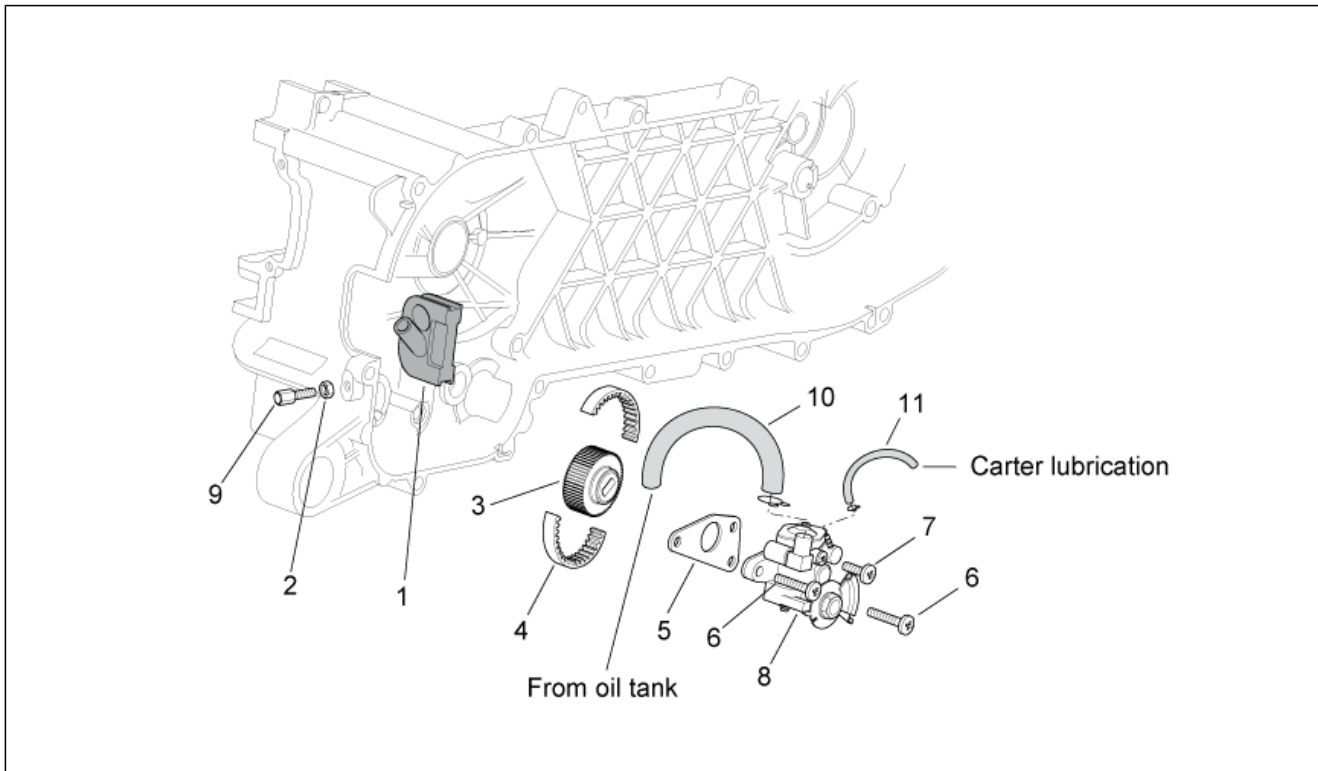
| Pos. | Code   | Beschreibung                 | Menge | Varianten   |
|------|--------|------------------------------|-------|---|
| 1    | 58062R | Schwungrad kpl.              | 1     | <b>Technische Daten:</b> Version mit Einspritzung (C361M)[ie] |
| 1    | 58136R | Schwungmagnetzünder komplett | 1     | <b>Technische Daten:</b> Version mit Vergaser (C364M)[carb]   |
| 2    | 289005 | Geflanschte Mutter           | 1     |   |
| 3    | 015856 | Schraube M5x21               | 4     |   |
| 4    | 827712 | Deckel                       | 1     |   |
| 5    | 826972 | Zuenderdeckel                | 1     | <b>Technische Daten:</b> Version mit Einspritzung (C361M)[ie] |
| 5    | 827517 | Zuenderdeckel                | 1     | <b>Technische Daten:</b> Version mit Vergaser (C364M)[carb]   |
| 6    | 827685 | Kabelführung                 | 1     |   |
| 7    | 015585 | Gewindeschraube M5x12        | 2     | <b>Technische Daten:</b> Version mit Vergaser (C364M)[carb]   |
| 7    | 015715 | Schraube M5x16               | 2     | <b>Technische Daten:</b> Version mit Einspritzung (C361M)[ie] |
| 8    | 015597 | TBIC Schraube                | 2     |   |
| 9    | 584526 | Rotor komplett (Kokusan)     | 1     | <b>Technische Daten:</b> Version mit Vergaser (C364M)[carb]   |
| 9    | 638611 | Rotor kpl.                   | 1     | <b>Technische Daten:</b> Version mit Einspritzung (C361M)[ie] |
| 10   | 000267 | Keil                         | 1     |   |
| 11   | 831443 | Aussengeber                  | 1     | <b>Technische Daten:</b> Version mit Einspritzung (C361M)[ie] |
| 12   | 584525 | Stator kpl                   | 1     | <b>Technische Daten:</b> Version mit Vergaser (C364M)[carb]   |
| 12   | 638610 | Stator kpl                   | 1     | <b>Technische Daten:</b> Version mit Einspritzung (C361M)[ie] |

|                     |              |
|---------------------|--------------|
| <b>Einheit</b>      | MOTOR        |
| <b>Code</b>         | 29.50        |
| <b>Beschreibung</b> | Startermotor |
| <b>Inspektion</b>   | 1            |



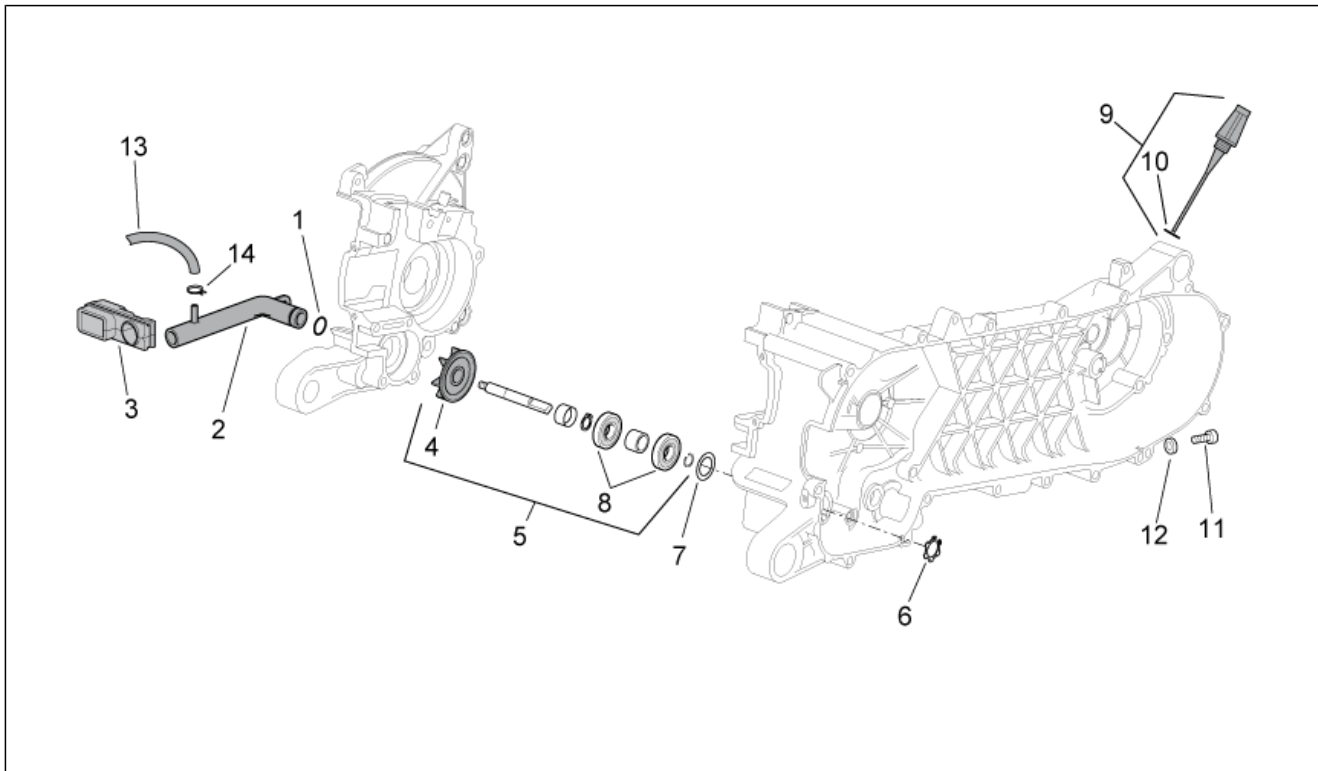
| Pos. | Code      | Beschreibung              | Menge | Varianten   |
|------|-----------|---------------------------|-------|---|
| 1    | 414837    | TE Schr. m. Flansch M6x25 | 2     |   |
| 2    | 82530R    | Startermotor              | 1     | <b>Technische Daten:</b> Version mit Vergaser (C364M)[carb]   |
| 2    | 96921R    | Startermotor              | 1     | <b>Technische Daten:</b> Version mit Einspritzung (C361M)[ie] |
| 3    | 82531R    | Umlenk.Anlasser           | 1     | <b>Technische Daten:</b> Version mit Vergaser (C364M)[carb]   |
| 3    | 96922R    | ZSB Vorgelege komplett    | 1     | <b>Technische Daten:</b> Version mit Einspritzung (C361M)[ie] |
| 4    | 018644    | Schraube                  | 1     |   |
| 5    | AP8120416 | Schelle schwarz 178x4     | 1     |   |

|                     |         |
|---------------------|---------|
| <b>Einheit</b>      | MOTOR   |
| <b>Code</b>         | 29.51   |
| <b>Beschreibung</b> | Ölpumpe |
| <b>Inspektion</b>   | 1       |



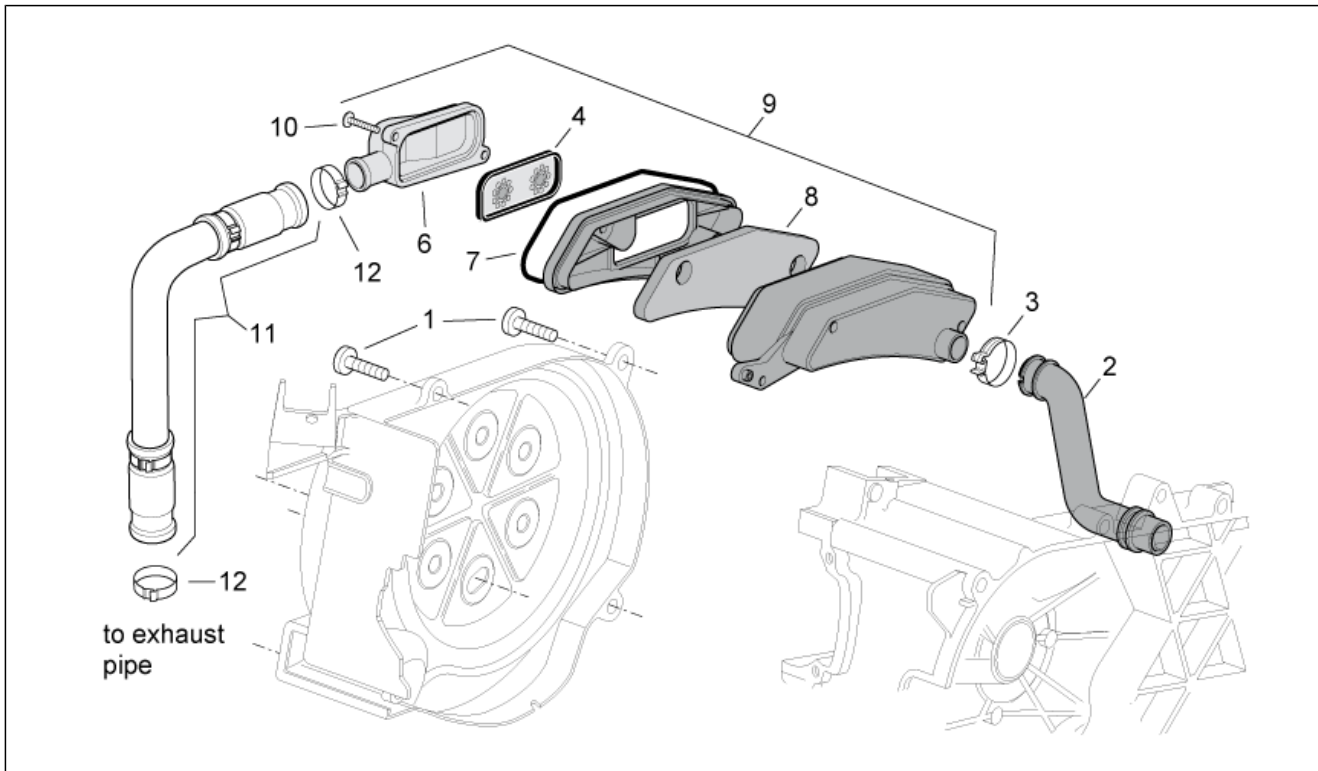
| Pos. | Code     | Beschreibung          | Menge | Varianten   |
|------|----------|-----------------------|-------|---|
| 1    | 287021   | Kabelführung          | 1     |   |
| 2    | 020106   | Mutter M6             | 1     |   |
| 3    | 289262   | Ölpumpen-Zahnr., kpl. | 1     |   |
| 4    | 286162   | Zahnriemen            | 1     |   |
| 5    | 286163   | Platte                | 1     |   |
| 6    | 015856   | Schraube M5x21        | 2     |   |
| 7    | 015585   | Gewindeschraube M5x12 | 1     |   |
| 8    | 82605R   | Ölpumpe               | 1     | <b>Technische Daten:</b> Version mit Vergaser (C364M)[carb]   |
| 8    | 82632R   | Ölpumpe               | 1     | <b>Technische Daten:</b> Version mit Einspritzung (C361M)[ie] |
| 9    | 146197   | Regelschraube         | 1     |   |
| 10   | CM101509 | Öleinlaßschlauch      | 1     |   |
| 11   | CM101605 | Ölauslaßschlauch      | 1     |   |

|                     |                    |
|---------------------|--------------------|
| <b>Einheit</b>      | MOTOR              |
| <b>Code</b>         | 29.52              |
| <b>Beschreibung</b> | Wasserpumpenritzel |
| <b>Inspektion</b>   | 1                  |



| Pos. | Code     | Beschreibung                | Menge | Varianten   |
|------|----------|-----------------------------|-------|---|
| 1    | 289254   | O-Ring                      | 1     |   |
| 2    | 830004   | Anschl. Wasseraus.          | 1     | <b>Technische Daten:</b> Version mit Einspritzung (C361M)[ie] |
| 2    | 832925   | Anschl. Wasseraus.          | 1     | <b>Technische Daten:</b> Version mit Vergaser (C364M)[carb]   |
| 3    | 827685   | Kabelführung                | 1     |   |
| 4    | 487730   | Läufer                      | 1     |   |
| 5    | 497406   | Welle Wasserpumpe, kpl.     | 1     |   |
| 6    | 289553   | Sperring                    | 1     |   |
| 7    | 289554   | Paßscheibe                  | 1     |   |
| 8    | 487392   | Lager                       | 2     |   |
| 9    | 832130   | Ölmessstab komplett         | 1     |   |
| 10   | 827085   | Gasket ring 14,43x9,19x2,62 | 1     |   |
| 11   | 269755   | TCEI Schraube M8x12         | 1     |   |
| 12   | 000397   | Dichtung                    | 1     |   |
| 13   | 488139   | Bypassschlauch carb-pumpe   | 1     | <b>Technische Daten:</b> Version mit Vergaser (C364M)[carb]   |
| 14   | CM002901 | Schlauchschele              | 1     |   |

|                     |               |
|---------------------|---------------|
| <b>Einheit</b>      | MOTOR         |
| <b>Code</b>         | 29.53         |
| <b>Beschreibung</b> | Secondary air |
| <b>Inspektion</b>   | 1             |



| Pos. | Code      | Beschreibung                           | Menge | Varianten   |
|------|-----------|--|-------|---|
| 1    | 015597    | TBIC Schraube                          | 2     | <b>Technische Daten:</b> Version mit Vergaser (C364M)[carb] |
| 2    | 827208    | Ansaugleitung sas                      | 1     | <b>Technische Daten:</b> Version mit Vergaser (C364M)[carb] |
| 3    | CM001905  | Schlauchselle                          | 1     | <b>Technische Daten:</b> Version mit Vergaser (C364M)[carb] |
| 4    | 82758R    | Membran                                | 1     | <b>Technische Daten:</b> Version mit Vergaser (C364M)[carb] |
| 6    | 827209    | Deckel sas                             | 1     | <b>Technische Daten:</b> Version mit Vergaser (C364M)[carb] |
| 7    | 486943    | Dichtung                               | 1     | <b>Technische Daten:</b> Version mit Vergaser (C364M)[carb] |
| 8    | 486942    | Filter sas                             | 1     | <b>Technische Daten:</b> Version mit Vergaser (C364M)[carb] |
| 9    | 8318594   | Gehäuse Sekundärluftsystem komplett kt | 1     | <b>Technische Daten:</b> Version mit Vergaser (C364M)[carb] |
| 10   | 478533    | Gew.schr.                              | 2     | <b>Technische Daten:</b> Version mit Vergaser (C364M)[carb] |
| 11   | 833740    | Luftschlauch sas                       | 1     | <b>Technische Daten:</b> Version mit Vergaser (C364M)[carb] |
| 12   | AP8102273 | Schlauchselle                          | 2     | <b>Technische Daten:</b> Version mit Vergaser (C364M)[carb] |