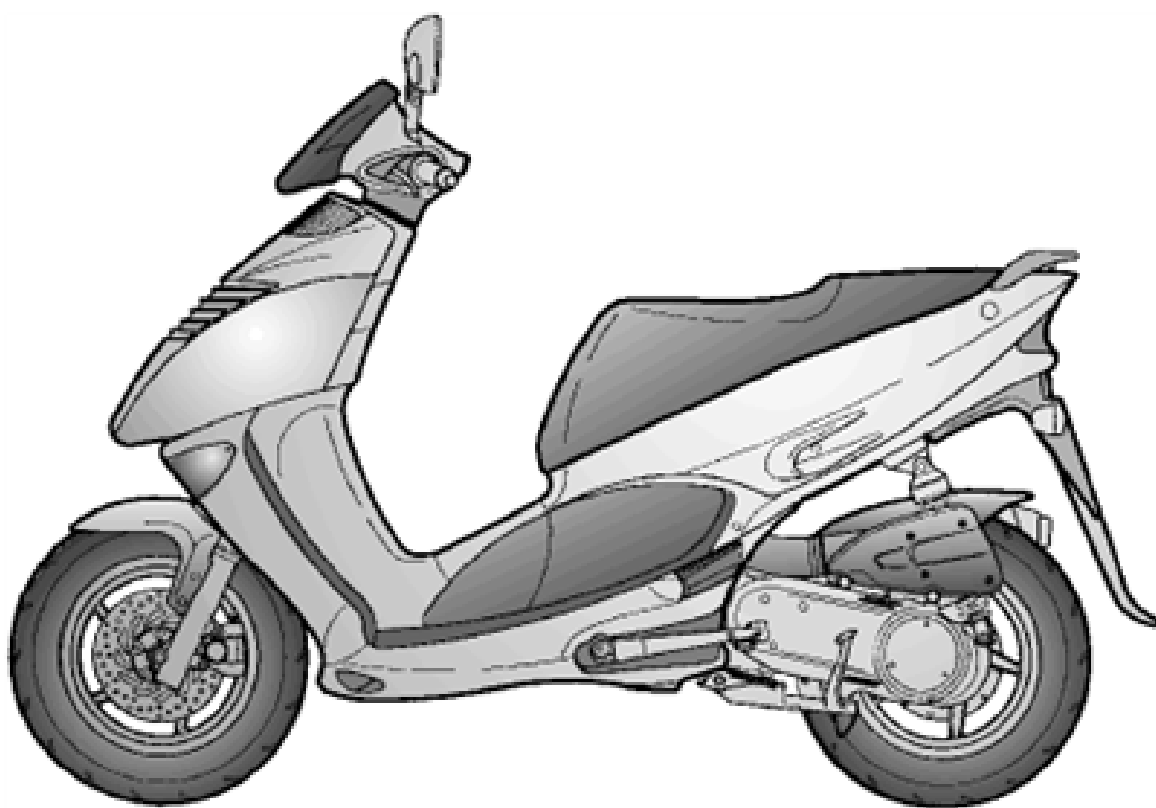


**aprilia**<sup>®</sup>

## ERSATZTEILKATALOG



### **Leonardo 125-150 1996-1998**

Vorsatzcode Fahrgestell: ZD4MB00,  
ZD4MB01, ZD4MB02, ZD4MBA0, ZD4MBA1



Vorsatzcode Motor:

## Inhaltsverzeichnis

Fertige Produkte.....	5
Alphanumerisches Verzeichnis.....	7
RAHMEN.....	14
Tafel 28.01 - Rahmen.....	14
Tafel 28.02 - Hauptständer.....	15
Tafel 28.03 - Gabel - Fuß mit Rohr.....	16
Tafel 28.04 - Gabel - Schaften.....	17
Tafel 28.05 - Gabel - Hülsen.....	20
Tafel 28.06 - Pleuelstange.....	22
Tafel 28.07 - Frontaufbau - Kuppel.....	23
Tafel 28.08 - Frontaufbau - Haube.....	25
Tafel 28.09 - Frontaufbau - Frontschild.....	26
Tafel 28.10 - Frontaufbau - Innenschild.....	27
Tafel 28.11 - Mittlerer aufbau I.....	28
Tafel 28.12 - Mittlerer aufbau II.....	30
Tafel 28.13 - Sitzbankeinheit.....	31
Tafel 28.14 - Heckaufbau I.....	33
Tafel 28.15 - Heckaufbau II.....	34
Tafel 28.16 - Instrumententafel.....	35
Tafel 28.17 - Lenkstange.....	36
Tafel 28.18 - Schaltungen.....	37
Tafel 28.19 - Lüfter.....	38
Tafel 28.20 - Kühler.....	39
Tafel 28.21 - Ausdehngefäß 96-97.....	41
Tafel 28.22 - Ausdehngefäß 98.....	43
Tafel 28.23 - Benz.std. 96 M.I.A u. 98.....	44
Tafel 28.24 - Benz.std. 96 M.I.B u. 97.....	45
Tafel 28.25 - Kraftstofftank.....	46
Tafel 28.26 - Filtergruppe.....	47
Tafel 28.31 - Auslassgruppe.....	48
Tafel 28.32 - Vorderrad.....	49
Tafel 28.33 - Hinterrad.....	50
Tafel 28.34 - Lichter I.....	51
Tafel 28.35 - Lichter II.....	52
Tafel 28.36 - Elektrische Anlage.....	54
Tafel 28.37 - Deko schutz.....	56
Tafel 28.38 - Deko Serie.....	58
Tafel 28.39 - Schilder und Anleit.....	60
MOTOR.....	62
Tafel 29.27 - Vergaser I.....	62
Tafel 29.28 - Vergaser II.....	64
Tafel 29.29 - Vergaser III.....	66
Tafel 29.30 - Motor.....	68

---

Tafel 29.40 - Kurbelwellengehäuse.....	70
Tafel 29.41 - Mittlerer halbgehäuse I.....	71
Tafel 29.42 - Mittlerer halbgehäuse II.....	72
Tafel 29.43 - R. halbgehäuse I.....	73
Tafel 29.44 - R. halbgehäuse II.....	74
Tafel 29.45 - Kurbelwelle - ventile.....	75
Tafel 29.46 - Ventilschaltung.....	77
Tafel 29.47 - Zylinder.....	78
Tafel 29.48 - Zylinderkopf.....	79
Tafel 29.49 - Zündung.....	80
Tafel 29.50 - Startermotor.....	81
Tafel 29.51 - Getriebe.....	82
Tafel 29.52 - Wandler mit Kupplung.....	84
Tafel 29.53 - Primaertrieb kpl. I.....	86
Tafel 29.54 - Primaertrieb kpl. II.....	88
Tafel 29.55 - Vorgelege I.....	90
Tafel 29.56 - Vorgelege II.....	92
Tafel 29.57 - Vorgelege III.....	94
Tafel 29.59 - Verbrauchsmaterial.....	96
ZUBEHÖR.....	97
Tafel 30.60 - Acc. - Windschilder.....	97
Tafel 30.61 - Acc. - Koffer, Taschen.....	98
Tafel 30.62 - Acc. - Diebstahl.....	99
SPEZIALWERKZEUG.....	100
Tafel 31.58 - Spezialwerkzeug.....	100

## Fertige Produkte

Code	Gültigkeit
AP67900DE02	
AP67900DE03	
AP67900ES02	
AP67900ES03	
AP67900ES04	
AP67900FR02	
AP67900FR03	
AP67900FR04	
AP67900GB02	
AP67900GB03	
AP67900IT01	
AP67900IT02	
AP67900IT03	
AP67900IT04	
AP67900NL03	
AP67901BE03	
AP67901DE02	
AP67901DE03	
AP67901DE04	
AP67901DE05	
AP67901EL02	
AP67901EL03	
AP67901ES02	
AP67901ES03	
AP67901ES04	
AP67901FR02	
AP67901FR03	
AP67901FR04	
AP67901FR05	
AP67901GB03	
AP67901GB05	
AP67901IT02	
AP67901IT03	
AP67901IT04	
AP67901IT05	
AP67901NL02	
AP67901NL03	
AP67902AT01	
AP67902AT02	
AP67902AT05	
AP67902BE01	
AP67902DE01	

Code	Gültigkeit
AP67902DE02	
AP67902DE03	
AP67902DE04	
AP67902DE05	
AP67902DE06	
AP67902DK05	
AP67902EL01	
AP67902EL02	
AP67902ES02	
AP67902ES05	
AP67902FR01	
AP67902FR02	
AP67902FR04	
AP67902GB01	
AP67902GB04	
AP67902GB05	
AP67902IT01	
AP67902IT02	
AP67902IT03	
AP67902IT04	
AP67902IT05	
AP67902IT06	
AP67902PT02	
AP7999027	

Code	Nr. der Tafel	Pos.	Code	Nr. der Tafel	Pos.	Code	Nr. der Tafel	Pos.
0000000	28.32	1	AP0220335	29.51	4	AP0239406	29.56	2
0000000	28.33	1	AP0220342	29.51	3	AP0239406	29.56	2
0000000	29.40	14	AP0220354	29.43	11	AP0239490	29.53	4
0000000	29.41	20	AP0220356	29.44	11	AP0240186	29.43	3
0000000	29.41	21	AP0222470	29.48	10	AP0240230	29.42	26
0000000	29.42	19	AP0222490	29.48	9	AP0240235	29.43	5
0000000	29.42	20	AP0222520	29.52	10	AP0240235	29.44	5
0000000	29.43	22	AP0222520	29.52	10	AP0240366	29.48	4
0000000	29.44	16	AP0222525	29.52	10	AP0240371	29.41	15
0000000	29.45	17	AP0222525	29.52	10	AP0240371	29.42	21
0000000	29.46	17	AP0222525	29.52	10	AP0240940	29.43	4
0000000	29.47	10	AP0223970	29.47	2	AP0240940	29.44	4
0000000	29.49	15	AP0223977	29.47	2	AP0241140	29.41	6
0000000	29.50	12	AP0223988	29.48	2	AP0241236	29.49	11
0000000	29.51	12	AP0224260	29.40	9	AP0241275	29.44	3
0000000	29.54	7	AP0227180	29.52	2	AP0241275	29.52	9
0000000	29.55	10	AP0227450	29.45	11	AP0241335	29.46	6
0000000	31.58	10	AP0227937	29.46	13	AP0241481	29.48	6
0000000	31.58	11	AP0227937	29.49	7	AP0241501	29.41	16
0000000	31.58	12	AP0229301	29.40	8	AP0241501	29.42	15
0000000	31.58	13	AP0229410	29.46	2	AP0241660	29.42	6
0000000	31.58	14	AP0229420	29.53	1	AP0241782	29.43	8
0000000	31.58	15	AP0229421	29.53	1	AP0241782	29.44	8
0000000	31.58	15	AP0229421	29.53	1	AP0241816	29.52	8
0000000	31.58	16	AP0229421	29.53	1	AP0241841	29.46	10
0000000	31.58	17	AP0229423	29.53	1	AP0241841	29.48	13
0000000	31.58	18	AP0229425	29.53	1	AP0241930	29.48	18
0000000	31.58	19	AP0229430	29.55	7	AP0241975	29.53	6
0000000	31.58	20	AP0230195	29.43	14	AP0242515	29.52	3
0000000	31.58	21	AP0230195	29.44	12	AP0242515	29.52	5
0000000	31.58	3	AP0230415	29.41	18	AP0242910	29.46	7
0000000	31.58	4	AP0230415	29.42	17	AP0242920	29.57	2
0000000	31.58	5	AP0230890	29.49	14	AP0245490	29.55	3
0000000	31.58	6	AP0232291	29.41	2	AP0245570	29.44	20
0000000	31.58	7	AP0232291	29.42	2	AP0245805	29.45	8
0000000	31.58	8	AP0232291	29.51	9	AP0246570	29.45	4
0000000	31.58	9	AP0232430	29.43	17	AP0247930	29.50	2
AP0211430	29.49	9	AP0232430	29.44	14	AP0249060	29.55	8
AP0211490	29.51	6	AP0232621	29.41	1	AP0250640	29.41	9
AP0211490	29.51	6	AP0232621	29.42	1	AP0250640	29.42	9
AP0211490	29.51	6	AP0232621	29.43	1	AP0250640	29.43	9
AP0211495	29.51	6	AP0232621	29.44	1	AP0250640	29.44	9
AP0211495	29.51	6	AP0232763	29.51	8	AP0251040	29.46	9
AP0211500	29.41	11	AP0233710	29.40	2	AP0251052	29.47	5
AP0211500	29.42	11	AP0233712	29.40	3	AP0253811	29.48	3
AP0211511	29.52	6	AP0233715	29.40	4	AP0253840	29.45	15
AP0211511	29.52	6	AP0233717	29.40	5	AP0253867	29.46	5
AP0211517	29.52	6	AP0233770	29.54	1	AP0253877	29.46	4
AP0211517	29.52	6	AP0233770	29.54	1	AP0253880	29.45	9
AP0211517	29.52	6	AP0233770	29.54	1	AP0253890	29.45	10
AP0211521	29.48	15	AP0233772	29.54	1	AP0253900	29.45	14
AP0211710	29.53	5	AP0233775	29.54	1	AP0256450	29.41	10
AP0211710	29.53	5	AP0236250	29.47	6	AP0256450	29.42	10
AP0211710	29.53	5	AP0236270	29.46	15	AP0256461	29.49	13
AP0211715	29.53	5	AP0236280	29.46	16	AP0256480	29.43	21
AP0211715	29.53	5	AP0236350	29.45	16	AP0256482	29.42	24
AP0216210	29.45	7	AP0239015	29.47	7	AP0256490	29.43	7
AP0220314	29.46	1	AP0239280	29.42	23	AP0256490	29.44	7
AP0220325	29.51	2	AP0239280	29.43	20	AP0256500	29.48	16
AP0220325	29.51	2	AP0239360	29.45	13	AP0259480	29.49	4
AP0220325	29.51	2	AP0239400	29.56	2	AP0259490	29.49	3
AP0220327	29.51	2	AP0239400	29.56	2	AP0259650	29.53	2
AP0220327	29.51	2	AP0239400	29.56	2	AP0259650	29.53	2
AP0220330	29.51	4	AP0239405	29.56	2	AP0259650	29.53	2
AP0220330	29.51	4	AP0239405	29.56	2	AP0259655	29.53	2
AP0220330	29.51	4	AP0239405	29.56	2	AP0259655	29.53	2
AP0220335	29.51	4	AP0239406	29.56	2	AP0259660	29.57	3

Code	Nr. der Tafel	Pos.
AP0259660	29.57	3
AP0259660	29.57	3
AP0259660	29.57	3
AP0259662	29.57	3
AP0259738	29.57	1
AP0260295	29.41	5
AP0260295	29.42	5
AP0260332	29.53	3
AP0260332	29.53	3
AP0260332	29.53	3
AP0260335	29.53	3
AP0260335	29.53	3
AP0265242	29.50	5
AP0265407	29.50	3
AP0265417	29.50	4
AP0265450	29.48	19
AP0265490	29.50	8
AP0267130	29.47	4
AP0280090	29.52	1
AP0280090	29.52	1
AP0280092	29.52	1
AP0280092	29.52	1
AP0280092	29.52	1
AP0280100	29.54	5
AP0280100	29.54	5
AP0280102	29.54	5
AP0280102	29.54	5
AP0280110	29.54	2
AP0280110	29.54	2
AP0280110	29.54	2
AP0280115	29.54	2
AP0280115	29.54	2
AP0280120	29.55	5
AP0280120	29.55	5
AP0280120	29.55	5
AP0280125	29.55	5
AP0280125	29.55	5
AP0280130	29.55	1
AP0280130	29.55	1
AP0280130	29.55	1
AP0280135	29.55	1
AP0280135	29.55	1
AP0293419	29.44	21
AP0295330	29.52	13
AP0295331	29.52	13
AP0295332	29.52	13
AP0295550	29.49	2
AP0295555	29.49	17
AP0295580	29.45	5
AP0295580	29.45	5
AP0295580	29.45	5
AP0295581	29.45	5
AP0295584	29.45	6
AP0295585	29.45	5
AP0295589	29.45	6
AP0295594	29.45	1
AP0295616	29.40	1
AP0295616	29.40	1
AP0295616	29.40	1
AP0295620	29.50	7
AP0295630	29.43	2
AP0295630	29.44	2
AP0295710	31.58	1
AP0295710	31.58	1
AP0295710	31.58	1
AP0295711	31.58	1
AP0295715	31.58	1

Code	Nr. der Tafel	Pos.
AP0295715	31.58	1
AP0295715	31.58	1
AP0295716	31.58	1
AP0295716	31.58	1
AP0295730	29.53	8
AP0295730	29.53	8
AP0295730	29.53	8
AP0295730	29.54	9
AP0295730	29.54	9
AP0295730	29.54	9
AP0295731	29.53	8
AP0295731	29.54	9
AP0295732	29.53	8
AP0295732	29.54	9
AP0295735	29.55	11
AP0295735	29.55	11
AP0295735	29.56	6
AP0295735	29.56	6
AP0295735	29.57	6
AP0295735	29.57	6
AP0295820	29.45	5
AP0295824	29.45	6
AP0295825	29.45	5
AP0295931	29.40	1
AP0295931	29.40	1
AP0296280	29.55	11
AP0296280	29.56	6
AP0296280	29.57	6
AP0296282	29.55	11
AP0296282	29.56	6
AP0296282	29.57	6
AP0296704	29.45	6
AP0297386	29.49	18
AP0297386	29.59	9
AP0297433	29.40	15
AP0297433	29.43	23
AP0297433	29.45	19
AP0297433	29.48	20
AP0297433	29.50	10
AP0297433	29.56	3
AP0297433	29.59	5
AP0297434	29.41	17
AP0297434	29.42	16
AP0297434	29.45	18
AP0297434	29.51	13
AP0297434	29.54	8
AP0297434	29.57	4
AP0297434	29.59	1
AP0297921	29.50	6
AP0297930	29.46	14
AP0430622	29.42	25
AP0430622	29.43	6
AP0430622	29.44	6
AP0430900	29.44	22
AP0430920	29.41	12
AP0430920	29.42	12
AP0432680	29.42	22
AP0432680	29.43	19
AP0440191	29.49	5
AP0440193	29.40	10
AP0552276	29.47	8
AP0552280	29.47	9
AP0613110	29.48	2
AP0613345	29.47	2
AP0613395	29.47	2
AP0627100	29.46	20
AP0627100	29.46	3

Code	Nr. der Tafel	Pos.
AP0627105	29.46	8
AP0627110	29.45	2
AP0627110	29.45	3
AP0627111	29.45	3
AP0627112	29.45	3
AP0627150	29.56	5
AP0627160	29.56	1
AP0627160	29.56	1
AP0627160	29.56	1
AP0627165	29.56	1
AP0627165	29.56	1
AP0627170	29.56	4
AP0627320	29.46	19
AP0632010	29.40	6
AP0632080	29.55	2
AP0632090	29.55	4
AP0634380	29.46	11
AP0634430	29.43	18
AP0634430	29.44	15
AP0634455	29.49	1
AP0634460	29.50	1
AP0640240	29.40	13
AP0650120	29.45	12
AP0650160	29.47	1
AP0650160	29.47	1
AP0650160	29.47	1
AP0650165	29.47	1
AP0650165	29.47	1
AP0650170	29.48	1
AP0650172	29.48	1
AP0650180	29.41	14
AP0650182	29.42	14
AP0650190	29.49	8
AP0650200	29.51	5
AP0650200	29.51	5
AP0650200	29.51	5
AP0650202	29.51	5
AP0650202	29.51	5
AP0650230	29.48	17
AP0650250	29.48	12
AP0650260	29.54	4
AP0650270	29.55	9
AP0650280	29.54	3
AP0650290	29.55	6
AP0650300	29.48	22
AP0650350	29.41	7
AP0650350	29.42	7
AP0827405	29.44	19
AP0827590	29.43	16
AP0827590	29.44	13
AP0827590	29.46	20
AP0831177	29.40	12
AP0840880	29.41	13
AP0840880	29.41	19
AP0840880	29.42	13
AP0840880	29.42	18
AP0840880	29.48	7
AP0840880	29.49	10
AP0840880	29.49	12
AP0840880	29.51	10
AP0840880	29.52	7
AP0841331	29.50	9
AP0841481	29.52	9
AP0841921	29.41	8
AP0841921	29.42	8
AP0842616	29.48	5
AP0845530	29.43	15



Code	Nr. der Tafel	Pos.
AP0897161	29.43	12
AP0897161	29.44	17
AP0897161	29.59	6
AP0897330	29.50	11
AP0897330	29.51	11
AP0897330	29.59	7
AP0897651	29.43	13
AP0897651	29.44	18
AP0897651	29.46	18
AP0897651	29.49	16
AP0897651	29.52	12
AP0897651	29.59	2
AP0899784	29.40	17
AP0899784	29.48	21
AP0899784	29.59	3
AP0899788	29.40	16
AP0899788	29.57	5
AP0899788	29.59	4
AP0927571	29.48	14
AP0927835	29.48	8
AP0929650	29.40	7
AP0929650	29.47	3
AP0930267	29.51	7
AP0930900	29.41	4
AP0930900	29.42	4
AP0932425	29.41	3
AP0932425	29.42	3
AP0940315	29.52	11
AP0940485	29.49	6
AP0940580	29.46	12
AP0941950	29.48	11
AP0944468	29.51	1
AP0945754	29.52	4
AP0950141	29.40	11
AP0956166	29.43	10
AP0956166	29.44	10
AP8101372	28.26	13
AP8101916	28.21	4
AP8101916	28.21	4
AP8101928	28.12	4
AP8102221	28.10	4
AP8102239	28.21	15
AP8102239	28.22	11
AP8102239	28.26	24
AP8102375	28.01	12
AP8102375	28.08	1
AP8102375	28.10	11
AP8102375	28.11	5
AP8102375	28.36	8
AP8102376	28.01	4
AP8102376	28.11	6
AP8102376	28.14	11
AP8102405	28.20	1
AP8102405	28.20	1
AP8102407	28.32	11
AP8102408	28.25	3
AP8102413	28.13	5
AP8102413	28.13	5
AP8102413	28.13	5
AP8102456	28.25	4
AP8102499	28.19	3
AP8102522	29.30	3
AP8102538	28.06	6
AP8102576	28.26	9
AP8102582	28.26	6
AP8102605	28.23	2
AP8102605	28.23	2

Code	Nr. der Tafel	Pos.
AP8102605	28.24	2
AP8102605	28.24	2
AP8102614	28.21	24
AP8102614	28.22	9
AP8102628	28.17	9
AP8102629	28.17	8
AP8102637	28.26	7
AP8102638	28.26	3
AP8102663	28.17	10
AP8102695	28.17	2
AP8102696	28.17	3
AP8102697	28.17	2
AP8102698	28.17	3
AP8102699	28.11	14
AP8102702	28.01	6
AP8102708	28.39	5
AP8102708	28.39	5
AP8102708	28.39	5
AP8102717	28.18	17
AP8102732	28.21	14
AP8102732	28.22	10
AP8102741	28.23	9
AP8102741	28.23	9
AP8102741	28.24	9
AP8102741	28.24	9
AP8102749	28.39	5
AP8102749	28.39	5
AP8102749	28.39	5
AP8102750	28.39	5
AP8102750	28.39	5
AP8102750	28.39	5
AP8102760	28.23	3
AP8102760	28.23	3
AP8102760	28.24	3
AP8102760	28.24	3
AP8102769	28.39	5
AP8102769	28.39	5
AP8102777	28.20	1
AP8102777	28.20	1
AP8102782	28.10	1
AP8102810	28.21	25
AP8102810	28.22	14
AP8102868	28.39	5
AP8102868	28.39	5
AP8102869	28.39	5
AP8102869	28.39	5
AP8102870	28.39	5
AP8102870	28.39	5
AP8102871	28.39	5
AP8102871	28.39	5
AP8102872	28.13	5
AP8102872	28.13	5
AP8103199	28.05	5
AP8104051	29.57	1
AP8104051	29.57	1
AP8104051	29.57	1
AP8104052	29.57	1
AP8104053	29.57	1
AP8104053	29.57	1
AP8104053	29.57	1
AP8104053	29.57	1
AP8104054	29.57	1
AP8104197	30.61	3
AP8106290	29.30	1
AP8106291	29.27	1
AP8106291	29.28	1

Code	Nr. der Tafel	Pos.
AP8106291	29.29	1
AP8106418	29.27	1
AP8106418	29.28	1
AP8106418	29.29	1
AP8106427	29.30	1
AP8106427	29.30	1
AP8106427	29.30	1
AP8106428	29.27	1
AP8106428	29.28	1
AP8106428	29.29	1
AP8106440	31.58	2
AP8106448	29.30	1
AP8106448	29.30	1
AP8106448	29.30	1
AP8106449	29.27	1
AP8106449	29.28	1
AP8106449	29.29	1
AP8106468	29.29	8
AP8106469	29.27	18
AP8106470	29.27	2
AP8106471	29.27	3
AP8106472	29.27	4
AP8106473	29.27	5
AP8106474	29.27	6
AP8106476	29.27	9
AP8106477	29.27	10
AP8106478	29.27	11
AP8106479	29.27	12
AP8106480	29.27	13
AP8106481	29.27	13
AP8106482	29.27	17
AP8106483	29.28	17
AP8106484	29.28	18
AP8106485	29.28	19
AP8106485	29.29	16
AP8106486	29.28	20
AP8106487	29.28	2
AP8106488	29.28	3
AP8106489	29.28	4
AP8106490	29.28	5
AP8106491	29.28	6
AP8106492	29.28	7
AP8106493	29.28	10
AP8106494	29.29	2
AP8106495	29.29	3
AP8106496	29.29	4
AP8106497	29.29	5
AP8106498	29.29	6
AP8106499	29.29	7
AP8106500	29.29	9
AP8106501	29.29	10
AP8106502	29.29	11
AP8106503	29.29	12
AP8106504	29.29	13
AP8106505	29.29	14
AP8106506	29.28	11
AP8106507	29.28	12
AP8106509	29.28	16
AP8106510	29.28	21
AP8106511	29.28	22
AP8106512	29.28	15
AP8106513	29.28	13
AP8106514	29.29	15
AP8106515	29.27	7
AP8106516	29.28	14
AP8106524	29.27	7
AP8106525	29.29	11

Code	Nr. der Tafel	Pos.
AP8106526	29.29	11
AP8106527	29.28	18
AP8106528	29.27	9
AP8106529	29.28	22
AP8106530	29.28	15
AP8106554	29.52	13
AP8106554	29.52	13
AP8106560	29.30	1
AP8106561	29.30	1
AP8106561	29.30	1
AP8106564	29.29	8
AP8106580	29.27	1
AP8106580	29.28	1
AP8106580	29.29	1
AP8106581	29.27	1
AP8106581	29.28	1
AP8106581	29.29	1
AP8106582	29.27	1
AP8106582	29.28	1
AP8106582	29.29	1
AP8106584	29.29	11
AP8106584	29.29	11
AP8108705	28.32	3
AP8108706	28.33	3
AP8110083	28.33	20
AP8112176	28.36	22
AP8112244	28.36	23
AP8112413	28.36	24
AP8112506	28.36	19
AP8112677	28.20	8
AP8112677	28.20	8
AP8112677	28.20	8
AP8112756	28.35	7
AP8112811	28.36	20
AP8112830	28.36	12
AP8112830	28.36	17
AP8112906	28.36	4
AP8112916	28.15	7
AP8112922	28.35	1
AP8112927	28.36	13
AP8112939	28.20	8
AP8112939	28.20	8
AP8113003	28.32	15
AP8113003	28.33	11
AP8113004	28.32	16
AP8113004	28.33	12
AP8113005	28.32	21
AP8113005	28.33	17
AP8113006	28.32	20
AP8113305	28.18	5
AP8113541	28.32	6
AP8113543	28.18	15
AP8113603	28.18	4
AP8113635	28.18	6
AP8113636	28.18	19
AP8113637	28.18	7
AP8113638	28.32	10
AP8113640	28.32	19
AP8113644	28.33	5
AP8113656	28.32	17
AP8113657	28.33	13
AP8113658	28.32	13
AP8113659	28.33	9
AP8113662	28.32	10
AP8113663	28.33	5
AP8113677	28.32	18
AP8113678	28.33	18

Code	Nr. der Tafel	Pos.
AP8114299	28.18	10
AP8114347	28.16	2
AP8114347	28.16	2
AP8114357	28.16	2
AP8114357	28.16	2
AP8114357	28.16	2
AP8116070	29.53	7
AP8116070	29.54	6
AP8116070	29.59	8
AP8117115	28.37	5
AP8117144	28.31	18
AP8118381	28.17	1
AP8118383	28.18	1
AP8118440	28.17	12
AP8118444	28.18	14
AP8118461	28.18	16
AP8118476	28.17	11
AP8119354	28.31	1
AP8119355	28.31	3
AP8119424	28.31	2
AP8119442	28.31	1
AP8119489	28.31	19
AP8119490	28.31	17
AP8119518	28.31	20
AP8120001	28.14	4
AP8120030	28.19	5
AP8120030	29.30	2
AP8120116	28.24	11
AP8120116	28.24	11
AP8120253	28.31	16
AP8120275	28.20	6
AP8120338	28.02	15
AP8120508	28.31	13
AP8120531	28.07	5
AP8120615	28.26	18
AP8120865	28.32	24
AP8120877	28.06	13
AP8120879	29.30	4
AP8120882	28.21	8
AP8120882	28.21	8
AP8120883	28.21	3
AP8120883	28.21	3
AP8120885	28.21	5
AP8120885	28.21	5
AP8120886	28.21	6
AP8120886	28.21	6
AP8120888	28.26	16
AP8120889	28.26	15
AP8120915	28.17	6
AP8120916	28.17	7
AP8120917	28.25	2
AP8120963	28.26	2
AP8120970	28.33	19
AP8120975	29.27	19
AP8120977	28.26	22
AP8120983	28.21	9
AP8120983	28.21	9
AP8121012	28.02	16
AP8121014	28.02	12
AP8121075	28.11	13
AP8121075	28.14	2
AP8121214	28.06	12
AP8121218	28.06	16
AP8121251	28.24	10
AP8121251	28.24	10
AP8121266	29.30	12
AP8121308	28.01	15

Code	Nr. der Tafel	Pos.
AP8121309	28.01	16
AP8121665	28.19	4
AP8121725	29.30	13
AP8121728	28.25	12
AP8121741	28.13	10
AP8121790	28.13	9
AP8121837	28.20	7
AP8121856	28.33	14
AP8121876	28.02	11
AP8121929	28.35	2
AP8121930	28.06	1
AP8121931	28.06	11
AP8121932	28.02	6
AP8121937	28.02	3
AP8121954	28.06	18
AP8121975	28.06	8
AP8121976	28.06	10
AP8121984	28.26	14
AP8121985	28.12	2
AP8121986	28.12	3
AP8122816	29.28	9
AP8122827	29.27	16
AP8122829	29.27	14
AP8122854	29.27	15
AP8122857	29.27	8
AP8122861	29.28	8
AP8123405	28.03	1
AP8123405	28.03	1
AP8123406	29.30	5
AP8123575	28.03	3
AP8123685	28.01	3
AP8123694	28.03	7
AP8123695	28.03	2
AP8123696	28.03	4
AP8123697	28.03	5
AP8123698	28.04	6
AP8123699	28.04	7
AP8123700	28.04	1
AP8123701	28.04	10
AP8123702	28.04	3
AP8123702	28.04	3
AP8123703	28.04	2
AP8123703	28.04	2
AP8123704	28.05	4
AP8123705	28.05	6
AP8123706	28.05	8
AP8123707	28.05	9
AP8123708	28.04	9
AP8123709	28.04	8
AP8123735	28.03	1
AP8123735	28.03	1
AP8123735	28.03	1
AP8123752	28.04	3
AP8123752	28.04	3
AP8123752	28.04	3
AP8123753	28.04	2
AP8123753	28.04	2
AP8123753	28.04	2
AP8123754	28.04	5
AP8123755	28.03	7
AP8123756	28.03	2
AP8123757	28.03	3
AP8123758	28.03	6
AP8123759	28.03	4
AP8123760	28.03	5
AP8123761	28.04	6
AP8123762	28.04	7

Code	Nr. der Tafel	Pos.
AP8123763	28.04	1
AP8123763	28.04	8
AP8123764	28.04	9
AP8123765	28.04	10
AP8123766	28.04	2
AP8123766	28.04	2
AP8123766	28.04	2
AP8123766	28.04	3
AP8123766	28.04	3
AP8123766	28.04	3
AP8123767	28.05	3
AP8123768	28.05	4
AP8123769	28.05	5
AP8123770	28.05	6
AP8123771	28.05	7
AP8123772	28.05	8
AP8123773	28.05	9
AP8123774	28.05	2
AP8123775	28.04	4
AP8123776	28.04	5
AP8123790	29.30	5
AP8123790	29.30	5
AP8123796	29.30	5
AP8123796	29.30	5
AP8124014	28.34	1
AP8124014	28.34	1
AP8124015	28.35	13
AP8124015	28.35	13
AP8124016	28.35	12
AP8124016	28.35	12
AP8124020	28.36	6
AP8124021	28.36	2
AP8124074	28.35	5
AP8124081	28.18	12
AP8124164	28.19	2
AP8124170	28.36	9
AP8124175	28.36	3
AP8124176	28.36	12
AP8124205	28.10	5
AP8124207	28.18	2
AP8124208	28.18	3
AP8124209	28.18	13
AP8124235	28.36	26
AP8124360	28.34	3
AP8124360	28.34	3
AP8124387	28.16	1
AP8124399	28.36	1
AP8124402	28.34	1
AP8124406	28.36	6
AP8124407	28.36	2
AP8124409	28.34	3
AP8124414	28.35	10
AP8124414	28.35	10
AP8124415	28.35	11
AP8124415	28.35	11
AP8124416	28.35	8
AP8124440	28.34	2
AP8124440	28.34	2
AP8124442	28.16	1
AP8124446	28.19	1
AP8124447	28.36	16
AP8124447	28.36	3
AP8124460	28.19	1
AP8124460	28.19	1
AP8124460	28.19	1
AP8124460	28.19	1
AP8124475	28.34	2

Code	Nr. der Tafel	Pos.
AP8124478	28.23	1
AP8124478	28.23	1
AP8124478	28.24	1
AP8124478	28.24	1
AP8124540	28.35	13
AP8124540	28.35	13
AP8124540	28.35	13
AP8124541	28.35	12
AP8124541	28.35	12
AP8124541	28.35	12
AP8124543	28.35	10
AP8124543	28.35	10
AP8124543	28.35	10
AP8124543	28.35	10
AP8124544	28.35	11
AP8124544	28.35	11
AP8124544	28.35	11
AP8124755	28.19	11
AP8124756	28.19	10
AP8124757	28.19	12
AP8125726	28.33	6
AP8125743	28.32	25
AP8125752	28.32	4
AP8125782	28.32	23
AP8126115	28.15	4
AP8126458	28.15	5
AP8126460	28.15	3
AP8126530	28.08	5
AP8126531	28.08	5
AP8126576	28.08	5
AP8126602	28.08	5
AP8126627	28.08	5
AP8126628	28.08	5
AP8126629	28.08	5
AP8126642	28.14	3
AP8127788	28.16	9
AP8129181	28.13	1
AP8129224	28.13	1
AP8129225	28.13	1
AP8134305	28.20	4
AP8134305	28.20	4
AP8134307	28.20	5
AP8134307	28.20	5
AP8134308	28.33	7
AP8134320	28.20	3
AP8134321	28.02	1
AP8134362	28.14	1
AP8134362	29.30	14
AP8134411	28.20	9
AP8134453	28.20	4
AP8134453	28.20	4
AP8134453	28.20	4
AP8134454	28.20	5
AP8134454	28.20	5
AP8134454	28.20	5
AP8134460	28.21	18
AP8134460	28.21	18
AP8134460	28.22	5
AP8135622	28.06	17
AP8135623	28.02	9
AP8135624	28.02	5
AP8135677	28.01	10
AP8135680	28.31	7
AP8135850	28.06	7
AP8135975	28.01	11
AP8135992	28.15	8
AP8137575	28.37	1
AP8137862	28.38	1

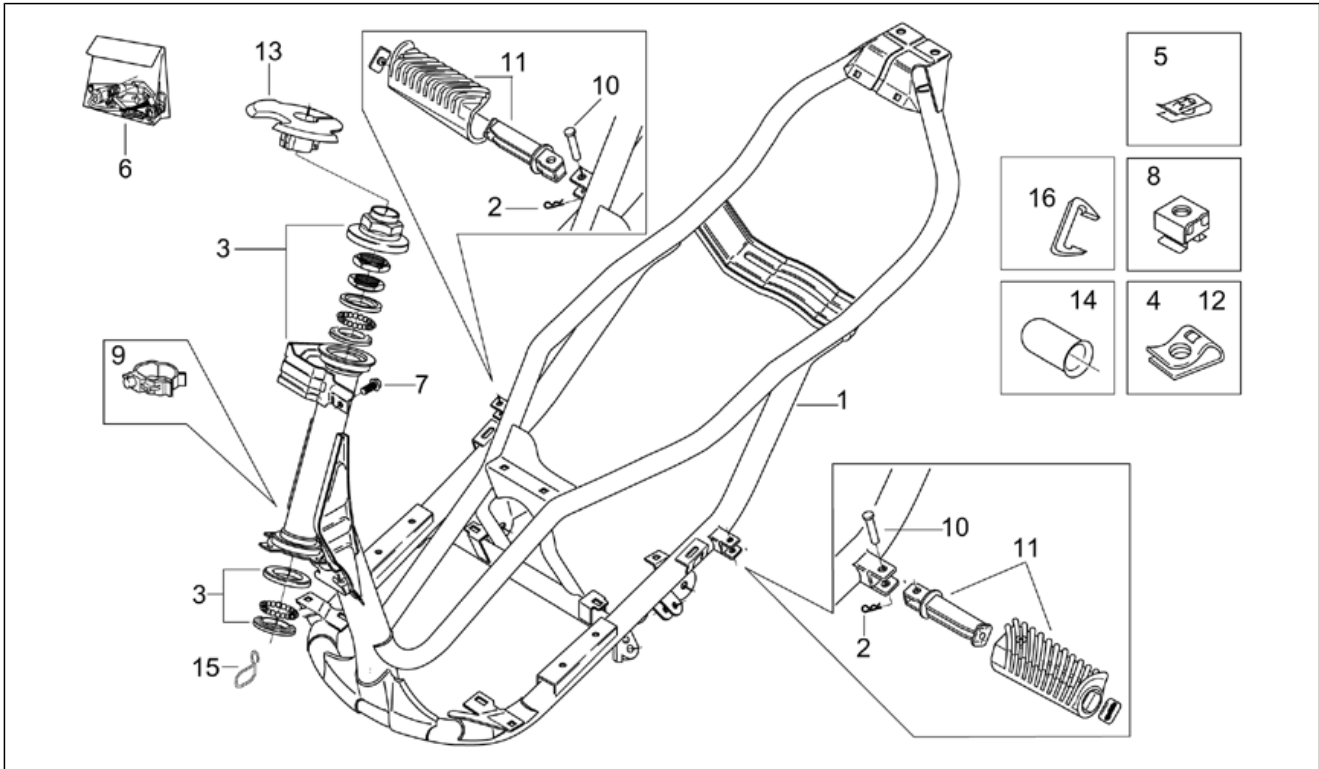
Code	Nr. der Tafel	Pos.
AP8137885	28.37	1
AP8137905	28.39	2
AP8137954	28.39	3
AP8137955	28.38	1
AP8137958	28.39	1
AP8137979	28.39	1
AP8138103	28.19	6
AP8138151	28.26	1
AP8138152	28.26	8
AP8138153	28.25	1
AP8138157	28.10	7
AP8138171	28.07	2
AP8138175	28.36	15
AP8138176	28.11	12
AP8138177	28.11	11
AP8138178	28.11	1
AP8138260	28.11	2
AP8138404	28.25	5
AP8138405	28.25	6
AP8138407	28.08	6
AP8138433	28.01	13
AP8138472	28.26	5
AP8138473	28.36	5
AP8138475	28.09	5
AP8138600	28.25	7
AP8138601	28.13	2
AP8138602	28.07	3
AP8138603	28.07	1
AP8138604	28.09	2
AP8138605	28.14	10
AP8138606	28.12	1
AP8138607	28.08	4
AP8138608	28.10	3
AP8138609	28.11	3
AP8138610	28.11	4
AP8138612	28.13	2
AP8138613	28.07	3
AP8138614	28.07	1
AP8138615	28.09	2
AP8138616	28.14	10
AP8138617	28.12	1
AP8138618	28.08	4
AP8138619	28.10	3
AP8138620	28.11	3
AP8138621	28.11	4
AP8138635	28.26	4
AP8138636	28.26	17
AP8138675	28.15	8
AP8138676	28.15	8
AP8138677	28.26	11
AP8138684	28.26	12
AP8138718	28.14	6
AP8138827	28.09	4
AP8138844	28.08	4
AP8138845	28.09	2
AP8138846	28.07	3
AP8138847	28.07	1
AP8138848	28.10	3
AP8138849	28.11	3
AP8138850	28.11	4
AP8138851	28.14	10
AP8138852	28.13	2
AP8138853	28.12	1
AP8138928	28.13	7
AP8138930	28.11	10
AP8138932	28.09	2
AP8138933	28.09	2

Code	Nr. der Tafel	Pos.	Code	Nr. der Tafel	Pos.	Code	Nr. der Tafel	Pos.
AP8138934	28.09	2	AP8144014	28.20	10	AP8147466	28.38	1
AP8138936	28.09	5	AP8144020	28.23	5	AP8147471	28.38	1
AP8138936	28.09	5	AP8144020	28.23	5	AP8147476	28.38	1
AP8138936	28.09	5	AP8144020	28.24	5	AP8147477	28.38	1
AP8138937	28.09	5	AP8144020	28.24	5	AP8147487	28.38	1
AP8138938	29.30	11	AP8144030	28.02	21	AP8150011	28.12	7
AP8138946	28.21	1	AP8144030	28.02	8	AP8150011	28.15	6
AP8138946	28.22	1	AP8144056	28.21	10	AP8150011	28.19	7
AP8138948	29.30	4	AP8144056	28.22	3	AP8150018	28.31	11
AP8138949	28.26	21	AP8144057	28.21	7	AP8150020	28.17	5
AP8138981	28.08	4	AP8144057	28.21	7	AP8150046	28.17	15
AP8138982	28.09	2	AP8144064	28.31	15	AP8150088	28.17	13
AP8138983	28.07	3	AP8144065	28.31	14	AP8150137	28.10	10
AP8138984	28.07	1	AP8144072	28.26	15	AP8150210	28.06	4
AP8138985	28.10	3	AP8144078	28.20	11	AP8150248	28.11	7
AP8138986	28.11	3	AP8144078	28.20	11	AP8150270	28.35	9
AP8138987	28.11	4	AP8144078	28.20	11	AP8150285	28.18	20
AP8138988	28.14	10	AP8144079	28.21	17	AP8150334	28.31	4
AP8138989	28.13	2	AP8144079	28.22	15	AP8150373	28.32	9
AP8138990	28.15	8	AP8144080	28.21	16	AP8150382	28.10	9
AP8138991	28.12	1	AP8144080	28.22	16	AP8150382	28.36	7
AP8138998	28.23	8	AP8144091	28.36	21	AP8150413	28.10	2
AP8138998	28.23	8	AP8144098	28.21	22	AP8150413	28.11	16
AP8138998	28.24	8	AP8144098	28.22	7	AP8150413	28.14	8
AP8138998	28.24	8	AP8144099	28.21	21	AP8150413	28.25	10
AP8138999	28.26	10	AP8144099	28.22	6	AP8150413	28.26	19
AP8139149	28.07	3	AP8144100	28.21	23	AP8150413	28.34	5
AP8139150	28.07	1	AP8144100	28.22	8	AP8150413	28.35	3
AP8139151	28.10	3	AP8144128	28.18	18	AP8150413	28.36	11
AP8139155	28.13	2	AP8144152	28.02	13	AP8150432	28.06	3
AP8139156	28.15	8	AP8144186	28.13	12	AP8150451	28.19	9
AP8139157	28.12	1	AP8146051	28.02	5	AP8150452	28.19	8
AP8139160	28.07	3	AP8146140	28.01	1	AP8150455	28.06	5
AP8139161	28.07	1	AP8147007	28.39	4	AP8150460	28.17	16
AP8139162	28.10	3	AP8147039	28.38	1	AP8150466	28.02	20
AP8139166	28.13	2	AP8147042	28.37	1	AP8150471	28.33	22
AP8139167	28.15	8	AP8147045	28.37	2	AP8152001	28.02	10
AP8139168	28.12	1	AP8147046	28.37	3	AP8152018	28.06	2
AP8139171	28.07	3	AP8147047	28.37	2	AP8152018	28.32	8
AP8139172	28.07	1	AP8147048	28.37	3	AP8152140	28.10	8
AP8139173	28.10	3	AP8147049	28.37	2	AP8152194	28.12	8
AP8139177	28.13	2	AP8147050	28.37	3	AP8152244	28.33	8
AP8139178	28.15	8	AP8147076	28.34	4	AP8152246	28.14	9
AP8139179	28.12	1	AP8147102	28.37	4	AP8152267	28.08	2
AP8139183	28.12	1	AP8147103	28.37	4	AP8152267	28.11	8
AP8139188	28.12	1	AP8147104	28.37	4	AP8152270	28.07	6
AP8139199	28.08	4	AP8147108	28.39	3	AP8152272	28.20	2
AP8139200	28.09	2	AP8147117	28.39	3	AP8152273	28.01	7
AP8139201	28.11	3	AP8147118	28.39	1	AP8152274	28.36	10
AP8139202	28.11	4	AP8147119	28.39	4	AP8152275	28.11	15
AP8139203	28.14	10	AP8147213	28.38	1	AP8152277	28.36	25
AP8139205	28.08	4	AP8147231	28.38	1	AP8152278	28.13	6
AP8139206	28.09	2	AP8147237	28.38	1	AP8152278	28.14	5
AP8139207	28.11	3	AP8147243	28.38	1	AP8152278	28.26	20
AP8139208	28.11	4	AP8147249	28.38	1	AP8152279	28.21	11
AP8139209	28.14	10	AP8147252	28.37	4	AP8152279	28.22	4
AP8139211	28.08	4	AP8147253	28.37	1	AP8152279	28.25	8
AP8139212	28.09	2	AP8147254	28.37	2	AP8152280	28.25	9
AP8139213	28.11	3	AP8147255	28.37	3	AP8152281	28.02	17
AP8139214	28.11	4	AP8147448	28.38	1	AP8152281	28.13	11
AP8139215	28.14	10	AP8147449	28.38	1	AP8152281	28.21	12
AP8139500	28.07	3	AP8147450	28.38	1	AP8152286	28.02	2
AP8139501	28.07	3	AP8147451	28.38	1	AP8152287	28.33	10
AP8139502	28.07	3	AP8147457	28.38	1	AP8152288	28.31	9
AP8139503	28.07	3	AP8147462	28.37	2	AP8152288	28.32	14
AP8139566	28.07	3	AP8147463	28.37	3	AP8152289	29.30	8
AP8144014	28.20	10	AP8147464	28.37	4	AP8152290	29.30	9

Code	Nr. der Tafel	Pos.
AP8152291	28.31	8
AP8152292	28.31	12
AP8152295	28.02	14
AP8152298	28.08	3
AP8152298	28.11	9
AP8152298	28.15	1
AP8152299	28.02	18
AP8152299	28.21	13
AP8152299	28.25	11
AP8152299	28.35	4
AP8152300	28.31	10
AP8152300	29.30	7
AP8152301	28.02	7
AP8152301	28.06	14
AP8152301	28.17	14
AP8152302	28.09	1
AP8152306	28.15	2
AP8152326	28.02	19
AP8152329	28.14	7
AP8152329	28.36	14
AP8152334	28.07	4
AP8152334	28.16	3
AP8152342	28.31	5
AP8201169	28.26	23
AP8201305	28.12	9
AP8201409	28.26	25
AP8201463	28.21	2
AP8201463	28.22	2
AP8201534	28.10	6
AP8201546	28.32	2
AP8201546	28.33	2
AP8201564	28.13	8
AP8201620	28.12	5
AP8201643	28.01	2
AP8201643	28.13	4
AP8201747	28.12	6
AP8201748	28.12	10
AP8201749	28.12	11
AP8201757	28.23	4
AP8201757	28.23	4
AP8201757	28.24	4
AP8201757	28.24	4
AP8201763	28.01	5
AP8201763	28.09	3
AP8201807	28.21	19
AP8201807	28.22	12
AP8201807	28.23	7
AP8201807	28.23	7
AP8201807	28.24	7
AP8201807	28.24	7
AP8201808	28.21	20
AP8201808	28.22	13
AP8201808	28.23	6
AP8201808	28.23	6
AP8201808	28.24	6
AP8201808	28.24	6
AP8201818	28.17	4
AP8202071	28.17	4
AP8203258	28.05	3
AP8203447	28.05	7
AP8203570	28.05	2
AP8203571	28.05	10
AP8203572	28.05	1
AP8203794	28.05	1
AP8203796	28.05	10
AP8206233	28.06	19
AP8212405	28.16	6

Code	Nr. der Tafel	Pos.
AP8212406	28.16	4
AP8212407	28.16	7
AP8212408	28.16	8
AP8212691	28.35	6
AP8212767	28.18	11
AP8212861	28.16	9
AP8213108	28.33	16
AP8213224	28.33	15
AP8213227	28.32	22
AP8213227	28.33	21
AP8213231	28.33	4
AP8218273	28.18	8
AP8220269	28.01	9
AP8220342	28.36	18
AP8220346	28.31	6
AP8220422	28.16	5
AP8220460	28.01	14
AP8221119	28.32	7
AP8221160	28.06	15
AP8221172	29.30	10
AP8221173	28.13	3
AP8221204	28.02	4
AP8221206	29.30	6
AP8221213	28.01	8
AP8221227	28.06	9
AP8221231	28.18	9
AP8225148	28.32	5
AP8225271	28.32	12
AP8238345	28.07	2
AP8700792	30.61	5
AP8700793	30.61	5
AP8700794	30.61	5
AP8720115	30.62	1
AP8720116	30.62	2
AP8720117	30.62	3
AP8720118	30.62	4
AP8790191	30.60	4
AP8790192	30.60	3
AP8791063	30.60	2
AP8791064	30.60	1
AP8792066	30.61	1
AP8792080	30.61	2
AP8792094	30.61	4

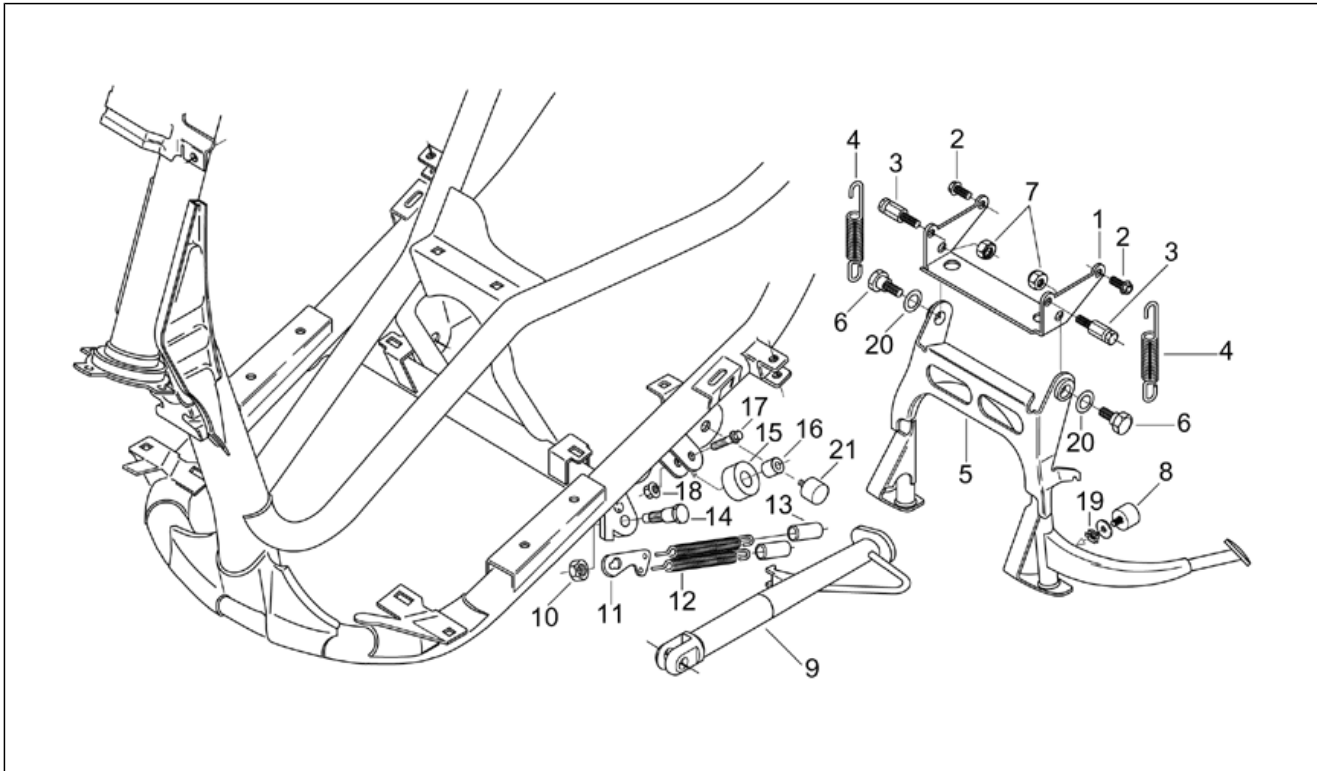
<b>Einheit</b>	RAHMEN
<b>Code</b>	28.01
<b>Beschreibung</b>	Rahmen
<b>Inspektion</b>	1



Pos.	Code	Beschreibung	Menge	Varianten
1	AP8146140	Rahmen mit Kataphorese	1	
2	AP8201643	Splint	2	
3	AP8123685	Satz Kugelringe	1	
4	AP8102376	Klammer M6	11	
5	AP8201763	Clip f. Blechschr. D5,5*	10	
6	AP8102702	Kit Schließvorrichtungen	1	
7	AP8152273	Flanschschraube M5x15	2	
8	AP8221213	Käfigmutter M6	2	
9	AP8220269	Kabelführungs	1	
10	AP8135677	Rastenbolzen	2	
11	AP8135975	Soziusrasten (Paar)	1	
12	AP8102375	Klammer M5	11	
13	AP8138433	Vers.Unt.Schl.Sptz.	1	
14	AP8220460	Gummibecher	1	
15	AP8121308	Kabelführungs	1	
16	AP8121309	Steckverbinder kl.Feder	1	

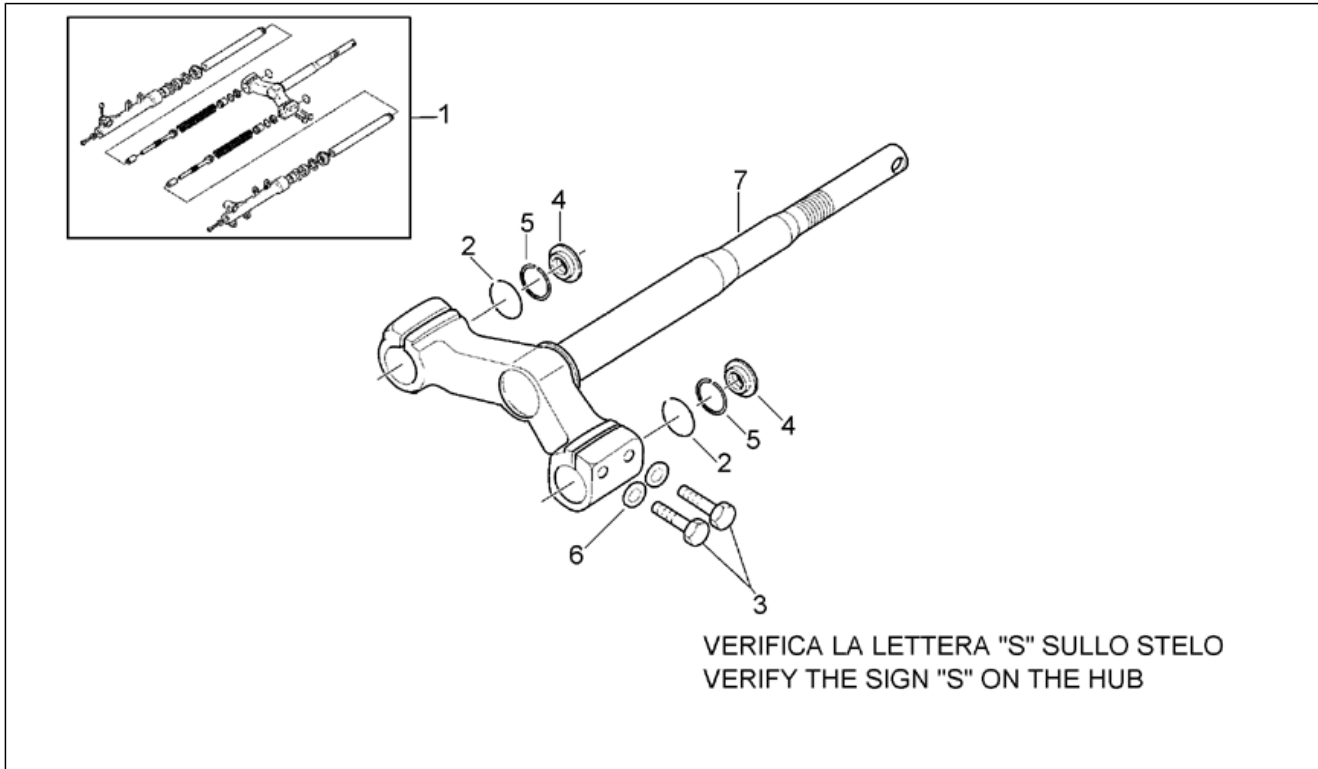


<b>Einheit</b>	RAHMEN
<b>Code</b>	28.02
<b>Beschreibung</b>	Hauptständer
<b>Inspektion</b>	1



Pos.	Code	Beschreibung	Menge	Varianten
1	AP8134321	Platte Hauptständer	1	
2	AP8152286	TE Schr. m. Flansch M8x20	2	
3	AP8121937	Federschraube	2	
4	AP8221204	Hauptständer Schraubenfeder	2	
5	AP8135624	Hauptständer	1	Baujahr:1996[T]
5	AP8146051	Hauptständer	1	Baujahr:1997[V], 1998[W]
6	AP8121932	Ständerschraube	2	
7	AP8152301	Selbstsperrende Mutter	2	
8	AP8144030	Anschlagstopfen Ständer	1	
9	AP8135623	Seitenständer	1	
10	AP8152001	Mutter unten M10x1,25	1	
11	AP8121876	Fixierplatte Federn	1	
12	AP8121014	Schraubenfeder	2	
13	AP8144152	Gummi	2	
14	AP8152295	Seitenständerschraube	1	
15	AP8120338	Ständerrolle	1	Baujahr:1996[T], 1997[V]
16	AP8121012	Distanzscheibe	1	Baujahr:1996[T], 1997[V]
17	AP8152281	TE Schr. m. Flansch M6x30	1	Baujahr:1996[T], 1997[V]
18	AP8152299	Selbstsperrende Mutter M6	1	Baujahr:1996[T], 1997[V]
19	AP8152326	Mutter M6	1	
20	AP8150466	Tellerfeder	2	
21	AP8144030	Anschlagstopfen Ständer	1	Baujahr:1998[W]

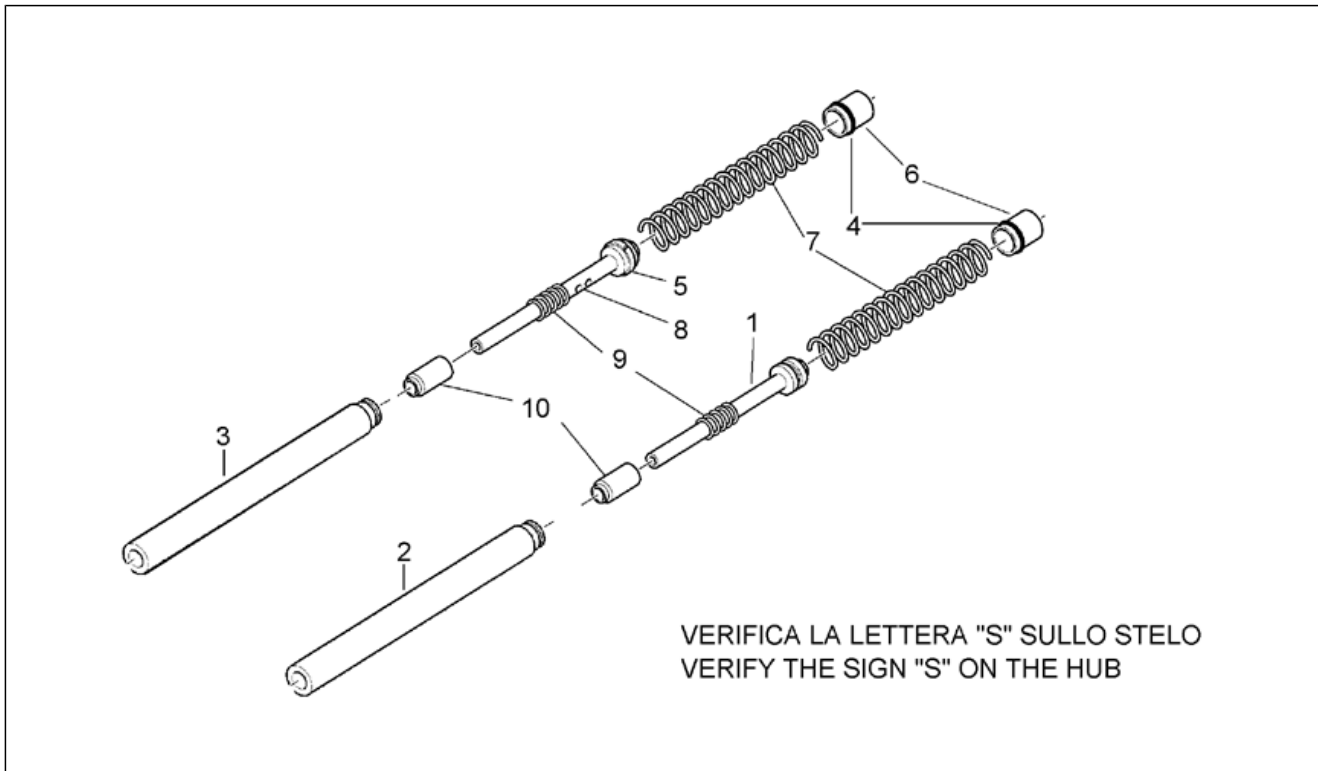
<b>Einheit</b>	RAHMEN
<b>Code</b>	28.03
<b>Beschreibung</b>	Gabel - Fuß mit Rohr
<b>Inspektion</b>	1



Pos.	Code	Beschreibung	Menge	Varianten
1	AP8123405	Baugruppe vordere Gabel	1	<b>Baujahr:</b> 1996[T] <b>Technische Daten:</b> Leonardo 125[125]
1	AP8123405	Baugruppe vordere Gabel	1	<b>Baujahr:</b> 1997[V] <b>Technische Daten:</b> Leonardo 125[125]
1	AP8123735	Baugruppe vordere Gabel	1	<b>Baujahr:</b> 1997[V] <b>Technische Daten:</b> Leonardo 150[150]
1	AP8123735	Baugruppe vordere Gabel	1	<b>Baujahr:</b> 1998[W]
1	AP8123735	Baugruppe vordere Gabel	1	<b>Baujahr:</b> 1997[V] <b>Technische Daten:</b> Leonardo 125[125]
2	AP8123695	O-Ring	2	<b>Technische Daten:</b> Gabel ohne Buchstabe S auf dem Schaft[MA]
2	AP8123756	Sperring	2	<b>Technische Daten:</b> Gabel mit Buchstaben S auf dem Schaft[S]
3	AP8123575	Spezialschraube M8x35	4	<b>Technische Daten:</b> Gabel ohne Buchstabe S auf dem Schaft[MA]
3	AP8123757	Schraube M8x30	4	<b>Technische Daten:</b> Gabel mit Buchstaben S auf dem Schaft[S]
4	AP8123696	Verschlußschraube	2	<b>Technische Daten:</b> Gabel ohne Buchstabe S auf dem Schaft[MA]
4	AP8123759	Verschlußschraube	2	<b>Technische Daten:</b> Gabel mit Buchstaben S auf dem Schaft[S]
5	AP8123697	Sperring	2	<b>Technische Daten:</b> Gabel ohne Buchstabe S auf dem Schaft[MA]
5	AP8123760	Sperring	2	<b>Technische Daten:</b> Gabel mit Buchstaben S auf dem Schaft[S]
6	AP8123758	Ausgleichscheibe	4	<b>Technische Daten:</b> Gabel mit Buchstaben S auf dem Schaft[S]
7	AP8123694	Fuß mit Rohr	1	<b>Technische Daten:</b> Gabel ohne Buchstabe S auf dem Schaft[MA]
7	AP8123755	Fuß mit Rohr	1	<b>Technische Daten:</b> Gabel mit Buchstaben S auf dem Schaft[S]

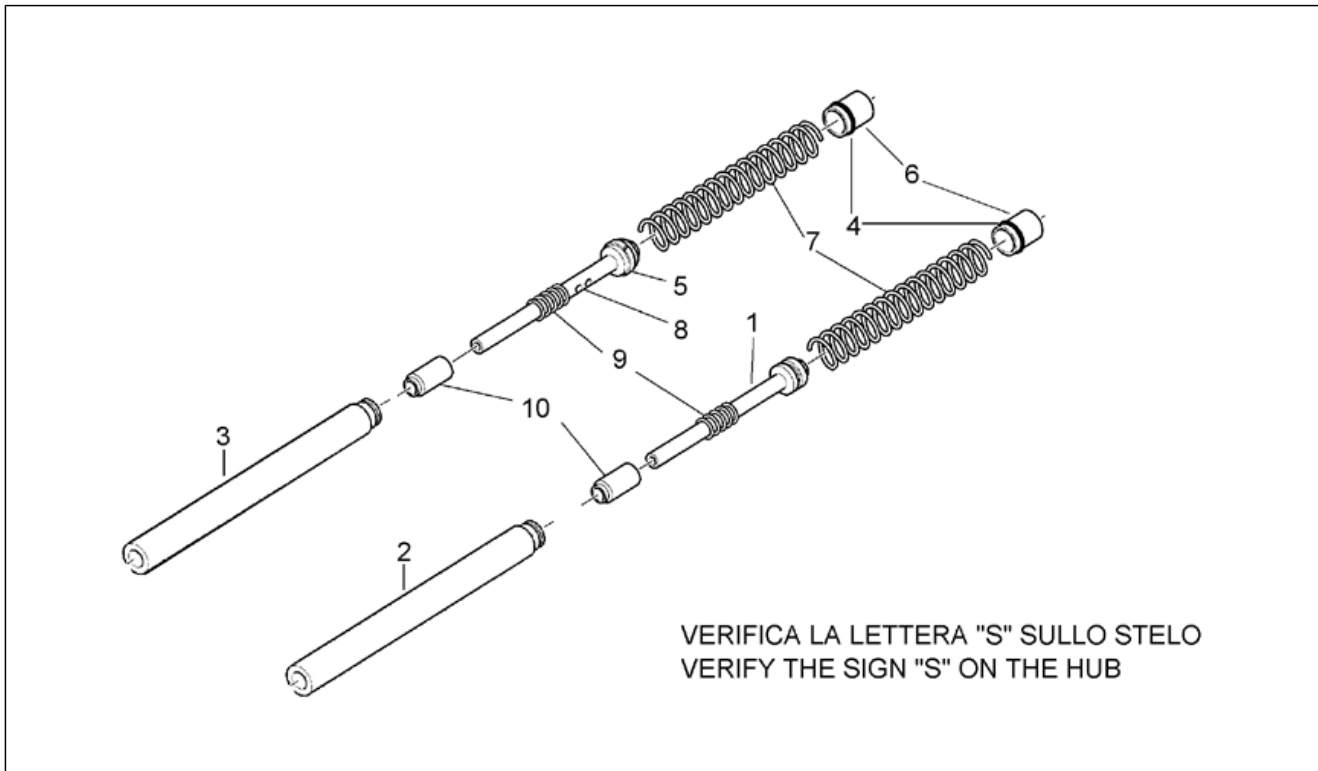


<b>Einheit</b>	RAHMEN
<b>Code</b>	28.04
<b>Beschreibung</b>	Gabel - Schaften
<b>Inspektion</b>	1



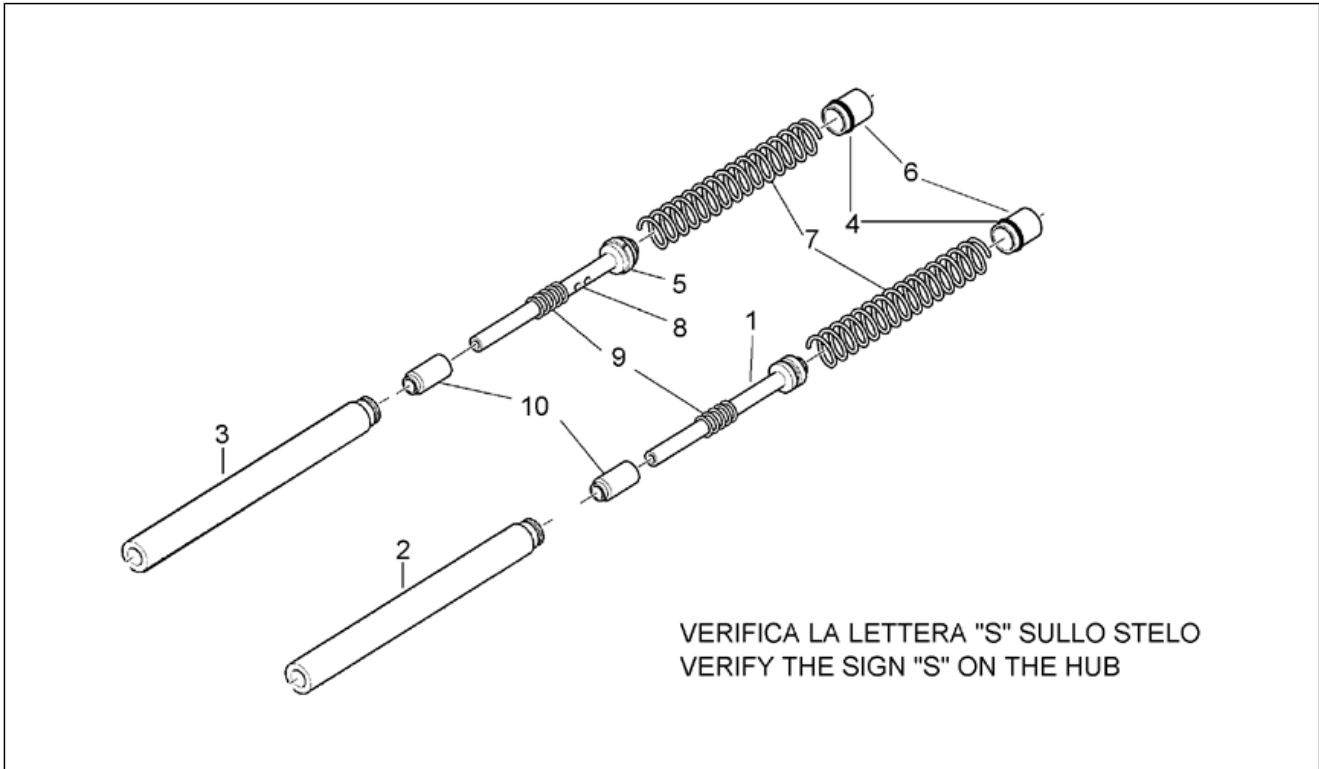
Pos.	Code	Beschreibung	Menge	Varianten
1	AP8123700	Pumpgestänge links	1	<b>Technische Daten:</b> Gabel ohne Buchstabe S auf dem Schaft[MA]
1	AP8123763	Stoßdämpfer	1	<b>Technische Daten:</b> Gabel mit Buchstaben S auf dem Schaft[S]
2	AP8123703	Kolbenstange links	1	<b>Baujahr:</b> 1997[V] <b>Technische Daten:</b> Leonardo 125[125], Gabel ohne Buchstabe S auf dem Schaft[MA]
2	AP8123703	Kolbenstange links	1	<b>Baujahr:</b> 1996[T] <b>Technische Daten:</b> Leonardo 125[125], Gabel ohne Buchstabe S auf dem Schaft[MA]
2	AP8123753	Kolbenstange links	1	<b>Baujahr:</b> 1997[V] <b>Technische Daten:</b> Leonardo 125[125], Gabel ohne Buchstabe S auf dem Schaft[MA]
2	AP8123753	Kolbenstange links	1	<b>Baujahr:</b> 1998[W] <b>Technische Daten:</b> Gabel ohne Buchstabe S auf dem Schaft[MA]
2	AP8123753	Kolbenstange links	1	<b>Baujahr:</b> 1997[V] <b>Technische Daten:</b> Leonardo 150[150], Gabel ohne Buchstabe S auf dem Schaft[MA]
2	AP8123766	Schaft	1	<b>Baujahr:</b> 1997[V] <b>Technische Daten:</b> Leonardo 125[125], Gabel mit Buchstaben S auf dem Schaft[S]
2	AP8123766	Schaft	1	<b>Baujahr:</b> 1997[V] <b>Technische Daten:</b> Leonardo 150[150], Gabel mit Buchstaben S auf dem Schaft[S]
2	AP8123766	Schaft	1	<b>Baujahr:</b> 1998[W] <b>Technische Daten:</b> Gabel mit Buchstaben S auf dem Schaft[S]
3	AP8123702	Kolbenstange rechts	1	<b>Baujahr:</b> 1997[V] <b>Technische Daten:</b> Leonardo 125[125], Gabel ohne Buchstabe S auf dem Schaft[MA]
3	AP8123702	Kolbenstange rechts	1	<b>Baujahr:</b> 1996[T] <b>Technische Daten:</b> Leonardo 125[125], Gabel ohne Buchstabe S auf dem Schaft[MA]

<b>Einheit</b>	RAHMEN
<b>Code</b>	28.04
<b>Beschreibung</b>	Gabel - Schaften
<b>Inspektion</b>	1



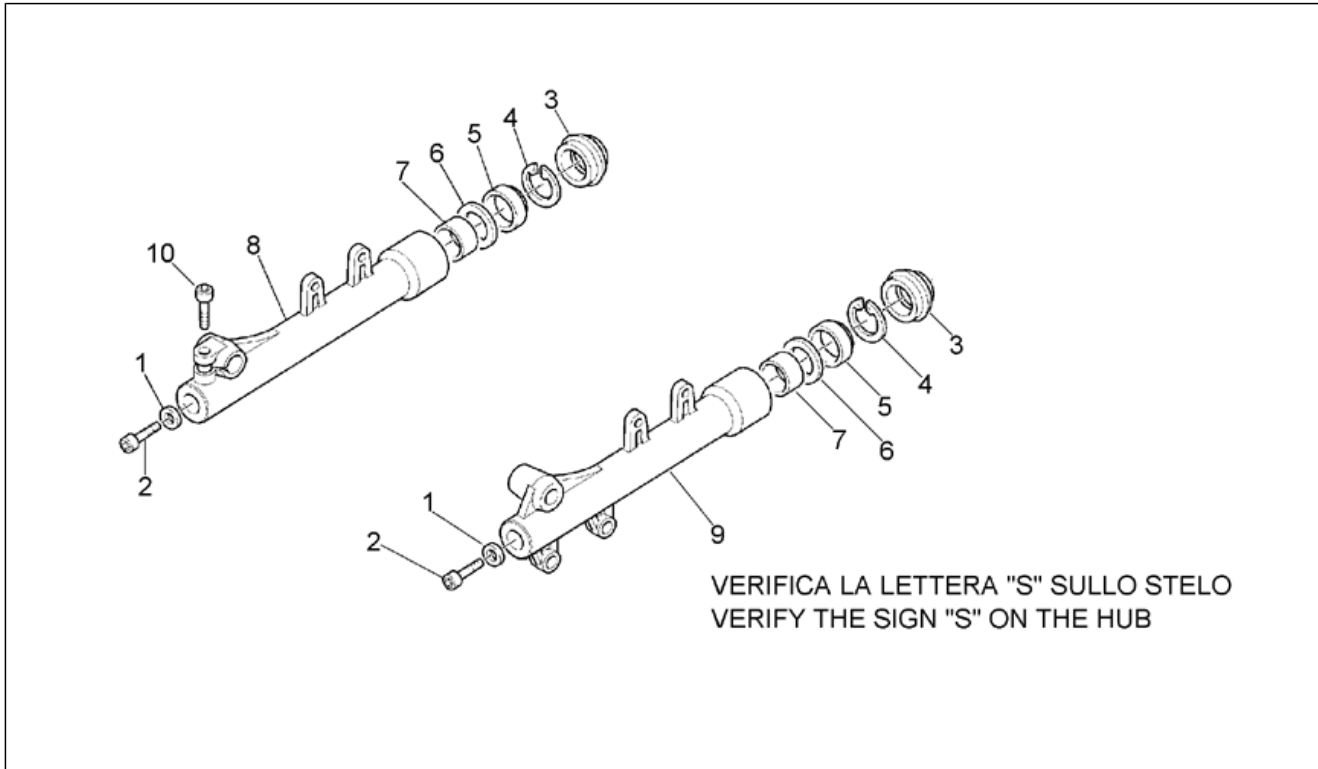
Pos.	Code	Beschreibung	Menge	Varianten
3	AP8123752	Kolbenstange rechts	1	<b>Baujahr:</b> 1997[V] <b>Technische Daten:</b> Leonardo 150[150], Gabel ohne Buchstabe S auf dem Schaft[MA]
3	AP8123752	Kolbenstange rechts	1	<b>Baujahr:</b> 1998[W] <b>Technische Daten:</b> Gabel ohne Buchstabe S auf dem Schaft[MA]
3	AP8123752	Kolbenstange rechts	1	<b>Baujahr:</b> 1997[V] <b>Technische Daten:</b> Leonardo 125[125], Gabel ohne Buchstabe S auf dem Schaft[MA]
3	AP8123766	Schaft	1	<b>Baujahr:</b> 1998[W] <b>Technische Daten:</b> Gabel mit Buchstaben S auf dem Schaft[S]
3	AP8123766	Schaft	1	<b>Baujahr:</b> 1997[V] <b>Technische Daten:</b> Leonardo 125[125], Gabel mit Buchstaben S auf dem Schaft[S]
3	AP8123766	Schaft	1	<b>Baujahr:</b> 1997[V] <b>Technische Daten:</b> Leonardo 150[150], Gabel mit Buchstaben S auf dem Schaft[S]
4	AP8123775	O-Ring	2	<b>Technische Daten:</b> Gabel mit Buchstaben S auf dem Schaft[S]
5	AP8123754	Kolbenring	1	<b>Technische Daten:</b> Gabel ohne Buchstabe S auf dem Schaft[MA]
5	AP8123776	Ring	1	<b>Technische Daten:</b> Gabel mit Buchstaben S auf dem Schaft[S]
6	AP8123698	Verschlussschraube kplt.	2	<b>Technische Daten:</b> Gabel ohne Buchstabe S auf dem Schaft[MA]
6	AP8123761	Deckel	2	<b>Technische Daten:</b> Gabel mit Buchstaben S auf dem Schaft[S]
7	AP8123699	Feder	2	<b>Technische Daten:</b> Gabel ohne Buchstabe S auf dem Schaft[MA]
7	AP8123762	Feder	2	<b>Technische Daten:</b> Gabel mit Buchstaben S auf dem Schaft[S]

<b>Einheit</b>	RAHMEN
<b>Code</b>	28.04
<b>Beschreibung</b>	Gabel - Schaften
<b>Inspektion</b>	1



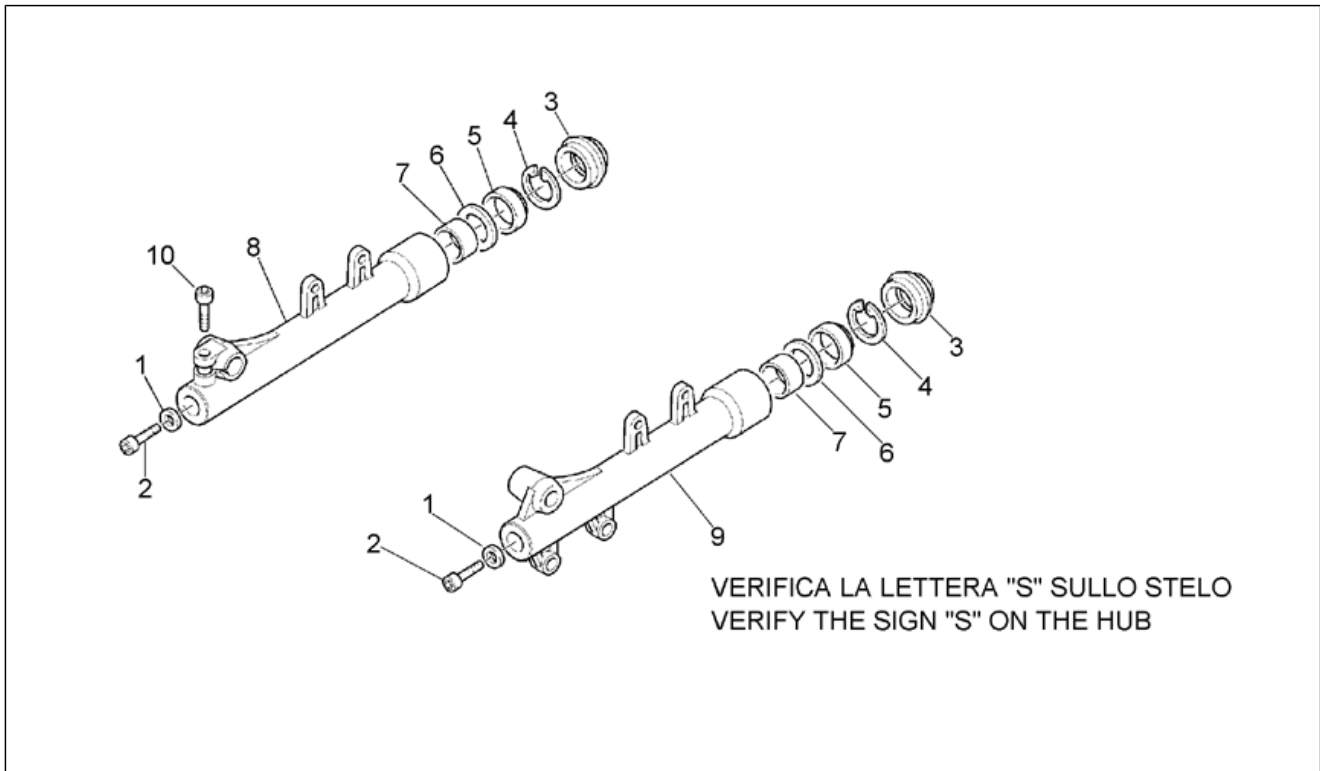
Pos.	Code	Beschreibung	Menge	Varianten
8	AP8123709	Pumpgestänge rechts	1	<b>Technische Daten:</b> Gabel ohne Buchstabe S auf dem Schaft[MA]
8	AP8123763	Stoßdämpfer	1	<b>Technische Daten:</b> Gabel mit Buchstaben S auf dem Schaft[S]
9	AP8123708	Gegenfeder	2	<b>Technische Daten:</b> Gabel ohne Buchstabe S auf dem Schaft[MA]
9	AP8123764	Feder	2	<b>Technische Daten:</b> Gabel mit Buchstaben S auf dem Schaft[S]
10	AP8123701	Bodenstopfen	2	<b>Technische Daten:</b> Gabel ohne Buchstabe S auf dem Schaft[MA]
10	AP8123765	Bodenstopfen	2	<b>Technische Daten:</b> Gabel mit Buchstaben S auf dem Schaft[S]

<b>Einheit</b>	RAHMEN
<b>Code</b>	28.05
<b>Beschreibung</b>	Gabel - Hülzen
<b>Inspektion</b>	1



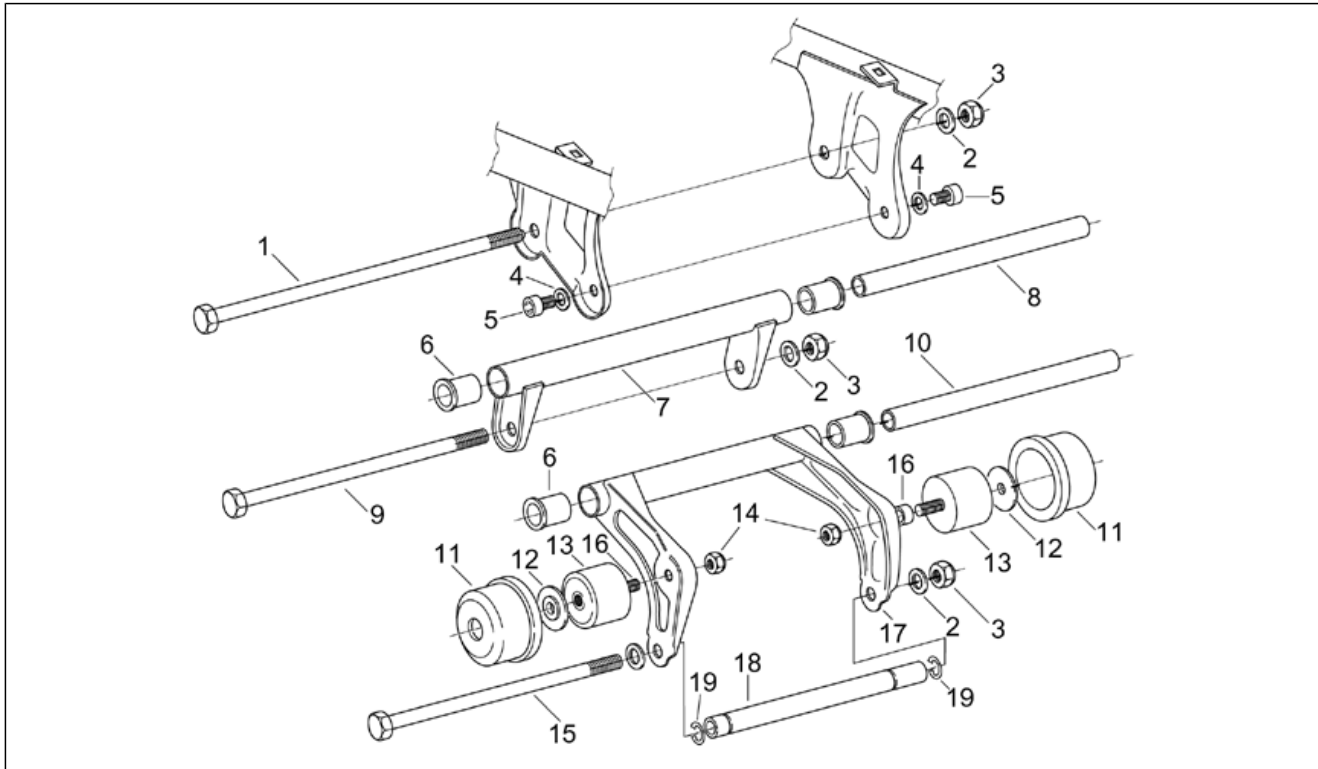
Pos.	Code	Beschreibung	Menge	Varianten
1	AP8203572	Dichtscheibe	2	<b>Technische Daten:</b> Gabel ohne Buchstabe S auf dem Schaft[MA]
1	AP8203794	Ausgleichscheibe	2	<b>Technische Daten:</b> Gabel mit Buchstaben S auf dem Schaft[S]
2	AP8123774	Zylinderschraube M8x30	2	<b>Technische Daten:</b> Gabel mit Buchstaben S auf dem Schaft[S]
2	AP8203570	Zylinderschraube M8x30	2	<b>Technische Daten:</b> Gabel ohne Buchstabe S auf dem Schaft[MA]
3	AP8123767	Staubschutz	2	<b>Technische Daten:</b> Gabel mit Buchstaben S auf dem Schaft[S]
3	AP8203258	Staubschutz	2	<b>Technische Daten:</b> Gabel ohne Buchstabe S auf dem Schaft[MA]
4	AP8123704	Sperring	2	<b>Technische Daten:</b> Gabel ohne Buchstabe S auf dem Schaft[MA]
4	AP8123768	Sperring	2	<b>Technische Daten:</b> Gabel mit Buchstaben S auf dem Schaft[S]
5	AP8103199	Ölabstreifring	2	<b>Technische Daten:</b> Gabel ohne Buchstabe S auf dem Schaft[MA]
5	AP8123769	Ölabstreifring	2	<b>Technische Daten:</b> Gabel mit Buchstaben S auf dem Schaft[S]
6	AP8123705	Becher	2	<b>Technische Daten:</b> Gabel ohne Buchstabe S auf dem Schaft[MA]
6	AP8123770	Becher	2	<b>Technische Daten:</b> Gabel mit Buchstaben S auf dem Schaft[S]
7	AP8123771	Gleitbuchse	2	<b>Technische Daten:</b> Gabel mit Buchstaben S auf dem Schaft[S]
7	AP8203447	Gleitbuchse	2	<b>Technische Daten:</b> Gabel ohne Buchstabe S auf dem Schaft[MA]
8	AP8123706	Rechte Hülse	1	<b>Technische Daten:</b> Gabel ohne Buchstabe S auf dem Schaft[MA]
8	AP8123772	Rechte Hülse	1	<b>Technische Daten:</b> Gabel mit Buchstaben S auf dem Schaft[S]

<b>Einheit</b>	RAHMEN
<b>Code</b>	28.05
<b>Beschreibung</b>	Gabel - Hülse
<b>Inspektion</b>	1



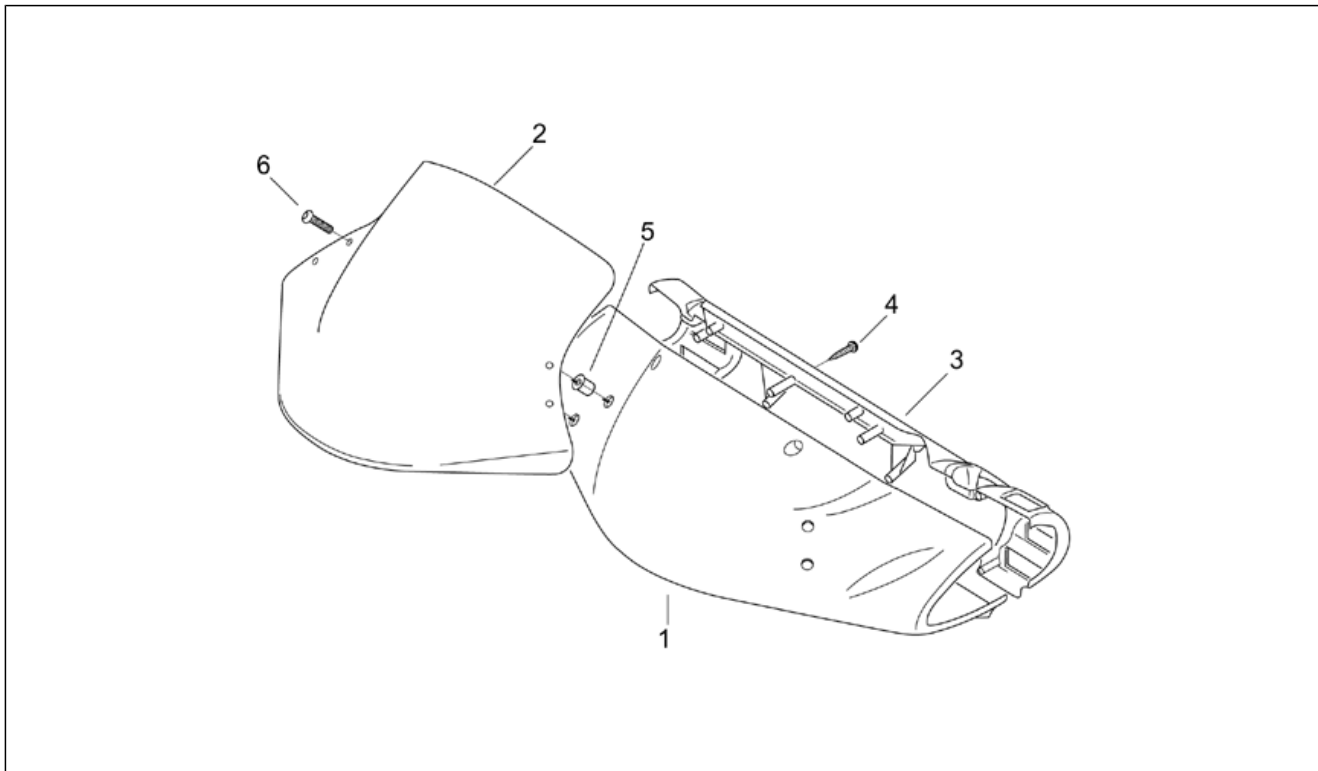
Pos.	Code	Beschreibung	Menge	Varianten
9	AP8123707	Linke Hülse	1	<b>Technische Daten:</b> Gabel ohne Buchstabe S auf dem Schaft[MA]
9	AP8123773	Linke Hülse	1	<b>Technische Daten:</b> Gabel mit Buchstaben S auf dem Schaft[S]
10	AP8203571	Schraube	1	<b>Technische Daten:</b> Gabel ohne Buchstabe S auf dem Schaft[MA]
10	AP8203796	Schraube M6x20	1	<b>Technische Daten:</b> Gabel mit Buchstaben S auf dem Schaft[S]

<b>Einheit</b>	RAHMEN
<b>Code</b>	28.06
<b>Beschreibung</b>	Pleuelstange
<b>Inspektion</b>	1



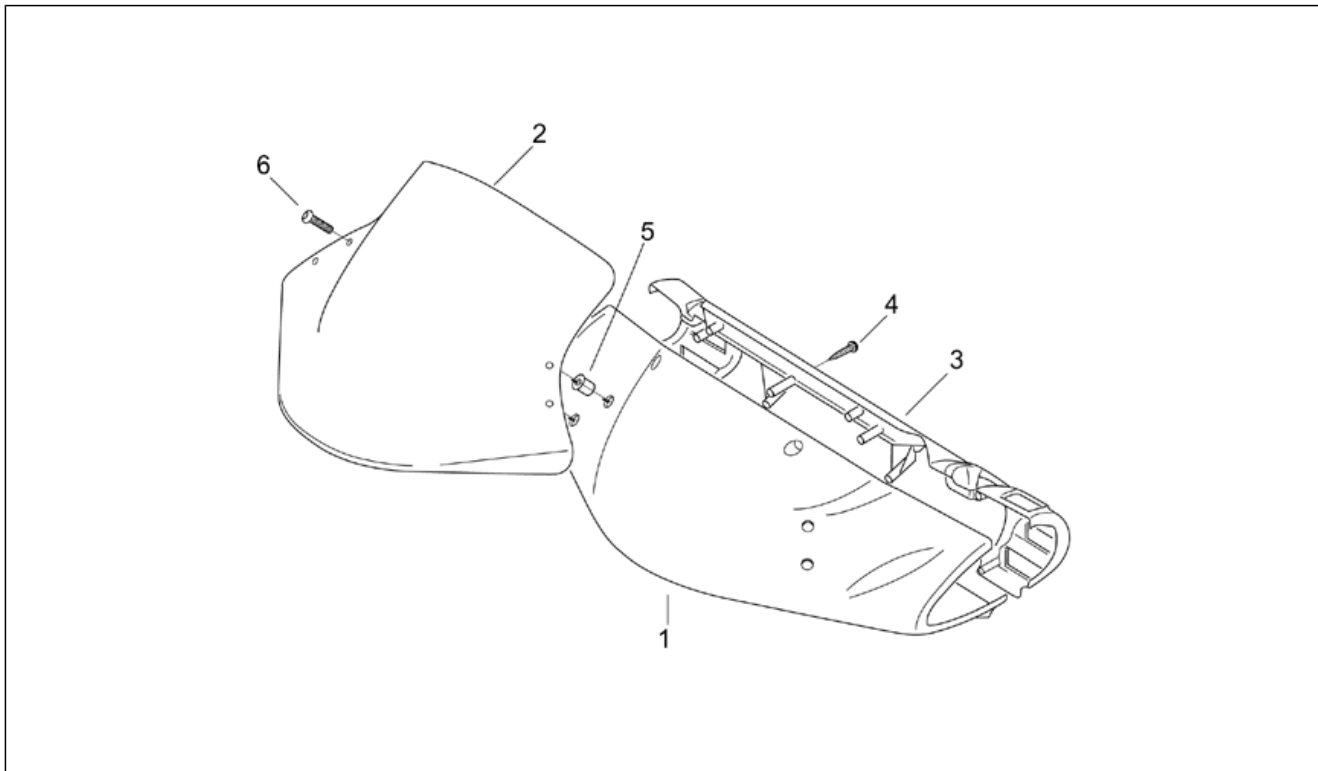
Pos.	Code	Beschreibung	Menge	Varianten
1	AP8121930	Motoranlenkbolzen	1	
2	AP8152018	Scheibe 12,2x22x2	3	
3	AP8150432	Selbstsperr.mut Unt. M12*	3	
4	AP8150210	Gebogene Sprengscheibe *	2	
5	AP8150455	TCEI Schraube M10x20	2	
6	AP8102538	Harzbuchse	4	
7	AP8135850	Rahmen-Pleuelstange	1	
8	AP8121975	Nebenpleuelbuchse	1	
9	AP8221227	Bolzen M12x270	1	
10	AP8121976	Nebenpleuelbuchse	1	
11	AP8121931	Pleuestange Haube	2	
12	AP8121214	T-Buchse	2	
13	AP8120877	Silent-Block Nebenpleuel	2	
14	AP8152301	Selbstsperrende Mutter	2	
15	AP8221160	Bolzen M12	1	
16	AP8121218	Distanzscheibe 10,2x20x4	2	
17	AP8135622	Motor-Pleuelstange	1	
18	AP8121954	Motor-Drehzapfen	1	
19	AP8206233	Seegerring für Welle D17	2	

<b>Einheit</b>	RAHMEN
<b>Code</b>	28.07
<b>Beschreibung</b>	Frontaufbau - Kuppel
<b>Inspektion</b>	1



Pos.	Code	Beschreibung	Menge	Varianten
1	AP8138603	Kuppel, dunkelblau	1	<b>Fahrzeugfarbe:</b>
1	AP8138614	Kuppel, grau	1	<b>Fahrzeugfarbe:</b>
1	AP8138847	Kuppel, rot	1	<b>Baujahr:</b> 1996[T], 1997[V] <b>Fahrzeugfarbe:</b>
1	AP8138984	Kuppel, chr. grün	1	<b>Baujahr:</b> 1997[V] <b>Fahrzeugfarbe:</b>
1	AP8139150	Kuppel, h.gelb	1	<b>Baujahr:</b> 1998[W] <b>Fahrzeugfarbe:</b> Gelb Brio[yellow]
1	AP8139161	Kuppel, m.lila	1	<b>Baujahr:</b> 1998[W] <b>Fahrzeugfarbe:</b> Königsviolett[Violet]
1	AP8139172	Kuppel, miami blau	1	<b>Baujahr:</b> 1998[W] <b>Fahrzeugfarbe:</b> Hellblau Miami[m.cya]
2	AP8138171	Windabweiser	1	<b>Baujahr:</b> 1996[T], 1997[V]
2	AP8238345	Windabweiser blau	1	<b>Baujahr:</b> 1998[W]
3	AP8138602	Instrumententafel, blau	1	<b>Fahrzeugfarbe:</b> <b>Land:</b> Österreich[A], Belgien[B], Schweiz[CH], Deutschland[D], Dänemark[DK], Spanien[E], Frankreich[F], Griechenland[GR], Italien[I], Holland[NL], Portugal[P], Großbritannien[UK]
3	AP8138613	Instrumententafel, grau	1	<b>Fahrzeugfarbe:</b> <b>Land:</b> Österreich[A], Belgien[B], Schweiz[CH], Deutschland[D], Dänemark[DK], Spanien[E], Frankreich[F], Griechenland[GR], Italien[I], Holland[NL], Portugal[P], Großbritannien[UK]
3	AP8138846	Instrumententafel, rot	1	<b>Baujahr:</b> 1996[T], 1997[V] <b>Fahrzeugfarbe:</b>
3	AP8138983	Instrumententafel, chrom.grün	1	<b>Baujahr:</b> 1997[V] <b>Fahrzeugfarbe:</b>
3	AP8139149	Instrumententafel, h.g.	1	<b>Baujahr:</b> 1998[W] <b>Fahrzeugfarbe:</b> Gelb Brio[yellow] <b>Land:</b> Österreich[A], Belgien[B], Schweiz[CH], Deutschland[D], Dänemark[DK], Spanien[E], Frankreich[F],

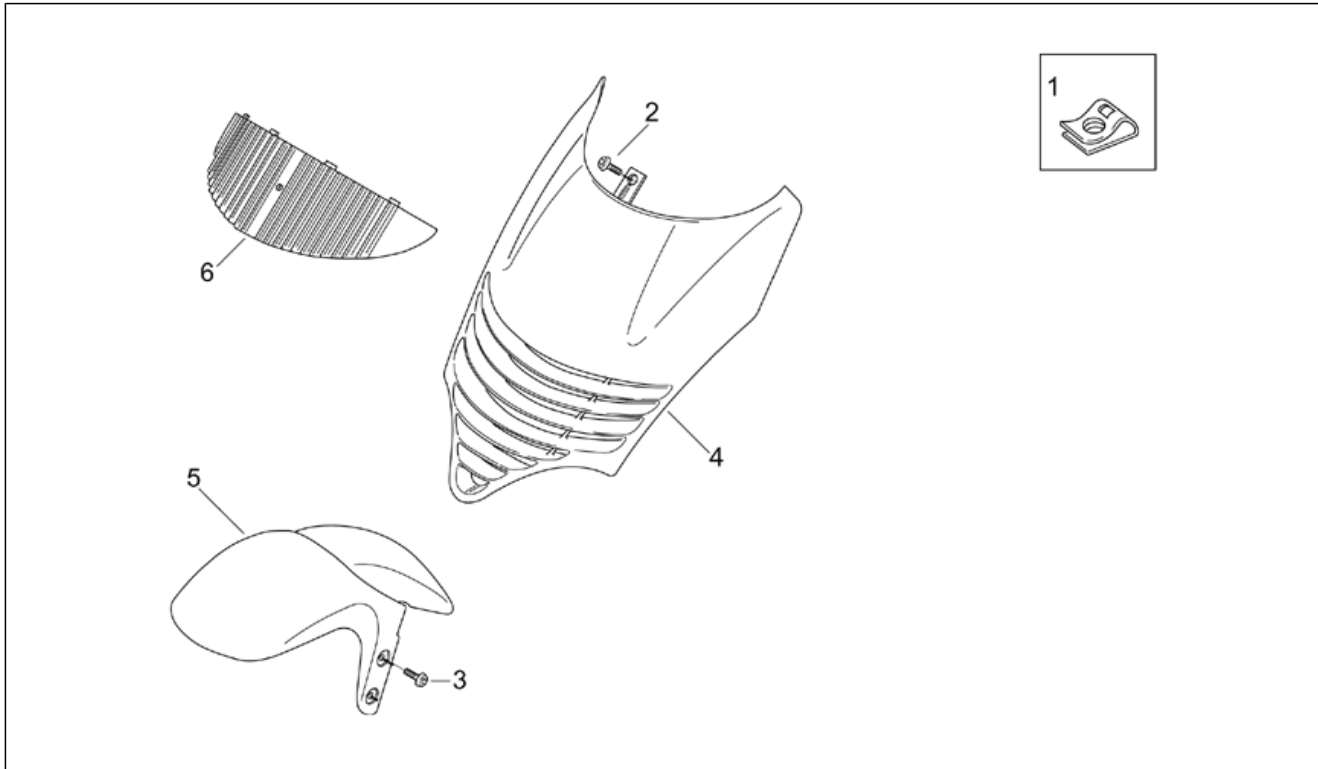
<b>Einheit</b>	RAHMEN
<b>Code</b>	28.07
<b>Beschreibung</b>	Frontaufbau - Kuppel
<b>Inspektion</b>	1



Pos.	Code	Beschreibung	Menge	Varianten
				Griechenland[GR], Italien[I], Holland[NL], Portugal[P], Großbritannien[UK]
3	AP8139160	Instrumententafel, m.l.	1	<b>Baujahr:</b> 1998[W] <b>Fahrzeugfarbe:</b> Königsviolett[Violet] <b>Land:</b> Österreich[A], Belgien[B], Schweiz[CH], Deutschland[D], Dänemark[DK], Spanien[E], Frankreich[F], Griechenland[GR], Italien[I], Holland[NL], Portugal[P], Großbritannien[UK]
3	AP8139171	Instrumententafel, m.b.	1	<b>Baujahr:</b> 1998[W] <b>Fahrzeugfarbe:</b> Hellblau Miami[m.cya] <b>Land:</b> Österreich[A], Belgien[B], Schweiz[CH], Deutschland[D], Dänemark[DK], Spanien[E], Frankreich[F], Griechenland[GR], Italien[I], Holland[NL], Portugal[P], Großbritannien[UK]
3	AP8139500	Instrumententafel, grau	1	<b>Fahrzeugfarbe:</b> <b>Land:</b> Japan[J]
3	AP8139501	Instrumententafel, blau	1	<b>Fahrzeugfarbe:</b> <b>Land:</b> Japan[J]
3	AP8139502	Instrumententafel, m.b.	1	<b>Baujahr:</b> 1998[W] <b>Fahrzeugfarbe:</b> Hellblau Miami[m.cya] <b>Land:</b> Japan[J]
3	AP8139503	Instrumententafel, m.l.	1	<b>Baujahr:</b> 1998[W] <b>Fahrzeugfarbe:</b> Königsviolett[Violet] <b>Land:</b> Japan[J]
3	AP8139566	Instrumententafel, h.g.	1	<b>Baujahr:</b> 1998[W] <b>Fahrzeugfarbe:</b> Gelb Brio[yellow] <b>Land:</b> Japan[J]
4	AP8152334	TBEI Schraube m.Flansch M3x12	6	
5	AP8120531	Gummi mit Einsatz	4	
6	AP8152270	TBEI Schraube M5x25	4	

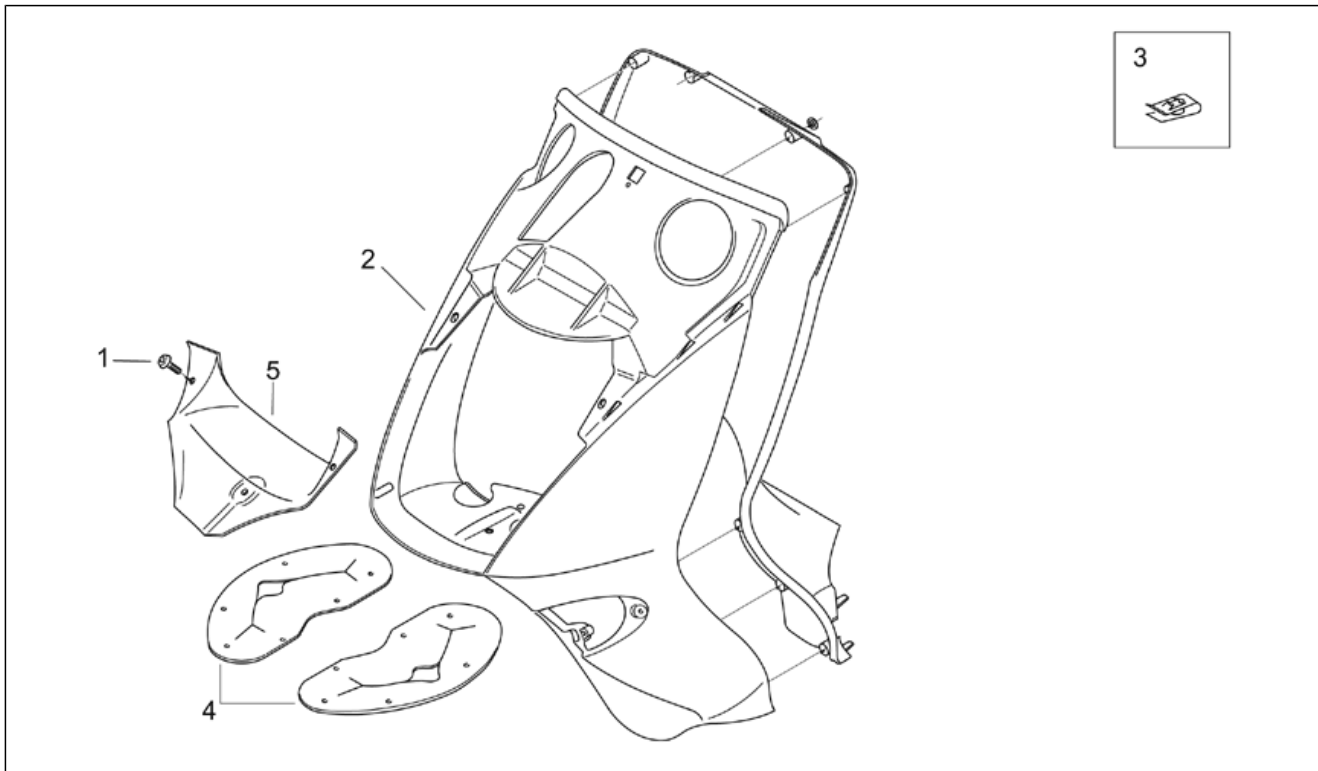


<b>Einheit</b>	RAHMEN
<b>Code</b>	28.08
<b>Beschreibung</b>	Frontaufbau - Haube
<b>Inspektion</b>	1



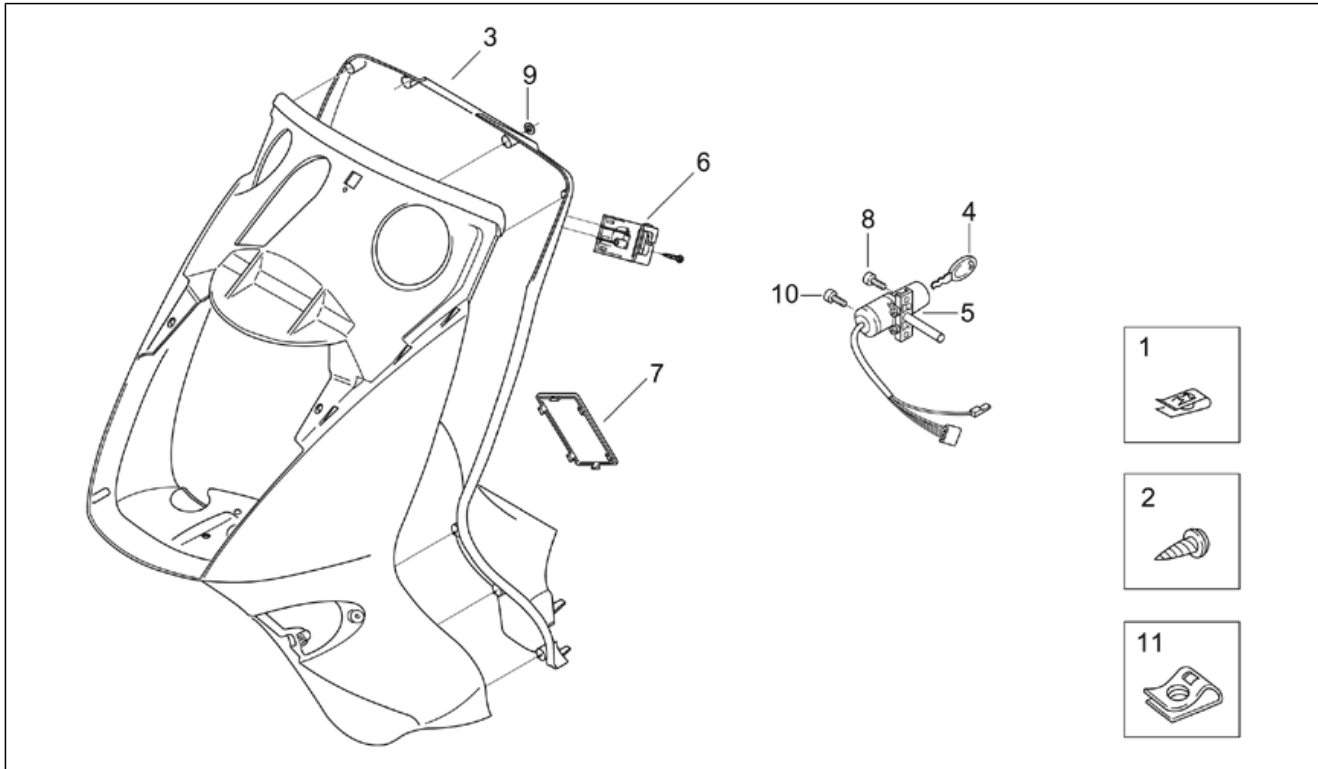
Pos.	Code	Beschreibung	Menge	Varianten
1	AP8102375	Klammer M5	1	
2	AP8152267	TBEI Spez.schr. M5x12	1	
3	AP8152298	TBEI Schraube m.Flansch M5x16	4	
4	AP8138607	Fronthaube, dunkelblau	1	<b>Fahrzeugfarbe:</b>
4	AP8138618	Fronthaube, grau	1	<b>Fahrzeugfarbe:</b>
4	AP8138844	Fronthaube, l. rot	1	<b>Baujahr:</b> 1996[T], 1997[V] <b>Fahrzeugfarbe:</b>
4	AP8138981	Fronthaube, grün	1	<b>Baujahr:</b> 1997[V] <b>Fahrzeugfarbe:</b>
4	AP8139199	Fronthaube, h.gelb	1	<b>Baujahr:</b> 1998[W] <b>Fahrzeugfarbe:</b> Gelb Brio[yellow]
4	AP8139205	Fronthaube, m.lila	1	<b>Baujahr:</b> 1998[W] <b>Fahrzeugfarbe:</b> Königsviolett[Violet]
4	AP8139211	Fronthaube, miami-bl.	1	<b>Baujahr:</b> 1998[W] <b>Fahrzeugfarbe:</b> Hellblau Miami[m.cya]
5	AP8126530	V. Schutzblech, dunkelblau	1	<b>Fahrzeugfarbe:</b>
5	AP8126531	V. Schutzblech, grau	1	<b>Fahrzeugfarbe:</b>
5	AP8126576	V. Schutzblech, rot	1	<b>Baujahr:</b> 1996[T], 1997[V] <b>Fahrzeugfarbe:</b>
5	AP8126602	V. Schutzblech, grün	1	<b>Baujahr:</b> 1997[V] <b>Fahrzeugfarbe:</b>
5	AP8126627	V. Schutzblech, h.gelb	1	<b>Baujahr:</b> 1998[W] <b>Fahrzeugfarbe:</b> Gelb Brio[yellow]
5	AP8126628	V. Schutzblech, m.lila	1	<b>Baujahr:</b> 1998[W] <b>Fahrzeugfarbe:</b> Königsviolett[Violet]
5	AP8126629	V. Schutzblech, miami-b.	1	<b>Baujahr:</b> 1998[W] <b>Fahrzeugfarbe:</b> Hellblau Miami[m.cya]
6	AP8138407	Ob.Schildgitter, schwarz	1	

<b>Einheit</b>	RAHMEN
<b>Code</b>	28.09
<b>Beschreibung</b>	Frontaufbau - Frontschild
<b>Inspektion</b>	1



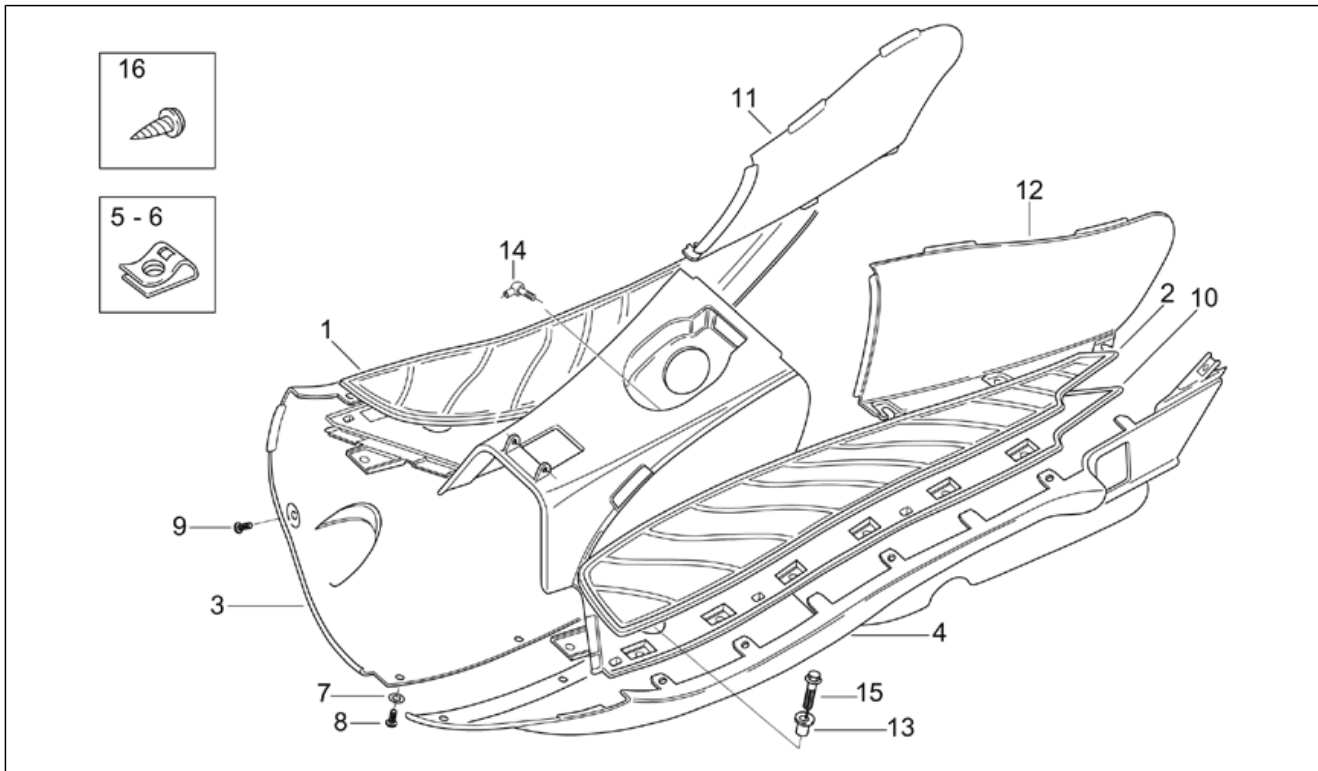
Pos.	Code	Beschreibung	Menge	Varianten
1	AP8152302	TBEI Schraube m.Flansch M5x12	1	
2	AP8138604	Frontschild, dunkelblau	1	Baujahr:1996[T] Fahrzeugfarbe:
2	AP8138615	Frontschild, grau	1	Baujahr:1996[T] Fahrzeugfarbe:
2	AP8138845	Frontschild, rot	1	Baujahr:1996[T] Fahrzeugfarbe:
2	AP8138932	Frontschild, blau	1	Baujahr:1997[V], 1998[W] Fahrzeugfarbe:
2	AP8138933	Frontschild, grau	1	Baujahr:1997[V], 1998[W] Fahrzeugfarbe:
2	AP8138934	Frontschild, rot	1	Baujahr:1997[V] Fahrzeugfarbe:
2	AP8138982	Frontschild, chr.grün	1	Baujahr:1997[V] Fahrzeugfarbe:
2	AP8139200	Frontschild, h.gelb	1	Baujahr:1998[W] Fahrzeugfarbe:Gelb Brio[yellow]
2	AP8139206	Frontschild, m.-l.	1	Baujahr:1998[W] Fahrzeugfarbe:Königsviolett[Violet]
2	AP8139212	Frontschild, miami-blau	1	Baujahr:1998[W] Fahrzeugfarbe:Hellblau Miami[m.cya]
3	AP8201763	Clip f. Blechschr. D5,5*	5	
4	AP8138827	Luftschildschutz	2	
5	AP8138475	Leitblech, schwarz	1	Baujahr:1996[T]
5	AP8138936	Leitblech, schwarz	1	Baujahr:1997[V] Technische Daten:Leonardo 150[150]
5	AP8138936	Leitblech, schwarz	1	Baujahr:1998[W]
5	AP8138936	Leitblech, schwarz	1	Baujahr:1997[V] Technische Daten:Leonardo 125[125]
5	AP8138937	Leitblech, schwarz	1	Baujahr:1997[V] Technische Daten:Leonardo 125[125]

<b>Einheit</b>	RAHMEN
<b>Code</b>	28.10
<b>Beschreibung</b>	Frontaufbau - Innenschild
<b>Inspektion</b>	1



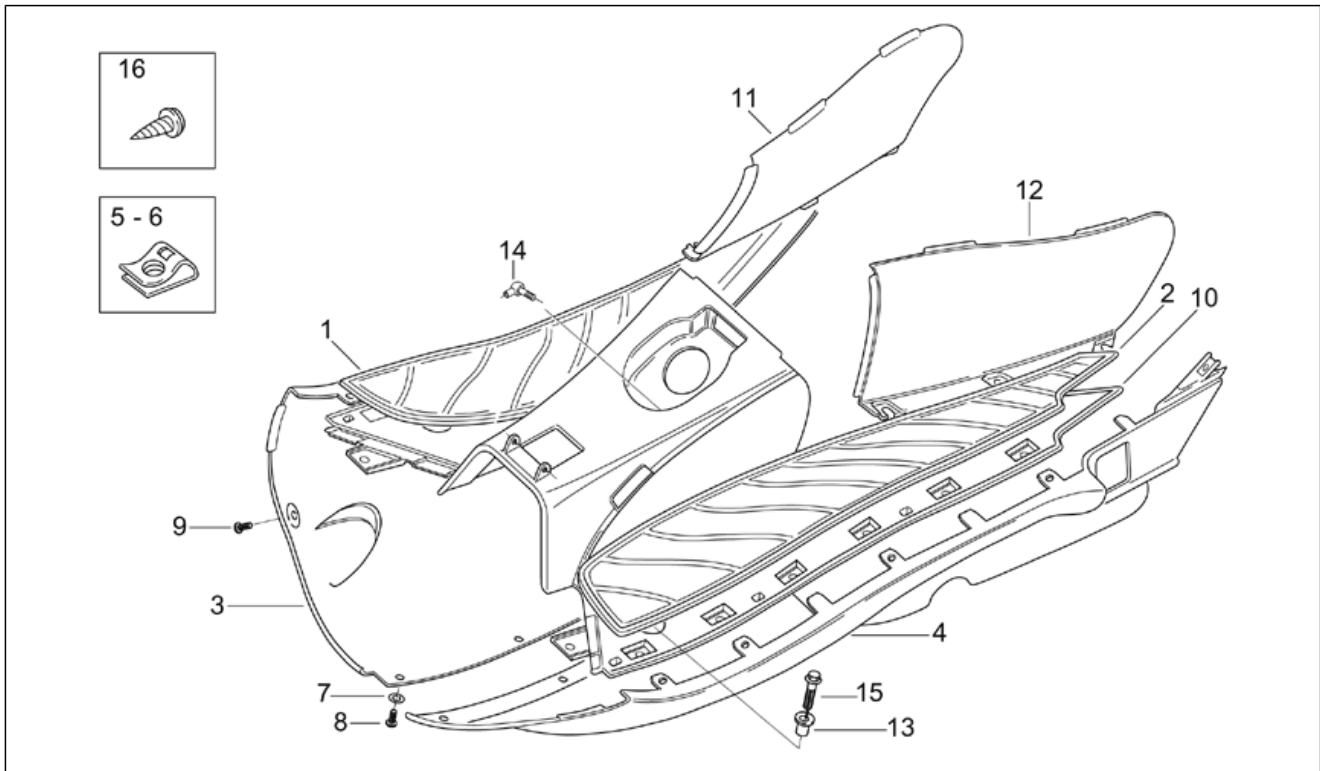
Pos.	Code	Beschreibung	Menge	Varianten
1	AP8102782	Clip f. Blechschr. D4,2	2	
2	AP8150413	Gew.schr. 3,9x14	10	
3	AP8138608	Innenschild, dunkelblau	1	<b>Fahrzeugfarbe:</b>
3	AP8138619	Innenschild, grau	1	<b>Fahrzeugfarbe:</b>
3	AP8138848	Innenschild, rot	1	<b>Baujahr:</b> 1996[T], 1997[V] <b>Fahrzeugfarbe:</b>
3	AP8138985	Innenschild, chr.grün	1	<b>Baujahr:</b> 1997[V] <b>Fahrzeugfarbe:</b>
3	AP8139151	Innenschild, h.gelb	1	<b>Baujahr:</b> 1998[W] <b>Fahrzeugfarbe:</b> Gelb Brio[yellow]
3	AP8139162	Innenschild, m.-lila	1	<b>Baujahr:</b> 1998[W] <b>Fahrzeugfarbe:</b> Königsviolett[Violet]
3	AP8139173	Innenschild, miami-blau	1	<b>Baujahr:</b> 1998[W] <b>Fahrzeugfarbe:</b> Hellblau Miami[m.cya]
4	AP8102221	Schl. gefr. Aprilia	1	
5	AP8124205	Lenkschloß	1	
6	AP8201534	Kplt.Untersitzhaken	1	
7	AP8138157	Gegeb.Typendeck, grau	1	
8	AP8152140	Reißschraube M6x17	1	
9	AP8150382	Ausgleichscheibe 15x5,5X1,2	5	
10	AP8150137	TCEI Schraube M6x16	1	
11	AP8102375	Klammer M5	2	

<b>Einheit</b>	RAHMEN
<b>Code</b>	28.11
<b>Beschreibung</b>	Mittlerer aufbau I
<b>Inspektion</b>	1



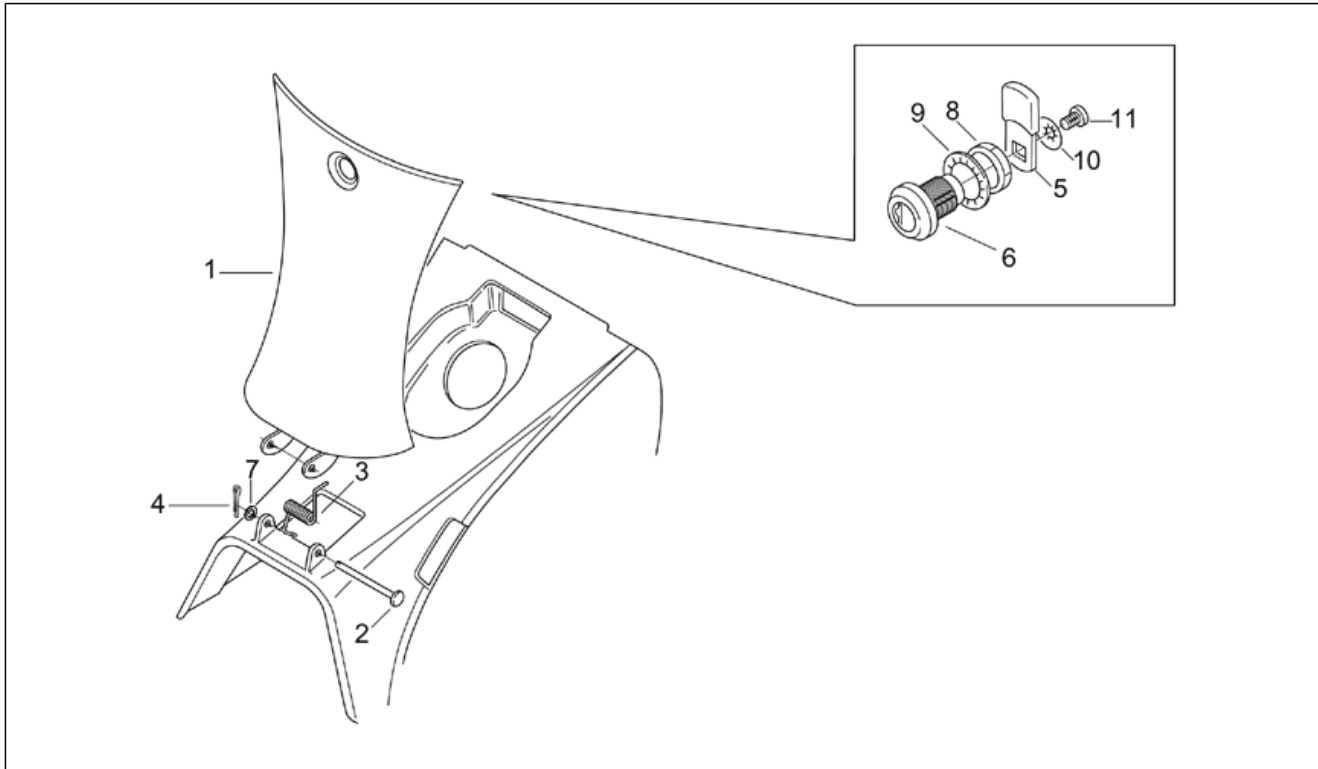
Pos.	Code	Beschreibung	Menge	Varianten
1	AP8138178	Rechte Fußmatte, grau	1	
2	AP8138260	Linke Fußmatte, grau	1	
3	AP8138609	Unt. R.Seitenteil, blau	1	<b>Fahrzeugfarbe:</b>
3	AP8138620	Unt. R.Seitenteil, grau	1	<b>Fahrzeugfarbe:</b>
3	AP8138849	Unt. R.Seitenteil, rot	1	<b>Baujahr:</b> 1996[T], 1997[V] <b>Fahrzeugfarbe:</b>
3	AP8138986	Unt. R.Seitenteil, grün	1	<b>Baujahr:</b> 1997[V] <b>Fahrzeugfarbe:</b>
3	AP8139201	Unt. R.Seitenteil, gelb	1	<b>Baujahr:</b> 1998[W] <b>Fahrzeugfarbe:</b> Gelb Brio[yellow]
3	AP8139207	Unt. R.Seitenteil, lila	1	<b>Baujahr:</b> 1998[W] <b>Fahrzeugfarbe:</b> Königsviolett[Violet]
3	AP8139213	Unt. R.Seitenteil, hellblau	1	<b>Baujahr:</b> 1998[W] <b>Fahrzeugfarbe:</b> Hellblau Miami[m.cya]
4	AP8138610	Unt. L.Seitenteil, blau	1	<b>Fahrzeugfarbe:</b>
4	AP8138621	Unt. L.Seitenteil, grau	1	<b>Fahrzeugfarbe:</b>
4	AP8138850	Unt. L.Seitenteil, rot	1	<b>Baujahr:</b> 1996[T], 1997[V] <b>Fahrzeugfarbe:</b>
4	AP8138987	Unt. L.Seitenteil, grün	1	<b>Baujahr:</b> 1997[V] <b>Fahrzeugfarbe:</b>
4	AP8139202	Unt. L.Seitenteil, gelb	1	<b>Baujahr:</b> 1998[W] <b>Fahrzeugfarbe:</b> Gelb Brio[yellow]
4	AP8139208	Unt. L.Seitenteil, lila	1	<b>Baujahr:</b> 1998[W] <b>Fahrzeugfarbe:</b> Königsviolett[Violet]
4	AP8139214	Unt. L.Seitenteil, h.blau	1	<b>Baujahr:</b> 1998[W] <b>Fahrzeugfarbe:</b> Hellblau Miami[m.cya]
5	AP8102375	Klammer M5	3	
6	AP8102376	Klammer M6	4	
7	AP8150248	Ausgleichscheibe 5,5x15x1,6	5	
8	AP8152267	TBEI Spez.schr. M5x12	5	
9	AP8152298	TBEI Schraube m.Flansch M5x16	4	

<b>Einheit</b>	RAHMEN
<b>Code</b>	28.11
<b>Beschreibung</b>	Mittlerer aufbau I
<b>Inspektion</b>	1



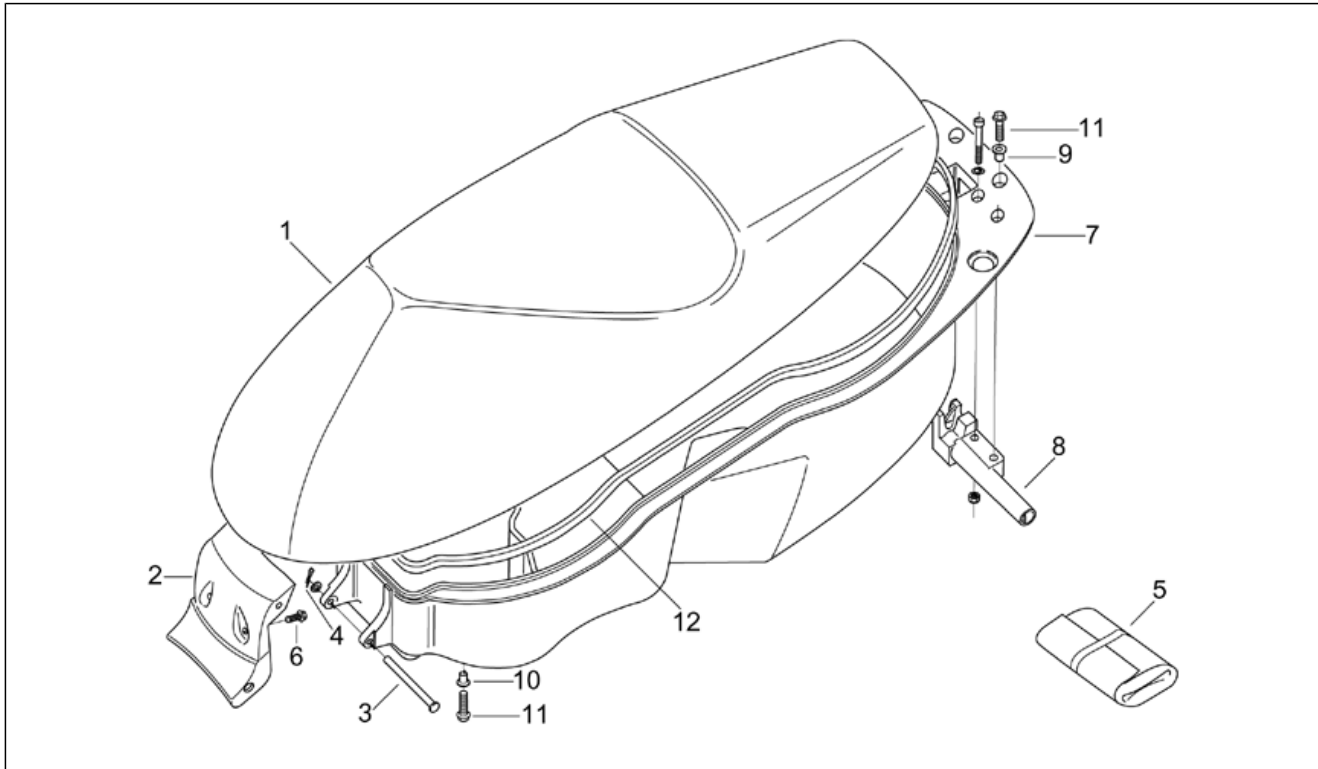
Pos.	Code	Beschreibung	Menge	Varianten
10	AP8138930	Fußbrett, schwarz	1	
11	AP8138177	Rechte Seitenklappe, schwarz	1	
12	AP8138176	Linke Seitenklappe, schwarz	1	
13	AP8121075	T-Buchse *	1	
14	AP8102699	90° Anschluß weiß	1	
15	AP8152275	TE Schr. m. Flansch M5x25	4	
16	AP8150413	Gew.schr. 3,9x14	2	

<b>Einheit</b>	RAHMEN
<b>Code</b>	28.12
<b>Beschreibung</b>	Mittlerer aufbau II
<b>Inspektion</b>	1



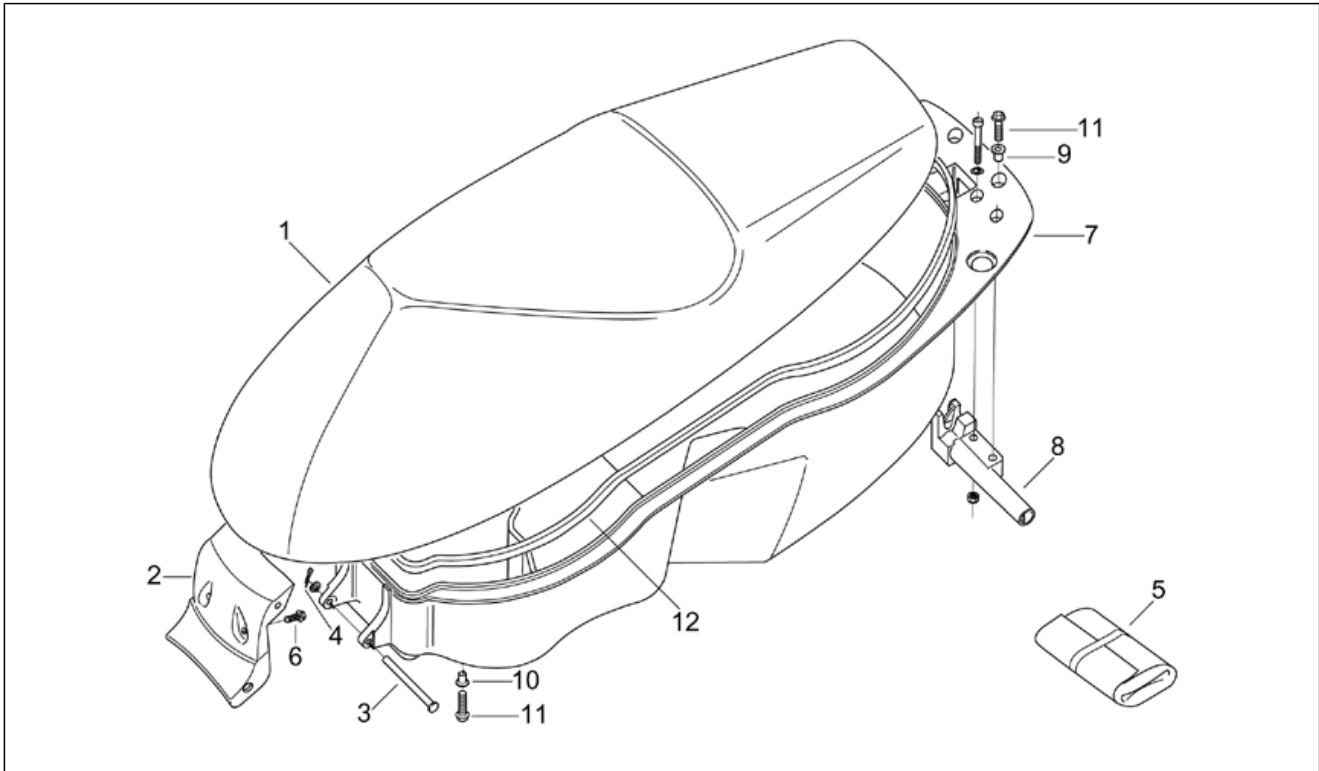
Pos.	Code	Beschreibung	Menge	Varianten
1	AP8138606	Tunneldeckel, blau	1	Baujahr:1996[T], 1997[V] Fahrzeugfarbe:
1	AP8138617	Tunneldeckel, grau	1	Baujahr:1996[T], 1997[V] Fahrzeugfarbe:
1	AP8138853	Tunneldeckel, rot	1	Baujahr:1996[T], 1997[V] Fahrzeugfarbe:
1	AP8138991	Tunneldeckel, grau	1	Baujahr:1997[V] Fahrzeugfarbe:
1	AP8139157	Tunneldeckel, h.gelb	1	Baujahr:1998[W] Fahrzeugfarbe:Gelb Brio[yellow]
1	AP8139168	Tunneldeckel, m.lila	1	Baujahr:1998[W] Fahrzeugfarbe:Königsviolett[Violet]
1	AP8139179	Tunneldeckel, blau m.	1	Baujahr:1998[W] Fahrzeugfarbe:Hellblau Miami[m.cya]
1	AP8139183	Tunneldeckel, blau	1	Baujahr:1998[W] Fahrzeugfarbe:
1	AP8139188	Tunneldeckel, grau	1	Baujahr:1998[W] Fahrzeugfarbe:
2	AP8121985	Bolzen Tankklappe	1	
3	AP8121986	Tankklappe Feder	1	
4	AP8101928	Splint	1	
5	AP8201620	Hebel	1	
6	AP8201747	Schloss	1	
7	AP8150011	Ausgleichscheibe 4,3x12x1	1	
8	AP8152194	Mutter unten M19x1*	1	
9	AP8201305	Schloßscheibe Nickel *	1	
10	AP8201748	Ausgleichscheibe	1	
11	AP8201749	Linsenschraube M4x6	1	

<b>Einheit</b>	RAHMEN
<b>Code</b>	28.13
<b>Beschreibung</b>	Sitzbankeinheit
<b>Inspektion</b>	1



Pos.	Code	Beschreibung	Menge	Varianten
1	AP8129181	Tiefsitz, schwarz	1	Baujahr:1996[T], 1997[V]
1	AP8129224	Niedr. Sitz, grau	1	Baujahr:1998[W] Fahrzeugfarbe:Hellblau Miami[m.cya], Gelb Brio[yellow]
1	AP8129225	Niedr. Sitz, blau	1	Baujahr:1998[W] Fahrzeugfarbe:Königsviolett[Violet]
2	AP8138601	Sitzgelenk, s.blau	1	Fahrzeugfarbe:
2	AP8138612	Sitzgelenk, grau	1	Fahrzeugfarbe:
2	AP8138852	Sitzgelenk, rot	1	Baujahr:1996[T], 1997[V] Fahrzeugfarbe:
2	AP8138989	Sitzgelenk, grün	1	Baujahr:1997[V] Fahrzeugfarbe:
2	AP8139155	Sitzgelenk ,gelb	1	Baujahr:1998[W] Fahrzeugfarbe:Gelb Brio[yellow]
2	AP8139166	Sitzgelenk, lila	1	Baujahr:1998[W] Fahrzeugfarbe:Königsviolett[Violet]
2	AP8139177	Sitzgelenk, blau	1	Baujahr:1998[W] Fahrzeugfarbe:Hellblau Miami[m.cya]
3	AP8221173	Sitzgelenkbolzen	1	
4	AP8201643	Splint	1	
5	AP8102413	Werkzeugtasche	1	Baujahr:1998[W]
5	AP8102413	Werkzeugtasche	1	Baujahr:1996[T], 1997[V]
5	AP8102413	Werkzeugtasche	1	Baujahr:1998[W]
5	AP8102872	Werkzeugtasche	1	Baujahr:1998[W]
5	AP8102872	Werkzeugtasche	1	Baujahr:1998[W]
6	AP8152278	TE Schr. m. Flansch M6x16	4	
7	AP8138928	Schutzhelmfach schwarz	1	
8	AP8201564	Sitzschloß	1	
9	AP8121790	T-Buchse *	2	
10	AP8121741	Buchse Instrumentenbrett	2	
11	AP8152281	TE Schr. m. Flansch M6x30	4	

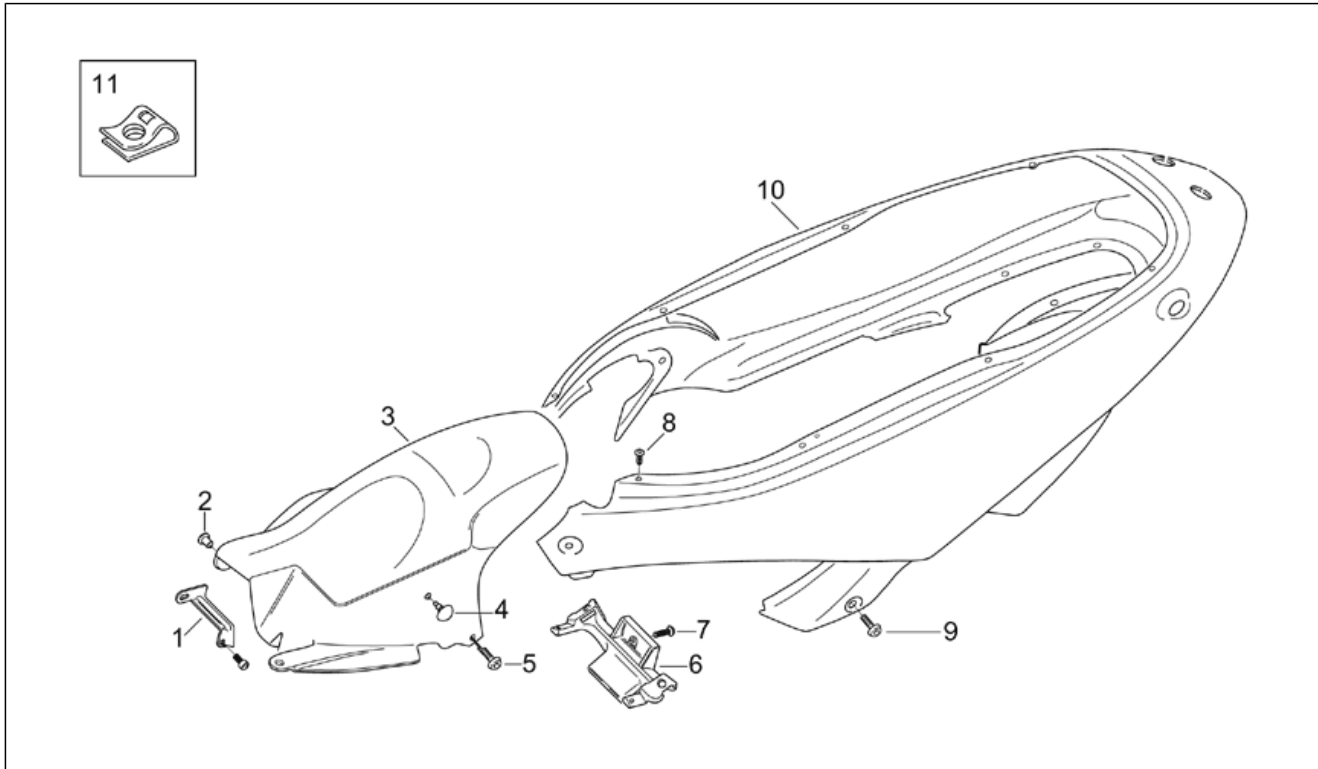
<b>Einheit</b>	RAHMEN
<b>Code</b>	28.13
<b>Beschreibung</b>	Sitzbankeinheit
<b>Inspektion</b>	1



Pos.	Code	Beschreibung	Menge	Varianten
12	AP8144186	Dichtung	1	

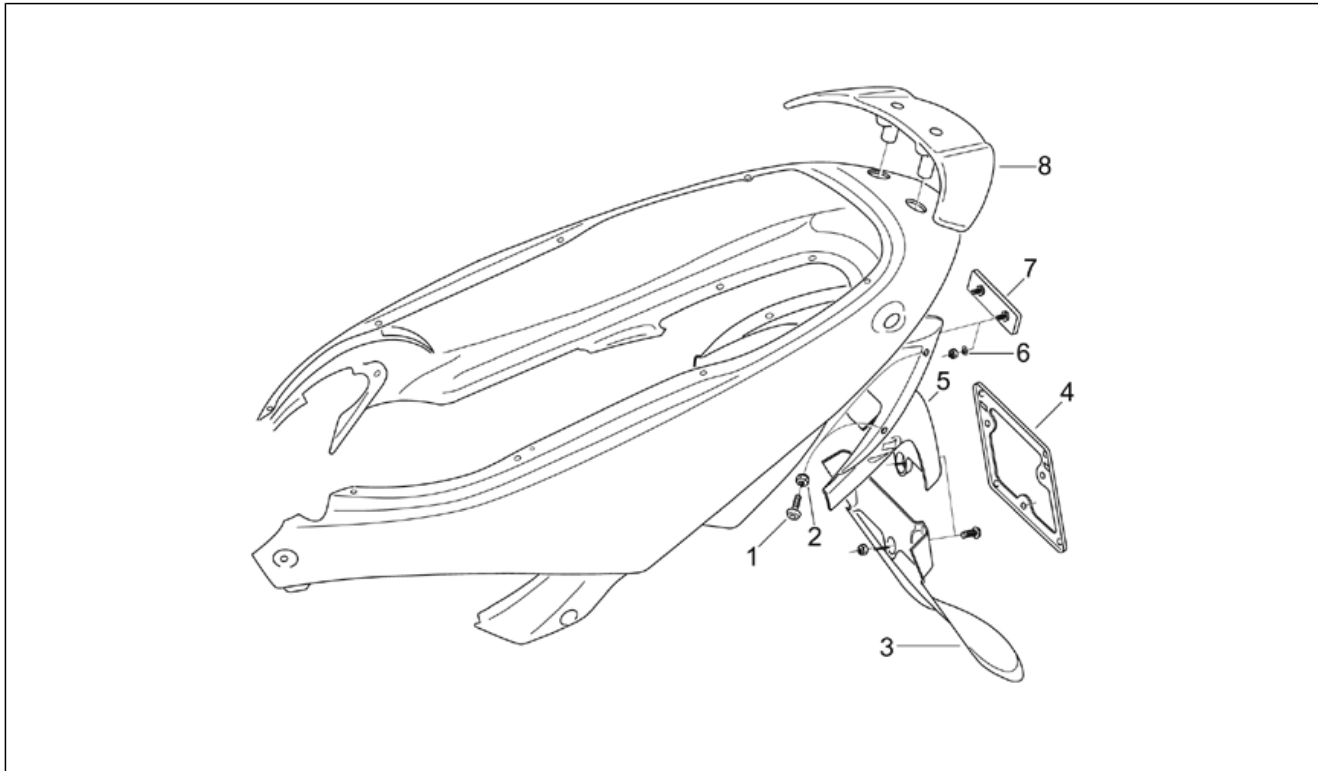


<b>Einheit</b>	RAHMEN
<b>Code</b>	28.14
<b>Beschreibung</b>	Heckaufbau I
<b>Inspektion</b>	1



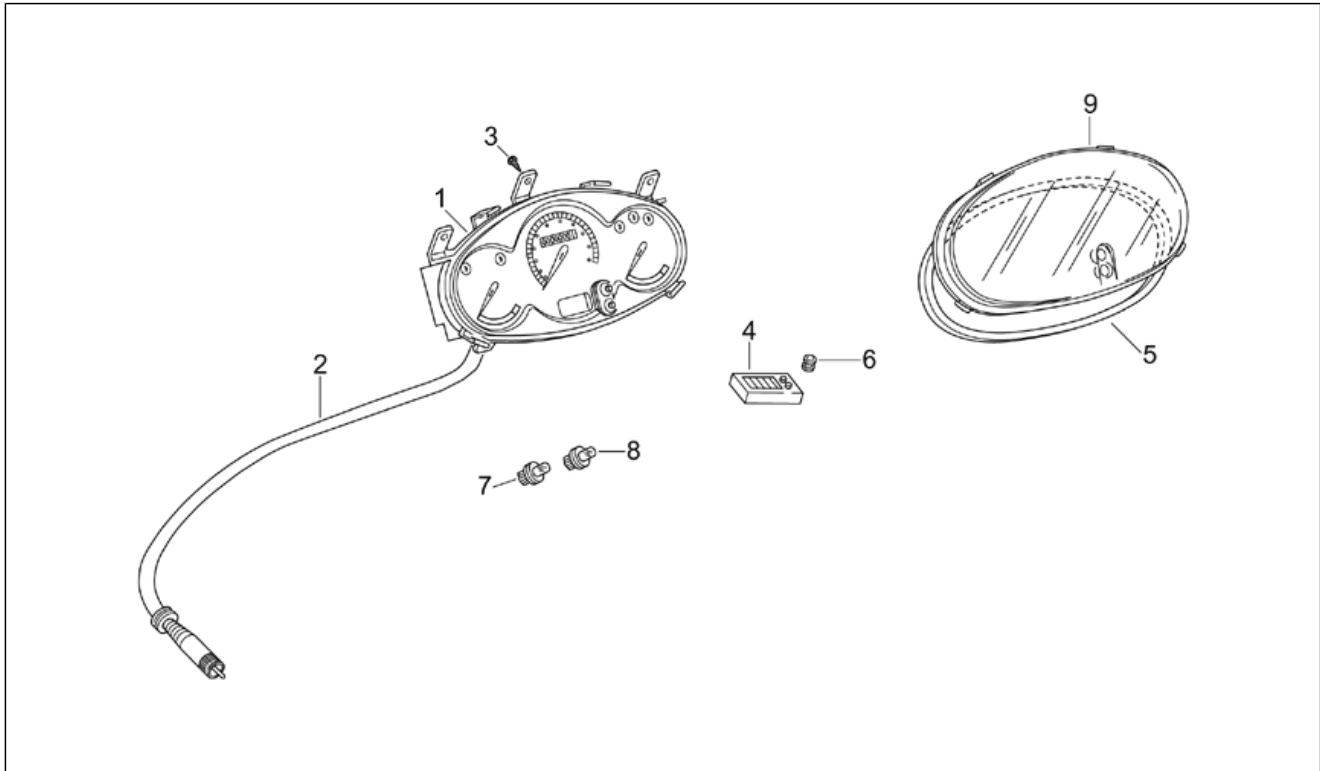
Pos.	Code	Beschreibung	Menge	Varianten
1	AP8134362	Hnt. Kotfl.hltr. schw.	1	
2	AP8121075	T-Buchse *	1	
3	AP8126642	H. Schutzblech, grau	1	
4	AP8120001	Gummi	2	
5	AP8152278	TE Schr. m. Flansch M6x16	2	
6	AP8138718	Heckhalter	1	
7	AP8152329	Kreuz.schl.flnschschr. M5x20	3	
8	AP8150413	Gew.schr. 3,9x14	8	
9	AP8152246	TBEI Schraube m.Flansch M6x16	4	
10	AP8138605	Heckteil, blau	1	<b>Fahrzeugfarbe:</b>
10	AP8138616	Heckteil, grau	1	<b>Fahrzeugfarbe:</b>
10	AP8138851	Heckteil, rot	1	<b>Baujahr:</b> 1996[T], 1997[V] <b>Fahrzeugfarbe:</b>
10	AP8138988	Heckteil, grün	1	<b>Baujahr:</b> 1997[V] <b>Fahrzeugfarbe:</b>
10	AP8139203	Heckteil, h.gelb	1	<b>Baujahr:</b> 1998[W] <b>Fahrzeugfarbe:</b> Gelb Brio[yellow]
10	AP8139209	Heckteil, m.lila	1	<b>Baujahr:</b> 1998[W] <b>Fahrzeugfarbe:</b> Königsviolett[Violet]
10	AP8139215	Heckteil, miami-blau	1	<b>Baujahr:</b> 1998[W] <b>Fahrzeugfarbe:</b> Hellblau Miami[m.cya]
11	AP8102376	Klammer M6	1	

<b>Einheit</b>	RAHMEN
<b>Code</b>	28.15
<b>Beschreibung</b>	Heckaufbau II
<b>Inspektion</b>	1



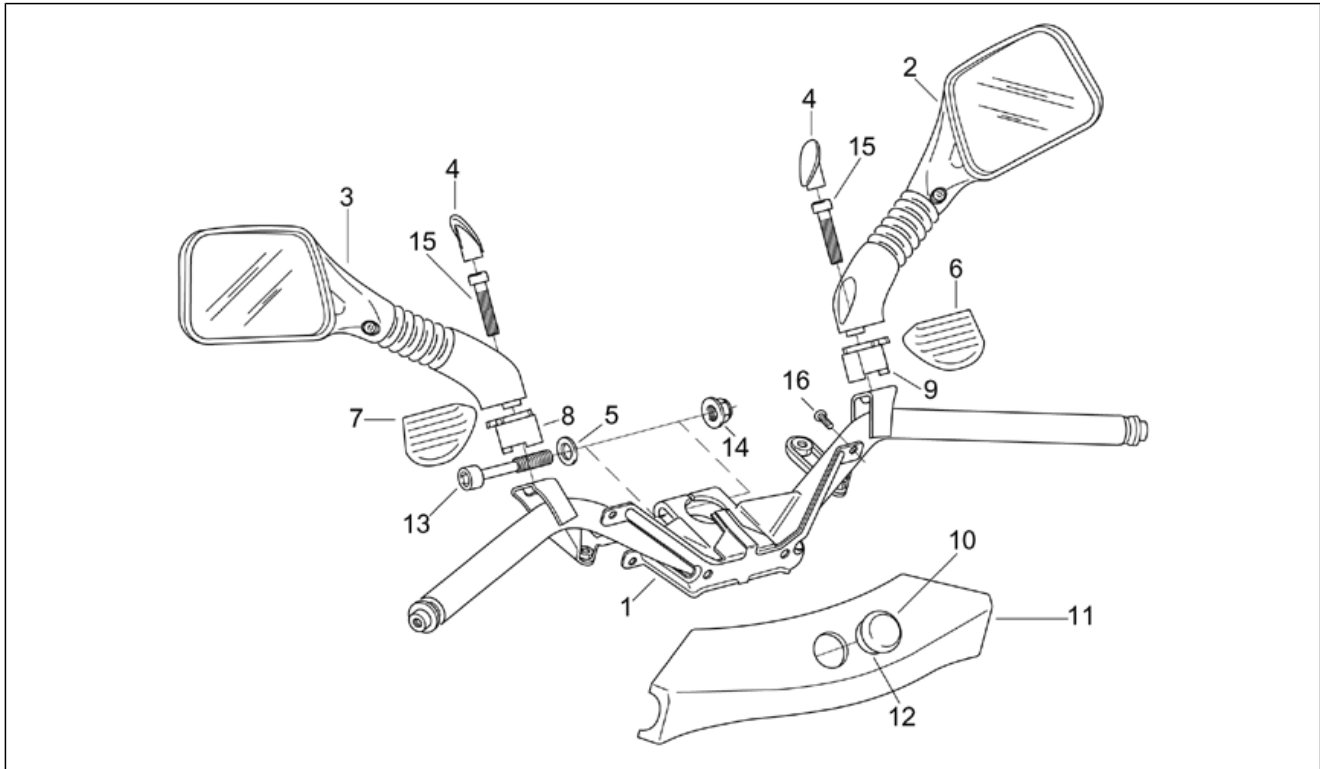
Pos.	Code	Beschreibung	Menge	Varianten
1	AP8152298	TBEI Schraube m.Flansch M5x16	6	
2	AP8152306	Selbstsperrende Mutter M5	6	
3	AP8126460	Hinteres Spritzschutz, grau	1	
4	AP8126115	Kennzeichenplatte	1	Land:Italien[I]
5	AP8126458	Kennzeichenplatte, grau	1	
6	AP8150011	Ausgleichscheibe 4,3x12x1	1	
7	AP8112916	Rückstrahler Rücklicht	1	
8	AP8135992	Soziusgriff, rot	1	Baujahr:1996[T], 1997[V] Fahrzeugfarbe:
8	AP8138675	Soziusgriff, dunkelblau	1	Fahrzeugfarbe:
8	AP8138676	Soziusgriff, grau	1	Fahrzeugfarbe:
8	AP8138990	Soziusgriff, grün	1	Baujahr:1997[V] Fahrzeugfarbe:
8	AP8139156	Soziusgriff, h.gelb	1	Baujahr:1998[W] Fahrzeugfarbe:Gelb Brio[yellow]
8	AP8139167	Soziusgriff, m.-lila	1	Baujahr:1998[W] Fahrzeugfarbe:Königsviolett[Violet]
8	AP8139178	Soziusgriff, miami-b.	1	Baujahr:1998[W] Fahrzeugfarbe:Hellblau Miami[m.cya]

<b>Einheit</b>	RAHMEN
<b>Code</b>	28.16
<b>Beschreibung</b>	Instrumententafel
<b>Inspektion</b>	1



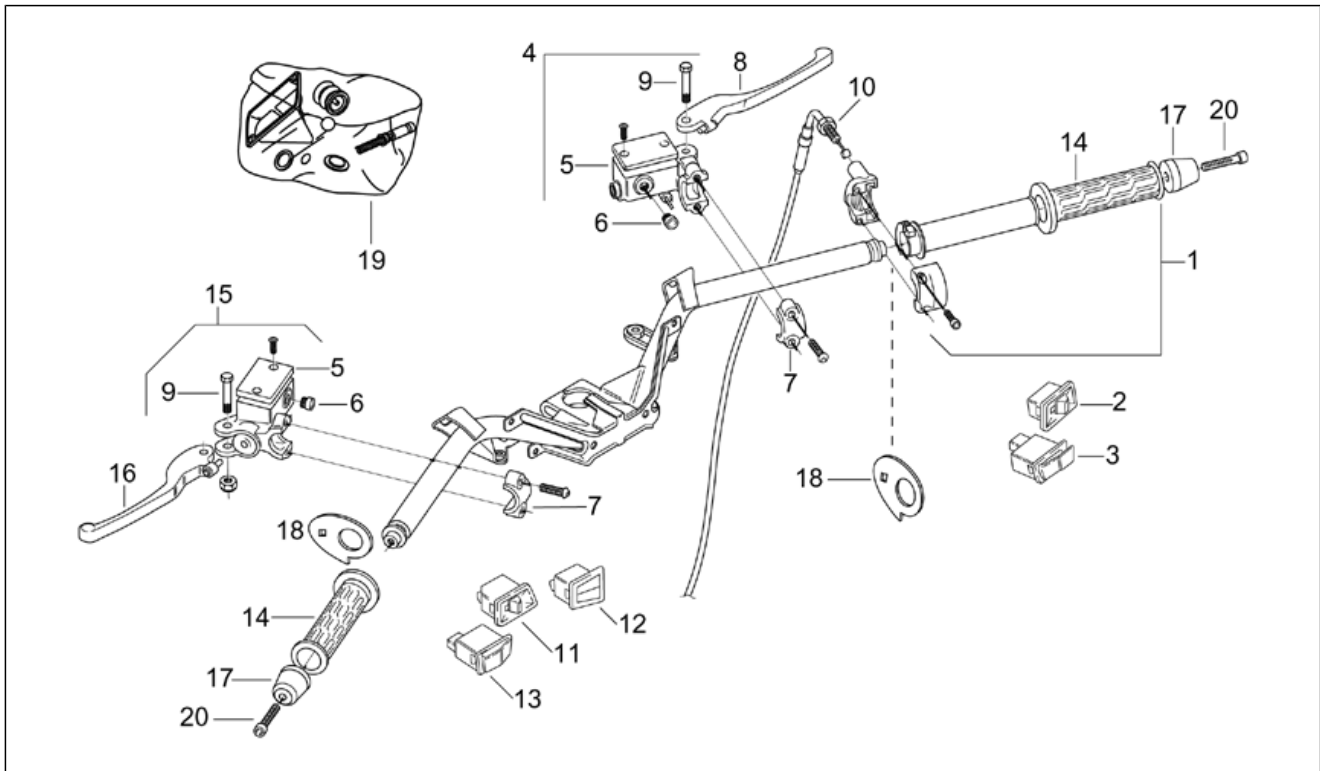
Pos.	Code	Beschreibung	Menge	Varianten
1	AP8124387	Instrum.tafel kplt.	1	Land:Österreich[A], Belgien[B], Dänemark[DK], Spanien[E], Frankreich[F], Griechenland[GR], Italien[I], Japan[J], Holland[NL], Portugal[P], Großbritannien[UK]
1	AP8124442	Instrum.tafel kplt.	1	Land:Schweiz[CH], Deutschland[D]
2	AP8114347	Tachometerkabel	1	Baujahr:1996[T]
2	AP8114347	Tachometerkabel	1	Baujahr:1997[V] Technische Daten:Leonardo 125[125]
2	AP8114357	Tachometerkabel	1	Baujahr:1997[V] Technische Daten:Leonardo 150[150]
2	AP8114357	Tachometerkabel	1	Baujahr:1997[V] Technische Daten:Leonardo 125[125]
2	AP8114357	Tachometerkabel	1	Baujahr:1998[W]
3	AP8152334	TBEI Schraube m.Flansch M3x12	5	
4	AP8212406	Digital-Uhr	1	
5	AP8220422	Dichtung Instrumentenblende	1	
6	AP8212405	Uhr Gummi	1	
7	AP8212407	Lampenhalter kplt. 12V-1,2W	3	
8	AP8212408	Lampenhalter kplt.	5	
9	AP8127788	Instrumenten-Abdeckblende	1	Technische Daten:"Marke ""ECIE"" [ECIE]
9	AP8212861	Instrumenten-Abdeckblende	1	Technische Daten:"Marke ""CEV"" [CEV]

<b>Einheit</b>	RAHMEN
<b>Code</b>	28.17
<b>Beschreibung</b>	Lenkstange
<b>Inspektion</b>	1



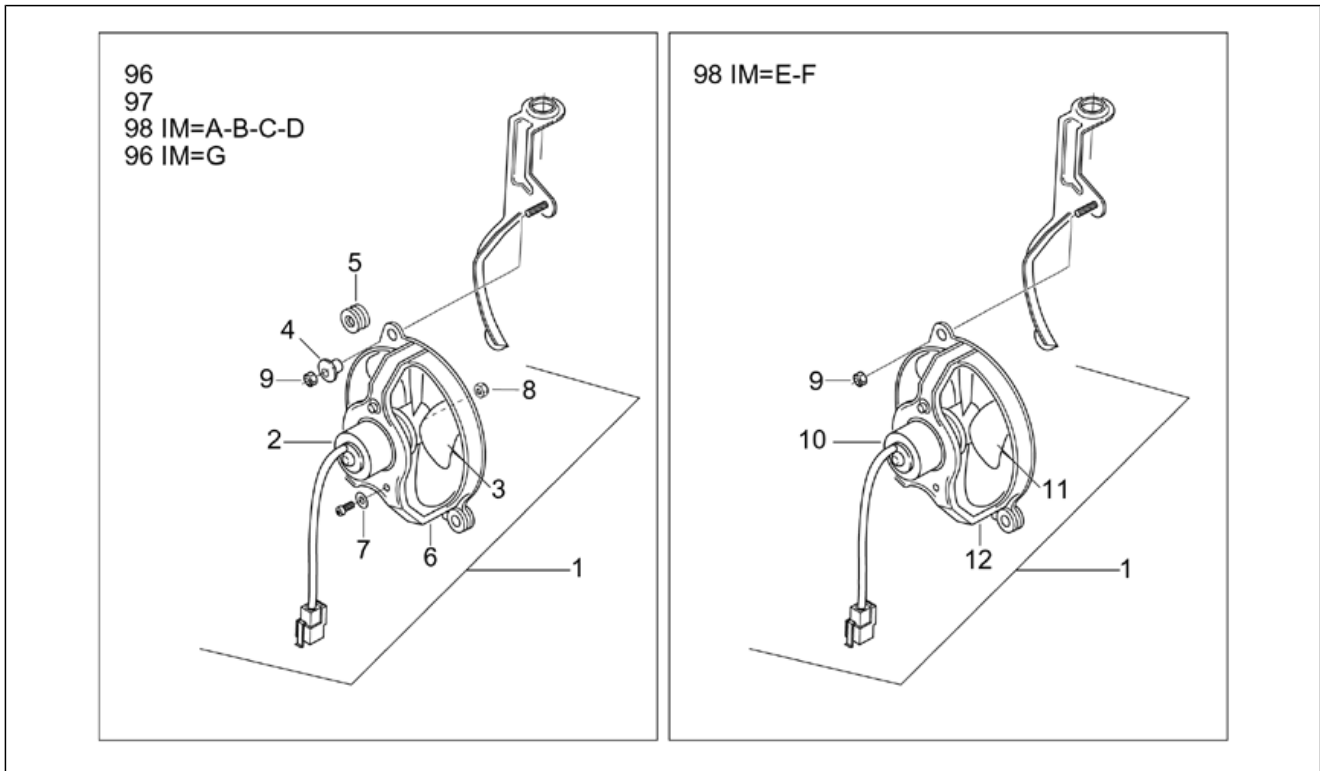
Pos.	Code	Beschreibung	Menge	Varianten
1	AP8118381	Lenkstange	1	
2	AP8102695	Rückspiegel rechts	1	<b>Technische Daten:</b> "Spiegel mit der Schrift ""Arsauto""[Ar]
2	AP8102697	Rückspiegel rechts	1	<b>Technische Daten:</b>
3	AP8102696	Rückspiegel links	1	<b>Technische Daten:</b> "Spiegel mit der Schrift ""Arsauto""[Ar]
3	AP8102698	Rückspiegel links	1	<b>Technische Daten:</b>
4	AP8201818	Verschl. Spgl rch + lks.	1	<b>Technische Daten:</b> "Spiegel mit der Schrift ""Arsauto""[Ar]
4	AP8202071	Verschl. Spgl rch + lks.	1	<b>Technische Daten:</b>
5	AP8150020	Ausgleichscheibe 10,5x21x2*	1	
6	AP8120915	Gummi rechter Spiegel	1	
7	AP8120916	Gummi linker Spiegel	1	
8	AP8102629	Grundplatte L.Rückspg.	1	
9	AP8102628	Grundplatte R.Rückspg.	1	
10	AP8102663	Doppelseitiges Klebeband	1	
11	AP8118476	Lenkungplatte,grau	1	
12	AP8118440	Schraube Lenkstangenplatte	1	
13	AP8150088	TCEI Schraube M10x70	1	
14	AP8152301	Selbstsperrende Mutter	1	
15	AP8150046	TCEI Schraube M8x55	2	
16	AP8150460	Gewindeschraube M4x12	10	

<b>Einheit</b>	RAHMEN
<b>Code</b>	28.18
<b>Beschreibung</b>	Schaltungen
<b>Inspektion</b>	1



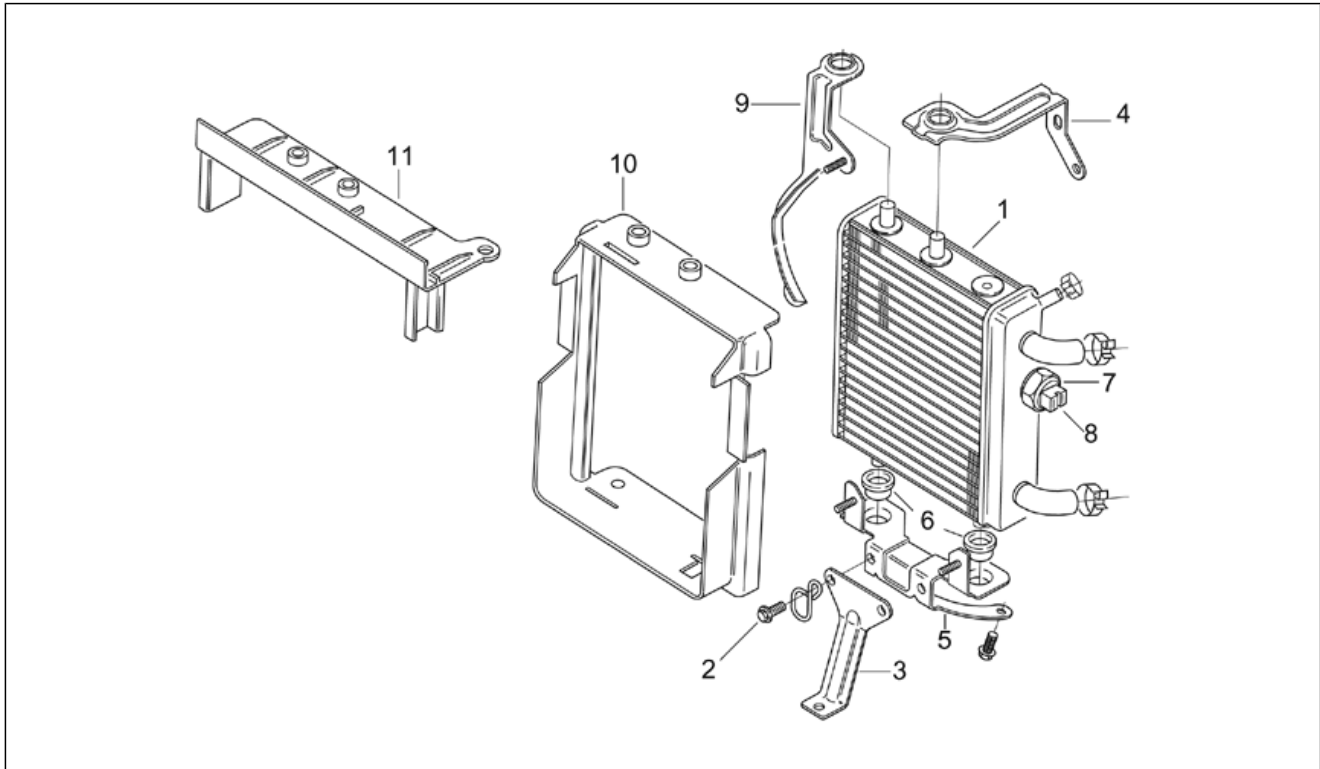
Pos.	Code	Beschreibung	Menge	Varianten
1	AP8118383	Gasschaltung+griff	1	
2	AP8124207	Lichtknopf	1	
3	AP8124208	Startknopf	1	
4	AP8113603	Vorderradbrenspumpe D12	1	
5	AP8113305	Pumpendeckel	2	
6	AP8113635	Schauglas Brenspumpe	2	
7	AP8113637	Bremshebel-Bügelbolzen	2	
8	AP8218273	Vorderradbrenshebel	1	
9	AP8221231	Stift Vorderradbrenshebel	2	
10	AP8114299	Gaszugkabel	1	
11	AP8212767	Blinker Lichtknopf	1	
12	AP8124081	Lichtschalter	1	
13	AP8124209	Hupknopf	1	
14	AP8118444	Handgriffe paar, grau	1	
15	AP8113543	Hinterradbrenspumpe	1	
16	AP8118461	H.brenshebel	1	
17	AP8102717	Lenkstangen-Schwingschutz	2	
18	AP8144128	Seitl. Lenkerverschl.	2	
19	AP8113636	Bausatz Pumpenüberholung	1	
20	AP8150285	TCEI Schraube M6x35	2	

<b>Einheit</b>	RAHMEN
<b>Code</b>	28.19
<b>Beschreibung</b>	Lüfter
<b>Inspektion</b>	1



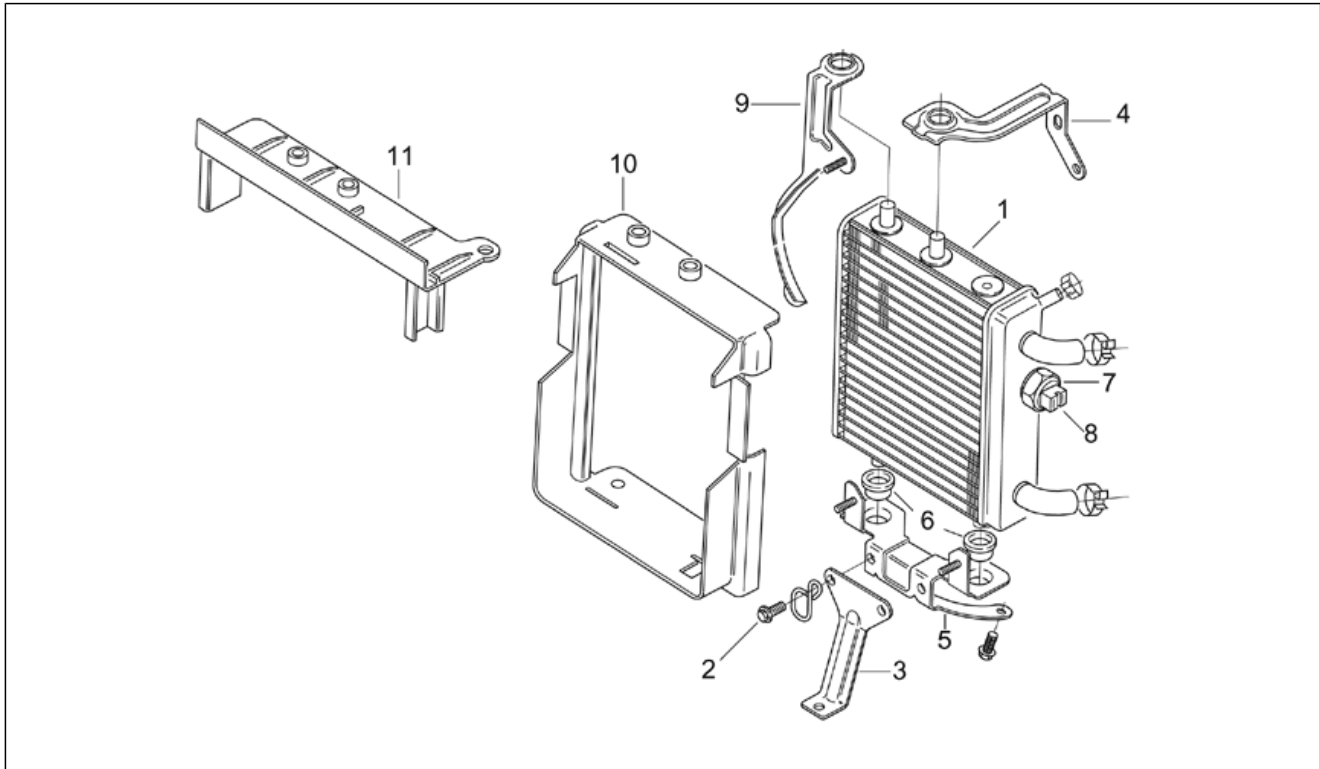
Pos.	Code	Beschreibung	Menge	Varianten
1	AP8124446	Ventilator komplett	1	Baujahr:1998[W]
1	AP8124460	Ventilator komplett	1	Baujahr:1998[W]
1	AP8124460	Ventilator komplett	1	Baujahr:1998[W]
1	AP8124460	Ventilator komplett	1	Baujahr:1996[T], 1997[V]
1	AP8124460	Ventilator komplett	1	Baujahr:1998[W]
2	AP8124164	Lüftermotor	1	
3	AP8102499	Lüfter	1	
4	AP8121665	T-Buchse	3	
5	AP8120030	Gummi	3	
6	AP8138103	Lüfterlager	1	
7	AP8150011	Ausgleichscheibe 4,3x12x1	3	
8	AP8150452	Selbstsperrende Mutter M3	1	
9	AP8150451	Selbstsperr.mut Unt.	3	
10	AP8124756	Lüftermotor	1	
11	AP8124755	Lüfter	1	
12	AP8124757	Lüfterlager	1	

<b>Einheit</b>	RAHMEN
<b>Code</b>	28.20
<b>Beschreibung</b>	Kühler
<b>Inspektion</b>	1



Pos.	Code	Beschreibung	Menge	Varianten
1	AP8102405	Kühler	1	Baujahr:1996[T]
1	AP8102405	Kühler	1	Baujahr:1997[V] Technische Daten:Leonardo 125[125]
1	AP8102777	Kühler	1	Baujahr:1997[V] Technische Daten:Leonardo 150[150]
1	AP8102777	Kühler	1	Baujahr:1997[V] Technische Daten:Leonardo 125[125]
1	AP8102777	Kühler	1	Baujahr:1998[W]
2	AP8152272	TE Schr. m. Flansch M5x12	3	
3	AP8134320	Frontschildbefestigung	1	
4	AP8134305	Obere Kühlerbefestigung	1	Baujahr:1996[T]
4	AP8134305	Obere Kühlerbefestigung	1	Baujahr:1997[V] Technische Daten:Leonardo 125[125]
4	AP8134453	Obere Kühlerbefestigung	1	Baujahr:1998[W]
4	AP8134453	Obere Kühlerbefestigung	1	Baujahr:1997[V] Technische Daten:Leonardo 150[150]
4	AP8134453	Obere Kühlerbefestigung	1	Baujahr:1997[V] Technische Daten:Leonardo 125[125]
5	AP8134307	Untere Kühlerbefestigung	1	Baujahr:1997[V] Technische Daten:Leonardo 125[125]
5	AP8134307	Untere Kühlerbefestigung	1	Baujahr:1996[T]
5	AP8134454	Untere Kühlerbefestigung	1	Baujahr:1997[V] Technische Daten:Leonardo 125[125]
5	AP8134454	Untere Kühlerbefestigung	1	Baujahr:1997[V] Technische Daten:Leonardo 150[150]
5	AP8134454	Untere Kühlerbefestigung	1	Baujahr:1998[W]
6	AP8120275	Silent-Block *	2	
7	AP8121837	Alu-Scheibe	1	
8	AP8112677	Thermoschalter	1	Baujahr:1997[V] Technische Daten:Leonardo 125[125]
8	AP8112677	Thermoschalter	1	Baujahr:1997[V]

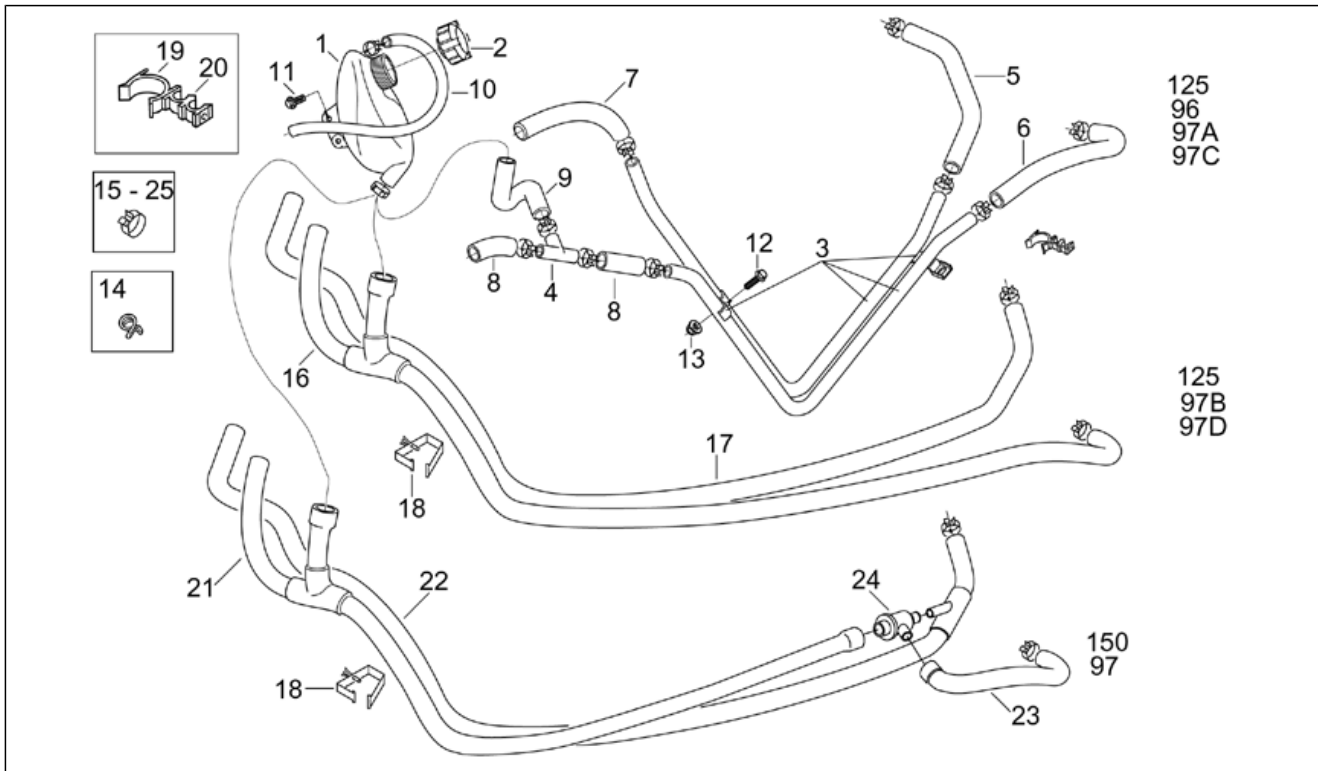
<b>Einheit</b>	RAHMEN
<b>Code</b>	28.20
<b>Beschreibung</b>	Kühler
<b>Inspektion</b>	1



Pos.	Code	Beschreibung	Menge	Varianten
				<b>Technische Daten:</b> Leonardo 150[150]
8	AP8112677	Thermoschalter	1	<b>Baujahr:</b> 1998[W]
8	AP8112939	Thermoschalter	1	<b>Baujahr:</b> 1997[V] <b>Technische Daten:</b> Leonardo 125[125]
8	AP8112939	Thermoschalter	1	<b>Baujahr:</b> 1996[T]
9	AP8134411	Obere Lüfterbefestigung	1	
10	AP8144014	Kühlerdichtung	1	<b>Baujahr:</b> 1997[V] <b>Technische Daten:</b> Leonardo 125[125]
10	AP8144014	Kühlerdichtung	1	<b>Baujahr:</b> 1996[T] <b>Technische Daten:</b> Leonardo 125[125]
11	AP8144078	Kühlerdichtung	1	<b>Baujahr:</b> 1997[V] <b>Technische Daten:</b> Leonardo 150[150]
11	AP8144078	Kühlerdichtung	1	<b>Baujahr:</b> 1997[V] <b>Technische Daten:</b> Leonardo 125[125]
11	AP8144078	Kühlerdichtung	1	<b>Baujahr:</b> 1998[W]

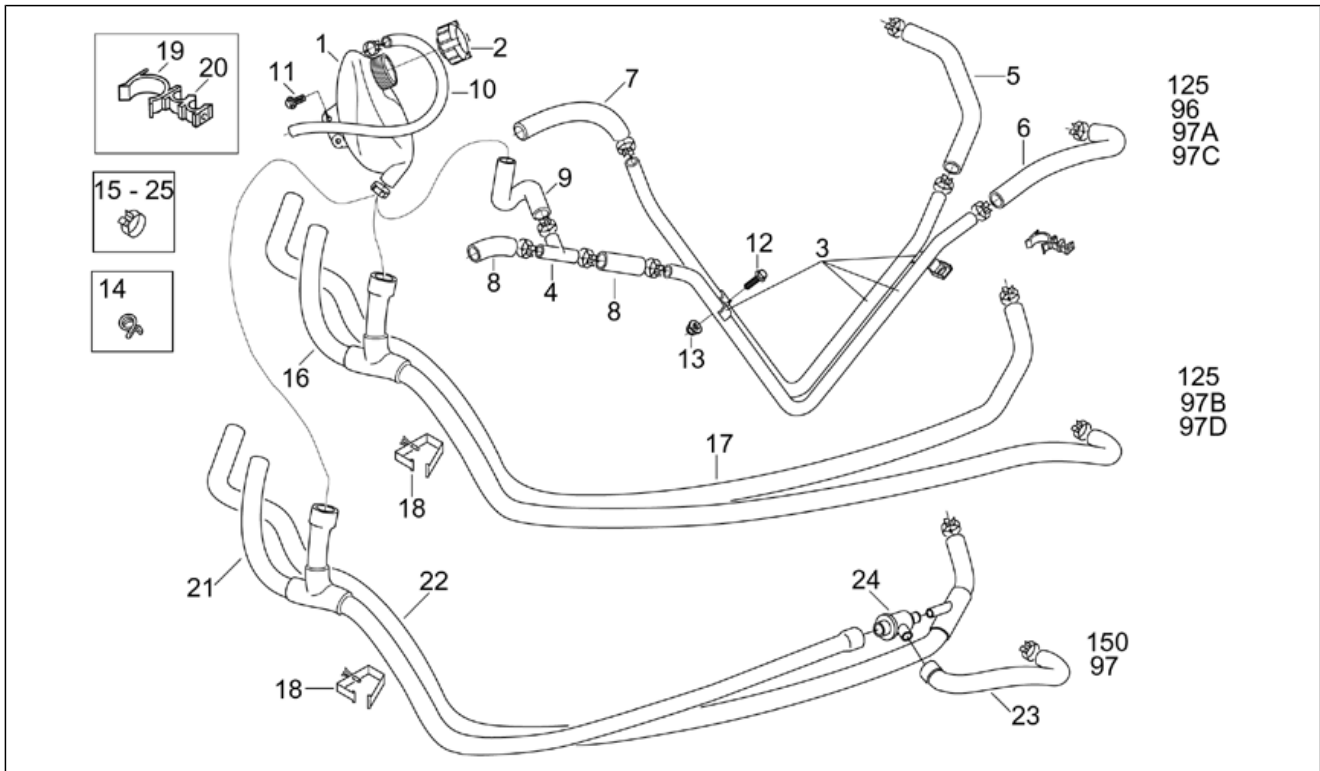


<b>Einheit</b>	RAHMEN
<b>Code</b>	28.21
<b>Beschreibung</b>	Ausdehngefäß 96-97
<b>Inspektion</b>	1



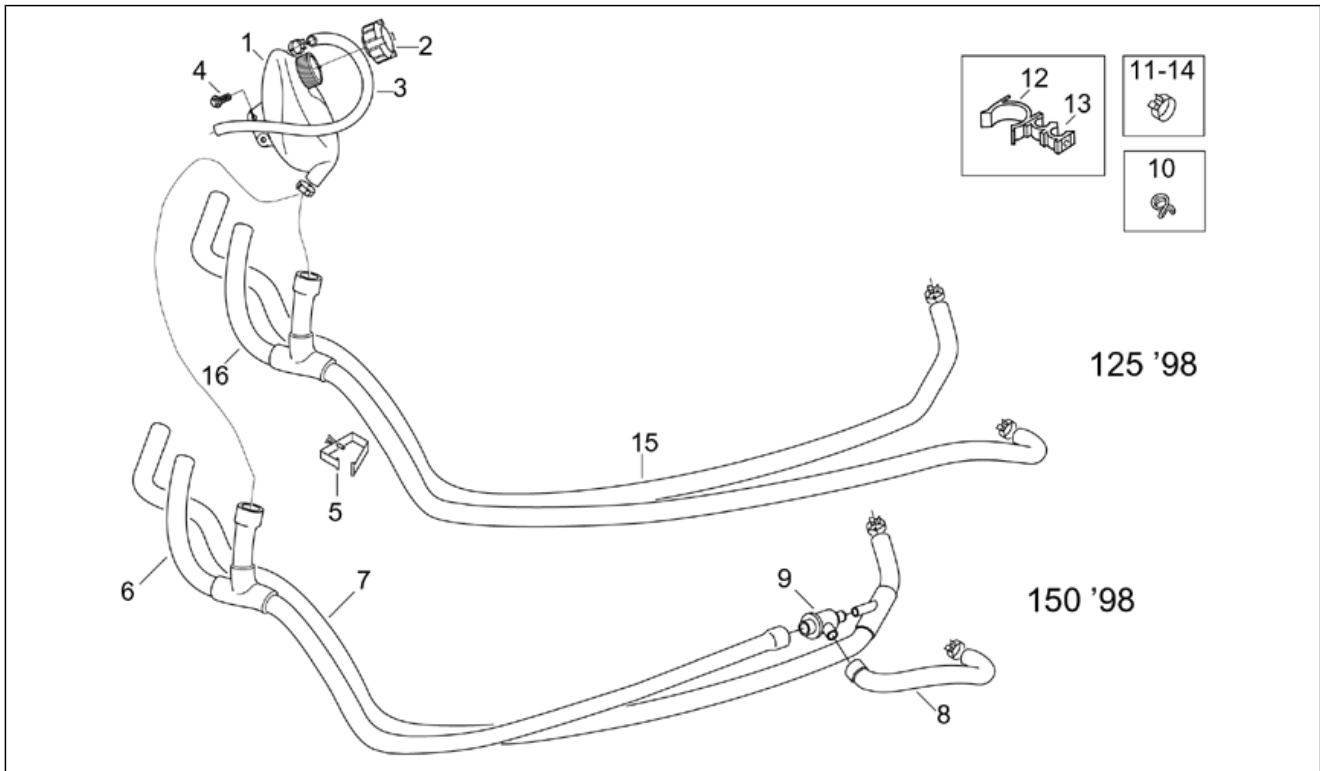
Pos.	Code	Beschreibung	Menge	Varianten
1	AP8138946	Ausdehngefäß	1	
2	AP8201463	Kühlerschraube belüftet	1	
3	AP8120883	Wasserleitungen innen/außen	1	Baujahr:1996[T]
3	AP8120883	Wasserleitungen innen/außen	1	Baujahr:1997[V] Technische Daten:Leonardo 125[125]
4	AP8101916	T-förmiger Anschluß D20	1	Baujahr:1996[T]
4	AP8101916	T-förmiger Anschluß D20	1	Baujahr:1997[V] Technische Daten:Leonardo 125[125]
5	AP8120885	Auslaßmuffe Zylinderkopf	1	Baujahr:1997[V] Technische Daten:Leonardo 125[125]
5	AP8120885	Auslaßmuffe Zylinderkopf	1	Baujahr:1996[T]
6	AP8120886	Einlaßmuffe Pumpe	1	Baujahr:1996[T]
6	AP8120886	Einlaßmuffe Pumpe	1	Baujahr:1997[V] Technische Daten:Leonardo 125[125]
7	AP8144057	Auslaßmuffe Kühler	1	Baujahr:1997[V] Technische Daten:Leonardo 125[125]
7	AP8144057	Auslaßmuffe Kühler	1	Baujahr:1996[T]
8	AP8120882	Auslaßmuffe Kühler	2	Baujahr:1997[V] Technische Daten:Leonardo 125[125]
8	AP8120882	Auslaßmuffe Kühler	2	Baujahr:1996[T]
9	AP8120983	Schlauch Ausdehngefäß	1	Baujahr:1996[T]
9	AP8120983	Schlauch Ausdehngefäß	1	Baujahr:1997[V] Technische Daten:Leonardo 125[125]
10	AP8144056	Entlüftungsschlauch Kühler	1	
11	AP8152279	TE Schr. m. Flansch M6x20	2	
12	AP8152281	TE Schr. m. Flansch M6x30	1	
13	AP8152299	Selbstsperrende Mutter M6	1	
14	AP8102732	Schelle 17-25	11	
15	AP8102239	Schelle 12,5x8	4	
16	AP8144080	Pumpen-Kühlerschlauch	1	Baujahr:1997[V]

<b>Einheit</b>	RAHMEN
<b>Code</b>	28.21
<b>Beschreibung</b>	Ausdehngefäß 96-97
<b>Inspektion</b>	1



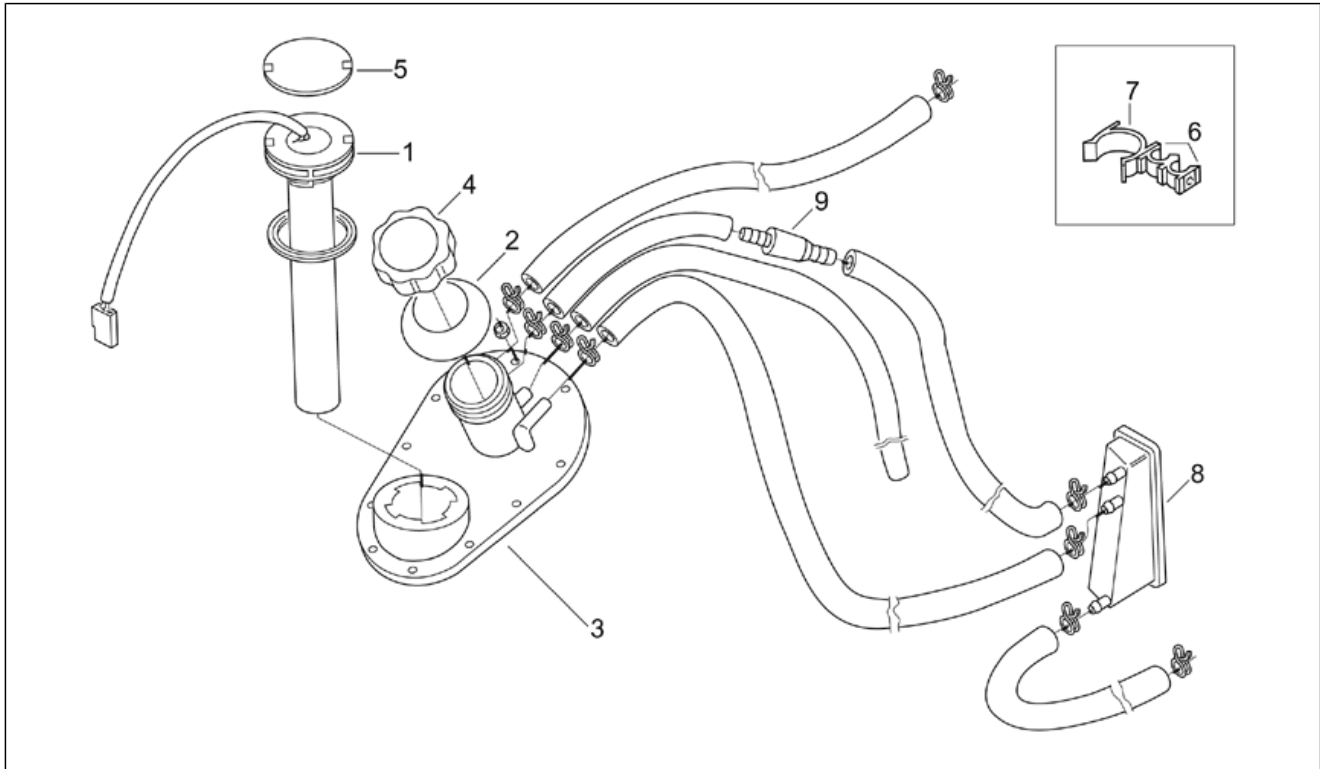
Pos.	Code	Beschreibung	Menge	Varianten
				<b>Technische Daten:</b> Leonardo 125[125]
17	AP8144079	Zylinderkopf-Kühlerschlauch	1	<b>Baujahr:</b> 1997[V] <b>Technische Daten:</b> Leonardo 125[125]
18	AP8134460	Wasserschlauchhalter	1	<b>Baujahr:</b> 1997[V] <b>Technische Daten:</b> Leonardo 150[150]
18	AP8134460	Wasserschlauchhalter	1	<b>Baujahr:</b> 1997[V] <b>Technische Daten:</b> Leonardo 125[125]
19	AP8201807	Kabelführungs D22	1	
20	AP8201808	Kabelführungs D8	1	
21	AP8144099	Pumpen-Kühlerschlauch	1	<b>Baujahr:</b> 1997[V] <b>Technische Daten:</b> Leonardo 150[150]
22	AP8144098	Zylinderkopf-Kühlerschlauch	1	<b>Baujahr:</b> 1997[V] <b>Technische Daten:</b> Leonardo 150[150]
23	AP8144100	Pump-Motorventilleitung	1	<b>Baujahr:</b> 1997[V] <b>Technische Daten:</b> Leonardo 150[150]
24	AP8102614	Ventil thermostatgruppe	1	<b>Baujahr:</b> 1997[V] <b>Technische Daten:</b> Leonardo 150[150]
25	AP8102810	Schlauchschele D25x35	2	<b>Baujahr:</b> 1997[V] <b>Technische Daten:</b> Leonardo 150[150]

<b>Einheit</b>	RAHMEN
<b>Code</b>	28.22
<b>Beschreibung</b>	Ausdehngefäß 98
<b>Inspektion</b>	1



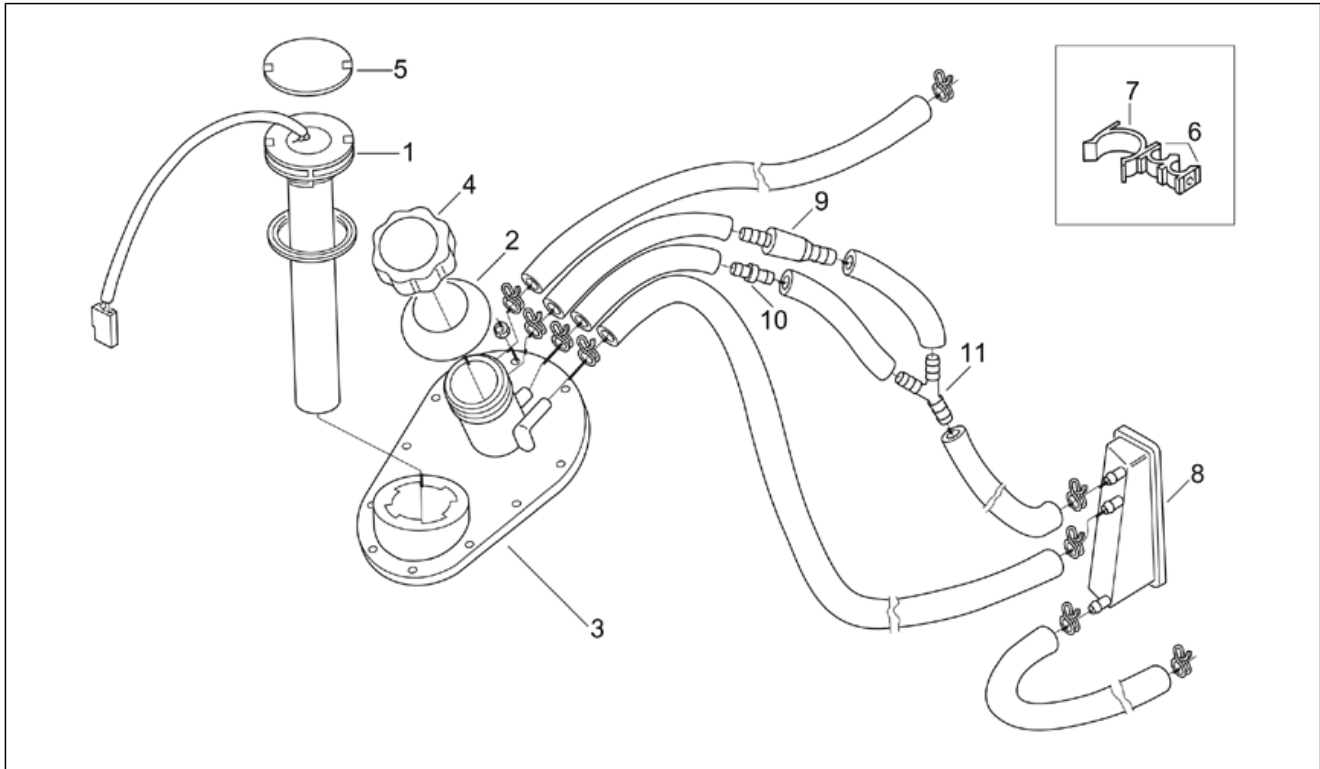
Pos.	Code	Beschreibung	Menge	Varianten
1	AP8138946	Ausdehngefäß	1	
2	AP8201463	Kühlerschraube belüftet	1	
3	AP8144056	Entlüftungsschlauch Kühler	1	
4	AP8152279	TE Schr. m. Flansch M6x20	2	
5	AP8134460	Wasserschlauchhalter	1	Baujahr:1998[W]
6	AP8144099	Pumpen-Kühlerschlauch	1	Baujahr:1998[W] Technische Daten:Leonardo 150[150]
7	AP8144098	Zylinderkopf-Kühlerschlauch	1	Baujahr:1998[W] Technische Daten:Leonardo 150[150]
8	AP8144100	Pump-Motorventilleitung	1	Baujahr:1998[W] Technische Daten:Leonardo 150[150]
9	AP8102614	Ventil thermostatgruppe	1	Baujahr:1998[W] Technische Daten:Leonardo 150[150]
10	AP8102732	Schelle 17-25	5	
11	AP8102239	Schelle 12,5x8	4	
12	AP8201807	Kabelführungs D22	1	
13	AP8201808	Kabelführungs D8	1	
14	AP8102810	Schlauchschele D25x35	2	
15	AP8144079	Zylinderkopf-Kühlerschlauch	1	Baujahr:1998[W] Technische Daten:Leonardo 125[125]
16	AP8144080	Pumpen-Kühlerschlauch	1	Baujahr:1998[W] Technische Daten:Leonardo 125[125]

<b>Einheit</b>	RAHMEN
<b>Code</b>	28.23
<b>Beschreibung</b>	Benz.stdf. 96 M.I.A u. 98
<b>Inspektion</b>	1



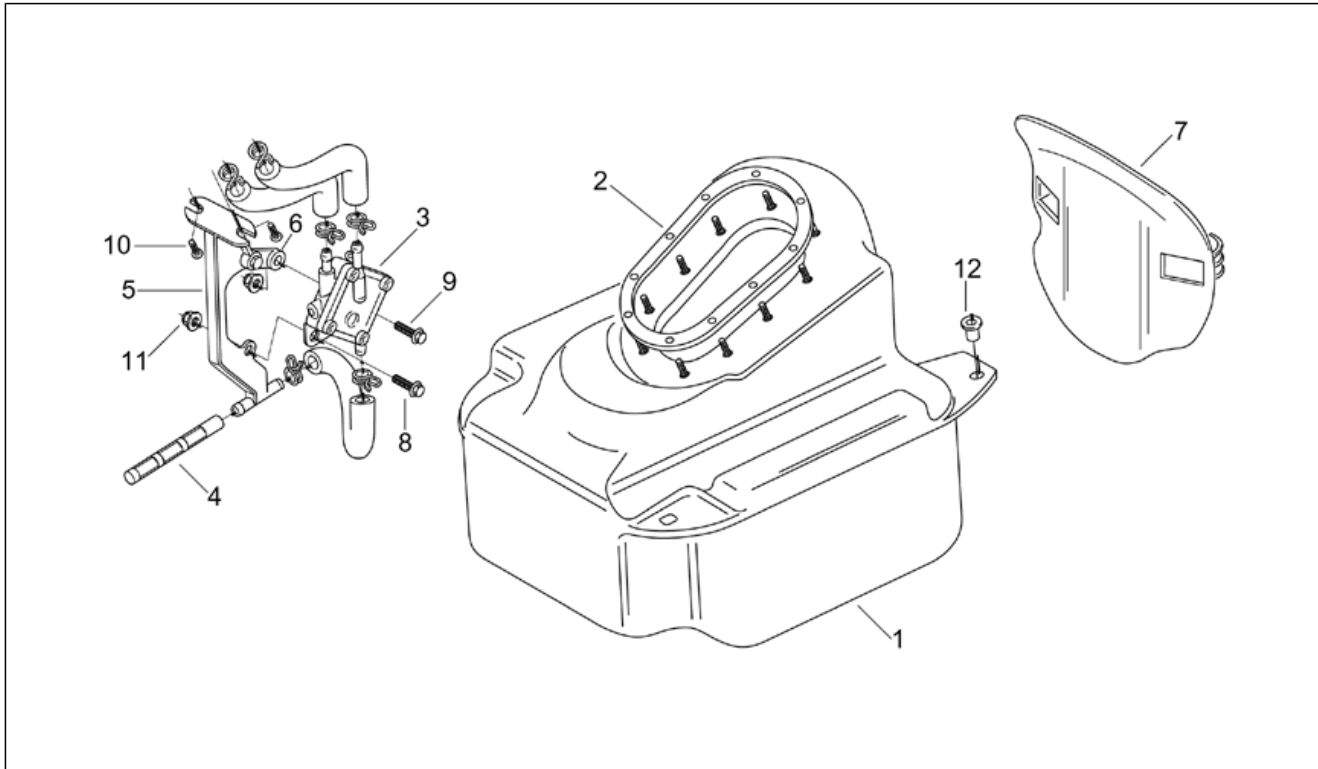
Pos.	Code	Beschreibung	Menge	Varianten
1	AP8124478	Kraftstoffmeßsonde	1	Baujahr:1996[T]
1	AP8124478	Kraftstoffmeßsonde	1	Baujahr:1998[W]
2	AP8102605	Gasket ring	1	Baujahr:1998[W]
2	AP8102605	Gasket ring	1	Baujahr:1996[T]
3	AP8102760	Tankfl. + Pist.hltr	1	Baujahr:1996[T]
3	AP8102760	Tankfl. + Pist.hltr	1	Baujahr:1998[W]
4	AP8201757	Tankverschlussschraube	1	Baujahr:1998[W]
4	AP8201757	Tankverschlussschraube	1	Baujahr:1996[T]
5	AP8144020	Ring	1	Baujahr:1998[W]
5	AP8144020	Ring	1	Baujahr:1996[T]
6	AP8201808	Kabelführungs D8	1	Baujahr:1998[W]
6	AP8201808	Kabelführungs D8	3	Baujahr:1996[T]
7	AP8201807	Kabelführungs D22	1	Baujahr:1998[W]
7	AP8201807	Kabelführungs D22	1	Baujahr:1996[T]
8	AP8138998	Rückstaugehäuse	1	Baujahr:1998[W]
8	AP8138998	Rückstaugehäuse	1	Baujahr:1996[T]
9	AP8102741	Rückstauventil	1	Baujahr:1996[T]
9	AP8102741	Rückstauventil	1	Baujahr:1998[W]

<b>Einheit</b>	RAHMEN
<b>Code</b>	28.24
<b>Beschreibung</b>	Benz.stdf. 96 M.I.B u. 97
<b>Inspektion</b>	1



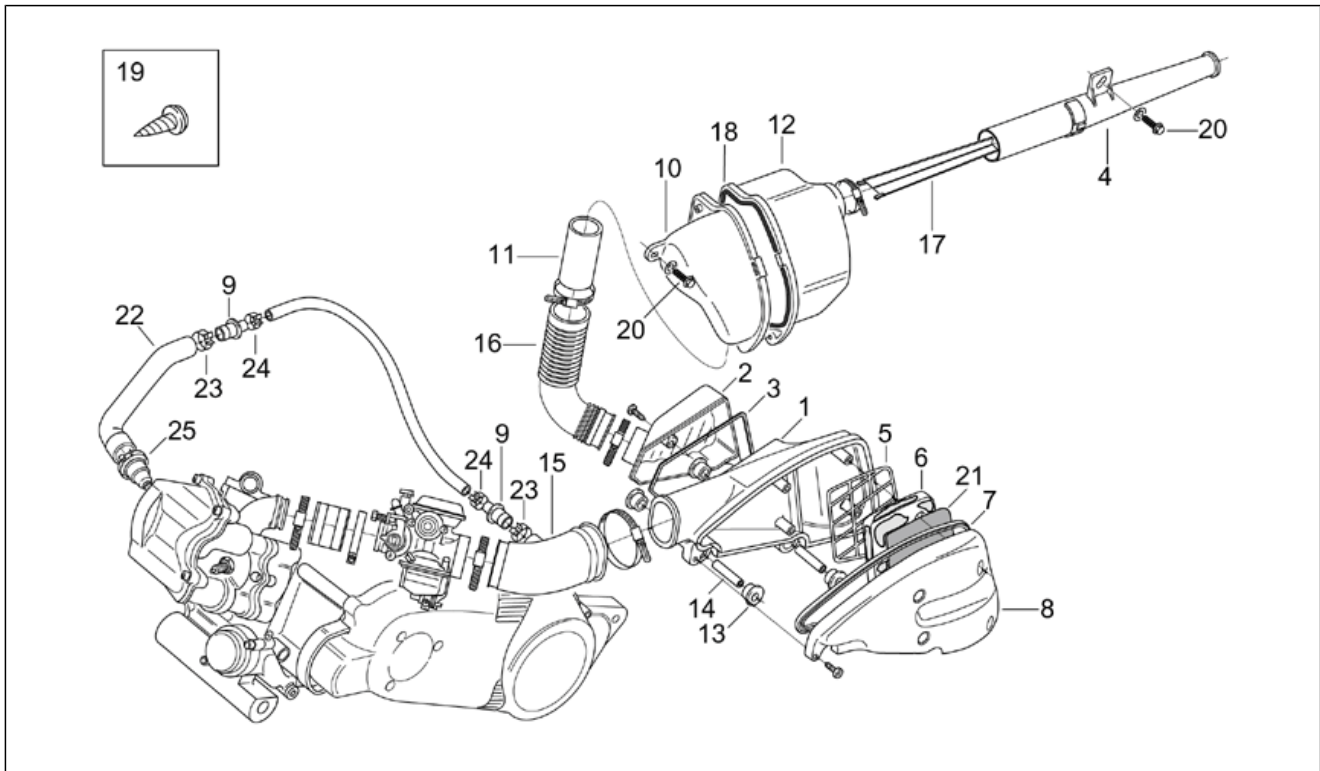
Pos.	Code	Beschreibung	Menge	Varianten
1	AP8124478	Kraftstoffmeßsonde	1	Baujahr:1997[V]
1	AP8124478	Kraftstoffmeßsonde	1	Baujahr:1996[T]
2	AP8102605	Gasket ring	1	Baujahr:1997[V]
2	AP8102605	Gasket ring	1	Baujahr:1996[T]
3	AP8102760	Tankfl. + Pist.hltr	1	Baujahr:1996[T]
3	AP8102760	Tankfl. + Pist.hltr	1	Baujahr:1997[V]
4	AP8201757	Tankverschlußschraube	1	Baujahr:1997[V]
4	AP8201757	Tankverschlußschraube	1	Baujahr:1996[T]
5	AP8144020	Ring	1	Baujahr:1996[T]
5	AP8144020	Ring	1	Baujahr:1997[V]
6	AP8201808	Kabelführungs D8	3	Baujahr:1997[V]
6	AP8201808	Kabelführungs D8	3	Baujahr:1996[T]
7	AP8201807	Kabelführungs D22	1	Baujahr:1997[V]
7	AP8201807	Kabelführungs D22	1	Baujahr:1996[T]
8	AP8138998	Rückstaugehäuse	1	Baujahr:1996[T]
8	AP8138998	Rückstaugehäuse	1	Baujahr:1997[V]
9	AP8102741	Rückstauventil	1	Baujahr:1997[V]
9	AP8102741	Rückstauventil	1	Baujahr:1996[T]
10	AP8121251	Umwälzdüse 0,5	1	Baujahr:1997[V]
10	AP8121251	Umwälzdüse 0,5	1	Baujahr:1996[T]
11	AP8120116	3-Wegeanschluß	1	Baujahr:1997[V]
11	AP8120116	3-Wegeanschluß	1	Baujahr:1996[T]

<b>Einheit</b>	RAHMEN
<b>Code</b>	28.25
<b>Beschreibung</b>	Kraftstofftank
<b>Inspektion</b>	1



Pos.	Code	Beschreibung	Menge	Varianten
1	AP8138153	Kraftstofftank	1	
2	AP8120917	Dichtung Kraftstofftank	1	
3	AP8102408	Kraftstoffpumpe	1	
4	AP8102456	Kraftstofffilter	1	
5	AP8138404	Halter Kraftstoffpumpe	1	
6	AP8138405	Fixierplatte Pumpe	1	
7	AP8138600	Spannung Verkabelungsschutz	1	
8	AP8152279	TE Schr. m. Flansch M6x20	2	
9	AP8152280	TE Schr. m. Flansch M6x25	5	
10	AP8150413	Gew.schr. 3,9x14	5	
11	AP8152299	Selbstsperrende Mutter M6	3	
12	AP8121728	T-Buchse	4	

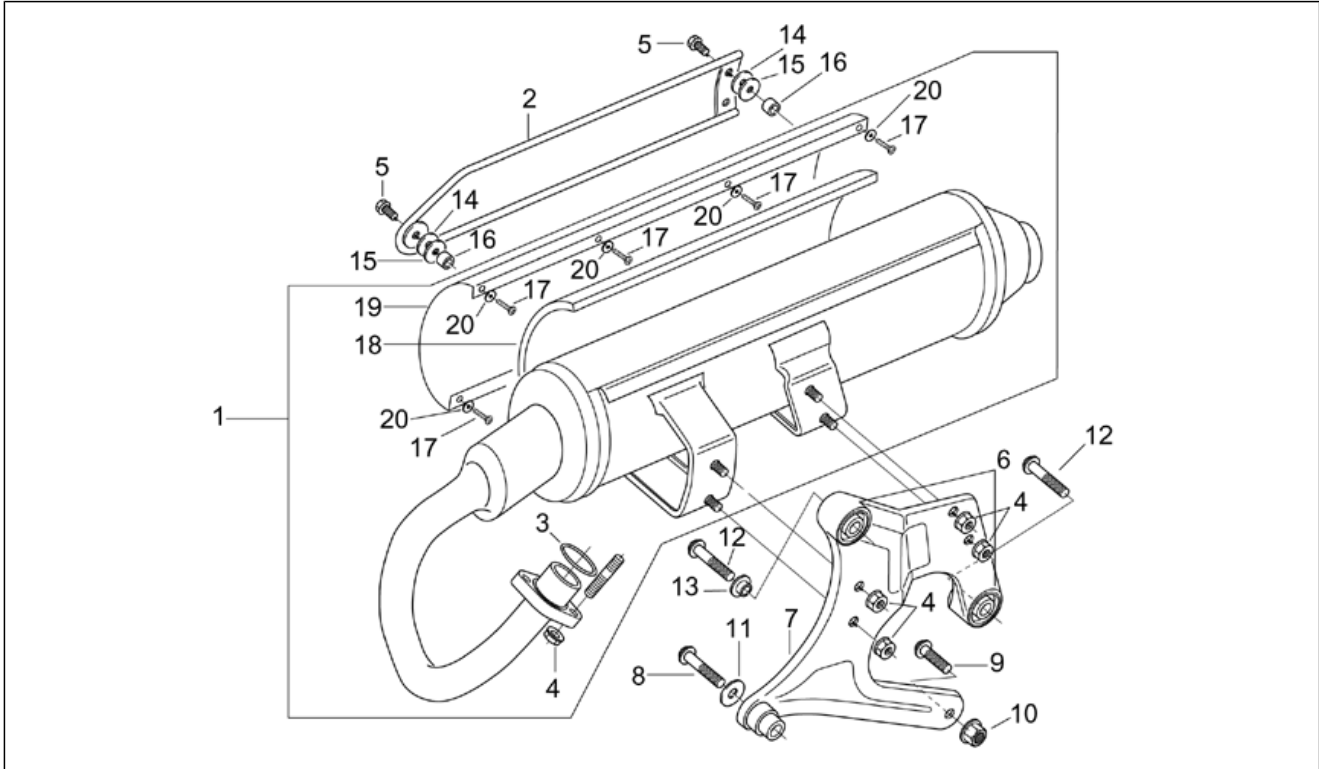
<b>Einheit</b>	RAHMEN
<b>Code</b>	28.26
<b>Beschreibung</b>	Filtergruppe
<b>Inspektion</b>	1



Pos.	Code	Beschreibung	Menge	Varianten
1	AP8138151	Boden Filtergehäuse	1	
2	AP8120963	Deckel Filtergehäuse	1	
3	AP8102638	Dichtung Filtergehäuse	1	
4	AP8138635	Ansaugmuffe	1	
5	AP8138472	Filterschutznetz	1	
6	AP8102582	Hinterer Luftfilter	1	
7	AP8102637	Dichtung Filtergehäuse	1	
8	AP8138152	Deckel Filtergehäuse	1	
9	AP8102576	2-Wege Anschluß	2	
10	AP8138999	Deckel Filtergehäuse	1	
11	AP8138677	Verlängerung Ansaugmuffe	1	
12	AP8138684	Boden Filtergehäuse	1	
13	AP8101372	Silent-Block	4	
14	AP8121984	Distanzscheibe	2	
15	AP8120889	Ansaugmuffe	1	Baujahr:1996[T]
15	AP8144072	Ansaugmuffe	1	Baujahr:1997[V], 1998[W]
16	AP8120888	Ansaugmuffe	1	
17	AP8138636	Teiler Ansaugkappe	1	
18	AP8120615	Dichtung D3	1	
19	AP8150413	Gew.schr. 3,9x14	2	
20	AP8152278	TE Schr. m. Flansch M6x16	2	
21	AP8138949	Filterabdecknetz	1	Baujahr:1997[V], 1998[W]
22	AP8120977	Entlüftungsschlauch öl	1	
23	AP8201169	Schlauchschele D22x8,6*	2	
24	AP8102239	Schele 12,5x8	2	
25	AP8201409	Schlauchschele 290x8,9	1	



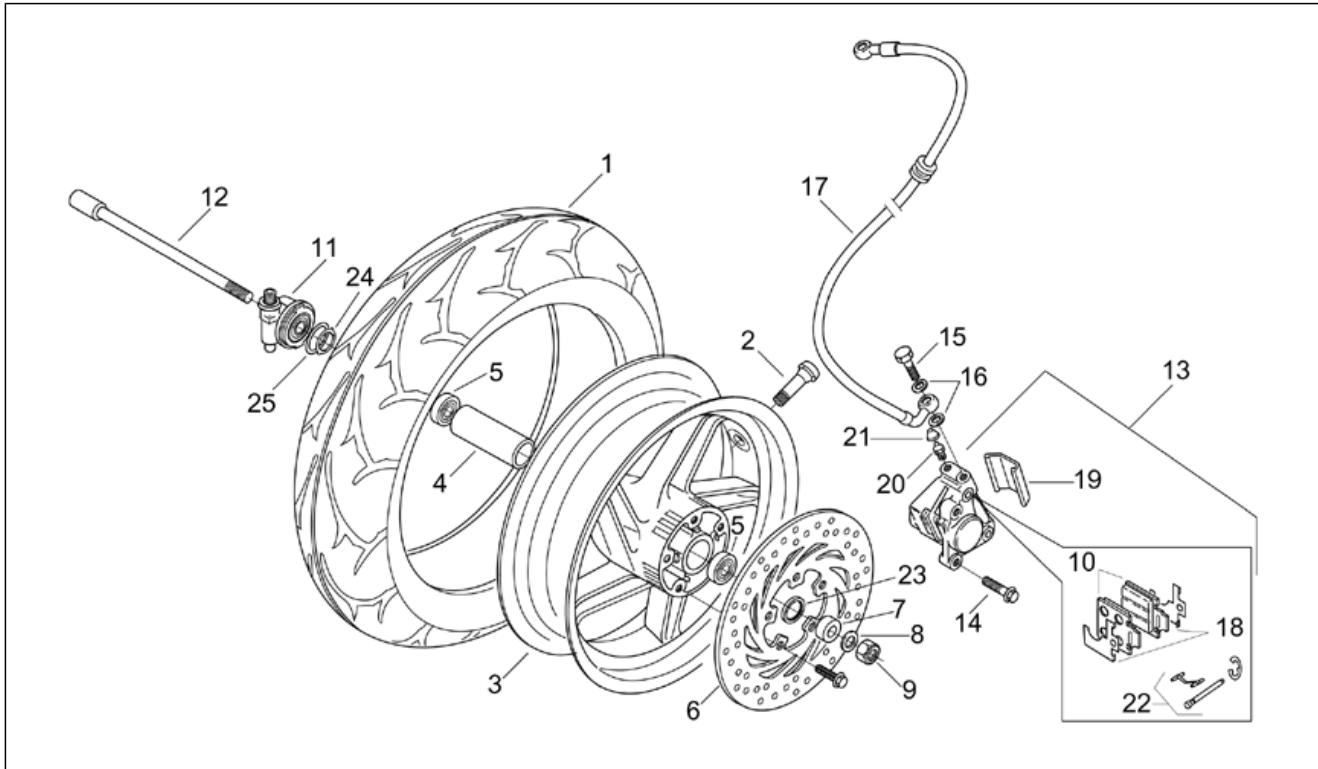
<b>Einheit</b>	RAHMEN
<b>Code</b>	28.31
<b>Beschreibung</b>	Auslassgruppe
<b>Inspektion</b>	1



Pos.	Code	Beschreibung	Menge	Varianten
1	AP8119354	Auspuff	1	<b>Technische Daten:</b> Leonardo 125[125]
1	AP8119442	Auspuff	1	<b>Technische Daten:</b> Leonardo 150[150]
2	AP8119424	Auspuffrohrschutz, chrom.	1	
3	AP8119355	Dichtung Auspuffrohr	1	
4	AP8150334	Mutter M8	6	
5	AP8152342	TE Schr. m. Flansch M6x12	3	
6	AP8220346	Silent-Block	2	
7	AP8135680	Auspuffrohrhalter	1	
8	AP8152291	TE Schr. m. Flansch	1	
9	AP8152288	TE Schr. m. Flansch	1	
10	AP8152300	Selbstsperrende Mutter M8	1	
11	AP8150018	Ausgleichscheibe	1	
12	AP8152292	TE Schr. m. Flansch	2	
13	AP8120508	T-Buchse *	1	
14	AP8144065	Gummi	3	
15	AP8144064	Wärmeschutzscheibe	3	
16	AP8120253	Distanzscheibe	3	
17	AP8119490	Linsenschraube	8	
18	AP8117144	Schalldämmplatte	1	
19	AP8119489	Außen Auspuffrohrschutz	1	
20	AP8119518	U-scheibe Inox 4,3x8	8	

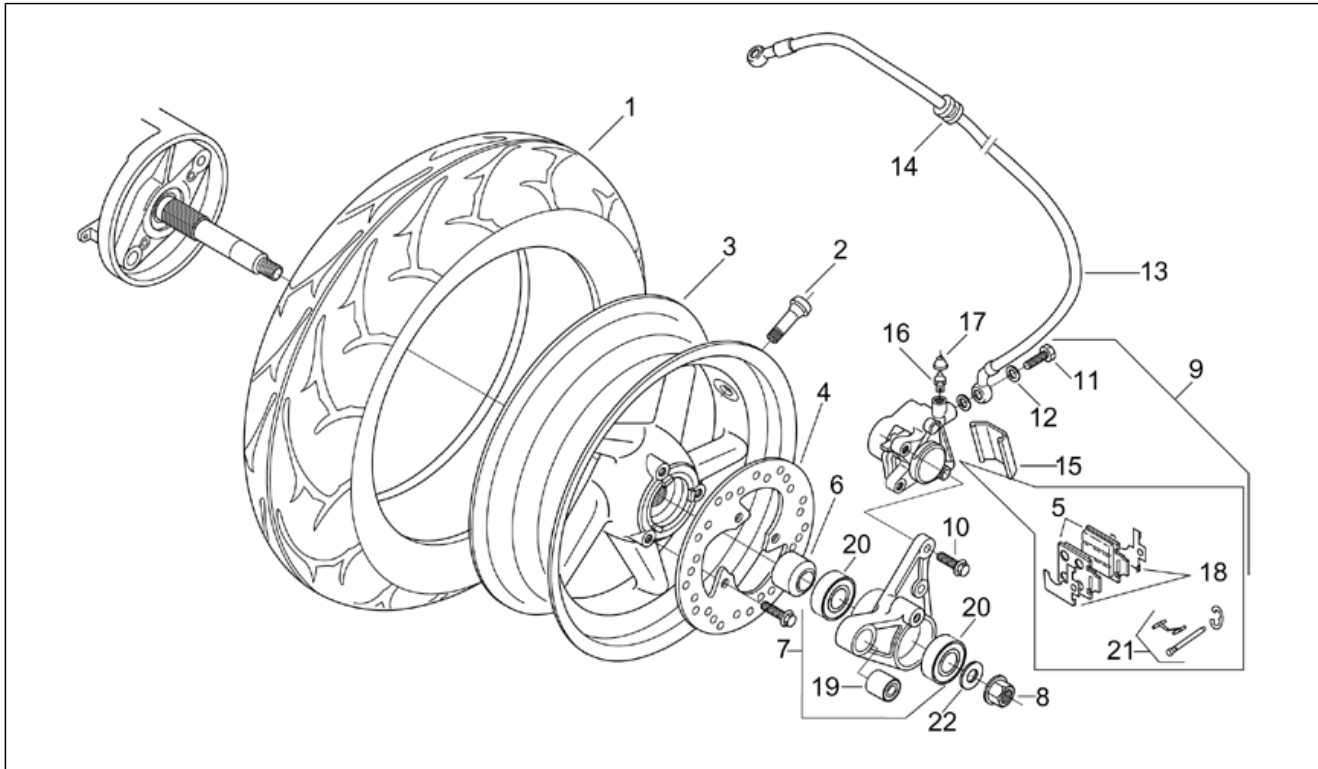


<b>Einheit</b>	RAHMEN
<b>Code</b>	28.32
<b>Beschreibung</b>	Vorderrad
<b>Inspektion</b>	1



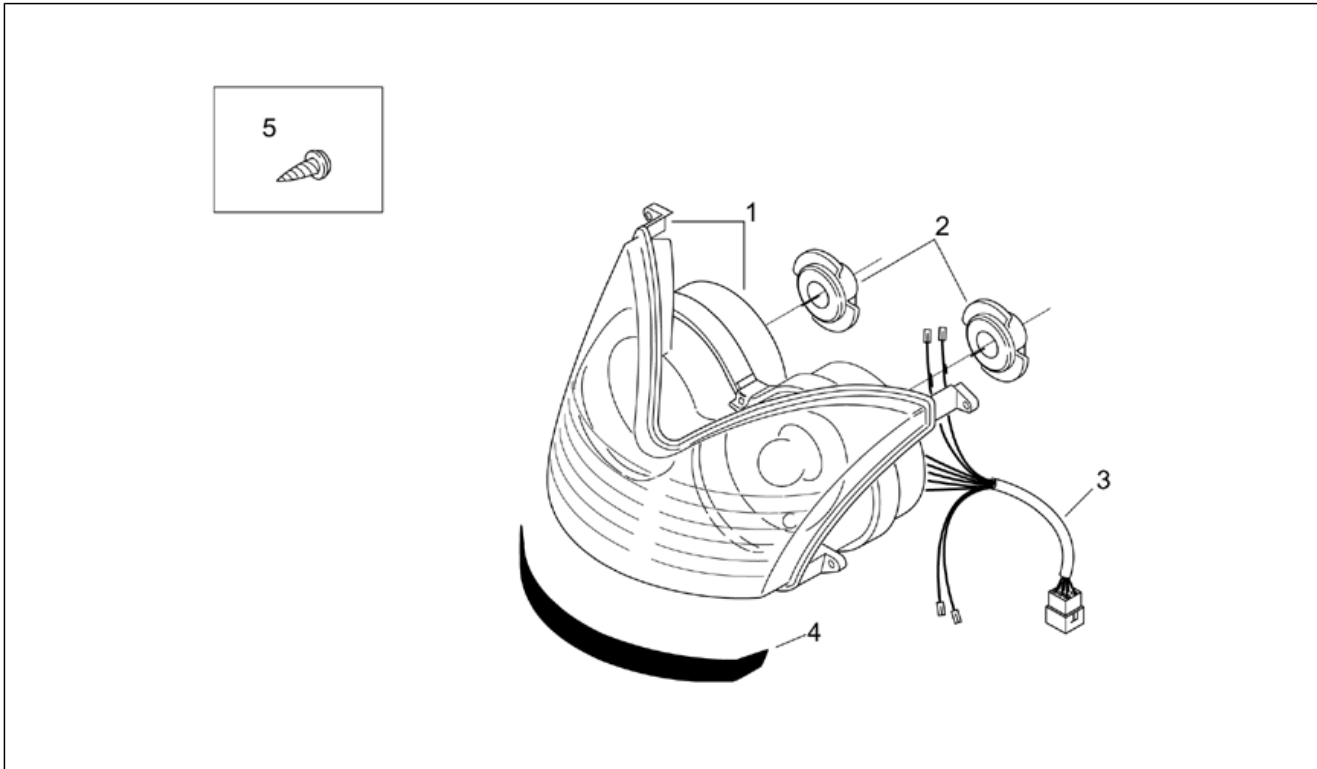
Pos.	Code	Beschreibung	Menge	Varianten
1	0000000	Reifen	1	
2	AP8201546	Schlauchloses Reifenventil	1	
3	AP8108705	Vorderrad	1	
4	AP8125752	Interne Distanzscheibe	1	
5	AP8225148	Lager	2	
6	AP8113541	Bremsscheibe D220	1	
7	AP8221119	Vorderrad Distanzscheibe	1	
8	AP8152018	Scheibe 12,2x22x2	1	
9	AP8150373	Selbstsperr.mut Unt. M12x1,25	1	
10	AP8113638	Beläge (Paar)	1	Baujahr:1996[T]
10	AP8113662	Beläge (Paar)	1	Baujahr:1997[V], 1998[W]
11	AP8102407	Vorgelegte Kilometerzähler	1	
12	AP8225271	Vorderradbolzen	1	
13	AP8113658	Vorderradbremzange D32	1	
14	AP8152288	TE Schr. m. Flansch	2	
15	AP8113003	Fixierschraube Ölschlauch	2	
16	AP8113004	Ausgleichscheibe 10x14x1,6*	4	
17	AP8113656	Vorderradbremseleitung	1	
18	AP8113677	Vorderunpfeifenplatte-paar	1	
19	AP8113640	Deckel Bremszangen	1	
20	AP8113006	Entlüftungsanschluß	1	
21	AP8113005	Entlüftungskappe	1	
22	AP8213227	Bolzen+Bremse Felder	1	
23	AP8125782	Gasket ring	1	
24	AP8120865	Mitnehmer	1	
25	AP8125743	Gasket ring D40x50x4	1	

<b>Einheit</b>	RAHMEN
<b>Code</b>	28.33
<b>Beschreibung</b>	Hinterrad
<b>Inspektion</b>	1



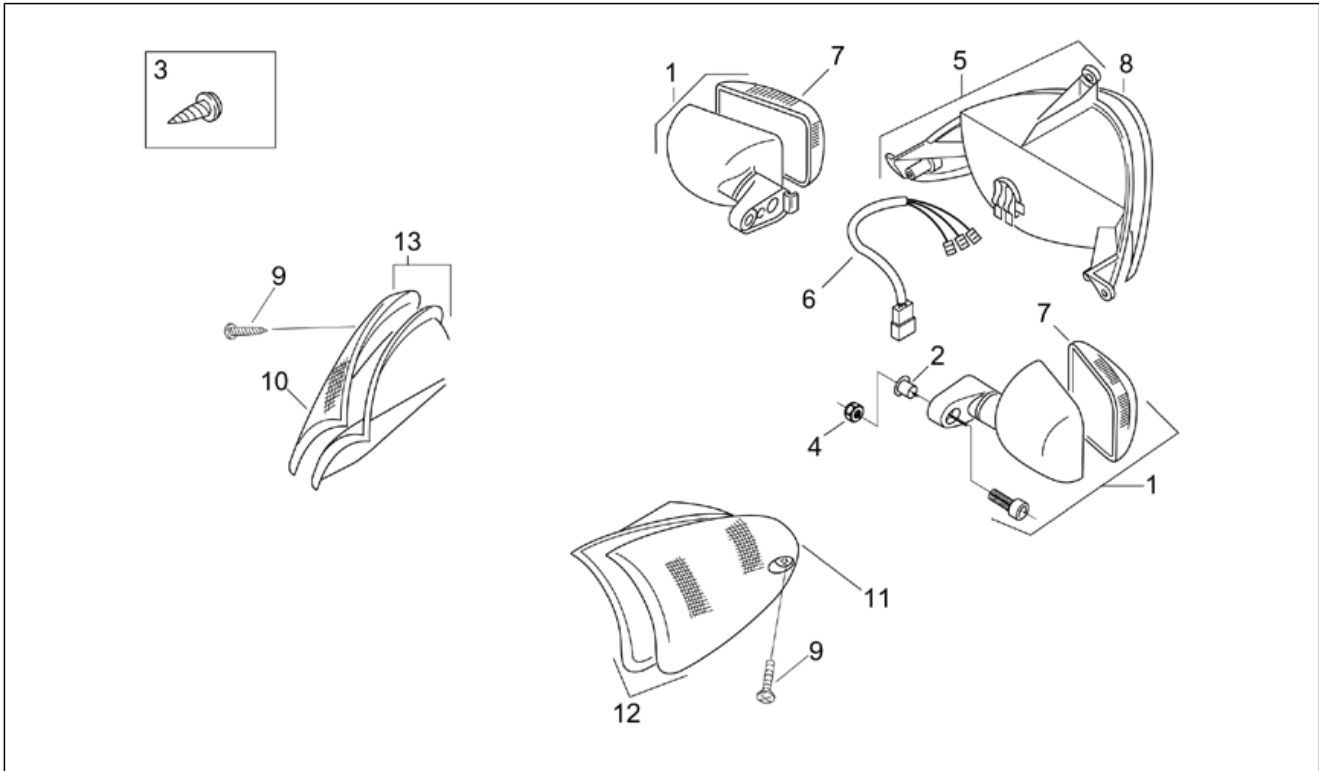
Pos.	Code	Beschreibung	Menge	Varianten
1	0000000	Reifen	1	
2	AP8201546	Schlauchloses Reifenventil	1	
3	AP8108706	Hinterrad ohne Scheibe	1	
4	AP8213231	Bremsscheibe D190	1	
5	AP8113644	Beläge (Paar)	1	Baujahr:1996[T]
5	AP8113663	H.Beläge (Paar)	1	Baujahr:1997[V], 1998[W]
6	AP8125726	Hinterrad Distanzscheibe	1	
7	AP8134308	Anschlußplatte Bremszange	1	
8	AP8152244	Mutter DAX geflanscht M14x1,5	1	
9	AP8113659	Hinterradbremsszange D30	1	
10	AP8152287	TE Schr. m. Flansch M8x25	2	
11	AP8113003	Fixierschraube Ölschlauch	2	
12	AP8113004	Ausgleichscheibe 10x14x1,6*	4	
13	AP8113657	Hinterradbremssleitung	1	
14	AP8121856	Kabelführungs	1	
15	AP8213224	Deckel Bremszangen	1	
16	AP8213108	Entlüftungsanschluß	1	
17	AP8113005	Entlüftungskappe	1	
18	AP8113678	Vorderunpfeifenplatte-paar	1	
19	AP8120970	Silent-Block	1	
20	AP8110083	Kugellager	2	
21	AP8213227	Bolzen+Bremse Felder	1	
22	AP8150471	Sprengscheibe 14,5x24	1	

<b>Einheit</b>	RAHMEN
<b>Code</b>	28.34
<b>Beschreibung</b>	Lichter I
<b>Inspektion</b>	1



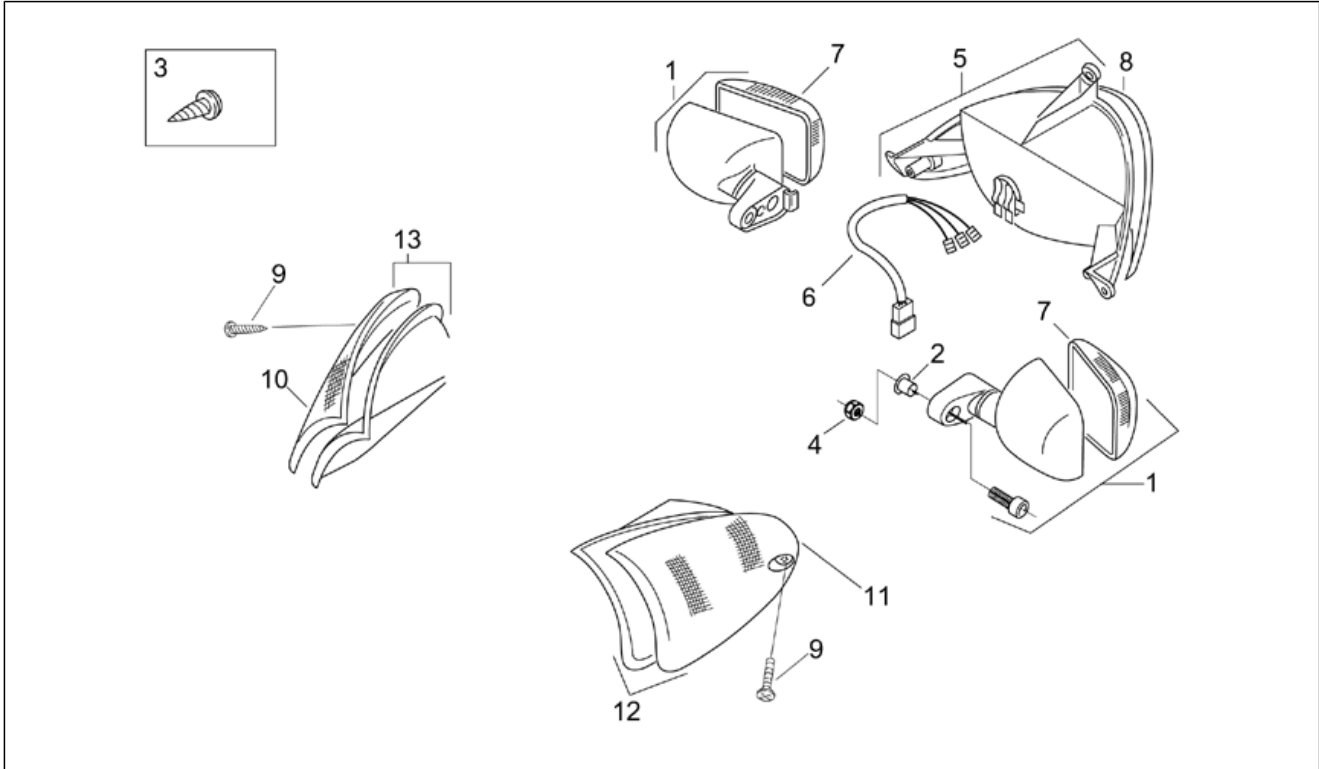
Pos.	Code	Beschreibung	Menge	Varianten
1	AP8124014	Scheinwerfer	1	<b>Baujahr:</b> 1997[V], 1998[W] <b>Land:</b> Japan[J], Großbritannien[UK]
1	AP8124014	Scheinwerfer	1	<b>Baujahr:</b> 1996[T]
1	AP8124402	Scheinwerfer	1	<b>Baujahr:</b> 1997[V], 1998[W] <b>Land:</b> Österreich[A], Belgien[B], Schweiz[CH], Deutschland[D], Dänemark[DK], Spanien[E], Frankreich[F], Griechenland[GR], Italien[I], Holland[NL], Portugal[P]
2	AP8124440	Lampenhalter	2	<b>Baujahr:</b> 1996[T]
2	AP8124440	Lampenhalter	2	<b>Baujahr:</b> 1997[V], 1998[W] <b>Land:</b> Japan[J], Großbritannien[UK]
2	AP8124475	Lampenhalter	2	<b>Baujahr:</b> 1997[V], 1998[W] <b>Land:</b> Österreich[A], Belgien[B], Schweiz[CH], Deutschland[D], Dänemark[DK], Spanien[E], Frankreich[F], Griechenland[GR], Italien[I], Holland[NL], Portugal[P]
3	AP8124360	Verkabel.Scheinwerf.	1	<b>Baujahr:</b> 1996[T]
3	AP8124360	Verkabel.Scheinwerf.	1	<b>Baujahr:</b> 1997[V], 1998[W] <b>Land:</b> Japan[J], Großbritannien[UK]
3	AP8124409	Verkabel.Scheinwerf.	1	<b>Baujahr:</b> 1997[V], 1998[W] <b>Land:</b> Österreich[A], Belgien[B], Schweiz[CH], Deutschland[D], Dänemark[DK], Spanien[E], Frankreich[F], Griechenland[GR], Italien[I], Holland[NL], Portugal[P]
4	AP8147076	Unt.Scheinw.schutz Deko	1	
5	AP8150413	Gew.schr. 3,9x14	4	

<b>Einheit</b>	RAHMEN
<b>Code</b>	28.35
<b>Beschreibung</b>	Lichter II
<b>Inspektion</b>	1



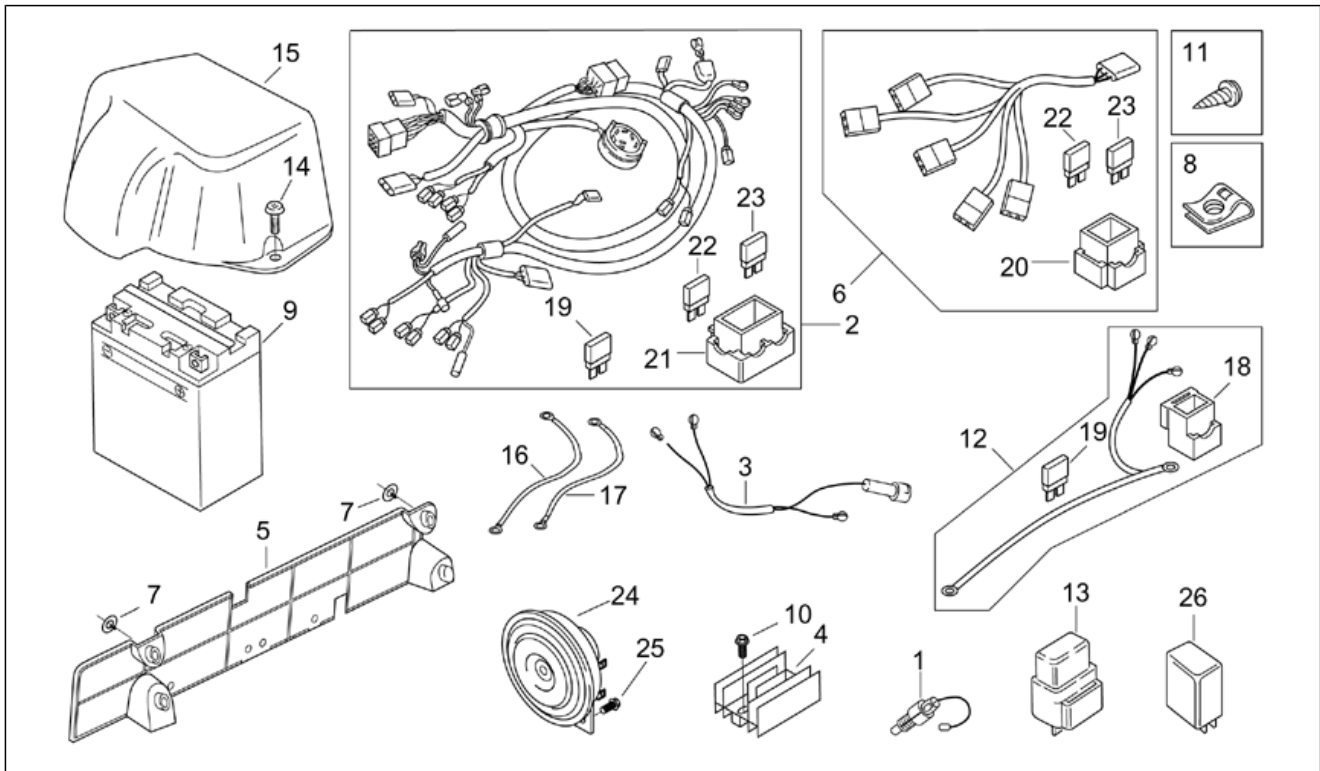
Pos.	Code	Beschreibung	Menge	Varianten
1	AP8112922	Rückblinker	2	
2	AP8121929	T-Buchse 6,5x8,6x9	2	
3	AP8150413	Gew.schr. 3,9x14	7	
4	AP8152299	Selbstsperrende Mutter M6	2	
5	AP8124074	Rücklicht	1	
6	AP8212691	Verkabelung Rücklicht	1	
7	AP8112756	Blinkerblende	2	
8	AP8124416	Rücklichtblende	1	
9	AP8150270	Linsenschraube 4,2x20*	4	
10	AP8124414	V. Blinkerblende rechts	1	Baujahr:1996[T], 1997[V]
10	AP8124414	V. Blinkerblende rechts	1	Baujahr:1998[W]
10	AP8124543	V. Blinkerblende rechts	1	Baujahr:1998[W]
10	AP8124543	V. Blinkerblende rechts	1	Baujahr:1998[W]
10	AP8124543	V. Blinkerblende rechts	1	Baujahr:1998[W]
11	AP8124415	V. Blinkerblende links	1	Baujahr:1998[W]
11	AP8124415	V. Blinkerblende links	1	Baujahr:1996[T], 1997[V]
11	AP8124544	V. Blinkerblende links	1	Baujahr:1998[W]
11	AP8124544	V. Blinkerblende links	1	Baujahr:1998[W]
11	AP8124544	V. Blinkerblende links	1	Baujahr:1998[W]
11	AP8124544	V. Blinkerblende links	1	Baujahr:1998[W]
12	AP8124016	Vorderblinker links	1	Baujahr:1998[W]
12	AP8124016	Vorderblinker links	1	Baujahr:1996[T], 1997[V]
12	AP8124541	Vorderblinker links	1	Baujahr:1998[W]
12	AP8124541	Vorderblinker links	1	Baujahr:1998[W]
12	AP8124541	Vorderblinker links	1	Baujahr:1998[W]
13	AP8124015	Vorderblinker rechts	1	Baujahr:1996[T], 1997[V]
13	AP8124015	Vorderblinker rechts	1	Baujahr:1998[W]
13	AP8124540	Vorderblinker rechts	1	Baujahr:1998[W]
13	AP8124540	Vorderblinker rechts	1	Baujahr:1998[W]

<b>Einheit</b>	RAHMEN
<b>Code</b>	28.35
<b>Beschreibung</b>	Lichter II
<b>Inspektion</b>	1



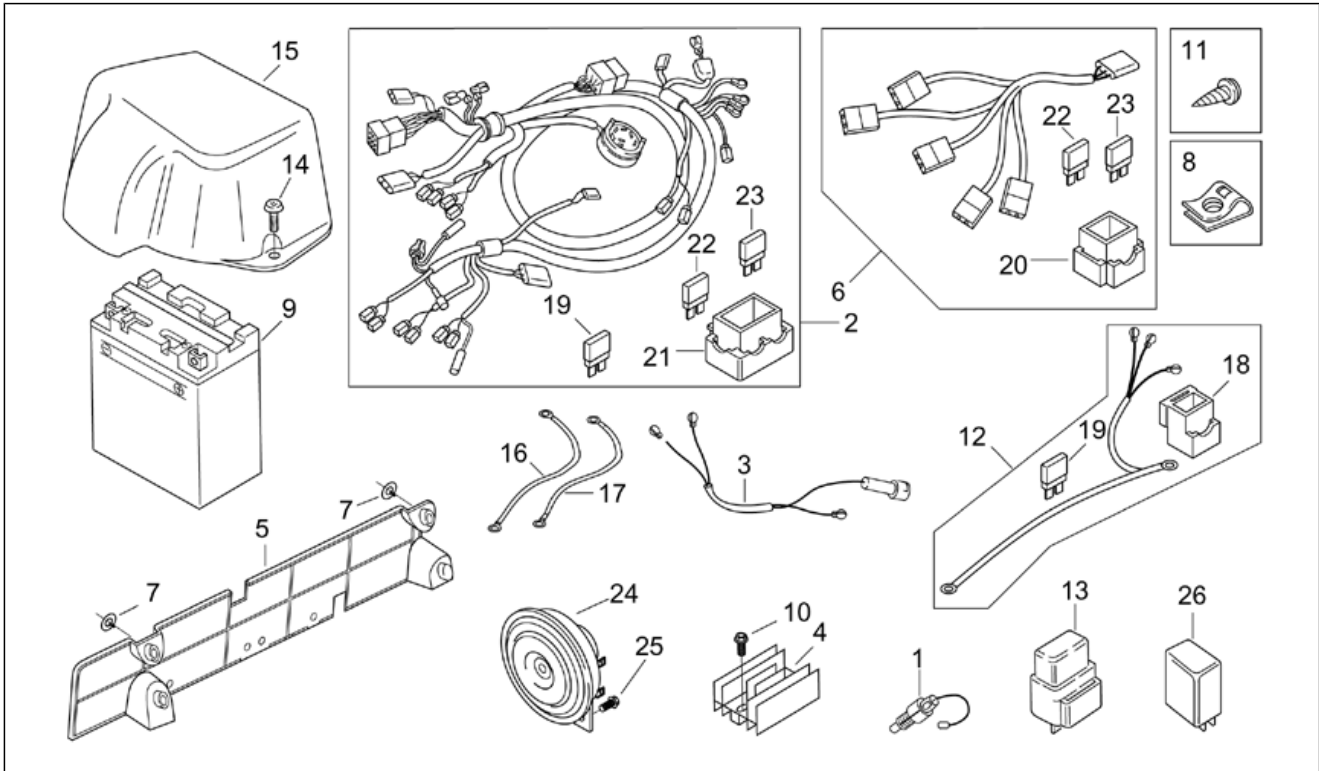
Pos.	Code	Beschreibung	Menge	Varianten
13	AP8124540	Vorderblinker rechts	1	Baujahr:1998[W]

<b>Einheit</b>	RAHMEN
<b>Code</b>	28.36
<b>Beschreibung</b>	Elektrische Anlage
<b>Inspektion</b>	1



Pos.	Code	Beschreibung	Menge	Varianten
1	AP8124399	Bremslichtschalter	2	
2	AP8124021	Hint. Kabel o. Sichrg.	1	Baujahr:1996[T]
2	AP8124407	Heckkabel mit Sicherungen	1	Baujahr:1997[V], 1998[W]
3	AP8124175	Masse-Batterie-kabel	1	Baujahr:1996[T]
3	AP8124447	Masse-Batterie-kabel	1	Baujahr:1997[V], 1998[W]
4	AP8112906	Spannungsregler	1	
5	AP8138473	Halter Elektroteile schwarz	1	
6	AP8124020	Kabel Lenkstangen-Schaltungen	1	Baujahr:1996[T]
6	AP8124406	Kabel o. Sichrg.	1	Baujahr:1997[V], 1998[W]
7	AP8150382	Ausgleichscheibe 15x5,5X1,2	4	
8	AP8102375	Klammer M5	5	
9	AP8124170	Batterie	1	
10	AP8152274	TE Schr. m. Flansch M5x20	2	
11	AP8150413	Gew.schr. 3,9x14	4	
12	AP8112830	Anlasserkabel	1	Baujahr:1997[V], 1998[W]
12	AP8124176	Verkabelung Batterie-Relais	1	Baujahr:1996[T]
13	AP8112927	Zündrelais 12V-150A	1	
14	AP8152329	Kreuz.schl.flnschschr. M5x20	3	
15	AP8138175	Batteriedeckel, schwarz	1	
16	AP8124447	Masse-Batterie-kabel	1	Baujahr:1997[V], 1998[W]
17	AP8112830	Anlasserkabel	1	Baujahr:1997[V], 1998[W]
18	AP8220342	Sicherungsblockgummi	1	Baujahr:1996[T]
19	AP8112506	Sicherung 20A	1	
20	AP8112811	Sicherungsblockgummi	1	Baujahr:1996[T]
21	AP8144091	Sicherungsblockgummi	1	Baujahr:1997[V], 1998[W]
22	AP8112176	Sicherung 15A	1	
23	AP8112244	Sicherung 7,5A	1	
24	AP8112413	Hupe	1	

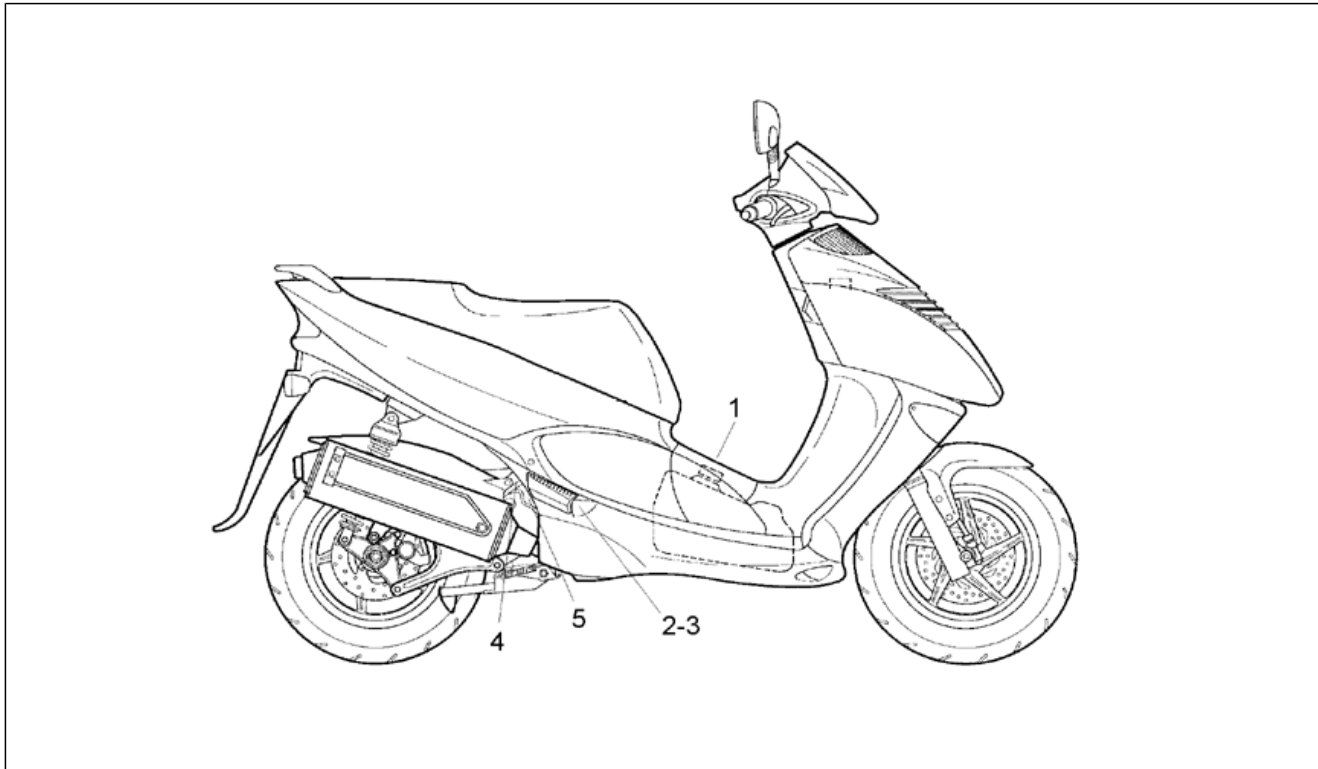
<b>Einheit</b>	RAHMEN
<b>Code</b>	28.36
<b>Beschreibung</b>	Elektrische Anlage
<b>Inspektion</b>	1



Pos.	Code	Beschreibung	Menge	Varianten
25	AP8152277	TE Schr. m. Flansch M6x12	1	
26	AP8124235	Blinken	1	



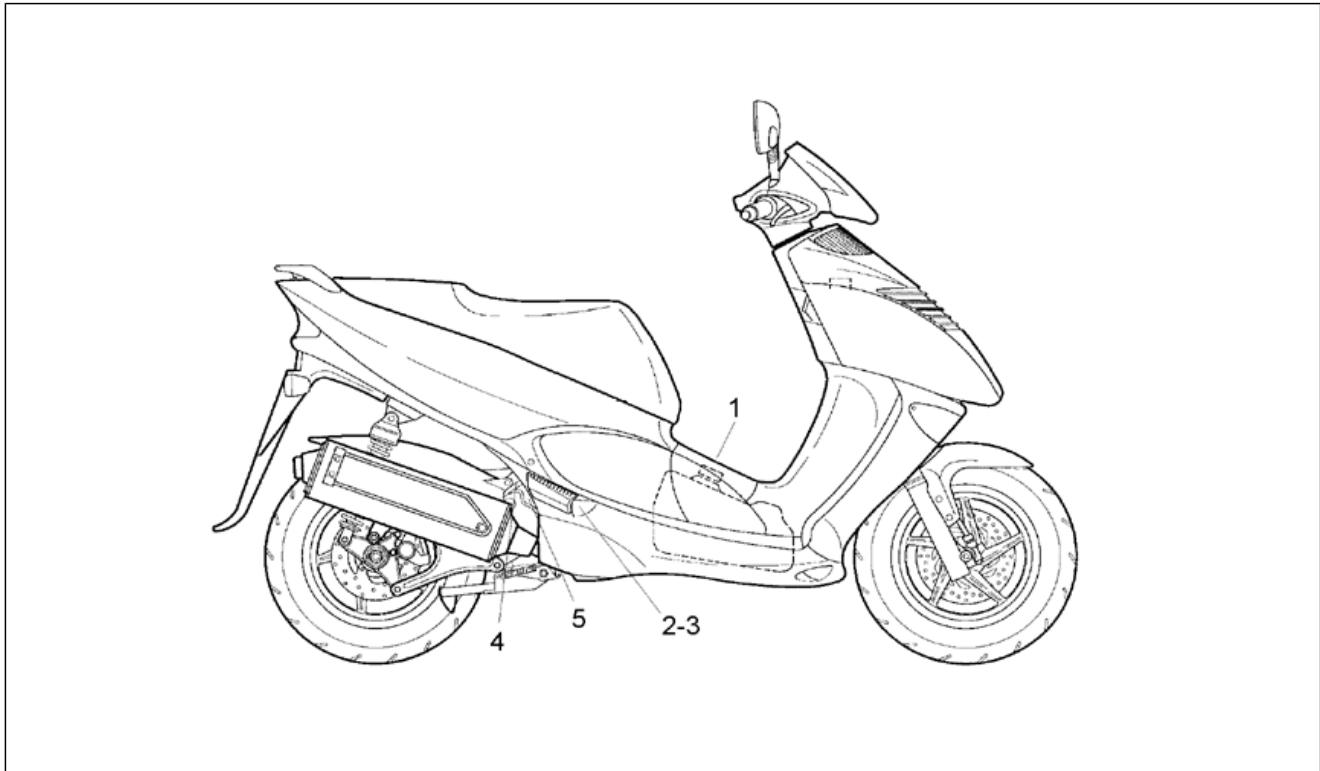
<b>Einheit</b>	RAHMEN
<b>Code</b>	28.37
<b>Beschreibung</b>	Deko schutz
<b>Inspektion</b>	1



Pos.	Code	Beschreibung	Menge	Varianten
1	AP8137575	Deko Tunnelschutz	1	Baujahr:1996[T], 1997[V] Fahrzeugfarbe:
1	AP8137885	Deko Tunnelschutz	1	Baujahr:1996[T], 1997[V] Fahrzeugfarbe:
1	AP8147042	Deko Tunnelschutz	1	Baujahr:1996[T], 1997[V] Fahrzeugfarbe:
1	AP8147253	Deko Tunnelschutz	1	Baujahr:1997[V] Fahrzeugfarbe:
2	AP8147045	Deko rechter Seitenschutz	1	Baujahr:1996[T], 1997[V] Fahrzeugfarbe:
2	AP8147047	Deko rechter Seitenschutz	1	Baujahr:1996[T], 1997[V] Fahrzeugfarbe:
2	AP8147049	Deko rechter Seitenschutz	1	Baujahr:1996[T], 1997[V] Fahrzeugfarbe:
2	AP8147254	Deko rechter Seitenschutz	1	Baujahr:1997[V] Fahrzeugfarbe:
2	AP8147462	Deko rechter Seitenschutz	1	Baujahr:1998[W]
3	AP8147046	Deko linker Seitenschutz	1	Baujahr:1996[T], 1997[V] Fahrzeugfarbe:
3	AP8147048	Deko linker Seitenschutz	1	Baujahr:1996[T], 1997[V] Fahrzeugfarbe:
3	AP8147050	Deko linker Seitenschutz	1	Baujahr:1996[T], 1997[V] Fahrzeugfarbe:
3	AP8147255	Deko linker Seitenschutz	1	Baujahr:1997[V] Fahrzeugfarbe:
3	AP8147463	Deko linker Seitenschutz	1	Baujahr:1998[W]
4	AP8147102	Außen-Wärmeschutz	1	Baujahr:1996[T], 1997[V] Fahrzeugfarbe:
4	AP8147103	Außen-Wärmeschutz	1	Baujahr:1996[T], 1997[V] Fahrzeugfarbe:
4	AP8147104	Außen-Wärmeschutz	1	Baujahr:1996[T], 1997[V] Fahrzeugfarbe:

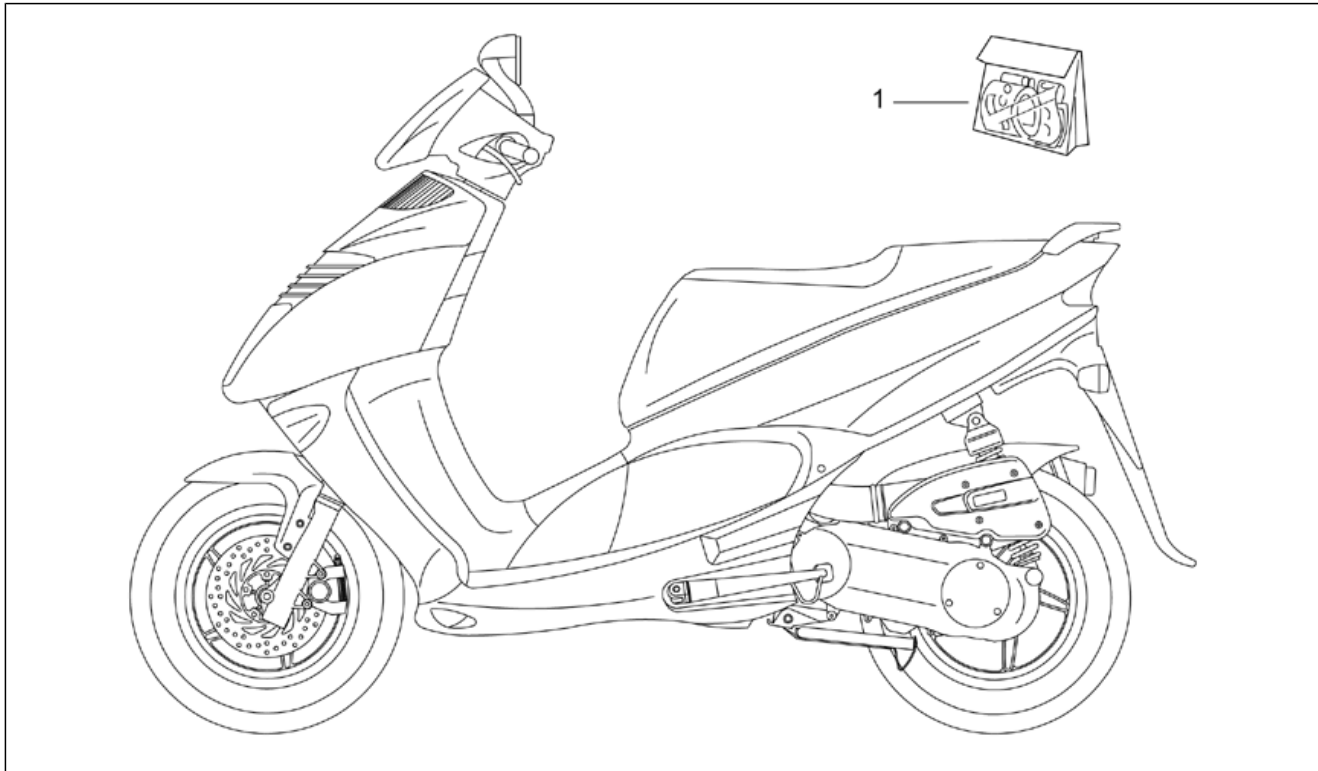


<b>Einheit</b>	RAHMEN
<b>Code</b>	28.37
<b>Beschreibung</b>	Deko schutz
<b>Inspektion</b>	1



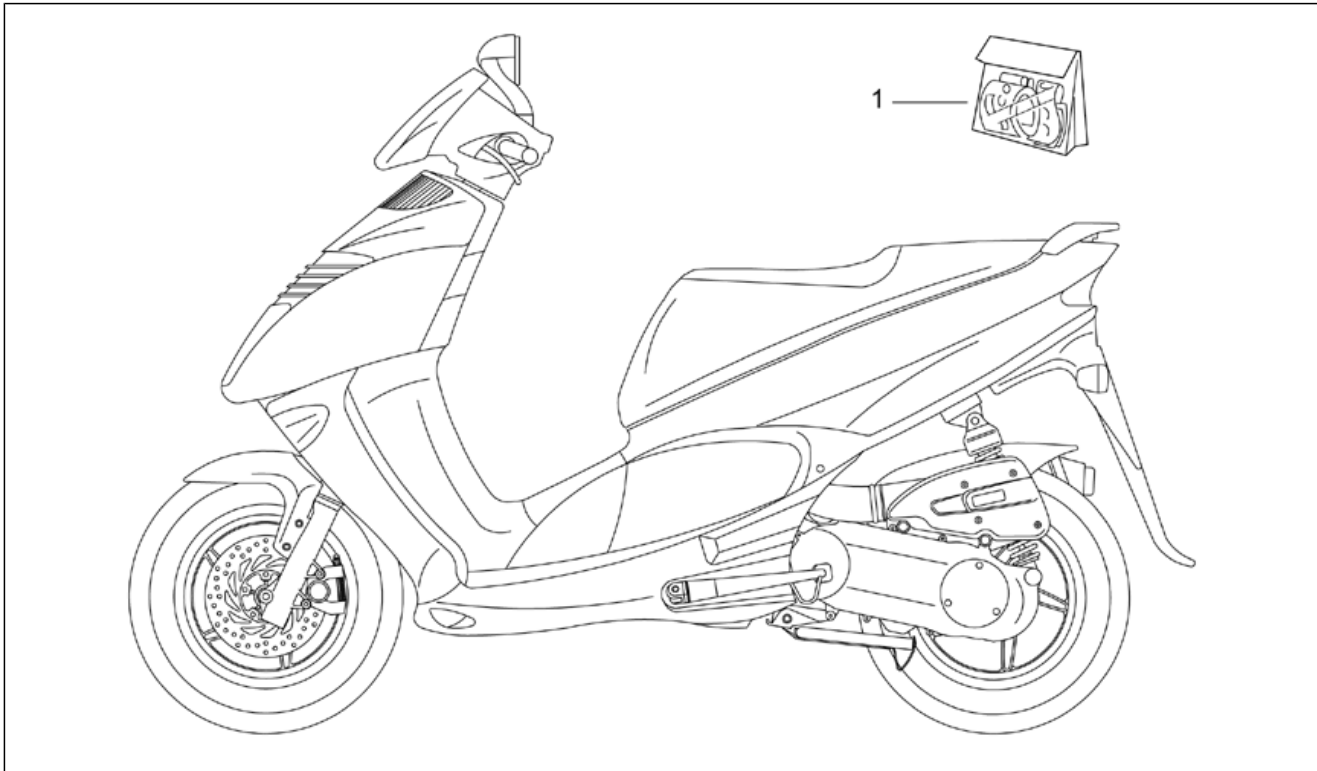
Pos.	Code	Beschreibung	Menge	Varianten
4	AP8147252	Außen-Wärmeschutz	1	Baujahr:1997[V] Fahrzeugfarbe:
4	AP8147464	Außen-Wärmeschutz	1	Baujahr:1998[W]
5	AP8117115	Innen-Wärmeschutz Deko	1	

<b>Einheit</b>	RAHMEN
<b>Code</b>	28.38
<b>Beschreibung</b>	Deko Serie
<b>Inspektion</b>	1



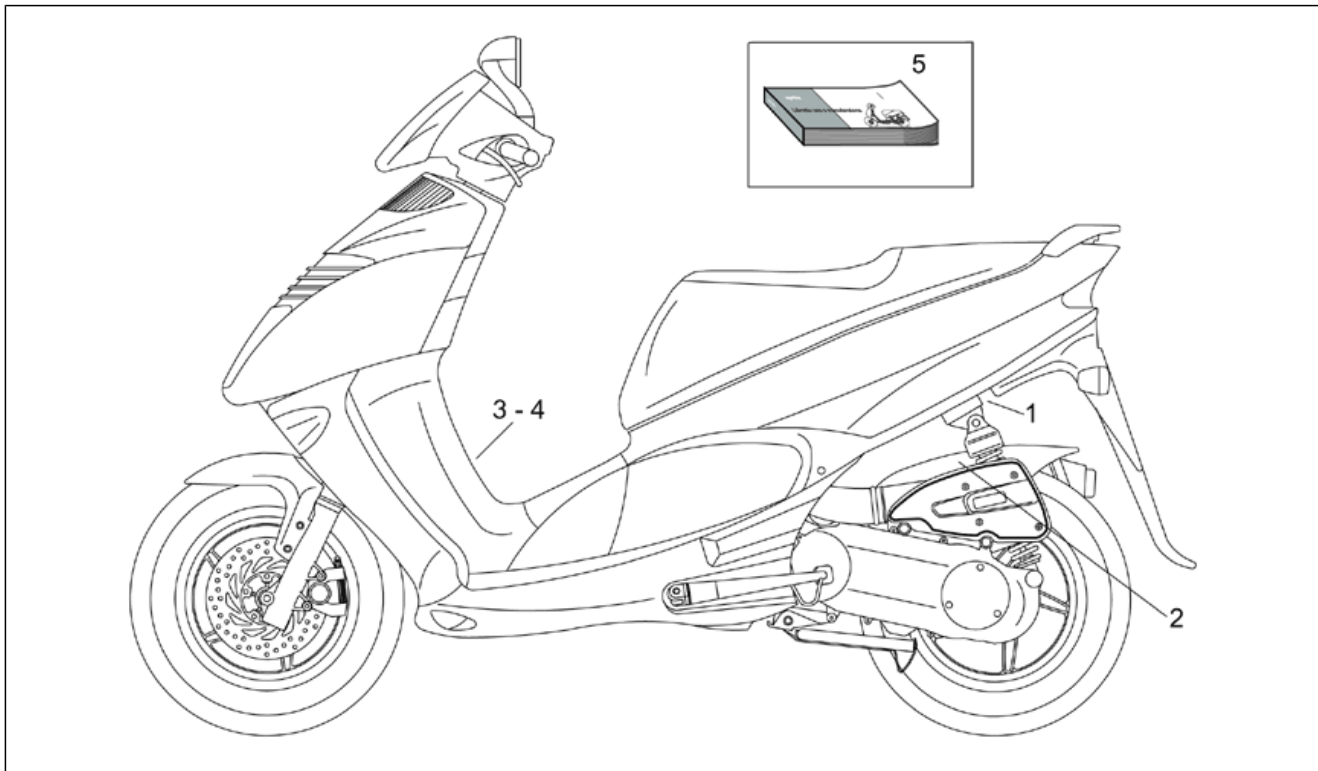
Pos.	Code	Beschreibung	Menge	Varianten
1	AP8137862	Deko Serie	1	Baujahr:1996[T], 1997[V] Fahrzeugfarbe: Technische Daten:Leonardo 125[125]
1	AP8137955	Deko Serie	1	Baujahr:1996[T], 1997[V] Fahrzeugfarbe: Technische Daten:Leonardo 125[125]
1	AP8147039	Deko Serie	1	Baujahr:1996[T], 1997[V] Fahrzeugfarbe: Technische Daten:Leonardo 125[125]
1	AP8147213	Deko Serie	1	Baujahr:1996[T], 1997[V] Fahrzeugfarbe: Technische Daten:Leonardo 150[150]
1	AP8147231	Deko Serie	1	Baujahr:1996[T], 1997[V] Fahrzeugfarbe: Technische Daten:Leonardo 150[150]
1	AP8147237	Deko Serie	1	Baujahr:1996[T], 1997[V] Fahrzeugfarbe: Technische Daten:Leonardo 150[150]
1	AP8147243	Deko Serie	1	Baujahr:1996[T], 1997[V] Fahrzeugfarbe: Technische Daten:Leonardo 150[150]
1	AP8147249	Deko Serie	1	Baujahr:1996[T], 1997[V] Fahrzeugfarbe: Technische Daten:Leonardo 125[125]
1	AP8147448	Deko Serie	1	Baujahr:1998[W] Fahrzeugfarbe:Gelb Brio[yellow] Technische Daten:Leonardo 125[125]
1	AP8147449	Deko Serie	1	Baujahr:1998[W] Fahrzeugfarbe: Technische Daten:Leonardo 125[125]
1	AP8147450	Deko Serie	1	Baujahr:1998[W] Fahrzeugfarbe: Technische Daten:Leonardo 125[125]
1	AP8147451	Deko Serie	1	Baujahr:1998[W]

<b>Einheit</b>	RAHMEN
<b>Code</b>	28.38
<b>Beschreibung</b>	Deko Serie
<b>Inspektion</b>	1



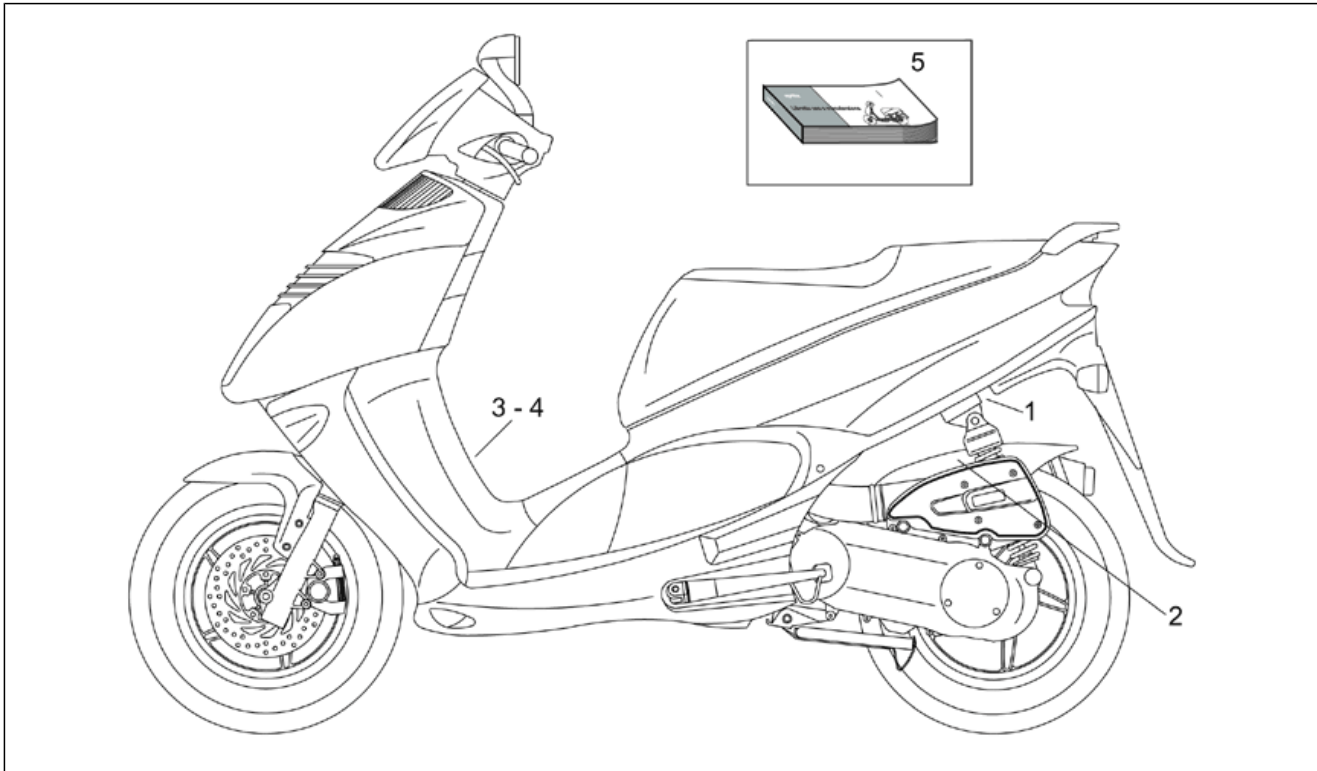
Pos.	Code	Beschreibung	Menge	Varianten
				<b>Fahrzeugfarbe:</b> <b>Technische Daten:</b> Leonardo 150[150]
1	AP8147457	Deko Serie	1	<b>Baujahr:</b> 1998[W] <b>Fahrzeugfarbe:</b> Gelb Brio[yellow] <b>Technische Daten:</b> Leonardo 150[150]
1	AP8147466	Deko Serie	1	<b>Baujahr:</b> 1998[W] <b>Fahrzeugfarbe:</b> Königsviolett[Violet] <b>Technische Daten:</b> Leonardo 150[150]
1	AP8147471	Deko Serie	1	<b>Baujahr:</b> 1998[W] <b>Fahrzeugfarbe:</b> Hellblau Miami[m.cya] <b>Technische Daten:</b> Leonardo 150[150]
1	AP8147476	Deko Serie	1	<b>Baujahr:</b> 1998[W] <b>Fahrzeugfarbe:</b> Hellblau Miami[m.cya] <b>Technische Daten:</b> Leonardo 125[125]
1	AP8147477	Deko Serie	1	<b>Baujahr:</b> 1998[W] <b>Fahrzeugfarbe:</b> <b>Technische Daten:</b> Leonardo 150[150]
1	AP8147487	Deko Serie	1	<b>Baujahr:</b> 1998[W] <b>Fahrzeugfarbe:</b> Königsviolett[Violet] <b>Technische Daten:</b> Leonardo 125[125]

<b>Einheit</b>	RAHMEN
<b>Code</b>	28.39
<b>Beschreibung</b>	Schilder und Anleit.
<b>Inspektion</b>	1



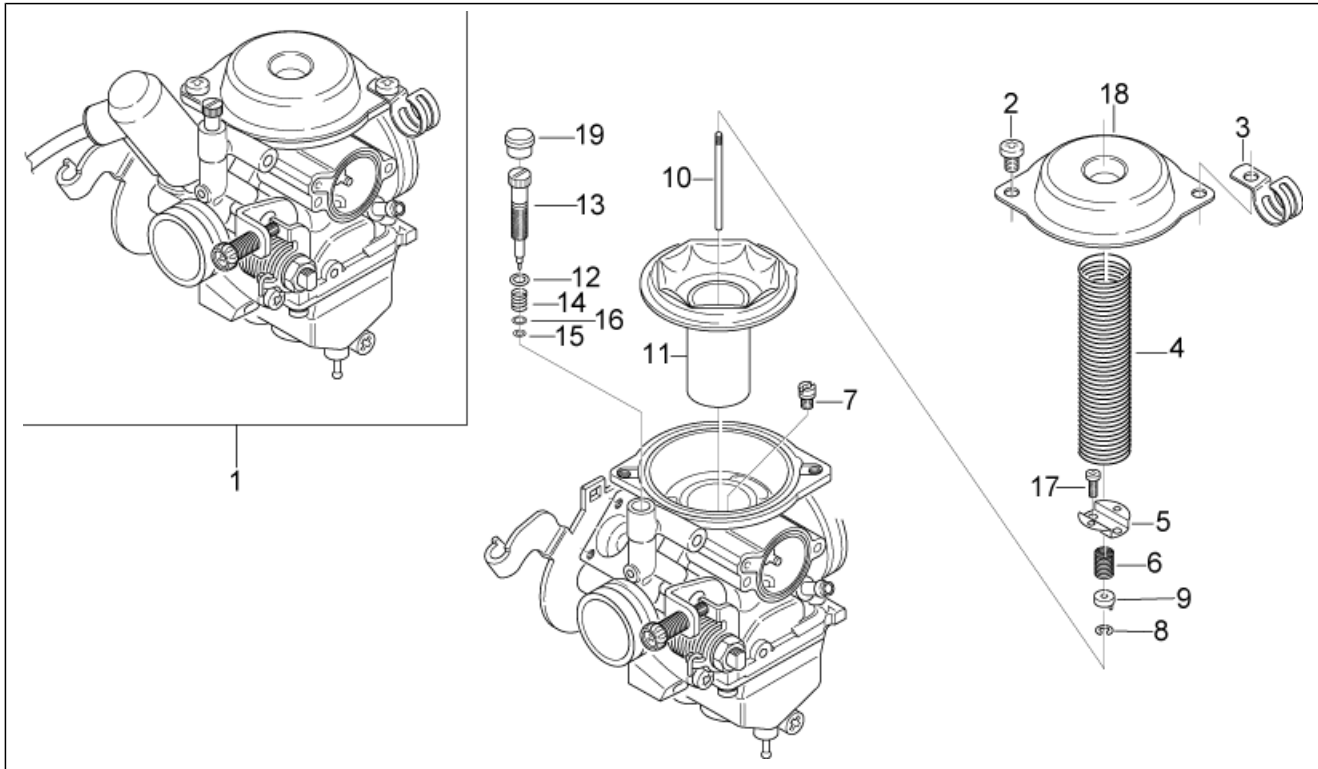
Pos.	Code	Beschreibung	Menge	Varianten
1	AP8137958	Herstellerschild	1	Land:Österreich[A], Belgien[B], Deutschland[D], Dänemark[DK], Spanien[E], Frankreich[F], Griechenland[GR], Italien[I], Japan[J], Holland[NL], Portugal[P], Großbritannien[UK] <b>Technische Daten:</b> Leonardo 125[125]
1	AP8137979	Herstellerschild -CH-	1	Land:Schweiz[CH] <b>Technische Daten:</b> Leonardo 125[125]
1	AP8147118	Herstellerschild	1	<b>Technische Daten:</b> Leonardo 150[150]
2	AP8137905	Schild CEE	2	
3	AP8137954	Schild ECE	1	Land:Österreich[A], Belgien[B], Deutschland[D], Dänemark[DK], Spanien[E], Frankreich[F], Griechenland[GR], Italien[I], Japan[J], Holland[NL], Portugal[P], Großbritannien[UK] <b>Technische Daten:</b> Leonardo 125[125]
3	AP8147108	Schild ECE	1	Land:Schweiz[CH] <b>Technische Daten:</b> Leonardo 125[125]
3	AP8147117	Schild ECE	1	<b>Technische Daten:</b> Leonardo 150[150]
4	AP8147007	Schild DGM	1	Land:Griechenland[GR], Italien[I] <b>Technische Daten:</b> Leonardo 125[125]
4	AP8147119	Schild DGM	1	Land:Italien[I] <b>Technische Daten:</b> Leonardo 150[150]
5	AP8102708	Bed./Wart.-Anleit. -GR-J-UK-	1	<b>Baujahr:</b> 1998[W] Land:Griechenland[GR], Japan[J]
5	AP8102708	Bed./Wart.-Anleit. -GR-J-UK-	1	<b>Baujahr:</b> 1998[W] Land:Griechenland[GR], Japan[J]
5	AP8102708	Bed./Wart.-Anleit. -GR-J-UK-	1	<b>Baujahr:</b> 1996[T], 1997[V] Land:Griechenland[GR]
5	AP8102749	Bed./Wart.-Anleit. -NL-DK-UK-	1	<b>Baujahr:</b> 1996[T], 1997[V] Land:Holland[NL]
5	AP8102749	Bed./Wart.-Anleit. -NL-DK-UK-	1	<b>Baujahr:</b> 1998[W] Land:Holland[NL]
5	AP8102749	Bed./Wart.-Anleit. -NL-DK-UK-	1	<b>Baujahr:</b> 1998[W] Land:Holland[NL]

<b>Einheit</b>	RAHMEN
<b>Code</b>	28.39
<b>Beschreibung</b>	Schilder und Anleit.
<b>Inspektion</b>	1



Pos.	Code	Beschreibung	Menge	Varianten
5	AP8102750	Bed./Wart.-Anleit. -P-E-UK-	1	<b>Baujahr:</b> 1998[W] <b>Land:</b> Spanien[E], Großbritannien[UK]
5	AP8102750	Bed./Wart.-Anleit. -P-E-UK-	1	<b>Baujahr:</b> 1998[W] <b>Land:</b> Spanien[E], Großbritannien[UK]
5	AP8102750	Bed./Wart.-Anleit. -P-E-UK-	1	<b>Baujahr:</b> 1996[T], 1997[V] <b>Land:</b> Spanien[E], Großbritannien[UK]
5	AP8102769	Bed./Wart.-Anleit. -I-F-D-	1	<b>Baujahr:</b> 1998[W] <b>Land:</b> Belgien[B], Schweiz[CH], Deutschland[D], Frankreich[F], Italien[I]
5	AP8102769	Bed./Wart.-Anleit. -I-F-D-	1	<b>Baujahr:</b> 1996[T], 1997[V] <b>Land:</b> Belgien[B], Schweiz[CH], Deutschland[D], Frankreich[F], Italien[I]
5	AP8102769	Bed./Wart.-Anleit. -I-F-D-	1	<b>Baujahr:</b> 1998[W] <b>Land:</b> Belgien[B], Schweiz[CH], Deutschland[D], Frankreich[F], Italien[I]
5	AP8102868	Bed./Wart.-Anleit. -I-F-D-	1	<b>Baujahr:</b> 1998[W] <b>Land:</b> Deutschland[D], Frankreich[F], Italien[I]
5	AP8102868	Bed./Wart.-Anleit. -I-F-D-	1	<b>Baujahr:</b> 1998[W] <b>Land:</b> Deutschland[D], Frankreich[F], Italien[I]
5	AP8102869	Bed./Wart.-Anleit. -P-E-UK-	1	<b>Baujahr:</b> 1998[W] <b>Land:</b> Spanien[E], Portugal[P], Großbritannien[UK]
5	AP8102869	Bed./Wart.-Anleit. -P-E-UK-	1	<b>Baujahr:</b> 1998[W] <b>Land:</b> Spanien[E], Portugal[P], Großbritannien[UK]
5	AP8102870	Bed./Wart.-Anleit. -NL-DK-UK-	1	<b>Baujahr:</b> 1998[W] <b>Land:</b> Dänemark[DK], Holland[NL], Großbritannien[UK]
5	AP8102870	Bed./Wart.-Anleit. -NL-DK-UK-	1	<b>Baujahr:</b> 1998[W] <b>Land:</b> Dänemark[DK], Holland[NL], Großbritannien[UK]
5	AP8102871	Bed./Wart.-Anleit. -GR-J-UK-	1	<b>Baujahr:</b> 1998[W] <b>Land:</b> Griechenland[GR], Japan[J], Großbritannien[UK]
5	AP8102871	Bed./Wart.-Anleit. -GR-J-UK-	1	<b>Baujahr:</b> 1998[W] <b>Land:</b> Griechenland[GR], Japan[J], Großbritannien[UK]

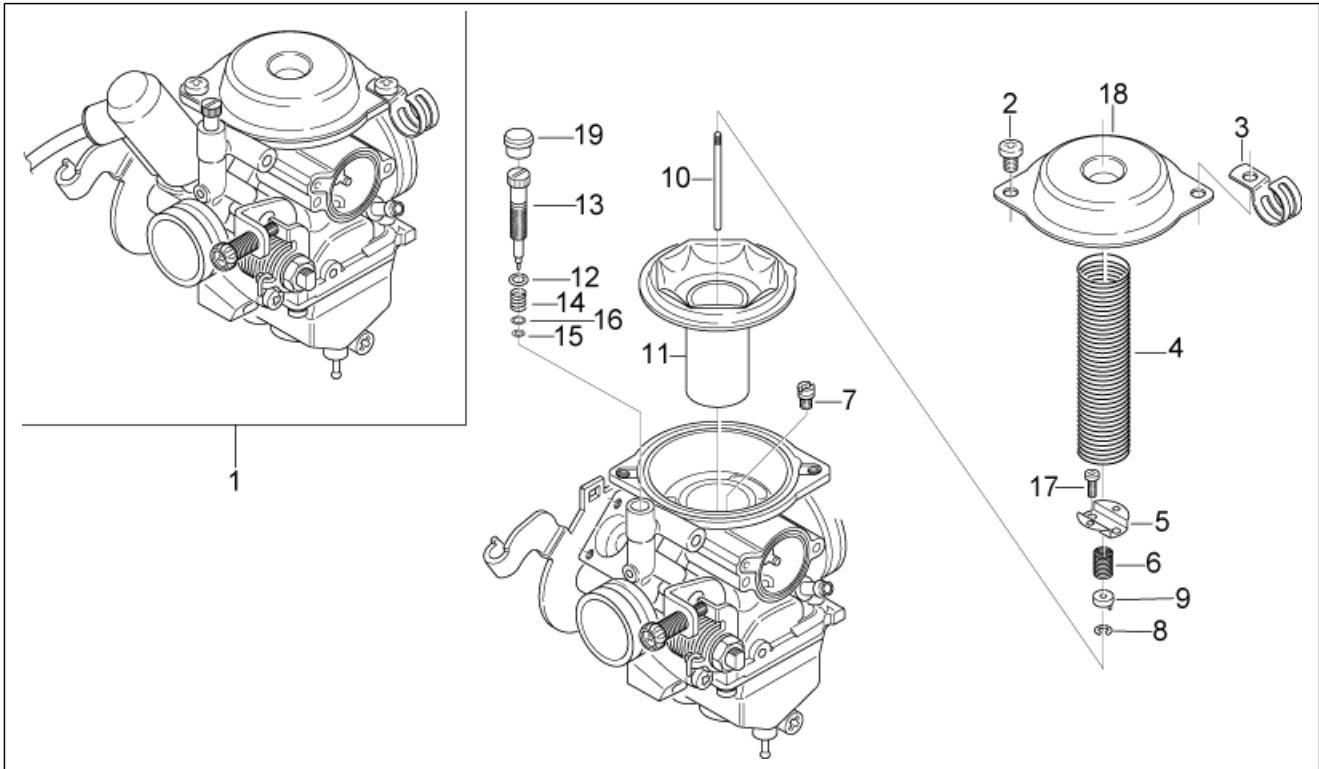
<b>Einheit</b>	MOTOR
<b>Code</b>	29.27
<b>Beschreibung</b>	Vergaser I
<b>Inspektion</b>	1



Pos.	Code	Beschreibung	Menge	Varianten
1	AP8106291	Vergaser	1	<b>Baujahr:</b> 1996[T] <b>Land:</b> Österreich[A], Belgien[B], Deutschland[D], Dänemark[DK], Spanien[E], Frankreich[F], Griechenland[GR], Italien[I], Japan[J], Holland[NL], Portugal[P], Großbritannien[UK] <b>Technische Daten:</b> Leonardo 125[125]
1	AP8106418	Vergaser	1	<b>Baujahr:</b> 1996[T] <b>Land:</b> Schweiz[CH] <b>Technische Daten:</b> Leonardo 125[125]
1	AP8106428	Vergaser BS 26-93	1	<b>Baujahr:</b> 1997[V], 1998[W] <b>Land:</b> Spanien[E], Frankreich[F], Griechenland[GR], Italien[I], Japan[J], Portugal[P] <b>Technische Daten:</b> Leonardo 150[150]
1	AP8106449	Vergaser Bs 26-91	1	<b>Baujahr:</b> 1997[V], 1998[W] <b>Land:</b> Spanien[E], Frankreich[F], Griechenland[GR], Italien[I], Portugal[P] <b>Technische Daten:</b> Leonardo 125[125]
1	AP8106580	Vergaser BS 26-114	1	<b>Baujahr:</b> 1997[V], 1998[W] <b>Land:</b> Österreich[A], Belgien[B], Deutschland[D], Dänemark[DK], Holland[NL], Großbritannien[UK] <b>Technische Daten:</b> Leonardo 125[125]
1	AP8106581	Vergaser BS 26-116	1	<b>Baujahr:</b> 1997[V], 1998[W] <b>Land:</b> Belgien[B], Deutschland[D], Dänemark[DK], Holland[NL], Großbritannien[UK] <b>Technische Daten:</b> Leonardo 150[150]
1	AP8106582	Vergaser BS 26-115	1	<b>Baujahr:</b> 1997[V], 1998[W] <b>Land:</b> Schweiz[CH] <b>Technische Daten:</b> Leonardo 125[125]
2	AP8106470	Schraube	2	
3	AP8106471	Kabelführungs	1	
4	AP8106472	Feder	1	
5	AP8106473	Platte	1	
6	AP8106474	Feder	1	

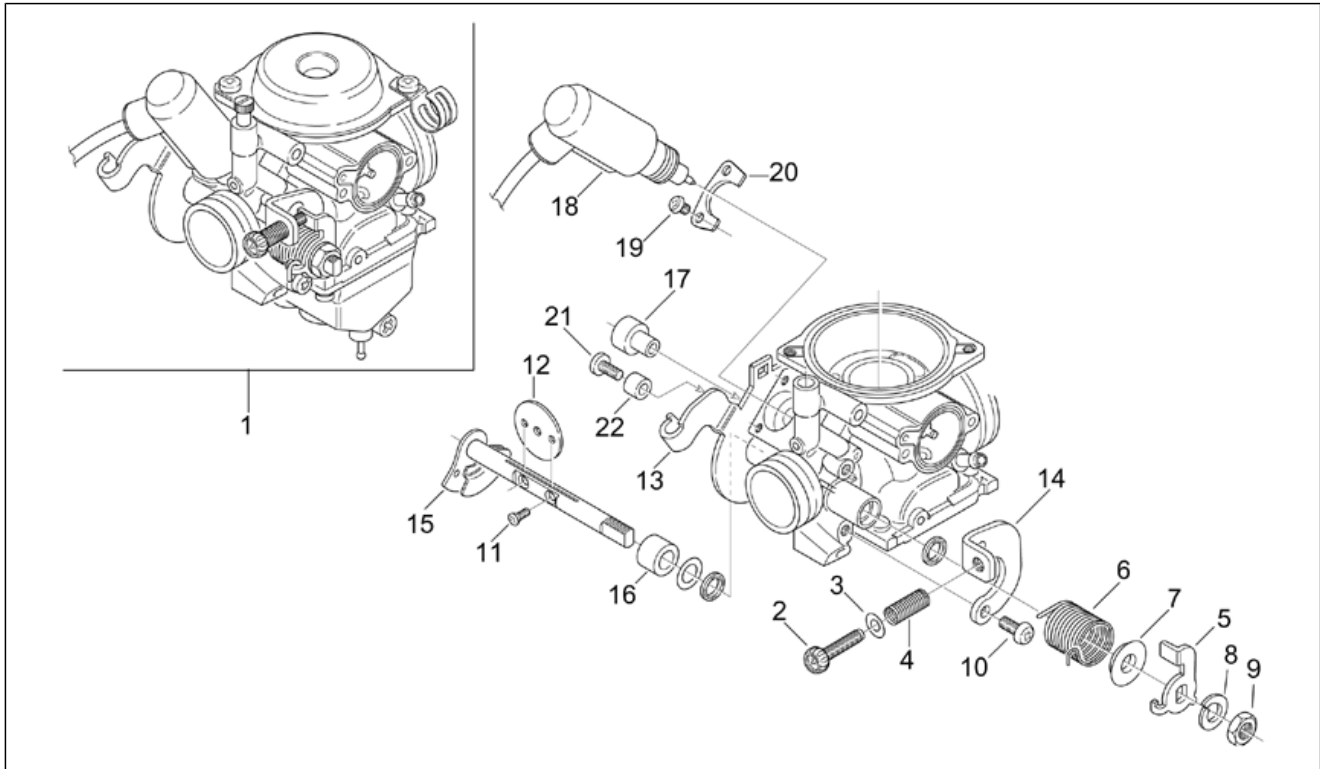


<b>Einheit</b>	MOTOR
<b>Code</b>	29.27
<b>Beschreibung</b>	Vergaser I
<b>Inspektion</b>	1



Pos.	Code	Beschreibung	Menge	Varianten
7	AP8106515	max. Luftstrahl	1	Land:Österreich[A], Belgien[B], Deutschland[D], Dänemark[DK], Spanien[E], Frankreich[F], Griechenland[GR], Italien[I], Japan[J], Holland[NL], Portugal[P], Großbritannien[UK]
7	AP8106524	max. Luftstrahl	1	Land:Schweiz[CH]
8	AP8122857	Seegerring	1	
9	AP8106476	Ring	1	Baujahr:1996[T]
9	AP8106528	Ring	1	Baujahr:1997[V], 1998[W]
10	AP8106477	Nadel	1	
11	AP8106478	Membran	1	
12	AP8106479	O-Ring	1	
13	AP8106480	Einst.schr. L.laufgemisch	1	Land:Österreich[A], Belgien[B], Deutschland[D], Dänemark[DK], Spanien[E], Frankreich[F], Griechenland[GR], Italien[I], Japan[J], Holland[NL], Portugal[P], Großbritannien[UK]
13	AP8106481	Einst.schr. L.laufgemisch -CH-	1	Land:Schweiz[CH]
14	AP8122829	Feder	1	
15	AP8122854	Ausgleichscheibe	1	
16	AP8122827	O-Ring	1	
17	AP8106482	Schraube	2	
18	AP8106469	Deckel	1	
19	AP8120975	Gummi	1	Land:Schweiz[CH]

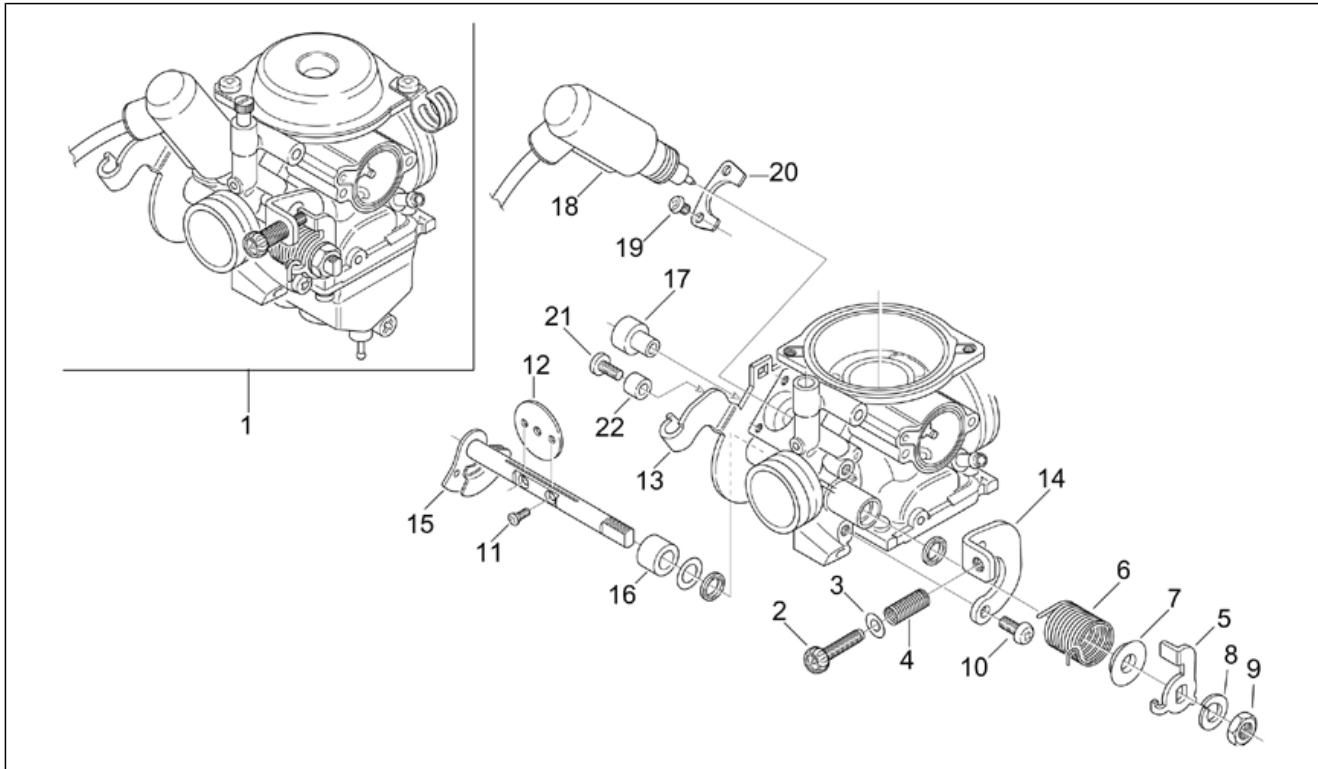
<b>Einheit</b>	MOTOR
<b>Code</b>	29.28
<b>Beschreibung</b>	Vergaser II
<b>Inspektion</b>	1



Pos.	Code	Beschreibung	Menge	Varianten
1	AP8106291	Vergaser	1	<b>Baujahr:</b> 1996[T] <b>Land:</b> Österreich[A], Belgien[B], Deutschland[D], Dänemark[DK], Spanien[E], Frankreich[F], Griechenland[GR], Italien[I], Japan[J], Holland[NL], Portugal[P], Großbritannien[UK] <b>Technische Daten:</b> Leonardo 125[125]
1	AP8106418	Vergaser	1	<b>Baujahr:</b> 1996[T] <b>Land:</b> Schweiz[CH] <b>Technische Daten:</b> Leonardo 125[125]
1	AP8106428	Vergaser BS 26-93	1	<b>Baujahr:</b> 1997[V], 1998[W] <b>Land:</b> Spanien[E], Frankreich[F], Griechenland[GR], Italien[I], Japan[J], Portugal[P] <b>Technische Daten:</b> Leonardo 150[150]
1	AP8106449	Vergaser Bs 26-91	1	<b>Baujahr:</b> 1997[V], 1998[W] <b>Land:</b> Spanien[E], Frankreich[F], Griechenland[GR], Italien[I], Portugal[P] <b>Technische Daten:</b> Leonardo 125[125]
1	AP8106580	Vergaser BS 26-114	1	<b>Baujahr:</b> 1997[V], 1998[W] <b>Land:</b> Österreich[A], Belgien[B], Deutschland[D], Dänemark[DK], Holland[NL], Großbritannien[UK] <b>Technische Daten:</b> Leonardo 125[125]
1	AP8106581	Vergaser BS 26-116	1	<b>Baujahr:</b> 1997[V], 1998[W] <b>Land:</b> Belgien[B], Deutschland[D], Dänemark[DK], Holland[NL], Großbritannien[UK] <b>Technische Daten:</b> Leonardo 150[150]
1	AP8106582	Vergaser BS 26-115	1	<b>Baujahr:</b> 1997[V], 1998[W] <b>Land:</b> Schweiz[CH] <b>Technische Daten:</b> Leonardo 125[125]
2	AP8106487	Schraube	1	
3	AP8106488	Dichtung	1	
4	AP8106489	Feder	1	
5	AP8106490	Gashebel	1	
6	AP8106491	Feder	1	

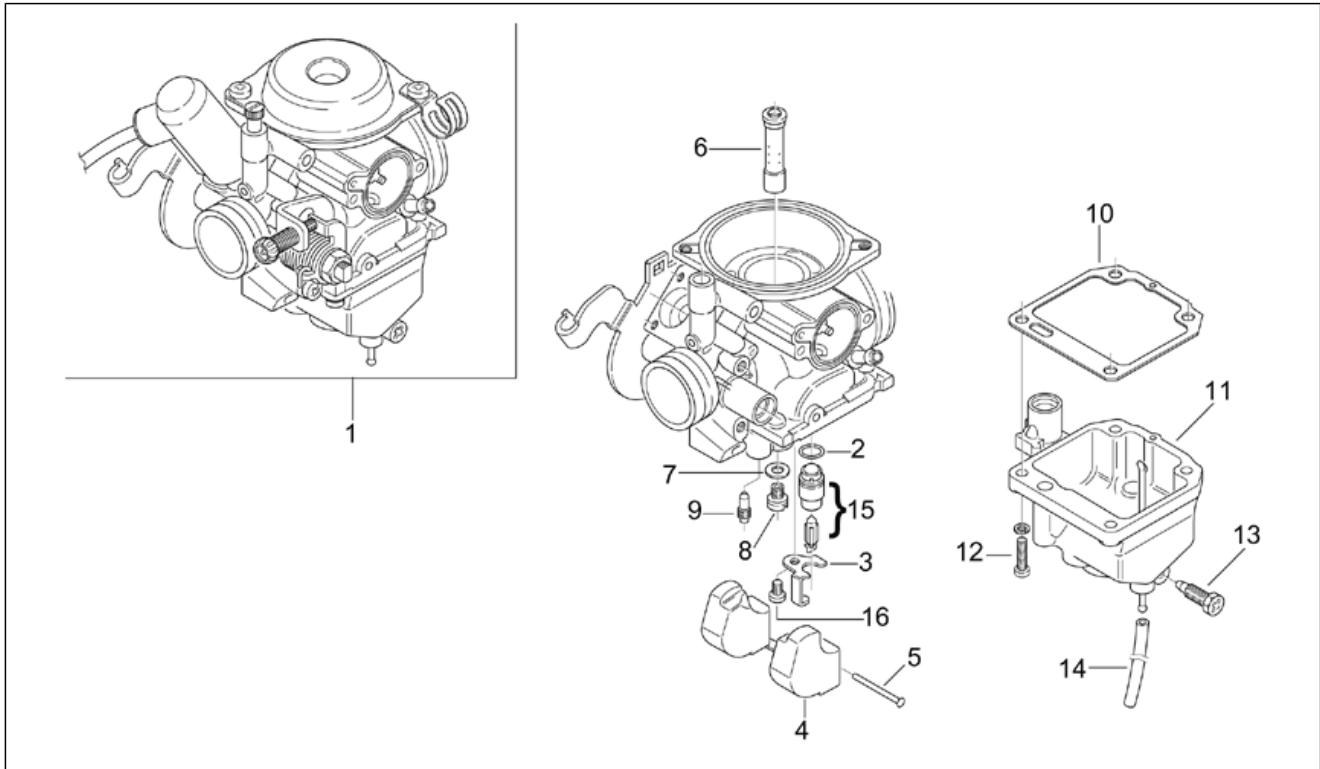


<b>Einheit</b>	MOTOR
<b>Code</b>	29.28
<b>Beschreibung</b>	Vergaser II
<b>Inspektion</b>	1



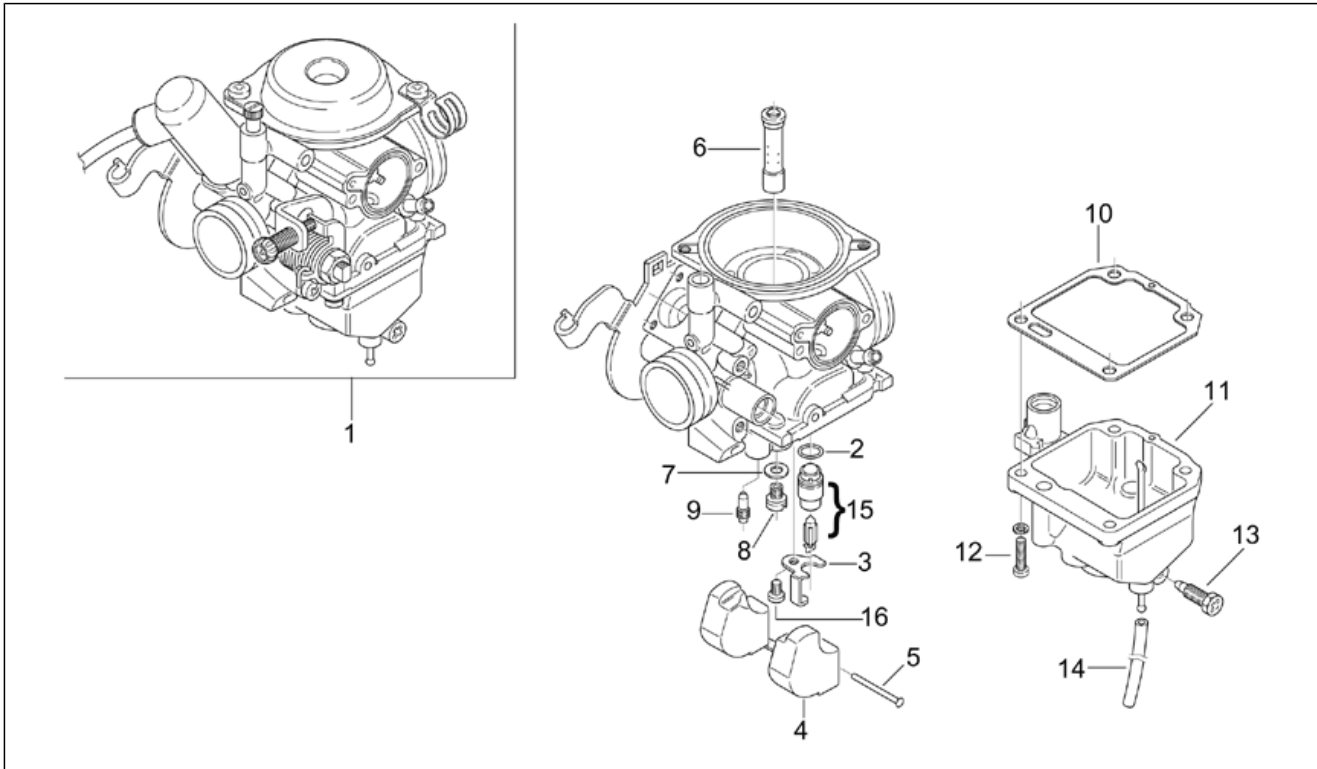
Pos.	Code	Beschreibung	Menge	Varianten
7	AP8106492	Ring	1	
8	AP8122861	Ausgleichscheibe	1	
9	AP8122816	Mutter	1	
10	AP8106493	Schraube	2	
11	AP8106506	Schraube	2	
12	AP8106507	Drosselklappe	1	
13	AP8106513	Halter	1	
14	AP8106516	Halter	1	
15	AP8106512	Drosselklappenwelle	1	Baujahr:1996[T]
15	AP8106530	Drosselklappenwelle	1	Baujahr:1997[V], 1998[W]
16	AP8106509	Ring	1	
17	AP8106483	Filter	1	
18	AP8106484	Starterventil	1	Baujahr:1996[T]
18	AP8106527	Starterventil	1	Baujahr:1997[V], 1998[W]
19	AP8106485	Schraube	3	
20	AP8106486	Platte	1	
21	AP8106510	Schraube	1	
22	AP8106511	Ring	1	Baujahr:1996[T]
22	AP8106529	Seegerring	1	Baujahr:1997[V], 1998[W]

<b>Einheit</b>	MOTOR
<b>Code</b>	29.29
<b>Beschreibung</b>	Vergaser III
<b>Inspektion</b>	1



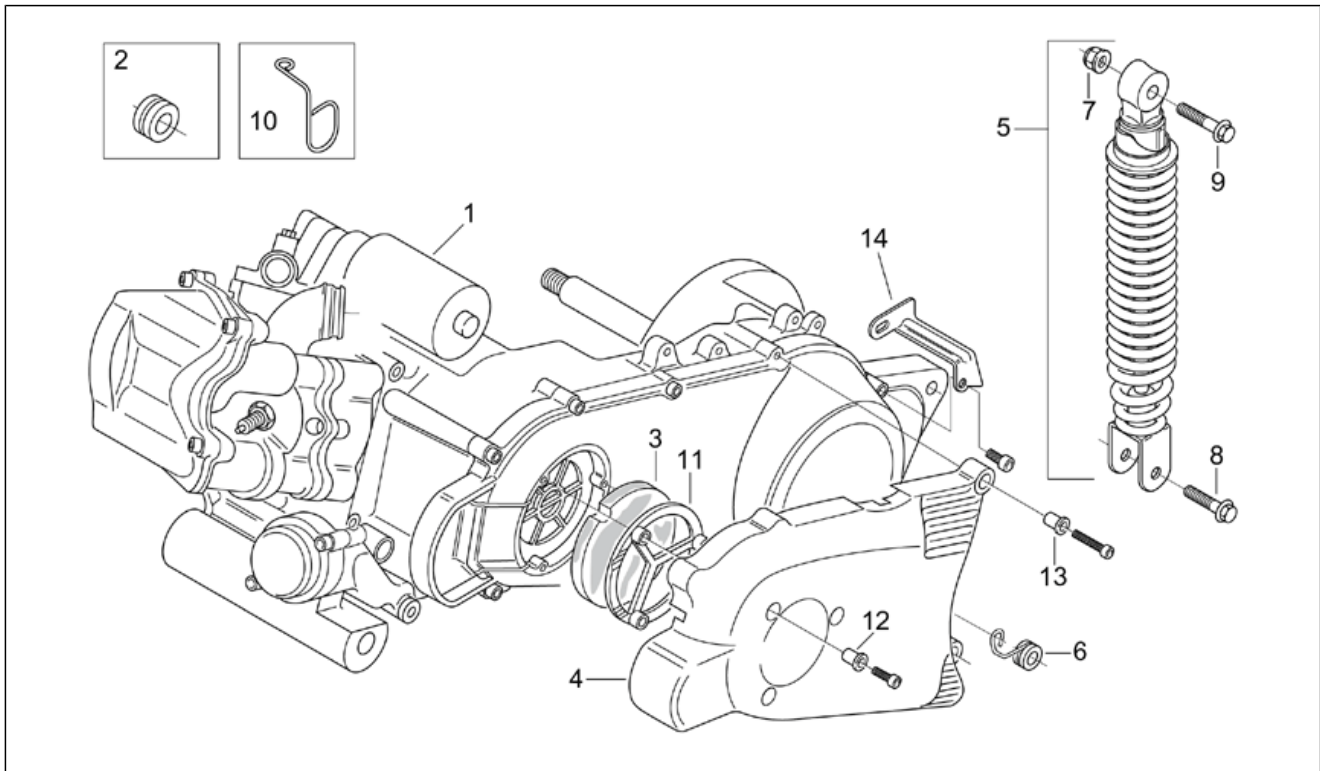
Pos.	Code	Beschreibung	Menge	Varianten
1	AP8106291	Vergaser	1	<b>Baujahr:</b> 1996[T] <b>Land:</b> Österreich[A], Belgien[B], Deutschland[D], Dänemark[DK], Spanien[E], Frankreich[F], Griechenland[GR], Italien[I], Japan[J], Holland[NL], Portugal[P], Großbritannien[UK] <b>Technische Daten:</b> Leonardo 125[125]
1	AP8106418	Vergaser	1	<b>Baujahr:</b> 1996[T] <b>Land:</b> Schweiz[CH] <b>Technische Daten:</b> Leonardo 125[125]
1	AP8106428	Vergaser BS 26-93	1	<b>Baujahr:</b> 1997[V], 1998[W] <b>Land:</b> Spanien[E], Frankreich[F], Griechenland[GR], Italien[I], Japan[J], Portugal[P] <b>Technische Daten:</b> Leonardo 150[150]
1	AP8106449	Vergaser Bs 26-91	1	<b>Baujahr:</b> 1997[V], 1998[W] <b>Land:</b> Spanien[E], Frankreich[F], Griechenland[GR], Italien[I], Portugal[P] <b>Technische Daten:</b> Leonardo 125[125]
1	AP8106580	Vergaser BS 26-114	1	<b>Baujahr:</b> 1997[V], 1998[W] <b>Land:</b> Österreich[A], Belgien[B], Deutschland[D], Dänemark[DK], Holland[NL], Großbritannien[UK] <b>Technische Daten:</b> Leonardo 125[125]
1	AP8106581	Vergaser BS 26-116	1	<b>Baujahr:</b> 1997[V], 1998[W] <b>Land:</b> Belgien[B], Deutschland[D], Dänemark[DK], Holland[NL], Großbritannien[UK] <b>Technische Daten:</b> Leonardo 150[150]
1	AP8106582	Vergaser BS 26-115	1	<b>Baujahr:</b> 1997[V], 1998[W] <b>Land:</b> Schweiz[CH] <b>Technische Daten:</b> Leonardo 125[125]
2	AP8106494	O-Ring	1	
3	AP8106495	Platte	1	
4	AP8106496	Schwimmer	1	
5	AP8106497	Bolzen	1	
6	AP8106498	Nadelventil	1	

<b>Einheit</b>	MOTOR
<b>Code</b>	29.29
<b>Beschreibung</b>	Vergaser III
<b>Inspektion</b>	1



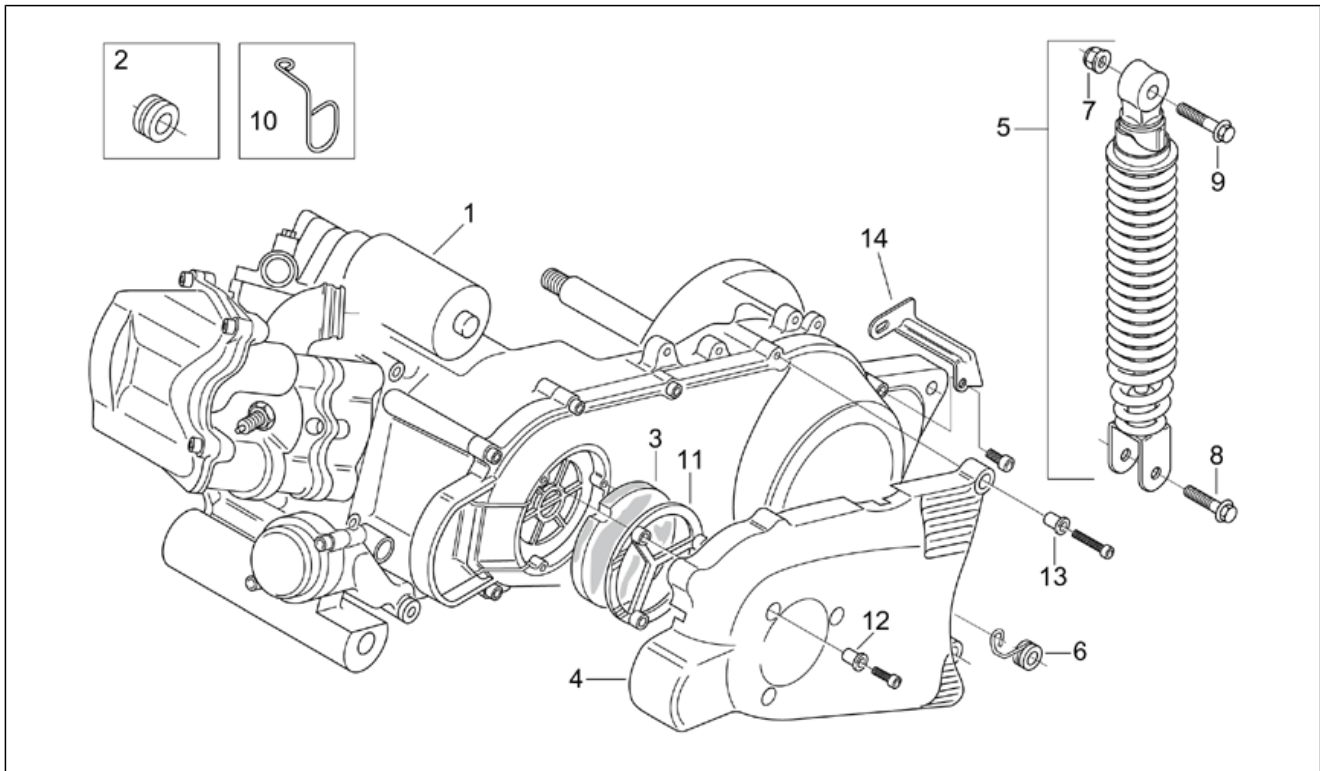
Pos.	Code	Beschreibung	Menge	Varianten
7	AP8106499	Ausgleichscheibe	1	
8	AP8106468	Hauptdüse	1	<b>Technische Daten:</b> Leonardo 150[150]
8	AP8106564	Hauptdüse	1	<b>Technische Daten:</b> Leonardo 125[125]
9	AP8106500	Leerlaufstrahl	1	
10	AP8106501	Dichtung	1	
11	AP8106502	Schwimmergehäuse	1	<b>Baujahr:</b> 1996[T] <b>Technische Daten:</b> Leonardo 125[125]
11	AP8106525	Schwimmergehäuse	1	<b>Baujahr:</b> 1997[V], 1998[W] <b>Land:</b> Spanien[E], Frankreich[F], Griechenland[GR], Italien[I], Portugal[P] <b>Technische Daten:</b> Leonardo 125[125]
11	AP8106526	Schwimmergehäuse	1	<b>Baujahr:</b> 1997[V], 1998[W] <b>Land:</b> Spanien[E], Frankreich[F], Griechenland[GR], Italien[I], Japan[J], Portugal[P] <b>Technische Daten:</b> Leonardo 150[150]
11	AP8106584	Schwimmergehäuse	1	<b>Baujahr:</b> 1997[V], 1998[W] <b>Land:</b> Belgien[B], Deutschland[D], Dänemark[DK], Holland[NL], Großbritannien[UK] <b>Technische Daten:</b> Leonardo 150[150]
11	AP8106584	Schwimmergehäuse	1	<b>Baujahr:</b> 1997[V], 1998[W] <b>Land:</b> Österreich[A], Belgien[B], Schweiz[CH], Deutschland[D], Dänemark[DK], Holland[NL], Großbritannien[UK] <b>Technische Daten:</b> Leonardo 125[125]
12	AP8106503	Schraube	4	
13	AP8106504	Schraube	1	
14	AP8106505	Auspuffrohr	1	
15	AP8106514	Kraftstoffeinlaßventil	1	
16	AP8106485	Schraube	1	

<b>Einheit</b>	MOTOR
<b>Code</b>	29.30
<b>Beschreibung</b>	Motor
<b>Inspektion</b>	1



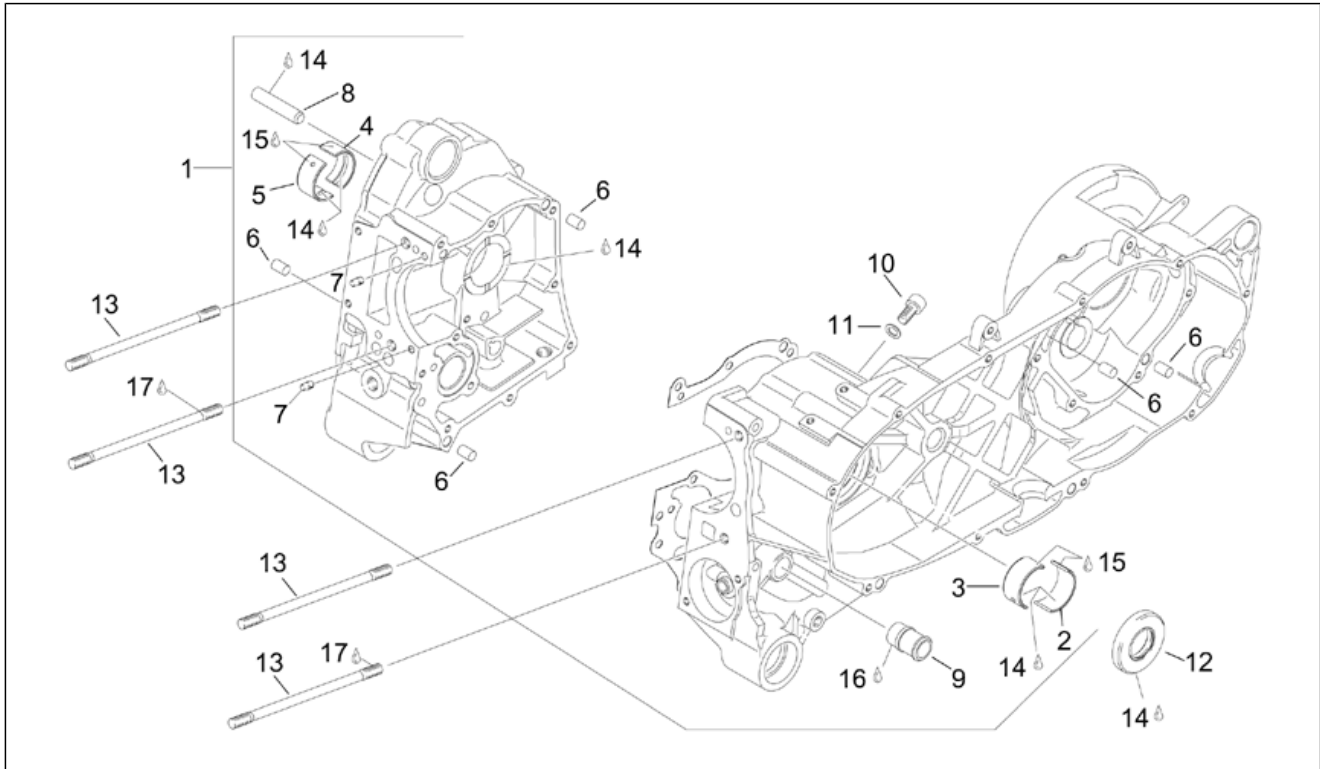
Pos.	Code	Beschreibung	Menge	Varianten
1	AP8106290	Motoreinheit 120	1	<b>Baujahr:</b> 1996[T] <b>Technische Daten:</b> Leonardo 125[125]
1	AP8106427	Wassergekühlter Motor	1	<b>Baujahr:</b> 1998[W] <b>Technische Daten:</b> Leonardo 150[150]
1	AP8106427	Wassergekühlter Motor	1	<b>Baujahr:</b> 1998[W] <b>Technische Daten:</b> Leonardo 150[150]
1	AP8106427	Wassergekühlter Motor	1	<b>Baujahr:</b> 1997[V] <b>Technische Daten:</b> Leonardo 150[150]
1	AP8106448	Motoreinheit 120	1	<b>Baujahr:</b> 1997[V] <b>Technische Daten:</b> Leonardo 125[125]
1	AP8106448	Motoreinheit 120	1	<b>Baujahr:</b> 1998[W] <b>Technische Daten:</b> Leonardo 125[125]
1	AP8106448	Motoreinheit 120	1	<b>Baujahr:</b> 1998[W] <b>Technische Daten:</b> Leonardo 125[125]
1	AP8106560	Motoreinheit 120	1	<b>Baujahr:</b> 1998[W] <b>Technische Daten:</b> Leonardo 125[125]
1	AP8106561	Wassergekühlter Motor	1	<b>Baujahr:</b> 1998[W] <b>Technische Daten:</b> Leonardo 150[150]
1	AP8106561	Wassergekühlter Motor	1	<b>Baujahr:</b> 1998[W] <b>Technische Daten:</b> Leonardo 150[150]
2	AP8120030	Gummi	1	
3	AP8102522	Wandler-Kühlfilter	1	
4	AP8120879	Luftinlaß Wandler	1	<b>Baujahr:</b> 1996[T]
4	AP8138948	Luftinlaß Wandler, grau	1	<b>Baujahr:</b> 1997[V], 1998[W]
5	AP8123406	Stoßdämpfer	2	<b>Baujahr:</b> 1996[T], 1997[V]
5	AP8123790	Stoßdämpfer	2	<b>Baujahr:</b> 1998[W]
5	AP8123790	Stoßdämpfer	2	<b>Baujahr:</b> 1998[W]
5	AP8123796	Stoßdämpfer Showa	2	<b>Baujahr:</b> 1998[W]
5	AP8123796	Stoßdämpfer Showa	2	<b>Baujahr:</b> 1998[W]
6	AP8221206	Sturzhelmhaken	1	
7	AP8152300	Selbstsperrende Mutter M8	2	

<b>Einheit</b>	MOTOR
<b>Code</b>	29.30
<b>Beschreibung</b>	Motor
<b>Inspektion</b>	1



Pos.	Code	Beschreibung	Menge	Varianten
8	AP8152289	TE Schr. m. Flansch	2	
9	AP8152290	TE Schr. m. Flansch M8x40	2	
10	AP8221172	Kabelführungs	1	
11	AP8138938	Halter Kühlerfilter	1	<b>Baujahr:</b> 1997[V], 1998[W]
12	AP8121266	T-Buchse	3	<b>Baujahr:</b> 1997[V], 1998[W]
13	AP8121725	T-Buchse *	2	<b>Baujahr:</b> 1997[V], 1998[W]
14	AP8134362	Hnt. Kotfl.hltr. schw.	1	

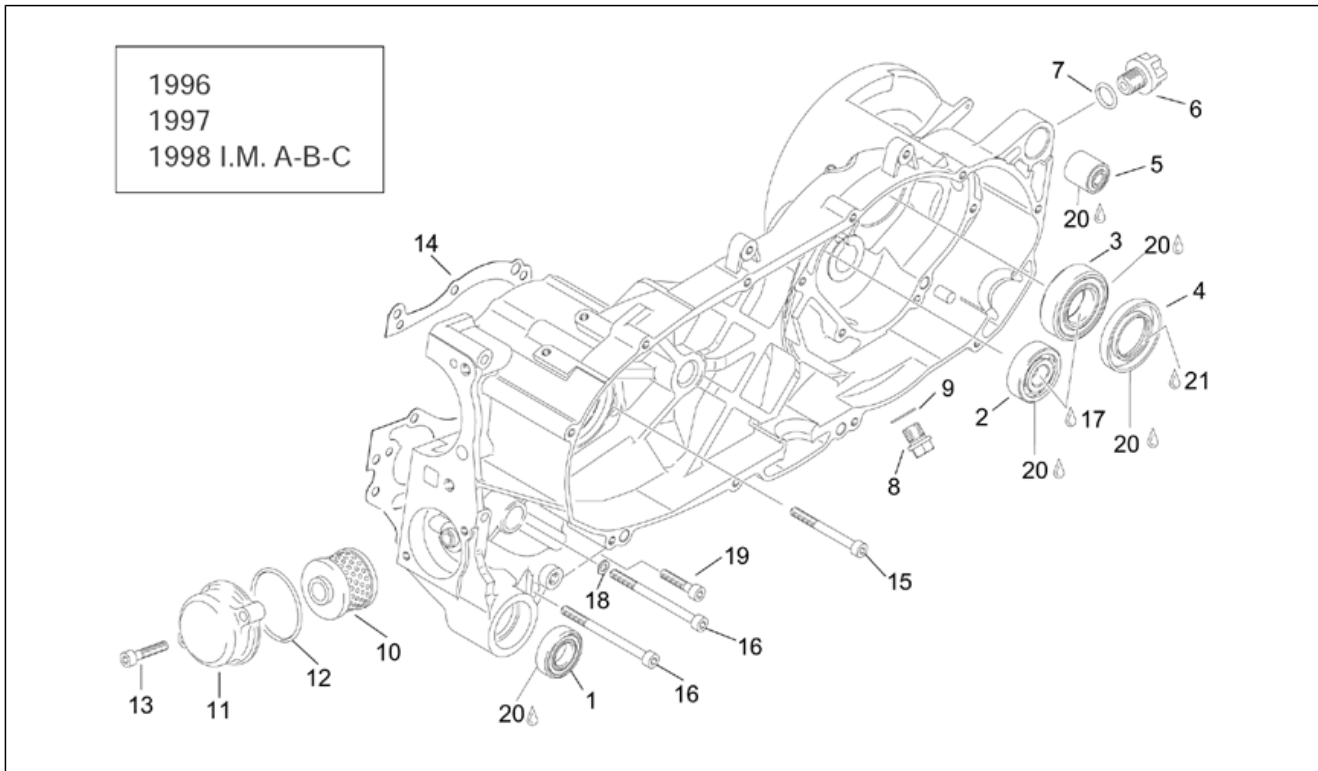
<b>Einheit</b>	MOTOR
<b>Code</b>	29.40
<b>Beschreibung</b>	Kurbelwellengehäuse
<b>Inspektion</b>	1



Pos.	Code	Beschreibung	Menge	Varianten
1	AP0295616	Gehäuse-kpl.	1	Baujahr:1998[W]
1	AP0295616	Gehäuse-kpl.	1	Baujahr:1998[W]
1	AP0295616	Gehäuse-kpl.	1	Baujahr:1996[T], 1997[V]
1	AP0295931	Gehäuse-kpl.	1	Baujahr:1998[W]
1	AP0295931	Gehäuse-kpl.	1	Baujahr:1998[W]
2	AP0233710	Halbsch. Bronzebchs. 32x36x18	1	
3	AP0233712	Halbsch. Bronzebchs. 32x36x18	1	
4	AP0233715	Halbsch. Bronzebchs. 32x36x18	1	
5	AP0233717	Halbsch. Bronzebchs. 32x36x18	1	
6	AP0632010	Stift M8x12	5	
7	AP0929650	Stift 5x10	2	
8	AP0229301	Bolzen M6x50	1	
9	AP0224260	Leitung	1	
10	AP0440193	TCEI Schraube	1	
11	AP0950141	Gasket ring 8x13	1	
12	AP0831177	Ölabstreifring 25x52x7	1	
13	AP0640240	Stiftschraube 8x151-12,9	4	
14	0000000	Reifen	1	
15	AP0297433	Molykote G-N 50gr.	1	
16	AP0899788	Loctite, grün 648 5gr.	1	
17	AP0899784	Loctite, orange 574	1	

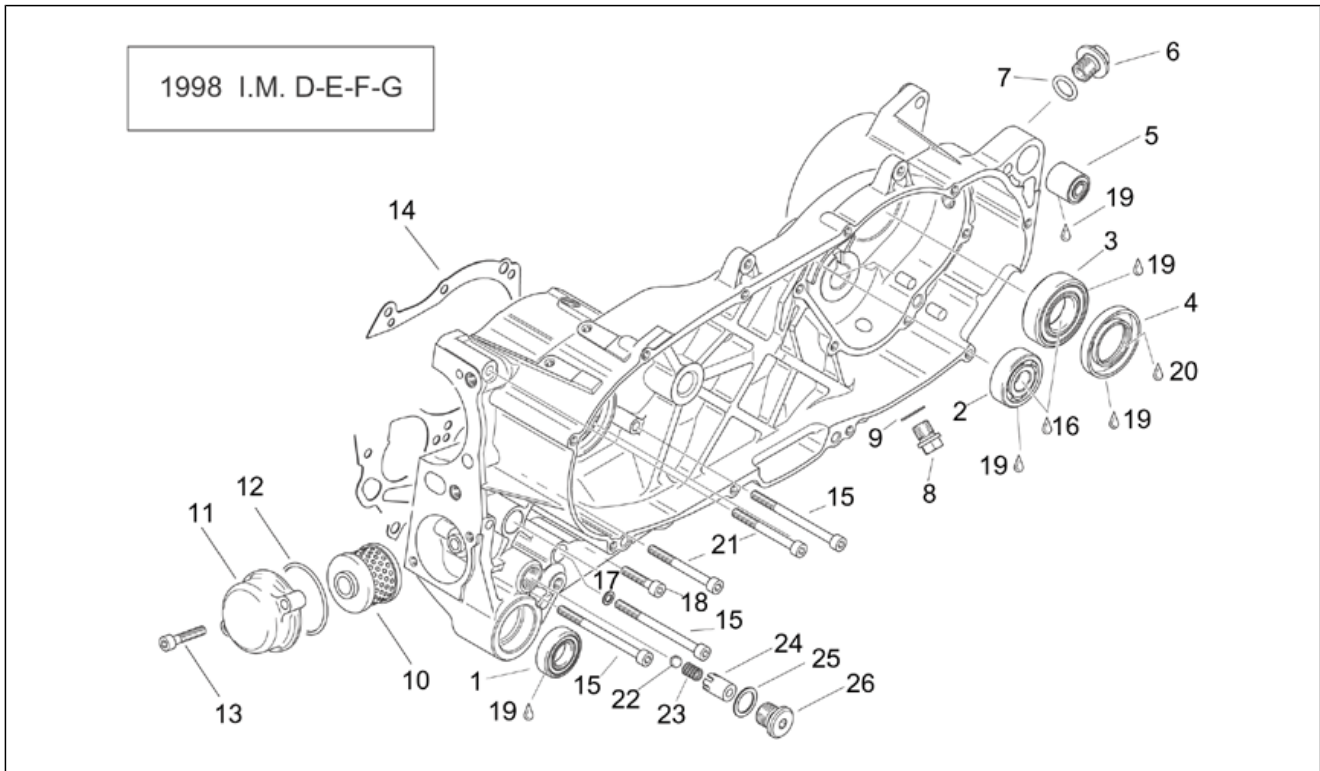


<b>Einheit</b>	MOTOR
<b>Code</b>	29.41
<b>Beschreibung</b>	Mittlerer halbgehäuse I
<b>Inspektion</b>	1



Pos.	Code	Beschreibung	Menge	Varianten
1	AP0232621	Lager 6003-2RS	1	
2	AP0232291	Lager 6302	1	
3	AP0932425	Kugellager	1	
4	AP0930900	Ölabstreifring 30x52x7	1	
5	AP0260295	Gehäusebuchse	1	
6	AP0241140	Deckel M15x1,5	1	
7	AP0650350	O-Ring 14x3,2	1	
8	AP0841921	Deckel M12x1,5	1	
9	AP0250640	Gasket ring 12x18	1	
10	AP0256450	Ölfiltersatz	1	
11	AP0211500	ÖlfILTERdeckel	1	
12	AP0430920	O-Ring	1	
13	AP0840880	TCEI Schraube M6x30	2	
14	AP0650180	Dichtung	1	
15	AP0240371	TCEI Schraube M6x60	5	
16	AP0241501	TCEI Schraube M6x80	3	
17	AP0297434	Loctite Anti Seize 50ml.15378	1	
18	AP0230415	Gasket ring 6x10	1	
19	AP0840880	TCEI Schraube M6x30	2	
20	0000000	Reifen	1	
21	0000000	Reifen	1	

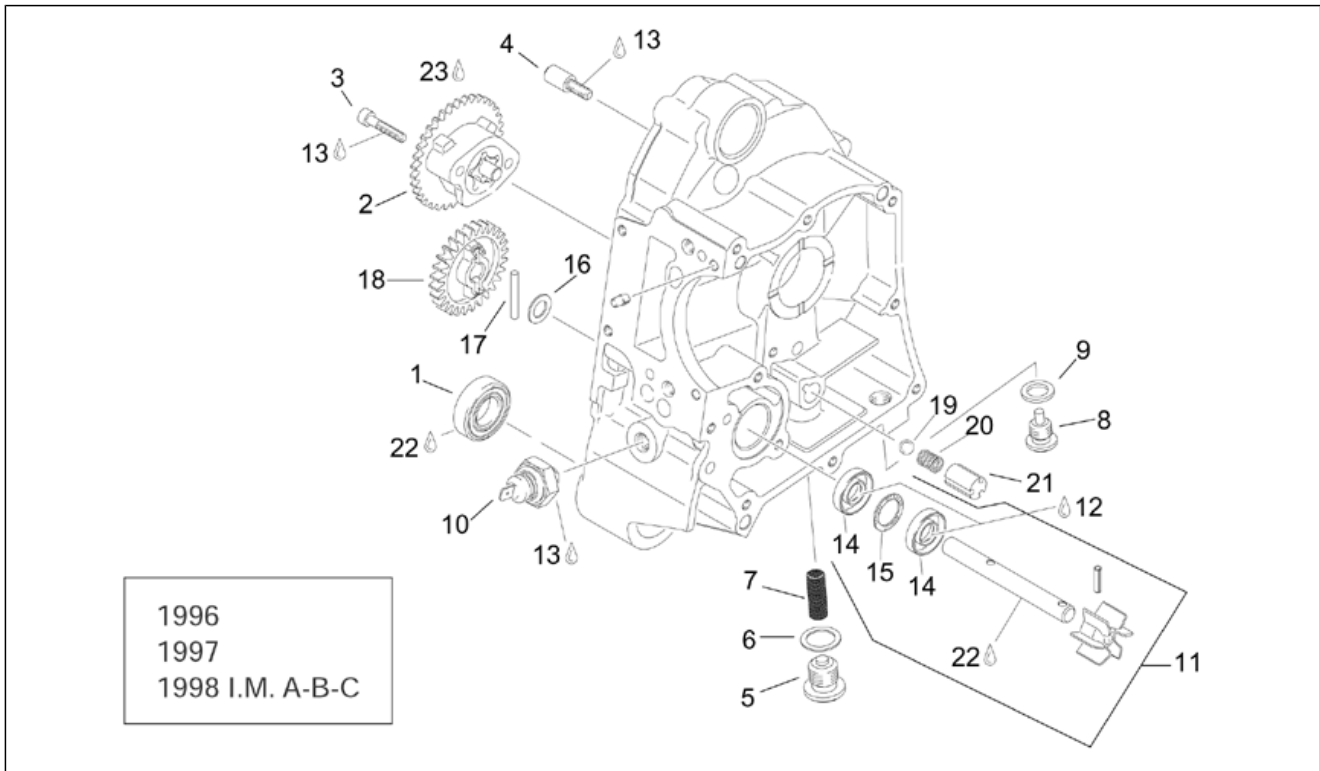
<b>Einheit</b>	MOTOR
<b>Code</b>	29.42
<b>Beschreibung</b>	Mittlerer halbgehäuse II
<b>Inspektion</b>	1



Pos.	Code	Beschreibung	Menge	Varianten
1	AP0232621	Lager 6003-2RS	1	
2	AP0232291	Lager 6302	1	
3	AP0932425	Kugellager	1	
4	AP0930900	Ölabstreifring 30x52x7	1	
5	AP0260295	Gehäusebuchse	1	
6	AP0241660	Deckel m14x1,5	1	
7	AP0650350	O-Ring 14x3,2	1	
8	AP0841921	Deckel M12x1,5	1	
9	AP0250640	Gasket ring 12x18	1	
10	AP0256450	Ölfiltersatz	1	
11	AP0211500	Ölfilterdeckel	1	
12	AP0430920	O-Ring	1	
13	AP0840880	TCEI Schraube M6x30	2	
14	AP0650182	Dichtung	1	
15	AP0241501	TCEI Schraube M6x80	5	
16	AP0297434	Loctite Anti Seize 50ml.15378	1	
17	AP0230415	Gasket ring 6x10	1	
18	AP0840880	TCEI Schraube M6x30	2	
19	0000000	Reifen	1	
20	0000000	Reifen	1	
21	AP0240371	TCEI Schraube M6x60	3	
22	AP0432680	Kugel 8,5 mm	1	
23	AP0239280	Spannfeder 13,5	1	
24	AP0256482	Überdruckventilkörper Öl	1	
25	AP0430622	Gasket ring 16x22	1	
26	AP0240230	Deckel m16x1,5	1	

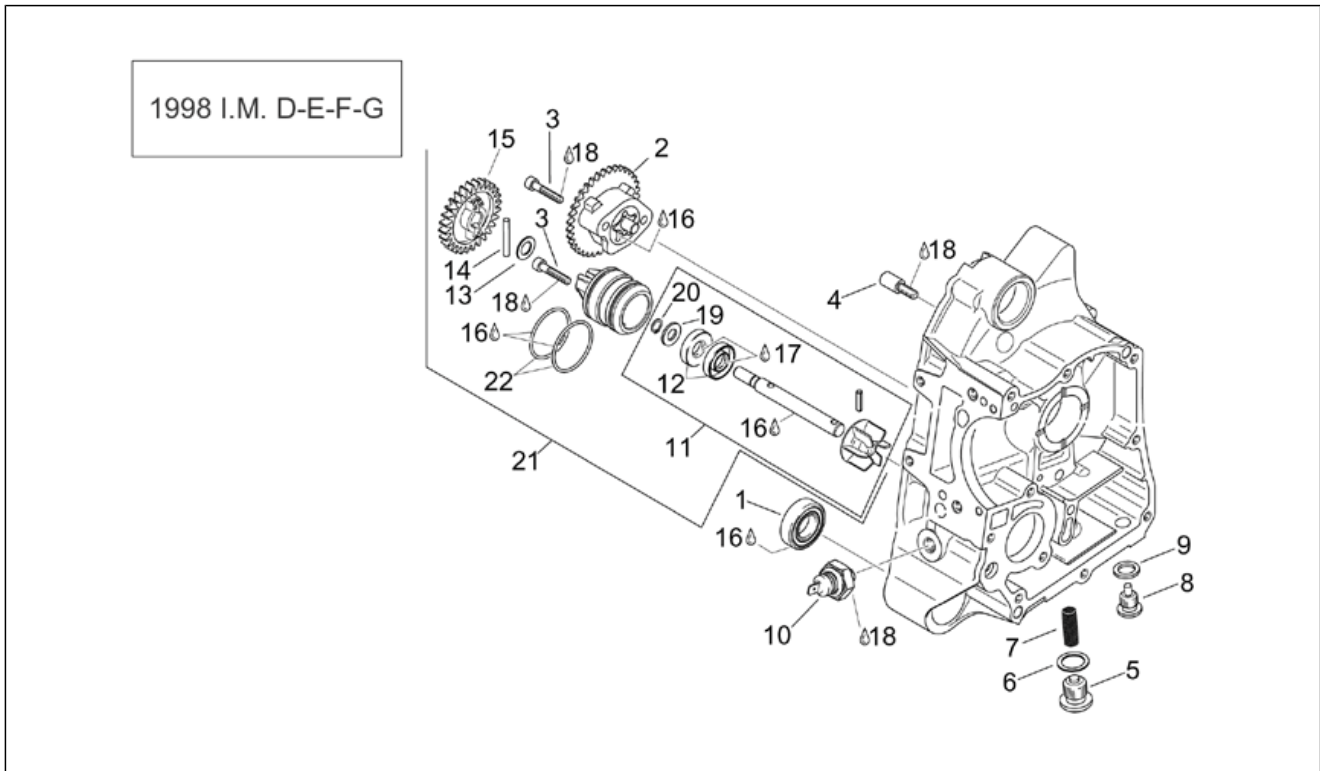


<b>Einheit</b>	MOTOR
<b>Code</b>	29.43
<b>Beschreibung</b>	R. halbgehäuse I
<b>Inspektion</b>	1



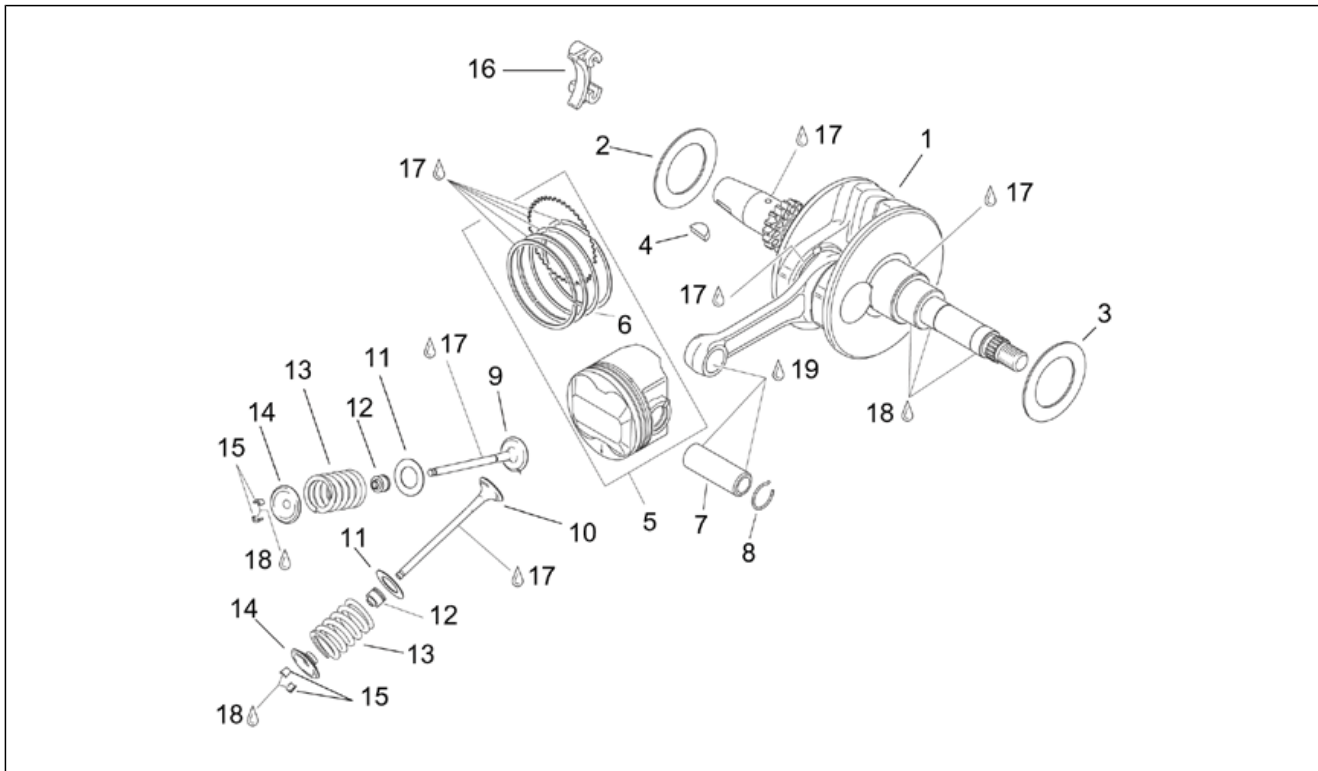
Pos.	Code	Beschreibung	Menge	Varianten
1	AP0232621	Lager 6003-2RS	1	
2	AP0295630	Ölpumpe	1	
3	AP0240186	TCEI Schraube	2	
4	AP0240940	Halteschraube M6	1	
5	AP0240235	Deckel M16x1,5	1	
6	AP0430622	Gasket ring 16x22	1	
7	AP0256490	Ölnetz	1	
8	AP0241782	Magnetschraube M12x1,5	1	
9	AP0250640	Gasket ring 12x18	1	
10	AP0956166	Öldruckschalter	1	
11	AP0220354	Welle Wasserpumpe	1	
12	AP0897161	Molykote 111 100gr.	1	
13	AP0897651	Loctite, blau 243 10cc.	1	
14	AP0230195	Ölabstreifring 10x26x7	2	
15	AP0845530	Federring Din A17	1	
16	AP0827590	Paßscheibe 10,1/17/1	1	
17	AP0232430	Stift	1	
18	AP0634430	Zahnrad pumpe	1	
19	AP0432680	Kugel 8,5 mm	1	
20	AP0239280	Spannfeder 13,5	1	
21	AP0256480	Überdruckventilkörper Öl	1	
22	0000000	Reifen	1	
23	AP0297433	Molykote G-N 50gr.	1	

<b>Einheit</b>	MOTOR
<b>Code</b>	29.44
<b>Beschreibung</b>	R. halbgehäuse II
<b>Inspektion</b>	1



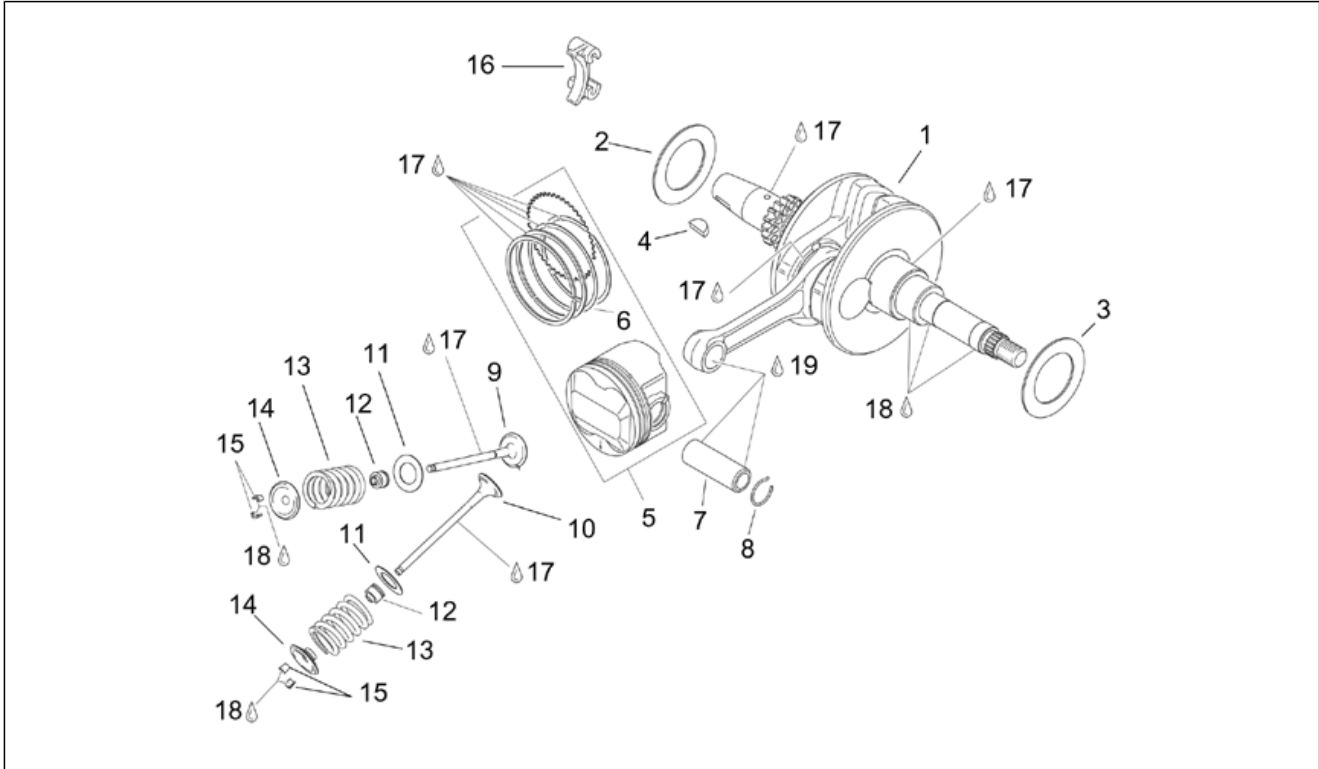
Pos.	Code	Beschreibung	Menge	Varianten
1	AP0232621	Lager 6003-2RS	1	
2	AP0295630	Ölpumpe	1	
3	AP0241275	TE Schr. m. Flansch	3	
4	AP0240940	Halteschraube M6	1	
5	AP0240235	Deckel M16x1,5	1	
6	AP0430622	Gasket ring 16x22	1	
7	AP0256490	Ölnetz	1	
8	AP0241782	Magnetschraube M12x1,5	1	
9	AP0250640	Gasket ring 12x18	1	
10	AP0956166	Öldruckschalter	1	
11	AP0220356	Welle Wasserpumpe	1	
12	AP0230195	Ölabstreifring 10x26x7	2	
13	AP0827590	Paßscheibe 10,1/17/1	1	
14	AP0232430	Stift	1	
15	AP0634430	Zahnrad pumpe	1	
16	0000000	Reifen	1	
17	AP0897161	Molykote 111 100gr.	1	
18	AP0897651	Loctite, blau 243 10cc.	1	
19	AP0827405	Ausgleichscheibe 8,1	1	
20	AP0245570	Seegerring 8x0,8	1	
21	AP0293419	Wasserpumpe komplett	1	
22	AP0430900	O-Ring	2	

<b>Einheit</b>	MOTOR
<b>Code</b>	29.45
<b>Beschreibung</b>	Kurbelwelle - ventile
<b>Inspektion</b>	1



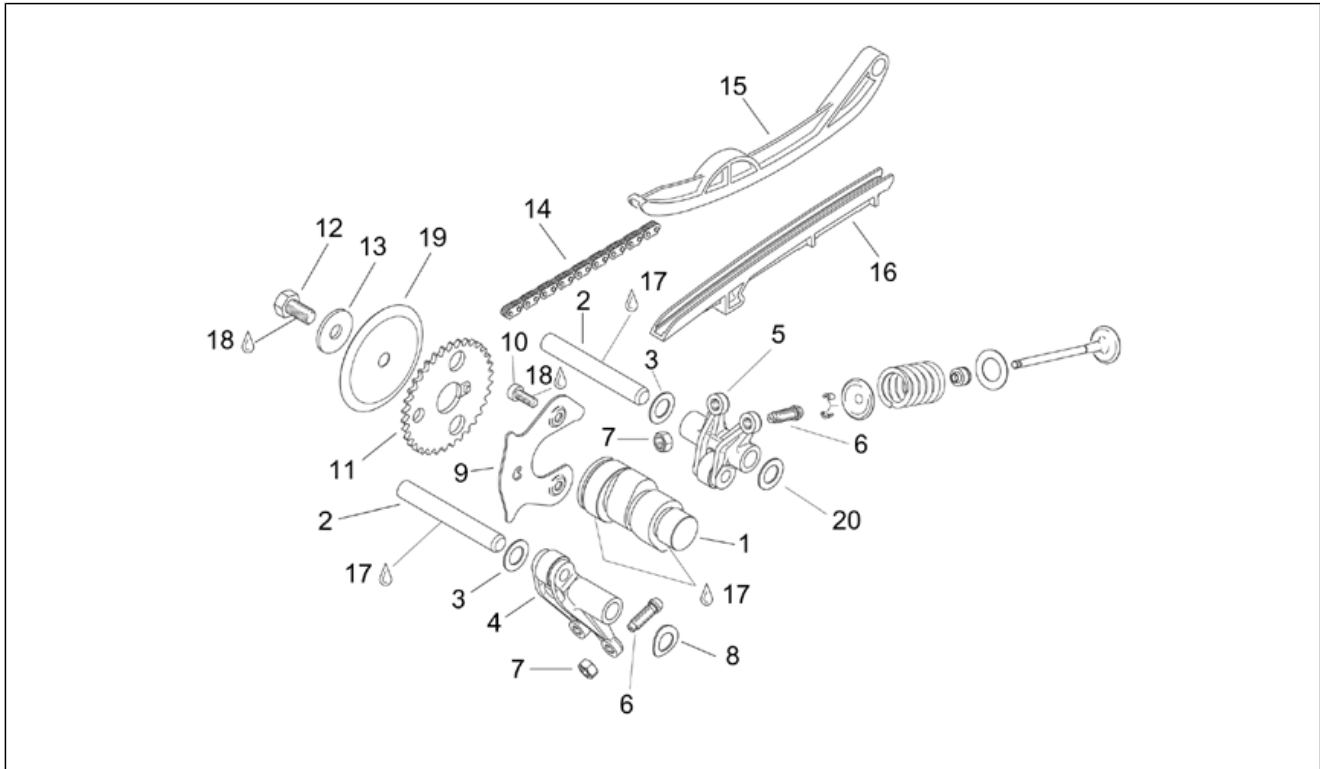
Pos.	Code	Beschreibung	Menge	Varianten
1	AP0295594	Kurbelwelle kpl. 50 mm	1	
2	AP0627110	Paßscheibe 32/50/1	1	
3	AP0627110	Paßscheibe 32/50/1	1	
3	AP0627111	Paßscheibe 32/50/1,2	1	
3	AP0627112	Paßscheibe 32/50/1,4	1	
4	AP0246570	Keil 4x5	1	
5	AP0295580	Kolben kpl. 56,37/38	1	<b>Baujahr:</b> 1998[W] <b>Technische Daten:</b> Leonardo 125[125]
5	AP0295580	Kolben kpl. 56,37/38	1	<b>Baujahr:</b> 1998[W] <b>Technische Daten:</b> Leonardo 125[125]
5	AP0295580	Kolben kpl. 56,37/38	1	<b>Baujahr:</b> 1996[T], 1997[V] <b>Technische Daten:</b> Leonardo 125[125]
5	AP0295581	Kolben kpl. 56,37/38	1	<b>Baujahr:</b> 1998[W] <b>Technische Daten:</b> Leonardo 125[125], Bis Motor Nr. 864317[V1], Zwischen Motor Nr.864465-864533[V2]
5	AP0295585	Kolben kpl. 56,37/38	1	<b>Baujahr:</b> 1998[W] <b>Technische Daten:</b> Leonardo 125[125], Zwischen Motor Nr.864318-864464[N1], Ab Motor Nr. 864534[N2]
5	AP0295820	Kolben kpl. 61,97/98 mm	1	<b>Technische Daten:</b> Leonardo 150[150], Bis Motor Nr. 820491[V3], Zwischen Motoren Nr. 820546-820665 und 820671-820756[V4]
5	AP0295825	Kolben kpl. 61,95 mm	1	<b>Technische Daten:</b> Leonardo 150[150], Zwischen Motoren 820492-820545 und 820666-820670[N3], Ab Motor Nr. 820757[N4]
6	AP0295584	Satz Kolbenringe	2	<b>Technische Daten:</b> Leonardo 125[125], Bis Motor Nr. 864317[V1], Zwischen Motor Nr.864465-864533[V2]
6	AP0295589	Satz Kolbenringe	2	<b>Technische Daten:</b> Leonardo 125[125], Zwischen Motor Nr.864318-864464[N1], Ab Motor Nr. 864534[N2]
6	AP0295824	Satz Kolbenringe	2	<b>Technische Daten:</b> Leonardo 150[150], Zwischen Motoren 820492-820545 und 820666-820670[N3], Ab Motor Nr. 820757[N4]

<b>Einheit</b>	MOTOR
<b>Code</b>	29.45
<b>Beschreibung</b>	Kurbelwelle - ventile
<b>Inspektion</b>	1



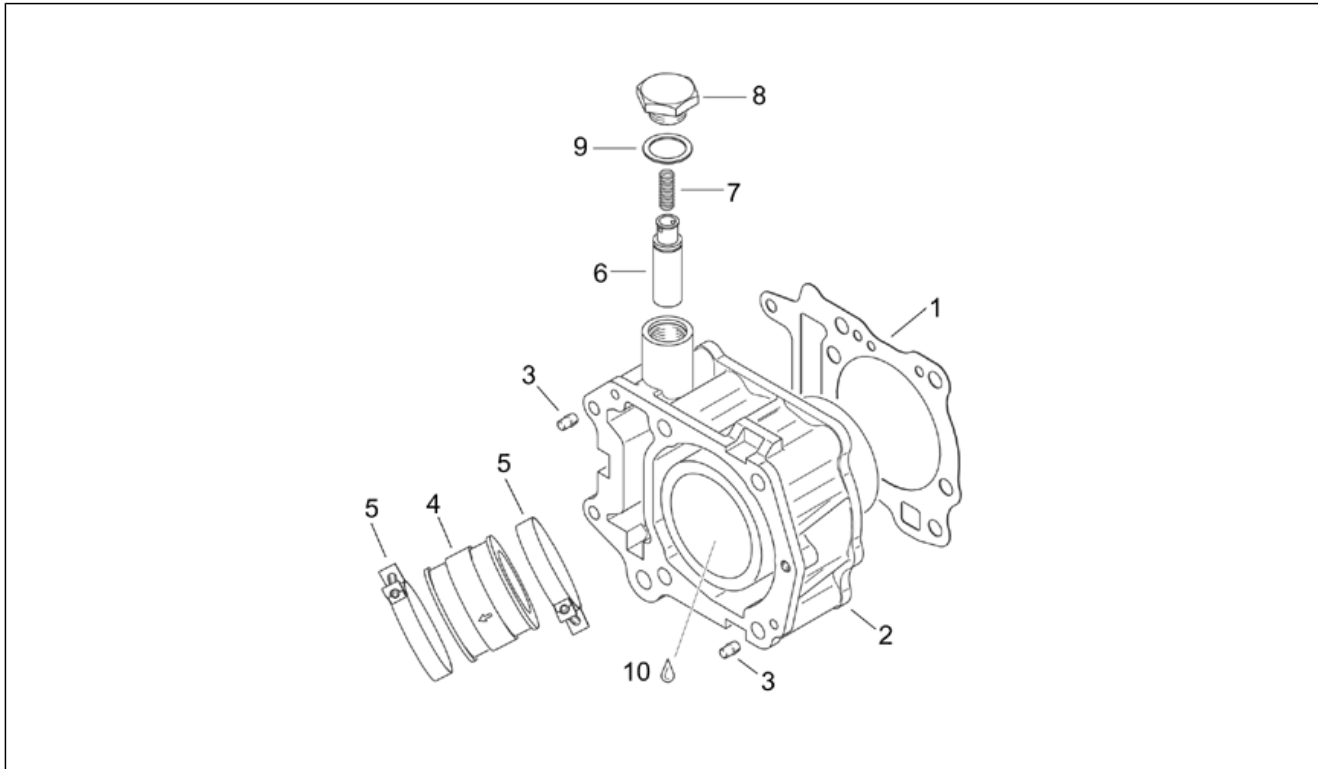
Pos.	Code	Beschreibung	Menge	Varianten
6	AP0296704	Satz Kolbenringe	2	<b>Technische Daten:</b> Leonardo 150[150], Bis Motor Nr. 820491[V3], Zwischen Motoren Nr. 820546-820665 und 820671-820756[V4]
7	AP0216210	Bolzen 15x10x43	2	
8	AP0245805	Sperring geb. Ende	2	
9	AP0253880	Einlaßventil 20 mm	2	
10	AP0253890	Auslaßventil 18 mm	2	
11	AP0227450	Paßscheibe 12,5/21,5/0,5	4	
12	AP0650120	Ölabstreifring Ventilführung	4	
13	AP0239360	Ventilfeder	4	
14	AP0253900	Ventilfederplatte	4	
15	AP0253840	Ventilhalbkegel sk 4n	8	
16	AP0236350	Kettenführung	1	
17	0000000	Reifen	1	
18	AP0297434	Loctite Anti Seize 50ml.15378	1	
19	AP0297433	Molykote G-N 50gr.	1	

<b>Einheit</b>	MOTOR
<b>Code</b>	29.46
<b>Beschreibung</b>	Ventilschaltung
<b>Inspektion</b>	1



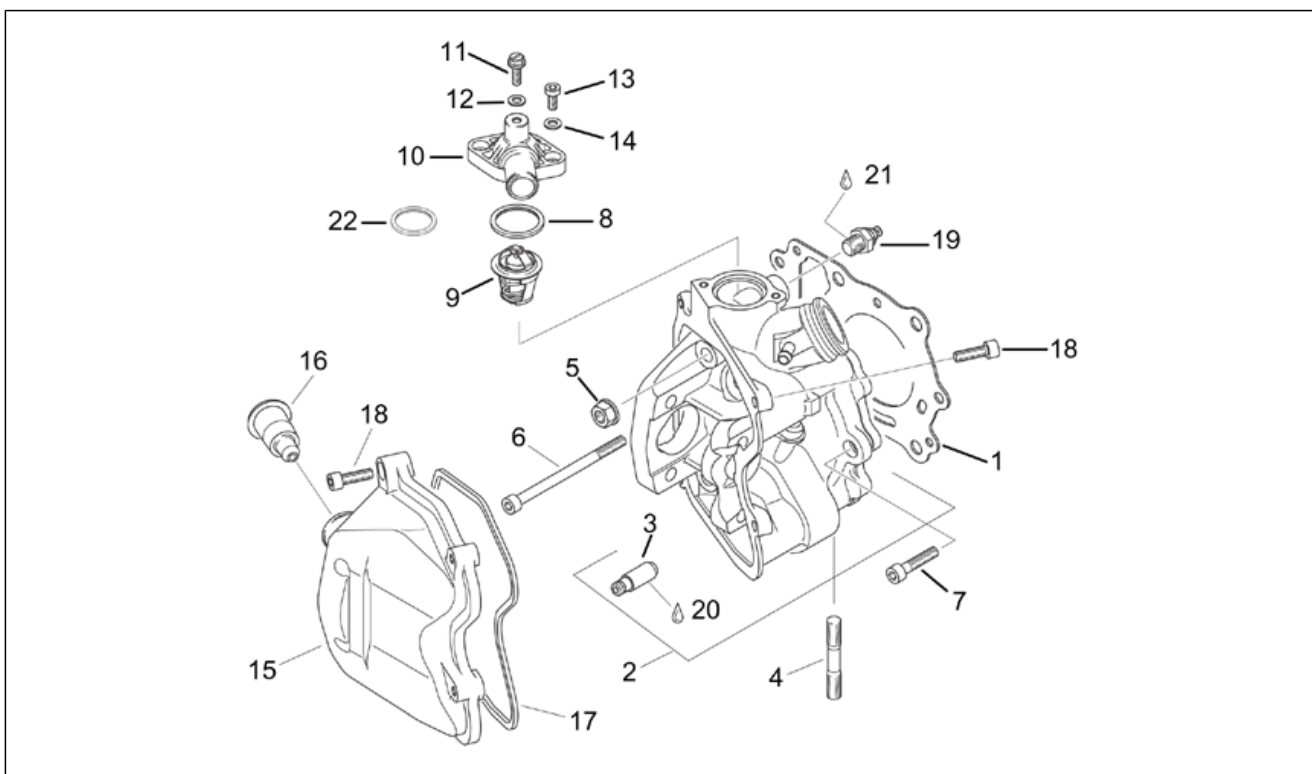
Pos.	Code	Beschreibung	Menge	Varianten
1	AP0220314	Nockenwelle 217°	1	
2	AP0229410	Bolzen 10x75	2	
3	AP0627100	Paßscheibe 10,1/17/0,5	2	
4	AP0253877	Kiphebel Auspuff Klp.	1	
5	AP0253867	Kiphebel Einlaß Klp.	1	
6	AP0241335	Schraube M6x75	4	
7	AP0242910	Mutter M6x0,75	4	
8	AP0627105	Sprengscheibe	1	
9	AP0251040	Platte	1	
10	AP0241841	TCEI Schraube	2	
11	AP0634380	Zahnrad Z=34	1	
12	AP0940580	Schraube	1	
13	AP0227937	Ausgleichscheibe 8,4	1	
14	AP0297930	Steuerkette	1	
15	AP0236270	Kettengleitführung	1	
16	AP0236280	Kettengleitführung	1	
17	0000000	Reifen	1	
18	AP0897651	Loctite, blau 243 10cc.	1	
19	AP0627320	Scheibe	1	
20	AP0627100	Paßscheibe 10,1/17/0,5	1	
20	AP0827590	Paßscheibe 10,1/17/1	1	

<b>Einheit</b>	MOTOR
<b>Code</b>	29.47
<b>Beschreibung</b>	Zylinder
<b>Inspektion</b>	1



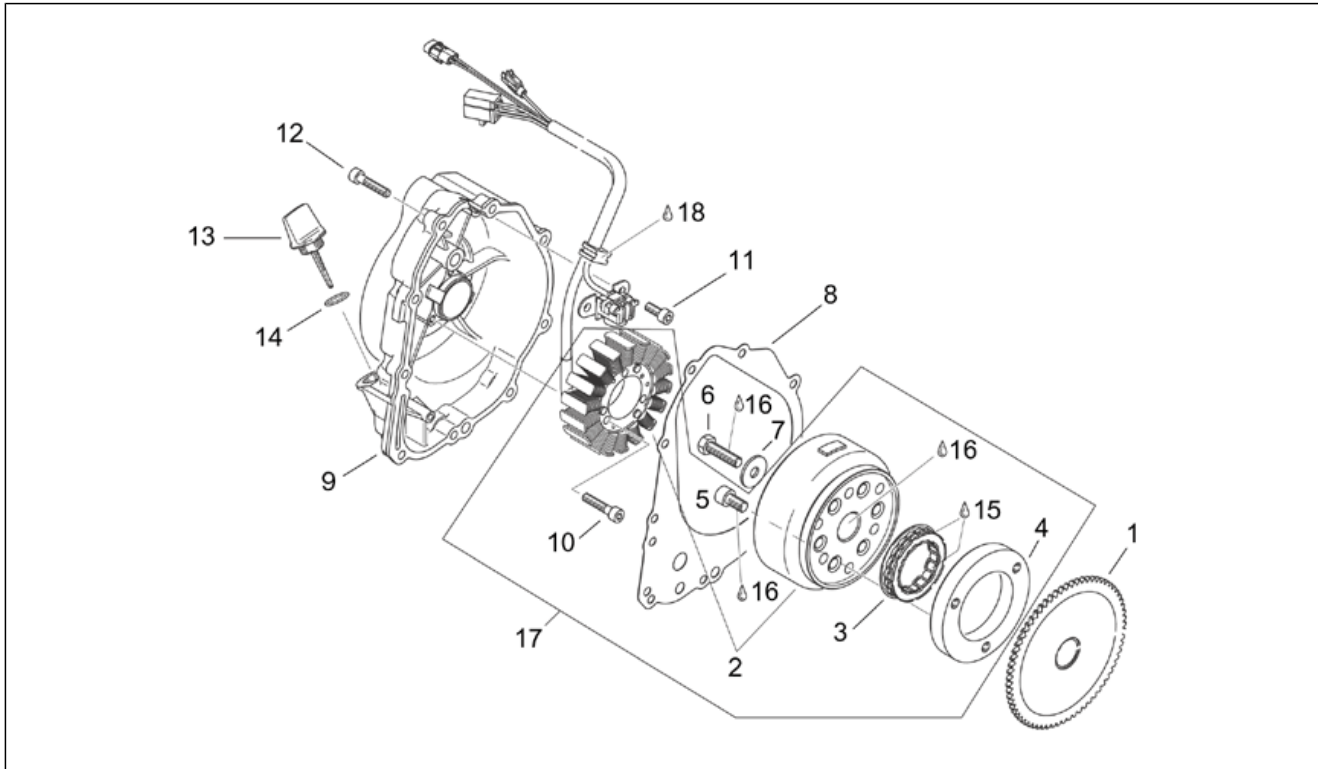
Pos.	Code	Beschreibung	Menge	Varianten
1	AP0650160	Dichtung	1	<b>Baujahr:</b> 1998[W]
1	AP0650160	Dichtung	1	<b>Baujahr:</b> 1998[W]
1	AP0650160	Dichtung	1	<b>Baujahr:</b> 1996[T], 1997[V]
1	AP0650165	Dichtung	1	<b>Baujahr:</b> 1998[W]
1	AP0650165	Dichtung	1	<b>Baujahr:</b> 1998[W]
2	AP0223970	Kolben + Zylinder Nikasil	1	<b>Technische Daten:</b> Leonardo 125[125], Bis Motor Nr. 864317[V1], Zwischen Motor Nr.864465-864533[V2]
2	AP0223977	Kolben + Zylinder Nikasil	1	<b>Technische Daten:</b> Leonardo 150[150], Bis Motor Nr. 820491[V3], Zwischen Motoren Nr. 820546-820665 und 820671-820756[V4]
2	AP0613345	Zylinder mit buchse	1	<b>Technische Daten:</b> Leonardo 150[150], Zwischen Motoren 820492-820545 und 820666-820670[N3], Ab Motor Nr. 820757[N4]
2	AP0613395	Zylinder mit buchse	1	<b>Technische Daten:</b> Leonardo 125[125], Zwischen Motor Nr.864318-864464[N1], Ab Motor Nr. 864534[N2]
3	AP0929650	Stift 5x10	2	
4	AP0267130	Vergasermuffe	1	
5	AP0251052	Schelle mit Distanstück 45	2	
6	AP0236250	Kettenspanner	1	
7	AP0239015	Feder 16,9	1	
8	AP0552276	Schraube M18x1,5x10	1	
9	AP0552280	Dichtung	1	
10	0000000	Reifen	1	

<b>Einheit</b>	MOTOR
<b>Code</b>	29.48
<b>Beschreibung</b>	Zylinderkopf
<b>Inspektion</b>	1



Pos.	Code	Beschreibung	Menge	Varianten
1	AP0650170	Dichtung	1	Technische Daten:Leonardo 125[125]
1	AP0650172	Dichtung	1	Technische Daten:Leonardo 150[150]
2	AP0223988	Zylinderkopf	1	Baujahr:1996[T]
2	AP0613110	Zylinderkopf	1	Baujahr:1997[V], 1998[W]
3	AP0253811	Ventilführung	4	
4	AP0240366	Stiftschraube	2	
5	AP0842616	Mutter M8	4	
6	AP0241481	TCEI Schraube M6x90	2	
7	AP0840880	TCEI Schraube M6x30	2	
8	AP0927835	Distanzscheibe 20,5x30	1	Technische Daten:Leonardo 150[150]
9	AP0222490	Thermostat 75°	1	Technische Daten:Leonardo 125[125]
10	AP0222470	Thermofühlerdeckel	1	
11	AP0941950	Schraube	1	
12	AP0650250	Dichtung 5,5/11/1	1	
13	AP0241841	TCEI Schraube	2	
14	AP0927571	Ausgleichscheibe D14	2	
15	AP0211521	Ventildeckel	1	
16	AP0256500	Ölabscheider	1	
17	AP0650230	Dichtung Ventildeckel	1	
18	AP0241930	TCEI Schraube M6x20	4	
19	AP0265450	Temperaturfühler	1	
20	AP0297433	Molykote G-N 50gr.	0	
21	AP0899784	Loctite, orange 574	0	
22	AP0650300	Thermostatdichtung	1	

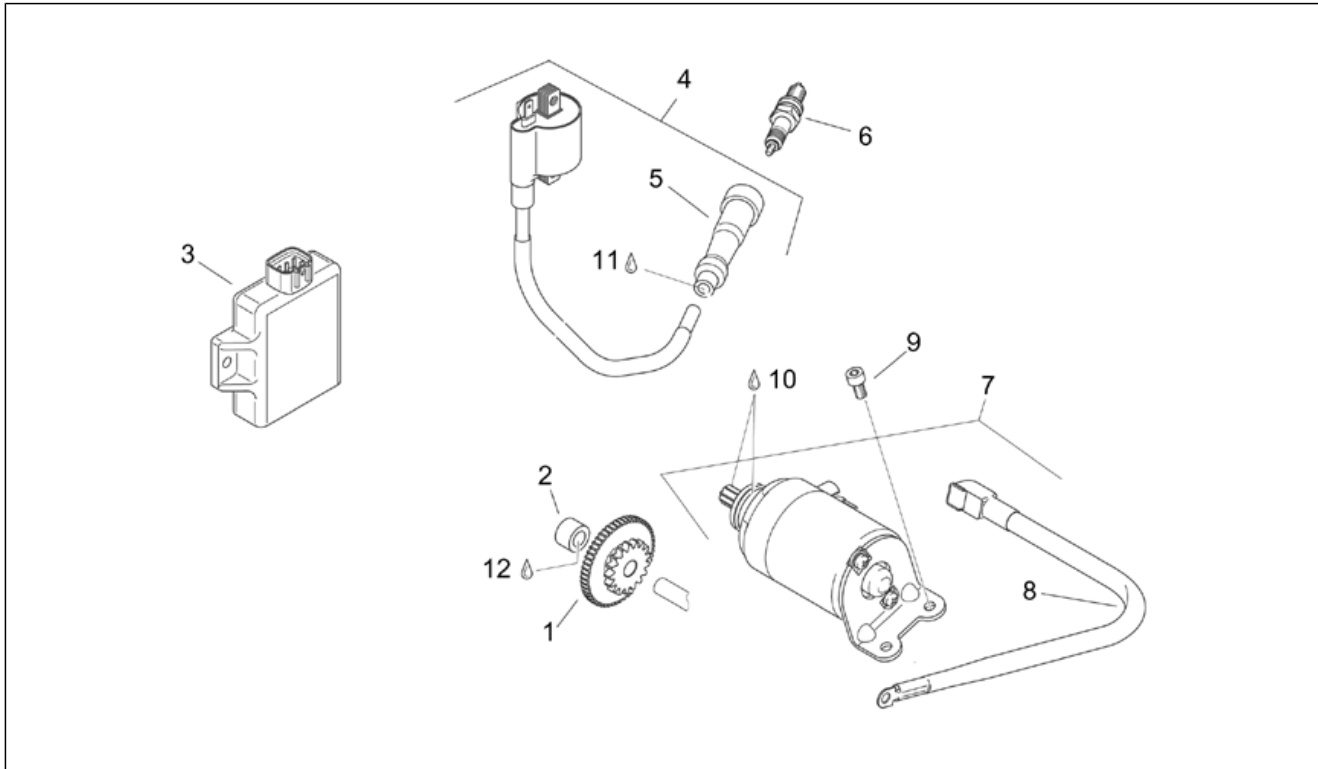
<b>Einheit</b>	MOTOR
<b>Code</b>	29.49
<b>Beschreibung</b>	Zündung
<b>Inspektion</b>	1



Pos.	Code	Beschreibung	Menge	Varianten
1	AP0634455	Zahnrad Freilauftrad	1	
2	AP0295550	Zündung	1	
3	AP0259490	Freilauftrad	1	
4	AP0259480	Flansch Freilauftrad	1	
5	AP0440191	TCEI Schraube	3	
6	AP0940485	Schraube M8x30	1	
7	AP0227937	Ausgleichscheibe 8,4	1	
8	AP0650190	Dichtung	1	
9	AP0211430	Zünddeckel	1	
10	AP0840880	TCEI Schraube M6x30	3	
11	AP0241236	TCEI Schraube M6x16	2	
12	AP0840880	TCEI Schraube M6x30	9	
13	AP0256461	Ölstandschrabe	1	
14	AP0230890	O-Ring	1	
15	0000000	Reifen	1	
16	AP0897651	Loctite, blau 243 10cc.	1	
17	AP0295555	Zündung+Freilauftrad	1	
18	AP0297386	Silastic 732 Rtv 100 gr.	1	

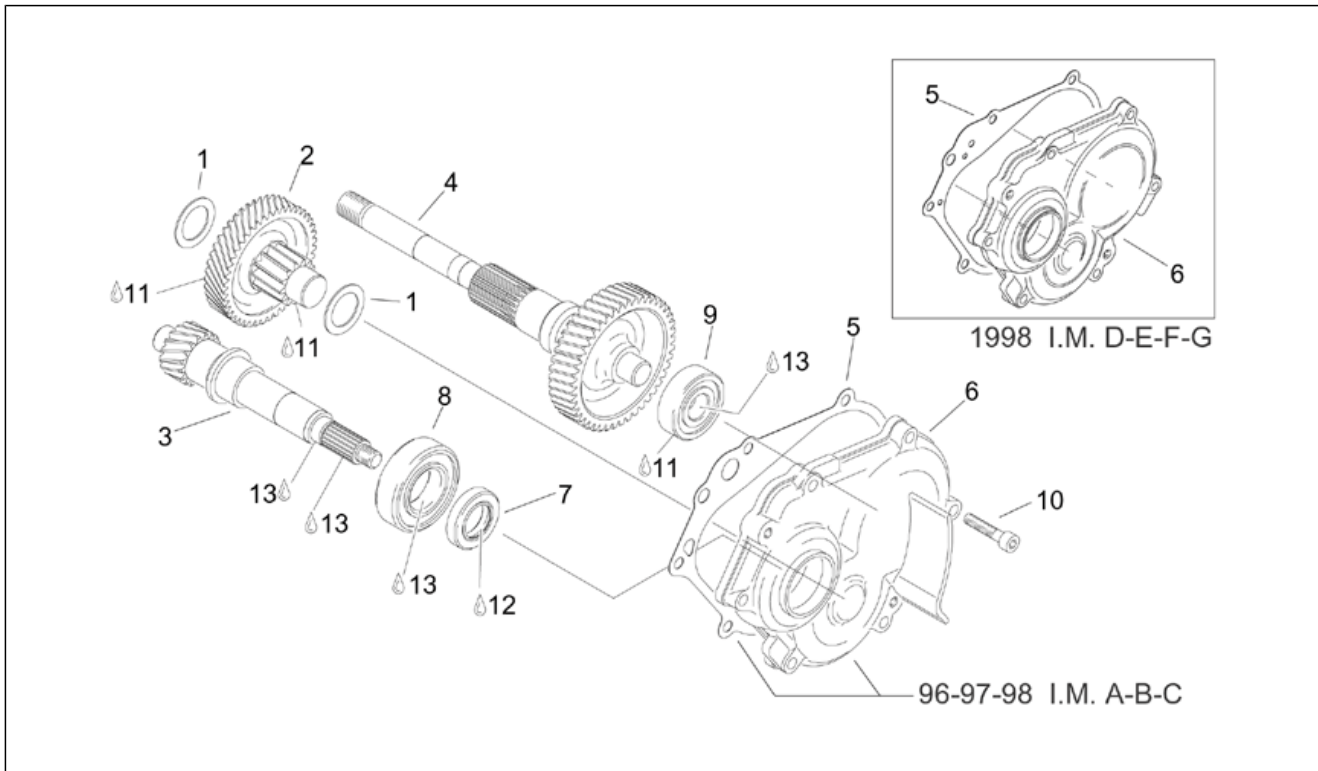


<b>Einheit</b>	MOTOR
<b>Code</b>	29.50
<b>Beschreibung</b>	Startermotor
<b>Inspektion</b>	1



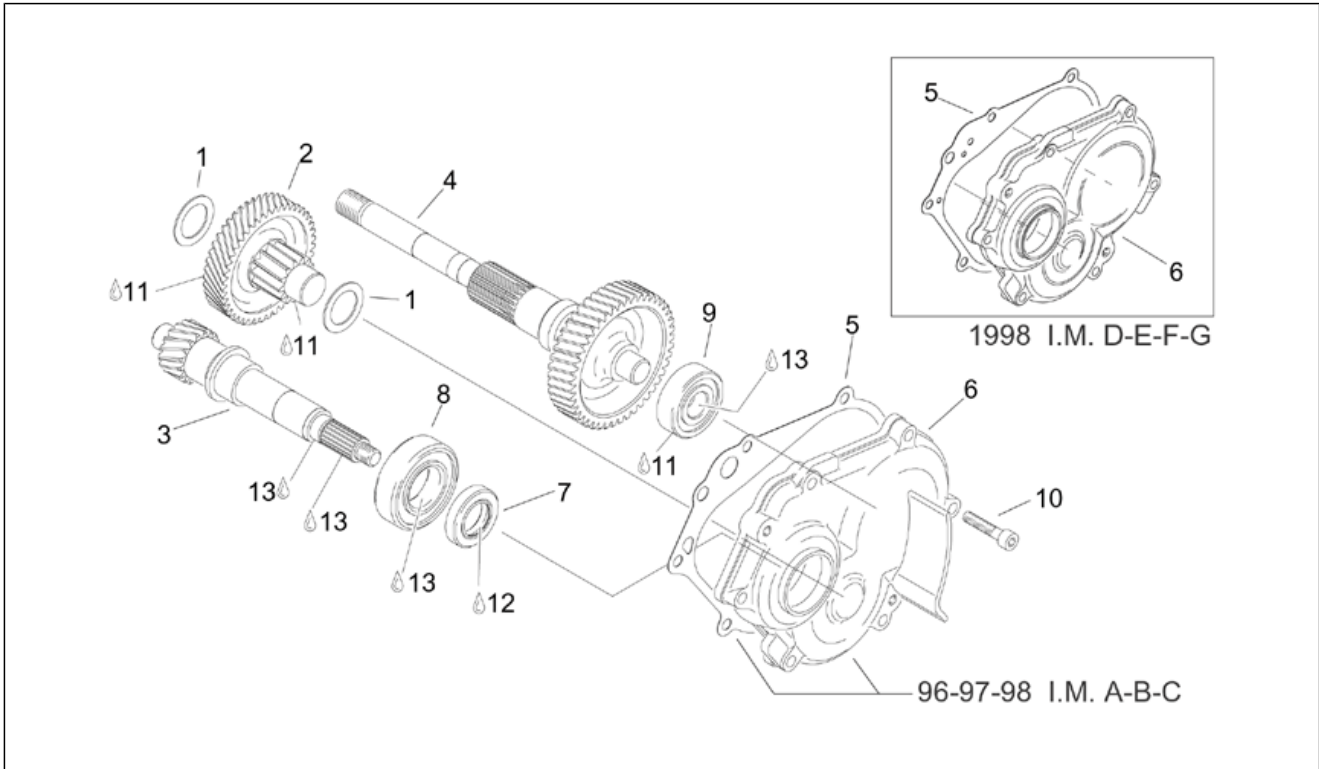
Pos.	Code	Beschreibung	Menge	Varianten
1	AP0634460	Freilaufrolle Z=54/17	1	
2	AP0247930	Distanzscheibe 10/17/11,2	1	
3	AP0265407	Steuergeraet spule	1	
4	AP0265417	Zuendtransform.cpl.	1	
5	AP0265242	Zündkerzenkappe	1	
6	AP0297921	Zündkerze CR8EVX	1	
7	AP0295620	Anlassermot. m./Verkab.	1	
8	AP0265490	Batteriekabel 550 mm	1	
9	AP0841331	TCEI Schraube M6x12	1	
10	AP0297433	Molykote G-N 50gr.	1	
11	AP0897330	Lithium-Fett 250gr.	1	
12	0000000	Reifen	1	

<b>Einheit</b>	MOTOR
<b>Code</b>	29.51
<b>Beschreibung</b>	Getriebe
<b>Inspektion</b>	1



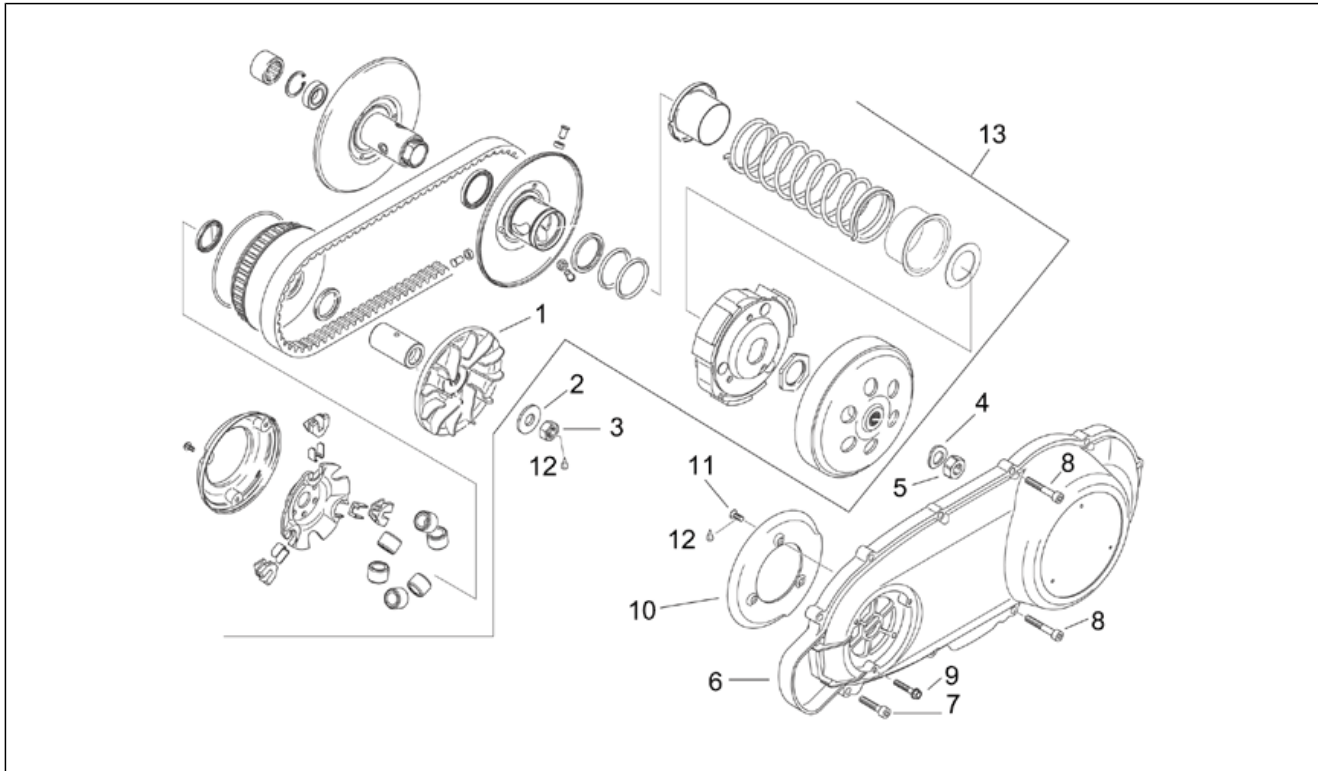
Pos.	Code	Beschreibung	Menge	Varianten
1	AP0944468	Paßscheibe	2	
2	AP0220325	Zwischenwelle	1	Baujahr:1998[W]
2	AP0220325	Zwischenwelle	1	Baujahr:1998[W]
2	AP0220325	Zwischenwelle	1	Baujahr:1996[T], 1997[V]
2	AP0220327	Zwischenwelle	1	Baujahr:1998[W]
2	AP0220327	Zwischenwelle	1	Baujahr:1998[W]
3	AP0220342	Getriebe Z=17	1	
4	AP0220330	Antriebswelle Z=45	1	Baujahr:1998[W]
4	AP0220330	Antriebswelle Z=45	1	Baujahr:1998[W]
4	AP0220330	Antriebswelle Z=45	1	Baujahr:1996[T], 1997[V]
4	AP0220335	Antriebswelle Z=56	1	Baujahr:1998[W]
4	AP0220335	Antriebswelle Z=56	1	Baujahr:1998[W]
5	AP0650200	Dichtung	1	Baujahr:1998[W]
5	AP0650200	Dichtung	1	Baujahr:1996[T], 1997[V]
5	AP0650200	Dichtung	1	Baujahr:1998[W]
5	AP0650202	Dichtung	1	Baujahr:1998[W]
5	AP0650202	Dichtung	1	Baujahr:1998[W]
6	AP0211490	Getriebedeckel	1	Baujahr:1998[W]
6	AP0211490	Getriebedeckel	1	Baujahr:1996[T], 1997[V]
6	AP0211490	Getriebedeckel	1	Baujahr:1998[W]
6	AP0211495	Getriebedeckel	1	Baujahr:1998[W]
6	AP0211495	Getriebedeckel	1	Baujahr:1998[W]
7	AP0930267	Ölabstreifring 20x35x7	1	
8	AP0232763	Lager 6205	1	
9	AP0232291	Lager 6302	1	
10	AP0840880	TCEI Schraube M6x30	6	
11	AP0897330	Lithium-Fett 250gr.	1	
12	0000000	Reifen	1	

<b>Einheit</b>	MOTOR
<b>Code</b>	29.51
<b>Beschreibung</b>	Getriebe
<b>Inspektion</b>	1



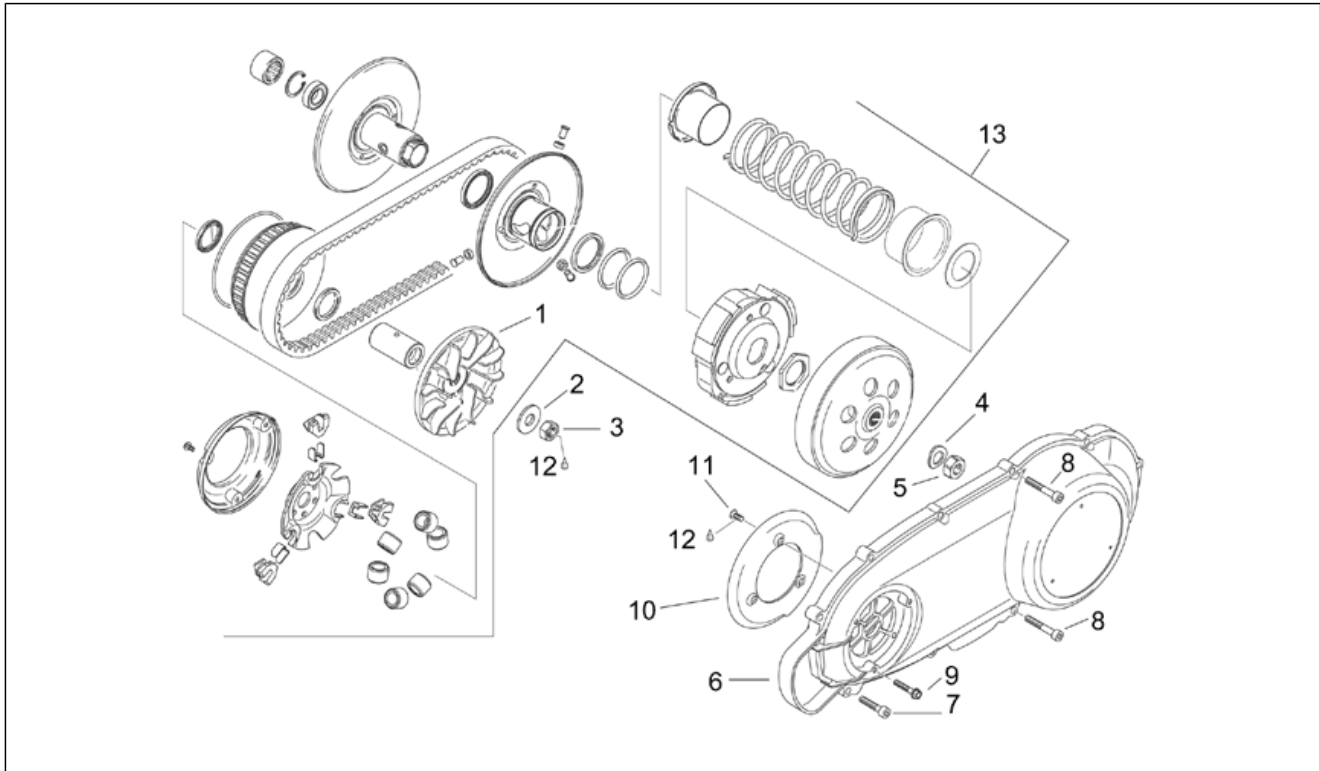
Pos.	Code	Beschreibung	Menge	Varianten
13	AP0297434	Loctite Anti Seize 50ml.15378	1	

<b>Einheit</b>	MOTOR
<b>Code</b>	29.52
<b>Beschreibung</b>	Wandler mit Kupplung
<b>Inspektion</b>	1



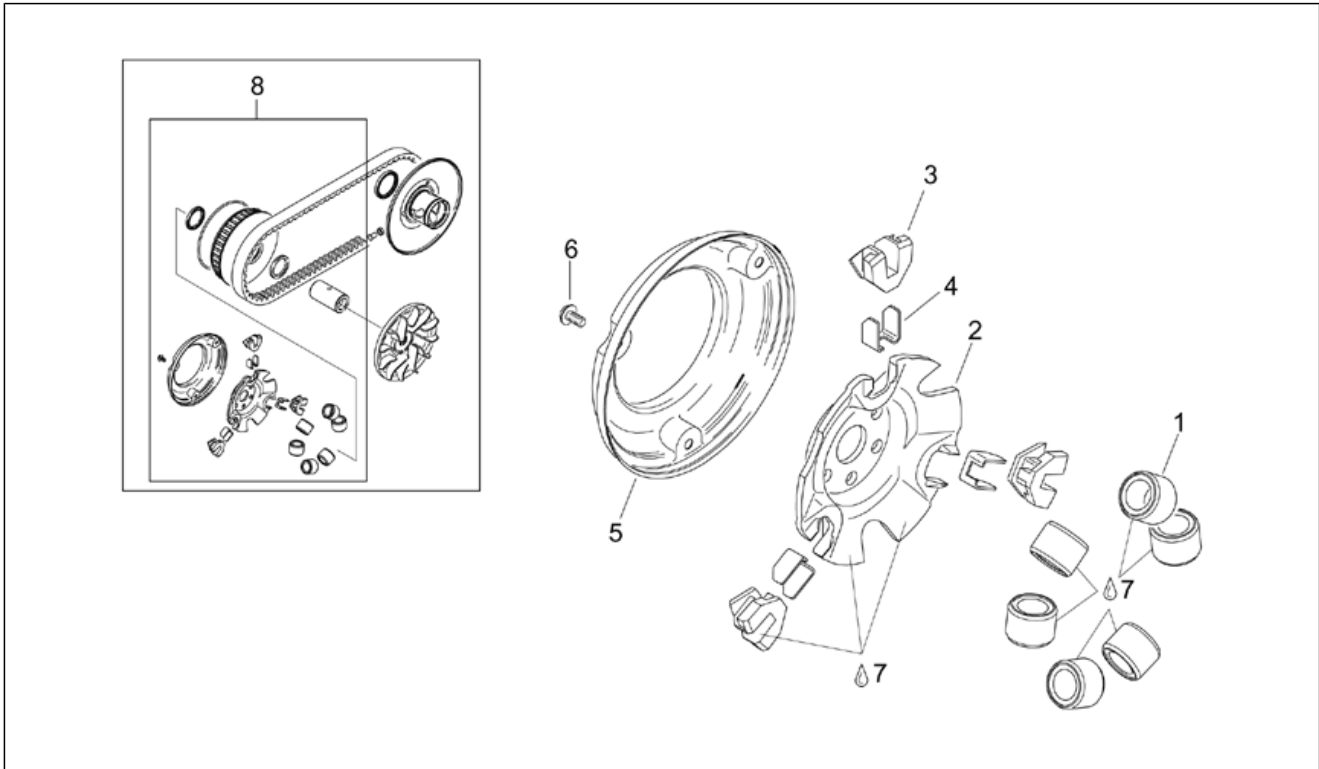
Pos.	Code	Beschreibung	Menge	Varianten
1	AP0280090	Feste Hauptriemenscheibe	1	<b>Baujahr:</b> 1997[V] <b>Technische Daten:</b> Leonardo 125[125]
1	AP0280090	Feste Hauptriemenscheibe	1	<b>Baujahr:</b> 1996[T] <b>Technische Daten:</b> Leonardo 125[125]
1	AP0280092	Feste Hauptriemenscheibe	1	<b>Technische Daten:</b> Leonardo 150[150]
1	AP0280092	Feste Hauptriemenscheibe	1	<b>Baujahr:</b> 1997[V] <b>Technische Daten:</b> Leonardo 125[125]
1	AP0280092	Feste Hauptriemenscheibe	1	<b>Baujahr:</b> 1998[W] <b>Technische Daten:</b> Leonardo 125[125]
2	AP0227180	Ausgleichscheibe 12,2x32x2	1	
3	AP0242515	Mutter M12x1	1	
4	AP0945754	Federring Din A12	1	
5	AP0242515	Mutter M12x1	1	
6	AP0211511	Wandlerdeckel	1	<b>Baujahr:</b> 1996[T] <b>Technische Daten:</b> Leonardo 125[125]
6	AP0211511	Wandlerdeckel	1	<b>Baujahr:</b> 1997[V] <b>Technische Daten:</b> Leonardo 125[125]
6	AP0211517	Wandlerdeckel	1	<b>Baujahr:</b> 1998[W] <b>Technische Daten:</b> Leonardo 125[125]
6	AP0211517	Wandlerdeckel	1	<b>Baujahr:</b> 1997[V] <b>Technische Daten:</b> Leonardo 125[125]
6	AP0211517	Wandlerdeckel	1	<b>Technische Daten:</b> Leonardo 150[150]
7	AP0840880	TCEI Schraube M6x30	8	
8	AP0241816	TCEI Schraube M6x40	2	
9	AP0241275	TE Schr. m. Flansch	3	<b>Technische Daten:</b> Leonardo 150[150]
9	AP0841481	TE Schr. m. Flansch	3	<b>Technische Daten:</b> Leonardo 125[125]
10	AP0222520	Leitblech	1	<b>Baujahr:</b> 1997[V] <b>Technische Daten:</b> Leonardo 125[125]
10	AP0222520	Leitblech	1	<b>Baujahr:</b> 1996[T] <b>Technische Daten:</b> Leonardo 125[125]
10	AP0222525	Leitblech	1	<b>Technische Daten:</b> Leonardo 150[150]

<b>Einheit</b>	MOTOR
<b>Code</b>	29.52
<b>Beschreibung</b>	Wandler mit Kupplung
<b>Inspektion</b>	1



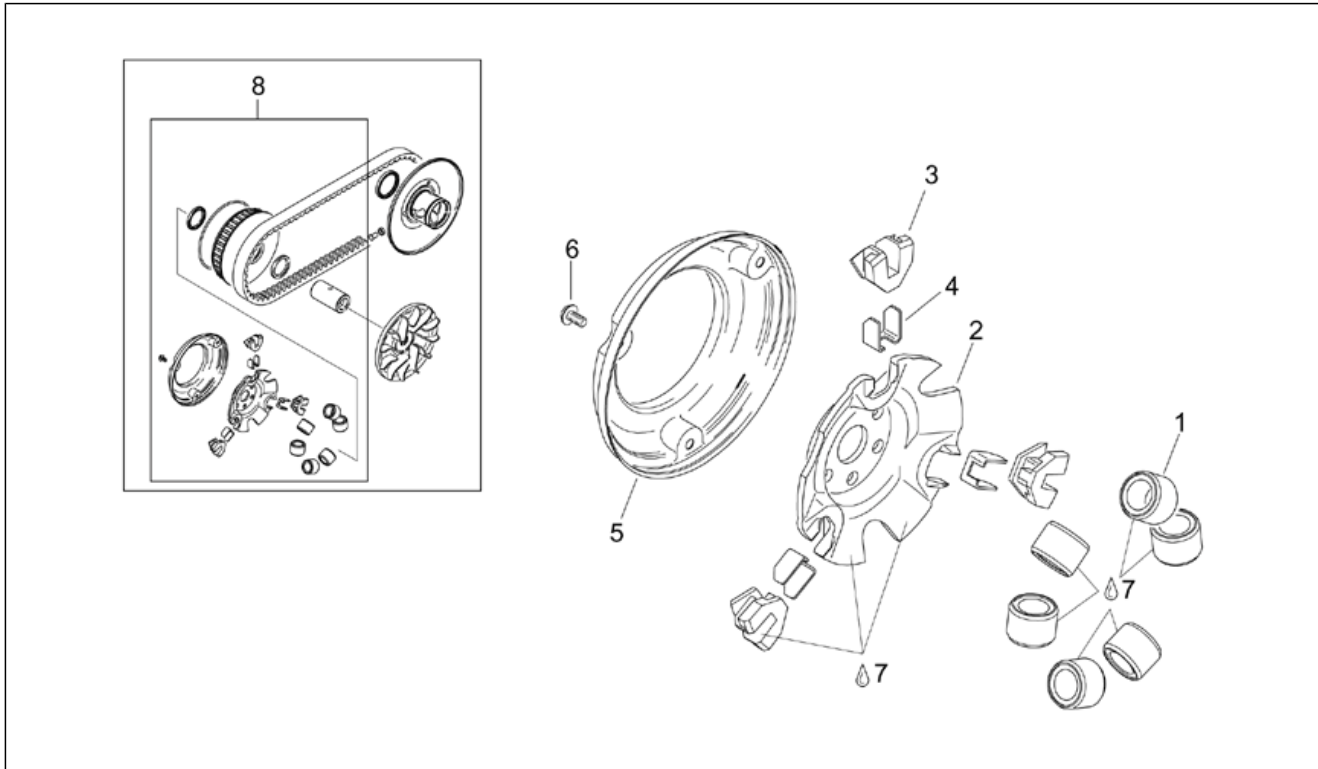
Pos.	Code	Beschreibung	Menge	Varianten
10	AP0222525	Leitblech	1	Baujahr:1997[V] Technische Daten:Leonardo 125[125]
10	AP0222525	Leitblech	1	Baujahr:1998[W] Technische Daten:Leonardo 125[125]
11	AP0940315	Schraube	3	
12	AP0897651	Loctite, blau 243 10cc.	1	
13	AP0295330	Wandler	1	Baujahr:1997[V] Technische Daten:Leonardo 125[125]
13	AP0295331	Wandler	1	Baujahr:1998[W] Technische Daten:Leonardo 125[125]
13	AP0295332	Wandler	1	Technische Daten:Leonardo 150[150]
13	AP8106554	Wandler	1	Baujahr:1996[T] Technische Daten:Leonardo 125[125]
13	AP8106554	Wandler	1	Baujahr:1997[V] Technische Daten:Leonardo 125[125]

<b>Einheit</b>	MOTOR
<b>Code</b>	29.53
<b>Beschreibung</b>	Primaertrieb kpl. I
<b>Inspektion</b>	1



Pos.	Code	Beschreibung	Menge	Varianten
1	AP0229420	Fliehkraftmasse bohrung D12,2	6	<b>Baujahr:</b> 1996[T] <b>Technische Daten:</b> Leonardo 125[125]
1	AP0229421	Fliehkraftmasse 10,7g	6	<b>Baujahr:</b> 1998[W] <b>Technische Daten:</b> Leonardo 125[125]
1	AP0229421	Fliehkraftmasse 10,7g	6	<b>Baujahr:</b> 1997[V] <b>Technische Daten:</b> Leonardo 125[125]
1	AP0229421	Fliehkraftmasse 10,7g	6	<b>Baujahr:</b> 1998[W] <b>Technische Daten:</b> Leonardo 125[125]
1	AP0229423	Fliehkraftmasse 8,8g	6	<b>Baujahr:</b> 1998[W] <b>Technische Daten:</b> Leonardo 125[125]
1	AP0229425	Fliehkraftmasse	6	<b>Technische Daten:</b> Leonardo 150[150]
2	AP0259650	Stiftplatte	1	<b>Baujahr:</b> 1996[T], 1997[V] <b>Technische Daten:</b> Leonardo 125[125]
2	AP0259650	Stiftplatte	1	<b>Baujahr:</b> 1998[W] <b>Technische Daten:</b> Leonardo 125[125]
2	AP0259650	Stiftplatte	1	<b>Baujahr:</b> 1998[W] <b>Technische Daten:</b> Leonardo 125[125]
2	AP0259655	Stiftplatte	1	<b>Baujahr:</b> 1998[W] <b>Technische Daten:</b> Leonardo 125[125]
2	AP0259655	Stiftplatte	1	<b>Technische Daten:</b> Leonardo 150[150]
3	AP0260332	Stift grau	3	<b>Baujahr:</b> 1998[W] <b>Technische Daten:</b> Leonardo 125[125]
3	AP0260332	Stift grau	3	<b>Baujahr:</b> 1998[W] <b>Technische Daten:</b> Leonardo 125[125]
3	AP0260332	Stift grau	3	<b>Baujahr:</b> 1996[T], 1997[V] <b>Technische Daten:</b> Leonardo 125[125]
3	AP0260335	Stift schwarz	3	<b>Technische Daten:</b> Leonardo 150[150]
3	AP0260335	Stift schwarz	3	<b>Baujahr:</b> 1998[W] <b>Technische Daten:</b> Leonardo 125[125]
4	AP0239490	Stifthalter	3	
5	AP0211710	Deckel	1	<b>Baujahr:</b> 1996[T], 1997[V] <b>Technische Daten:</b> Leonardo 125[125]

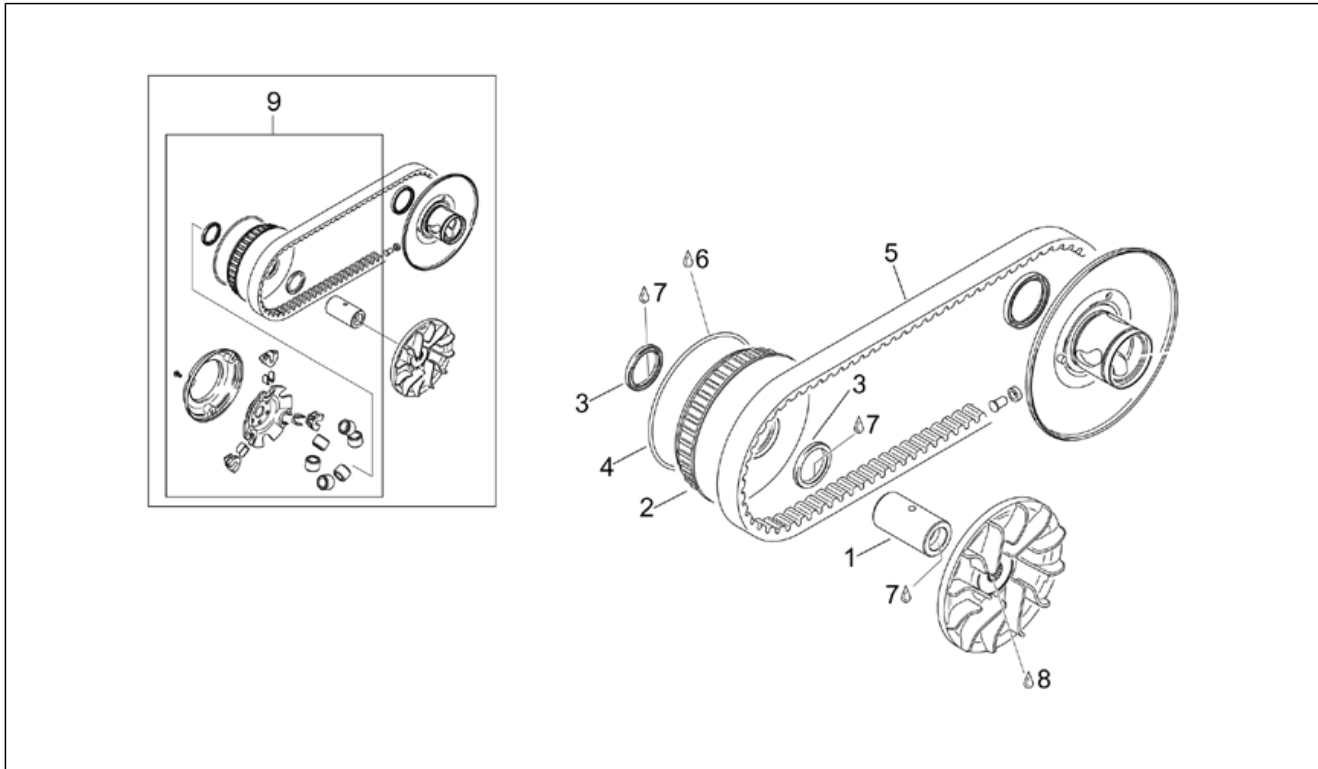
<b>Einheit</b>	MOTOR
<b>Code</b>	29.53
<b>Beschreibung</b>	Primaertrieb kpl. I
<b>Inspektion</b>	1



Pos.	Code	Beschreibung	Menge	Varianten
5	AP0211710	Deckel	1	<b>Baujahr:</b> 1998[W] <b>Technische Daten:</b> Leonardo 125[125]
5	AP0211710	Deckel	1	<b>Baujahr:</b> 1998[W] <b>Technische Daten:</b> Leonardo 125[125]
5	AP0211715	Deckel	1	<b>Technische Daten:</b> Leonardo 150[150]
5	AP0211715	Deckel	1	<b>Baujahr:</b> 1998[W] <b>Technische Daten:</b> Leonardo 125[125]
6	AP0241975	Schraube M4x8	3	
7	AP8116070	Fett Nippon-Sekiyu 250 gr.	1	
8	AP0295730	Primaertrieb kpl.	1	<b>Baujahr:</b> 1996[T], 1997[V] <b>Technische Daten:</b> Leonardo 125[125]
8	AP0295730	Primaertrieb kpl.	1	<b>Baujahr:</b> 1998[W] <b>Technische Daten:</b> Leonardo 125[125]
8	AP0295730	Primaertrieb kpl.	1	<b>Baujahr:</b> 1998[W] <b>Technische Daten:</b> Leonardo 125[125]
8	AP0295731	Primaertrieb kpl.	1	<b>Baujahr:</b> 1998[W] <b>Technische Daten:</b> Leonardo 125[125]
8	AP0295732	Primaertrieb kpl.	1	<b>Technische Daten:</b> Leonardo 150[150]

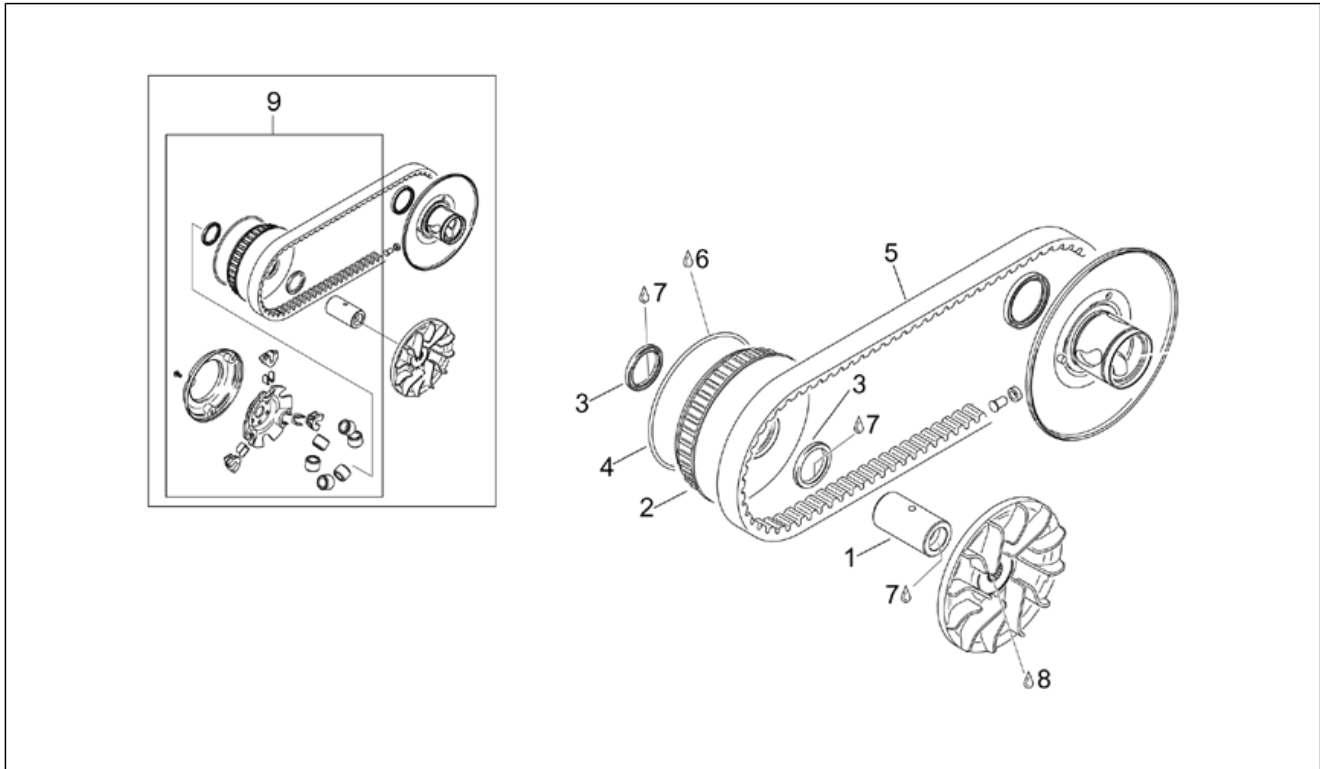


<b>Einheit</b>	MOTOR
<b>Code</b>	29.54
<b>Beschreibung</b>	Primaertrieb kpl. II
<b>Inspektion</b>	1



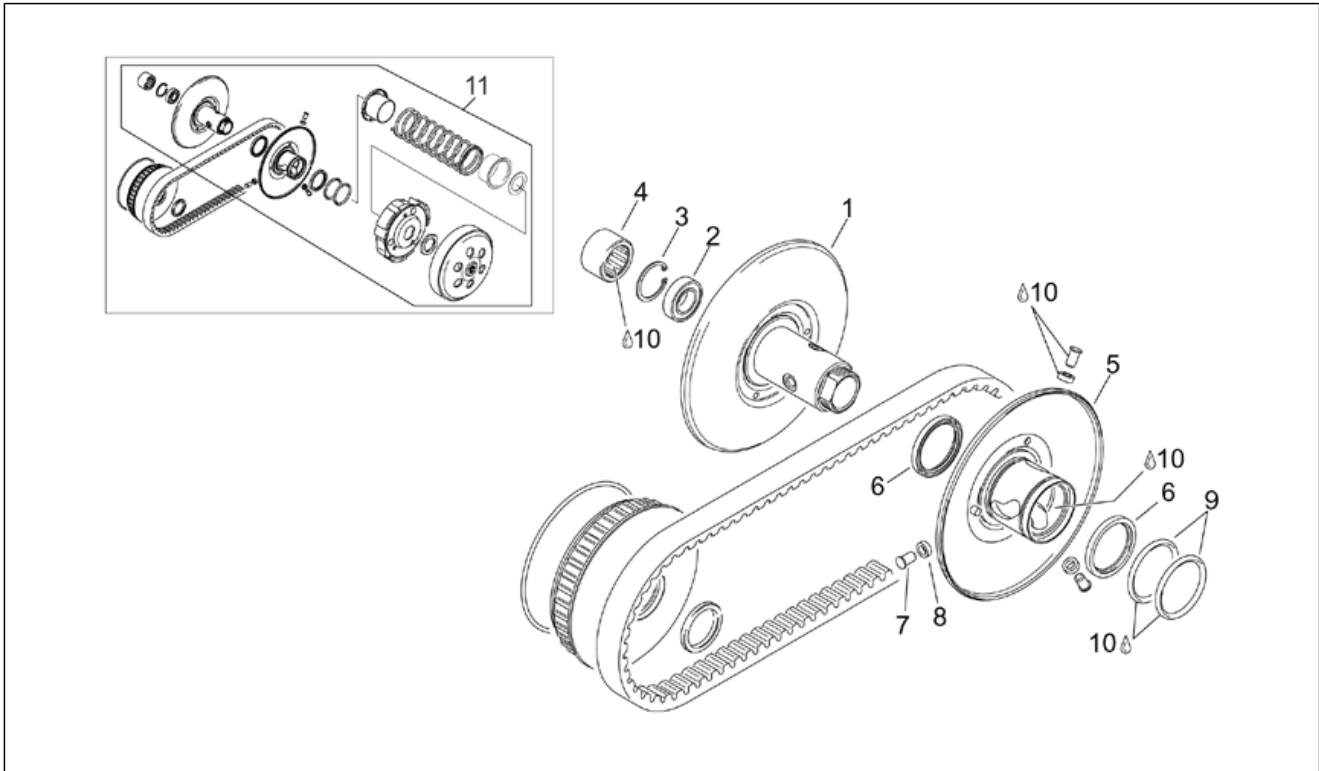
Pos.	Code	Beschreibung	Menge	Varianten
1	AP0233770	Buchse für Riemenscheibe	1	<b>Baujahr:</b> 1998[W] <b>Technische Daten:</b> Leonardo 125[125]
1	AP0233770	Buchse für Riemenscheibe	1	<b>Baujahr:</b> 1996[T], 1997[V] <b>Technische Daten:</b> Leonardo 125[125]
1	AP0233770	Buchse für Riemenscheibe	1	<b>Baujahr:</b> 1998[W] <b>Technische Daten:</b> Leonardo 125[125]
1	AP0233772	Buchse für Riemenscheibe	1	<b>Baujahr:</b> 1998[W] <b>Technische Daten:</b> Leonardo 125[125]
1	AP0233775	Buchse	1	<b>Technische Daten:</b> Leonardo 150[150]
2	AP0280110	Bewegliche Hauptriemenscheibe	1	<b>Baujahr:</b> 1998[W] <b>Technische Daten:</b> Leonardo 125[125]
2	AP0280110	Bewegliche Hauptriemenscheibe	1	<b>Baujahr:</b> 1996[T], 1997[V] <b>Technische Daten:</b> Leonardo 125[125]
2	AP0280110	Bewegliche Hauptriemenscheibe	1	<b>Baujahr:</b> 1998[W] <b>Technische Daten:</b> Leonardo 125[125]
2	AP0280115	Bewegliche Hauptriemenscheibe	1	<b>Baujahr:</b> 1998[W] <b>Technische Daten:</b> Leonardo 125[125]
2	AP0280115	Bewegliche Hauptriemenscheibe	1	<b>Technische Daten:</b> Leonardo 150[150]
3	AP0650280	Ölabstreifring 27x34x3,5	2	
4	AP0650260	O-Ring	1	
5	AP0280100	Keilriemen	1	<b>Baujahr:</b> 1996[T], 1997[V] <b>Technische Daten:</b> Leonardo 125[125]
5	AP0280100	Keilriemen	1	<b>Baujahr:</b> 1998[W] <b>Technische Daten:</b> Leonardo 125[125]
5	AP0280102	Keilriemen	1	<b>Technische Daten:</b> Leonardo 150[150]
5	AP0280102	Keilriemen	1	<b>Baujahr:</b> 1998[W] <b>Technische Daten:</b> Leonardo 125[125]
6	AP8116070	Fett Nippon-Sekiyu 250 gr.	1	
7	0000000	Reifen	1	
8	AP0297434	Loctite Anti Seize 50ml.15378	1	
9	AP0295730	Primaertrieb kpl.	1	<b>Baujahr:</b> 1996[T], 1997[V]

<b>Einheit</b>	MOTOR
<b>Code</b>	29.54
<b>Beschreibung</b>	Primaertrieb kpl. II
<b>Inspektion</b>	1



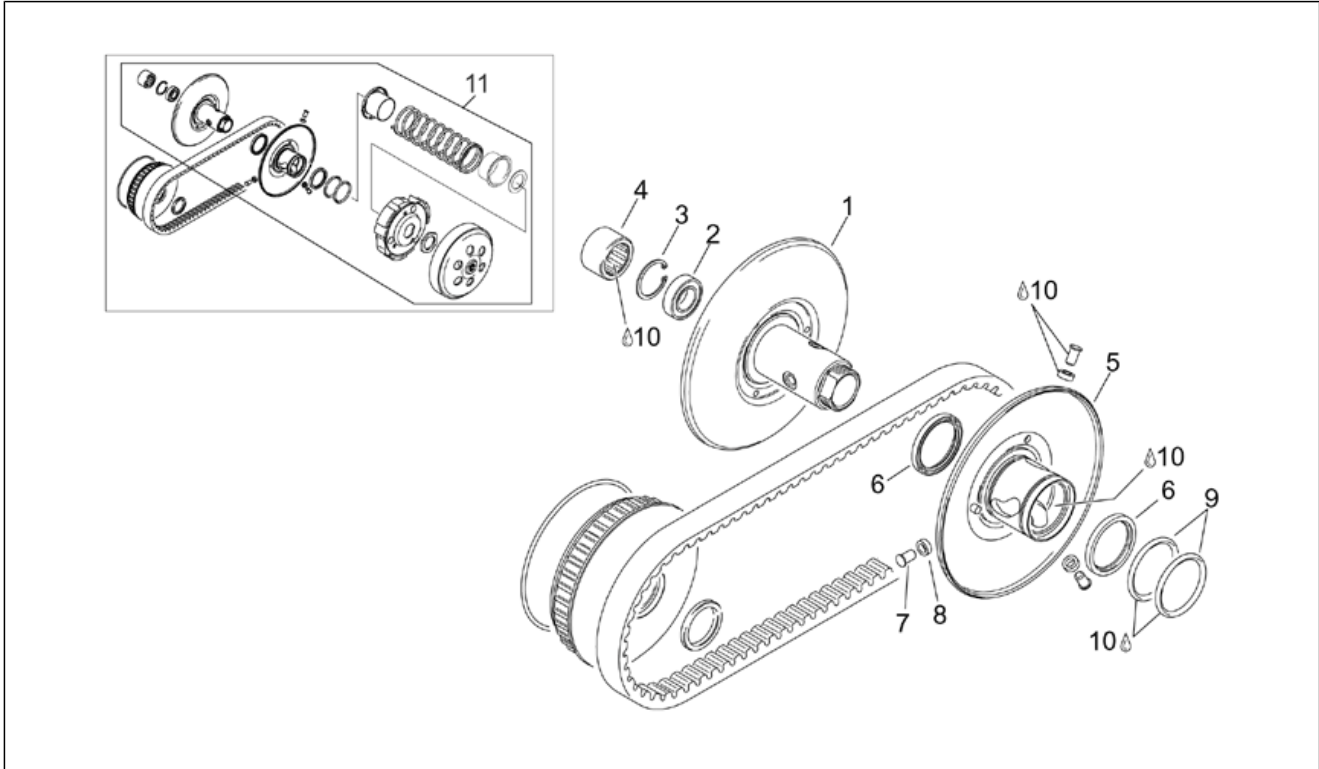
Pos.	Code	Beschreibung	Menge	Varianten
				<b>Technische Daten:</b> Leonardo 125[125]
9	AP0295730	Primaertrieb kpl.	1	<b>Baujahr:</b> 1998[W] <b>Technische Daten:</b> Leonardo 125[125]
9	AP0295730	Primaertrieb kpl.	1	<b>Baujahr:</b> 1998[W] <b>Technische Daten:</b> Leonardo 125[125]
9	AP0295731	Primaertrieb kpl.	1	<b>Baujahr:</b> 1998[W] <b>Technische Daten:</b> Leonardo 125[125]
9	AP0295732	Primaertrieb kpl.	1	<b>Technische Daten:</b> Leonardo 150[150]

<b>Einheit</b>	MOTOR
<b>Code</b>	29.55
<b>Beschreibung</b>	Vorgelege I
<b>Inspektion</b>	1



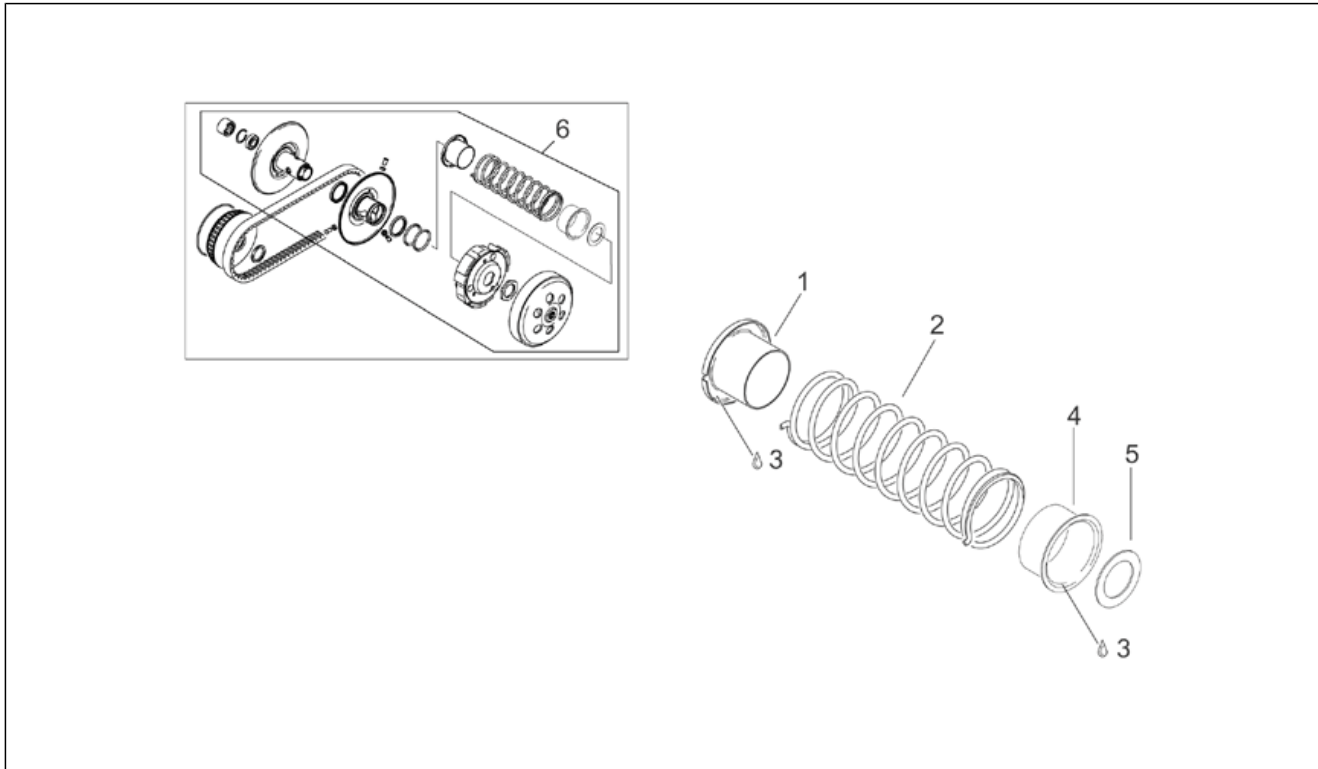
Pos.	Code	Beschreibung	Menge	Varianten
1	AP0280130	Interne Nebenriemenscheibe	1	<b>Baujahr:</b> 1998[W] <b>Technische Daten:</b> Leonardo 125[125]
1	AP0280130	Interne Nebenriemenscheibe	1	<b>Baujahr:</b> 1996[T], 1997[V] <b>Technische Daten:</b> Leonardo 125[125]
1	AP0280130	Interne Nebenriemenscheibe	1	<b>Baujahr:</b> 1998[W] <b>Technische Daten:</b> Leonardo 125[125]
1	AP0280135	Interne Nebenriemenscheibe	1	<b>Baujahr:</b> 1998[W] <b>Technische Daten:</b> Leonardo 125[125]
1	AP0280135	Interne Nebenriemenscheibe	1	<b>Technische Daten:</b> Leonardo 150[150]
2	AP0632080	Kugellager	1	
3	AP0245490	Seegerring 28x1,2	1	
4	AP0632090	Rollenlager 20x29x18	1	
5	AP0280120	Externe Nebenriemenscheibe	1	<b>Baujahr:</b> 1996[T], 1997[V] <b>Technische Daten:</b> Leonardo 125[125]
5	AP0280120	Externe Nebenriemenscheibe	1	<b>Baujahr:</b> 1998[W] <b>Technische Daten:</b> Leonardo 125[125]
5	AP0280120	Externe Nebenriemenscheibe	1	<b>Baujahr:</b> 1998[W] <b>Technische Daten:</b> Leonardo 125[125]
5	AP0280125	Externe Nebenriemenscheibe	1	<b>Baujahr:</b> 1998[W] <b>Technische Daten:</b> Leonardo 125[125]
5	AP0280125	Externe Nebenriemenscheibe	1	<b>Technische Daten:</b> Leonardo 150[150]
6	AP0650290	Ölabstreifring	2	
7	AP0229430	Führungsbolzen	3	
8	AP0249060	Führungsrolle	3	
9	AP0650270	O-Ring	2	
10	0000000	Reifen	1	
11	AP0295735	Vorgelege	1	<b>Baujahr:</b> 1998[W] <b>Technische Daten:</b> Leonardo 125[125]
11	AP0295735	Vorgelege	1	<b>Baujahr:</b> 1996[T], 1997[V] <b>Technische Daten:</b> Leonardo 125[125]
11	AP0296280	Vorgelege	1	<b>Baujahr:</b> 1998[W]

<b>Einheit</b>	MOTOR
<b>Code</b>	29.55
<b>Beschreibung</b>	Vorgelege I
<b>Inspektion</b>	1



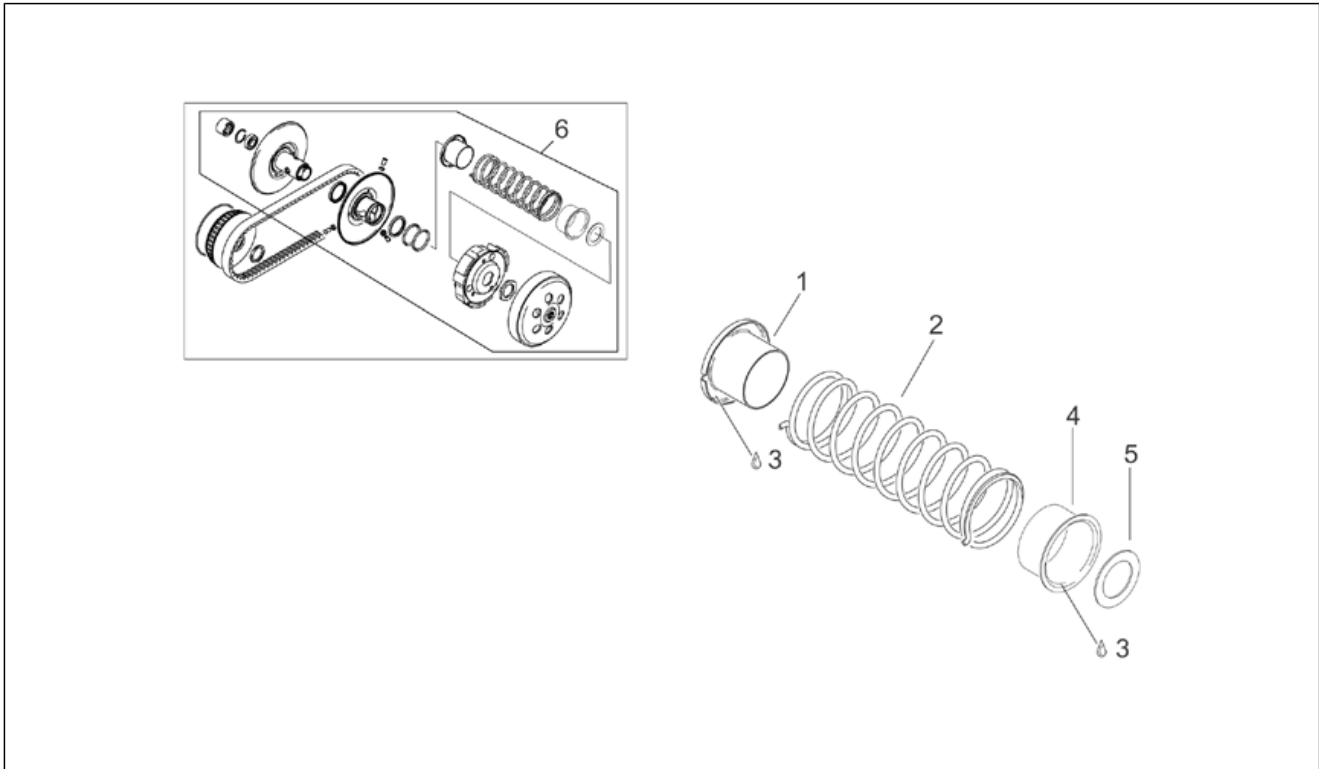
Pos.	Code	Beschreibung	Menge	Varianten
				Technische Daten:Leonardo 125[125]
11	AP0296282	Vorgelege	1	Technische Daten:Leonardo 150[150]

<b>Einheit</b>	MOTOR
<b>Code</b>	29.56
<b>Beschreibung</b>	Vorgelege II
<b>Inspektion</b>	1



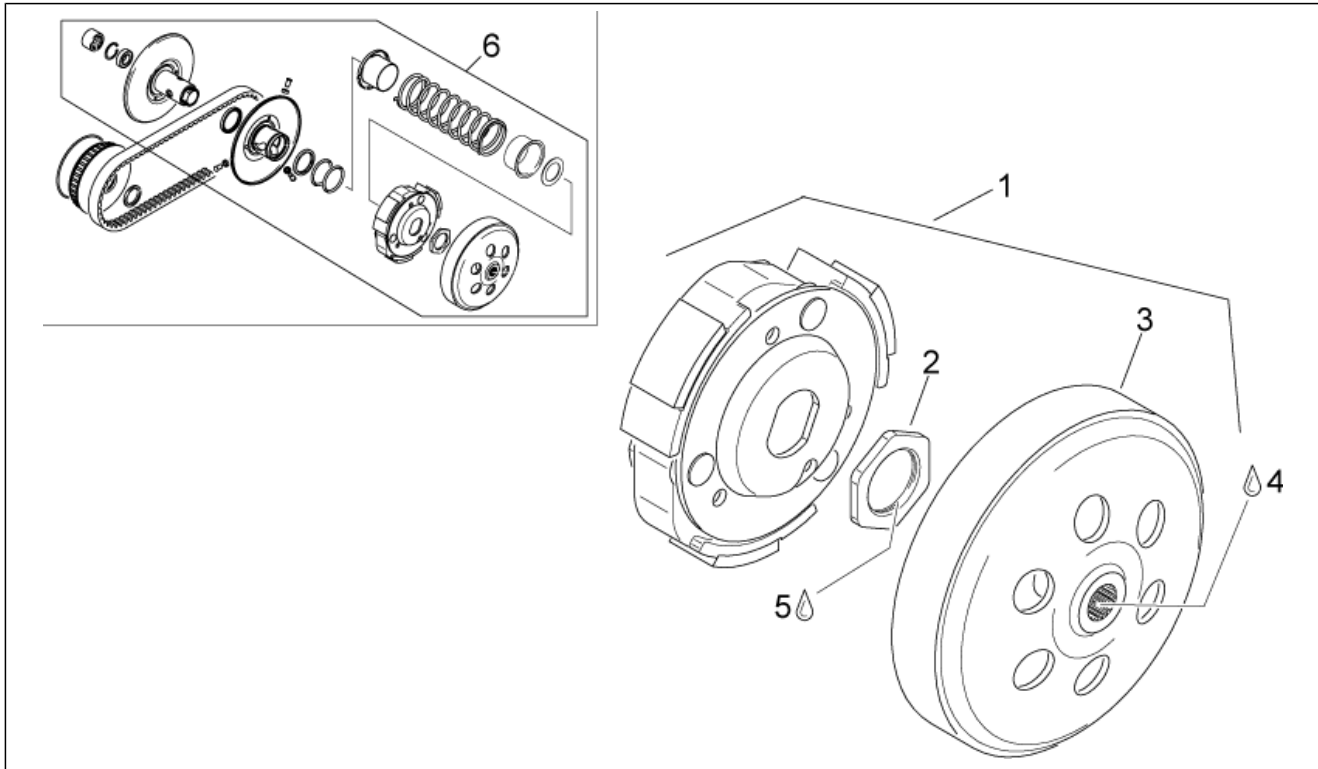
Pos.	Code	Beschreibung	Menge	Varianten
1	AP0627160	Interner Federbecher	1	Baujahr:1998[W] Technische Daten:Leonardo 125[125]
1	AP0627160	Interner Federbecher	1	Baujahr:1996[T], 1997[V] Technische Daten:Leonardo 125[125]
1	AP0627160	Interner Federbecher	1	Baujahr:1998[W] Technische Daten:Leonardo 125[125]
1	AP0627165	Interner Federbecher	1	Baujahr:1998[W] Technische Daten:Leonardo 125[125]
1	AP0627165	Interner Federbecher	1	Technische Daten:Leonardo 150[150]
2	AP0239400	Feder	1	Baujahr:1998[W] Technische Daten:Leonardo 125[125]
2	AP0239400	Feder	1	Baujahr:1998[W] Technische Daten:Leonardo 125[125]
2	AP0239400	Feder	1	Baujahr:1996[T], 1997[V] Technische Daten:Leonardo 125[125]
2	AP0239405	Feder	1	Baujahr:1996[T], 1997[V] Technische Daten:Leonardo 150[150]
2	AP0239405	Feder	1	Baujahr:1998[W] Technische Daten:Leonardo 150[150]
2	AP0239405	Feder	1	Baujahr:1998[W] Technische Daten:Leonardo 150[150]
2	AP0239406	Feder	1	Baujahr:1998[W] Technische Daten:Leonardo 125[125]
2	AP0239406	Feder	1	Baujahr:1998[W] Technische Daten:Leonardo 150[150]
2	AP0239406	Feder	1	Baujahr:1998[W] Technische Daten:Leonardo 150[150]
3	AP0297433	Molykote G-N 50gr.	1	
4	AP0627170	Externer Federbecher	1	
5	AP0627150	Ausgleichscheibe	1	Technische Daten:Leonardo 125[125]
6	AP0295735	Vorgelege	1	Baujahr:1996[T], 1997[V] Technische Daten:Leonardo 125[125]

<b>Einheit</b>	MOTOR
<b>Code</b>	29.56
<b>Beschreibung</b>	Vorgelege II
<b>Inspektion</b>	1



Pos.	Code	Beschreibung	Menge	Varianten
6	AP0295735	Vorgelege	1	<b>Baujahr:</b> 1998[W] <b>Technische Daten:</b> Leonardo 125[125]
6	AP0296280	Vorgelege	1	<b>Baujahr:</b> 1998[W] <b>Technische Daten:</b> Leonardo 125[125]
6	AP0296282	Vorgelege	1	<b>Technische Daten:</b> Leonardo 150[150]

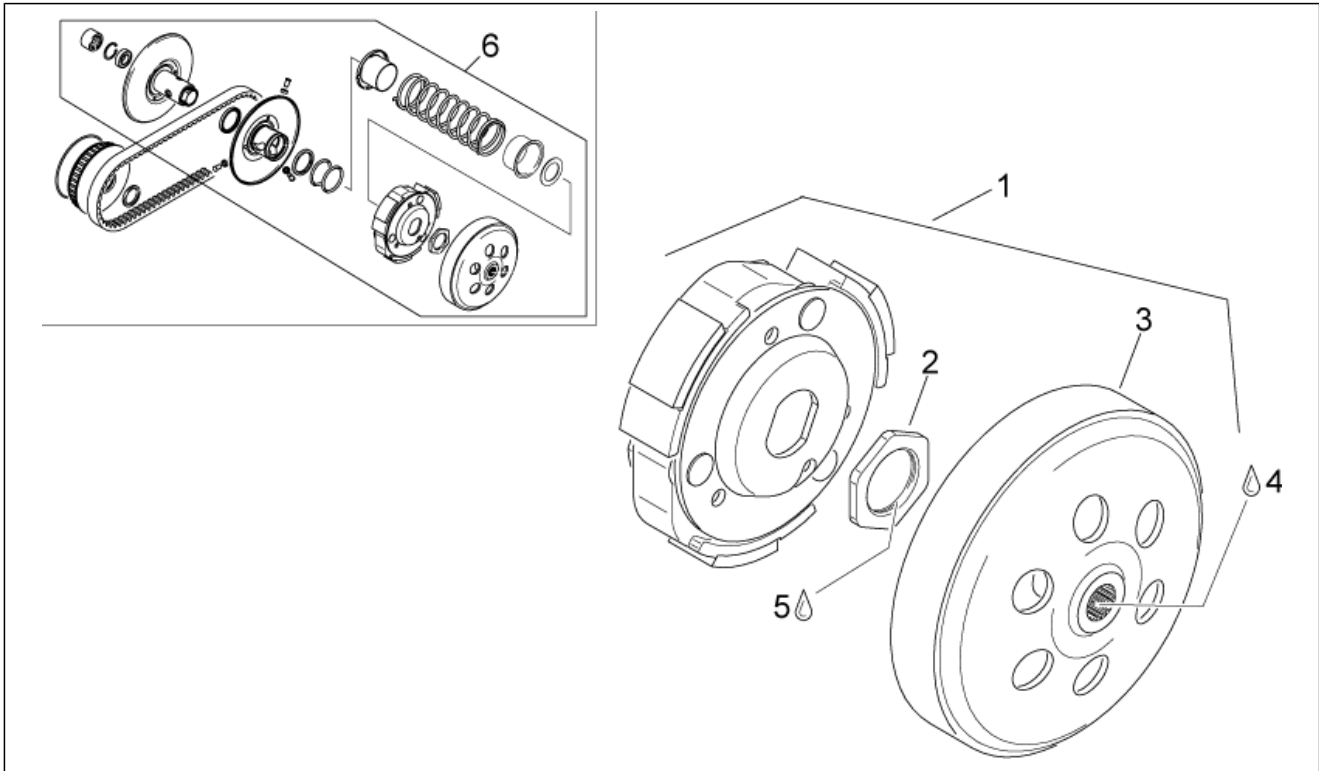
<b>Einheit</b>	MOTOR
<b>Code</b>	29.57
<b>Beschreibung</b>	Vorgelege III
<b>Inspektion</b>	1



Pos.	Code	Beschreibung	Menge	Varianten
1	AP0259738	Kupplung kplt.	1	<b>Baujahr:</b> 1998[W] <b>Technische Daten:</b> Leonardo 150[150]
1	AP8104051	Kit Kupplungsglocke	1	<b>Baujahr:</b> 1996[T], 1997[V] <b>Technische Daten:</b> Leonardo 125[125]
1	AP8104051	Kit Kupplungsglocke	1	<b>Baujahr:</b> 1998[W] <b>Technische Daten:</b> Leonardo 125[125]
1	AP8104051	Kit Kupplungsglocke	1	<b>Baujahr:</b> 1998[W] <b>Technische Daten:</b> Leonardo 125[125]
1	AP8104052	Kit Kupplungsglocke	1	<b>Baujahr:</b> 1998[W] <b>Technische Daten:</b> Leonardo 125[125]
1	AP8104053	Kit Kupplungsglocke	1	<b>Baujahr:</b> 1996[T], 1997[V] <b>Technische Daten:</b> Leonardo 150[150]
1	AP8104053	Kit Kupplungsglocke	1	<b>Baujahr:</b> 1998[W] <b>Technische Daten:</b> Leonardo 150[150]
1	AP8104053	Kit Kupplungsglocke	1	<b>Baujahr:</b> 1998[W] <b>Technische Daten:</b> Leonardo 150[150]
1	AP8104054	Kit Kupplungsglocke	1	<b>Baujahr:</b> 1998[W] <b>Technische Daten:</b> Leonardo 150[150]
2	AP0242920	Mutter M28x1	1	
3	AP0259660	Kupplungsglocke	1	<b>Baujahr:</b> 1998[W] <b>Technische Daten:</b> Leonardo 150[150]
3	AP0259660	Kupplungsglocke	1	<b>Baujahr:</b> 1998[W]
3	AP0259660	Kupplungsglocke	1	<b>Baujahr:</b> 1996[T], 1997[V]
3	AP0259660	Kupplungsglocke	1	<b>Baujahr:</b> 1998[W]
3	AP0259662	Kupplungsglocke	1	<b>Baujahr:</b> 1998[W] <b>Technische Daten:</b> Leonardo 150[150]
4	AP0297434	Loctite Anti Seize 50ml.15378	1	
5	AP0899788	Loctite, grün 648 5gr.	1	
6	AP0295735	Vorgelege	1	<b>Baujahr:</b> 1998[W] <b>Technische Daten:</b> Leonardo 125[125]
6	AP0295735	Vorgelege	1	<b>Baujahr:</b> 1996[T], 1997[V]

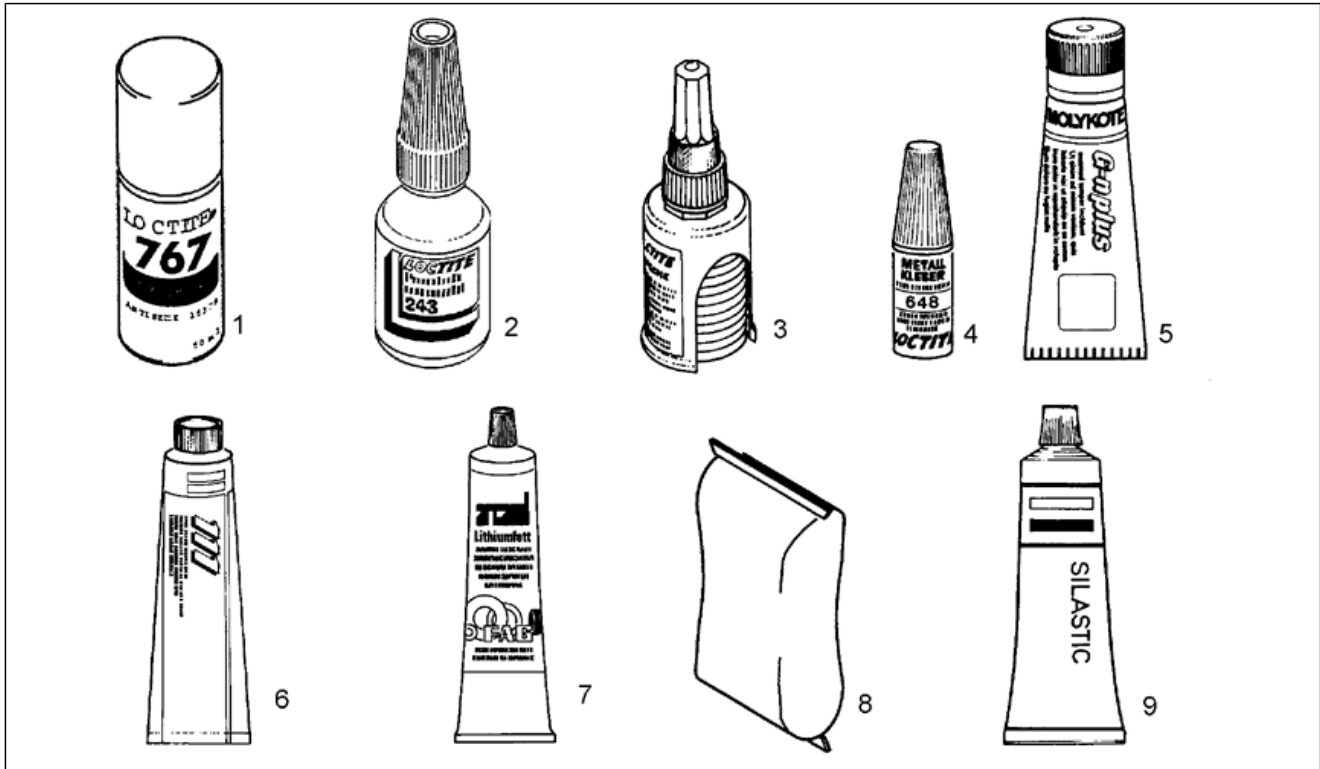


<b>Einheit</b>	MOTOR
<b>Code</b>	29.57
<b>Beschreibung</b>	Vorgelege III
<b>Inspektion</b>	1



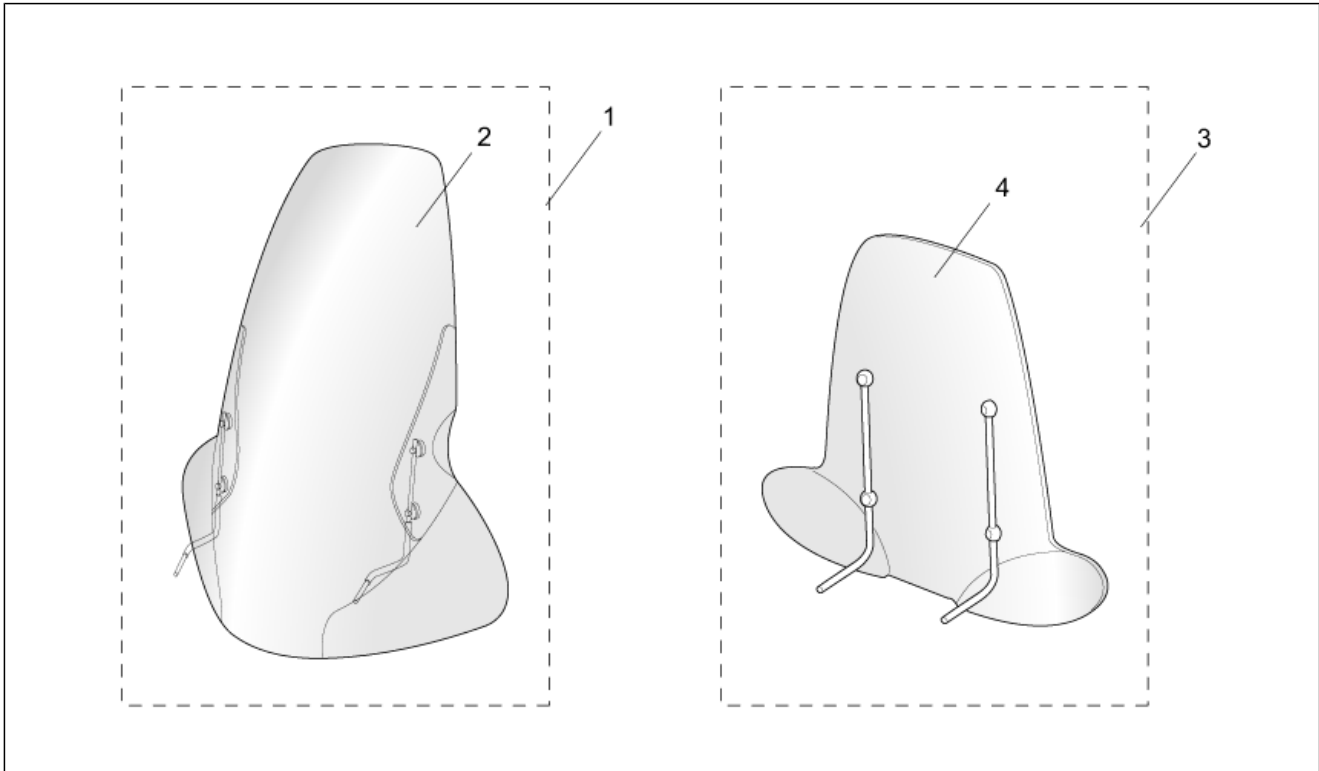
Pos.	Code	Beschreibung	Menge	Varianten
				<b>Technische Daten:</b> Leonardo 125[125]
6	AP0296280	Vorgelege	1	<b>Baujahr:</b> 1998[W] <b>Technische Daten:</b> Leonardo 125[125]
6	AP0296282	Vorgelege	1	<b>Technische Daten:</b> Leonardo 150[150]

<b>Einheit</b>	MOTOR
<b>Code</b>	29.59
<b>Beschreibung</b>	Verbrauchsmaterial
<b>Inspektion</b>	1



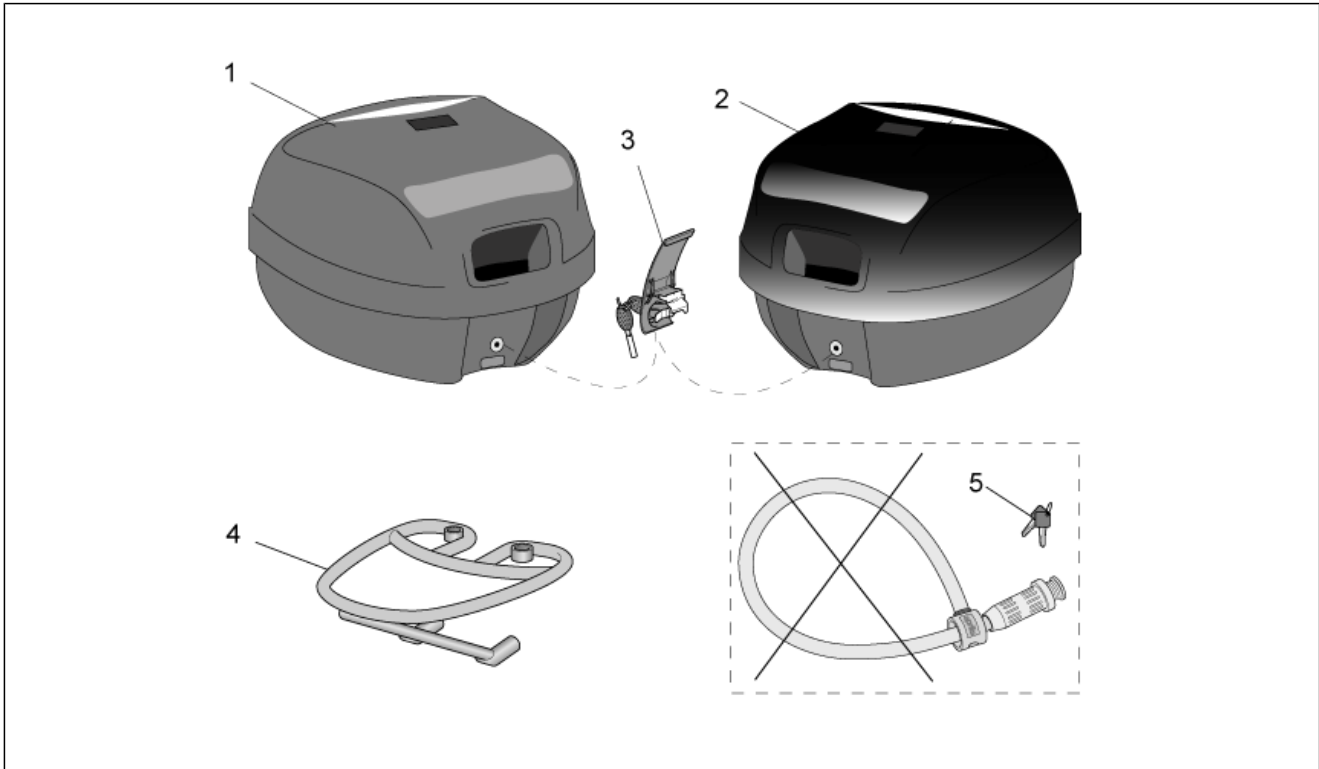
Pos.	Code	Beschreibung	Menge	Varianten
1	AP0297434	Loctite Anti Seize 50ml.15378	1	
2	AP0897651	Loctite, blau 243 10cc.	1	
3	AP0899784	Loctite, orange 574	1	
4	AP0899788	Loctite, grün 648 5gr.	1	
5	AP0297433	Molykote G-N 50gr.	1	
6	AP0897161	Molykote 111 100gr.	1	
7	AP0897330	Lithium-Fett 250gr.	1	
8	AP8116070	Fett Nippon-Sekiyu 250 gr.	1	
9	AP0297386	Silastic 732 Rtv 100 gr.	1	

<b>Einheit</b>	ZUBEHÖR
<b>Code</b>	30.60
<b>Beschreibung</b>	Acc. - Windschilder
<b>Inspektion</b>	1



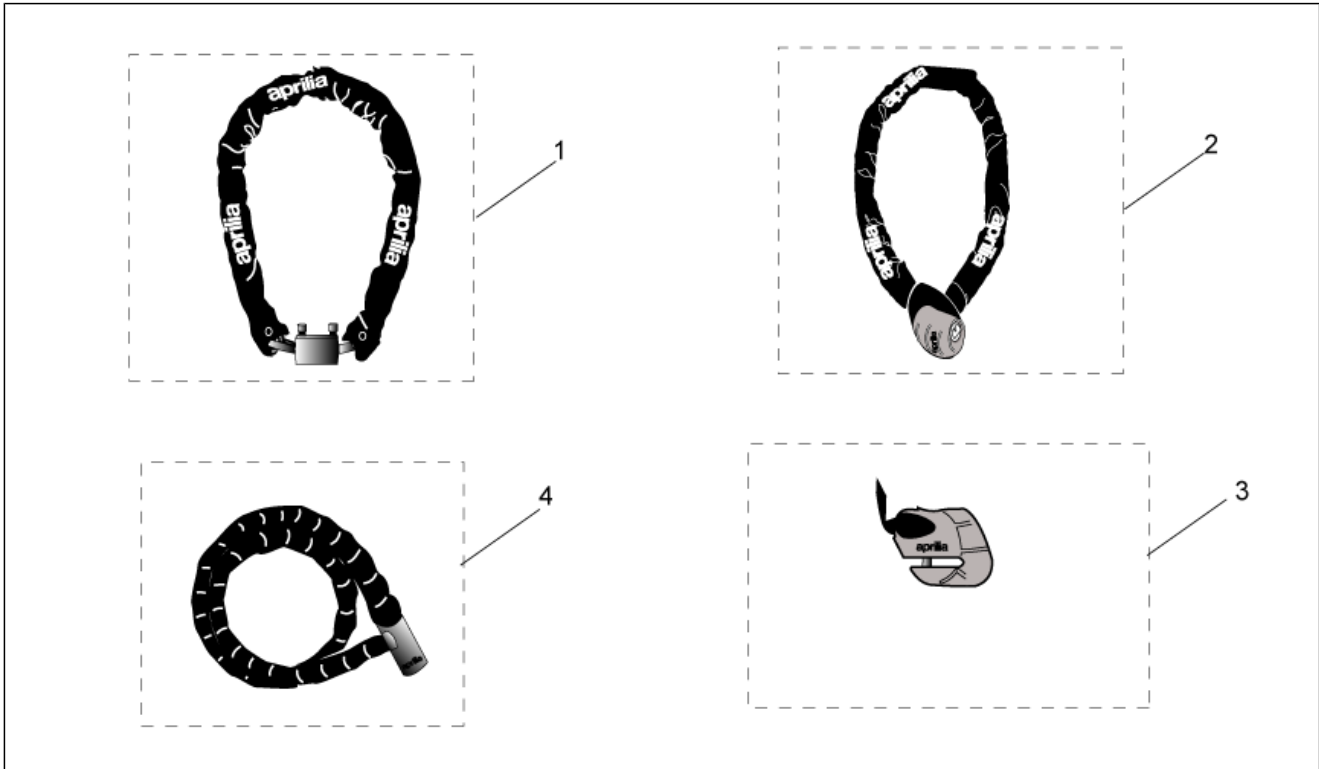
Pos.	Code	Beschreibung	Menge	Varianten
1	AP8791064	Windschutzscheibe Kpl. Big	1	Technische Daten:Zubehör[A]
2	AP8791063	Windschutzsch.o/Halter. Big	1	Technische Daten:Zubehör[A]
3	AP8790192	Windschutzscheibe Kpl. Sport	1	Technische Daten:Zubehör[A]
4	AP8790191	Windschutzsch.o/Halter. Sport	1	Technische Daten:Zubehör[A]

<b>Einheit</b>	ZUBEHÖR
<b>Code</b>	30.61
<b>Beschreibung</b>	Acc. - Koffer, Taschen
<b>Inspektion</b>	1



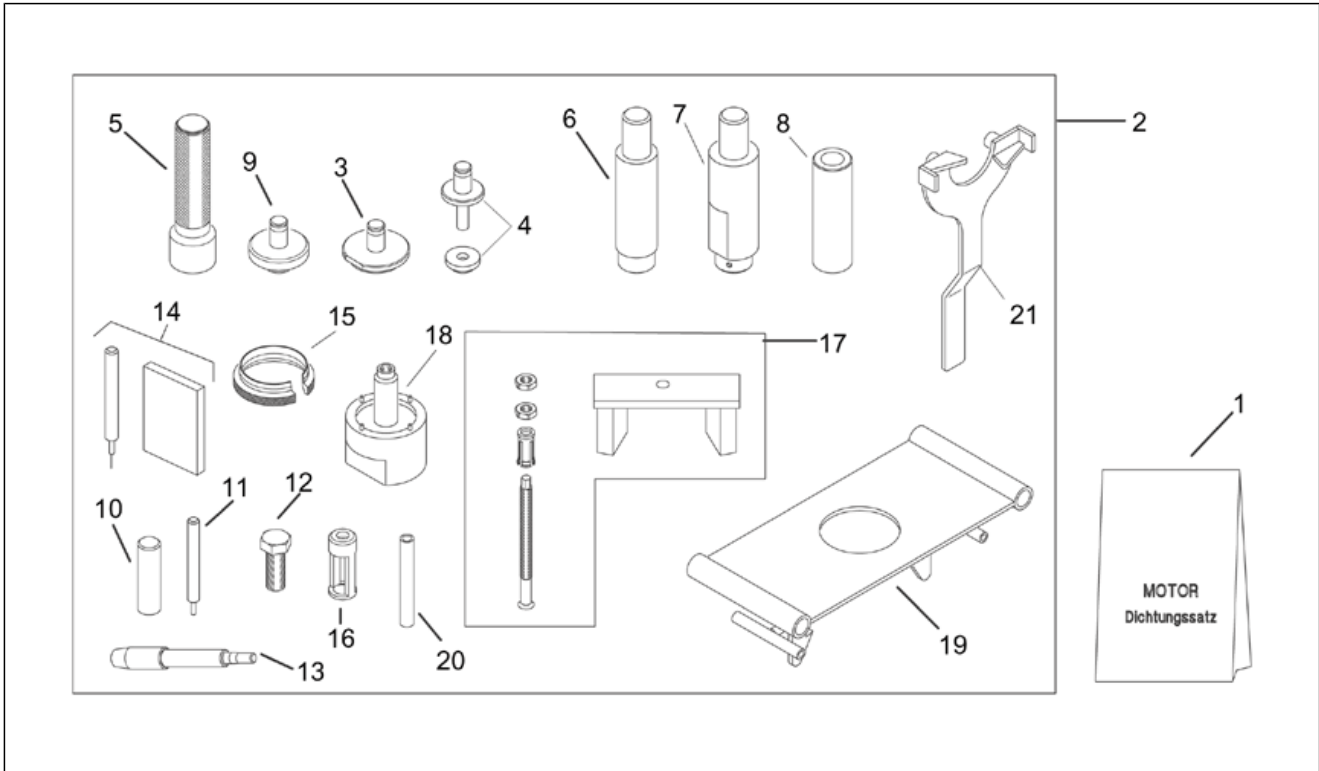
Pos.	Code	Beschreibung	Menge	Varianten
1	AP8792066	Koffer gaufriert New-C 32L	1	Technische Daten:Zubehör[A]
2	AP8792080	Koffer schwarz lack. New-C 28L	1	Technische Daten:Zubehör[A]
3	AP8104197	Kofferschloß kpl.	1	Technische Daten:Zubehör[A]
4	AP8792094	Gepäckträger New-C	1	Technische Daten:Zubehör[A]
5	AP8700792	Schlüssellersatzdie. B.Guard UK-D	1	Land:Deutschland[D], Großbritannien[UK] Technische Daten:Zubehör[A]
5	AP8700793	Schlüssellersatzdie. B.Guard F-NL	1	Land:Frankreich[F], Holland[NL] Technische Daten:Zubehör[A]
5	AP8700794	Schlüssellersatzdie. B.Guard I-E	1	Land:Spanien[E], Italien[I] Technische Daten:Zubehör[A]

<b>Einheit</b>	ZUBEHÖR
<b>Code</b>	30.62
<b>Beschreibung</b>	Acc. - Diefstahl
<b>Inspektion</b>	1



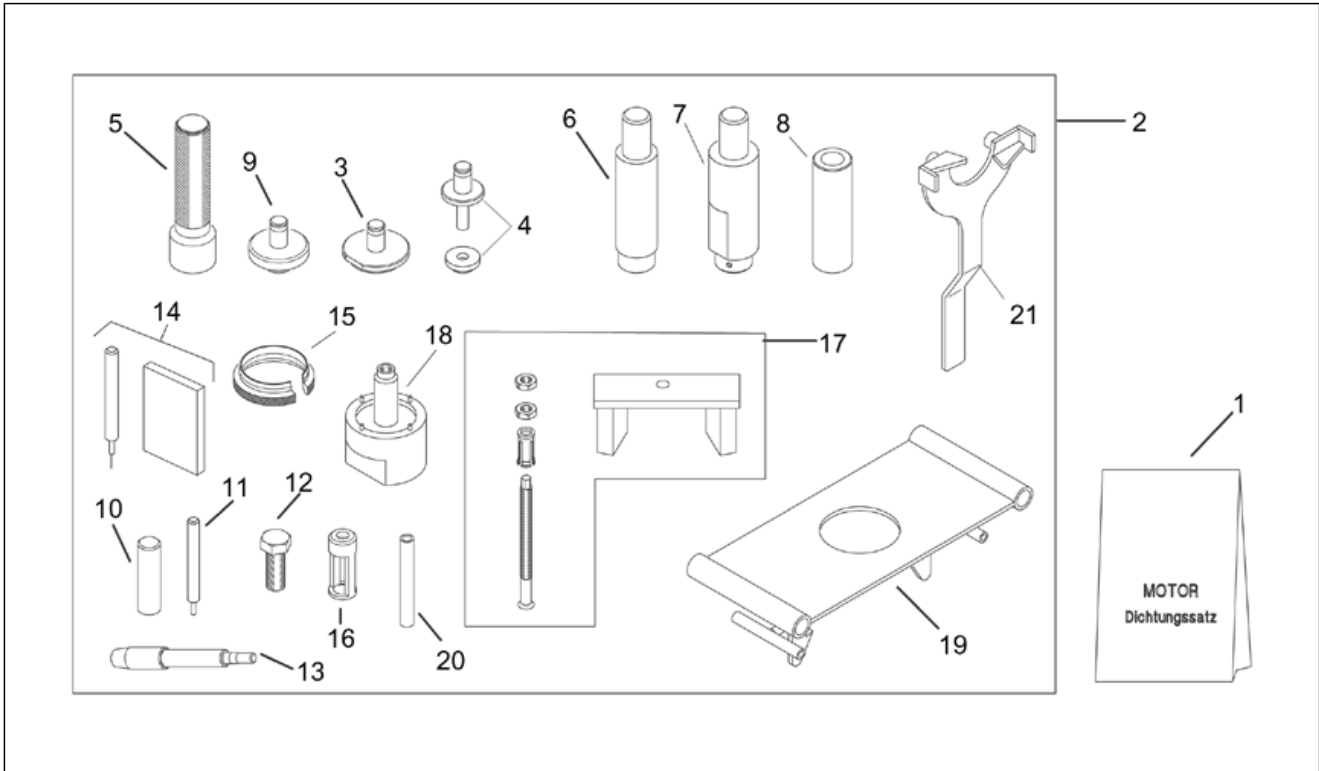
Pos.	Code	Beschreibung	Menge	Varianten
1	AP8720115	Iron Guard 10x150 mm	1	Technische Daten:Zubehör[A]
2	AP8720116	Iron Guard 8x120 mm	1	Technische Daten:Zubehör[A]
3	AP8720117	Iron Guard Disk 5 mm	1	Technische Daten:Zubehör[A]
4	AP8720118	Easy Guard 150 mm	1	Technische Daten:Zubehör[A]

<b>Einheit</b>	SPEZIALWERKZEUG
<b>Code</b>	31.58
<b>Beschreibung</b>	Spezialwerkzeug
<b>Inspektion</b>	1



Pos.	Code	Beschreibung	Menge	Varianten
1	AP0295710	Satz motor dichtung	1	<b>Baujahr:</b> 1996[T], 1997[V] <b>Technische Daten:</b> Leonardo 125[125]
1	AP0295710	Satz motor dichtung	1	<b>Baujahr:</b> 1998[W] <b>Technische Daten:</b> Leonardo 125[125]
1	AP0295710	Satz motor dichtung	1	<b>Baujahr:</b> 1998[W] <b>Technische Daten:</b> Leonardo 125[125]
1	AP0295711	Satz motor dichtung	1	<b>Baujahr:</b> 1998[W] <b>Technische Daten:</b> Leonardo 125[125]
1	AP0295715	Satz motor dichtung	1	<b>Baujahr:</b> 1996[T], 1997[V] <b>Technische Daten:</b> Leonardo 150[150]
1	AP0295715	Satz motor dichtung	1	<b>Baujahr:</b> 1998[W] <b>Technische Daten:</b> Leonardo 150[150]
1	AP0295715	Satz motor dichtung	1	<b>Baujahr:</b> 1998[W] <b>Technische Daten:</b> Leonardo 150[150]
1	AP0295716	Satz motor dichtung	1	<b>Baujahr:</b> 1998[W] <b>Technische Daten:</b> Leonardo 150[150]
1	AP0295716	Satz motor dichtung	1	<b>Baujahr:</b> 1998[W] <b>Technische Daten:</b> Leonardo 150[150]
2	AP8106440	Werkzeugsatz Motor 120	1	
3	0000000	Reifen	1	
4	0000000	Reifen	1	
5	0000000	Reifen	1	
6	0000000	Reifen	1	
7	0000000	Reifen	1	
8	0000000	Reifen	1	
9	0000000	Reifen	1	
10	0000000	Reifen	1	
11	0000000	Reifen	1	
12	0000000	Reifen	1	
13	0000000	Reifen	1	

<b>Einheit</b>	SPEZIALWERKZEUG
<b>Code</b>	31.58
<b>Beschreibung</b>	Spezialwerkzeug
<b>Inspektion</b>	1



Pos.	Code	Beschreibung	Menge	Varianten
14	0000000	Reifen	1	
15	0000000	Reifen	1	<b>Technische Daten:</b> Leonardo 150[150]
15	0000000	Reifen	1	<b>Technische Daten:</b> Leonardo 125[125]
16	0000000	Reifen	1	
17	0000000	Reifen	1	
18	0000000	Reifen	1	
19	0000000	Reifen	1	
20	0000000	Reifen	1	
21	0000000	Reifen	0	