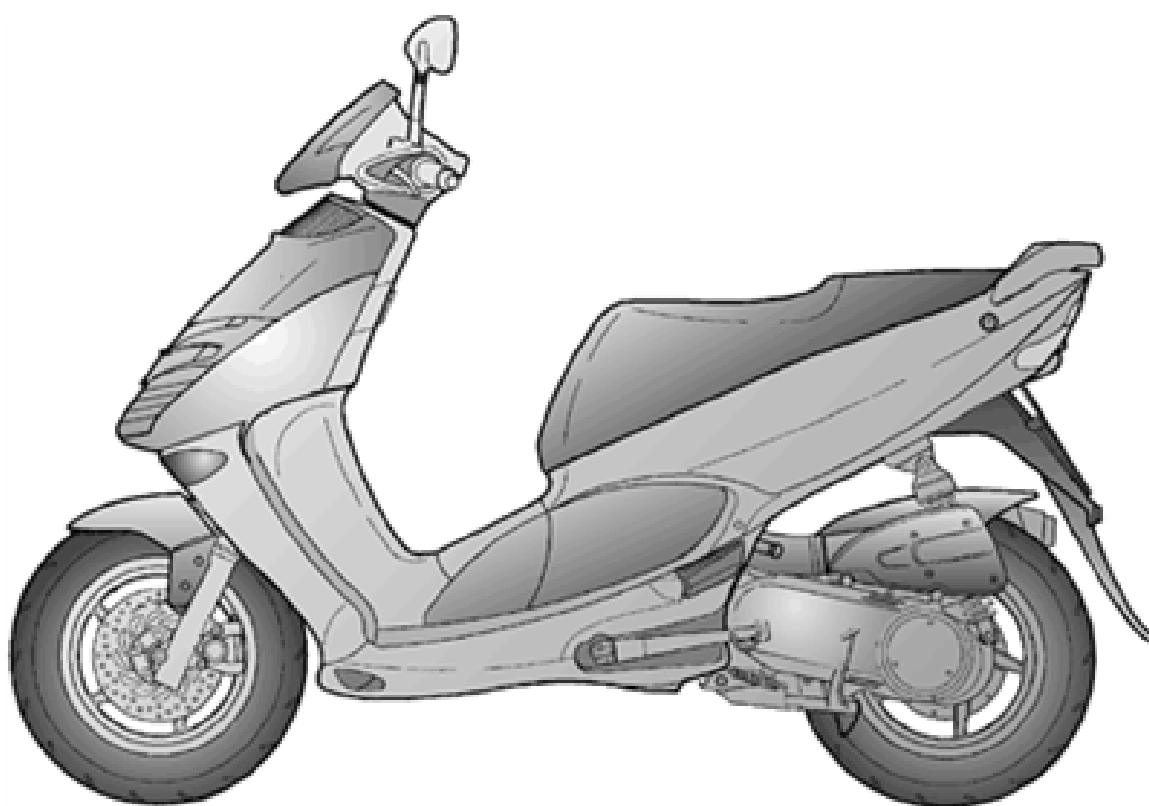


aprilia[®]

ERSATZTEILKATALOG



Leonardo 125-150 ST 2001-2004

Vorsatzcode Fahrgestell: ZD4MB05,
ZD4MB06, ZD4MB07, ZD4MBA5, ZD4TB



Vorsatzcode Motor:

Inhaltsverzeichnis

Fertige Produkte.....	5
Alphanumerisches Verzeichnis.....	6
RAHMEN.....	12
Tafel 28.01 - Rahmen.....	12
Tafel 28.02 - Hauptständer.....	13
Tafel 28.03 - Gabel - Fuß mit Rohr.....	14
Tafel 28.04 - Gabel - Schaften.....	15
Tafel 28.05 - Gabel - Hülsen.....	17
Tafel 28.06 - Pleuelstange.....	19
Tafel 28.07 - Frontaufbau - Kuppel.....	20
Tafel 28.08 - Frontaufbau - Instrumententafel.....	22
Tafel 28.09 - Frontaufbau - Haube.....	23
Tafel 28.10 - Frontaufbau - Schild.....	26
Tafel 28.11 - Frontaufbau - Innenschild.....	27
Tafel 28.12 - Karosserie zentr. - Teppiche.....	30
Tafel 28.13 - Karosserie zentr. - Seitent.....	31
Tafel 28.14 - Mittlerer aufbau - Boden.....	33
Tafel 28.15 - Mittlerer aufbau - Tunnel.....	34
Tafel 28.16 - Sitzbankeinheit.....	35
Tafel 28.17 - R.Kar. - R.verkl.....	37
Tafel 28.18 - R.Kar. - Kennzeichenplatte.....	39
Tafel 28.19 - Instrumententafel.....	41
Tafel 28.20 - Lenkstange.....	42
Tafel 28.21 - Schaltungen.....	43
Tafel 28.22 - Kühler.....	44
Tafel 28.23 - Ausdehngefäß - Schläuche.....	45
Tafel 28.24 - Tank.....	46
Tafel 28.25 - Benzinpumpe kpl.....	47
Tafel 28.26 - Filtergruppe.....	48
Tafel 28.27 - Secondary air.....	49
Tafel 28.32 - Auslassgruppe.....	50
Tafel 28.33 - Vorderrad.....	51
Tafel 28.34 - Hinterrad.....	53
Tafel 28.35 - Lichter.....	55
Tafel 28.36 - Elektrische anlage I.....	56
Tafel 28.37 - Elektrische anlage II.....	57
Tafel 28.38 - Bausatz Schlösser.....	58
Tafel 28.39 - Deko Serie.....	59
Tafel 28.40 - Schilder und Anleit.....	61
MOTOR.....	63
Tafel 29.28 - Vergaser I.....	63
Tafel 29.29 - Vergaser II.....	64
Tafel 29.30 - Vergaser III.....	65

Tafel 29.31 - Motor.....	66
Tafel 29.41 - Kurbelwellengehäuse.....	67
Tafel 29.42 - Mittlerer halbgehäuse.....	68
Tafel 29.43 - R. halbgehäuse.....	69
Tafel 29.44 - Kurbelwelle - ventile.....	70
Tafel 29.45 - Ventilschaltung.....	72
Tafel 29.46 - Zylinder.....	73
Tafel 29.47 - Zylinderkopf.....	74
Tafel 29.48 - Zündung.....	75
Tafel 29.49 - Startermotor.....	76
Tafel 29.50 - Getriebe.....	77
Tafel 29.51 - Wandler mit Kupplung.....	78
Tafel 29.52 - Hauptgetriebe.....	79
Tafel 29.53 - Vorgelege.....	80
Tafel 29.54 - Verbrauchsmaterial.....	81
ZUBEHÖR.....	82
Tafel 30.55 - Acc. - Windschilder.....	82
Tafel 30.56 - Acc. - Koffer, Taschen.....	83
Tafel 30.57 - Acc. - Diebstahl.....	84

Fertige Produkte

Code	Gültigkeit
AP67950AT01	
AP67950DE01	
AP67950DE02	
AP67950DE05	
AP67950DE06	
AP67950FR01	
AP67950FR02	
AP67950FR03	
AP67950FR04	
AP67950FR05	
AP67950FR06	
AP67950GB01	
AP67950GB02	
AP67950IT01	
AP67950IT02	
AP67950IT03	
AP67950IT04	
AP67950IT05	
AP67950IT06	

Code	Nr. der Tafel	Pos.	Code	Nr. der Tafel	Pos.	Code	Nr. der Tafel	Pos.
0000000	28.33	1	AP0241481	29.47	6	AP0295594	29.44	1
0000000	28.34	1	AP0241501	29.42	15	AP0295625	29.49	7
AP0211430	29.48	9	AP0241660	29.42	6	AP0295630	29.43	2
AP0211495	29.50	6	AP0241782	29.43	8	AP0295711	29.54	10
AP0211500	29.42	11	AP0241816	29.51	8	AP0295716	29.54	10
AP0211518	29.51	6	AP0241821	29.48	16	AP0295731	29.52	12
AP0211521	29.47	15	AP0241841	29.45	10	AP0295732	29.52	12
AP0211715	29.52	5	AP0241841	29.47	13	AP0295820	29.44	5
AP0216210	29.44	7	AP0241930	29.47	18	AP0295824	29.44	6
AP0220314	29.45	1	AP0241930	29.49	9	AP0295825	29.44	5
AP0220327	29.50	2	AP0241975	29.52	6	AP0295931	29.41	1
AP0220335	29.50	4	AP0242515	29.51	3	AP0296280	29.53	15
AP0220342	29.50	3	AP0242515	29.51	5	AP0296282	29.53	15
AP0220356	29.43	11	AP0242910	29.45	7	AP0296704	29.44	6
AP0222470	29.47	10	AP0242920	29.53	13	AP0297386	29.54	9
AP0222490	29.47	9	AP0245490	29.53	3	AP0297433	29.54	5
AP0222525	29.51	10	AP0245570	29.43	16	AP0297434	29.54	1
AP0223970	29.46	2	AP0245805	29.44	8	AP0297921	29.49	6
AP0223977	29.46	2	AP0246570	29.44	4	AP0297930	29.45	14
AP0224265	29.41	9	AP0247930	29.49	2	AP0430622	29.42	19
AP0227180	29.51	2	AP0249060	29.53	8	AP0430622	29.43	6
AP0227450	29.44	11	AP0250640	29.42	9	AP0430900	29.43	18
AP0227937	29.45	13	AP0250640	29.43	9	AP0430920	29.42	12
AP0227937	29.48	7	AP0251040	29.45	9	AP0432680	29.42	22
AP0229301	29.41	8	AP0251052	29.46	5	AP0440193	29.41	10
AP0229410	29.45	2	AP0251470	28.27	3	AP0552276	29.46	8
AP0229423	29.52	1	AP0251470	29.48	15	AP0552280	29.46	9
AP0229425	29.52	1	AP0253811	29.47	3	AP0613110	29.47	2
AP0229430	29.53	7	AP0253840	29.44	15	AP0613345	29.46	2
AP0230195	29.43	12	AP0253867	29.45	5	AP0613395	29.46	2
AP0230415	29.42	17	AP0253877	29.45	4	AP0627100	29.45	18
AP0232291	29.42	2	AP0253880	29.44	9	AP0627100	29.45	3
AP0232291	29.50	9	AP0253890	29.44	10	AP0627105	29.45	8
AP0232430	29.43	14	AP0253900	29.44	14	AP0627110	29.44	2
AP0232621	29.42	1	AP0256450	29.42	10	AP0627110	29.44	3
AP0232621	29.43	1	AP0256461	29.48	13	AP0627111	29.44	3
AP0232763	29.50	8	AP0256482	29.42	16	AP0627112	29.44	3
AP0233710	29.41	2	AP0256490	29.43	7	AP0627165	29.53	10
AP0233712	29.41	3	AP0256500	29.47	16	AP0627320	29.45	17
AP0233715	29.41	4	AP0259480	29.48	4	AP0630400	29.48	14
AP0233717	29.41	5	AP0259490	29.48	3	AP0632010	29.41	6
AP0233772	29.52	7	AP0259655	29.52	2	AP0632080	29.53	2
AP0233775	29.52	7	AP0259662	29.53	14	AP0632090	29.53	4
AP0236250	29.46	6	AP0259738	29.53	12	AP0634380	29.45	11
AP0236250	29.46	6	AP0259739	29.53	12	AP0634430	29.43	15
AP0236270	29.45	15	AP0260295	29.42	5	AP0634455	29.48	1
AP0236280	29.45	16	AP0260335	29.52	3	AP0634460	29.49	1
AP0236350	29.44	16	AP0260710	29.43	20	AP0640240	29.41	13
AP0236490	29.46	6	AP0265242	29.49	5	AP0641590	29.48	5
AP0236490	29.46	6	AP0265419	29.49	4	AP0650120	29.44	12
AP0238100	29.46	7	AP0265450	29.47	19	AP0650165	29.46	1
AP0238100	29.46	7	AP0265630	29.49	3	AP0650170	29.47	1
AP0239015	29.46	7	AP0267137	28.26	25	AP0650172	29.47	1
AP0239015	29.46	7	AP0267137	29.46	4	AP0650182	29.42	14
AP0239280	29.42	23	AP0280092	29.51	1	AP0650190	29.48	8
AP0239360	29.44	13	AP0280102	29.52	11	AP0650202	29.50	5
AP0239406	29.53	11	AP0280115	29.52	8	AP0650230	29.47	17
AP0239490	29.52	4	AP0280125	29.53	5	AP0650250	29.47	12
AP0240230	29.42	20	AP0280135	29.53	1	AP0650260	29.52	10
AP0240235	29.43	5	AP0293419	29.43	17	AP0650270	29.53	9
AP0240366	29.47	4	AP0295331	29.51	12	AP0650280	29.52	9
AP0240371	29.42	21	AP0295332	29.51	12	AP0650290	29.53	6
AP0240940	29.43	4	AP0295557	29.48	2	AP0650300	29.47	8
AP0241236	29.48	11	AP0295581	29.44	5	AP0650350	29.42	7
AP0241275	29.43	3	AP0295584	29.44	6	AP0650720	29.47	21
AP0241275	29.51	9	AP0295585	29.44	5	AP0827405	29.43	19
AP0241335	29.45	6	AP0295589	29.44	6	AP0827590	29.43	13

Code	Nr. der Tafel	Pos.	Code	Nr. der Tafel	Pos.	Code	Nr. der Tafel	Pos.
AP0827590	29.45	18	AP8102736	28.24	4	AP8106529	29.29	22
AP0831177	29.41	12	AP8102738	28.25	12	AP8106530	29.29	15
AP0840880	29.42	13	AP8102741	28.25	9	AP8106564	29.30	8
AP0840880	29.42	18	AP8102764	28.25	16	AP8106677	29.30	11
AP0840880	29.47	7	AP8102782	28.11	1	AP8106712	28.07	7
AP0840880	29.48	10	AP8102810	28.23	16	AP8106751	28.25	1
AP0840880	29.48	12	AP8102866	28.20	17	AP8106847	29.31	1
AP0840880	29.50	10	AP8102867	28.20	16	AP8106848	29.31	1
AP0840880	29.51	7	AP8102872	28.16	20	AP8106912	29.28	1
AP0841921	29.42	8	AP8102923	28.38	1	AP8106913	29.28	1
AP0842616	29.47	5	AP8102924	28.11	8	AP8106923	29.29	18
AP0897161	29.54	6	AP8102956	28.20	9	AP8106924	29.29	13
AP0897330	29.54	7	AP8102957	28.20	10	AP8106925	29.29	1
AP0897651	29.54	2	AP8102961	28.20	13	AP8106926	29.29	23
AP0899784	29.54	3	AP8102970	28.25	4	AP8106928	29.29	18
AP0899788	29.54	4	AP8103199	28.05	5	AP8106930	29.31	1
AP0927571	29.47	14	AP8104093	28.22	1	AP8106940	28.27	1
AP0927835	29.47	20	AP8104197	30.56	3	AP8106944	29.28	1
AP0929650	29.41	7	AP8104432	28.40	1	AP8106945	29.28	1
AP0929650	29.46	3	AP8104433	28.40	1	AP8108917	28.34	3
AP0930267	29.50	7	AP8104546	28.21	21	AP8108917	28.34	3
AP0930900	29.42	4	AP8104552	28.40	1	AP8108917	28.34	3
AP0932425	29.42	3	AP8104553	28.40	1	AP8108918	28.33	3
AP0940315	29.51	11	AP8104618	28.40	1	AP8108918	28.33	3
AP0940485	29.48	6	AP8106468	29.30	8	AP8108918	28.33	3
AP0940580	29.45	12	AP8106469	29.28	18	AP8110083	28.34	11
AP0941950	29.47	11	AP8106470	29.28	2	AP8112176	28.37	15
AP0944468	29.50	1	AP8106471	29.28	3	AP8112244	28.37	1
AP0945751	29.48	17	AP8106472	29.28	4	AP8112506	28.37	14
AP0945754	29.51	4	AP8106473	29.28	5	AP8112677	28.22	9
AP0950141	29.41	11	AP8106474	29.28	6	AP8112830	28.37	4
AP0956166	29.43	10	AP8106475	29.28	7	AP8112906	28.37	7
AP8101372	28.26	13	AP8106476	29.28	9	AP8112916	28.18	3
AP8101573	28.23	15	AP8106477	29.28	10	AP8113003	28.33	15
AP8101586	28.27	6	AP8106478	29.28	11	AP8113003	28.34	20
AP8101595	28.25	13	AP8106479	29.28	12	AP8113004	28.33	16
AP8101928	28.15	5	AP8106480	29.28	13	AP8113004	28.34	19
AP8102221	28.11	9	AP8106482	29.28	17	AP8113122	28.33	23
AP8102221	28.38	2	AP8106483	29.29	17	AP8113321	28.34	18
AP8102239	28.22	15	AP8106485	29.29	19	AP8113541	28.33	6
AP8102239	28.23	6	AP8106485	29.30	1	AP8113637	28.21	7
AP8102239	28.26	24	AP8106486	29.29	20	AP8113640	28.33	19
AP8102349	28.27	4	AP8106487	29.29	2	AP8113677	28.33	18
AP8102375	28.01	12	AP8106488	29.29	3	AP8113677	28.34	15
AP8102375	28.09	1	AP8106489	29.29	4	AP8113703	28.33	17
AP8102375	28.11	13	AP8106490	29.29	5	AP8113704	28.34	21
AP8102375	28.13	2	AP8106491	29.29	6	AP8113847	28.33	13
AP8102375	28.22	19	AP8106492	29.29	7	AP8113848	28.34	13
AP8102376	28.01	4	AP8106493	29.29	10	AP8114357	28.19	9
AP8102376	28.14	4	AP8106494	29.30	2	AP8114388	28.21	14
AP8102376	28.17	11	AP8106495	29.30	3	AP8116070	29.54	8
AP8102376	28.22	20	AP8106496	29.30	4	AP8117033	28.07	13
AP8102377	28.25	17	AP8106497	29.30	5	AP8117144	28.32	18
AP8102407	28.33	11	AP8106498	29.30	6	AP8117176	28.20	7
AP8102456	28.25	6	AP8106499	29.30	7	AP8117210	28.01	13
AP8102522	29.31	3	AP8106500	29.30	9	AP8118506	28.20	1
AP8102538	28.06	6	AP8106501	29.30	10	AP8118548	28.21	15
AP8102576	28.26	9	AP8106503	29.30	12	AP8118551	28.20	6
AP8102582	28.26	6	AP8106504	29.30	13	AP8118606	28.21	12
AP8102605	28.24	3	AP8106505	29.30	14	AP8119355	28.32	3
AP8102614	28.23	13	AP8106506	29.29	11	AP8119424	28.32	2
AP8102637	28.26	7	AP8106507	29.29	12	AP8119442	28.32	1
AP8102638	28.26	3	AP8106509	29.29	16	AP8119489	28.32	19
AP8102671	28.07	10	AP8106510	29.29	21	AP8119490	28.32	17
AP8102699	28.24	8	AP8106514	29.30	15	AP8119518	28.32	20
AP8102732	28.23	14	AP8106515	29.28	20	AP8119727	28.32	1
AP8102733	28.24	5	AP8106516	29.29	14	AP8120001	28.17	4

Code	Nr. der Tafel	Pos.
AP8120030	29.31	2
AP8120179	28.27	11
AP8120218	28.37	6
AP8120253	28.32	16
AP8120275	28.22	6
AP8120378	28.27	7
AP8120416	28.36	9
AP8120508	28.32	13
AP8120531	28.07	3
AP8120615	28.26	18
AP8120622	28.07	11
AP8120754	28.37	12
AP8120855	28.02	6
AP8120865	28.33	26
AP8120877	28.06	13
AP8120888	28.26	16
AP8120905	28.26	26
AP8120915	28.20	11
AP8120916	28.20	12
AP8120917	28.24	10
AP8120952	28.27	10
AP8120955	28.24	14
AP8120970	28.34	12
AP8120977	28.26	22
AP8120993	28.25	18
AP8121014	28.02	16
AP8121075	28.14	8
AP8121075	28.17	2
AP8121214	28.06	12
AP8121218	28.06	16
AP8121266	29.31	12
AP8121308	28.01	6
AP8121341	28.09	10
AP8121497	28.15	3
AP8121553	28.07	5
AP8121553	28.07	5
AP8121725	29.31	13
AP8121728	28.24	12
AP8121741	28.16	14
AP8121790	28.16	15
AP8121837	28.22	10
AP8121856	28.34	22
AP8121876	28.02	15
AP8121930	28.06	1
AP8121931	28.06	11
AP8121932	28.02	8
AP8121937	28.02	3
AP8121954	28.06	18
AP8121975	28.06	8
AP8121976	28.06	10
AP8121984	28.26	14
AP8121985	28.15	2
AP8122816	29.29	9
AP8122827	29.28	16
AP8122829	29.28	14
AP8122854	29.28	15
AP8122857	29.28	8
AP8122861	29.29	8
AP8123575	28.03	3
AP8123685	28.01	3
AP8123694	28.03	7
AP8123695	28.03	2
AP8123696	28.03	4
AP8123698	28.04	6
AP8123699	28.04	7
AP8123700	28.04	1
AP8123701	28.04	10

Code	Nr. der Tafel	Pos.
AP8123704	28.05	4
AP8123705	28.05	6
AP8123706	28.05	8
AP8123707	28.05	9
AP8123708	28.04	9
AP8123709	28.04	8
AP8123735	28.03	1
AP8123752	28.04	3
AP8123753	28.04	2
AP8123754	28.04	5
AP8123755	28.03	7
AP8123756	28.03	2
AP8123757	28.03	3
AP8123758	28.03	6
AP8123759	28.03	4
AP8123760	28.03	5
AP8123761	28.04	6
AP8123762	28.04	7
AP8123763	28.04	1
AP8123763	28.04	8
AP8123764	28.04	9
AP8123765	28.04	10
AP8123766	28.04	2
AP8123766	28.04	3
AP8123767	28.05	3
AP8123768	28.05	4
AP8123769	28.05	5
AP8123770	28.05	6
AP8123771	28.05	7
AP8123772	28.05	8
AP8123773	28.05	9
AP8123774	28.05	2
AP8123775	28.04	4
AP8123776	28.04	5
AP8123877	29.31	5
AP8124081	28.21	18
AP8124170	28.36	8
AP8124207	28.21	20
AP8124208	28.21	19
AP8124209	28.21	16
AP8124367	28.18	2
AP8124409	28.35	3
AP8124446	28.22	5
AP8124447	28.37	3
AP8124478	28.24	9
AP8124516	28.35	9
AP8124517	28.35	10
AP8124519	28.19	1
AP8124594	28.35	8
AP8124596	28.37	5
AP8124596	29.49	8
AP8124598	28.36	6
AP8124632	28.36	3
AP8124632	28.37	2
AP8124636	28.37	9
AP8124666	28.19	1
AP8124666	28.19	1
AP8124818	28.36	4
AP8124949	28.35	7
AP8125726	28.34	6
AP8125743	28.33	25
AP8125752	28.33	4
AP8125782	28.33	21
AP8126885	28.18	4
AP8126957	28.09	8
AP8126957	28.09	8
AP8126966	28.18	1

Code	Nr. der Tafel	Pos.
AP8126966	28.18	1
AP8126976	28.09	8
AP8126977	28.17	3
AP8126981	28.09	8
AP8126984	28.09	8
AP8127113	28.35	20
AP8127286	28.36	5
AP8127287	28.35	1
AP8127288	28.35	1
AP8127487	28.21	22
AP8127788	28.19	2
AP8128027	28.33	3
AP8128028	28.34	3
AP8129325	28.16	1
AP8129378	28.16	1
AP8129379	28.16	1
AP8129386	28.16	1
AP8129432	28.16	1
AP8129433	28.16	1
AP8134308	28.34	7
AP8134320	28.22	8
AP8134321	28.02	1
AP8134362	28.17	1
AP8134362	29.31	14
AP8134411	28.22	4
AP8134453	28.22	2
AP8134453	28.23	5
AP8134454	28.22	7
AP8134460	28.23	7
AP8134642	28.25	3
AP8134643	28.25	2
AP8134840	28.07	8
AP8134842	28.07	9
AP8135622	28.06	17
AP8135623	28.02	12
AP8135677	28.01	10
AP8135680	28.32	7
AP8135850	28.06	7
AP8135975	28.01	11
AP8137905	28.40	2
AP8138153	28.24	1
AP8138175	28.36	1
AP8138404	28.25	5
AP8138472	28.26	5
AP8138473	28.16	17
AP8138600	28.24	11
AP8138677	28.26	11
AP8138684	28.26	12
AP8138718	28.17	6
AP8138827	28.10	9
AP8138928	28.16	8
AP8138938	29.31	11
AP8138946	28.22	12
AP8138946	28.23	1
AP8138949	28.26	21
AP8138999	28.26	10
AP8139325	28.10	8
AP8139963	28.26	4
AP8144030	28.02	11
AP8144043	28.11	12
AP8144043	28.38	15
AP8144055	28.03	8
AP8144055	28.19	10
AP8144055	28.33	24
AP8144056	28.22	14
AP8144056	28.23	3
AP8144064	28.32	15

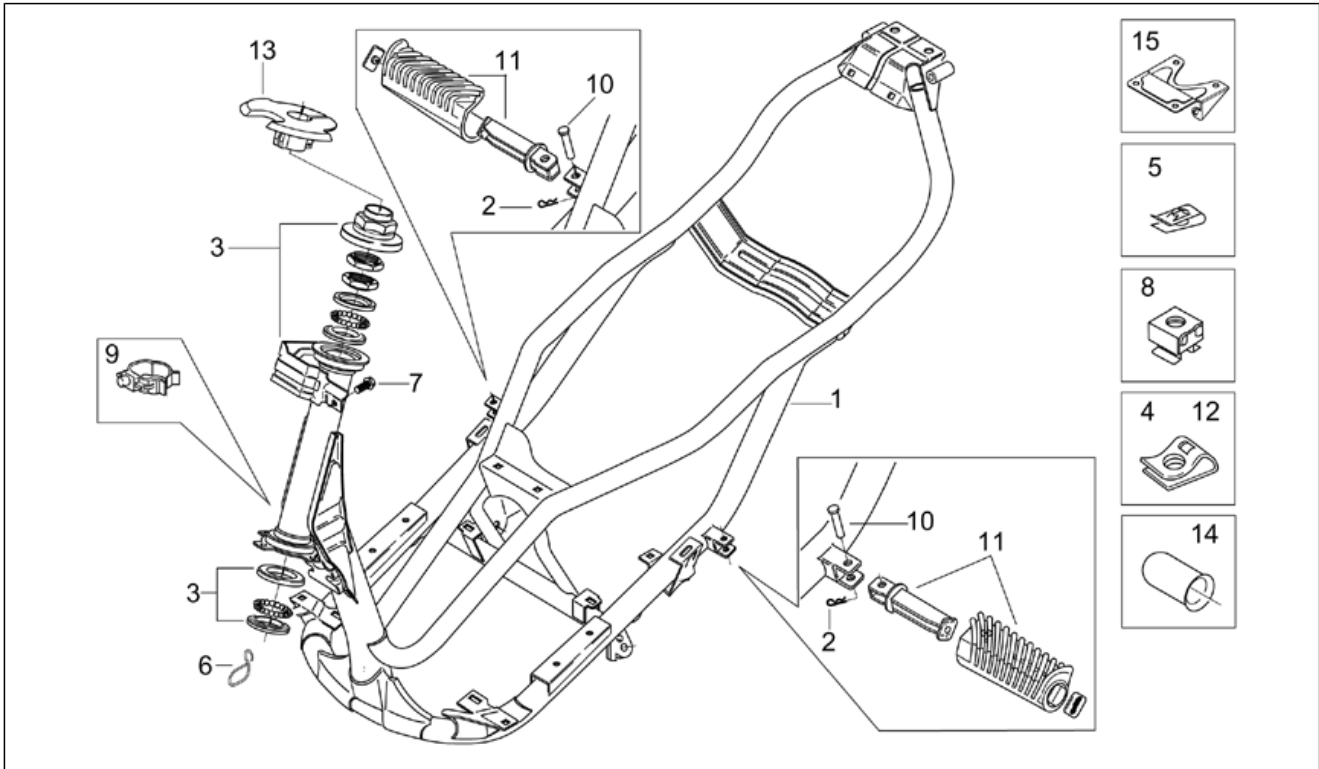
Code	Nr. der Tafel	Pos.	Code	Nr. der Tafel	Pos.	Code	Nr. der Tafel	Pos.
AP8144065	28.32	14	AP8150413	28.24	6	AP8152301	28.06	14
AP8144078	28.22	3	AP8150413	28.25	10	AP8152301	28.20	4
AP8144079	28.23	8	AP8150413	28.26	19	AP8152302	28.10	1
AP8144080	28.23	9	AP8150413	28.35	5	AP8152306	28.18	9
AP8144089	28.16	21	AP8150423	28.11	7	AP8152306	28.22	18
AP8144091	28.37	13	AP8150425	28.10	6	AP8152326	28.02	10
AP8144098	28.23	10	AP8150425	28.13	7	AP8152329	28.17	7
AP8144099	28.23	11	AP8150425	28.14	7	AP8152329	28.36	2
AP8144100	28.23	12	AP8150426	28.10	4	AP8152334	28.08	2
AP8144128	28.21	13	AP8150429	28.37	10	AP8152334	28.19	5
AP8144152	28.02	17	AP8150430	28.16	12	AP8152338	28.09	9
AP8144186	28.16	7	AP8150430	28.38	14	AP8152342	28.32	5
AP8144202	28.26	15	AP8150432	28.06	3	AP8156058	28.09	8
AP8144303	28.27	8	AP8150451	28.24	7	AP8156058	28.09	8
AP8144512	28.07	6	AP8150455	28.06	5	AP8156059	28.09	8
AP8144513	28.07	12	AP8150460	28.08	3	AP8156066	28.09	8
AP8144525	28.27	2	AP8150460	28.18	10	AP8156119	28.09	8
AP8144571	28.27	5	AP8150460	28.20	8	AP8156120	28.09	8
AP8146215	28.01	1	AP8150466	28.02	9	AP8156121	28.18	1
AP8146277	28.02	7	AP8150471	28.34	9	AP8156122	28.18	1
AP8147076	28.35	4	AP8150484	28.35	19	AP8157420	28.40	3
AP8148433	28.20	14	AP8152001	28.02	13	AP8157424	28.40	6
AP8149601	28.15	1	AP8152018	28.06	2	AP8158311	28.07	2
AP8149603	29.31	4	AP8152018	28.33	8	AP8158314	28.09	5
AP8149605	28.11	5	AP8152140	28.11	10	AP8158314	28.09	5
AP8149606	28.14	1	AP8152140	28.38	3	AP8158314	28.09	5
AP8149607	28.14	2	AP8152194	28.15	8	AP8158314	28.09	5
AP8149608	28.14	3	AP8152194	28.38	6	AP8158315	28.09	7
AP8149609	28.12	1	AP8152244	28.34	8	AP8158315	28.09	7
AP8149610	28.12	2	AP8152246	28.14	5	AP8158316	28.11	4
AP8149995	28.08	1	AP8152246	28.17	9	AP8158318	28.18	11
AP8149995	28.08	1	AP8152267	28.13	5	AP8158318	28.18	11
AP8149997	28.16	2	AP8152268	28.09	2	AP8158319	28.18	12
AP8149997	28.16	2	AP8152270	28.07	4	AP8158319	28.18	12
AP8150011	28.08	4	AP8152273	28.01	7	AP8158322	28.01	15
AP8150011	28.15	4	AP8152273	28.22	16	AP8158323	28.11	15
AP8150011	28.18	6	AP8152273	28.25	20	AP8158323	28.11	15
AP8150013	28.14	10	AP8152274	28.37	8	AP8158324	28.11	14
AP8150013	28.25	19	AP8152274	29.49	10	AP8158324	28.11	14
AP8150014	28.16	11	AP8152275	28.14	9	AP8158325	28.11	16
AP8150014	28.16	5	AP8152277	28.36	7	AP8158325	28.11	16
AP8150014	28.38	13	AP8152278	28.16	6	AP8158326	28.11	17
AP8150016	28.02	18	AP8152278	28.17	5	AP8158326	28.11	17
AP8150018	28.32	11	AP8152278	28.26	20	AP8158331	28.10	7
AP8150020	28.20	3	AP8152279	28.22	11	AP8158512	28.09	7
AP8150026	28.37	11	AP8152279	28.23	4	AP8158514	28.07	1
AP8150045	28.16	10	AP8152279	28.25	8	AP8158515	28.08	1
AP8150045	28.38	12	AP8152280	28.24	13	AP8158518	28.16	2
AP8150046	28.20	15	AP8152280	28.25	21	AP8158520	28.11	14
AP8150088	28.20	2	AP8152281	28.16	16	AP8158521	28.11	15
AP8150137	28.11	11	AP8152283	28.21	10	AP8158522	28.18	1
AP8150137	28.38	4	AP8152286	28.02	2	AP8158523	28.09	6
AP8150171	28.18	5	AP8152287	28.34	10	AP8158524	28.10	7
AP8150204	28.18	7	AP8152288	28.32	9	AP8158525	28.17	10
AP8150210	28.06	4	AP8152288	28.33	14	AP8158543	28.09	6
AP8150248	28.09	3	AP8152288	28.34	5	AP8158544	28.10	7
AP8150248	28.13	6	AP8152289	29.31	8	AP8158545	28.17	10
AP8150270	28.35	17	AP8152290	29.31	9	AP8158548	28.07	1
AP8150334	28.32	4	AP8152291	28.32	8	AP8158548	28.07	1
AP8150373	28.33	9	AP8152292	28.32	12	AP8158550	28.08	1
AP8150382	28.10	5	AP8152295	28.02	14	AP8158550	28.08	1
AP8150382	28.11	3	AP8152298	28.09	4	AP8158551	28.16	2
AP8150382	28.13	8	AP8152298	28.18	8	AP8158551	28.16	2
AP8150382	28.16	19	AP8152299	28.25	11	AP8158553	28.18	11
AP8150413	28.11	2	AP8152300	28.32	10	AP8158555	28.26	1
AP8150413	28.16	18	AP8152300	29.31	7	AP8158556	28.26	8
AP8150413	28.17	8	AP8152301	28.02	4	AP8158560	28.20	5

Code	Nr. der Tafel	Pos.	Code	Nr. der Tafel	Pos.	Code	Nr. der Tafel	Pos.
AP8158561	28.26	2	AP8167708	28.39	1	AP8176061	29.30	8
AP8158637	28.09	7	AP8167708	28.39	1	AP8177112	28.40	6
AP8158637	28.09	7	AP8167709	28.39	1	AP8177113	28.40	5
AP8158640	28.11	14	AP8167709	28.39	1	AP8177182	28.40	5
AP8158641	28.11	15	AP8167711	28.39	1	AP8177183	28.40	3
AP8158642	28.07	1	AP8167712	28.39	1	AP8177184	28.40	7
AP8158642	28.07	1	AP8168282	28.07	2	AP8177500	28.39	1
AP8158644	28.18	11	AP8168649	28.09	6	AP8177501	28.39	1
AP8158644	28.18	11	AP8168649	28.09	6	AP8177502	28.39	1
AP8158645	28.18	1	AP8168650	28.09	7	AP8177503	28.39	1
AP8158646	28.09	6	AP8168650	28.09	7	AP8177562	28.39	1
AP8158647	28.10	7	AP8168652	28.10	7	AP8178283	28.09	6
AP8158648	28.17	10	AP8168652	28.10	7	AP8178284	28.17	10
AP8158691	28.09	7	AP8168652	28.10	7	AP8178285	28.17	10
AP8158694	28.11	14	AP8168653	28.11	14	AP8178286	28.09	6
AP8158695	28.11	15	AP8168653	28.11	14	AP8178287	28.09	7
AP8158696	28.07	1	AP8168654	28.11	15	AP8178289	28.10	7
AP8158697	28.08	1	AP8168654	28.11	15	AP8178290	28.11	14
AP8158699	28.13	4	AP8168655	28.07	1	AP8178291	28.11	15
AP8158700	28.16	2	AP8168655	28.07	1	AP8178292	28.07	1
AP8158702	28.09	6	AP8168656	28.08	1	AP8178293	28.08	1
AP8158703	28.18	1	AP8168656	28.08	1	AP8178294	28.13	3
AP8158704	28.18	11	AP8168657	28.13	3	AP8178295	28.13	4
AP8158705	28.10	7	AP8168657	28.13	3	AP8178296	28.16	2
AP8158706	28.13	3	AP8168658	28.13	4	AP8178297	28.17	10
AP8158707	28.17	10	AP8168658	28.13	4	AP8178298	28.18	11
AP8158717	28.13	3	AP8168659	28.16	2	AP8178299	28.09	6
AP8158718	28.13	4	AP8168659	28.16	2	AP8178300	28.09	7
AP8158718	28.13	4	AP8168660	28.17	10	AP8178302	28.10	7
AP8158719	28.13	3	AP8168661	28.18	11	AP8178303	28.11	14
AP8158721	28.13	4	AP8168661	28.18	11	AP8178304	28.11	15
AP8158722	28.13	3	AP8168662	28.18	12	AP8178305	28.07	1
AP8158730	28.13	4	AP8168662	28.18	12	AP8178306	28.08	1
AP8158731	28.13	3	AP8168663	28.11	16	AP8178307	28.16	2
AP8158948	28.26	1	AP8168663	28.11	16	AP8178308	28.17	10
AP8158949	28.26	8	AP8168664	28.11	17	AP8178309	28.18	11
AP8163285	28.05	2	AP8168664	28.11	17	AP8201169	28.26	23
AP8163289	28.04	10	AP8168665	28.18	1	AP8201409	28.26	17
AP8163291	28.04	9	AP8168665	28.18	1	AP8201463	28.22	13
AP8163294	28.05	7	AP8168666	28.07	5	AP8201463	28.23	2
AP8163295	28.05	6	AP8168666	28.07	5	AP8201534	28.11	6
AP8163296	28.05	5	AP8168667	28.09	6	AP8201546	28.33	2
AP8163297	28.05	4	AP8168668	28.09	7	AP8201546	28.34	2
AP8163298	28.05	3	AP8168670	28.10	7	AP8201564	28.16	9
AP8163300	28.04	6	AP8168671	28.11	14	AP8201564	28.38	11
AP8163301	28.03	2	AP8168672	28.11	15	AP8201620	28.15	9
AP8163302	28.03	5	AP8168673	28.07	1	AP8201620	28.38	7
AP8163303	28.03	4	AP8168674	28.08	1	AP8201643	28.01	2
AP8163304	28.03	9	AP8168675	28.13	3	AP8201643	28.16	4
AP8163435	28.05	1	AP8168676	28.13	4	AP8201747	28.15	6
AP8163439	28.04	5	AP8168677	28.16	2	AP8201747	28.38	5
AP8163482	28.04	7	AP8168678	28.17	10	AP8201748	28.15	10
AP8163483	28.04	1	AP8168679	28.18	11	AP8201748	28.38	8
AP8163483	28.04	8	AP8168680	28.18	1	AP8201749	28.15	11
AP8163484	28.04	2	AP8168681	28.07	5	AP8201749	28.38	9
AP8163484	28.04	3	AP8168773	28.09	6	AP8201757	28.24	2
AP8163485	28.05	9	AP8168775	28.10	7	AP8201763	28.01	5
AP8163486	28.05	8	AP8168776	28.11	14	AP8201763	28.10	3
AP8166186	28.39	1	AP8168777	28.11	15	AP8201763	28.13	1
AP8166187	28.39	1	AP8168778	28.13	3	AP8201763	28.14	6
AP8166205	28.39	1	AP8168779	28.13	4	AP8201807	28.23	17
AP8166206	28.39	1	AP8168780	28.17	10	AP8201807	28.25	15
AP8167690	28.40	5	AP8168781	28.09	5	AP8201808	28.25	14
AP8167691	28.40	5	AP8168782	28.18	1	AP8201808	28.27	12
AP8167693	28.40	4	AP8168783	28.07	5	AP8202188	28.21	11
AP8167694	28.40	4	AP8176029	29.31	1	AP8203258	28.05	3
AP8167708	28.39	1	AP8176030	29.31	1	AP8203447	28.05	7

Code	Nr. der Tafel	Pos.
AP8203570	28.05	2
AP8203571	28.05	10
AP8203572	28.05	1
AP8203794	28.05	1
AP8203796	28.05	10
AP8203950	28.03	5
AP8206233	28.06	19
AP8212405	28.19	4
AP8212406	28.19	6
AP8212407	28.19	8
AP8212408	28.19	7
AP8212767	28.21	17
AP8212861	28.19	2
AP8213224	28.34	17
AP8213231	28.34	4
AP8213299	28.21	8
AP8213359	28.21	1
AP8213360	28.21	2
AP8213455	28.21	5
AP8213456	28.21	9
AP8213457	28.34	23
AP8213458	28.33	20
AP8213459	28.33	22
AP8213460	28.33	10
AP8213461	28.34	16
AP8213462	28.34	14
AP8218478	28.21	3
AP8218483	28.21	6
AP8220263	28.27	9
AP8220269	28.01	9
AP8220346	28.32	6
AP8220402	28.22	21
AP8220402	28.23	18
AP8220402	28.25	7
AP8220422	28.19	3
AP8220460	28.01	14
AP8220471	28.10	2
AP8221119	28.33	7
AP8221150	28.22	17
AP8221160	28.06	15
AP8221172	29.31	10
AP8221173	28.16	3
AP8221204	28.02	5
AP8221206	29.31	6
AP8221213	28.01	8
AP8221213	28.16	13
AP8221227	28.06	9
AP8221312	28.15	7
AP8221312	28.38	10
AP8223054	28.05	10
AP8224209	28.35	2
AP8224210	28.35	14
AP8224211	28.35	15
AP8224212	28.35	16
AP8224213	28.35	11
AP8224214	28.35	12
AP8224215	28.35	13
AP8224318	28.35	6
AP8224389	28.35	22
AP8224390	28.35	21
AP8224393	28.35	23
AP8225148	28.33	5
AP8225271	28.33	12
AP8225359	28.35	18
AP8249191	28.21	4
AP8700792	30.56	5
AP8700793	30.56	5

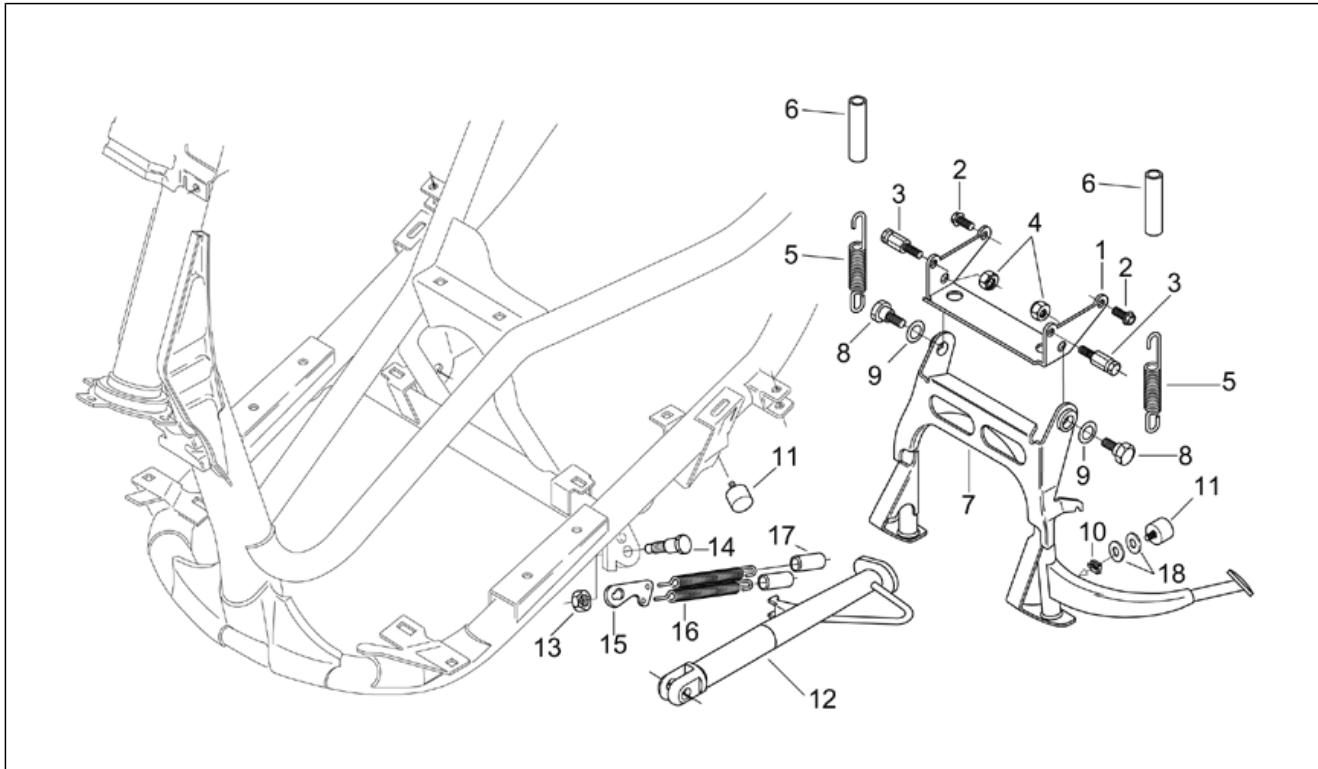
Code	Nr. der Tafel	Pos.
AP8700794	30.56	5
AP8701146	30.56	4
AP8720115	30.57	1
AP8720116	30.57	2
AP8720117	30.57	3
AP8720118	30.57	4
AP8791204	30.55	1
AP8791205	30.55	2
AP8792066	30.56	1
AP8792080	30.56	2
AP8792235	30.56	2
AP8792236	30.56	2
AP8792237	30.56	2
AP8792238	30.56	2
AP8792342	30.56	2

Einheit	RAHMEN
Code	28.01
Beschreibung	Rahmen
Inspektion	1



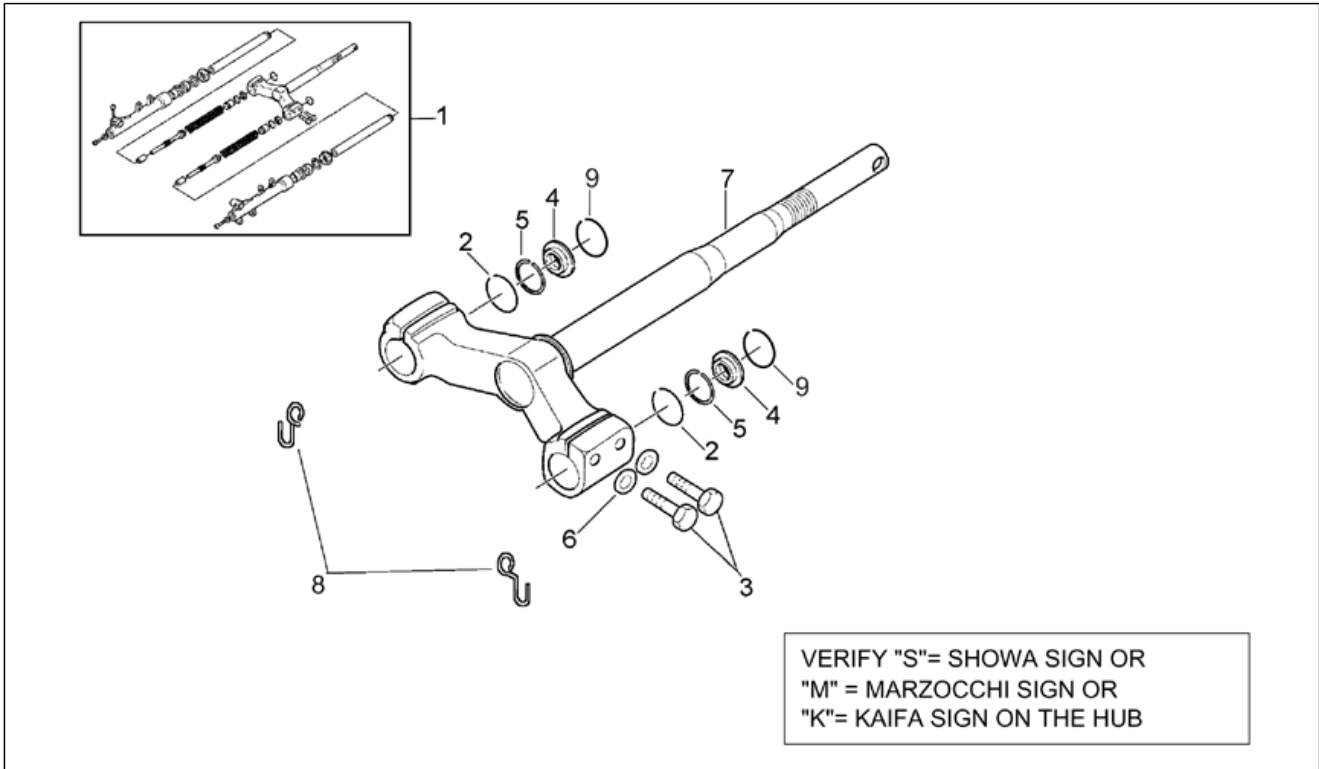
Pos.	Code	Beschreibung	Menge	Varianten
1	AP8146215	Rahmen mit Kataphorese	1	
2	AP8201643	Splint	2	
3	AP8123685	Satz Kugelringe	1	
4	AP8102376	Klammer M6	11	
5	AP8201763	Clip f. Blechschr. D5,5*	10	
6	AP8121308	Kabelführungs	1	
7	AP8152273	Flanschschraube M5x15	2	
8	AP8221213	Käfigmutter M6	2	
9	AP8220269	Kabelführungs	1	
10	AP8135677	Rastenbolzen	2	
11	AP8135975	Soziusrasten (Paar)	1	
12	AP8102375	Klammer M5	11	
13	AP8117210	Wärmeschutz	1	
14	AP8220460	Gummibecher	1	
15	AP8158322	Haltebügel	1	

Einheit	RAHMEN
Code	28.02
Beschreibung	Hauptständer
Inspektion	1



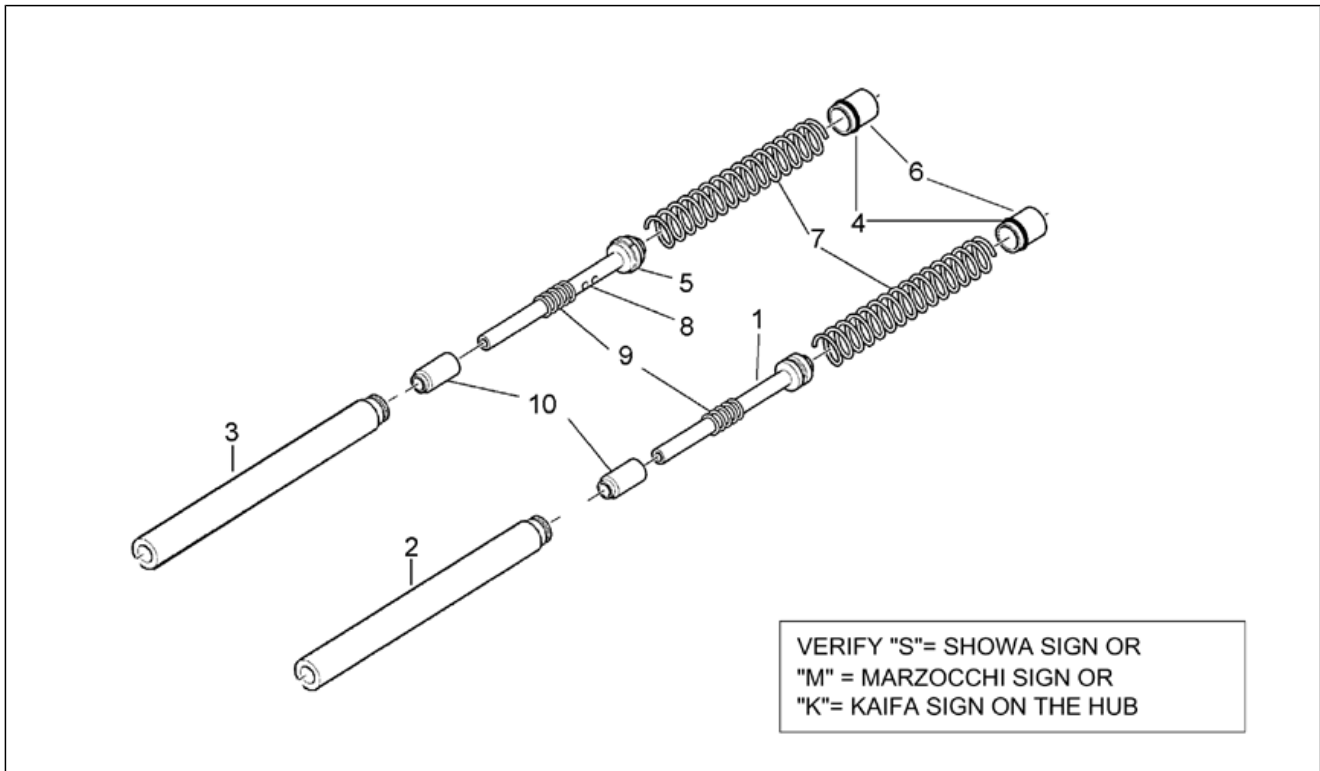
Pos.	Code	Beschreibung	Menge	Varianten
1	AP8134321	Platte Hauptständer	1	
2	AP8152286	TE Schr. m. Flansch M8x20	2	
3	AP8121937	Federschraube	2	
4	AP8152301	Selbstsperrende Mutter	2	
5	AP8221204	Hauptständer Schraubenfeder	2	
6	AP8120855	Schutz zentr. Kabelf.	2	
7	AP8146277	Hauptständer	1	
8	AP8121932	Ständerschraube	2	
9	AP8150466	Tellerfeder	2	
10	AP8152326	Mutter M6	1	
11	AP8144030	Anschlagstopfen Ständer	2	
12	AP8135623	Seitenständer	1	
13	AP8152001	Mutter unten M10x1,25	1	
14	AP8152295	Seitenständerschraube	1	
15	AP8121876	Fixierplatte Federn	1	
16	AP8121014	Schraubenfeder	2	
17	AP8144152	Gummi	2	
18	AP8150016	Scheibe 6,6x18x1,6	2	

Einheit	RAHMEN
Code	28.03
Beschreibung	Gabel - Fuß mit Rohr
Inspektion	1



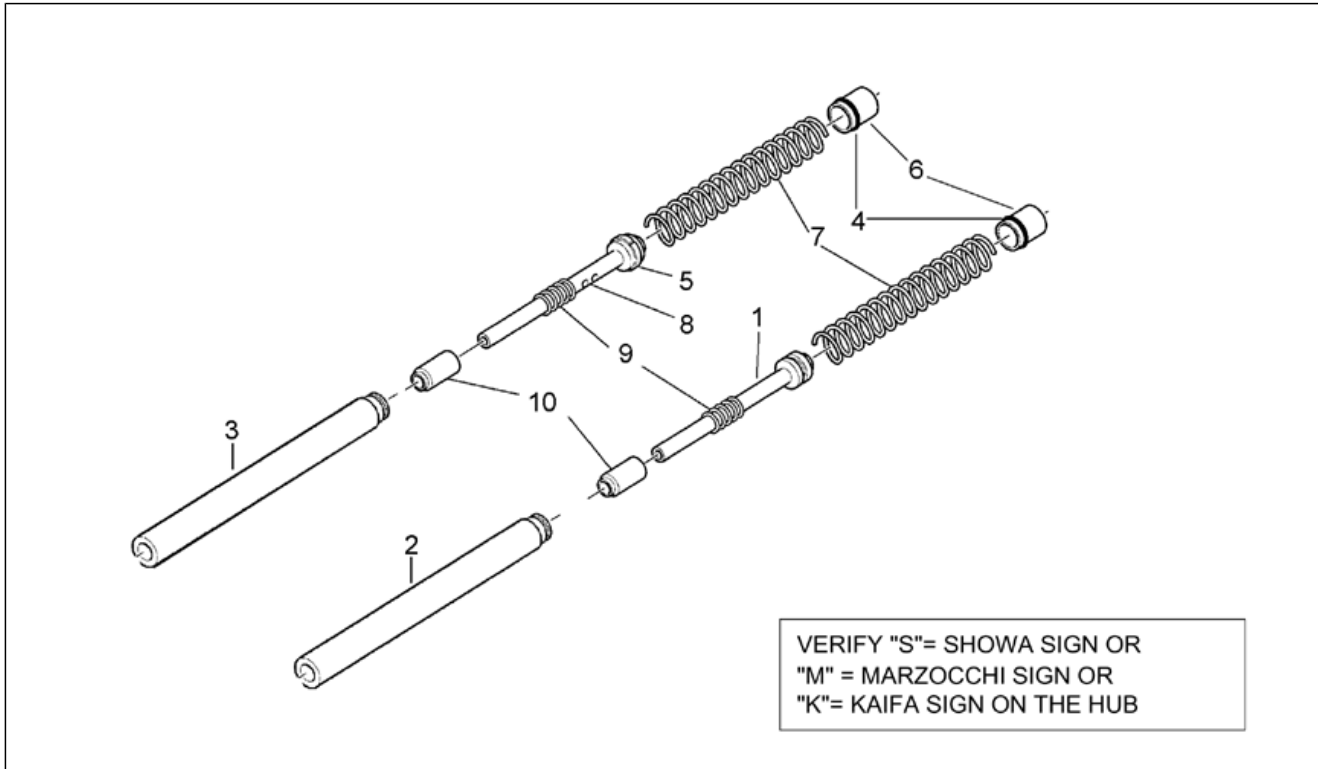
Pos.	Code	Beschreibung	Menge	Varianten
1	AP8123735	Baugruppe vordere Gabel	1	
2	AP8123695	O-Ring	2	Technische Daten: Gabel mit Buchstaben M auf dem Schaft[M]
2	AP8123756	Sperring	2	Technische Daten: Gabel mit Buchstaben S auf dem Schaft[S]
2	AP8163301	O-Ring	2	Technische Daten: Gabel mit Buchstaben K auf dem Schaft[K]
3	AP8123575	Spezialschraube M8x35	4	Technische Daten: Gabel mit Buchstaben M auf dem Schaft[M]
3	AP8123757	Schraube M8x30	4	Technische Daten: Gabel mit Buchstaben S auf dem Schaft[S]
4	AP8123696	Verschlussschraube	2	Technische Daten: Gabel mit Buchstaben M auf dem Schaft[M]
4	AP8123759	Verschlussschraube	2	Technische Daten: Gabel mit Buchstaben S auf dem Schaft[S]
4	AP8163303	Deckel	2	Technische Daten: Gabel mit Buchstaben K auf dem Schaft[K]
5	AP8123760	Sperring	2	Technische Daten: Gabel mit Buchstaben S auf dem Schaft[S]
5	AP8163302	Sperring	2	Technische Daten: Gabel mit Buchstaben K auf dem Schaft[K]
5	AP8203950	Seegerring	2	Technische Daten: Gabel mit Buchstaben M auf dem Schaft[M]
6	AP8123758	Ausgleichscheibe	4	Technische Daten: Gabel mit Buchstaben S auf dem Schaft[S]
7	AP8123694	Fuß mit Rohr	1	Technische Daten: Gabel mit Buchstaben M auf dem Schaft[M]
7	AP8123755	Fuß mit Rohr	1	Technische Daten: Gabel mit Buchstaben S auf dem Schaft[S]
8	AP8144055	Kabelführungs	2	
9	AP8163304	Sperring	2	Technische Daten: Gabel mit Buchstaben K auf dem Schaft[K]

Einheit	RAHMEN
Code	28.04
Beschreibung	Gabel - Schaften
Inspektion	1



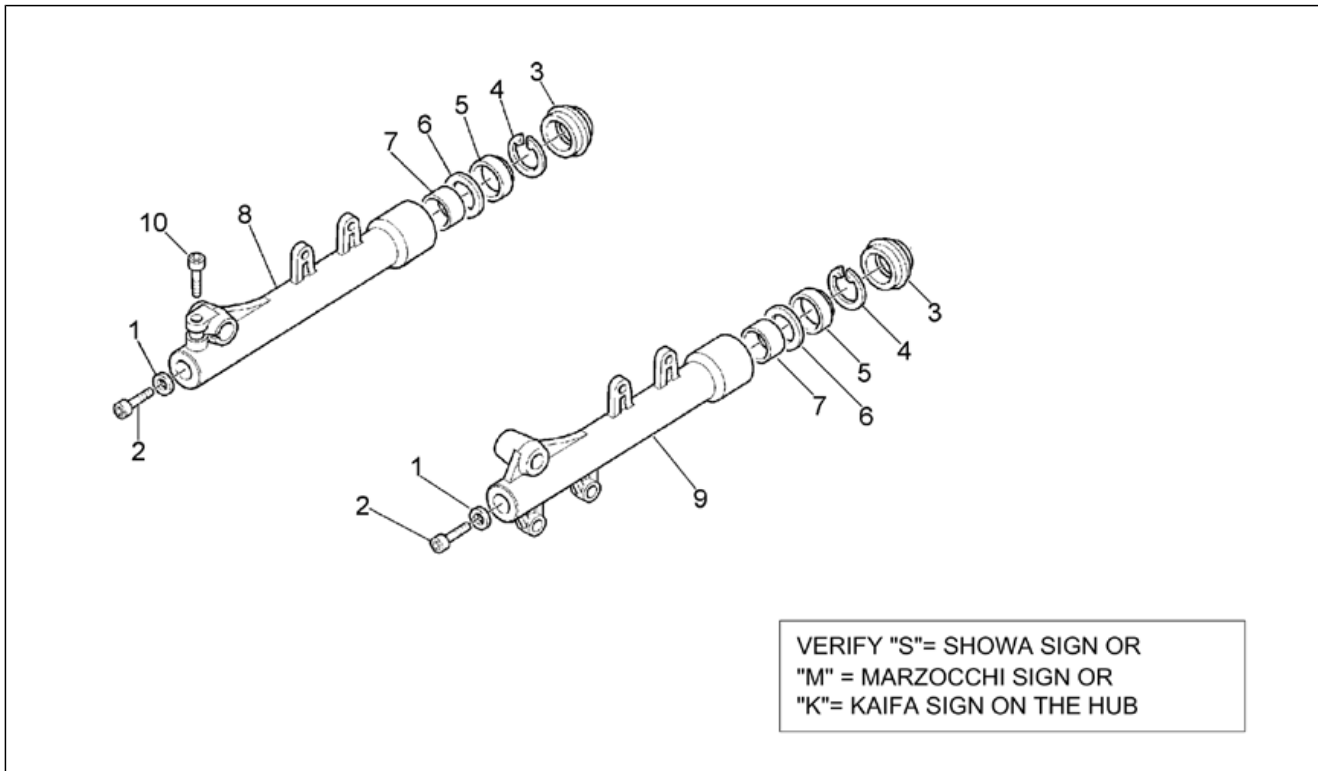
Pos.	Code	Beschreibung	Menge	Varianten
1	AP8123700	Pumpgestänge links	1	Technische Daten: Gabel mit Buchstaben M auf dem Schaft[M]
1	AP8123763	Stoßdämpfer	1	Technische Daten: Gabel mit Buchstaben S auf dem Schaft[S]
1	AP8163483	Stoßdämpfer	1	Technische Daten: Gabel mit Buchstaben K auf dem Schaft[K]
2	AP8123753	Kolbenstange links	1	Technische Daten: Gabel mit Buchstaben M auf dem Schaft[M]
2	AP8123766	Schaft	1	Technische Daten: Gabel mit Buchstaben S auf dem Schaft[S]
2	AP8163484	Schaft	1	Technische Daten: Gabel mit Buchstaben K auf dem Schaft[K]
3	AP8123752	Kolbenstange rechts	1	Technische Daten: Gabel mit Buchstaben M auf dem Schaft[M]
3	AP8123766	Schaft	1	Technische Daten: Gabel mit Buchstaben S auf dem Schaft[S]
3	AP8163484	Schaft	1	Technische Daten: Gabel mit Buchstaben K auf dem Schaft[K]
4	AP8123775	O-Ring	2	Technische Daten: Gabel mit Buchstaben S auf dem Schaft[S]
5	AP8123754	Kolbenring	1	Technische Daten: Gabel mit Buchstaben M auf dem Schaft[M]
5	AP8123776	Ring	1	Technische Daten: Gabel mit Buchstaben S auf dem Schaft[S]
5	AP8163439	Ring	2	Technische Daten: Gabel mit Buchstaben K auf dem Schaft[K]
6	AP8123698	Verschlußschraube kplt.	2	Technische Daten: Gabel mit Buchstaben M auf dem Schaft[M]
6	AP8123761	Deckel	2	Technische Daten: Gabel mit Buchstaben S auf dem Schaft[S]
6	AP8163300	Deckel	2	Technische Daten: Gabel mit Buchstaben K auf dem Schaft[K]

Einheit	RAHMEN
Code	28.04
Beschreibung	Gabel - Schaften
Inspektion	1



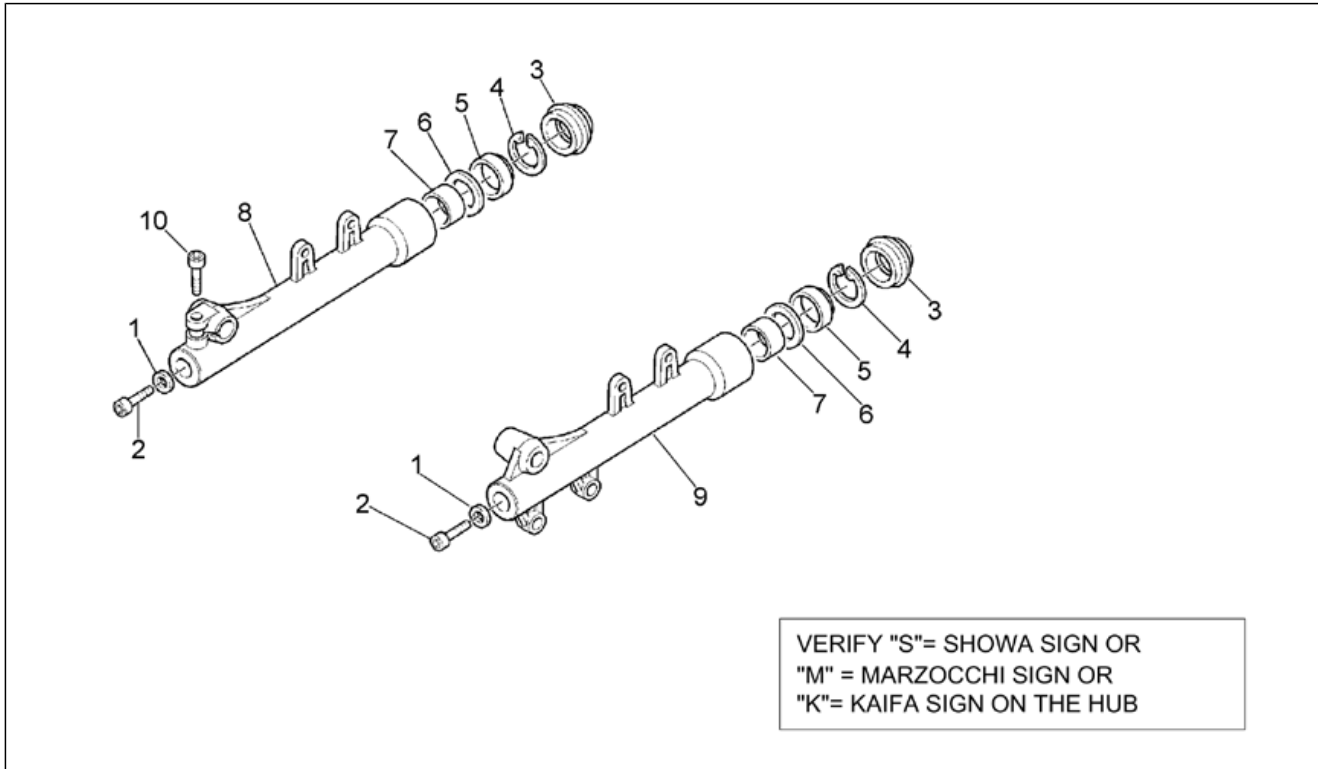
Pos.	Code	Beschreibung	Menge	Varianten
7	AP8123699	Feder	2	Technische Daten: Gabel mit Buchstaben M auf dem Schaft[M]
7	AP8123762	Feder	2	Technische Daten: Gabel mit Buchstaben S auf dem Schaft[S]
7	AP8163482	Feder	2	Technische Daten: Gabel mit Buchstaben K auf dem Schaft[K]
8	AP8123709	Pumpgestänge rechts	1	Technische Daten: Gabel mit Buchstaben M auf dem Schaft[M]
8	AP8123763	Stoßdämpfer	1	Technische Daten: Gabel mit Buchstaben S auf dem Schaft[S]
8	AP8163483	Stoßdämpfer	1	Technische Daten: Gabel mit Buchstaben K auf dem Schaft[K]
9	AP8123708	Gegenfeder	2	Technische Daten: Gabel mit Buchstaben M auf dem Schaft[M]
9	AP8123764	Feder	2	Technische Daten: Gabel mit Buchstaben S auf dem Schaft[S]
9	AP8163291	Gegenfeder	2	Technische Daten: Gabel mit Buchstaben K auf dem Schaft[K]
10	AP8123701	Bodenstopfen	2	Technische Daten: Gabel mit Buchstaben M auf dem Schaft[M]
10	AP8123765	Bodenstopfen	2	Technische Daten: Gabel mit Buchstaben S auf dem Schaft[S]
10	AP8163289	Bodenstopfen	2	Technische Daten: Gabel mit Buchstaben K auf dem Schaft[K]

Einheit	RAHMEN
Code	28.05
Beschreibung	Gabel - Hülsen
Inspektion	1



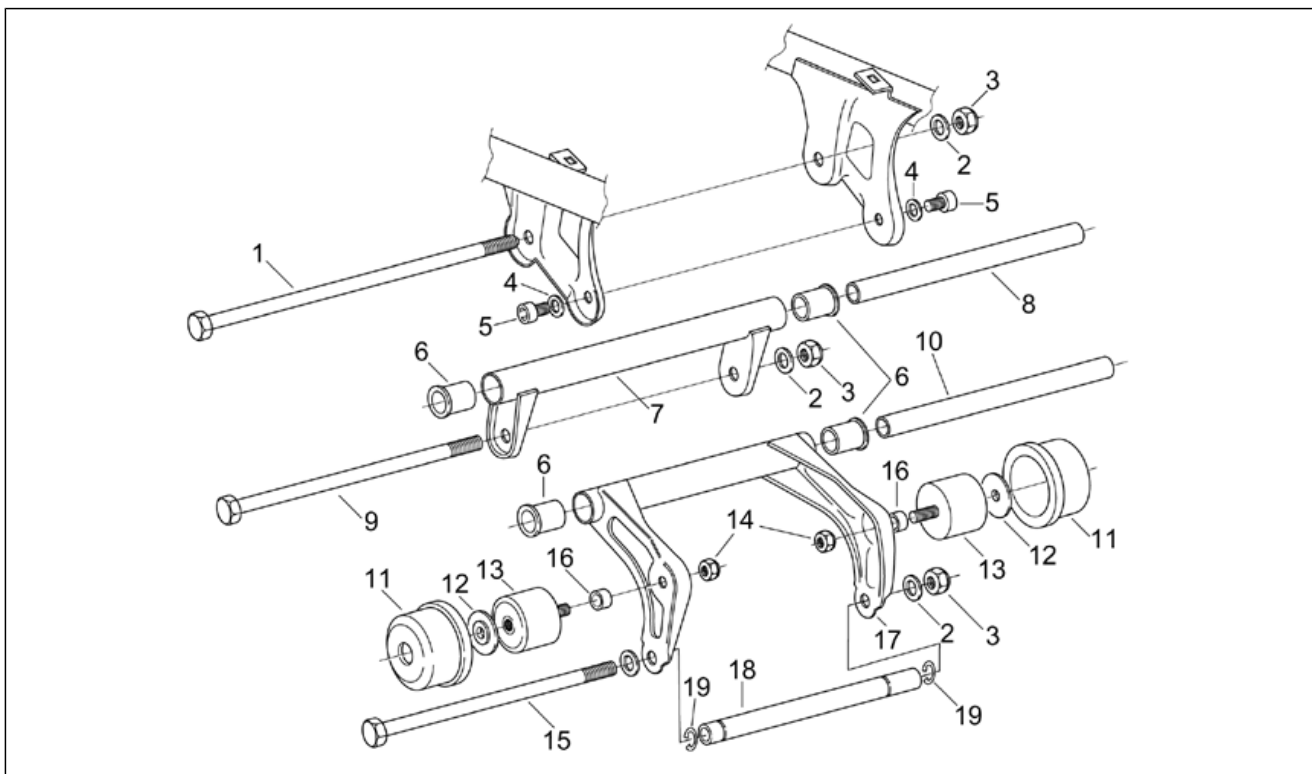
Pos.	Code	Beschreibung	Menge	Varianten
1	AP8163435	Dichtscheibe	2	Technische Daten: Gabel mit Buchstaben K auf dem Schaft[K]
1	AP8203572	Dichtscheibe	2	Technische Daten: Gabel mit Buchstaben M auf dem Schaft[M]
1	AP8203794	Ausgleichscheibe	2	Technische Daten: Gabel mit Buchstaben S auf dem Schaft[S]
2	AP8123774	Zylinderschraube M8x30	2	Technische Daten: Gabel mit Buchstaben S auf dem Schaft[S]
2	AP8163285	Schraube M10x30	2	Technische Daten: Gabel mit Buchstaben K auf dem Schaft[K]
2	AP8203570	Zylinderschraube M8x30	2	Technische Daten: Gabel mit Buchstaben M auf dem Schaft[M]
3	AP8123767	Staubschutz	2	Technische Daten: Gabel mit Buchstaben S auf dem Schaft[S]
3	AP8163298	Staubschutz	2	Technische Daten: Gabel mit Buchstaben K auf dem Schaft[K]
3	AP8203258	Staubschutz	2	Technische Daten: Gabel mit Buchstaben M auf dem Schaft[M]
4	AP8123704	Sperring	2	Technische Daten: Gabel mit Buchstaben M auf dem Schaft[M]
4	AP8123768	Sperring	2	Technische Daten: Gabel mit Buchstaben S auf dem Schaft[S]
4	AP8163297	Sperring	2	Technische Daten: Gabel mit Buchstaben K auf dem Schaft[K]
5	AP8103199	Ölabstreifring	2	Technische Daten: Gabel mit Buchstaben M auf dem Schaft[M]
5	AP8123769	Ölabstreifring	2	Technische Daten: Gabel mit Buchstaben S auf dem Schaft[S]
5	AP8163296	Ölabstreifring	2	Technische Daten: Gabel mit Buchstaben K auf dem Schaft[K]
6	AP8123705	Becher	2	Technische Daten: Gabel mit Buchstaben M auf dem Schaft[M]

Einheit	RAHMEN
Code	28.05
Beschreibung	Gabel - Hülsen
Inspektion	1



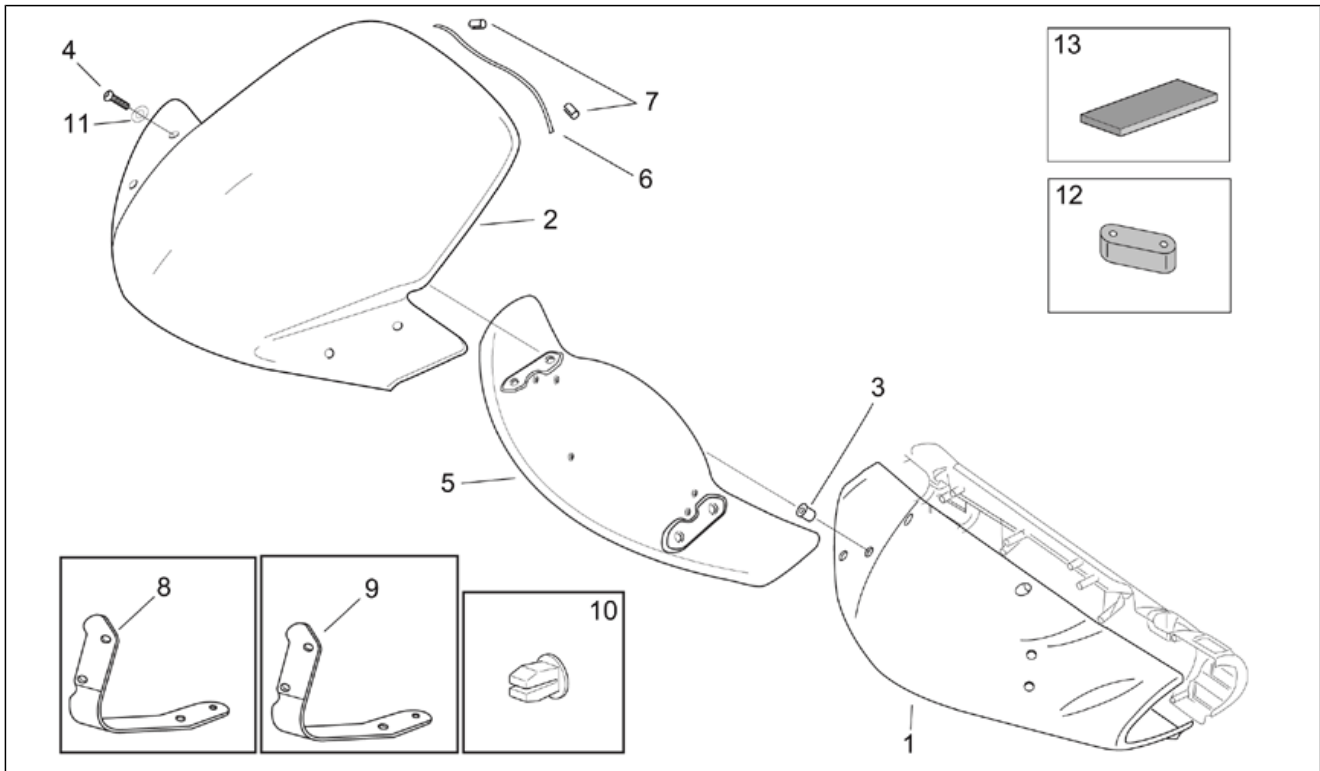
Pos.	Code	Beschreibung	Menge	Varianten
6	AP8123770	Becher	2	Technische Daten: Gabel mit Buchstaben S auf dem Schaft[S]
6	AP8163295	Scheibe Ölabbreifer	2	Technische Daten: Gabel mit Buchstaben K auf dem Schaft[K]
7	AP8123771	Gleitbuchse	2	Technische Daten: Gabel mit Buchstaben S auf dem Schaft[S]
7	AP8163294	Gleitbuchse	2	Technische Daten: Gabel mit Buchstaben K auf dem Schaft[K]
7	AP8203447	Gleitbuchse	2	Technische Daten: Gabel mit Buchstaben M auf dem Schaft[M]
8	AP8123706	Rechte Hülse	1	Technische Daten: Gabel mit Buchstaben M auf dem Schaft[M]
8	AP8123772	Rechte Hülse	1	Technische Daten: Gabel mit Buchstaben S auf dem Schaft[S]
8	AP8163486	Rechte Hülse	1	Technische Daten: Gabel mit Buchstaben K auf dem Schaft[K]
9	AP8123707	Linke Hülse	1	Technische Daten: Gabel mit Buchstaben M auf dem Schaft[M]
9	AP8123773	Linke Hülse	1	Technische Daten: Gabel mit Buchstaben S auf dem Schaft[S]
9	AP8163485	Linke Hülse	1	Technische Daten: Gabel mit Buchstaben K auf dem Schaft[K]
10	AP8203571	Schraube	1	Technische Daten: Gabel mit Buchstaben M auf dem Schaft[M]
10	AP8203796	Schraube M6x20	1	Technische Daten: Gabel mit Buchstaben S auf dem Schaft[S]
10	AP8223054	TCEI Schraube M6x20	1	Technische Daten: Gabel mit Buchstaben K auf dem Schaft[K]

Einheit	RAHMEN
Code	28.06
Beschreibung	Pleuelstange
Inspektion	1



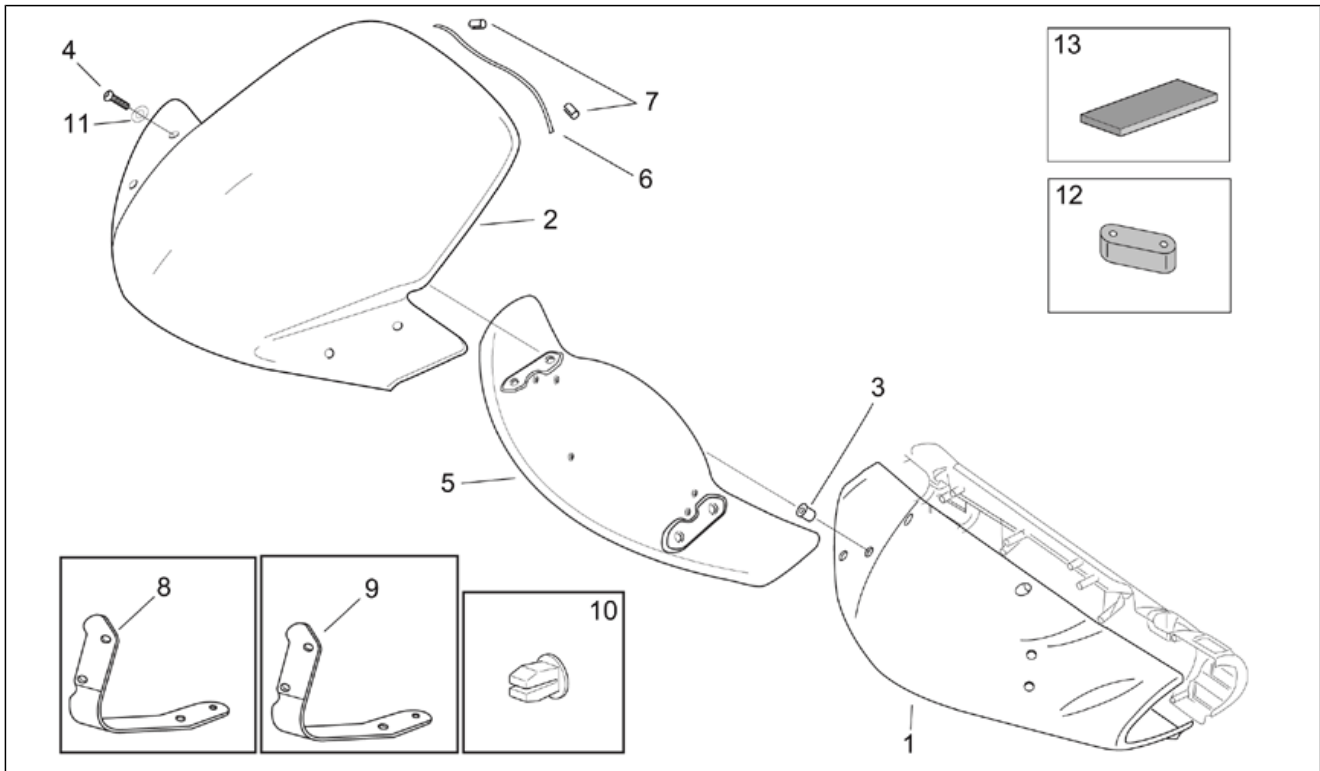
Pos.	Code	Beschreibung	Menge	Varianten
1	AP8121930	Motoranlenkbolzen	1	
2	AP8152018	Scheibe 12,2x22x2	3	
3	AP8150432	Selbstsperr.mut Unt. M12*	3	
4	AP8150210	Gebogene Sprengscheibe *	2	
5	AP8150455	TCEI Schraube M10x20	2	
6	AP8102538	Harzbuchse	4	
7	AP8135850	Rahmen-Pleuelstange	1	
8	AP8121975	Nebenpleuelbuchse	1	
9	AP8221227	Bolzen M12x270	1	
10	AP8121976	Nebenpleuelbuchse	1	
11	AP8121931	Pleuestange Haube	2	
12	AP8121214	T-Buchse	2	
13	AP8120877	Silent-Block Nebenpleuel	2	
14	AP8152301	Selbstsperrende Mutter	2	
15	AP8221160	Bolzen M12	1	
16	AP8121218	Distanzscheibe 10,2x20x4	2	
17	AP8135622	Motor-Pleuelstange	1	
18	AP8121954	Motor-Drehzapfen	1	
19	AP8206233	Seegerring für Welle D17	2	

Einheit	RAHMEN
Code	28.07
Beschreibung	Frontaufbau - Kuppel
Inspektion	1



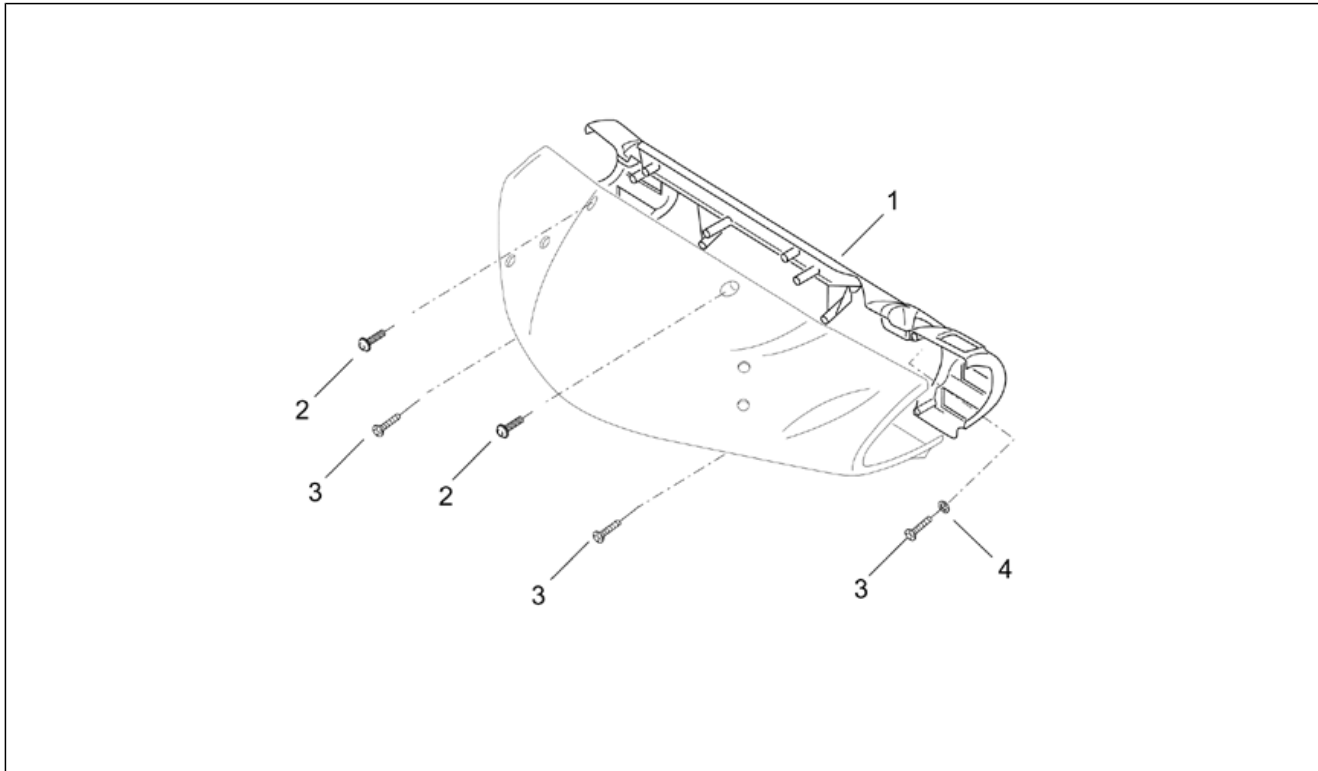
Pos.	Code	Beschreibung	Menge	Varianten
1	AP8158514	Kuppel, blau	1	Baujahr: 2001[1], 2002[2] Fahrzeugfarbe: Blau Infinity 2001[i.blu]
1	AP8158548	Kuppel, grau	1	Baujahr: 2004[4] Fahrzeugfarbe: Bleigrau 2004[grey]
1	AP8158548	Kuppel, grau	1	Baujahr: 2001[1], 2002[2] Fahrzeugfarbe: Bleigrau 2001[p.gr]
1	AP8158642	Kuppel, schwarz	1	Baujahr: 2003[3] Fahrzeugfarbe: Sbk 2003[sbk]
1	AP8158642	Kuppel, schwarz	1	Baujahr: 2001[1], 2002[2] Fahrzeugfarbe: Schwarz Aprilia '2001[black]
1	AP8158696	Kuppel, rot	1	Baujahr: 2001[1], 2002[2] Fahrzeugfarbe: Rot Flame 2001[red]
1	AP8168655	Kuppel, grau	1	Baujahr: 2004[4] Fahrzeugfarbe: Grau Titan 2004[tit.g]
1	AP8168655	Kuppel, grau	1	Baujahr: 2003[3] Fahrzeugfarbe: Grau Titan 2003[titan]
1	AP8168673	Kuppel, rot	1	Baujahr: 2003[3] Fahrzeugfarbe: Rot Tulip 2003[rosso]
1	AP8178292	Kuppel, blau	1	Baujahr: 2004[4] Fahrzeugfarbe: Blau Hilton 2004[hilt]
1	AP8178305	Kuppel, blau	1	Baujahr: 2004[4] Fahrzeugfarbe: Blau Main 2004[main]
2	AP8158311	Wetterschutz	1	Land: Österreich[A], Belgien[B], Schweiz[CH], Deutschland[D], Dänemark[DK], Spanien[E], A-B-CH-D-DK-F-I[EU], Frankreich[F], Italien[I], Mexiko[ME], Mexiko[MX], Großbritannien[UK]
2	AP8168282	Wetterschutz	1	Land: Australien[AUS]
3	AP8120531	Gummi mit Einsatz	4	
4	AP8152270	TBEI Schraube M5x25	4	
5	AP8121553	Windschildhalter	1	Baujahr: 2004[4] Fahrzeugfarbe: Bleigrau 2004[grey], Blau Main 2004[main]
5	AP8121553	Windschildhalter	1	Baujahr: 2001[1], 2002[2]

Einheit	RAHMEN
Code	28.07
Beschreibung	Frontaufbau - Kuppel
Inspektion	1



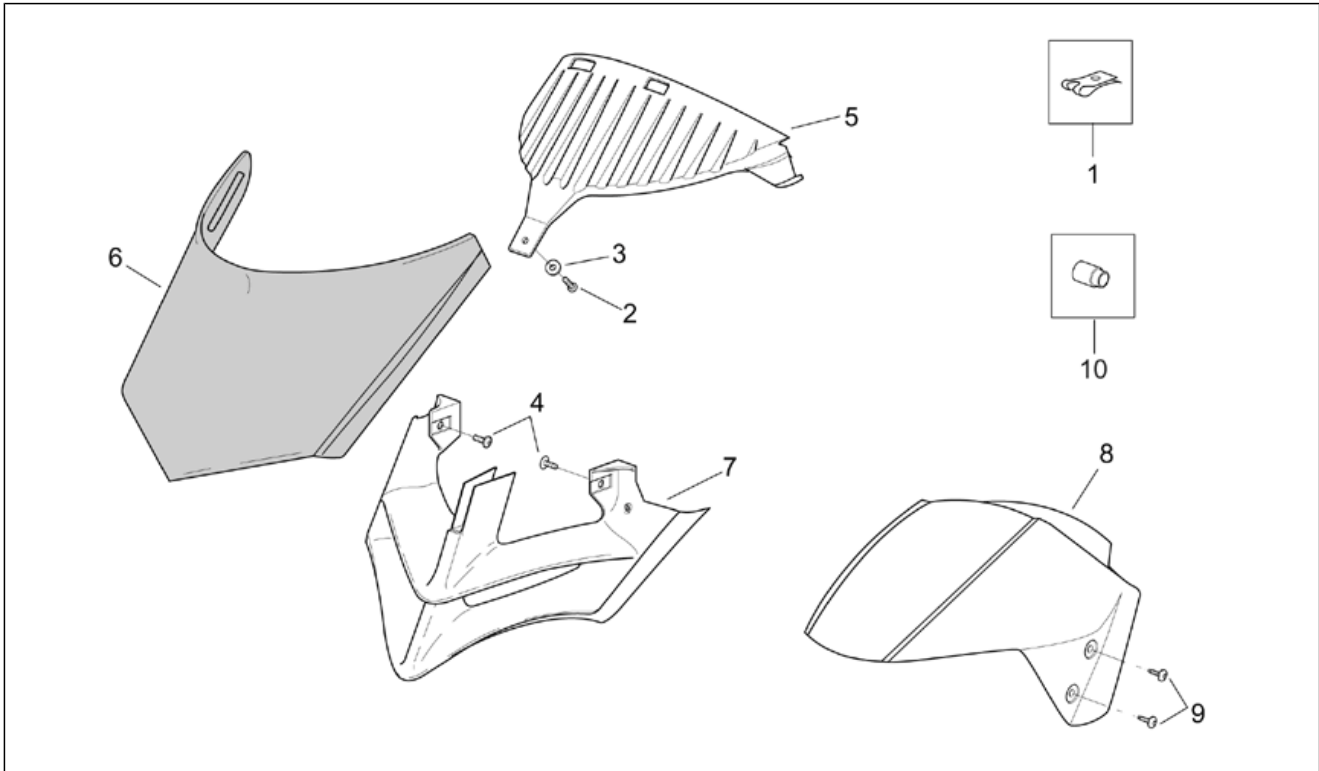
Pos.	Code	Beschreibung	Menge	Varianten
5	AP8168666	Windschildhalter	1	Baujahr: 2004[4] Fahrzeugfarbe: Blau Hilton 2004[hilt], Grau Titan 2004[tit.g]
5	AP8168666	Windschildhalter	1	Baujahr: 2003[3] Fahrzeugfarbe: Grau Titan 2003[titan]
5	AP8168681	Windschildhalter	1	Baujahr: 2003[3] Fahrzeugfarbe: Rot Tulip 2003[rosso]
5	AP8168783	Windschildhalter	1	Baujahr: 2003[3] Fahrzeugfarbe: Sbk 2003[sbk]
6	AP8144512	Dichtung Sportsch.	1	Land: Deutschland[D]
7	AP8106712	Klammer	2	Land: Deutschland[D]
8	AP8134840	Tragbügel kuppel rechts	1	
9	AP8134842	Tragbügel kuppel links	1	
10	AP8102671	Kunststoffniet	4	
11	AP8120622	Vord. Staubschutzring	4	
12	AP8144513	Puffer	2	
13	AP8117033	Klebeschwamm	1	

Einheit	RAHMEN
Code	28.08
Beschreibung	Frontaufbau - Instrumententafel
Inspektion	1



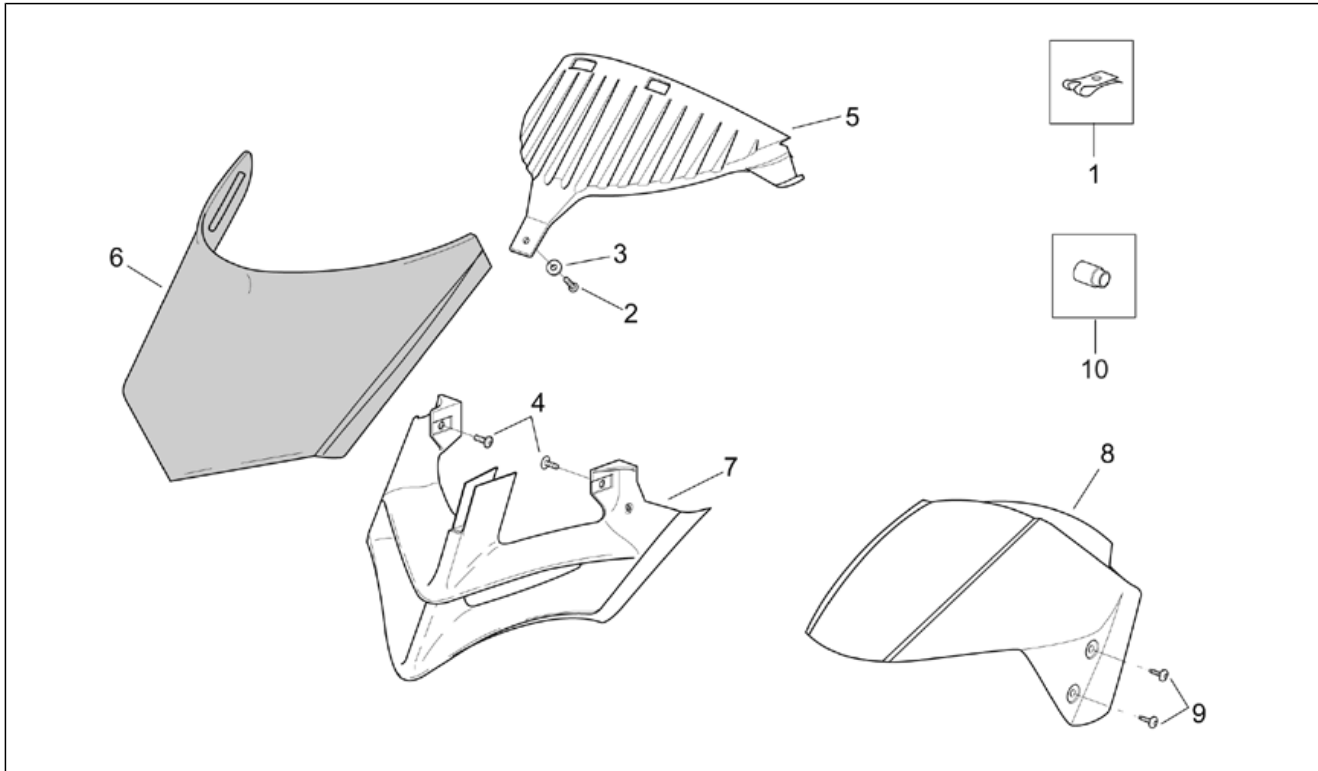
Pos.	Code	Beschreibung	Menge	Varianten
1	AP8149995	Instrumententafel, schwarz	1	Baujahr:2001[1], 2002[2] Fahrzeugfarbe:Schwarz Aprilia '2001[black]
1	AP8149995	Instrumententafel, schwarz	1	Baujahr:2003[3] Fahrzeugfarbe:Sbk 2003[sbk]
1	AP8158515	Instrumententafel, blau	1	Baujahr:2001[1], 2002[2] Fahrzeugfarbe:Blau Infinity 2001[i.blu]
1	AP8158550	Instrumententafel, grau	1	Baujahr:2001[1], 2002[2] Fahrzeugfarbe:Bleigrau 2001[p.gr]
1	AP8158550	Instrumententafel, grau	1	Baujahr:2004[4] Fahrzeugfarbe:Bleigrau 2004[grey]
1	AP8158697	Instrumententafel, rot	1	Baujahr:2001[1], 2002[2] Fahrzeugfarbe:Rot Flame 2001[red]
1	AP8168656	Instrumententafel, grau	1	Baujahr:2003[3] Fahrzeugfarbe:Grau Titan 2003[titan]
1	AP8168656	Instrumententafel, grau	1	Baujahr:2004[4] Fahrzeugfarbe:Grau Titan 2004[tit.g]
1	AP8168674	Instrumententafel, rot	1	Baujahr:2003[3] Fahrzeugfarbe:Rot Tulip 2003[rosso]
1	AP8178293	Instrumententafel, blau	1	Baujahr:2004[4] Fahrzeugfarbe:Blau Hilton 2004[hilt]
1	AP8178306	Instrumententafel, blau	1	Baujahr:2004[4] Fahrzeugfarbe:Blau Main 2004[main]
2	AP8152334	TBEI Schraube m.Flansch M3x12	4	
3	AP8150460	Gewindeschraube M4x12	6	
4	AP8150011	Ausgleichscheibe 4,3x12x1	4	

Einheit	RAHMEN
Code	28.09
Beschreibung	Frontaufbau - Haube
Inspektion	1



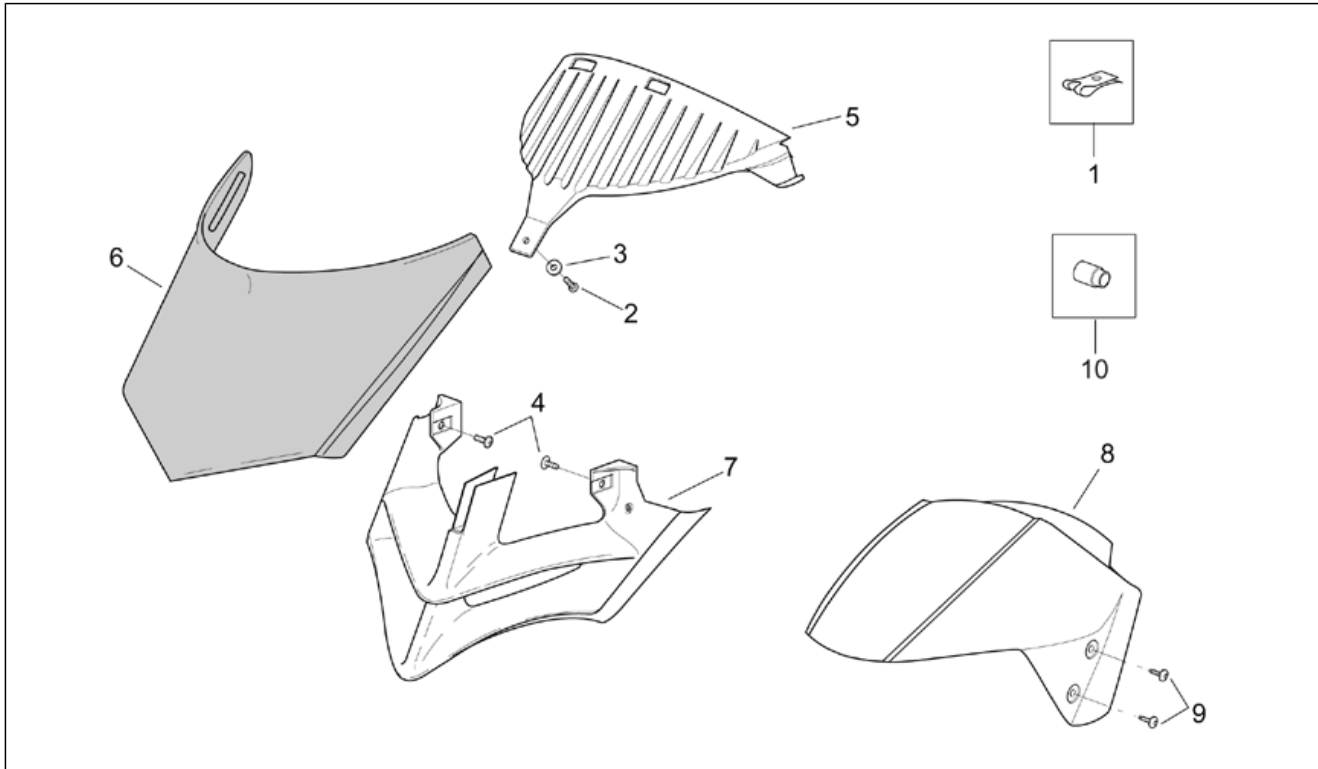
Pos.	Code	Beschreibung	Menge	Varianten
1	AP8102375	Klammer M5	2	
2	AP8152268	TBEI Spez.schr. M5x16	1	
3	AP8150248	Ausgleichscheibe 5,5x15x1,6	1	
4	AP8152298	TBEI Schraube m.Flansch M5x16	2	
5	AP8158314	Ob. Schildblende grau	1	Baujahr:2003[3] Fahrzeugfarbe:Rot Tulip 2003[rosso]
5	AP8158314	Ob. Schildblende grau	1	Baujahr:2004[4]
5	AP8158314	Ob. Schildblende grau	1	Baujahr:2001[1], 2002[2]
5	AP8158314	Ob. Schildblende grau	1	Baujahr:2003[3] Fahrzeugfarbe:Grau Titan 2003[titan]
5	AP8168781	Ob. Schildblende	1	Baujahr:2003[3] Fahrzeugfarbe:Sbk 2003[sbk]
6	AP8158523	Fronthaube, blau	1	Baujahr:2001[1], 2002[2] Fahrzeugfarbe:Blau Infinity 2001[i.blu]
6	AP8158543	Fronthaube, grau	1	Baujahr:2001[1], 2002[2] Fahrzeugfarbe:Bleigrau 2001[p.gr]
6	AP8158646	Fronthaube, schwarz	1	Baujahr:2001[1], 2002[2] Fahrzeugfarbe:Schwarz Aprilia '2001[black]
6	AP8158702	Fronthaube, rot	1	Baujahr:2001[1], 2002[2] Fahrzeugfarbe:Rot Flame 2001[red]
6	AP8168649	Fronthaube, grau	1	Baujahr:2003[3] Fahrzeugfarbe:Grau Titan 2003[titan]
6	AP8168649	Fronthaube, grau	1	Baujahr:2004[4] Fahrzeugfarbe:Grau Titan 2004[tit.g]
6	AP8168667	Fronthaube, rot	1	Baujahr:2003[3] Fahrzeugfarbe:Rot Tulip 2003[rosso]
6	AP8168773	Fronthaube, schwarz	1	Baujahr:2003[3] Fahrzeugfarbe:Sbk 2003[sbk]
6	AP8178283	Fronthaube, grau	1	Baujahr:2004[4] Fahrzeugfarbe:Bleigrau 2004[grey]
6	AP8178286	Fronthaube, blau	1	Baujahr:2004[4]

Einheit	RAHMEN
Code	28.09
Beschreibung	Frontaufbau - Haube
Inspektion	1



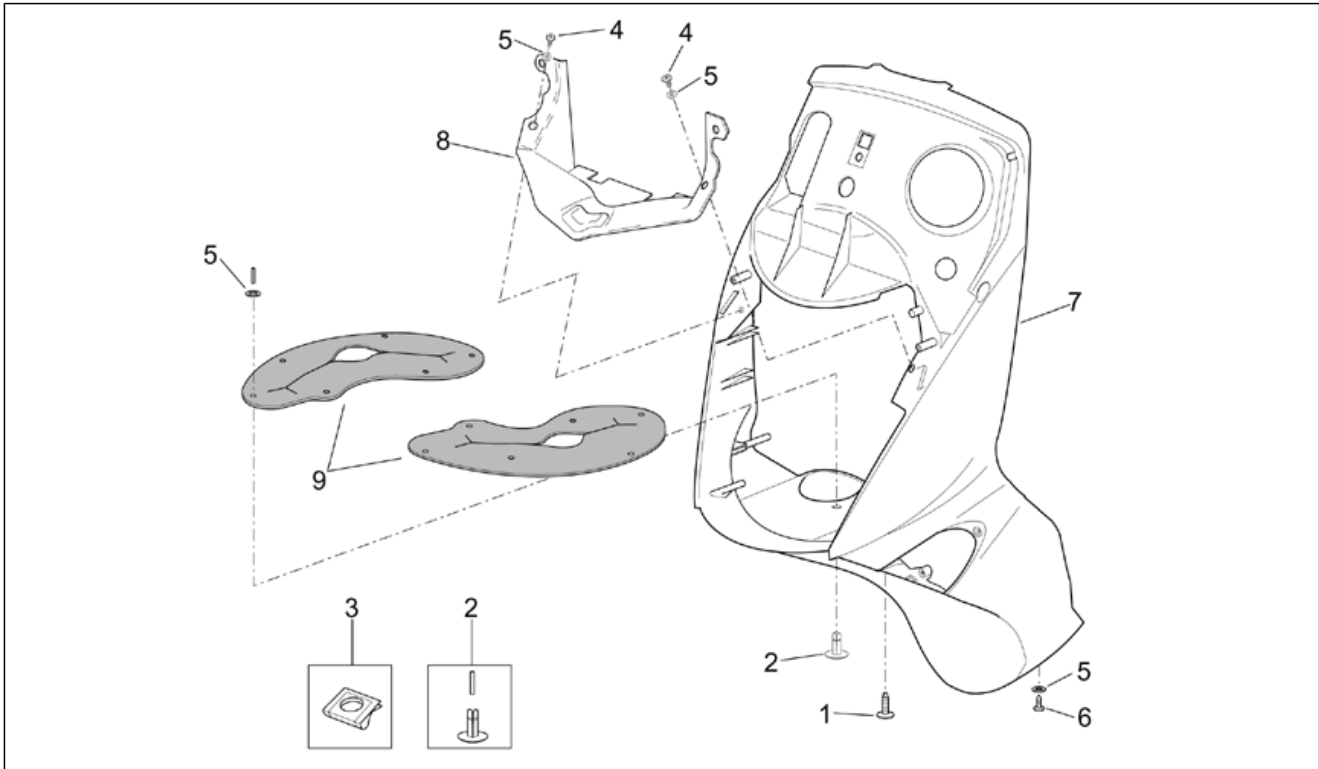
Pos.	Code	Beschreibung	Menge	Varianten
				Fahrzeugfarbe:Blau Hilton 2004[hilt]
6	AP8178299	Fronthaube, blau	1	Baujahr:2004[4] Fahrzeugfarbe:Blau Main 2004[main]
7	AP8158315	Kühlergitter grau	1	Baujahr:2004[4] Fahrzeugfarbe:Bleigrau 2004[grey]
7	AP8158315	Kühlergitter grau	1	Baujahr:2001[1], 2002[2] Fahrzeugfarbe:Bleigrau 2001[p.gr]
7	AP8158512	Kühlergitter V.blau	1	Baujahr:2001[1], 2002[2] Fahrzeugfarbe:Blau Infinity 2001[i.blu]
7	AP8158637	Kühlergitter grau schwarz	1	Baujahr:2001[1], 2002[2] Fahrzeugfarbe:Schwarz Aprilia '2001[black]
7	AP8158637	Kühlergitter grau schwarz	1	Baujahr:2003[3] Fahrzeugfarbe:Sbk 2003[sbk]
7	AP8158691	Kühlergitter rot	1	Baujahr:2001[1], 2002[2] Fahrzeugfarbe:Rot Flame 2001[red]
7	AP8168650	Kühlergitter grau	1	Baujahr:2004[4] Fahrzeugfarbe:Grau Titan 2004[tit.g]
7	AP8168650	Kühlergitter grau	1	Baujahr:2003[3] Fahrzeugfarbe:Grau Titan 2003[titan]
7	AP8168668	Kühlergitter rot	1	Baujahr:2003[3] Fahrzeugfarbe:Rot Tulip 2003[rosso]
7	AP8178287	Kühlergitter V.blau	1	Baujahr:2004[4] Fahrzeugfarbe:Blau Hilton 2004[hilt]
7	AP8178300	Kühlergitter V.blau	1	Baujahr:2004[4] Fahrzeugfarbe:Blau Main 2004[main]
8	AP8126957	V. Schutzblech, grau	1	Baujahr:2004[4] Fahrzeugfarbe:Bleigrau 2004[grey]
8	AP8126957	V. Schutzblech, grau	1	Baujahr:2001[1], 2002[2] Fahrzeugfarbe:Bleigrau 2001[p.gr]
8	AP8126976	V. Schutzblech, blau	1	Baujahr:2001[1], 2002[2] Fahrzeugfarbe:Blau Infinity 2001[i.blu]
8	AP8126981	V. Schutzblech, schwarz	1	Baujahr:2001[1], 2002[2]

Einheit	RAHMEN
Code	28.09
Beschreibung	Frontaufbau - Haube
Inspektion	1



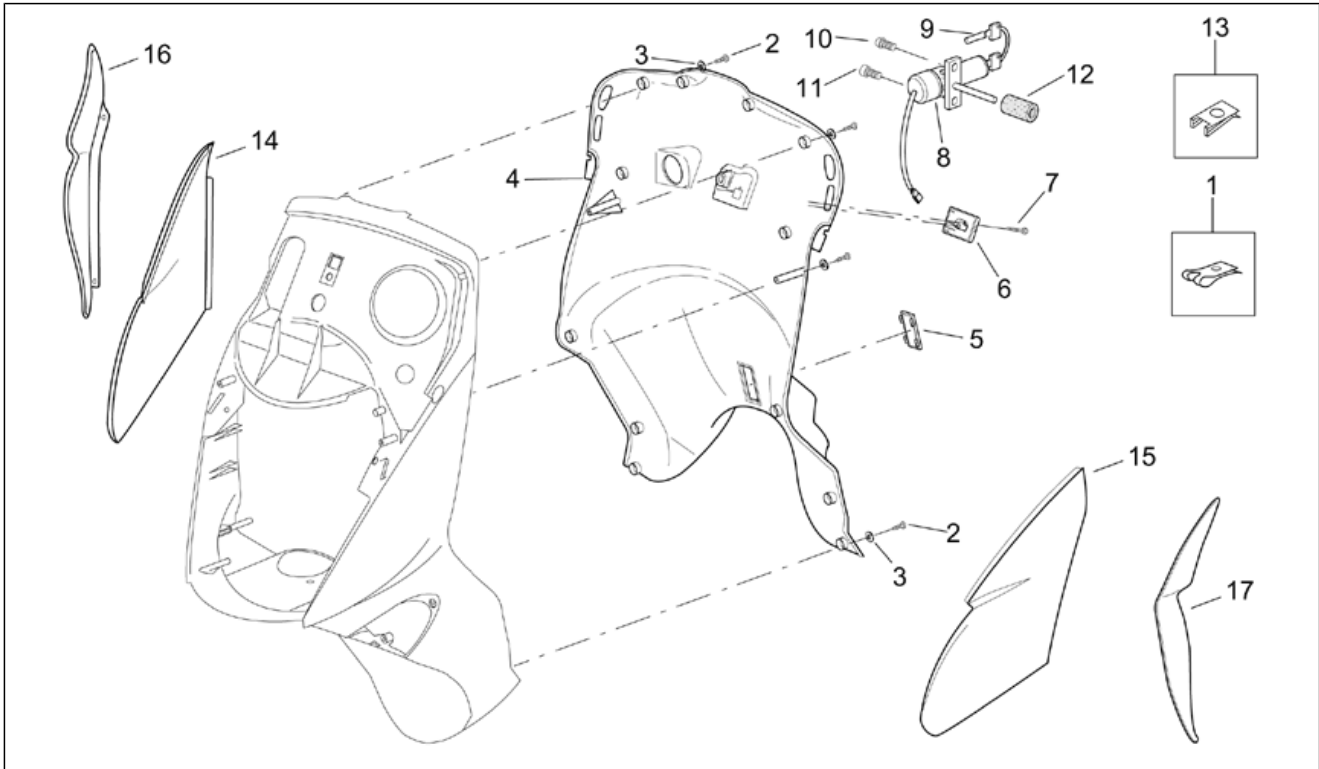
Pos.	Code	Beschreibung	Menge	Varianten
				Fahrzeugfarbe: Schwarz Aprilia '2001[black]
8	AP8126984	V. Schutzblech, rot	1	Baujahr: 2001[1], 2002[2] Fahrzeugfarbe: Rot Flame 2001[red]
8	AP8156058	V. Schutzblech, grau	1	Baujahr: 2003[3] Fahrzeugfarbe: Grau Titan 2003[titan]
8	AP8156058	V. Schutzblech, grau	1	Baujahr: 2004[4] Fahrzeugfarbe: Grau Titan 2004[tit.g]
8	AP8156059	V. Schutzblech, rot	1	Baujahr: 2003[3] Fahrzeugfarbe: Rot Tulip 2003[rosso]
8	AP8156066	V. Schutzblech, schwarz	1	Baujahr: 2003[3] Fahrzeugfarbe: Sbk 2003[sbk]
8	AP8156119	V. Schutzblech, blau	1	Baujahr: 2004[4] Fahrzeugfarbe: Blau Hilton 2004[hilt]
8	AP8156120	V. Schutzblech, blau	1	Baujahr: 2004[4] Fahrzeugfarbe: Blau Main 2004[main]
9	AP8152338	TBEI Schraube m.Flansch	4	
10	AP8121341	Buchse Schutzblech	4	

Einheit	RAHMEN
Code	28.10
Beschreibung	Frontaufbau - Schild
Inspektion	1



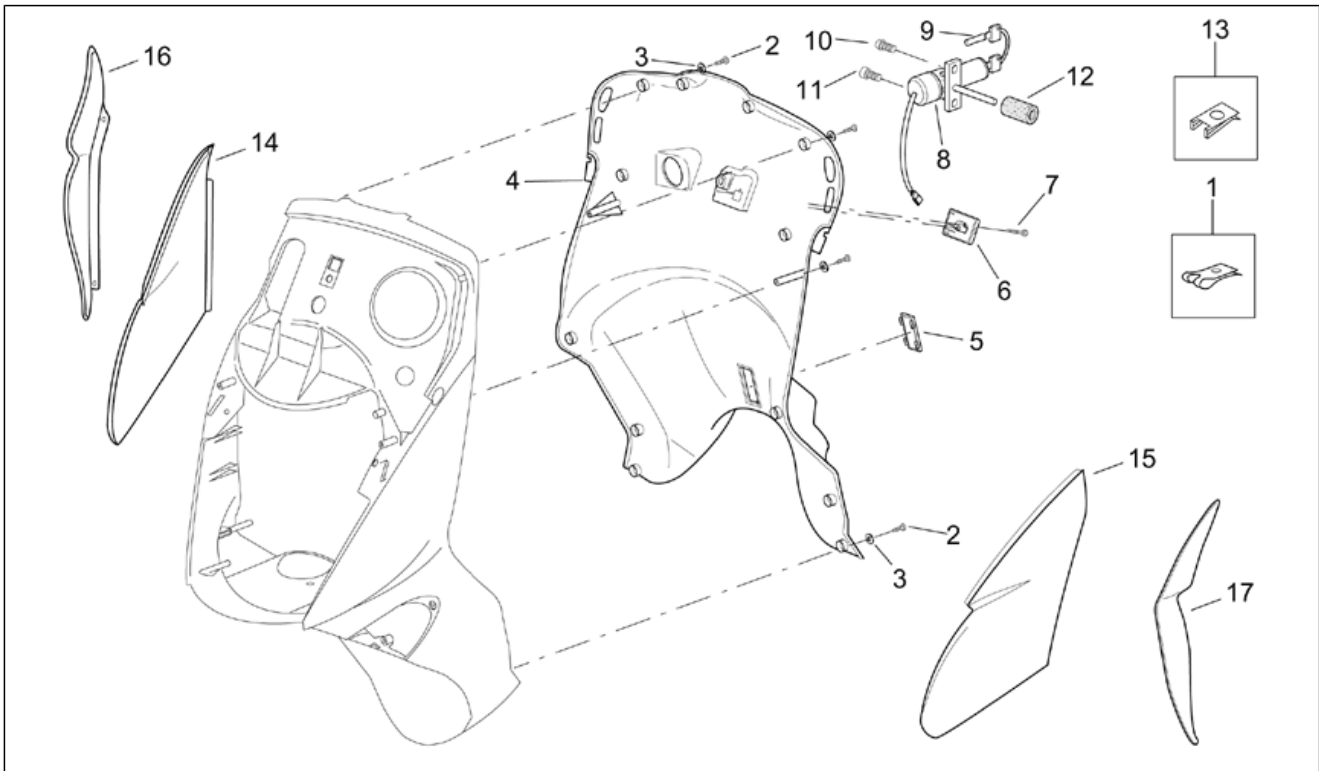
Pos.	Code	Beschreibung	Menge	Varianten
1	AP8152302	TBEI Schraube m.Flansch M5x12	1	
2	AP8220471	Kunststoffniet	12	
3	AP8201763	Clip f. Blechschr. D5,5*	5	
4	AP8150426	Linsenschraube 5,5x15,9*	2	
5	AP8150382	Ausgleichscheibe 15x5,5X1,2	5	
6	AP8150425	Linsenschraube 5,5x22*	3	
7	AP8158331	Frontschild, grau	1	Baujahr:2004[4] Fahrzeugfarbe:Bleigrau 2004[grey]
7	AP8158524	Frontschild, blau	1	Baujahr:2001[1], 2002[2] Fahrzeugfarbe:Blau Infinity 2001[i.blu]
7	AP8158544	Frontschild, grau	1	Baujahr:2001[1], 2002[2] Fahrzeugfarbe:Bleigrau 2001[p.gr]
7	AP8158647	Frontschild, schwarz	1	Baujahr:2001[1], 2002[2] Fahrzeugfarbe:Schwarz Aprilia '2001[black]
7	AP8158705	Frontschild, rot	1	Baujahr:2001[1], 2002[2] Fahrzeugfarbe:Rot Flame 2001[red]
7	AP8168652	Frontschild, grau	1	Baujahr:2003[3] Fahrzeugfarbe:Grau Titan 2003[titan]
7	AP8168652	Frontschild, grau	1	Baujahr:2004[4] Fahrzeugfarbe:Grau Titan 2004[tit.g]
7	AP8168670	Frontschild, rot	1	Baujahr:2003[3] Fahrzeugfarbe:Rot Tulip 2003[rosso]
7	AP8168775	Frontschild, schwarz	1	Baujahr:2003[3] Fahrzeugfarbe:Sbk 2003[sbk]
7	AP8178289	Frontschild, blau	1	Baujahr:2004[4] Fahrzeugfarbe:Blau Hilton 2004[hilt]
7	AP8178302	Frontschild, blau	1	Baujahr:2004[4] Fahrzeugfarbe:Blau Main 2004[main]
8	AP8139325	Leitblech, schwarz	1	
9	AP8138827	Luftschildschutz	2	

Einheit	RAHMEN
Code	28.11
Beschreibung	Frontaufbau - Innenschild
Inspektion	1



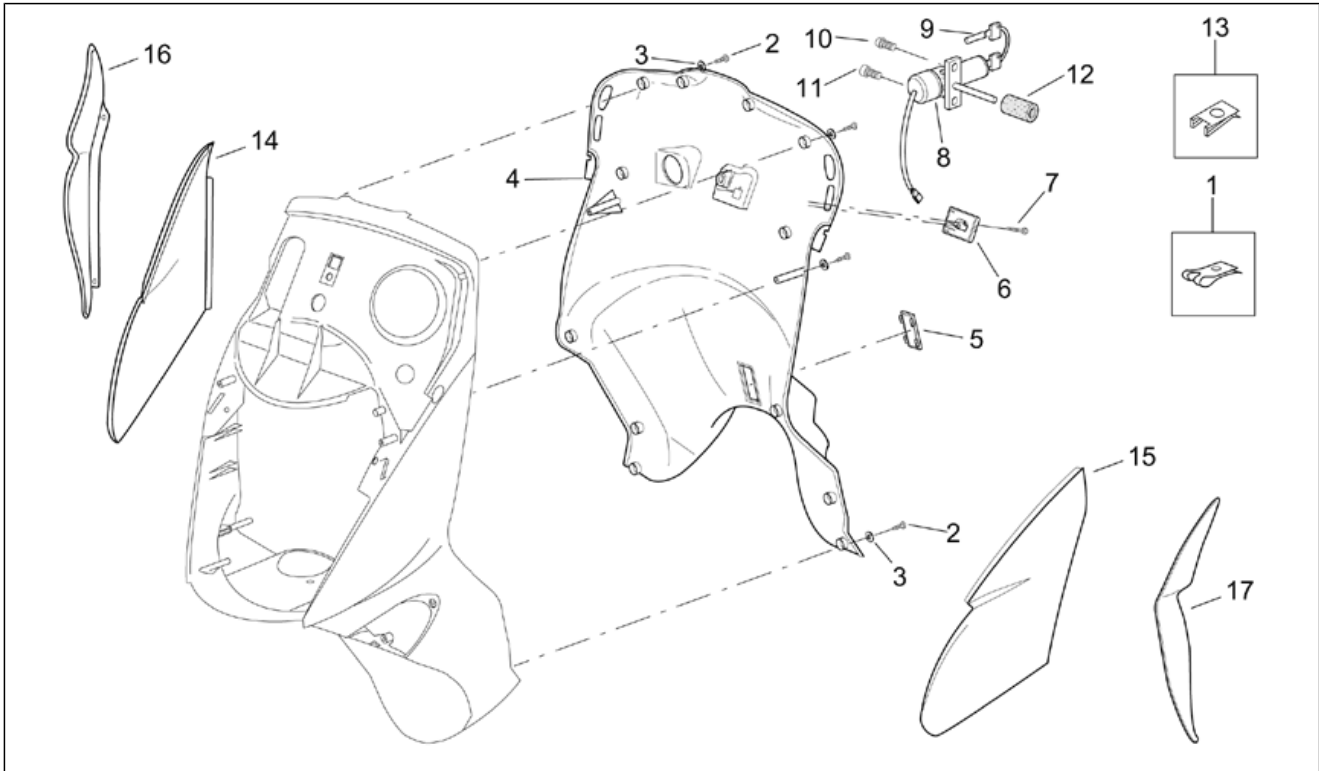
Pos.	Code	Beschreibung	Menge	Varianten
1	AP8102782	Clip f. Blechschr. D4,2	2	
2	AP8150413	Gew.schr. 3,9x14	10	
3	AP8150382	Ausgleichscheibe 15x5,5X1,2	5	
4	AP8158316	Innenschild, grau	1	
5	AP8149605	Gegeb.Typendeck, grau	1	
6	AP8201534	Kplt.Untersitzhaken	1	
7	AP8150423	Linsenschraube 4,2x25*	2	
8	AP8102924	Lenkschloß	1	
9	AP8102221	Schl. gefr. Aprilia	1	
10	AP8152140	Reißschraube M6x17	1	
11	AP8150137	TCEI Schraube M6x16	1	
12	AP8144043	Leitung	1	
13	AP8102375	Klammer M5	2	
14	AP8158324	R. kl. Seitenteil, grau	1	Baujahr: 2004[4] Fahrzeugfarbe: Bleigrau 2004[grey]
14	AP8158324	R. kl. Seitenteil, grau	1	Baujahr: 2001[1], 2002[2] Fahrzeugfarbe: Bleigrau 2001[p.gr]
14	AP8158520	R. kl. Seitenteil, blau	1	Baujahr: 2001[1], 2002[2] Fahrzeugfarbe: Blau Infinity 2001[i.blu]
14	AP8158640	R. kl. Seitenteil, schw.	1	Baujahr: 2001[1], 2002[2] Fahrzeugfarbe: Schwarz Aprilia '2001[black]
14	AP8158694	R. kl. Seitenteil, rot	1	Baujahr: 2001[1], 2002[2] Fahrzeugfarbe: Rot Flame 2001[red]
14	AP8168653	R. kl. Seitenteil, grau	1	Baujahr: 2004[4] Fahrzeugfarbe: Grau Titan 2004[tit.g]
14	AP8168653	R. kl. Seitenteil, grau	1	Baujahr: 2003[3] Fahrzeugfarbe: Grau Titan 2003[titan]
14	AP8168671	R. kl. Seitenteil, rot	1	Baujahr: 2003[3] Fahrzeugfarbe: Rot Tulip 2003[rosso]
14	AP8168776	R. kl. Seitenteil, schw.	1	Baujahr: 2003[3]

Einheit	RAHMEN
Code	28.11
Beschreibung	Frontaufbau - Innenschild
Inspektion	1



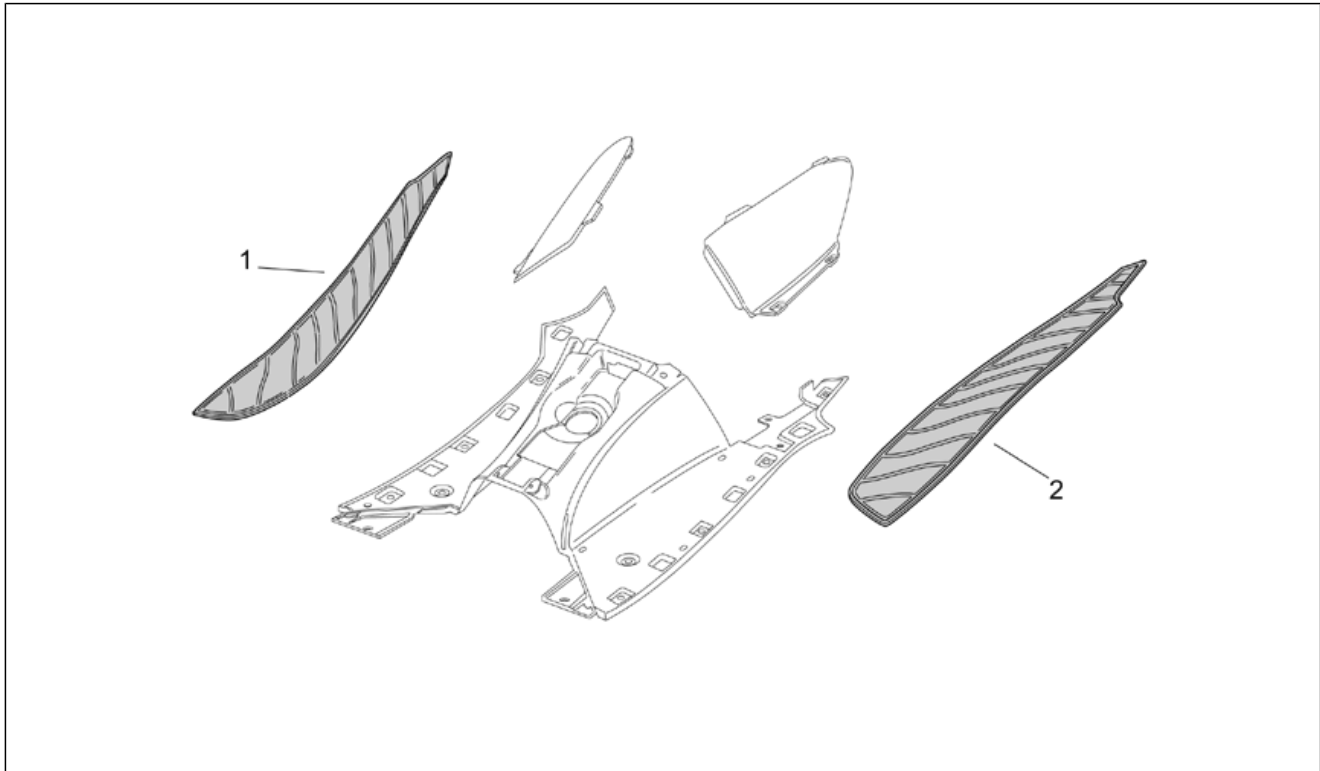
Pos.	Code	Beschreibung	Menge	Varianten
				Fahrzeugfarbe:Sbk 2003[sbk]
14	AP8178290	R. kl. Seitenteil, blau	1	Baujahr:2004[4] Fahrzeugfarbe:Blau Hilton 2004[hilt]
14	AP8178303	R. kl. Seitenteil, blau	1	Baujahr:2004[4] Fahrzeugfarbe:Blau Main 2004[main]
15	AP8158323	L. kl. Seitenteil, grau	1	Baujahr:2004[4] Fahrzeugfarbe:Bleigrau 2004[grey]
15	AP8158323	L. kl. Seitenteil, grau	1	Baujahr:2001[1], 2002[2] Fahrzeugfarbe:Bleigrau 2001[p.gr]
15	AP8158521	L. kl. Seitenteil, blau	1	Baujahr:2001[1], 2002[2] Fahrzeugfarbe:Blau Infinity 2001[i.blu]
15	AP8158641	L. kl. Seitenteil, schw.	1	Baujahr:2001[1], 2002[2] Fahrzeugfarbe:Schwarz Aprilia '2001[black]
15	AP8158695	L. kl. Seitenteil, rot	1	Baujahr:2001[1], 2002[2] Fahrzeugfarbe:Rot Flame 2001[red]
15	AP8168654	L. kl. Seitenteil, grau	1	Baujahr:2004[4] Fahrzeugfarbe:Grau Titan 2004[tit.g]
15	AP8168654	L. kl. Seitenteil, grau	1	Baujahr:2003[3] Fahrzeugfarbe:Grau Titan 2003[titan]
15	AP8168672	L. kl. Seitenteil, rot	1	Baujahr:2003[3] Fahrzeugfarbe:Rot Tulip 2003[rosso]
15	AP8168777	L. kl. Seitenteil, schw.	1	Baujahr:2003[3] Fahrzeugfarbe:Sbk 2003[sbk]
15	AP8178291	L. kl. Seitenteil, blau	1	Baujahr:2004[4] Fahrzeugfarbe:Blau Hilton 2004[hilt]
15	AP8178304	L. kl. Seitenteil, blau	1	Baujahr:2004[4] Fahrzeugfarbe:Blau Main 2004[main]
16	AP8158325	Stoßfänger rechts	1	Baujahr:2004[4] Fahrzeugfarbe:Bleigrau 2004[grey], Blau Main 2004[main]
16	AP8158325	Stoßfänger rechts	1	Baujahr:2001[1], 2002[2]
16	AP8168663	Stoßfänger rechts	1	Baujahr:2003[3]
16	AP8168663	Stoßfänger rechts	1	Baujahr:2004[4]

Einheit	RAHMEN
Code	28.11
Beschreibung	Frontaufbau - Innenschild
Inspektion	1



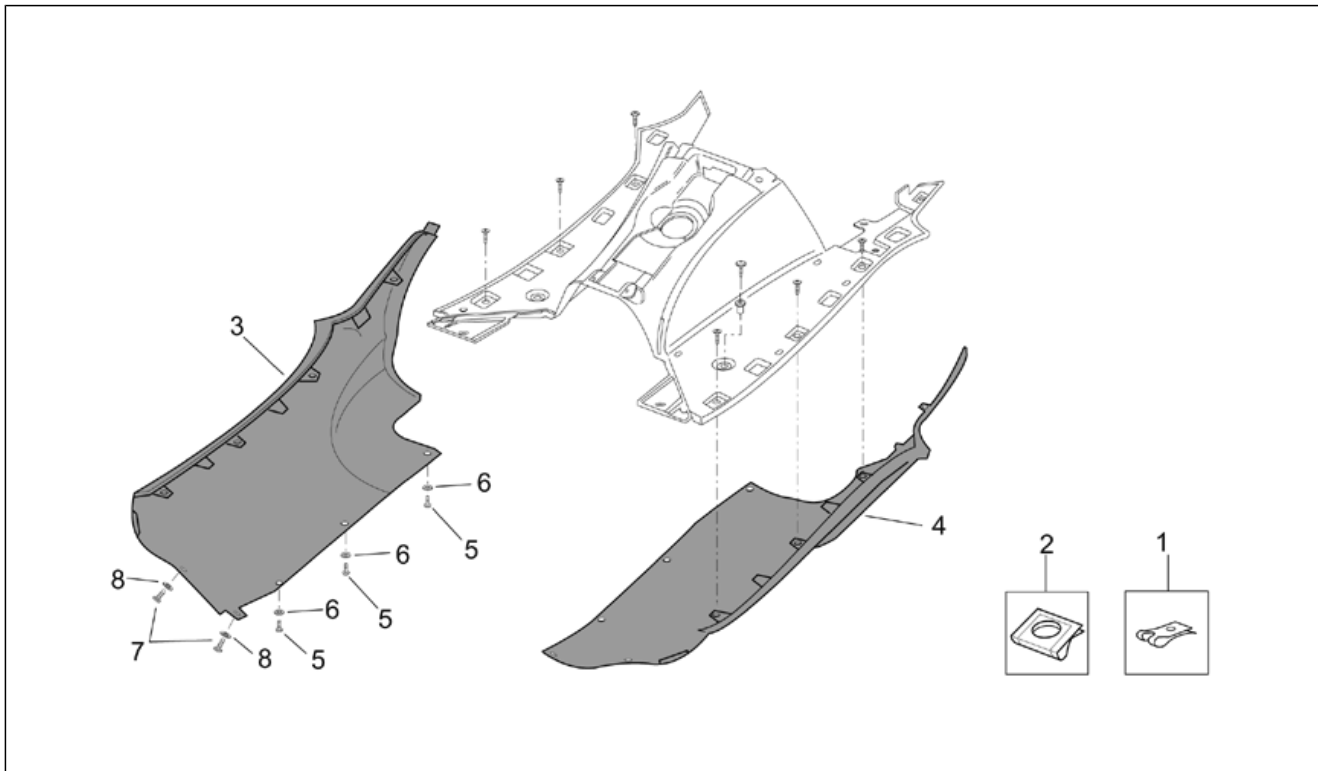
Pos.	Code	Beschreibung	Menge	Varianten
				Fahrzeugfarbe: Blau Hilton 2004[hilt], Grau Titan 2004[tit.g]
17	AP8158326	Stoßfänger links	1	Baujahr: 2004[4] Fahrzeugfarbe: Bleigrau 2004[grey], Blau Main 2004[main]
17	AP8158326	Stoßfänger links	1	Baujahr: 2001[1], 2002[2]
17	AP8168664	Stoßfänger links	1	Baujahr: 2003[3]
17	AP8168664	Stoßfänger links	1	Baujahr: 2004[4] Fahrzeugfarbe: Blau Hilton 2004[hilt], Grau Titan 2004[tit.g]

Einheit	RAHMEN
Code	28.12
Beschreibung	Karosserie zentr. - Teppiche
Inspektion	1



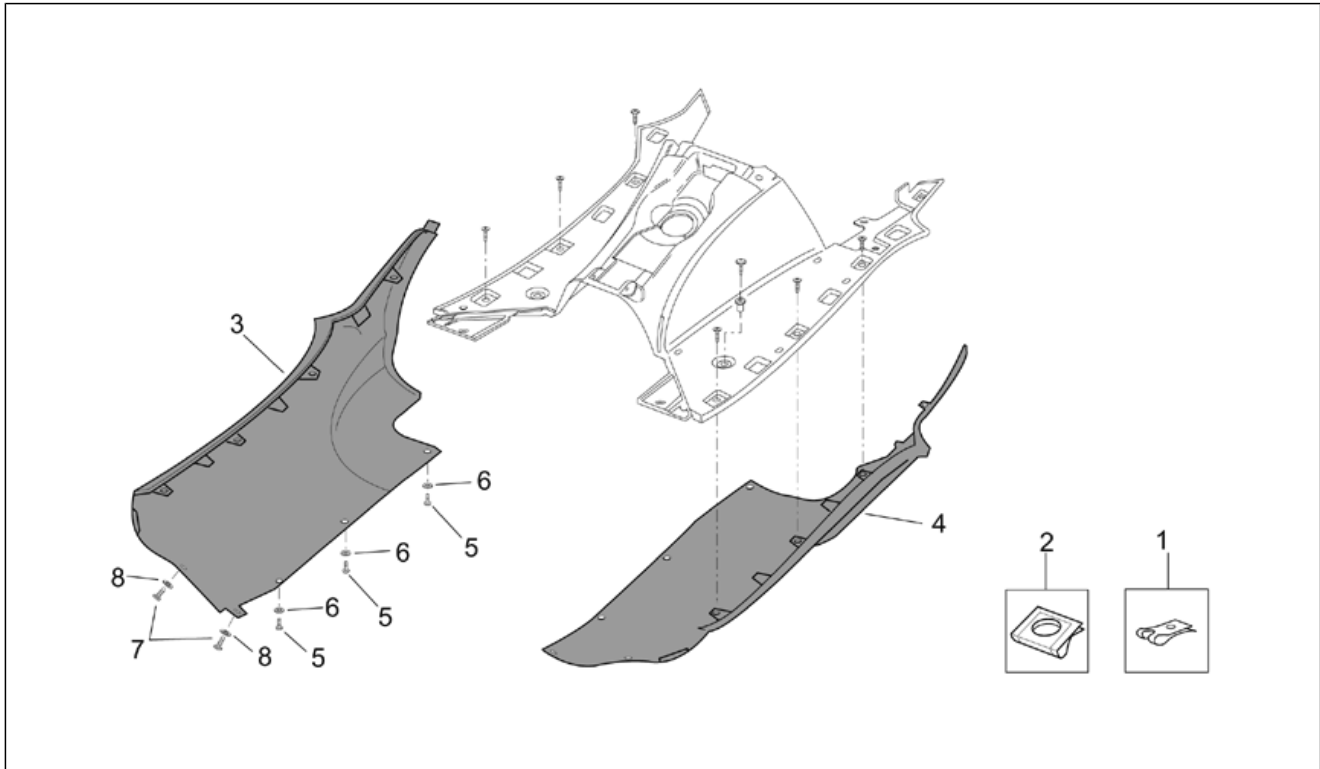
Pos.	Code	Beschreibung	Menge	Varianten
1	AP8149609	Rechte Fußmatte, grau	1	
2	AP8149610	Linke Fußmatte, grau	1	

Einheit	RAHMEN
Code	28.13
Beschreibung	Karosserie zentr. - Seitent.
Inspektion	1



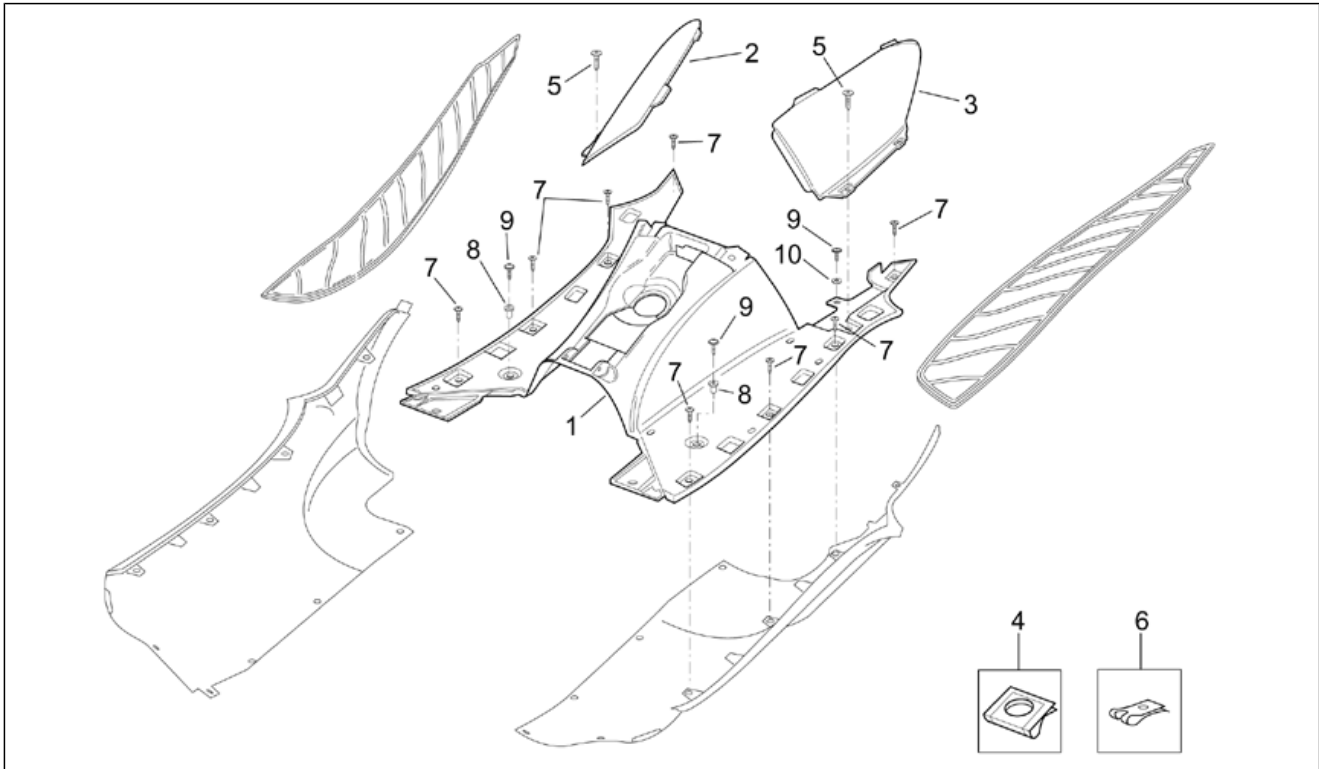
Pos.	Code	Beschreibung	Menge	Varianten
1	AP8201763	Clip f. Blechschr. D5,5*	3	
2	AP8102375	Klammer M5	3	
3	AP8158706	Seite Unterb. rs c.rot	1	Baujahr: 2001[1], 2002[2] Fahrzeugfarbe: Rot Flame 2001[red]
3	AP8158717	Seite Unterb. rs grau	1	Baujahr: 2004[4] Fahrzeugfarbe: Bleigrau 2004[grey], Blau Main 2004[main]
3	AP8158719	Seite Unterb. rs grau	1	Baujahr: 2001[1], 2002[2] Fahrzeugfarbe: Bleigrau 2001[p.gr]
3	AP8158722	Seite Unterb. rs blau	1	Baujahr: 2001[1], 2002[2] Fahrzeugfarbe: Blau Infinity 2001[i.blu]
3	AP8158731	Seite Unterb. rs schw.	1	Baujahr: 2001[1], 2002[2] Fahrzeugfarbe: Schwarz Aprilia '2001[black]
3	AP8168657	Seite Unterb. rs grau	1	Baujahr: 2004[4] Fahrzeugfarbe: Grau Titan 2004[tit.g]
3	AP8168657	Seite Unterb. rs grau	1	Baujahr: 2003[3] Fahrzeugfarbe: Grau Titan 2003[titan]
3	AP8168675	Seite Unterb. rs rot	1	Baujahr: 2003[3] Fahrzeugfarbe: Rot Tulip 2003[rosso]
3	AP8168778	Seite Unterb. rs schw.	1	Baujahr: 2003[3] Fahrzeugfarbe: Sbk 2003[sbk]
3	AP8178294	Seite Unterb. rs blau	1	Baujahr: 2004[4] Fahrzeugfarbe: Blau Hilton 2004[hilt]
4	AP8158699	Seite Unterb. ls c.rot	1	Baujahr: 2001[1], 2002[2] Fahrzeugfarbe: Rot Flame 2001[red]
4	AP8158718	Seite Unterb. ls grau	1	Baujahr: 2001[1], 2002[2] Fahrzeugfarbe: Bleigrau 2001[p.gr]
4	AP8158718	Seite Unterb. ls grau	1	Baujahr: 2004[4] Fahrzeugfarbe: Bleigrau 2004[grey], Blau Main 2004[main]
4	AP8158721	Seite Unterb. ls blau	1	Baujahr: 2001[1], 2002[2] Fahrzeugfarbe: Blau Infinity 2001[i.blu]
4	AP8158730	Seite Unterb. ls schw.	1	Baujahr: 2001[1], 2002[2] Fahrzeugfarbe: Schwarz Aprilia '2001[black]

Einheit	RAHMEN
Code	28.13
Beschreibung	Karosserie zentr. - Seitent.
Inspektion	1



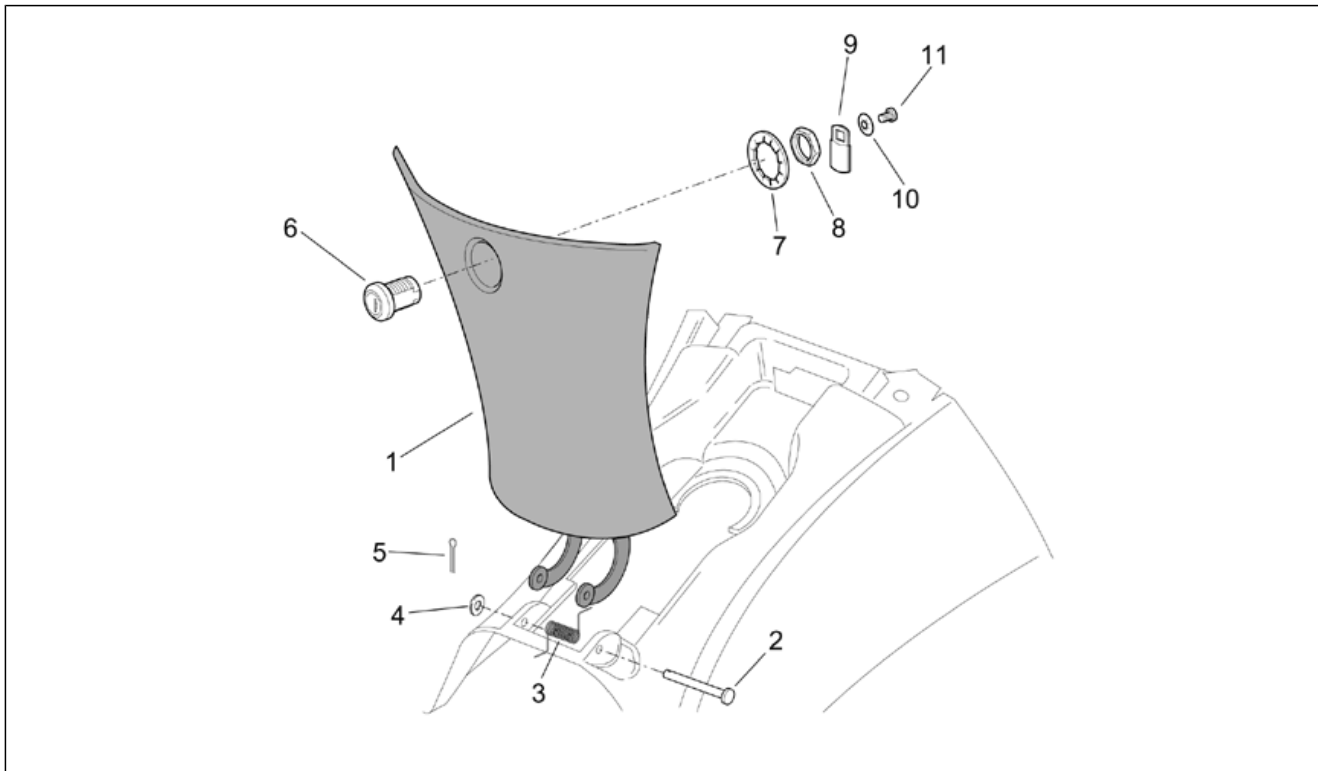
Pos.	Code	Beschreibung	Menge	Varianten
4	AP8168658	Seite Unterb. ls grau	1	Baujahr: 2004[4] Fahrzeugfarbe: Grau Titan 2004[tit.g]
4	AP8168658	Seite Unterb. ls grau	1	Baujahr: 2003[3] Fahrzeugfarbe: Grau Titan 2003[titan]
4	AP8168676	Seite Unterb. ls c.rot	1	Baujahr: 2003[3] Fahrzeugfarbe: Rot Tulip 2003[rosso]
4	AP8168779	Seite Unterb. ls schw.	1	Baujahr: 2003[3] Fahrzeugfarbe: Sbk 2003[sbk]
4	AP8178295	Seite Unterb. ls blau	1	Baujahr: 2004[4] Fahrzeugfarbe: Blau Hilton 2004[hilt]
5	AP8152267	TBEI Spez.schr. M5x12	3	
6	AP8150248	Ausgleichscheibe 5,5x15x1,6	3	
7	AP8150425	Linsenschraube 5,5x22*	3	
8	AP8150382	Ausgleichscheibe 15x5,5X1,2	3	

Einheit	RAHMEN
Code	28.14
Beschreibung	Mittlerer aufbau - Boden
Inspektion	1



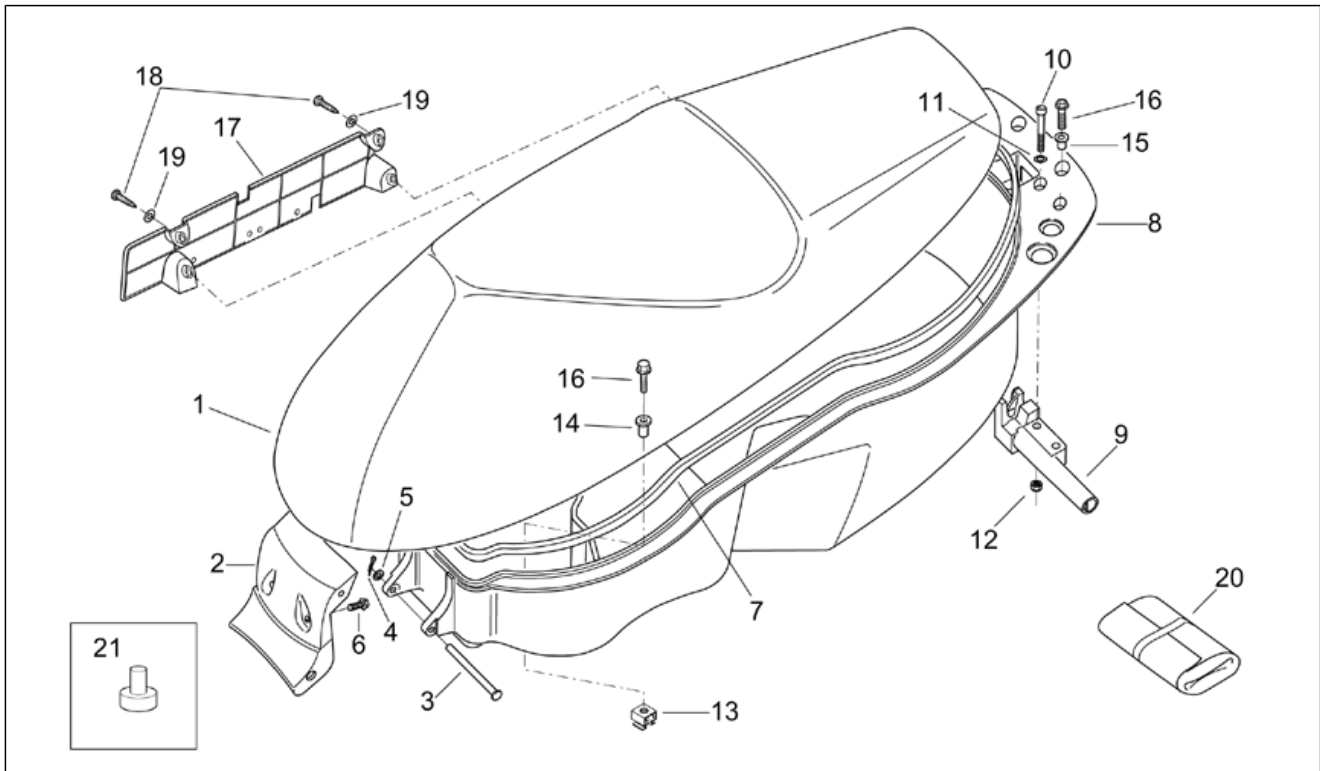
Pos.	Code	Beschreibung	Menge	Varianten
1	AP8149606	Fußbrett, grau	1	
2	AP8149607	Seitenklappe rs grau	1	
3	AP8149608	Seitenklappe ls grau	1	
4	AP8102376	Klammer M6	4	
5	AP8152246	TBEI Schraube m.Flansch M6x16	4	
6	AP8201763	Clip f. Blehschr. D5,5*	8	
7	AP8150425	Linsenschraube 5,5x22*	8	
8	AP8121075	T-Buchse *	2	
9	AP8152275	TE Schr. m. Flansch M5x25	4	
10	AP8150013	Ausgleichscheibe 5,5x15x1,6*	2	

Einheit	RAHMEN
Code	28.15
Beschreibung	Mittlerer aufbau - Tunnel
Inspektion	1



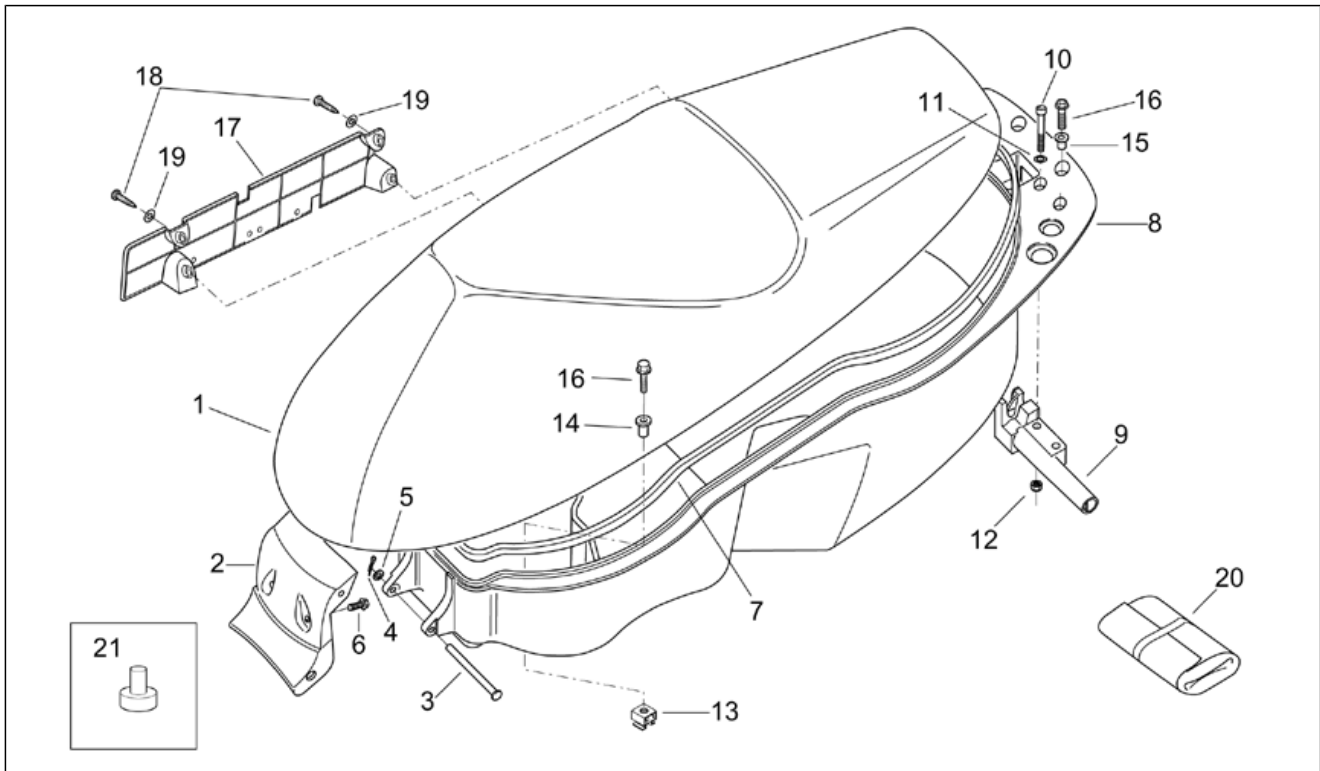
Pos.	Code	Beschreibung	Menge	Varianten
1	AP8149601	Tunneldeckel, grau	1	
2	AP8121985	Bolzen Tankklappe	1	
3	AP8121497	Tankklappe Feder	1	
4	AP8150011	Ausgleichscheibe 4,3x12x1	1	
5	AP8101928	Splint	1	
6	AP8201747	Schloss	1	
7	AP8221312	Zahnscheibe	1	
8	AP8152194	Mutter unten M19x1*	1	
9	AP8201620	Hebel	1	
10	AP8201748	Ausgleichscheibe	1	
11	AP8201749	Linsenschraube M4x6	1	

Einheit	RAHMEN
Code	28.16
Beschreibung	Sitzbankeinheit
Inspektion	1



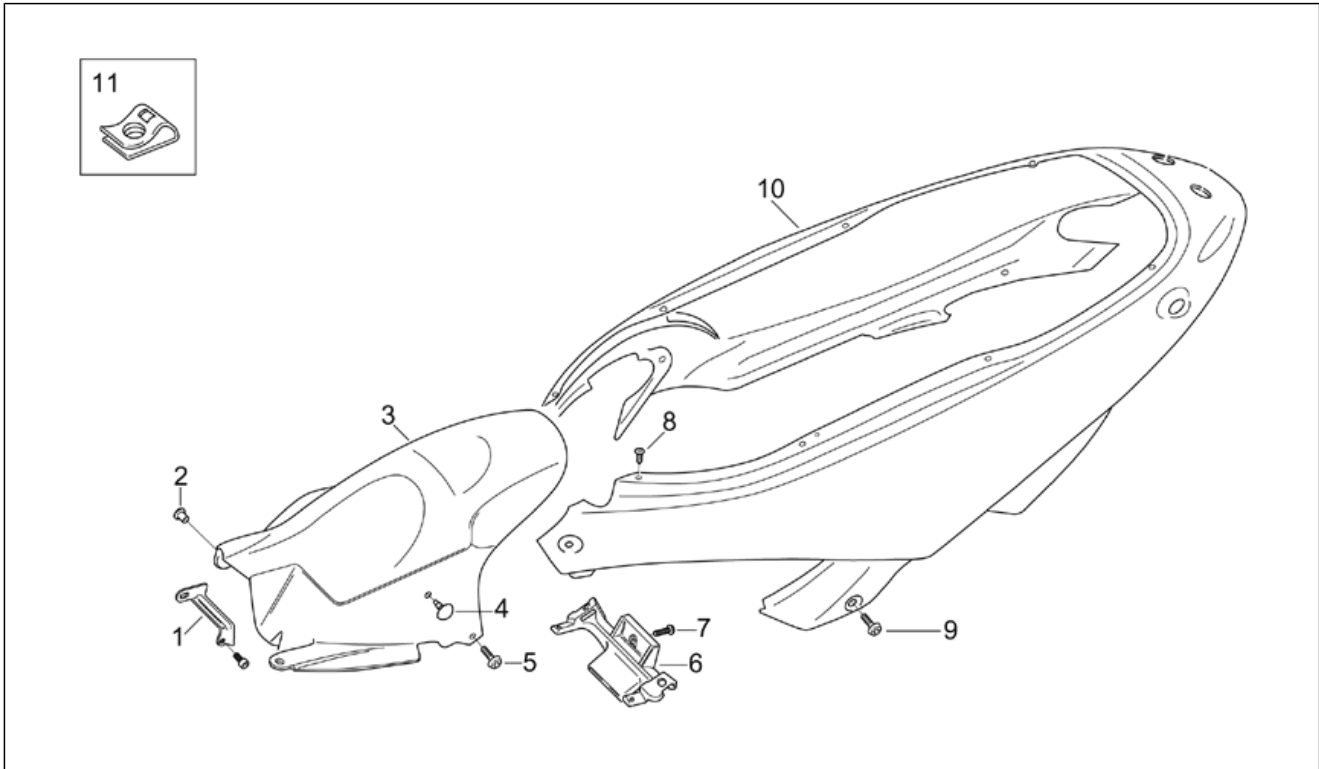
Pos.	Code	Beschreibung	Menge	Varianten
1	AP8129325	Sitz, grau	1	Baujahr:2001[1], 2002[2]
1	AP8129378	Sitz	1	Baujahr:2003[3] Fahrzeugfarbe:Grau Titan 2003[titan]
1	AP8129379	Sitz	1	Baujahr:2003[3] Fahrzeugfarbe:Rot Tulip 2003[rosso]
1	AP8129386	Sitz	1	Baujahr:2003[3] Fahrzeugfarbe:Sbk 2003[sbk]
1	AP8129432	Sitz, grau/grau	1	Baujahr:2004[4] Fahrzeugfarbe:Bleigrau 2004[grey], Blau Main 2004[main]
1	AP8129433	Sitz, grau/schwarz	1	Baujahr:2004[4] Fahrzeugfarbe:Blau Hilton 2004[hilt], Grau Titan 2004[tit.g]
2	AP8149997	Sitzgelenk, schwarz	1	Baujahr:2001[1], 2002[2] Fahrzeugfarbe:Schwarz Aprilia '2001[black]
2	AP8149997	Sitzgelenk, schwarz	1	Baujahr:2003[3] Fahrzeugfarbe:Sbk 2003[sbk]
2	AP8158518	Sitzgelenk, blau	1	Baujahr:2001[1], 2002[2] Fahrzeugfarbe:Blau Infinity 2001[i.blu]
2	AP8158551	Sitzgelenk, grau	1	Baujahr:2004[4] Fahrzeugfarbe:Bleigrau 2004[grey]
2	AP8158551	Sitzgelenk, grau	1	Baujahr:2001[1], 2002[2] Fahrzeugfarbe:Bleigrau 2001[p.gr]
2	AP8158700	Sitzgelenk, rot	1	Baujahr:2001[1], 2002[2] Fahrzeugfarbe:Rot Flame 2001[red]
2	AP8168659	Sitzgelenk, grau	1	Baujahr:2003[3] Fahrzeugfarbe:Grau Titan 2003[titan]
2	AP8168659	Sitzgelenk, grau	1	Baujahr:2004[4] Fahrzeugfarbe:Grau Titan 2004[tit.g]
2	AP8168677	Sitzgelenk, rot	1	Baujahr:2003[3] Fahrzeugfarbe:Rot Tulip 2003[rosso]
2	AP8178296	Sitzgelenk, blau	1	Baujahr:2004[4] Fahrzeugfarbe:Blau Hilton 2004[hilt]
2	AP8178307	Sitzgelenk, blau	1	Baujahr:2004[4]

Einheit	RAHMEN
Code	28.16
Beschreibung	Sitzbankeinheit
Inspektion	1



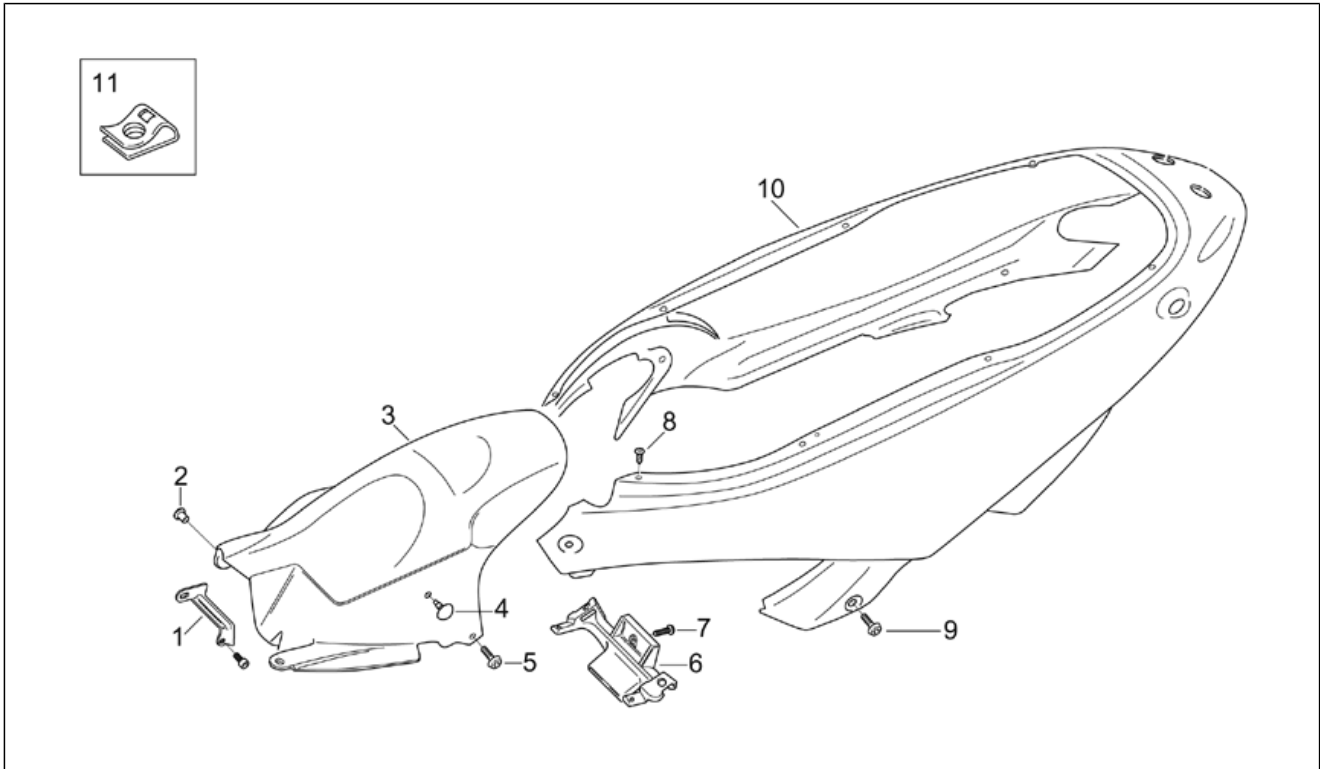
Pos.	Code	Beschreibung	Menge	Varianten
				Fahrzeugfarbe:Blau Main 2004[main]
3	AP8221173	Sitzgelenkbolzen	1	
4	AP8201643	Splint	1	
5	AP8150014	Ausgleichscheibe 6,4x12,5*	1	
6	AP8152278	TE Schr. m. Flansch M6x16	4	
7	AP8144186	Dichtung	1	
8	AP8138928	Schutzhelmfach schwarz	1	
9	AP8201564	Sitzschloß	1	
10	AP8150045	TCEI Schraube M6x55	2	
11	AP8150014	Ausgleichscheibe 6,4x12,5*	2	
12	AP8150430	Selbstsperr.mut Unt.	2	
13	AP8221213	Käfigmutter M6	2	
14	AP8121741	Buchse Instrumentenbrett	2	
15	AP8121790	T-Buchse *	2	
16	AP8152281	TE Schr. m. Flansch M6x30	4	
17	AP8138473	Halter Elektroteile schwarz	1	
18	AP8150413	Gew.schr. 3,9x14	4	
19	AP8150382	Ausgleichscheibe 15x5,5X1,2	4	
20	AP8102872	Werkzeugtasche	1	
21	AP8144089	Sitz-Auflagegummi vorn	2	

Einheit	RAHMEN
Code	28.17
Beschreibung	R.Kar. - R.verkl.
Inspektion	1



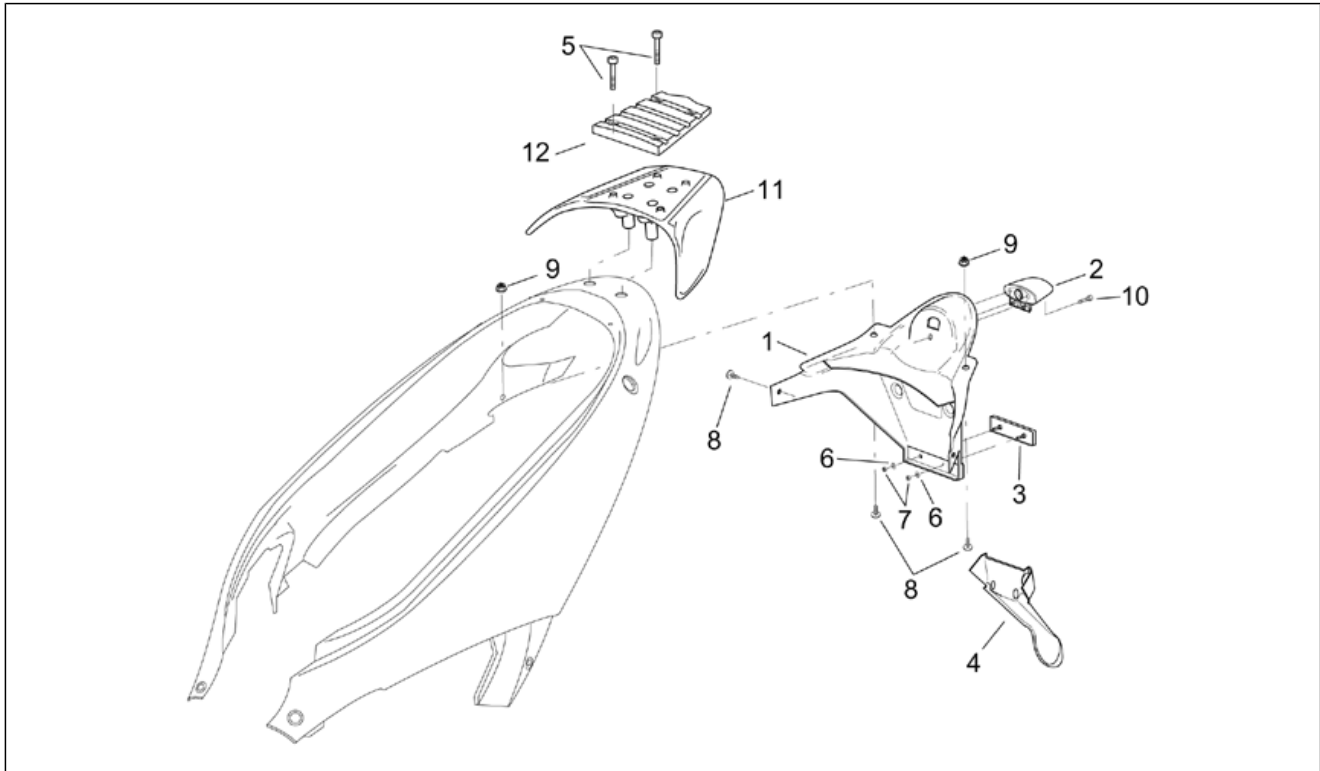
Pos.	Code	Beschreibung	Menge	Varianten
1	AP8134362	Hnt. Kotfl.hltr. schw.	1	
2	AP8121075	T-Buchse *	1	
3	AP8126977	H. Schutzblech, grau	1	
4	AP8120001	Gummi	2	
5	AP8152278	TE Schr. m. Flansch M6x16	2	
6	AP8138718	Heckhalter	1	
7	AP8152329	Kreuz.schl.flnschschr. M5x20	3	
8	AP8150413	Gew.schr. 3,9x14	8	
9	AP8152246	TBEI Schraube m.Flansch M6x16	4	
10	AP8158525	Heckteil, blau	1	Baujahr:2001[1], 2002[2] Fahrzeugfarbe:Blau Infinity 2001[i.blu]
10	AP8158545	Heckteil, grau	1	Baujahr:2001[1], 2002[2] Fahrzeugfarbe:Bleigrau 2001[p.gr]
10	AP8158648	Heckteil, schwarz	1	Baujahr:2001[1], 2002[2] Fahrzeugfarbe:Schwarz Aprilia '2001[black]
10	AP8158707	Heckteil, rot	1	Baujahr:2001[1], 2002[2] Fahrzeugfarbe:Rot Flame 2001[red]
10	AP8168660	Heckteil, grau	1	Baujahr:2003[3] Fahrzeugfarbe:Grau Titan 2003[titan]
10	AP8168678	Heckteil, rot	1	Baujahr:2003[3] Fahrzeugfarbe:Rot Tulip 2003[rosso]
10	AP8168780	Heckteil, schwarz	1	Baujahr:2003[3] Fahrzeugfarbe:Sbk 2003[sbk]
10	AP8178284	Heckteil, grau	1	Baujahr:2004[4] Fahrzeugfarbe:Bleigrau 2004[grey]
10	AP8178285	Heckteil, grau	1	Baujahr:2004[4] Fahrzeugfarbe:Grau Titan 2004[tit.g]
10	AP8178297	Heckteil, blau	1	Baujahr:2004[4] Fahrzeugfarbe:Blau Hilton 2004[hilt]
10	AP8178308	Heckteil, blau	1	Baujahr:2004[4] Fahrzeugfarbe:Blau Main 2004[main]

Einheit	RAHMEN
Code	28.17
Beschreibung	R.Kar. - R.verkl.
Inspektion	1



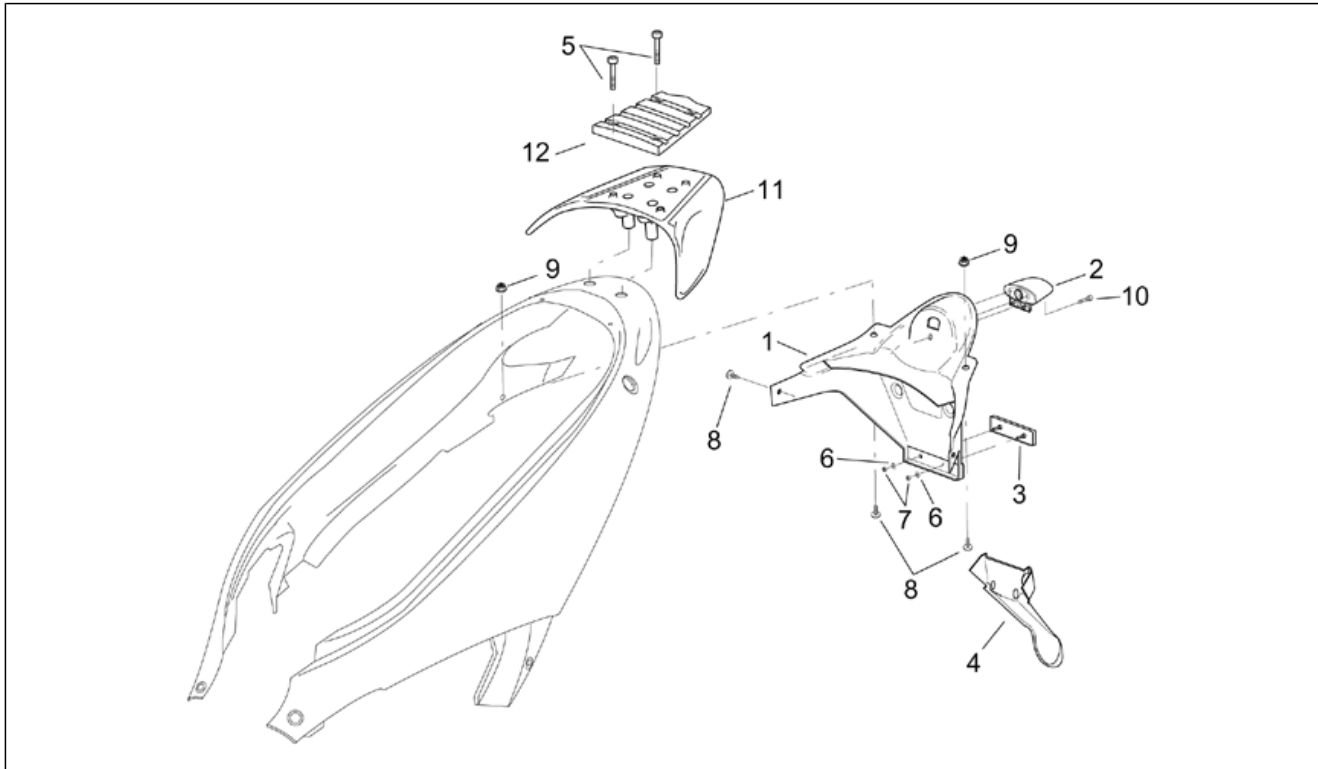
Pos.	Code	Beschreibung	Menge	Varianten
11	AP8102376	Klammer M6	1	

Einheit	RAHMEN
Code	28.18
Beschreibung	R.Kar. - Kennzeichenplatte
Inspektion	1



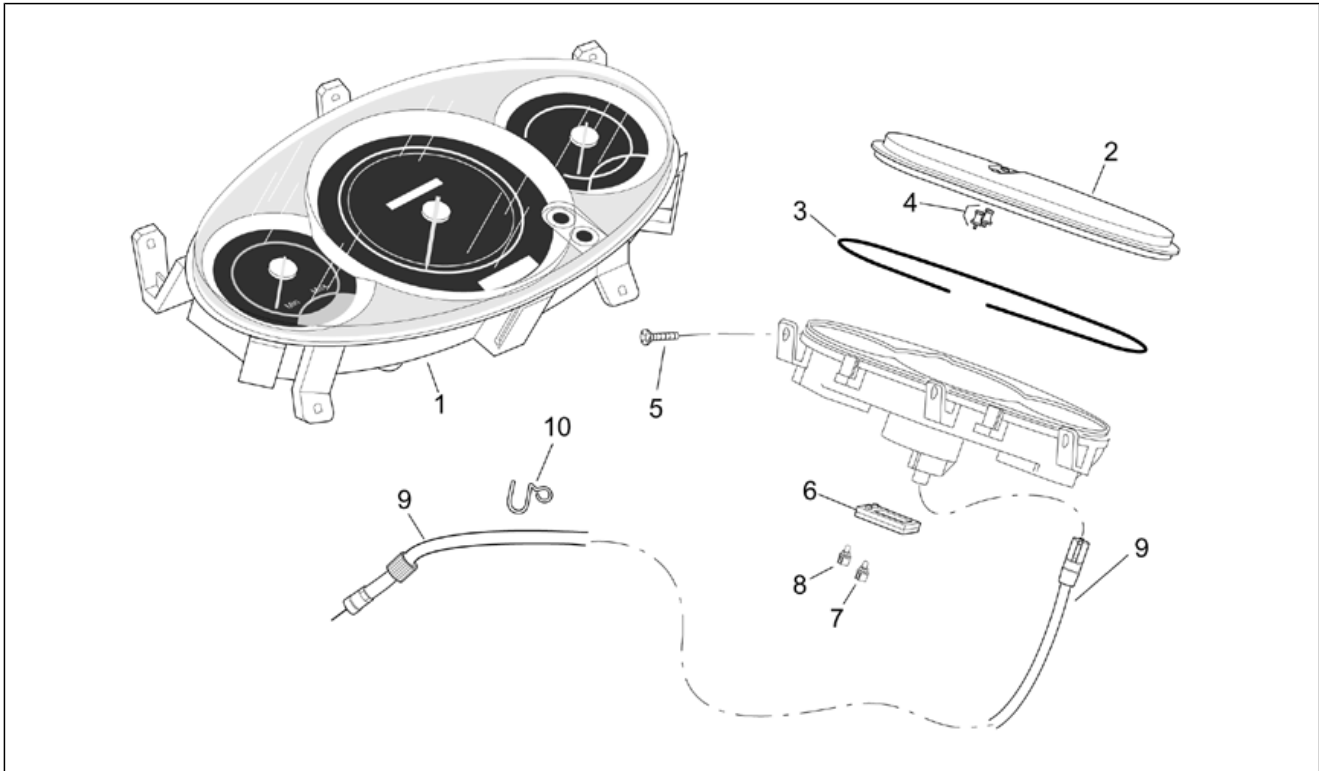
Pos.	Code	Beschreibung	Menge	Varianten
1	AP8126966	Kennzeichenplatte, grau	1	Baujahr:2001[1], 2002[2] Fahrzeugfarbe:Bleigrau 2001[p.gr]
1	AP8126966	Kennzeichenplatte, grau	1	Baujahr:2004[4] Fahrzeugfarbe:Bleigrau 2004[grey]
1	AP8156121	Kennzeich.platte blau	1	Baujahr:2004[4] Fahrzeugfarbe:Blau Hilton 2004[hilt]
1	AP8156122	Kennzeich.platte blau	1	Baujahr:2004[4] Fahrzeugfarbe:Blau Main 2004[main]
1	AP8158522	Kennzeich.platte blau	1	Baujahr:2001[1], 2002[2] Fahrzeugfarbe:Blau Infinity 2001[i.blu]
1	AP8158645	Kennzeichenplatte, schwarz	1	Baujahr:2001[1], 2002[2] Fahrzeugfarbe:Schwarz Aprilia '2001[black]
1	AP8158703	Kennzeichenplatte, rot	1	Baujahr:2001[1], 2002[2] Fahrzeugfarbe:Rot Flame 2001[red]
1	AP8168665	Kennzeichenplatte, grau	1	Baujahr:2003[3] Fahrzeugfarbe:Grau Titan 2003[titan]
1	AP8168665	Kennzeichenplatte, grau	1	Baujahr:2004[4] Fahrzeugfarbe:Grau Titan 2004[tit.g]
1	AP8168680	Kennzeichenplatte, schwarz	1	Baujahr:2003[3] Fahrzeugfarbe:Rot Tulip 2003[rosso]
1	AP8168782	Kennzeichenplatte	1	Baujahr:2003[3] Fahrzeugfarbe:Sbk 2003[sbk]
2	AP8124367	Kennzeichenleuchte	1	
3	AP8112916	Rückstrahler Rücklicht	1	
4	AP8126885	Hinteres Spritzschutz, grau	1	
5	AP8150171	TCEI Schraube M8x40	2	
6	AP8150011	Ausgleichscheibe 4,3x12x1	2	
7	AP8150204	Mutter M4	2	
8	AP8152298	TBEI Schraube m.Flansch M5x16	6	
9	AP8152306	Selbstsperrende Mutter M5	6	
10	AP8150460	Gewindeschraube M4x12	1	

Einheit	RAHMEN
Code	28.18
Beschreibung	R.Kar. - Kennzeichenplatte
Inspektion	1



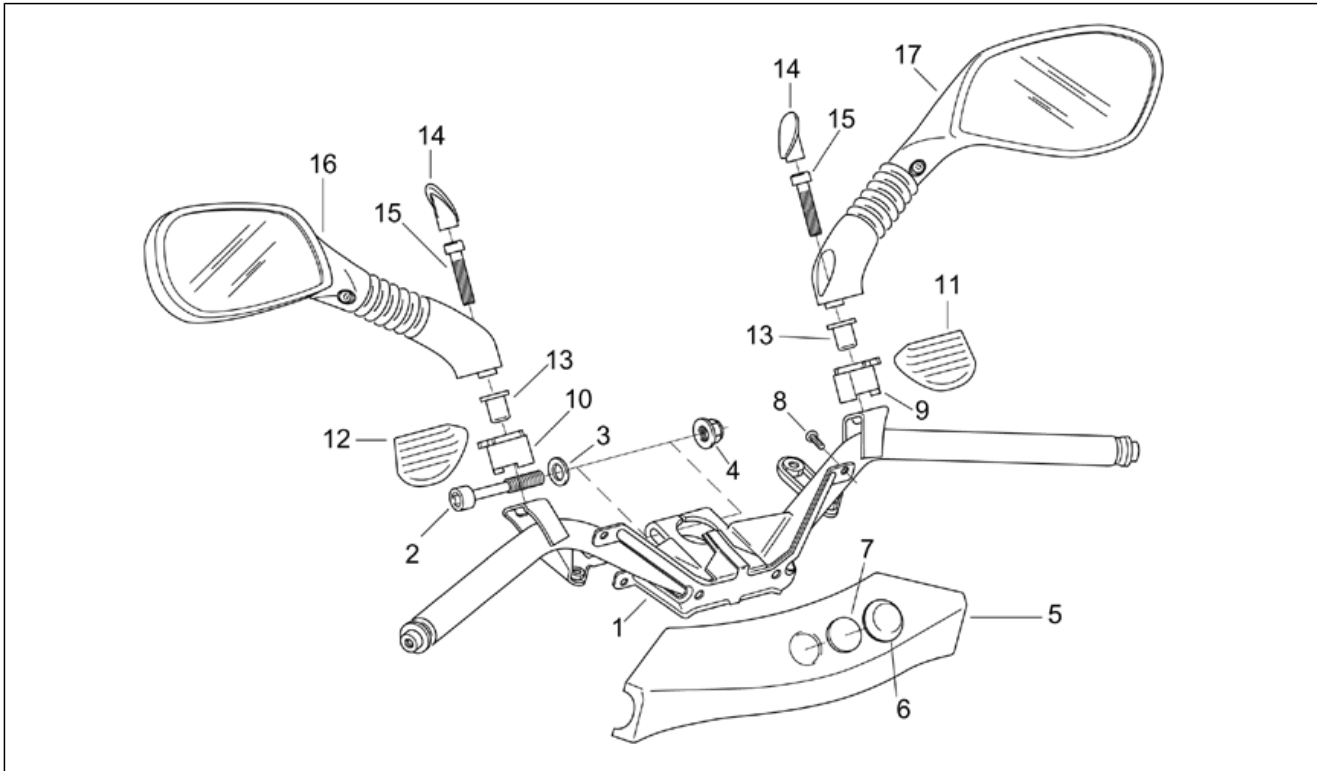
Pos.	Code	Beschreibung	Menge	Varianten
11	AP8158318	Soziusgriff, grau	1	Baujahr:2001[1], 2002[2] Fahrzeugfarbe:Bleigrau 2001[p.gr]
11	AP8158318	Soziusgriff, grau	1	Baujahr:2004[4] Fahrzeugfarbe:Bleigrau 2004[grey]
11	AP8158553	Soziusgriff, blau	1	Baujahr:2001[1], 2002[2] Fahrzeugfarbe:Blau Infinity 2001[i.blu]
11	AP8158644	Soziusgriff schwarz	1	Baujahr:2001[1], 2002[2] Fahrzeugfarbe:Schwarz Aprilia '2001[black]
11	AP8158644	Soziusgriff schwarz	1	Baujahr:2003[3] Fahrzeugfarbe:Sbk 2003[sbk]
11	AP8158704	Soziusgriff, rot	1	Baujahr:2001[1], 2002[2] Fahrzeugfarbe:Rot Flame 2001[red]
11	AP8168661	Soziusgriff, grau	1	Baujahr:2003[3] Fahrzeugfarbe:Grau Titan 2003[titan]
11	AP8168661	Soziusgriff, grau	1	Baujahr:2004[4] Fahrzeugfarbe:Grau Titan 2004[tit.g]
11	AP8168679	Soziusgriff, rot	1	Baujahr:2003[3] Fahrzeugfarbe:Rot Tulip 2003[rosso]
11	AP8178298	Soziusgriff, blau	1	Baujahr:2004[4] Fahrzeugfarbe:Blau Hilton 2004[hilt]
11	AP8178309	Soziusgriff, blau	1	Baujahr:2004[4] Fahrzeugfarbe:Blau Main 2004[main]
12	AP8158319	Griffdeckel grau	1	Baujahr:2004[4] Fahrzeugfarbe:Bleigrau 2004[grey], Blau Main 2004[main]
12	AP8158319	Griffdeckel grau	1	Baujahr:2001[1], 2002[2]
12	AP8168662	Griffdeckel grau	1	Baujahr:2004[4] Fahrzeugfarbe:Blau Hilton 2004[hilt], Grau Titan 2004[tit.g]
12	AP8168662	Griffdeckel grau	1	Baujahr:2003[3]

Einheit	RAHMEN
Code	28.19
Beschreibung	Instrumententafel
Inspektion	1



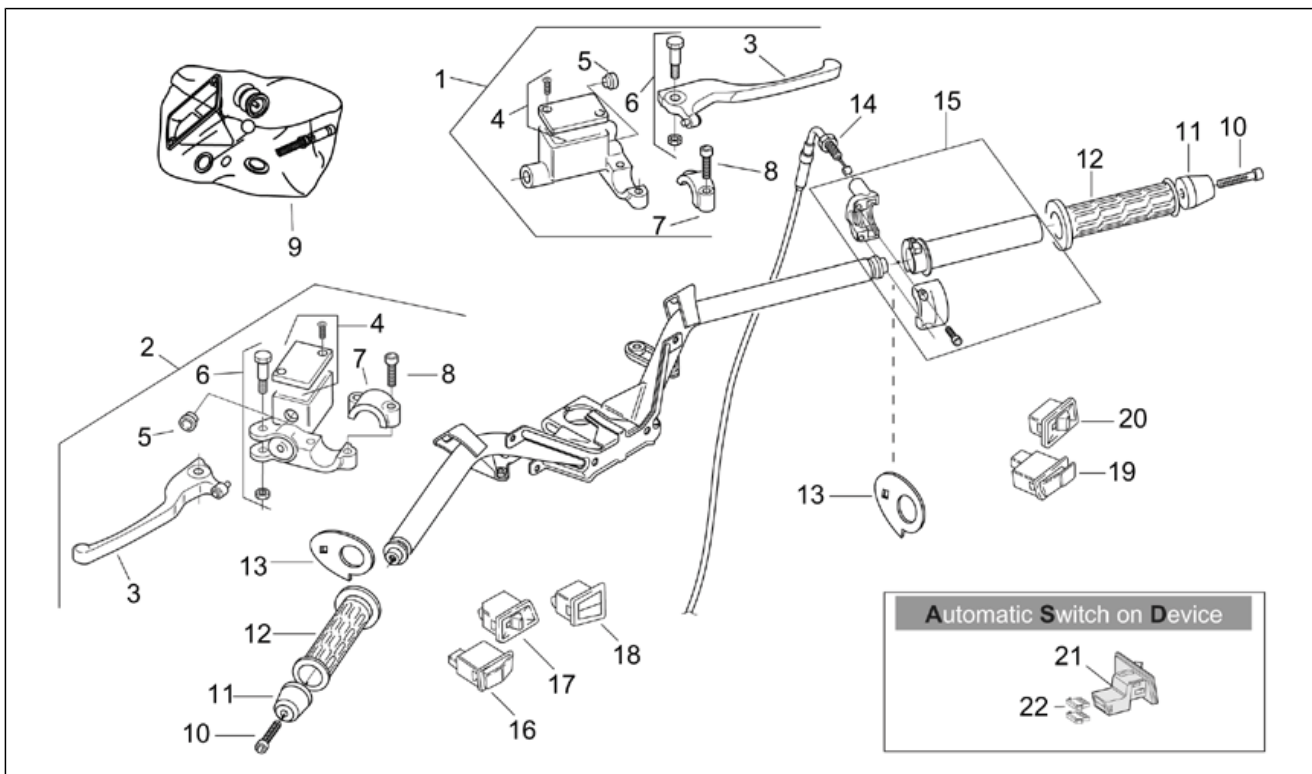
Pos.	Code	Beschreibung	Menge	Varianten
1	AP8124519	Instrum.tafel kplt.	1	Baujahr: 2001[1], 2002[2], 2003[3] Land: Österreich[A], Belgien[B], Schweiz[CH], Dänemark[DK], Spanien[E], A-B-CH-D-DK-F-I[EU], Frankreich[F], Italien[I], Mexiko[ME], Mexiko[MX], Großbritannien[UK]
1	AP8124666	Instrum.tafel kplt.	1	Baujahr: 2001[1], 2002[2], 2003[3] Land: Australien[AUS], Deutschland[D]
1	AP8124666	Instrum.tafel kplt.	1	Baujahr: 2004[4]
2	AP8127788	Instrumenten-Abdeckblende	1	Technische Daten: "Marke ""ECIE""[ECIE]
2	AP8212861	Instrumenten-Abdeckblende	1	Technische Daten: "Marke ""CEV""[CEV]
3	AP8220422	Dichtung Instrumentenblende	1	
4	AP8212405	Uhr Gummi	1	
5	AP8152334	TBEI Schraube m.Flansch M3x12	5	
6	AP8212406	Digital-Uhr	1	
7	AP8212408	Lampenhalter kplt.	5	
8	AP8212407	Lampenhalter kplt. 12V-1,2W	3	
9	AP8114357	Tachometerkabel	1	
10	AP8144055	Kabelführungs	1	

Einheit	RAHMEN
Code	28.20
Beschreibung	Lenkstange
Inspektion	1



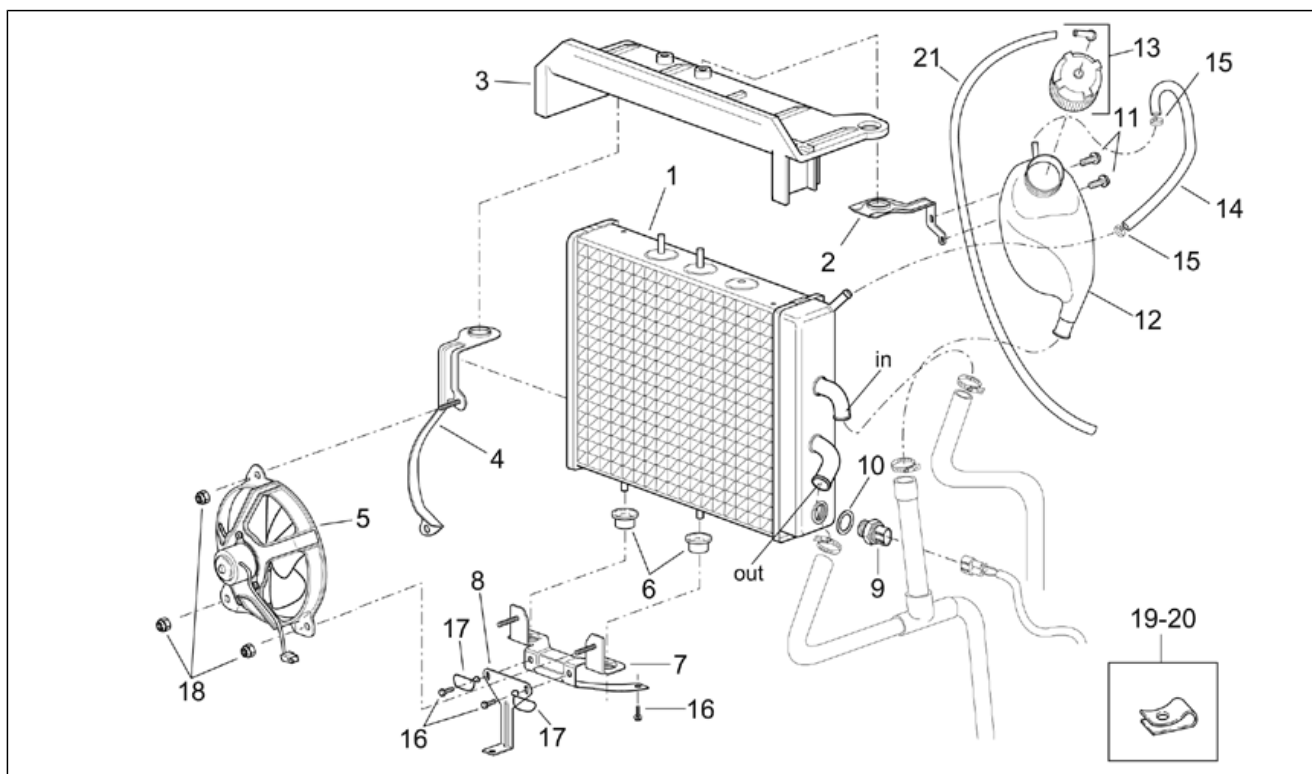
Pos.	Code	Beschreibung	Menge	Varianten
1	AP8118506	Lenkstange	1	
2	AP8150088	TCEI Schraube M10x70	1	
3	AP8150020	Ausgleichscheibe 10,5x21x2*	1	
4	AP8152301	Selbstsperrende Mutter	1	
5	AP8158560	Lenkungplatte, grau	1	
6	AP8118551	Schraube Lenkstangenplatte	1	
7	AP8117176	Doppelseitiges Klebeband	1	
8	AP8150460	Gewindeschraube M4x12	4	
9	AP8102956	Grundplatte R.Rückspg.	1	
10	AP8102957	Grundplatte L.Rückspg.	1	
11	AP8120915	Gummi rechter Spiegel	1	
12	AP8120916	Gummi linker Spiegel	1	
13	AP8102961	Distanzst.Spiegelb.	2	
14	AP8148433	Spiegelschraube rs+ls	1	
15	AP8150046	TCEI Schraube M8x55	2	
16	AP8102867	Rückspiegel links	1	
17	AP8102866	Rückspiegel rechts	1	

Einheit	RAHMEN
Code	28.21
Beschreibung	Schaltungen
Inspektion	1



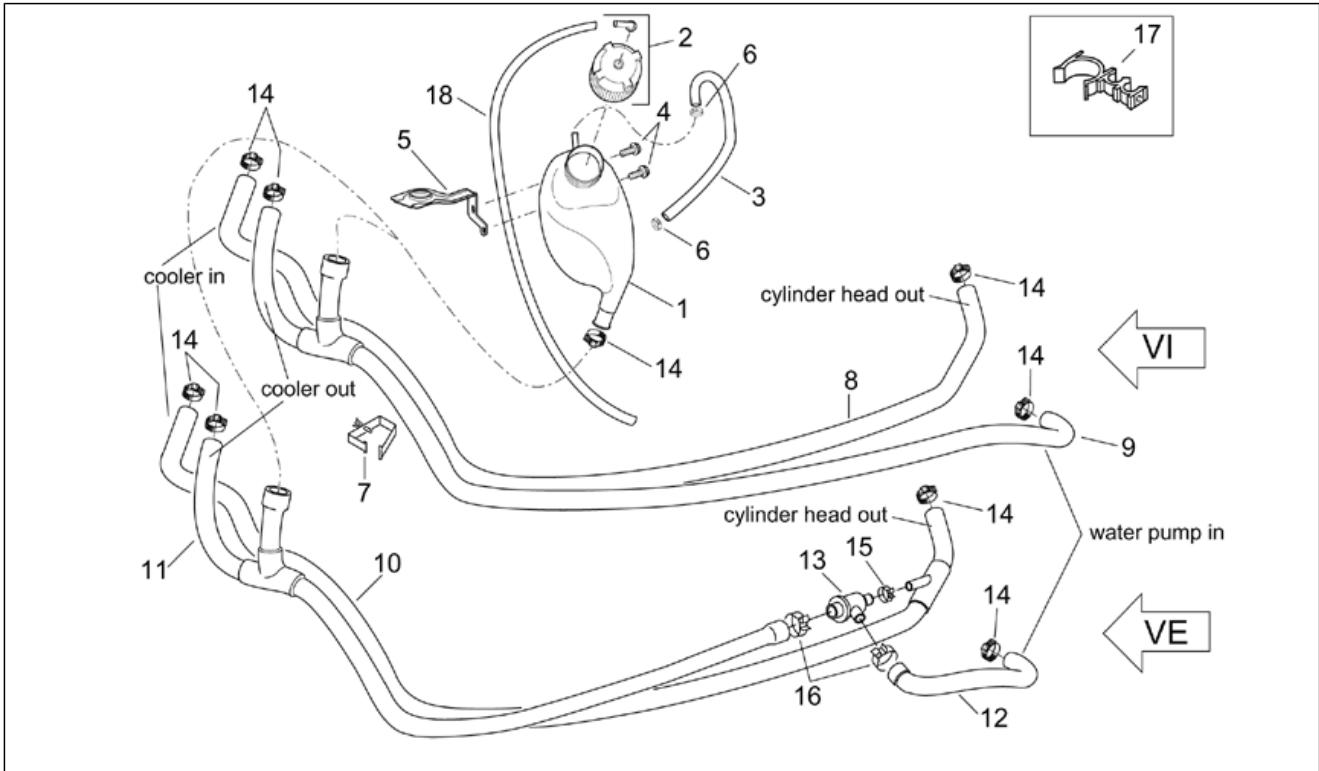
Pos.	Code	Beschreibung	Menge	Varianten
1	AP8213359	Vorderradbremspumpe D12	1	
2	AP8213360	Hinterradbremspumpe D12	1	
3	AP8218478	Bremshebel Alu	2	
4	AP8249191	Pumpendeckel	2	
5	AP8213455	Schauglas Bremspumpe, Kpl.	2	
6	AP8218483	Hebelbolzen kpl.	2	
7	AP8113637	Bremshebel-Bügelbolzen	2	
8	AP8213299	Kappenschraube	2	
9	AP8213456	Bausatz Pumpenüberholung	1	
10	AP8152283	TE Schr. m. Flansch	2	
11	AP8202188	Lenkstangen-Schwingschutz	2	
12	AP8118606	Handgriffe paar, grau	1	
13	AP8144128	Seitl. Lenkerverschl.	2	
14	AP8114388	Gaszugkabel	1	
15	AP8118548	Gasschaltung ohne Griff	1	
16	AP8124209	Hupknopf	1	
17	AP8212767	Blinker Lichtknopf	1	
18	AP8124081	Lichtschalter	1	
19	AP8124208	Startknopf	1	
20	AP8124207	Lichtknopf	1	Technische Daten: Lichtausschalter[SD]
21	AP8104546	Deckel	1	Technische Daten: Lichter immer eingeschaltet[ASD]
22	AP8127487	Verbinder	2	Technische Daten: Lichter immer eingeschaltet[ASD]

Einheit	RAHMEN
Code	28.22
Beschreibung	Kühler
Inspektion	1



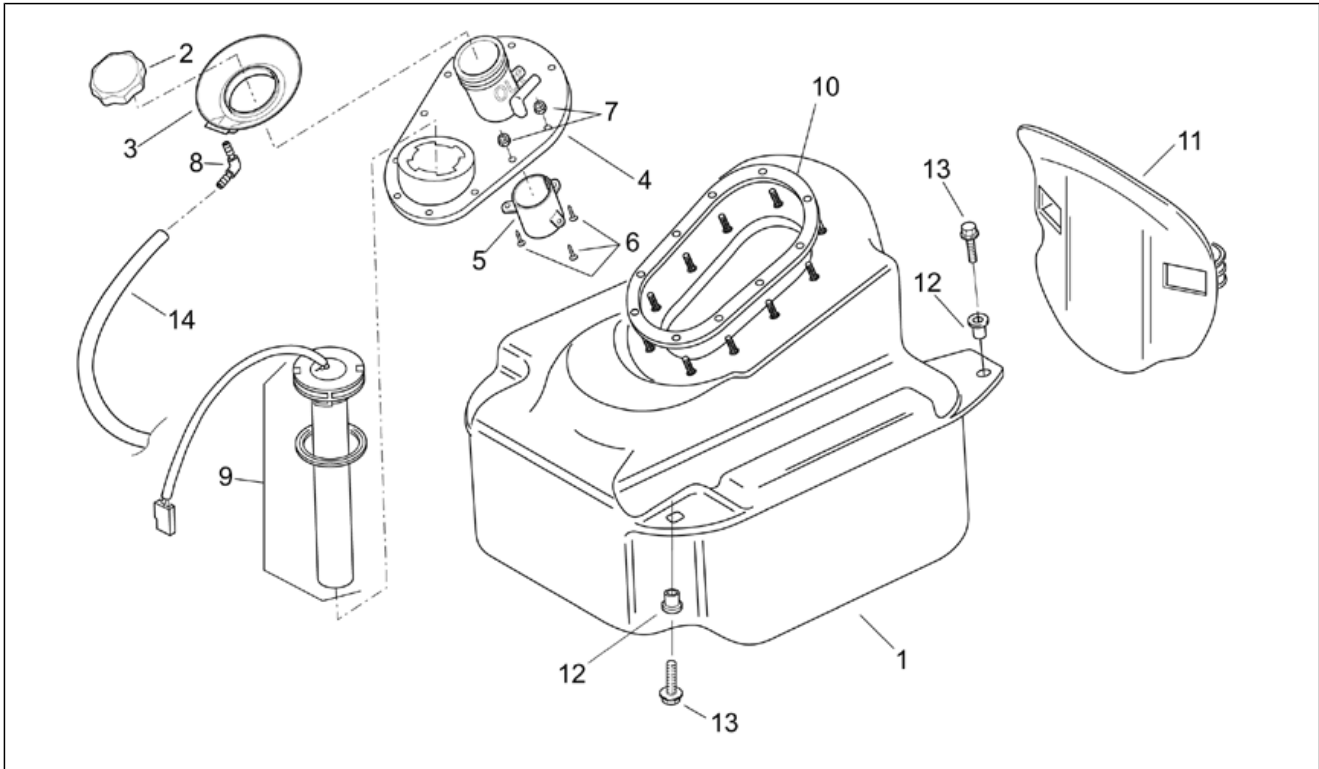
Pos.	Code	Beschreibung	Menge	Varianten
1	AP8104093	Kühler	1	
2	AP8134453	Obere Kühlerbefestigung	1	
3	AP8144078	Kühlerdichtung	1	
4	AP8134411	Obere Lüfterbefestigung	1	
5	AP8124446	Ventilator komplett	1	
6	AP8120275	Silent-Block *	2	
7	AP8134454	Untere Kühlerbefestigung	1	
8	AP8134320	Frontschildbefestigung	1	
9	AP8112677	Thermoschalter	1	
10	AP8121837	Alu-Scheibe	1	
11	AP8152279	TE Schr. m. Flansch M6x20	2	
12	AP8138946	Ausdehngefäß	1	
13	AP8201463	Kühlerschraube belüftet	1	
14	AP8144056	Entlüftungsschlauch Kühler	1	
15	AP8102239	Schelle 12,5x8	2	
16	AP8152273	Flanschschraube M5x15	4	
17	AP8221150	Kabelführungs	2	
18	AP8152306	Selbstsperrende Mutter M5	3	
19	AP8102375	Klammer M5	6	
20	AP8102376	Klammer M6	2	
21	AP8220402	Leitung 5x9	1	

Einheit	RAHMEN
Code	28.23
Beschreibung	Ausdehngefäß - Schläuche
Inspektion	1



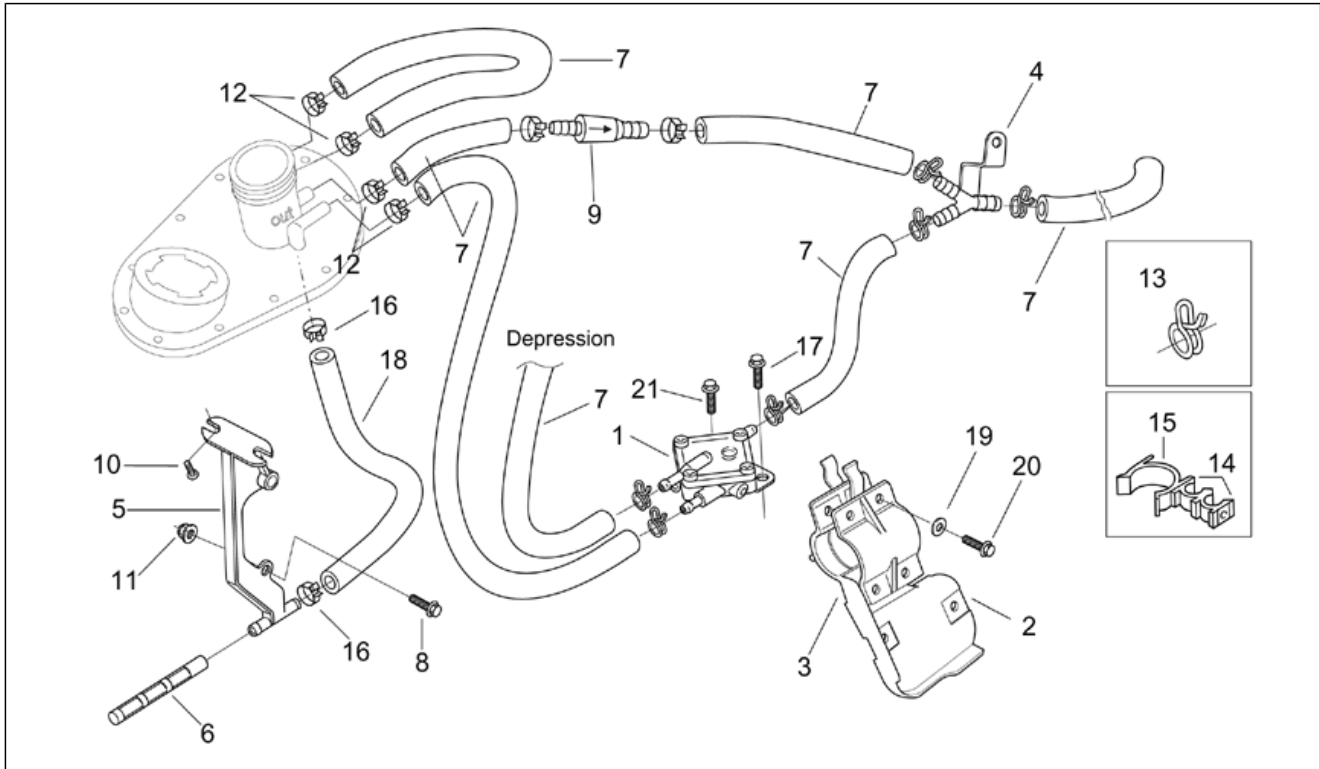
Pos.	Code	Beschreibung	Menge	Varianten
1	AP8138946	Ausdehngefäß	1	
2	AP8201463	Kühlerschraube belüftet	1	
3	AP8144056	Entlüftungsschlauch Kühler	1	
4	AP8152279	TE Schr. m. Flansch M6x20	2	
5	AP8134453	Obere Kühlerbefestigung	1	
6	AP8102239	Schelle 12,5x8	2	
7	AP8134460	Wasserschlauchhalter	1	
8	AP8144079	Zylinderkopf-Kühlerschlauch	1	Technische Daten: Version mit internem Thermostat[VI]
9	AP8144080	Pumpen-Kühlerschlauch	1	Technische Daten: Version mit internem Thermostat[VI]
10	AP8144098	Zylinderkopf-Kühlerschlauch	1	Technische Daten: Version mit externem Thermostat[VE]
11	AP8144099	Pumpen-Kühlerschlauch	1	Technische Daten: Version mit externem Thermostat[VE]
12	AP8144100	Pump-Motorventilleitung	1	Technische Daten: Version mit externem Thermostat[VE]
13	AP8102614	Ventil thermostatgruppe	1	Technische Daten: Version mit externem Thermostat[VE]
14	AP8102732	Schelle 17-25	5	
15	AP8101573	Schelle D16-24x8*	1	
16	AP8102810	Schlauchschele D25x35	2	
17	AP8201807	Kabelführungs D22	2	
18	AP8220402	Leitung 5x9	1	

Einheit	RAHMEN
Code	28.24
Beschreibung	Tank
Inspektion	1



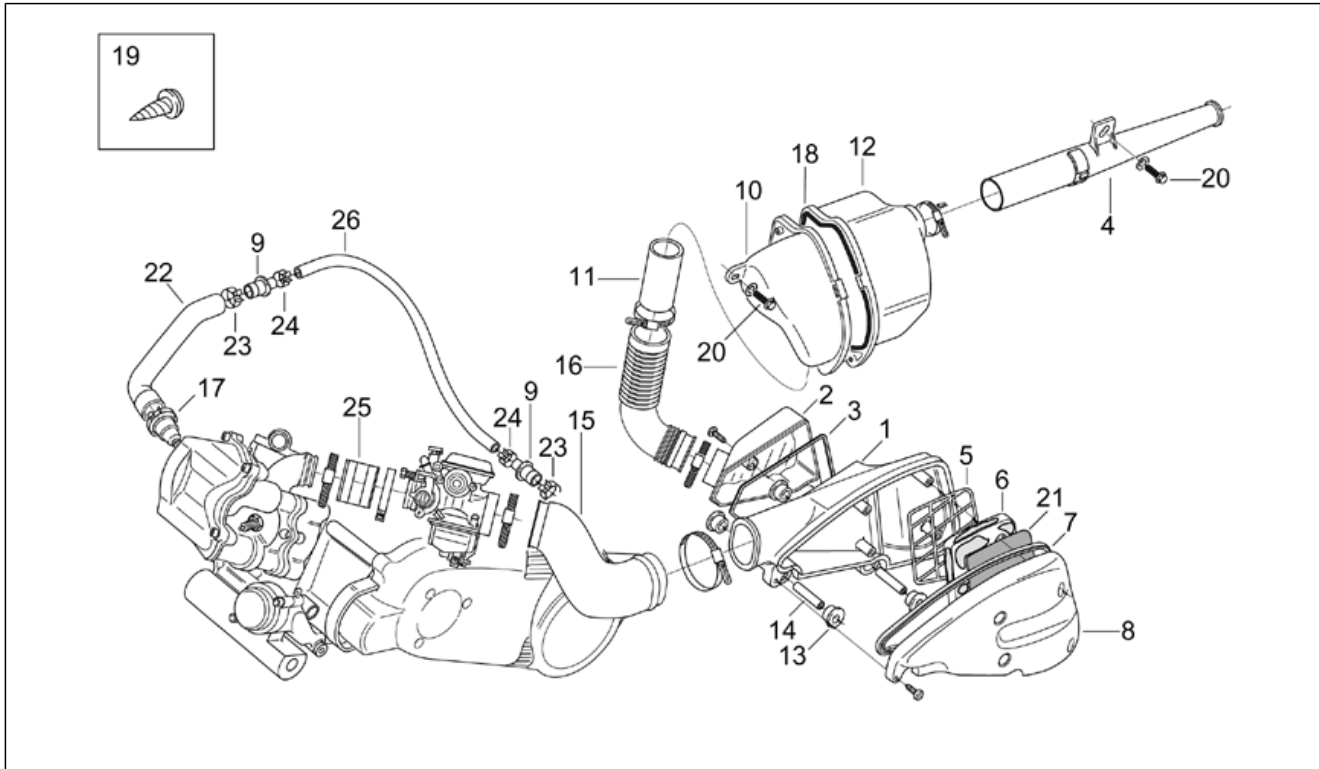
Pos.	Code	Beschreibung	Menge	Varianten
1	AP8138153	Kraftstofftank	1	
2	AP8201757	Tankverschlussschraube	1	
3	AP8102605	Gasket ring	1	
4	AP8102736	Flansch Benzintank	1	
5	AP8102733	Halterung Benzinpist.	1	
6	AP8150413	Gew.schr. 3,9x14	3	
7	AP8150451	Selbstsperr.mut Unt.	10	
8	AP8102699	90° Anschluß weiß	1	
9	AP8124478	Kraftstoffmeßsonde	1	
10	AP8120917	Dichtung Kraftstofftank	1	
11	AP8138600	Spannung Verkabelungsschutz	1	
12	AP8121728	T-Buchse	4	
13	AP8152280	TE Schr. m. Flansch M6x25	5	
14	AP8120955	Leitung grau 3x8	1	

Einheit	RAHMEN
Code	28.25
Beschreibung	Benzinpumpe kpl.
Inspektion	1



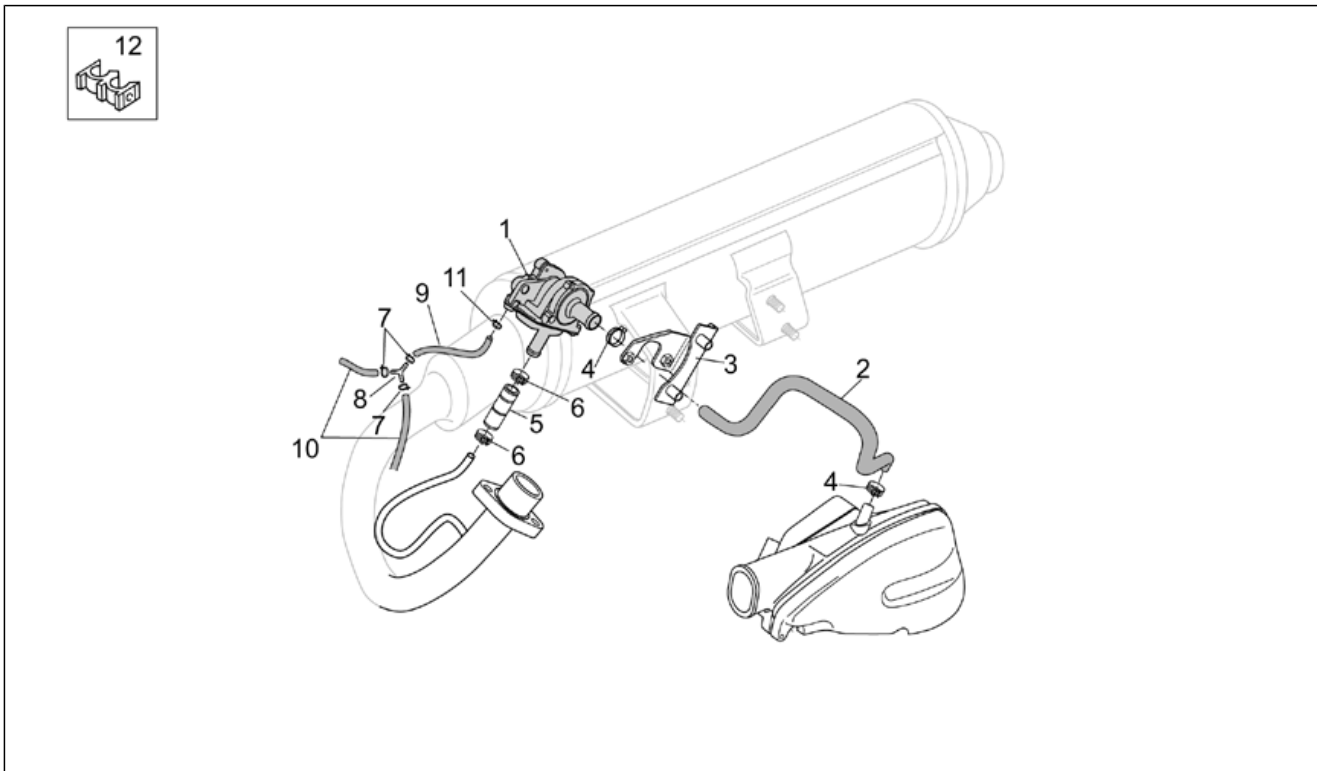
Pos.	Code	Beschreibung	Menge	Varianten
1	AP8106751	Kraftstoffpumpe	1	
2	AP8134643	Pumpenträgerstand	1	
3	AP8134642	ext. Benzinpumpenhalter	1	
4	AP8102970	3-Wegeanschl. m. Öse	1	
5	AP8138404	Halter Kraftstoffpumpe	1	
6	AP8102456	Kraftstofffilter	1	
7	AP8220402	Leitung 5x9	1	
8	AP8152279	TE Schr. m. Flansch M6x20	2	
9	AP8102741	Rückstauventil	1	
10	AP8150413	Gew.schr. 3,9x14	5	
11	AP8152299	Selbstsperrende Mutter M6	3	
12	AP8102738	Schlauchschele	4	
13	AP8101595	Schelle D10,1	9	
14	AP8201808	Kabelführungs D8	1	
15	AP8201807	Kabelführungs D22	1	
16	AP8102764	Schlauchschele weiß d.13x6	2	
17	AP8102377	Schelle D9,1*	1	
18	AP8120993	Entlüftungsschlauch Kühler 7,5x12,5	4	
19	AP8150013	Ausgleichscheibe 5,5x15x1,6*	4	
20	AP8152273	Flanschschraube M5x15	4	
21	AP8152280	TE Schr. m. Flansch M6x25	2	

Einheit	RAHMEN
Code	28.26
Beschreibung	Filtergruppe
Inspektion	1



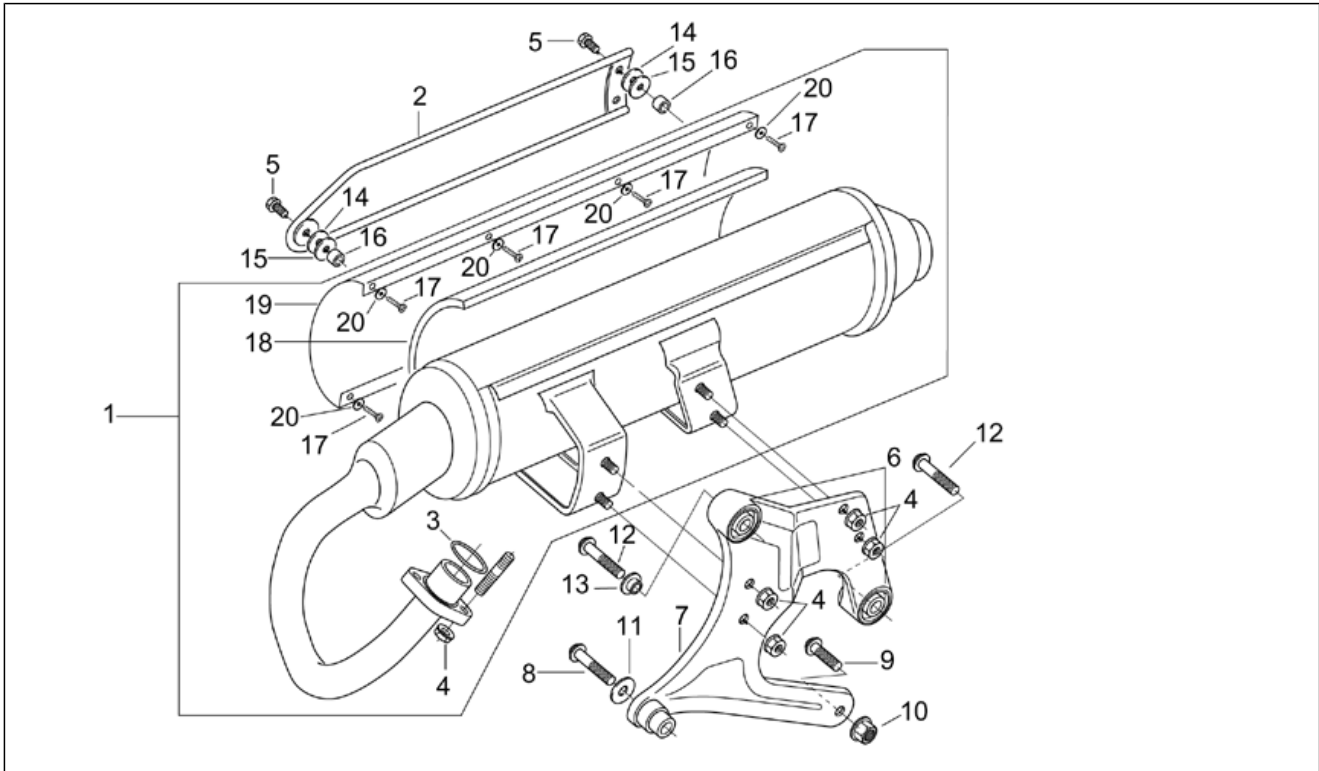
Pos.	Code	Beschreibung	Menge	Varianten
1	AP8158555	Boden Filtergehäuse	1	Technische Daten: EU-Zulassung (Grenzen EURO 1)[E1]
1	AP8158948	Boden Filtergehäuse	1	Technische Daten: EU-Zulassung (Grenzen EURO 2)[E2]
2	AP8158561	Deckel Filtergehäuse	1	
3	AP8102638	Dichtung Filtergehäuse	1	
4	AP8139963	Ansaugmuffe	1	
5	AP8138472	Filterschutznetz	1	
6	AP8102582	Hinterer Luftfilter	1	
7	AP8102637	Dichtung Filtergehäuse	1	
8	AP8158556	Deckel Filtergehäuse	1	Technische Daten: EU-Zulassung (Grenzen EURO 1)[E1]
8	AP8158949	Deckel Filtergehäuse	1	Technische Daten: EU-Zulassung (Grenzen EURO 2)[E2]
9	AP8102576	2-Wege Anschluß	2	
10	AP8138999	Deckel Filtergehäuse	1	
11	AP8138677	Verlängerung Ansaugmuffe	1	
12	AP8138684	Boden Filtergehäuse	1	
13	AP8101372	Silent-Block	4	
14	AP8121984	Distanzscheibe	2	
15	AP8144202	Ansaugmuffe	1	
16	AP8120888	Ansaugmuffe	1	
17	AP8201409	Schlauchschele 290x8,9	1	
18	AP8120615	Dichtung D3	1	
19	AP8150413	Gew.schr. 3,9x14	2	
20	AP8152278	TE Schr. m. Flansch M6x16	2	
21	AP8138949	Filterabdecknetz	1	
22	AP8120977	Entlüftungsschlauch öl	1	
23	AP8201169	Schlauchschele D22x8,6*	2	
24	AP8102239	Schele 12,5x8	2	
25	AP0267137	Vergasermuffe	1	
26	AP8120905	Kraftstoffleitung 8x13	1	

Einheit	RAHMEN
Code	28.27
Beschreibung	Secondary air
Inspektion	1



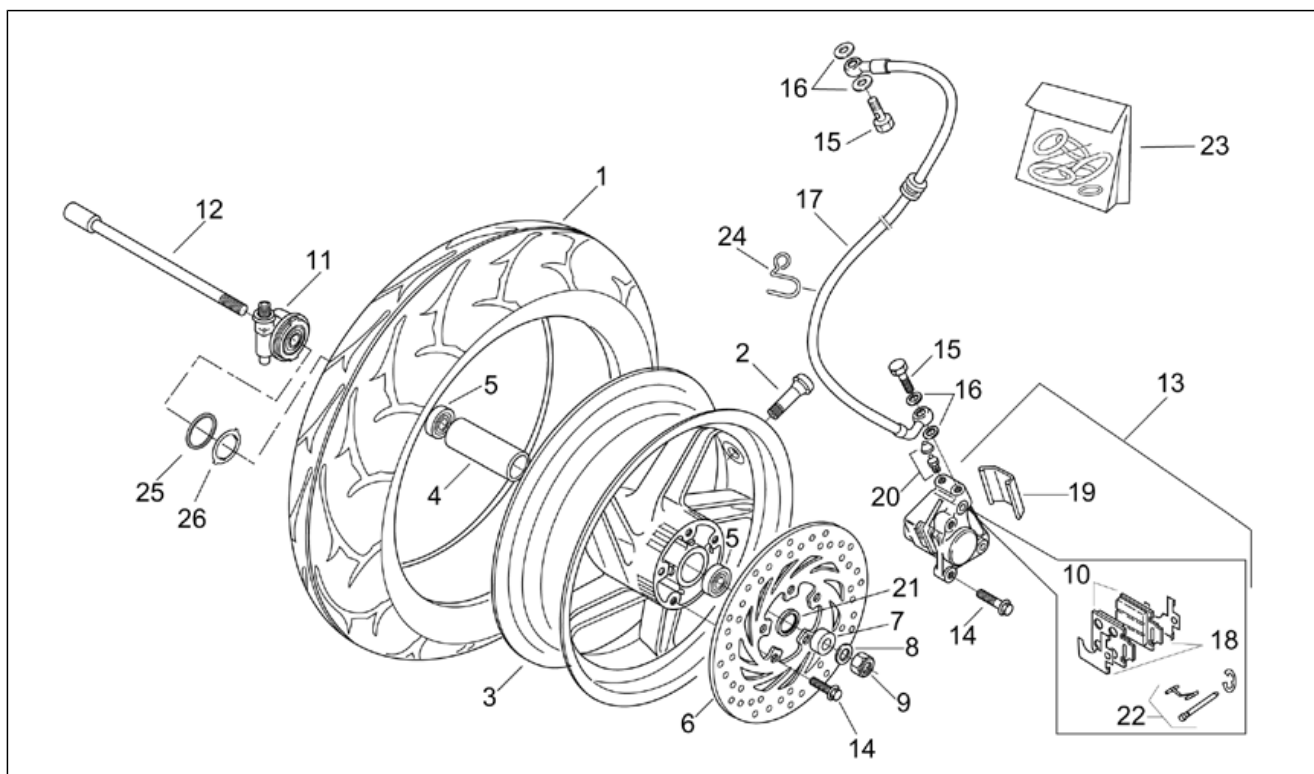
Pos.	Code	Beschreibung	Menge	Varianten
1	AP8106940	Ventil sas	1	Technische Daten:EU-Zulassung (Grenzen EURO 2)[E2]
2	AP8144525	Leitung	1	Technische Daten:EU-Zulassung (Grenzen EURO 2)[E2]
3	AP0251470	Halter	1	Technische Daten:EU-Zulassung (Grenzen EURO 2)[E2]
4	AP8102349	Schlauchschelle weiß D17,5x8	2	Technische Daten:EU-Zulassung (Grenzen EURO 2)[E2]
5	AP8144571	Leitung	1	Technische Daten:EU-Zulassung (Grenzen EURO 2)[E2]
6	AP8101586	Schlauchschelle D.15,5x6,6	2	Technische Daten:EU-Zulassung (Grenzen EURO 2)[E2]
7	AP8120378	Schelle	3	Technische Daten:EU-Zulassung (Grenzen EURO 2)[E2]
8	AP8144303	3-Wegeanschluß	1	Technische Daten:EU-Zulassung (Grenzen EURO 2)[E2]
9	AP8220263	Entlüftungsschlauch Kühler 4x8	1	Technische Daten:EU-Zulassung (Grenzen EURO 2)[E2]
10	AP8120952	Kraftstoffleitung 5,5x10	2	Technische Daten:EU-Zulassung (Grenzen EURO 2)[E2]
11	AP8120179	Schelle D8	1	Technische Daten:EU-Zulassung (Grenzen EURO 2)[E2]
12	AP8201808	Kabelführungs D8	1	Technische Daten:EU-Zulassung (Grenzen EURO 2)[E2]

Einheit	RAHMEN
Code	28.32
Beschreibung	Auslassgruppe
Inspektion	1



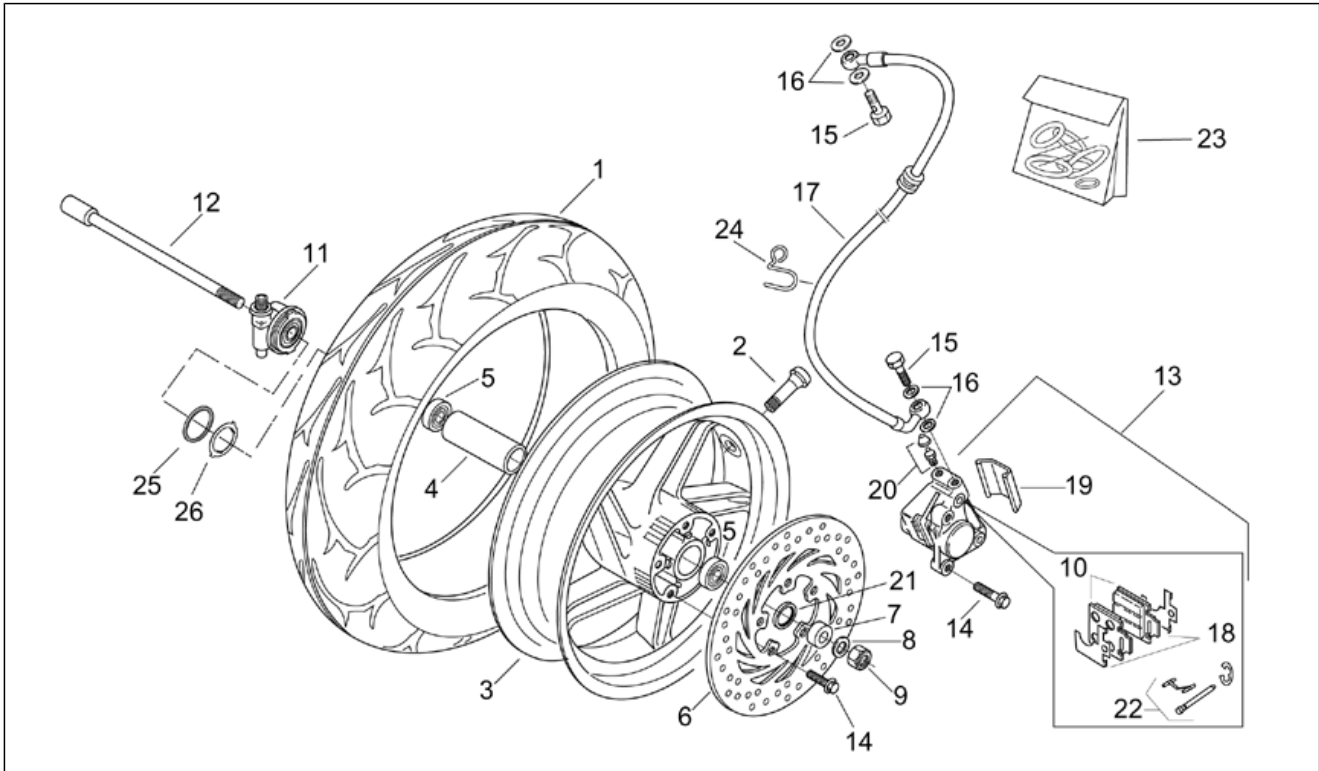
Pos.	Code	Beschreibung	Menge	Varianten
1	AP8119442	Auspuff	1	Technische Daten: EU-Zulassung (Grenzen EURO 1)[E1]
1	AP8119727	Auspuff	1	Technische Daten: EU-Zulassung (Grenzen EURO 2)[E2]
2	AP8119424	Auspuffrohrschutz, chrom.	1	
3	AP8119355	Dichtung Auspuffrohr	1	
4	AP8150334	Mutter M8	6	
5	AP8152342	TE Schr. m. Flansch M6x12	3	
6	AP8220346	Silent-Block	2	
7	AP8135680	Auspuffrohrhalter	1	
8	AP8152291	TE Schr. m. Flansch	1	
9	AP8152288	TE Schr. m. Flansch	1	
10	AP8152300	Selbstsperrende Mutter M8	1	
11	AP8150018	Ausgleichscheibe	1	
12	AP8152292	TE Schr. m. Flansch	2	
13	AP8120508	T-Buchse *	1	
14	AP8144065	Gummi	3	
15	AP8144064	Wärmeschutzscheibe	3	
16	AP8120253	Distanzscheibe	3	
17	AP8119490	Linsenschraube	8	
18	AP8117144	Schalldämmplatte	1	
19	AP8119489	Außen Auspuffrohrschutz	1	
20	AP8119518	U-scheibe Inox 4,3x8	8	

Einheit	RAHMEN
Code	28.33
Beschreibung	Vorderrad
Inspektion	1



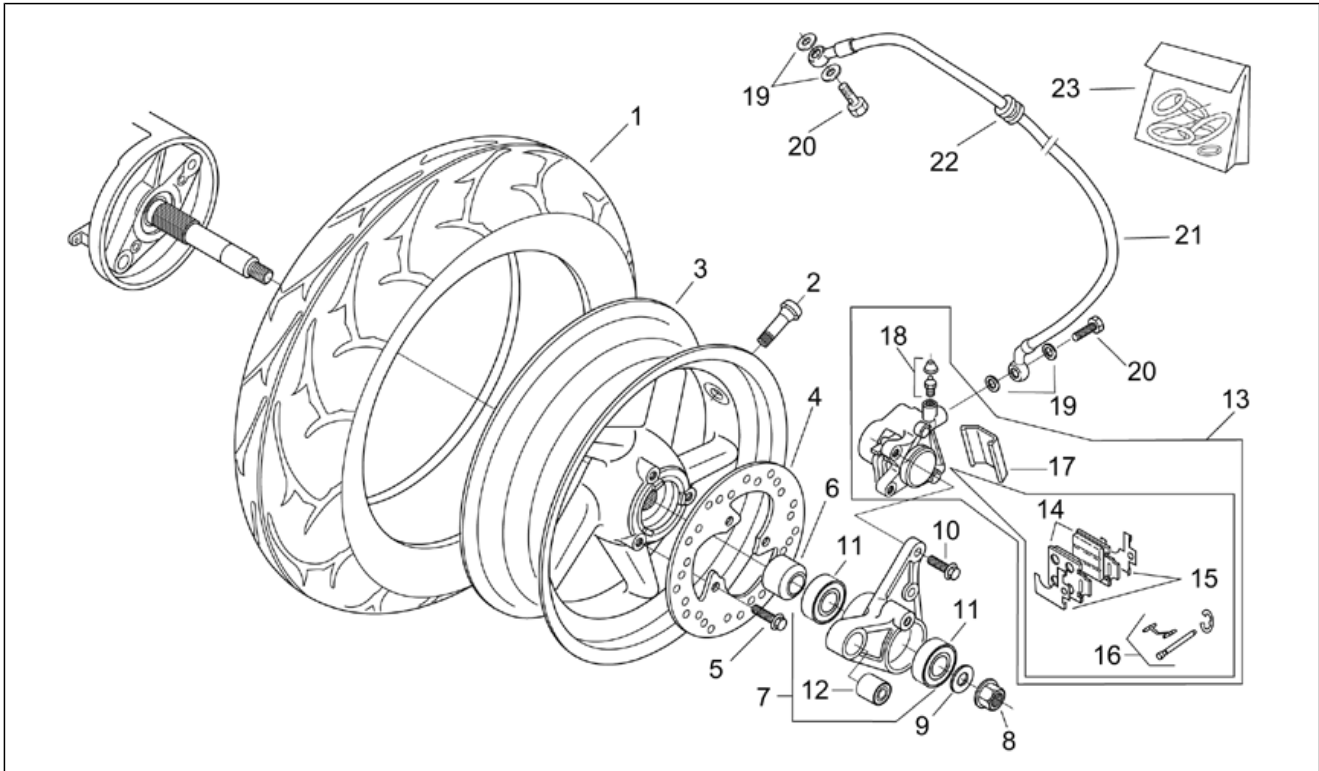
Pos.	Code	Beschreibung	Menge	Varianten
1	0000000	Reifen	1	
2	AP8201546	Schlauchloses Reifenventil	1	
3	AP8108918	Vorderrad	1	Baujahr: 2004[4] Fahrzeugfarbe: Bleigrau 2004[grey], Blau Hilton 2004[hilt], Blau Main 2004[main], Grau Titan 2004[tit.g]
3	AP8108918	Vorderrad	1	Baujahr: 2001[1], 2002[2]
3	AP8108918	Vorderrad	1	Baujahr: 2003[3] Fahrzeugfarbe: Rot Tulip 2003[rosso], Grau Titan 2003[titan]
3	AP8128027	Vorderrad gold	1	Baujahr: 2003[3] Fahrzeugfarbe: Sbk 2003[sbk]
4	AP8125752	Interne Distanzscheibe	1	
5	AP8225148	Lager	2	
6	AP8113541	Bremsscheibe D220	1	
7	AP8221119	Vorderrad Distanzscheibe	1	
8	AP8152018	Scheibe 12,2x22x2	1	
9	AP8150373	Selbstsperr.mut Unt. M12x1,25	1	
10	AP8213460	Beläge (Paar)	1	
11	AP8102407	Vorgelegte Kilometerzähler	1	
12	AP8225271	Vorderradbolzen	1	
13	AP8113847	Vorderradbremzange D32	1	
14	AP8152288	TE Schr. m. Flansch	7	
15	AP8113003	Fixierschraube Ölschlauch	2	
16	AP8113004	Ausgleichscheibe 10x14x1,6*	4	
17	AP8113703	Vorderradbremseleitung	1	
18	AP8113677	Vorderunpfeifenplatte-paar	1	
19	AP8113640	Deckel Bremszangen	1	
20	AP8213458	Entlüftung+Haube	1	
21	AP8125782	Gasket ring	1	

Einheit	RAHMEN
Code	28.33
Beschreibung	Vorderrad
Inspektion	1



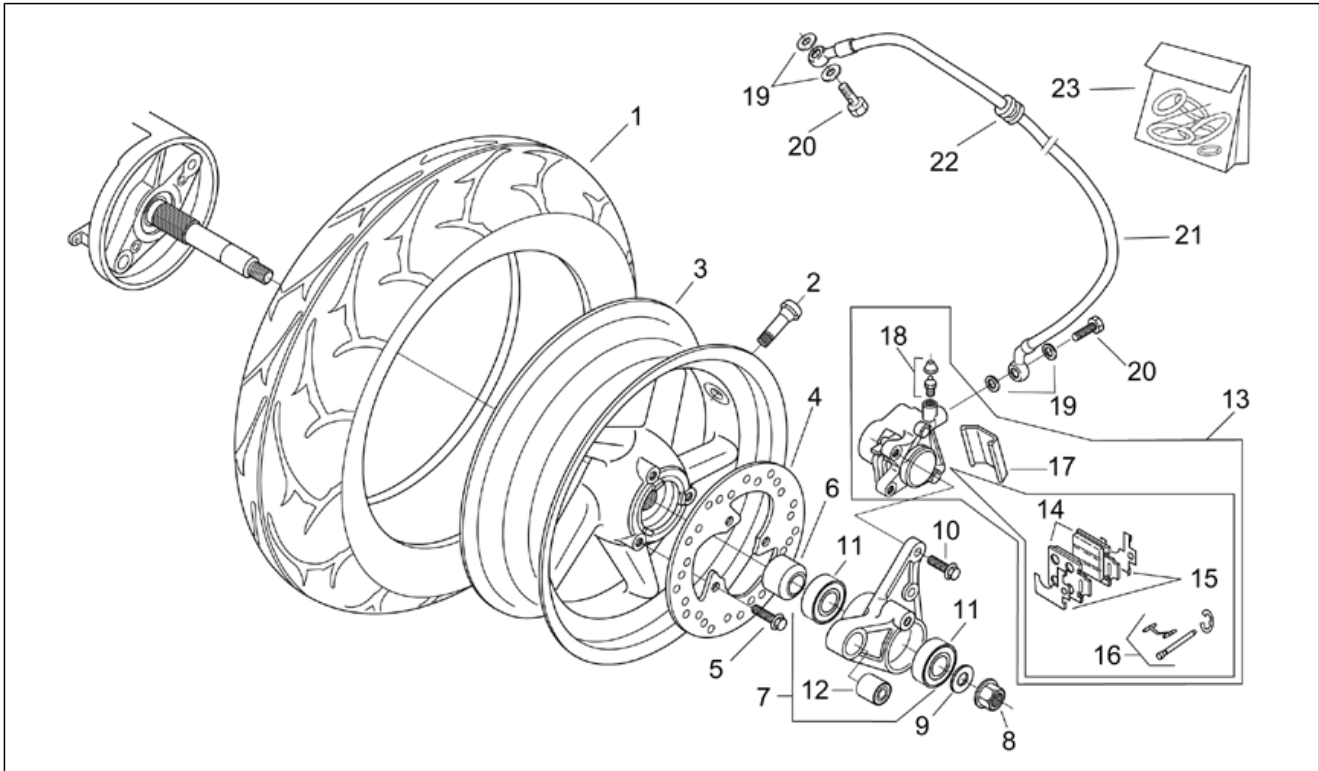
Pos.	Code	Beschreibung	Menge	Varianten
22	AP8213459	Bolzen+Bremse Felder	1	
23	AP8113122	Bausatz Bremszangenüberholung	1	
24	AP8144055	Kabelführungs	1	
25	AP8125743	Gasket ring D40x50x4	1	
26	AP8120865	Mitnehmer	1	

Einheit	RAHMEN
Code	28.34
Beschreibung	Hinterrad
Inspektion	1



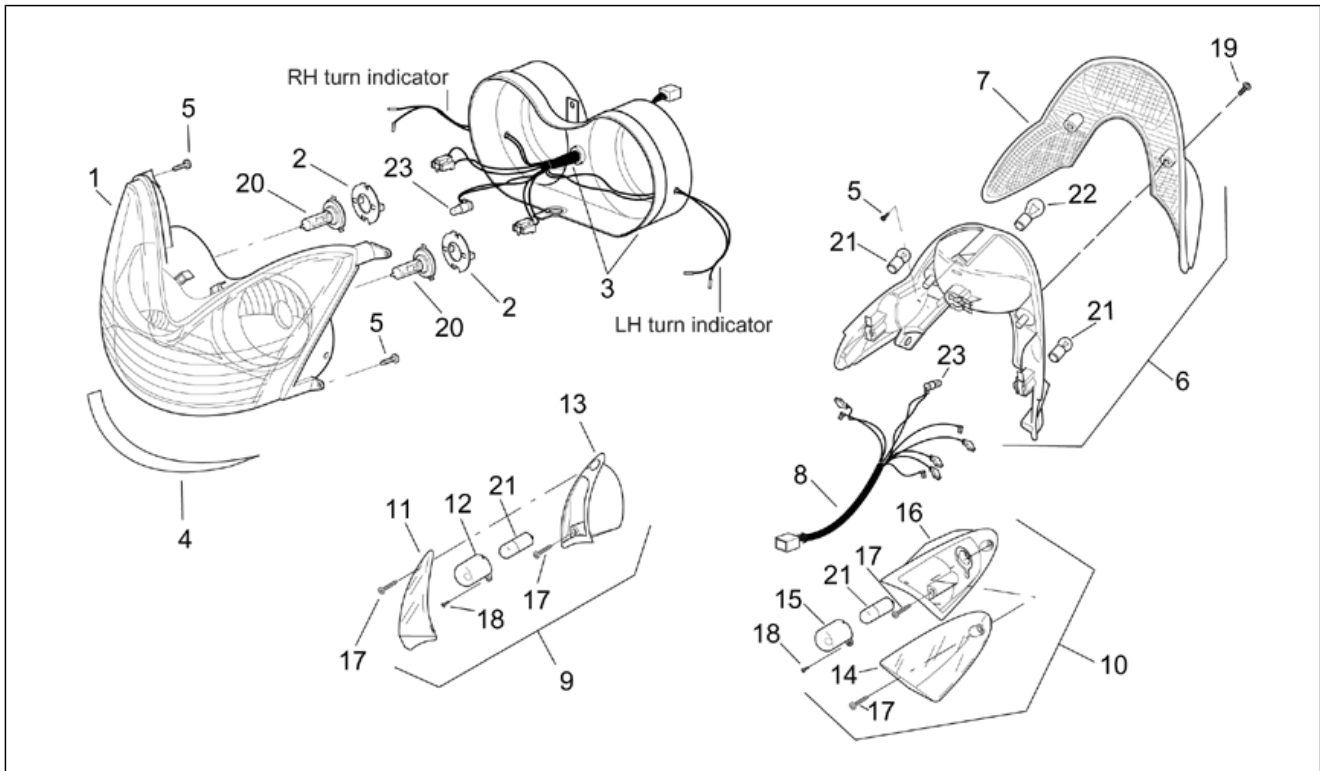
Pos.	Code	Beschreibung	Menge	Varianten
1	0000000	Reifen	1	
2	AP8201546	Schlauchloses Reifenventil	1	
3	AP8108917	Hinterrad ohne Scheibe	1	Baujahr: 2004[4] Fahrzeugfarbe: Bleigrau 2004[grey], Blau Hilton 2004[hilt], Blau Main 2004[main], Grau Titan 2004[tit.g]
3	AP8108917	Hinterrad ohne Scheibe	1	Baujahr: 2003[3] Fahrzeugfarbe: Rot Tulip 2003[rosso], Grau Titan 2003[titan]
3	AP8108917	Hinterrad ohne Scheibe	1	Baujahr: 2001[1], 2002[2]
3	AP8128028	Hinterrad gold	1	Baujahr: 2003[3] Fahrzeugfarbe: Sbk 2003[sbk]
4	AP8213231	Bremsscheibe D190	1	
5	AP8152288	TE Schr. m. Flansch	3	
6	AP8125726	Hinterrad Distanzscheibe	1	
7	AP8134308	Anschlußplatte Bremszange	1	
8	AP8152244	Mutter DAX geflanscht M14x1,5	1	
9	AP8150471	Sprengscheibe 14,5x24	1	
10	AP8152287	TE Schr. m. Flansch M8x25	2	
11	AP8110083	Kugellager	2	
12	AP8120970	Silent-Block	1	
13	AP8113848	Hinterradbremsszange D30	1	
14	AP8213462	H.Beläge (Paar)	1	
15	AP8113677	Vorderunpfeifenplatte-paar	1	
16	AP8213461	Bolzen+Bremse Felder	1	
17	AP8213224	Deckel Bremszangen	1	
18	AP8113321	Entlüftung+Haube	1	
19	AP8113004	Ausgleichscheibe 10x14x1,6*	4	
20	AP8113003	Fixierschraube Ölschlauch	2	
21	AP8113704	Hinterradbremssleitung	1	

Einheit	RAHMEN
Code	28.34
Beschreibung	Hinterrad
Inspektion	1



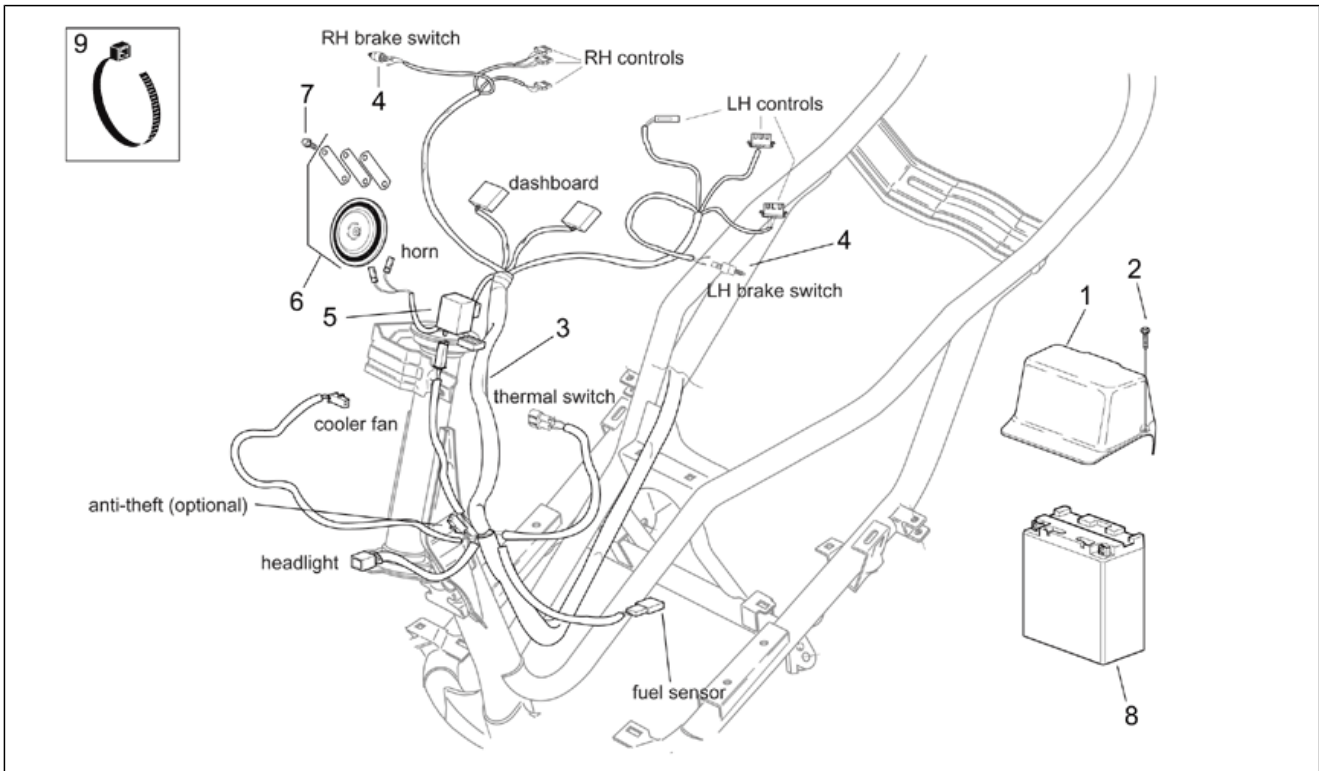
Pos.	Code	Beschreibung	Menge	Varianten
22	AP8121856	Kabelführungs	1	
23	AP8213457	Bausatz Bremszangenüberholung	1	

Einheit	RAHMEN
Code	28.35
Beschreibung	Lichter
Inspektion	1



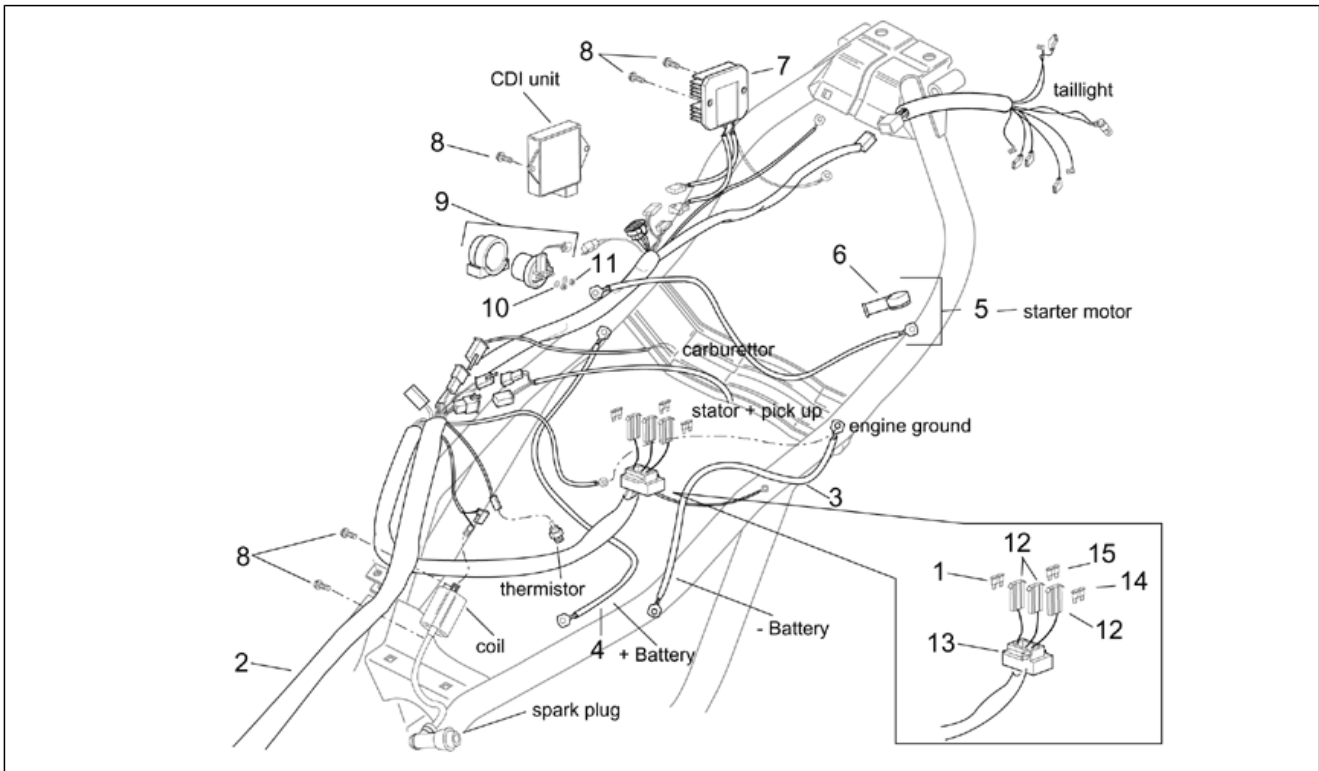
Pos.	Code	Beschreibung	Menge	Varianten
1	AP8127287	Scheinwerfer	1	Land:Österreich[A], Belgien[B], Schweiz[CH], Deutschland[D], Dänemark[DK], Spanien[E], A-B-CH-D-DK-F-I[EU], Frankreich[F], Italien[I], Mexiko[ME], Mexiko[MX]
1	AP8127288	Scheinwerfer	1	Land:Australien[AUS], Großbritannien[UK]
2	AP8224209	Lampenhalter	2	
3	AP8124409	Verkabel.Scheinwerf.	1	
4	AP8147076	Unt.Scheinw.schutz Deko	1	
5	AP8150413	Gew.schr. 3,9x14	7	
6	AP8224318	Rücklicht	1	
7	AP8124949	Rücklichtblende	1	
8	AP8124594	Verkabelung Rücklicht	1	
9	AP8124516	Vorderblinker rechts	1	
10	AP8124517	Vorderblinker links	1	
11	AP8224213	V. Blinkerblende rechts	1	
12	AP8224214	Schirm rechts	1	
13	AP8224215	Blinkerspiegel rechts	1	
14	AP8224210	V. Blinkerblende links	1	
15	AP8224211	Schirm links	1	
16	AP8224212	Blinkerspiegel links	1	
17	AP8150270	Linsenschraube 4,2x20*	4	
18	AP8225359	Schraube	2	
19	AP8150484	Gewindeschr. f. Kunstst.	2	
20	AP8127113	Lampen HS1 35+35W 12V	2	
21	AP8224390	Lampen R10W 12v	4	
22	AP8224389	Lampen P21/5W 12V	1	
23	AP8224393	Lampen WY5W 12V	2	

Einheit	RAHMEN
Code	28.36
Beschreibung	Elektrische anlage I
Inspektion	1



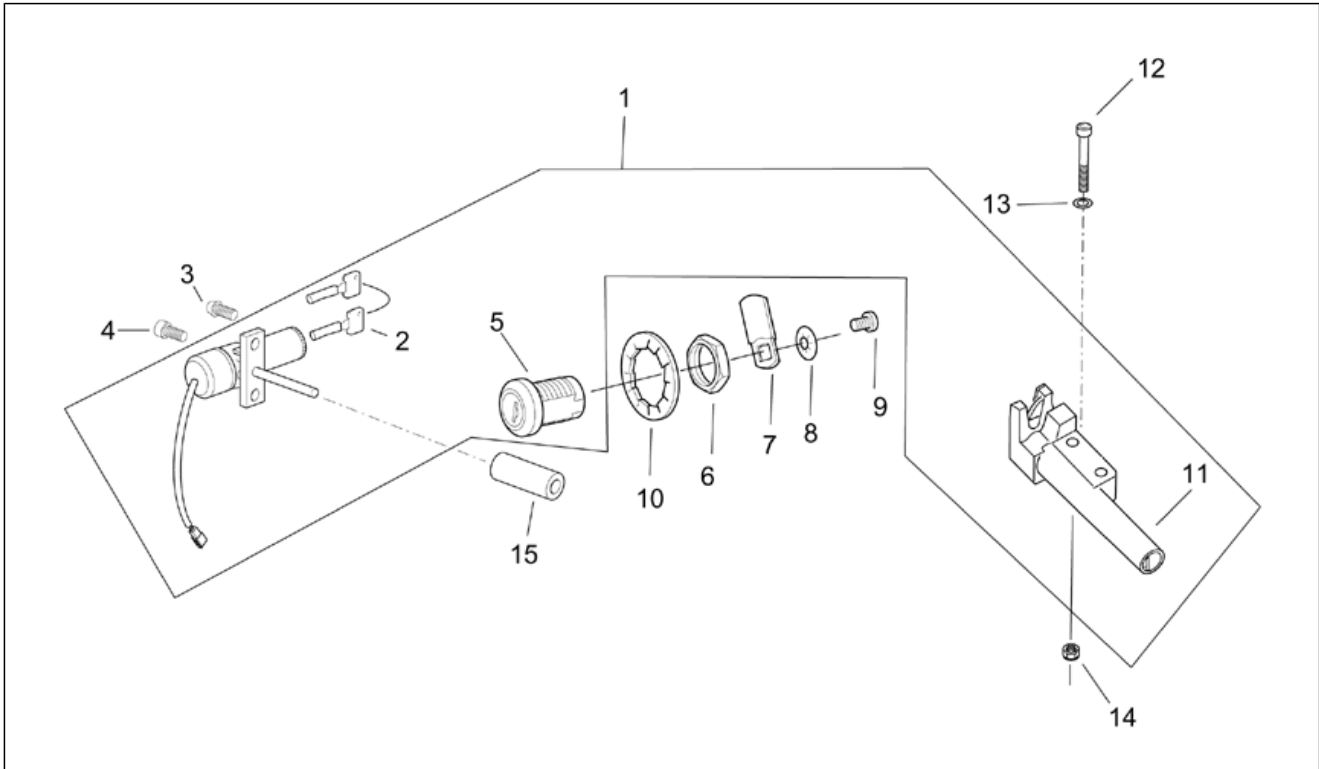
Pos.	Code	Beschreibung	Menge	Varianten
1	AP8138175	Batteriedeckel, schwarz	1	
2	AP8152329	Kreuz.schl.flnschschr. M5x20	3	
3	AP8124632	Hauptverkabelung	1	
4	AP8124818	Bremslichtschalter	2	
5	AP8127286	Blinken	1	
6	AP8124598	Hupe	1	
7	AP8152277	TE Schr. m. Flansch M6x12	1	
8	AP8124170	Batterie	1	
9	AP8120416	Schelle schwarz 178x4	10	

Einheit	RAHMEN
Code	28.37
Beschreibung	Elektrische anlage II
Inspektion	1



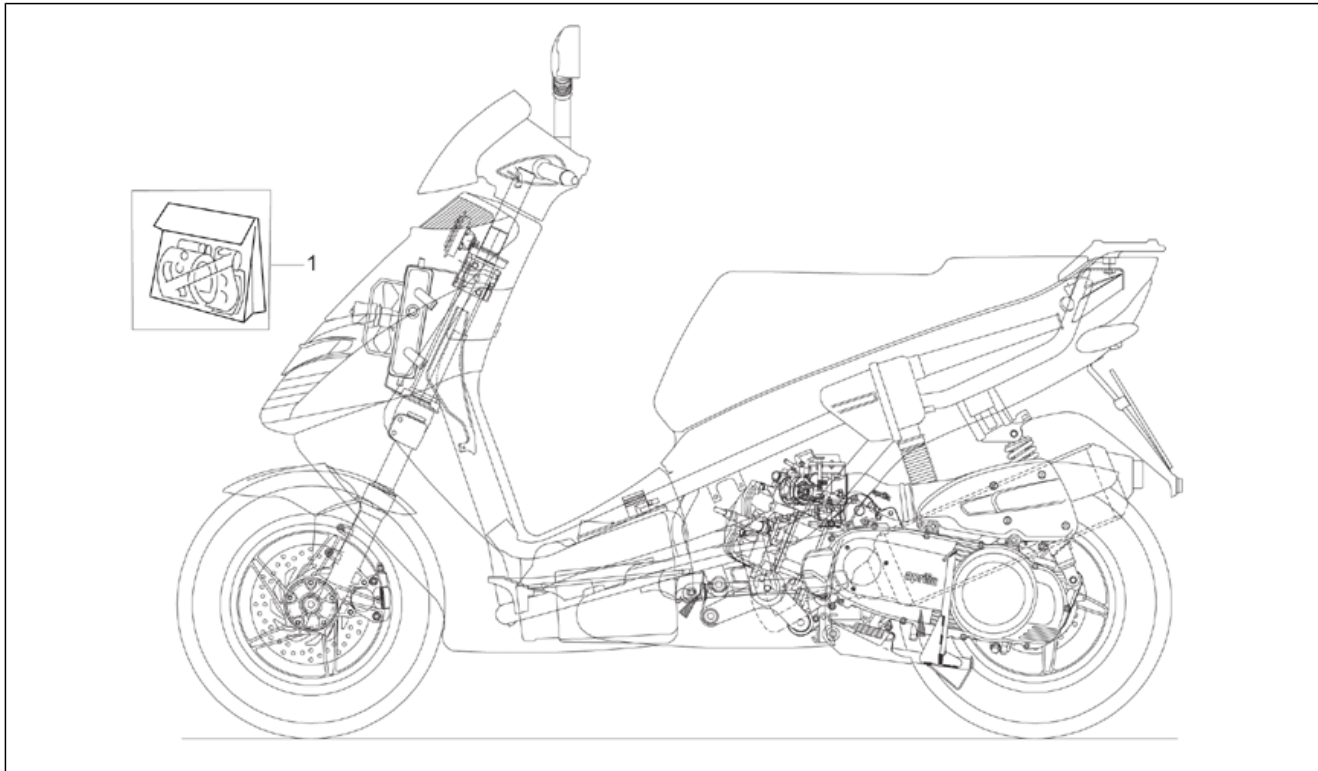
Pos.	Code	Beschreibung	Menge	Varianten
1	AP8112244	Sicherung 7,5A	1	
2	AP8124632	Hauptverkabelung	1	
3	AP8124447	Masse-Batteriekabel	1	
4	AP8112830	Anlasserkabel	1	
5	AP8124596	Anlasserkabel	1	
6	AP8120218	Klemmenkappe	1	
7	AP8112906	Spannungsregler	1	
8	AP8152274	TE Schr. m. Flansch M5x20	6	
9	AP8124636	Zündrelais 12V-150A	1	
10	AP8150429	Sprengscheibe 6,4x11x0,5*	2	
11	AP8150026	Mutter M6	2	
12	AP8120754	Sicherungsblockgummi	3	
13	AP8144091	Sicherungsblockgummi	1	
14	AP8112506	Sicherung 20A	1	
15	AP8112176	Sicherung 15A	1	

Einheit	RAHMEN
Code	28.38
Beschreibung	Bausatz Schlösser
Inspektion	1



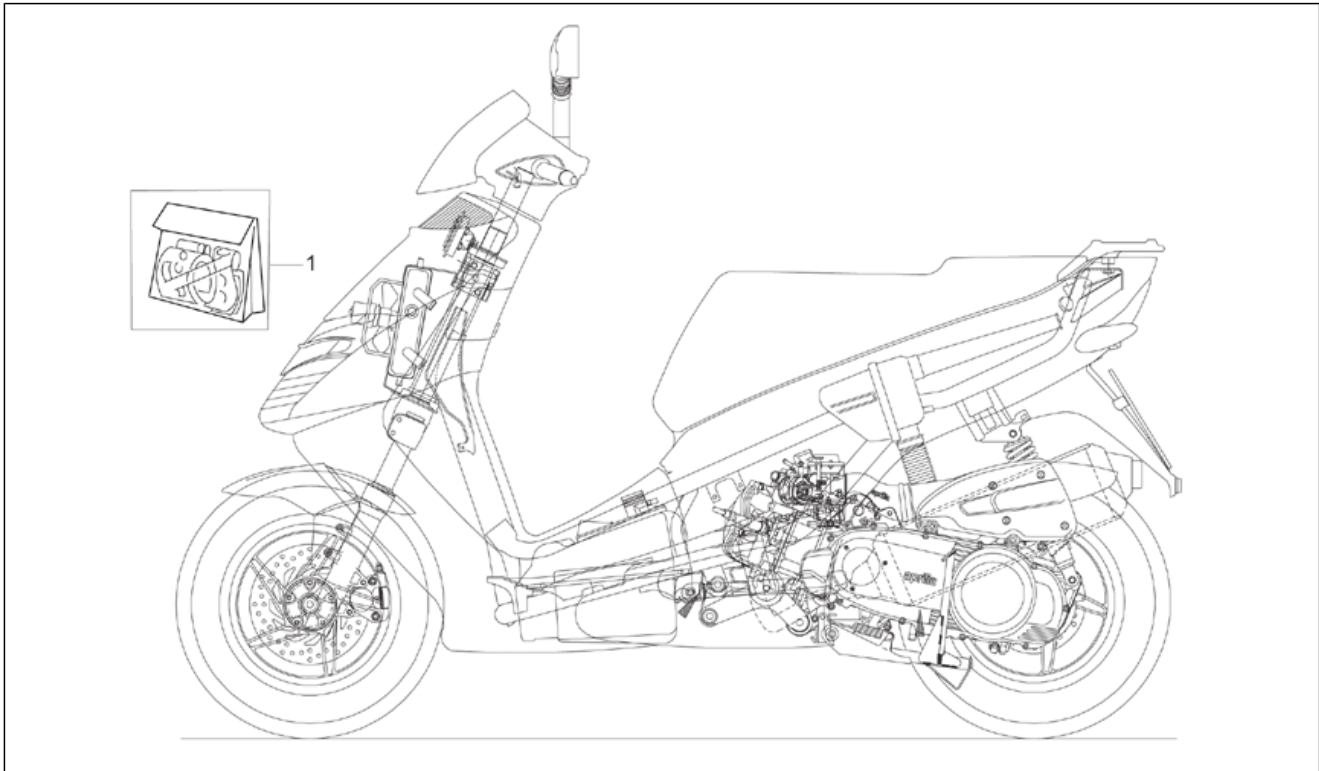
Pos.	Code	Beschreibung	Menge	Varianten
1	AP8102923	Kit Schließvorrichtungen	1	
2	AP8102221	Schl. gefr. Aprilia	1	
3	AP8152140	Reißschraube M6x17	1	
4	AP8150137	TCEI Schraube M6x16	1	
5	AP8201747	Schloss	1	
6	AP8152194	Mutter unten M19x1*	1	
7	AP8201620	Hebel	1	
8	AP8201748	Ausgleichscheibe	1	
9	AP8201749	Linsenschraube M4x6	1	
10	AP8221312	Zahnscheibe	1	
11	AP8201564	Sitzschloß	1	
12	AP8150045	TCEI Schraube M6x55	2	
13	AP8150014	Ausgleichscheibe 6,4x12,5*	2	
14	AP8150430	Selbstsperr.mut Unt.	2	
15	AP8144043	Leitung	1	

Einheit	RAHMEN
Code	28.39
Beschreibung	Deko Serie
Inspektion	1



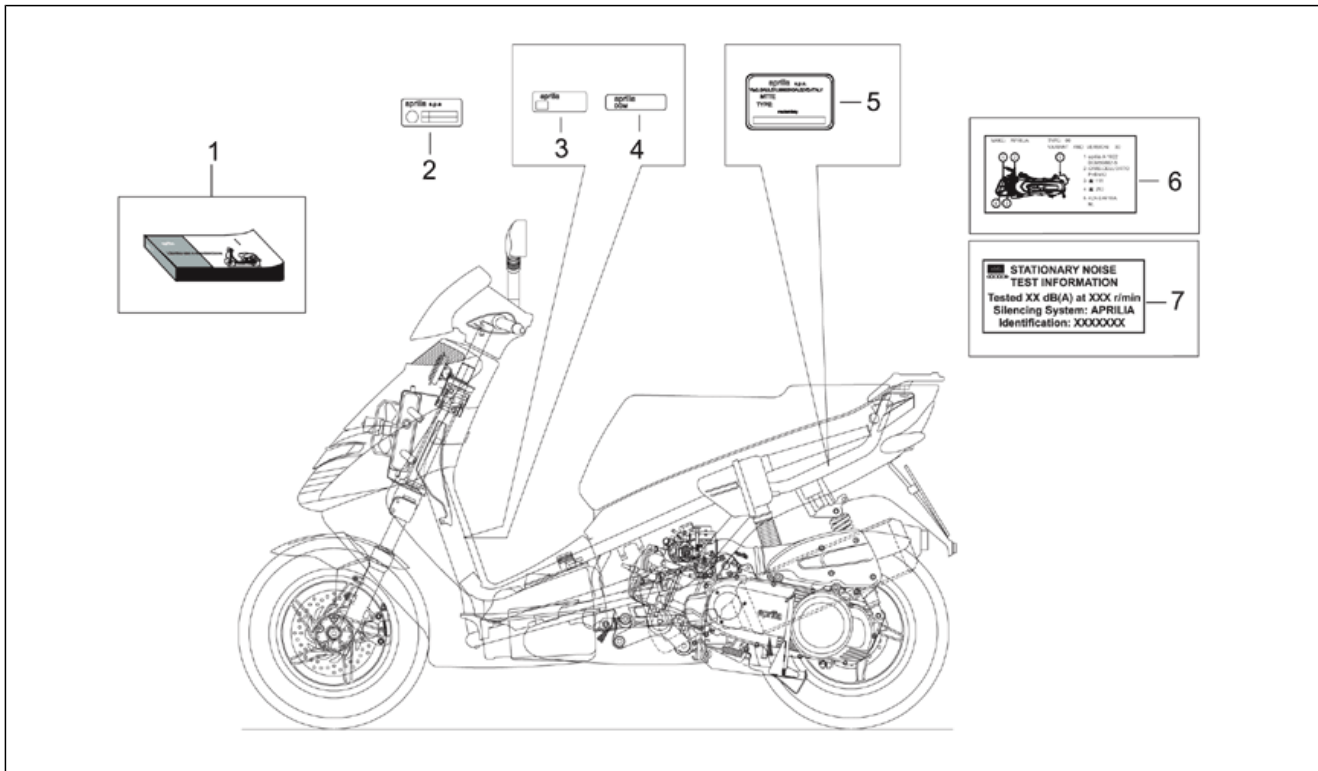
Pos.	Code	Beschreibung	Menge	Varianten
1	AP8166186	Deko Serie	1	Baujahr: 2004[4] Fahrzeugfarbe: Bleigrau 2004[grey], Blau Main 2004[main] Technische Daten: Leonardo 125[125]
1	AP8166187	Deko Serie	1	Baujahr: 2004[4] Fahrzeugfarbe: Bleigrau 2004[grey] Technische Daten: Leonardo 150[150]
1	AP8166205	Deko Serie	1	Baujahr: 2004[4] Fahrzeugfarbe: Blau Hilton 2004[hilt], Grau Titan 2004[tit.g] Technische Daten: Leonardo 125[125]
1	AP8166206	Deko Serie	1	Baujahr: 2004[4] Fahrzeugfarbe: Blau Hilton 2004[hilt], Grau Titan 2004[tit.g] Technische Daten: Leonardo 150[150]
1	AP8167708	Deko Serie	1	Baujahr: 2001[1], 2002[2] Fahrzeugfarbe: Rot Flame 2001[red] Technische Daten: Leonardo 125[125]
1	AP8167708	Deko Serie	1	Baujahr: 2001[1], 2002[2] Fahrzeugfarbe: Blau Infinity 2001[i.blu] Technische Daten: Leonardo 125[125]
1	AP8167708	Deko Serie	1	Baujahr: 2001[1], 2002[2] Fahrzeugfarbe: Schwarz Aprilia '2001[black] Technische Daten: Leonardo 125[125]
1	AP8167709	Deko Serie	1	Baujahr: 2001[1], 2002[2] Fahrzeugfarbe: Schwarz Aprilia '2001[black] Technische Daten: Leonardo 150[150]
1	AP8167709	Deko Serie	1	Baujahr: 2001[1], 2002[2] Fahrzeugfarbe: Rot Flame 2001[red] Technische Daten: Leonardo 150[150]
1	AP8167709	Deko Serie	1	Baujahr: 2001[1], 2002[2] Fahrzeugfarbe: Blau Infinity 2001[i.blu] Technische Daten: Leonardo 150[150]
1	AP8167711	Deko Serie	1	Baujahr: 2001[1], 2002[2] Fahrzeugfarbe: Bleigrau 2001[p.gr] Technische Daten: Leonardo 125[125]
1	AP8167712	Deko Serie	1	Baujahr: 2001[1], 2002[2]

Einheit	RAHMEN
Code	28.39
Beschreibung	Deko Serie
Inspektion	1



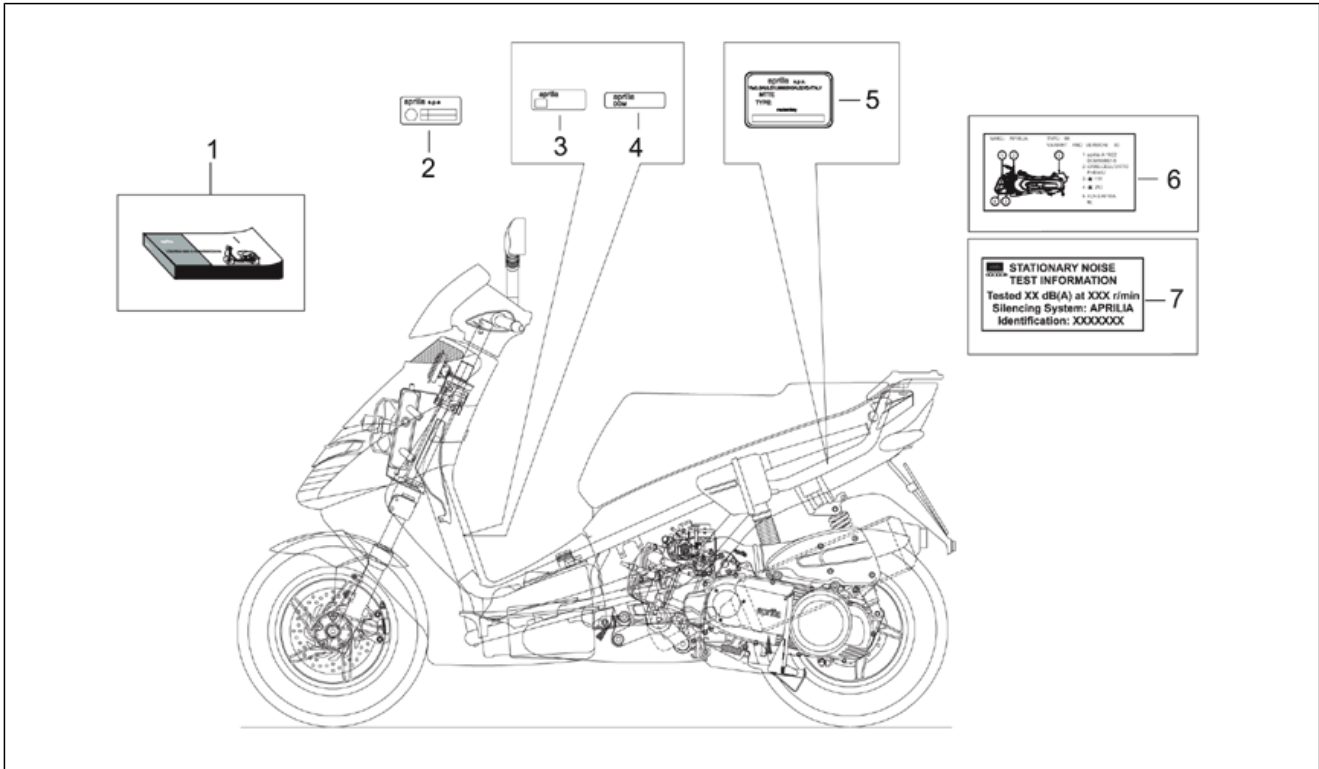
Pos.	Code	Beschreibung	Menge	Varianten
				Fahrzeugfarbe: Bleigrau 2001[p.gr] Technische Daten: Leonardo 150[150]
1	AP8177500	Deko Serie	1	Baujahr: 2003[3] Fahrzeugfarbe: Grau Titan 2003[titan] Technische Daten: Leonardo 125[125]
1	AP8177501	Deko Serie	1	Baujahr: 2003[3] Fahrzeugfarbe: Grau Titan 2003[titan] Technische Daten: Leonardo 150[150]
1	AP8177502	Deko Serie	1	Baujahr: 2003[3] Fahrzeugfarbe: Rot Tulip 2003[rosso] Technische Daten: Leonardo 125[125]
1	AP8177503	Deko Serie	1	Baujahr: 2003[3] Fahrzeugfarbe: Rot Tulip 2003[rosso] Technische Daten: Leonardo 150[150]
1	AP8177562	Deko Serie	1	Baujahr: 2003[3] Fahrzeugfarbe: Sbk 2003[sbk] Technische Daten: Leonardo 125[125]

Einheit	RAHMEN
Code	28.40
Beschreibung	Schilder und Anleit.
Inspektion	1



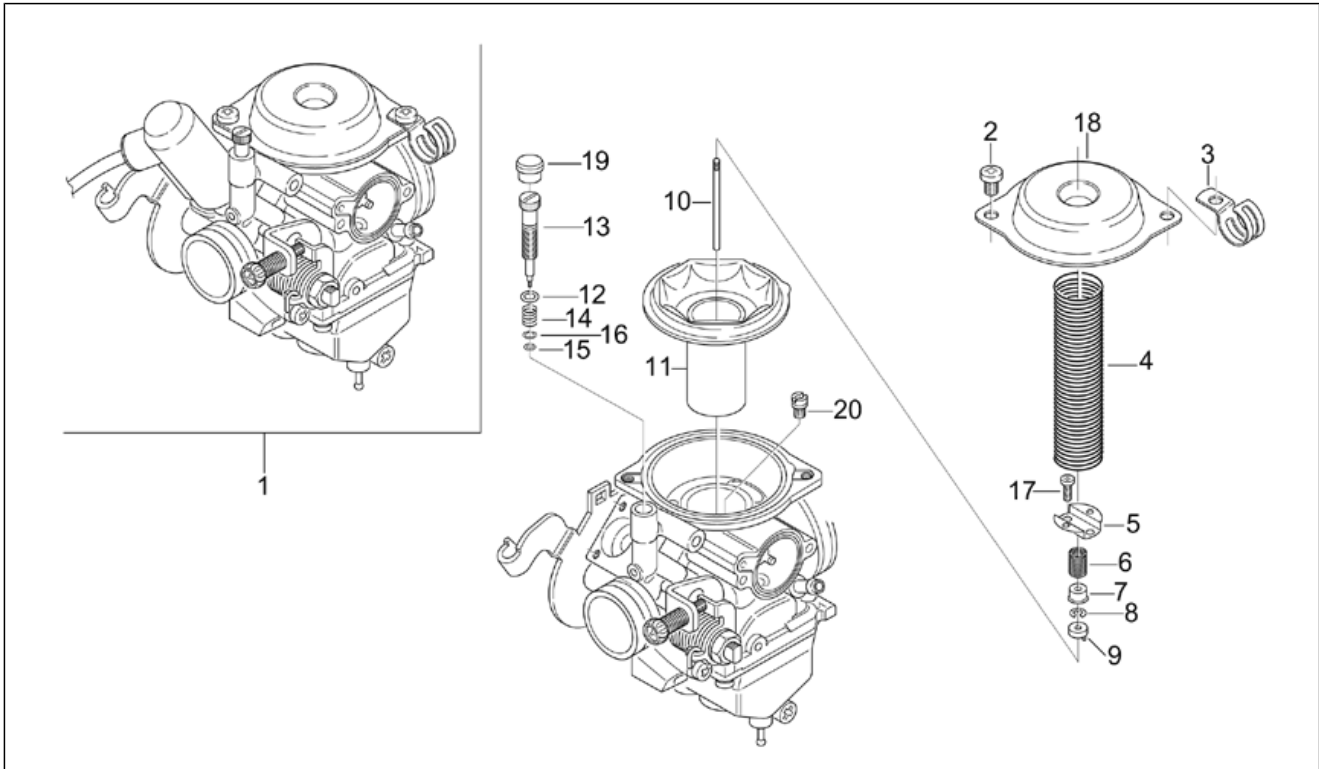
Pos.	Code	Beschreibung	Menge	Varianten
1	AP8104432	Betr./Wart.anl. -i-f-d	1	Baujahr: 2001[1], 2002[2] Land: Österreich[A], Deutschland[D], Frankreich[F], Italien[I]
1	AP8104433	Betr./Wart.anl. -p-e-uk	1	Baujahr: 2001[1], 2002[2] Land: Australien[AUS], Spanien[E], Großbritannien[UK]
1	AP8104552	Betr./Wart.anl. -i-f-d	1	Baujahr: 2003[3], 2004[4] Land: Österreich[A], Schweiz[CH], Deutschland[D], A-B-CH-D-DK-F-I[EU], Frankreich[F], Italien[I]
1	AP8104553	Betr./Wart.anl. -p-e-uk	1	Baujahr: 2003[3], 2004[4] Land: Australien[AUS], Spanien[E], Mexiko[ME], Mexiko[MX], Großbritannien[UK]
1	AP8104618	Gebrauchsanleitung	1	Baujahr: 2003[3], 2004[4] Land: Belgien[B], Dänemark[DK]
2	AP8137905	Schild CEE	2	Baujahr: 2001[1], 2002[2], 2003[3]
3	AP8157420	ECE Schild	1	Land: Österreich[A], Belgien[B], Schweiz[CH], Deutschland[D], Dänemark[DK], Spanien[E], A-B-CH-D-DK-F-I[EU], Frankreich[F], Italien[I], Mexiko[ME], Mexiko[MX], Großbritannien[UK]
3	AP8177183	ECE Schild	1	Land: Australien[AUS]
4	AP8167693	DGM Schild	1	Baujahr: 2001[1], 2002[2], 2003[3] Land: Italien[I] Technische Daten: Leonardo 150[150]
4	AP8167694	DGM Schild	1	Baujahr: 2001[1], 2002[2], 2003[3] Land: Italien[I] Technische Daten: Leonardo 125[125]
5	AP8167690	Herstellerschild	1	Baujahr: 2001[1], 2002[2], 2003[3] Land: Deutschland[D], Spanien[E], A-B-CH-D-DK-F-I[EU], Frankreich[F], Italien[I], Mexiko[ME], Mexiko[MX], Großbritannien[UK] Technische Daten: Leonardo 150[150]
5	AP8167691	Herstellerschild	1	Land: Österreich[A], Belgien[B], Schweiz[CH], Deutschland[D], Dänemark[DK], A-B-CH-D-DK-F-I[EU], Frankreich[F], Italien[I], Großbritannien[UK] Technische Daten: Leonardo 125[125]

Einheit	RAHMEN
Code	28.40
Beschreibung	Schilder und Anleit.
Inspektion	1



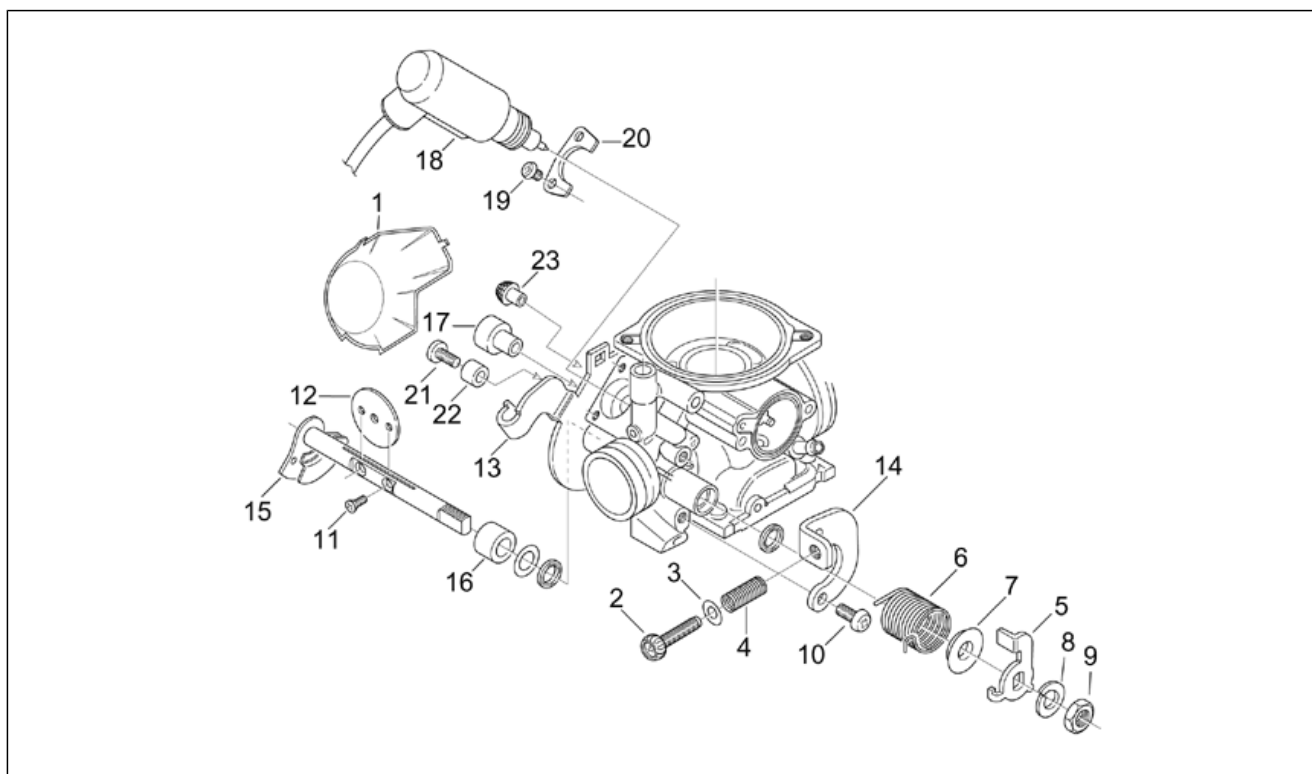
Pos.	Code	Beschreibung	Menge	Varianten
5	AP8177113	Herstellerschild	1	Baujahr: 2004[4] Land: A-B-CH-D-DK-F-I[EU], Italien[I]
5	AP8177182	Herstellerschild	1	Land: Australien[AUS] Technische Daten: Leonardo 150[150]
6	AP8157424	Fälschungssicheres Schild	1	Land: Frankreich[F] Technische Daten: Leonardo 125[125]
6	AP8177112	Fälschungssicheres Schild	1	Baujahr: 2004[4] Land: A-B-CH-D-DK-F-I[EU], Italien[I] Technische Daten: Leonardo 125[125]
7	AP8177184	Lautherausgabe selbstkleber	1	Baujahr: 2002[2] Land: Australien[AUS]

Einheit	MOTOR
Code	29.28
Beschreibung	Vergaser I
Inspektion	1



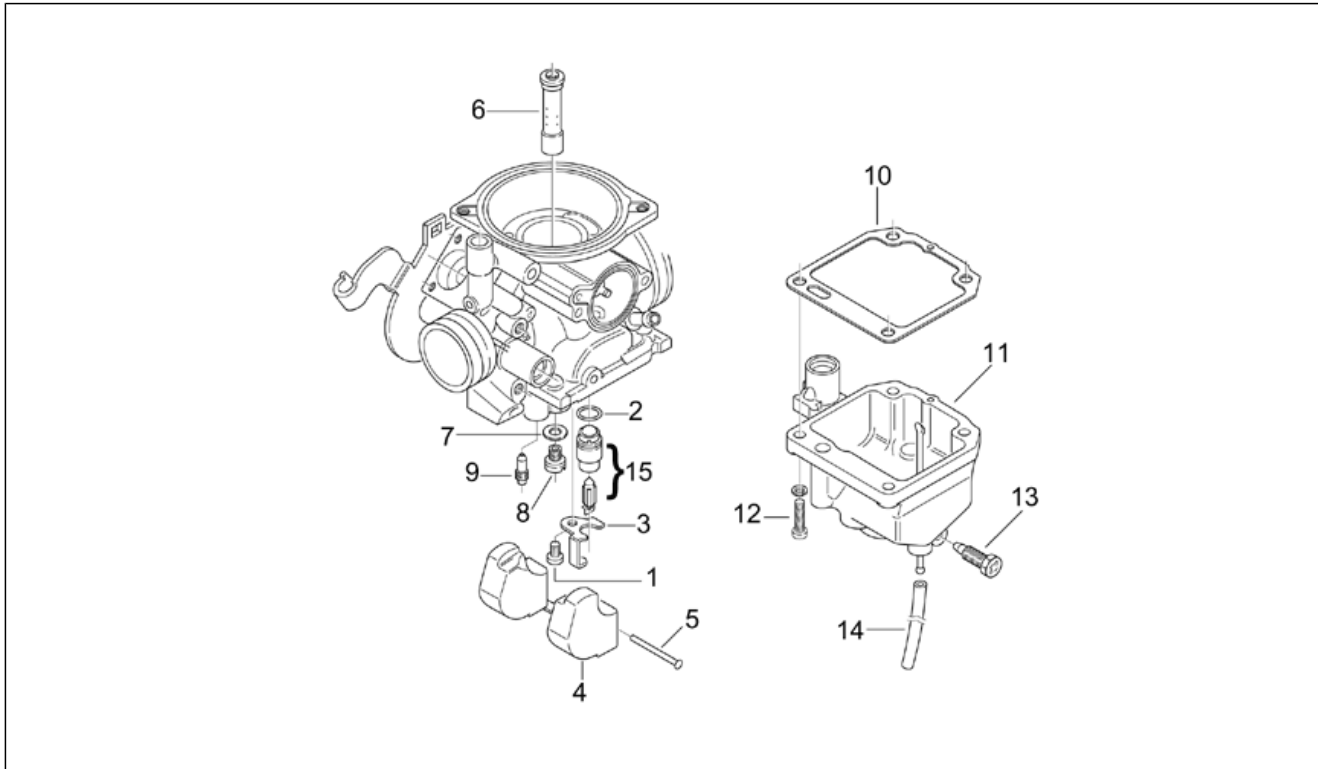
Pos.	Code	Beschreibung	Menge	Varianten
1	AP8106912	Vergaser BS 26-162	1	Technische Daten: Leonardo 150[150], EU-Zulassung (Grenzen EURO 1)[E1]
1	AP8106913	Vergaser BS 26-161	1	Technische Daten: Leonardo 125[125], EU-Zulassung (Grenzen EURO 1)[E1]
1	AP8106944	Vergaser	1	Technische Daten: Leonardo 150[150], EU-Zulassung (Grenzen EURO 2)[E2]
1	AP8106945	Vergaser	1	Technische Daten: Leonardo 125[125], EU-Zulassung (Grenzen EURO 2)[E2]
2	AP8106470	Schraube	2	
3	AP8106471	Kabelführungs	1	
4	AP8106472	Feder	1	
5	AP8106473	Platte	1	
6	AP8106474	Feder	1	
7	AP8106475	Ring	1	
8	AP8122857	Seegerring	1	
9	AP8106476	Ring	1	
10	AP8106477	Nadel	1	
11	AP8106478	Membran	1	
12	AP8106479	O-Ring	1	
13	AP8106480	Einst.schr. L.laufgemisch	1	
14	AP8122829	Feder	1	
15	AP8122854	Ausgleichscheibe	1	
16	AP8122827	O-Ring	1	
17	AP8106482	Schraube	2	
18	AP8106469	Deckel	1	
20	AP8106515	max. Luftstrahl	1	

Einheit	MOTOR
Code	29.29
Beschreibung	Vergaser II
Inspektion	1



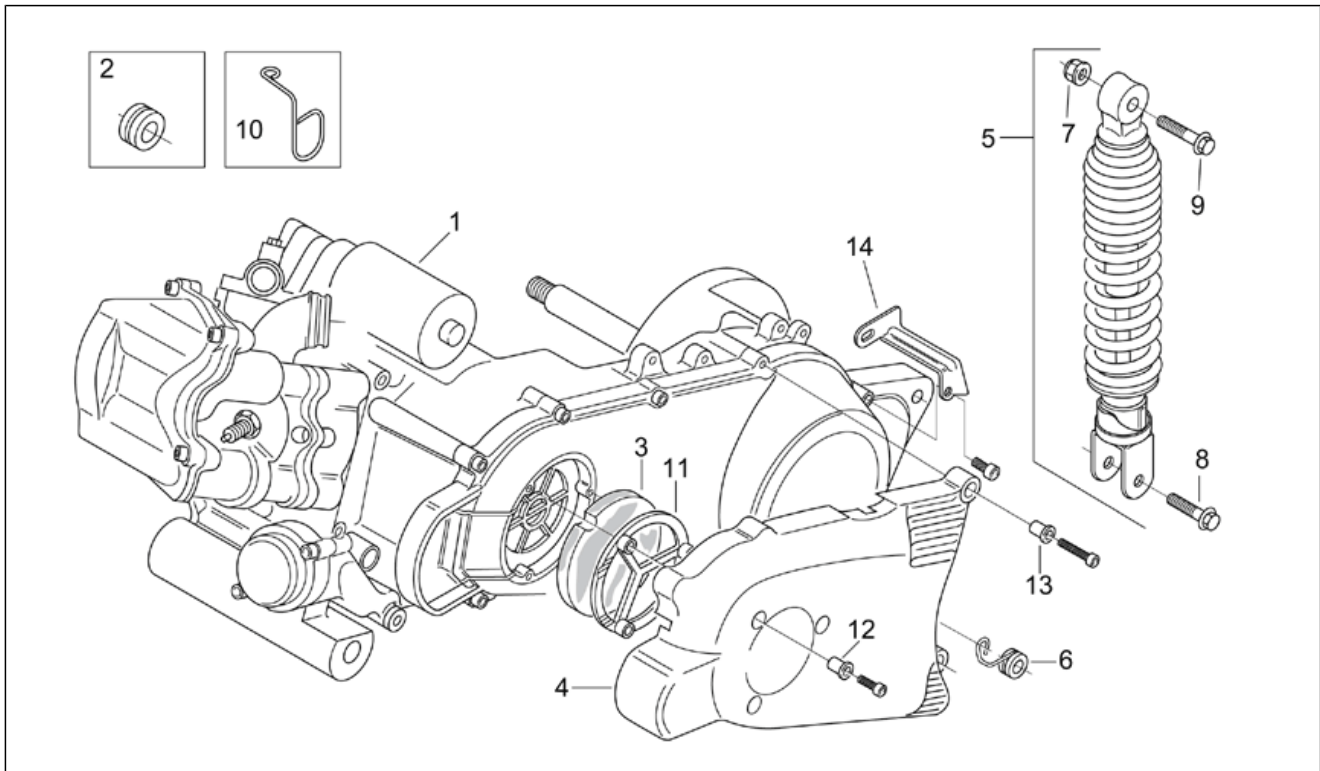
Pos.	Code	Beschreibung	Menge	Varianten
1	AP8106925	Deckel	1	
2	AP8106487	Schraube	1	
3	AP8106488	Dichtung	1	
4	AP8106489	Feder	1	
5	AP8106490	Gashebel	1	
6	AP8106491	Feder	1	
7	AP8106492	Ring	1	
8	AP8122861	Ausgleichscheibe	1	
9	AP8122816	Mutter	1	
10	AP8106493	Schraube	2	
11	AP8106506	Schraube	2	
12	AP8106507	Drosselklappe	1	
13	AP8106924	Halter	1	
14	AP8106516	Halter	1	
15	AP8106530	Drosselklappenwelle	1	
16	AP8106509	Ring	1	
17	AP8106483	Filter	1	
18	AP8106923	Starterventil	1	Technische Daten: Leonardo 125[125]
18	AP8106928	Starterventil	1	Technische Daten: Leonardo 150[150]
19	AP8106485	Schraube	3	
20	AP8106486	Platte	1	
21	AP8106510	Schraube	1	
22	AP8106529	Seegerring	1	
23	AP8106926	Filter	1	

Einheit	MOTOR
Code	29.30
Beschreibung	Vergaser III
Inspektion	1



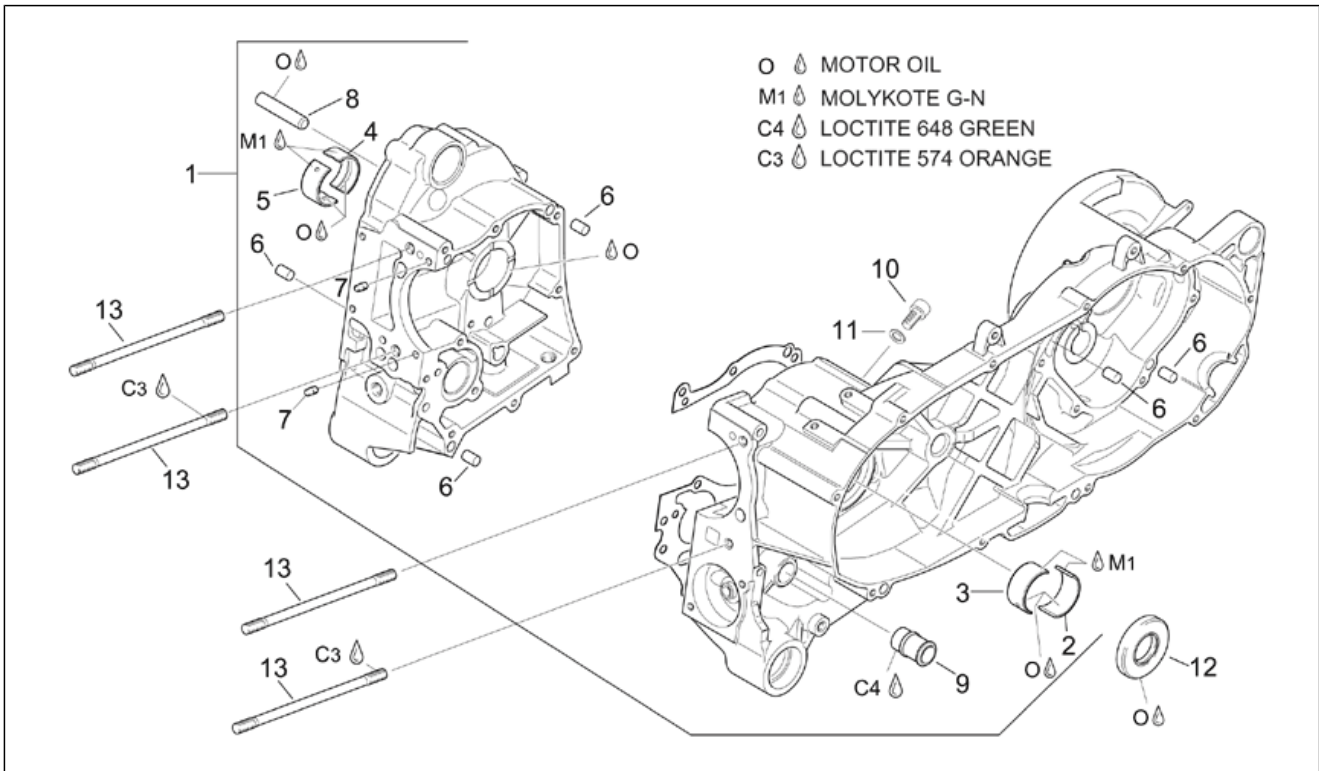
Pos.	Code	Beschreibung	Menge	Varianten
1	AP8106485	Schraube	1	
2	AP8106494	O-Ring	1	
3	AP8106495	Platte	1	
4	AP8106496	Schwimmer	1	
5	AP8106497	Bolzen	1	
6	AP8106498	Nadelventil	1	
7	AP8106499	Ausgleichscheibe	1	
8	AP8106468	Hauptdüse	1	Technische Daten: Leonardo 150[150], EU-Zulassung (Grenzen EURO 1)[E1]
8	AP8106564	Hauptdüse	1	Technische Daten: Leonardo 125[125], EU-Zulassung (Grenzen EURO 1)[E1]
8	AP8176061	Hauptdüse	1	Technische Daten: EU-Zulassung (Grenzen EURO 2)[E2]
9	AP8106500	Leerlaufstrahl	1	
10	AP8106501	Dichtung	1	
11	AP8106677	Schwimmergehäuse	1	
12	AP8106503	Schraube	4	
13	AP8106504	Schraube	1	
14	AP8106505	Auspuffrohr	1	
15	AP8106514	Kraftstoffeinlaßventil	1	

Einheit	MOTOR
Code	29.31
Beschreibung	Motor
Inspektion	1



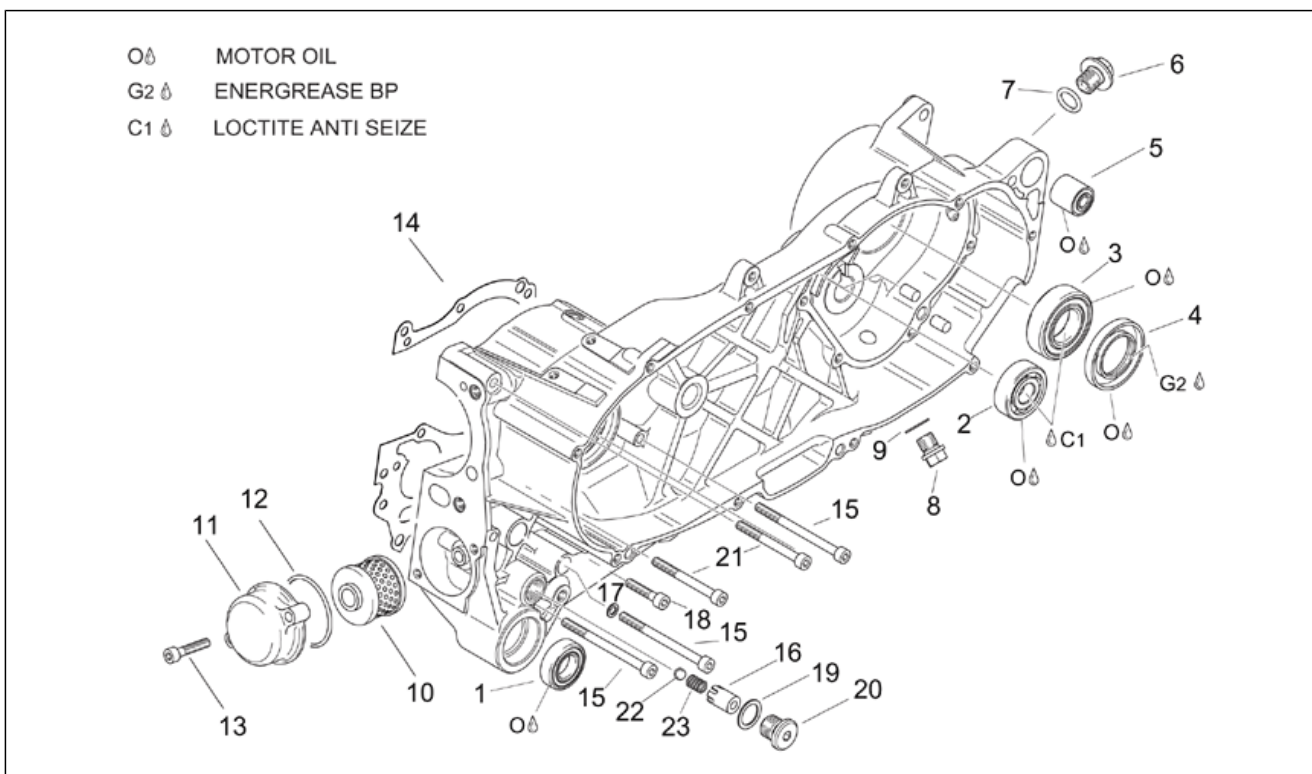
Pos.	Code	Beschreibung	Menge	Varianten
1	AP8106847	Motoreinheit 120	1	Technische Daten: Leonardo 125[125], EU-Zulassung (Grenzen EURO 1)[E1], Version mit internem Thermostat[VI]
1	AP8106848	Wassergekühlter Motor	1	Technische Daten: Leonardo 150[150], EU-Zulassung (Grenzen EURO 1)[E1]
1	AP8106930	Motoreinheit 120	1	Technische Daten: Leonardo 125[125], EU-Zulassung (Grenzen EURO 1)[E1], Version mit externem Thermostat[VE]
1	AP8176029	Motoreinheit 120	1	Technische Daten: Leonardo 125[125], EU-Zulassung (Grenzen EURO 2)[E2]
1	AP8176030	Wassergekühlter Motor	1	Technische Daten: Leonardo 150[150], EU-Zulassung (Grenzen EURO 2)[E2]
2	AP8120030	Gummi	1	
3	AP8102522	Wandler-Kühlfilter	1	
4	AP8149603	Lufteinlaß silb schwarz	1	
5	AP8123877	Stoßdämpfer Paioli	2	
6	AP8221206	Sturzhelmhaken	1	
7	AP8152300	Selbstsperrende Mutter M8	2	
8	AP8152289	TE Schr. m. Flansch	2	
9	AP8152290	TE Schr. m. Flansch M8x40	2	
10	AP8221172	Kabelführungs	1	
11	AP8138938	Halter Kühlerfilter	1	
12	AP8121266	T-Buchse	3	
13	AP8121725	T-Buchse *	2	
14	AP8134362	Hnt. Kotfl.hltr. schw.	1	

Einheit	MOTOR
Code	29.41
Beschreibung	Kurbelwellengehäuse
Inspektion	1



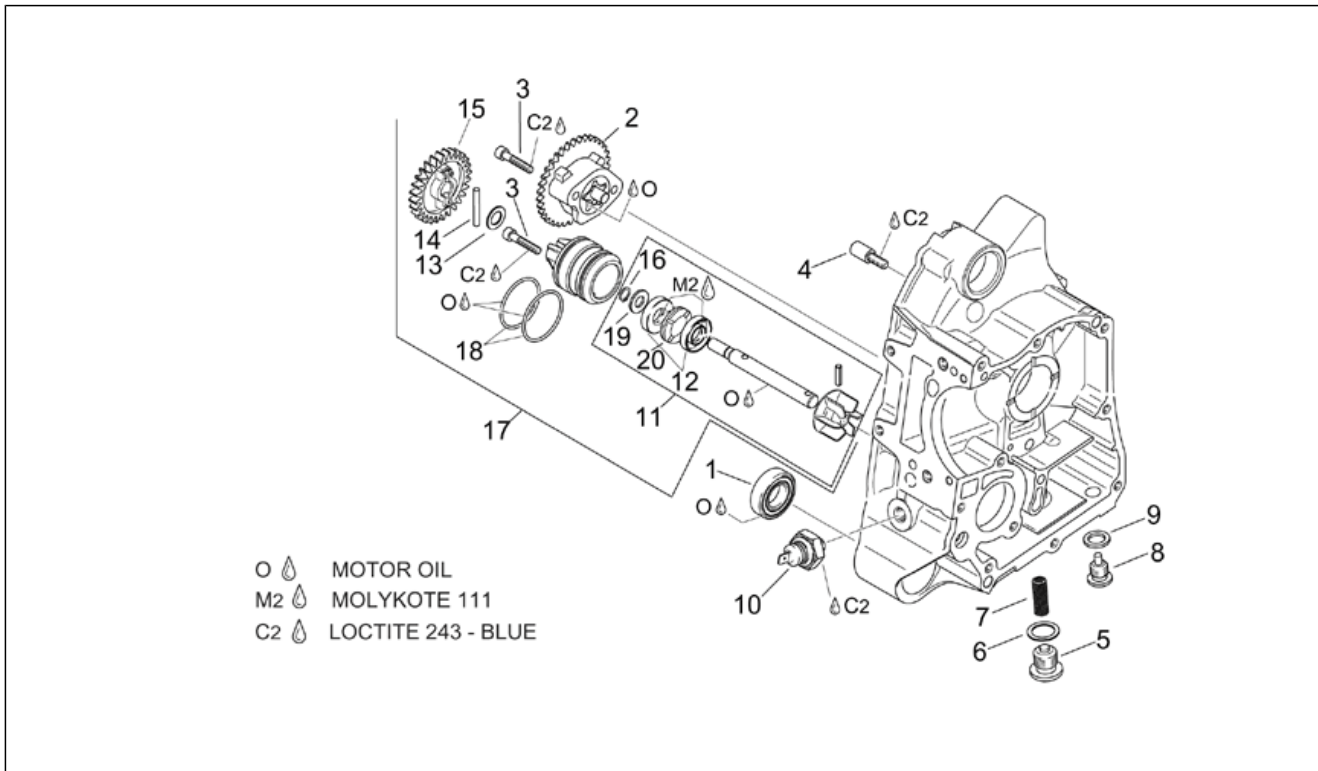
Pos.	Code	Beschreibung	Menge	Varianten
1	AP0295931	Gehäuse-kpl.	1	
2	AP0233710	Halbsch. Bronzebchs. 32x36x18	1	
3	AP0233712	Halbsch. Bronzebchs. 32x36x18	1	
4	AP0233715	Halbsch. Bronzebchs. 32x36x18	1	
5	AP0233717	Halbsch. Bronzebchs. 32x36x18	1	
6	AP0632010	Stift M8x12	5	
7	AP0929650	Stift 5x10	2	
8	AP0229301	Bolzen M6x50	1	
9	AP0224265	Leitung	1	
10	AP0440193	TCEI Schraube	1	
11	AP0950141	Gasket ring 8x13	1	
12	AP0831177	Ölabstreifring 25x52x7	1	
13	AP0640240	Stiftschraube 8x151-12,9	4	

Einheit	MOTOR
Code	29.42
Beschreibung	Mittlerer halbgehäuse
Inspektion	1



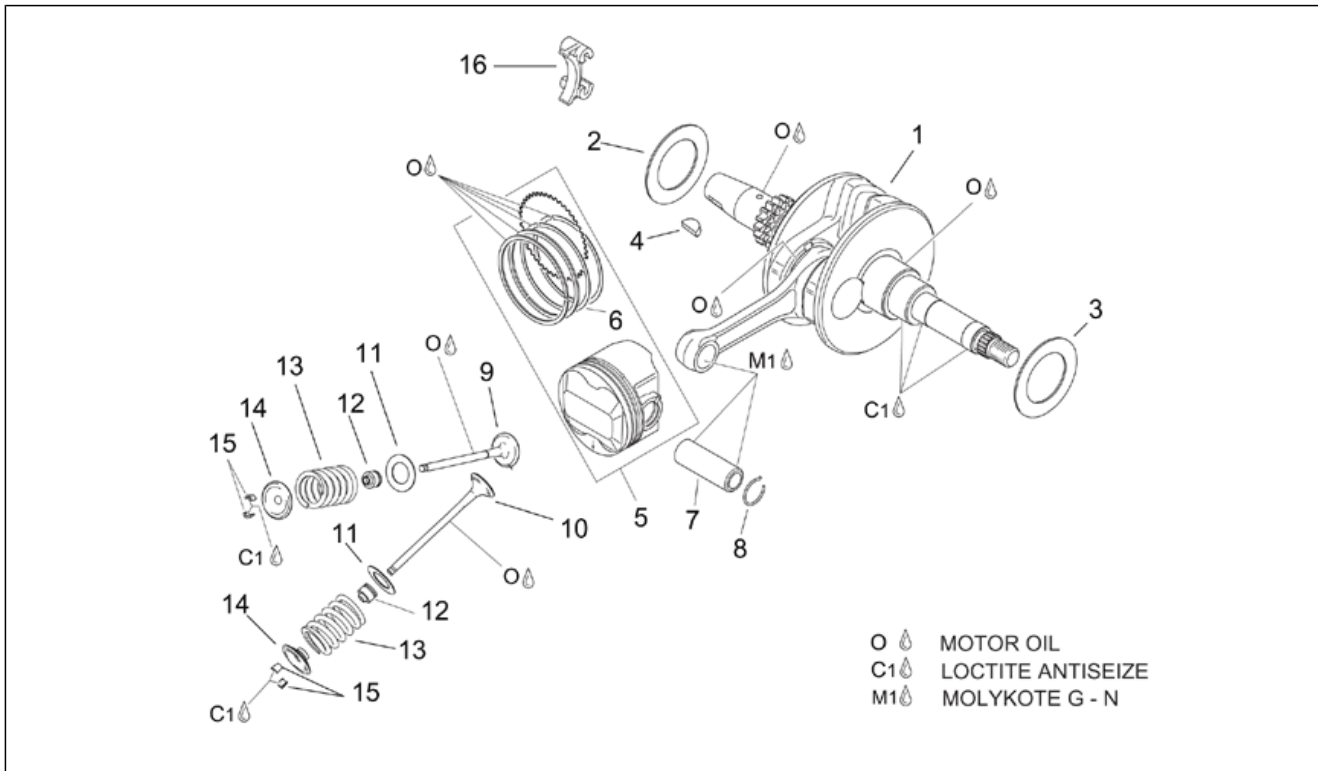
Pos.	Code	Beschreibung	Menge	Varianten
1	AP0232621	Lager 6003-2RS	1	
2	AP0232291	Lager 6302	1	
3	AP0932425	Kugellager	1	
4	AP0930900	Ölabstreifring 30x52x7	1	
5	AP0260295	Gehäusebuchse	1	
6	AP0241660	Deckel m14x1,5	1	
7	AP0650350	O-Ring 14x3,2	1	
8	AP0841921	Deckel M12x1,5	1	
9	AP0250640	Gasket ring 12x18	1	
10	AP0256450	Ölfiltersatz	1	
11	AP0211500	Ölfilterdeckel	1	
12	AP0430920	O-Ring	1	
13	AP0840880	TCEI Schraube M6x30	2	
14	AP0650182	Dichtung	1	
15	AP0241501	TCEI Schraube M6x80	5	
16	AP0256482	Überdruckventilkörper Öl	1	
17	AP0230415	Gasket ring 6x10	1	
18	AP0840880	TCEI Schraube M6x30	2	
19	AP0430622	Gasket ring 16x22	1	
20	AP0240230	Deckel m16x1,5	1	
21	AP0240371	TCEI Schraube M6x60	3	
22	AP0432680	Kugel 8,5 mm	1	
23	AP0239280	Spannfeder 13,5	1	

Einheit	MOTOR
Code	29.43
Beschreibung	R. halbgehäuse
Inspektion	1



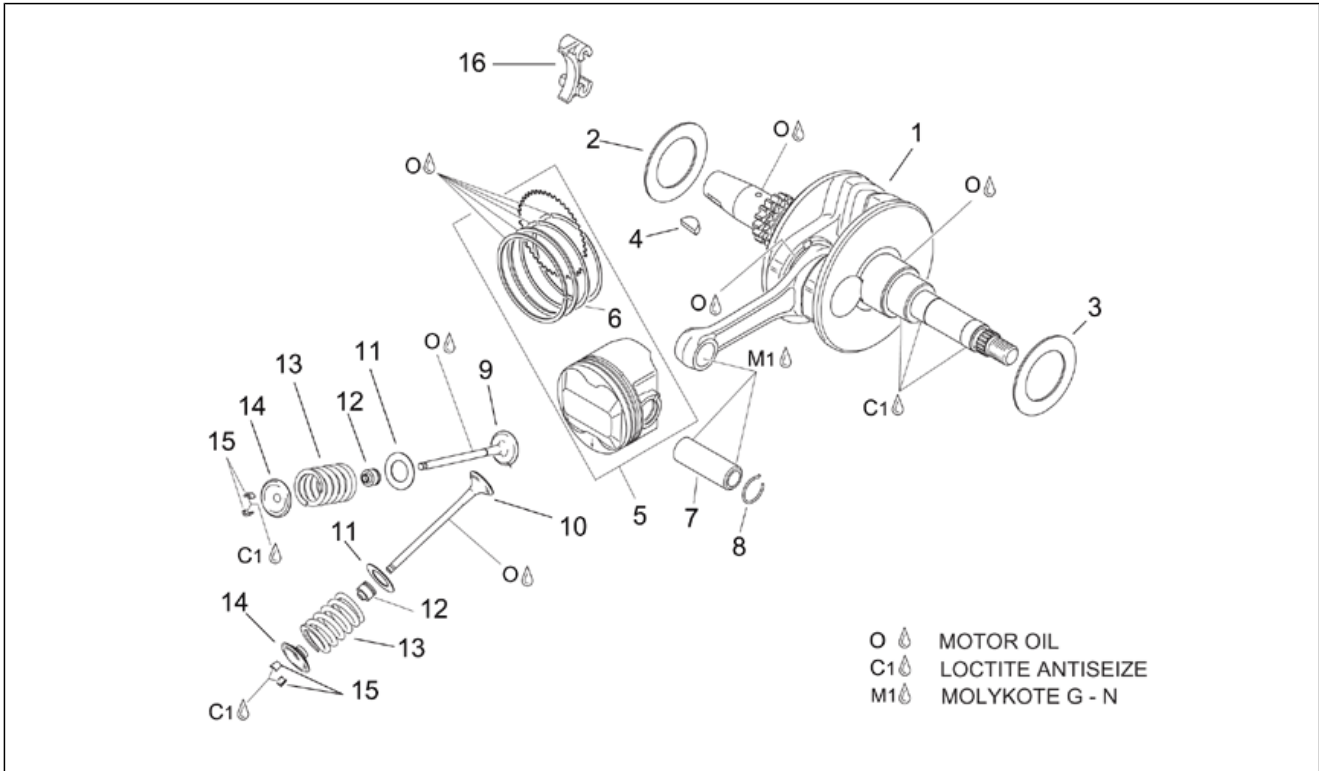
Pos.	Code	Beschreibung	Menge	Varianten
1	AP0232621	Lager 6003-2RS	1	
2	AP0295630	Ölpumpe	1	
3	AP0241275	TE Schr. m. Flansch	3	
4	AP0240940	Halteschraube M6	1	
5	AP0240235	Deckel M16x1,5	1	
6	AP0430622	Gasket ring 16x22	1	
7	AP0256490	Ölnetz	1	
8	AP0241782	Magnetschraube M12x1,5	1	
9	AP0250640	Gasket ring 12x18	1	
10	AP0956166	Öldruckschalter	1	
11	AP0220356	Welle Wasserpumpe	1	
12	AP0230195	Ölabstreifring 10x26x7	2	
13	AP0827590	Paßscheibe 10,1/17/1	1	
14	AP0232430	Stift	1	
15	AP0634430	Zahnrad pumpe	1	
16	AP0245570	Seegerring 8x0,8	1	
17	AP0293419	Wasserpumpe komplett	1	
18	AP0430900	O-Ring	2	
19	AP0827405	Ausgleichscheibe 8,1	1	
20	AP0260710	Distanzscheibe	1	

Einheit	MOTOR
Code	29.44
Beschreibung	Kurbelwelle - ventile
Inspektion	1



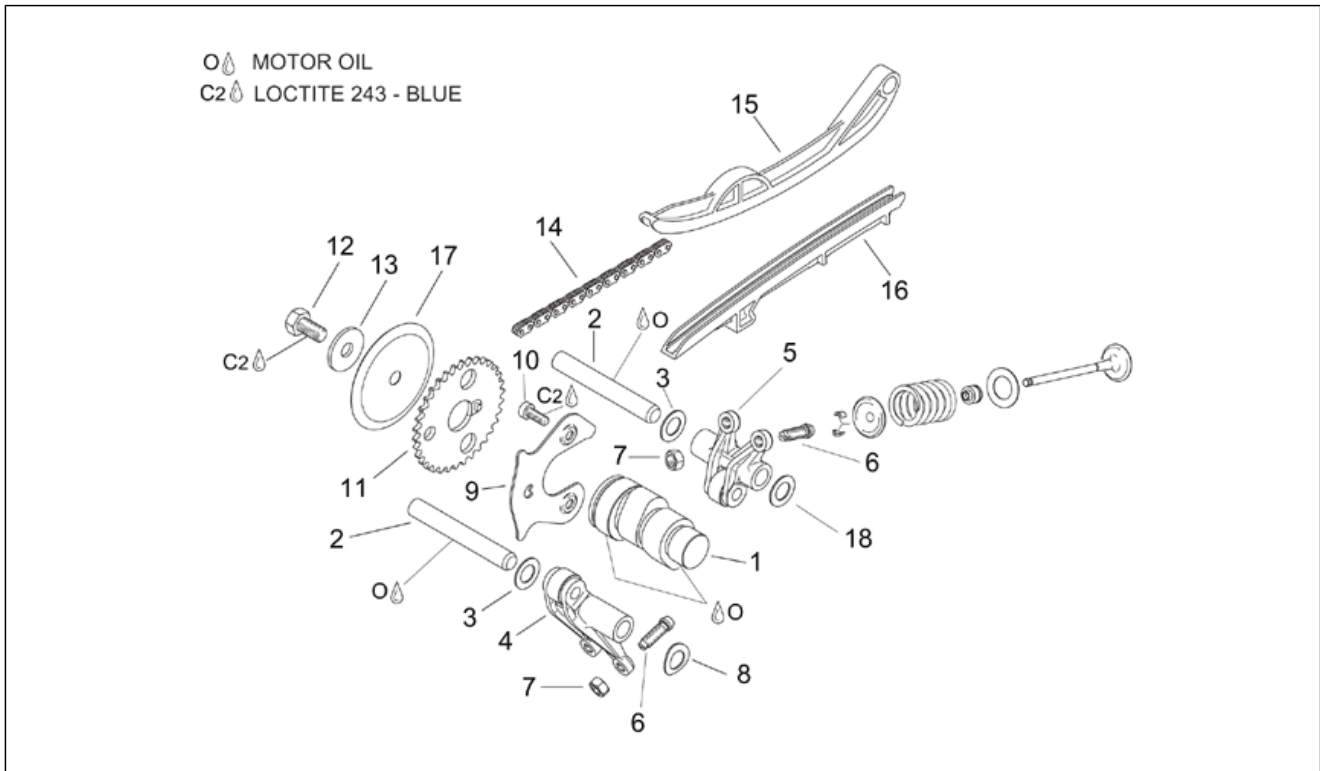
Pos.	Code	Beschreibung	Menge	Varianten
1	AP0295594	Kurbelwelle kpl. 50 mm	1	
2	AP0627110	Paßscheibe 32/50/1	1	
3	AP0627110	Paßscheibe 32/50/1	1	
3	AP0627111	Paßscheibe 32/50/1,2	1	
3	AP0627112	Paßscheibe 32/50/1,4	1	
4	AP0246570	Keil 4x5	1	
5	AP0295581	Kolben kpl. 56,37/38	1	Technische Daten: Leonardo 125[125], Bis Motor Nr. 864317[V1], Zwischen Motor Nr.864465-864533[V2]
5	AP0295585	Kolben kpl. 56,37/38	1	Technische Daten: Leonardo 125[125], Zwischen Motor Nr.864318-864464[N1], Ab Motor Nr. 864534[N2]
5	AP0295820	Kolben kpl. 61,97/98 mm	1	Technische Daten: Leonardo 150[150], Bis Motor Nr. 820491[V3], Zwischen Motoren Nr. 820546-820665 und 820671-820756[V4]
5	AP0295825	Kolben kpl. 61,95 mm	1	Technische Daten: Leonardo 150[150], Zwischen Motoren 820492-820545 und 820666-820670[N3], Ab Motor Nr. 820757[N4]
6	AP0295584	Satz Kolbenringe	2	Technische Daten: Leonardo 125[125], Bis Motor Nr. 864317[V1], Zwischen Motor Nr.864465-864533[V2]
6	AP0295589	Satz Kolbenringe	2	Technische Daten: Leonardo 125[125], Zwischen Motor Nr.864318-864464[N1], Ab Motor Nr. 864534[N2]
6	AP0295824	Satz Kolbenringe	2	Technische Daten: Leonardo 150[150], Bis Motor Nr. 820491[V3], Zwischen Motoren Nr. 820546-820665 und 820671-820756[V4]
6	AP0296704	Satz Kolbenringe	2	Technische Daten: Leonardo 150[150], Zwischen Motoren 820492-820545 und 820666-820670[N3], Ab Motor Nr. 820757[N4]
7	AP0216210	Bolzen 15x10x43	2	
8	AP0245805	Sperring geb. Ende	2	
9	AP0253880	Einlaßventil 20 mm	2	
10	AP0253890	Auslaßventil 18 mm	2	
11	AP0227450	Paßscheibe 12,5/21,5/0,5	4	

Einheit	MOTOR
Code	29.44
Beschreibung	Kurbelwelle - ventile
Inspektion	1



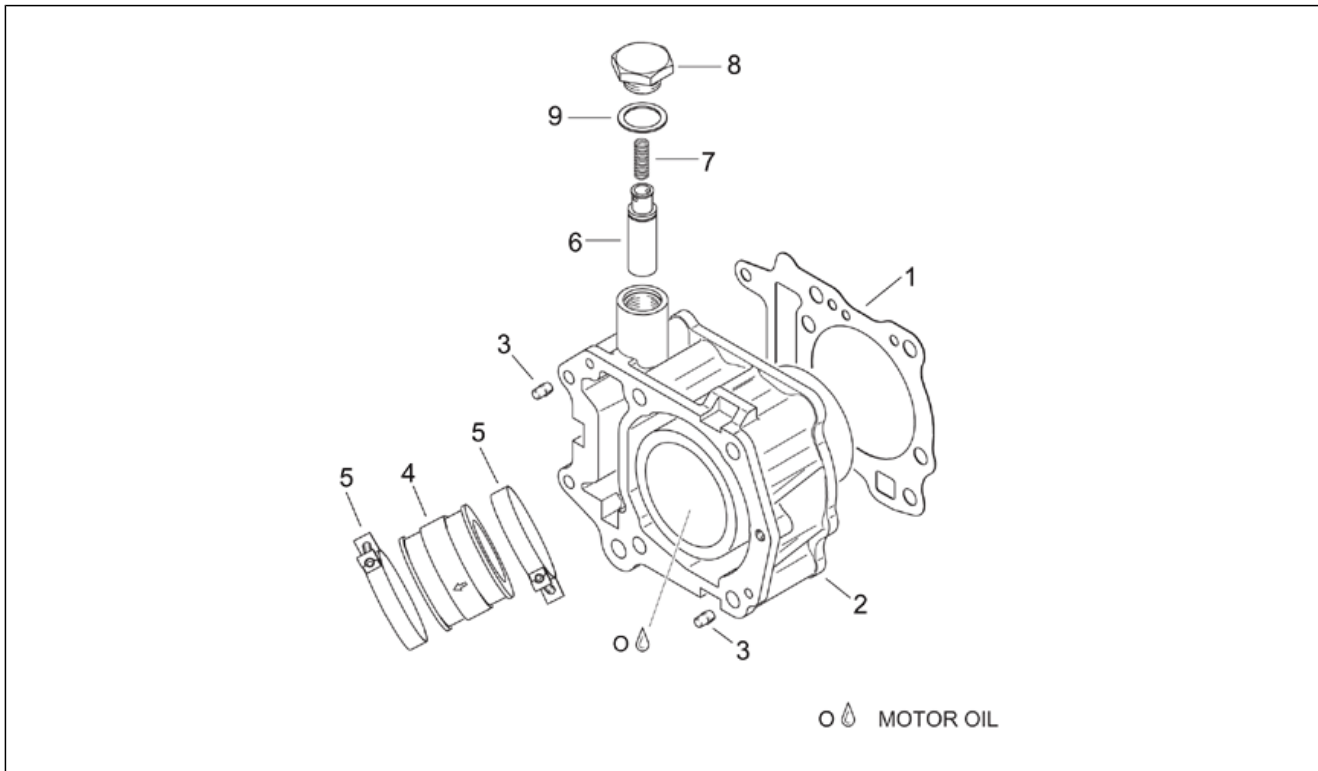
Pos.	Code	Beschreibung	Menge	Varianten
12	AP0650120	Ölabstreifring Ventilfehrung	4	
13	AP0239360	Ventilfeder	4	
14	AP0253900	Ventilfederplatte	4	
15	AP0253840	Ventilhalbkegel sk 4n	8	
16	AP0236350	Kettenführung	1	

Einheit	MOTOR
Code	29.45
Beschreibung	Ventilschaltung
Inspektion	1



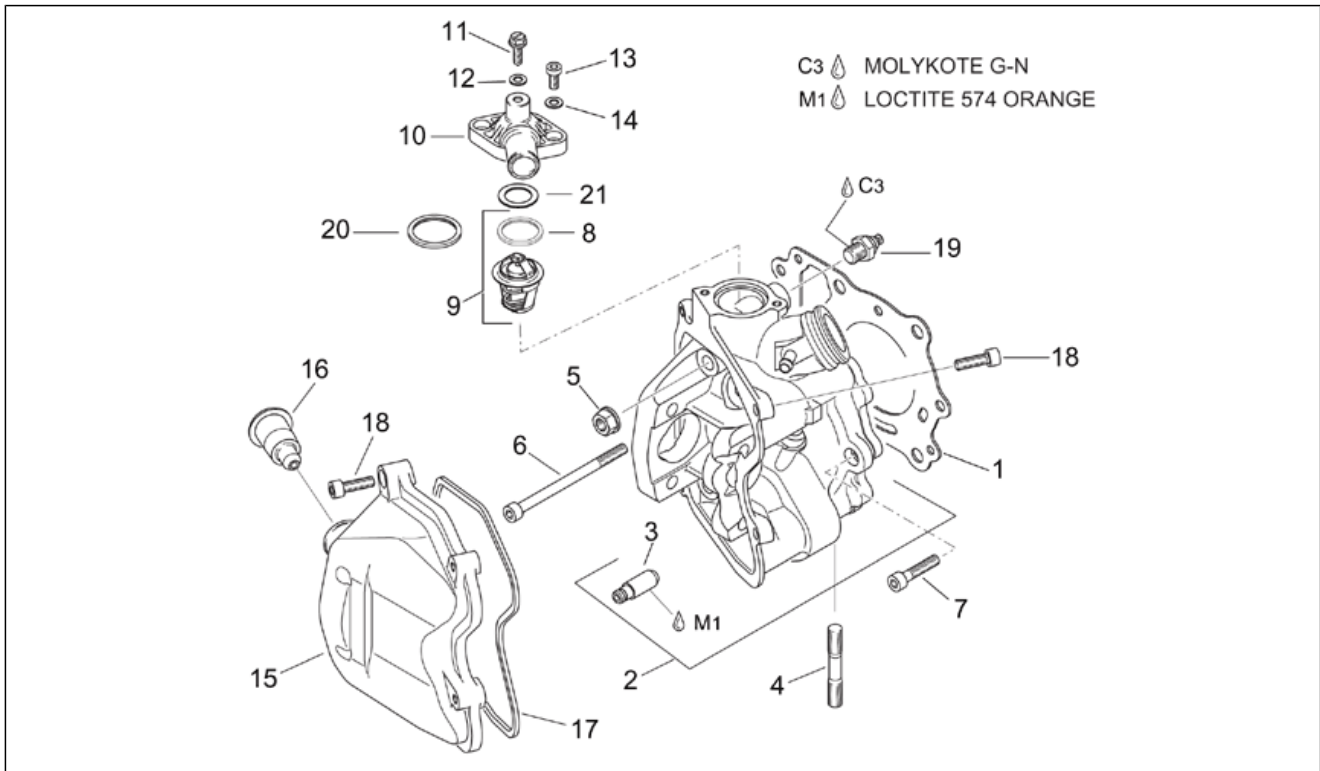
Pos.	Code	Beschreibung	Menge	Varianten
1	AP0220314	Nockenwelle 217°	1	
2	AP0229410	Bolzen 10x75	2	
3	AP0627100	Paßscheibe 10,1/17/0,5	2	
4	AP0253877	Kiphebel Auspuff Klп.	1	
5	AP0253867	Kiphebel Einlaß Klп.	1	
6	AP0241335	Schraube M6x75	4	
7	AP0242910	Mutter M6x0,75	4	
8	AP0627105	Sprengscheibe	1	
9	AP0251040	Platte	1	
10	AP0241841	TCEI Schraube	2	
11	AP0634380	Zahnrad Z=34	1	
12	AP0940580	Schraube	1	
13	AP0227937	Ausgleichscheibe 8,4	1	
14	AP0297930	Steuerkette	1	
15	AP0236270	Kettengleitführung	1	
16	AP0236280	Kettengleitführung	1	
17	AP0627320	Scheibe	1	
18	AP0627100	Paßscheibe 10,1/17/0,5	1	
18	AP0827590	Paßscheibe 10,1/17/1	1	

Einheit	MOTOR
Code	29.46
Beschreibung	Zylinder
Inspektion	1



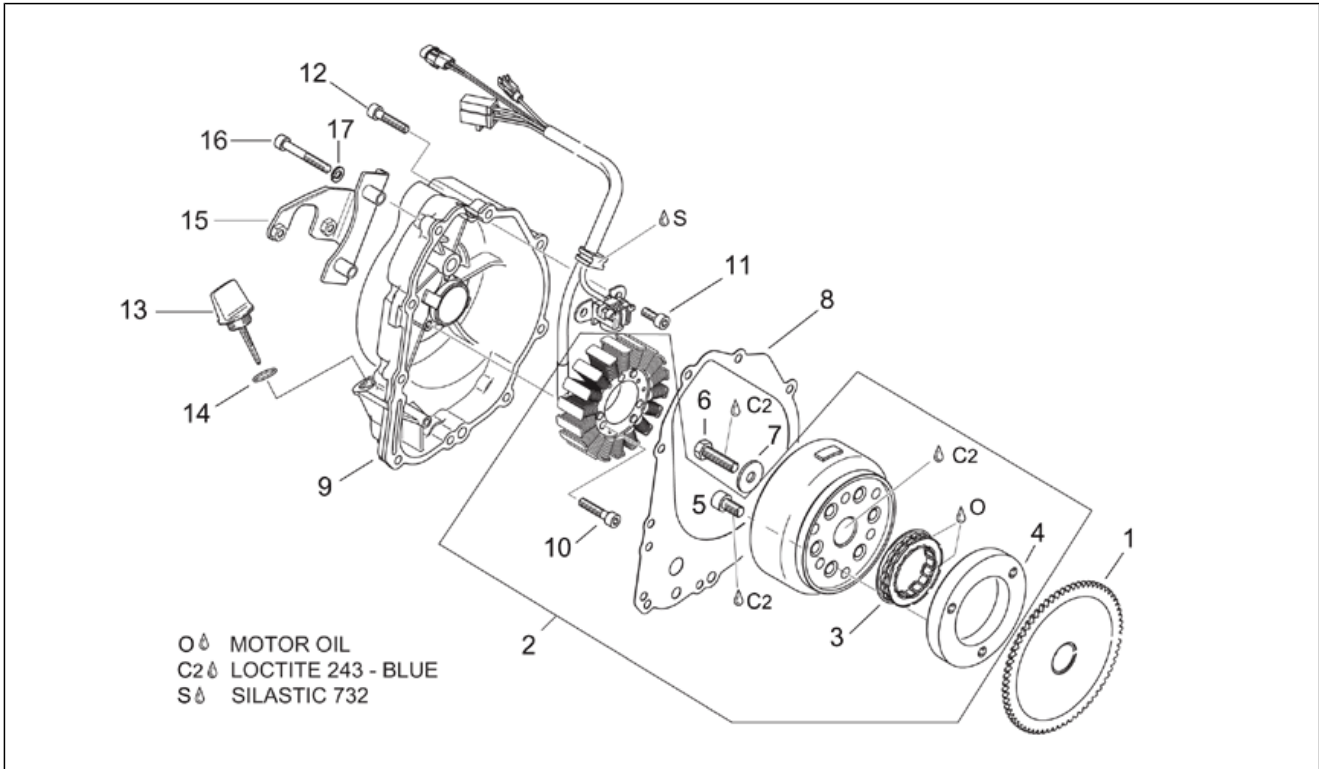
Pos.	Code	Beschreibung	Menge	Varianten
1	AP0650165	Dichtung	1	
2	AP0223970	Kolben + Zylinder Nikasil	1	Technische Daten: Leonardo 125[125], Bis Motor Nr. 864317[V1], Zwischen Motor Nr.864465-864533[V2]
2	AP0223977	Kolben + Zylinder Nikasil	1	Technische Daten: Leonardo 150[150], Bis Motor Nr. 820491[V3], Zwischen Motoren Nr. 820546-820665 und 820671-820756[V4]
2	AP0613345	Zylinder mit buchse	1	Technische Daten: Leonardo 150[150], Zwischen Motoren 820492-820545 und 820666-820670[N3], Ab Motor Nr. 820757[N4]
2	AP0613395	Zylinder mit buchse	1	Technische Daten: Leonardo 125[125], Zwischen Motor Nr.864318-864464[N1], Ab Motor Nr. 864534[N2]
3	AP0929650	Stift 5x10	2	
4	AP0267137	Vergasermuffe	1	
5	AP0251052	Schelle mit Distanstück 45	2	
6	AP0236250	Kettenspanner	1	Technische Daten: Bis Motor Nr. 817109 (150cc)[<817109], Leonardo 150[150]
6	AP0236250	Kettenspanner	1	Technische Daten: Bis Motor Nr. 861913 (125cm3) [<861913], Leonardo 125[125]
6	AP0236490	Kettenspanner	1	Technische Daten: Ab Motor Nr. 817110 (150cm3) [>817110], Leonardo 150[150]
6	AP0236490	Kettenspanner	1	Technische Daten: Ab Motor Nr. 861914 (125cm3) [>861914], Leonardo 125[125]
7	AP0238100	Feder 47,5	1	Technische Daten: Ab Motor Nr. 817110 (150cm3) [>817110], Leonardo 150[150]
7	AP0238100	Feder 47,5	1	Technische Daten: Ab Motor Nr. 861914 (125cm3) [>861914], Leonardo 125[125]
7	AP0239015	Feder 16,9	1	Technische Daten: Bis Motor Nr. 817109 (150cc)[<817109], Leonardo 150[150]
7	AP0239015	Feder 16,9	1	Technische Daten: Bis Motor Nr. 861913 (125cm3) [<861913], Leonardo 125[125]
8	AP0552276	Schraube M18x1,5x10	1	
9	AP0552280	Dichtung	1	

Einheit	MOTOR
Code	29.47
Beschreibung	Zylinderkopf
Inspektion	1



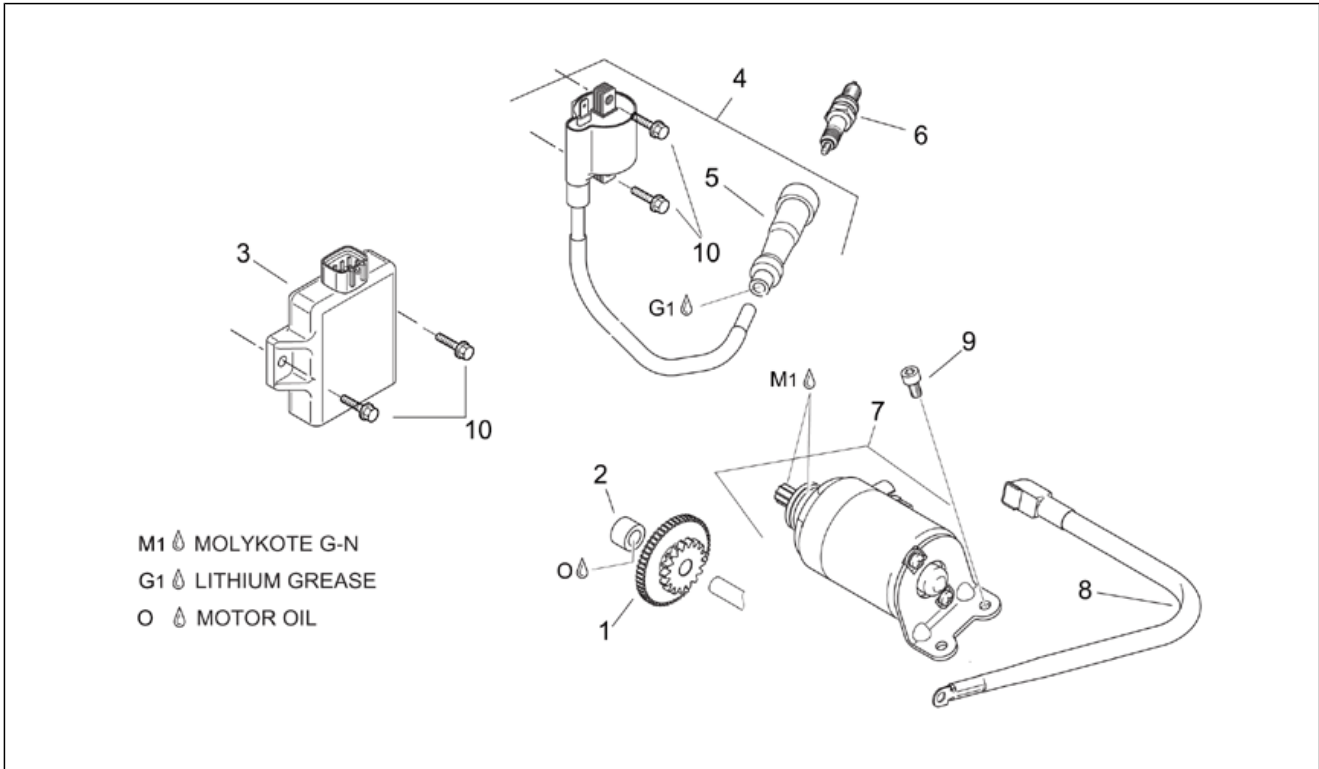
Pos.	Code	Beschreibung	Menge	Varianten
1	AP0650170	Dichtung	1	Technische Daten: Leonardo 125[125]
1	AP0650172	Dichtung	1	Technische Daten: Leonardo 150[150]
2	AP0613110	Zylinderkopf	1	
3	AP0253811	Ventilführung	4	
4	AP0240366	Stiftschraube	2	
5	AP0842616	Mutter M8	4	
6	AP0241481	TCEI Schraube M6x90	2	
7	AP0840880	TCEI Schraube M6x30	2	
8	AP0650300	Thermostatdichtung	1	Technische Daten: Leonardo 125[125], Version mit internem Thermostat[VI]
9	AP0222490	Thermostat 75°	1	Technische Daten: Leonardo 125[125], Version mit internem Thermostat[VI]
10	AP0222470	Thermofühlerdeckel	1	
11	AP0941950	Schraube	1	
12	AP0650250	Dichtung 5,5/11/1	1	
13	AP0241841	TCEI Schraube	2	
14	AP0927571	Ausgleichscheibe D14	2	
15	AP0211521	Ventildeckel	1	
16	AP0256500	Ölabscheider	1	
17	AP0650230	Dichtung Ventildeckel	1	
18	AP0241930	TCEI Schraube M6x20	4	
19	AP0265450	Temperaturfühler	1	
20	AP0927835	Distanzscheibe 20,5x30	1	Technische Daten: Leonardo 150[150]
21	AP0650720	Dichtung	1	Technische Daten: Leonardo 125[125], Version mit externem Thermostat[VE]

Einheit	MOTOR
Code	29.48
Beschreibung	Zündung
Inspektion	1



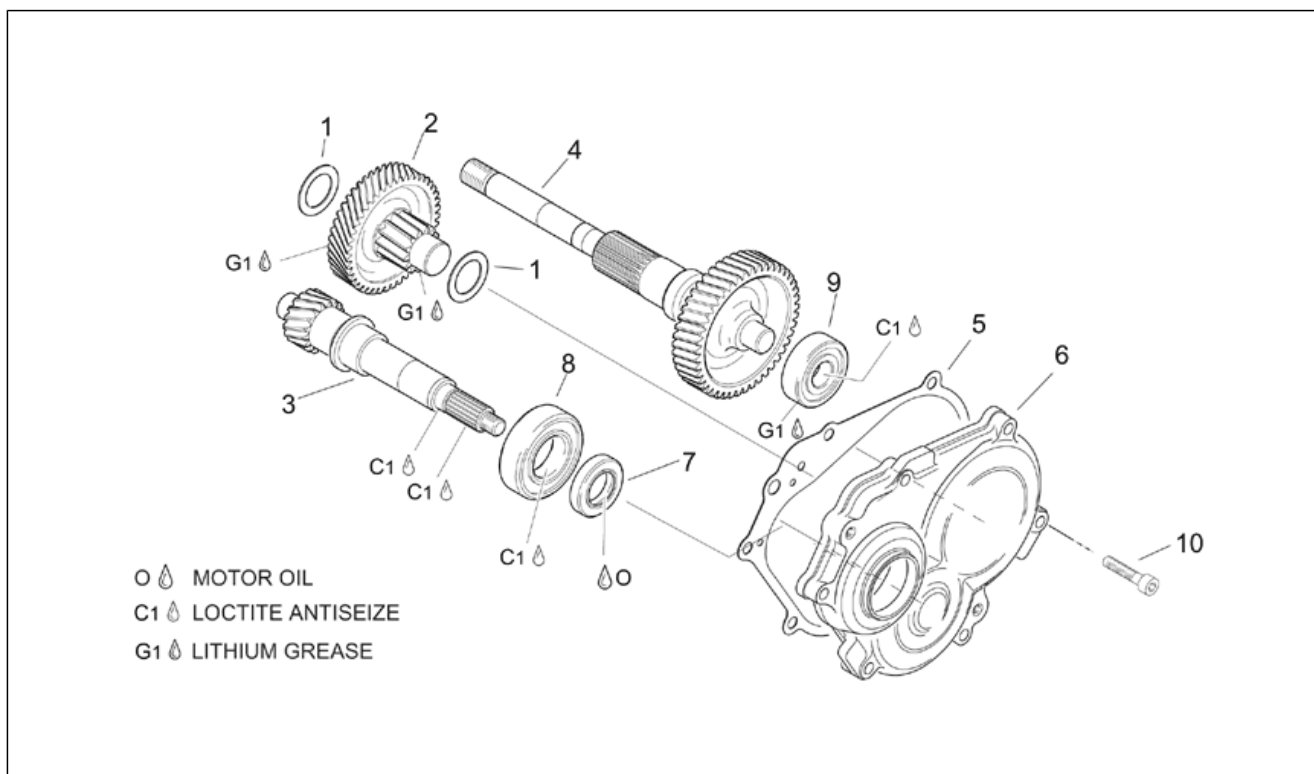
Pos.	Code	Beschreibung	Menge	Varianten
1	AP0634455	Zahnrad Freilauftrad	1	
2	AP0295557	Zündung+Freilauftrad	1	
3	AP0259490	Freilauftrad	1	
4	AP0259480	Flansch Freilauftrad	1	
5	AP0641590	TCEI Schraube	3	
6	AP0940485	Schraube M8x30	1	
7	AP0227937	Ausgleichscheibe 8,4	1	
8	AP0650190	Dichtung	1	
9	AP0211430	Zünddeckel	1	
10	AP0840880	TCEI Schraube M6x30	3	
11	AP0241236	TCEI Schraube M6x16	2	
12	AP0840880	TCEI Schraube M6x30	9	
13	AP0256461	Ölstandschraube	1	
14	AP0630400	O-Ring	1	
15	AP0251470	Halter	1	Technische Daten: EU-Zulassung (Grenzen EURO 2)[E2]
16	AP0241821	TCEI Schraube M6x45	2	Technische Daten: EU-Zulassung (Grenzen EURO 2)[E2]
17	AP0945751	Federring Din a6	2	Technische Daten: EU-Zulassung (Grenzen EURO 2)[E2]

Einheit	MOTOR
Code	29.49
Beschreibung	Startermotor
Inspektion	1



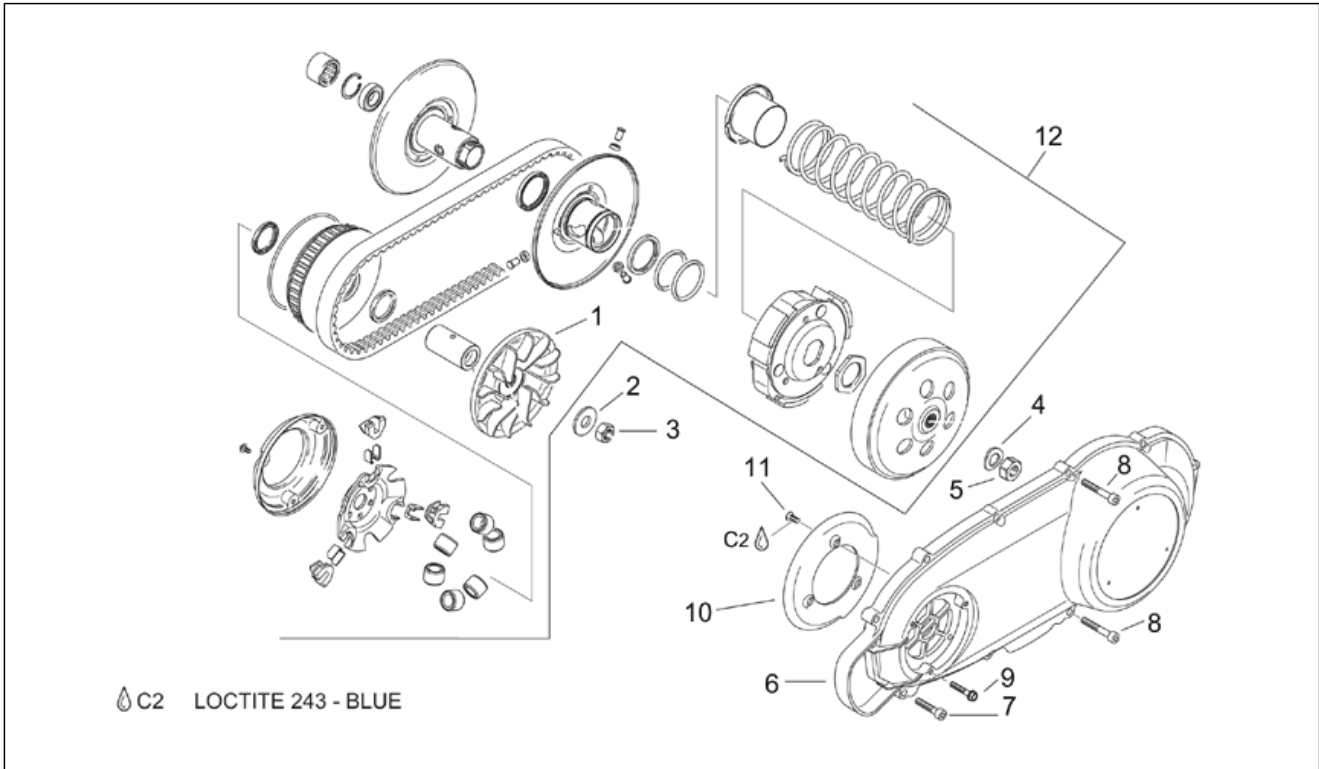
Pos.	Code	Beschreibung	Menge	Varianten
1	AP0634460	Freilaufzahn Z=54/17	1	
2	AP0247930	Distanzscheibe 10/17/11,2	1	
3	AP0265630	Steuergerät Spule (grün)	1	
4	AP0265419	Zuendtransform.cpl.	1	
5	AP0265242	Zündkerzenkappe	1	
6	AP0297921	Zündkerze CR8EVX	1	
7	AP0295625	Anlassermot. o. Verkab.	1	
8	AP8124596	Anlasserkabel	1	
9	AP0241930	TCEI Schraube M6x20	2	
10	AP8152274	TE Schr. m. Flansch M5x20	4	

Einheit	MOTOR
Code	29.50
Beschreibung	Getriebe
Inspektion	1



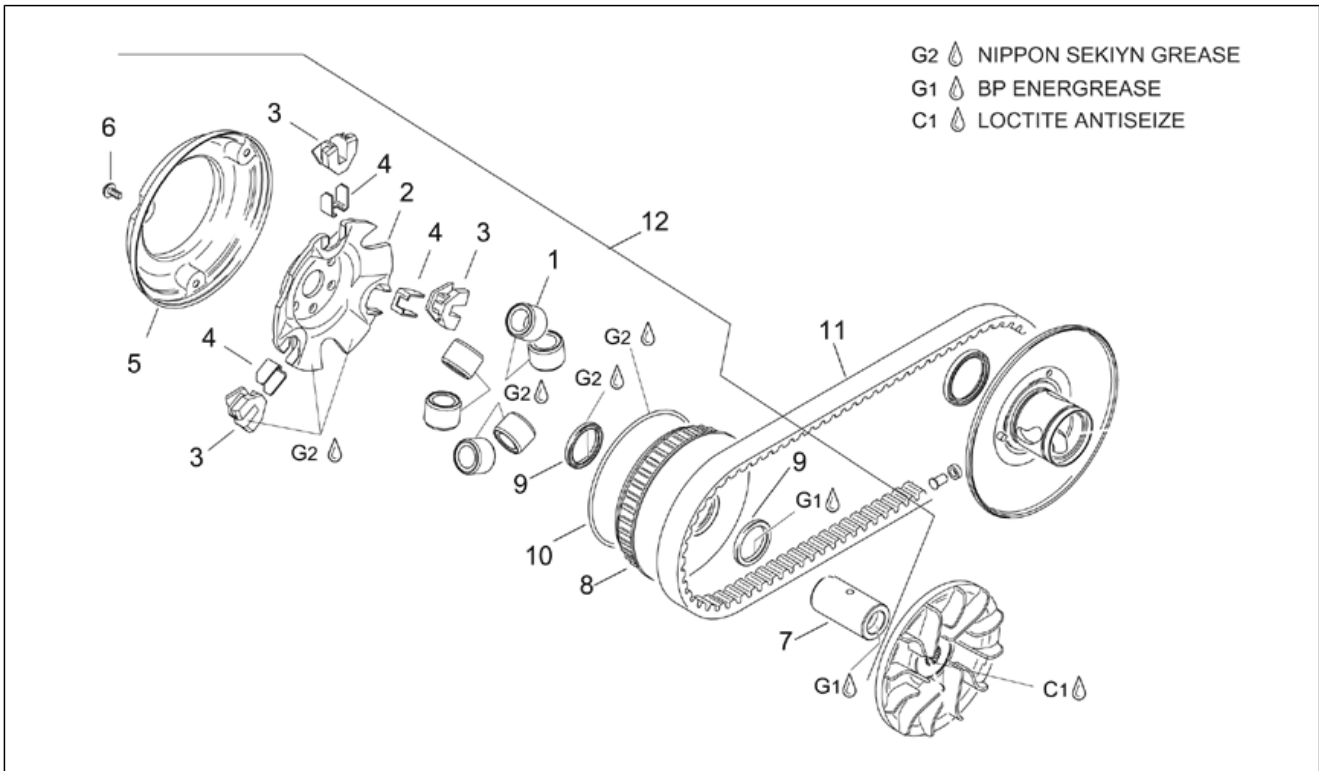
Pos.	Code	Beschreibung	Menge	Varianten
1	AP0944468	Paßscheibe	2	
2	AP0220327	Zwischenwelle	1	
3	AP0220342	Getriebe Z=17	1	
4	AP0220335	Antriebswelle Z=56	1	
5	AP0650202	Dichtung	1	
6	AP0211495	Getriebedeckel	1	
7	AP0930267	Ölabstreifring 20x35x7	1	
8	AP0232763	Lager 6205	1	
9	AP0232291	Lager 6302	1	
10	AP0840880	TCEI Schraube M6x30	6	

Einheit	MOTOR
Code	29.51
Beschreibung	Wandler mit Kupplung
Inspektion	1



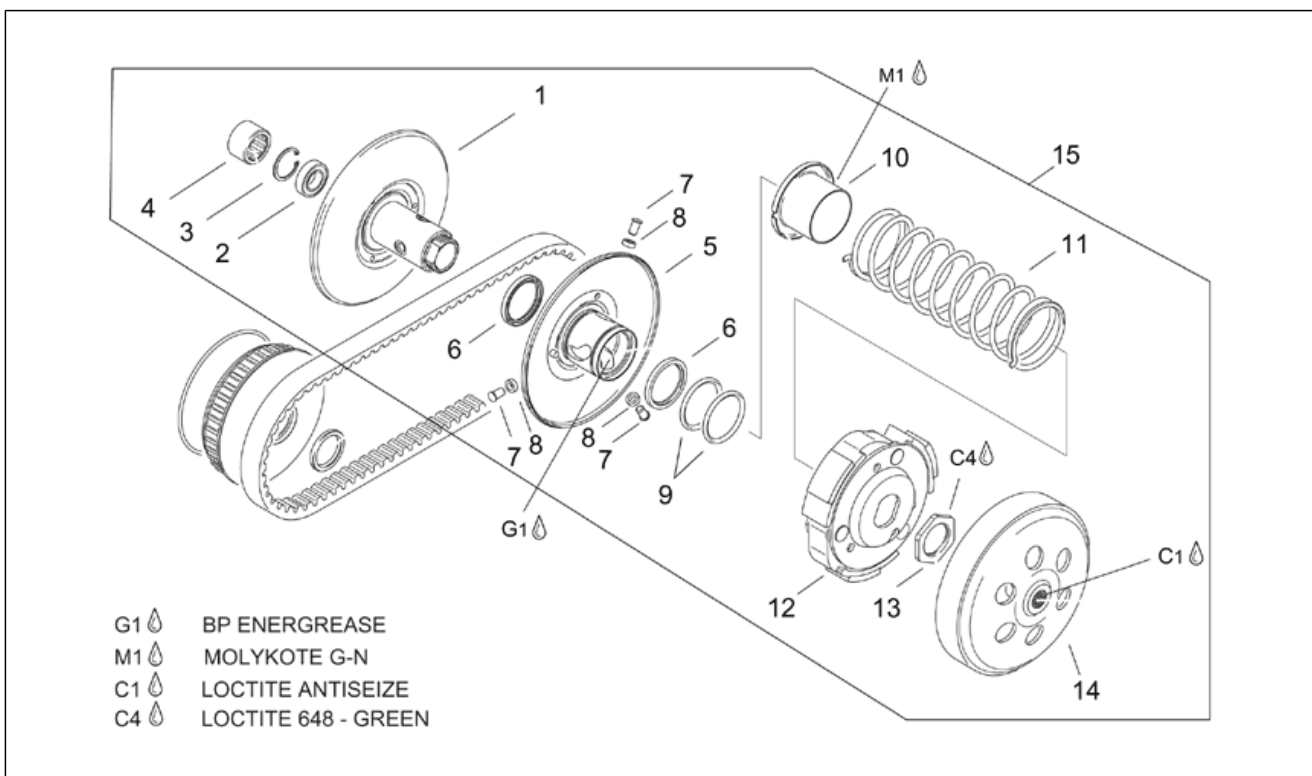
Pos.	Code	Beschreibung	Menge	Varianten
1	AP0280092	Feste Hauptriemenscheibe	1	
2	AP0227180	Ausgleichscheibe 12,2x32x2	1	
3	AP0242515	Mutter M12x1	1	
4	AP0945754	Federring Din A12	1	
5	AP0242515	Mutter M12x1	1	
6	AP0211518	Wandlerdeckel	1	
7	AP0840880	TCEI Schraube M6x30	8	
8	AP0241816	TCEI Schraube M6x40	2	
9	AP0241275	TE Schr. m. Flansch	3	
10	AP0222525	Leitblech	1	
11	AP0940315	Schraube	3	
12	AP0295331	Wandler	1	Technische Daten: Leonardo 125[125]
12	AP0295332	Wandler	1	Technische Daten: Leonardo 150[150]

Einheit	MOTOR
Code	29.52
Beschreibung	Hauptgetriebe
Inspektion	1



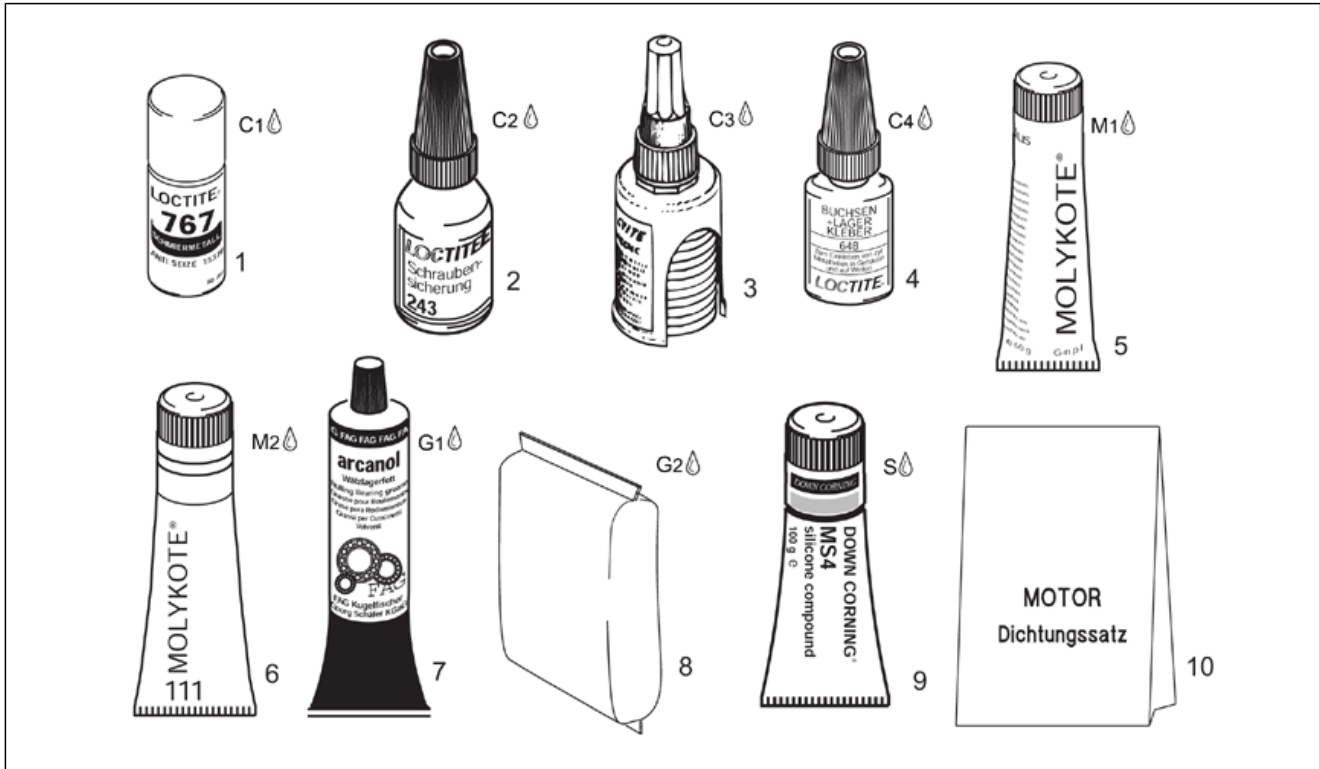
Pos.	Code	Beschreibung	Menge	Varianten
1	AP0229423	Fliehkraftmasse 8,8g	6	Technische Daten: Leonardo 125[125]
1	AP0229425	Fliehkraftmasse	6	Technische Daten: Leonardo 150[150]
2	AP0259655	Stiftplatte	1	
3	AP0260335	Stift schwarz	3	
4	AP0239490	Stifthalter	3	
5	AP0211715	Deckel	1	
6	AP0241975	Schraube M4x8	3	
7	AP0233772	Buchse für Riemenscheibe	1	Technische Daten: Leonardo 125[125]
7	AP0233775	Buchse	1	Technische Daten: Leonardo 150[150]
8	AP0280115	Bewegliche Hauptriemenscheibe	1	
9	AP0650280	Ölabstreifring 27x34x3,5	2	
10	AP0650260	O-Ring	1	
11	AP0280102	Keilriemen	1	
12	AP0295731	Primaertrieb kpl.	1	Technische Daten: Leonardo 125[125]
12	AP0295732	Primaertrieb kpl.	1	Technische Daten: Leonardo 150[150]

Einheit	MOTOR
Code	29.53
Beschreibung	Vorgelege
Inspektion	1



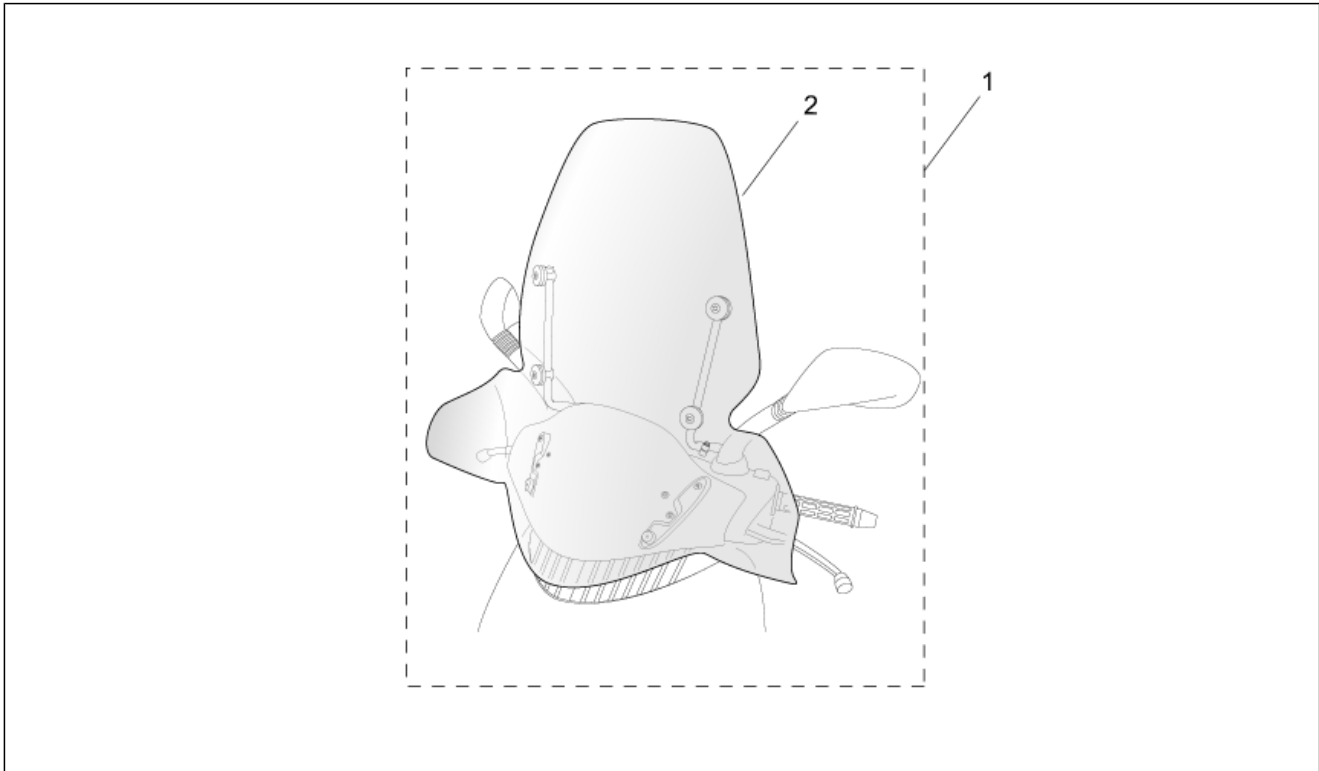
Pos.	Code	Beschreibung	Menge	Varianten
1	AP0280135	Interne Nebenriemenscheibe	1	
2	AP0632080	Kugellager	1	
3	AP0245490	Seegerring 28x1,2	1	
4	AP0632090	Rollenlager 20x29x18	1	
5	AP0280125	Externe Nebenriemenscheibe	1	
6	AP0650290	Ölabstreifring	2	
7	AP0229430	Führungsbolzen	3	
8	AP0249060	Führungsrolle	3	
9	AP0650270	O-Ring	2	
10	AP0627165	Interner Federbecher	1	
11	AP0239406	Feder	1	
12	AP0259738	Kupplung kplt.	1	Technische Daten: Leonardo 150[150]
12	AP0259739	Kupplung kplt.	1	Technische Daten: Leonardo 125[125]
13	AP0242920	Mutter M28x1	1	
14	AP0259662	Kupplungsglocke	1	
15	AP0296280	Vorgelege	1	Technische Daten: Leonardo 125[125]
15	AP0296282	Vorgelege	1	Technische Daten: Leonardo 150[150]

Einheit	MOTOR
Code	29.54
Beschreibung	Verbrauchsmaterial
Inspektion	1



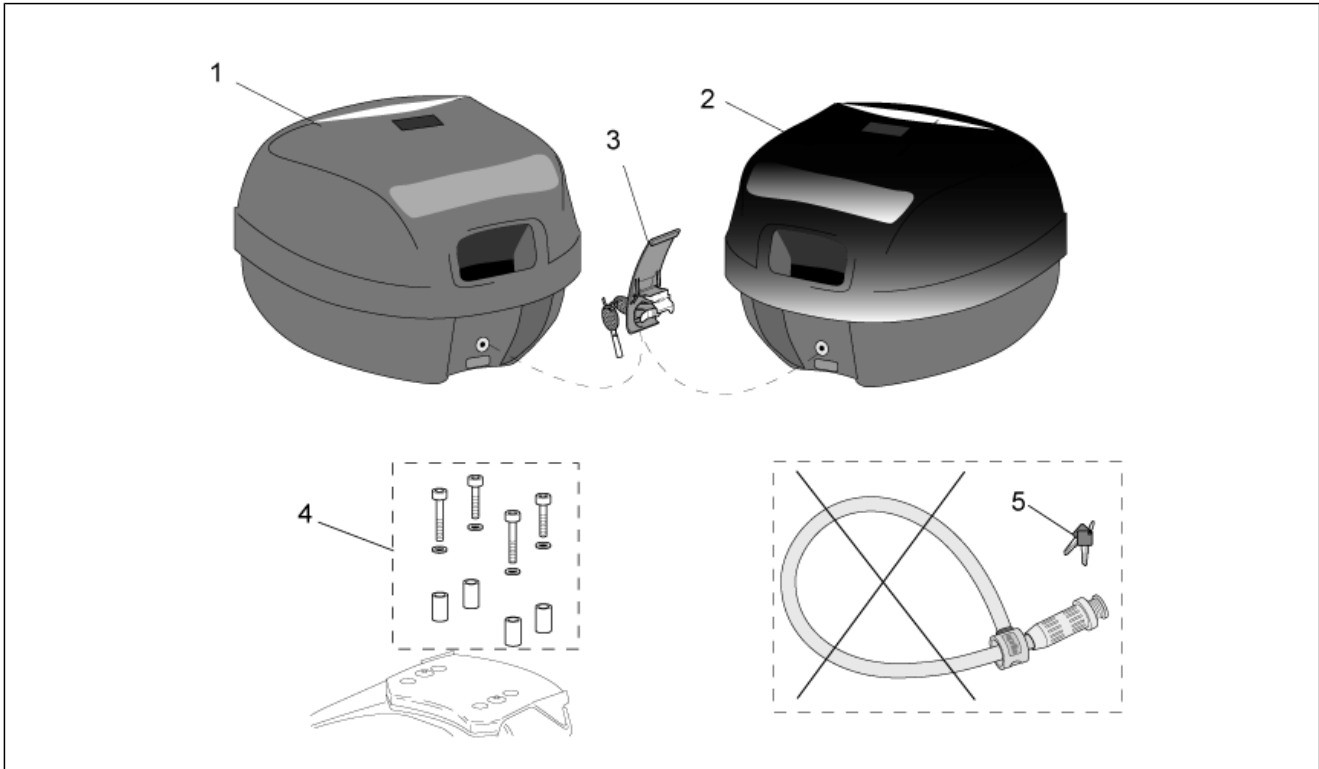
Pos.	Code	Beschreibung	Menge	Varianten
1	AP0297434	Loctite Anti Seize 50ml.15378	1	
2	AP0897651	Loctite, blau 243 10cc.	1	
3	AP0899784	Loctite, orange 574	1	
4	AP0899788	Loctite, grün 648 5gr.	1	
5	AP0297433	Molykote G-N 50gr.	1	
6	AP0897161	Molykote 111 100gr.	1	
7	AP0897330	Lithium-Fett 250gr.	1	
8	AP8116070	Fett Nippon-Sekiyu 250 gr.	1	
9	AP0297386	Silastic 732 Rtv 100 gr.	1	
10	AP0295711	Satz motor dichtung	1	Technische Daten: Leonardo 125[125]
10	AP0295716	Satz motor dichtung	1	Technische Daten: Leonardo 150[150]

Einheit	ZUBEHÖR
Code	30.55
Beschreibung	Acc. - Windschilder
Inspektion	1



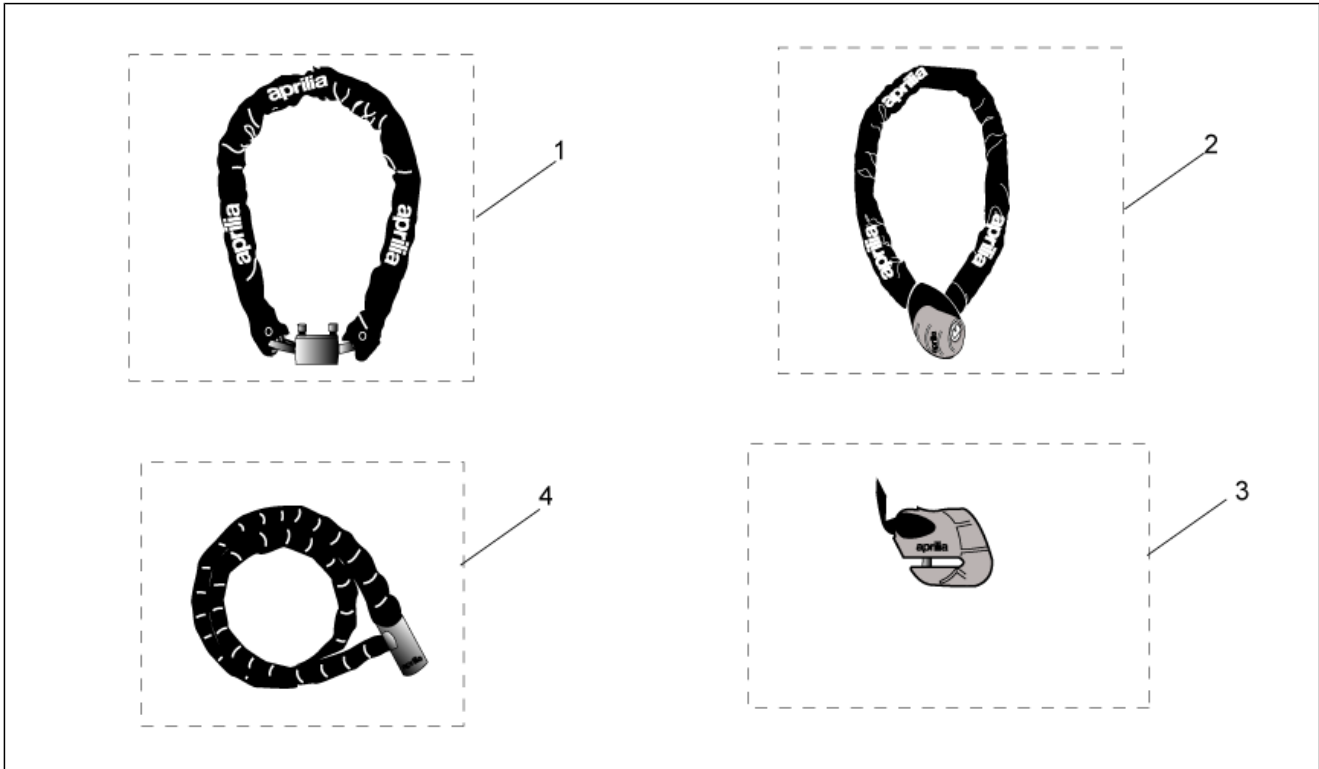
Pos.	Code	Beschreibung	Menge	Varianten
1	AP8791204	Windschutzscheibe Kpl.	1	Technische Daten:Zubehör[A]
2	AP8791205	Windschutzsch.o/Halter. Big	1	Technische Daten:Zubehör[A]

Einheit	ZUBEHÖR
Code	30.56
Beschreibung	Acc. - Koffer, Taschen
Inspektion	1



Pos.	Code	Beschreibung	Menge	Varianten
1	AP8792066	Koffer gaufriert New-C 32L	1	Technische Daten:Zubehör[A]
2	AP8792080	Koffer schwarz lack. New-C 28L	1	Technische Daten:Zubehör[A]
2	AP8792235	Koffer grau lack. New-C 28L	1	Technische Daten:Zubehör[A]
2	AP8792236	Koffer blau lack. New-C 28L	1	Technische Daten:Zubehör[A]
2	AP8792237	Koffer schwarz lack. New-C 28L	1	Technische Daten:Zubehör[A]
2	AP8792238	Koffer rot lack. New-C 28L	1	Technische Daten:Zubehör[A]
2	AP8792342	Koffer blaumet.lack. New-C 28L	1	Technische Daten:Zubehör[A]
3	AP8104197	Kofferschloß kpl.	1	Technische Daten:Zubehör[A]
4	AP8701146	Anbaukit baule New-C 28L	1	Technische Daten:Zubehör[A]
5	AP8700792	Schlüsslersatzdie. B.Guard UK-D	1	Land:Deutschland[D], Großbritannien[UK] Technische Daten:Zubehör[A]
5	AP8700793	Schlüsslersatzdie. B.Guard F-NL	1	Land:Frankreich[F] Technische Daten:Zubehör[A]
5	AP8700794	Schlüsslersatzdie. B.Guard I-E	1	Land:Spanien[E], Italien[I] Technische Daten:Zubehör[A]

Einheit	ZUBEHÖR
Code	30.57
Beschreibung	Acc. - Diefstahl
Inspektion	1



Pos.	Code	Beschreibung	Menge	Varianten
1	AP8720115	Iron Guard 10x150 mm	1	Technische Daten:Zubehör[A]
2	AP8720116	Iron Guard 8x120 mm	1	Technische Daten:Zubehör[A]
3	AP8720117	Iron Guard Disk 5 mm	1	Technische Daten:Zubehör[A]
4	AP8720118	Easy Guard 150 mm	1	Technische Daten:Zubehör[A]