

aprilia[®]

ERSATZTEILKATALOG



Tuono 660 4T 8V E5 ABS 2021-2022 (NAFTA)

Vorsatzcode Fahrgestell: ZD4KSUE0

Vorsatzcode Motor:

Tuono 660

AP660520

Inhaltsverzeichnis

Fertige Produkte.....	4
Alphanumerisches Verzeichnis.....	5
Fahrgestell/Karosserie.....	11
Tafel 01.010 - Fahrgestell/Karosserie.....	11
Tafel 01.020 - Fussrasten.....	12
Tafel 01.030 - Hauptständer.....	13
Tafel 01.050 - Schwinge.....	14
Aufbau.....	16
Tafel 02.030 - Vorderes Schutzblech-Stütze.....	16
Tafel 02.040 - Verkl.....	17
Tafel 02.060 - Frontaufbau.....	18
Tafel 02.090 - Tankabdeckung.....	20
Tafel 02.100 - Mittlerer Aufbau.....	21
Tafel 02.120 - Sitz.....	22
Tafel 02.130 - Staufach.....	23
Tafel 02.140 - Heckaufbau.....	24
Tafel 02.150 - Hinteres schutzblech.....	26
Tafel 02.170 - Schloßen.....	27
Tafel 02.180 - Schilden.....	28
Tafel 02.190 - Deko.....	29
Motor.....	31
Tafel 03.010 - Motor-Fertigstellung.....	31
Tafel 03.030 - Gehäuse I.....	32
Tafel 03.050 - Filtergehäuse.....	34
Tafel 03.060 - Klappenkörper.....	36
Tafel 03.090 - Zylinderkopfabdeckung.....	37
Tafel 03.100 - Zylinderkopf - ventile.....	38
Tafel 03.110 - Belag.....	39
Tafel 03.120 - Steuer.....	42
Tafel 03.150 - Zylinder - Kolben.....	43
Tafel 03.160 - Kurbelwelle.....	44
Tafel 03.170 - Schaltgetriebe / Schaltgabel / Desmodrom.....	45
Tafel 03.180 - Schaltgetriebe - Zahnräder.....	46
Tafel 03.190 - Schmierung.....	48
Tafel 03.210 - Wasserpumpe.....	50
Tafel 03.220 - Kupplungsdeckel.....	51
Tafel 03.230 - Kupplung.....	52
Tafel 03.270 - Zuenderdeckel.....	53
Tafel 03.300 - Schwungmagnetstarter / Zündung.....	54
Tafel 03.320 - Secondary air.....	55
Tafel 03.330 - Auspufftopf.....	56
Radaufhängungen.....	57
Tafel 04.040 - Vorderradgabel Kayaba.....	57

Tafel 04.080 - Stoßdämpfer.....	58
Räder.....	59
Tafel 05.010 - Vorderrad.....	59
Tafel 05.020 - Hinterrad.....	60
Bremsanlage.....	61
Tafel 06.010 - Vorderradbremspumpe.....	61
Tafel 06.020 - Vorderradbremzange.....	62
Tafel 06.030 - Hinterradbremspumpe.....	63
Tafel 06.040 - Hinterradbremzange.....	64
Tafel 06.050 - Bremsanlage ABS.....	65
Lenkstange - Schaltungen.....	66
Tafel 07.010 - Lenkung.....	66
Tafel 07.020 - Lenkstange - Schaltungen.....	68
Tafel 07.030 - Kupplungssteuerung.....	69
Vorderer leuchten - Instrumente.....	70
Tafel 08.010 - Vorderleuchten	70
Tafel 08.020 - Instrumente.....	71
Tafel 08.030 - Hinterleuchten.....	72
Tank.....	73
Tafel 09.010 - Kraftstofftank.....	73
Tafel 09.020 - Benzindampfrückf.-Anlage.....	74
Kühlunganlage.....	75
Tafel 10.020 - Kühlunganlage.....	75
Elektrische Anlage.....	77
Tafel 11.010 - Vorder Elektrische Anlage.....	77
Tafel 11.020 - Mitt. elektrische Anlage.....	78

Fertige Produkte

Code	Gültigkeit
AP6175100CCM01	
AP6175100CCM02	
AP6175100CCM03	
AP6175100YCM01	
AP6175100YCM02	
AP6175100YCM03	
AP6175101CCN01	
AP6175101CCN02	
AP6175101CCN03	
AP6175101YCN01	
AP6175101YCN02	
AP6175101YCN03	

Code	Nr. der Tafel	Pos.	Code	Nr. der Tafel	Pos.	Code	Nr. der Tafel	Pos.
000267	03.160	2	1A014335	03.330	9	1A018696	03.230	10
006647	05.020	19	1A014410	03.190	29	1A018698	03.230	11
006662	05.020	4	1A014411	03.190	28	1A018699	03.230	3
00G04401462	02.030	24	1A015310	03.120	5	1A018700	03.230	12
00G04401462	02.040	11	1A015311	03.090	3	1A018701	03.230	5
00G04401462	02.060	14	1A015338	03.220	10	1A018702	03.230	4
00G04401462	02.100	4	1A015578	03.190	1	1A018703	03.230	22
00G04401462	02.140	15	1A015611	03.120	13	1A018736	03.190	19
00G04401462	08.020	11	1A015642	03.030	12	1A018886	03.180	2
00G04401462	08.030	12	1A015658	03.030	25	1A018887	03.180	4
00G04401462	11.020	22	1A015801	03.190	5	1A018888	03.180	8
016661	03.120	15	1A016024	03.190	23	1A018889	03.180	7
106009	03.030	31	1A016029	03.190	16	1A018890	03.180	3
184400	03.300	17	1A016035	03.190	27	1A0191225	03.120	1
190567	07.010	21	1A016098	03.300	6	1A019163	03.220	21
1A002950	03.300	11	1A016199	03.180	27	1A019181	03.170	3
1A002951	03.300	13	1A0162040A	03.150	1	1A019260	03.220	1
1A003049	03.170	11	1A0162040B	03.150	1	1A019261	03.220	19
1A003153	03.190	15	1A016237	03.160	3	1A019262	03.220	18
1A005178	03.030	4	1A0162430B	03.030	17	1A019263	03.090	1
1A007396	03.050	17	1A0162430G	03.030	17	1A019359	03.220	21
1A007397	03.050	18	1A0162430M	03.030	17	1A0193604E1	03.160	1
1A008432	03.100	8	1A0162430R	03.030	17	1A0193604E2	03.160	1
1A010611	03.230	21	1A0162430V	03.030	17	1A0193604E3	03.160	1
1A010613	03.230	20	1A0162440B	03.030	18	1A0193604E4	03.160	1
1A011257	03.030	7	1A0162440G	03.030	18	1A0193604E5	03.160	1
1A011875	03.030	5	1A0162440M	03.030	18	1A019430	03.060	1
1A011892	03.030	15	1A0162440R	03.030	18	1A019499	03.180	1
1A011919	03.090	8	1A0162440V	03.030	18	1A019557	03.300	5
1A011923	03.150	4	1A016656	03.100	7	1A019559B	03.030	21
1A011945E1	03.160	6	1A016657	03.100	10	1A019559G	03.030	21
1A011945E2	03.160	6	1A016658	03.100	6	1A019559N	03.030	21
1A011945E3	03.160	6	1A016659	03.100	12	1A019559R	03.030	21
1A011945E4	03.160	6	1A016663	03.100	3	1A0196035	03.120	2
1A011945E5	03.160	6	1A016664	03.100	5	1A019621	03.220	17
1A012005	03.030	19	1A0166824	03.030	1	1A019677	03.170	1
1A012117	03.180	12	1A016703	03.270	2	1A019882	03.180	9
1A012118	03.180	5	1A016762	03.100	11	1A019932	03.190	14
1A012147	03.120	7	1A016769	03.210	11	1A020163	03.100	1
1A012162	03.300	2	1A0168435	03.030	2	1A020330	03.030	10
1A012325	03.100	20	1A016957	03.180	6	1A020330	03.030	30
1A012332	11.010	2	1A016982	03.060	3	1A020393	03.030	12
1A012848	03.190	20	1A017027	03.180	20	1A0204005	03.030	1
1A012849	03.090	2	1A017040	03.030	29	1A020955	03.100	2
1A0128614	03.210	1	1A017119	03.120	9	1B005154	02.030	7
1A0128614	03.270	1	1A017120	03.120	8	1C002565	01.050	9
1A012867	03.120	3	1A0171494	03.160	5	1D000129	11.010	17
1A012869	03.210	5	1A017323	03.060	2	1D001138	03.190	10
1A012987	03.170	6	1A017357	03.190	2	1D002265	02.030	27
1A013000	03.190	26	1A017358	03.190	3	1L006293C	03.010	18
1A013090	03.190	7	1A017552	03.030	14	224035	03.180	28
1A013092	03.120	14	1A017552	03.220	6	254485	03.050	25
1A013139	03.030	6	1A017610	03.190	18	254485	10.020	19
1A013141	03.300	10	1A017986R	03.220	8	270361	02.140	12
1A013477	03.190	11	1A018062	03.220	2	271740	01.010	14
1A013508	03.270	4	1A018085	03.180	11	297029	06.050	21
1A013509	03.220	13	1A018086	03.180	10	2A000111	03.120	10
1A013510	03.210	6	1A018089	03.230	16	2A000450	03.150	3
1A013659	03.170	12	1A018441	03.120	6	2A000630	03.150	2
1A013662	03.170	2	1A018484	03.210	7	2A000734	03.150	5
1A013663	03.170	4	1A018583	03.170	10	2A000735	03.150	6
1A013737	03.120	12	1A018584	03.170	7	2A000739	03.150	7
1A013737	03.190	12	1A018647	03.030	16	2A0008370B	03.160	4
1A013825	03.120	4	1A018690	03.230	1	2A0008370G	03.160	4
1A013847	03.190	8	1A018693	03.230	7	2A0008370V	03.160	4
1A013954	03.100	9	1A018694	03.230	18	2A000927	03.230	9
1A013958	03.100	13	1A018695	03.230	19	2A000929	03.230	8

Code	Nr. der Tafel	Pos.	Code	Nr. der Tafel	Pos.	Code	Nr. der Tafel	Pos.
2A001091	03.230	13	2B005567	03.320	4	2B006647000NI	02.140	2
2B000214	06.020	3	2B005580	10.020	11	2B006648	02.140	3
2B000276	06.050	14	2B005581	10.020	24	2B006648000G12	02.140	3
2B000421	02.120	3	2B005585	05.010	1	2B006648000L01	02.140	3
2B001203	09.010	8	2B005649	03.060	9	2B006648000NI	02.140	3
2B001920	01.050	22	2B005650	03.060	8	2B006649	02.140	4
2B001983	06.050	24	2B005651	02.170	17	2B006651	02.140	1
2B002146	08.030	10	2B005723	09.020	19	2B006652000C1	02.120	1
2B002191	03.180	15	2B005847	03.010	2	2B006654	02.170	1
2B002193	03.180	14	2B005886	03.010	3	2B006659	02.170	16
2B002416	05.010	10	2B005994	02.120	5	2B006661	01.050	18
2B002416	05.020	25	2B006060	05.020	8	2B006662	01.050	19
2B002418	06.040	5	2B006173	01.050	8	2B006663	02.170	14
2B002570	02.140	24	2B006173	05.020	24	2B006664	02.170	4
2B002570	11.020	13	2B006174	01.050	7	2B006672	02.130	3
2B002570	11.020	25	2B006183	05.010	5	2B006677	01.050	29
2B002632	09.020	1	2B006202	05.010	13	2B006694	10.020	1
2B002634	05.020	10	2B006215	05.010	11	2B006742	03.330	5
2B002986	06.010	4	2B006236	05.010	7	2B006784	01.050	28
2B002993	06.010	12	2B006240	05.020	2	2B006792	03.180	29
2B002996	06.010	5	2B006242	05.020	9	2B006795	03.180	13
2B003052	03.060	12	2B006246	05.020	21	2B006797	11.020	3
2B003422	01.050	11	2B006283	01.050	24	2B006807	06.050	8
2B003422	02.150	2	2B006283	05.020	11	2B006818	06.050	6
2B003468	07.020	1	2B006284	01.050	27	2B006819	01.010	2
2B003518	07.030	7	2B006284	05.020	12	2B006829	05.010	2
2B003980	07.010	5	2B006285	05.020	6	2B006830	05.020	23
2B004072	02.140	5	2B006293	01.050	12	2B006844	03.330	7
2B004402	04.040	4	2B006338	01.030	1	2B006864	01.010	21
2B004403	04.040	5	2B006346	01.020	17	2B006865	01.010	12
2B004406	04.040	9	2B006346	01.030	8	2B006865	01.010	9
2B004407	04.040	10	2B006353	03.010	6	2B007005	06.050	4
2B004410	04.040	14	2B006355	06.030	14	2B007073000C1	02.120	2
2B004411	04.040	15	2B006388	01.050	10	2B007073000C2	02.120	2
2B004413	04.040	18	2B006388	02.150	1	2B007076	03.330	13
2B004414	04.040	17	2B006389	01.050	25	2B007076	06.050	12
2B004421	04.040	12	2B006394	06.040	3	2B007089	07.010	3
2B004422	04.040	13	2B006451	06.020	1	2B007102	01.050	4
2B004511	01.050	23	2B006452	06.020	2	2B007124	10.020	8
2B004560	10.020	18	2B006455	06.050	5	2B007140	06.030	1
2B004778	05.010	12	2B006457	06.040	1	2B007141	06.030	7
2B004845	06.030	23	2B006458	06.050	2	2B007147	09.010	3
2B005143	07.010	19	2B006459	06.050	1	2B007153	02.170	6
2B005202	01.020	4	2B006475	01.010	1	2B007221	01.010	3
2B005203	01.020	3	2B006482	01.010	15	2B007234	06.010	1
2B005205	01.020	2	2B006482	07.010	20	2B007235	06.010	2
2B005206	01.020	1	2B006527	03.050	2	2B007247	02.100	6
2B005212	01.050	3	2B006528	03.050	6	2B007247	03.330	10
2B005214	01.050	5	2B006529	03.050	12	2B007248	06.030	8
2B005283	01.050	26	2B006530	03.050	1	2B007256	03.010	16
2B005285	10.020	3	2B006531	03.050	8	2B007272	02.130	1
2B005286	10.020	4	2B006532	03.050	7	2B007292	05.020	16
2B005290	03.330	1	2B006559	05.020	5	2B007296	07.010	1
2B005345	02.030	3	2B006602	02.130	2	2B007297	07.010	2
2B005348	07.030	4	2B006603	11.010	3	2B007364	02.140	6
2B005351	03.190	24	2B006609	01.010	16	2B007477	02.030	4
2B005358	04.080	1	2B006618	07.010	7	2B007479	02.030	6
2B005379	06.010	9	2B006630	02.090	1	2B007481	02.030	5
2B005387	01.010	13	2B006630	02.090	1	2B007482	10.020	10
2B005422	03.050	9	2B006630000XNM	02.090	1	2B007518	09.010	5
2B005460	01.050	6	2B006630000XR4	02.090	1	2B007519	09.010	4
2B005484	09.010	1	2B006634	02.120	6	2B007560	01.030	5
2B005514	03.320	3	2B006641	02.140	16	2B007579	05.010	6
2B005515	03.320	2	2B006645	02.100	1	2B007580	05.020	20
2B005547	02.030	11	2B006646	02.100	2	2B007581	05.020	22
2B005548	02.030	10	2B006647	02.140	2	2B007585	05.010	2
2B005564	06.020	5	2B006647000G12	02.140	2	2B007586	05.020	23
			2B006647000L01	02.140	2			

Code	Nr. der Tafel	Pos.	Code	Nr. der Tafel	Pos.	Code	Nr. der Tafel	Pos.
2B007593	01.010	4	2B008462	08.020	20	2H004245	02.190	7
2B007647	07.030	1	2B008502	11.020	4	2H004246	02.190	8
2B007726	06.010	3	2B008505	02.040	2	2H004247	02.190	9
2B007741	03.050	27	2B008505000NI	02.040	2	2H004248	02.190	10
2B007756	01.050	1	2B008511	10.020	37	2H004249	02.190	11
2B007772	10.020	26	2B008616	07.010	8	2H004250	02.190	18
2B007778	02.140	8	2B008635	02.030	9	2H004251	02.190	19
2B007902	04.080	5	2B008648	02.040	1	2H004321000L01	09.010	1
2B007910	04.040	11	2B008679	06.050	9	2H004325	02.190	6
2B007913	04.040	8	2B008726	01.010	2	2H004326	02.190	7
2B007920	04.040	7	2B008768	11.020	21	2H004566	02.190	3
2B007921	04.040	1	2B008778	10.020	41	2H004567	02.190	14
2B007922	04.040	2	2B008842	01.050	30	2H004568	02.190	15
2B007996	04.040	16	2B008876	09.010	11	2H004569	02.190	16
2B008001	04.040	3	2B009087	10.020	42	2H004570	02.190	17
2B008002	04.040	6	2B009258	09.010	15	2H004571	02.190	18
2B008021	10.020	6	2B009302	04.040	22	2H004572	02.190	19
2B008022	08.020	1	2D000095	07.020	2	2Q000427	02.180	1
2B008023	08.020	2	2D000137	08.030	4	2S001315	02.040	5
2B008024	02.040	4	2D000138	08.030	5	401605	02.030	19
2B008024000XR4	02.040	4	2D000284	08.030	3	411209	03.220	12
2B008031	02.060	8	2D000300	03.170	16	414838	03.300	16
2B008032	02.060	7	2D000325	06.030	22	434429	03.030	24
2B008033	02.030	8	2D000325	07.030	3	434885	03.210	2
2B008034	02.030	2	2D000348	11.010	15	436739	03.190	4
2B008035	02.030	1	2D000459	11.020	1	436947	03.330	14
2B008039	02.040	3	2D000465	08.010	1	478012	03.190	17
2B008042	02.060	6	2D000530	01.030	10	478533	03.060	5
2B008042000XNM	02.060	6	2D000540	06.050	7	482290	10.020	38
2B008042000XR4	02.060	6	2D000546	08.030	1	487211	03.030	26
2B008043	02.060	5	2D000547	09.010	2	575249	08.020	8
2B008043000XNM	02.060	5	2D000548	07.020	9	575268	01.010	20
2B008043000XR4	02.060	5	2D000550	07.020	8	581440	11.010	7
2B008044	02.060	2	2D000554	08.020	3	581957	08.020	17
2B008044000G12	02.060	2	2D000564	11.020	7	582690	11.010	5
2B008044000L01	02.060	2	2D000568	02.170	10	582906	11.010	6
2B008044000NI	02.060	2	2D000572	10.020	2	639792	11.020	5
2B008045	02.060	1	2D000627	11.010	21	640485	03.100	18
2B008045000G12	02.060	1	2D000676	11.010	22	642248	11.020	23
2B008045000L01	02.060	1	2D000680	11.010	1	642302	03.060	6
2B008045000NI	02.060	1	2G000565	02.190	22	648708	01.050	21
2B008046	02.060	4	2G000566	02.190	23	648708	05.020	15
2B008047	02.060	3	2G000567	02.190	24	658830	03.300	19
2B008048	08.020	14	2H000874	02.190	20	658830	06.010	17
2B008049	08.020	13	2H003453	02.190	1	825667	05.010	8
2B008060	06.050	25	2H003976000NI	09.010	1	825725	03.300	9
2B008077	08.020	16	2H003986	02.190	6	82964R	03.300	7
2B008079	07.010	18	2H003987	02.190	7	82991R	03.210	4
2B008108	08.020	15	2H003988	02.190	8	830389	03.300	4
2B008121	10.020	32	2H003989	02.190	9	831393	03.190	21
2B008123	10.020	16	2H004221000G12	09.010	1	832848	05.020	3
2B008140	02.190	25	2H004227	02.190	2	841821	02.030	21
2B008143	03.050	23	2H004228	02.190	3	841821	02.030	23
2B008186	03.330	11	2H004229	02.190	5	842291	03.090	6
2B008187	09.010	10	2H004230	02.190	10	847239	03.210	8
2B008224	06.050	3	2H004231	02.190	11	848651	03.030	11
2B008228	03.050	28	2H004232	02.190	12	848714	03.300	3
2B008244	09.020	13	2H004233	02.190	13	848845	03.300	14
2B008251	09.020	11	2H004234	02.190	14	849308	03.180	17
2B008253	01.050	31	2H004235	02.190	15	849309	03.180	24
2B008279	09.020	16	2H004236	02.190	16	849310	03.180	23
2B008280	09.020	4	2H004237	02.190	17	849311	03.180	25
2B008368	02.140	18	2H004240	02.190	18	849360	03.170	14
2B008370	05.020	1	2H004241	02.190	19	849424	03.180	21
2B008391	07.020	4	2H004242	02.190	3	849426	03.180	22
2B008395	03.010	17	2H004243	02.190	4	852090	03.330	8
2B008439	07.010	13	2H004244	02.190	6	85248R	05.020	27

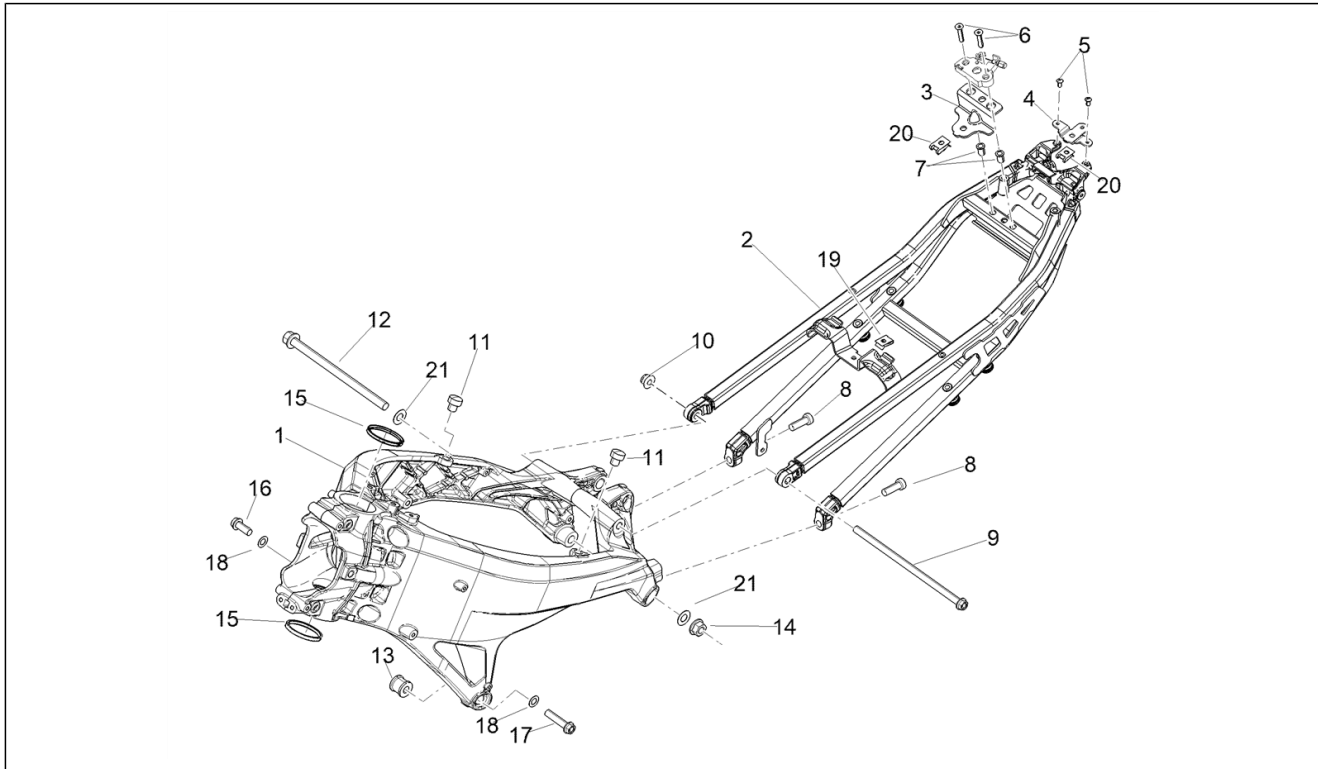
Code	Nr. der Tafel	Pos.	Code	Nr. der Tafel	Pos.	Code	Nr. der Tafel	Pos.
855632	03.110	1	896174	02.140	13	AP8120822	06.030	16
857030	03.100	4	896174	08.030	11	AP8120912	03.010	10
857035	03.100	14	896567	03.060	10	AP8120912	06.030	11
857044	03.100	15	896663	07.020	7	AP8120952	10.020	23
857045	03.100	17	897434	03.100	24	AP8120965	09.010	14
857046	03.100	23	898410	03.090	7	AP8121032	03.320	6
857047	03.100	22	899105	02.170	5	AP8121032	09.020	22
857048	03.220	20	899106	02.170	7	AP8121075	11.010	13
857066	03.110	3	899543	02.170	18	AP8121096	07.010	22
857084	03.090	5	899642	10.020	7	AP8121096	07.010	24
857176	03.120	11	899811	06.050	22	AP8121096	10.020	34
857181	03.320	1	967363	03.330	4	AP8121133	01.020	15
857187	03.190	6	974219	03.270	3	AP8121134	01.020	9
857208	03.100	25	974320	03.180	26	AP8121155	04.080	3
857306	03.060	11	974320	03.230	2	AP8121221	03.010	9
857427	03.030	20	974361	03.230	15	AP8121221	06.030	12
857460	03.220	5	974558	03.180	19	AP8121223	03.010	7
857461	03.220	4	978415	02.170	13	AP8121420	02.170	12
857494	03.170	8	AP8101372	09.010	13	AP8121509	03.330	6
858539	07.020	6	AP8101586	03.050	22	AP8121566	01.020	13
858791	01.050	15	AP8101595	06.010	10	AP8121567	01.020	10
858791	06.040	9	AP8101595	06.030	6	AP8121718	06.050	19
859792	04.040	20	AP8101595	10.020	39	AP8121773	02.170	11
859792	06.040	2	AP8102239	09.020	10	AP8121795	08.030	14
859946	01.020	21	AP8102375	02.030	26	AP8121811	03.010	5
859946	06.030	18	AP8102375	02.090	3	AP8121811	07.010	25
860447	02.090	4	AP8102375	02.130	7	AP8123641	07.010	9
863339	11.010	18	AP8102375	09.020	21	AP8123642	07.010	29
871901	03.180	18	AP8102375	10.020	20	AP8123643	07.010	17
873543	03.230	14	AP8102376	01.010	19	AP8124718	02.140	20
873772	03.170	15	AP8102378	03.060	4	AP8124936	11.010	24
873905	03.030	10	AP8102378	10.020	25	AP8125687	01.050	20
874549	03.050	29	AP8102520	10.020	30	AP8125687	05.020	14
874549	03.190	22	AP8102524	01.030	4	AP8125841	05.020	18
874549	03.210	10	AP8102544	01.010	7	AP8127601	09.020	5
874549	03.220	14	AP8102738	09.020	12	AP8133502	06.010	18
874549	03.270	5	AP8102738	09.020	6	AP8133666	06.010	7
874551	03.030	23	AP8102764	10.020	9	AP8134451	01.020	14
874555	03.090	4	AP8102765	09.020	14	AP8141132	03.320	7
874599	03.170	13	AP8104525	03.050	16	AP8144007	03.010	8
874747	03.030	27	AP8104666	09.020	17	AP8144007	06.030	21
876790	03.230	17	AP8104728	05.010	9	AP8144158	01.010	11
878872	03.300	15	AP8104728	05.020	13	AP8144328	06.050	18
879315	03.230	6	AP8107168	05.020	17	AP8144552	11.020	6
879320	03.220	16	AP8110067	01.050	2	AP8144563	02.040	9
880701	03.220	15	AP8110077	07.010	12	AP8144563	02.060	10
884033	06.030	19	AP8110110	01.020	16	AP8144564	02.040	7
887831	07.010	28	AP8112916	08.030	2	AP8144564	08.020	19
887832	07.010	16	AP8113004	06.050	23	AP8144616	02.040	8
888775	03.100	19	AP8113070	06.040	12	AP8144616	02.060	11
890638	04.040	19	AP8113081	06.030	2	AP8145008	01.020	7
890760	10.020	12	AP8113082	06.030	3	AP8145009	01.020	8
890760	11.010	14	AP8113230	06.010	19	AP8145034	01.020	5
890960	05.020	26	AP8113288	06.030	25	AP8145035	01.020	6
893132	03.050	19	AP8113752	06.040	10	AP8150016	09.010	12
893138	06.030	17	AP8113753	06.040	11	AP8150018	03.330	3
893240	03.050	20	AP8118579	07.020	3	AP8150020	03.010	11
893897	07.030	6	AP8120001	06.050	16	AP8150020	06.030	20
893926	07.030	2	AP8120001	11.020	20	AP8150026	06.030	4
893969	06.040	6	AP8120030	02.030	12	AP8150164	01.020	20
894603	11.020	8	AP8120030	06.010	14	AP8150164	02.170	9
894658	03.060	7	AP8120030	10.020	17	AP8150171	07.010	15
895845	01.010	17	AP8120178	06.030	27	AP8150179	11.010	11
895845	01.020	19	AP8120179	09.020	2	AP8150182	06.010	20
895916	02.040	6	AP8120446	09.020	8	AP8150204	02.030	15
895916	08.020	18	AP8120591	02.090	5	AP8150204	02.030	16
896174	02.040	13	AP8120657	09.020	18	AP8150204	02.140	19

Code	Nr. der Tafel	Pos.	Code	Nr. der Tafel	Pos.	Code	Nr. der Tafel	Pos.
AP8150204	08.030	8	AP8152278	09.020	23	AP8221204	01.030	3
AP8150236	07.010	4	AP8152279	01.030	11	AP8221211	01.030	2
AP8150252	07.010	30	AP8152279	03.220	3	AP8221277	01.020	11
AP8150255	08.020	4	AP8152279	06.030	10	AP8221349	06.040	7
AP8150272	08.020	10	AP8152279	10.020	15	AP8221349	10.020	43
AP8150280	03.100	16	AP8152280	10.020	22	AP8224163	02.030	14
AP8150292	01.010	18	AP8152280	11.020	12	AP8224462	11.010	4
AP8150292	01.030	6	AP8152281	06.050	20	AP8224470	03.010	12
AP8150340	06.010	11	AP8152282	07.010	10	AP8224470	06.030	13
AP8150351	02.170	8	AP8152283	09.010	7	AP8234020	01.050	14
AP8150376	02.030	17	AP8152285	03.170	5	AP9100053	06.050	17
AP8150376	03.010	14	AP8152285	07.010	23	AP9100594	01.050	16
AP8150413	02.130	5	AP8152285	07.010	26	AP9150174	03.120	16
AP8150413	02.140	17	AP8152285	11.010	19	AP9150356	03.220	11
AP8150413	06.050	27	AP8152286	02.140	9	AP9150472	03.190	13
AP8150413	10.020	13	AP8152286	10.020	28	B013207	03.300	12
AP8150413	11.010	8	AP8152287	02.140	24	B013608	03.030	8
AP8150421	03.050	4	AP8152293	03.330	2	B015563	03.300	8
AP8150431	03.010	15	AP8152298	01.050	13	B016763	03.030	22
AP8150453	02.170	2	AP8152298	02.030	22	B016763	03.030	28
AP8150454	02.170	3	AP8152298	02.140	10	B016773	03.030	9
AP8150462	03.010	13	AP8152298	06.040	8	B016796	03.170	9
AP8150462	06.030	15	AP8152298	08.030	13	B016998	03.210	3
AP8150469	01.010	8	AP8152299	02.140	23	B017632	03.210	9
AP8150474	06.010	16	AP8152299	03.300	18	B018242	09.020	9
AP8150500	02.030	25	AP8152299	06.030	9	B018718	03.030	3
AP8150500	02.040	10	AP8152299	08.030	7	B043047	03.180	16
AP8150500	02.060	12	AP8152299	10.020	27	B044279	05.010	3
AP8150500	02.100	3	AP8152299	11.010	12	B044280	05.010	4
AP8150500	02.140	14	AP8152300	07.010	27	B044495	03.300	1
AP8150500	06.030	24	AP8152300	11.010	20	B044585	06.010	8
AP8150500	08.020	12	AP8152301	01.010	10	B044598	06.020	4
AP8150500	10.020	21	AP8152301	04.080	4	B045224	03.030	13
AP8150500	10.020	33	AP8152302	02.100	5	B045224	03.220	7
AP8150501	02.140	21	AP8152302	02.130	6	B045225	03.220	9
AP8150501	08.030	9	AP8152302	03.330	12	B064023	02.120	4
AP8150509	02.040	12	AP8152302	06.050	13	CM001901	09.020	15
AP8150509	02.060	13	AP8152306	02.140	11	CM001905	03.050	24
AP8150509	10.020	36	AP8152329	03.050	10	CM001905	03.320	9
AP8150538	01.010	5	AP8152329	03.050	11	CM001911	09.020	24
AP8150540	07.010	6	AP8152329	08.020	9	CM002912	03.320	10
AP8152001	01.030	7	AP8152329	11.010	23	CM013201	02.130	4
AP8152003	07.020	5	AP8152338	01.050	17	CM013201	06.050	11
AP8152058	10.020	35	AP8152409	01.020	12	CM013201	09.020	25
AP8152117	03.050	13	AP8152410	01.020	18	CM013201	11.010	9
AP8152128	11.010	10	AP8152410	01.030	9	CM013202	11.020	19
AP8152137	06.010	13	AP8152411	04.080	2	CM013203	02.030	18
AP8152137	08.030	6	AP8152442	07.010	14	CM013203	03.050	15
AP8152181	03.050	14	AP8157770	02.190	21	CM013203	06.030	28
AP8152181	11.020	11	AP8201727	02.140	7	CM013203	06.050	10
AP8152181	11.020	14	AP8201727	07.030	5	CM013203	09.020	20
AP8152181	11.020	24	AP8213057	06.010	6	CM013203	10.020	29
AP8152186	06.050	15	AP8213057	06.030	26	CM013203	11.010	16
AP8152246	03.320	5	AP8220150	03.050	21	CM013203	11.020	18
AP8152267	02.090	2	AP8220150	08.020	5	CM178603	06.050	26
AP8152268	04.040	21	AP8220150	11.020	9	CM179008	09.020	7
AP8152268	06.040	4	AP8220186	08.030	15	CM179201	02.140	22
AP8152270	03.050	26	AP8220241	09.010	6	CM179301	02.120	7
AP8152270	08.010	2	AP8220263	09.020	3	CM225401	03.320	8
AP8152270	08.020	7	AP8220325	10.020	40	CM225607	11.020	15
AP8152272	02.030	13	AP8220488	02.060	9	CM225615	11.020	16
AP8152273	09.010	9	AP8221017	07.010	23	CM225620	11.020	17
AP8152275	03.100	21	AP8221017	08.020	6	CM226902	03.190	25
AP8152277	01.020	25	AP8221017	11.020	10	CM269609	10.020	31
AP8152277	03.010	4	AP8221023	06.010	15	CM269609	10.020	5
AP8152278	06.030	5	AP8221036	02.030	20	CM2966115	03.010	1
AP8152278	07.010	11	AP8221129	10.020	14	CM301808	11.020	2

Code	Nr. der Tafel	Pos.
CM306201	05.020	7
CM327001	03.110	2
CM327002	03.110	2
CM327003	03.110	2
CM327004	03.110	2
CM327005	03.110	2
CM327006	03.110	2
CM327007	03.110	2
CM327008	03.110	2
CM327009	03.110	2
CM327010	03.110	2
CM327011	03.110	2
CM327012	03.110	2
CM327013	03.110	2
CM327014	03.110	2
CM327015	03.110	2
CM327016	03.110	2
CM327017	03.110	2
CM327018	03.110	2
CM327019	03.110	2
CM327020	03.110	2
CM327021	03.110	2
CM327022	03.110	2
CM327023	03.110	2
CM327024	03.110	2
CM327025	03.110	2
CM327026	03.110	2
CM327027	03.110	2
CM327028	03.110	2
CM327029	03.110	2
CM327030	03.110	2
CM327031	03.110	2
CM327032	03.110	2
CM327033	03.110	2
CM327034	03.110	2
CM327035	03.110	2
CM327036	03.110	2
CM327037	03.110	2
CM327038	03.110	2
CM327039	03.110	2
CM327040	03.110	2
CM327041	03.110	2
CM327042	03.110	2
CM327043	03.110	2
CM327044	03.110	2
CM327045	03.110	2
CM327046	03.110	2
CM327047	03.110	2
CM327048	03.110	2
CM327049	03.110	2
CM327050	03.110	2
CM327051	03.110	2
CM327052	03.110	2
CM327053	03.110	2
CM327054	03.110	2
CM327055	03.110	2
CM327056	03.110	2
CM327057	03.110	2
CM3340010X	03.150	1
CM3340020Y	03.150	1
GU30027931	03.050	5
GU30729330	03.050	3
GU32441210	01.020	24
GU32443210	01.020	22
GU32443211	01.020	23
GU92296723	03.190	9
GU98250630	01.010	6

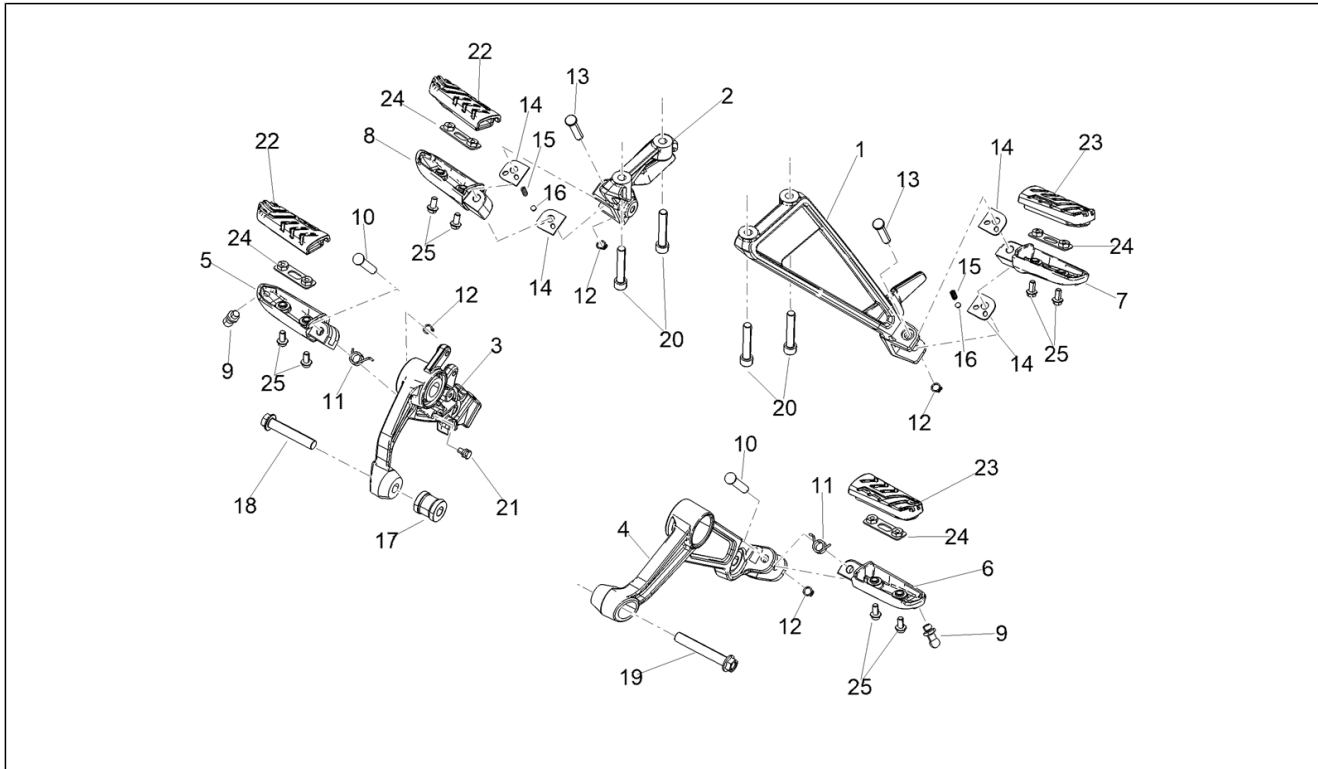
Code	Nr. der Tafel	Pos.
GU98250630	02.170	15

Einheit	Fahrgestell/Karosserie
Code	01.010
Beschreibung	Fahrgestell/Karosserie
Inspektion	1



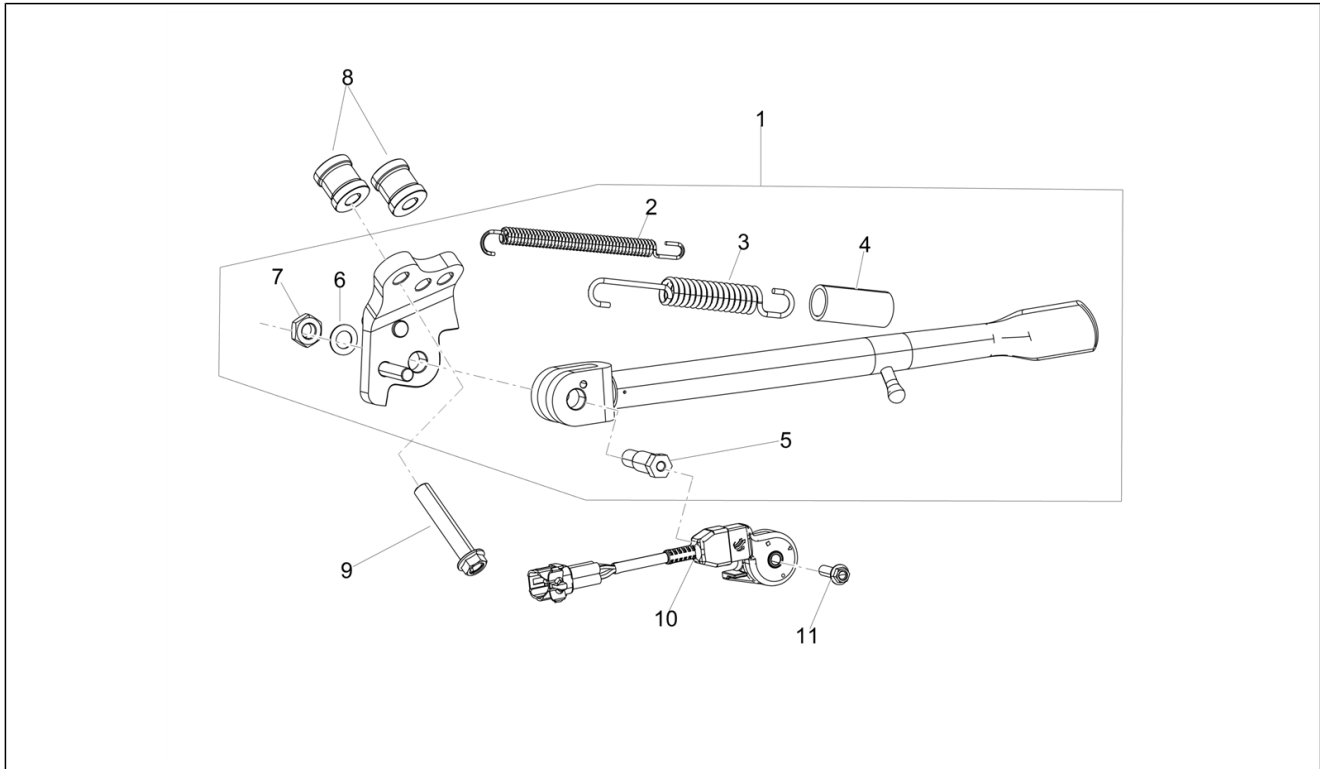
Pos.	Code	Beschreibung	Menge	Varianten
1	2B006475	Rahmen	1	
2	2B008726	Sattelstütze	1	
2	2B006819	Sattelstütze	1	
3	2B007221	Sitzbankhaltebügel	1	
4	2B007593	Rücklichthalter	1	
5	AP8150538	TBEI Schraube M5x10	2	
6	GU98250630	Schraube TSPCE M6X30	2	
7	AP8102544	Geschnitten Kunststoffniet M6	2	
8	AP8150469	TCEI Schraube M10x30	2	
9	2B006865	Bolzen M12x197	1	
10	AP8152301	Selbstsperrende Mutter	1	
11	AP8144158	Gummi	2	
12	2B006865	Bolzen M12x197	1	
13	2B005387	Abstandhalter	2	
14	271740	Mutter M12	1	
15	2B006482	Dichtring Ø35xØ42x4	2	
16	2B006609	TE Schr. m. Flansch M10X45	2	
17	895845	Sechskantschraube FLANG.M 10x65	1	
18	AP8150292	Gebogene Sprengscheibe *	4	
19	AP8102376	Klammer M6	1	
20	575268	Federplättchen M8	1	
21	2B006864	Flachscheibe	1	

Einheit	Fahrgestell/Karosserie
Code	01.020
Beschreibung	Fussrasten
Inspektion	1



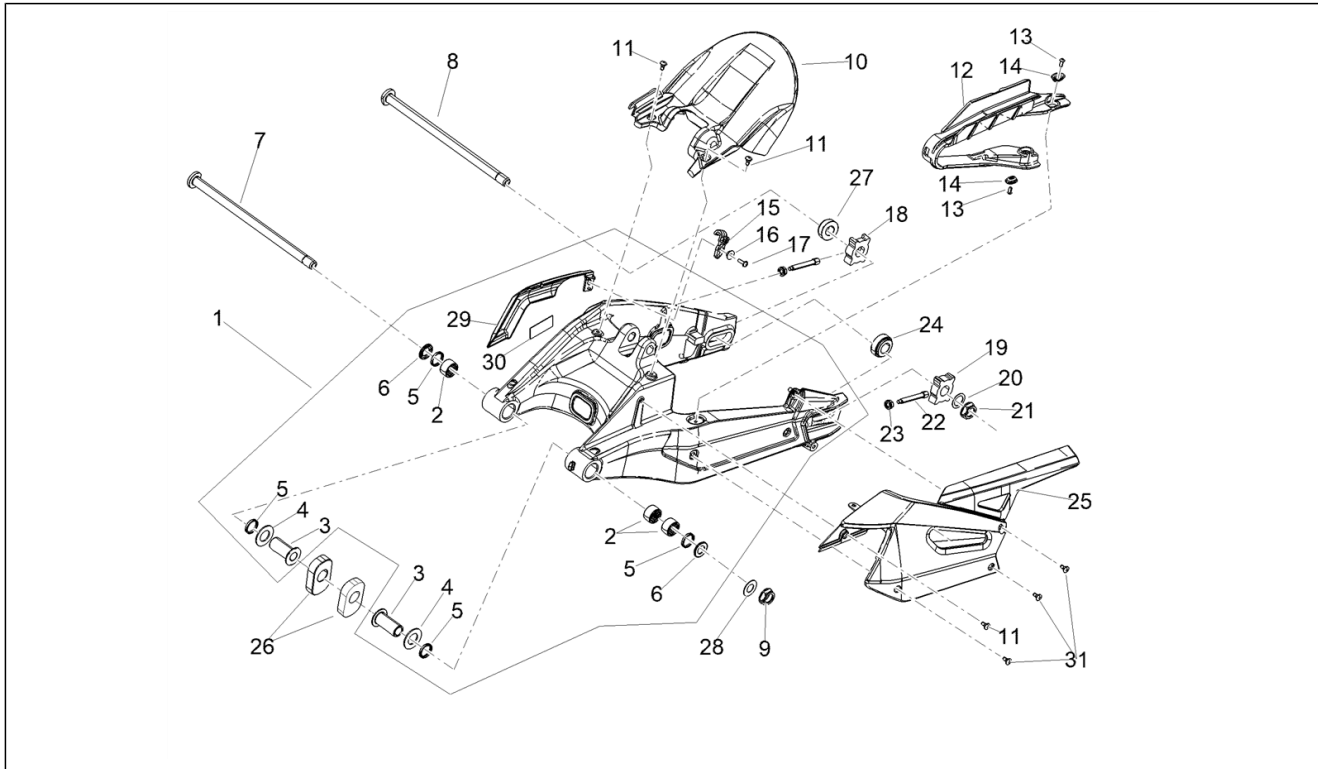
Pos.	Code	Beschreibung	Menge	Varianten
1	2B005206	Halter linke Soziusfußraste	1	
2	2B005205	Halter Soziusfußraste, rechts	1	
3	2B005203	Fußrastenhalter Fahrer rechts	1	
4	2B005202	Fußrastenhalter Fahrer links	1	
5	AP8145034	Fussrasten r.	1	
6	AP8145035	Fussrasten l.	1	
7	AP8145008	Soziusraste rechts	1	
8	AP8145009	Soziusraste links	1	
9	AP8121134	Rastenbolzen	2	
10	AP8121567	Bolzen	2	
11	AP8221277	Rückholfeder	2	
12	AP8152409	Sperrring	4	
13	AP8121566	Rastenbolzen	2	
14	AP8134451	Fixierplatte	4	
15	AP8121133	Schraubenfederkompr.	2	
16	AP8110110	Kugel d.7	2	
17	2B006346	Distanzbuchse	1	
18	AP8152410	TE Schr. m. Flansch M10x55	1	
19	895845	Sechskantschraube FLANG.M 10x65	1	
20	AP8150164	TCEI Schraube M8x45	4	
21	859946	Befestigungsbolzen	1	
22	GU32443210	Gummi für Haterung	2	
23	GU32443211	Gummi für Haterung	2	
24	GU32441210	Platte	4	
25	AP8152277	Sechskantschraube geflanscht M6x12	8	

Einheit	Fahrgestell/Karosserie
Code	01.030
Beschreibung	Hauptständer
Inspektion	1



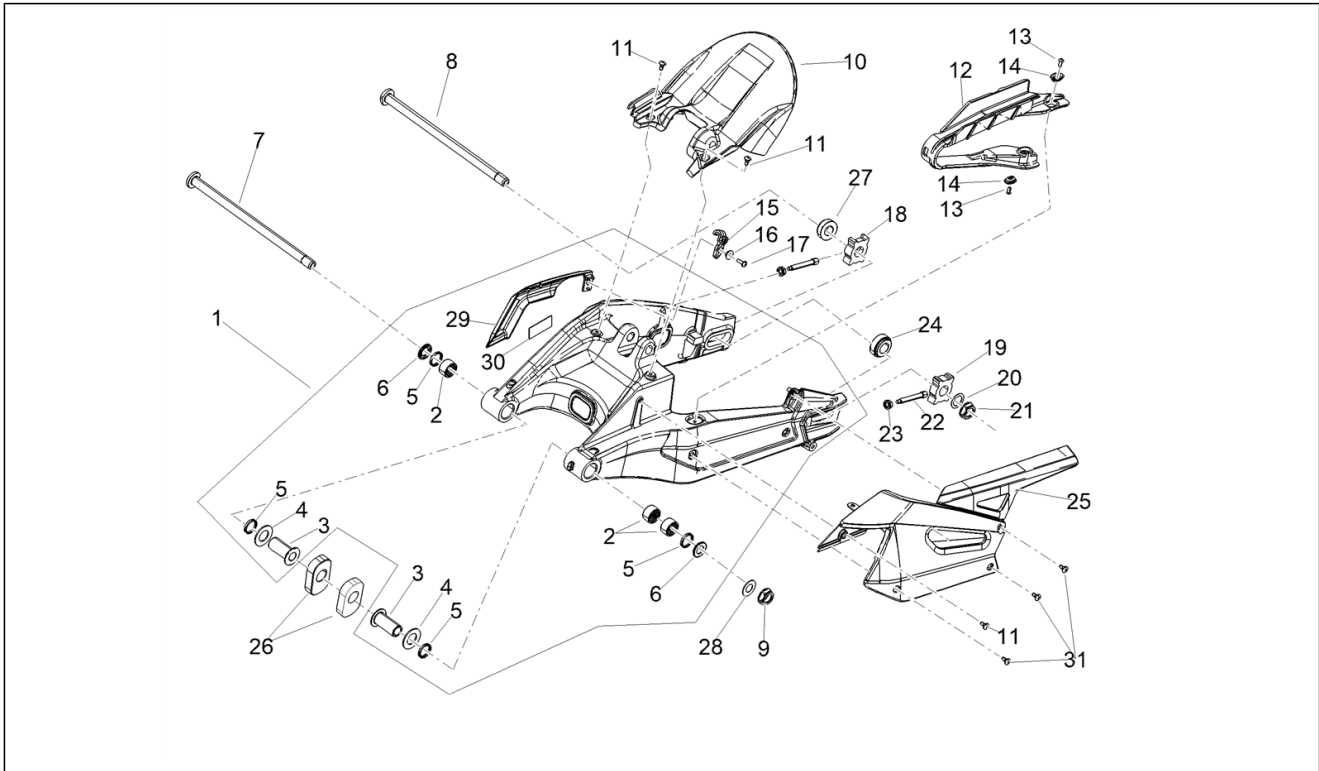
Pos.	Code	Beschreibung	Menge	Varianten
1	2B006338	Seitenständer kpl.	1	
2	AP8221211	Rückholfeder Ständer	1	
3	AP8221204	Hauptständer Schraubenfeder	1	
4	AP8102524	Schutz f. Ständerfeder	1	
5	2B007560	Ständerschraube	1	
6	AP8150292	Gebogene Sprengscheibe *	1	
7	AP8152001	Mutter unten M10x1,25	1	
8	2B006346	Distanzbuchse	2	
9	AP8152410	TE Schr. m. Flansch M10x55	2	
10	2D000530	Schalter	1	
11	AP8152279	TE Schr. m. Flansch M6x20	1	

Einheit	Fahrgestell/Karosserie
Code	01.050
Beschreibung	Schwinge
Inspektion	1



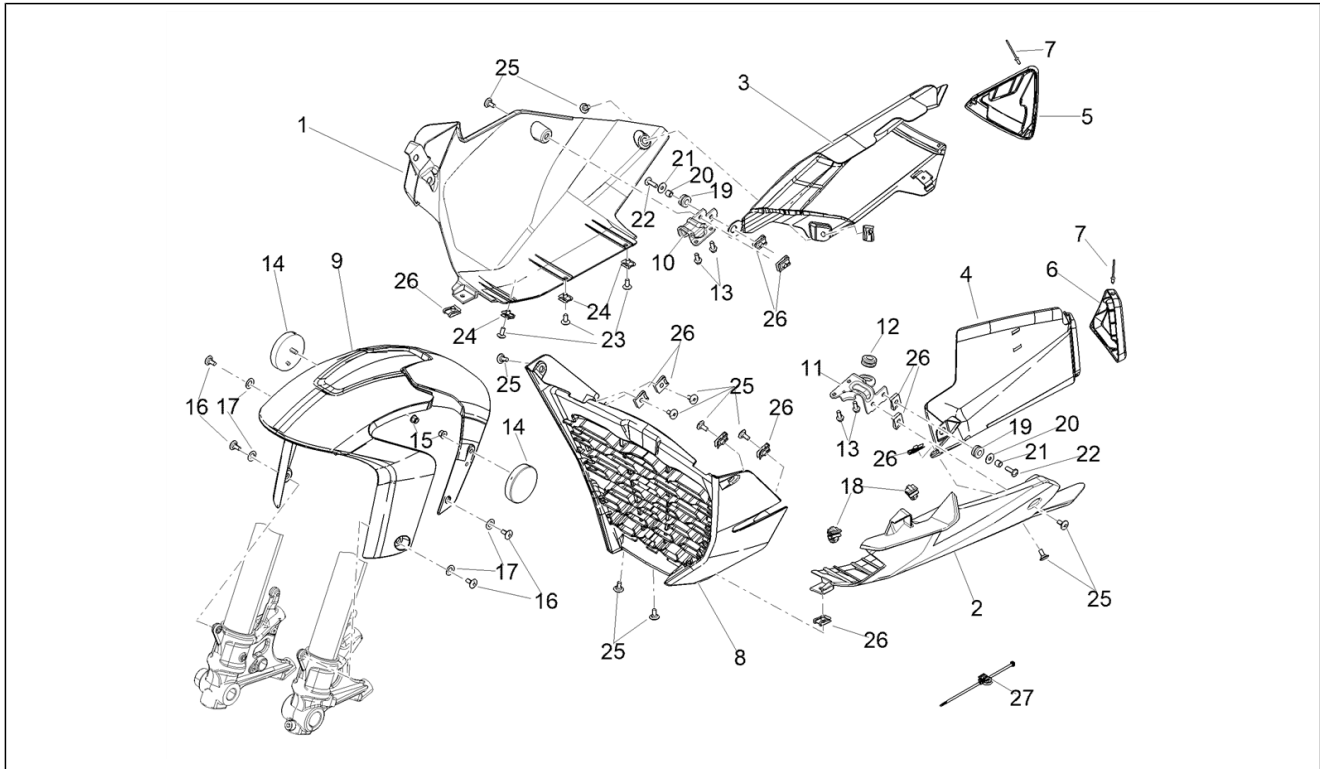
Pos.	Code	Beschreibung	Menge	Varianten
1	2B007756	Schwinge lack.	1	
2	AP8110067	Nadelhülse 22x28x16	3	
3	2B005212	Buchse	2	
4	2B007102	Ausgleichsscheibe	2	
5	2B005214	Dichtung Ø22xØ28x4	4	
6	2B005460	Abstandhalter Schwinge	2	
7	2B006174	Schwingenbolzen	1	
8	2B006173	Radachse	1	
9	1C002565	Geflanschte Mutter M16X1,25	1	
10	2B006388	Hinteres Schutzblech	1	
11	2B003422	Schraube TBEI M5x12 TORX vorimprägniert	3	
12	2B006293	Kettengleitschuh	1	
13	AP8152298	TBEI Schraube m.Flansch M5x16	2	
14	AP8234020	Becher	2	
15	858791	Fix. Hinterradbremsschl.	1	
16	AP9100594	Buchse 10x7	1	
17	AP8152338	TBEI Schraube m.Flansch	1	
18	2B006661	Kettenspanner re.	1	
19	2B006662	Kettenspanner li.	1	
20	AP8125687	U-scheibe Hint.radbolz	1	
21	648708	Hinterradbolzen mut.	1	
22	2B001920	Kettenspanner Schraube	2	
23	2B004511	Sechskantmutter M8	2	
24	2B006283	Hinterrad Distanzscheibe	1	
25	2B006389	Crank-case cover	1	
26	2B005283	Einsatz Schwinge	2	
27	2B006284	Hinterrad Distanzscheibe	1	
28	2B006784	Flachscheibe	1	

Einheit	Fahrgestell/Karosserie
Code	01.050
Beschreibung	Schwinge
Inspektion	1



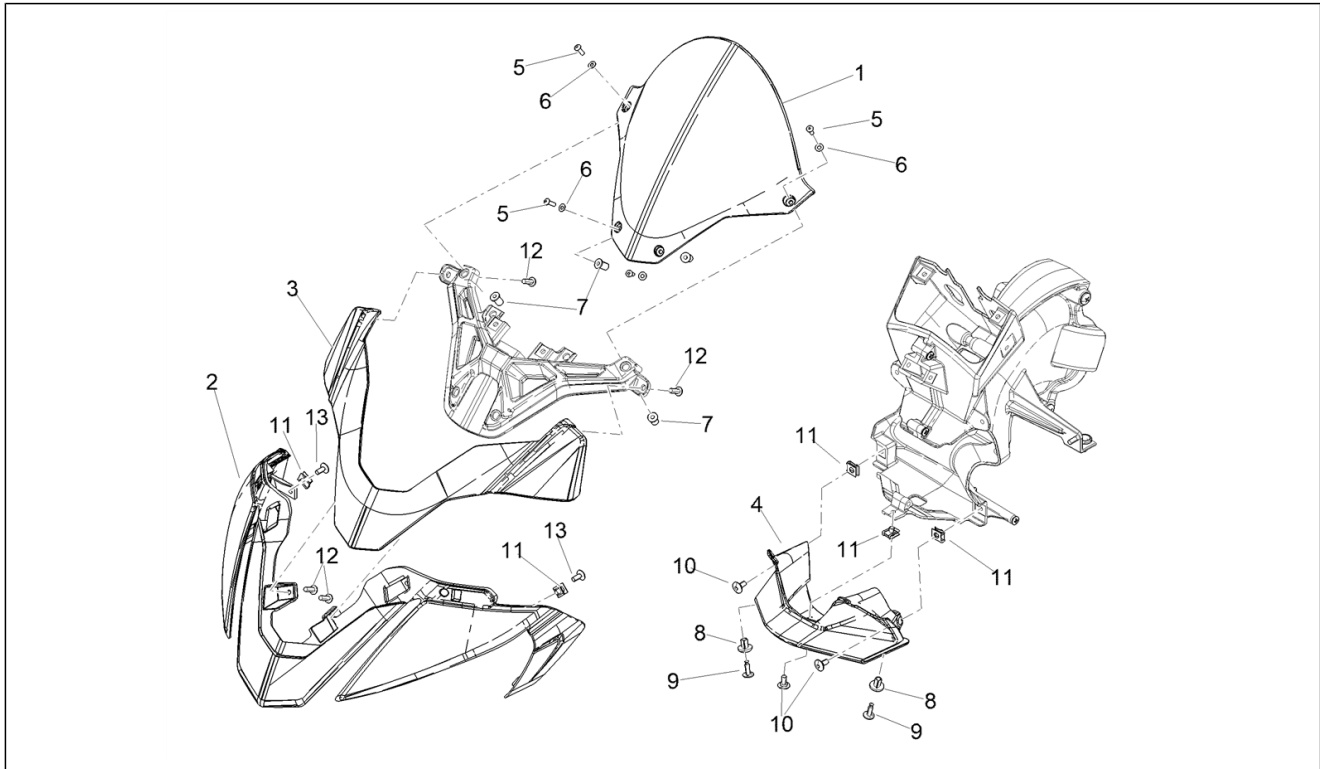
Pos.	Code	Beschreibung	Menge	Varianten
29	2B006677	Rechter schutz	1	
30	2B008842	Biadhesive	3	
31	2B008253	Vorimprägnierte Schraube TBEI M5X20 TORX	1	

Einheit	Aufbau
Code	02.030
Beschreibung	Vorderes Schutzblech-Stütze
Inspektion	1



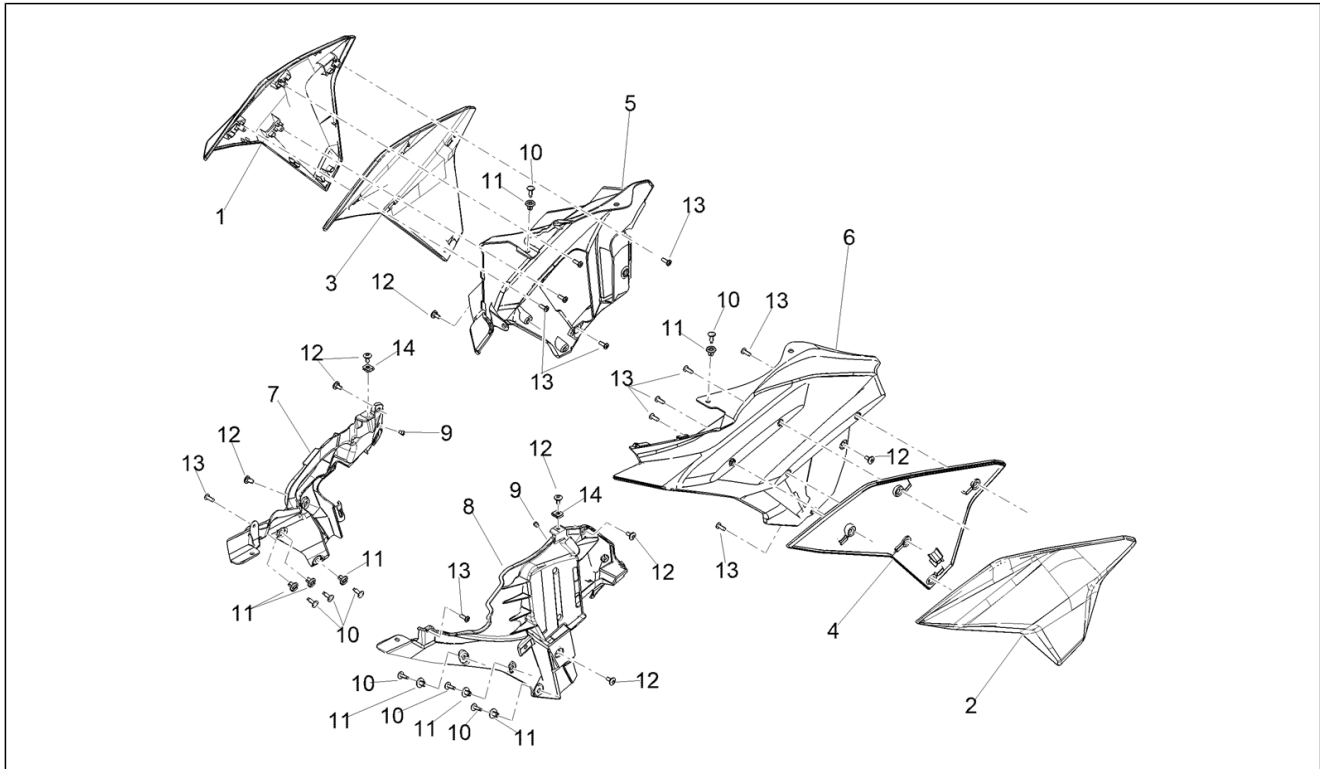
Pos.	Code	Beschreibung	Menge	Varianten
1	2B008035	Unteres Karosserieteil rechts	1	Technische Spezifikation: Ohne Aufkleber[ND]
2	2B008034	Unteres Karosserieteil links	1	Technische Spezifikation: Ohne Aufkleber[ND]
3	2B005345	Schutz Schalldämpfer re	1	
4	2B007477	Schutz Schalldämpfer li	1	
5	2B007481	Closing right	1	
6	2B007479	Closing left	1	
7	1B005154	Kunststoffniet	7	
8	2B008033	Stütze	1	
9	2B008635	Schutzblech vorn	1	
10	2B005548	Rechtes bügel	1	
11	2B005547	Linkes bügel	1	
12	AP8120030	Gummi	1	
13	AP8152272	TE Schr. m. Flansch M5x12	4	
14	AP8224163	Rückstrahler, gelb	2	
15	AP8150204	Mutter M4	2	
16	AP8150204	Mutter M4	4	
17	AP8150376	Ausgleichscheibe 8,5x15x0,8	4	
18	CM013203	Feder Blechkanten	2	
19	401605	Puffer	2	
20	AP8221036	Buchse 5,3x8x7,1	2	
21	841821	Ausgleichscheibe 6,6x18x1,6	2	
22	AP8152298	TBEI Schraube m.Flansch M5x16	2	
23	841821	Ausgleichscheibe 6,6x18x1,6	3	
24	00G04401462	Clip M5	3	
25	AP8150500	TBEI Schraube M5x9 NERINOX	12	
26	AP8102375	Klammer M5	12	
27	1D002265	Schelle	1	

Einheit	Aufbau
Code	02.040
Beschreibung	Verkl.
Inspektion	1



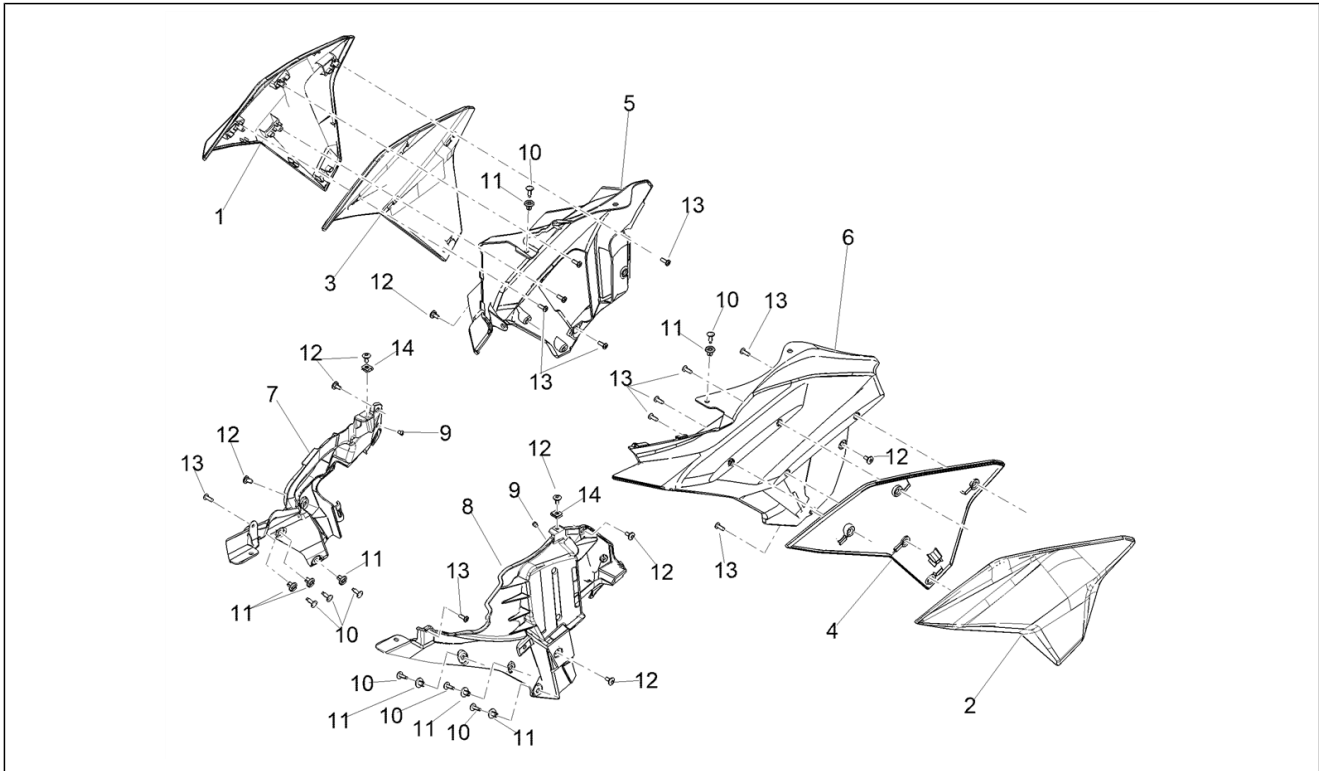
Pos.	Code	Beschreibung	Menge	Varianten
1	2B008648	Windschild	1	
2	2B008505000NI	Vord. Verkleidung schwarz	1	Technische Spezifikation: Ohne Aufkleber[ND] Technische Spezifikation: Lackiert[V]
2	2B008505	Verkl.	1	Technische Spezifikation: Ohne Aufkleber[ND] Not painted[Non Verniciato]
3	2B008039	Abschluss Sportscheibe	1	
4	2B008024	Unterer Verschluss vorne	1	
4	2B008024000XR4	Unterer Verschluss vorne	1	
5	2S001315	Schraube gewölbter Kopf Sechskant vertieft M4X14	4	
6	895916	Plastikscheibe	4	
7	AP8144564	Gummi mit Einsatz M4	4	
8	AP8144616	Kunststoffniet, frau	2	
9	AP8144563	Kunststoffniet, mann	2	
10	AP8150500	TBEI Schraube M5x9 NERINOX	3	
11	00G04401462	Clip M5	5	
12	AP8150509	Gew.schr. 5x14	4	
13	896174	Schraube TBEI Schwarz M5x12	2	

Einheit	Aufbau
Code	02.060
Beschreibung	Frontaufbau
Inspektion	1



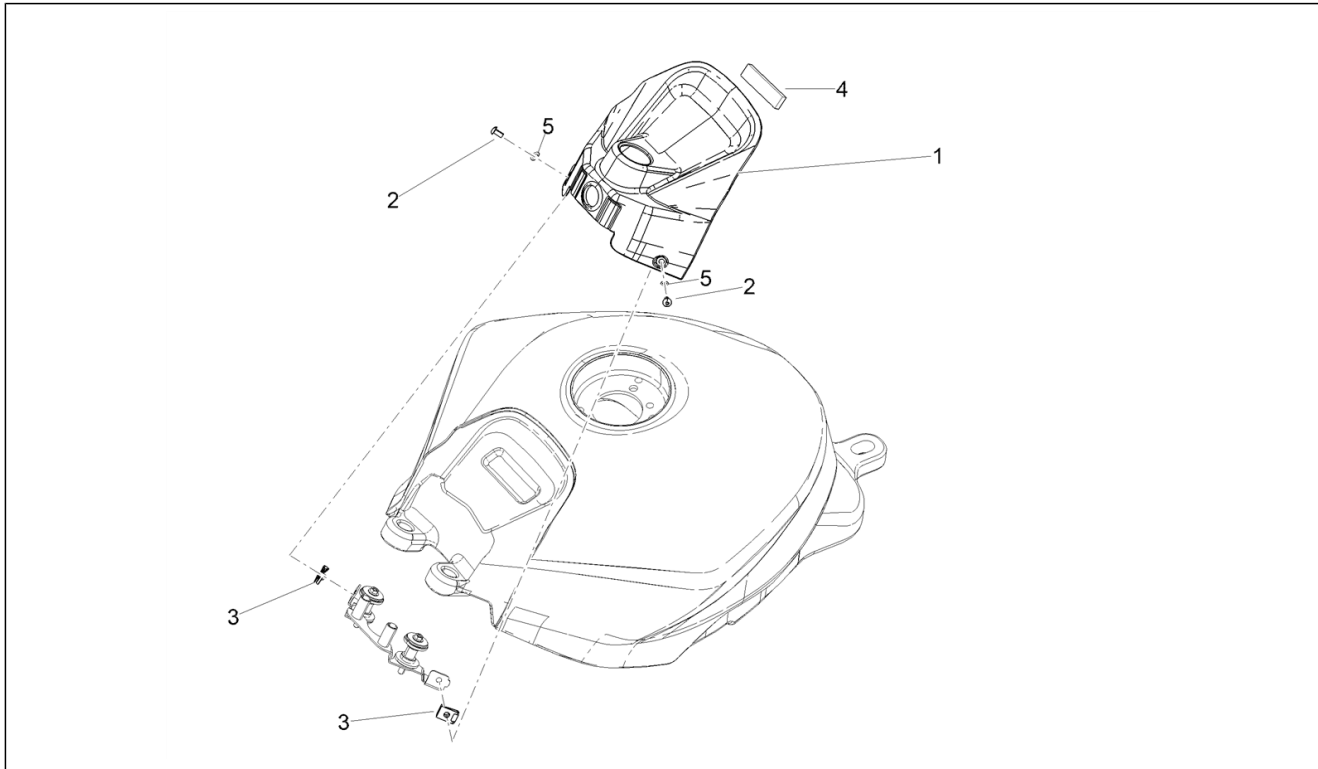
Pos.	Code	Beschreibung	Menge	Varianten
1	2B008045000NI	seit.Verkl. rechts Schw.	1	Technische Spezifikation: Ohne Aufkleber[ND] Concept Black[Black]
1	2B008045000L01		1	Technische Spezifikation: Ohne Aufkleber[ND] Acid Gold[Giallo]
1	2B008045000G12	Verkl. seitl. rechts, grau	1	Technische Spezifikation: Iridium Grey[Gray] Ohne Aufkleber[ND]
1	2B008045	R. Seitenverkl.	1	Technische Spezifikation: Unlackiert[GR]
2	2B008044000L01		1	Technische Spezifikation: Ohne Aufkleber[ND] Acid Gold[Giallo]
2	2B008044000G12	Verkl. seitl. links, grau	1	Technische Spezifikation: Iridium Grey[Gray] Ohne Aufkleber[ND]
2	2B008044000NI	Seit.Verkl. links Schw.	1	Technische Spezifikation: Ohne Aufkleber[ND] Concept Black[Black]
2	2B008044	L. Seitenverkl.	1	Technische Spezifikation: Unlackiert[GR]
3	2B008047	Verschluss Karosserieteil re	1	
4	2B008046	Verschluss Karosserieteil li	1	
5	2B008043000XNM	R.inn.Rumpf, schwarz	1	Technische Spezifikation: Ohne Aufkleber[ND] Acid Gold[Giallo]
5	2B008043000XR4	R.inn.Rumpf, rot	1	Technische Spezifikation: Iridium Grey[Gray] Ohne Aufkleber[ND] Concept Black[Black]
5	2B008043	R.inn.Rumpf	1	Technische Spezifikation: Unlackiert[GR]
6	2B008042000XNM	L.inn.Rumpf, schwarz	1	Technische Spezifikation: Ohne Aufkleber[ND] Acid Gold[Giallo]
6	2B008042000XR4	L.inn.Rumpf, rot	1	Technische Spezifikation: Iridium Grey[Gray] Ohne Aufkleber[ND] Concept Black[Black]
6	2B008042	L.inn.Rumpf	1	Technische Spezifikation: Unlackiert[GR]
7	2B008032	Innenteil Karosserie re	1	
8	2B008031	Innenteil Karosserie li	1	
9	AP8220488	Pilzförmiger Gummi	2	
10	AP8144563	Kunststoffniet, mann	8	
11	AP8144616	Kunststoffniet, frau	8	

Einheit	Aufbau
Code	02.060
Beschreibung	Frontaufbau
Inspektion	1



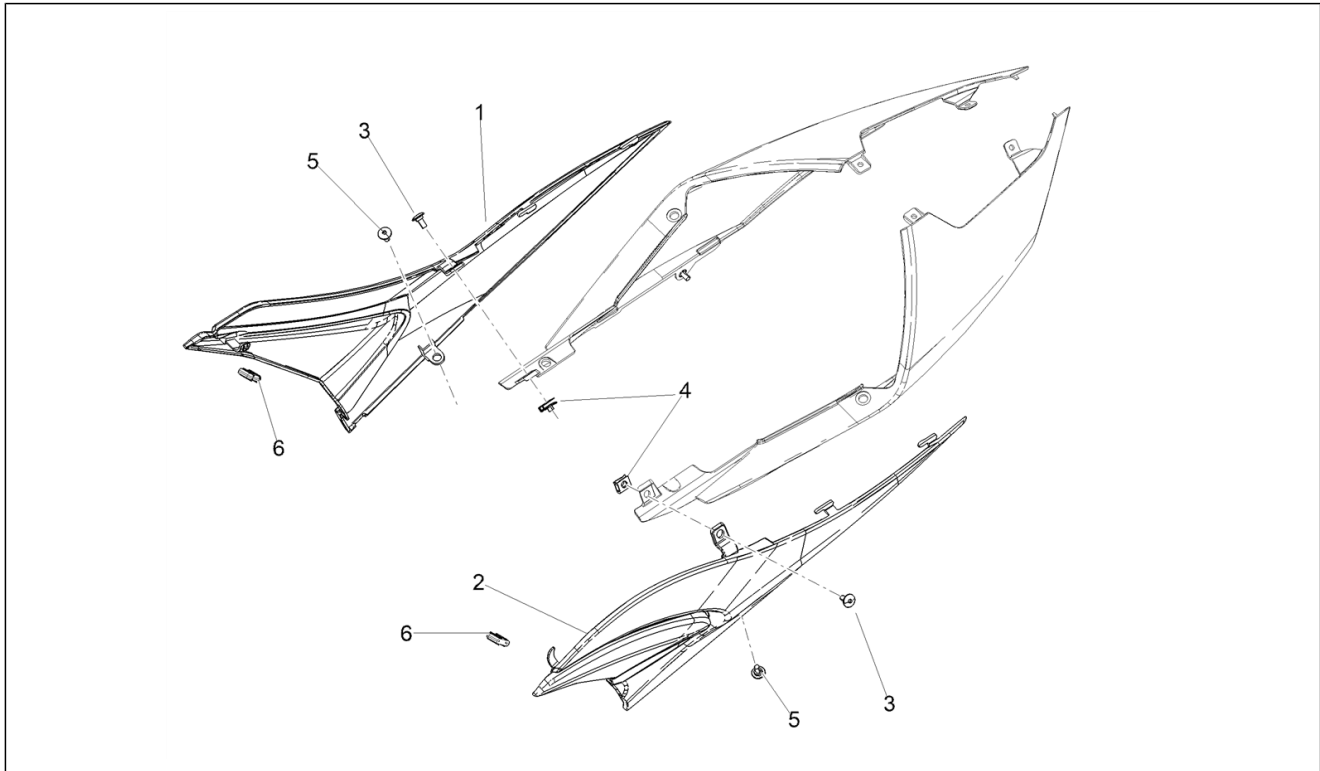
Pos.	Code	Beschreibung	Menge	Varianten
12	AP8150500	TBEI Schraube M5x9 NERINOX	10	
13	AP8150509	Gew.schr. 5x14	12	
14	00G04401462	Clip M5	1	

Einheit	Aufbau
Code	02.090
Beschreibung	Tankabdeckung
Inspektion	1



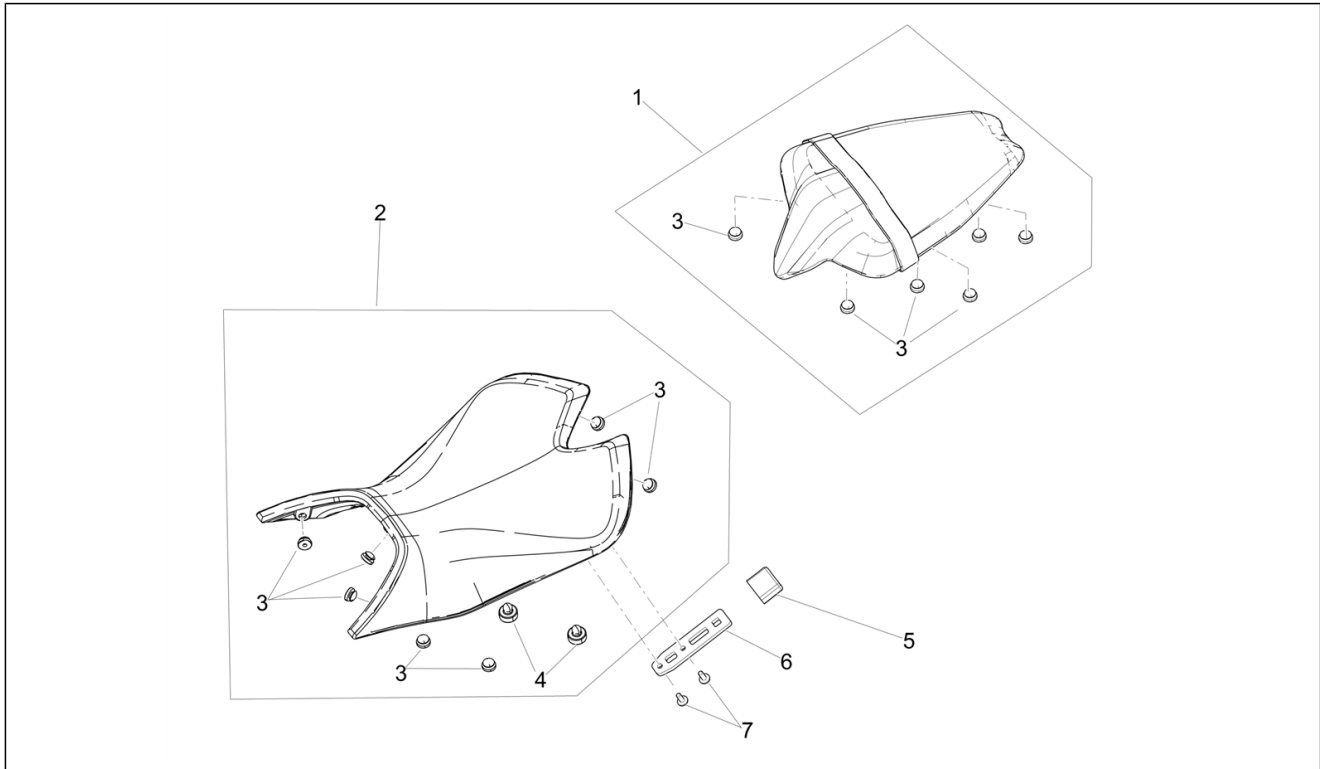
Pos.	Code	Beschreibung	Menge	Varianten
1	2B006630	Abdeckung Tank	1	Technische Spezifikation: Unlackiert[GR]
1	2B006630000XNM	Tankabdeckung lackiert.	1	Technische Spezifikation: Ohne Aufkleber[ND] Acid Gold[Giallo]
1	2B006630000XR4	Tankabdeckung schwarz lackiert	1	Technische Spezifikation: Iridium Grey[Gray] Ohne Aufkleber[ND] Concept Black[Black]
2	AP8152267	Schraube gewölbter Kopf Sechskant vertieft M5x12	2	
3	AP8102375	Klammer M5	2	
4	860447	Biadheseive	1	
5	AP8120591	Ausgleichscheibe 10x5,3x1*	2	

Einheit	Aufbau
Code	02.100
Beschreibung	Mittlerer Aufbau
Inspektion	1



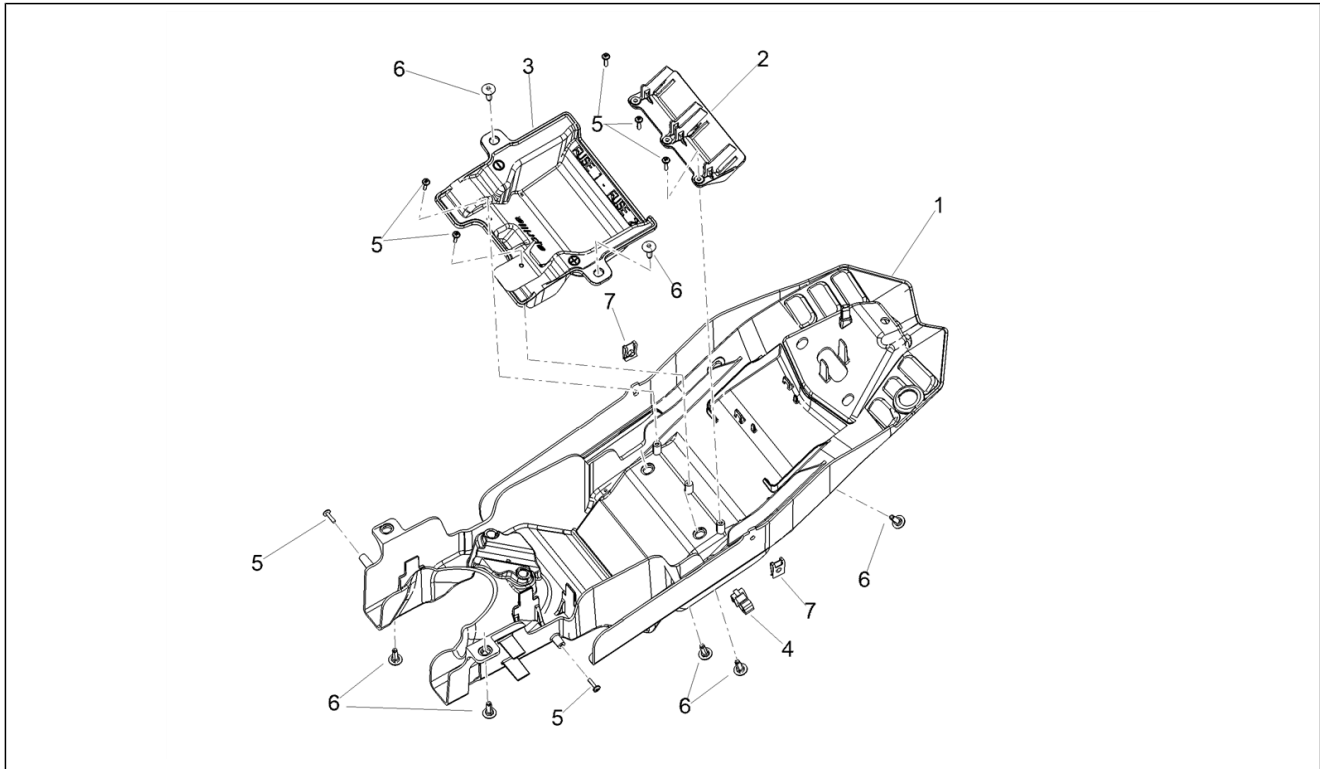
Pos.	Code	Beschreibung	Menge	Varianten
1	2B006645	Seitenteil rechts	1	
2	2B006646	Seitenteil links	1	
3	AP8150500	TBEI Schraube M5x9 NERINOX	2	
4	00G04401462	Clip M5	2	
5	AP8152302	TBEI Schraube m.Flansch M5x12	2	
6	2B007247	Gummi	2	

Einheit	Aufbau
Code	02.120
Beschreibung	Sitz
Inspektion	1



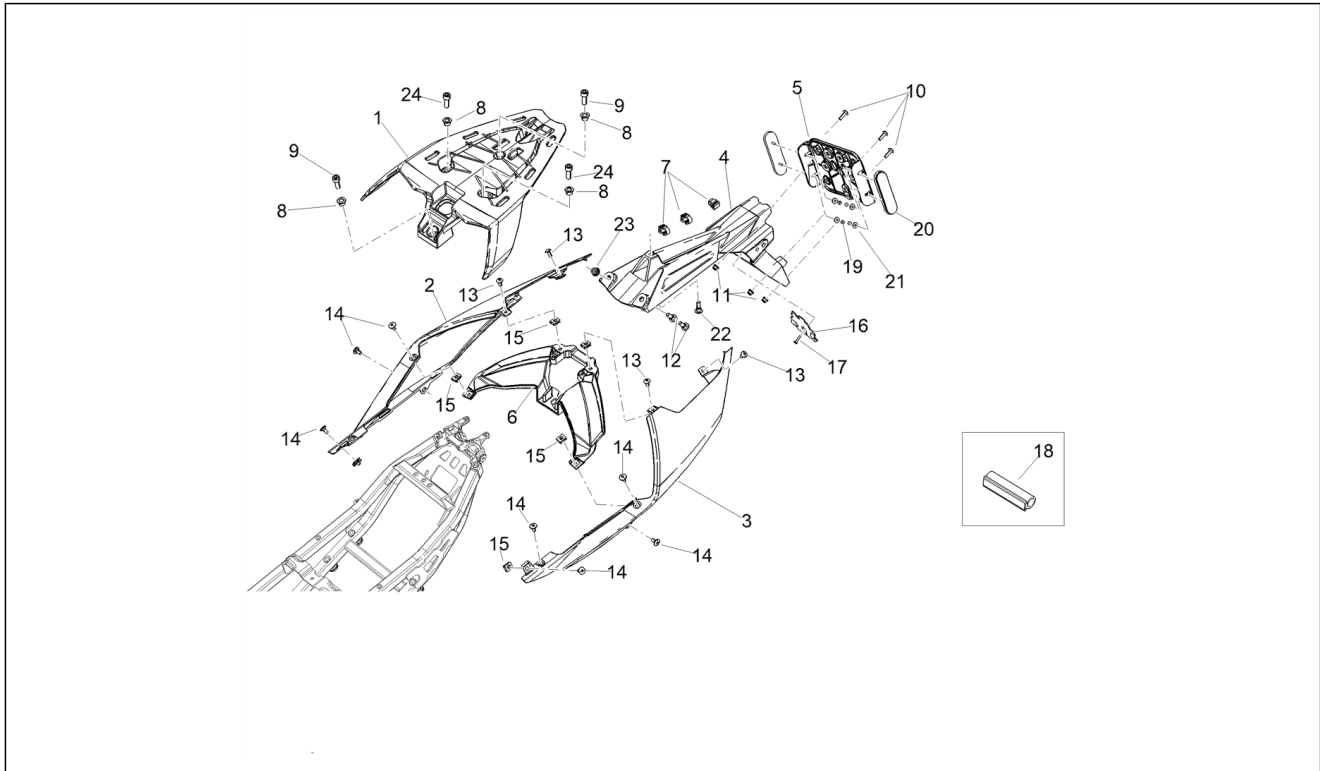
Pos.	Code	Beschreibung	Menge	Varianten
1	2B006652000C1	Soziussitz	1	
2	2B007073000C2	Fahrersitz	1	Technische Spezifikation: Acid Gold[Giallo]
2	2B007073000C1	Fahrersitz	1	Technische Spezifikation: Iridium Grey[Gray] Concept Black[Black]
3	2B000421	Gummi	7	
4	B064023	Sitz-Auflagegummi	2	
5	2B005994	Puffer	1	
6	2B006634	Bügel	1	
7	CM179301	Torx head cylinder head screw M6x16	2	

Einheit	Aufbau
Code	02.130
Beschreibung	Staufach
Inspektion	1



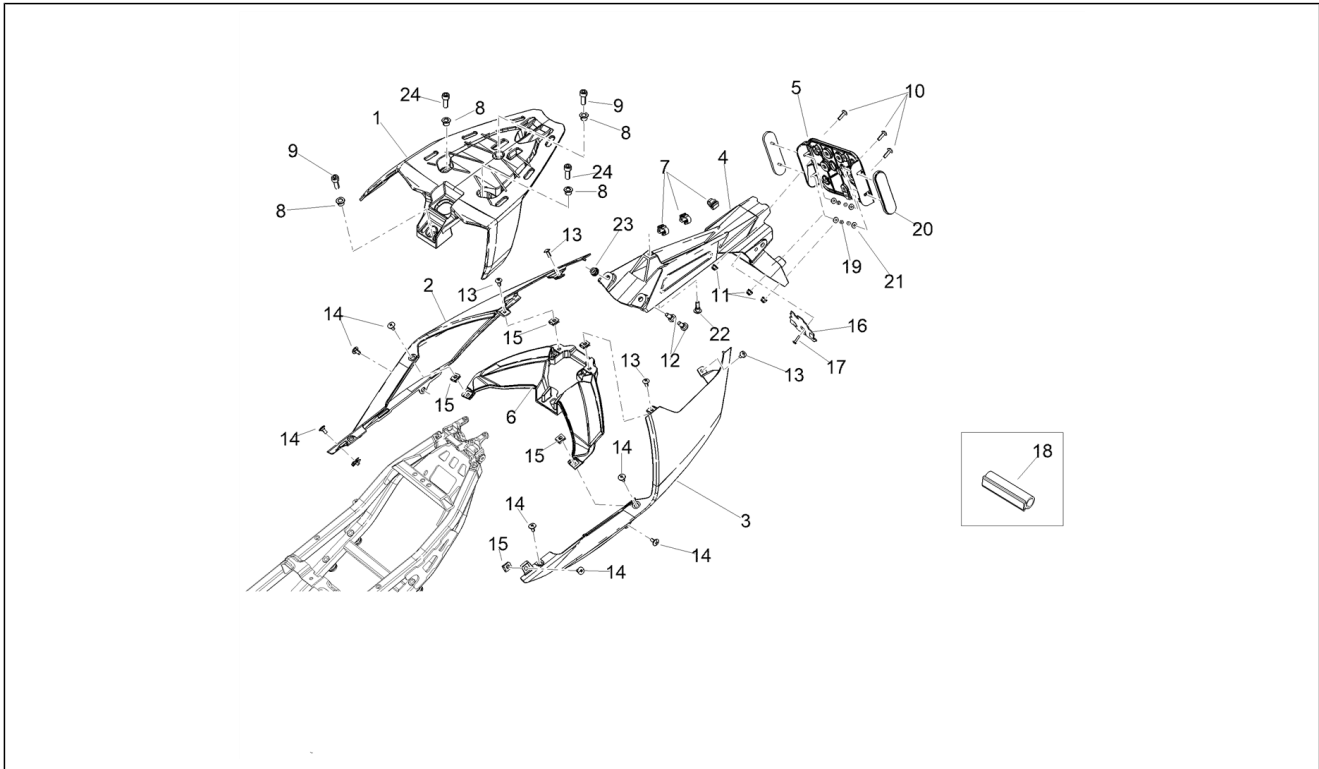
Pos.	Code	Beschreibung	Menge	Varianten
1	2B007272	Verschl. unt. vorn Sitz	1	
2	2B006602	Hltr. Sicherungsblock	1	
3	2B006672	Batteriedeckel	1	
4	CM013201	Kleine Feder	1	
5	AP8150413	Gew.schr. 3,9x14	7	
6	AP8152302	TBEI Schraube m.Flansch M5x12	8	
7	AP8102375	Klammer M5	2	

Einheit	Aufbau
Code	02.140
Beschreibung	Heckaufbau
Inspektion	1



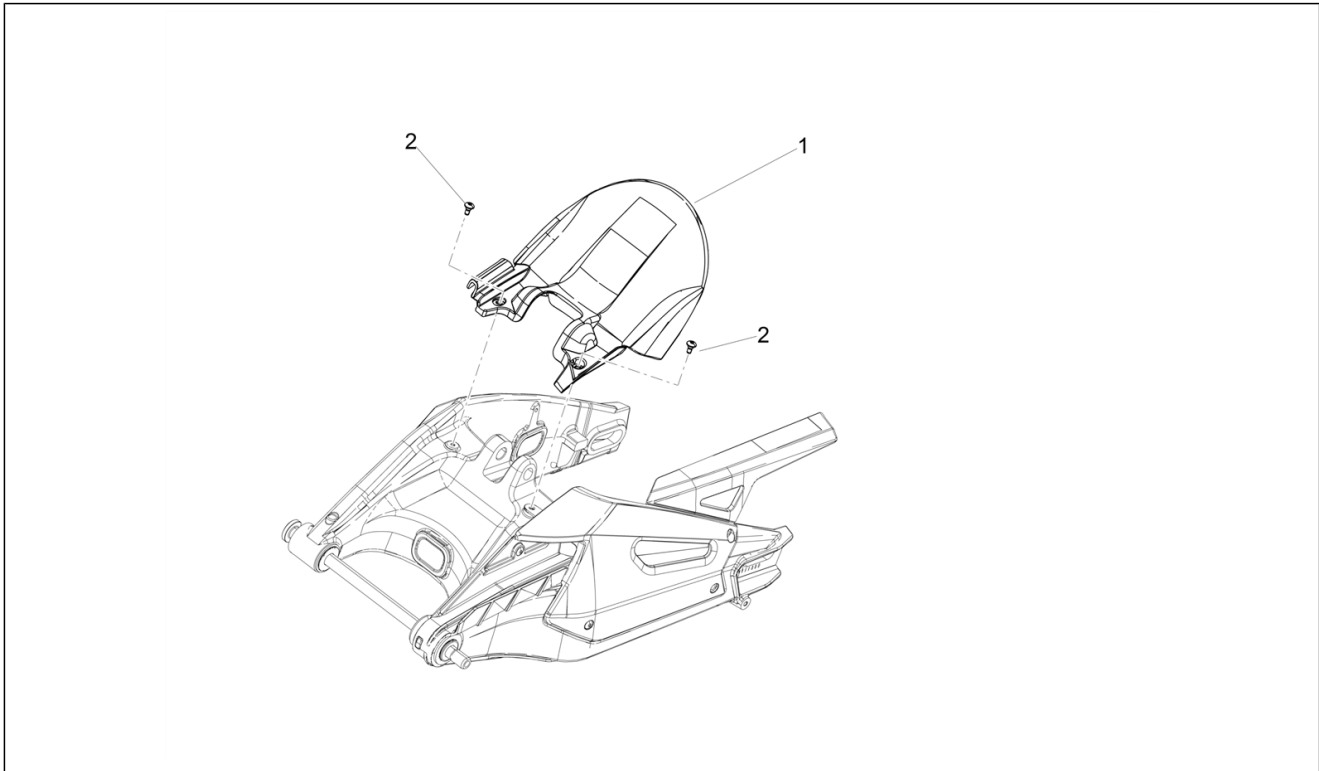
Pos.	Code	Beschreibung	Menge	Varianten
1	2B006651	Griff	1	
2	2B006647000L01		1	Technische Spezifikation: Ohne Aufkleber[ND] Acid Gold[Giallo]
2	2B006647000G12	Heckteil r., grau	1	Technische Spezifikation: Iridium Grey[Gray] Ohne Aufkleber[ND]
2	2B006647000NI	Heckteil re schwarz lackiert Competition	1	Technische Spezifikation: Ohne Aufkleber[ND] Concept Black[Black]
2	2B006647	Heckteil re	1	Technische Spezifikation: Unlackiert[GR]
3	2B006648000L01		1	Technische Spezifikation: Ohne Aufkleber[ND] Acid Gold[Giallo]
3	2B006648000G12	Heckteil l., grau	1	Technische Spezifikation: Iridium Grey[Gray] Ohne Aufkleber[ND]
3	2B006648000NI	Heckteil li schwarz lackiert Competition	1	Technische Spezifikation: Ohne Aufkleber[ND] Concept Black[Black]
3	2B006648	Heckteil li	1	Technische Spezifikation: Unlackiert[GR]
4	2B006649	Nummernschildhalter	1	
5	2B004072	Kennzeichenhalter	1	
6	2B007364	Inneres Heckteil	1	
7	AP8201727	Kabelführungs schw.	3	
8	2B007778	Flanschbuchse	4	
9	AP8152286	TE Schr. m. Flansch M8x20	4	
10	AP8152298	TBEI Schraube m.Flansch M5x16	3	
11	AP8152306	Selbstsperrende Mutter M5	3	
12	270361	Schraube M6x20	3	
13	896174	Schraube TBEI Schwarz M5x12	4	
14	AP8150500	TBEI Schraube M5x9 NERINOX	4	
15	00G04401462	Clip M5	4	
16	2B006641	Abschluss Nummernschildhalter	1	
17	AP8150413	Gew.schr. 3,9x14	1	

Einheit	Aufbau
Code	02.140
Beschreibung	Heckaufbau
Inspektion	1



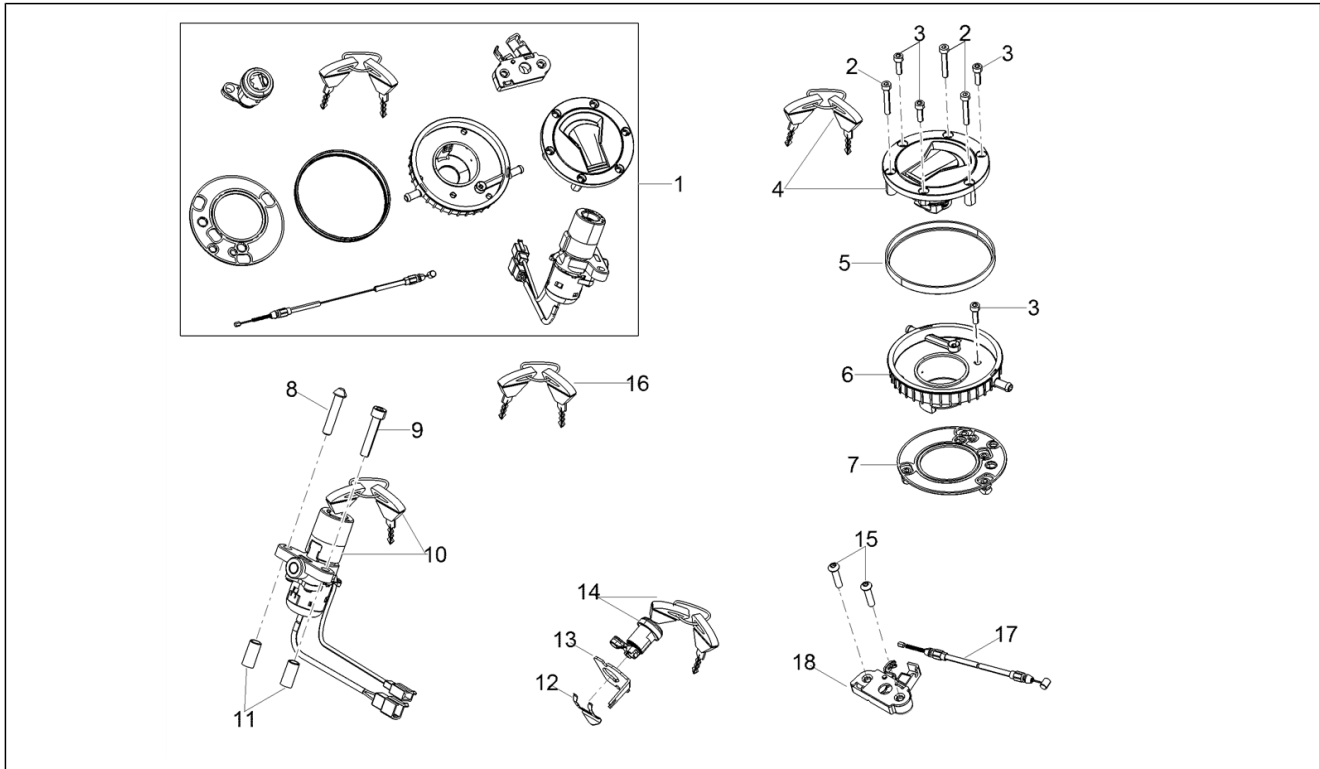
Pos.	Code	Beschreibung	Menge	Varianten
18	2B008368	Dichtung klebemittel	1	
19	AP8150204	Mutter M4	4	
20	AP8124718	Rückstrahler Rücklicht, rot	2	
21	AP8150501	Ausgleichscheibe	4	
22	CM179201	Torx head cylinder head screw M6x22	1	
23	AP8152299	Selbstsperrende Mutter M6	2	
24	2B002570	Schraube TEFL M6X25	2	
24	AP8152287	TE Schr. m. Flansch M8x25	2	

Einheit	Aufbau
Code	02.150
Beschreibung	Hinteres Schutzblech
Inspektion	1



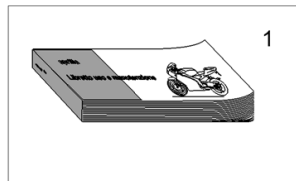
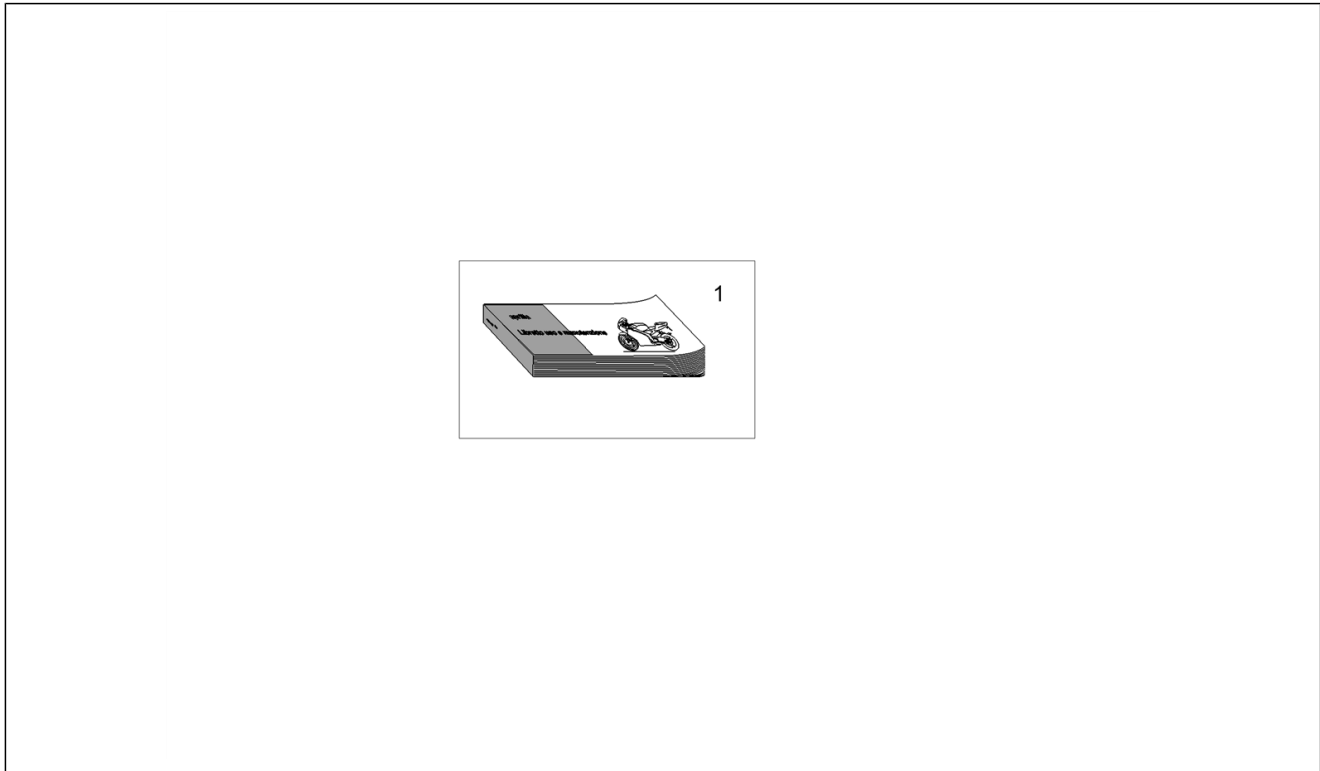
Pos.	Code	Beschreibung	Menge	Varianten
1	2B006388	Hinteres Schutzblech	1	
2	2B003422	Schraube TBEI M5x12 TORX vorimprägniert	2	

Einheit	Aufbau
Code	02.170
Beschreibung	Schloßen
Inspektion	1



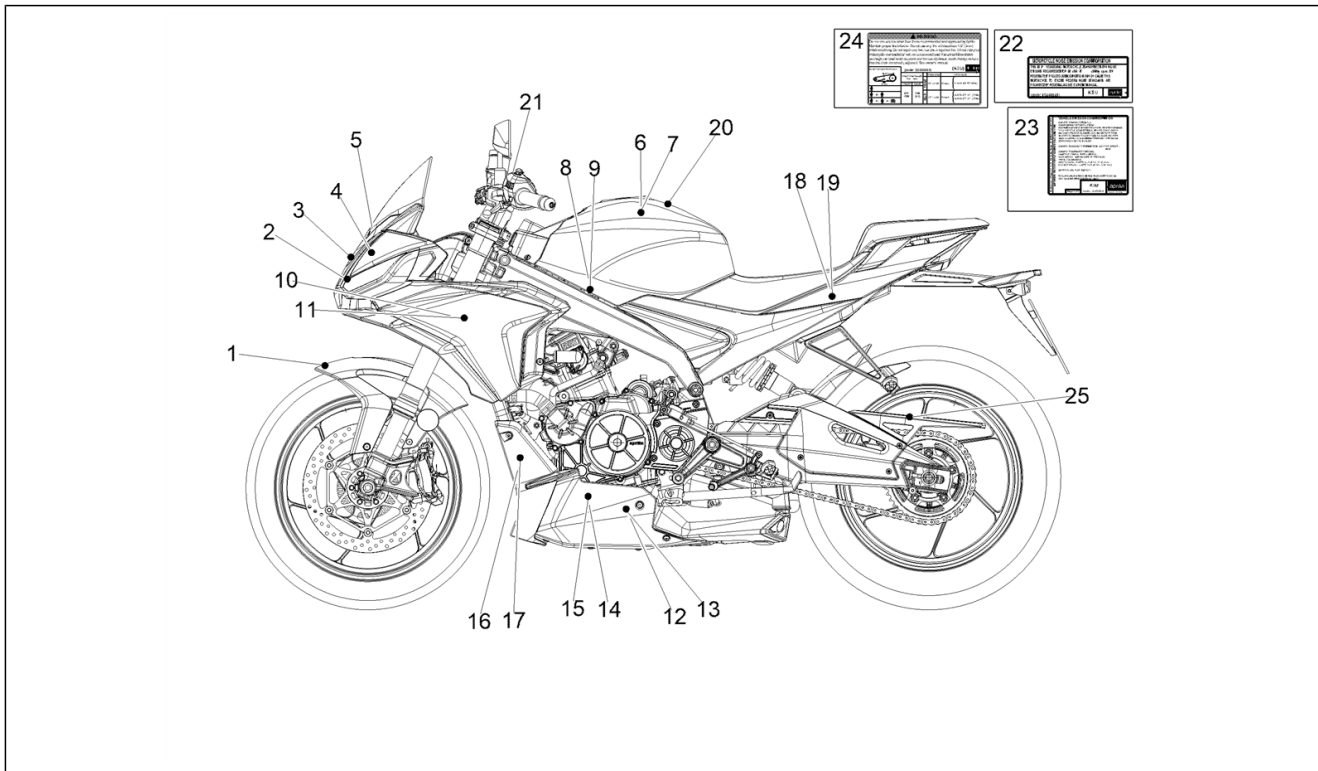
Pos.	Code	Beschreibung	Menge	Varianten
1	2B006654	Kit Schließvorrichtungen	1	
2	AP8150453	TCEI Schraube M5x30	3	
3	AP8150454	TCEI Schraube M5x16	4	
4	2B006664	Tankverschluss mit Schlüssel	1	
5	899105	Tankverschlusdichtung	1	
6	2B007153	Schwimmerkammer	1	
7	899106	Dichtung	1	
8	AP8150351	Reißschraube M8x40	1	
9	AP8150164	TCEI Schraube M8x45	1	
10	2D000568	Umschalter mit Schlüssel	1	
11	AP8121773	Distanzscheibe *	2	
12	AP8121420	Gabelfeder	1	
13	978415	Kabelplatte	1	
14	2B006663	Schloss Sitzbank mit Schlüssel	1	
15	GU98250630	Schraube TSPCE M6X30	2	
16	2B006659	Schlüssel ungefräst	1	
17	2B005651	Sitz-Einkupplungsvorrichtung	1	
18	899543	Einhakplättchen schloß	1	

Einheit	Aufbau
Code	02.180
Beschreibung	Schilden
Inspektion	1



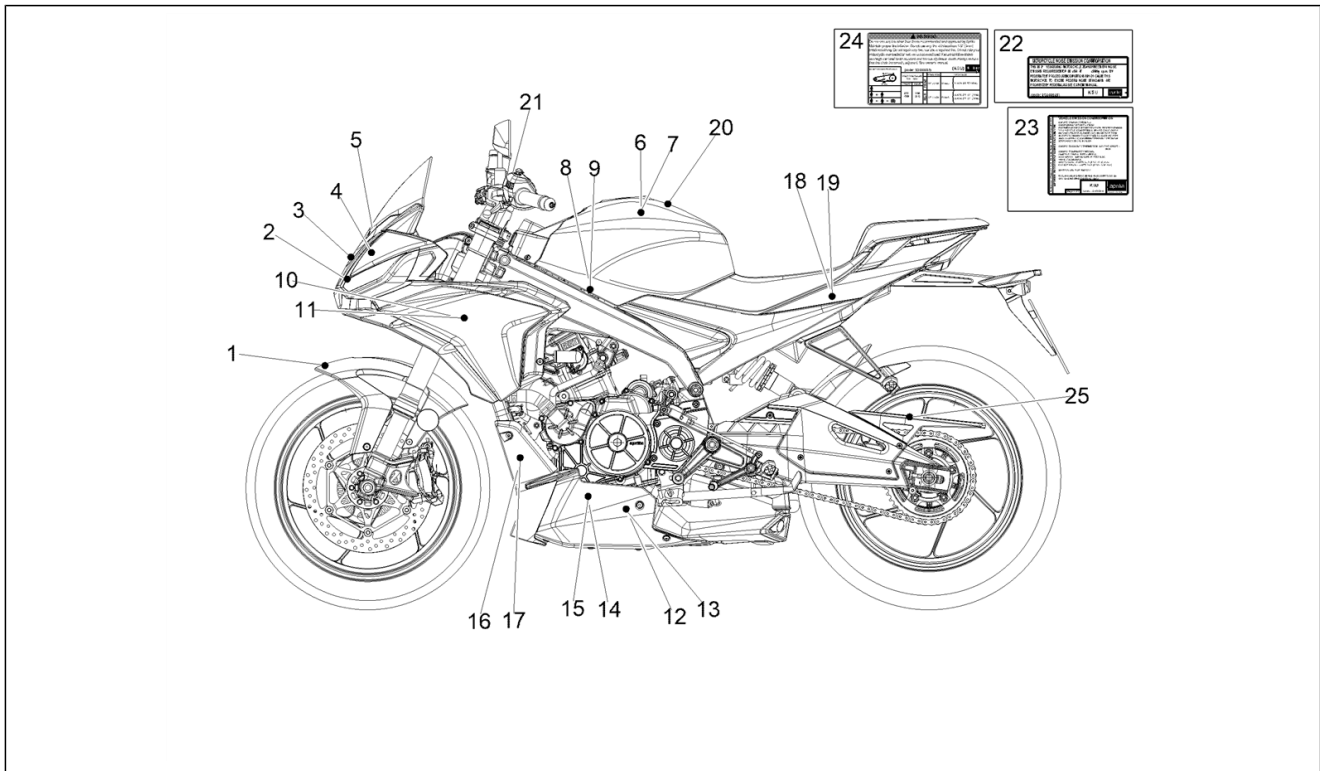
Pos.	Code	Beschreibung	Menge	Varianten
1	2Q000427	Lum ENUS-FR-ES-IT	1	

Einheit	Aufbau
Code	02.190
Beschreibung	Deko
Inspektion	1



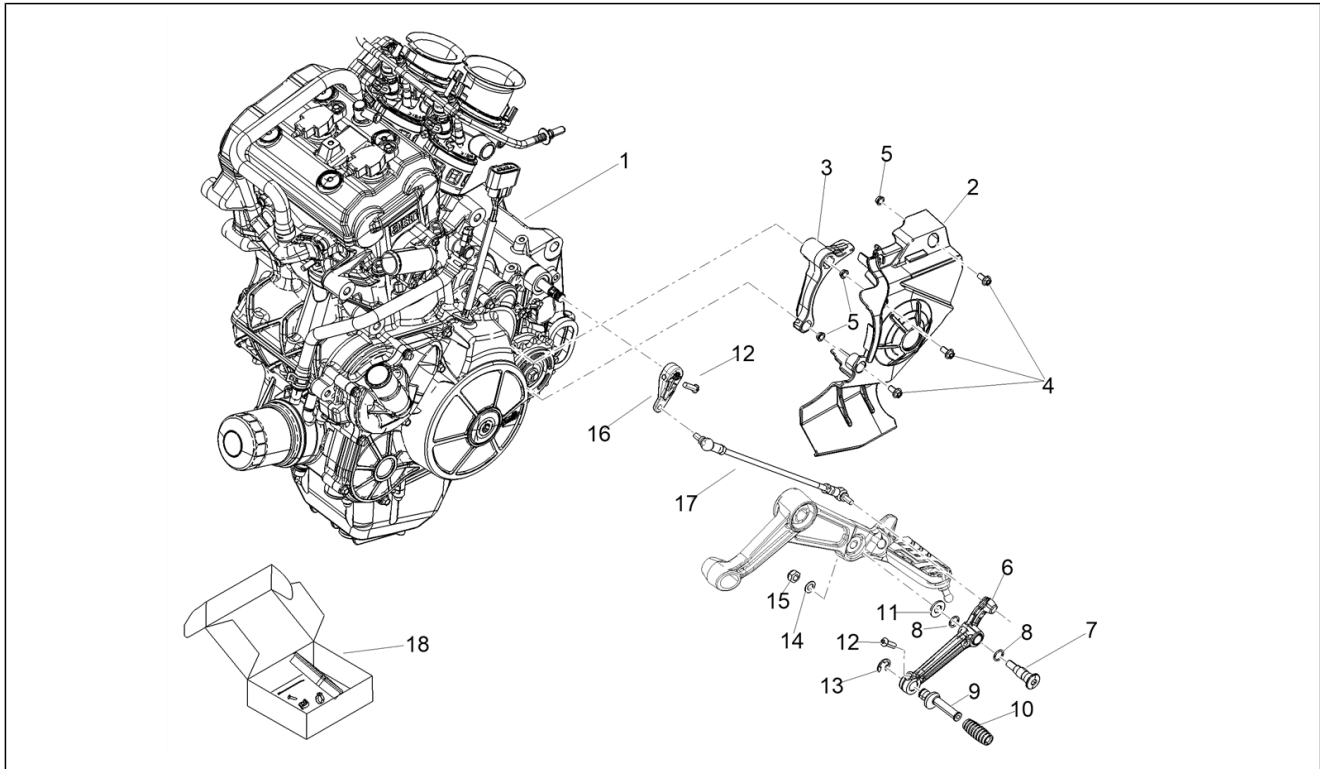
Pos.	Code	Beschreibung	Menge	Varianten
1	2H003453	Aufkleber Schutzblech v. "be a racer"	1	
2	2H004227	Aufkleber mit Nummer Frontverkleidung	1	
3	2H004566	"TUONO 660"	1	Technische Spezifikation:Acid Gold[Giallo]
3	2H004228	"TUONO 660"	1	Technische Spezifikation:Concept Black[Black]
3	2H004242	"TUONO 660"	1	Technische Spezifikation:Iridium Grey[Gray]
4	2H004243	"TUONO 660"	1	
5	2H004229	"italia"	1	
6	2H004325	Aufkleber Tank Re. "aprilia racing"	1	Technische Spezifikation:Acid Gold[Giallo]
6	2H003986	Aufkleber Tank Re. "aprilia racing"	1	Technische Spezifikation:Concept Black[Black]
6	2H004244	Aufkleber Tank Re. "aprilia racing"	1	Technische Spezifikation:Iridium Grey[Gray]
7	2H004326	Aufkleber Tank Li. "aprilia racing"	1	Technische Spezifikation:Acid Gold[Giallo]
7	2H003987	Aufkleber Tank Li. "aprilia racing"	1	Technische Spezifikation:Concept Black[Black]
7	2H004245	Aufkleber Tank Li. "aprilia racing"	1	Technische Spezifikation:Iridium Grey[Gray]
8	2H003988	Aufkleber Tank re Streifen	1	Technische Spezifikation:Concept Black[Black]
8	2H004246	Aufkleber Tank re Streifen	1	Technische Spezifikation:Iridium Grey[Gray]
9	2H003989	Aufkleber Tank li Streifen	1	Technische Spezifikation:Concept Black[Black]
9	2H004247	Aufkleber Tank li Streifen	1	Technische Spezifikation:Iridium Grey[Gray]
10	2H004230	Aufkleber seitliches Karosserieteil re "a"	1	Technische Spezifikation:Concept Black[Black]
10	2H004248	Aufkleber seitliches Karosserieteil re "a"	1	Technische Spezifikation:Iridium Grey[Gray]
11	2H004231	Aufkleber seitliches Karosserieteil li "a"	1	Technische Spezifikation:Concept Black[Black]
11	2H004249	Aufkleber seitliches Karosserieteil li "a"	1	Technische Spezifikation:Iridium Grey[Gray]
12	2H004232	Aufkleber Karosserieteil unten rechts "aprilia racing"	1	
13	2H004233	Aufkleber Karosserieteil unten links "aprilia racing"	1	
14	2H004567	Aufkleber Karosserieteil unten rechts	1	Technische Spezifikation:Acid Gold[Giallo]
14	2H004234	Aufkleber Karosserieteil unten rechts	1	Technische Spezifikation:Iridium Grey[Gray] Concept Black[Black]
15	2H004568	Aufkleber Karosserieteil unten links	1	Technische Spezifikation:Acid Gold[Giallo]

Einheit	Aufbau
Code	02.190
Beschreibung	Deko
Inspektion	1



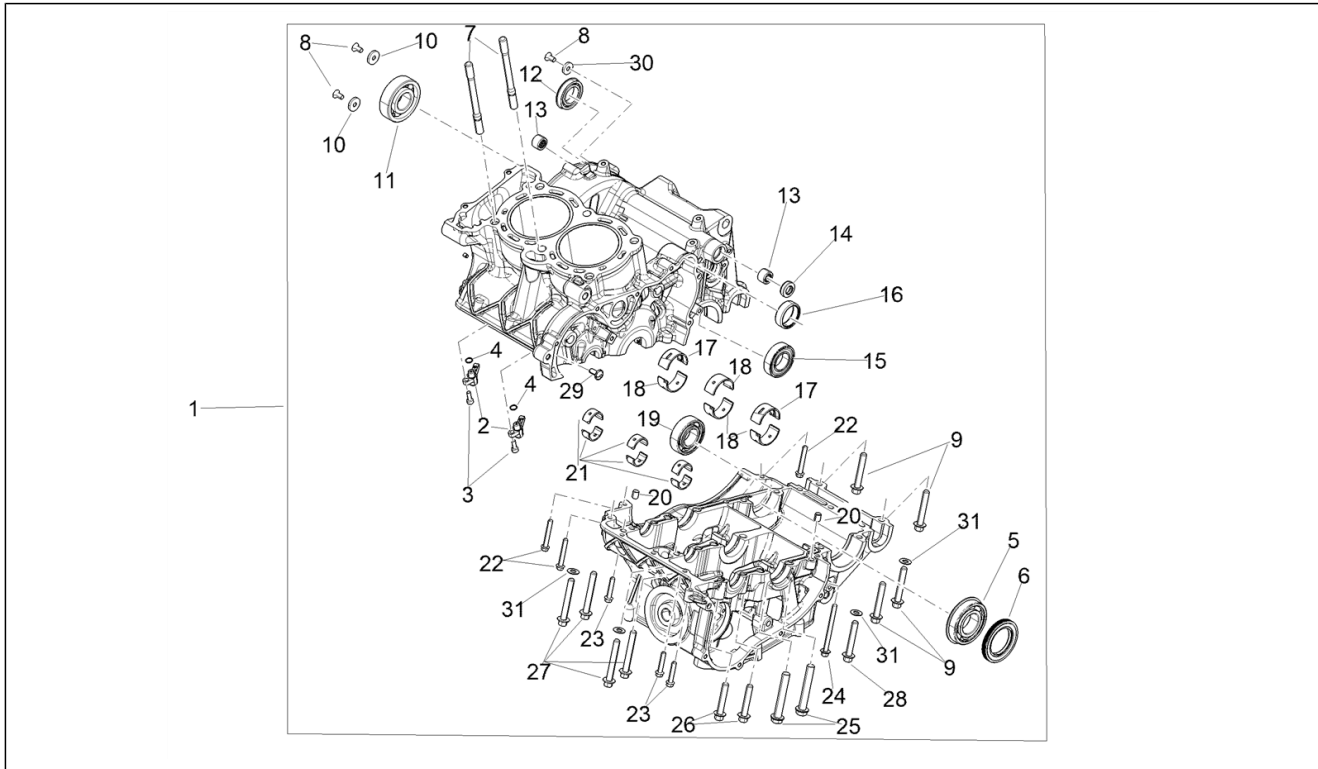
Pos.	Code	Beschreibung	Menge	Varianten
15	2H004235	Aufkleber Karosserieteil unten links	1	Technische Spezifikation: Iridium Grey[Gray] Concept Black[Black]
16	2H004569		1	Technische Spezifikation: Acid Gold[Giallo]
16	2H004236		1	Technische Spezifikation: Iridium Grey[Gray] Concept Black[Black]
17	2H004570		1	Technische Spezifikation: Acid Gold[Giallo]
17	2H004237		1	Technische Spezifikation: Iridium Grey[Gray] Concept Black[Black]
18	2H004571	Deko Heckteil re. "TUONO 660"	1	Technische Spezifikation: Acid Gold[Giallo]
18	2H004240	Deko Heckteil re. "TUONO 660"	1	Technische Spezifikation: Concept Black[Black]
18	2H004250	Deko Heckteil re. "TUONO 660"	1	Technische Spezifikation: Iridium Grey[Gray]
19	2H004572	Deko Heckteil li. "TUONO 660"	1	Technische Spezifikation: Acid Gold[Giallo]
19	2H004241	Deko Heckteil li. "TUONO 660"	1	Technische Spezifikation: Concept Black[Black]
19	2H004251	Deko Heckteil li. "TUONO 660"	1	Technische Spezifikation: Iridium Grey[Gray]
20	2H000874	Deko "54 World Titles"	1	
21	AP8157770	Schild "Aprilia"	1	
22	2G000565	Lautherausgabe selbstkleber	1	
23	2G000566	Emission control sticker	1	
24	2G000567	Aufkleber Reifendruck	1	
25	2B008140		1	

Einheit	Motor
Code	03.010
Beschreibung	Motor-Fertigstellung
Inspektion	1



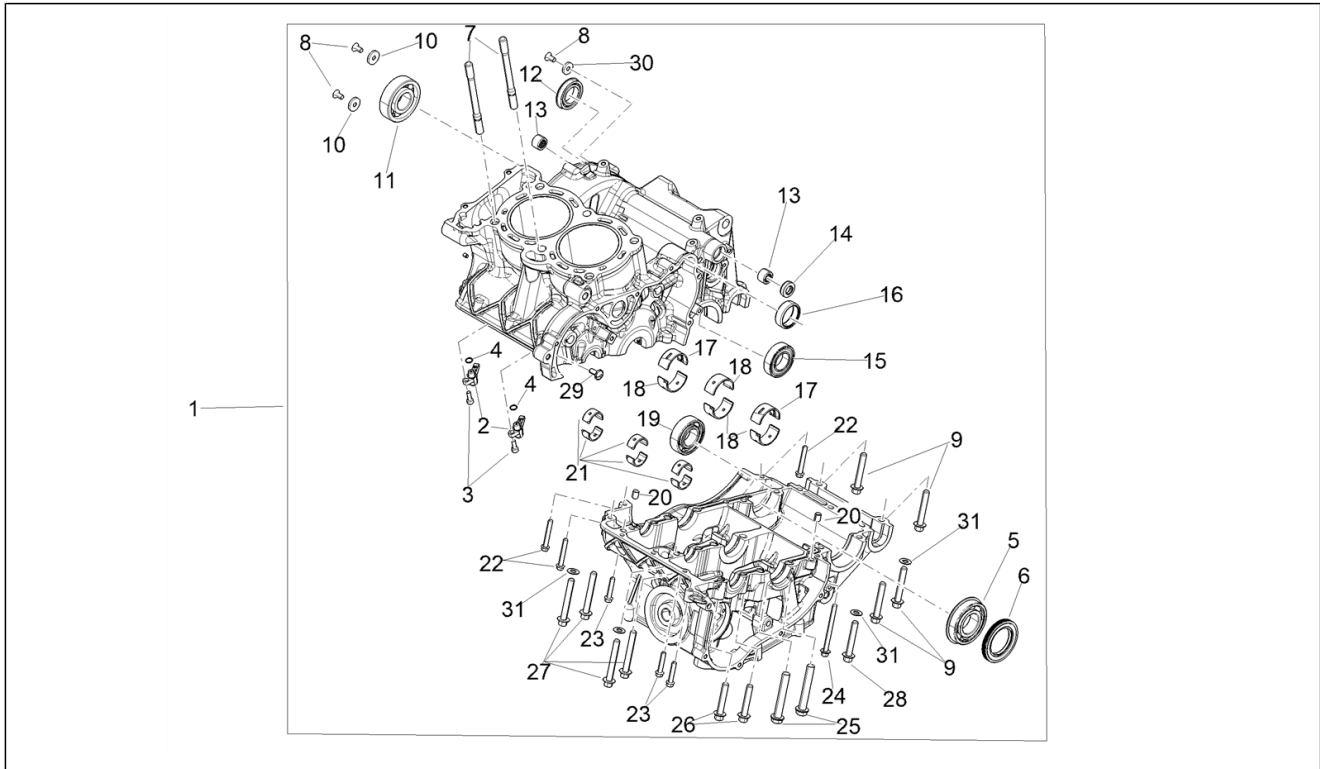
Pos.	Code	Beschreibung	Menge	Varianten
1	CM2966115	660 RS TUONO EMEA USA LIGHT	1	
2	2B005847	Ritzelkasten	1	
3	2B005886	Kettenführung	1	
4	AP8152277	Sechskantschraube geflanscht M6x12	3	
5	AP8121811	T-Buchse	3	
6	2B006353	Schalthebel	1	
7	AP8121223	Stift Hinterradbremsh. eb.	1	
8	AP8144007	O-Ring 11,11x1,78	2	
9	AP8121221	Stift Bremshebel	1	
10	AP8120912	Gummi für Hebel	1	
11	AP8150020	Ausgleichscheibe 10,5x21x2*	1	
12	AP8224470	TBEI Schraube M6x20 inox	2	
13	AP8150462	Seegerring d9	1	
14	AP8150376	Ausgleichscheibe 8,5x15x0,8	1	
15	AP8150431	Mutter unten M8	1	
16	2B007256	Schalthebel	1	
17	2B008395	Zugstange Schaltzug	1	
18	1L006293C		1	Technische Spezifikation: 660 engine recall small parts kit [Kit motore 660]

Einheit	Motor
Code	03.030
Beschreibung	Gehäuse I
Inspektion	1



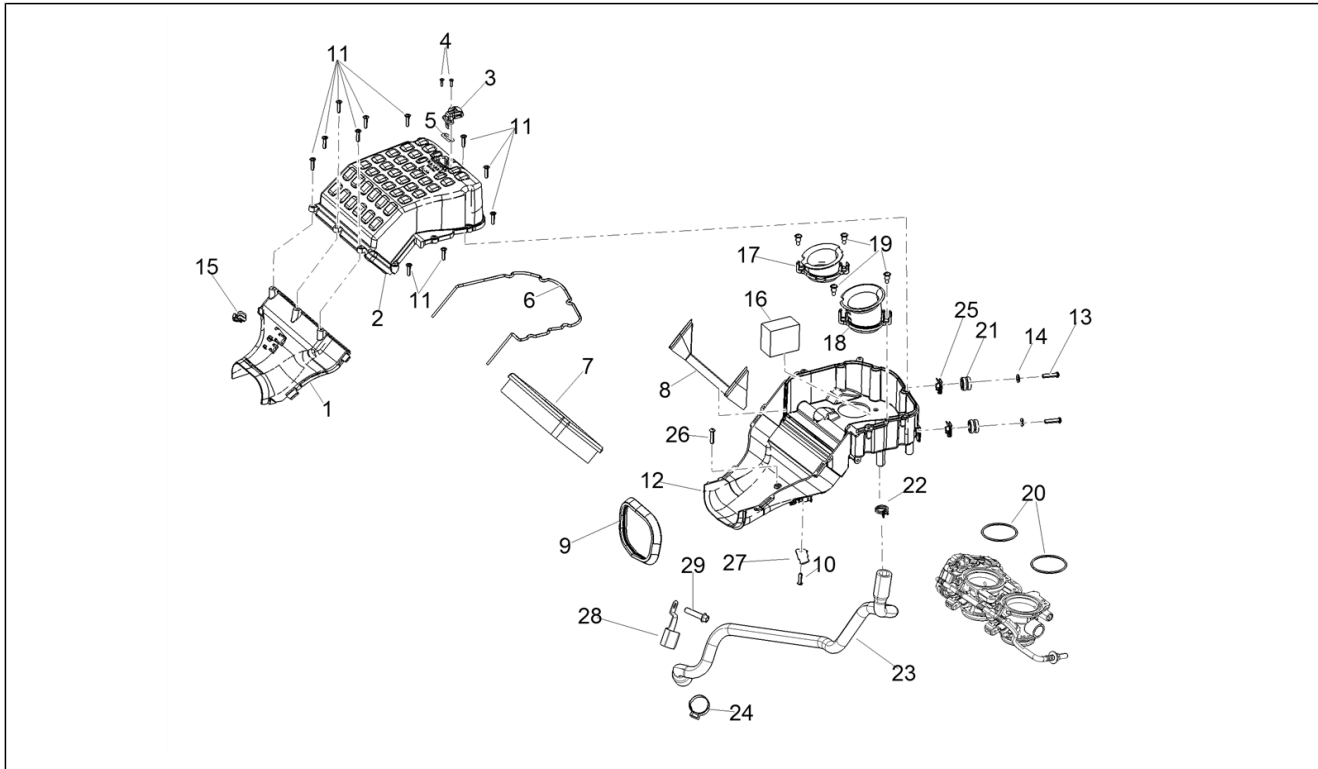
Pos.	Code	Beschreibung	Menge	Varianten
1	1A0204005	Gehäuse	1	
1	1A0166824	Gehäuse	1	
2	1A0168435	Kühlöse Kolben	2	
3	B018718	Zylinderkopfschraube Innensechskant M5x14	2	
4	1A005178	O-Ring	2	
5	1A011875	Kugellager 30.62.16	1	
6	1A013139	Dichtring 40.62.7	1	
7	1A011257	Stiftschraube M10X1,5	6	
8	B013608	Countersunk screw with hexagon socket	3	
9	B016773	Sechskantschraube geflanscht M8x50	9	
10	1A020330	Ausgesenkte Unterlegscheibe	1	
10	873905	Unterlegscheibe	2	
11	848651	Kugellager 25x62x17	1	
12	1A015642	Kugellager	1	
12	1A020393	Kugellager	1	
13	B045224	Nadelhölse 12x8x12	1	
14	1A017552	Dichtring 12X22	1	
15	1A011892	Kugellager 25.47.12	1	
16	1A018647	Rollenlagerkafig	1	
17	1A0162430R	Halbschale Kurbelwellenlager rot	2	
17	1A0162430V	Halbschale Kurbelwellenlager grün	2	
17	1A0162430B	Halbschale Kurbelwellenlager blau	2	
17	1A0162430M	Halbschale Kurbelwellenlager braun	2	
17	1A0162430G	Halbschale Kurbelwellenlager gelb	2	
18	1A0162440B	Halbschale Kurbelwellenlager blau	4	
18	1A0162440M	Halbschale Kurbelwellenlager braun	4	
18	1A0162440V	Halbschale Kurbelwellenlager grün	4	
18	1A0162440G	Halbschale Kurbelwellenlager gelb	4	

Einheit	Motor
Code	03.030
Beschreibung	Gehäuse I
Inspektion	1



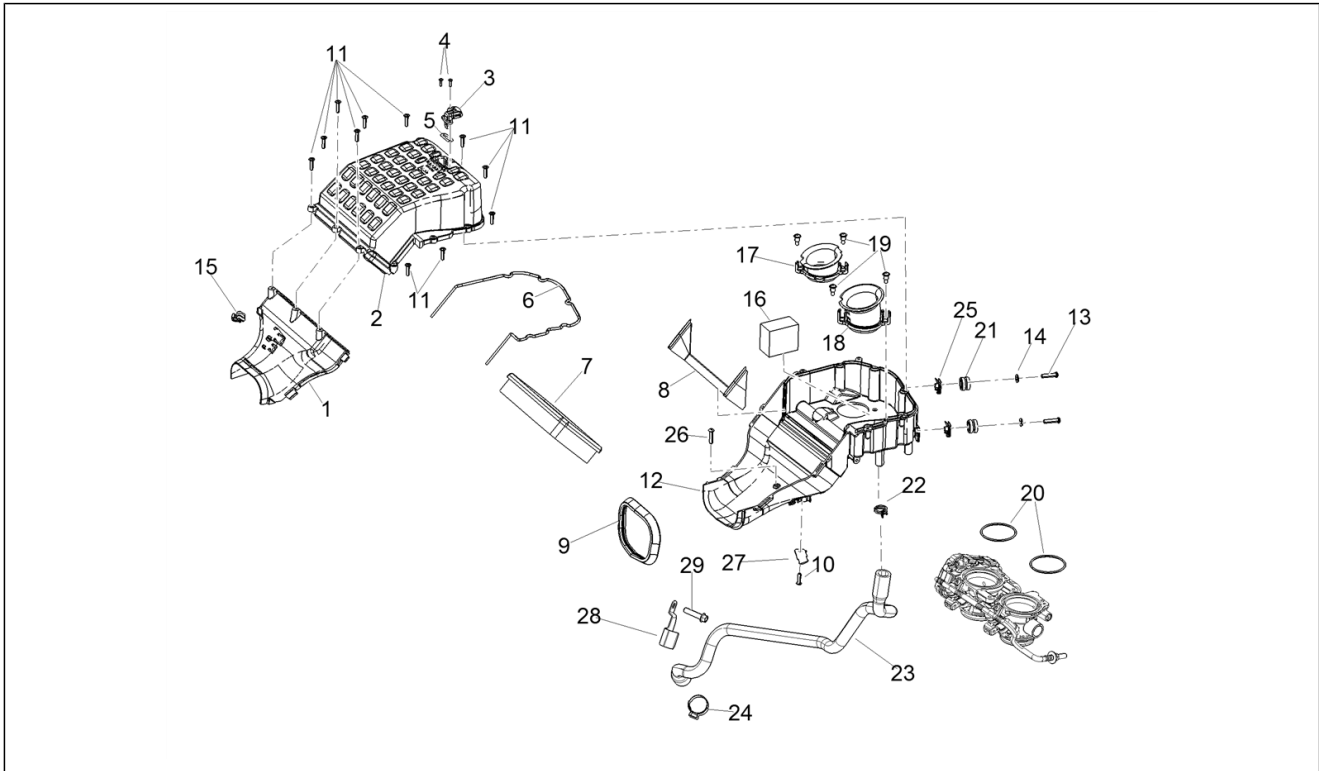
Pos.	Code	Beschreibung	Menge	Varianten
18	1A0162440R	Halbschale Kurbelwellenlager rot	4	
19	1A012005	Kugellager 25.52.15	1	
20	857427	Führungsstift M8x12	2	
21	1A019559N	Hauptlager Vorgelegewelle black	1	
21	1A019559G	Hauptlager Vorgelegewelle Yellow	1	
21	1A019559R	Hauptlager Vorgelegewelle Red	1	
21	1A019559B	Hauptlager Vorgelegewelle blue	6	
22	B016763	Sechskantschraube geflanscht M6x40	3	
23	874551	TE Schr. m. Flansch	4	
24	434429	Schraube m6x70	1	
25	1A015658	TE Schr. m. Flansch M10X65	6	
26	487211	TE Schr. m. Flansch M8x45	2	
27	874747	Sechskantschraube geflanscht M8x60	4	
28	B016763	Sechskantschraube geflanscht M6x40	1	
29	1A017040	Schraube TBEI angeflanscht M5x12	1	
30	1A020330	Ausgesenkte Unterlegscheibe	1	
31	106009	Unterlegscheibe	6	

Einheit	Motor
Code	03.050
Beschreibung	Filtergehäuse
Inspektion	1



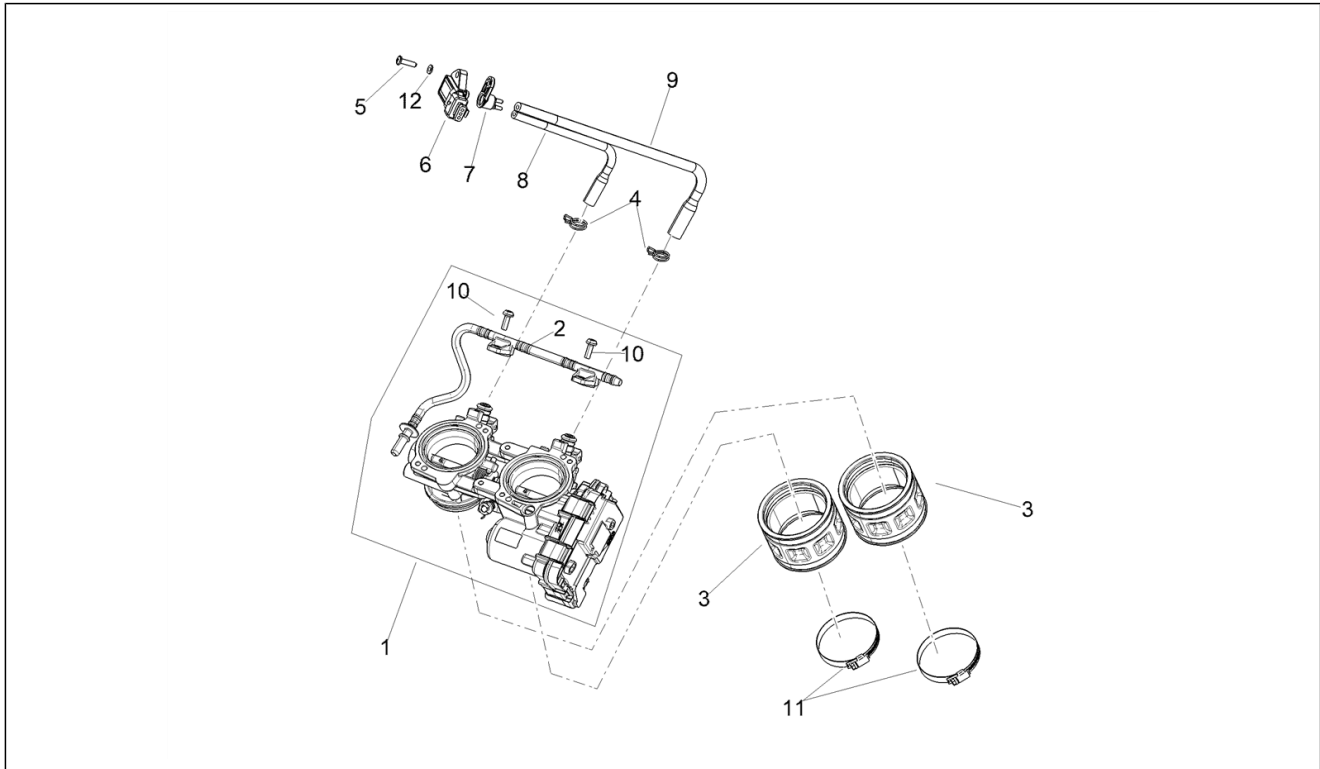
Pos.	Code	Beschreibung	Menge	Varianten
1	2B006530	Oben Lüfterleitblech	1	
2	2B006527	Deckel Filtergehäuse	1	
3	GU30729330	Lufttemperaturfühler	1	
4	AP8150421	Gew.schr. 2,9x12	2	
5	GU30027931	Dichtung	1	
6	2B006528	Dichtung Filtergehäuse	1	
7	2B006532	Luftfilter	1	
8	2B006531	Verschluss Luftfilter	1	
9	2B005422	Luftfilter-Muffe	1	
10	AP8152329	Kreuz.schl.flnschschr. M5x20	1	
11	AP8152329	Kreuz.schl.flnschschr. M5x20	11	
12	2B006529	Boden Filtergehäuse	1	
13	AP8152117	Schraube TBEI M6x25	2	
14	AP8152181	Scheibe 6,4x15x1	2	
15	CM013203	Feder Blechkanten	1	
16	AP8104525	Filter	1	
17	1A007396	Saugrohr Ansaugung unten vorne	1	
18	1A007397	Saugrohr Ansaugung unten hinten	1	
19	893132	Schraube	4	
20	893240	O-Ring 56,82X2,62	2	
21	AP8220150	Gummi	2	
22	AP8101586	Schlauchschele D.15,5x6,6	1	
23	2B008143	Entlüftungsschlauch öl	1	
24	CM001905	Schlauchschele	1	
25	254485	Federplättchen M6	2	
26	AP8152270	TBEI Schraube M5x25	1	
27	2B007741	Haltebügel	1	
28	2B008228	Befestigungsbügel	1	

Einheit	Motor
Code	03.050
Beschreibung	Filtergehäuse
Inspektion	1



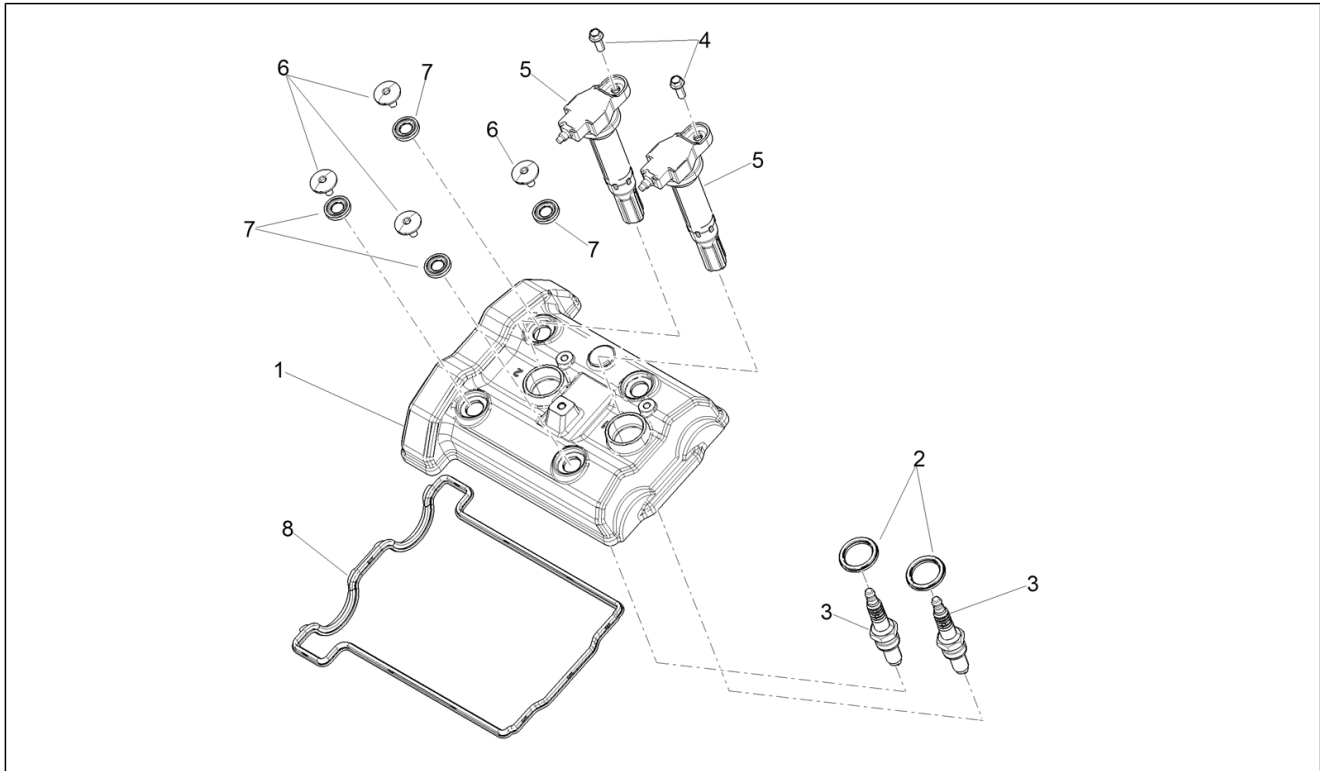
Pos.	Code	Beschreibung	Menge	Varianten
29	874549	Sechskantschraube geflanscht	1	

Einheit	Motor
Code	03.060
Beschreibung	Klappenkörper
Inspektion	1



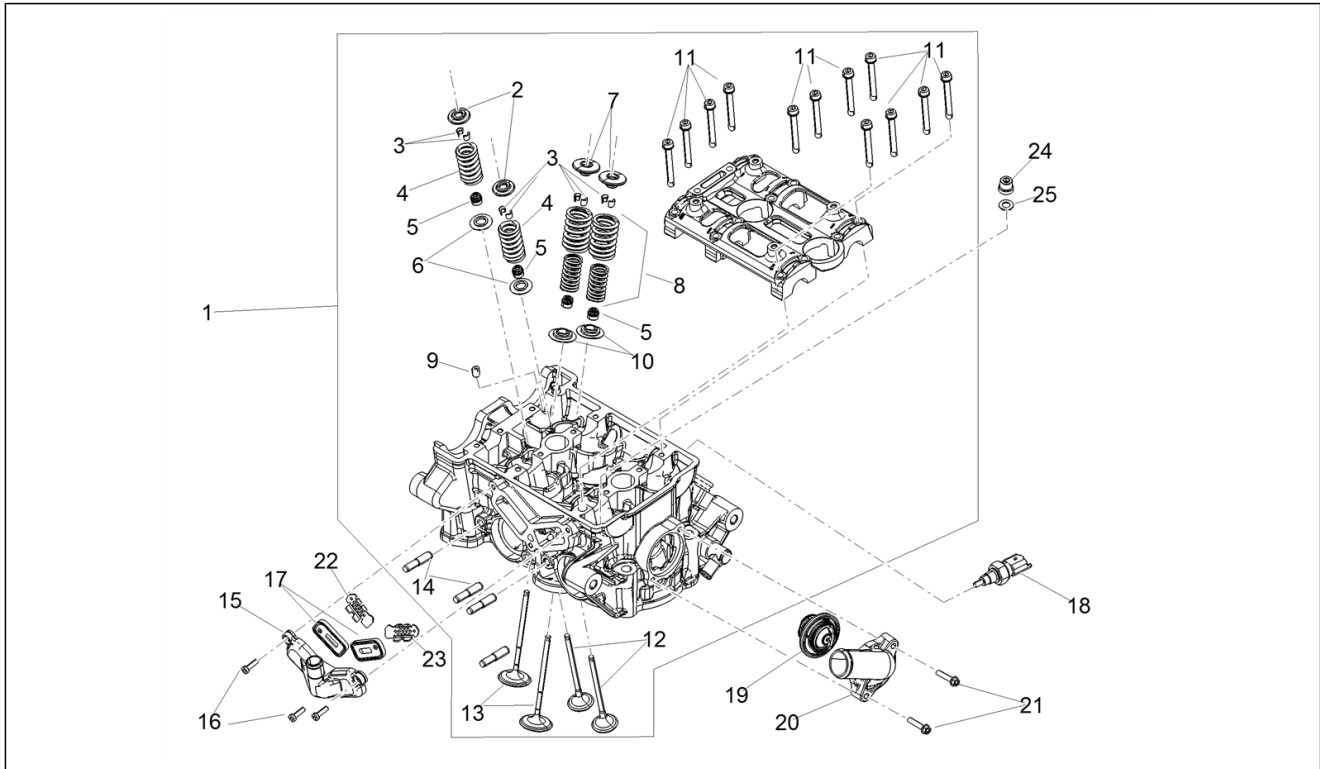
Pos.	Code	Beschreibung	Menge	Varianten
1	1A019430	Drosselkörper komplett	1	
2	1A017323	Kraftstoffleitung	1	
3	1A016982	Muffe Kopf / Drosselkörper	2	
4	AP8102378	Schelle D11,3	2	
5	478533	Gew.schr.	1	
6	642302	Druckfühler	1	
7	894658	Anschluss	1	
8	2B005650	Schlauch	1	
9	2B005649	Vacuum pipe	4	
10	896567	Befestigungsschraube	1	
11	857306	Schlauchschelle	4	
12	2B003052	T-Buchse	1	

Einheit	Motor
Code	03.090
Beschreibung	Zylinderkopfabdeckung
Inspektion	1



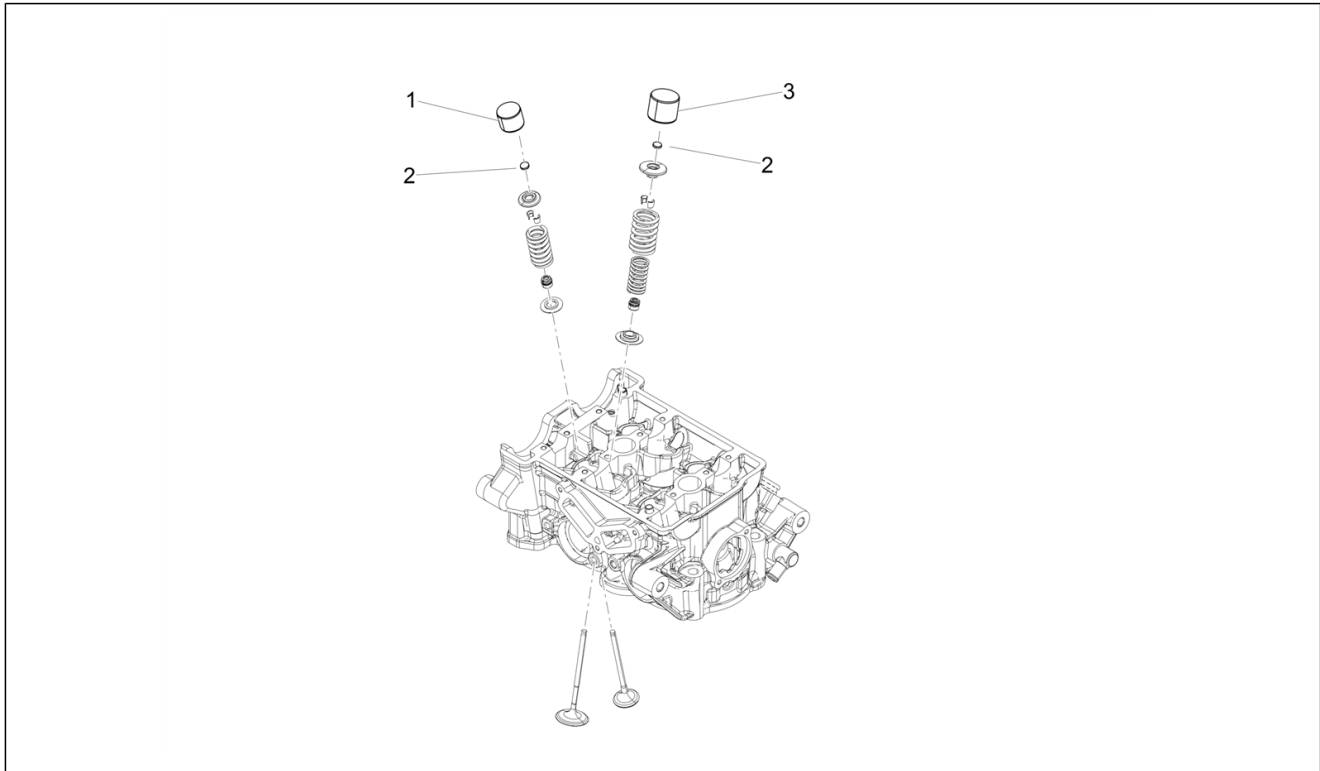
Pos.	Code	Beschreibung	Menge	Varianten
1	1A019263	Kopfdeckel	1	
2	1A012849	Dichtung	2	
3	1A015311	Zündkerze	2	
4	874555	Sechskantschraube geflanscht M6x16	2	
5	857084	Zuendtransform.cpl. short cable	2	
6	842291	Spezialschraube	4	
7	898410	Stopfen dämpfer	4	
8	1A011919	Kopf Deckel Dichtung	1	

Einheit	Motor
Code	03.100
Beschreibung	Zylinderkopf - ventile
Inspektion	1



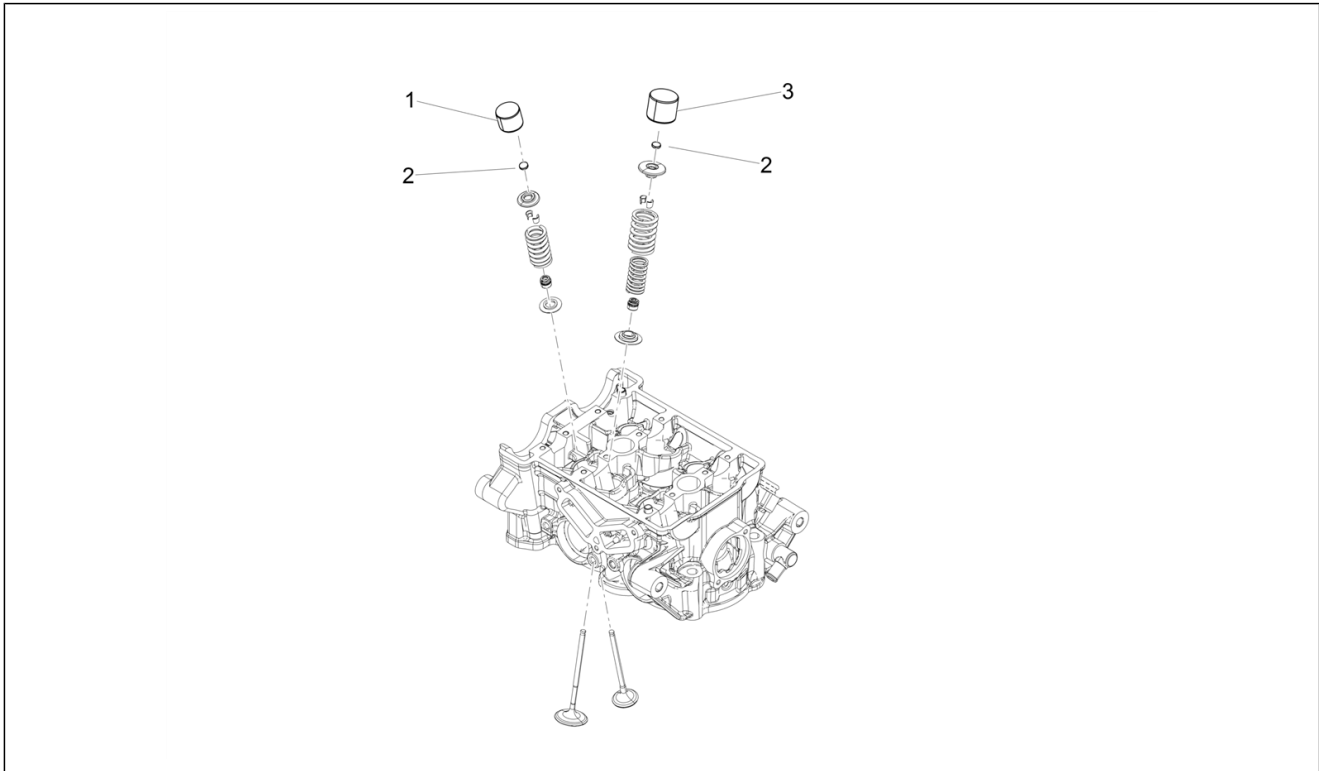
Pos.	Code	Beschreibung	Menge	Varianten
1	1A020163	Zylinderkopf kpl.	1	
2	1A020955	Oberer Ventilderteller Auslass	4	
3	1A016663	Halbkegel	16	
4	857030	Feder Auslaßventil	4	
5	1A016664	Dichtring	8	
6	1A016658	Unterer Ventilderteller Auslass	4	
7	1A016656	Oberer Ventilderteller Einlass	4	
8	1A008432	Satz Federn Ansaugung	4	
9	1A013954	Madenschraube	1	
10	1A016657	Unterer Ventilderteller Einlass	4	
11	1A016762	Schraube M50X6	12	
12	1A016659	Auslaßventil	4	
13	1A013958	Einlaßventil	4	
14	857035	Stiftschraube m10x171	4	
15	857044	Deckel reed valve	1	
16	AP8150280	TCEI Schraube	3	
17	857045	Reed valve	2	
18	640485	Temperaturfühler	1	
19	888775	Thermostat	1	
20	1A012325	Thermofühlerdeckel	1	
21	AP8152275	TE Schr. m. Flansch M5x25	2	
22	857047	Spark arrester	1	
23	857046	Spark arrester	1	
24	897434	Geflanschte Mutter M10x1	6	
25	857208	Ausgleichscheibe 19 x 10,5 x 1,6	6	

Einheit	Motor
Code	03.110
Beschreibung	Belag
Inspektion	1



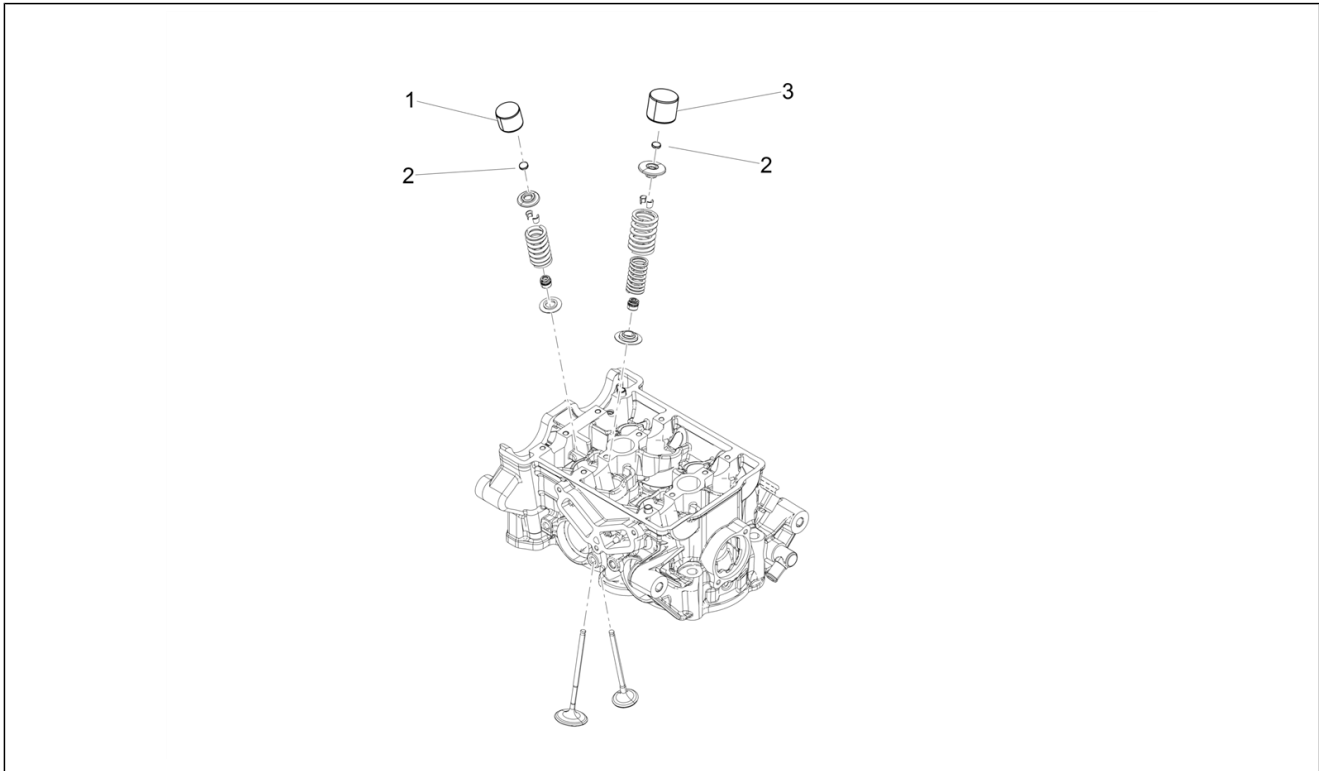
Pos.	Code	Beschreibung	Menge	Varianten
1	855632	Ventilbecher	1	
2	CM327001	Belag 1.75	1	
2	CM327002	Belag 1.77	1	
2	CM327003	Belag 1.80	1	
2	CM327005	Belag 1.85	1	
2	CM327004	Belag 1.82	1	
2	CM327006	Belag 1.87	1	
2	CM327007	Belag 1.90	1	
2	CM327008	Belag 1.92	1	
2	CM327009	Belag 1.95	1	
2	CM327010	Belag 1.97	1	
2	CM327011	Belag 2.00	1	
2	CM327012	Belag 2.02	1	
2	CM327013	Belag 2.05	1	
2	CM327014	Belag 2.07	1	
2	CM327015	Belag 2.10	1	
2	CM327016	Belag 2.12	1	
2	CM327017	Belag 2.15	1	
2	CM327018	Belag 2.17	1	
2	CM327019	Belag 2.20	1	
2	CM327020	Belag 2.22	1	
2	CM327021	Belag 2.25	1	
2	CM327022	Belag 2.27	1	
2	CM327023	Belag 2.30	1	
2	CM327024	Belag 2.32	1	
2	CM327025	Belag 2.35	1	
2	CM327026	Belag 2.37	1	
2	CM327027	Belag 2.40	1	

Einheit	Motor
Code	03.110
Beschreibung	Belag
Inspektion	1



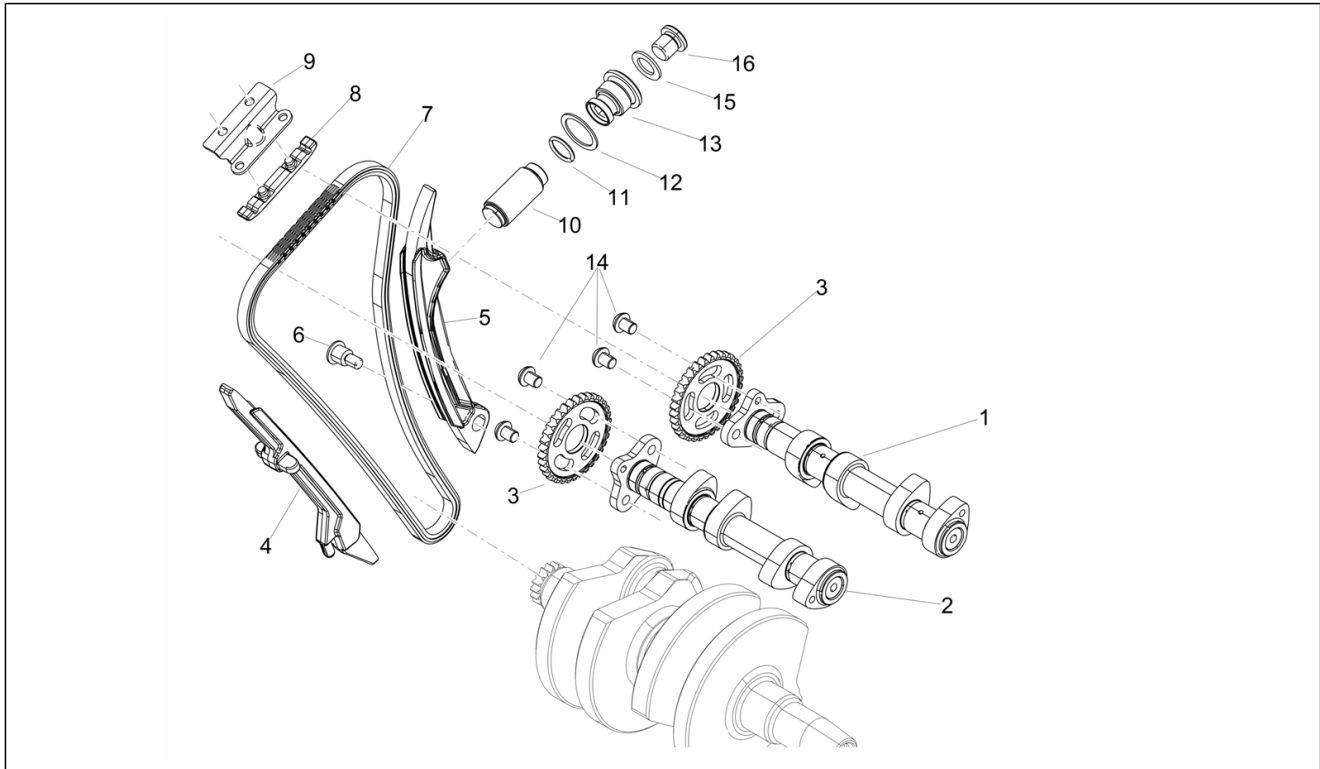
Pos.	Code	Beschreibung	Menge	Varianten
2	CM327028	Belag 2.42	1	
2	CM327029	Belag 2.45	1	
2	CM327030	Belag 2.47	1	
2	CM327031	Belag 2.50	1	
2	CM327032	Belag 2.52	1	
2	CM327033	Belag 2.55	1	
2	CM327034	Belag 2.57	1	
2	CM327035	Belag 2.60	1	
2	CM327036	Belag 2.62	1	
2	CM327037	Belag 2.65	1	
2	CM327038	Belag 2.67	1	
2	CM327039	Belag 2.70	1	
2	CM327040	Belag 2.72	1	
2	CM327041	Belag 2.75	1	
2	CM327042	Belag 2.77	1	
2	CM327043	Belag 2.80	1	
2	CM327044	Belag 2.82	1	
2	CM327045	Belag 2.85	1	
2	CM327046	Belag 2.87	1	
2	CM327047	Belag 2.90	1	
2	CM327048	Belag 2.92	1	
2	CM327049	Belag 2.95	1	
2	CM327050	Belag 2.97	1	
2	CM327051	Belag 3.00	1	
2	CM327052	Belag 3.02	1	
2	CM327053	Belag 3.05	1	
2	CM327054	Belag 3.07	1	
2	CM327055	Belag 3.10	1	

Einheit	Motor
Code	03.110
Beschreibung	Belag
Inspektion	1



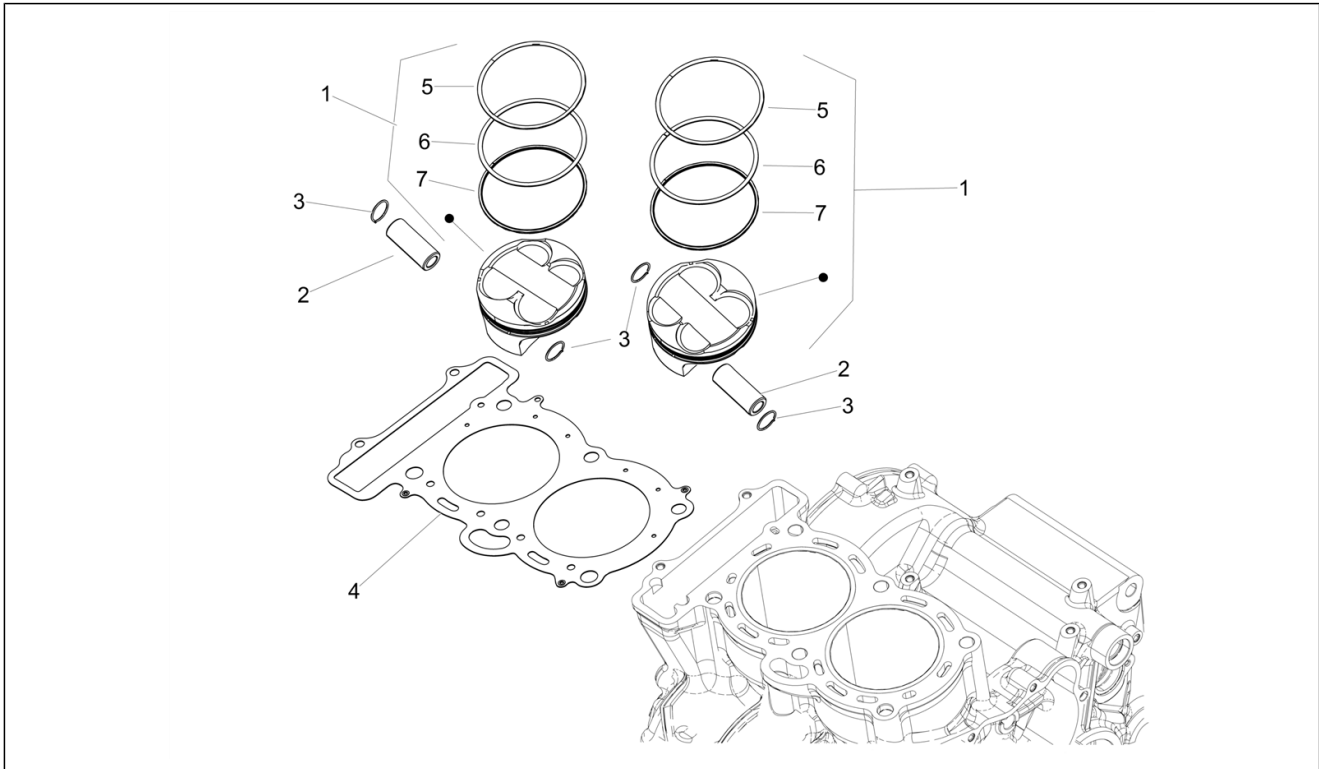
Pos.	Code	Beschreibung	Menge	Varianten
2	CM327056	Belag 3.12	1	
2	CM327057	Belag 3.15	1	
3	857066	Ventilbecher	4	

Einheit	Motor
Code	03.120
Beschreibung	Steuer
Inspektion	1



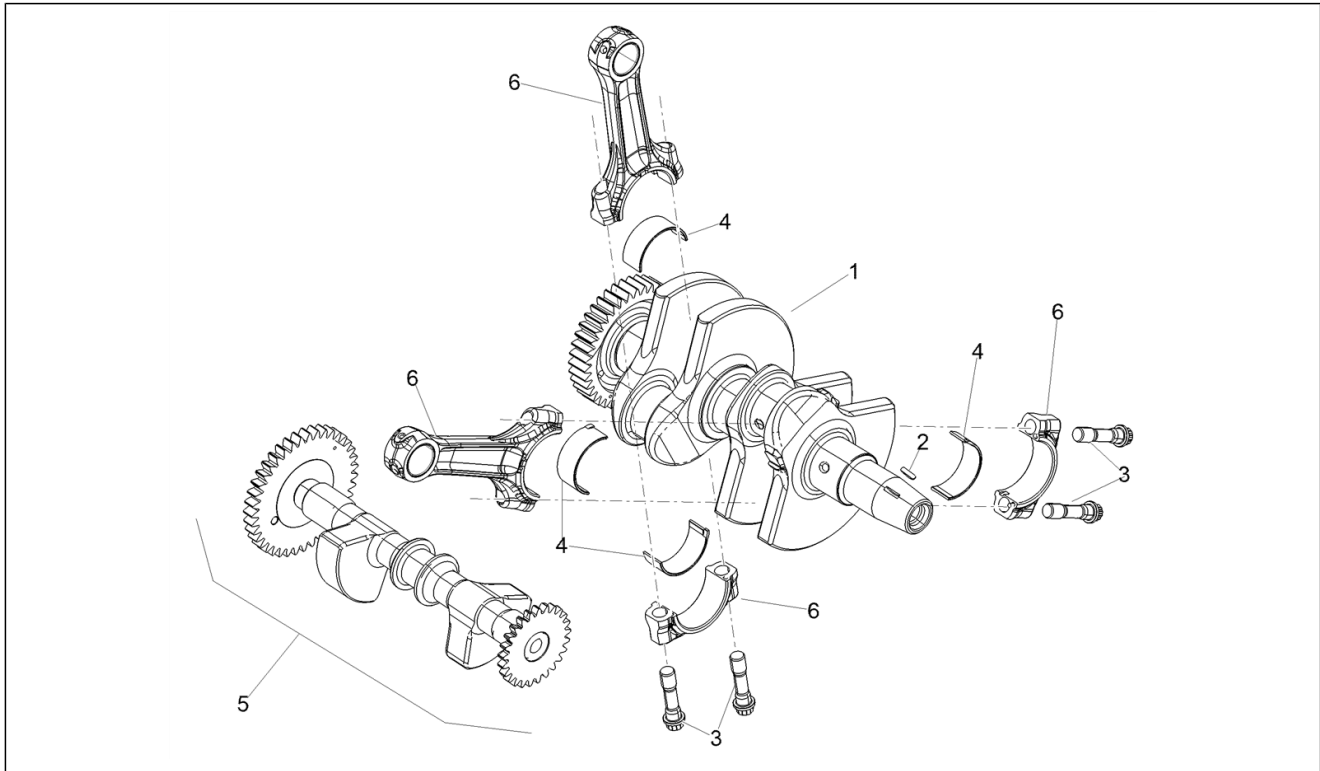
Pos.	Code	Beschreibung	Menge	Varianten
1	1A0191225	Einlassnockenwelle	1	
2	1A0196035	Nockenwelle Auslass	1	
3	1A012867	Steuer Zahnkranz	2	
4	1A013825	Feste Kettenspannerauflage	1	
5	1A015310	Bewegliche Kettenspannerauflage	1	
6	1A018441	Spezialschraube	1	
7	1A012147	Steuerkette	1	
8	1A017120	Feste Kettenspannerauflage	1	
9	1A017119	Platte	1	
10	2A000111	Kettenspanner	1	
11	857176	O-Ring	1	
12	1A013737	Flachscheibe	1	
13	1A015611	Spezialschraube	1	
14	1A013092	Linsenkopfschraube Torx	4	
15	016661	Flachscheibe	1	
16	AP9150174	Deckel	1	

Einheit	Motor
Code	03.150
Beschreibung	Zylinder - Kolben
Inspektion	1



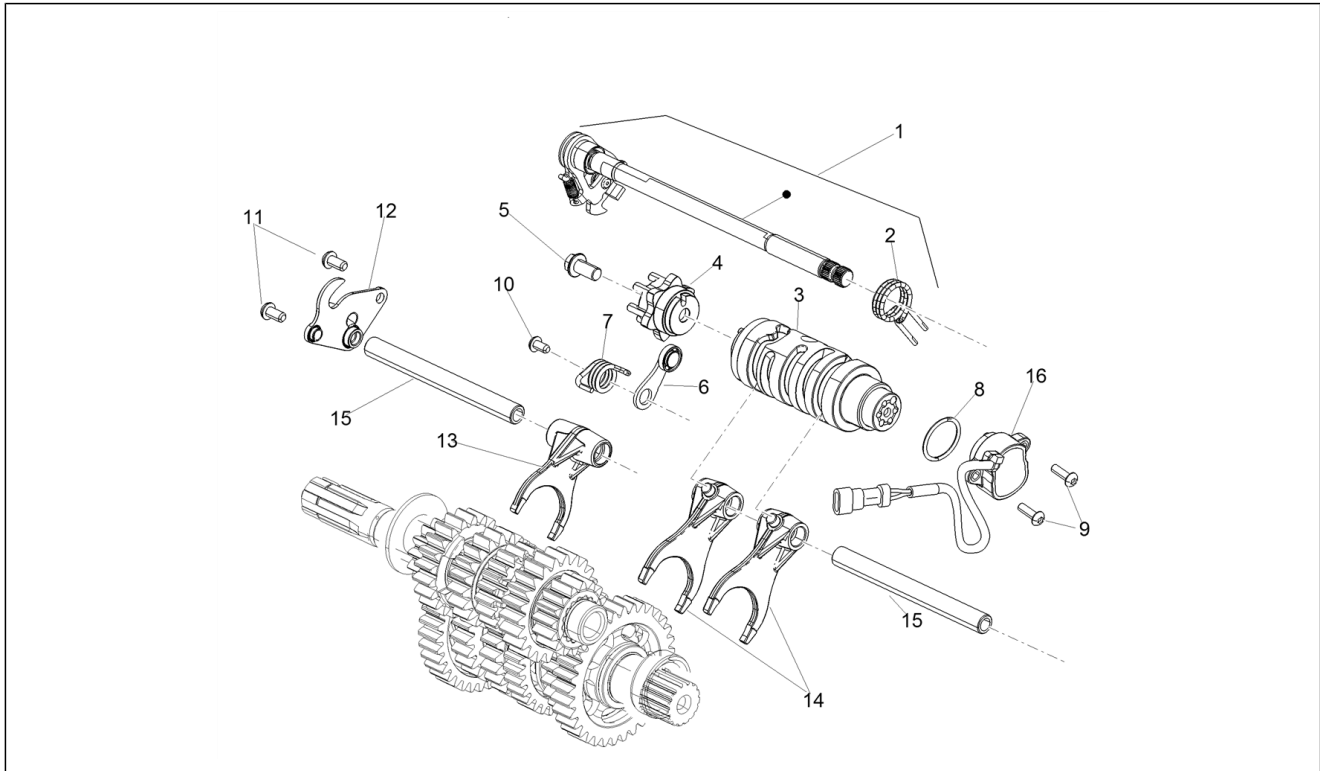
Pos.	Code	Beschreibung	Menge	Varianten
1	CM3340010X	Kolben komplett "X"	1	
1	CM3340020Y	Kolben komplett "Y"	1	
1	1A0162040B	Kpl. Kolben Kat. B	1	
1	1A0162040A	Kpl. Kolben Kat. A	1	
2	2A000630	Bolzen	2	
3	2A000450	Stiftsperring	4	
4	1A011923	Zylinder/Kopf Dichtung	1	
5	2A000734	Kolbenring	2	
6	2A000735	Kolbenring	2	
7	2A000739	Kolbenring	2	

Einheit	Motor
Code	03.160
Beschreibung	Kurbelwelle
Inspektion	1



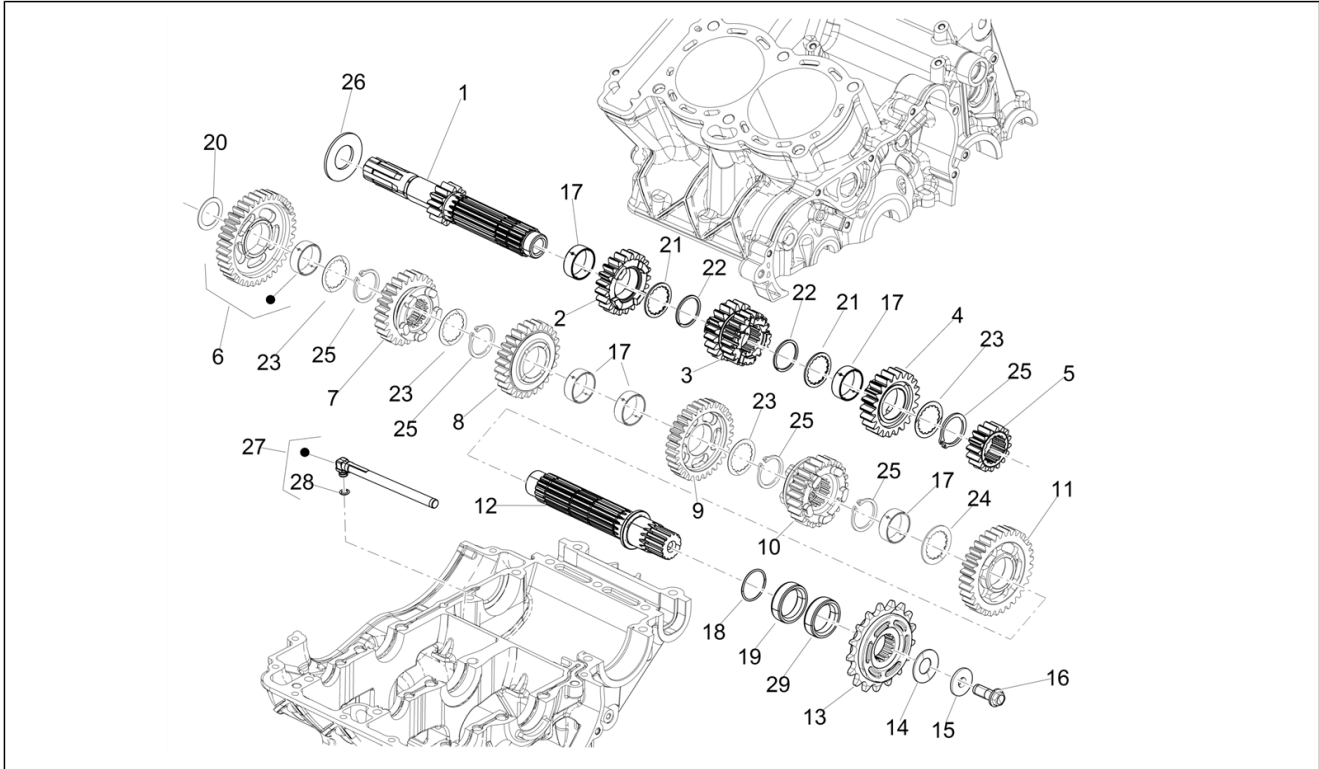
Pos.	Code	Beschreibung	Menge	Varianten
1	1A0193604E1	Kurbelwelle Gewichtsklasse E1	1	
1	1A0193604E2	Kurbelwelle Gewichtsklasse E2	1	
1	1A0193604E3	Kurbelwelle Gewichtsklasse E3	1	
1	1A0193604E4	Kurbelwelle Gewichtsklasse E4	1	
1	1A0193604E5	Kurbelwelle Gewichtsklasse E5	1	
2	000267	Scheibenfeder	1	
3	1A016237	Pleuelschraube	4	
4	2A0008370B	Pleuellagerschale blau	4	
4	2A0008370G	Pleuellagerschale gelb	4	
4	2A0008370V	Pleuellagerschale Grün	4	
5	1A0171494	Gegenwelle	1	
6	1A011945E1	Pleuel Gewichtsklasse E1	1	
6	1A011945E2	Pleuel Gewichtsklasse E2	1	
6	1A011945E3	Pleuel Gewichtsklasse E3	1	
6	1A011945E4	Pleuel Gewichtsklasse E4	1	
6	1A011945E5	Pleuel Gewichtsklasse E5	2	

Einheit	Motor
Code	03.170
Beschreibung	Schaltgetriebe / Schaltgabel / Desmodrom.
Inspektion	1



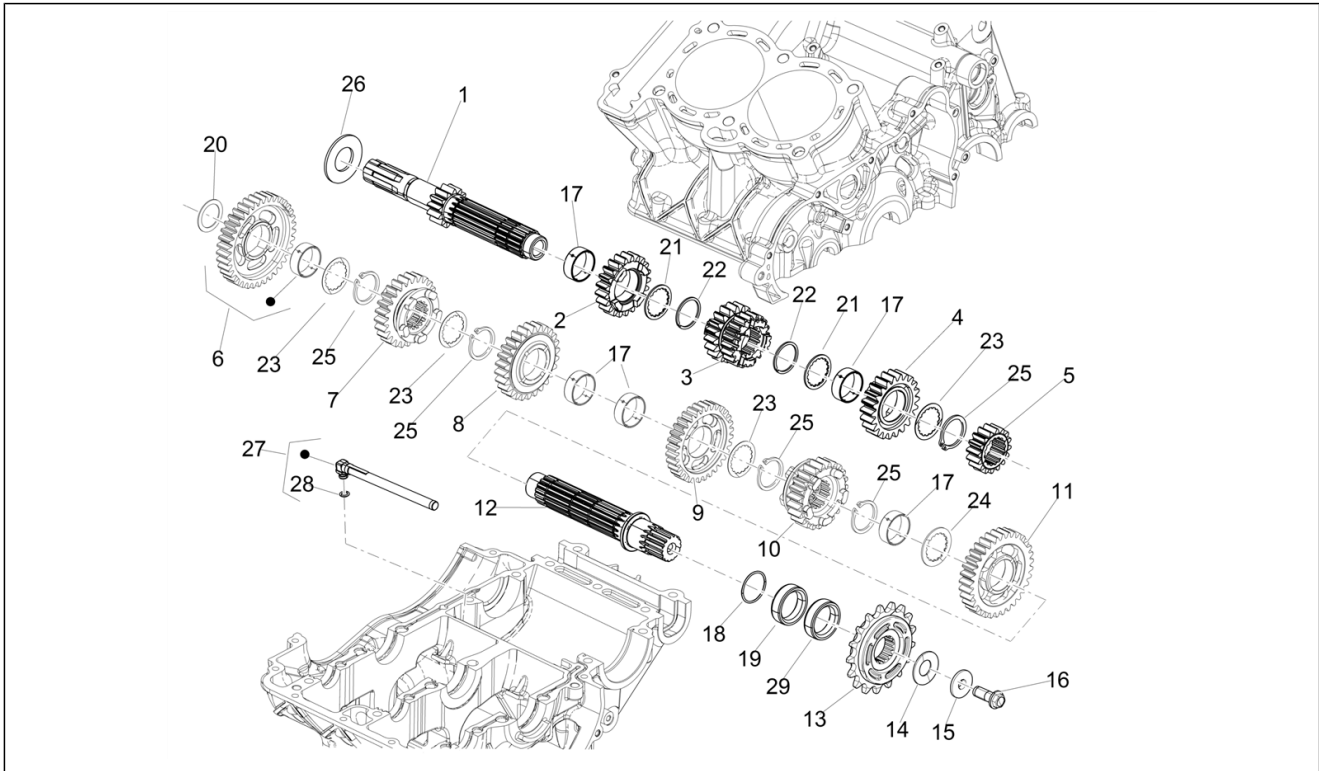
Pos.	Code	Beschreibung	Menge	Varianten
1	1A019677	Schaltwelle	1	
2	1A013662	Feder	1	
3	1A019181	Verschiebenocken	1	
4	1A013663	Schaltgabel Trommel	1	
5	AP8152285	TE Schr. m. Flansch	1	
6	1A012987	Hebel	1	
7	1A018584	Feder	1	
8	857494	O-Ring	1	
9	B016796	Linsenkopfschraube Torx	2	
10	1A018583	Spezialschraube	1	
11	1A003049	TBEI Schraube	2	
12	1A013659	Rückhalteplatte	1	
13	874599	Schaltgabel	1	
14	849360	Schaltgabel	2	
15	873772	Schaltstange	2	
16	2D000300	Gear position sensor	1	

Einheit	Motor
Code	03.180
Beschreibung	Schaltgetriebe - Zahnräder
Inspektion	1



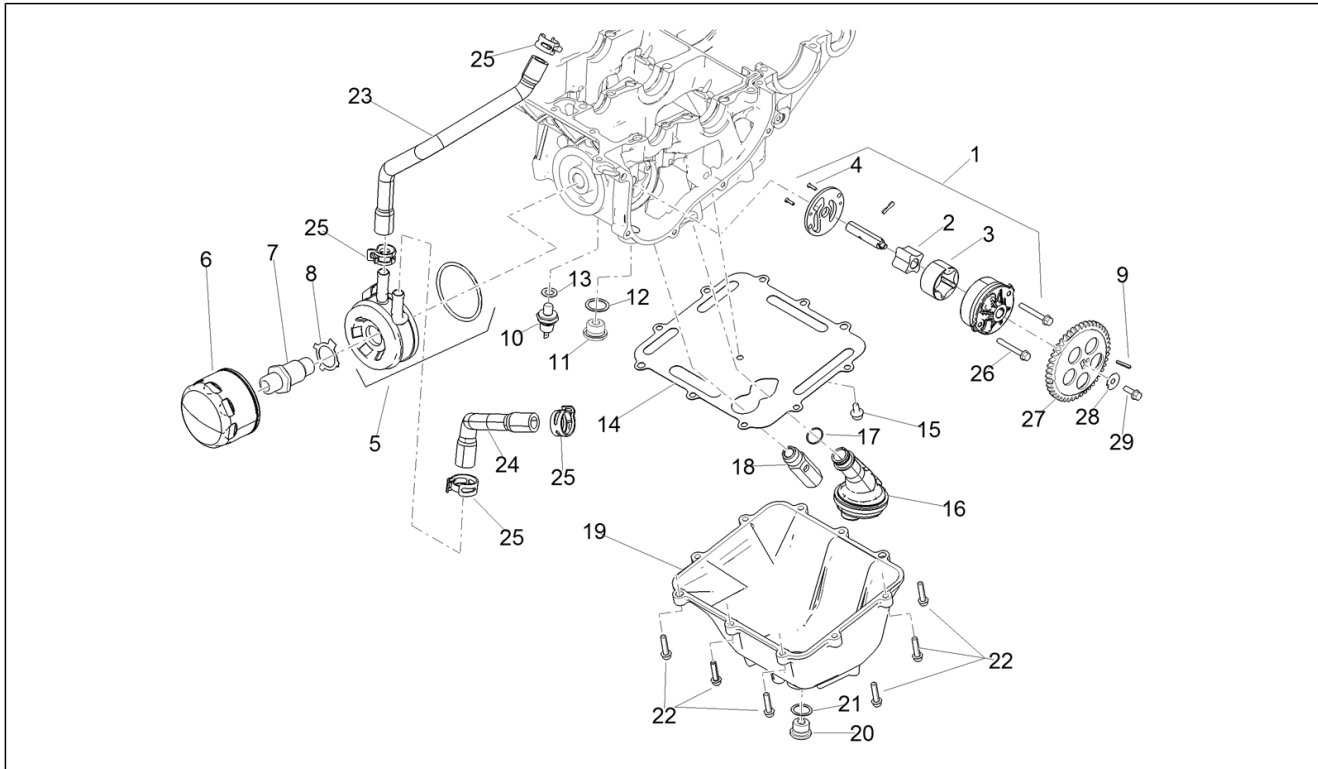
Pos.	Code	Beschreibung	Menge	Varianten
1	1A019499	Hauptwelle	1	
2	1A018886	Wechselrad 5. gang	1	
3	1A018890	Zahnrad 3-4.gang	1	
4	1A018887	Zahnrad 6. Gang	1	
5	1A012118	Zahnrad 2. Gang	1	
6	1A016957	Zahnrad 1.gang	1	
7	1A018889	Zahnrad 5.gang	1	
8	1A018888	Zahnrad 4.gang	1	
9	1A019882	Zahnrad 3.gang	1	
10	1A018086	Zahnrad 6. Gang	1	
11	1A018085	Zahnrad 2. Gang	1	
12	1A012117	Festrad	1	
13	2B006795	Ritzel Z-17	1	
14	2B002193	Tellerfeder	1	
15	2B002191	T-Buchse	1	
16	B043047	TE Schr. m. Flansch M10x25	1	
17	849308	Buchse Beweglich	3	
18	871901	Dichtung OR	1	
19	974558	Distanzscheibe	1	
20	1A017027	Ausgleichsscheibe	1	
21	849424	Bundscheibe	2	
22	849426	Sprengring	2	
23	849310	Bundscheibe	4	
24	849309	Bundscheibe	1	
25	849311	Sprengring	5	
26	974320	Unterlegscheibe	1	
27	1A016199	Schmierleitung	1	
28	224035	O-Ring	1	

Einheit	Motor
Code	03.180
Beschreibung	Schaltgetriebe - Zahnräder
Inspektion	1



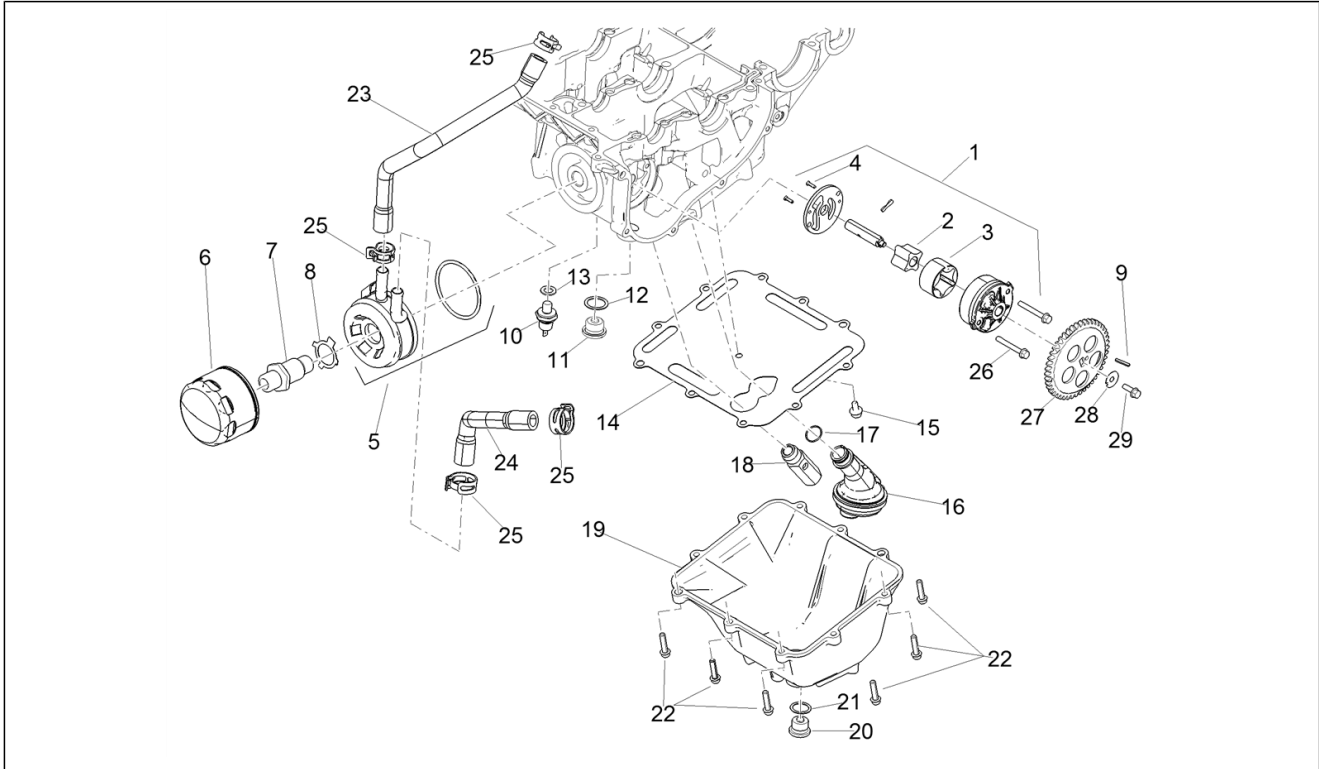
Pos.	Code	Beschreibung	Menge	Varianten
29	2B006792	Distanzscheibe	1	

Einheit	Motor
Code	03.190
Beschreibung	Schmierung
Inspektion	1



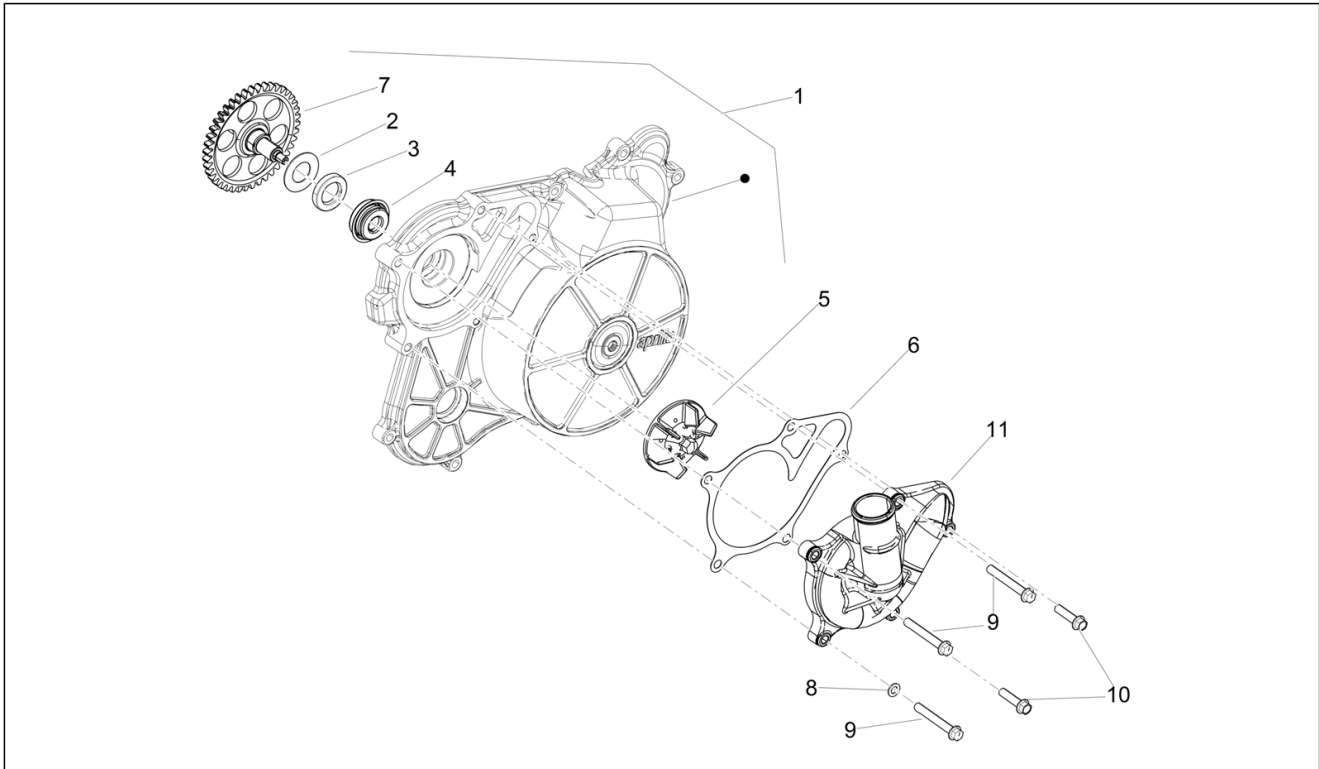
Pos.	Code	Beschreibung	Menge	Varianten
1	1A015578	Ölpumpe komplett	1	
2	1A017357	Innenrotor	1	
3	1A017358	Außenrotor	1	
4	436739	Senkschraube mit Kreuzschlitz M3x12	2	
5	1A015801	Wasser-Öl-Wärmetauscher	1	
6	857187	Ölfiltereinsatz	1	
7	1A013090	Ölfilteranschluss	1	
8	1A013847	Sprengring	1	
9	GU92296723	Rolle	1	
10	1D001138	Öldrucksensor	1	
11	1A013477	Deckel	1	
12	1A013737	Flachscheibe	1	
13	AP9150472	Ausgleichscheibe 10,5x17x1,5	1	
14	1A019932	Ölwannendichtung	1	
15	1A003153	Sechskantschraube geflanscht	1	
16	1A016029	Oil strainer	1	
17	478012	O-Ring	1	
18	1A017610	Öl-druckreglerventil	1	
19	1A018736	Pfropfen	1	
20	1A012848	Magnetverschluss	1	
21	831393	Dichtung	1	
22	874549	Sechskantschraube geflanscht	10	
23	1A016024	Verbindungsleitung	1	
24	2B005351	k ³ hleitung	1	
25	CM226902	Federschelle 19/12	4	
26	1A013000	Sechskantschraube geflanscht	2	
27	1A016035	Zahnrad Ölpumpe	1	
28	1A014411	Tellerfeder	1	

Einheit	Motor
Code	03.190
Beschreibung	Schmierung
Inspektion	1



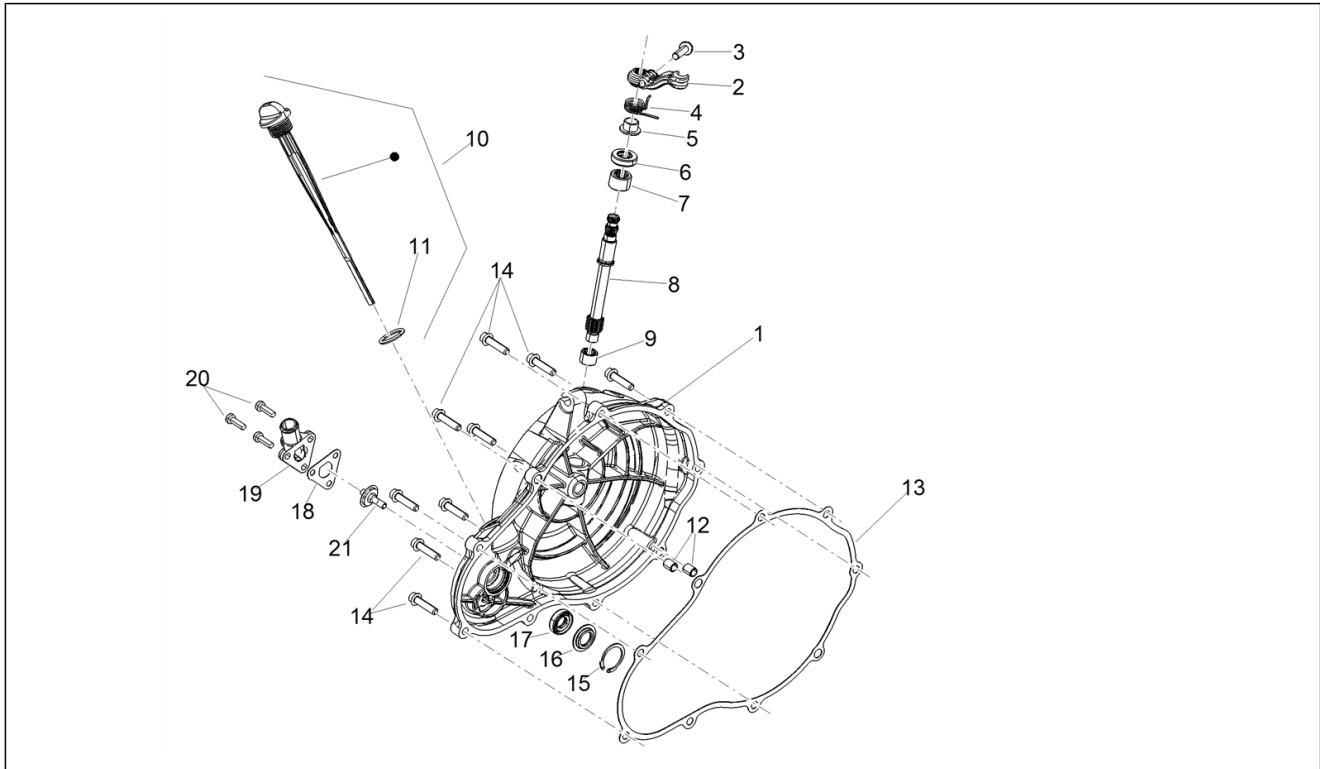
Pos.	Code	Beschreibung	Menge	Varianten
29	1A014410	Sechskantschraube M7x18 vorimprägniert	1	

Einheit	Motor
Code	03.210
Beschreibung	Wasserpumpe
Inspektion	1



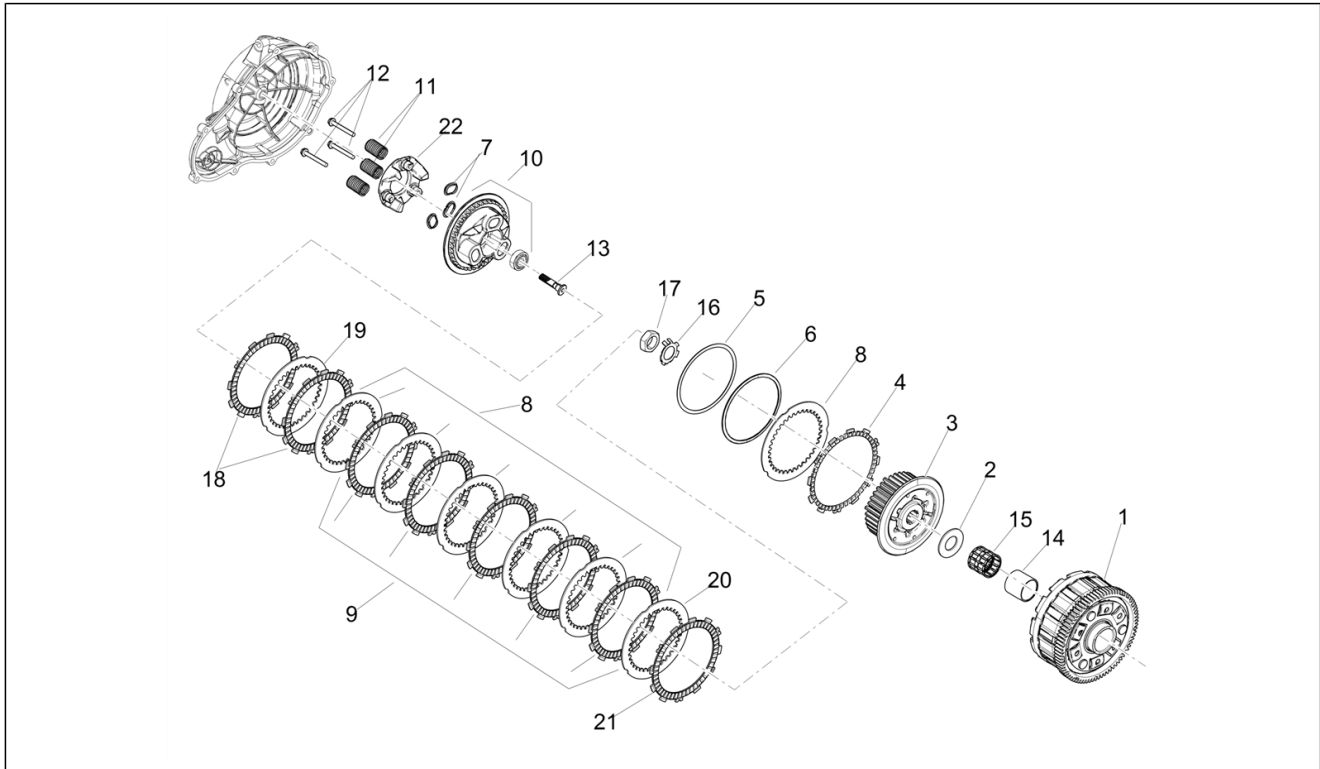
Pos.	Code	Beschreibung	Menge	Varianten
1	1A0128614	Lichtmaschinendeckel komplett	1	
2	434885	Flachscheibe 17x32x1	1	
3	B016998	Dichtring	1	
4	82991R	Dichtring	1	
5	1A012869	Wasserpumpenrad	1	
6	1A013510	Pumpendichtung	1	
7	1A018484	Wasserpumpenzahnrad	1	
8	847239	Ausgleichscheibe	1	
9	B017632	Flanschschraube	3	
10	874549	Sechskantschraube geflanscht	2	
11	1A016769	Deckel Wasserpumpe	1	

Einheit	Motor
Code	03.220
Beschreibung	Kupplungsdeckel
Inspektion	1



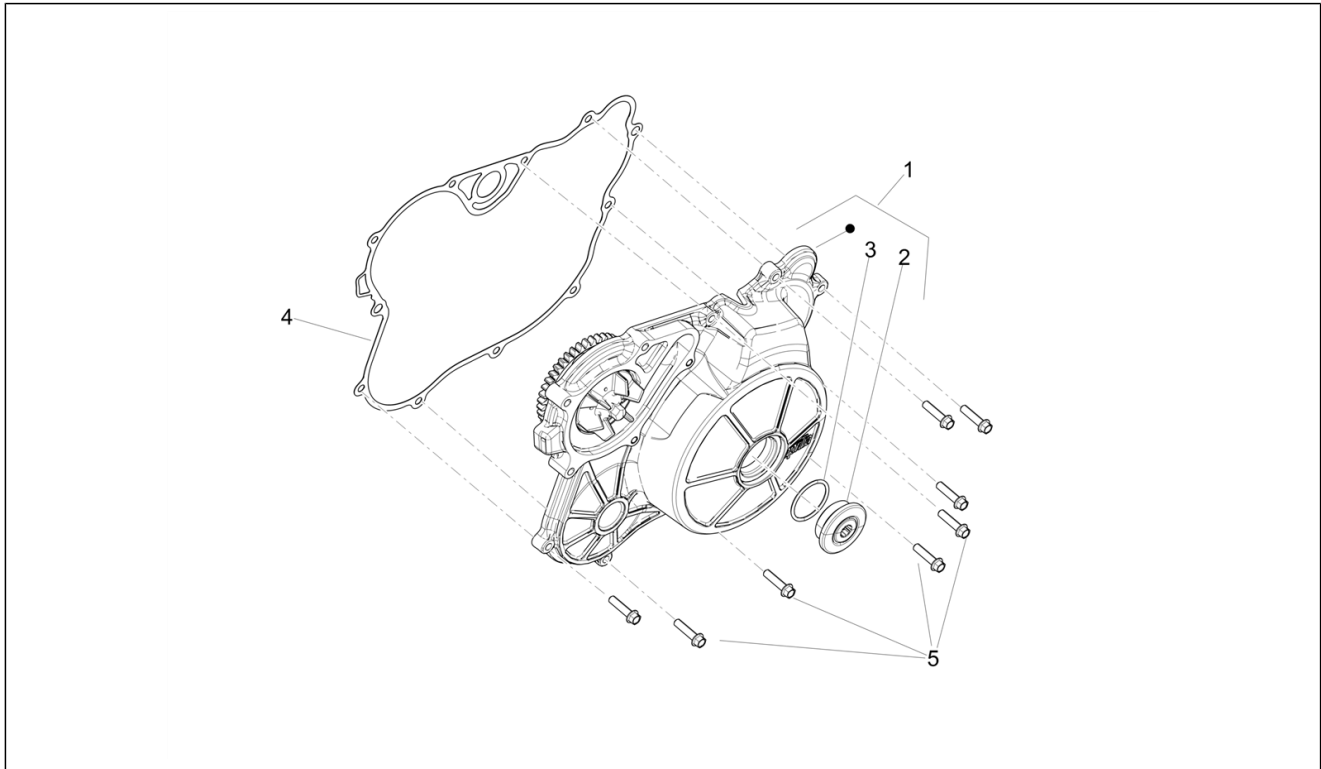
Pos.	Code	Beschreibung	Menge	Varianten
1	1A019260	Kupplungsdeckel	1	
2	1A018062	Kupplungshebel	1	
3	AP8152279	TE Schr. m. Flansch M6x20	1	
4	857461	Rückholfeder Kupplungsfeder	1	
5	857460	T-Buchse	1	
6	1A017552	Dichtring 12X22	1	
7	B045224	Nadelhülse 12x8x12	1	
8	1A017986R	Kupplungswelle	1	
9	B045225	Nadelhülse 10x14x10	1	
10	1A015338	Öldeckel komplett	1	
11	AP9150356	O-Ring D18,72x2,62	1	
12	411209	Führungsstift	2	
13	1A013509	Dichtung für Kupplungsdeckel	1	
14	874549	Sechskantschraube geflanscht	8	
15	880701	Seegerring	1	
16	879320	Distanzscheibe	1	
17	1A019621	Ölabstreifring D12x22x6	1	
18	1A019262	Dichtung	1	
19	1A019261	Deckel ölentlüftung	1	
20	857048	Schraube M5x16	3	
21	1A019359	Spezialschraube	1	
21	1A019163	Spezialschraube	1	

Einheit	Motor
Code	03.230
Beschreibung	Kupplung
Inspektion	1



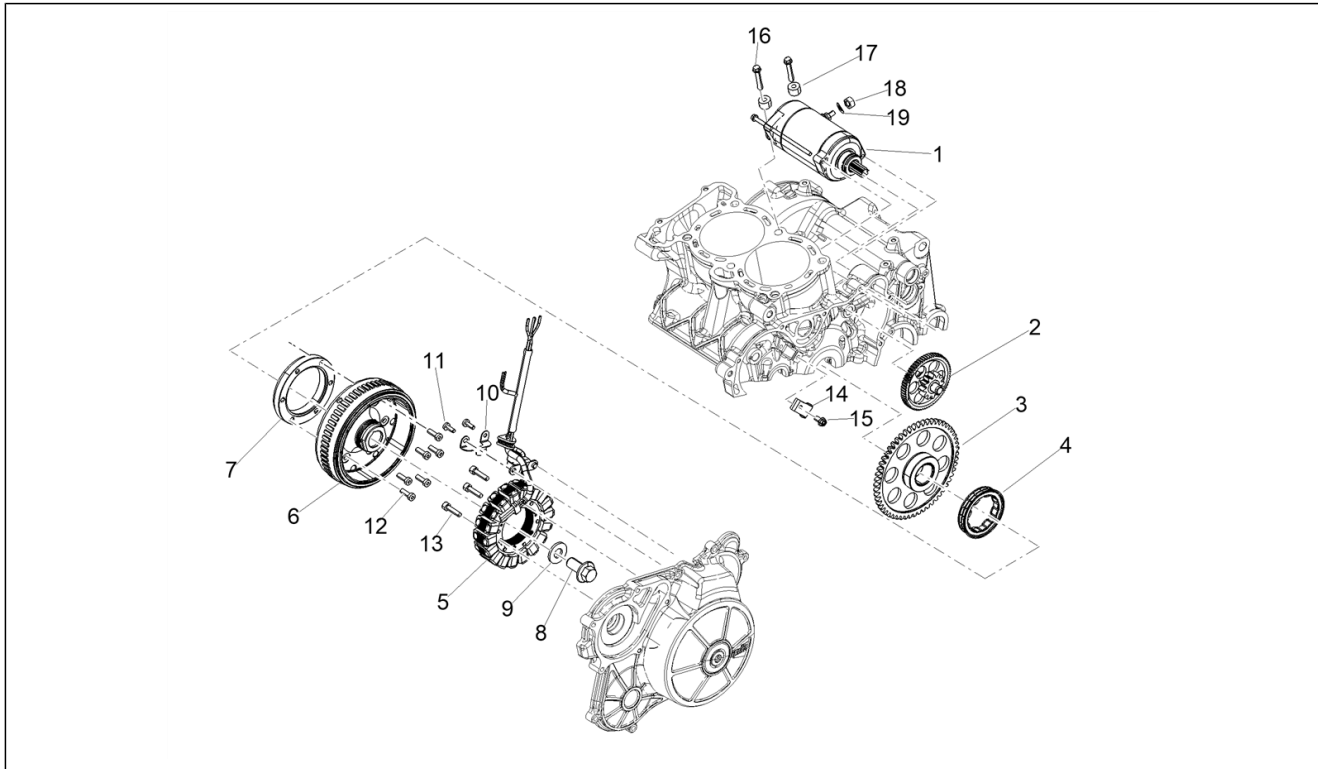
Pos.	Code	Beschreibung	Menge	Varianten
1	1A018690	Kupplungsglocke	1	
2	974320	Unterlegscheibe	1	
3	1A018699	Mitnehmer	1	
4	1A018702	Treibende Kuppl.scheibe	1	
5	1A018701	Unterlegscheibe	1	
6	879315	Tellerfeder	1	
7	1A018693	Rückhalter feder	3	
8	2A000929	Getriebene Kuppl.scheibe	6	
9	2A000927	Treibende Kuppl.scheibe	5	
10	1A018696	Andrückfeder	1	
11	1A018698	Feder	3	
12	1A018700	Schraube M6	3	
13	2A001091	Kupplung Klinke	1	
14	873543	Distanzscheibe	1	
15	974361	Nadelkaefig 35X40X35,8	1	
16	1A018089	Sprengring	1	
17	876790	Mutter	1	
18	1A018694	Treibende Kuppl.scheibe	2	
19	1A018695	Treibende Kuppl.scheibe	1	
20	1A010613	Getriebene Kuppl.scheibe nitr.	1	
21	1A010611	Treibende Kuppl.scheibe gedr.	1	
22	1A018703	Druckscheibe	1	

Einheit	Motor
Code	03.270
Beschreibung	Zuenderdeckel
Inspektion	1



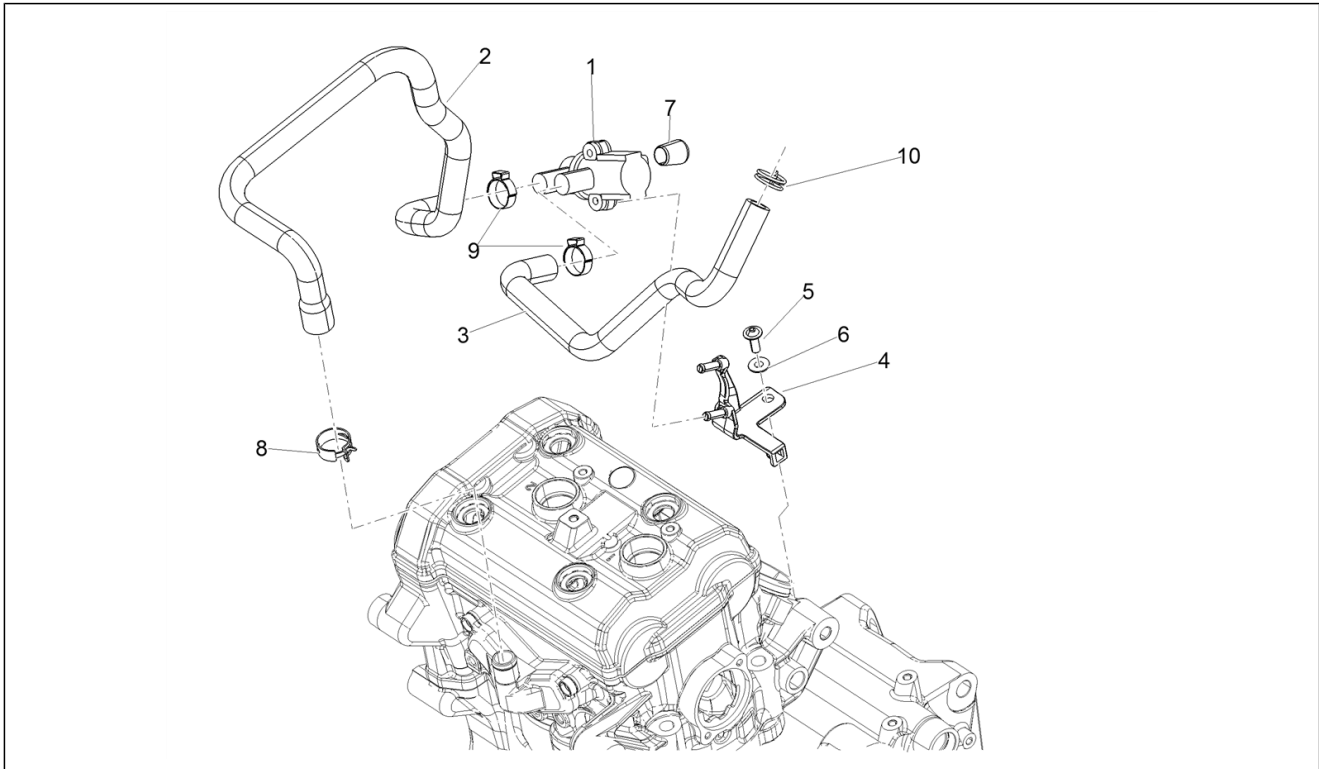
Pos.	Code	Beschreibung	Menge	Varianten
1	1A0128614	Lichtmaschinendeckel komplett	1	
2	1A016703	Deckel	1	
3	974219	Dichtung	1	
4	1A013508	Dichtg. Schwgrdabd.	1	
5	874549	Sechskantschraube geflanscht	8	

Einheit	Motor
Code	03.300
Beschreibung	Schwungmagnetstarter / Zündung
Inspektion	1



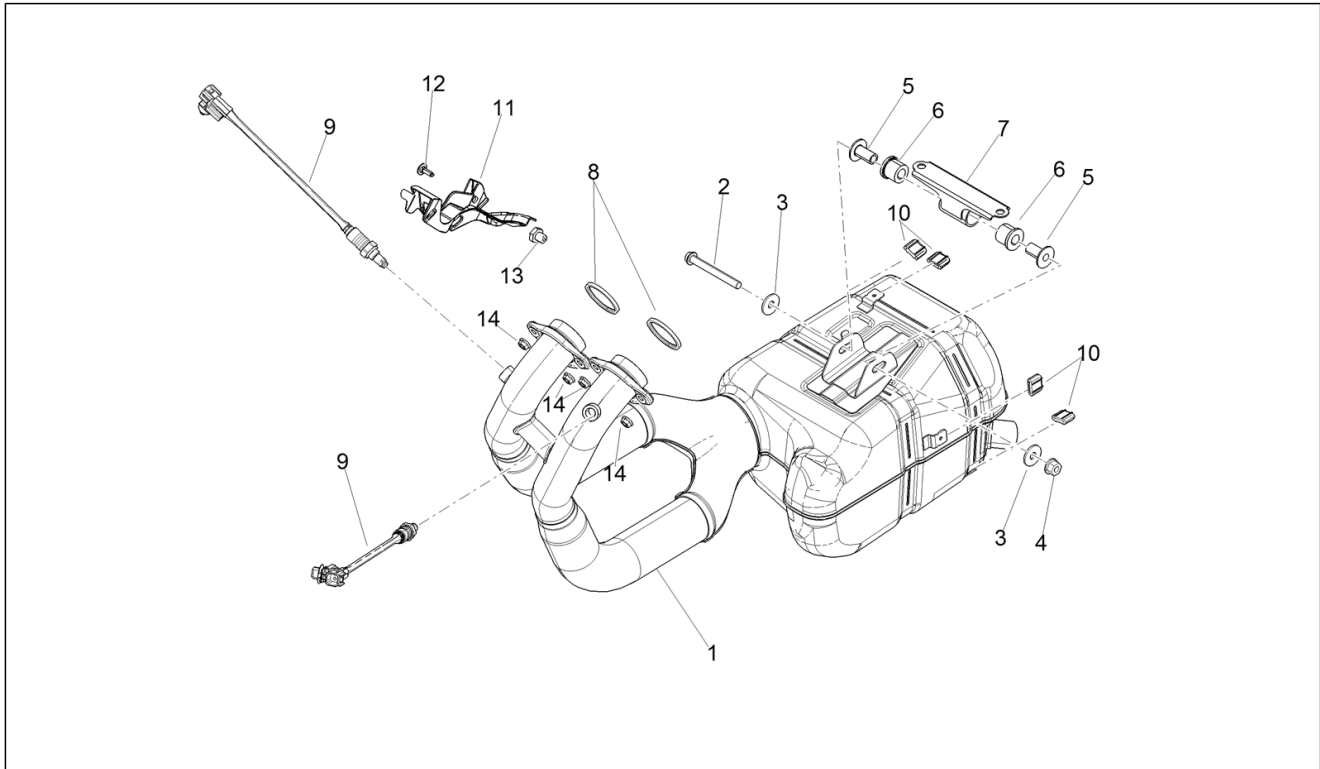
Pos.	Code	Beschreibung	Menge	Varianten
1	B044495	Startermotor	1	
2	1A012162	Vorgelege elektrischer Anlasser	1	
3	848714	Zahnkranz Starter	1	
4	830389	Freilauftrad	1	
5	1A019557	Stator komplett	1	
6	1A016098	Rotor komplett	1	
7	82964R	Flansch Freilauftrad	1	
8	B015563	TE Schr. m. Flansch M14x30	1	
9	825725	Flachscheibe 14.1x30x3	1	
10	1A013141	Kabelplatte	1	
11	1A002950	Schraube M5X14	2	
12	B013207	Zylinderkopfschraube Innensechskant M6x18	6	
13	1A002951	TCEI Schraube M6X30	3	
14	848845	Platte	1	
15	878872	Sechskantschraube geflanscht	1	
16	414838	Sechskantschraube geflanscht M6x35	2	
17	184400	H. Distanzscheibe	2	
18	AP8152299	Selbstsperrende Mutter M6	1	
19	658830	Gebogene Sprengscheibe 6x12	1	

Einheit	Motor
Code	03.320
Beschreibung	Secondary air
Inspektion	1



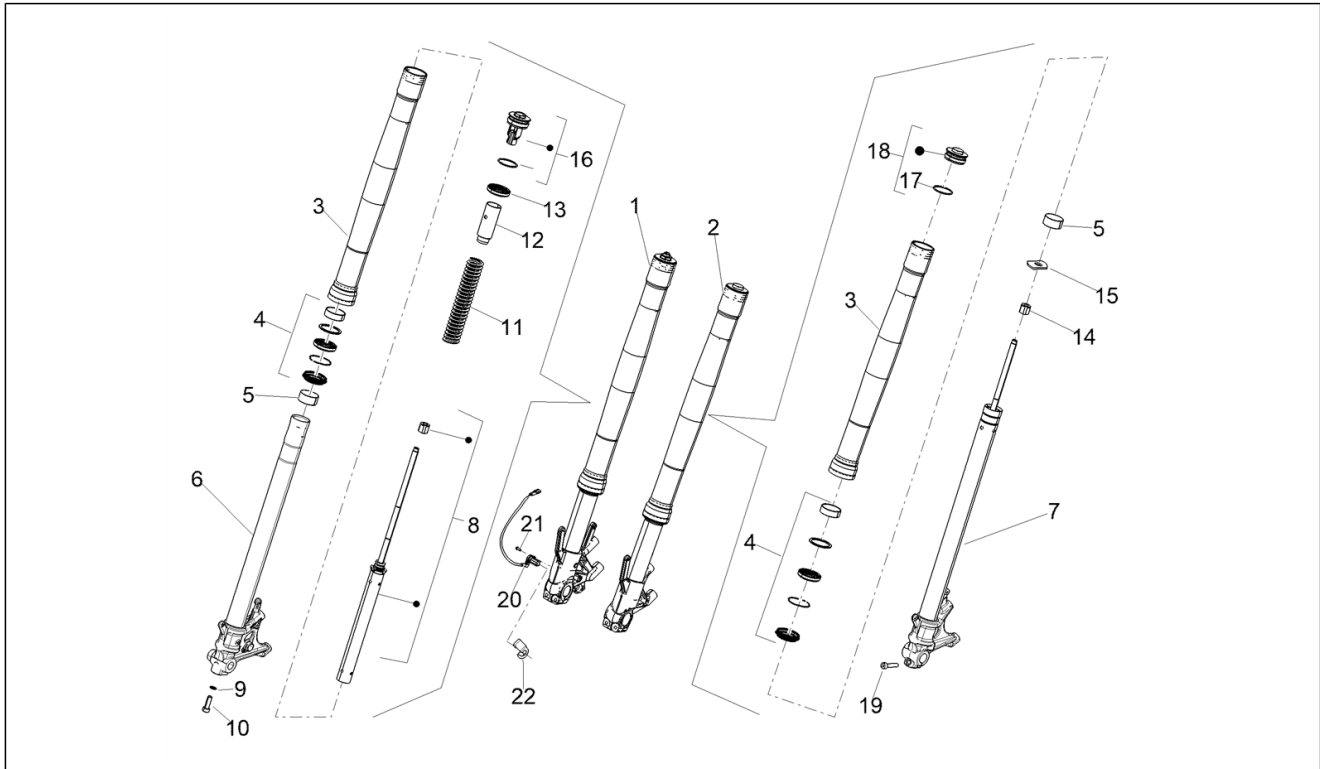
Pos.	Code	Beschreibung	Menge	Varianten
1	857181	SAS ventil	1	
2	2B005515	Nebenluftleitung	1	
3	2B005514	Sekundärluftleitung Airbox	1	
4	2B005567	Halterbügel	1	
5	AP8152246	TBEI Schraube m.Flansch M6x16	1	
6	AP8121032	Buchse	1	
7	AP8141132	Gummi	1	
8	CM225401	Schlauchschelle	1	
9	CM001905	Schlauchschelle	2	
10	CM002912	Schlauchschelle	1	

Einheit	Motor
Code	03.330
Beschreibung	Auspufftopf
Inspektion	1



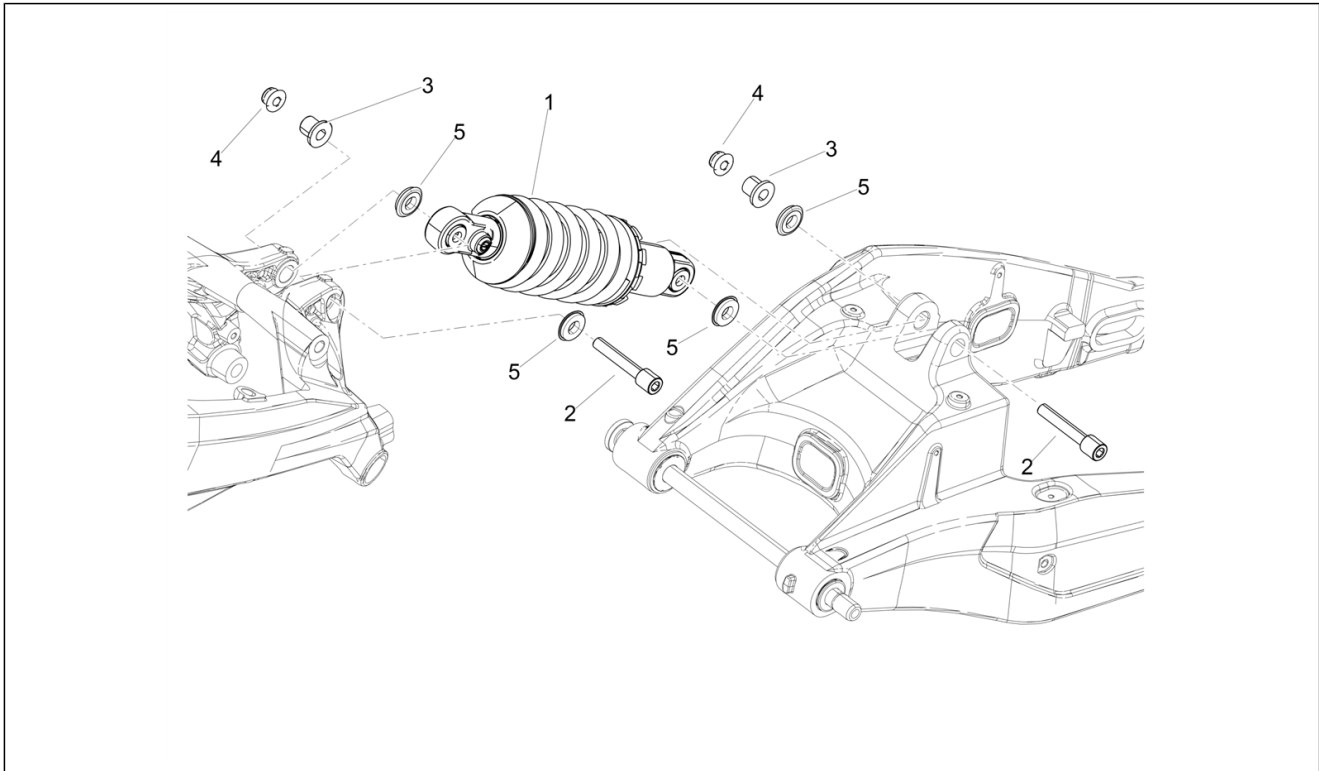
Pos.	Code	Beschreibung	Menge	Varianten
1	2B005290	Auspufftopf	1	
2	AP8152293	TE Schr. m. Flansch	1	
3	AP8150018	Ausgleichscheibe	2	
4	967363	Mutter M8x1,25	1	
5	2B006742	Gummi	2	
6	AP8121509	Buchse	2	
7	2B006844	Bügel	1	
8	852090	Dichtung Auspuffrohr	2	
9	1A014335	Lamdasonde	2	
10	2B007247	Gummi	4	
11	2B008186	Halterung	1	
12	AP8152302	TBEI Schraube m.Flansch M5x12	1	
13	2B007076	Buchse	1	
14	436947	Sechskantmutter geflanscht M7x1 H=8	4	

Einheit	Radaufhängungen
Code	04.040
Beschreibung	Vorderradgabel Kayaba
Inspektion	1



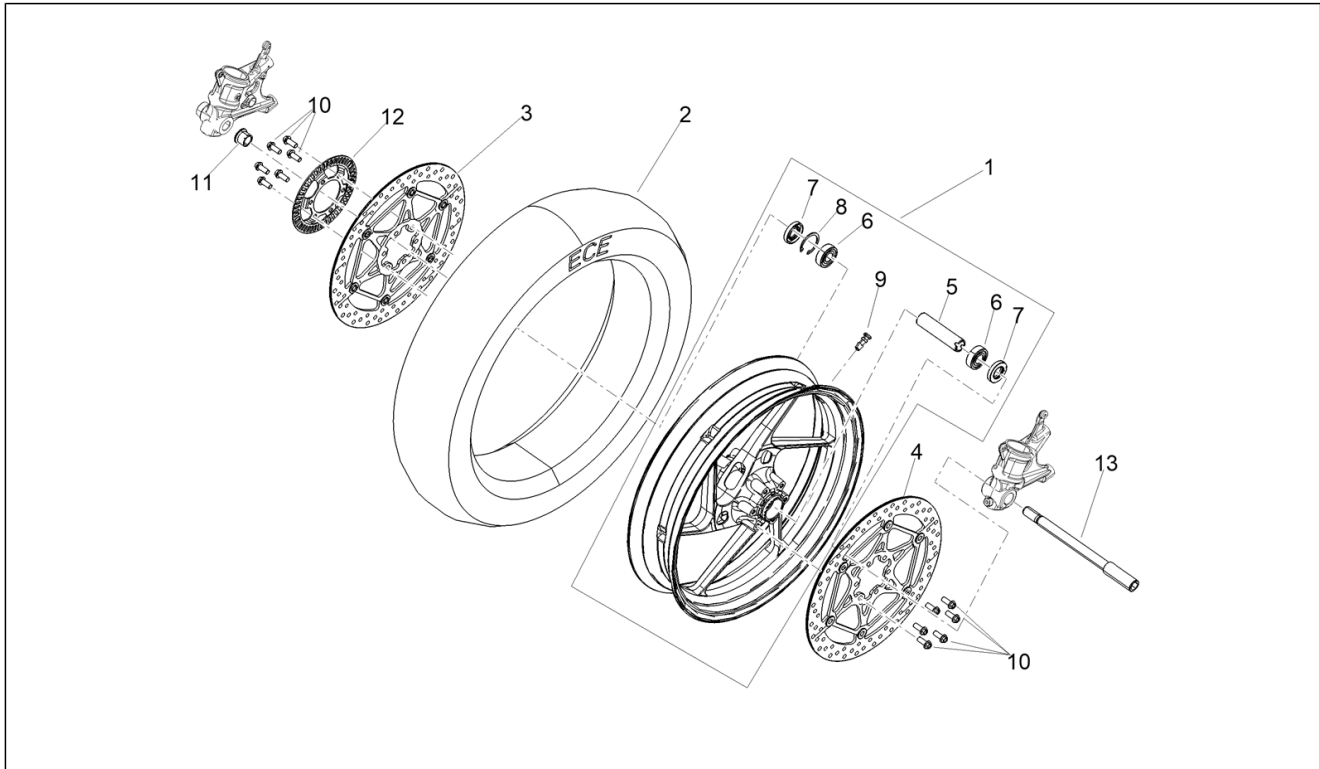
Pos.	Code	Beschreibung	Menge	Varianten
1	2B007921	Kolbenstange rechts kpl.	1	
2	2B007922	Kolbenstange links kpl.	1	
3	2B008001	Hülse	1	
4	2B004402	Mot.Ölabstreifring set	1	
5	2B004403	Buchse	1	
6	2B008002	Kolbenstange rechts	1	
7	2B007920	Kolbenstange links	1	
8	2B007913	Pumpenrad kplt.	1	
9	2B004406	Flachscheibe	2	
10	2B004407	Schraube	2	
11	2B007910	Feder	1	
12	2B004421	Vorspannrohr	1	
13	2B004422	Unterlegscheibe	1	
14	2B004410	Puffer	1	
15	2B004411	Mutter	1	
16	2B007996	Verschlusschraube mit OR	1	
17	2B004414	O-Ring	1	
18	2B004413	Verschlusschraube mit OR	1	
19	890638	TCEI Schraube	1	
20	859792	ABS-Sensor	1	
21	AP8152268	TBEI Spez.schr. M5x16	1	
22	2B009302	ABS	1	

Einheit	Radaufhängungen
Code	04.080
Beschreibung	Stoßdämpfer
Inspektion	1



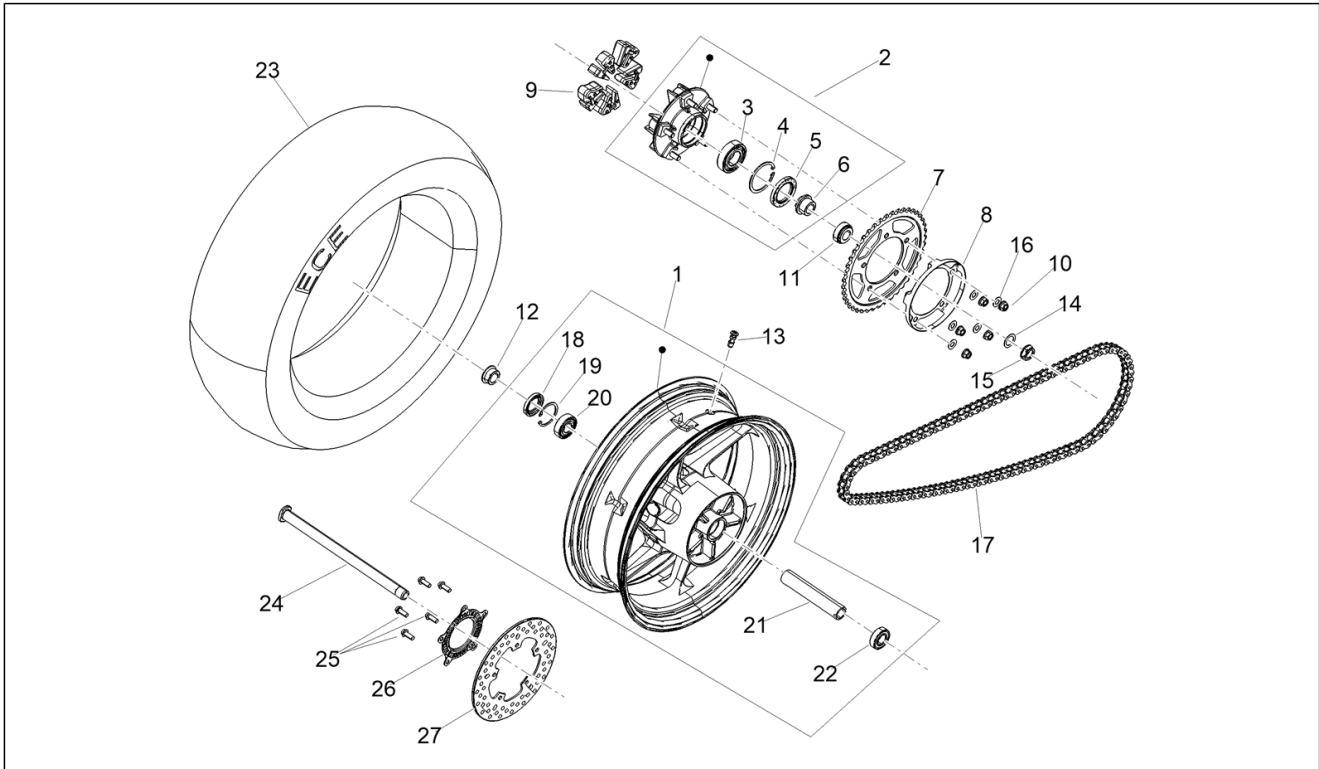
Pos.	Code	Beschreibung	Menge	Varianten
1	2B005358	Stoßdämpfer hinten	1	
2	AP8152411	TCEI Schraube M10x59	2	
3	AP8121155	T-Buchse *	2	
4	AP8152301	Selbstsperrende Mutter	2	
5	2B007902	Buchse	4	

Einheit	Räder
Code	05.010
Beschreibung	Vorderrad
Inspektion	1



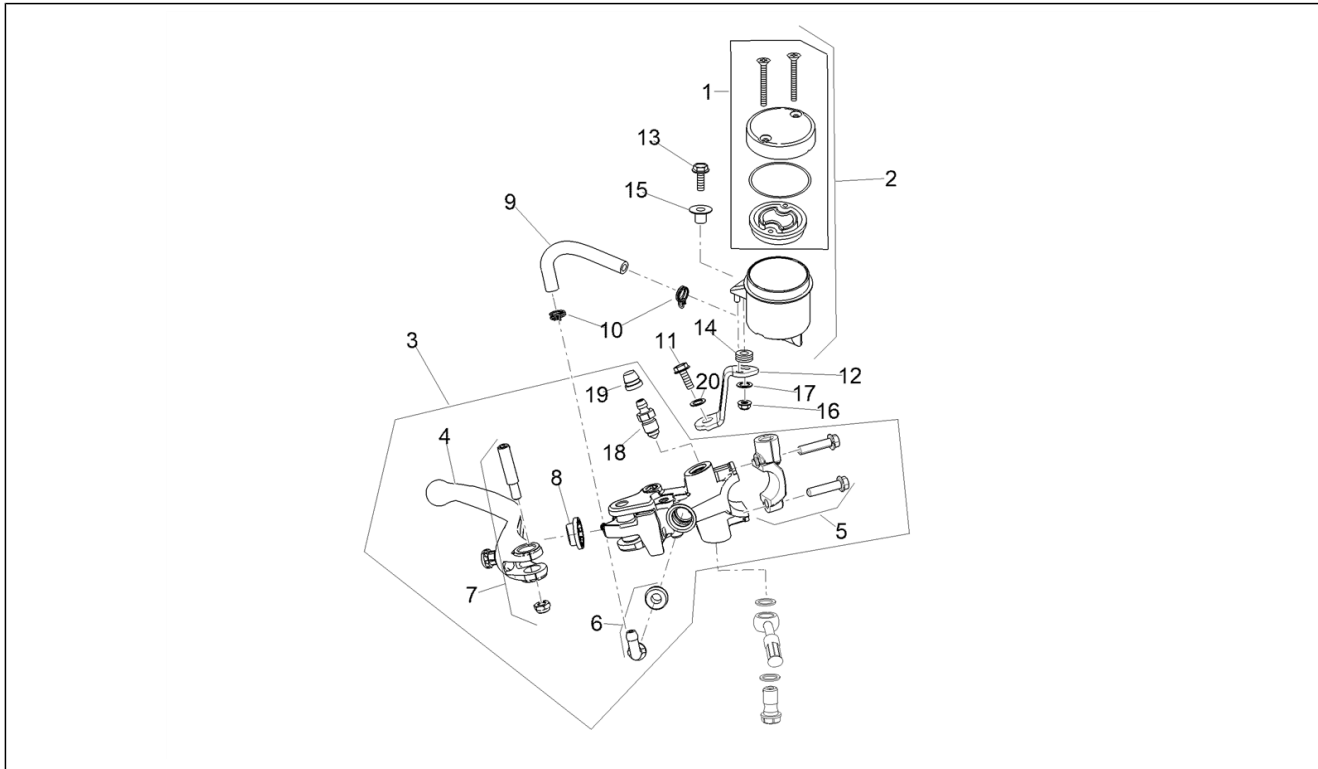
Pos.	Code	Beschreibung	Menge	Varianten
1	2B005585	Vorderrad komplett mit Lagern 3.5X17"	1	
2	2B007585	Vorderreifen "Pirelli"	1	
2	2B006829	Vorderreifen "Dunlop"	1	
3	B044279	Vorderradbremsscheibe	1	
4	B044280	Vorderradbremsscheibe SX	1	
5	2B006183	Innen V.rad Distanzscheibe	1	
6	2B007579	Kugellager 17x40x12	2	
7	2B006236	Dichtring 22X40X7 NBR75	2	
8	825667	Seegerring	1	
9	AP8104728	Schlauchloses Reifenventil 90°	1	
10	2B002416	TE Schr. m. Flansch M8x20	12	
11	2B006215	R. Distanzscheibe Vorderrad	1	
12	2B004778	Hallgeber ABS	1	
13	2B006202	Vorderradbolzen	1	

Einheit	Räder
Code	05.020
Beschreibung	Hinterrad
Inspektion	1



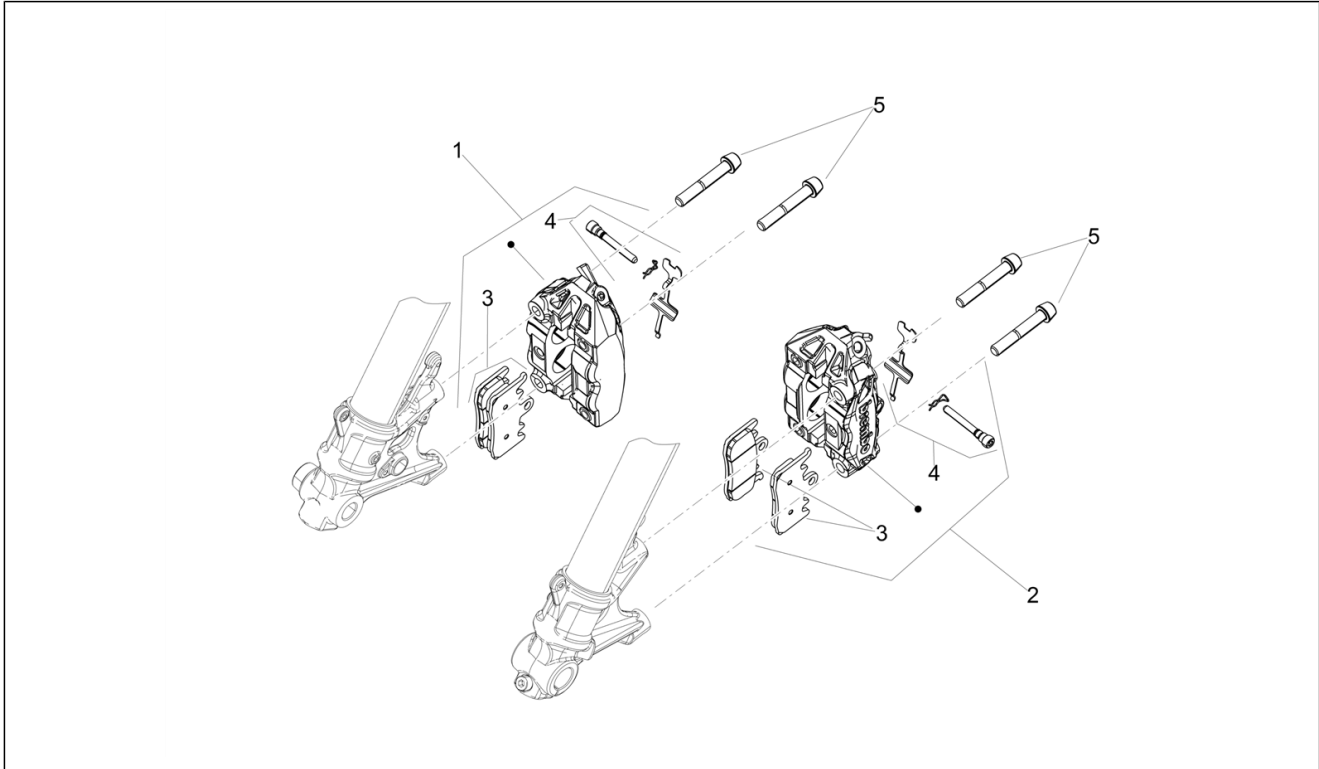
Pos.	Code	Beschreibung	Menge	Varianten
1	2B008370	Hinterrad 5.5x17"	1	
2	2B006240	Radkranzhalter kplt.	1	
3	832848	Radiallager	1	
4	006662	Sprengring	1	
5	2B006559	Dichtring 40X62X7 NBR75	1	
6	2B006285	elast. Distanzstück	1	
7	CM306201	Zahnkranz Z=43	1	
8	2B006060	Kettenschutz	1	
9	2B006242	Gummipuffer Torsionsdämpfer	5	
10	2B002634	Mutter DAX M10x1,25	5	
11	2B006283	Hinterrad Distanzscheibe	1	
12	2B006284	Hinterrad Distanzscheibe	1	
13	AP8104728	Schlauchloses Reifenventil 90°	1	
14	AP8125687	U-scheibe Hint.radbolz	1	
15	648708	Hinterradbolzen mut.	1	
16	2B007292	Flachscheibe	1	
17	AP8107168	Kette	1	
18	AP8125841	Dichtring 30x47x7	1	
19	006647	Seegerring	1	
20	2B007580	Lager	1	
21	2B006246	Innen H.rad Distanzscheibe	1	
22	2B007581	Kugellager 20x47x14	1	
23	2B007586	Hinterreifen 180/55-17" "Pirelli"	1	
23	2B006830	Hinterreifen 180/55-17" "Dunlop"	1	
24	2B006173	Radachse	1	
25	2B002416	TE Schr. m. Flansch M8x20	5	
26	890960	Phonic wheel ABS	1	
27	85248R	Bremsscheibe	1	

Einheit	Bremsanlage
Code	06.010
Beschreibung	Vorderradbremspumpe
Inspektion	1



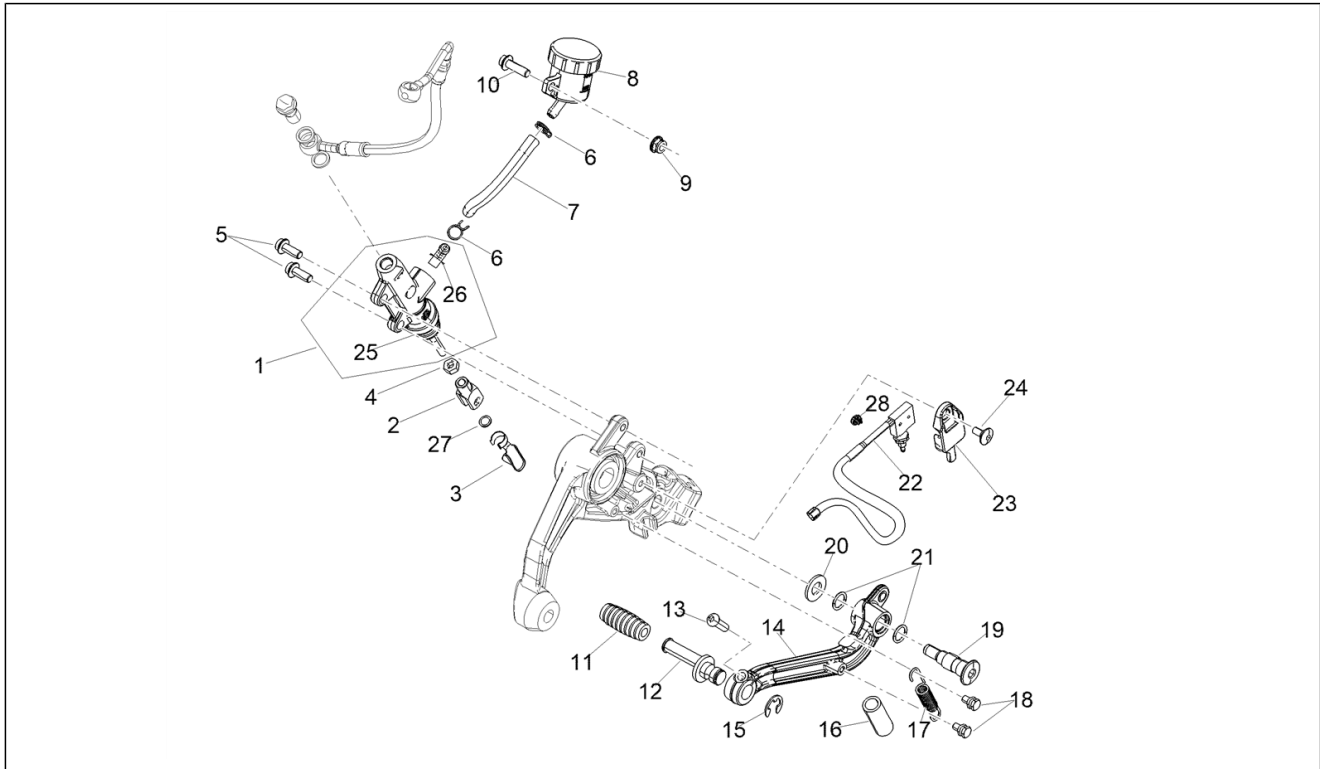
Pos.	Code	Beschreibung	Menge	Varianten
1	2B007234	Bremsen-Öltankschraube	1	
2	2B007235	Öltank Bremsen	1	
3	2B007726	Bremszylinder vorne	1	
4	2B002986	Vorderradbremshebel	1	
5	2B002996	[...]	1	
6	AP8213057	Hinterer Pumpenanschluß	1	
7	AP8133666	Hebelbolzen	1	
8	B044585	Haube Bremszyl.vorn	1	
9	2B005379	Ölbehälterleitung	1	
10	AP8101595	Schelle D10,1	2	
11	AP8150340	TBEI Schraube M6X12	1	
12	2B002993	Bremsen Öltankhalter	1	
13	AP8152137	TBEI Schraube M6x20 Z.N.	1	
14	AP8120030	Gummi	1	
15	AP8221023	T-Buchse	1	
16	AP8150474	Hutmutter Edelstahl M6	1	
17	658830	Gebogene Sprengscheibe 6x12	1	
18	AP8133502	Entlüftungsanschluß	1	
19	AP8113230	Entlüftungskappe	1	
20	AP8150182	Gebogene Sprengscheibe *	1	

Einheit	Bremsanlage
Code	06.020
Beschreibung	Vorderradbremzange
Inspektion	1



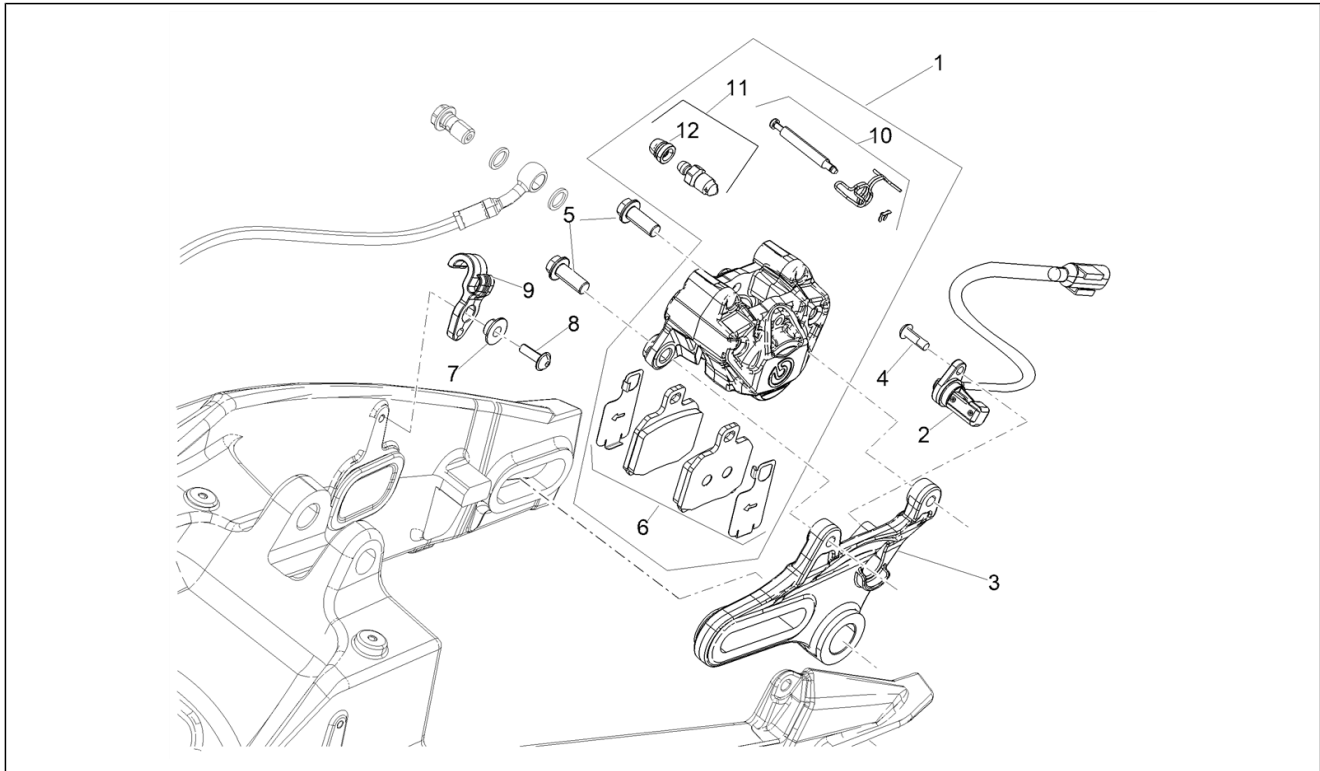
Pos.	Code	Beschreibung	Menge	Varianten
1	2B006451	Vorderradbremzange r.	1	
2	2B006452	Vorderradbremzange l.	1	
3	2B000214	Beläge (paar)	1	
4	B044598	Kit Zapfen+Feder+Splint	1	
5	2B005564	Zylinderschraube M10x1,25x55	1	

Einheit	Bremsanlage
Code	06.030
Beschreibung	Hinterradbremspumpe
Inspektion	1



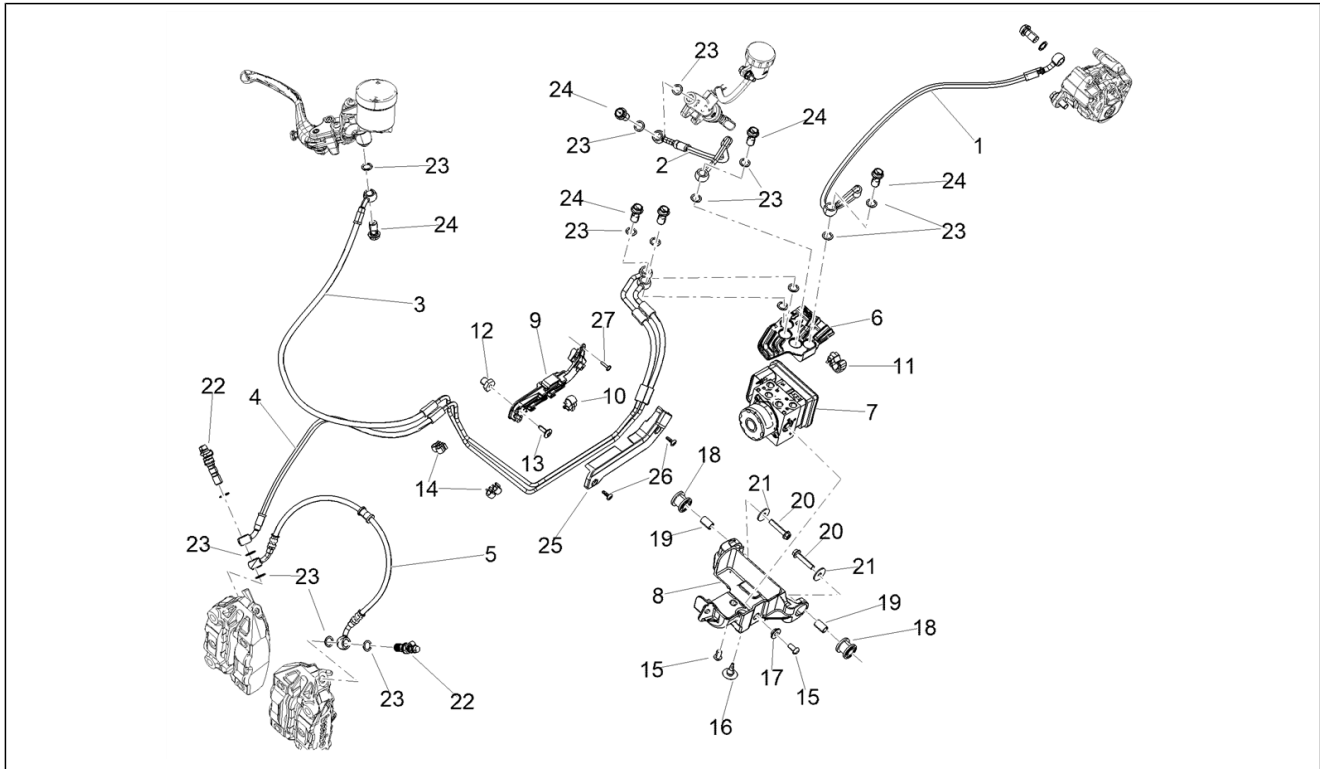
Pos.	Code	Beschreibung	Menge	Varianten
1	2B007140	Hinterradbremspumpe	1	
2	AP8113081	Schaltgabel	1	
3	AP8113082	Klemmen für Schaltgabel	1	
4	AP8150026	Mutter M6	1	
5	AP8152278	TE Schr. m. Flansch M6x16	2	
6	AP8101595	Schelle D10,1	2	
7	2B007141	Ölbehälterleitung	1	
8	2B007248	Öltank Bremsen	1	
9	AP8152299	Selbstsperrende Mutter M6	1	
10	AP8152279	TE Schr. m. Flansch M6x20	1	
11	AP8120912	Gummi für Hebel	1	
12	AP8121221	Stift Bremshebel	1	
13	AP8224470	TBEI Schraube M6x20 inox	1	
14	2B006355	Bremshebel Hinterradbremse	1	
15	AP8150462	Seegerring d9	1	
16	AP8120822	Silent-Block Federn	1	
17	893138	Feder	1	
18	859946	Befestigungsbolzen	2	
19	884033	Hebelbolzen	1	
20	AP8150020	Ausgleichscheibe 10,5x21x2*	1	
21	AP8144007	O-Ring 11,11x1,78	2	
22	2D000325	Bremsen-/Kupplungsschalter	1	
23	2B004845	Electric device support	1	
24	AP8150500	TBEI Schraube M5x9 NERINOX	1	
25	AP8113288	Gummibalg	1	
26	AP8213057	Hinterer Pumpenanschluß	1	
27	AP8120178	O-Ring OR112	1	
28	CM013203	Feder Blechkanten	1	

Einheit	Bremsanlage
Code	06.040
Beschreibung	Hinterradbremzange
Inspektion	1



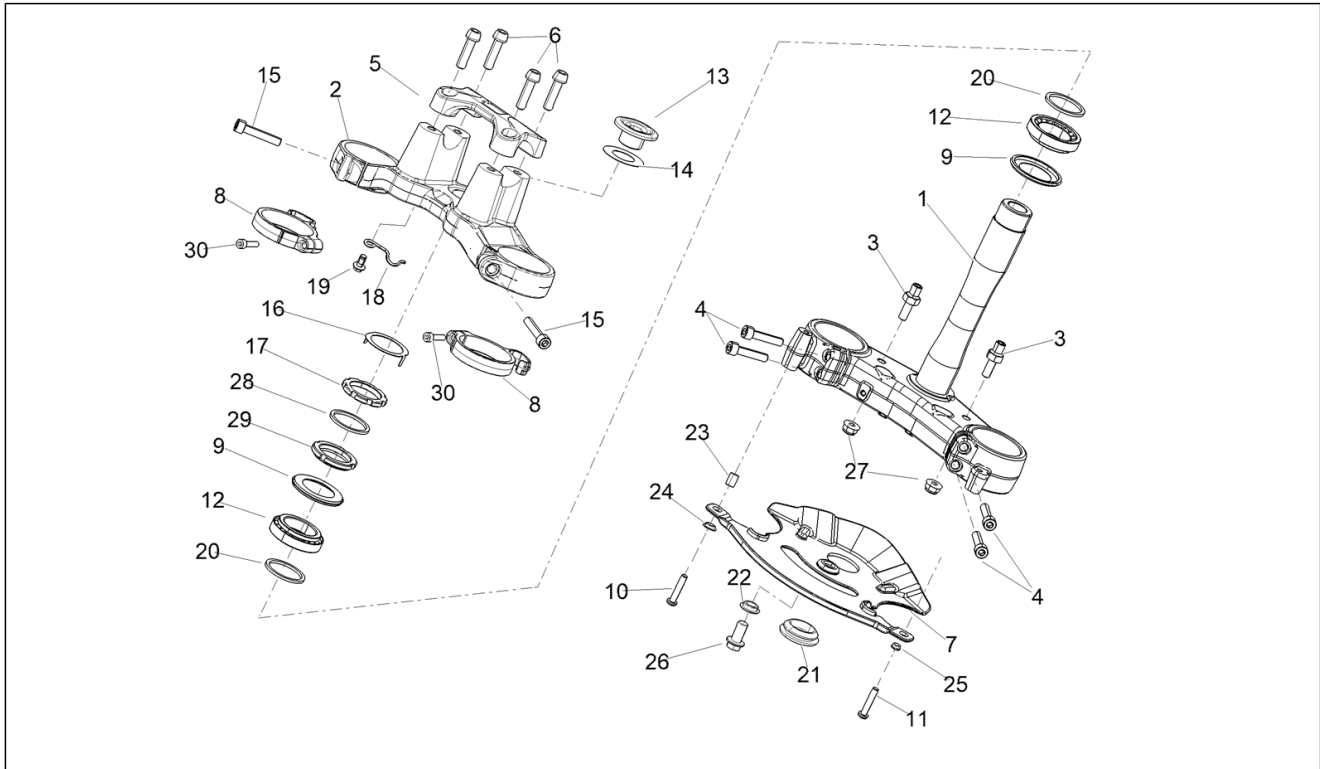
Pos.	Code	Beschreibung	Menge	Varianten
1	2B006457	Hinterradbremzange	1	
2	859792	ABS-Sensor	1	
3	2B006394	Halter. H.radbremszange	1	
4	AP8152268	TBEI Spez.schr. M5x16	1	
5	2B002418	TE Schr. m. Flansch M6x16	2	
6	893969	Beläge (Paar)	1	
7	AP8221349	T-Buchse	1	
8	AP8152298	TBEI Schraube m.Flansch M5x16	1	
9	858791	Fix. Hinterradbremsschl.	1	
10	AP8113752	Stift+Splint Bremse	1	
11	AP8113753	Entlüftungsanschluß	1	
12	AP8113070	Entlüftungskappe	1	

Einheit	Bremsanlage
Code	06.050
Beschreibung	Bremsanlage ABS
Inspektion	1



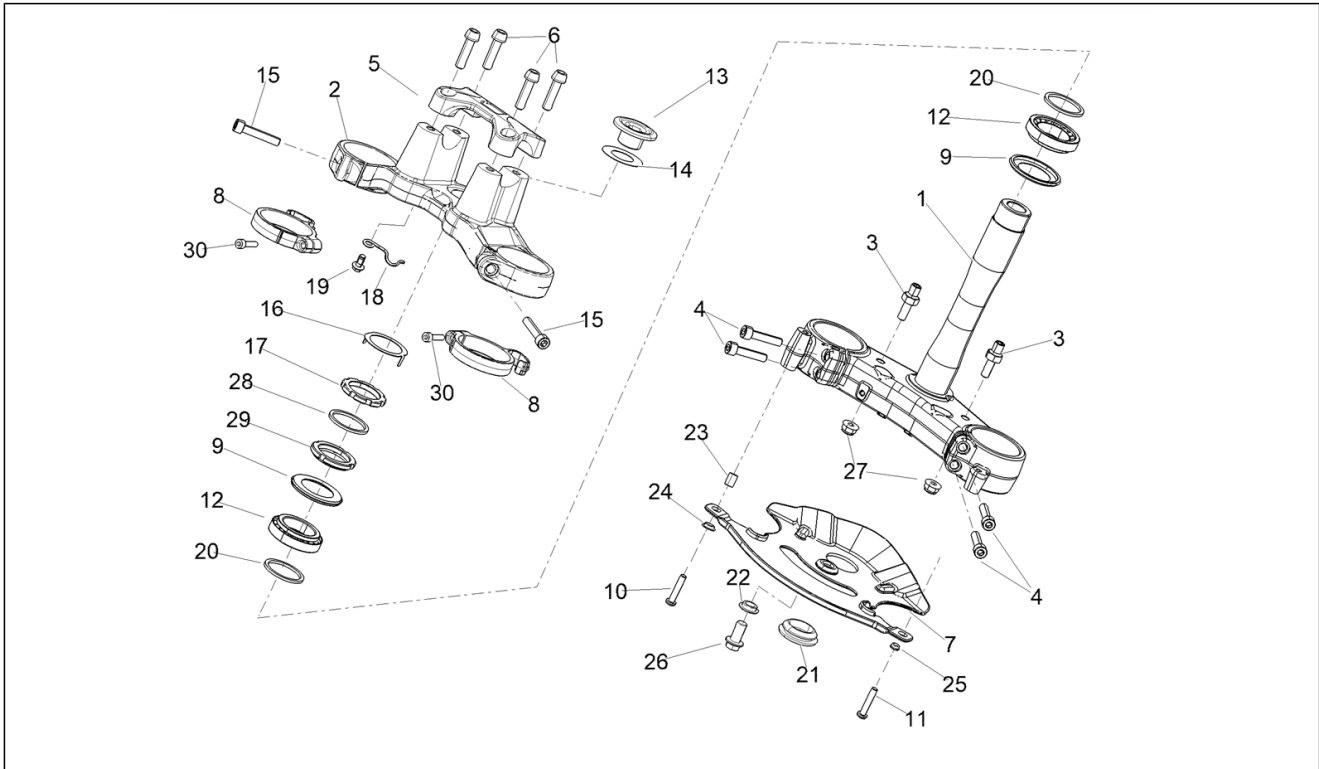
Pos.	Code	Beschreibung	Menge	Varianten
1	2B006459	Leitung Hinterradbr.Hecu ABS-Bremssattel	1	
2	2B006458	Leitung Hinterradbr.Pumpe-Hecu ABS	1	
3	2B008224	Leitung Vorderradbr.Pumpe-Hecu ABS	1	
4	2B007005	Leitung Vorderradbr.Hecu ABS-Sattel	1	
5	2B006455	Vorderradbremssleit. Sattel-Sattel	1	
6	2B006818	Platte Bremsschlauch	1	
7	2D000540	Vorgefülltes ABS-Steuergerät	1	
8	2B006807	Halterung	1	
9	2B008679	Halteplatte Bremsschlauch	1	
10	CM013203	Feder Blechkanten	2	
11	CM013201	Kleine Feder	1	
12	2B007076	Buchse	1	
13	AP8152302	TBEI Schraube m.Flansch M5x12	1	
14	2B000276	Klammer	2	
15	AP8152186	TBEI Schraube M6x12	2	
16	AP8120001	Gummi	1	
17	AP9100053	Buchse d.10-h.3,5	1	
18	AP8144328	Gummi	2	
19	AP8121718	Buchse	2	
20	AP8152281	TE Schr. m. Flansch M6x30	2	
21	297029	Unterlegscheibe	2	
22	899811	Befestigungsschraube leitungen	2	
23	AP8113004	Ausgleichscheibe 10x14x1,6*	16	
24	2B001983	Fixierschraube Ölschlauch	5	
25	2B008060		1	
26	CM178603	Blechschrabe D4.2x13	2	
27	AP8150413	Gew.schr. 3,9x14	1	

Einheit	Lenkstange - Schaltungen
Code	07.010
Beschreibung	Lenkung
Inspektion	1



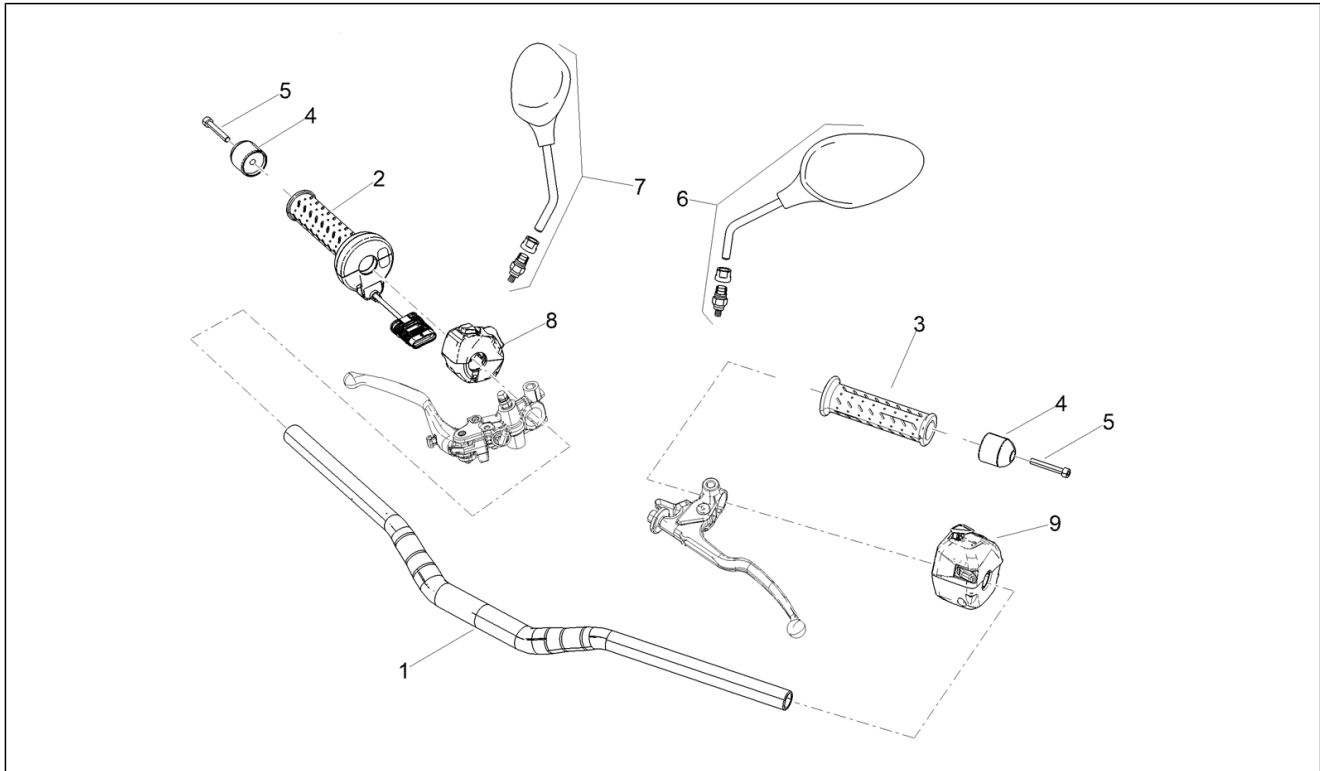
Pos.	Code	Beschreibung	Menge	Varianten
1	2B007296	Platte unter	1	
2	2B007297	Obere Gabelplatte	1	
3	2B007089	Bolzen	1	
4	AP8150236	TCEI Schraube M8x35	4	
5	2B003980	Bügelbolzen oben	1	
6	AP8150540	Zylinderschraube	4	
7	2B006618	Verschluss unten Gabelbrücke	1	
8	2B008616	Kabelführung	2	
9	AP8123641	Staubschutzring	2	
10	AP8152282	TE Schr. m. Flansch M6x35	2	
11	AP8152278	TE Schr. m. Flansch M6x16	2	
12	AP8110077	Axialkugellager	2	
13	2B008439	Fixierbuchse ob. Platte	1	
14	AP8152442	Scheibe Lenkkopf	1	
15	AP8150171	TCEI Schraube M8x40	2	
16	887832	Sicherheitspl. Lenkung	1	
17	AP8123643	Gegenmutter	1	
18	2B008079	Kabelführung	1	
19	2B005143	TE Schr. m. Flansch M6x12	1	
20	2B006482	Dichtring Ø35xØ42x4	2	
21	190567	Deckel	1	
22	AP8121096	T-Buchse 8,2x12x4	1	
23	AP8221017	Distanzscheibe	1	
24	AP8152285	TE Schr. m. Flansch	1	
25	AP8121811	T-Buchse	1	
26	AP8152285	TE Schr. m. Flansch	1	
27	AP8152300	Selbstsperrende Mutter M8	2	

Einheit	Lenkstange - Schaltungen
Code	07.010
Beschreibung	Lenkung
Inspektion	1



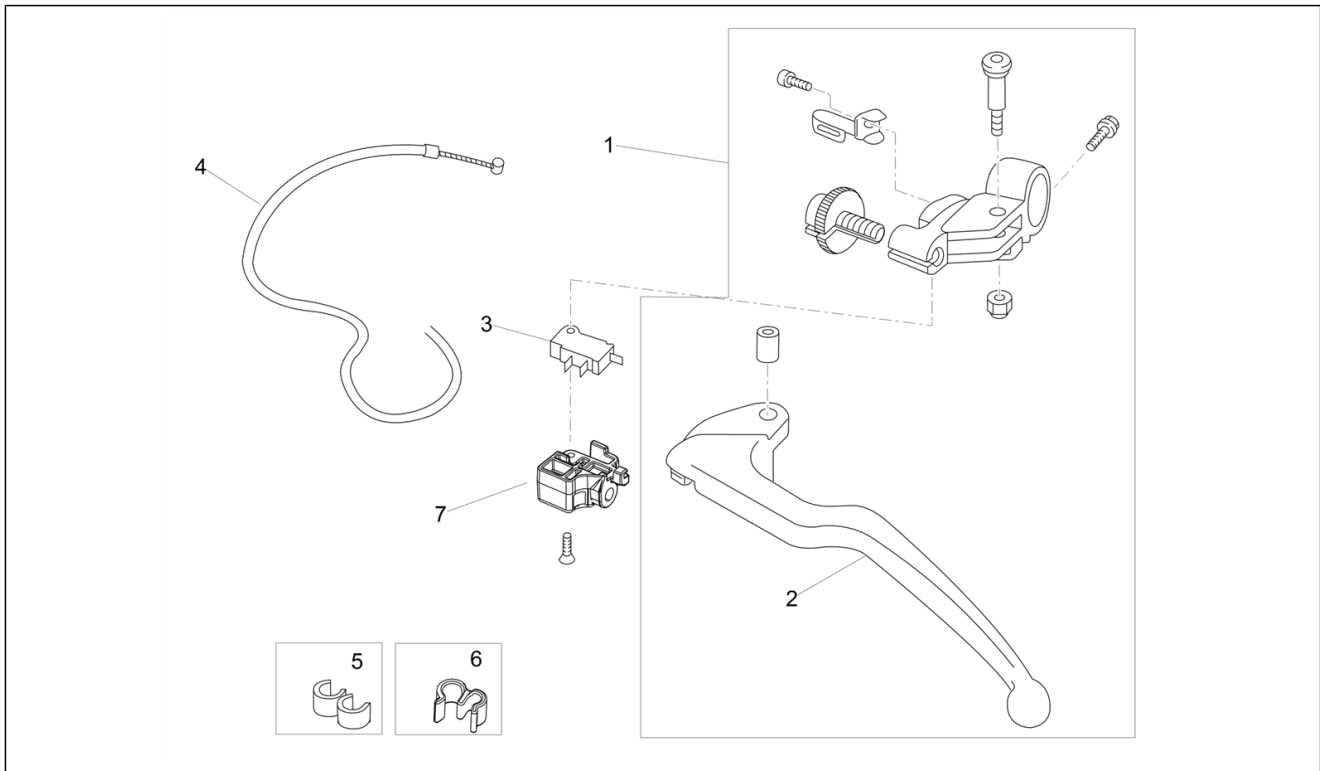
Pos.	Code	Beschreibung	Menge	Varianten
28	887831	Gummischeibe	1	
29	AP8123642	Nutmutter	1	
30	AP8150252	TCEI Schraube M5x20	2	

Einheit	Lenkstange - Schaltungen
Code	07.020
Beschreibung	Lenkstange - Schaltungen
Inspektion	1



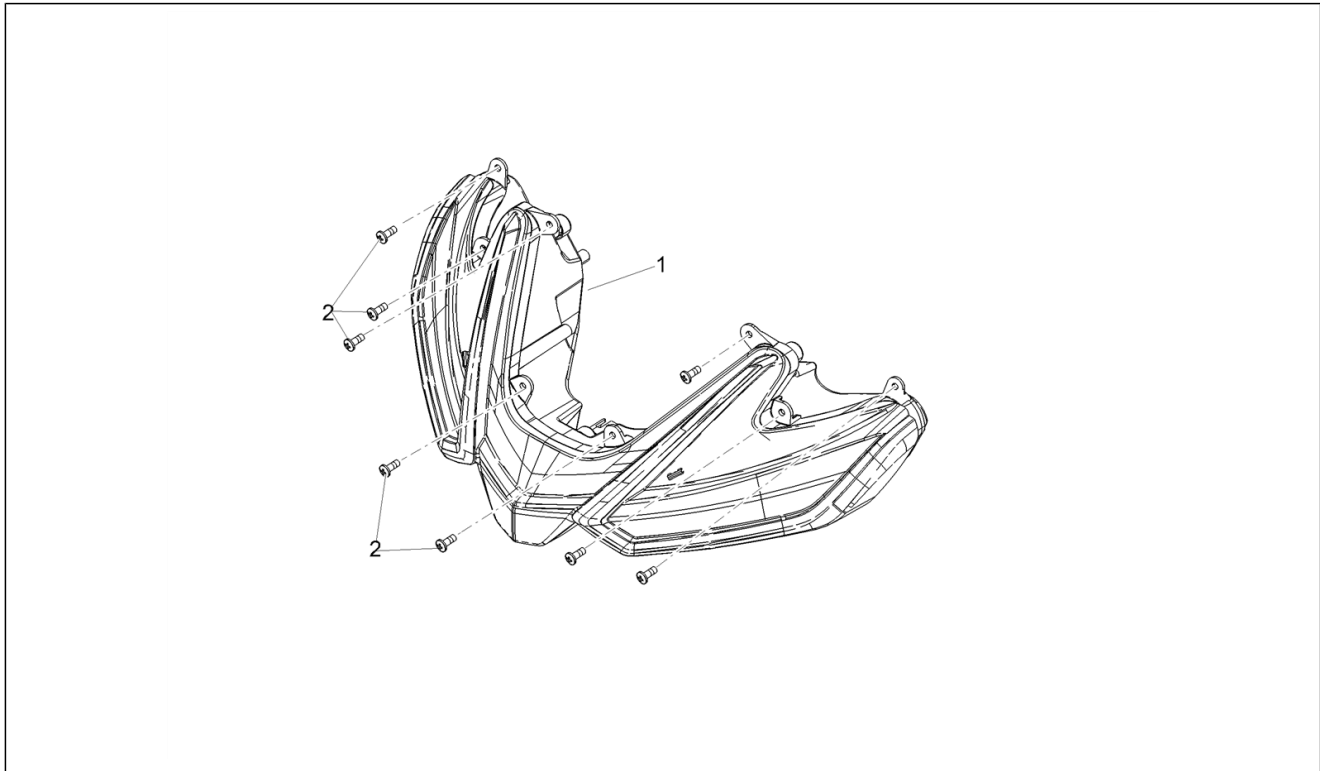
Pos.	Code	Beschreibung	Menge	Varianten
1	2B003468	Lenkstange	1	
2	2D000095	Elektronische Gasschaltung	1	
3	AP8118579	Links griff	1	
4	2B008391	Lenkstangen-Schwingschutz	2	
5	AP8152003	TCEI Schraube M6x40	2	
6	858539	Rückspiegel links	1	
7	896663	Rechter Rückspiegel	1	
8	2D000550	Rechter Lichtschalter	1	
9	2D000548	Linker Lichtschalter	1	

Einheit	Lenkstange - Schaltungen
Code	07.030
Beschreibung	Kupplungssteuerung
Inspektion	1



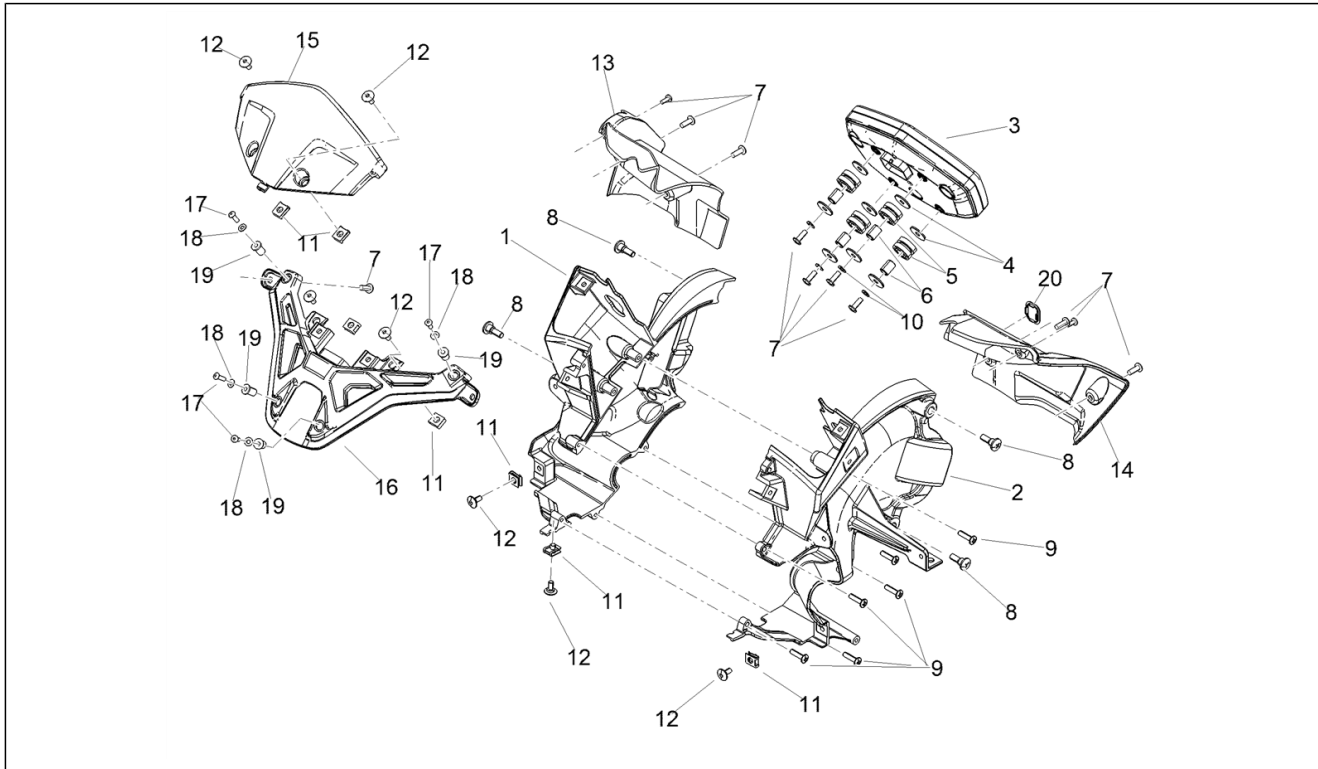
Pos.	Code	Beschreibung	Menge	Varianten
1	2B007647	Kupplungshebel	1	
2	893926	Kupplungshebel	1	
3	2D000325	Bremsen-/Kupplungsschalter	1	
4	2B005348	Kupplungskabel	1	
5	AP8201727	Kabelführungs schw.	1	
6	893897	Doppelte Kabeldurchführung Ø 6	3	
7	2B003518	Halterung Schalter	1	

Einheit	Vorderer Lichter - Instrumente
Code	08.010
Beschreibung	Vorderleuchten
Inspektion	1



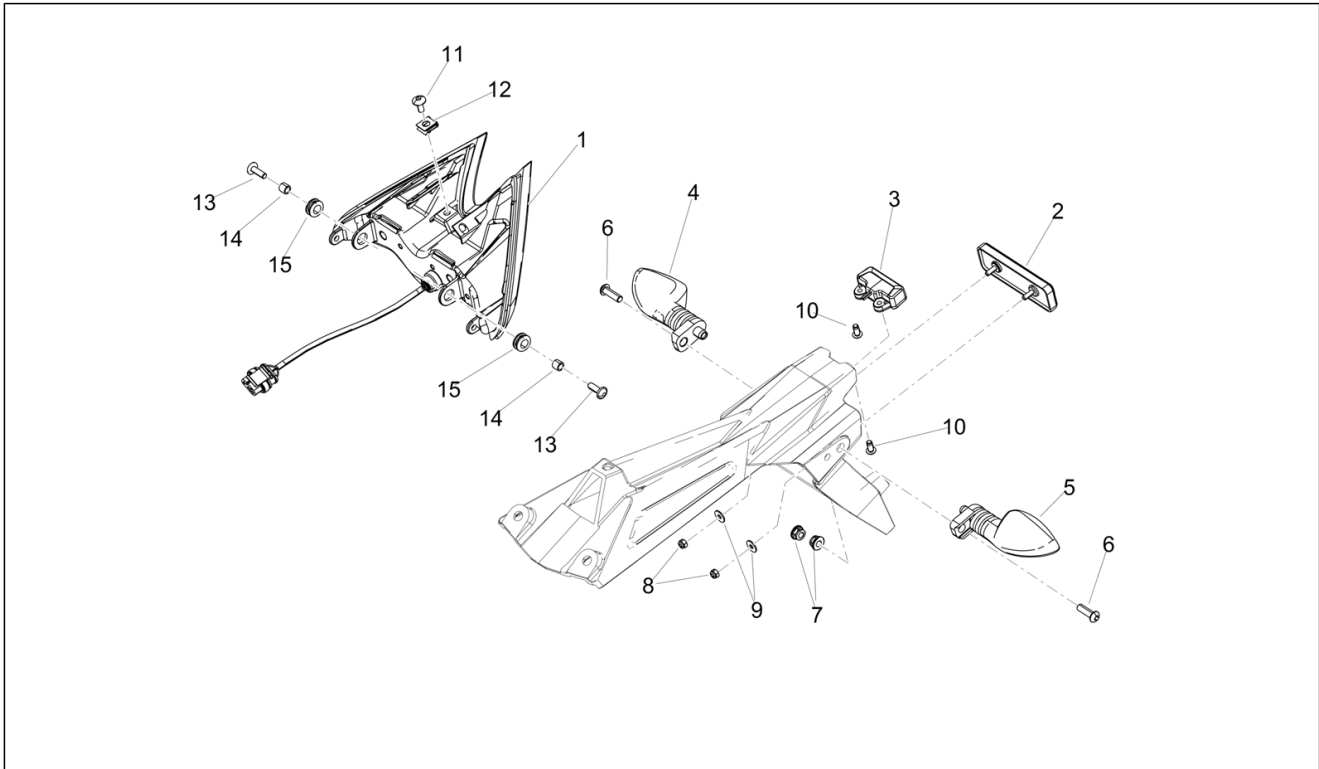
Pos.	Code	Beschreibung	Menge	Varianten
1	2D000465	Scheinwerfer	1	
2	AP8152270	TBEI Schraube M5x25	8	

Einheit	Vorderer Lichter - Instrumente
Code	08.020
Beschreibung	Instrumente
Inspektion	1



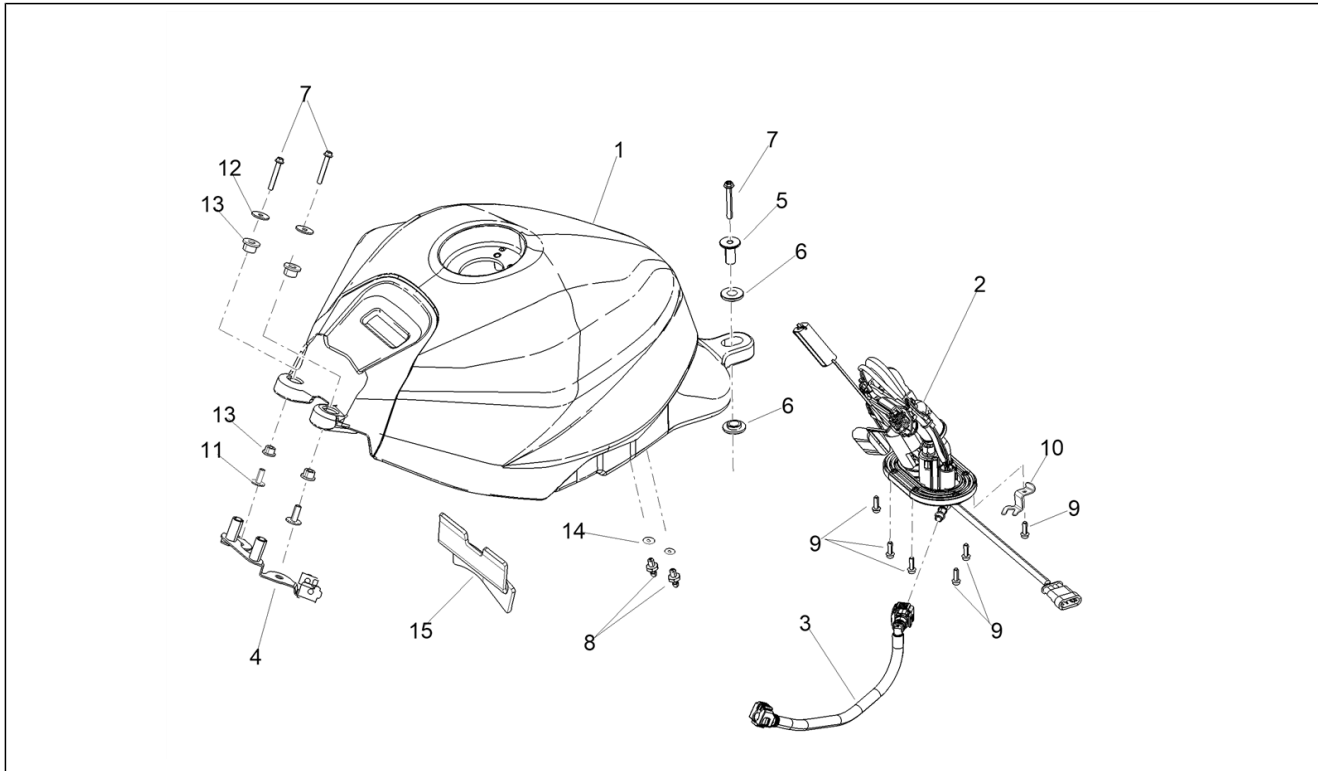
Pos.	Code	Beschreibung	Menge	Varianten
1	2B008022	Halterung Armaturenbrett RE (Recht)	1	
2	2B008023	Halterung Armaturenbrett LI (linke)	1	
3	2D000554	Instrumententafel	1	
4	AP8150255	Ausgleichscheibe 5x20x1,5	4	
5	AP8220150	Gummi	4	
6	AP8221017	Distanzscheibe	4	
7	AP8152270	TBEI Schraube M5x25	4	
8	575249	screw	4	
9	AP8152329	Kreuz.schl.flnschschr. M5x20	6	
10	AP8150272	Gebogene Sprengscheibe 5,3x10x0,5	4	
11	00G04401462	Clip M5	7	
12	AP8150500	TBEI Schraube M5x9 NERINOX	7	
13	2B008049	Interne Abdeckung re	1	
14	2B008048	Interne Abdeckung li	1	
15	2B008108	Randleiste Instrumenten.	1	
16	2B008077	Halterung Kuppel	1	
17	581957	Schraube gewölbter Kopf Sechskant vertieft	4	
18	895916	Plastikscheibe	4	
19	AP8144564	Gummi mit Einsatz M4	4	
20	2B008462	Deckel USB	1	

Einheit	Vorderer Lichter - Instrumente
Code	08.030
Beschreibung	Hinterleuchten
Inspektion	1



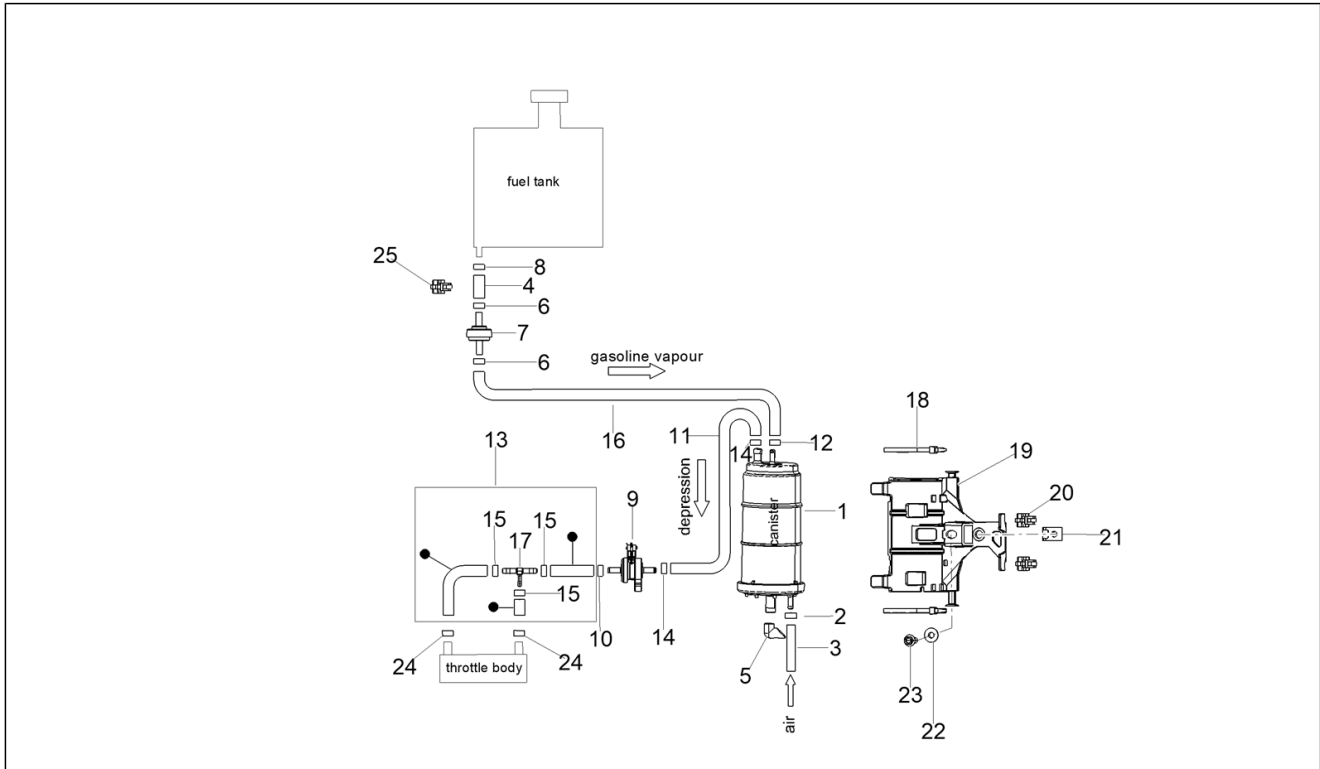
Pos.	Code	Beschreibung	Menge	Varianten
1	2D000546	Rücklicht	1	
2	AP8112916	Rückstrahler Rücklicht	1	
3	2D000284	Kennzeichenleuchte	1	
4	2D000137	Vorderblinker links/ Hinterblinker rechts	1	
5	2D000138	Vorderblinker rechts / Hinterblinker links	1	
6	AP8152137	TBEI Schraube M6x20 Z.N.	2	
7	AP8152299	Selbstsperrende Mutter M6	2	
8	AP8150204	Mutter M4	2	
9	AP8150501	Ausgleichscheibe	2	
10	2B002146	Schraube TBEI vorgetränkt M4x12	2	
11	896174	Schraube TBEI Schwarz M5x12	1	
12	00G04401462	Clip M5	1	
13	AP8152298	TBEI Schraube m.Flansch M5x16	2	
14	AP8121795	T-Buchse	2	
15	AP8220186	Gummi	2	

Einheit	Tank
Code	09.010
Beschreibung	Kraftstofftank
Inspektion	1



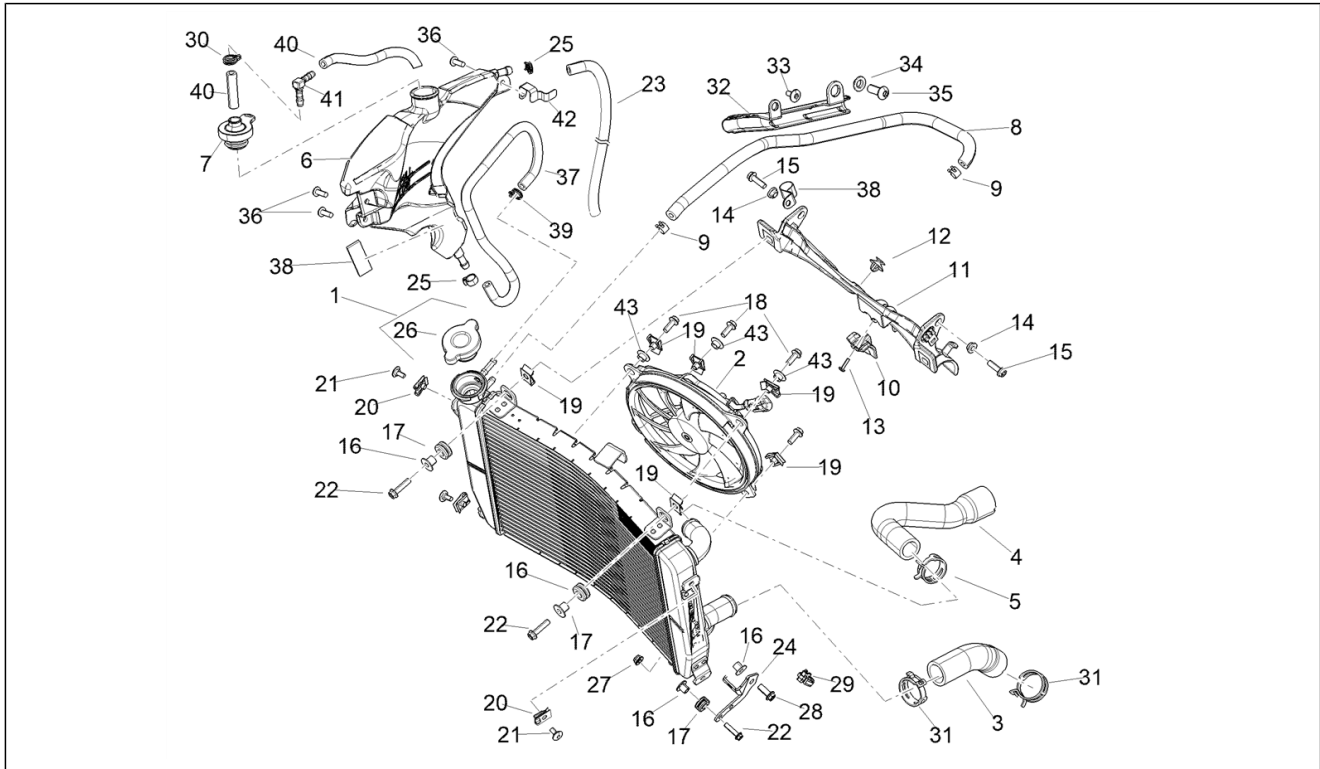
Pos.	Code	Beschreibung	Menge	Varianten
1	2H004321000L01	Kraftstofftank lack.	1	Technische Spezifikation: Mit Aufkleber[D] Acid Gold[Giallo]
1	2H004221000G12	Kraftstofftank, grau	1	Technische Spezifikation: Iridium Grey[Gray] Mit Aufkleber[D]
1	2H003976000NI	Kraftstofftank lack.	1	Technische Spezifikation: Mit Aufkleber[D] Concept Black[Black]
1	2B005484	Benzintank roh	1	Technische Spezifikation: Unlackiert[GR]
2	2D000547	Kraftstoffpumpe	1	
3	2B007147	Kraftstoffschlauch	1	
4	2B007519	Fixierplatte	1	
5	2B007518	Buchse	1	
6	AP8220241	Gummi *	2	
7	AP8152283	TE Schr. m. Flansch M6x40	3	
8	2B001203	Einsatz	2	
9	AP8152273	Flanschschraube M5x15	6	
10	2B008187	Haltebügel Leitungen	1	
11	2B008876	Compass Anlage	2	
12	AP8150016	Scheibe 6,6x18x1,6	1	
13	AP8101372	Silent-Block	1	
14	AP8120965	O-Ring 2018	2	
15	2B009258	Schutz	1	

Einheit	Tank
Code	09.020
Beschreibung	Benzindampfrückf.-Anlage
Inspektion	1



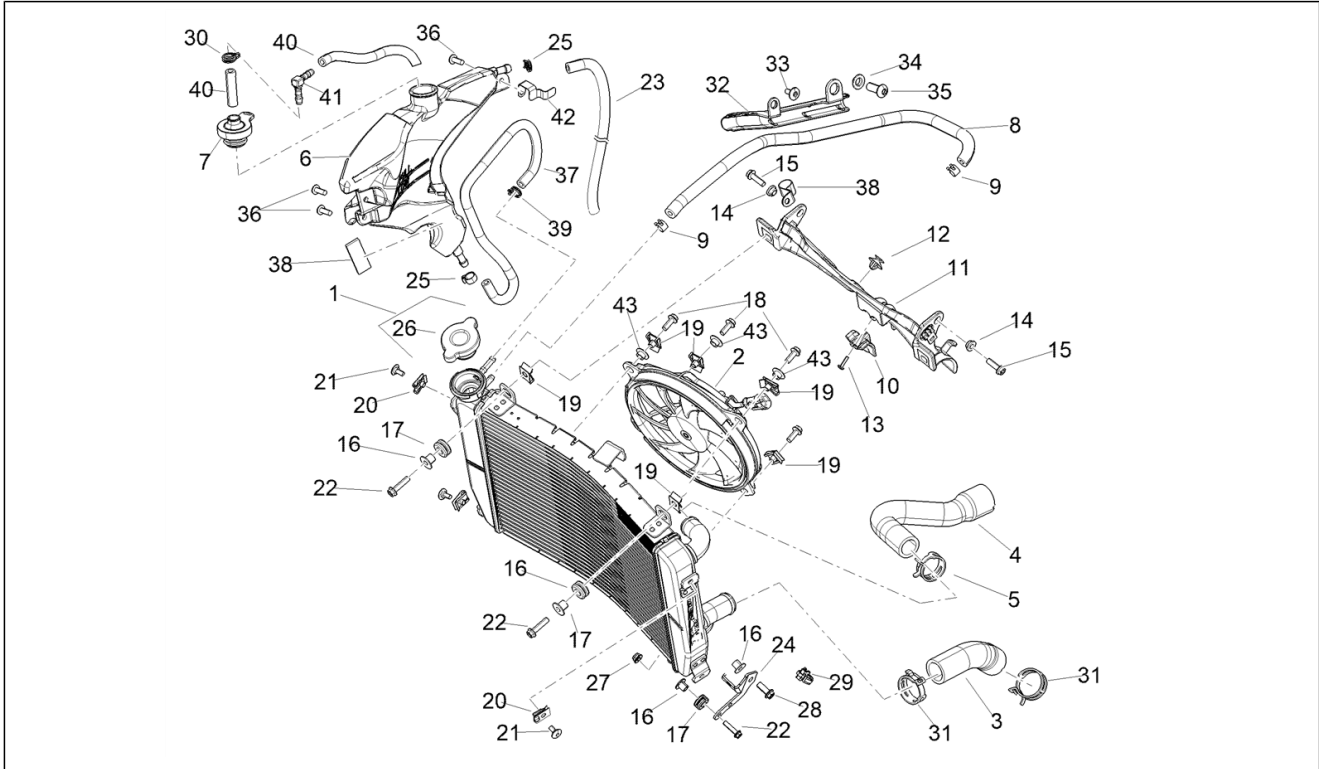
Pos.	Code	Beschreibung	Menge	Varianten
1	2B002632	Kohlefilter	1	
2	AP8120179	Schelle D8	1	
3	AP8220263	Leitung 4x8	1	
4	2B008280	Leitung Tank-Ventil	1	
5	AP8127601	Lüftungsröhrchen	1	
6	AP8102738	Schlauchschelle	2	
7	CM179008	Sicherheitsventil	1	
8	AP8120446	Schlauchschelle, grün D11x6,6x1	1	
9	B018242	Valve assy	1	
10	AP8102239	Schelle 12,5x8	1	
11	2B008251	SAE 30 pipe	1	
12	AP8102738	Schlauchschelle	1	
13	2B008244	Baugruppe Leitung Shed	1	
14	AP8102765	Schlauchschelle weiß D.13,5x6	1	
15	CM001901	Schlauchschelle	3	
16	2B008279	Leitung Aktivkohlefilter	1	
17	AP8104666	3-Wegeanschluß	1	
18	AP8120657	Schelle 4.5X280	2	
19	2B005723	Halterung	1	
20	CM013203	Feder Blechkanten	5	
21	AP8102375	Klammer M5	1	
22	AP8121032	Buchse	1	
23	AP8152278	TE Schr. m. Flansch M6x16	1	
24	CM001911	Schlauchschelle	2	
25	CM013201	Kleine Feder	1	

Einheit	Kühlunganlage
Code	10.020
Beschreibung	Kühlunganlage
Inspektion	1



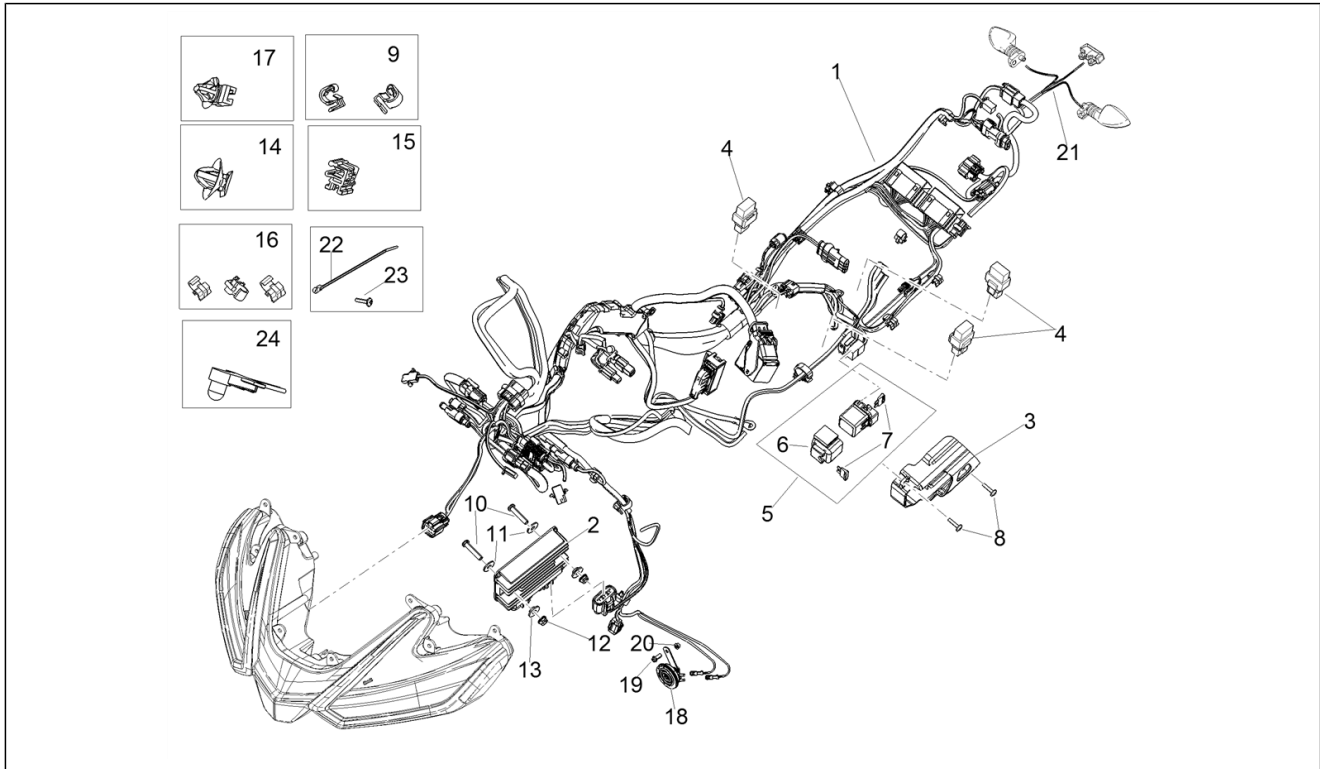
Pos.	Code	Beschreibung	Menge	Varianten
1	2B006694	Wasserkühler	1	
2	2D000572	Elektrolüfter	1	
3	2B005285	Kühlleitung Kühler-Pumpe	1	
4	2B005286	Leitung Motorkühlung-Kühler	1	
5	CM269609	Schlauchschelle	3	
6	2B008021	Ausdehnungsgefäß	1	
7	899642	Ausdehnungsg. Schraube	1	
8	2B007124	Leitung	1	
9	AP8102764	Schlauchschelle weiß d.13x6	2	
10	2B007482	Bügel	1	
11	2B005580	Kühlerbefestigung	1	
12	890760	Halterung Instrumente	1	
13	AP8150413	Gew.schr. 3,9x14	2	
14	AP8221129	Buchse	2	
15	AP8152279	TE Schr. m. Flansch M6x20	2	
16	2B008123	T-Buchse	2	
17	AP8120030	Gummi	2	
18	2B004560	Sechskantschraube M6x20 vorimprägniert	3	
19	254485	Federplättchen M6	7	
20	AP8102375	Klammer M5	4	
21	AP8150500	TBEI Schraube M5x9 NERINOX	4	
22	AP8152280	TE Schr. m. Flansch M6x25	1	
23	AP8120952	Leitung 5,5x10	1	
24	2B005581	Bügel	1	
25	AP8102378	Schelle D11,3	2	
26	2B007772	Kühlerschraube	1	
27	AP8152299	Selbstsperrende Mutter M6	1	
28	AP8152286	TE Schr. m. Flansch M8x20	1	

Einheit	Kühlunganlage
Code	10.020
Beschreibung	Kühlunganlage
Inspektion	1



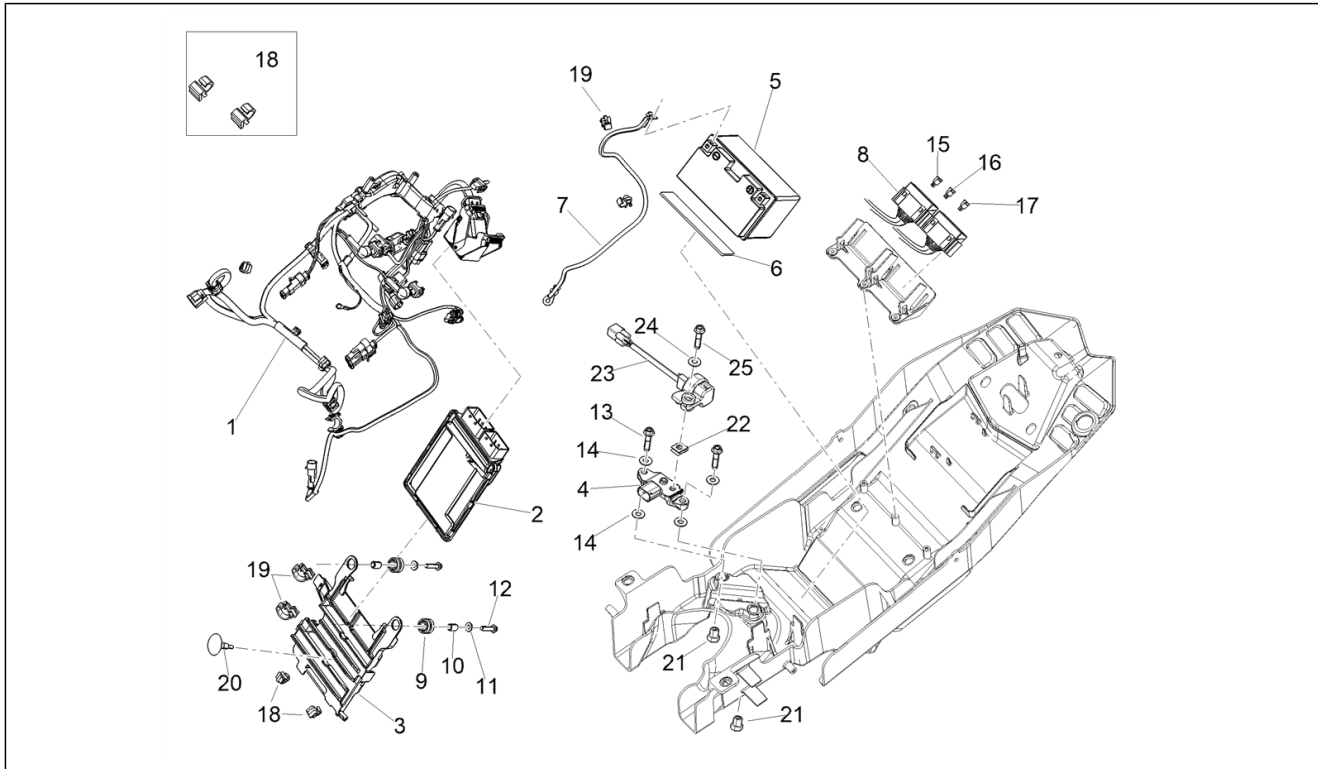
Pos.	Code	Beschreibung	Menge	Varianten
29	CM013203	Feder Blechkanten	1	
30	AP8102520	Schlauchschelle	1	
31	CM269609	Schlauchschelle	1	
32	2B008121	Wasserschlauchhalter	1	
33	AP8150500	TBEI Schraube M5x9 NERINOX	1	
34	AP8121096	T-Buchse 8,2x12x4	1	
35	AP8152058	TBEI Schraube M8x20	1	
36	AP8150509	Gew.schr. 5x14	4	
37	2B008511	Benzinleitung	1	
38	482290	Schelle	1	
39	AP8101595	Schelle D10,1	1	
40	AP8220325	Kraftstoffleitung 5,5x10	1	
41	2B008778		1	
42	2B009087		1	
43	AP8221349	T-Buchse	3	

Einheit	Elektrische Anlage
Code	11.010
Beschreibung	Vorder Elektrische Anlage
Inspektion	1



Pos.	Code	Beschreibung	Menge	Varianten
1	2D000680	Hauptverkabelung	1	
2	1A012332	Spannungsregler	1	
3	2B006603	Startvorr.Deckel	1	
4	AP8224462	Zündrelais 12V-30A	3	
5	582690	Anlasser-Fernrelais	1	
6	582906	Elastische Halterung	1	
7	581440	Sicherung 30A	2	
8	AP8150413	Gew.schr. 3,9x14	2	
9	CM013201	Kleine Feder	1	
10	AP8152128	TBEI Schraube M6x30	2	
11	AP8150179	Ausgleichscheibe 6,6x18x1,6	2	
12	AP8152299	Selbstsperrende Mutter M6	1	
13	AP8121075	T-Buchse *	2	
14	890760	Halterung Instrumente	1	
15	2D000348	Connecting	1	
16	CM013203	Feder Blechkanten	1	
17	1D000129	Steckverbinder kl.Feder	1	
18	863339	Hupe	1	
19	AP8152285	TE Schr. m. Flansch	1	
20	AP8152300	Selbstsperrende Mutter M8	1	
21	2D000627	Kennzeich.leuch.Kabel	1	
22	2D000676	Schelle	1	
23	AP8152329	Kreuz.schl.flnschschr. M5x20	1	
24	AP8124936	Lufttemperaturfühler	1	

Einheit	Elektrische Anlage
Code	11.020
Beschreibung	Mitt. elektrische Anlage
Inspektion	1



Pos.	Code	Beschreibung	Menge	Varianten
1	2D000459	Motor Kabel	1	
2	CM301808	Elektronische Steuereinheit	1	
3	2B006797	Abdeckung Steuergerät	1	
4	2B008502	Halter Sensor	1	
5	639792	Batterie 12V-12Ah	1	
6	AP8144552	seit. Gummiaufl. Batterie	1	
7	2D000564	Batteriekabel	1	
8	894603	Sicherungskasten	2	
9	AP8220150	Gummi	2	
10	AP8221017	Distanzscheibe	2	
11	AP8152181	Scheibe 6,4x15x1	2	
12	AP8152280	TE Schr. m. Flansch M6x25	2	
13	2B002570	Schraube TEFL M6X25	2	
14	AP8152181	Scheibe 6,4x15x1	4	
15	CM225607	Sicherung 7,5A	3	
16	CM225615	Sicherung 15A	2	
17	CM225620	Sicherung 20A	5	
18	CM013203	Feder Blechkanten	4	
19	CM013202	Rückhaltefeder Leitungen/Kabel	2	
20	AP8120001	Gummi	2	
21	2B008768	Gewindebuchse M6	1	
22	00G04401462	Clip M5	1	
23	642248	Kippsensor	1	
24	AP8152181	Scheibe 6,4x15x1	1	
25	2B002570	Schraube TEFL M6X25	1	