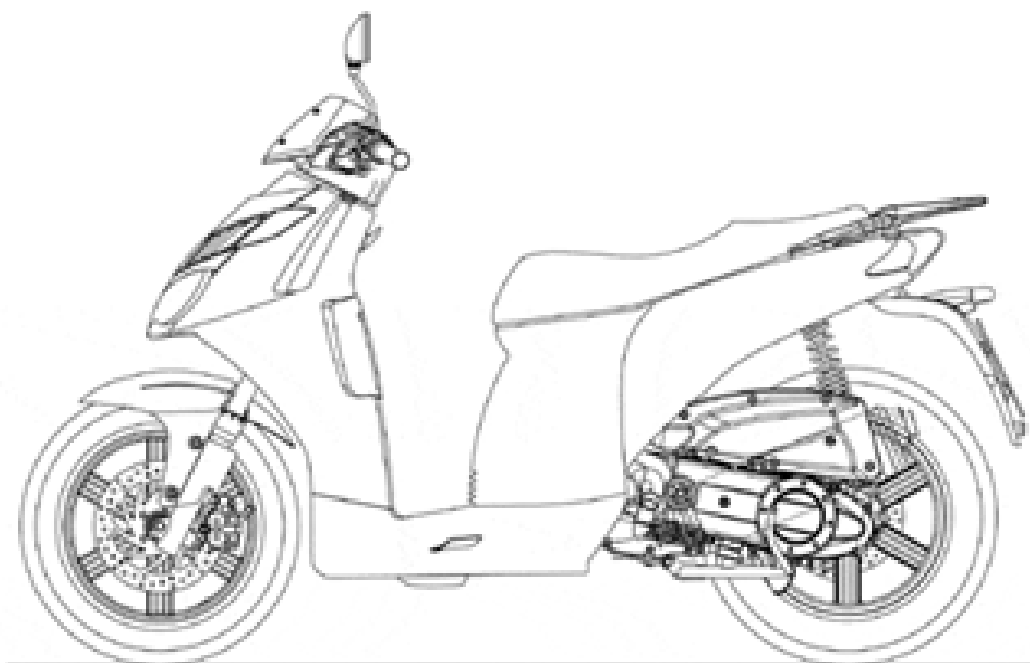


aprilia[®]

ERSATZTEILKATALOG



Sport City 125-200 E2 2004-2006

Vorsatzcode Fahrgestell: ZD4VB000, ZD4VB001,
ZD4VBA00, ZD4VB002, ZD4VB003, ZD4VBA01



Vorsatzcode Motor:

Inhaltsverzeichnis

Fertige Produkte.....	5
Alphanumerisches Verzeichnis.....	6
RAHMEN.....	11
Tafel 28.01 - Rahmen.....	11
Tafel 28.02 - Hauptständer.....	12
Tafel 28.03 - Gabel - Fuß mit Rohr.....	13
Tafel 28.04 - Kaifa Gabel - Schaften, Hülsen.....	14
Tafel 28.05 - Pleuelstange.....	16
Tafel 28.06 - Hinterradaufhängung.....	17
Tafel 28.07 - Frontaufbau - Kuppel.....	18
Tafel 28.08 - Frontaufbau - Vrd. Schutzblech.....	19
Tafel 28.09 - Frontaufbau - Frontdeckel.....	20
Tafel 28.10 - Frontaufbau - Innenschild.....	21
Tafel 28.11 - Mittlerer aufbau I.....	22
Tafel 28.12 - Mittlerer aufbau II.....	23
Tafel 28.13 - U. Sitzbank.....	24
Tafel 28.14 - Sitzbankeinheit.....	25
Tafel 28.15 - Heckaufbau I.....	26
Tafel 28.16 - Heckaufbau II.....	27
Tafel 28.17 - Kofferhalter.....	29
Tafel 28.18 - Instrumententafel.....	30
Tafel 28.19 - Lenkstange.....	31
Tafel 28.20 - Schaltungen links.....	32
Tafel 28.21 - Schaltungen rechts.....	33
Tafel 28.22 - Kühler.....	34
Tafel 28.23 - Kühlanlage.....	35
Tafel 28.24 - Kraftstofftank.....	36
Tafel 28.25 - Filtergehäuse.....	38
Tafel 28.29 - Secondary air.....	39
Tafel 28.31 - Auslassgruppe.....	40
Tafel 28.32 - Vorderrad.....	41
Tafel 28.33 - Vorderradzange.....	42
Tafel 28.34 - Hinterrad.....	43
Tafel 28.35 - Hinterradzange.....	44
Tafel 28.36 - Scheinwerfer.....	45
Tafel 28.37 - Rücklicht.....	46
Tafel 28.38 - Elektrische Anlage.....	47
Tafel 28.39 - Bausatz Schlösser.....	49
Tafel 28.40 - Schilder und Anleit.....	50
MOTOR.....	51
Tafel 29.26 - Vergaser I.....	51
Tafel 29.27 - Vergaser II.....	52
Tafel 29.28 - Vergaser III.....	54

Tafel 29.30 - Motor.....	55
Tafel 29.41 - Kurbelwellengehäuse.....	56
Tafel 29.42 - Kurbelwelle.....	58
Tafel 29.43 - Zylinder.....	59
Tafel 29.44 - Zylinderkopf.....	60
Tafel 29.45 - Nockenwelle.....	61
Tafel 29.46 - Ölablaßventil.....	62
Tafel 29.47 - Kettenspanner.....	63
Tafel 29.48 - Ölfiltereinsatz.....	64
Tafel 29.49 - Kupplung.....	65
Tafel 29.50 - Ölpumpe.....	66
Tafel 29.51 - Getriebe.....	68
Tafel 29.52 - Wandlergruppe.....	69
Tafel 29.53 - Startermotor.....	70
Tafel 29.54 - Wandlerdeckel.....	71
Tafel 29.55 - Schwungmagnetstarter.....	72
ZUBEHÖR.....	73
Tafel 30.56 - Acc. - Windschilder.....	73
Tafel 30.57 - Acc. - Koffer I.....	74
Tafel 30.58 - Acc. - Koffer II.....	75
Tafel 30.59 - Acc. - Sonstiges.....	76
Tafel 30.60 - Acc. - Diebstahl.....	77

Fertige Produkte

Code	Gültigkeit
AP6222101AU401	
AP6222101AU402	
AP6222101AU403	
AP6222101AU606	
AP6222101CH403	
AP6222101EA403	
AP6222101EB403	
AP6222101EL401	
AP6222101EL402	
AP6222101EL403	
AP6222101EL504	
AP6222101EL605	
AP6222101EL606	
AP6222101ES401	
AP6222101ES402	
AP6222101ES403	
AP6222101ES504	
AP6222101ES605	
AP6222101ES606	
AP6222101EU400	
AP6222101EU401	
AP6222101EU402	
AP6222101EU403	
AP6222101EU504	
AP6222101EU605	
AP6222101EU606	
AP6222101GB401	
AP6222101GB402	
AP6222101GB403	
AP6222101GB504	
AP6222101IT401	
AP6222101IT402	
AP6222101IT403	
AP6222101IT504	
AP6222101IT605	
AP6222101IT606	
AP6222101JP401	
AP6222101JP504	
AP6222101UK402	
AP6222101UK403	
AP6222101UK504	

Code	Nr. der Tafel	Pos.	Code	Nr. der Tafel	Pos.	Code	Nr. der Tafel	Pos.
0000000	28.36	9	AP8113004	28.33	9	AP8125757	28.20	15
832870	29.41	3	AP8113004	28.35	8	AP8125757	28.21	15
846912	29.44	16	AP8113005	28.33	7	AP8125812	28.32	2
851704	28.38	28	AP8113005	28.35	6	AP8125848	28.22	5
852312	30.57	3	AP8113006	28.35	5	AP8125893	29.49	3
AP8101372	28.22	12	AP8113541	28.34	8	AP8125901	28.34	6
AP8101573	28.23	4	AP8113697	28.32	8	AP8127098	28.37	7
AP8101573	29.55	14	AP8113789	29.50	4	AP8127145	28.38	8
AP8101595	28.24	13	AP8113844	28.33	1	AP8127305	28.20	7
AP8101770	28.24	9	AP8113866	28.33	5	AP8127305	28.21	7
AP8101770	29.26	9	AP8113867	28.33	4	AP8127337	28.38	10
AP8101944	28.24	8	AP8113868	28.33	8	AP8127381	28.38	3
AP8102151	28.24	23	AP8113870	28.35	3	AP8127418	28.38	11
AP8102349	28.23	7	AP8113871	28.35	4	AP8127441	28.22	2
AP8102375	28.01	19	AP8114500	28.21	17	AP8127461	28.39	13
AP8102375	28.07	6	AP8117247	28.25	13	AP8127466	28.38	3
AP8102375	28.08	7	AP8117248	28.01	25	AP8127556	28.38	9
AP8102375	28.12	5	AP8118681	28.21	18	AP8127558	28.38	7
AP8102375	28.15	7	AP8118694	28.19	1	AP8127559	28.38	6
AP8102375	28.16	6	AP8118699	28.20	6	AP8127561	28.36	3
AP8102375	28.22	17	AP8118699	28.21	6	AP8127562	28.36	2
AP8102376	28.01	18	AP8119497	28.31	14	AP8127563	28.36	1
AP8102376	28.12	6	AP8119734	28.31	7	AP8127564	28.37	1
AP8102376	28.22	10	AP8119739	28.31	6	AP8127592	28.21	1
AP8102376	28.23	9	AP8119795	28.31	2	AP8127593	28.18	1
AP8102376	28.25	7	AP8119796	28.31	3	AP8127619	28.38	20
AP8102376	28.38	18	AP8119797	28.31	1	AP8127643	28.36	1
AP8102376	29.26	8	AP8119851	28.31	1	AP8127644	28.37	3
AP8102378	28.24	15	AP8120179	28.24	14	AP8127668	28.35	12
AP8102381	28.07	5	AP8120179	28.29	16	AP8127695	28.36	1
AP8102523	28.39	6	AP8120416	28.38	13	AP8127695	28.36	1
AP8102538	28.05	9	AP8120422	28.01	20	AP8127696	28.36	1
AP8102576	29.46	12	AP8120428	28.24	24	AP8127696	28.36	1
AP8102765	28.23	6	AP8120446	28.23	12	AP8127698	28.36	8
AP8102947	28.39	5	AP8120615	28.25	4	AP8127698	28.36	8
AP8104071	28.24	20	AP8120621	28.32	11	AP8127725	28.24	5
AP8104072	28.24	19	AP8120657	28.01	21	AP8127725	28.24	5
AP8104197	30.58	3	AP8120657	28.38	12	AP8127726	28.24	5
AP8104251	28.24	7	AP8120952	28.24	11	AP8127726	28.24	5
AP8104406	28.24	6	AP8121032	28.25	6	AP8127726	28.24	5
AP8104422	28.39	11	AP8121075	28.08	10	AP8128059	28.32	10
AP8104602	30.58	5	AP8121171	28.34	4	AP8128060	28.32	1
AP8104611	28.39	4	AP8121172	28.34	3	AP8128062	28.34	2
AP8104612	28.39	3	AP8121190	28.05	8	AP8128063	28.34	1
AP8104613	28.39	12	AP8121191	28.05	4	AP8128126	28.32	1
AP8104721	28.22	1	AP8121192	28.05	6	AP8128127	28.34	1
AP8104723	28.19	2	AP8121194	28.32	4	AP8129416	28.14	1
AP8104724	28.19	3	AP8121195	28.32	6	AP8129460	28.14	1
AP8104725	28.40	5	AP8121196	28.32	5	AP8132907	28.35	11
AP8104726	28.39	1	AP8121333	28.14	5	AP8133673	28.21	9
AP8104878	28.25	3	AP8121419	28.31	4	AP8133676	28.20	9
AP8104880	28.03	6	AP8121464	28.22	4	AP8133725	28.33	2
AP8104886	28.40	4	AP8121617	28.02	9	AP8133726	28.35	2
AP8104887	28.40	4	AP8121620	28.34	7	AP8133732	28.35	1
AP8104893	28.40	4	AP8121628	28.05	7	AP8133739	28.33	1
AP8110104	29.49	1	AP8121638	28.02	8	AP8133780	28.35	1
AP8112176	28.38	25	AP8121639	29.26	7	AP8133798	28.33	2
AP8112244	28.38	26	AP8121795	28.01	14	AP8133799	28.33	4
AP8112506	28.38	24	AP8121837	28.22	11	AP8133800	28.33	6
AP8112927	28.38	1	AP8121856	29.30	5	AP8133801	28.33	8
AP8113003	28.20	4	AP8123675	28.03	4	AP8134799	28.11	3
AP8113003	28.21	4	AP8123794	28.03	3	AP8134815	28.24	12
AP8113003	28.33	10	AP8124446	28.22	3	AP8134974	28.06	9
AP8113003	28.35	9	AP8124718	28.16	11	AP8134975	28.31	8
AP8113004	28.20	5	AP8124768	28.38	27	AP8134976	28.22	13
AP8113004	28.21	5	AP8124918	28.20	1	AP8135677	28.01	5
AP8113004	28.31	15	AP8124976	28.37	9	AP8144089	28.14	6

Code	Nr. der Tafel	Pos.
AP8144187	28.24	3
AP8144257	28.11	1
AP8144298	28.23	11
AP8144303	28.24	10
AP8144506	28.23	5
AP8144579	28.29	2
AP8144579	29.46	5
AP8144598	28.05	3
AP8144599	28.12	7
AP8144642	28.23	2
AP8144643	28.23	3
AP8144699	28.25	5
AP8144700	29.26	6
AP8144701	28.25	9
AP8144704	28.23	14
AP8144705	28.23	13
AP8144706	29.44	21
AP8144711	28.01	23
AP8146826	28.01	1
AP8146828	28.02	1
AP8146857	28.31	16
AP8146883	28.01	2
AP8146884	28.01	3
AP8146988	28.01	11
AP8149478	28.11	7
AP8150011	28.07	11
AP8150017	28.31	26
AP8150018	28.31	25
AP8150020	28.05	12
AP8150020	28.06	7
AP8150020	28.19	7
AP8150026	28.38	17
AP8150038	28.06	6
AP8150088	28.19	6
AP8150107	28.33	3
AP8150120	28.22	7
AP8150159	28.16	12
AP8150159	28.22	6
AP8150202	28.25	14
AP8150204	28.16	13
AP8150204	28.24	17
AP8150204	28.24	17
AP8150270	28.22	8
AP8150277	28.19	4
AP8150298	28.12	8
AP8150338	28.05	15
AP8150362	28.37	8
AP8150382	28.12	10
AP8150382	28.24	21
AP8150413	28.07	7
AP8150413	28.08	8
AP8150413	28.10	3
AP8150413	28.11	10
AP8150413	28.11	2
AP8150413	28.13	3
AP8150413	28.15	6
AP8150413	28.17	3
AP8150413	28.18	4
AP8150413	28.36	7
AP8150413	28.37	6
AP8150416	28.07	10
AP8150423	28.10	6
AP8150423	28.11	6
AP8150429	28.38	19
AP8150431	28.31	20
AP8150432	28.05	10
AP8150438	28.02	5

Code	Nr. der Tafel	Pos.
AP8150450	28.09	5
AP8150450	28.16	15
AP8150450	28.25	16
AP8150502	28.01	26
AP8150502	28.31	12
AP8152018	28.05	11
AP8152140	28.39	8
AP8152246	28.22	15
AP8152246	28.23	10
AP8152246	28.38	21
AP8152246	28.39	9
AP8152269	28.15	5
AP8152277	28.23	15
AP8152278	28.01	17
AP8152278	28.22	14
AP8152278	28.31	24
AP8152278	28.35	13
AP8152278	28.38	15
AP8152278	28.39	7
AP8152280	28.08	11
AP8152280	28.38	16
AP8152281	28.25	15
AP8152285	28.01	12
AP8152286	28.35	7
AP8152287	28.31	9
AP8152288	28.17	4
AP8152288	28.32	9
AP8152288	28.34	9
AP8152289	28.03	5
AP8152290	28.06	3
AP8152291	28.31	21
AP8152292	28.06	8
AP8152293	28.31	17
AP8152293	28.35	14
AP8152298	28.01	16
AP8152298	28.12	11
AP8152298	28.13	4
AP8152298	28.16	5
AP8152298	28.39	10
AP8152299	28.14	3
AP8152299	28.38	14
AP8152300	28.06	4
AP8152300	28.19	5
AP8152301	28.02	6
AP8152301	28.05	13
AP8152301	28.06	2
AP8152301	28.19	8
AP8152302	28.08	9
AP8152302	28.22	16
AP8152329	28.01	15
AP8152329	28.18	3
AP8152329	28.24	16
AP8152329	28.25	11
AP8152338	28.12	9
AP8152339	28.31	13
AP8152401	28.31	23
AP8152402	28.31	22
AP8156099	28.08	1
AP8156100	28.16	7
AP8156179	28.08	1
AP8156180	28.08	1
AP8156185	28.16	16
AP8156191	28.08	1
AP8156217	28.08	1
AP8156218	28.08	1
AP8161016	28.05	14
AP8161017	28.05	1

Code	Nr. der Tafel	Pos.
AP8161018	28.05	2
AP8161019	28.05	5
AP8161023	28.01	4
AP8161026	28.34	10
AP8161027	28.01	22
AP8161031	28.06	5
AP8161034	28.25	10
AP8161042	28.35	16
AP8161043	28.35	15
AP8161044	28.31	18
AP8161048	30.59	2
AP8163165	28.31	11
AP8163167	28.31	10
AP8163206	28.02	3
AP8163207	28.02	4
AP8163285	28.04	1
AP8163287	28.04	3
AP8163288	28.04	4
AP8163289	28.04	5
AP8163291	28.04	7
AP8163293	28.04	9
AP8163294	28.04	10
AP8163295	28.04	11
AP8163296	28.04	12
AP8163297	28.04	13
AP8163298	28.04	14
AP8163300	28.04	16
AP8163301	28.04	17
AP8163302	28.04	18
AP8163303	28.04	19
AP8163304	28.04	20
AP8163305	28.04	21
AP8163329	28.03	1
AP8163331	28.08	3
AP8163332	28.08	4
AP8163435	28.04	2
AP8163441	28.03	2
AP8163473	28.08	5
AP8163474	28.08	6
AP8163478	28.04	15
AP8163479	28.04	8
AP8163480	28.04	6
AP8163551	28.06	1
AP8166436	28.07	8
AP8166437	28.09	8
AP8166438	28.16	10
AP8166439	28.07	9
AP8166440	28.07	9
AP8166478	28.40	6
AP8166601	28.40	7
AP8166648	28.40	2
AP8166649	28.40	8
AP8176041	28.24	4
AP8176083	29.30	1
AP8176091	29.49	19
AP8176112	29.30	1
AP8177263	29.30	4
AP8177986	28.40	2
AP8177987	28.40	3
AP8178066	28.23	1
AP8178068	28.24	1
AP8178068	28.24	1
AP8178069	28.14	2
AP8178071	28.18	2
AP8178072	28.09	2
AP8178073	28.09	4
AP8178074	28.09	3

Code	Nr. der Tafel	Pos.
AP8178076	28.07	3
AP8178077	28.10	1
AP8178078	28.08	2
AP8178079	28.10	2
AP8178081	28.10	4
AP8178082	28.10	5
AP8178083	28.11	4
AP8178085	28.09	1
AP8178086	28.11	9
AP8178087	28.01	10
AP8178088	28.01	8
AP8178089	28.15	1
AP8178090	28.12	1
AP8178091	28.12	2
AP8178092	28.15	3
AP8178093	28.15	2
AP8178094	28.01	9
AP8178095	28.01	7
AP8178096	28.12	3
AP8178097	28.15	4
AP8178098	28.13	1
AP8178099	28.16	8
AP8178100	28.16	9
AP8178101	28.17	1
AP8178102	28.17	2
AP8178103	28.16	4
AP8178106	28.16	3
AP8178107	28.12	4
AP8178229	28.13	2
AP8178389	28.07	2
AP8178390	28.17	6
AP8178845	28.25	12
AP8178857	28.09	6
AP8178858	28.11	8
AP8178875	28.10	1
AP8178879	28.10	1
AP8178885	28.16	14
AP8178886	28.16	1
AP8178887	28.16	2
AP8178888	28.07	4
AP8178889	28.09	7
AP8178890	28.16	1
AP8178891	28.16	2
AP8178892	28.16	1
AP8178893	28.16	2
AP8178901	28.25	1
AP8178902	28.25	2
AP8179020	28.10	1
AP8179023	28.16	1
AP8179024	28.16	2
AP8179157	28.24	1
AP8179157	28.24	1
AP8179157	28.24	1
AP8179238	28.07	1
AP8179239	28.10	1
AP8179242	28.16	1
AP8179243	28.16	2
AP8179244	28.10	1
AP8179247	28.16	1
AP8179248	28.16	2
AP8181012	29.44	19
AP8201169	29.46	11
AP8201431	28.14	4
AP8201457	28.40	1
AP8201546	28.32	7
AP8201546	28.34	11
AP8201643	28.01	6

Code	Nr. der Tafel	Pos.
AP8201757	28.24	2
AP8201808	28.24	22
AP8213108	28.33	6
AP8213298	28.20	16
AP8213298	28.21	16
AP8213299	28.20	3
AP8213299	28.21	3
AP8213382	28.20	2
AP8213400	28.20	14
AP8213400	28.21	14
AP8213455	28.20	11
AP8213455	28.21	11
AP8213457	28.35	10
AP8213547	28.21	8
AP8213549	28.20	8
AP8213558	28.21	8
AP8213559	28.20	8
AP8213574	28.35	5
AP8213575	28.33	7
AP8213575	28.35	6
AP8213577	28.35	2
AP8213578	28.35	4
AP8213579	28.35	10
AP8213580	28.20	2
AP8213581	28.21	2
AP8213582	28.20	3
AP8213582	28.21	3
AP8213583	28.20	14
AP8213583	28.21	14
AP8213584	28.20	15
AP8213584	28.21	15
AP8213585	28.20	16
AP8213585	28.21	16
AP8213593	28.20	12
AP8213595	28.20	13
AP8213598	28.21	13
AP8213600	28.21	12
AP8213601	28.20	10
AP8213602	28.21	10
AP8220263	28.24	18
AP8220283	28.38	5
AP8220323	28.32	12
AP8220469	28.14	7
AP8220530	28.08	12
AP8220590	28.01	24
AP8220610	28.02	7
AP8220617	29.41	4
AP8221128	28.17	5
AP8221128	28.31	19
AP8221172	28.33	11
AP8221218	28.22	9
AP8224462	28.38	4
AP8225370	30.58	4
AP8229331	30.58	6
AP8258034	28.11	5
AP8268523	29.41	20
AP8276091	29.55	20
AP8276095	29.41	11
AP8276095	29.41	11
AP8276096	29.41	11
AP8276096	29.41	11
AP8540002	29.45	12
AP8540002	29.53	2
AP8540004	29.46	6
AP8540165	29.52	6
AP8550024	29.54	10
AP8550039	29.55	15

Code	Nr. der Tafel	Pos.
AP8550079	29.45	8
AP8550107	29.41	8
AP8550107	29.54	7
AP8550111	29.49	13
AP8550114	29.49	11
AP8550115	29.49	9
AP8550116	29.49	8
AP8550117	29.41	21
AP8550124	29.49	7
AP8550131	29.52	7
AP8550133	29.52	8
AP8550134	29.52	9
AP8550134	29.55	16
AP8550155	29.50	23
AP8550173	29.26	1
AP8550283	29.41	2
AP8550304	29.41	18
AP8550307	28.34	5
AP8550326	29.44	5
AP8550331	29.48	1
AP8550334	29.41	14
AP8550336	29.48	3
AP8550337	29.48	7
AP8550347	29.53	4
AP8550347	29.54	4
AP8550361	29.41	17
AP8550380	29.50	12
AP8550401	29.44	1
AP8550417	29.50	26
AP8550429	29.47	3
AP8550439	29.50	7
AP8550448	29.52	2
AP8550455	28.38	22
AP8550477	29.55	18
AP8550499	29.43	4
AP8550506	29.43	5
AP8550507	29.43	6
AP8550508	29.44	2
AP8550512	29.48	5
AP8550522	29.50	21
AP8550556	28.29	8
AP8550556	29.50	8
AP8550557	29.47	1
AP8550558	29.54	8
AP8550577	29.42	5
AP8550577	29.51	14
AP8550578	29.54	6
AP8550580	29.54	5
AP8550586	29.41	13
AP8551014	29.54	2
AP8551015	29.41	12
AP8551015	29.44	12
AP8551015	29.50	29
AP8551015	29.55	22
AP8551029	29.50	6
AP8551045	29.45	10
AP8551045	29.50	10
AP8551046	29.45	2
AP8551047	29.45	1
AP8551051	29.50	30
AP8551060	28.29	1
AP8551060	29.44	15
AP8551060	29.55	11
AP8551065	29.27	7
AP8551112	29.27	11
AP8553003	29.41	5
AP8553003	29.41	5

Code	Nr. der Tafel	Pos.
AP8560007	29.51	12
AP8560008	29.45	12
AP8560009	29.41	9
AP8560014	29.41	6
AP8560016	29.44	13
AP8560017	29.41	7
AP8560018	29.55	3
AP8560019	29.51	5
AP8560020	29.55	4
AP8560055	29.48	4
AP8560059	29.47	2
AP8560125	29.51	3
AP8560126	29.51	7
AP8560130	29.51	4
AP8560142	29.41	16
AP8570007	29.46	8
AP8570008	29.46	10
AP8570030	29.51	11
AP8570077	29.51	9
AP8570079	29.26	2
AP8570089	28.29	3
AP8570122	28.23	8
AP8575003	29.28	9
AP8575004	29.28	10
AP8575005	29.41	11
AP8575005	29.41	11
AP8575006	29.41	11
AP8575006	29.41	11
AP8575007	29.41	19
AP8575009	29.44	17
AP8575010	29.44	20
AP8575013	29.49	4
AP8575020	29.51	2
AP8575022	29.51	8
AP8575023	29.51	13
AP8575027	29.52	6
AP8575030	29.52	13
AP8575031	29.52	16
AP8575035	29.26	1
AP8575041	29.52	11
AP8575042	29.52	11
AP8575044	29.27	1
AP8575045	29.27	2
AP8575046	29.27	4
AP8575047	29.27	5
AP8575049	29.27	12
AP8575050	29.27	13
AP8575051	29.27	14
AP8575052	29.28	6
AP8577006	29.54	12
AP8577007	29.51	6
AP8577012	29.55	6
AP8577021	29.44	9
AP8577025	29.44	18
AP8577027	29.45	4
AP8577028	29.45	3
AP8577033	29.50	17
AP8577060	29.52	15
AP8577061	29.51	1
AP8577075	29.27	22
AP8577076	29.27	21
AP8577079	29.27	8
AP8580001	29.43	2
AP8580002	29.43	5
AP8580003	29.43	6
AP8580012	29.26	5
AP8580013	29.30	3

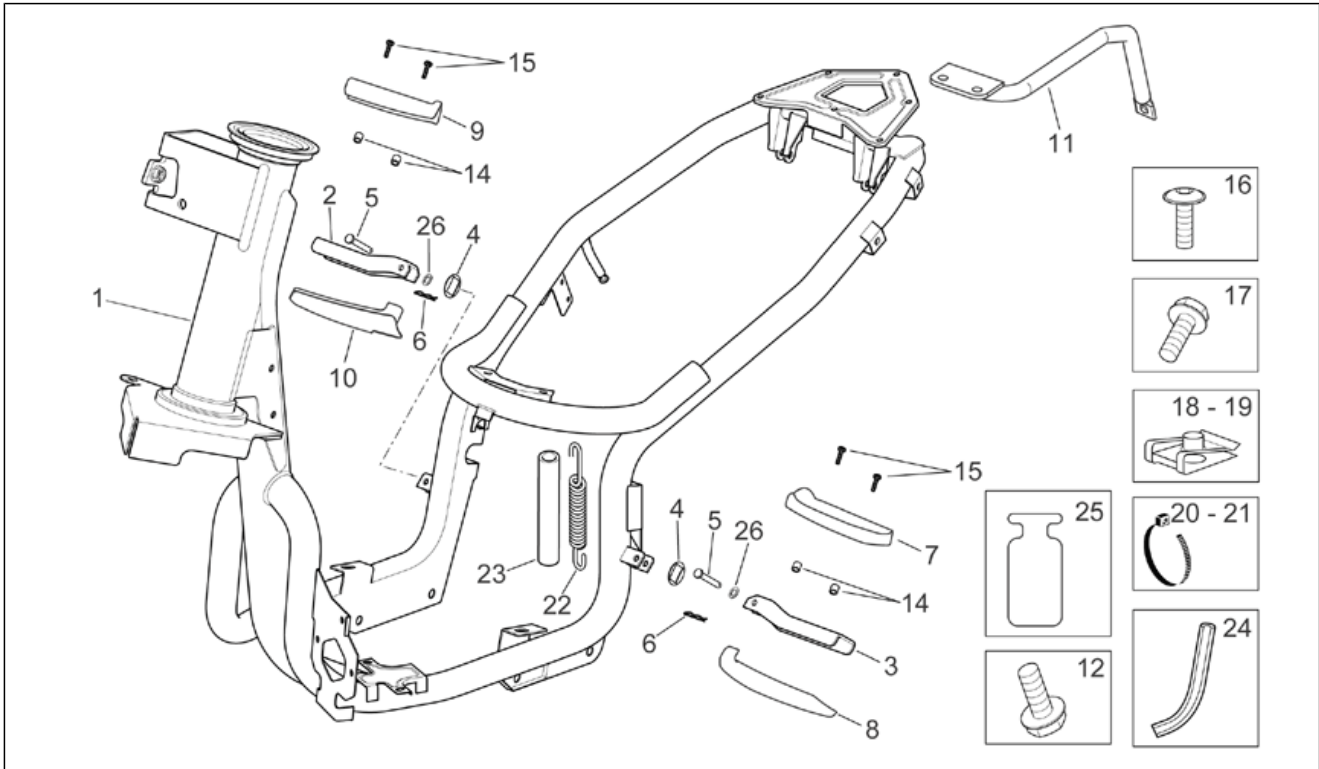
Code	Nr. der Tafel	Pos.
AP8580014	29.30	2
AP8580016	29.27	9
AP8580016	29.28	4
AP8580017	29.27	10
AP8580021	29.27	15
AP8580022	29.27	16
AP8580023	29.27	17
AP8580024	29.27	18
AP8580025	29.28	3
AP8580026	29.28	7
AP8580027	29.28	5
AP8580028	29.27	19
AP8580029	29.27	20
AP8580041	29.46	9
AP8580042	29.46	7
AP8580047	29.43	8
AP8580048	29.43	8
AP8580049	29.43	8
AP8580050	29.43	8
AP8580059	28.29	15
AP8580061	29.54	13
AP8580062	29.49	18
AP8580063	28.29	5
AP8580066	28.31	5
AP8580066	29.44	14
AP8580068	29.49	2
AP8580069	29.44	6
AP8580070	29.50	9
AP8580071	29.48	8
AP8580072	29.50	14
AP8580073	28.02	2
AP8580074	29.48	2
AP8580075	29.52	5
AP8580076	29.44	3
AP8580077	29.50	18
AP8580078	29.44	7
AP8580079	29.44	8
AP8580082	29.26	4
AP8580083	29.50	27
AP8580084	29.55	13
AP8580086	29.44	11
AP8580087	29.41	15
AP8580088	29.52	4
AP8580089	29.52	3
AP8580090	29.50	1
AP8580092	29.50	15
AP8580094	29.55	10
AP8580095	29.49	16
AP8580096	29.45	18
AP8580097	29.45	7
AP8580098	29.45	6
AP8580099	29.45	8
AP8580100	29.45	17
AP8580102	29.50	5
AP8580104	29.55	5
AP8580105	29.45	11
AP8580106	29.45	19
AP8580107	29.50	24
AP8580108	29.46	4
AP8580112	29.49	14
AP8580113	29.50	20
AP8580114	29.42	1
AP8580116	29.55	19
AP8580118	29.50	19
AP8580119	29.49	10
AP8580122	29.42	3
AP8580123	28.38	2

Code	Nr. der Tafel	Pos.
AP8580124	29.53	1
AP8580125	29.53	3
AP8580127	28.29	4
AP8580128	29.48	6
AP8580129	29.45	15
AP8580130	29.50	16
AP8580131	29.50	13
AP8580134	29.55	6
AP8580135	29.52	10
AP8580139	29.49	6
AP8580143	29.55	2
AP8580144	29.50	25
AP8580145	29.49	17
AP8580146	29.28	8
AP8580149	29.43	1
AP8580150	29.43	1
AP8580151	29.43	1
AP8580152	28.38	23
AP8580155	29.42	4
AP8580156	29.50	2
AP8580157	29.50	3
AP8580158	29.46	1
AP8580160	29.44	4
AP8580161	29.55	17
AP8580162	29.55	7
AP8580163	29.55	8
AP8580165	29.46	3
AP8580166	29.49	5
AP8580167	29.41	10
AP8580168	29.46	6
AP8580169	29.50	22
AP8580170	29.45	16
AP8580171	29.49	12
AP8580174	29.41	1
AP8580175	29.50	11
AP8580176	29.41	5
AP8580176	29.41	5
AP8580177	29.43	2
AP8580179	29.45	5
AP8580185	29.50	28
AP8580186	29.46	2
AP8580187	29.45	13
AP8580188	29.45	14
AP8580189	29.51	10
AP8580191	28.29	7
AP8580192	28.29	6
AP8580193	28.29	12
AP8580194	28.29	9
AP8580195	28.29	10
AP8580196	28.29	11
AP8580197	29.49	15
AP8580199	29.52	14
AP8580205	29.52	12
AP8580206	29.45	9
AP8580208	29.49	4
AP8580209	29.49	6
AP8580210	29.49	10
AP8580211	29.49	9
AP8580213	29.45	5
AP8580214	28.29	13
AP8580215	28.29	14
AP8580216	29.43	3
AP8580218	29.44	22
AP8580219	28.25	8
AP8580220	29.28	2
AP8580221	29.52	3
AP8580222	29.52	1

Code	Nr. der Tafel	Pos.
AP8580227	29.27	3
AP8580236	29.54	11
AP8580244	29.43	4
AP8580245	29.54	9
AP8580250	29.55	9
AP8580256	29.54	1
AP8580262	29.26	3
AP8580265	29.26	3
AP8580266	29.27	1
AP8580267	29.27	2
AP8580268	29.27	4
AP8580269	29.27	5
AP8580270	29.27	14
AP8590002	29.55	9
AP8590004	29.49	15
AP8590006	29.28	1
AP8590007	29.44	9
AP8590009	29.51	13
AP8590010	29.51	2
AP8590011	29.43	7
AP8590012	29.42	2
AP8590013	29.42	2
AP8590014	29.42	2
AP8590015	29.44	10
AP8590017	29.55	1
AP8590018	29.54	1
AP8590019	29.43	8
AP8590020	29.43	8
AP8590021	29.43	8
AP8590022	29.43	8
AP8590023	29.54	3
AP8590024	29.54	9
AP8590027	29.49	12
AP8590028	29.52	1
AP8590029	29.42	2
AP8590030	28.32	2
AP8590031	28.32	3
AP8590032	28.32	11
AP8590033	29.54	12
AP8590034	28.21	2
AP8590035	28.20	10
AP8590035	28.21	10
AP8590037	28.20	12
AP8590037	28.21	12
AP8590038	28.20	13
AP8590038	28.21	13
AP8590040	28.36	4
AP8590041	28.36	6
AP8590042	28.36	8
AP8590043	28.37	2
AP8590044	28.37	4
AP8590045	28.37	5
AP8590047	28.36	5
AP8590049	28.39	2
AP8590051	29.43	7
AP8590052	29.55	12
AP8590053	29.44	10
AP8590054	29.55	21
AP8590055	29.55	3
AP8700792	30.59	1
AP8700793	30.59	1
AP8700794	30.59	1
AP8720115	30.60	1
AP8720116	30.60	2
AP8720117	30.60	3
AP8720118	30.60	4
AP8791265	30.56	2

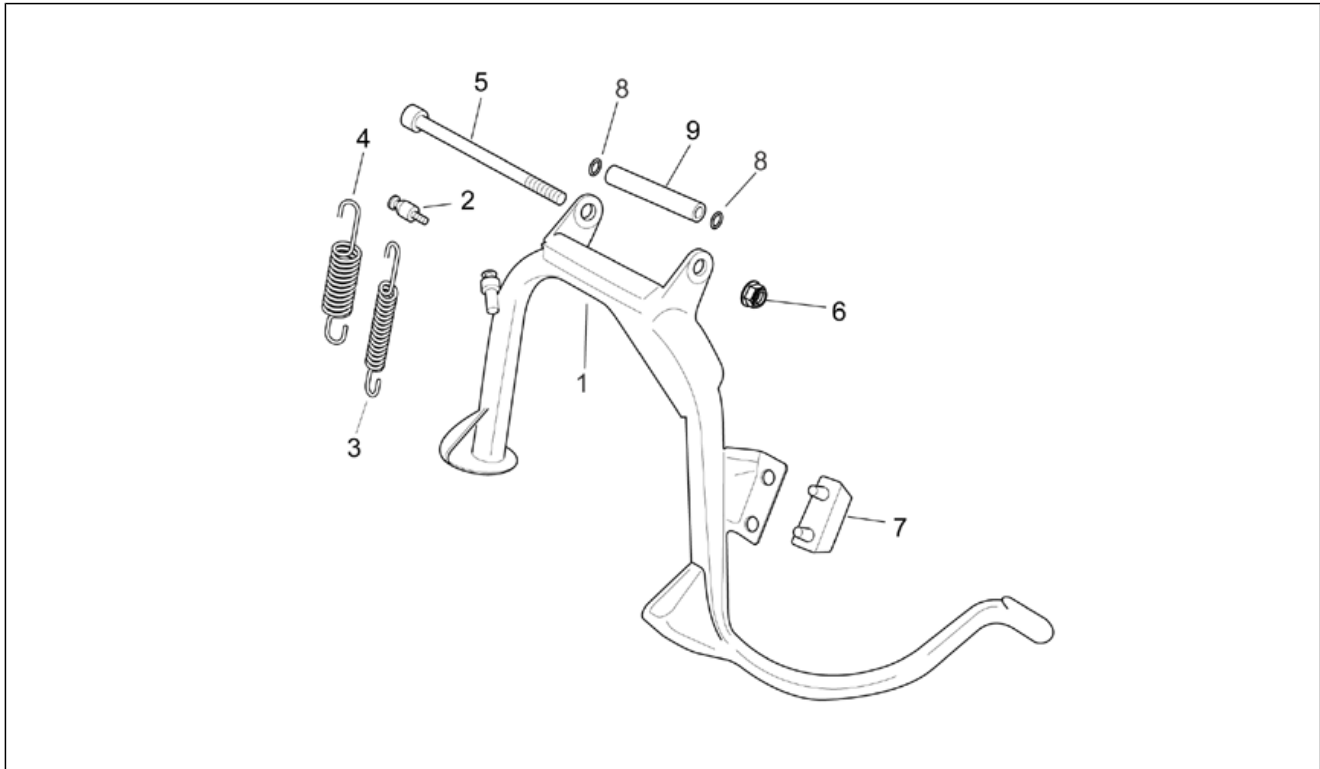
Code	Nr. der Tafel	Pos.
AP8791266	30.56	4
AP8791294	30.56	1
AP8791295	30.56	3
AP8792369	30.58	2
AP8792370	30.58	1
AP8796998	30.58	7
AP8797003	30.59	3
CM129701	29.27	12
CM140301	29.27	12
CM156708	29.27	6
CM180901	28.19	2
CM180902	28.19	3
CM220809	30.57	2
CM221101	30.57	1

Einheit	RAHMEN
Code	28.01
Beschreibung	Rahmen
Inspektion	1



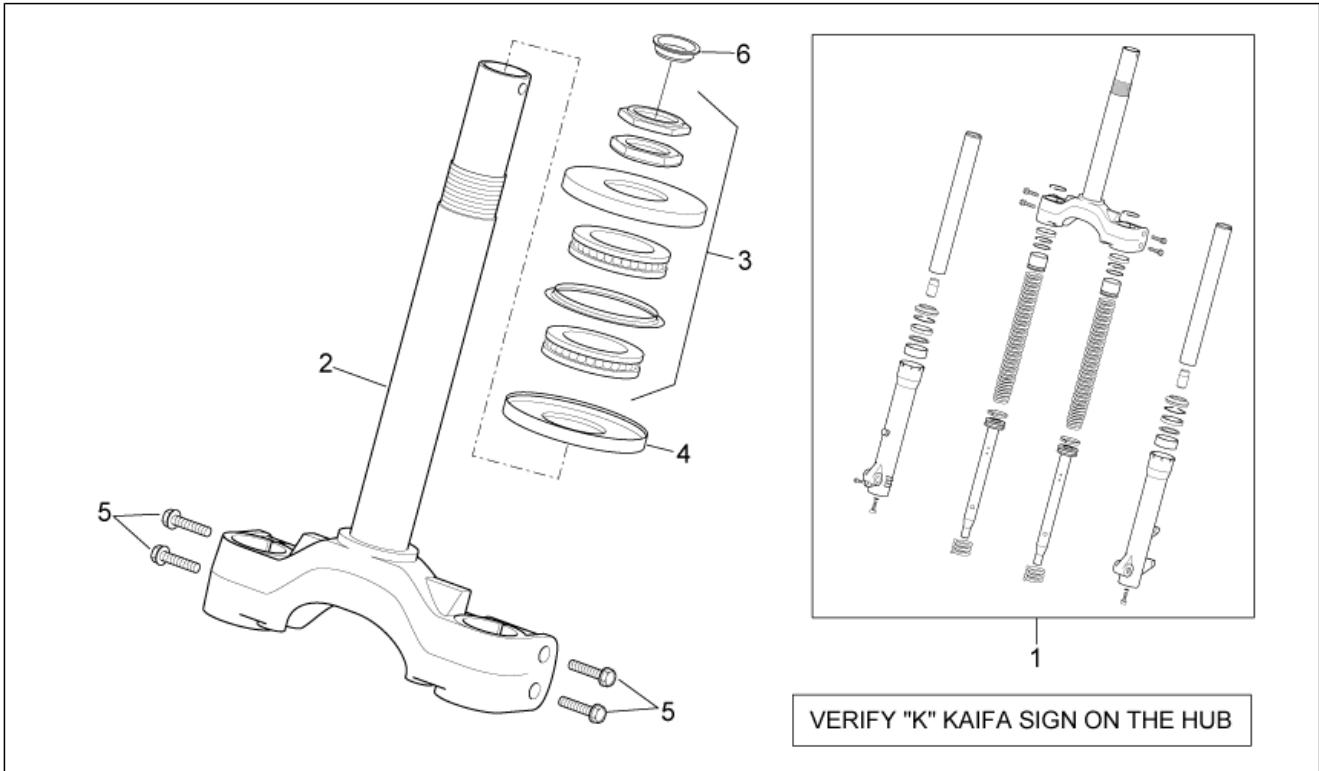
Pos.	Code	Beschreibung	Menge	Varianten
1	AP8146826	Rahmen	1	
2	AP8146883	Soziusraste rechts	1	
3	AP8146884	Soziusraste links	1	
4	AP8161023	Unterlegs.Boh.Abbildung	2	
5	AP8135677	Rastenbolzen	2	
6	AP8201643	Splint	2	
7	AP8178095	Soziusraste link gummit	1	
8	AP8178088	Deckel soziusraste links	1	
9	AP8178094	Soziusraste rechts gummit	1	
10	AP8178087	Soziusraste rechts deckel	1	
11	AP8146988	Kennzeichenplatte	1	
12	AP8152285	TE Schr. m. Flansch	2	
14	AP8121795	T-Buchse	4	
15	AP8152329	Kreuz.schl.flnschschr. M5x20	4	
16	AP8152298	TBEI Schraube m.Flansch M5x16	2	
17	AP8152278	TE Schr. m. Flansch M6x16	2	
18	AP8102376	Klammer M6	5	
19	AP8102375	Klammer M5	2	
20	AP8120422	Schelle schwarz 98x2*	3	
21	AP8120657	Schelle	2	
22	AP8161027	Peuelstangestütze Feder	1	
23	AP8144711	Feder Schutz L=175	1	
24	AP8220590	Dichtung	1	
25	AP8117248	Gummischutz	1	
26	AP8150502	Ausgleichscheibe 15x8x0,8	2	

Einheit	RAHMEN
Code	28.02
Beschreibung	Hauptständer
Inspektion	1



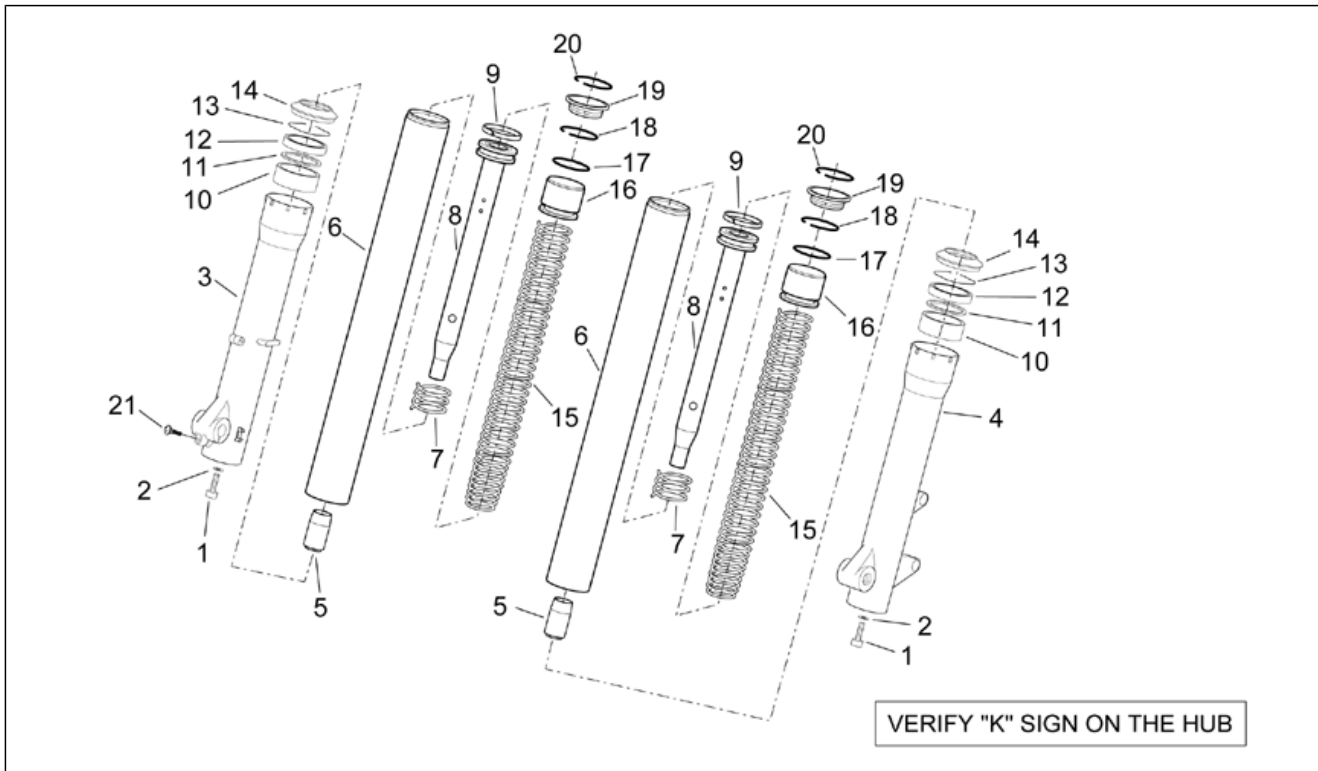
Pos.	Code	Beschreibung	Menge	Varianten
1	AP8146828	Hauptständer	1	
2	AP8580073	Federschraube	1	
3	AP8163206	Rückholfeder Ständer	1	
4	AP8163207	Hauptständer Schraubenfeder	1	
5	AP8150438	TCEI Schraube M10x130	1	
6	AP8152301	Selbstsperrende Mutter	1	
7	AP8220610	Anschlagstopfen Ständer	1	
8	AP8121638	Gasket ring	2	
9	AP8121617	Hauptständer distanzscheibe	1	

Einheit	RAHMEN
Code	28.03
Beschreibung	Gabel - Fuß mit Rohr
Inspektion	1



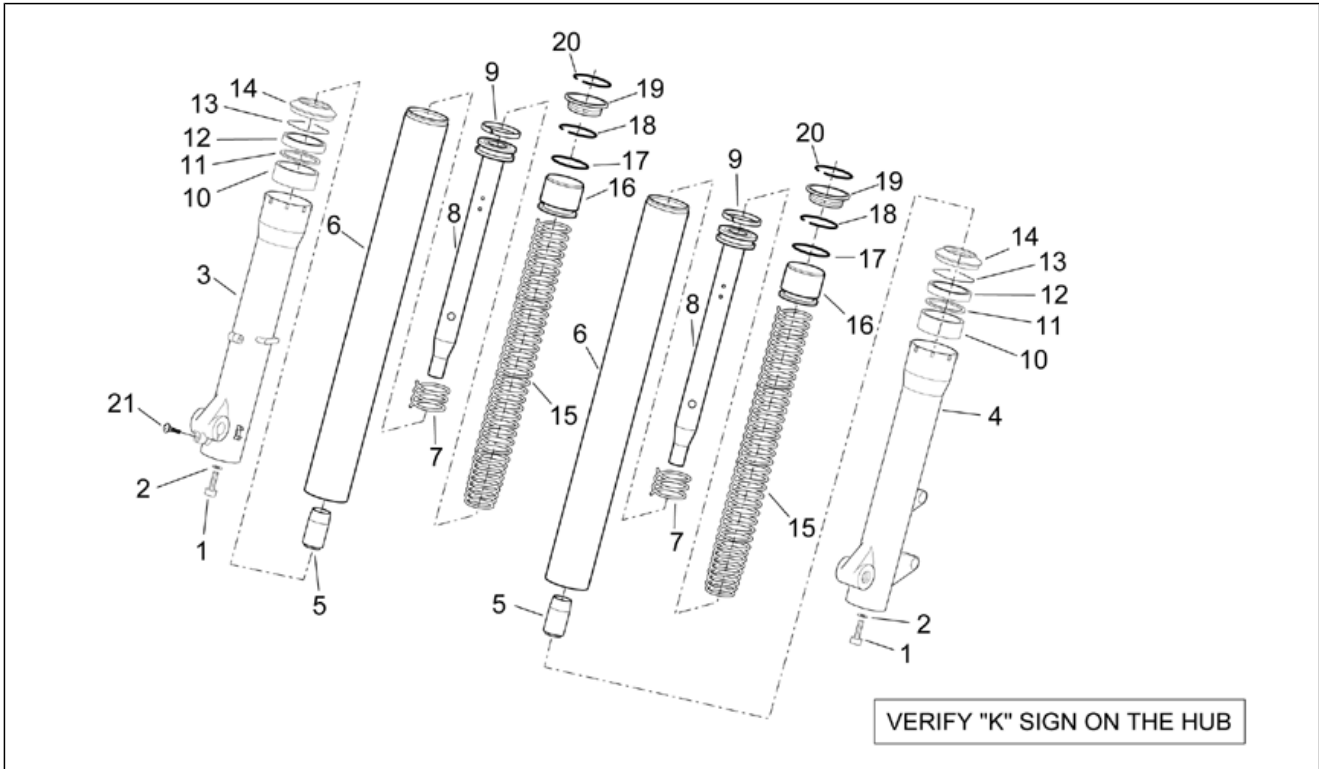
Pos.	Code	Beschreibung	Menge	Varianten
1	AP8163329	Baugruppe vordere Gabel	1	
2	AP8163441	Fuß mit Rohr	1	
3	AP8123794	Satz Kugelringe	1	
4	AP8123675	Unt.Staubschutz	1	
5	AP8152289	TE Schr. m. Flansch	4	
6	AP8104880	Deckel	1	

Einheit	RAHMEN
Code	28.04
Beschreibung	Kaifa Gabel - Schaften, Hülsen
Inspektion	1



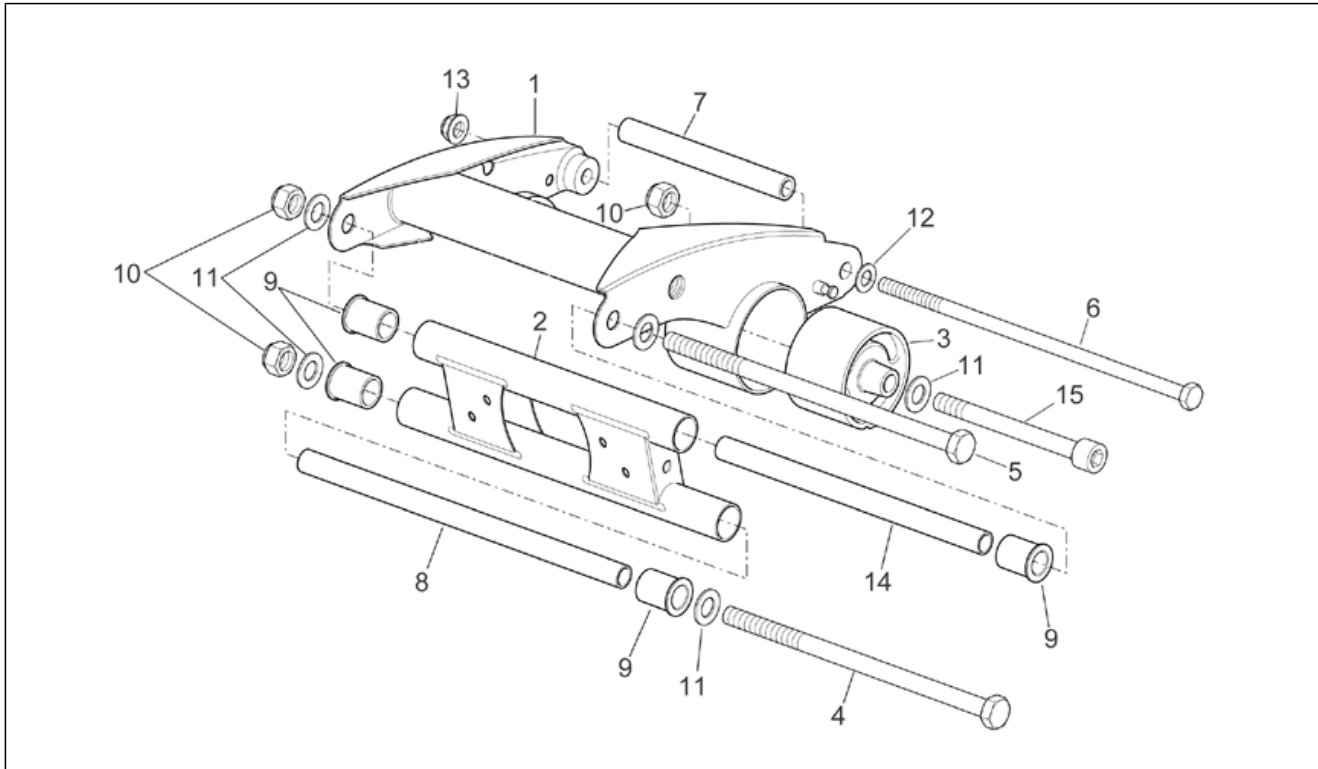
Pos.	Code	Beschreibung	Menge	Varianten
1	AP8163285	Schraube M10x30	2	Technische Daten: Gabel mit Buchstaben K auf dem Schaft[K]
2	AP8163435	Dichtscheibe	2	Technische Daten: Gabel mit Buchstaben K auf dem Schaft[K]
3	AP8163287	Rechte Hülse	1	Technische Daten: Gabel mit Buchstaben K auf dem Schaft[K]
4	AP8163288	Linke Hülse	1	Technische Daten: Gabel mit Buchstaben K auf dem Schaft[K]
5	AP8163289	Bodenstopfen	2	Technische Daten: Gabel mit Buchstaben K auf dem Schaft[K]
6	AP8163480	Schaft	2	Technische Daten: Gabel mit Buchstaben K auf dem Schaft[K]
7	AP8163291	Gegenfeder	2	Technische Daten: Gabel mit Buchstaben K auf dem Schaft[K]
8	AP8163479	Stoßdämpfer	2	Technische Daten: Gabel mit Buchstaben K auf dem Schaft[K]
9	AP8163293	Ring	2	Technische Daten: Gabel mit Buchstaben K auf dem Schaft[K]
10	AP8163294	Gleitbuchse	2	Technische Daten: Gabel mit Buchstaben K auf dem Schaft[K]
11	AP8163295	Scheibe Ölabbreifer	2	Technische Daten: Gabel mit Buchstaben K auf dem Schaft[K]
12	AP8163296	Ölabstreifring	2	Technische Daten: Gabel mit Buchstaben K auf dem Schaft[K]
13	AP8163297	Sperring	2	Technische Daten: Gabel mit Buchstaben K auf dem Schaft[K]
14	AP8163298	Staubschutz	2	Technische Daten: Gabel mit Buchstaben K auf dem Schaft[K]
15	AP8163478	Feder	2	Technische Daten: Gabel mit Buchstaben K auf dem Schaft[K]
16	AP8163300	Deckel	2	Technische Daten: Gabel mit Buchstaben K auf dem Schaft[K]

Einheit	RAHMEN
Code	28.04
Beschreibung	Kaifa Gabel - Schaften, Hülsen
Inspektion	1



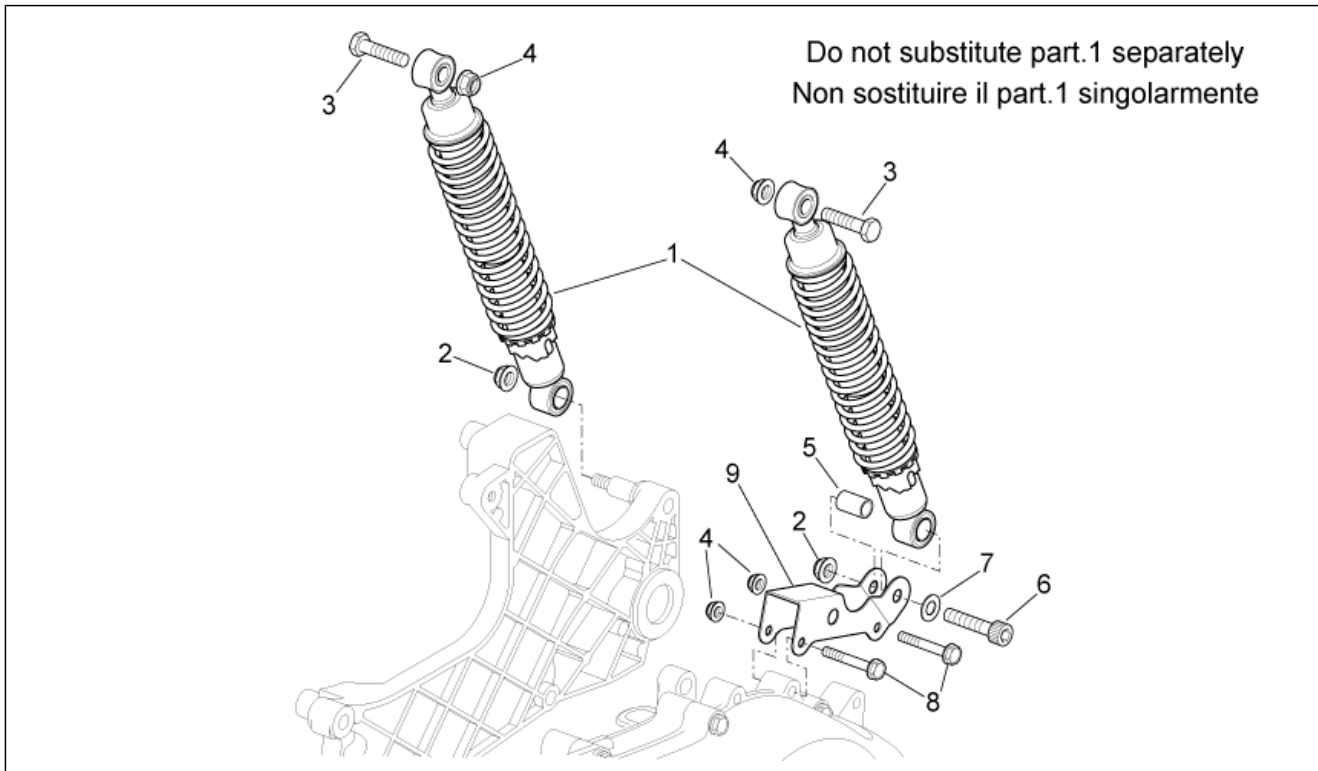
Pos.	Code	Beschreibung	Menge	Varianten
17	AP8163301	O-Ring	2	Technische Daten: Gabel mit Buchstaben K auf dem Schaft[K]
18	AP8163302	Sperring	2	Technische Daten: Gabel mit Buchstaben K auf dem Schaft[K]
19	AP8163303	Deckel	2	Technische Daten: Gabel mit Buchstaben K auf dem Schaft[K]
20	AP8163304	Sperring	2	Technische Daten: Gabel mit Buchstaben K auf dem Schaft[K]
21	AP8163305	Schraube	1	Technische Daten: Gabel mit Buchstaben K auf dem Schaft[K]

Einheit	RAHMEN
Code	28.05
Beschreibung	Pleuelstange
Inspektion	1



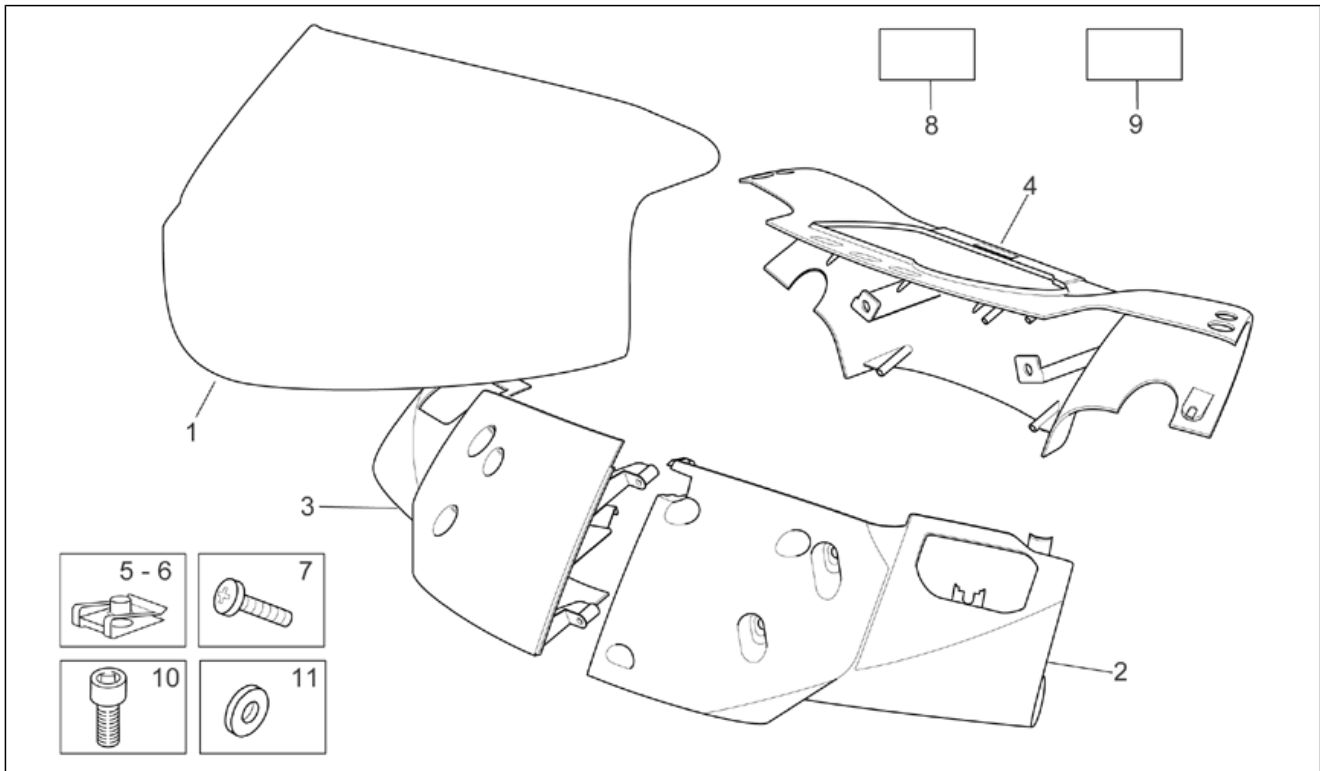
Pos.	Code	Beschreibung	Menge	Varianten
1	AP8161017	Motor-Pleuelstange	1	
2	AP8161018	Rahmen-Pleuelstange	1	
3	AP8144598	Silent-Block	1	
4	AP8121191	Scharnierbo.Rahmen	1	
5	AP8161019	Scharnierbol.Pleuel	1	
6	AP8121192	Motoranlenkbolzen	1	
7	AP8121628	Distanzscheibe	1	
8	AP8121190	Nebenpleuelbuchse	1	
9	AP8102538	Harzbuchse	4	
10	AP8150432	Selbstsperr.mut Unt. M12*	4	
11	AP8152018	Scheibe 12,2x22x2	5	
12	AP8150020	Ausgleichscheibe 10,5x21x2*	1	
13	AP8152301	Selbstsperrende Mutter	1	
14	AP8161016	Nebenpleuelbuchse	1	
15	AP8150338	TCEI Schraube M12 X 108	1	

Einheit	RAHMEN
Code	28.06
Beschreibung	Hinterradaufhängung
Inspektion	1



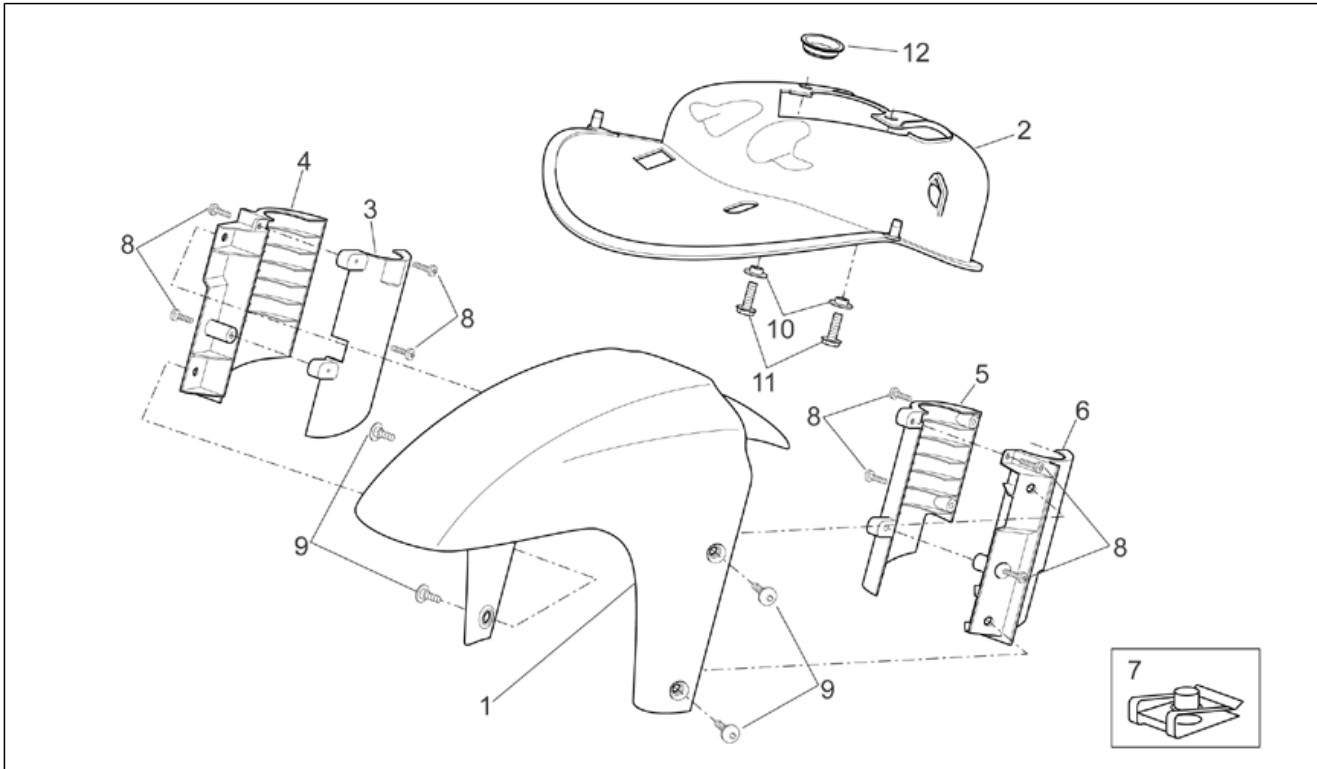
Pos.	Code	Beschreibung	Menge	Varianten
1	AP8163551	Stoßdämpfer	2	
2	AP8152301	Selbstsperrende Mutter	2	
3	AP8152290	TE Schr. m. Flansch M8x40	2	
4	AP8152300	Selbstsperrende Mutter M8	4	
5	AP8161031	Stoßdämpfer Buchse	1	
6	AP8150038	TCEI Schraube M10x45	1	
7	AP8150020	Ausgleichscheibe 10,5x21x2*	1	
8	AP8152292	TE Schr. m. Flansch	2	
9	AP8134974	Stoßdämpferhalterung	1	

Einheit	RAHMEN
Code	28.07
Beschreibung	Frontaufbau - Kuppel
Inspektion	1



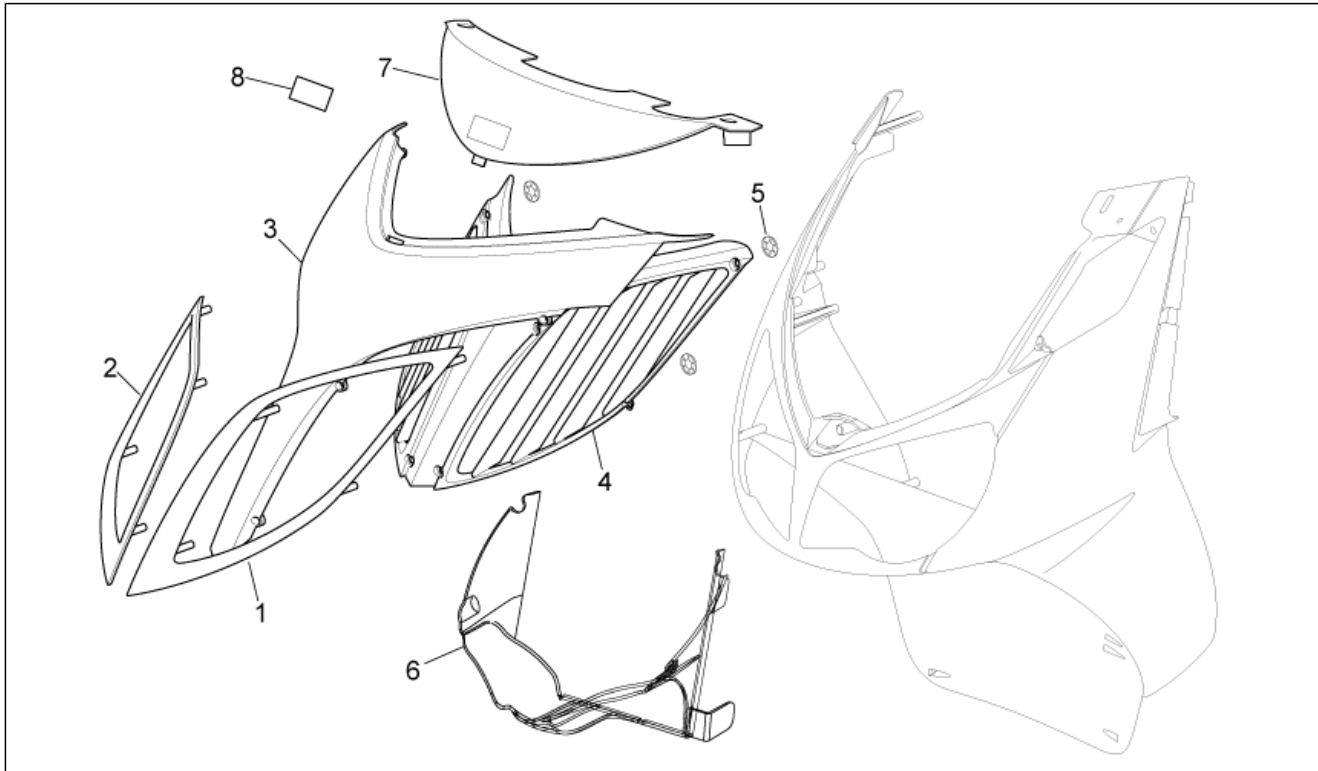
Pos.	Code	Beschreibung	Menge	Varianten
1	AP8179238	Kuppel, schwarz	1	
2	AP8178389	L.F.Instrument., schw.	1	
3	AP8178076	R.F.Instrument., schw.	1	
4	AP8178888	Instrumententafel, schwarz	1	
5	AP8102381	Klammer M4	2	
6	AP8102375	Klammer M5	2	
7	AP8150413	Gew.schr. 3,9x14	6	
8	AP8166436	Schild "Aprilia" 30x15	1	
9	AP8166439	Deko 125	1	Technische Daten: Version 125 cm ³ [125]
9	AP8166440	Deko 200	1	Technische Daten: Version 200 cm ³ [200]
10	AP8150416	TCEI Schraube	2	
11	AP8150011	Ausgleichscheibe 4,3x12x1	2	

Einheit	RAHMEN
Code	28.08
Beschreibung	Frontaufbau - Vrd. Schutzblech
Inspektion	1



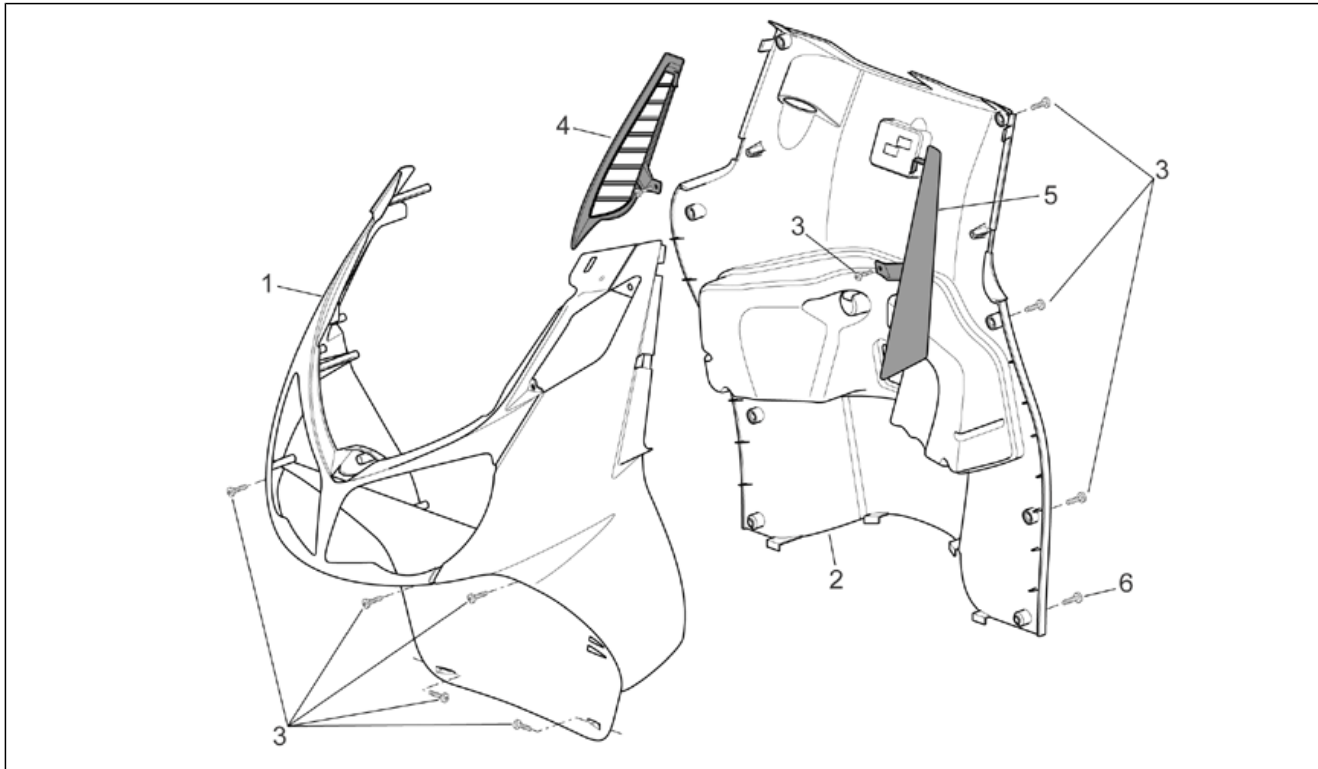
Pos.	Code	Beschreibung	Menge	Varianten
1	AP8156099	V. Schutzblech, schwarz	1	Baujahr: 2004[4] Fahrzeugfarbe: Schwarz Darkness 2004 (t.B.14644)[black]
1	AP8156179	V. Schutzblech, grau	1	Baujahr: 2004[4] Fahrzeugfarbe: Grau Titanic 2004 (t.B.14645)[grey]
1	AP8156180	V. Schutzblech, silver	1	Baujahr: 2004[4] Fahrzeugfarbe: Silver Mirror 2004 (t.B.14646)[silver]
1	AP8156191	V. Schutzblech, weiß	1	Baujahr: 2005[5] Fahrzeugfarbe: Weiß Cambridge 2005 (t.B.14789)[white]
1	AP8156217	V. Schutzblech, blau	1	Baujahr: 2006[6] Fahrzeugfarbe: Blau Main 2006 (t.B.15026)[blu]
1	AP8156218	V. Schutzblech, rot	1	Baujahr: 2006[6] Fahrzeugfarbe: Sunset Red 2006 (t.B.15027)[red]
2	AP8178078	Unt. Schld.abd., schw.	1	
3	AP8163331	In.R.Feder	1	
4	AP8163332	Ex.R.Feder	1	
5	AP8163473	In.L.Feder	1	
6	AP8163474	Ex.L.Feder	1	
7	AP8102375	Klammer M5	2	
8	AP8150413	Gew.schr. 3,9x14	8	
9	AP8152302	TBEI Schraube m.Flansch M5x12	4	
10	AP8121075	T-Buchse *	2	
11	AP8152280	TE Schr. m. Flansch M6x25	2	
12	AP8220530	Verschlüß grau	1	

Einheit	RAHMEN
Code	28.09
Beschreibung	Frontaufbau - Frontdeckel
Inspektion	1



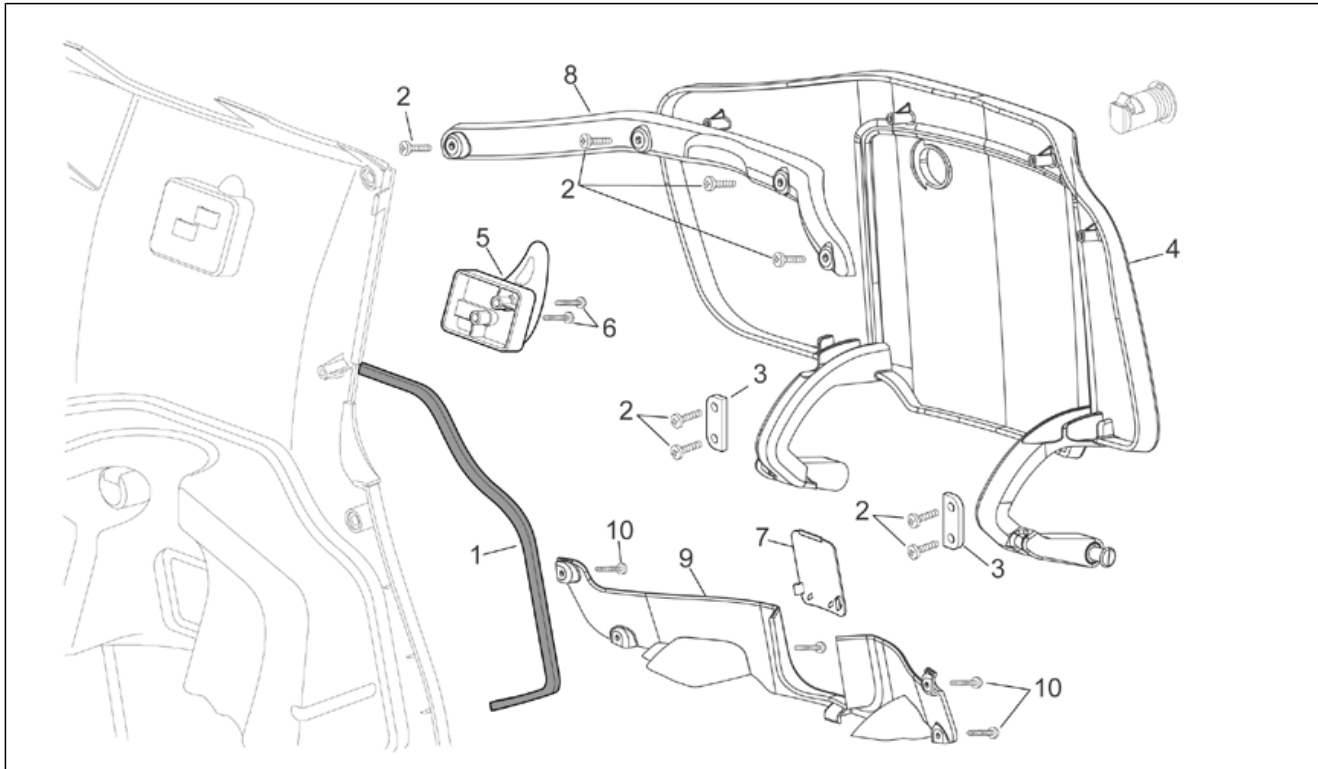
Pos.	Code	Beschreibung	Menge	Varianten
1	AP8178085	L. Kranzgesims cromo	1	
2	AP8178072	R. Kranzgesims cromo	1	
3	AP8178074	Fronthaube, schwarz	1	
4	AP8178073	Kühlrgitter, schwarz	1	
5	AP8150450	Wellenscheibe D5	10	
6	AP8178857	Umleiter	1	
7	AP8178889	Leuchtend grünes Heck	1	
8	AP8166437	Schild "Aprilia" 40x20	1	

Einheit	RAHMEN
Code	28.10
Beschreibung	Frontaufbau - Innenschild
Inspektion	1



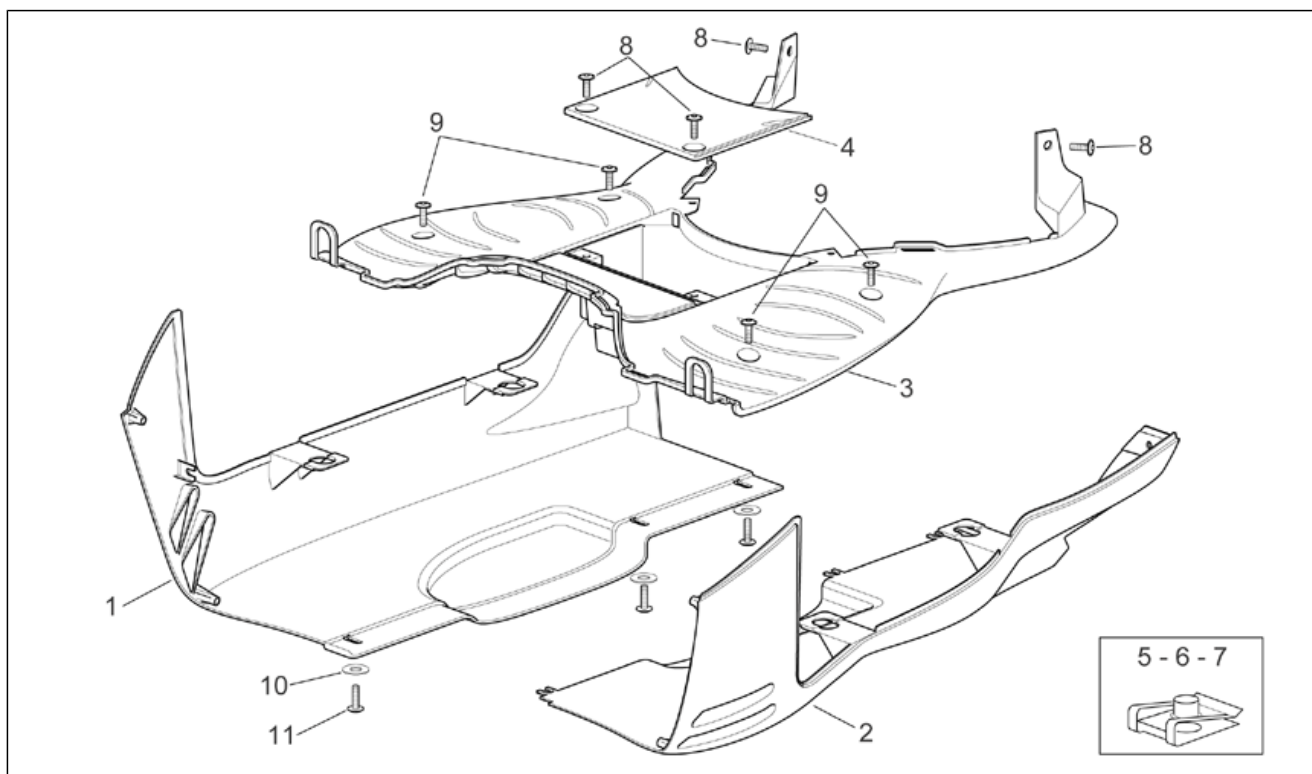
Pos.	Code	Beschreibung	Menge	Varianten
1	AP8178077	Außenschild, schwarz	1	Baujahr: 2004[4] Fahrzeugfarbe: Schwarz Darkness 2004 (t.B.14644)[black]
1	AP8178875	Außenschild, grau	1	Baujahr: 2004[4] Fahrzeugfarbe: Grau Titanic 2004 (t.B.14645)[grey]
1	AP8178879	Außenschild, silver	1	Baujahr: 2004[4] Fahrzeugfarbe: Silver Mirror 2004 (t.B.14646)[silver]
1	AP8179020	Außenschild, weiß	1	Baujahr: 2005[5] Fahrzeugfarbe: Weiß Cambridge 2005 (t.B.14789)[white]
1	AP8179239	Außenschild, blau	1	Baujahr: 2006[6] Fahrzeugfarbe: Blau Main 2006 (t.B.15026)[blu]
1	AP8179244	Außenschild, rot	1	Baujahr: 2006[6] Fahrzeugfarbe: Sunset Red 2006 (t.B.15027)[red]
2	AP8178079	Innenschild, schwarz	1	
3	AP8150413	Gew.schr. 3,9x14	9	
4	AP8178081	Kühlgitter Re., schwarz	1	
5	AP8178082	Kühlgitter li., schwarz	1	
6	AP8150423	Linsenschraube 4,2x25*	2	

Einheit	RAHMEN
Code	28.11
Beschreibung	Mittlerer aufbau I
Inspektion	1



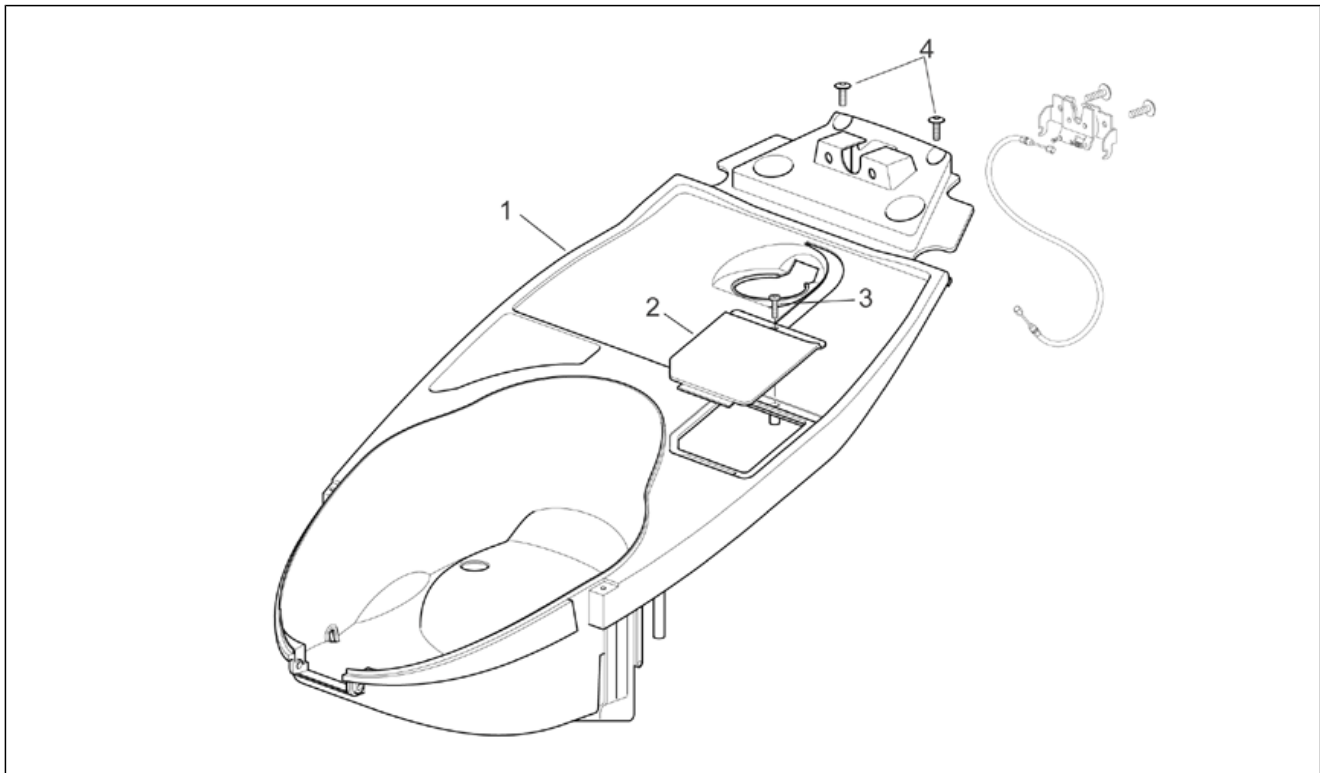
Pos.	Code	Beschreibung	Menge	Varianten
1	AP8144257	Dichtung	1	
2	AP8150413	Gew.schr. 3,9x14	8	
3	AP8134799	Platte	2	
4	AP8178083	Konsolesdeckel, schwarz	1	
5	AP8258034	Kplt.Untersitzhaken	1	
6	AP8150423	Linsenschraube 4,2x25*	2	
7	AP8149478	Gegeb.Typendeck, schw.	1	
8	AP8178858	Klappe Platte	1	
9	AP8178086	Tragenetz	1	
10	AP8150413	Gew.schr. 3,9x14	4	

Einheit	RAHMEN
Code	28.12
Beschreibung	Mittlerer aufbau II
Inspektion	1



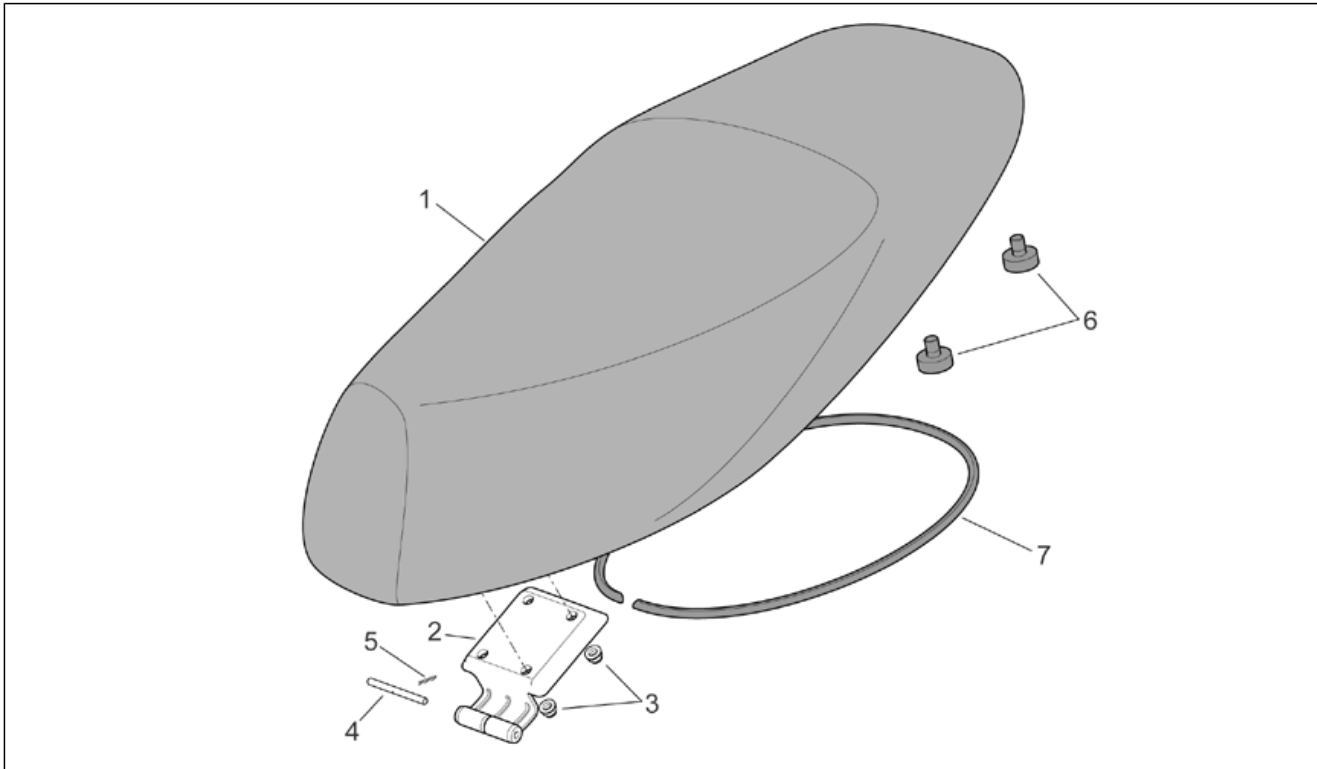
Pos.	Code	Beschreibung	Menge	Varianten
1	AP8178090	Unterboden re.sch.	1	
2	AP8178091	Unterboden li.sch.	1	
3	AP8178096	Fußbrett, schwarz	1	
4	AP8178107	Batteriedeckel, schwarz	1	
5	AP8102375	Klammer M5	11	
6	AP8102376	Klammer M6	2	
7	AP8144599	Clip f. Blechschr.	2	
8	AP8150298	TBEI Schraube	4	
9	AP8152338	TBEI Schraube m.Flansch	6	
10	AP8150382	Ausgleichscheibe 15x5,5X1,2	3	
11	AP8152298	TBEI Schraube m.Flansch M5x16	3	

Einheit	RAHMEN
Code	28.13
Beschreibung	U. Sitzbankt.
Inspektion	1



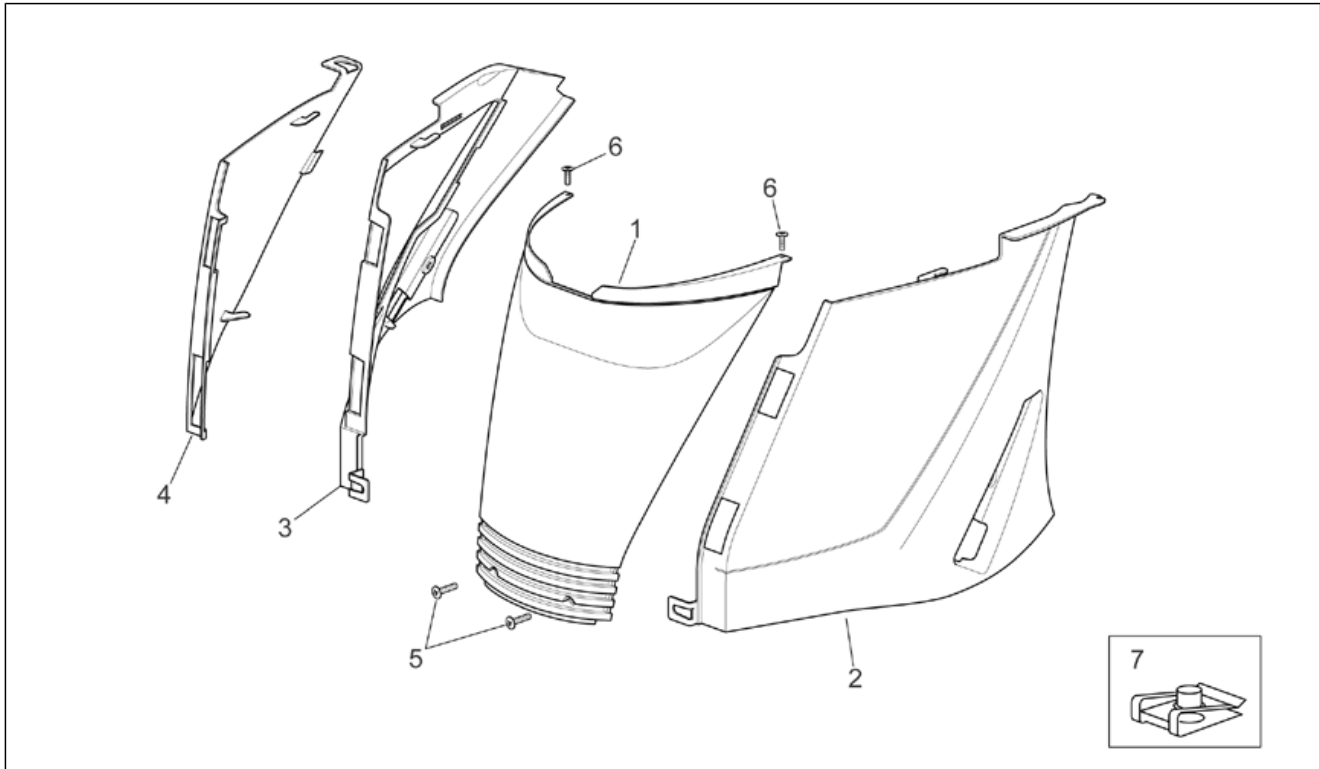
Pos.	Code	Beschreibung	Menge	Varianten
1	AP8178098	Staufach	1	
2	AP8178229	Deckel Benz.fühl. blau	1	
3	AP8150413	Gew.schr. 3,9x14	1	
4	AP8152298	TBEI Schraube m.Flansch M5x16	2	

Einheit	RAHMEN
Code	28.14
Beschreibung	Sitzbankeinheit
Inspektion	1



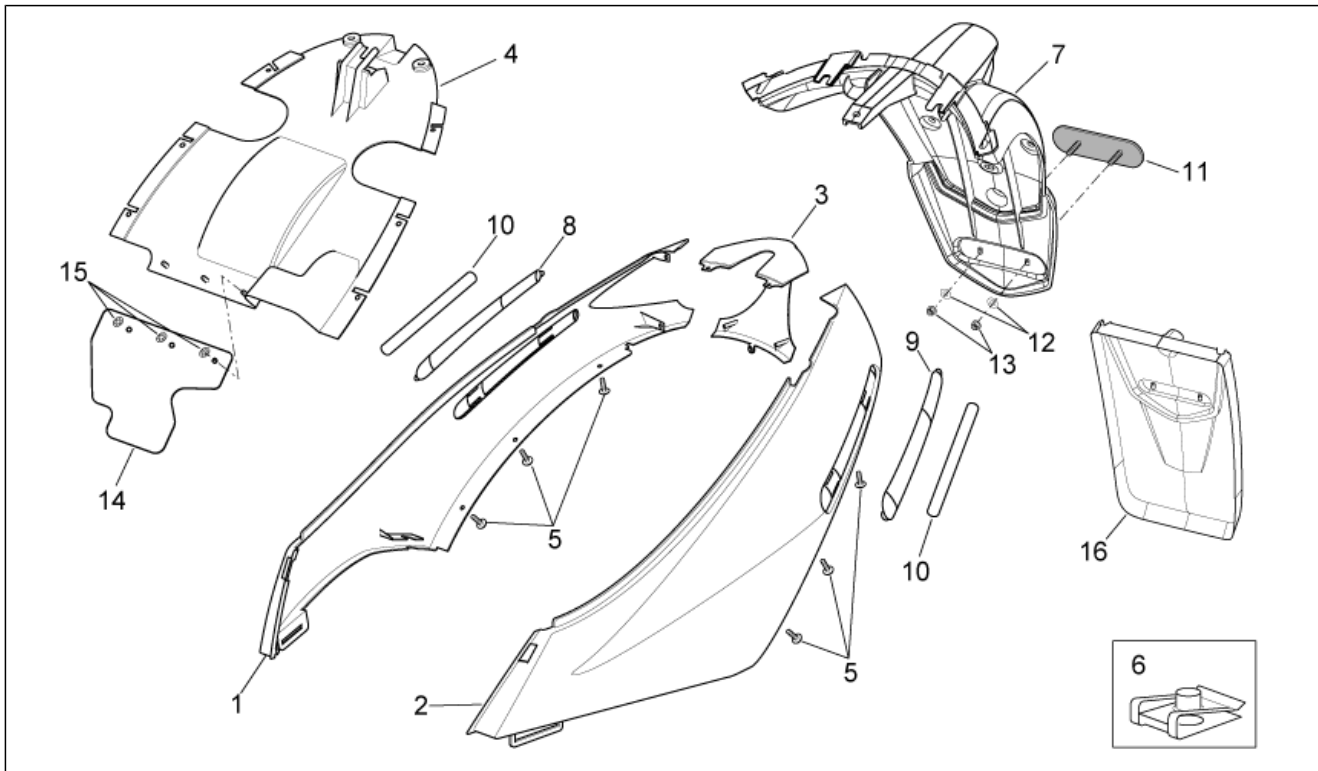
Pos.	Code	Beschreibung	Menge	Varianten
1	AP8129416	Sitz, schwarz	1	Fahrzeugfarbe: Schwarz Darkness 2004 (t.B.14644)[black], Grau Titanic 2004 (t.B.14645)[grey], Sunset Red 2006 (t.B.15027)[red], Silver Mirror 2004 (t.B.14646)[silver], Weiß Cambridge 2005 (t.B.14789)[white]
1	AP8129460	Sitz, blau	1	Fahrzeugfarbe: Blau Main 2006 (t.B.15026)[blu]
2	AP8178069	Sitzgelenk, schw.	1	
3	AP8152299	Selbstsperrende Mutter M6	4	
4	AP8201431	Splint *	1	
5	AP8121333	Sitzgelenkbolzen	1	
6	AP8144089	Sitz-Auflagegummi vorn	2	
7	AP8220469	Kofferdichtung	1	

Einheit	RAHMEN
Code	28.15
Beschreibung	Heckaufbau I
Inspektion	1



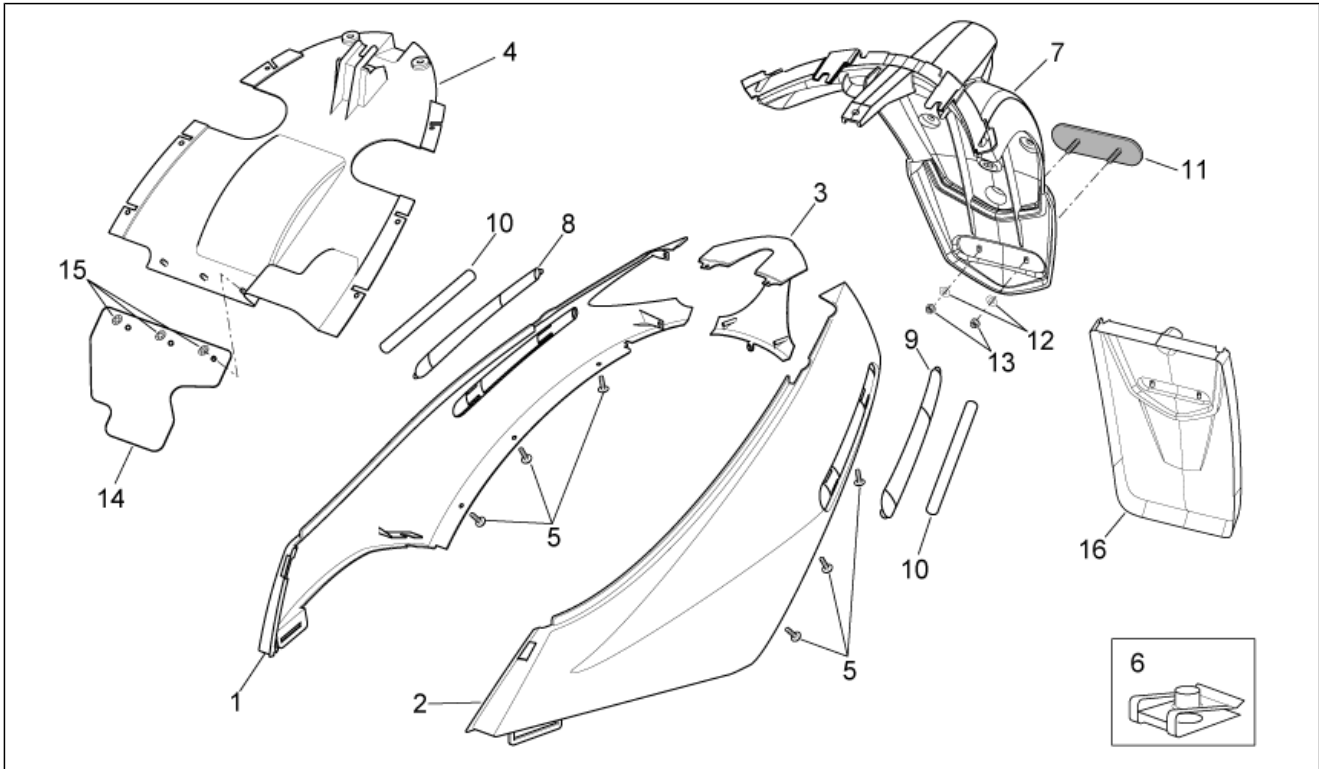
Pos.	Code	Beschreibung	Menge	Varianten
1	AP8178089	M.U. Sitzbankt., schw.	1	
2	AP8178093	Lin.U. Sitzbankt., schw.	1	
3	AP8178092	R.U. Sitzbankt., schw.	1	
4	AP8178097	Inspektionsdeckel, schwarz	1	
5	AP8152269	TBEI Spez.schr.	2	
6	AP8150413	Gew.schr. 3,9x14	2	
7	AP8102375	Klammer M5	2	

Einheit	RAHMEN
Code	28.16
Beschreibung	Heckaufbau II
Inspektion	1



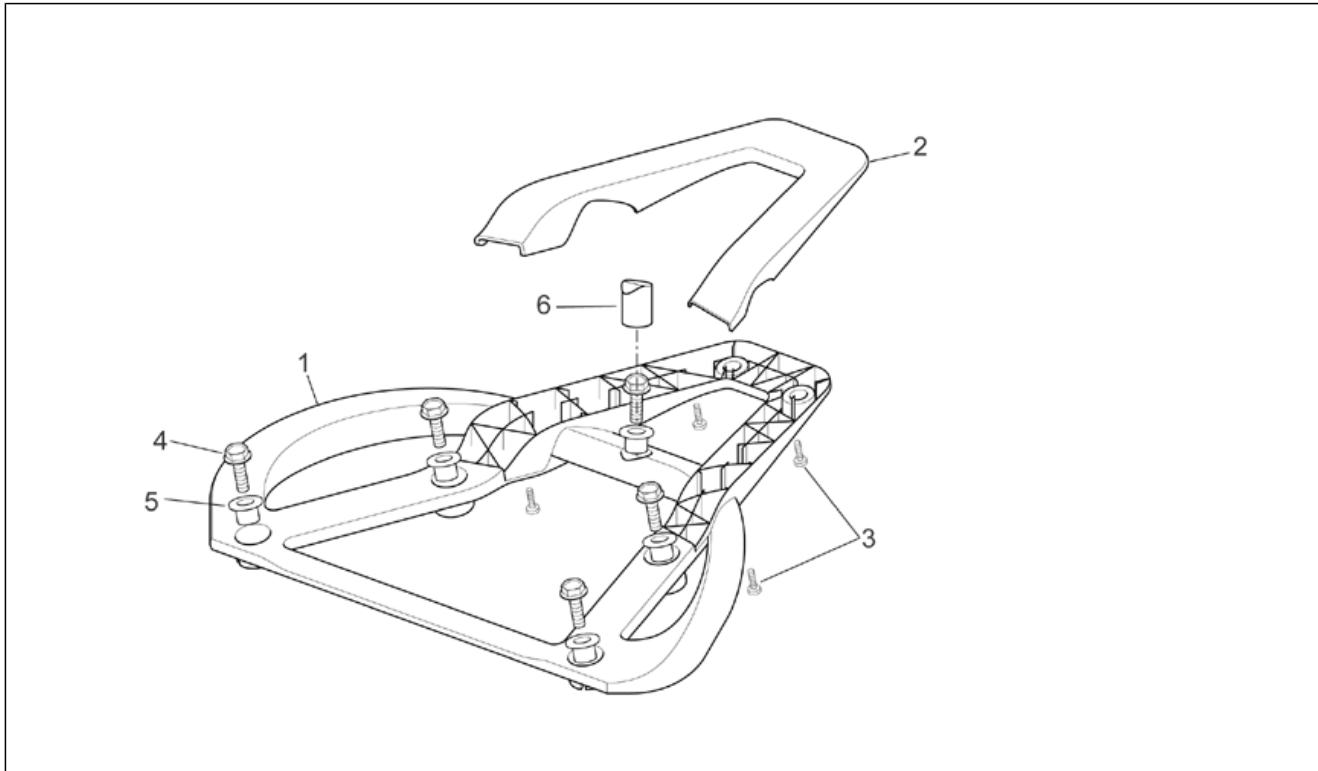
Pos.	Code	Beschreibung	Menge	Varianten
1	AP8178886	Heckteil r., schwarz	1	Baujahr: 2004[4] Fahrzeugfarbe: Schwarz Darkness 2004 (t.B.14644)[black]
1	AP8178890	Heckteil r., grau	1	Baujahr: 2004[4] Fahrzeugfarbe: Grau Titanic 2004 (t.B.14645)[grey]
1	AP8178892	Heckteil r., Silver	1	Baujahr: 2004[4] Fahrzeugfarbe: Silver Mirror 2004 (t.B.14646)[silver]
1	AP8179023	Heckteil r., weiß	1	Baujahr: 2005[5] Fahrzeugfarbe: Weiß Cambridge 2005 (t.B.14789)[white]
1	AP8179242	Heckteil r., blau	1	Baujahr: 2006[6] Fahrzeugfarbe: Blau Main 2006 (t.B.15026)[blu]
1	AP8179247	Heckteil r., rot	1	Baujahr: 2006[6] Fahrzeugfarbe: Sunset Red 2006 (t.B.15027)[red]
2	AP8178887	Heckteil l., schwarz	1	Baujahr: 2004[4] Fahrzeugfarbe: Schwarz Darkness 2004 (t.B.14644)[black]
2	AP8178891	Heckteil l., grau	1	Baujahr: 2004[4] Fahrzeugfarbe: Grau Titanic 2004 (t.B.14645)[grey]
2	AP8178893	Heckteil l., Silver	1	Baujahr: 2004[4] Fahrzeugfarbe: Silver Mirror 2004 (t.B.14646)[silver]
2	AP8179024	Heckteil l., s.weiß	1	Baujahr: 2005[5] Fahrzeugfarbe: Weiß Cambridge 2005 (t.B.14789)[white]
2	AP8179243	Heckteil l., blau	1	Baujahr: 2006[6] Fahrzeugfarbe: Blau Main 2006 (t.B.15026)[blu]
2	AP8179248	Heckteil l., rot	1	Baujahr: 2006[6] Fahrzeugfarbe: Sunset Red 2006 (t.B.15027)[red]
3	AP8178106	Mittlerer Heckteil schwarz	1	
4	AP8178103	Versch. R.verk. sch.	1	
5	AP8152298	TBEI Schraube m.Flansch M5x16	6	
6	AP8102375	Klammer M5	6	
7	AP8156100	Kennzeichenplatte, schwarz	1	
8	AP8178099	Schlagschutz rechts grau	1	
9	AP8178100	Schlagschutz links grau	1	

Einheit	RAHMEN
Code	28.16
Beschreibung	Heckaufbau II
Inspektion	1



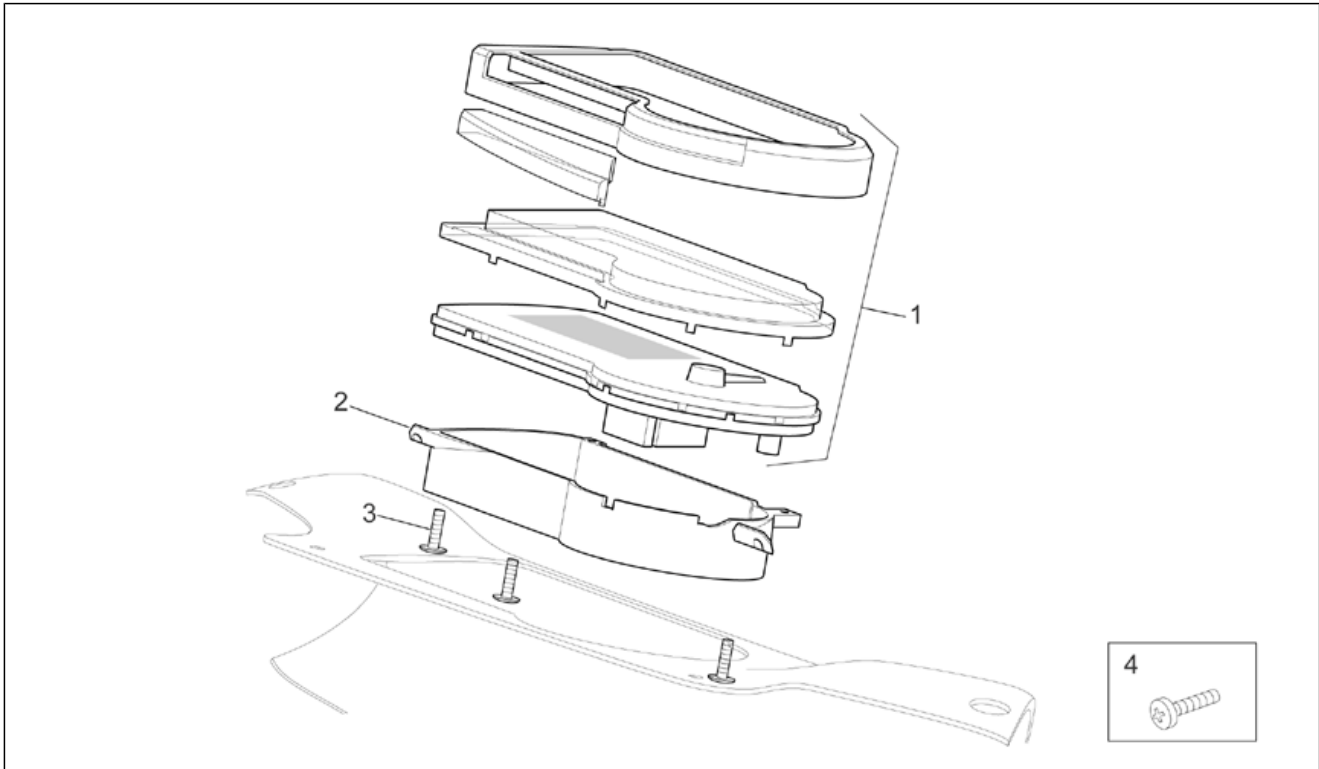
Pos.	Code	Beschreibung	Menge	Varianten
10	AP8166438	Schild SportCity Cromo	2	
11	AP8124718	Rückstrahler Rücklicht, rot	1	
12	AP8150159	Ausgleichscheibe 4,3x16*	2	
13	AP8150204	Mutter M4	2	
14	AP8178885	Schutz hint.	1	
15	AP8150450	Wellenscheibe D5	3	
16	AP8156185	Hinteres, Spritzschutz	1	

Einheit	RAHMEN
Code	28.17
Beschreibung	Kofferhalter
Inspektion	1



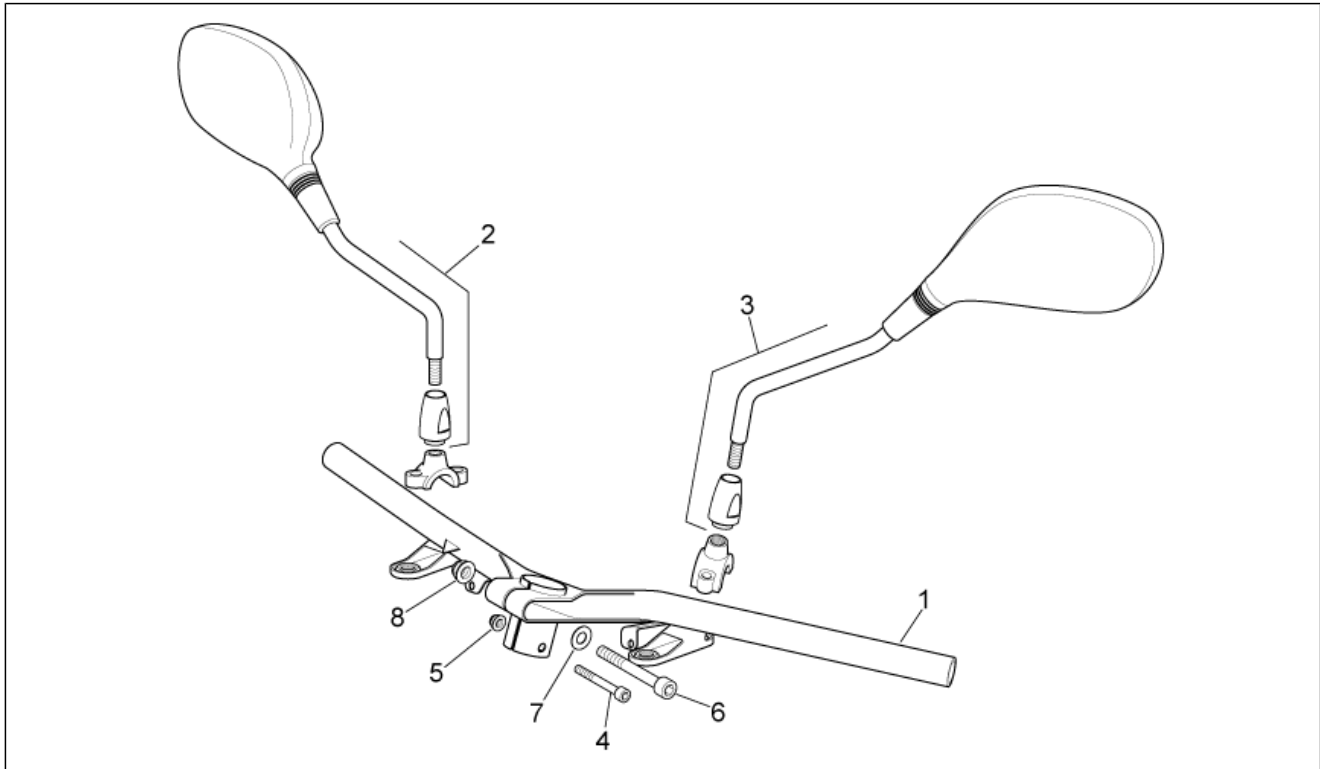
Pos.	Code	Beschreibung	Menge	Varianten
1	AP8178101	Soziusgriff schwarz	1	
2	AP8178102	Objekttr.deck.grau	1	
3	AP8150413	Gew.schr. 3,9x14	4	
4	AP8152288	TE Schr. m. Flansch	5	
5	AP8221128	T-Buchse 8,5x10,7x12	5	
6	AP8178390	Verschuß schw.	1	

Einheit	RAHMEN
Code	28.18
Beschreibung	Instrumententafel
Inspektion	1



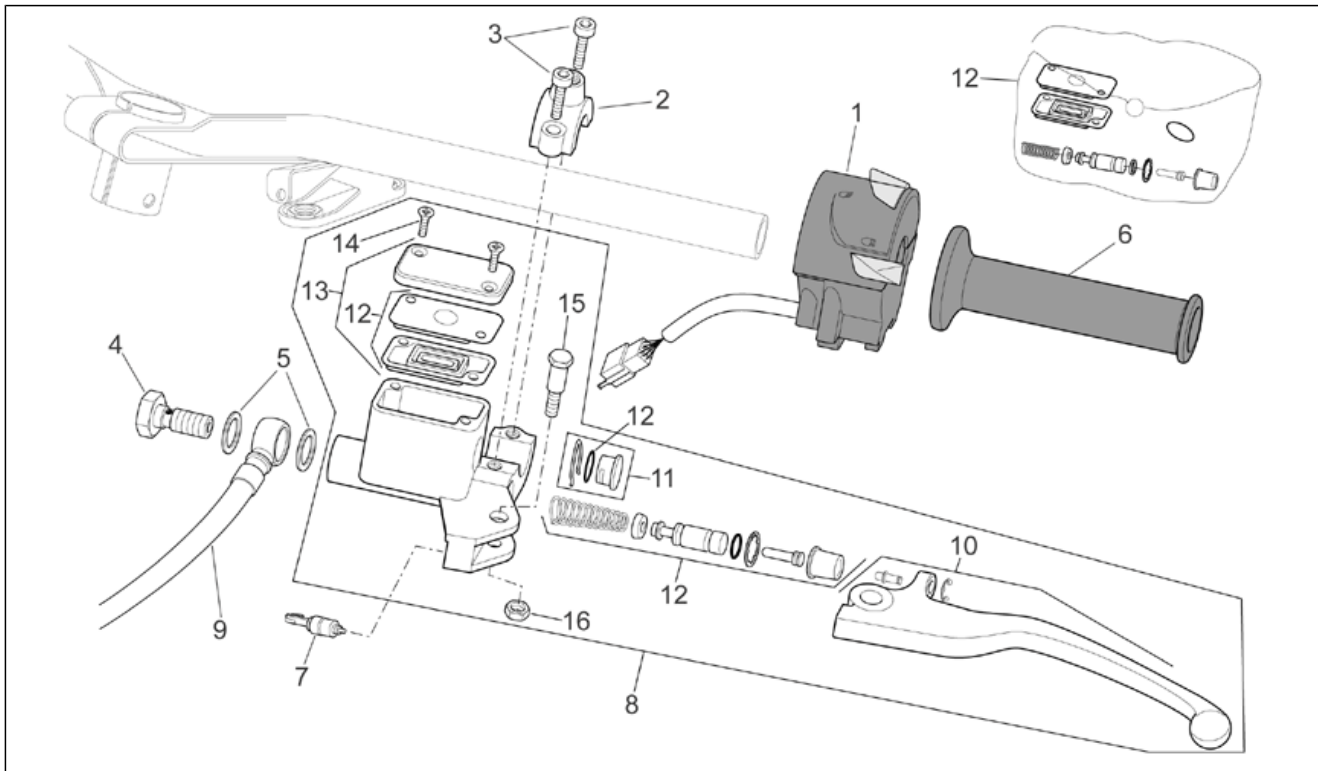
Pos.	Code	Beschreibung	Menge	Varianten
1	AP8127593	Instrumententafel	1	
2	AP8178071	Haltefassung	1	
3	AP8152329	Kreuz.schl.flinschschr. M5x20	3	
4	AP8150413	Gew.schr. 3,9x14	4	

Einheit	RAHMEN
Code	28.19
Beschreibung	Lenkstange
Inspektion	1



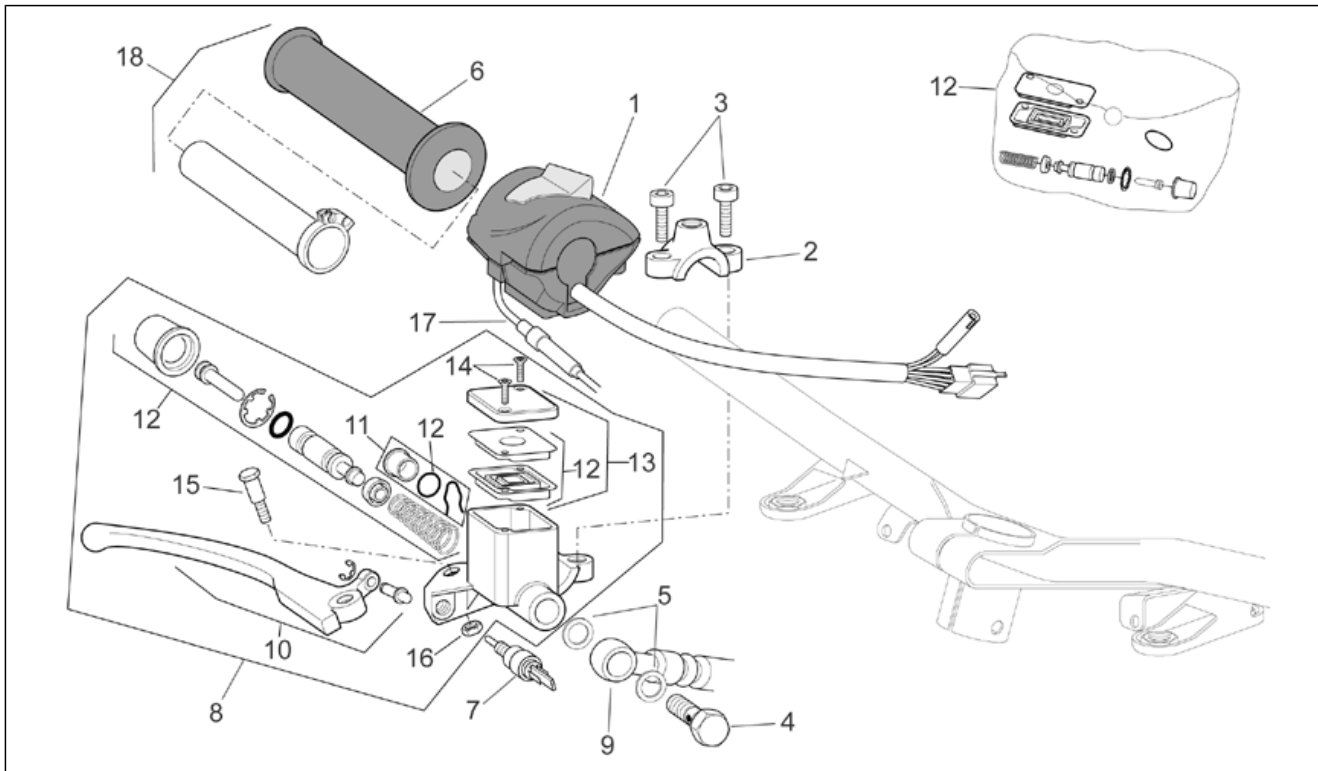
Pos.	Code	Beschreibung	Menge	Varianten
1	AP8118694	Lenkstange	1	
2	AP8104723	Spiegel re KEN SEAN	1	Technische Daten:L - E9 - 001003[B]
2	CM180901	Spiegel re FU-HWA	1	Technische Daten:E11 L001007[C]
3	AP8104724	Spiegel li KEN SEAN	1	Technische Daten:L - E9 - 001003[B]
3	CM180902	Spiegel li FU-HWA	1	Technische Daten:E11 L001007[C]
4	AP8150277	TCEI Schraube M8x50	1	
5	AP8152300	Selbstsperrende Mutter M8	1	
6	AP8150088	TCEI Schraube M10x70	1	
7	AP8150020	Ausgleichscheibe 10,5x21x2*	1	
8	AP8152301	Selbstsperrende Mutter	1	

Einheit	RAHMEN
Code	28.20
Beschreibung	Schaltungen links
Inspektion	1



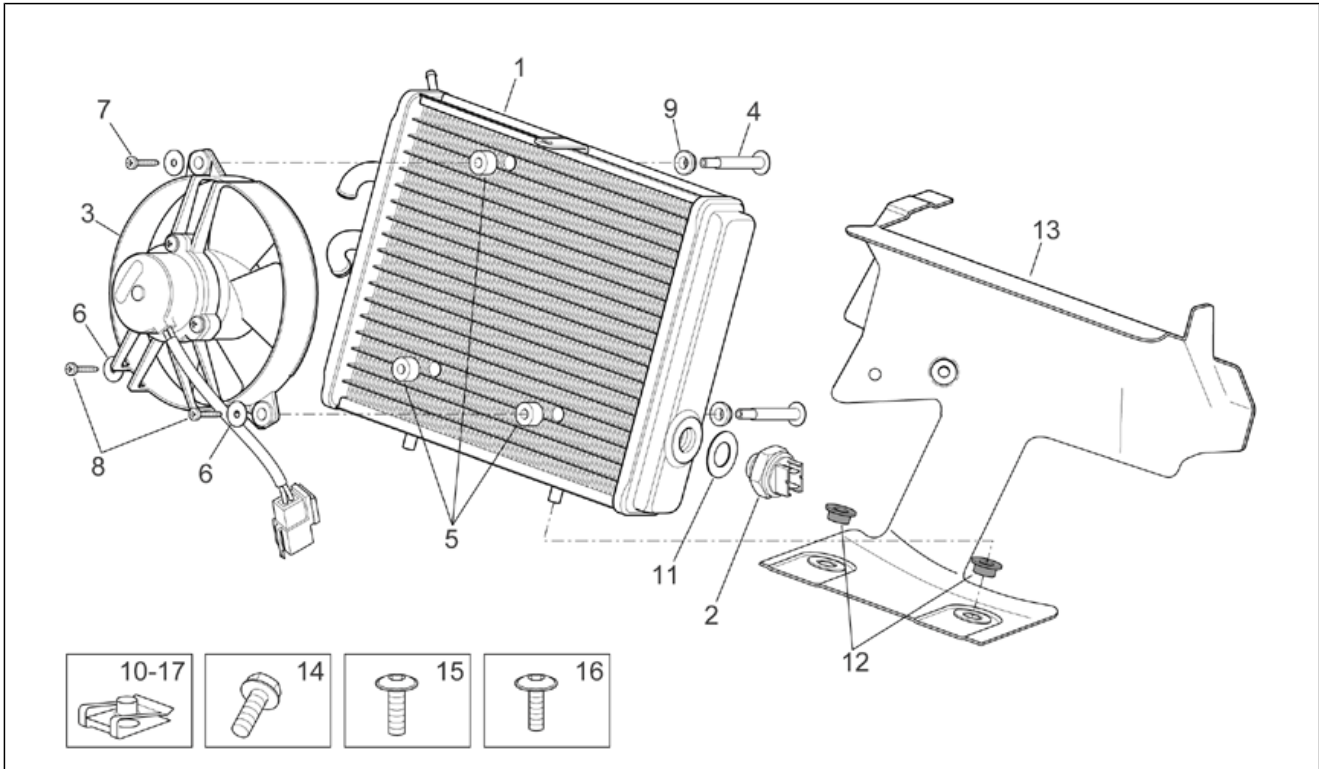
Pos.	Code	Beschreibung	Menge	Varianten
1	AP8124918	Linker Lichtschalter	1	
2	AP8213382	L. Bügelbolzen	1	Technische Daten:Marke Grimeca[gr]
2	AP8213580	L. Bügelbolzen	1	Technische Daten:Marke Heng Tong[ht]
3	AP8213299	Kappenschraube	2	Technische Daten:Marke Grimeca[gr]
3	AP8213582	Kappenschraube	2	Technische Daten:Marke Heng Tong[ht]
4	AP8113003	Fixierschraube Ölschlauch	1	
5	AP8113004	Ausgleichscheibe 10x14x1,6*	2	
6	AP8118699	Handgriffe paar, schwarz	1	
7	AP8127305	Knopf stop	1	
8	AP8213549	Hinterradbrenspumpe	1	Technische Daten:Marke Grimeca[gr]
8	AP8213559	Hinterradbrenspumpe D=12,7 mm	1	Technische Daten:Marke Heng Tong[ht]
9	AP8133676	Hinterradbrensleitung	1	
10	AP8213601	Hebel kpl.	1	Technische Daten:Marke Heng Tong[ht]
10	AP8590035	Hebel kpl. (Grimeca)	1	Technische Daten:Marke Grimeca[gr]
11	AP8213455	Schauglas Brenspumpe, Kpl.	1	Technische Daten:Marke Grimeca[gr]
12	AP8213593	Bausatz Pumpenüberholung	1	Technische Daten:Marke Heng Tong[ht]
12	AP8590037	Bausatz Pumpenüberholung	1	Technische Daten:Marke Grimeca[gr]
13	AP8213595	Tankdeckel, Kpl.	1	Technische Daten:Marke Heng Tong[ht]
13	AP8590038	Tankdeckel, Kpl.	1	Technische Daten:Marke Grimeca[gr]
14	AP8213400	Schraube Pumpendeckel	2	Technische Daten:Marke Grimeca[gr]
14	AP8213583	Schraube Pumpendeckel	2	Technische Daten:Marke Heng Tong[ht]
15	AP8125757	Schraube Hebel	1	Technische Daten:Marke Grimeca[gr]
15	AP8213584	Bremshebelbolzen	1	Technische Daten:Marke Heng Tong[ht]
16	AP8213298	Mutter	1	Technische Daten:Marke Grimeca[gr]
16	AP8213585	Mutter	1	Technische Daten:Marke Heng Tong[ht]

Einheit	RAHMEN
Code	28.21
Beschreibung	Schaltungen rechts
Inspektion	1



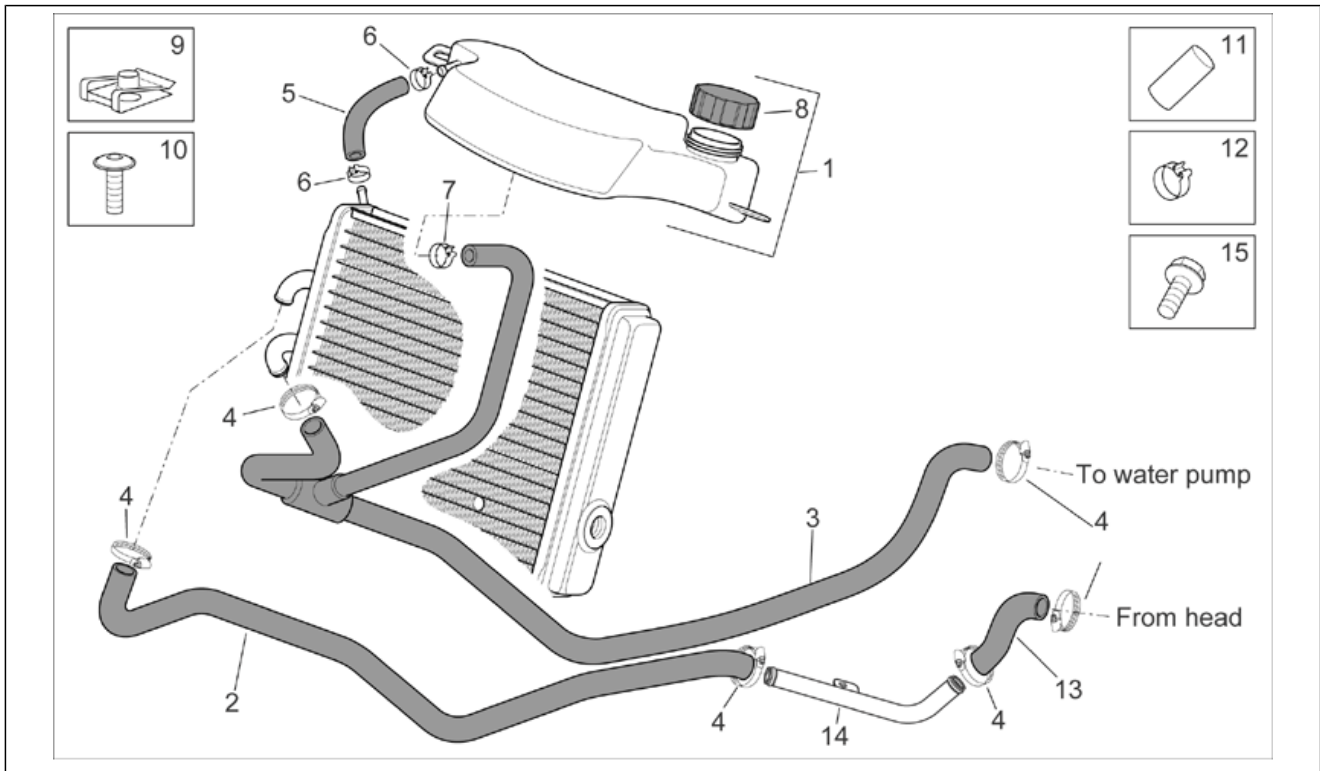
Pos.	Code	Beschreibung	Menge	Varianten
1	AP8127592	Rechter Lichtschalter	1	
2	AP8213581	R. Bügelbolzen	1	Technische Daten:Marke Heng Tong[ht]
2	AP8590034	R. Bügelbolzen	1	Technische Daten:Marke Grimeca[gr]
3	AP8213299	Kappenschraube	2	Technische Daten:Marke Grimeca[gr]
3	AP8213582	Kappenschraube	2	Technische Daten:Marke Heng Tong[ht]
4	AP8113003	Fixierschraube Ölschlauch	1	
5	AP8113004	Ausgleichscheibe 10x14x1,6*	2	
6	AP8118699	Handgriffe paar, schwarz	1	
7	AP8127305	Knopf stop	1	
8	AP8213547	Vorderradbrenspumpe	1	Technische Daten:Marke Grimeca[gr]
8	AP8213558	Vorderradbrenspumpe D=12,7 mm	1	Technische Daten:Marke Heng Tong[ht]
9	AP8133673	Vorderradbrensleitung	1	
10	AP8213602	Hebel kpl. (Heng Tong)	1	Technische Daten:Marke Heng Tong[ht]
10	AP8590035	Hebel kpl. (Grimeca)	1	Technische Daten:Marke Grimeca[gr]
11	AP8213455	Schauglas Brenspumpe, Kpl.	1	Technische Daten:Marke Grimeca[gr]
12	AP8213600	Bausatz Pumpenüberholung	1	Technische Daten:Marke Heng Tong[ht]
12	AP8590037	Bausatz Pumpenüberholung	1	Technische Daten:Marke Grimeca[gr]
13	AP8213598	Tankdeckel	1	Technische Daten:Marke Heng Tong[ht]
13	AP8590038	Tankdeckel, Kpl.	1	Technische Daten:Marke Grimeca[gr]
14	AP8213400	Schraube Pumpendeckel	2	Technische Daten:Marke Grimeca[gr]
14	AP8213583	Schraube Pumpendeckel	2	Technische Daten:Marke Heng Tong[ht]
15	AP8125757	Schraube Hebel	1	Technische Daten:Marke Grimeca[gr]
15	AP8213584	Bremshebelbolzen	1	Technische Daten:Marke Heng Tong[ht]
16	AP8213298	Mutter	1	Technische Daten:Marke Grimeca[gr]
16	AP8213585	Mutter	1	Technische Daten:Marke Heng Tong[ht]
17	AP8114500	Gaszugkabel	1	
18	AP8118681	Gasschaltung mit griff	1	

Einheit	RAHMEN
Code	28.22
Beschreibung	Kühler
Inspektion	1



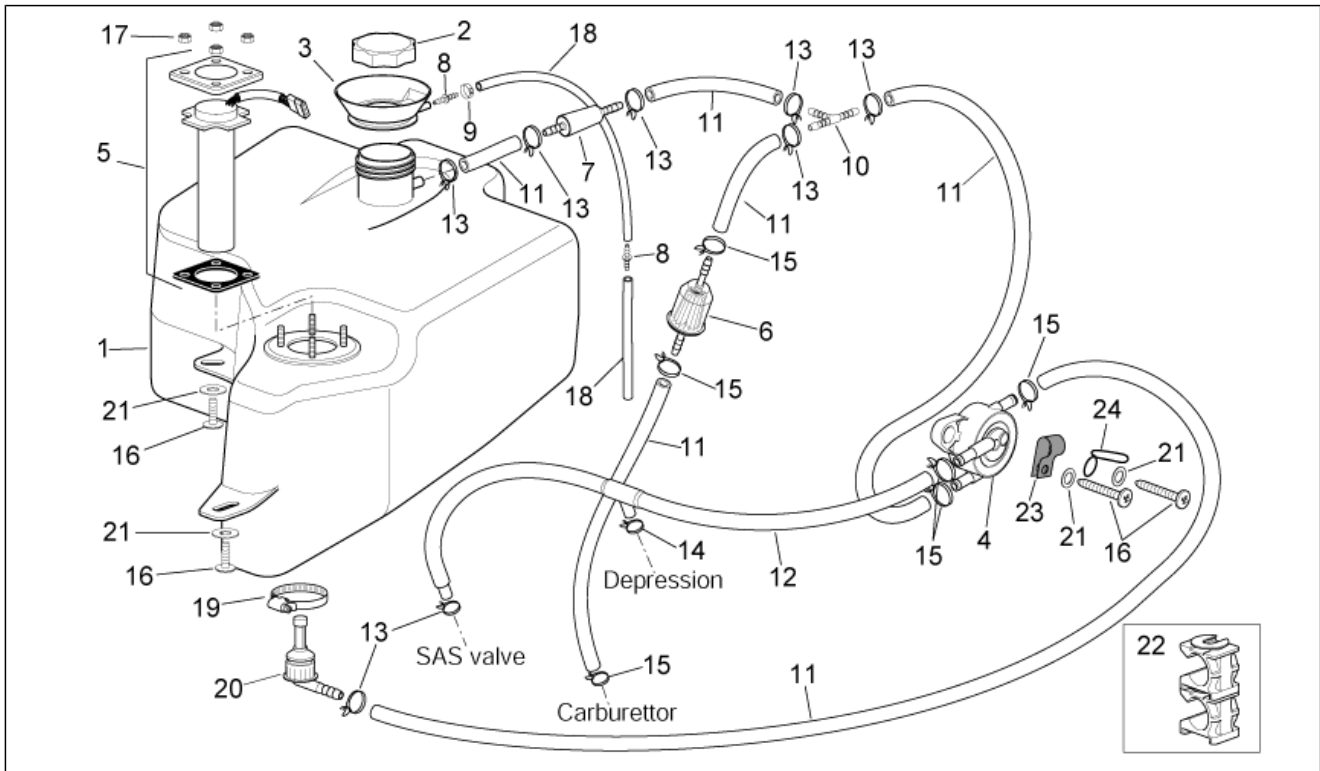
Pos.	Code	Beschreibung	Menge	Varianten
1	AP8104721	Kühler	1	
2	AP8127441	Thermoschalter	1	
3	AP8124446	Ventilator komplett	1	
4	AP8121464	Stift	3	
5	AP8125848	Distanzscheibe	3	
6	AP8150159	Ausgleichscheibe 4,3x16*	3	
7	AP8150120	Linsenschraube 4,2x22*	1	
8	AP8150270	Linsenschraube 4,2x20*	2	
9	AP8221218	Buchse Schutzblech	3	
10	AP8102376	Klammer M6	6	
11	AP8121837	Alu-Scheibe	1	
12	AP8101372	Silent-Block	2	
13	AP8134976	Leitblech	1	
14	AP8152278	TE Schr. m. Flansch M6x16	2	
15	AP8152246	TBEI Schraube m.Flansch M6x16	1	
16	AP8152302	TBEI Schraube m.Flansch M5x12	1	
17	AP8102375	Klammer M5	1	

Einheit	RAHMEN
Code	28.23
Beschreibung	Kühlanlage
Inspektion	1



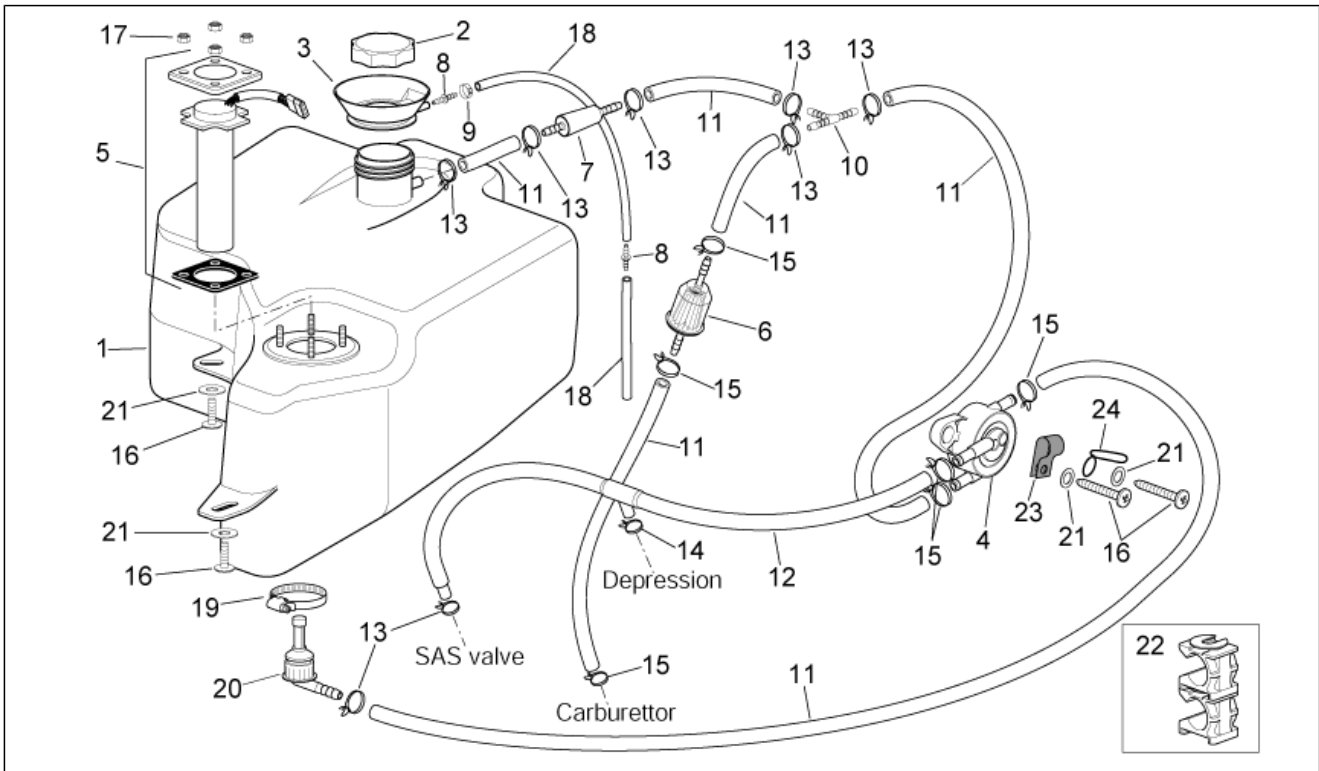
Pos.	Code	Beschreibung	Menge	Varianten
1	AP8178066	Ausdehngefäß	1	
2	AP8144642	Anschlußschlauch KühlerA	1	
3	AP8144643	Cooler-pump pipe	1	
4	AP8101573	Schelle D16-24x8*	6	
5	AP8144506	Entlüftungsschlauch Kühler 7,5X3,5	1	
6	AP8102765	Schlauchschelle weiß D.13,5x6	2	
7	AP8102349	Schlauchschelle weiß D17,5x8	1	
8	AP8570122	Ausdehnsg. Schraube	1	
9	AP8102376	Klammer M6	3	
10	AP8152246	TBEI Schraube m.Flansch M6x16	2	
11	AP8144298	Entlüftungsschraube	1	
12	AP8120446	Schlauchschelle, grün D11x6,6x1	1	
13	AP8144705	Zylinderkopf Anschluß	1	
14	AP8144704	Anschluss	1	
15	AP8152277	TE Schr. m. Flansch M6x12	1	

Einheit	RAHMEN
Code	28.24
Beschreibung	Kraftstofftank
Inspektion	1



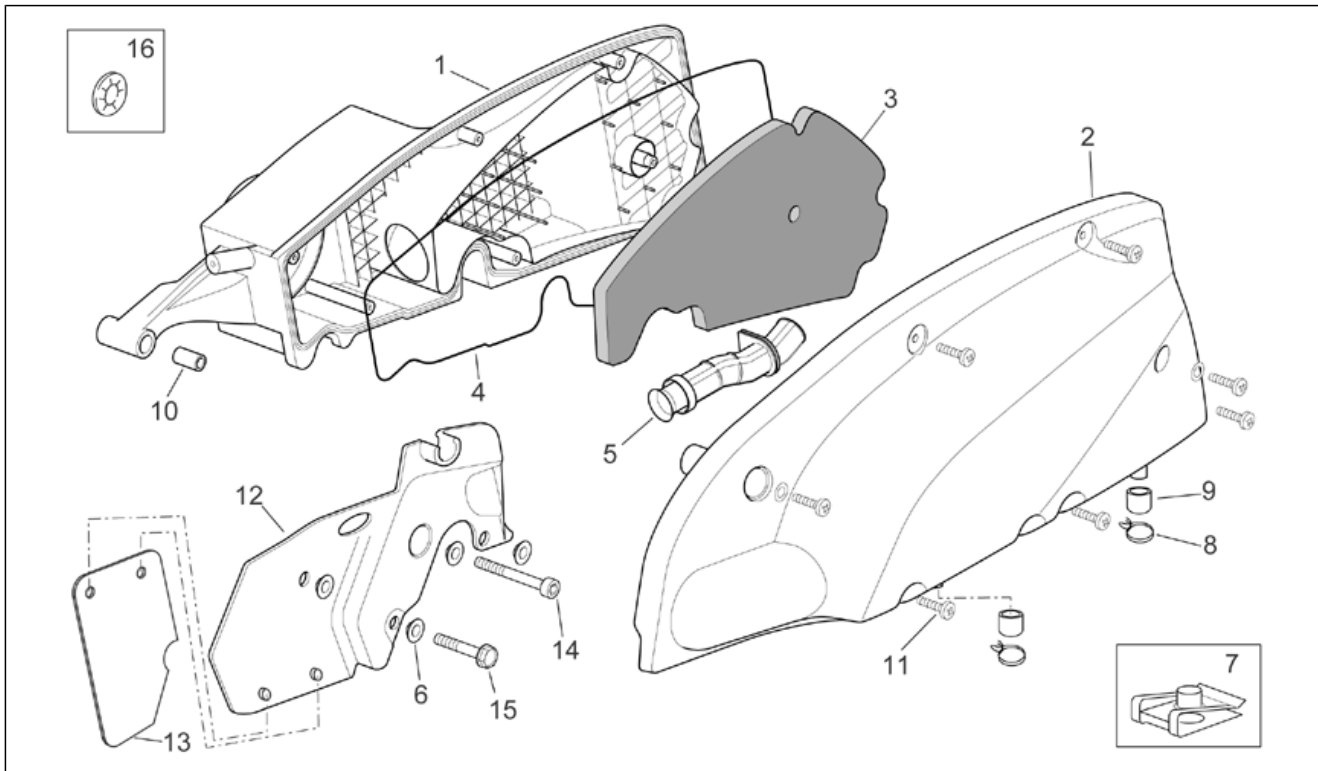
Pos.	Code	Beschreibung	Menge	Varianten
1	AP8178068	Kraftstofftank	1	Baujahr:2005[5]
1	AP8178068	Kraftstofftank	1	Baujahr:2004[4]
1	AP8179157	Kraftstofftank	1	Baujahr:2005[5]
1	AP8179157	Kraftstofftank	1	Baujahr:2004[4]
1	AP8179157	Kraftstofftank	1	Baujahr:2006[6]
2	AP8201757	Tankverschlußschraube	1	
3	AP8144187	Gummi Kraftstoffsammler	1	
4	AP8176041	Kraftstoffpumpe	1	
5	AP8127725	Kraftstoffmeßsonde	1	Baujahr:2005[5]
5	AP8127725	Kraftstoffmeßsonde	1	Baujahr:2004[4]
5	AP8127726	Kraftstoffmeßsonde	1	Baujahr:2005[5]
5	AP8127726	Kraftstoffmeßsonde	1	Baujahr:2006[6]
5	AP8127726	Kraftstoffmeßsonde	1	Baujahr:2004[4]
6	AP8104406	Kraftstofffilter	1	
7	AP8104251	Ölablaßventil	1	
8	AP8101944	2-Wege Anschluß	2	
9	AP8101770	Schlauchschelle D8x5,5*	1	
10	AP8144303	3-Wegeanschluß	1	
11	AP8120952	Kraftstoffleitung 5,5x10	6	
12	AP8134815	Vacuum pipe	1	
13	AP8101595	Schelle D10,1	4	
14	AP8120179	Schelle D8	1	
15	AP8102378	Schelle D11,3	5	
16	AP8152329	Kreuz.schl.flnschschr. M5x20	4	
17	AP8150204	Mutter M4	4	Baujahr:2004[4]
17	AP8150204	Mutter M4	4	Baujahr:2005[5]
18	AP8220263	Entlüftungsschlauch Kühler 4x8	2	
19	AP8104072	Schelle	1	

Einheit	RAHMEN
Code	28.24
Beschreibung	Kraftstofftank
Inspektion	1



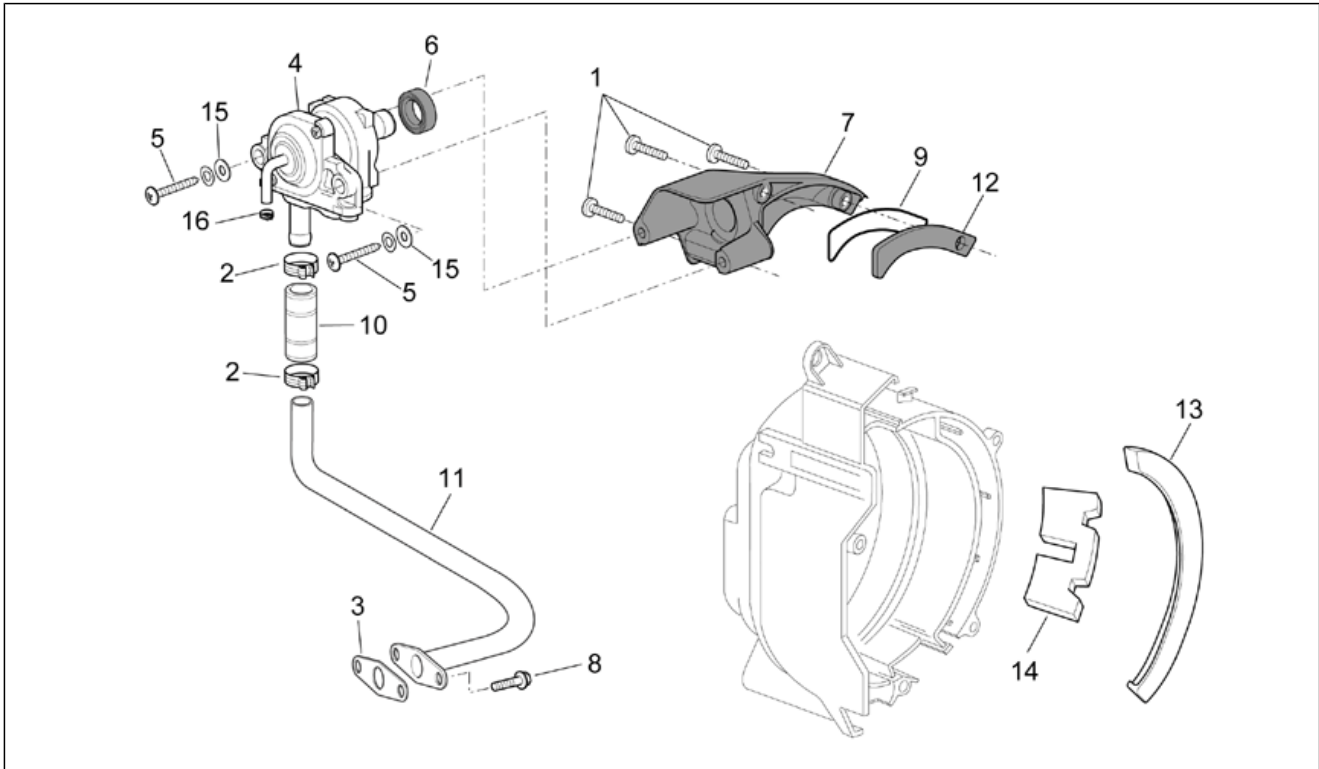
Pos.	Code	Beschreibung	Menge	Varianten
20	AP8104071	Anschluß komplett	1	
21	AP8150382	Ausgleichscheibe 15x5,5X1,2	4	
22	AP8201808	Kabelführungs D8	2	
23	AP8102151	Schelle schwarz D12*	1	
24	AP8120428	Kabelführungs	1	

Einheit	RAHMEN
Code	28.25
Beschreibung	Filtergehäuse
Inspektion	1



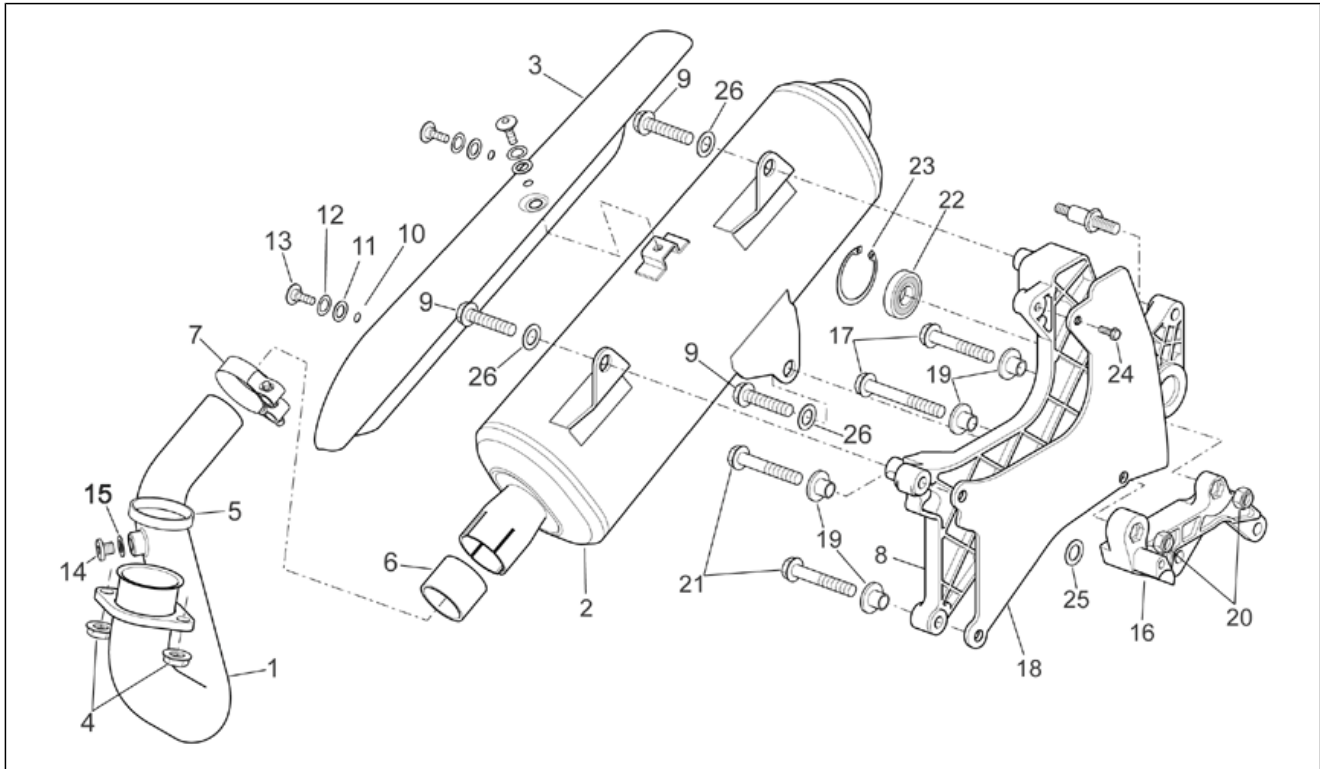
Pos.	Code	Beschreibung	Menge	Varianten
1	AP8178901	Boden Filtergehäuse	1	
2	AP8178902	Deckel Filtergehäuse	1	
3	AP8104878	Luftfilter	1	
4	AP8120615	Dichtung D3	1	
5	AP8144699	Ansaugmuffe	1	
6	AP8121032	Buchse	4	
7	AP8102376	Klammer M6	2	
8	AP8580219	Schelle	2	
9	AP8144701	Kappe	2	
10	AP8161034	Distanzscheibe	1	
11	AP8152329	Kreuz.schl.flnschschr. M5x20	7	
12	AP8178845	Hintere Wand Filtergehäuse	1	
13	AP8117247	Schutz Filtergehäuse	1	
14	AP8150202	TCEI Schraube M6x50	1	
15	AP8152281	TE Schr. m. Flansch M6x30	1	
16	AP8150450	Wellenscheibe D5	2	

Einheit	RAHMEN
Code	28.29
Beschreibung	Secondary air
Inspektion	1



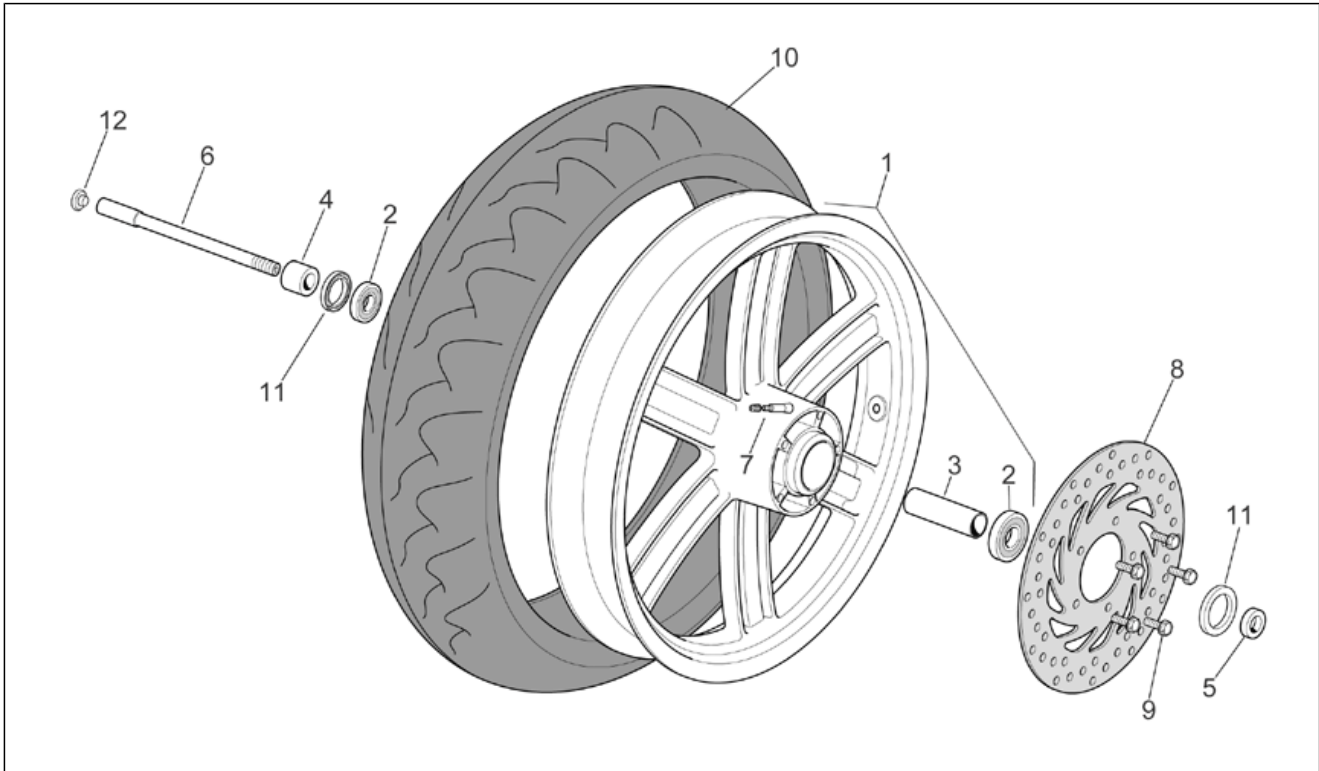
Pos.	Code	Beschreibung	Menge	Varianten
1	AP8551060	Schraube	3	
2	AP8144579	Schlauchschelle	2	
3	AP8570089	Dichtung	1	
4	AP8580127	SAS ventil	1	
5	AP8580063	Schraube	2	
6	AP8580192	Dichtung	1	
7	AP8580191	Deckel	1	
8	AP8550556	TE Schr. m. Flansch	2	
9	AP8580194	Dichtung	1	
10	AP8580195	Anschlußschlauch	1	
11	AP8580196	Leitung	1	
12	AP8580193	Filter	1	
13	AP8580214	Deckel	1	
14	AP8580215	Schalldämpfer	1	
15	AP8580059	Flachscheibe	2	
16	AP8120179	Schelle D8	1	

Einheit	RAHMEN
Code	28.31
Beschreibung	Auslassgruppe
Inspektion	1



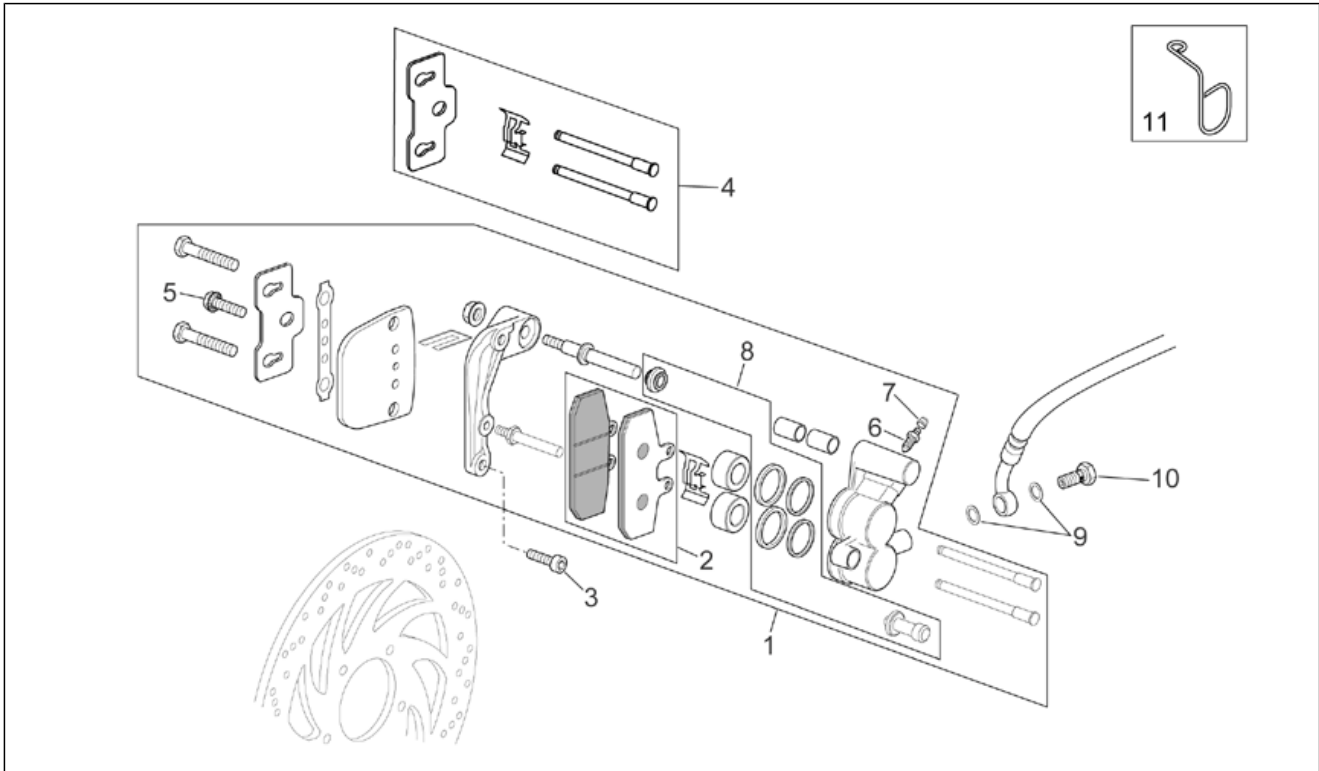
Pos.	Code	Beschreibung	Menge	Varianten
1	AP8119797	Krümmter	1	Technische Daten: Version mit voller Leistung[f.p.]
1	AP8119851	Krümmter	1	Technische Daten: Version mit Beschränkung 80 km/h[80Km]
2	AP8119795	Schalldämpfer	1	
3	AP8119796	Auspuffrohrschutz	1	
4	AP8121419	Mutter	2	
5	AP8580066	Dichtung Auspuffrohr	1	
6	AP8119739	Buchse	1	
7	AP8119734	Schelle	1	
8	AP8134975	Schalldämpfer Halteplatte	1	
9	AP8152287	TE Schr. m. Flansch M8x25	3	
10	AP8163167	Isolierscheibe 20x8x1.5	3	
11	AP8163165	U-scheibe Inox 16x8.4x1.6	3	
12	AP8150502	Ausgleichscheibe 15x8x0,8	3	
13	AP8152339	TBEI Schraube m.Flansch M5x9	3	
14	AP8119497	CO-Anschlußschraube	1	
15	AP8113004	Ausgleichscheibe 10x14x1,6*	1	
16	AP8146857	Fixierplatte	1	
17	AP8152293	TE Schr. m. Flansch	2	
18	AP8161044	Verstärkung Platte	1	
19	AP8221128	T-Buchse 8,5x10,7x12	4	
20	AP8150431	Mutter unten M8	2	
21	AP8152291	TE Schr. m. Flansch	2	
22	AP8152402	Lager 6303-2RS1	1	
23	AP8152401	Ring 47	1	
24	AP8152278	TE Schr. m. Flansch M6x16	1	
25	AP8150018	Ausgleichscheibe	1	
26	AP8150017	Ausgleichscheibe 8,4x16x1,6	3	

Einheit	RAHMEN
Code	28.32
Beschreibung	Vorderrad
Inspektion	1



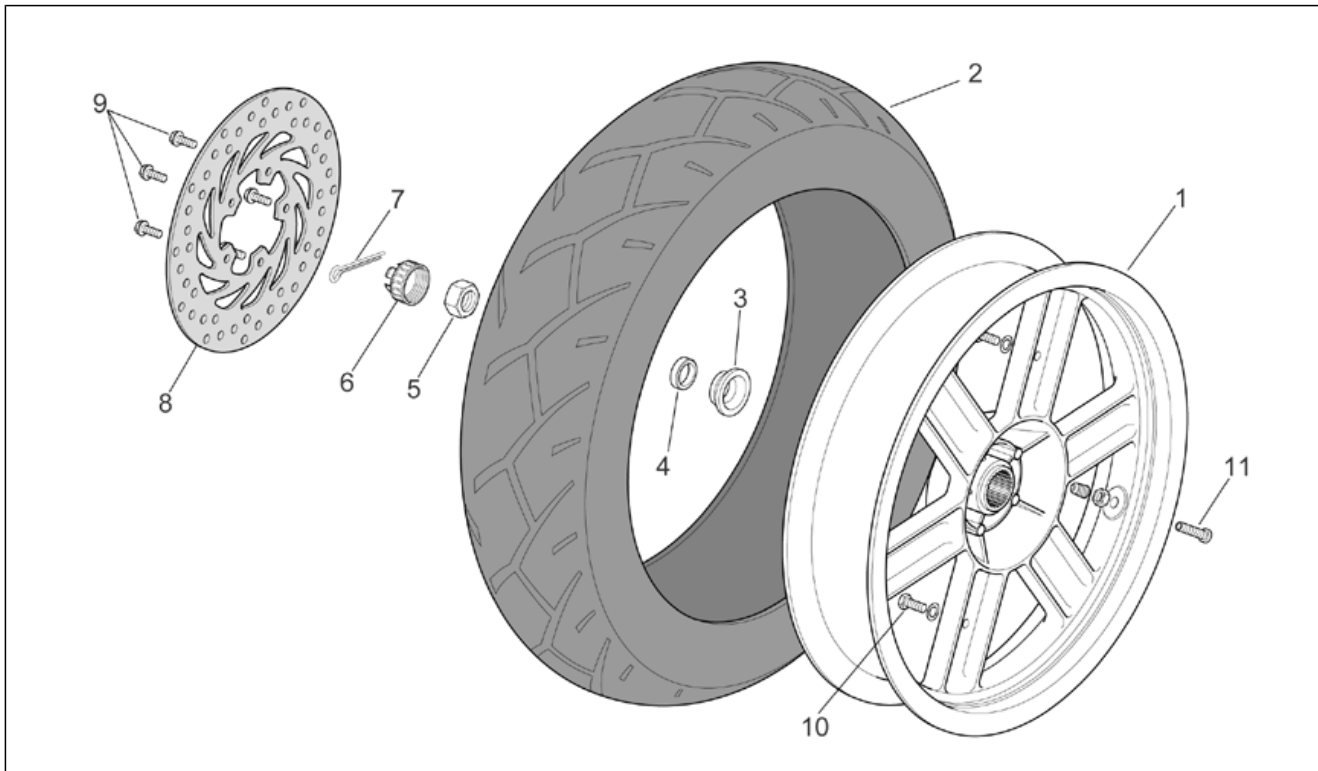
Pos.	Code	Beschreibung	Menge	Varianten
1	AP8128060	Vorderrad, grau	1	Technische Daten: Marke ZNL[znl]
1	AP8128126	Vorderrad, grau	1	Technische Daten: Marke Grimeca[gr]
2	AP8125812	Lager 15x42x13	2	Technische Daten: Marke Grimeca[gr]
2	AP8590030	Lager 15X42X13	2	Technische Daten: Marke ZNL[znl]
3	AP8590031	Distanzscheibe 16X22X76.5	1	
4	AP8121194	L. Distanzscheibe	1	
5	AP8121196	R. Distanzscheibe	1	
6	AP8121195	Vorderradbolzen	1	
7	AP8201546	Schlauchloses Reifenventil	1	
8	AP8113697	Vorderradbremsscheibe d.260	1	
9	AP8152288	TE Schr. m. Flansch	5	
10	AP8128059	Vorderreifen 120-70 15	1	
11	AP8120621	Ölabstreifring	2	Technische Daten: Marke Grimeca[gr]
11	AP8590032	Ölabstreifring 25X42X7	2	Technische Daten: Marke ZNL[znl]
12	AP8220323	Deckel	1	

Einheit	RAHMEN
Code	28.33
Beschreibung	Vorderradzange
Inspektion	1



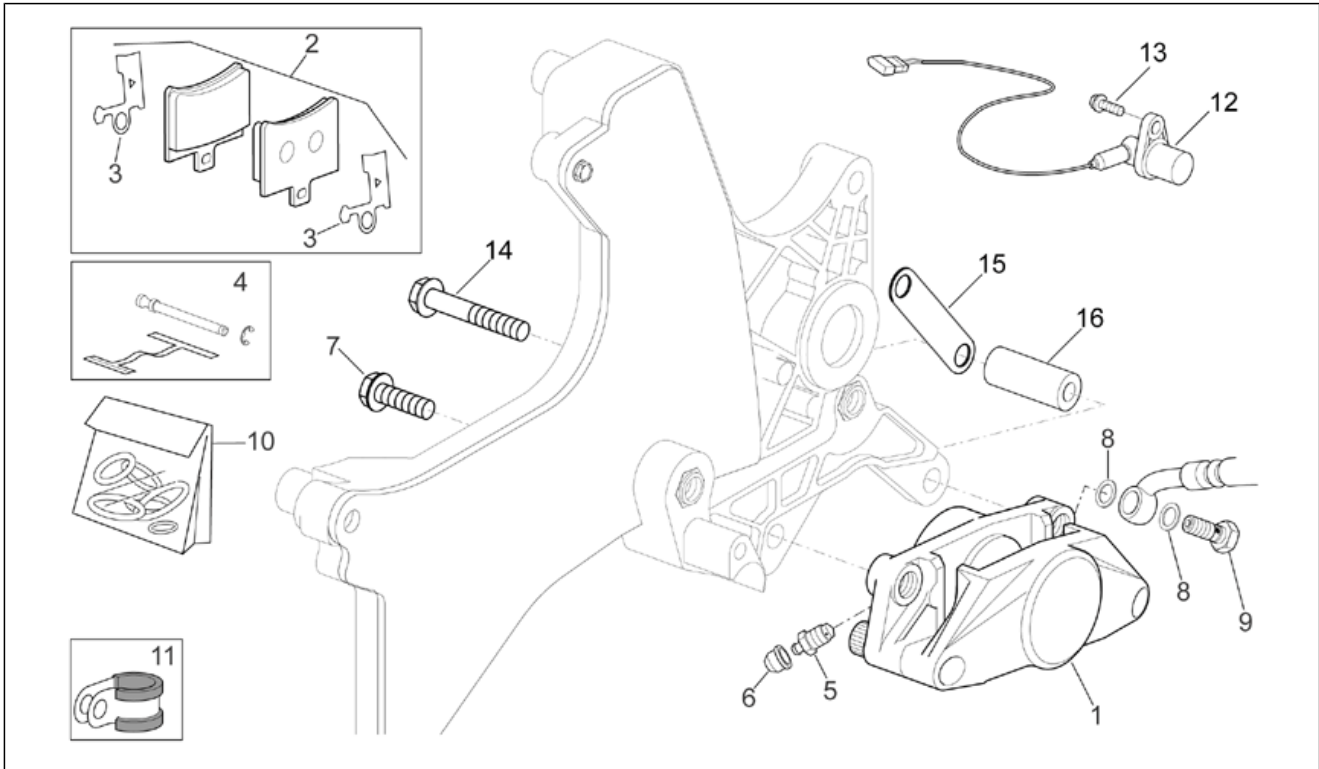
Pos.	Code	Beschreibung	Menge	Varianten
1	AP8113844	Vorderradbremzange	1	Technische Daten: Marke Grimeca[gr]
1	AP8133739	Vorderradbremzange	1	Technische Daten: Marke Heng Tong[ht]
2	AP8133725	Beläge (Paar)	1	Technische Daten: Marke Grimeca[gr]
2	AP8133798	Beläge (Paar)	1	Technische Daten: Marke Heng Tong[ht]
3	AP8150107	TCEI Schraube M8x30	2	
4	AP8113867	Stifte-Federn Bremszange	1	Technische Daten: Marke Grimeca[gr]
4	AP8133799	Stifte-Federn Bremszange	1	Technische Daten: Marke Heng Tong[ht]
5	AP8113866	Schraube	1	Technische Daten: Marke Grimeca[gr]
6	AP8133800	Entlüftungsanschluß	1	Technische Daten: Marke Heng Tong[ht]
6	AP8213108	Entlüftungsanschluß	1	Technische Daten: Marke Grimeca[gr]
7	AP8113005	Entlüftungskappe	1	Technische Daten: Marke Grimeca[gr]
7	AP8213575	Entlüftungskappe	1	Technische Daten: Marke Heng Tong[ht]
8	AP8113868	Bausatz Bremszangenüberholung	1	Technische Daten: Marke Grimeca[gr]
8	AP8133801	Bausatz Bremszangenüberholung	1	Technische Daten: Marke Heng Tong[ht]
9	AP8113004	Ausgleichscheibe 10x14x1,6*	2	
10	AP8113003	Fixierschraube Ölschlauch	1	
11	AP8221172	Kabelführungs	1	

Einheit	RAHMEN
Code	28.34
Beschreibung	Hinterrad
Inspektion	1



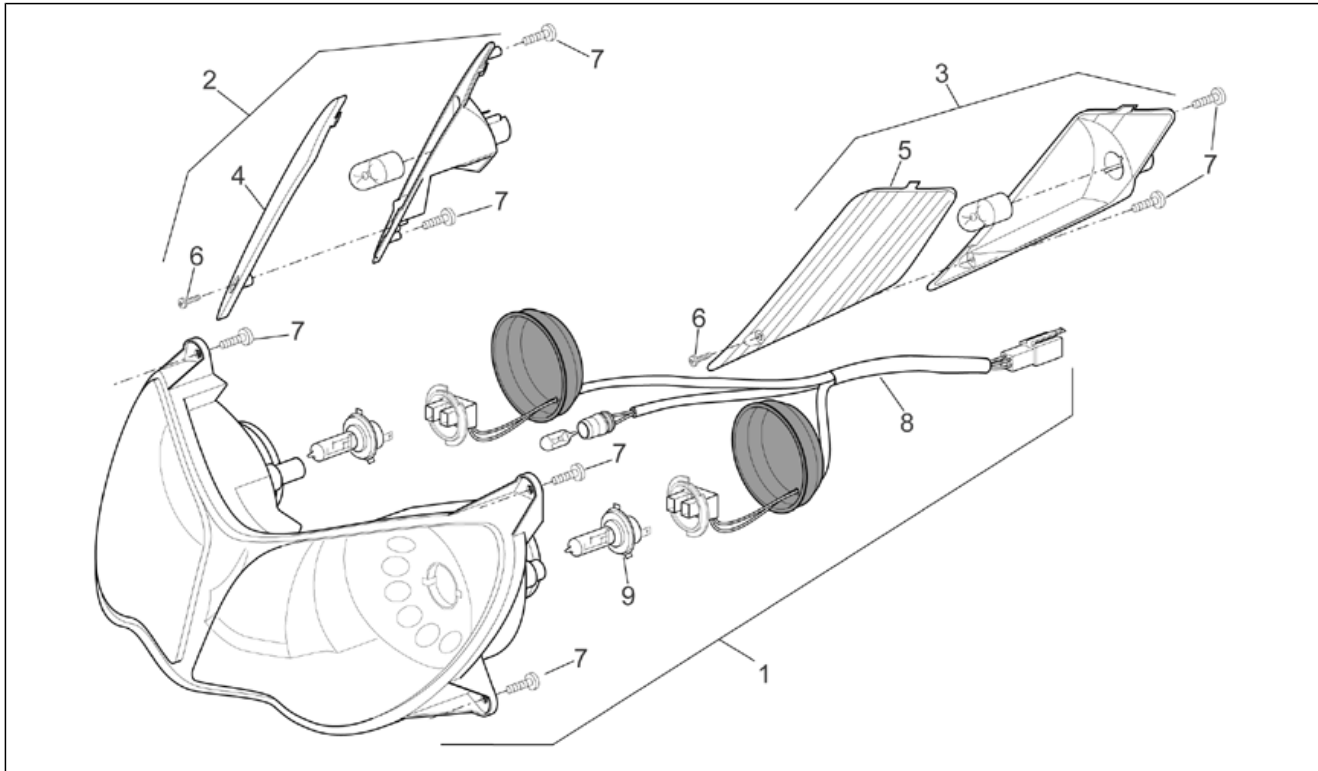
Pos.	Code	Beschreibung	Menge	Varianten
1	AP8128063	Hinterrad, grau	1	Technische Daten: Marke ZNL[znl]
1	AP8128127	Hinterrad, grau	1	Technische Daten: Marke Grimeca[gr]
2	AP8128062	Hinterreifen 130/80-15"	1	
3	AP8121172	Innen H.rad Distanzscheibe	1	
4	AP8121171	Externe Distanzscheibe	1	
5	AP8550307	Mutter Hinterrad	1	
6	AP8125901	Kappe	1	
7	AP8121620	Splint	1	
8	AP8113541	Bremsscheibe D220	1	
9	AP8152288	TE Schr. m. Flansch	5	
10	AP8161026	Schraube Sensorscheibe	2	
11	AP8201546	Schlauchloses Reifenventil	1	

Einheit	RAHMEN
Code	28.35
Beschreibung	Hinterradzange
Inspektion	1



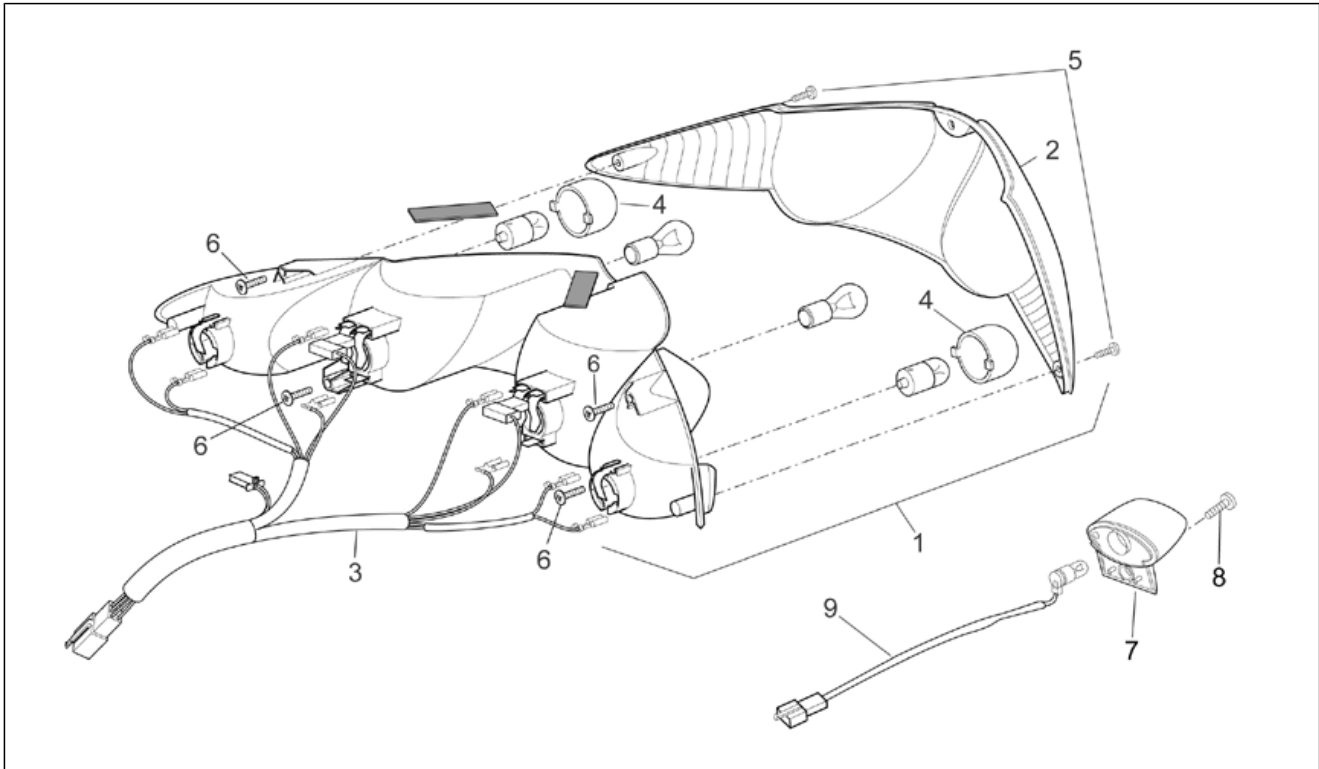
Pos.	Code	Beschreibung	Menge	Varianten
1	AP8133732	Hinterradbremsszange	1	Technische Daten: Marke Heng Tong[ht]
1	AP8133780	Hinterradbremsszange	1	Technische Daten: Marke Grimeca[gr]
2	AP8133726	Beläge (Paar)	1	Technische Daten: Marke Grimeca[gr]
2	AP8213577	Beläge (Paar)	1	Technische Daten: Marke Heng Tong[ht]
3	AP8113870	Vorderunpfeifenplatte-paar	1	Technische Daten: Marke Grimeca[gr]
4	AP8113871	Bolzen+Bremse Felder	1	Technische Daten: Marke Grimeca[gr]
4	AP8213578	Bolzen+Bremse Felder	1	Technische Daten: Marke Heng Tong[ht]
5	AP8113006	Entlüftungsanschluß	1	Technische Daten: Marke Grimeca[gr]
5	AP8213574	Entlüftungsanschluß	1	Technische Daten: Marke Heng Tong[ht]
6	AP8113005	Entlüftungskappe	1	Technische Daten: Marke Grimeca[gr]
6	AP8213575	Entlüftungskappe	1	Technische Daten: Marke Heng Tong[ht]
7	AP8152286	TE Schr. m. Flansch M8x20	1	
8	AP8113004	Ausgleichscheibe 10x14x1,6*	2	
9	AP8113003	Fixierschraube Ölschlauch	1	
10	AP8213457	Bausatz Bremszangenüberholung	1	Technische Daten: Marke Grimeca[gr]
10	AP8213579	Bausatz Bremszangenüberholung	1	Technische Daten: Marke Heng Tong[ht]
11	AP8132907	Schelle	1	
12	AP8127668	Kilom.zählersens. kpl.	1	
13	AP8152278	TE Schr. m. Flansch M6x16	1	
14	AP8152293	TE Schr. m. Flansch	1	
15	AP8161043	Platte	1	
16	AP8161042	Buchse	1	

Einheit	RAHMEN
Code	28.36
Beschreibung	Scheinwerfer
Inspektion	1



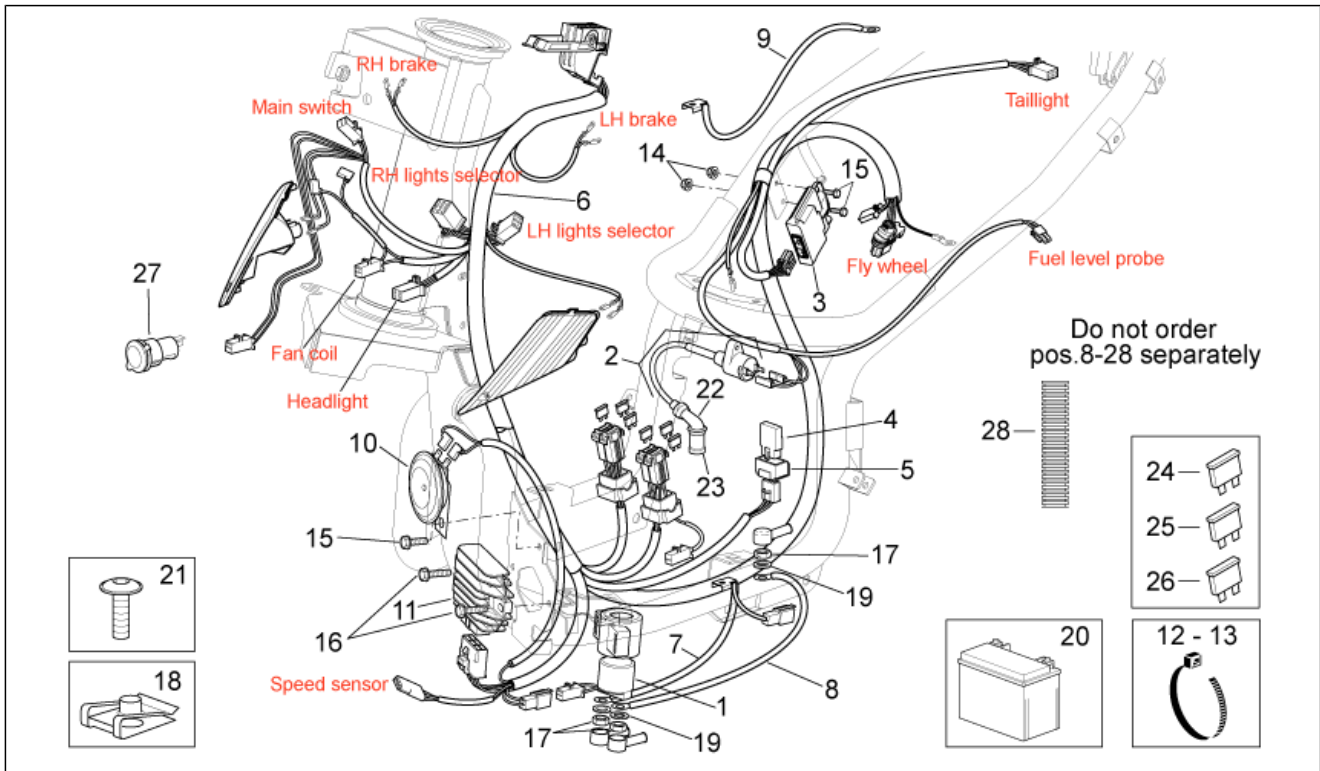
Pos.	Code	Beschreibung	Menge	Varianten
1	AP8127563	Scheinwerfer	1	Baujahr: 2004[4] Land: I-B-GR[EU]
1	AP8127643	Scheinwerfer	1	Baujahr: 2004[4] Land: Großbritannien[UK]
1	AP8127695	Scheinwerfer	1	Baujahr: 2005[5], 2006[6] Land: I-B-GR[EU], Mexiko[ME]
1	AP8127695	Scheinwerfer	1	Baujahr: 2004[4] Land: I-B-GR[EU]
1	AP8127696	Scheinwerfer	1	Baujahr: 2004[4] Land: Großbritannien[UK]
1	AP8127696	Scheinwerfer	1	Baujahr: 2005[5], 2006[6] Land: Australien[AA], Japan[JJ], Großbritannien[UK]
2	AP8127562	V. Blinkerblende rechts	1	
3	AP8127561	V. Blinkerblende links	1	
4	AP8590040	R.Blinkerblende	1	
5	AP8590047	L.Blinkerblende	1	
6	AP8590041	Schraube 2,9x9,5	2	
7	AP8150413	Gew.schr. 3,9x14	8	
8	AP8127698	Kabel Scheinw.	1	Baujahr: 2004[4]
8	AP8127698	Kabel Scheinw.	1	Baujahr: 2005[5], 2006[6]
8	AP8590042	Kabel Scheinw.	1	Baujahr: 2004[4]
9	0000000	Reifen	1	

Einheit	RAHMEN
Code	28.37
Beschreibung	Rücklicht
Inspektion	1



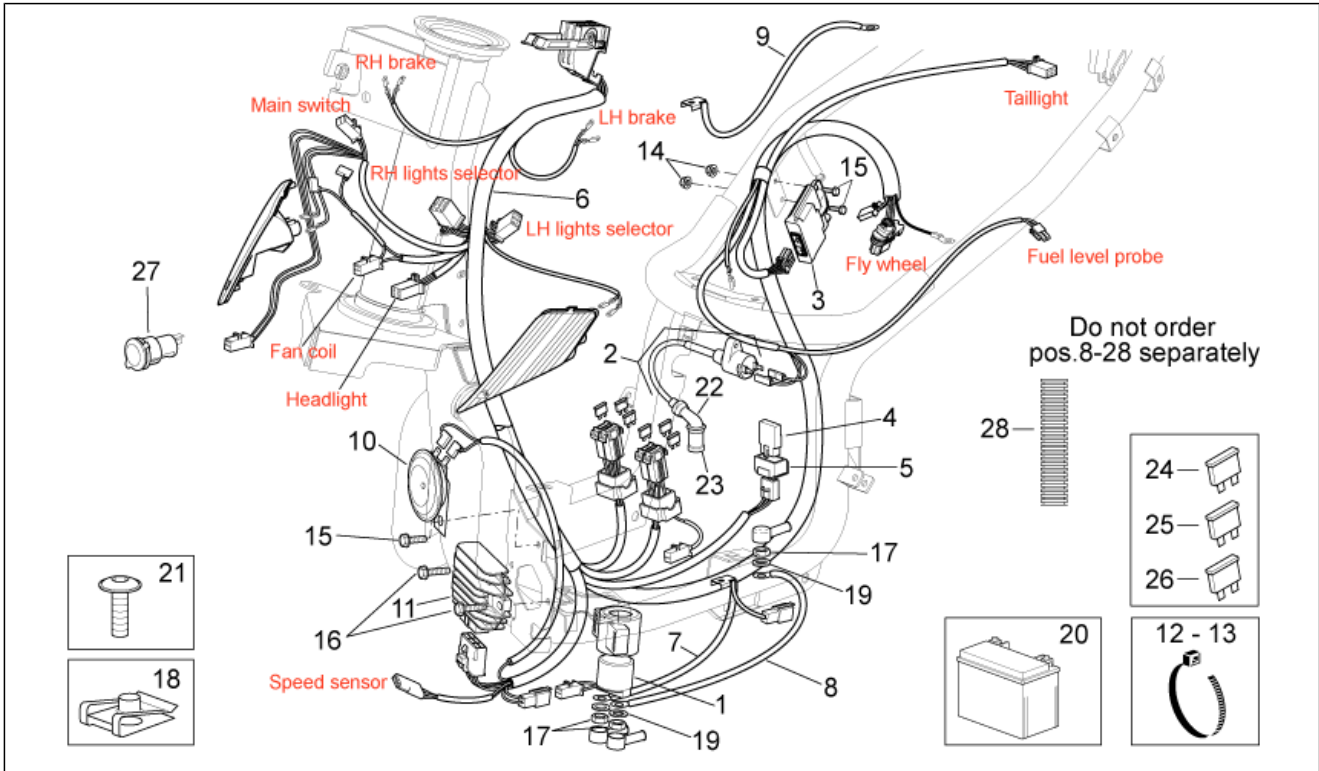
Pos.	Code	Beschreibung	Menge	Varianten
1	AP8127564	Rücklicht	1	
2	AP8590043	Rücklichtblende	1	
3	AP8127644	Verkabelung Rücklicht	1	
4	AP8590044	Wanne unten	2	
5	AP8590045	Schraube 3,5x9,5	2	
6	AP8150413	Gew.schr. 3,9x14	4	
7	AP8127098	Kennzeichenleuchte	1	
8	AP8150362	Gewindeschraube Edelstahl *	1	
9	AP8124976	Kennzeich.leuch.Kabel	1	

Einheit	RAHMEN
Code	28.38
Beschreibung	Elektrische Anlage
Inspektion	1



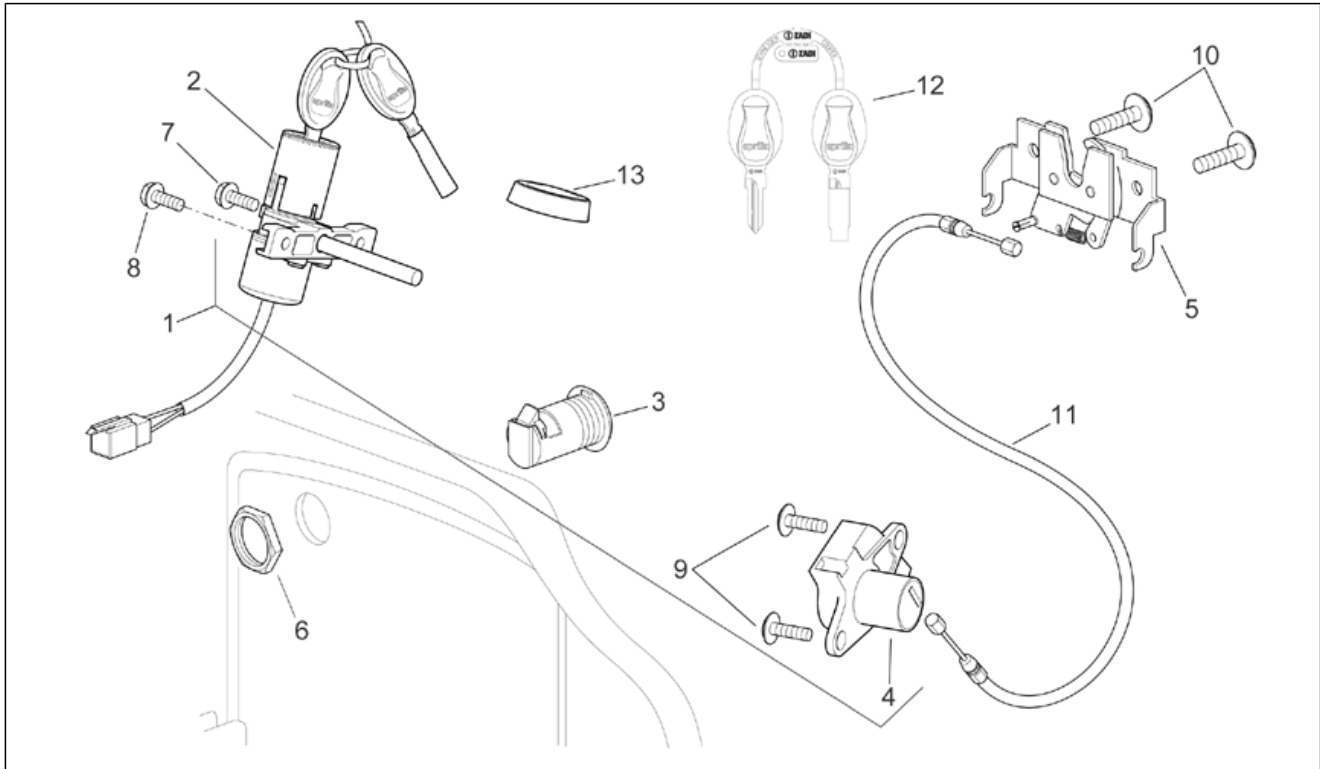
Pos.	Code	Beschreibung	Menge	Varianten
1	AP8112927	Zündrelais 12V-150A	1	
2	AP8580123	Z.trafo+Kabel	1	
3	AP8127381	Steuergerät	1	Technische Daten: Version 200 cm ³ [200]
3	AP8127466	Steuergerät	1	Technische Daten: Version 125 cm ³ [125]
4	AP8224462	Zündrelais 12V-30A	2	
5	AP8220283	Gummi *	2	
6	AP8127559	Hauptverkabelung	1	
7	AP8127558	Verkabelung Batterie-Relais	1	
8	AP8127145	Anlasserkabel	1	
9	AP8127556	Masse-Batteriekabel	1	
10	AP8127337	Hupe	1	
11	AP8127418	Spannungsregler	1	
12	AP8120657	Schelle	3	
13	AP8120416	Schelle schwarz 178x4	8	
14	AP8152299	Selbstsperrende Mutter M6	3	
15	AP8152278	TE Schr. m. Flansch M6x16	3	
16	AP8152280	TE Schr. m. Flansch M6x25	2	
17	AP8150026	Mutter M6	3	
18	AP8102376	Klammer M6	3	
19	AP8150429	Sprengscheibe 6,4x11x0,5*	3	
20	AP8127619	Batterie YT12B-BS	1	
21	AP8152246	TBEI Schraube m.Flansch M6x16	2	
22	AP8550455	Widerstandsstecker	1	
23	AP8580152	Zündkerze Schutzring	1	
24	AP8112506	Sicherung 20A	1	
25	AP8112176	Sicherung 15A	2	
26	AP8112244	Sicherung 7,5A	1	
27	AP8124768	Strombuchse kpl.	1	

Einheit	RAHMEN
Code	28.38
Beschreibung	Elektrische Anlage
Inspektion	1



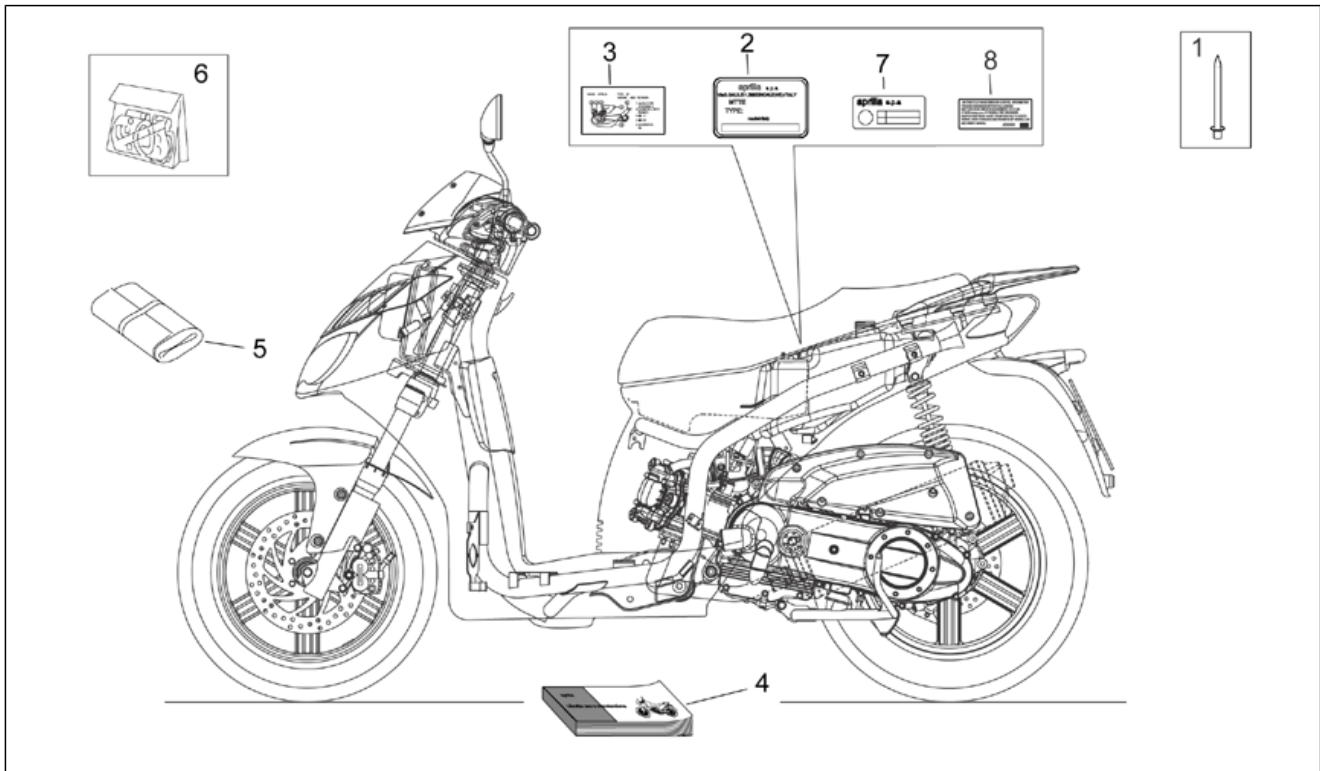
Pos.	Code	Beschreibung	Menge	Varianten
28	851704	Schutzhülse	1	

Einheit	RAHMEN
Code	28.39
Beschreibung	Bausatz Schlösser
Inspektion	1



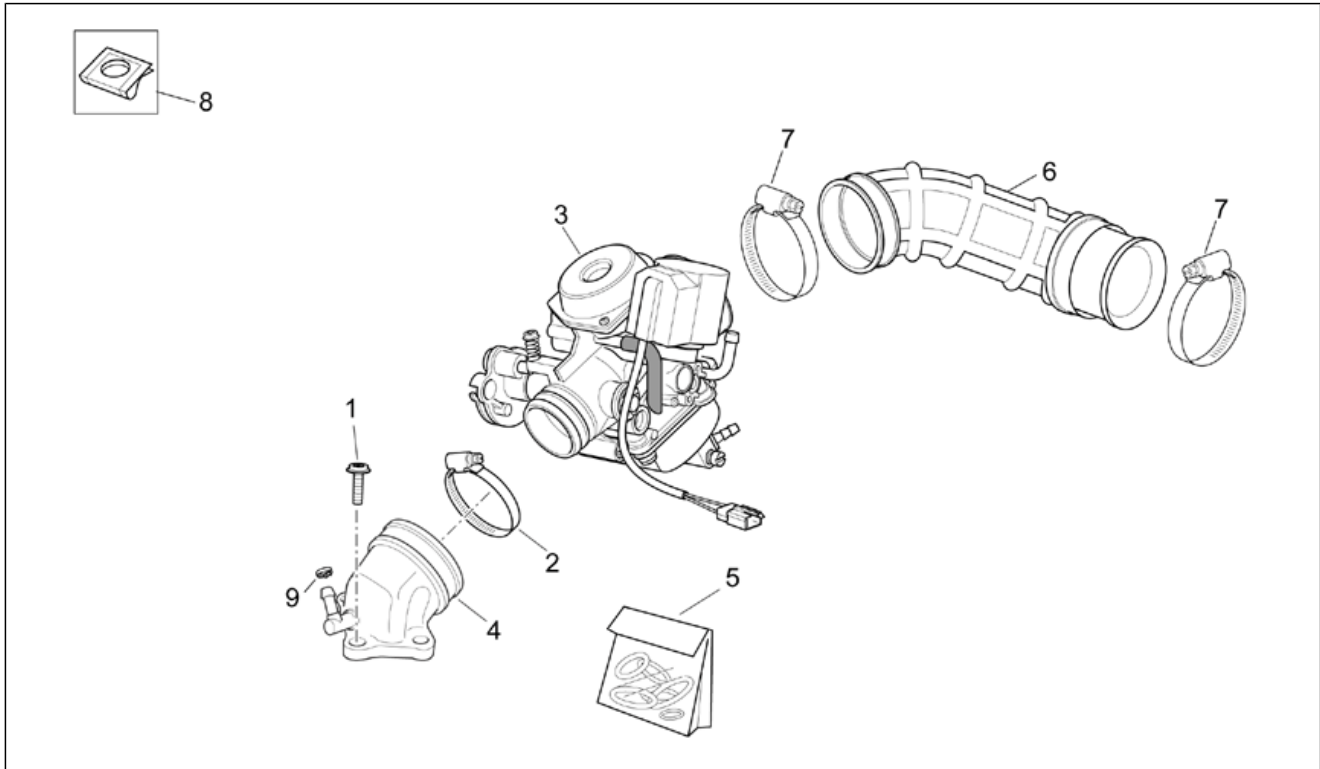
Pos.	Code	Beschreibung	Menge	Varianten
1	AP8104726	Kit Schließvorrichtungen	1	
2	AP8590049	Lenkschloß	1	
3	AP8104612	Schloß Handsch.f. vorn	1	
4	AP8104611	Sitzschloß	1	
5	AP8102947	Sitz Verschlussplatte	1	
6	AP8102523	Schloß mutter M22x1,5	1	
7	AP8152278	TE Schr. m. Flansch M6x16	1	
8	AP8152140	Reißschraube M6x17	1	
9	AP8152246	TBEI Schraube m.Flansch M6x16	2	
10	AP8152298	TBEI Schraube m.Flansch M5x16	2	
11	AP8104422	Schloßkabel	1	
12	AP8104613	"Aprilia" schlüssel ohne tran.	1	
13	AP8127461	Dichtung Zündschloß	1	

Einheit	RAHMEN
Code	28.40
Beschreibung	Schilder und Anleit.
Inspektion	1



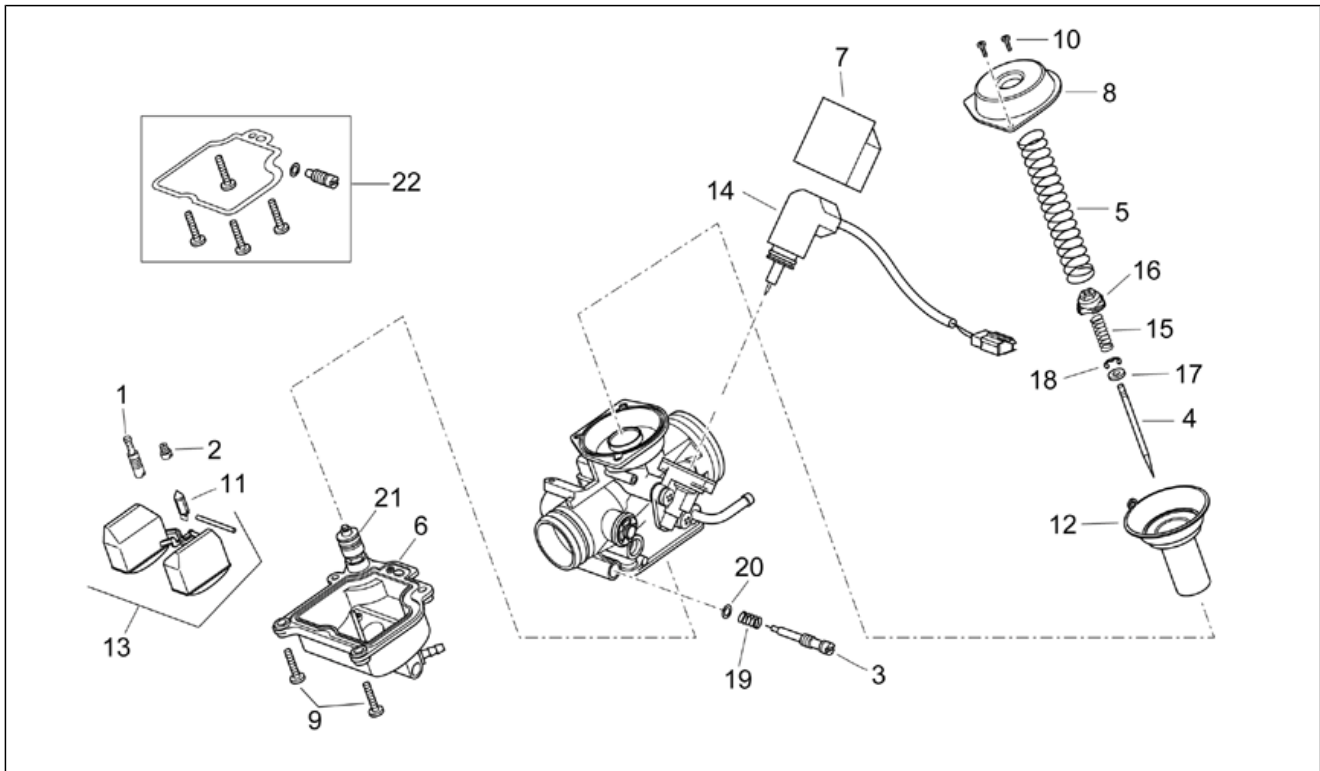
Pos.	Code	Beschreibung	Menge	Varianten
1	AP8201457	Kunststoffniet *	2	
2	AP8166648	Herstellerschild	1	Land:Australien[AA] Technische Daten:Version 200 cm ³ [200]
2	AP8177986	Herstellerschild	1	
3	AP8177987	Fälschungssicheres Schild	1	Technische Daten:Version 125 cm ³ [125]
4	AP8104886	Gebrauchsanleitung -I-	1	
4	AP8104887	Gebrauchsanleitung -F-D-E-UK-DK-	1	
4	AP8104893	Gebrauchsanleitung -SF-GR-J-	1	
5	AP8104725	Werkzeugtasche	1	
6	AP8166478	Deko technische Serie	1	
7	AP8166601	ECE Schild	1	Land:Australien[AA], Japan[JJ] Technische Daten:Version 200 cm ³ [200]
8	AP8166649	Lautherausgabe selbstkleber	1	Land:Australien[AA] Technische Daten:Version 200 cm ³ [200]

Einheit	MOTOR
Code	29.26
Beschreibung	Vergaser I
Inspektion	1



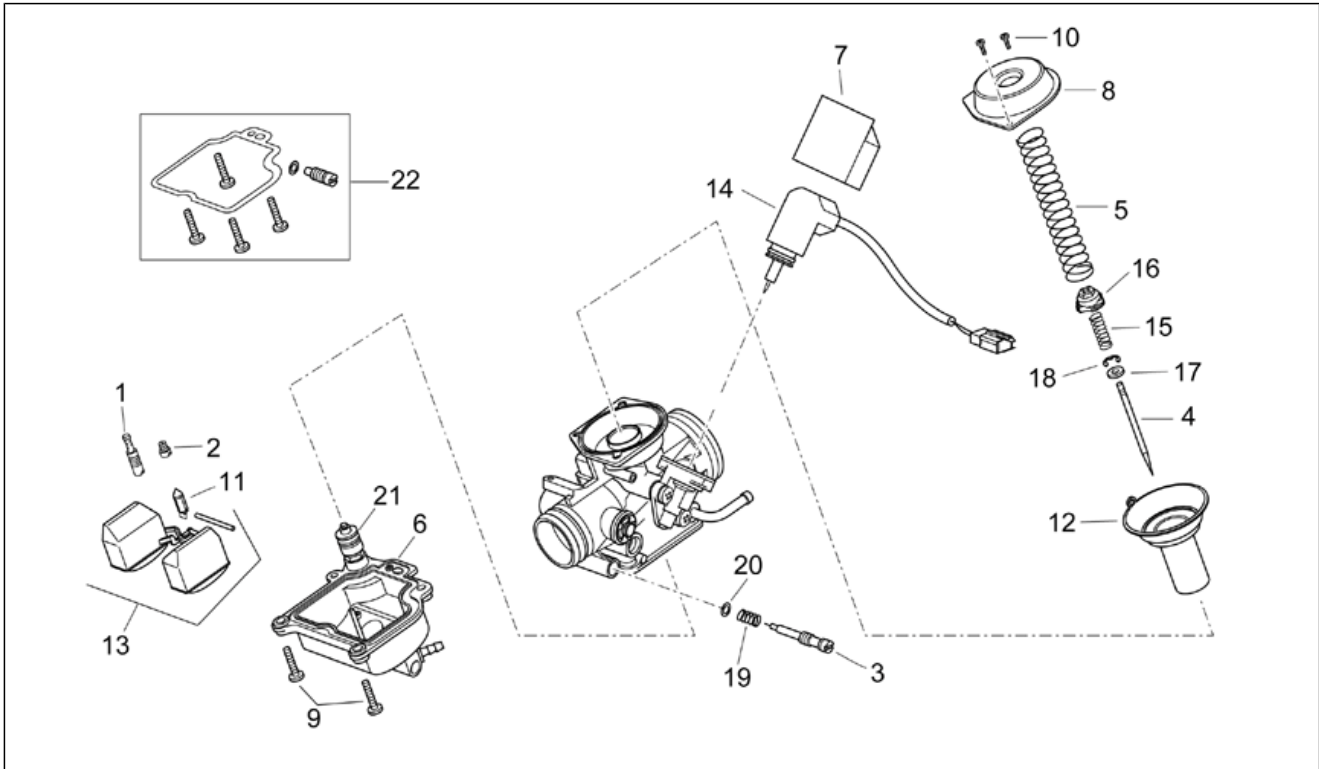
Pos.	Code	Beschreibung	Menge	Varianten
1	AP8550173	TE Schr. m. Flansch M6x25	3	Technische Daten: Version 125 cm ³ [125]
1	AP8575035	Schraube TEF	3	Technische Daten: Version 200 cm ³ [200]
2	AP8570079	Schlauchschelle	1	
3	AP8580262	Vergaser kpl.	1	Technische Daten: Version 200 cm ³ [200]
3	AP8580265	Vergaser kpl.	1	Technische Daten: Version 125 cm ³ [125]
4	AP8580082	Ansaugkrümmer	1	
5	AP8580012	Dichtungen Vergaser	1	
6	AP8144700	Vergasermuffe	1	
7	AP8121639	Schelle 40-60 h9	2	
8	AP8102376	Klammer M6	1	
9	AP8101770	Schlauchschelle D8x5,5*	1	

Einheit	MOTOR
Code	29.27
Beschreibung	Vergaser II
Inspektion	1



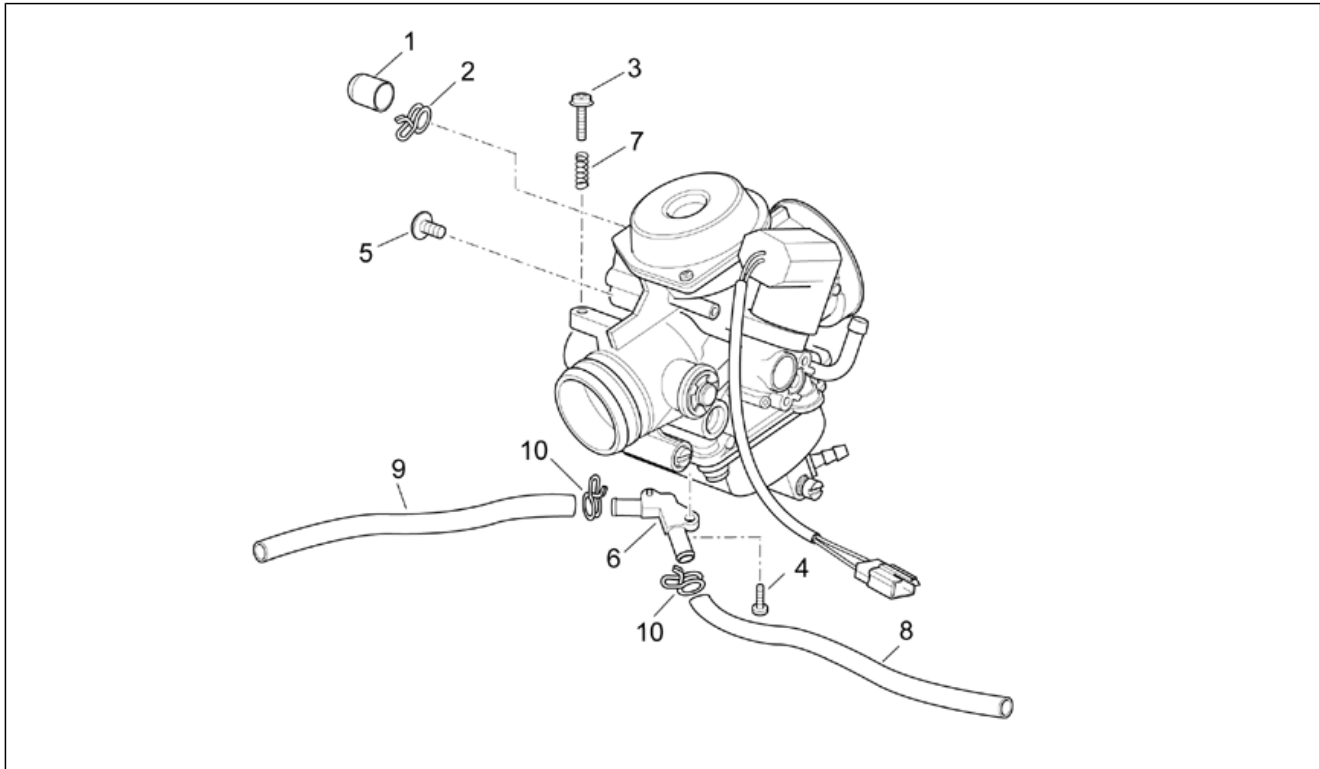
Pos.	Code	Beschreibung	Menge	Varianten
1	AP8575044	Leerlaufstrahl 38	1	Technische Daten:Version 200 cm ³ [200]
1	AP8580266	Leerlaufstrahl 35	1	Technische Daten:Version 125 cm ³ [125]
2	AP8575045	Maximaldüse 100	1	Technische Daten:Version 200 cm ³ [200]
2	AP8580267	Maximaldüse 105	1	Technische Daten:Version 125 cm ³ [125]
3	AP8580227	LuftEinst.schr. Leerl.	1	
4	AP8575046	Vergasernadel	1	Technische Daten:Version 200 cm ³ [200]
4	AP8580268	Vergasernadel	1	Technische Daten:Version 125 cm ³ [125]
5	AP8575047	Rückholfeder Gasven.	1	Technische Daten:Version 200 cm ³ [200]
5	AP8580269	Rückholfeder Gasven.	1	Technische Daten:Version 125 cm ³ [125]
6	CM156708	Beschleunigungspumpe kit	1	
7	AP8551065	Starter deckel	1	
8	AP8577079	Deckel	1	
9	AP8580016	Schraube	5	
10	AP8580017	Schraube	2	
11	AP8551112	Verschlussnadel Benz.	1	
12	AP8575049	Membran	1	
12	CM129701	Membran Walbro	1	
12	CM140301	Membran keihin	1	
13	AP8575050	Schwimmer	1	
14	AP8575051	Autom.starter kompl.	1	Technische Daten:Version 200 cm ³ [200]
14	AP8580270	Autom.starter kompl.	1	Technische Daten:Version 125 cm ³ [125]
15	AP8580021	Feder	1	
16	AP8580022	Becher	1	
17	AP8580023	Ausgleichscheibe	1	
18	AP8580024	Seegerring	1	
19	AP8580028	Feder	1	
20	AP8580029	Ausgleichscheibe	1	
21	AP8577076	Beschleunigungspumpe kit	1	

Einheit	MOTOR
Code	29.27
Beschreibung	Vergaser II
Inspektion	1



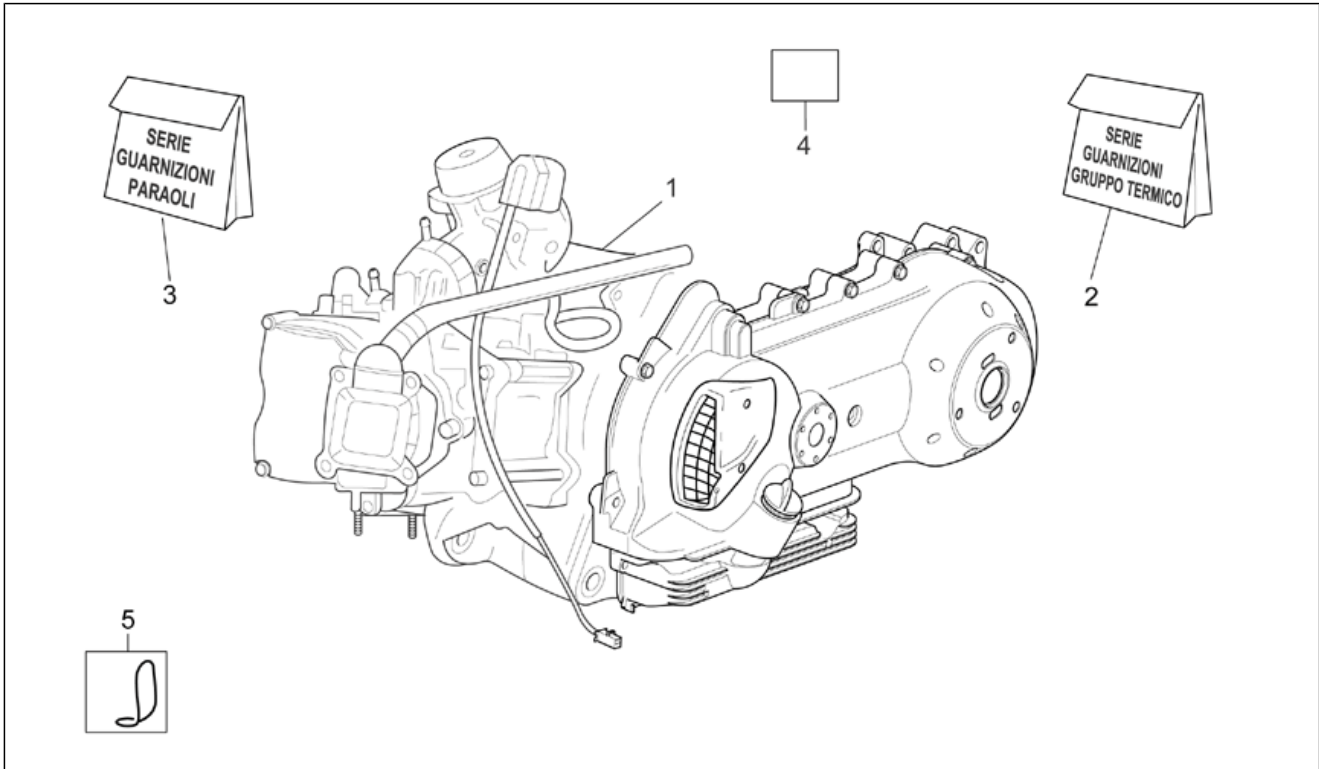
Pos.	Code	Beschreibung	Menge	Varianten
22	AP8577075	Wanne kit	1	

Einheit	MOTOR
Code	29.28
Beschreibung	Vergaser III
Inspektion	1



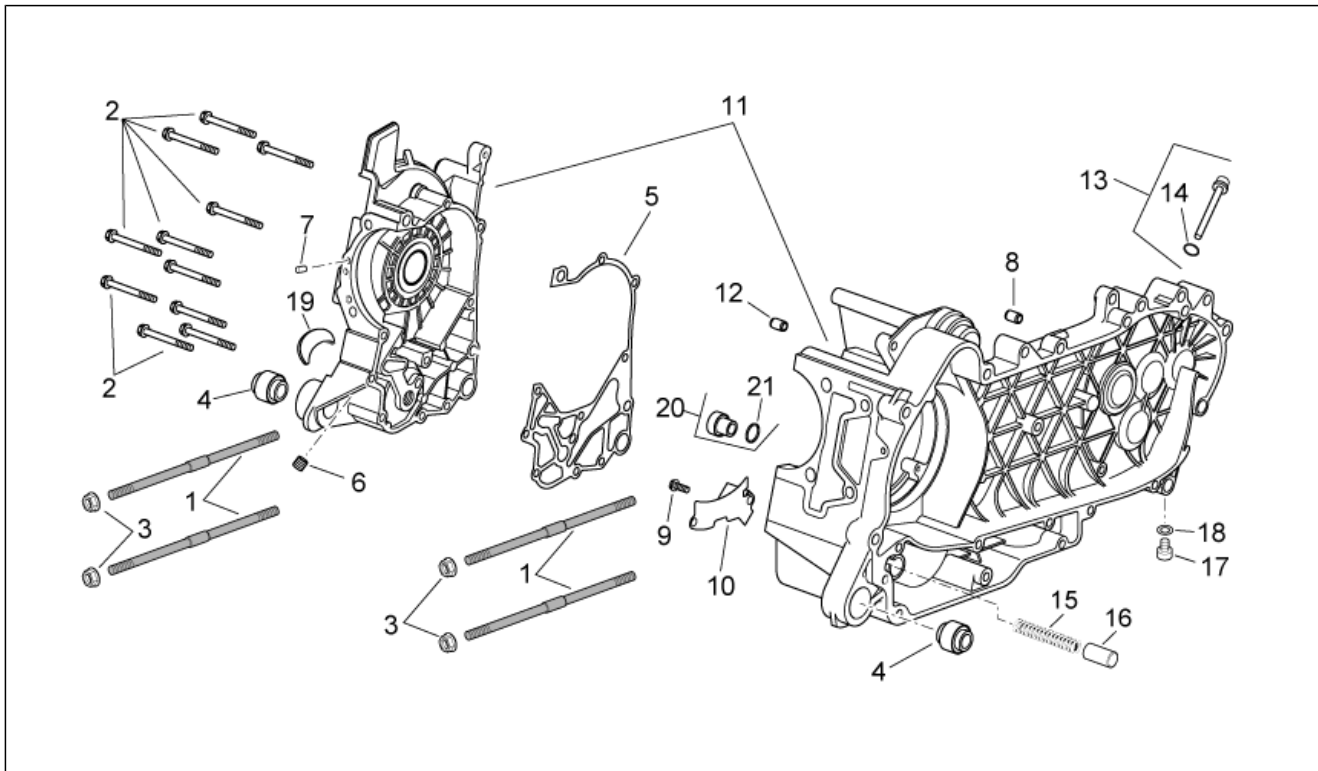
Pos.	Code	Beschreibung	Menge	Varianten
1	AP8590006	Lufteinlaß	1	
2	AP8580220	Schlauchschelle	1	
3	AP8580025	Schraube	1	
4	AP8580016	Schraube	2	
5	AP8580027	Schraube	2	
6	AP8575052	Heizapparat	1	
7	AP8580026	Feder	1	
8	AP8580146	Leitung	1	
9	AP8575003	Bypassschlauch	1	
10	AP8575004	Schlauchschelle	2	

Einheit	MOTOR
Code	29.30
Beschreibung	Motor
Inspektion	1



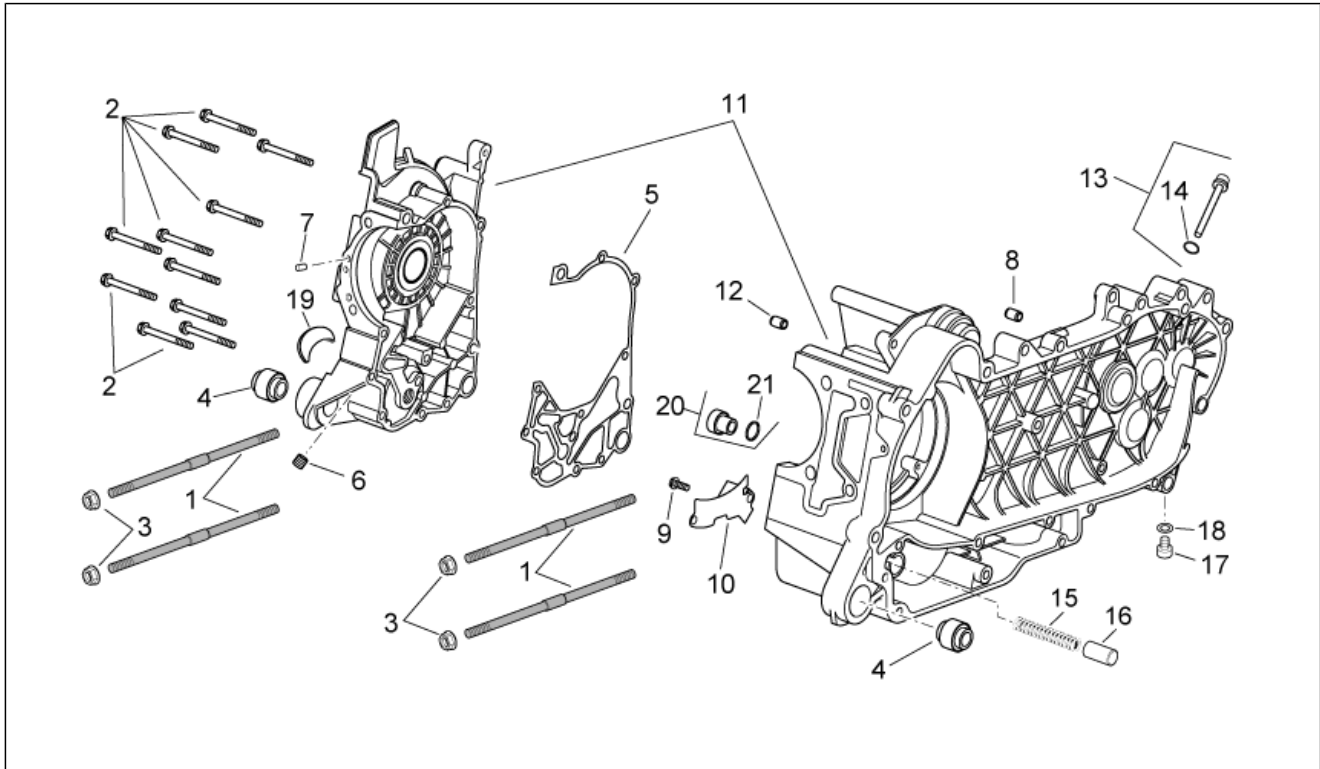
Pos.	Code	Beschreibung	Menge	Varianten
1	AP8176083	Motor komplett 125	1	Technische Daten: Version 125 cm ³ [125]
1	AP8176112	Motor komplett 200	1	Technische Daten: Version 200 cm ³ [200]
2	AP8580014	Zylinder Dichtung Satz	1	
3	AP8580013	Satz motor dichtung	1	
4	AP8177263	Deko IP 35x35	1	
5	AP8121856	Kabelführungs	1	

Einheit	MOTOR
Code	29.41
Beschreibung	Kurbelwellengehäuse
Inspektion	1



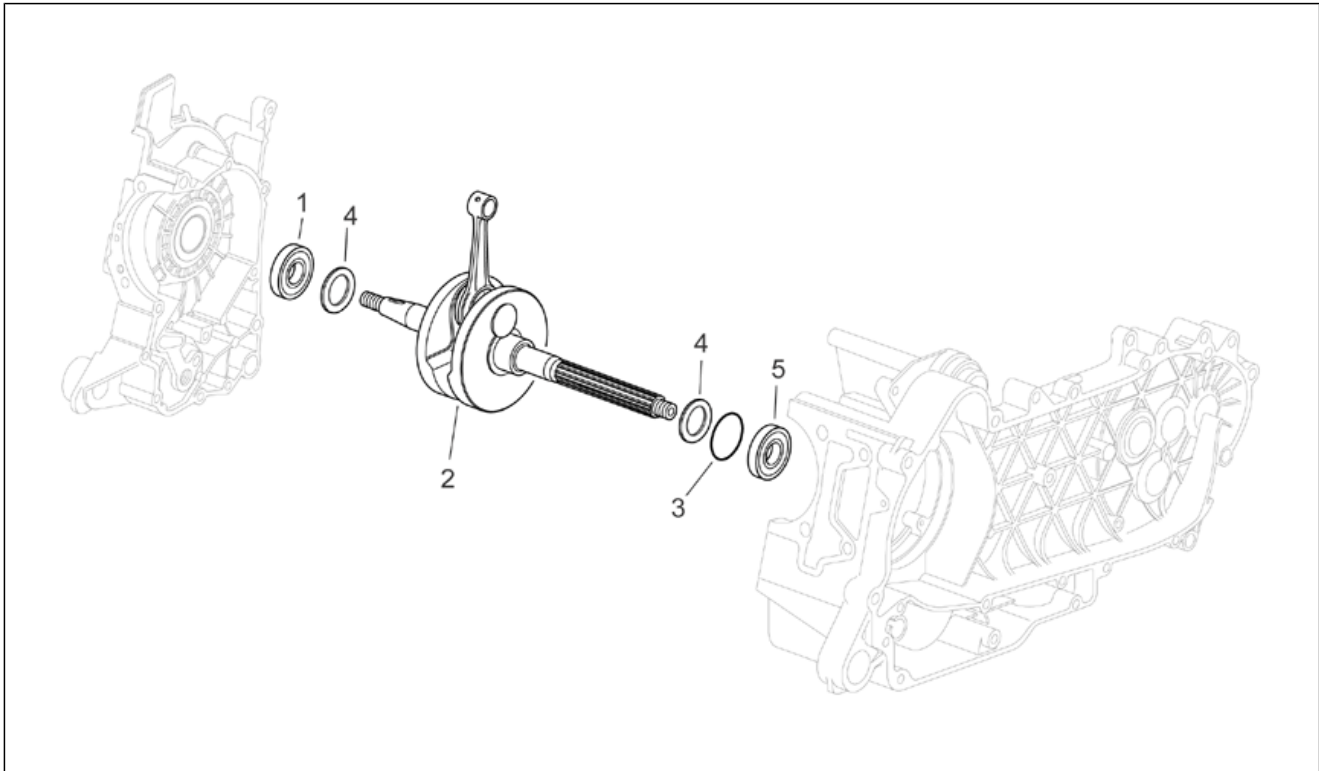
Pos.	Code	Beschreibung	Menge	Varianten
1	AP8580174	Stiftschraube	4	
2	AP8550283	Schraube	11	
3	832870	Hutmutter	4	
4	AP8220617	Schwingschutzlager	2	
5	AP8553003	Dichtung	1	Technische Daten: Version 125 cm ³ [125], Ab Motor M281M 23720[MF]
5	AP8553003	Dichtung	1	Technische Daten: Version 200 cm ³ [200], Ab Motor M282M 66084[MH]
5	AP8580176	Dichtung	1	Technische Daten: Version 125 cm ³ [125], Bis Motor M281M 23719[ME]
5	AP8580176	Dichtung	1	Technische Daten: Version 200 cm ³ [200], Bis Motor M282M 66083[MG]
6	AP8560014	Deckel M12x1,5	2	
7	AP8560017	Düse	1	
8	AP8550107	Stift d.9,5 h=15	2	
9	AP8560009	Schraube	1	
10	AP8580167	Platte	1	
11	AP8276095	Gehäuse-kpl.	1	Technische Daten: Version 200 cm ³ [200], Ab Motor M282M 66084[MH]
11	AP8276095	Gehäuse-kpl.	1	Technische Daten: Version 125 cm ³ [125], Ab Motor M281M 23720[MF]
11	AP8276096	Gehäuse-kpl.	1	Technische Daten: Version 200 cm ³ [200], Ab Motor M282M 66084[MH]
11	AP8276096	Gehäuse-kpl.	1	Technische Daten: Version 125 cm ³ [125], Ab Motor M281M 23720[MF]
11	AP8575005	Gehäuse-kpl.	1	Technische Daten: Version 200 cm ³ [200], Bis Motor M282M 66083[MG]
11	AP8575005	Gehäuse-kpl.	1	Technische Daten: Version 125 cm ³ [125], Bis Motor M281M 23719[ME]
11	AP8575006	Gehäuse-kpl.	1	Technische Daten: Version 125 cm ³ [125], Bis Motor M281M 23719[ME]

Einheit	MOTOR
Code	29.41
Beschreibung	Kurbelwellengehäuse
Inspektion	1



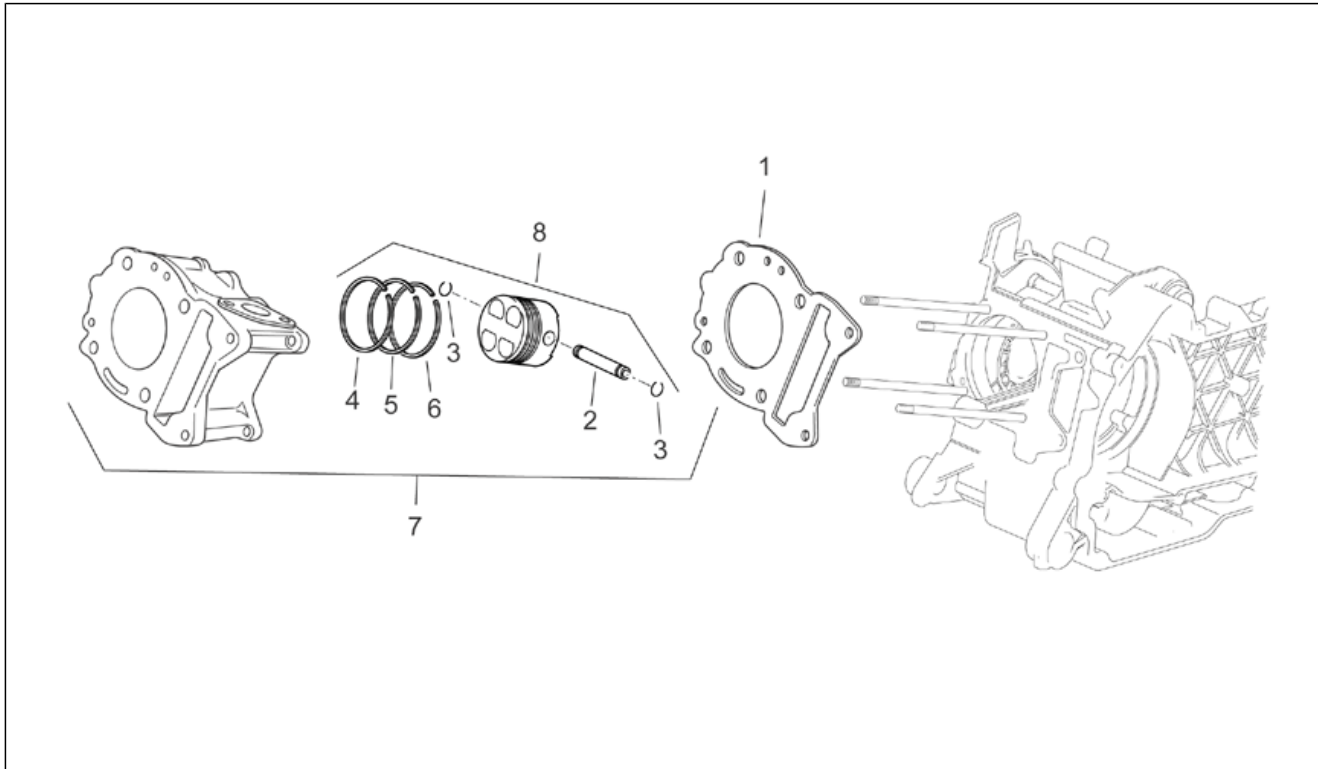
Pos.	Code	Beschreibung	Menge	Varianten
11	AP8575006	Gehäuse-kpl.	1	Technische Daten: Version 200 cm ³ [200], Bis Motor M282M 66083[MG]
12	AP8551015	Haltestein	1	
13	AP8550586	Ölstandstab	1	
14	AP8550334	O-Ring	1	
15	AP8580087	Ventilfeder	1	
16	AP8560142	Oil pressure valve	1	
17	AP8550361	Auslaßschraube	1	
18	AP8550304	Legierungscheibe	1	
19	AP8575007	Becher	1	
20	AP8268523	Filter Gestell Einsatz	1	
21	AP8550117	Dichtung	1	

Einheit	MOTOR
Code	29.42
Beschreibung	Kurbelwelle
Inspektion	1



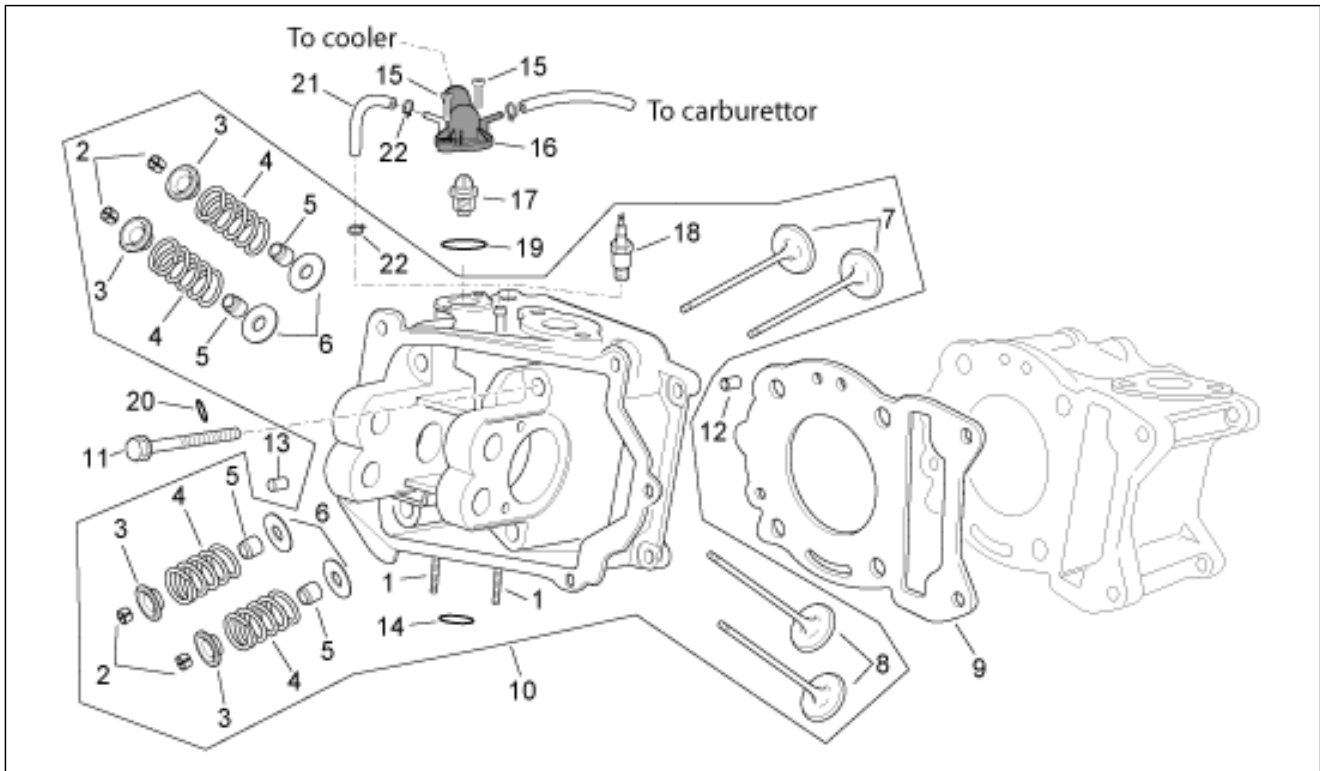
Pos.	Code	Beschreibung	Menge	Varianten
1	AP8580114	Gasket ring	1	
2	AP8590012	Kurbelwelle kpl.	1	Technische Daten: Version 200 cm ³ [200]
2	AP8590013	Kurbelwelle kpl.	1	Technische Daten: Version 125 cm ³ [125]
2	AP8590014	Kurbelwelle kpl. cat2	1	Technische Daten: Version 125 cm ³ [125]
2	AP8590029	Kurbelwelle kpl. cat2	1	Technische Daten: Version 200 cm ³ [200]
3	AP8580122	O-Ring	1	
4	AP8580155	Ausgleichscheibe	2	
5	AP8550577	Gasket ring	1	

Einheit	MOTOR
Code	29.43
Beschreibung	Zylinder
Inspektion	1



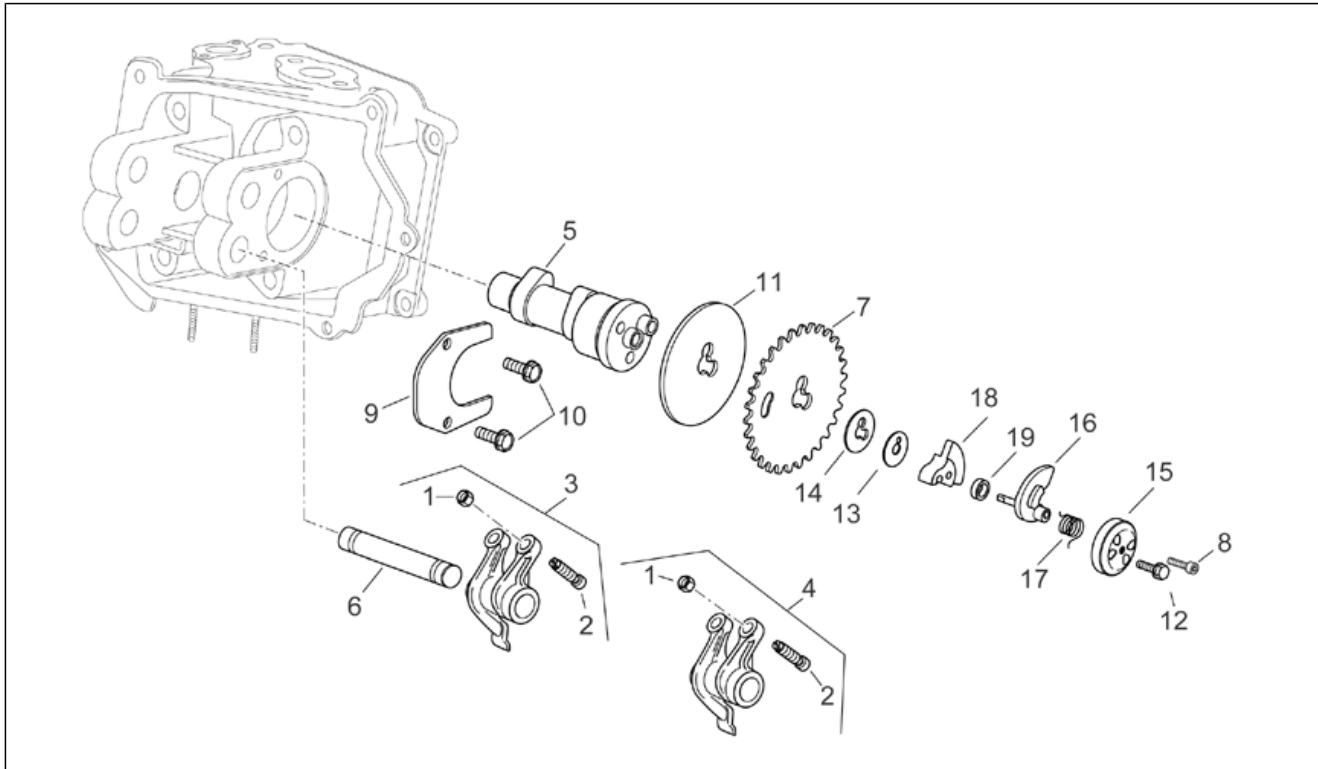
Pos.	Code	Beschreibung	Menge	Varianten
1	AP8580149	ZYLINDERFUSSDICHTUNG dicke 0,4	1	
1	AP8580150	ZYLINDERFUSSDICHTUNG 0,6	1	
1	AP8580151	ZYLINDERFUSSDICHTUNG 0,8	1	
2	AP8580001	Bolzen	1	Technische Daten:Version 125 cm ³ [125]
2	AP8580177	Bolzen	1	Technische Daten:Version 200 cm ³ [200]
3	AP8580216	Sprengring	2	
4	AP8550499	Ring d.57x1	1	Technische Daten:Version 125 cm ³ [125]
4	AP8580244	Ring d.72x1,5	1	Technische Daten:Version 200 cm ³ [200]
5	AP8550506	Ölabstreifer d.57x1	1	Technische Daten:Version 125 cm ³ [125]
5	AP8580002	Ölabstreifer d.72x1	1	Technische Daten:Version 200 cm ³ [200]
6	AP8550507	Ölabstreifer d.57x2,5	1	Technische Daten:Version 125 cm ³ [125]
6	AP8580003	Ölabstreifer d.72x2,5	1	Technische Daten:Version 200 cm ³ [200]
7	AP8590011	Kolben mit Zylinder kpl.	1	Technische Daten:Version 125 cm ³ [125]
7	AP8590051	Kolben mit Zylinder kpl.	1	Technische Daten:Version 200 cm ³ [200]
8	AP8580047	Kolben kpl.	1	Technische Daten:Version 125 cm ³ [125]
8	AP8580048	Kolben kpl. cat2	1	Technische Daten:Version 125 cm ³ [125]
8	AP8580049	Kolben kpl. cat3	1	Technische Daten:Version 125 cm ³ [125]
8	AP8580050	Kolben kpl. cat4	1	Technische Daten:Version 125 cm ³ [125]
8	AP8590019	Kolben kpl.	1	Technische Daten:Version 200 cm ³ [200]
8	AP8590020	Kolben kpl. cat2	1	Technische Daten:Version 200 cm ³ [200]
8	AP8590021	Kolben kpl. cat3	1	Technische Daten:Version 200 cm ³ [200]
8	AP8590022	Kolben kpl. cat4	1	Technische Daten:Version 200 cm ³ [200]

Einheit	MOTOR
Code	29.44
Beschreibung	Zylinderkopf
Inspektion	1



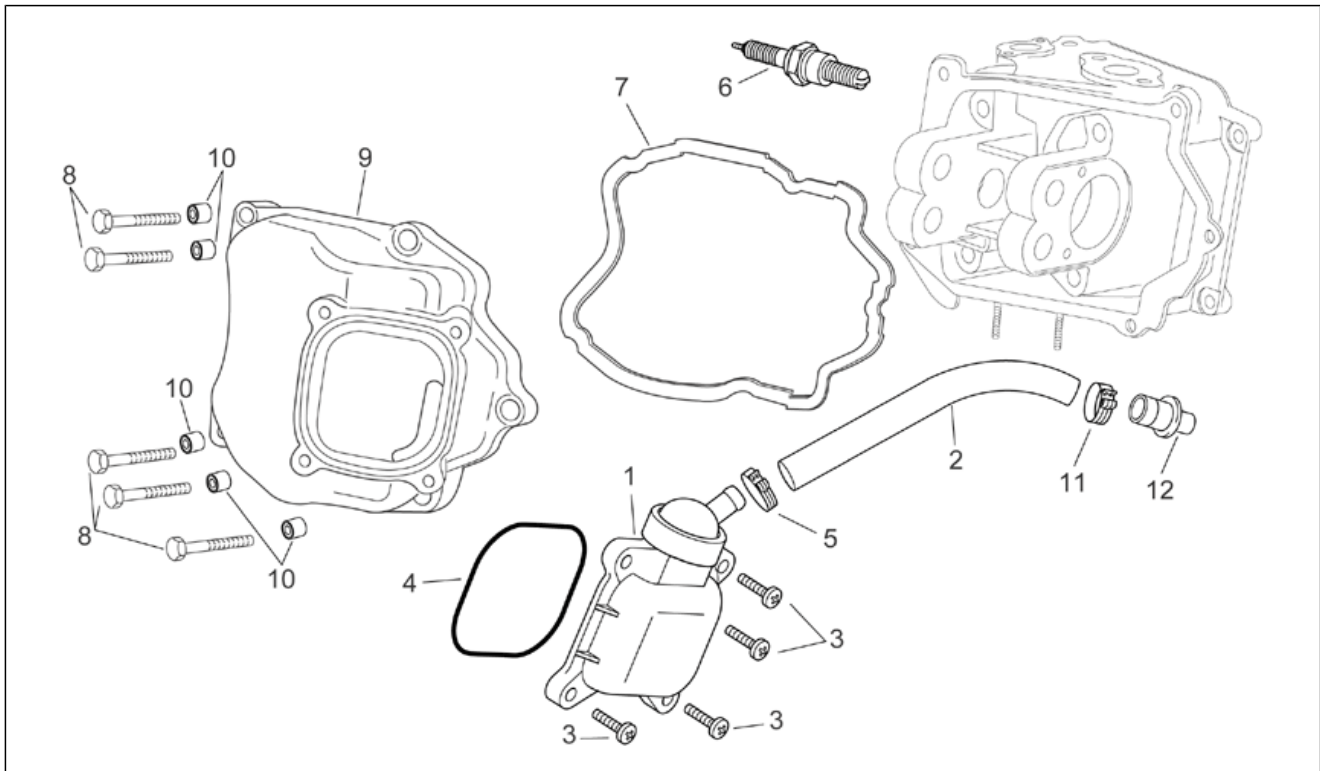
Pos.	Code	Beschreibung	Menge	Varianten
1	AP8550401	Auspufftopf Stiftschraube	2	
2	AP8550508	Halbkegel	8	
3	AP8580076	Becher	4	
4	AP8580160	Feder	4	
5	AP8550326	Ventil Dichtring	4	
6	AP8580069	Becher	4	
7	AP8580078	Einlaßventil	2	
8	AP8580079	Auslaßventil	2	
9	AP8577021	Dichtung Zylinderkopf 0,3 mm	1	Technische Daten: Version 200 cm ³ [200]
9	AP8590007	Dichtung Zylinderkopf 0,3 mm	1	Technische Daten: Version 125 cm ³ [125]
10	AP8590015	Zylinderkopf kpl.	1	Technische Daten: Bis Motor M282M 54688[MA], Bis Motor M281M 15700[MC]
10	AP8590053	Zylinderkopf kpl.	1	Technische Daten: Ab Motor M282M 54689[MB], Ab Motor M281M 15701[MD]
11	AP8580086	Schraube	2	
12	AP8551015	Haltestein	2	
13	AP8560016	Feststellschraube	2	
14	AP8580066	Dichtung Auspuffrohr	1	
15	AP8551060	Schraube	2	
16	846912	Thermofühlerdeckel	1	
17	AP8575009	Thermostat	1	
18	AP8577025	Thermistor	1	
19	AP8181012	Dichtung	1	
20	AP8575010	O-Ring	4	
21	AP8144706	Entlüftungsschlauch Kühler	1	
22	AP8580218	Schlauchselle	2	

Einheit	MOTOR
Code	29.45
Beschreibung	Nockenwelle
Inspektion	1



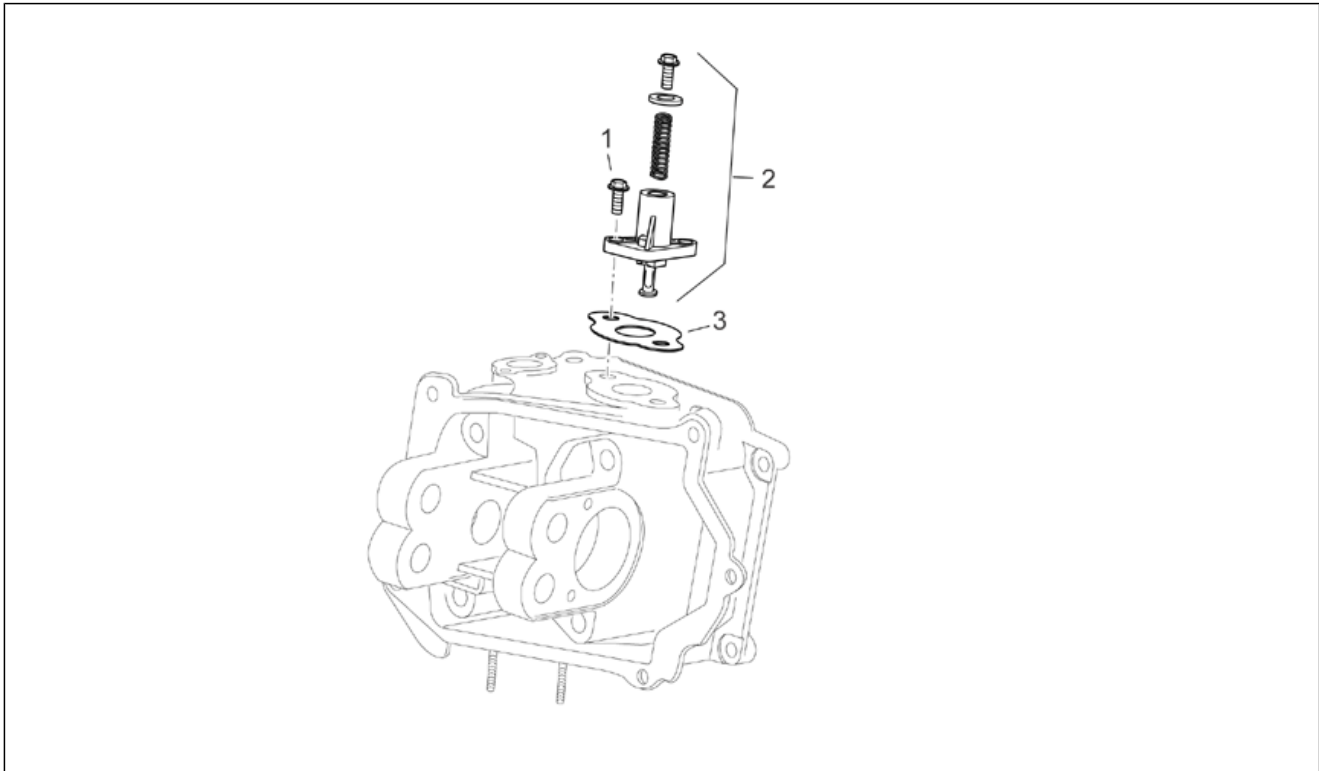
Pos.	Code	Beschreibung	Menge	Varianten
1	AP8551047	Kipphebel Einstellmutter	4	
2	AP8551046	Vent.Einstellspezialschr.	4	
3	AP8577028	Kipphebel Auspuff Klip.	1	
4	AP8577027	Kipphebel Einlaß Klip.	1	
5	AP8580179	Nockenwelle	1	Technische Daten:Version 200 cm ³ [200]
5	AP8580213	Nockenwelle	1	Technische Daten:Version 125 cm ³ [125]
6	AP8580098	Kipphebelachse	2	
7	AP8580097	Steuer Zahnkranz	1	
8	AP8550079	Schraube M6x35	1	Technische Daten:Version 200 cm ³ [200]
8	AP8580099	TCEI Schraube M5x25	1	Technische Daten:Version 125 cm ³ [125]
9	AP8580206	Platte	1	
10	AP8551045	Flanschschraube	2	
11	AP8580105	Platte	1	
12	AP8540002	TE Schr. m. Flansch	1	Technische Daten:Version 125 cm ³ [125]
12	AP8560008	Schraube	1	Technische Daten:Version 200 cm ³ [200]
13	AP8580187	Flachscheibe	1	Technische Daten:Version 125 cm ³ [125]
14	AP8580188	Flachscheibe	1	Technische Daten:Version 125 cm ³ [125]
15	AP8580129	Drum	1	Technische Daten:Version 200 cm ³ [200]
16	AP8580170	Gewicht	1	Technische Daten:Version 200 cm ³ [200]
17	AP8580100	Feder	1	Technische Daten:Version 200 cm ³ [200]
18	AP8580096	Gegengewicht	1	Technische Daten:Version 200 cm ³ [200]
19	AP8580106	Dichtung	1	Technische Daten:Version 200 cm ³ [200]

Einheit	MOTOR
Code	29.46
Beschreibung	Ölablaßventil
Inspektion	1



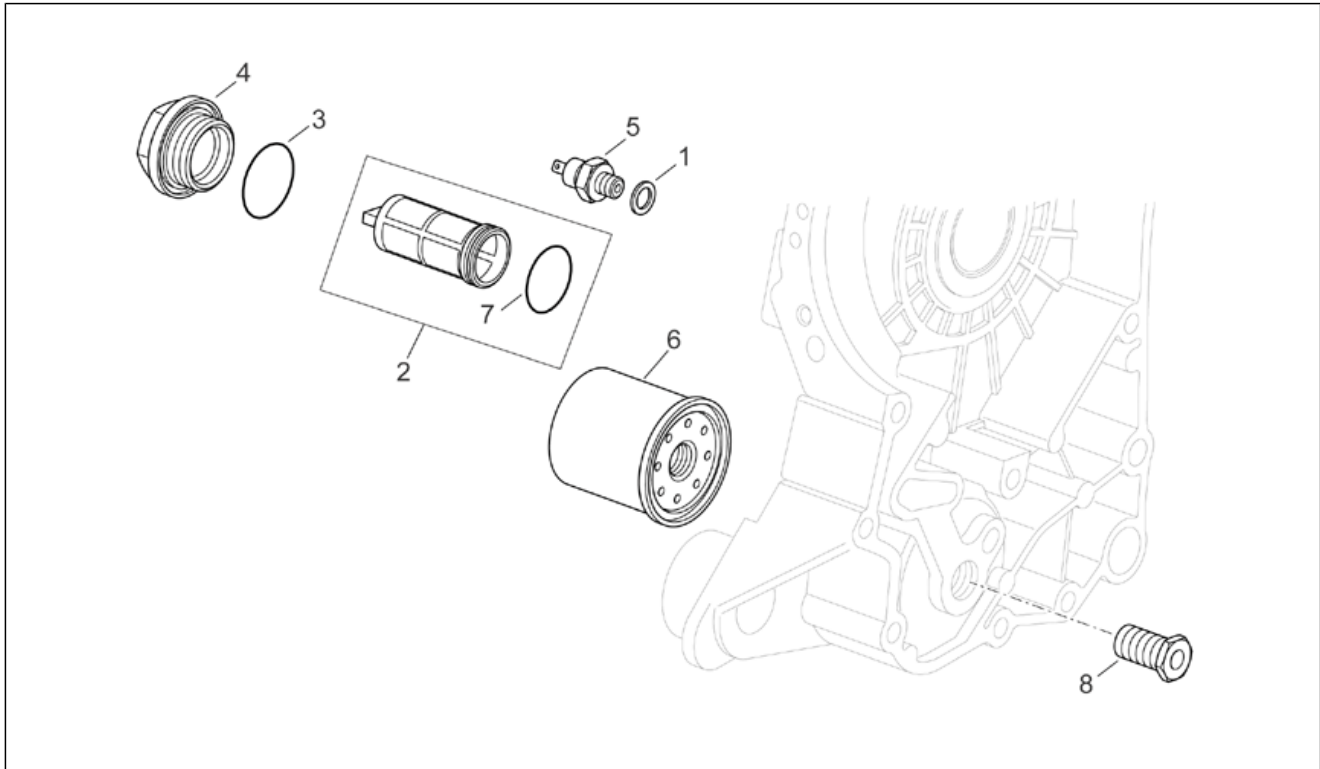
Pos.	Code	Beschreibung	Menge	Varianten
1	AP8580158	Ölablaßventil	1	
2	AP8580186	Entlüftungsschlauch Kühler	1	
3	AP8580165	Schraube	4	
4	AP8580108	Dichtung	1	
5	AP8144579	Schlauchschelle	1	
6	AP8540004	Zündkerze RG4HC	1	Technische Daten:Version 125 cm ³ [125]
6	AP8580168	Zündkerze	1	Technische Daten:Version 200 cm ³ [200]
7	AP8580042	Dichtung	1	
8	AP8570007	TE Schr. m. Flansch M6x30	5	
9	AP8580041	Kopfdeckel	1	
10	AP8570008	Puffer	5	
11	AP8201169	Schlauchschelle D22x8,6*	1	
12	AP8102576	2-Wege Anschluß	1	

Einheit	MOTOR
Code	29.47
Beschreibung	Kettenspanner
Inspektion	1



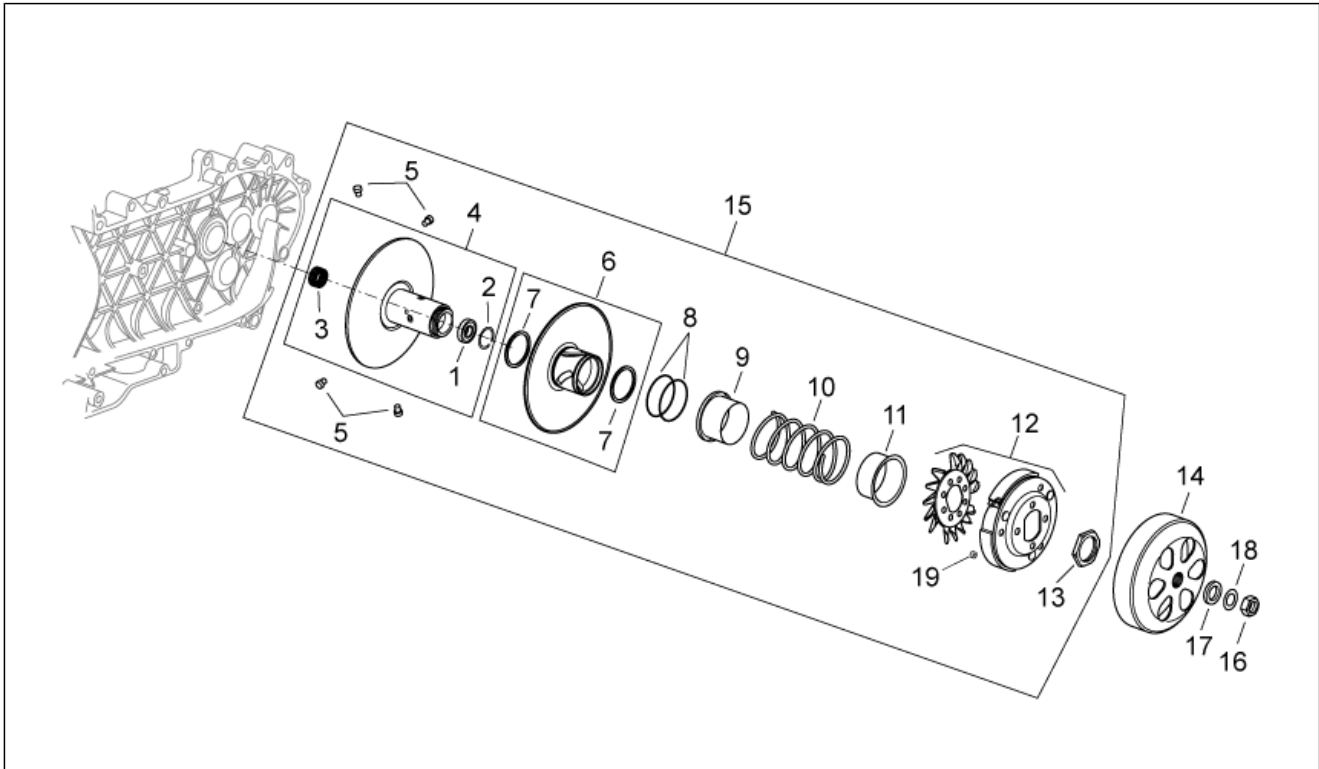
Pos.	Code	Beschreibung	Menge	Varianten
1	AP8550557	TE Schr. m. Flansch M6x16	2	
2	AP8560059	Kettenspanner	1	
3	AP8550429	Dichtung Kettenspan.	1	

Einheit	MOTOR
Code	29.48
Beschreibung	Ölfiltereinsatz
Inspektion	1



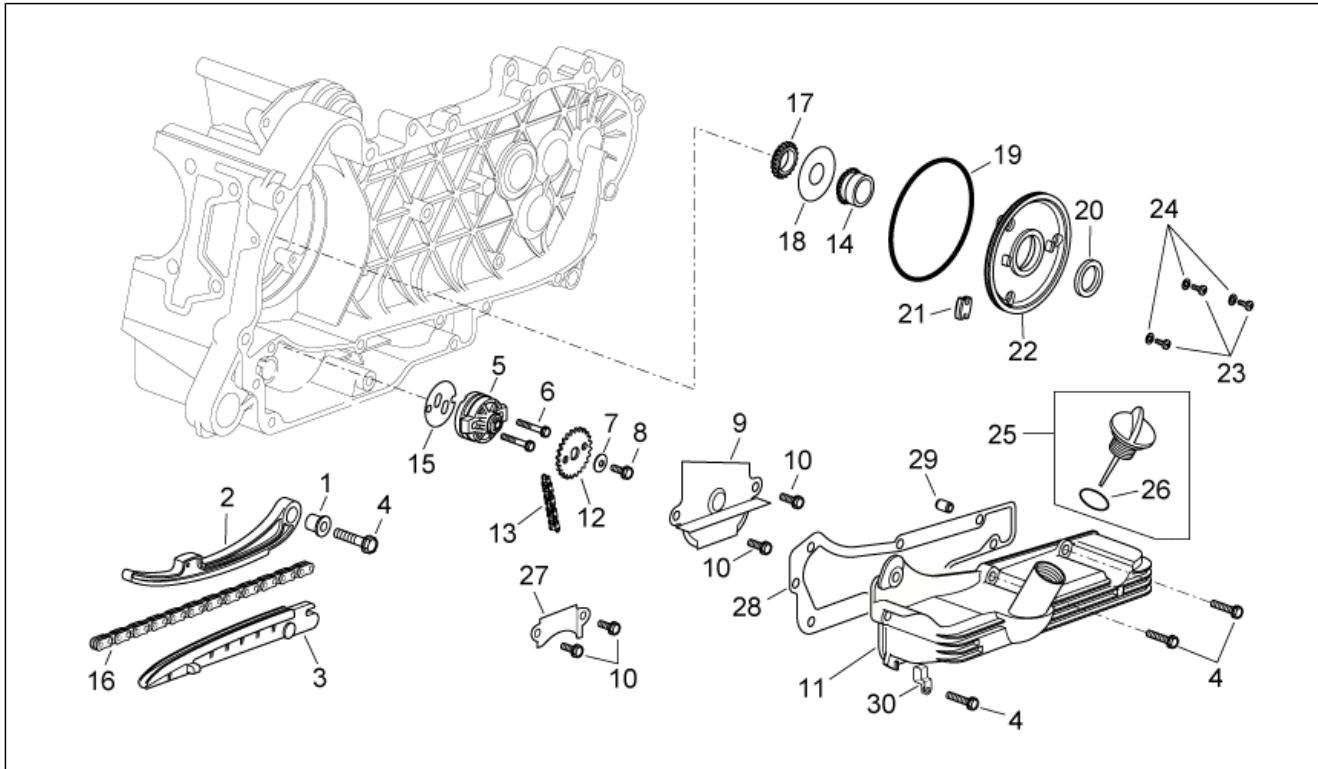
Pos.	Code	Beschreibung	Menge	Varianten
1	AP8550331	Ausgleichscheibe 16x10.5x2.5	1	
2	AP8580074	Ölfiltereinsatz	1	
3	AP8550336	O-Ring	1	
4	AP8560055	Ölfiler Verschluß	1	
5	AP8550512	Druckfühler	1	
6	AP8580128	Ölfiltereinsatz	1	
7	AP8550337	O-Ring	1	
8	AP8580071	Schraube	1	

Einheit	MOTOR
Code	29.49
Beschreibung	Kupplung
Inspektion	1



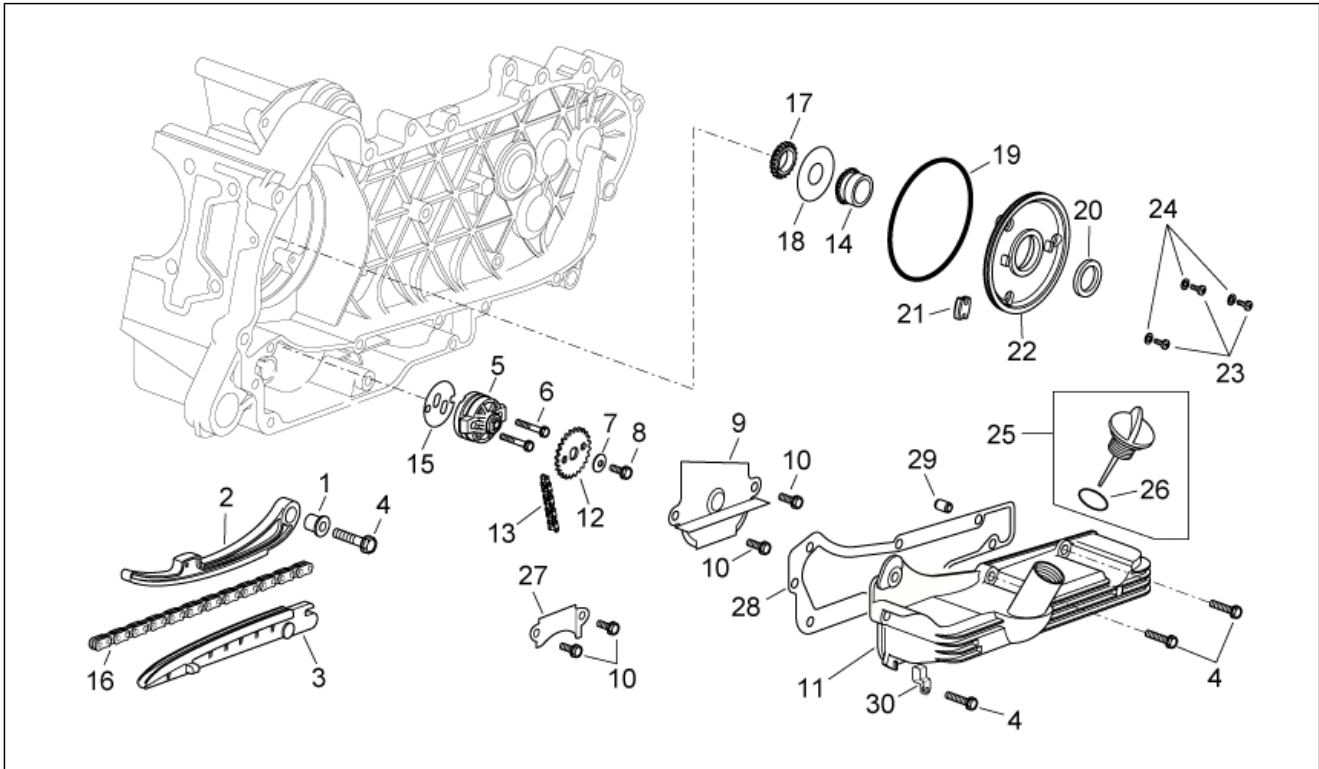
Pos.	Code	Beschreibung	Menge	Varianten
1	AP8110104	Nadelkaefig 20x29x18	1	
2	AP8580068	Sprengring	1	
3	AP8125893	Lager 17x30x7	1	
4	AP8575013	Sekundäre Festscheibe	1	Technische Daten: Version 125 cm ³ [125]
4	AP8580208	Sekundäre Festscheibe	1	Technische Daten: Version 200 cm ³ [200]
5	AP8580166	Führungsbolzen L=12,5	4	
6	AP8580139	Sekundäre Gleitscheibe	1	Technische Daten: Version 125 cm ³ [125]
6	AP8580209	Sekundäre Gleitscheibe	1	Technische Daten: Version 200 cm ³ [200]
7	AP8550124	Gasket ring	2	
8	AP8550116	Dichtung	2	
9	AP8550115	Becher	1	Technische Daten: Version 125 cm ³ [125]
9	AP8580211	Becher	1	Technische Daten: Version 200 cm ³ [200]
10	AP8580119	Feder Wandler	1	Technische Daten: Version 125 cm ³ [125]
10	AP8580210	Feder Wandler	1	Technische Daten: Version 200 cm ³ [200]
11	AP8550114	Becher	1	
12	AP8580171	Fliehkraftkupplung	1	Technische Daten: Version 125 cm ³ [125]
12	AP8590027	Fliehkraftkupplung	1	Technische Daten: Version 200 cm ³ [200]
13	AP8550111	Nutmutter	1	
14	AP8580112	Kupplungsglocke	1	
15	AP8580197	Sek. Riemensch. kpl.	1	Technische Daten: Version 125 cm ³ [125]
15	AP8590004	Sek. Riemensch. kpl.	1	Technische Daten: Version 200 cm ³ [200]
16	AP8580095	Mutter	1	
17	AP8580145	Distanzscheibe	1	
18	AP8580062	Ausgleichscheibe	1	
19	AP8176091	Stopfen dämpfer	3	

Einheit	MOTOR
Code	29.50
Beschreibung	Ölpumpe
Inspektion	1



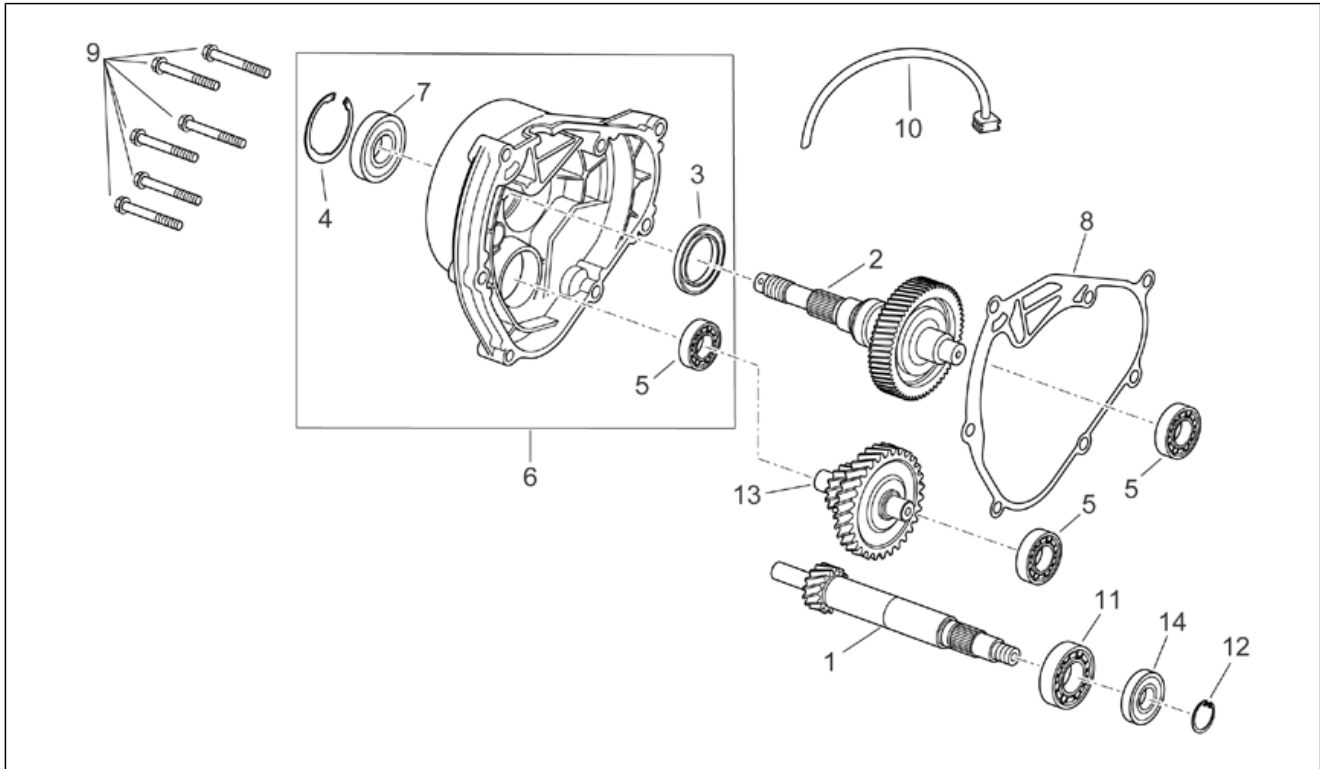
Pos.	Code	Beschreibung	Menge	Varianten
1	AP8580090	Distanzscheibe	1	
2	AP8580156	Kettenspanner Stange	1	
3	AP8580157	Kettenspanner Gleitbacke	1	
4	AP8113789	TE Schr. m. Flansch	8	
5	AP8580102	Ölpumpe	1	
6	AP8551029	TE Schr. m. Flansch	2	
7	AP8550439	Tellerfeder	1	
8	AP8550556	TE Schr. m. Flansch	1	
9	AP8580070	Ölschott	1	
10	AP8551045	Flanschschraube	4	
11	AP8580175	Ölwanne	1	
12	AP8550380	Ölpumpe Zahnkranz	1	
13	AP8580131	Ölpumpe Kette	1	
14	AP8580072	Ölpumpe Steuerung Ritzel	1	
15	AP8580092	Dichtung	1	
16	AP8580130	Steuerkette	1	
17	AP8577033	Steuerkette Ritzel kpl.	1	
18	AP8580077	Scheibe Ölabbreifer	1	
19	AP8580118	O-Ring	1	
20	AP8580113	Gasket ring	1	
21	AP8550522	Ölpumpekette Puffer	1	
22	AP8580169	Steuer Deckel	1	
23	AP8550155	TCEI Schraube	3	
24	AP8580107	Ausgleichscheibe	3	
25	AP8580144	Ölschraube	1	
26	AP8550417	Dichtung	1	
27	AP8580083	Ölschott	1	
28	AP8580185	Dichtung	1	

Einheit	MOTOR
Code	29.50
Beschreibung	Ölpumpe
Inspektion	1



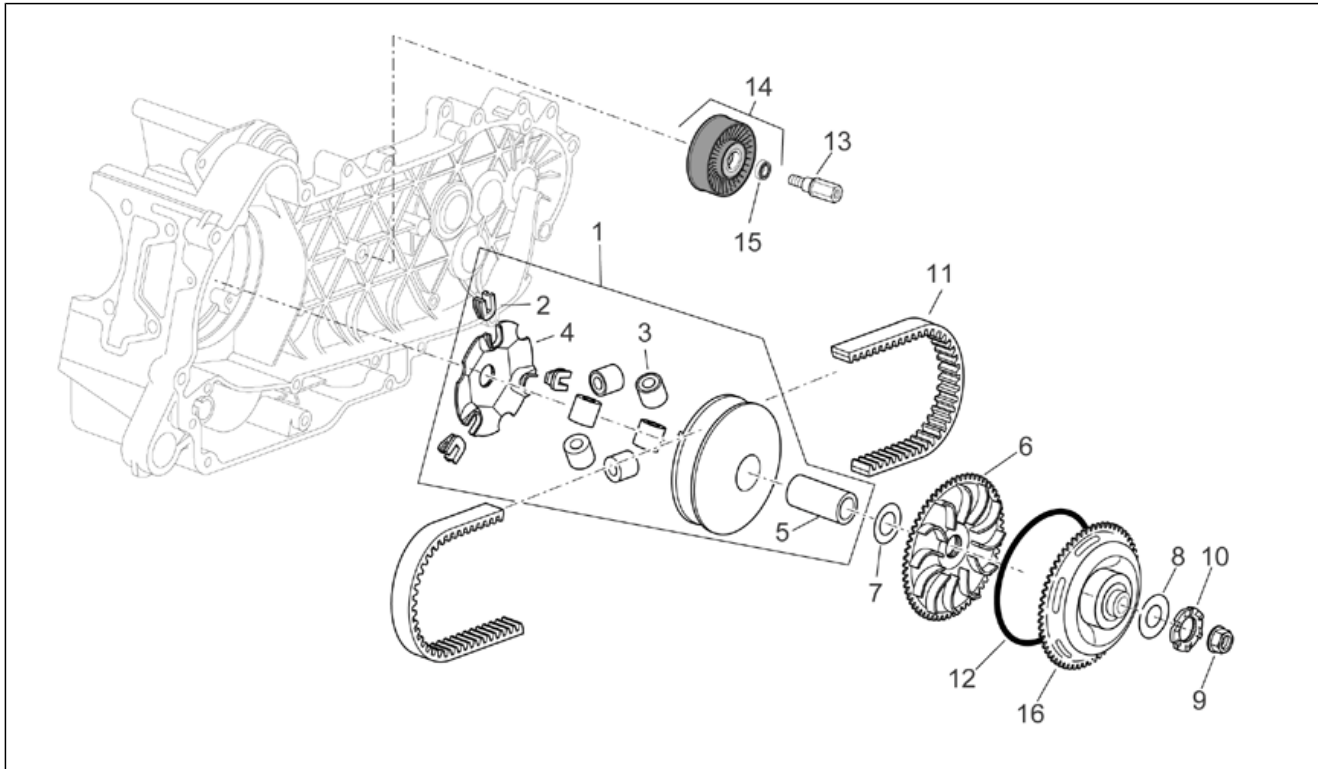
Pos.	Code	Beschreibung	Menge	Varianten
29	AP8551015	Haltestein	3	
30	AP8551051	Schelle	1	

Einheit	MOTOR
Code	29.51
Beschreibung	Getriebe
Inspektion	1



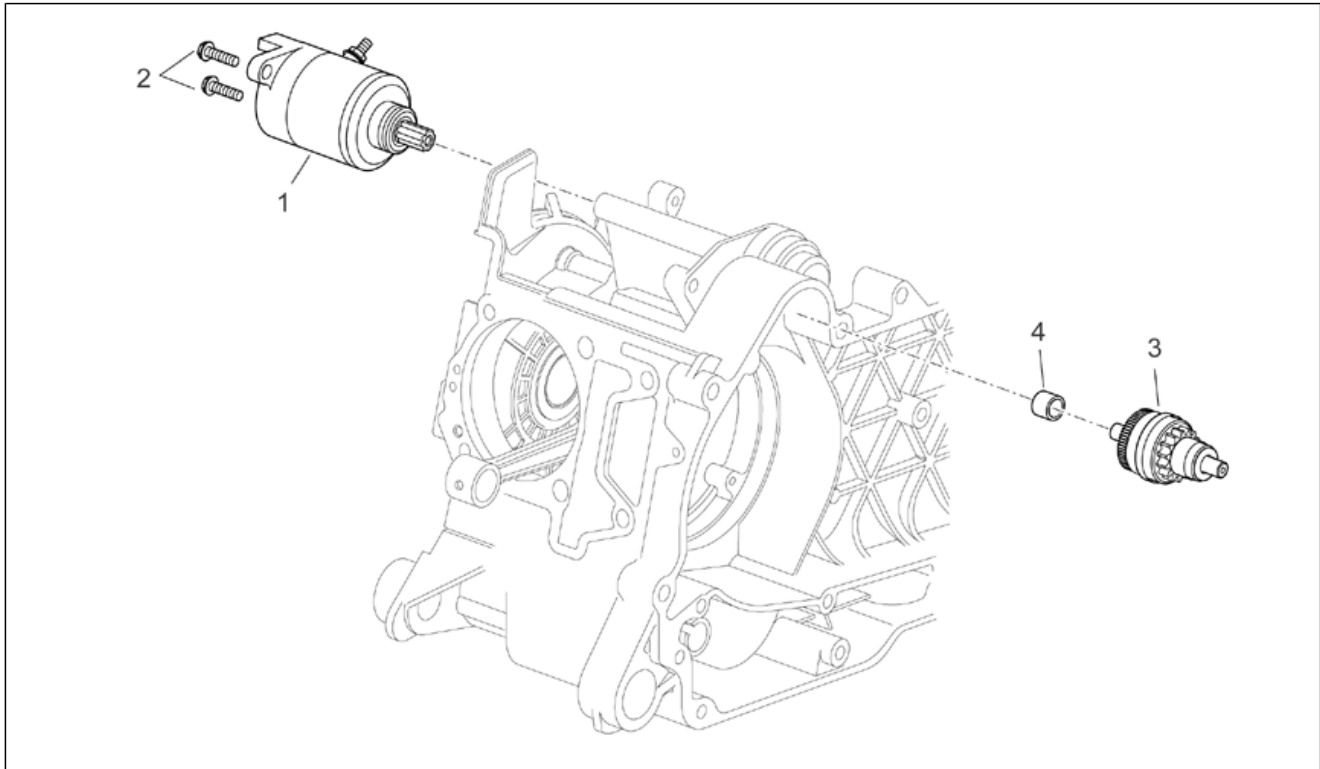
Pos.	Code	Beschreibung	Menge	Varianten
1	AP8577061	Abtriebsriemenscheibewelle	1	
2	AP8575020	Hinterrad Achse kpl.	1	Technische Daten: Version 125 cm ³ [125]
2	AP8590010	Hinterrad Achse kpl.	1	Technische Daten: Version 200 cm ³ [200]
3	AP8560125	Ölabstreifring 38x50x7	1	
4	AP8560130	Seegerring	1	
5	AP8560019	Lager d15x42x13	3	
6	AP8577007	Getriebedeckel kpl.	1	
7	AP8560126	Lager d30x55x13	1	
8	AP8575022	Dichtung	1	
9	AP8570077	Schraube	6	
10	AP8580189	Entlüftung	1	
11	AP8570030	Lager	1	
12	AP8560007	Sprengring	1	
13	AP8575023	Vorgelege Welle	1	Technische Daten: Version 125 cm ³ [125]
13	AP8590009	Vorgelege Welle	1	Technische Daten: Version 200 cm ³ [200]
14	AP8550577	Gasket ring	1	

Einheit	MOTOR
Code	29.52
Beschreibung	Wandlergruppe
Inspektion	1



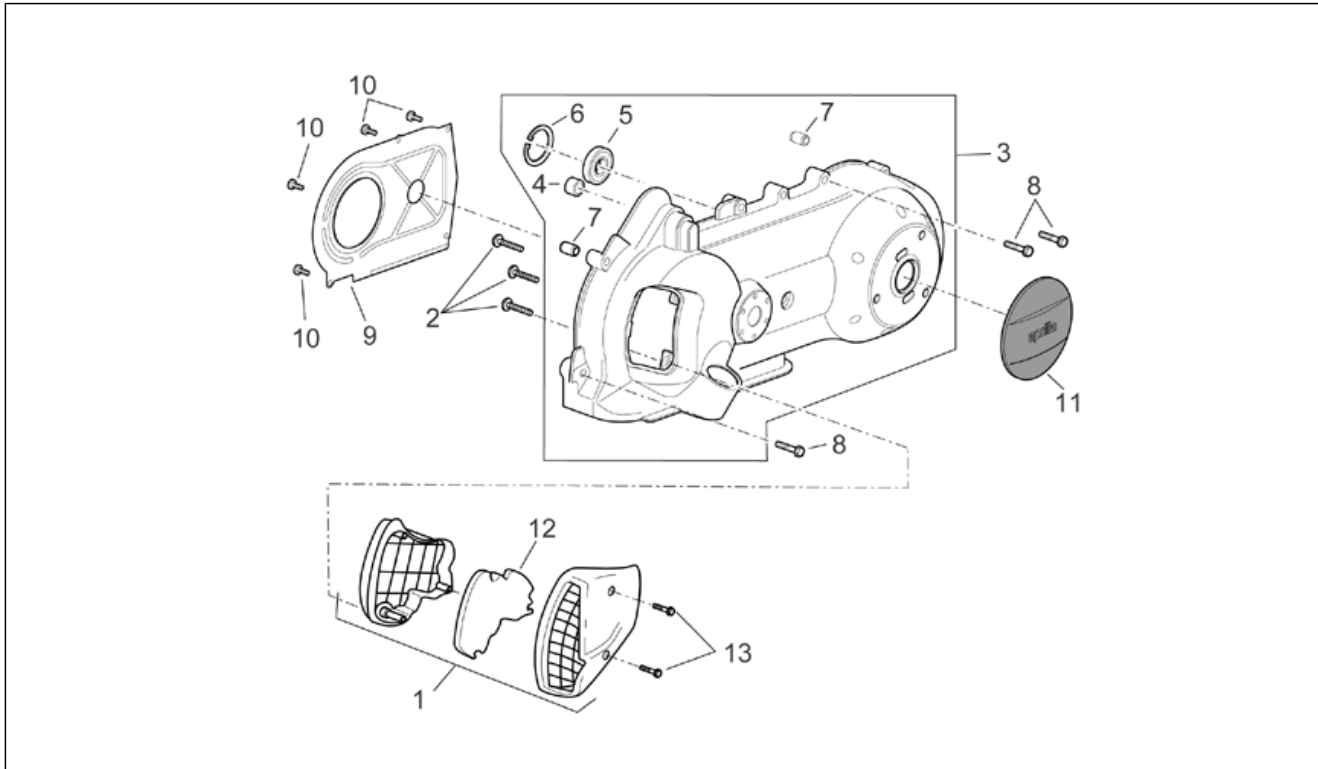
Pos.	Code	Beschreibung	Menge	Varianten
1	AP8580222	Antriebshalbriemenscheibe	1	Technische Daten: Version 125 cm ³ [125]
1	AP8590028	Antriebshalbriemenscheibe	1	Technische Daten: Version 200 cm ³ [200]
2	AP8550448	Gleitbacke	3	
3	AP8580089	Schwungmasse-Serie	1	Technische Daten: Version 200 cm ³ [200]
3	AP8580221	Schwungmasse-Serie	1	Technische Daten: Version 125 cm ³ [125]
4	AP8580088	Stiftplatte	1	
5	AP8580075	Distanzscheibe	1	
6	AP8540165	Feste Hauptriemenscheibe	1	Technische Daten: Version 125 cm ³ [125]
6	AP8575027	Feste Hauptriemenscheibe	1	Technische Daten: Version 200 cm ³ [200]
7	AP8550131	Ausgleichscheibe 1x32x17	1	
8	AP8550133	Ausgleichscheibe 0,5x35x17	1	Technische Daten: Version 125 cm ³ [125]
9	AP8550134	Mutter kompl.	1	
10	AP8580135	Zahnfederbecher	1	Technische Daten: Version 125 cm ³ [125]
11	AP8575041	Keilriemen	1	Technische Daten: Version 200 cm ³ [200]
11	AP8575042	Keilriemen	1	Technische Daten: Version 125 cm ³ [125]
12	AP8580205	O-Ring	1	Technische Daten: Version 200 cm ³ [200]
13	AP8575030	Spezialschraube	1	
14	AP8580199	Zahnriemenscheibe	1	
15	AP8577060	Lager	1	
16	AP8575031	Torque limiter	1	Technische Daten: Version 200 cm ³ [200]

Einheit	MOTOR
Code	29.53
Beschreibung	Startermotor
Inspektion	1



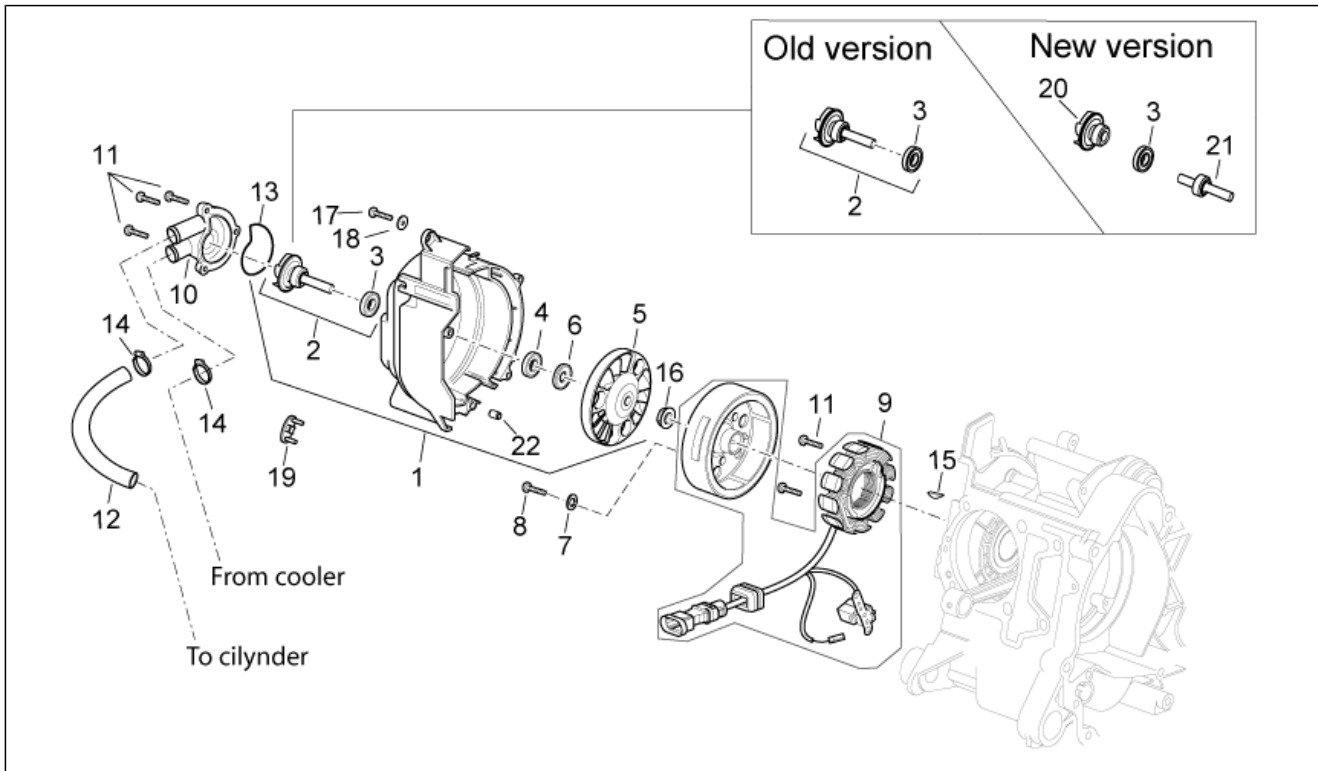
Pos.	Code	Beschreibung	Menge	Varianten
1	AP8580124	Startermotor	1	
2	AP8540002	TE Schr. m. Flansch	2	
3	AP8580125	Umlenk.Anlasser	1	
4	AP8550347	Buchse	1	

Einheit	MOTOR
Code	29.54
Beschreibung	Wandlerdeckel
Inspektion	1



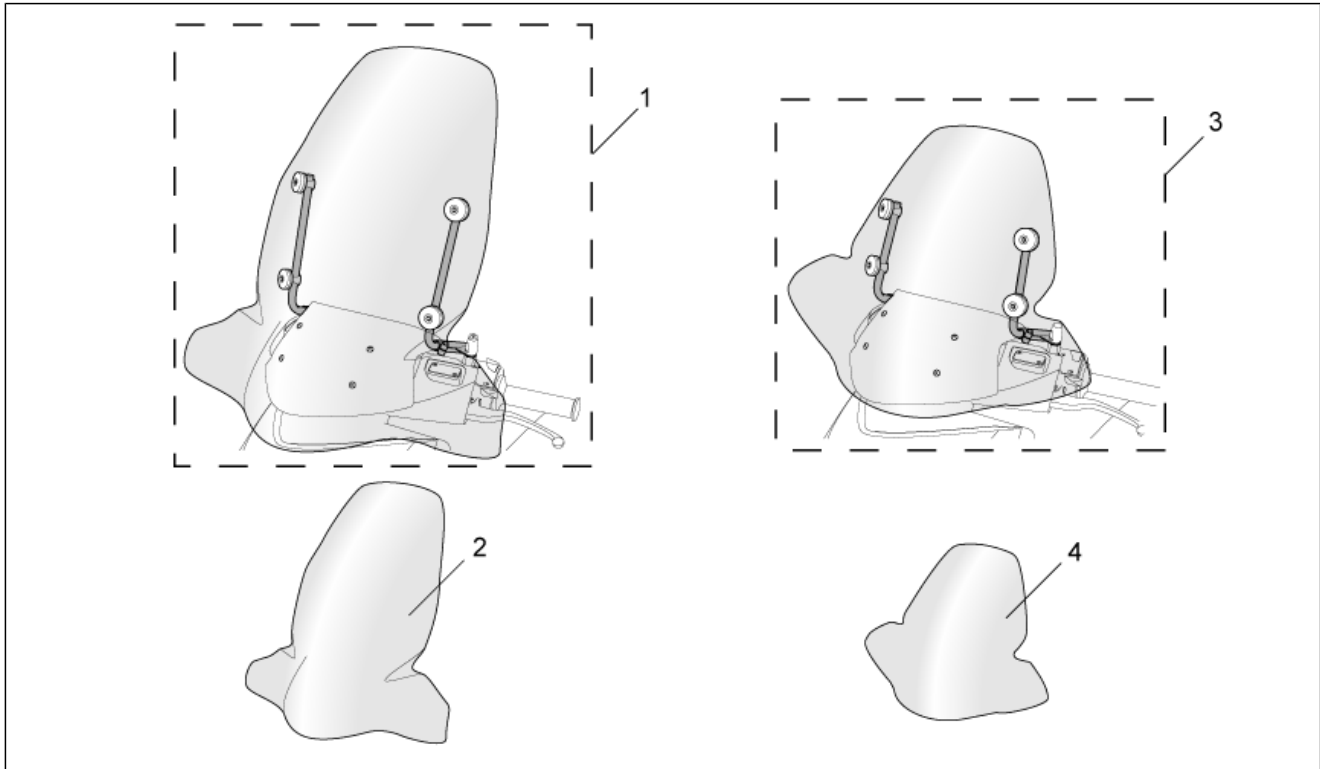
Pos.	Code	Beschreibung	Menge	Varianten
1	AP8580256	Deckel	1	Technische Daten: Version 125 cm ³ [125]
1	AP8590018	Deckel	1	Technische Daten: Version 200 cm ³ [200]
2	AP8551014	Schraube	3	
3	AP8590023	Wandlerdeckel	1	
4	AP8550347	Buchse	1	
5	AP8550580	Lager	1	
6	AP8550578	Sprengring	1	
7	AP8550107	Stift d.9,5 h=15	2	
8	AP8550558	TE Schr. m. Flansch M6x30	8	
9	AP8580245	Luftumleiter	1	Technische Daten: Version 200 cm ³ [200]
9	AP8590024	Luftumleiter	1	Technische Daten: Version 125 cm ³ [125]
10	AP8550024	Schraube	4	
11	AP8580236	Deckel	1	
12	AP8577006	Filter	1	Technische Daten: Version 125 cm ³ [125]
12	AP8590033	Filter	1	Technische Daten: Version 200 cm ³ [200]
13	AP8580061	Gew.schr. 3x20	2	

Einheit	MOTOR
Code	29.55
Beschreibung	Schwungmagnetstarter
Inspektion	1



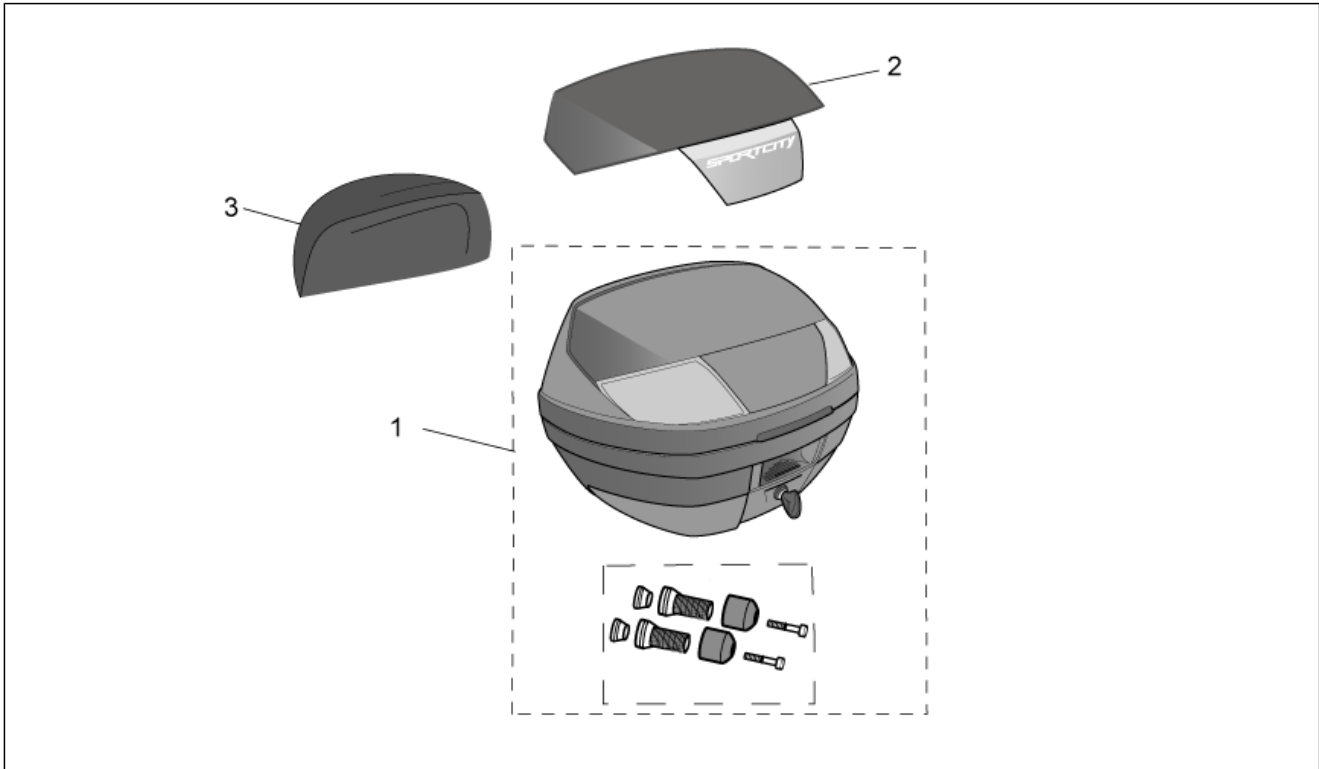
Pos.	Code	Beschreibung	Menge	Varianten
1	AP8590017	Zuenderdeckel Kpl.	1	
2	AP8580143	Welle Wasserpumpe	1	Technische Daten:Alte Version[Old]
3	AP8560018	Ölabstreifring	1	Technische Daten:Alte Version[Old]
3	AP8590055	Gasket ring	1	Technische Daten:Neue Version[New]
4	AP8560020	Einsatz	1	Technische Daten:Alte Version[Old]
5	AP8580104	Zugelement pumpenrad	1	
6	AP8577012	Lager 28x8x9	2	
6	AP8580134	Lager 22x8x7	2	
7	AP8580162	Ausgleichscheibe	3	
8	AP8580163	Spezialschraube	3	
9	AP8580250	Schwungrad Mag. klp.	1	Technische Daten:Version 125 cm ³ [125]
9	AP8590002	Schwungrad Mag. klp.	1	Technische Daten:Version 200 cm ³ [200]
10	AP8580094	Deckel Wasserpumpe	1	
11	AP8551060	Schraube	5	
12	AP8590052	Wasserschlauch	1	
13	AP8580084	O-Ring	1	
14	AP8101573	Schelle D16-24x8*	2	
15	AP8550039	Keil	1	
16	AP8550134	Mutter kompl.	1	
17	AP8580161	Schraube	4	
18	AP8550477	Ausgleichscheibe	4	
19	AP8580116	Deckel	1	
20	AP8276091	Lüfter	1	Technische Daten:Neue Version[New]
21	AP8590054	Welle Wasserpumpe	1	Technische Daten:Neue Version[New]
22	AP8551015	Haltestein	2	

Einheit	ZUBEHÖR
Code	30.56
Beschreibung	Acc. - Windschilder
Inspektion	1



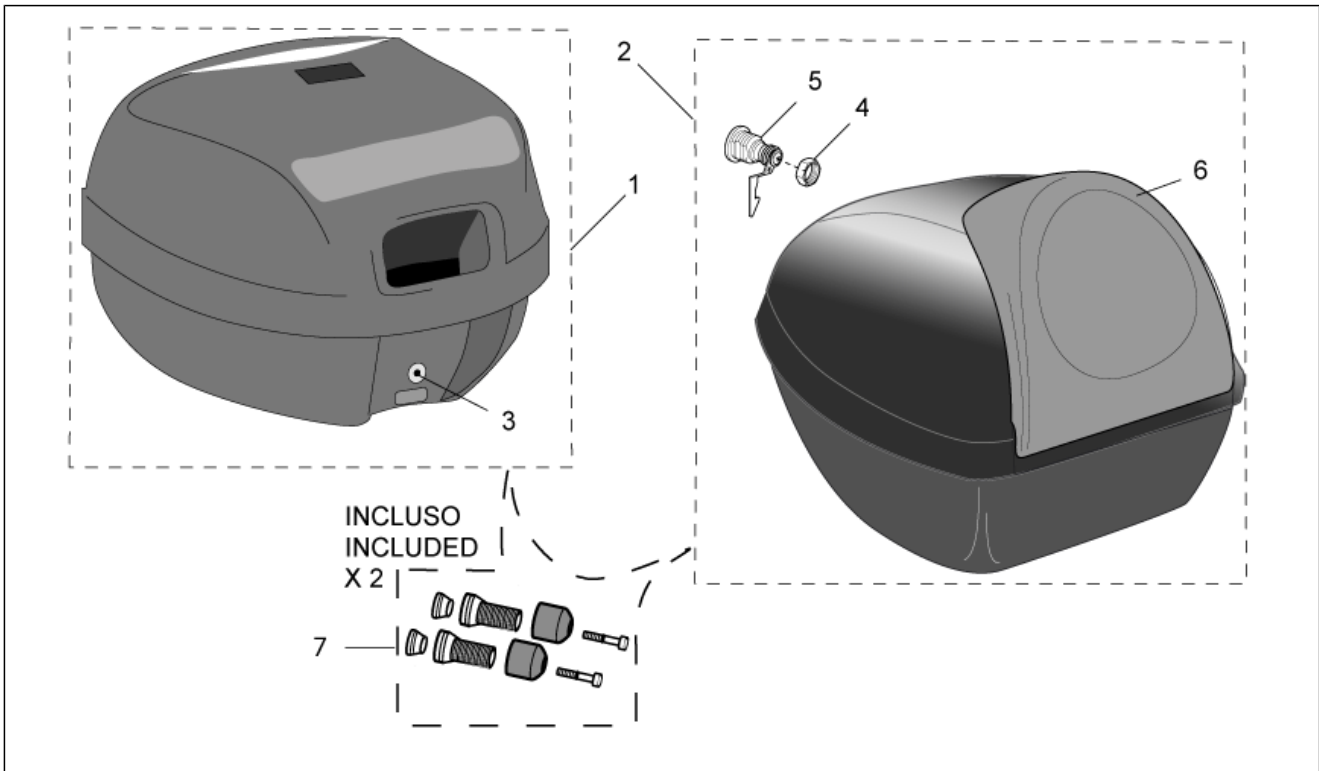
Pos.	Code	Beschreibung	Menge	Varianten
1	AP8791294	Windschutzscheibe Kpl. Big	1	Technische Daten:Zubehör[A]
2	AP8791265	Windschutzsch.o/Halter. Big	1	Technische Daten:Zubehör[A]
3	AP8791295	Windschutzscheibe Kpl. Sport	1	Technische Daten:Zubehör[A]
4	AP8791266	Windschutzsch.o/Halter. Sport	1	Technische Daten:Zubehör[A]

Einheit	ZUBEHÖR
Code	30.57
Beschreibung	Acc. - Koffer I
Inspektion	1



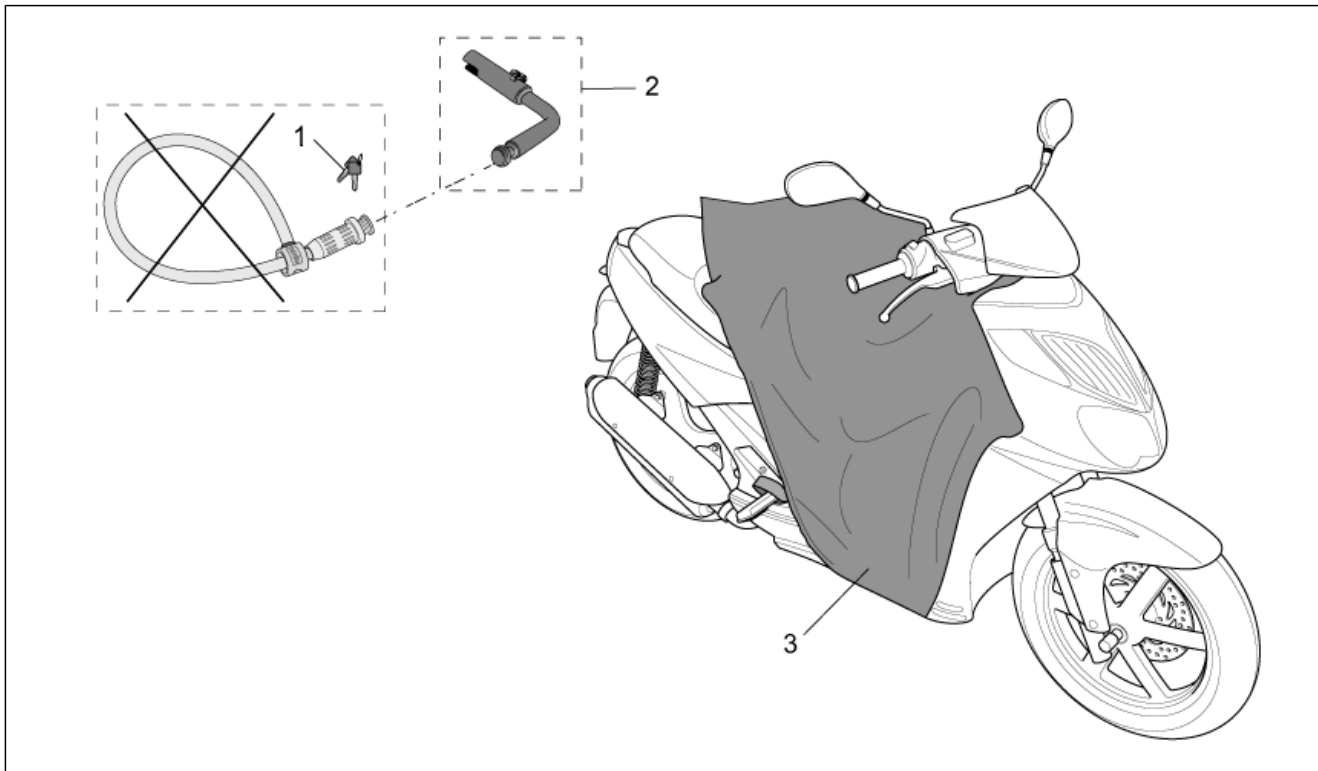
Pos.	Code	Beschreibung	Menge	Varianten
1	CM221101	Staukoffer City-35L	1	Technische Daten:Zubehör[A]
2	CM220809	Stauraumdeckel,schwarz City-35L	1	Technische Daten:Zubehör[A]
3	852312	Sitzkissen City-35L	1	Technische Daten:Zubehör[A]

Einheit	ZUBEHÖR
Code	30.58
Beschreibung	Acc. - Koffer II
Inspektion	1



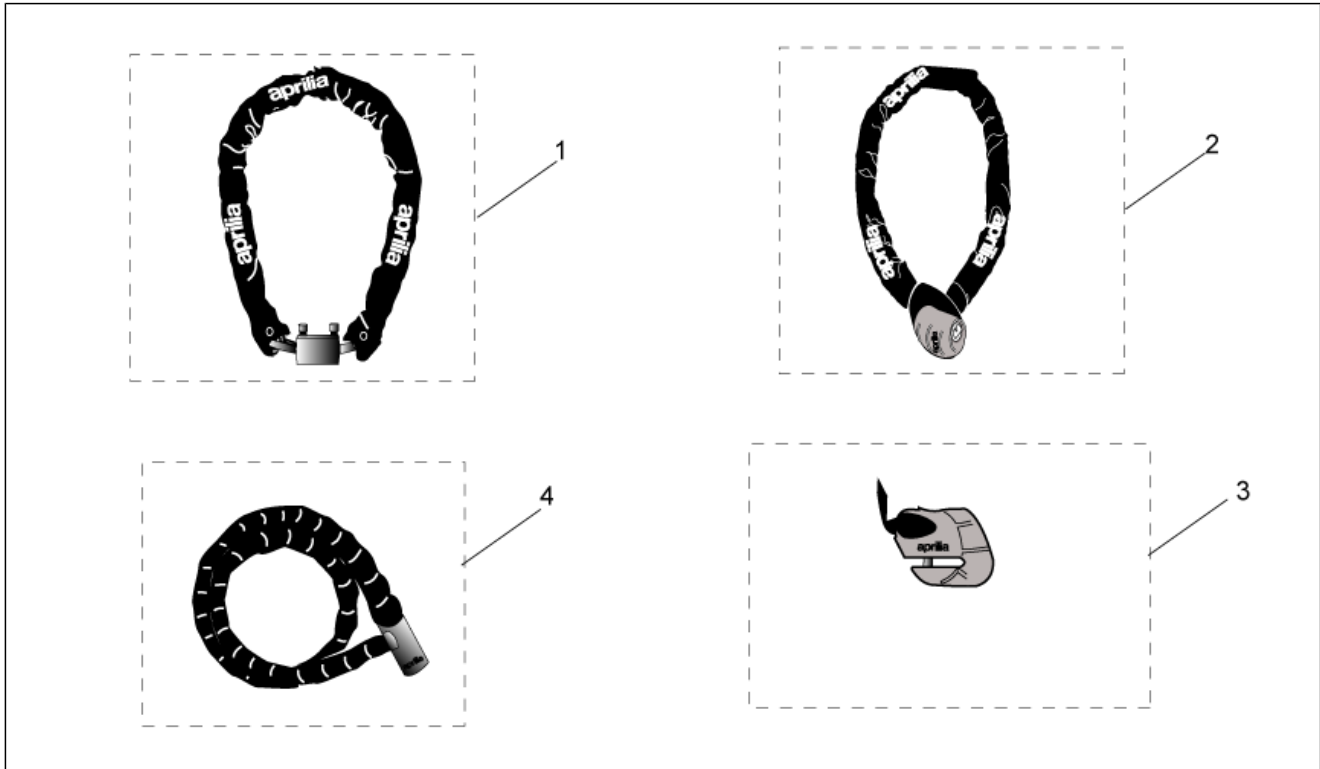
Pos.	Code	Beschreibung	Menge	Varianten
1	AP8792370	Koffer gaufriert New-C 28L	1	Technische Daten:Zubehör[A]
2	AP8792369	Staukoffer, schwarz A.24L	1	Technische Daten:Zubehör[A]
3	AP8104197	Kofferschloß kpl.	1	Technische Daten:Zubehör[A]
4	AP8225370	Mutter M26x1	1	Technische Daten:Zubehör[A]
5	AP8104602	Kofferschloß	1	Technische Daten:Zubehör[A]
6	AP8229331	Sitzkissen	1	Technische Daten:Zubehör[A]
7	AP8796998	Schwingschutzgew.- Paar	1	Technische Daten:Zubehör[A]

Einheit	ZUBEHÖR
Code	30.59
Beschreibung	Acc. - Sonstiges
Inspektion	1



Pos.	Code	Beschreibung	Menge	Varianten
1	AP8700792	Schlüsslersatzdie. B.Guard UK-D	1	Land:Deutschland[D], Großbritannien[UK] Technische Daten:Zubehör[A]
1	AP8700793	Schlüsslersatzdie. B.Guard F-NL	1	Land:Frankreich[F], Holland[NL] Technische Daten:Zubehör[A]
1	AP8700794	Schlüsslersatzdie. B.Guard I-E	1	Land:Spanien[E], Italien[I] Technische Daten:Zubehör[A]
2	AP8161048	Passtück Bodyguard	1	Technische Daten:Zubehör[A]
3	AP8797003	Abdeckplane	1	Technische Daten:Zubehör[A]

Einheit	ZUBEHÖR
Code	30.60
Beschreibung	Acc. - Diefstahl
Inspektion	1



Pos.	Code	Beschreibung	Menge	Varianten
1	AP8720115	Iron Guard 10x150 mm	1	Technische Daten:Zubehör[A]
2	AP8720116	Iron Guard 8x120 mm	1	Technische Daten:Zubehör[A]
3	AP8720117	Iron Guard Disk 5 mm	1	Technische Daten:Zubehör[A]
4	AP8720118	Easy Guard 150 mm	1	Technische Daten:Zubehör[A]