

aprilia[®]

ERSATZTEILKATALOG



Atlantic 125-250 2006-2008

Vorsatzcode Fahrgestell: ZD4SPD, ZD4SPE
Vorsatzcode Motor:

Inhaltsverzeichnis

Fertige Produkte.....	4
Alphanumerisches Verzeichnis.....	5
RAHMEN.....	11
Tafel 28.01 - Rahmen.....	11
Tafel 28.02 - Baugruppe Kurbelwelle.....	12
Tafel 28.03 - Hauptständer.....	13
Tafel 28.04 - Vorderradgabel I.....	14
Tafel 28.05 - Vorderradgabel II.....	15
Tafel 28.06 - Hinterradaufhängung.....	19
Tafel 28.07 - Frontaufbau I.....	20
Tafel 28.08 - Frontaufbau II.....	22
Tafel 28.09 - Frontaufbau III.....	23
Tafel 28.10 - Mittlerer Aufbau.....	24
Tafel 28.11 - U. Sitzbank.....	26
Tafel 28.12 - Sitz.....	27
Tafel 28.13 - Heckaufbau I.....	28
Tafel 28.14 - Heckaufbau II.....	30
Tafel 28.15 - Instrumententafel.....	32
Tafel 28.16 - Lenkstange.....	33
Tafel 28.17 - Schaltungen links.....	35
Tafel 28.18 - Schaltungen rechts.....	37
Tafel 28.19 - Kühler.....	39
Tafel 28.20 - Ausdehngefäß.....	40
Tafel 28.21 - Kraftstofftank.....	41
Tafel 28.22 - Einspeisung I.....	42
Tafel 28.23 - Einspeisung II.....	43
Tafel 28.24 - Filtergehäuse.....	44
Tafel 28.31 - Auslassgruppe.....	45
Tafel 28.32 - Vorderrad.....	46
Tafel 28.33 - Vorderradbremzange.....	47
Tafel 28.34 - Hinterrad.....	48
Tafel 28.35 - Hinterradbremzange.....	49
Tafel 28.36 - Scheinwerfer.....	50
Tafel 28.37 - Rücklicht.....	51
Tafel 28.38 - Vorder Elektrische Anlage.....	52
Tafel 28.39 - Hint.Elektrische Anlage I.....	53
Tafel 28.40 - Hint.Elektrische Anlage II.....	54
Tafel 28.41 - Bausatz Schlösser.....	55
Tafel 28.42 - Aufkleber-Deko.....	56
MOTOR.....	57
Tafel 29.25 - Vergaser I.....	57
Tafel 29.26 - Vergaser II.....	58
Tafel 29.27 - Vergaser III.....	59

Tafel 29.28 - Klappenkörper.....	60
Tafel 29.29 - Secondary air I.....	61
Tafel 29.30 - Motor.....	62
Tafel 29.43 - Kurbelwellengehäuse.....	63
Tafel 29.44 - Kurbelwelle.....	64
Tafel 29.45 - Zylinder.....	65
Tafel 29.46 - Zylinderkopf.....	66
Tafel 29.47 - Nockenwelle.....	67
Tafel 29.48 - Ölablaßventil.....	68
Tafel 29.49 - Kettenspanner.....	69
Tafel 29.50 - Ölfiltereinsatz.....	70
Tafel 29.51 - Kupplung.....	71
Tafel 29.52 - Ölpumpe.....	72
Tafel 29.53 - Getriebe.....	74
Tafel 29.54 - Wandlergruppe.....	75
Tafel 29.55 - Startermotor I.....	76
Tafel 29.56 - Startermotor II.....	77
Tafel 29.57 - Wandlerdeckel.....	78
Tafel 29.58 - Zündung I.....	79
Tafel 29.59 - Zündung II.....	80
ZUBEHÖR.....	82
Tafel 30.60 - Acc. - Windschilder/Taschen.....	82
Tafel 30.61 - Acc. - Koffer I.....	83
Tafel 30.62 - Acc. - Koffer II.....	84
Tafel 30.63 - Acc. - Sonstiges I.....	85
Tafel 30.64 - Acc. - Sonstiges II.....	86
Tafel 30.65 - Acc. - Diebstahl.....	87

Fertige Produkte

Code	Gültigkeit
AP6283001EA613	
AP6283001EA614	
AP6283001EA615	
AP6283001EA616	
AP6283001EA817	
AP6283001EA818	
AP6283001EB613	
AP6283001EB614	
AP6283001EB615	
AP6283001EB616	
AP6283001EB817	
AP6283001EB818	
AP6283001EC613	
AP6283001EC817	
AP6283001EU610	
AP6283001EU613	
AP6283001EU614	
AP6283001EU615	
AP6283001EU616	

Code	Nr. der Tafel	Pos.
012528	29.59	37
826388	28.31	8
82831R	29.46	17
832870	29.43	3
8410035	29.53	2
8412985001	29.44	2
8412985002	29.44	2
847679	29.59	14
8477975	29.59	13
848109	29.59	32
849480	29.54	3
852183	28.14	18
852200	28.36	13
852312	30.61	5
852313	30.61	2
852996	30.60	1
854894	28.36	1
858232	28.18	15
858232	28.33	10
858233	28.17	19
858233	28.35	12
858234	28.33	9
858235	28.35	13
858492	28.17	5
8714705	29.57	1
8714725	29.57	1
AP8101573	28.19	17
AP8101595	28.10	19
AP8101595	28.21	13
AP8101595	28.22	12
AP8102349	29.48	11
AP8102375	28.09	7
AP8102375	28.13	5
AP8102375	28.38	6
AP8102376	28.01	10
AP8102376	28.13	4
AP8102376	28.16	19
AP8102376	28.19	9
AP8102378	28.22	13
AP8102381	28.07	7
AP8102381	28.08	14
AP8102523	28.08	13
AP8102523	28.41	17
AP8102538	28.02	7
AP8102605	28.21	3
AP8102671	28.16	18
AP8102947	28.12	1
AP8102947	28.41	8
AP8103392	28.05	11
AP8104400	28.19	2
AP8104402	28.32	11
AP8104406	28.22	5
AP8104414	28.42	2
AP8104418	28.41	1
AP8104422	28.12	5
AP8104422	28.41	7
AP8104546	28.18	20
AP8104594	28.22	14
AP8104609	28.10	12
AP8104609	28.41	4
AP8104610	28.41	5
AP8104611	28.12	12
AP8104611	28.41	2
AP8104612	28.08	12
AP8104612	28.41	3
AP8104613	28.41	6
AP8104746	28.16	1

Code	Nr. der Tafel	Pos.
AP8104747	28.16	2
AP8104878	28.24	3
AP8104884	28.38	21
AP8108990	28.34	1
AP8108991	28.32	1
AP8109278	28.32	12
AP8109279	28.34	7
AP8110104	29.51	1
AP8112176	28.38	11
AP8112176	28.39	12
AP8112176	28.40	12
AP8112244	28.38	10
AP8112506	28.39	13
AP8112506	28.40	13
AP8112600	28.19	11
AP8112811	28.38	8
AP8112811	28.39	10
AP8112811	28.40	10
AP8112920	28.39	6
AP8112920	28.40	6
AP8113003	28.17	17
AP8113003	28.18	13
AP8113003	28.33	6
AP8113003	28.35	6
AP8113004	28.17	18
AP8113004	28.18	14
AP8113004	28.33	8
AP8113004	28.35	9
AP8113005	28.33	2
AP8113005	28.35	2
AP8113006	28.35	3
AP8113230	28.35	10
AP8113637	28.17	7
AP8113761	28.35	8
AP8113762	28.35	7
AP8113789	29.56	1
AP8113859	28.17	4
AP8113859	28.18	3
AP8113860	28.17	5
AP8113861	28.17	9
AP8113862	28.17	10
AP8113863	28.18	2
AP8113864	28.18	7
AP8113869	28.35	4
AP8113871	28.35	17
AP8113922	28.33	7
AP8113922	28.35	11
AP8114449	28.18	17
AP8114458	28.12	15
AP8114460	28.32	13
AP8117033	28.07	11
AP8117033	28.19	18
AP8117266	28.31	3
AP8118582	28.18	21
AP8118624	28.16	3
AP8118641	28.17	6
AP8118641	28.18	6
AP8118656	28.17	11
AP8118656	28.18	8
AP8119890	28.31	1
AP8119898	28.31	1
AP8119902	28.31	12
AP8119904	28.31	7
AP8119910	28.31	2
AP8119911	28.31	2
AP8120030	28.19	10
AP8120179	28.22	8

Code	Nr. der Tafel	Pos.
AP8120218	28.39	21
AP8120218	28.40	18
AP8120416	28.23	6
AP8120422	28.32	14
AP8120508	28.31	15
AP8120531	28.01	13
AP8120594	28.07	8
AP8120615	28.24	4
AP8120754	28.38	9
AP8120754	28.39	11
AP8120754	28.40	11
AP8120855	28.03	12
AP8120952	28.10	18
AP8120952	28.22	16
AP8121075	28.01	9
AP8121183	28.05	16
AP8121419	28.31	4
AP8121528	28.02	13
AP8121561	28.02	3
AP8121562	28.02	14
AP8121588	28.32	7
AP8121598	28.02	15
AP8121599	28.12	9
AP8121614	28.22	15
AP8121617	28.03	16
AP8121620	28.34	5
AP8121621	28.24	8
AP8121621	29.25	7
AP8121627	28.02	6
AP8121628	28.02	10
AP8121633	28.34	9
AP8121634	28.34	10
AP8121635	28.14	14
AP8121638	28.03	15
AP8121639	29.28	7
AP8121643	28.36	7
AP8121728	28.21	7
AP8121795	28.13	8
AP8121856	28.33	12
AP8121889	28.23	4
AP8121994	28.03	10
AP8123695	28.04	2
AP8123696	28.04	4
AP8123698	28.05	2
AP8123699	28.05	3
AP8123701	28.05	6
AP8123704	28.05	10
AP8123705	28.05	12
AP8123708	28.05	5
AP8123754	28.05	8
AP8123756	28.04	2
AP8123759	28.04	4
AP8123760	28.05	1
AP8123761	28.05	2
AP8123764	28.05	5
AP8123765	28.05	6
AP8123767	28.05	9
AP8123769	28.05	11
AP8123775	28.05	19
AP8123776	28.05	8
AP8123907	28.05	7
AP8123909	28.05	12
AP8123910	28.05	13
AP8123921	28.05	10
AP8124208	28.18	18
AP8124209	28.17	22
AP8124235	28.38	16

Code	Nr. der Tafel	Pos.	Code	Nr. der Tafel	Pos.	Code	Nr. der Tafel	Pos.
AP8124266	28.38	22	AP8133558	28.17	1	AP8145037	28.34	8
AP8124622	28.17	12	AP8133581	28.35	1	AP8146545	28.01	1
AP8124636	28.39	1	AP8133582	28.18	1	AP8146546	28.01	5
AP8124636	28.40	1	AP8133601	28.34	2	AP8146548	28.02	1
AP8124718	28.14	9	AP8133603	28.33	4	AP8146643	28.03	2
AP8124765	28.39	20	AP8133604	28.33	5	AP8146659	28.03	1
AP8124765	28.40	9	AP8133605	28.32	3	AP8146752	28.02	16
AP8124768	28.39	9	AP8133606	28.32	5	AP8146882	28.33	13
AP8124768	28.40	17	AP8133607	28.32	9	AP8146898	28.02	2
AP8124977	28.03	11	AP8133731	28.33	1	AP8149478	28.08	6
AP8125757	28.17	2	AP8133732	28.35	1	AP8150013	28.21	10
AP8125757	28.18	5	AP8133733	28.17	1	AP8150014	28.12	10
AP8125782	28.32	4	AP8133734	28.18	1	AP8150015	28.24	14
AP8125893	29.51	3	AP8133738	28.33	7	AP8150017	28.31	14
AP8126960	28.09	2	AP8133738	28.35	11	AP8150018	28.14	13
AP8126961	28.14	2	AP8133760	28.33	14	AP8150018	28.34	14
AP8126963	28.09	6	AP8133807	28.17	4	AP8150020	28.02	11
AP8127112	28.38	18	AP8133807	28.18	3	AP8150020	28.03	14
AP8127241	28.19	1	AP8133808	28.18	2	AP8150020	28.06	6
AP8127245	28.39	15	AP8133809	28.17	6	AP8150020	28.16	14
AP8127246	28.39	18	AP8133810	28.17	10	AP8150026	28.19	8
AP8127247	28.39	19	AP8133811	28.18	6	AP8150026	28.39	22
AP8127248	28.36	8	AP8133812	28.18	7	AP8150026	28.40	19
AP8127249	28.37	9	AP8133813	28.33	2	AP8150038	28.06	5
AP8127258	28.36	5	AP8133814	28.33	3	AP8150045	28.24	15
AP8127259	28.37	1	AP8133815	28.33	4	AP8150088	28.16	13
AP8127261	28.14	7	AP8133816	28.33	5	AP8150137	28.41	9
AP8127262	28.15	1	AP8133817	28.33	13	AP8150159	28.14	10
AP8127272	28.36	3	AP8133818	28.33	14	AP8150164	28.35	14
AP8127305	28.17	16	AP8134799	28.08	11	AP8150204	28.14	11
AP8127305	28.18	12	AP8134799	28.10	10	AP8150220	28.16	20
AP8127316	28.37	4	AP8134810	28.01	6	AP8150277	28.16	11
AP8127337	28.38	7	AP8134811	28.19	5	AP8150277	28.34	15
AP8127392	28.37	8	AP8134813	28.09	4	AP8150285	28.16	8
AP8127393	28.18	16	AP8134814	28.09	3	AP8150285	28.24	17
AP8127394	28.17	20	AP8134885	28.01	4	AP8150329	28.06	8
AP8127418	28.39	5	AP8134886	28.22	3	AP8150345	28.02	9
AP8127441	28.19	6	AP8134931	28.06	7	AP8150376	28.35	15
AP8127442	28.36	2	AP8134967	28.38	17	AP8150382	28.31	10
AP8127443	28.36	4	AP8144046	28.38	23	AP8150403	28.24	16
AP8127444	28.36	6	AP8144089	28.12	3	AP8150413	28.08	10
AP8127445	28.37	2	AP8144109	28.09	9	AP8150413	28.10	11
AP8127446	28.37	6	AP8144281	28.09	10	AP8150413	28.10	21
AP8127447	28.37	5	AP8144288	28.11	7	AP8150413	28.11	5
AP8127448	28.37	3	AP8144303	28.22	11	AP8150413	28.14	8
AP8127453	28.15	5	AP8144422	28.21	5	AP8150413	28.15	8
AP8127461	28.41	18	AP8144498	28.19	3	AP8150413	28.16	16
AP8127488	28.36	11	AP8144529	28.36	12	AP8150413	28.24	19
AP8127489	28.36	9	AP8144570	28.08	7	AP8150423	28.08	9
AP8127489	28.37	11	AP8144579	29.29	2	AP8150429	28.39	23
AP8127490	28.36	10	AP8144579	29.48	5	AP8150429	28.40	20
AP8127568	28.38	15	AP8144579	29.58	22	AP8150432	28.02	4
AP8127630	28.38	1	AP8144579	29.59	31	AP8150438	28.03	7
AP8127809	28.40	5	AP8144595	28.15	6	AP8150450	28.09	8
AP8127823	28.38	1	AP8144596	28.15	7	AP8150493	28.16	17
AP8127829	28.31	6	AP8144598	28.02	8	AP8150538	28.31	9
AP8127848	28.15	1	AP8144607	28.01	7	AP8152001	28.03	9
AP8127862	28.39	7	AP8144701	28.24	13	AP8152018	28.02	5
AP8127885	28.38	19	AP8144729	28.03	13	AP8152056	28.34	3
AP8127886	28.38	20	AP8144767	28.23	2	AP8152137	28.19	12
AP8128105	28.32	3	AP8144768	28.23	3	AP8152137	28.32	9
AP8128106	28.32	1	AP8144775	28.19	4	AP8152140	28.41	10
AP8128107	28.34	1	AP8144777	28.19	6	AP8152194	28.10	14
AP8129451	28.12	2	AP8144790	28.31	11	AP8152194	28.41	16
AP8129489	28.12	2	AP8144794	29.25	6	AP8152246	28.12	13
AP8132907	28.35	16	AP8144795	28.24	5	AP8152246	28.12	8
AP8133525	28.33	1	AP8144796	29.28	6	AP8152246	28.19	7

Code	Nr. der Tafel	Pos.	Code	Nr. der Tafel	Pos.	Code	Nr. der Tafel	Pos.
AP8152246	28.41	11	AP8158930	28.18	11	AP8176244	29.57	14
AP8152268	28.17	24	AP8158931	28.17	15	AP8176247	29.53	8
AP8152268	28.18	23	AP8158932	28.18	10	AP8176248	29.58	1
AP8152270	28.17	23	AP8158933	28.17	13	AP8176252	29.48	2
AP8152270	28.18	22	AP8158934	28.10	7	AP8176255	29.52	11
AP8152272	28.40	22	AP8158935	28.10	8	AP8176263	29.53	14
AP8152273	28.21	8	AP8158967	28.16	10	AP8176264	29.53	1
AP8152275	28.38	5	AP8161157	28.40	3	AP8176271	29.57	10
AP8152278	28.39	16	AP8163002	28.04	3	AP8176272	29.57	9
AP8152278	28.40	15	AP8163010	28.04	7	AP8176274	29.53	6
AP8152279	28.01	8	AP8163030	28.05	23	AP8176277	29.58	4
AP8152279	28.21	6	AP8163031	28.05	20	AP8176281	29.46	10
AP8152279	28.39	8	AP8163117	28.04	6	AP8176282	29.47	5
AP8152280	28.22	9	AP8163118	28.06	1	AP8176283	29.47	4
AP8152281	28.13	7	AP8163205	28.01	2	AP8176284	29.47	3
AP8152282	28.40	8	AP8163206	28.03	4	AP8176285	29.52	22
AP8152283	28.14	15	AP8163207	28.03	5	AP8176287	29.58	8
AP8152288	28.31	13	AP8163221	28.04	1	AP8176287	29.59	10
AP8152290	28.33	11	AP8163222	28.04	3	AP8176288	29.58	10
AP8152292	28.06	4	AP8163223	28.05	3	AP8176289	29.46	15
AP8152293	28.14	12	AP8163224	28.05	4	AP8176290	29.46	19
AP8152298	28.14	16	AP8163225	28.05	14	AP8176291	29.46	16
AP8152299	28.19	13	AP8163226	28.05	15	AP8176292	29.46	21
AP8152299	28.22	10	AP8163227	28.05	18	AP8176293	29.52	15
AP8152299	28.24	18	AP8163228	28.04	7	AP8176294	29.52	6
AP8152299	28.39	17	AP8163229	28.12	4	AP8176295	29.48	2
AP8152299	28.40	16	AP8163239	28.04	5	AP8176297	29.54	2
AP8152300	28.06	3	AP8163267	28.05	4	AP8176300	29.51	15
AP8152300	28.16	12	AP8163270	28.05	21	AP8176304	29.25	3
AP8152301	28.02	12	AP8163271	28.05	22	AP8176305	29.26	2
AP8152301	28.03	8	AP8163279	28.04	1	AP8176307	29.45	8
AP8152301	28.06	2	AP8163285	28.05	18	AP8176308	29.45	8
AP8152301	28.16	15	AP8163289	28.05	6	AP8176309	29.45	8
AP8152313	28.01	12	AP8163290	28.05	7	AP8176310	29.45	8
AP8152329	28.11	2	AP8163291	28.05	5	AP8176311	29.25	4
AP8152329	28.20	3	AP8163294	28.05	13	AP8176319	29.59	34
AP8152329	28.37	10	AP8163295	28.05	12	AP8176320	29.59	1
AP8152401	28.34	13	AP8163296	28.05	11	AP8176321	29.46	10
AP8152402	28.34	12	AP8163297	28.05	10	AP8176323	29.47	5
AP8152493	29.53	10	AP8163298	28.05	9	AP8176324	29.46	18
AP8154085	29.59	35	AP8163300	28.05	2	AP8176325	29.52	3
AP8156023	28.13	3	AP8163301	28.05	19	AP8176330	29.59	30
AP8156053	28.01	3	AP8163302	28.05	1	AP8176332	29.52	25
AP8156195	28.09	1	AP8163303	28.04	4	AP8176334	29.59	8
AP8156272	28.09	1	AP8163304	28.04	2	AP8176335	29.59	9
AP8156276	28.09	1	AP8163307	28.04	1	AP8176336	29.48	6
AP8156277	28.09	1	AP8163435	28.05	17	AP8176337	29.56	4
AP8156278	28.09	1	AP8163436	28.05	15	AP8176339	29.51	15
AP8156349	28.09	1	AP8163437	28.05	14	AP8176342	29.28	1
AP8158357	28.21	1	AP8163438	28.05	4	AP8176343	29.28	5
AP8158358	28.22	2	AP8163439	28.05	8	AP8176346	29.28	3
AP8158359	28.21	4	AP8163440	28.05	3	AP8176393	29.59	2
AP8158362	28.12	7	AP8166195	28.05	24	AP8176395	29.56	3
AP8158367	28.07	1	AP8166625	28.16	21	AP8177261	28.14	17
AP8158368	28.16	4	AP8166861	28.42	3	AP8177290	28.07	9
AP8158372	28.08	3	AP8166861	28.42	3	AP8178270	28.10	4
AP8158373	28.08	4	AP8166907	28.42	4	AP8178550	28.24	6
AP8158374	28.10	9	AP8167671	28.13	9	AP8178619	28.11	3
AP8158378	28.10	5	AP8168707	28.12	16	AP8178822	28.24	7
AP8158379	28.10	6	AP8168708	28.09	5	AP8178823	28.22	4
AP8158394	28.11	6	AP8176041	28.22	1	AP8178994	28.16	5
AP8158776	28.16	9	AP8176091	29.51	17	AP8178995	28.16	6
AP8158777	28.08	1	AP8176211	29.30	1	AP8178998	28.10	1
AP8158778	28.08	2	AP8176212	28.23	1	AP8178999	28.10	1
AP8158897	28.18	9	AP8176226	29.30	1	AP8179001	28.14	1
AP8158898	28.17	14	AP8176241	29.43	11	AP8179002	28.14	4
AP8158899	28.08	5	AP8176242	29.43	11	AP8179043	28.07	3

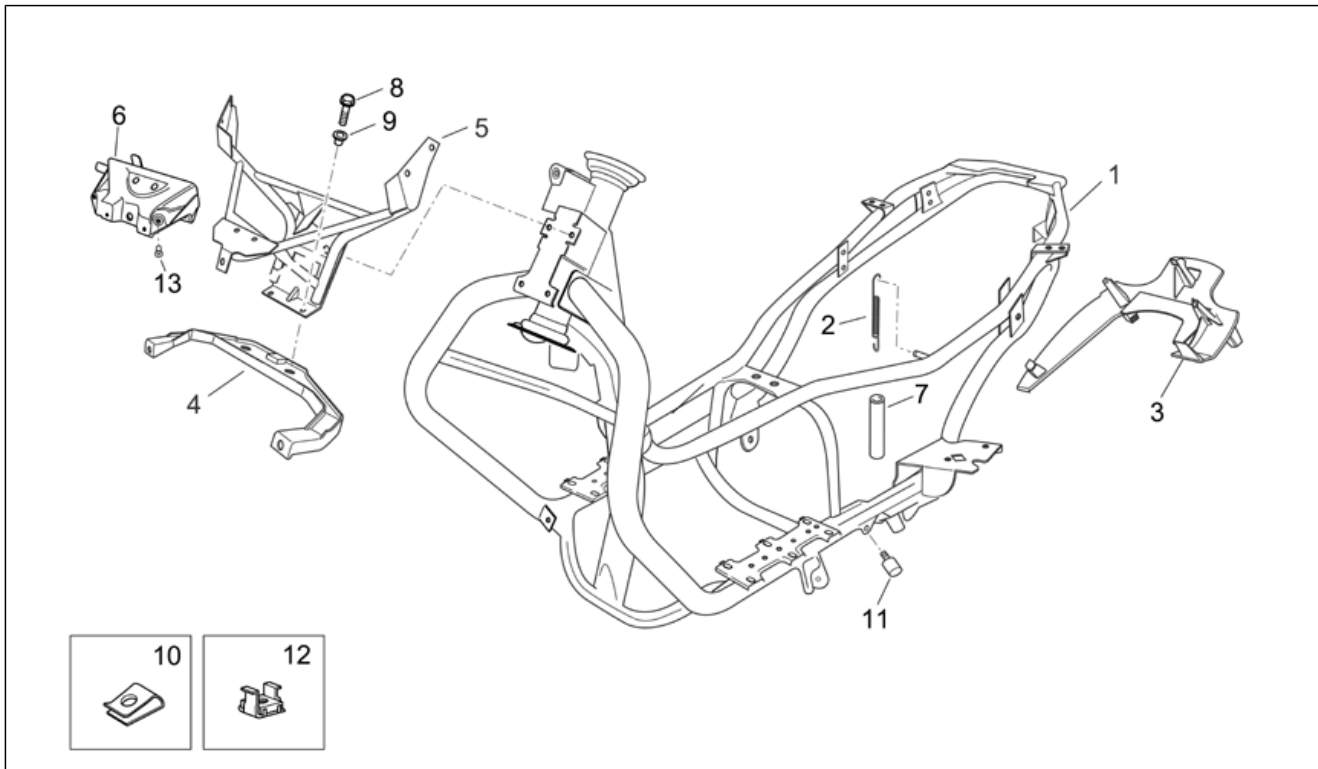
Code	Nr. der Tafel	Pos.	Code	Nr. der Tafel	Pos.	Code	Nr. der Tafel	Pos.
AP8179044	28.07	4	AP8201620	28.10	13	AP8224462	28.40	2
AP8179049	28.10	3	AP8201620	28.41	12	AP8225123	28.32	2
AP8179054	28.13	1	AP8201748	28.10	15	AP8225206	28.32	8
AP8179055	28.13	2	AP8201748	28.41	15	AP8225358	28.34	3
AP8179355	28.24	1	AP8201749	28.10	16	AP8225361	28.32	6
AP8179447	28.11	1	AP8201749	28.41	13	AP8226896	28.09	1
AP8179449	28.24	1	AP8201757	28.21	2	AP8234094	28.40	21
AP8179526	28.39	4	AP8201763	28.10	20	AP8268523	29.43	21
AP8179526	28.40	4	AP8201763	28.13	6	AP8268994	28.07	5
AP8179534	28.20	1	AP8202159	28.21	11	AP8268995	28.07	3
AP8179710	28.07	5	AP8202159	28.23	5	AP8268996	28.07	4
AP8179711	28.07	3	AP8202159	28.35	18	AP8268997	28.13	1
AP8179712	28.07	4	AP8202168	28.32	10	AP8268998	28.13	2
AP8179713	28.16	5	AP8202168	28.34	4	AP8268999	28.14	1
AP8179714	28.16	6	AP8202188	28.16	7	AP8269000	28.10	1
AP8179715	28.07	6	AP8203258	28.05	9	AP8269001	28.10	2
AP8179716	28.07	2	AP8203447	28.05	13	AP8276091	29.58	9
AP8179717	28.10	1	AP8203570	28.05	18	AP8276091	29.59	4
AP8179718	28.10	2	AP8203572	28.05	17	AP8515050	29.29	16
AP8179721	28.14	1	AP8203794	28.05	17	AP8540002	29.28	8
AP8179722	28.14	3	AP8203796	28.05	16	AP8540002	29.47	12
AP8179723	28.14	4	AP8203950	28.05	1	AP8540002	29.55	2
AP8179724	28.14	5	AP8212406	28.15	4	AP8540165	29.54	6
AP8179725	28.14	6	AP8212407	28.15	2	AP8550039	29.58	15
AP8179749	28.13	1	AP8212696	28.38	4	AP8550079	29.47	12
AP8179750	28.13	2	AP8212733	28.11	4	AP8550079	29.59	33
AP8179756	28.07	3	AP8212767	28.17	21	AP8550107	29.43	8
AP8179757	28.07	4	AP8213108	28.33	3	AP8550107	29.57	7
AP8179760	28.14	1	AP8213298	28.17	3	AP8550111	29.51	13
AP8179761	28.10	1	AP8213298	28.18	4	AP8550114	29.51	11
AP8179762	28.10	2	AP8213299	28.17	8	AP8550115	29.51	9
AP8179763	28.13	1	AP8213457	28.35	5	AP8550116	29.51	19
AP8179764	28.13	2	AP8213574	28.35	3	AP8550116	29.51	8
AP8179765	28.07	5	AP8213575	28.35	2	AP8550117	29.43	22
AP8179766	28.07	3	AP8213577	28.35	4	AP8550124	29.51	7
AP8179767	28.07	4	AP8213578	28.35	17	AP8550131	29.54	7
AP8179770	28.14	1	AP8213579	28.35	5	AP8550133	29.54	8
AP8179771	28.10	1	AP8213582	28.17	8	AP8550134	29.54	9
AP8179772	28.10	2	AP8213584	28.17	2	AP8550134	29.58	16
AP8179773	28.14	4	AP8213584	28.18	5	AP8550173	29.25	1
AP8179774	28.13	1	AP8213585	28.17	3	AP8550261	28.34	6
AP8179775	28.13	2	AP8213585	28.18	4	AP8550283	29.43	2
AP8179776	28.07	5	AP8213586	28.17	7	AP8550285	29.54	16
AP8179777	28.07	3	AP8220263	28.22	7	AP8550304	29.43	18
AP8179778	28.07	4	AP8220263	28.39	3	AP8550307	28.34	11
AP8179781	28.14	1	AP8220263	28.40	7	AP8550326	29.46	5
AP8179782	28.10	1	AP8220283	28.38	12	AP8550331	29.50	1
AP8179783	28.10	2	AP8220283	28.39	14	AP8550334	29.43	14
AP8179784	28.14	4	AP8220283	28.40	14	AP8550336	29.50	3
AP8179785	28.13	1	AP8220402	28.21	12	AP8550337	29.50	7
AP8179786	28.13	2	AP8220546	28.22	6	AP8550347	29.55	4
AP8181010	28.42	1	AP8220551	28.15	3	AP8550347	29.57	4
AP8181011	28.42	1	AP8220610	28.01	11	AP8550361	29.43	17
AP8184575	28.07	5	AP8220617	29.43	4	AP8550366	28.38	14
AP8184576	28.07	3	AP8221023	28.19	14	AP8550380	29.52	12
AP8184577	28.07	4	AP8221145	28.21	9	AP8550401	29.46	1
AP8184578	28.13	1	AP8221204	28.03	6	AP8550417	29.52	26
AP8184579	28.13	2	AP8221206	28.12	14	AP8550417	29.59	20
AP8184580	28.14	1	AP8221211	28.03	3	AP8550429	29.49	3
AP8184581	28.10	1	AP8221312	28.10	17	AP8550439	29.52	7
AP8184582	28.10	2	AP8221312	28.41	14	AP8550455	28.38	2
AP8187024	28.07	10	AP8223054	28.05	16	AP8550477	29.58	18
AP8187026	28.07	10	AP8224242	28.37	7	AP8550487	29.59	17
AP8201431	28.12	11	AP8224389	28.37	12	AP8550499	29.45	4
AP8201534	28.08	8	AP8224447	28.18	19	AP8550506	29.45	5
AP8201546	28.32	10	AP8224462	28.38	13	AP8550507	29.45	6
AP8201546	28.34	4	AP8224462	28.39	2	AP8550508	29.46	2

Code	Nr. der Tafel	Pos.	Code	Nr. der Tafel	Pos.	Code	Nr. der Tafel	Pos.
AP8550512	29.50	5	AP8575007	29.43	19	AP8580027	29.27	5
AP8550522	29.52	21	AP8575010	29.46	20	AP8580028	29.26	19
AP8550556	29.29	8	AP8575013	29.51	4	AP8580029	29.26	20
AP8550556	29.52	8	AP8575022	29.53	8	AP8580030	29.26	8
AP8550557	29.49	1	AP8575034	29.58	12	AP8580041	29.48	9
AP8550558	29.52	4	AP8575049	29.26	12	AP8580042	29.48	7
AP8550558	29.57	8	AP8575050	29.26	13	AP8580043	29.45	7
AP8550577	29.44	5	AP8575052	29.27	6	AP8580059	29.29	15
AP8550577	29.53	17	AP8577003	29.43	1	AP8580060	29.52	23
AP8550578	29.57	6	AP8577006	29.57	12	AP8580061	28.24	9
AP8550580	29.57	5	AP8577008	29.43	20	AP8580061	29.57	13
AP8550586	29.43	13	AP8577009	29.46	11	AP8580062	29.51	18
AP8551014	29.57	3	AP8577010	29.59	25	AP8580063	29.29	5
AP8551015	29.43	12	AP8577012	29.58	6	AP8580066	28.31	5
AP8551015	29.46	12	AP8577012	29.59	6	AP8580066	29.46	14
AP8551015	29.52	29	AP8577013	29.59	7	AP8580068	29.51	2
AP8551015	29.58	2	AP8577014	29.59	5	AP8580069	29.46	6
AP8551044	29.53	11	AP8577015	29.59	19	AP8580070	29.52	9
AP8551045	29.47	10	AP8577021	29.46	9	AP8580071	29.50	8
AP8551045	29.52	10	AP8577024	29.46	8	AP8580072	29.52	14
AP8551045	29.59	36	AP8577029	29.47	16	AP8580073	28.03	17
AP8551046	29.47	2	AP8577030	29.52	2	AP8580074	29.50	2
AP8551047	29.47	1	AP8577032	29.52	16	AP8580075	29.54	5
AP8551060	29.29	1	AP8577033	29.52	17	AP8580076	29.46	3
AP8551060	29.58	11	AP8577034	29.44	2	AP8580077	29.52	18
AP8551060	29.59	22	AP8577035	29.44	2	AP8580078	29.46	7
AP8551064	29.26	23	AP8577037	29.59	29	AP8580079	29.46	8
AP8551065	29.26	7	AP8577039	29.50	8	AP8580083	29.52	27
AP8551112	29.26	11	AP8577040	29.50	2	AP8580084	29.58	13
AP8553001	29.43	11	AP8577043	29.59	16	AP8580084	29.59	27
AP8553002	29.43	11	AP8577044	29.59	21	AP8580086	29.46	11
AP8553003	29.43	5	AP8577046	29.56	2	AP8580087	29.43	15
AP8553005	29.52	11	AP8577048	29.59	11	AP8580090	29.52	1
AP8553006	29.52	28	AP8577049	29.59	23	AP8580095	29.51	16
AP8553007	29.53	13	AP8577050	29.54	2	AP8580095	29.54	9
AP8560006	29.59	15	AP8577052	29.54	4	AP8580096	29.47	18
AP8560007	29.53	16	AP8577053	29.54	6	AP8580097	29.47	7
AP8560008	29.47	8	AP8577055	29.51	6	AP8580098	29.47	6
AP8560009	29.26	24	AP8577056	29.51	19	AP8580099	29.47	8
AP8560009	29.43	9	AP8577057	29.54	12	AP8580100	29.47	17
AP8560009	29.59	26	AP8577058	29.54	8	AP8580102	29.52	5
AP8560010	29.46	22	AP8577060	29.54	15	AP8580104	29.58	5
AP8560011	29.59	24	AP8577061	29.53	1	AP8580105	29.47	11
AP8560014	29.43	6	AP8577075	29.26	6	AP8580106	29.47	19
AP8560016	29.46	13	AP8577076	29.26	22	AP8580107	29.52	24
AP8560017	29.43	7	AP8577079	29.26	14	AP8580108	29.48	4
AP8560019	29.53	5	AP8577081	29.27	1	AP8580113	29.52	20
AP8560022	29.53	12	AP8577091	29.29	17	AP8580114	29.44	1
AP8560055	29.50	4	AP8577092	29.51	12	AP8580116	29.58	19
AP8560059	29.49	2	AP8577093	29.30	2	AP8580118	29.52	19
AP8560125	29.53	3	AP8577094	29.30	3	AP8580119	29.51	10
AP8560126	29.53	7	AP8577095	29.51	14	AP8580122	29.44	3
AP8560130	29.53	4	AP8580001	29.45	2	AP8580123	28.38	3
AP8560142	29.43	16	AP8580002	29.45	5	AP8580124	29.55	1
AP8560153	29.28	4	AP8580003	29.45	6	AP8580125	29.55	3
AP8570007	29.48	8	AP8580012	29.25	5	AP8580126	29.46	18
AP8570008	29.48	10	AP8580013	29.30	3	AP8580127	29.29	4
AP8570018	29.59	18	AP8580014	29.30	2	AP8580128	29.50	6
AP8570030	29.53	15	AP8580016	29.26	9	AP8580129	29.47	15
AP8570077	29.53	9	AP8580016	29.27	4	AP8580130	29.52	16
AP8570079	29.25	2	AP8580017	29.26	10	AP8580131	29.52	13
AP8570079	29.28	2	AP8580021	29.26	15	AP8580135	29.54	10
AP8570084	29.48	6	AP8580022	29.26	16	AP8580139	29.51	6
AP8570089	29.29	3	AP8580023	29.26	17	AP8580144	29.52	25
AP8570122	28.20	2	AP8580024	29.26	18	AP8580146	29.27	8
AP8570123	28.12	6	AP8580025	29.27	3	AP8580149	29.45	1
AP8575004	29.27	9	AP8580026	29.27	7	AP8580150	29.45	1

Code	Nr. der Tafel	Pos.
AP8580151	29.45	1
AP8580152	28.38	14
AP8580153	29.54	13
AP8580155	29.44	4
AP8580156	29.52	2
AP8580157	29.52	3
AP8580158	29.48	1
AP8580160	29.46	4
AP8580161	29.58	17
AP8580162	29.58	21
AP8580163	29.58	20
AP8580165	29.48	3
AP8580166	29.51	5
AP8580167	29.43	10
AP8580171	29.51	12
AP8580174	29.43	1
AP8580177	29.45	2
AP8580178	28.24	5
AP8580181	28.24	2
AP8580183	28.24	12
AP8580184	28.24	10
AP8580185	29.52	28
AP8580187	29.47	13
AP8580188	29.47	14
AP8580191	29.29	7
AP8580192	29.29	6
AP8580193	29.29	12
AP8580194	29.29	9
AP8580195	29.29	10
AP8580196	29.29	11
AP8580199	29.54	14
AP8580201	29.53	6
AP8580206	29.47	9
AP8580208	29.51	4
AP8580210	29.51	10
AP8580211	29.51	9
AP8580214	29.29	13
AP8580215	29.29	14
AP8580216	29.45	3
AP8580217	29.58	14
AP8580219	28.24	11
AP8580219	29.25	8
AP8580220	29.27	2
AP8580221	29.54	3
AP8580222	29.54	1
AP8580227	29.26	3
AP8580236	29.57	11
AP8580244	29.45	4
AP8580245	29.57	9
AP8580247	29.54	11
AP8580250	29.58	7
AP8580256	29.57	2
AP8580261	29.54	11
AP8580266	29.26	1
AP8580268	29.26	4
AP8580269	29.26	5
AP8580270	29.26	21
AP8580272	29.45	7
AP8580273	29.45	8
AP8580274	29.45	8
AP8580275	29.45	8
AP8580276	29.45	8
AP8580277	29.59	12
AP8580278	29.53	13
AP8580279	29.53	2
AP8590007	29.46	9
AP8590055	29.58	3

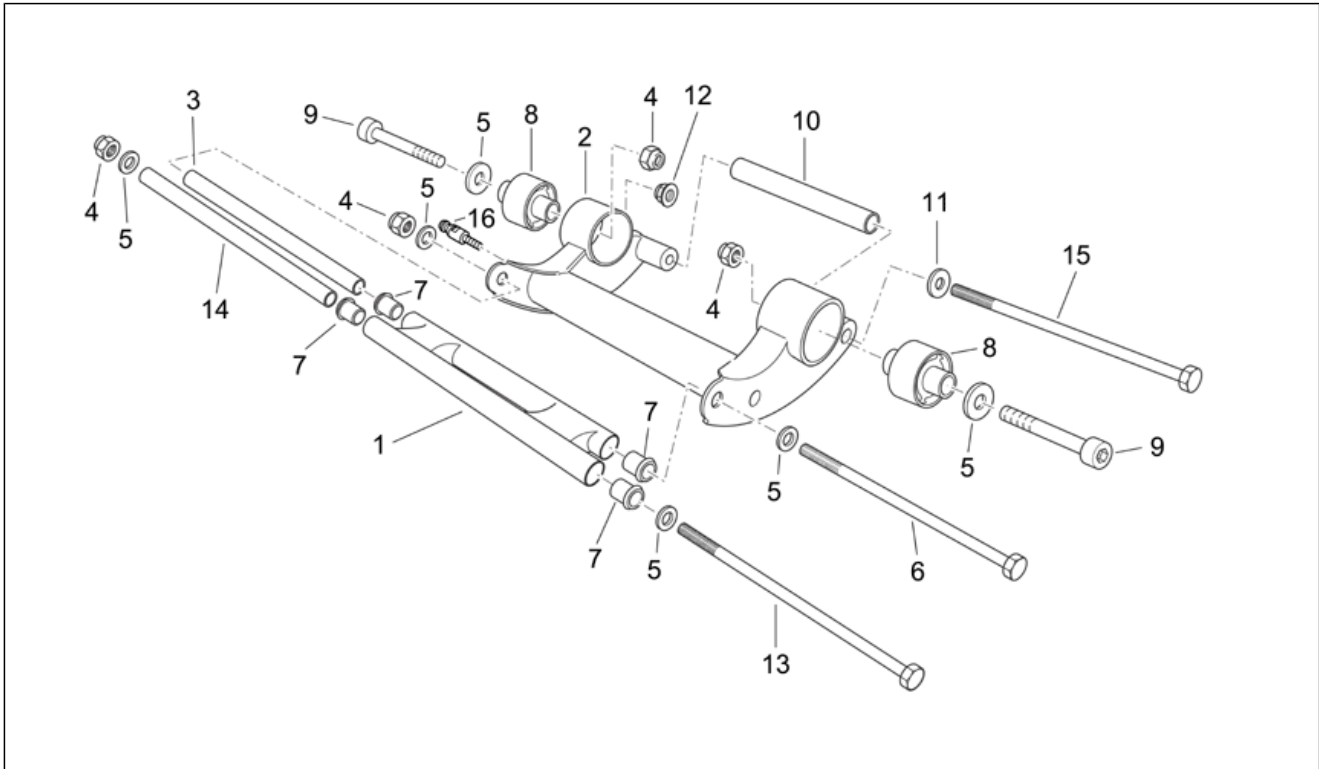
Code	Nr. der Tafel	Pos.
AP8590055	29.59	3
AP8700792	30.64	3
AP8700793	30.64	3
AP8700794	30.64	3
AP8701140	30.64	2
AP8701232	30.63	5
AP8701233	30.63	5
AP8701234	30.63	5
AP8701235	30.63	5
AP8701236	30.63	5
AP8701237	30.63	5
AP8701238	30.63	5
AP8701239	30.63	5
AP8701240	30.63	5
AP8701241	30.63	5
AP8701242	30.63	5
AP8701243	30.63	5
AP8701244	30.63	5
AP8701245	30.63	5
AP8702151	30.64	5
AP8702152	30.64	5
AP8703057	30.64	4
AP8720115	30.65	1
AP8720116	30.65	2
AP8720117	30.65	3
AP8720118	30.65	4
AP8790260	30.62	1
AP8792285	30.60	2
AP8792373	30.62	2
AP8792374	30.62	2
AP8794031	30.63	1
AP8794034	30.63	2
AP8794038	30.63	3
AP8794039	30.63	4
AP8796614	30.64	1
AP8797169	30.62	3
AP8797170	30.63	6
CM001907	28.19	19
CM001908	28.19	16
CM001908	29.59	28
CM001909	28.19	15
CM001922	28.19	20
CM001922	29.59	38
CM144408	29.54	1
CM220301	30.61	1
CM220302	30.61	1
CM220306	30.61	1
CM220307	30.61	1
CM220308	30.61	1
CM220401	30.61	3
CM220810	30.61	4
CM220811	30.61	4
CM220812	30.61	4
CM220813	30.61	4

Einheit	RAHMEN
Code	28.01
Beschreibung	Rahmen
Inspektion	1



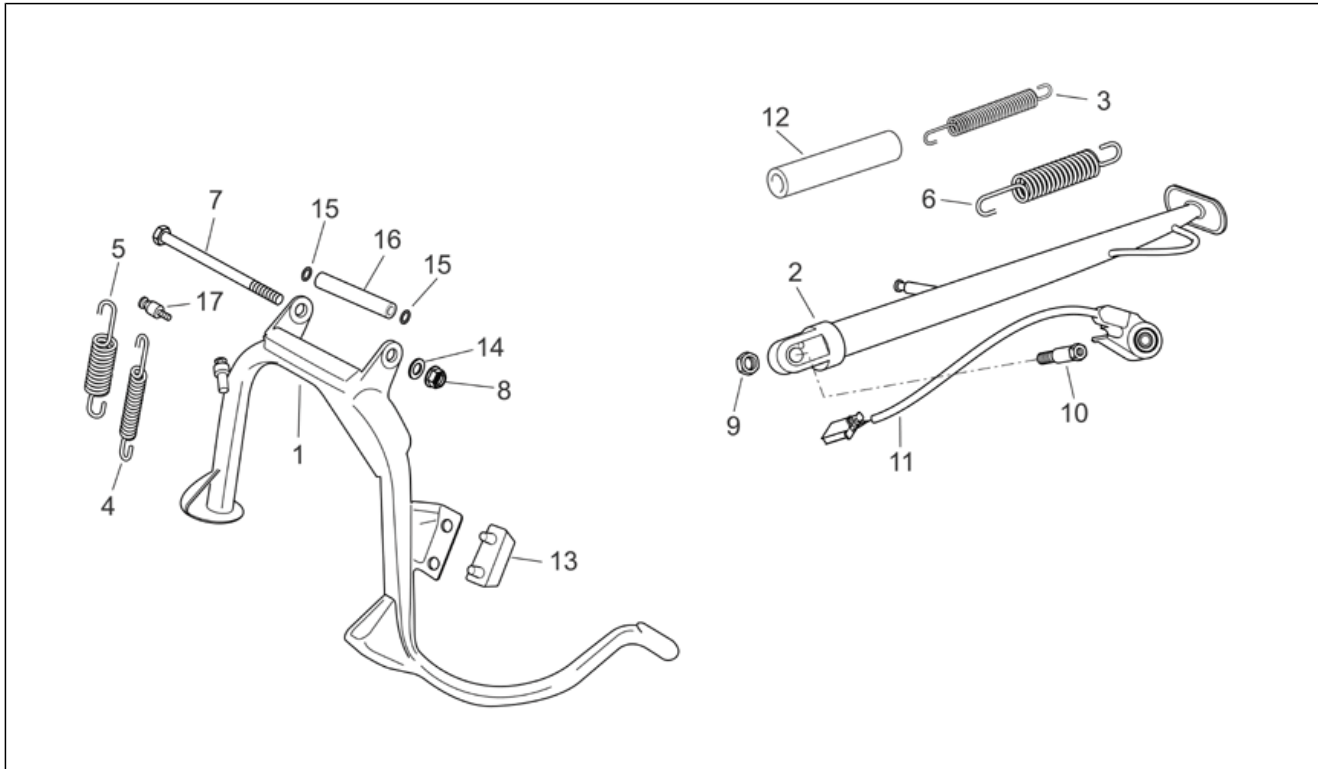
Pos.	Code	Beschreibung	Menge	Varianten
1	AP8146545	Rahmen	1	
2	AP8163205	Pleuelstangenfeder	1	
3	AP8156053	Hinteres, Spritzschutz	1	
4	AP8134885	Scheinw. Halteplatte	1	
5	AP8146546	Front bow	1	
6	AP8134810	Tragbügel kuppel	1	
7	AP8144607	Feder Schutz	1	
8	AP8152279	TE Schr. m. Flansch M6x20	5	
9	AP8121075	T-Buchse *	5	
10	AP8102376	Klammer M6	1	
11	AP8220610	Anschlagstopfen Ständer	1	
12	AP8152313	Käfigmutter M6	2	
13	AP8120531	Gummi mit Einsatz	2	

Einheit	RAHMEN
Code	28.02
Beschreibung	Baugruppe Kurbelwelle
Inspektion	1



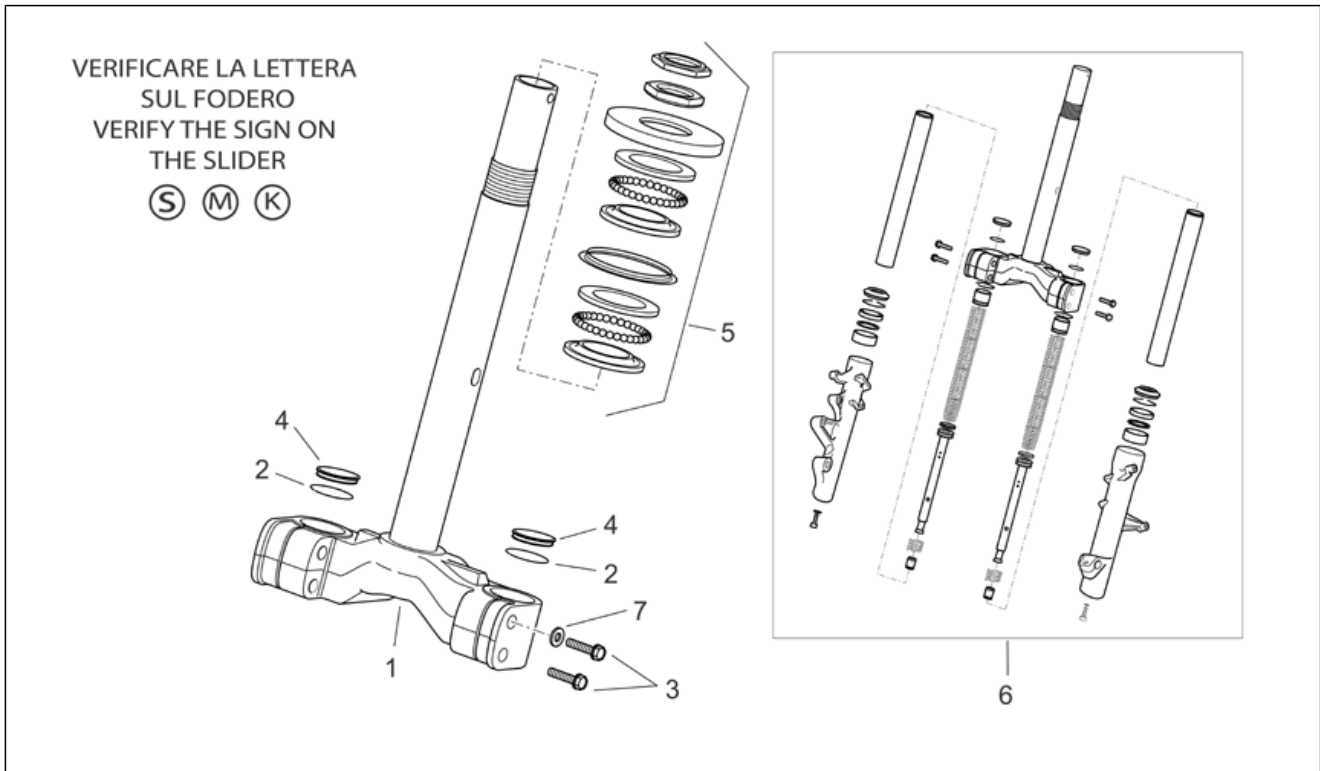
Pos.	Code	Beschreibung	Menge	Varianten
1	AP8146548	Rahmen-Pleuelstange	1	
2	AP8146898	Motor-Pleuelstange	1	
3	AP8121561	Nebenpleuelbuchse	1	
4	AP8150432	Selbstsperr.mut Unt. M12*	2	
5	AP8152018	Scheibe 12,2x22x2	4	
6	AP8121627	Scharnierbol.Pleuel	1	
7	AP8102538	Harzbuchse	4	
8	AP8144598	Silent-Block	2	
9	AP8150345	TCEI Schraube M12x98*	2	
10	AP8121628	Distanzscheibe	1	
11	AP8150020	Ausgleichscheibe 10,5x21x2*	1	
12	AP8152301	Selbstsperrende Mutter	1	
13	AP8121528	Scharnierbo.Rahmen	1	
14	AP8121562	Nebenpleuelbuchse	1	
15	AP8121598	Motoranlenkbolzen	1	
16	AP8146752	Diedstahl bolzen	1	

Einheit	RAHMEN
Code	28.03
Beschreibung	Hauptständer
Inspektion	1



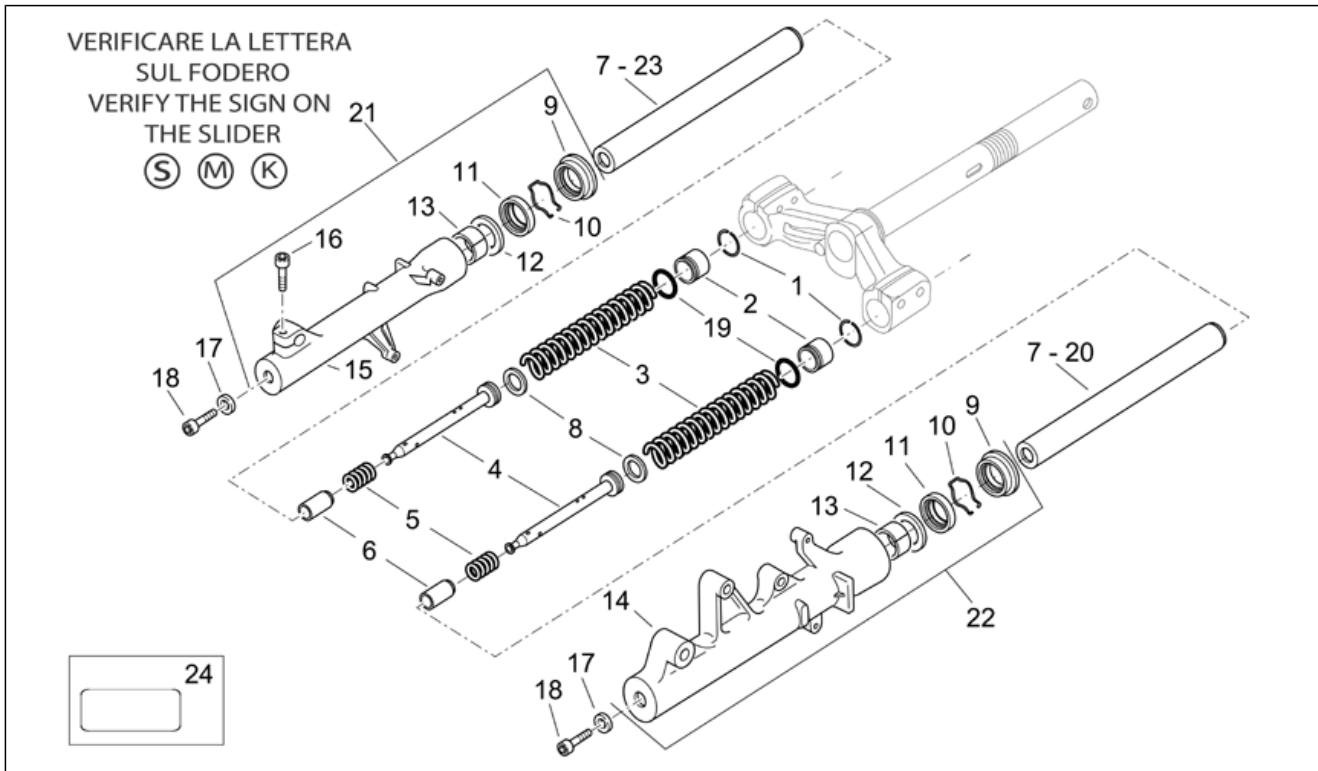
Pos.	Code	Beschreibung	Menge	Varianten
1	AP8146659	Hauptständer	1	
2	AP8146643	Seitenständer	1	
3	AP8221211	Rückholfeder Ständer	1	
4	AP8163206	Rückholfeder Ständer	1	
5	AP8163207	Hauptständer Schraubenfeder	1	
6	AP8221204	Hauptständer Schraubenfeder	1	
7	AP8150438	TCEI Schraube M10x130	1	
8	AP8152301	Selbstsperrende Mutter	1	
9	AP8152001	Mutter unten M10x1,25	1	
10	AP8121994	Ständerschraube	1	
11	AP8124977	Schalter	1	
12	AP8120855	Schutz zentr. Kabelf.	1	
13	AP8144729	Anschlagstopfen Ständer	1	
14	AP8150020	Ausgleichscheibe 10,5x21x2*	1	
15	AP8121638	Gasket ring	2	
16	AP8121617	Hauptständer distanzscheibe	1	
17	AP8580073	Federschraube	1	

Einheit	RAHMEN
Code	28.04
Beschreibung	Vorderradgabel I
Inspektion	1



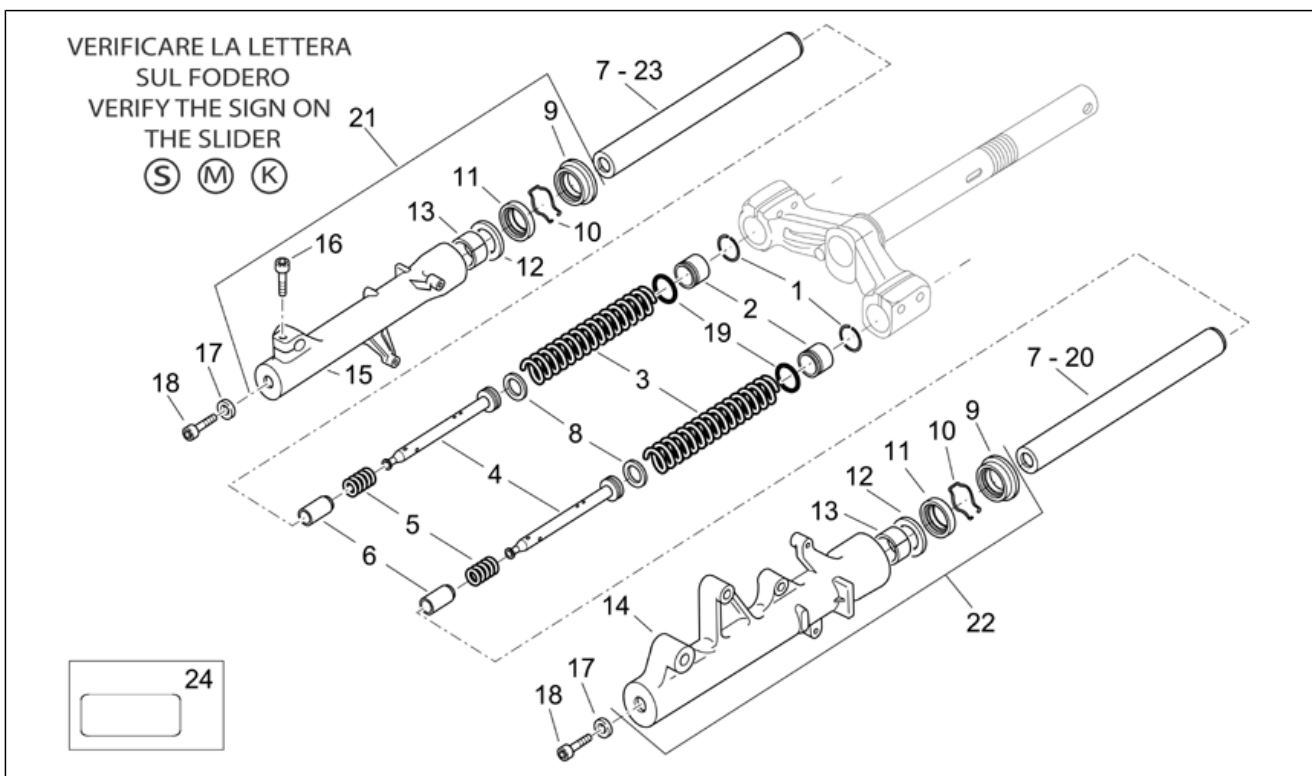
Pos.	Code	Beschreibung	Menge	Varianten
1	AP8163221	Fuß mit Rohr	1	Technische Daten: Gabel mit Buchstaben S auf dem Schaft[S]
1	AP8163279	Fuß mit Rohr	1	Technische Daten: Gabel mit Buchstaben M auf dem Schaft[M]
1	AP8163307	Fuß mit Rohr	1	Technische Daten: Gabel mit Buchstaben K auf dem Schaft[K]
2	AP8123695	O-Ring	2	Technische Daten: Gabel mit Buchstaben M auf dem Schaft[M]
2	AP8123756	Sperring	2	Technische Daten: Gabel mit Buchstaben S auf dem Schaft[S]
2	AP8163304	Sperring	2	Technische Daten: Gabel mit Buchstaben K auf dem Schaft[K]
3	AP8163002	TE Schr. m. Flansch	4	Technische Daten: Gabel mit Buchstaben K auf dem Schaft[K], Gabel mit Buchstaben M auf dem Schaft[M]
3	AP8163222	Schraube M8x30	4	Technische Daten: Gabel mit Buchstaben S auf dem Schaft[S]
4	AP8123696	Verschlussschraube	2	Technische Daten: Gabel mit Buchstaben M auf dem Schaft[M]
4	AP8123759	Verschlussschraube	2	Technische Daten: Gabel mit Buchstaben S auf dem Schaft[S]
4	AP8163303	Deckel	2	Technische Daten: Gabel mit Buchstaben K auf dem Schaft[K]
5	AP8163239	Satz Kugelringe	1	
6	AP8163117	Baugruppe vordere Gabel	1	
7	AP8163010	Buchse Scheibenabdeckung	4	Technische Daten: Gabel mit Buchstaben K auf dem Schaft[K], Gabel mit Buchstaben M auf dem Schaft[M]
7	AP8163228	Ausgleichscheibe	4	Technische Daten: Gabel mit Buchstaben S auf dem Schaft[S]

Einheit	RAHMEN
Code	28.05
Beschreibung	Vorderradgabel II
Inspektion	1



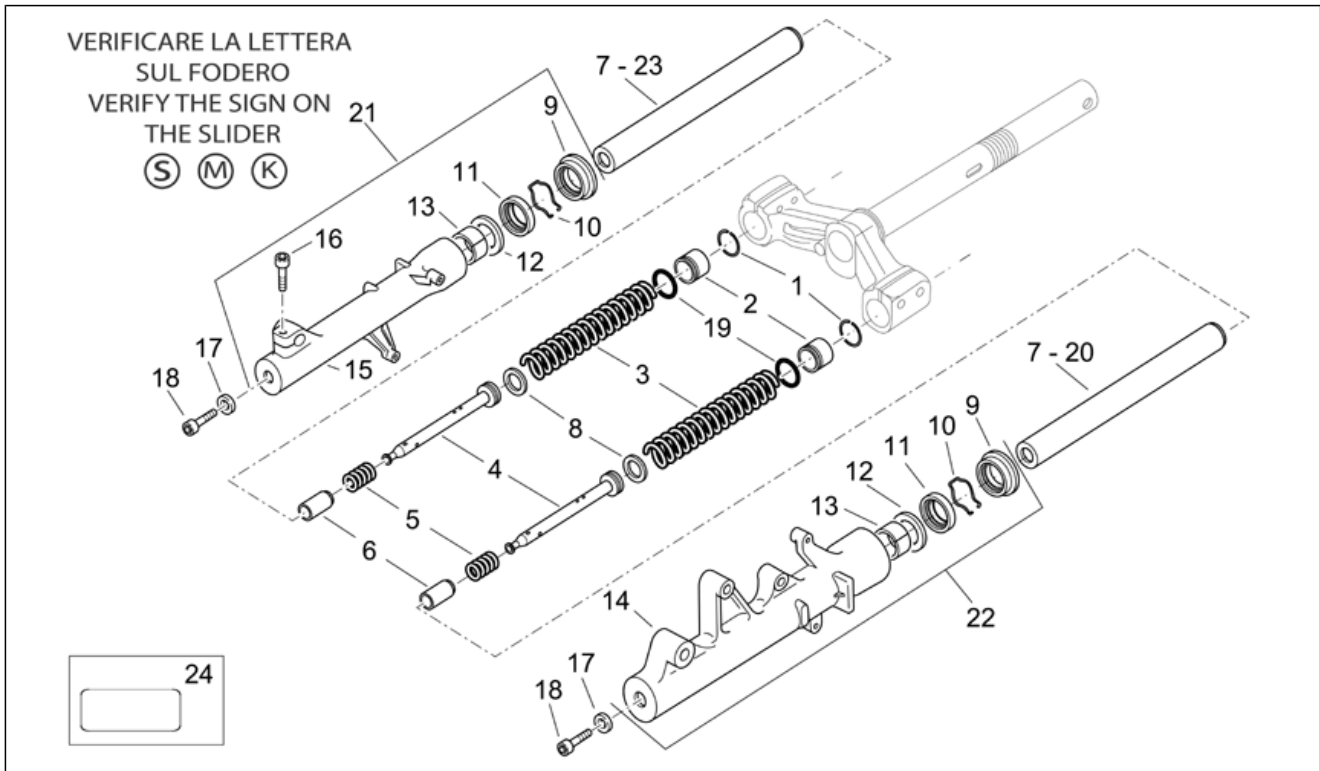
Pos.	Code	Beschreibung	Menge	Varianten
1	AP8123760	Sperring	2	Technische Daten: Gabel mit Buchstaben S auf dem Schaft[S]
1	AP8163302	Sperring	2	Technische Daten: Gabel mit Buchstaben K auf dem Schaft[K]
1	AP8203950	Seegerring	2	Technische Daten: Gabel mit Buchstaben M auf dem Schaft[M]
2	AP8123698	Verschlußschraube kplt.	2	Technische Daten: Gabel mit Buchstaben M auf dem Schaft[M]
2	AP8123761	Deckel	2	Technische Daten: Gabel mit Buchstaben S auf dem Schaft[S]
2	AP8163300	Deckel	2	Technische Daten: Gabel mit Buchstaben K auf dem Schaft[K]
3	AP8123699	Feder	2	Technische Daten: Gabel mit Buchstaben M auf dem Schaft[M]
3	AP8163223	Feder	2	Technische Daten: Gabel mit Buchstaben S auf dem Schaft[S]
3	AP8163440	Feder	2	Technische Daten: Gabel mit Buchstaben K auf dem Schaft[K]
4	AP8163224	Stoßdämpfer	2	Technische Daten: Gabel mit Buchstaben S auf dem Schaft[S]
4	AP8163267	Stoßdämpfer	2	Technische Daten: Gabel mit Buchstaben M auf dem Schaft[M]
4	AP8163438	Stoßdämpfer	2	Technische Daten: Gabel mit Buchstaben K auf dem Schaft[K]
5	AP8123708	Gegenfeder	2	Technische Daten: Gabel mit Buchstaben M auf dem Schaft[M]
5	AP8123764	Feder	2	Technische Daten: Gabel mit Buchstaben S auf dem Schaft[S]
5	AP8163291	Gegenfeder	2	Technische Daten: Gabel mit Buchstaben K auf dem Schaft[K]
6	AP8123701	Bodenstopfen	2	Technische Daten: Gabel mit Buchstaben M auf dem Schaft[M]

Einheit	RAHMEN
Code	28.05
Beschreibung	Vorderradgabel II
Inspektion	1



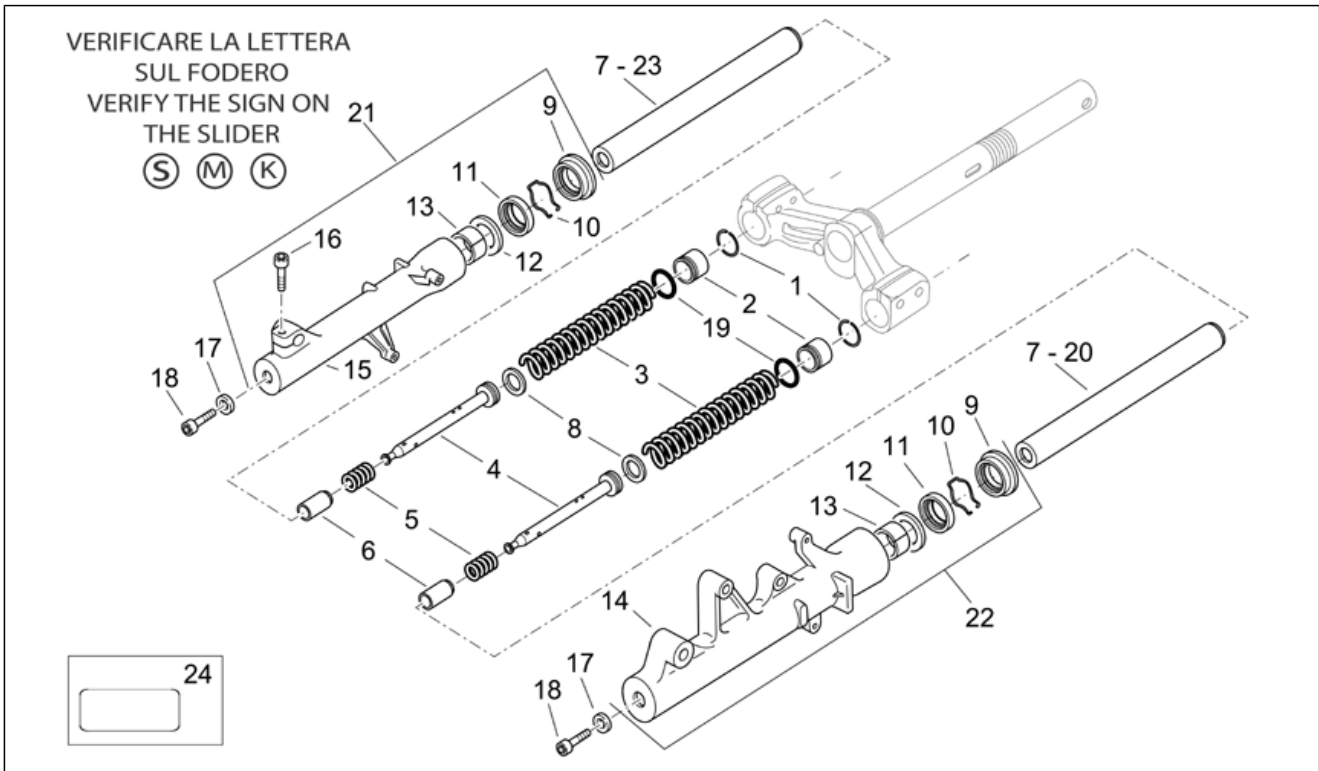
Pos.	Code	Beschreibung	Menge	Varianten
6	AP8123765	Bodenstopfen	2	Technische Daten: Gabel mit Buchstaben S auf dem Schaft[S]
6	AP8163289	Bodenstopfen	2	Technische Daten: Gabel mit Buchstaben K auf dem Schaft[K]
7	AP8123907	Schaft	2	Technische Daten: Gabel mit Buchstaben S auf dem Schaft[S]
7	AP8163290	Schaft	2	Technische Daten: Gabel mit Buchstaben K auf dem Schaft[K]
8	AP8123754	Kolbenring	2	Technische Daten: Gabel mit Buchstaben M auf dem Schaft[M]
8	AP8123776	Ring	2	Technische Daten: Gabel mit Buchstaben S auf dem Schaft[S]
8	AP8163439	Ring	2	Technische Daten: Gabel mit Buchstaben K auf dem Schaft[K]
9	AP8123767	Staubschutz	2	Technische Daten: Gabel mit Buchstaben S auf dem Schaft[S]
9	AP8163298	Staubschutz	2	Technische Daten: Gabel mit Buchstaben K auf dem Schaft[K]
9	AP8203258	Staubschutz	2	Technische Daten: Gabel mit Buchstaben M auf dem Schaft[M]
10	AP8123704	Sperring	2	Technische Daten: Gabel mit Buchstaben M auf dem Schaft[M]
10	AP8123921	Sperring	2	Technische Daten: Gabel mit Buchstaben S auf dem Schaft[S]
10	AP8163297	Sperring	2	Technische Daten: Gabel mit Buchstaben K auf dem Schaft[K]
11	AP8103392	Gasket ring	2	Technische Daten: Gabel mit Buchstaben M auf dem Schaft[M]
11	AP8123769	Ölabstreifring	2	Technische Daten: Gabel mit Buchstaben S auf dem Schaft[S]
11	AP8163296	Ölabstreifring	2	Technische Daten: Gabel mit Buchstaben K auf dem Schaft[K]

Einheit	RAHMEN
Code	28.05
Beschreibung	Vorderradgabel II
Inspektion	1



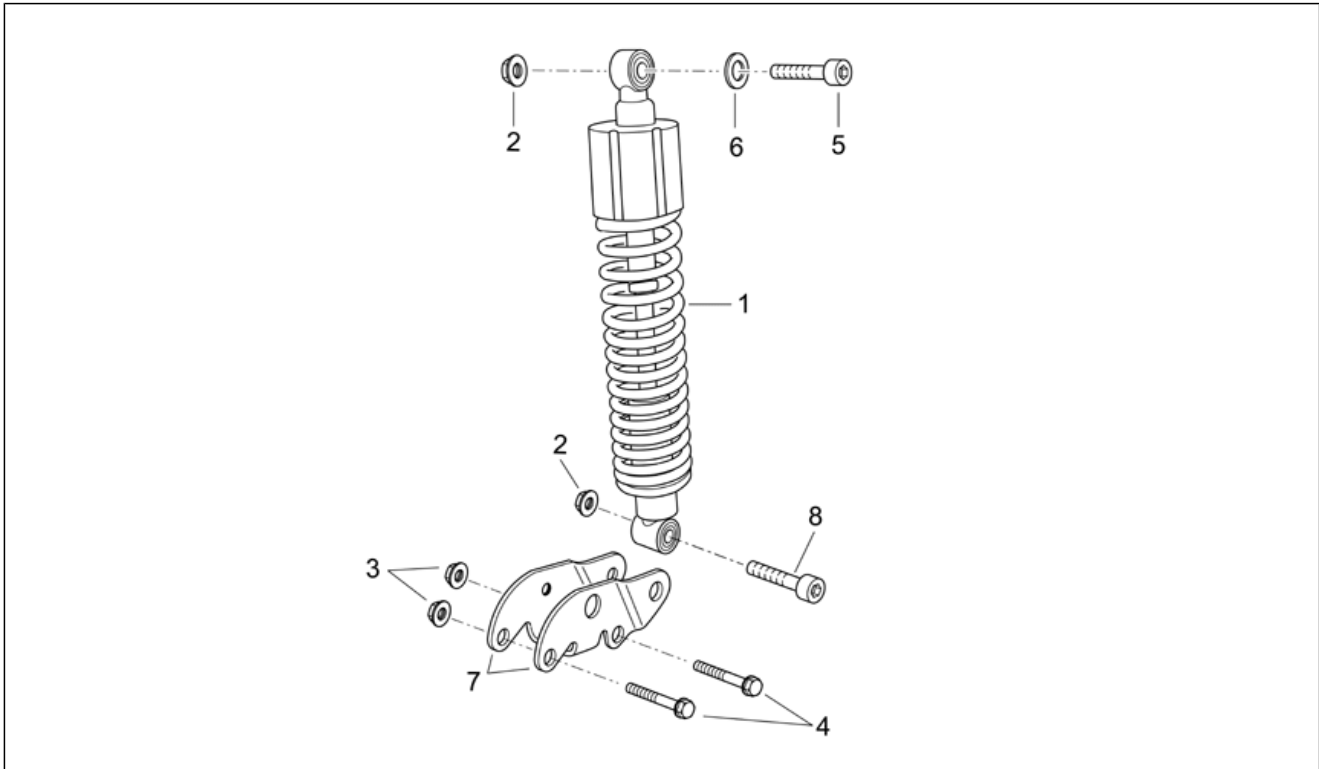
Pos.	Code	Beschreibung	Menge	Varianten
12	AP8123705	Becher	2	Technische Daten: Gabel mit Buchstaben M auf dem Schaft[M]
12	AP8123909	Scheibe Ölabbreifer	2	Technische Daten: Gabel mit Buchstaben S auf dem Schaft[S]
12	AP8163295	Scheibe Ölabbreifer	2	Technische Daten: Gabel mit Buchstaben K auf dem Schaft[K]
13	AP8123910	Gleitbuchse	2	Technische Daten: Gabel mit Buchstaben S auf dem Schaft[S]
13	AP8163294	Gleitbuchse	2	Technische Daten: Gabel mit Buchstaben K auf dem Schaft[K]
13	AP8203447	Gleitbuchse	2	Technische Daten: Gabel mit Buchstaben M auf dem Schaft[M]
14	AP8163225	Linke Hülse	1	Technische Daten: Gabel mit Buchstaben S auf dem Schaft[S]
14	AP8163437	Linke Hülse	1	Technische Daten: Gabel mit Buchstaben K auf dem Schaft[K]
15	AP8163226	Rechte Hülse	1	Technische Daten: Gabel mit Buchstaben S auf dem Schaft[S]
15	AP8163436	Rechte Hülse	1	Technische Daten: Gabel mit Buchstaben K auf dem Schaft[K]
16	AP8121183	Schraube	2	Technische Daten: Gabel mit Buchstaben M auf dem Schaft[M]
16	AP8203796	Schraube M6x20	2	Technische Daten: Gabel mit Buchstaben S auf dem Schaft[S]
16	AP8223054	TCEI Schraube M6x20	2	Technische Daten: Gabel mit Buchstaben K auf dem Schaft[K]
17	AP8163435	Dichtscheibe	2	Technische Daten: Gabel mit Buchstaben K auf dem Schaft[K]
17	AP8203572	Dichtscheibe	2	Technische Daten: Gabel mit Buchstaben M auf dem Schaft[M]
17	AP8203794	Ausgleichscheibe	2	Technische Daten: Gabel mit Buchstaben S auf dem Schaft[S]

Einheit	RAHMEN
Code	28.05
Beschreibung	Vorderradgabel II
Inspektion	1



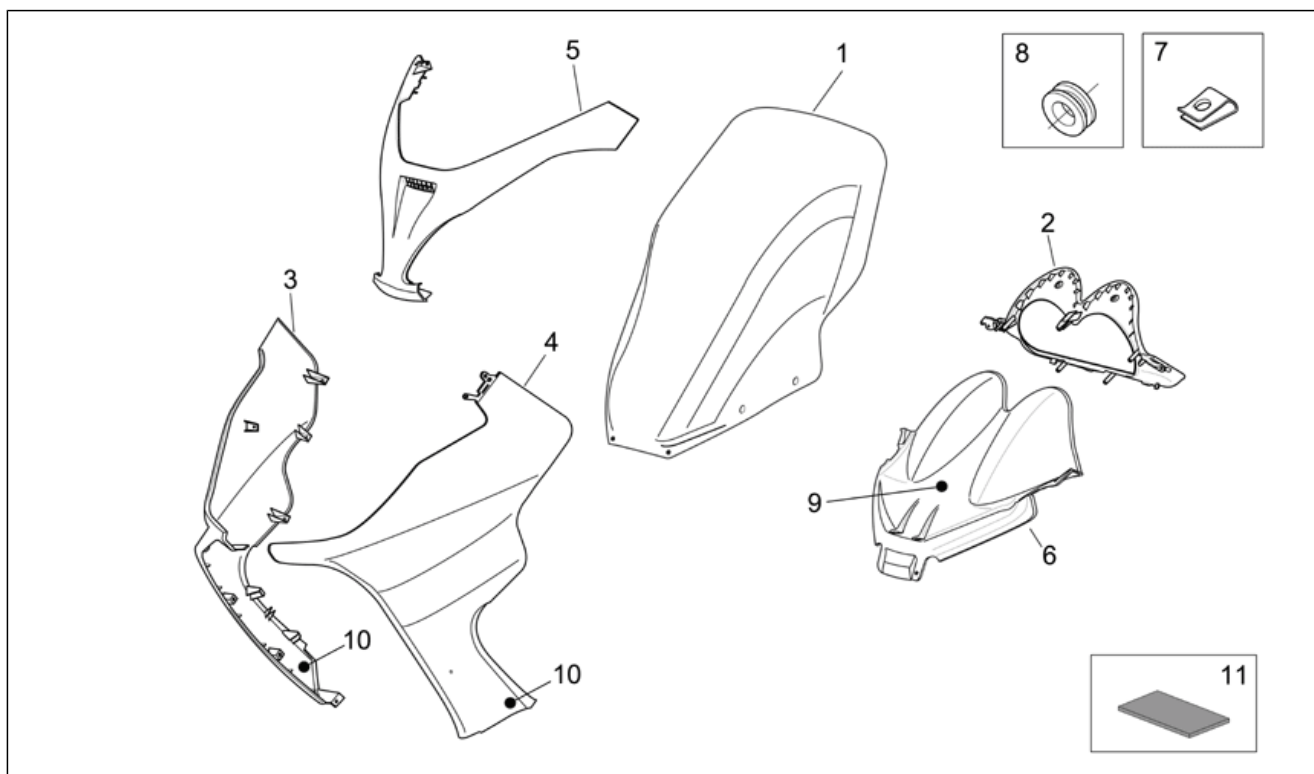
Pos.	Code	Beschreibung	Menge	Varianten
18	AP8163227	Schraube M8x30	2	Technische Daten: Gabel mit Buchstaben S auf dem Schaft[S]
18	AP8163285	Schraube M10x30	2	Technische Daten: Gabel mit Buchstaben K auf dem Schaft[K]
18	AP8203570	Zylinderschraube M8x30	2	Technische Daten: Gabel mit Buchstaben M auf dem Schaft[M]
19	AP8123775	O-Ring	2	Technische Daten: Gabel mit Buchstaben S auf dem Schaft[S]
19	AP8163301	O-Ring	2	Technische Daten: Gabel mit Buchstaben K auf dem Schaft[K]
20	AP8163031	Kolbenstange links	1	Technische Daten: Gabel mit Buchstaben M auf dem Schaft[M]
21	AP8163270	R.hülse kplt.	1	Technische Daten: Gabel mit Buchstaben M auf dem Schaft[M]
22	AP8163271	L.hülse kplt.	1	Technische Daten: Gabel mit Buchstaben M auf dem Schaft[M]
23	AP8163030	Kolbenstange rechts	1	Technische Daten: Gabel mit Buchstaben M auf dem Schaft[M]
24	AP8166195	Deko Stop Bremsscheibe	1	

Einheit	RAHMEN
Code	28.06
Beschreibung	Hinterradaufhängung
Inspektion	1



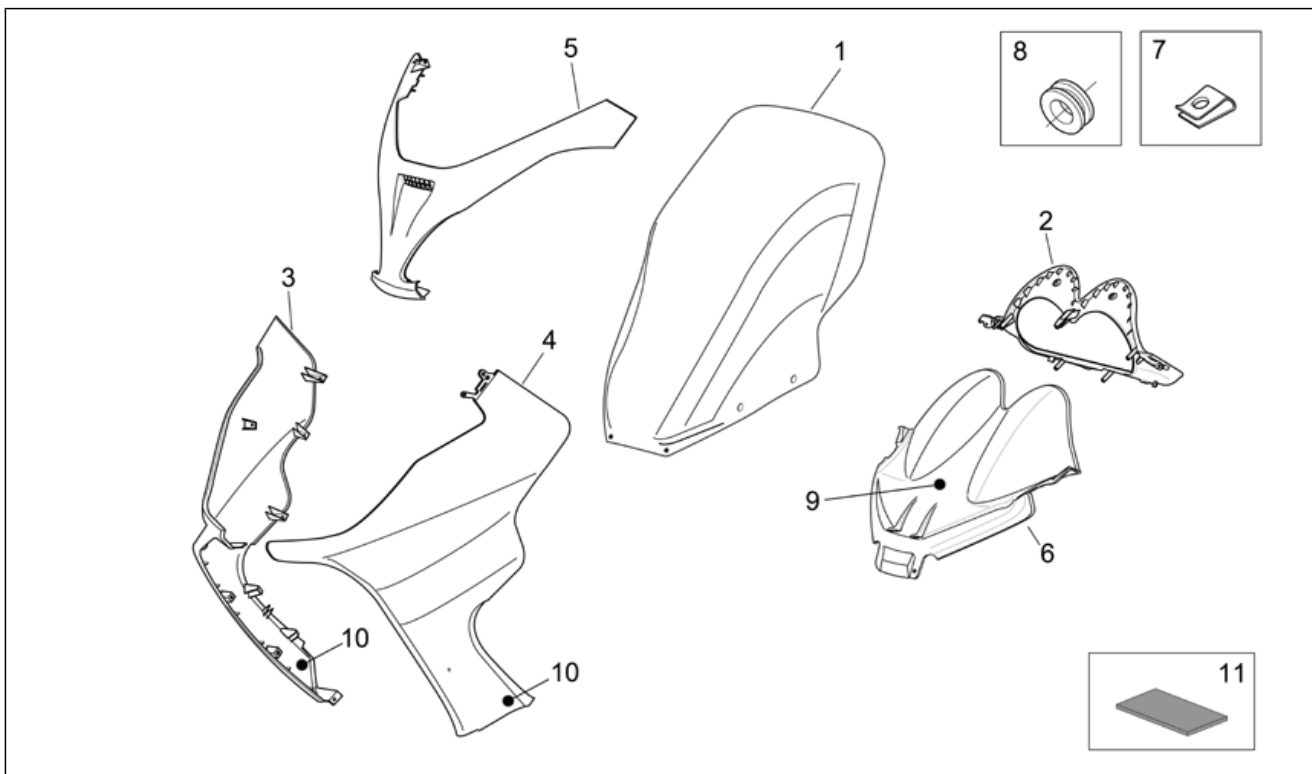
Pos.	Code	Beschreibung	Menge	Varianten
1	AP8163118	Stoßdämpfer	1	
2	AP8152301	Selbstsperrende Mutter	2	
3	AP8152300	Selbstsperrende Mutter M8	2	
4	AP8152292	TE Schr. m. Flansch	2	
5	AP8150038	TCEI Schraube M10x45	1	
6	AP8150020	Ausgleichscheibe 10,5x21x2*	1	
7	AP8134931	Platte Stoßdämpfer	2	
8	AP8150329	TCEI Schraube	1	

Einheit	RAHMEN
Code	28.07
Beschreibung	Frontaufbau I
Inspektion	1



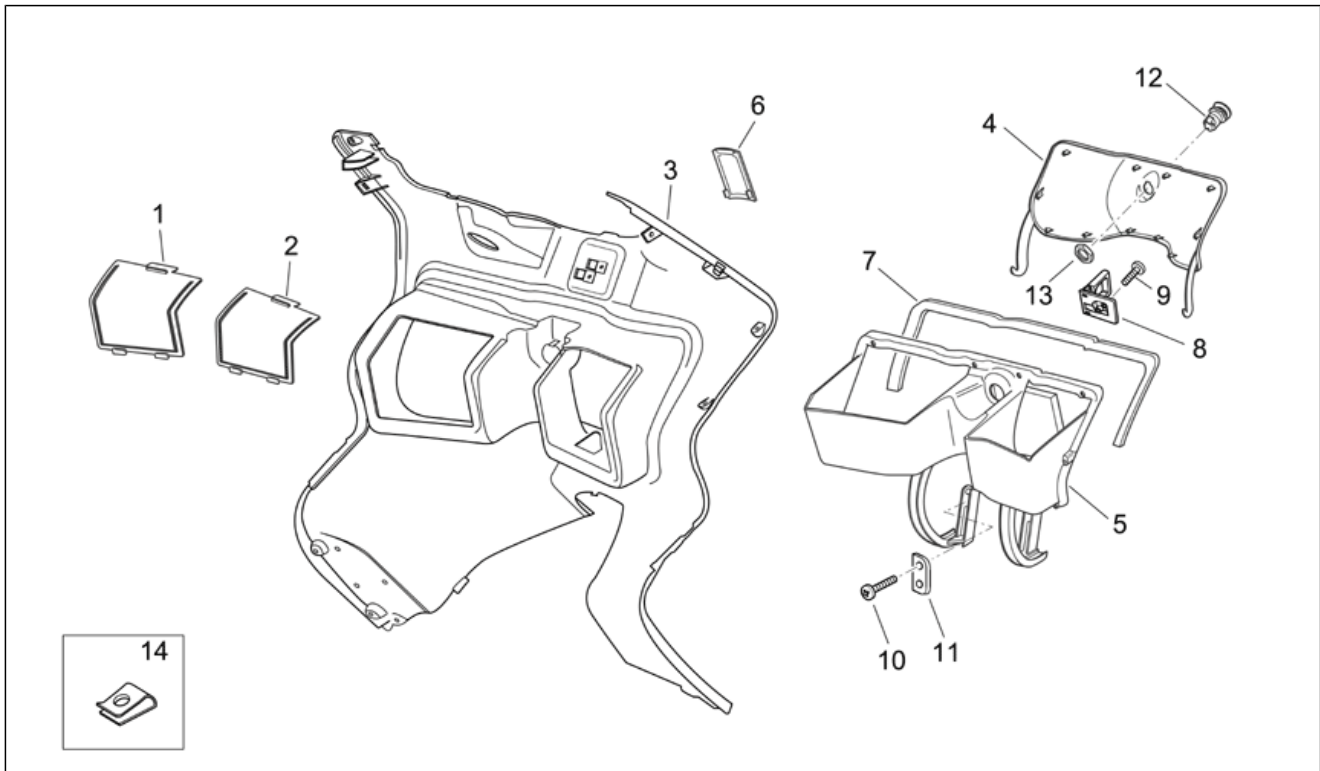
Pos.	Code	Beschreibung	Menge	Varianten
1	AP8158367	Wetterschutz	1	
2	AP8179716	Instrumententafel, silver	1	Baujahr:2006[6], 2008[8]
3	AP8179043	Re. Seitenteil weiß	1	Baujahr:2006[6] Fahrzeugfarbe:Weiß Venice 2006 (t.B.14979)[white]
3	AP8179711	Seitenteil r.V. grau	1	Baujahr:2006[6] Fahrzeugfarbe:Grau Shot 2006 (t.B.851712)[shot]
3	AP8179756	Seitenteil r.V. grau	1	Baujahr:2006[6] Fahrzeugfarbe:Grau Excalibur (t.B.851731)[grey]
3	AP8179766	R. Seitent., blau	1	Baujahr:2006[6] Fahrzeugfarbe:Blau Couture (t.B.851732)[blu]
3	AP8179777	Re.Seitenteil schwarz lack.	1	Baujahr:2006[6] Fahrzeugfarbe:Schwarz Moka (t.B.851733)[moka]
3	AP8184576	Re.Seitenteil schwarz lack.	1	Baujahr:2008[8] Fahrzeugfarbe:Schwarz Competition 2008 (t.B. 858392) [comp]
3	AP8268995	R. Seitent., blau	1	Baujahr:2008[8] Fahrzeugfarbe:Blau Planet 2008 (t.B.860955)[planet]
4	AP8179044	Seitenteil li weiß	1	Baujahr:2006[6] Fahrzeugfarbe:Weiß Venice 2006 (t.B.14979)[white]
4	AP8179712	Seitenteil l.V. grau	1	Baujahr:2006[6] Fahrzeugfarbe:Grau Shot 2006 (t.B.851712)[shot]
4	AP8179757	Seitenteil l.V. grau	1	Baujahr:2006[6] Fahrzeugfarbe:Grau Excalibur (t.B.851731)[grey]
4	AP8179767	L. Seitent., blau	1	Baujahr:2006[6] Fahrzeugfarbe:Blau Couture (t.B.851732)[blu]
4	AP8179778	L. Seitenteil, schwarz	1	Baujahr:2006[6] Fahrzeugfarbe:Schwarz Moka (t.B.851733)[moka]
4	AP8184577	L. Seitenteil, schwarz	1	Baujahr:2008[8] Fahrzeugfarbe:Schwarz Competition 2008 (t.B. 858392) [comp]
4	AP8268996	L. Seitent., blau	1	Baujahr:2008[8] Fahrzeugfarbe:Blau Planet 2008 (t.B.860955)[planet]

Einheit	RAHMEN
Code	28.07
Beschreibung	Frontaufbau I
Inspektion	1



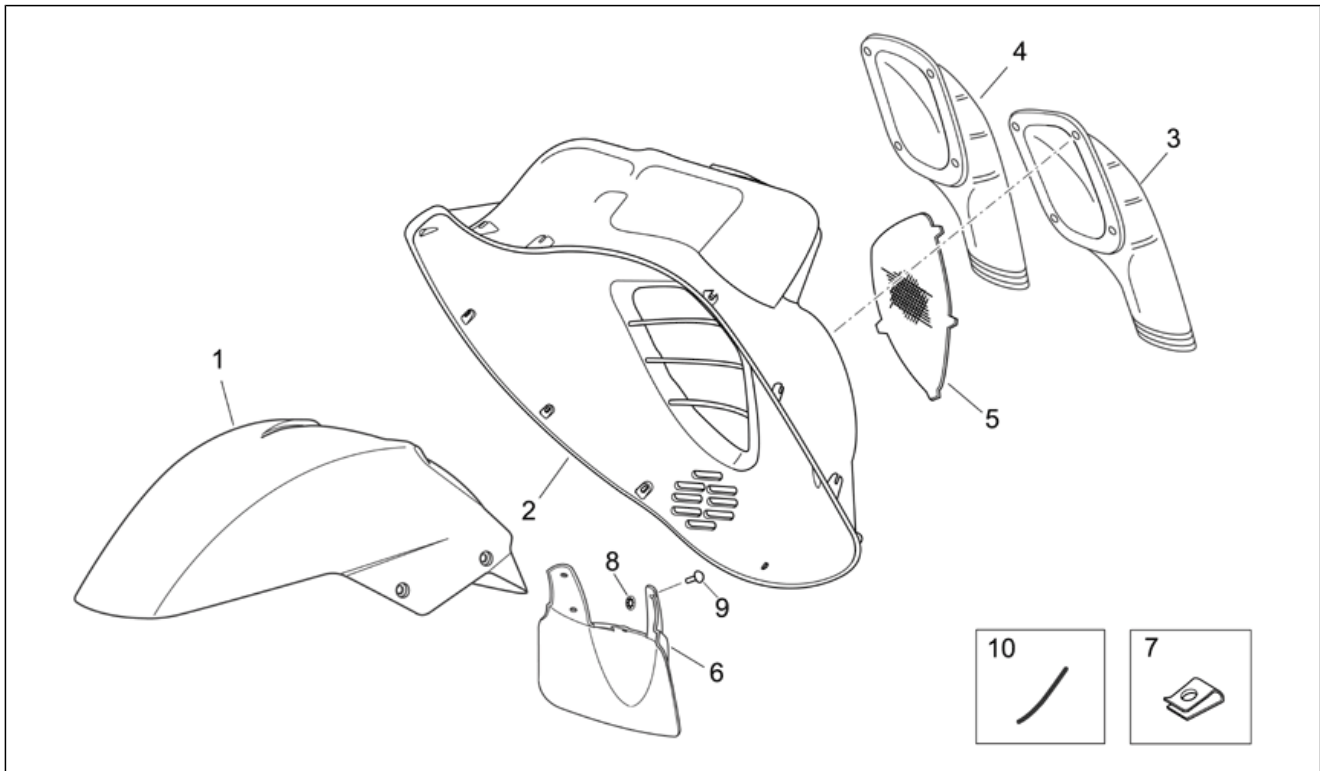
Pos.	Code	Beschreibung	Menge	Varianten
5	AP8179710	Fronthaube, grau	1	Baujahr: 2006[6] Fahrzeugfarbe: Grau Excalibur (t.B.851731)[grey], Grau Shot 2006 (t.B.851712)[shot]
5	AP8179765	Fronthaube, blau	1	Baujahr: 2006[6] Fahrzeugfarbe: Blau Couture (t.B.851732)[blu]
5	AP8179776	Fronthaube, schwarz	1	Baujahr: 2006[6] Fahrzeugfarbe: Schwarz Moka (t.B.851733)[moka]
5	AP8184575	Fronthaube, schwarz	1	Baujahr: 2008[8] Fahrzeugfarbe: Schwarz Competition 2008 (t.B. 858392) [comp]
5	AP8268994	Fronthaube, blau	1	Baujahr: 2008[8] Fahrzeugfarbe: Blau Planet 2008 (t.B.860955)[planet]
6	AP8179715	Verschuß Schutzblech	1	Baujahr: 2006[6], 2008[8]
7	AP8102381	Klammer M4	1	
8	AP8120594	Gummi	4	
9	AP8177290	Schild "Aprilia" 50x25	1	
10	AP8187024	Deko 125 sprint	2	Technische Daten: Version 125 cm ³ (M245M)[125]
10	AP8187026	Deko 250 sprint	2	Technische Daten: Version 250 cm ³ (M361M)[250]
11	AP8117033	Klebeschwamm	1	

Einheit	RAHMEN
Code	28.08
Beschreibung	Frontaufbau II
Inspektion	1



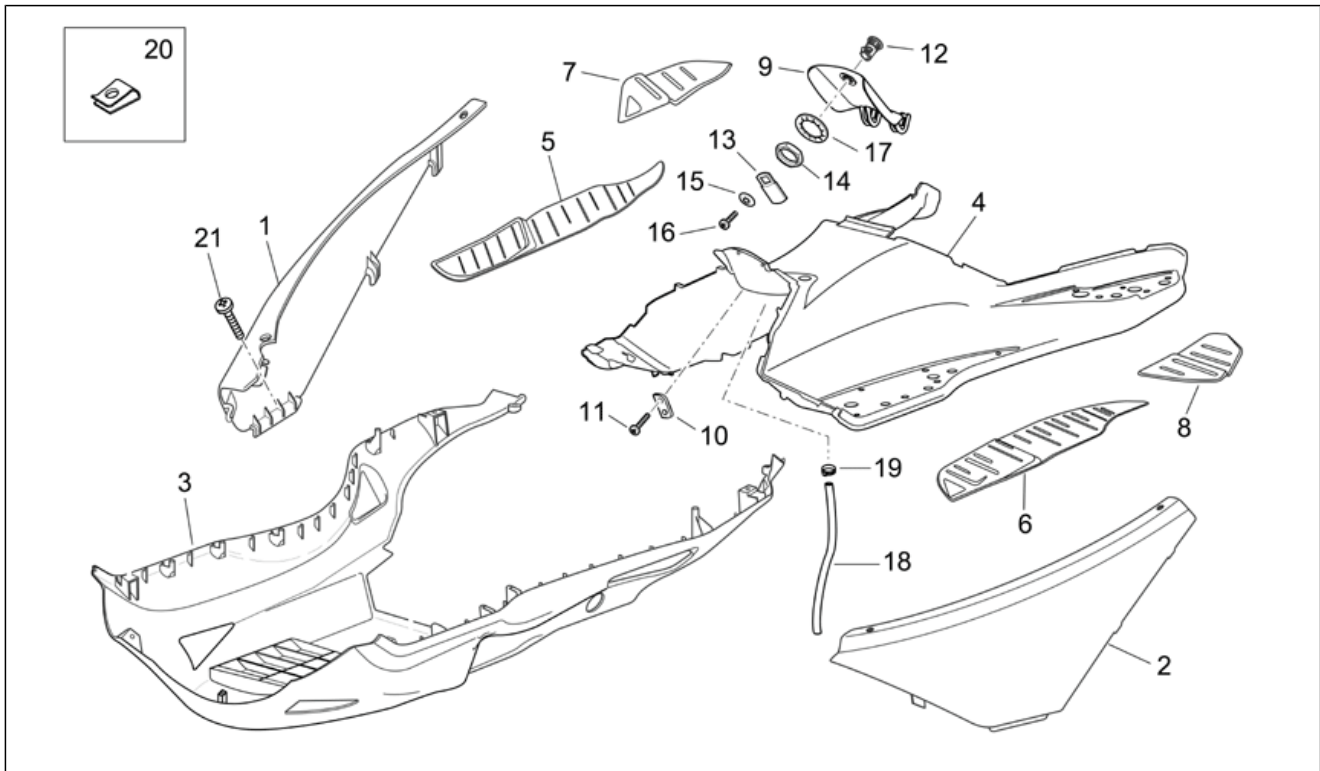
Pos.	Code	Beschreibung	Menge	Varianten
1	AP8158777	Blinkerdeck.rs	1	
2	AP8158778	Blinkerdeck.ls	1	
3	AP8158372	Innenschild, grau	1	Baujahr: 2006[6], 2008[8]
4	AP8158373	Kl. Werkzeugfach, grau	1	Baujahr: 2006[6], 2008[8]
5	AP8158899	Konsole	1	
6	AP8149478	Gegeb.Typendeck, schw.	1	
7	AP8144570	Dichtung Handsch.fach	1	
8	AP8201534	Kplt.Untersitzhaken	1	
9	AP8150423	Linsenschraube 4,2x25*	2	
10	AP8150413	Gew.schr. 3,9x14	4	
11	AP8134799	Platte	2	
12	AP8104612	Schloß Handsch.f. vorn	1	
13	AP8102523	Schloß mutter M22x1,5	1	
14	AP8102381	Klammer M4	1	

Einheit	RAHMEN
Code	28.09
Beschreibung	Frontaufbau III
Inspektion	1



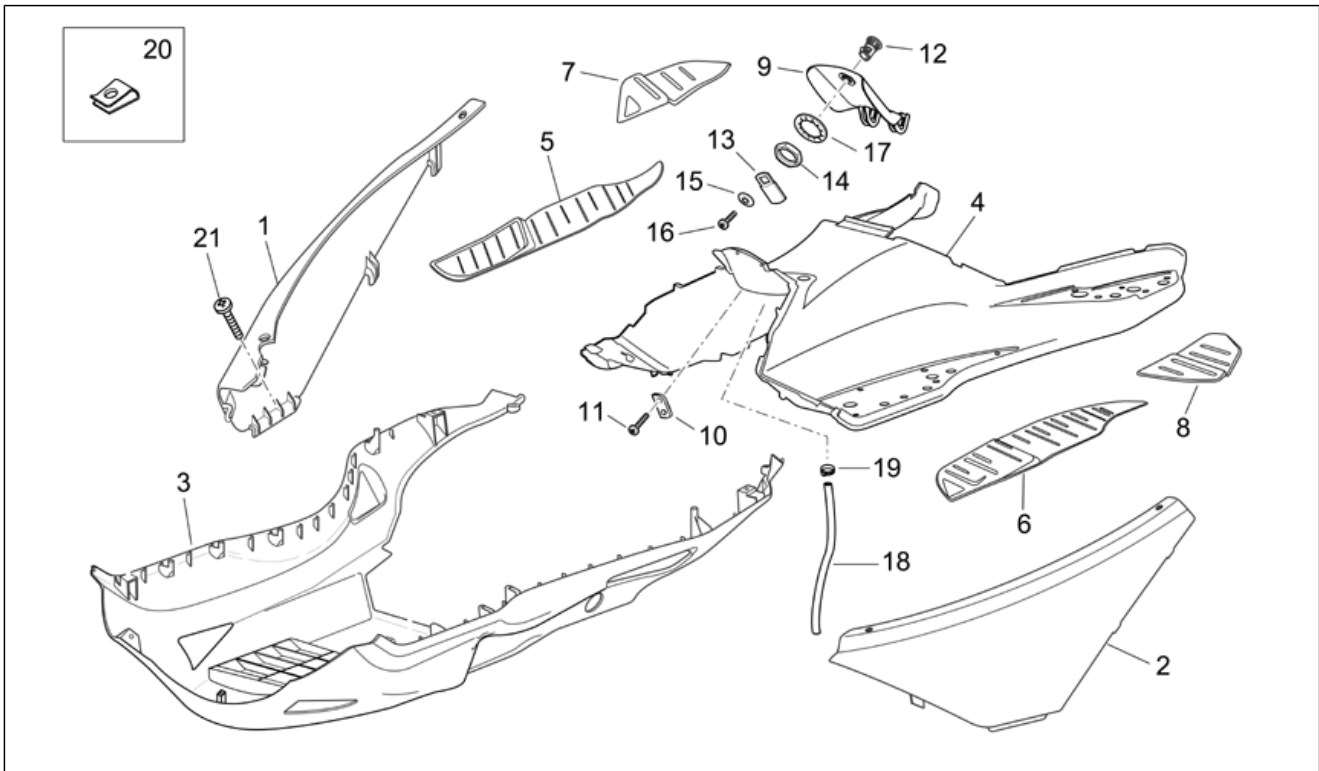
Pos.	Code	Beschreibung	Menge	Varianten
1	AP8156195	V. Schutzblech, weiß	1	Baujahr: 2006[6] Fahrzeugfarbe: Weiß Venice 2006 (t.B.14979)[white]
1	AP8156272	V. Schutzblech, grau	1	Baujahr: 2006[6] Fahrzeugfarbe: Grau Shot 2006 (t.B.851712)[shot]
1	AP8156276	V. Schutzblech, grau	1	Baujahr: 2006[6] Fahrzeugfarbe: Grau Excalibur (t.B.851731)[grey]
1	AP8156277	V. Schutzblech, blau	1	Baujahr: 2006[6] Fahrzeugfarbe: Blau Couture (t.B.851732)[blu]
1	AP8156278	V. Schutzblech, schwarz	1	Baujahr: 2006[6] Fahrzeugfarbe: Schwarz Moka (t.B.851733)[moka]
1	AP8156349	V. Schutzblech, schwarz	1	Baujahr: 2008[8] Fahrzeugfarbe: Schwarz Competition 2008 (t.B. 858392) [comp]
1	AP8226896	V. Schutzblech, blau	1	Baujahr: 2008[8] Fahrzeugfarbe: Blau Planet 2008 (t.B.860955)[planet]
2	AP8126960	Wheel compartment	1	
3	AP8134814	Linkes Leitblech	1	
4	AP8134813	Rechtes Leitblech	1	
5	AP8168708	Duct grille	2	
6	AP8126963	Vorderes Spritzschutz	1	
7	AP8102375	Klammer M5	1	
8	AP8150450	Wellenscheibe D5	5	
9	AP8144109	Fixierstift	5	
10	AP8144281	Dichtung Sportsch.	2	

Einheit	RAHMEN
Code	28.10
Beschreibung	Mittlerer Aufbau
Inspektion	1



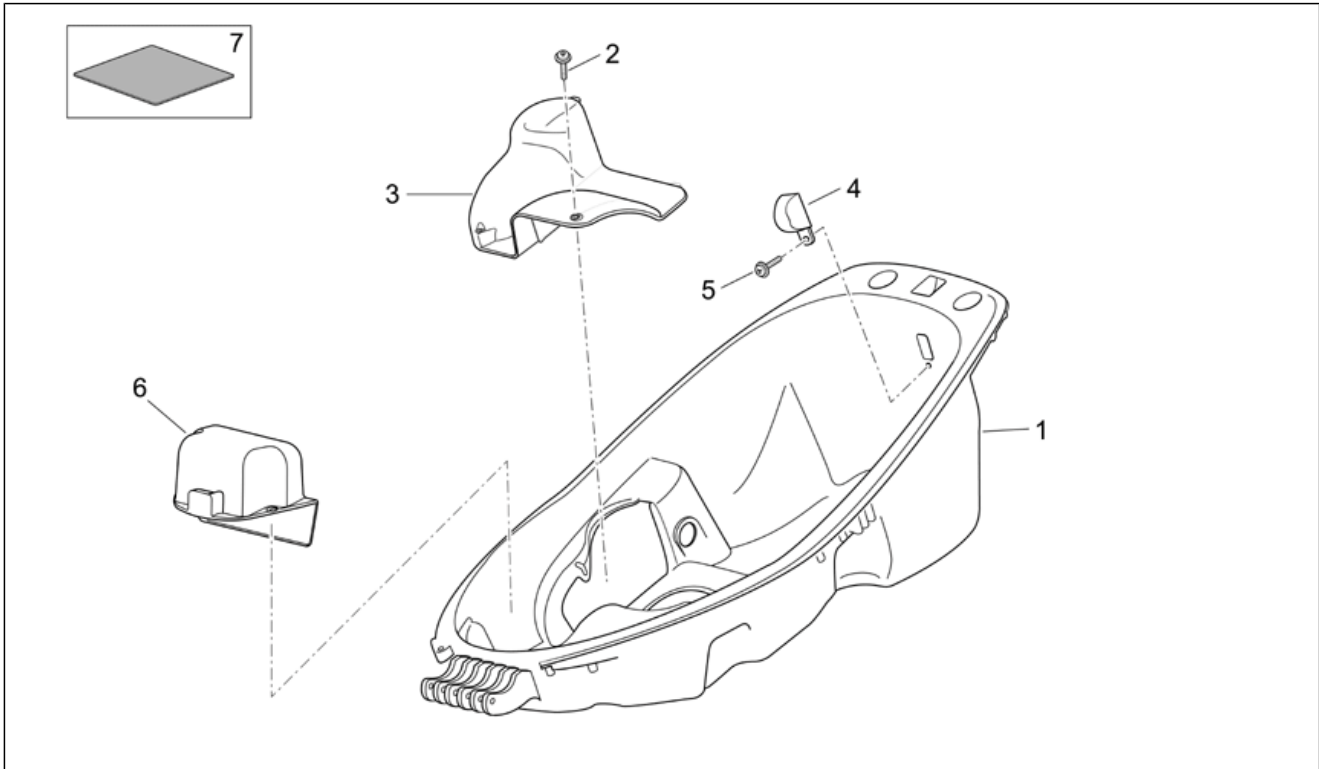
Pos.	Code	Beschreibung	Menge	Varianten
1	AP8178998	Seitenklappe rs grau	1	Baujahr:2006[6] Fahrzeugfarbe:Weiß Venice 2006 (t.B.14979)[white]
1	AP8178999	Seitenklappe ls grau	1	Baujahr:2006[6] Fahrzeugfarbe:Weiß Venice 2006 (t.B.14979)[white]
1	AP8179717	Seitenklappe rs grau	1	Baujahr:2006[6] Fahrzeugfarbe:Grau Shot 2006 (t.B.851712)[shot]
1	AP8179761	Seitenklappe rs grau	1	Baujahr:2006[6] Fahrzeugfarbe:Grau Excalibur (t.B.851731)[grey]
1	AP8179771	Seitenklappe rs blau	1	Baujahr:2006[6] Fahrzeugfarbe:Blau Couture (t.B.851732)[blu]
1	AP8179782	Rechte Seitenklappe, schwarz	1	Baujahr:2006[6] Fahrzeugfarbe:Schwarz Moka (t.B.851733)[moka]
1	AP8184581	Rechte Seitenklappe, schwarz	1	Baujahr:2008[8] Fahrzeugfarbe:Schwarz Competition 2008 (t.B. 858392) [comp]
1	AP8269000	Seitenklappe rs blau	1	Baujahr:2008[8] Fahrzeugfarbe:Blau Planet 2008 (t.B.860955)[planet]
2	AP8179718	Seitenklappe ls grau	1	Baujahr:2006[6] Fahrzeugfarbe:Grau Shot 2006 (t.B.851712)[shot]
2	AP8179762	Seitenklappe ls grau	1	Baujahr:2006[6] Fahrzeugfarbe:Grau Excalibur (t.B.851731)[grey]
2	AP8179772	Seitenklappe ls blau	1	Baujahr:2006[6] Fahrzeugfarbe:Blau Couture (t.B.851732)[blu]
2	AP8179783	Linke Seitenklappe, schwarz	1	Baujahr:2006[6] Fahrzeugfarbe:Schwarz Moka (t.B.851733)[moka]
2	AP8184582	Linke Seitenklappe, schwarz	1	Baujahr:2008[8] Fahrzeugfarbe:Schwarz Competition 2008 (t.B. 858392) [comp]
2	AP8269001	Seitenklappe ls blau	1	Baujahr:2008[8] Fahrzeugfarbe:Blau Planet 2008 (t.B.860955)[planet]
3	AP8179049	Unterb.grau	1	Baujahr:2006[6], 2008[8]
4	AP8178270	Fußbrett, grau	1	

Einheit	RAHMEN
Code	28.10
Beschreibung	Mittlerer Aufbau
Inspektion	1



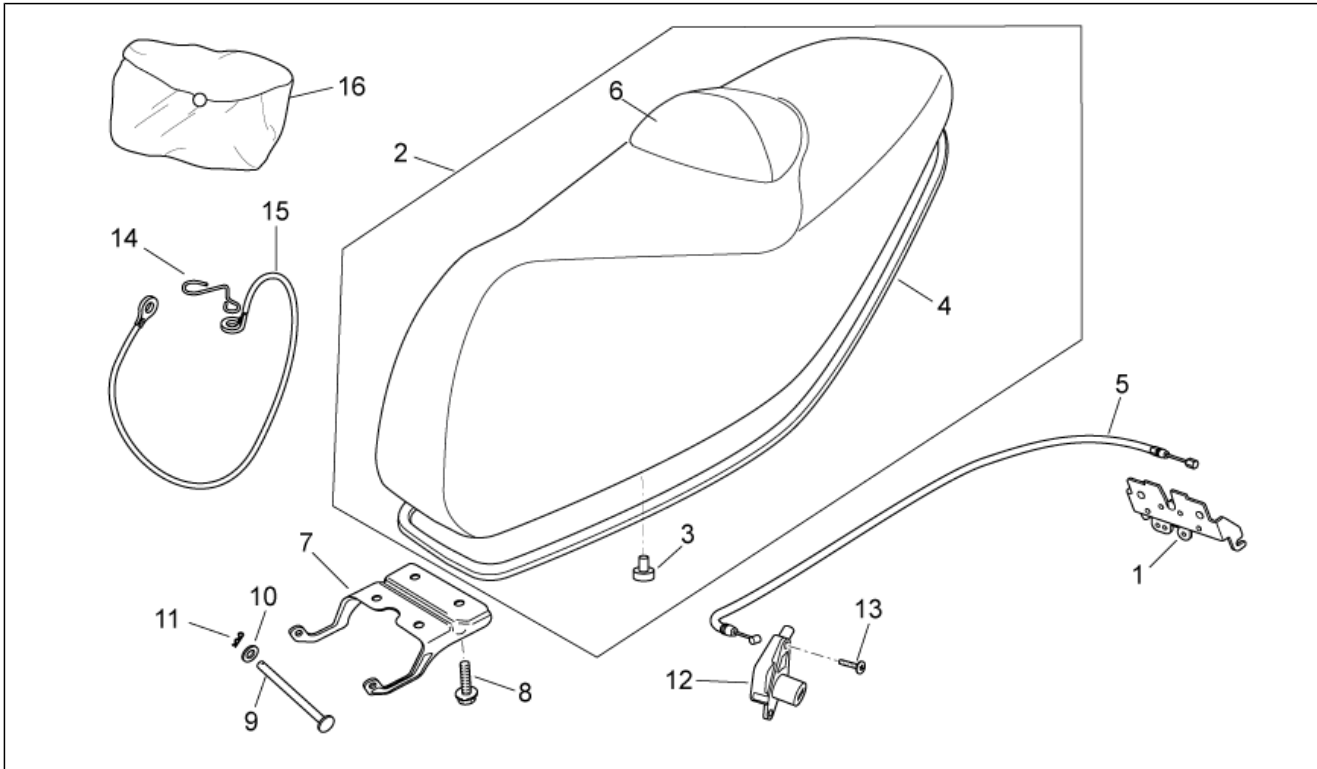
Pos.	Code	Beschreibung	Menge	Varianten
5	AP8158378	Rechte Fußmatte, grau	1	
6	AP8158379	Linke Fußmatte, grau	1	
7	AP8158934	Rechte Fußmatte, grau	1	
8	AP8158935	Linke Fußmatte, grau	1	
9	AP8158374	Fuel filler lid	1	
10	AP8134799	Platte	2	
11	AP8150413	Gew.schr. 3,9x14	4	
12	AP8104609	Schloß Tankklappe	1	
13	AP8201620	Hebel	1	
14	AP8152194	Mutter unten M19x1*	1	
15	AP8201748	Ausgleichscheibe	1	
16	AP8201749	Linsenschraube M4x6	1	
17	AP8221312	Zahnscheibe	1	
18	AP8120952	Kraftstoffleitung 5,5x10	1	
19	AP8101595	Schelle D10,1	1	
20	AP8201763	Clip f. Blechschr. D5,5*	1	
21	AP8150413	Gew.schr. 3,9x14	4	

Einheit	RAHMEN
Code	28.11
Beschreibung	U. Sitzbank.
Inspektion	1



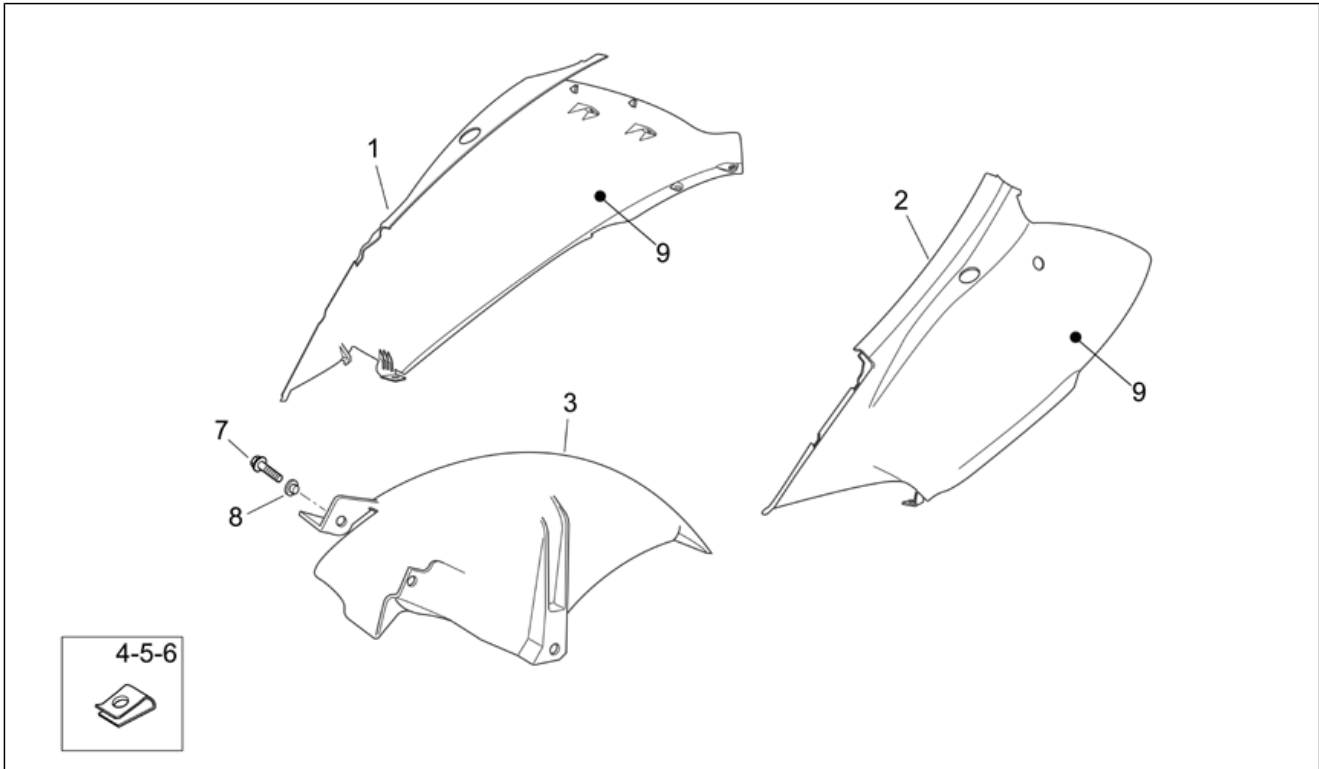
Pos.	Code	Beschreibung	Menge	Varianten
1	AP8179447	Schutzhelmfach	1	
2	AP8152329	Kreuz.schl.flnschshr. M5x20	2	
3	AP8178619	Deckel	1	
4	AP8212733	Leuchte Abdeckblende	1	
5	AP8150413	Gew.schr. 3,9x14	1	
6	AP8158394	Batteriedeckel	1	
7	AP8144288	seit. Gummiaufl. Batterie	1	

Einheit	RAHMEN
Code	28.12
Beschreibung	Sitz
Inspektion	1



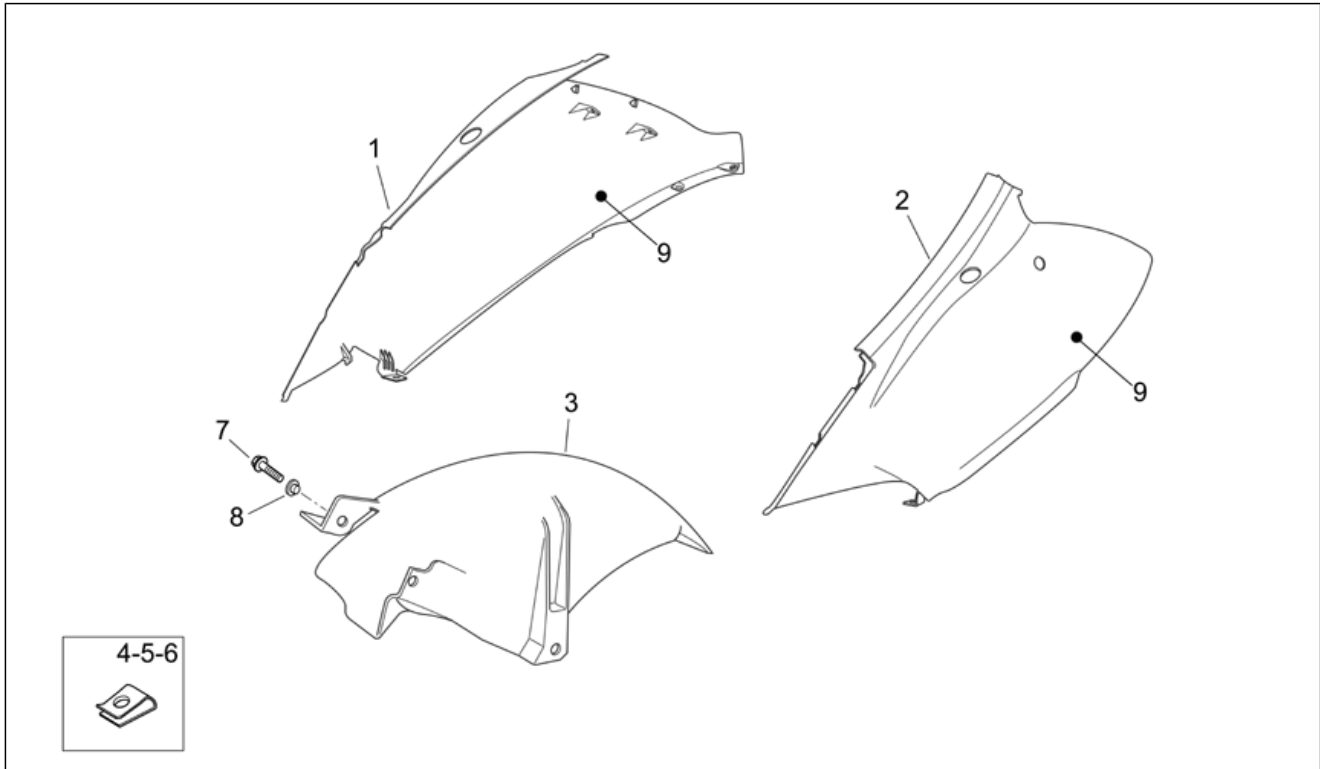
Pos.	Code	Beschreibung	Menge	Varianten
1	AP8102947	Sitz Verschlussplatte	1	
2	AP8129451	Sitz	1	Baujahr: 2006[6] Fahrzeugfarbe: Weiß Venice 2006 (t.B.14979)[white]
2	AP8129489	Sitz, schwarz/grau	1	Baujahr: 2006[6], 2008[8] Fahrzeugfarbe: Blau Couture (t.B.851732)[blu], Schwarz Competition 2008 (t.B. 858392)[comp], Grau Excalibur (t.B.851731)[grey], Schwarz Moka (t.B.851733)[moka], Blau Planet 2008 (t.B.860955)[planet], Grau Shot 2006 (t.B.851712)[shot]
3	AP8144089	Sitz-Auflagegummi vorn	4	
4	AP8163229	Dichtung	1	
5	AP8104422	Schloßkabel	1	
6	AP8570123	Sitzkissen	1	
7	AP8158362	Sitzgelenk	1	
8	AP8152246	TBEI Schraube m.Flansch M6x16	4	
9	AP8121599	Sitzgelenkbolzen	1	
10	AP8150014	Ausgleichscheibe 6,4x12,5*	1	
11	AP8201431	Splint *	1	
12	AP8104611	Sitzschloß	1	
13	AP8152246	TBEI Schraube m.Flansch M6x16	2	
14	AP8221206	Sturzhelmhaken	1	
15	AP8114458	Schutzhelm-Befestigungskabel	1	
16	AP8168707	Cover saddle	1	

Einheit	RAHMEN
Code	28.13
Beschreibung	Heckaufbau I
Inspektion	1



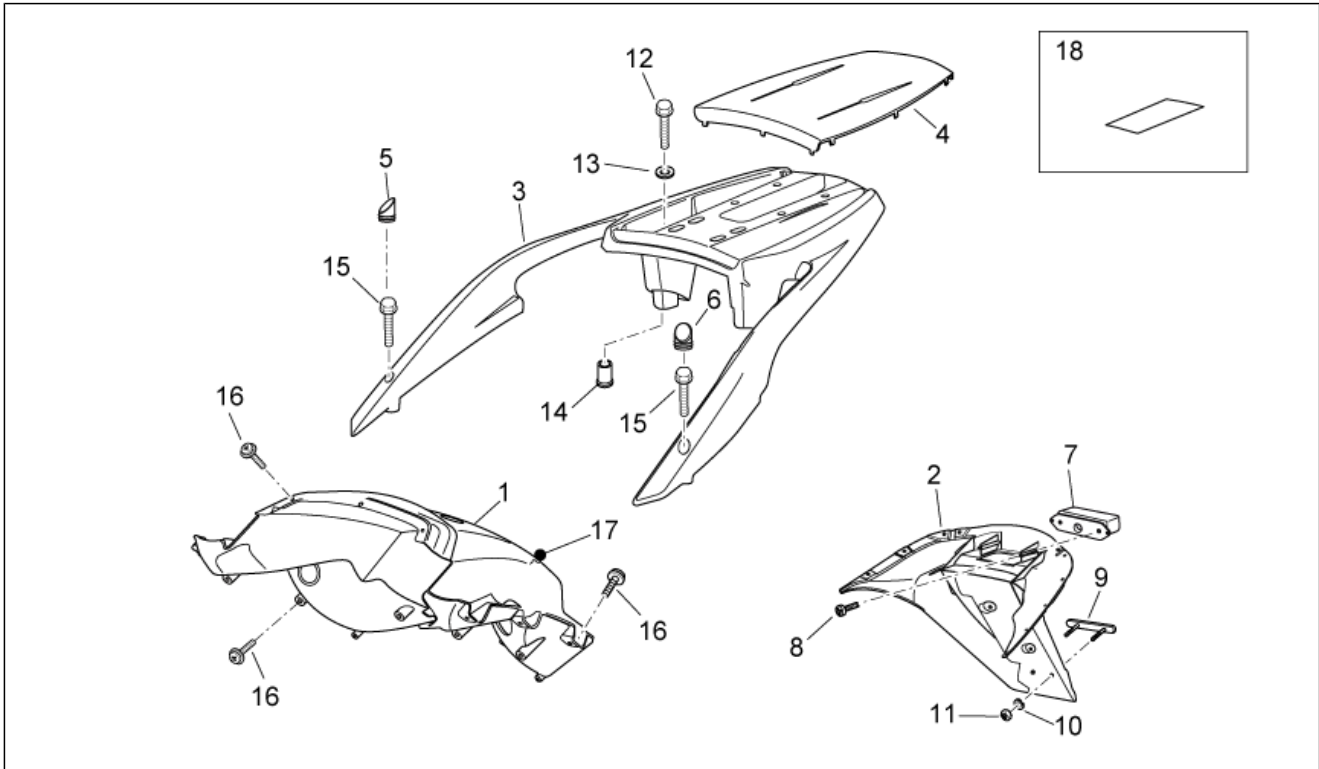
Pos.	Code	Beschreibung	Menge	Varianten
1	AP8179054	Heckteil r., weiß	1	Baujahr: 2006[6] Fahrzeugfarbe: Weiß Venice 2006 (t.B.14979)[white]
1	AP8179749	Heckteil r., grau	1	Baujahr: 2006[6] Fahrzeugfarbe: Grau Shot 2006 (t.B.851712)[shot]
1	AP8179763	Heckteil r., grau	1	Baujahr: 2006[6] Fahrzeugfarbe: Grau Excalibur (t.B.851731)[grey]
1	AP8179774	Heckteil r., blau	1	Baujahr: 2006[6] Fahrzeugfarbe: Blau Couture (t.B.851732)[blu]
1	AP8179785	Heckteil r., schwarz	1	Baujahr: 2006[6] Fahrzeugfarbe: Schwarz Moka (t.B.851733)[moka]
1	AP8184578	Heckteil r., schwarz	1	Baujahr: 2008[8] Fahrzeugfarbe: Schwarz Competition 2008 (t.B. 858392) [comp]
1	AP8268997	Heckteil r., blau	1	Baujahr: 2008[8] Fahrzeugfarbe: Blau Planet 2008 (t.B.860955)[planet]
2	AP8179055	Heckteil l., s.weiß	1	Baujahr: 2006[6] Fahrzeugfarbe: Weiß Venice 2006 (t.B.14979)[white]
2	AP8179750	Heckteil l., grau	1	Baujahr: 2006[6] Fahrzeugfarbe: Grau Shot 2006 (t.B.851712)[shot]
2	AP8179764	Heckteil l., grau	1	Baujahr: 2006[6] Fahrzeugfarbe: Grau Excalibur (t.B.851731)[grey]
2	AP8179775	Heckteil l., blau	1	Baujahr: 2006[6] Fahrzeugfarbe: Blau Couture (t.B.851732)[blu]
2	AP8179786	Heckteil l., schwarz	1	Baujahr: 2006[6] Fahrzeugfarbe: Schwarz Moka (t.B.851733)[moka]
2	AP8184579	Heckteil l., schwarz	1	Baujahr: 2008[8] Fahrzeugfarbe: Schwarz Competition 2008 (t.B. 858392) [comp]
2	AP8268998	Heckteil l., blau	1	Baujahr: 2008[8] Fahrzeugfarbe: Blau Planet 2008 (t.B.860955)[planet]
3	AP8156023	H. Schutzblech, schwarz	1	
4	AP8102376	Klammer M6	1	

Einheit	RAHMEN
Code	28.13
Beschreibung	Heckaufbau I
Inspektion	1



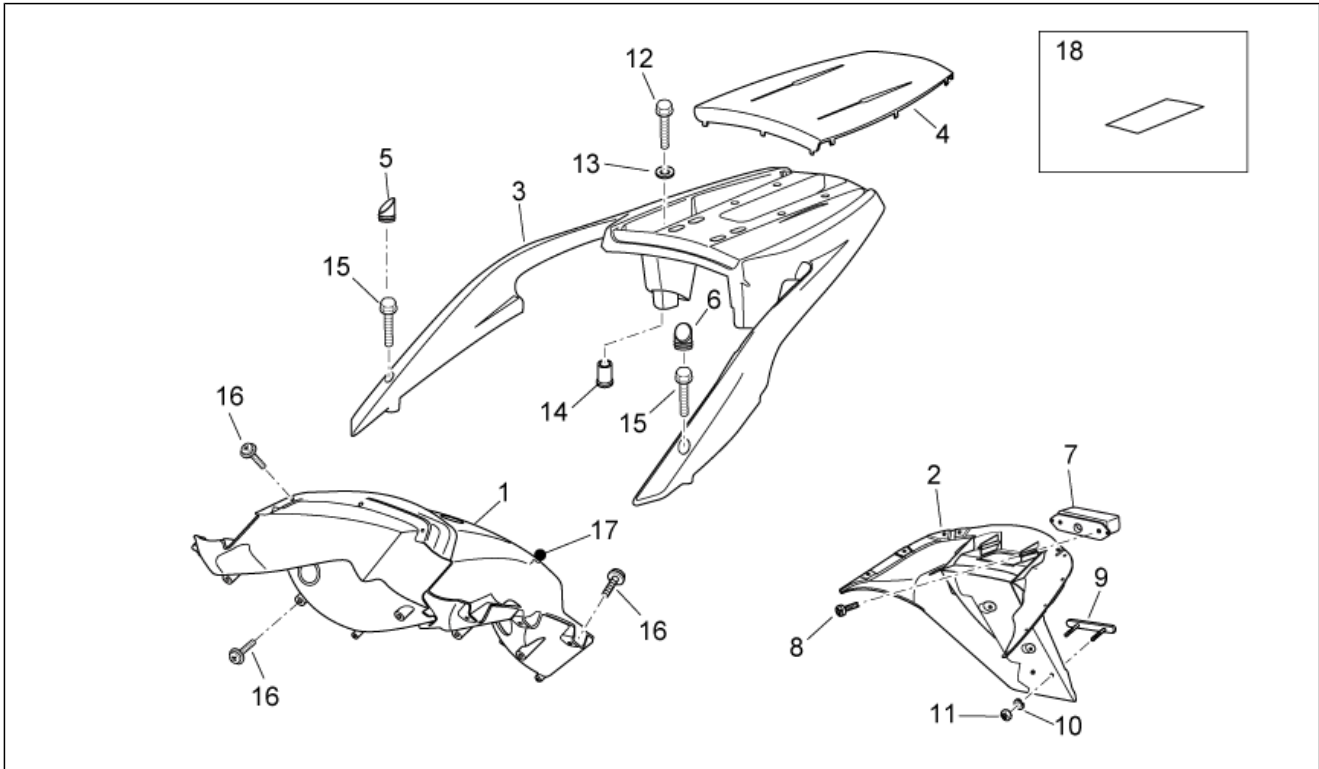
Pos.	Code	Beschreibung	Menge	Varianten
5	AP8102375	Klammer M5	1	
6	AP8201763	Clip f. Blechschr. D5,5*	1	
7	AP8152281	TE Schr. m. Flansch M6x30	1	
8	AP8121795	T-Buchse	1	
9	AP8167671	Schild Atlantic Cromo	2	

Einheit	RAHMEN
Code	28.14
Beschreibung	Heckaufbau II
Inspektion	1



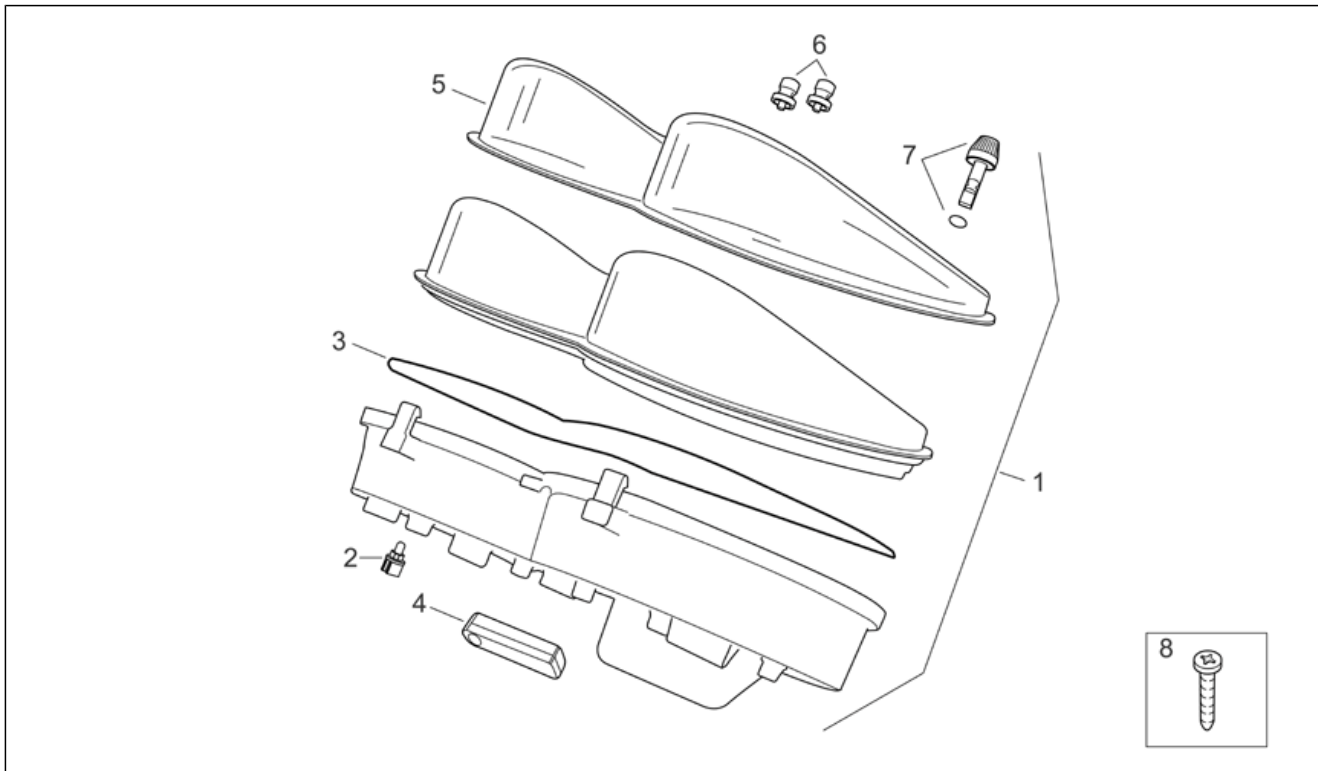
Pos.	Code	Beschreibung	Menge	Varianten
1	AP8179001	Rückhaube, grau	1	Baujahr: 2006[6] Fahrzeugfarbe: Weiß Venice 2006 (t.B.14979)[white]
1	AP8179721	Rückhaube, grau	1	Baujahr: 2006[6] Fahrzeugfarbe: Grau Shot 2006 (t.B.851712)[shot]
1	AP8179760	Rückhaube, grau	1	Baujahr: 2006[6] Fahrzeugfarbe: Grau Excalibur (t.B.851731)[grey]
1	AP8179770	Rückhaube, blau	1	Baujahr: 2006[6] Fahrzeugfarbe: Blau Couture (t.B.851732)[blu]
1	AP8179781	Rückhaube, schwarz	1	Baujahr: 2006[6] Fahrzeugfarbe: Schwarz Moka (t.B.851733)[moka]
1	AP8184580	Rückhaube, schwarz	1	Baujahr: 2008[8] Fahrzeugfarbe: Schwarz Competition 2008 (t.B. 858392) [comp]
1	AP8268999	Rückhaube, blau	1	Baujahr: 2008[8] Fahrzeugfarbe: Blau Planet 2008 (t.B.860955)[planet]
2	AP8126961	Kennzeichenplatte, grau	1	
3	AP8179722	Gr. Soziushaltegriff, silver	1	Baujahr: 2006[6], 2008[8]
4	AP8179002	Objektr.deck.grau	1	Baujahr: 2006[6] Fahrzeugfarbe: Weiß Venice 2006 (t.B.14979)[white]
4	AP8179723	Objektr.deck.grau	1	Baujahr: 2006[6], 2008[8] Fahrzeugfarbe: Schwarz Competition 2008 (t.B. 858392) [comp], Grau Excalibur (t.B.851731)[grey], Blau Planet 2008 (t.B.860955)[planet], Grau Shot 2006 (t.B.851712)[shot]
4	AP8179773	Objektr.deck.blau	1	Baujahr: 2006[6] Fahrzeugfarbe: Blau Couture (t.B.851732)[blu]
4	AP8179784	Objektr.deck.schw	1	Baujahr: 2006[6] Fahrzeugfarbe: Schwarz Moka (t.B.851733)[moka]
5	AP8179724	Verschlusschraube rechts	1	
6	AP8179725	Verschlusschraube links	1	
7	AP8127261	Kennzeichenleuchte	1	
8	AP8150413	Gew.schr. 3,9x14	2	
9	AP8124718	Rückstrahler Rücklicht, rot	1	

Einheit	RAHMEN
Code	28.14
Beschreibung	Heckaufbau II
Inspektion	1



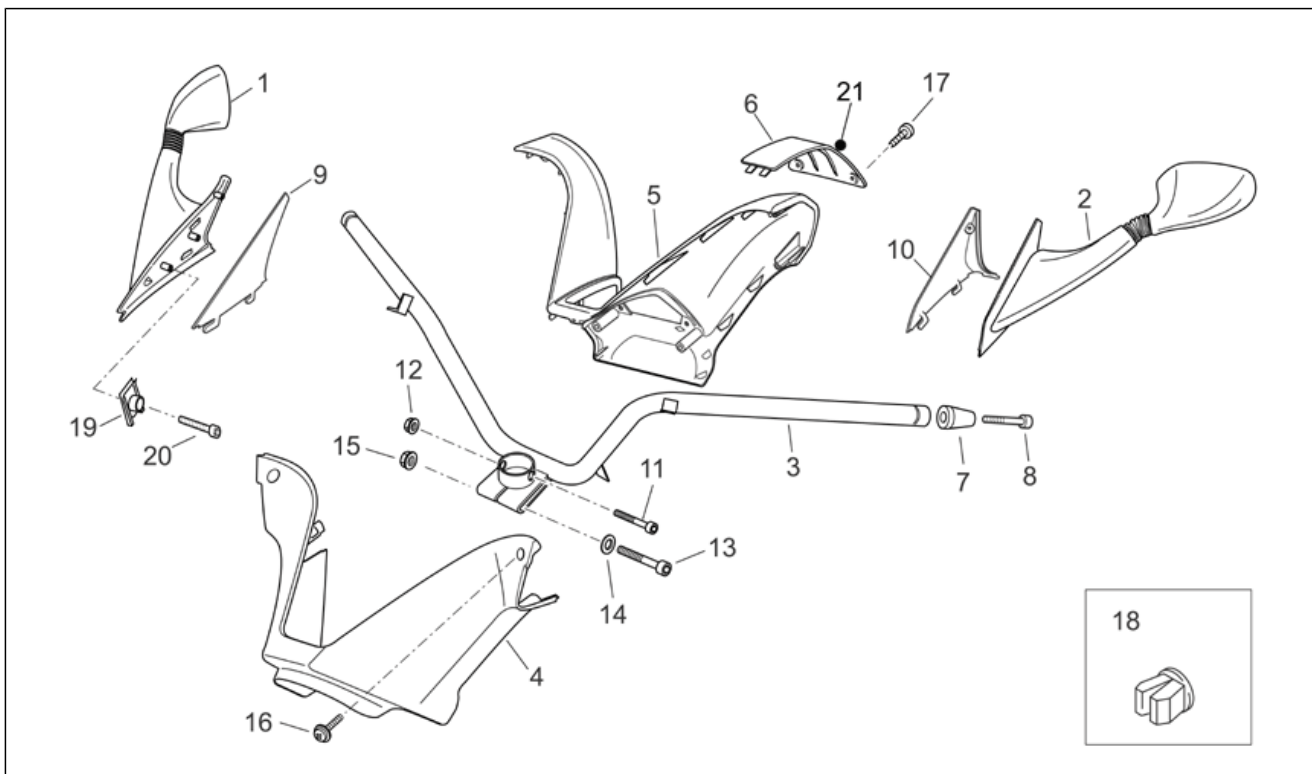
Pos.	Code	Beschreibung	Menge	Varianten
10	AP8150159	Ausgleichscheibe 4,3x16*	2	
11	AP8150204	Mutter M4	2	
12	AP8152293	TE Schr. m. Flansch	2	
13	AP8150018	Ausgleichscheibe	2	
14	AP8121635	Buchse	2	
15	AP8152283	TE Schr. m. Flansch	2	
16	AP8152298	TBEI Schraube m.Flansch M5x16	6	
17	AP8177261	Schild "Aprilia" 75x28	1	
18	852183	Biadhese	3	

Einheit	RAHMEN
Code	28.15
Beschreibung	Instrumententafel
Inspektion	1



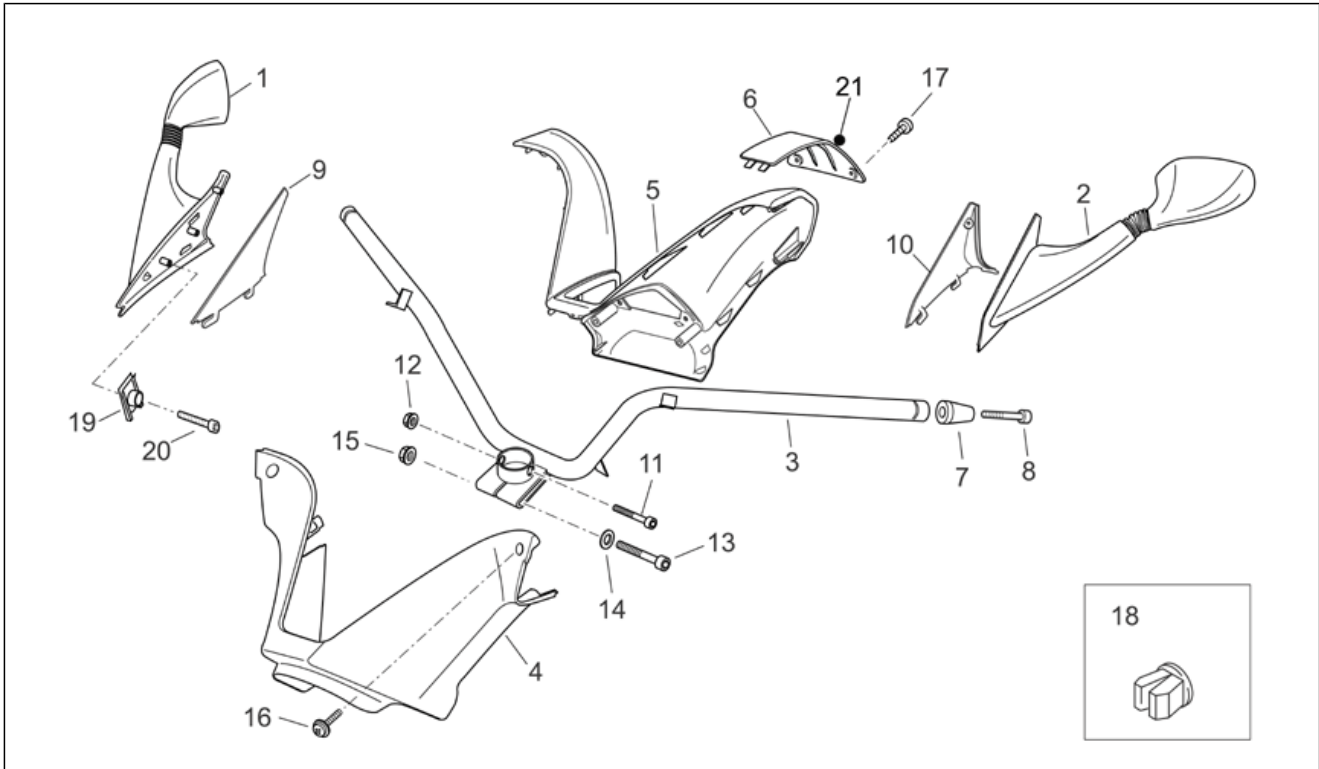
Pos.	Code	Beschreibung	Menge	Varianten
1	AP8127262	Instrum.tafel kplt.	1	Technische Daten: Version 125 cm ³ (M245M)[125]
1	AP8127848	Instrum.tafel kplt.	1	Technische Daten: Version 250 cm ³ (M361M)[250]
2	AP8212407	Lampenhalter kplt. 12V-1,2W	12	
3	AP8220551	O-Ring	1	
4	AP8212406	Digital-Uhr	1	
5	AP8127453	Instrumentenblenden schutz	1	
6	AP8144595	Uhr Gummi	2	
7	AP8144596	Nullstellknopf	1	
8	AP8150413	Gew.schr. 3,9x14	5	

Einheit	RAHMEN
Code	28.16
Beschreibung	Lenkstange
Inspektion	1



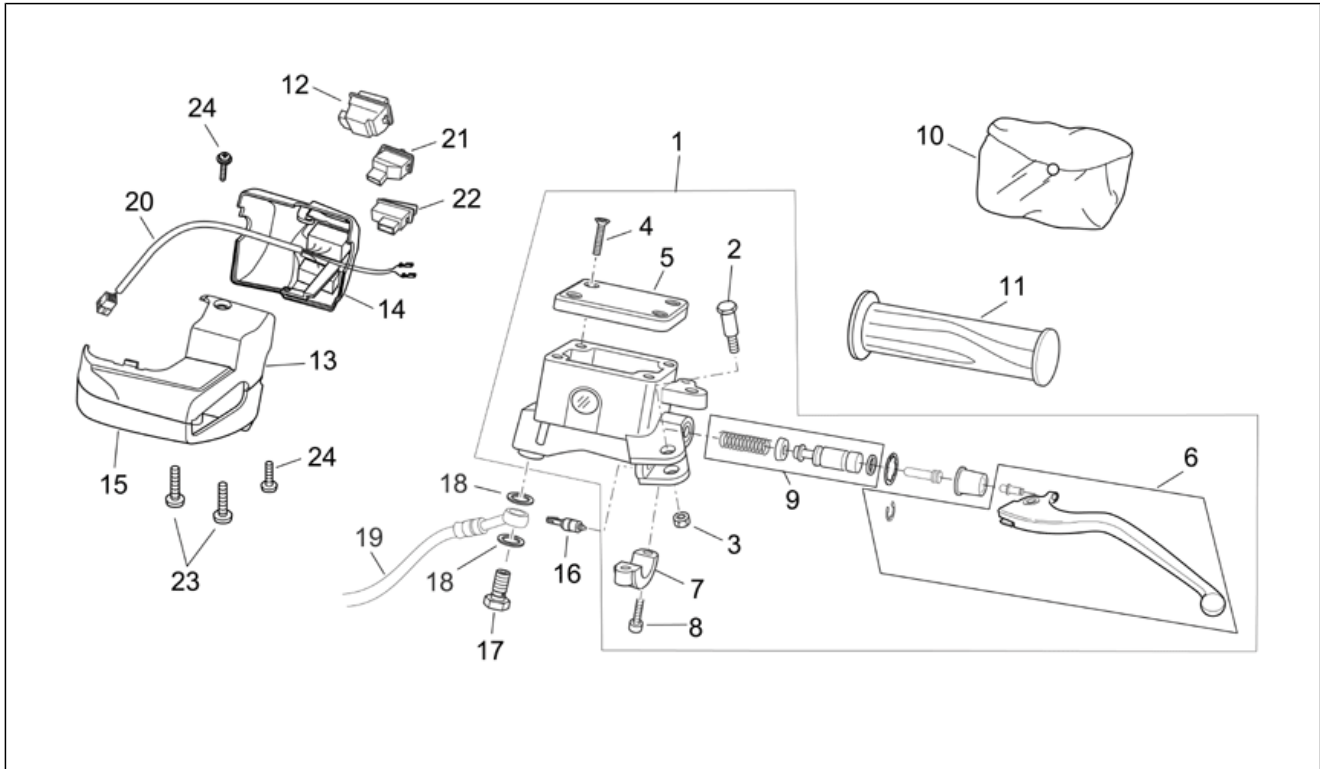
Pos.	Code	Beschreibung	Menge	Varianten
1	AP8104746	Rückspiegel rechts	1	
2	AP8104747	Rückspiegel links	1	
3	AP8118624	Lenkstange	1	
4	AP8158368	Untere Lenkstangenabdeckung	1	Baujahr: 2006[6], 2008[8]
5	AP8178994	Upper handlebar cover, grau	1	Baujahr: 2006[6] Fahrzeugfarbe: Weiß Venice 2006 (t.B.14979)[white]
5	AP8179713	Upper handlebar cover, silver	1	Baujahr: 2006[6], 2008[8] Fahrzeugfarbe: Blau Couture (t.B.851732)[blu], Schwarz Competition 2008 (t.B. 858392)[comp], Grau Excalibur (t.B.851731)[grey], Schwarz Moka (t.B.851733)[moka], Blau Planet 2008 (t.B.860955)[planet], Grau Shot 2006 (t.B.851712)[shot]
6	AP8178995	Deckel	1	Baujahr: 2006[6] Fahrzeugfarbe: Weiß Venice 2006 (t.B.14979)[white]
6	AP8179714	Deckel	1	Baujahr: 2006[6], 2008[8] Fahrzeugfarbe: Blau Couture (t.B.851732)[blu], Schwarz Competition 2008 (t.B. 858392)[comp], Grau Excalibur (t.B.851731)[grey], Schwarz Moka (t.B.851733)[moka], Blau Planet 2008 (t.B.860955)[planet], Grau Shot 2006 (t.B.851712)[shot]
7	AP8202188	Lenkstangen-Schwingschutz	2	
8	AP8150285	TCEI Schraube M6x35	2	
9	AP8158776	Hornverschluss r	1	
10	AP8158967	Hornverschluss l.	1	
11	AP8150277	TCEI Schraube M8x50	1	
12	AP8152300	Selbstsperrende Mutter M8	1	
13	AP8150088	TCEI Schraube M10x70	1	
14	AP8150020	Ausgleichscheibe 10,5x21x2*	1	
15	AP8152301	Selbstsperrende Mutter	1	
16	AP8150413	Gew.schr. 3,9x14	9	
17	AP8150493	TBEI Schraube M4x16	2	

Einheit	RAHMEN
Code	28.16
Beschreibung	Lenkstange
Inspektion	1



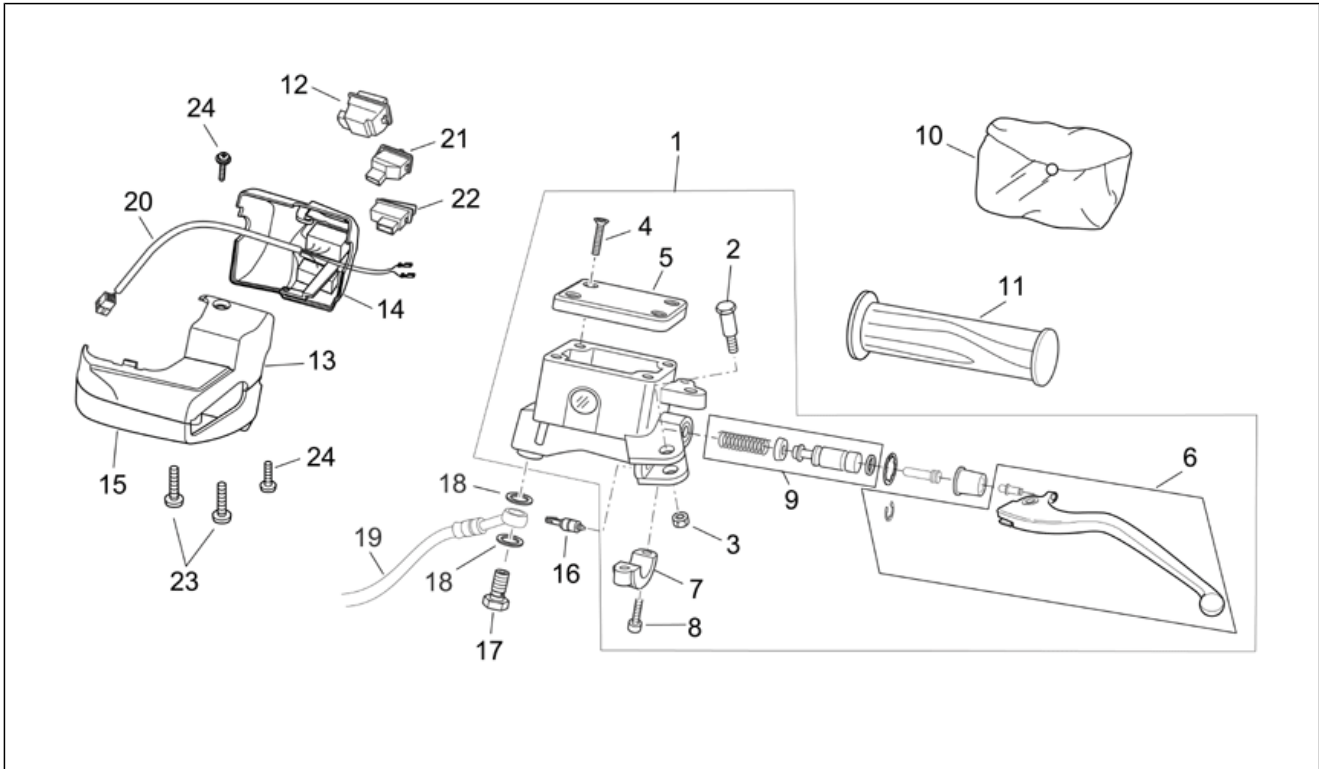
Pos.	Code	Beschreibung	Menge	Varianten
18	AP8102671	Kunststoffniet	2	
19	AP8102376	Klammer M6	1	
20	AP8150220	TCEI Schraube M6x30	1	
21	AP8166625	Deko "Atlantic"	1	

Einheit	RAHMEN
Code	28.17
Beschreibung	Schaltungen links
Inspektion	1



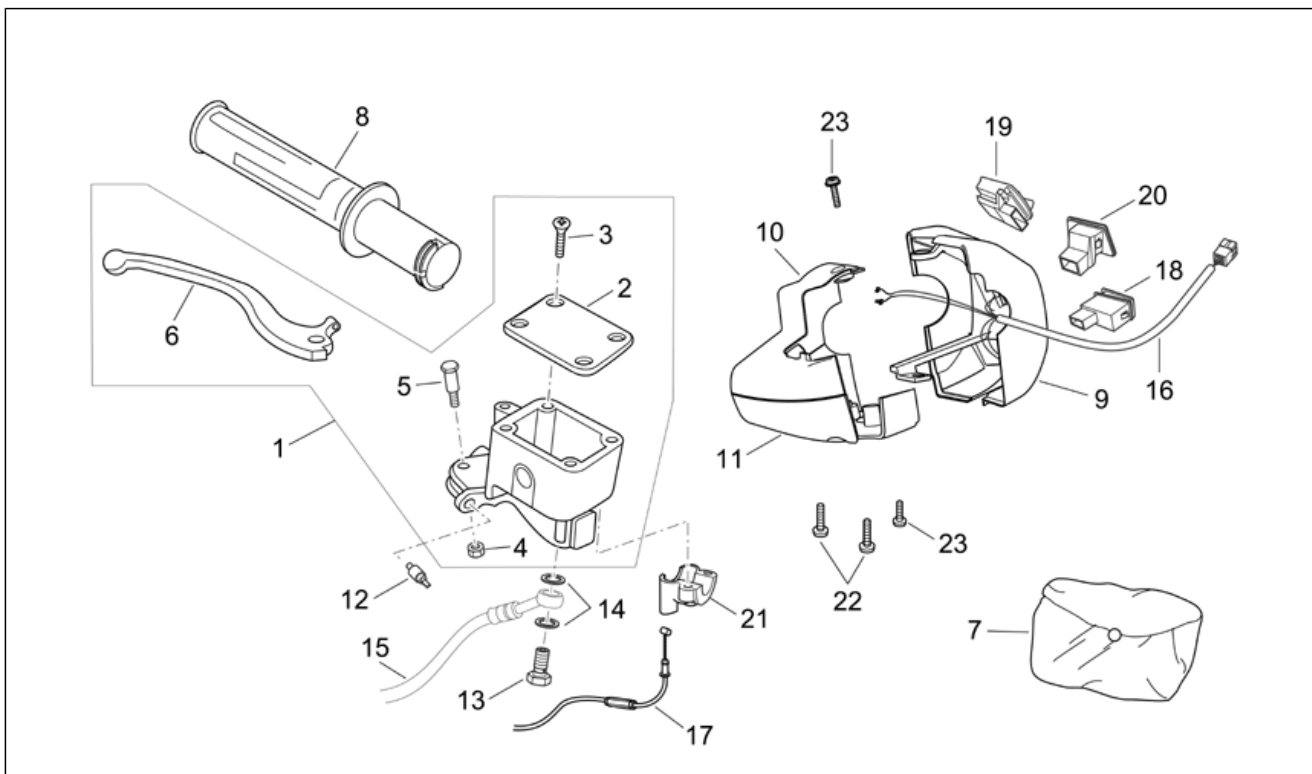
Pos.	Code	Beschreibung	Menge	Varianten
1	AP8133558	Hinterradbrenspumpe	1	Technische Daten:Marke Grimeca[gr]
1	AP8133733	Hinterradbrenspumpe	1	Technische Daten:Marke HT[ht]
2	AP8125757	Schraube Hebel	1	Technische Daten:Marke Grimeca[gr]
2	AP8213584	Bremshebelbolzen	1	Technische Daten:Marke HT[ht]
3	AP8213298	Mutter	1	Technische Daten:Marke Grimeca[gr]
3	AP8213585	Mutter	1	Technische Daten:Marke HT[ht]
4	AP8113859	Schraube Pumpendeckel	4	Technische Daten:Marke Grimeca[gr]
4	AP8133807	Schraube Pumpendeckel	4	Technische Daten:Marke HT[ht]
5	858492	Pumpendeckel	1	Technische Daten:Marke HT[ht]
5	AP8113860	Pumpendeckel	1	Technische Daten:Marke Grimeca[gr]
6	AP8118641	Bremshebel	1	Technische Daten:Marke Grimeca[gr]
6	AP8133809	Bremshebel	1	Technische Daten:Marke HT[ht]
7	AP8113637	Bremshebel-Bügelbolzen	1	Technische Daten:Marke Grimeca[gr]
7	AP8213586	Bremshebel-Bügelbolzen	1	Technische Daten:Marke HT[ht]
8	AP8213299	Kappenschraube	2	Technische Daten:Marke Grimeca[gr]
8	AP8213582	Kappenschraube	2	Technische Daten:Marke HT[ht]
9	AP8113861	Kolben kpl.	1	Technische Daten:Marke Grimeca[gr]
10	AP8113862	Bausatz Pumpenüberholung	1	Technische Daten:Marke Grimeca[gr]
10	AP8133810	Bausatz Pumpenüberholung	1	Technische Daten:Marke HT[ht]
11	AP8118656	Handgriffe paar	1	
12	AP8124622	Lichtschalter	1	
13	AP8158933	LH upper shell	1	
14	AP8158898	Sitz el. Steuer. Is schw.	1	
15	AP8158931	Untere Schale	1	
16	AP8127305	Knopf stop	1	
17	AP8113003	Fixierschraube Ölschlauch	1	
18	AP8113004	Ausgleichscheibe 10x14x1,6*	2	
19	858233	Hinterradbrensleitung	1	

Einheit	RAHMEN
Code	28.17
Beschreibung	Schaltungen links
Inspektion	1



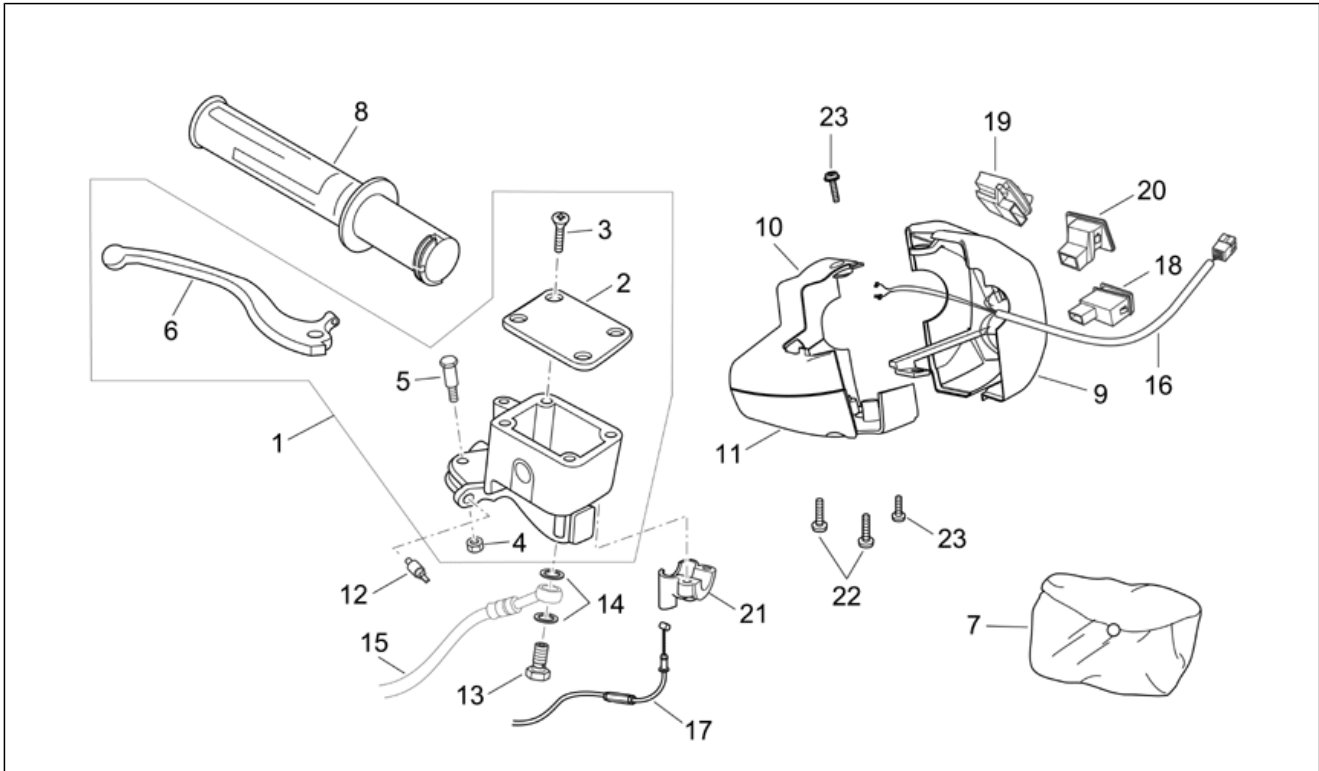
Pos.	Code	Beschreibung	Menge	Varianten
20	AP8127394	Lichtschalterkabel links	1	
21	AP8212767	Blinker Lichtknopf	1	
22	AP8124209	Hupknopf	1	
23	AP8152270	TBEI Schraube M5x25	2	
24	AP8152268	TBEI Spez.schr. M5x16	2	

Einheit	RAHMEN
Code	28.18
Beschreibung	Schaltungen rechts
Inspektion	1



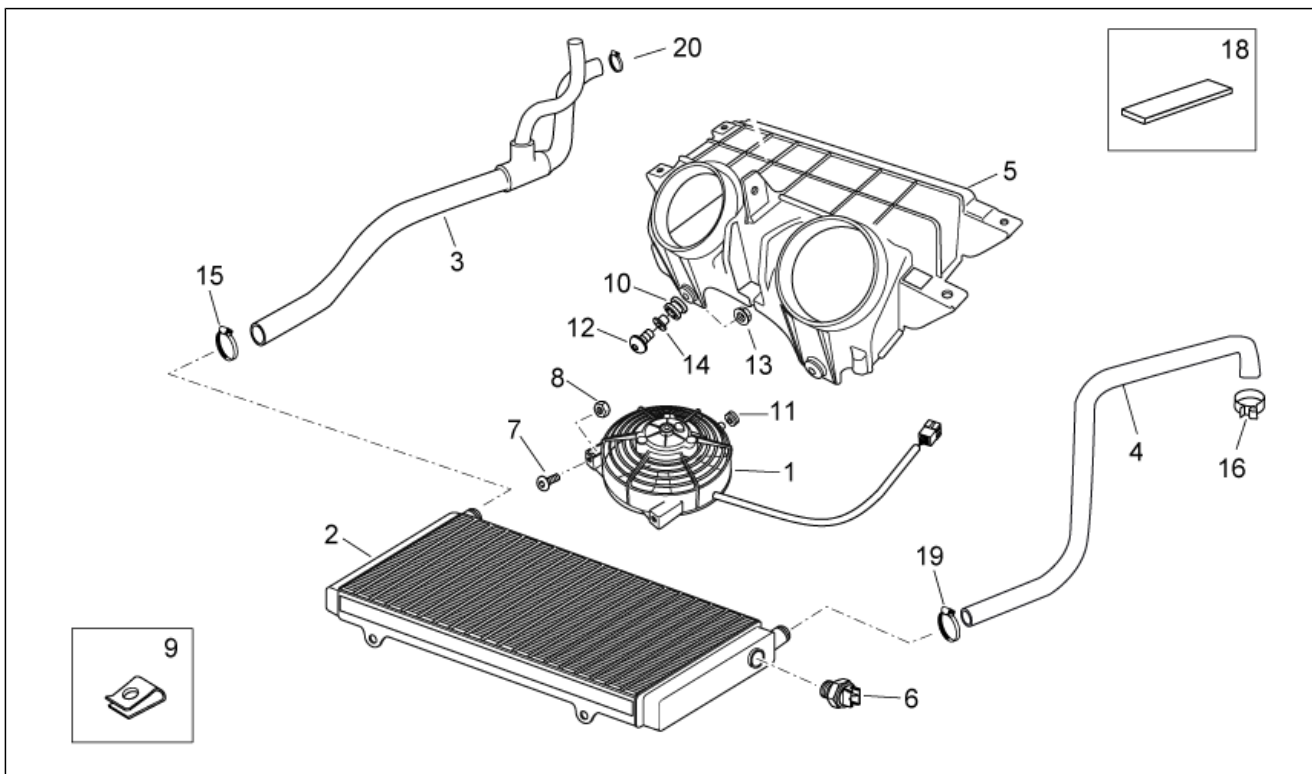
Pos.	Code	Beschreibung	Menge	Varianten
1	AP8133582	Vorderradbremspumpe	1	Technische Daten:Marke Grimeca[gr]
1	AP8133734	Vorderradbremspumpe	1	Technische Daten:Marke HT[ht]
2	AP8113863	Pumpendeckel	1	Technische Daten:Marke Grimeca[gr]
2	AP8133808	Pumpendeckel	1	Technische Daten:Marke HT[ht]
3	AP8113859	Schraube Pumpendeckel	4	Technische Daten:Marke Grimeca[gr]
3	AP8133807	Schraube Pumpendeckel	4	Technische Daten:Marke HT[ht]
4	AP8213298	Mutter	1	Technische Daten:Marke Grimeca[gr]
4	AP8213585	Mutter	1	Technische Daten:Marke HT[ht]
5	AP8125757	Schraube Hebel	1	Technische Daten:Marke Grimeca[gr]
5	AP8213584	Bremshebelbolzen	1	Technische Daten:Marke HT[ht]
6	AP8118641	Bremshebel	1	Technische Daten:Marke Grimeca[gr]
6	AP8133811	Bremshebel	1	Technische Daten:Marke HT[ht]
7	AP8113864	Bausatz Pumpenüberholung	1	Technische Daten:Marke Grimeca[gr]
7	AP8133812	Bausatz Pumpenüberholung	1	Technische Daten:Marke HT[ht]
8	AP8118656	Handgriffe paar	1	
9	AP8158897	Sitz el. Steuer. rs schw.	1	
10	AP8158932	RH upper shell	1	
11	AP8158930	Untere Schale	1	
12	AP8127305	Knopf stop	1	
13	AP8113003	Fixierschraube Ölschlauch	1	
14	AP8113004	Ausgleichscheibe 10x14x1,6*	2	
15	858232	Vorderradbremnsleitung	1	
16	AP8127393	Lichtschalterkabel rechts	1	
17	AP8114449	Gaszugkabel	2	
18	AP8124208	Startknopf	1	
19	AP8224447	Motor Stop-Start Vorr.	1	
20	AP8104546	Deckel	1	
21	AP8118582	Sitz Gassteuerung	1	

Einheit	RAHMEN
Code	28.18
Beschreibung	Schaltungen rechts
Inspektion	1



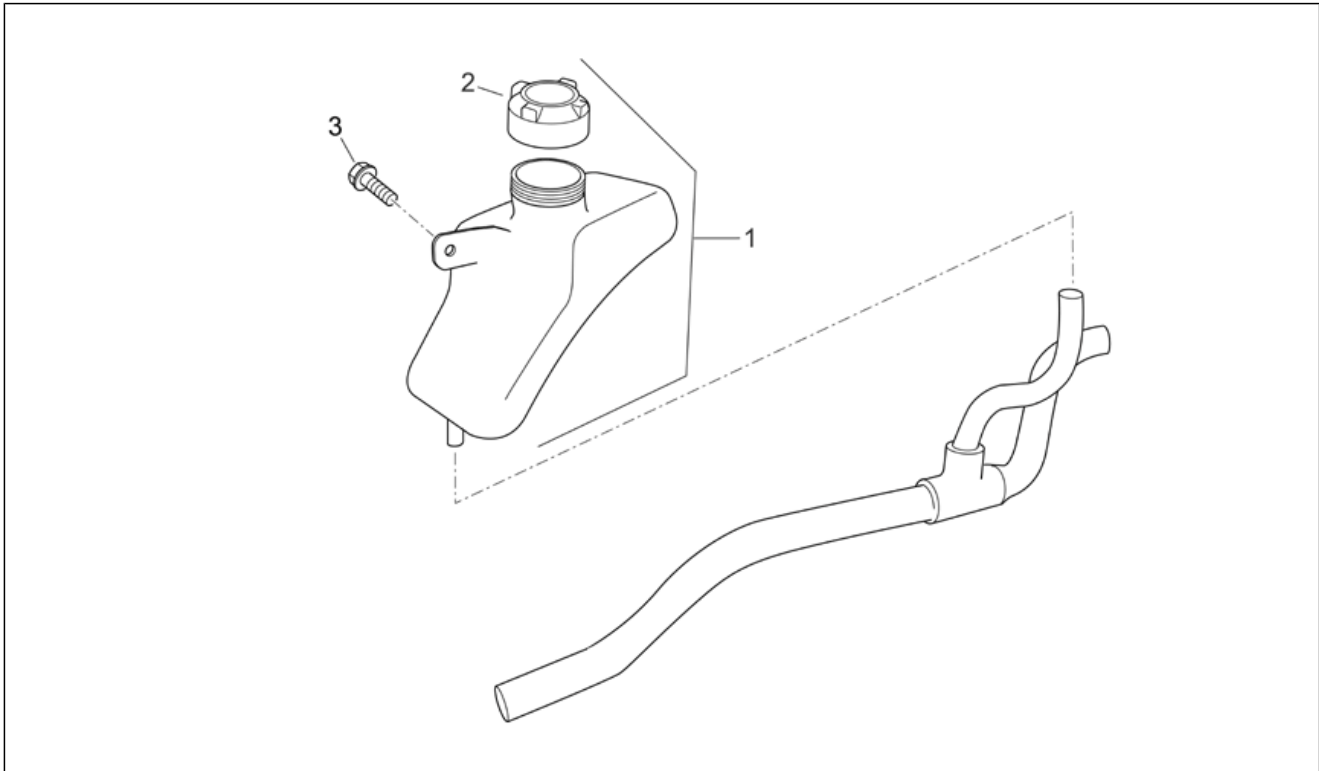
Pos.	Code	Beschreibung	Menge	Varianten
22	AP8152270	TBEI Schraube M5x25	2	
23	AP8152268	TBEI Spez.schr. M5x16	2	

Einheit	RAHMEN
Code	28.19
Beschreibung	Kühler
Inspektion	1



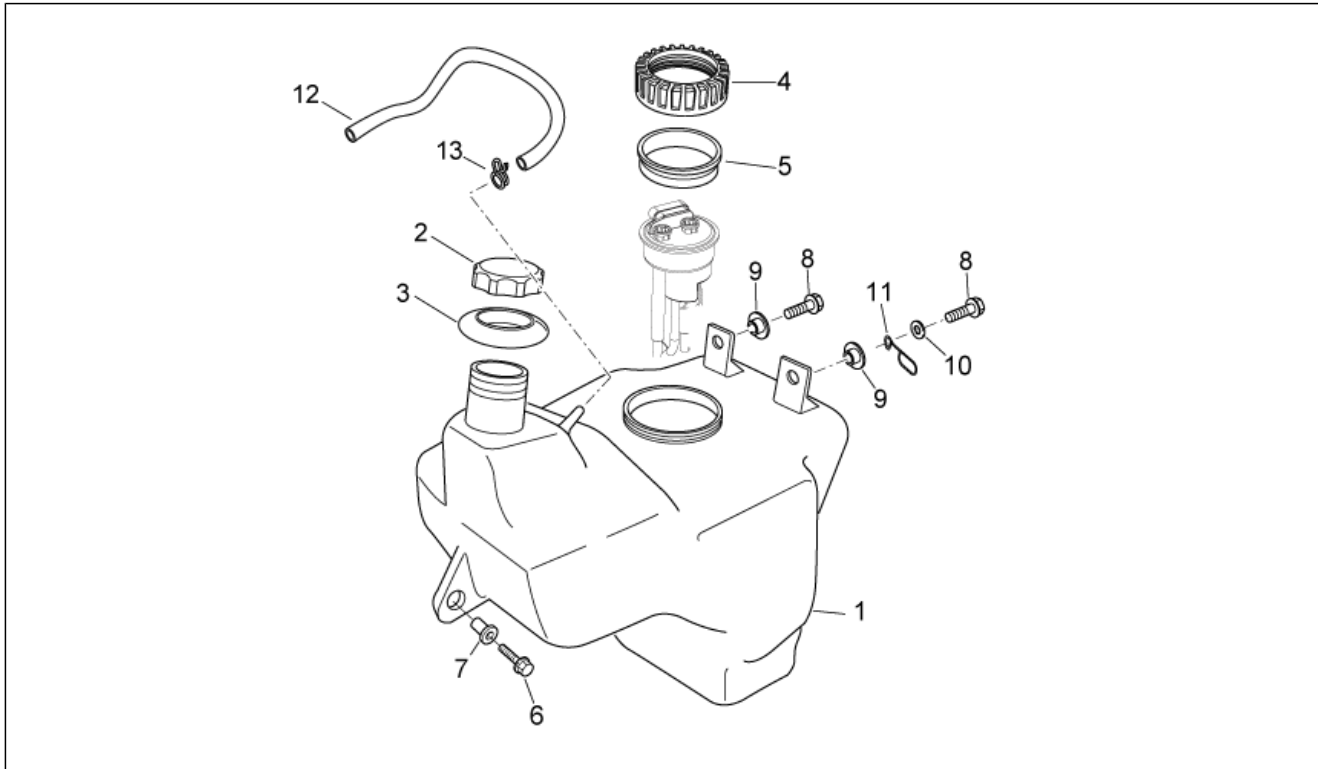
Pos.	Code	Beschreibung	Menge	Varianten
1	AP8127241	Ventilator komplett	1	
2	AP8104400	Kühler	1	
3	AP8144498	Cooler-pump pipe	1	
4	AP8144775	Zylinderkopf-Kühlerschlauch	1	
5	AP8134811	Kühlerbefestigung	1	
6	AP8127441	Thermoschalter	1	Technische Daten:Version 125 cm ³ (M245M)[125]
6	AP8144777	Verschlußschraube	1	Technische Daten:Version 250 cm ³ (M361M)[250]
7	AP8152246	TBEI Schraube m.Flansch M6x16	2	
8	AP8150026	Mutter M6	2	
9	AP8102376	Klammer M6	1	
10	AP8120030	Gummi	4	
11	AP8112600	Gummi	1	
12	AP8152137	TBEI Schraube M6x20	4	
13	AP8152299	Selbstsperrende Mutter M6	4	
14	AP8221023	T-Buchse	4	
15	CM001909	Schlauchschelle	2	
16	CM001908	Schlauchschelle	1	
17	AP8101573	Schelle D16-24x8*	1	
18	AP8117033	Klebeschwamm	1	
19	CM001907	Schlauchschelle	1	
20	CM001922	Schlauchschelle	1	

Einheit	RAHMEN
Code	28.20
Beschreibung	Ausdehngefäß
Inspektion	1



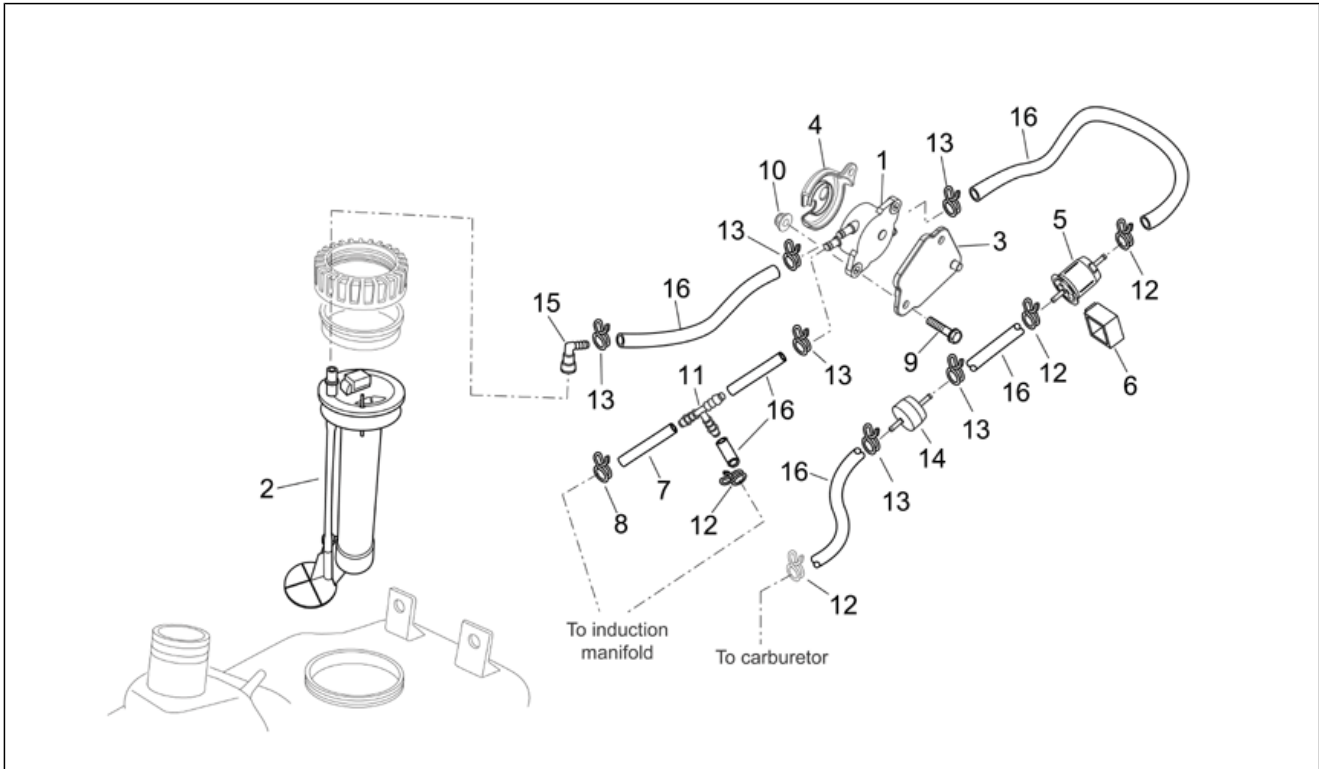
Pos.	Code	Beschreibung	Menge	Varianten
1	AP8179534	Ausdehngefäß	1	
2	AP8570122	Ausdehnsg. Schraube	1	
3	AP8152329	Kreuz.schl.flnschshr. M5x20	2	

Einheit	RAHMEN
Code	28.21
Beschreibung	Kraftstofftank
Inspektion	1



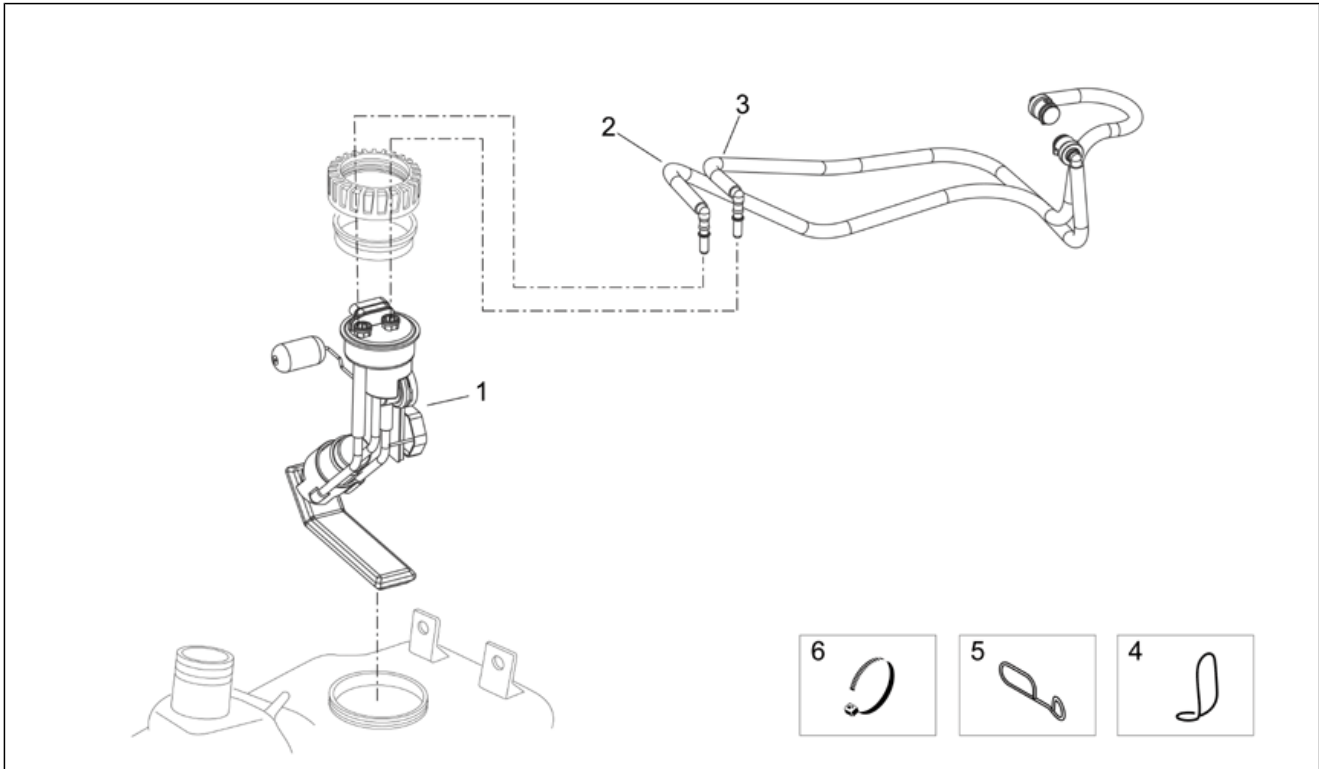
Pos.	Code	Beschreibung	Menge	Varianten
1	AP8158357	Kraftstofftank	1	
2	AP8201757	Tankverschlussschraube	1	
3	AP8102605	Gasket ring	1	
4	AP8158359	Nutmutter	1	
5	AP8144422	Dichtung	1	
6	AP8152279	TE Schr. m. Flansch M6x20	1	
7	AP8121728	T-Buchse	1	
8	AP8152273	Flanschschraube M5x15	2	
9	AP8221145	T-Buchse *	2	
10	AP8150013	Ausgleichscheibe 5,5x15x1,6*	1	
11	AP8202159	Kabelführungs	2	
12	AP8220402	Leitung 5x9	1	
13	AP8101595	Schelle D10,1	1	

Einheit	RAHMEN
Code	28.22
Beschreibung	Einspeisung I
Inspektion	1



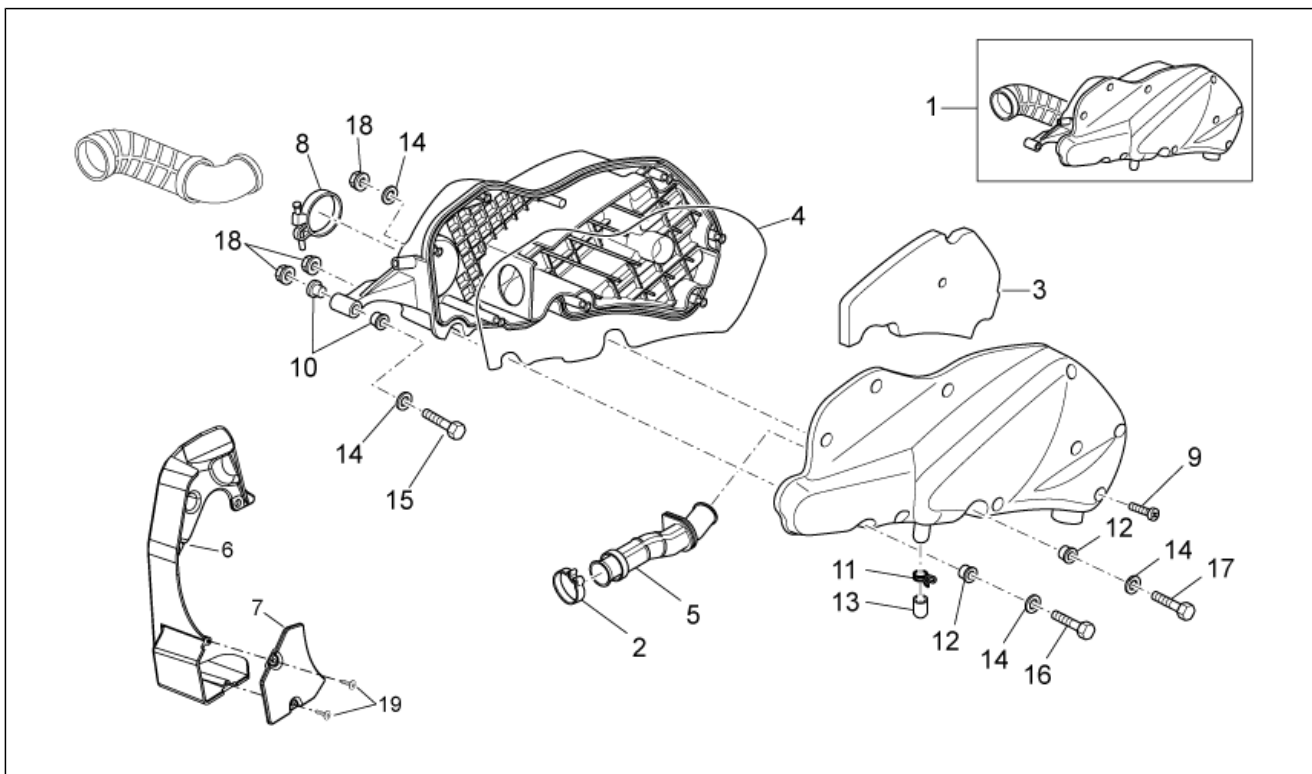
Pos.	Code	Beschreibung	Menge	Varianten
1	AP8176041	Kraftstoffpumpe	1	Technische Daten:Version 125 cm ³ (M245M)[125]
2	AP8158358	Kraftstoffmeßsonde	1	Technische Daten:Version 125 cm ³ (M245M)[125]
3	AP8134886	Halter Kraftstoffpumpe	1	Technische Daten:Version 125 cm ³ (M245M)[125]
4	AP8178823	Kraftstoffpumpenschutz	1	Technische Daten:Version 125 cm ³ (M245M)[125]
5	AP8104406	Kraftstofffilter	1	Technische Daten:Version 125 cm ³ (M245M)[125]
6	AP8220546	Auflagegummi Relais	1	Technische Daten:Version 125 cm ³ (M245M)[125]
7	AP8220263	Entlüftungsschlauch Kühler 4x8	1	Technische Daten:Version 125 cm ³ (M245M)[125]
8	AP8120179	Schelle D8	1	Technische Daten:Version 125 cm ³ (M245M)[125]
9	AP8152280	TE Schr. m. Flansch M6x25	2	Technische Daten:Version 125 cm ³ (M245M)[125]
10	AP8152299	Selbstsperrende Mutter M6	2	Technische Daten:Version 125 cm ³ (M245M)[125]
11	AP8144303	3-Wegeanschluß	1	Technische Daten:Version 125 cm ³ (M245M)[125]
12	AP8101595	Schelle D10,1	4	Technische Daten:Version 125 cm ³ (M245M)[125]
13	AP8102378	Schelle D11,3	6	Technische Daten:Version 125 cm ³ (M245M)[125]
14	AP8104594	Rückstauventil	1	Technische Daten:Version 125 cm ³ (M245M)[125]
15	AP8121614	Connecting	1	Technische Daten:Version 125 cm ³ (M245M)[125]
16	AP8120952	Kraftstoffleitung 5,5x10	6	Technische Daten:Version 125 cm ³ (M245M)[125]

Einheit	RAHMEN
Code	28.23
Beschreibung	Einspeisung II
Inspektion	1



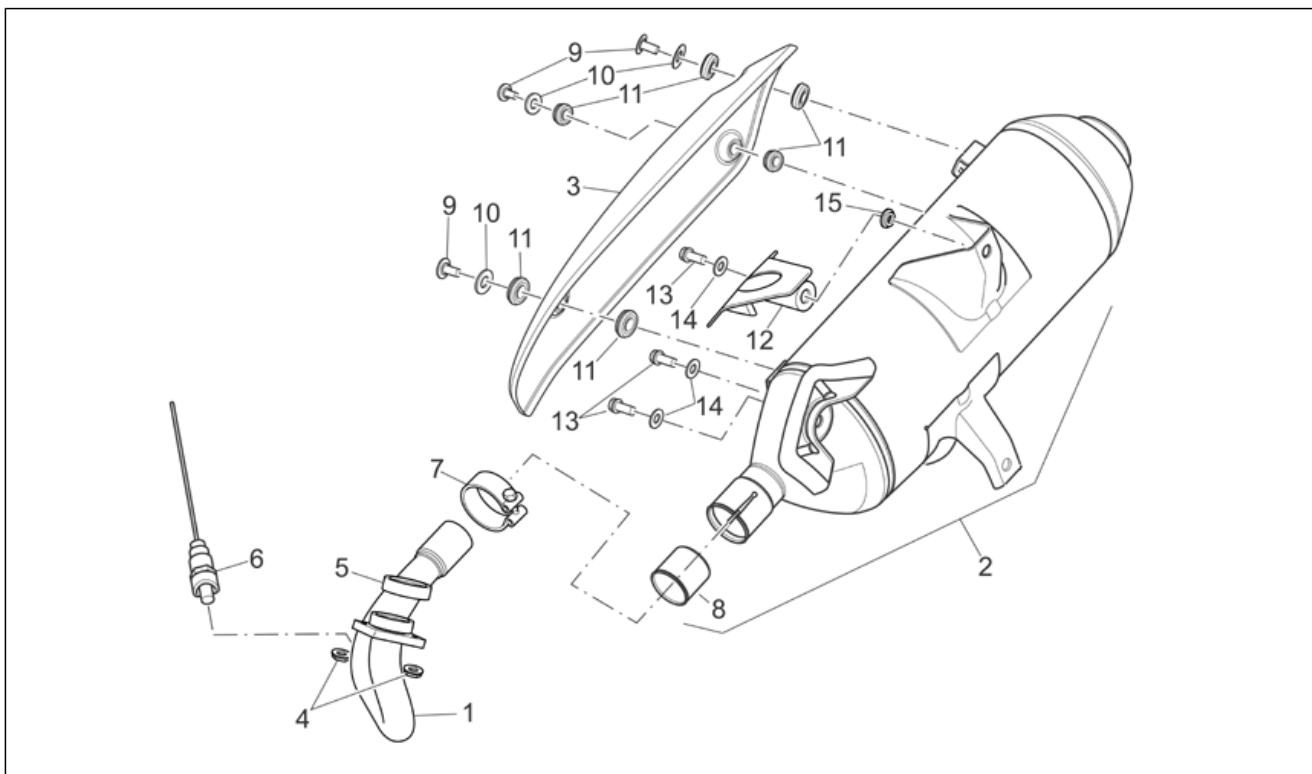
Pos.	Code	Beschreibung	Menge	Varianten
1	AP8176212	Kraftstoffpumpe	1	Technische Daten:Version 250 cm ³ (M361M)[250]
2	AP8144767	Benzinleitung	1	Technische Daten:Version 250 cm ³ (M361M)[250]
3	AP8144768	Rückflussleitung	1	Technische Daten:Version 250 cm ³ (M361M)[250]
4	AP8121889	Kabelführungs	1	Technische Daten:Version 250 cm ³ (M361M)[250]
5	AP8202159	Kabelführungs	1	Technische Daten:Version 250 cm ³ (M361M)[250]
6	AP8120416	Schelle schwarz 178x4	2	Technische Daten:Version 250 cm ³ (M361M)[250]

Einheit	RAHMEN
Code	28.24
Beschreibung	Filtergehäuse
Inspektion	1



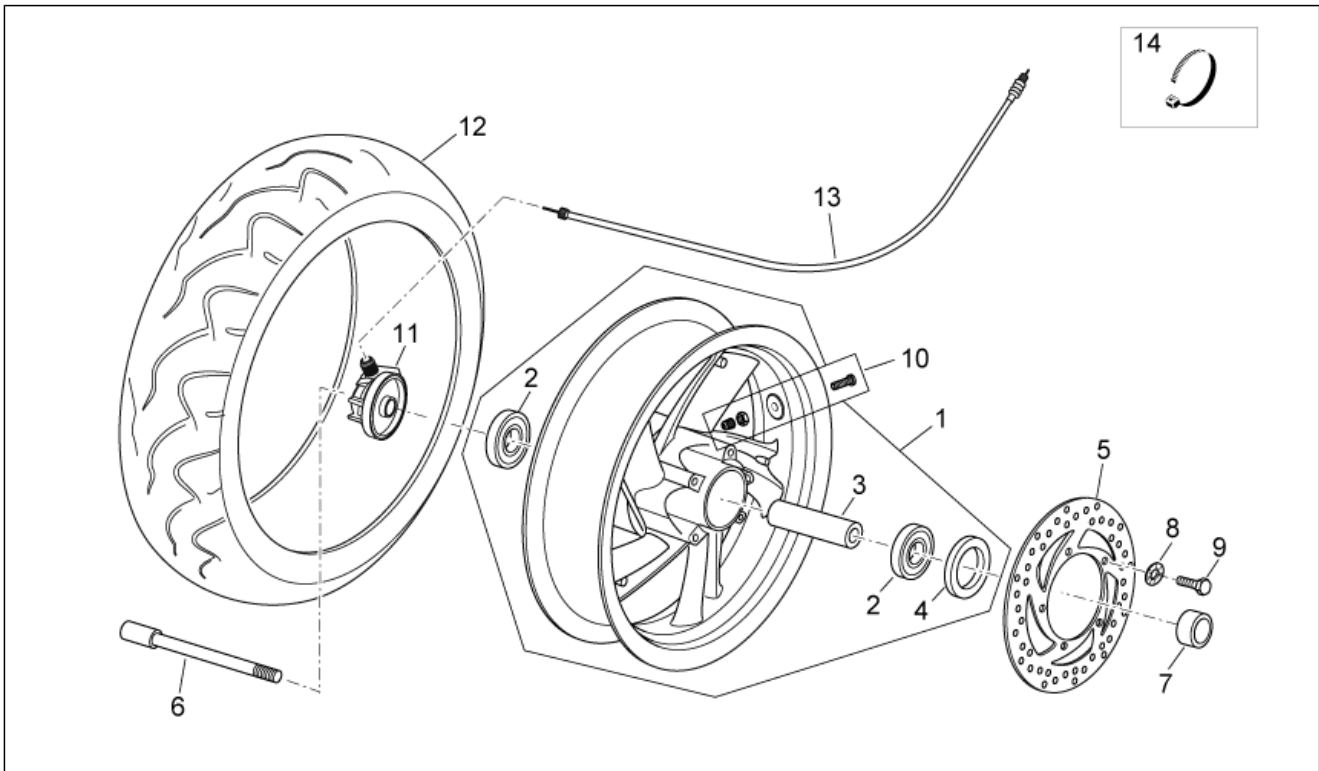
Pos.	Code	Beschreibung	Menge	Varianten
1	AP8179355	Filterkasten	1	Technische Daten: Version 250 cm ³ (M361M)[250]
1	AP8179449	Filterkasten	1	Technische Daten: Version 125 cm ³ (M245M)[125]
2	AP8580181	Schlauchschelle	1	
3	AP8104878	Luftfilter	1	
4	AP8120615	Dichtung D3	1	
5	AP8144795	Ansaugmuffe	1	Technische Daten: Version 125 cm ³ (M245M)[125]
5	AP8580178	Hülse Lufteinlaß	1	Technische Daten: Version 250 cm ³ (M361M)[250]
6	AP8178550	Protection	1	
7	AP8178822	Deckel	1	
8	AP8121621	Schlauchschelle	1	
9	AP8580061	Gew.schr. 3x20	9	
10	AP8580184	Buchse	2	
11	AP8580219	Schelle	1	
12	AP8580183	Buchse	2	
13	AP8144701	Kappe	1	
14	AP8150015	Ausgleichscheibe 6,6x18x1,6*	3	
15	AP8150045	TCEI Schraube M6x55	1	
16	AP8150403	TCEI Schraube M6x45	1	
17	AP8150285	TCEI Schraube M6x35	1	
18	AP8152299	Selbstsperrende Mutter M6	3	
19	AP8150413	Gew.schr. 3,9x14	2	

Einheit	RAHMEN
Code	28.31
Beschreibung	Auslassgruppe
Inspektion	1



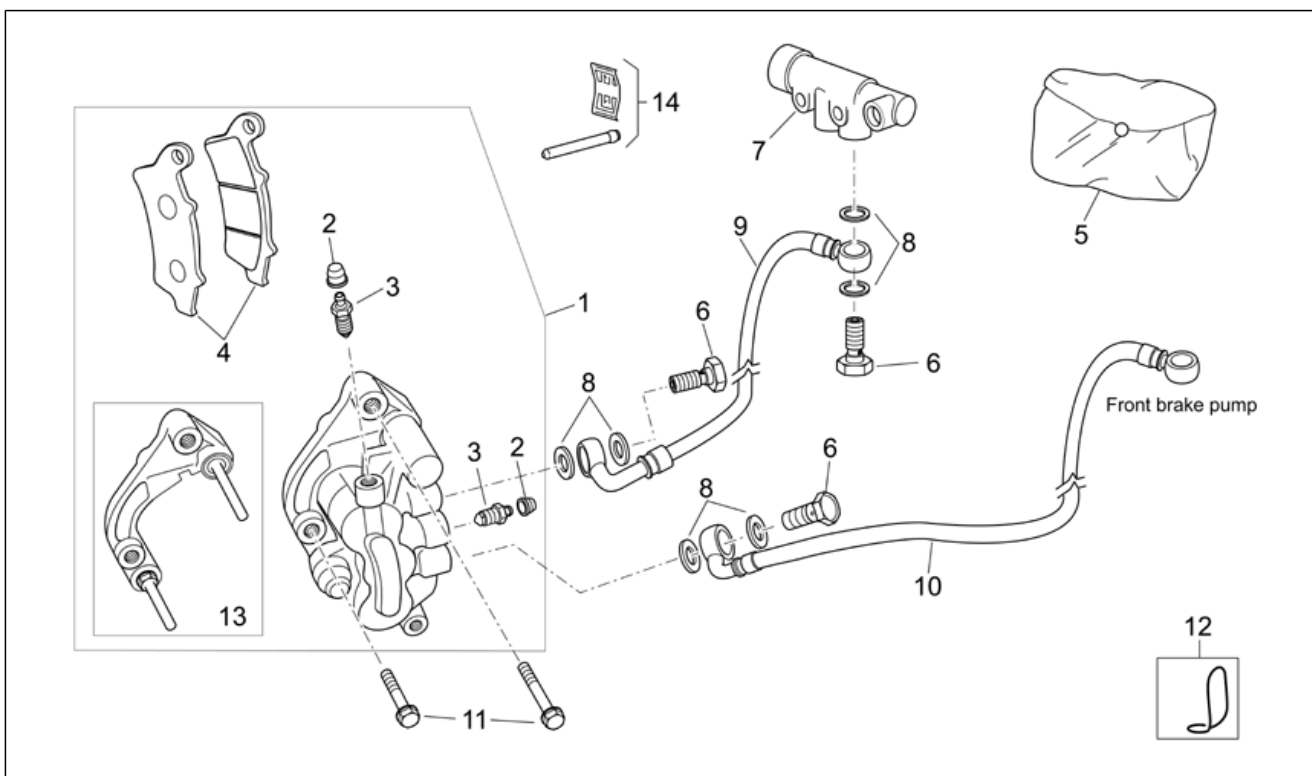
Pos.	Code	Beschreibung	Menge	Varianten
1	AP8119890	Krümmer	1	Technische Daten: Version 250 cm ³ (M361M)[250]
1	AP8119898	Krümmer	1	Technische Daten: Version 125 cm ³ (M245M)[125]
2	AP8119910	Schalldämpfer	1	Technische Daten: Version 250 cm ³ (M361M)[250]
2	AP8119911	Schalldämpfer	1	Technische Daten: Version 125 cm ³ (M245M)[125]
3	AP8117266	Auspuffrohrschutz	1	
4	AP8121419	Mutter	2	
5	AP8580066	Dichtung Auspuffrohr	1	
6	AP8127829	Lamdasonde	1	Technische Daten: Version 250 cm ³ (M361M)[250]
7	AP8119904	Schelle	1	
8	826388	Buchse aus Graphit	1	
9	AP8150538	TBEI Schraube M5x10	3	
10	AP8150382	Ausgleichscheibe 15x5,5X1,2	3	
11	AP8144790	Gummi	3	
12	AP8119902	Deckel	1	
13	AP8152288	TE Schr. m. Flansch	3	
14	AP8150017	Ausgleichscheibe 8,4x16x1,6	3	
15	AP8120508	T-Buchse *	1	

Einheit	RAHMEN
Code	28.32
Beschreibung	Vorderrad
Inspektion	1



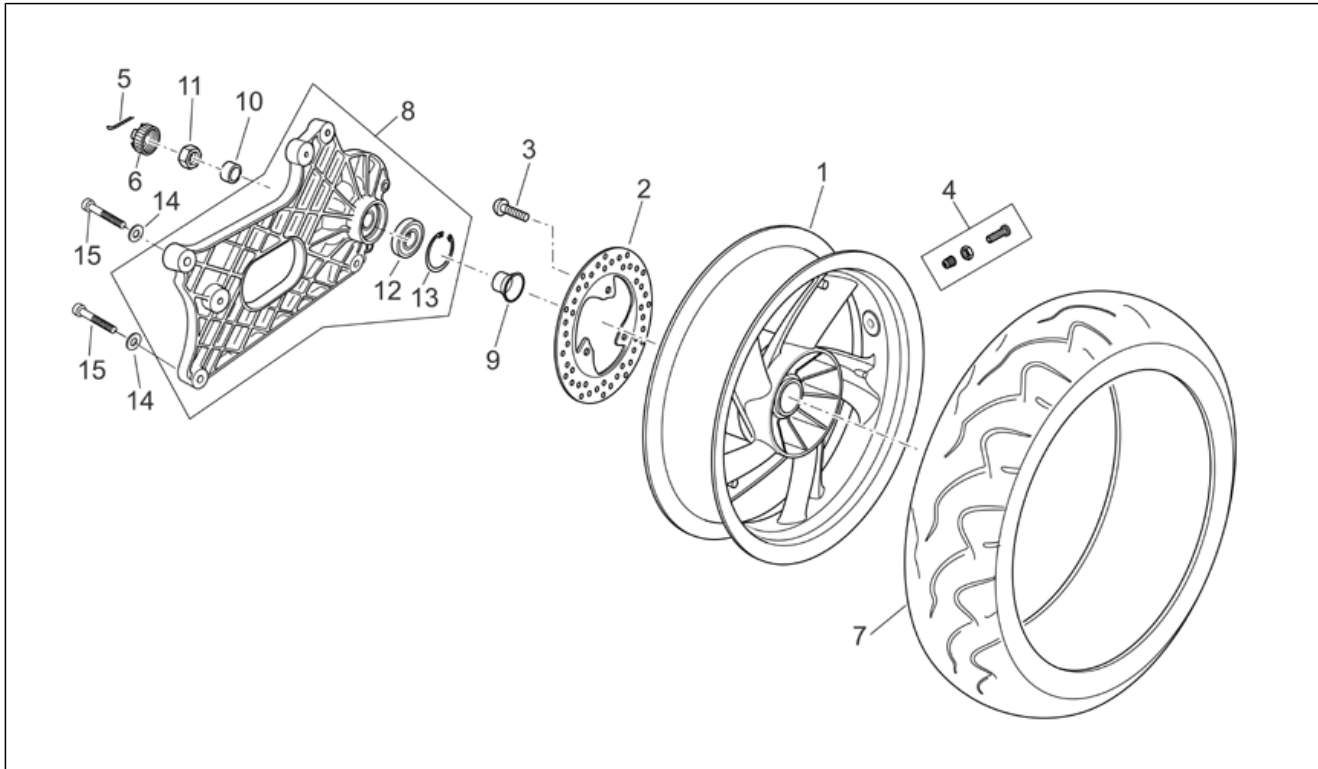
Pos.	Code	Beschreibung	Menge	Varianten
1	AP8108991	Vorderrad Silver	1	Technische Daten: Marke Grimeca[gr]
1	AP8128106	Vorderrad Silver	1	Technische Daten: Marke ZNL[zn]
2	AP8225123	Lager	2	
3	AP8128105	Interne Distanzscheibe Rad	1	Technische Daten: Marke ZNL[zn]
3	AP8133605	Interne Distanzscheibe Rad	1	Technische Daten: Marke Grimeca[gr]
4	AP8125782	Gasket ring	1	
5	AP8133606	Vorderradbremsscheibe	1	
6	AP8225361	Vorderradbolzen	1	
7	AP8121588	Vorderrad Distanzscheibe	1	
8	AP8225206	Ausgleichscheibe	5	
9	AP8133607	Schraube	5	Technische Daten: Marke Grimeca[gr]
9	AP8152137	TBEI Schraube M6x20	5	Technische Daten: Marke ZNL[zn]
10	AP8201546	Schlauchloses Reifenventil	1	Technische Daten: Marke ZNL[zn]
10	AP8202168	Schlauchloses Reifenventil	1	Technische Daten: Marke Grimeca[gr]
11	AP8104402	Vorgelegte Kilometerzähler	1	
12	AP8109278	Reifen 110/90-13"	1	
13	AP8114460	Tachometerkabel	1	
14	AP8120422	Schelle schwarz 98x2*	1	

Einheit	RAHMEN
Code	28.33
Beschreibung	Vorderradbremzange
Inspektion	1



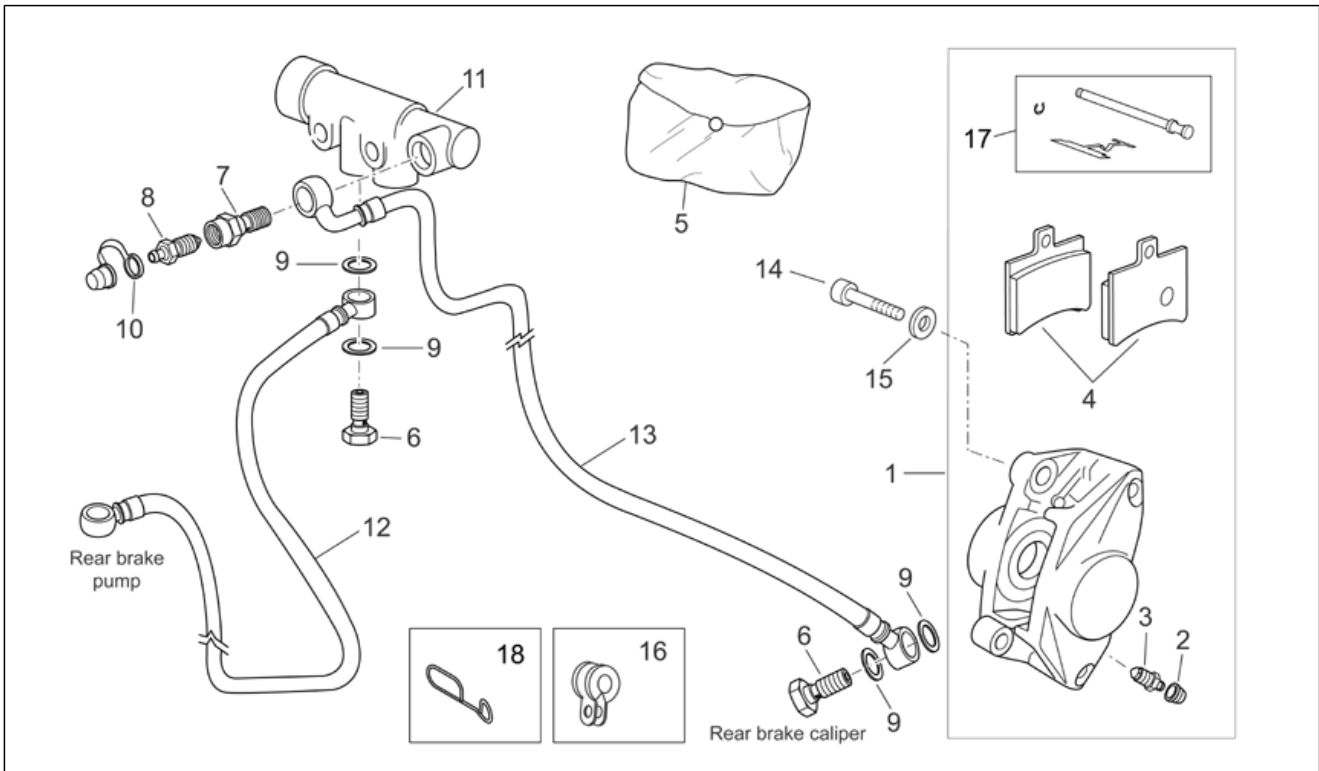
Pos.	Code	Beschreibung	Menge	Varianten
1	AP8133525	Vorderradbremzange	1	Technische Daten:Marke Grimeca[gr]
1	AP8133731	Vorderradbremzange	1	Technische Daten:Marke HT[ht]
2	AP8113005	Entlüftungskappe	2	Technische Daten:Marke Grimeca[gr]
2	AP8133813	Entlüftungskappe	2	Technische Daten:Marke HT[ht]
3	AP8133814	Entlüftungsanschluß	2	Technische Daten:Marke HT[ht]
3	AP8213108	Entlüftungsanschluß	2	Technische Daten:Marke Grimeca[gr]
4	AP8133603	Beläge (Paar)	1	Technische Daten:Marke Grimeca[gr]
4	AP8133815	Beläge (Paar)	1	Technische Daten:Marke HT[ht]
5	AP8133604	Bausatz Bremszangenüberholung	1	Technische Daten:Marke Grimeca[gr]
5	AP8133816	Bausatz Bremszangenüberholung	1	Technische Daten:Marke HT[ht]
6	AP8113003	Fixierschraube Ölschlauch	3	
7	AP8113922	Ventil	1	Technische Daten:Marke Grimeca[gr]
7	AP8133738	Ventil	1	Technische Daten:Marke HT[ht]
8	AP8113004	Ausgleichscheibe 10x14x1,6*	6	
9	858234	Leitung	1	
10	858232	Vorderradbremseleitung	1	
11	AP8152290	TE Schr. m. Flansch M8x40	2	
12	AP8121856	Kabelführungs	1	
13	AP8133817	Bremszangen Anschluß kpl.	1	Technische Daten:Marke HT[ht]
13	AP8146882	Bremszangen Anschluß kpl.	1	Technische Daten:Marke Grimeca[gr]
14	AP8133760	Stifte-Federn Bremszange	1	Technische Daten:Marke Grimeca[gr]
14	AP8133818	Stifte-Federn Bremszange	1	Technische Daten:Marke HT[ht]

Einheit	RAHMEN
Code	28.34
Beschreibung	Hinterrad
Inspektion	1



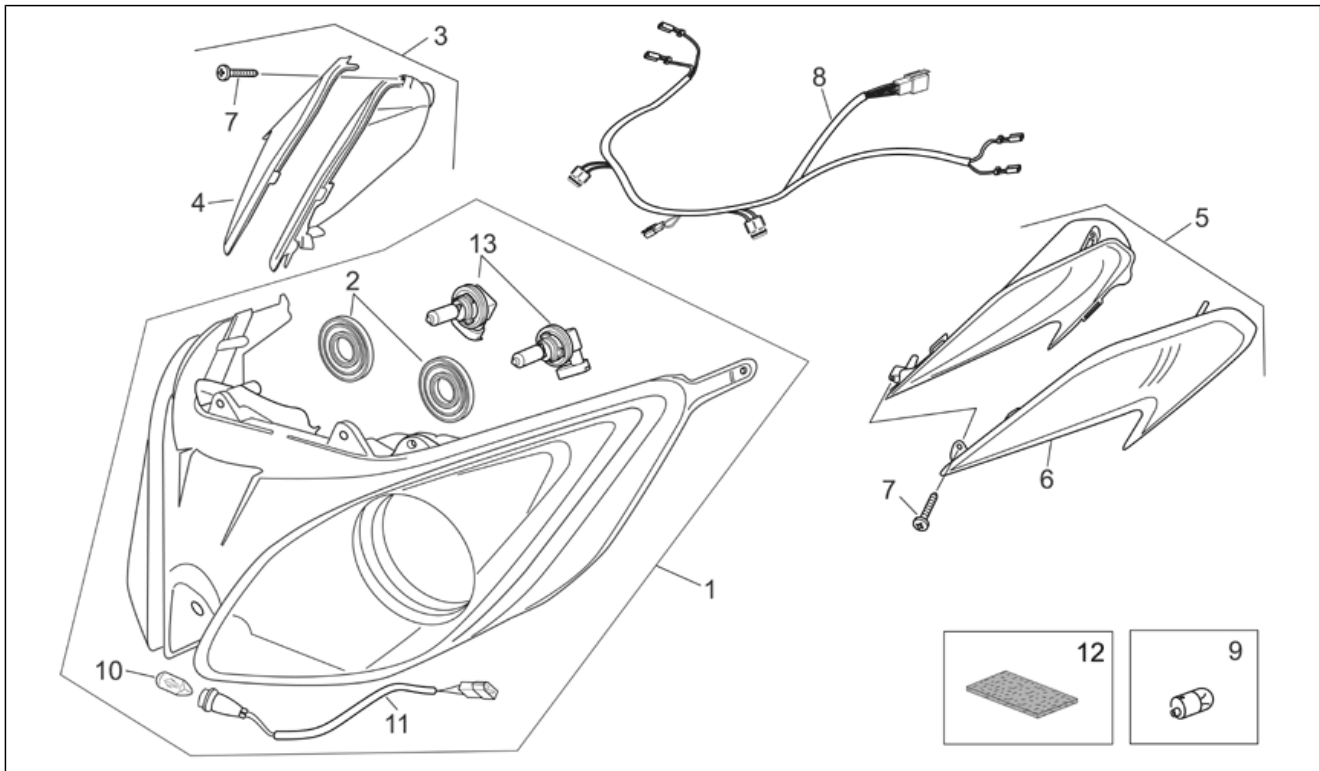
Pos.	Code	Beschreibung	Menge	Varianten
1	AP8108990	Hinterrad ohne Scheibe Silver	1	Technische Daten: Marke Grimeca[gr]
1	AP8128107	Hinterrad ohne Scheibe Silver	1	Technische Daten: Marke ZNL[zn]
2	AP8133601	Vorderradbremsscheibe	1	
3	AP8152056	TBEI Schraube M8x30	3	Technische Daten: Marke ZNL[zn]
3	AP8225358	TBEI Schraube M8x25	3	Technische Daten: Marke Grimeca[gr]
4	AP8201546	Schlauchloses Reifenventil	1	Technische Daten: Marke ZNL[zn]
4	AP8202168	Schlauchloses Reifenventil	1	Technische Daten: Marke Grimeca[gr]
5	AP8121620	Splint	1	
6	AP8550261	Kappe	1	
7	AP8109279	Reifen 130/70-13,6"	1	
8	AP8145037	Schalldämpfer Halteplatte	1	
9	AP8121633	Hinterrad Distanzscheibe	1	
10	AP8121634	Hinterrad Distanzscheibe	1	
11	AP8550307	Mutter Hinterrad	1	
12	AP8152402	Lager 6303-2RS1	1	
13	AP8152401	Ring 47	1	
14	AP8150018	Ausgleichscheibe	2	
15	AP8150277	TCEI Schraube M8x50	2	

Einheit	RAHMEN
Code	28.35
Beschreibung	Hinterradbremsszange
Inspektion	1



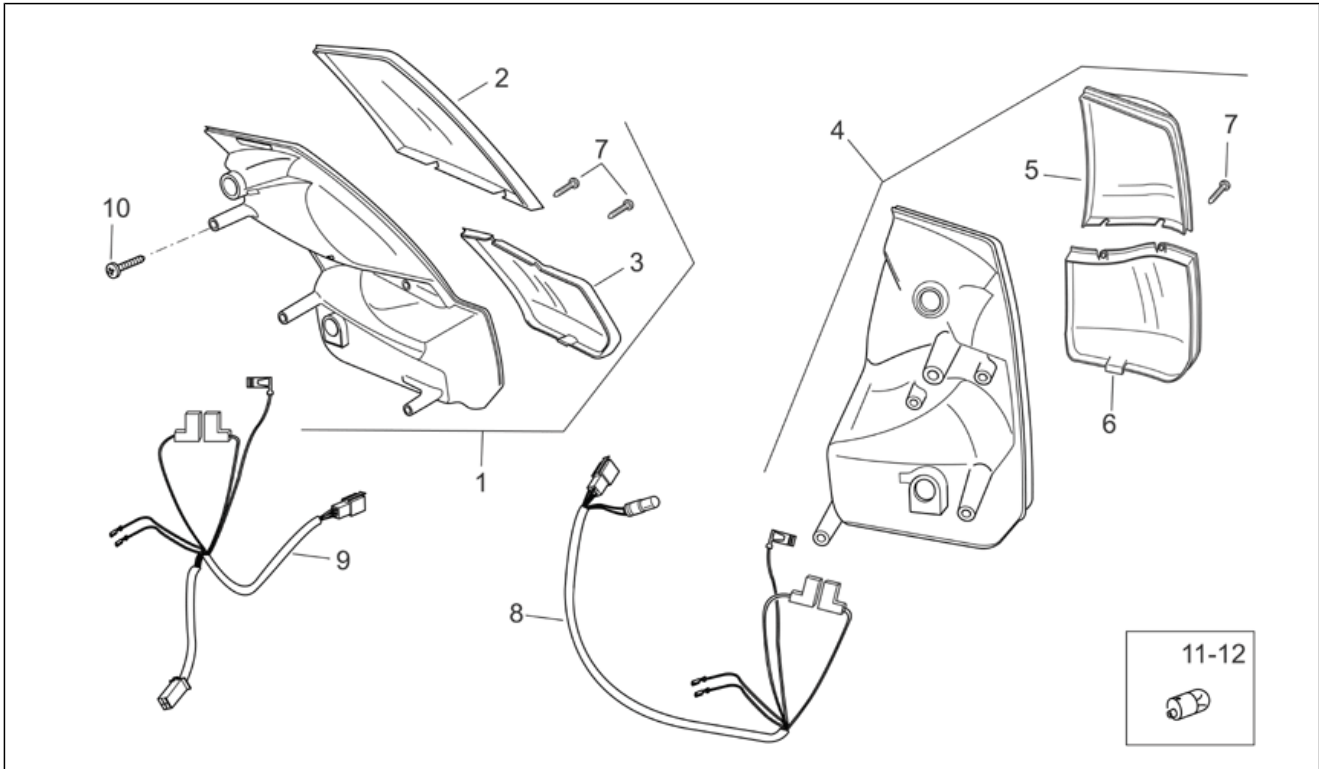
Pos.	Code	Beschreibung	Menge	Varianten
1	AP8133581	Hinterradbremsszange	1	Technische Daten:Marke Grimeca[gr]
1	AP8133732	Hinterradbremsszange	1	Technische Daten:Marke HT[ht]
2	AP8113005	Entlüftungskappe	1	Technische Daten:Marke Grimeca[gr]
2	AP8213575	Entlüftungskappe	1	Technische Daten:Marke HT[ht]
3	AP8113006	Entlüftungsanschluß	1	Technische Daten:Marke Grimeca[gr]
3	AP8213574	Entlüftungsanschluß	1	Technische Daten:Marke HT[ht]
4	AP8113869	Beläge (Paar)	1	Technische Daten:Marke Grimeca[gr]
4	AP8213577	Beläge (Paar)	1	Technische Daten:Marke HT[ht]
5	AP8213457	Bausatz Bremszangenüberholung	1	Technische Daten:Marke Grimeca[gr]
5	AP8213579	Bausatz Bremszangenüberholung	1	Technische Daten:Marke HT[ht]
6	AP8113003	Fixierschraube Ölschlauch	2	
7	AP8113762	Lochschraube	1	
8	AP8113761	Entlüftungsanschluß	1	
9	AP8113004	Ausgleichscheibe 10x14x1,6*	4	
10	AP8113230	Entlüftungskappe	1	
11	AP8113922	Ventil	1	Technische Daten:Marke Grimeca[gr]
11	AP8133738	Ventil	1	Technische Daten:Marke HT[ht]
12	858233	Hinterradbremssleitung	1	
13	858235	Leitung	1	
14	AP8150164	TCEI Schraube M8x45	2	
15	AP8150376	Ausgleichscheibe 8,5x15x0,8	2	
16	AP8132907	Schelle	1	
17	AP8113871	Bolzen+Bremse Felder	1	Technische Daten:Marke Grimeca[gr]
17	AP8213578	Bolzen+Bremse Felder	1	Technische Daten:Marke HT[ht]
18	AP8202159	Kabelführungs	1	

Einheit	RAHMEN
Code	28.36
Beschreibung	Scheinwerfer
Inspektion	1



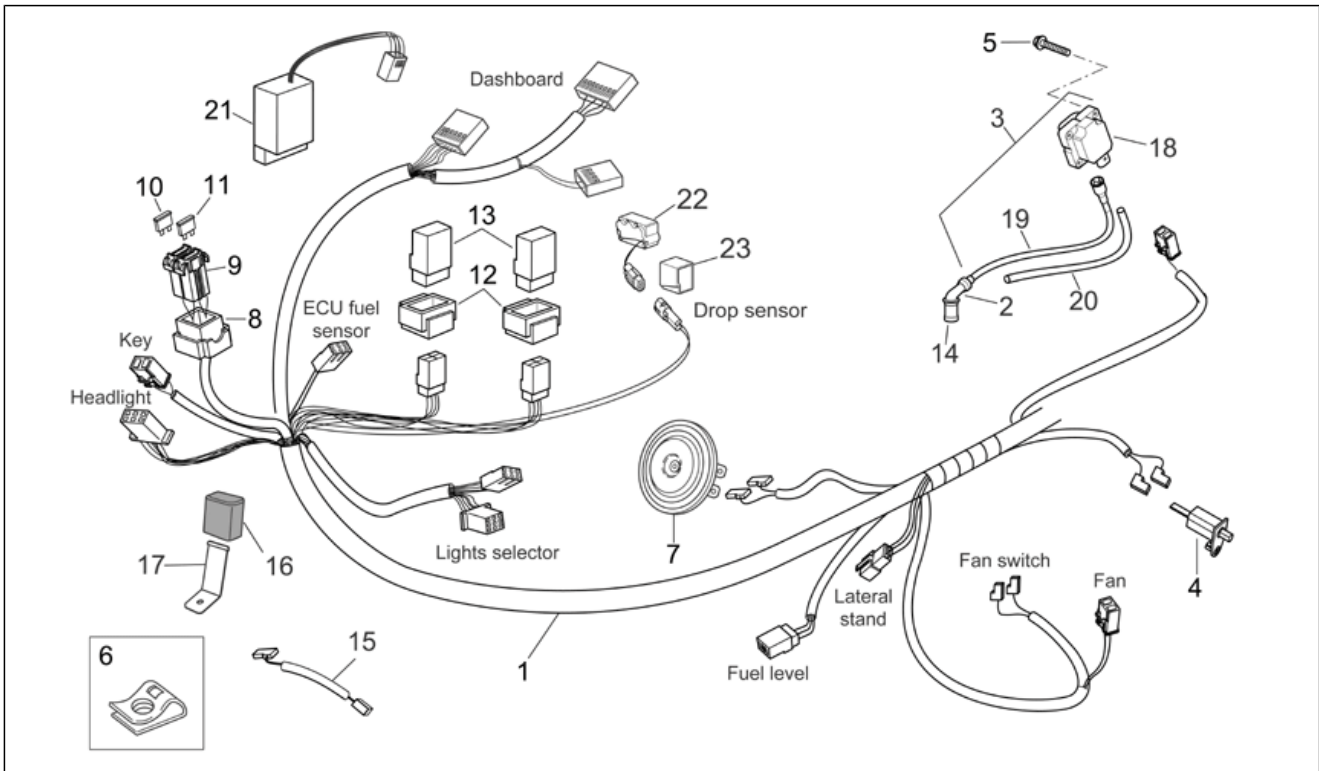
Pos.	Code	Beschreibung	Menge	Varianten
1	854894	Scheinwerfer	1	
2	AP8127442	Scheinwerferhaube	2	
3	AP8127272	Vorderblinker rechts	1	
4	AP8127443	V. Blinkerblende rechts	1	
5	AP8127258	Vorderblinker links	1	
6	AP8127444	V. Blinkerblende links	1	
7	AP8121643	Gew.schr. 3,5x13	2	
8	AP8127248	Verkabel.Scheinwerf.	1	
9	AP8127489	Lampen RY10W 12V	2	
10	AP8127490	Lampen W16W 12V 16W	1	
11	AP8127488	Kabel Standlicht	1	
12	AP8144529	Dichtung	1	
13	852200	Lampen H11 12V-55W	2	

Einheit	RAHMEN
Code	28.37
Beschreibung	Rücklicht
Inspektion	1



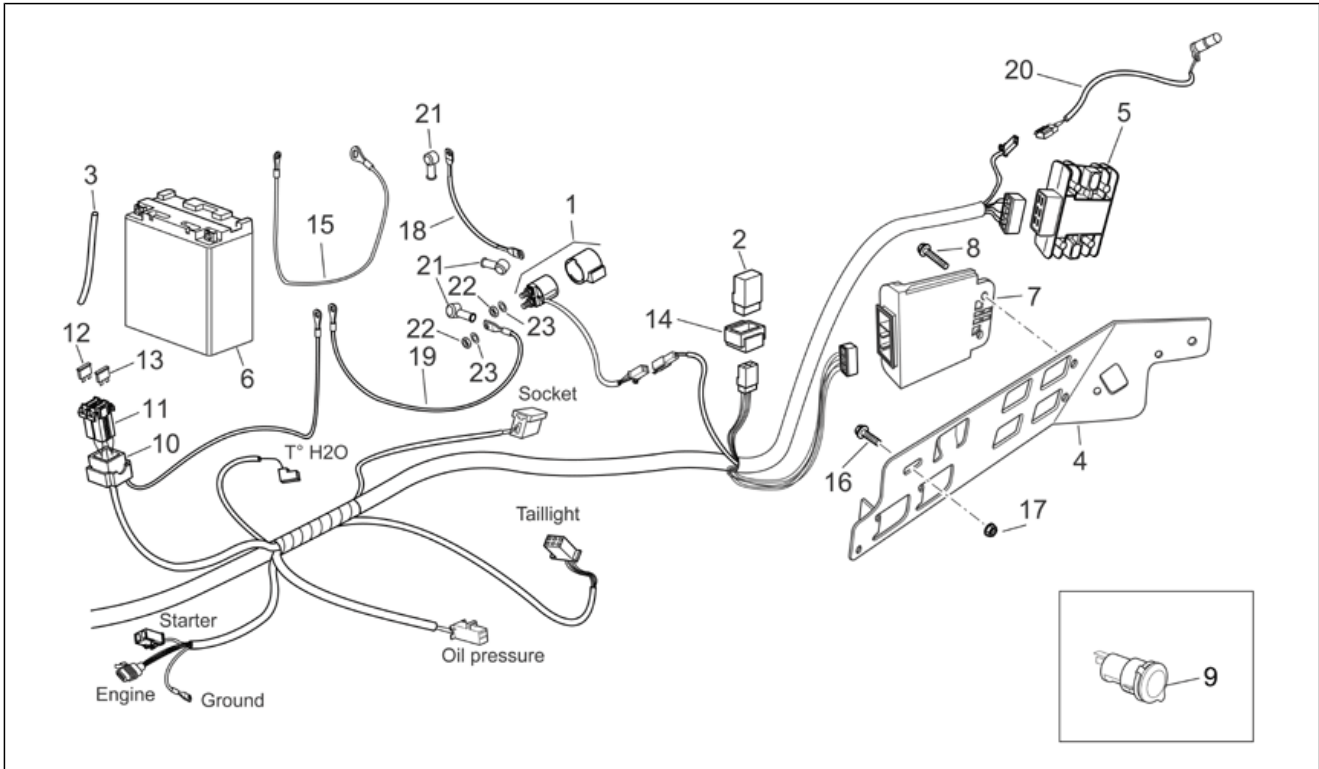
Pos.	Code	Beschreibung	Menge	Varianten
1	AP8127259	Rücklicht rechts	1	
2	AP8127445	RH transparent lens	1	
3	AP8127448	RH red lens	1	
4	AP8127316	Linker rücklicht	1	
5	AP8127447	LH transparent lens	1	
6	AP8127446	LH red lens	1	
7	AP8224242	Gew.schr. 3,9x16	4	
8	AP8127392	Verkabelung Rücklicht links	1	
9	AP8127249	Verkabelung Rücklicht rechts	1	
10	AP8152329	Kreuz.schl.flnschschr. M5x20	6	
11	AP8127489	Lampen RY10W 12V	2	
12	AP8224389	Lampen P21/5W 12V	2	

Einheit	RAHMEN
Code	28.38
Beschreibung	Vorder Elektrische Anlage
Inspektion	1



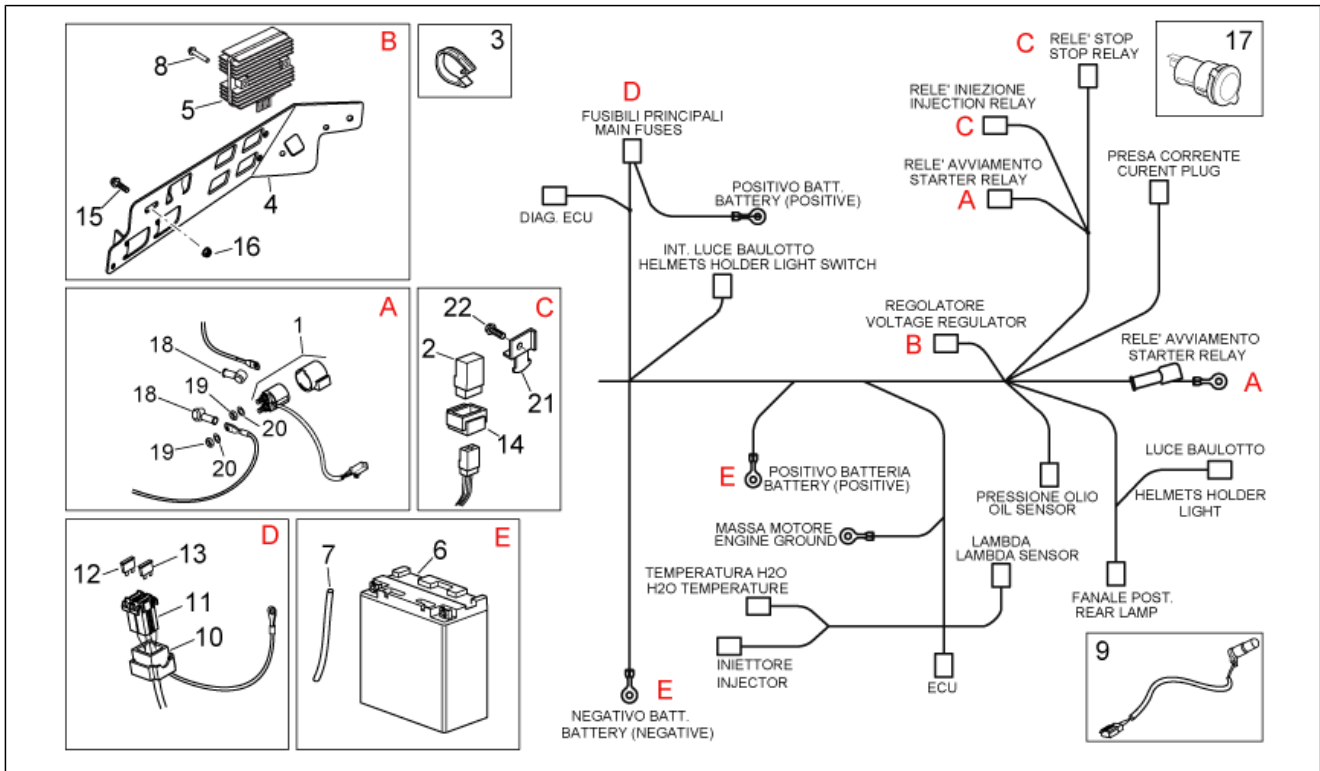
Pos.	Code	Beschreibung	Menge	Varianten
1	AP8127630	Hauptverkabelung	1	Technische Daten: Version 125 cm ³ (M245M)[125]
1	AP8127823	Hauptverkabelung	1	Technische Daten: Version 250 cm ³ (M361M)[250]
2	AP8550455	Widerstandsstecker	1	Technische Daten: Version 125 cm ³ (M245M)[125], Version 250 cm ³ (M361M)[250]
3	AP8580123	Z.trafo+Kabel	1	Technische Daten: Version 125 cm ³ (M245M)[125]
4	AP8212696	Kofferlichtschalter	1	
5	AP8152275	TE Schr. m. Flansch M5x25	1	
6	AP8102375	Klammer M5	1	
7	AP8127337	Hupe	1	
8	AP8112811	Sicherungsblockgummi	1	
9	AP8120754	Sicherungsblockgummi	2	
10	AP8112244	Sicherung 7,5A	1	
11	AP8112176	Sicherung 15A	1	
12	AP8220283	Gummi *	2	
13	AP8224462	Zündrelais 12V-30A	2	
14	AP8550366	Zündkerze Schutzring	1	Technische Daten: Version 250 cm ³ (M361M)[250]
14	AP8580152	Zündkerze Schutzring	1	Technische Daten: Version 125 cm ³ (M245M)[125]
15	AP8127568	Verkabelung	1	
16	AP8124235	Blinken	1	
17	AP8134967	Fixierplatte	1	
18	AP8127112	Spule	1	Technische Daten: Version 250 cm ³ (M361M)[250]
19	AP8127885	Zuendkabel	1	Technische Daten: Version 250 cm ³ (M361M)[250]
20	AP8127886	Schutzhuelse	1	Technische Daten: Version 250 cm ³ (M361M)[250]
21	AP8104884	Benzinanzzeige Regler	1	Technische Daten: Version 250 cm ³ (M361M)[250]
22	AP8124266	Neigungsfühler	1	Technische Daten: Version 250 cm ³ (M361M)[250]
23	AP8144046	Sensor halter gummi	1	Technische Daten: Version 250 cm ³ (M361M)[250]

Einheit	RAHMEN
Code	28.39
Beschreibung	Hint.Elektrische Anlage I
Inspektion	1



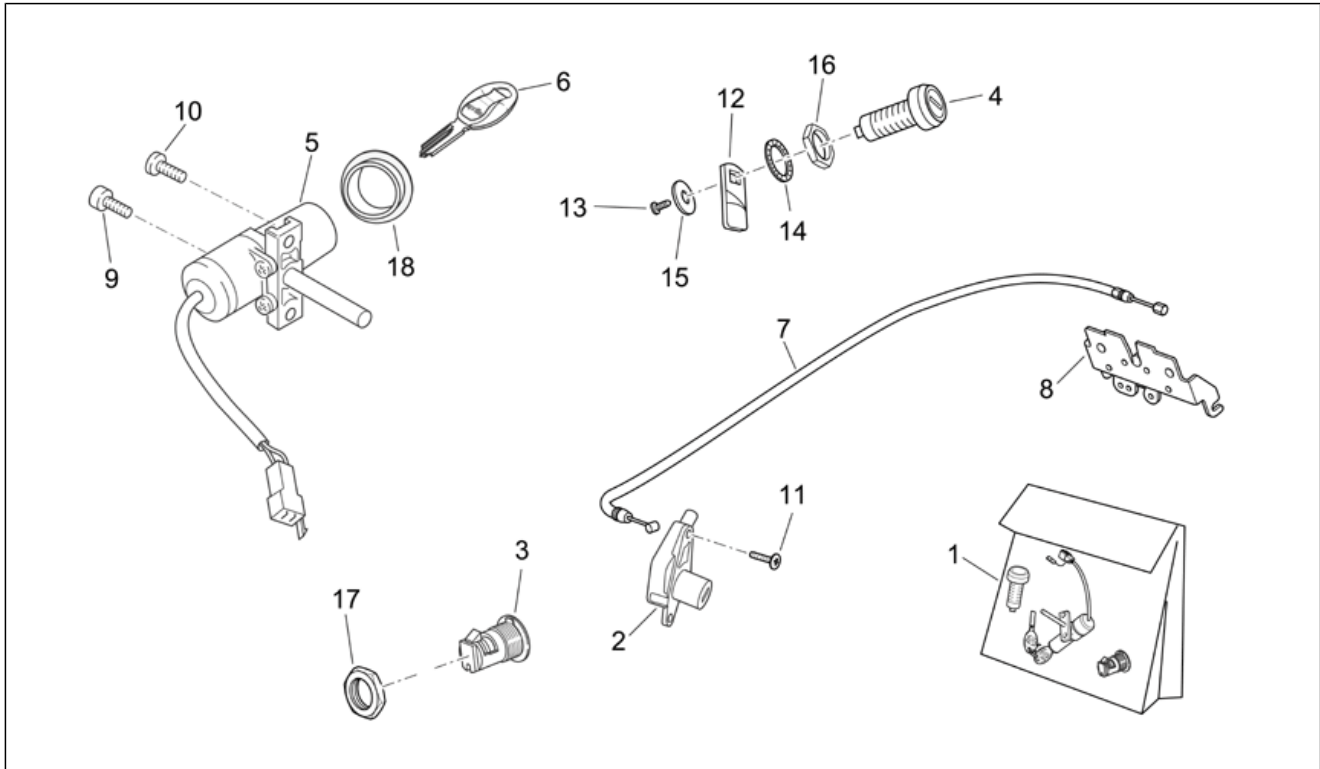
Pos.	Code	Beschreibung	Menge	Varianten
1	AP8124636	Zündrelais 12V-150A	1	Technische Daten:Version 125 cm ³ (M245M)[125]
2	AP8224462	Zündrelais 12V-30A	1	
3	AP8220263	Entlüftungsschlauch Kühler 4x8	1	
4	AP8179526	Elek.komponenten halter	1	Technische Daten:Version 125 cm ³ (M245M)[125]
5	AP8127418	Spannungsregler	1	Technische Daten:Version 125 cm ³ (M245M)[125]
6	AP8112920	Batterie	1	Technische Daten:Version 125 cm ³ (M245M)[125]
7	AP8127862	Steuergerät	1	Technische Daten:Version 125 cm ³ (M245M)[125]
8	AP8152279	TE Schr. m. Flansch M6x20	2	
9	AP8124768	Strombuchse kpl.	1	
10	AP8112811	Sicherungsblockgummi	1	
11	AP8120754	Sicherungsblockgummi	2	
12	AP8112176	Sicherung 15A	1	
13	AP8112506	Sicherung 20A	1	
14	AP8220283	Gummi *	1	
15	AP8127245	Masse-Batteriekabel	1	Technische Daten:Version 125 cm ³ (M245M)[125]
16	AP8152278	TE Schr. m. Flansch M6x16	2	
17	AP8152299	Selbstsperrende Mutter M6	1	
18	AP8127246	Anlasserkabel	1	Technische Daten:Version 125 cm ³ (M245M)[125]
19	AP8127247	Verkabelung Batterie-Relais	1	Technische Daten:Version 125 cm ³ (M245M)[125]
20	AP8124765	Kennzeich.leuch.Kabel	1	
21	AP8120218	Klemmenkappe	3	
22	AP8150026	Mutter M6	2	
23	AP8150429	Sprengscheibe 6,4x11x0,5*	2	

Einheit	RAHMEN
Code	28.40
Beschreibung	Hint.Elektrische Anlage II
Inspektion	1



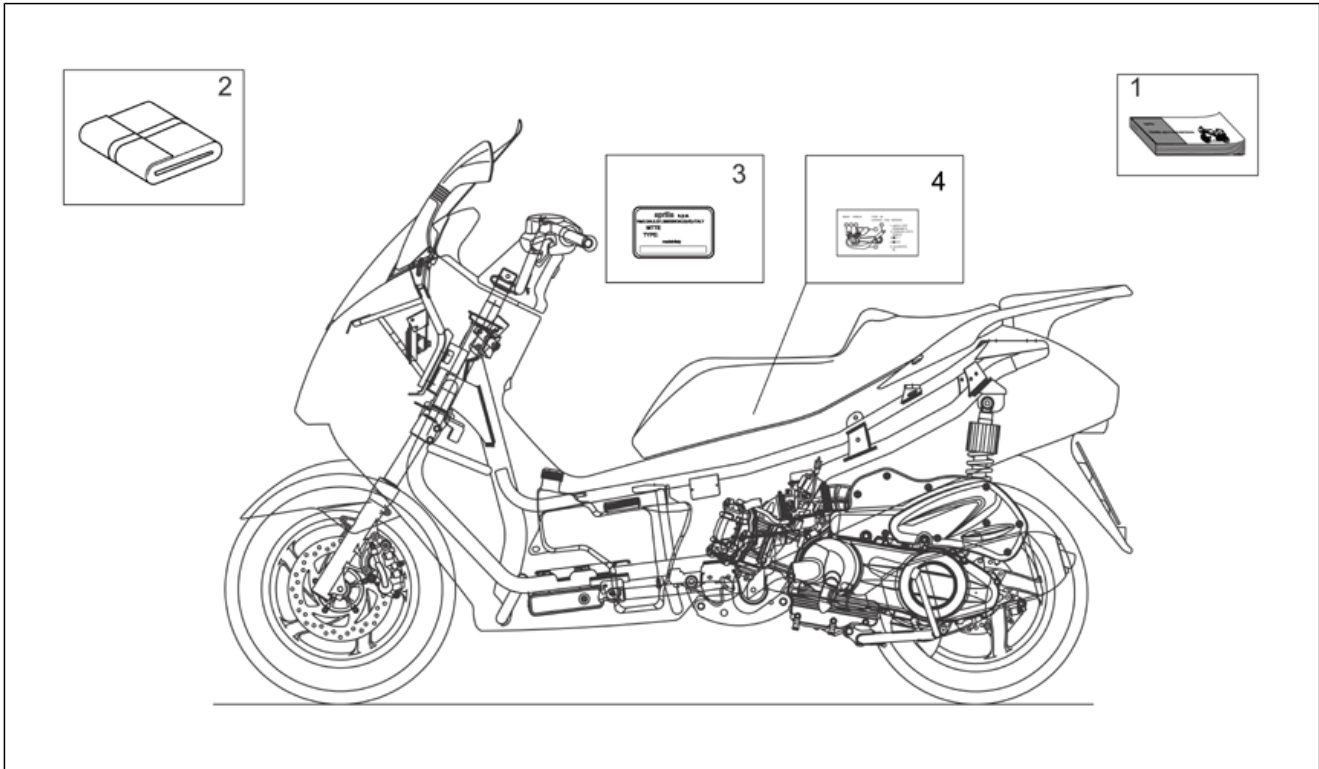
Pos.	Code	Beschreibung	Menge	Varianten
1	AP8124636	Zündrelais 12V-150A	1	Technische Daten:Version 250 cm ³ (M361M)[250]
2	AP8224462	Zündrelais 12V-30A	1	
3	AP8161157	Kabelführung	1	Technische Daten:Version 250 cm ³ (M361M)[250]
4	AP8179526	Elek.komponenten halter	1	Technische Daten:Version 250 cm ³ (M361M)[250]
5	AP8127809	Spannungsregler	1	Technische Daten:Version 250 cm ³ (M361M)[250]
6	AP8112920	Batterie	1	Technische Daten:Version 250 cm ³ (M361M)[250]
7	AP8220263	Entlüftungsschlauch Kühler 4x8	1	
8	AP8152282	TE Schr. m. Flansch M6x35	2	
9	AP8124765	Kennzeich.leuch.Kabel	1	
10	AP8112811	Sicherungsblockgummi	1	
11	AP8120754	Sicherungsblockgummi	2	
12	AP8112176	Sicherung 15A	1	
13	AP8112506	Sicherung 20A	1	
14	AP8220283	Gummi *	1	
15	AP8152278	TE Schr. m. Flansch M6x16	2	
16	AP8152299	Selbstsperrende Mutter M6	1	
17	AP8124768	Strombuchse kpl.	1	
18	AP8120218	Klemmenkappe	2	
19	AP8150026	Mutter M6	2	
20	AP8150429	Sprengscheibe 6,4x11x0,5*	2	
21	AP8234094	Hltr. Sicherungsblock	1	Technische Daten:Version 250 cm ³ (M361M)[250]
22	AP8152272	TE Schr. m. Flansch M5x12	1	Technische Daten:Version 250 cm ³ (M361M)[250]

Einheit	RAHMEN
Code	28.41
Beschreibung	Bausatz Schlösser
Inspektion	1



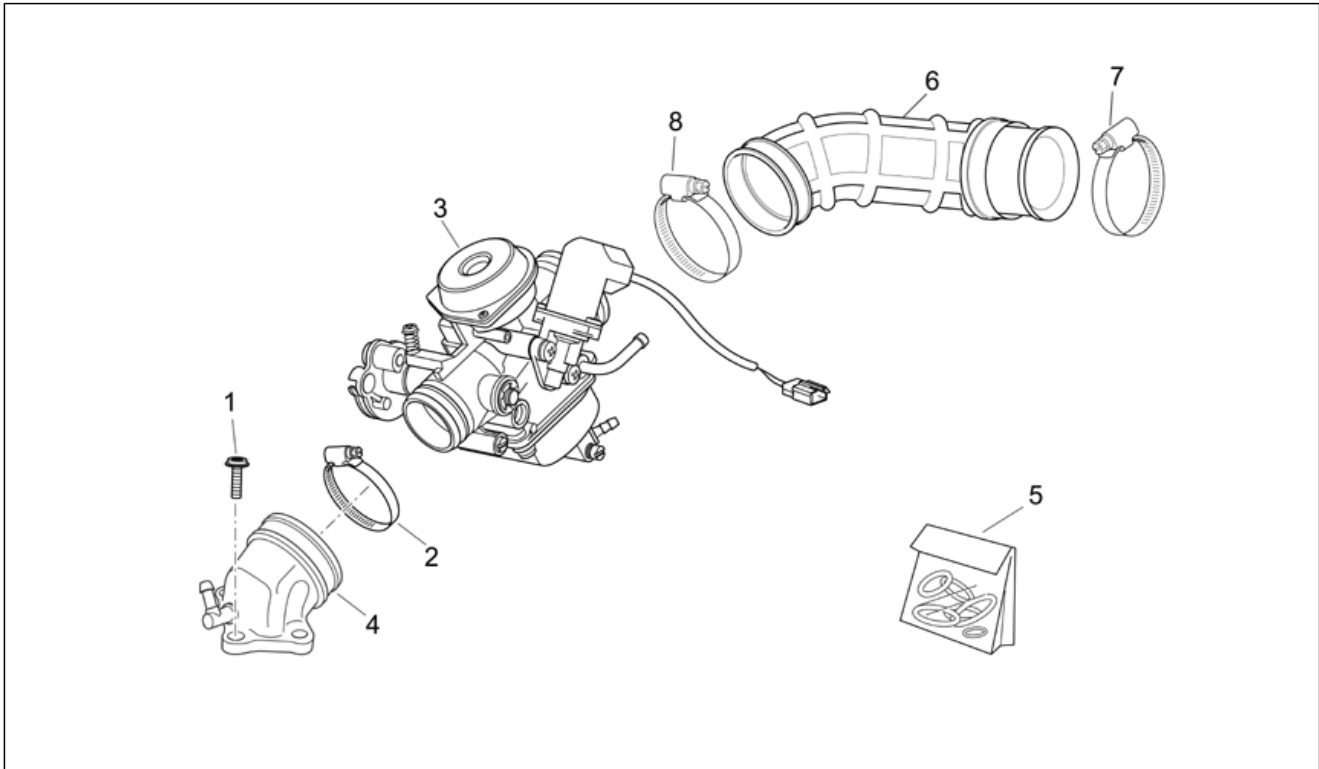
Pos.	Code	Beschreibung	Menge	Varianten
1	AP8104418	Kit Schließvorrichtungen	1	
2	AP8104611	Sitzschloß	1	
3	AP8104612	Schloß Handsch.f. vorn	1	
4	AP8104609	Schloß Tankklappe	1	
5	AP8104610	Lenkschloß	1	
6	AP8104613	"Aprilia" schlüssel ohne tran.	1	
7	AP8104422	Schloßkabel	1	
8	AP8102947	Sitz Verschlußplatte	1	
9	AP8150137	TCEI Schraube M6x16	1	
10	AP8152140	Reißschraube M6x17	1	
11	AP8152246	TBEI Schraube m.Flansch M6x16	2	
12	AP8201620	Hebel	1	
13	AP8201749	Linsenschraube M4x6	1	
14	AP8221312	Zahnscheibe	1	
15	AP8201748	Ausgleichscheibe	1	
16	AP8152194	Mutter unten M19x1*	1	
17	AP8102523	Schloß mutter M22x1,5	1	
18	AP8127461	Dichtung Zündschloß	1	

Einheit	RAHMEN
Code	28.42
Beschreibung	Aufkleber-Deko
Inspektion	1



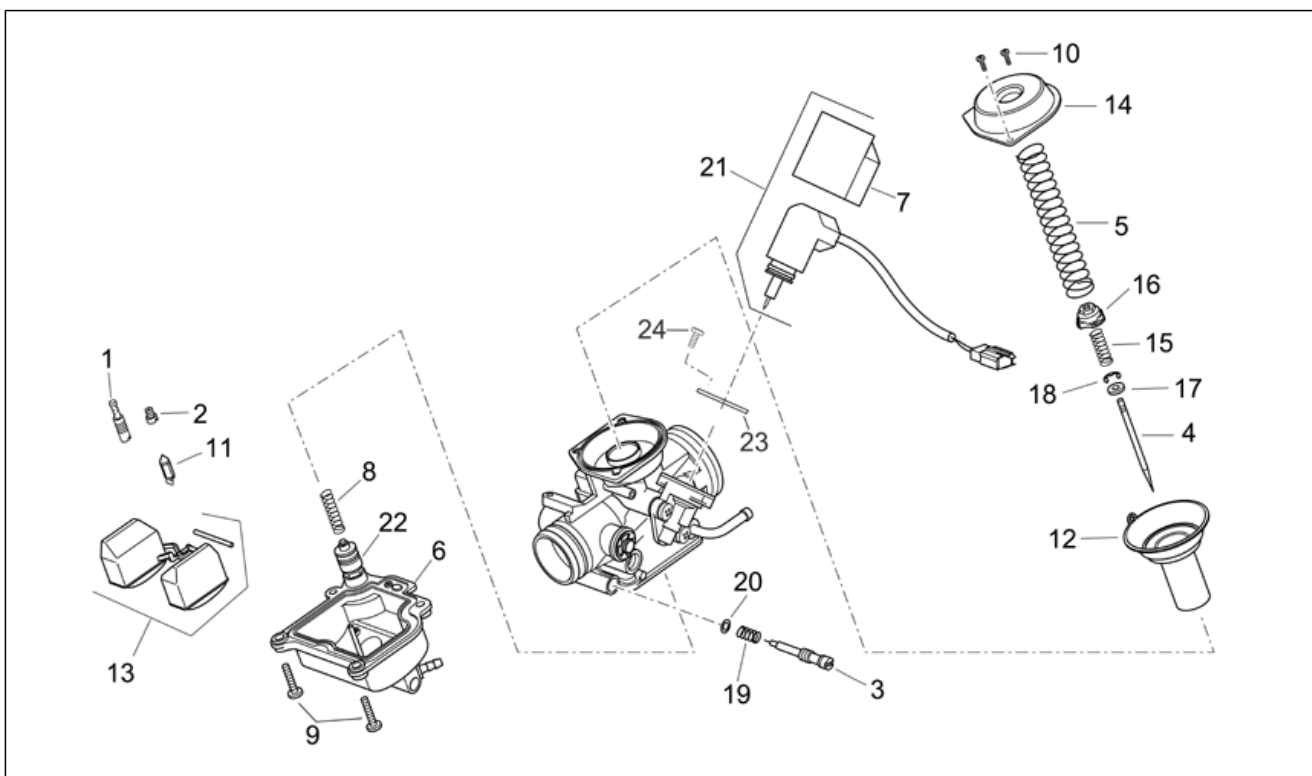
Pos.	Code	Beschreibung	Menge	Varianten
1	AP8181010	Gebrauchsanleitung -I-	1	
1	AP8181011	Gebrauchsanleitung -F-DK-NL-D-	1	
2	AP8104414	Werkzeugtasche	1	
3	AP8166861	Herstellerschild	1	Technische Daten: Version 250 cm ³ (M361M)[250]
3	AP8166861	Herstellerschild	1	Technische Daten: Version 125 cm ³ (M245M)[125]
4	AP8166907	Fälschungssicheres Schild	1	Technische Daten: Version 125 cm ³ (M245M)[125]

Einheit	MOTOR
Code	29.25
Beschreibung	Vergaser I
Inspektion	1



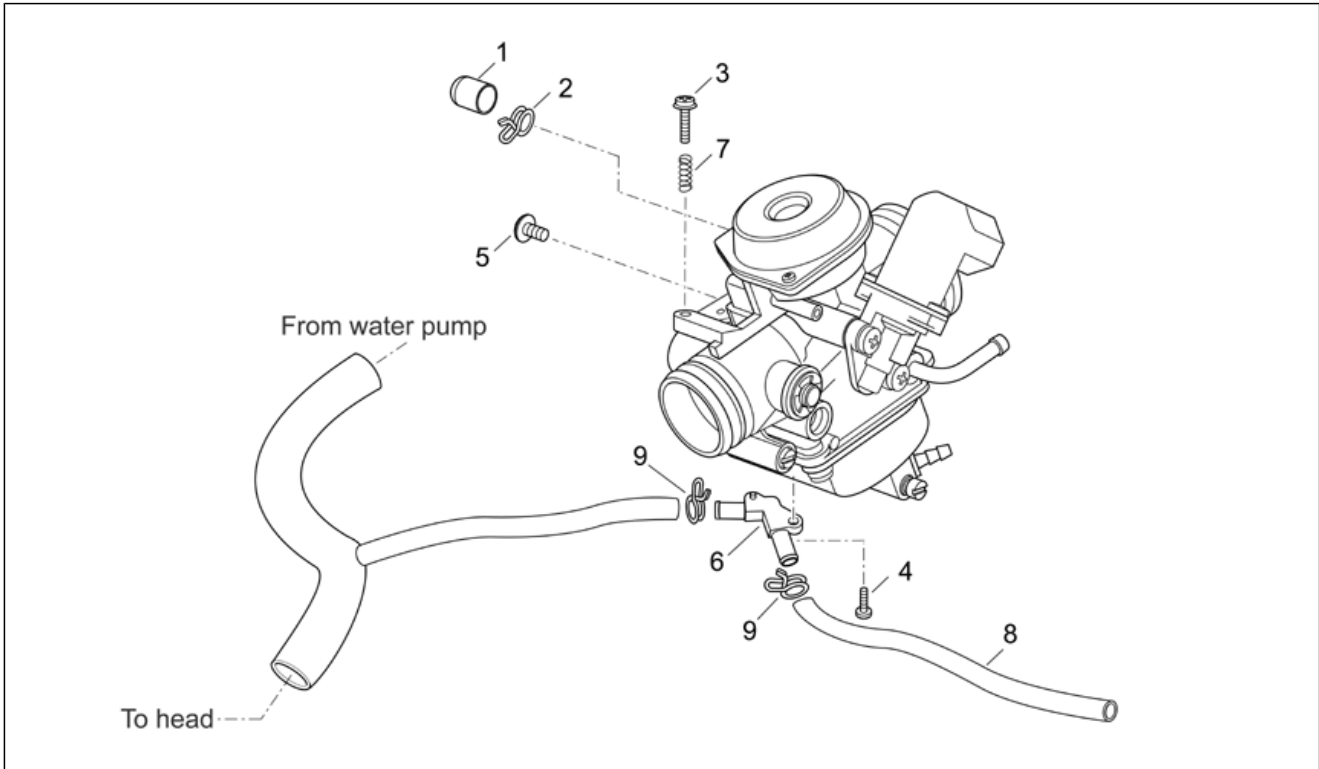
Pos.	Code	Beschreibung	Menge	Varianten
1	AP8550173	TE Schr. m. Flansch M6x25	3	Technische Daten:Version 125 cm ³ (M245M)[125]
2	AP8570079	Schlauchschelle	1	Technische Daten:Version 125 cm ³ (M245M)[125]
3	AP8176304	Vergaser kpl.	1	Technische Daten:Version 125 cm ³ (M245M)[125]
4	AP8176311	Ansaugkrümmer	1	Technische Daten:Version 125 cm ³ (M245M)[125]
5	AP8580012	Dichtungen Vergaser	1	Technische Daten:Version 125 cm ³ (M245M)[125]
6	AP8144794	Vergasersmuffe	1	Technische Daten:Version 125 cm ³ (M245M)[125]
7	AP8121621	Schlauchschelle	1	Technische Daten:Version 125 cm ³ (M245M)[125]
8	AP8580219	Schelle	1	Technische Daten:Version 125 cm ³ (M245M)[125]

Einheit	MOTOR
Code	29.26
Beschreibung	Vergaser II
Inspektion	1



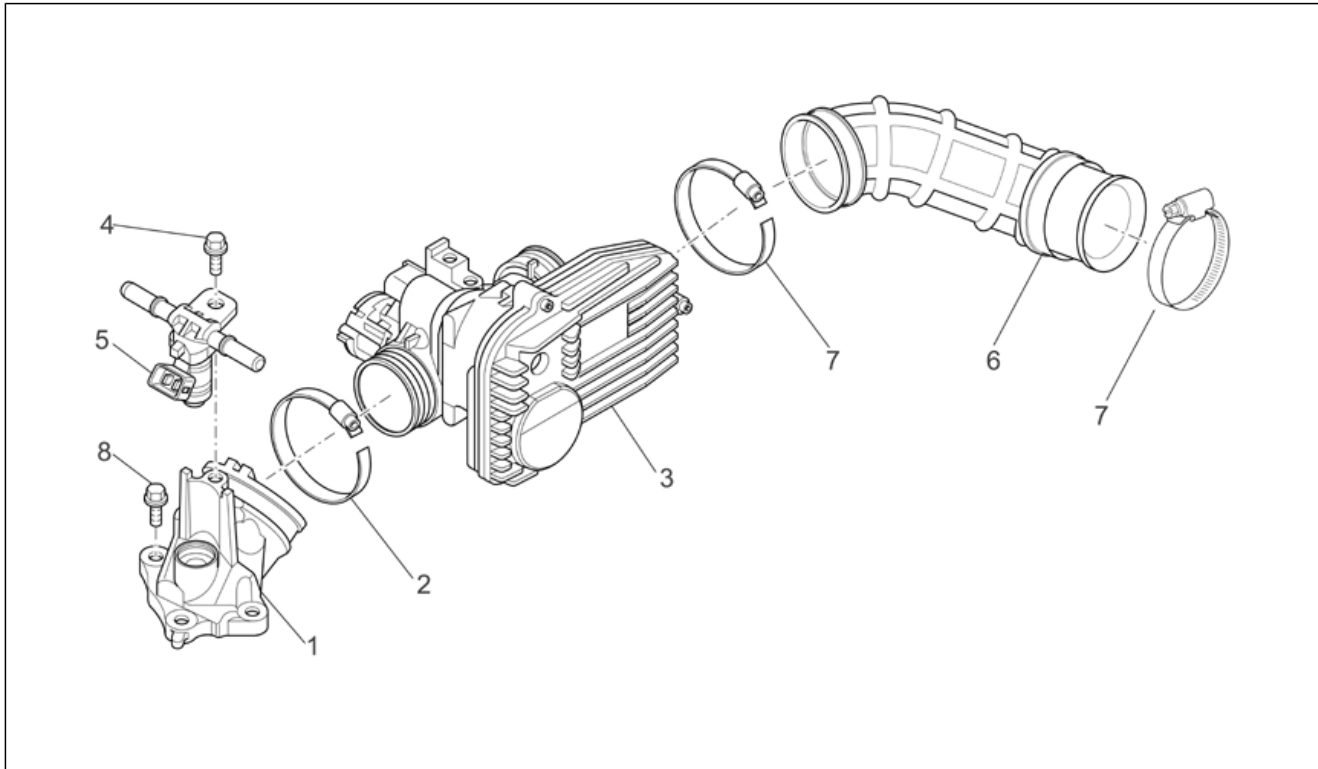
Pos.	Code	Beschreibung	Menge	Varianten
1	AP8580266	Leerlaufstrahl 35	1	Technische Daten:Version 125 cm ³ (M245M)[125]
2	AP8176305	Maximaldüse 98	1	Technische Daten:Version 125 cm ³ (M245M)[125]
3	AP8580227	LuftEinst.schr. Leerl.	1	Technische Daten:Version 125 cm ³ (M245M)[125]
4	AP8580268	Vergasernadel	1	Technische Daten:Version 125 cm ³ (M245M)[125]
5	AP8580269	Rückholfeder Gasven.	1	Technische Daten:Version 125 cm ³ (M245M)[125]
6	AP8577075	Wanne kit	1	Technische Daten:Version 125 cm ³ (M245M)[125]
7	AP8551065	Starter deckel	1	Technische Daten:Version 125 cm ³ (M245M)[125]
8	AP8580030	Feder	1	Technische Daten:Version 125 cm ³ (M245M)[125]
9	AP8580016	Schraube	5	Technische Daten:Version 125 cm ³ (M245M)[125]
10	AP8580017	Schraube	2	Technische Daten:Version 125 cm ³ (M245M)[125]
11	AP8551112	Verschlusßnadel Benz.	1	Technische Daten:Version 125 cm ³ (M245M)[125]
12	AP8575049	Membran	1	Technische Daten:Version 125 cm ³ (M245M)[125]
13	AP8575050	Schwimmer	1	Technische Daten:Version 125 cm ³ (M245M)[125]
14	AP8577079	Deckel	1	Technische Daten:Version 125 cm ³ (M245M)[125]
15	AP8580021	Feder	1	Technische Daten:Version 125 cm ³ (M245M)[125]
16	AP8580022	Becher	1	Technische Daten:Version 125 cm ³ (M245M)[125]
17	AP8580023	Ausgleichscheibe	1	Technische Daten:Version 125 cm ³ (M245M)[125]
18	AP8580024	Seegerring	1	Technische Daten:Version 125 cm ³ (M245M)[125]
19	AP8580028	Feder	1	Technische Daten:Version 125 cm ³ (M245M)[125]
20	AP8580029	Ausgleichscheibe	1	Technische Daten:Version 125 cm ³ (M245M)[125]
21	AP8580270	Autom.starter kompl.	1	Technische Daten:Version 125 cm ³ (M245M)[125]
22	AP8577076	Beschleunigungspumpe kit	1	Technische Daten:Version 125 cm ³ (M245M)[125]
23	AP8551064	Platte	1	Technische Daten:Version 125 cm ³ (M245M)[125]
24	AP8560009	Schraube	1	Technische Daten:Version 125 cm ³ (M245M)[125]

Einheit	MOTOR
Code	29.27
Beschreibung	Vergaser III
Inspektion	1



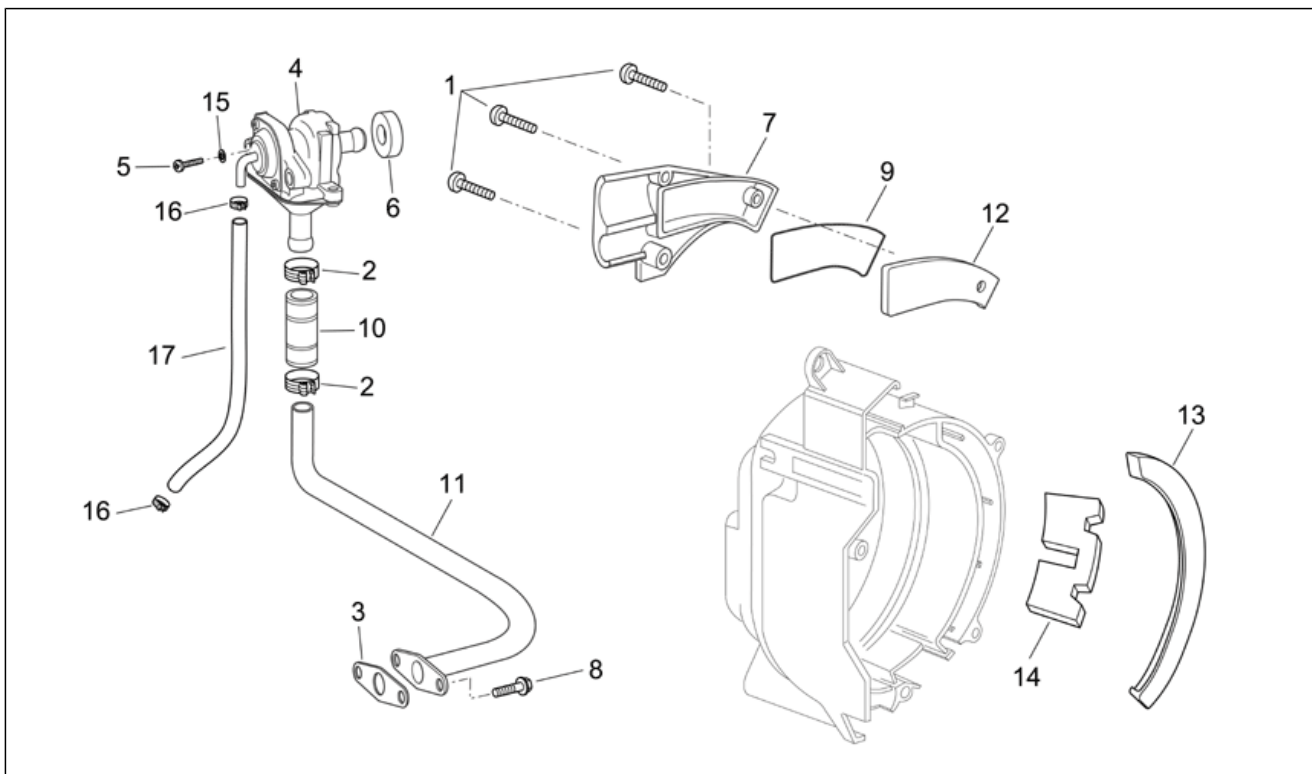
Pos.	Code	Beschreibung	Menge	Varianten
1	AP8577081	Lufteinlaß	1	Technische Daten:Version 125 cm ³ (M245M)[125]
2	AP8580220	Schlauchselle	1	Technische Daten:Version 125 cm ³ (M245M)[125]
3	AP8580025	Schraube	1	Technische Daten:Version 125 cm ³ (M245M)[125]
4	AP8580016	Schraube	2	Technische Daten:Version 125 cm ³ (M245M)[125]
5	AP8580027	Schraube	2	Technische Daten:Version 125 cm ³ (M245M)[125]
6	AP8575052	Heizapparat	1	Technische Daten:Version 125 cm ³ (M245M)[125]
7	AP8580026	Feder	1	Technische Daten:Version 125 cm ³ (M245M)[125]
8	AP8580146	Leitung	1	Technische Daten:Version 125 cm ³ (M245M)[125]
9	AP8575004	Schlauchselle	2	Technische Daten:Version 125 cm ³ (M245M)[125]

Einheit	MOTOR
Code	29.28
Beschreibung	Klappenkörper
Inspektion	1



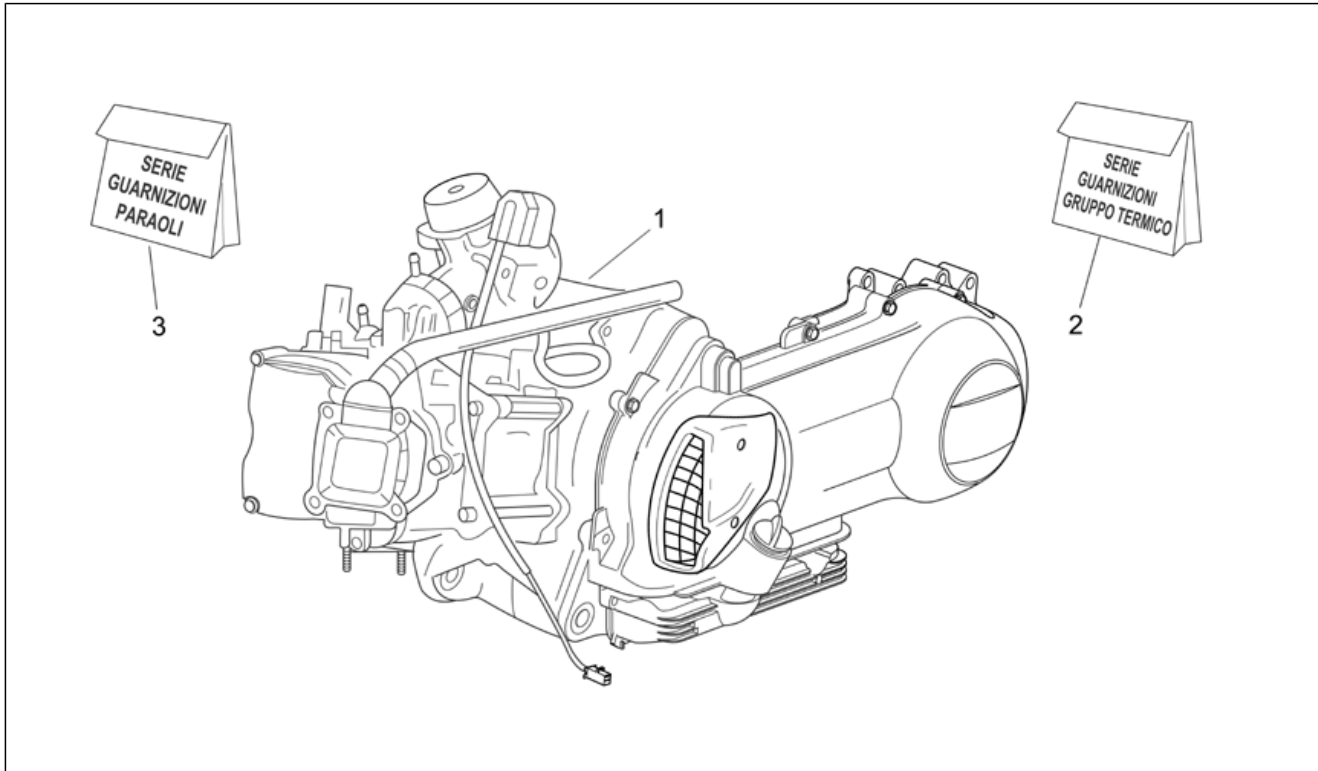
Pos.	Code	Beschreibung	Menge	Varianten
1	AP8176342	Ansaugkrümmer	1	Technische Daten:Version 250 cm ³ (M361M)[250]
2	AP8570079	Schlauchschelle	1	Technische Daten:Version 250 cm ³ (M361M)[250]
3	AP8176346	Klappenkörper kpl.	1	Technische Daten:Version 250 cm ³ (M361M)[250]
4	AP8560153	TE Schr. m. Flansch	1	Technische Daten:Version 250 cm ³ (M361M)[250]
5	AP8176343	Kompl.Satz.f.Spritzdüsel	1	Technische Daten:Version 250 cm ³ (M361M)[250]
6	AP8144796	Muffe Drosselklappe	1	Technische Daten:Version 250 cm ³ (M361M)[250]
7	AP8121639	Schelle 40-60 h9	2	Technische Daten:Version 250 cm ³ (M361M)[250]
8	AP8540002	TE Schr. m. Flansch	3	Technische Daten:Version 250 cm ³ (M361M)[250]

Einheit	MOTOR
Code	29.29
Beschreibung	Secondary air I
Inspektion	1



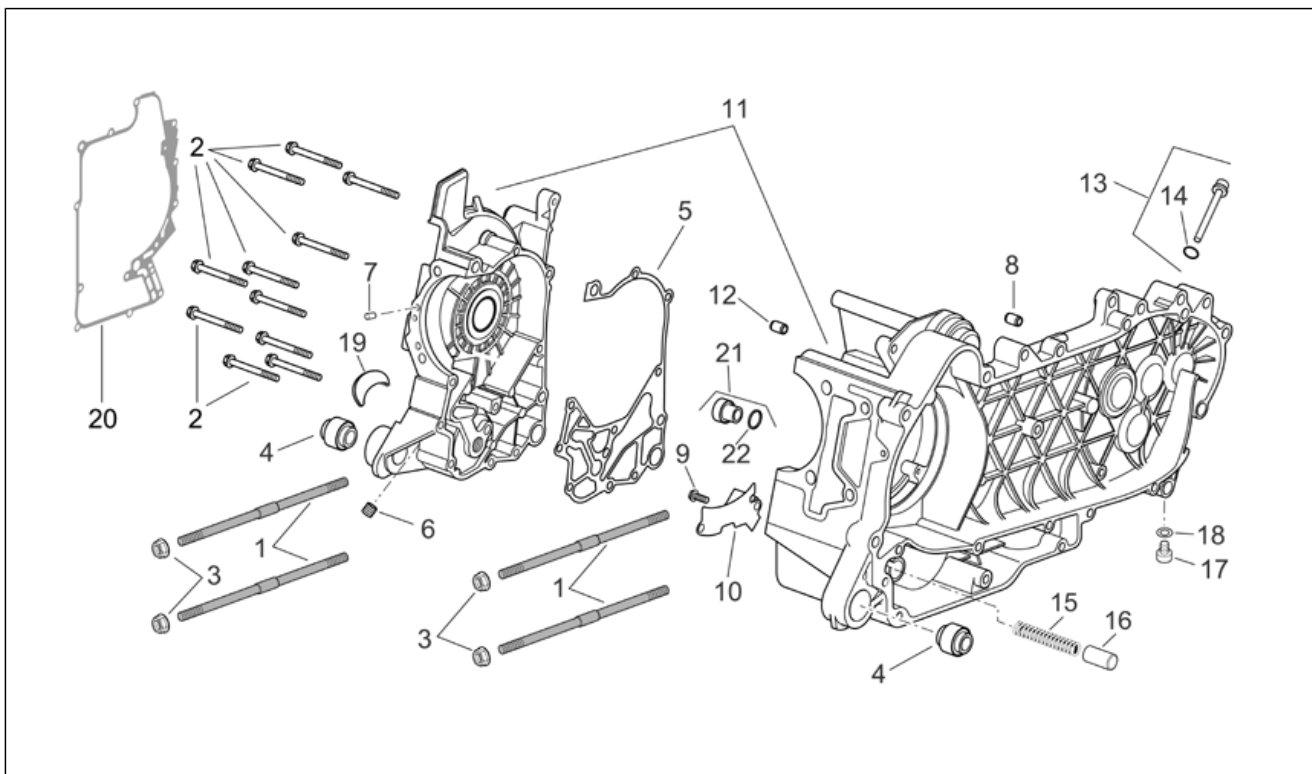
Pos.	Code	Beschreibung	Menge	Varianten
1	AP8551060	Schraube	3	Technische Daten:Version 125 cm ³ (M245M)[125]
2	AP8144579	Schlauchschelle	2	Technische Daten:Version 125 cm ³ (M245M)[125]
3	AP8570089	Dichtung	1	Technische Daten:Version 125 cm ³ (M245M)[125]
4	AP8580127	SAS ventil	1	Technische Daten:Version 125 cm ³ (M245M)[125]
5	AP8580063	Schraube	2	Technische Daten:Version 125 cm ³ (M245M)[125]
6	AP8580192	Dichtung	1	Technische Daten:Version 125 cm ³ (M245M)[125]
7	AP8580191	Deckel	1	Technische Daten:Version 125 cm ³ (M245M)[125]
8	AP8550556	TE Schr. m. Flansch	2	Technische Daten:Version 125 cm ³ (M245M)[125]
9	AP8580194	Dichtung	1	Technische Daten:Version 125 cm ³ (M245M)[125]
10	AP8580195	Anschlußschlauch	1	Technische Daten:Version 125 cm ³ (M245M)[125]
11	AP8580196	Leitung	1	Technische Daten:Version 125 cm ³ (M245M)[125]
12	AP8580193	Filter	1	Technische Daten:Version 125 cm ³ (M245M)[125]
13	AP8580214	Deckel	1	Technische Daten:Version 125 cm ³ (M245M)[125]
14	AP8580215	Schalldämpfer	1	Technische Daten:Version 125 cm ³ (M245M)[125]
15	AP8580059	Flachscheibe	2	Technische Daten:Version 125 cm ³ (M245M)[125]
16	AP8515050	Schlauchschelle	2	Technische Daten:Version 125 cm ³ (M245M)[125]
17	AP8577091	Ansaugleitung	1	Technische Daten:Version 125 cm ³ (M245M)[125]

Einheit	MOTOR
Code	29.30
Beschreibung	Motor
Inspektion	1



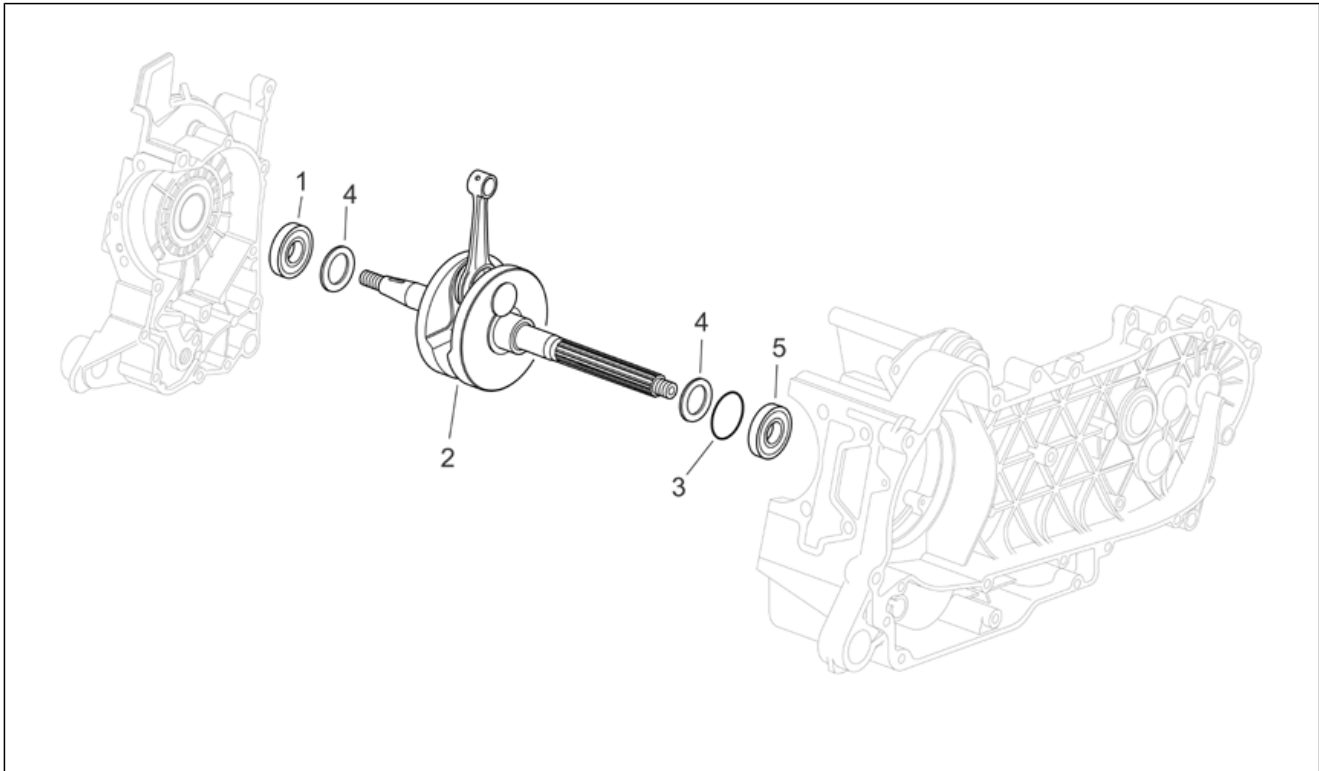
Pos.	Code	Beschreibung	Menge	Varianten
1	AP8176211	Motor 250	1	Technische Daten: Version 250 cm ³ (M361M)[250]
1	AP8176226	Motor 125	1	Technische Daten: Version 125 cm ³ (M245M)[125]
2	AP8577093	Zylinder Dichtung Satz	1	Technische Daten: Version 250 cm ³ (M361M)[250]
2	AP8580014	Zylinder Dichtung Satz	1	Technische Daten: Version 125 cm ³ (M245M)[125]
3	AP8577094	Satz motor dichtung	1	Technische Daten: Version 250 cm ³ (M361M)[250]
3	AP8580013	Satz motor dichtung	1	Technische Daten: Version 125 cm ³ (M245M)[125]

Einheit	MOTOR
Code	29.43
Beschreibung	Kurbelwellengehäuse
Inspektion	1



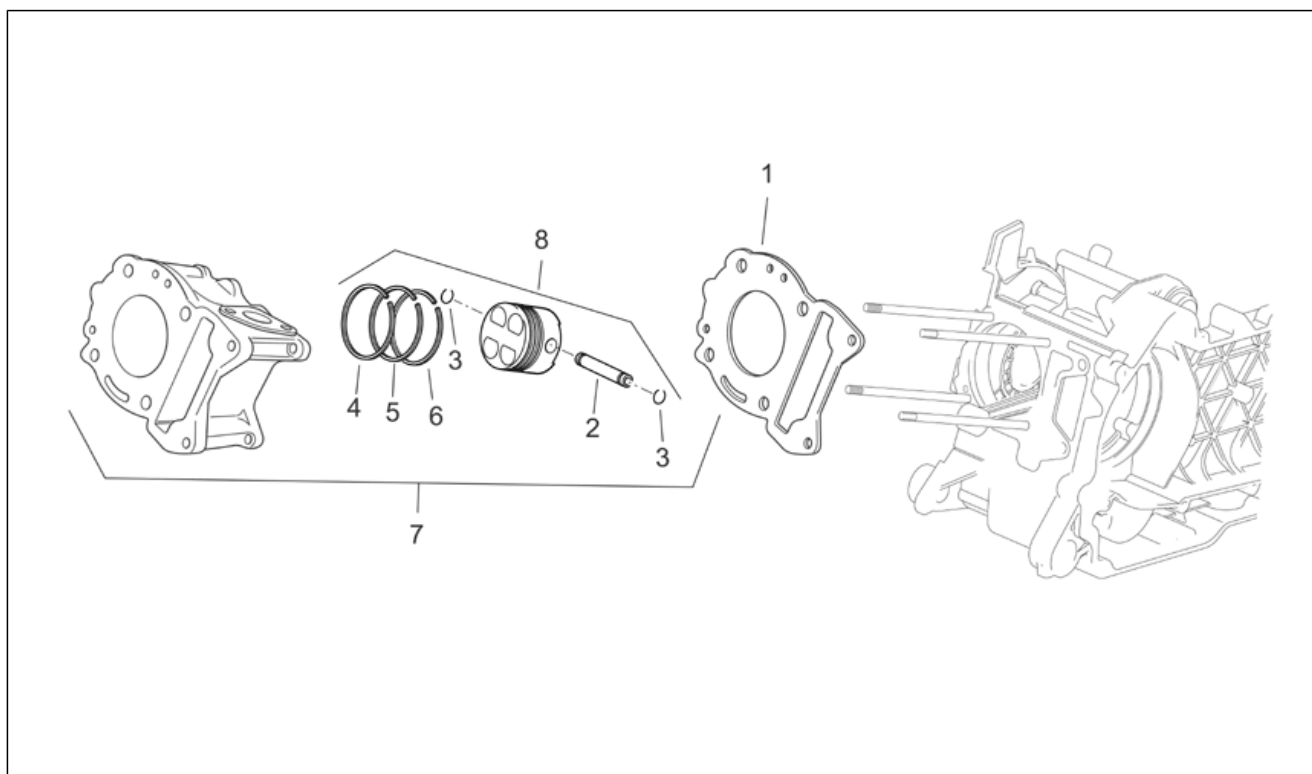
Pos.	Code	Beschreibung	Menge	Varianten
1	AP8577003	Stiftschraube	4	Technische Daten: Version 250 cm ³ (M361M)[250]
1	AP8580174	Stiftschraube	4	Technische Daten: Version 125 cm ³ (M245M)[125]
2	AP8550283	Schraube	11	
3	832870	Hutmutter	4	
4	AP8220617	Schwingschutzlager	2	
5	AP8553003	Dichtung	1	
6	AP8560014	Deckel M12x1,5	2	
7	AP8560017	Düse	1	
8	AP8550107	Stift d.9,5 h=15	2	
9	AP8560009	Schraube	1	
10	AP8580167	Platte	1	
11	AP8176241	Gehäuse-kpl.	1	Technische Daten: Version 125 cm ³ (M245M)[125]
11	AP8176242	Gehäuse-kpl.	1	Technische Daten: Version 125 cm ³ (M245M)[125]
11	AP8553001	Kurbelwellengehäuse cpl.cat1	1	Technische Daten: Version 250 cm ³ (M361M)[250]
11	AP8553002	Kurbelwellengehäuse cpl.cat2	1	Technische Daten: Version 250 cm ³ (M361M)[250]
12	AP8551015	Haltestein	1	
13	AP8550586	Ölstandstab	1	
14	AP8550334	O-Ring	1	
15	AP8580087	Ventilfeder	1	
16	AP8560142	Oil pressure valve	1	
17	AP8550361	Auslaßschraube	1	
18	AP8550304	Legierungscheibe	1	
19	AP8575007	Becher	1	
20	AP8577008	Dichtung	1	Technische Daten: Version 250 cm ³ (M361M)[250]
21	AP8268523	Filter Gestell Einsatz	1	
22	AP8550117	Dichtung	1	

Einheit	MOTOR
Code	29.44
Beschreibung	Kurbelwelle
Inspektion	1



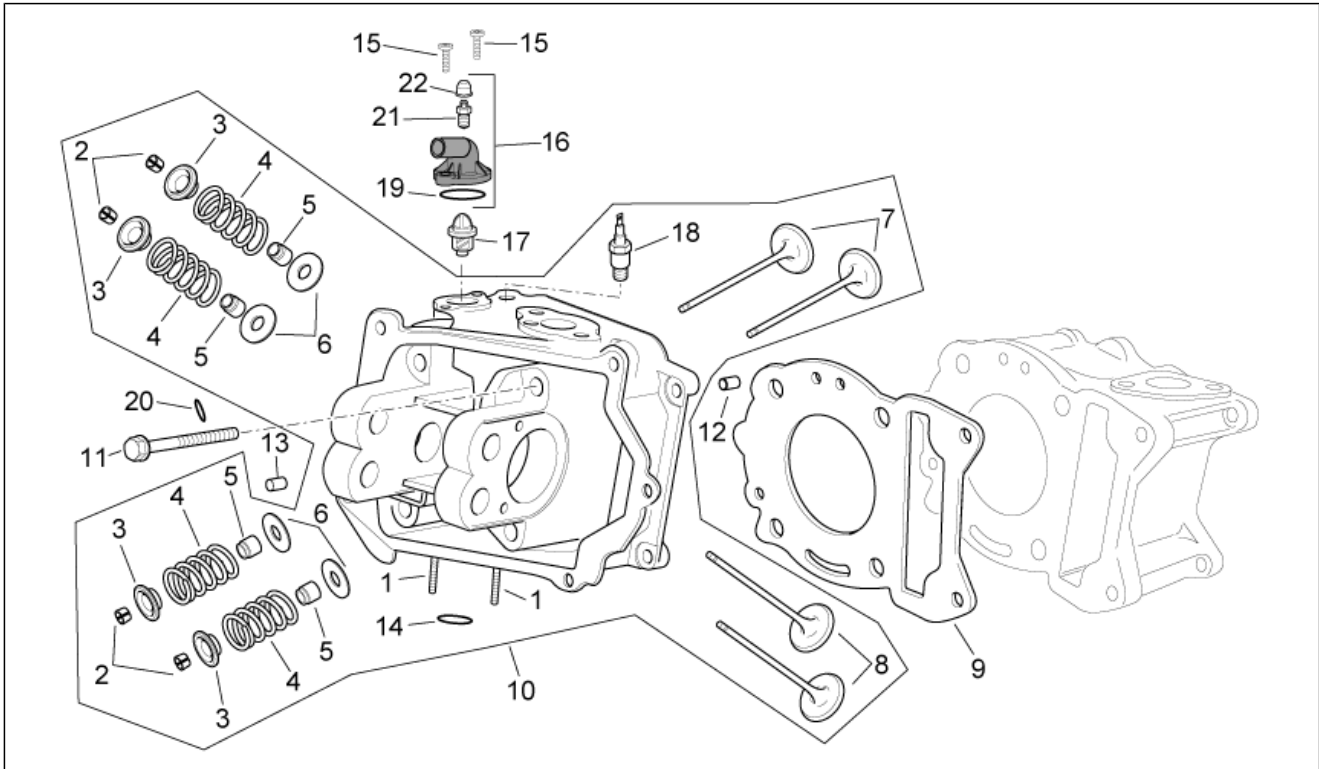
Pos.	Code	Beschreibung	Menge	Varianten
1	AP8580114	Gasket ring	1	
2	8412985001	Kurbelwelle komplett Cat.1	1	Technische Daten: Version 125 cm ³ (M245M)[125]
2	8412985002	Kurbelwelle komplett Cat.2	1	Technische Daten: Version 125 cm ³ (M245M)[125]
2	AP8577034	Kurbelwelle kpl.	1	Technische Daten: Version 250 cm ³ (M361M)[250]
2	AP8577035	Kurbelwelle kpl. cat2	1	Technische Daten: Version 250 cm ³ (M361M)[250]
3	AP8580122	O-Ring	1	
4	AP8580155	Ausgleichscheibe	2	
5	AP8550577	Gasket ring	1	

Einheit	MOTOR
Code	29.45
Beschreibung	Zylinder
Inspektion	1



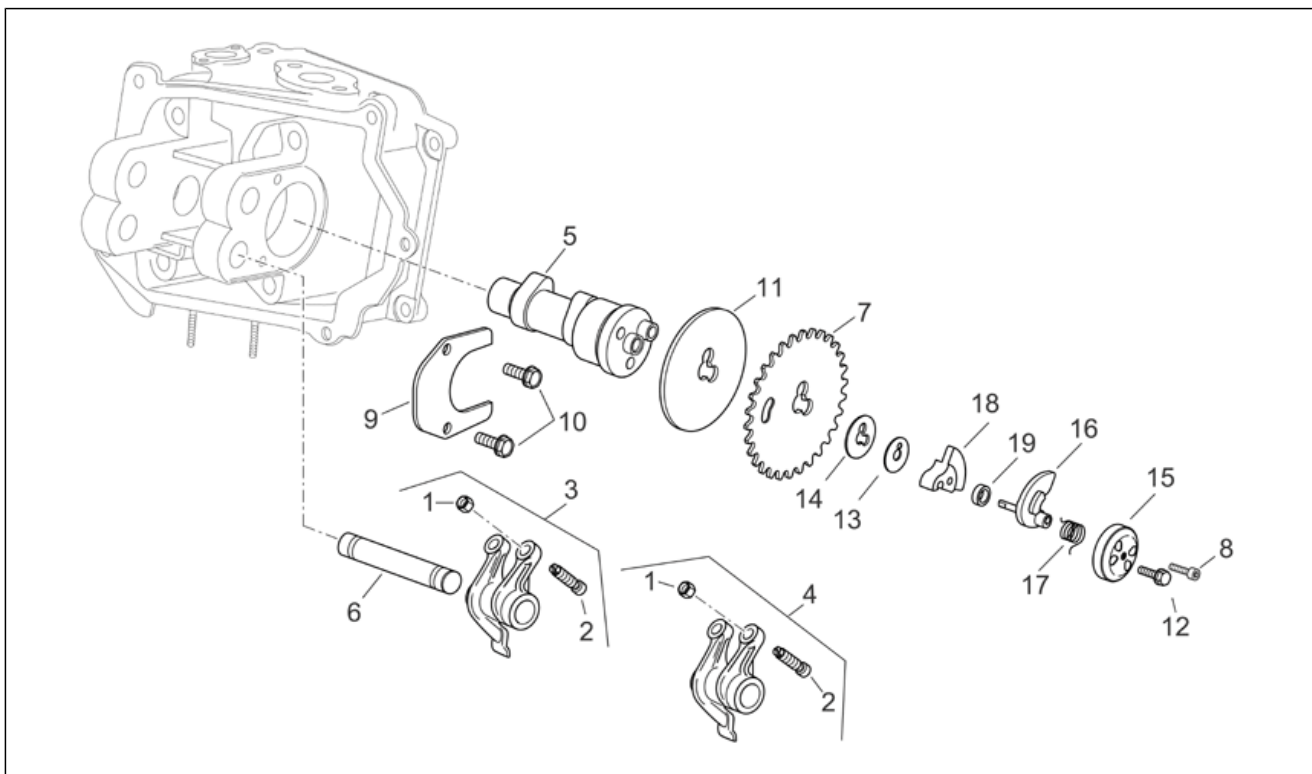
Pos.	Code	Beschreibung	Menge	Varianten
1	AP8580149	ZYLINDERFUSSDICHTUNG dicke 0,4	1	
1	AP8580150	ZYLINDERFUSSDICHTUNG 0,6	1	
1	AP8580151	ZYLINDERFUSSDICHTUNG 0,8	1	
2	AP8580001	Bolzen	1	Technische Daten:Version 125 cm ³ (M245M)[125]
2	AP8580177	Bolzen	1	Technische Daten:Version 250 cm ³ (M361M)[250]
3	AP8580216	Sprengring	2	
4	AP8550499	Ring d.57x1	1	Technische Daten:Version 125 cm ³ (M245M)[125]
4	AP8580244	Ring d.72x1,5	1	Technische Daten:Version 250 cm ³ (M361M)[250]
5	AP8550506	Ölabstreifer d.57x1	1	Technische Daten:Version 125 cm ³ (M245M)[125]
5	AP8580002	Ölabstreifer d.72x1	1	Technische Daten:Version 250 cm ³ (M361M)[250]
6	AP8550507	Ölabstreifer d.57x2,5	1	Technische Daten:Version 125 cm ³ (M245M)[125]
6	AP8580003	Ölabstreifer d.72x2,5	1	Technische Daten:Version 250 cm ³ (M361M)[250]
7	AP8580043	Kolben mit Zylinder kpl.	1	Technische Daten:Version 125 cm ³ (M245M)[125]
7	AP8580272	Kolben mit Zylinder kpl.	1	Technische Daten:Version 250 cm ³ (M361M)[250]
8	AP8176307	Kolben kpl.	1	Technische Daten:Version 125 cm ³ (M245M)[125]
8	AP8176308	Kolben kpl. cat2	1	Technische Daten:Version 125 cm ³ (M245M)[125]
8	AP8176309	Kolben kpl. cat3	1	Technische Daten:Version 125 cm ³ (M245M)[125]
8	AP8176310	Kolben kpl. cat4	1	Technische Daten:Version 125 cm ³ (M245M)[125]
8	AP8580273	Kolben kpl.	1	Technische Daten:Version 250 cm ³ (M361M)[250]
8	AP8580274	Kolben kpl.	1	Technische Daten:Version 250 cm ³ (M361M)[250]
8	AP8580275	Kolben kpl.	1	Technische Daten:Version 250 cm ³ (M361M)[250]
8	AP8580276	Kolben kpl.	1	Technische Daten:Version 250 cm ³ (M361M)[250]

Einheit	MOTOR
Code	29.46
Beschreibung	Zylinderkopf
Inspektion	1



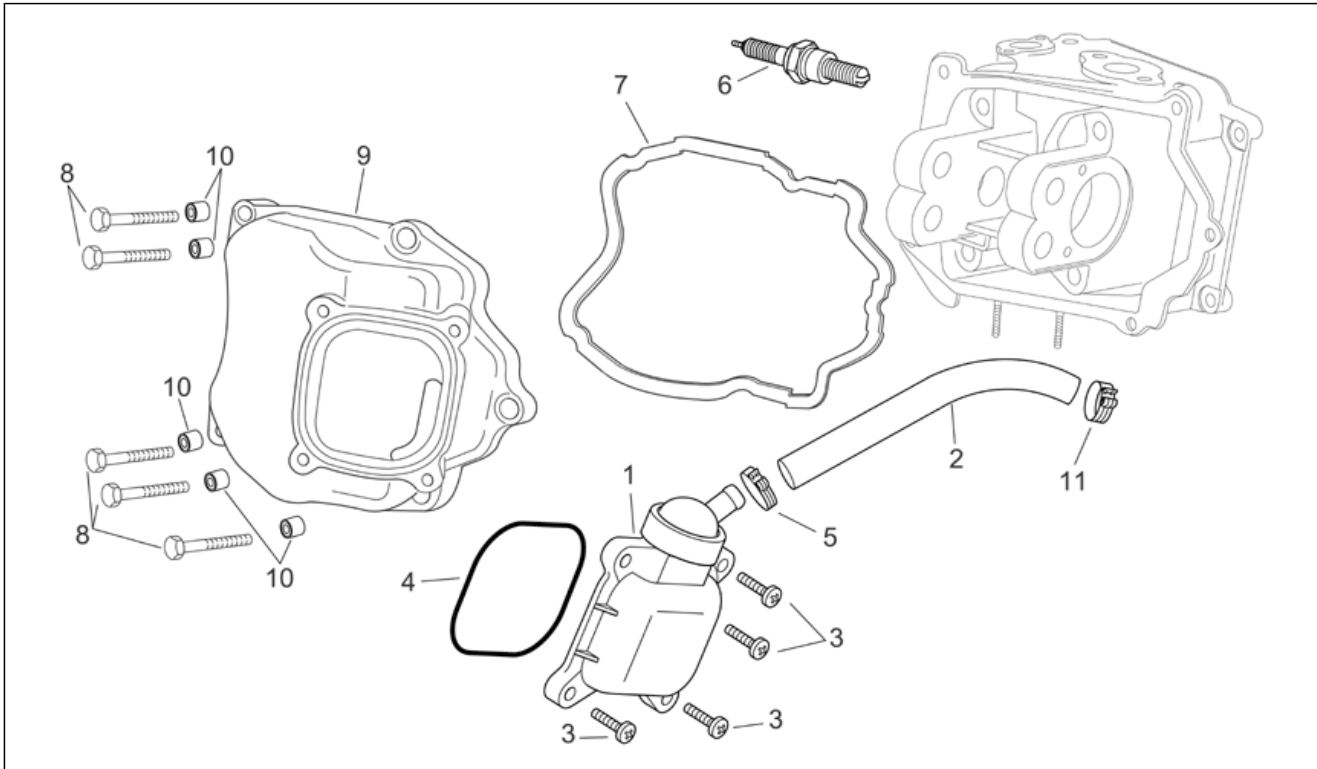
Pos.	Code	Beschreibung	Menge	Varianten
1	AP8550401	Auspufftopf Stiftschraube	2	
2	AP8550508	Halbkegel	8	
3	AP8580076	Becher	4	
4	AP8580160	Feder	4	
5	AP8550326	Ventil Dichtring	4	
6	AP8580069	Becher	4	
7	AP8580078	Einlaßventil	2	
8	AP8577024	Auslaßventil	2	Technische Daten: Version 250 cm ³ (M361M)[250]
8	AP8580079	Auslaßventil	2	Technische Daten: Version 125 cm ³ (M245M)[125]
9	AP8577021	Dichtung Zylinderkopf 0,3 mm	1	Technische Daten: Version 250 cm ³ (M361M)[250]
9	AP8590007	Dichtung Zylinderkopf 0,3 mm	1	Technische Daten: Version 125 cm ³ (M245M)[125]
10	AP8176281	Zylinderkopf kpl.	1	Technische Daten: Version 125 cm ³ (M245M)[125]
10	AP8176321	Zylinderkopf kpl.	1	Technische Daten: Version 250 cm ³ (M361M)[250]
11	AP8577009	Schraube M6x110	2	Technische Daten: Version 250 cm ³ (M361M)[250]
11	AP8580086	Schraube	2	
12	AP8551015	Haltestein	2	
13	AP8560016	Feststellschraube	2	
14	AP8580066	Dichtung Auspuffrohr	1	
15	AP8176289	TBEI Schraube	2	
16	AP8176291	Thermofühlerdeckel	1	
17	82831R	Thermostat	1	
18	AP8176324	Thermistor	1	Technische Daten: Version 250 cm ³ (M361M)[250]
18	AP8580126	Thermistor	1	Technische Daten: Version 125 cm ³ (M245M)[125]
19	AP8176290	Dichtung	1	
20	AP8575010	O-Ring	4	
21	AP8176292	Schraube	1	
22	AP8560010	Kappe	1	

Einheit	MOTOR
Code	29.47
Beschreibung	Nockenwelle
Inspektion	1



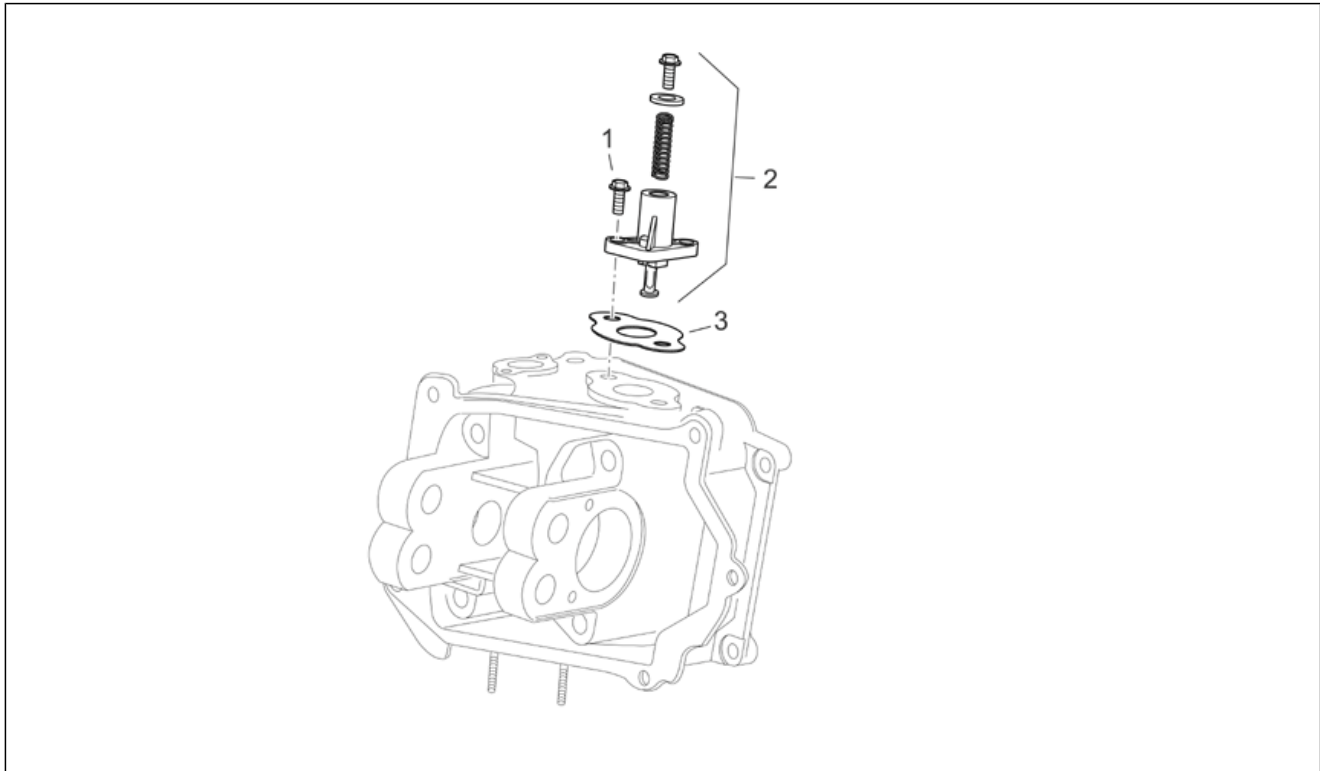
Pos.	Code	Beschreibung	Menge	Varianten
1	AP8551047	Kipphebel Einstellmutter	4	
2	AP8551046	Vent.Einstellspezialschr.	4	
3	AP8176284	Kipphebel Auspuff Klip.	1	
4	AP8176283	Kipphebel Einlaß Klip.	1	
5	AP8176282	Nockenwelle	1	Technische Daten: Version 125 cm ³ (M245M)[125]
5	AP8176323	Nockenwelle	1	Technische Daten: Version 250 cm ³ (M361M)[250]
6	AP8580098	Kipphebelachse	2	
7	AP8580097	Steuer Zahnkranz	1	
8	AP8560008	Schraube	1	Technische Daten: Version 250 cm ³ (M361M)[250]
8	AP8580099	TCEI Schraube M5x25	1	Technische Daten: Version 125 cm ³ (M245M)[125]
9	AP8580206	Platte	1	
10	AP8551045	Flanschschraube	2	
11	AP8580105	Platte	1	
12	AP8540002	TE Schr. m. Flansch	1	Technische Daten: Version 125 cm ³ (M245M)[125]
12	AP8550079	Schraube M6x35	1	Technische Daten: Version 250 cm ³ (M361M)[250]
13	AP8580187	Flachscheibe	1	Technische Daten: Version 125 cm ³ (M245M)[125]
14	AP8580188	Flachscheibe	1	Technische Daten: Version 125 cm ³ (M245M)[125]
15	AP8580129	Drum	1	Technische Daten: Version 250 cm ³ (M361M)[250]
16	AP8577029	Gewicht	1	Technische Daten: Version 250 cm ³ (M361M)[250]
17	AP8580100	Feder	1	Technische Daten: Version 250 cm ³ (M361M)[250]
18	AP8580096	Gegengewicht	1	Technische Daten: Version 250 cm ³ (M361M)[250]
19	AP8580106	Dichtung	1	Technische Daten: Version 250 cm ³ (M361M)[250]

Einheit	MOTOR
Code	29.48
Beschreibung	Ölablaßventil
Inspektion	1



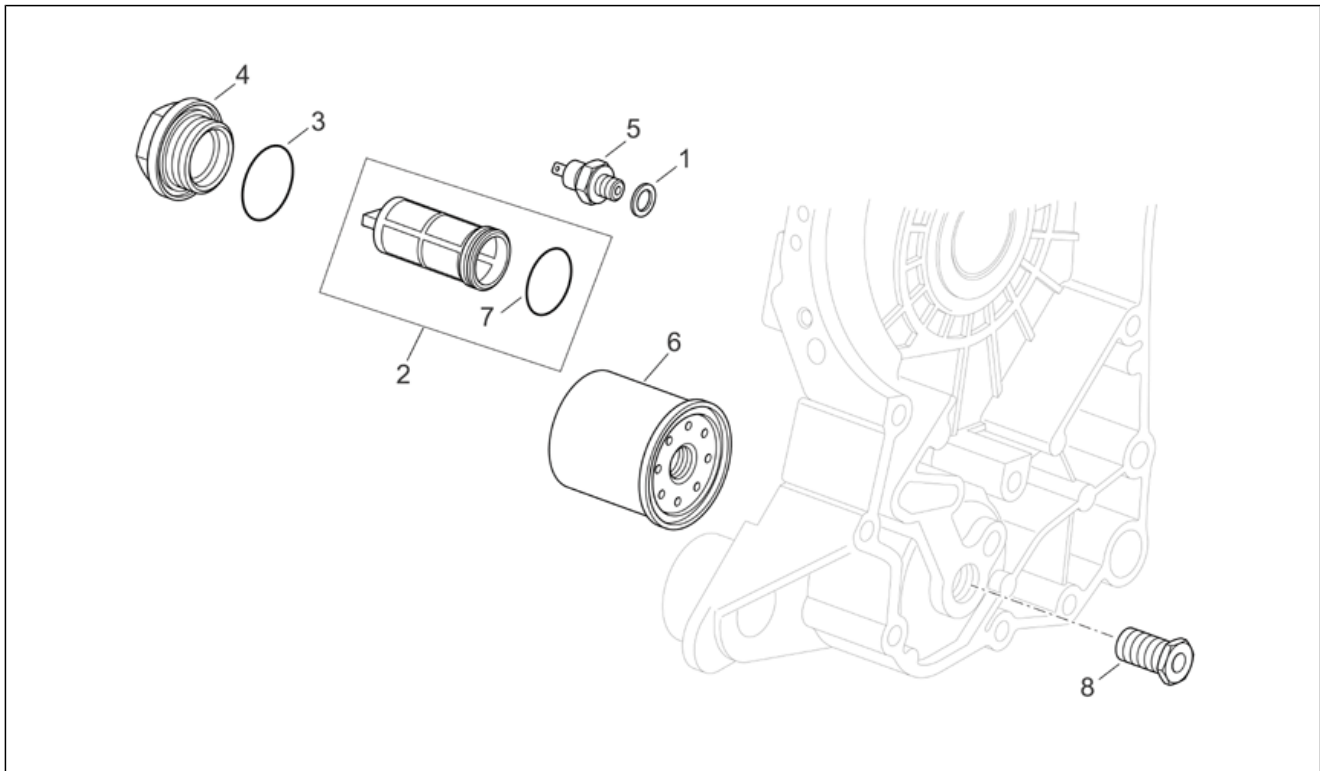
Pos.	Code	Beschreibung	Menge	Varianten
1	AP8580158	Ölablaßventil	1	
2	AP8176252	Leitung	1	Technische Daten: Version 250 cm ³ (M361M)[250]
2	AP8176295	Entlüftungsschlauch Kühler	1	Technische Daten: Version 125 cm ³ (M245M)[125]
3	AP8580165	Schraube	4	
4	AP8580108	Dichtung	1	
5	AP8144579	Schlauchschelle	1	
6	AP8176336	Zündkerze	1	Technische Daten: Version 250 cm ³ (M361M)[250]
6	AP8570084	Zündkerze CR8EB	1	Technische Daten: Version 125 cm ³ (M245M)[125]
7	AP8580042	Dichtung	1	
8	AP8570007	TE Schr. m. Flansch M6x30	5	
9	AP8580041	Kopfdeckel	1	
10	AP8570008	Puffer	5	
11	AP8102349	Schlauchschelle weiß D17,5x8	1	

Einheit	MOTOR
Code	29.49
Beschreibung	Kettenspanner
Inspektion	1



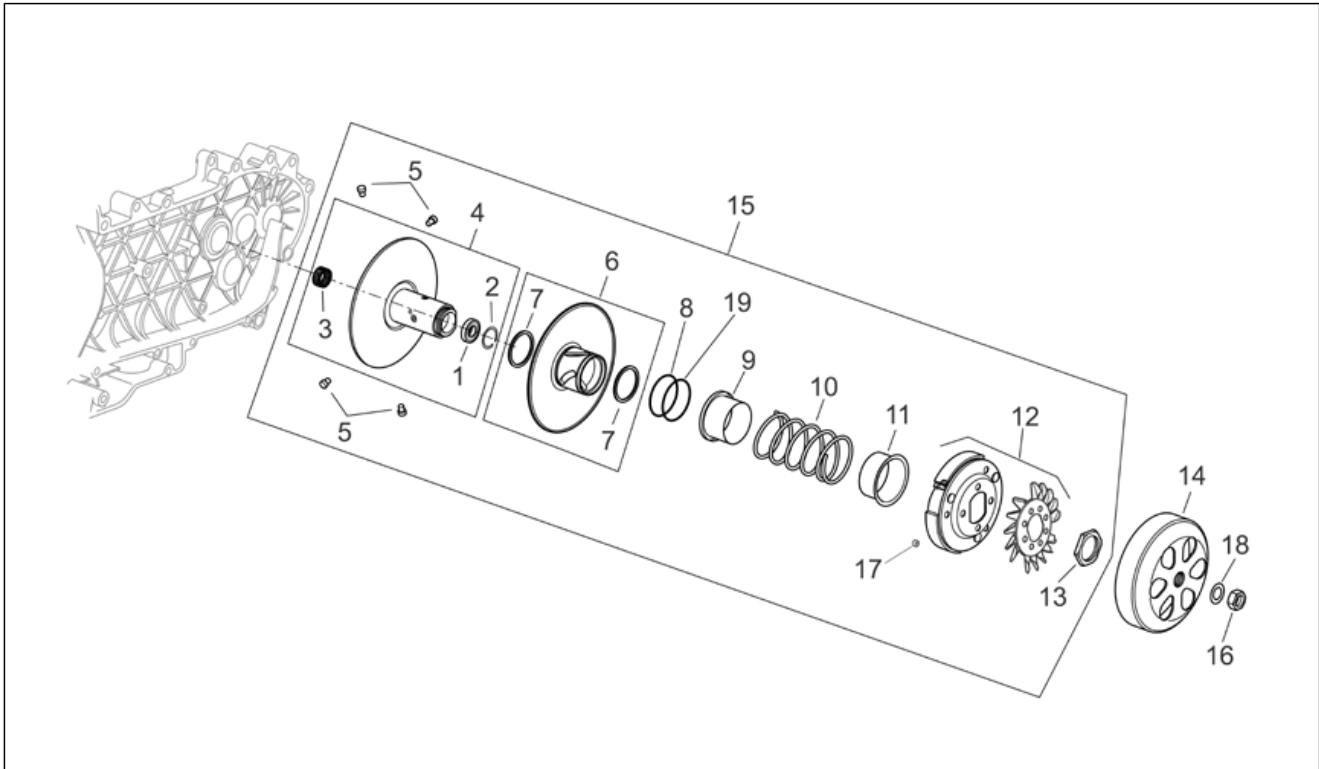
Pos.	Code	Beschreibung	Menge	Varianten
1	AP8550557	TE Schr. m. Flansch M6x16	2	
2	AP8560059	Kettenspanner	1	
3	AP8550429	Dichtung Kettenspan.	1	

Einheit	MOTOR
Code	29.50
Beschreibung	Ölfiltereinsatz
Inspektion	1



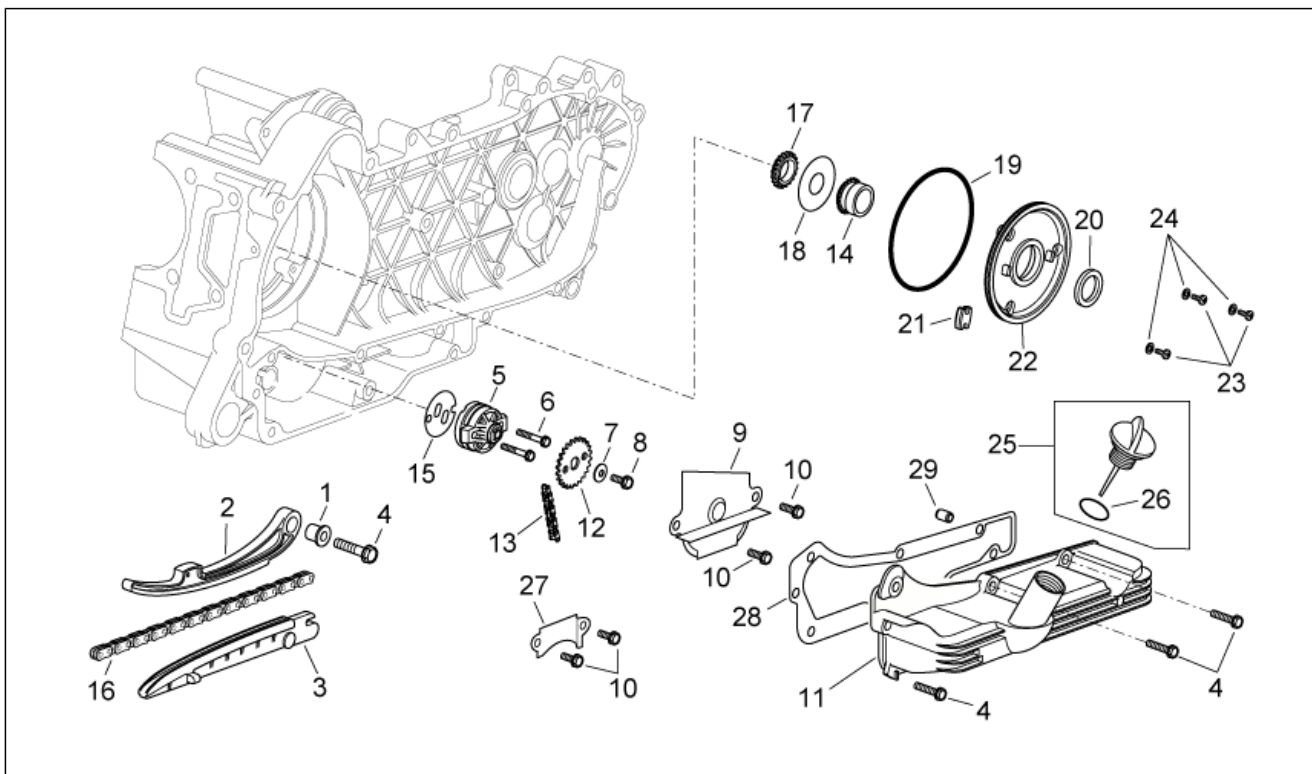
Pos.	Code	Beschreibung	Menge	Varianten
1	AP8550331	Ausgleichscheibe 16x10.5x2.5	1	
2	AP8577040	Ölfiltereinsatz	1	Technische Daten: Version 250 cm ³ (M361M)[250]
2	AP8580074	Ölfiltereinsatz	1	Technische Daten: Version 125 cm ³ (M245M)[125]
3	AP8550336	O-Ring	1	
4	AP8560055	Ölfiler Verschuß	1	
5	AP8550512	Druckfühler	1	
6	AP8580128	Ölfiltereinsatz	1	
7	AP8550337	O-Ring	1	
8	AP8577039	Schraube	1	Technische Daten: Version 250 cm ³ (M361M)[250]
8	AP8580071	Schraube	1	Technische Daten: Version 125 cm ³ (M245M)[125]

Einheit	MOTOR
Code	29.51
Beschreibung	Kupplung
Inspektion	1



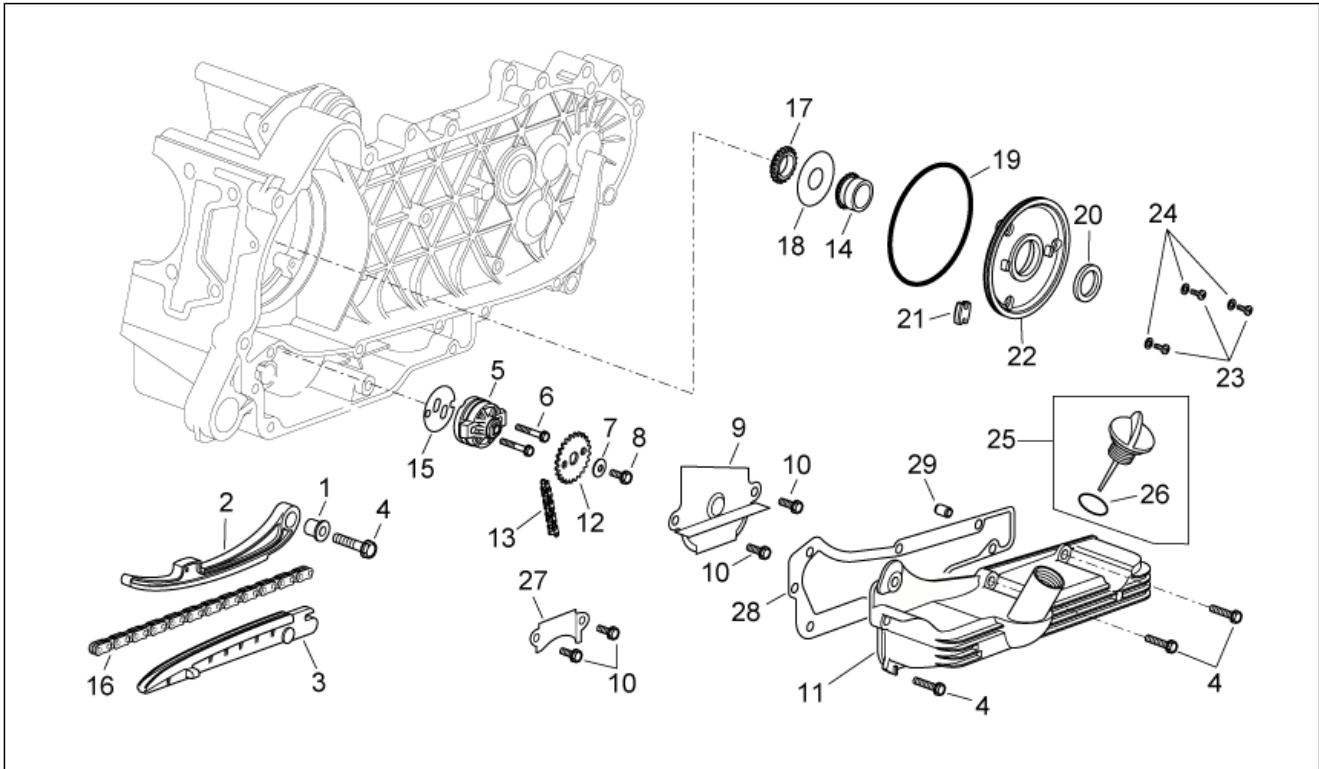
Pos.	Code	Beschreibung	Menge	Varianten
1	AP8110104	Nadelkaefig 20x29x18	1	
2	AP8580068	Sprengring	1	
3	AP8125893	Lager 17x30x7	1	
4	AP8575013	Sekundäre Festscheibe	1	Technische Daten:Version 125 cm ³ (M245M)[125]
4	AP8580208	Sekundäre Festscheibe	1	Technische Daten:Version 250 cm ³ (M361M)[250]
5	AP8580166	Führungsbolzen L=12,5	4	
6	AP8577055	Sekundäre Gleitscheibe	1	Technische Daten:Version 250 cm ³ (M361M)[250]
6	AP8580139	Sekundäre Gleitscheibe	1	Technische Daten:Version 125 cm ³ (M245M)[125]
7	AP8550124	Gasket ring	2	
8	AP8550116	Dichtung	1	
9	AP8550115	Becher	1	Technische Daten:Version 125 cm ³ (M245M)[125]
9	AP8580211	Becher	1	Technische Daten:Version 250 cm ³ (M361M)[250]
10	AP8580119	Feder Wandler	1	Technische Daten:Version 125 cm ³ (M245M)[125]
10	AP8580210	Feder Wandler	1	Technische Daten:Version 250 cm ³ (M361M)[250]
11	AP8550114	Becher	1	
12	AP8577092	Fliehkraftkupplung	1	Technische Daten:Version 250 cm ³ (M361M)[250]
12	AP8580171	Fliehkraftkupplung	1	Technische Daten:Version 125 cm ³ (M245M)[125]
13	AP8550111	Nutmutter	1	
14	AP8577095	Kupplungsglocke	1	
15	AP8176300	Sek. Riemensch. kpl.	1	Technische Daten:Version 125 cm ³ (M245M)[125]
15	AP8176339	Sek. Riemensch. kpl.	1	Technische Daten:Version 250 cm ³ (M361M)[250]
16	AP8580095	Mutter	1	
17	AP8176091	Stopfen dämpfer	3	
18	AP8580062	Ausgleichscheibe	1	
19	AP8550116	Dichtung	1	Technische Daten:Version 125 cm ³ (M245M)[125]
19	AP8577056	Dichtung	1	Technische Daten:Version 250 cm ³ (M361M)[250]

Einheit	MOTOR
Code	29.52
Beschreibung	Ölpumpe
Inspektion	1



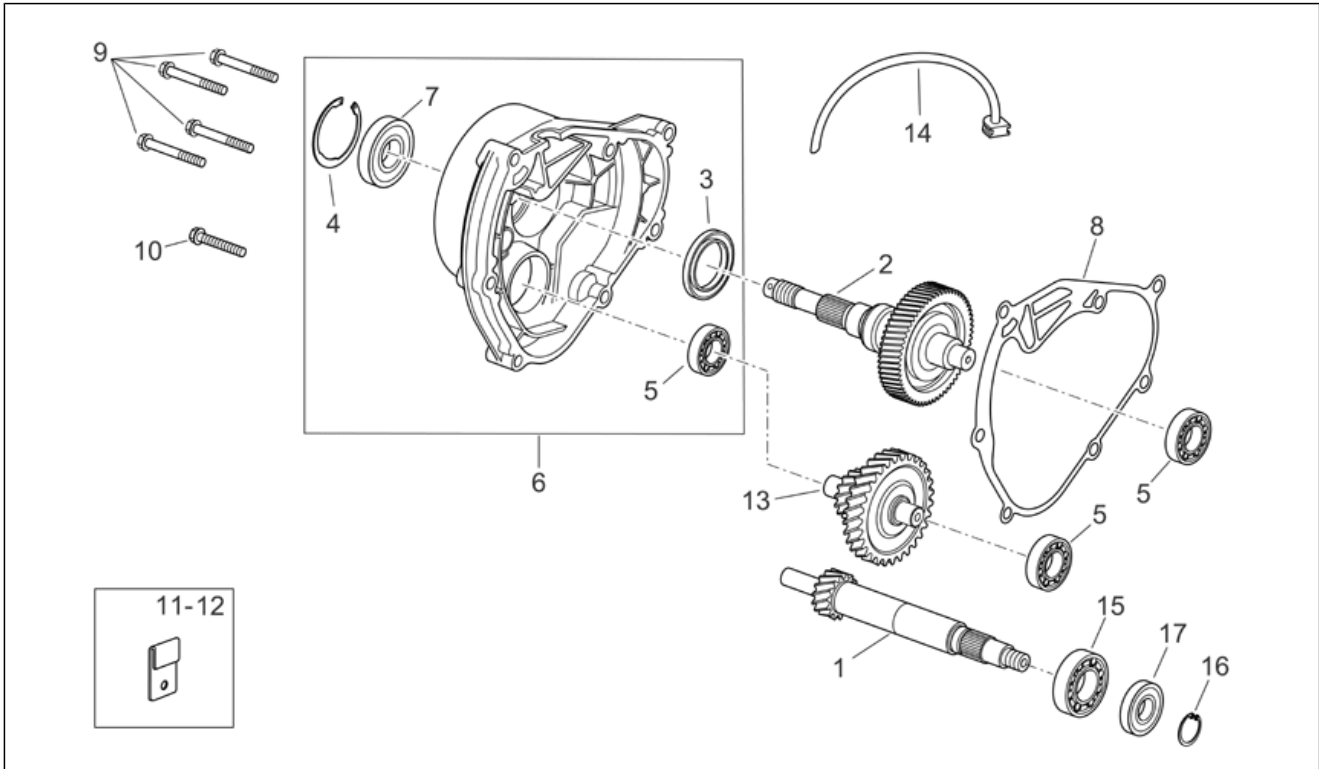
Pos.	Code	Beschreibung	Menge	Varianten
1	AP8580090	Distanzscheibe	1	
2	AP8577030	Kettenspanner Stange	1	Technische Daten: Version 250 cm ³ (M361M)[250]
2	AP8580156	Kettenspanner Stange	1	Technische Daten: Version 125 cm ³ (M245M)[125]
3	AP8176325	Kettenspanner Gleitbacke	1	Technische Daten: Version 250 cm ³ (M361M)[250]
3	AP8580157	Kettenspanner Gleitbacke	1	Technische Daten: Version 125 cm ³ (M245M)[125]
4	AP8550558	TE Schr. m. Flansch M6x30	7	
5	AP8580102	Ölpumpe	1	
6	AP8176294	TE Schr. m. Flansch	2	
7	AP8550439	Tellerfeder	1	
8	AP8550556	TE Schr. m. Flansch	1	
9	AP8580070	Ölschott	1	
10	AP8551045	Flanschschraube	4	
11	AP8176255	Ölwanne	1	Technische Daten: Version 125 cm ³ (M245M)[125]
11	AP8553005	Ölwanne	1	Technische Daten: Version 250 cm ³ (M361M)[250]
12	AP8550380	Ölpumpe Zahnkranz	1	
13	AP8580131	Ölpumpe Kette	1	
14	AP8580072	Ölpumpe Steuerung Ritzel	1	
15	AP8176293	Dichtung	1	
16	AP8577032	Steuerkette	1	Technische Daten: Version 250 cm ³ (M361M)[250]
16	AP8580130	Steuerkette	1	Technische Daten: Version 125 cm ³ (M245M)[125]
17	AP8577033	Steuerkette Ritzel kpl.	1	
18	AP8580077	Scheibe Ölabstreifer	1	
19	AP8580118	O-Ring	1	
20	AP8580113	Gasket ring	1	
21	AP8550522	Ölpumpekette Puffer	1	
22	AP8176285	Steuer Deckel	1	
23	AP8580060	TCEI Schraube	3	
24	AP8580107	Ausgleichscheibe	3	

Einheit	MOTOR
Code	29.52
Beschreibung	Ölpumpe
Inspektion	1



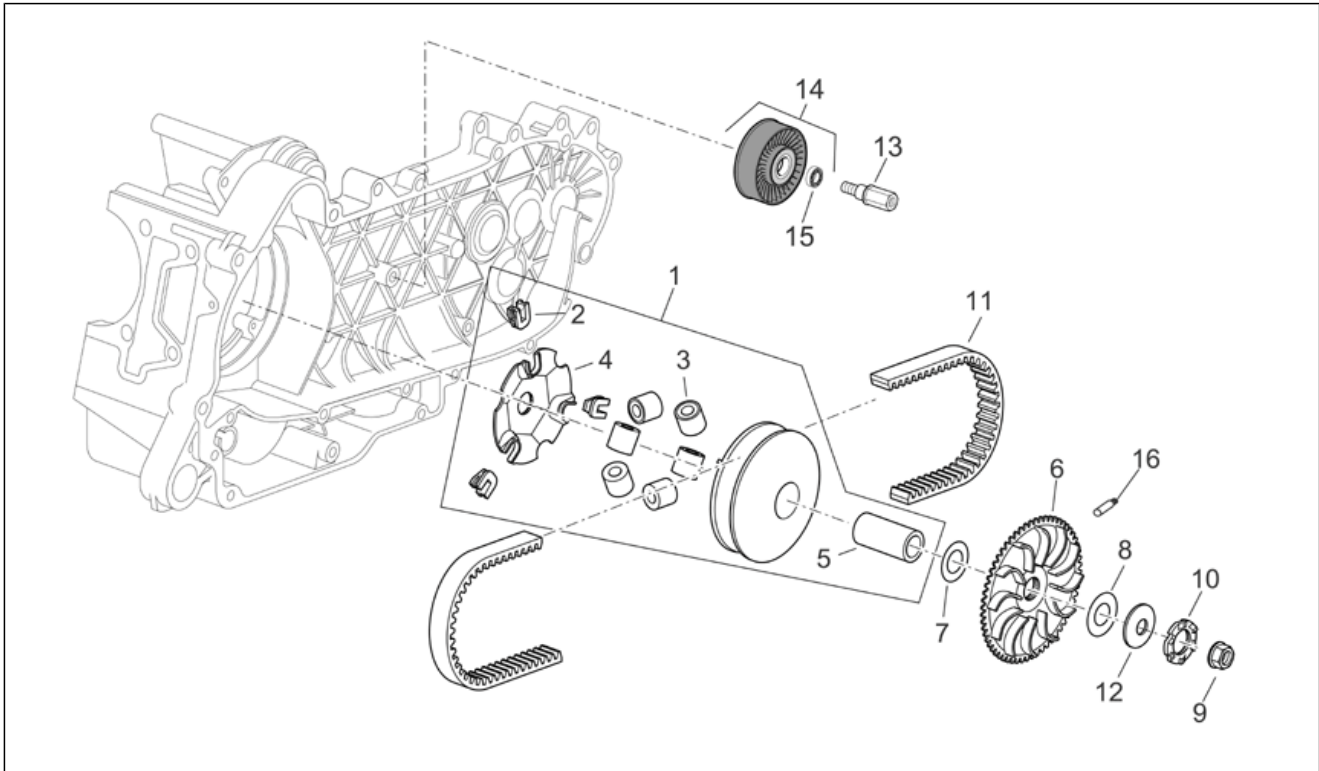
Pos.	Code	Beschreibung	Menge	Varianten
25	AP8176332	Ölschraube	1	Technische Daten:Version 250 cm ³ (M361M)[250]
25	AP8580144	Ölschraube	1	Technische Daten:Version 125 cm ³ (M245M)[125]
26	AP8550417	Dichtung	1	
27	AP8580083	Ölschott	1	
28	AP8553006	Dichtung	1	Technische Daten:Version 250 cm ³ (M361M)[250]
28	AP8580185	Dichtung	1	Technische Daten:Version 125 cm ³ (M245M)[125]
29	AP8551015	Haltestein	3	

Einheit	MOTOR
Code	29.53
Beschreibung	Getriebe
Inspektion	1



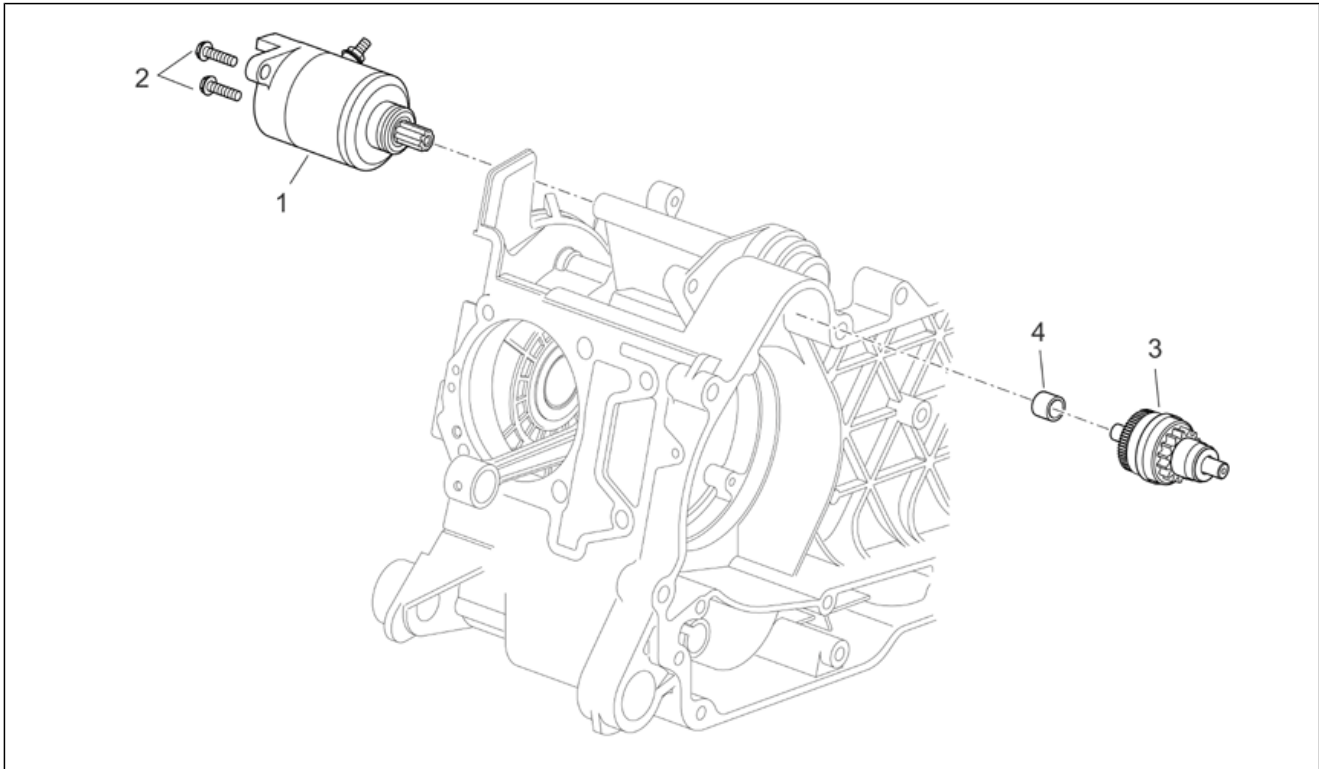
Pos.	Code	Beschreibung	Menge	Varianten
1	AP8176264	Abtriebsriemenscheibewelle	1	Technische Daten: Version 125 cm ³ (M245M)[125]
1	AP8577061	Abtriebsriemenscheibewelle	1	Technische Daten: Version 250 cm ³ (M361M)[250]
2	8410035	Hinterrad Achse kpl.	1	Technische Daten: Version 250 cm ³ (M361M)[250]
2	AP8580279	Hinterrad Achse kpl.	1	Technische Daten: Version 125 cm ³ (M245M)[125]
3	AP8560125	Ölabstreifring 38x50x7	1	
4	AP8560130	Seegerring	1	
5	AP8560019	Lager d15x42x13	3	
6	AP8176274	Getriebedeckel kpl.	1	Technische Daten: Version 250 cm ³ (M361M)[250]
6	AP8580201	Getriebedeckel kpl.	1	Technische Daten: Version 125 cm ³ (M245M)[125]
7	AP8560126	Lager d30x55x13	1	
8	AP8176247	Dichtung	1	Technische Daten: Version 125 cm ³ (M245M)[125]
8	AP8575022	Dichtung	1	Technische Daten: Version 250 cm ³ (M361M)[250]
9	AP8570077	Schraube	6	
10	AP8152493	Schraube	1	
11	AP8551044	Schelle	1	
12	AP8560022	Schelle	1	
13	AP8553007	Vorgelege Welle	1	Technische Daten: Version 250 cm ³ (M361M)[250]
13	AP8580278	Vorgelege Welle	1	Technische Daten: Version 125 cm ³ (M245M)[125]
14	AP8176263	Entlüftung	1	
15	AP8570030	Lager	1	
16	AP8560007	Sprengring	1	
17	AP8550577	Gasket ring	1	

Einheit	MOTOR
Code	29.54
Beschreibung	Wandlergruppe
Inspektion	1



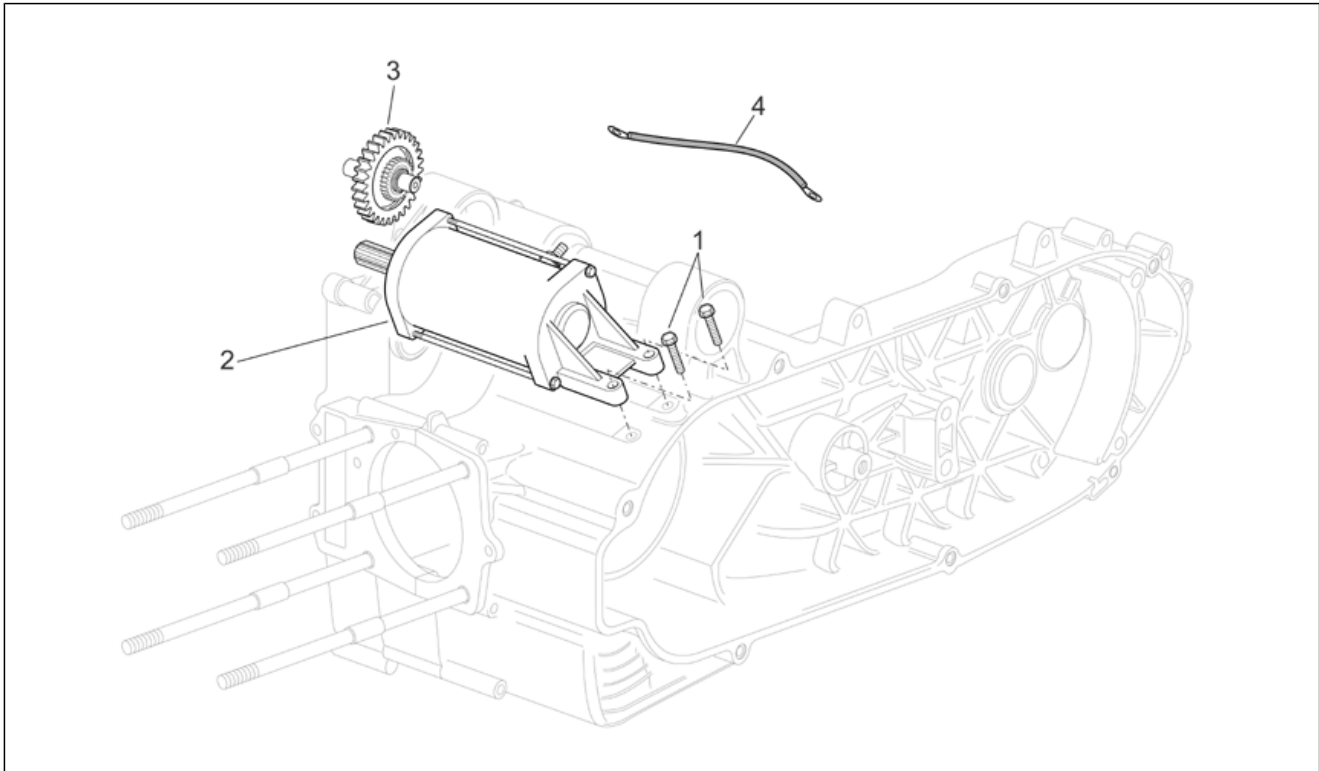
Pos.	Code	Beschreibung	Menge	Varianten
1	AP8580222	Antriebshalbriemenscheibe	1	Technische Daten: Version 125 cm ³ (M245M)[125]
1	CM144408	Rollenbehälter komplett	1	Technische Daten: Version 250 cm ³ (M361M)[250]
2	AP8176297	Gleitbacke	3	Technische Daten: Version 125 cm ³ (M245M)[125]
2	AP8577050	Gleitbacke	3	Technische Daten: Version 250 cm ³ (M361M)[250]
3	849480	Fliehkraftmasse	6	Technische Daten: Version 250 cm ³ (M361M)[250]
3	AP8580221	Schwungmasse-Serie	1	Technische Daten: Version 125 cm ³ (M245M)[125]
4	AP8577052	Stiftplatte	1	
5	AP8580075	Distanzscheibe	1	
6	AP8540165	Feste Hauptriemenscheibe	1	Technische Daten: Version 125 cm ³ (M245M)[125]
6	AP8577053	Feste Hauptriemenscheibe	1	Technische Daten: Version 250 cm ³ (M361M)[250]
7	AP8550131	Ausgleichscheibe 1x32x17	1	
8	AP8550133	Ausgleichscheibe 0,5x35x17	1	Technische Daten: Version 125 cm ³ (M245M)[125]
8	AP8577058	Ausgleichscheibe 2x35x17	1	Technische Daten: Version 250 cm ³ (M361M)[250]
9	AP8550134	Mutter kompl.	1	Technische Daten: Version 125 cm ³ (M245M)[125]
9	AP8580095	Mutter	1	Technische Daten: Version 250 cm ³ (M361M)[250]
10	AP8580135	Zahnfederbecher	1	Technische Daten: Version 125 cm ³ (M245M)[125]
11	AP8580247	Keilriemen	1	Technische Daten: Version 125 cm ³ (M245M)[125]
11	AP8580261	Keilriemen	1	Technische Daten: Version 250 cm ³ (M361M)[250]
12	AP8577057	Tellerfeder	1	Technische Daten: Version 250 cm ³ (M361M)[250]
13	AP8580153	Spezialschraube	1	
14	AP8580199	Zahnriemenscheibe	1	
15	AP8577060	Lager	1	
16	AP8550285	Stift	1	Technische Daten: Version 125 cm ³ (M245M)[125]

Einheit	MOTOR
Code	29.55
Beschreibung	Startermotor I
Inspektion	1



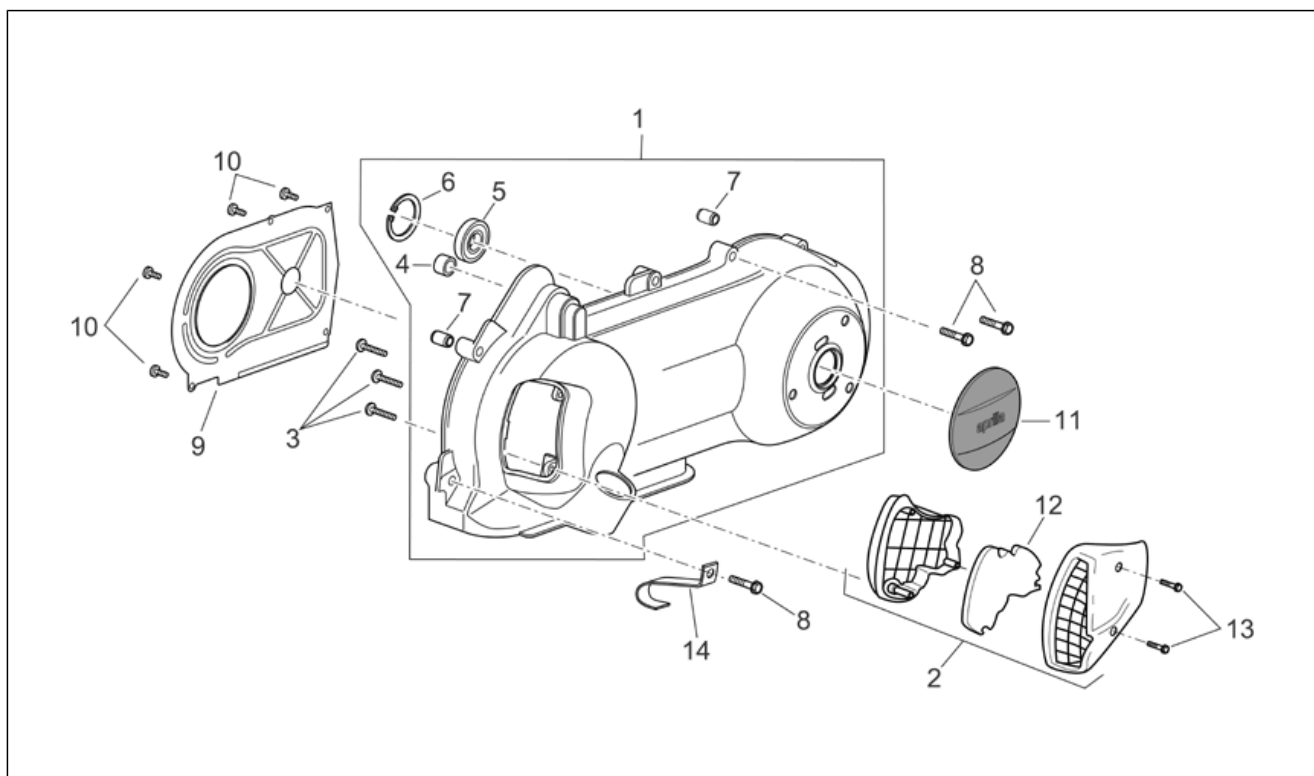
Pos.	Code	Beschreibung	Menge	Varianten
1	AP8580124	Startermotor	1	Technische Daten:Version 125 cm ³ (M245M)[125]
2	AP8540002	TE Schr. m. Flansch	2	Technische Daten:Version 125 cm ³ (M245M)[125]
3	AP8580125	Umlenk.Anlasser	1	Technische Daten:Version 125 cm ³ (M245M)[125]
4	AP8550347	Buchse	1	Technische Daten:Version 125 cm ³ (M245M)[125]

Einheit	MOTOR
Code	29.56
Beschreibung	Startermotor II
Inspektion	1



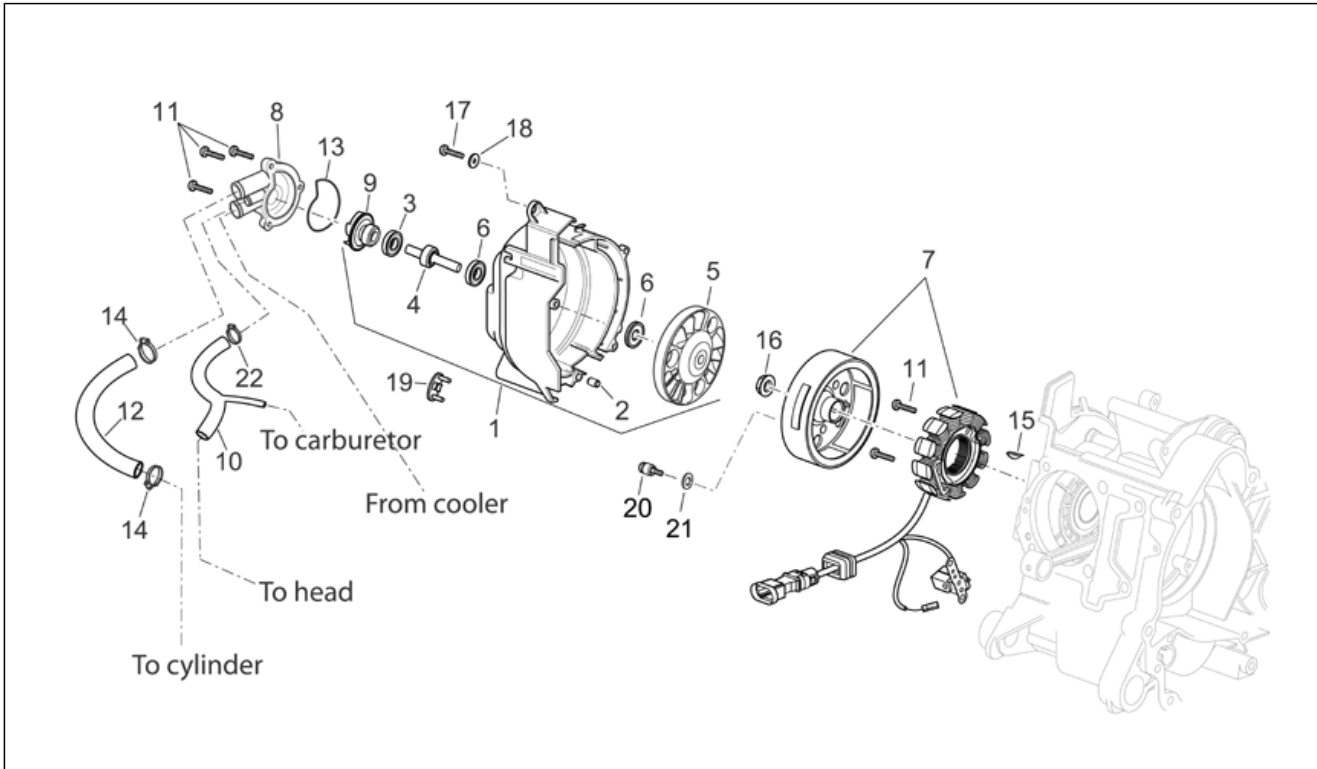
Pos.	Code	Beschreibung	Menge	Varianten
1	AP8113789	TE Schr. m. Flansch	2	Technische Daten:Version 250 cm ³ (M361M)[250]
2	AP8577046	Startermotor	1	Technische Daten:Version 250 cm ³ (M361M)[250]
3	AP8176395	Umlenk.Anlasser	1	Technische Daten:Version 250 cm ³ (M361M)[250]
4	AP8176337	Kabel	1	Technische Daten:Version 250 cm ³ (M361M)[250]

Einheit	MOTOR
Code	29.57
Beschreibung	Wandlerdeckel
Inspektion	1



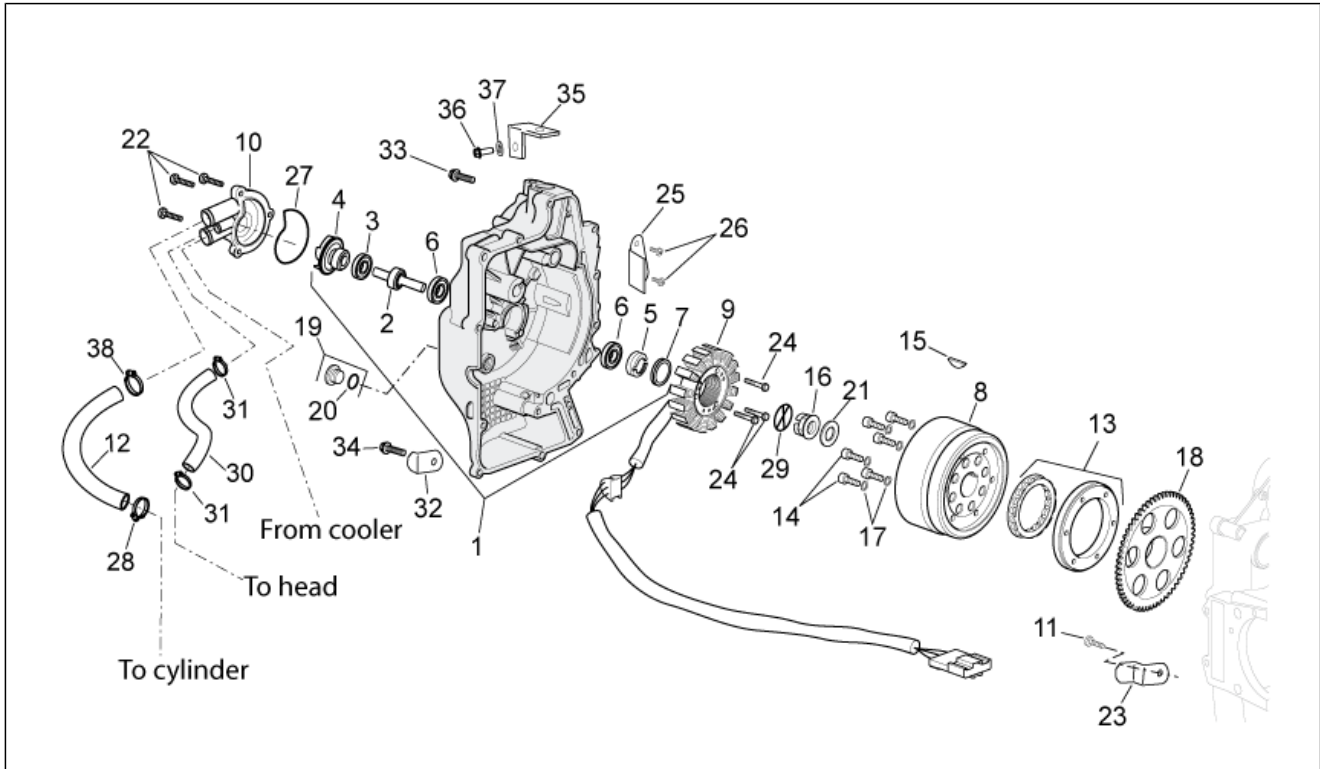
Pos.	Code	Beschreibung	Menge	Varianten
1	8714705	Antriebsdeckel komplett	1	Technische Daten: Version 125 cm ³ (M245M)[125]
1	8714725	Getriebedeckel mit inneren Teilen	1	Technische Daten: Version 250 cm ³ (M361M)[250]
2	AP8580256	Deckel	1	
3	AP8551014	Schraube	3	
4	AP8550347	Buchse	1	Technische Daten: Version 125 cm ³ (M245M)[125]
5	AP8550580	Lager	1	
6	AP8550578	Sprengring	1	
7	AP8550107	Stift d.9,5 h=15	2	
8	AP8550558	TE Schr. m. Flansch M6x30	10	
9	AP8176272	Luftumleiter	1	Technische Daten: Version 125 cm ³ (M245M)[125]
9	AP8580245	Luftumleiter	1	Technische Daten: Version 250 cm ³ (M361M)[250]
10	AP8176271	Schraube	4	
11	AP8580236	Deckel	1	
12	AP8577006	Filter	1	
13	AP8580061	Gew.schr. 3x20	2	
14	AP8176244	Schelle	1	

Einheit	MOTOR
Code	29.58
Beschreibung	Zündung I
Inspektion	1



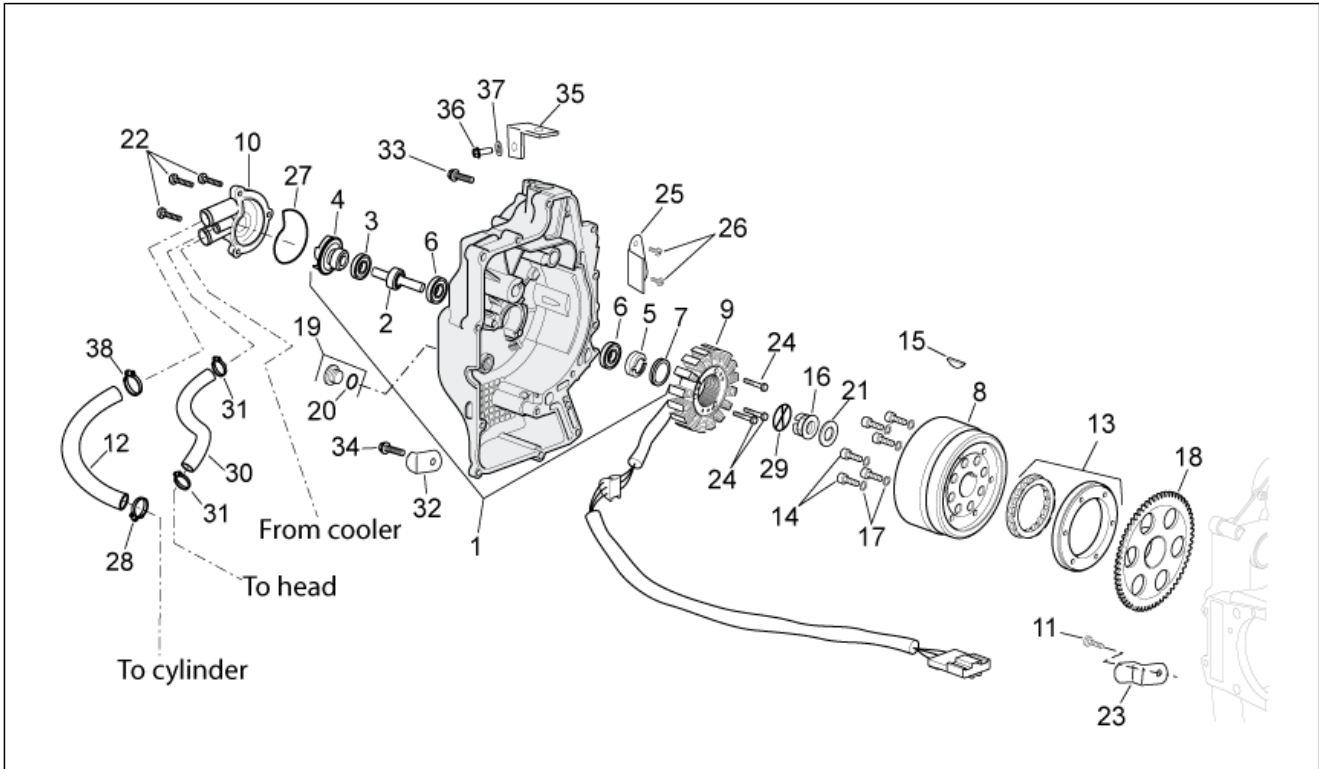
Pos.	Code	Beschreibung	Menge	Varianten
1	AP8176248	Zuenderdeckel Kpl.	1	Technische Daten:Version 125 cm ³ (M245M)[125]
2	AP8551015	Haltestein	1	Technische Daten:Version 125 cm ³ (M245M)[125]
3	AP8590055	Gasket ring	1	Technische Daten:Version 125 cm ³ (M245M)[125]
4	AP8176277	Welle Wasserpumpe	1	Technische Daten:Version 125 cm ³ (M245M)[125]
5	AP8580104	Zugelement pumpenrad	1	Technische Daten:Version 125 cm ³ (M245M)[125]
6	AP8577012	Lager 28x8x9	2	Technische Daten:Version 125 cm ³ (M245M)[125]
7	AP8580250	Schwungrad Mag. klp.	1	Technische Daten:Version 125 cm ³ (M245M)[125]
8	AP8176287	Deckel Wasserpumpe	1	Technische Daten:Version 125 cm ³ (M245M)[125]
9	AP8276091	Lüfter	1	Technische Daten:Version 125 cm ³ (M245M)[125]
10	AP8176288	Bypassschlauch	1	Technische Daten:Version 125 cm ³ (M245M)[125]
11	AP8551060	Schraube	5	Technische Daten:Version 125 cm ³ (M245M)[125]
12	AP8575034	Pumpen-Zylinderschlauch	1	Technische Daten:Version 125 cm ³ (M245M)[125]
13	AP8580084	O-Ring	1	Technische Daten:Version 125 cm ³ (M245M)[125]
14	AP8580217	Schlauchselle	2	Technische Daten:Version 125 cm ³ (M245M)[125]
15	AP8550039	Keil	1	Technische Daten:Version 125 cm ³ (M245M)[125]
16	AP8550134	Mutter kompl.	1	Technische Daten:Version 125 cm ³ (M245M)[125]
17	AP8580161	Schraube	4	Technische Daten:Version 125 cm ³ (M245M)[125]
18	AP8550477	Ausgleichscheibe	4	Technische Daten:Version 125 cm ³ (M245M)[125]
19	AP8580116	Deckel	1	Technische Daten:Version 125 cm ³ (M245M)[125]
20	AP8580163	Spezialschraube	3	Technische Daten:Version 125 cm ³ (M245M)[125]
21	AP8580162	Ausgleichscheibe	3	Technische Daten:Version 125 cm ³ (M245M)[125]
22	AP8144579	Schlauchselle	1	Technische Daten:Version 125 cm ³ (M245M)[125]

Einheit	MOTOR
Code	29.59
Beschreibung	Zündung II
Inspektion	1



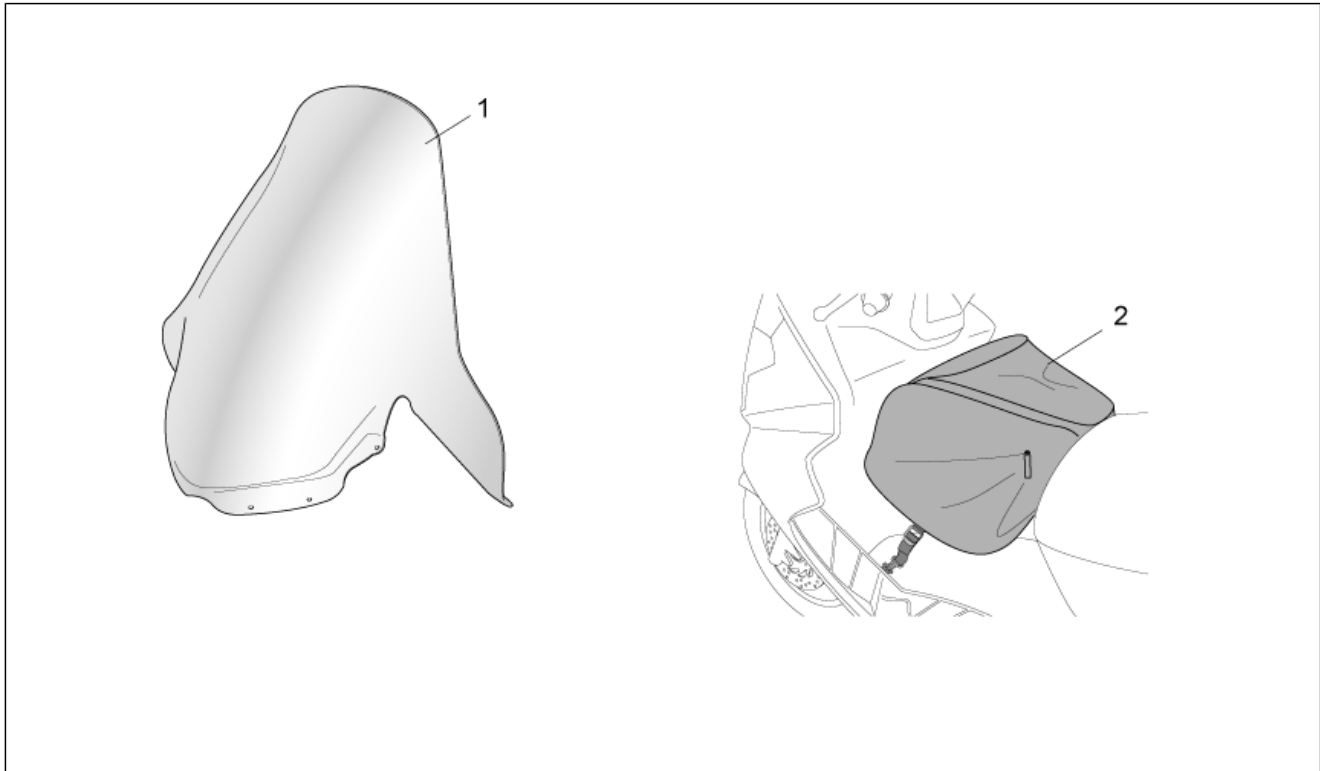
Pos.	Code	Beschreibung	Menge	Varianten
1	AP8176320	Zuenderdeckel Kpl.	1	Technische Daten:Version 250 cm ³ (M361M)[250]
2	AP8176393	Welle Wasserpumpe	1	Technische Daten:Version 250 cm ³ (M361M)[250]
3	AP8590055	Gasket ring	1	Technische Daten:Version 250 cm ³ (M361M)[250]
4	AP8276091	Lüfter	1	Technische Daten:Version 250 cm ³ (M361M)[250]
5	AP8577014	Zugelement pumpenrad	1	Technische Daten:Version 250 cm ³ (M361M)[250]
6	AP8577012	Lager 28x8x9	2	Technische Daten:Version 250 cm ³ (M361M)[250]
7	AP8577013	Dichtring	1	Technische Daten:Version 250 cm ³ (M361M)[250]
8	AP8176334	Rotor kpl.	1	Technische Daten:Version 250 cm ³ (M361M)[250]
9	AP8176335	Stator kpl	1	Technische Daten:Version 250 cm ³ (M361M)[250]
10	AP8176287	Deckel Wasserpumpe	1	Technische Daten:Version 250 cm ³ (M361M)[250]
11	AP8577048	Schraube M6x14	1	Technische Daten:Version 250 cm ³ (M361M)[250]
12	AP8580277	Pumpen-Zylinderschlauch	1	Technische Daten:Version 250 cm ³ (M361M)[250]
13	8477975	Freilauf komplett	1	Technische Daten:Version 250 cm ³ (M361M)[250]
14	847679	TCEI Schraube M6x24	6	Technische Daten:Version 250 cm ³ (M361M)[250]
15	AP8560006	Keil	1	Technische Daten:Version 250 cm ³ (M361M)[250]
16	AP8577043	Spezia mutter	1	Technische Daten:Version 250 cm ³ (M361M)[250]
17	AP8550487	Federring Din	6	Technische Daten:Version 250 cm ³ (M361M)[250]
18	AP8570018	Zahnkranz	1	Technische Daten:Version 250 cm ³ (M361M)[250]
19	AP8577015	Deckel	1	Technische Daten:Version 250 cm ³ (M361M)[250]
20	AP8550417	Dichtung	1	Technische Daten:Version 250 cm ³ (M361M)[250]
21	AP8577044	Flachscheibe	1	Technische Daten:Version 250 cm ³ (M361M)[250]
22	AP8551060	Schraube	3	Technische Daten:Version 250 cm ³ (M361M)[250]
23	AP8577049	Platte	1	Technische Daten:Version 250 cm ³ (M361M)[250]
24	AP8560011	Schraube M6x30	3	Technische Daten:Version 250 cm ³ (M361M)[250]
25	AP8577010	Platte	1	Technische Daten:Version 250 cm ³ (M361M)[250]
26	AP8560009	Schraube	2	Technische Daten:Version 250 cm ³ (M361M)[250]
27	AP8580084	O-Ring	1	Technische Daten:Version 250 cm ³ (M361M)[250]
28	CM001908	Schlauchschele	1	Technische Daten:Version 250 cm ³ (M361M)[250]

Einheit	MOTOR
Code	29.59
Beschreibung	Zündung II
Inspektion	1



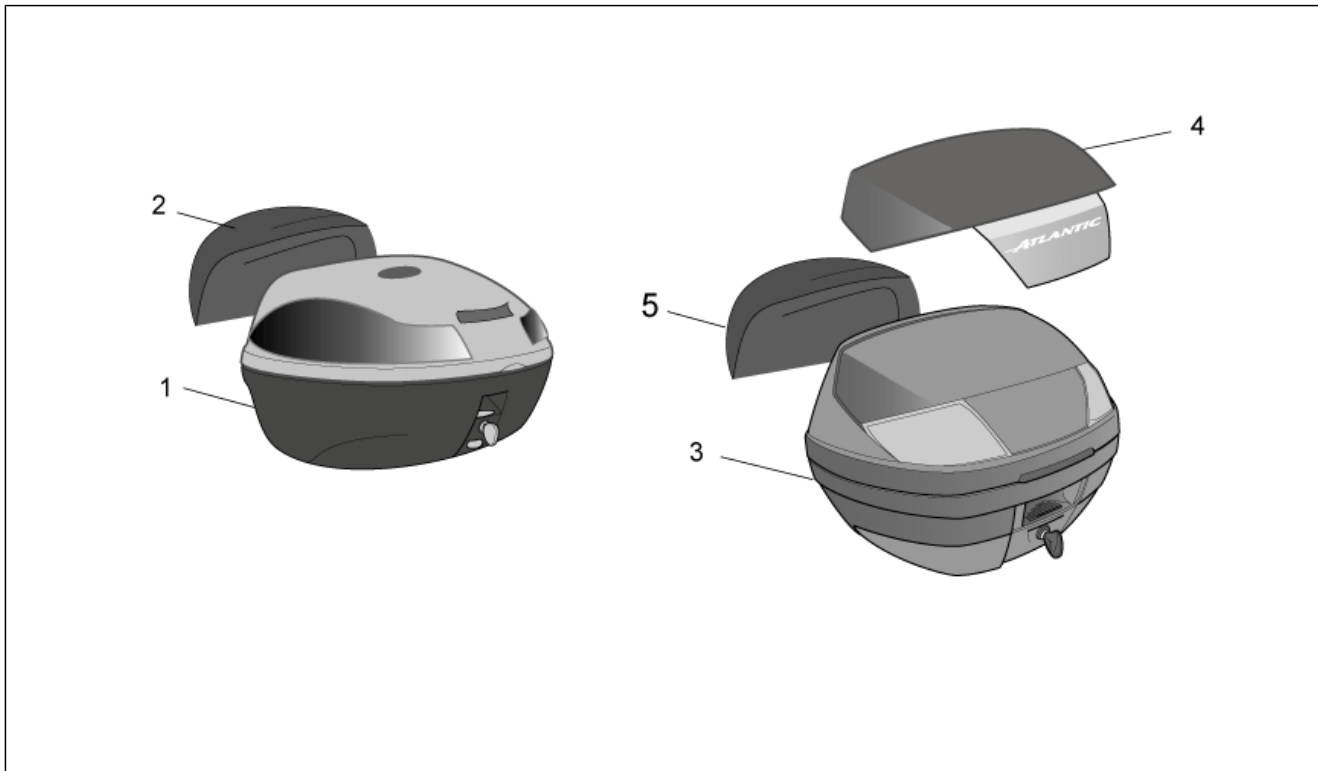
Pos.	Code	Beschreibung	Menge	Varianten
29	AP8577037	Mitnehmer	1	Technische Daten:Version 250 cm ³ (M361M)[250]
30	AP8176330	Bypassschlauch	1	Technische Daten:Version 250 cm ³ (M361M)[250]
31	AP8144579	Schlauchschele	2	Technische Daten:Version 250 cm ³ (M361M)[250]
32	848109	Platte	1	Technische Daten:Version 250 cm ³ (M361M)[250]
33	AP8550079	Schraube M6x35	9	Technische Daten:Version 250 cm ³ (M361M)[250]
34	AP8176319	Schraube	1	Technische Daten:Version 250 cm ³ (M361M)[250]
35	AP8154085	Halterbügel	1	Technische Daten:Version 250 cm ³ (M361M)[250]
36	AP8551045	Flanschschraube	1	Technische Daten:Version 250 cm ³ (M361M)[250]
37	012528	Unterlegscheibe	1	Technische Daten:Version 250 cm ³ (M361M)[250]
38	CM001922	Schlauchschele	1	Technische Daten:Version 250 cm ³ (M361M)[250]

Einheit	ZUBEHÖR
Code	30.60
Beschreibung	Acc. - Windschilder/Taschen
Inspektion	1



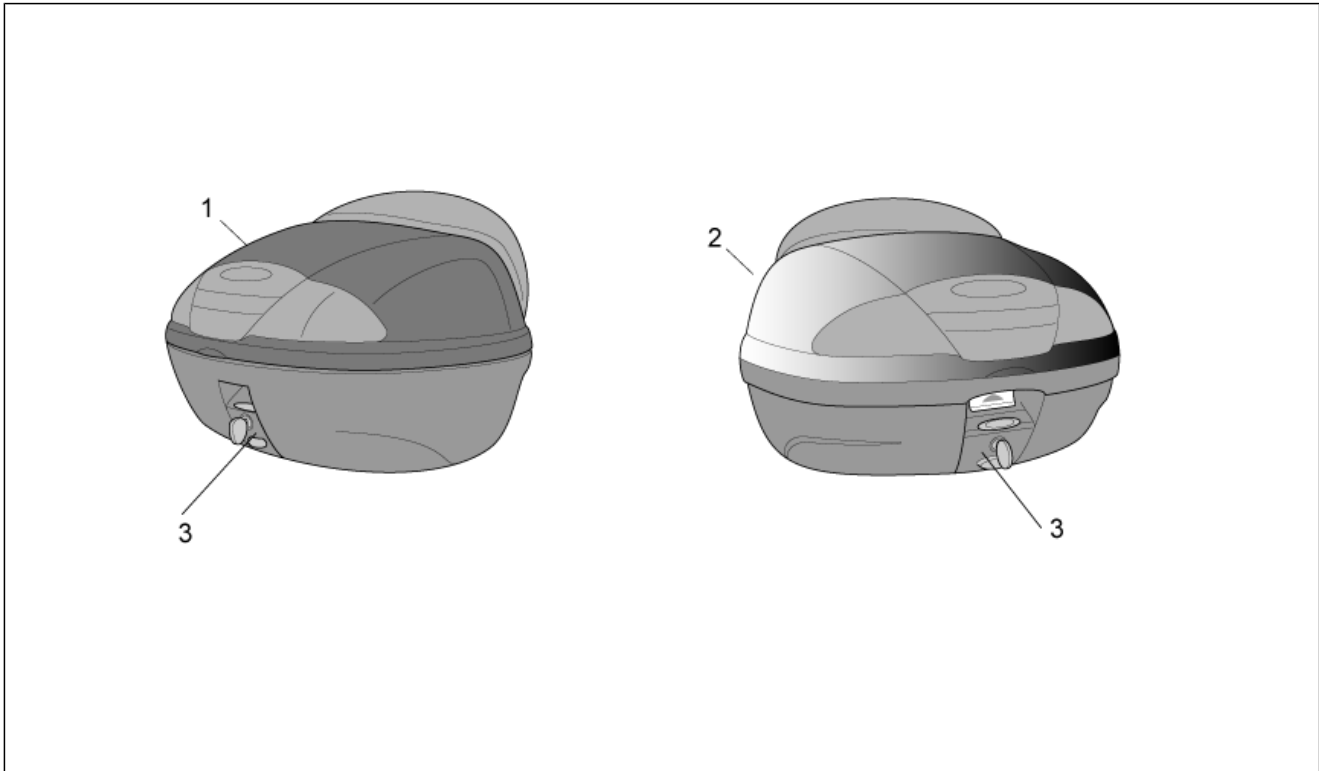
Pos.	Code	Beschreibung	Menge	Varianten
1	852996	Wetterschutz Big	1	Technische Daten:Zubehör[A]
2	AP8792285	Tunneltasche 50L	1	Technische Daten:Zubehör[A]

Einheit	ZUBEHÖR
Code	30.61
Beschreibung	Acc. - Koffer I
Inspektion	1



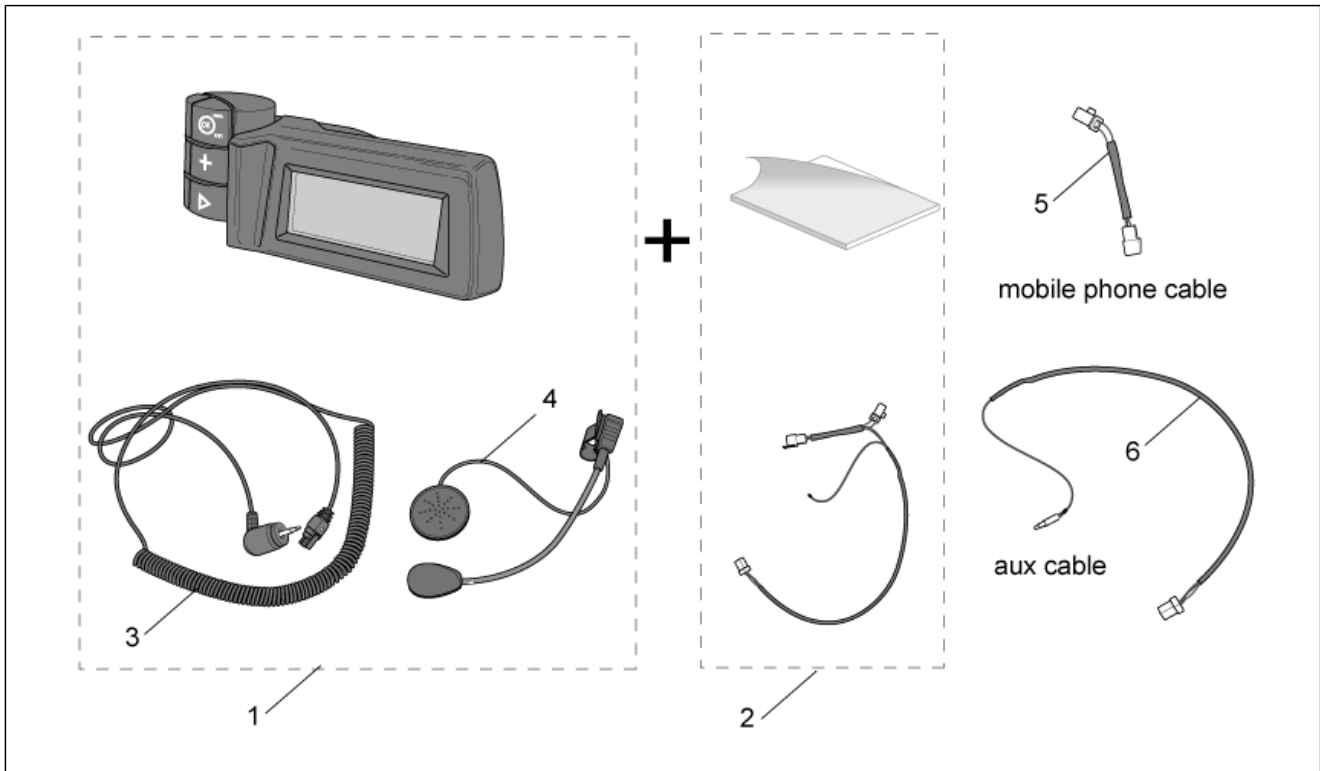
Pos.	Code	Beschreibung	Menge	Varianten
1	CM220301	Koffer gaufriert Street C II-47L	1	Technische Daten:Zubehör[A]
1	CM220302	Staukoffer, grau Street C II-47L	1	Baujahr:2006[6] Fahrzeugfarbe:Grau Shot 2006 (t.B.851712)[shot] Technische Daten:Zubehör[A]
1	CM220306	Staukoffer, grau Street C II-47L	1	Baujahr:2006[6] Fahrzeugfarbe:Grau Excalibur (t.B.851731)[grey] Technische Daten:Zubehör[A]
1	CM220307	Staukoffer, blau Street C II-47L	1	Baujahr:2006[6] Fahrzeugfarbe:Blau Couture (t.B.851732)[blu] Technische Daten:Zubehör[A]
1	CM220308	Staukoffer, schwarz Street C II-47L	1	Baujahr:2006[6] Fahrzeugfarbe:Schwarz Moka (t.B.851733)[moka] Technische Daten:Zubehör[A]
2	852313	Sitzkissen Street C II-47	1	Technische Daten:Zubehör[A]
3	CM220401	Staukoffer City-35L	1	Technische Daten:Zubehör[A]
4	CM220810	Stauraumdeckel,grau City-35L	1	Baujahr:2006[6] Fahrzeugfarbe:Grau Shot 2006 (t.B.851712)[shot] Technische Daten:Zubehör[A]
4	CM220811	Stauraumdeckel,grau City-35L	1	Baujahr:2006[6] Fahrzeugfarbe:Grau Excalibur (t.B.851731)[grey] Technische Daten:Zubehör[A]
4	CM220812	Stauraumdeckel,blau City-35L	1	Baujahr:2006[6] Fahrzeugfarbe:Blau Couture (t.B.851732)[blu] Technische Daten:Zubehör[A]
4	CM220813	Stauraumdeckel,schwarz City-35L	1	Baujahr:2006[6] Fahrzeugfarbe:Schwarz Moka (t.B.851733)[moka] Technische Daten:Zubehör[A]
5	852312	Sitzkissen City-35L	1	Technische Daten:Zubehör[A]

Einheit	ZUBEHÖR
Code	30.62
Beschreibung	Acc. - Koffer II
Inspektion	1



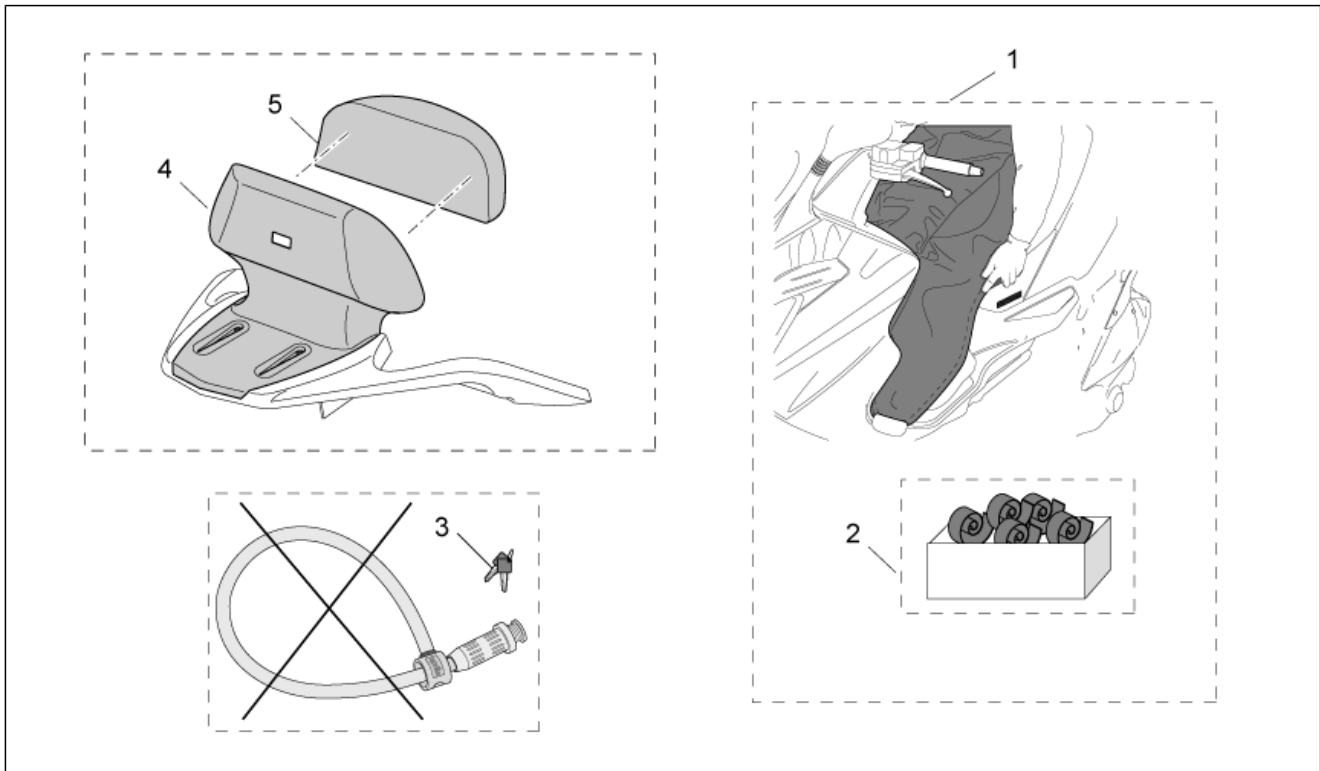
Pos.	Code	Beschreibung	Menge	Varianten
1	AP8790260	Koffer gaufriert Str-Cas 45L	1	Technische Daten:Zubehör[A]
2	AP8792373	Koffer grau ash Str-Cas 45L	1	Technische Daten:Zubehör[A]
2	AP8792374	Koffer grau ash Str-Cas 45L	1	Land:Spanien[SP] Technische Daten:Zubehör[A]
3	AP8797169	Kofferschloß St-Case	1	Technische Daten:Zubehör[A]

Einheit	ZUBEHÖR
Code	30.63
Beschreibung	Acc. - Sonstiges I
Inspektion	1



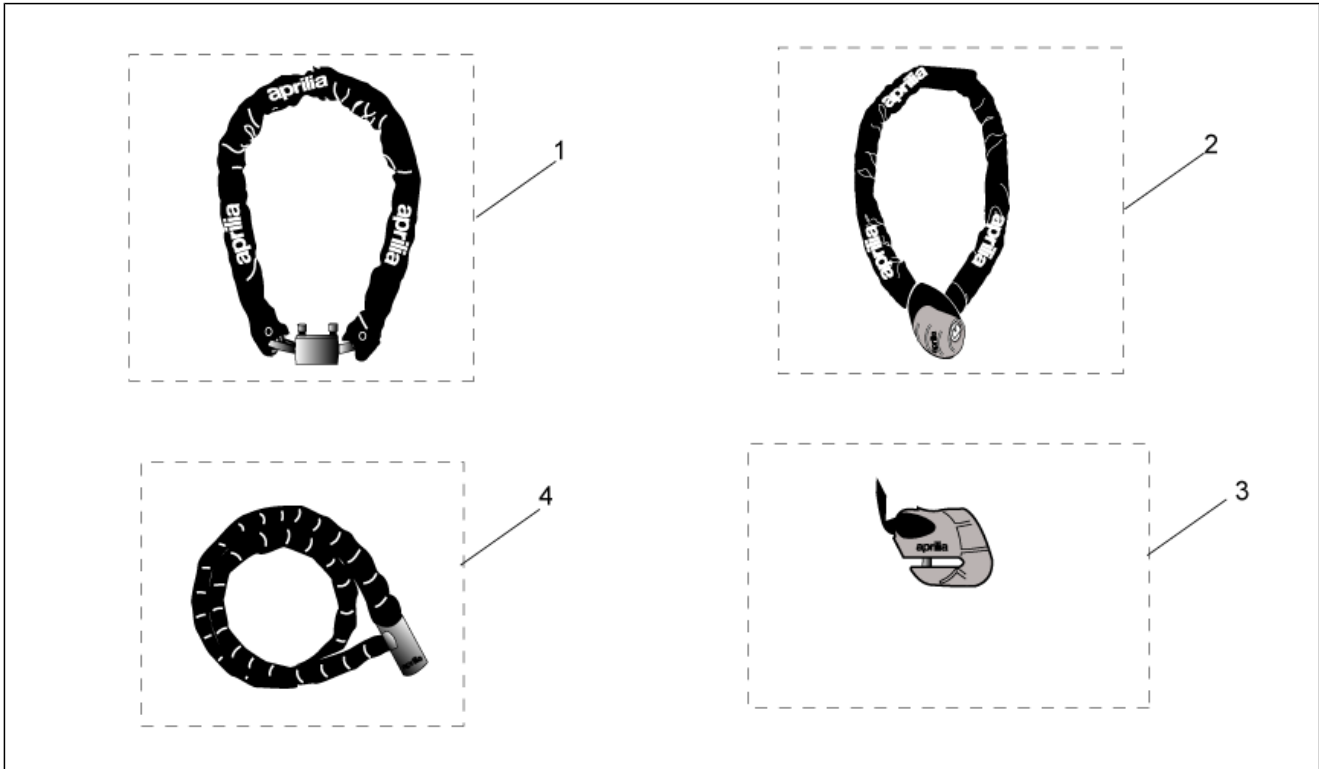
Pos.	Code	Beschreibung	Menge	Varianten
1	AP8794031	Radio-Display blau MobControl	1	Technische Daten:Zubehör[A]
2	AP8794034	Kabel Funktelefon MobControl	1	Technische Daten:Zubehör[A]
3	AP8794038	Spiralkabel f/Kopfhörer	1	Technische Daten:Zubehör[A]
4	AP8794039	Kopfhörer m/Mikrofon	1	Technische Daten:Zubehör[A]
5	AP8701232	Kabel Ericsson	1	Technische Daten:Zubehör[A]
5	AP8701233	Kabel Motorola MOD1	1	Technische Daten:Zubehör[A]
5	AP8701234	Kabel Motorola MOD2	1	Technische Daten:Zubehör[A]
5	AP8701235	Kabel Panasonic MOD1	1	Technische Daten:Zubehör[A]
5	AP8701236	Kabel Panasonic MOD2	1	Technische Daten:Zubehör[A]
5	AP8701237	Kabel Panasonic MOD3	1	Technische Daten:Zubehör[A]
5	AP8701238	Kabel Siemens MOD1	1	Technische Daten:Zubehör[A]
5	AP8701239	Kabel Siemens MOD2	1	Technische Daten:Zubehör[A]
5	AP8701240	Kabel Siemens MOD3	1	Technische Daten:Zubehör[A]
5	AP8701241	Kabel Nokia MOD1	1	Technische Daten:Zubehör[A]
5	AP8701242	Kabel Nokia MOD2	1	Technische Daten:Zubehör[A]
5	AP8701243	Kabel Samsung MOD1	1	Technische Daten:Zubehör[A]
5	AP8701244	Kabel Samsung MOD2	1	Technische Daten:Zubehör[A]
5	AP8701245	Kabel Sony	1	Technische Daten:Zubehör[A]
6	AP8797170	Verkabelung AUX MobControl	1	Technische Daten:Zubehör[A]

Einheit	ZUBEHÖR
Code	30.64
Beschreibung	Acc. - Sonstiges II
Inspektion	1



Pos.	Code	Beschreibung	Menge	Varianten
1	AP8796614	Abdeckplane	1	Technische Daten:Zubehör[A]
2	AP8701140	Kit Ers.teil Klettver.Abdeckp.	1	Technische Daten:Zubehör[A]
3	AP8700792	Schlüssellersatzdie. B.Guard UK-D	1	Land:Deutschland[D], Großbritannien[UK] Technische Daten:Zubehör[A]
3	AP8700793	Schlüssellersatzdie. B.Guard F-NL	1	Land:Frankreich[F], Holland[NL] Technische Daten:Zubehör[A]
3	AP8700794	Schlüssellersatzdie. B.Guard I-E	1	Land:Spanien[E], Italien[I] Technische Daten:Zubehör[A]
4	AP8703057	Soziusrückenlehne	1	Technische Daten:Zubehör[A]
5	AP8702151	Sitzkissen Blau	1	Technische Daten:Zubehör[A]
5	AP8702152	Sitzkissen Grau	1	Technische Daten:Zubehör[A]

Einheit	ZUBEHÖR
Code	30.65
Beschreibung	Acc. - Diefstahl
Inspektion	1



Pos.	Code	Beschreibung	Menge	Varianten
1	AP8720115	Iron Guard 10x150 mm	1	Technische Daten:Zubehör[A]
2	AP8720116	Iron Guard 8x120 mm	1	Technische Daten:Zubehör[A]
3	AP8720117	Iron Guard Disk 5 mm	1	Technische Daten:Zubehör[A]
4	AP8720118	Easy Guard 150 mm	1	Technische Daten:Zubehör[A]