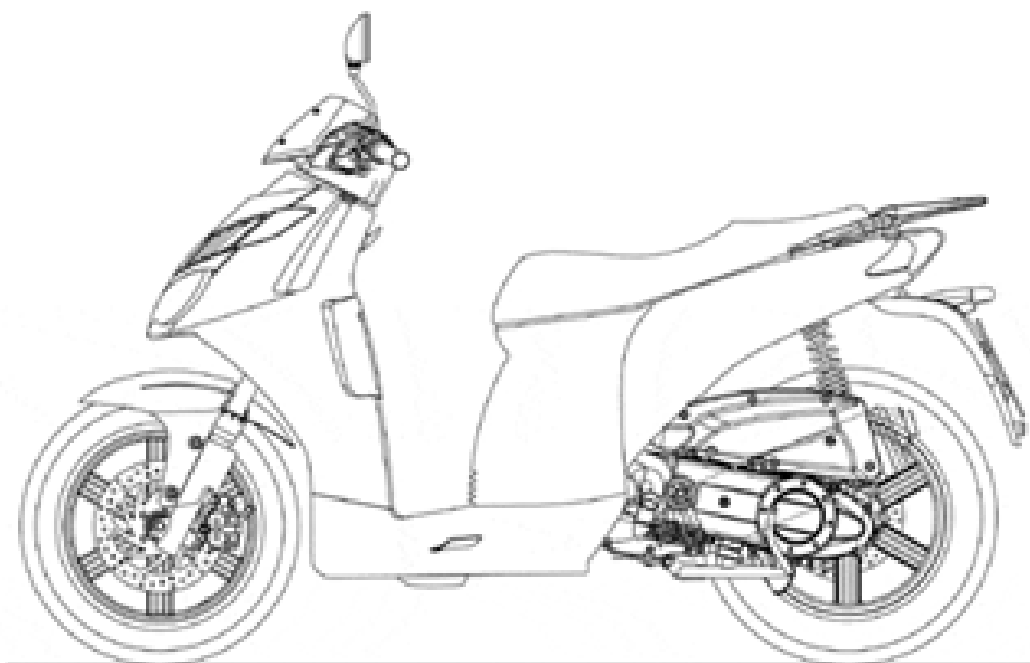


aprilia[®]

ERSATZTEILKATALOG



Sport City 125-200-250 E3 2006-2008

Vorsatzcode Fahrgestell: ZD4VB002, ZD4VBA01, ZD4VBB00, ZD4VBC00
Vorsatzcode Motor:

Inhaltsverzeichnis

Fertige Produkte.....	4
Alphanumerisches Verzeichnis.....	5
RAHMEN.....	11
Tafel 28.01 - Rahmen.....	11
Tafel 28.02 - Hauptständer.....	12
Tafel 28.03 - Gabel - Fuß mit Rohr.....	13
Tafel 28.04 - Kaifa Gabel - Schaften, Hülsen.....	14
Tafel 28.05 - Pleuelstange.....	16
Tafel 28.06 - Hinterradaufhängung.....	17
Tafel 28.07 - Frontaufbau - Kuppel.....	18
Tafel 28.08 - Frontaufbau - Vrd. Schutzblech.....	20
Tafel 28.09 - Frontaufbau - Frontdeckel.....	21
Tafel 28.10 - Frontaufbau - Innenschild.....	22
Tafel 28.11 - Mittlerer aufbau I.....	24
Tafel 28.12 - Mittlerer aufbau II.....	25
Tafel 28.13 - U. Sitzbank.....	26
Tafel 28.14 - Sitzbankeinheit.....	27
Tafel 28.15 - Heckaufbau I.....	28
Tafel 28.16 - Heckaufbau II.....	29
Tafel 28.17 - Kofferhalter.....	31
Tafel 28.18 - Instrumententafel.....	32
Tafel 28.19 - Lenkstange.....	33
Tafel 28.20 - Schaltungen links.....	34
Tafel 28.21 - Schaltungen rechts.....	35
Tafel 28.22 - Kühler.....	37
Tafel 28.23 - Kühlanlage.....	38
Tafel 28.24 - Kraftstofftank I.....	39
Tafel 28.25 - Kraftstofftank II.....	40
Tafel 28.26 - Filtergehäuse.....	41
Tafel 28.33 - Auslassgruppe.....	42
Tafel 28.34 - Vorderrad.....	43
Tafel 28.35 - Vorderradzange I.....	44
Tafel 28.36 - Vorderradzange II.....	45
Tafel 28.37 - Hinterrad.....	46
Tafel 28.38 - Hinterradzange.....	47
Tafel 28.39 - Scheinwerfer.....	48
Tafel 28.40 - Rücklicht.....	50
Tafel 28.41 - Elektrische Anlage.....	51
Tafel 28.42 - Bausatz Schlösser.....	53
Tafel 28.43 - Schilder und Anleit.....	54
Tafel 28.65 - Benzindampfrückf.-Anlage.....	55
MOTOR.....	56
Tafel 29.27 - Vergaser I.....	56

Tafel 29.28 - Vergaser II.....	57
Tafel 29.29 - Vergaser III.....	58
Tafel 29.30 - Klappenkörper.....	59
Tafel 29.31 - Secondary air.....	60
Tafel 29.32 - Motor.....	62
Tafel 29.44 - Kurbelwellengehäuse.....	63
Tafel 29.45 - Kurbelwelle.....	64
Tafel 29.46 - Zylinder.....	65
Tafel 29.47 - Zylinderkopf.....	67
Tafel 29.48 - Nockenwelle.....	69
Tafel 29.49 - Ölablaßventil.....	70
Tafel 29.50 - Kettenspanner.....	71
Tafel 29.51 - Ölfiltereinsatz.....	72
Tafel 29.52 - Kupplung.....	73
Tafel 29.53 - Ölpumpe.....	75
Tafel 29.54 - Getriebe.....	77
Tafel 29.55 - Wandlergruppe.....	78
Tafel 29.56 - Startermotor I.....	79
Tafel 29.57 - Startermotor II.....	80
Tafel 29.58 - Wandlerdeckel.....	81
Tafel 29.59 - Zündung I.....	82
Tafel 29.60 - Zündung II.....	84
ZUBEHÖR.....	86
Tafel 30.61 - Acc. - Windschilder.....	86
Tafel 30.62 - Acc. - Koffer I.....	87
Tafel 30.63 - Acc. - Koffer II.....	88
Tafel 30.64 - Acc. - Sonstiges.....	89
Tafel 30.66 - Acc. - Diebstahl.....	90

Fertige Produkte

Code	Gültigkeit
AP6223102AA602	
AP6223102AA603	
AP6223102AA605	
AP6223102AB603	
AP6223102AB605	
AP6223102EA600	
AP6223102EA602	
AP6223102EA603	
AP6223102EA604	
AP6223102EA605	
AP6223102EA706	
AP6223102EB600	
AP6223102EB602	
AP6223102EB603	
AP6223102EB604	
AP6223102EB605	
AP6223102EB706	
AP6223102EC602	
AP6223102EC603	
AP6223102EC604	
AP6223102EC605	
AP6223102EC706	
AP6223102EU601	
AP6223102EU602	
AP6223102EU603	
AP6223102EU604	
AP6223102EU605	

Code	Nr. der Tafel	Pos.	Code	Nr. der Tafel	Pos.	Code	Nr. der Tafel	Pos.
006647	28.33	17	AP8102375	28.16	6	AP8113867	28.35	4
431098	29.52	19	AP8102375	28.22	17	AP8113867	28.36	4
484908	29.46	6	AP8102375	28.65	12	AP8113868	28.35	8
485779	29.46	4	AP8102376	28.01	18	AP8113869	28.38	2
485914	29.46	5	AP8102376	28.12	6	AP8113870	28.38	3
486362	29.46	6	AP8102376	28.22	10	AP8113871	28.38	4
486363	29.46	5	AP8102376	28.23	9	AP8114500	28.21	17
58141R	29.59	9	AP8102376	28.41	18	AP8117266	28.33	3
623876	28.43	6	AP8102376	28.65	8	AP8118681	28.21	18
672198	28.26	6	AP8102376	29.27	8	AP8118694	28.19	1
82545R	28.33	16	AP8102378	28.24	15	AP8118699	28.20	6
82869R	29.59	8	AP8102378	28.65	20	AP8118699	28.21	6
830486	29.46	4	AP8102381	28.07	5	AP8119883	28.33	1
832870	29.44	3	AP8102504	28.65	26	AP8119895	28.33	1
840332	29.44	1	AP8102520	28.65	23	AP8119902	28.33	12
8432900001	29.46	8	AP8102523	28.42	6	AP8119904	28.33	7
8432900002	29.46	8	AP8102576	29.49	12	AP8119910	28.33	2
8432900003	29.46	8	AP8102678	28.65	1	AP8119911	28.33	2
8432900004	29.46	8	AP8102688	28.65	2	AP8120179	28.65	24
843291	29.46	7	AP8102719	28.65	3	AP8120416	28.41	13
845604	29.47	16	AP8102765	28.23	6	AP8120422	28.01	20
846097	28.33	18	AP8102873	28.65	17	AP8120428	28.24	17
847116	29.53	22	AP8102947	28.42	5	AP8120446	28.23	12
847679	29.60	29	AP8104071	28.24	20	AP8120508	28.33	15
8477975	29.60	28	AP8104072	28.24	19	AP8120615	28.26	4
847931	29.54	8	AP8104197	30.63	3	AP8120621	28.34	11
8481875	29.54	6	AP8104251	28.24	7	AP8120657	28.01	21
849040	29.59	1	AP8104406	28.24	6	AP8120657	28.41	12
849480	29.55	3	AP8104422	28.42	11	AP8120905	28.65	19
852312	30.62	3	AP8104602	30.63	5	AP8120952	28.24	11
852319	28.65	5	AP8104611	28.42	4	AP8120952	28.65	15
852320	28.65	4	AP8104612	28.42	3	AP8120956	29.49	2
852364	28.39	17	AP8104613	28.42	12	AP8121032	28.26	7
852365	28.18	1	AP8104721	28.22	1	AP8121075	28.08	10
852367	28.39	1	AP8104723	28.19	2	AP8121171	28.37	4
852368	28.40	1	AP8104724	28.19	3	AP8121172	28.37	3
853007	28.39	18	AP8104725	28.43	4	AP8121190	28.05	8
853019	28.04	3	AP8104726	28.42	1	AP8121191	28.05	4
853039	28.16	20	AP8104880	28.03	6	AP8121192	28.05	6
854013	28.43	3	AP8106776	28.65	7	AP8121194	28.34	4
854509	28.41	6	AP8110104	29.52	1	AP8121195	28.34	6
854510	28.40	3	AP81112176	28.41	25	AP8121196	28.34	5
854631	28.40	16	AP8112244	28.41	26	AP8121333	28.14	5
8714085	29.58	3	AP8112506	28.41	24	AP8121419	28.33	4
8714485	29.58	3	AP8112927	28.41	1	AP8121464	28.22	4
871458	29.58	15	AP8113003	28.20	4	AP8121617	28.02	9
872479	29.27	10	AP8113003	28.21	4	AP8121620	28.37	7
872896	28.33	2	AP8113003	28.35	10	AP8121621	28.26	8
AP8101372	28.22	12	AP8113003	28.36	6	AP8121628	28.05	7
AP8101573	28.23	4	AP8113003	28.36	8	AP8121638	28.02	8
AP8101573	29.59	14	AP8113003	28.38	9	AP8121639	29.27	7
AP8101586	28.65	18	AP8113004	28.20	5	AP8121639	29.30	7
AP8101595	28.24	13	AP8113004	28.21	5	AP8121795	28.01	14
AP8101595	28.65	16	AP8113004	28.35	9	AP8121837	28.22	11
AP8101770	28.24	9	AP8113004	28.36	5	AP8121856	29.32	5
AP8101770	28.25	12	AP8113004	28.38	8	AP8123675	28.03	4
AP8101770	29.27	9	AP8113005	28.35	7	AP8123794	28.03	3
AP8101770	29.30	8	AP8113005	28.36	12	AP8124235	28.41	30
AP8101944	28.24	22	AP8113005	28.38	6	AP8124266	28.41	28
AP8101944	28.25	15	AP8113006	28.38	5	AP8124446	28.22	3
AP8102151	28.24	18	AP8113541	28.37	8	AP8124718	28.16	11
AP8102349	28.23	7	AP8113697	28.34	8	AP8124719	28.10	8
AP8102375	28.01	19	AP8113697	28.34	8	AP8124748	28.41	20
AP8102375	28.07	6	AP8113789	29.53	4	AP8124748	28.41	20
AP8102375	28.08	7	AP8113789	29.57	1	AP8124768	28.41	27
AP8102375	28.12	5	AP8113844	28.35	1	AP8124918	28.20	1
AP8102375	28.15	7	AP8113846	28.38	1	AP8124976	28.40	9

Code	Nr. der Tafel	Pos.
AP8125757	28.20	15
AP8125757	28.21	15
AP8125812	28.34	2
AP8125848	28.22	5
AP8125893	29.52	3
AP8125901	28.37	6
AP8127098	28.40	7
AP8127109	28.39	9
AP8127112	28.41	2
AP8127145	28.41	8
AP8127305	28.20	7
AP8127305	28.21	7
AP8127337	28.41	10
AP8127418	28.41	11
AP8127441	28.22	2
AP8127461	28.42	13
AP8127466	28.41	3
AP8127489	28.39	16
AP8127489	28.40	15
AP8127514	28.39	10
AP8127515	28.39	11
AP8127552	28.39	12
AP8127552	28.40	12
AP8127556	28.41	9
AP8127558	28.41	7
AP8127559	28.41	6
AP8127561	28.39	3
AP8127562	28.39	2
AP8127564	28.40	1
AP8127592	28.21	1
AP8127619	28.41	20
AP8127619	28.41	20
AP8127644	28.40	3
AP8127668	28.38	12
AP8127695	28.39	1
AP8127696	28.39	1
AP8127698	28.39	8
AP8127809	28.41	11
AP8127810	28.41	6
AP8127811	28.18	1
AP8127825	28.41	29
AP8127826	28.13	2
AP8127827	28.25	4
AP8127828	28.24	5
AP8127828	28.25	5
AP8127829	28.33	6
AP8127843	28.18	1
AP8127860	28.41	33
AP8127862	28.41	3
AP8127885	28.41	35
AP8127886	28.41	34
AP8127925	28.39	2
AP8127926	28.39	3
AP8128059	28.34	10
AP8128060	28.34	1
AP8128062	28.37	2
AP8128063	28.37	1
AP8128126	28.34	1
AP8128127	28.37	1
AP8128156	28.34	1
AP8129465	28.14	1
AP8133610	28.36	10
AP8133673	28.21	9
AP8133725	28.35	2
AP8133725	28.36	3
AP8133739	28.35	1
AP8133798	28.35	2

Code	Nr. der Tafel	Pos.
AP8133798	28.36	3
AP8133799	28.35	4
AP8133799	28.36	4
AP8133800	28.35	6
AP8133800	28.36	11
AP8133801	28.35	8
AP8133801	28.36	10
AP8133855	28.38	1
AP8133888	28.36	9
AP8133889	28.20	9
AP8133889	28.38	11
AP8133891	28.36	1
AP8133892	28.36	2
AP8133893	28.36	1
AP8133894	28.36	2
AP8133946	28.38	2
AP8134650	28.65	6
AP8134799	28.11	3
AP8134815	28.24	12
AP8134974	28.06	9
AP8134976	28.22	13
AP8135677	28.01	5
AP8144089	28.14	6
AP8144187	28.24	3
AP8144187	28.25	3
AP8144257	28.11	1
AP8144298	28.23	11
AP8144298	28.25	14
AP8144303	28.24	10
AP8144422	28.24	8
AP8144422	28.25	6
AP8144506	28.23	5
AP8144579	29.31	2
AP8144579	29.49	5
AP8144579	29.59	23
AP8144579	29.60	14
AP8144638	28.65	25
AP8144642	28.23	2
AP8144701	28.26	13
AP8144704	28.23	14
AP8144729	28.02	7
AP8144759	28.23	13
AP8144760	28.25	8
AP8144761	28.25	9
AP8144777	28.22	18
AP8144782	28.24	2
AP8144782	28.25	2
AP8144783	29.27	6
AP8144784	28.23	3
AP8144785	28.23	16
AP8144786	28.23	17
AP8144790	28.33	11
AP8144794	29.27	6
AP8144795	28.26	5
AP8144796	29.30	6
AP8145023	28.01	1
AP8145025	28.02	1
AP8146883	28.01	2
AP8146884	28.01	3
AP8149034	28.16	21
AP8149478	28.11	7
AP8150011	28.07	11
AP8150014	28.39	20
AP8150015	28.26	14
AP8150017	28.33	14
AP8150017	28.39	22
AP8150018	28.01	22

Code	Nr. der Tafel	Pos.
AP8150020	28.05	12
AP8150020	28.06	7
AP8150020	28.19	7
AP8150026	28.41	17
AP8150038	28.06	6
AP8150045	28.26	15
AP8150088	28.19	6
AP8150107	28.35	3
AP8150137	28.39	15
AP8150159	28.10	9
AP8150159	28.16	12
AP8150159	28.16	24
AP8150159	28.22	6
AP8150204	28.10	10
AP8150204	28.16	13
AP8150204	28.16	25
AP8150211	28.39	19
AP8150248	28.65	11
AP8150270	28.22	8
AP8150277	28.19	4
AP8150285	28.26	17
AP8150298	28.12	8
AP8150333	28.14	3
AP8150362	28.16	17
AP8150362	28.40	8
AP8150376	28.39	23
AP8150382	28.12	10
AP8150382	28.24	14
AP8150382	28.25	11
AP8150382	28.33	10
AP8150403	28.26	16
AP8150413	28.07	7
AP8150413	28.08	8
AP8150413	28.10	3
AP8150413	28.11	10
AP8150413	28.11	2
AP8150413	28.13	3
AP8150413	28.15	6
AP8150413	28.17	3
AP8150413	28.18	4
AP8150413	28.39	7
AP8150413	28.40	6
AP8150416	28.07	10
AP8150423	28.10	6
AP8150423	28.11	6
AP8150423	28.22	7
AP8150429	28.39	21
AP8150429	28.41	19
AP8150432	28.05	10
AP8150438	28.02	5
AP8150450	28.09	5
AP8150450	28.16	15
AP8150450	28.65	27
AP8150502	28.01	13
AP8150538	28.33	9
AP8150554	28.05	15
AP8152018	28.05	11
AP8152117	28.08	11
AP8152140	28.42	8
AP8152246	28.22	15
AP8152246	28.23	10
AP8152246	28.41	21
AP8152246	28.42	9
AP8152267	28.65	10
AP8152269	28.15	5
AP8152277	28.23	15
AP8152278	28.01	17

Code	Nr. der Tafel	Pos.
AP8152278	28.22	14
AP8152278	28.38	13
AP8152278	28.39	14
AP8152278	28.40	14
AP8152278	28.41	15
AP8152278	28.42	7
AP8152279	28.65	9
AP8152280	28.41	16
AP8152282	28.16	22
AP8152285	28.01	12
AP8152287	28.33	13
AP8152287	28.34	9
AP8152287	28.38	7
AP8152288	28.17	4
AP8152288	28.34	9
AP8152288	28.37	9
AP8152289	28.03	5
AP8152290	28.06	3
AP8152292	28.06	8
AP8152298	28.01	16
AP8152298	28.12	11
AP8152298	28.13	4
AP8152298	28.16	5
AP8152298	28.42	10
AP8152298	28.65	13
AP8152299	28.16	23
AP8152299	28.26	18
AP8152299	28.39	13
AP8152299	28.40	13
AP8152299	28.41	14
AP8152300	28.06	4
AP8152300	28.19	5
AP8152301	28.02	6
AP8152301	28.05	13
AP8152301	28.06	2
AP8152301	28.19	8
AP8152302	28.08	9
AP8152302	28.22	16
AP8152306	28.65	14
AP8152329	28.01	15
AP8152329	28.18	3
AP8152329	28.24	16
AP8152329	28.25	10
AP8152338	28.12	9
AP8152351	28.09	11
AP8152509	28.36	8
AP8154047	28.01	11
AP8154048	28.33	8
AP8154081	28.41	36
AP8156185	28.16	16
AP8156231	28.16	7
AP8156271	28.08	1
AP8156275	28.08	1
AP8156279	28.08	1
AP8156280	28.08	1
AP8156281	28.08	1
AP8156334	28.08	1
AP8156345	28.08	1
AP8158359	28.25	7
AP8161016	28.05	14
AP8161019	28.05	5
AP8161023	28.01	4
AP8161026	28.37	10
AP8161031	28.06	5
AP8161048	30.64	2
AP8161155	28.05	3
AP8161206	28.08	3

Code	Nr. der Tafel	Pos.
AP8161207	28.08	4
AP8161208	28.08	5
AP8161209	28.08	6
AP8163206	28.02	3
AP8163207	28.02	4
AP8163285	28.04	1
AP8163287	28.04	3
AP8163288	28.04	4
AP8163289	28.04	5
AP8163291	28.04	7
AP8163293	28.04	9
AP8163294	28.04	10
AP8163295	28.04	11
AP8163296	28.04	12
AP8163297	28.04	13
AP8163298	28.04	14
AP8163300	28.04	16
AP8163301	28.04	17
AP8163302	28.04	18
AP8163303	28.04	19
AP8163304	28.04	20
AP8163305	28.04	21
AP8163329	28.03	1
AP8163435	28.04	2
AP8163441	28.03	2
AP8163478	28.04	15
AP8163479	28.04	8
AP8163480	28.04	6
AP8163547	28.03	1
AP8163551	28.06	1
AP8166436	28.07	8
AP8166437	28.09	8
AP8166438	28.16	10
AP8166439	28.07	9
AP8166440	28.07	9
AP8166478	28.43	5
AP8176041	28.24	4
AP8176200	29.32	1
AP8176222	29.32	1
AP8176244	29.58	14
AP8176248	29.59	1
AP8176249	29.31	11
AP8176251	29.48	5
AP8176252	29.29	8
AP8176255	29.53	11
AP8176268	29.44	11
AP8176269	29.44	11
AP8176271	29.58	10
AP8176272	29.58	9
AP8176274	29.54	6
AP8176275	29.59	19
AP8176277	29.59	2
AP8176280	29.46	7
AP8176281	29.47	10
AP8176282	29.48	5
AP8176283	29.48	4
AP8176284	29.48	3
AP8176287	29.59	10
AP8176288	29.29	9
AP8176289	29.47	15
AP8176290	29.47	19
AP8176292	29.47	21
AP8176293	29.53	15
AP8176294	29.53	6
AP8176296	29.59	9
AP8176297	29.55	2
AP8176298	29.55	17

Code	Nr. der Tafel	Pos.
AP8176299	29.55	18
AP8176300	29.52	15
AP8176301	29.52	9
AP8176302	29.54	13
AP8176304	29.27	3
AP8176306	29.29	11
AP8176307	29.46	8
AP8176308	29.46	8
AP8176309	29.46	8
AP8176310	29.46	8
AP8176311	29.27	4
AP8176312	29.44	11
AP8176313	29.44	11
AP8176314	29.46	8
AP8176315	29.46	8
AP8176316	29.46	8
AP8176317	29.46	8
AP8176319	29.47	11
AP8176320	29.60	1
AP8176321	29.47	10
AP8176322	29.47	8
AP8176323	29.48	5
AP8176324	29.47	18
AP8176325	29.53	3
AP8176327	29.45	2
AP8176328	29.45	2
AP8176329	29.60	10
AP8176330	29.59	22
AP8176330	29.60	22
AP8176332	29.53	25
AP8176334	29.60	9
AP8176335	29.60	18
AP8176336	29.49	6
AP8176337	29.57	4
AP8176338	29.55	1
AP8176339	29.52	15
AP8176340	29.54	13
AP8176341	29.54	2
AP8176342	29.30	1
AP8176343	29.30	5
AP8176346	29.30	3
AP8176389	29.45	2
AP8176390	29.45	2
AP8176391	29.45	2
AP8176392	29.45	2
AP8176393	29.60	2
AP8176394	29.52	12
AP8176395	29.57	3
AP8177263	29.32	4
AP8178066	28.23	1
AP8178069	28.14	2
AP8178071	28.18	2
AP8178072	28.09	2
AP8178073	28.09	4
AP8178078	28.08	2
AP8178079	28.10	2
AP8178083	28.11	4
AP8178085	28.09	1
AP8178086	28.11	9
AP8178087	28.01	10
AP8178088	28.01	8
AP8178092	28.15	3
AP8178093	28.15	2
AP8178094	28.01	9
AP8178095	28.01	7
AP8178097	28.15	4
AP8178106	28.16	3

Code	Nr. der Tafel	Pos.
AP8178107	28.12	4
AP8178858	28.11	8
AP8178885	28.16	14
AP8178889	28.09	7
AP8179355	28.26	1
AP8179358	28.13	1
AP8179359	28.16	4
AP8179446	28.25	1
AP8179449	28.26	1
AP8179450	28.24	1
AP8179690	28.17	1
AP8179691	28.17	2
AP8179693	28.26	1
AP8179694	28.09	3
AP8179696	28.07	3
AP8179697	28.10	1
AP8179700	28.07	2
AP8179701	28.12	1
AP8179702	28.12	2
AP8179703	28.16	8
AP8179704	28.16	9
AP8179707	28.15	1
AP8179708	28.17	6
AP8179730	28.10	7
AP8179737	28.09	3
AP8179739	28.07	3
AP8179740	28.10	1
AP8179742	28.07	2
AP8179743	28.15	1
AP8179746	28.10	4
AP8179747	28.10	5
AP8179748	28.07	1
AP8179751	28.16	1
AP8179752	28.16	2
AP8179753	28.07	4
AP8179787	28.10	1
AP8179790	28.07	3
AP8179791	28.07	2
AP8179794	28.16	1
AP8179795	28.16	2
AP8179796	28.07	4
AP8179797	28.09	3
AP8179798	28.10	1
AP8179801	28.07	3
AP8179802	28.07	2
AP8179803	28.07	4
AP8179804	28.15	1
AP8179805	28.16	1
AP8179806	28.16	2
AP8179808	28.09	3
AP8179809	28.10	1
AP8179812	28.07	3
AP8179813	28.07	2
AP8179815	28.15	1
AP8179816	28.16	1
AP8179817	28.16	2
AP8179818	28.07	4
AP8179862	28.09	6
AP8181006	28.43	3
AP8181007	28.43	3
AP8181008	28.43	3
AP8184103	28.25	1
AP8184104	28.10	1
AP8184273	28.12	3
AP8184273	28.12	3
AP8184447	28.12	3
AP8184447	28.12	3

Code	Nr. der Tafel	Pos.
AP8184450	28.10	1
AP8184452	28.10	1
AP8184454	28.10	1
AP8184456	28.09	3
AP8184456	28.09	3
AP8184457	28.10	1
AP8184459	28.10	1
AP8184462	28.07	2
AP8184462	28.07	2
AP8184463	28.07	3
AP8184463	28.07	3
AP8184465	28.15	1
AP8184465	28.15	1
AP8184466	28.16	1
AP8184467	28.16	2
AP8184468	28.07	4
AP8184525	28.10	1
AP8184526	28.16	1
AP8184527	28.16	2
AP8184528	28.07	4
AP8187077	28.39	2
AP8187078	28.39	3
AP8187082	28.39	2
AP8187083	28.39	3
AP8187084	28.39	2
AP8187085	28.39	3
AP8187086	28.39	2
AP8187087	28.39	3
AP8201169	29.49	11
AP8201358	28.65	21
AP8201431	28.14	4
AP8201457	28.43	1
AP8201534	28.11	5
AP8201546	28.34	7
AP8201546	28.37	11
AP8201643	28.01	6
AP8201764	28.16	19
AP8202449	28.12	7
AP8213108	28.35	6
AP8213108	28.36	11
AP8213298	28.20	16
AP8213298	28.21	16
AP8213299	28.20	3
AP8213299	28.21	3
AP8213382	28.20	2
AP8213400	28.20	14
AP8213400	28.21	14
AP8213455	28.20	11
AP8213455	28.21	11
AP8213467	28.38	10
AP8213547	28.21	8
AP8213549	28.20	8
AP8213558	28.21	8
AP8213559	28.20	8
AP8213574	28.38	5
AP8213575	28.35	7
AP8213575	28.36	12
AP8213575	28.38	6
AP8213578	28.38	4
AP8213579	28.38	10
AP8213580	28.20	2
AP8213581	28.21	2
AP8213582	28.20	3
AP8213582	28.21	3
AP8213583	28.20	14
AP8213583	28.21	14
AP8213584	28.20	15

Code	Nr. der Tafel	Pos.
AP8213584	28.21	15
AP8213585	28.20	16
AP8213585	28.21	16
AP8213593	28.20	12
AP8213595	28.20	13
AP8213598	28.21	13
AP8213600	28.21	12
AP8213601	28.20	10
AP8213602	28.21	10
AP8213675	28.21	8
AP8213676	28.21	8
AP8220263	28.24	21
AP8220263	28.25	13
AP8220283	28.41	5
AP8220323	28.34	12
AP8220469	28.14	7
AP8220598	28.65	22
AP8220617	29.44	4
AP8221128	28.17	5
AP8221172	28.35	5
AP8221172	28.36	7
AP8221218	28.22	9
AP8224462	28.41	4
AP8224462	28.41	4
AP8225370	30.63	4
AP8229331	30.63	6
AP8235181	28.05	1
AP8235185	28.05	2
AP8235186	28.05	9
AP8248897	28.08	12
AP8268523	29.44	20
AP8268599	28.16	1
AP8268600	28.16	2
AP8268601	28.07	4
AP8276091	29.59	20
AP8276091	29.60	20
AP8277764	28.07	9
AP8277765	28.09	10
AP8515050	29.31	16
AP851704	28.41	32
AP851727	28.09	9
AP851992	28.41	31
AP852021	28.43	2
AP852044	28.41	32
AP852061	28.34	1
AP852081	28.08	13
AP8540002	29.30	9
AP8540002	29.48	12
AP8540002	29.56	2
AP8540165	29.55	6
AP8550039	29.59	15
AP8550079	29.48	8
AP8550107	29.44	8
AP8550107	29.58	7
AP8550111	29.52	13
AP8550114	29.52	11
AP8550116	29.52	8
AP8550117	29.44	21
AP8550124	29.52	7
AP8550131	29.55	7
AP8550133	29.55	8
AP8550134	29.55	9
AP8550134	29.59	16
AP8550155	29.53	23
AP8550173	29.27	1
AP8550283	29.44	2
AP8550304	29.44	18

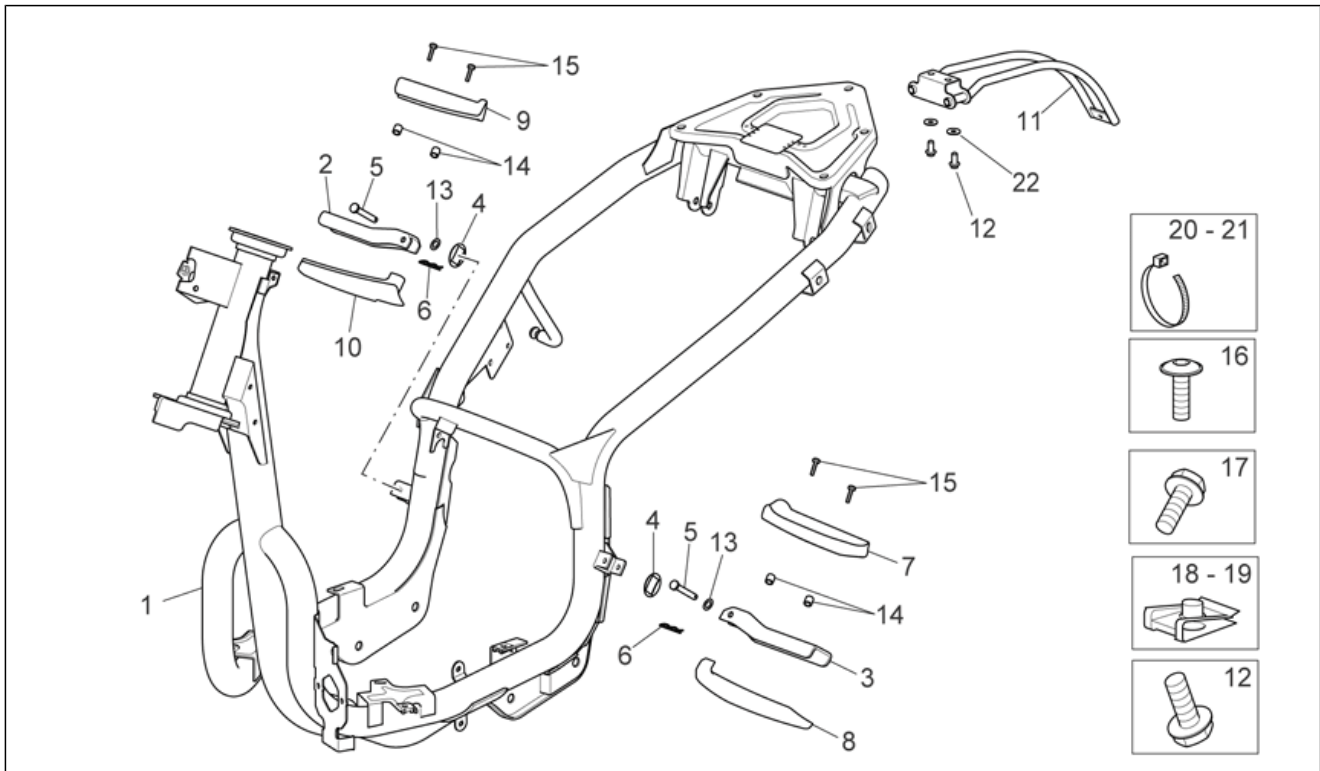
Code	Nr. der Tafel	Pos.
AP8550307	28.37	5
AP8550326	29.47	5
AP8550331	29.51	1
AP8550334	29.44	14
AP8550336	29.51	3
AP8550337	29.51	7
AP8550347	29.56	4
AP8550347	29.58	4
AP8550361	29.44	17
AP8550366	28.41	23
AP8550380	29.53	12
AP8550401	29.47	1
AP8550417	29.53	26
AP8550417	29.59	4
AP8550417	29.60	4
AP8550429	29.50	3
AP8550439	29.53	7
AP8550455	28.41	22
AP8550477	29.59	18
AP8550487	29.60	30
AP8550508	29.47	2
AP8550512	29.51	5
AP8550522	29.53	21
AP8550556	29.31	8
AP8550556	29.53	8
AP8550557	29.50	1
AP8550558	29.58	8
AP8550577	29.45	4
AP8550577	29.54	14
AP8550578	29.58	6
AP8550580	29.58	5
AP8550586	29.44	13
AP8551014	29.58	2
AP8551015	29.44	12
AP8551015	29.47	12
AP8551015	29.53	29
AP8551015	29.59	21
AP8551045	29.48	10
AP8551045	29.53	10
AP8551046	29.48	2
AP8551047	29.48	1
AP8551051	29.53	30
AP8551060	29.31	1
AP8551060	29.59	11
AP8551060	29.60	11
AP8551065	29.28	7
AP8551112	29.28	11
AP8553003	29.44	5
AP8553005	29.53	11
AP8553006	29.53	28
AP8560006	29.60	15
AP8560007	29.54	12
AP8560008	29.48	12
AP8560009	29.44	9
AP8560009	29.60	27
AP8560010	29.47	22
AP8560011	29.60	8
AP8560014	29.44	6
AP8560016	29.47	13
AP8560017	29.44	7
AP8560019	29.54	5
AP8560055	29.51	4
AP8560059	29.50	2
AP8560125	29.54	3
AP8560126	29.54	7
AP8560130	29.54	4
AP8560142	29.44	16

Code	Nr. der Tafel	Pos.
AP8560153	29.30	4
AP8570007	29.49	8
AP8570008	29.49	10
AP8570014	29.60	28
AP8570018	29.60	21
AP8570030	29.54	11
AP8570077	29.54	9
AP8570079	29.27	2
AP8570079	29.30	2
AP8570084	29.49	6
AP8570089	29.31	3
AP8570122	28.23	8
AP8575004	29.29	10
AP8575007	29.44	19
AP8575009	29.47	17
AP8575010	29.47	20
AP8575013	29.52	4
AP8575022	29.54	8
AP8575027	29.55	6
AP8575030	29.55	13
AP8575031	29.55	16
AP8575041	29.55	11
AP8575042	29.55	11
AP8575045	29.28	2
AP8575047	29.28	5
AP8575049	29.28	12
AP8575050	29.28	13
AP8575051	29.28	14
AP8575052	29.29	6
AP8577006	29.58	12
AP8577008	29.44	22
AP8577010	29.60	26
AP8577012	29.59	6
AP8577012	29.60	6
AP8577013	29.60	7
AP8577015	29.60	19
AP8577021	29.47	9
AP8577029	29.48	16
AP8577030	29.53	2
AP8577032	29.53	16
AP8577033	29.53	17
AP8577037	29.60	23
AP8577040	29.51	2
AP8577043	29.60	16
AP8577044	29.60	17
AP8577046	29.57	2
AP8577048	29.60	25
AP8577049	29.60	24
AP8577050	29.55	2
AP8577053	29.55	6
AP8577055	29.52	6
AP8577059	29.55	11
AP8577060	29.55	15
AP8577061	29.54	1
AP8577062	29.54	13
AP8577063	29.54	2
AP8577075	29.28	6
AP8577076	29.28	21
AP8577079	29.28	8
AP8577091	29.31	17
AP8577095	29.52	14
AP8580001	29.46	2
AP8580012	29.27	5
AP8580013	29.32	3
AP8580014	29.32	2
AP8580016	29.28	9
AP8580016	29.29	4

Code	Nr. der Tafel	Pos.
AP8580017	29.28	10
AP8580021	29.28	15
AP8580022	29.28	16
AP8580023	29.28	17
AP8580024	29.28	18
AP8580025	29.29	3
AP8580026	29.29	7
AP8580027	29.29	5
AP8580028	29.28	19
AP8580029	29.28	20
AP8580041	29.49	9
AP8580042	29.49	7
AP8580059	29.31	15
AP8580061	28.26	9
AP8580061	29.58	13
AP8580062	29.52	18
AP8580063	29.31	5
AP8580066	28.33	5
AP8580066	29.47	14
AP8580068	29.52	2
AP8580069	29.47	6
AP8580070	29.53	9
AP8580071	29.51	8
AP8580072	29.53	14
AP8580073	28.02	2
AP8580074	29.51	2
AP8580075	29.55	5
AP8580076	29.47	3
AP8580077	29.53	18
AP8580078	29.47	7
AP8580079	29.47	8
AP8580083	29.53	27
AP8580084	29.59	13
AP8580084	29.60	13
AP8580086	29.47	11
AP8580087	29.44	15
AP8580088	29.55	4
AP8580089	29.55	3
AP8580090	29.53	1
AP8580095	29.52	16
AP8580096	29.48	18
AP8580097	29.48	7
AP8580098	29.48	6
AP8580099	29.48	8
AP8580100	29.48	17
AP8580102	29.53	5
AP8580104	29.59	5
AP8580104	29.60	5
AP8580105	29.48	11
AP8580106	29.48	19
AP8580107	29.53	24
AP8580108	29.49	4
AP8580113	29.53	20
AP8580114	29.45	1
AP8580116	29.59	19
AP8580118	29.53	19
AP8580119	29.52	10
AP8580122	29.45	3
AP8580123	28.41	2
AP8580124	29.56	1
AP8580125	29.56	3
AP8580126	29.47	18
AP8580127	29.31	4
AP8580128	29.51	6
AP8580129	29.48	15
AP8580130	29.53	16
AP8580131	29.53	13

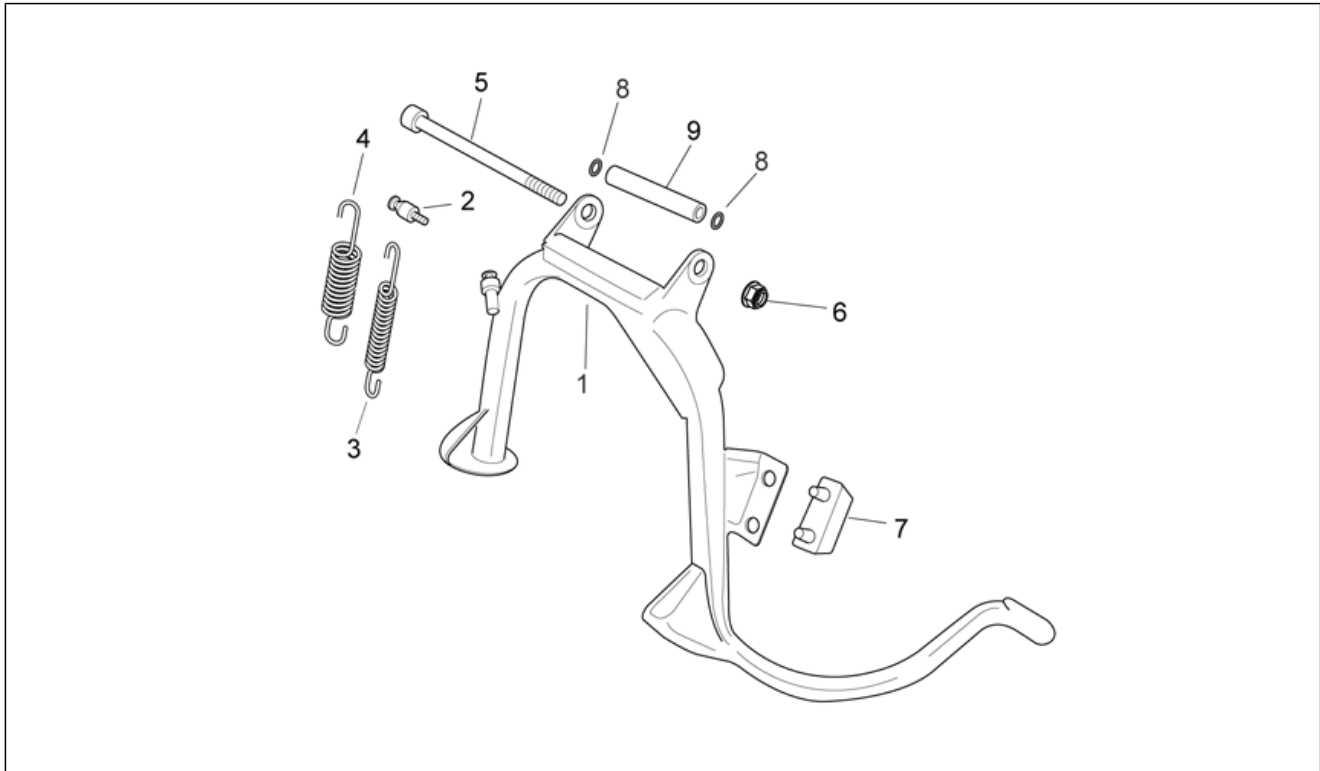
Code	Nr. der Tafel	Pos.	Code	Nr. der Tafel	Pos.
AP8580135	29.55	10	AP8590032	28.34	11
AP8580139	29.52	6	AP8590033	29.58	12
AP8580144	29.53	25	AP8590034	28.21	2
AP8580145	29.52	17	AP8590035	28.20	10
AP8580149	29.46	1	AP8590035	28.21	10
AP8580150	29.46	1	AP8590037	28.20	12
AP8580151	29.46	1	AP8590037	28.21	12
AP8580152	28.41	23	AP8590038	28.20	13
AP8580156	29.53	2	AP8590038	28.21	13
AP8580157	29.53	3	AP8590040	28.39	4
AP8580158	29.49	1	AP8590041	28.39	6
AP8580160	29.47	4	AP8590043	28.40	2
AP8580161	29.59	17	AP8590044	28.40	4
AP8580162	29.59	7	AP8590045	28.40	5
AP8580163	29.59	8	AP8590047	28.39	5
AP8580165	29.49	3	AP8590049	28.42	2
AP8580166	29.52	5	AP8590052	29.59	12
AP8580167	29.44	10	AP8590055	29.59	3
AP8580171	29.52	12	AP8590055	29.60	3
AP8580172	28.26	3	AP8700792	30.64	1
AP8580177	29.46	2	AP8700793	30.64	1
AP8580178	28.26	5	AP8700794	30.64	1
AP8580181	28.26	2	AP8706409	28.13	5
AP8580183	28.26	12	AP8706409	28.16	18
AP8580184	28.26	10	AP8720115	30.66	1
AP8580187	29.48	13	AP8720116	30.66	2
AP8580188	29.48	14	AP8720117	30.66	3
AP8580189	29.54	10	AP8720118	30.66	4
AP8580191	29.31	7	AP8791265	30.61	2
AP8580192	29.31	6	AP8791266	30.61	4
AP8580193	29.31	12	AP8791294	30.61	1
AP8580194	29.31	9	AP8791295	30.61	3
AP8580195	29.31	10	AP8792369	30.63	2
AP8580196	29.31	11	AP8792370	30.63	1
AP8580199	29.55	14	AP8796998	30.63	7
AP8580205	29.55	12	AP8797003	30.64	3
AP8580206	29.48	9	B0160495	29.54	2
AP8580208	29.52	4	CM001908	28.23	18
AP8580208	29.52	4	CM001909	28.23	19
AP8580209	29.52	6	CM126430	29.32	1
AP8580210	29.52	10	CM128211	29.27	3
AP8580211	29.52	9	CM129901	29.28	2
AP8580214	29.31	13	CM140209	29.28	4
AP8580215	29.31	14	CM143240	29.32	1
AP8580216	29.46	3	CM155103	29.58	11
AP8580219	28.26	11	CM180901	28.19	2
AP8580220	29.29	2	CM180902	28.19	3
AP8580221	29.55	3	CM220805	30.62	2
AP8580222	29.55	1	CM220806	30.62	2
AP8580227	29.28	3	CM220807	30.62	2
AP8580236	29.58	11	CM220808	30.62	2
AP8580245	29.58	9	CM221101	30.62	1
AP8580256	29.58	1	GU05751630	28.40	10
AP8580266	29.28	1	GU05751730	28.40	11
AP8580268	29.28	4			
AP8580269	29.28	5			
AP8580270	29.28	14			
AP8580272	29.46	7			
AP8580277	29.60	12			
AP8590004	29.52	15			
AP8590006	29.29	1			
AP8590007	29.47	9			
AP8590018	29.58	1			
AP8590027	29.52	12			
AP8590028	29.55	1			
AP8590030	28.34	2			
AP8590031	28.34	3			

Einheit	RAHMEN
Code	28.01
Beschreibung	Rahmen
Inspektion	1



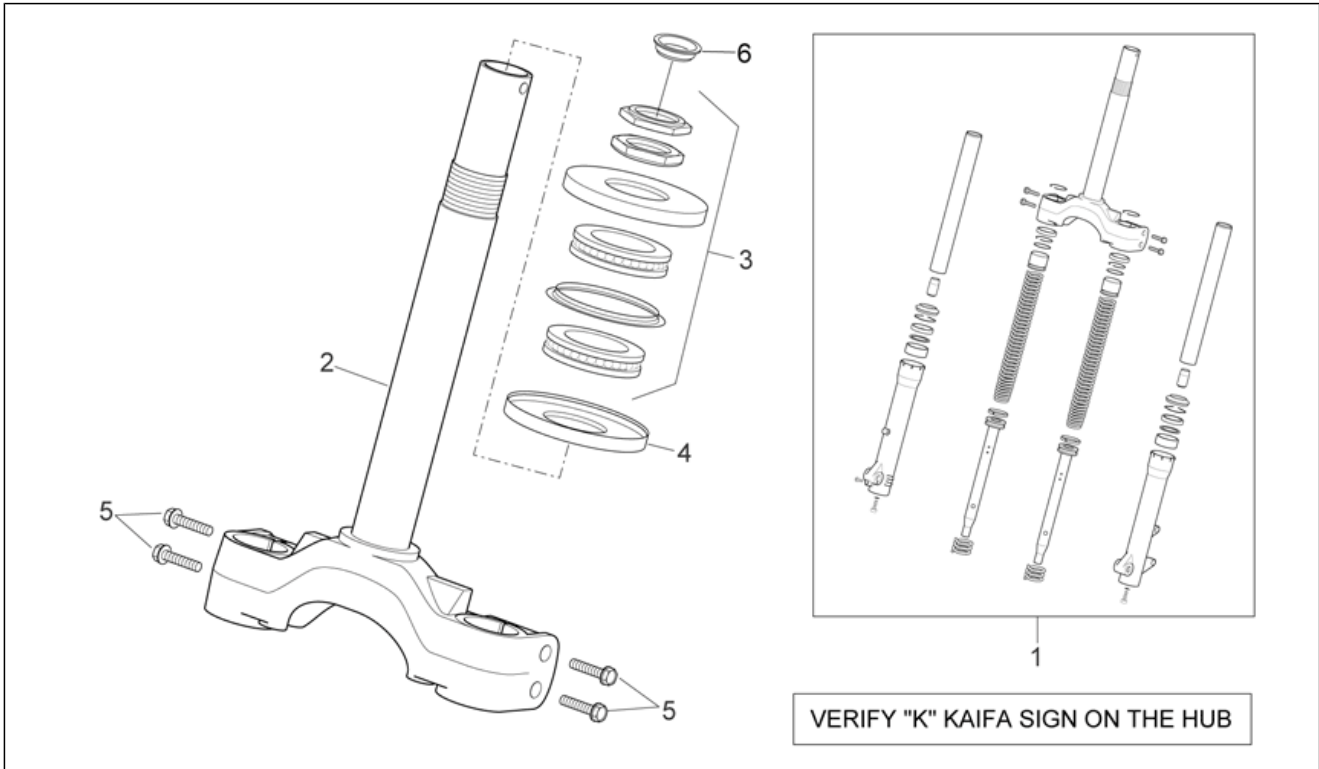
Pos.	Code	Beschreibung	Menge	Varianten
1	AP8145023	Rahmen	1	
2	AP8146883	Soziusraste rechts	1	
3	AP8146884	Soziusraste links	1	
4	AP8161023	Unterlegs.Boh.Abbildung	2	
5	AP8135677	Rastenbolzen	2	
6	AP8201643	Splint	2	
7	AP8178095	Soziusraste link gummit	1	
8	AP8178088	Deckel soziusraste links	1	
9	AP8178094	Soziusraste rechts gummit	1	
10	AP8178087	Soziusraste rechts deckel	1	
11	AP8154047	Kennzeichenplatte	1	
12	AP8152285	TE Schr. m. Flansch	2	
13	AP8150502	Ausgleichscheibe 15x8x0,8	2	
14	AP8121795	T-Buchse	4	
15	AP8152329	Kreuz.schl.flnschschr. M5x20	4	
16	AP8152298	TBEI Schraube m.Flansch M5x16	2	
17	AP8152278	TE Schr. m. Flansch M6x16	2	
18	AP8102376	Klammer M6	5	
19	AP8102375	Klammer M5	2	
20	AP8120422	Schelle schwarz 98x2*	3	
21	AP8120657	Schelle	2	
22	AP8150018	Ausgleichscheibe	2	

Einheit	RAHMEN
Code	28.02
Beschreibung	Hauptständer
Inspektion	1



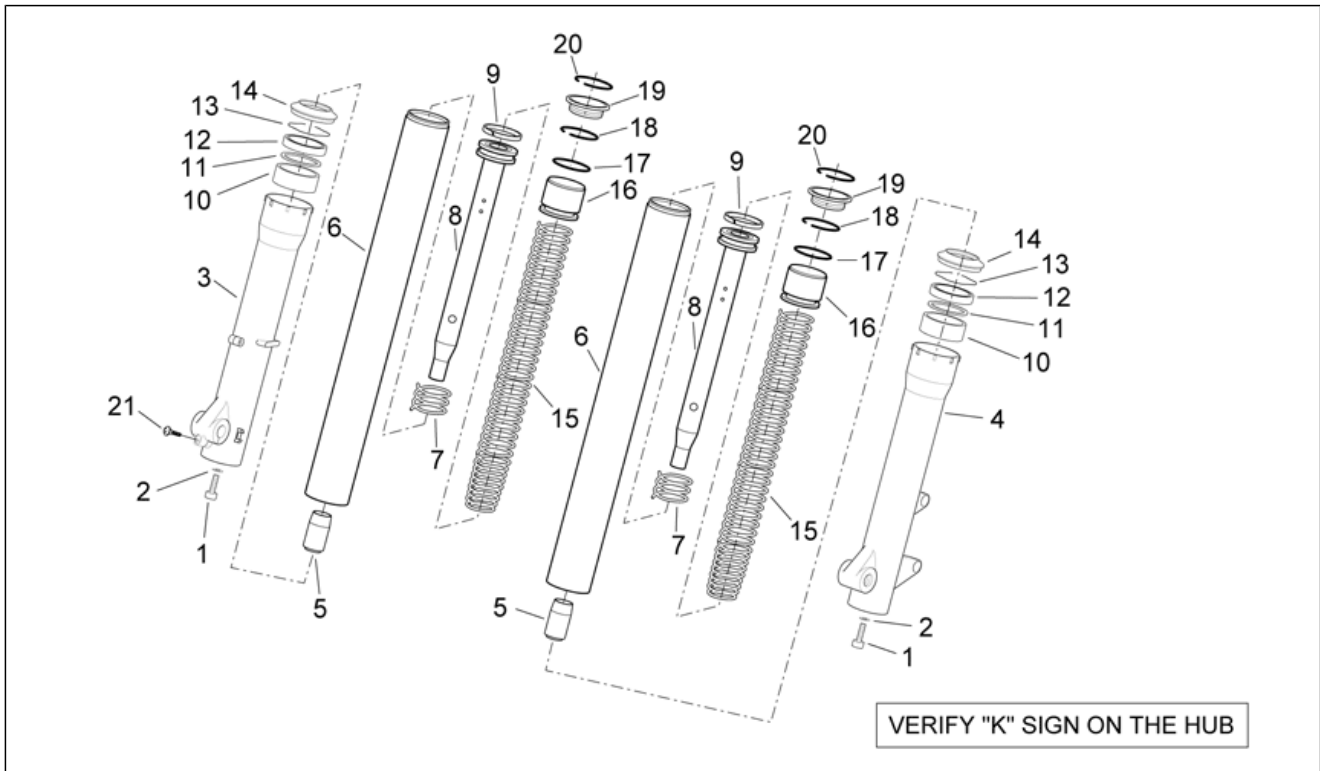
Pos.	Code	Beschreibung	Menge	Varianten
1	AP8145025	Hauptständer	1	
2	AP8580073	Federschraube	1	
3	AP8163206	Rückholfeder Ständer	1	
4	AP8163207	Hauptständer Schraubenfeder	1	
5	AP8150438	TCEI Schraube M10x130	1	
6	AP8152301	Selbstsperrende Mutter	1	
7	AP8144729	Anschlagstopfen Ständer	1	
8	AP8121638	Gasket ring	2	
9	AP8121617	Hauptständer distanzscheibe	1	

Einheit	RAHMEN
Code	28.03
Beschreibung	Gabel - Fuß mit Rohr
Inspektion	1



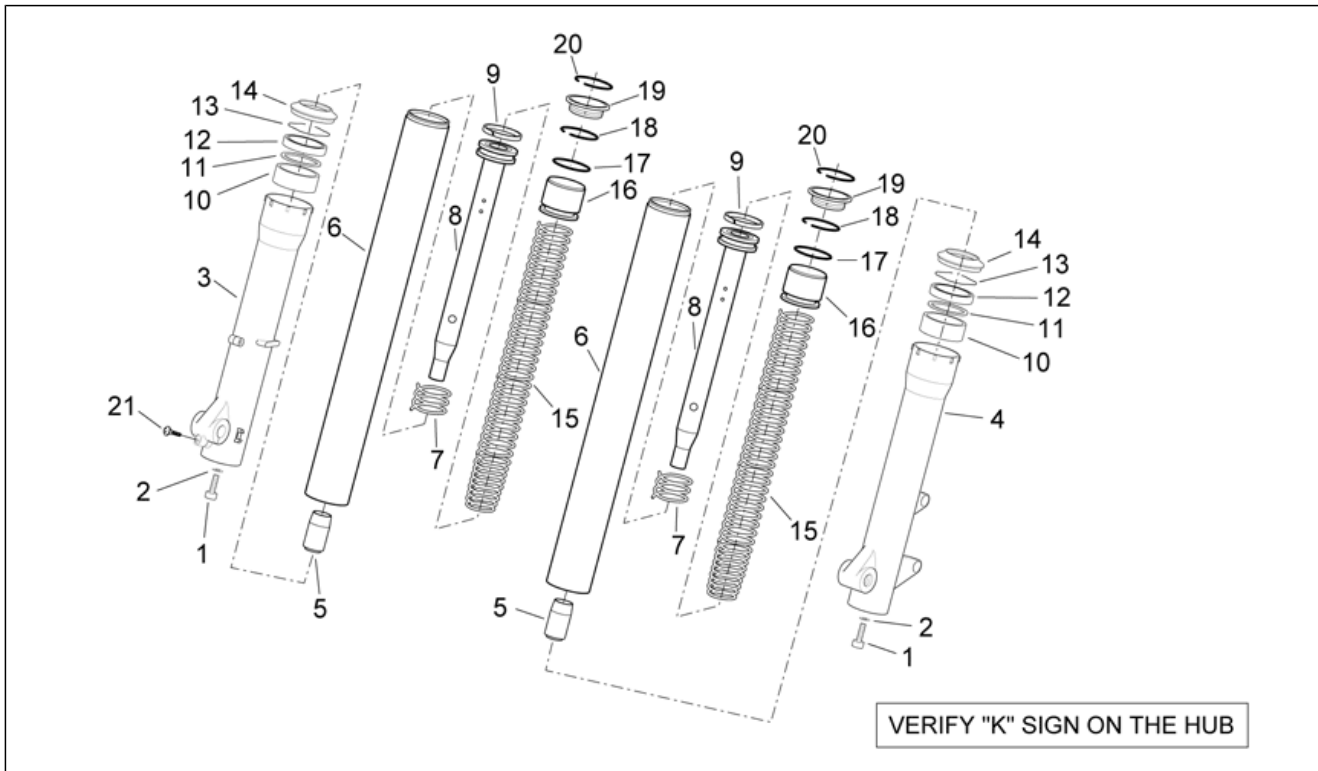
Pos.	Code	Beschreibung	Menge	Varianten
1	AP8163329	Baugruppe vordere Gabel	1	Technische Daten: Version 125 cm ³ [125], Version 200 cm ³ [200]
1	AP8163547	Baugruppe vordere Gabel	1	Technische Daten: Version 250 cm ³ [250]
2	AP8163441	Fuß mit Rohr	1	
3	AP8123794	Satz Kugelringe	1	
4	AP8123675	Unt.Staubschutz	1	
5	AP8152289	TE Schr. m. Flansch	4	
6	AP8104880	Deckel	2	

Einheit	RAHMEN
Code	28.04
Beschreibung	Kaifa Gabel - Schaften, Hülsen
Inspektion	1



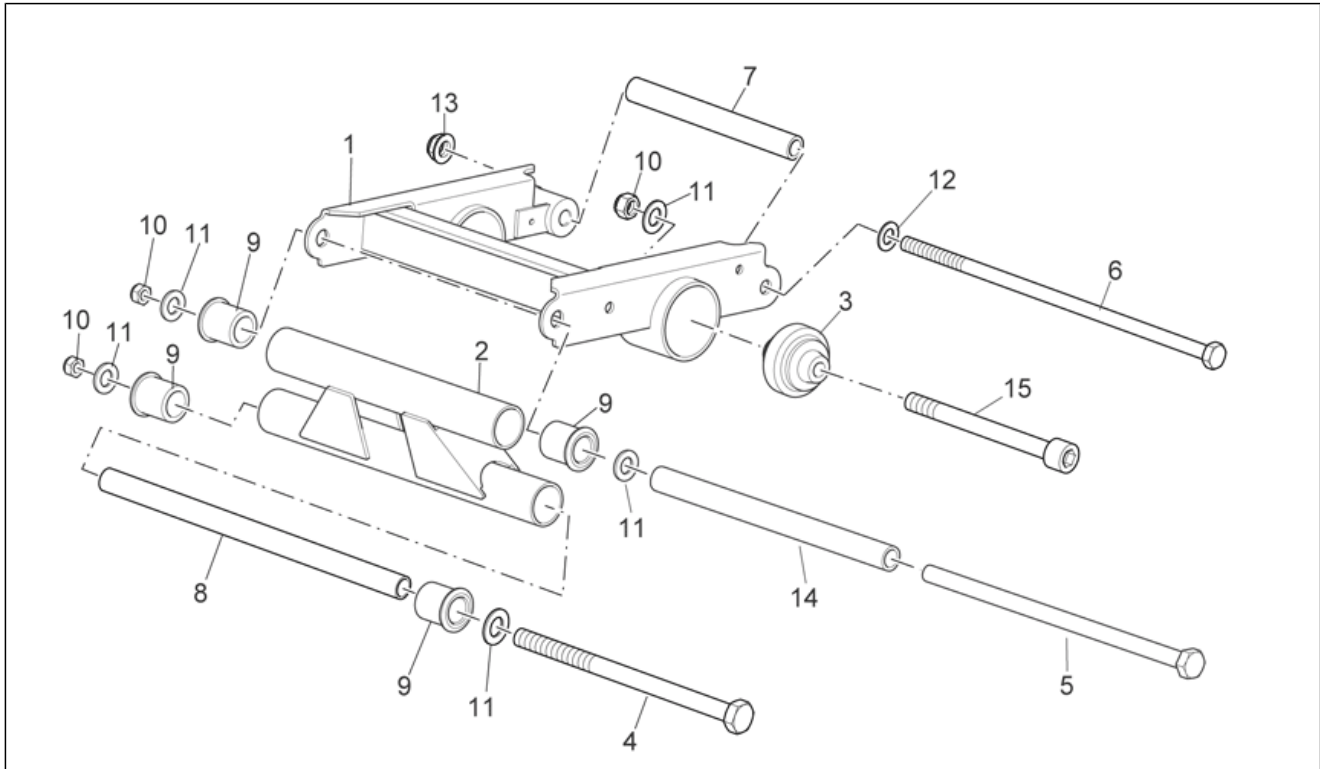
Pos.	Code	Beschreibung	Menge	Varianten
1	AP8163285	Schraube M10x30	2	Technische Daten: Gabel mit Buchstaben K auf dem Schaft[K]
2	AP8163435	Dichtscheibe	2	Technische Daten: Gabel mit Buchstaben K auf dem Schaft[K]
3	853019	Rechte Hülse L25	1	Technische Daten: Version 250 cm ³ [250], Gabel mit Buchstaben K auf dem Schaft[K]
3	AP8163287	Rechte Hülse	1	Technische Daten: Version 125 cm ³ [125], Version 200 cm ³ [200], Gabel mit Buchstaben K auf dem Schaft[K]
4	AP8163288	Linke Hülse	1	Technische Daten: Gabel mit Buchstaben K auf dem Schaft[K]
5	AP8163289	Bodenstopfen	2	Technische Daten: Gabel mit Buchstaben K auf dem Schaft[K]
6	AP8163480	Schaft	2	Technische Daten: Gabel mit Buchstaben K auf dem Schaft[K]
7	AP8163291	Gegenfeder	2	Technische Daten: Gabel mit Buchstaben K auf dem Schaft[K]
8	AP8163479	Stoßdämpfer	2	Technische Daten: Gabel mit Buchstaben K auf dem Schaft[K]
9	AP8163293	Ring	2	Technische Daten: Gabel mit Buchstaben K auf dem Schaft[K]
10	AP8163294	Gleitbuchse	2	Technische Daten: Gabel mit Buchstaben K auf dem Schaft[K]
11	AP8163295	Scheibe Ölabbstreifer	2	Technische Daten: Gabel mit Buchstaben K auf dem Schaft[K]
12	AP8163296	Ölabstreifring	2	Technische Daten: Gabel mit Buchstaben K auf dem Schaft[K]
13	AP8163297	Sperring	2	Technische Daten: Gabel mit Buchstaben K auf dem Schaft[K]
14	AP8163298	Staubschutz	2	Technische Daten: Gabel mit Buchstaben K auf dem Schaft[K]
15	AP8163478	Feder	2	Technische Daten: Gabel mit Buchstaben K auf dem Schaft[K]

Einheit	RAHMEN
Code	28.04
Beschreibung	Kaifa Gabel - Schaften, Hülsen
Inspektion	1



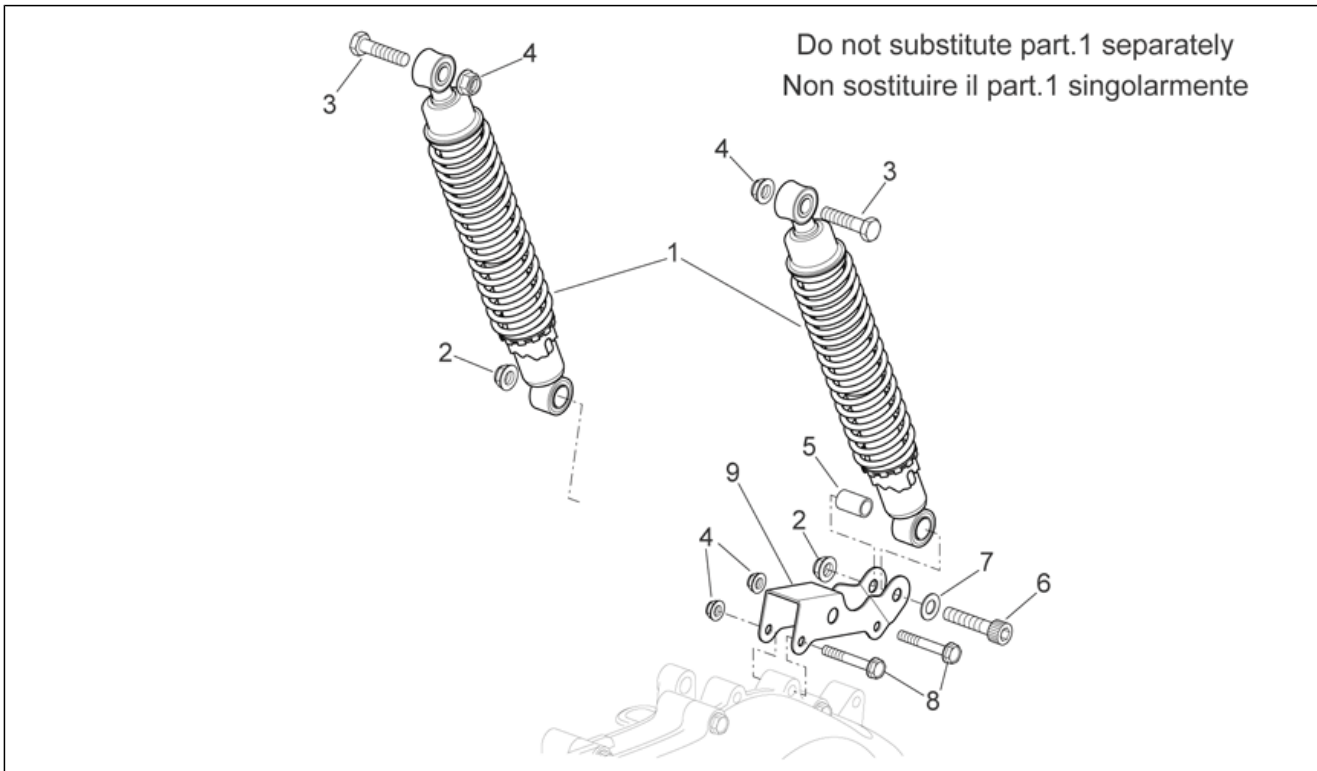
Pos.	Code	Beschreibung	Menge	Varianten
16	AP8163300	Deckel	2	Technische Daten: Gabel mit Buchstaben K auf dem Schaft[K]
17	AP8163301	O-Ring	2	Technische Daten: Gabel mit Buchstaben K auf dem Schaft[K]
18	AP8163302	Sperring	2	Technische Daten: Gabel mit Buchstaben K auf dem Schaft[K]
19	AP8163303	Deckel	2	Technische Daten: Gabel mit Buchstaben K auf dem Schaft[K]
20	AP8163304	Sperring	2	Technische Daten: Gabel mit Buchstaben K auf dem Schaft[K]
21	AP8163305	Schraube	1	Technische Daten: Gabel mit Buchstaben K auf dem Schaft[K]

Einheit	RAHMEN
Code	28.05
Beschreibung	Pleuelstange
Inspektion	1



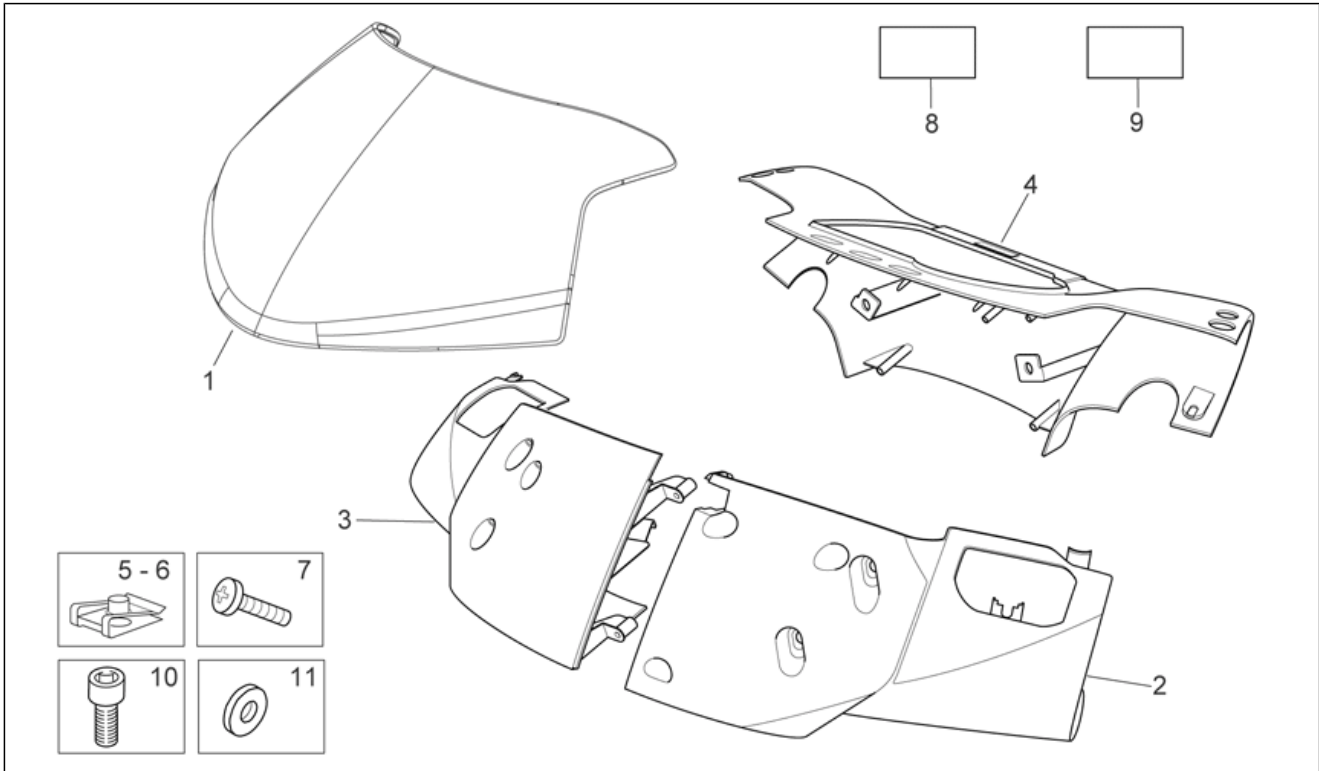
Pos.	Code	Beschreibung	Menge	Varianten
1	AP8235181	Motor-Pleuelstange	1	
2	AP8235185	Rahmen-Pleuelstange	1	
3	AP8161155	Silent-Block	2	
4	AP8121191	Scharnierbo.Rahmen	1	
5	AP8161019	Scharnierbol.Pleuel	1	
6	AP8121192	Motoranlenkbolzen	1	
7	AP8121628	Distanzscheibe	1	
8	AP8121190	Nebenpleuelbuchse	1	
9	AP8235186	Harzbuchse	4	
10	AP8150432	Selbstsperr.mut Unt. M12*	4	
11	AP8152018	Scheibe 12,2x22x2	5	
12	AP8150020	Ausgleichscheibe 10,5x21x2*	1	
13	AP8152301	Selbstsperrende Mutter	1	
14	AP8161016	Nebenpleuelbuchse	1	
15	AP8150554	TCEI Schraube M12x90	2	

Einheit	RAHMEN
Code	28.06
Beschreibung	Hinterradaufhängung
Inspektion	1



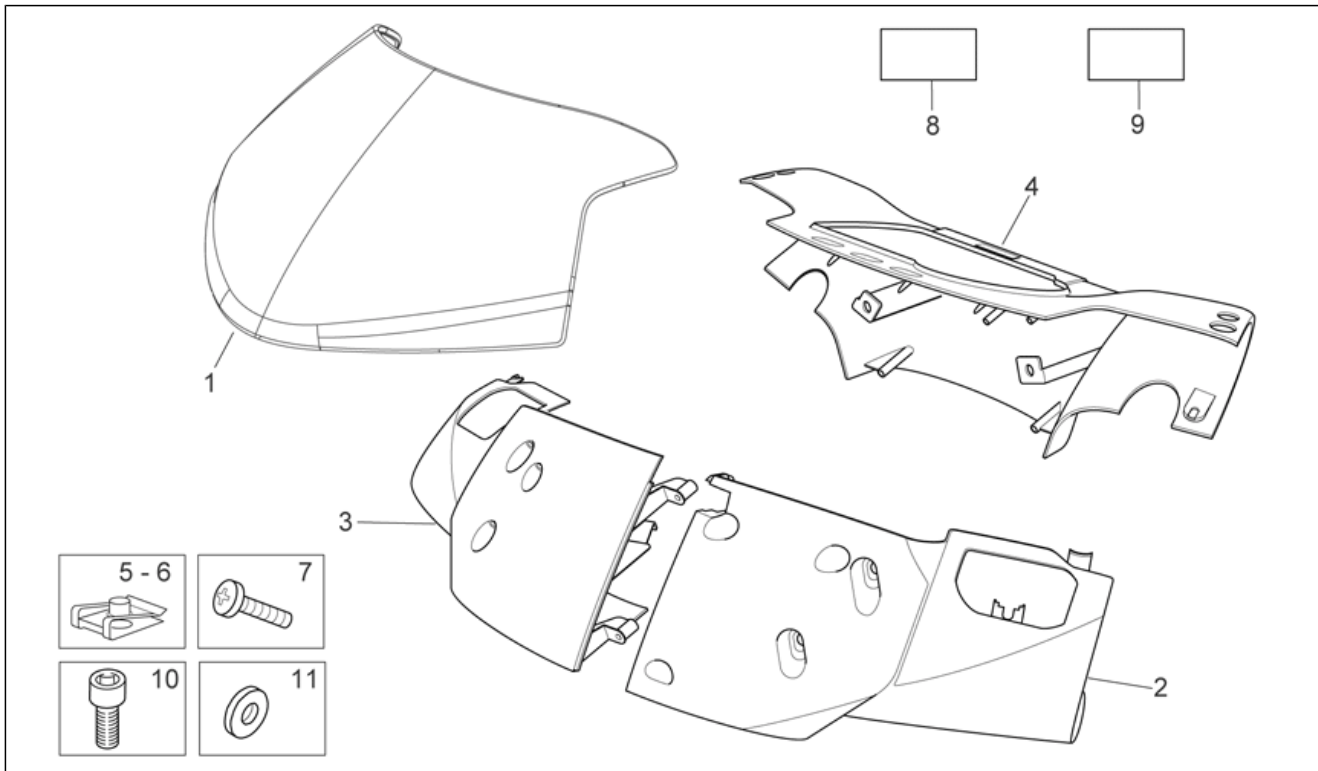
Pos.	Code	Beschreibung	Menge	Varianten
1	AP8163551	Stoßdämpfer	2	
2	AP8152301	Selbstsperrende Mutter	2	
3	AP8152290	TE Schr. m. Flansch M8x40	2	
4	AP8152300	Selbstsperrende Mutter M8	4	
5	AP8161031	Stoßdämpfer Buchse	1	
6	AP8150038	TCEI Schraube M10x45	1	
7	AP8150020	Ausgleichscheibe 10,5x21x2*	1	
8	AP8152292	TE Schr. m. Flansch	2	
9	AP8134974	Stoßdämpferhalterung	1	

Einheit	RAHMEN
Code	28.07
Beschreibung	Frontaufbau - Kuppel
Inspektion	1



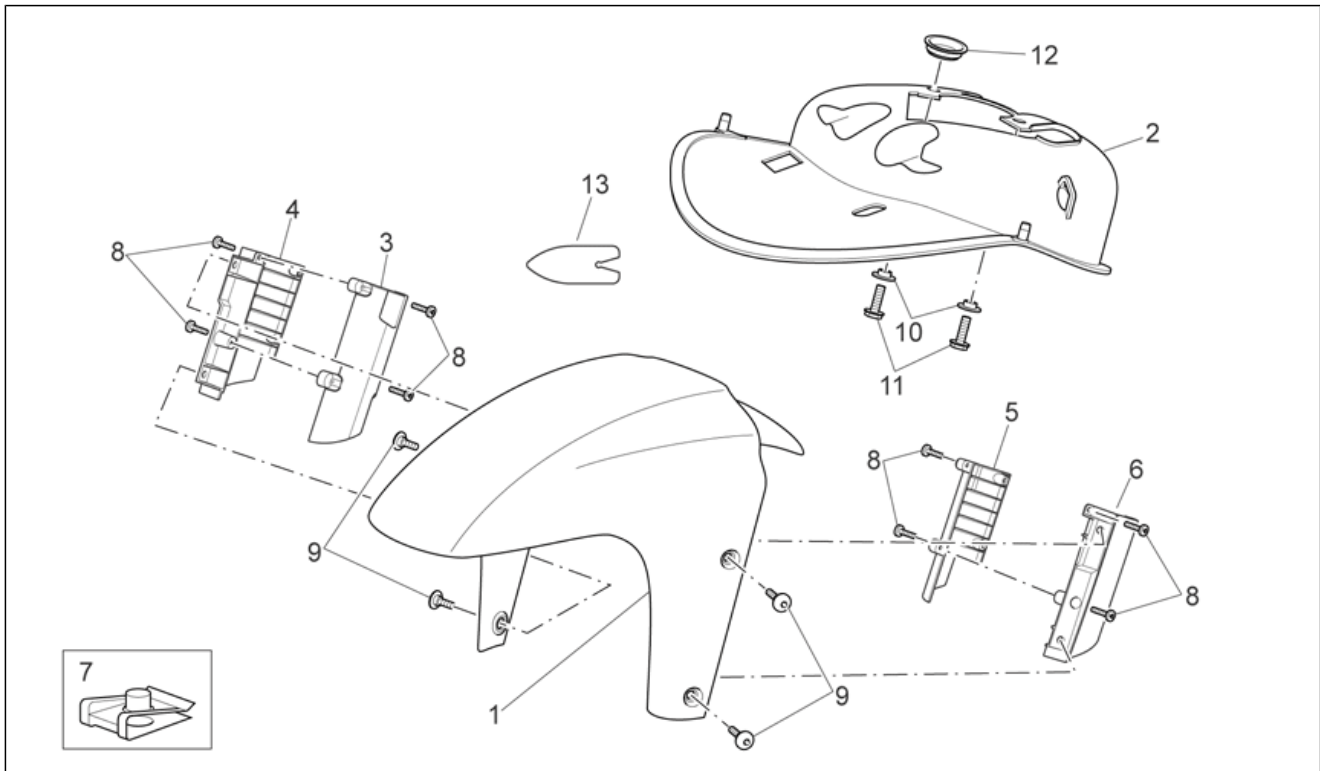
Pos.	Code	Beschreibung	Menge	Varianten
1	AP8179748	Kuppel, schwarz	1	
2	AP8179700	L.F.Instrument., blau	1	Fahrzeugfarbe:Hellblau Aviation 2006 (t.B.851714)[cyan]
2	AP8179742	L.F.Instrument., grau	1	Fahrzeugfarbe:Grau Shot 2006-2007 (t.B.851715)[shot]
2	AP8179791	L.F.Instrument., grau	1	Fahrzeugfarbe:Grau Excalibur 2006-2007 (t.B.851740)[grey]
2	AP8179802	L.F.Instrument., blau	1	Fahrzeugfarbe:Blau Couture 2006-2007 (t.B.851741)[blu]
2	AP8179813	L.F.Instrument., schw.	1	Fahrzeugfarbe:Schwarz Moka 2006-2007 (t.B.851742)[moka]
2	AP8184462	R.F.Instrument., schw.	1	Fahrzeugfarbe:"Weiß Aprilia ""PM"" 2008 (t.B.856522)"[white] Technische Daten:Stadtpolizei[PM]
2	AP8184462	R.F.Instrument., schw.	1	Fahrzeugfarbe:Schwarz Aprilia 2007 (t.B.854988)[black]
3	AP8179696	R.F.Instrument., blau	1	Fahrzeugfarbe:Hellblau Aviation 2006 (t.B.851714)[cyan]
3	AP8179739	R.F.Instrument., grau	1	Fahrzeugfarbe:Grau Shot 2006-2007 (t.B.851715)[shot]
3	AP8179790	R.F.Instrument., grau	1	Fahrzeugfarbe:Grau Excalibur 2006-2007 (t.B.851740)[grey]
3	AP8179801	R.F.Instrument., blau	1	Fahrzeugfarbe:Blau Couture 2006-2007 (t.B.851741)[blu]
3	AP8179812	R.F.Instrument., schw.	1	Fahrzeugfarbe:Schwarz Moka 2006-2007 (t.B.851742)[moka]
3	AP8184463	L.F.Instrument., schw.	1	Fahrzeugfarbe:"Weiß Aprilia ""PM"" 2008 (t.B.856522)"[white] Technische Daten:Stadtpolizei[PM]
3	AP8184463	L.F.Instrument., schw.	1	Fahrzeugfarbe:Schwarz Aprilia 2007 (t.B.854988)[black]
4	AP8179753	Instrumententafel, grau	1	Fahrzeugfarbe:Grau Shot 2006-2007 (t.B.851715)[shot]
4	AP8179796	Instrumententafel, grau	1	Fahrzeugfarbe:Grau Excalibur 2006-2007 (t.B.851740)[grey]
4	AP8179803	Instrumententafel, blau	1	Fahrzeugfarbe:Blau Couture 2006-2007 (t.B.851741)[blu]
4	AP8179818	Instrumententafel, schwarz	1	Fahrzeugfarbe:Schwarz Moka 2006-2007 (t.B.851742)[moka]
4	AP8184468	Instrumententafel, schwarz	1	Fahrzeugfarbe:Schwarz Aprilia 2007 (t.B.854988)[black]

Einheit	RAHMEN
Code	28.07
Beschreibung	Frontaufbau - Kuppel
Inspektion	1



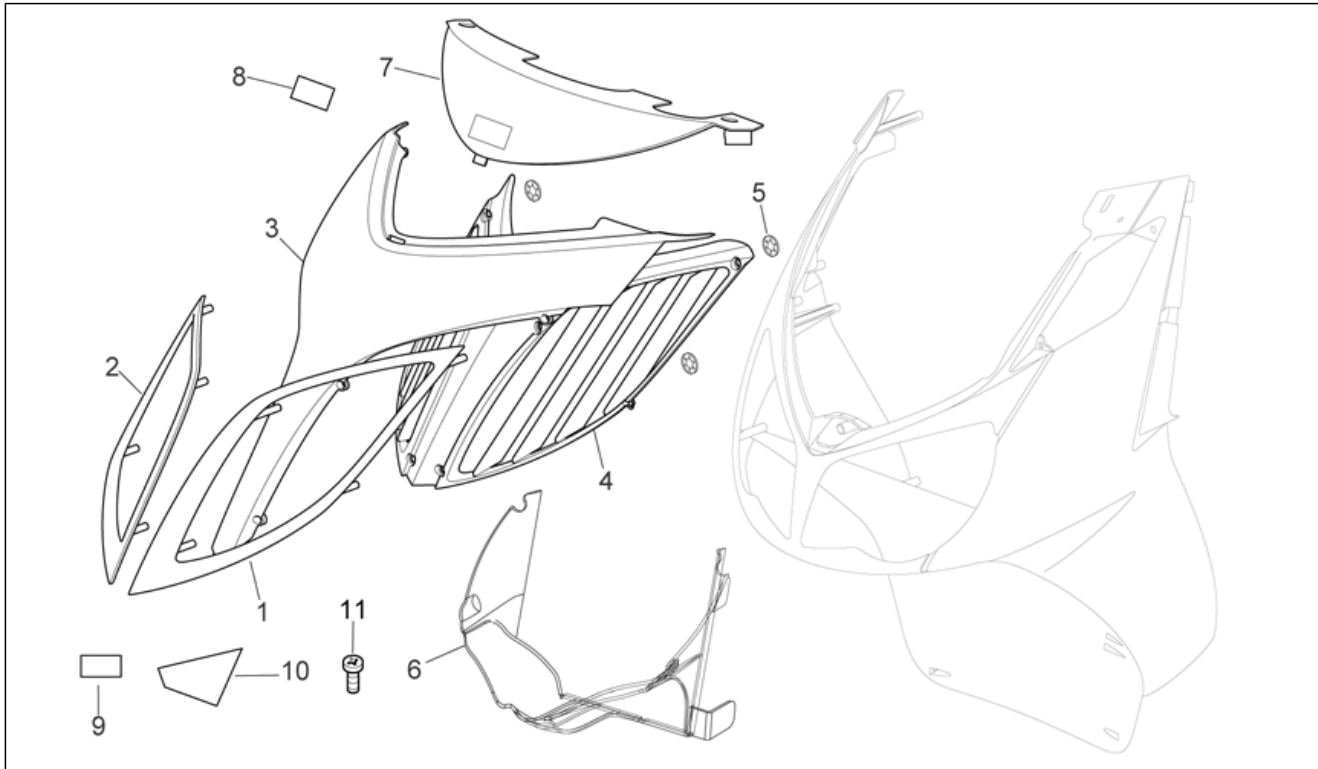
Pos.	Code	Beschreibung	Menge	Varianten
4	AP8184528	Instrumententafel bianco	1	Fahrzeugfarbe: "Weiß Aprilia ""PM"" 2008 (t.B.856522)"[white] Technische Daten: Stadtpolizei[PM]
4	AP8268601	Instrumententafel, hellblau	1	Fahrzeugfarbe: Hellblau Aviation 2006 (t.B.851714)[cyan]
5	AP8102381	Klammer M4	2	
6	AP8102375	Klammer M5	2	
7	AP8150413	Gew.schr. 3,9x14	6	
8	AP8166436	Schild "Aprilia" 30x15	1	
9	AP8166439	Deko 125	1	Technische Daten: Version 125 cm ³ [125]
9	AP8166440	Deko 200	1	Technische Daten: Version 200 cm ³ [200]
9	AP8277764	Deko "Sport city"	1	Technische Daten: Version 250 cm ³ [250]
10	AP8150416	TCEI Schraube	2	
11	AP8150011	Ausgleichscheibe 4,3x12x1	2	

Einheit	RAHMEN
Code	28.08
Beschreibung	Frontaufbau - Vrd. Schutzblech
Inspektion	1



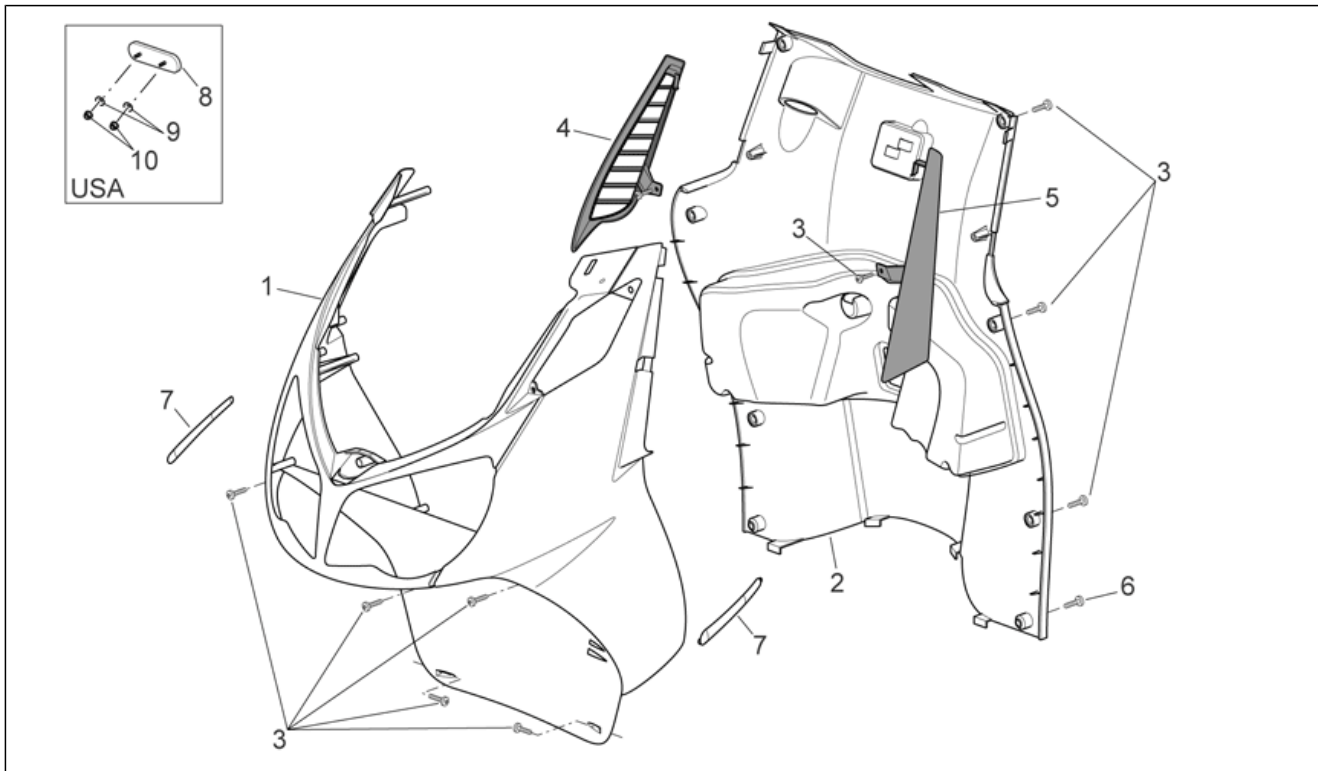
Pos.	Code	Beschreibung	Menge	Varianten
1	AP8156271	V. Schutzblech, h.bl.	1	Fahrzeugfarbe: Hellblau Aviation 2006 (t.B.851714)[cyan]
1	AP8156275	V. Schutzblech, grau	1	Fahrzeugfarbe: Grau Shot 2006-2007 (t.B.851715)[shot]
1	AP8156279	V. Schutzblech, grau	1	Fahrzeugfarbe: Grau Excalibur 2006-2007 (t.B.851740)[grey]
1	AP8156280	V. Schutzblech, blau	1	Fahrzeugfarbe: Blau Couture 2006-2007 (t.B.851741)[blu]
1	AP8156281	V. Schutzblech, schwarz	1	Fahrzeugfarbe: Schwarz Moka 2006-2007 (t.B.851742)[moka]
1	AP8156334	V. Schutzblech, schwarz	1	Fahrzeugfarbe: Schwarz Aprilia 2007 (t.B.854988)[black]
1	AP8156345	V. Schutzblech, weiß	1	Fahrzeugfarbe: "Weiß Aprilia ""PM"" 2008 (t.B.856522)"[white] Technische Daten: Stadtpolizei[PM]
2	AP8178078	Unt. Schld.abd., schw.	1	
3	AP8161206	In.R.Feder	1	
4	AP8161207	Ex.R.Feder	1	
5	AP8161208	In.L.Feder	1	
6	AP8161209	Ex.L.Feder	1	
7	AP8102375	Klammer M5	4	
8	AP8150413	Gew.schr. 3,9x14	8	
9	AP8152302	TBEI Schraube m.Flansch M5x12	4	
10	AP8121075	T-Buchse *	2	
11	AP8152117	TBEI Schraube	2	
12	AP8248897	Verschuß Schwarz Metall.	1	
13	AP852081	Deko schutz	2	

Einheit	RAHMEN
Code	28.09
Beschreibung	Frontaufbau - Frontdeckel
Inspektion	1



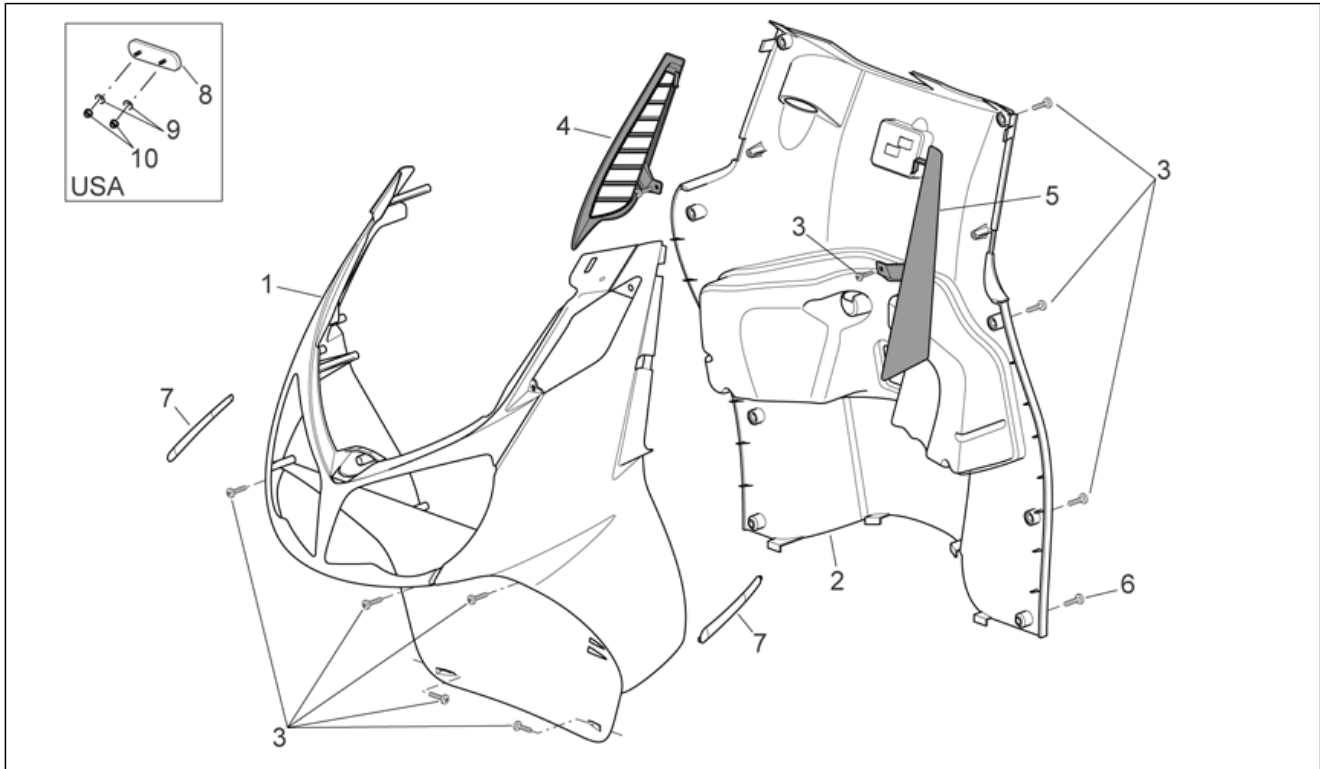
Pos.	Code	Beschreibung	Menge	Varianten
1	AP8178085	L. Kranzgesims chromo	1	
2	AP8178072	R. Kranzgesims chromo	1	
3	AP8179694	Fronthaube, blau	1	Fahrzeugfarbe: Hellblau Aviation 2006 (t.B.851714)[cyan]
3	AP8179737	Fronthaube, grau	1	Fahrzeugfarbe: Grau Excalibur 2006-2007 (t.B.851740)[grey], Grau Shot 2006-2007 (t.B.851715)[shot]
3	AP8179797	Fronthaube, blau	1	Fahrzeugfarbe: Blau Couture 2006-2007 (t.B.851741)[blu]
3	AP8179808	Fronthaube, schwarz	1	Fahrzeugfarbe: Schwarz Moka 2006-2007 (t.B.851742)[moka]
3	AP8184456	Fronthaube, schwarz	1	Fahrzeugfarbe: "Weiß Aprilia ""PM"" 2008 (t.B.856522)"[white] Technische Daten: Stadtpolizei[PM]
3	AP8184456	Fronthaube, schwarz	1	Fahrzeugfarbe: Schwarz Aprilia 2007 (t.B.854988)[black]
4	AP8178073	Kühlgitter, schwarz	1	
5	AP8150450	Wellenscheibe D5	10	
6	AP8179862	Umleiter	1	
7	AP8178889	Leuchtend grünes Heck	1	
8	AP8166437	Schild "Aprilia" 40x20	1	
9	AP851727	Halter	1	
10	AP8277765	Schild "250 ie"	1	
11	AP8152351	Linsenschraube 4,2x16*	1	

Einheit	RAHMEN
Code	28.10
Beschreibung	Frontaufbau - Innenschild
Inspektion	1



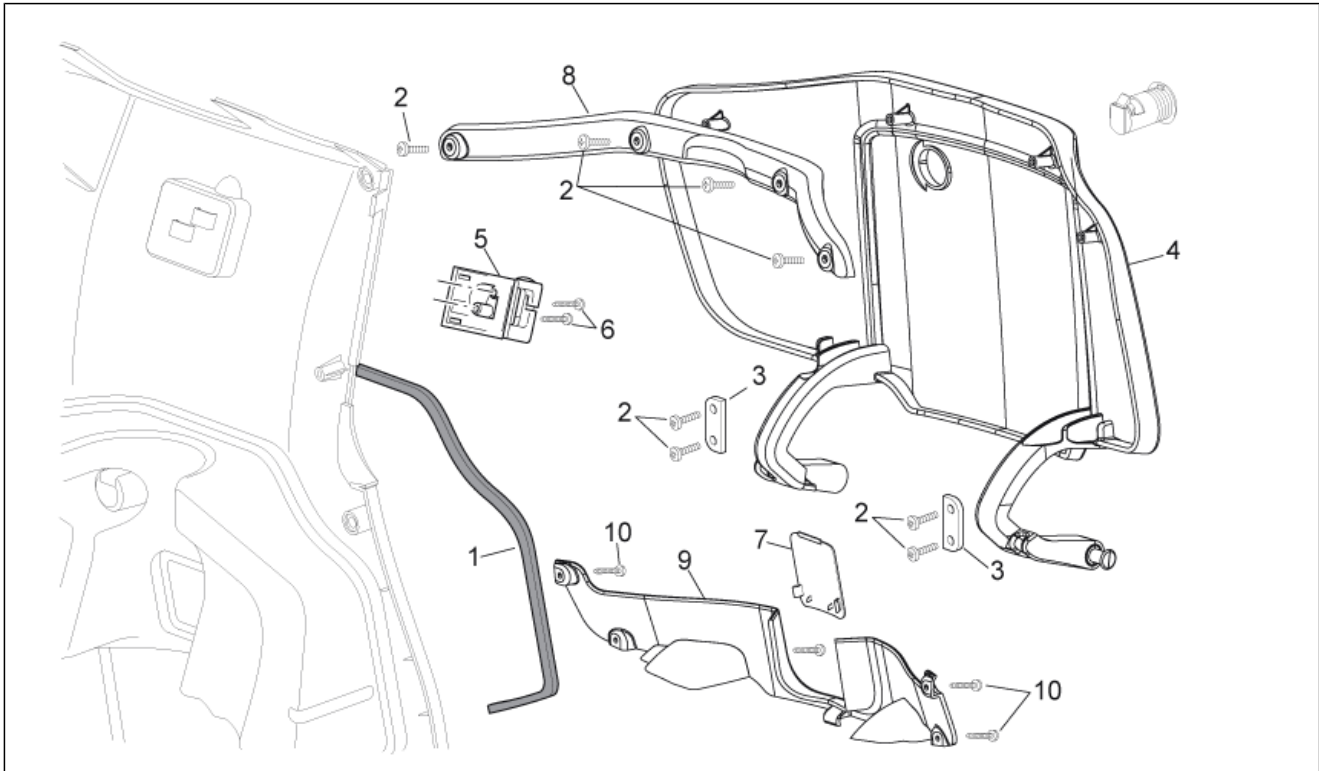
Pos.	Code	Beschreibung	Menge	Varianten
1	AP8179697	Außenschild, blau	1	Fahrzeugfarbe: Hellblau Aviation 2006 (t.B.851714)[cyan] Land: Australien[AA], E-I[EU], Japan[JJ], Großbritannien[UK]
1	AP8179740	Außenschild, grau	1	Fahrzeugfarbe: Grau Shot 2006-2007 (t.B.851715)[shot] Land: Australien[AA], E-I[EU], Japan[JJ], Großbritannien[UK]
1	AP8179787	Außenschild, grau	1	Fahrzeugfarbe: Grau Excalibur 2006-2007 (t.B.851740) [grey] Land: Australien[AA], E-I[EU], Japan[JJ], Großbritannien[UK]
1	AP8179798	Außenschild, blau	1	Fahrzeugfarbe: Blau Couture 2006-2007 (t.B.851741)[blu] Land: Australien[AA], E-I[EU], Japan[JJ], Großbritannien[UK]
1	AP8179809	Außenschild, schwarz	1	Fahrzeugfarbe: Schwarz Moka 2006-2007 (t.B.851742) [moka] Land: Australien[AA], E-I[EU], Japan[JJ], Großbritannien[UK]
1	AP8184104	Außenschild, grau	1	Fahrzeugfarbe: Grau Shot 2006-2007 (t.B.851715)[shot] Land: Vereinigte Staaten von Amerika[USA]
1	AP8184450	Außenschild, schwarz	1	Fahrzeugfarbe: Schwarz Moka 2006-2007 (t.B.851742) [moka] Land: Vereinigte Staaten von Amerika[USA]
1	AP8184452	Außenschild, blau	1	Fahrzeugfarbe: Blau Couture 2006-2007 (t.B.851741)[blu] Land: Vereinigte Staaten von Amerika[USA]
1	AP8184454	Außenschild, grau	1	Fahrzeugfarbe: Grau Excalibur 2006-2007 (t.B.851740) [grey] Land: Vereinigte Staaten von Amerika[USA]
1	AP8184457	Außenschild, schwarz	1	Fahrzeugfarbe: Schwarz Aprilia 2007 (t.B.854988)[black] Land: Australien[AA], E-I[EU], Japan[JJ], Großbritannien[UK]
1	AP8184459	Außenschild, schwarz	1	Fahrzeugfarbe: Schwarz Aprilia 2007 (t.B.854988)[black] Land: Vereinigte Staaten von Amerika[USA]
1	AP8184525	Außenschild,weiß	1	Fahrzeugfarbe: "Weiß Aprilia ""PM"" 2008 (t.B.856522)"[white] Technische Daten: Stadtpolizei[PM]
2	AP8178079	Innenschild, schwarz	1	
3	AP8150413	Gew.schr. 3,9x14	9	
4	AP8179746	Kühlergitter Re., schwarz	1	

Einheit	RAHMEN
Code	28.10
Beschreibung	Frontaufbau - Innenschild
Inspektion	1



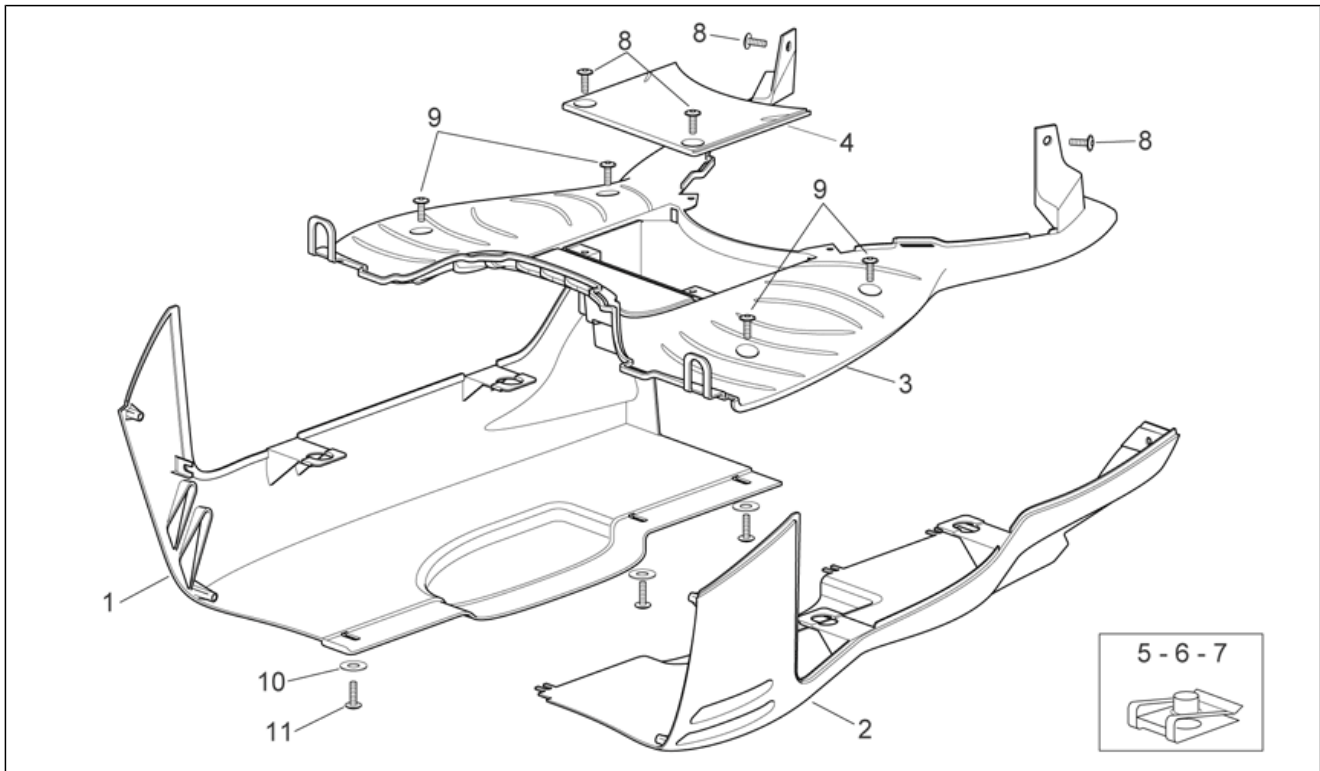
Pos.	Code	Beschreibung	Menge	Varianten
5	AP8179747	Kühlgitter li., schwarz	1	
6	AP8150423	Linsenschraube 4,2x25*	2	
7	AP8179730	Stoßfänger	2	
8	AP8124719	Rückstrahler, gelb	2	Land:Vereinigte Staaten von Amerika[USA]
9	AP8150159	Ausgleichscheibe 4,3x16*	4	Land:Vereinigte Staaten von Amerika[USA]
10	AP8150204	Mutter M4	4	Land:Vereinigte Staaten von Amerika[USA]

Einheit	RAHMEN
Code	28.11
Beschreibung	Mittlerer aufbau I
Inspektion	1



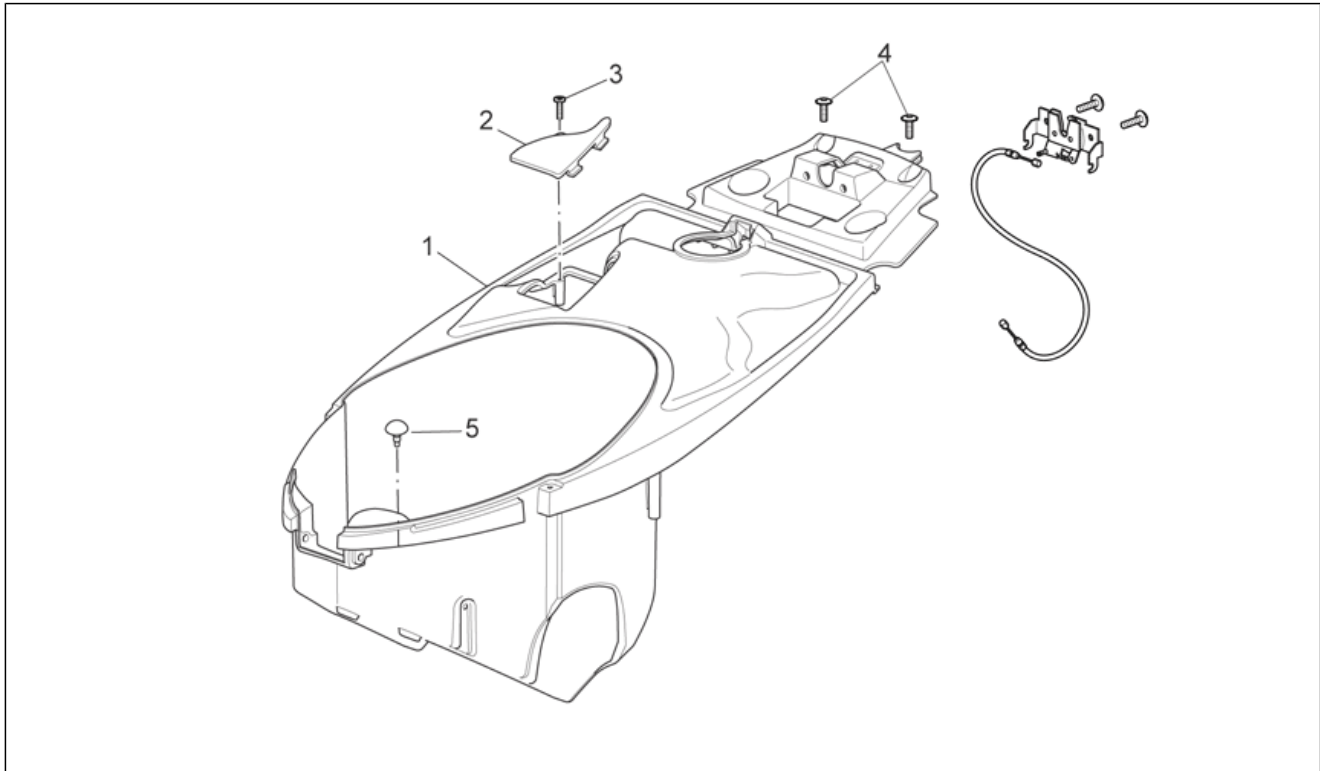
Pos.	Code	Beschreibung	Menge	Varianten
1	AP8144257	Dichtung	1	
2	AP8150413	Gew.schr. 3,9x14	8	
3	AP8134799	Platte	2	
4	AP8178083	Konsolesdeckel, schwarz	1	
5	AP8201534	Kplt.Untersitzhaken	1	
6	AP8150423	Linsenschraube 4,2x25*	2	
7	AP8149478	Gegeb.Typendeck, schw.	1	
8	AP8178858	Klappe Platte	1	
9	AP8178086	Tragenetz	1	
10	AP8150413	Gew.schr. 3,9x14	4	

Einheit	RAHMEN
Code	28.12
Beschreibung	Mittlerer aufbau II
Inspektion	1



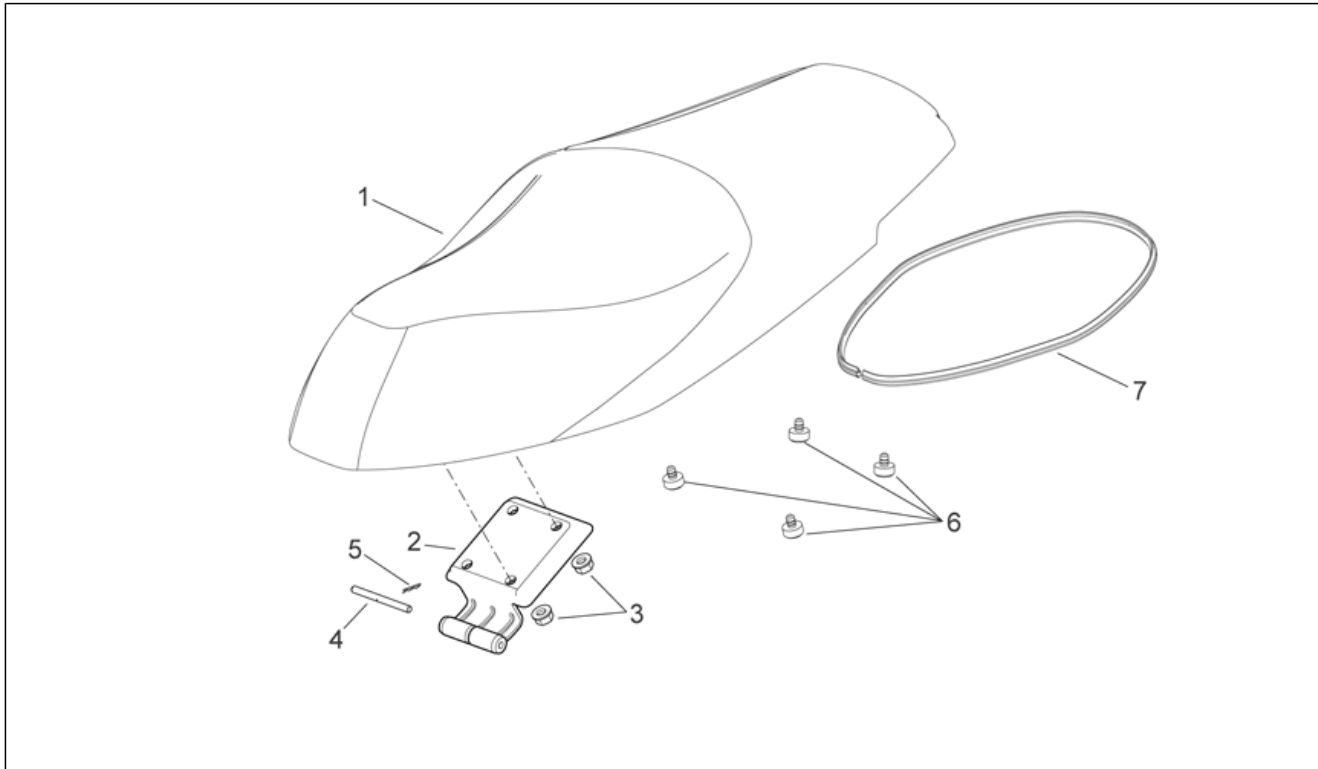
Pos.	Code	Beschreibung	Menge	Varianten
1	AP8179701	Unterboden re.	1	
2	AP8179702	Unterboden li.	1	
3	AP8184273	Fußbrett, schwarz	1	Baujahr:2006 [6]
3	AP8184273	Fußbrett, schwarz	1	Baujahr:2007 [7]
3	AP8184447	Trittbrett, Kpl.	1	Baujahr:2007 [7]
3	AP8184447	Trittbrett, Kpl.	1	Baujahr:2006 [6]
4	AP8178107	Batteriedeckel, schwarz	1	
5	AP8102375	Klammer M5	11	
6	AP8102376	Klammer M6	2	
7	AP8202449	Klammer	2	
8	AP8150298	TBEI Schraube	4	
9	AP8152338	TBEI Schraube m.Flansch	6	
10	AP8150382	Ausgleichscheibe 15x5,5X1,2	3	
11	AP8152298	TBEI Schraube m.Flansch M5x16	3	

Einheit	RAHMEN
Code	28.13
Beschreibung	U. Sitzbank.
Inspektion	1



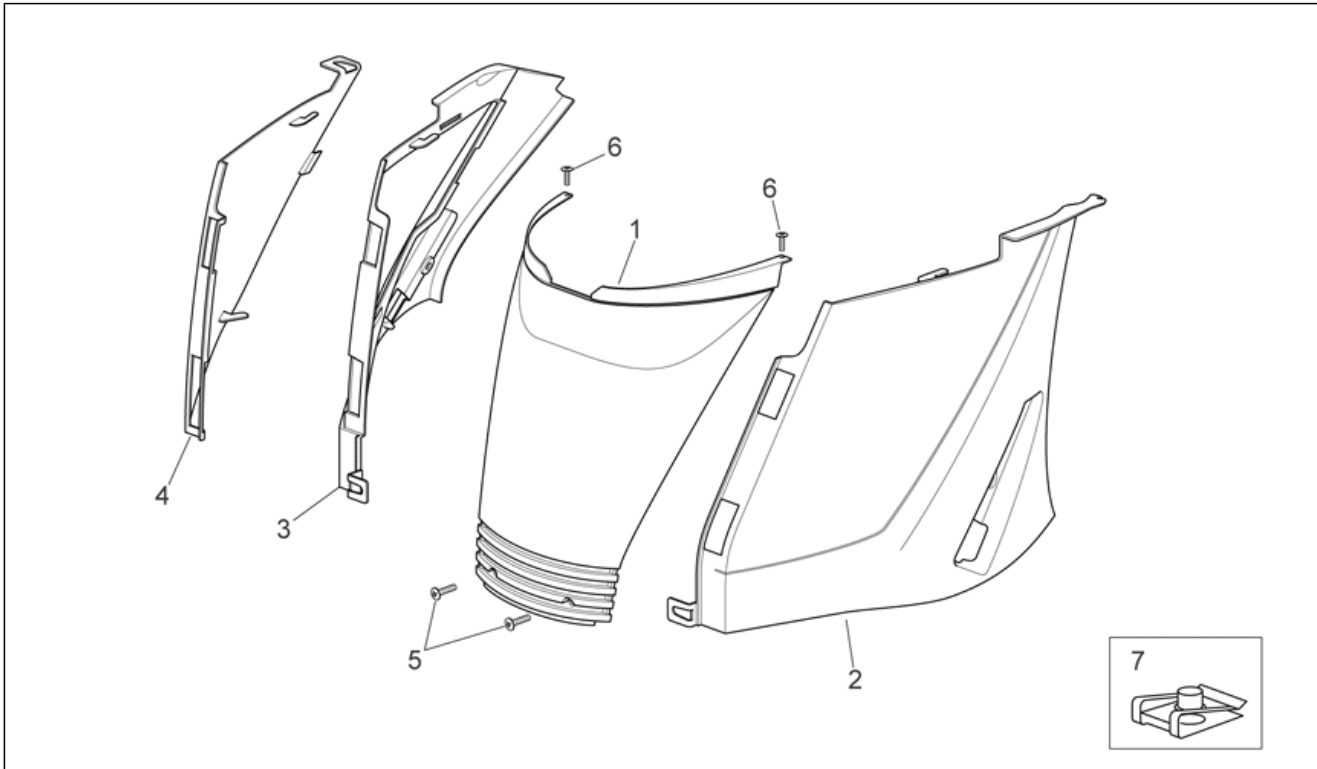
Pos.	Code	Beschreibung	Menge	Varianten
1	AP8179358	Staufach	1	
2	AP8127826	Deckel	1	
3	AP8150413	Gew.schr. 3,9x14	1	
4	AP8152298	TBEI Schraube m.Flansch M5x16	2	
5	AP8706409	Gummi	1	

Einheit	RAHMEN
Code	28.14
Beschreibung	Sitzbankeinheit
Inspektion	1



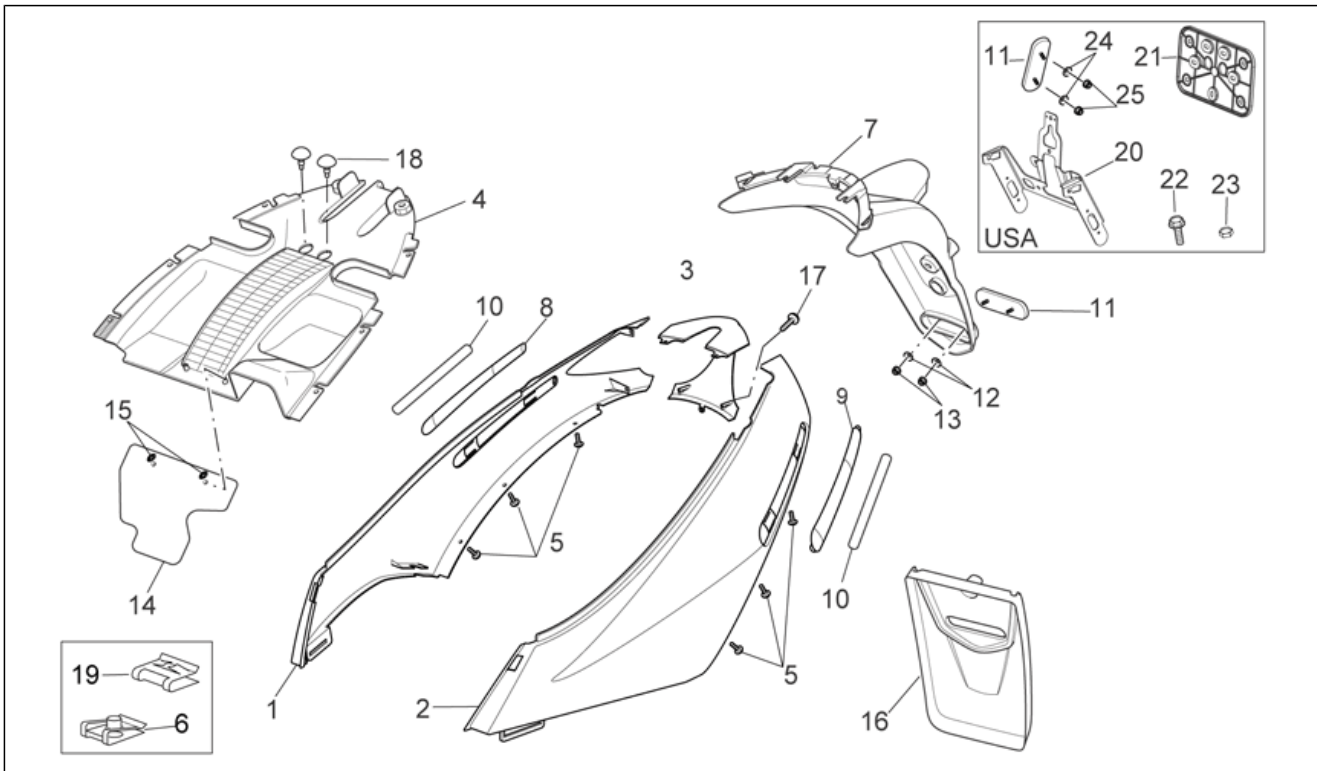
Pos.	Code	Beschreibung	Menge	Varianten
1	AP8129465	Sitz, schwarz	1	
2	AP8178069	Sitzgelenk, schw.	1	
3	AP8150333	Serpress Mutter	4	
4	AP8201431	Splint *	1	
5	AP8121333	Sitzgelenkbolzen	1	
6	AP8144089	Sitz-Auflagegummi vorn	2	
7	AP8220469	Kofferdichtung	1	

Einheit	RAHMEN
Code	28.15
Beschreibung	Heckaufbau I
Inspektion	1



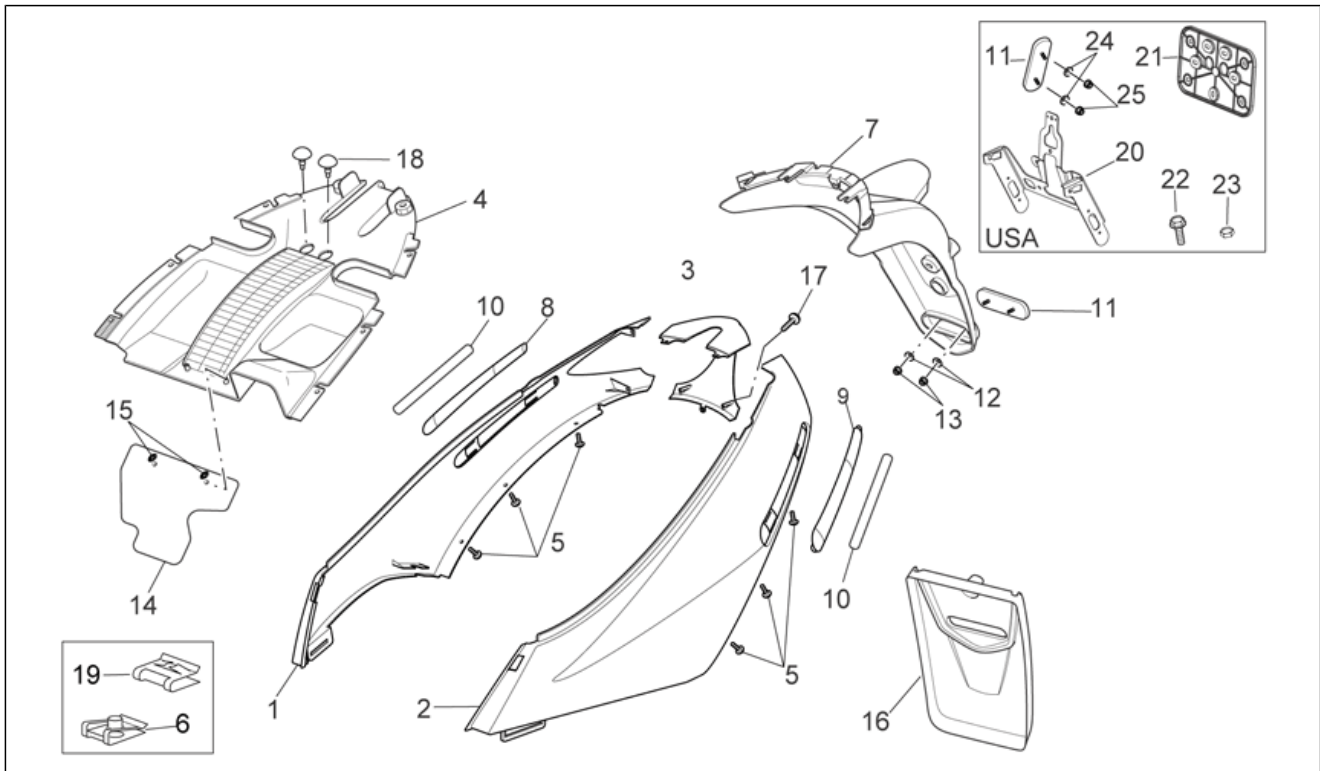
Pos.	Code	Beschreibung	Menge	Varianten
1	AP8179707	M.U. Sitzbankt., blau	1	Fahrzeugfarbe: Hellblau Aviation 2006 (t.B.851714)[cyan]
1	AP8179743	M.U. Sitzbankt., grau	1	Fahrzeugfarbe: Grau Excalibur 2006-2007 (t.B.851740)[grey], Grau Shot 2006-2007 (t.B.851715)[shot]
1	AP8179804	M.U. Sitzbankt., blau	1	Fahrzeugfarbe: Blau Couture 2006-2007 (t.B.851741)[blu]
1	AP8179815	M.U. Sitzbankt., schw.	1	Fahrzeugfarbe: Schwarz Moka 2006-2007 (t.B.851742)[moka]
1	AP8184465	M.U. Sitzbankt., schw.	1	Fahrzeugfarbe: Schwarz Aprilia 2007 (t.B.854988)[black]
1	AP8184465	M.U. Sitzbankt., schw.	1	Fahrzeugfarbe: "Weiß Aprilia ""PM"" 2008 (t.B.856522)"[white] Technische Daten: Stadtpolizei[PM]
2	AP8178093	Lin.U. Sitzbankt., schw.	1	
3	AP8178092	R.U. Sitzbankt., schw.	1	
4	AP8178097	Inspektionsdeckel, schwarz	1	
5	AP8152269	TBEI Spez.schr.	2	
6	AP8150413	Gew.schr. 3,9x14	2	
7	AP8102375	Klammer M5	2	

Einheit	RAHMEN
Code	28.16
Beschreibung	Heckaufbau II
Inspektion	1



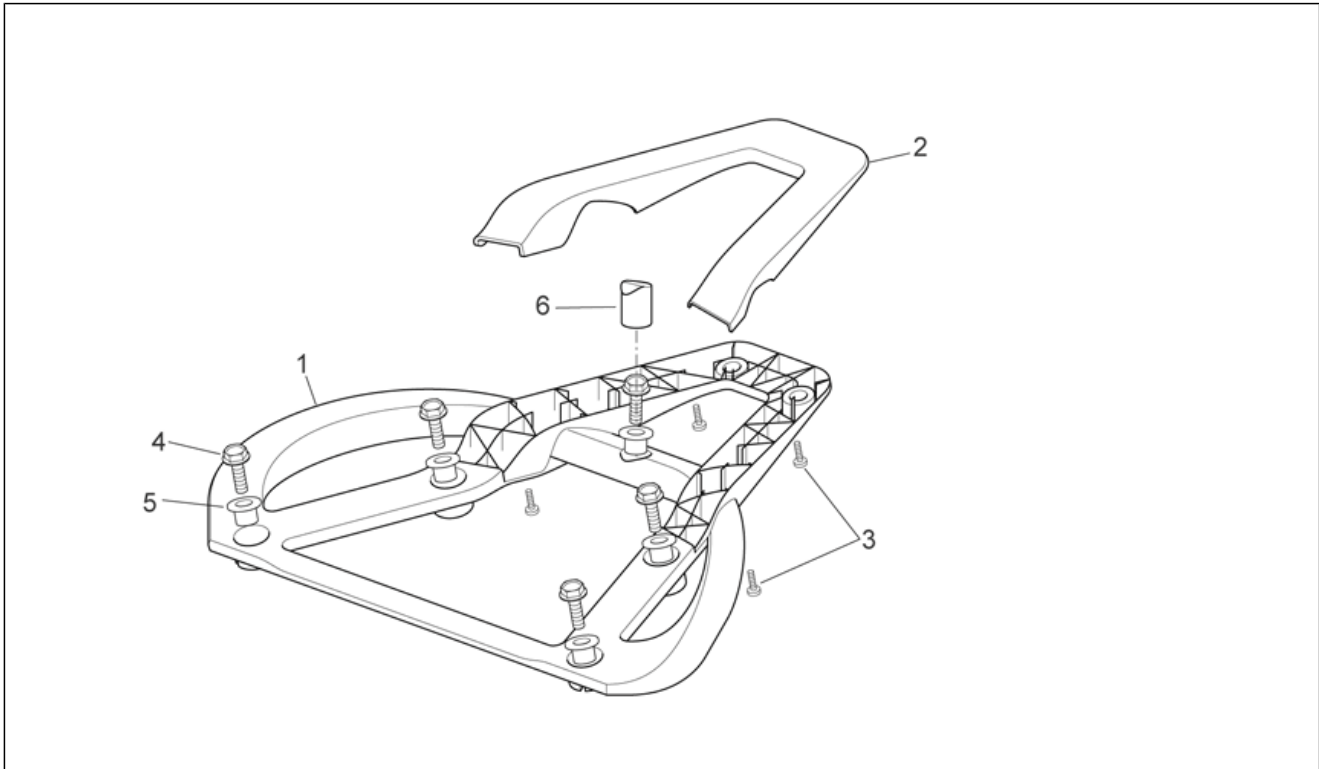
Pos.	Code	Beschreibung	Menge	Varianten
1	AP8179751	Heckteil r., grau	1	Fahrzeugfarbe: Grau Shot 2006-2007 (t.B.851715)[shot]
1	AP8179794	Heckteil r., grau	1	Fahrzeugfarbe: Grau Excalibur 2006-2007 (t.B.851740)[grey]
1	AP8179805	Heckteil r., blau	1	Fahrzeugfarbe: Blau Couture 2006-2007 (t.B.851741)[blu]
1	AP8179816	Heckteil r., schwarz	1	Fahrzeugfarbe: Schwarz Moka 2006-2007 (t.B.851742)[moka]
1	AP8184466	Heckteil r., schwarz	1	Fahrzeugfarbe: Schwarz Aprilia 2007 (t.B.854988)[black]
1	AP8184526	Heckteil r., weiß	1	Fahrzeugfarbe: "Weiß Aprilia ""PM"" 2008 (t.B.856522)"[white] Technische Daten: Stadtpolizei[PM]
1	AP8268599	Heckteil r., blau	1	Fahrzeugfarbe: Hellblau Aviation 2006 (t.B.851714)[cyan]
2	AP8179752	Heckteil l., grau	1	Fahrzeugfarbe: Grau Shot 2006-2007 (t.B.851715)[shot]
2	AP8179795	Heckteil l., grau	1	Fahrzeugfarbe: Grau Excalibur 2006-2007 (t.B.851740)[grey]
2	AP8179806	Heckteil l., blau	1	Fahrzeugfarbe: Blau Couture 2006-2007 (t.B.851741)[blu]
2	AP8179817	Heckteil l., schwarz	1	Fahrzeugfarbe: Schwarz Moka 2006-2007 (t.B.851742)[moka]
2	AP8184467	Heckteil l., schwarz	1	Fahrzeugfarbe: Schwarz Aprilia 2007 (t.B.854988)[black]
2	AP8184527	Heckteil l., s.weiß	1	Fahrzeugfarbe: "Weiß Aprilia ""PM"" 2008 (t.B.856522)"[white] Technische Daten: Stadtpolizei[PM]
2	AP8268600	Heckteil l., blau	1	Fahrzeugfarbe: Hellblau Aviation 2006 (t.B.851714)[cyan]
3	AP8178106	Mittlerer Heckteil schwarz	1	
4	AP8179359	Versch. R.verk. sch.	1	
5	AP8152298	TBEI Schraube m.Flansch M5x16	6	
6	AP8102375	Klammer M5	6	
7	AP8156231	Kennzeichenplatte, schwarz	1	
8	AP8179703	Stoßfänger rechts	1	
9	AP8179704	Stoßfänger links	1	
10	AP8166438	Schild SportCity Cromo	2	

Einheit	RAHMEN
Code	28.16
Beschreibung	Heckaufbau II
Inspektion	1



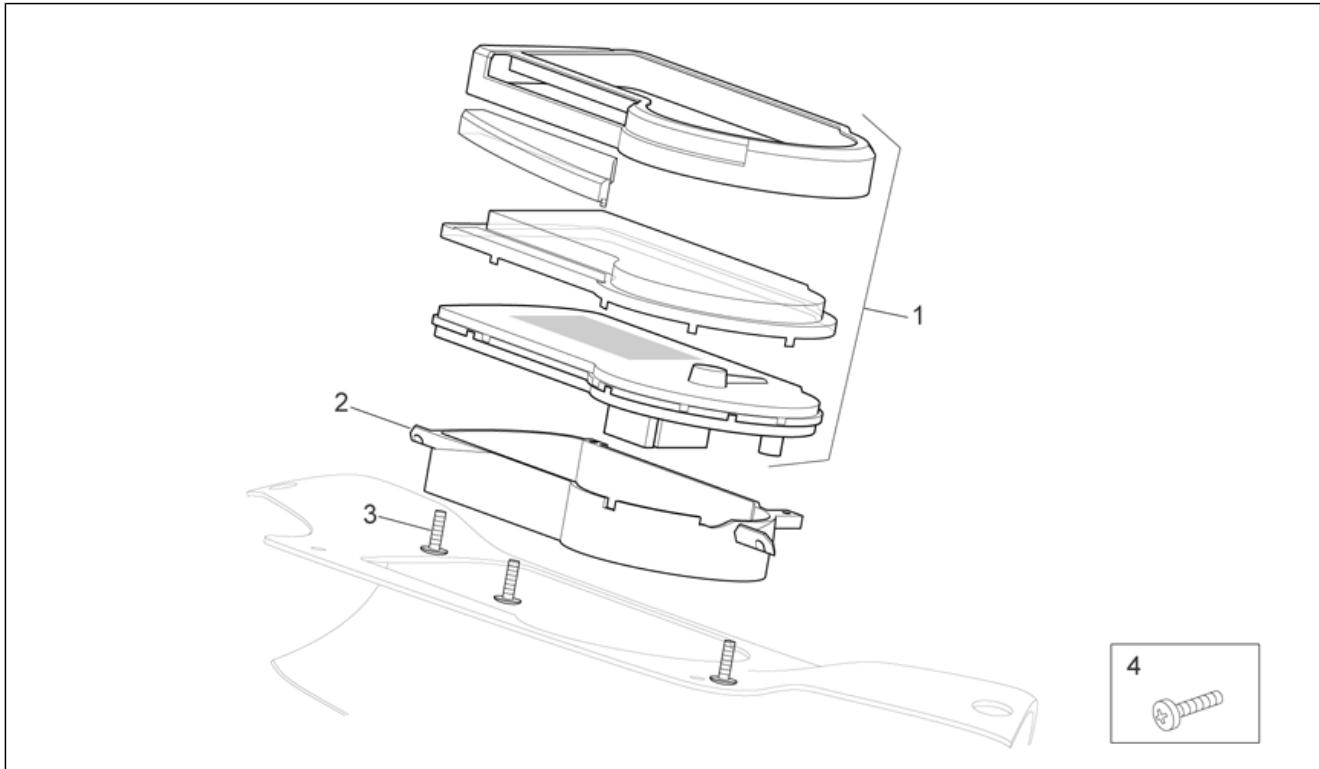
Pos.	Code	Beschreibung	Menge	Varianten
11	AP8124718	Rückstrahler Rücklicht, rot	3	
12	AP8150159	Ausgleichscheibe 4,3x16*	6	
13	AP8150204	Mutter M4	6	
14	AP8178885	Schutz hint.	1	
15	AP8150450	Wellenscheibe D5	2	
16	AP8156185	Hinteres, Spritzschutz	1	
17	AP8150362	Gewindeschraube Edelstahl *	1	
18	AP8706409	Gummi	2	
19	AP8201764	Clip f. Blechschr. D5,5*	2	
20	853039	Halter indi.dire.	1	Land:Vereinigte Staaten von Amerika[USA]
21	AP8149034	Kennzeichenhalter	1	Land:Vereinigte Staaten von Amerika[USA]
22	AP8152282	TE Schr. m. Flansch M6x35	2	Land:Vereinigte Staaten von Amerika[USA]
23	AP8152299	Selbstsperrende Mutter M6	2	Land:Vereinigte Staaten von Amerika[USA]
24	AP8150159	Ausgleichscheibe 4,3x16*	4	Land:Vereinigte Staaten von Amerika[USA]
25	AP8150204	Mutter M4	4	Land:Vereinigte Staaten von Amerika[USA]

Einheit	RAHMEN
Code	28.17
Beschreibung	Kofferhalter
Inspektion	1



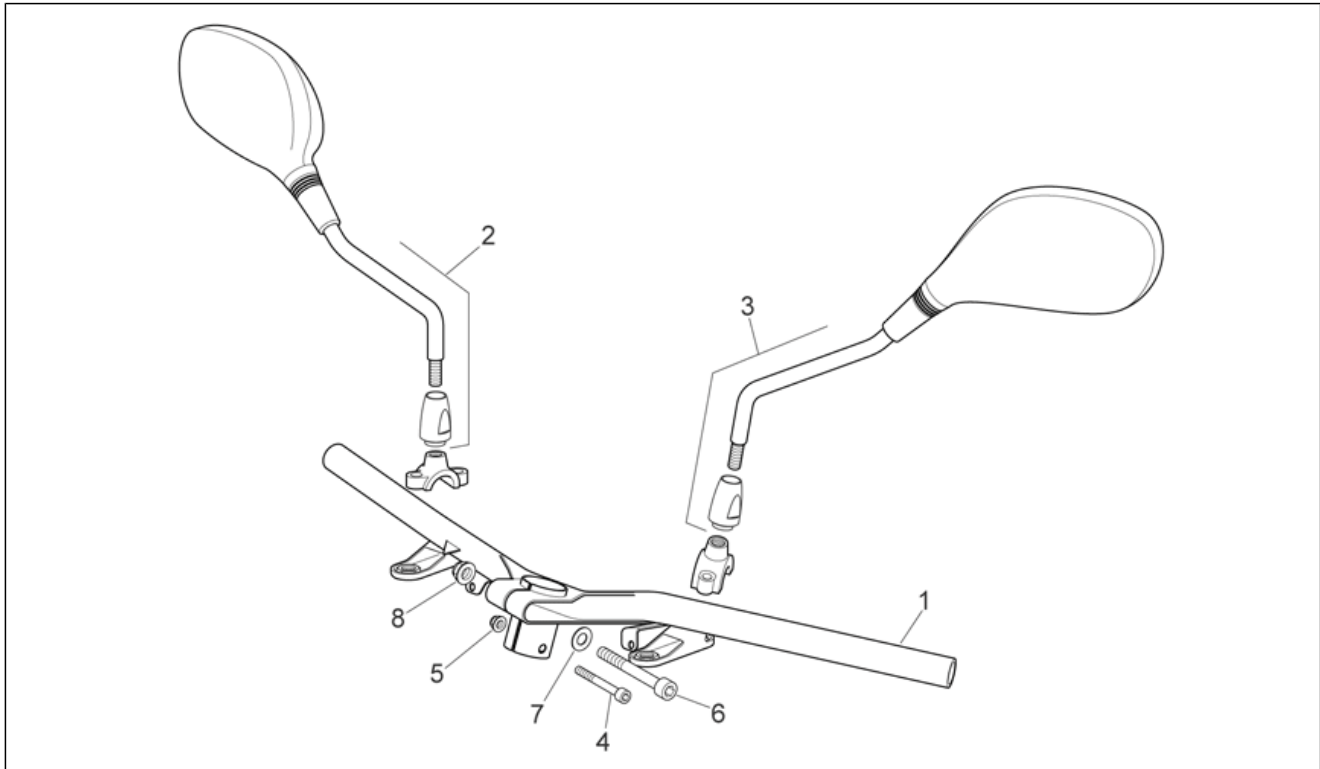
Pos.	Code	Beschreibung	Menge	Varianten
1	AP8179690	Gr. Soziushaltegriff, grau	1	
2	AP8179691	Objektr.deck.grau	1	
3	AP8150413	Gew.schr. 3,9x14	4	
4	AP8152288	TE Schr. m. Flansch	5	
5	AP8221128	T-Buchse 8,5x10,7x12	5	
6	AP8179708	Verschuß schw.	1	

Einheit	RAHMEN
Code	28.18
Beschreibung	Instrumententafel
Inspektion	1



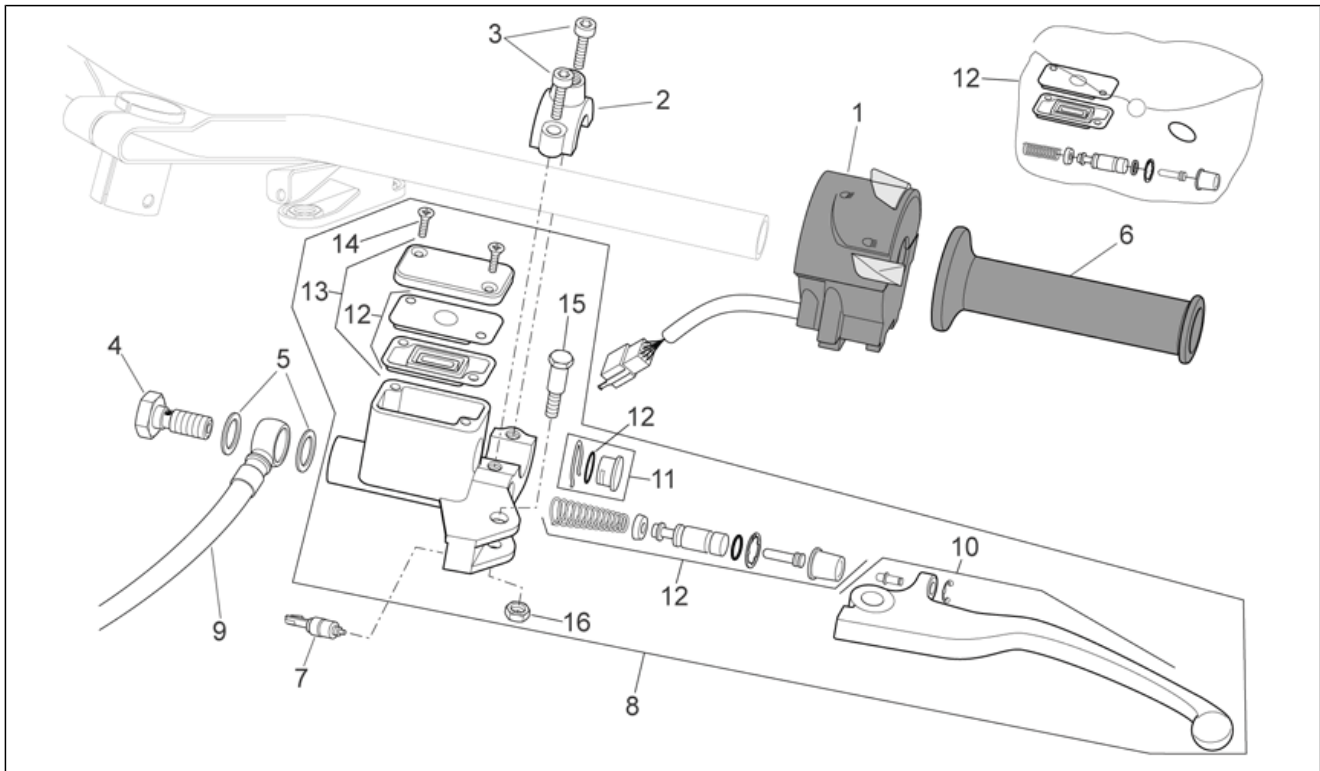
Pos.	Code	Beschreibung	Menge	Varianten
1	852365	Instrumententafel	1	Land: Vereinigte Staaten von Amerika[USA] Technische Daten: Version 250 cm ³ [250]
1	AP8127811	Instrumententafel	1	Land: Australien[AA], E-[EU], Japan[JJ], Großbritannien[UK] Technische Daten: Version 250 cm ³ [250]
1	AP8127843	Instrumententafel	1	Technische Daten: Version 125 cm ³ [125], Version 200 cm ³ [200]
2	AP8178071	Haltefassung	1	
3	AP8152329	Kreuz.schl.flnschsch. M5x20	3	
4	AP8150413	Gew.schr. 3,9x14	4	

Einheit	RAHMEN
Code	28.19
Beschreibung	Lenkstange
Inspektion	1



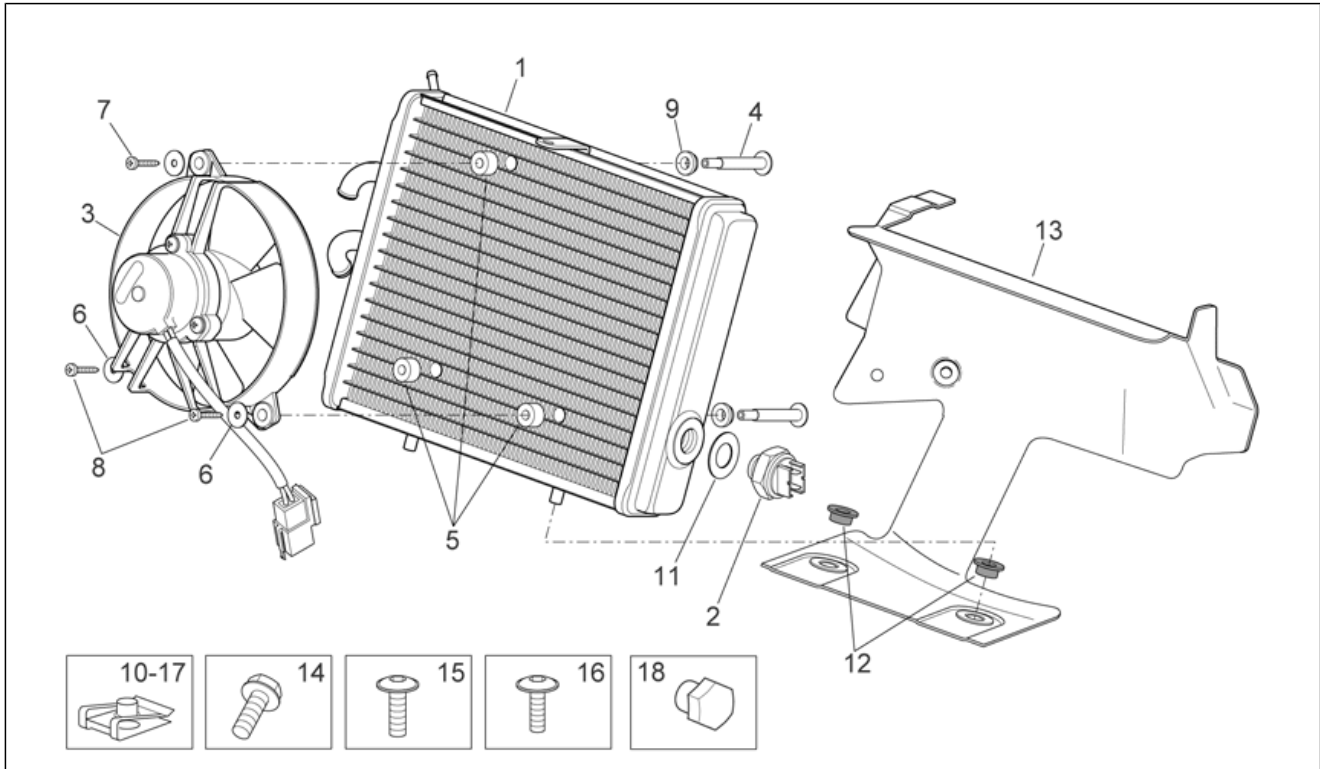
Pos.	Code	Beschreibung	Menge	Varianten
1	AP8118694	Lenkstange	1	
2	AP8104723	Spiegel re KEN SEAN	1	Technische Daten: Kürzel L - E9 - 001003[B]
2	CM180901	Spiegel re FU-HWA	1	Technische Daten: Kürzel E11 L001007[C]
3	AP8104724	Spiegel li KEN SEAN	1	Technische Daten: Kürzel L - E9 - 001003[B]
3	CM180902	Spiegel li FU-HWA	1	Technische Daten: Kürzel E11 L001007[C]
4	AP8150277	TCEI Schraube M8x50	1	
5	AP8152300	Selbstsperrende Mutter M8	1	
6	AP8150088	TCEI Schraube M10x70	1	
7	AP8150020	Ausgleichscheibe 10,5x21x2*	1	
8	AP8152301	Selbstsperrende Mutter	1	

Einheit	RAHMEN
Code	28.20
Beschreibung	Schaltungen links
Inspektion	1



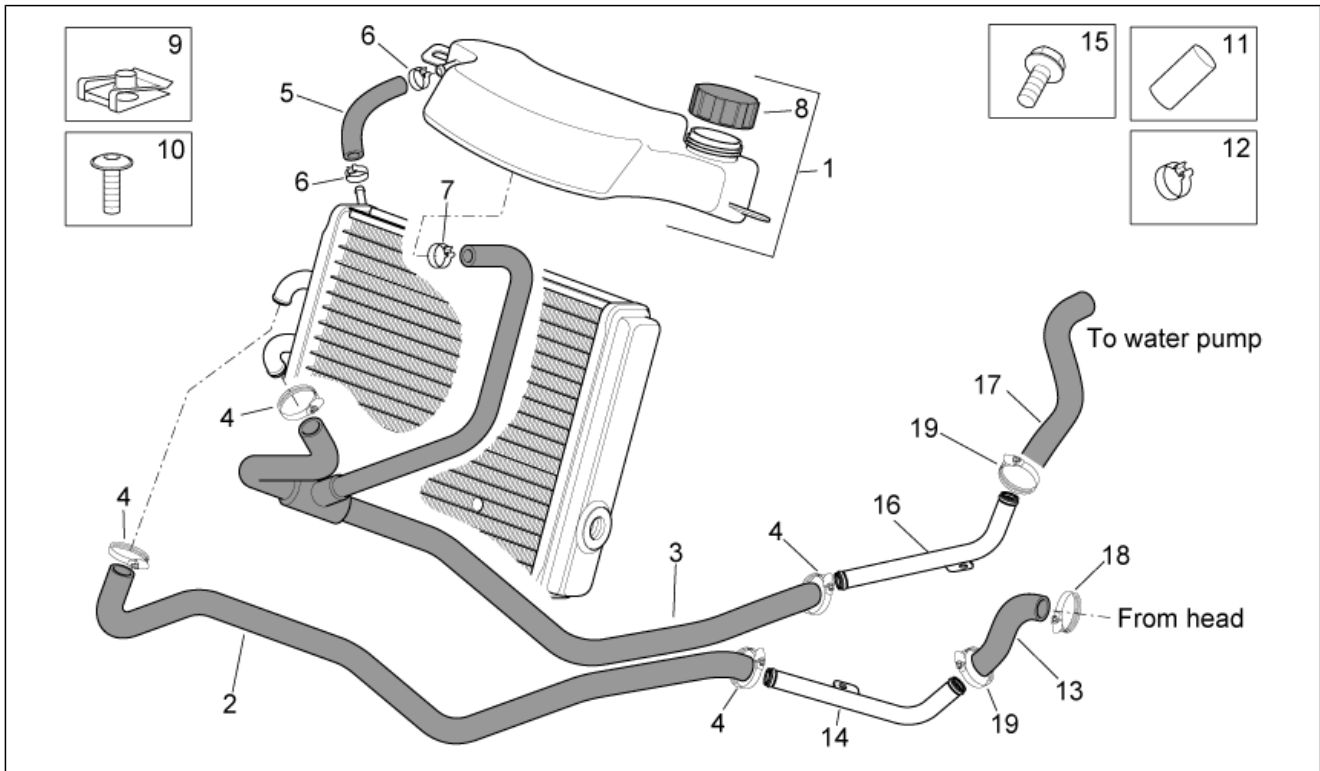
Pos.	Code	Beschreibung	Menge	Varianten
1	AP8124918	Linker Lichtschalter	1	
2	AP8213382	L. Bügelbolzen	1	Technische Daten:Grimeca[gr]
2	AP8213580	L. Bügelbolzen	1	Technische Daten:Heng Tong[ht]
3	AP8213299	Kappenschraube	2	Technische Daten:Grimeca[gr]
3	AP8213582	Kappenschraube	2	Technische Daten:Heng Tong[ht]
4	AP8113003	Fixierschraube Ölschlauch	1	
5	AP8113004	Ausgleichscheibe 10x14x1,6*	2	
6	AP8118699	Handgriffe paar, schwarz	1	
7	AP8127305	Knopf stop	1	
8	AP8213549	Hinterradbrenspumpe	1	Technische Daten:Grimeca[gr]
8	AP8213559	Hinterradbrenspumpe D=12,7 mm	1	Technische Daten:Heng Tong[ht]
9	AP8133889	Hinterradbrensleitung	1	
10	AP8213601	Hebel kpl.	1	Technische Daten:Heng Tong[ht]
10	AP8590035	Hebel kpl. (Grimeca)	1	Technische Daten:Grimeca[gr]
11	AP8213455	Schauglas Brenspumpe, Kpl.	1	Technische Daten:Grimeca[gr]
12	AP8213593	Bausatz Pumpenüberholung	1	Technische Daten:Heng Tong[ht]
12	AP8590037	Bausatz Pumpenüberholung	1	Technische Daten:Grimeca[gr]
13	AP8213595	Tankdeckel, Kpl.	1	Technische Daten:Heng Tong[ht]
13	AP8590038	Tankdeckel, Kpl.	1	Technische Daten:Grimeca[gr]
14	AP8213400	Schraube Pumpendeckel	2	Technische Daten:Grimeca[gr]
14	AP8213583	Schraube Pumpendeckel	2	Technische Daten:Heng Tong[ht]
15	AP8125757	Schraube Hebel	1	Technische Daten:Grimeca[gr]
15	AP8213584	Bremshebelbolzen	1	Technische Daten:Heng Tong[ht]
16	AP8213298	Mutter	1	Technische Daten:Grimeca[gr]
16	AP8213585	Mutter	1	Technische Daten:Heng Tong[ht]

Einheit	RAHMEN
Code	28.22
Beschreibung	Kühler
Inspektion	1



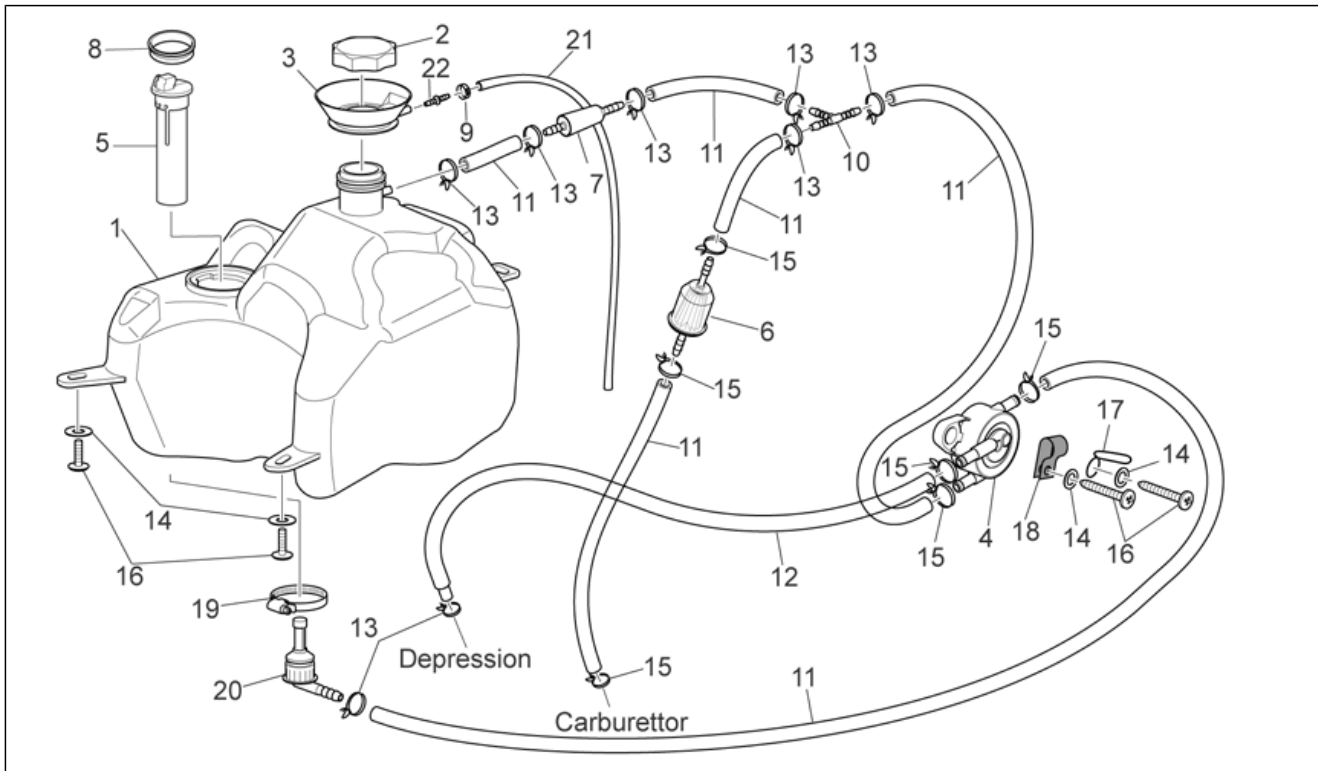
Pos.	Code	Beschreibung	Menge	Varianten
1	AP8104721	Kühler	1	
2	AP8127441	Thermoschalter	1	Technische Daten: Version 125 cm ³ [125], Version 200 cm ³ [200]
3	AP8124446	Ventilator komplett	1	
4	AP8121464	Stift	3	
5	AP8125848	Distanzscheibe	3	
6	AP8150159	Ausgleichscheibe 4,3x16*	3	
7	AP8150423	Linsenschraube 4,2x25*	1	
8	AP8150270	Linsenschraube 4,2x20*	2	
9	AP8221218	Buchse Schutzblech	3	
10	AP8102376	Klammer M6	6	
11	AP8121837	Alu-Scheibe	1	
12	AP8101372	Silent-Block	2	
13	AP8134976	Leitblech	1	
14	AP8152278	TE Schr. m. Flansch M6x16	2	
15	AP8152246	TBEI Schraube m.Flansch M6x16	1	
16	AP8152302	TBEI Schraube m.Flansch M5x12	1	
17	AP8102375	Klammer M5	1	
18	AP8144777	Verschlusschraube	1	

Einheit	RAHMEN
Code	28.23
Beschreibung	Kühlanlage
Inspektion	1



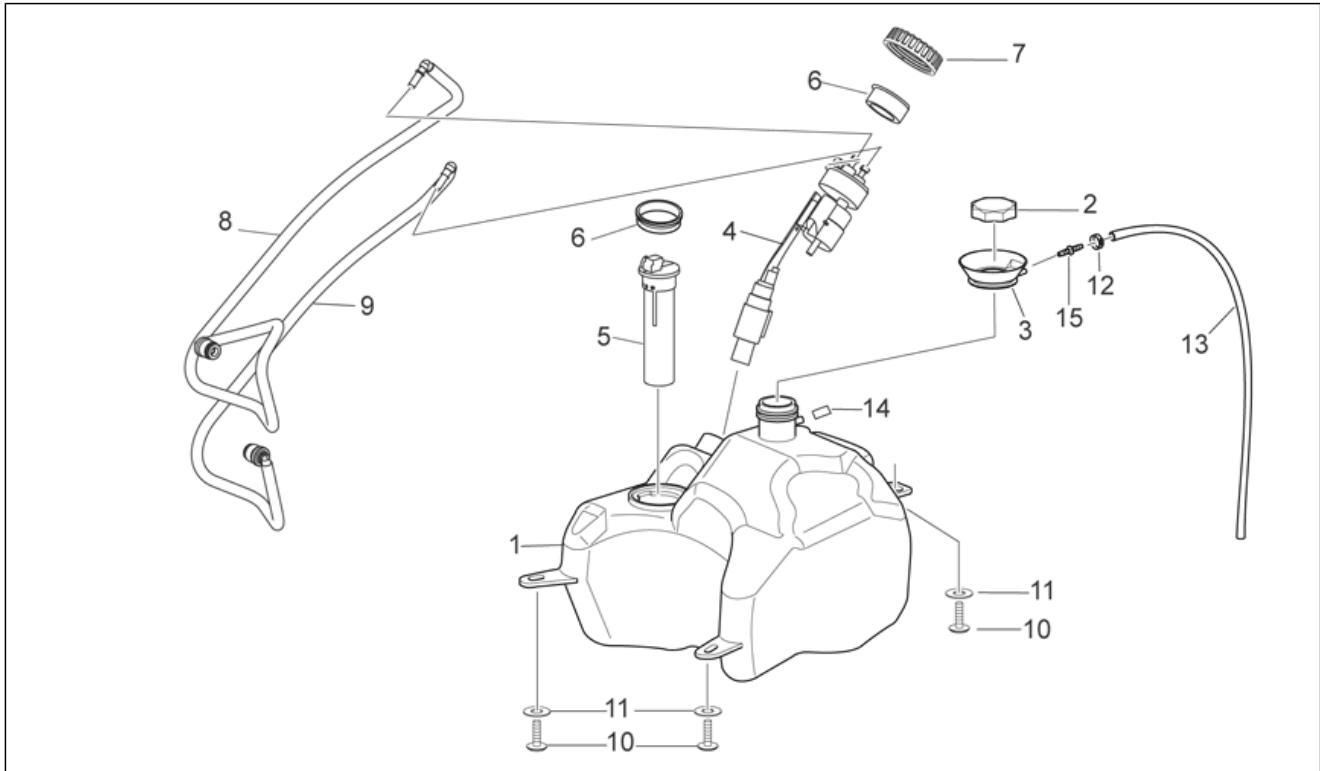
Pos.	Code	Beschreibung	Menge	Varianten
1	AP8178066	Ausdehngefäß	1	
2	AP8144642	Anschlußschlauch KühlerA	1	
3	AP8144784	Cooler-pump pipe	1	
4	AP8101573	Schelle D16-24x8*	10	
5	AP8144506	Entlüftungsschlauch Kühler 7,5X3,5	1	
6	AP8102765	Schlauchschele weiß D.13,5x6	2	
7	AP8102349	Schlauchschele weiß D17,5x8	1	
8	AP8570122	Ausdehnsg. Schraube	1	
9	AP8102376	Klammer M6	3	
10	AP8152246	TBEI Schraube m.Flansch M6x16	2	
11	AP8144298	Entlüftungsschraube	1	
12	AP8120446	Schlauchschele, grün D11x6,6x1	1	
13	AP8144759	Zylinderkopf Anschluß	1	
14	AP8144704	Anschluss	1	
15	AP8152277	TE Schr. m. Flansch M6x12	1	
16	AP8144785	Anschluss	1	
17	AP8144786	Pumpen-Bolzenschlauch	1	
18	CM001908	Schlauchschele	1	
19	CM001909	Schlauchschele	1	

Einheit	RAHMEN
Code	28.24
Beschreibung	Kraftstofftank I
Inspektion	1



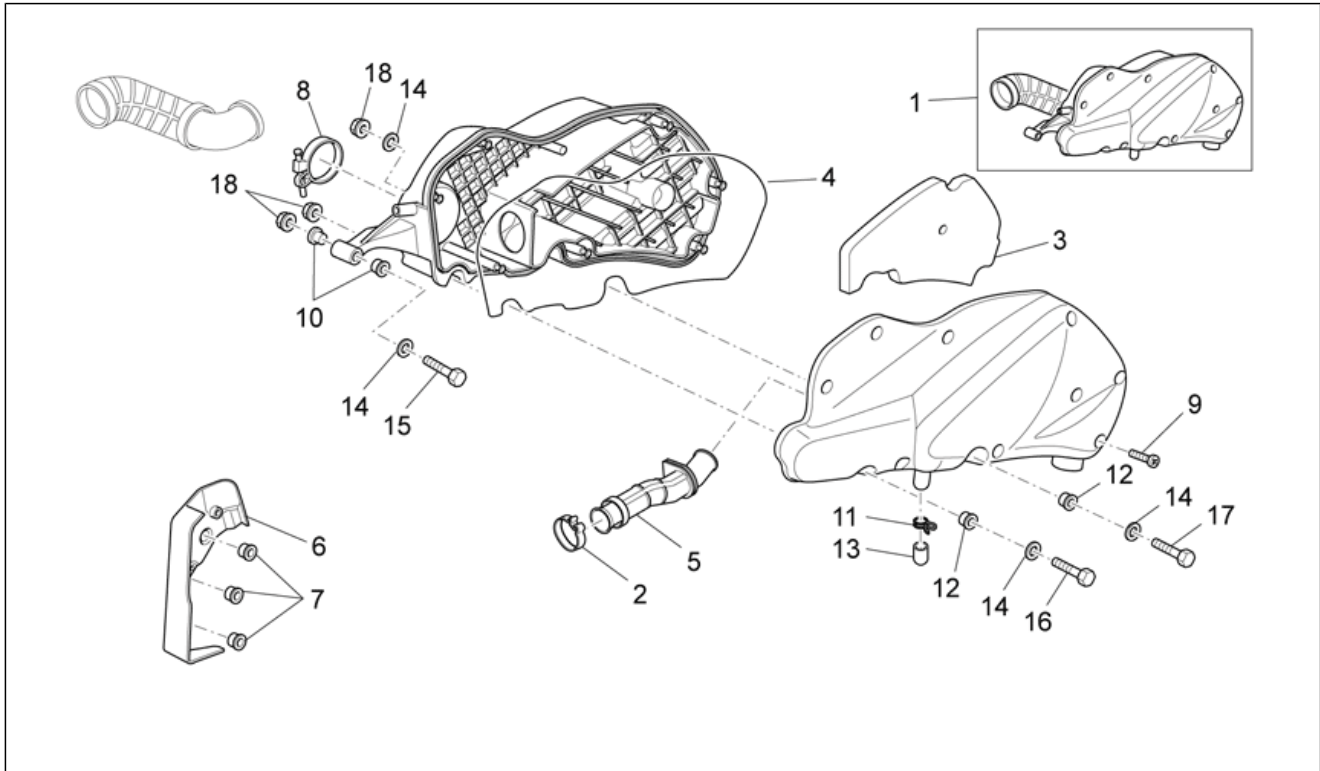
Pos.	Code	Beschreibung	Menge	Varianten
1	AP8179450	Kraftstofftank	1	Technische Daten:Vergaserversion[carb]
2	AP8144782	Tankverschlußschraube	1	
3	AP8144187	Gummi Kraftstoffsammler	1	
4	AP8176041	Kraftstoffpumpe	1	Technische Daten:Vergaserversion[carb]
5	AP8127828	Kraftstoffmeßsonde	1	Technische Daten:Vergaserversion[carb]
6	AP8104406	Kraftstofffilter	1	
7	AP8104251	Ölablaßventil	1	
8	AP8144422	Dichtung	1	
9	AP8101770	Schlauchschelle D8x5,5*	1	
10	AP8144303	3-Wegeanschluß	1	
11	AP8120952	Kraftstoffleitung 5,5x10	6	
12	AP8134815	Vacuum pipe	1	
13	AP8101595	Schelle D10,1	4	
14	AP8150382	Ausgleichscheibe 15x5,5X1,2	4	
15	AP8102378	Schelle D11,3	5	
16	AP8152329	Kreuz.schl.flnschshr. M5x20	4	
17	AP8120428	Kabelführungs	1	
18	AP8102151	Schelle schwarz D12*	1	
19	AP8104072	Schelle	1	
20	AP8104071	Anschluß komplett	1	
21	AP8220263	Entlüftungsschlauch Kühler 4x8	1	
22	AP8101944	2-Wege Anschluß	1	

Einheit	RAHMEN
Code	28.25
Beschreibung	Kraftstofftank II
Inspektion	1



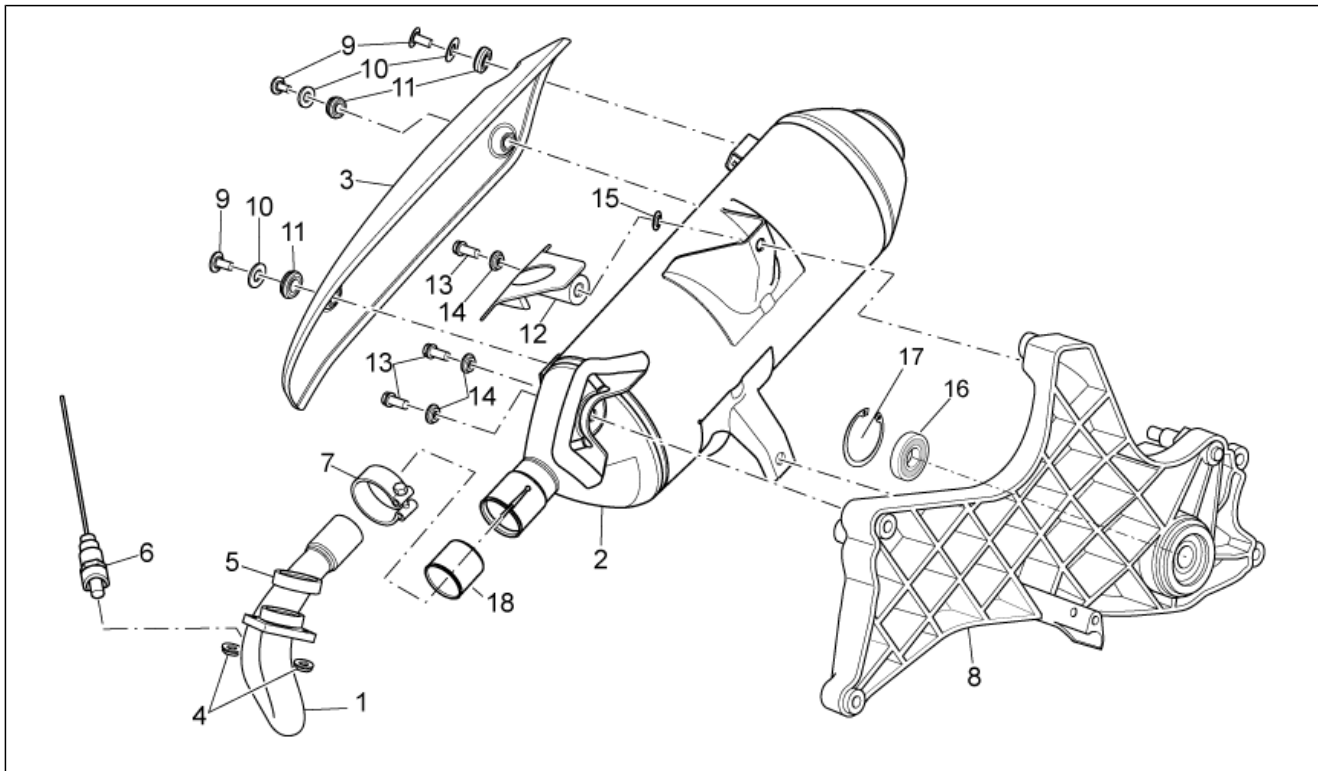
Pos.	Code	Beschreibung	Menge	Varianten
1	AP8179446	Kraftstofftank	1	Land:Australien[AA], E-[EU], Japan[JJ], Großbritannien[UK] Technische Daten: Version Einspritzung[i.e.]
1	AP8184103	Kraftstofftank	1	Land:Vereinigte Staaten von Amerika[USA] Technische Daten: Version Einspritzung[i.e.]
2	AP8144782	Tankverschlußschraube	1	Technische Daten: Version Einspritzung[i.e.]
3	AP8144187	Gummi Kraftstoffsammler	1	Technische Daten: Version Einspritzung[i.e.]
4	AP8127827	Kraftstoffpumpe	1	Technische Daten: Version Einspritzung[i.e.]
5	AP8127828	Kraftstoffmeßsonde	1	Technische Daten: Version Einspritzung[i.e.]
6	AP8144422	Dichtung	2	
7	AP8158359	Nutmutter	1	
8	AP8144760	Benzinleitung	1	
9	AP8144761	Rückflussleitung	1	
10	AP8152329	Kreuz.schl.flnschschr. M5x20	4	
11	AP8150382	Ausgleichscheibe 15x5,5X1,2	4	
12	AP8101770	Schlauchschelle D8x5,5*	1	
13	AP8220263	Entlüftungsschlauch Kühler 4x8	1	
14	AP8144298	Entlüftungsschraube	1	
15	AP8101944	2-Wege Anschluß	1	

Einheit	RAHMEN
Code	28.26
Beschreibung	Filtergehäuse
Inspektion	1



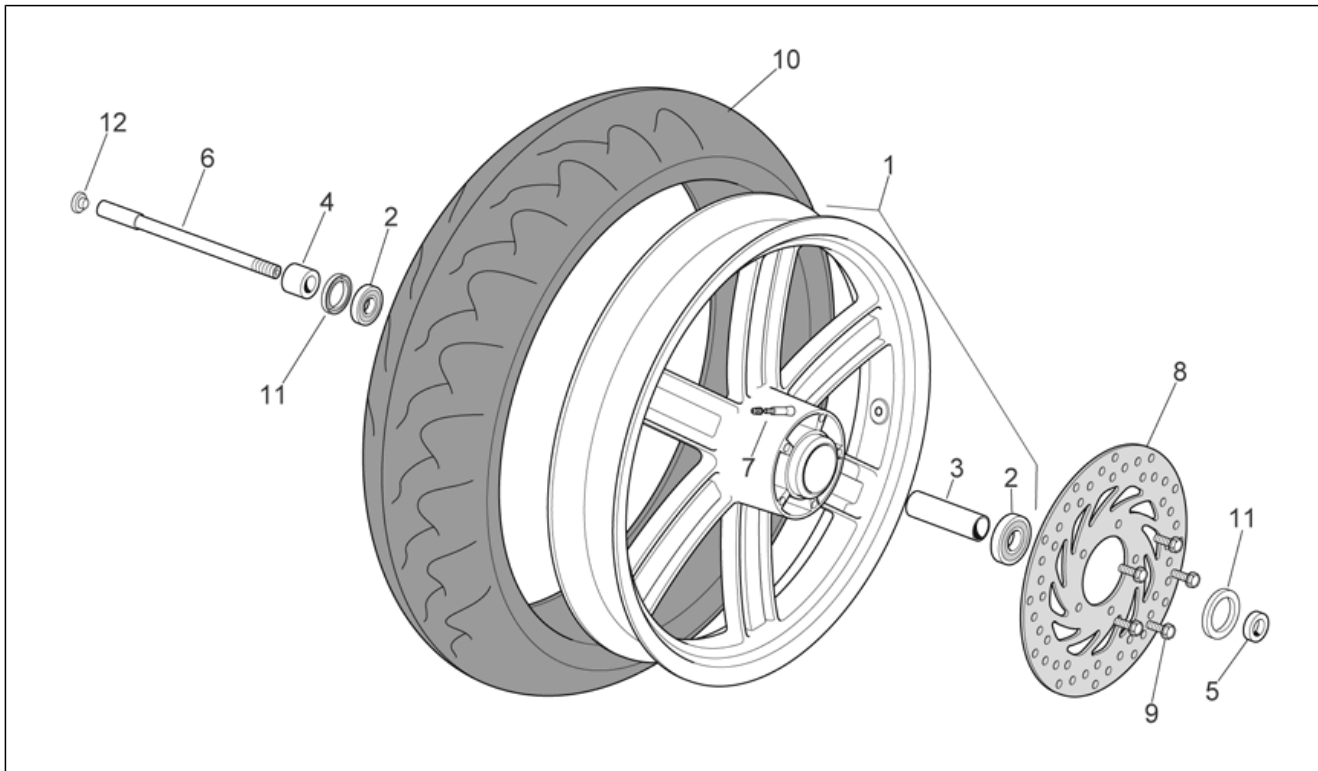
Pos.	Code	Beschreibung	Menge	Varianten
1	AP8179355	Filterkasten	1	Technische Daten: Version 250 cm ³ [250]
1	AP8179449	Filterkasten	1	Technische Daten: Version 125 cm ³ [125]
1	AP8179693	Filterkasten	1	Technische Daten: Version 200 cm ³ [200]
2	AP8580181	Schlauchschele	1	
3	AP8580172	Luftfilter	1	
4	AP8120615	Dichtung D3	1	
5	AP8144795	Ansaugmuffe	1	Technische Daten: Version 125 cm ³ [125], Version 200 cm ³ [200]
5	AP8580178	Hülse Lufteinlaß	1	Technische Daten: Version 250 cm ³ [250]
6	672198	Schutz Filtergehäuse	1	
7	AP8121032	Buchse	3	
8	AP8121621	Schlauchschele	1	
9	AP8580061	Gew.schr. 3x20	9	
10	AP8580184	Buchse	2	
11	AP8580219	Schelle	1	
12	AP8580183	Buchse	2	
13	AP8144701	Kappe	1	
14	AP8150015	Ausgleichscheibe 6,6x18x1,6*	3	
15	AP8150045	TCEI Schraube M6x55	1	
16	AP8150403	TCEI Schraube M6x45	1	
17	AP8150285	TCEI Schraube M6x35	1	
18	AP8152299	Selbstsperrende Mutter M6	3	

Einheit	RAHMEN
Code	28.33
Beschreibung	Auslassgruppe
Inspektion	1



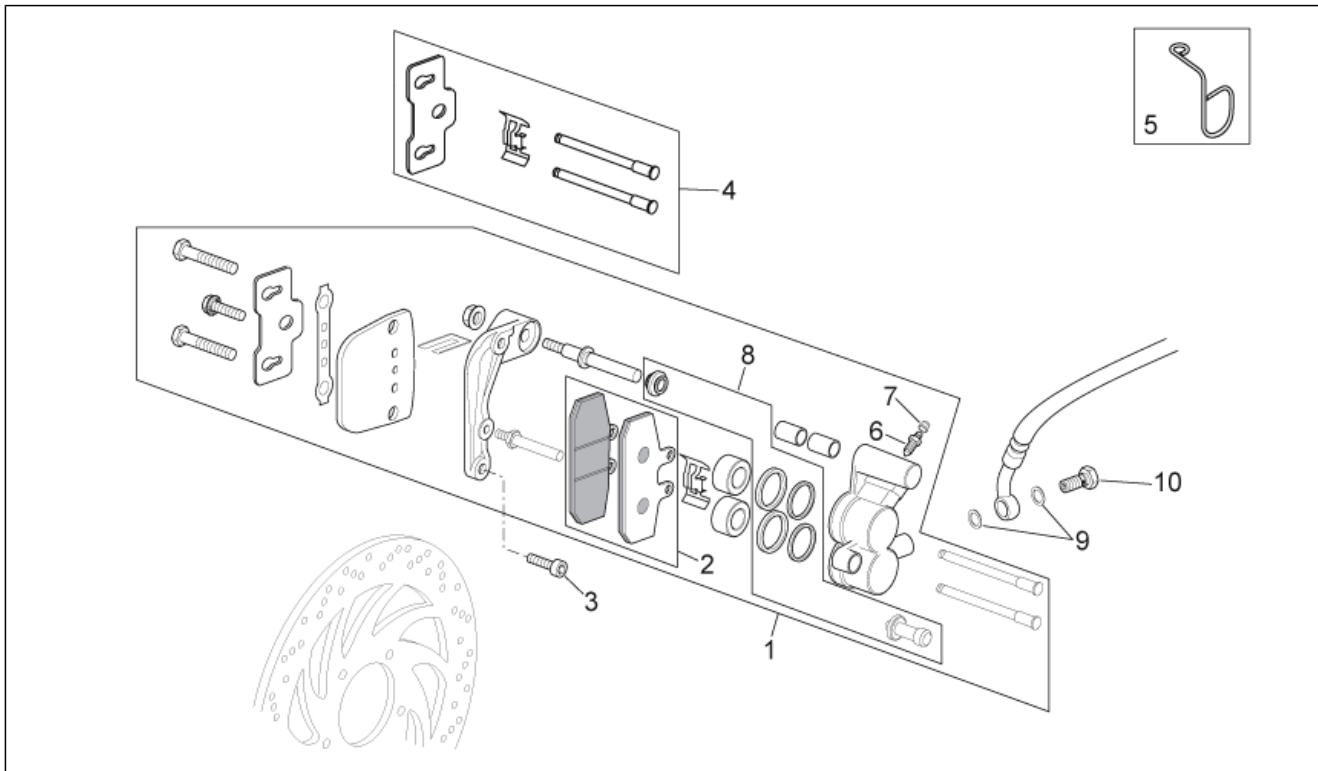
Pos.	Code	Beschreibung	Menge	Varianten
1	AP8119883	Krümmter	1	Technische Daten: Version 250 cm ³ [250]
1	AP8119895	Krümmter	1	Technische Daten: Version 125 cm ³ [125], Version 200 cm ³ [200]
2	872896	Schalldämpfer	1	Land: Vereinigte Staaten von Amerika[USA] Technische Daten: Version 250 cm ³ [250]
2	AP8119910	Schalldämpfer	1	Land: Australien[AA], E-[EU], Japan[JJ], Großbritannien[UK] Technische Daten: Version 250 cm ³ [250]
2	AP8119911	Schalldämpfer	1	Technische Daten: Version 125 cm ³ [125], Version 200 cm ³ [200]
3	AP8117266	Auspuffrohrschutz	1	
4	AP8121419	Mutter	2	
5	AP8580066	Dichtung Auspuffrohr	1	
6	AP8127829	Lamdasonde	1	Technische Daten: Version 250 cm ³ [250]
7	AP8119904	Schelle	1	
8	AP8154048	Schalldämpfer Halteplatte	1	
9	AP8150538	TBEI Schraube M5x10	3	
10	AP8150382	Ausgleichscheibe 15x5,5X1,2	3	
11	AP8144790	Gummi	3	
12	AP8119902	Deckel	1	
13	AP8152287	TE Schr. m. Flansch M8x25	3	
14	AP8150017	Ausgleichscheibe 8,4x16x1,6	3	
15	AP8120508	T-Buchse *	1	
16	82545R	Kugellager	1	
17	006647	Seegerring	1	
18	846097	Graphitbuchse	1	

Einheit	RAHMEN
Code	28.34
Beschreibung	Vorderrad
Inspektion	1



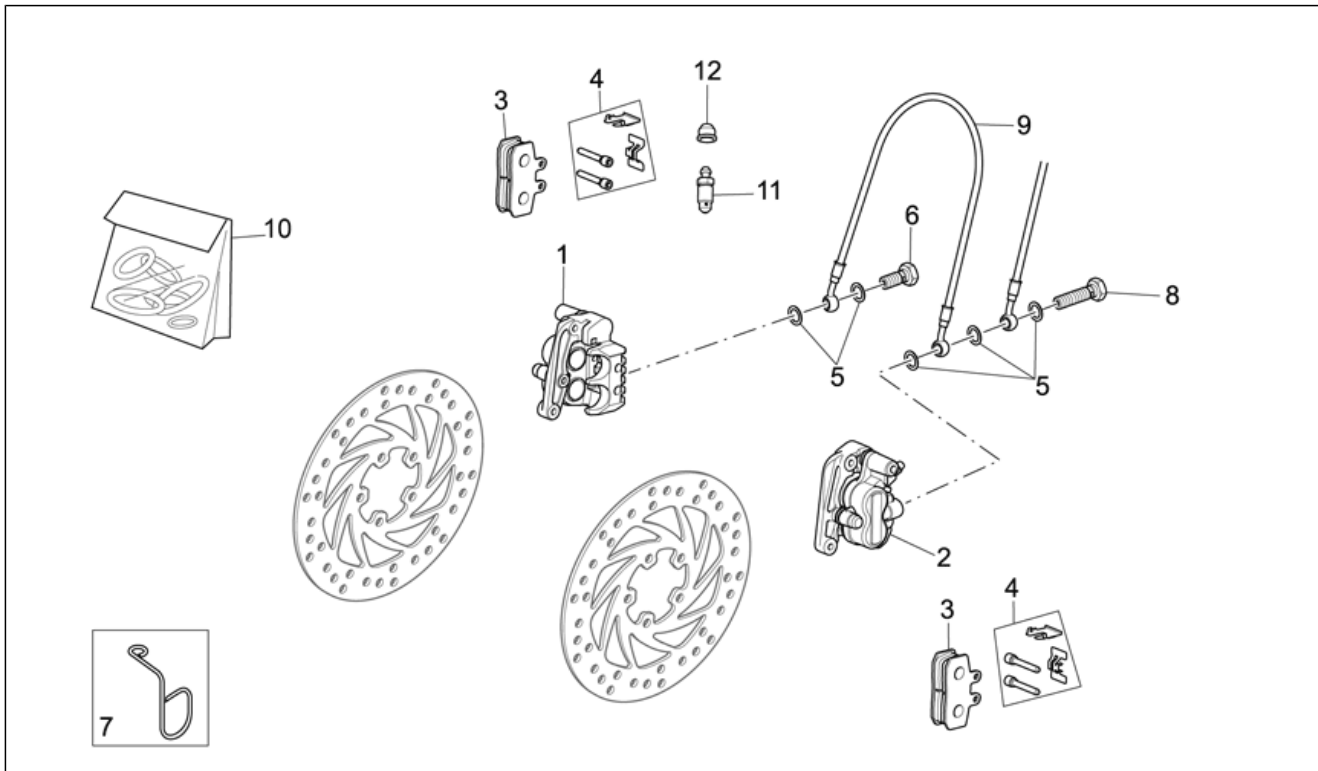
Pos.	Code	Beschreibung	Menge	Varianten
1	AP8128060	Vorderrad, grau	1	Technische Daten: Version 125 cm ³ [125], Version 200 cm ³ [200], Marke ZNL[znl]
1	AP8128126	Vorderrad, grau	1	Technische Daten: Version 125 cm ³ [125], Version 200 cm ³ [200], Grimeca[gr]
1	AP8128156	Vorderrad, grau	1	Technische Daten: Version 250 cm ³ [250], Grimeca[gr]
1	AP852061	Vorderrad, grau	1	Technische Daten: Version 250 cm ³ [250], Marke ZNL[znl]
2	AP8125812	Lager 15x42x13	2	Technische Daten: Grimeca[gr]
2	AP8590030	Lager 15X42X13	2	Technische Daten: Marke ZNL[znl]
3	AP8590031	Distanzscheibe 16X22X76.5	1	
4	AP8121194	L. Distanzscheibe	1	
5	AP8121196	R. Distanzscheibe	1	
6	AP8121195	Vorderradbolzen	1	
7	AP8201546	Schlauchloses Reifenventil	1	
8	AP8113697	Vorderradbremsscheibe d.260	2	Technische Daten: Version 250 cm ³ [250]
8	AP8113697	Vorderradbremsscheibe d.260	1	Technische Daten: Version 125 cm ³ [125], Version 200 cm ³ [200]
9	AP8152287	TE Schr. m. Flansch M8x25	10	Technische Daten: Version 250 cm ³ [250]
9	AP8152288	TE Schr. m. Flansch	5	Technische Daten: Version 125 cm ³ [125], Version 200 cm ³ [200]
10	AP8128059	Vorderreifen 120-70 15	1	
11	AP8120621	Ölabstreifring	2	Technische Daten: Grimeca[gr]
11	AP8590032	Ölabstreifring 25X42X7	2	Technische Daten: Marke ZNL[znl]
12	AP8220323	Deckel	1	

Einheit	RAHMEN
Code	28.35
Beschreibung	Vorderradzange I
Inspektion	1



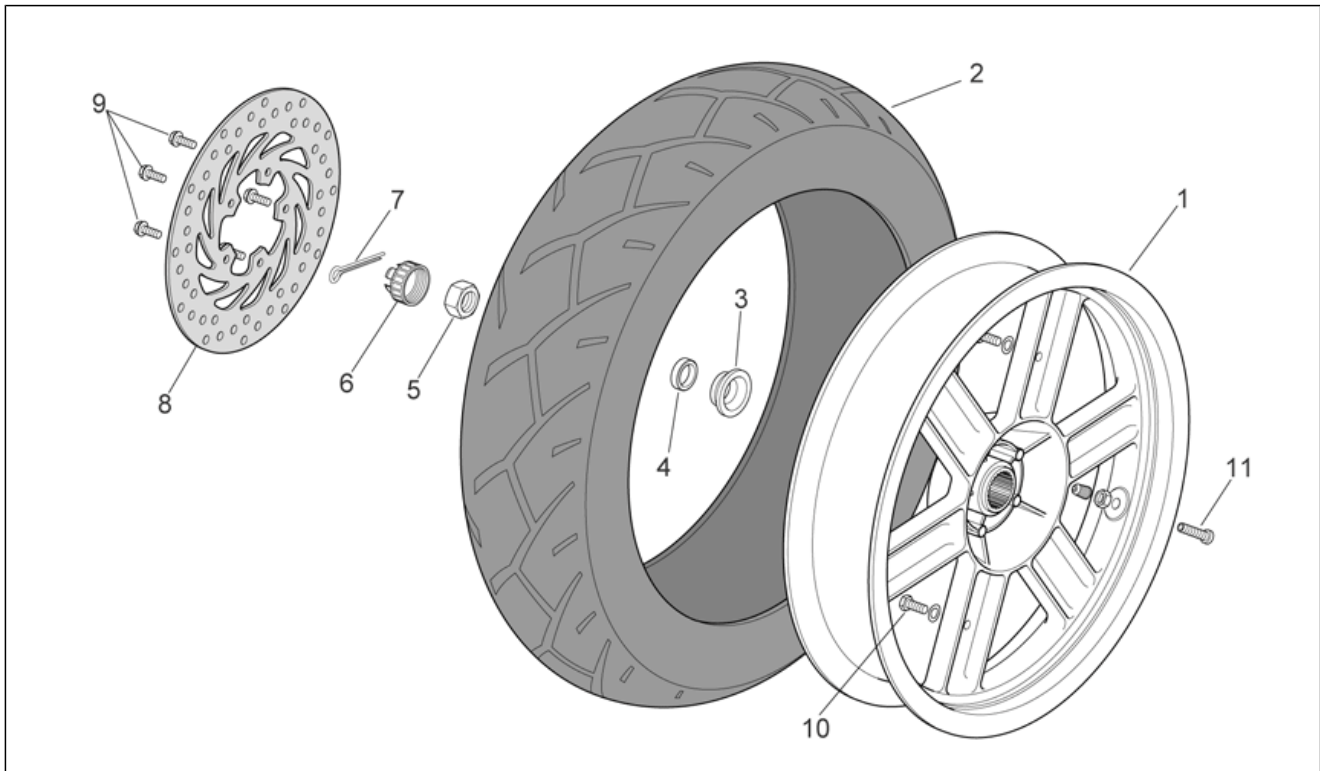
Pos.	Code	Beschreibung	Menge	Varianten
1	AP8113844	Vorderradbremsszange	1	Technische Daten: Version 125 cm ³ [125], Version 200 cm ³ [200], Grimeca[gr]
1	AP8133739	Vorderradbremsszange	1	Technische Daten: Version 125 cm ³ [125], Version 200 cm ³ [200], Heng Tong[ht]
2	AP8133725	Beläge (Paar)	1	Technische Daten: Version 125 cm ³ [125], Version 200 cm ³ [200], Grimeca[gr]
2	AP8133798	Beläge (Paar)	1	Technische Daten: Version 125 cm ³ [125], Version 200 cm ³ [200], Heng Tong[ht]
3	AP8150107	TCEI Schraube M8x30	2	
4	AP8113867	Stifte-Federn Bremszange	1	Technische Daten: Version 125 cm ³ [125], Version 200 cm ³ [200], Grimeca[gr]
4	AP8133799	Stifte-Federn Bremszange	1	Technische Daten: Version 125 cm ³ [125], Version 200 cm ³ [200], Heng Tong[ht]
5	AP8221172	Kabelführungs	1	
6	AP8133800	Entlüftungsanschluß	1	Technische Daten: Version 125 cm ³ [125], Version 200 cm ³ [200], Heng Tong[ht]
6	AP8213108	Entlüftungsanschluß	1	Technische Daten: Version 125 cm ³ [125], Version 200 cm ³ [200], Grimeca[gr]
7	AP8113005	Entlüftungskappe	1	Technische Daten: Version 125 cm ³ [125], Version 200 cm ³ [200], Grimeca[gr]
7	AP8213575	Entlüftungskappe	1	Technische Daten: Version 125 cm ³ [125], Version 200 cm ³ [200], Heng Tong[ht]
8	AP8113868	Bausatz Bremszangenüberholung	1	Technische Daten: Version 125 cm ³ [125], Version 200 cm ³ [200], Grimeca[gr]
8	AP8133801	Bausatz Bremszangenüberholung	1	Technische Daten: Version 125 cm ³ [125], Version 200 cm ³ [200], Heng Tong[ht]
9	AP8113004	Ausgleichscheibe 10x14x1,6*	2	
10	AP8113003	Fixierschraube Ölschlauch	1	

Einheit	RAHMEN
Code	28.36
Beschreibung	Vorderradzange II
Inspektion	1



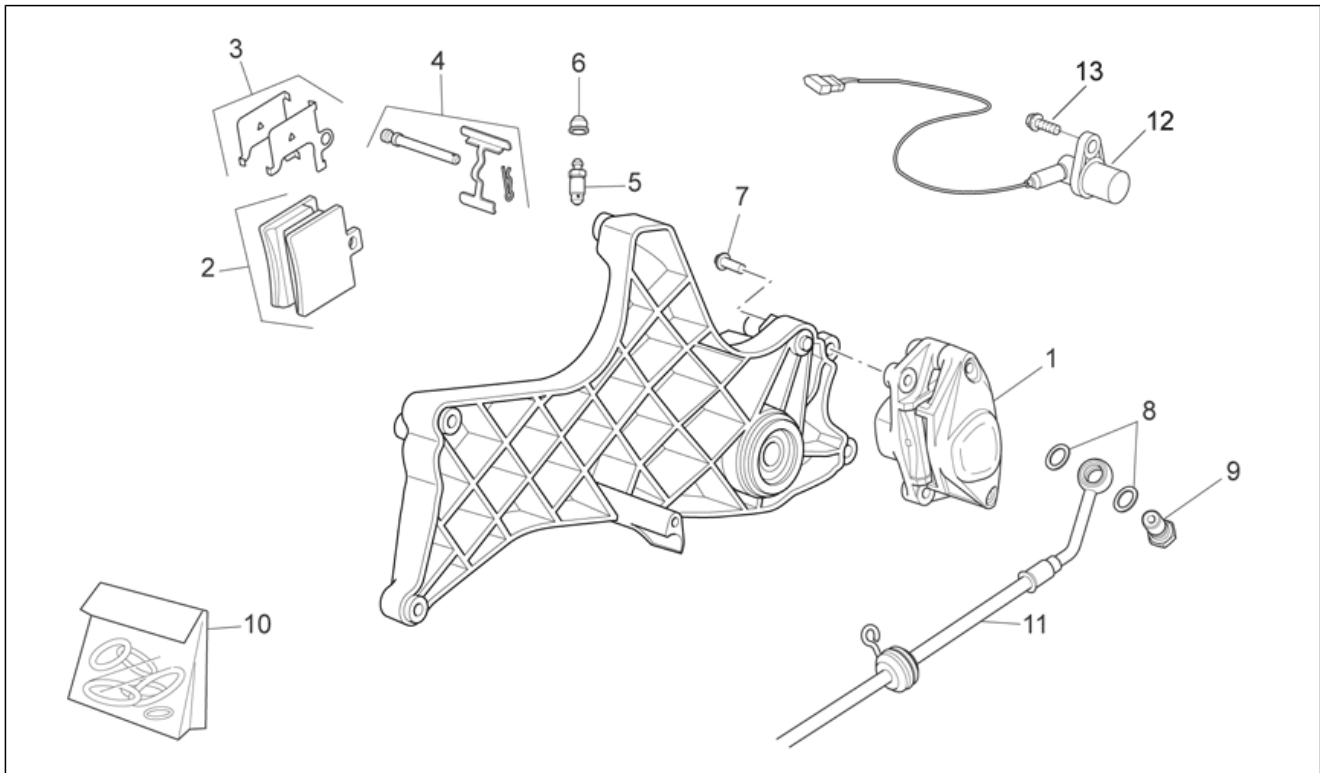
Pos.	Code	Beschreibung	Menge	Varianten
1	AP8133891	Vorderradbremzange r.	1	Technische Daten: Version 250 cm ³ [250], Grimeca[gr]
1	AP8133893	Vorderradbremzange r.	1	Technische Daten: Version 250 cm ³ [250], Heng Tong[ht]
2	AP8133892	Vorderradbremzange l.	1	Technische Daten: Version 250 cm ³ [250], Grimeca[gr]
2	AP8133894	Vorderradbremzange l.	1	Technische Daten: Version 250 cm ³ [250], Heng Tong[ht]
3	AP8133725	Beläge (Paar)	1	Technische Daten: Version 250 cm ³ [250], Grimeca[gr]
3	AP8133798	Beläge (Paar)	1	Technische Daten: Version 250 cm ³ [250], Heng Tong[ht]
4	AP8113867	Stifte-Federn Bremzange	1	Technische Daten: Version 250 cm ³ [250], Grimeca[gr]
4	AP8133799	Stifte-Federn Bremzange	1	Technische Daten: Version 250 cm ³ [250], Heng Tong[ht]
5	AP8113004	Ausgleichscheibe 10x14x1,6*	5	
6	AP8113003	Fixierschraube Ölschlauch	1	Technische Daten: Version 250 cm ³ [250]
7	AP8221172	Kabelführungs	1	
8	AP8113003	Fixierschraube Ölschlauch	1	Technische Daten: Version 125 cm ³ [125], Version 200 cm ³ [200]
8	AP8152509	Fixierschraube Ölschlauch *	1	Technische Daten: Version 250 cm ³ [250]
9	AP8133888	Vorderradbremseleitung	1	Technische Daten: Version 250 cm ³ [250]
10	AP8133610	Bausatz Bremszangenüberholung	1	Technische Daten: Version 250 cm ³ [250], Grimeca[gr]
10	AP8133801	Bausatz Bremszangenüberholung	1	Technische Daten: Version 250 cm ³ [250], Heng Tong[ht]
11	AP8133800	Entlüftungsanschluß	1	Technische Daten: Version 250 cm ³ [250], Heng Tong[ht]
11	AP8213108	Entlüftungsanschluß	1	Technische Daten: Version 250 cm ³ [250], Grimeca[gr]
12	AP8113005	Entlüftungskappe	1	Technische Daten: Version 250 cm ³ [250], Grimeca[gr]
12	AP8213575	Entlüftungskappe	1	Technische Daten: Version 250 cm ³ [250], Heng Tong[ht]

Einheit	RAHMEN
Code	28.37
Beschreibung	Hinterrad
Inspektion	1



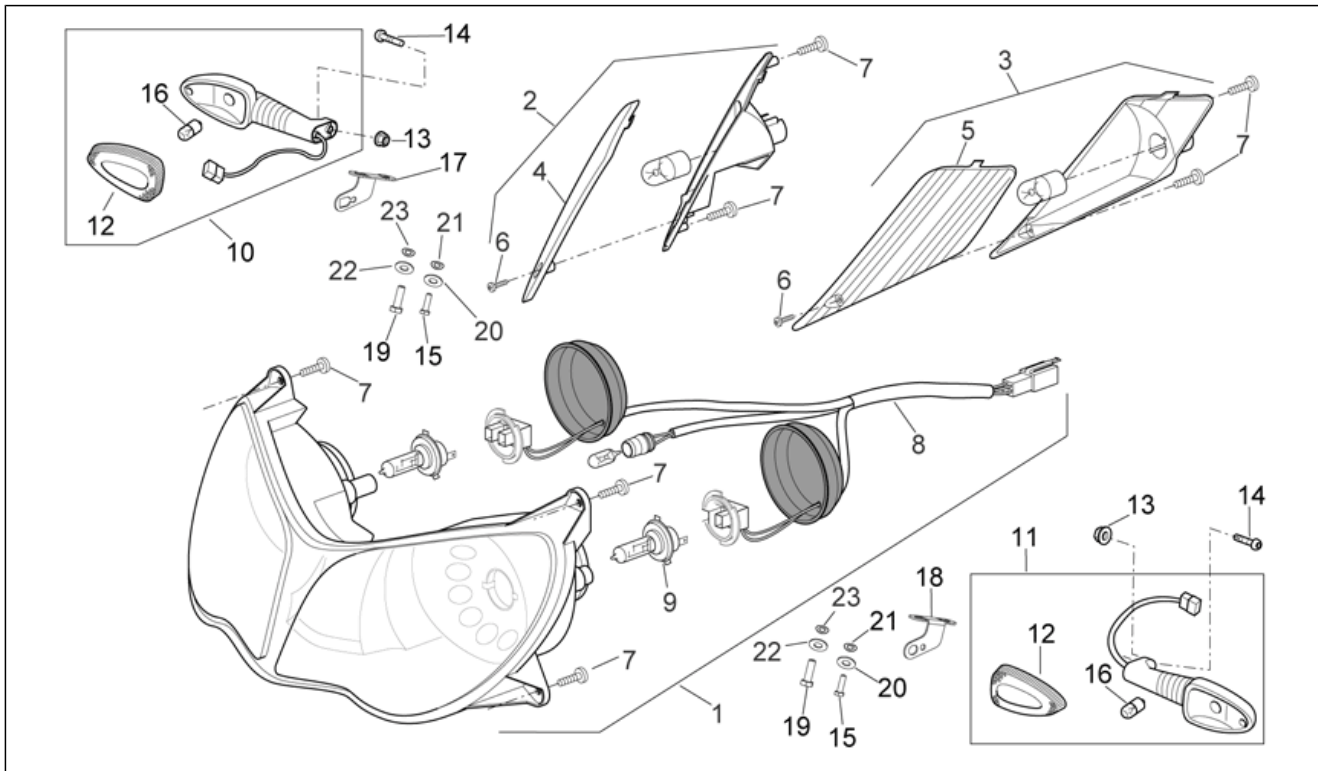
Pos.	Code	Beschreibung	Menge	Varianten
1	AP8128063	Hinterrad, grau	1	Technische Daten: Marke ZNL[znl]
1	AP8128127	Hinterrad, grau	1	Technische Daten: Grimeca[gr]
2	AP8128062	Hinterreifen 130/80-15"	1	
3	AP8121172	Innen H.rad Distanzscheibe	1	
4	AP8121171	Externe Distanzscheibe	1	
5	AP8550307	Mutter Hinterrad	1	
6	AP8125901	Kappe	1	
7	AP8121620	Splint	1	
8	AP8113541	Bremsscheibe D220	1	
9	AP8152288	TE Schr. m. Flansch	5	
10	AP8161026	Schraube Sensorscheibe	2	
11	AP8201546	Schlauchloses Reifenventil	1	

Einheit	RAHMEN
Code	28.38
Beschreibung	Hinterradzange
Inspektion	1



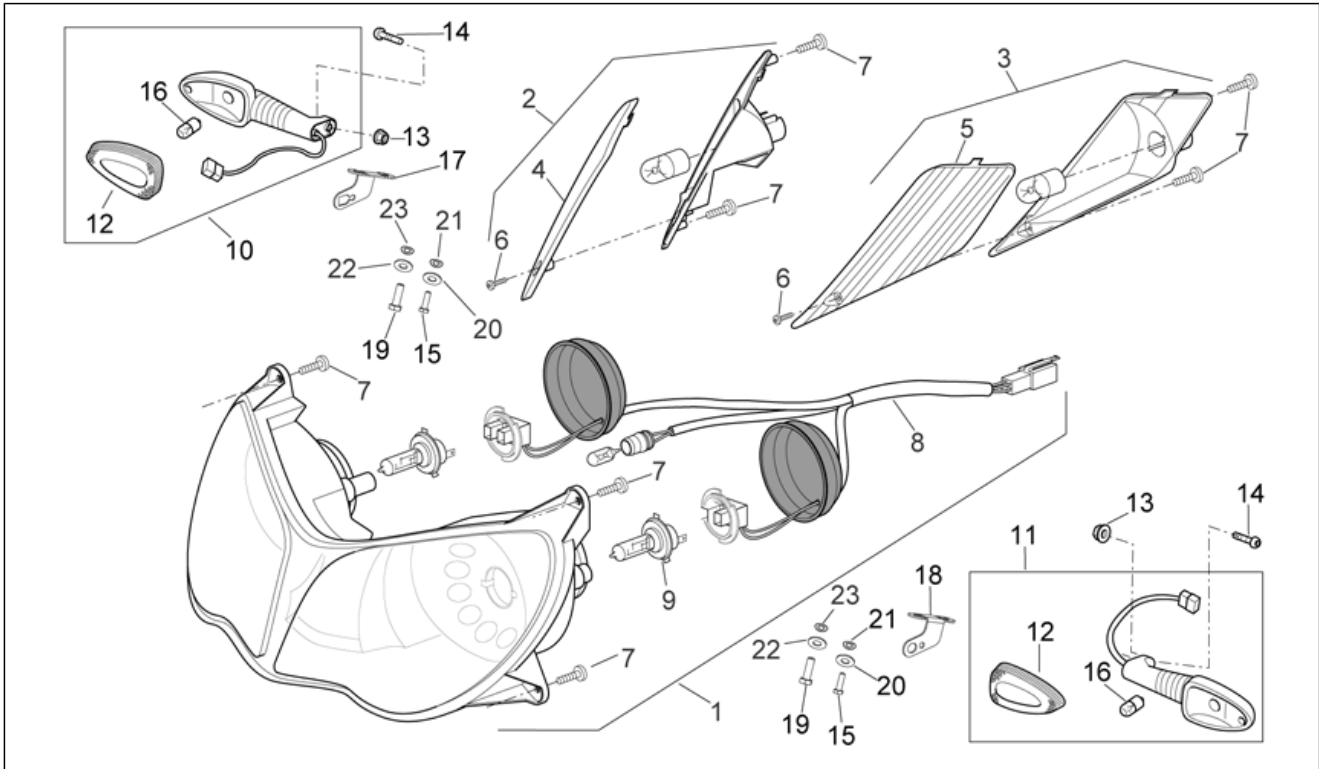
Pos.	Code	Beschreibung	Menge	Varianten
1	AP8113846	Hinterradbremsszange D32	1	Technische Daten:Grimeca[gr]
1	AP8133855	Hinterradbremsszange	1	Technische Daten:Heng Tong[ht]
2	AP8113869	Beläge (Paar)	1	Technische Daten:Grimeca[gr]
2	AP8133946	H.Beläge (Paar)	1	Technische Daten:Heng Tong[ht]
3	AP8113870	Vorderunpfeifenplatte-paar	1	Technische Daten:Grimeca[gr]
4	AP8113871	Bolzen+Bremse Felder	1	Technische Daten:Grimeca[gr]
4	AP8213578	Bolzen+Bremse Felder	1	Technische Daten:Heng Tong[ht]
5	AP8113006	Entlüftungsanschluß	1	Technische Daten:Grimeca[gr]
5	AP8213574	Entlüftungsanschluß	1	Technische Daten:Heng Tong[ht]
6	AP8113005	Entlüftungskappe	1	Technische Daten:Grimeca[gr]
6	AP8213575	Entlüftungskappe	1	Technische Daten:Heng Tong[ht]
7	AP8152287	TE Schr. m. Flansch M8x25	2	
8	AP8113004	Ausgleichscheibe 10x14x1,6*	2	
9	AP8113003	Fixierschraube Ölschlauch	1	
10	AP8213467	Bausatz Bremszangenüberholung	1	Technische Daten:Grimeca[gr]
10	AP8213579	Bausatz Bremszangenüberholung	1	Technische Daten:Heng Tong[ht]
11	AP8133889	Hinterradbremssleitung	1	
12	AP8127668	Kilom.zählersens. kpl.	1	
13	AP8152278	TE Schr. m. Flansch M6x16	2	

Einheit	RAHMEN
Code	28.39
Beschreibung	Scheinwerfer
Inspektion	1



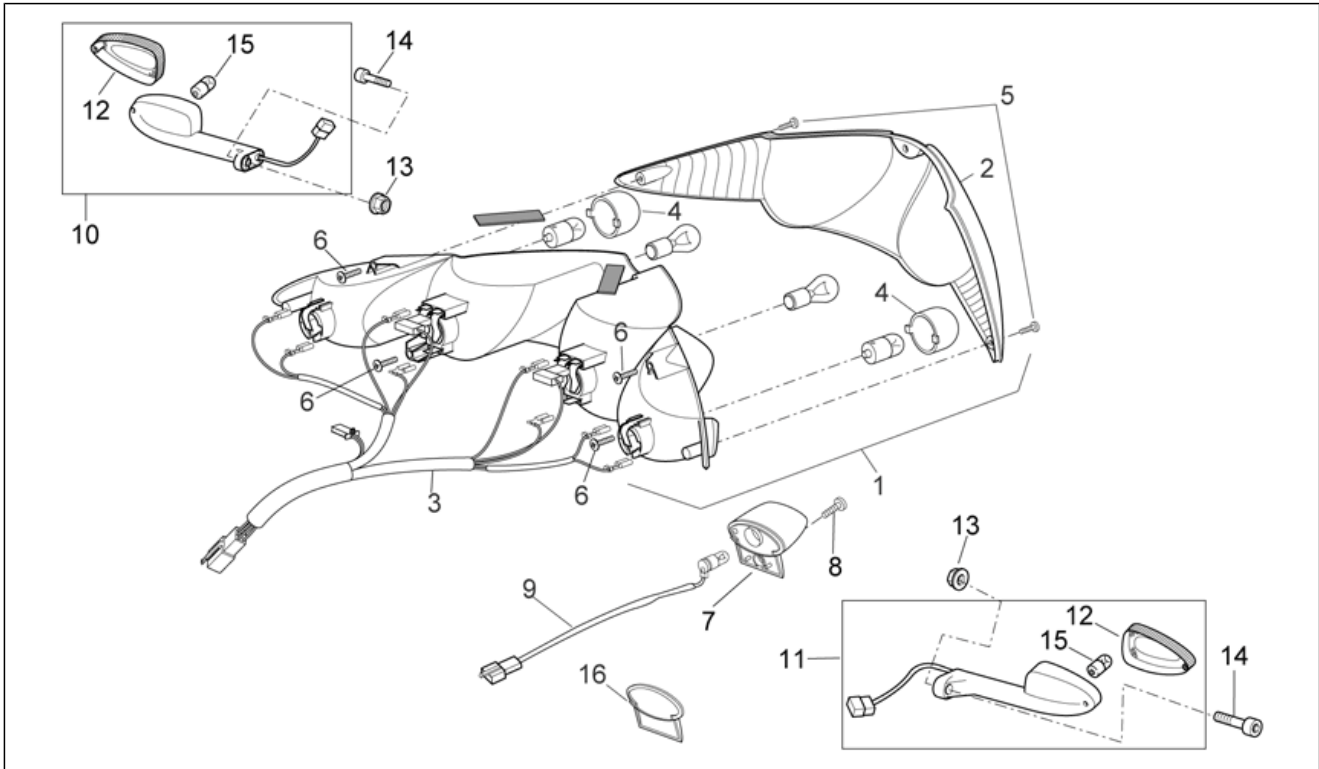
Pos.	Code	Beschreibung	Menge	Varianten
1	852367	Scheinwerfer	1	Land:Vereinigte Staaten von Amerika[USA]
1	AP8127695	Scheinwerfer	1	Land:E-[EU]
1	AP8127696	Scheinwerfer	1	Land:Australien[AA], Japan[JJ], Großbritannien[UK]
2	AP8127562	V. Blinkerblende rechts	1	Land:Australien[AA], E-[EU], Japan[JJ], Großbritannien[UK]
2	AP8127925	V. Blinkerblende rechts	1	Fahrzeugfarbe:Schwarz Aprilia 2007 (t.B.854988)[black] Land:Vereinigte Staaten von Amerika[USA]
2	AP8187077	V. Blinkerblende rechts	1	Fahrzeugfarbe:Grau Shot 2006-2007 (t.B.851715)[shot] Land:Vereinigte Staaten von Amerika[USA]
2	AP8187082	V. Blinkerblende rechts	1	Fahrzeugfarbe:Schwarz Moka 2006-2007 (t.B.851742) [moka] Land:Vereinigte Staaten von Amerika[USA]
2	AP8187084	V. Blinkerblende rechts	1	Fahrzeugfarbe:Blau Couture 2006-2007 (t.B.851741)[blu] Land:Vereinigte Staaten von Amerika[USA]
2	AP8187086	V. Blinkerblende rechts	1	Fahrzeugfarbe:Grau Excalibur 2006-2007 (t.B.851740) [grey] Land:Vereinigte Staaten von Amerika[USA]
3	AP8127561	V. Blinkerblende links	1	Land:Australien[AA], E-[EU], Japan[JJ], Großbritannien[UK]
3	AP8127926	V. Blinkerblende links	1	Fahrzeugfarbe:Schwarz Aprilia 2007 (t.B.854988)[black] Land:Vereinigte Staaten von Amerika[USA]
3	AP8187078	V. Blinkerblende links	1	Fahrzeugfarbe:Grau Shot 2006-2007 (t.B.851715)[shot] Land:Vereinigte Staaten von Amerika[USA]
3	AP8187083	V. Blinkerblende links	1	Fahrzeugfarbe:Schwarz Moka 2006-2007 (t.B.851742) [moka] Land:Vereinigte Staaten von Amerika[USA]
3	AP8187085	V. Blinkerblende links	1	Fahrzeugfarbe:Blau Couture 2006-2007 (t.B.851741)[blu] Land:Vereinigte Staaten von Amerika[USA]
3	AP8187087	V. Blinkerblende links	1	Fahrzeugfarbe:Grau Excalibur 2006-2007 (t.B.851740) [grey] Land:Vereinigte Staaten von Amerika[USA]
4	AP8590040	R.Blinkerblende	1	Land:Australien[AA], E-[EU], Japan[JJ], Großbritannien[UK]
5	AP8590047	L.Blinkerblende	1	Land:Australien[AA], E-[EU], Japan[JJ], Großbritannien[UK]
6	AP8590041	Schraube 2,9x9,5	2	

Einheit	RAHMEN
Code	28.39
Beschreibung	Scheinwerfer
Inspektion	1



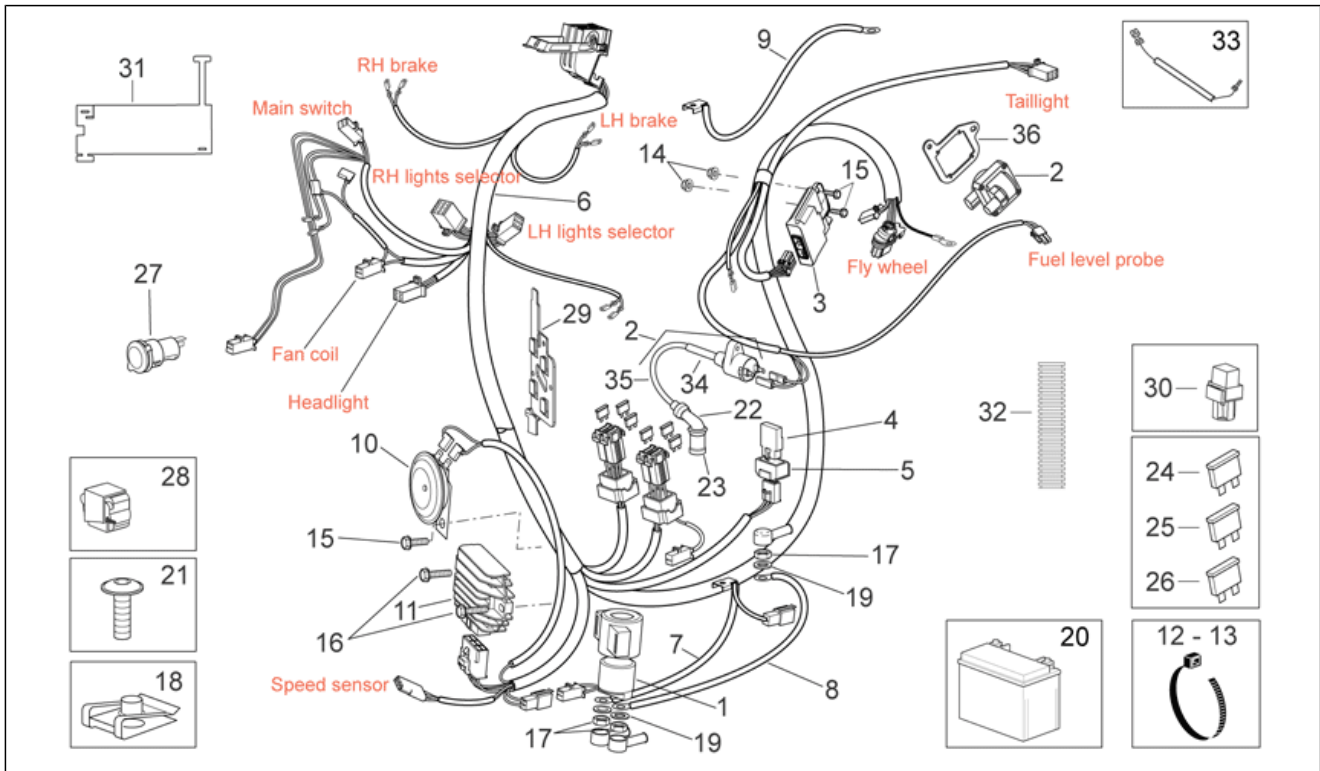
Pos.	Code	Beschreibung	Menge	Varianten
7	AP8150413	Gew.schr. 3,9x14	8	
8	AP8127698	Kabel Scheinw.	1	
9	AP8127109	Lampen H7 12V-55W	1	
10	AP8127514	Vorderblinker rechts	1	Land:Vereinigte Staaten von Amerika[USA]
11	AP8127515	Vorderblinker links	1	Land:Vereinigte Staaten von Amerika[USA]
12	AP8127552	Blinkerblende	1	Land:Vereinigte Staaten von Amerika[USA]
13	AP8152299	Selbstsperrende Mutter M6	2	Land:Vereinigte Staaten von Amerika[USA]
14	AP8152278	TE Schr. m. Flansch M6x16	2	Land:Vereinigte Staaten von Amerika[USA]
15	AP8150137	TCEI Schraube M6x16	2	Land:Vereinigte Staaten von Amerika[USA]
16	AP8127489	Lampen RY10W 12V	2	Land:Vereinigte Staaten von Amerika[USA]
17	852364	Rechtes bügel	1	Land:Vereinigte Staaten von Amerika[USA]
18	853007	Linkes bügel	1	Land:Vereinigte Staaten von Amerika[USA]
19	AP8150211	TCEI Schraube M8x16	2	Land:Vereinigte Staaten von Amerika[USA]
20	AP8150014	Ausgleichscheibe 6,4x12,5*	2	Land:Vereinigte Staaten von Amerika[USA]
21	AP8150429	Sprengscheibe 6,4x11x0,5*	2	Land:Vereinigte Staaten von Amerika[USA]
22	AP8150017	Ausgleichscheibe 8,4x16x1,6	2	Land:Vereinigte Staaten von Amerika[USA]
23	AP8150376	Ausgleichscheibe 8,5x15x0,8	2	Land:Vereinigte Staaten von Amerika[USA]

Einheit	RAHMEN
Code	28.40
Beschreibung	Rücklicht
Inspektion	1



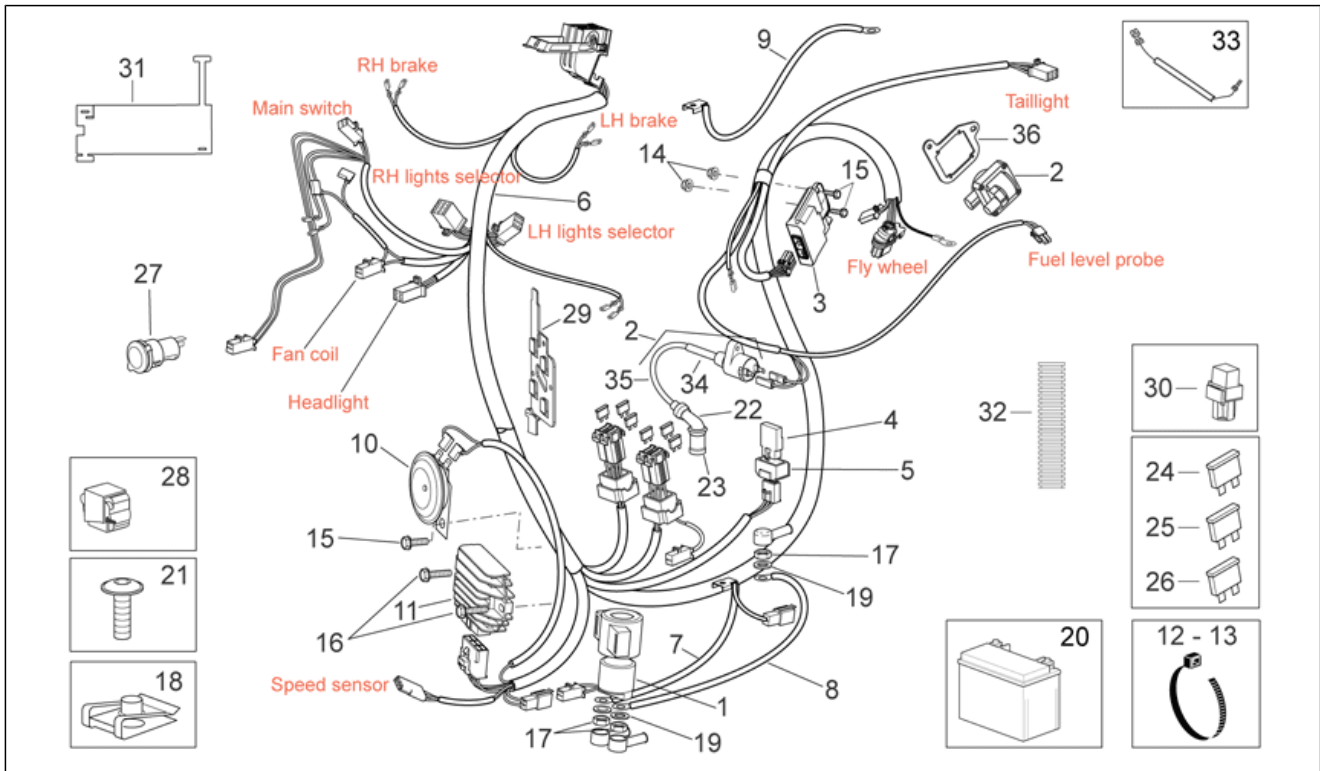
Pos.	Code	Beschreibung	Menge	Varianten
1	852368	Rücklicht	1	Land:Vereinigte Staaten von Amerika[USA]
1	AP8127564	Rücklicht	1	Land:Australien[AA], E-[EU], Japan[JJ], Großbritannien[UK]
2	AP8590043	Rücklichtblende	1	
3	854510	Verkabelung Rücklicht	1	Land:Vereinigte Staaten von Amerika[USA]
3	AP8127644	Verkabelung Rücklicht	1	Land:Australien[AA], E-[EU], Japan[JJ], Großbritannien[UK]
4	AP8590044	Wanne unten	2	
5	AP8590045	Schraube 3,5x9,5	2	
6	AP8150413	Gew.schr. 3,9x14	4	
7	AP8127098	Kennzeichenleuchte	1	
8	AP8150362	Gewindeschraube Edelstahl *	1	
9	AP8124976	Kennzeich.leuch.Kabel	1	
10	GU05751630	Rückblinker rechts	1	Land:Vereinigte Staaten von Amerika[USA]
11	GU05751730	Rückblinker links	1	Land:Vereinigte Staaten von Amerika[USA]
12	AP8127552	Blinkerblende	1	Land:Vereinigte Staaten von Amerika[USA]
13	AP8152299	Selbstsperrende Mutter M6	2	Land:Vereinigte Staaten von Amerika[USA]
14	AP8152278	TE Schr. m. Flansch M6x16	2	Land:Vereinigte Staaten von Amerika[USA]
15	AP8127489	Lampen RY10W 12V	2	Land:Vereinigte Staaten von Amerika[USA]
16	854631	Deckel	1	Land:Vereinigte Staaten von Amerika[USA]

Einheit	RAHMEN
Code	28.41
Beschreibung	Elektrische Anlage
Inspektion	1



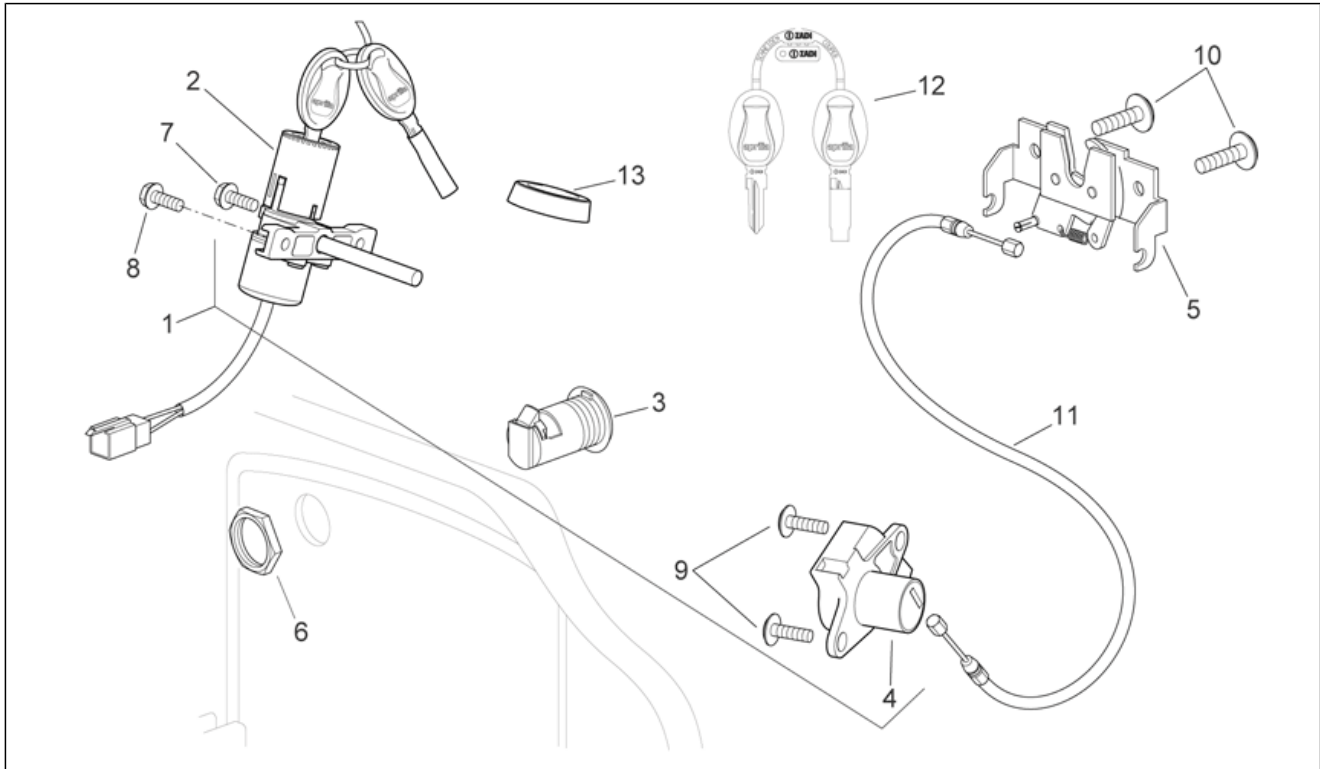
Pos.	Code	Beschreibung	Menge	Varianten
1	AP8112927	Zündrelais 12V-150A	1	
2	AP8127112	Spule	1	Technische Daten: Version 250 cm ³ [250]
2	AP8580123	Z.trafo+Kabel	1	Technische Daten: Version 125 cm ³ [125], Version 200 cm ³ [200]
3	AP8127466	Steuergerät	1	Technische Daten: Version 125 cm ³ [125]
3	AP8127862	Steuergerät	1	Technische Daten: Version 200 cm ³ [200]
4	AP8224462	Zündrelais 12V-30A	3	Technische Daten: Version 250 cm ³ [250]
4	AP8224462	Zündrelais 12V-30A	1	Technische Daten: Version 125 cm ³ [125], Version 200 cm ³ [200]
5	AP8220283	Gummi *	1	
6	854509	Hauptverkabelung	1	Land: Vereinigte Staaten von Amerika[USA] Technische Daten: Version 250 cm ³ [250]
6	AP8127559	Hauptverkabelung	1	Technische Daten: Version 125 cm ³ [125], Version 200 cm ³ [200]
6	AP8127810	Hauptverkabelung	1	Land: Australien[AA], E-[EU], Japan[JJ], Großbritannien[UK] Technische Daten: Version 250 cm ³ [250]
7	AP8127558	Verkabelung Batterie-Relais	1	
8	AP8127145	Anlasserkabel	1	
9	AP8127556	Masse-Batteriekabel	1	
10	AP8127337	Hupe	1	
11	AP8127418	Spannungsregler	1	Technische Daten: Version 125 cm ³ [125], Version 200 cm ³ [200]
11	AP8127809	Spannungsregler	1	Technische Daten: Version 250 cm ³ [250]
12	AP8120657	Schelle	3	
13	AP8120416	Schelle schwarz 178x4	8	
14	AP8152299	Selbstsperrende Mutter M6	3	
15	AP8152278	TE Schr. m. Flansch M6x16	3	
16	AP8152280	TE Schr. m. Flansch M6x25	2	
17	AP8150026	Mutter M6	3	

Einheit	RAHMEN
Code	28.41
Beschreibung	Elektrische Anlage
Inspektion	1



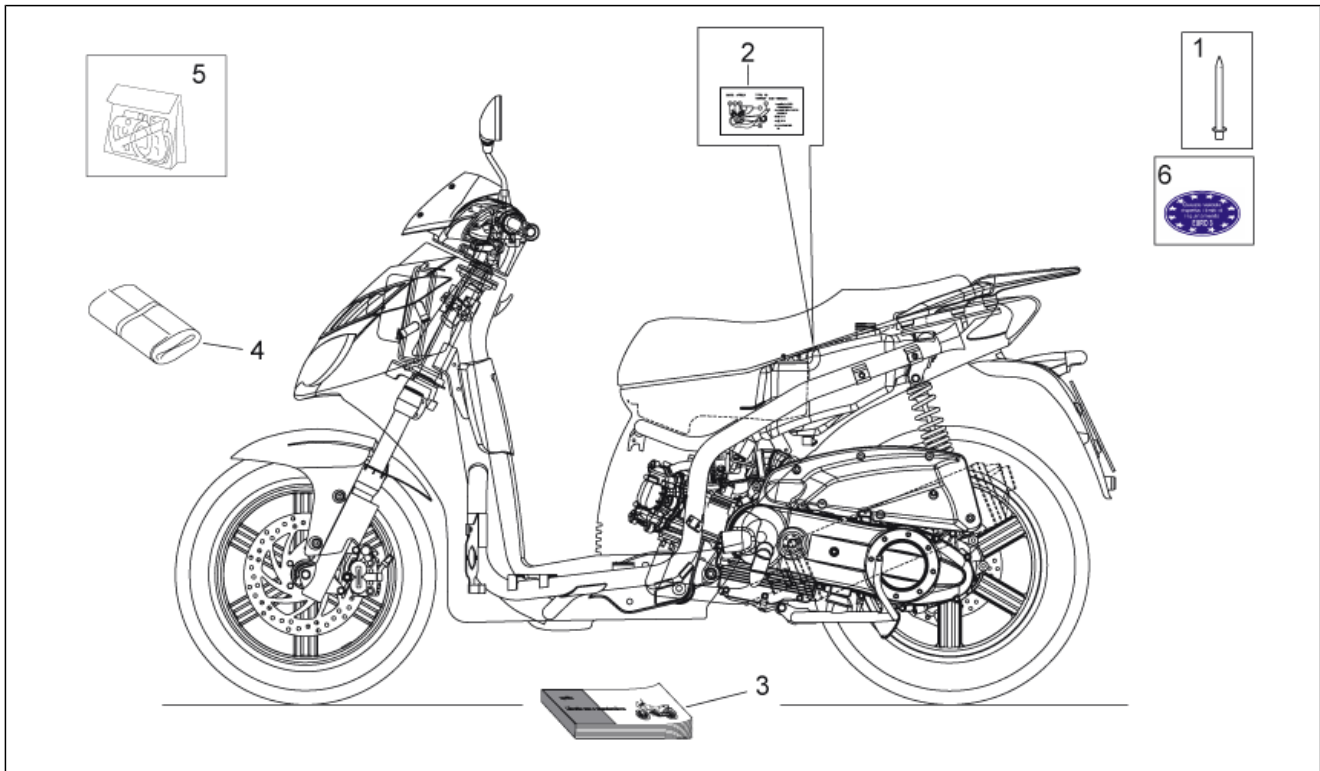
Pos.	Code	Beschreibung	Menge	Varianten
18	AP8102376	Klammer M6	3	
19	AP8150429	Sprengscheibe 6,4x11x0,5*	3	
20	AP8124748	Batterie YTX12-BS	1	Baujahr: 2006[6]
20	AP8124748	Batterie YTX12-BS	1	Baujahr: 2007[7]
20	AP8127619	Batterie YT12B-BS	1	Baujahr: 2006[6]
20	AP8127619	Batterie YT12B-BS	1	Baujahr: 2007[7]
21	AP8152246	TBEI Schraube m.Flansch M6x16	2	
22	AP8550455	Widerstandsstecker	1	
23	AP8550366	Zündkerze Schutzring	1	Technische Daten: Version 250 cm ³ [250]
23	AP8580152	Zündkerze Schutzring	1	Technische Daten: Version 125 cm ³ [125], Version 200 cm ³ [200]
24	AP8112506	Sicherung 20A	1	
25	AP8112176	Sicherung 15A	2	
26	AP8112244	Sicherung 7,5A	1	
27	AP8124768	Strombuchse kpl.	1	
28	AP8124266	Neigungsfühler	1	Technische Daten: Version 250 cm ³ [250]
29	AP8127825	Halter	1	Technische Daten: Version 250 cm ³ [250]
30	AP8124235	Blinken	1	Technische Daten: Version 250 cm ³ [250]
31	AP851992	Schutzabdeckung	1	Technische Daten: Version 250 cm ³ [250]
32	AP851704	Schutzhuelse	1	Technische Daten: Version 125 cm ³ [125], Version 200 cm ³ [200]
32	AP852044	Schutzhuelse	1	Technische Daten: Version 250 cm ³ [250]
33	AP8127860	Verlängerung	1	
34	AP8127886	Schutzhuelse	1	Technische Daten: Version 250 cm ³ [250]
35	AP8127885	Zuendkabel	1	Technische Daten: Version 250 cm ³ [250]
36	AP8154081	Halterbügel	1	Technische Daten: Version 250 cm ³ [250]

Einheit	RAHMEN
Code	28.42
Beschreibung	Bausatz Schlösser
Inspektion	1



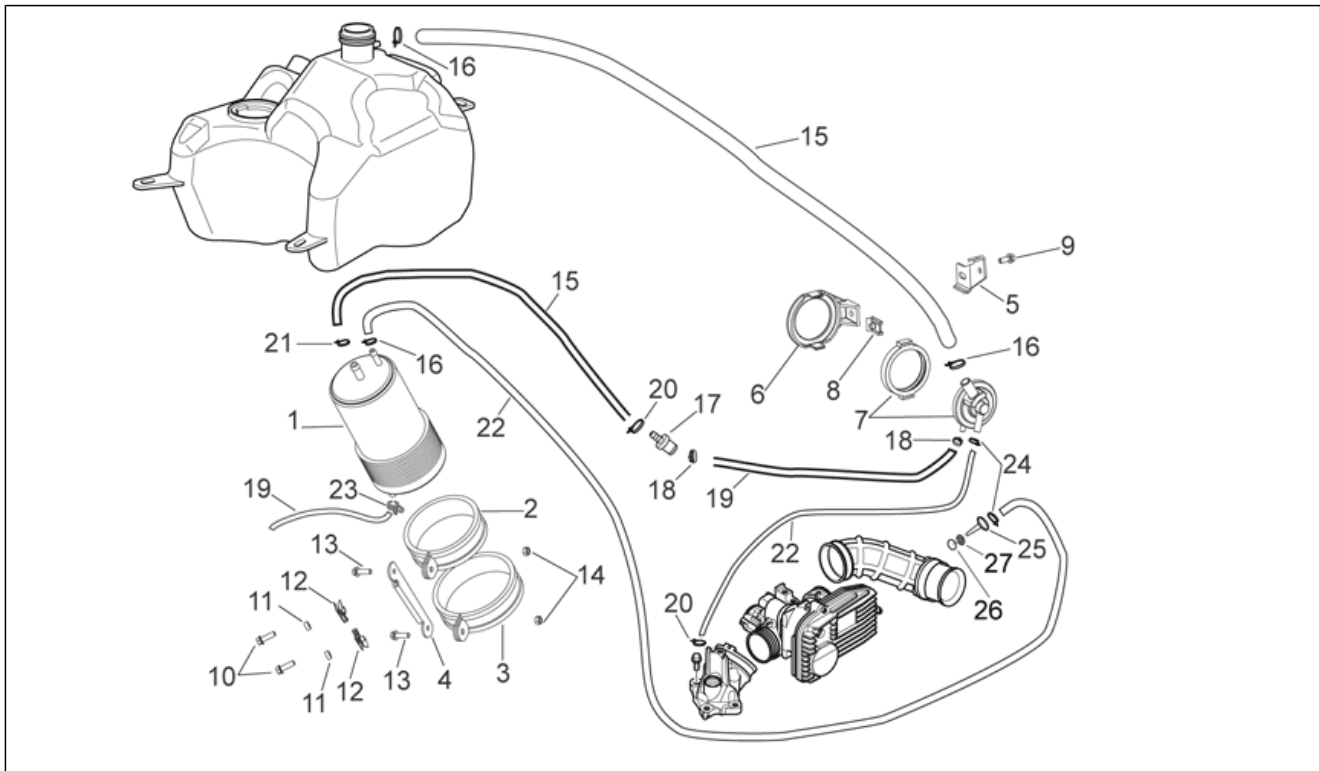
Pos.	Code	Beschreibung	Menge	Varianten
1	AP8104726	Kit Schließvorrichtungen	1	
2	AP8590049	Lenkschloß	1	
3	AP8104612	Schloß Handsch.f. vorn	1	
4	AP8104611	Sitzschloß	1	
5	AP8102947	Sitz Verschußplatte	1	
6	AP8102523	Schloß mutter M22x1,5	1	
7	AP8152278	TE Schr. m. Flansch M6x16	1	
8	AP8152140	Reißschraube M6x17	1	
9	AP8152246	TBEI Schraube m.Flansch M6x16	2	
10	AP8152298	TBEI Schraube m.Flansch M5x16	2	
11	AP8104422	Schloßkabel	1	
12	AP8104613	"Aprilia" schlüssel ohne tran.	1	
13	AP8127461	Dichtung Zündschloß	1	

Einheit	RAHMEN
Code	28.43
Beschreibung	Schilder und Anleit.
Inspektion	1



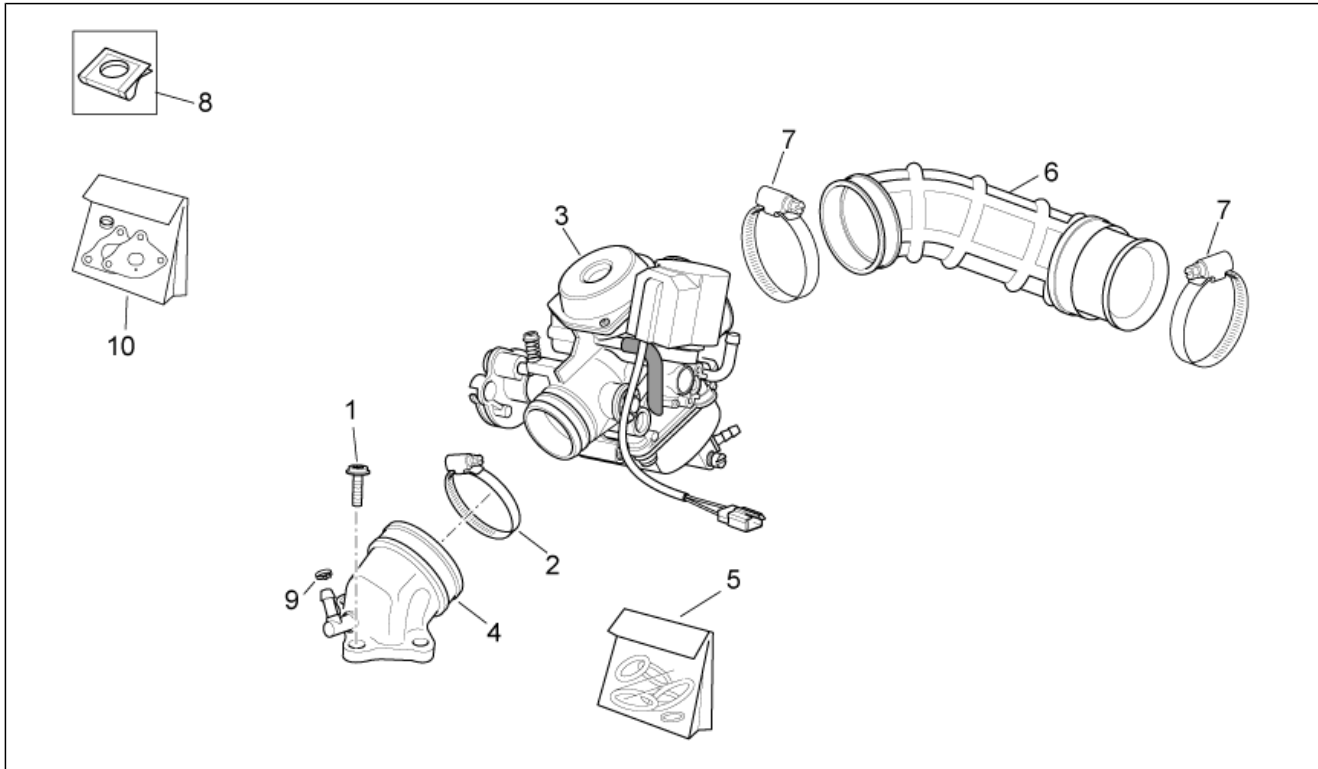
Pos.	Code	Beschreibung	Menge	Varianten
1	AP8201457	Kunststoffniet *	2	
2	AP852021	Fälschungssicheres Schild	1	Technische Daten: Version 125 cm³[125]
3	854013	Gebrauchsanleitung -USA-	1	
3	AP8181006	Gebrauchsanleitung -I-	1	
3	AP8181007	Gebrauchsanleitung -F-D-E-UK-NL-DK-	1	
3	AP8181008	Gebrauchsanleitung -GR-J-	1	
4	AP8104725	Werkzeugtasche	1	
5	AP8166478	Deko technische Serie	1	
6	623876	Schild	1	Land: Japan[JJ]

Einheit	RAHMEN
Code	28.65
Beschreibung	Benzindampfrückf.-Anlage
Inspektion	1



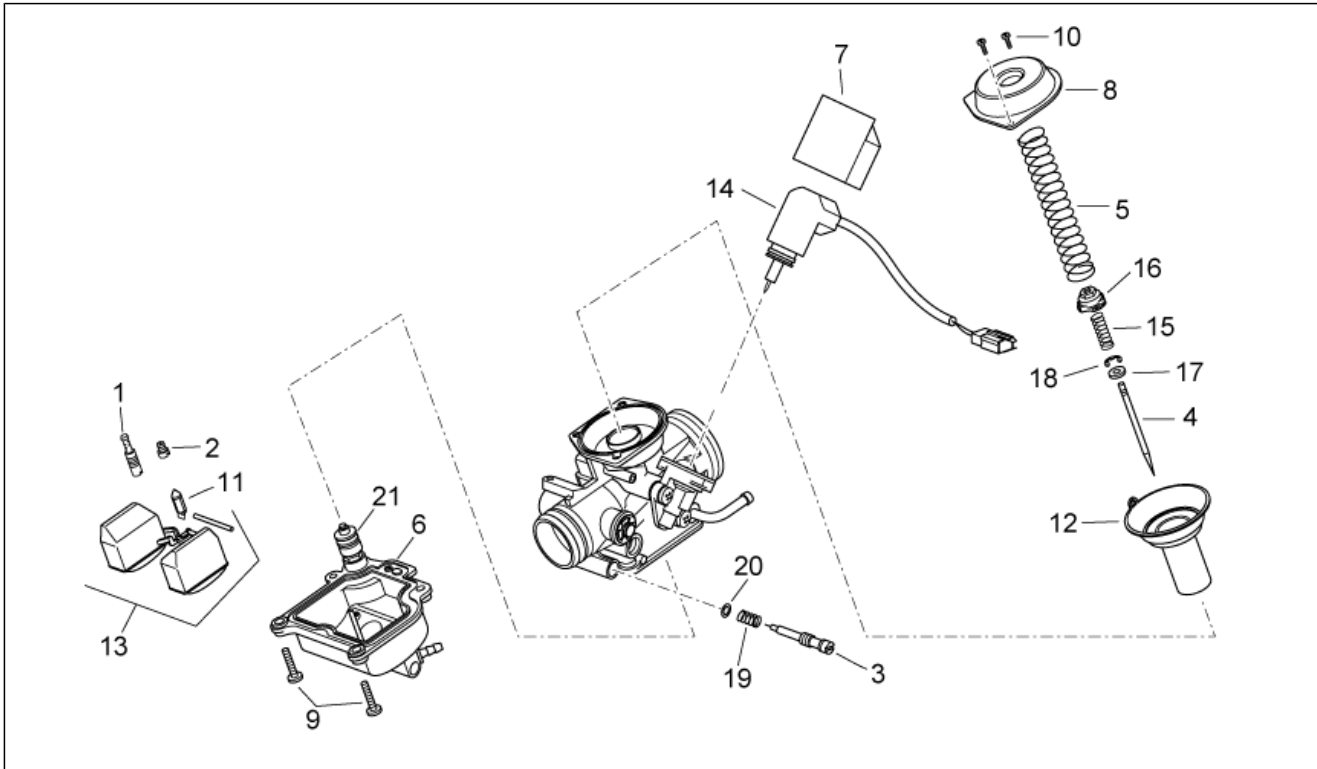
Pos.	Code	Beschreibung	Menge	Varianten
1	AP8102678	Kohlefilter	1	Land:Vereinigte Staaten von Amerika[USA]
2	AP8102688	Schelle d.76	1	Land:Vereinigte Staaten von Amerika[USA]
3	AP8102719	Schelle d.80,5	1	Land:Vereinigte Staaten von Amerika[USA]
4	852320	Bügel	1	Land:Vereinigte Staaten von Amerika[USA]
5	852319	Bügel	1	Land:Vereinigte Staaten von Amerika[USA]
6	AP8134650	Ventilhaltebügel	1	Land:Vereinigte Staaten von Amerika[USA]
7	AP8106776	"Purge" Ventil	1	Land:Vereinigte Staaten von Amerika[USA]
8	AP8102376	Klammer M6	1	Land:Vereinigte Staaten von Amerika[USA]
9	AP8152279	TE Schr. m. Flansch M6x20	1	Land:Vereinigte Staaten von Amerika[USA]
10	AP8152267	TBEI Spez.schr. M5x12	2	Land:Vereinigte Staaten von Amerika[USA]
11	AP8150248	Ausgleichscheibe 5,5x15x1,6	2	Land:Vereinigte Staaten von Amerika[USA]
12	AP8102375	Klammer M5	2	Land:Vereinigte Staaten von Amerika[USA]
13	AP8152298	TBEI Schraube m.Flansch M5x16	2	Land:Vereinigte Staaten von Amerika[USA]
14	AP8152306	Selbstsperrende Mutter M5	2	Land:Vereinigte Staaten von Amerika[USA]
15	AP8120952	Kraftstoffleitung 5,5x10	1	Land:Vereinigte Staaten von Amerika[USA]
16	AP8101595	Schelle D10,1	3	Land:Vereinigte Staaten von Amerika[USA]
17	AP8102873	Anschluss	1	Land:Vereinigte Staaten von Amerika[USA]
18	AP8101586	Schlauchschele D.15,5x6,6	2	Land:Vereinigte Staaten von Amerika[USA]
19	AP8120905	Kraftstoffleitung 8x13	1	Land:Vereinigte Staaten von Amerika[USA]
20	AP8102378	Schelle D11,3	2	Land:Vereinigte Staaten von Amerika[USA]
21	AP8201358	Schelle D 11,9	1	Land:Vereinigte Staaten von Amerika[USA]
22	AP8220598	Entlüftungsschlauch Kühler	1	Land:Vereinigte Staaten von Amerika[USA]
23	AP8102520	Schlauchschele	1	Land:Vereinigte Staaten von Amerika[USA]
24	AP8120179	Schelle D8	2	Land:Vereinigte Staaten von Amerika[USA]
25	AP8144638	Anschluss	1	Land:Vereinigte Staaten von Amerika[USA]
26	AP8102504	Gummi	1	Land:Vereinigte Staaten von Amerika[USA]
27	AP8150450	Wellenscheibe D5	1	Land:Vereinigte Staaten von Amerika[USA]

Einheit	MOTOR
Code	29.27
Beschreibung	Vergaser I
Inspektion	1



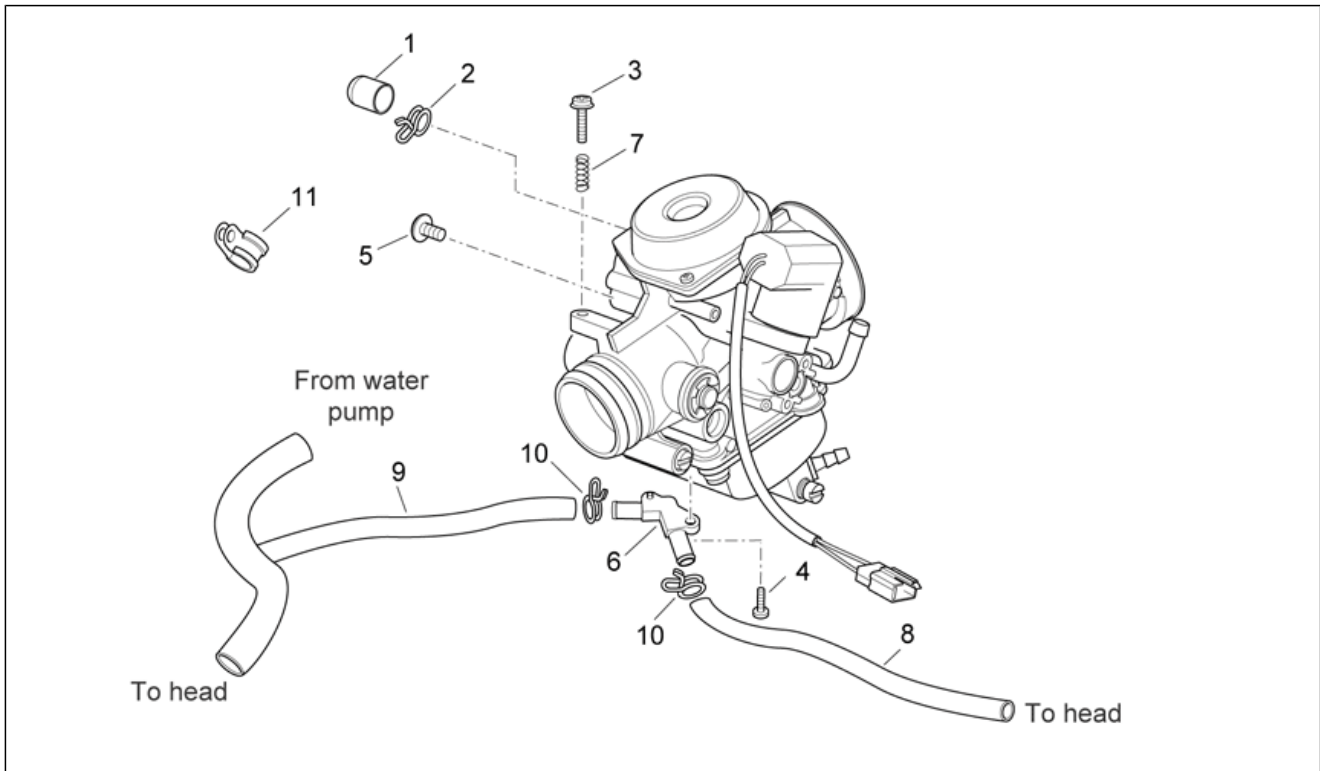
Pos.	Code	Beschreibung	Menge	Varianten
1	AP8550173	TE Schr. m. Flansch M6x25	3	Technische Daten: Version 125 cm ³ [125], Version 200 cm ³ [200]
2	AP8570079	Schlauchschelle	1	
3	AP8176304	Vergaser kpl.	1	Technische Daten: Version 125 cm ³ [125]
3	CM128211	Vergaser kpl.	1	Technische Daten: Version 200 cm ³ [200]
4	AP8176311	Ansaugkrümmer	1	Technische Daten: Version 125 cm ³ [125], Version 200 cm ³ [200]
5	AP8580012	Dichtungen Vergaser	1	
6	AP8144783	Vergasermuffe	1	Technische Daten: Version 200 cm ³ [200]
6	AP8144794	Vergasermuffe	1	Technische Daten: Version 125 cm ³ [125]
7	AP8121639	Schelle 40-60 h9	2	
8	AP8102376	Klammer M6	1	
9	AP8101770	Schlauchschelle D8x5,5*	1	
10	872479	Drosselsatz 80 Km/h	1	Technische Daten: Version 125 cm ³ [125]

Einheit	MOTOR
Code	29.28
Beschreibung	Vergaser II
Inspektion	1



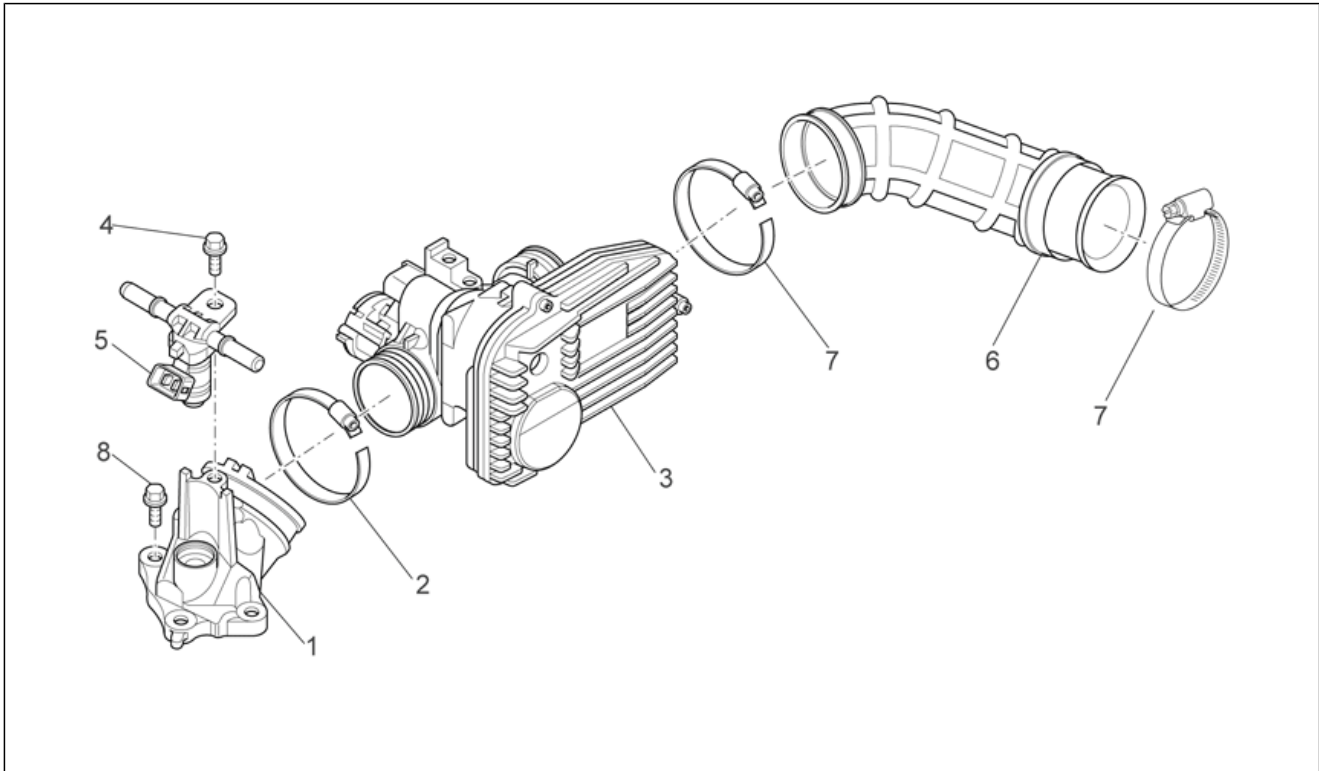
Pos.	Code	Beschreibung	Menge	Varianten
1	AP8580266	Leerlaufstrahl 35	1	Technische Daten: Version 125 cm ³ [125], Version 200 cm ³ [200]
2	AP8575045	Maximaldüse 100	1	Technische Daten: Version 200 cm ³ [200]
2	CM129901	Maximaldüse 90	1	Technische Daten: Version 125 cm ³ [125]
3	AP8580227	LuftEinst.schr. Leerl.	1	
4	AP8580268	Vergasernadel	1	Technische Daten: Version 125 cm ³ [125]
4	CM140209	Vergasernadel	1	Technische Daten: Version 200 cm ³ [200]
5	AP8575047	Rückholfeder Gasven.	1	Technische Daten: Version 200 cm ³ [200]
5	AP8580269	Rückholfeder Gasven.	1	Technische Daten: Version 125 cm ³ [125]
6	AP8577075	Wanne kit	1	
7	AP8551065	Starter deckel	1	
8	AP8577079	Deckel	1	
9	AP8580016	Schraube	5	
10	AP8580017	Schraube	2	
11	AP8551112	Verschlußnadel Benz.	1	
12	AP8575049	Membran	1	
13	AP8575050	Schwimmer	1	
14	AP8575051	Autom.starter kompl.	1	Technische Daten: Version 200 cm ³ [200]
14	AP8580270	Autom.starter kompl.	1	Technische Daten: Version 125 cm ³ [125]
15	AP8580021	Feder	1	
16	AP8580022	Becher	1	
17	AP8580023	Ausgleichscheibe	1	
18	AP8580024	Seegerring	1	
19	AP8580028	Feder	1	
20	AP8580029	Ausgleichscheibe	1	
21	AP8577076	Beschleunigungspumpe kit	1	

Einheit	MOTOR
Code	29.29
Beschreibung	Vergaser III
Inspektion	1



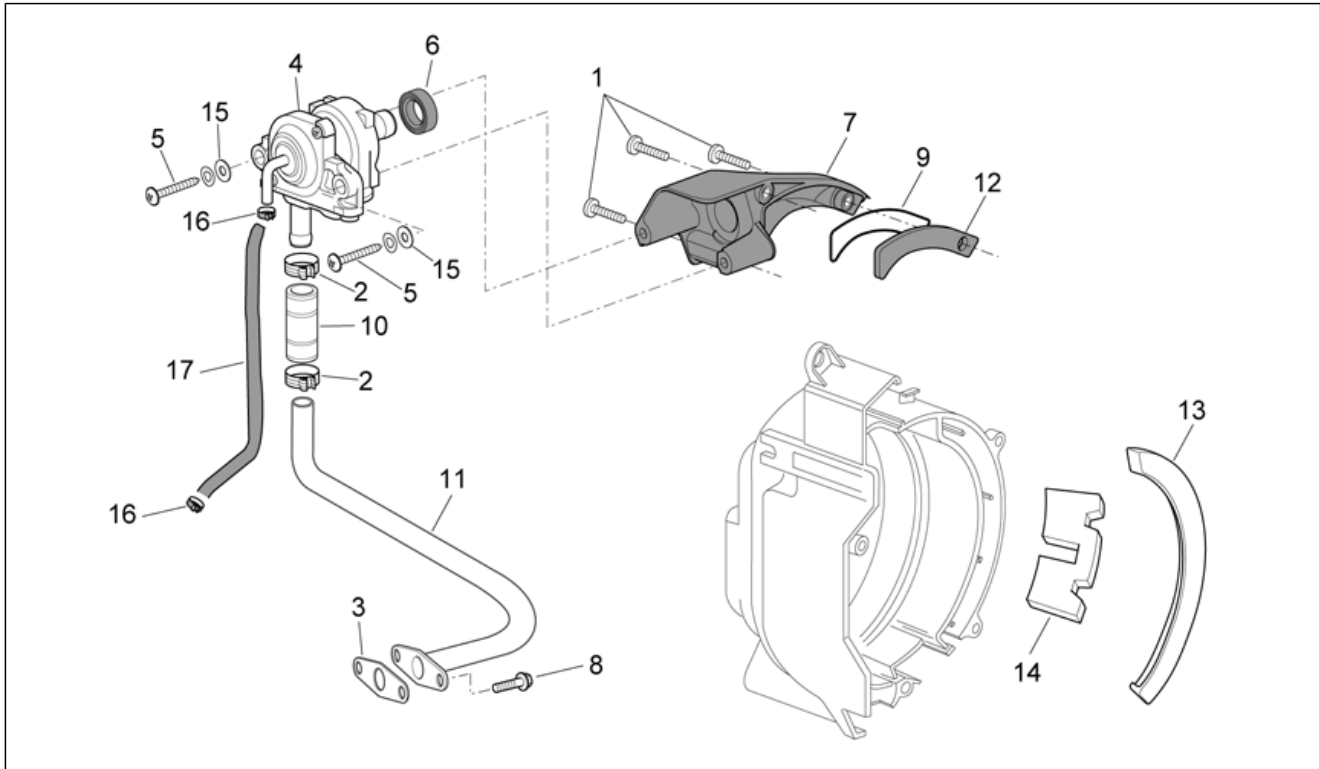
Pos.	Code	Beschreibung	Menge	Varianten
1	AP8590006	Lufteinlaß	1	
2	AP8580220	Schlauchschelle	1	
3	AP8580025	Schraube	1	
4	AP8580016	Schraube	2	
5	AP8580027	Schraube	2	
6	AP8575052	Heizapparat	1	
7	AP8580026	Feder	1	
8	AP8176252	Leitung	1	
9	AP8176288	Bypassschlauch	1	Technische Daten: Version 125 cm ³ [125], Version 200 cm ³ [200]
10	AP8575004	Schlauchschelle	2	
11	AP8176306	Schelle	1	

Einheit	MOTOR
Code	29.30
Beschreibung	Klappenkörper
Inspektion	1



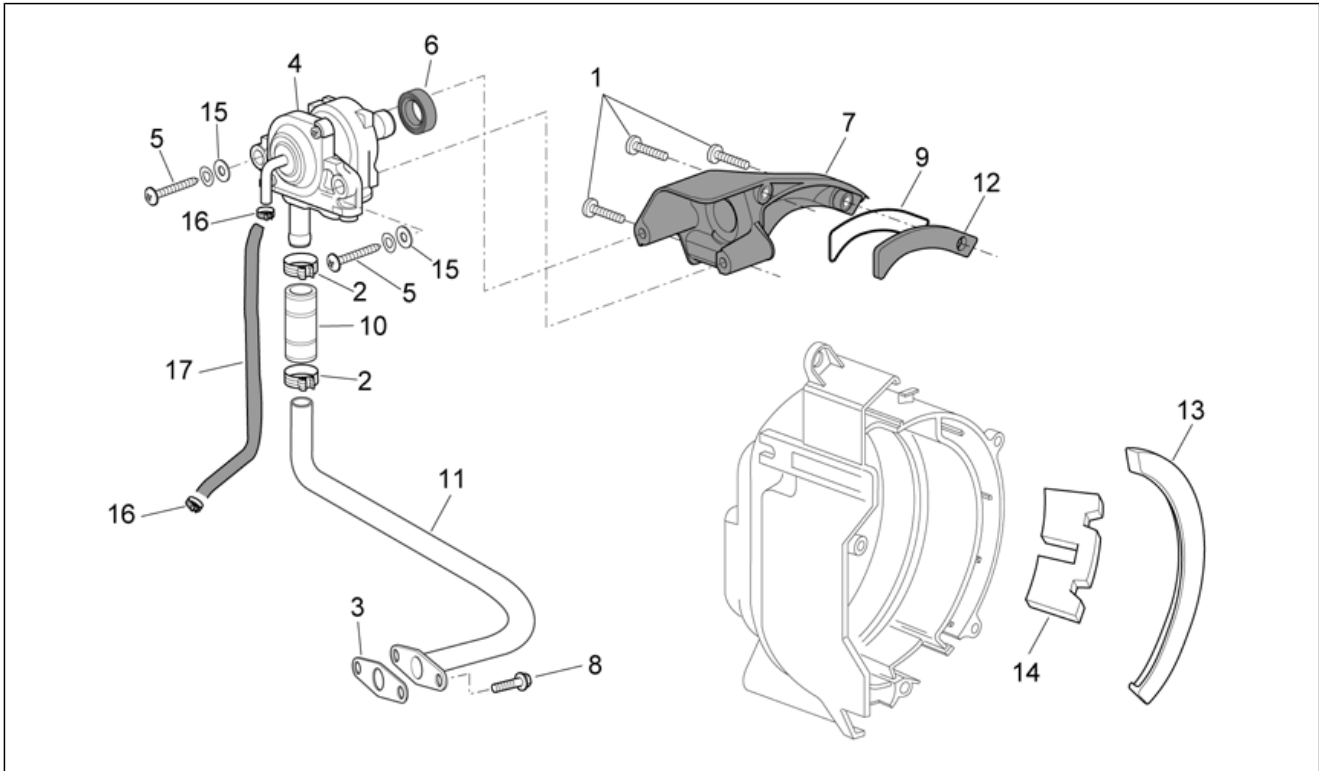
Pos.	Code	Beschreibung	Menge	Varianten
1	AP8176342	Ansaugkrümmer	1	Technische Daten:Version 250 cm ³ [250]
2	AP8570079	Schlauchschelle	1	
3	AP8176346	Klappenkörper kpl.	1	Technische Daten:Version 250 cm ³ [250]
4	AP8560153	TE Schr. m. Flansch	1	
5	AP8176343	Kompl.Satz.f.Spritzdüsel	1	
6	AP8144796	Muffe Drosselklappe	1	Technische Daten:Version 250 cm ³ [250]
7	AP8121639	Schelle 40-60 h9	2	
8	AP8101770	Schlauchschelle D8x5,5*	1	
9	AP8540002	TE Schr. m. Flansch	3	Technische Daten:Version 250 cm ³ [250]

Einheit	MOTOR
Code	29.31
Beschreibung	Secondary air
Inspektion	1



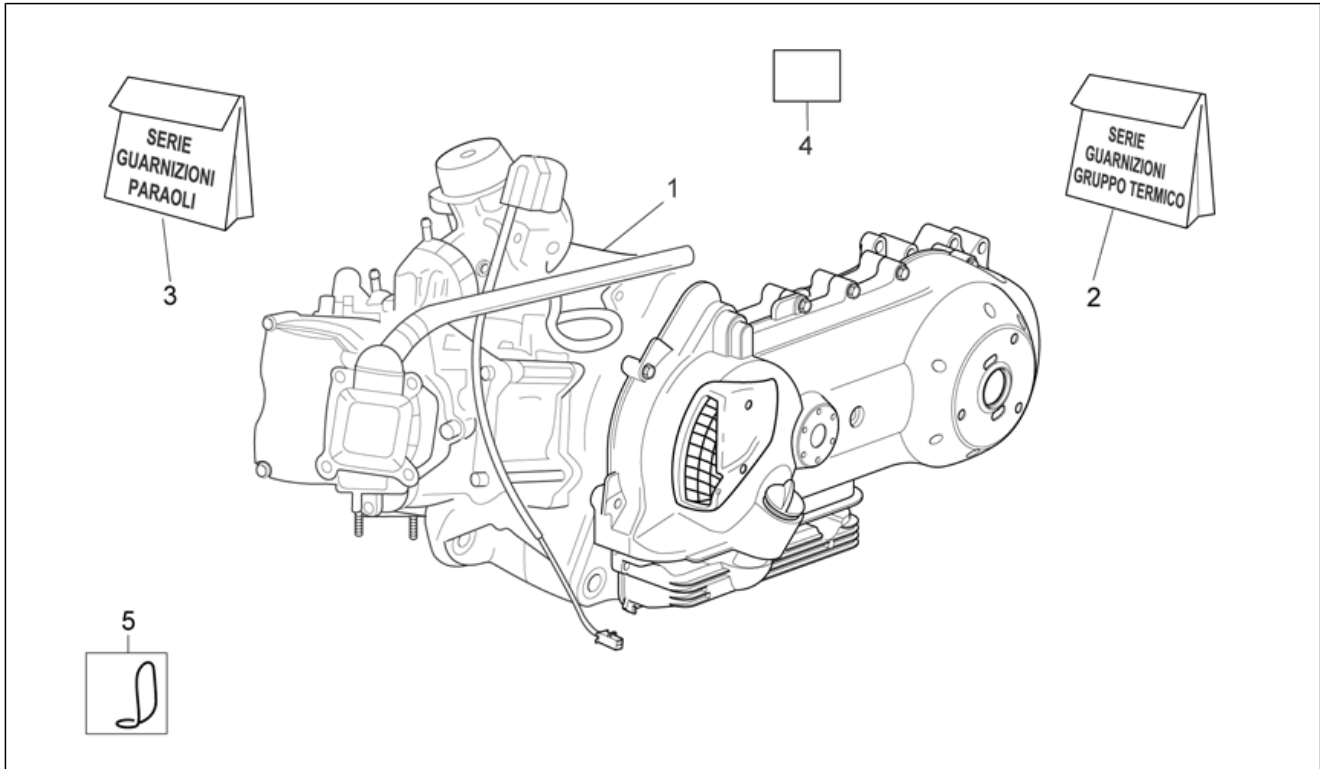
Pos.	Code	Beschreibung	Menge	Varianten
1	AP8551060	Schraube	3	Technische Daten: Version 125 cm ³ [125], Version 200 cm ³ [200]
2	AP8144579	Schlauchschelle	2	Technische Daten: Version 125 cm ³ [125], Version 200 cm ³ [200]
3	AP8570089	Dichtung	1	Technische Daten: Version 125 cm ³ [125], Version 200 cm ³ [200]
4	AP8580127	SAS ventil	1	Technische Daten: Version 125 cm ³ [125], Version 200 cm ³ [200]
5	AP8580063	Schraube	2	Technische Daten: Version 125 cm ³ [125], Version 200 cm ³ [200]
6	AP8580192	Dichtung	1	Technische Daten: Version 125 cm ³ [125], Version 200 cm ³ [200]
7	AP8580191	Deckel	1	Technische Daten: Version 125 cm ³ [125], Version 200 cm ³ [200]
8	AP8550556	TE Schr. m. Flansch	2	Technische Daten: Version 125 cm ³ [125], Version 200 cm ³ [200]
9	AP8580194	Dichtung	1	Technische Daten: Version 125 cm ³ [125], Version 200 cm ³ [200]
10	AP8580195	Anschlußschlauch	1	Technische Daten: Version 125 cm ³ [125], Version 200 cm ³ [200]
11	AP8176249	Leitung	1	Technische Daten: Version 200 cm ³ [200]
11	AP8580196	Leitung	1	Technische Daten: Version 125 cm ³ [125]
12	AP8580193	Filter	1	Technische Daten: Version 125 cm ³ [125], Version 200 cm ³ [200]
13	AP8580214	Deckel	1	Technische Daten: Version 125 cm ³ [125], Version 200 cm ³ [200]
14	AP8580215	Schalldämpfer	1	Technische Daten: Version 125 cm ³ [125], Version 200 cm ³ [200]
15	AP8580059	Flachscheibe	2	Technische Daten: Version 125 cm ³ [125], Version 200 cm ³ [200]
16	AP8515050	Schlauchschelle	2	Technische Daten: Version 125 cm ³ [125], Version 200 cm ³ [200]

Einheit	MOTOR
Code	29.31
Beschreibung	Secondary air
Inspektion	1



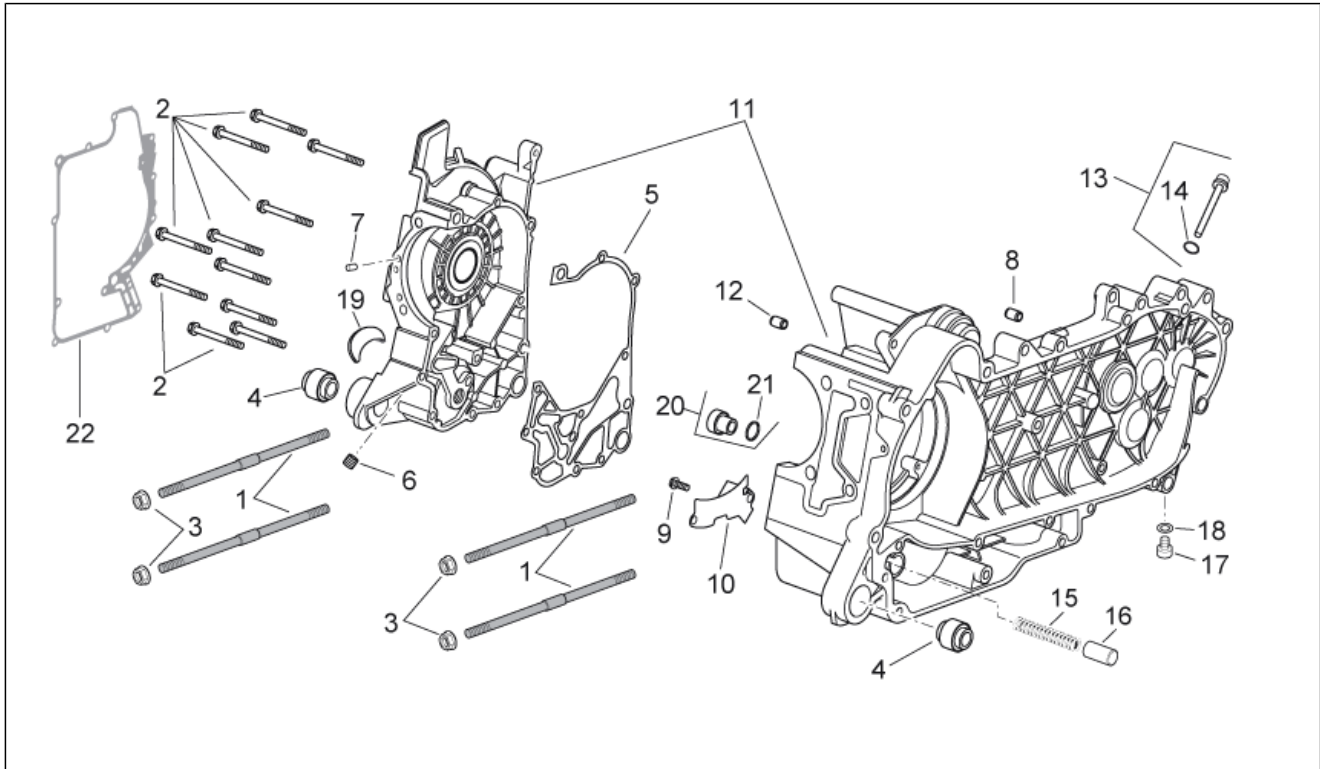
Pos.	Code	Beschreibung	Menge	Varianten
17	AP8577091	Ansaugleitung	1	Technische Daten:Version 125 cm ³ [125], Version 200 cm ³ [200]

Einheit	MOTOR
Code	29.32
Beschreibung	Motor
Inspektion	1



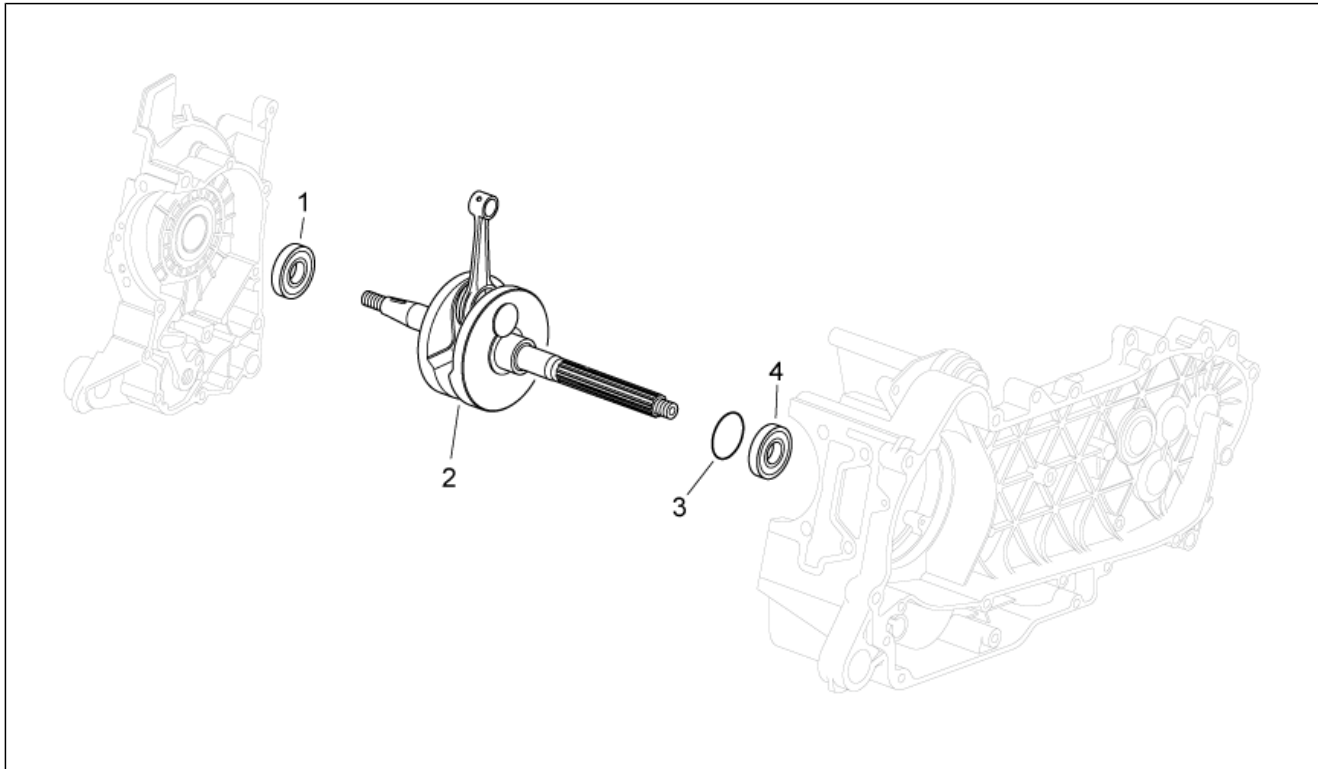
Pos.	Code	Beschreibung	Menge	Varianten
1	AP8176200	Motor komplett 250	1	Land:Australien[AA], E-[EU], Japan[JJ], Großbritannien[UK] Technische Daten:Version 250 cm³[250]
1	AP8176222	Motor komplett 125	1	Technische Daten:Version 125 cm³[125]
1	CM126430	Motor komplett 200	1	Technische Daten:Version 200 cm³[200]
1	CM143240	Motor komplett 250	1	Land:Vereinigte Staaten von Amerika[USA] Technische Daten:Version 250 cm³[250]
2	AP8580014	Zylinder Dichtung Satz	1	
3	AP8580013	Satz motor dichtung	1	
4	AP8177263	Deko IP 35x35	1	
5	AP8121856	Kabelführungs	1	

Einheit	MOTOR
Code	29.44
Beschreibung	Kurbelwellengehäuse
Inspektion	1



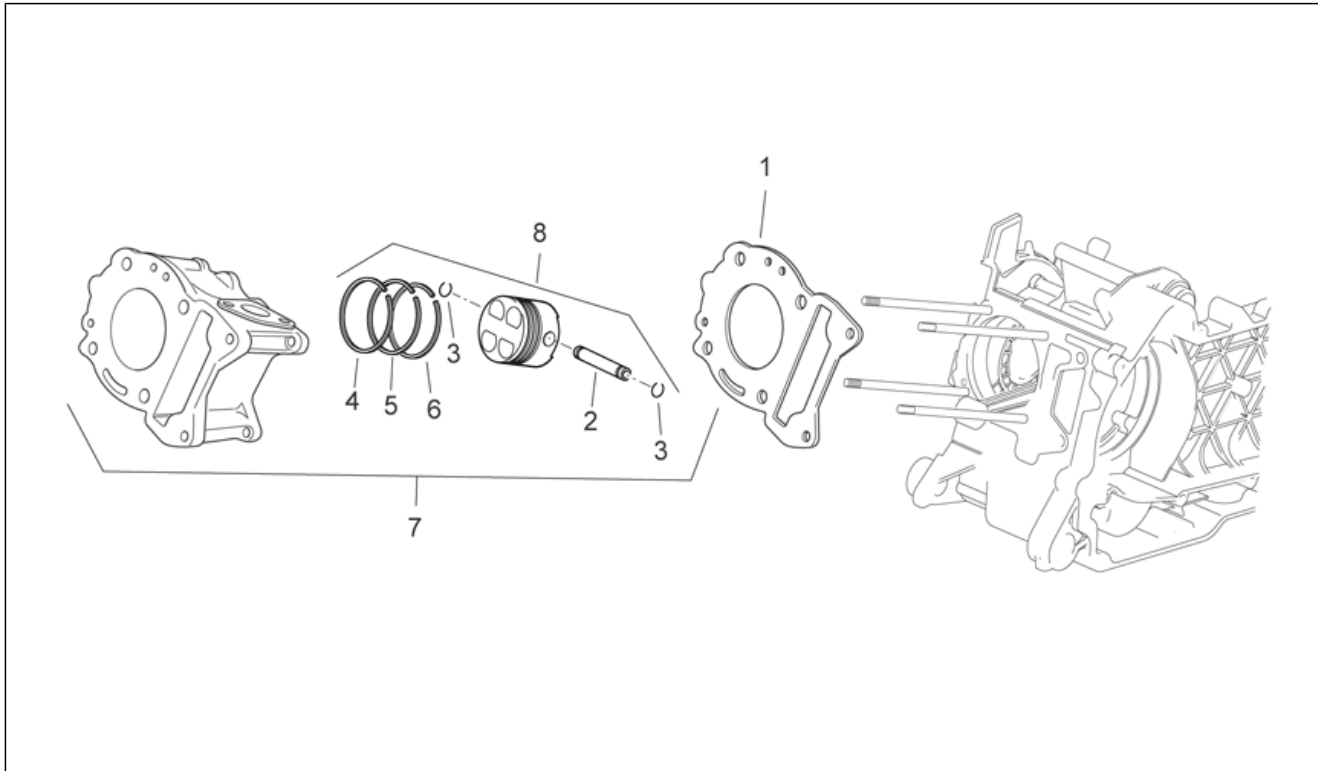
Pos.	Code	Beschreibung	Menge	Varianten
1	840332	Stiftschraube	4	
2	AP8550283	Schraube	11	
3	832870	Hutmutter	4	
4	AP8220617	Schwingschutzlager	2	
5	AP8553003	Dichtung	1	
6	AP8560014	Deckel M12x1,5	2	
7	AP8560017	Düse	1	
8	AP8550107	Stift d.9,5 h=15	2	
9	AP8560009	Schraube	1	
10	AP8580167	Platte	1	
11	AP8176268	Gehäuse-kpl.	1	Technische Daten: Version 125 cm ³ [125], Version 200 cm ³ [200]
11	AP8176269	Gehäuse-kpl.	1	Technische Daten: Version 125 cm ³ [125], Version 200 cm ³ [200]
11	AP8176312	Gehäuse-kpl.	1	Technische Daten: Version 250 cm ³ [250]
11	AP8176313	Gehäuse-kpl.	1	Technische Daten: Version 250 cm ³ [250]
12	AP8551015	Haltestein	1	
13	AP8550586	Ölstandstab	1	
14	AP8550334	O-Ring	1	
15	AP8580087	Ventilfeder	1	
16	AP8560142	Oil pressure valve	1	
17	AP8550361	Auslaßschraube	1	
18	AP8550304	Legierungscheibe	1	
19	AP8575007	Becher	1	
20	AP8268523	Filter Gestell Einsatz	1	
21	AP8550117	Dichtung	1	
22	AP8577008	Dichtung	1	

Einheit	MOTOR
Code	29.45
Beschreibung	Kurbelwelle
Inspektion	1



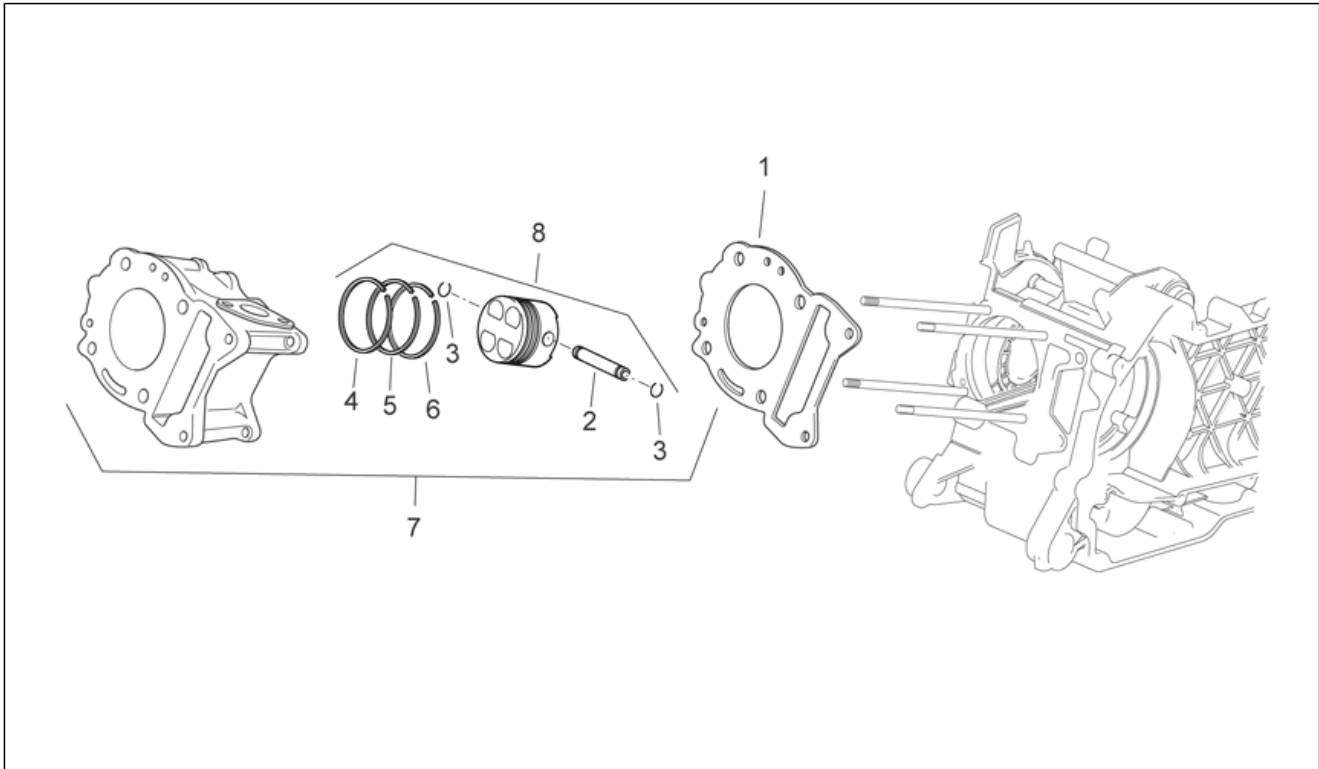
Pos.	Code	Beschreibung	Menge	Varianten
1	AP8580114	Gasket ring	1	
2	AP8176327	Kurbelwelle kpl.	1	Technische Daten: Version 250 cm ³ [250]
2	AP8176328	Kurbelwelle kpl. cat2	1	Technische Daten: Version 250 cm ³ [250]
2	AP8176389	Kurbelwelle kpl.	1	Technische Daten: Version 125 cm ³ [125]
2	AP8176390	Kurbelwelle kpl. cat2	1	Technische Daten: Version 125 cm ³ [125]
2	AP8176391	Kurbelwelle kpl.	1	Technische Daten: Version 200 cm ³ [200]
2	AP8176392	Kurbelwelle kpl. cat2	1	Technische Daten: Version 200 cm ³ [200]
3	AP8580122	O-Ring	1	
4	AP8550577	Gasket ring	1	

Einheit	MOTOR
Code	29.46
Beschreibung	Zylinder
Inspektion	1



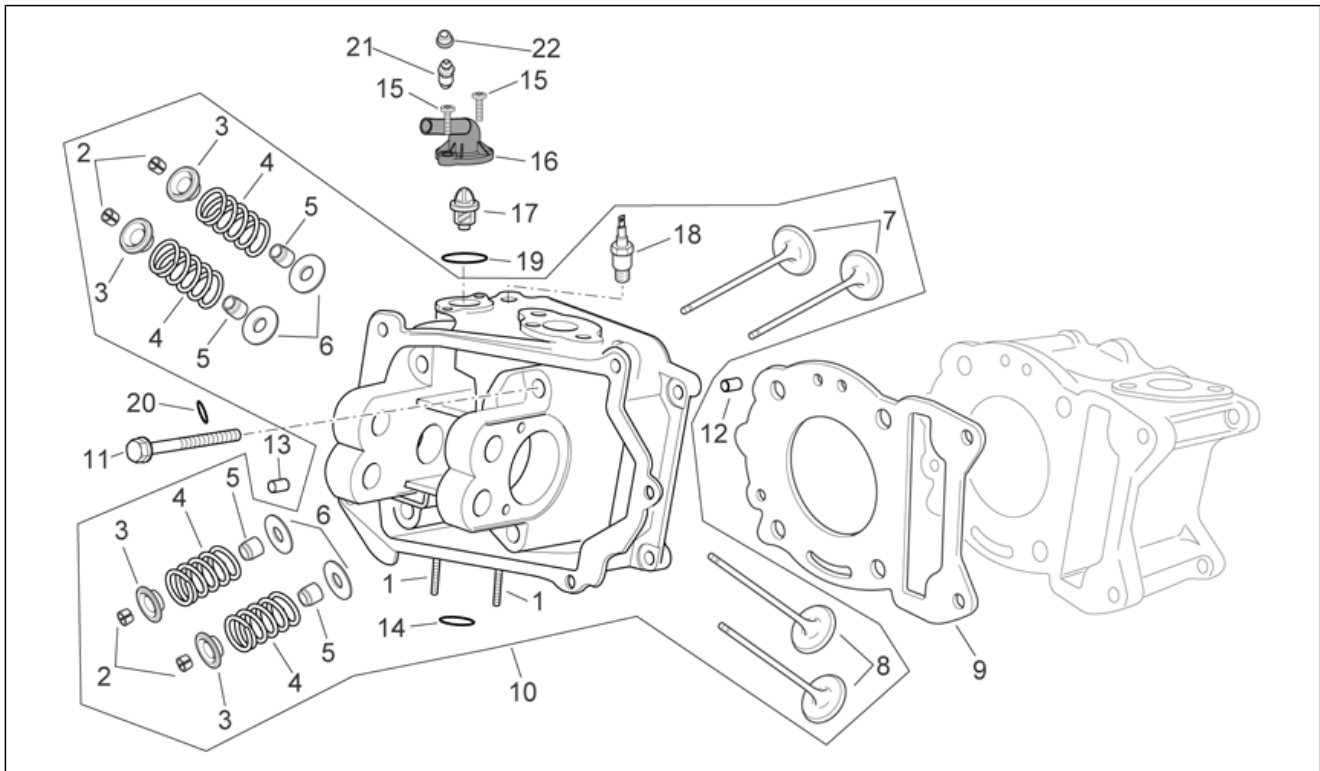
Pos.	Code	Beschreibung	Menge	Varianten
1	AP8580149	ZYLINDERFUSSDICHTUNG dicke 0,4	1	
1	AP8580150	ZYLINDERFUSSDICHTUNG 0,6	1	
1	AP8580151	ZYLINDERFUSSDICHTUNG 0,8	1	
2	AP8580001	Bolzen	1	Technische Daten: Version 125 cm ³ [125]
2	AP8580177	Bolzen	1	Technische Daten: Version 200 cm ³ [200], Version 250 cm ³ [250]
3	AP8580216	Sprengring	2	
4	485779	Kompressions-kolbenring d.57x1	1	Technische Daten: Version 125 cm ³ [125]
4	830486	Kolbenring 72x1.5	1	Technische Daten: Version 200 cm ³ [200], Version 250 cm ³ [250]
5	485914	Ölabstreifer d.57x2,5	1	Technische Daten: Version 125 cm ³ [125]
5	486363	Kolbenring ölabstreifer 72x2,5	1	Technische Daten: Version 200 cm ³ [200], Version 250 cm ³ [250]
6	484908	Kolbenring ölabstreifer 72x1	1	Technische Daten: Version 200 cm ³ [200], Version 250 cm ³ [250]
6	486362	Ölabstreifer d.57x1	1	Technische Daten: Version 125 cm ³ [125]
7	843291	Kolben mit Zylinder kpl.	1	Technische Daten: Version 200 cm ³ [200]
7	AP8176280	Kolben mit Zylinder kpl.	1	Technische Daten: Version 125 cm ³ [125]
7	AP8580272	Kolben mit Zylinder kpl.	1	Technische Daten: Version 250 cm ³ [250]
8	8432900001	Kolben kpl.	1	Technische Daten: Version 200 cm ³ [200]
8	8432900002	Kolben kpl. cat2	1	Technische Daten: Version 200 cm ³ [200]
8	8432900003	Kolben kpl. cat3	1	Technische Daten: Version 200 cm ³ [200]
8	8432900004	Kolben kpl. cat4	1	Technische Daten: Version 200 cm ³ [200]
8	AP8176307	Kolben kpl.	1	Technische Daten: Version 125 cm ³ [125]
8	AP8176308	Kolben kpl. cat2	1	Technische Daten: Version 125 cm ³ [125]
8	AP8176309	Kolben kpl. cat3	1	Technische Daten: Version 125 cm ³ [125]
8	AP8176310	Kolben kpl. cat4	1	Technische Daten: Version 125 cm ³ [125]
8	AP8176314	Kolben kpl.	1	Technische Daten: Version 250 cm ³ [250]
8	AP8176315	Kolben kpl. cat2	1	Technische Daten: Version 250 cm ³ [250]

Einheit	MOTOR
Code	29.46
Beschreibung	Zylinder
Inspektion	1



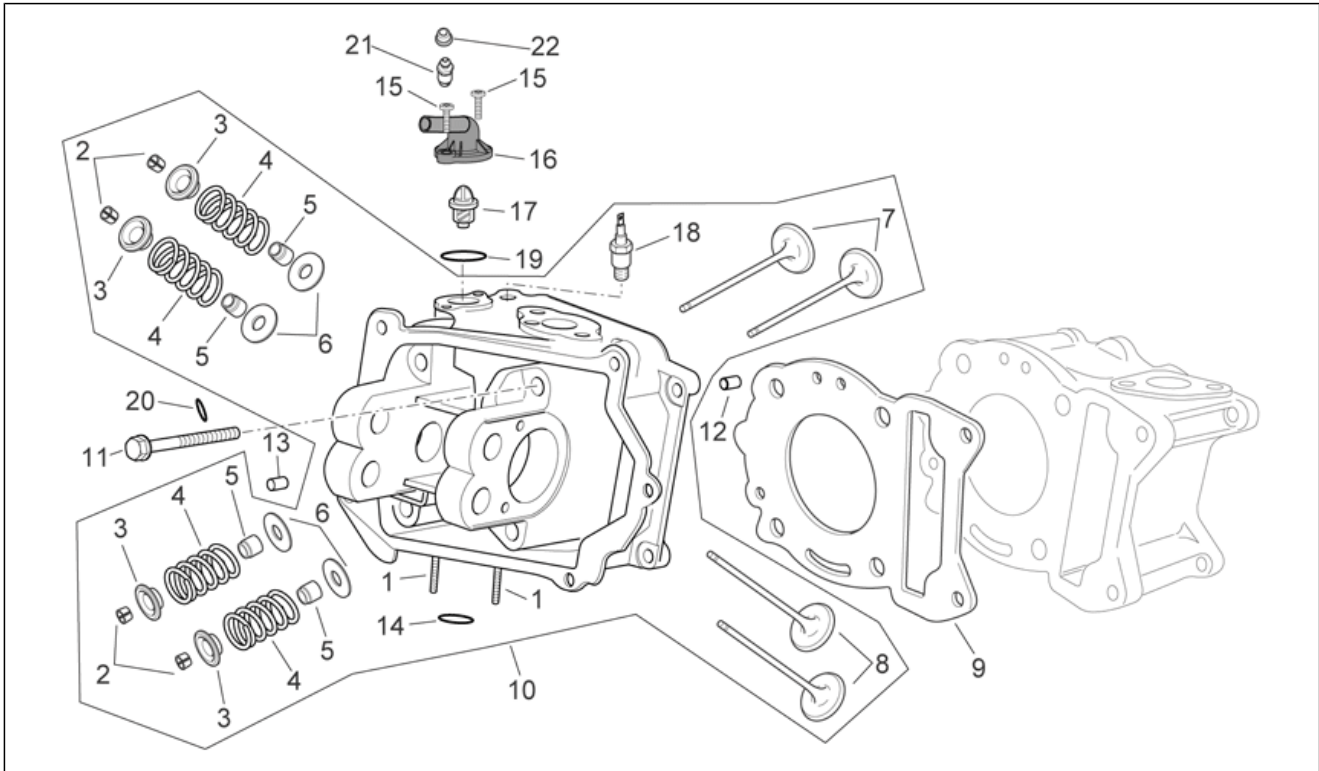
Pos.	Code	Beschreibung	Menge	Varianten
8	AP8176316	Kolben kpl. cat3	1	Technische Daten:Version 250 cm³[250]
8	AP8176317	Kolben kpl. cat4	1	Technische Daten:Version 250 cm³[250]

Einheit	MOTOR
Code	29.47
Beschreibung	Zylinderkopf
Inspektion	1



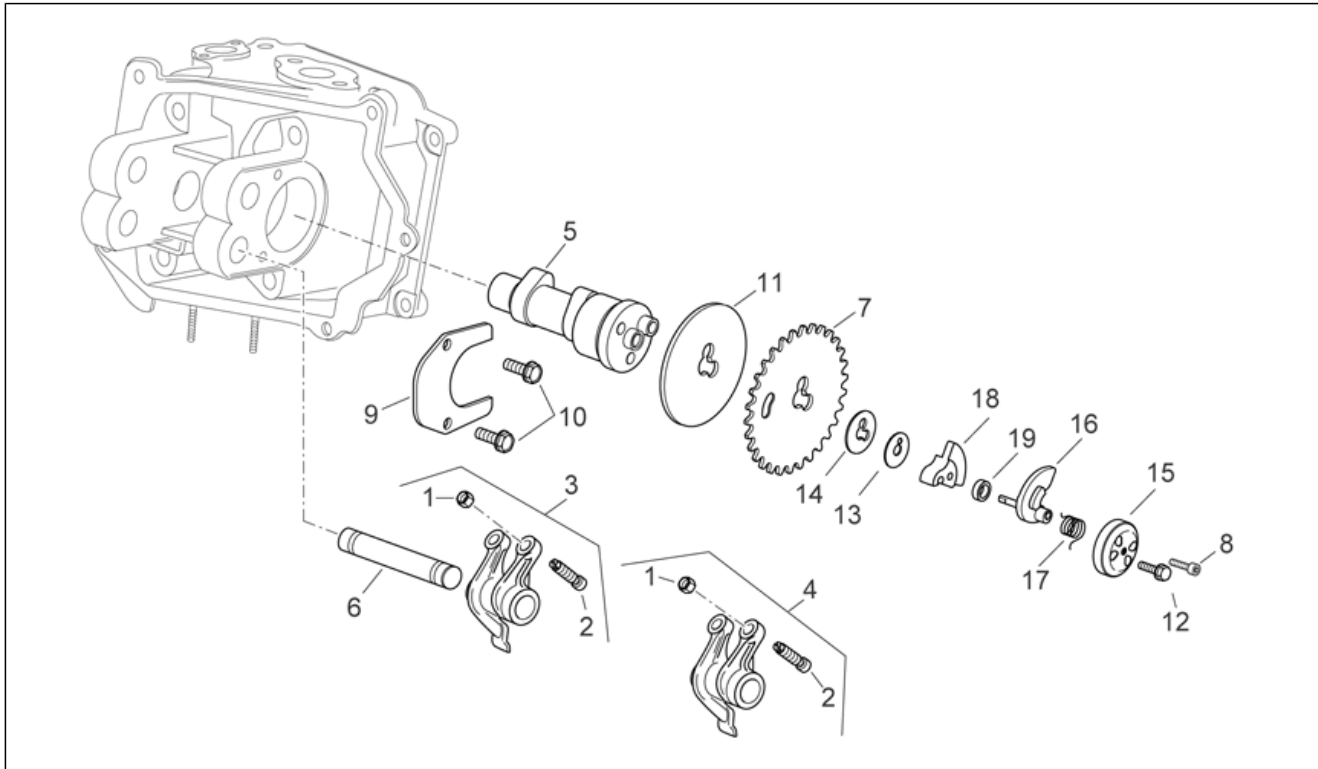
Pos.	Code	Beschreibung	Menge	Varianten
1	AP8550401	Auspufftopf Stiftschraube	2	
2	AP8550508	Halbkegel	8	
3	AP8580076	Becher	4	
4	AP8580160	Feder	4	
5	AP8550326	Ventil Dichtring	4	
6	AP8580069	Becher	4	
7	AP8580078	Einlaßventil	2	
8	AP8176322	Auslaßventil	2	Technische Daten: Version 250 cm ³ [250]
8	AP8580079	Auslaßventil	2	Technische Daten: Version 125 cm ³ [125], Version 200 cm ³ [200]
9	AP8577021	Dichtung Zylinderkopf 0,3 mm	1	Technische Daten: Version 200 cm ³ [200], Version 250 cm ³ [250]
9	AP8590007	Dichtung Zylinderkopf 0,3 mm	1	Technische Daten: Version 125 cm ³ [125]
10	AP8176281	Zylinderkopf kpl.	1	Technische Daten: Version 125 cm ³ [125], Version 200 cm ³ [200]
10	AP8176321	Zylinderkopf kpl.	1	Technische Daten: Version 250 cm ³ [250]
11	AP8176319	Schraube	2	Technische Daten: Version 250 cm ³ [250]
11	AP8580086	Schraube	2	Technische Daten: Version 125 cm ³ [125], Version 200 cm ³ [200]
12	AP8551015	Haltestein	2	
13	AP8560016	Feststellschraube	2	
14	AP8580066	Dichtung Auspuffrohr	1	
15	AP8176289	TBEI Schraube	2	
16	845604	Thermofühlerdeckel	1	
17	AP8575009	Thermostat	1	
18	AP8176324	Thermistor	1	Technische Daten: Version 250 cm ³ [250]
18	AP8580126	Thermistor	1	Technische Daten: Version 125 cm ³ [125], Version 200 cm ³ [200]
19	AP8176290	Dichtung	1	

Einheit	MOTOR
Code	29.47
Beschreibung	Zylinderkopf
Inspektion	1



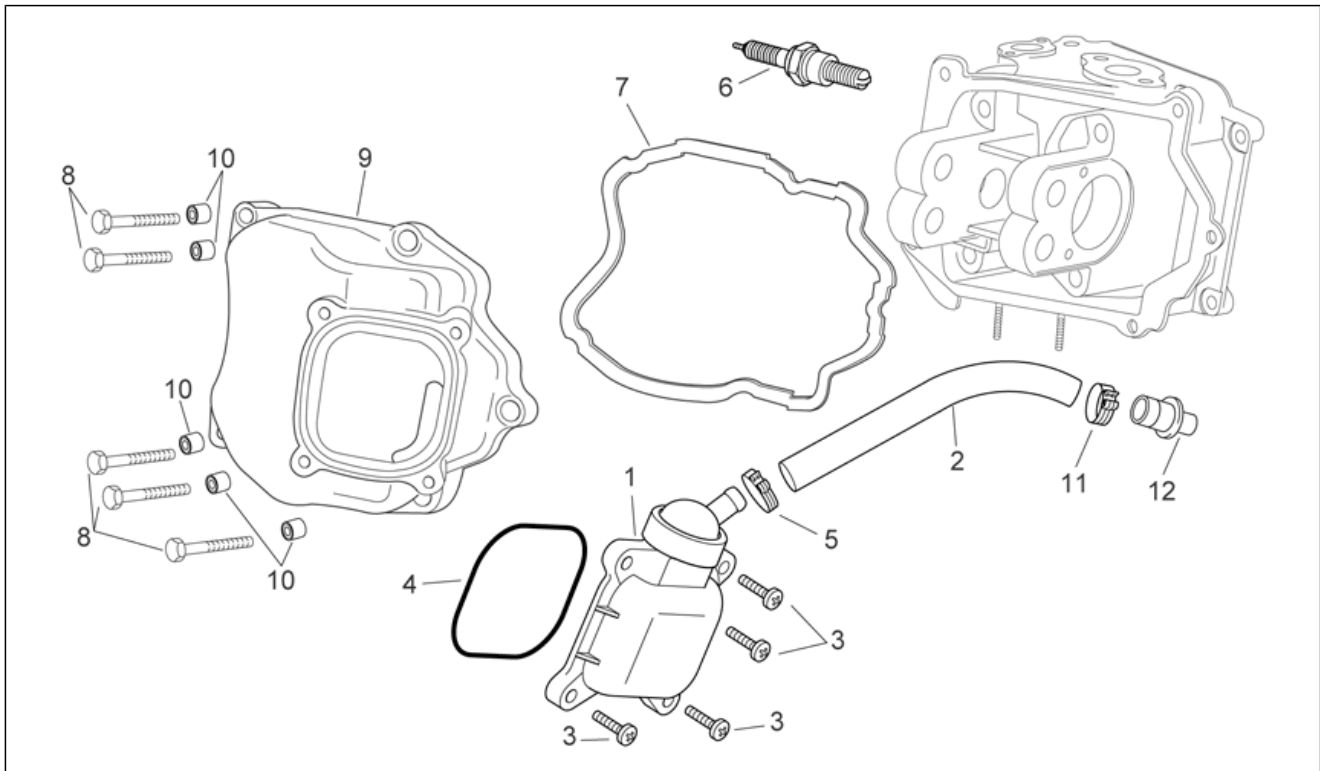
Pos.	Code	Beschreibung	Menge	Varianten
20	AP8575010	O-Ring	4	
21	AP8176292	Schraube	1	
22	AP8560010	Kappe	1	

Einheit	MOTOR
Code	29.48
Beschreibung	Nockenwelle
Inspektion	1



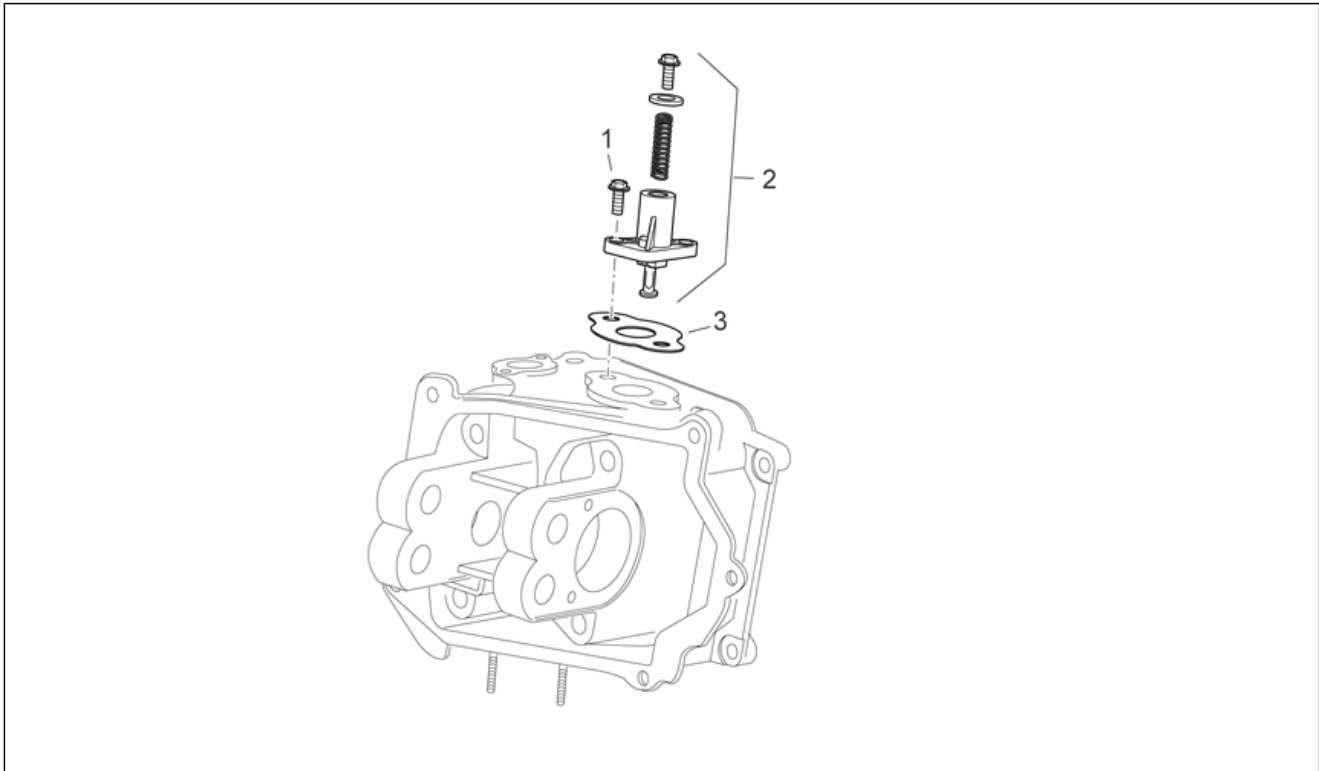
Pos.	Code	Beschreibung	Menge	Varianten
1	AP8551047	Kipphebel Einstellmutter	4	
2	AP8551046	Vent.Einstellspezialschr.	4	
3	AP8176284	Kipphebel Auspuff Klip.	1	
4	AP8176283	Kipphebel Einlaß Klip.	1	
5	AP8176251	Nockenwelle	1	Technische Daten: Version 200 cm ³ [200]
5	AP8176282	Nockenwelle	1	Technische Daten: Version 125 cm ³ [125]
5	AP8176323	Nockenwelle	1	Technische Daten: Version 250 cm ³ [250]
6	AP8580098	Kipphebelachse	2	
7	AP8580097	Steuer Zahnkranz	1	
8	AP8550079	Schraube M6x35	1	Technische Daten: Version 200 cm ³ [200], Version 250 cm ³ [250]
8	AP8580099	TCEI Schraube M5x25	1	Technische Daten: Version 125 cm ³ [125]
9	AP8580206	Platte	1	
10	AP8551045	Flanschschraube	2	
11	AP8580105	Platte	1	
12	AP8540002	TE Schr. m. Flansch	1	Technische Daten: Version 125 cm ³ [125]
12	AP8560008	Schraube	1	Technische Daten: Version 200 cm ³ [200]
13	AP8580187	Flachscheibe	1	Technische Daten: Version 125 cm ³ [125]
14	AP8580188	Flachscheibe	1	Technische Daten: Version 125 cm ³ [125]
15	AP8580129	Drum	1	Technische Daten: Version 200 cm ³ [200], Version 250 cm ³ [250]
16	AP8577029	Gewicht	1	Technische Daten: Version 200 cm ³ [200], Version 250 cm ³ [250]
17	AP8580100	Feder	1	Technische Daten: Version 200 cm ³ [200], Version 250 cm ³ [250]
18	AP8580096	Gegengewicht	1	Technische Daten: Version 200 cm ³ [200], Version 250 cm ³ [250]
19	AP8580106	Dichtung	1	Technische Daten: Version 200 cm ³ [200], Version 250 cm ³ [250]

Einheit	MOTOR
Code	29.49
Beschreibung	Ölablaßventil
Inspektion	1



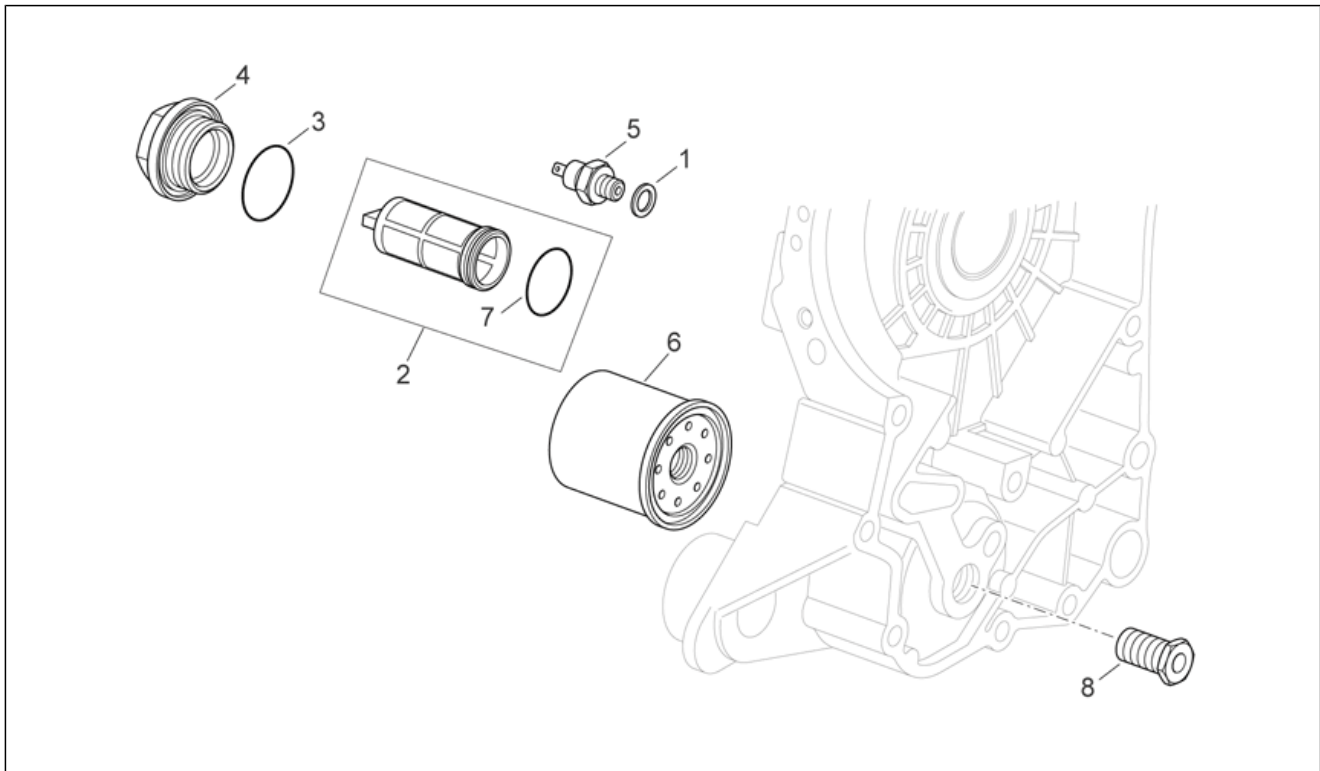
Pos.	Code	Beschreibung	Menge	Varianten
1	AP8580158	Ölablaßventil	1	
2	AP8120956	Entlüftungsschlauch Kühler	1	
3	AP8580165	Schraube	4	
4	AP8580108	Dichtung	1	
5	AP8144579	Schlauchschelle	1	
6	AP8176336	Zündkerze	1	Technische Daten: Version 250 cm ³ [250]
6	AP8570084	Zündkerze CR8EB	1	Technische Daten: Version 125 cm ³ [125], Version 200 cm ³ [200]
7	AP8580042	Dichtung	1	
8	AP8570007	TE Schr. m. Flansch M6x30	5	
9	AP8580041	Kopfdeckel	1	
10	AP8570008	Puffer	5	
11	AP8201169	Schlauchschelle D22x8,6*	1	
12	AP8102576	2-Wege Anschluß	1	

Einheit	MOTOR
Code	29.50
Beschreibung	Kettenspanner
Inspektion	1



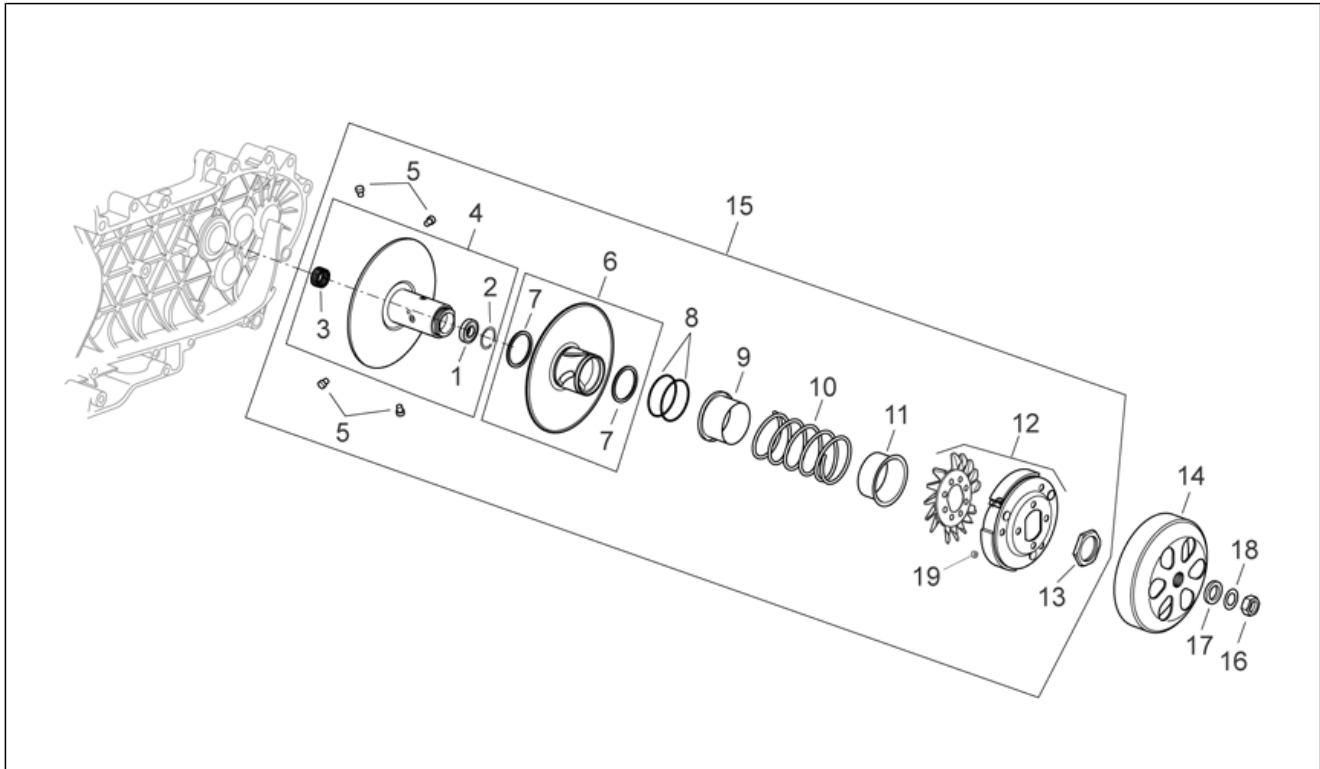
Pos.	Code	Beschreibung	Menge	Varianten
1	AP8550557	TE Schr. m. Flansch M6x16	2	
2	AP8560059	Kettenspanner	1	
3	AP8550429	Dichtung Kettenspan.	1	

Einheit	MOTOR
Code	29.51
Beschreibung	Ölfiltereinsatz
Inspektion	1



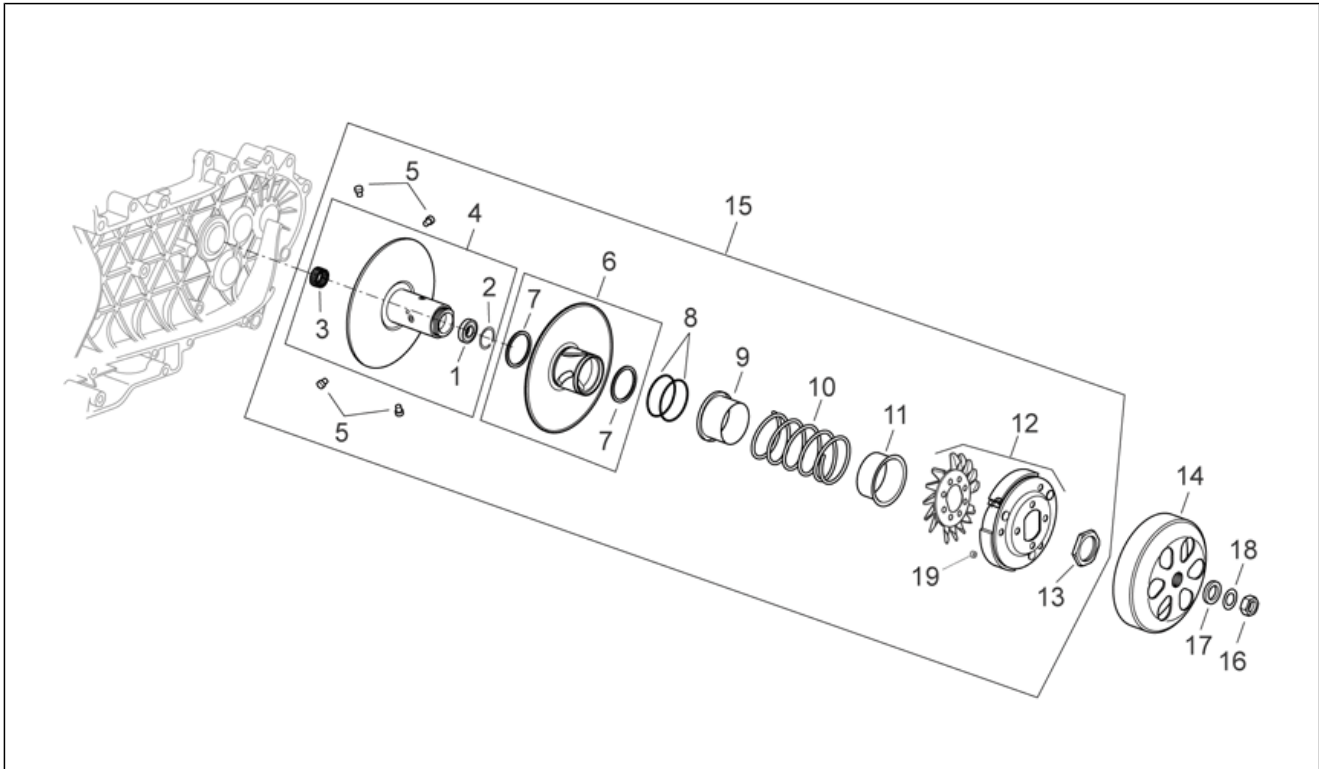
Pos.	Code	Beschreibung	Menge	Varianten
1	AP8550331	Ausgleichscheibe 16x10.5x2.5	1	
2	AP8577040	Ölfiltereinsatz	1	Technische Daten: Version 250 cm ³ [250]
2	AP8580074	Ölfiltereinsatz	1	Technische Daten: Version 125 cm ³ [125], Version 200 cm ³ [200]
3	AP8550336	O-Ring	1	
4	AP8560055	Ölfiler Verschuß	1	
5	AP8550512	Druckfühler	1	
6	AP8580128	Ölfiltereinsatz	1	
7	AP8550337	O-Ring	1	
8	AP8580071	Schraube	1	

Einheit	MOTOR
Code	29.52
Beschreibung	Kupplung
Inspektion	1



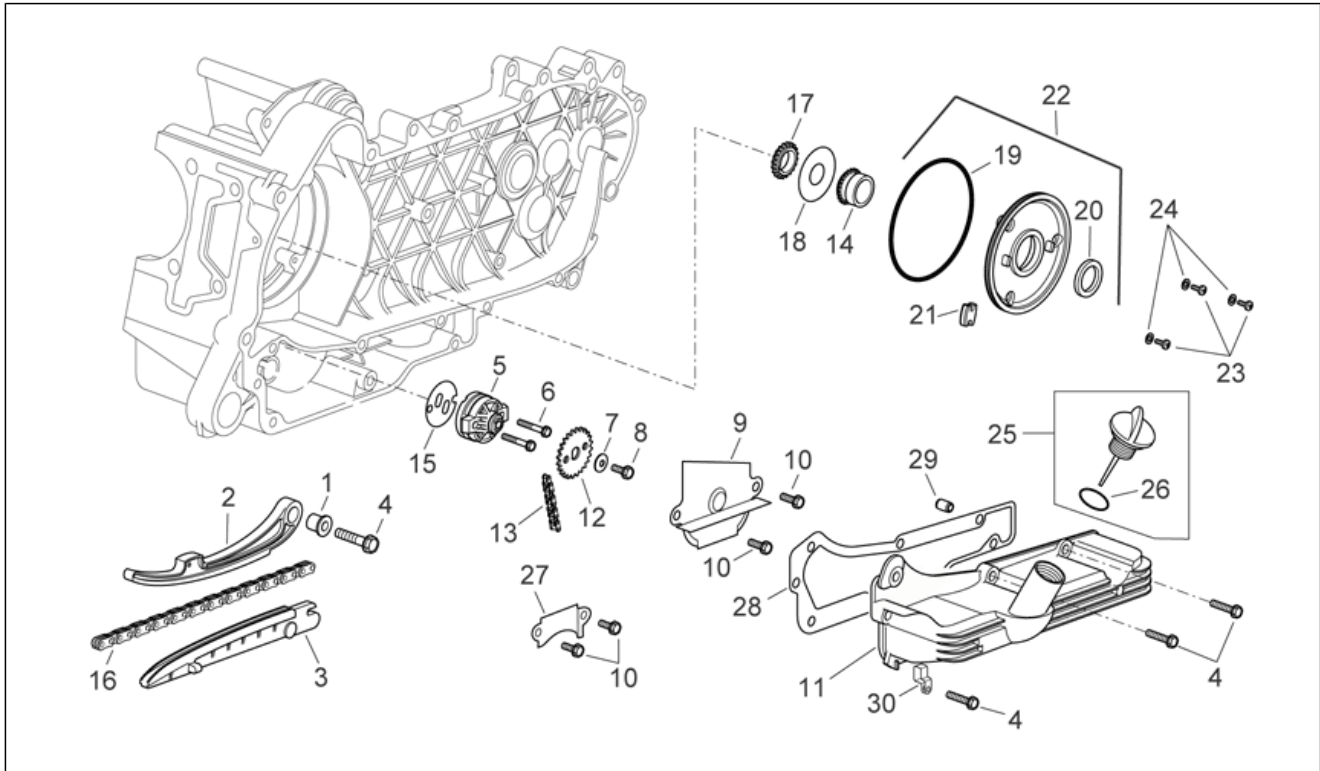
Pos.	Code	Beschreibung	Menge	Varianten
1	AP8110104	Nadelkaefig 20x29x18	1	
2	AP8580068	Sprengring	1	
3	AP8125893	Lager 17x30x7	1	
4	AP8575013	Sekundäre Festscheibe	1	Technische Daten: Version 125 cm ³ [125]
4	AP8580208	Sekundäre Festscheibe	1	Technische Daten: Version 250 cm ³ [250]
4	AP8580208	Sekundäre Festscheibe	1	Technische Daten: Version 200 cm ³ [200]
5	AP8580166	Führungsbolzen L=12,5	4	
6	AP8577055	Sekundäre Gleitscheibe	1	Technische Daten: Version 250 cm ³ [250]
6	AP8580139	Sekundäre Gleitscheibe	1	Technische Daten: Version 125 cm ³ [125]
6	AP8580209	Sekundäre Gleitscheibe	1	Technische Daten: Version 200 cm ³ [200]
7	AP8550124	Gasket ring	2	
8	AP8550116	Dichtung	2	
9	AP8176301	Becher	1	Technische Daten: Version 125 cm ³ [125]
9	AP8580211	Becher	1	Technische Daten: Version 200 cm ³ [200], Version 250 cm ³ [250]
10	AP8580119	Feder Wandler	1	Technische Daten: Version 125 cm ³ [125]
10	AP8580210	Feder Wandler	1	Technische Daten: Version 200 cm ³ [200], Version 250 cm ³ [250]
11	AP8550114	Becher	1	
12	AP8176394	Fliehkraftkupplung	1	Technische Daten: Version 250 cm ³ [250]
12	AP8580171	Fliehkraftkupplung	1	Technische Daten: Version 125 cm ³ [125]
12	AP8590027	Fliehkraftkupplung	1	Technische Daten: Version 200 cm ³ [200]
13	AP8550111	Nutmutter	1	
14	AP8577095	Kupplungsglocke	1	
15	AP8176300	Sek. Riemensch. kpl.	1	Technische Daten: Version 125 cm ³ [125]
15	AP8176339	Sek. Riemensch. kpl.	1	Technische Daten: Version 250 cm ³ [250]
15	AP8590004	Sek. Riemensch. kpl.	1	Technische Daten: Version 200 cm ³ [200]
16	AP8580095	Mutter	1	

Einheit	MOTOR
Code	29.52
Beschreibung	Kupplung
Inspektion	1



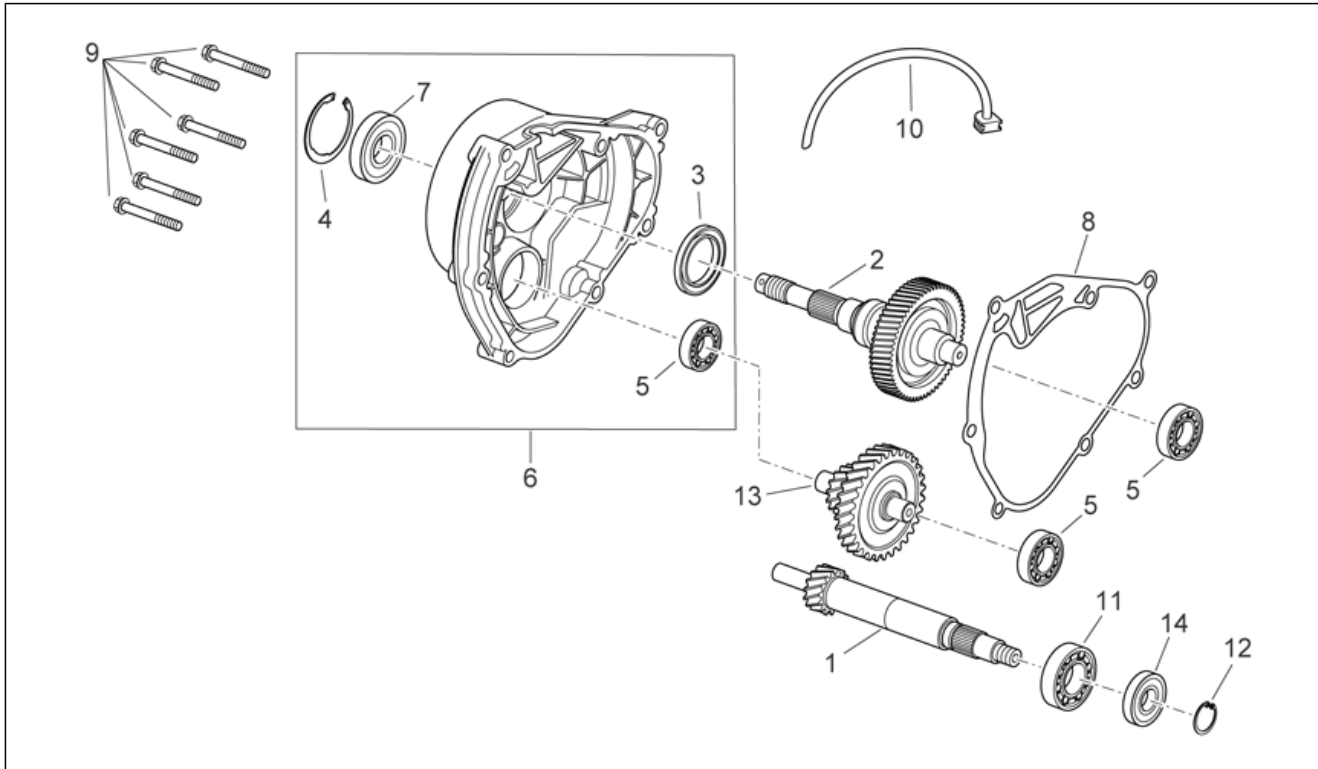
Pos.	Code	Beschreibung	Menge	Varianten
17	AP8580145	Distanzscheibe	1	
18	AP8580062	Ausgleichscheibe	1	
19	431098	Stopfen dämpfer	3	

Einheit	MOTOR
Code	29.53
Beschreibung	Ölpumpe
Inspektion	1



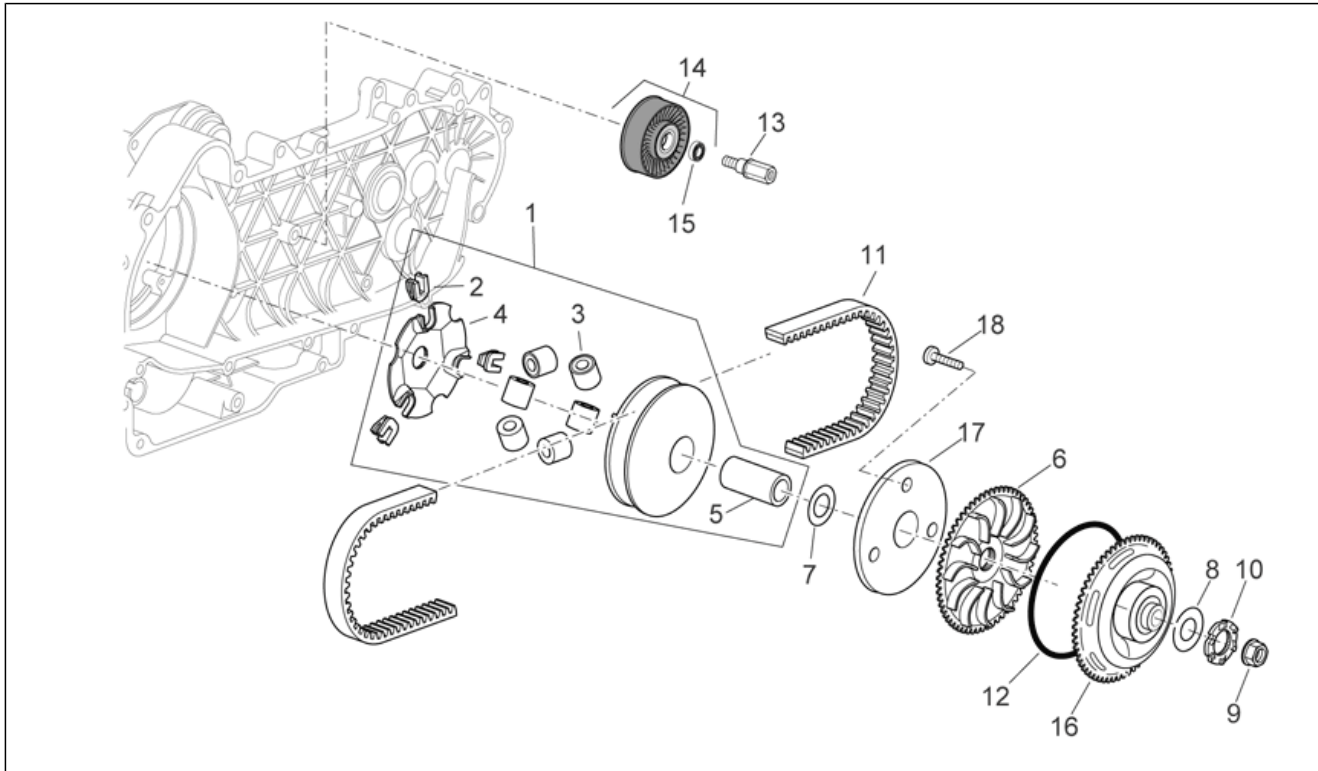
Pos.	Code	Beschreibung	Menge	Varianten
1	AP8580090	Distanzscheibe	1	
2	AP8577030	Kettenspanner Stange	1	Technische Daten: Version 250 cm ³ [250]
2	AP8580156	Kettenspanner Stange	1	Technische Daten: Version 125 cm ³ [125], Version 200 cm ³ [200]
3	AP8176325	Kettenspanner Gleitbacke	1	Technische Daten: Version 250 cm ³ [250]
3	AP8580157	Kettenspanner Gleitbacke	1	Technische Daten: Version 125 cm ³ [125], Version 200 cm ³ [200]
4	AP8113789	TE Schr. m. Flansch	8	
5	AP8580102	Ölpumpe	1	
6	AP8176294	TE Schr. m. Flansch	2	
7	AP8550439	Tellerfeder	1	
8	AP8550556	TE Schr. m. Flansch	1	
9	AP8580070	Ölschott	1	
10	AP8551045	Flanschschraube	4	
11	AP8176255	Ölwanne	1	Technische Daten: Version 200 cm ³ [200]
11	AP8553005	Ölwanne	1	Technische Daten: Version 125 cm ³ [125], Version 250 cm ³ [250]
12	AP8550380	Ölpumpe Zahnkranz	1	
13	AP8580131	Ölpumpe Kette	1	
14	AP8580072	Ölpumpe Steuerung Ritzel	1	
15	AP8176293	Dichtung	1	
16	AP8577032	Steuerkette	1	Technische Daten: Version 250 cm ³ [250]
16	AP8580130	Steuerkette	1	Technische Daten: Version 125 cm ³ [125], Version 200 cm ³ [200]
17	AP8577033	Steuerkette Ritzel kpl.	1	
18	AP8580077	Scheibe Ölabbstreifer	1	
19	AP8580118	O-Ring	1	
20	AP8580113	Gasket ring	1	
21	AP8550522	Ölpumpe Kette Puffer	1	

Einheit	MOTOR
Code	29.54
Beschreibung	Getriebe
Inspektion	1



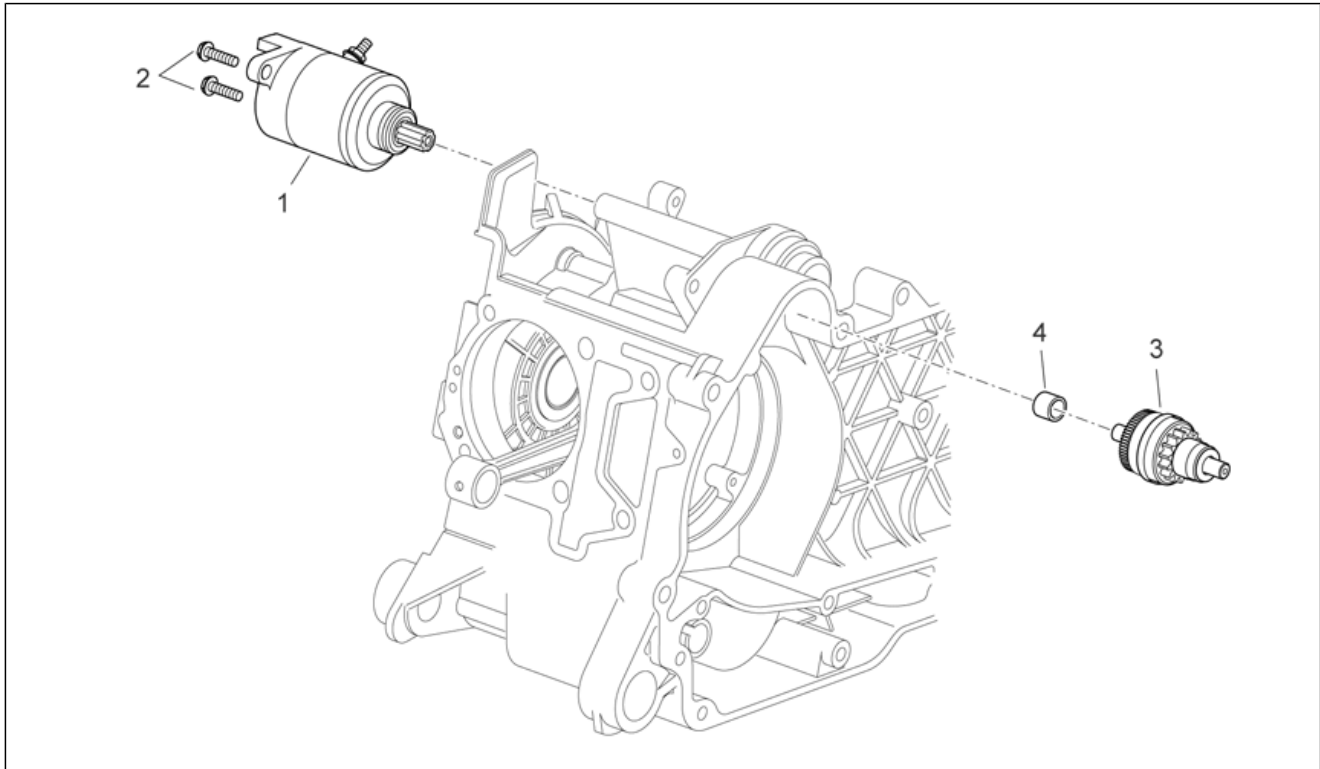
Pos.	Code	Beschreibung	Menge	Varianten
1	AP8577061	Abtriebsriemenscheibewelle	1	
2	AP8176341	Hinterrad Achse kpl.	1	Technische Daten: Version 250 cm ³ [250]
2	AP8577063	Hinterrad Achse kpl. Z=49	1	Technische Daten: Version 200 cm ³ [200]
2	B0160495	***Radachse	1	Technische Daten: Version 125 cm ³ [125]
3	AP8560125	Ölabstreifring 38x50x7	1	
4	AP8560130	Seegerring	1	
5	AP8560019	Lager d15x42x13	3	
6	8481875	Deckel Unt.-Getriebe	1	Technische Daten: Version 200 cm ³ [200]
6	AP8176274	Getriebedeckel kpl.	1	Technische Daten: Version 125 cm ³ [125], Version 250 cm ³ [250]
7	AP8560126	Lager d30x55x13	1	
8	847931	Dichtung	1	Technische Daten: Version 200 cm ³ [200]
8	AP8575022	Dichtung	1	Technische Daten: Version 125 cm ³ [125], Version 250 cm ³ [250]
9	AP8570077	Schraube	6	
10	AP8580189	Entlüftung	1	
11	AP8570030	Lager	1	
12	AP8560007	Sprengring	1	
13	AP8176302	Vorgelege Welle	1	Technische Daten: Version 125 cm ³ [125]
13	AP8176340	Vorgelege Welle	1	Technische Daten: Version 250 cm ³ [250]
13	AP8577062	Vorgelege Welle	1	Technische Daten: Version 200 cm ³ [200]
14	AP8550577	Gasket ring	1	

Einheit	MOTOR
Code	29.55
Beschreibung	Wandlergruppe
Inspektion	1



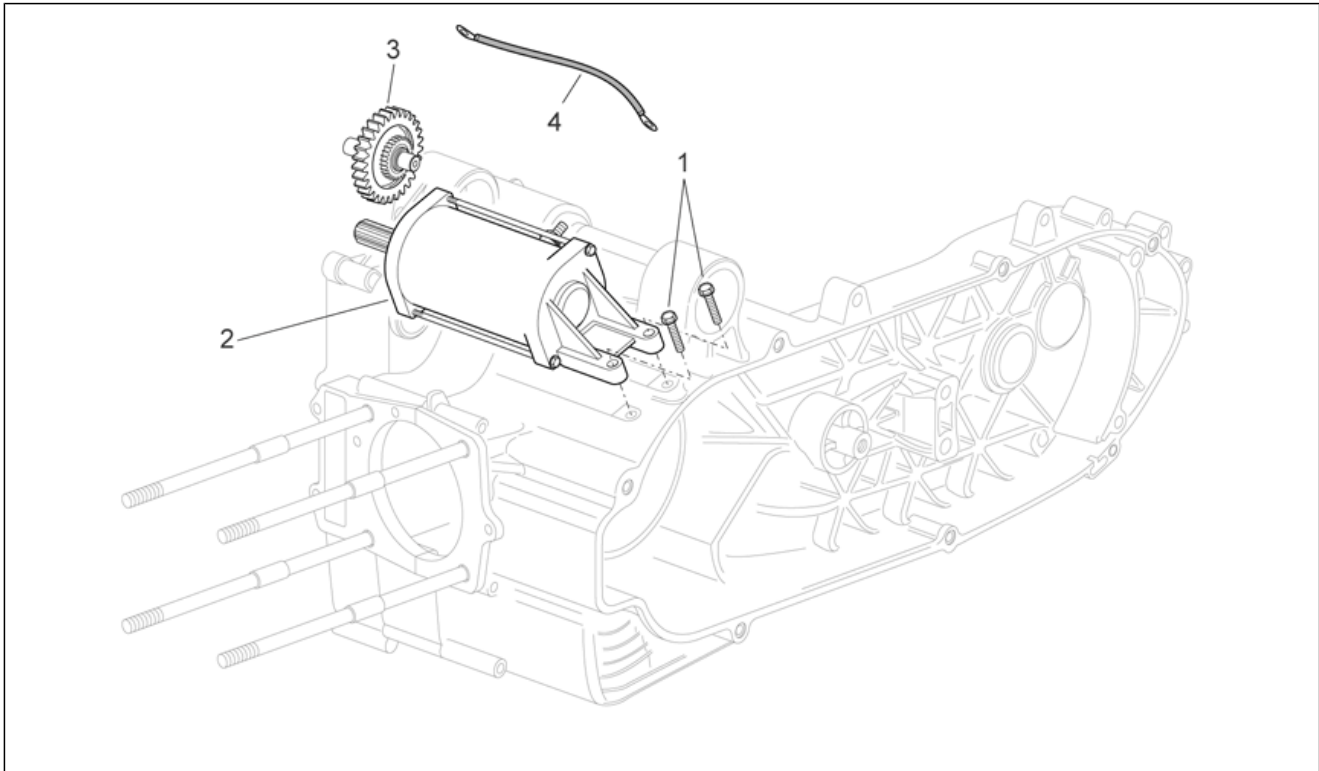
Pos.	Code	Beschreibung	Menge	Varianten
1	AP8176338	Antriebshalbriemenscheibe	1	Technische Daten: Version 250 cm ³ [250]
1	AP8580222	Antriebshalbriemenscheibe	1	Technische Daten: Version 125 cm ³ [125]
1	AP8590028	Antriebshalbriemenscheibe	1	Technische Daten: Version 200 cm ³ [200]
2	AP8176297	Gleitbacke	3	Technische Daten: Version 125 cm ³ [125], Version 200 cm ³ [200]
2	AP8577050	Gleitbacke	3	Technische Daten: Version 250 cm ³ [250]
3	849480	Fliehkraftmasse	6	Technische Daten: Version 250 cm ³ [250]
3	AP8580089	Schwungmasse-Serie	1	Technische Daten: Version 200 cm ³ [200]
3	AP8580221	Schwungmasse-Serie	1	Technische Daten: Version 125 cm ³ [125]
4	AP8580088	Stiftplatte	1	
5	AP8580075	Distanzscheibe	1	
6	AP8540165	Feste Hauptriemenscheibe	1	Technische Daten: Version 125 cm ³ [125]
6	AP8575027	Feste Hauptriemenscheibe	1	Technische Daten: Version 200 cm ³ [200]
6	AP8577053	Feste Hauptriemenscheibe	1	Technische Daten: Version 250 cm ³ [250]
7	AP8550131	Ausgleichscheibe 1x32x17	1	
8	AP8550133	Ausgleichscheibe 0,5x35x17	1	Technische Daten: Version 125 cm ³ [125]
9	AP8550134	Mutter kompl.	1	
10	AP8580135	Zahnfederbecher	1	Technische Daten: Version 125 cm ³ [125]
11	AP8575041	Keilriemen	1	Technische Daten: Version 200 cm ³ [200]
11	AP8575042	Keilriemen	1	Technische Daten: Version 125 cm ³ [125]
11	AP8577059	Keilriemen	1	Technische Daten: Version 250 cm ³ [250]
12	AP8580205	O-Ring	1	Technische Daten: Version 200 cm ³ [200]
13	AP8575030	Spezialschraube	1	
14	AP8580199	Zahnriemenscheibe	1	
15	AP8577060	Lager	1	
16	AP8575031	Torque limiter	1	Technische Daten: Version 200 cm ³ [200]
17	AP8176298	Platte	1	Technische Daten: Version 125 cm ³ [125]
18	AP8176299	Schraube	3	Technische Daten: Version 125 cm ³ [125]

Einheit	MOTOR
Code	29.56
Beschreibung	Startermotor I
Inspektion	1



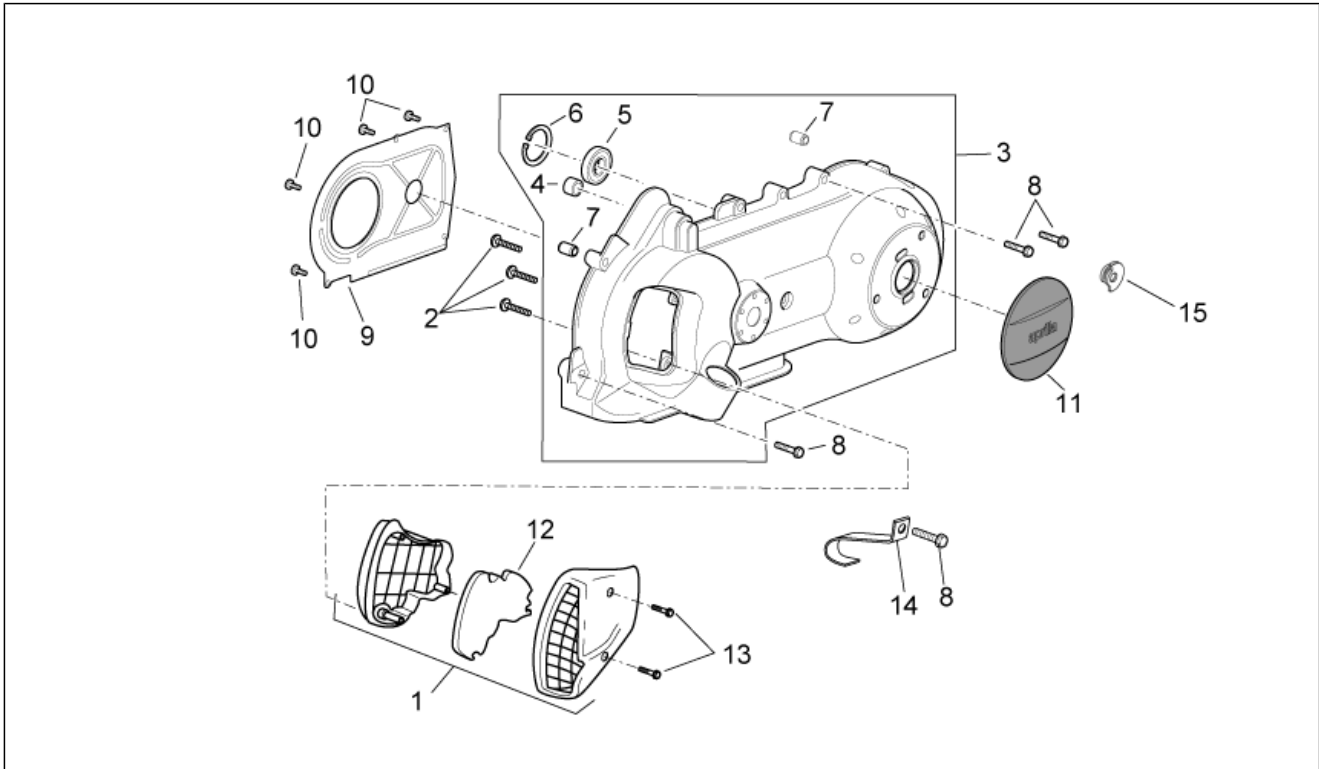
Pos.	Code	Beschreibung	Menge	Varianten
1	AP8580124	Startermotor	1	Technische Daten: Version 125 cm ³ [125], Version 200 cm ³ [200]
2	AP8540002	TE Schr. m. Flansch	2	Technische Daten: Version 125 cm ³ [125], Version 200 cm ³ [200]
3	AP8580125	Umlenk.Anlasser	1	Technische Daten: Version 125 cm ³ [125], Version 200 cm ³ [200]
4	AP8550347	Buchse	1	Technische Daten: Version 125 cm ³ [125], Version 200 cm ³ [200]

Einheit	MOTOR
Code	29.57
Beschreibung	Startermotor II
Inspektion	1



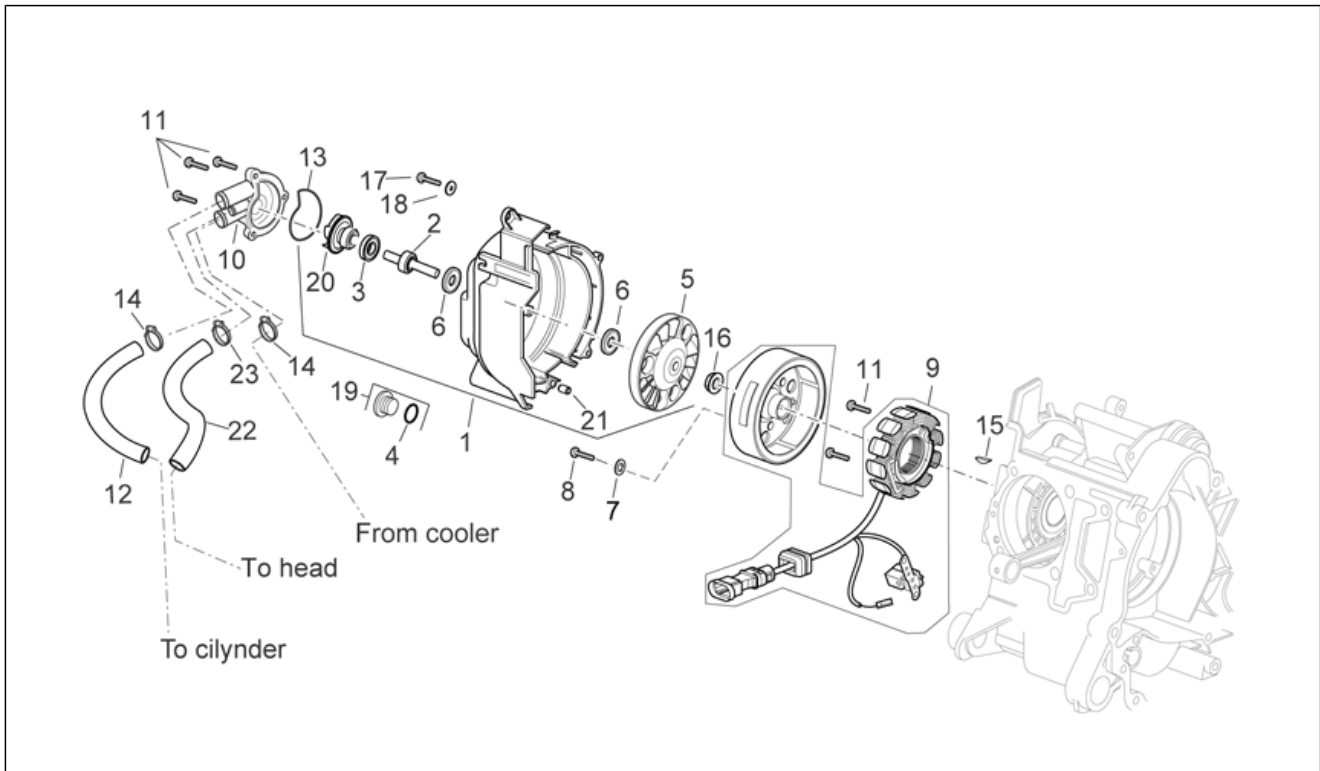
Pos.	Code	Beschreibung	Menge	Varianten
1	AP8113789	TE Schr. m. Flansch	2	Technische Daten:Version 250 cm ³ [250]
2	AP8577046	Startermotor	1	Technische Daten:Version 250 cm ³ [250]
3	AP8176395	Umlenk.Anlasser	1	Technische Daten:Version 250 cm ³ [250]
4	AP8176337	Kabel	1	Technische Daten:Version 250 cm ³ [250]

Einheit	MOTOR
Code	29.58
Beschreibung	Wandlerdeckel
Inspektion	1



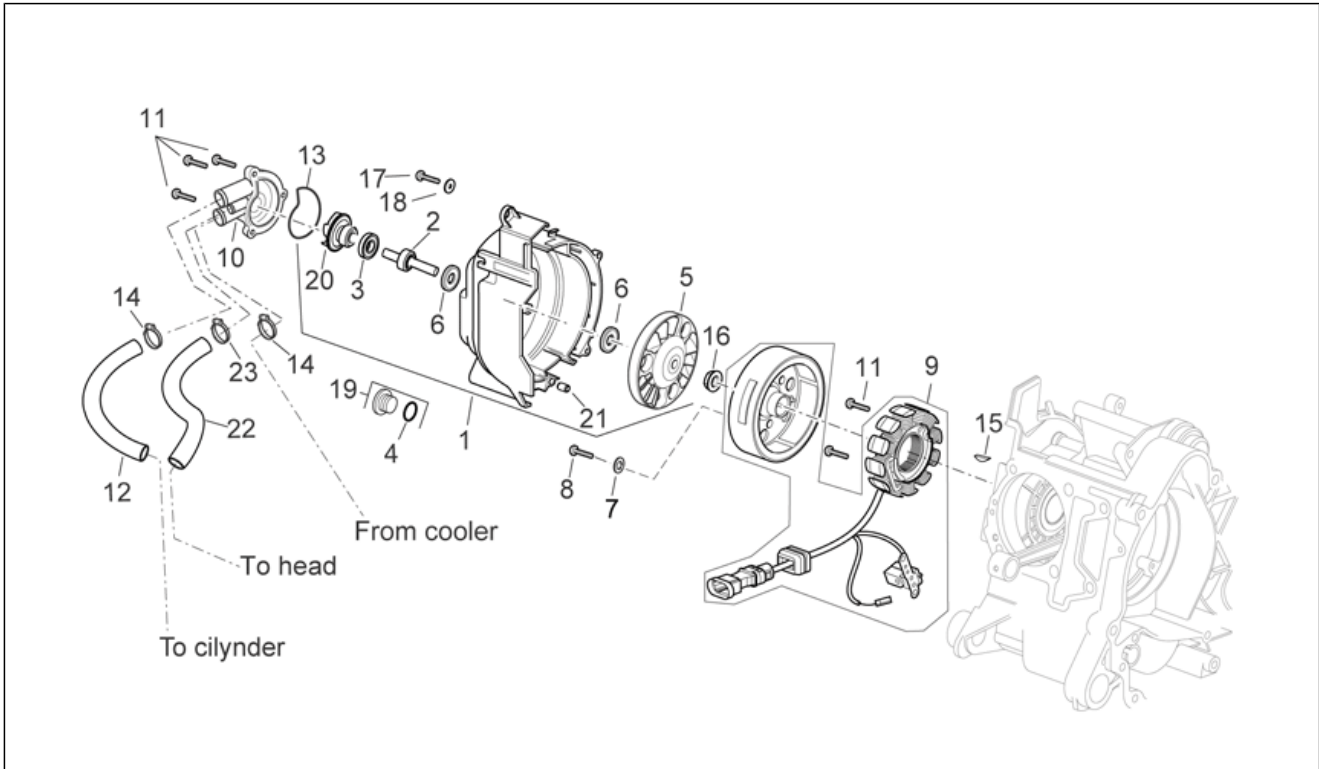
Pos.	Code	Beschreibung	Menge	Varianten
1	AP8580256	Deckel	1	Technische Daten: Version 125 cm ³ [125]
1	AP8590018	Deckel	1	Technische Daten: Version 200 cm ³ [200]
2	AP8551014	Schraube	3	
3	8714085	Wandlerdeckel	1	Technische Daten: Version 125 cm ³ [125]
3	8714485	Wandlerdeckel	1	Technische Daten: Version 200 cm ³ [200], Version 250 cm ³ [250]
4	AP8550347	Buchse	1	
5	AP8550580	Lager	1	
6	AP8550578	Sprengtring	1	
7	AP8550107	Stift d.9,5 h=15	2	
8	AP8550558	TE Schr. m. Flansch M6x30	8	
9	AP8176272	Luftumleiter	1	Technische Daten: Version 125 cm ³ [125]
9	AP8580245	Luftumleiter	1	Technische Daten: Version 200 cm ³ [200]
10	AP8176271	Schraube	4	
11	AP8580236	Deckel	1	Technische Daten: Version 125 cm ³ [125], Version 250 cm ³ [250]
11	CM155103	Deckel	1	Technische Daten: Version 200 cm ³ [200]
12	AP8577006	Filter	1	Technische Daten: Version 125 cm ³ [125]
12	AP8590033	Filter	1	Technische Daten: Version 200 cm ³ [200]
13	AP8580061	Gew.schr. 3x20	2	
14	AP8176244	Schelle	1	
15	871458	Rückhaltepuffer	1	

Einheit	MOTOR
Code	29.59
Beschreibung	Zündung I
Inspektion	1



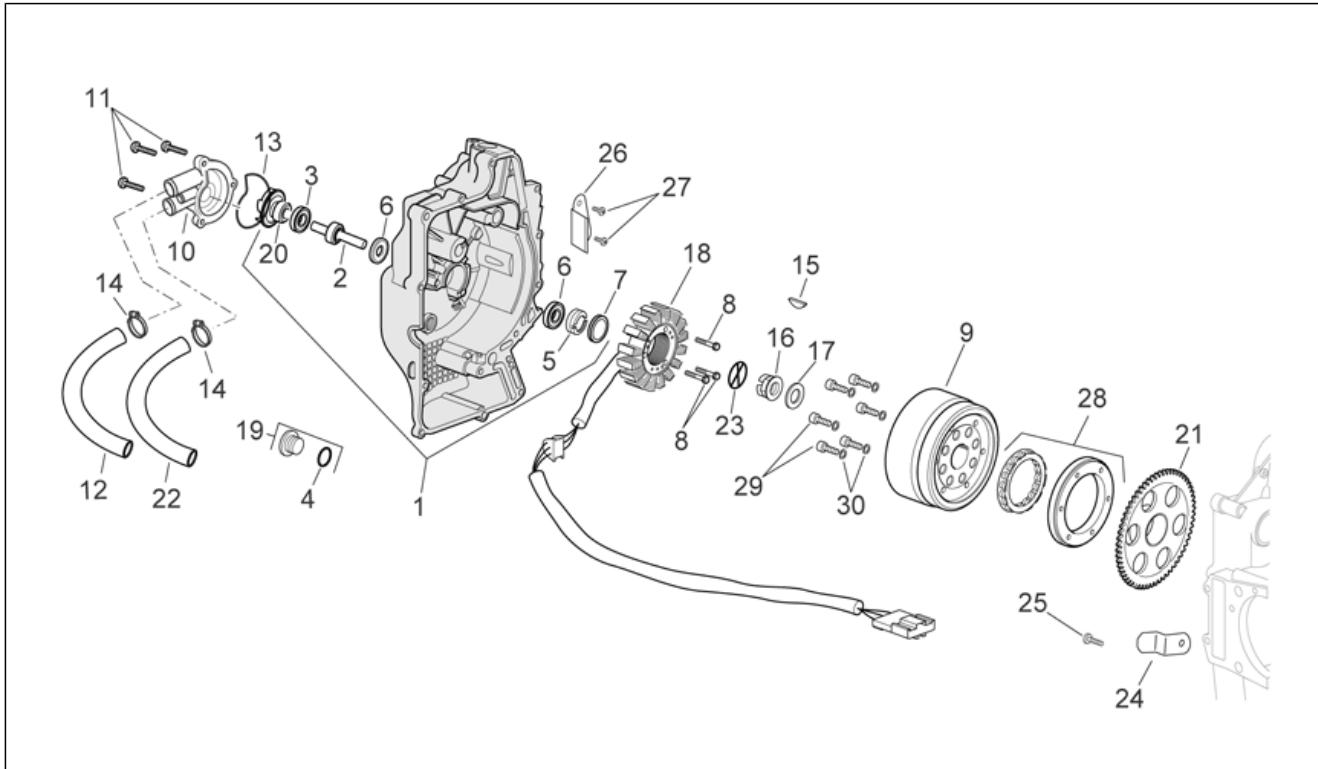
Pos.	Code	Beschreibung	Menge	Varianten
1	849040	Zuenderdeckel Kpl.	1	Technische Daten: Version 125 cm ³ [125]
1	AP8176248	Zuenderdeckel Kpl.	1	Technische Daten: Version 200 cm ³ [200]
2	AP8176277	Welle Wasserpumpe	1	Technische Daten: Version 125 cm ³ [125], Version 200 cm ³ [200]
3	AP8590055	Gasket ring	1	
4	AP8550417	Dichtung	1	
5	AP8580104	Zugelement pumpenrad	1	
6	AP8577012	Lager 28x8x9	2	
7	AP8580162	Ausgleichscheibe	3	
8	82869R	Spezialschraube	3	Technische Daten: Version 200 cm ³ [200]
8	AP8580163	Spezialschraube	3	Technische Daten: Version 125 cm ³ [125]
9	58141R	Schwungrad Mag. klp.	1	Technische Daten: Version 200 cm ³ [200]
9	AP8176296	Schwungrad Mag. klp.	1	Technische Daten: Version 125 cm ³ [125]
10	AP8176287	Deckel Wasserpumpe	1	Technische Daten: Version 125 cm ³ [125], Version 200 cm ³ [200]
11	AP8551060	Schraube	5	
12	AP8590052	Wasserschlauch	1	
13	AP8580084	O-Ring	1	
14	AP8101573	Schelle D16-24x8*	2	
15	AP8550039	Keil	1	
16	AP8550134	Mutter kompl.	1	
17	AP8580161	Schraube	4	
18	AP8550477	Ausgleichscheibe	4	
19	AP8176275	Deckel	1	Technische Daten: Version 125 cm ³ [125]
19	AP8580116	Deckel	1	Technische Daten: Version 200 cm ³ [200]
20	AP8276091	Lüfter	1	
21	AP8551015	Haltestein	2	
22	AP8176330	Bypassschlauch	1	Technische Daten: Version 250 cm ³ [250]

Einheit	MOTOR
Code	29.59
Beschreibung	Zündung I
Inspektion	1



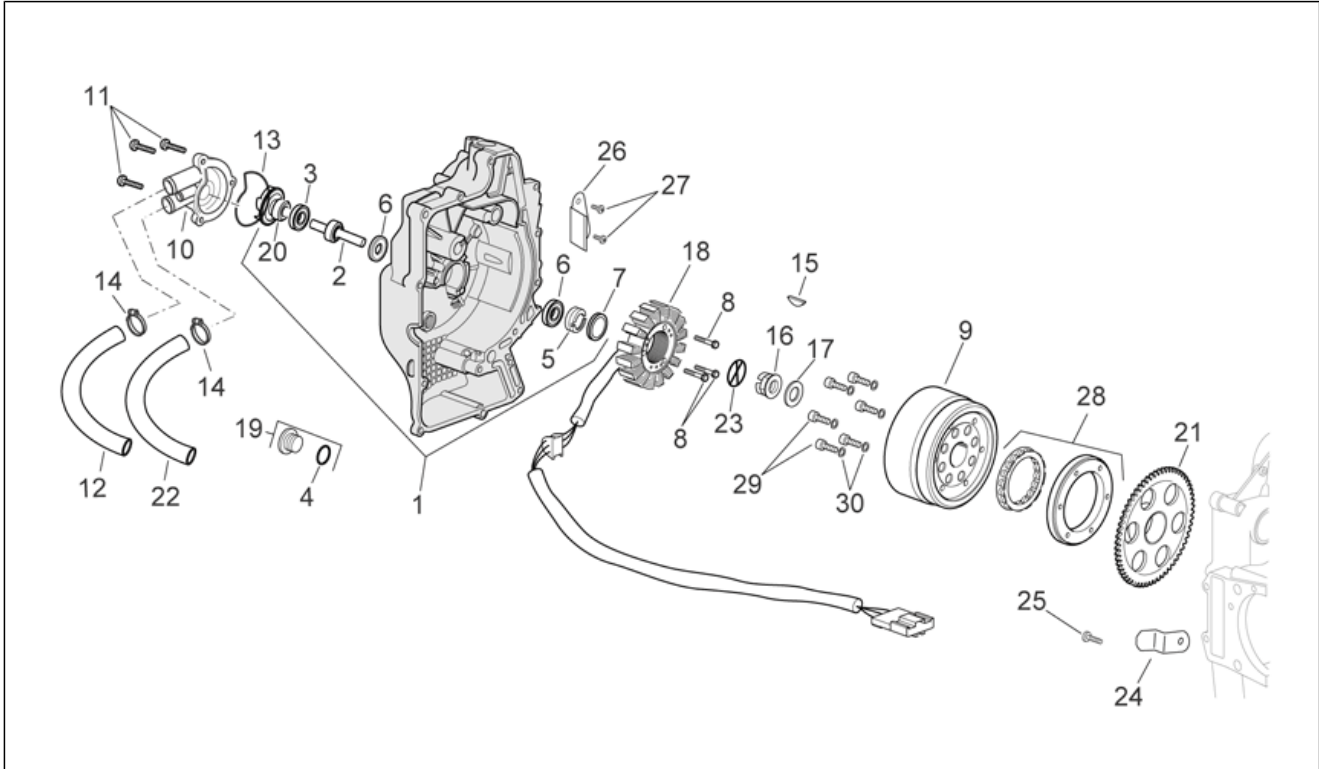
Pos.	Code	Beschreibung	Menge	Varianten
23	AP8144579	Schlauchschelle	1	Technische Daten:Version 250 cm³[250]

Einheit	MOTOR
Code	29.60
Beschreibung	Zündung II
Inspektion	1



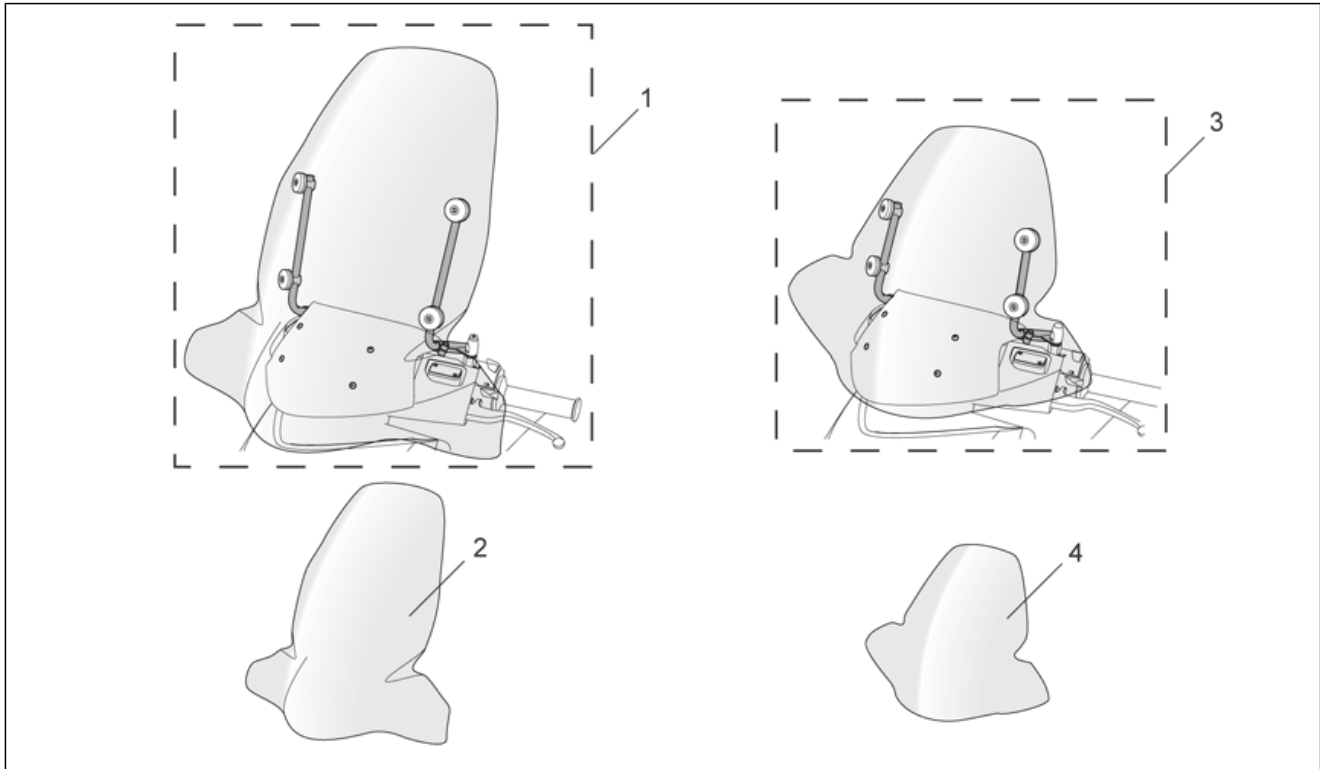
Pos.	Code	Beschreibung	Menge	Varianten
1	AP8176320	Zuenderdeckel Kpl.	1	Technische Daten: Version 250 cm ³ [250]
2	AP8176393	Welle Wasserpumpe	1	Technische Daten: Version 250 cm ³ [250]
3	AP8590055	Gasket ring	1	
4	AP8550417	Dichtung	1	
5	AP8580104	Zugelement pumpenrad	1	
6	AP8577012	Lager 28x8x9	2	
7	AP8577013	Dichtring	1	
8	AP8560011	Schraube M6x30	3	
9	AP8176334	Rotor kpl.	1	
10	AP8176329	Deckel Wasserpumpe	1	Technische Daten: Version 250 cm ³ [250]
11	AP8551060	Schraube	3	
12	AP8580277	Pumpen-Zylinderschlauch	1	
13	AP8580084	O-Ring	1	
14	AP8144579	Schlauschelle	2	
15	AP8560006	Keil	1	
16	AP8577043	Spezia mutter	1	
17	AP8577044	Flachscheibe	1	
18	AP8176335	Stator kpl	1	
19	AP8577015	Deckel	1	Technische Daten: Version 250 cm ³ [250]
20	AP8276091	Lüfter	1	
21	AP8570018	Zahnkranz	1	
22	AP8176330	Bypassschlauch	1	Technische Daten: Version 250 cm ³ [250]
23	AP8577037	Mitnehmer	1	
24	AP8577049	Platte	1	
25	AP8577048	Schraube M6x14	1	
26	AP8577010	Platte	1	
27	AP8560009	Schraube	2	
28	8477975	Freilauf komplett	1	Technische Daten: Mit Ring Außendurchm. 88mm[T2]

Einheit	MOTOR
Code	29.60
Beschreibung	Zündung II
Inspektion	1



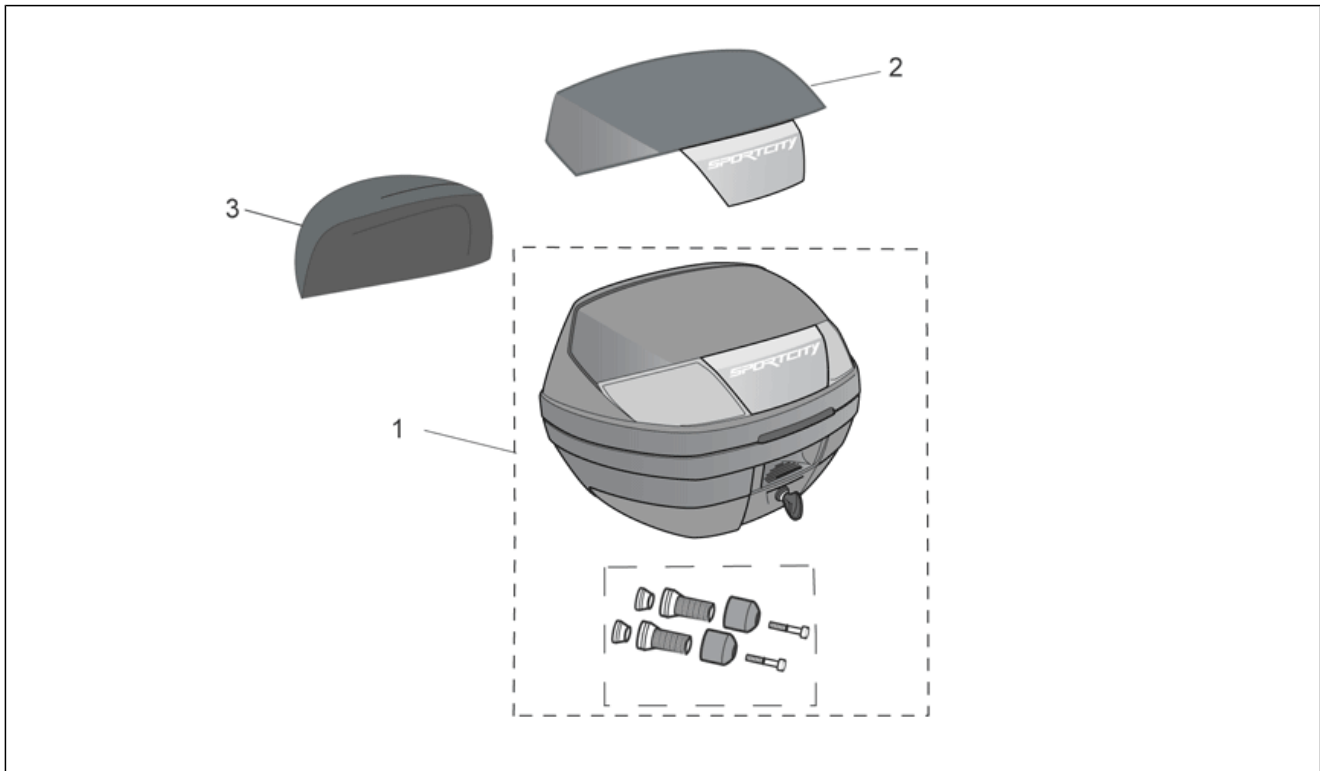
Pos.	Code	Beschreibung	Menge	Varianten
28	AP8570014	Freilaufrolle kplt.	1	Technische Daten: Mit Ring Außendurchm. 98mm[T1]
29	847679	TCEI Schraube M6x24	6	
30	AP8550487	Federring Din	6	

Einheit	ZUBEHÖR
Code	30.61
Beschreibung	Acc. - Windschilder
Inspektion	1



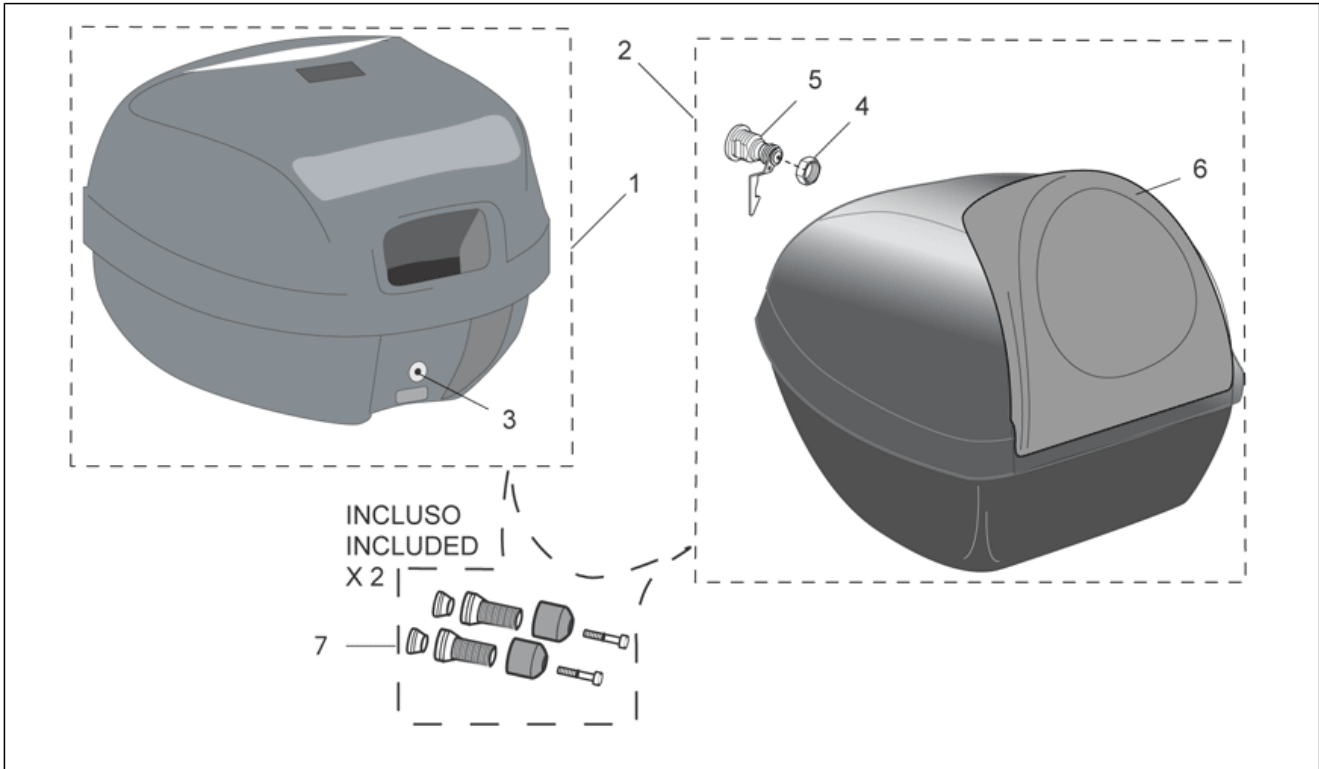
Pos.	Code	Beschreibung	Menge	Varianten
1	AP8791294	Windschutzscheibe Kpl. Big	1	Technische Daten:Zubehör[A]
2	AP8791265	Windschutzsch.o/Halter. Big	1	Technische Daten:Zubehör[A]
3	AP8791295	Windschutzscheibe Kpl. Sport	1	Technische Daten:Zubehör[A]
4	AP8791266	Windschutzsch.o/Halter. Sport	1	Technische Daten:Zubehör[A]

Einheit	ZUBEHÖR
Code	30.62
Beschreibung	Acc. - Koffer I
Inspektion	1



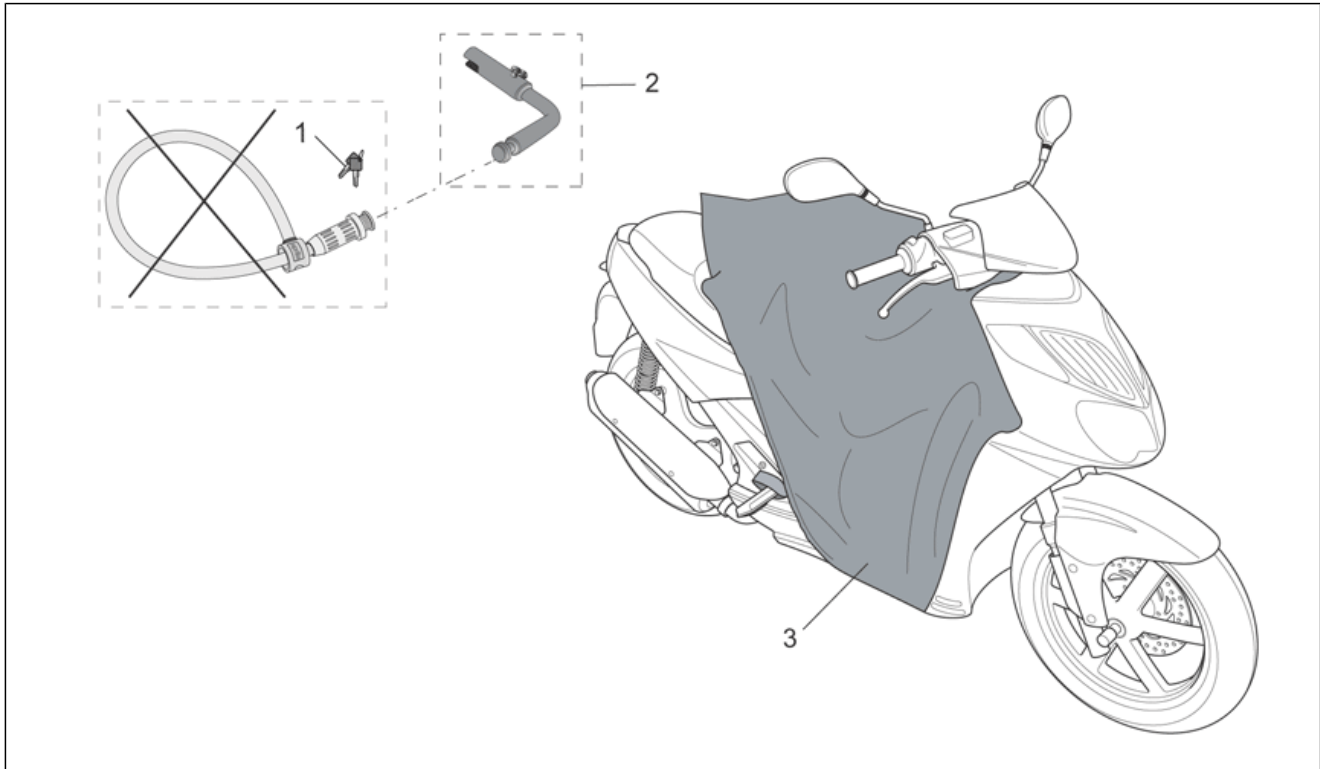
Pos.	Code	Beschreibung	Menge	Varianten
1	CM221101	Staukoffer City-35L	1	Technische Daten: Zubehör[A]
2	CM220805	Stauraumdeckel,grau City-35L	1	Fahrzeugfarbe: Grau Excalibur 2006-2007 (t.B.851740) [grey] Technische Daten: Zubehör[A]
2	CM220806	Stauraumdeckel,grau City-35L	1	Fahrzeugfarbe: Grau Shot 2006-2007 (t.B.851715)[shot] Technische Daten: Zubehör[A]
2	CM220807	Stauraumdeckel,blau City-35L	1	Fahrzeugfarbe: Blau Couture 2006-2007 (t.B.851741)[blu] Technische Daten: Zubehör[A]
2	CM220808	Stauraumdeckel,schwarz City-35L	1	Fahrzeugfarbe: Schwarz Moka 2006-2007 (t.B.851742) [moka] Technische Daten: Zubehör[A]
3	852312	Sitzkissen City-35L	1	Technische Daten: Zubehör[A]

Einheit	ZUBEHÖR
Code	30.63
Beschreibung	Acc. - Koffer II
Inspektion	1



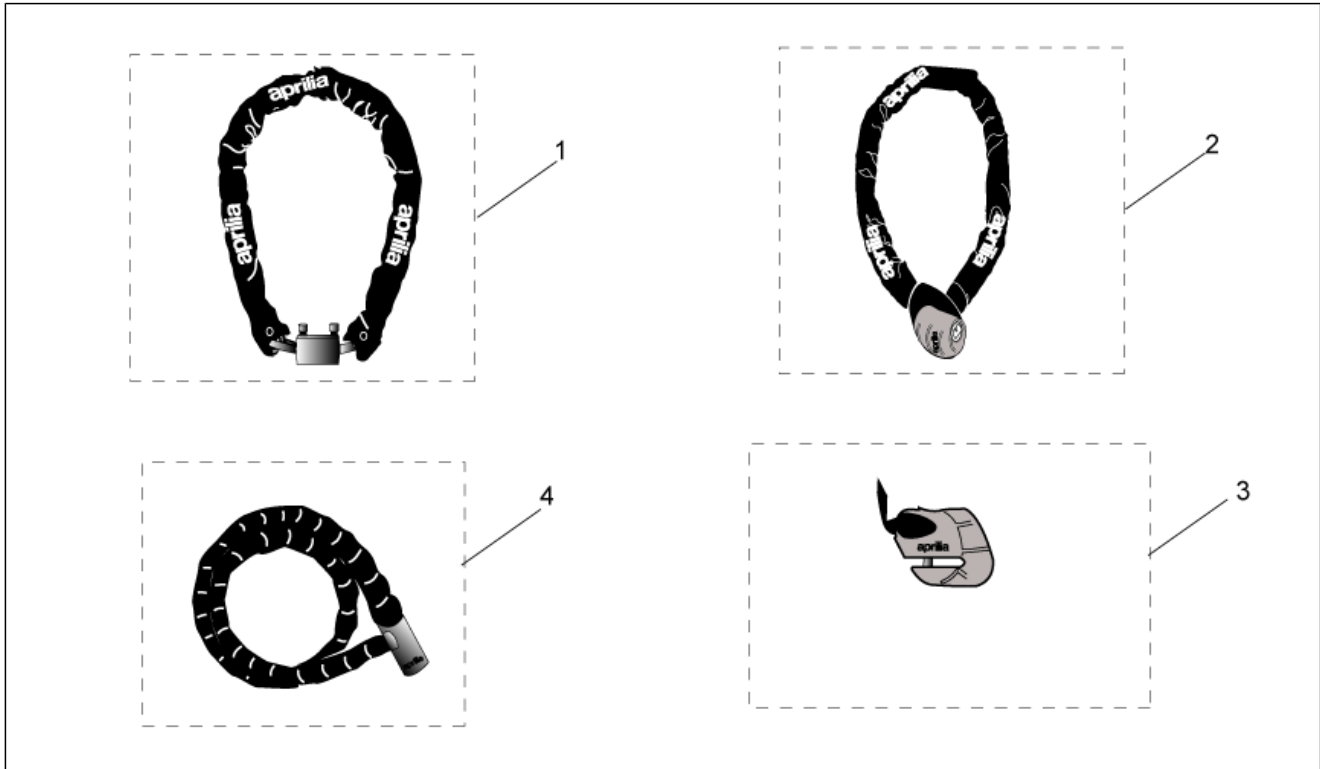
Pos.	Code	Beschreibung	Menge	Varianten
1	AP8792370	Koffer gaufriert New-C 28L	1	Technische Daten:Zubehör[A]
2	AP8792369	Staukoffer, schwarz A.24L	1	Technische Daten:Zubehör[A]
3	AP8104197	Kofferschloß kpl.	1	Technische Daten:Zubehör[A]
4	AP8225370	Mutter M26x1	1	Technische Daten:Zubehör[A]
5	AP8104602	Kofferschloß	1	Technische Daten:Zubehör[A]
6	AP8229331	Sitzkissen	1	Technische Daten:Zubehör[A]
7	AP8796998	Schwingschutzgew.- Paar	1	Technische Daten:Zubehör[A]

Einheit	ZUBEHÖR
Code	30.64
Beschreibung	Acc. - Sonstiges
Inspektion	1



Pos.	Code	Beschreibung	Menge	Varianten
1	AP8700792	Schlüsslersatzdie. B.Guard UK-D	1	Land:Deutschland[D], Großbritannien[UK] Technische Daten:Zubehör[A]
1	AP8700793	Schlüsslersatzdie. B.Guard F-NL	1	Land:Frankreich[F], Holland[NL] Technische Daten:Zubehör[A]
1	AP8700794	Schlüsslersatzdie. B.Guard I-E	1	Land:Spanien[E], Italien[I] Technische Daten:Zubehör[A]
2	AP8161048	Passtück Bodyguard	1	Technische Daten:Zubehör[A]
3	AP8797003	Abdeckplane	1	Technische Daten:Zubehör[A]

Einheit	ZUBEHÖR
Code	30.66
Beschreibung	Acc. - Diefstahl
Inspektion	1



Pos.	Code	Beschreibung	Menge	Varianten
1	AP8720115	Iron Guard 10x150 mm	1	Technische Daten:Zubehör[A]
2	AP8720116	Iron Guard 8x120 mm	1	Technische Daten:Zubehör[A]
3	AP8720117	Iron Guard Disk 5 mm	1	Technische Daten:Zubehör[A]
4	AP8720118	Easy Guard 150 mm	1	Technische Daten:Zubehör[A]