

aprilia[®]

ERSATZTEILKATALOG



Atlantic 500 2001-2004

Vorsatzcode Fahrgestell: ZD4PT, ZD4VH

Vorsatzcode Motor:

Inhaltsverzeichnis

Fertige Produkte.....	4
Alphanumerisches Verzeichnis.....	5
RAHMEN.....	11
Tafel 28.01 - Rahmen.....	11
Tafel 28.02 - Fussrasten.....	13
Tafel 28.03 - Hauptständer.....	14
Tafel 28.04 - Gabel - Fuß mit Rohr.....	15
Tafel 28.05 - Marzocchi Gabel - Schaften, Hülsen.....	16
Tafel 28.06 - Kaifa Gabel - Schaften, Hülsen.....	18
Tafel 28.07 - Hinterradaufhängung.....	20
Tafel 28.08 - Frontaufbau I.....	21
Tafel 28.09 - Frontaufbau II.....	24
Tafel 28.10 - Frontaufbau III.....	26
Tafel 28.11 - Mittlerer aufbau I.....	30
Tafel 28.12 - Mittlerer aufbau II.....	31
Tafel 28.13 - U. Sitzbank.....	32
Tafel 28.14 - Sitzbankeinheit.....	33
Tafel 28.15 - Heckaufbau I.....	35
Tafel 28.16 - Heckaufbau II.....	40
Tafel 28.17 - Instrumententafel.....	42
Tafel 28.18 - Lenkstange.....	43
Tafel 28.19 - Schaltungen links.....	44
Tafel 28.20 - Schaltungen rechts.....	45
Tafel 28.21 - Kühler.....	46
Tafel 28.22 - Ausdehngefäß.....	47
Tafel 28.23 - Kraftstofftank.....	48
Tafel 28.24 - Filtergehäuse.....	49
Tafel 28.25 - Benzindampfrückf.-Anlage.....	50
Tafel 28.26 - Auslassgruppe.....	52
Tafel 28.27 - Vorderrad.....	53
Tafel 28.28 - Vorderradbremzange.....	54
Tafel 28.29 - Hinterrad.....	55
Tafel 28.30 - Hinterradbremzange.....	56
Tafel 28.31 - Scheinwerfer.....	57
Tafel 28.32 - Rücklicht.....	58
Tafel 28.33 - Elektrische anlage I.....	59
Tafel 28.34 - Elektrische anlage II.....	60
Tafel 28.35 - Bausatz Schlösser.....	61
Tafel 28.36 - Aufkleber-Deko.....	62
Tafel 28.37 - Staukoffer.....	64
MOTOR.....	65
Tafel 29.38 - Motor Zusammenstellzeichnung.....	65
Tafel 29.39 - Kurbelwellengehäuse.....	66

Tafel 29.40 - Kurbelwelle.....	68
Tafel 29.41 - Zylinder.....	69
Tafel 29.42 - Zylinderkopf.....	70
Tafel 29.43 - Ventilschaltung.....	71
Tafel 29.44 - Kopfdeckel (Int.Thermostat).....	72
Tafel 29.45 - Kopfdeckel (Ext.Thermostat).....	73
Tafel 29.46 - Zuenderdeckel.....	74
Tafel 29.47 - Wasserpumpe (Int. Thermostat).....	75
Tafel 29.48 - Wasserpumpe (Ext.Thermostat).....	76
Tafel 29.49 - Vorgelege.....	77
Tafel 29.50 - Ölpumpe.....	79
Tafel 29.51 - Getriebe.....	80
Tafel 29.52 - Hauptgetriebe.....	81
Tafel 29.53 - Motor Kunsstoff.....	82
Tafel 29.54 - Startermotor.....	83
Tafel 29.55 - Zündgruppe.....	84
Tafel 29.56 - Klappenkörper.....	85
ZUBEHÖR.....	86
Tafel 30.57 - Acc. - Windschilder.....	86
Tafel 30.58 - Acc. - Koffer, Taschen.....	87
Tafel 30.59 - Acc. - Sonstiges.....	89
Tafel 30.60 - Acc. - Diebstahl.....	90

Fertige Produkte

Code	Gültigkeit
AP65006ES06	
AP65006ES07	
AP65006GB06	
AP65006GB07	
AP65006IT06	
AP65006IT07	

Code	Nr. der Tafel	Pos.
274246	29.46	2
497486	29.47	1
497486	29.48	2
827929	29.47	11
828394	29.46	23
829557	29.46	2
842595	29.47	2
842595	29.48	3
844438	29.46	23
844439	29.47	13
844439	29.48	5
8710505	29.46	1
871799	29.47	15
871799	29.48	17
8720885	29.46	1
872536	29.46	23
AP8101573	28.21	11
AP8101573	28.22	9
AP8101595	28.24	5
AP8101861	28.02	7
AP8102375	28.08	16
AP8102376	28.08	17
AP8102376	28.10	20
AP8102376	28.12	15
AP8102376	28.13	11
AP8102381	28.08	15
AP8102401	28.24	15
AP8102520	28.25	16
AP8102576	28.24	19
AP8102600	28.09	4
AP8102678	28.25	3
AP8102688	28.25	15
AP8102727	28.25	5
AP8102913	28.09	8
AP8102947	28.14	12
AP8103235	28.05	15
AP8104097	28.21	12
AP8104097	28.22	10
AP8104185	28.35	8
AP8104242	28.24	4
AP8104244	28.36	1
AP8104244	28.36	1
AP8104247	28.36	3
AP8104251	28.25	6
AP8104266	28.21	1
AP8104384	28.18	2
AP8104429	28.09	5
AP8104440	28.14	11
AP8104441	28.35	2
AP8104449	28.36	1
AP8104449	28.36	1
AP8104450	28.36	1
AP8104453	28.18	11
AP8104454	28.18	12
AP8104461	28.35	1
AP8104462	28.35	3
AP8104473	28.36	1
AP8104489	28.10	3
AP8104489	28.35	5
AP8104495	28.36	1
AP8104550	28.25	8
AP8104588	28.36	1
AP8104590	28.36	1
AP8104591	28.13	7
AP8104592	28.35	1
AP8104603	28.36	7
AP8104606	28.33	22

Code	Nr. der Tafel	Pos.
AP8104607	28.35	9
AP8104609	28.35	5
AP8104622	28.35	8
AP8104643	28.25	18
AP8104697	28.35	10
AP8104807	28.34	22
AP8106776	28.25	1
AP8106810	29.38	1
AP8106824	28.25	2
AP8106961	29.38	1
AP8106983	29.38	1
AP8106983	29.38	1
AP8108959	28.27	1
AP8108960	28.29	3
AP8109267	28.27	8
AP8109268	28.29	1
AP8110086	28.29	11
AP8112506	28.34	21
AP8112811	28.34	9
AP8112916	28.16	5
AP8112940	28.34	15
AP8113003	28.19	11
AP8113003	28.20	15
AP8113003	28.28	8
AP8113003	28.30	9
AP8113004	28.19	10
AP8113004	28.20	14
AP8113004	28.26	15
AP8113004	28.28	7
AP8113004	28.30	10
AP8113005	28.28	6
AP8113005	28.30	4
AP8113006	28.30	5
AP8113230	28.30	13
AP8113637	28.19	2
AP8113697	28.27	2
AP8113698	28.19	1
AP8113761	28.30	14
AP8113762	28.30	15
AP8113789	29.46	14
AP8113789	29.54	1
AP8113789	29.56	6
AP8113800	28.29	2
AP8113859	28.19	9
AP8113859	28.20	6
AP8113860	28.19	5
AP8113863	28.20	5
AP8113864	28.20	4
AP8113865	28.28	4
AP8113916	28.28	1
AP8113922	28.28	15
AP8113922	28.30	8
AP8113928	28.20	1
AP8113944	28.28	9
AP8113946	28.28	12
AP8114428	28.20	10
AP8114447	28.20	11
AP8114459	28.13	8
AP8117073	28.11	7
AP8117217	28.11	11
AP8117218	28.23	10
AP8117225	28.12	11
AP8117226	28.12	12
AP8118542	28.19	3
AP8118542	28.20	2
AP8118582	28.20	18
AP8118589	28.18	1

Code	Nr. der Tafel	Pos.
AP8118675	28.19	15
AP8118675	28.20	3
AP8119497	28.26	14
AP8119623	28.26	6
AP8119624	28.26	4
AP8119625	28.26	1
AP8119667	28.26	2
AP8119703	28.26	7
AP8119734	28.26	3
AP8119735	28.26	1
AP8120179	28.25	17
AP8120218	28.34	14
AP8120275	28.21	6
AP8120416	28.33	18
AP8120422	28.33	19
AP8120508	28.16	13
AP8120531	28.08	19
AP8120594	28.21	7
AP8120615	28.24	2
AP8120621	28.27	5
AP8120657	28.33	17
AP8120754	28.34	8
AP8120876	28.24	8
AP8120905	28.24	20
AP8120905	28.25	13
AP8120905	28.25	19
AP8120952	28.25	12
AP8121032	28.22	7
AP8121311	28.01	17
AP8121477	28.01	16
AP8121478	28.01	12
AP8121479	28.14	6
AP8121480	28.02	4
AP8121481	28.01	11
AP8121517	28.01	13
AP8121519	28.01	26
AP8121531	28.01	10
AP8121532	28.05	22
AP8121532	28.06	22
AP8121533	28.14	9
AP8121534	28.14	8
AP8121551	28.01	14
AP8121552	28.01	27
AP8121564	28.05	23
AP8121564	28.06	23
AP8121568	28.10	8
AP8121569	28.02	6
AP8121572	28.01	15
AP8121583	28.04	6
AP8121584	28.04	7
AP8121595	28.03	13
AP8121596	28.03	12
AP8121623	28.25	7
AP8121650	28.17	4
AP8121922	28.21	8
AP8121932	28.03	3
AP8121994	28.03	5
AP8123206	28.05	4
AP8123216	28.05	3
AP8123360	28.05	16
AP8123575	28.04	4
AP8123650	28.05	1
AP8123653	28.05	14
AP8123655	28.05	10
AP8123664	28.05	17
AP8123777	28.05	13
AP8123794	28.04	3

Code	Nr. der Tafel	Pos.
AP8123920	28.05	9
AP8124266	28.33	10
AP8124273	28.34	7
AP8124528	28.27	10
AP8124598	28.33	7
AP8124636	28.34	6
AP8124719	28.10	16
AP8124765	28.34	11
AP8124768	28.34	13
AP8124869	28.33	14
AP8124936	28.33	9
AP8124977	28.03	7
AP8125757	28.19	7
AP8125757	28.20	7
AP8125812	28.27	7
AP8125845	28.29	7
AP8125850	28.27	4
AP8125862	28.29	8
AP8125896	28.27	3
AP8125899	28.27	6
AP8126702	28.14	15
AP8126877	28.10	4
AP8126994	28.10	4
AP8126995	28.10	4
AP8126996	28.10	4
AP8127021	28.21	4
AP8127027	28.33	8
AP8127027	28.34	1
AP8127028	28.34	12
AP8127030	28.31	1
AP8127031	28.32	2
AP8127032	28.32	3
AP8127033	28.31	2
AP8127034	28.31	3
AP8127072	28.16	7
AP8127073	28.34	19
AP8127100	28.19	12
AP8127108	28.33	2
AP8127112	28.33	1
AP8127205	28.34	5
AP8127267	28.34	20
AP8127268	28.34	18
AP8127269	28.31	4
AP8127270	28.32	6
AP8127289	28.20	9
AP8127302	28.33	3
AP8127305	28.19	6
AP8127305	28.20	12
AP8127307	28.31	1
AP8127324	28.17	2
AP8127339	28.32	5
AP8127340	28.32	4
AP8127341	28.32	1
AP8127342	28.31	6
AP8127344	28.35	4
AP8127345	28.33	21
AP8127346	28.33	20
AP8127359	28.32	6
AP8127360	28.11	10
AP8127385	28.16	7
AP8127390	28.09	21
AP8127423	28.32	2
AP8127424	28.32	3
AP8127440	28.17	1
AP8127462	28.17	1
AP8127463	28.17	1
AP8127464	28.17	1

Code	Nr. der Tafel	Pos.
AP8127473	28.32	8
AP8127475	28.34	20
AP8127476	28.32	9
AP8127482	28.19	16
AP8127497	28.35	4
AP8127530	28.33	8
AP8127530	28.34	1
AP8127549	28.11	13
AP8127572	28.20	9
AP8127591	28.33	23
AP8129301	28.13	5
AP8129302	28.14	4
AP8129304	28.14	1
AP8129332	28.14	1
AP8129333	28.14	4
AP8129370	28.14	1
AP8129370	28.14	1
AP8129371	28.14	4
AP8129371	28.14	4
AP8129437	28.14	1
AP8129438	28.14	4
AP8133521	28.28	2
AP8133534	28.30	1
AP8133536	28.30	6
AP8133537	28.19	4
AP8133538	28.28	10
AP8133538	28.28	3
AP8133539	28.30	3
AP8133540	28.28	11
AP8133543	28.30	7
AP8134703	28.01	5
AP8134706	28.23	5
AP8134708	28.01	4
AP8134709	28.01	3
AP8134710	28.29	6
AP8134712	28.23	4
AP8134713	28.21	5
AP8134715	28.01	6
AP8134799	28.10	6
AP8134800	28.05	21
AP8134800	28.06	21
AP8134816	28.02	2
AP8134817	28.02	3
AP8134818	28.02	5
AP8134819	28.05	20
AP8134819	28.06	20
AP8134832	28.01	2
AP8134839	29.56	8
AP8134862	28.32	7
AP8134872	28.04	9
AP8134873	28.04	10
AP8134874	28.07	2
AP8134890	28.25	10
AP8134902	28.16	8
AP8144038	28.24	10
AP8144046	28.33	11
AP8144048	28.09	22
AP8144048	28.11	14
AP8144056	28.22	3
AP8144087	28.14	13
AP8144089	28.14	14
AP8144281	28.08	12
AP8144303	28.24	13
AP8144303	28.25	9
AP8144371	28.24	12
AP8144372	28.01	9
AP8144374	28.21	2

Code	Nr. der Tafel	Pos.
AP8144374	28.22	4
AP8144379	28.21	3
AP8144421	28.23	3
AP8144422	28.23	6
AP8144426	28.23	13
AP8144427	28.23	12
AP8144442	28.24	11
AP8144509	28.01	18
AP8144517	28.14	5
AP8144527	29.47	14
AP8144528	28.09	14
AP8144529	28.31	5
AP8144537	28.09	18
AP8144538	28.08	11
AP8144546	28.13	6
AP8144556	28.10	15
AP8144570	28.09	17
AP8144579	29.48	15
AP8144609	28.21	3
AP8144782	28.23	2
AP8146416	28.01	7
AP8146417	28.01	8
AP8146418	28.03	1
AP8146419	28.03	2
AP8146422	28.08	9
AP8146423	28.01	1
AP8146423	28.01	1
AP8146425	28.12	8
AP8146426	28.12	9
AP8146593	28.02	1
AP8146625	28.03	1
AP8146753	28.01	1
AP8146753	28.01	1
AP8146753	28.01	1
AP8149034	28.16	9
AP8149428	28.24	9
AP8149429	28.08	6
AP8149430	28.14	2
AP8149431	28.08	7
AP8149432	28.08	5
AP8149432	28.08	5
AP8149432	28.08	5
AP8149434	28.13	3
AP8149435	28.09	9
AP8149436	28.09	10
AP8149437	28.24	7
AP8149438	28.24	1
AP8149441	28.16	4
AP8149443	28.18	9
AP8149444	28.18	7
AP8149445	28.16	1
AP8149446	28.11	5
AP8149447	28.11	6
AP8149450	28.08	1
AP8149451	28.08	2
AP8149452	28.08	3
AP8149453	28.08	4
AP8149454	28.11	1
AP8149455	28.11	2
AP8149456	28.15	1
AP8149457	28.15	2
AP8149458	28.08	10
AP8149459	28.12	4
AP8149460	28.12	5
AP8149461	28.08	8
AP8149462	28.16	3
AP8149464	28.12	1

Code	Nr. der Tafel	Pos.	Code	Nr. der Tafel	Pos.	Code	Nr. der Tafel	Pos.
AP8149465	28.29	10	AP8152270	28.20	17	AP8158793	28.09	11
AP8149466	28.09	3	AP8152278	28.12	13	AP8158795	28.08	6
AP8149470	28.09	1	AP8152278	28.21	10	AP8158796	28.08	1
AP8149470	28.09	1	AP8152278	28.22	6	AP8158797	28.08	2
AP8149471	28.23	1	AP8152282	28.28	14	AP8158801	28.16	4
AP8149472	28.11	3	AP8152282	28.30	12	AP8158802	28.15	1
AP8149473	28.11	4	AP8152282	28.34	23	AP8158803	28.15	2
AP8149474	28.09	2	AP8152288	28.27	11	AP8158804	28.15	3
AP8149475	28.09	7	AP8152290	28.07	7	AP8158805	28.15	4
AP8149476	28.23	7	AP8152291	28.29	15	AP8158806	28.16	2
AP8149477	28.10	2	AP8152299	28.01	24	AP8158807	28.08	6
AP8149478	28.12	10	AP8152299	28.14	10	AP8158808	28.08	1
AP8149479	28.12	6	AP8152299	28.21	9	AP8158809	28.08	2
AP8149480	28.12	7	AP8152299	28.22	8	AP8158813	28.16	4
AP8149481	28.10	1	AP8152300	28.07	6	AP8158814	28.15	1
AP8149482	28.10	5	AP8152301	28.03	4	AP8158815	28.15	2
AP8149483	28.13	1	AP8152301	28.07	5	AP8158816	28.15	3
AP8149484	28.13	2	AP8152301	28.18	3	AP8158817	28.15	4
AP8149484	28.13	2	AP8152306	28.09	23	AP8158818	28.16	2
AP8150020	28.07	4	AP8152306	28.23	11	AP8158819	28.08	6
AP8150020	28.18	4	AP8152329	28.13	10	AP8158820	28.08	1
AP8150020	28.29	14	AP8152329	28.24	3	AP8158821	28.08	2
AP8150026	28.34	16	AP8152330	28.35	7	AP8158825	28.16	4
AP8150086	28.07	3	AP8152334	28.09	27	AP8158826	28.15	1
AP8150088	28.18	5	AP8152338	28.09	24	AP8158827	28.15	2
AP8150101	28.01	21	AP8152339	28.26	8	AP8158828	28.15	3
AP8150107	28.28	13	AP8152400	28.26	11	AP8158829	28.15	4
AP8150107	28.30	11	AP8152401	28.29	5	AP8158830	28.16	2
AP8150165	28.18	6	AP8152402	28.29	12	AP8158831	28.15	5
AP8150165	28.20	13	AP8152403	28.29	13	AP8158837	28.23	9
AP8150165	28.35	6	AP8152409	28.02	8	AP8158905	28.13	4
AP8150170	28.15	6	AP8152410	28.26	13	AP8158906	28.15	5
AP8150204	28.10	19	AP8152506	29.49	22	AP8158907	28.15	5
AP8150208	28.01	23	AP8156004	28.10	4	AP8158908	28.15	5
AP8150210	28.29	17	AP8156016	28.10	4	AP8158986	28.08	10
AP8150277	28.18	15	AP8156017	28.10	4	AP8158999	28.11	9
AP8150334	28.26	5	AP8156018	28.10	4	AP8163017	28.04	2
AP8150338	28.01	20	AP8156035	28.10	4	AP8163076	28.05	2
AP8150376	28.15	8	AP8156036	28.10	4	AP8163148	28.04	1
AP8150376	28.16	12	AP8156037	28.10	4	AP8163149	28.04	5
AP8150413	28.08	14	AP8156037	28.10	4	AP8163150	28.05	5
AP8150413	28.09	25	AP8156038	28.10	4	AP8163151	28.05	6
AP8150413	28.10	17	AP8156038	28.10	4	AP8163152	28.05	7
AP8150413	28.11	15	AP8156156	28.10	4	AP8163153	28.05	8
AP8150413	28.15	10	AP8156157	28.10	4	AP8163154	28.05	11
AP8150413	28.16	10	AP8156159	28.10	4	AP8163155	28.05	12
AP8150413	28.24	14	AP8158086	28.12	2	AP8163156	28.05	18
AP8150429	28.34	17	AP8158087	28.12	3	AP8163157	28.05	19
AP8150430	28.01	19	AP8158192	28.24	6	AP8163164	28.04	8
AP8150431	28.18	14	AP8158320	28.24	16	AP8163165	28.26	10
AP8150450	28.09	26	AP8158360	28.02	9	AP8163166	28.26	9
AP8150493	28.08	13	AP8158361	28.02	10	AP8163167	28.26	12
AP8150499	28.02	12	AP8158430	28.18	13	AP8163168	28.07	1
AP8150500	28.02	11	AP8158432	28.18	10	AP8163169	28.09	15
AP8152001	28.03	6	AP8158432	28.18	10	AP8163171	28.14	3
AP8152030	28.01	22	AP8158434	28.18	8	AP8163285	28.06	3
AP8152057	28.01	25	AP8158441	28.09	6	AP8163289	28.06	10
AP8152058	28.16	11	AP8158465	28.10	14	AP8163327	28.09	20
AP8152194	28.10	9	AP8158466	28.10	13	AP8163327	28.11	12
AP8152246	28.08	18	AP8158535	28.15	3	AP8163334	28.07	1
AP8152246	28.10	18	AP8158536	28.15	4	AP8163414	28.06	4
AP8152246	28.12	14	AP8158537	28.16	2	AP8163415	28.06	18
AP8152246	28.13	9	AP8158539	28.18	10	AP8163416	28.06	19
AP8152246	28.15	9	AP8158549	28.09	16	AP8163419	28.06	24
AP8152268	28.19	13	AP8158760	28.09	12	AP8163420	28.06	11
AP8152268	28.20	16	AP8158761	28.09	13	AP8163421	28.06	12
AP8152270	28.19	14	AP8158779	28.23	14	AP8163422	28.06	2

Code	Nr. der Tafel	Pos.
AP8163423	28.06	8
AP8163424	28.06	1
AP8163425	28.06	17
AP8163426	28.06	16
AP8163427	28.06	15
AP8163428	28.06	14
AP8163429	28.06	13
AP8163430	28.06	7
AP8163431	28.06	25
AP8163432	28.06	6
AP8163433	28.06	5
AP8163434	28.04	5
AP8166374	28.36	10
AP8166375	28.36	8
AP8166376	28.36	9
AP8166433	28.36	10
AP8166434	28.36	8
AP8166435	28.36	9
AP8167110	28.36	2
AP8167111	28.36	4
AP8168002	28.11	8
AP8168014	28.24	9
AP8168014	28.25	11
AP8168348	28.08	6
AP8168349	28.08	1
AP8168350	28.08	2
AP8168351	28.15	3
AP8168352	28.15	4
AP8168353	28.15	3
AP8168354	28.15	4
AP8168355	28.16	2
AP8168356	28.16	4
AP8168357	28.15	1
AP8168358	28.15	2
AP8168359	28.15	5
AP8168365	28.08	6
AP8168365	28.08	6
AP8168366	28.08	1
AP8168366	28.08	1
AP8168367	28.08	2
AP8168367	28.08	2
AP8168368	28.15	3
AP8168368	28.15	3
AP8168369	28.15	4
AP8168369	28.15	4
AP8168370	28.15	3
AP8168370	28.15	3
AP8168371	28.15	4
AP8168371	28.15	4
AP8168372	28.16	2
AP8168372	28.16	2
AP8168373	28.16	4
AP8168373	28.16	4
AP8168374	28.15	1
AP8168374	28.15	1
AP8168375	28.15	2
AP8168375	28.15	2
AP8168376	28.15	5
AP8168376	28.15	5
AP8168489	28.09	1
AP8168489	28.09	1
AP8168709	28.35	3
AP8168740	28.13	2
AP8168740	28.13	2
AP8168740	28.13	2
AP8168740	28.13	2
AP8176059	29.38	1

Code	Nr. der Tafel	Pos.
AP8176060	29.38	1
AP8176091	29.49	22
AP8176189	28.23	8
AP8177029	28.36	4
AP8177049	28.36	2
AP8177051	28.36	5
AP8177054	28.36	2
AP8177483	28.36	6
AP8177736	28.36	4
AP8178055	28.09	1
AP8178615	28.10	1
AP8178678	28.08	5
AP8178679	28.08	6
AP8178680	28.08	1
AP8178681	28.08	2
AP8178684	28.15	3
AP8178685	28.15	4
AP8178686	28.15	3
AP8178687	28.15	4
AP8178688	28.16	2
AP8178689	28.16	4
AP8178690	28.15	1
AP8178691	28.15	2
AP8178692	28.08	1
AP8178693	28.08	2
AP8178696	28.15	3
AP8178697	28.15	4
AP8178698	28.15	3
AP8178699	28.15	4
AP8201169	28.24	18
AP8201305	28.10	7
AP8201463	28.22	2
AP8201534	28.09	19
AP8201546	28.27	9
AP8201546	28.29	4
AP8201620	28.10	10
AP8201643	28.14	7
AP8201748	28.10	11
AP8201749	28.10	12
AP8202154	28.25	4
AP8208546	28.29	16
AP8212696	28.34	2
AP8212702	28.16	6
AP8212733	28.34	10
AP8213108	28.28	5
AP8213298	28.19	8
AP8213298	28.20	8
AP8213467	28.30	2
AP8217031	28.23	15
AP8220263	28.25	14
AP8220283	28.33	13
AP8220325	28.21	13
AP8220325	28.22	5
AP8220546	28.33	16
AP8220546	28.34	3
AP8220597	28.24	17
AP8221128	28.15	7
AP8221204	28.03	9
AP8221211	28.03	8
AP8221317	28.03	10
AP8221318	28.03	11
AP8221329	28.29	9
AP8223054	28.06	9
AP8224057	28.33	15
AP8224057	28.34	4
AP8224462	28.33	12
AP8234207	28.33	4

Code	Nr. der Tafel	Pos.
AP8247323	28.17	3
AP8258243	28.22	1
AP8550039	29.40	5
AP8550079	29.46	15
AP8550079	29.47	12
AP8550079	29.48	6
AP8550094	29.39	11
AP8550107	29.39	20
AP8550271	29.41	5
AP8550304	29.51	15
AP8550326	29.42	4
AP8550331	29.46	11
AP8550334	29.39	14
AP8550336	29.50	13
AP8550337	29.50	12
AP8550361	29.51	1
AP8550366	28.33	6
AP8550417	29.46	3
AP8550417	29.46	8
AP8550429	29.41	11
AP8550455	28.33	5
AP8550487	29.55	2
AP8550508	29.42	1
AP8550512	29.46	5
AP8550545	29.46	10
AP8550546	29.46	22
AP8550546	29.55	11
AP8550557	29.41	12
AP8550557	29.42	18
AP8550558	29.44	3
AP8550558	29.56	5
AP8550579	29.39	15
AP8551011	29.47	4
AP8551011	29.48	12
AP8551014	29.53	8
AP8551029	29.50	7
AP8551045	29.42	18
AP8551046	29.43	2
AP8551047	29.43	1
AP8551060	29.42	14
AP8551068	29.39	13
AP8560001	29.38	2
AP8560002	29.38	3
AP8560003	29.39	10
AP8560004	29.51	13
AP8560005	29.51	10
AP8560006	29.55	12
AP8560007	29.39	18
AP8560008	29.43	9
AP8560009	29.55	13
AP8560010	29.42	12
AP8560010	29.45	8
AP8560011	29.55	7
AP8560012	29.46	16
AP8560013	29.53	3
AP8560014	29.39	7
AP8560014	29.46	6
AP8560015	29.42	13
AP8560015	29.45	9
AP8560016	29.39	9
AP8560017	29.39	8
AP8560019	29.39	16
AP8560021	29.46	17
AP8560022	29.51	14
AP8560023	29.46	19
AP8560024	29.49	1
AP8560025	29.54	2

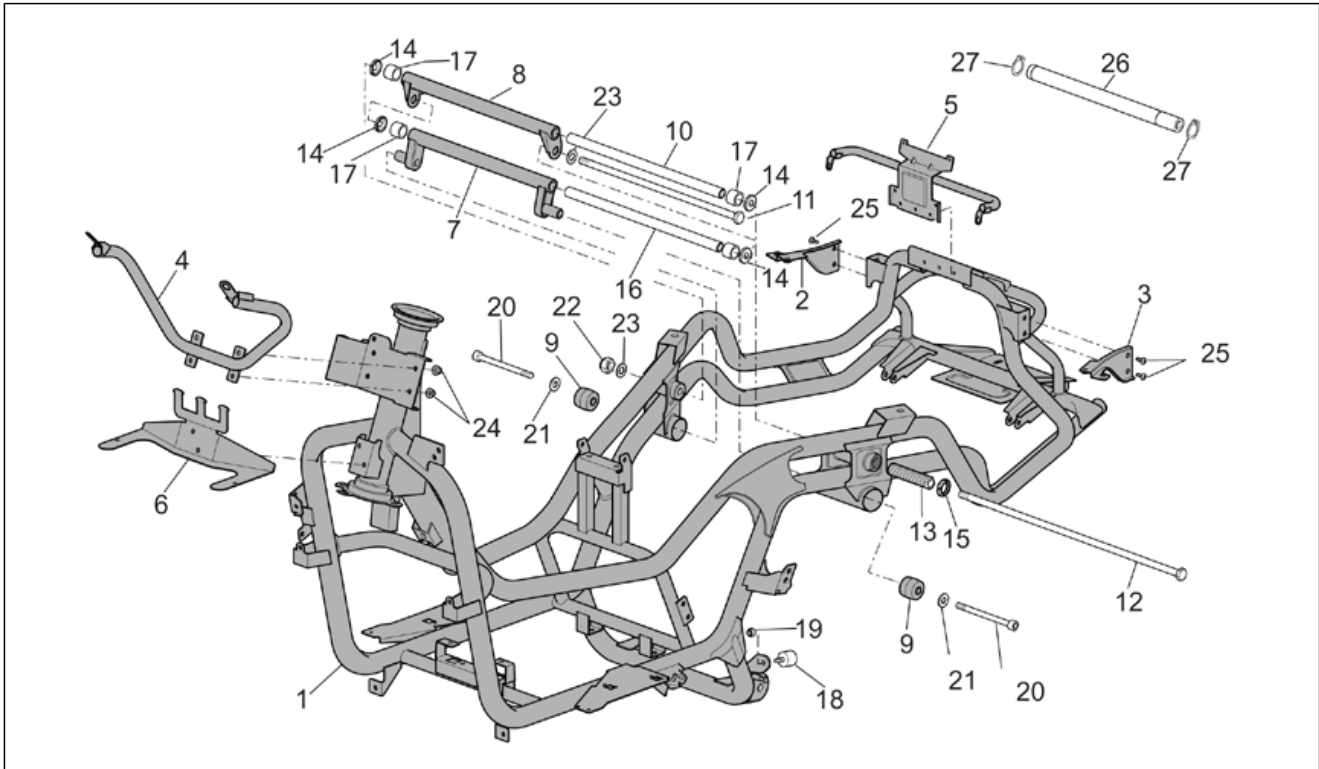
Code	Nr. der Tafel	Pos.
AP8560026	29.49	14
AP8560027	29.39	19
AP8560028	29.49	3
AP8560029	29.49	20
AP8560030	29.39	17
AP8560031	29.49	7
AP8560032	29.50	5
AP8560033	29.49	2
AP8560034	29.49	11
AP8560035	29.49	13
AP8560036	29.55	1
AP8560037	29.55	5
AP8560039	29.46	7
AP8560040	29.49	19
AP8560041	29.42	10
AP8560042	29.39	4
AP8560043	29.49	18
AP8560043	29.55	9
AP8560044	29.43	12
AP8560045	29.50	1
AP8560046	29.49	21
AP8560047	29.46	9
AP8560048	29.56	3
AP8560049	29.42	8
AP8560050	29.43	14
AP8560051	29.43	3
AP8560052	29.50	11
AP8560053	29.49	12
AP8560054	29.42	3
AP8560055	29.50	14
AP8560056	29.42	5
AP8560058	29.55	8
AP8560059	29.41	10
AP8560060	29.43	18
AP8560060	29.50	6
AP8560061	29.41	13
AP8560063	29.49	16
AP8560063	29.55	6
AP8560064	29.54	3
AP8560065	29.55	14
AP8560066	29.41	8
AP8560067	29.41	4
AP8560068	29.41	9
AP8560069	29.41	2
AP8560070	29.52	6
AP8560071	29.50	3
AP8560072	29.47	3
AP8560073	29.47	5
AP8560073	29.48	13
AP8560074	29.50	2
AP8560075	29.48	7
AP8560076	29.39	2
AP8560077	29.42	21
AP8560078	29.43	6
AP8560079	29.51	4
AP8560080	29.51	8
AP8560081	29.44	4
AP8560082	29.44	2
AP8560083	29.55	10
AP8560084	29.39	6
AP8560085	29.51	2
AP8560086	29.41	3
AP8560087	29.50	8
AP8560088	29.40	1
AP8560089	29.47	6
AP8560091	29.42	17
AP8560092	29.42	6

Code	Nr. der Tafel	Pos.
AP8560093	29.42	9
AP8560095	29.42	2
AP8560096	29.39	5
AP8560097	29.49	17
AP8560098	29.42	19
AP8560099	29.42	15
AP8560100	29.55	4
AP8560101	29.44	1
AP8560101	29.45	1
AP8560102	29.55	3
AP8560103	29.47	9
AP8560104	29.39	3
AP8560105	29.51	12
AP8560106	29.39	21
AP8560107	29.46	18
AP8560108	29.49	9
AP8560109	29.49	5
AP8560110	29.49	4
AP8560111	29.49	8
AP8560112	29.53	2
AP8560113	29.53	4
AP8560114	29.53	1
AP8560115	29.53	5
AP8560116	29.56	7
AP8560117	29.46	13
AP8560118	29.46	12
AP8560119	29.53	7
AP8560120	29.43	13
AP8560121	29.43	8
AP8560122	29.43	15
AP8560123	29.39	12
AP8560124	29.43	7
AP8560125	29.51	9
AP8560126	29.51	11
AP8560127	29.52	8
AP8560128	29.43	11
AP8560129	29.52	7
AP8560130	29.51	6
AP8560131	29.43	4
AP8560132	29.52	9
AP8560133	29.43	16
AP8560134	29.52	11
AP8560135	29.43	10
AP8560136	29.43	17
AP8560137	29.52	3
AP8560138	29.52	2
AP8560139	29.43	5
AP8560140	29.46	21
AP8560142	29.46	20
AP8560143	29.52	5
AP8560144	29.40	8
AP8560146	29.44	1
AP8560146	29.45	1
AP8560147	29.51	5
AP8560148	29.51	3
AP8560149	29.42	7
AP8560150	29.40	7
AP8560153	29.50	9
AP8560153	29.56	4
AP8560154	29.56	1
AP8560155	29.50	10
AP8560156	29.40	6
AP8560157	29.40	4
AP8560157	29.50	4
AP8560158	29.51	7
AP8560159	29.41	6
AP8560160	29.41	6

Code	Nr. der Tafel	Pos.
AP8560161	29.41	6
AP8560162	29.41	6
AP8560163	29.46	4
AP8560164	29.41	1
AP8560165	29.41	1
AP8560166	29.41	1
AP8560167	29.42	20
AP8560168	29.42	16
AP8560169	29.42	11
AP8560170	29.56	2
AP8560171	29.52	10
AP8560172	29.52	1
AP8560173	29.47	8
AP8560174	29.41	7
AP8560175	29.49	6
AP8560177	29.49	10
AP8560178	29.49	15
AP8560179	29.52	4
AP8560180	29.52	12
AP8560182	29.47	7
AP8560183	29.47	10
AP8560183	29.48	8
AP8560186	29.53	6
AP8560187	29.49	1
AP8560187	29.49	1
AP8560188	29.52	6
AP8560188	29.52	6
AP8560189	29.39	1
AP8560190	29.39	1
AP8560191	29.39	1
AP8560192	29.39	1
AP8560193	29.40	3
AP8560194	29.40	3
AP8560195	29.49	15
AP8560195	29.49	15
AP8560196	29.49	4
AP8560196	29.49	4
AP8560197	29.49	6
AP8560197	29.49	6
AP8560198	29.52	3
AP8560198	29.52	3
AP8560199	29.52	1
AP8560199	29.52	1
AP8560200	29.52	12
AP8560200	29.52	12
AP8560201	29.49	12
AP8560201	29.49	12
AP8560202	29.40	2
AP8560203	29.40	2
AP8560204	29.56	1
AP8560209	29.40	2
AP8560210	29.39	1
AP8560211	29.39	1
AP8560212	29.39	1
AP8560213	29.39	1
AP8560214	29.40	8
AP8560215	29.40	6
AP8570001	29.45	7
AP8570002	29.46	17
AP8570004	29.39	10
AP8570007	29.45	3
AP8570008	29.45	5
AP8570009	29.45	4
AP8570010	29.45	2
AP8570012	29.42	8
AP8570017	29.42	17
AP8570022	29.45	6

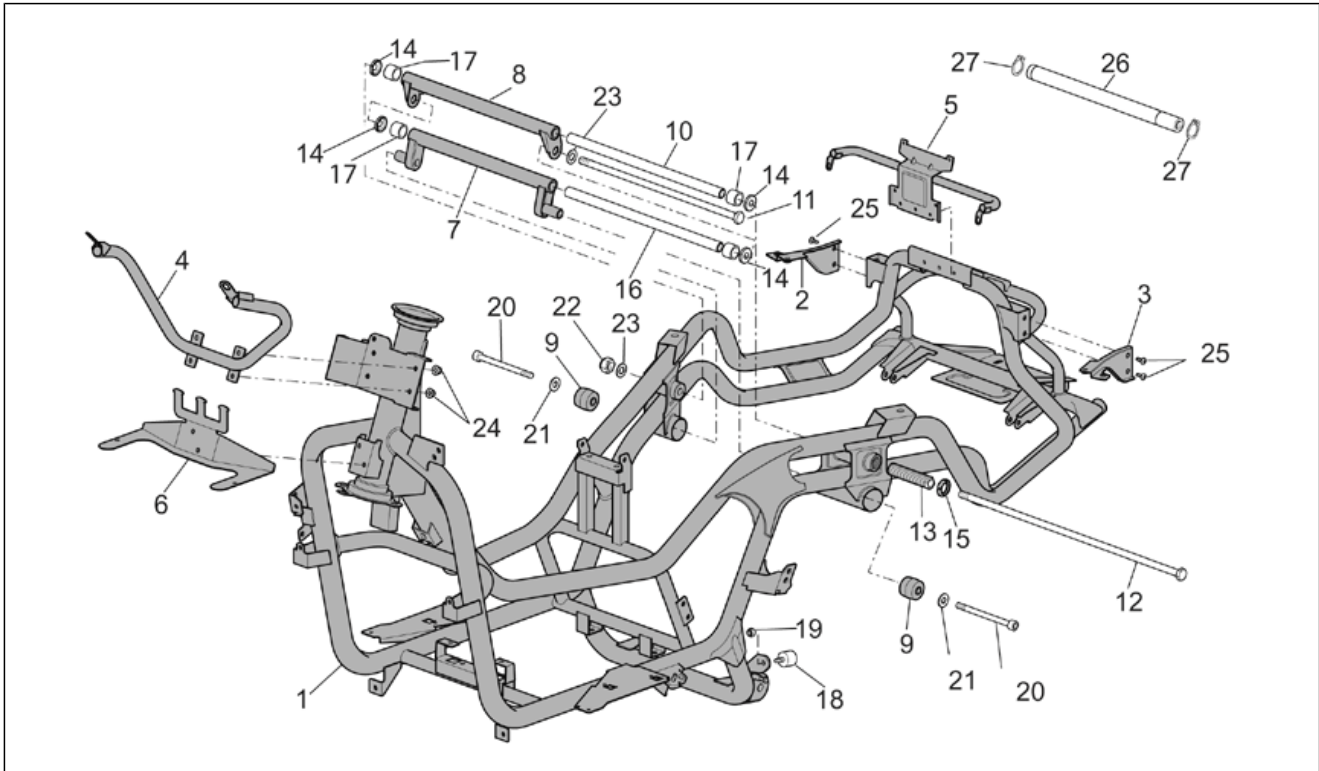
Code	Nr. der Tafel	Pos.
AP8570028	29.52	10
AP8570028	29.52	10
AP8570031	29.48	11
AP8570032	29.48	14
AP8570033	29.48	10
AP8570034	29.48	9
AP8570035	29.48	16
AP8570036	29.48	1
AP8570037	29.48	4
AP8700792	30.59	1
AP8700793	30.59	1
AP8700794	30.59	1
AP8700998	28.37	3
AP8700998	30.58	2
AP8700999	30.58	2
AP8701141	30.59	3
AP8702123	28.37	2
AP8702127	28.37	4
AP8702128	28.37	4
AP8702130	28.37	4
AP8702130	28.37	4
AP8720115	30.60	1
AP8720116	30.60	2
AP8720117	30.60	3
AP8720118	30.60	4
AP8790240	28.37	3
AP8790240	28.37	3
AP8790240	30.58	2
AP8790241	30.58	2
AP8790261	30.58	1
AP8791211	30.57	1
AP8792242	28.37	1
AP8792242	30.58	3
AP8792243	28.37	3
AP8792243	30.58	2
AP8792244	28.37	3
AP8792244	30.58	2
AP8792245	28.37	3
AP8792245	30.58	2
AP8792246	28.37	3
AP8792246	30.58	2
AP8792281	30.58	2
AP8792282	30.58	2
AP8792283	30.58	2
AP8792284	30.58	2
AP8792285	30.58	4
AP8792301	30.58	6
AP8792302	30.58	5
AP8792362	28.37	3
AP8792362	30.58	2
AP8792363	30.58	2
AP8792364	28.37	4
AP8794038	30.59	5
AP8794039	30.59	4
AP8796615	30.59	2

Einheit	RAHMEN
Code	28.01
Beschreibung	Rahmen
Inspektion	1



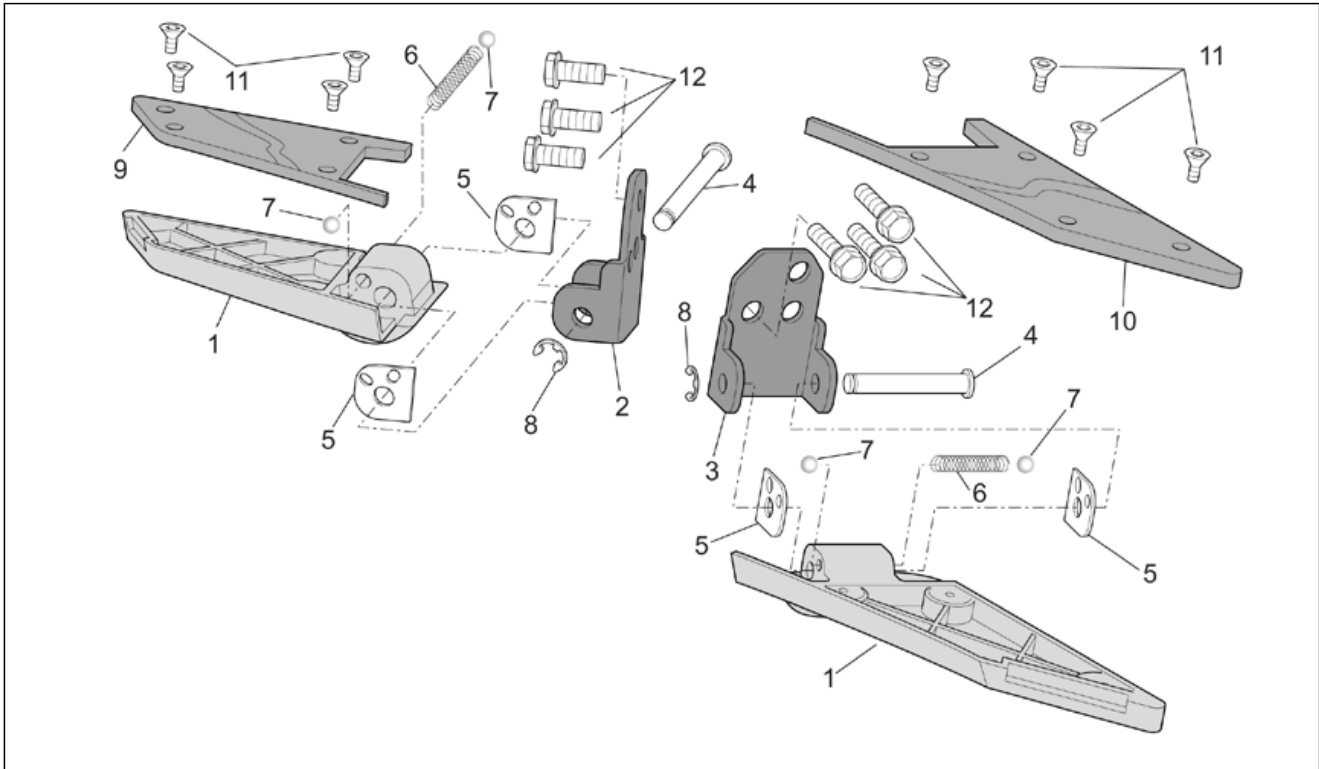
Pos.	Code	Beschreibung	Menge	Varianten
1	AP8146423	Rahmen mit Kataphorese	1	Baujahr:2001[1]
1	AP8146423	Rahmen mit Kataphorese	1	Baujahr:2003[3]
1	AP8146753	Rahmen mit Kataphorese	1	Baujahr:2001[1]
1	AP8146753	Rahmen mit Kataphorese	1	Baujahr:2004[4]
1	AP8146753	Rahmen mit Kataphorese	1	Baujahr:2003[3]
2	AP8134832	Rechts Platte	1	
3	AP8134709	Links Platte	1	
4	AP8134708	Spritzschutzhalter	1	
5	AP8134703	Halterbügel	1	
6	AP8134715	Halterbügel	1	
7	AP8146416	Motor-Pleuelstange	1	
8	AP8146417	Rahmen-Pleuelstange	1	
9	AP8144372	Puffer	2	
10	AP8121531	Pleuel-Distanzstück	1	
11	AP8121481	Bolzen	1	
12	AP8121478	Bolzen	1	
13	AP8121517	Einstellbuchse	1	
14	AP8121551	Staubschutz	4	
15	AP8121572	Nutmutter	1	
16	AP8121477	Pleuel-Distanzstück	1	
17	AP8121311	Gleitbuchse	4	
18	AP8144509	Anschlagstopfen Ständer	1	
19	AP8150430	Selbstsperr.mut Unt.	1	
20	AP8150338	TCEI Schraube M12 X 108	2	
21	AP8150101	Ausgleichscheibe 13x24x2,5*	2	
22	AP8152030	Selbstsperr.mut Unt. M14x1,5*	1	
23	AP8150208	Ausgleichscheibe 15x28x2,5*	2	
24	AP8152299	Selbstsperrende Mutter M6	4	

Einheit	RAHMEN
Code	28.01
Beschreibung	Rahmen
Inspektion	1



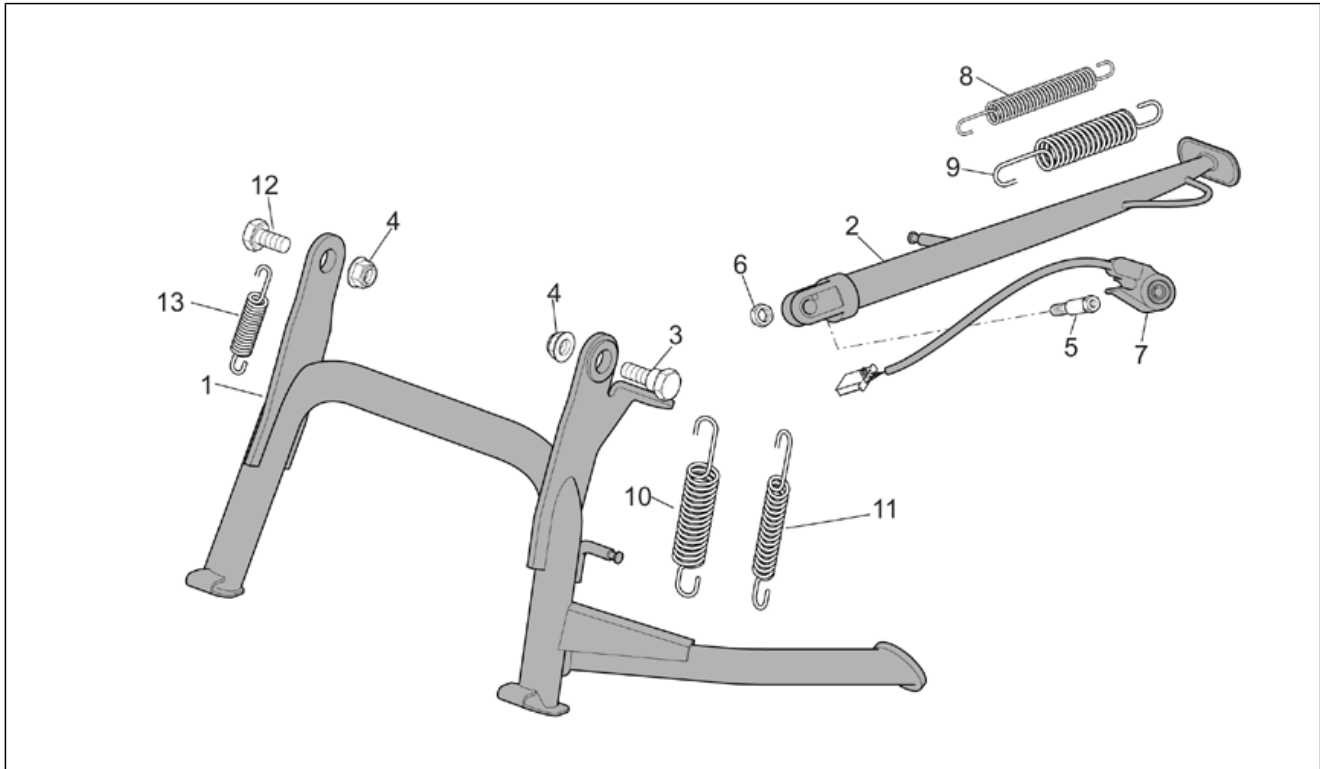
Pos.	Code	Beschreibung	Menge	Varianten
25	AP8152057	TBEI Schraube	4	
26	AP8121519	Distanzscheibe	1	
27	AP8121552	Seegerring d20	2	

Einheit	RAHMEN
Code	28.02
Beschreibung	Fussrasten
Inspektion	1



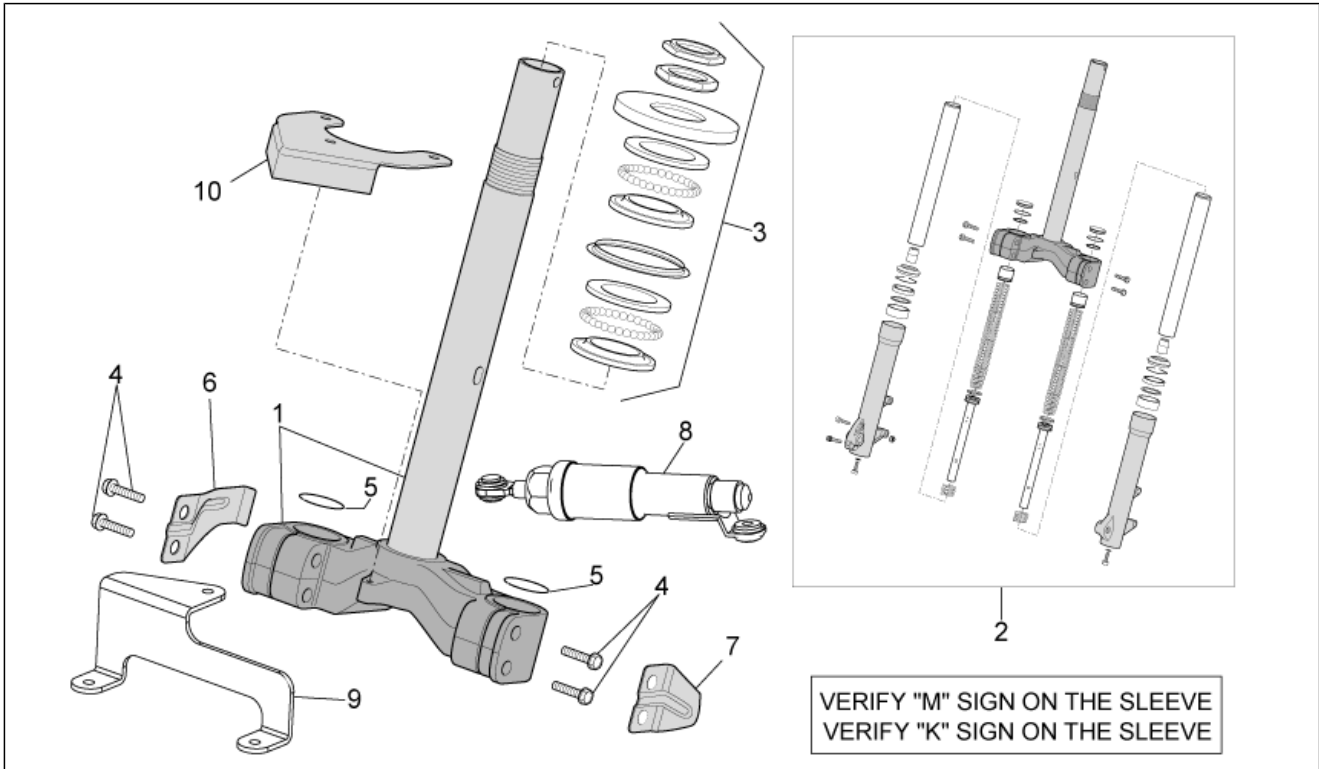
Pos.	Code	Beschreibung	Menge	Varianten
1	AP8146593	Soziusrasten (Paar)	1	
2	AP8134816	Halter Soziusfußraste, rechts	1	
3	AP8134817	Halter linke Soziusfußraste	1	
4	AP8121480	Rastenbolzen	2	
5	AP8134818	Fixierplatte	4	
6	AP8121569	Feder	2	
7	AP8101861	Kugel D6,35	4	
8	AP8152409	Sperring	2	
9	AP8158360	Soziusraste Deckung rs	1	
10	AP8158361	Soziusraste Deckung ls	1	
11	AP8150500	TBEI Schraube M5x9	8	
12	AP8150499	TBEI Schraube M8x15	6	

Einheit	RAHMEN
Code	28.03
Beschreibung	Hauptständer
Inspektion	1



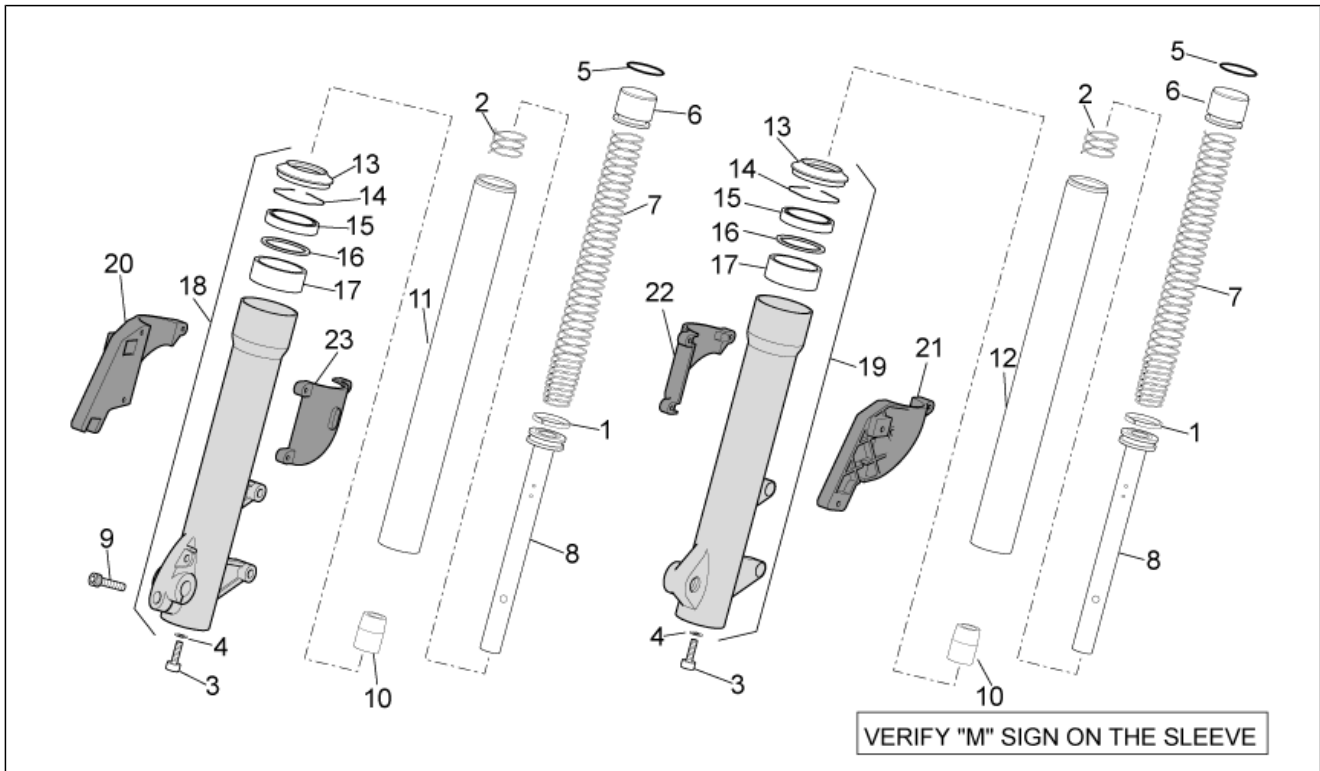
Pos.	Code	Beschreibung	Menge	Varianten
1	AP8146418	Hauptständer	1	Land:Österreich[A], Belgien[B], Schweiz[CH], Deutschland[D], Dänemark[DK], Spanien[E], A, B, CH, D, DK, F, I, NL[EU], Frankreich[F], Italien[I], Japan[J], J[J], Holland[NL], E[SP], Großbritannien[UK]
1	AP8146625	Hauptständer	1	Land:USA (Zulassung California)[CF], Vereinigte Staaten von Amerika[USA]
2	AP8146419	Seitenständer	1	
3	AP8121932	Ständerschraube	1	
4	AP8152301	Selbstsperrende Mutter	2	
5	AP8121994	Ständerschraube	1	
6	AP8152001	Mutter unten M10x1,25	1	
7	AP8124977	Schalter	1	
8	AP8221211	Rückhofeder Ständer	1	
9	AP8221204	Hauptständer Schraubenfeder	1	
10	AP8221317	Hauptständer Schraubenfeder	1	
11	AP8221318	Rückhofeder Ständer	1	
12	AP8121596	Schraube	1	
13	AP8121595	Feder	1	

Einheit	RAHMEN
Code	28.04
Beschreibung	Gabel - Fuß mit Rohr
Inspektion	1



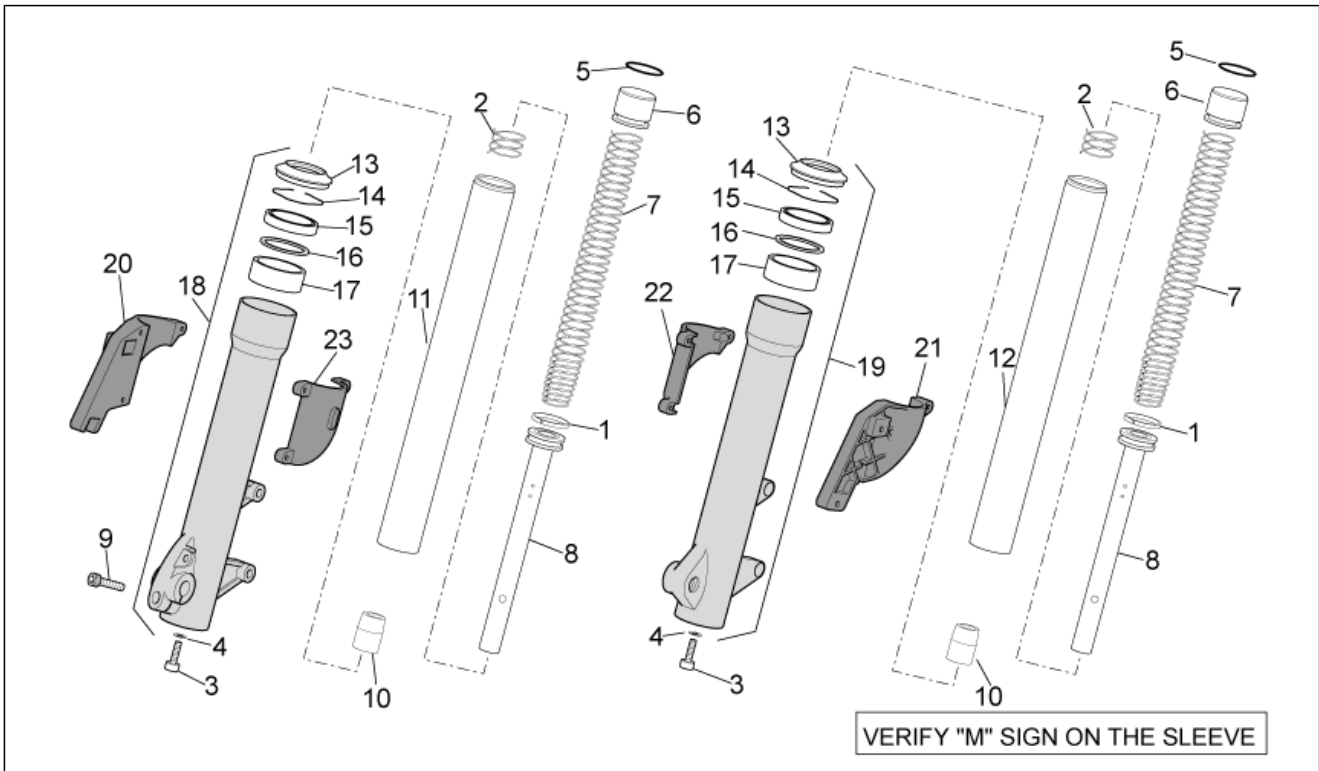
Pos.	Code	Beschreibung	Menge	Varianten
1	AP8163148	Fuß mit Rohr	1	
2	AP8163017	Baugruppe vordere Gabel	1	
3	AP8123794	Satz Kugelringe	1	
4	AP8123575	Spezialschraube M8x35	4	
5	AP8163149	Sperring D38,2x1	2	Technische Daten: Gabel mit Buchstaben M auf dem Schaft[M]
5	AP8163434	Sperring D.38,2x1	2	Technische Daten: Gabel mit Buchstaben K auf dem Schaft[K]
6	AP8121583	Kabelführung	1	
7	AP8121584	Kabelführung	1	
8	AP8163164	Lenk Stoßdämpfer	1	
9	AP8134872	Fixierplatte	1	
10	AP8134873	Platte	1	

Einheit	RAHMEN
Code	28.05
Beschreibung	Marzocchi Gabel - Schaften, Hülsen
Inspektion	1



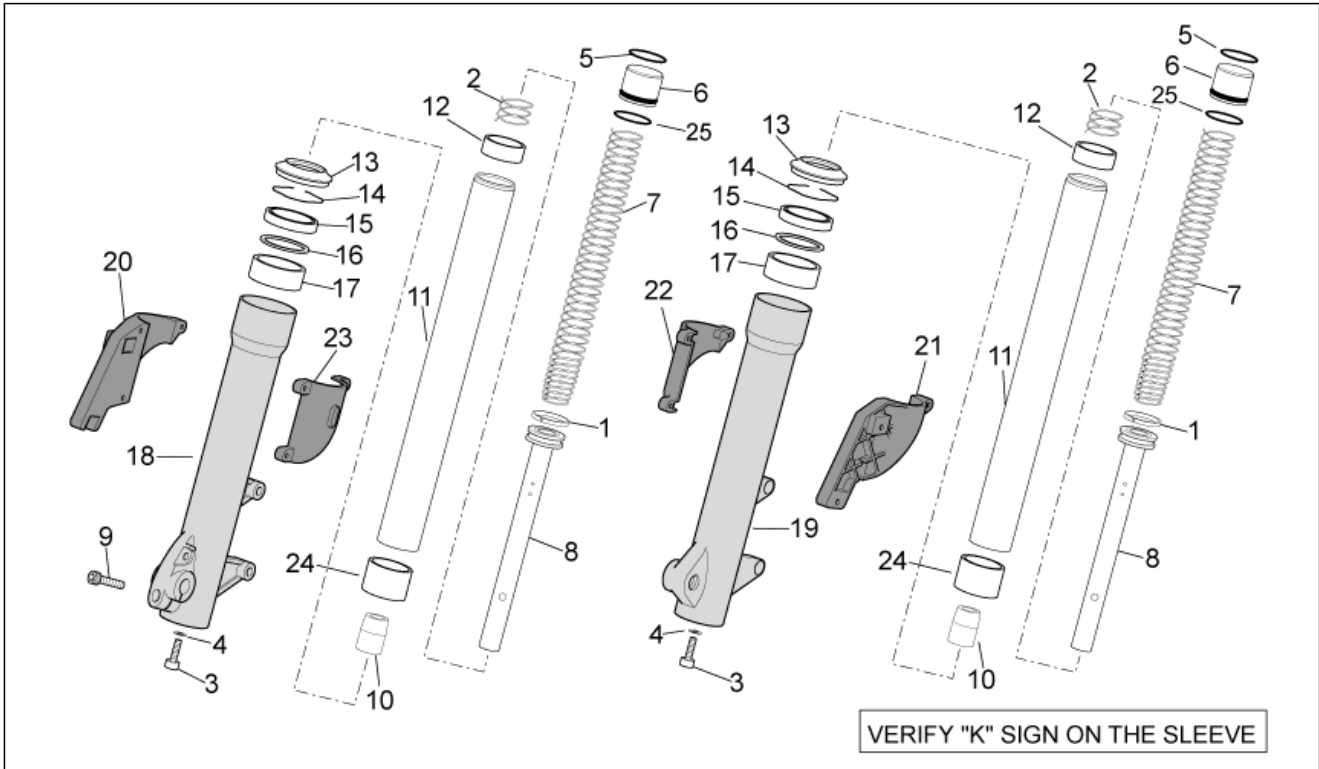
Pos.	Code	Beschreibung	Menge	Varianten
1	AP8123650	Kolbenringbuchse	2	Technische Daten: Gabel mit Buchstaben M auf dem Schaft[M]
2	AP8163076	Gegenfeder	2	Technische Daten: Gabel mit Buchstaben M auf dem Schaft[M]
3	AP8123216	Zylinderschraube M10x30	2	Technische Daten: Gabel mit Buchstaben M auf dem Schaft[M]
4	AP8123206	Dichtscheibe	2	Technische Daten: Gabel mit Buchstaben M auf dem Schaft[M]
5	AP8163150	Sperring D37,5X1,2	2	Technische Daten: Gabel mit Buchstaben M auf dem Schaft[M]
6	AP8163151	Verschlussschraube	2	Technische Daten: Gabel mit Buchstaben M auf dem Schaft[M]
7	AP8163152	Feder	2	Technische Daten: Gabel mit Buchstaben M auf dem Schaft[M]
8	AP8163153	Stoßdämpfer	2	Technische Daten: Gabel mit Buchstaben M auf dem Schaft[M]
9	AP8123920	Schraube	1	Technische Daten: Gabel mit Buchstaben M auf dem Schaft[M]
10	AP8123655	Bodenstopfen	2	Technische Daten: Gabel mit Buchstaben M auf dem Schaft[M]
11	AP8163154	Kolbenstange rechts	1	Technische Daten: Gabel mit Buchstaben M auf dem Schaft[M]
12	AP8163155	Kolbenstange links	1	Technische Daten: Gabel mit Buchstaben M auf dem Schaft[M]
13	AP8123777	Staubschutzfeder	2	Technische Daten: Gabel mit Buchstaben M auf dem Schaft[M]
14	AP8123653	Sperring	2	Technische Daten: Gabel mit Buchstaben M auf dem Schaft[M]
15	AP8103235	Gasket ring	2	Technische Daten: Gabel mit Buchstaben M auf dem Schaft[M]
16	AP8123360	Führungsbecher	2	Technische Daten: Gabel mit Buchstaben M auf dem Schaft[M]

Einheit	RAHMEN
Code	28.05
Beschreibung	Marzocchi Gabel - Schaften, Hülse
Inspektion	1



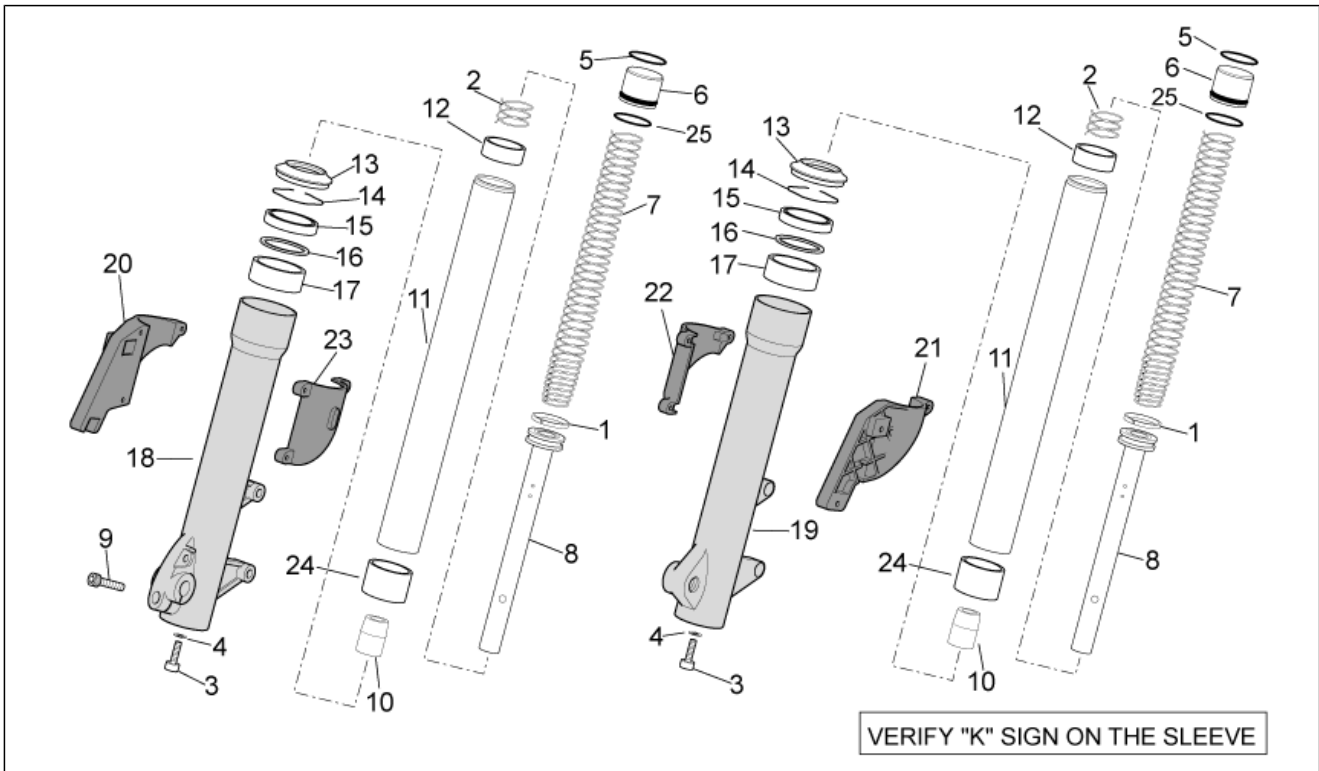
Pos.	Code	Beschreibung	Menge	Varianten
17	AP8123664	Ob.führungsbuchse	2	Technische Daten: Gabel mit Buchstaben M auf dem Schaft[M]
18	AP8163156	Rechte Hülse	1	Technische Daten: Gabel mit Buchstaben M auf dem Schaft[M]
19	AP8163157	Linke Hülse	1	Technische Daten: Gabel mit Buchstaben M auf dem Schaft[M]
20	AP8134819	RH front mudguard supp.	1	
21	AP8134800	LH front mudguard supp.	1	
22	AP8121532	LH front mudguard supp.	1	
23	AP8121564	RH front mudguard supp.	1	

Einheit	RAHMEN
Code	28.06
Beschreibung	Kaifa Gabel - Schaften, Hülsen
Inspektion	1



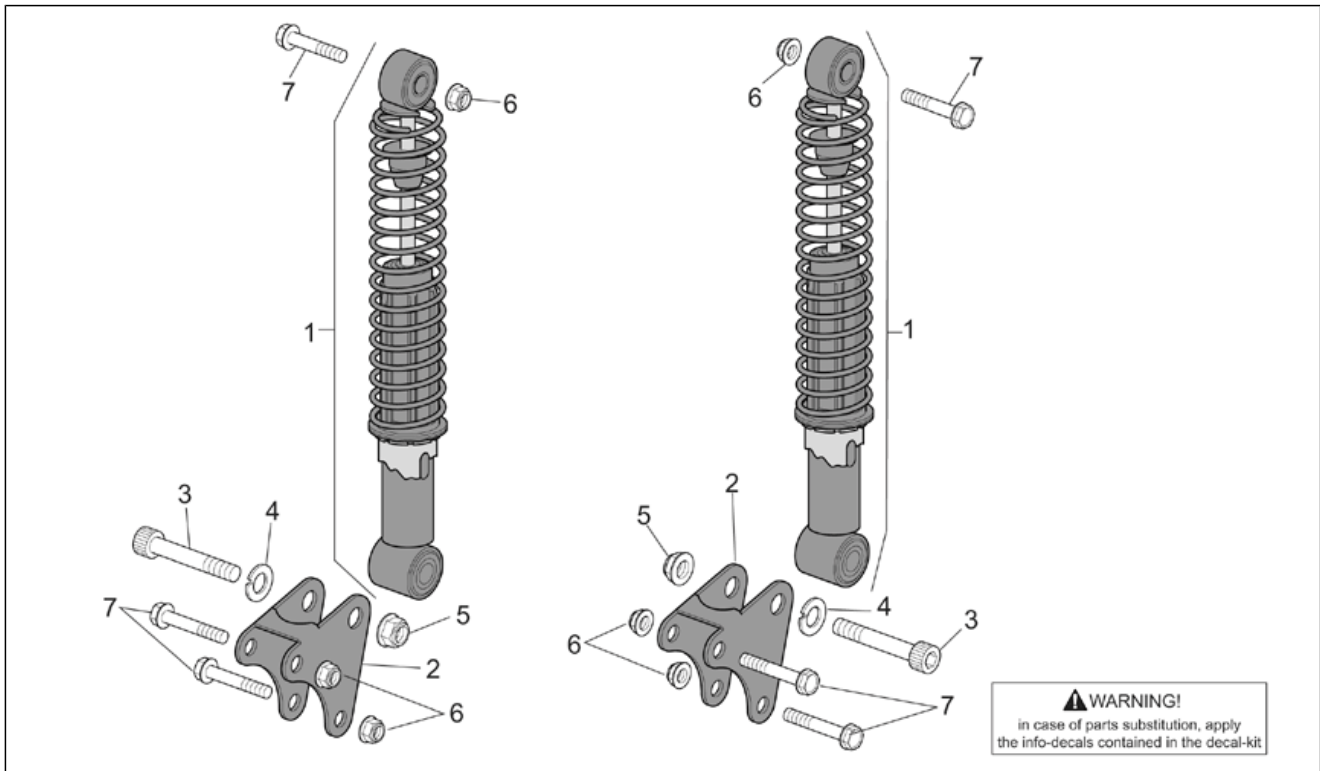
Pos.	Code	Beschreibung	Menge	Varianten
1	AP8163424	Kolbenringbuchse	2	Technische Daten: Gabel mit Buchstaben K auf dem Schaft[K]
2	AP8163422	Gegenfeder	2	Technische Daten: Gabel mit Buchstaben K auf dem Schaft[K]
3	AP8163285	Schraube M10x30	2	Technische Daten: Gabel mit Buchstaben K auf dem Schaft[K]
4	AP8163414	Dichtscheibe	2	Technische Daten: Gabel mit Buchstaben K auf dem Schaft[K]
5	AP8163433	Sperring D.37,5x1,2	2	Technische Daten: Gabel mit Buchstaben K auf dem Schaft[K]
6	AP8163432	Verschlussschraube	2	Technische Daten: Gabel mit Buchstaben K auf dem Schaft[K]
7	AP8163430	Feder	2	Technische Daten: Gabel mit Buchstaben K auf dem Schaft[K]
8	AP8163423	Stoßdämpfer	2	Technische Daten: Gabel mit Buchstaben K auf dem Schaft[K]
9	AP8223054	TCEI Schraube M6x20	1	Technische Daten: Gabel mit Buchstaben K auf dem Schaft[K]
10	AP8163289	Bodenstopfen	2	Technische Daten: Gabel mit Buchstaben K auf dem Schaft[K]
11	AP8163420	Schaft kpl.	2	Technische Daten: Gabel mit Buchstaben K auf dem Schaft[K]
12	AP8163421	Buchse	2	Technische Daten: Gabel mit Buchstaben K auf dem Schaft[K]
13	AP8163429	Staubschutz	2	Technische Daten: Gabel mit Buchstaben K auf dem Schaft[K]
14	AP8163428	Sperring	2	Technische Daten: Gabel mit Buchstaben K auf dem Schaft[K]
15	AP8163427	Gasket ring	2	Technische Daten: Gabel mit Buchstaben K auf dem Schaft[K]
16	AP8163426	Führungsbecher	2	Technische Daten: Gabel mit Buchstaben K auf dem Schaft[K]

Einheit	RAHMEN
Code	28.06
Beschreibung	Kaifa Gabel - Schaften, Hülse
Inspektion	1



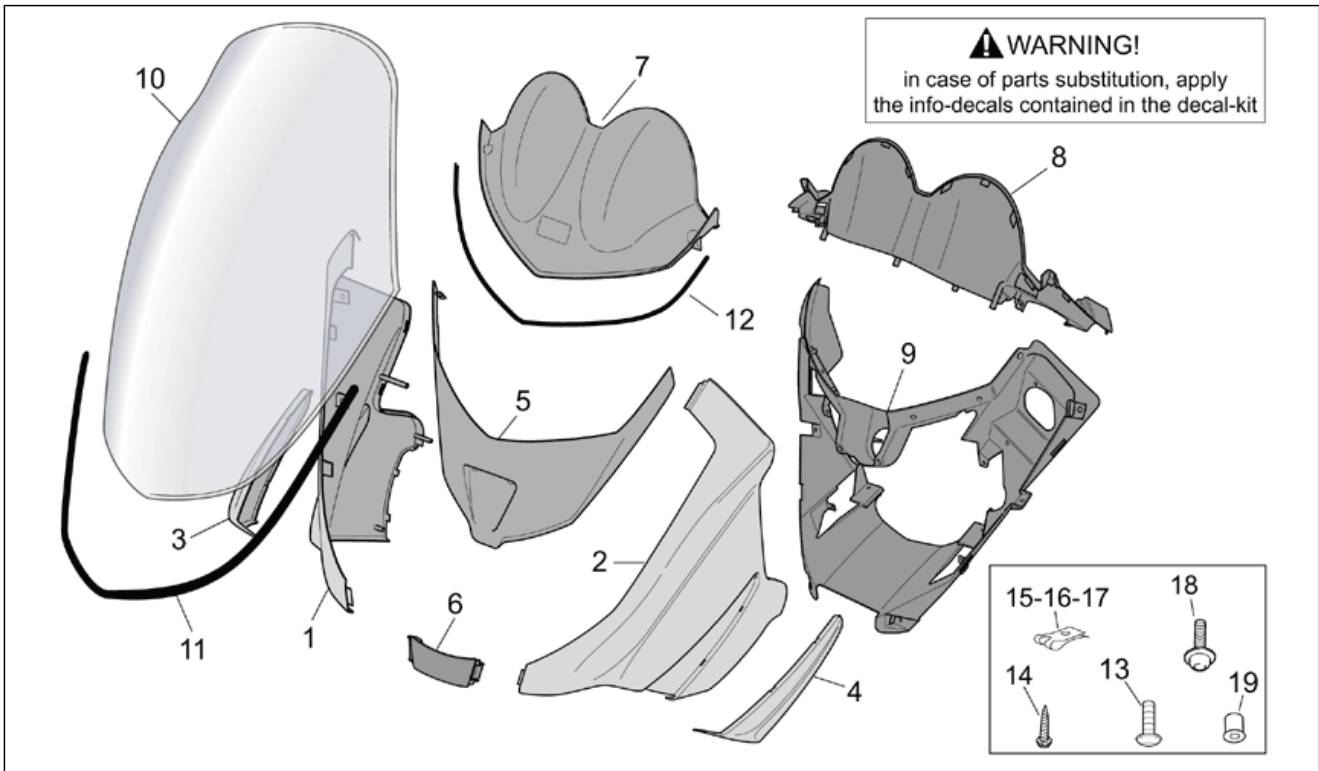
Pos.	Code	Beschreibung	Menge	Varianten
17	AP8163425	Ob.führungsbuchse	2	Technische Daten: Gabel mit Buchstaben K auf dem Schaft[K]
18	AP8163415	Rechte Hülse	1	Technische Daten: Gabel mit Buchstaben K auf dem Schaft[K]
19	AP8163416	Linke Hülse	1	Technische Daten: Gabel mit Buchstaben K auf dem Schaft[K]
20	AP8134819	RH front mudguard supp.	1	
21	AP8134800	LH front mudguard supp.	1	
22	AP8121532	LH front mudguard supp.	1	
23	AP8121564	RH front mudguard supp.	1	
24	AP8163419	Buchse	2	Technische Daten: Gabel mit Buchstaben K auf dem Schaft[K]
25	AP8163431	O-Ring	2	Technische Daten: Gabel mit Buchstaben K auf dem Schaft[K]

Einheit	RAHMEN
Code	28.07
Beschreibung	Hinterradaufhängung
Inspektion	1



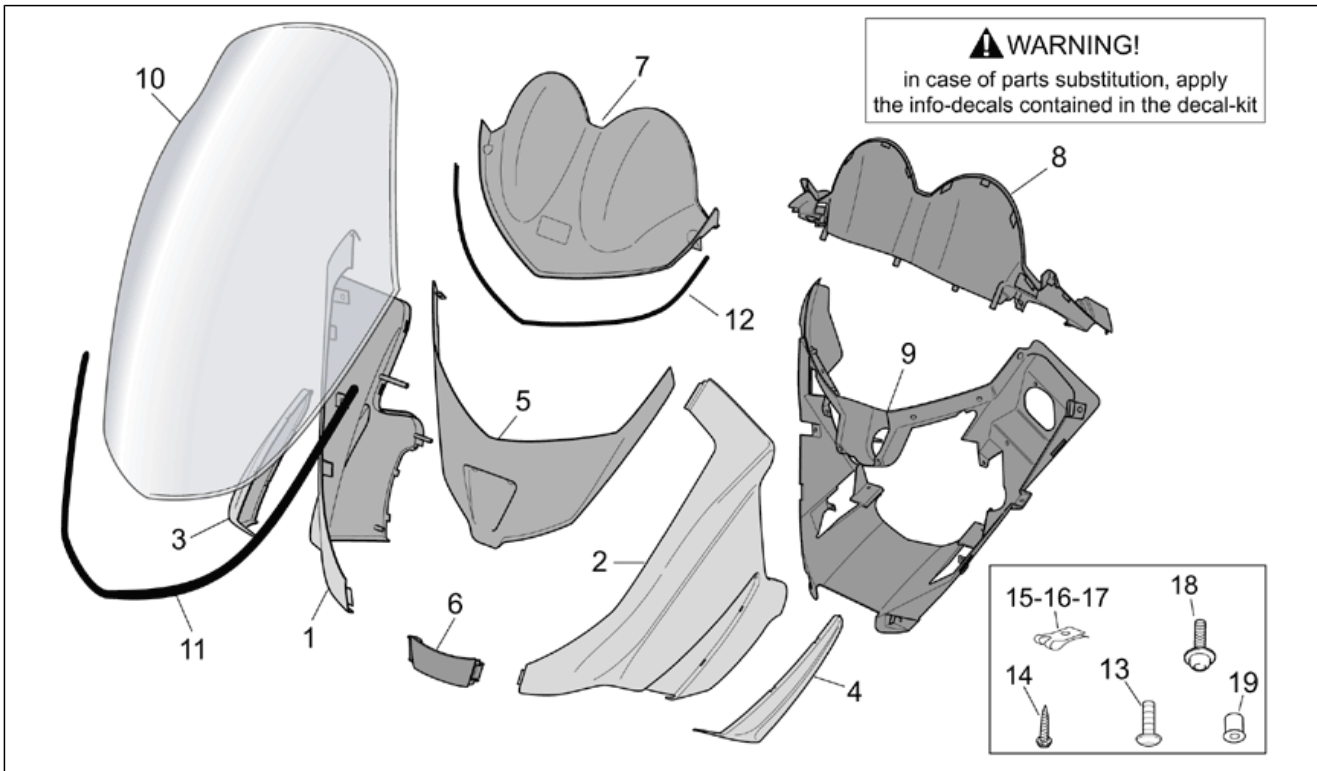
Pos.	Code	Beschreibung	Menge	Varianten
1	AP8163168	Stoßdämpfer	2	Technische Daten: Version mit Gewinding[V1]
1	AP8163334	Stoßdämpfer	2	Technische Daten: Version mit verstellbarem Nocken[V2]
2	AP8134874	Platte Stoßdämpfer	2	
3	AP8150086	TCEI Schraube	2	
4	AP8150020	Ausgleichscheibe 10,5x21x2*	2	
5	AP8152301	Selbstsperrende Mutter	2	
6	AP8152300	Selbstsperrende Mutter M8	2	
7	AP8152290	TE Schr. m. Flansch M8x40	2	

Einheit	RAHMEN
Code	28.08
Beschreibung	Frontaufbau I
Inspektion	1



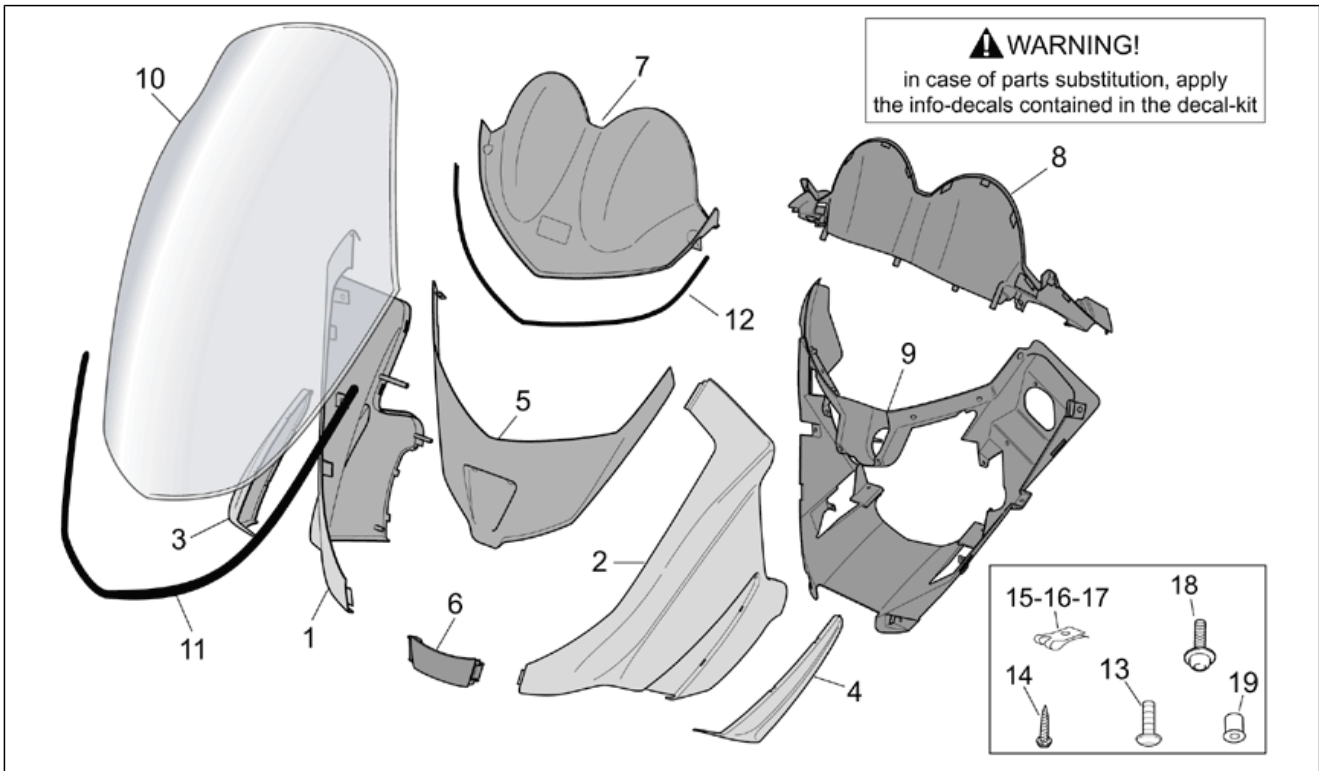
Pos.	Code	Beschreibung	Menge	Varianten
1	AP8149450	Seitenteil r.V. grau	1	Baujahr:2001[1] Fahrzeugfarbe:Bleigrau 2001[gp]
1	AP8158796	R. Seitent., blau	1	Baujahr:2001[1] Fahrzeugfarbe:Blau Atlantic 2001[ba]
1	AP8158808	R.Seitenteil, rot	1	Baujahr:2001[1] Fahrzeugfarbe:Rot Baroque 2001[rb]
1	AP8158820	R. Seitent., h.blau	1	Baujahr:2001[1] Fahrzeugfarbe:Hellblau Coast 2001[ac]
1	AP8168349	R.Seitenteil, rot	1	Baujahr:2003[3] Fahrzeugfarbe:Rot Alpine 2003[ra]
1	AP8168366	Seitenteil r.V. grau	1	Baujahr:2004[4] Fahrzeugfarbe:Grau Magnet 2004[grey]
1	AP8168366	Seitenteil r.V. grau	1	Baujahr:2003[3] Fahrzeugfarbe:Grau Magnet 2003[gm]
1	AP8178680	R. Seitent., blau	1	Baujahr:2004[4] Fahrzeugfarbe:Blau Hilton 2004[hilt]
1	AP8178692	Seitenteil r.V. grau	1	Baujahr:2004[4] Fahrzeugfarbe:Grau Titanic 2004[tit]
2	AP8149451	Seitenteil l.V. grau	1	Baujahr:2001[1] Fahrzeugfarbe:Bleigrau 2001[gp]
2	AP8158797	L. Seitent., blau	1	Baujahr:2001[1] Fahrzeugfarbe:Blau Atlantic 2001[ba]
2	AP8158809	L. Seitenteil, rot	1	Baujahr:2001[1] Fahrzeugfarbe:Rot Baroque 2001[rb]
2	AP8158821	L. Seitent., h.blau	1	Baujahr:2001[1] Fahrzeugfarbe:Hellblau Coast 2001[ac]
2	AP8168350	L. Seitenteil, rot	1	Baujahr:2003[3] Fahrzeugfarbe:Rot Alpine 2003[ra]
2	AP8168367	Seitenteil l.V. grau	1	Baujahr:2004[4] Fahrzeugfarbe:Grau Magnet 2004[grey]
2	AP8168367	Seitenteil l.V. grau	1	Baujahr:2003[3] Fahrzeugfarbe:Grau Magnet 2003[gm]

Einheit	RAHMEN
Code	28.08
Beschreibung	Frontaufbau I
Inspektion	1



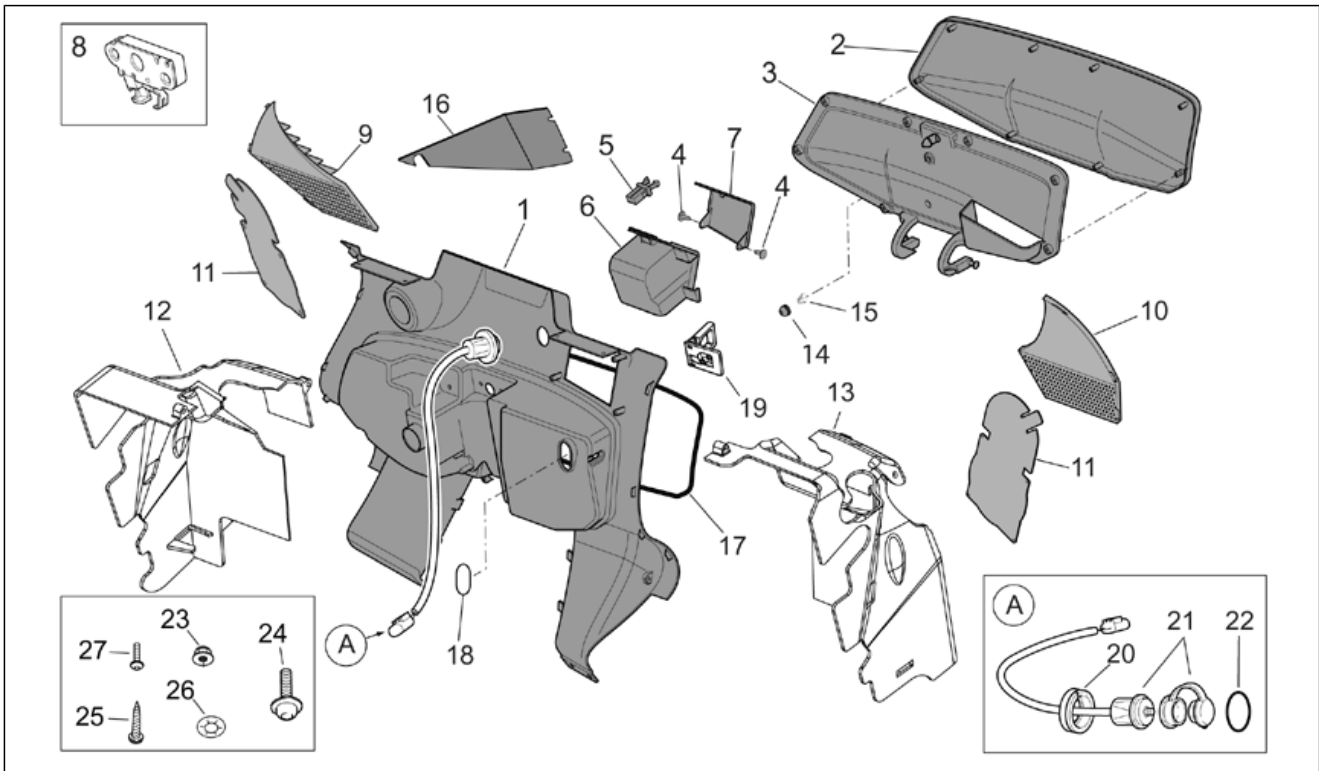
Pos.	Code	Beschreibung	Menge	Varianten
2	AP8178681	L. Seitent., blau	1	Baujahr:2004[4] Fahrzeugfarbe:Blau Hilton 2004[hilt]
2	AP8178693	Seitenteil l.V. grau	1	Baujahr:2004[4] Fahrzeugfarbe:Grau Titanic 2004[tit]
3	AP8149452	Vorn abzeich.rechts	1	
4	AP8149453	Vorn abzeich.links	1	
5	AP8149432	Fronthaube, schwarz	1	Baujahr:2003[3] Fahrzeugfarbe:Grau Magnet 2003[gm], Rot Alpine 2003[ra]
5	AP8149432	Fronthaube, schwarz	1	Baujahr:2004[4] Fahrzeugfarbe:Grau Magnet 2004[grey]
5	AP8149432	Fronthaube, schwarz	1	Baujahr:2001[1] Fahrzeugfarbe:Hellblau Coast 2001[ac], Blau Atlantic 2001[ba], Bleigrau 2001[gp], Rot Baroque 2001[rb]
5	AP8178678	Fronthaube, schwarz	1	Baujahr:2004[4] Fahrzeugfarbe:Blau Hilton 2004[hilt], Grau Titanic 2004[tit]
6	AP8149429	Verschuß Schild vorn, grau	1	Baujahr:2001[1] Fahrzeugfarbe:Bleigrau 2001[gp]
6	AP8158795	Verschuß Schild vorn, blau	1	Baujahr:2001[1] Fahrzeugfarbe:Blau Atlantic 2001[ba]
6	AP8158807	Verschuß Schild vorn, rot	1	Baujahr:2001[1] Fahrzeugfarbe:Rot Baroque 2001[rb]
6	AP8158819	Verschuß Schild vorn, h.blau	1	Baujahr:2001[1] Fahrzeugfarbe:Hellblau Coast 2001[ac]
6	AP8168348	Verschuß Schild vorn, rot	1	Baujahr:2003[3] Fahrzeugfarbe:Rot Alpine 2003[ra]
6	AP8168365	Verschuß Schild vorn, grau	1	Baujahr:2003[3] Fahrzeugfarbe:Grau Magnet 2003[gm]
6	AP8168365	Verschuß Schild vorn, grau	1	Baujahr:2004[4] Fahrzeugfarbe:Grau Magnet 2004[grey]
6	AP8178679	Verschuß Schild vorn, grau	1	Baujahr:2004[4] Fahrzeugfarbe:Blau Hilton 2004[hilt], Grau Titanic 2004[tit]
7	AP8149431	Verschuß Schutzblech	1	

Einheit	RAHMEN
Code	28.08
Beschreibung	Frontaufbau I
Inspektion	1



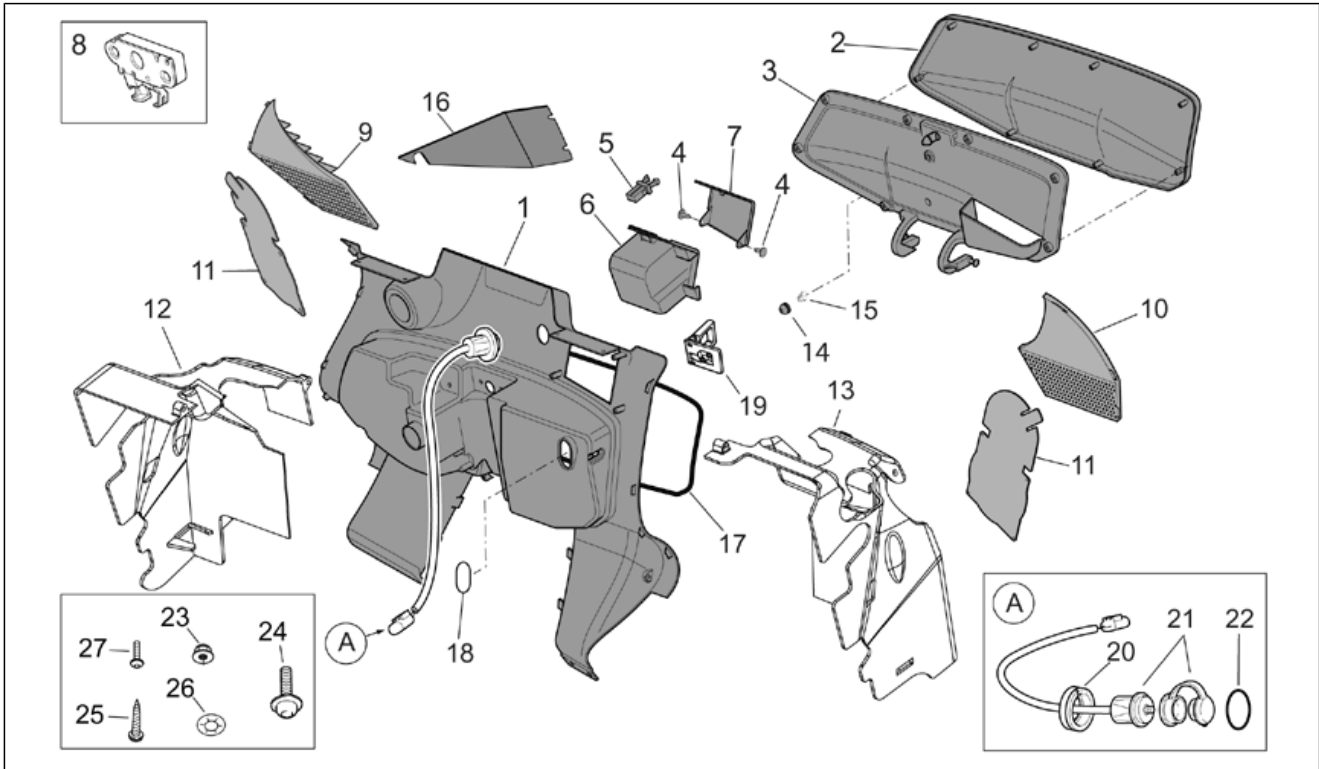
Pos.	Code	Beschreibung	Menge	Varianten
8	AP8149461	Instrumententafel, schwarz	1	
9	AP8146422	Frontschildbefestigung	1	
10	AP8149458	Wetterschutz	1	Land: Österreich[A], Belgien[B], Schweiz[CH], Deutschland[D], Dänemark[DK], Spanien[E], A, B, CH, D, DK, F, I, NL[EU], Frankreich[F], Italien[I], Japan[J], J[J], Holland[NL], E[SP], Großbritannien[UK]
10	AP8158986	Wetterschutz	1	Land: USA (Zulassung California)[CF], Vereinigte Staaten von Amerika[USA]
11	AP8144538	Dichtung	1	
12	AP8144281	Dichtung Sportsch.	1	
13	AP8150493	TBEI Schraube M4x16	6	
14	AP8150413	Gew.schr. 3,9x14	8	
15	AP8102381	Klammer M4	6	
16	AP8102375	Klammer M5	2	
17	AP8102376	Klammer M6	10	
18	AP8152246	TBEI Schraube m.Flansch M6x16	4	
19	AP8120531	Gummi mit Einsatz	4	

Einheit	RAHMEN
Code	28.09
Beschreibung	Frontaufbau II
Inspektion	1



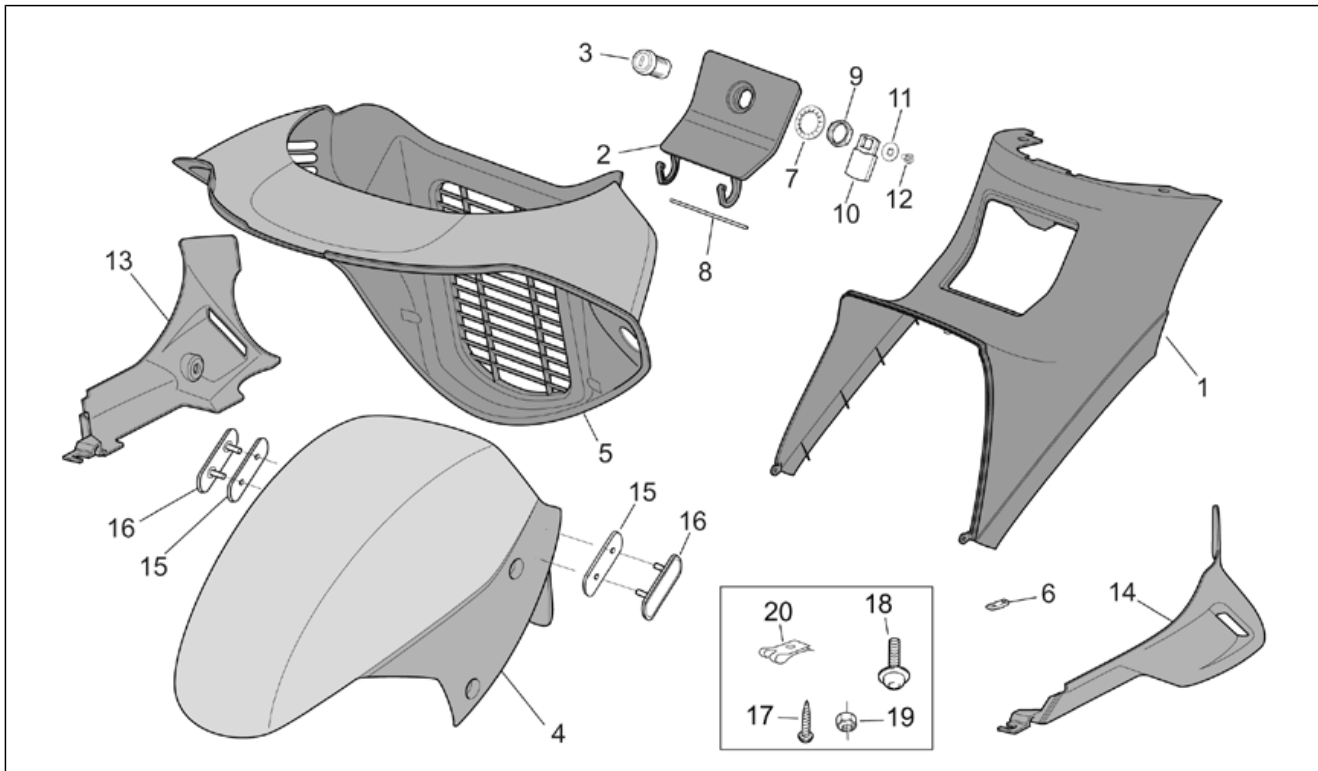
Pos.	Code	Beschreibung	Menge	Varianten
1	AP8149470	Innenschild, schwarz	1	Baujahr: 2001[1] Technische Daten: Modell nicht für Radio vorgerüstet[Std]
1	AP8149470	Innenschild, schwarz	1	Baujahr: 2003[3] Technische Daten: Modell nicht für Radio vorgerüstet[Std]
1	AP8168489	Innenschild, schwarz	1	Technische Daten: Modell für Radio vorgerüstet[AU]
1	AP8168489	Innenschild, schwarz	1	Baujahr: 2003[3] Technische Daten: Modell nicht für Radio vorgerüstet[Std]
1	AP8178055	Innenschild, schwarz	1	Technische Daten: Version mit Wechselsprechanlage[INT]
2	AP8149474	Klappe Werkzeugfach, schwarz	1	
3	AP8149466	Glove comp.door support	1	
4	AP8102600	Deckel	2	
5	AP8104429	Verschlußschraube	1	
6	AP8158441	Konsole	1	
7	AP8149475	Deckel	1	
8	AP8102913	Fixierplatte Soziussitz	1	
9	AP8149435	R.deckel Filtergehäuse	1	
10	AP8149436	L.deckel Filtergehäuse	1	
11	AP8158793	Protection	2	
12	AP8158760	Rechtes Leitblech	1	
13	AP8158761	Linkes Leitblech	1	
14	AP8144528	Gummi	1	
15	AP8163169	Feder	1	
16	AP8158549	Tragenetz	1	
17	AP8144570	Dichtung Handsch.fach	1	
18	AP8144537	Dichtung	1	
19	AP8201534	Kplt.Untersitzhaken	1	Technische Daten: Modell für Radio vorgerüstet[AU]
20	AP8163327	Interfon-Kabel Buchse	1	Technische Daten: Version mit Wechselsprechanlage[INT]
21	AP8127390	Interfon-Kabel Fahrer	1	Technische Daten: Version mit Wechselsprechanlage[INT]
22	AP8144048	O-Ring 134	1	Technische Daten: Version mit Wechselsprechanlage[INT]

Einheit	RAHMEN
Code	28.09
Beschreibung	Frontaufbau II
Inspektion	1



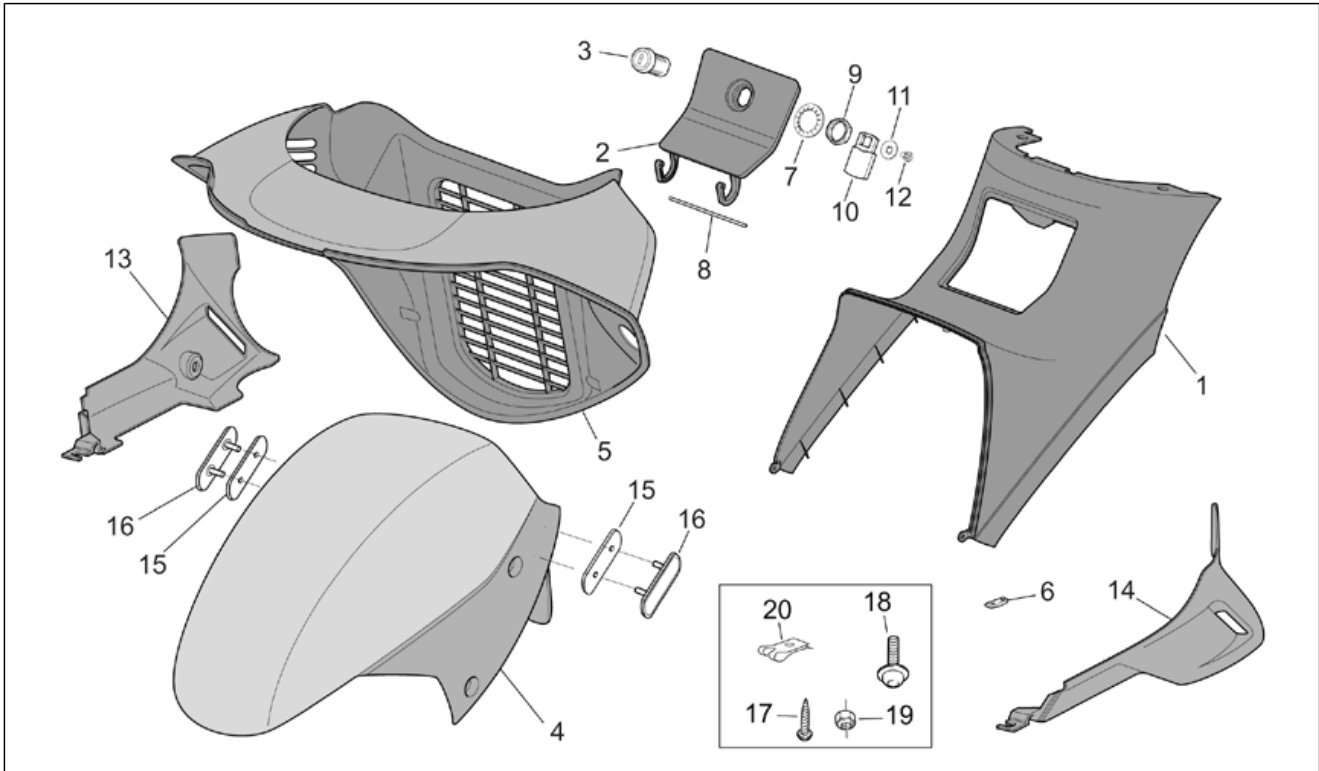
Pos.	Code	Beschreibung	Menge	Varianten
23	AP8152306	Selbstsperrende Mutter M5	2	
24	AP8152338	TBEI Schraube m.Flansch	2	
25	AP8150413	Gew.schr. 3,9x14	10	
26	AP8150450	Wellenscheibe D5	4	
27	AP8152334	TBEI Schraube m.Flansch M3x12	4	

Einheit	RAHMEN
Code	28.10
Beschreibung	Frontaufbau III
Inspektion	1



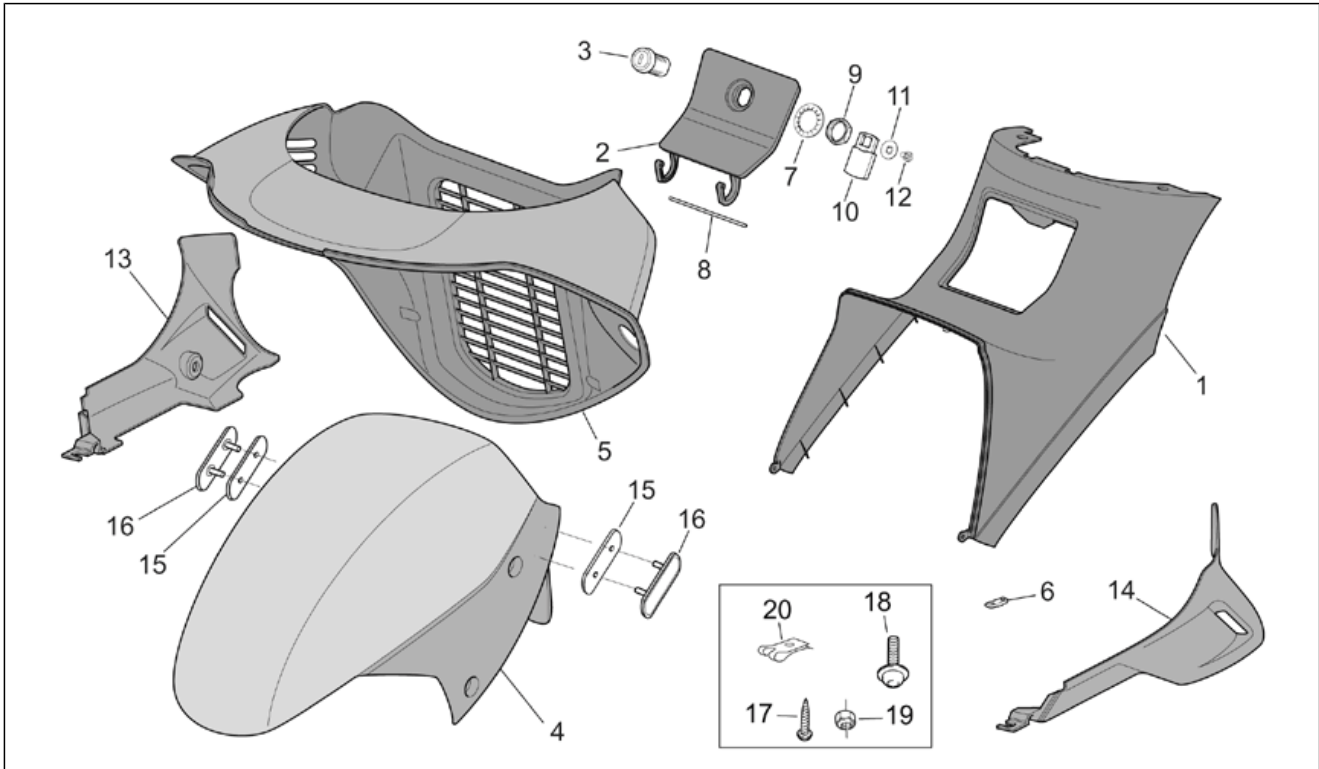
Pos.	Code	Beschreibung	Menge	Varianten
1	AP8149481	Tunnel, schwarz o.Bohrung	1	
1	AP8178615	Tunnel, schwarz m.Bohrung	1	
2	AP8149477	Fuel filler lid	1	
3	AP8104489	Schloss	1	
4	AP8126877	V. Schutzblech, grau	1	Baujahr: 2001[1] Fahrzeugfarbe: Bleigrau 2001[gp] Land: Österreich[A], Belgien[B], Schweiz[CH], Deutschland[D], Dänemark[DK], Spanien[E], A, B, CH, D, DK, F, I, NL[EU], Frankreich[F], Italien[I], Japan[J], J[J], Holland[NL], E[SP], Großbritannien[UK]
4	AP8126994	V. Schutzblech, blau	1	Baujahr: 2001[1] Fahrzeugfarbe: Blau Atlantic 2001[ba] Land: Österreich[A], Belgien[B], Schweiz[CH], Deutschland[D], Dänemark[DK], Spanien[E], A, B, CH, D, DK, F, I, NL[EU], Frankreich[F], Italien[I], Japan[J], J[J], Holland[NL], E[SP], Großbritannien[UK]
4	AP8126995	V. Schutzblech, rot	1	Baujahr: 2001[1] Fahrzeugfarbe: Rot Baroque 2001[rb] Land: Österreich[A], Belgien[B], Schweiz[CH], Deutschland[D], Dänemark[DK], Spanien[E], A, B, CH, D, DK, F, I, NL[EU], Frankreich[F], Italien[I], Japan[J], J[J], Holland[NL], E[SP], Großbritannien[UK]
4	AP8126996	V. Schutzblech, h.bl.	1	Baujahr: 2001[1] Fahrzeugfarbe: Hellblau Coast 2001[ac] Land: Österreich[A], Belgien[B], Schweiz[CH], Deutschland[D], Dänemark[DK], Spanien[E], A, B, CH, D, DK, F, I, NL[EU], Frankreich[F], Italien[I], Japan[J], J[J], Holland[NL], E[SP], Großbritannien[UK]
4	AP8156004	V. Schutzblech, grau	1	Baujahr: 2001[1] Fahrzeugfarbe: Bleigrau 2001[gp] Land: USA (Zulassung California)[CF], Vereinigte Staaten von Amerika[USA]
4	AP8156016	V. Schutzblech, blau	1	Baujahr: 2001[1] Fahrzeugfarbe: Blau Atlantic 2001[ba]

Einheit	RAHMEN
Code	28.10
Beschreibung	Frontaufbau III
Inspektion	1



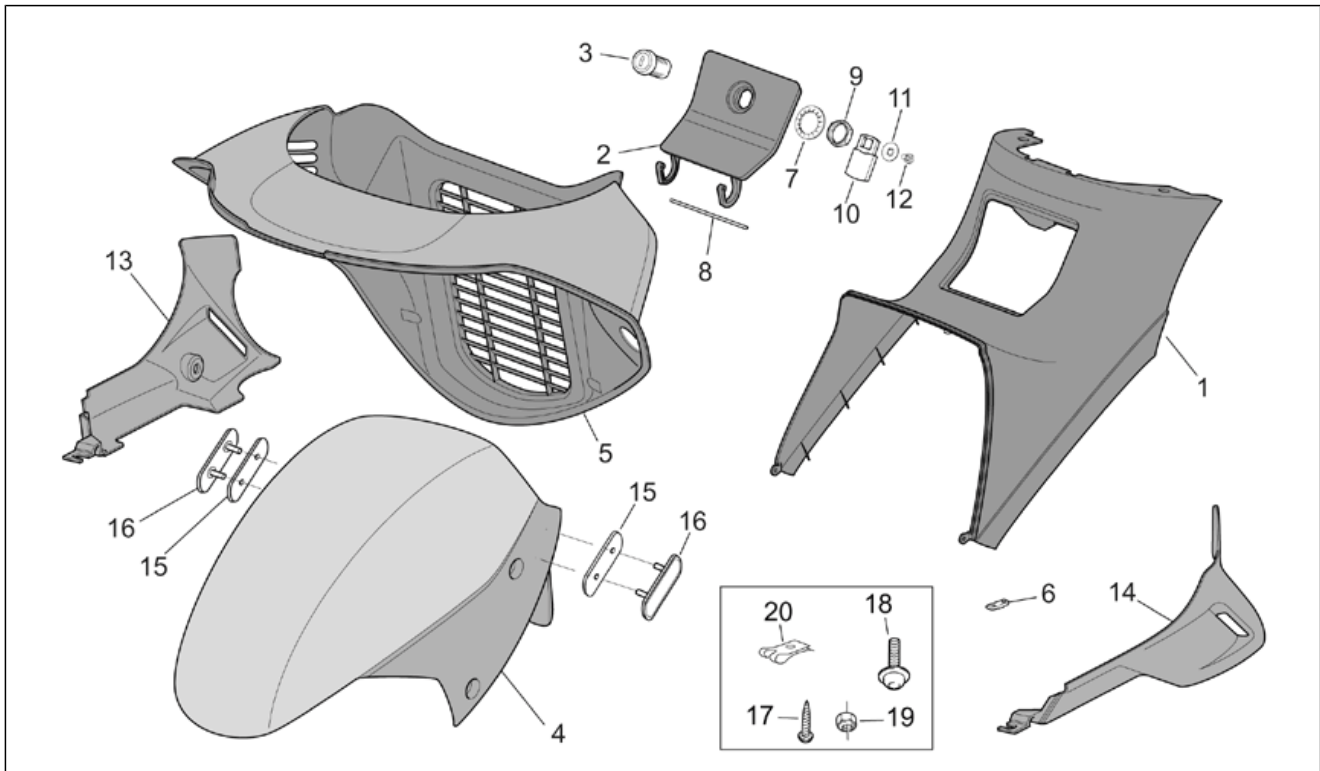
Pos.	Code	Beschreibung	Menge	Varianten
				Land: USA (Zulassung California)[CF], Vereinigte Staaten von Amerika[USA]
4	AP8156017	V. Schutzblech, rot	1	Baujahr: 2001[1] Fahrzeugfarbe: Rot Baroque 2001[rb] Land: USA (Zulassung California)[CF], Vereinigte Staaten von Amerika[USA]
4	AP8156018	V. Schutzblech, h.bl.	1	Baujahr: 2001[1] Fahrzeugfarbe: Hellblau Coast 2001[ac] Land: USA (Zulassung California)[CF], Vereinigte Staaten von Amerika[USA]
4	AP8156035	V. Schutzblech, rot	1	Baujahr: 2003[3] Fahrzeugfarbe: Rot Alpine 2003[ra] Land: Österreich[A], Belgien[B], Schweiz[CH], Deutschland[D], Dänemark[DK], Spanien[E], A, B, CH, D, DK, F, I, NL[EU], Frankreich[F], Italien[I], Japan[J], J[J], Holland[NL], E[SP], Großbritannien[UK]
4	AP8156036	V. Schutzblech, rot	1	Baujahr: 2003[3] Fahrzeugfarbe: Rot Alpine 2003[ra] Land: USA (Zulassung California)[CF], Vereinigte Staaten von Amerika[USA]
4	AP8156037	V. Schutzblech, grau	1	Baujahr: 2004[4] Fahrzeugfarbe: Grau Magnet 2004[grey] Land: Österreich[A], Belgien[B], Schweiz[CH], Deutschland[D], Dänemark[DK], Spanien[E], A, B, CH, D, DK, F, I, NL[EU], Frankreich[F], Italien[I], Japan[J], J[J], Holland[NL], E[SP], Großbritannien[UK]
4	AP8156037	V. Schutzblech, grau	1	Baujahr: 2003[3] Fahrzeugfarbe: Grau Magnet 2003[gm] Land: Österreich[A], Belgien[B], Schweiz[CH], Deutschland[D], Dänemark[DK], Spanien[E], A, B, CH, D, DK, F, I, NL[EU], Frankreich[F], Italien[I], Japan[J], J[J], Holland[NL], E[SP], Großbritannien[UK]
4	AP8156038	V. Schutzblech, grau	1	Baujahr: 2004[4] Fahrzeugfarbe: Grau Magnet 2004[grey]

Einheit	RAHMEN
Code	28.10
Beschreibung	Frontaufbau III
Inspektion	1



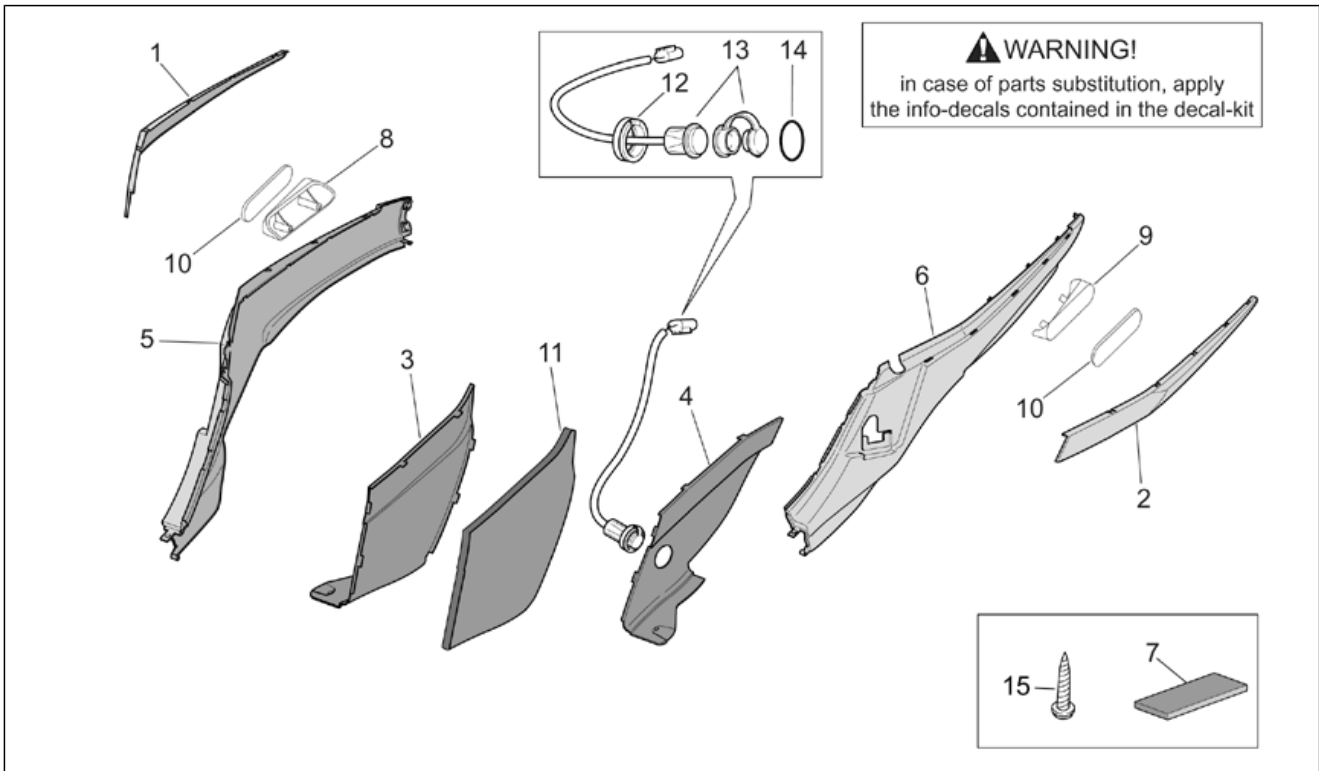
Pos.	Code	Beschreibung	Menge	Varianten
				Land:USA (Zulassung California)[CF], Vereinigte Staaten von Amerika[USA]
4	AP8156038	V. Schutzblech, grau	1	Baujahr:2003[3] Fahrzeugfarbe:Grau Magnet 2003[gm] Land:USA (Zulassung California)[CF], Vereinigte Staaten von Amerika[USA]
4	AP8156156	V. Schutzblech, blau	1	Baujahr:2004[4] Fahrzeugfarbe:Blau Hilton 2004[hilt] Land:Österreich[A], Belgien[B], Schweiz[CH], Deutschland[D], Dänemark[DK], Spanien[E], A, B, CH, D, DK, F, I, NL[EU], Frankreich[F], Italien[I], Japan[J], J[J], Holland[NL], E[SP], Großbritannien[UK]
4	AP8156157	V. Schutzblech, blau	1	Baujahr:2004[4] Fahrzeugfarbe:Blau Hilton 2004[hilt] Land:USA (Zulassung California)[CF], Vereinigte Staaten von Amerika[USA]
4	AP8156159	V. Schutzblech, grau	1	Baujahr:2004[4] Fahrzeugfarbe:Grau Titanic 2004[tit] Land:Österreich[A], Belgien[B], Schweiz[CH], Deutschland[D], Dänemark[DK], Spanien[E], A, B, CH, D, DK, F, I, NL[EU], Frankreich[F], Italien[I], Japan[J], J[J], Holland[NL], E[SP], Großbritannien[UK]
5	AP8149482	Leitblech, schwarz	1	
6	AP8134799	Platte	4	
7	AP8201305	Schloßscheibe Nickel *	1	
8	AP8121568	Bolzen	1	
9	AP8152194	Mutter unten M19x1*	1	
10	AP8201620	Hebel	1	
11	AP8201748	Ausgleichscheibe	1	
12	AP8201749	Linsenschraube M4x6	1	
13	AP8158466	R.deckel hauptständer	1	
14	AP8158465	L.deckel hauptständer	1	

Einheit	RAHMEN
Code	28.10
Beschreibung	Frontaufbau III
Inspektion	1



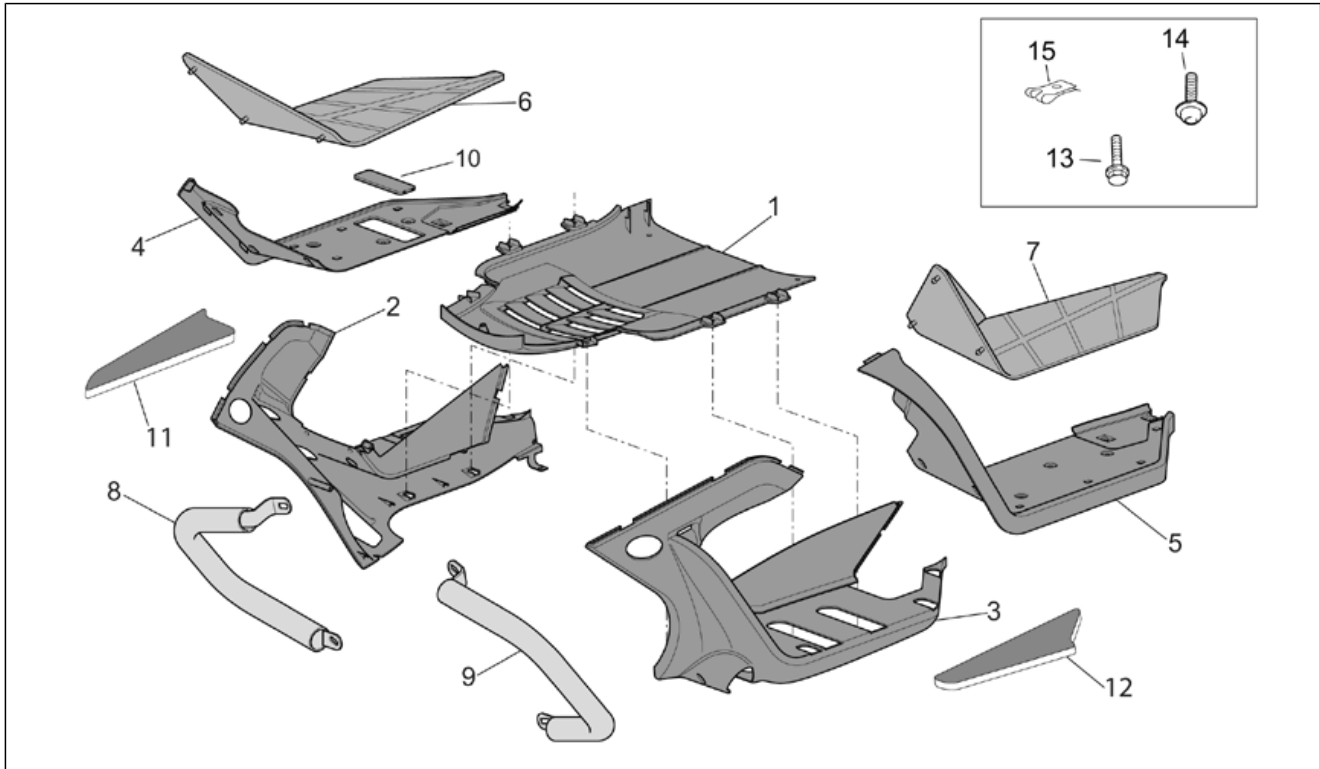
Pos.	Code	Beschreibung	Menge	Varianten
15	AP8144556	Gummi	2	Land:USA (Zulassung California)[CF], Vereinigte Staaten von Amerika[USA]
16	AP8124719	Rückstrahler, gelb	2	Land:USA (Zulassung California)[CF], Vereinigte Staaten von Amerika[USA]
17	AP8150413	Gew.schr. 3,9x14	6	
18	AP8152246	TBEI Schraube m.Flansch M6x16	4	
19	AP8150204	Mutter M4	4	
20	AP8102376	Klammer M6	2	

Einheit	RAHMEN
Code	28.11
Beschreibung	Mittlerer aufbau I
Inspektion	1



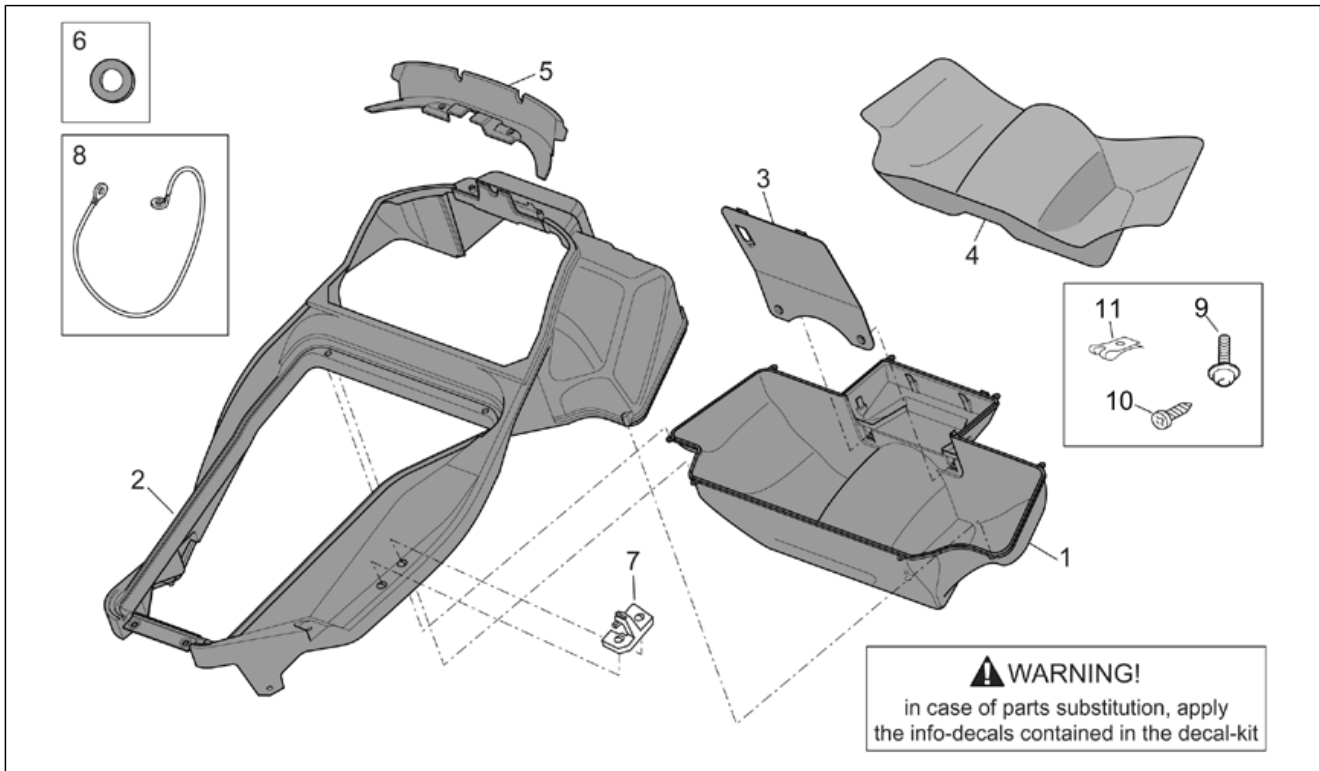
Pos.	Code	Beschreibung	Menge	Varianten
1	AP8149454	R.hinterer abzeich.	1	
2	AP8149455	L.hinterer abzeich.	1	
3	AP8149472	R.zugangskl. Kerze	1	
4	AP8149473	L.zugangskl. Kerze	1	
5	AP8149446	H. R. Seitenteil	1	
6	AP8149447	H. L. Seitenteil	1	
7	AP8117073	Klebeschwamm	1	
8	AP8168002	Rückstrahler-Fixierung L.	1	Land:USA (Zulassung California)[CF], Vereinigte Staaten von Amerika[USA]
9	AP8158999	Rückstrahler-Fixierung R.	1	Land:USA (Zulassung California)[CF], Vereinigte Staaten von Amerika[USA]
10	AP8127360	Rückstrahler Rücklicht, rot	2	Land:USA (Zulassung California)[CF], Vereinigte Staaten von Amerika[USA]
11	AP8117217	Nichtleiter	1	
12	AP8163327	Interfon-Kabel Buchse	1	Technische Daten:Version mit Wechselsprechanlage[INT]
13	AP8127549	Interfon-Kabel Beifahrer	1	Technische Daten:Version mit Wechselsprechanlage[INT]
14	AP8144048	O-Ring 134	1	Technische Daten:Version mit Wechselsprechanlage[INT]
15	AP8150413	Gew.schr. 3,9x14	10	

Einheit	RAHMEN
Code	28.12
Beschreibung	Mittlerer aufbau II
Inspektion	1



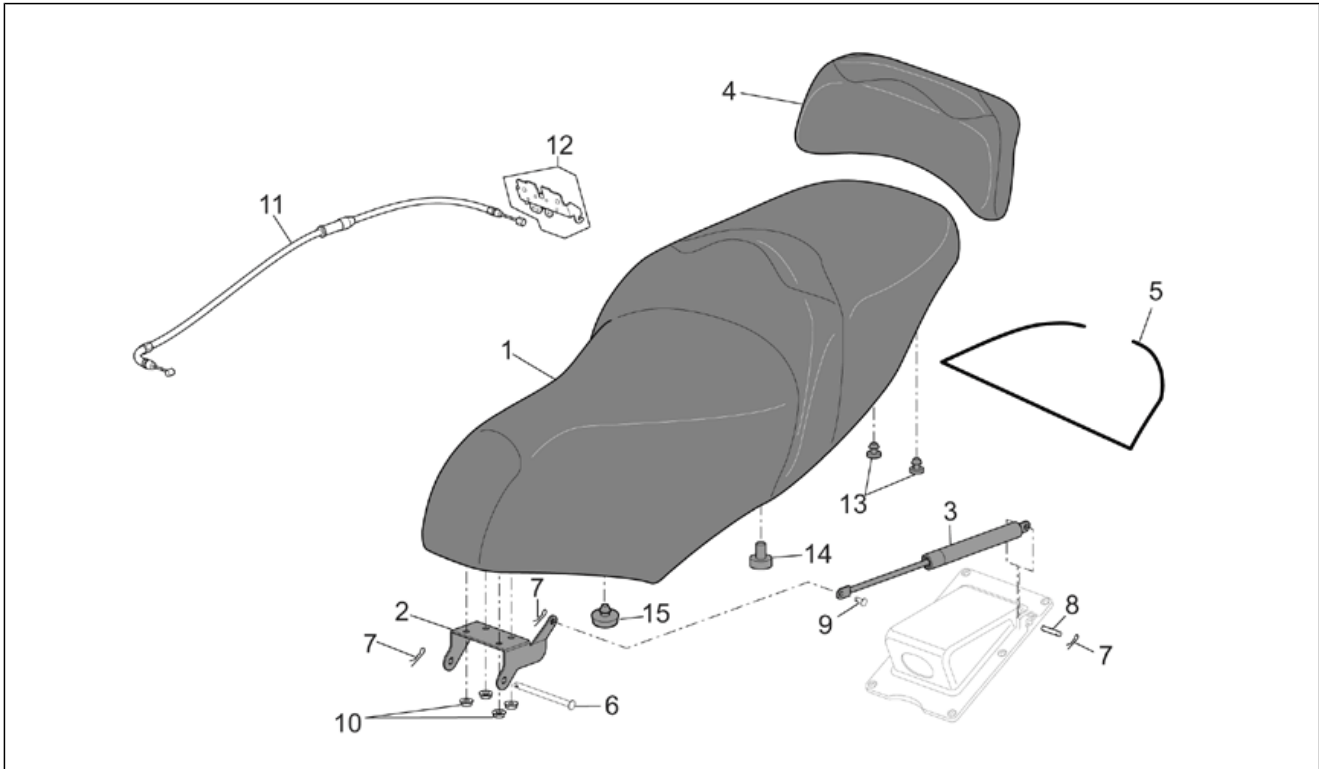
Pos.	Code	Beschreibung	Menge	Varianten
1	AP8149464	Tankschutz schwarz	1	
2	AP8158086	Unterb. Schwarz, Recht	1	
3	AP8158087	Unterb. Schwarz Links	1	
4	AP8149459	R.Fußbrett	1	
5	AP8149460	L.Fußbrett	1	
6	AP8149479	Rechte Fußmatte	1	
7	AP8149480	Linke Fußmatte	1	
8	AP8146425	Stoßfänger rechts	1	
9	AP8146426	Stoßfänger links	1	
10	AP8149478	Gegeb.Typendeck, schw.	1	
11	AP8117225	Nichtleiter	1	
12	AP8117226	Nichtleiter	1	
13	AP8152278	TE Schr. m. Flansch M6x16	4	
14	AP8152246	TBEI Schraube m.Flansch M6x16	4	
15	AP8102376	Klammer M6	4	

Einheit	RAHMEN
Code	28.13
Beschreibung	U. Sitzbank.
Inspektion	1



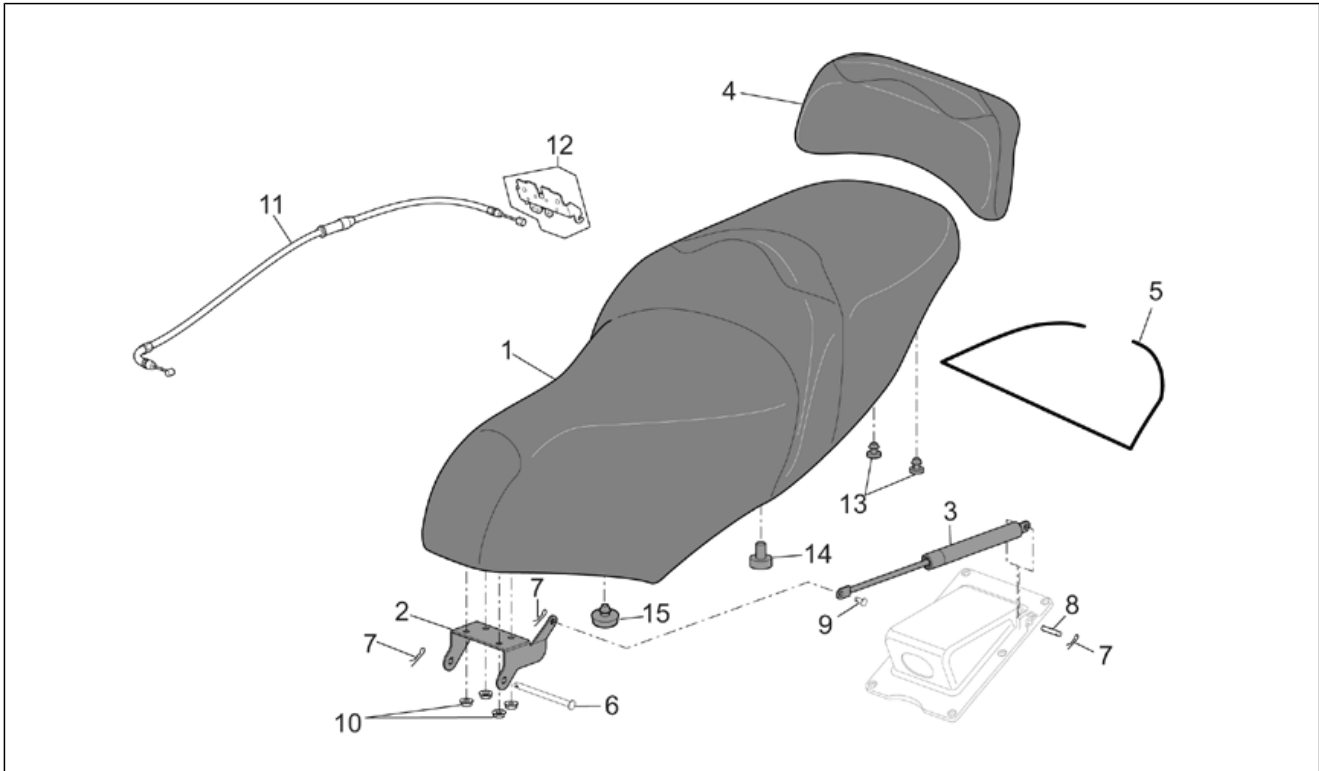
Pos.	Code	Beschreibung	Menge	Varianten
1	AP8149483	Lower helmet compartment	1	
2	AP8149484	Upper helmet compartment	1	Baujahr: 2001[1] Technische Daten: Modell nicht für Radio vorgerüstet[Std]
2	AP8149484	Upper helmet compartment	1	Baujahr: 2003[3] Technische Daten: Modell nicht für Radio vorgerüstet[Std]
2	AP8168740	Upper helmet compartment	1	Baujahr: 2003[3] Technische Daten: Modell nicht für Radio vorgerüstet[Std]
2	AP8168740	Upper helmet compartment	1	Baujahr: 2001[1] Technische Daten: Modell nicht für Radio vorgerüstet[Std]
2	AP8168740	Upper helmet compartment	1	Technische Daten: Modell für Radio vorgerüstet[AU]
2	AP8168740	Upper helmet compartment	1	Baujahr: 2004[4]
3	AP8149434	Batteriedeckel, schwarz	1	
4	AP8158905	Helmet comp.cover	1	
5	AP8129301	Front protection	1	
6	AP8144546	Dichtung	2	
7	AP8104591	Haken	1	Technische Daten: Modell für Radio vorgerüstet[AU]
8	AP8114459	Schutzhelm-Befestigungskabel	1	Technische Daten: Modell für Radio vorgerüstet[AU]
9	AP8152246	TBEI Schraube m.Flansch M6x16	2	
10	AP8152329	Kreuz.schl.flnschschr. M5x20	2	
11	AP8102376	Klammer M6	2	

Einheit	RAHMEN
Code	28.14
Beschreibung	Sitzbankeinheit
Inspektion	1



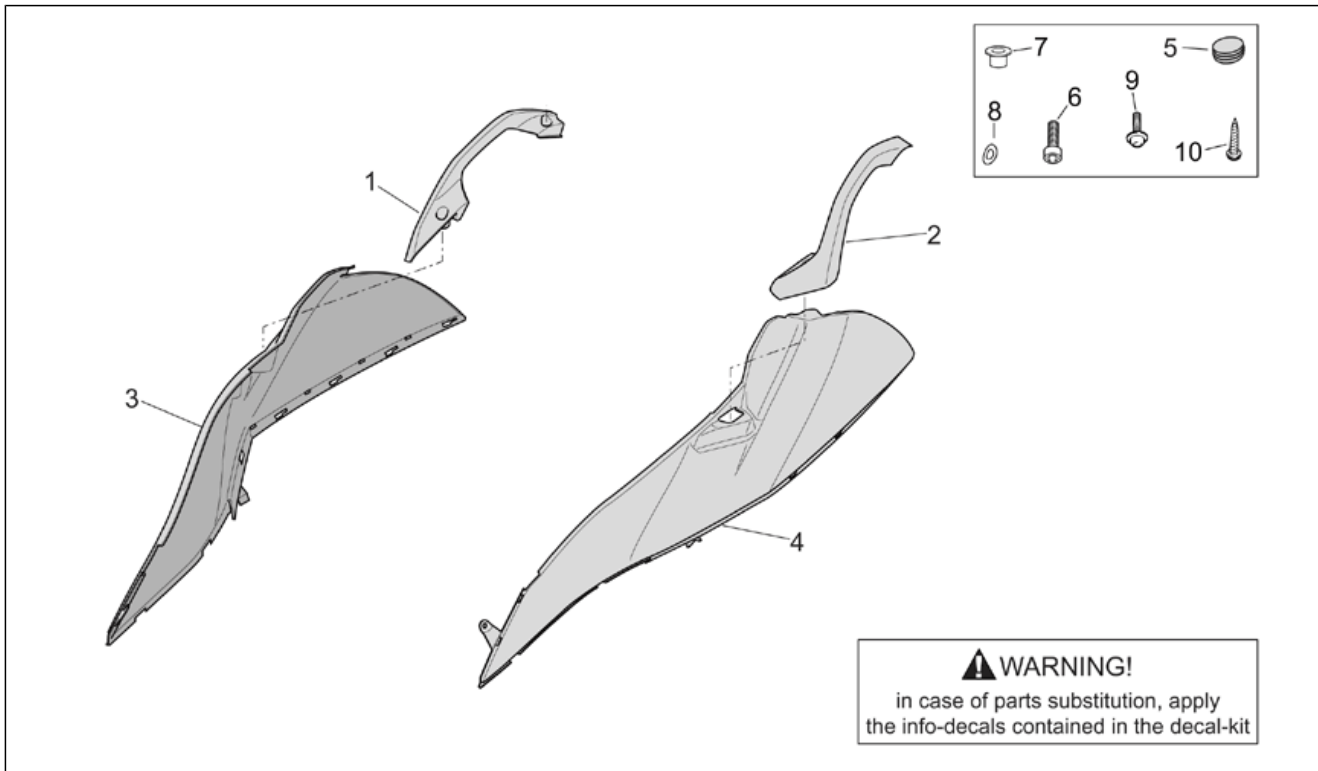
Pos.	Code	Beschreibung	Menge	Varianten
1	AP8129304	Fahrersitz, grau	1	Baujahr: 2001[1] Fahrzeugfarbe: Hellblau Coast 2001[ac]
1	AP8129332	Fahrersitz, grau	1	Baujahr: 2001[1] Fahrzeugfarbe: Blau Atlantic 2001[ba], Bleigrau 2001[gp], Rot Baroque 2001[rb]
1	AP8129370	Fahrersitz	1	Baujahr: 2003[3] Fahrzeugfarbe: Grau Magnet 2003[gm], Rot Alpine 2003[ra]
1	AP8129370	Fahrersitz	1	Baujahr: 2004[4] Fahrzeugfarbe: Grau Magnet 2004[grey]
1	AP8129437	Fahrersitz	1	Baujahr: 2004[4] Fahrzeugfarbe: Blau Hilton 2004[hilt], Grau Titanic 2004[tit]
2	AP8149430	Sitzgelenk	1	
3	AP8163171	Saddle shock absorber	1	
4	AP8129302	Sitzkissen, beige	1	Baujahr: 2001[1] Fahrzeugfarbe: Hellblau Coast 2001[ac]
4	AP8129333	Sitzkissen, beige	1	Baujahr: 2001[1] Fahrzeugfarbe: Blau Atlantic 2001[ba], Bleigrau 2001[gp], Rot Baroque 2001[rb]
4	AP8129371	Sitzkissen, schwarz	1	Baujahr: 2003[3] Fahrzeugfarbe: Grau Magnet 2003[gm], Rot Alpine 2003[ra]
4	AP8129371	Sitzkissen, schwarz	1	Baujahr: 2004[4] Fahrzeugfarbe: Grau Magnet 2004[grey]
4	AP8129438	Sitzkissen, beige	1	Baujahr: 2004[4] Fahrzeugfarbe: Blau Hilton 2004[hilt], Grau Titanic 2004[tit]
5	AP8144517	Dichtung	1	
6	AP8121479	Bolzen	1	
7	AP8201643	Splint	3	
8	AP8121534	Bolzen	1	
9	AP8121533	Bolzen	1	
10	AP8152299	Selbstsperrende Mutter M6	4	
11	AP8104440	Schloßkabel	1	

Einheit	RAHMEN
Code	28.14
Beschreibung	Sitzbankeinheit
Inspektion	1



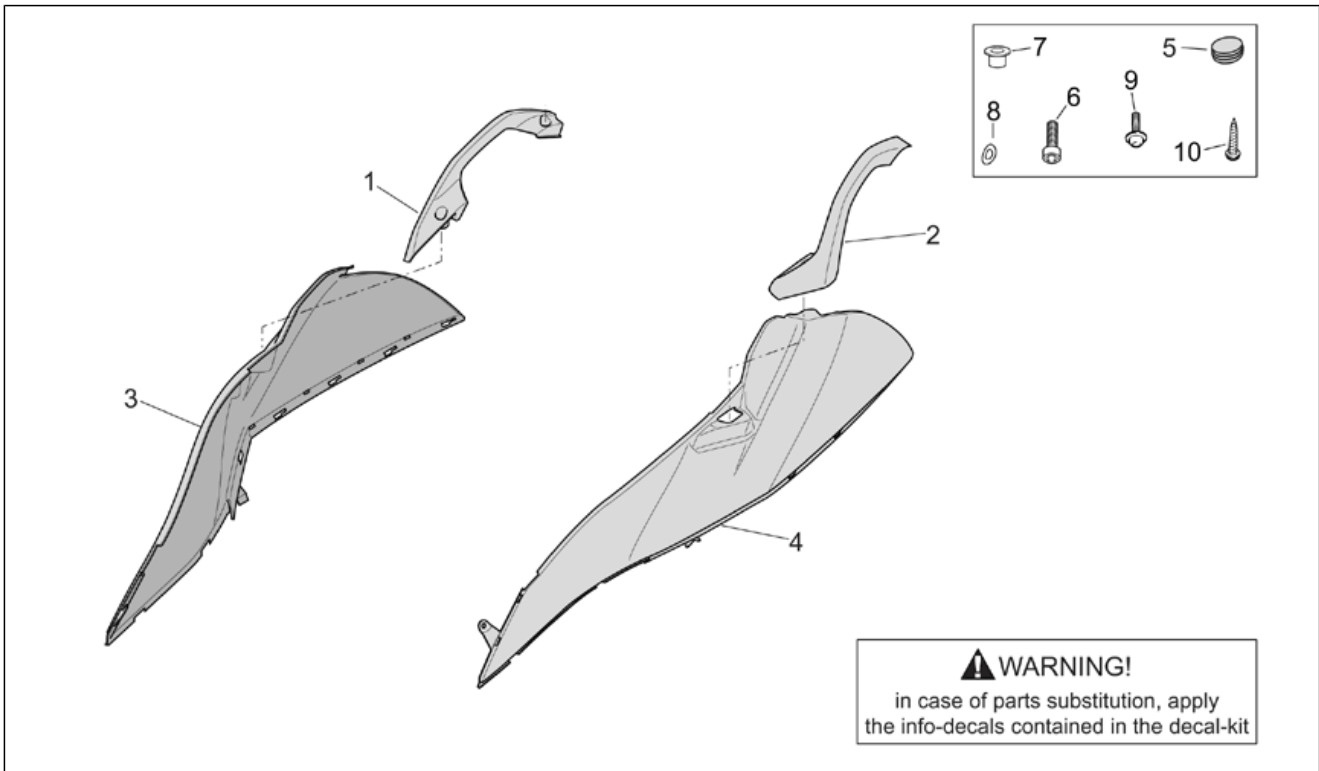
Pos.	Code	Beschreibung	Menge	Varianten
12	AP8102947	Sitz Verschlussplatte	1	
13	AP8144087	Gummi	2	
14	AP8144089	Sitz-Auflagegummi vorn	2	
15	AP8126702	Gummi	2	

Einheit	RAHMEN
Code	28.15
Beschreibung	Heckaufbau I
Inspektion	1



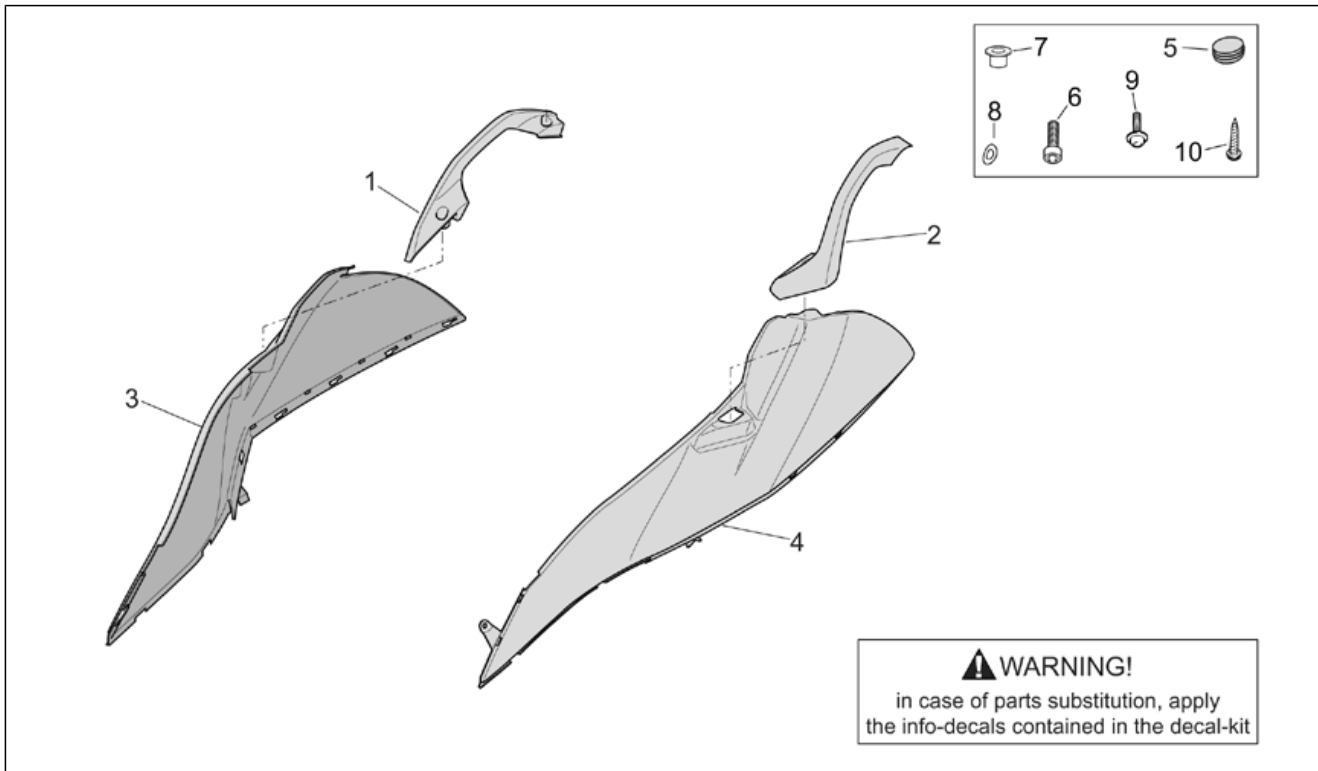
Pos.	Code	Beschreibung	Menge	Varianten
1	AP8149456	R. Soziushaltegriff, grau	1	Baujahr:2001[1] Fahrzeugfarbe:Bleigrau 2001[gp]
1	AP8158802	R. Soziushaltegriff, blue	1	Baujahr:2001[1] Fahrzeugfarbe:Blau Atlantic 2001[ba]
1	AP8158814	R. Soziushaltegriff, rot	1	Baujahr:2001[1] Fahrzeugfarbe:Rot Baroque 2001[rb]
1	AP8158826	R. Soziushaltegriff, h.blau	1	Baujahr:2001[1] Fahrzeugfarbe:Hellblau Coast 2001[ac]
1	AP8168357	R. Soziushaltegriff, rot	1	Baujahr:2003[3] Fahrzeugfarbe:Rot Alpine 2003[ra]
1	AP8168374	R. Soziushaltegriff, grau	1	Baujahr:2003[3] Fahrzeugfarbe:Grau Magnet 2003[gm]
1	AP8168374	R. Soziushaltegriff, grau	1	Baujahr:2004[4] Fahrzeugfarbe:Grau Magnet 2004[gre]
1	AP8178690	R. Soziushaltegriff, blue	1	Baujahr:2004[4] Fahrzeugfarbe:Blau Hilton 2004[hilt], Grau Titanic 2004[tit]
2	AP8149457	L. Soziushaltegriff, grau	1	Baujahr:2001[1] Fahrzeugfarbe:Bleigrau 2001[gp]
2	AP8158803	L. Soziushaltegriff, blue	1	Baujahr:2001[1] Fahrzeugfarbe:Blau Atlantic 2001[ba]
2	AP8158815	L. Soziushaltegriff, rot	1	Baujahr:2001[1] Fahrzeugfarbe:Rot Baroque 2001[rb]
2	AP8158827	L. Soziushaltegriff, h.blau	1	Baujahr:2001[1] Fahrzeugfarbe:Hellblau Coast 2001[ac]
2	AP8168358	L. Soziushaltegriff, rot	1	Baujahr:2003[3] Fahrzeugfarbe:Rot Alpine 2003[ra]
2	AP8168375	L. Soziushaltegriff, grau	1	Baujahr:2004[4] Fahrzeugfarbe:Grau Magnet 2004[gre]
2	AP8168375	L. Soziushaltegriff, grau	1	Baujahr:2003[3] Fahrzeugfarbe:Grau Magnet 2003[gm]
2	AP8178691	L. Soziushaltegriff, blue	1	Baujahr:2004[4] Fahrzeugfarbe:Blau Hilton 2004[hilt], Grau Titanic 2004[tit]

Einheit	RAHMEN
Code	28.15
Beschreibung	Heckaufbau I
Inspektion	1



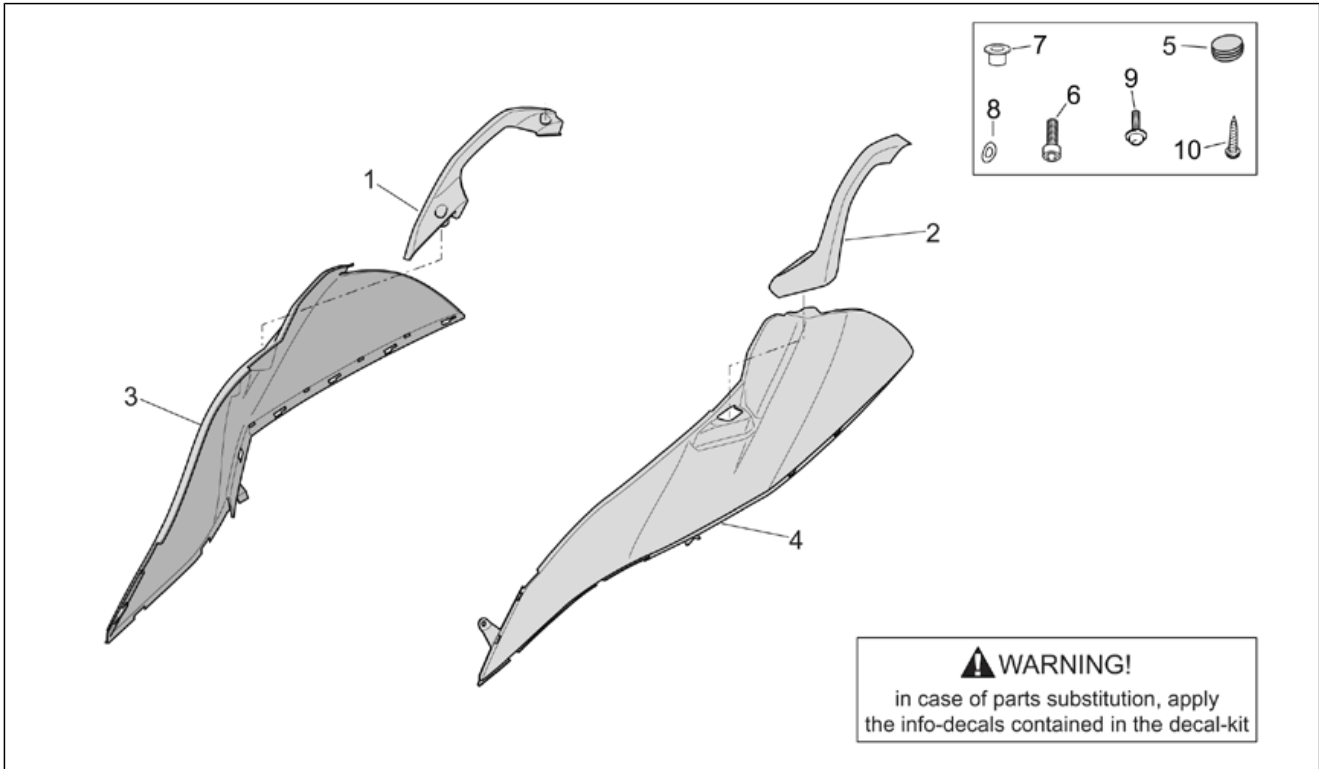
Pos.	Code	Beschreibung	Menge	Varianten
3	AP8158535	H. R. Seitenteil, grau	1	Baujahr: 2001[1] Fahrzeugfarbe: Bleigrau 2001[gp]
3	AP8158804	H. R. Seitenteil, blau	1	Baujahr: 2001[1] Fahrzeugfarbe: Blau Atlantic 2001[ba]
3	AP8158816	H. R. Seitenteil, rot	1	Baujahr: 2001[1] Fahrzeugfarbe: Rot Baroque 2001[rb]
3	AP8158828	H. R. Seitenteil, h.blau	1	Baujahr: 2001[1] Fahrzeugfarbe: Hellblau Coast 2001[ac]
3	AP8168351	H. R. Seitenteil, rot	1	Baujahr: 2003[3] Fahrzeugfarbe: Rot Alpine 2003[ra] Land: Österreich[A], Belgien[B], USA (Zulassung California) [CF], Schweiz[CH], Deutschland[D], Dänemark[DK], A, B, CH, D, DK, F, I, NL[EU], Frankreich[F], Italien[I], Japan[J], J[J], Holland[NL], Großbritannien[UK], Vereinigte Staaten von Amerika[USA]
3	AP8168353	H. R. Seitenteil, rot	1	Baujahr: 2003[3] Fahrzeugfarbe: Rot Alpine 2003[ra] Land: E[SP]
3	AP8168368	H. R. Seitenteil, grau	1	Baujahr: 2003[3] Fahrzeugfarbe: Grau Magnet 2003[gm] Land: Österreich[A], Belgien[B], USA (Zulassung California) [CF], Schweiz[CH], Deutschland[D], Dänemark[DK], A, B, CH, D, DK, F, I, NL[EU], Frankreich[F], Italien[I], Japan[J], J[J], Holland[NL], Großbritannien[UK], Vereinigte Staaten von Amerika[USA]
3	AP8168368	H. R. Seitenteil, grau	1	Baujahr: 2004[4] Fahrzeugfarbe: Grau Magnet 2004[gre]
3	AP8168370	H. R. Seitenteil, grau	1	Baujahr: 2004[4] Fahrzeugfarbe: Grau Magnet 2004[gre]

Einheit	RAHMEN
Code	28.15
Beschreibung	Heckaufbau I
Inspektion	1



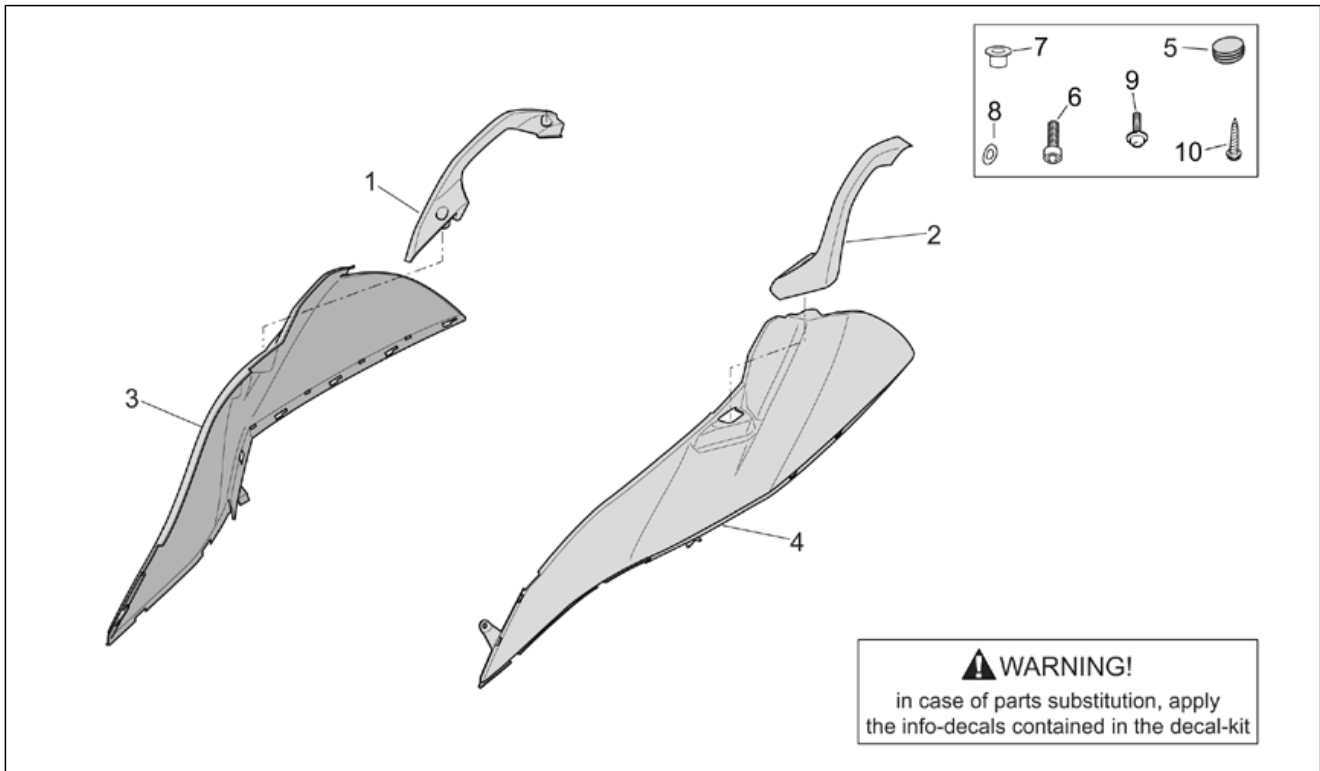
Pos.	Code	Beschreibung	Menge	Varianten
3	AP8168370	H. R. Seitenteil, grau	1	Baujahr: 2003[3] Fahrzeugfarbe: Grau Magnet 2003[gm] Land: E[SP]
3	AP8178684	H. R. Seitenteil, blau	1	Baujahr: 2004[4] Fahrzeugfarbe: Blau Hilton 2004[hilt] Land: Österreich[A], Belgien[B], USA (Zulassung California) [CF], Schweiz[CH], Deutschland[D], Dänemark[DK], A, B, CH, D, DK, F, I, NL[EU], Frankreich[F], Italien[I], Japan[J], J[J], Holland[NL], Großbritannien[UK], Vereinigte Staaten von Amerika[USA]
3	AP8178686	H. R. Seitenteil, blau	1	Baujahr: 2004[4] Fahrzeugfarbe: Blau Hilton 2004[hilt] Land: E[SP]
3	AP8178696	H. R. Seitenteil, grau	1	Baujahr: 2004[4] Fahrzeugfarbe: Grau Titanic 2004[tit] Land: Österreich[A], Belgien[B], USA (Zulassung California) [CF], Schweiz[CH], Deutschland[D], Dänemark[DK], A, B, CH, D, DK, F, I, NL[EU], Frankreich[F], Italien[I], Japan[J], J[J], Holland[NL], Großbritannien[UK], Vereinigte Staaten von Amerika[USA]
3	AP8178698	H. R. Seitenteil, grau	1	Baujahr: 2004[4] Fahrzeugfarbe: Grau Titanic 2004[tit] Land: E[SP]
4	AP8158536	H. L. Seitenteil, grau	1	Baujahr: 2001[1] Fahrzeugfarbe: Bleigrau 2001[gp]
4	AP8158805	H. L. Seitenteil, blau/grau	1	Baujahr: 2001[1] Fahrzeugfarbe: Blau Atlantic 2001[ba]
4	AP8158817	H. L. Seitenteil, rot	1	Baujahr: 2001[1] Fahrzeugfarbe: Rot Baroque 2001[rb]
4	AP8158829	H. L. Seitenteil, h.blau	1	Baujahr: 2001[1] Fahrzeugfarbe: Hellblau Coast 2001[ac]
4	AP8168352	H. L. Seitenteil, rot	1	Baujahr: 2003[3] Fahrzeugfarbe: Rot Alpine 2003[ra]

Einheit	RAHMEN
Code	28.15
Beschreibung	Heckaufbau I
Inspektion	1



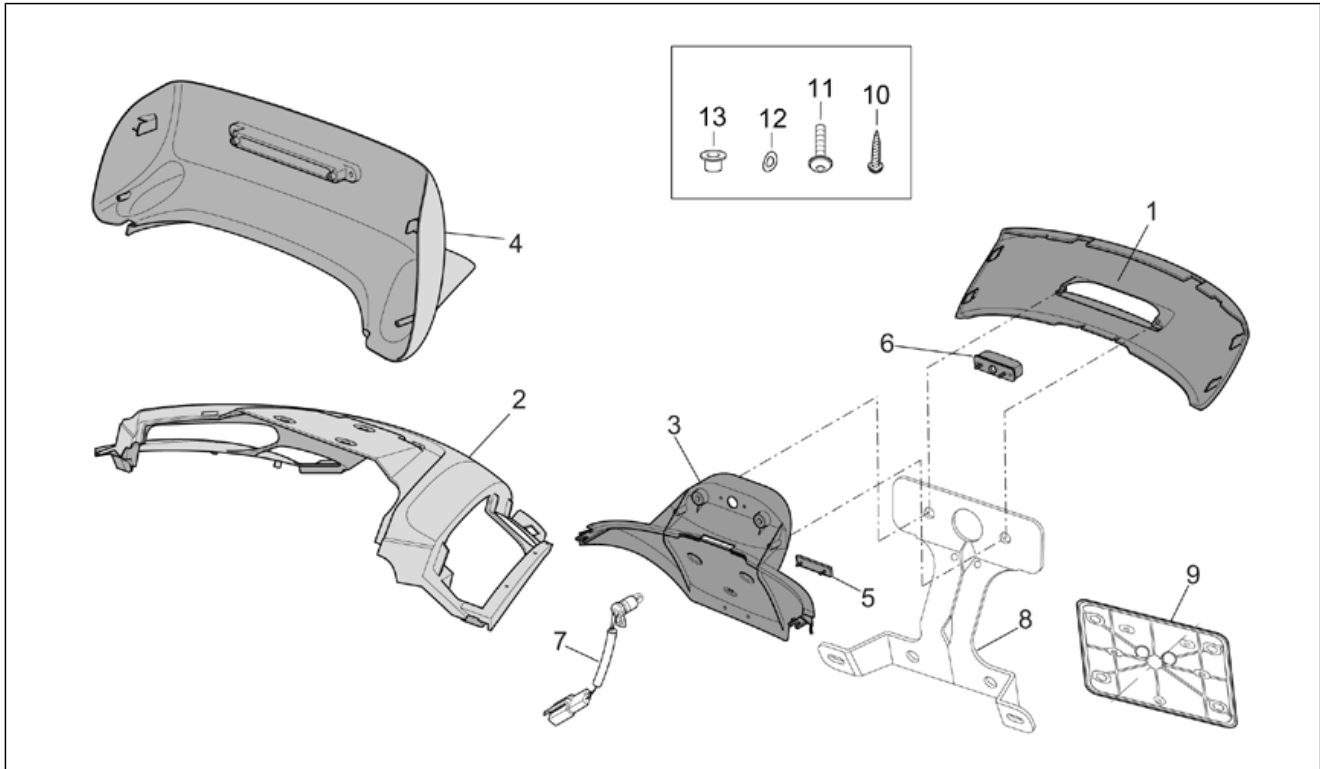
Pos.	Code	Beschreibung	Menge	Varianten
				Land:Österreich[A], Belgien[B], USA (Zulassung California) [CF], Schweiz[CH], Deutschland[D], Dänemark[DK], A, B, CH, D, DK, F, I, NL[EU], Frankreich[F], Italien[I], Japan[J], J[J], Holland[NL], Großbritannien[UK], Vereinigte Staaten von Amerika[USA]
4	AP8168354	H. L. Seitenteil, rot	1	Baujahr: 2003[3] Fahrzeugfarbe: Rot Alpine 2003[ra] Land: E[SP]
4	AP8168369	H. L. Seitenteil, grau	1	Baujahr: 2004[4] Fahrzeugfarbe: Grau Magnet 2004[grey] Land: Österreich[A], Belgien[B], USA (Zulassung California) [CF], Schweiz[CH], Deutschland[D], Dänemark[DK], A, B, CH, D, DK, F, I, NL[EU], Frankreich[F], Italien[I], Japan[J], J[J], Holland[NL], Großbritannien[UK], Vereinigte Staaten von Amerika[USA]
4	AP8168369	H. L. Seitenteil, grau	1	Baujahr: 2003[3] Fahrzeugfarbe: Grau Magnet 2003[gm] Land: Österreich[A], Belgien[B], USA (Zulassung California) [CF], Schweiz[CH], Deutschland[D], Dänemark[DK], A, B, CH, D, DK, F, I, NL[EU], Frankreich[F], Italien[I], Japan[J], J[J], Holland[NL], Großbritannien[UK], Vereinigte Staaten von Amerika[USA]
4	AP8168371	H. L. Seitenteil, grau	1	Baujahr: 2003[3] Fahrzeugfarbe: Grau Magnet 2003[gm] Land: E[SP]
4	AP8168371	H. L. Seitenteil, grau	1	Baujahr: 2004[4] Fahrzeugfarbe: Grau Magnet 2004[grey] Land: E[SP]
4	AP8178685	H. L. Seitenteil, blau/grau	1	Baujahr: 2004[4] Fahrzeugfarbe: Blau Hilton 2004[hilt] Land: Österreich[A], Belgien[B], USA (Zulassung California) [CF], Schweiz[CH], Deutschland[D], Dänemark[DK], A, B, CH, D, DK, F, I, NL[EU], Frankreich[F], Italien[I], Japan[J], J[J], Holland[NL], Großbritannien[UK], Vereinigte Staaten von Amerika[USA]

Einheit	RAHMEN
Code	28.15
Beschreibung	Heckaufbau I
Inspektion	1



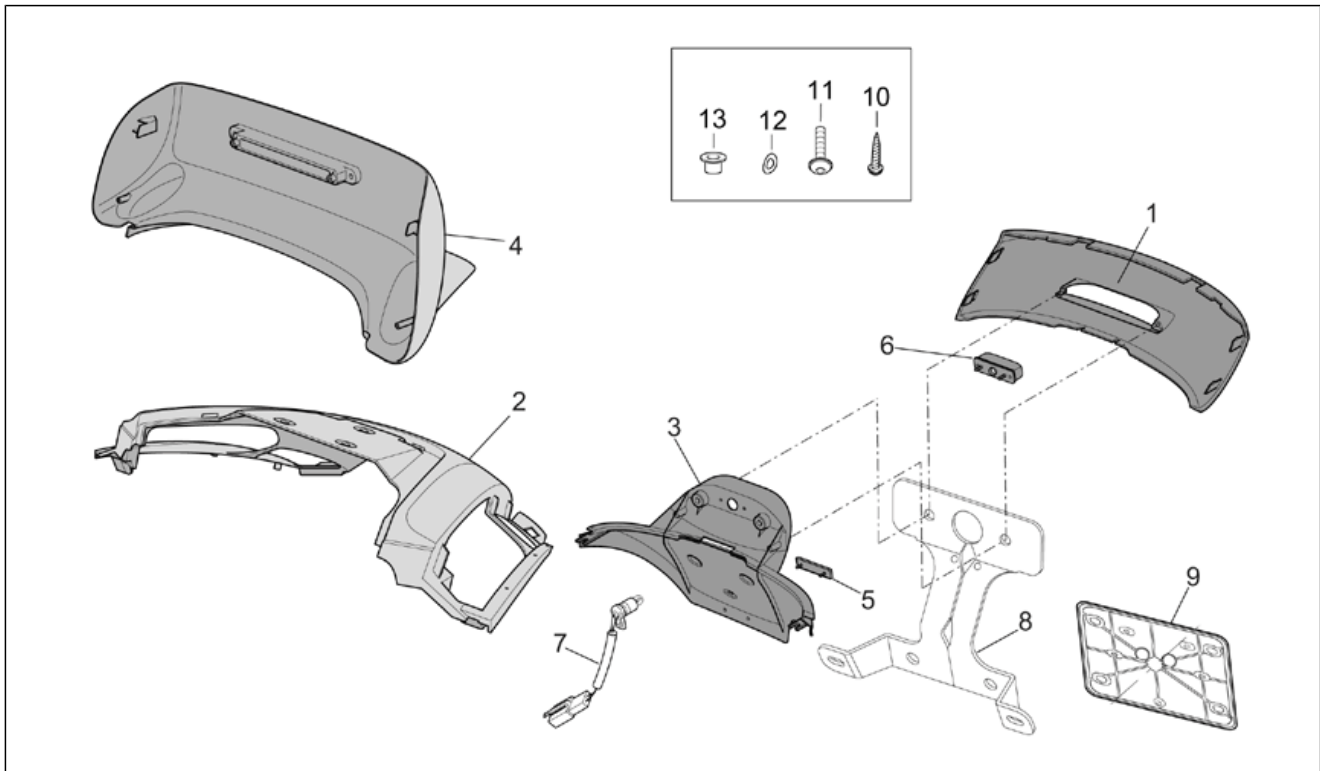
Pos.	Code	Beschreibung	Menge	Varianten
4	AP8178687	H. L. Seitenteil, blau/grau	1	Baujahr: 2004[4] Fahrzeugfarbe: Blau Hilton 2004[hilt] Land: E[SP]
4	AP8178697	H. L. Seitenteil, grau	1	Baujahr: 2004[4] Fahrzeugfarbe: Grau Titanic 2004[tit] Land: Österreich[A], Belgien[B], USA (Zulassung California) [CF], Schweiz[CH], Deutschland[D], Dänemark[DK], A, B, CH, D, DK, F, I, NL[EU], Frankreich[F], Italien[I], Japan[J], J[J], Holland[NL], Großbritannien[UK], Vereinigte Staaten von Amerika[USA]
4	AP8178699	H. L. Seitenteil, grau	1	Baujahr: 2004[4] Fahrzeugfarbe: Grau Titanic 2004[tit] Land: E[SP]
5	AP8158831	Griff Verschluss	4	Baujahr: 2001[1] Fahrzeugfarbe: Bleigrau 2001[gp]
5	AP8158906	Griff Verschluss	4	Baujahr: 2001[1] Fahrzeugfarbe: Blau Atlantic 2001[ba]
5	AP8158907	Griff Verschluss	4	Baujahr: 2001[1] Fahrzeugfarbe: Rot Baroque 2001[rb]
5	AP8158908	Griff Verschluss	4	Baujahr: 2001[1] Fahrzeugfarbe: Hellblau Coast 2001[ac]
5	AP8168359	Griff Verschluss	1	Baujahr: 2003[3] Fahrzeugfarbe: Rot Alpine 2003[ra]
5	AP8168376	Griff Verschluss	1	Baujahr: 2004[4]
5	AP8168376	Griff Verschluss	1	Baujahr: 2003[3] Fahrzeugfarbe: Grau Magnet 2003[gm]
6	AP8150170	TCEI Schraube M8x25	4	
7	AP8221128	T-Buchse 8,5x10,7x12	4	
8	AP8150376	Ausgleichscheibe 8,5x15x0,8	4	
9	AP8152246	TBEI Schraube m.Flansch M6x16	4	
10	AP8150413	Gew.schr. 3,9x14	4	

Einheit	RAHMEN
Code	28.16
Beschreibung	Heckaufbau II
Inspektion	1



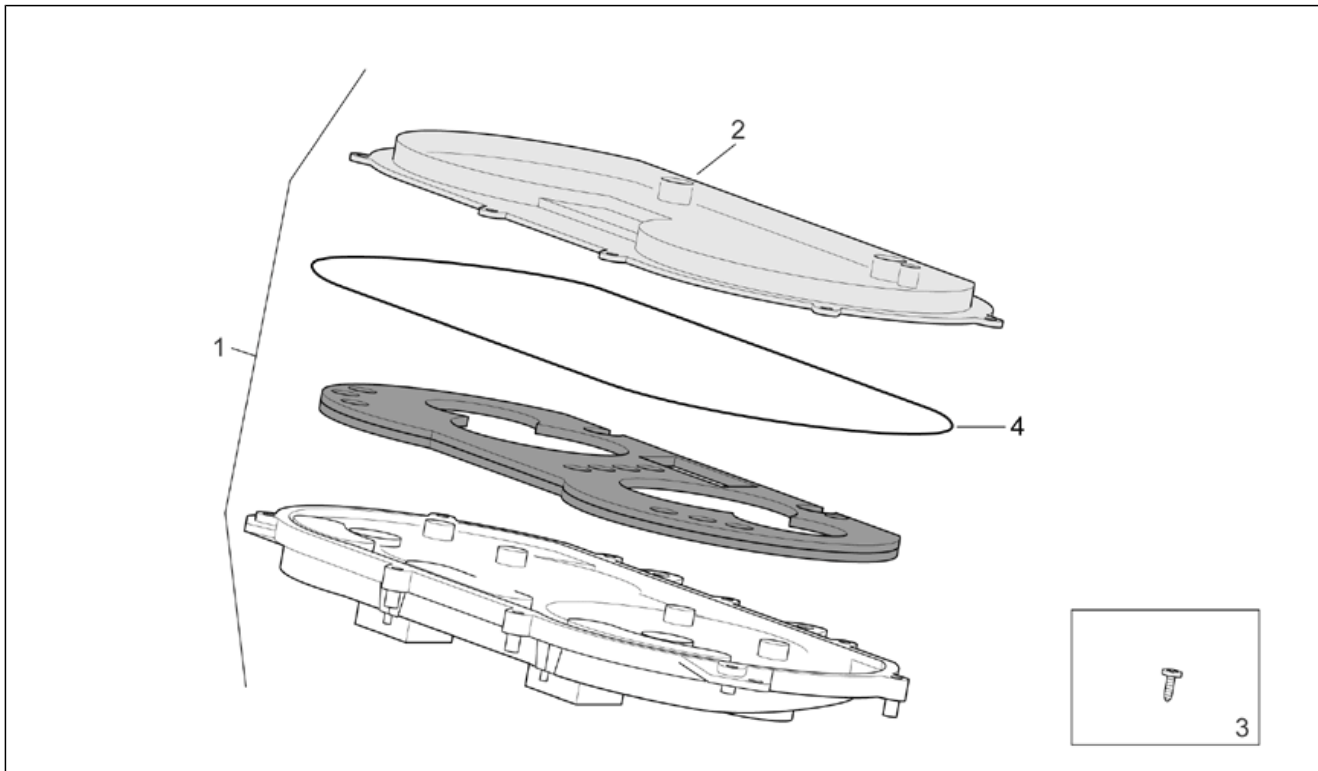
Pos.	Code	Beschreibung	Menge	Varianten
1	AP8149445	Leuchtend grünes Heck	1	
2	AP8158537	Rückhaube, grau	1	Baujahr:2001[1] Fahrzeugfarbe:Bleigrau 2001[gp]
2	AP8158806	Rückhaube, blau	1	Baujahr:2001[1] Fahrzeugfarbe:Blau Atlantic 2001[ba]
2	AP8158818	Rückhaube, rot	1	Baujahr:2001[1] Fahrzeugfarbe:Rot Baroque 2001[rb]
2	AP8158830	Rückhaube, blau	1	Baujahr:2001[1] Fahrzeugfarbe:Hellblau Coast 2001[ac]
2	AP8168355	Rückhaube, rot	1	Baujahr:2003[3] Fahrzeugfarbe:Rot Alpine 2003[ra]
2	AP8168372	Rückhaube, grau	1	Baujahr:2003[3] Fahrzeugfarbe:Grau Magnet 2003[gm]
2	AP8168372	Rückhaube, grau	1	Baujahr:2004[4] Fahrzeugfarbe:Grau Magnet 2004[grey]
2	AP8178688	Rückhaube, grau	1	Baujahr:2004[4] Fahrzeugfarbe:Blau Hilton 2004[hilt], Grau Titanic 2004[tit]
3	AP8149462	Kennzeichenplatte, schwarz	1	
4	AP8149441	Cushion protection, grau	1	Baujahr:2001[1] Fahrzeugfarbe:Bleigrau 2001[gp]
4	AP8158801	Cushion protection, blau	1	Baujahr:2001[1] Fahrzeugfarbe:Blau Atlantic 2001[ba]
4	AP8158813	Cushion protection, rot	1	Baujahr:2001[1] Fahrzeugfarbe:Rot Baroque 2001[rb]
4	AP8158825	Cushion protection, h.blau	1	Baujahr:2001[1] Fahrzeugfarbe:Hellblau Coast 2001[ac]
4	AP8168356	Cushion protection, rot	1	Baujahr:2003[3] Fahrzeugfarbe:Rot Alpine 2003[ra]
4	AP8168373	Cushion protection, grau	1	Baujahr:2004[4] Fahrzeugfarbe:Grau Magnet 2004[grey]
4	AP8168373	Cushion protection, grau	1	Baujahr:2003[3] Fahrzeugfarbe:Grau Magnet 2003[gm]

Einheit	RAHMEN
Code	28.16
Beschreibung	Heckaufbau II
Inspektion	1



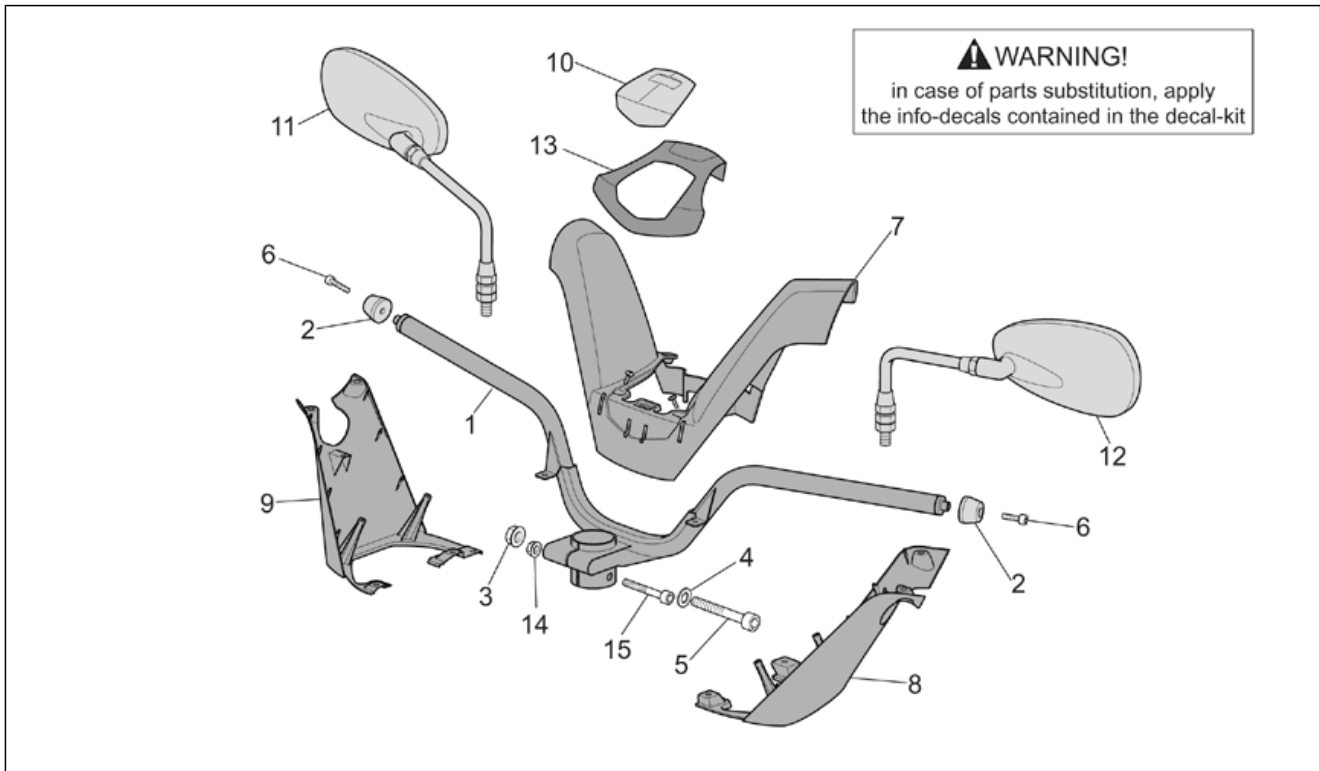
Pos.	Code	Beschreibung	Menge	Varianten
4	AP8178689	Cushion protection, grau	1	Baujahr: 2004[4] Fahrzeugfarbe: Blau Hilton 2004[hilt], Grau Titanic 2004[tit]
5	AP8112916	Rückstrahler Rücklicht	1	
6	AP8212702	Kennzeichenleuchte	1	
7	AP8127072	Kennzeich.leuch.Kabel	1	Land: Österreich[A], Belgien[B], Schweiz[CH], Deutschland[D], Dänemark[DK], Spanien[E], A, B, CH, D, DK, F, I, NL[EU], Frankreich[F], Italien[I], Japan[J], J[JJ], Holland[NL], E[SP], Großbritannien[UK]
7	AP8127385	Kennzeich.leuch.Kabel	1	Land: USA (Zulassung California)[CF], Vereinigte Staaten von Amerika[USA]
8	AP8134902	Kennzeichenplatte	1	Land: USA (Zulassung California)[CF], Vereinigte Staaten von Amerika[USA]
9	AP8149034	Kennzeichenhalter	1	Land: USA (Zulassung California)[CF], Vereinigte Staaten von Amerika[USA]
10	AP8150413	Gew.schr. 3,9x14	4	
11	AP8152058	TBEI Schraube M8x20	4	
12	AP8150376	Ausgleichscheibe 8,5x15x0,8	4	
13	AP8120508	T-Buchse *	4	

Einheit	RAHMEN
Code	28.17
Beschreibung	Instrumententafel
Inspektion	1



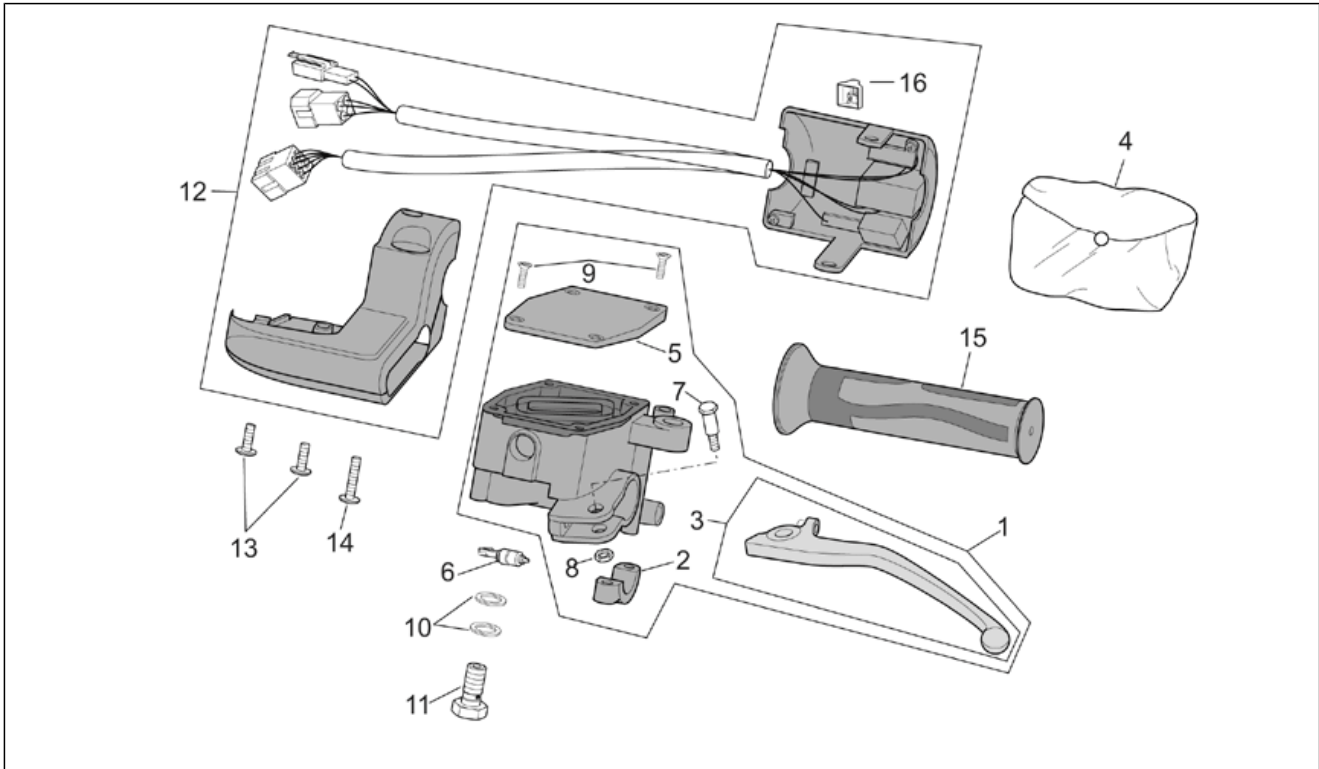
Pos.	Code	Beschreibung	Menge	Varianten
1	AP8127440	Instrum.tafel kplt. Immobilizer	1	Land: Österreich[A], Belgien[B], Schweiz[CH], Deutschland[D], Dänemark[DK], Spanien[E], A, B, CH, D, DK, F, I, NL[EU], Frankreich[F], Italien[I], Japan[J], J[J], Holland[NL], E[SP] Technische Daten: Modell für Radio vorgerüstet[AU], Version mit Wegfahrsperr[e]I
1	AP8127462	Instrum.tafel kplt. Immobilizer	1	Land: USA (Zulassung California)[CF], Großbritannien[UK], Vereinigte Staaten von Amerika[USA] Technische Daten: Modell für Radio vorgerüstet[AU], Version mit Wegfahrsperr[e]I
1	AP8127463	Instrum.tafel kplt.	1	Land: Österreich[A], Belgien[B], Schweiz[CH], Deutschland[D], Dänemark[DK], Spanien[E], A, B, CH, D, DK, F, I, NL[EU], Frankreich[F], Italien[I], Japan[J], J[J], Holland[NL], E[SP] Technische Daten: Version ohne Wegfahrsperr[e]NI, Modell nicht für Radio vorgerüstet[Std]
1	AP8127464	Instrum.tafel kplt.	1	Land: USA (Zulassung California)[CF], Großbritannien[UK], Vereinigte Staaten von Amerika[USA] Technische Daten: Version ohne Wegfahrsperr[e]NI, Modell nicht für Radio vorgerüstet[Std]
2	AP8127324	transparenter Schutz	1	
3	AP8247323	Schraube	9	
4	AP8121650	Dichtung	1	

Einheit	RAHMEN
Code	28.18
Beschreibung	Lenkstange
Inspektion	1



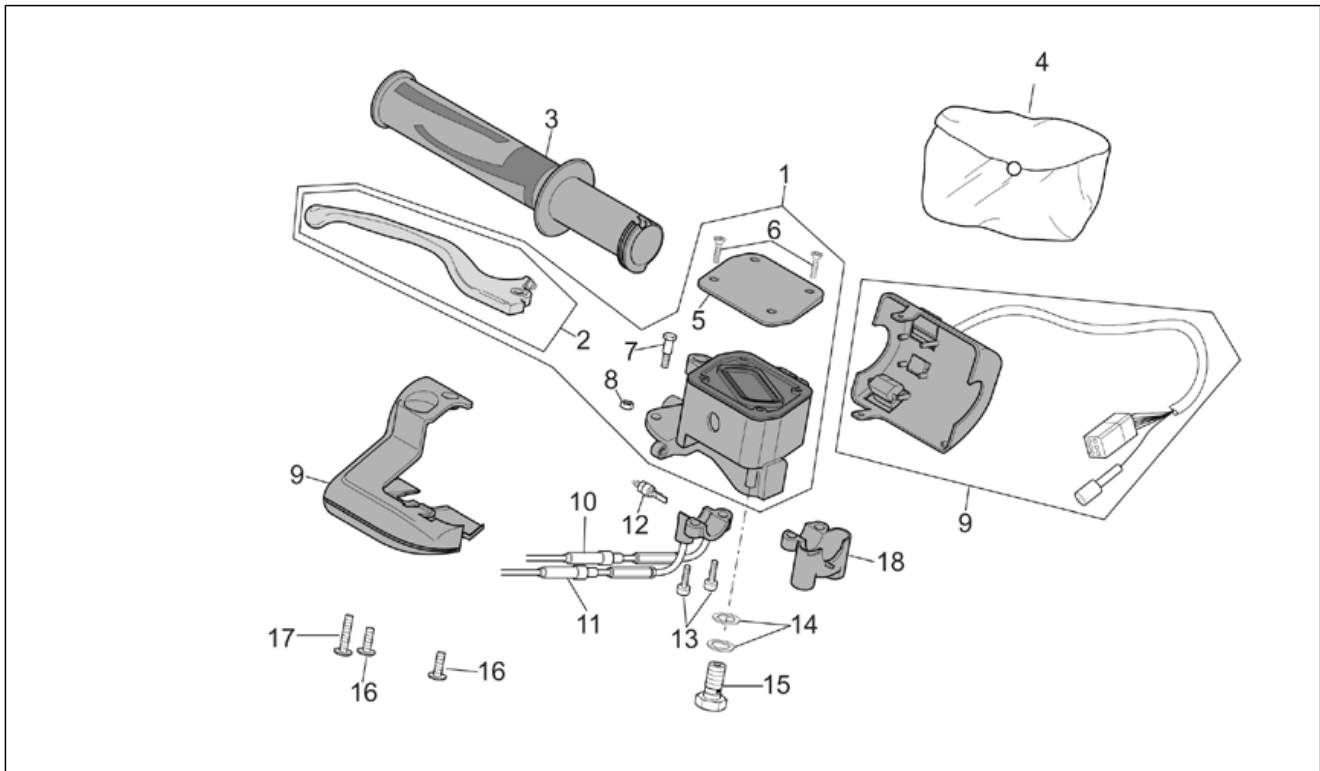
Pos.	Code	Beschreibung	Menge	Varianten
1	AP8118589	Lenkstange	1	
2	AP8104384	Lenkstangen-Schwingschutz	2	
3	AP8152301	Selbstsperrende Mutter	1	
4	AP8150020	Ausgleichscheibe 10,5x21x2*	1	
5	AP8150088	TCEI Schraube M10x70	1	
6	AP8150165	TCEI Schraube M6x25	2	
7	AP8149444	Obere Lenkstangenabdeckung	1	
8	AP8158434	L.Untere Lenkstangenabdeckung	1	
9	AP8149443	R.Untere Lenkstangenabdeckung	1	
10	AP8158432	Deckel	1	Baujahr:2004[4]
10	AP8158432	Deckel	1	Baujahr:2003[3]
10	AP8158539	Deckel	1	Baujahr:2001[1]
11	AP8104453	Rückspiegel rechts	1	
12	AP8104454	Rückspiegel links	1	
13	AP8158430	Deckel Lenkstange grau	1	
14	AP8150431	Mutter unten M8	1	
15	AP8150277	TCEI Schraube M8x50	1	

Einheit	RAHMEN
Code	28.19
Beschreibung	Schaltungen links
Inspektion	1



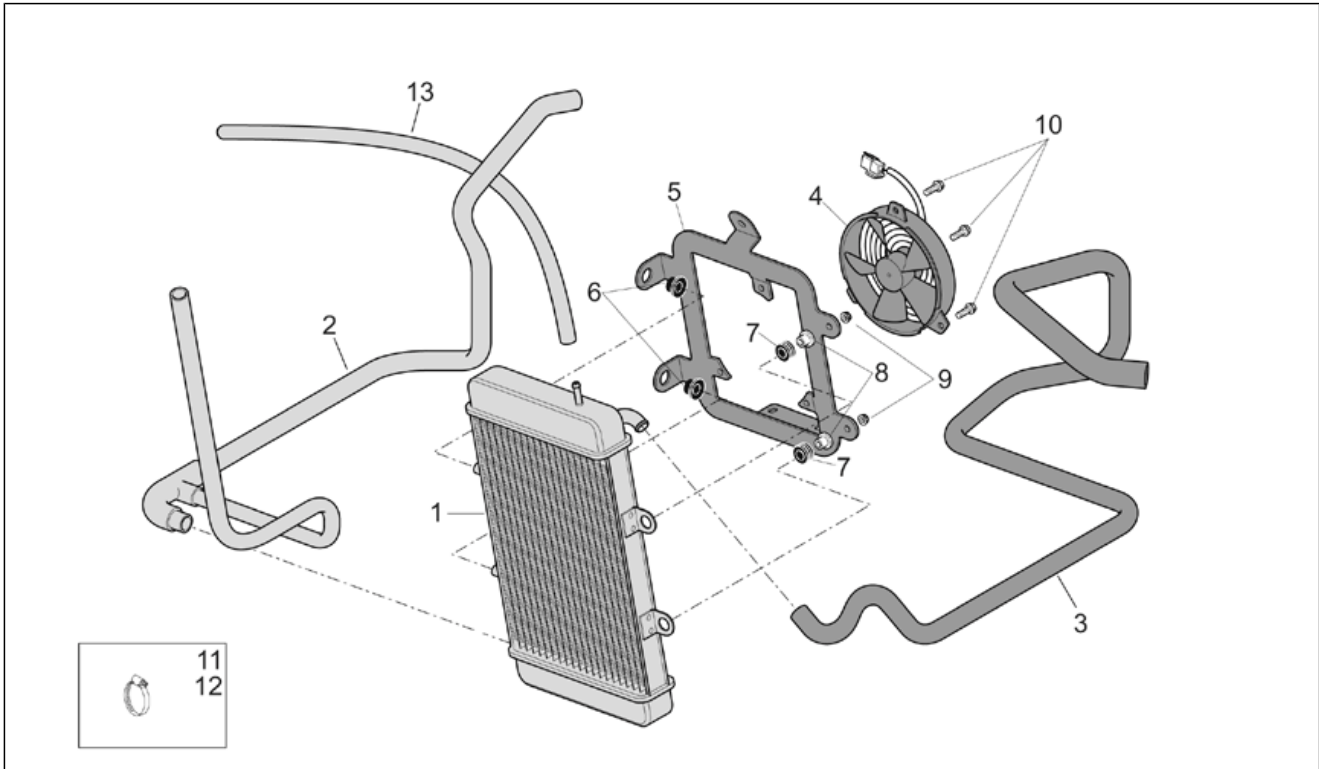
Pos.	Code	Beschreibung	Menge	Varianten
1	AP8113698	Hinterradbremspumpe	1	
2	AP8113637	Bremshebel-Bügelbolzen	1	
3	AP8118542	Bremshebel	1	
4	AP8133537	Bausatz Pumpenüberholung	1	
5	AP8113860	Pumpendeckel	1	
6	AP8127305	Knopf stop	1	
7	AP8125757	Schraube Hebel	1	
8	AP8213298	Mutter	1	
9	AP8113859	Schraube Pumpendeckel	4	
10	AP8113004	Ausgleichscheibe 10x14x1,6*	2	
11	AP8113003	Fixierschraube Ölschlauch	1	
12	AP8127100	Linker Lichtschalter	1	
13	AP8152268	TBEI Spez.schr. M5x16	3	
14	AP8152270	TBEI Schraube M5x25	1	
15	AP8118675	Handgriffe paar, schwarz	1	
16	AP8127482	Blinker Lichtknopf haube	1	

Einheit	RAHMEN
Code	28.20
Beschreibung	Schaltungen rechts
Inspektion	1



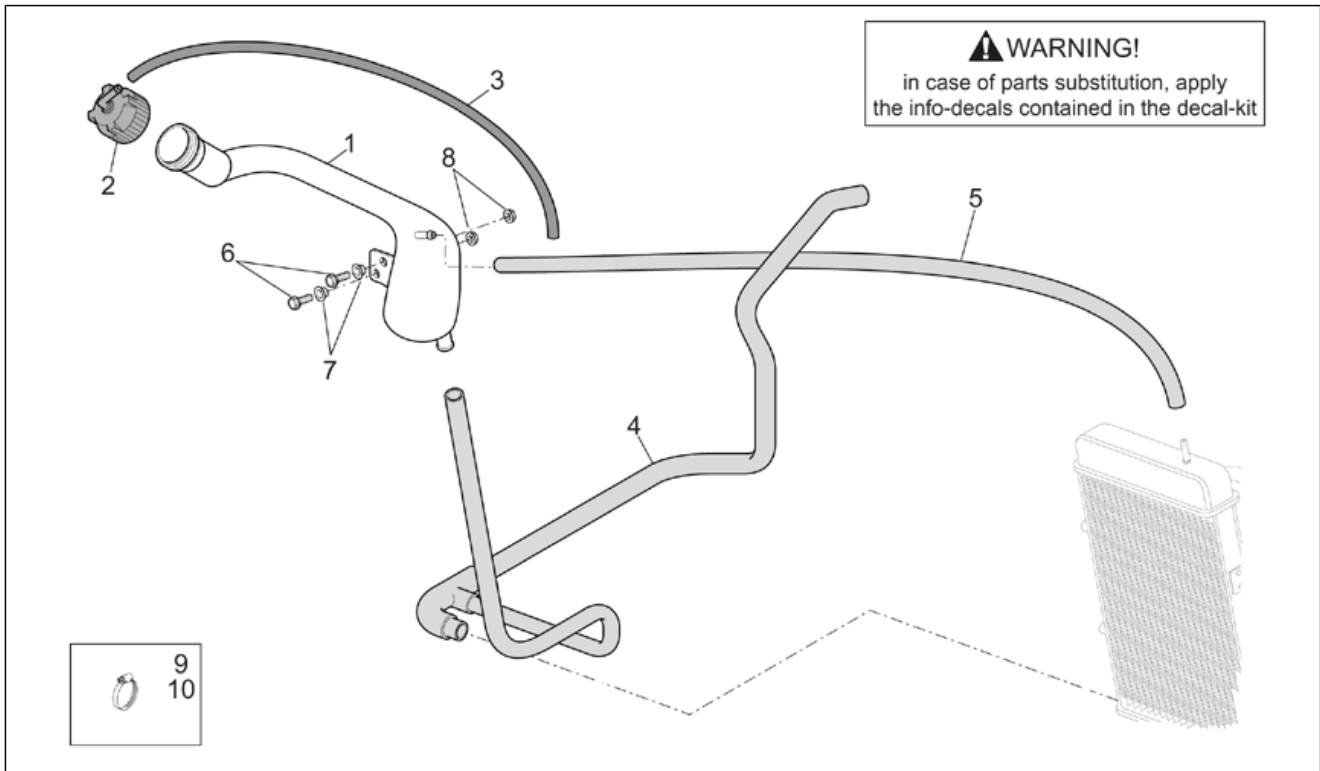
Pos.	Code	Beschreibung	Menge	Varianten
1	AP8113928	Vorderradbremspumpe	1	
2	AP8118542	Bremshebel	1	
3	AP8118675	Handgriffe paar, schwarz	1	
4	AP8113864	Bausatz Pumpenüberholung	1	
5	AP8113863	Pumpendeckel	1	
6	AP8113859	Schraube Pumpendeckel	4	
7	AP8125757	Schraube Hebel	1	
8	AP8213298	Mutter	1	
9	AP8127289	Rechter Lichtschalter	1	Technische Daten: Modell nicht für Radio vorgerüstet[Std]
9	AP8127572	Rechter Lichtschalter	1	Technische Daten: Modell für Radio vorgerüstet[AU], Version mit Wechselsprechanlage[INT]
10	AP8114428	Gas trasmissione delivery	1	
11	AP8114447	Gas trasmissione return	1	
12	AP8127305	Knopf stop	1	
13	AP8150165	TCEI Schraube M6x25	2	
14	AP8113004	Ausgleichscheibe 10x14x1,6*	2	
15	AP8113003	Fixierschraube Ölschlauch	1	
16	AP8152268	TBEI Spez.schr. M5x16	3	
17	AP8152270	TBEI Schraube M5x25	1	
18	AP8118582	Sitz Gassteuerung	1	

Einheit	RAHMEN
Code	28.21
Beschreibung	Kühler
Inspektion	1



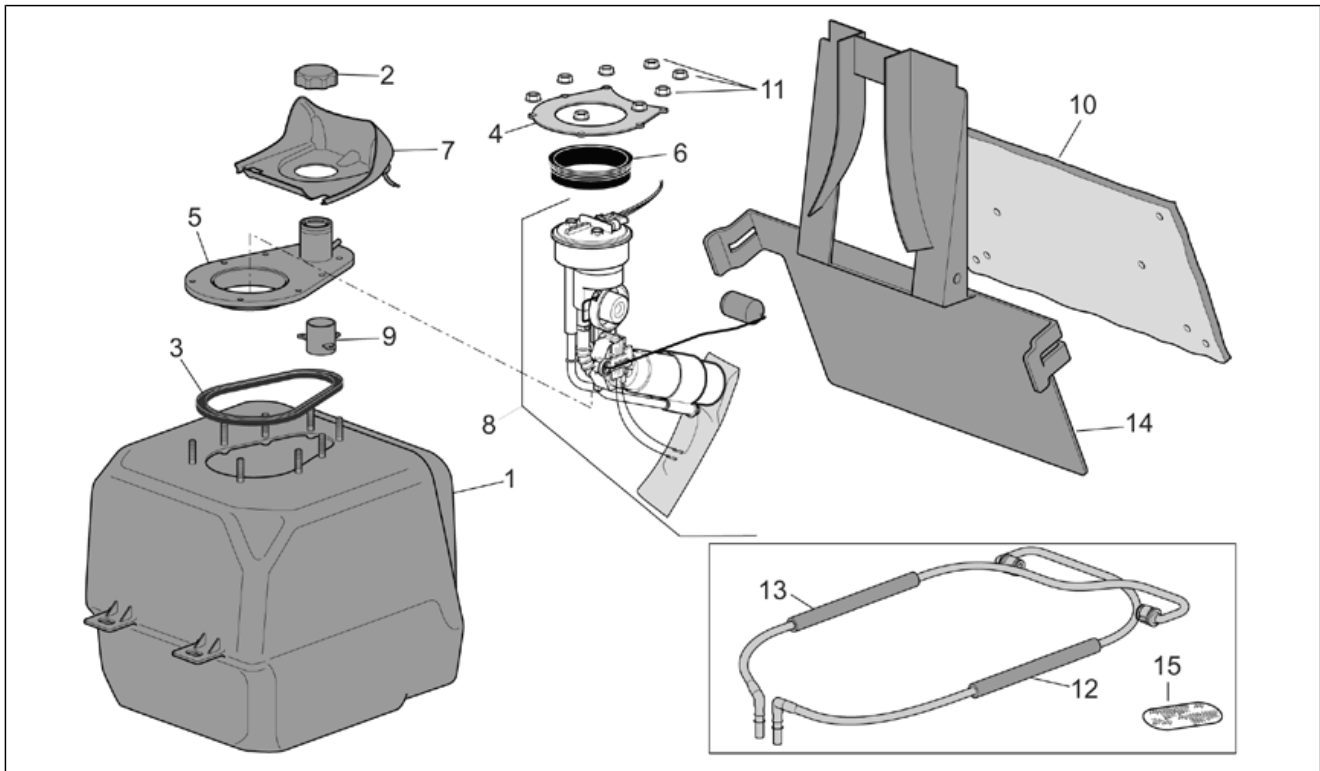
Pos.	Code	Beschreibung	Menge	Varianten
1	AP8104266	Kühler	1	
2	AP8144374	Schlauch Kühler-Thermostat	1	
3	AP8144379	Zylinderkopf-Kühlerschlauch	1	Technische Daten: Motor mit internem Thermostat[TI]
3	AP8144609	Schlauch Kühler-Thermostat	1	Technische Daten: Motor mit externem Thermostat[TE]
4	AP8127021	Ventilator komplett	1	
5	AP8134713	Kühlerbefestigung	1	
6	AP8120275	Silent-Block *	2	
7	AP8120594	Gummi	2	
8	AP8121922	Kühlerbuchse	2	
9	AP8152299	Selbstsperrende Mutter M6	2	
10	AP8152278	TE Schr. m. Flansch M6x16	3	
11	AP8101573	Schelle D16-24x8*	3	
12	AP8104097	Schlauchschelle	2	
13	AP8220325	Kraftstoffleitung 5,5x10	1	

Einheit	RAHMEN
Code	28.22
Beschreibung	Ausdehngefäß
Inspektion	1



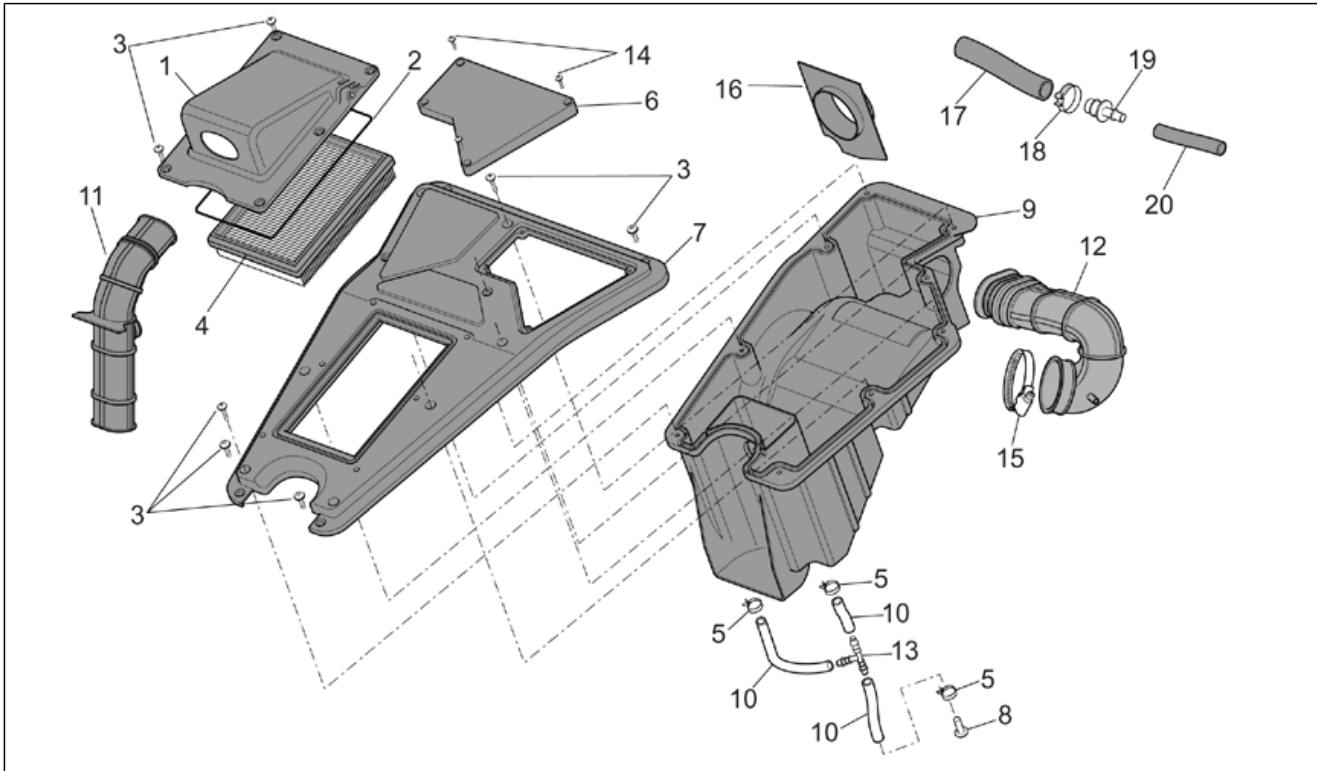
Pos.	Code	Beschreibung	Menge	Varianten
1	AP8258243	Ausdehngefäß	1	
2	AP8201463	Kühlerschraube belüftet	1	
3	AP8144056	Entlüftungsschlauch Kühler	1	
4	AP8144374	Schlauch Kühler-Thermostat	1	
5	AP8220325	Kraftstoffleitung 5,5x10	1	
6	AP8152278	TE Schr. m. Flansch M6x16	2	
7	AP8121032	Buchse	2	
8	AP8152299	Selbstsperrende Mutter M6	2	
9	AP8101573	Schelle D16-24x8*	3	
10	AP8104097	Schlauchschnelle	2	

Einheit	RAHMEN
Code	28.23
Beschreibung	Kraftstofftank
Inspektion	1



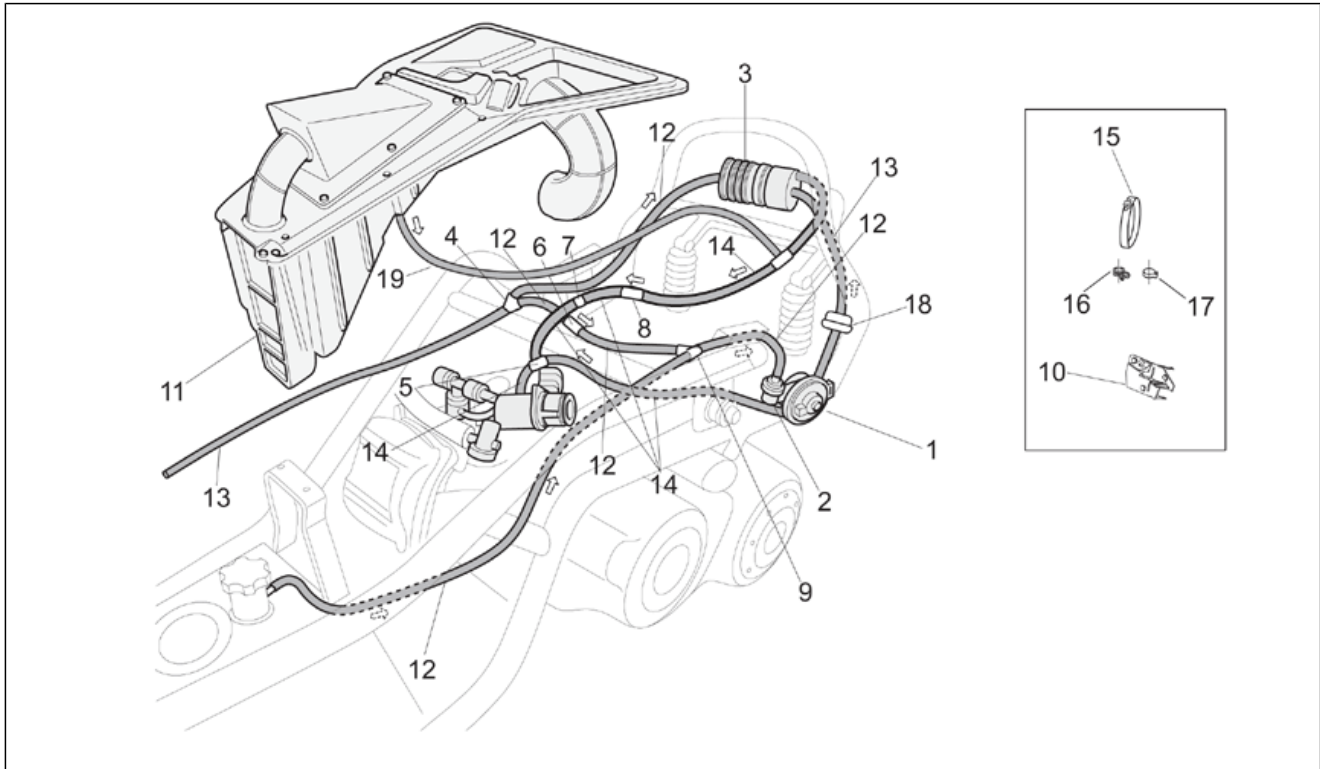
Pos.	Code	Beschreibung	Menge	Varianten
1	AP8149471	Kraftstofftank	1	
2	AP8144782	Tankverschlußschraube	1	
3	AP8144421	Dichtung	1	
4	AP8134712	Halter Kraftstoffpumpe	1	
5	AP8134706	Kraftst.pumpen-Verschl.	1	
6	AP8144422	Dichtung	1	
7	AP8149476	Haube	1	
8	AP8176189	Kraftstoffpumpe kplt.	1	
9	AP8158837	Fixierung	1	
10	AP8117218	Nichtleiter	1	
11	AP8152306	Selbstsperrende Mutter M5	8	
12	AP8144427	Benzinleitung	1	
13	AP8144426	Rückflussleitung	1	
14	AP8158779	Protection	1	
15	AP8217031	Wärmeschutz	1	Technische Daten: Motor mit externem Thermostat[TE]

Einheit	RAHMEN
Code	28.24
Beschreibung	Filtergehäuse
Inspektion	1



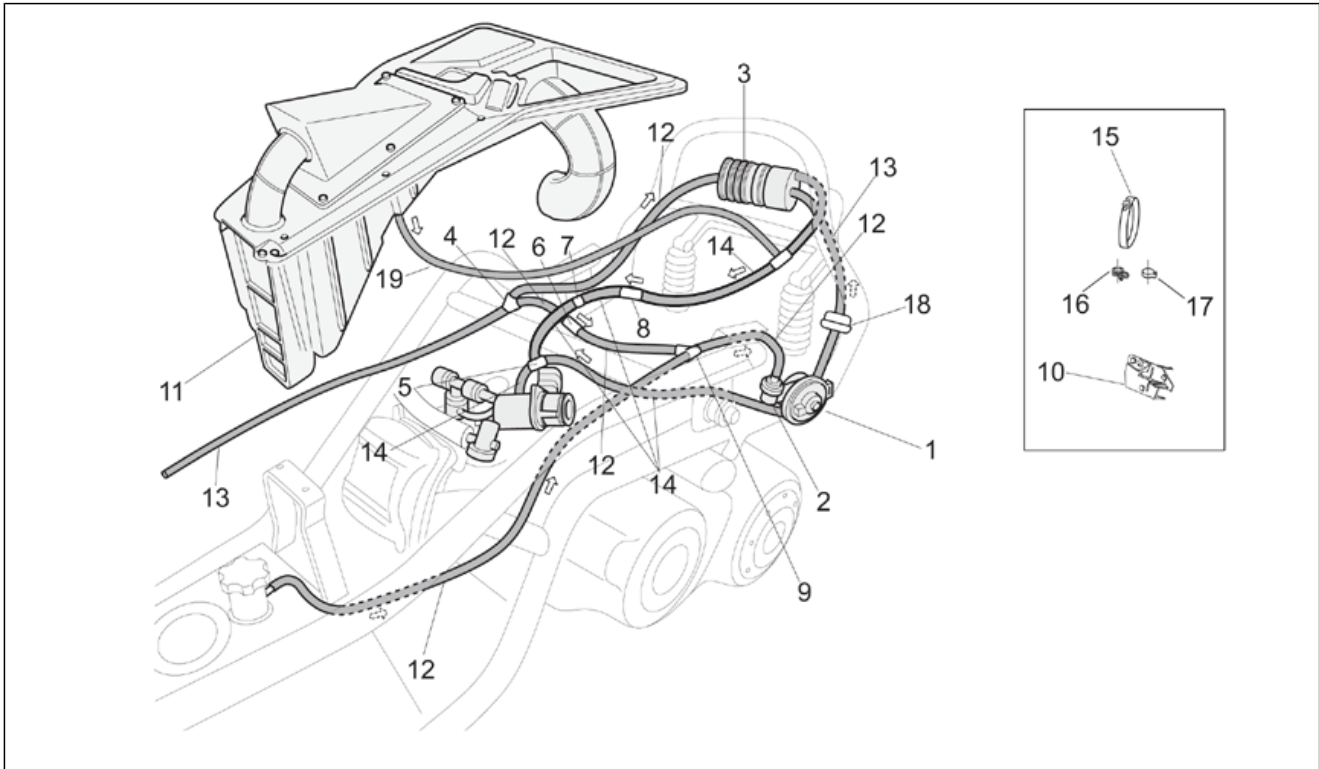
Pos.	Code	Beschreibung	Menge	Varianten
1	AP8149438	Filterdeckel	1	
2	AP8120615	Dichtung D3	2	
3	AP8152329	Kreuz.schl.flnschschr. M5x20	21	
4	AP8104242	Luftfilter	1	
5	AP8101595	Schelle D10,1	3	
6	AP8158192	Deckel	1	
7	AP8149437	Deckel Filtergehäuse	1	
8	AP8120876	Verschlußschraube	2	
9	AP8149428	Boden Filtergehäuse	1	Land: Österreich[A], Belgien[B], Schweiz[CH], Deutschland[D], Dänemark[DK], Spanien[E], A, B, CH, D, DK, F, I, NL[EU], Frankreich[F], Italien[I], Japan[J], J[J], Holland[NL], E[SP], Großbritannien[UK]
9	AP8168014	Boden Filtergehäuse	1	Land: USA (Zulassung California)[CF], Vereinigte Staaten von Amerika[USA]
10	AP8144038	Kraftstoffleitung 6x10	2	
11	AP8144442	Ansaugmuffe	1	
12	AP8144371	Hülse	1	
13	AP8144303	3-Wegeanschluß	1	
14	AP8150413	Gew.schr. 3,9x14	4	
15	AP8102401	Schelle D50-70x8*	1	
16	AP8158320	Protection	1	
17	AP8220597	Kraftstoffleitung	1	
18	AP8201169	Schlauchschelle D22x8,6*	1	
19	AP8102576	2-Wege Anschluß	1	
20	AP8120905	Kraftstoffleitung 8x13	1	

Einheit	RAHMEN
Code	28.25
Beschreibung	Benzindampfrückf.-Anlage
Inspektion	1



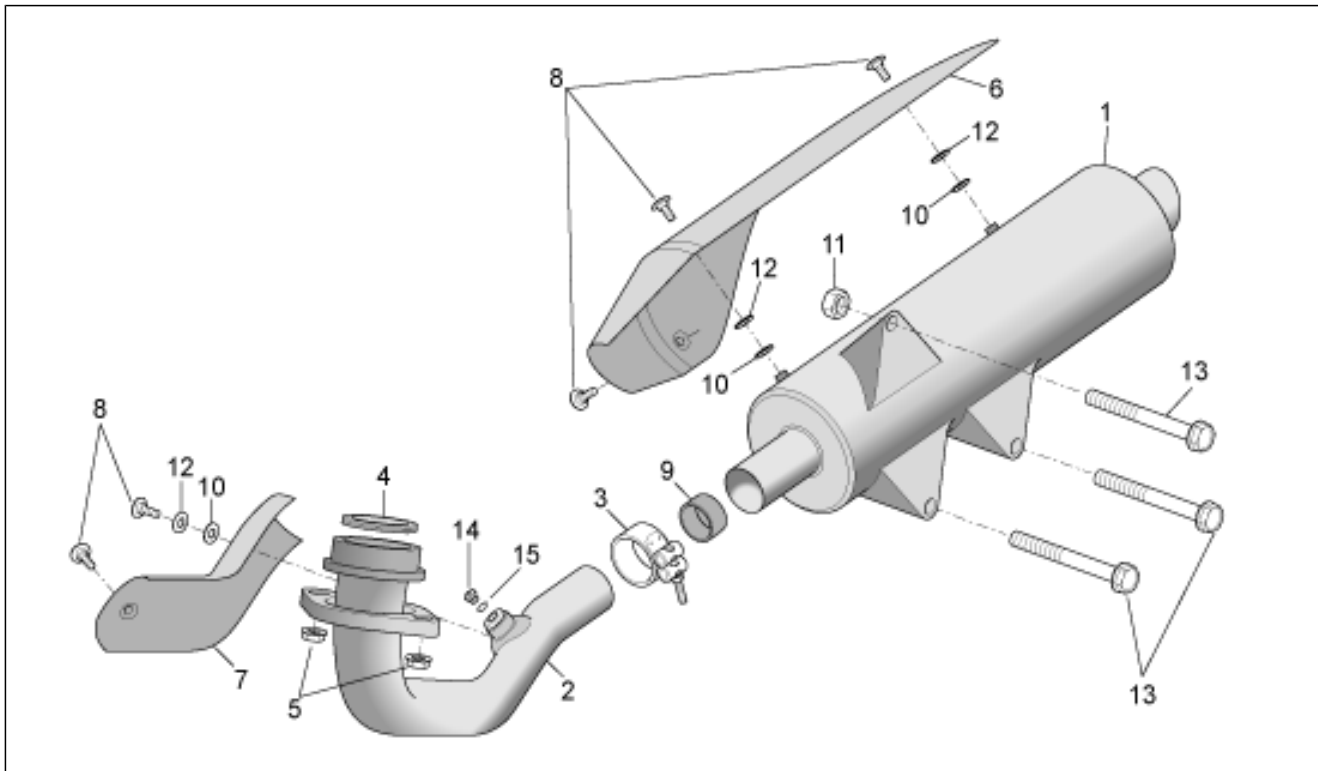
Pos.	Code	Beschreibung	Menge	Varianten
1	AP8106776	"Purge" Ventil	1	Land:USA (Zulassung California)[CF], Vereinigte Staaten von Amerika[USA]
2	AP8106824	"Roll-over" Ventil	1	Land:USA (Zulassung California)[CF], Vereinigte Staaten von Amerika[USA]
3	AP8102678	Kohlefilter	1	Land:USA (Zulassung California)[CF], Vereinigte Staaten von Amerika[USA]
4	AP8202154	3-Wegeanschluß	1	Land:USA (Zulassung California)[CF], Vereinigte Staaten von Amerika[USA]
5	AP8102727	3-Wegeanschluß	1	Land:USA (Zulassung California)[CF], Vereinigte Staaten von Amerika[USA]
6	AP8104251	Ölablaßventil	1	Land:USA (Zulassung California)[CF], Vereinigte Staaten von Amerika[USA]
7	AP8121623	Anschluss d.1	1	Land:USA (Zulassung California)[CF], Vereinigte Staaten von Amerika[USA]
8	AP8104550	Rückstauventil	1	Land:USA (Zulassung California)[CF], Vereinigte Staaten von Amerika[USA]
9	AP8144303	3-Wegeanschluß	1	Land:USA (Zulassung California)[CF], Vereinigte Staaten von Amerika[USA]
10	AP8134890	Halter	1	Land:USA (Zulassung California)[CF], Vereinigte Staaten von Amerika[USA]
11	AP8168014	Boden Filtergehäuse	1	Land:USA (Zulassung California)[CF], Vereinigte Staaten von Amerika[USA]
12	AP8120952	Kraftstoffleitung 5,5x10	5	Land:USA (Zulassung California)[CF], Vereinigte Staaten von Amerika[USA]
13	AP8120905	Kraftstoffleitung 8x13	2	Land:USA (Zulassung California)[CF], Vereinigte Staaten von Amerika[USA]
14	AP8220263	Entlüftungsschlauch Kühler 4x8	5	Land:USA (Zulassung California)[CF], Vereinigte Staaten von Amerika[USA]
15	AP8102688	Schelle d.76	1	Land:USA (Zulassung California)[CF], Vereinigte Staaten von Amerika[USA]
16	AP8102520	Schlauchschele	2	Land:USA (Zulassung California)[CF], Vereinigte Staaten von Amerika[USA]

Einheit	RAHMEN
Code	28.25
Beschreibung	Benzindampfrückf.-Anlage
Inspektion	1



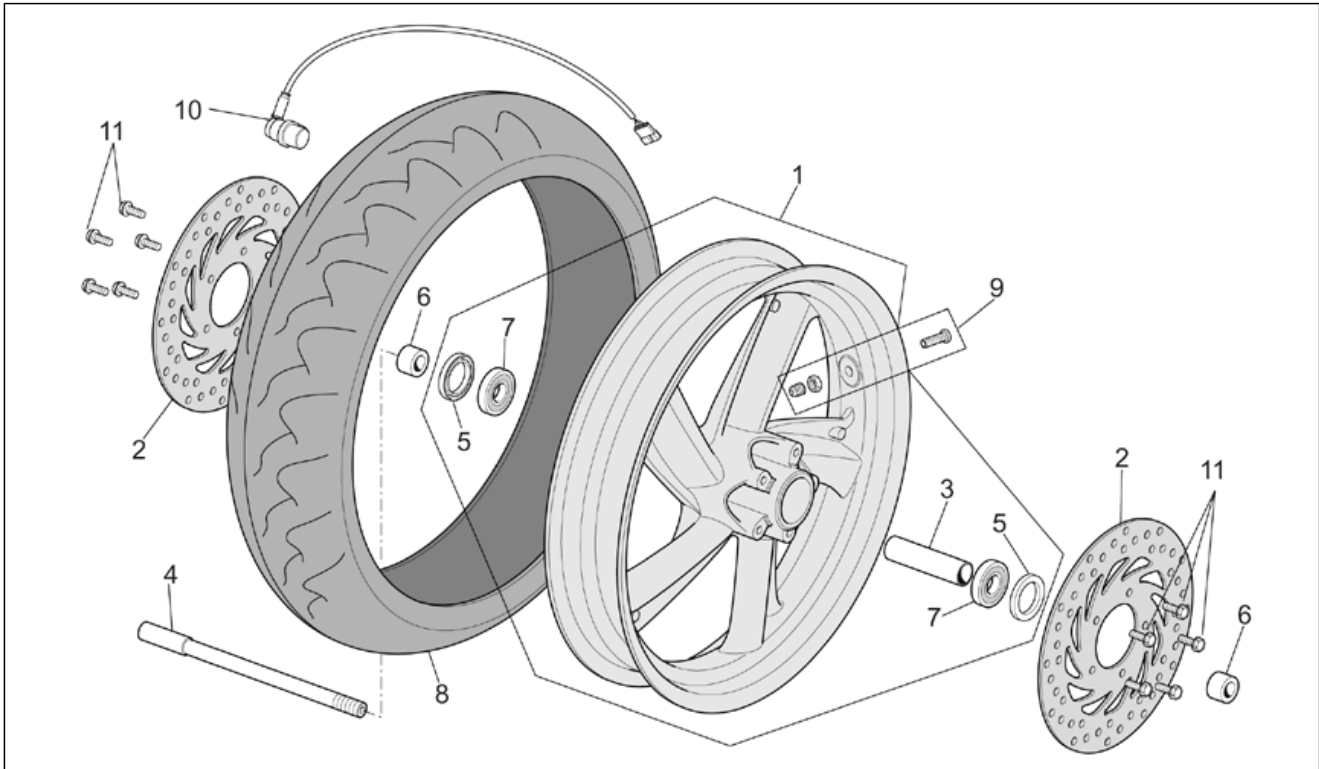
Pos.	Code	Beschreibung	Menge	Varianten
17	AP8120179	Schelle D8	9	Land:USA (Zulassung California)[CF], Vereinigte Staaten von Amerika[USA]
18	AP8104643	Ventil	1	
19	AP8120905	Kraftstoffleitung 8x13	1	

Einheit	RAHMEN
Code	28.26
Beschreibung	Auslassgruppe
Inspektion	1



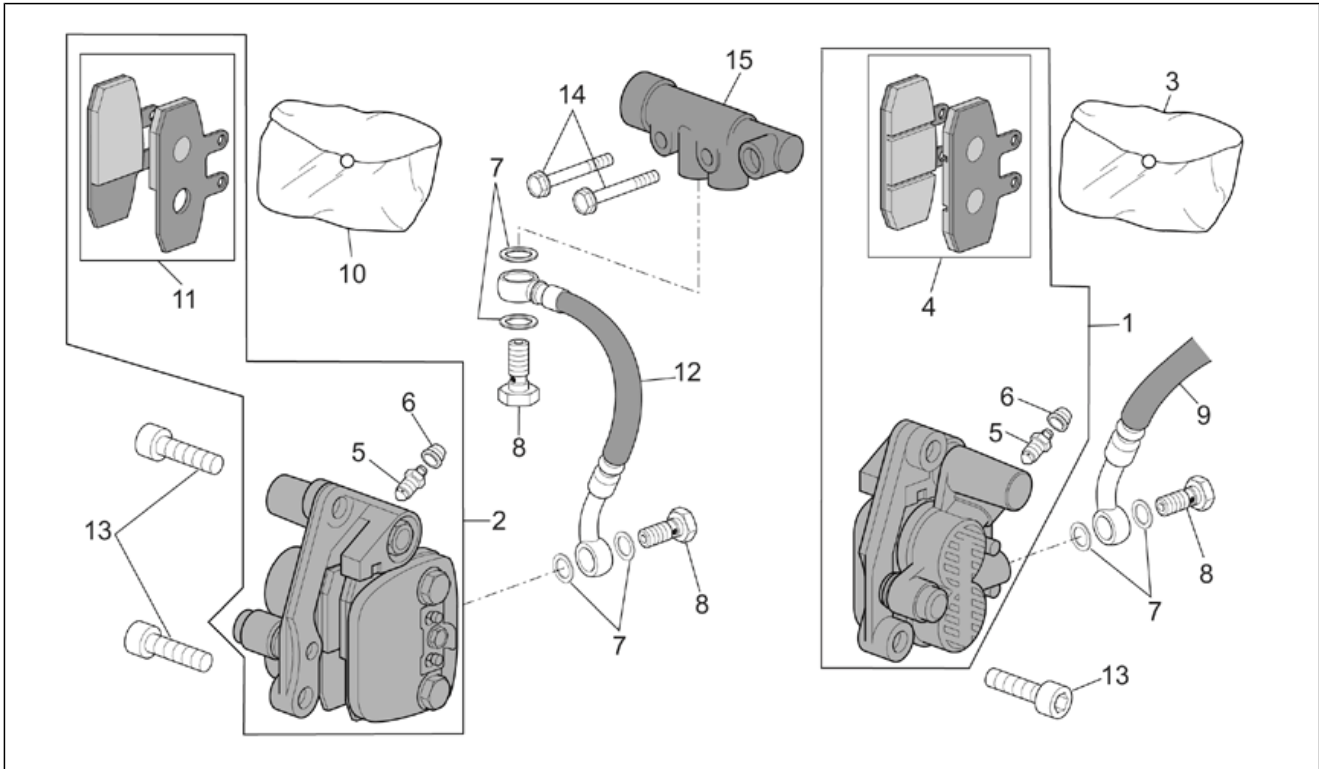
Pos.	Code	Beschreibung	Menge	Varianten
1	AP8119625	Auspuff	1	Land:Österreich[A], Belgien[B], Schweiz[CH], Deutschland[D], Dänemark[DK], Spanien[E], A, B, CH, D, DK, F, I, NL[EU], Frankreich[F], Italien[I], Japan[J], J[J], Holland[NL], E[SP], Großbritannien[UK]
1	AP8119735	Kat.Auspuffrohr	1	Land:USA (Zulassung California)[CF], Vereinigte Staaten von Amerika[USA]
2	AP8119667	Auspuffrohr	1	
3	AP8119734	Schelle	1	
4	AP8119624	Dichtung Auspuffrohr	1	
5	AP8150334	Mutter M8	2	
6	AP8119623	Auspuffrohrschutz	1	
7	AP8119703	Schlauchschutz	1	
8	AP8152339	TBEI Schraube m.Flansch M5x9	5	
9	AP8163166	Buchse	1	
10	AP8163165	U-scheibe Inox 16x8.4x1.6	5	
11	AP8152400	Mutter	3	
12	AP8163167	Isolierscheibe 20x8x1.5	5	
13	AP8152410	TE Schr. m. Flansch M10x55	3	
14	AP8119497	CO-Anschlußschraube	1	
15	AP8113004	Ausgleichscheibe 10x14x1,6*	1	

Einheit	RAHMEN
Code	28.27
Beschreibung	Vorderrad
Inspektion	1



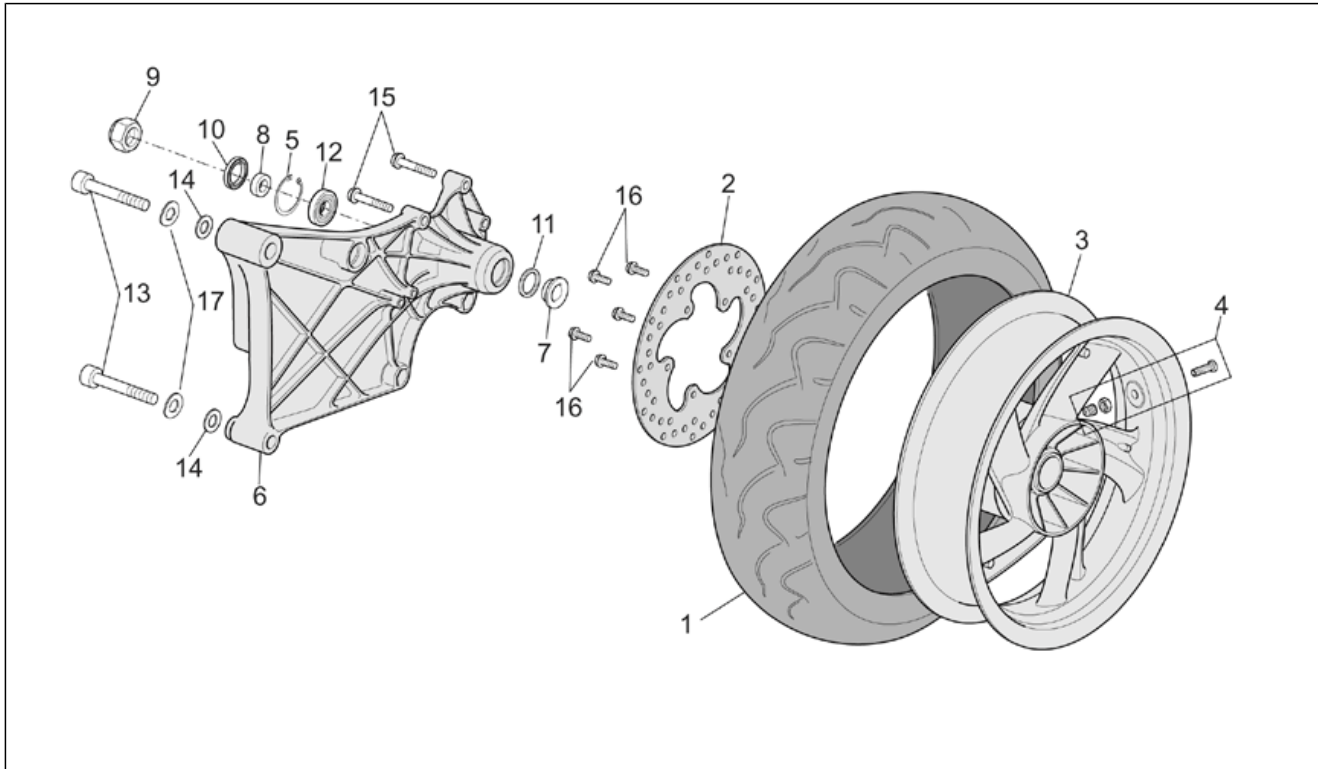
Pos.	Code	Beschreibung	Menge	Varianten
1	AP8108959	Vorderrad kpl	1	
2	AP8113697	Vorderradbremsscheibe d.260	2	
3	AP8125896	Distanzscheibe	1	
4	AP8125850	Vorderradbolzen	1	
5	AP8120621	Ölabstreifring	1	
6	AP8125899	Vorderrad Distanzscheibe	2	
7	AP8125812	Lager 15x42x13	2	
8	AP8109267	Vorderreifen 120/70-15"	1	
9	AP8201546	Schlauchloses Reifenventil	1	
10	AP8124528	Kilom.zählersens. kpl.	1	
11	AP8152288	TE Schr. m. Flansch	10	

Einheit	RAHMEN
Code	28.28
Beschreibung	Vorderradbremzange
Inspektion	1



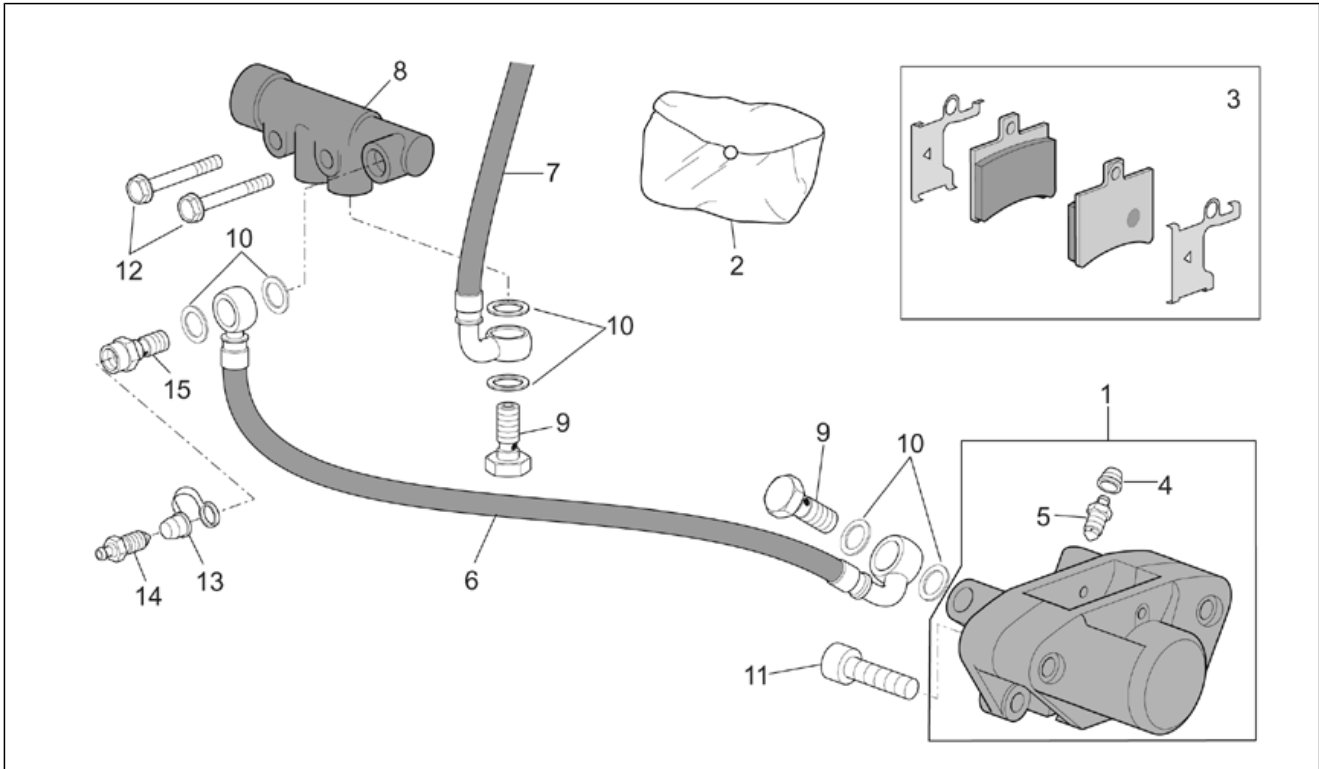
Pos.	Code	Beschreibung	Menge	Varianten
1	AP8113916	Vorderradbremzange l.	1	
2	AP8133521	Vorderradbremzange r.	1	
3	AP8133538	Bausatz Bremszangenüberholung	1	
4	AP8113865	Beläge (Paar)	1	
5	AP8213108	Entlüftungsanschluß	1	
6	AP8113005	Entlüftungskappe	1	
7	AP8113004	Ausgleichscheibe 10x14x1,6*	6	
8	AP8113003	Fixierschraube Ölschlauch	3	
9	AP8113944	Vorderradbrembleitung	1	
10	AP8133538	Bausatz Bremszangenüberholung	1	
11	AP8133540	Beläge (Paar)	1	
12	AP8113946	Radbremsleitung	1	
13	AP8150107	TCEI Schraube M8x30	4	
14	AP8152282	TE Schr. m. Flansch M6x35	2	
15	AP8113922	Ventil	1	

Einheit	RAHMEN
Code	28.29
Beschreibung	Hinterrad
Inspektion	1



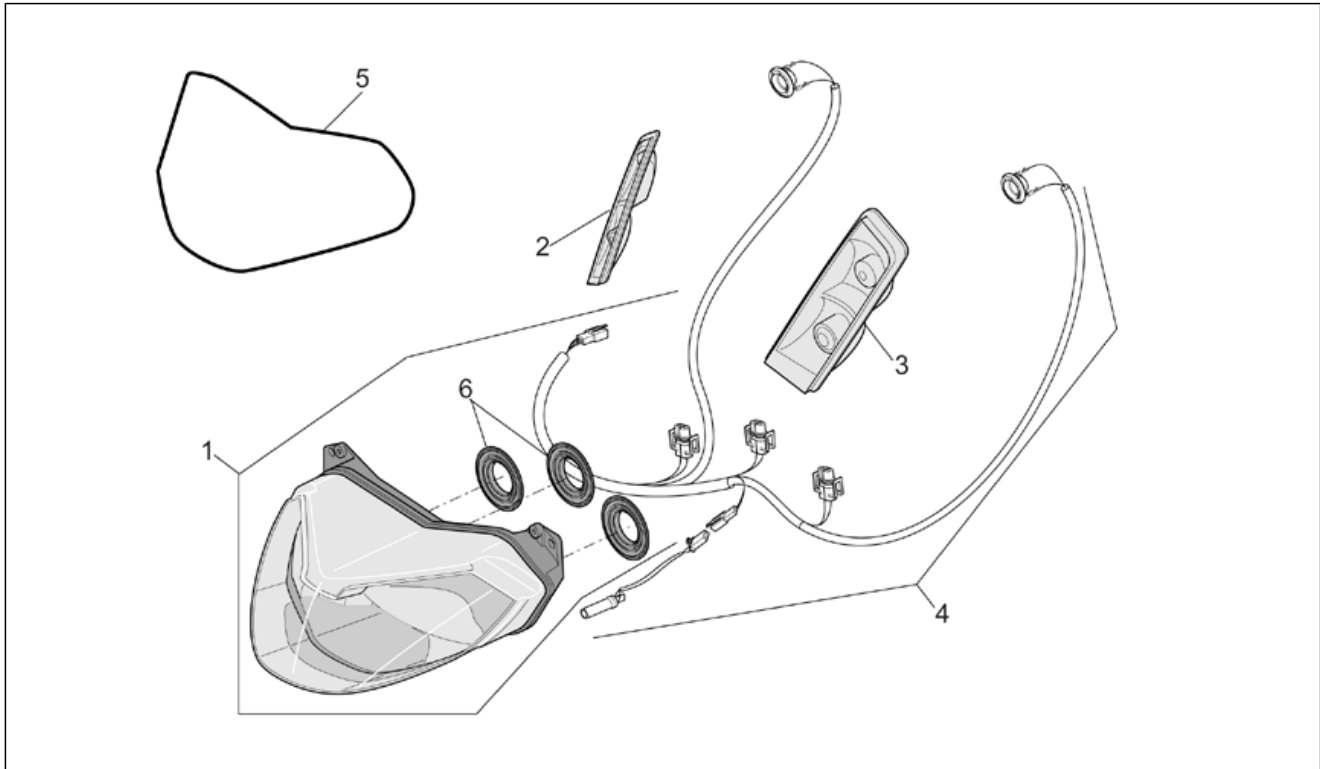
Pos.	Code	Beschreibung	Menge	Varianten
1	AP8109268	Hinterreifen 140/60-14"	1	
2	AP8113800	Vorderradbremsscheibe	1	
3	AP8108960	Hinterrad ohne Scheibe Silver	1	
4	AP8201546	Schlauchloses Reifenventil	1	
5	AP8152401	Ring 47	1	
6	AP8134710	Bügel Auspuffrohr	1	
7	AP8125845	Hinterrad Distanzscheibe	1	
8	AP8125862	Hinterrad Distanzscheibe	1	
9	AP8221329	Mutter DAX geflanscht M16x1,25	1	
10	AP8149465	Staubschutz	2	
11	AP8110086	Staubschutz	1	
12	AP8152402	Lager 6303-2RS1	1	
13	AP8152403	Schraube	2	
14	AP8150020	Ausgleichscheibe 10,5x21x2*	2	
15	AP8152291	TE Schr. m. Flansch	2	
16	AP8208546	Schraube	5	
17	AP8150210	Gebogene Sprengscheibe *	2	

Einheit	RAHMEN
Code	28.30
Beschreibung	Hinterradbremsszange
Inspektion	1



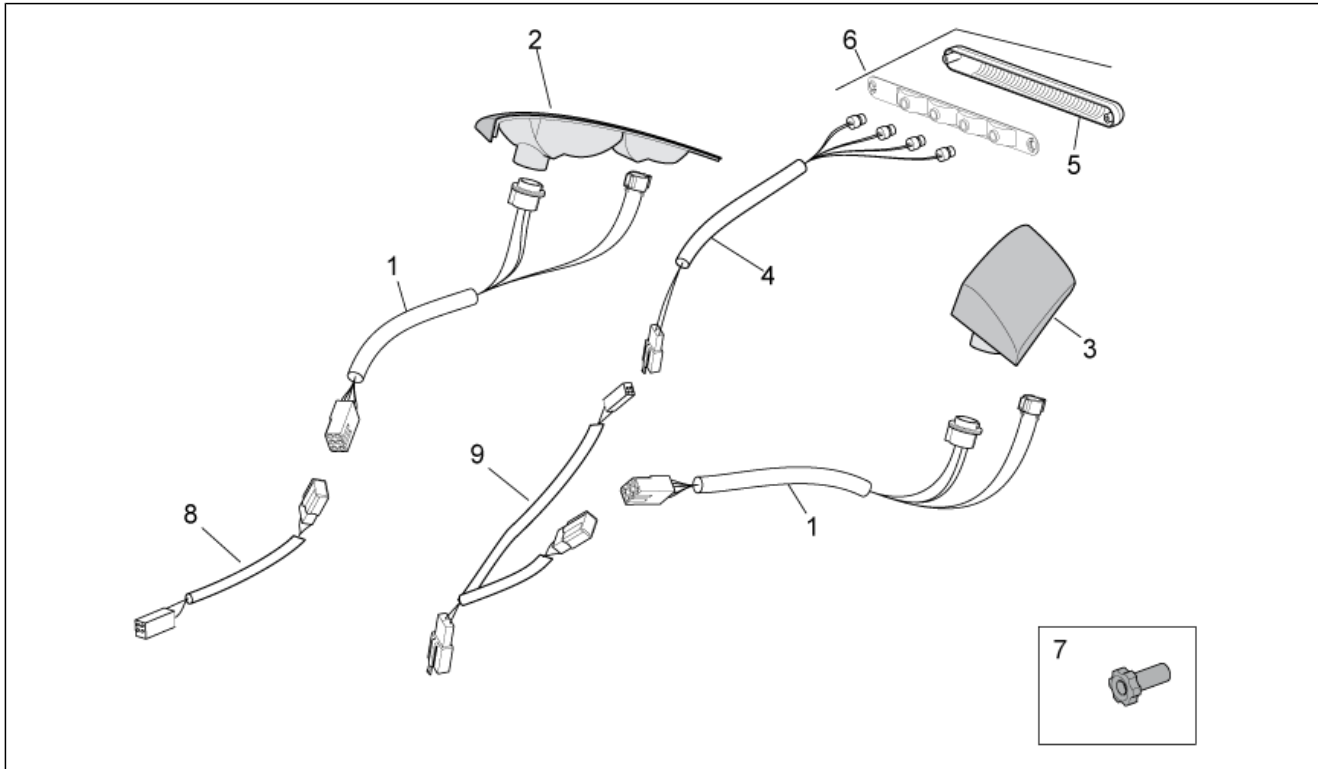
Pos.	Code	Beschreibung	Menge	Varianten
1	AP8133534	Hinterradbremsszange	1	
2	AP8213467	Bausatz Bremszangenüberholung	1	
3	AP8133539	Beläge (Paar)	1	
4	AP8113005	Entlüftungskappe	1	
5	AP8113006	Entlüftungsanschluß	1	
6	AP8133536	Hinterradbremssleitung	1	
7	AP8133543	Radbremsleitung	1	
8	AP8113922	Ventil	1	
9	AP8113003	Fixierschraube Ölschlauch	2	
10	AP8113004	Ausgleichscheibe 10x14x1,6*	6	
11	AP8150107	TCEI Schraube M8x30	4	
12	AP8152282	TE Schr. m. Flansch M6x35	2	
13	AP8113230	Entlüftungskappe	1	
14	AP8113761	Entlüftungsanschluß	1	
15	AP8113762	Lochschraube	1	

Einheit	RAHMEN
Code	28.31
Beschreibung	Scheinwerfer
Inspektion	1



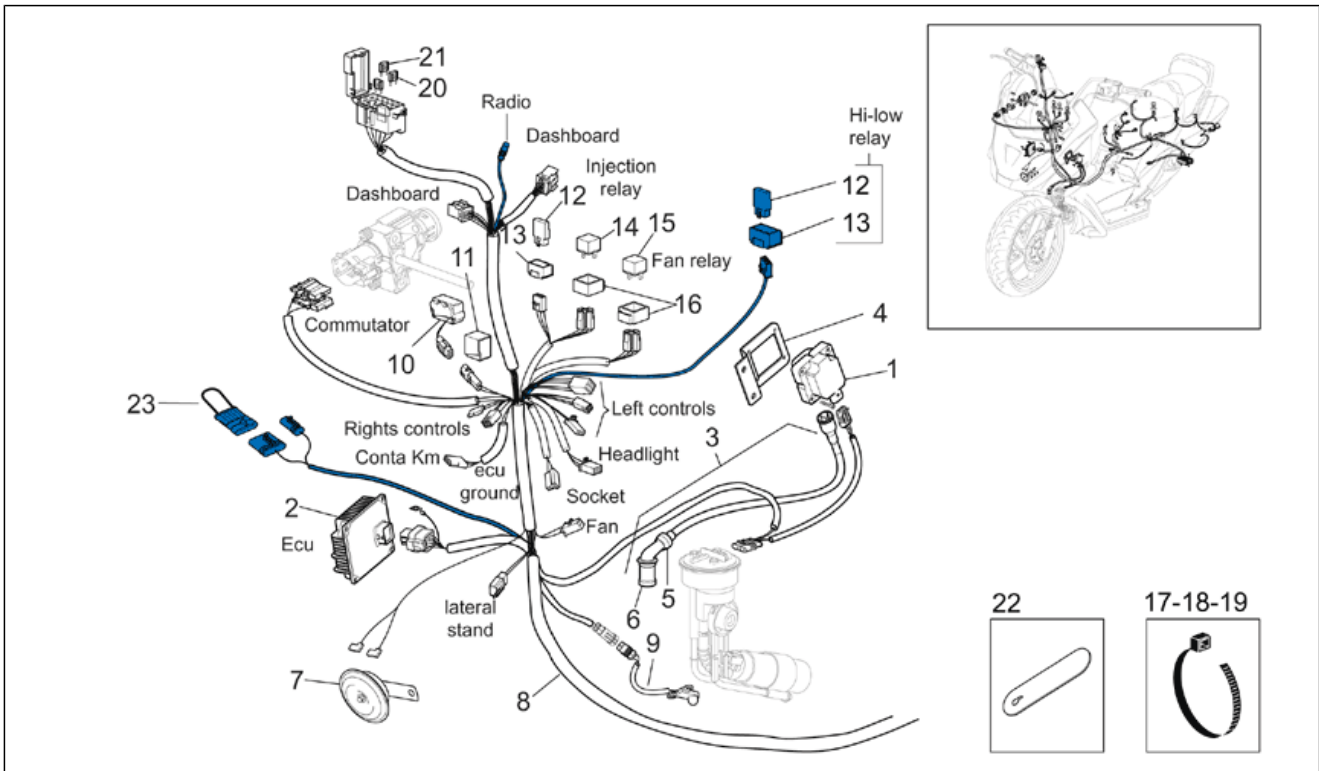
Pos.	Code	Beschreibung	Menge	Varianten
1	AP8127030	Scheinwerfer	1	Land: Österreich[A], Belgien[B], USA (Zulassung California) [CF], Schweiz[CH], Deutschland[D], Dänemark[DK], Spanien[E], A, B, CH, D, DK, F, I, NL[EU], Frankreich[F], Italien[I], Holland[NL], E[SP], Vereinigte Staaten von Amerika[USA]
1	AP8127307	Scheinwerfer	1	Land: Japan[J], J[J], Großbritannien[UK]
2	AP8127033	Vorderblinker rechts	1	
3	AP8127034	Vorderblinker links	1	
4	AP8127269	Verkabel.Scheinwerf.	1	
5	AP8144529	Dichtung	1	
6	AP8127342	Ring	3	

Einheit	RAHMEN
Code	28.32
Beschreibung	Rücklicht
Inspektion	1



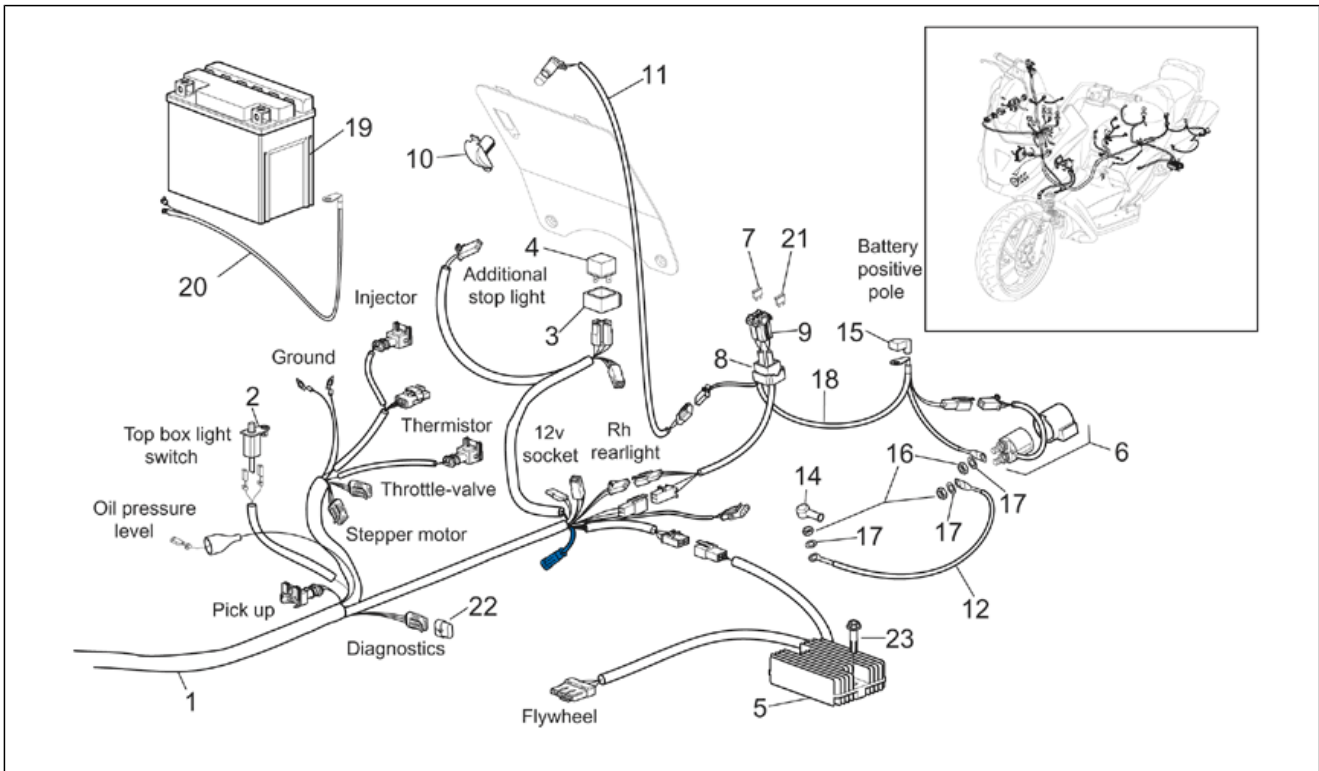
Pos.	Code	Beschreibung	Menge	Varianten
1	AP8127341	Verkabel.Scheinwerf.	2	
2	AP8127031	Rücklicht rechts	1	Land: Österreich[A], Belgien[B], Schweiz[CH], Deutschland[D], Dänemark[DK], Spanien[E], A, B, CH, D, DK, F, I, NL[EU], Frankreich[F], Italien[I], Japan[J], J[J], Holland[NL], E[SP], Großbritannien[UK]
2	AP8127423	Rücklicht rechts	1	Land: USA (Zulassung California)[CF], Vereinigte Staaten von Amerika[USA]
3	AP8127032	Linker rücklicht	1	Land: Österreich[A], Belgien[B], Schweiz[CH], Deutschland[D], Dänemark[DK], Spanien[E], A, B, CH, D, DK, F, I, NL[EU], Frankreich[F], Italien[I], Japan[J], J[J], Holland[NL], E[SP], Großbritannien[UK]
3	AP8127424	Linker rücklicht	1	Land: USA (Zulassung California)[CF], Vereinigte Staaten von Amerika[USA]
4	AP8127340	Verkabelung	1	Land: Österreich[A], Belgien[B], Schweiz[CH], Deutschland[D], Dänemark[DK], Spanien[E], A, B, CH, D, DK, F, I, NL[EU], Frankreich[F], Italien[I], Japan[J], J[J], Holland[NL], E[SP], Großbritannien[UK]
5	AP8127339	Abdeckblende	1	
6	AP8127270	Stop light	1	Land: Österreich[A], Belgien[B], Schweiz[CH], Deutschland[D], Dänemark[DK], Spanien[E], A, B, CH, D, DK, F, I, NL[EU], Frankreich[F], Italien[I], Japan[J], J[J], Holland[NL], E[SP], Großbritannien[UK]
6	AP8127359	Stop light	1	Land: USA (Zulassung California)[CF], Vereinigte Staaten von Amerika[USA]
7	AP8134862	Stift	2	
8	AP8127473	Schnittstelle linke rücklicht	1	Land: Japan[J], J[J]
9	AP8127476	Schnittstelle recht rücklicht	1	Land: Japan[J], J[J]

Einheit	RAHMEN
Code	28.33
Beschreibung	Elektrische anlage I
Inspektion	1



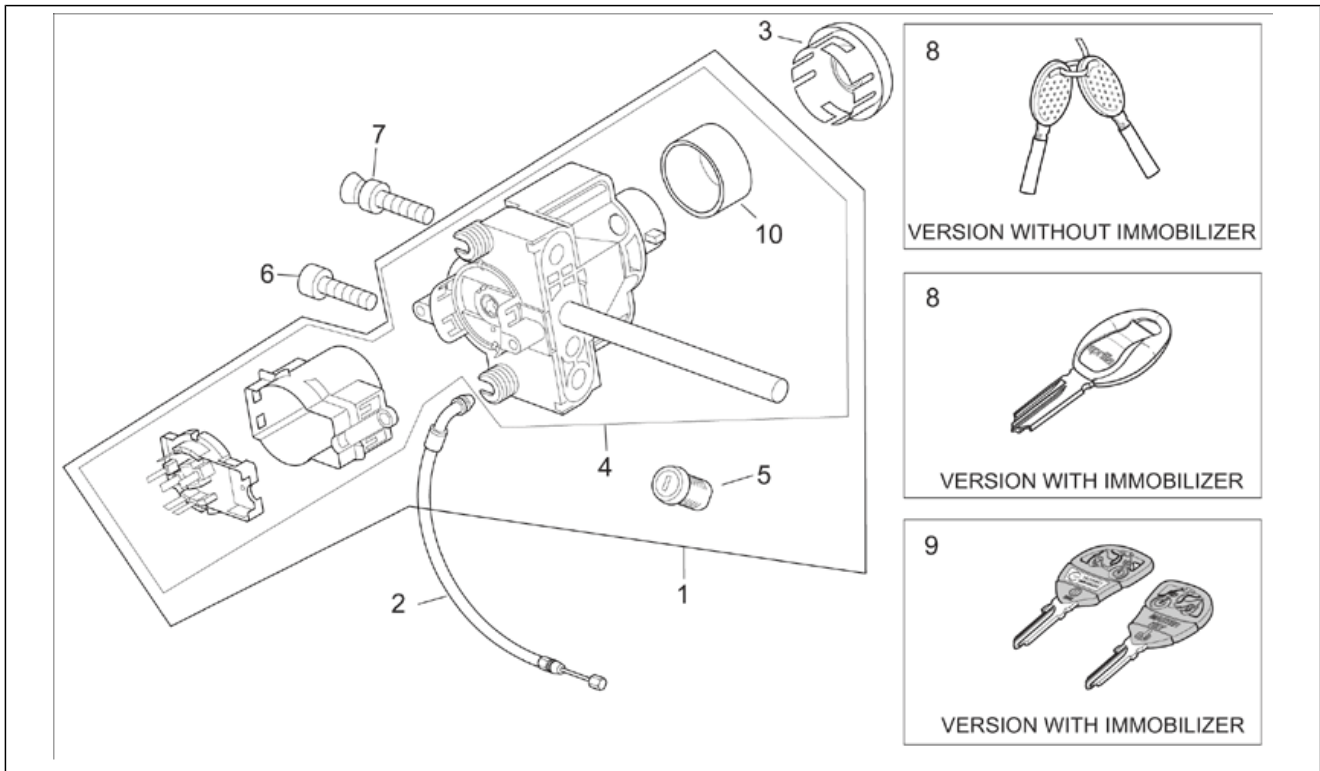
Pos.	Code	Beschreibung	Menge	Varianten
1	AP8127112	Spule	1	
2	AP8127108	Steuergerät	1	
3	AP8127302	Zuendkabel	1	
4	AP8234207	Halter Steuergerät	1	
5	AP8550455	Widerstandsstecker	1	
6	AP8550366	Zündkerze Schutzring	1	
7	AP8124598	Hupe	1	
8	AP8127027	Hauptverkabelung	1	Technische Daten: Modell nicht für Radio vorgerüstet[Std], Code auf der Verkabelung prüfen[V]
8	AP8127530	Hauptverkabelung	1	Technische Daten: Modell für Radio vorgerüstet[AU], Version mit Wechselsprechanlage[INT], Code auf der Verkabelung prüfen[V]
9	AP8124936	Lufttemperaturfühler	1	
10	AP8124266	Neigungsfühler	1	
11	AP8144046	Sensor halter gummi	1	
12	AP8224462	Zündrelais 12V-30A	1	
13	AP8220283	Gummi *	1	
14	AP8124869	Relais Einspritzung	1	
15	AP8224057	Zündrelais	1	
16	AP8220546	Auflagegummi Relais	2	
17	AP8120657	Schelle	5	
18	AP8120416	Schelle schwarz 178x4	15	
19	AP8120422	Schelle schwarz 98x2*	4	
20	AP8127346	Sicherung 3A	1	
21	AP8127345	Sicherung 15A	4	
22	AP8104606	Schelle	4	Technische Daten: Modell für Radio vorgerüstet[AU]
23	AP8127591	Kabelbaumbrücke	1	Technische Daten: Modell für Radio vorgerüstet[AU], Version mit Wechselsprechanlage[INT]

Einheit	RAHMEN
Code	28.34
Beschreibung	Elektrische anlage II
Inspektion	1



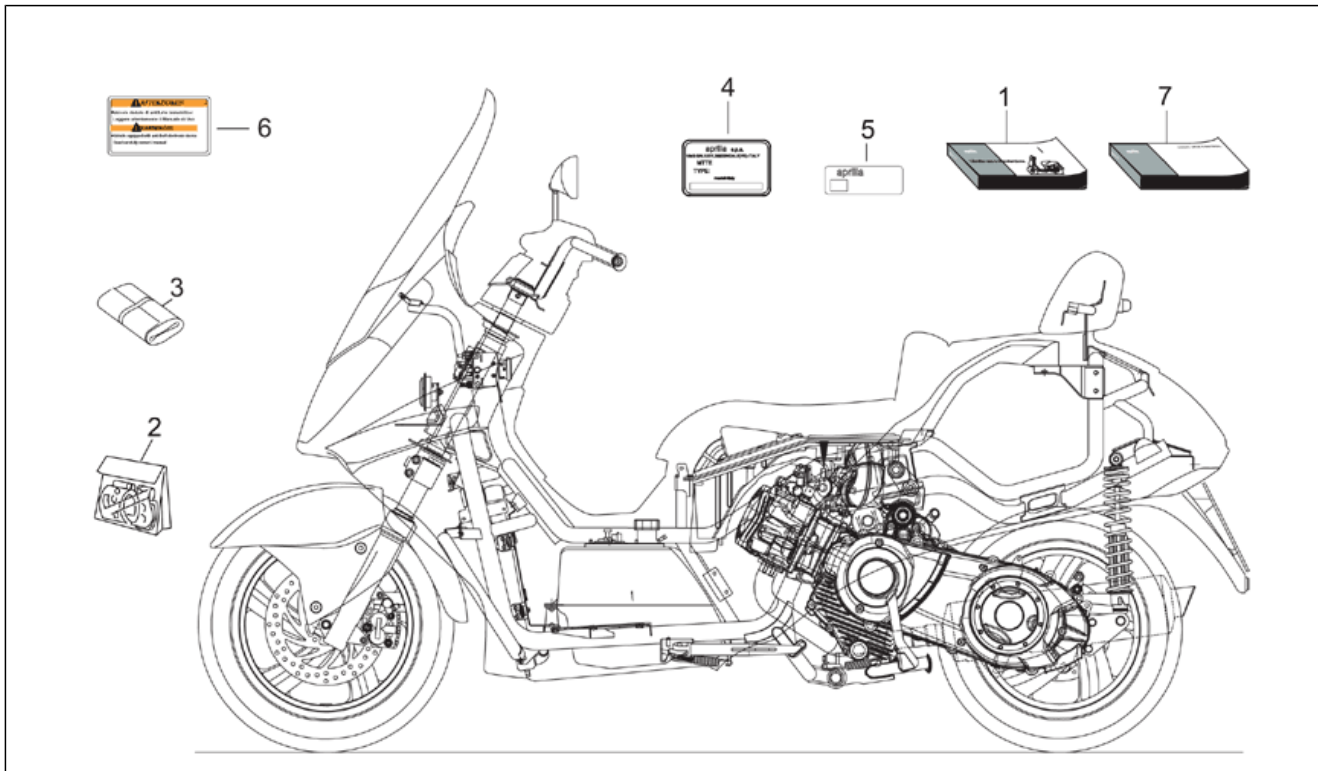
Pos.	Code	Beschreibung	Menge	Varianten
1	AP8127027	Hauptverkabelung	1	
1	AP8127530	Hauptverkabelung	1	Technische Daten: Modell für Radio vorgerüstet[AU], Version mit Wechselsprechanlage[INT], Code auf der Verkabelung prüfen[V]
2	AP8212696	Kofferlichtschalter	1	
3	AP8220546	Auflagegummi Relais	1	
4	AP8224057	Zündrelais	1	
5	AP8127205	Spannungsregler	1	
6	AP8124636	Zündrelais 12V-150A	1	
7	AP8124273	Sicherung 30a	1	
8	AP8120754	Sicherungsblockgummi	1	
9	AP8112811	Sicherungsblockgummi	1	
10	AP8212733	Leuchte Abdeckblende	1	
11	AP8124765	Kennzeich.leuch.Kabel	1	
12	AP8127028	Anlasserkabel	1	
13	AP8124768	Strombuchse kpl.	1	
14	AP8120218	Klemmenkappe	1	
15	AP8112940	Kappe Pluspol	1	
16	AP8150026	Mutter M6	3	
17	AP8150429	Sprengscheibe 6,4x11x0,5*	3	
18	AP8127268	Verkabelung Sicherungen	1	
19	AP8127073	Batterie	1	
20	AP8127267	Masse-Batteriekabel	1	Technische Daten: Modell nicht für Radio vorgerüstet[Std], Code auf der Verkabelung prüfen[V]
20	AP8127475	Masse-Batteriekabel	1	Technische Daten: Modell für Radio vorgerüstet[AU], Code auf der Verkabelung prüfen[V]
21	AP8112506	Sicherung 20A	1	
22	AP8104807	Verbindungsstöpsel	1	
23	AP8152282	TE Schr. m. Flansch M6x35	2	

Einheit	RAHMEN
Code	28.35
Beschreibung	Bausatz Schlösser
Inspektion	1



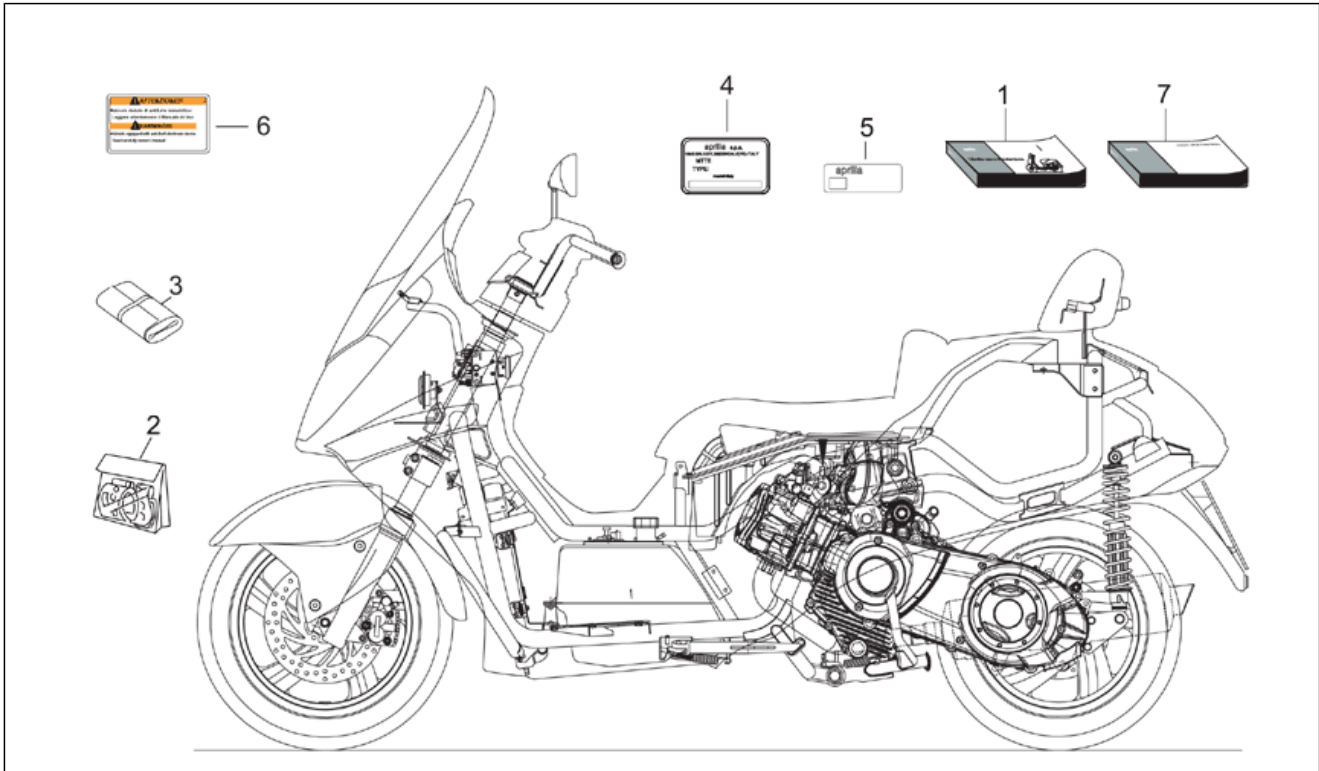
Pos.	Code	Beschreibung	Menge	Varianten
1	AP8104461	Kit Schließvorrichtungen	1	Technische Daten: Version ohne Wegfahrsperre[NI]
1	AP8104592	Kit Schließvorrichtungen	1	Technische Daten: Version mit Wegfahrsperre[I]
2	AP8104441	Kabel	1	
3	AP8104462	Deckel	1	Technische Daten: Version ohne Wegfahrsperre[NI]
3	AP8168709	Deckel	1	Technische Daten: Version mit Wegfahrsperre[I]
4	AP8127344	Lenkschloß	1	Technische Daten: Version ohne Wegfahrsperre[NI]
4	AP8127497	Lenkschloß	1	Technische Daten: Version mit Wegfahrsperre[I]
5	AP8104489	Schloss	1	Technische Daten: Version ohne Wegfahrsperre[NI]
5	AP8104609	Schloß Tankklappe	1	Technische Daten: Version mit Wegfahrsperre[I]
6	AP8150165	TCEI Schraube M6x25	1	
7	AP8152330	Reißschraube M6x25	1	
8	AP8104185	Schl. gefr. Aprilia	1	Technische Daten: Version ohne Wegfahrsperre[NI]
8	AP8104622	"Aprilia" schlüssel mit tran.	1	Technische Daten: Version mit Wegfahrsperre[I]
9	AP8104607	Master key mit tran.	1	Technische Daten: Version mit Wegfahrsperre[I]
10	AP8104697	Immobilizer antenne	1	Technische Daten: Version mit Wegfahrsperre[I]

Einheit	RAHMEN
Code	28.36
Beschreibung	Aufkleber-Deko
Inspektion	1



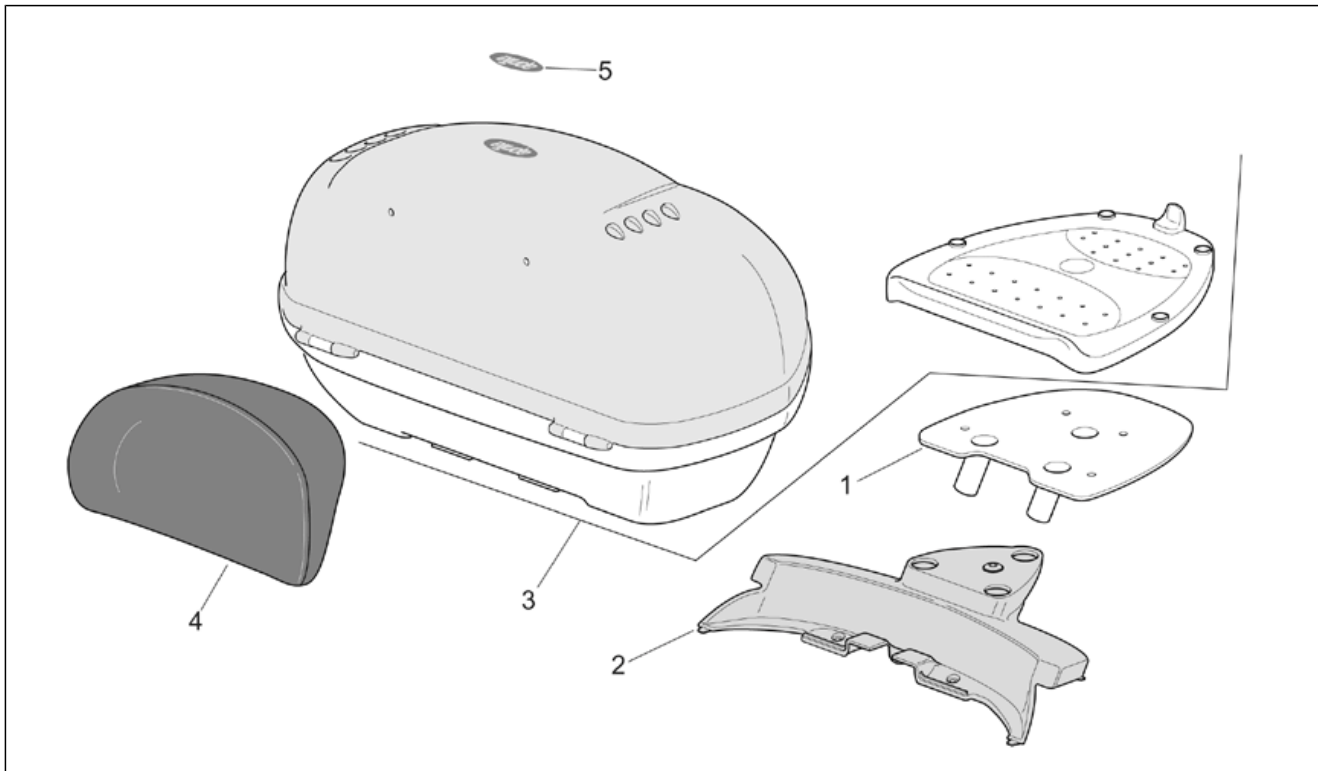
Pos.	Code	Beschreibung	Menge	Varianten
1	AP8104244	Bed./Wart.-Anleit. I-F-D	1	
1	AP8104244	Bed./Wart.-Anleit. I-F-D	1	Land: Österreich[A], Belgien[B], Schweiz[CH], Deutschland[D], A, B, CH, D, DK, F, I, NL[EU], Frankreich[F], Italien[I] Technische Daten: Modell nicht für Radio vorgerüstet[Std]
1	AP8104449	Gebrauchsanleitung -UK-	1	Land: Großbritannien[UK] Technische Daten: Modell nicht für Radio vorgerüstet[Std]
1	AP8104449	Gebrauchsanleitung -UK-	1	
1	AP8104450	Gebrauchsanleitung -USA-	1	
1	AP8104473	Gebrauchsanleitung NL-DK-SF	1	
1	AP8104495	Gebrauchsanleitung -J-	1	
1	AP8104588	Gebrauchsanleitung -USA-	1	Land: USA (Zulassung California)[CF], Vereinigte Staaten von Amerika[USA] Technische Daten: Modell für Radio vorgerüstet[AU]
1	AP8104590	Gebrauchsanleitung -E-	1	
2	AP8167110	Deko Serie	1	Land: Österreich[A], Belgien[B], Schweiz[CH], Deutschland[D], Dänemark[DK], A, B, CH, D, DK, F, I, NL[EU], Frankreich[F], Italien[I], Japan[J], J[JJ], Holland[NL], Großbritannien[UK]
2	AP8177049	Deko Serie, Arrecife	1	Land: Spanien[E], E[SP]
2	AP8177054	Deko Serie, Atlantic	1	Land: USA (Zulassung California)[CF], Vereinigte Staaten von Amerika[USA]
3	AP8104247	Werkzeugtasche	1	
4	AP8167111	Herstellerschild	1	Land: Österreich[A], Belgien[B], Schweiz[CH], Deutschland[D], Dänemark[DK], Spanien[E], A, B, CH, D, DK, F, I, NL[EU], Frankreich[F], Italien[I], Japan[J], J[JJ], Holland[NL], E[SP], Großbritannien[UK]
4	AP8177029	Herstellerschild	1	Land: USA (Zulassung California)[CF], Vereinigte Staaten von Amerika[USA]
4	AP8177736	Herstellerschild	1	Technische Daten: Version mit Wechselsprechanlage[INT]
5	AP8177051	ECE Schild	1	Land: Japan[J], J[JJ]

Einheit	RAHMEN
Code	28.36
Beschreibung	Aufkleber-Deko
Inspektion	1



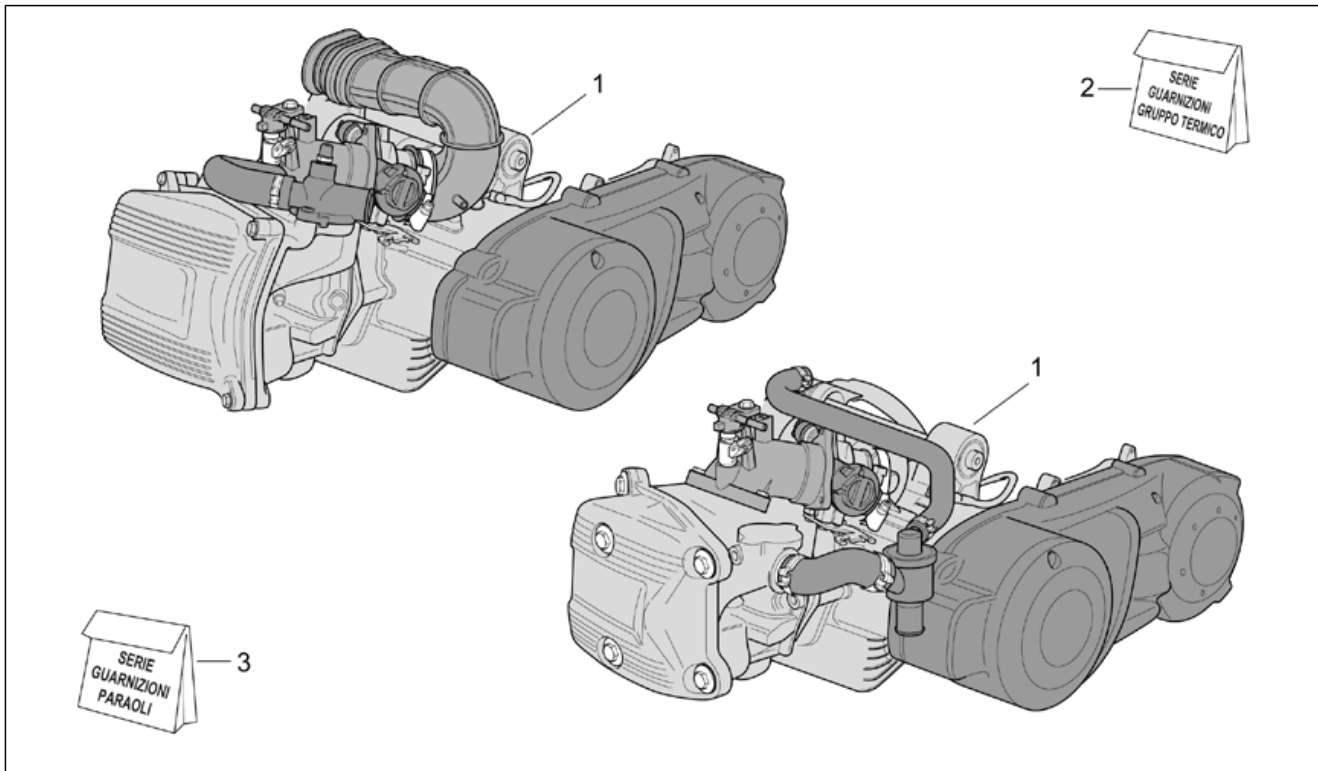
Pos.	Code	Beschreibung	Menge	Varianten
6	AP8177483	Deko Immobilizer	1	Technische Daten: Modell für Radio vorgerüstet[AU], Version mit Wegfahrsperr[e]I
7	AP8104603	Radio/Intercom instruction	1	Technische Daten: Modell für Radio vorgerüstet[AU], Version mit Wegfahrsperr[e]I
8	AP8166375	Emission control sticker	1	Baujahr: 2003[3] Land: USA (Zulassung California)[CF], Vereinigte Staaten von Amerika[USA]
8	AP8166434	Emission control sticker	1	Baujahr: 2004[4] Land: USA (Zulassung California)[CF], Vereinigte Staaten von Amerika[USA]
9	AP8166376	Carbon filter sticker	1	Baujahr: 2003[3] Land: USA (Zulassung California)[CF], Vereinigte Staaten von Amerika[USA]
9	AP8166435	Carbon filter sticker	1	Baujahr: 2004[4] Land: USA (Zulassung California)[CF], Vereinigte Staaten von Amerika[USA]
10	AP8166374	Lautherausgabe selbstkleber	1	Baujahr: 2003[3] Land: USA (Zulassung California)[CF], Vereinigte Staaten von Amerika[USA]
10	AP8166433	Lautherausgabe selbstkleber	1	Baujahr: 2004[4] Land: USA (Zulassung California)[CF], Vereinigte Staaten von Amerika[USA]

Einheit	RAHMEN
Code	28.37
Beschreibung	Staukoffer
Inspektion	1



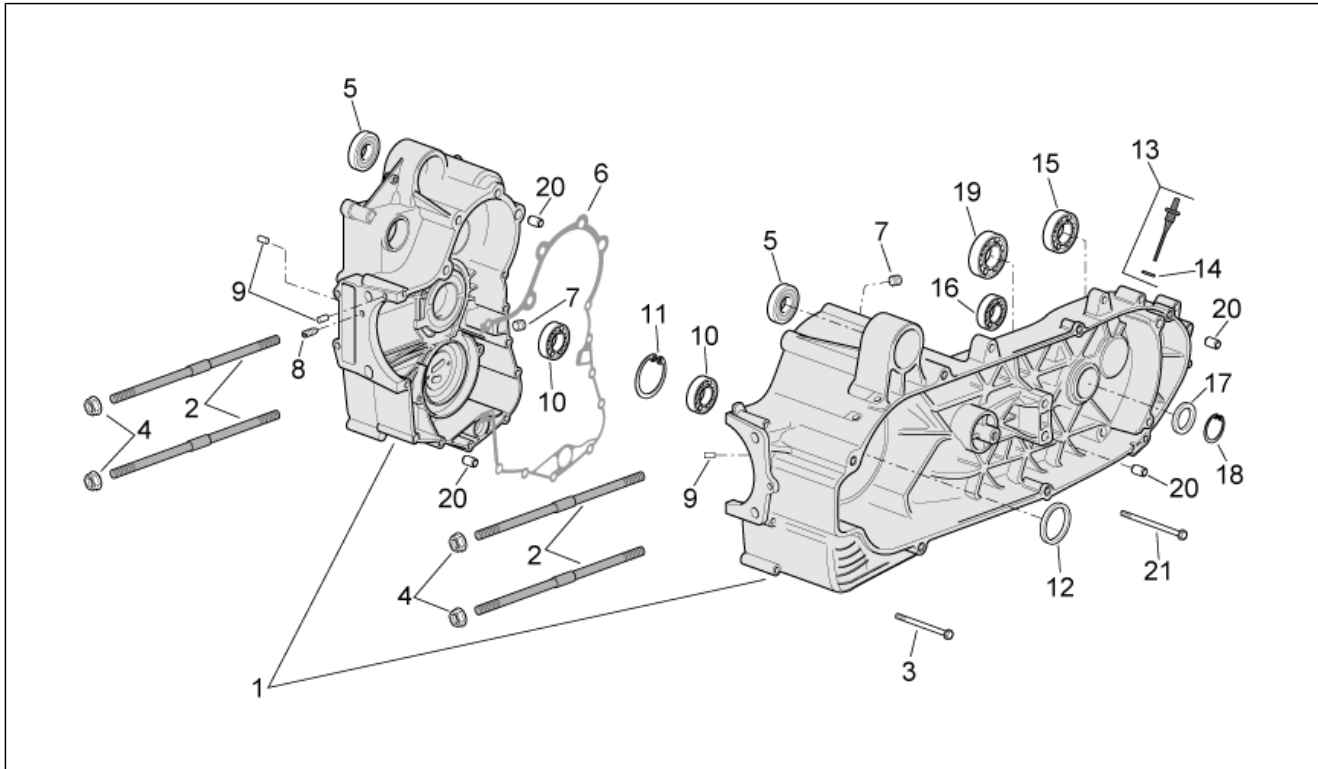
Pos.	Code	Beschreibung	Menge	Varianten
1	AP8792242	Halter Gepäcktr.Koffer Str-Cas	1	
2	AP8702123	Deckel	1	
3	AP8700998	Staukoffer, rot Str-Cas 45L	1	Baujahr: 2003[3] Fahrzeugfarbe: Rot Alpine 2003[ra]
3	AP8790240	Staukoffer, grau Str-Cas 45L	1	Baujahr: 2004[4] Fahrzeugfarbe: Grau Magnet 2004[grey]
3	AP8790240	Staukoffer, grau Str-Cas 45L	1	Baujahr: 2003[3] Fahrzeugfarbe: Grau Magnet 2003[gm]
3	AP8792243	Koffer grau lack. Str-Cas 45L	1	Baujahr: 2001[1] Fahrzeugfarbe: Bleigrau 2001[gp]
3	AP8792244	Staukoffer, a.blau Str-Cas 45L	1	Baujahr: 2001[1] Fahrzeugfarbe: Blau Atlantic 2001[ba]
3	AP8792245	Staukoffer, rot Str-Cas 45L	1	Baujahr: 2001[1] Fahrzeugfarbe: Rot Baroque 2001[rb]
3	AP8792246	Staukoffer, h.blau Str-Cas 45L	1	Baujahr: 2001[1] Fahrzeugfarbe: Hellblau Coast 2001[ac]
3	AP8792362	Staukoffer, grau Str-Cas 45L	1	Baujahr: 2004[4] Fahrzeugfarbe: Blau Hilton 2004[hilt], Grau Titanic 2004[tit]
4	AP8702127	Sitzkissen, grau	1	Baujahr: 2001[1] Fahrzeugfarbe: Hellblau Coast 2001[ac]
4	AP8702128	Sitzkissen, grau	1	Baujahr: 2001[1] Fahrzeugfarbe: Blau Atlantic 2001[ba], Bleigrau 2001[gp], Rot Baroque 2001[rb]
4	AP8702130	Sitzkissen, schwarz	1	Baujahr: 2004[4] Fahrzeugfarbe: Grau Magnet 2004[grey]
4	AP8702130	Sitzkissen, schwarz	1	Baujahr: 2003[3] Fahrzeugfarbe: Grau Magnet 2003[gm], Rot Alpine 2003[ra]
4	AP8792364	Sitzkissen, schwarz	1	Baujahr: 2004[4] Fahrzeugfarbe: Blau Hilton 2004[hilt], Grau Titanic 2004[tit]

Einheit	MOTOR
Code	29.38
Beschreibung	Motor Zusammenstellungszeichnung
Inspektion	1



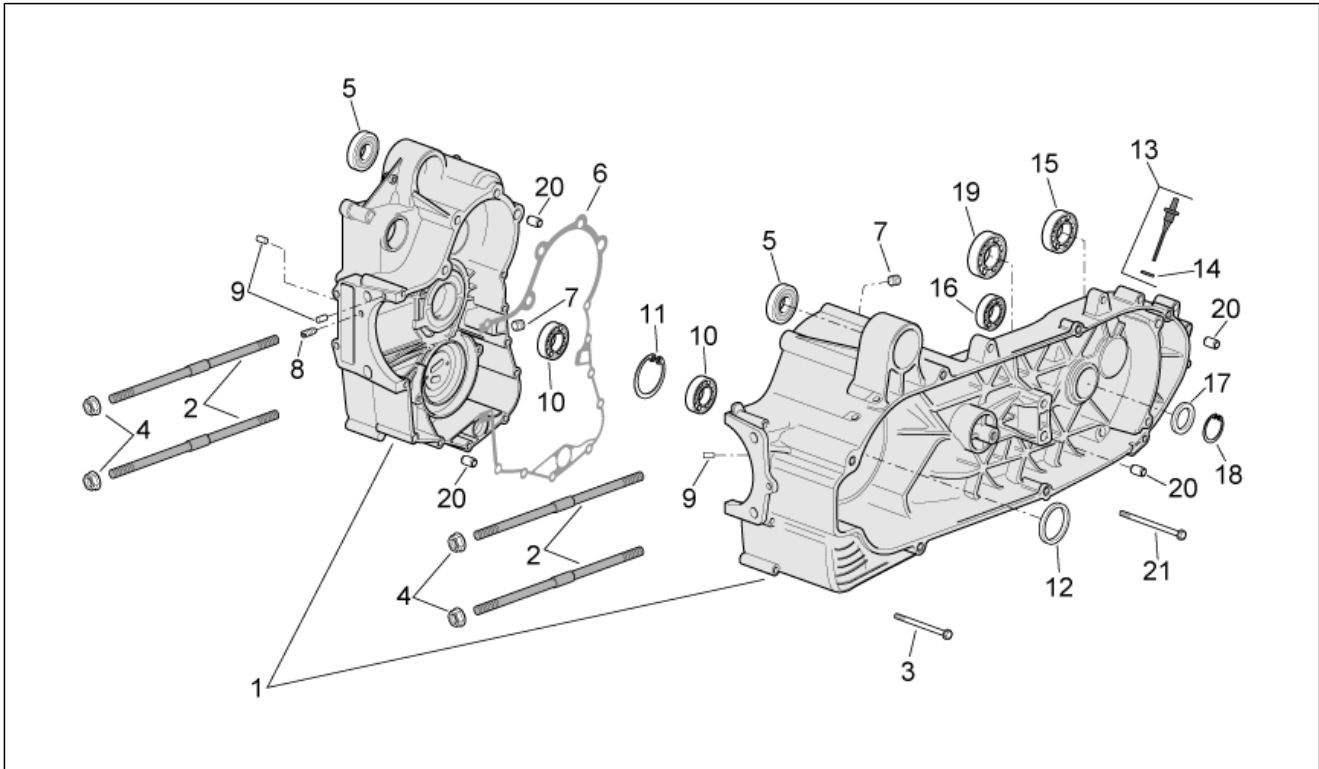
Pos.	Code	Beschreibung	Menge	Varianten
1	AP8106810	Motor komplett	1	Baujahr: 2001[1] Land: Österreich[A], Belgien[B], Schweiz[CH], Deutschland[D], Dänemark[DK], Spanien[E], A, B, CH, D, DK, F, I, NL[EU], Frankreich[F], Italien[I], Japan[J], J[J], Holland[NL], E[SP], Großbritannien[UK] Technische Daten: Motor mit internem Thermostat[TI]
1	AP8106961	Motor komplett	1	Baujahr: 2003[3], 2004[4] Land: USA (Zulassung California)[CF], Vereinigte Staaten von Amerika[USA] Technische Daten: Motor mit internem Thermostat[TI]
1	AP8106983	Motor komplett	1	Baujahr: 2001[1] Land: Österreich[A], Belgien[B], Schweiz[CH], Deutschland[D], Dänemark[DK], Spanien[E], A, B, CH, D, DK, F, I, NL[EU], Frankreich[F], Italien[I], Japan[J], J[J], Holland[NL], E[SP], Großbritannien[UK] Technische Daten: Motor mit internem Thermostat[TI]
1	AP8106983	Motor komplett	1	Baujahr: 2003[3], 2004[4] Land: Österreich[A], Belgien[B], Schweiz[CH], Deutschland[D], Dänemark[DK], Spanien[E], A, B, CH, D, DK, F, I, NL[EU], Frankreich[F], Italien[I], Japan[J], J[J], Holland[NL], E[SP], Großbritannien[UK] Technische Daten: Motor mit internem Thermostat[TI]
1	AP8176059	Motor komplett	1	Baujahr: 2003[3], 2004[4] Land: Österreich[A], Belgien[B], Schweiz[CH], Deutschland[D], Dänemark[DK], Spanien[E], A, B, CH, D, DK, F, I, NL[EU], Frankreich[F], Italien[I], Japan[J], J[J], Holland[NL], E[SP], Großbritannien[UK] Technische Daten: Motor mit externem Thermostat[TE]
1	AP8176060	Motor komplett	1	Baujahr: 2003[3], 2004[4] Land: USA (Zulassung California)[CF], Vereinigte Staaten von Amerika[USA] Technische Daten: Motor mit externem Thermostat[TE]
2	AP8560001	Zylinder Dichtung Satz	1	
3	AP8560002	Satz motor dichtung	1	

Einheit	MOTOR
Code	29.39
Beschreibung	Kurbelwellengehäuse
Inspektion	1



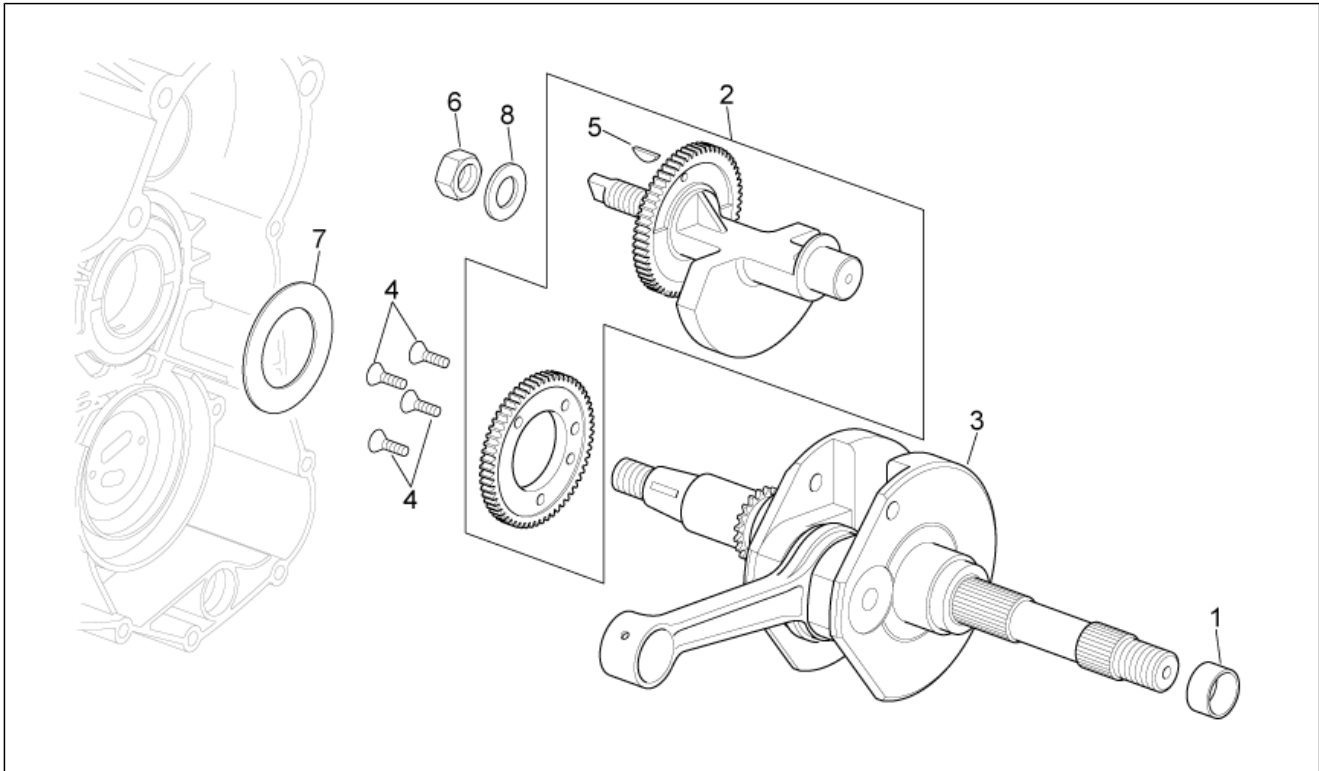
Pos.	Code	Beschreibung	Menge	Varianten
1	AP8560189	Gehäuse-kpl.	1	Technische Daten: Bis Motor (M271M-37025) oder (M272M-2158)[MA]
1	AP8560190	Gehäuse-kpl.	1	Technische Daten: Bis Motor (M271M-37025) oder (M272M-2158)[MA]
1	AP8560191	Gehäuse-kpl.	1	Technische Daten: Bis Motor (M271M-37025) oder (M272M-2158)[MA]
1	AP8560192	Gehäuse-kpl.	1	Technische Daten: Bis Motor (M271M-37025) oder (M272M-2158)[MA]
1	AP8560210	Gehäuse-kpl.	1	Technische Daten: Ab Motor (M271M-37026) oder (M272M-2159)[MB]
1	AP8560211	Gehäuse-kpl. cat2	1	Technische Daten: Ab Motor (M271M-37026) oder (M272M-2159)[MB]
1	AP8560212	Gehäuse-kpl. cat3	1	Technische Daten: Ab Motor (M271M-37026) oder (M272M-2159)[MB]
1	AP8560213	Gehäuse-kpl. cat4	1	Technische Daten: Ab Motor (M271M-37026) oder (M272M-2159)[MB]
2	AP8560076	Stiftschraube M10x1,25x166	4	
3	AP8560104	TE Schr. m. Flansch M6x65	12	
4	AP8560042	Mutter M10x1,25	4	Technische Daten: Motor mit internem Thermostat[TI]
5	AP8560096	Lager d20x42x12	2	
6	AP8560084	Dichtung	1	
7	AP8560014	Deckel M12x1,5	2	
8	AP8560017	Düse	1	
9	AP8560016	Feststellschraube	4	
10	AP8560003	Lager d17x47x14	2	Technische Daten: Bis Motor (M271M-37025) oder (M272M-2158)[MA]
10	AP8570004	Lager D20x52x15	2	Technische Daten: Ab Motor (M271M-37026) oder (M272M-2159)[MB]
11	AP8550094	Sprengring	1	
12	AP8560123	Ölabstreifring 35x47x7	1	
13	AP8551068	Ölstandstab	1	

Einheit	MOTOR
Code	29.39
Beschreibung	Kurbelwellengehäuse
Inspektion	1



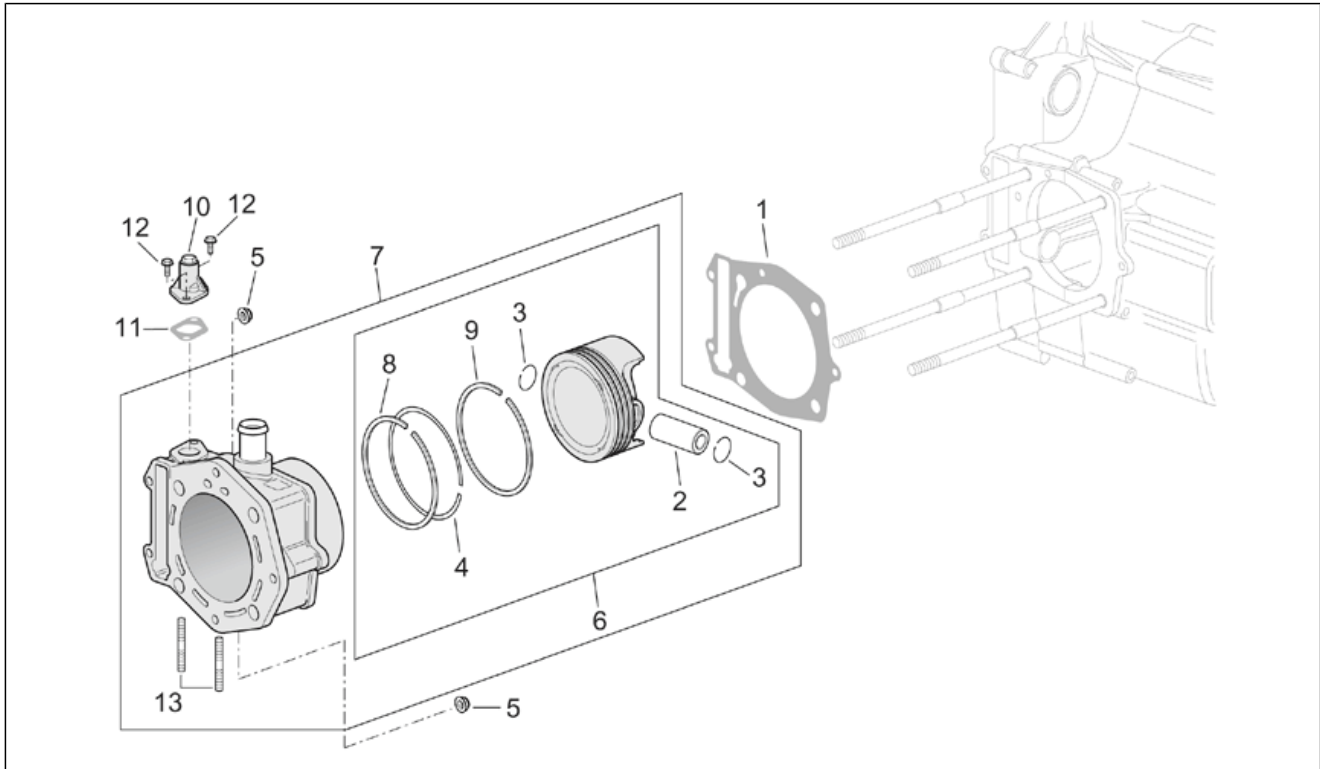
Pos.	Code	Beschreibung	Menge	Varianten
14	AP8550334	O-Ring	1	
15	AP8550579	Lager	1	
16	AP8560019	Lager d15x42x13	1	
17	AP8560030	Ölabstreifring 25x40x7	1	
18	AP8560007	Sprengring	1	
19	AP8560027	Lager d25x52x15	1	
20	AP8550107	Stift d.9,5 h=15	4	
21	AP8560106	TE Schr. m. Flansch M6x75	1	

Einheit	MOTOR
Code	29.40
Beschreibung	Kurbelwelle
Inspektion	1



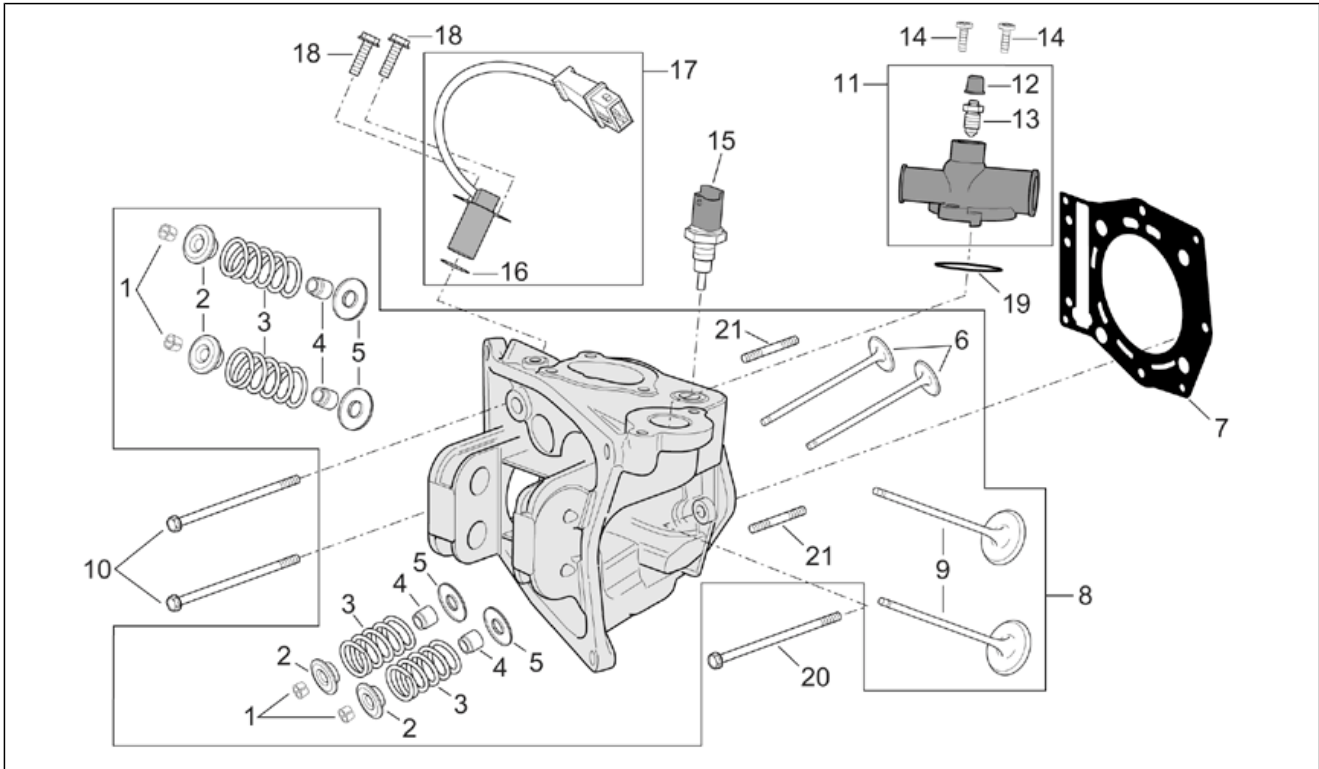
Pos.	Code	Beschreibung	Menge	Varianten
1	AP8560088	Distanzscheibe	1	
2	AP8560202	Ausgleichsrad kpl.	1	Technische Daten: Bis Motor (M271M-37025) oder (M272M-2158)[MA]
2	AP8560203	Ausgleichsrad kpl.	1	Technische Daten: Bis Motor (M271M-37025) oder (M272M-2158)[MA]
2	AP8560209	Ausgleichsrad kpl.	1	Technische Daten: Ab Motor (M271M-37026) oder (M272M-2159)[MB]
3	AP8560193	Kurbelwelle kpl. Cat.1	1	
3	AP8560194	Kurbelwelle kpl. Cat.2	1	
4	AP8560157	Schraube	4	
5	AP8550039	Keil	1	
6	AP8560156	Mutter unten	1	Technische Daten: Bis Motor (M271M-37025) oder (M272M-2158)[MA]
6	AP8560215	Mutter unten	1	Technische Daten: Ab Motor (M271M-37026) oder (M272M-2159)[MB]
7	AP8560150	Paßscheibe	1	
8	AP8560144	Distanzscheibe	1	Technische Daten: Bis Motor (M271M-37025) oder (M272M-2158)[MA]
8	AP8560214	Distanzscheibe	1	Technische Daten: Ab Motor (M271M-37026) oder (M272M-2159)[MB]

Einheit	MOTOR
Code	29.41
Beschreibung	Zylinder
Inspektion	1



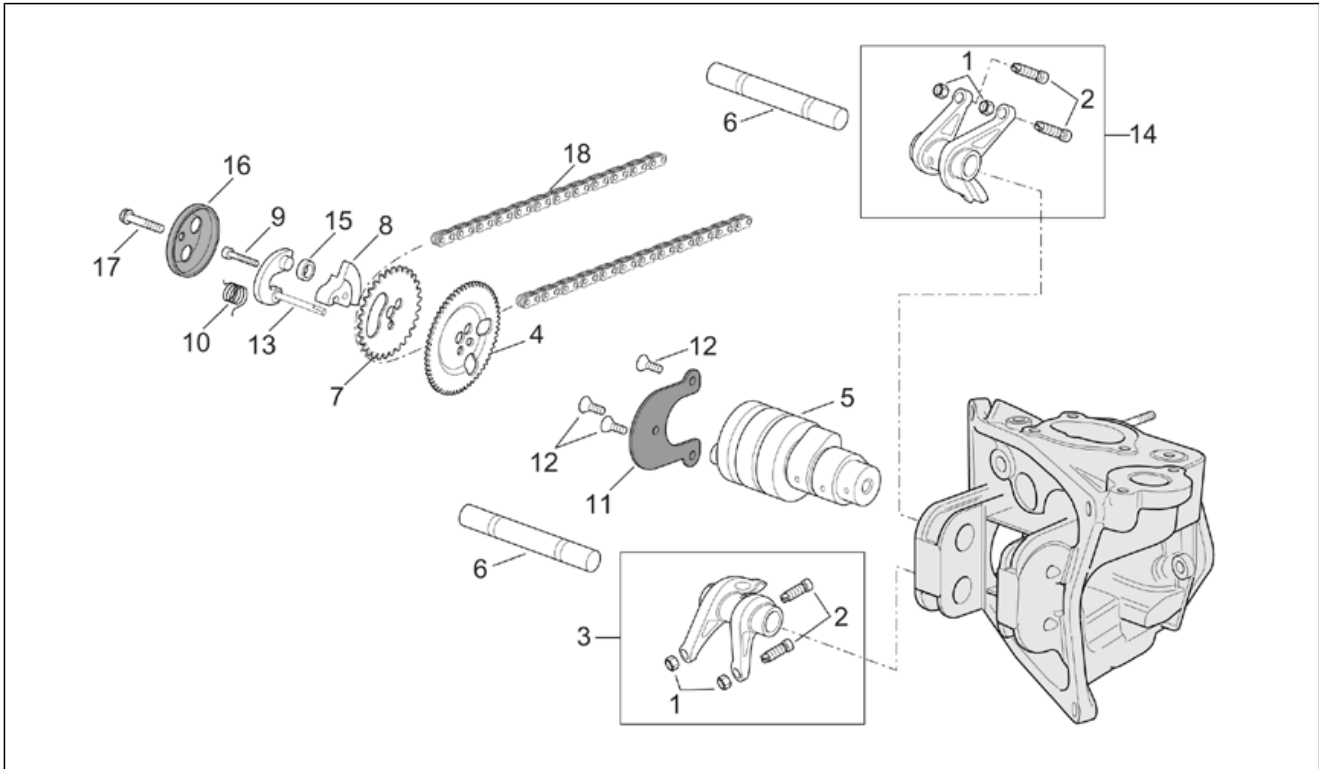
Pos.	Code	Beschreibung	Menge	Varianten
1	AP8560164	ZYLINDERFUSSDICHTUNG 0,8	1	
1	AP8560165	ZYLINDERFUSSDICHTUNG 0,6	1	
1	AP8560166	ZYLINDERFUSSDICHTUNG 0,4	1	
2	AP8560069	Bolzen	1	
3	AP8560086	Sprengring	2	
4	AP8560067	Ölabstreifer d.92	1	
5	AP8550271	Mutter M6	2	
6	AP8560159	Kolben kpl.	1	
6	AP8560160	Kolben kpl. cat2	1	
6	AP8560161	Kolben kpl. cat3	1	
6	AP8560162	Kolben kpl. cat4	1	
7	AP8560174	Kolben mit Zylinder kpl.	1	
8	AP8560066	Ring d.92	1	
9	AP8560068	Ölabstreifer d.92x2,5	1	
10	AP8560059	Kettenspanner	1	
11	AP8550429	Dichtung Kettenspan.	1	
12	AP8550557	TE Schr. m. Flansch M6x16	2	
13	AP8560061	Stiftschraube M8x3x46	2	

Einheit	MOTOR
Code	29.42
Beschreibung	Zylinderkopf
Inspektion	1



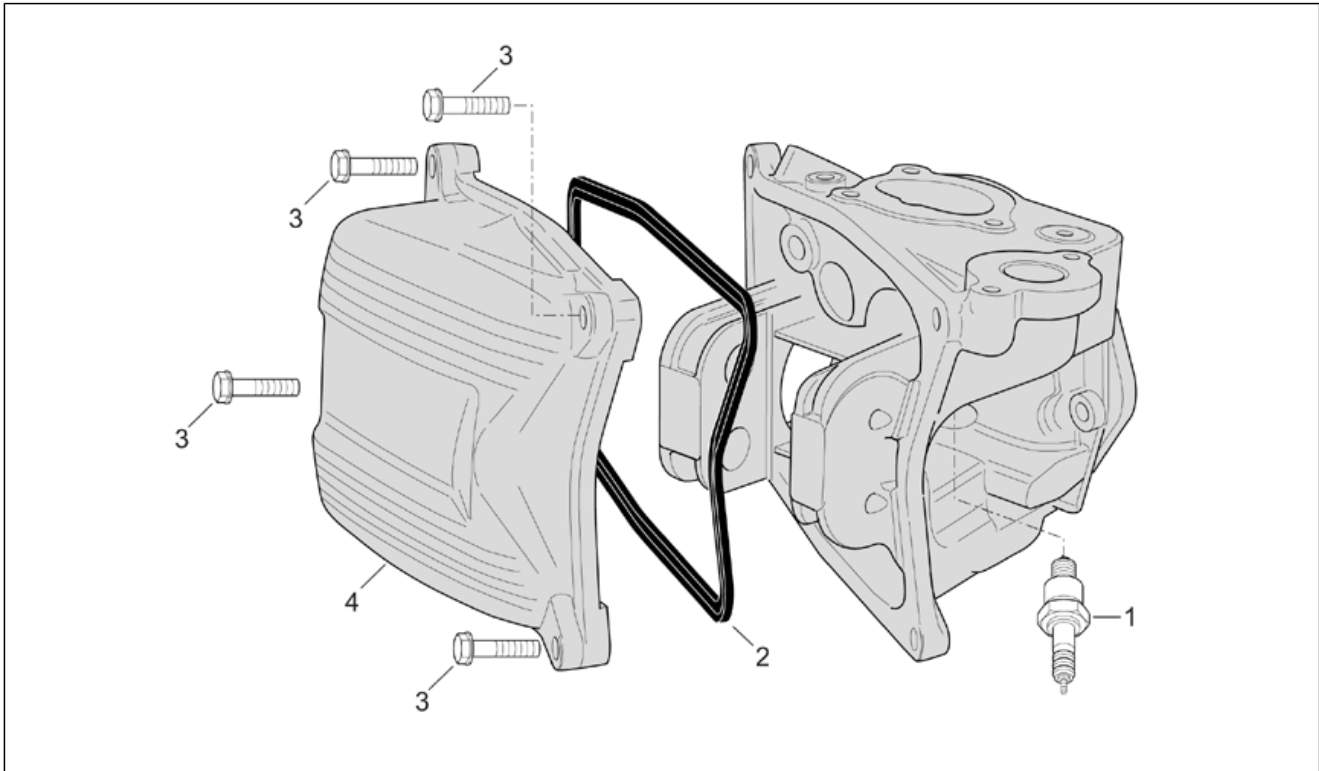
Pos.	Code	Beschreibung	Menge	Varianten
1	AP8550508	Halbkegel	8	
2	AP8560095	Becher	4	
3	AP8560054	Feder	4	
4	AP8550326	Ventil Dichtring	4	
5	AP8560056	Becher	4	
6	AP8560092	Auslaßventil	2	
7	AP8560149	Dichtung Kopf-Zylinder	1	
8	AP8560049	Zylinderkopf kpl.	1	Technische Daten: Motor mit internem Thermostat[TI]
8	AP8570012	Zylinderkopf kpl.	1	Technische Daten: Motor mit externem Thermostat[TE]
9	AP8560093	Einlaßventil	2	
10	AP8560041	TE Schr. m. Flansch M6x85	2	Technische Daten: Motor mit internem Thermostat[TI]
11	AP8560169	Anschl. Wasseraus.	1	Technische Daten: Motor mit internem Thermostat[TI]
12	AP8560010	Kappe	1	Technische Daten: Motor mit internem Thermostat[TI]
13	AP8560015	Entlüftungsanschluß	1	Technische Daten: Motor mit internem Thermostat[TI]
14	AP8551060	Schraube	2	Technische Daten: Motor mit internem Thermostat[TI]
15	AP8560099	Temperaturfühler	1	
16	AP8560168	O-Ring	1	Technische Daten: Motor mit internem Thermostat[TI]
17	AP8560091	Sensor	1	Technische Daten: Motor mit internem Thermostat[TI]
17	AP8570017	Phasen-und Umdrehungsfuhler	1	Technische Daten: Motor mit externem Thermostat[TE]
18	AP8550557	TE Schr. m. Flansch M6x16	2	Technische Daten: Motor mit externem Thermostat[TE]
18	AP8551045	Flanschschraube	2	Technische Daten: Motor mit internem Thermostat[TI]
19	AP8560098	O-Ring	1	Technische Daten: Motor mit internem Thermostat[TI]
20	AP8560167	TE Schr. m. Flansch M6x90	3	Technische Daten: Motor mit externem Thermostat[TE]
21	AP8560077	Stiftschraube M6x1x27,5	2	

Einheit	MOTOR
Code	29.43
Beschreibung	Ventilschaltung
Inspektion	1



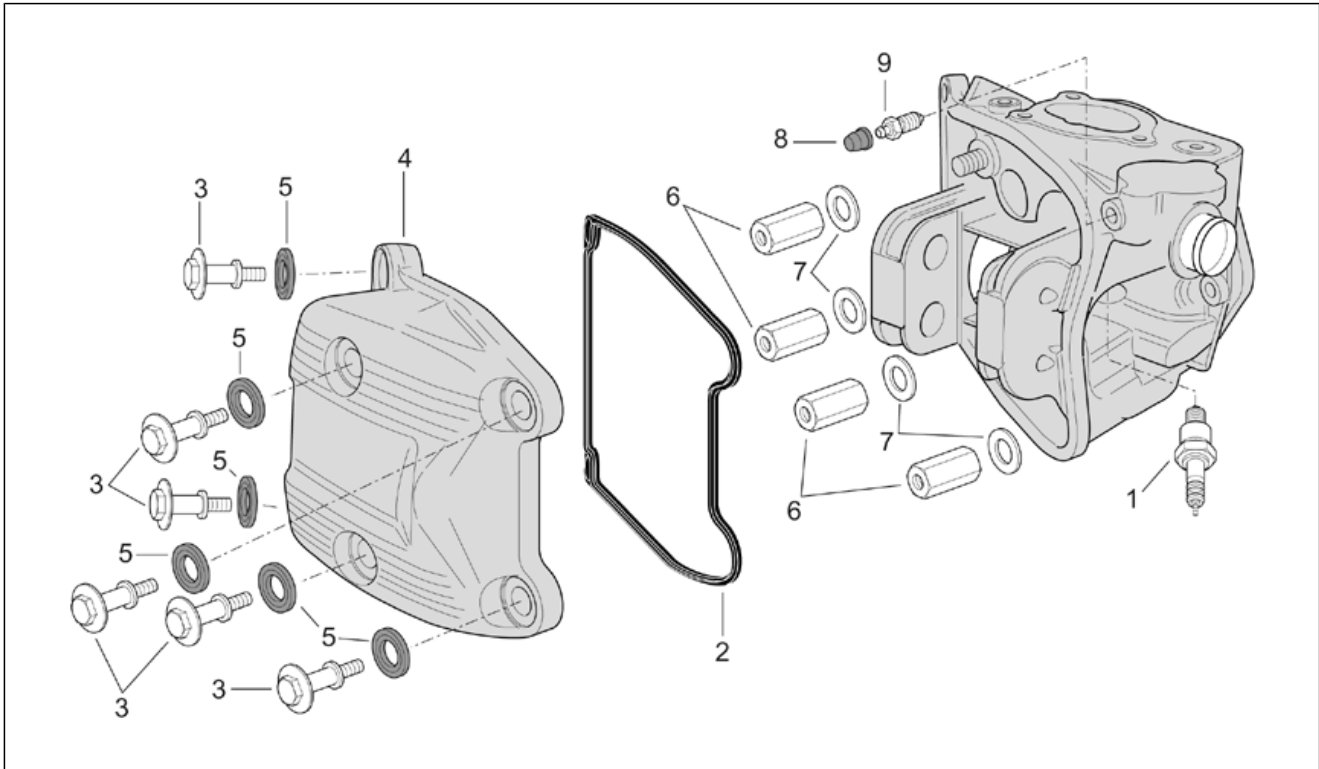
Pos.	Code	Beschreibung	Menge	Varianten
1	AP8551047	Kiphebel Einstellmutter	4	
2	AP8551046	Vent.Einstellspezialschr.	4	
3	AP8560051	Kiphebel Auspuff Klip.	1	
4	AP8560131	Phonic wheel	1	
5	AP8560139	Nockenwelle	1	
6	AP8560078	Kiphebelachse	2	
7	AP8560124	Steuer Zahnkranz	1	
8	AP8560121	Gegengewicht	1	
9	AP8560008	Schraube	1	
10	AP8560135	Feder	1	
11	AP8560128	Platte	1	
12	AP8560044	TE Schr. m. Flansch	3	
13	AP8560120	Gewicht	1	
14	AP8560050	Kiphebel Einlaß Klip.	1	
15	AP8560122	Dichtung	1	
16	AP8560133	Drum	1	
17	AP8560136	TE Schr. m. Flansch	1	
18	AP8560060	Steuerkette	1	

Einheit	MOTOR
Code	29.44
Beschreibung	Kopfdeckel (Int.Thermostat)
Inspektion	1



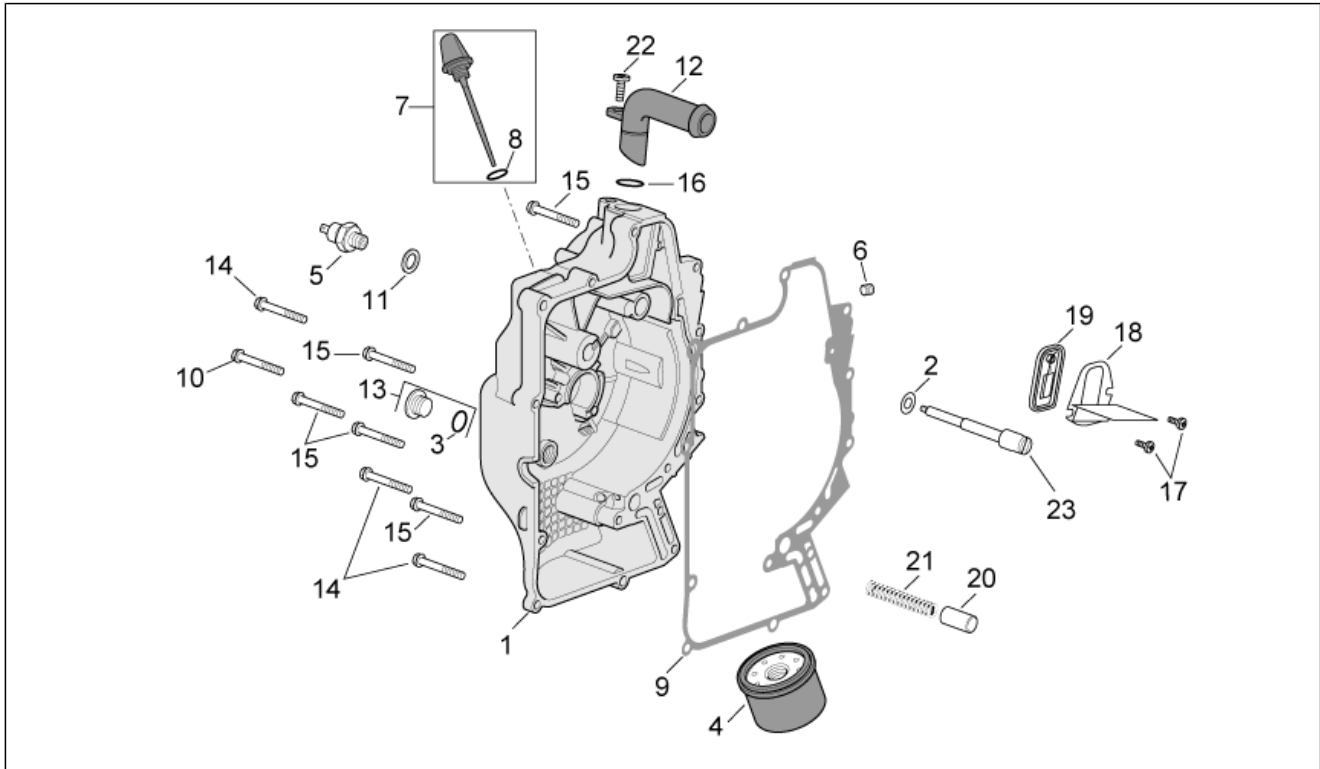
Pos.	Code	Beschreibung	Menge	Varianten
1	AP8560101	Zündkerze	1	
1	AP8560146	Zündkerze CR7EKB	1	
2	AP8560082	Dichtung	1	Technische Daten: Motor mit internem Thermostat[TI]
3	AP8550558	TE Schr. m. Flansch M6x30	4	Technische Daten: Motor mit internem Thermostat[TI]
4	AP8560081	Kopfdeckel kplt.	1	Technische Daten: Motor mit internem Thermostat[TI]

Einheit	MOTOR
Code	29.45
Beschreibung	Kopfdeckel (Ext.Thermostat)
Inspektion	1



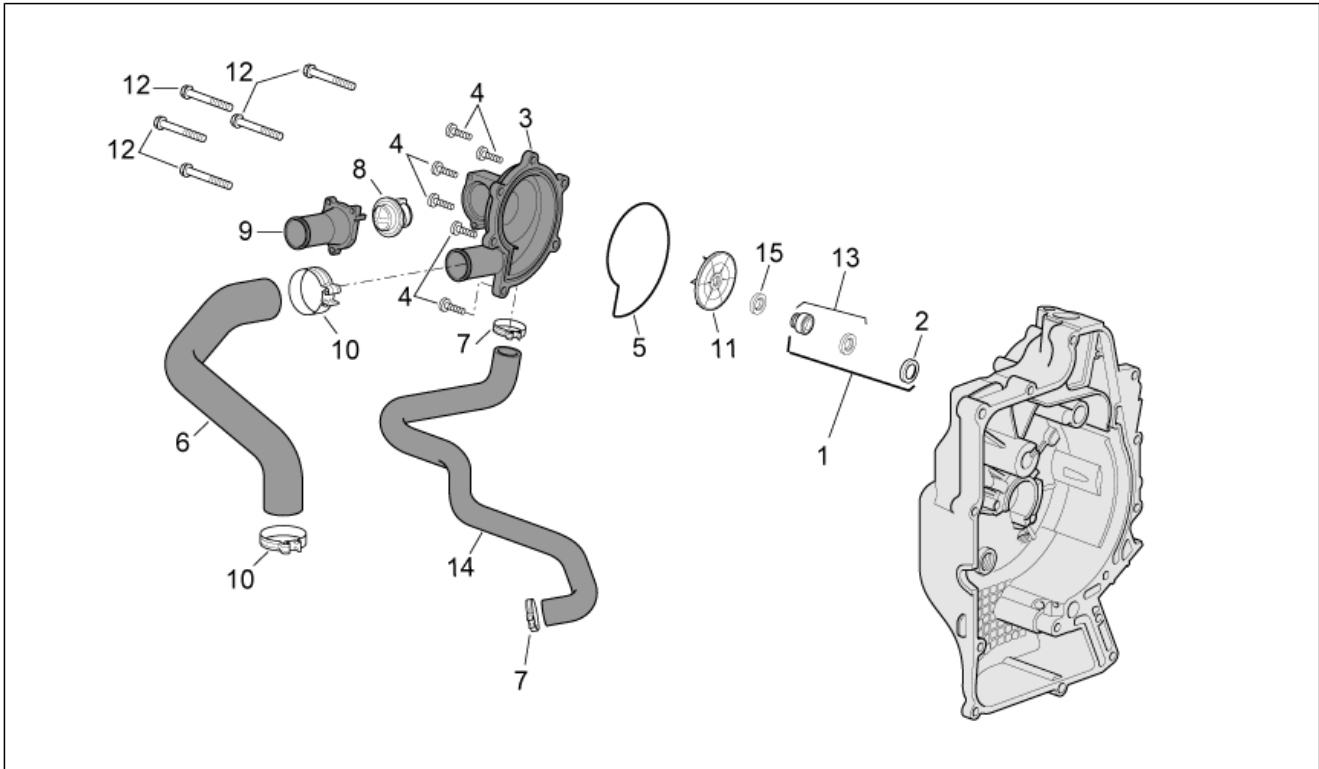
Pos.	Code	Beschreibung	Menge	Varianten
1	AP8560101	Zündkerze	1	
1	AP8560146	Zündkerze CR7EKB	1	
2	AP8570010	Dichtung	1	Technische Daten: Motor mit externem Thermostat[TE]
3	AP8570007	TE Schr. m. Flansch M6x30	6	Technische Daten: Motor mit externem Thermostat[TE]
4	AP8570009	Kopfdeckel kplt.	1	Technische Daten: Motor mit externem Thermostat[TE]
5	AP8570008	Puffer	6	Technische Daten: Motor mit externem Thermostat[TE]
6	AP8570022	Mutter	4	Technische Daten: Motor mit externem Thermostat[TE]
7	AP8570001	Ausgleichscheibe	4	Technische Daten: Motor mit externem Thermostat[TE]
8	AP8560010	Kappe	1	Technische Daten: Motor mit externem Thermostat[TE]
9	AP8560015	Entlüftungsanschluß	1	Technische Daten: Motor mit externem Thermostat[TE]

Einheit	MOTOR
Code	29.46
Beschreibung	Zuenderdeckel
Inspektion	1



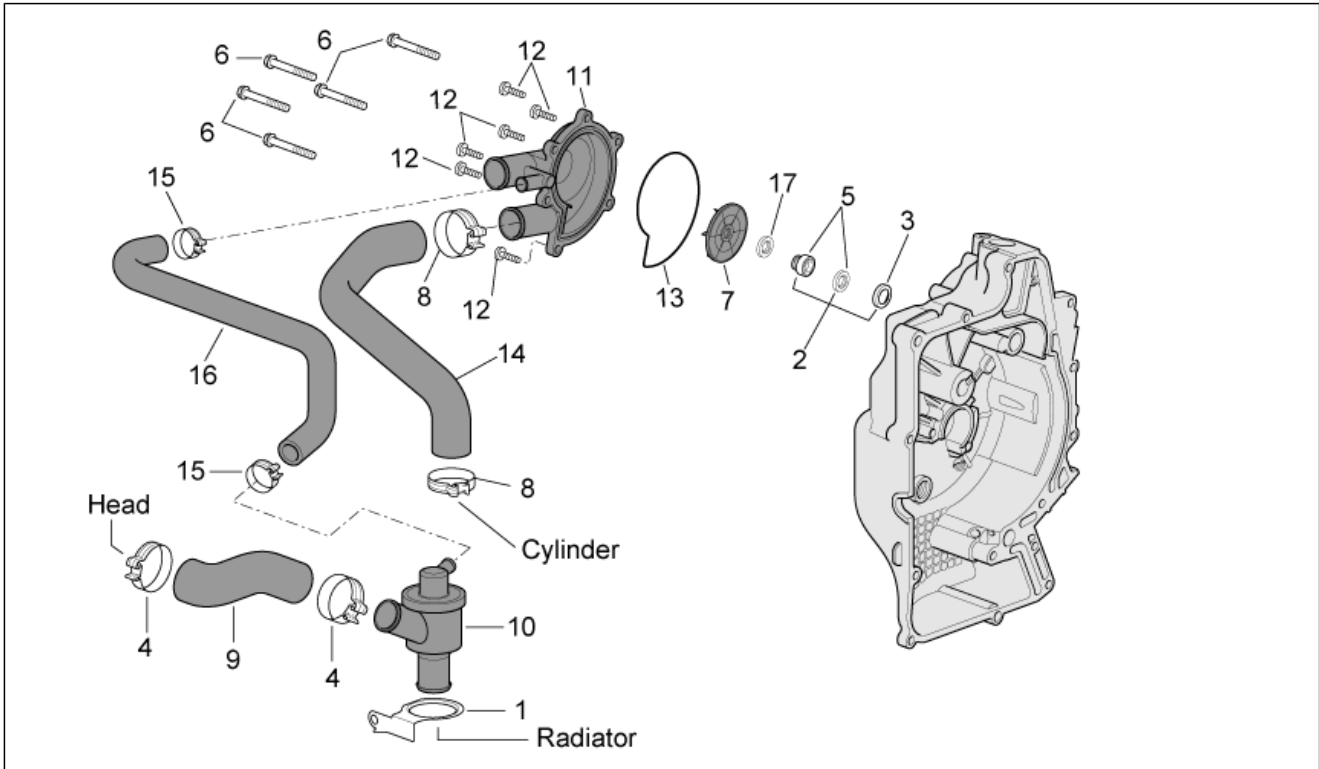
Pos.	Code	Beschreibung	Menge	Varianten
1	8710505	Zuenderdeckel Kpl.	1	Technische Daten: Mit Dichtung 20mm[20]
1	8720885	Zuenderdeckel Kpl.	1	Technische Daten: Mit Dichtung 30mm[30]
2	274246	Flachscheibe 22x12,1x1	1	Technische Daten: Mit Dichtung 30mm[30]
2	829557	Ausgleichscheibe	1	Technische Daten: Mit Dichtung 20mm[20]
3	AP8550417	Dichtung	1	
4	AP8560163	Ölfiltereinsatz kpl.	1	
5	AP8550512	Druckfühler	1	
6	AP8560014	Deckel M12x1,5	1	
7	AP8560039	Ölschraube	1	
8	AP8550417	Dichtung	1	
9	AP8560047	Dichtung	1	
10	AP8550545	Schraube l=70	1	
11	AP8550331	Ausgleichscheibe 16x10.5x2.5	1	
12	AP8560118	Entlüftungsschlauch öl	1	
13	AP8560117	Deckel	1	
14	AP8113789	TE Schr. m. Flansch	3	
15	AP8550079	Schraube M6x35	5	
16	AP8560012	O-Ring	1	
17	AP8560021	Gewindeschraube	2	Technische Daten: Motor mit internem Thermostat[TI]
17	AP8570002	Gewindeschraube	2	Technische Daten: Motor mit externem Thermostat[TE]
18	AP8560107	Platte	1	
19	AP8560023	Reed valve support	1	
20	AP8560142	Oil pressure valve	1	
21	AP8560140	Ventilfeder	1	
22	AP8550546	Schraube	1	
23	828394	Welle Wasserpumpe	1	Technische Daten: Mit Dichtung 20mm[20]
23	844438	Welle Wasserpumpe	1	Technische Daten: Mit Dichtung 30mm[30], Glänzend[L]
23	872536	Welle Wasserpumpe	1	Technische Daten: Mit Dichtung 30mm[30], Matt[O]

Einheit	MOTOR
Code	29.47
Beschreibung	Wasserpumpe (Int. Thermostat)
Inspektion	1



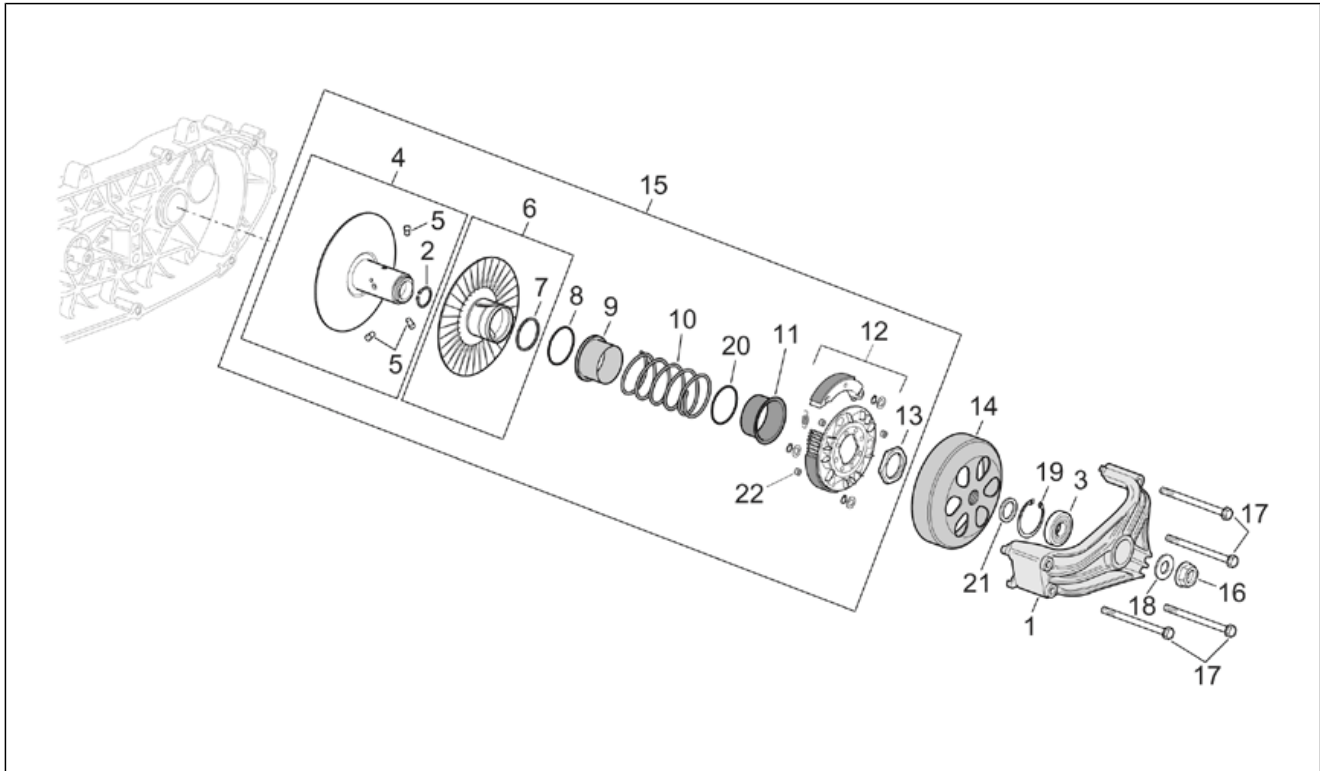
Pos.	Code	Beschreibung	Menge	Varianten
1	497486	Seal rings kit	1	Technische Daten: Mit Dichtung 20mm[20], Motor mit internem Thermostat[TI]
2	842595	Dichtring	1	Technische Daten: Mit Dichtung 30mm[30], Motor mit internem Thermostat[TI]
3	AP8560072	Deckel Wasserpumpe	1	Technische Daten: Motor mit internem Thermostat[TI]
4	AP8551011	Schraube	6	Technische Daten: Motor mit internem Thermostat[TI]
5	AP8560073	O-Ring	1	Technische Daten: Motor mit internem Thermostat[TI]
6	AP8560089	Pumpen-Zylinderschlauch	1	Technische Daten: Motor mit internem Thermostat[TI]
7	AP8560182	Schelle	2	Technische Daten: Motor mit internem Thermostat[TI]
8	AP8560173	Thermostat	1	Technische Daten: Motor mit internem Thermostat[TI]
9	AP8560103	Thermofühlerdeckel	1	Technische Daten: Motor mit internem Thermostat[TI]
10	AP8560183	Schelle	2	Technische Daten: Motor mit internem Thermostat[TI]
11	827929	Läufer Wasserpumpe	1	Technische Daten: Motor mit internem Thermostat[TI]
12	AP8550079	Schraube M6x35	10	Technische Daten: Motor mit internem Thermostat[TI]
13	844439	Dichtring	1	Technische Daten: Mit Dichtung 30mm[30], Motor mit internem Thermostat[TI]
14	AP8144527	Leitung	1	Technische Daten: Motor mit internem Thermostat[TI]
15	871799	Ausgleichscheibe	1	Technische Daten: Mit Dichtung 20mm[20], Motor mit internem Thermostat[TI]

Einheit	MOTOR
Code	29.48
Beschreibung	Wasserpumpe (Ext.Thermostat)
Inspektion	1



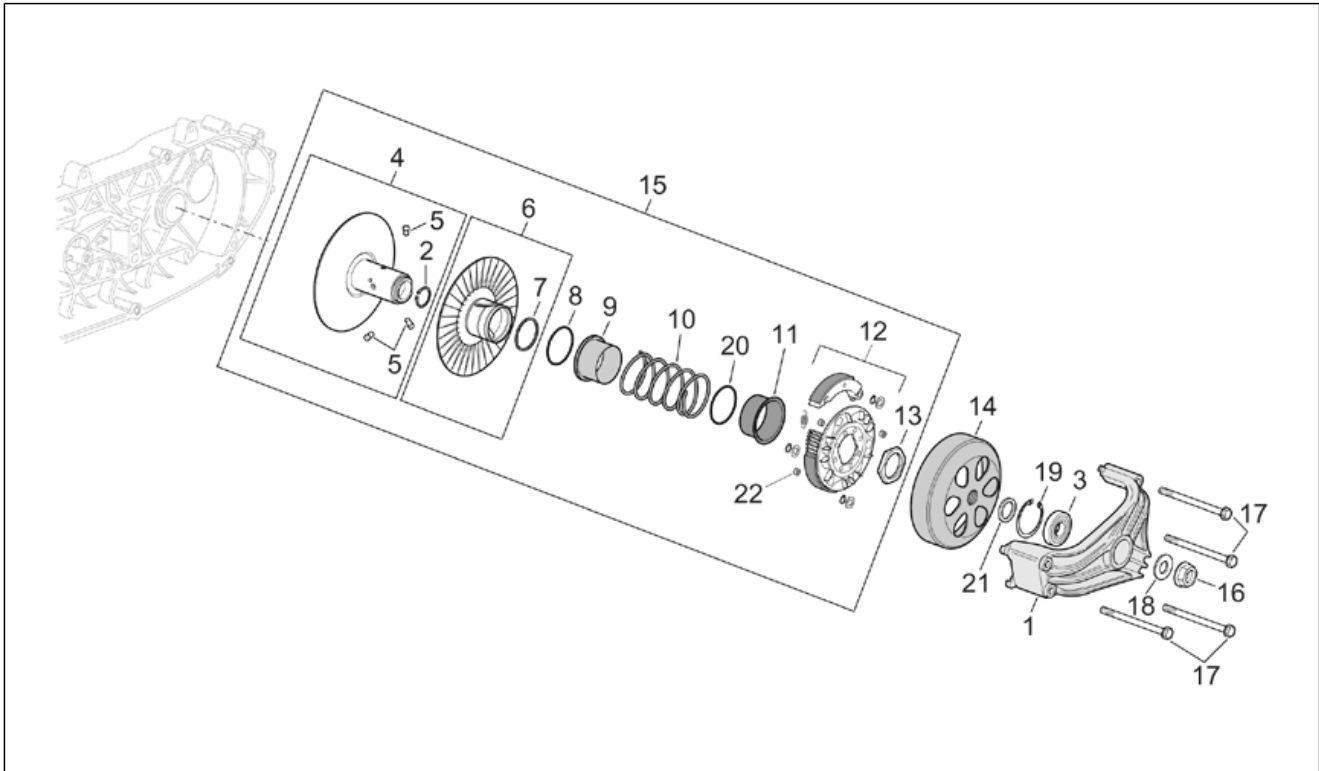
Pos.	Code	Beschreibung	Menge	Varianten
1	AP8570036	Bügel	1	Technische Daten: Motor mit externem Thermostat[TE]
2	497486	Seal rings kit	1	Technische Daten: Mit Dichtung 20mm[20], Motor mit externem Thermostat[TE]
3	842595	Dichtring	1	Technische Daten: Mit Dichtung 30mm[30], Motor mit externem Thermostat[TE]
4	AP8570037	Schelle	2	Technische Daten: Motor mit externem Thermostat[TE]
5	844439	Dichtring	1	Technische Daten: Motor mit externem Thermostat[TE]
6	AP8550079	Schraube M6x35	5	Technische Daten: Motor mit externem Thermostat[TE]
7	AP8560075	Läufer Wasserpumpe	1	Technische Daten: Motor mit externem Thermostat[TE]
8	AP8560183	Schelle	2	Technische Daten: Motor mit externem Thermostat[TE]
9	AP8570034	Schl. Thermostat-Zylinderkopf	1	Technische Daten: Motor mit externem Thermostat[TE]
10	AP8570033	Thermostat	1	Technische Daten: Motor mit externem Thermostat[TE]
11	AP8570031	Deckel Wasserpumpe	1	Technische Daten: Motor mit externem Thermostat[TE]
12	AP8551011	Schraube	6	Technische Daten: Motor mit externem Thermostat[TE]
13	AP8560073	O-Ring	1	Technische Daten: Motor mit externem Thermostat[TE]
14	AP8570032	Pumpen-Zylinderschlauch	1	Technische Daten: Motor mit externem Thermostat[TE]
15	AP8144579	Schlauchschelle	2	Technische Daten: Motor mit externem Thermostat[TE]
16	AP8570035	Bypassschlauch	1	Technische Daten: Motor mit externem Thermostat[TE]
17	871799	Ausgleichscheibe	1	Technische Daten: Mit Dichtung 20mm[20], Motor mit externem Thermostat[TE]

Einheit	MOTOR
Code	29.49
Beschreibung	Vorgelege
Inspektion	1



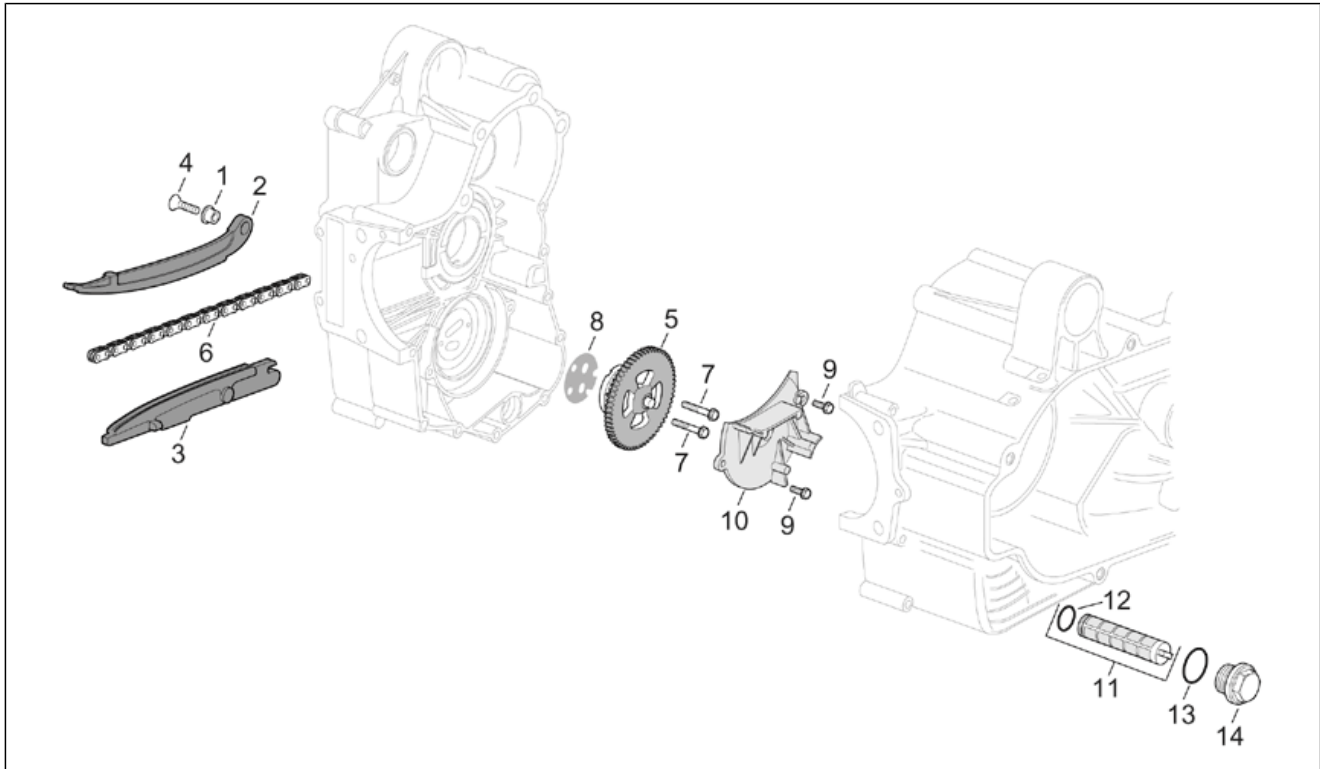
Pos.	Code	Beschreibung	Menge	Varianten
1	AP8560024	Sec. sheave support	1	Baujahr:2001[1]
1	AP8560187	Sec. sheave support	1	Baujahr:2003[3], 2004[4]
1	AP8560187	Sec. sheave support	1	Baujahr:2001[1]
2	AP8560033	Seegerring	1	
3	AP8560028	Lager d17x40x12	1	
4	AP8560110	Sekundäre Festscheibe	1	Baujahr:2001[1]
4	AP8560196	Sekundäre Festscheibe	1	Baujahr:2003[3], 2004[4]
4	AP8560196	Sekundäre Festscheibe	1	Baujahr:2001[1]
5	AP8560109	Führungsbolzen	4	
6	AP8560175	Sekundäre Gleitscheibe	1	Baujahr:2001[1]
6	AP8560197	Sekundäre Gleitscheibe	1	Baujahr:2003[3], 2004[4]
6	AP8560197	Sekundäre Gleitscheibe	1	Baujahr:2001[1]
7	AP8560031	Ölabstreifring 50x57x5	2	
8	AP8560111	O-Ring	1	
9	AP8560108	Federbecher	1	
10	AP8560177	Feder	1	
11	AP8560034	Externer Federbecher	1	
12	AP8560053	Fliehkraftkupplung	1	Baujahr:2001[1]
12	AP8560201	Fliehkraftkupplung	1	Baujahr:2001[1]
12	AP8560201	Fliehkraftkupplung	1	Baujahr:2003[3], 2004[4]
13	AP8560035	Mutter	1	
14	AP8560026	Baugruppe Kupplungskasten	1	
15	AP8560178	Sek. Riensch. kpl.	1	Baujahr:2001[1]
15	AP8560195	Sek. Riensch. kpl.	1	Baujahr:2003[3], 2004[4]
15	AP8560195	Sek. Riensch. kpl.	1	Baujahr:2001[1]
16	AP8560063	Mutter M14x1,5	1	
17	AP8560097	TE Schr. m. Flansch	4	
18	AP8560043	Flachscheibe	1	

Einheit	MOTOR
Code	29.49
Beschreibung	Vorgelege
Inspektion	1



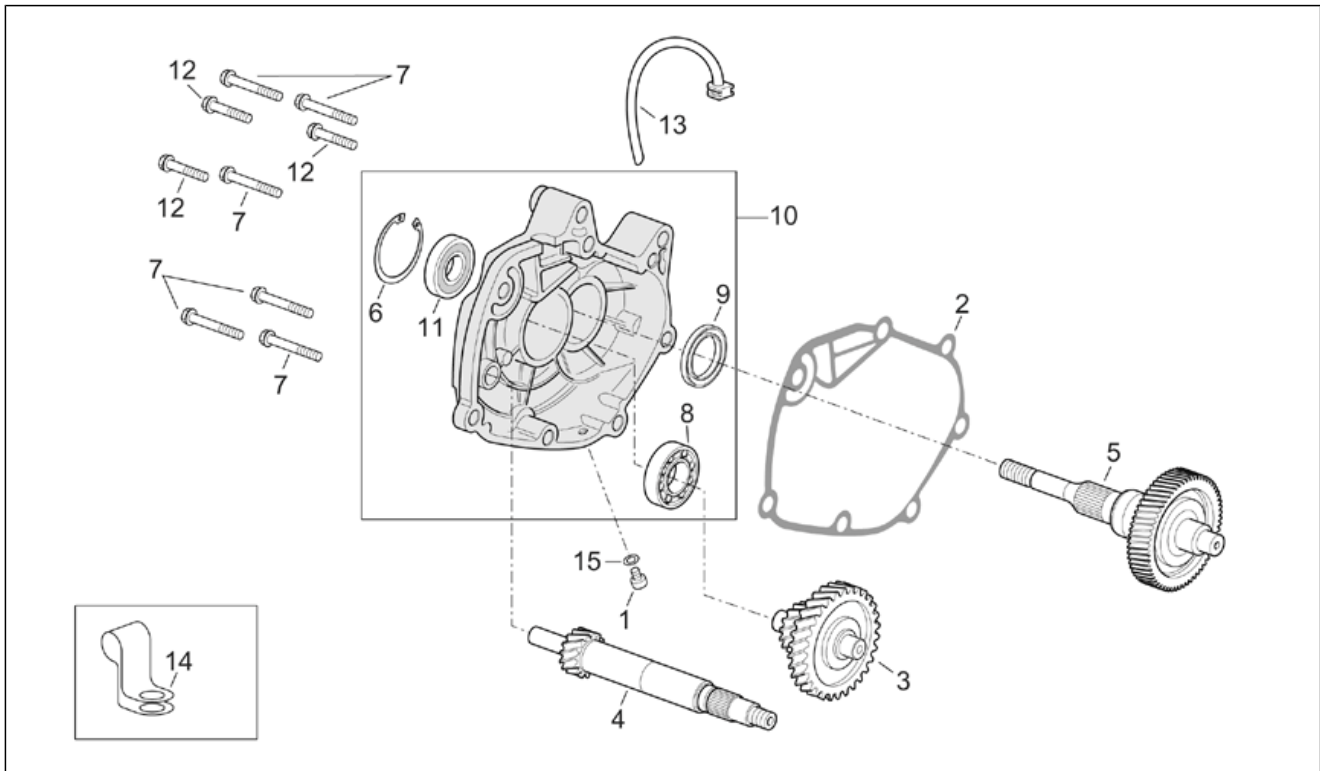
Pos.	Code	Beschreibung	Menge	Varianten
19	AP8560040	Seegerring	1	
20	AP8560029	O-Ring	1	
21	AP8560046	Distanzscheibe 26x17x3	1	
22	AP8152506	Stopfen dämpfer	5	Technische Daten: 5-Backenkupplung[5M]
22	AP8176091	Stopfen dämpfer	3	Technische Daten: 3-Backenkupplung[3M]

Einheit	MOTOR
Code	29.50
Beschreibung	Ölpumpe
Inspektion	1



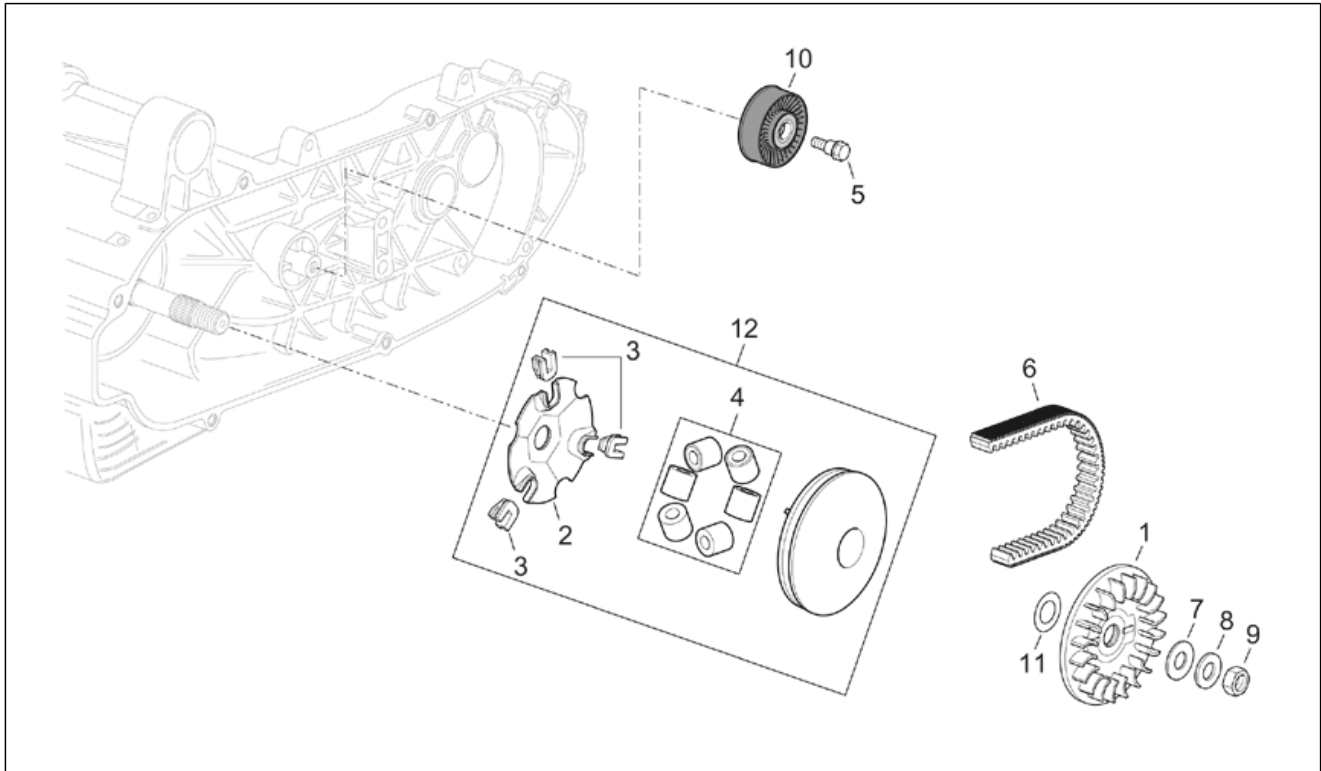
Pos.	Code	Beschreibung	Menge	Varianten
1	AP8560045	Distanzscheibe	1	
2	AP8560074	Kettenspanner Stange	1	
3	AP8560071	Kettenspanner Gleitbacke	1	
4	AP8560157	Schraube	1	
5	AP8560032	Ölpumpe	1	
6	AP8560060	Steuerkette	1	
7	AP8551029	TE Schr. m. Flansch	2	
8	AP8560087	Dichtung	1	
9	AP8560153	TE Schr. m. Flansch	2	
10	AP8560155	Ölschott	1	
11	AP8560052	Ölfiltersatz	1	
12	AP8550337	O-Ring	1	
13	AP8550336	O-Ring	1	
14	AP8560055	Ölfilter Verschluss	1	

Einheit	MOTOR
Code	29.51
Beschreibung	Getriebe
Inspektion	1



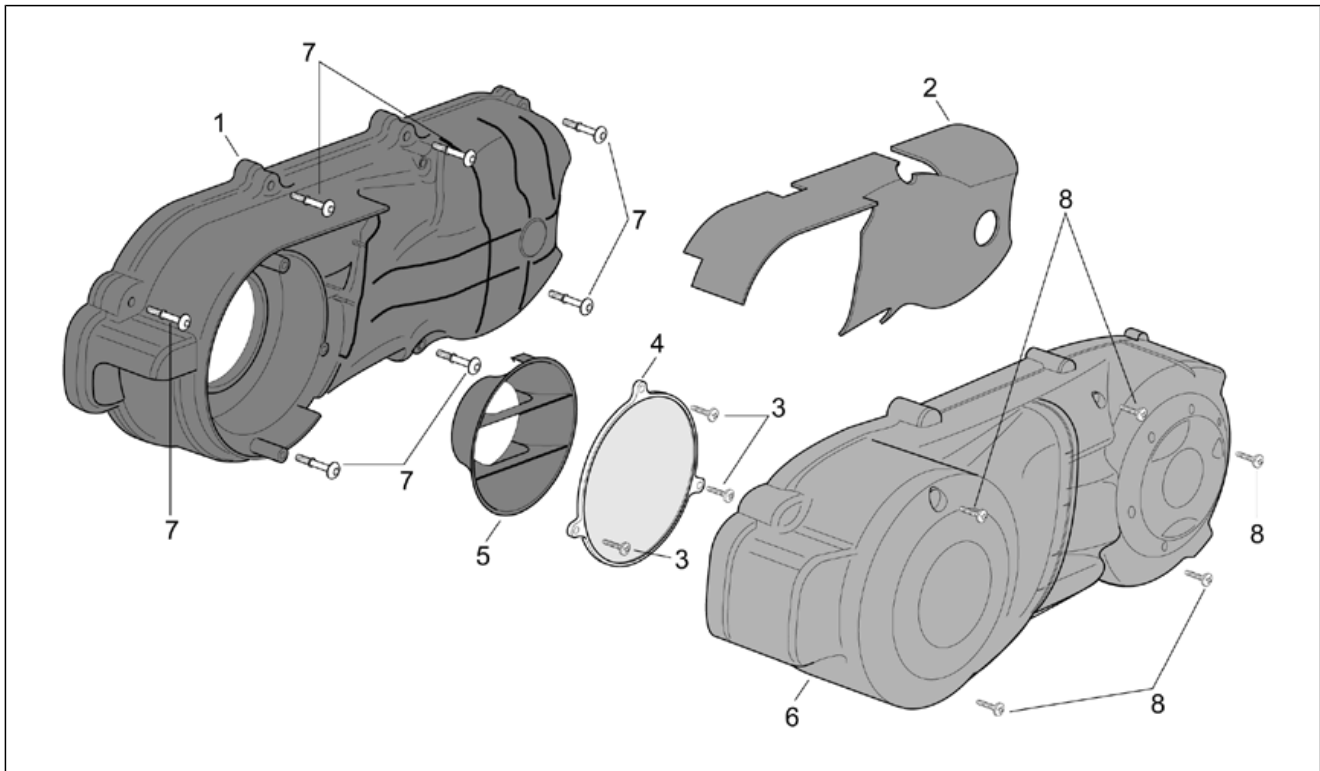
Pos.	Code	Beschreibung	Menge	Varianten
1	AP8550361	Auslaßschraube	1	
2	AP8560085	Dichtung	1	
3	AP8560148	Vorgelege Welle	1	
4	AP8560079	Abtriebsriemenscheibewelle	1	
5	AP8560147	Hinterrad Achse kpl.	1	
6	AP8560130	Seegerring	1	
7	AP8560158	TE Schr. m. Flansch	4	
8	AP8560080	Lager d20x52x15	1	
9	AP8560125	Ölabstreifring 38x50x7	1	
10	AP8560005	Getriebedeckel kpl.	1	
11	AP8560126	Lager d30x55x13	1	
12	AP8560105	TE Schr. m. Flansch M8x35	3	
13	AP8560004	Entlüftung	1	
14	AP8560022	Schelle	2	
15	AP8550304	Legierungscheibe	1	

Einheit	MOTOR
Code	29.52
Beschreibung	Hauptgetriebe
Inspektion	1



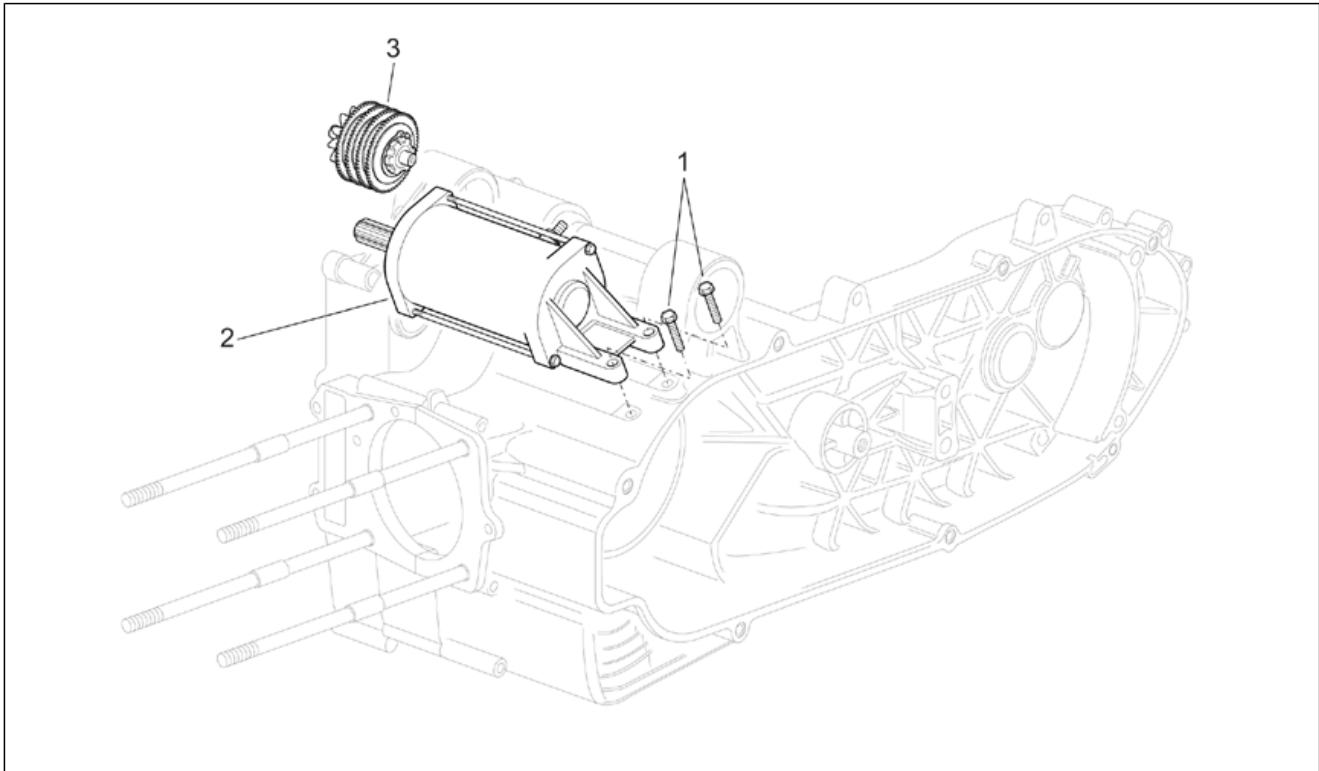
Pos.	Code	Beschreibung	Menge	Varianten
1	AP8560172	Antriebshalbriemenscheibe kpl	1	Baujahr:2001[1]
1	AP8560199	Antriebshalbriemenscheibe kpl	1	Baujahr:2001[1]
1	AP8560199	Antriebshalbriemenscheibe kpl	1	Baujahr:2003[3], 2004[4]
2	AP8560138	Stiftplatte	1	
3	AP8560137	Dübel	3	Baujahr:2001[1]
3	AP8560198	Dübel	3	Baujahr:2001[1]
3	AP8560198	Dübel	3	Baujahr:2003[3], 2004[4]
4	AP8560179	Fliehkraftmasse Kit	1	
5	AP8560143	Schraube	1	
6	AP8560070	Keilriemen	1	Baujahr:2001[1]
6	AP8560188	Keilriemen	1	Baujahr:2001[1]
6	AP8560188	Keilriemen	1	Baujahr:2003[3], 2004[4]
7	AP8560129	Flachscheibe	1	
8	AP8560127	Tellerfeder	1	
9	AP8560132	Mutter m18x1,5	1	
10	AP8560171	Zahnriemenscheibe	1	Baujahr:2001[1]
10	AP8570028	Zahnriemenscheibe	1	Baujahr:2001[1]
10	AP8570028	Zahnriemenscheibe	1	Baujahr:2003[3], 2004[4]
11	AP8560134	Flachscheibe	1	
12	AP8560180	Antriebshalbriemenscheibe	1	Baujahr:2001[1]
12	AP8560200	Antriebshalbriemenscheibe	1	Baujahr:2001[1]
12	AP8560200	Antriebshalbriemenscheibe	1	Baujahr:2003[3], 2004[4]

Einheit	MOTOR
Code	29.53
Beschreibung	Motor Kunststoff
Inspektion	1



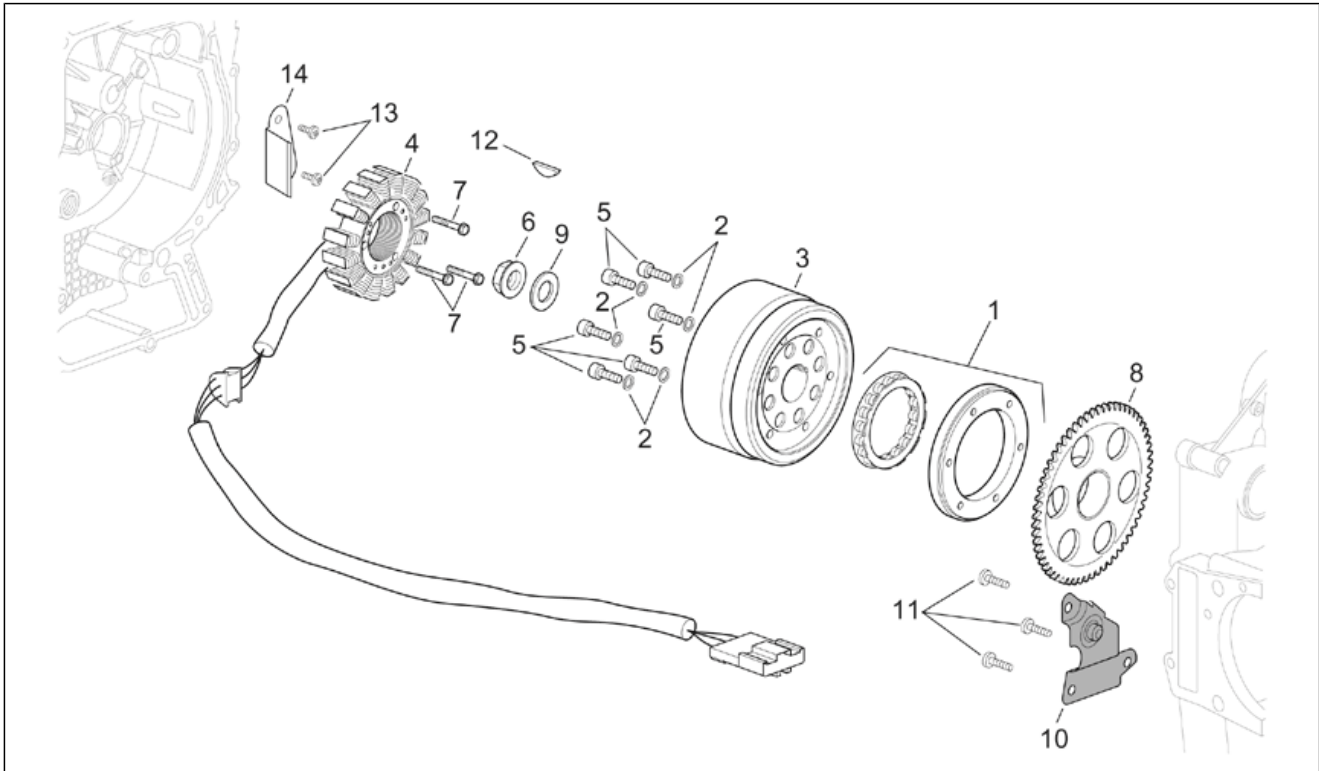
Pos.	Code	Beschreibung	Menge	Varianten
1	AP8560114	Getriebedeckel	1	
2	AP8560112	Schalldämmplatte	1	
3	AP8560013	Gew.schr. d4,2x13	3	
4	AP8560113	Luftfilter	1	
5	AP8560115	Leitblech	1	
6	AP8560186	Deckel	1	
7	AP8560119	Schraube	7	
8	AP8551014	Schraube	5	

Einheit	MOTOR
Code	29.54
Beschreibung	Startermotor
Inspektion	1



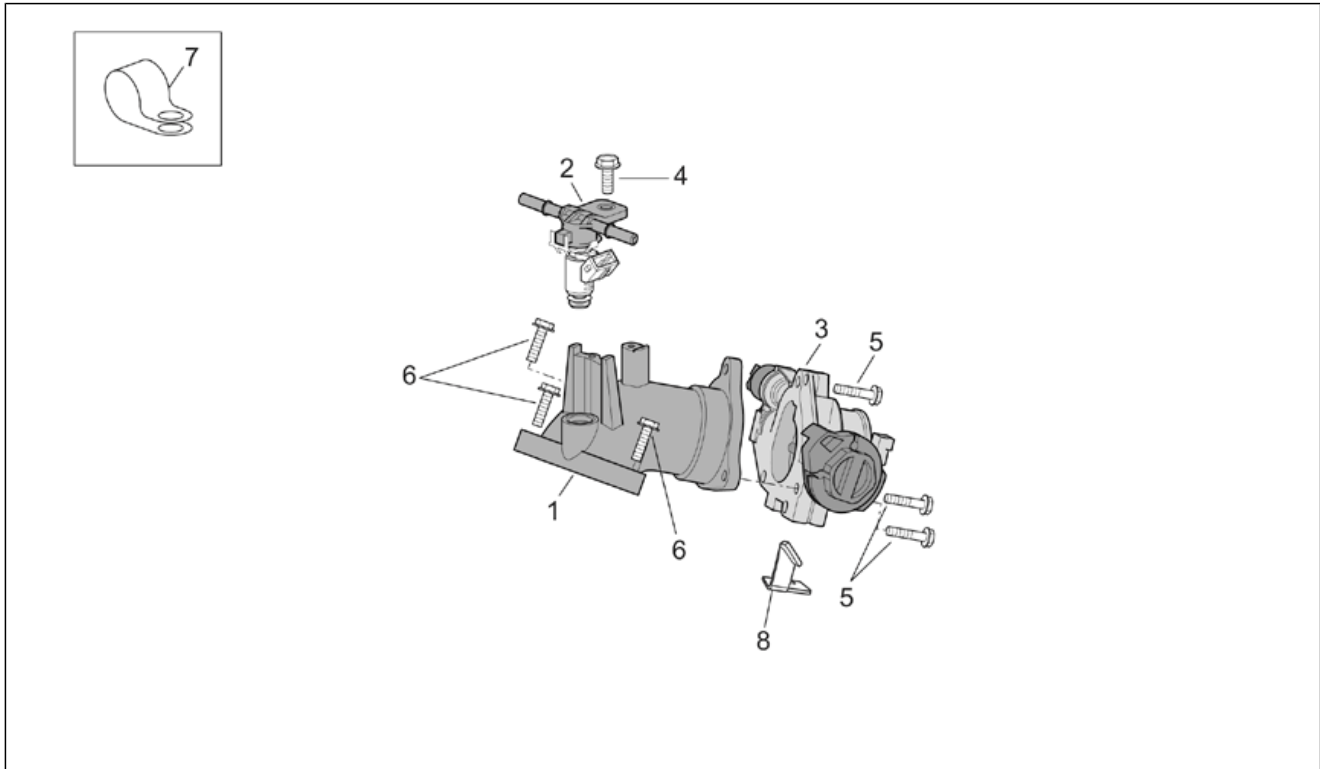
Pos.	Code	Beschreibung	Menge	Varianten
1	AP8113789	TE Schr. m. Flansch	2	
2	AP8560025	Startermotor	1	
3	AP8560064	Torque limiter	1	

Einheit	MOTOR
Code	29.55
Beschreibung	Zündgruppe
Inspektion	1



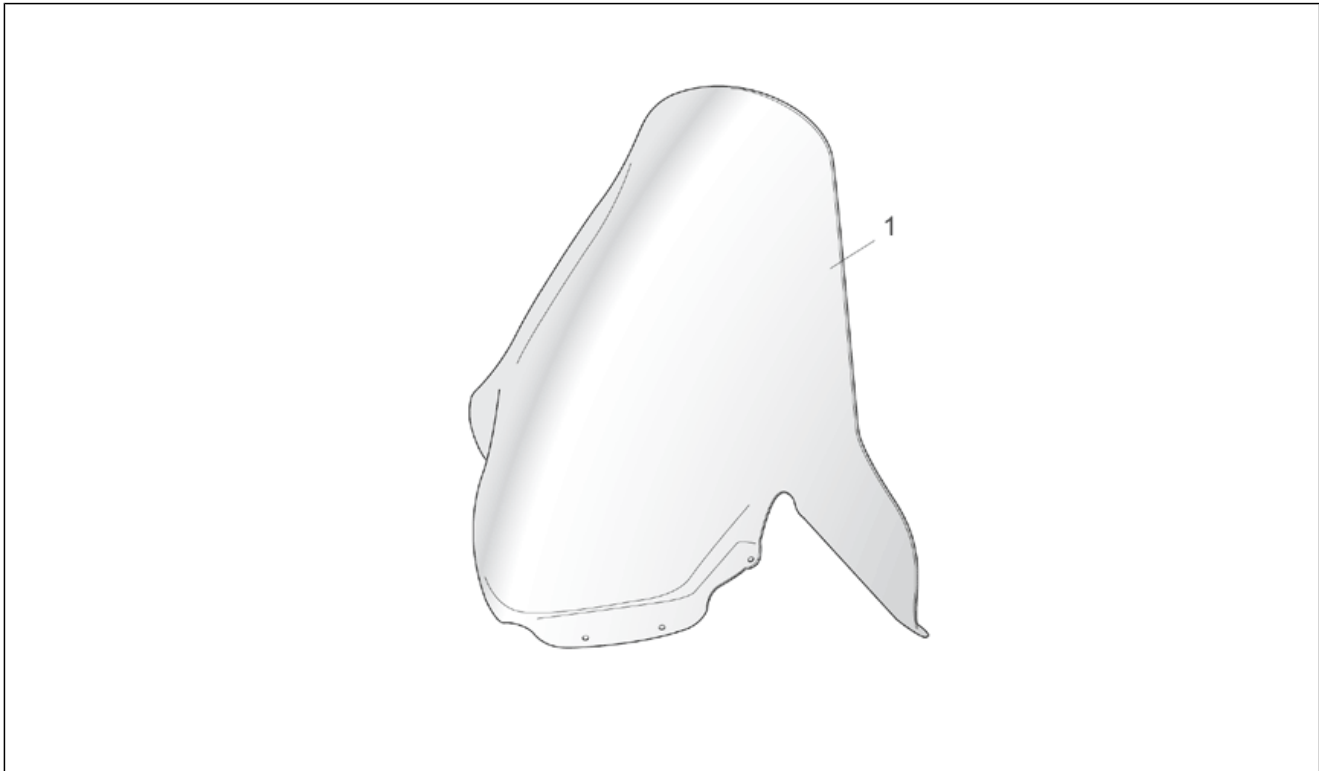
Pos.	Code	Beschreibung	Menge	Varianten
1	AP8560036	Freilaufrolle kpl.	1	
2	AP8550487	Federring Din	6	
3	AP8560102	Rotor	1	
4	AP8560100	Stator kpl	1	
5	AP8560037	TCEI Schraube M6x25	6	
6	AP8560063	Mutter M14x1,5	1	
7	AP8560011	Schraube M6x30	3	
8	AP8560058	Zahnkranz	1	
9	AP8560043	Flachscheibe	1	
10	AP8560083	Platte	1	
11	AP8550546	Schraube	3	
12	AP8560006	Keil	1	
13	AP8560009	Schraube	2	
14	AP8560065	Platte	1	

Einheit	MOTOR
Code	29.56
Beschreibung	Klappenkörper
Inspektion	1



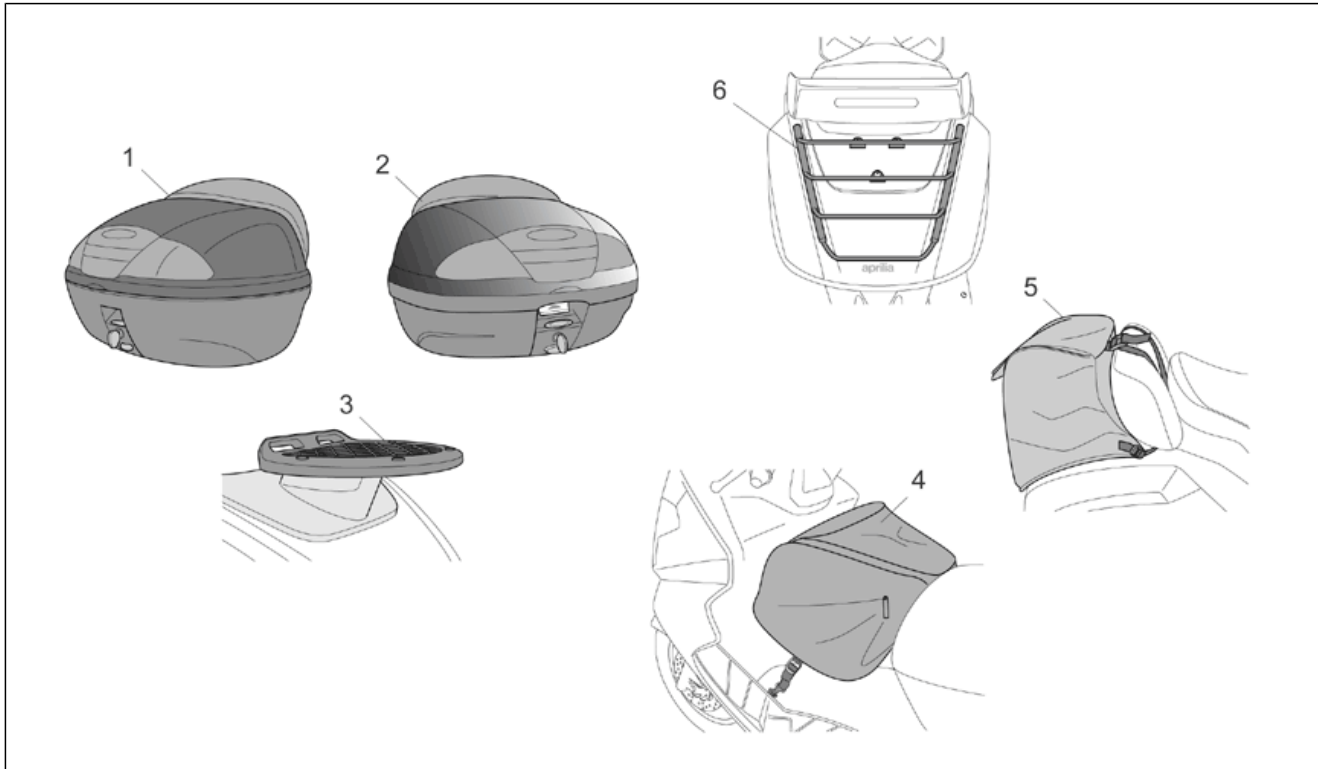
Pos.	Code	Beschreibung	Menge	Varianten
1	AP8560154	Ansaugkrümmer	1	Land: Österreich[A], Belgien[B], Schweiz[CH], Deutschland[D], Dänemark[DK], Spanien[E], A, B, CH, D, DK, F, I, NL[EU], Frankreich[F], Italien[I], Japan[J], J[J], Holland[NL], E[SP], Großbritannien[UK]
1	AP8560204	Ansaugkrümmer	1	Land: USA (Zulassung California)[CF], Vereinigte Staaten von Amerika[USA]
2	AP8560170	Injektor	1	
3	AP8560048	Klappenkörper kpl.	1	
4	AP8560153	TE Schr. m. Flansch	1	
5	AP8550558	TE Schr. m. Flansch M6x30	3	
6	AP8113789	TE Schr. m. Flansch	3	
7	AP8560116	Schelle	1	Technische Daten: Motor mit internem Thermostat[TI]
8	AP8134839	Platte	1	Technische Daten: Version mit Leistungsminderung 25 Kw[25Kw]

Einheit	ZUBEHÖR
Code	30.57
Beschreibung	Acc. - Windschilder
Inspektion	1



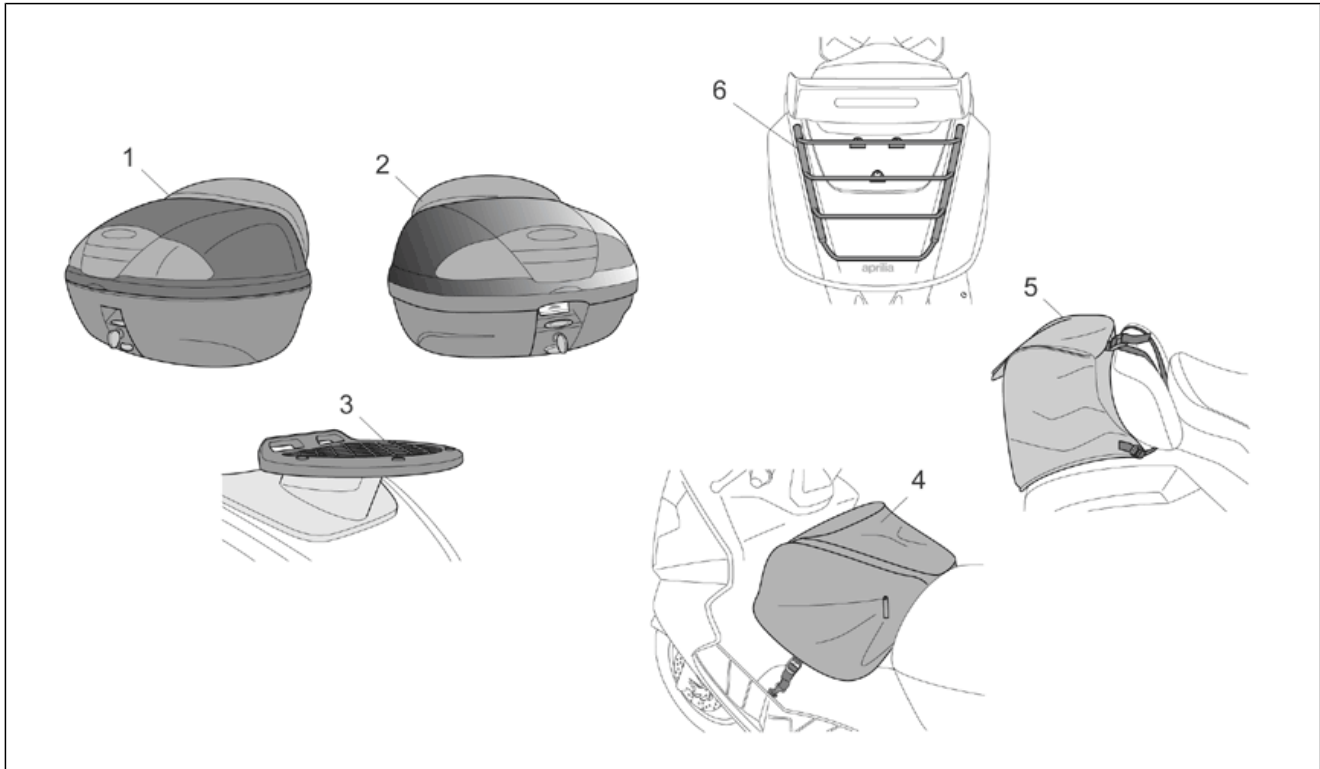
Pos.	Code	Beschreibung	Menge	Varianten
1	AP8791211	Wetterschutz Big	1	Technische Daten:Zubehör[A]

Einheit	ZUBEHÖR
Code	30.58
Beschreibung	Acc. - Koffer, Taschen
Inspektion	1



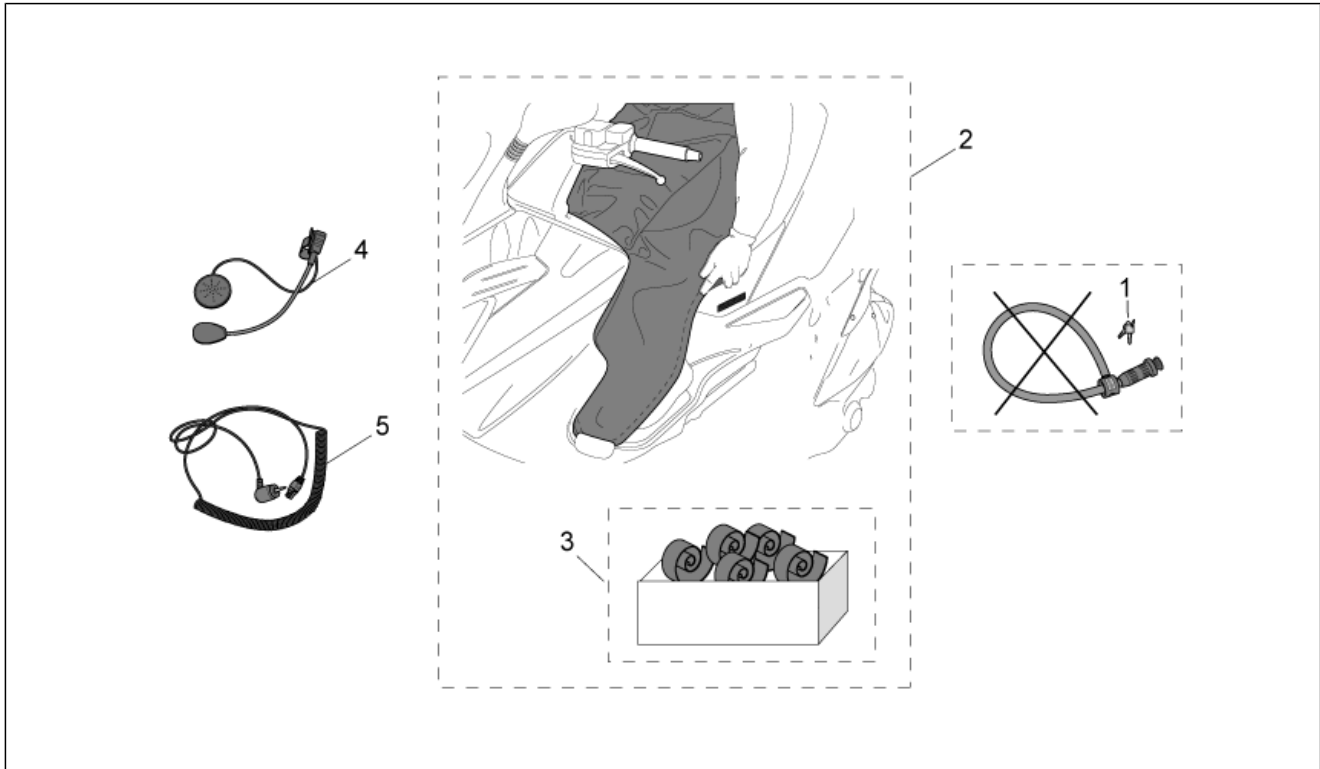
Pos.	Code	Beschreibung	Menge	Varianten
1	AP8790261	Koffer gaufriert Str-Cas 45L	1	Technische Daten:Zubehör[A]
2	AP8700998	Staukoffer, rot Str-Cas 45L	1	Baujahr:2003[3] Fahrzeugfarbe:Rot Alpine 2003[ra] Technische Daten:Zubehör[A]
2	AP8700999	Staukoffer, rot Str-Cas 45L	1	Baujahr:2003[3] Fahrzeugfarbe:Rot Alpine 2003[ra] Land:E[SP] Technische Daten:Zubehör[A]
2	AP8790240	Staukoffer, grau Str-Cas 45L	1	Baujahr:2003[3], 2004[4] Fahrzeugfarbe:Grau Magnet 2003[gm], Grau Magnet 2004[grey] Technische Daten:Zubehör[A]
2	AP8790241	Staukoffer, grau Str-Cas 45L	1	Baujahr:2003[3], 2004[4] Fahrzeugfarbe:Grau Magnet 2003[gm], Grau Magnet 2004[grey] Land:E[SP] Technische Daten:Zubehör[A]
2	AP8792243	Koffer grau lack. Str-Cas 45L	1	Baujahr:2001[1], 2002[2] Fahrzeugfarbe:Bleigrau 2001[gp] Technische Daten:Zubehör[A]
2	AP8792244	Staukoffer, a.blau Str-Cas 45L	1	Baujahr:2001[1], 2002[2] Fahrzeugfarbe:Blau Atlantic 2001[ba] Technische Daten:Zubehör[A]
2	AP8792245	Staukoffer, rot Str-Cas 45L	1	Baujahr:2001[1], 2002[2] Fahrzeugfarbe:Rot Baroque 2001[rb] Technische Daten:Zubehör[A]
2	AP8792246	Staukoffer, h.blau Str-Cas 45L	1	Baujahr:2001[1], 2002[2] Fahrzeugfarbe:Hellblau Coast 2001[ac] Technische Daten:Zubehör[A]
2	AP8792281	Koffer grau lack. Str-Cas 45L	1	Baujahr:2001[1], 2002[2] Fahrzeugfarbe:Bleigrau 2001[gp] Land:E[SP] Technische Daten:Zubehör[A]
2	AP8792282	Koffer rot lack. Str-Cas 45L	1	Baujahr:2001[1], 2002[2]

Einheit	ZUBEHÖR
Code	30.58
Beschreibung	Acc. - Koffer, Taschen
Inspektion	1



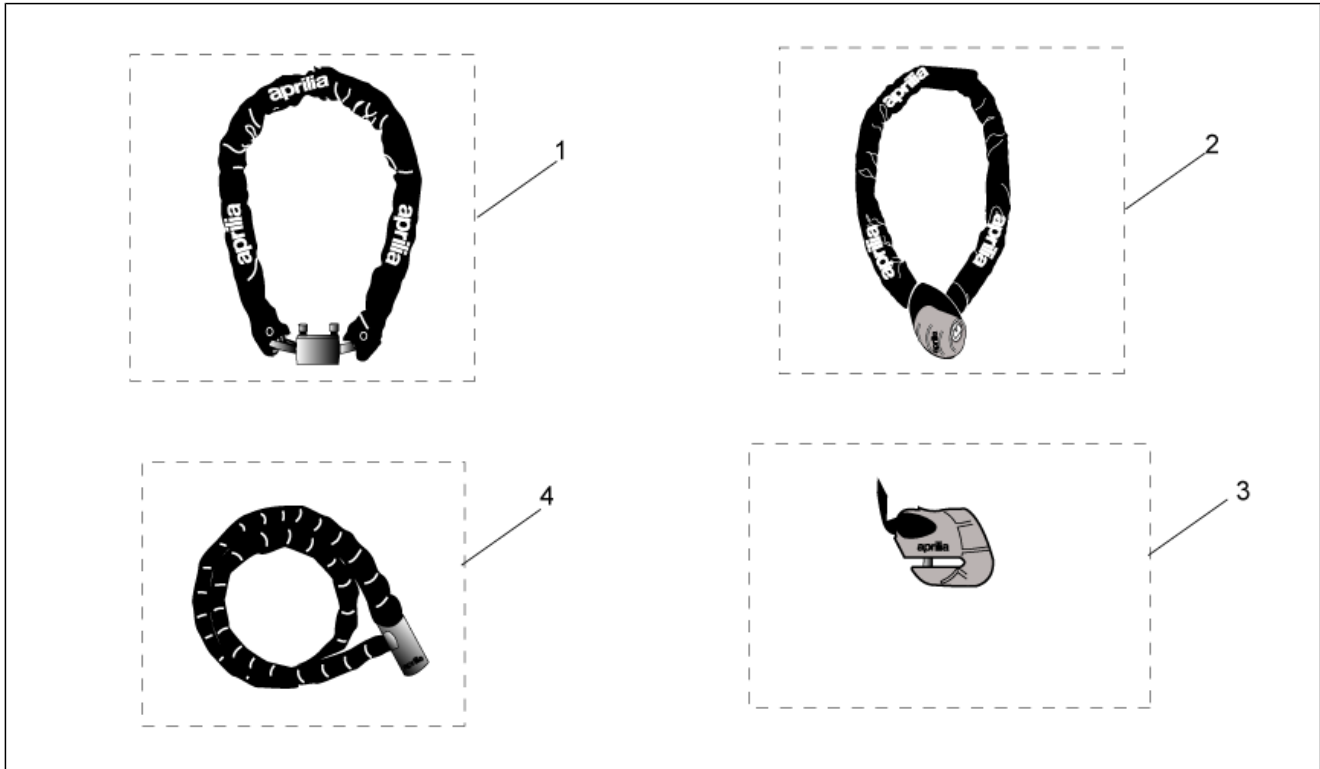
Pos.	Code	Beschreibung	Menge	Varianten
				Fahrzeugfarbe:Blau Atlantic 2001[ba] Land:E[SP] Technische Daten:Zubehör[A]
2	AP8792283	Koffer blau lack. Str-Cas 45L	1	Baujahr:2001[1], 2002[2] Fahrzeugfarbe:Rot Baroque 2001[rb] Land:E[SP] Technische Daten:Zubehör[A]
2	AP8792284	Koffer weiß lack. Str-Cas 45L	1	Baujahr:2001[1], 2002[2] Fahrzeugfarbe:Hellblau Coast 2001[ac] Land:E[SP] Technische Daten:Zubehör[A]
2	AP8792362	Staukoffer, grau Str-Cas 45L	1	Baujahr:2004[4] Fahrzeugfarbe:Blau Hilton 2004[hilt], Grau Titanic 2004[tit] Technische Daten:Zubehör[A]
2	AP8792363	Staukoffer, grau Str-Cas 45L	1	Baujahr:2004[4] Fahrzeugfarbe:Blau Hilton 2004[hilt], Grau Titanic 2004[tit] Land:E[SP] Technische Daten:Zubehör[A]
3	AP8792242	Halter Gepäcktr.Koffer Str-Cas	1	Technische Daten:Zubehör[A]
4	AP8792285	Tunneltasche 50L	1	Technische Daten:Zubehör[A]
5	AP8792302	Gepäcktasche hi.	1	Technische Daten:Zubehör[A]
6	AP8792301	Gepäckträger	1	Technische Daten:Zubehör[A]

Einheit	ZUBEHÖR
Code	30.59
Beschreibung	Acc. - Sonstiges
Inspektion	1



Pos.	Code	Beschreibung	Menge	Varianten
1	AP8700792	Schlüsslersatzdie. B.Guard UK-D	1	Land:Deutschland[D], Großbritannien[UK] Technische Daten:Zubehör[A]
1	AP8700793	Schlüsslersatzdie. B.Guard F-NL	1	Land:Frankreich[F], Holland[NL] Technische Daten:Zubehör[A]
1	AP8700794	Schlüsslersatzdie. B.Guard I-E	1	Land:Spanien[E], Italien[I] Technische Daten:Zubehör[A]
2	AP8796615	Abdeckplane	1	Technische Daten:Zubehör[A]
3	AP8701141	Kit Ers.teil Klettver.Abdeckp.	1	Technische Daten:Zubehör[A]
4	AP8794039	Kopfhörer m/Mikrofon	1	Technische Daten:Zubehör[A]
5	AP8794038	Spiralkabel f/Kopfhörer	1	Technische Daten:Zubehör[A]

Einheit	ZUBEHÖR
Code	30.60
Beschreibung	Acc. - Diefstahl
Inspektion	1



Pos.	Code	Beschreibung	Menge	Varianten
1	AP8720115	Iron Guard 10x150 mm	1	Technische Daten:Zubehör[A]
2	AP8720116	Iron Guard 8x120 mm	1	Technische Daten:Zubehör[A]
3	AP8720117	Iron Guard Disk 5 mm	1	Technische Daten:Zubehör[A]
4	AP8720118	Easy Guard 150 mm	1	Technische Daten:Zubehör[A]