

aprilia[®]

ERSATZTEILKATALOG



Atlantic 400-500 Sprint 2005-2008

Vorsatzcode Fahrgestell: ZD4VL, ZD4VL0, ZD4VLA, ZD4VLB
Vorsatzcode Motor:

Inhaltsverzeichnis

Fertige Produkte.....	4
Alphanumerisches Verzeichnis.....	5
RAHMEN.....	11
Tafel 28.01 - Rahmen.....	11
Tafel 28.02 - Baugruppe Kurbelwelle.....	12
Tafel 28.03 - Hauptständer.....	13
Tafel 28.04 - Vorderradgabel I.....	14
Tafel 28.05 - Vorderradgabel II.....	15
Tafel 28.06 - Hinterradaufhängung.....	19
Tafel 28.07 - Frontaufbau I.....	20
Tafel 28.08 - Frontaufbau II.....	23
Tafel 28.09 - Frontaufbau III.....	24
Tafel 28.10 - Mittlerer Aufbau.....	25
Tafel 28.11 - U. Sitzbank.....	27
Tafel 28.12 - Sitz.....	28
Tafel 28.13 - Heckaufbau I.....	29
Tafel 28.14 - Heckaufbau II.....	31
Tafel 28.15 - Instrumententafel.....	34
Tafel 28.16 - Lenkstange.....	35
Tafel 28.17 - Schaltungen links.....	37
Tafel 28.18 - Schaltungen rechts.....	39
Tafel 28.19 - Kühler.....	41
Tafel 28.20 - Kraftstofftank.....	42
Tafel 28.21 - Filtergehäuse.....	43
Tafel 28.22 - Auslassgruppe EURO 2.....	44
Tafel 28.23 - Auslassgruppe EURO 3.....	45
Tafel 28.24 - Vorderrad.....	47
Tafel 28.25 - Vorderradbremzange.....	48
Tafel 28.26 - Hinterrad.....	49
Tafel 28.27 - Hinterradbremzange.....	50
Tafel 28.28 - Scheinwerfer.....	51
Tafel 28.29 - Rücklicht.....	52
Tafel 28.30 - Elektrische anlage I.....	53
Tafel 28.31 - Elektrische anlage II.....	54
Tafel 28.32 - Bausatz Schlösser.....	55
Tafel 28.33 - Aufkleber-Deko.....	56
MOTOR.....	57
Tafel 29.34 - Motor Zusammenstellzeichnung.....	57
Tafel 29.35 - Kurbelwellengehäuse.....	58
Tafel 29.36 - Kurbelwelle.....	59
Tafel 29.37 - Zylinder.....	60
Tafel 29.38 - Zylinderkopf.....	62
Tafel 29.39 - Ventilschaltung.....	63

Tafel 29.40 - Kopfdeckel (Ext.Thermostat).....	64
Tafel 29.41 - Zuenderdeckel.....	65
Tafel 29.42 - Wasserpumpe (Ext.Thermostat).....	67
Tafel 29.43 - Vorgelege.....	68
Tafel 29.44 - Ölpumpe.....	69
Tafel 29.45 - Getriebe.....	70
Tafel 29.46 - Hauptgetriebe.....	71
Tafel 29.47 - Motor Kunststoff.....	72
Tafel 29.48 - Startermotor.....	73
Tafel 29.49 - Zündgruppe.....	74
Tafel 29.50 - Klappenkörper.....	75
ZUBEHÖR.....	76
Tafel 30.51 - Acc. - Windschilder/Taschen.....	76
Tafel 30.52 - Acc. - Koffer I.....	77
Tafel 30.53 - Acc. - Koffer II.....	78
Tafel 30.54 - Acc. - Sonstiges I.....	79
Tafel 30.55 - Acc. - Sonstiges II.....	80
Tafel 30.56 - Acc. - Diebstahl.....	81

Fertige Produkte

Code	Gültigkeit
AP6234000CH501	
AP6234000CH502	
AP6234000DE501	
AP6234000DE502	
AP6234000DE503	
AP6234000DE504	
AP6234000DE605	
AP6234000EB502	
AP6234000EC502	
AP6234000ES501	
AP6234000ES502	
AP6234000ES503	
AP6234000ES504	
AP6234000EU501	
AP6234000EU502	
AP6234000EU605	
AP6234000GB501	
AP6234000GB502	
AP6234000IT501	
AP6234000IT502	
AP6234000IT503	
AP6234000IT504	
AP6234000IT605	
AP6234000SP502	
AP6234000UK502	

Code	Nr. der Tafel	Pos.	Code	Nr. der Tafel	Pos.	Code	Nr. der Tafel	Pos.
0000000	28.28	10	AP8102947	28.32	8	AP8118641	28.18	6
0000000	28.28	9	AP8103392	28.05	11	AP8118656	28.17	11
0000000	28.29	11	AP8104402	28.24	11	AP8118656	28.18	8
274246	29.41	2	AP8104418	28.32	1	AP8119497	28.22	14
497486	29.42	15	AP8104422	28.12	5	AP8119624	28.22	6
641135	28.20	2	AP8104422	28.32	7	AP8119734	28.22	3
827929	29.42	7	AP8104546	28.18	20	AP8119747	28.22	5
828394	29.41	24	AP8104609	28.10	12	AP8119819	28.22	1
829557	29.41	2	AP8104609	28.32	4	AP8119821	28.10	25
830275	29.37	1	AP8104610	28.32	5	AP8119849	28.22	2
830276	29.37	1	AP8104611	28.12	12	AP8119860	28.23	16
830277	29.37	1	AP8104611	28.32	2	AP8119861	28.23	2
833320	29.47	14	AP8104612	28.08	12	AP8119862	28.23	1
833321	29.47	15	AP8104612	28.32	3	AP8119873	28.23	20
842595	29.42	16	AP8104613	28.32	6	AP8119899	28.23	3
843060	29.39	17	AP8104746	28.16	1	AP8119908	28.23	5
844438	29.41	24	AP8104747	28.16	2	AP8120218	28.31	22
844439	29.42	17	AP8104857	28.19	2	AP8120253	28.11	10
844957	29.38	7	AP8104884	28.30	13	AP8120253	29.47	5
845297	29.37	7	AP8104910	28.33	1	AP8120416	28.20	14
8452980001	29.37	6	AP8106775	28.20	2	AP8120416	28.21	10
8452980002	29.37	6	AP8108960	28.26	1	AP8120422	28.24	13
8452980003	29.37	6	AP8109312	28.26	7	AP8120531	28.01	11
8452980004	29.37	6	AP8110086	28.26	5	AP8120594	28.07	8
845312	29.37	8	AP8112176	28.30	12	AP8120754	28.30	22
845313	29.37	4	AP8112506	28.30	6	AP8120952	28.10	18
845314	29.37	9	AP8112927	28.31	2	AP8121020	28.21	17
845316	29.39	19	AP8113003	28.17	17	AP8121075	28.01	5
848843	29.43	15	AP8113003	28.18	13	AP8121075	28.19	8
848844	29.43	12	AP8113003	28.25	6	AP8121183	28.05	16
849913	29.46	12	AP8113003	28.27	6	AP8121311	28.02	9
849914	29.46	4	AP8113004	28.17	18	AP8121459	28.02	8
851946	28.23	11	AP8113004	28.18	14	AP8121460	28.02	7
852089	28.07	10	AP8113004	28.22	15	AP8121551	28.02	10
852204	28.24	12	AP8113004	28.25	8	AP8121580	28.02	4
852264	28.24	1	AP8113004	28.27	9	AP8121588	28.24	7
852265	28.26	1	AP8113005	28.25	2	AP8121590	28.02	6
852271	28.24	12	AP8113005	28.27	2	AP8121599	28.12	9
852312	30.52	5	AP8113006	28.27	3	AP8121611	28.02	11
852313	30.52	2	AP8113230	28.27	10	AP8121612	28.02	12
852996	30.51	1	AP8113637	28.17	7	AP8121620	28.26	16
854894	28.28	1	AP8113761	28.27	8	AP8121635	28.14	14
854895	28.28	1	AP8113762	28.27	7	AP8121639	28.21	16
856078	28.10	4	AP8113789	29.41	14	AP8121643	28.28	7
858492	28.17	5	AP8113789	29.48	1	AP8121856	28.25	12
8710505	29.41	1	AP8113789	29.50	6	AP8121932	28.03	7
871799	29.42	2	AP8113800	28.26	2	AP8121994	28.03	11
8720885	29.41	1	AP8113859	28.17	4	AP8123695	28.04	2
872536	29.41	24	AP8113859	28.18	3	AP8123696	28.04	4
873492	29.47	2	AP8113860	28.17	5	AP8123698	28.05	2
AP8101595	28.10	19	AP8113861	28.17	9	AP8123699	28.05	3
AP8102375	28.09	7	AP8113862	28.17	10	AP8123701	28.05	6
AP8102375	28.13	4	AP8113863	28.18	2	AP8123704	28.05	10
AP8102375	28.30	20	AP8113864	28.18	7	AP8123705	28.05	12
AP8102375	28.31	21	AP8113869	28.27	4	AP8123708	28.05	5
AP8102376	28.01	8	AP8113871	28.27	17	AP8123754	28.05	8
AP8102376	28.13	3	AP8113922	28.25	7	AP8123756	28.04	2
AP8102376	28.20	9	AP8113922	28.27	11	AP8123759	28.04	4
AP8102376	28.21	14	AP8114458	28.12	15	AP8123760	28.05	1
AP8102381	28.07	7	AP8114460	28.24	3	AP8123761	28.05	2
AP8102381	28.08	14	AP8114485	28.18	17	AP8123764	28.05	5
AP8102401	28.21	15	AP8117249	28.21	9	AP8123765	28.05	6
AP8102523	28.08	13	AP8117250	28.20	13	AP8123767	28.05	9
AP8102523	28.32	17	AP8117286	28.23	12	AP8123769	28.05	11
AP8102671	28.16	18	AP8118582	28.18	21	AP8123775	28.05	19
AP8102764	28.19	12	AP8118624	28.16	3	AP8123776	28.05	8
AP8102947	28.12	1	AP8118641	28.17	6	AP8123907	28.05	7

Code	Nr. der Tafel	Pos.
AP8123909	28.05	12
AP8123910	28.05	13
AP8123921	28.05	10
AP8124208	28.18	18
AP8124209	28.17	22
AP8124235	28.30	16
AP8124266	28.31	15
AP8124273	28.30	7
AP8124622	28.17	12
AP8124718	28.14	9
AP8124748	28.31	9
AP8124768	28.11	12
AP8124768	28.30	14
AP8124869	28.31	17
AP8124977	28.03	8
AP8125757	28.17	2
AP8125757	28.18	5
AP8125782	28.24	4
AP8125845	28.26	9
AP8125862	28.26	10
AP8125956	29.41	23
AP8125957	29.41	16
AP8125959	29.38	16
AP8126963	28.09	6
AP8127021	28.19	1
AP8127112	28.30	3
AP8127205	28.31	7
AP8127248	28.28	8
AP8127249	28.29	9
AP8127258	28.28	5
AP8127259	28.29	1
AP8127272	28.28	3
AP8127302	28.30	15
AP8127305	28.17	16
AP8127305	28.18	12
AP8127316	28.29	4
AP8127337	28.30	5
AP8127346	28.30	11
AP8127390	28.10	22
AP8127393	28.18	16
AP8127394	28.17	20
AP8127442	28.28	2
AP8127443	28.28	4
AP8127444	28.28	6
AP8127445	28.29	2
AP8127446	28.29	6
AP8127447	28.29	5
AP8127448	28.29	3
AP8127453	28.15	5
AP8127461	28.32	18
AP8127488	28.28	11
AP8127549	28.10	23
AP8127669	28.31	10
AP8127670	28.31	13
AP8127671	28.31	14
AP8127672	28.30	1
AP8127672	28.31	1
AP8127673	28.15	1
AP8127685	28.32	19
AP8127686	28.15	1
AP8127694	28.31	11
AP8127709	28.32	20
AP8127710	28.31	11
AP8127719	28.30	19
AP8127720	28.29	8
AP8127822	28.30	1
AP8127822	28.31	1

Code	Nr. der Tafel	Pos.
AP8127898	28.31	11
AP8128114	28.24	8
AP8128115	28.24	1
AP8129451	28.12	2
AP8129461	28.12	2
AP8129489	28.12	2
AP8129489	28.12	2
AP8129489	28.12	2
AP8129489	28.12	2
AP8132907	28.27	16
AP8133525	28.25	1
AP8133526	28.25	10
AP8133533	28.17	19
AP8133533	28.27	12
AP8133558	28.17	1
AP8133581	28.27	1
AP8133582	28.18	1
AP8133603	28.25	4
AP8133604	28.25	5
AP8133731	28.25	1
AP8133732	28.27	1
AP8133733	28.17	1
AP8133734	28.18	1
AP8133738	28.25	7
AP8133738	28.27	11
AP8133760	28.25	14
AP8133777	28.25	9
AP8133788	28.24	5
AP8133807	28.17	4
AP8133807	28.18	3
AP8133808	28.18	2
AP8133809	28.17	6
AP8133810	28.17	10
AP8133811	28.18	6
AP8133812	28.18	7
AP8133813	28.25	2
AP8133814	28.25	3
AP8133815	28.25	4
AP8133816	28.25	5
AP8133817	28.25	13
AP8133818	28.25	14
AP8133821	28.18	15
AP8133950	28.27	13
AP8134799	28.08	11
AP8134799	28.10	10
AP8134839	29.50	7
AP8134885	28.01	3
AP8134967	28.30	17
AP8134996	28.09	3
AP8134997	28.09	4
AP8144046	28.31	16
AP8144064	28.23	9
AP8144065	28.23	10
AP8144089	28.12	3
AP8144109	28.09	9
AP8144334	28.02	13
AP8144422	28.20	6
AP8144506	28.19	5
AP8144509	28.01	9
AP8144529	28.28	12
AP8144531	28.27	13
AP8144570	28.08	7
AP8144579	29.42	5
AP8144595	28.15	6
AP8144596	28.15	7
AP8144692	28.19	4
AP8144693	28.19	3

Code	Nr. der Tafel	Pos.
AP8144694	28.20	7
AP8144695	28.20	8
AP8144696	28.21	3
AP8144698	28.20	12
AP8144776	28.23	6
AP8144782	28.20	3
AP8146380	28.02	2
AP8146381	28.02	1
AP8146546	28.01	4
AP8146882	28.25	13
AP8146940	28.01	1
AP8146941	28.02	16
AP8146942	28.03	1
AP8146943	28.26	8
AP8146945	28.25	15
AP8146946	28.06	8
AP8146947	28.06	7
AP8146949	28.21	8
AP8146950	28.03	2
AP8148438	28.31	19
AP8149465	28.26	15
AP8149478	28.08	6
AP8150014	28.12	10
AP8150015	28.03	12
AP8150017	28.26	14
AP8150018	28.14	13
AP8150018	28.26	14
AP8150020	28.06	6
AP8150020	28.16	14
AP8150026	28.31	3
AP8150027	28.23	24
AP8150048	28.06	5
AP8150088	28.16	13
AP8150137	28.32	9
AP8150159	28.14	10
AP8150164	28.27	14
AP8150202	28.21	1
AP8150204	28.14	11
AP8150208	28.02	14
AP8150277	28.16	11
AP8150277	28.26	6
AP8150285	28.16	8
AP8150329	28.06	9
AP8150334	28.22	7
AP8150334	28.23	7
AP8150376	28.27	15
AP8150413	28.08	10
AP8150413	28.09	11
AP8150413	28.10	11
AP8150413	28.10	21
AP8150413	28.11	5
AP8150413	28.14	8
AP8150413	28.15	8
AP8150413	28.16	16
AP8150413	28.21	18
AP8150423	28.08	9
AP8150429	28.31	4
AP8150450	28.09	8
AP8150471	28.03	10
AP8150493	28.16	17
AP8150502	28.22	13
AP8150509	28.11	8
AP8150551	28.23	22
AP8150552	28.26	6
AP8152001	28.03	6
AP8152030	28.02	15
AP8152056	28.24	9

Code	Nr. der Tafel	Pos.
AP8152108	28.11	11
AP8152140	28.32	10
AP8152181	28.21	2
AP8152194	28.10	14
AP8152194	28.32	16
AP8152246	28.12	13
AP8152246	28.12	8
AP8152246	28.23	8
AP8152246	28.32	11
AP8152268	28.17	24
AP8152268	28.18	23
AP8152270	28.17	23
AP8152270	28.18	22
AP8152278	28.19	7
AP8152279	28.01	7
AP8152279	28.03	9
AP8152279	28.20	10
AP8152279	28.26	3
AP8152279	29.47	4
AP8152280	28.21	12
AP8152281	28.21	11
AP8152282	28.31	8
AP8152283	28.14	15
AP8152290	28.25	11
AP8152291	28.23	17
AP8152292	28.06	4
AP8152293	28.14	12
AP8152298	28.11	9
AP8152298	28.14	16
AP8152299	28.01	12
AP8152299	28.21	13
AP8152300	28.06	3
AP8152300	28.16	12
AP8152301	28.03	5
AP8152301	28.06	2
AP8152301	28.16	15
AP8152302	28.31	20
AP8152306	28.11	2
AP8152313	28.01	10
AP8152329	28.09	10
AP8152329	28.19	6
AP8152329	28.29	10
AP8152329	28.31	12
AP8152339	28.22	8
AP8152350	28.23	19
AP8152400	28.22	11
AP8152401	28.26	13
AP8152402	28.26	12
AP8152410	28.22	10
AP8152487	28.23	21
AP8152505	28.23	18
AP8152514	28.23	13
AP8152515	28.23	14
AP8152516	28.23	15
AP8154067	28.26	8
AP8154084	28.01	6
AP8156174	28.09	2
AP8156175	28.14	2
AP8156181	28.01	2
AP8156188	28.09	1
AP8156189	28.09	1
AP8156190	28.09	1
AP8156195	28.09	1
AP8156219	28.09	1
AP8156272	28.09	1
AP8156276	28.09	1
AP8156277	28.09	1

Code	Nr. der Tafel	Pos.
AP8156349	28.09	1
AP8158359	28.20	5
AP8158362	28.12	7
AP8158368	28.16	4
AP8158370	28.07	6
AP8158370	28.07	6
AP8158372	28.08	3
AP8158373	28.08	4
AP8158378	28.10	5
AP8158379	28.10	6
AP8158388	28.14	3
AP8158388	28.14	3
AP8158776	28.16	9
AP8158777	28.08	1
AP8158778	28.08	2
AP8158897	28.18	9
AP8158898	28.17	14
AP8158899	28.08	5
AP8158930	28.18	11
AP8158931	28.17	15
AP8158932	28.18	10
AP8158933	28.17	13
AP8158934	28.10	7
AP8158935	28.10	8
AP8158967	28.16	10
AP8161036	28.02	5
AP8161037	28.02	3
AP8161057	28.16	7
AP8161096	28.23	26
AP8161097	28.23	25
AP8161098	28.23	23
AP8161211	28.23	4
AP8163002	28.04	3
AP8163010	28.04	7
AP8163030	28.05	23
AP8163031	28.05	20
AP8163117	28.04	6
AP8163165	28.22	9
AP8163166	28.22	4
AP8163167	28.22	12
AP8163221	28.04	1
AP8163222	28.04	3
AP8163223	28.05	3
AP8163224	28.05	4
AP8163225	28.05	14
AP8163226	28.05	15
AP8163227	28.05	18
AP8163228	28.04	7
AP8163229	28.12	4
AP8163239	28.04	5
AP8163267	28.05	4
AP8163270	28.05	21
AP8163271	28.05	22
AP8163279	28.04	1
AP8163285	28.05	18
AP8163289	28.05	6
AP8163290	28.05	7
AP8163291	28.05	5
AP8163294	28.05	13
AP8163295	28.05	12
AP8163296	28.05	11
AP8163297	28.05	10
AP8163298	28.05	9
AP8163300	28.05	2
AP8163301	28.05	19
AP8163302	28.05	1
AP8163303	28.04	4

Code	Nr. der Tafel	Pos.
AP8163304	28.04	2
AP8163307	28.04	1
AP8163327	28.10	24
AP8163435	28.05	17
AP8163436	28.05	15
AP8163437	28.05	14
AP8163438	28.05	4
AP8163439	28.05	8
AP8163440	28.05	3
AP8163472	28.06	1
AP8166195	28.04	8
AP8166583	28.07	10
AP8166625	28.16	19
AP8166626	28.16	19
AP8167671	28.13	6
AP8168046	28.14	5
AP8168046	28.14	5
AP8168047	28.14	6
AP8168047	28.14	6
AP8168707	28.12	16
AP8176138	29.34	1
AP8176209	29.34	1
AP8177050	28.13	6
AP8177261	28.14	17
AP8177290	28.07	9
AP8178846	28.21	19
AP8178847	28.19	9
AP8178848	28.20	1
AP8178849	28.10	9
AP8178850	28.10	3
AP8178851	28.11	1
AP8178853	28.13	1
AP8178854	28.13	2
AP8178867	28.11	6
AP8178868	28.11	7
AP8178869	28.11	3
AP8178882	28.07	1
AP8178976	28.09	5
AP8178991	28.07	5
AP8178991	28.07	5
AP8178992	28.07	3
AP8178993	28.07	4
AP8178994	28.16	5
AP8178994	28.16	5
AP8178995	28.16	6
AP8178995	28.16	6
AP8178997	28.07	2
AP8178997	28.07	2
AP8178998	28.10	1
AP8178998	28.10	1
AP8178999	28.10	2
AP8178999	28.10	2
AP8179001	28.14	1
AP8179001	28.14	1
AP8179002	28.14	4
AP8179002	28.14	4
AP8179006	28.07	3
AP8179007	28.07	4
AP8179008	28.13	1
AP8179009	28.13	2
AP8179010	28.07	3
AP8179011	28.07	4
AP8179012	28.13	1
AP8179013	28.13	2
AP8179043	28.07	3
AP8179044	28.07	4
AP8179045	28.13	1

Code	Nr. der Tafel	Pos.
AP8179046	28.13	2
AP8179158	29.47	13
AP8179159	29.47	12
AP8179249	28.07	3
AP8179250	28.07	4
AP8179253	28.13	1
AP8179254	28.13	2
AP8179710	28.07	5
AP8179710	28.07	5
AP8179711	28.07	3
AP8179712	28.07	4
AP8179713	28.16	5
AP8179713	28.16	5
AP8179713	28.16	5
AP8179713	28.16	5
AP8179713	28.16	5
AP8179714	28.16	6
AP8179714	28.16	6
AP8179714	28.16	6
AP8179714	28.16	6
AP8179715	28.07	6
AP8179715	28.07	6
AP8179715	28.07	6
AP8179715	28.07	6
AP8179716	28.07	2
AP8179716	28.07	2
AP8179716	28.07	2
AP8179716	28.07	2
AP8179717	28.10	1
AP8179718	28.10	2
AP8179719	28.13	1
AP8179720	28.13	2
AP8179721	28.14	1
AP8179722	28.14	3
AP8179722	28.14	3
AP8179722	28.14	3
AP8179722	28.14	3
AP8179723	28.14	4
AP8179723	28.14	4
AP8179723	28.14	4
AP8179724	28.14	5
AP8179724	28.14	5
AP8179724	28.14	5
AP8179724	28.14	5
AP8179725	28.14	6
AP8179725	28.14	6
AP8179725	28.14	6
AP8179756	28.07	3
AP8179757	28.07	4
AP8179758	28.13	1
AP8179759	28.13	2
AP8179760	28.14	1
AP8179761	28.10	1
AP8179762	28.10	2
AP8179765	28.07	5
AP8179766	28.07	3
AP8179767	28.07	4
AP8179768	28.13	1
AP8179769	28.13	2
AP8179770	28.14	1
AP8179771	28.10	1
AP8179772	28.10	2
AP8179773	28.14	4
AP8184575	28.07	5
AP8184576	28.07	3
AP8184577	28.07	4

Code	Nr. der Tafel	Pos.
AP8184580	28.14	1
AP8184581	28.10	1
AP8184582	28.10	2
AP8184584	28.13	1
AP8184585	28.13	2
AP8201431	28.12	11
AP8201534	28.08	8
AP8201546	28.24	10
AP8201620	28.10	13
AP8201620	28.32	12
AP8201748	28.10	15
AP8201748	28.32	15
AP8201749	28.10	16
AP8201749	28.32	13
AP8201763	28.10	20
AP8201763	28.13	5
AP8202159	28.20	4
AP8202159	28.27	18
AP8202168	28.26	4
AP8203258	28.05	9
AP8203447	28.05	13
AP8203570	28.05	18
AP8203572	28.05	17
AP8203794	28.05	17
AP8203796	28.05	16
AP8203950	28.05	1
AP8212406	28.15	4
AP8212407	28.15	2
AP8212588	28.30	18
AP8212696	28.30	4
AP8212702	28.14	7
AP8212733	28.11	4
AP8212767	28.17	21
AP8213108	28.25	3
AP8213298	28.17	3
AP8213298	28.18	4
AP8213299	28.17	8
AP8213457	28.27	5
AP8213574	28.27	3
AP8213575	28.27	2
AP8213577	28.27	4
AP8213578	28.27	17
AP8213579	28.27	5
AP8213582	28.17	8
AP8213584	28.17	2
AP8213584	28.18	5
AP8213585	28.17	3
AP8213585	28.18	4
AP8213586	28.17	7
AP8220283	28.30	9
AP8220283	28.31	6
AP8220546	28.30	8
AP8220546	28.31	18
AP8220551	28.15	3
AP8221145	28.20	11
AP8221204	28.03	4
AP8221206	28.12	14
AP8221211	28.03	3
AP8221312	28.10	17
AP8221312	28.32	14
AP8223054	28.05	16
AP8224242	28.29	7
AP8224447	28.18	19
AP8224462	28.30	10
AP8224462	28.31	5
AP8225123	28.24	2
AP8225361	28.24	6

Code	Nr. der Tafel	Pos.
AP8226896	28.09	1
AP8268994	28.07	5
AP8268995	28.07	3
AP8268996	28.07	4
AP8268999	28.14	1
AP8269000	28.10	1
AP8269001	28.10	2
AP8269002	28.13	1
AP8269003	28.13	2
AP8276037	29.35	13
AP8515066	29.47	6
AP8540001	29.35	11
AP8550039	29.36	5
AP8550073	29.41	22
AP8550073	29.49	11
AP8550079	29.41	15
AP8550079	29.42	6
AP8550107	29.35	20
AP8550261	28.26	17
AP8550271	29.37	5
AP8550304	29.45	15
AP8550307	28.26	11
AP8550326	29.38	4
AP8550331	29.41	11
AP8550334	29.35	14
AP8550336	29.44	13
AP8550337	29.44	12
AP8550361	29.45	1
AP8550366	28.30	21
AP8550417	29.41	3
AP8550429	29.37	11
AP8550455	28.30	2
AP8550487	29.49	2
AP8550508	29.38	1
AP8550512	29.41	5
AP8550545	29.41	10
AP8550557	29.37	12
AP8550557	29.38	14
AP8550558	29.50	5
AP8551029	29.44	7
AP8551046	29.39	2
AP8551047	29.39	1
AP8551149	29.42	12
AP8560001	29.34	2
AP8560002	29.34	3
AP8560005	29.45	10
AP8560006	29.49	12
AP8560007	29.35	18
AP8560008	29.39	9
AP8560009	29.49	13
AP8560010	29.40	8
AP8560011	29.49	7
AP8560012	29.41	8
AP8560014	29.35	7
AP8560014	29.41	6
AP8560015	29.40	9
AP8560016	29.35	9
AP8560017	29.35	8
AP8560019	29.35	16
AP8560021	29.41	17
AP8560022	29.45	14
AP8560025	29.48	2
AP8560026	29.43	14
AP8560027	29.35	19
AP8560029	29.43	1
AP8560030	29.35	17
AP8560031	29.43	7

Code	Nr. der Tafel	Pos.
AP8560032	29.44	5
AP8560033	29.43	2
AP8560034	29.43	11
AP8560035	29.43	13
AP8560039	29.41	7
AP8560040	29.47	7
AP8560042	29.35	4
AP8560043	29.49	9
AP8560045	29.44	1
AP8560046	29.43	17
AP8560047	29.41	9
AP8560048	29.50	3
AP8560050	29.39	14
AP8560051	29.39	3
AP8560052	29.44	11
AP8560054	29.38	3
AP8560055	29.44	14
AP8560056	29.38	5
AP8560059	29.37	10
AP8560060	29.39	18
AP8560060	29.44	6
AP8560061	29.37	13
AP8560063	29.43	16
AP8560063	29.49	6
AP8560064	29.48	3
AP8560067	29.37	4
AP8560068	29.37	9
AP8560069	29.37	2
AP8560071	29.44	3
AP8560073	29.42	13
AP8560074	29.44	2
AP8560076	29.35	2
AP8560077	29.38	10
AP8560078	29.39	6
AP8560083	29.49	10
AP8560084	29.35	6
AP8560085	29.45	2
AP8560086	29.37	3
AP8560087	29.44	8
AP8560088	29.36	1
AP8560092	29.38	6
AP8560093	29.38	9
AP8560095	29.38	2
AP8560096	29.35	5
AP8560099	29.38	12
AP8560100	29.49	4
AP8560102	29.49	3
AP8560104	29.35	3
AP8560105	29.45	12
AP8560106	29.35	21
AP8560107	29.41	18
AP8560108	29.43	9
AP8560109	29.43	5
AP8560111	29.43	8
AP8560118	29.41	12
AP8560121	29.39	8
AP8560122	29.39	15
AP8560123	29.35	12
AP8560124	29.39	7
AP8560125	29.45	9
AP8560126	29.45	11
AP8560127	29.46	8
AP8560129	29.46	7
AP8560130	29.45	6
AP8560131	29.39	4
AP8560132	29.46	9
AP8560133	29.39	16

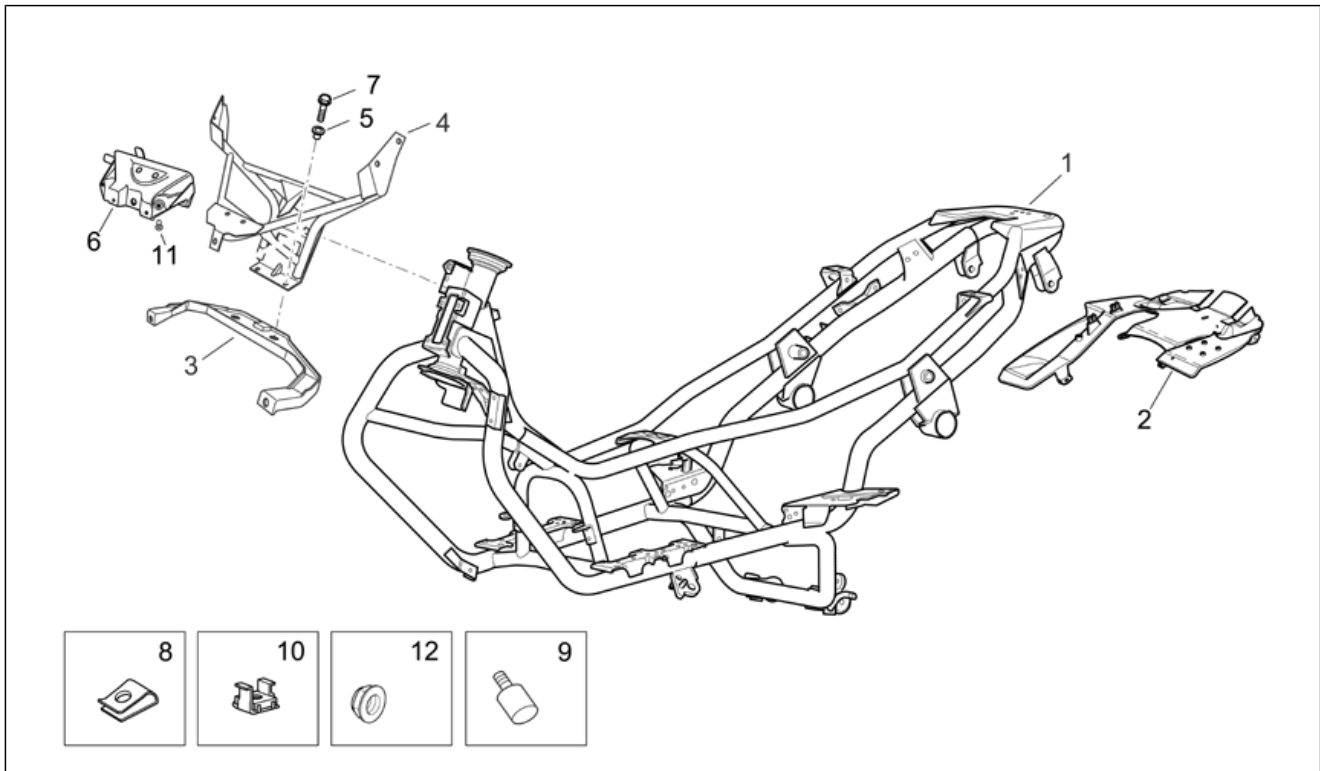
Code	Nr. der Tafel	Pos.
AP8560134	29.46	11
AP8560135	29.39	10
AP8560136	29.39	17
AP8560140	29.41	21
AP8560142	29.41	20
AP8560143	29.46	5
AP8560146	29.40	1
AP8560147	29.45	5
AP8560148	29.45	3
AP8560149	29.38	7
AP8560150	29.36	7
AP8560153	29.44	9
AP8560153	29.50	4
AP8560154	29.50	1
AP8560155	29.44	10
AP8560157	29.36	4
AP8560157	29.44	4
AP8560158	29.45	7
AP8560163	29.41	4
AP8560164	29.37	1
AP8560165	29.37	1
AP8560166	29.37	1
AP8560167	29.38	11
AP8560168	29.38	15
AP8560170	29.50	2
AP8560171	29.46	10
AP8560177	29.43	10
AP8560183	29.42	8
AP8560188	29.46	6
AP8560193	29.36	3
AP8560194	29.36	3
AP8560196	29.43	4
AP8560197	29.43	6
AP8560199	29.46	1
AP8560200	29.46	12
AP8560208	29.45	13
AP8560209	29.36	2
AP8560210	29.35	1
AP8560211	29.35	1
AP8560212	29.35	1
AP8560213	29.35	1
AP8560218	29.47	9
AP8560219	29.47	10
AP8560220	29.47	1
AP8560223	29.47	8
AP8560224	29.47	11
AP8560228	29.41	19
AP8560229	29.38	8
AP8560230	29.39	11
AP8560231	29.39	12
AP8560232	29.39	5
AP8560234	29.42	10
AP8560235	29.36	6
AP8560236	29.36	8
AP8560237	29.42	14
AP8560238	29.42	3
AP8560240	29.46	3
AP8560241	29.46	4
AP8560242	29.46	2
AP8560243	29.43	3
AP8560244	29.43	18
AP8560245	29.43	15
AP8560246	29.43	12
AP8560247	29.45	4
AP8570001	29.40	7
AP8570003	29.46	13
AP8570004	29.35	10

Code	Nr. der Tafel	Pos.
AP8570004	29.45	8
AP8570007	29.40	3
AP8570008	29.40	5
AP8570009	29.40	4
AP8570010	29.40	2
AP8570011	29.49	14
AP8570013	29.39	13
AP8570014	29.49	1
AP8570016	29.35	13
AP8570017	29.38	13
AP8570018	29.49	8
AP8570021	29.37	8
AP8570022	29.40	6
AP8570023	29.37	7
AP8570024	29.37	6
AP8570025	29.37	6
AP8570026	29.37	6
AP8570027	29.37	6
AP8570030	29.35	15
AP8570031	29.42	11
AP8570034	29.42	9
AP8570036	29.42	1
AP8570037	29.42	4
AP8570075	29.47	3
AP8570122	28.19	10
AP8570123	28.12	6
AP8577015	29.41	13
AP8577041	29.49	5
AP8580061	28.21	7
AP8580168	29.40	1
AP8580172	28.21	4
AP8580173	28.21	5
AP8580178	28.21	6
AP8580181	28.21	20
AP8700792	30.55	3
AP8700793	30.55	3
AP8700794	30.55	3
AP8701140	30.55	2
AP8701232	30.54	5
AP8701233	30.54	5
AP8701234	30.54	5
AP8701235	30.54	5
AP8701236	30.54	5
AP8701237	30.54	5
AP8701238	30.54	5
AP8701239	30.54	5
AP8701240	30.54	5
AP8701241	30.54	5
AP8701242	30.54	5
AP8701243	30.54	5
AP8701244	30.54	5
AP8701245	30.54	5
AP8702151	30.55	5
AP8702152	30.55	5
AP8703057	30.55	4
AP8720115	30.56	1
AP8720116	30.56	2
AP8720117	30.56	3
AP8720118	30.56	4
AP8790260	30.53	1
AP8792285	30.51	2
AP8792373	30.53	2
AP8792374	30.53	2
AP8794031	30.54	1
AP8794038	30.54	3
AP8794039	30.54	4
AP8794044	30.54	2



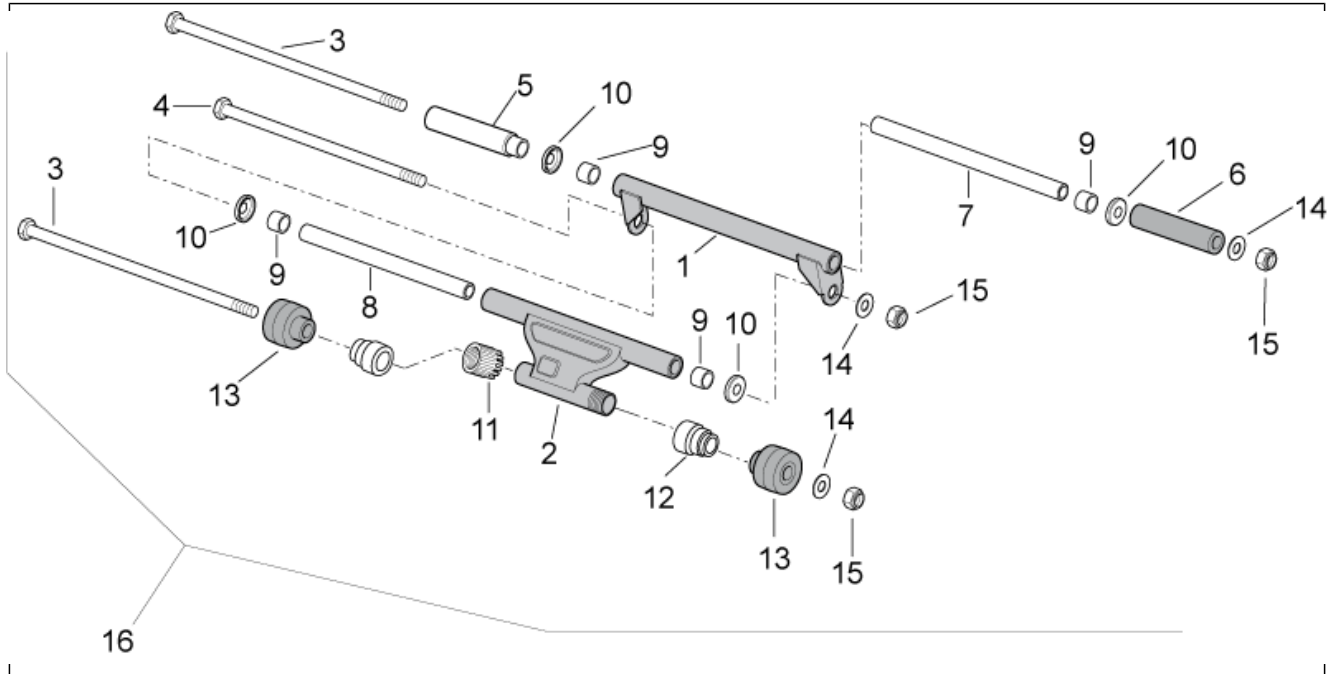
Code	Nr. der Tafel	Pos.
AP8796614	30.55	1
AP8797169	30.53	3
AP8797170	30.54	6
CM001902	28.20	16
CM001908	28.19	13
CM001909	28.19	11
CM001915	28.19	14
CM001916	28.19	15
CM152413	29.34	1
CM220301	30.52	1
CM220302	30.52	1
CM220306	30.52	1
CM220307	30.52	1
CM220401	30.52	3
CM220810	30.52	4
CM220811	30.52	4
CM220812	30.52	4
CM225502	28.20	15

Einheit	RAHMEN
Code	28.01
Beschreibung	Rahmen
Inspektion	1



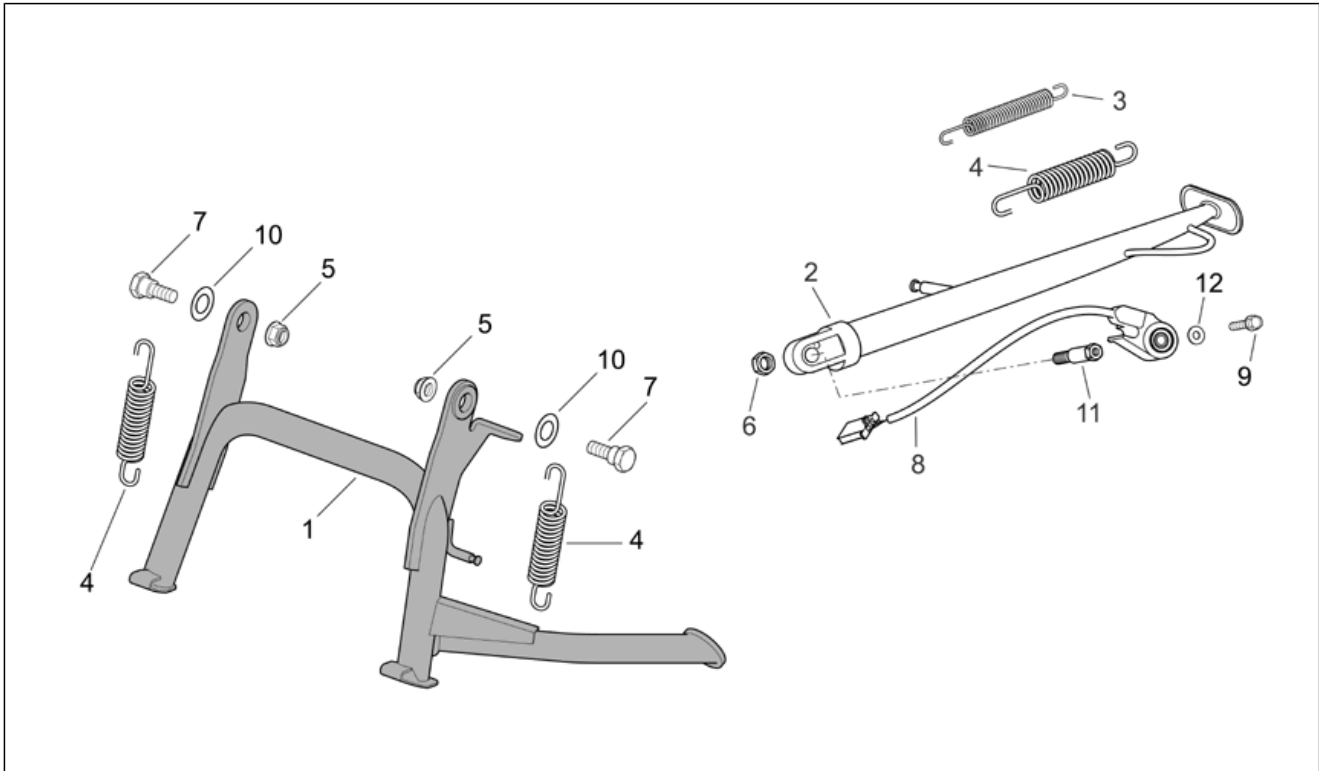
Pos.	Code	Beschreibung	Menge	Varianten
1	AP8146940	Rahmen	1	
2	AP8156181	Hinteres, Spritzschutz	1	
3	AP8134885	Scheinw. Halteplatte	1	
4	AP8146546	Front bow	1	
5	AP8121075	T-Buchse *	5	
6	AP8154084	Tragbügel kuppel	1	
7	AP8152279	TE Schr. m. Flansch M6x20	5	
8	AP8102376	Klammer M6	5	
9	AP8144509	Anschlagstopfen Ständer	1	
10	AP8152313	Käfigmutter M6	2	
11	AP8120531	Gummi mit Einsatz	2	
12	AP8152299	Selbstsperrende Mutter M6	1	

Einheit	RAHMEN
Code	28.02
Beschreibung	Baugruppe Kurbelwelle
Inspektion	1



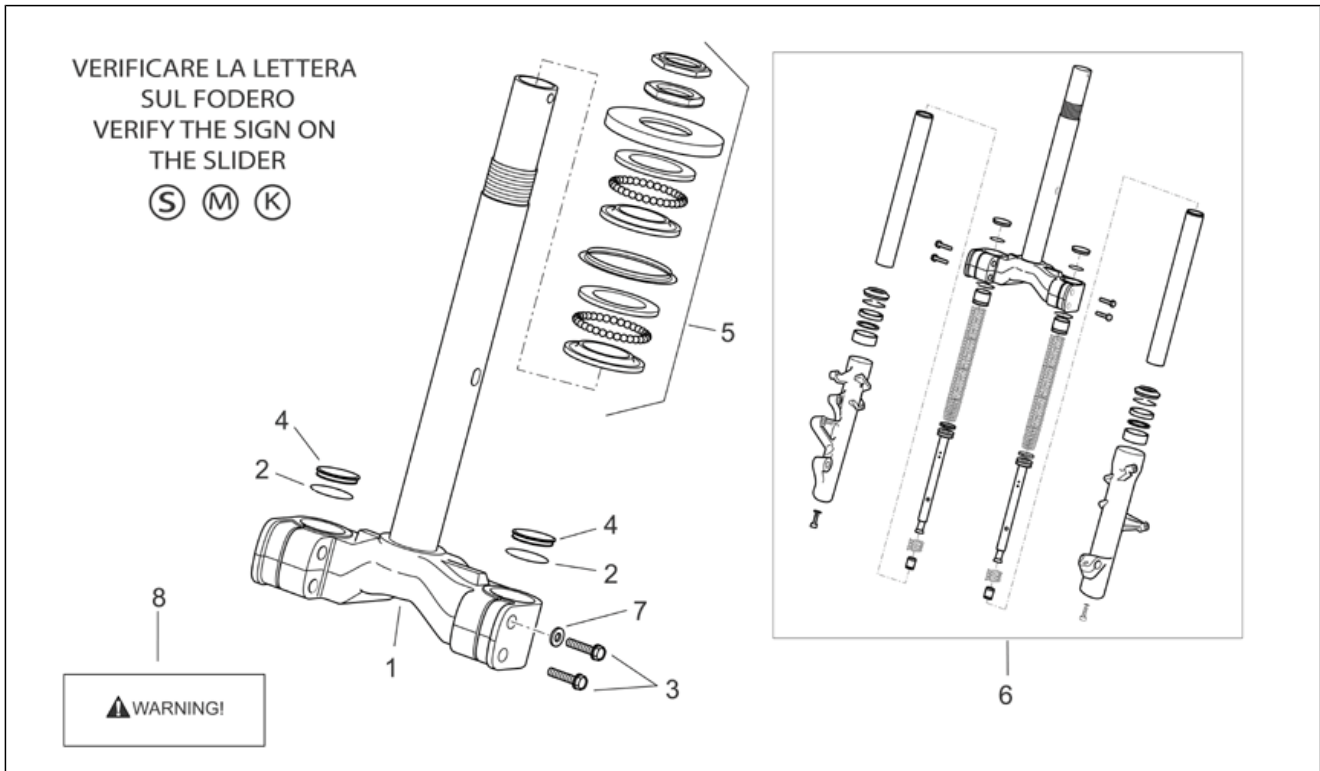
Pos.	Code	Beschreibung	Menge	Varianten
1	AP8146381	Rahmen-Pleuelstange	1	
2	AP8146380	Motor-Pleuelstange	1	
3	AP8161037	Fixierbolzen Nebenpleuel	2	
4	AP8121580	Bolzen	1	
5	AP8161036	T-Buchse	1	
6	AP8121590	Nebenpleuelbuchse	1	
7	AP8121460	Distanzscheibe	1	
8	AP8121459	Distanzscheibe	1	
9	AP8121311	Gleitbuchse	4	
10	AP8121551	Staubschutz	4	
11	AP8121611	Nutmutter	1	
12	AP8121612	Buchse	2	
13	AP8144334	Puffer	2	
14	AP8150208	Ausgleichscheibe 15x28x2,5*	3	
15	AP8152030	Selbstsperr.mut Unt. M14x1,5*	3	
16	AP8146941	Baugruppe Pleuelstange kplt.	1	

Einheit	RAHMEN
Code	28.03
Beschreibung	Hauptständer
Inspektion	1



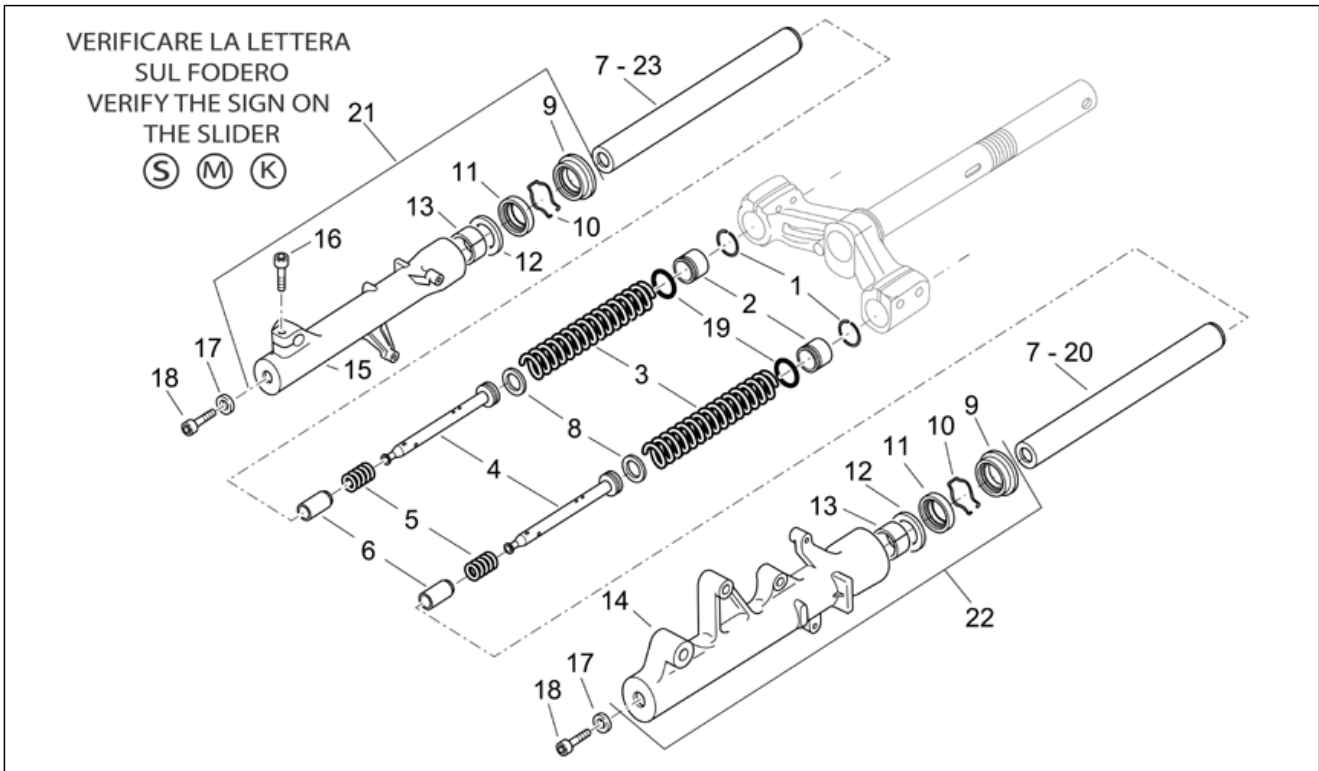
Pos.	Code	Beschreibung	Menge	Varianten
1	AP8146942	Hauptständer	1	
2	AP8146950	Seitenständer	1	
3	AP8221211	Rückholfeder Ständer	1	
4	AP8221204	Hauptständer Schraubenfeder	3	
5	AP8152301	Selbstsperrende Mutter	2	
6	AP8152001	Mutter unten M10x1,25	1	
7	AP8121932	Ständerschraube	2	
8	AP8124977	Schalter	1	
9	AP8152279	TE Schr. m. Flansch M6x20	1	
10	AP8150471	Sprengscheibe 14,5x24	2	
11	AP8121994	Ständerschraube	1	
12	AP8150015	Ausgleichscheibe 6,6x18x1,6*	1	

Einheit	RAHMEN
Code	28.04
Beschreibung	Vorderradgabel I
Inspektion	1



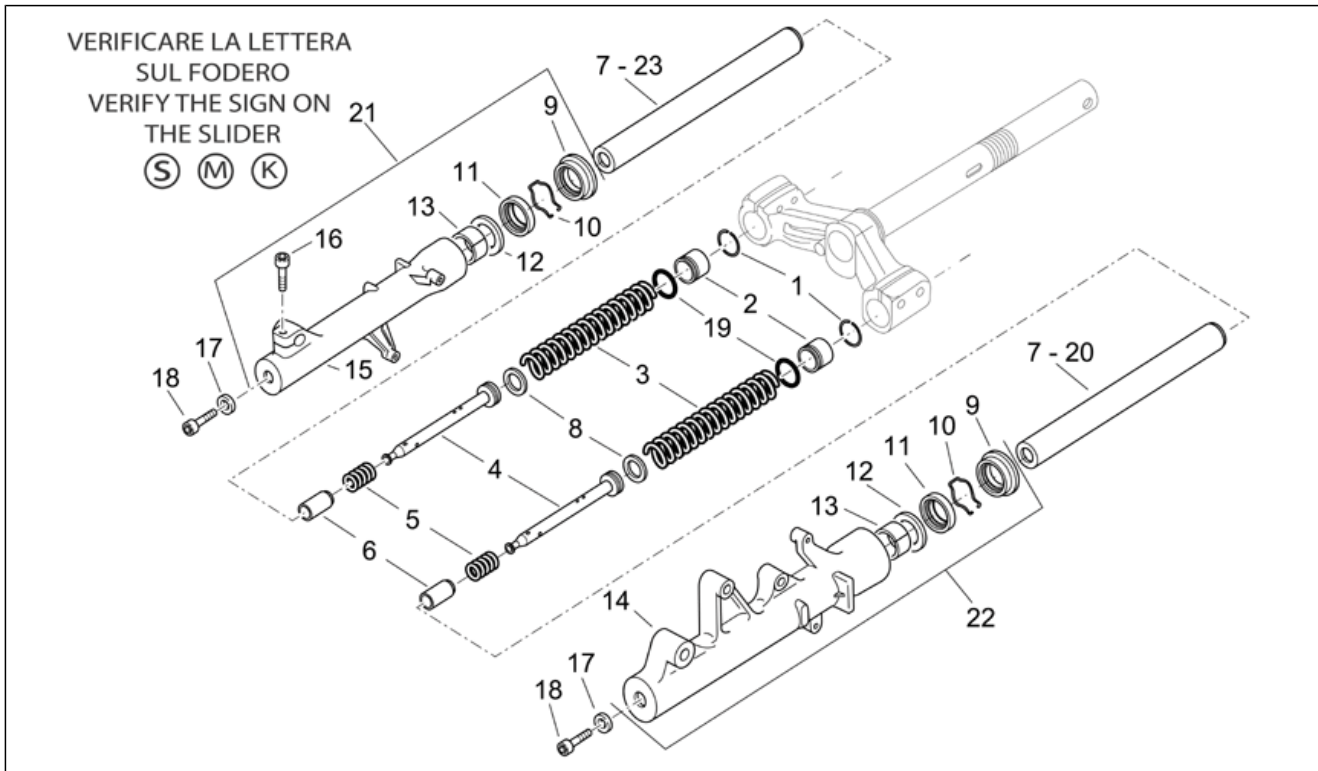
Pos.	Code	Beschreibung	Menge	Varianten
1	AP8163221	Fuß mit Rohr	1	Technische Daten: Gabel mit Buchstaben S auf dem Schaft[S]
1	AP8163279	Fuß mit Rohr	1	Technische Daten: Gabel mit Buchstaben M auf dem Schaft[M]
1	AP8163307	Fuß mit Rohr	1	Technische Daten: Gabel mit Buchstaben K auf dem Schaft[K]
2	AP8123695	O-Ring	2	Technische Daten: Gabel mit Buchstaben M auf dem Schaft[M]
2	AP8123756	Sperring	2	Technische Daten: Gabel mit Buchstaben S auf dem Schaft[S]
2	AP8163304	Sperring	2	Technische Daten: Gabel mit Buchstaben K auf dem Schaft[K]
3	AP8163002	TE Schr. m. Flansch	4	Technische Daten: Gabel mit Buchstaben K auf dem Schaft[K], Gabel mit Buchstaben M auf dem Schaft[M]
3	AP8163222	Schraube M8x30	4	Technische Daten: Gabel mit Buchstaben S auf dem Schaft[S]
4	AP8123696	Verschlussschraube	2	Technische Daten: Gabel mit Buchstaben M auf dem Schaft[M]
4	AP8123759	Verschlussschraube	2	Technische Daten: Gabel mit Buchstaben S auf dem Schaft[S]
4	AP8163303	Deckel	2	Technische Daten: Gabel mit Buchstaben K auf dem Schaft[K]
5	AP8163239	Satz Kugelringe	1	
6	AP8163117	Baugruppe vordere Gabel	1	
7	AP8163010	Buchse Scheibenabdeckung	4	Technische Daten: Gabel mit Buchstaben K auf dem Schaft[K], Gabel mit Buchstaben M auf dem Schaft[M]
7	AP8163228	Ausgleichscheibe	4	Technische Daten: Gabel mit Buchstaben S auf dem Schaft[S]
8	AP8166195	Deko Stop Bremsscheibe	1	

Einheit	RAHMEN
Code	28.05
Beschreibung	Vorderradgabel II
Inspektion	1



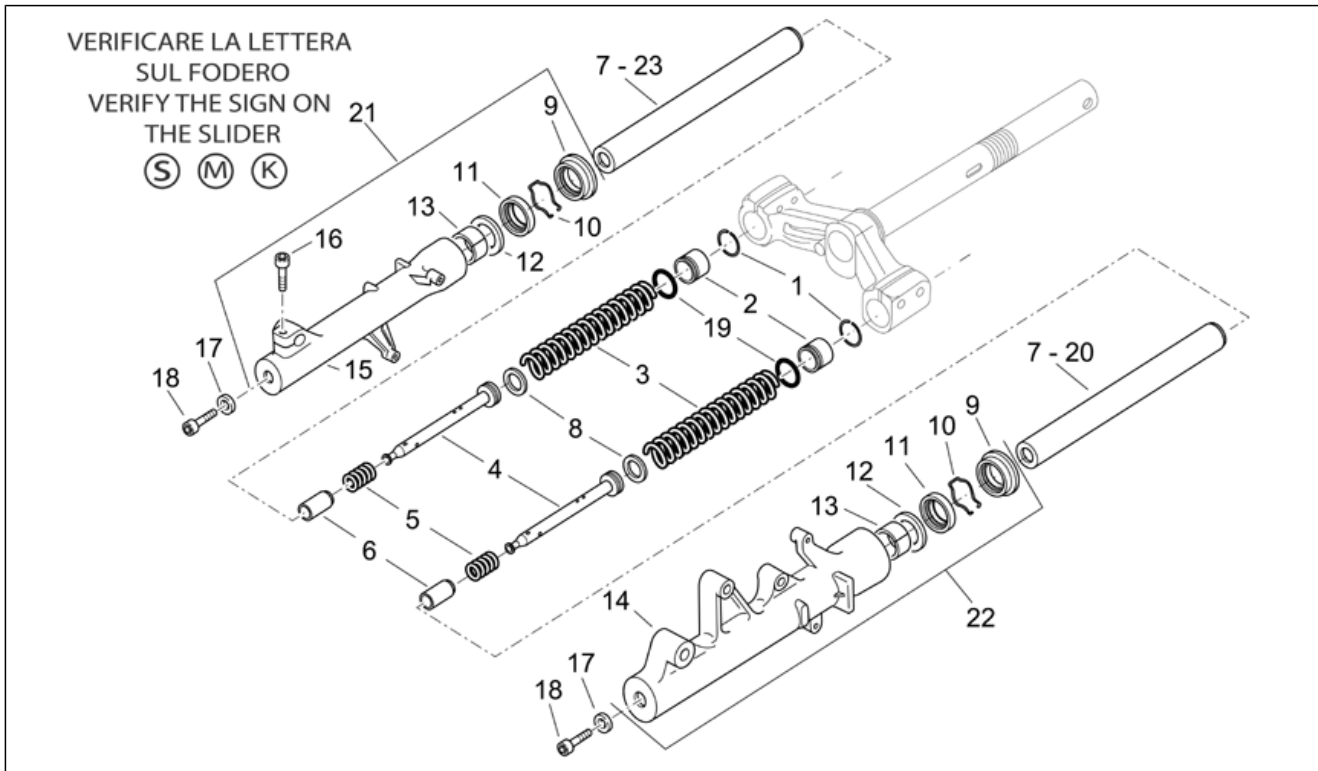
Pos.	Code	Beschreibung	Menge	Varianten
1	AP8123760	Sperring	2	Technische Daten: Gabel mit Buchstaben S auf dem Schaft[S]
1	AP8163302	Sperring	2	Technische Daten: Gabel mit Buchstaben K auf dem Schaft[K]
1	AP8203950	Seegerring	2	Technische Daten: Gabel mit Buchstaben M auf dem Schaft[M]
2	AP8123698	Verschlußschraube kplt.	2	Technische Daten: Gabel mit Buchstaben M auf dem Schaft[M]
2	AP8123761	Deckel	2	Technische Daten: Gabel mit Buchstaben S auf dem Schaft[S]
2	AP8163300	Deckel	2	Technische Daten: Gabel mit Buchstaben K auf dem Schaft[K]
3	AP8123699	Feder	2	Technische Daten: Gabel mit Buchstaben M auf dem Schaft[M]
3	AP8163223	Feder	2	Technische Daten: Gabel mit Buchstaben S auf dem Schaft[S]
3	AP8163440	Feder	2	Technische Daten: Gabel mit Buchstaben K auf dem Schaft[K]
4	AP8163224	Stoßdämpfer	2	Technische Daten: Gabel mit Buchstaben S auf dem Schaft[S]
4	AP8163267	Stoßdämpfer	2	Technische Daten: Gabel mit Buchstaben M auf dem Schaft[M]
4	AP8163438	Stoßdämpfer	2	Technische Daten: Gabel mit Buchstaben K auf dem Schaft[K]
5	AP8123708	Gegenfeder	2	Technische Daten: Gabel mit Buchstaben M auf dem Schaft[M]
5	AP8123764	Feder	2	Technische Daten: Gabel mit Buchstaben S auf dem Schaft[S]
5	AP8163291	Gegenfeder	2	Technische Daten: Gabel mit Buchstaben K auf dem Schaft[K]
6	AP8123701	Bodenstopfen	2	Technische Daten: Gabel mit Buchstaben M auf dem Schaft[M]

Einheit	RAHMEN
Code	28.05
Beschreibung	Vorderradgabel II
Inspektion	1



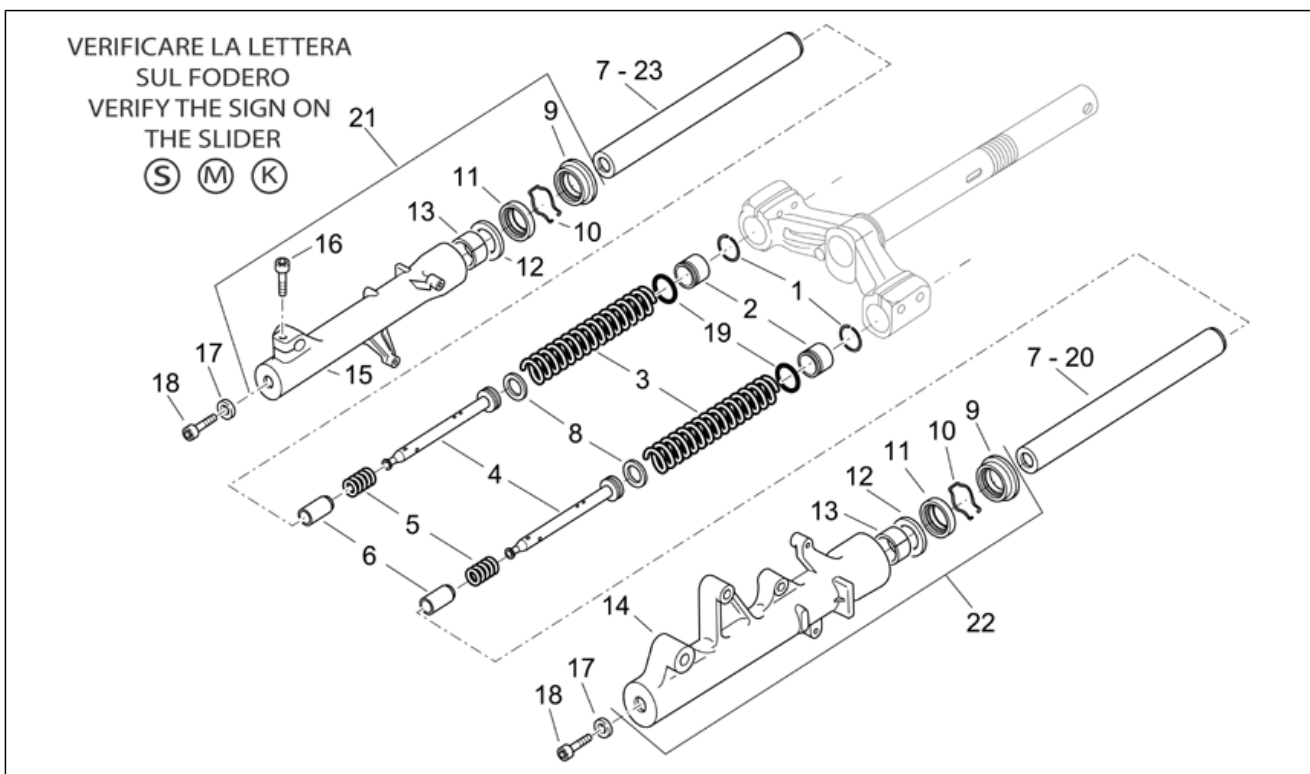
Pos.	Code	Beschreibung	Menge	Varianten
6	AP8123765	Bodenstopfen	2	Technische Daten: Gabel mit Buchstaben S auf dem Schaft[S]
6	AP8163289	Bodenstopfen	2	Technische Daten: Gabel mit Buchstaben K auf dem Schaft[K]
7	AP8123907	Schaft	2	Technische Daten: Gabel mit Buchstaben S auf dem Schaft[S]
7	AP8163290	Schaft	2	Technische Daten: Gabel mit Buchstaben K auf dem Schaft[K]
8	AP8123754	Kolbenring	2	Technische Daten: Gabel mit Buchstaben M auf dem Schaft[M]
8	AP8123776	Ring	2	Technische Daten: Gabel mit Buchstaben S auf dem Schaft[S]
8	AP8163439	Ring	2	Technische Daten: Gabel mit Buchstaben K auf dem Schaft[K]
9	AP8123767	Staubschutz	2	Technische Daten: Gabel mit Buchstaben S auf dem Schaft[S]
9	AP8163298	Staubschutz	2	Technische Daten: Gabel mit Buchstaben K auf dem Schaft[K]
9	AP8203258	Staubschutz	2	Technische Daten: Gabel mit Buchstaben M auf dem Schaft[M]
10	AP8123704	Sperring	2	Technische Daten: Gabel mit Buchstaben M auf dem Schaft[M]
10	AP8123921	Sperring	2	Technische Daten: Gabel mit Buchstaben S auf dem Schaft[S]
10	AP8163297	Sperring	2	Technische Daten: Gabel mit Buchstaben K auf dem Schaft[K]
11	AP8103392	Gasket ring	2	Technische Daten: Gabel mit Buchstaben M auf dem Schaft[M]
11	AP8123769	Ölabstreifring	2	Technische Daten: Gabel mit Buchstaben S auf dem Schaft[S]
11	AP8163296	Ölabstreifring	2	Technische Daten: Gabel mit Buchstaben K auf dem Schaft[K]

Einheit	RAHMEN
Code	28.05
Beschreibung	Vorderradgabel II
Inspektion	1



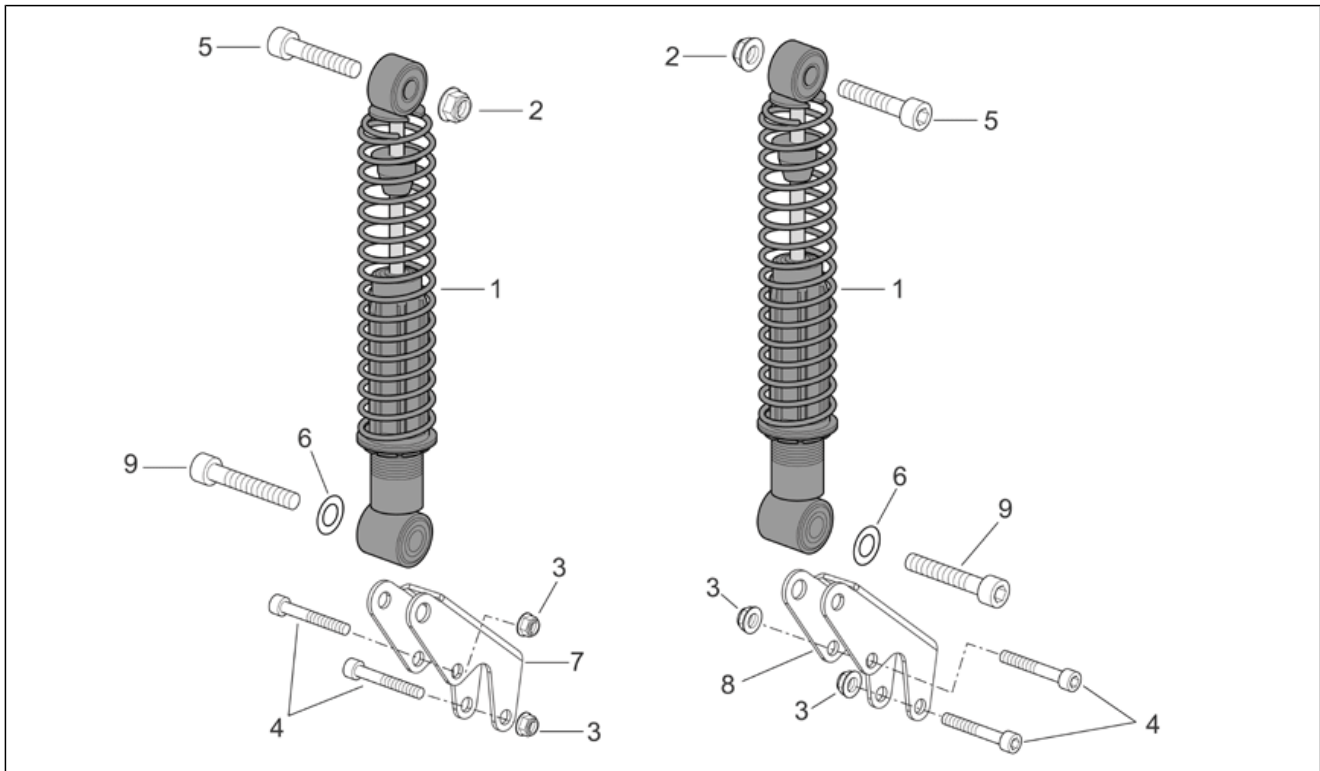
Pos.	Code	Beschreibung	Menge	Varianten
12	AP8123705	Becher	2	Technische Daten: Gabel mit Buchstaben M auf dem Schaft[M]
12	AP8123909	Scheibe Ölabbreifer	2	Technische Daten: Gabel mit Buchstaben S auf dem Schaft[S]
12	AP8163295	Scheibe Ölabbreifer	2	Technische Daten: Gabel mit Buchstaben K auf dem Schaft[K]
13	AP8123910	Gleitbuchse	2	Technische Daten: Gabel mit Buchstaben S auf dem Schaft[S]
13	AP8163294	Gleitbuchse	2	Technische Daten: Gabel mit Buchstaben K auf dem Schaft[K]
13	AP8203447	Gleitbuchse	2	Technische Daten: Gabel mit Buchstaben M auf dem Schaft[M]
14	AP8163225	Linke Hülse	1	Technische Daten: Gabel mit Buchstaben S auf dem Schaft[S]
14	AP8163437	Linke Hülse	1	Technische Daten: Gabel mit Buchstaben K auf dem Schaft[K]
15	AP8163226	Rechte Hülse	1	Technische Daten: Gabel mit Buchstaben S auf dem Schaft[S]
15	AP8163436	Rechte Hülse	1	Technische Daten: Gabel mit Buchstaben K auf dem Schaft[K]
16	AP8121183	Schraube	2	Technische Daten: Gabel mit Buchstaben M auf dem Schaft[M]
16	AP8203796	Schraube M6x20	2	Technische Daten: Gabel mit Buchstaben S auf dem Schaft[S]
16	AP8223054	TCEI Schraube M6x20	2	Technische Daten: Gabel mit Buchstaben K auf dem Schaft[K]
17	AP8163435	Dichtscheibe	2	Technische Daten: Gabel mit Buchstaben K auf dem Schaft[K]
17	AP8203572	Dichtscheibe	2	Technische Daten: Gabel mit Buchstaben M auf dem Schaft[M]
17	AP8203794	Ausgleichscheibe	2	Technische Daten: Gabel mit Buchstaben S auf dem Schaft[S]

Einheit	RAHMEN
Code	28.05
Beschreibung	Vorderradgabel II
Inspektion	1



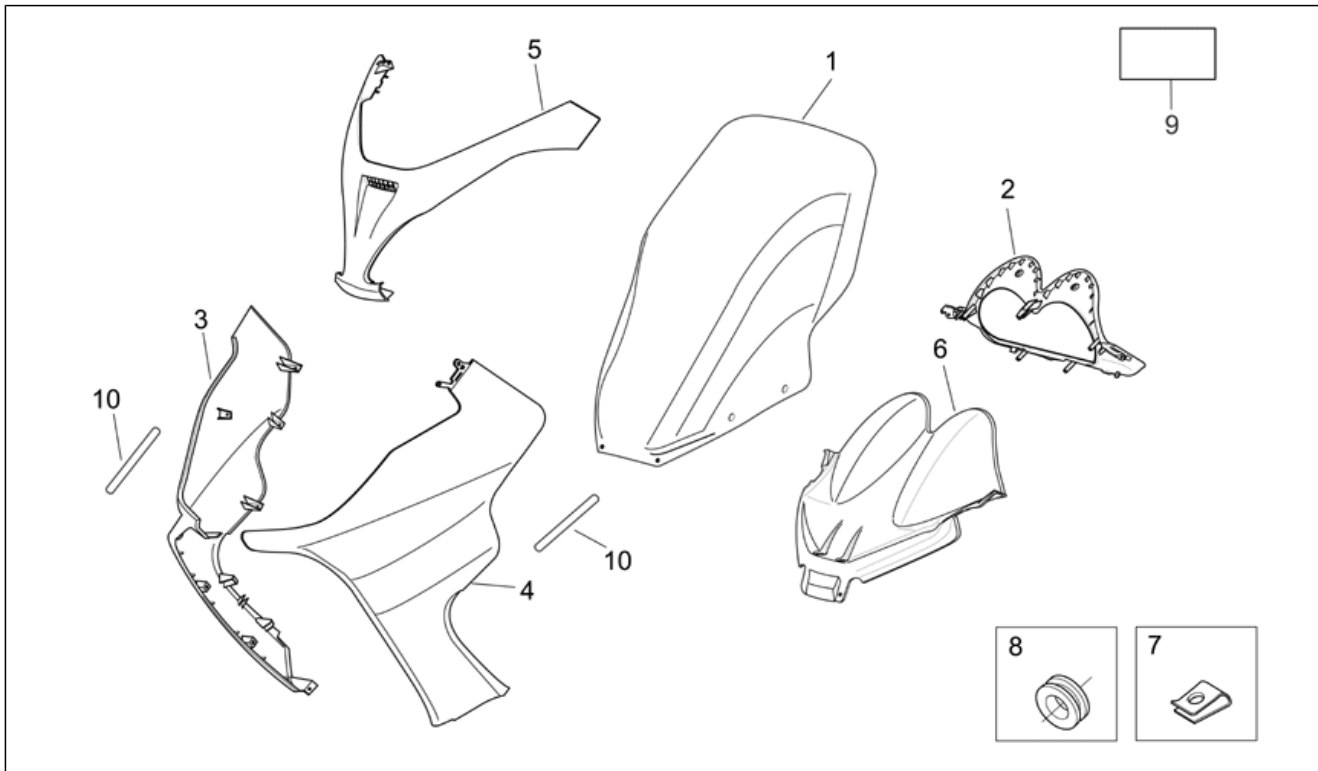
Pos.	Code	Beschreibung	Menge	Varianten
18	AP8163227	Schraube M8x30	2	Technische Daten: Gabel mit Buchstaben S auf dem Schaft[S]
18	AP8163285	Schraube M10x30	2	Technische Daten: Gabel mit Buchstaben K auf dem Schaft[K]
18	AP8203570	Zylinderschraube M8x30	2	Technische Daten: Gabel mit Buchstaben M auf dem Schaft[M]
19	AP8123775	O-Ring	2	Technische Daten: Gabel mit Buchstaben S auf dem Schaft[S]
19	AP8163301	O-Ring	2	Technische Daten: Gabel mit Buchstaben K auf dem Schaft[K]
20	AP8163031	Kolbenstange links	1	Technische Daten: Gabel mit Buchstaben M auf dem Schaft[M]
21	AP8163270	R.hülse kplt.	1	Technische Daten: Gabel mit Buchstaben M auf dem Schaft[M]
22	AP8163271	L.hülse kplt.	1	Technische Daten: Gabel mit Buchstaben M auf dem Schaft[M]
23	AP8163030	Kolbenstange rechts	1	Technische Daten: Gabel mit Buchstaben M auf dem Schaft[M]

Einheit	RAHMEN
Code	28.06
Beschreibung	Hinterradaufhängung
Inspektion	1



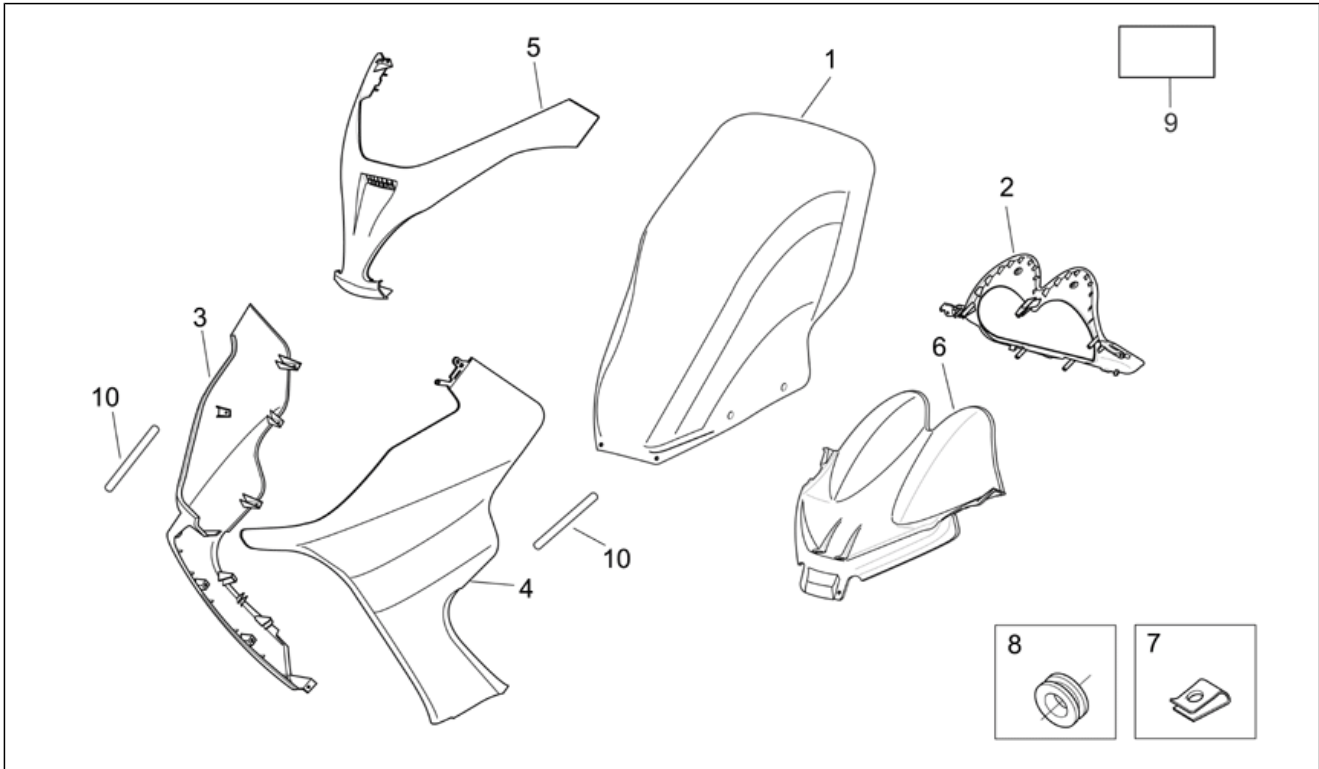
Pos.	Code	Beschreibung	Menge	Varianten
1	AP8163472	Stoßdämpfer	2	
2	AP8152301	Selbstsperrende Mutter	2	
3	AP8152300	Selbstsperrende Mutter M8	4	
4	AP8152292	TE Schr. m. Flansch	4	
5	AP8150048	TCEI Schraube	2	
6	AP8150020	Ausgleichscheibe 10,5x21x2*	2	
7	AP8146947	Bügel	1	
8	AP8146946	Bügel	1	
9	AP8150329	TCEI Schraube	2	

Einheit	RAHMEN
Code	28.07
Beschreibung	Frontaufbau I
Inspektion	1



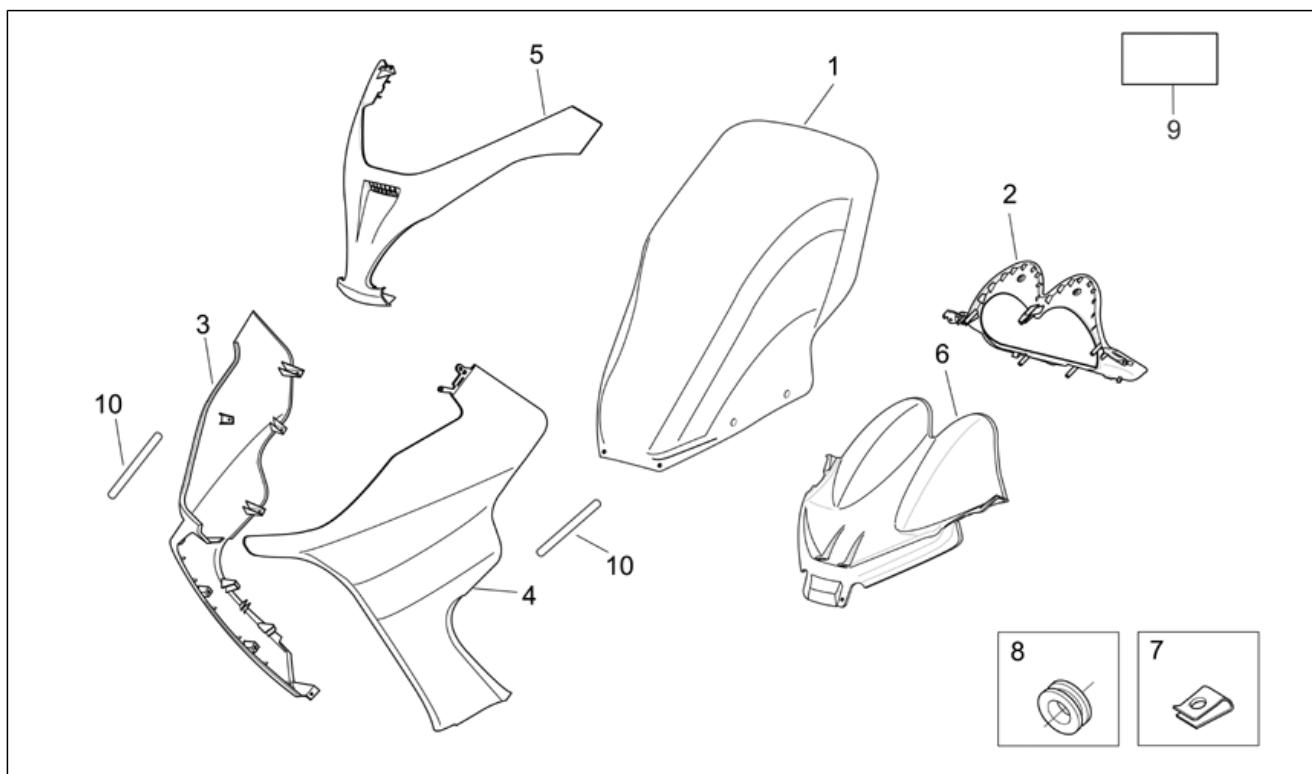
Pos.	Code	Beschreibung	Menge	Varianten
1	AP8178882	Wetterschutz	1	
2	AP8178997	Instrumententafel, grau	1	Baujahr: 2005[5]
2	AP8178997	Instrumententafel, grau	1	Baujahr: 2006[6] Fahrzeugfarbe: Hellblau Aviation 2006 (t.B. 15029)[c.av]
2	AP8179716	Instrumententafel, silver	1	Baujahr: 2006[6] Fahrzeugfarbe: Grau Excalibur 2006 (851735)[e.grey]
2	AP8179716	Instrumententafel, silver	1	Baujahr: 2006[6] Fahrzeugfarbe: Grau Shot 2006 (851713)[s.grey]
2	AP8179716	Instrumententafel, silver	1	Baujahr: 2006[6] Fahrzeugfarbe: Blau Couture 2006 (851736)[c.blue]
2	AP8179716	Instrumententafel, silver	1	Baujahr: 2008[8] Fahrzeugfarbe: Schwarz Competition 2008 (t.B. 858393) [c.black], Blau Planet 2008 (t.B.860956)[planet]
3	AP8178992	Seitenteil r.V. grau	1	Baujahr: 2005[5] Fahrzeugfarbe: Grau Peak 2005 (t.B.14771)[p.grey]
3	AP8179006	R. Seitent., blau	1	Baujahr: 2005[5] Fahrzeugfarbe: Blau Main 2005 (t.B.14772)[b.main]
3	AP8179010	Seitenteil rechts grün	1	Baujahr: 2005[5] Fahrzeugfarbe: Grün Sideral 2005 (t.B.14773)[s.green]
3	AP8179043	Re. Seitenteil weiß	1	Baujahr: 2005[5] Fahrzeugfarbe: Weiß Venice 2005 (s.t.:14793)[v.wh]
3	AP8179249	R. Seitent., h.blau	1	Baujahr: 2006[6] Fahrzeugfarbe: Hellblau Aviation 2006 (t.B. 15029)[c.av]
3	AP8179711	Seitenteil r.V. grau	1	Baujahr: 2006[6] Fahrzeugfarbe: Grau Shot 2006 (851713)[s.grey]
3	AP8179756	Seitenteil r.V. grau	1	Baujahr: 2006[6] Fahrzeugfarbe: Grau Excalibur 2006 (851735)[e.grey]
3	AP8179766	R. Seitent., blau	1	Baujahr: 2006[6] Fahrzeugfarbe: Blau Couture 2006 (851736)[c.blue]
3	AP8184576	Re.Seitenteil schwarz lack.	1	Baujahr: 2008[8] Fahrzeugfarbe: Schwarz Competition 2008 (t.B. 858393) [c.black]

Einheit	RAHMEN
Code	28.07
Beschreibung	Frontaufbau I
Inspektion	1



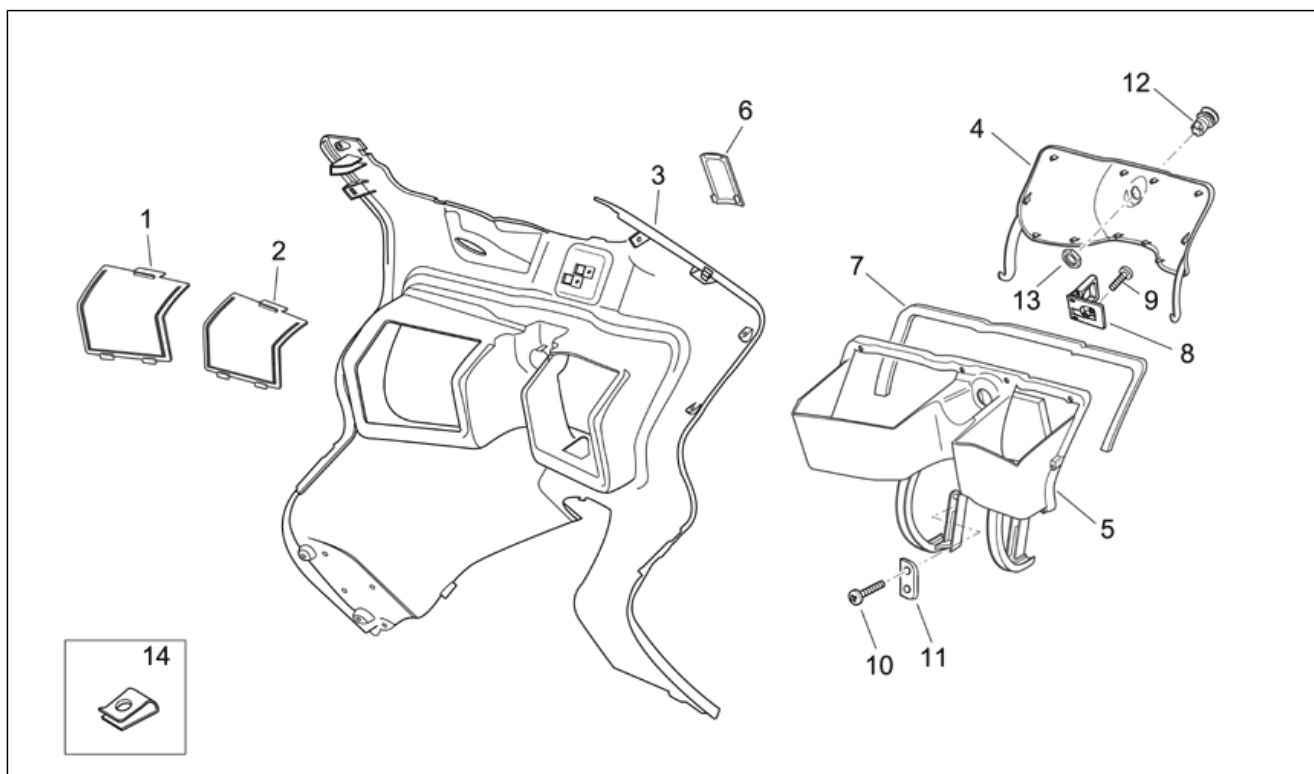
Pos.	Code	Beschreibung	Menge	Varianten
3	AP8268995	R. Seitent., blau	1	Baujahr: 2008[8] Fahrzeugfarbe: Blau Planet 2008 (t.B.860956)[planet]
4	AP8178993	Seitenteil I.V. grau	1	Baujahr: 2005[5] Fahrzeugfarbe: Grau Peak 2005 (t.B.14771)[p.grey]
4	AP8179007	L. Seitent., blau	1	Baujahr: 2005[5] Fahrzeugfarbe: Blau Main 2005 (t.B.14772)[b.main]
4	AP8179011	Seitenteil links, grün	1	Baujahr: 2005[5] Fahrzeugfarbe: Grün Sideral 2005 (t.B.14773)[s.green]
4	AP8179044	Seitenteil li weiß	1	Baujahr: 2005[5] Fahrzeugfarbe: Weiß Venice 2005 (s.t:14793)[v.wh]
4	AP8179250	L. Seitent., h.blau	1	Baujahr: 2006[6] Fahrzeugfarbe: Hellblau Aviation 2006 (t.B. 15029)[c.av]
4	AP8179712	Seitenteil I.V. grau	1	Baujahr: 2006[6] Fahrzeugfarbe: Grau Shot 2006 (851713)[s.grey]
4	AP8179757	Seitenteil I.V. grau	1	Baujahr: 2006[6] Fahrzeugfarbe: Grau Excalibur 2006 (851735)[e.grey]
4	AP8179767	L. Seitent., blau	1	Baujahr: 2006[6] Fahrzeugfarbe: Blau Couture 2006 (851736)[c.blue]
4	AP8184577	L. Seitenteil, schwarz	1	Baujahr: 2008[8] Fahrzeugfarbe: Schwarz Competition 2008 (t.B. 858393) [c.black]
4	AP8268996	L. Seitent., blau	1	Baujahr: 2008[8] Fahrzeugfarbe: Blau Planet 2008 (t.B.860956)[planet]
5	AP8178991	Fronthaube, grau	1	Baujahr: 2006[6] Fahrzeugfarbe: Hellblau Aviation 2006 (t.B. 15029)[c.av]
5	AP8178991	Fronthaube, grau	1	Baujahr: 2005[5]
5	AP8179710	Fronthaube, grau	1	Baujahr: 2006[6] Fahrzeugfarbe: Grau Excalibur 2006 (851735)[e.grey]
5	AP8179710	Fronthaube, grau	1	Baujahr: 2006[6] Fahrzeugfarbe: Grau Shot 2006 (851713)[s.grey]
5	AP8179765	Fronthaube, blau	1	Baujahr: 2006[6] Fahrzeugfarbe: Blau Couture 2006 (851736)[c.blue]

Einheit	RAHMEN
Code	28.07
Beschreibung	Frontaufbau I
Inspektion	1



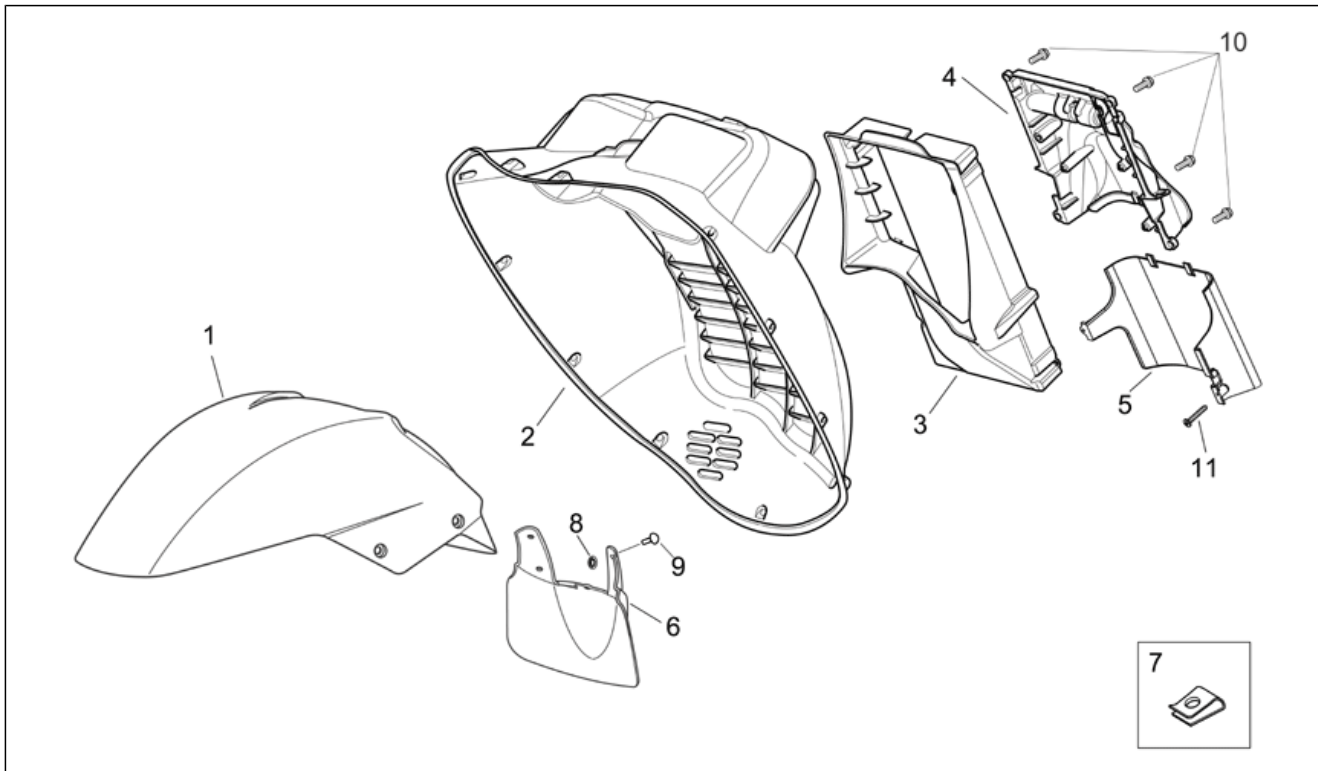
Pos.	Code	Beschreibung	Menge	Varianten
5	AP8184575	Fronthaube, schwarz	1	Baujahr: 2008[8] Fahrzeugfarbe: Schwarz Competition 2008 (t.B. 858393) [c.black]
5	AP8268994	Fronthaube, blau	1	Baujahr: 2008[8] Fahrzeugfarbe: Blau Planet 2008 (t.B.860956)[planet]
6	AP8158370	Verschuß Schutzblech	1	Baujahr: 2005[5]
6	AP8158370	Verschuß Schutzblech	1	Baujahr: 2006[6] Fahrzeugfarbe: Hellblau Aviation 2006 (t.B. 15029)[c.av]
6	AP8179715	Verschuß Schutzblech	1	Baujahr: 2006[6] Fahrzeugfarbe: Grau Shot 2006 (851713)[s.grey]
6	AP8179715	Verschuß Schutzblech	1	Baujahr: 2006[6] Fahrzeugfarbe: Grau Excalibur 2006 (851735)[e.grey]
6	AP8179715	Verschuß Schutzblech	1	Baujahr: 2008[8] Fahrzeugfarbe: Schwarz Competition 2008 (t.B. 858393) [c.black], Blau Planet 2008 (t.B.860956)[planet]
6	AP8179715	Verschuß Schutzblech	1	Baujahr: 2006[6] Fahrzeugfarbe: Blau Couture 2006 (851736)[c.blue]
7	AP8102381	Klammer M4	1	
8	AP8120594	Gummi	4	
9	AP8177290	Schild "Aprilia" 50x25	1	
10	852089	Schild "400 Sprint"	2	Technische Daten: Version 400 cm ³ [400]
10	AP8166583	Schild "500 Sprint"	2	Technische Daten: Version 500 cm ³ [500]

Einheit	RAHMEN
Code	28.08
Beschreibung	Frontaufbau II
Inspektion	1



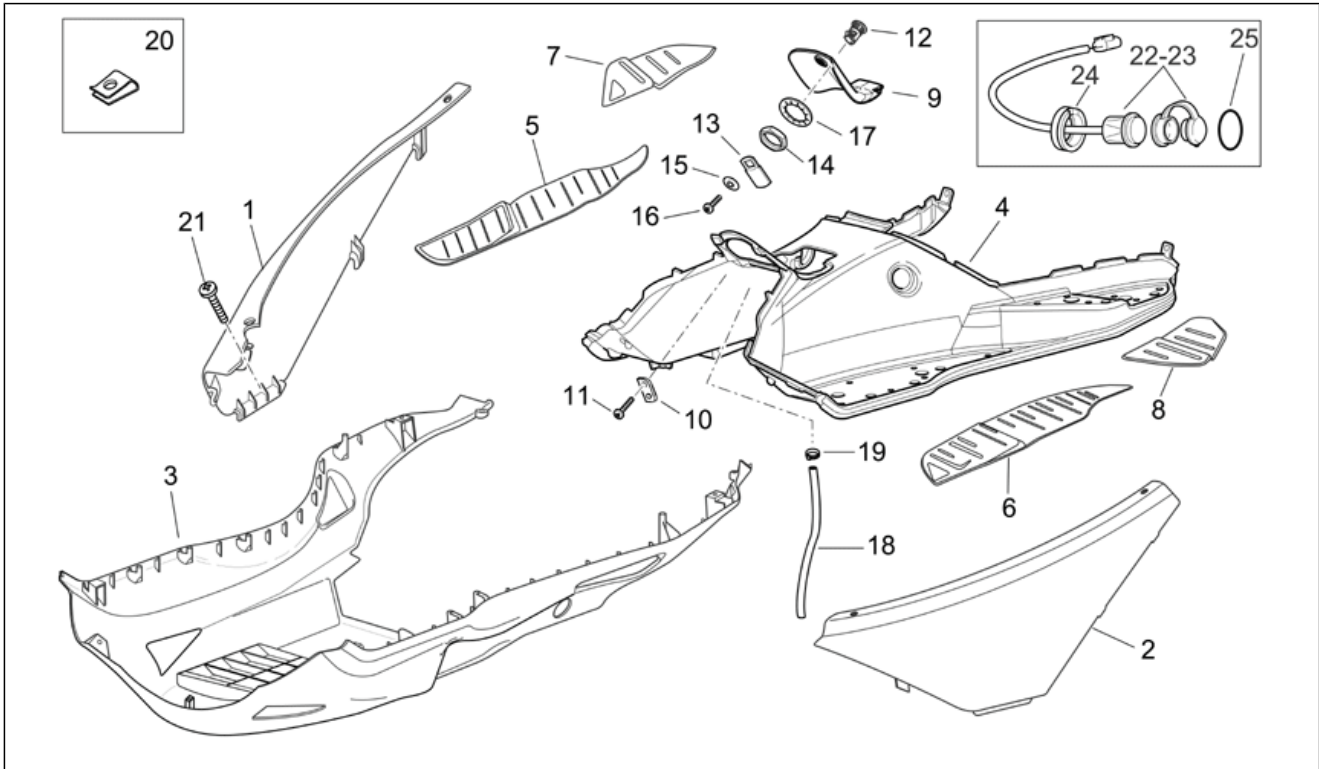
Pos.	Code	Beschreibung	Menge	Varianten
1	AP8158777	Blinkerdeck.rs	1	
2	AP8158778	Blinkerdeck.ls	1	
3	AP8158372	Innenschild, grau	1	
4	AP8158373	Kl. Werkzeugfach, grau	1	
5	AP8158899	Konsole	1	
6	AP8149478	Gegeb.Typendeck, schw.	1	
7	AP8144570	Dichtung Handsch.fach	1	
8	AP8201534	Kplt.Untersitzhaken	1	
9	AP8150423	Linsenschraube 4,2x25*	2	
10	AP8150413	Gew.schr. 3,9x14	4	
11	AP8134799	Platte	2	
12	AP8104612	Schloß Handsch.f. vorn	1	
13	AP8102523	Schloß mutter M22x1,5	1	
14	AP8102381	Klammer M4	1	

Einheit	RAHMEN
Code	28.09
Beschreibung	Frontaufbau III
Inspektion	1



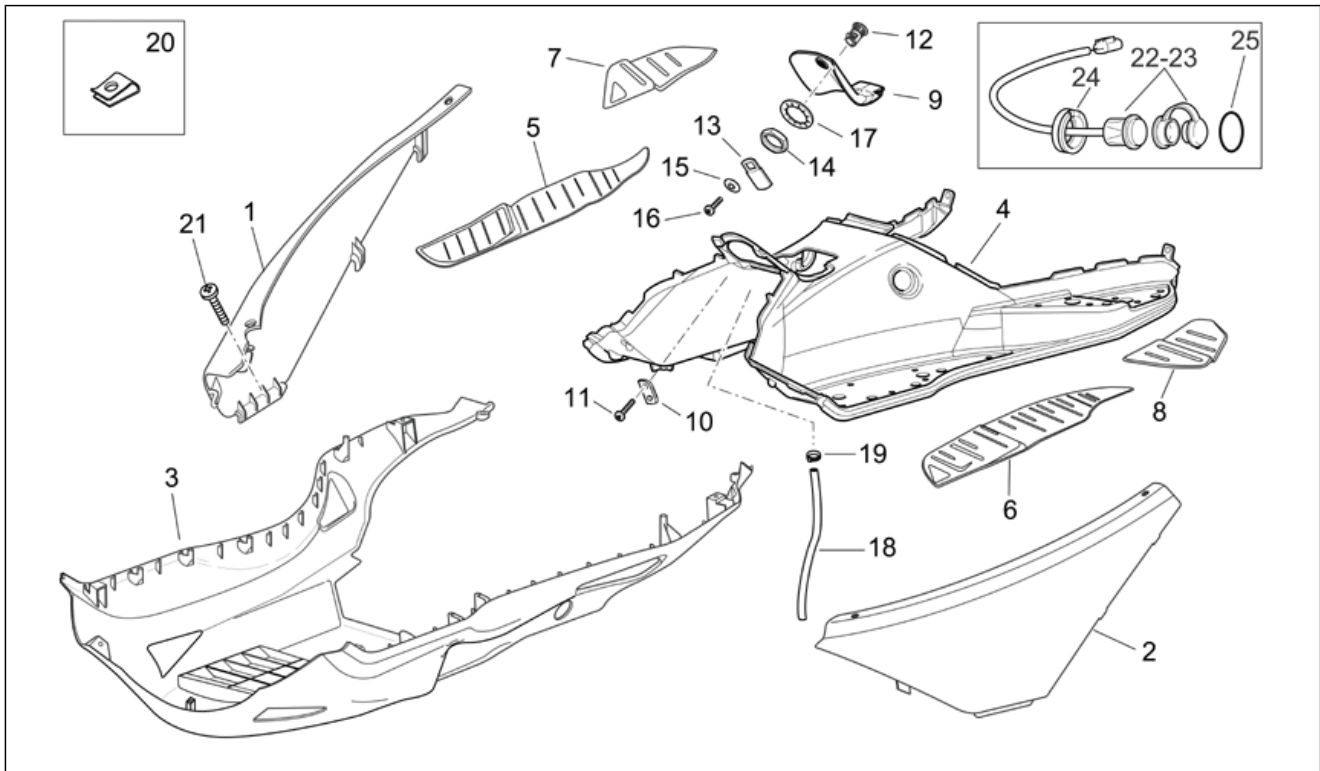
Pos.	Code	Beschreibung	Menge	Varianten
1	AP8156188	V. Schutzblech, grau	1	Baujahr: 2005[5] Fahrzeugfarbe: Grau Peak 2005 (t.B.14771)[p.grey]
1	AP8156189	V. Schutzblech, blau	1	Baujahr: 2005[5] Fahrzeugfarbe: Blau Main 2005 (t.B.14772)[b.main]
1	AP8156190	V. Schutzblech, grün	1	Baujahr: 2005[5] Fahrzeugfarbe: Grün Sideral 2005 (t.B.14773)[s.green]
1	AP8156195	V. Schutzblech, weiß	1	Baujahr: 2005[5] Fahrzeugfarbe: Weiß Venice 2005 (s.t:14793)[v.wh]
1	AP8156219	V. Schutzblech, h.bl.	1	Baujahr: 2006[6] Fahrzeugfarbe: Hellblau Aviation 2006 (t.B. 15029)[c.av]
1	AP8156272	V. Schutzblech, grau	1	Baujahr: 2006[6] Fahrzeugfarbe: Grau Shot 2006 (851713)[s.grey]
1	AP8156276	V. Schutzblech, grau	1	Baujahr: 2006[6] Fahrzeugfarbe: Grau Excalibur 2006 (851735)[e.grey]
1	AP8156277	V. Schutzblech, blau	1	Baujahr: 2006[6] Fahrzeugfarbe: Blau Couture 2006 (851736)[c.blue]
1	AP8156349	V. Schutzblech, schwarz	1	Baujahr: 2008[8] Fahrzeugfarbe: Schwarz Competition 2008 (t.B. 858393) [c.black]
1	AP8226896	V. Schutzblech, blau	1	Baujahr: 2008[8] Fahrzeugfarbe: Blau Planet 2008 (t.B.860956)[planet]
2	AP8156174	Wheel compartment	1	
3	AP8134996	Vord.Leitblech	1	
4	AP8134997	Leitblech Hinterer	1	
5	AP8178976	Klappe Leitblech	1	
6	AP8126963	Vorderes Spritzschutz	1	
7	AP8102375	Klammer M5	1	
8	AP8150450	Wellenscheibe D5	5	
9	AP8144109	Fixierstift	5	
10	AP8152329	Kreuz.schl.flnschschr. M5x20	4	
11	AP8150413	Gew.schr. 3,9x14	2	

Einheit	RAHMEN
Code	28.10
Beschreibung	Mittlerer Aufbau
Inspektion	1



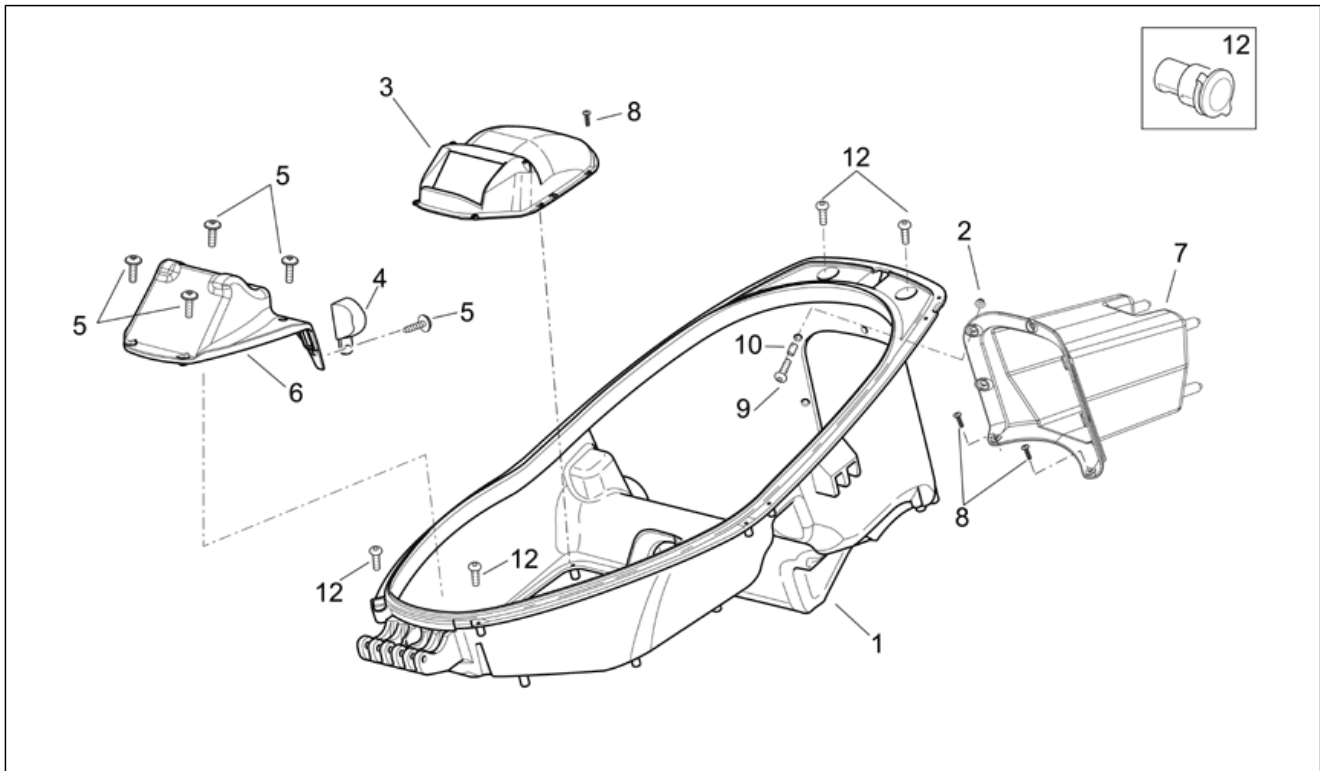
Pos.	Code	Beschreibung	Menge	Varianten
1	AP8178998	Seitenklappe rs grau	1	Baujahr:2005[5]
1	AP8178998	Seitenklappe rs grau	1	Baujahr:2006[6] Fahrzeugfarbe:Hellblau Aviation 2006 (t.B. 15029)[c.av]
1	AP8179717	Seitenklappe rs grau	1	Baujahr:2006[6] Fahrzeugfarbe:Grau Shot 2006 (851713)[s.grey]
1	AP8179761	Seitenklappe rs grau	1	Baujahr:2006[6] Fahrzeugfarbe:Grau Excalibur 2006 (851735)[e.grey]
1	AP8179771	Seitenklappe rs blau	1	Baujahr:2006[6] Fahrzeugfarbe:Blau Couture 2006 (851736)[c.blue]
1	AP8184581	Rechte Seitenklappe, schwarz	1	Baujahr:2008[8] Fahrzeugfarbe:Schwarz Competition 2008 (t.B. 858393) [c.black]
1	AP8269000	Seitenklappe rs blau	1	Baujahr:2008[8] Fahrzeugfarbe:Blau Planet 2008 (t.B.860956)[planet]
2	AP8178999	Seitenklappe ls grau	1	Baujahr:2006[6] Fahrzeugfarbe:Hellblau Aviation 2006 (t.B. 15029)[c.av]
2	AP8178999	Seitenklappe ls grau	1	Baujahr:2005[5]
2	AP8179718	Seitenklappe ls grau	1	Baujahr:2006[6] Fahrzeugfarbe:Grau Shot 2006 (851713)[s.grey]
2	AP8179762	Seitenklappe ls grau	1	Baujahr:2006[6] Fahrzeugfarbe:Grau Excalibur 2006 (851735)[e.grey]
2	AP8179772	Seitenklappe ls blau	1	Baujahr:2006[6] Fahrzeugfarbe:Blau Couture 2006 (851736)[c.blue]
2	AP8184582	Linke Seitenklappe, schwarz	1	Baujahr:2008[8] Fahrzeugfarbe:Schwarz Competition 2008 (t.B. 858393) [c.black]
2	AP8269001	Seitenklappe ls blau	1	Baujahr:2008[8] Fahrzeugfarbe:Blau Planet 2008 (t.B.860956)[planet]
3	AP8178850	Unterb.grau	1	
4	856078	Fußbrett, grau	1	
5	AP8158378	Rechte Fußmatte, grau	1	
6	AP8158379	Linke Fußmatte, grau	1	

Einheit	RAHMEN
Code	28.10
Beschreibung	Mittlerer Aufbau
Inspektion	1



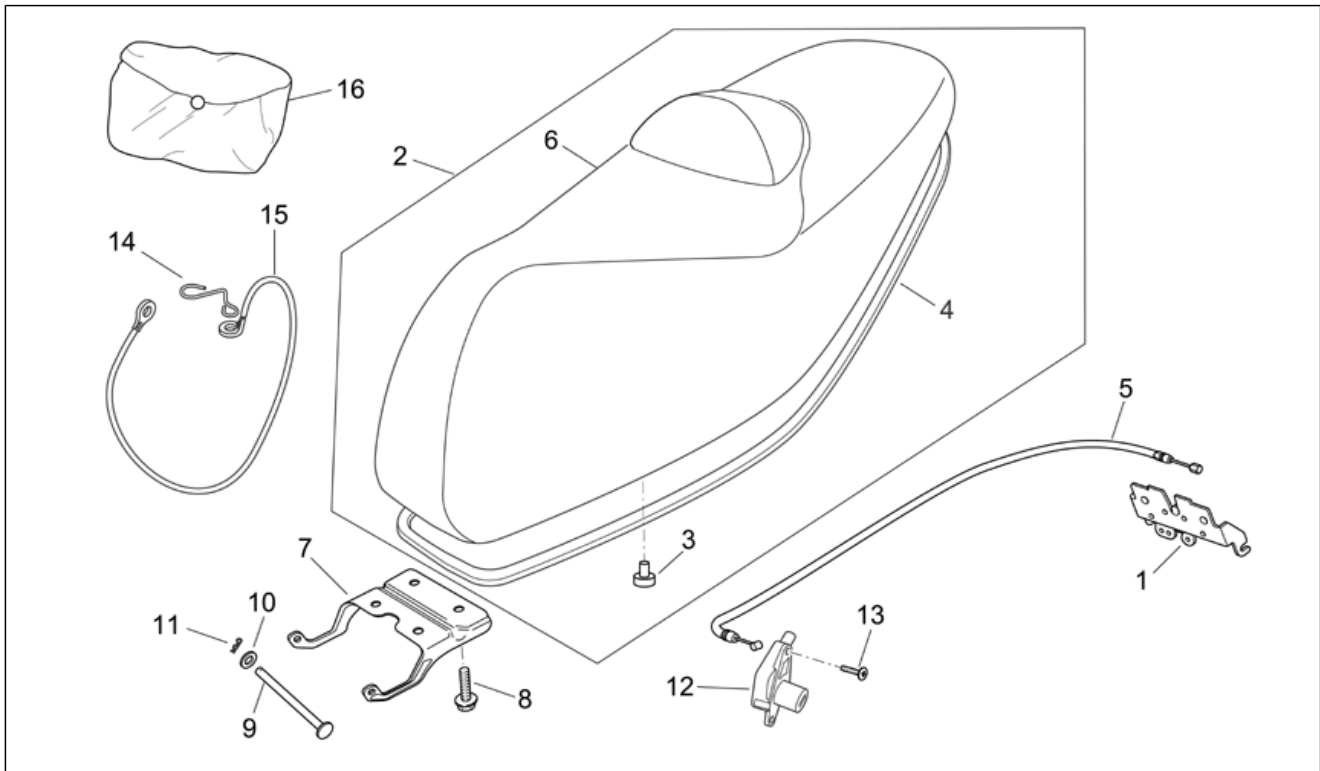
Pos.	Code	Beschreibung	Menge	Varianten
7	AP8158934	Rechte Fußmatte, grau	1	
8	AP8158935	Linke Fußmatte, grau	1	
9	AP8178849	Fuel filler lid	1	
10	AP8134799	Platte	2	
11	AP8150413	Gew.schr. 3,9x14	4	
12	AP8104609	Schloß Tankklappe	1	
13	AP8201620	Hebel	1	
14	AP8152194	Mutter unten M19x1*	1	
15	AP8201748	Ausgleichscheibe	1	
16	AP8201749	Linsenschraube M4x6	1	
17	AP8221312	Zahnscheibe	1	
18	AP8120952	Kraftstoffleitung 5,5x10	1	
19	AP8101595	Schelle D10,1	1	
20	AP8201763	Clip f. Blechschr. D5,5*	1	
21	AP8150413	Gew.schr. 3,9x14	4	
22	AP8127390	Interfon-Kabel Fahrer	1	
23	AP8127549	Interfon-Kabel Beifahrer	1	
24	AP8163327	Interfon-Kabel Buchse	1	
25	AP8119821	O-Ring	1	

Einheit	RAHMEN
Code	28.11
Beschreibung	U. Sitzbank.
Inspektion	1



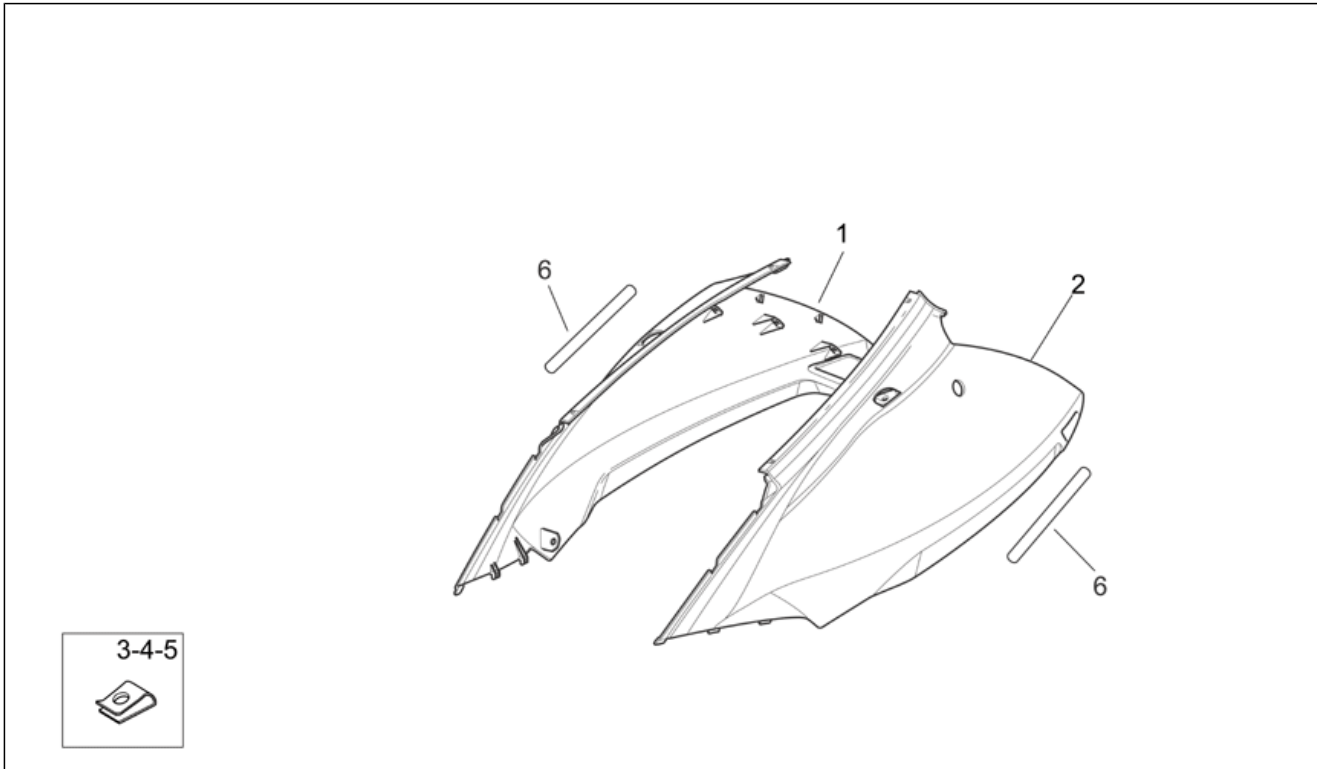
Pos.	Code	Beschreibung	Menge	Varianten
1	AP8178851	Schutzhelmfach	1	
2	AP8152306	Selbstsperrende Mutter M5	5	
3	AP8178869	Deckel	1	
4	AP8212733	Leuchte Abdeckblende	1	
5	AP8150413	Gew.schr. 3,9x14	5	
6	AP8178867	Batteriedeckel	1	
7	AP8178868	Handschuhfach	1	
8	AP8150509	Gew.schr. 5x14	9	
9	AP8152298	TBEI Schraube m.Flansch M5x16	5	
10	AP8120253	Distanzscheibe	5	
11	AP8152108	TBEI Schraube	4	
12	AP8124768	Strombuchse kpl.	1	

Einheit	RAHMEN
Code	28.12
Beschreibung	Sitz
Inspektion	1



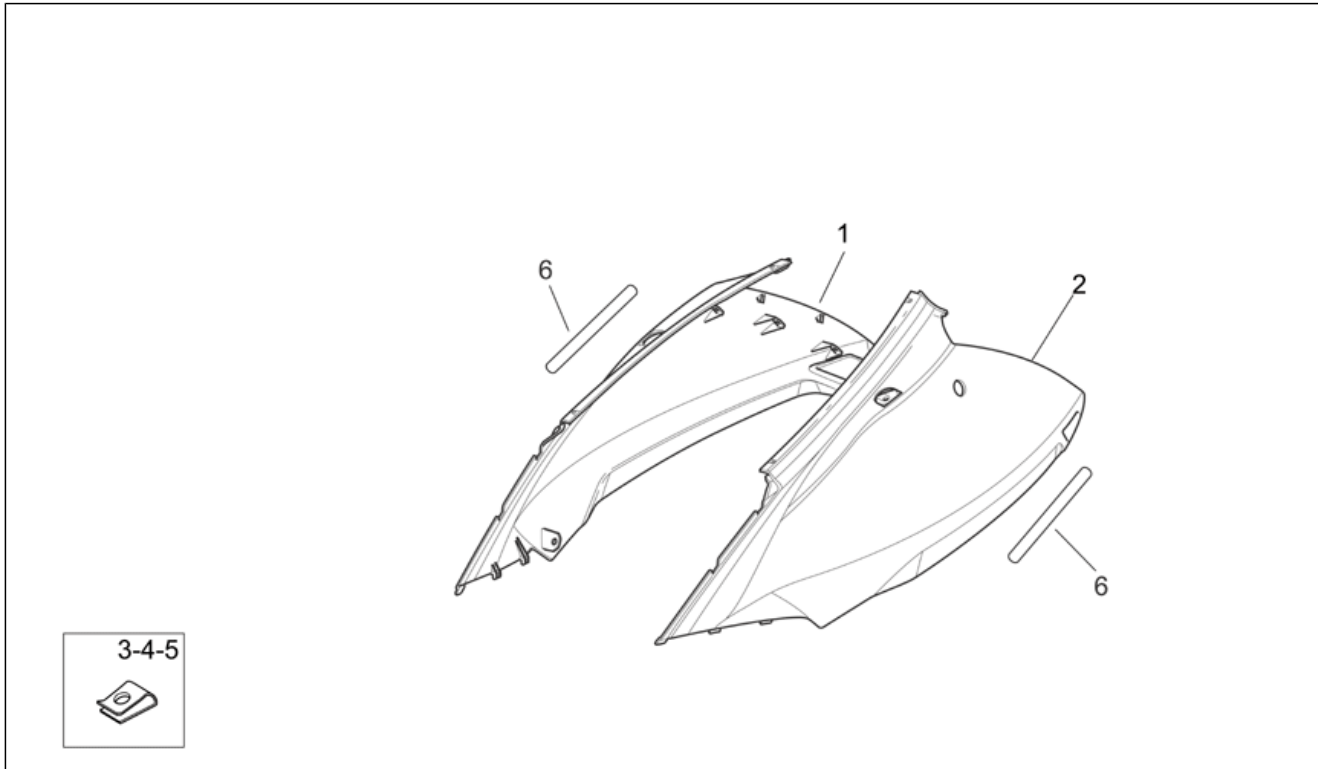
Pos.	Code	Beschreibung	Menge	Varianten
1	AP8102947	Sitz Verschlussplatte	1	
2	AP8129451	Sitz	1	Baujahr: 2005[5]
2	AP8129461	Sitz, blau	1	Baujahr: 2006[6] Fahrzeugfarbe: Hellblau Aviation 2006 (t.B. 15029)[c.av]
2	AP8129489	Sitz, schwarz/grau	1	Baujahr: 2008[8] Fahrzeugfarbe: Schwarz Competition 2008 (t.B. 858393) [c.black], Blau Planet 2008 (t.B.860956)[planet]
2	AP8129489	Sitz, schwarz/grau	1	Baujahr: 2006[6] Fahrzeugfarbe: Blau Couture 2006 (851736)[c.blue]
2	AP8129489	Sitz, schwarz/grau	1	Baujahr: 2006[6] Fahrzeugfarbe: Grau Excalibur 2006 (851735)[e.grey]
2	AP8129489	Sitz, schwarz/grau	1	Baujahr: 2006[6] Fahrzeugfarbe: Grau Shot 2006 (851713)[s.grey]
3	AP8144089	Sitz-Auflagegummi vorn	4	
4	AP8163229	Dichtung	1	
5	AP8104422	Schloßkabel	1	
6	AP8570123	Sitzkissen	1	
7	AP8158362	Sitzgelenk	1	
8	AP8152246	TBEI Schraube m.Flansch M6x16	4	
9	AP8121599	Sitzgelenkbolzen	1	
10	AP8150014	Ausgleichscheibe 6,4x12,5*	1	
11	AP8201431	Splint *	1	
12	AP8104611	Sitzschloß	1	
13	AP8152246	TBEI Schraube m.Flansch M6x16	2	
14	AP8221206	Sturzhelmhaken	1	
15	AP8114458	Schutzhelm-Befestigungskabel	1	
16	AP8168707	Cover saddle	1	

Einheit	RAHMEN
Code	28.13
Beschreibung	Heckaufbau I
Inspektion	1



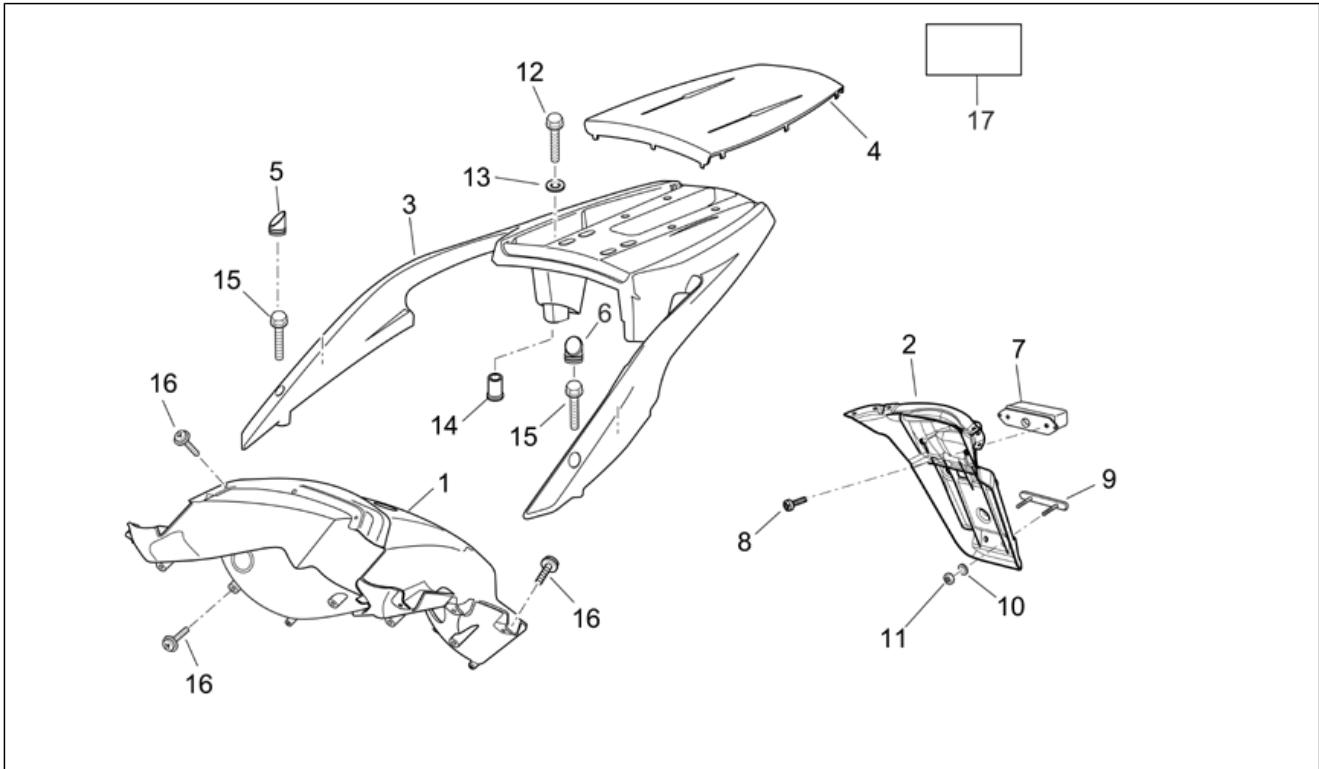
Pos.	Code	Beschreibung	Menge	Varianten
1	AP8178853	Heckteil r., grau	1	Baujahr: 2005[5] Fahrzeugfarbe: Grau Peak 2005 (t.B.14771)[p.grey]
1	AP8179008	Heckteil r., blau	1	Baujahr: 2005[5] Fahrzeugfarbe: Blau Main 2005 (t.B.14772)[b.main]
1	AP8179012	Heckteil r., grün	1	Baujahr: 2005[5] Fahrzeugfarbe: Grün Sideral 2005 (t.B.14773)[s.green]
1	AP8179045	Heckteil r., weiß	1	Baujahr: 2005[5] Fahrzeugfarbe: Weiß Venice 2005 (s.t:14793)[v.wh]
1	AP8179253	Heckteil r., blau	1	Baujahr: 2006[6] Fahrzeugfarbe: Hellblau Aviation 2006 (t.B. 15029)[c.av]
1	AP8179719	Heckteil r., grau	1	Baujahr: 2006[6] Fahrzeugfarbe: Grau Shot 2006 (851713)[s.grey]
1	AP8179758	Heckteil r., grau	1	Baujahr: 2006[6] Fahrzeugfarbe: Grau Excalibur 2006 (851735)[e.grey]
1	AP8179768	Heckteil r., blau	1	Baujahr: 2006[6] Fahrzeugfarbe: Blau Couture 2006 (851736)[c.blue]
1	AP8184584	Heckteil r., schwarz	1	Baujahr: 2008[8] Fahrzeugfarbe: Schwarz Competition 2008 (t.B. 858393) [c.black]
1	AP8269002	Heckteil r., blau	1	Baujahr: 2008[8] Fahrzeugfarbe: Blau Planet 2008 (t.B.860956)[planet]
2	AP8178854	Heckteil l., grau	1	Baujahr: 2005[5] Fahrzeugfarbe: Grau Peak 2005 (t.B.14771)[p.grey]
2	AP8179009	Heckteil l., blau	1	Baujahr: 2005[5] Fahrzeugfarbe: Blau Main 2005 (t.B.14772)[b.main]
2	AP8179013	Heckteil l., grün	1	Baujahr: 2005[5] Fahrzeugfarbe: Grün Sideral 2005 (t.B.14773)[s.green]
2	AP8179046	Heckteil l., s.weiß	1	Baujahr: 2005[5] Fahrzeugfarbe: Weiß Venice 2005 (s.t:14793)[v.wh]
2	AP8179254	Heckteil l., blau	1	Baujahr: 2006[6] Fahrzeugfarbe: Hellblau Aviation 2006 (t.B. 15029)[c.av]
2	AP8179720	Heckteil l., grau	1	Baujahr: 2006[6]

Einheit	RAHMEN
Code	28.13
Beschreibung	Heckaufbau I
Inspektion	1



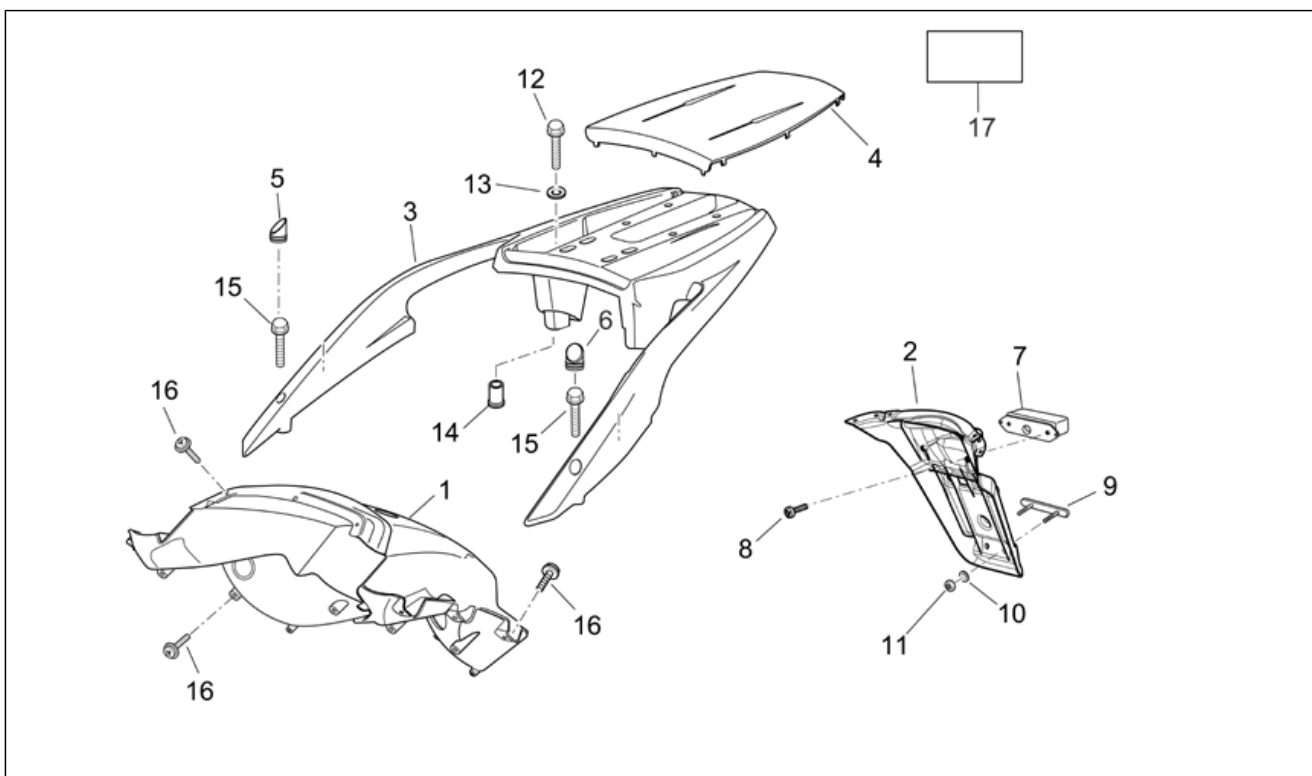
Pos.	Code	Beschreibung	Menge	Varianten
				Fahrzeugfarbe: Grau Shot 2006 (851713)[s.grey]
2	AP8179759	Heckteil l., grau	1	Baujahr: 2006[6] Fahrzeugfarbe: Grau Excalibur 2006 (851735)[e.grey]
2	AP8179769	Heckteil l., blau	1	Baujahr: 2006[6] Fahrzeugfarbe: Blau Couture 2006 (851736)[c.blue]
2	AP8184585	Heckteil l., schwarz	1	Baujahr: 2008[8] Fahrzeugfarbe: Schwarz Competition 2008 (t.B. 858393) [c.black]
2	AP8269003	Heckteil l., blau	1	Baujahr: 2008[8] Fahrzeugfarbe: Blau Planet 2008 (t.B.860956)[planet]
3	AP8102376	Klammer M6	1	
4	AP8102375	Klammer M5	1	
5	AP8201763	Clip f. Blechschr. D5,5*	1	
6	AP8167671	Schild Atlantic Cromo	2	Land: CH-D-I[EU]
6	AP8177050	Schild Arrecife Cromo	2	Land: Spanien[SP]

Einheit	RAHMEN
Code	28.14
Beschreibung	Heckaufbau II
Inspektion	1



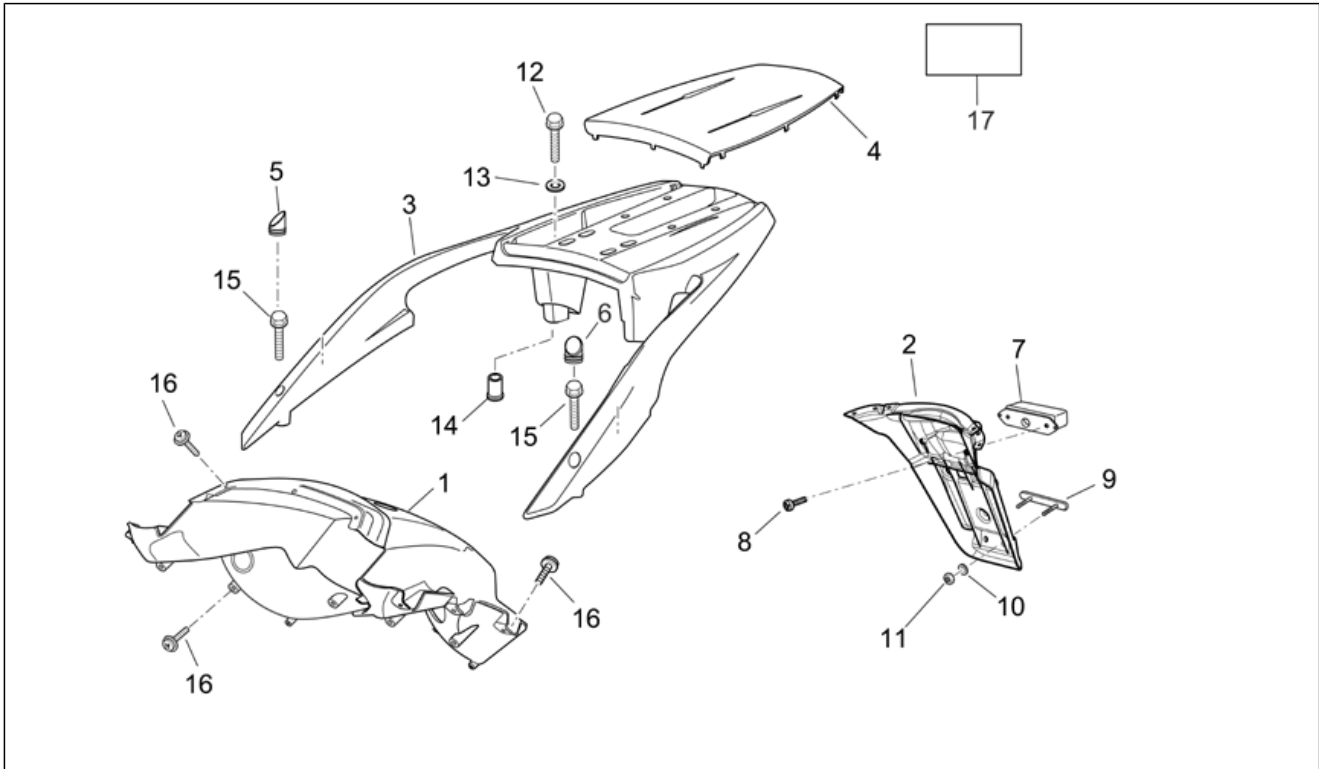
Pos.	Code	Beschreibung	Menge	Varianten
1	AP8179001	Rückhaube, grau	1	Baujahr:2006[6] Fahrzeugfarbe:Hellblau Aviation 2006 (t.B. 15029)[c.av]
1	AP8179001	Rückhaube, grau	1	Baujahr:2005[5]
1	AP8179721	Rückhaube, grau	1	Baujahr:2006[6] Fahrzeugfarbe:Grau Shot 2006 (851713)[s.grey]
1	AP8179760	Rückhaube, grau	1	Baujahr:2006[6] Fahrzeugfarbe:Grau Excalibur 2006 (851735)[e.grey]
1	AP8179770	Rückhaube, blau	1	Baujahr:2006[6] Fahrzeugfarbe:Blau Couture 2006 (851736)[c.blue]
1	AP8184580	Rückhaube, schwarz	1	Baujahr:2008[8] Fahrzeugfarbe:Schwarz Competition 2008 (t.B. 858393) [c.black]
1	AP8268999	Rückhaube, blau	1	Baujahr:2008[8] Fahrzeugfarbe:Blau Planet 2008 (t.B.860956)[planet]
2	AP8156175	Kennzeichenplatte, grau	1	
3	AP8158388	Gr. Soziushaltegriff, grau	1	Baujahr:2006[6] Fahrzeugfarbe:Hellblau Aviation 2006 (t.B. 15029)[c.av]
3	AP8158388	Gr. Soziushaltegriff, grau	1	Baujahr:2005[5]
3	AP8179722	Gr. Soziushaltegriff, silver	1	Baujahr:2008[8] Fahrzeugfarbe:Schwarz Competition 2008 (t.B. 858393) [c.black], Blau Planet 2008 (t.B.860956)[planet]
3	AP8179722	Gr. Soziushaltegriff, silver	1	Baujahr:2006[6] Fahrzeugfarbe:Blau Couture 2006 (851736)[c.blue]
3	AP8179722	Gr. Soziushaltegriff, silver	1	Baujahr:2006[6] Fahrzeugfarbe:Grau Shot 2006 (851713)[s.grey]
3	AP8179722	Gr. Soziushaltegriff, silver	1	Baujahr:2006[6] Fahrzeugfarbe:Grau Excalibur 2006 (851735)[e.grey]
4	AP8179002	Objektr.deck.grau	1	Baujahr:2006[6] Fahrzeugfarbe:Hellblau Aviation 2006 (t.B. 15029)[c.av]
4	AP8179002	Objektr.deck.grau	1	Baujahr:2005[5]
4	AP8179723	Objektr.deck.grau	1	Baujahr:2006[6] Fahrzeugfarbe:Grau Shot 2006 (851713)[s.grey]

Einheit	RAHMEN
Code	28.14
Beschreibung	Heckaufbau II
Inspektion	1



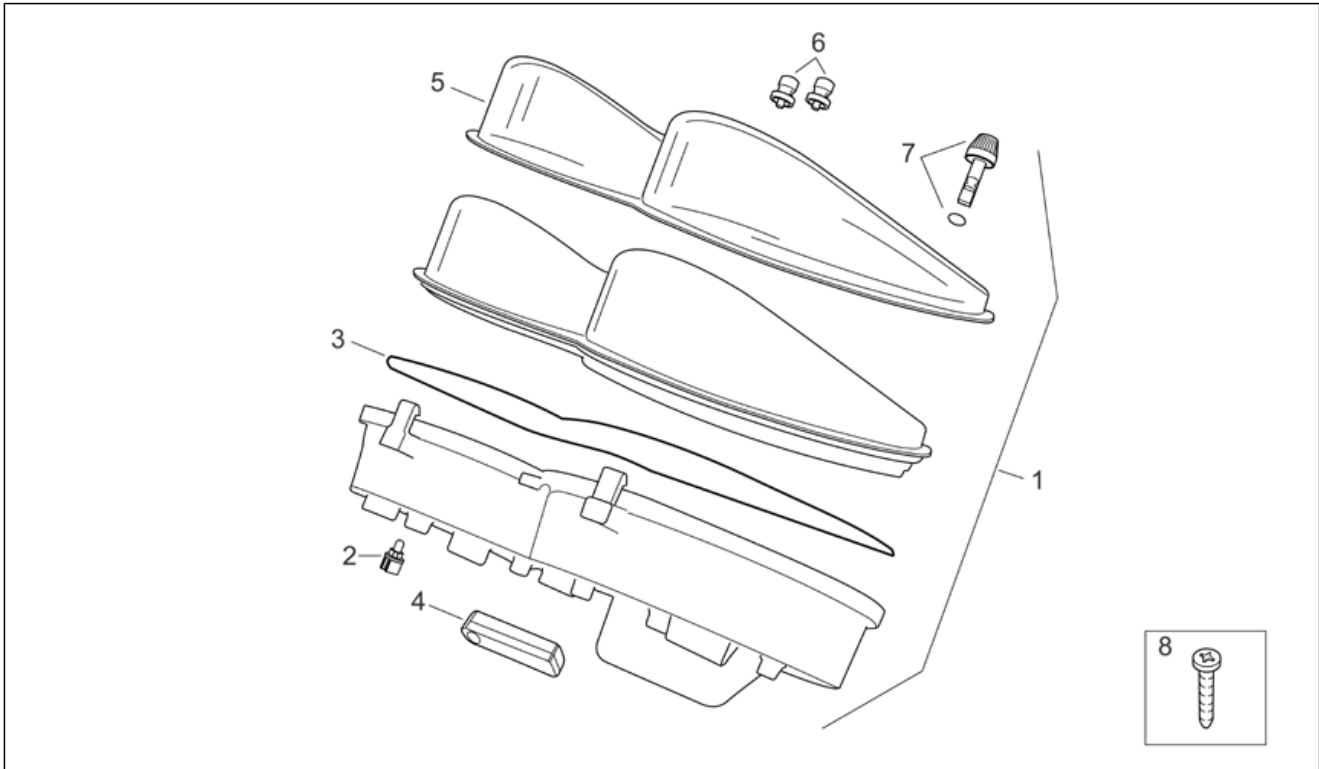
Pos.	Code	Beschreibung	Menge	Varianten
4	AP8179723	Objektr.deck.grau	1	Baujahr: 2008[8] Fahrzeugfarbe: Schwarz Competition 2008 (t.B. 858393) [c.black], Blau Planet 2008 (t.B.860956)[planet]
4	AP8179723	Objektr.deck.grau	1	Baujahr: 2006[6] Fahrzeugfarbe: Grau Excalibur 2006 (851735)[e.grey]
4	AP8179773	Objektr.deck.blau	1	Baujahr: 2006[6] Fahrzeugfarbe: Blau Couture 2006 (851736)[c.blue]
5	AP8168046	Verschlusschraube rechts	1	Baujahr: 2006[6] Fahrzeugfarbe: Hellblau Aviation 2006 (t.B. 15029)[c.av]
5	AP8168046	Verschlusschraube rechts	1	Baujahr: 2005[5]
5	AP8179724	Verschlusschraube rechts	1	Baujahr: 2006[6] Fahrzeugfarbe: Blau Couture 2006 (851736)[c.blue]
5	AP8179724	Verschlusschraube rechts	1	Baujahr: 2008[8] Fahrzeugfarbe: Schwarz Competition 2008 (t.B. 858393) [c.black], Blau Planet 2008 (t.B.860956)[planet]
5	AP8179724	Verschlusschraube rechts	1	Baujahr: 2006[6] Fahrzeugfarbe: Grau Excalibur 2006 (851735)[e.grey]
5	AP8179724	Verschlusschraube rechts	1	Baujahr: 2006[6] Fahrzeugfarbe: Grau Shot 2006 (851713)[s.grey]
6	AP8168047	Verschlusschraube links	1	Baujahr: 2006[6] Fahrzeugfarbe: Hellblau Aviation 2006 (t.B. 15029)[c.av]
6	AP8168047	Verschlusschraube links	1	Baujahr: 2005[5]
6	AP8179725	Verschlusschraube links	1	Baujahr: 2008[8] Fahrzeugfarbe: Schwarz Competition 2008 (t.B. 858393) [c.black], Blau Planet 2008 (t.B.860956)[planet]
6	AP8179725	Verschlusschraube links	1	Baujahr: 2006[6] Fahrzeugfarbe: Grau Shot 2006 (851713)[s.grey]
6	AP8179725	Verschlusschraube links	1	Baujahr: 2006[6] Fahrzeugfarbe: Grau Excalibur 2006 (851735)[e.grey]
6	AP8179725	Verschlusschraube links	1	Baujahr: 2006[6] Fahrzeugfarbe: Blau Couture 2006 (851736)[c.blue]
7	AP8212702	Kennzeichenleuchte	1	

Einheit	RAHMEN
Code	28.14
Beschreibung	Heckaufbau II
Inspektion	1



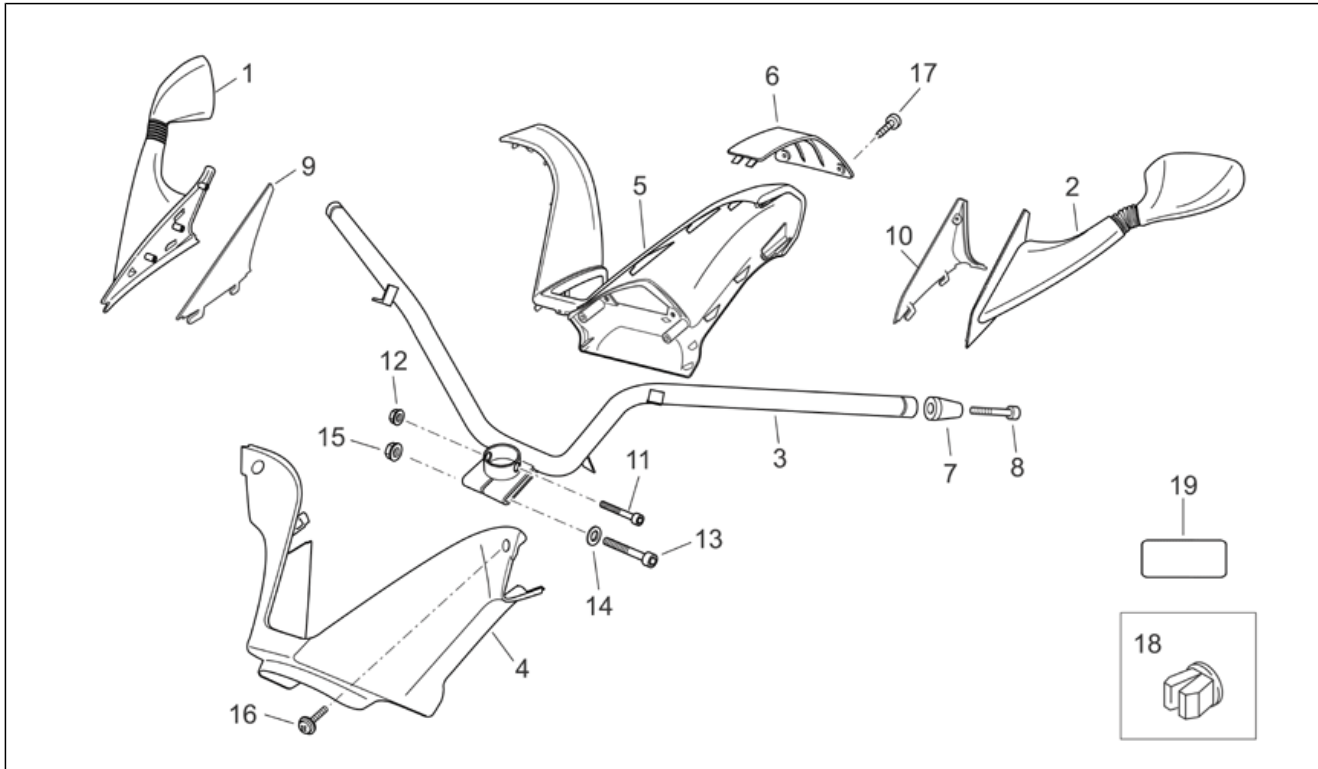
Pos.	Code	Beschreibung	Menge	Varianten
8	AP8150413	Gew.schr. 3,9x14	2	
9	AP8124718	Rückstrahler Rücklicht, rot	1	
10	AP8150159	Ausgleichscheibe 4,3x16*	2	
11	AP8150204	Mutter M4	2	
12	AP8152293	TE Schr. m. Flansch	2	
13	AP8150018	Ausgleichscheibe	2	
14	AP8121635	Buchse	2	
15	AP8152283	TE Schr. m. Flansch	2	
16	AP8152298	TBEI Schraube m.Flansch M5x16	6	
17	AP8177261	Schild "Aprilia" 75x28	1	

Einheit	RAHMEN
Code	28.15
Beschreibung	Instrumententafel
Inspektion	1



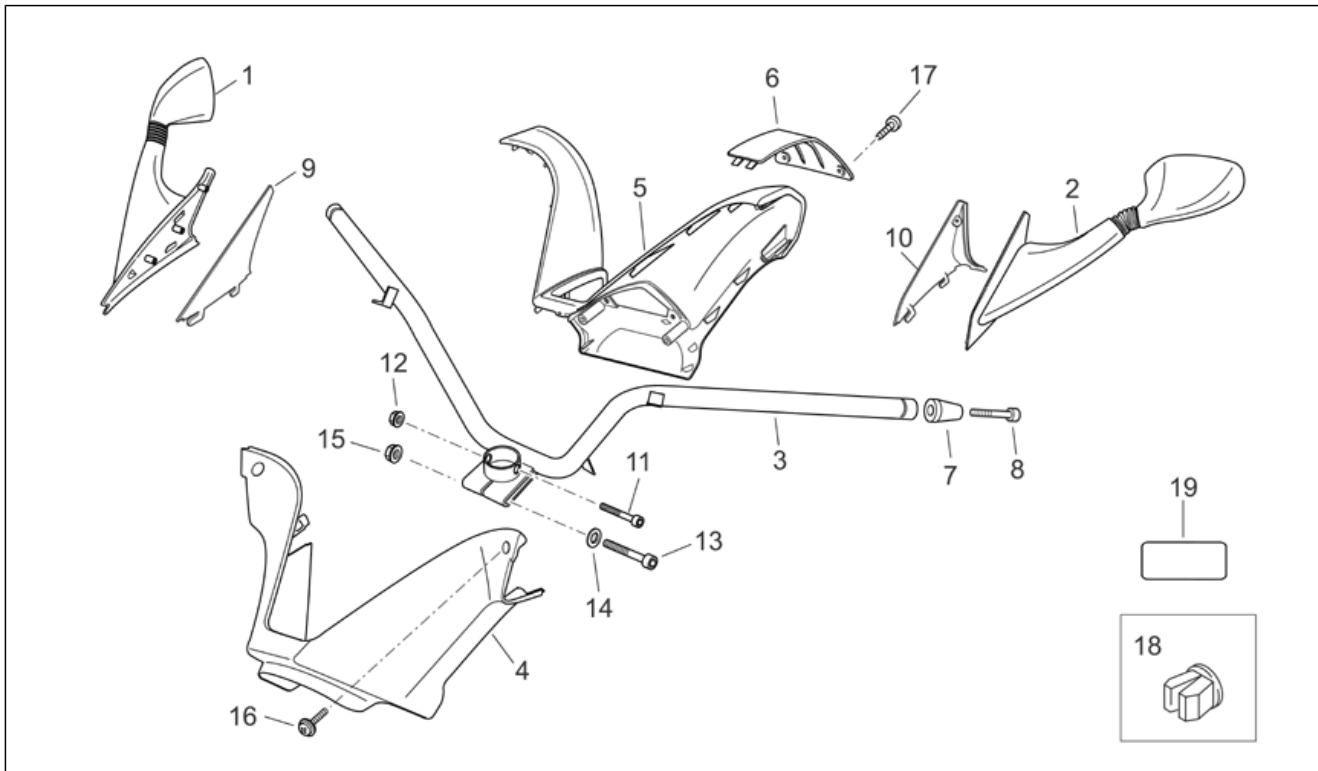
Pos.	Code	Beschreibung	Menge	Varianten
1	AP8127673	Instrum.tafel kplt. km/h	1	
1	AP8127686	Instrum.tafel kplt. mp/h	1	
2	AP8212407	Lampenhalter kplt. 12V-1,2W	12	
3	AP8220551	O-Ring	1	
4	AP8212406	Digital-Uhr	1	
5	AP8127453	Instrumentenblenden schutz	1	
6	AP8144595	Uhr Gummi	2	
7	AP8144596	Nullstellknopf	1	
8	AP8150413	Gew.schr. 3,9x14	5	

Einheit	RAHMEN
Code	28.16
Beschreibung	Lenkstange
Inspektion	1



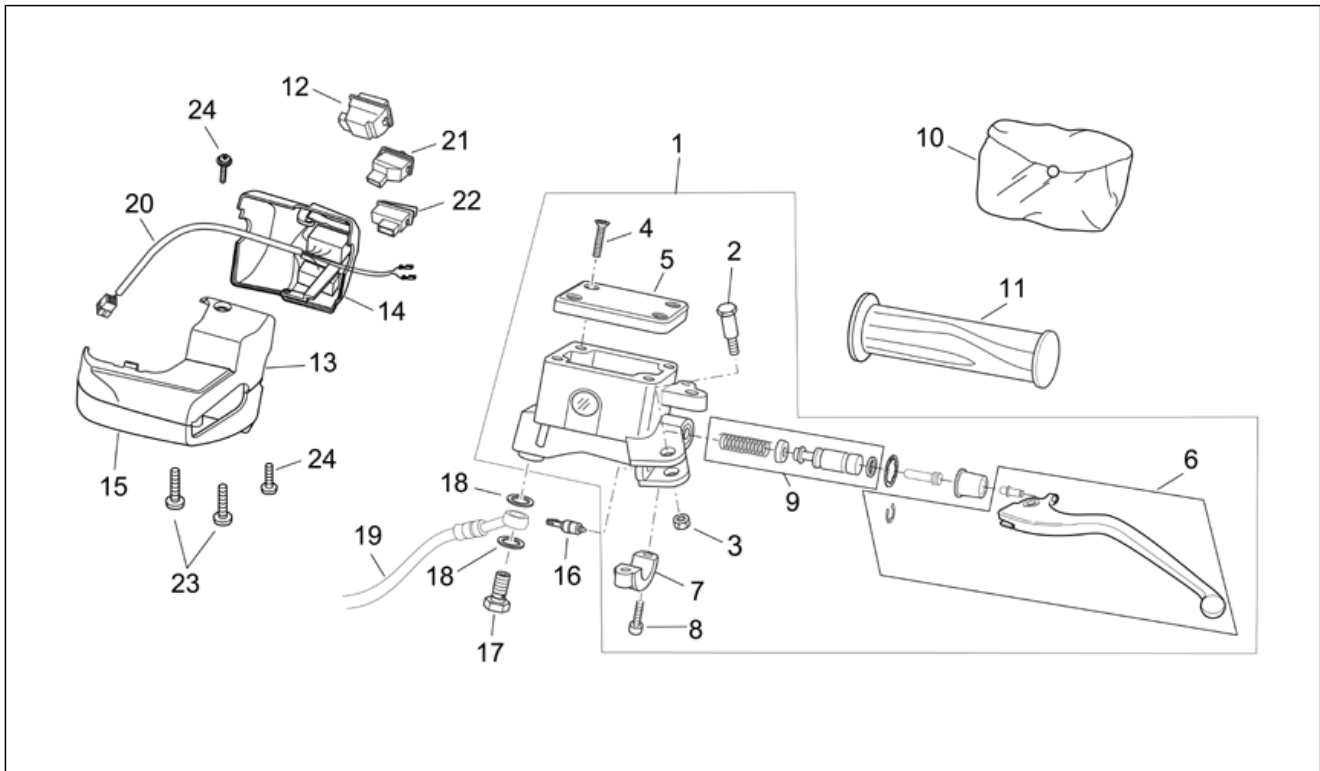
Pos.	Code	Beschreibung	Menge	Varianten
1	AP8104746	Rückspiegel rechts	1	
2	AP8104747	Rückspiegel links	1	
3	AP8118624	Lenkstange	1	
4	AP8158368	Untere Lenkstangenabdeckung	1	
5	AP8178994	Upper handlebar cover, grau	1	Baujahr:2006[6] Fahrzeugfarbe:Hellblau Aviation 2006 (t.B. 15029)[c.av]
5	AP8178994	Upper handlebar cover, grau	1	Baujahr:2005[5]
5	AP8179713	Upper handlebar cover, silver	1	Baujahr:2006[6] Fahrzeugfarbe:Blau Couture 2006 (851736)[c.blue]
5	AP8179713	Upper handlebar cover, silver	1	Baujahr:2008[8] Fahrzeugfarbe:Blau Planet 2008 (t.B.860956)[planet]
5	AP8179713	Upper handlebar cover, silver	1	Baujahr:2006[6] Fahrzeugfarbe:Grau Shot 2006 (851713)[s.grey]
5	AP8179713	Upper handlebar cover, silver	1	Baujahr:2008[8] Fahrzeugfarbe:Schwarz Competition 2008 (t.B. 858393) [c.black]
5	AP8179713	Upper handlebar cover, silver	1	Baujahr:2006[6] Fahrzeugfarbe:Grau Excalibur 2006 (851735)[e.grey]
6	AP8178995	Deckel	1	Baujahr:2005[5]
6	AP8178995	Deckel	1	Baujahr:2006[6] Fahrzeugfarbe:Hellblau Aviation 2006 (t.B. 15029)[c.av]
6	AP8179714	Deckel	1	Baujahr:2008[8] Fahrzeugfarbe:Schwarz Competition 2008 (t.B. 858393) [c.black], Blau Planet 2008 (t.B.860956)[planet]
6	AP8179714	Deckel	1	Baujahr:2006[6] Fahrzeugfarbe:Grau Shot 2006 (851713)[s.grey]
6	AP8179714	Deckel	1	Baujahr:2006[6] Fahrzeugfarbe:Blau Couture 2006 (851736)[c.blue]
6	AP8179714	Deckel	1	Baujahr:2006[6] Fahrzeugfarbe:Grau Excalibur 2006 (851735)[e.grey]
7	AP8161057	Lenkstangen-Schwingschutz	2	

Einheit	RAHMEN
Code	28.16
Beschreibung	Lenkstange
Inspektion	1



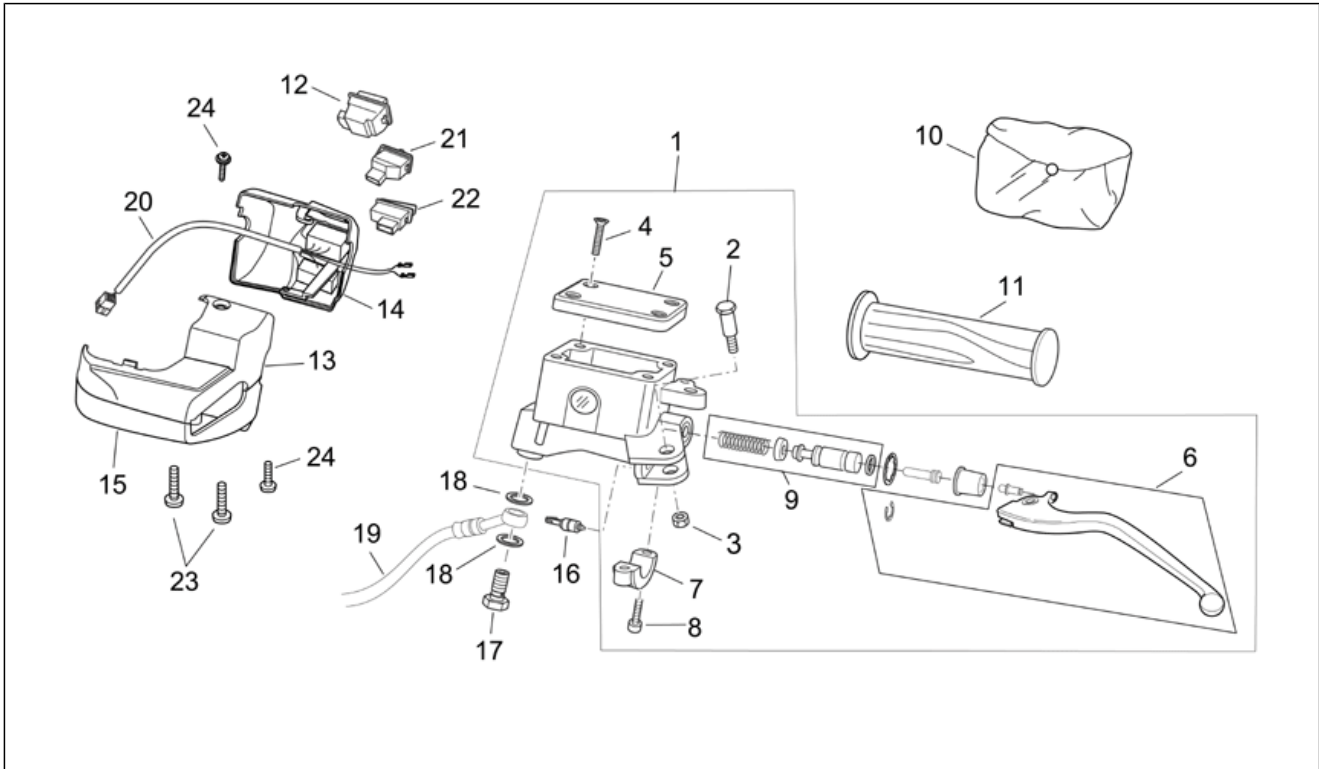
Pos.	Code	Beschreibung	Menge	Varianten
8	AP8150285	TCEI Schraube M6x35	2	
9	AP8158776	Hornverschluss r	1	
10	AP8158967	Hornverschluss l.	1	
11	AP8150277	TCEI Schraube M8x50	1	
12	AP8152300	Selbstsperrende Mutter M8	1	
13	AP8150088	TCEI Schraube M10x70	1	
14	AP8150020	Ausgleichscheibe 10,5x21x2*	1	
15	AP8152301	Selbstsperrende Mutter	1	
16	AP8150413	Gew.schr. 3,9x14	9	
17	AP8150493	TBEI Schraube M4x16	2	
18	AP8102671	Kunststoffniet	2	
19	AP8166625	Deko "Atlantic"	1	Land:CH-D-I[EU]
19	AP8166626	Deko "Arrecife"	1	Land:Spanien[SP]

Einheit	RAHMEN
Code	28.17
Beschreibung	Schaltungen links
Inspektion	1



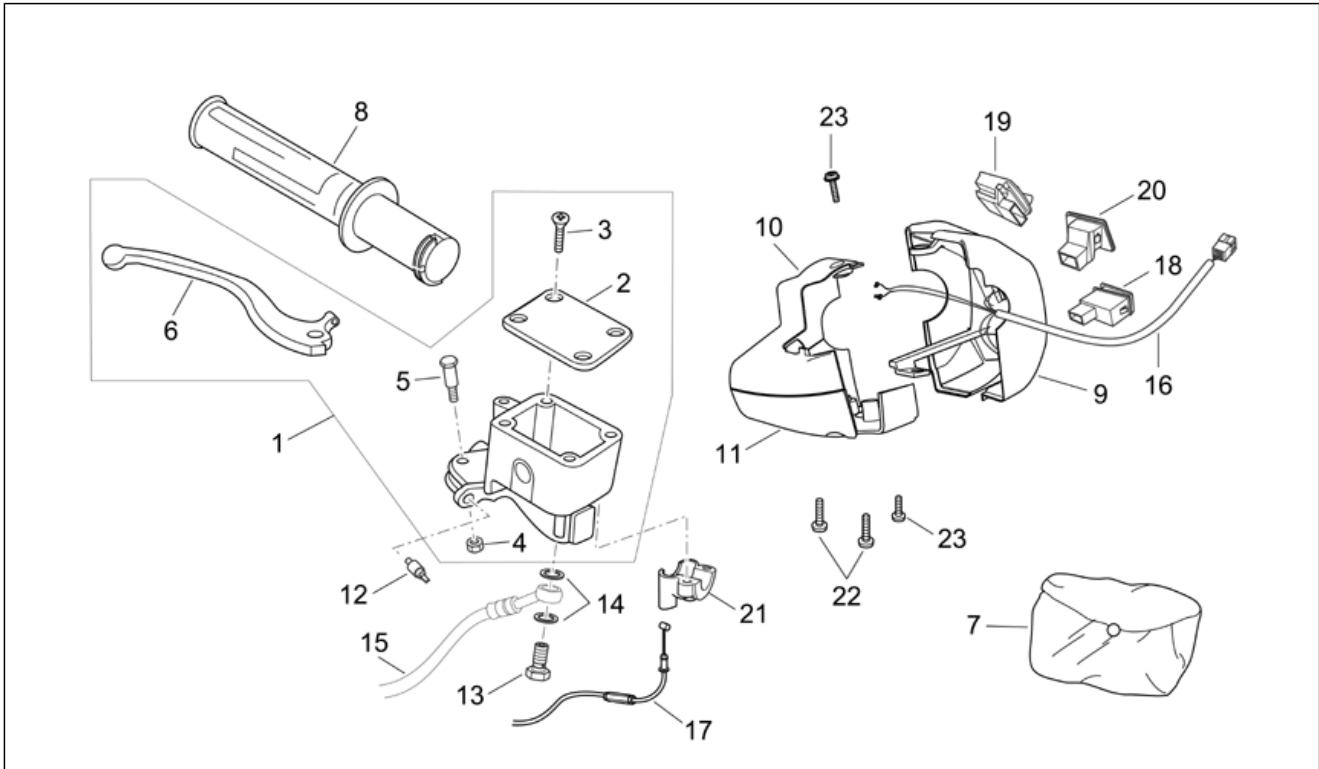
Pos.	Code	Beschreibung	Menge	Varianten
1	AP8133558	Hinterradbrenspumpe	1	Technische Daten:Grimeca[GR]
1	AP8133733	Hinterradbrenspumpe	1	Technische Daten:Heng Tong[HT]
2	AP8125757	Schraube Hebel	1	Technische Daten:Grimeca[GR]
2	AP8213584	Bremshebelbolzen	1	Technische Daten:Heng Tong[HT]
3	AP8213298	Mutter	1	Technische Daten:Grimeca[GR]
3	AP8213585	Mutter	1	Technische Daten:Heng Tong[HT]
4	AP8113859	Schraube Pumpendeckel	4	Technische Daten:Grimeca[GR]
4	AP8133807	Schraube Pumpendeckel	4	Technische Daten:Heng Tong[HT]
5	858492	Pumpendeckel	1	Technische Daten:Heng Tong[HT]
5	AP8113860	Pumpendeckel	1	Technische Daten:Grimeca[GR]
6	AP8118641	Bremshebel	1	Technische Daten:Grimeca[GR]
6	AP8133809	Bremshebel	1	Technische Daten:Heng Tong[HT]
7	AP8113637	Bremshebel-Bügelbolzen	1	Technische Daten:Grimeca[GR]
7	AP8213586	Bremshebel-Bügelbolzen	1	Technische Daten:Heng Tong[HT]
8	AP8213299	Kappenschraube	2	Technische Daten:Grimeca[GR]
8	AP8213582	Kappenschraube	2	Technische Daten:Heng Tong[HT]
9	AP8113861	Kolben kpl.	1	Technische Daten:Grimeca[GR]
10	AP8113862	Bausatz Pumpenüberholung	1	Technische Daten:Grimeca[GR]
10	AP8133810	Bausatz Pumpenüberholung	1	Technische Daten:Heng Tong[HT]
11	AP8118656	Handgriffe paar	1	
12	AP8124622	Lichtschalter	1	
13	AP8158933	LH upper shell	1	
14	AP8158898	Sitz el. Steuer. Is schw.	1	
15	AP8158931	Untere Schale	1	
16	AP8127305	Knopf stop	1	
17	AP8113003	Fixierschraube Ölschlauch	1	
18	AP8113004	Ausgleichscheibe 10x14x1,6*	2	
19	AP8133533	Hinterradbrensleitung	1	

Einheit	RAHMEN
Code	28.17
Beschreibung	Schaltungen links
Inspektion	1



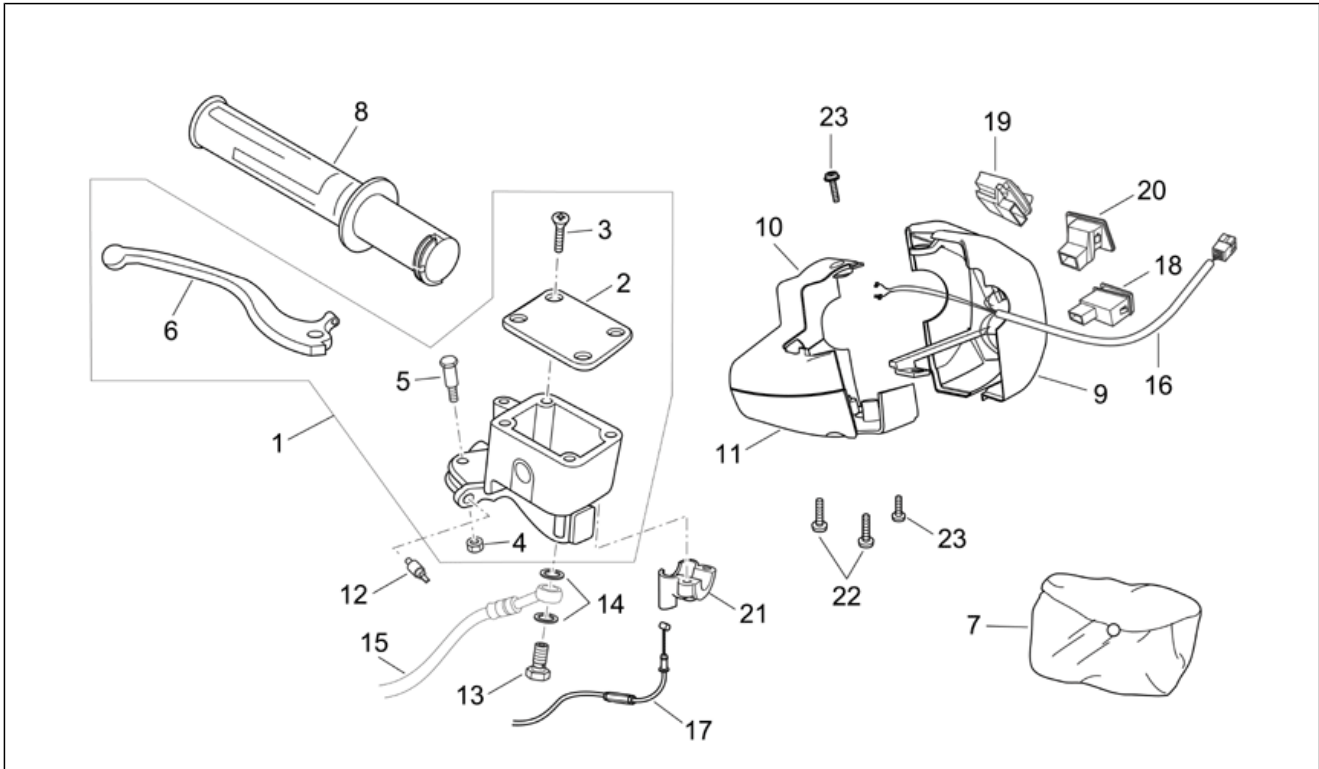
Pos.	Code	Beschreibung	Menge	Varianten
20	AP8127394	Lichtschalterkabel links	1	
21	AP8212767	Blinker Lichtknopf	1	
22	AP8124209	Hupknopf	1	
23	AP8152270	TBEI Schraube M5x25	2	
24	AP8152268	TBEI Spez.schr. M5x16	2	

Einheit	RAHMEN
Code	28.18
Beschreibung	Schaltungen rechts
Inspektion	1



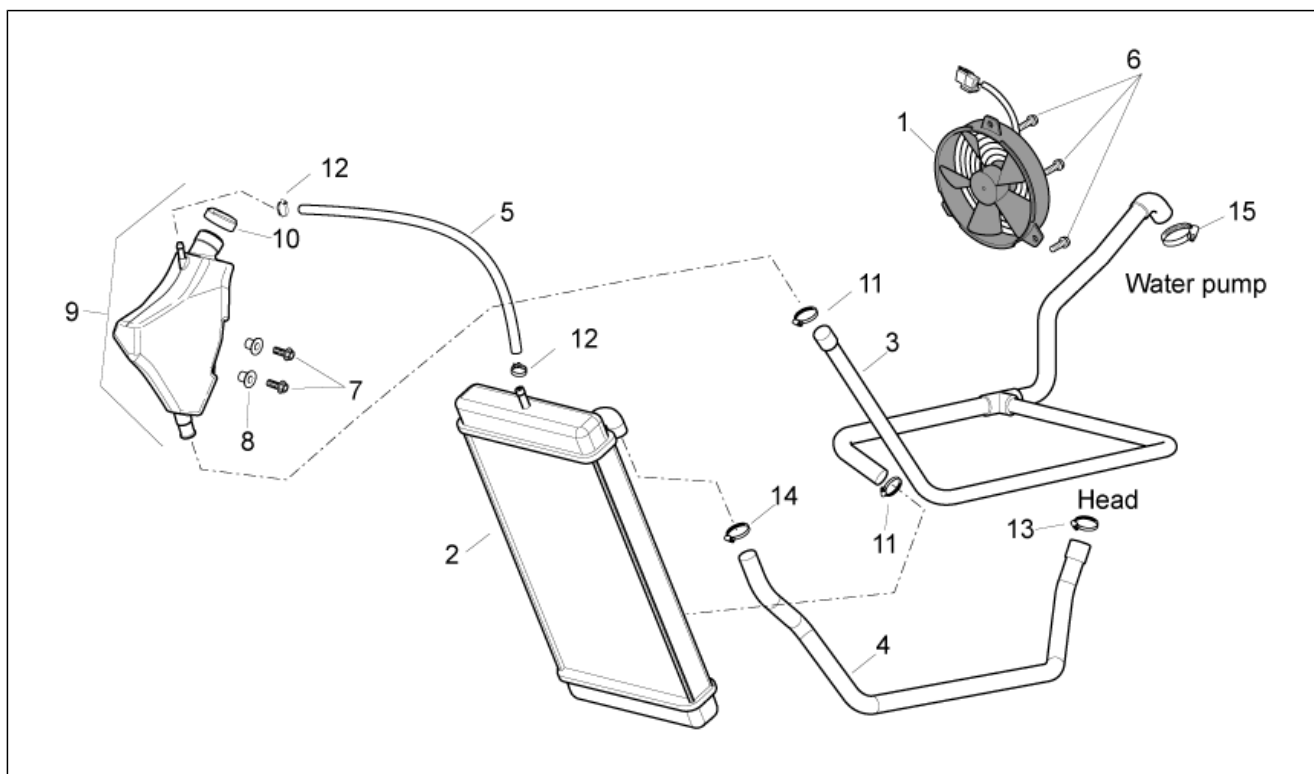
Pos.	Code	Beschreibung	Menge	Varianten
1	AP8133582	Vorderradbremspumpe	1	Technische Daten:Grimeca[GR]
1	AP8133734	Vorderradbremspumpe	1	Technische Daten:Heng Tong[HT]
2	AP8113863	Pumpendeckel	1	Technische Daten:Grimeca[GR]
2	AP8133808	Pumpendeckel	1	Technische Daten:Heng Tong[HT]
3	AP8113859	Schraube Pumpendeckel	4	Technische Daten:Grimeca[GR]
3	AP8133807	Schraube Pumpendeckel	4	Technische Daten:Heng Tong[HT]
4	AP8213298	Mutter	1	Technische Daten:Grimeca[GR]
4	AP8213585	Mutter	1	Technische Daten:Heng Tong[HT]
5	AP8125757	Schraube Hebel	1	Technische Daten:Grimeca[GR]
5	AP8213584	Bremshebelbolzen	1	Technische Daten:Heng Tong[HT]
6	AP8118641	Bremshebel	1	Technische Daten:Grimeca[GR]
6	AP8133811	Bremshebel	1	Technische Daten:Heng Tong[HT]
7	AP8113864	Bausatz Pumpenüberholung	1	Technische Daten:Grimeca[GR]
7	AP8133812	Bausatz Pumpenüberholung	1	Technische Daten:Heng Tong[HT]
8	AP8118656	Handgriffe paar	1	
9	AP8158897	Sitz el. Steuer. rs schw.	1	
10	AP8158932	RH upper shell	1	
11	AP8158930	Untere Schale	1	
12	AP8127305	Knopf stop	1	
13	AP8113003	Fixierschraube Ölschlauch	1	
14	AP8113004	Ausgleichscheibe 10x14x1,6*	2	
15	AP8133821	Vorderradbremnsleitung	1	
16	AP8127393	Lichtschalterkabel rechts	1	
17	AP8114485	Gaszugkabel	2	
18	AP8124208	Startknopf	1	
19	AP8224447	Motor Stop-Start Vorr.	1	
20	AP8104546	Deckel	1	
21	AP8118582	Sitz Gassteuerung	1	

Einheit	RAHMEN
Code	28.18
Beschreibung	Schaltungen rechts
Inspektion	1



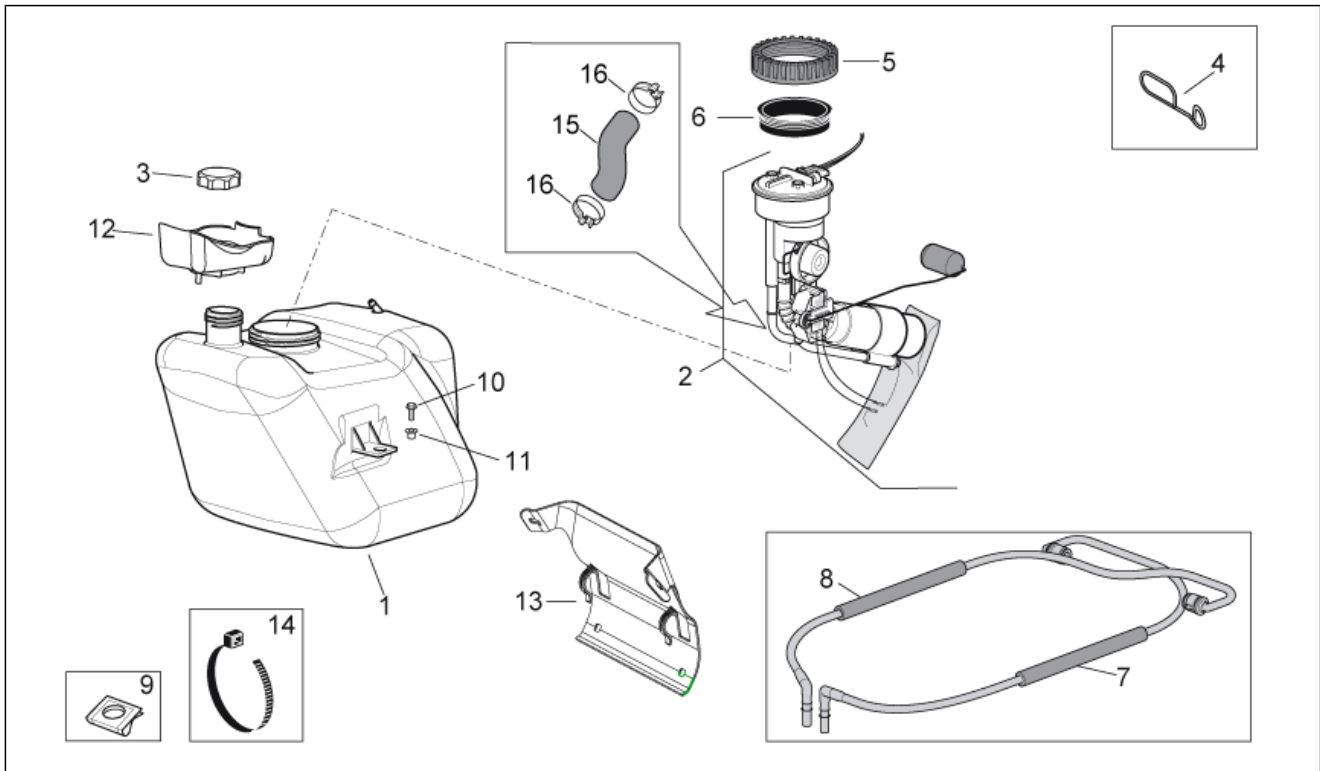
Pos.	Code	Beschreibung	Menge	Varianten
22	AP8152270	TBEI Schraube M5x25	2	
23	AP8152268	TBEI Spez.schr. M5x16	2	

Einheit	RAHMEN
Code	28.19
Beschreibung	Kühler
Inspektion	1



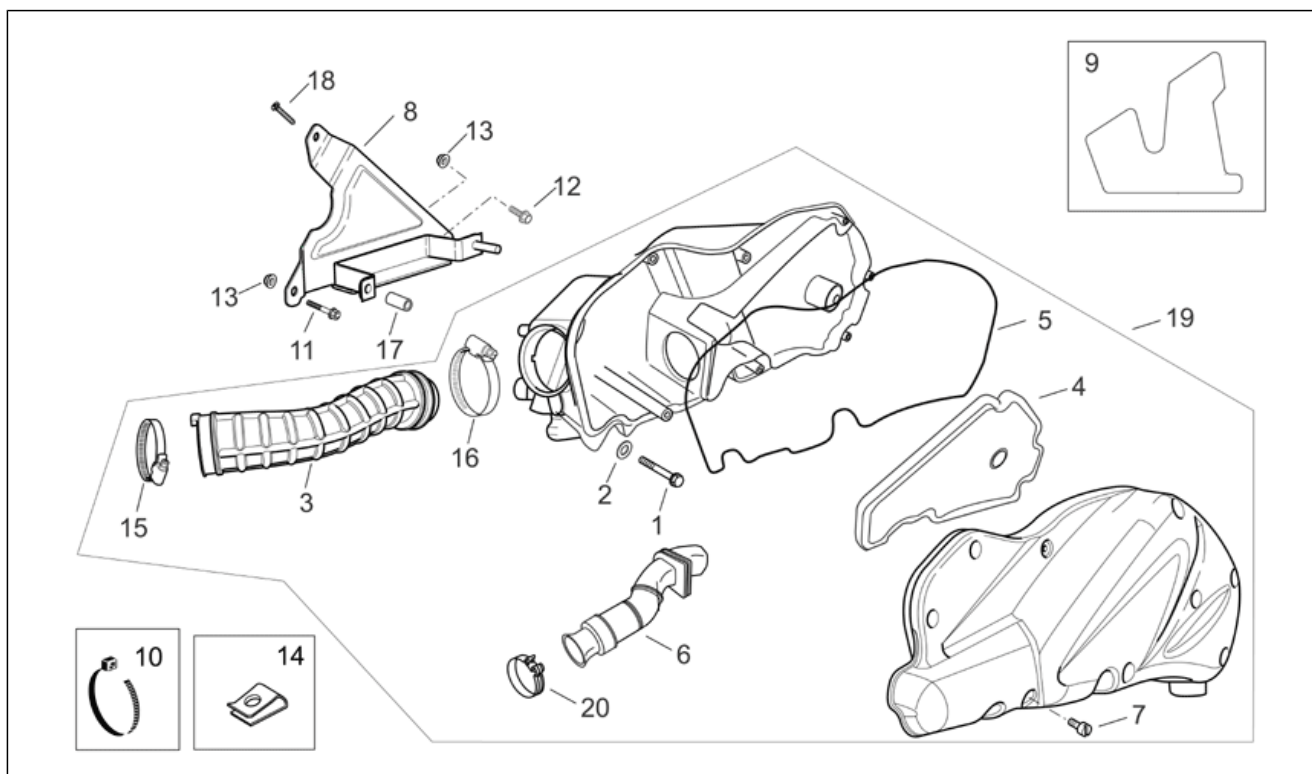
Pos.	Code	Beschreibung	Menge	Varianten
1	AP8127021	Ventilator komplett	1	
2	AP8104857	Kühler	1	
3	AP8144693	Cooler-pump pipe	1	
4	AP8144692	Zylinderkopf-Kühlerschlauch	1	
5	AP8144506	Entlüftungsschlauch Kühler 7,5X3,5	1	
6	AP8152329	Kreuz.schl.flnschschr. M5x20	3	
7	AP8152278	TE Schr. m. Flansch M6x16	2	
8	AP8121075	T-Buchse *	2	
9	AP8178847	Ausdehngefäß	1	
10	AP8570122	Ausdehnsg. Schraube	1	
11	CM001909	Schlauchselle	4	
12	AP8102764	Schlauchselle weiß d.13x6	2	
13	CM001908	Schlauchselle	1	
14	CM001915	Schlauchselle	1	
15	CM001916	Schlauchselle	1	

Einheit	RAHMEN
Code	28.20
Beschreibung	Kraftstofftank
Inspektion	1



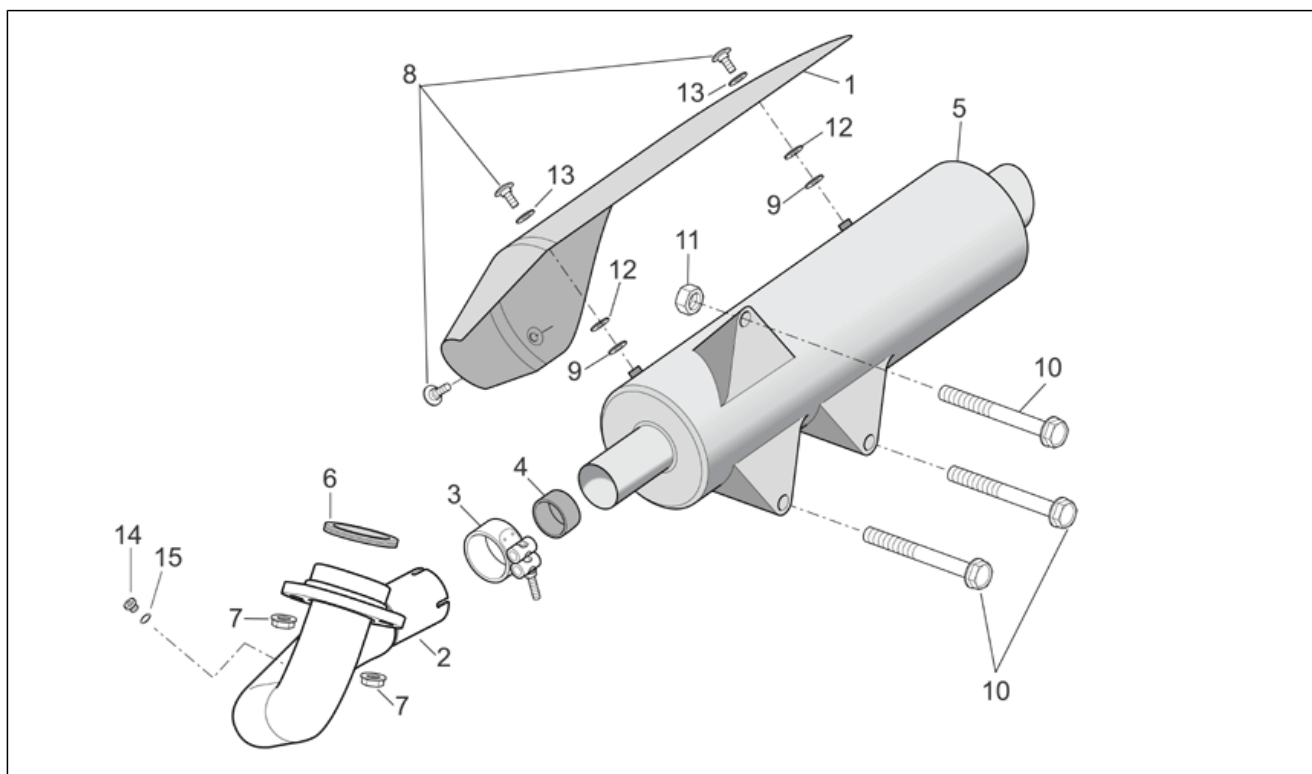
Pos.	Code	Beschreibung	Menge	Varianten
1	AP8178848	Kraftstofftank	1	
2	641135	Kraftstoffpumpe kplt.	1	Technische Daten:Bitron[B]
2	AP8106775	Kraftstoffpumpe kplt.	1	Technische Daten:Marelli[MR]
3	AP8144782	Tankverschlußschraube	1	
4	AP8202159	Kabelführungs	2	
5	AP8158359	Nutmutter	1	
6	AP8144422	Dichtung	1	
7	AP8144694	Benzinleitung	1	
8	AP8144695	Rückflussleitung	1	
9	AP8102376	Klammer M6	3	
10	AP8152279	TE Schr. m. Flansch M6x20	3	
11	AP8221145	T-Buchse *	3	
12	AP8144698	Gummi Kraftstoffsammler	1	
13	AP8117250	Wärmeschutz	1	
14	AP8120416	Schelle schwarz 178x4	2	
15	CM225502	Leitung L=71 mm	1	
16	CM001902	Schlauchschelle	2	

Einheit	RAHMEN
Code	28.21
Beschreibung	Filtergehäuse
Inspektion	1



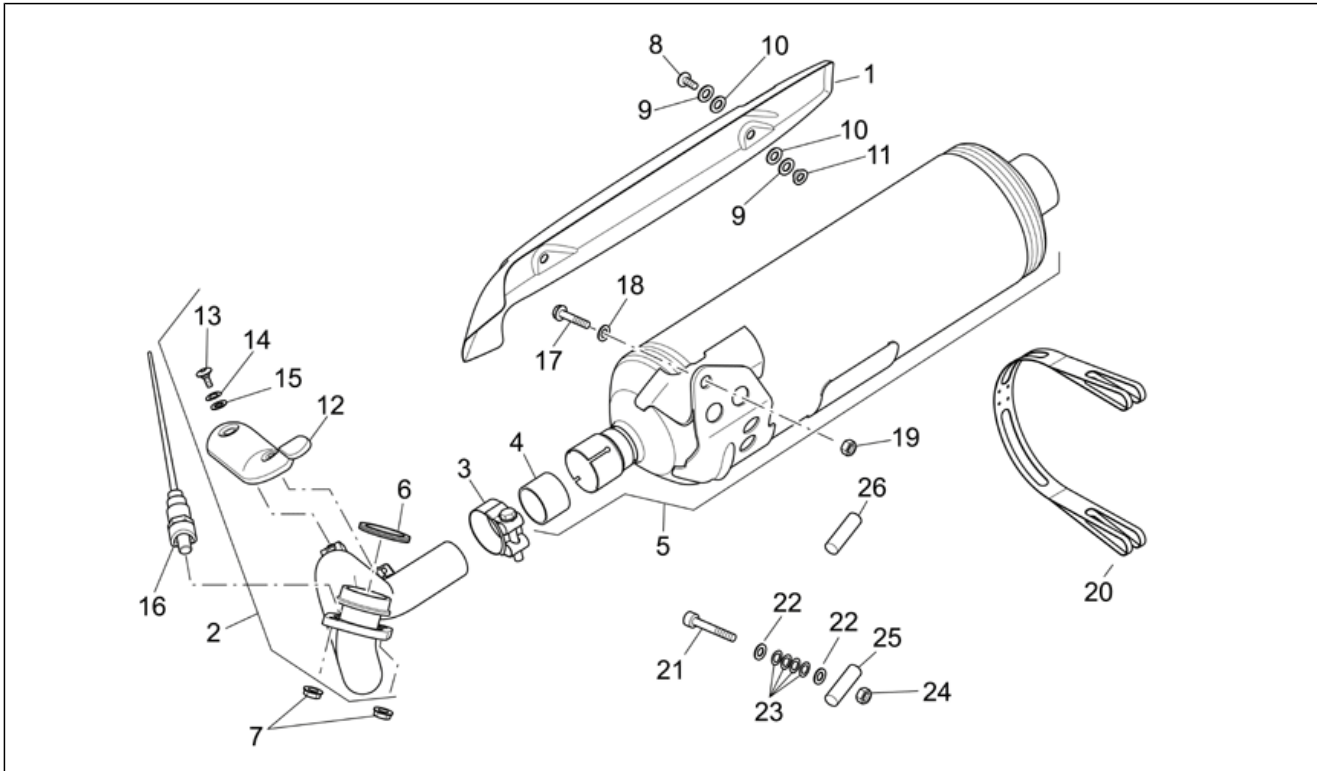
Pos.	Code	Beschreibung	Menge	Varianten
1	AP8150202	TCEI Schraube M6x50	1	
2	AP8152181	Scheibe 6,4x15x1	1	
3	AP8144696	Vergaser-Filtergehäuse Muffe	1	
4	AP8580172	Luftfilter	1	
5	AP8580173	Dichtung Filtergehäuse	1	
6	AP8580178	Hülse Lufteinlaß	1	
7	AP8580061	Gew.schr. 3x20	9	
8	AP8146949	Filtergehäusehalter	1	
9	AP8117249	Schutz Filtergehäuse	1	
10	AP8120416	Schelle schwarz 178x4	3	
11	AP8152281	TE Schr. m. Flansch M6x30	1	
12	AP8152280	TE Schr. m. Flansch M6x25	1	
13	AP8152299	Selbstsperrende Mutter M6	3	
14	AP8102376	Klammer M6	1	
15	AP8102401	Schelle D50-70x8*	1	
16	AP8121639	Schelle 40-60 h9	1	
17	AP8121020	Distanzscheibe 6,5x10x19*	1	
18	AP8150413	Gew.schr. 3,9x14	1	
19	AP8178846	Filterkasten	1	
20	AP8580181	Schlauchschelle	1	

Einheit	RAHMEN
Code	28.22
Beschreibung	Auslassgruppe EURO 2
Inspektion	1



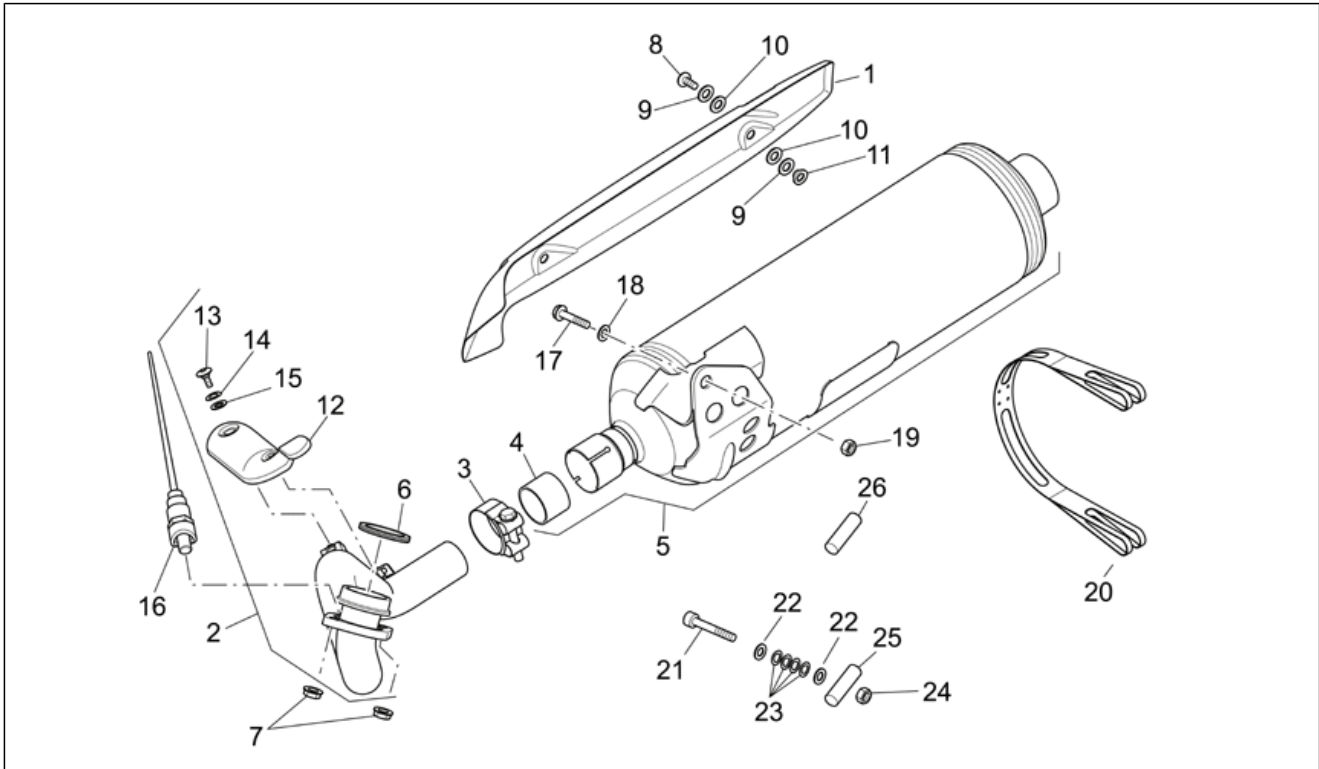
Pos.	Code	Beschreibung	Menge	Varianten
1	AP8119819	Auspuffrohrschutz	1	Technische Daten: Rahmen ZD4VLO (Zulassung E2)[VLO]
2	AP8119849	Krümmmer	1	Technische Daten: Rahmen ZD4VLO (Zulassung E2)[VLO]
3	AP8119734	Schelle	1	Technische Daten: Rahmen ZD4VLO (Zulassung E2)[VLO]
4	AP8163166	Buchse	1	Technische Daten: Rahmen ZD4VLO (Zulassung E2)[VLO]
5	AP8119747	Schalldämpfer	1	Technische Daten: Rahmen ZD4VLO (Zulassung E2)[VLO]
6	AP8119624	Dichtung Auspuffrohr	1	Technische Daten: Rahmen ZD4VLO (Zulassung E2)[VLO]
7	AP8150334	Mutter M8	2	Technische Daten: Rahmen ZD4VLO (Zulassung E2)[VLO]
8	AP8152339	TBEI Schraube m.Flansch M5x9	3	Technische Daten: Rahmen ZD4VLO (Zulassung E2)[VLO]
9	AP8163165	U-scheibe Inox 16x8.4x1.6	3	Technische Daten: Rahmen ZD4VLO (Zulassung E2)[VLO]
10	AP8152410	TE Schr. m. Flansch M10x55	3	Technische Daten: Rahmen ZD4VLO (Zulassung E2)[VLO]
11	AP8152400	Mutter	3	Technische Daten: Rahmen ZD4VLO (Zulassung E2)[VLO]
12	AP8163167	Isolierscheibe 20x8x1.5	3	Technische Daten: Rahmen ZD4VLO (Zulassung E2)[VLO]
13	AP8150502	Ausgleichscheibe 15x8x0,8	3	Technische Daten: Rahmen ZD4VLO (Zulassung E2)[VLO]
14	AP8119497	CO-Anschlußschraube	1	Technische Daten: Rahmen ZD4VLO (Zulassung E2)[VLO]
15	AP8113004	Ausgleichscheibe 10x14x1,6*	1	Technische Daten: Rahmen ZD4VLO (Zulassung E2)[VLO]

Einheit	RAHMEN
Code	28.23
Beschreibung	Auslassgruppe EURO 3
Inspektion	1



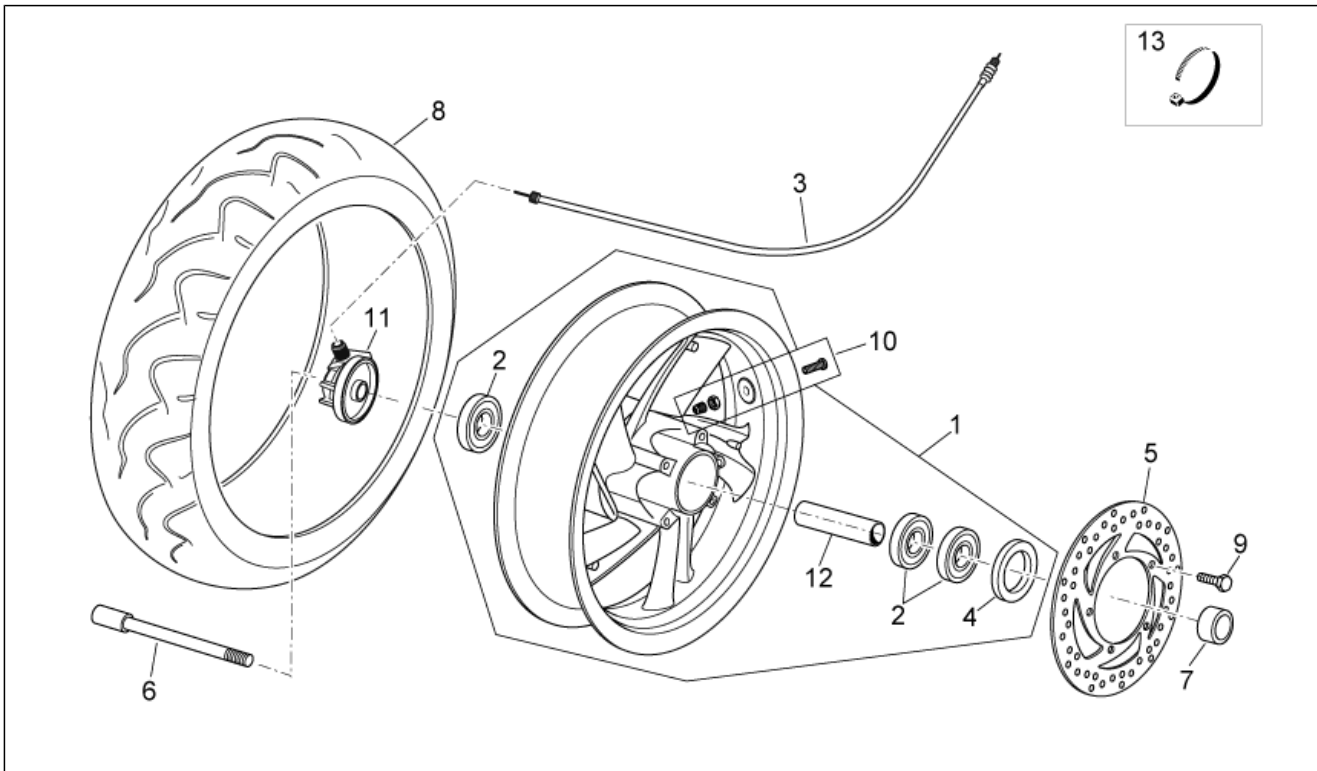
Pos.	Code	Beschreibung	Menge	Varianten
1	AP8119862	Auspuffschutz Stahl	1	Technische Daten: Rahmen ZD4VLA (Zulassung E3)[VLA], Rahmen ZD4VLB (E3-Zulassung)[VLB]
2	AP8119861	Krümmter	1	Technische Daten: Rahmen ZD4VLA (Zulassung E3)[VLA], Rahmen ZD4VLB (E3-Zulassung)[VLB]
3	AP8119899	Schelle	1	Technische Daten: Rahmen ZD4VLA (Zulassung E3)[VLA], Rahmen ZD4VLB (E3-Zulassung)[VLB]
4	AP8161211	Buchse	1	Technische Daten: Rahmen ZD4VLA (Zulassung E3)[VLA], Rahmen ZD4VLB (E3-Zulassung)[VLB]
5	AP8119908	Schalldämpfer	1	Technische Daten: Rahmen ZD4VLA (Zulassung E3)[VLA], Rahmen ZD4VLB (E3-Zulassung)[VLB]
6	AP8144776	Dichtung Auspuffrohr	1	Technische Daten: Rahmen ZD4VLA (Zulassung E3)[VLA], Rahmen ZD4VLB (E3-Zulassung)[VLB]
7	AP8150334	Mutter M8	2	Technische Daten: Rahmen ZD4VLA (Zulassung E3)[VLA], Rahmen ZD4VLB (E3-Zulassung)[VLB]
8	AP8152246	TBEI Schraube m.Flansch M6x16	3	Technische Daten: Rahmen ZD4VLA (Zulassung E3)[VLA], Rahmen ZD4VLB (E3-Zulassung)[VLB]
9	AP8144064	Wärmeschutzscheibe	6	Technische Daten: Rahmen ZD4VLA (Zulassung E3)[VLA], Rahmen ZD4VLB (E3-Zulassung)[VLB]
10	AP8144065	Gummi	6	Technische Daten: Rahmen ZD4VLA (Zulassung E3)[VLA], Rahmen ZD4VLB (E3-Zulassung)[VLB]
11	851946	Buchse	3	Technische Daten: Rahmen ZD4VLA (Zulassung E3)[VLA], Rahmen ZD4VLB (E3-Zulassung)[VLB]
12	AP8117286	Schutzabdeckung	1	Technische Daten: Rahmen ZD4VLA (Zulassung E3)[VLA], Rahmen ZD4VLB (E3-Zulassung)[VLB]
13	AP8152514	Schraube	2	Technische Daten: Rahmen ZD4VLA (Zulassung E3)[VLA], Rahmen ZD4VLB (E3-Zulassung)[VLB]
14	AP8152515	Ausgleichscheibe	2	Technische Daten: Rahmen ZD4VLA (Zulassung E3)[VLA], Rahmen ZD4VLB (E3-Zulassung)[VLB]
15	AP8152516	Wärmeschutzscheibe	2	Technische Daten: Rahmen ZD4VLA (Zulassung E3)[VLA], Rahmen ZD4VLB (E3-Zulassung)[VLB]
16	AP8119860	Lamdasonde	1	Technische Daten: Rahmen ZD4VLA (Zulassung E3)[VLA], Rahmen ZD4VLB (E3-Zulassung)[VLB]

Einheit	RAHMEN
Code	28.23
Beschreibung	Auslassgruppe EURO 3
Inspektion	1



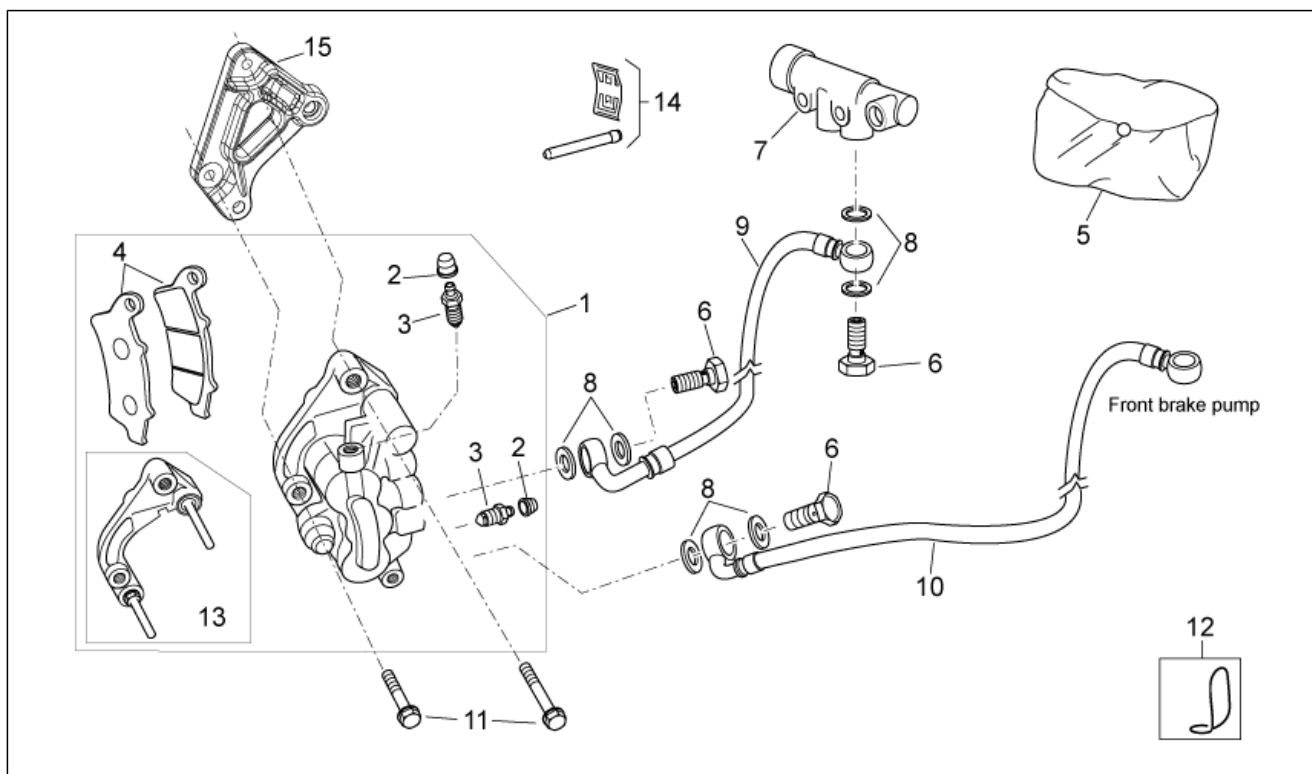
Pos.	Code	Beschreibung	Menge	Varianten
17	AP8152291	TE Schr. m. Flansch	1	Technische Daten: Rahmen ZD4VLA (Zulassung E3)[VLA], Rahmen ZD4VLB (E3-Zulassung)[VLB]
18	AP8152505	Ausgleichscheibe	1	Technische Daten: Rahmen ZD4VLA (Zulassung E3)[VLA], Rahmen ZD4VLB (E3-Zulassung)[VLB]
19	AP8152350	Mutter	1	Technische Daten: Rahmen ZD4VLA (Zulassung E3)[VLA], Rahmen ZD4VLB (E3-Zulassung)[VLB]
20	AP8119873	Schelle	1	Technische Daten: Rahmen ZD4VLA (Zulassung E3)[VLA], Rahmen ZD4VLB (E3-Zulassung)[VLB]
21	AP8152487	TCEI Schraube M8x80	1	Technische Daten: Rahmen ZD4VLA (Zulassung E3)[VLA], Rahmen ZD4VLB (E3-Zulassung)[VLB]
22	AP8150551	Ausgleichscheibe	2	Technische Daten: Rahmen ZD4VLA (Zulassung E3)[VLA], Rahmen ZD4VLB (E3-Zulassung)[VLB]
23	AP8161098	Tellerfeder	4	Technische Daten: Rahmen ZD4VLA (Zulassung E3)[VLA], Rahmen ZD4VLB (E3-Zulassung)[VLB]
24	AP8150027	Mutter M8	1	Technische Daten: Rahmen ZD4VLA (Zulassung E3)[VLA], Rahmen ZD4VLB (E3-Zulassung)[VLB]
25	AP8161097	Fixierstift unten	1	Technische Daten: Rahmen ZD4VLA (Zulassung E3)[VLA], Rahmen ZD4VLB (E3-Zulassung)[VLB]
26	AP8161096	Fixierstift oben	1	Technische Daten: Rahmen ZD4VLA (Zulassung E3)[VLA], Rahmen ZD4VLB (E3-Zulassung)[VLB]

Einheit	RAHMEN
Code	28.24
Beschreibung	Vorderrad
Inspektion	1



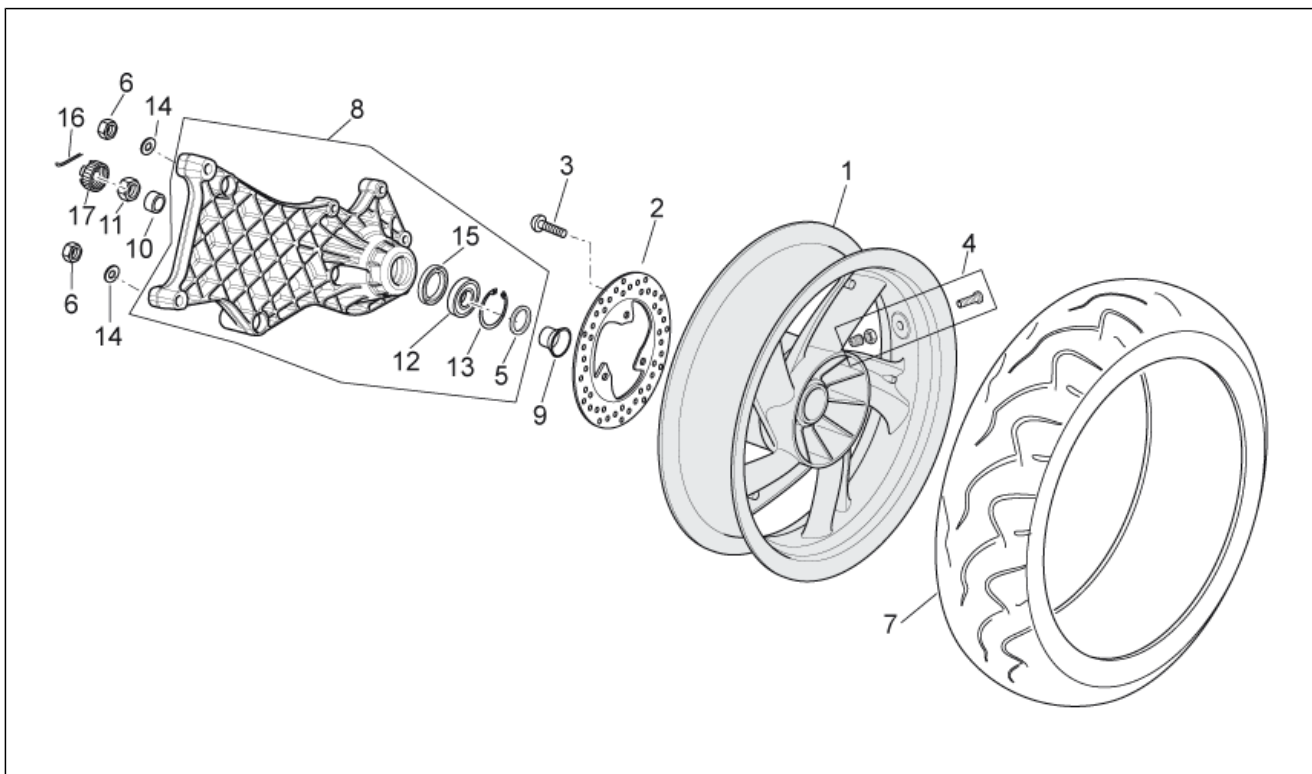
Pos.	Code	Beschreibung	Menge	Varianten
1	852264	Vorderrad Silver	1	Technische Daten: Marke ZNL[ZNL]
1	AP8128115	Vorderrad Silver	1	Technische Daten: Grimeca[GR]
2	AP8225123	Lager	3	
3	AP8114460	Tachometerkabel	1	
4	AP8125782	Gasket ring	1	
5	AP8133788	Vorderradbremsscheibe	1	
6	AP8225361	Vorderradbolzen	1	
7	AP8121588	Vorderrad Distanzscheibe	1	
8	AP8128114	Reifen 120/70-14"	1	
9	AP8152056	TBEI Schraube M8x30	5	
10	AP8201546	Schlauchloses Reifenventil	1	
11	AP8104402	Vorgelegte Kilometerzähler	1	
12	852204	Interne Distanzscheibe Rad	1	Technische Daten: Grimeca[GR]
12	852271	Interne Distanzscheibe Rad	1	Technische Daten: Marke ZNL[ZNL]
13	AP8120422	Schelle schwarz 98x2*	1	

Einheit	RAHMEN
Code	28.25
Beschreibung	Vorderradbremzange
Inspektion	1



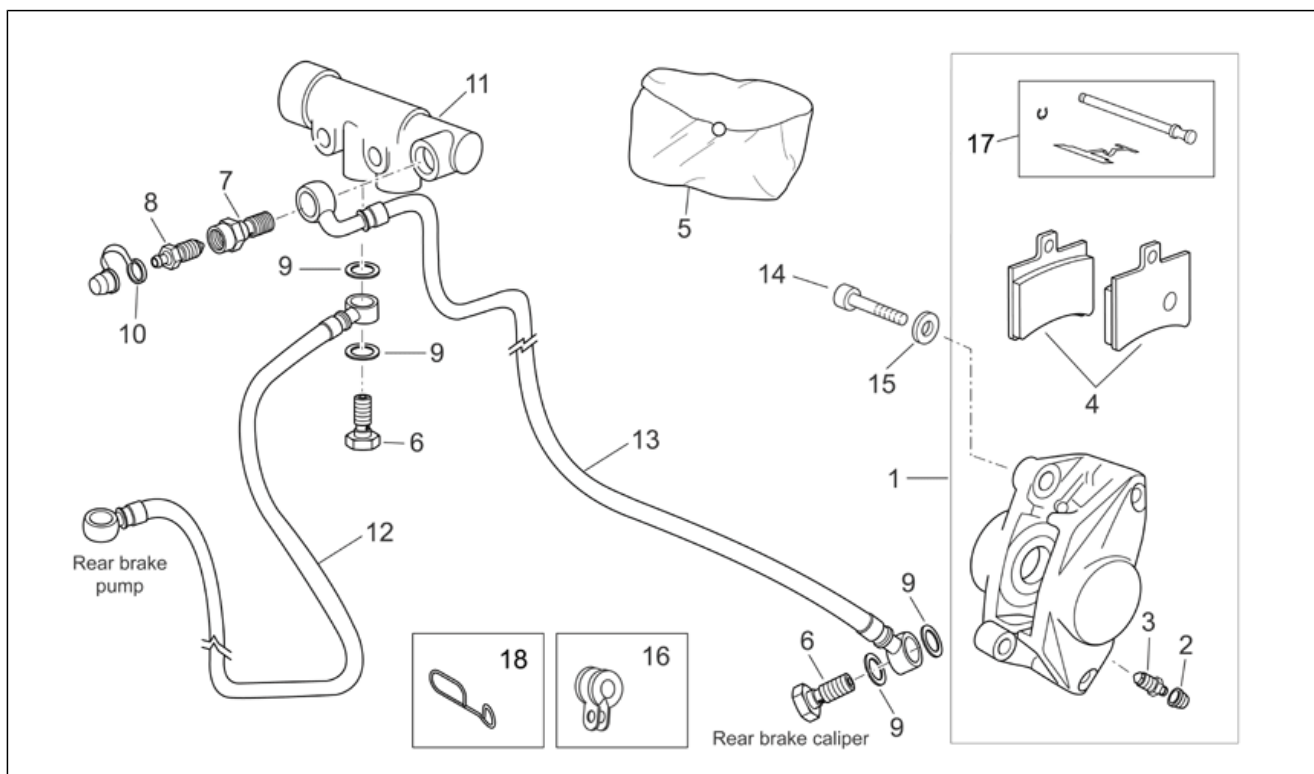
Pos.	Code	Beschreibung	Menge	Varianten
1	AP8133525	Vorderradbremzange	1	Technische Daten:Grimeca[GR]
1	AP8133731	Vorderradbremzange	1	Technische Daten:Heng Tong[HT]
2	AP8113005	Entlüftungskappe	2	Technische Daten:Grimeca[GR]
2	AP8133813	Entlüftungskappe	2	Technische Daten:Heng Tong[HT]
3	AP8133814	Entlüftungsanschluß	2	Technische Daten:Heng Tong[HT]
3	AP8213108	Entlüftungsanschluß	2	Technische Daten:Grimeca[GR]
4	AP8133603	Beläge (Paar)	1	Technische Daten:Grimeca[GR]
4	AP8133815	Beläge (Paar)	1	Technische Daten:Heng Tong[HT]
5	AP8133604	Bausatz Bremszangenüberholung	1	Technische Daten:Grimeca[GR]
5	AP8133816	Bausatz Bremszangenüberholung	1	Technische Daten:Heng Tong[HT]
6	AP8113003	Fixierschraube Ölschlauch	3	
7	AP8113922	Ventil	1	Technische Daten:Grimeca[GR]
7	AP8133738	Ventil	1	Technische Daten:Heng Tong[HT]
8	AP8113004	Ausgleichscheibe 10x14x1,6*	6	
9	AP8133777	Leitung	1	
10	AP8133526	Vorderradbremseleitung	1	
11	AP8152290	TE Schr. m. Flansch M8x40	2	
12	AP8121856	Kabelführungs	1	
13	AP8133817	Bremszangen Anschluß kpl.	1	Technische Daten:Heng Tong[HT]
13	AP8146882	Bremszangen Anschluß kpl.	1	Technische Daten:Grimeca[GR]
14	AP8133760	Stifte-Federn Bremszange	1	Technische Daten:Grimeca[GR]
14	AP8133818	Stifte-Federn Bremszange	1	Technische Daten:Heng Tong[HT]
15	AP8146945	Bügel Zange H.radbremse	1	

Einheit	RAHMEN
Code	28.26
Beschreibung	Hinterrad
Inspektion	1



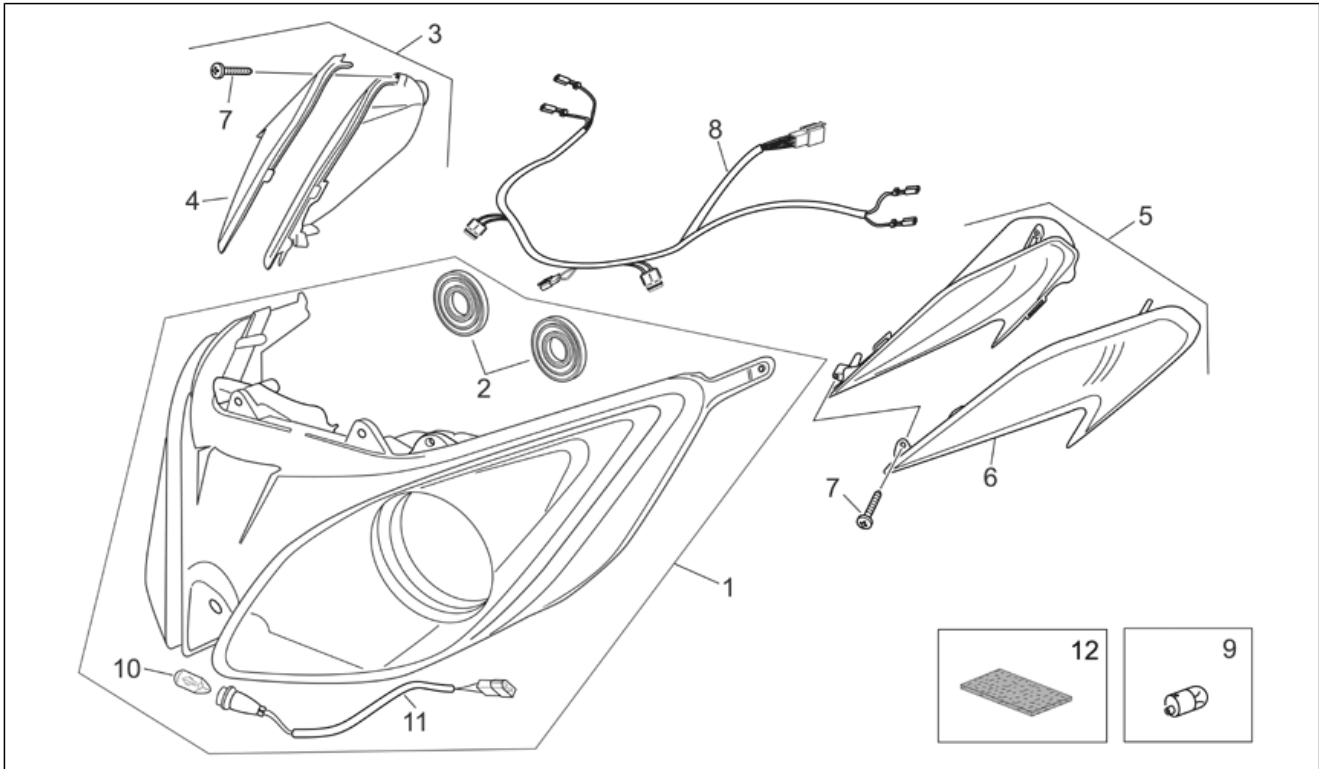
Pos.	Code	Beschreibung	Menge	Varianten
1	852265	Hinterrad ohne Scheibe Silver	1	Technische Daten: Marke ZNL[ZNL]
1	AP8108960	Hinterrad ohne Scheibe Silver	1	Technische Daten: Grimeca[GR]
2	AP8113800	Vorderradbremsscheibe	1	
3	AP8152279	TE Schr. m. Flansch M6x20	5	
4	AP8202168	Schlauchloses Reifenventil	1	
5	AP8110086	Staubschutz	1	
6	AP8150277	TCEI Schraube M8x50	2	Technische Daten: Rahmen ZD4VLO (Zulassung E2)[VLO]
6	AP8150552	Mutter M10x1,25	2	Technische Daten: Rahmen ZD4VLA (Zulassung E3)[VLA], Rahmen ZD4VLB (E3-Zulassung)[VLB]
7	AP8109312	Reifen 140/60-14"	1	
8	AP8146943	Schalldämpfer Halteplatte	1	Technische Daten: Rahmen ZD4VLO (Zulassung E2)[VLO]
8	AP8154067	Schalldämpfer Halteplatte	1	Technische Daten: Rahmen ZD4VLA (Zulassung E3)[VLA], Rahmen ZD4VLB (E3-Zulassung)[VLB]
9	AP8125845	Hinterrad Distanzscheibe	1	
10	AP8125862	Hinterrad Distanzscheibe	1	
11	AP8550307	Mutter Hinterrad	1	
12	AP8152402	Lager 6303-2RS1	1	
13	AP8152401	Ring 47	1	
14	AP8150017	Ausgleichscheibe 8,4x16x1,6	2	Technische Daten: Rahmen ZD4VLA (Zulassung E3)[VLA], Rahmen ZD4VLB (E3-Zulassung)[VLB]
14	AP8150018	Ausgleichscheibe	2	Technische Daten: Rahmen ZD4VLO (Zulassung E2)[VLO]
15	AP8149465	Staubschutz	1	
16	AP8121620	Splint	1	
17	AP8550261	Kappe	1	

Einheit	RAHMEN
Code	28.27
Beschreibung	Hinterradbremsszange
Inspektion	1



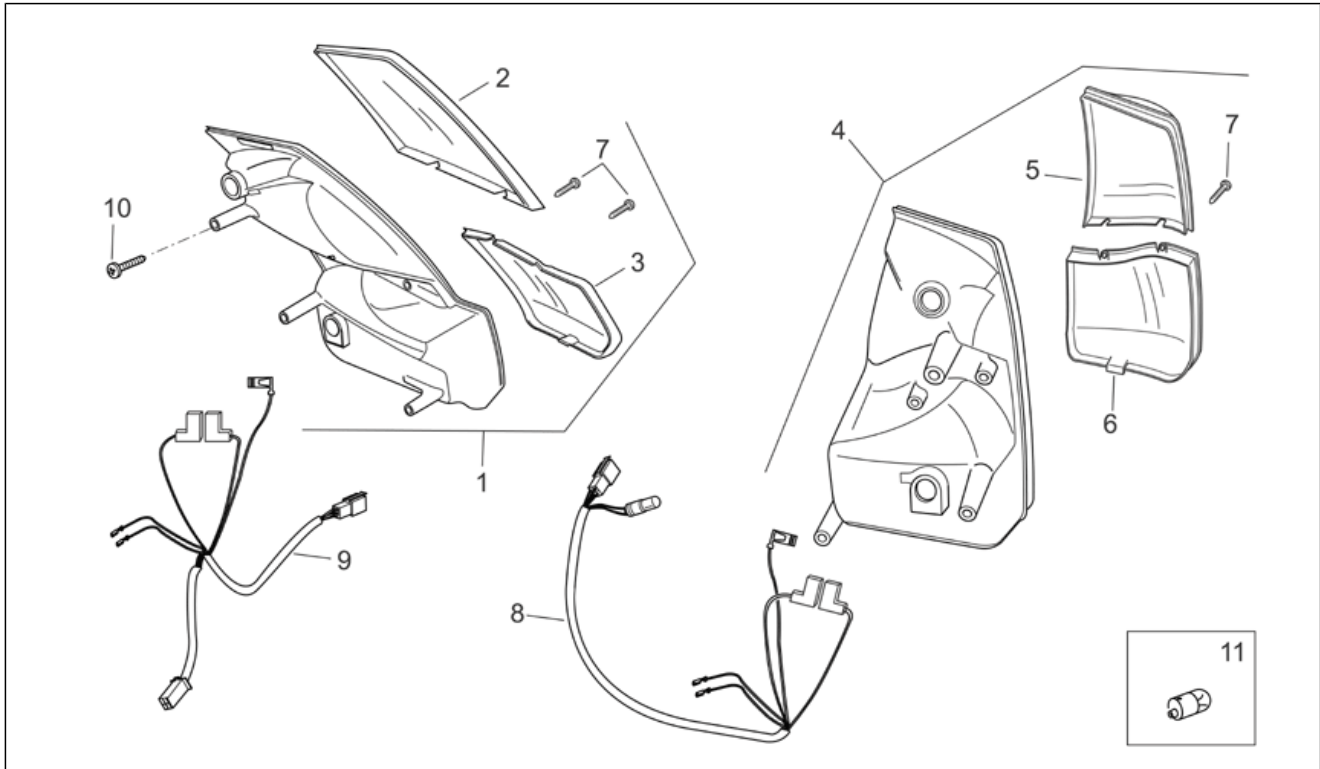
Pos.	Code	Beschreibung	Menge	Varianten
1	AP8133581	Hinterradbremsszange	1	Technische Daten:Grimeca[GR]
1	AP8133732	Hinterradbremsszange	1	Technische Daten:Heng Tong[HT]
2	AP8113005	Entlüftungskappe	1	Technische Daten:Grimeca[GR]
2	AP8213575	Entlüftungskappe	1	Technische Daten:Heng Tong[HT]
3	AP8113006	Entlüftungsanschluß	1	Technische Daten:Grimeca[GR]
3	AP8213574	Entlüftungsanschluß	1	Technische Daten:Heng Tong[HT]
4	AP8113869	Beläge (Paar)	1	Technische Daten:Grimeca[GR]
4	AP8213577	Beläge (Paar)	1	Technische Daten:Heng Tong[HT]
5	AP8213457	Bausatz Bremszangenüberholung	1	Technische Daten:Grimeca[GR]
5	AP8213579	Bausatz Bremszangenüberholung	1	Technische Daten:Heng Tong[HT]
6	AP8113003	Fixierschraube Ölschlauch	2	
7	AP8113762	Lochschraube	1	
8	AP8113761	Entlüftungsanschluß	1	
9	AP8113004	Ausgleichscheibe 10x14x1,6*	4	
10	AP8113230	Entlüftungskappe	1	
11	AP8113922	Ventil	1	Technische Daten:Grimeca[GR]
11	AP8133738	Ventil	1	Technische Daten:Heng Tong[HT]
12	AP8133533	Hinterradbremssleitung	1	
13	AP8133950	Leitung	1	Technische Daten:Rahmen ZD4VLA (Zulassung E3)[VLA], Rahmen ZD4VLB (E3-Zulassung)[VLB]
13	AP8144531	Leitung	1	Technische Daten:Rahmen ZD4VLO (Zulassung E2)[VLO]
14	AP8150164	TCEI Schraube M8x45	2	
15	AP8150376	Ausgleichscheibe 8,5x15x0,8	2	
16	AP8132907	Schelle	1	
17	AP8113871	Bolzen+Bremse Felder	1	Technische Daten:Grimeca[GR]
17	AP8213578	Bolzen+Bremse Felder	1	Technische Daten:Heng Tong[HT]
18	AP8202159	Kabelführungs	1	

Einheit	RAHMEN
Code	28.28
Beschreibung	Scheinwerfer
Inspektion	1



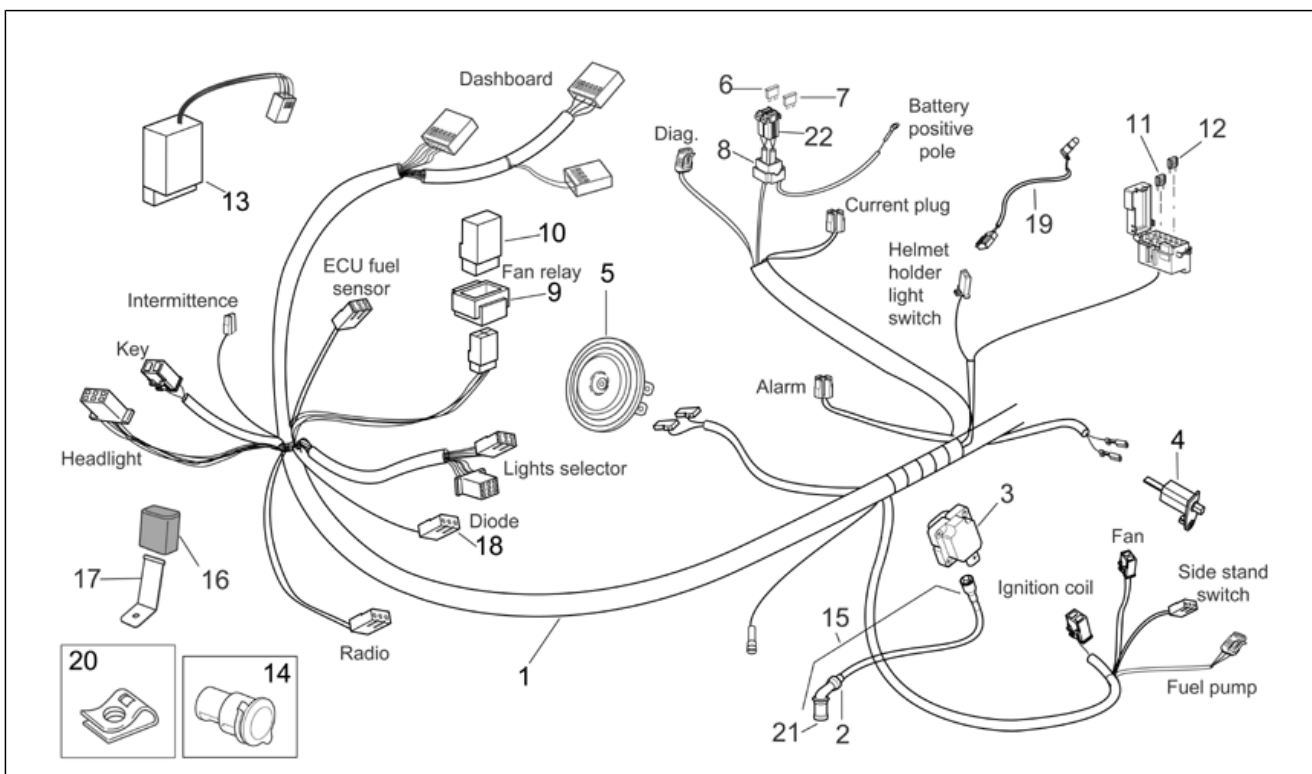
Pos.	Code	Beschreibung	Menge	Varianten
1	854894	Scheinwerfer	1	Land:Deutschland[D], Spanien[E], CH-D-I[EU], Frankreich[F], Italien[I], Holland[NL], Spanien[SP]
1	854895	Scheinwerfer	1	Land:Großbritannien[UK]
2	AP8127442	Scheinwerferhaube	2	
3	AP8127272	Vorderblinker rechts	1	
4	AP8127443	V. Blinkerblende rechts	1	
5	AP8127258	Vorderblinker links	1	
6	AP8127444	V. Blinkerblende links	1	
7	AP8121643	Gew.schr. 3,5x13	2	
8	AP8127248	Verkabel.Scheinwerf.	1	
9	0000000	Reifen	2	
10	0000000	Reifen	1	
11	AP8127488	Kabel Standlicht	1	
12	AP8144529	Dichtung	1	

Einheit	RAHMEN
Code	28.29
Beschreibung	Rücklicht
Inspektion	1



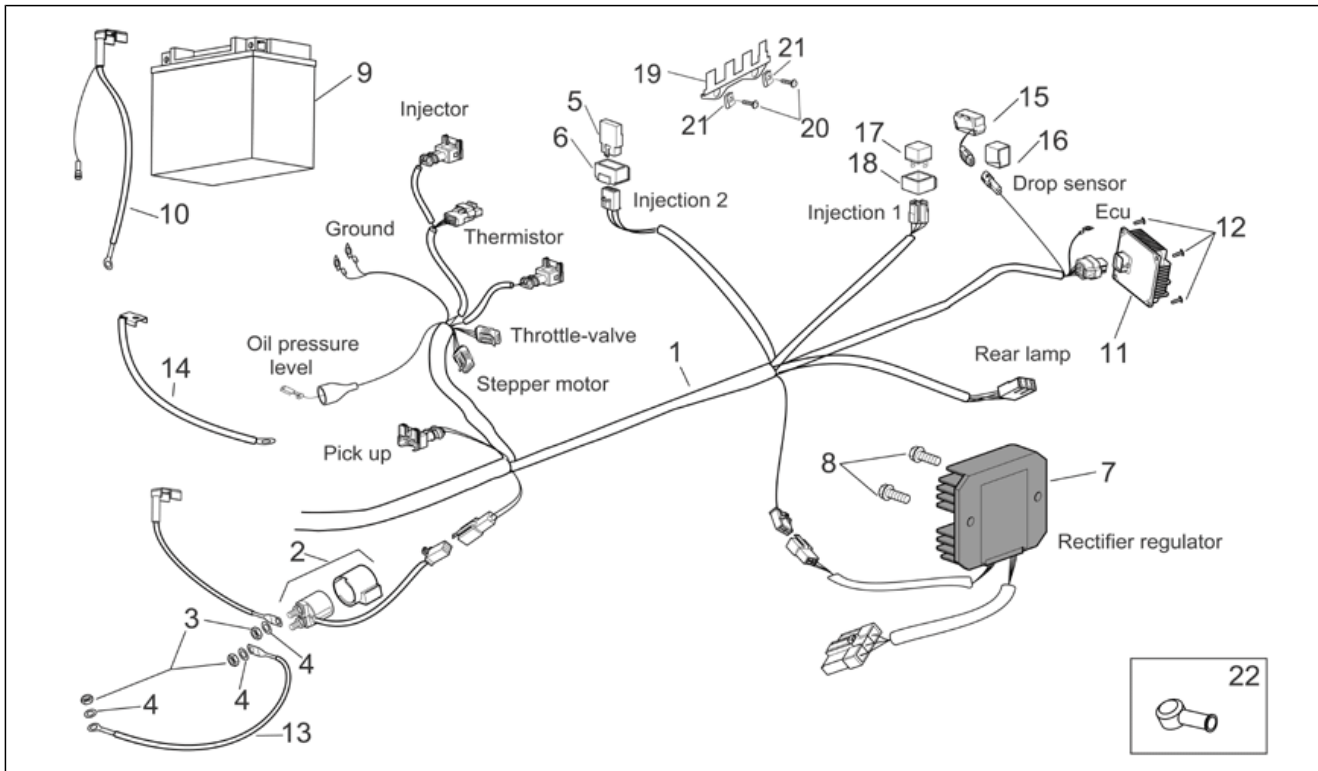
Pos.	Code	Beschreibung	Menge	Varianten
1	AP8127259	Rücklicht rechts	1	
2	AP8127445	RH transparent lens	1	
3	AP8127448	RH red lens	1	
4	AP8127316	Linker rücklicht	1	
5	AP8127447	LH transparent lens	1	
6	AP8127446	LH red lens	1	
7	AP8224242	Gew.schr. 3,9x16	4	
8	AP8127720	Verkabelung Rücklicht links	1	
9	AP8127249	Verkabelung Rücklicht rechts	1	
10	AP8152329	Kreuz.schl.flnschschr. M5x20	6	
11	0000000	Reifen	2	

Einheit	RAHMEN
Code	28.30
Beschreibung	Elektrische anlage I
Inspektion	1



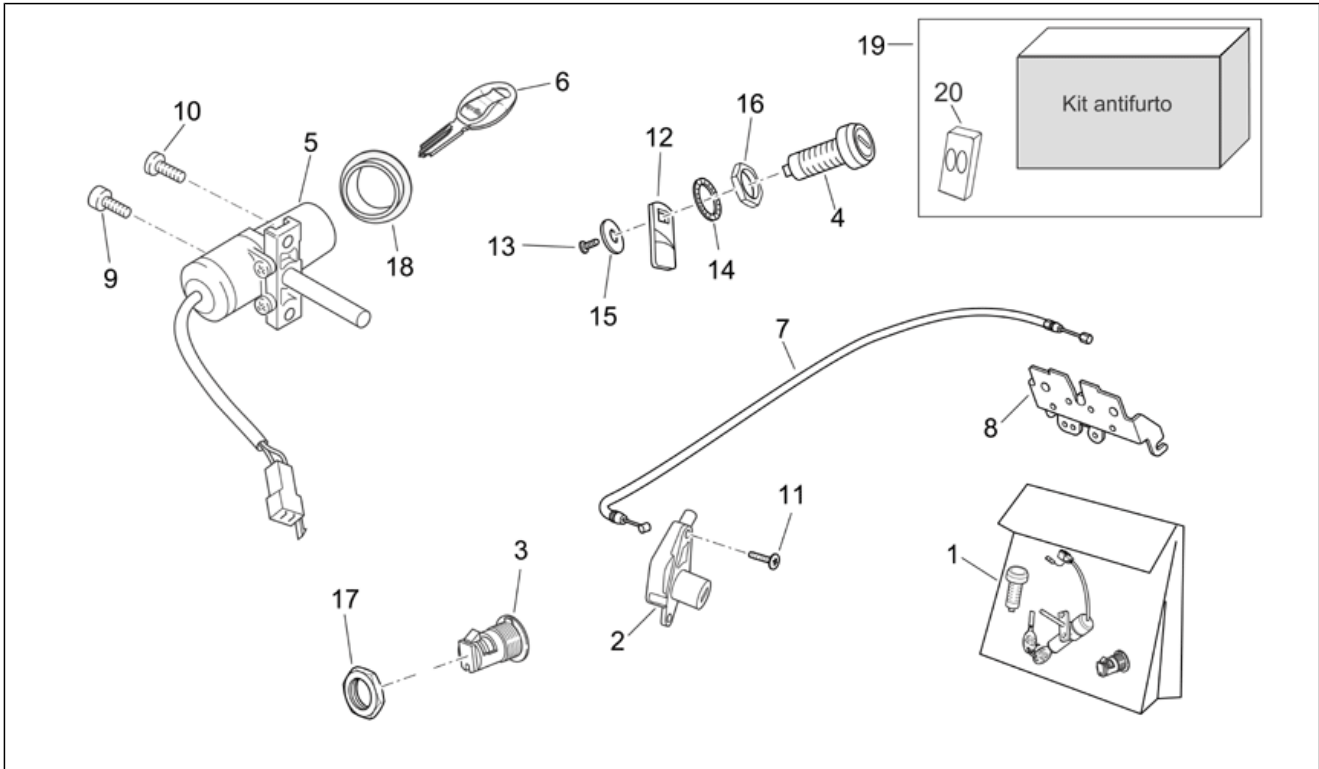
Pos.	Code	Beschreibung	Menge	Varianten
1	AP8127672	Hauptverkabelung	1	Technische Daten: Rahmen ZD4VLO (Zulassung E2)[VLO]
1	AP8127822	Hauptverkabelung	1	Technische Daten: Rahmen ZD4VLA (Zulassung E3)[VLA], Rahmen ZD4VLB (E3-Zulassung)[VLB]
2	AP8550455	Widerstandsstecker	1	
3	AP8127112	Spule	1	
4	AP8212696	Kofferlichtschalter	1	
5	AP8127337	Hupe	1	
6	AP8112506	Sicherung 20A	2	
7	AP8124273	Sicherung 30a	2	
8	AP8220546	Auflagegummi Relais	1	
9	AP8220283	Gummi *	1	
10	AP8224462	Zündrelais 12V-30A	1	
11	AP8127346	Sicherung 3A	3	
12	AP8112176	Sicherung 15A	4	
13	AP8104884	Benzinanzeige Regler	1	
14	AP8124768	Strombuchse kpl.	1	
15	AP8127302	Zuendkabel	1	
16	AP8124235	Blinken	1	
17	AP8134967	Fixierplatte	1	
18	AP8212588	Sicherheitsdiode	1	
19	AP8127719	Kofferlichtkabel	1	
20	AP8102375	Klammer M5	1	
21	AP8550366	Zündkerze Schutzring	1	
22	AP8120754	Sicherungsblockgummi	1	

Einheit	RAHMEN
Code	28.31
Beschreibung	Elektrische anlage II
Inspektion	1



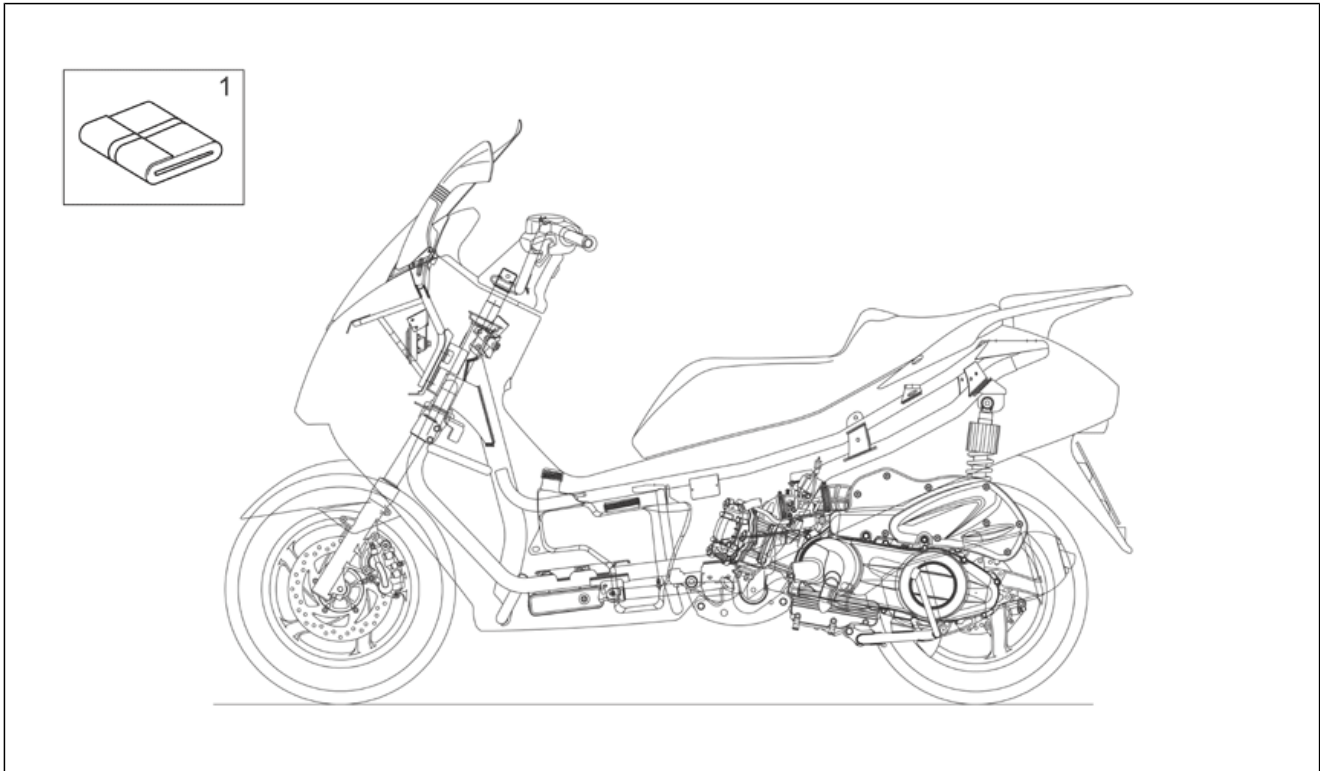
Pos.	Code	Beschreibung	Menge	Varianten
1	AP8127672	Hauptverkabelung	1	Technische Daten: Rahmen ZD4VLO (Zulassung E2)[VL0]
1	AP8127822	Hauptverkabelung	1	Technische Daten: Rahmen ZD4VLA (Zulassung E3)[VLA], Rahmen ZD4VLB (E3-Zulassung)[VLB]
2	AP8112927	Zündrelais 12V-150A	1	
3	AP8150026	Mutter M6	3	
4	AP8150429	Sprengscheibe 6,4x11x0,5*	3	
5	AP8224462	Zündrelais 12V-30A	1	
6	AP8220283	Gummi *	1	
7	AP8127205	Spannungsregler	1	
8	AP8152282	TE Schr. m. Flansch M6x35	2	
9	AP8124748	Batterie YTX12-BS	1	
10	AP8127669	Masse-Batteriekabel	1	
11	AP8127694	Steuergerät	1	Technische Daten: Version 500 cm ³ [500], Rahmen ZD4VLO (Zulassung E2)[VL0]
11	AP8127710	Steuergerät	1	Technische Daten: Version 500 cm ³ [500], Rahmen ZD4VLA (Zulassung E3)[VLA]
11	AP8127898	Steuergerät	1	Technische Daten: Version 400 cm ³ [400], Rahmen ZD4VLB (E3-Zulassung)[VLB]
12	AP8152329	Kreuz.schl.flnschschr. M5x20	4	
13	AP8127670	Anlasserkabel	1	
14	AP8127671	Verkabelung Batterie-Relais	1	
15	AP8124266	Neigungsfühler	1	
16	AP8144046	Sensor halter gummi	1	
17	AP8124869	Relais Einspritzung	1	
18	AP8220546	Auflagegummi Relais	1	
19	AP8148438	Relaisträger	1	
20	AP8152302	TBEI Schraube m.Flansch M5x12	2	
21	AP8102375	Klammer M5	2	
22	AP8120218	Klemmenkappe	3	

Einheit	RAHMEN
Code	28.32
Beschreibung	Bausatz Schlösser
Inspektion	1



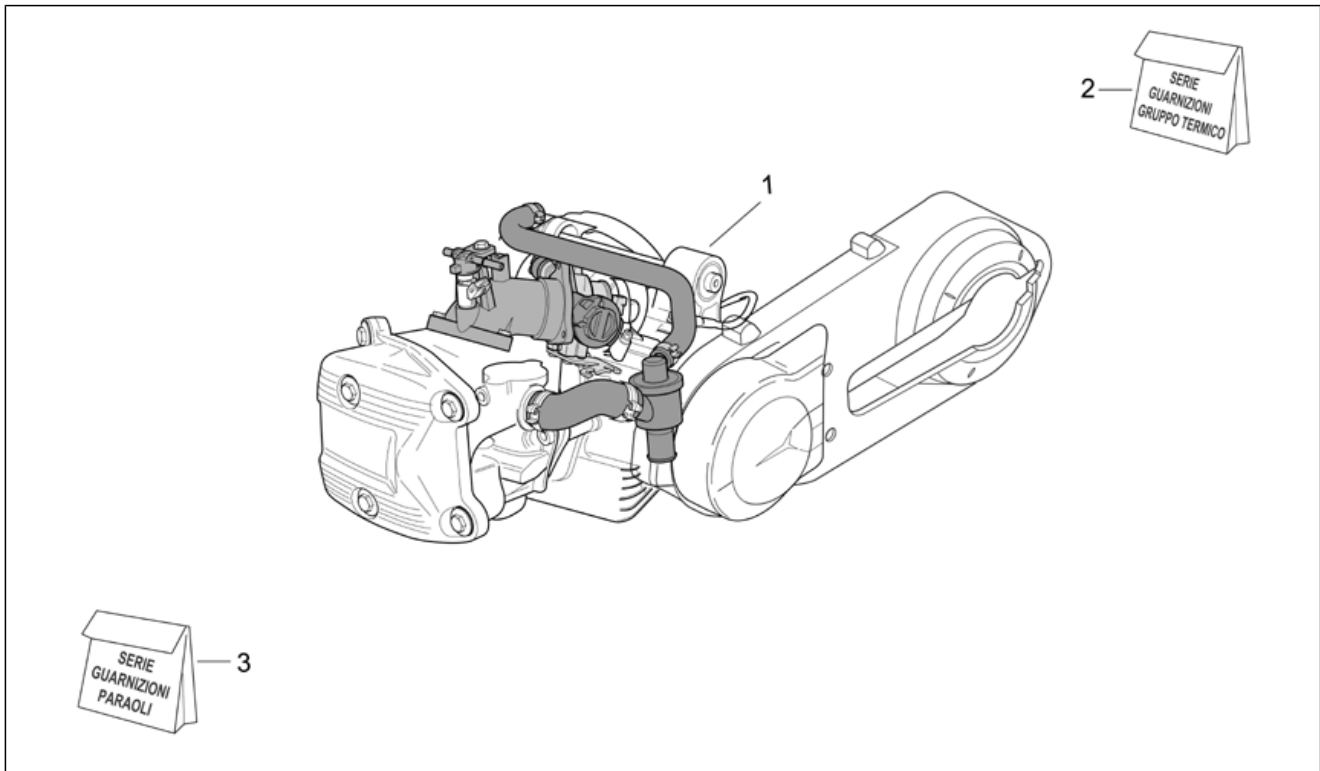
Pos.	Code	Beschreibung	Menge	Varianten
1	AP8104418	Kit Schließvorrichtungen	1	
2	AP8104611	Sitzschloß	1	
3	AP8104612	Schloß Handsch.f. vorn	1	
4	AP8104609	Schloß Tankklappe	1	
5	AP8104610	Lenkschloß	1	
6	AP8104613	"Aprilia" schlüssel ohne tran.	1	
7	AP8104422	Schloßkabel	1	
8	AP8102947	Sitz Verschlußplatte	1	
9	AP8150137	TCEI Schraube M6x16	1	
10	AP8152140	Reißschraube M6x17	1	
11	AP8152246	TBEI Schraube m.Flansch M6x16	2	
12	AP8201620	Hebel	1	
13	AP8201749	Linsenschraube M4x6	1	
14	AP8221312	Zahnscheibe	1	
15	AP8201748	Ausgleichscheibe	1	
16	AP8152194	Mutter unten M19x1*	1	
17	AP8102523	Schloß mutter M22x1,5	1	
18	AP8127461	Dichtung Zündschloß	1	
19	AP8127685	Diedstahl kit	1	
20	AP8127709	Fernbedienung	2	

Einheit	RAHMEN
Code	28.33
Beschreibung	Aufkleber-Deko
Inspektion	1



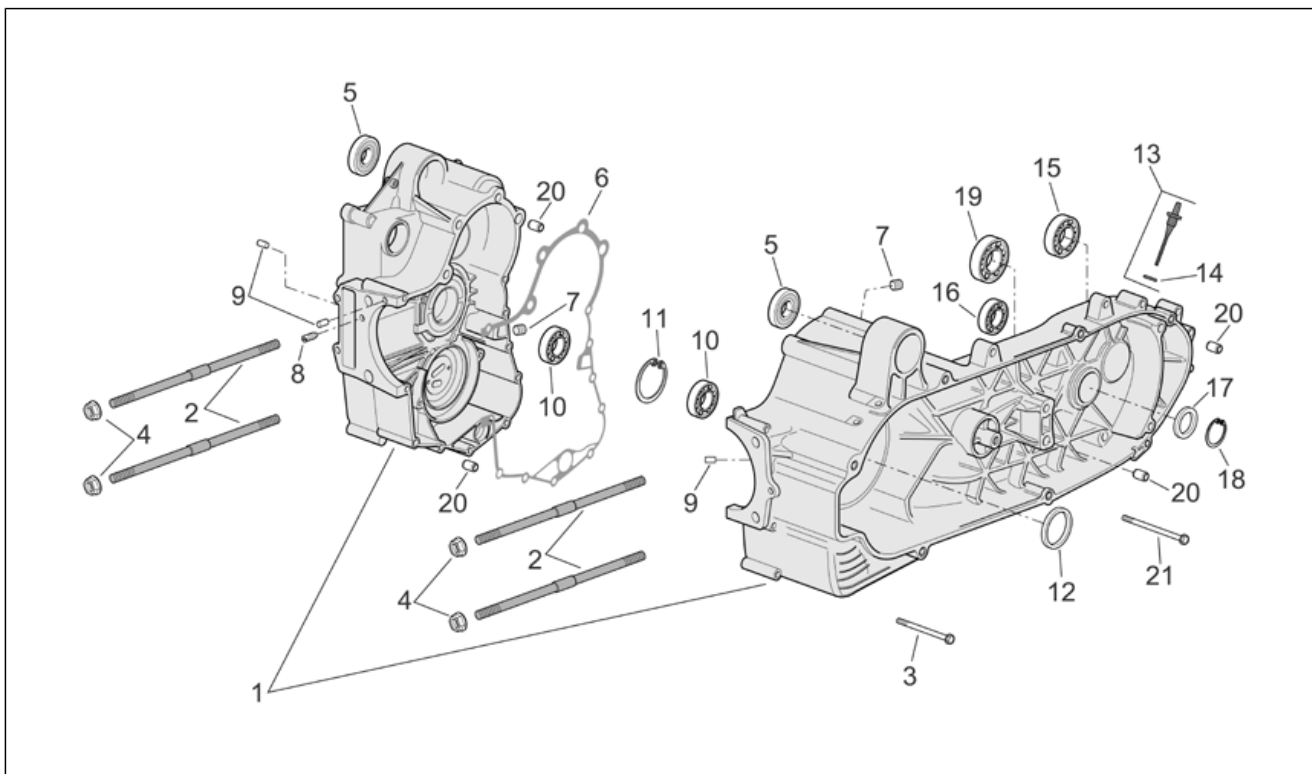
Pos.	Code	Beschreibung	Menge	Varianten
1	AP8104910	Werkzeugtasche	1	

Einheit	MOTOR
Code	29.34
Beschreibung	Motor Zusammenstellzeichnung
Inspektion	1



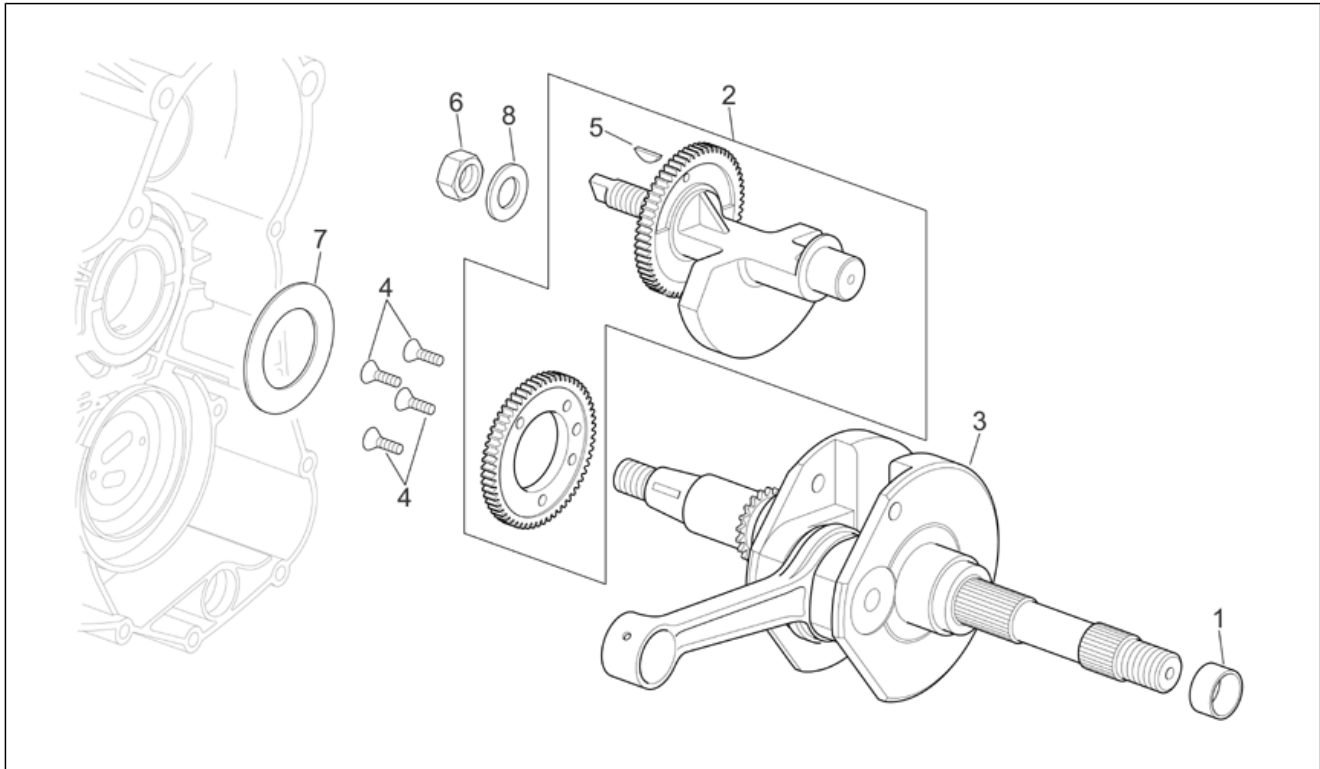
Pos.	Code	Beschreibung	Menge	Varianten
1	AP8176138	Motor komplett	1	Technische Daten: Version 500 cm ³ [500], Rahmen ZD4VLO (Zulassung E2)[VLO]
1	AP8176209	Motor komplett	1	Technische Daten: Version 500 cm ³ [500], Rahmen ZD4VLA (Zulassung E3)[VLA]
1	CM152413	Motor komplett	1	Technische Daten: Version 400 cm ³ [400], Rahmen ZD4VLB (E3-Zulassung)[VLB]
2	AP8560001	Zylinder Dichtung Satz	1	
3	AP8560002	Satz motor dichtung	1	

Einheit	MOTOR
Code	29.35
Beschreibung	Kurbelwellengehäuse
Inspektion	1



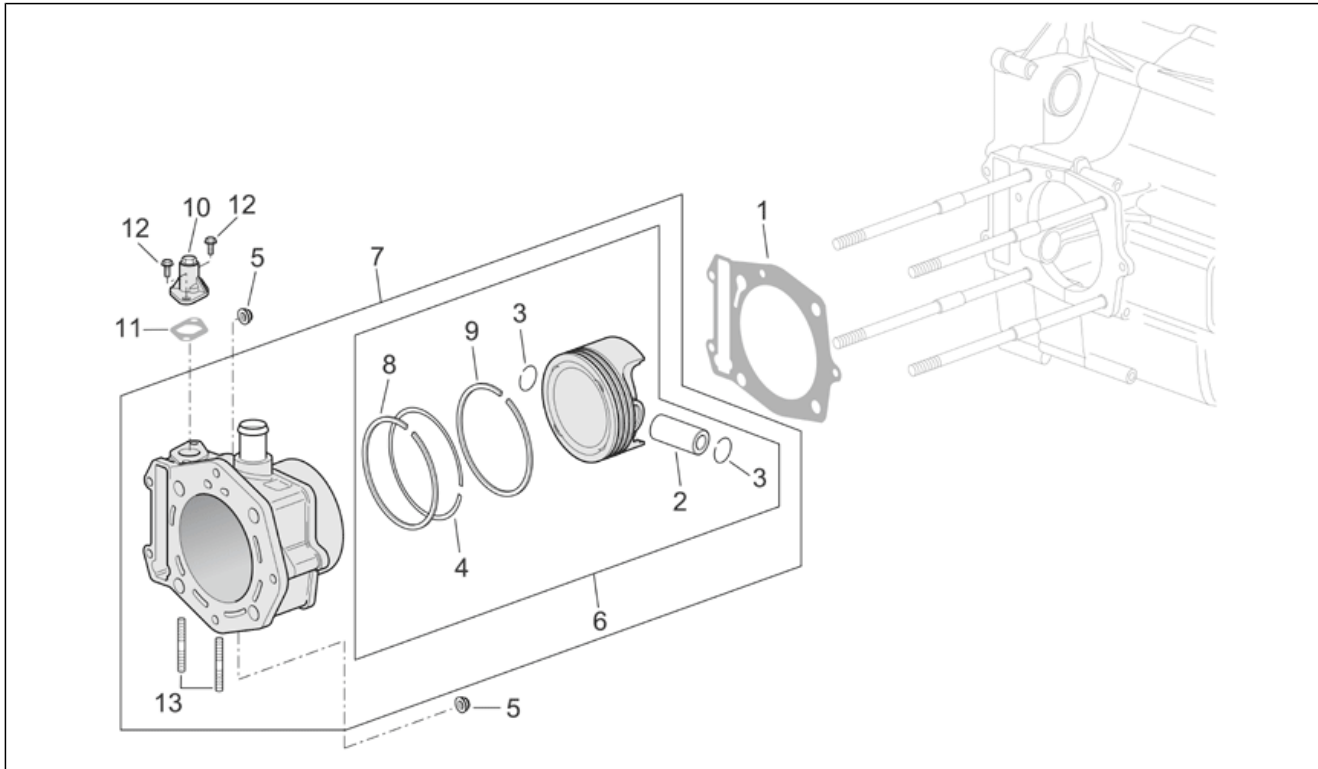
Pos.	Code	Beschreibung	Menge	Varianten
1	AP8560210	Gehäuse-kpl.	1	
1	AP8560211	Gehäuse-kpl. cat2	1	
1	AP8560212	Gehäuse-kpl. cat3	1	
1	AP8560213	Gehäuse-kpl. cat4	1	
2	AP8560076	Stiftschraube M10x1,25x166	4	
3	AP8560104	TE Schr. m. Flansch M6x65	12	
4	AP8560042	Mutter M10x1,25	4	
5	AP8560096	Lager d20x42x12	2	
6	AP8560084	Dichtung	1	
7	AP8560014	Deckel M12x1,5	2	
8	AP8560017	Düse	1	
9	AP8560016	Feststellschraube	4	
10	AP8570004	Lager D20x52x15	2	
11	AP8540001	Sprengring	1	
12	AP8560123	Ölabstreifring 35x47x7	1	
13	AP8276037	Ölstandstab	1	Technische Daten: Rahmen ZD4VLA (Zulassung E3)[VLA], Rahmen ZD4VLB (E3-Zulassung)[VLB]
13	AP8570016	Ölstandstab	1	Technische Daten: Rahmen ZD4VLO (Zulassung E2)[VLO]
14	AP8550334	O-Ring	1	
15	AP8570030	Lager	1	
16	AP8560019	Lager d15x42x13	1	
17	AP8560030	Ölabstreifring 25x40x7	1	
18	AP8560007	Sprengring	1	
19	AP8560027	Lager d25x52x15	1	
20	AP8550107	Stift d.9,5 h=15	4	
21	AP8560106	TE Schr. m. Flansch M6x75	1	

Einheit	MOTOR
Code	29.36
Beschreibung	Kurbelwelle
Inspektion	1



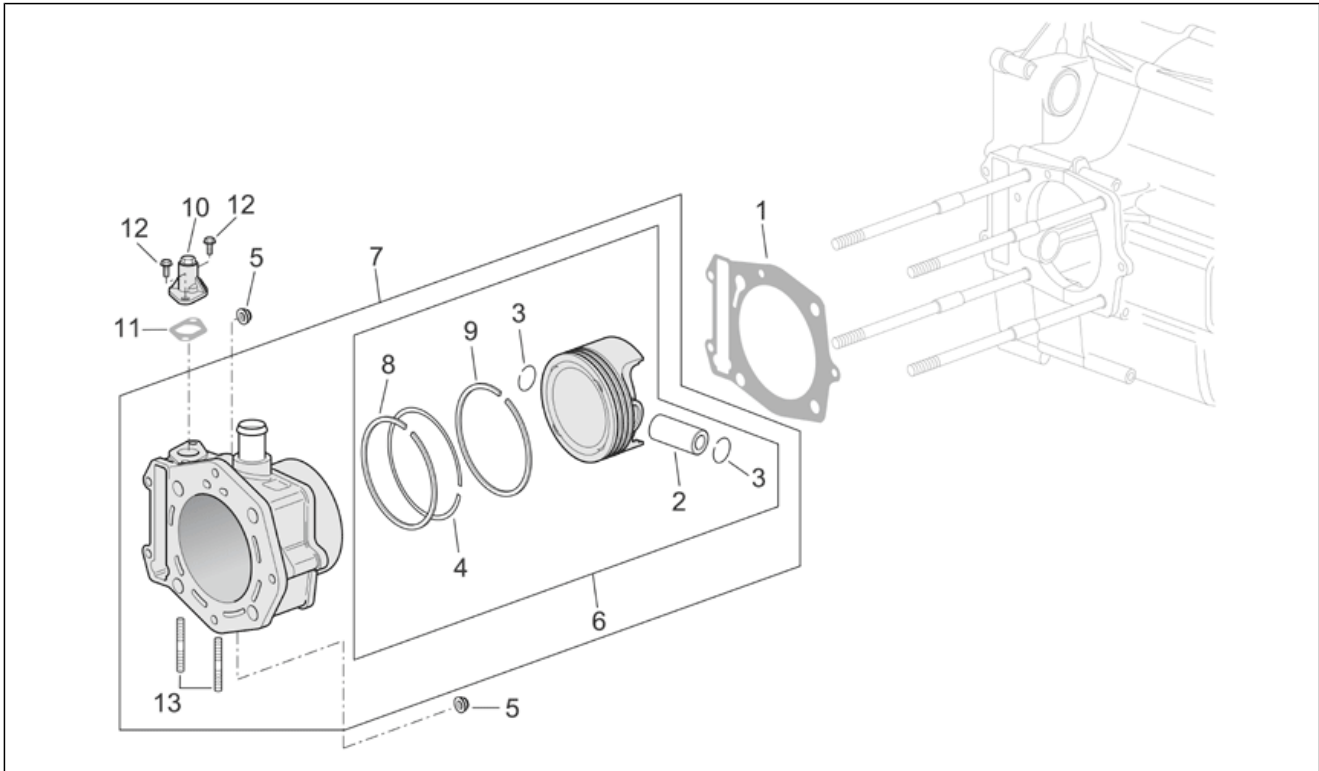
Pos.	Code	Beschreibung	Menge	Varianten
1	AP8560088	Distanzscheibe	1	
2	AP8560209	Ausgleichsrad kpl.	1	
3	AP8560193	Kurbelwelle kpl. Cat.1	1	
3	AP8560194	Kurbelwelle kpl. Cat.2	1	
4	AP8560157	Schraube	4	
5	AP8550039	Keil	1	
6	AP8560235	Mutter unten	1	
7	AP8560150	Paßscheibe	1	
8	AP8560236	Distanzscheibe	1	

Einheit	MOTOR
Code	29.37
Beschreibung	Zylinder
Inspektion	1



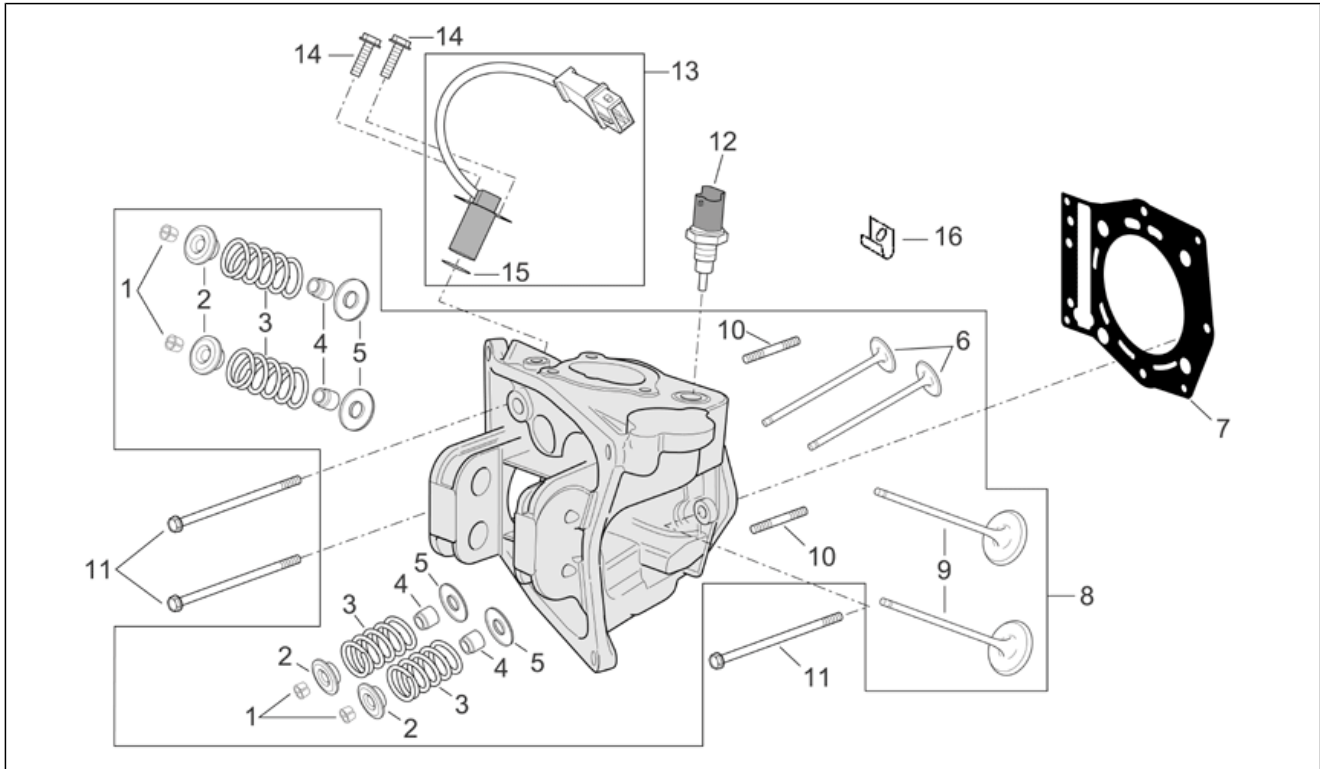
Pos.	Code	Beschreibung	Menge	Varianten
1	830275	ZYLINDERFUSSDICHTUNG 0,8	1	Technische Daten:Version 400 cm ³ [400]
1	830276	ZYLINDERFUSSDICHTUNG 0,6	1	Technische Daten:Version 400 cm ³ [400]
1	830277	ZYLINDERFUSSDICHTUNG 0,4	1	Technische Daten:Version 400 cm ³ [400]
1	AP8560164	ZYLINDERFUSSDICHTUNG 0,8	1	Technische Daten:Version 500 cm ³ [500]
1	AP8560165	ZYLINDERFUSSDICHTUNG 0,6	1	Technische Daten:Version 500 cm ³ [500]
1	AP8560166	ZYLINDERFUSSDICHTUNG 0,4	1	Technische Daten:Version 500 cm ³ [500]
2	AP8560069	Bolzen	1	
3	AP8560086	Sprengring	2	
4	845313	Ölabstreifer d.85,8	1	Technische Daten:Version 400 cm ³ [400]
4	AP8560067	Ölabstreifer d.92	1	Technische Daten:Version 500 cm ³ [500]
5	AP8550271	Mutter M6	2	
6	8452980001	Kolben kpl. cat1	1	Technische Daten:Version 400 cm ³ [400]
6	8452980002	Kolben kpl. cat2	1	Technische Daten:Version 400 cm ³ [400]
6	8452980003	Kolben kpl. cat3	1	Technische Daten:Version 400 cm ³ [400]
6	8452980004	Kolben kpl. cat4	1	Technische Daten:Version 400 cm ³ [400]
6	AP8570024	Kolben kpl.	1	Technische Daten:Version 500 cm ³ [500]
6	AP8570025	Kolben kpl. cat2	1	Technische Daten:Version 500 cm ³ [500]
6	AP8570026	Kolben kpl. cat3	1	Technische Daten:Version 500 cm ³ [500]
6	AP8570027	Kolben kpl. cat4	1	Technische Daten:Version 500 cm ³ [500]
7	845297	Zylinder mit Kolben komplett	1	Technische Daten:Version 400 cm ³ [400]
7	AP8570023	Kolben mit Zylinder kpl.	1	Technische Daten:Version 500 cm ³ [500]
8	845312	Ring d.85,8	1	Technische Daten:Version 400 cm ³ [400]
8	AP8570021	Ring	1	Technische Daten:Version 500 cm ³ [500]
9	845314	Ölabstreifer d.85,8x2,	1	Technische Daten:Version 400 cm ³ [400]
9	AP8560068	Ölabstreifer d.92x2,5	1	Technische Daten:Version 500 cm ³ [500]
10	AP8560059	Kettenspanner	1	
11	AP8550429	Dichtung Kettenspan.	1	
12	AP8550557	TE Schr. m. Flansch M6x16	2	

Einheit	MOTOR
Code	29.37
Beschreibung	Zylinder
Inspektion	1



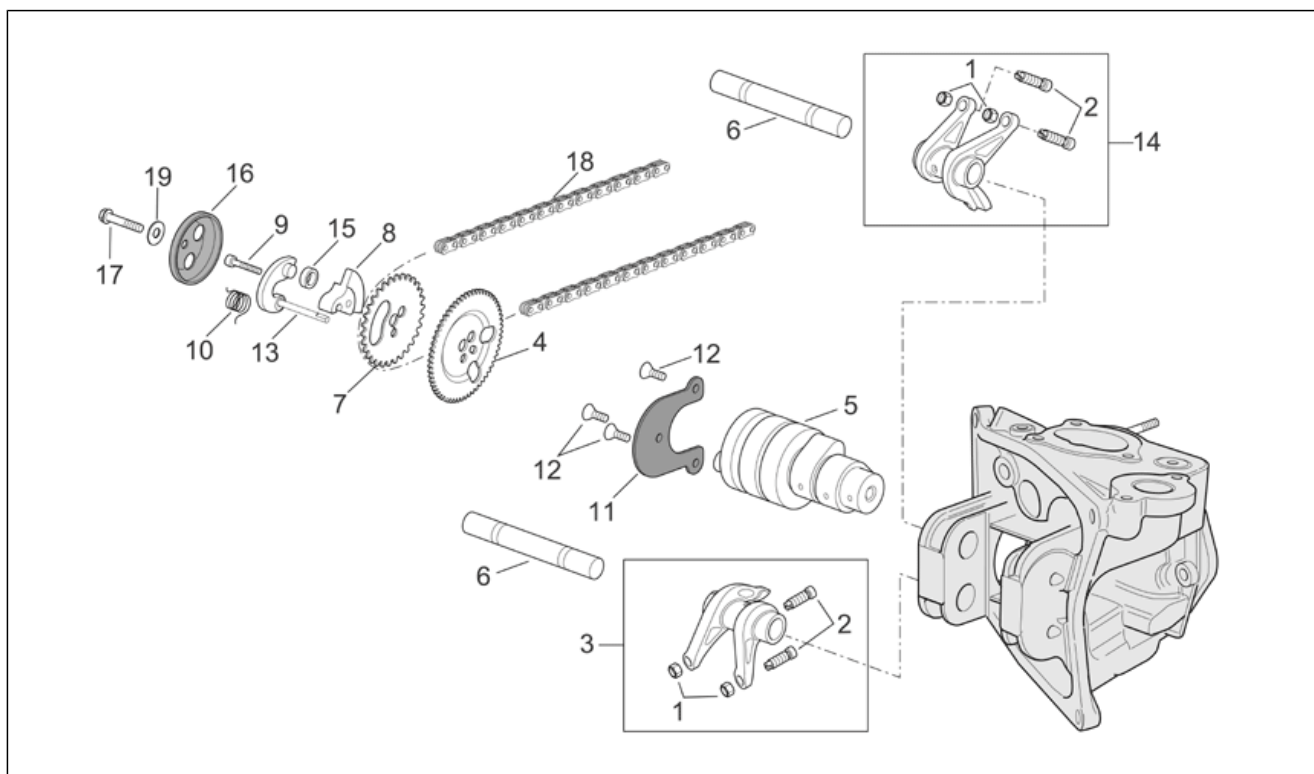
Pos.	Code	Beschreibung	Menge	Varianten
13	AP8560061	Stiftschraube M8x3x46	2	

Einheit	MOTOR
Code	29.38
Beschreibung	Zylinderkopf
Inspektion	1



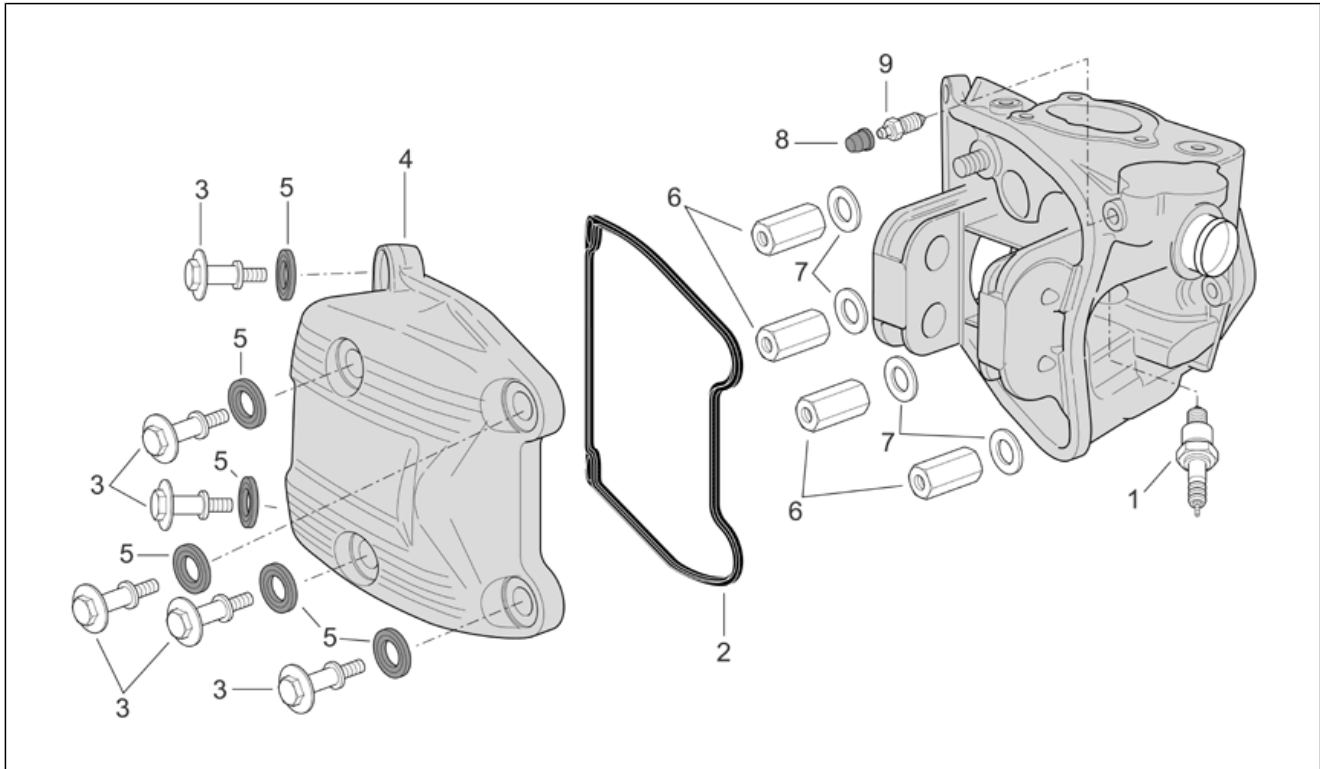
Pos.	Code	Beschreibung	Menge	Varianten
1	AP8550508	Halbkegel	8	
2	AP8560095	Becher	4	
3	AP8560054	Feder	4	
4	AP8550326	Ventil Dichtring	4	
5	AP8560056	Becher	4	
6	AP8560092	Auslaßventil	2	
7	844957	Dichtung Kopf-Zylinder	1	Technische Daten: Version 400 cm ³ [400]
7	AP8560149	Dichtung Kopf-Zylinder	1	Technische Daten: Version 500 cm ³ [500]
8	AP8560229	Zylinderkopf kpl.	1	
9	AP8560093	Einlaßventil	2	
10	AP8560077	Stiftschraube M6x1x27,5	2	
11	AP8560167	TE Schr. m. Flansch M6x90	3	
12	AP8560099	Temperaturfühler	1	
13	AP8570017	Phasen-und Umdrehungsfühler	1	
14	AP8550557	TE Schr. m. Flansch M6x16	2	
15	AP8560168	O-Ring	1	
16	AP8125959	Kleine Feder	1	Technische Daten: Rahmen ZD4VLA (Zulassung E3)[VLA], Rahmen ZD4VLB (E3-Zulassung)[VLB]

Einheit	MOTOR
Code	29.39
Beschreibung	Ventilschaltung
Inspektion	1



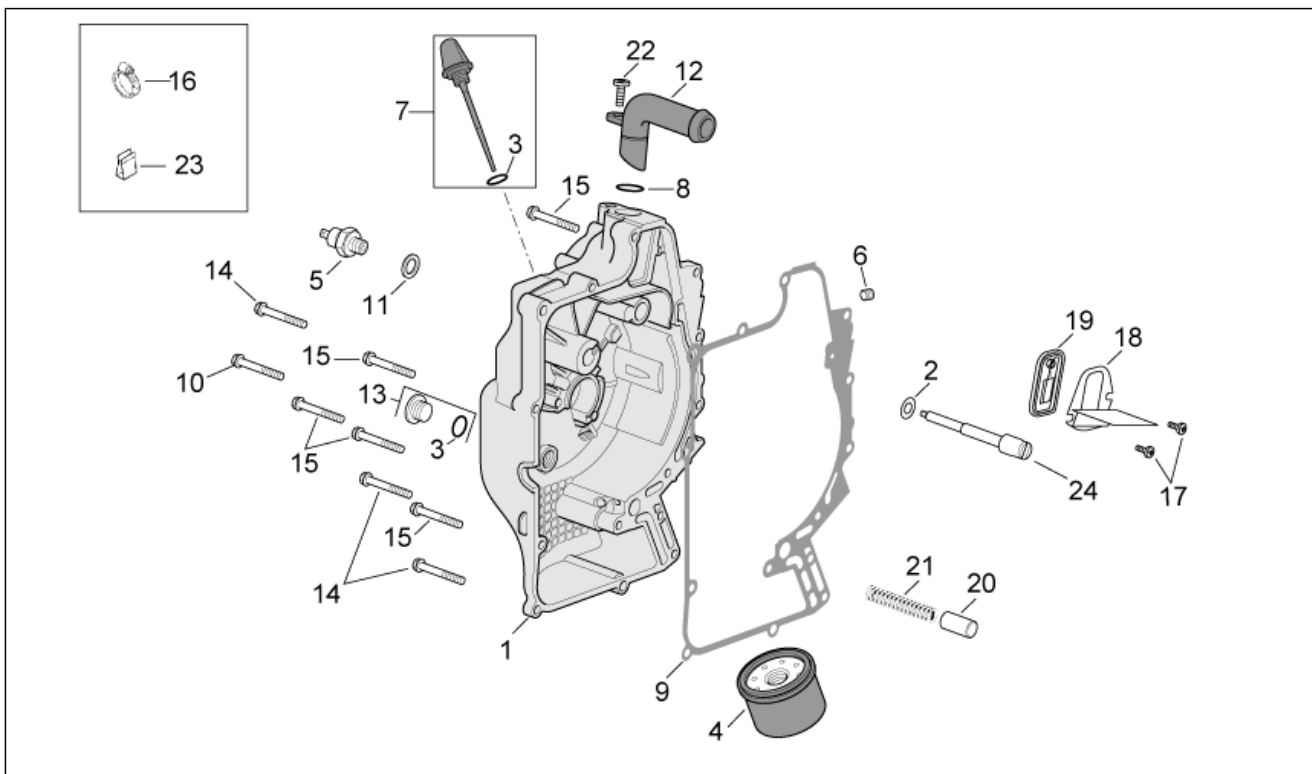
Pos.	Code	Beschreibung	Menge	Varianten
1	AP8551047	Kipphebel Einstellmutter	4	
2	AP8551046	Vent.Einstellspezialschr.	4	
3	AP8560051	Kipphebel Auspuff Klip.	1	
4	AP8560131	Phonic wheel	1	
5	AP8560232	Nockenwelle	1	
6	AP8560078	Kipphebelachse	2	
7	AP8560124	Steuer Zahnkranz	1	
8	AP8560121	Gegengewicht	1	Technische Daten:Version 500 cm ³ [500]
9	AP8560008	Schraube	1	Technische Daten:Version 500 cm ³ [500]
10	AP8560135	Feder	1	Technische Daten:Version 500 cm ³ [500]
11	AP8560230	Platte	1	
12	AP8560231	TE Schr. m. Flansch	3	
13	AP8570013	Gewicht	1	
14	AP8560050	Kipphebel Einlaß Klip.	1	
15	AP8560122	Dichtung	1	Technische Daten:Version 500 cm ³ [500]
16	AP8560133	Drum	1	Technische Daten:Version 500 cm ³ [500]
17	843060	Flanschschraube	1	Technische Daten:Version 400 cm ³ [400]
17	AP8560136	TE Schr. m. Flansch	1	Technische Daten:Version 500 cm ³ [500]
18	AP8560060	Steuerkette	1	
19	845316	Flachscheibe	1	Technische Daten:Version 400 cm ³ [400]

Einheit	MOTOR
Code	29.40
Beschreibung	Kopfdeckel (Ext.Thermostat)
Inspektion	1



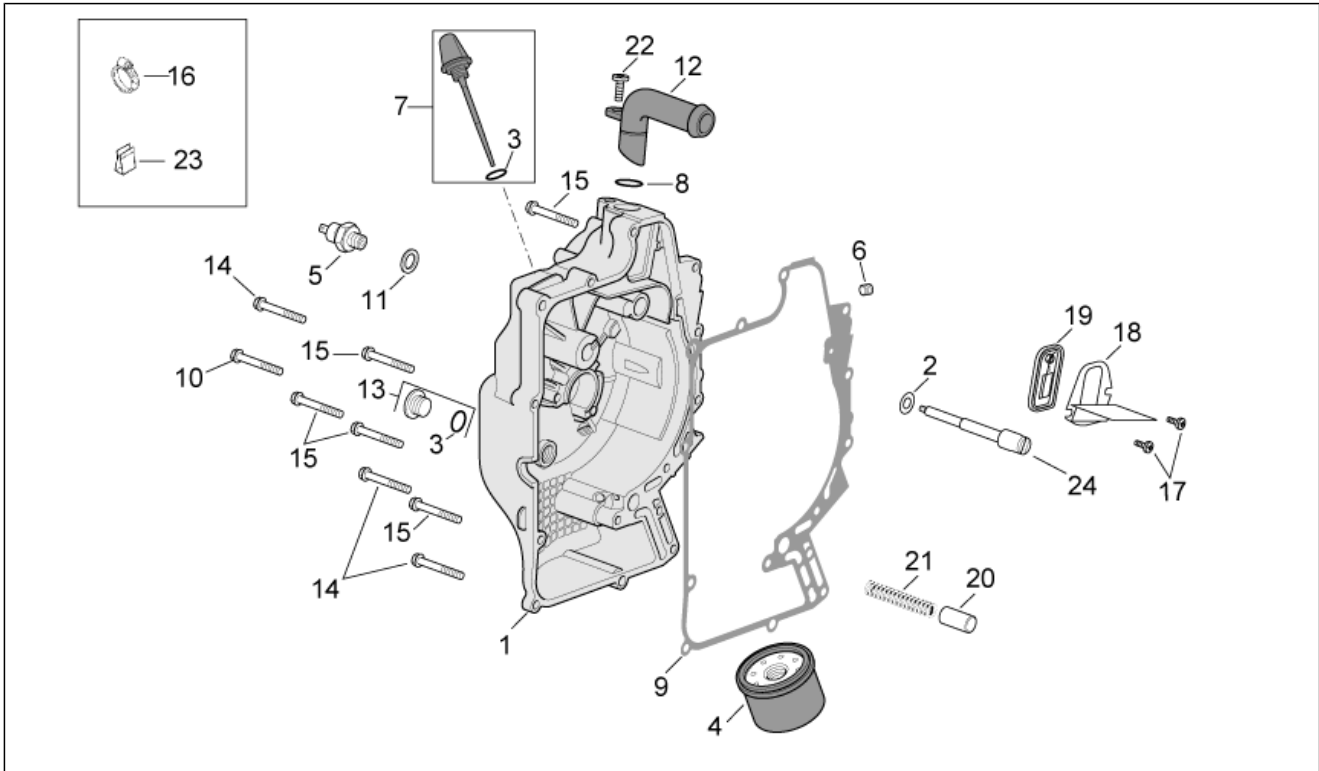
Pos.	Code	Beschreibung	Menge	Varianten
1	AP8560146	Zündkerze CR7EKB	1	
1	AP8580168	Zündkerze	1	
2	AP8570010	Dichtung	1	
3	AP8570007	TE Schr. m. Flansch M6x30	6	
4	AP8570009	Kopfdeckel kplt.	1	
5	AP8570008	Puffer	6	
6	AP8570022	Mutter	4	
7	AP8570001	Ausgleichscheibe	4	
8	AP8560010	Kappe	1	
9	AP8560015	Entlüftungsanschluß	1	

Einheit	MOTOR
Code	29.41
Beschreibung	Zuenderdeckel
Inspektion	1



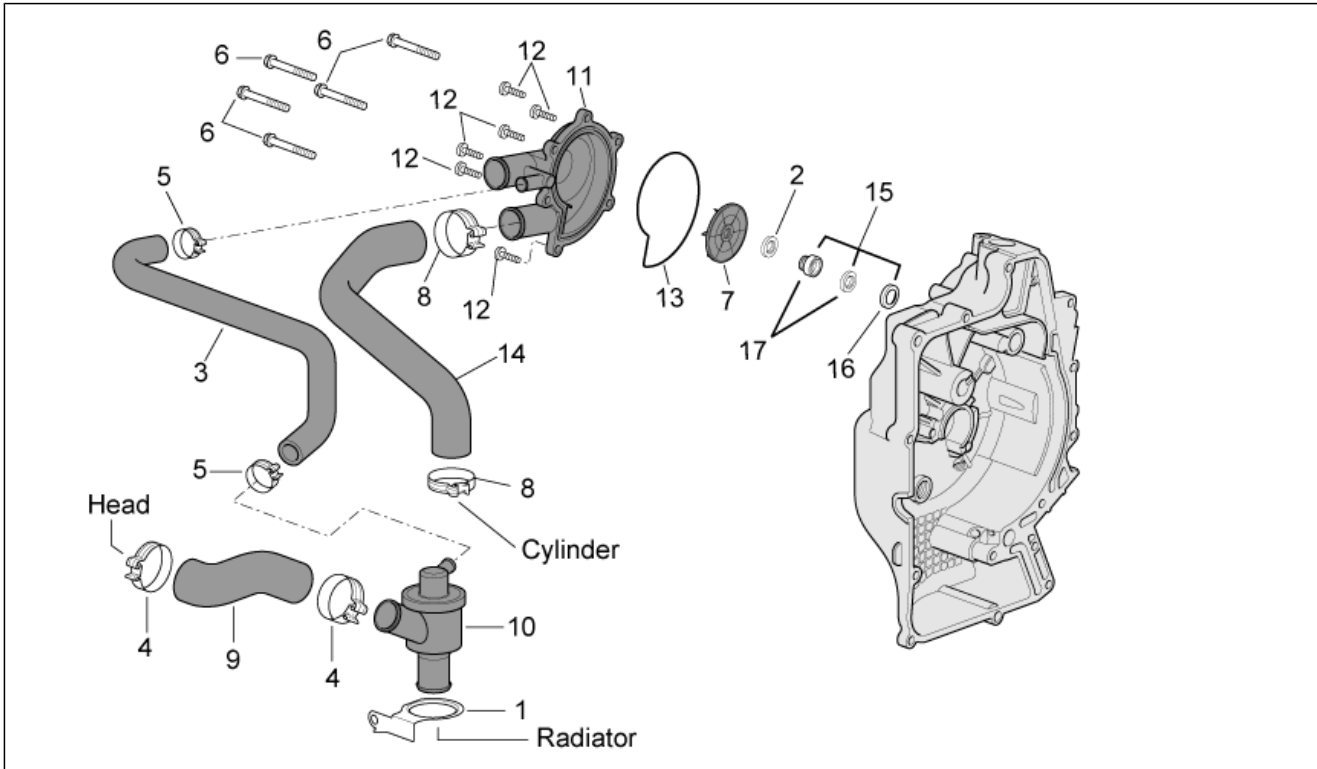
Pos.	Code	Beschreibung	Menge	Varianten
1	8710505	Zuenderdeckel Kpl.	1	Technische Daten: Mit Dichtung 20mm[20]
1	8720885	Zuenderdeckel Kpl.	1	Technische Daten: Mit Dichtung 30mm[30]
2	274246	Flachscheibe 22x12,1x1	1	Technische Daten: Mit Dichtung 30mm[30]
2	829557	Ausgleichscheibe	1	Technische Daten: Mit Dichtung 20mm[20]
3	AP8550417	Dichtung	2	
4	AP8560163	Ölfiltereinsatz kpl.	1	
5	AP8550512	Druckfühler	1	
6	AP8560014	Deckel M12x1,5	1	
7	AP8560039	Ölschraube	1	
8	AP8560012	O-Ring	1	
9	AP8560047	Dichtung	1	
10	AP8550545	Schraube l=70	1	
11	AP8550331	Ausgleichscheibe 16x10.5x2.5	1	
12	AP8560118	Entlüftungsschlauch öl	1	
13	AP8577015	Deckel	1	
14	AP8113789	TE Schr. m. Flansch	3	
15	AP8550079	Schraube M6x35	9	
16	AP8125957	Schelle	1	Technische Daten: Rahmen ZD4VLA (Zulassung E3)[VLA], Rahmen ZD4VLB (E3-Zulassung)[VLB]
17	AP8560021	Gewindeschraube	2	
18	AP8560107	Platte	1	
19	AP8560228	Reed valve support	1	
20	AP8560142	Oil pressure valve	1	
21	AP8560140	Ventilfeder	1	
22	AP8550073	TBIC Schraube	1	
23	AP8125956	Kleine Feder	1	Technische Daten: Rahmen ZD4VLA (Zulassung E3)[VLA], Rahmen ZD4VLB (E3-Zulassung)[VLB]
24	828394	Welle Wasserpumpe	1	Technische Daten: Mit Dichtung 20mm[20]

Einheit	MOTOR
Code	29.41
Beschreibung	Zuenderdeckel
Inspektion	1



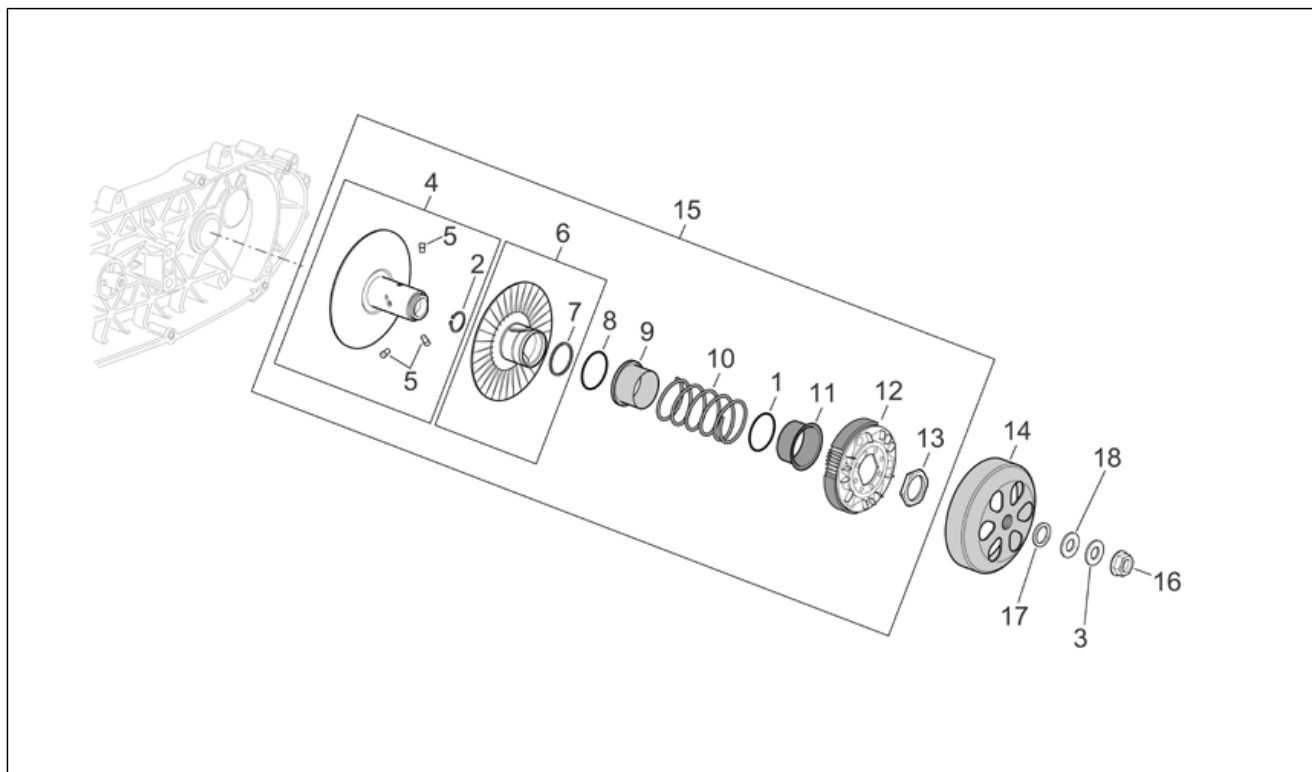
Pos.	Code	Beschreibung	Menge	Varianten
24	844438	Welle Wasserpumpe	1	Technische Daten: Mit Dichtung 30mm[30], Glänzend[L]
24	872536	Welle Wasserpumpe	1	Technische Daten: Mit Dichtung 30mm[30], Matt[O]

Einheit	MOTOR
Code	29.42
Beschreibung	Wasserpumpe (Ext.Thermostat)
Inspektion	1



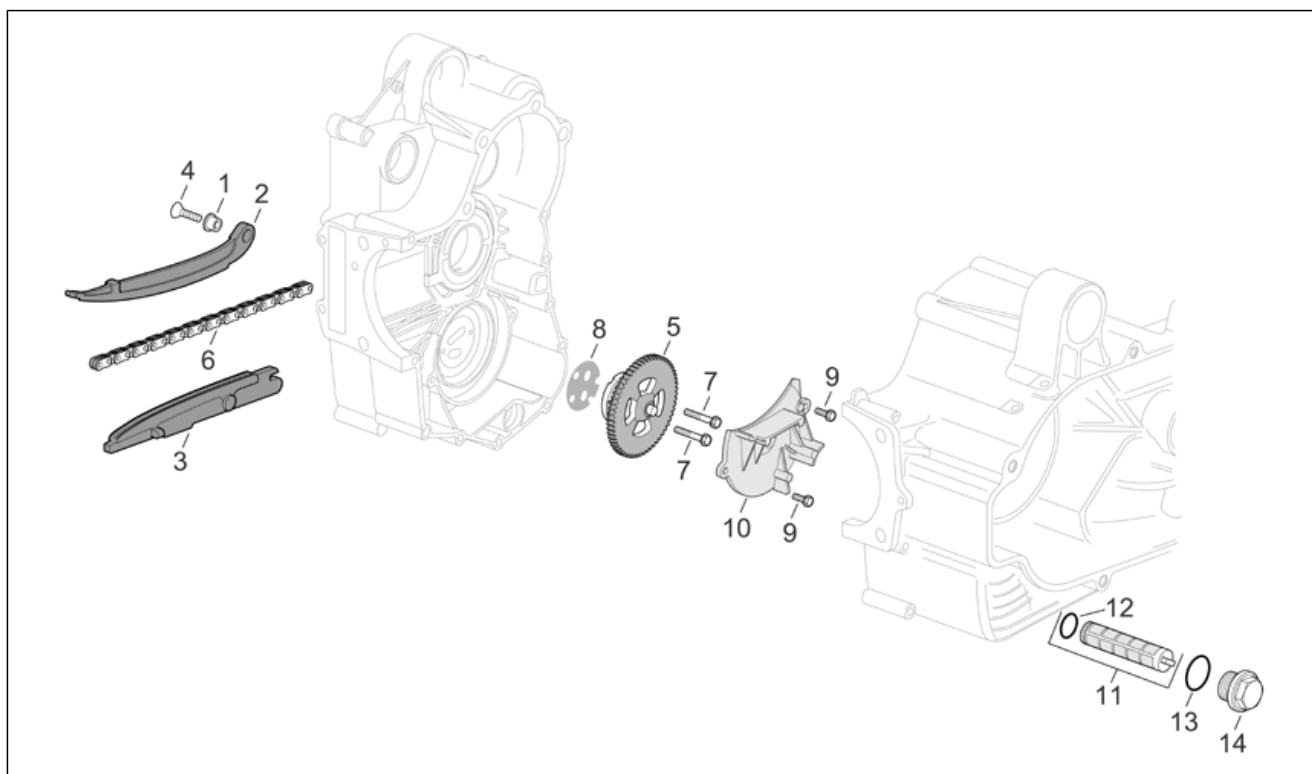
Pos.	Code	Beschreibung	Menge	Varianten
1	AP8570036	Bügel	1	
2	871799	Ausgleichscheibe	1	Technische Daten: Mit Dichtung 20mm[20]
3	AP8560238	Bypassschlauch	1	
4	AP8570037	Schelle	2	
5	AP8144579	Schlauchschelle	2	
6	AP8550079	Schraube M6x35	5	
7	827929	Läufer Wasserpumpe	1	
8	AP8560183	Schelle	2	
9	AP8570034	Schl. Thermostat-Zylinderkopf	1	
10	AP8560234	Thermostat	1	
11	AP8570031	Deckel Wasserpumpe	1	
12	AP8551149	Schraube	6	
13	AP8560073	O-Ring	1	
14	AP8560237	Pumpen-Zylinderschlauch	1	
15	497486	Seal rings kit	1	Technische Daten: Mit Dichtung 20mm[20]
16	842595	Dichtring	1	Technische Daten: Mit Dichtung 30mm[30]
17	844439	Dichtring	1	Technische Daten: Mit Dichtung 30mm[30]

Einheit	MOTOR
Code	29.43
Beschreibung	Vorgelege
Inspektion	1



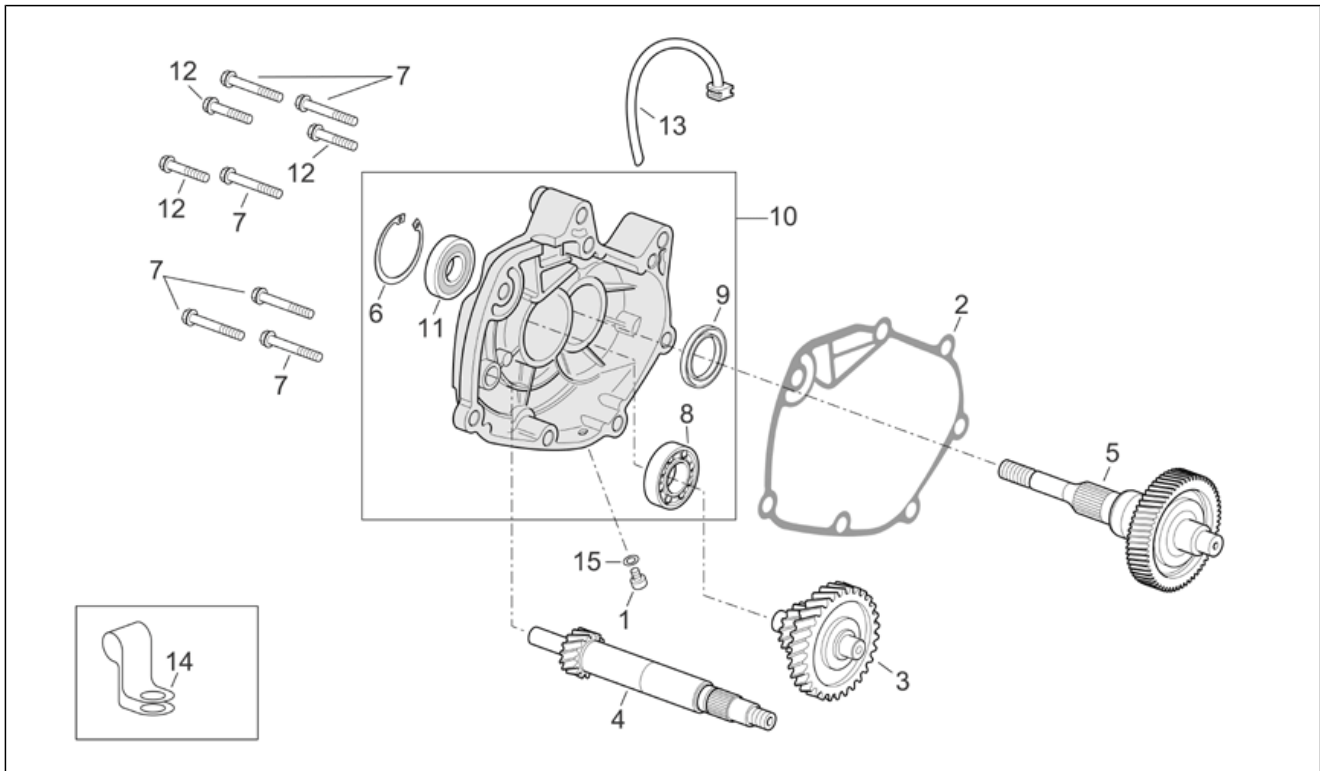
Pos.	Code	Beschreibung	Menge	Varianten
1	AP8560029	O-Ring	1	
2	AP8560033	Seegerring	1	
3	AP8560243	Flachscheibe	1	
4	AP8560196	Sekundäre Festscheibe	1	
5	AP8560109	Führungsbolzen	4	
6	AP8560197	Sekundäre Gleitscheibe	1	
7	AP8560031	Ölabstreifring 50x57x5	2	
8	AP8560111	O-Ring	1	
9	AP8560108	Federbecher	1	
10	AP8560177	Feder	1	
11	AP8560034	Externer Federbecher	1	
12	848844	Fliehkraftkupplung 5M	1	Technische Daten: Version 400 cm ³ [400]
12	AP8560246	Fliehkraftkupplung 5M	1	Technische Daten: Version 500 cm ³ [500]
13	AP8560035	Mutter	1	
14	AP8560026	Baugruppe Kupplungskasten	1	
15	848843	Sek. Riemensch. kpl.	1	Technische Daten: Version 400 cm ³ [400]
15	AP8560245	Sek. Riemensch. kpl.	1	Technische Daten: Version 500 cm ³ [500]
16	AP8560063	Mutter M14x1,5	1	
17	AP8560046	Distanzscheibe 26x17x3	1	
18	AP8560244	Flachscheibe	1	

Einheit	MOTOR
Code	29.44
Beschreibung	Ölpumpe
Inspektion	1



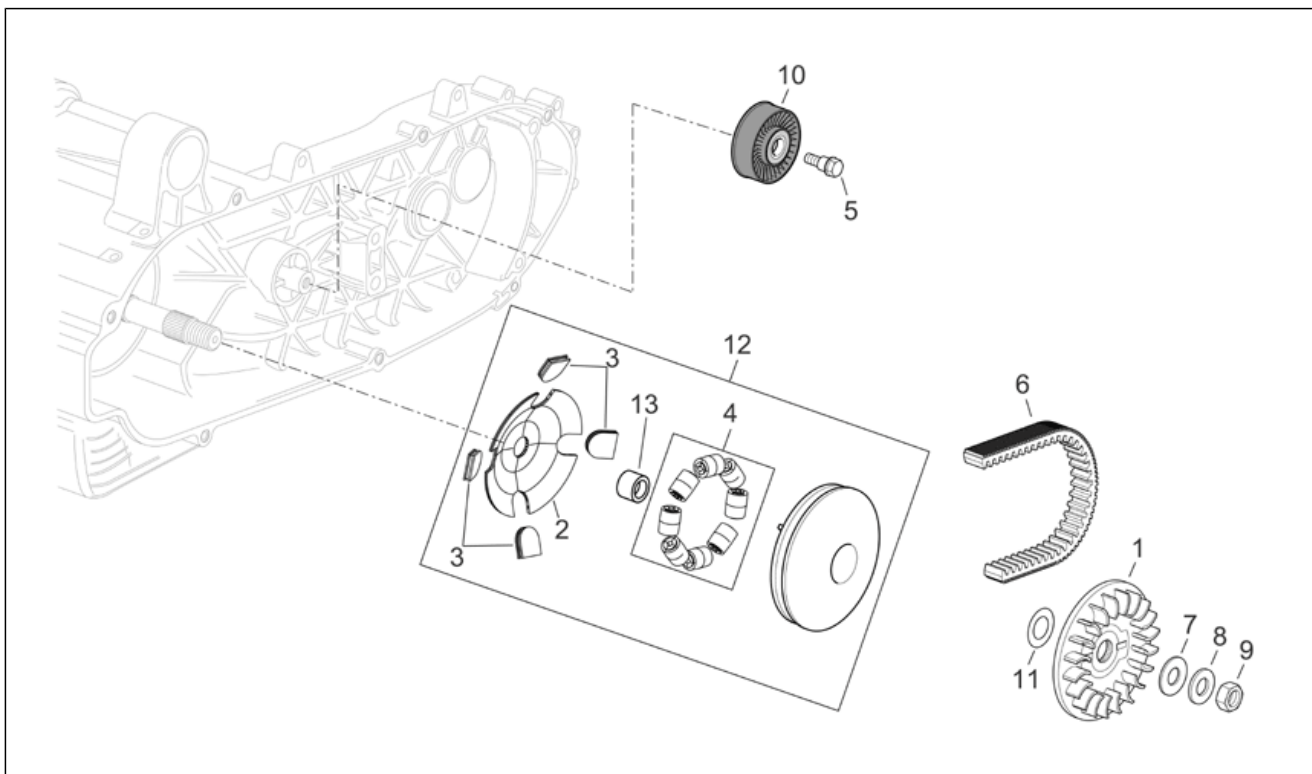
Pos.	Code	Beschreibung	Menge	Varianten
1	AP8560045	Distanzscheibe	1	
2	AP8560074	Kettenspanner Stange	1	
3	AP8560071	Kettenspanner Gleitbacke	1	
4	AP8560157	Schraube	1	
5	AP8560032	Ölpumpe	1	
6	AP8560060	Steuerkette	1	
7	AP8551029	TE Schr. m. Flansch	2	
8	AP8560087	Dichtung	1	
9	AP8560153	TE Schr. m. Flansch	2	
10	AP8560155	Ölschott	1	
11	AP8560052	Ölfiltersatz	1	
12	AP8550337	O-Ring	1	
13	AP8550336	O-Ring	1	
14	AP8560055	Ölfilter Verschluss	1	

Einheit	MOTOR
Code	29.45
Beschreibung	Getriebe
Inspektion	1



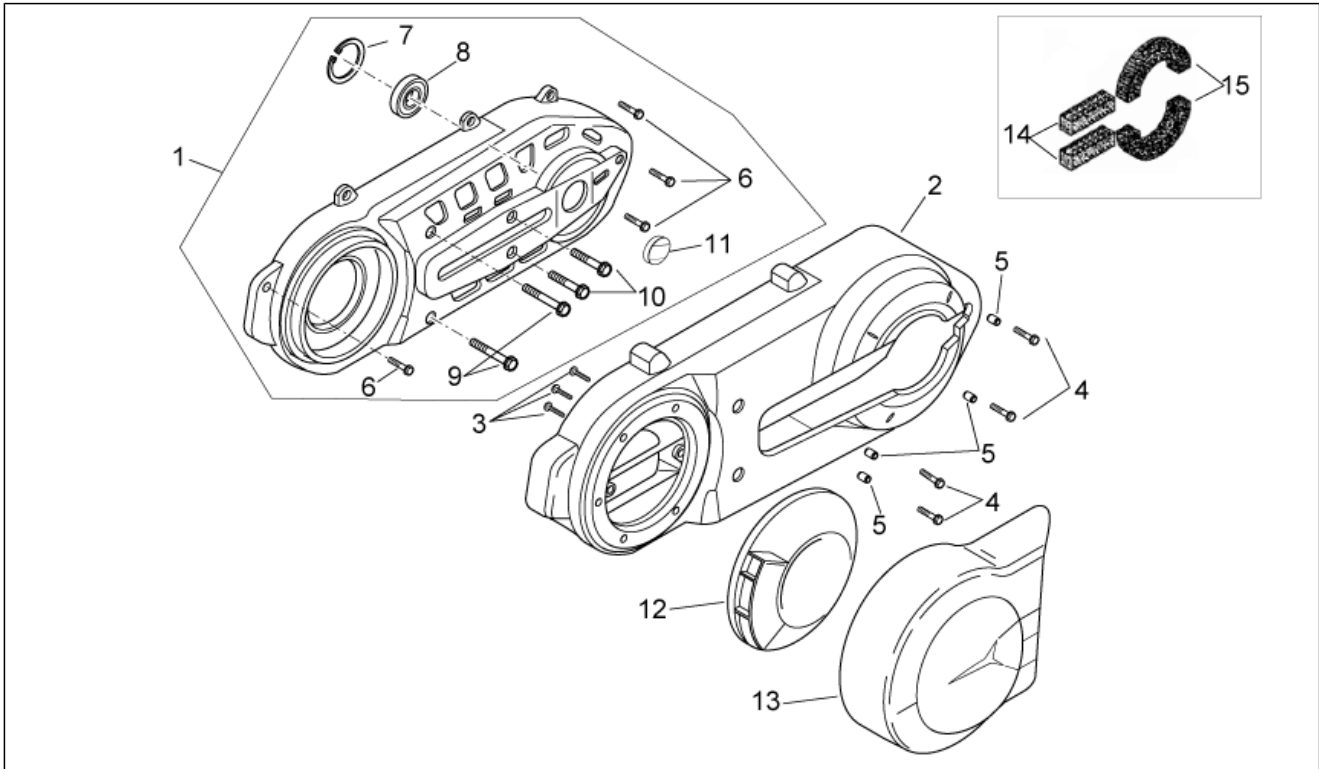
Pos.	Code	Beschreibung	Menge	Varianten
1	AP8550361	Auslaßschraube	1	
2	AP8560085	Dichtung	1	
3	AP8560148	Vorgelege Welle	1	
4	AP8560247	Abtriebsriemenscheibewelle Z=15	1	
5	AP8560147	Hinterrad Achse kpl.	1	
6	AP8560130	Seegerring	1	
7	AP8560158	TE Schr. m. Flansch	4	
8	AP8570004	Lager D20x52x15	1	
9	AP8560125	Ölabstreifring 38x50x7	1	
10	AP8560005	Getriebedeckel kpl.	1	
11	AP8560126	Lager d30x55x13	1	
12	AP8560105	TE Schr. m. Flansch M8x35	3	
13	AP8560208	Entlüftung	1	
14	AP8560022	Schelle	2	
15	AP8550304	Legierungscheibe	1	

Einheit	MOTOR
Code	29.46
Beschreibung	Hauptgetriebe
Inspektion	1



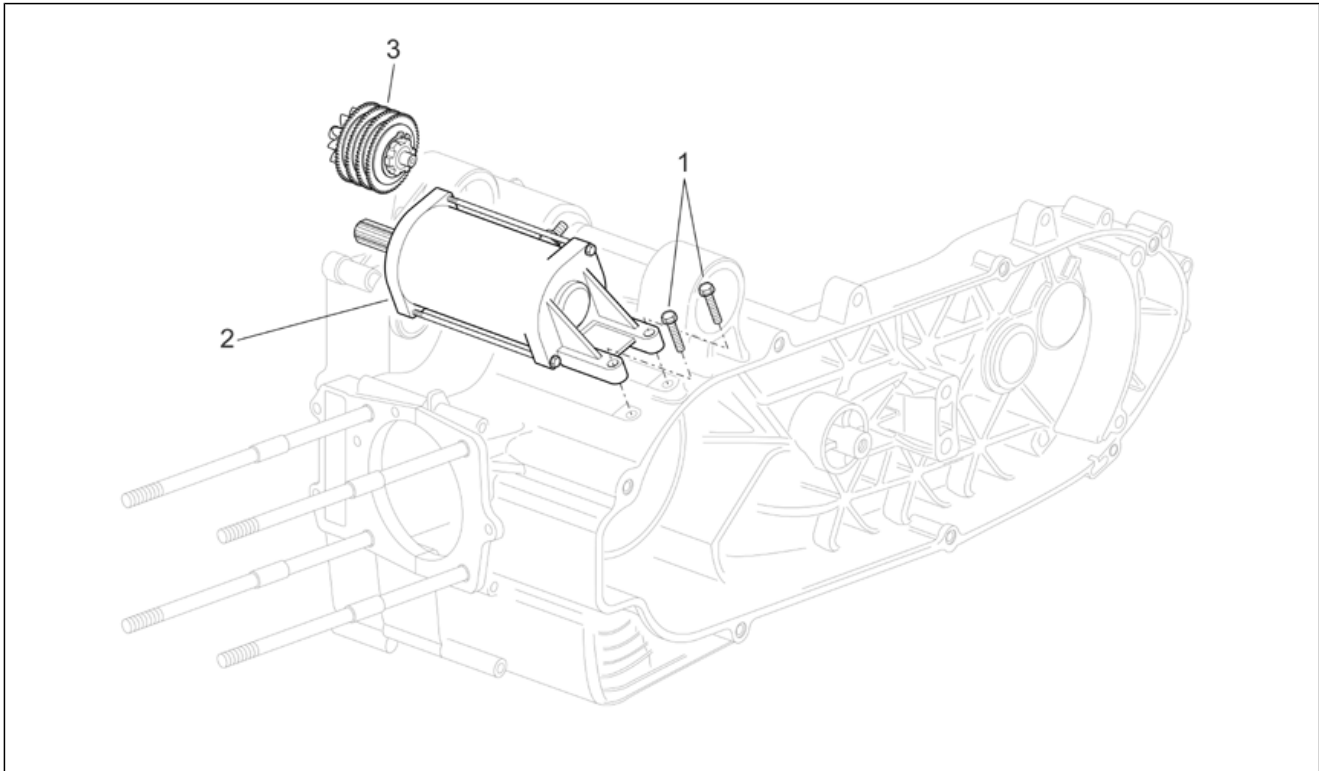
Pos.	Code	Beschreibung	Menge	Varianten
1	AP8560199	Antriebshalbriemenscheibe kpl	1	
2	AP8560242	Stiftplatte	1	
3	AP8560240	Dübel	4	
4	849914	Fliehkraftmasse	8	Technische Daten: Version 400 cm ³ [400]
4	AP8560241	Fliehkraftmasse	8	Technische Daten: Version 500 cm ³ [500]
5	AP8560143	Schraube	1	
6	AP8560188	Keilriemen	1	
7	AP8560129	Flachscheibe	1	
8	AP8560127	Tellerfeder	1	
9	AP8560132	Mutter m18x1,5	1	
10	AP8560171	Zahnriemenscheibe	1	
11	AP8560134	Flachscheibe	1	
12	849913	Antriebshalbriemenscheibe	1	Technische Daten: Version 400 cm ³ [400]
12	AP8560200	Antriebshalbriemenscheibe	1	Technische Daten: Version 500 cm ³ [500]
13	AP8570003	Distanzscheibe	1	

Einheit	MOTOR
Code	29.47
Beschreibung	Motor Kunststoff
Inspektion	1



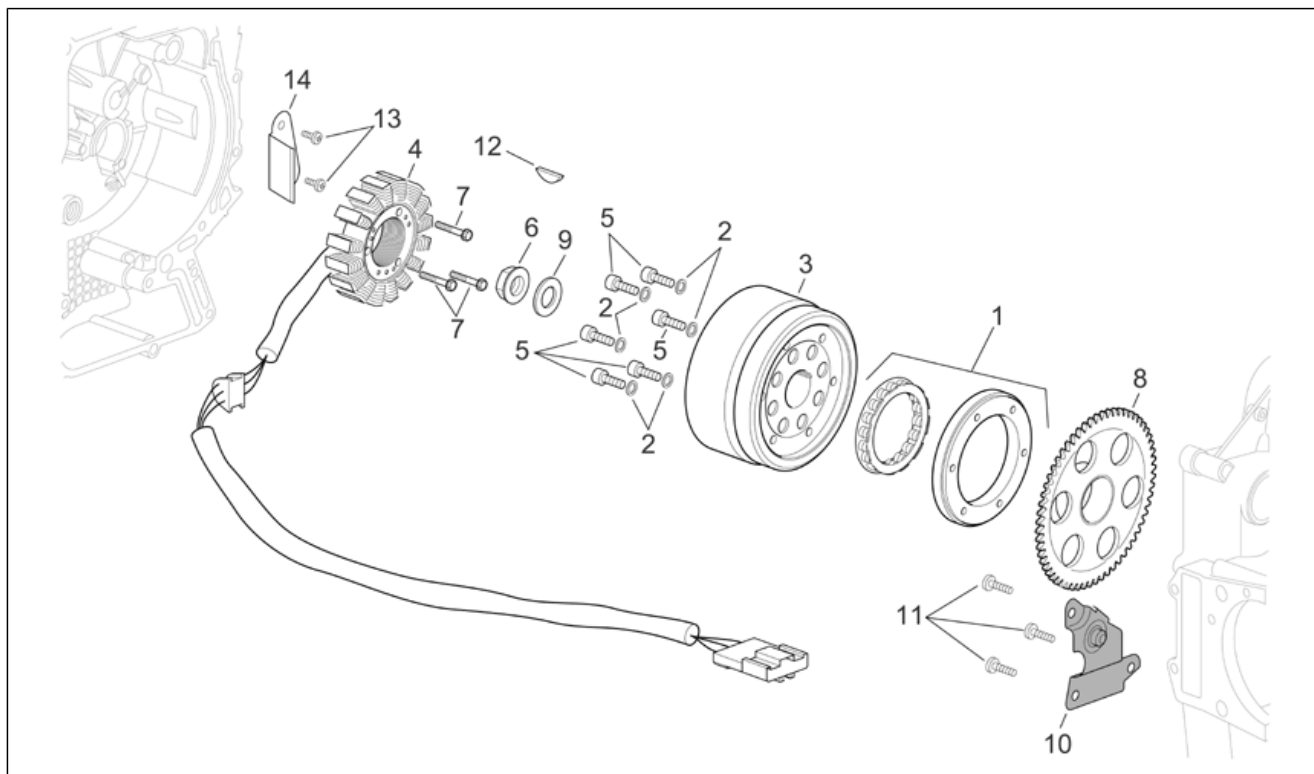
Pos.	Code	Beschreibung	Menge	Varianten
1	AP8560220	Getriebedeckel	1	
2	873492	Schalldämpfend	1	
3	AP8570075	Gew.schr.	3	
4	AP8152279	TE Schr. m. Flansch M6x20	4	
5	AP8120253	Distanzscheibe	4	
6	AP8515066	Schraube M6x40	7	
7	AP8560040	Seegerring	1	
8	AP8560223	Lager	1	
9	AP8560218	Sk-Schraube M8x10	2	
10	AP8560219	Sk-Schraube M8x70	2	
11	AP8560224	Getriebedeckel	1	
12	AP8179159	Vorn Wandlerdeckel	1	
13	AP8179158	Kuhl Wandlerdeckel	1	
14	833320	Schalldämpfer	2	
15	833321	Schalldämpfer	2	

Einheit	MOTOR
Code	29.48
Beschreibung	Startermotor
Inspektion	1



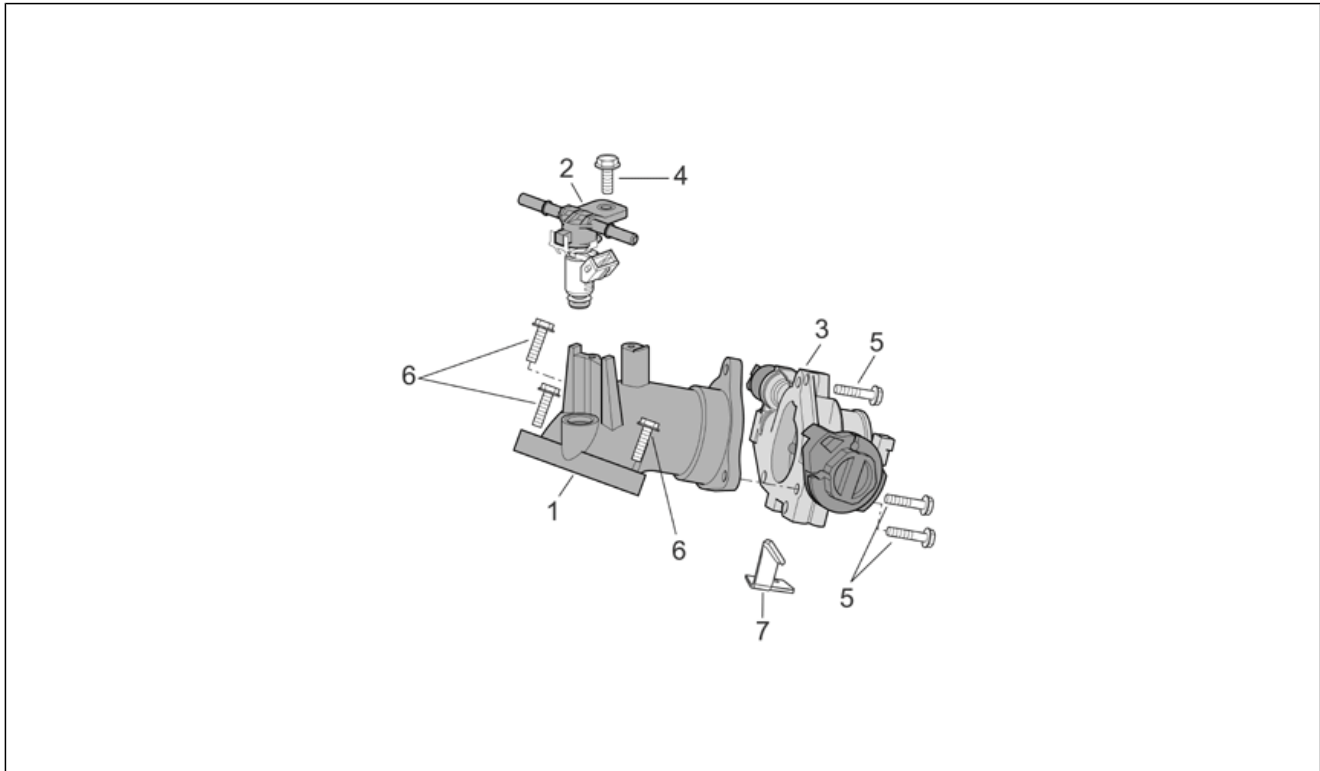
Pos.	Code	Beschreibung	Menge	Varianten
1	AP8113789	TE Schr. m. Flansch	2	
2	AP8560025	Startermotor	1	
3	AP8560064	Torque limiter	1	

Einheit	MOTOR
Code	29.49
Beschreibung	Zündgruppe
Inspektion	1



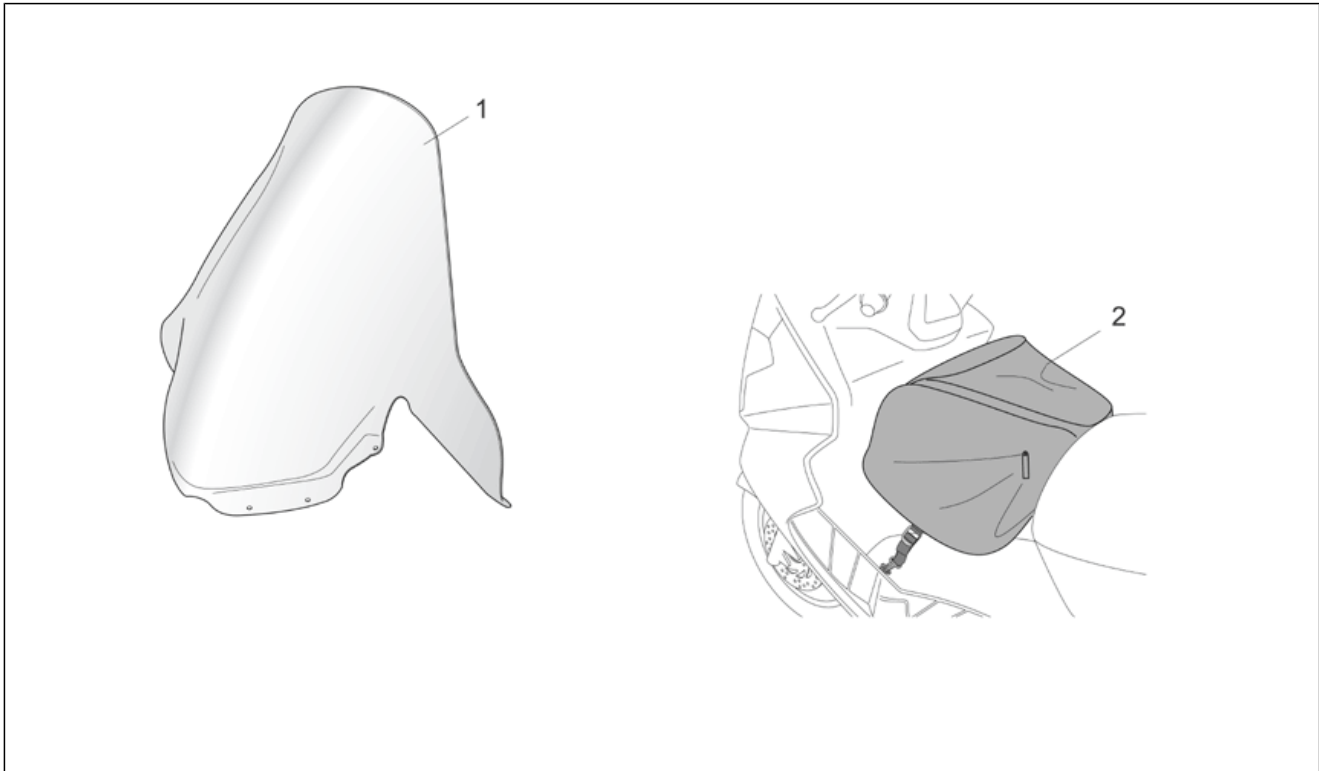
Pos.	Code	Beschreibung	Menge	Varianten
1	AP8570014	Freilaufrolle kplt.	1	
2	AP8550487	Federring Din	6	
3	AP8560102	Rotor	1	
4	AP8560100	Stator kpl	1	
5	AP8577041	TCEI Schraube M6x25	6	
6	AP8560063	Mutter M14x1,5	1	
7	AP8560011	Schraube M6x30	3	
8	AP8570018	Zahnkranz	1	
9	AP8560043	Flachscheibe	1	
10	AP8560083	Platte	1	
11	AP8550073	TBIC Schraube	3	
12	AP8560006	Keil	1	
13	AP8560009	Schraube	2	
14	AP8570011	Platte	1	

Einheit	MOTOR
Code	29.50
Beschreibung	Klappenkörper
Inspektion	1



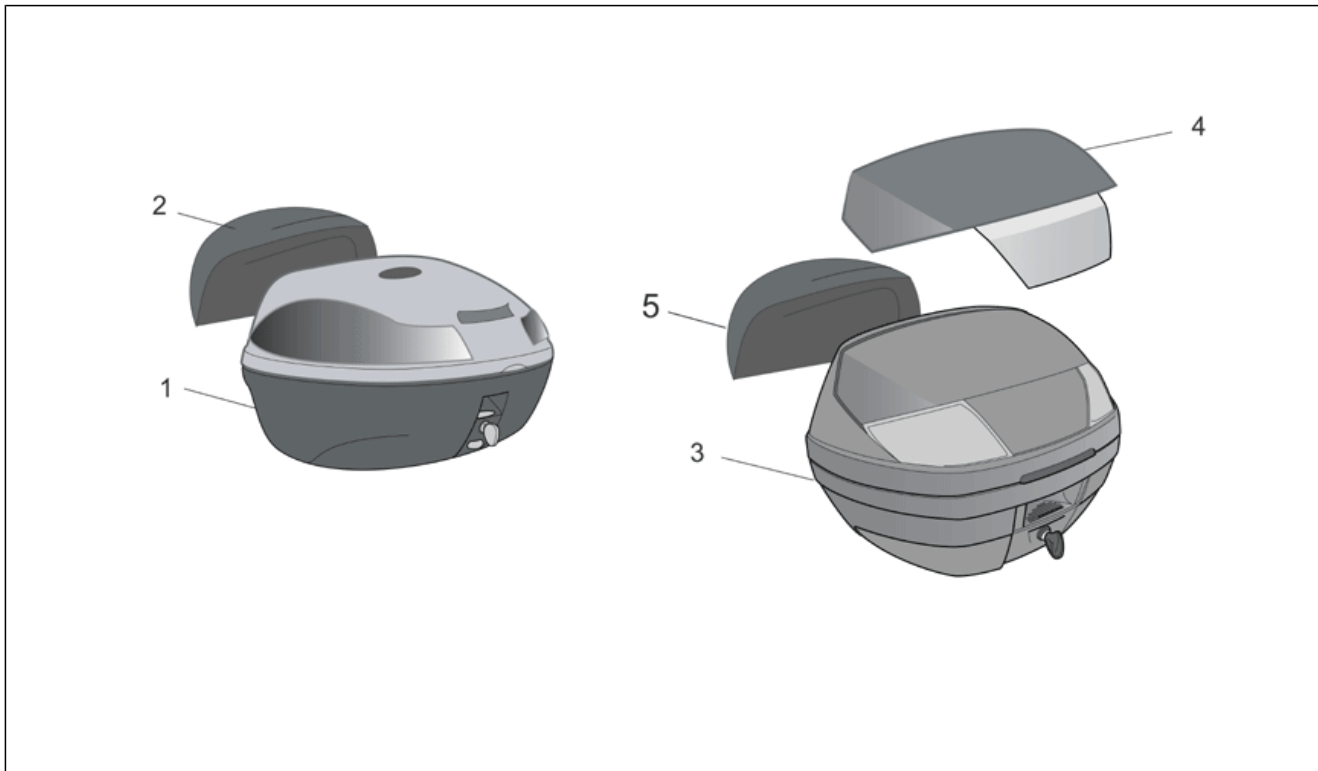
Pos.	Code	Beschreibung	Menge	Varianten
1	AP8560154	Ansaugkrümmer	1	
2	AP8560170	Injektor	1	
3	AP8560048	Klappenkörper kpl.	1	
4	AP8560153	TE Schr. m. Flansch	1	
5	AP8550558	TE Schr. m. Flansch M6x30	3	
6	AP8113789	TE Schr. m. Flansch	3	
7	AP8134839	Platte	1	

Einheit	ZUBEHÖR
Code	30.51
Beschreibung	Acc. - Windschilder/Taschen
Inspektion	1



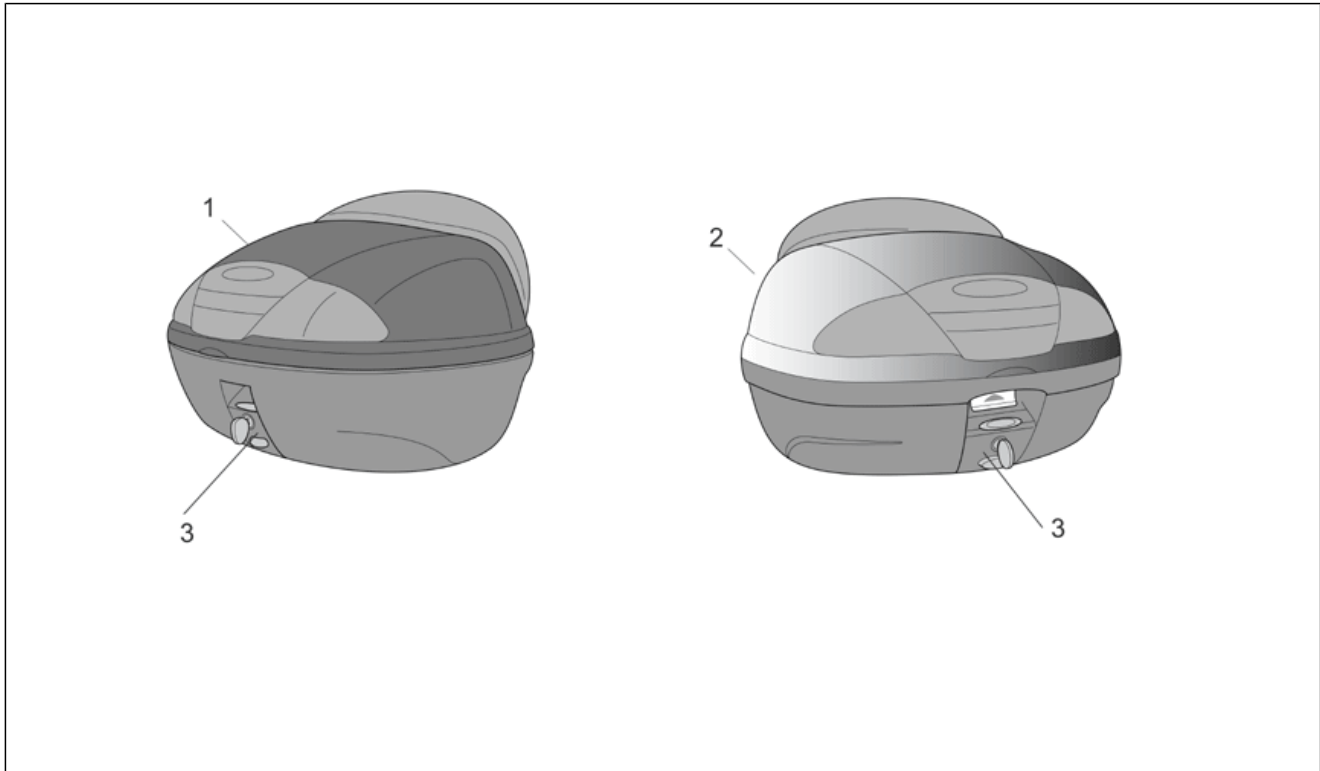
Pos.	Code	Beschreibung	Menge	Varianten
1	852996	Wetterschutz Big	1	Technische Daten:Zubehör[A]
2	AP8792285	Tunneltasche 50L	1	Technische Daten:Zubehör[A]

Einheit	ZUBEHÖR
Code	30.52
Beschreibung	Acc. - Koffer I
Inspektion	1



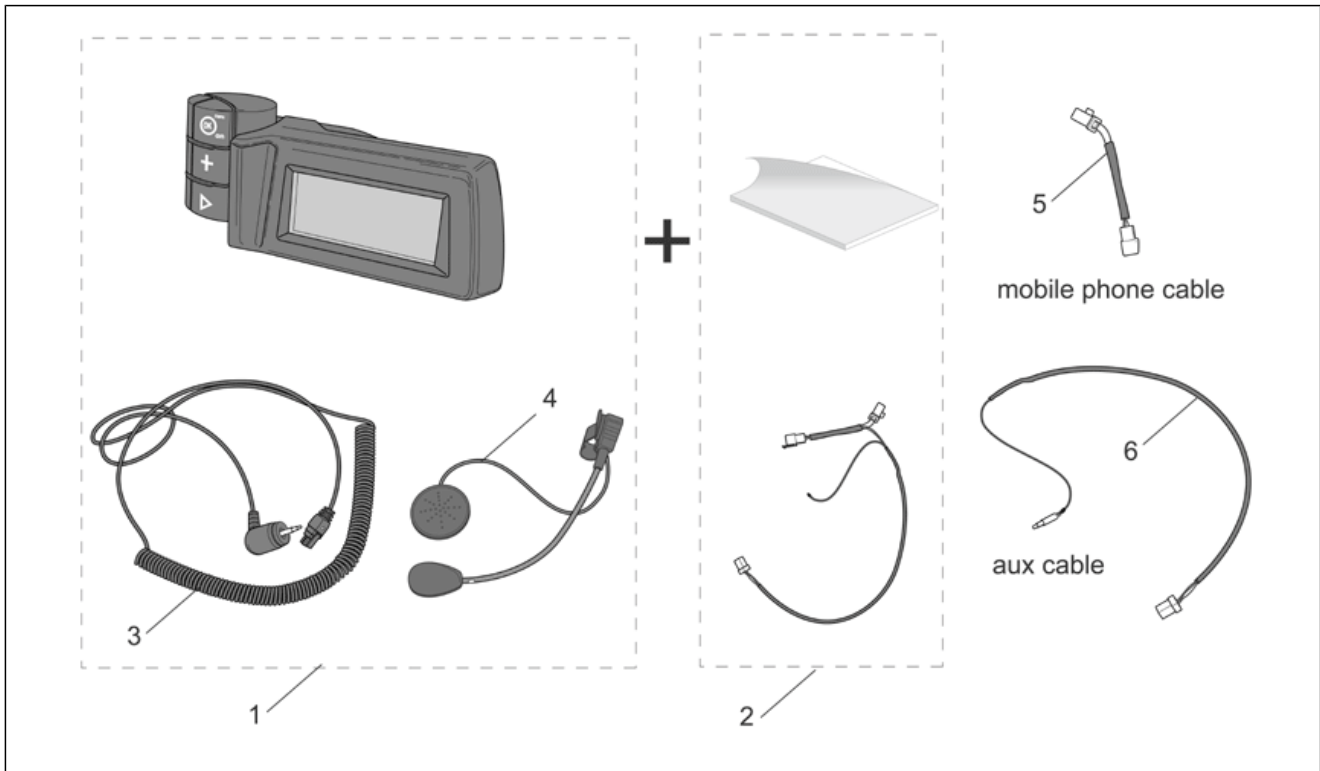
Pos.	Code	Beschreibung	Menge	Varianten
1	CM220301	Koffer gaufriert Street C II-47L	1	Technische Daten: Zubehör[A]
1	CM220302	Staukoffer, grau Street C II-47L	1	Baujahr: 2006[6] Fahrzeugfarbe: Grau Shot 2006 (851713)[s.grey] Technische Daten: Zubehör[A]
1	CM220306	Staukoffer, grau Street C II-47L	1	Baujahr: 2006[6] Fahrzeugfarbe: Grau Excalibur 2006 (851735)[e.grey] Technische Daten: Zubehör[A]
1	CM220307	Staukoffer, blau Street C II-47L	1	Baujahr: 2006[6] Fahrzeugfarbe: Blau Couture 2006 (851736)[c.blue] Technische Daten: Zubehör[A]
2	852313	Sitzkissen Street C II-47	1	Technische Daten: Zubehör[A]
3	CM220401	Staukoffer City-35L	1	Technische Daten: Zubehör[A]
4	CM220810	Stauraumdeckel,grau City-35L	1	Baujahr: 2006[6] Fahrzeugfarbe: Grau Shot 2006 (851713)[s.grey] Technische Daten: Zubehör[A]
4	CM220811	Stauraumdeckel,grau City-35L	1	Baujahr: 2006[6] Fahrzeugfarbe: Grau Excalibur 2006 (851735)[e.grey] Technische Daten: Zubehör[A]
4	CM220812	Stauraumdeckel,blau City-35L	1	Baujahr: 2006[6] Fahrzeugfarbe: Blau Couture 2006 (851736)[c.blue] Technische Daten: Zubehör[A]
5	852312	Sitzkissen City-35L	1	Technische Daten: Zubehör[A]

Einheit	ZUBEHÖR
Code	30.53
Beschreibung	Acc. - Koffer II
Inspektion	1



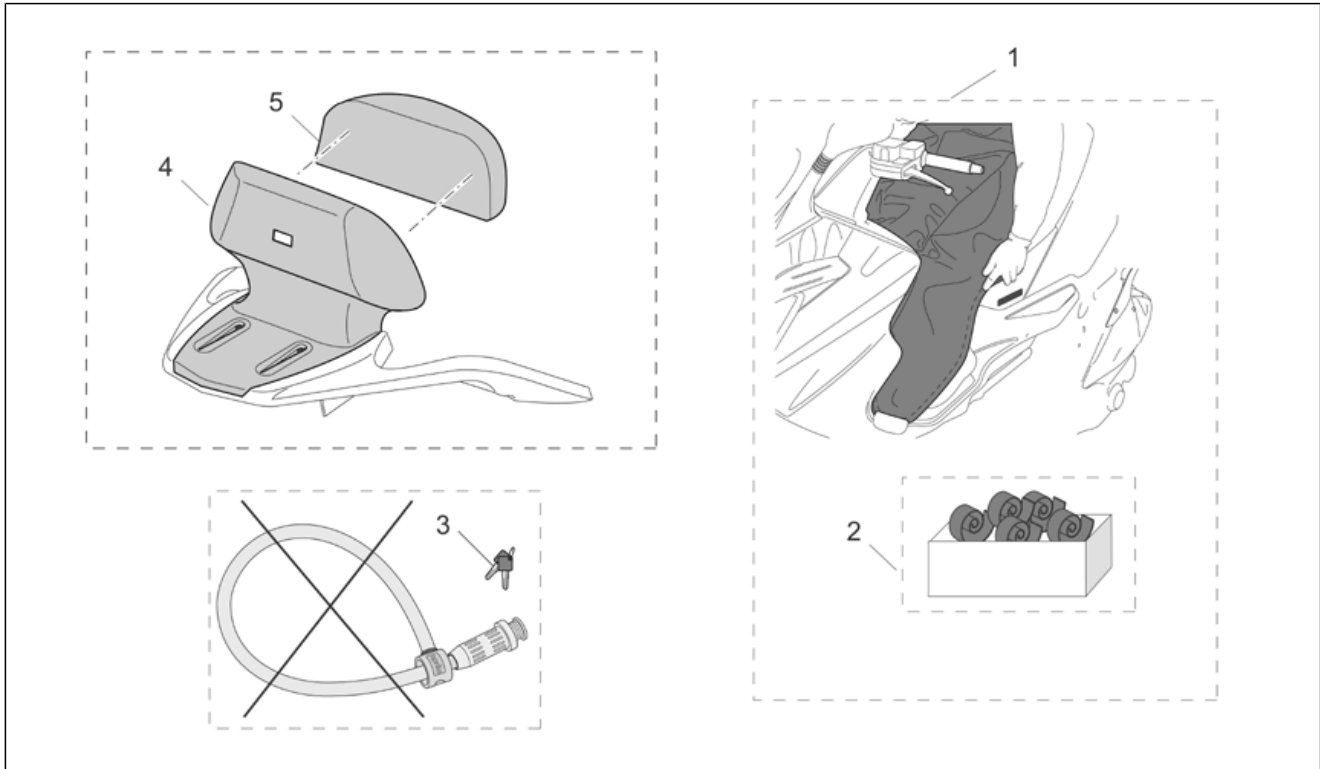
Pos.	Code	Beschreibung	Menge	Varianten
1	AP8790260	Koffer gaufriert Str-Cas 45L	1	Technische Daten: Zubehör[A]
2	AP8792373	Koffer grau ash Str-Cas 45L	1	Technische Daten: Zubehör[A]
2	AP8792374	Koffer grau ash Str-Cas 45L	1	Land: Spanien[SP] Technische Daten: Zubehör[A]
3	AP8797169	Kofferschloß St-Case	1	Technische Daten: Zubehör[A]

Einheit	ZUBEHÖR
Code	30.54
Beschreibung	Acc. - Sonstiges I
Inspektion	1



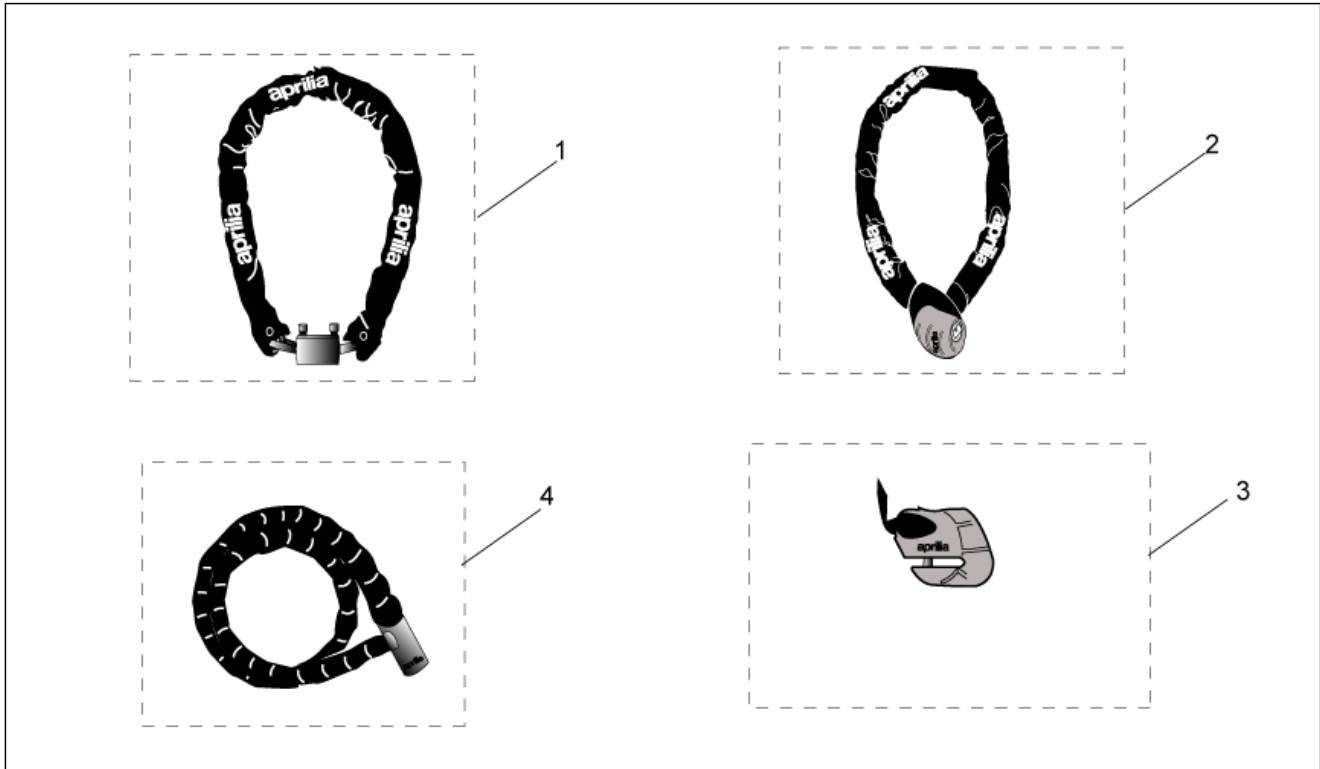
Pos.	Code	Beschreibung	Menge	Varianten
1	AP8794031	Radio-Display blau MobControl	1	Technische Daten:Zubehör[A]
2	AP8794044	Kabel Funktelefon MobControl	1	Technische Daten:Zubehör[A]
3	AP8794038	Spiralkabel f/Kopfhörer	1	Technische Daten:Zubehör[A]
4	AP8794039	Kopfhörer m/Mikrofon	1	Technische Daten:Zubehör[A]
5	AP8701232	Kabel Ericsson	1	Technische Daten:Zubehör[A]
5	AP8701233	Kabel Motorola MOD1	1	Technische Daten:Zubehör[A]
5	AP8701234	Kabel Motorola MOD2	1	Technische Daten:Zubehör[A]
5	AP8701235	Kabel Panasonic MOD1	1	Technische Daten:Zubehör[A]
5	AP8701236	Kabel Panasonic MOD2	1	Technische Daten:Zubehör[A]
5	AP8701237	Kabel Panasonic MOD3	1	Technische Daten:Zubehör[A]
5	AP8701238	Kabel Siemens MOD1	1	Technische Daten:Zubehör[A]
5	AP8701239	Kabel Siemens MOD2	1	Technische Daten:Zubehör[A]
5	AP8701240	Kabel Siemens MOD3	1	Technische Daten:Zubehör[A]
5	AP8701241	Kabel Nokia MOD1	1	Technische Daten:Zubehör[A]
5	AP8701242	Kabel Nokia MOD2	1	Technische Daten:Zubehör[A]
5	AP8701243	Kabel Samsung MOD1	1	Technische Daten:Zubehör[A]
5	AP8701244	Kabel Samsung MOD2	1	Technische Daten:Zubehör[A]
5	AP8701245	Kabel Sony	1	Technische Daten:Zubehör[A]
6	AP8797170	Verkabelung AUX MobControl	1	Technische Daten:Zubehör[A]

Einheit	ZUBEHÖR
Code	30.55
Beschreibung	Acc. - Sonstiges II
Inspektion	1



Pos.	Code	Beschreibung	Menge	Varianten
1	AP8796614	Abdeckplane	1	Technische Daten:Zubehör[A]
2	AP8701140	Kit Ers.teil Klettver.Abdeckp.	1	Technische Daten:Zubehör[A]
3	AP8700792	Schlüsslersatzdie. B.Guard UK-D	1	Land:Deutschland[D], Großbritannien[UK] Technische Daten:Zubehör[A]
3	AP8700793	Schlüsslersatzdie. B.Guard F-NL	1	Land:Frankreich[F], Holland[NL] Technische Daten:Zubehör[A]
3	AP8700794	Schlüsslersatzdie. B.Guard I-E	1	Land:Spanien[E], Italien[I] Technische Daten:Zubehör[A]
4	AP8703057	Soziusrückenlehne	1	Technische Daten:Zubehör[A]
5	AP8702151	Sitzkissen Blau	1	Technische Daten:Zubehör[A]
5	AP8702152	Sitzkissen Grau	1	Technische Daten:Zubehör[A]

Einheit	ZUBEHÖR
Code	30.56
Beschreibung	Acc. - Diefstahl
Inspektion	1



Pos.	Code	Beschreibung	Menge	Varianten
1	AP8720115	Iron Guard 10x150 mm	1	Technische Daten:Zubehör[A]
2	AP8720116	Iron Guard 8x120 mm	1	Technische Daten:Zubehör[A]
3	AP8720117	Iron Guard Disk 5 mm	1	Technische Daten:Zubehör[A]
4	AP8720118	Easy Guard 150 mm	1	Technische Daten:Zubehör[A]