


MOTO GUZZI®

ERSATZTEILKATALOG



Bellagio 940 E3 2007-2013 (APAC, EMEA)

Vorsatzcode Fahrgestell: ZGULY000, ZGULYA00

Vorsatzcode Motor:

Inhaltsverzeichnis

Fertige Produkte.....	4
Alphanumerisches Verzeichnis.....	5
RAHMEN.....	11
Tafel 33.01 - Rahmen.....	11
Tafel 33.02 - Hauptständer.....	13
Tafel 33.03 - Fussrasten I.....	14
Tafel 33.04 - Fussrasten II.....	15
Tafel 33.05 - Schalthebel.....	16
Tafel 33.06 - Vorderradgabel I.....	17
Tafel 33.07 - Vorderradgabel II.....	18
Tafel 33.08 - Schwinge.....	21
Tafel 33.09 - Getriebe kpl.....	22
Tafel 33.10 - Getriebe kpl.-Häuse.....	23
Tafel 33.11 - Getriebe kpl.-Teilerradsatz.....	24
Tafel 33.12 - Pleuelstange und Stoßdämpfer.....	25
Tafel 33.13 - Kraftstofftank.....	26
Tafel 33.14 - Sitz-Mittlerer aufbau.....	28
Tafel 33.15 - Vorderes Schutzblech.....	30
Tafel 33.16 - R.Kar. - R.verkl.....	31
Tafel 33.17 - Instrumententafel.....	32
Tafel 33.18 - Lenkstange - Schaltungen.....	33
Tafel 33.19 - Vorderradbrenspumpe.....	34
Tafel 33.20 - Kupplung schalt. kpl.....	35
Tafel 33.21 - Anlage Blow-by.....	36
Tafel 33.22 - Einspeisung.....	37
Tafel 33.23 - Benzinpumpe int.....	38
Tafel 33.24 - Filtergehäuse.....	39
Tafel 33.25 - Auslassgruppe.....	40
Tafel 33.26 - Vorderrad I.....	42
Tafel 33.27 - Vorderradbrenszange.....	43
Tafel 33.28 - Hinterrad I.....	44
Tafel 33.29 - Hinterradbrenspumpe.....	45
Tafel 33.30 - Hinterradbrenszange.....	46
Tafel 33.31 - Frontscheinwerfer/Hupe.....	47
Tafel 33.32 - Rücklicht.....	48
Tafel 33.33 - Elektrische anlage I.....	49
Tafel 33.34 - Elektrische anlage II.....	51
Tafel 33.35 - Bausatz Schlösser.....	52
Tafel 33.36 - Aufkleber-Deko.....	53
Tafel 33.55 - Hinterrad II.....	55
MOTOR.....	56
Tafel 34.37 - Gehäuse.....	56
Tafel 34.38 - Zylinderkopf und Ventile.....	58

Tafel 34.39 - Kurbelwelle kpl.....	60
Tafel 34.40 - Steuer.....	61
Tafel 34.41 - Ölpumpe.....	62
Tafel 34.42 - Ölfilter.....	63
Tafel 34.43 - Kupplung.....	64
Tafel 34.44 - Getriebegehäuse.....	65
Tafel 34.45 - Schaltgabel.....	66
Tafel 34.46 - Hauptwelle.....	67
Tafel 34.47 - Festrad.....	68
Tafel 34.48 - Kupplungswelle.....	69
Tafel 34.49 - Stromgenerator.....	70
Tafel 34.50 - Startermotor.....	71
Tafel 34.51 - Klappenkörper.....	72
SPEZIALWERKZEUG.....	74
Tafel 36.52 - Specific tools I.....	74
Tafel 36.53 - Specific tools II.....	75

Fertige Produkte

Code	Gültigkeit
GU9032588AU801	
GU9032588EU801	
GU9032588GB801	

Code	Nr. der Tafel	Pos.	Code	Nr. der Tafel	Pos.	Code	Nr. der Tafel	Pos.
0000000	33.26	14	976181	34.38	10	97833800YR1	33.14	3
0000000	33.26	15	976183	34.39	3	978338NG	33.14	3
0000000	33.26	16	976371	34.39	2	978338NG	33.14	3
0000000	33.28	12	976425	34.39	17	978340	33.16	1
0000000	33.28	13	976448	34.41	6	97834000EE	33.16	1
0000000	33.55	2	976449	34.37	1	97834000YR1	33.16	1
224202	34.38	8	976450	34.37	15	978340NG	33.16	1
277916	34.41	2	976451	34.37	26	978340NG	33.16	1
2D000006	33.35	10	976452	34.44	5	978346	33.36	11
639542	33.02	3	976453	34.44	1	978348	33.09	1
825597	34.38	9	976481	34.39	20	978350	33.08	1
825597	34.39	24	976484	34.39	21	978356	33.28	9
849131	34.39	14	976521	33.25	22	978358	33.02	1
883045	33.09	7	976522	33.25	11	978360	33.27	1
883046	33.09	2	976523	33.25	12	978361	33.27	2
883114	33.12	1	976688	34.41	17	978362	33.19	6
883114	33.12	1	976923	34.37	38	978364	33.30	10
883255	33.13	17	976926	34.44	17	978366	33.33	1
883255	33.13	17	977004	33.06	1	978366	33.34	1
883256	33.13	16	977024	33.26	8	978368	33.33	2
883256	33.13	16	977041	33.29	14	978369	33.25	13
883269	33.36	17	977056	33.28	5	978370	33.25	23
883271	33.36	19	977056	33.55	5	978373	33.31	10
883272	33.36	18	977080	33.02	2	978374	33.31	11
883688	33.26	8	977180	34.51	18	978376	33.17	2
883802	33.18	13	977181	34.51	19	978377	33.17	4
883802	33.18	15	977388	33.33	15	978381	33.18	11
884033	33.29	24	977389	33.35	1	978382	33.18	12
884081	33.26	1	977476	34.51	16	978390	34.51	18
884082	33.55	1	977527	33.14	14	978390	34.51	18
886141	33.36	20	977527	33.35	4	978391	34.51	19
886142	33.36	21	977528	33.17	9	978391	34.51	19
886143	33.36	22	977528	33.35	2	978414	33.30	1
886144	33.36	23	977662	33.25	1	978415	33.35	9
88615300NG	33.13	1	977663	33.25	2	978434	33.29	1
88615500NG	33.15	1	977699	33.01	18	978435	33.29	6
886944	33.36	24	977769	33.34	13	978461	33.21	4
887081	33.26	6	977772	33.34	14	978467	33.04	1
887082	33.55	8	977790	33.01	1	978472	33.03	14
887083	33.55	9	977809	33.01	7	978473	33.04	4
887826	33.31	12	977872	33.12	1	978505	33.34	11
887827	33.31	15	978224	33.03	1	978506	33.25	24
969973	34.38	46	978225	33.03	4	978508	33.36	4
976006	34.39	13	978250	33.14	6	978509	33.36	5
976020	34.39	18	978251	33.14	7	978516	33.26	5
976026	34.51	8	978295	33.14	1	978520	33.36	13
976031	34.39	12	978303	33.26	12	978526	33.01	27
976049	34.51	9	978304	33.26	13	978540	33.25	17
976052	34.38	20	978305	33.26	2	978551	33.36	6
976064	34.39	9	978306	33.26	6	978552	33.36	1
976068	34.38	45	978307	33.26	7	978554	33.33	11
976070	34.39	4	978308	33.26	1	978568	33.05	9
976071	34.39	5	978309	33.15	2	978580	33.16	11
976072	34.39	6	978310	33.18	1	978588	33.21	9
976079	34.38	1	978311	33.31	1	978606	33.19	1
976080	34.38	2	978312	33.24	1	978607	33.20	1
976095	34.38	36	978320	33.21	1	978609	33.28	1
976107	34.38	3	978324	33.17	1	978610	33.28	2
976134	34.41	1	978335	33.16	5	978611	33.28	8
976139	34.38	38	978336	33.16	4	978632	33.01	22
976144	34.38	41	978337	33.14	2	978662	33.31	1
976152	34.38	4	97833700EE	33.14	2	978683	33.28	11
976153	34.38	22	97833700YR1	33.14	2	978697	33.28	10
976165	34.41	3	978337NG	33.14	2	978810	33.55	10
976168	34.41	15	978337NG	33.14	2	978811	33.55	11
976171	34.39	16	978338	33.14	3	978814	33.55	14
976172	34.39	16	97833800EE	33.14	3	978815	33.55	8

Code	Nr. der Tafel	Pos.
978816	33.55	9
978818	33.55	1
981002	34.39	1
981003	33.27	6
981004	33.27	5
981046	33.20	2
981050	33.19	2
981115	34.42	14
983036	33.14	1
983036	33.14	1
AP8101586	33.21	16
AP8101595	33.29	5
AP8101595	34.44	15
AP8101744	33.55	14
AP8101861	33.04	11
AP8102375	33.14	5
AP8102375	33.16	3
AP8102524	33.02	9
AP8102913	33.14	16
AP8110066	33.12	5
AP8110068	33.12	6
AP8112811	33.34	9
AP8112996	33.29	27
AP8113081	33.29	16
AP8113082	33.29	17
AP8113288	33.29	3
AP8113627	33.27	3
AP8113993	33.19	5
AP8113993	33.20	4
AP8113995	33.19	3
AP8113997	33.20	5
AP8113998	33.20	6
AP8114487	33.14	15
AP8117200	33.34	5
AP8117200	34.50	5
AP8118492	33.18	9
AP8118502	33.18	8
AP8118503	33.18	10
AP8118579	33.18	3
AP8120030	33.17	8
AP8120030	33.33	5
AP8120177	33.34	6
AP8120178	33.29	13
AP8120405	33.14	13
AP8120405	34.51	15
AP8120485	33.11	7
AP8120912	33.05	3
AP8120912	33.29	20
AP8120952	34.44	16
AP8121032	34.50	7
AP8121072	33.25	29
AP8121098	33.11	6
AP8121133	33.04	10
AP8121155	33.12	10
AP8121170	33.25	20
AP8121218	33.09	4
AP8121221	33.05	2
AP8121221	33.29	19
AP8121223	33.05	6
AP8121420	33.35	8
AP8121567	33.03	10
AP8121882	33.17	15
AP8121915	33.19	8
AP8121915	33.20	9
AP8121915	33.30	6
AP8121927	33.29	23
AP8121994	33.02	6

Code	Nr. der Tafel	Pos.
AP8124936	33.33	31
AP8124976	33.32	19
AP8125777	33.26	3
AP8127098	33.32	13
AP8127703	33.18	2
AP8133502	33.27	4
AP8133594	33.20	8
AP8133595	33.30	8
AP8133596	33.30	9
AP8133597	33.30	7
AP8133908	33.27	7
AP8133962	33.19	7
AP8133962	33.30	11
AP8134378	33.25	27
AP8134448	33.16	6
AP8134451	33.04	9
AP8134829	33.04	8
AP8135608	33.12	8
AP8135924	33.12	4
AP8144007	33.05	7
AP8144007	33.29	25
AP8144071	33.25	28
AP8144222	33.07	6
AP8144553	33.34	7
AP8144707	33.01	26
AP8144707	33.31	21
AP8145034	33.03	5
AP8145035	33.03	12
AP8150248	33.16	10
AP8150292	33.02	7
AP8150292	33.12	13
AP8150432	33.01	11
AP8150462	33.05	5
AP8150462	33.29	22
AP8152001	33.02	8
AP8152043	33.17	13
AP8152147	33.12	12
AP8152242	33.09	5
AP8152267	33.16	7
AP8152273	33.22	2
AP8152277	33.03	9
AP8152277	33.04	12
AP8152277	33.34	12
AP8152278	33.20	11
AP8152278	33.29	12
AP8152278	34.43	14
AP8152279	33.17	5
AP8152279	33.29	4
AP8152279	33.31	20
AP8152279	33.33	4
AP8152280	34.37	16
AP8152282	33.33	7
AP8152282	34.37	17
AP8152282	34.49	12
AP8152286	33.01	16
AP8152286	33.26	9
AP8152287	34.37	18
AP8152291	34.37	37
AP8152298	34.38	21
AP8152299	33.14	9
AP8152299	33.31	22
AP8152301	33.01	8
AP8152301	33.12	11
AP8152301	33.25	18
AP8152306	33.16	9
AP8152306	33.32	17
AP8152318	33.08	2

Code	Nr. der Tafel	Pos.
AP8152320	33.30	2
AP8152329	33.29	10
AP8152329	33.34	4
AP8152339	33.14	4
AP8152339	33.16	2
AP8152396	33.12	16
AP8152397	33.12	9
AP8152398	33.12	2
AP8152409	33.03	11
AP8152409	33.04	13
AP8152410	33.09	3
AP8152482	33.12	15
AP8201124	33.01	19
AP8201358	33.21	8
AP8201808	33.30	13
AP8202238	33.30	12
AP8212588	33.34	16
AP8220162	33.01	28
AP8221023	33.17	7
AP8221023	33.33	6
AP8221145	33.29	11
AP8221160	33.01	12
AP8221204	33.02	10
AP8221211	33.02	11
AP8221242	33.17	3
AP8221277	33.03	8
AP8221307	33.01	9
AP8224164	33.16	8
B045021	33.18	5
B063025	34.44	11
GU00823923140	33.02	15
GU00823931055	33.13	22
GU00823931070	33.14	12
GU00823944050	33.13	3
GU00823944050	33.24	14
GU00823952080	33.22	6
GU00823956080	33.21	7
GU01037030	34.38	10
GU01038060	34.38	13
GU01038160	34.38	14
GU01051730	34.40	8
GU01054001	34.40	5
GU01067930	34.39	22
GU01106090	33.23	2
GU01106692	33.22	4
GU01107490	33.23	4
GU01108490	33.23	5
GU01132330	33.18	16
GU01132830	33.18	18
GU01517700	33.06	8
GU01528930	33.10	13
GU01528930	33.10	8
GU01528930	34.44	9
GU01530500	34.51	3
GU01530504	34.51	2
GU01576530	33.01	20
GU01603480	33.18	7
GU01609630	33.18	14
GU01721600	33.33	18
GU01722700	33.33	20
GU01722701	33.33	20
GU01722702	33.33	20
GU01722703	33.33	20
GU01722704	33.33	20
GU01722705	33.33	20
GU01731760	33.34	15
GU01743791	33.31	19

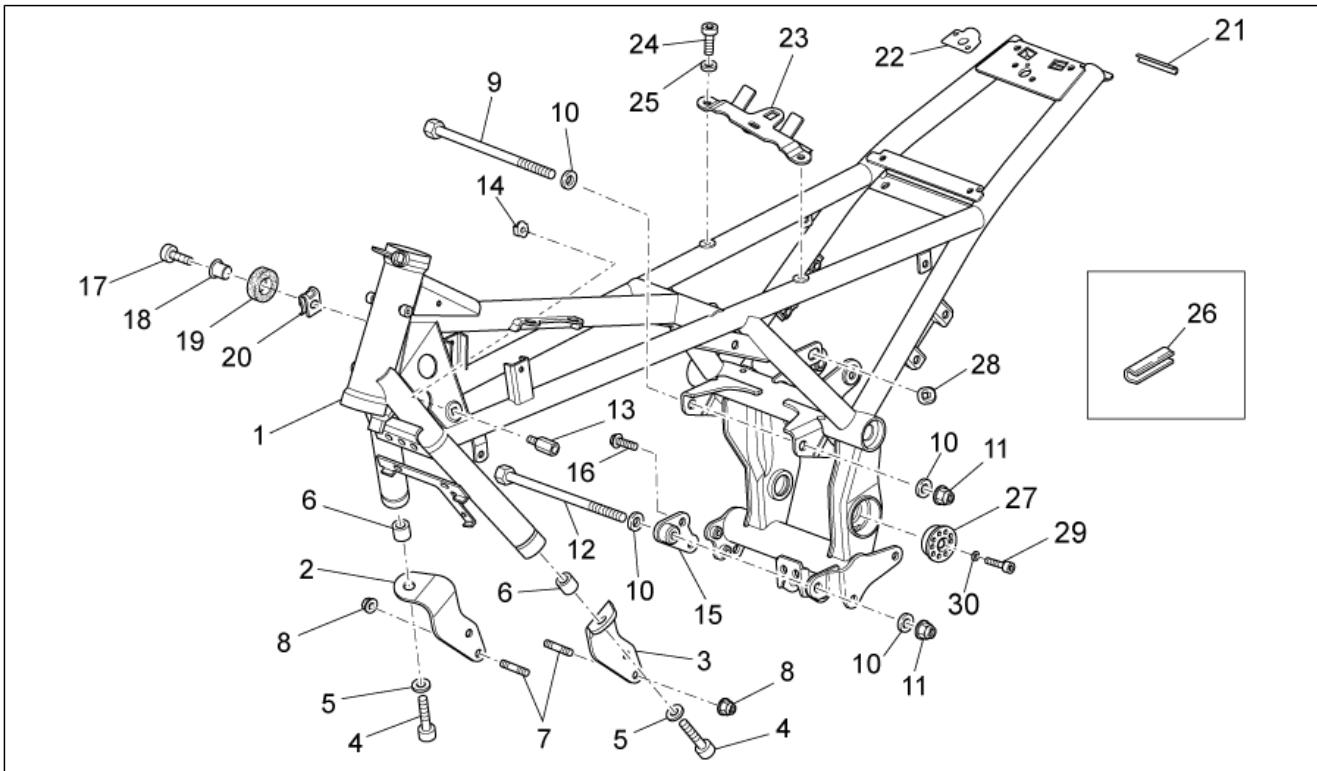
Code	Nr. der Tafel	Pos.	Code	Nr. der Tafel	Pos.	Code	Nr. der Tafel	Pos.
GU02517700	34.37	8	GU03530522	33.07	32	GU05214031	34.47	7
GU03001600	34.37	21	GU03530523	33.07	33	GU05214231	34.47	3
GU03007260	33.21	2	GU03530524	33.07	34	GU05214431	34.47	12
GU03013800	33.24	7	GU03530525	33.07	35	GU05214630	34.46	5
GU03013800	34.50	9	GU03530526	33.07	36	GU05214630	34.47	5
GU03100270	33.13	1	GU03530527	33.07	37	GU05214731	34.47	9
GU0310027000EE	33.13	1	GU03530528	33.07	38	GU05215031	34.47	10
GU0310027000YR1	33.13	1	GU03530529	33.07	41	GU05217630	34.43	12
GU03100270NG	33.13	1	GU03530530	33.07	42	GU05220531	34.47	11
GU03101600	33.13	8	GU03530531	33.07	44	GU05230531	34.45	18
GU03101720	33.13	9	GU03530532	33.07	45	GU05230831	34.45	21
GU03101900	33.13	4	GU03530533	33.07	46	GU05232431	34.45	19
GU03102200	33.13	7	GU03530534	33.07	47	GU05232631	34.45	20
GU03102400	33.13	6	GU03530535	33.07	48	GU05234130	34.45	11
GU03103070	33.23	3	GU03530536	33.07	48	GU05234230	34.45	12
GU03103200	33.13	10	GU03530537	33.07	48	GU05234431	34.45	1
GU03103500	33.13	5	GU03530538	33.07	49	GU05234631	34.45	2
GU03104370	33.13	23	GU03530539	33.07	50	GU05234731	34.45	10
GU03106170	33.23	6	GU03530540	33.07	51	GU05234931	34.45	13
GU03106400	33.13	2	GU03530541	33.07	54	GU05235531	34.45	3
GU03107270	33.22	1	GU03602760	33.18	4	GU05236231	34.45	7
GU03107270	33.23	1	GU03604845	33.20	3	GU05238131	34.45	15
GU03112560	34.51	1	GU03609600	33.18	14	GU05238231	34.45	8
GU03114370	34.51	7	GU03614101	33.26	10	GU05238331	34.45	14
GU03158200	34.42	6	GU03658201	33.19	13	GU05238431	34.45	9
GU03163330	33.33	24	GU03658430	33.19	12	GU05239330	34.45	17
GU03270300	33.01	25	GU03717450	33.33	12	GU05256930	33.05	10
GU03270300	33.25	7	GU03740930	33.32	6	GU05326330	33.09	6
GU0343436500EE	33.15	1	GU03749845	33.19	9	GU05351230	33.10	2
GU0343436500YR1	33.15	1	GU04067000	34.39	19	GU05352430	33.11	2
GU03434365NG	33.15	1	GU04082800	34.43	5	GU05354230	33.11	1
GU03462801	33.13	19	GU04084100	34.43	1	GU05358030	33.10	6
GU03469200	33.01	13	GU04086100	34.43	10	GU05358130	33.10	5
GU03469201	34.50	8	GU05001230	34.37	14	GU05358230	33.10	7
GU03472460	33.13	16	GU05011830	34.37	34	GU05358330	33.10	1
GU03472960	33.13	17	GU05023430	34.38	37	GU05358530	33.10	15
GU03490270	33.06	1	GU05025330	34.39	23	GU05358630	33.10	16
GU03490611	33.07	52	GU05025331	34.38	17	GU05421430	33.01	2
GU03490711	33.07	53	GU05025930	34.38	39	GU05421530	33.01	3
GU03493100	33.07	1	GU05036030	34.38	6	GU05425530	33.01	15
GU03493145	33.07	1	GU05036131	34.38	5	GU05547030	33.08	6
GU03494000	33.07	11	GU05053331	34.40	3	GU05547130	33.08	5
GU03494045	33.07	11	GU05054532	34.40	9	GU05547930	33.08	8
GU03498100	33.07	8	GU05058030	34.40	16	GU05548030	33.08	3
GU03522501001	33.07	39	GU05081830	34.48	5	GU05560330	33.12	3
GU03522601001	33.07	43	GU05084430	34.43	3	GU05562030	33.12	7
GU03525400	33.07	19	GU05085730	34.43	6	GU05562430	33.12	14
GU03526600	33.07	18	GU05086330	33.20	10	GU05603331	33.18	6
GU03526601	33.07	55	GU05086330	34.43	13	GU05606530	33.20	7
GU03530504	33.07	12	GU05121630	33.25	10	GU05606630	33.20	12
GU03530505	33.07	13	GU05121630	33.25	21	GU05632730	33.28	3
GU03530506	33.07	14	GU05124230	33.25	14	GU05632730	33.55	3
GU03530507	33.07	15	GU05124330	33.25	16	GU05635730	33.28	6
GU03530508	33.07	16	GU05153630	34.41	10	GU05635730	33.55	6
GU03530509	33.07	17	GU05204930	34.44	8	GU05638130	33.11	9
GU03530510	33.07	20	GU05206530	33.10	12	GU05654630	33.30	3
GU03530511	33.07	21	GU05210631	34.46	1	GU05659030	33.30	5
GU03530512	33.07	22	GU05210731	34.48	1	GU05659130	33.30	4
GU03530513	33.07	23	GU05211030	34.48	12	GU05661130	33.19	4
GU03530514	33.07	24	GU05211231	34.48	10	GU05663530	33.29	7
GU03530515	33.07	25	GU05211331	34.46	10	GU05666030	33.29	9
GU03530516	33.07	26	GU05211431	34.46	7	GU05704531	33.34	2
GU03530517	33.07	27	GU05211530	34.48	13	GU05704630	33.34	3
GU03530518	33.07	28	GU05211630	34.48	14	GU05716530	33.33	8
GU03530519	33.07	29	GU05212031	34.46	4	GU05717030	33.33	17
GU03530520	33.07	30	GU05212631	34.46	9	GU05729230	33.33	3
GU03530521	33.07	31	GU05213631	34.47	1	GU05730730	34.50	1

Code	Nr. der Tafel	Pos.	Code	Nr. der Tafel	Pos.	Code	Nr. der Tafel	Pos.
GU05733330	34.50	4	GU14152200	34.42	3	GU30113600	33.24	2
GU05747830	33.34	8	GU14217901	33.17	6	GU30114470	34.51	5
GU05900130	33.36	12	GU14217901	33.31	9	GU30114560	33.24	9
GU05901930	36.52	4	GU14217901	34.39	11	GU30114660	33.24	8
GU05902530	36.52	1	GU14217901	34.51	11	GU30147700	34.41	7
GU05902730	36.53	1	GU14234600	34.40	4	GU30150900	34.42	8
GU05902731	36.53	5	GU14433400	34.40	10	GU30153000	34.42	1
GU05902732	36.53	3	GU14439800	33.31	7	GU30158701	34.42	7
GU05902733	36.53	4	GU14516700	33.06	4	GU30158800	34.42	11
GU05902734	36.53	7	GU14517000	33.06	5	GU30158900	34.42	10
GU05902735	36.53	6	GU14609650	33.02	16	GU30159000	34.42	13
GU05902736	36.53	2	GU14609650	33.21	10	GU30217900	33.01	5
GU05909930	33.36	10	GU14609650	33.33	16	GU30217900	33.02	14
GU05912530	36.52	3	GU14609650	33.34	17	GU30461360	33.01	23
GU05917530	33.36	7	GU14615901	33.01	30	GU30513401	33.06	2
GU05926030	33.36	14	GU14615901	33.04	3	GU30516500	33.06	3
GU05928030	36.52	5	GU14615901	33.25	4	GU30577800	34.51	21
GU05944530	33.36	16	GU14615901	34.37	4	GU30611460	33.28	7
GU05944930	33.36	9	GU14616150	33.55	13	GU30611460	33.55	7
GU06211100	34.48	8	GU14717600	33.33	13	GU30714201	34.49	3
GU06215600	34.46	2	GU14912603	36.52	18	GU30717061	33.33	14
GU06250900	33.05	1	GU14927100	36.52	8	GU30728230	33.33	27
GU06409800	33.01	21	GU14927200	36.52	2	GU30729330	33.33	26
GU06677000	33.29	18	GU14927300	36.52	11	GU30906510	36.52	12
GU06717400	33.33	12	GU14929100	36.52	6	GU30912810	36.52	17
GU06751600	33.31	15	GU17034050	34.38	28	GU30944300	33.36	8
GU06751600	33.32	1	GU17045860	34.40	2	GU30970200	33.36	15
GU06765400	33.17	12	GU17661052	33.29	8	GU31003766	33.10	9
GU06765500	33.17	14	GU17947560	36.52	14	GU31003766	34.44	13
GU06917300	33.36	3	GU18001150	34.37	20	GU31103565	33.13	13
GU06917400	33.36	2	GU18144350	33.21	3	GU31740383	33.31	2
GU10032700	34.38	32	GU18144350	34.42	12	GU31768780	34.41	14
GU10034100	34.38	29	GU18144350	34.44	7	GU32023910	34.38	44
GU10907200	36.52	10	GU19002020	34.44	14	GU32103960	33.35	3
GU12003702	34.37	29	GU19007700	34.37	23	GU32116810	34.38	18
GU12003900	34.37	2	GU19149800	33.27	9	GU32441210	33.03	7
GU12006400	34.41	16	GU19149800	34.41	9	GU32441210	33.04	7
GU12011400	34.37	35	GU19207220	34.44	10	GU32442310	33.04	5
GU12011401	34.37	35	GU19659500	33.29	2	GU32442710	33.04	14
GU12011402	34.37	35	GU19927100	36.52	15	GU32443210	33.03	6
GU12011403	34.37	35	GU19929600	36.52	13	GU32443210	33.04	6
GU12011700	34.37	36	GU23943410	33.07	10	GU32443211	33.03	13
GU12012200	34.37	11	GU23943510	33.06	7	GU32443211	33.04	15
GU12018900	34.37	6	GU25656102	34.41	11	GU32474710	33.32	14
GU12022600	34.38	15	GU27530505	33.07	5	GU32602860	33.18	22
GU12031800	34.38	33	GU28157950	33.22	5	GU32703810	34.49	2
GU12082300	34.43	4	GU28157950	33.24	13	GU32712411	34.49	1
GU12087001	34.43	9	GU28576591	34.49	14	GU32727010	33.25	19
GU12154200	34.41	13	GU28742562	33.34	10	GU32735510	33.35	5
GU12211700	34.48	15	GU29106860	33.22	3	GU32735511	33.35	5
GU12911801	36.52	9	GU29115860	33.24	12	GU32740960	33.32	2
GU12912000	36.52	7	GU29116960	33.21	11	GU32750660	33.31	12
GU12913600	36.52	16	GU29132750	33.18	19	GU32750660	33.32	3
GU13037200	34.38	42	GU29217960	34.49	7	GU32753760	33.31	13
GU13084100	34.43	1	GU29530562	34.51	4	GU32753760	33.32	11
GU13148300	34.41	4	GU29711460	34.49	5	GU32769460	33.18	15
GU14003600	34.37	24	GU29711960	34.49	11	GU32769860	33.18	13
GU14011900	34.37	10	GU29722760	33.33	20	GU37037405	34.38	11
GU14011901	34.37	10	GU29729461	33.33	23	GU37037605	34.38	12
GU14018400	33.09	8	GU30003800	34.42	2	GU37045006	34.40	1
GU14018400	34.38	24	GU30004910	34.37	31	GU37067705	34.39	10
GU14030201	34.38	25	GU30058310	34.40	17	GU37712306	34.49	9
GU14030401	34.38	26	GU30059211	34.40	18	GU39094200	33.18	21
GU14037300	34.38	43	GU30061241	34.39	7	GU49609601	33.33	16
GU14072001	34.40	12	GU30082900	34.43	2	GU49609601	33.34	17
GU14085900	34.43	7	GU30109330	33.25	9	GU61270300	34.37	13
GU14086000	34.43	8	GU30113460	33.24	3	GU90118152	34.38	31

Code	Nr. der Tafel	Pos.	Code	Nr. der Tafel	Pos.	Code	Nr. der Tafel	Pos.
GU90271014	34.45	16	GU92630707	33.05	11	GU95510620	33.10	4
GU90271022	34.45	4	GU92650138	33.25	30	GU95512081	34.37	9
GU90271030	34.46	8	GU92660021	33.25	5	GU95960609	33.21	6
GU90271030	34.47	8	GU92660021	34.37	5	GU95980319	34.44	6
GU90271125	34.48	9	GU92660208	33.21	13	GU95990037	34.41	12
GU90271230	34.46	6	GU92660601	33.01	14	GU96508040	34.38	19
GU90271230	34.47	6	GU92660801	33.13	15	GU96508066	34.37	3
GU90272028	34.48	17	GU92750180	34.40	11	GU96508075	34.37	7
GU90273026	33.11	8	GU92787006	33.31	18	GU97202355	34.44	2
GU90274002	33.33	32	GU92787006	33.32	5	GU97202665	33.28	4
GU90274008	33.25	15	GU93180111	33.26	11	GU97202665	33.55	4
GU90351039	34.39	8	GU93180220	34.44	3	GU97260415	33.17	10
GU90353014	34.45	22	GU93231605	33.32	8	GU97260415	33.35	6
GU90353016	34.38	7	GU93232005	33.14	11	GU98052560	33.07	4
GU90401424	34.44	12	GU93232005	34.51	22	GU98082390	34.37	25
GU90402549	33.26	4	GU93304360	33.33	16	GU98082475	34.50	2
GU90402840	34.37	19	GU93304360	33.34	17	GU98084316	34.38	34
GU90403549	34.48	4	GU93304390	33.08	4	GU98084316	34.42	4
GU90404558	33.11	3	GU93305061	34.51	6	GU98084320	34.40	6
GU90405367	34.37	33	GU93306017	33.21	14	GU98084425	33.25	6
GU90408511	33.10	10	GU93306017	33.22	7	GU98084425	34.37	12
GU90412541	34.47	14	GU93306018	33.21	5	GU98110007	33.25	8
GU90706061	33.55	12	GU93450105	33.31	4	GU98230512	33.14	8
GU90706141	33.33	19	GU93450105	33.32	20	GU98231235	33.02	12
GU90706170	34.43	11	GU93450126	33.32	12	GU98257320	33.18	17
GU90706178	34.37	32	GU93450127	33.31	14	GU98310609	34.51	12
GU90706178	34.49	8	GU93450224	33.32	7	GU98310631	34.37	22
GU90706203	34.38	16	GU93450232	33.31	3	GU98350210	33.24	10
GU90706203	34.48	2	GU93601022	34.48	7	GU98350218	33.32	10
GU90706461	34.51	14	GU94321070	33.18	20	GU98350312	33.24	6
GU90714053	33.24	11	GU94321079	34.42	9	GU98350330	34.41	5
GU90714082	33.21	12	GU94322215	34.38	30	GU98350416	33.01	24
GU90718120	33.10	3	GU95005306	33.07	3	GU98350430	33.13	11
GU90718370	33.25	3	GU95005307	33.19	15	GU98370412	33.19	10
GU91111511	34.38	27	GU95005308	33.15	4	GU98370520	33.14	10
GU91120507	33.32	16	GU95005308	33.31	6	GU98370520	34.51	20
GU91180600	33.13	20	GU95005312	33.25	26	GU98370609	34.50	6
GU91180709	33.15	7	GU95008205	33.32	18	GU98370616	34.44	4
GU91181003	33.27	10	GU95008205	33.33	22	GU98370619	33.07	2
GU91181039	33.07	9	GU95008206	34.37	28	GU98370619	33.13	18
GU91181215	33.01	6	GU95008208	34.50	3	GU98370619	33.19	14
GU91551010	33.15	6	GU95008210	33.05	8	GU98370622	33.15	5
GU91551010	33.21	15	GU95008210	33.33	25	GU98370625	33.14	17
GU91551081	33.13	21	GU95008310	33.29	26	GU98370831	33.31	5
GU91551131	33.13	14	GU95008313	33.01	10	GU98370835	33.15	3
GU91600450	34.49	10	GU95008313	33.02	13	GU98612216	33.02	4
GU91702355	34.40	15	GU95020105	33.02	5	GU98620340	33.07	40
GU92201025	34.45	6	GU95021104	33.19	11	GU98622430	33.07	7
GU92201117	34.45	5	GU95021204	33.33	10	GU98680110	33.33	28
GU92201226	34.47	13	GU95021206	33.31	17	GU98680222	33.32	15
GU92201226	34.48	3	GU95021206	33.32	21	GU98680230	33.24	4
GU92201822	34.46	11	GU95028022	34.48	6	GU98680265	34.49	6
GU92201822	34.47	2	GU95100059	33.24	5	GU98680445	33.25	25
GU92204230	33.11	5	GU95100064	33.32	9	GU98680450	33.10	11
GU92208518	33.11	4	GU95100116	34.51	13	GU98680465	33.03	2
GU92232028	34.48	16	GU95100141	34.49	13	GU98682125	33.33	9
GU92249224	33.08	7	GU95100239	33.13	12	GU98682212	33.33	21
GU92249225	33.06	6	GU95100709	34.37	30	GU98682316	33.05	4
GU92252029	34.46	3	GU95100837	34.40	13	GU98682316	33.29	21
GU92252029	34.47	4	GU95120033	33.33	29	GU98682318	33.31	8
GU92602510	34.41	8	GU95120065	34.38	35	GU98682320	33.05	12
GU92602525	34.40	14	GU95120065	34.40	7	GU98682325	33.08	9
GU92603010	34.38	23	GU95129100	34.51	17	GU98682325	34.37	27
GU92606003	33.33	30	GU95129131	33.34	18	GU98682325	34.51	10
GU92606206	33.29	15	GU95129180	34.38	40	GU98682416	33.17	11
GU92606516	34.49	4	GU95129340	34.48	11	GU98682416	33.35	7
GU92609408	33.34	19	GU95187006	34.42	5	GU98682418	33.01	17

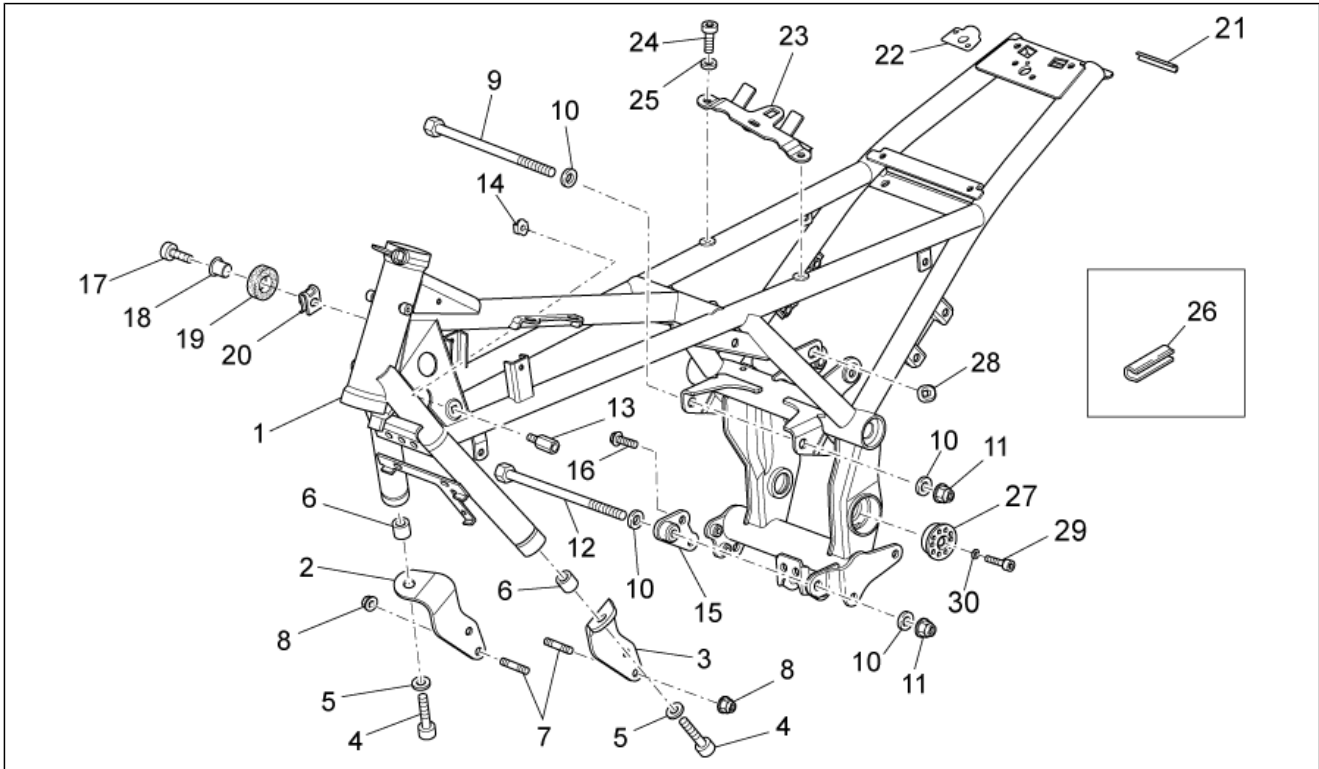
Code	Nr. der Tafel	Pos.
GU98682425	33.04	2
GU98682650	33.01	4
GU98683530	33.27	8
GU98690335	33.18	23
GU98692318	33.31	16
GU98692318	33.32	4
GU98692414	33.01	29
GU98710215	33.03	3
GU99210406	33.10	14

Einheit	RAHMEN
Code	33.01
Beschreibung	Rahmen
Inspektion	1



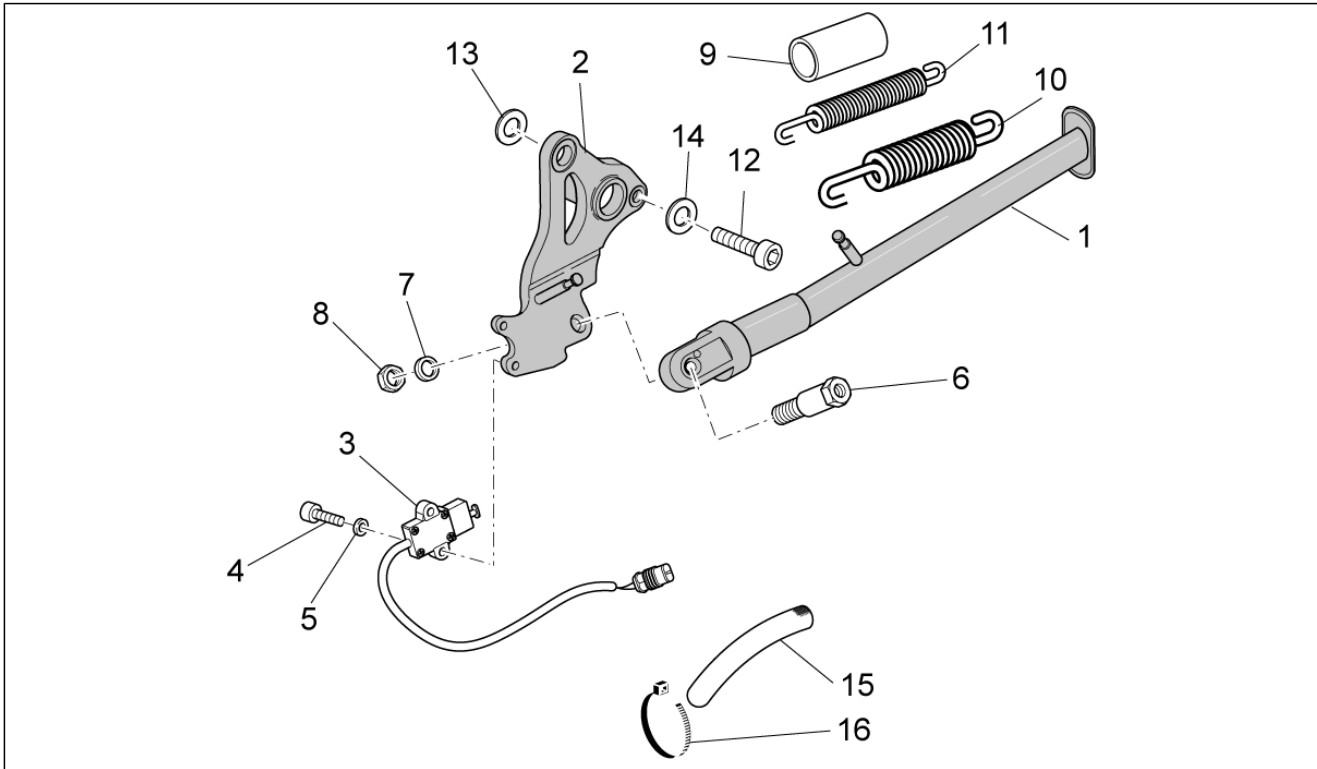
Pos.	Code	Beschreibung	Menge	Varianten
1	977790	Rahmen	1	
2	GU05421430	Rechts Platte	1	
3	GU05421530	Links Platte	1	
4	GU98682650	TCEI Schraube M12x50	2	
5	GU30217900	Ausgleichscheibe 13x18x1,7	2	
6	GU91181215	Distanzscheibe 12x35x14	2	
7	977809	Stiftschraube M10x38	4	
8	AP8152301	Selbstsperrende Mutter	4	
9	AP8221307	Bolzen M12	1	
10	GU95008313	Ausgleichscheibe 13x24x2,5	4	
11	AP8150432	Selbstsperr.mut Unt. M12*	2	
12	AP8221160	Bolzen M12	1	
13	GU03469200	Stiftschraube	2	
14	GU92660601	Käfigmutter	2	
15	GU05425530	Rechts Platte	1	
16	AP8152286	TE Schr. m. Flansch M8x20	2	
17	GU98682418	Schraube	2	
18	977699	T-Buchse 8,2x10,2x4	2	
19	AP8201124	Gummi *	2	
20	GU01576530	Klemmutter M8x1,25	2	
21	GU06409800	Dichtung	1	
22	978632	Schutzabdeckung	1	
23	GU30461360	Platte	1	
24	GU98350416	TBEI Schraube M8x16	2	
25	GU03270300	Ausgleichscheibe 8,4x15	2	
26	AP8144707	Dichtung	5	
27	978526	Deckel	2	
28	AP8220162	Gummi	2	

Einheit	RAHMEN
Code	33.01
Beschreibung	Rahmen
Inspektion	1



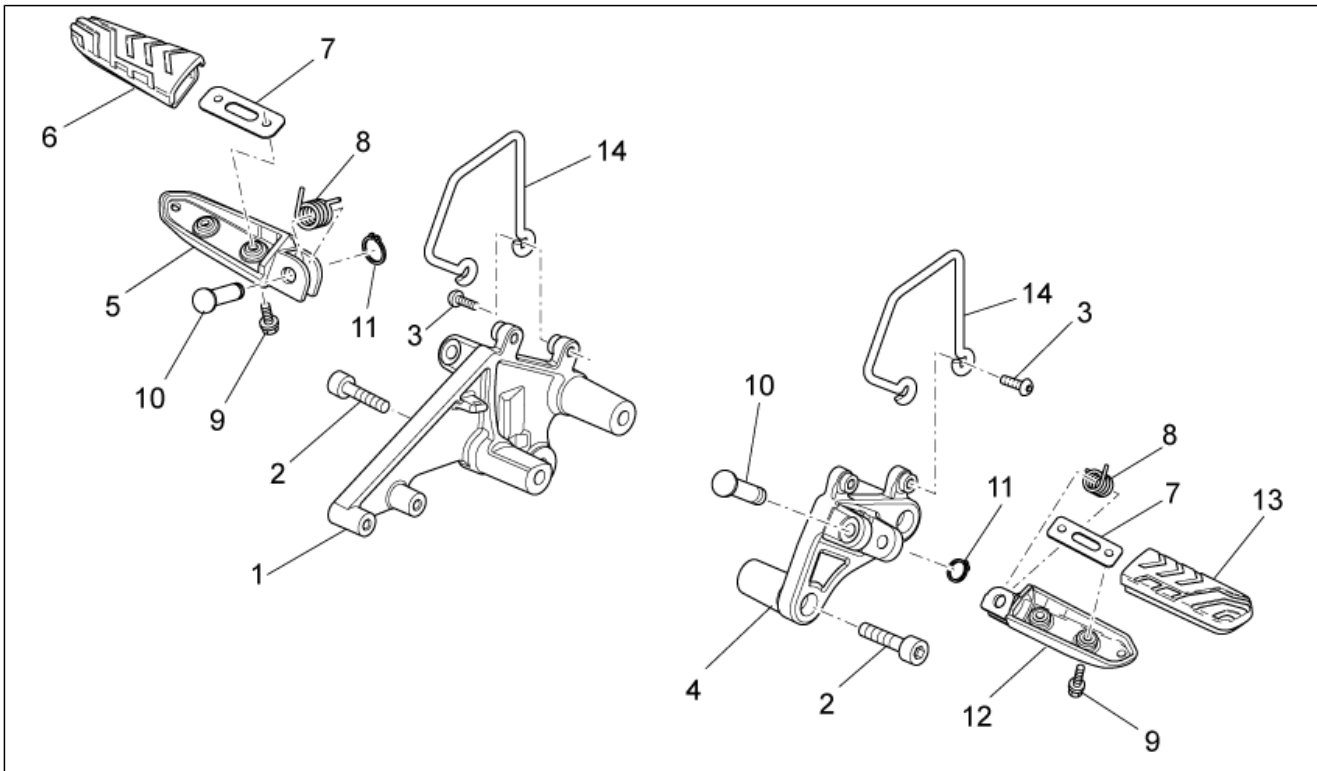
Pos.	Code	Beschreibung	Menge	Varianten
29	GU98692414	Schraube M8x14	2	
30	GU14615901	Ausgleichscheibe 8,4X13X0,8	2	

Einheit	RAHMEN
Code	33.02
Beschreibung	Hauptständer
Inspektion	1



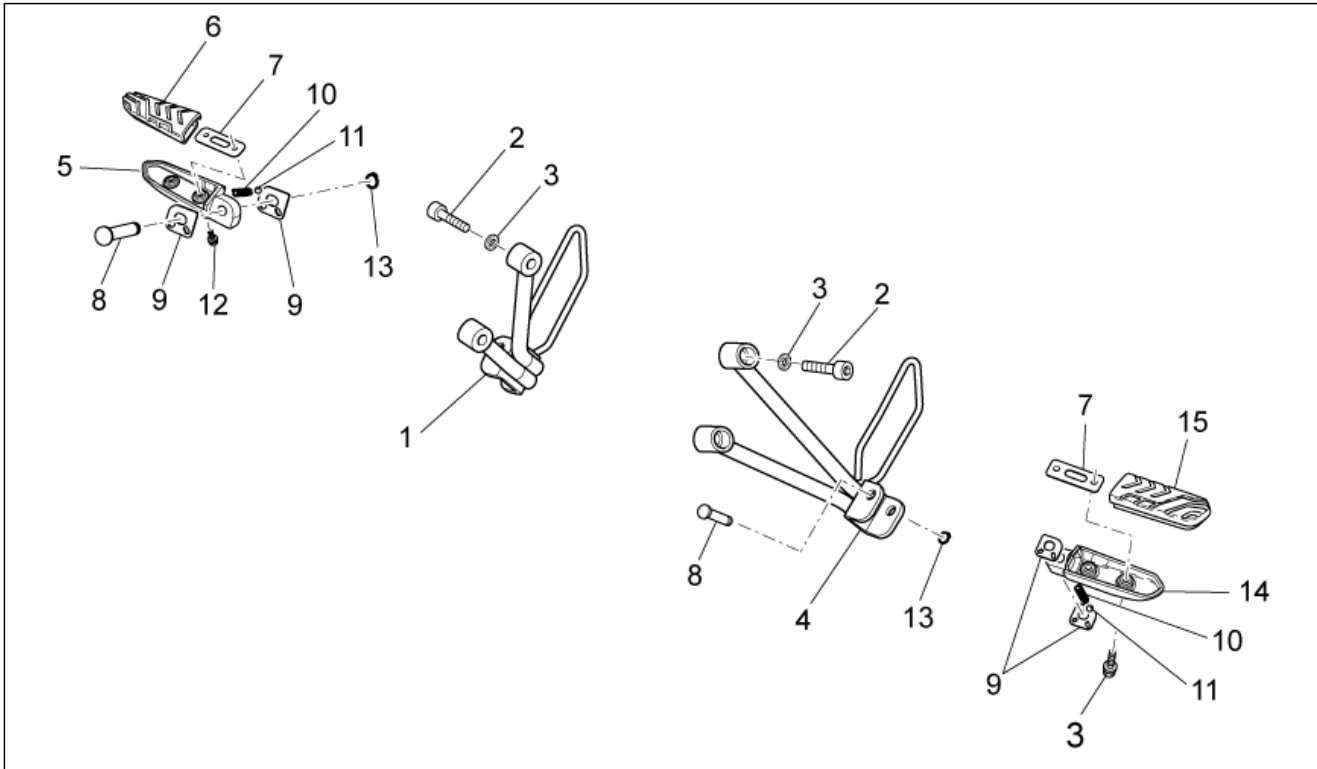
Pos.	Code	Beschreibung	Menge	Varianten
1	978358	Seitenständer	1	
2	977080	Hauptständer platte	1	
3	639542	Seitenständerschalter	1	
4	GU98612216	TCEI Schraube	2	
5	GU95020105	Ausgleichscheibe 5,3x8,9x2,4	2	
6	AP8121994	Ständerschraube	1	
7	AP8150292	Gebogene Sprengscheibe *	1	
8	AP8152001	Mutter unten M10x1,25	1	
9	AP8102524	Schutz f. Ständerfeder	1	
10	AP8221204	Hauptständer Schraubenfeder	1	
11	AP8221211	Rückholfeder Ständer	1	
12	GU98231235	TBEI Schraube M12x35	2	
13	GU95008313	Ausgleichscheibe 13x24x2,5	2	
14	GU30217900	Ausgleichscheibe 13x18x1,7	2	
15	GU00823923140	Thermische Hülle	1	
16	GU14609650	Schelle 3,6x20,6	2	

Einheit	RAHMEN
Code	33.03
Beschreibung	Fussrasten I
Inspektion	1



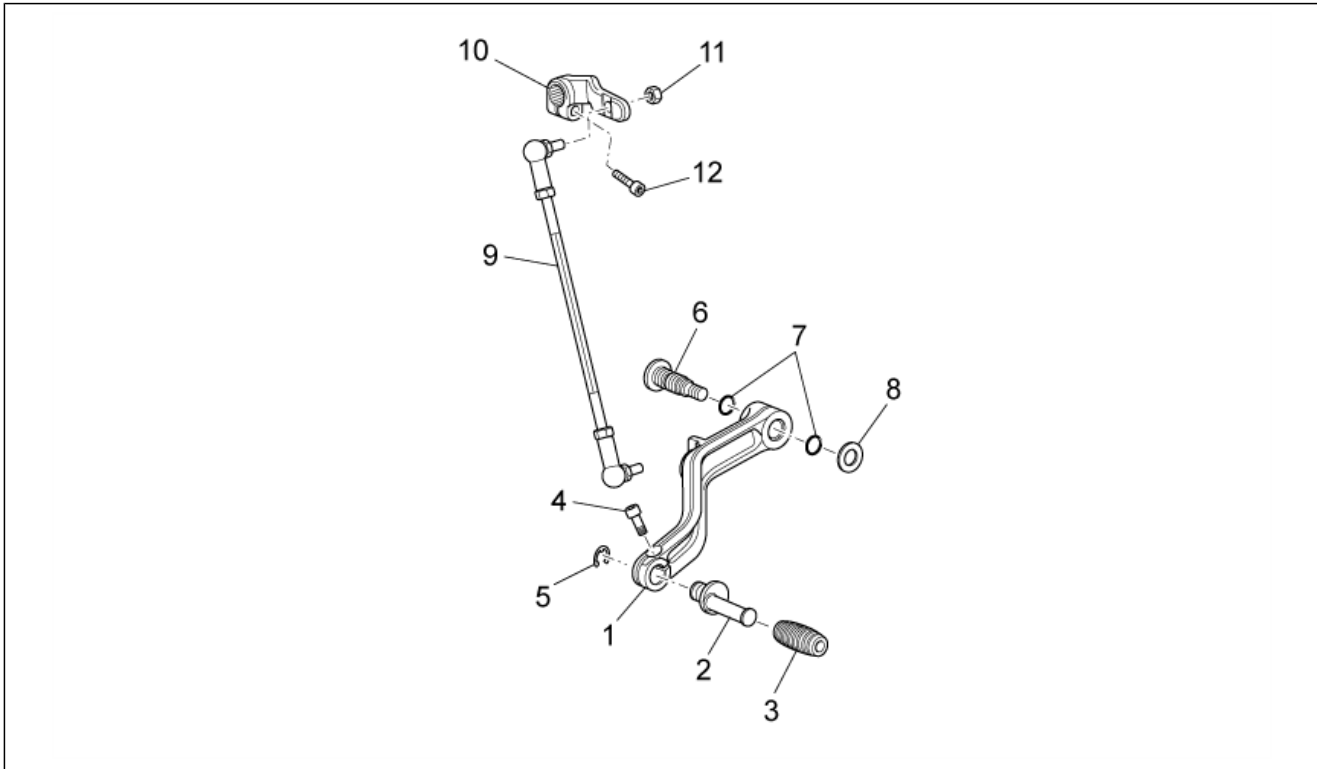
Pos.	Code	Beschreibung	Menge	Varianten
1	978224	Fußrastenhalter Fahrer rechts	1	
2	GU98680465	Schraube	4	
3	GU98710215	TCCCE Schraube	4	
4	978225	Fußrastenhalter Fahrer links	1	
5	AP8145034	Fussrasten r.	1	
6	GU32443210	Gummi für Haterung	1	
7	GU32441210	Platte	2	
8	AP8221277	Rückholfeder	1	
9	AP8152277	TE Schr. m. Flansch M6x12	4	
10	AP8121567	Bolzen	2	
11	AP8152409	Sperring	2	
12	AP8145035	Fussrasten l.	1	
13	GU32443211	Gummi für Haterung	1	
14	978472	Schutzabdeckung	2	

Einheit	RAHMEN
Code	33.04
Beschreibung	Fussrasten II
Inspektion	1



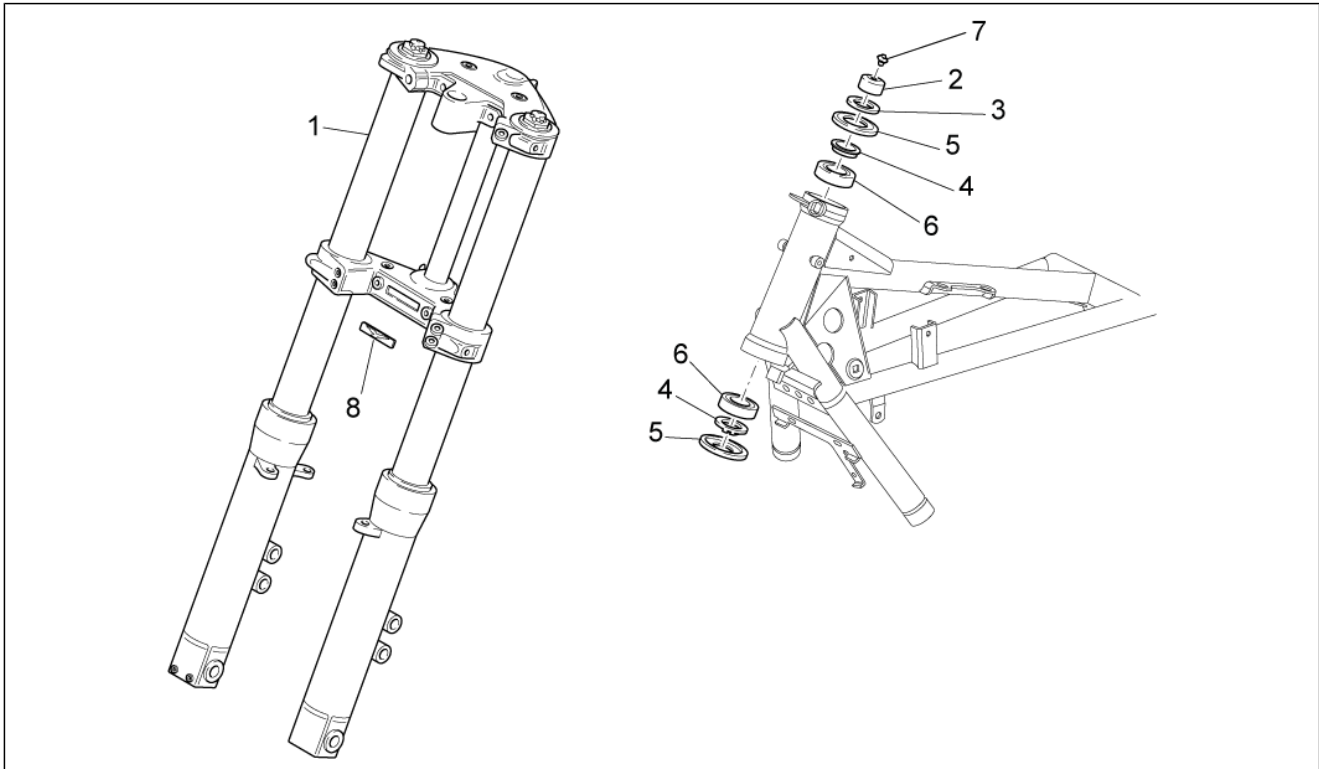
Pos.	Code	Beschreibung	Menge	Varianten
1	978467	Halter Soziusfußraste, rechts	1	
2	GU98682425	TCEI Schraube M8x25	4	
3	GU14615901	Ausgleichscheibe 8,4X13X0,8	4	
4	978473	Halter linke Soziusfußraste	1	
5	GU32442310	Soziusraste rechts	1	
6	GU32443210	Gummi für Haterung	1	
7	GU32441210	Platte	2	
8	AP8134829	Rastenbolzen	2	
9	AP8134451	Fixierplatte	4	
10	AP8121133	Schraubenfederkompr.	2	
11	AP8101861	Kugel D6,35	2	
12	AP8152277	TE Schr. m. Flansch M6x12	4	
13	AP8152409	Sperring	2	
14	GU32442710	Soziusraste links	1	
15	GU32443211	Gummi für Haterung	1	

Einheit	RAHMEN
Code	33.05
Beschreibung	Schalthebel
Inspektion	1



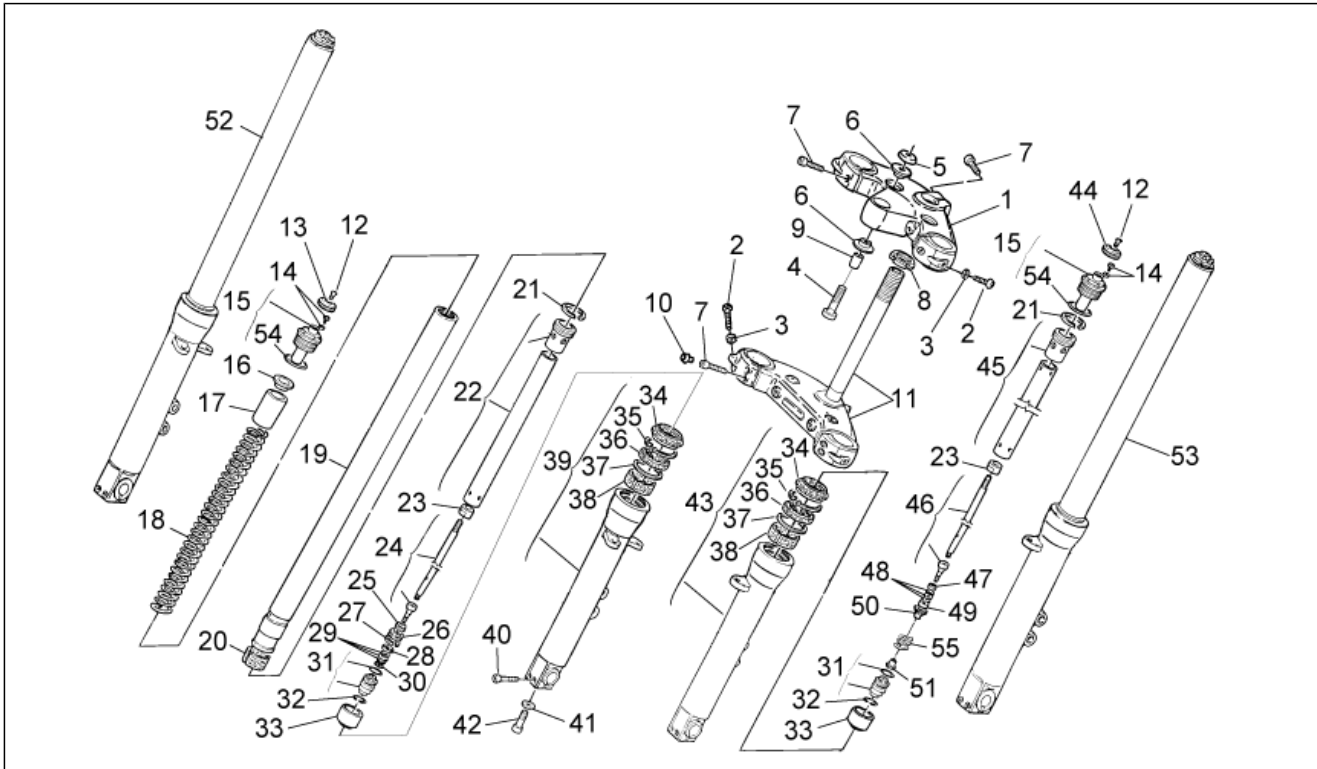
Pos.	Code	Beschreibung	Menge	Varianten
1	GU06250900	Schalthebel	1	
2	AP8121221	Stift Bremshebel	1	
3	AP8120912	Gummi für Hebel	1	
4	GU98682316	TCEI Schraube M6x16	1	
5	AP8150462	Seegerring d9	1	
6	AP8121223	Stift Hinterradbremshieb.	1	
7	AP8144007	O-Ring 11,11x1,78	2	
8	GU95008210	Ausgleichscheibe 10,2X18X2	1	
9	978568	Spannstange f.Getriebe,Kpl.	1	
10	GU05256930	Umlenkhebel	1	
11	GU92630707	Mutter M6	2	
12	GU98682320	TCEI Schraube M6x20	1	

Einheit	RAHMEN
Code	33.06
Beschreibung	Vorderradgabel I
Inspektion	1



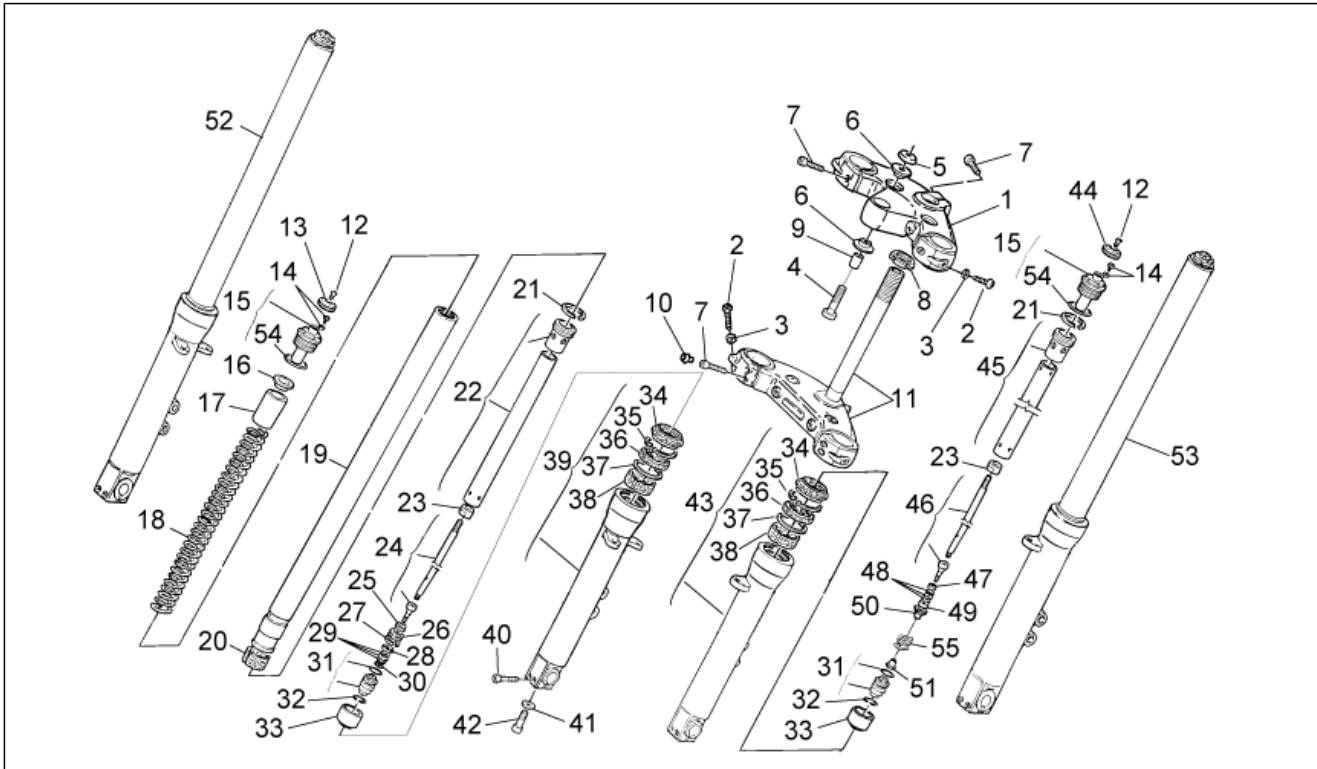
Pos.	Code	Beschreibung	Menge	Varianten
1	977004	Vorderradgabel	1	
1	GU03490270	Vorderradgabel	1	
2	GU30513401	Fixiermutter Zyl.kopf	1	
3	GU30516500	Ausgleichscheibe	1	
4	GU14516700	Bundscheibe	2	
5	GU14517000	Staubschutz	2	
6	GU92249225	Rollenlager	2	
7	GU23943510	Stopfen	1	
8	GU01517700	Deko "Aquila"	1	

Einheit	RAHMEN
Code	33.07
Beschreibung	Vorderradgabel II
Inspektion	1



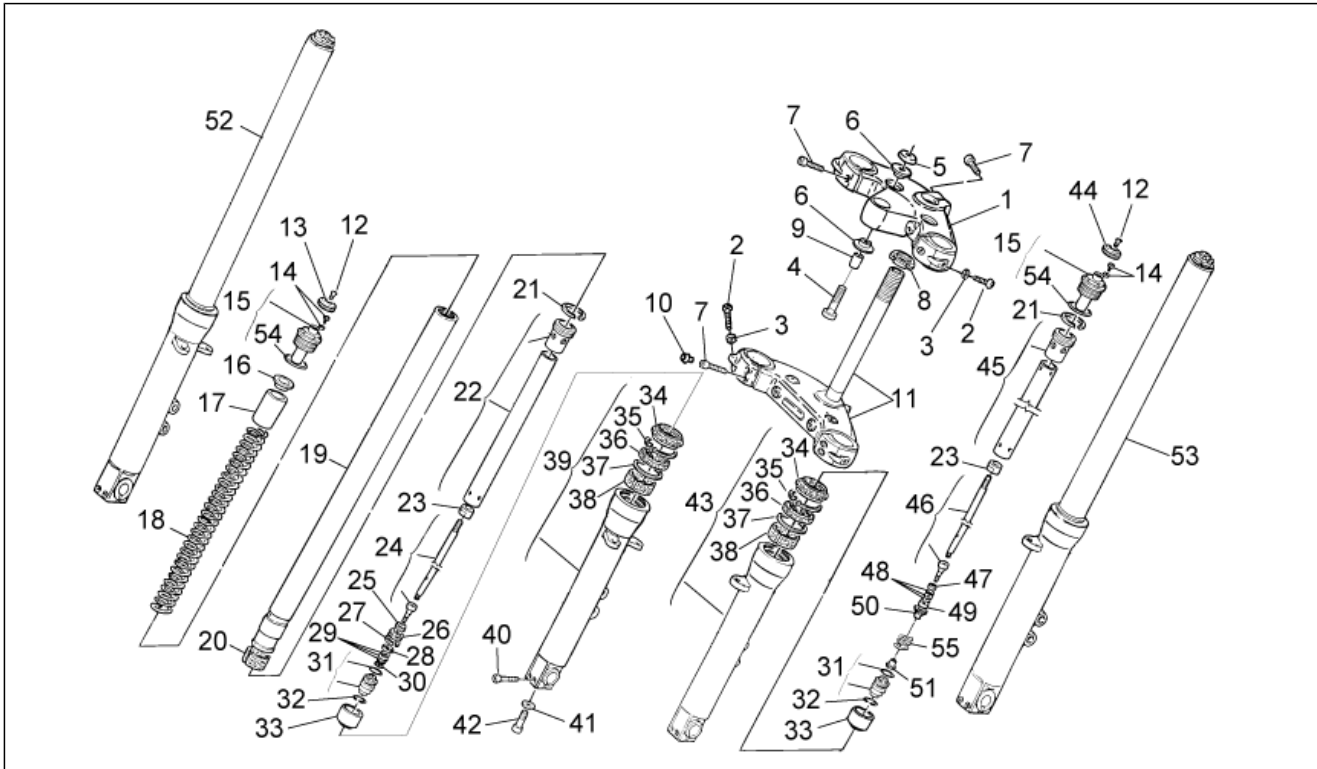
Pos.	Code	Beschreibung	Menge	Varianten
1	GU03493145	Gabelkopf schwarz	1	
1	GU03493100	Ob. Gabelplatte	1	
2	GU98370619	TBEI Schraube	6	
3	GU95005306	Ausgleichscheibe 6,4x13x1,5	6	
4	GU98052560	Schraube M10x60	2	
5	GU27530505	Becher	4	
6	AP8144222	Gummi	4	
7	GU98622430	Schraube	7	
8	GU03498100	Nutmutter	1	
9	GU91181039	Distanzscheibe	2	
10	GU23943410	Stopfen	4	
11	GU03494045	Gabelunterlage schwarz	1	
11	GU03494000	Fuß mit Rohr	1	
12	GU03530504	Schraube	2	
13	GU03530505	R.Regulierkugelgriff	1	
14	GU03530506	Schraube mit OR	2	
15	GU03530507	Verschlussschraube kplt.	2	
16	GU03530508	Becher	2	
17	GU03530509	Vorspannrohr	2	
18	GU03526600	Feder	2	
19	GU03525400	Schaft	2	
20	GU03530510	Untere Buchse	2	
21	GU03530511	Kolbenring	2	
22	GU03530512	Kolbenstange rechts	1	
23	GU03530513	Gegenmutter	2	
24	GU03530514	Pumpgestänge rechts	1	
25	GU03530515	Gegenfeder	1	
26	GU03530516	Kolben R.Ausfederung	1	

Einheit	RAHMEN
Code	33.07
Beschreibung	Vorderradgabel II
Inspektion	1



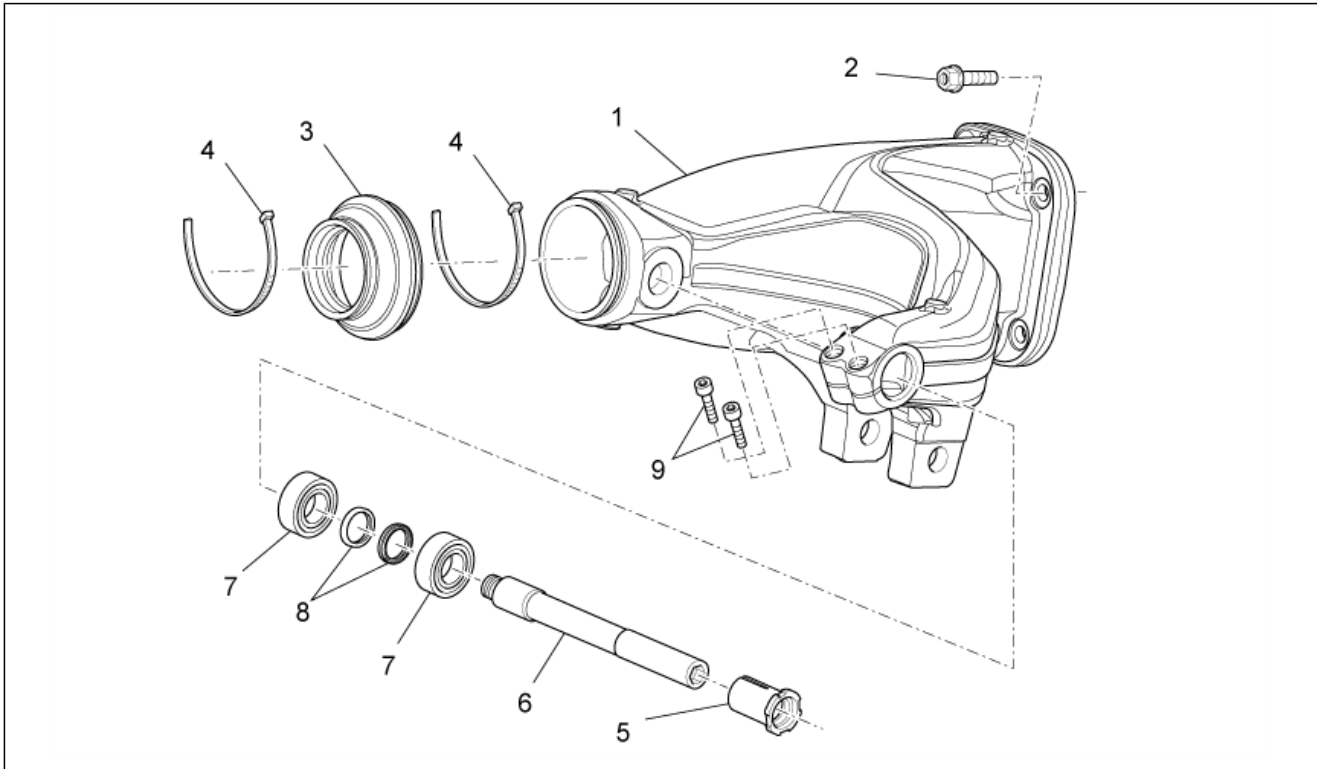
Pos.	Code	Beschreibung	Menge	Varianten
27	GU03530517	R.Kolbenring Ausfederung	1	
28	GU03530518	Kon.R.Ausfederung	1	
29	GU03530519	Eichtungsblättchen	5	
30	GU03530520	Mutter	1	
31	GU03530521	Bodenstopfen	2	
32	GU03530522	O-Ring	2	
33	GU03530523	Passtück	2	
34	GU03530524	Staubschutz	2	
35	GU03530525	Sperring	2	
36	GU03530526	Gasket ring	2	
37	GU03530527	Becher	2	
38	GU03530528	Obere Buchse	2	
39	GU03522501001	Rechte Hülse	1	
40	GU98620340	Schraube	4	
41	GU03530529	Ausgleichscheibe	2	
42	GU03530530	Schraube M10x30	2	
43	GU03522601001	Linke Hülse	1	
44	GU03530531	L.Regulierkugelgriffeinfedern	1	
45	GU03530532	Kolbenstange links	1	
46	GU03530533	Pumpgestänge links	1	
47	GU03530534	Becher	1	
48	GU03530537	Eichtungsblättchen 17 mm	1	
48	GU03530535	Eichtungsblättchen 12 mm	1	
48	GU03530536	Eichtungsblättchen 15 mm	1	
49	GU03530538	Kon L.einfedern	1	
50	GU03530539	Kolben L.einfedern	1	
51	GU03530540	Mutter	1	
52	GU03490611	Kolbenstange rechts kpl.	1	

Einheit	RAHMEN
Code	33.07
Beschreibung	Vorderradgabel II
Inspektion	1



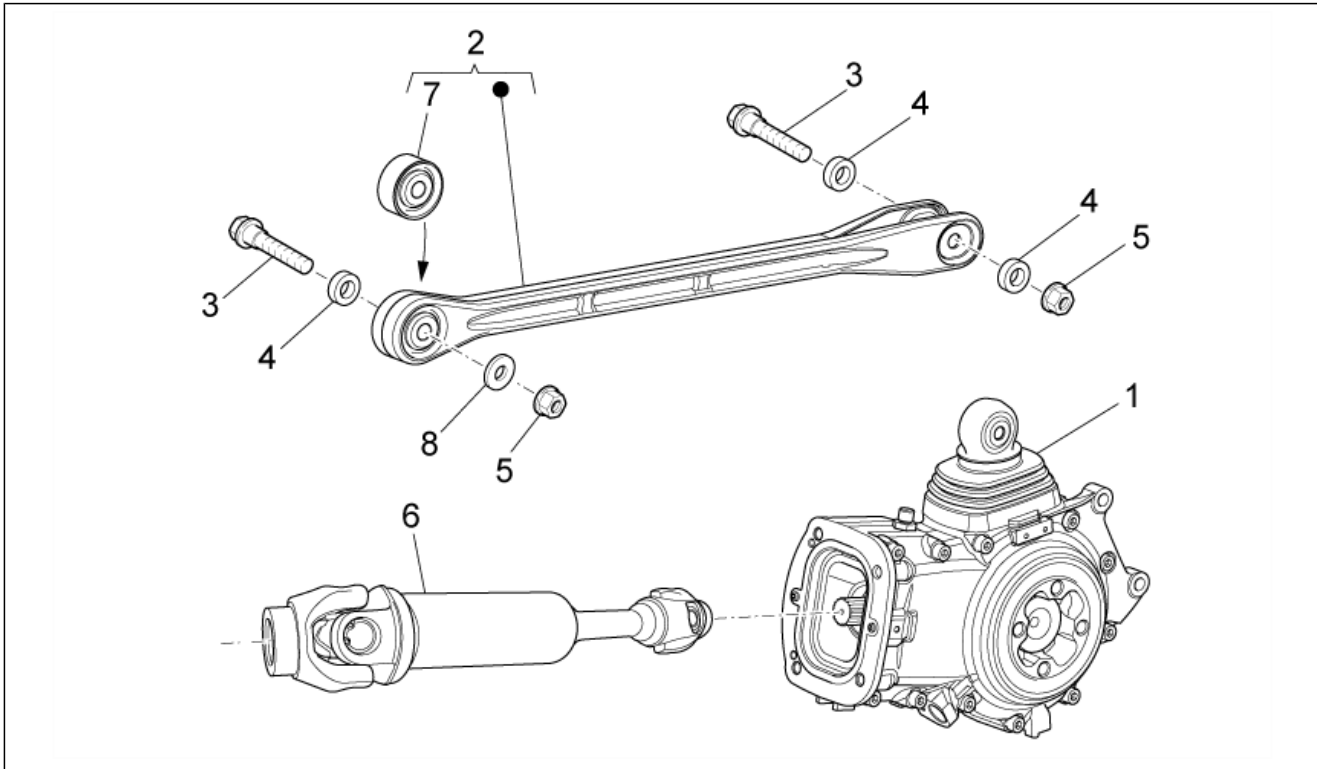
Pos.	Code	Beschreibung	Menge	Varianten
53	GU03490711	Kolbenstange links kpl.	1	
54	GU03530541	O-Ring	2	
55	GU03526601	Feder	1	

Einheit	RAHMEN
Code	33.08
Beschreibung	Schwinge
Inspektion	1



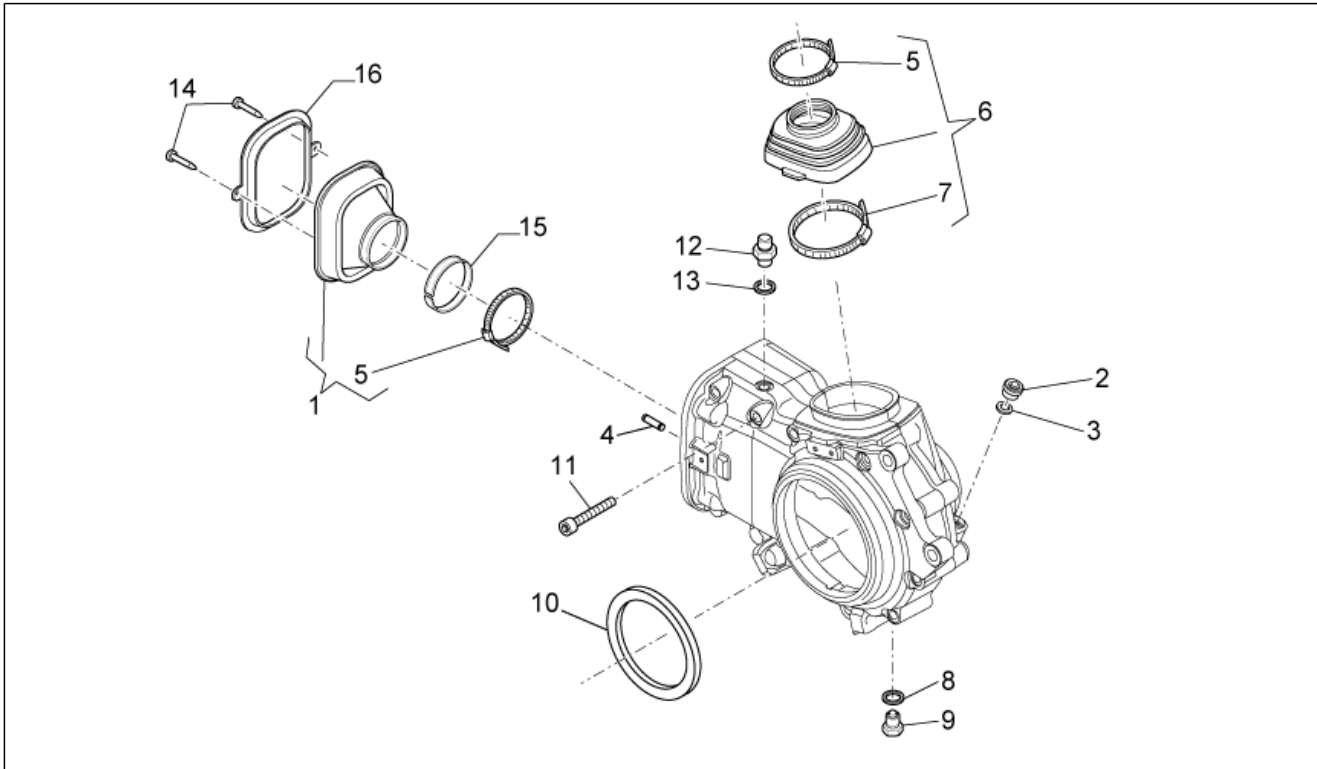
Pos.	Code	Beschreibung	Menge	Varianten
1	978350	Schwinge, schwarz	1	
2	AP8152318	TE Schr. m. Flansch M10x35	4	
3	GU05548030	Gummibalg	1	
4	GU93304390	Schelle 3,6x375	2	
5	GU05547130	Buchse	1	
6	GU05547030	Bolzen	1	
7	GU92249224	Rollenlager 25x47x17	2	
8	GU05547930	Gasket ring	2	
9	GU98682325	TCEI Schraube M6x25	2	

Einheit	RAHMEN
Code	33.09
Beschreibung	Getriebe kpl.
Inspektion	1



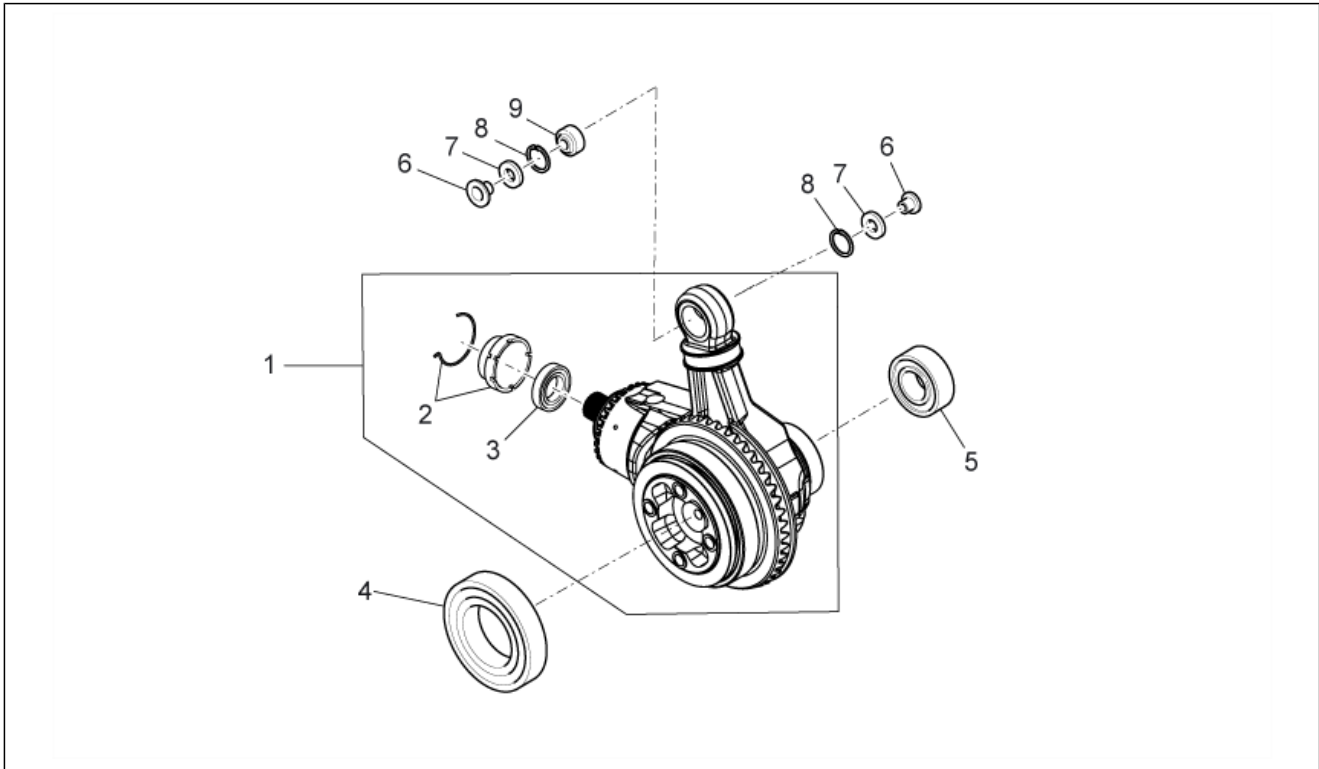
Pos.	Code	Beschreibung	Menge	Varianten
1	978348	Kraftübertragung, kpl.schwarz	1	
2	883046	Reaktionsstange kompl.	1	
3	AP8152410	TE Schr. m. Flansch M10x55	2	
4	AP8121218	Distanzscheibe 10,2x20x4	3	
5	AP8152242	Mutter	2	
6	GU05326330	Getriebe	1	
7	883045	Schwingschutzlager	1	
8	GU14018400	Ausgleichscheibe 10,5X21X1	1	

Einheit	RAHMEN
Code	33.10
Beschreibung	Getriebe kpl.-Häuse
Inspektion	1



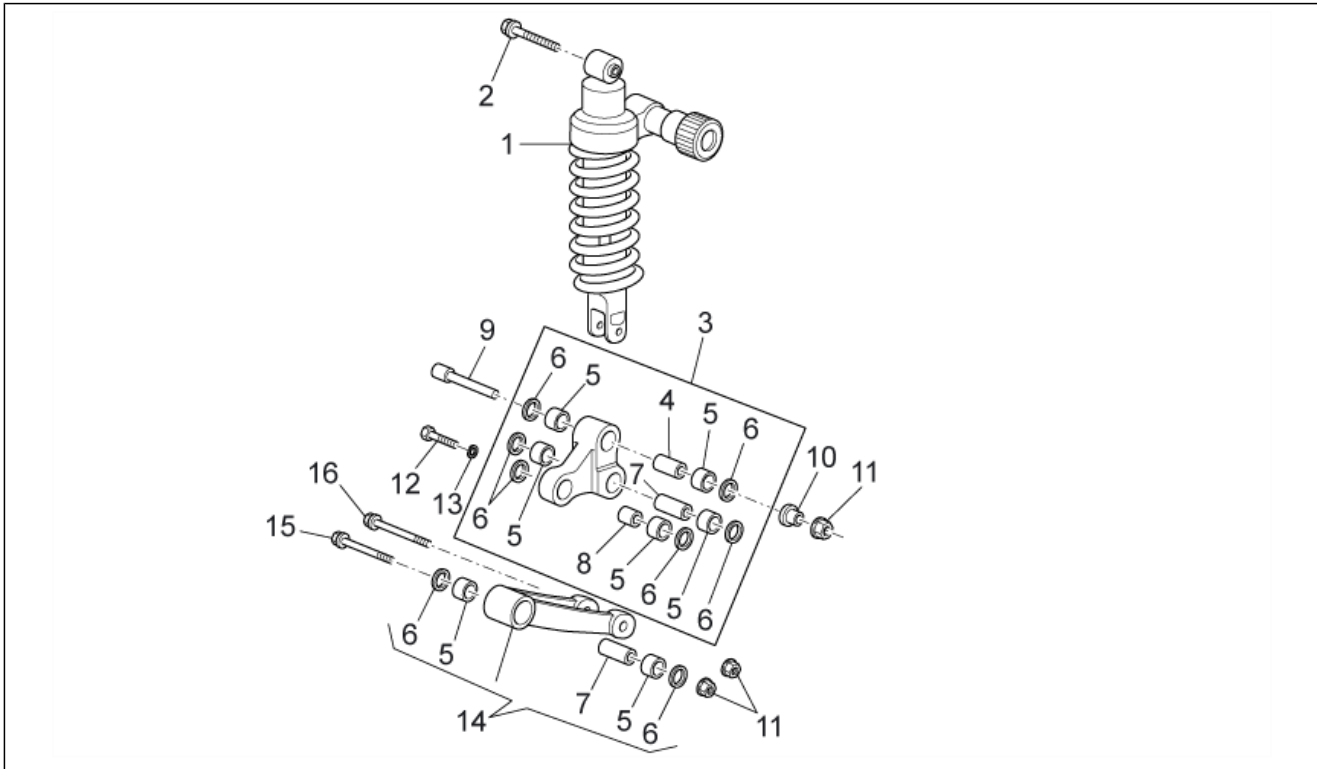
Pos.	Code	Beschreibung	Menge	Varianten
1	GU05358330	Staubschutzhaube	1	
2	GU05351230	Ölschraube M12x1,5	1	
3	GU90718120	Ausgleichscheibe	1	
4	GU95510620	Stift 6x20	2	
5	GU05358130	Schelle	2	
6	GU05358030	Staubschutzhaube	1	
7	GU05358230	Schelle	1	
8	GU01528930	Dichtung 10x18x1,5	1	
9	GU31003766	Ölablaßschraube M10x1	1	
10	GU90408511	Gasket ring 85x110x8BASL	1	
11	GU98680450	TCEI Schraube M8x50	11	
12	GU05206530	Entlüftungsschraube	1	
13	GU01528930	Dichtung 10x18x1,5	1	
14	GU99210406	Schraube M3,9x6,5	2	
15	GU05358530	Ring	1	
16	GU05358630	Dichtung	1	

Einheit	RAHMEN
Code	33.11
Beschreibung	Getriebe kpl.-Teilerradsatz
Inspektion	1



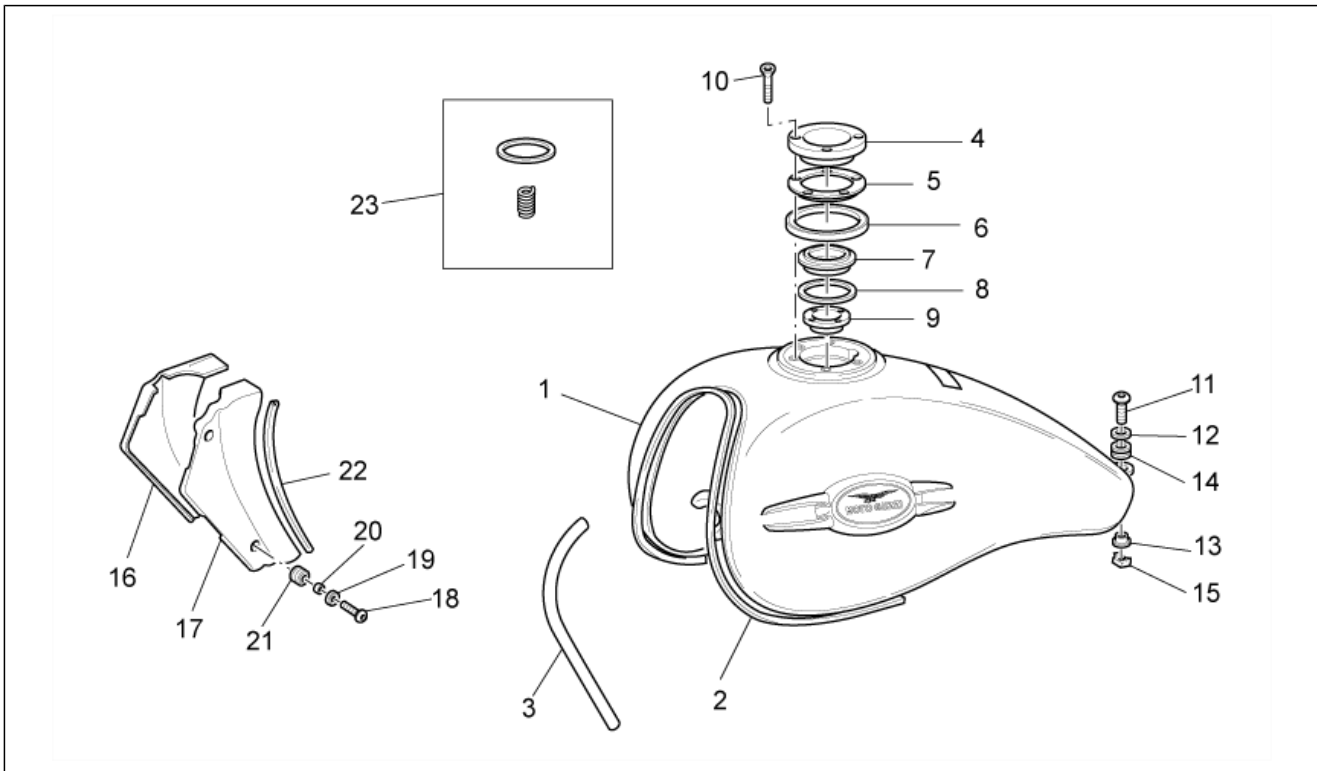
Pos.	Code	Beschreibung	Menge	Varianten
1	GU05354230	Teilerradsatz kit 12/44	1	
2	GU05352430	Nutmutter	1	
3	GU90404558	Gasket ring 45x58x7	1	
4	GU92208518	Kugellager 85x120x18	1	
5	GU92204230	Kugellager 30x62x16	1	
6	AP8121098	Buchse	2	
7	AP8120485	Gasket ring	2	
8	GU90273026	Seegerring	2	
9	GU05638130	Kugelgelenk	1	

Einheit	RAHMEN
Code	33.12
Beschreibung	Pleuelstange und Stoßdämpfer
Inspektion	1



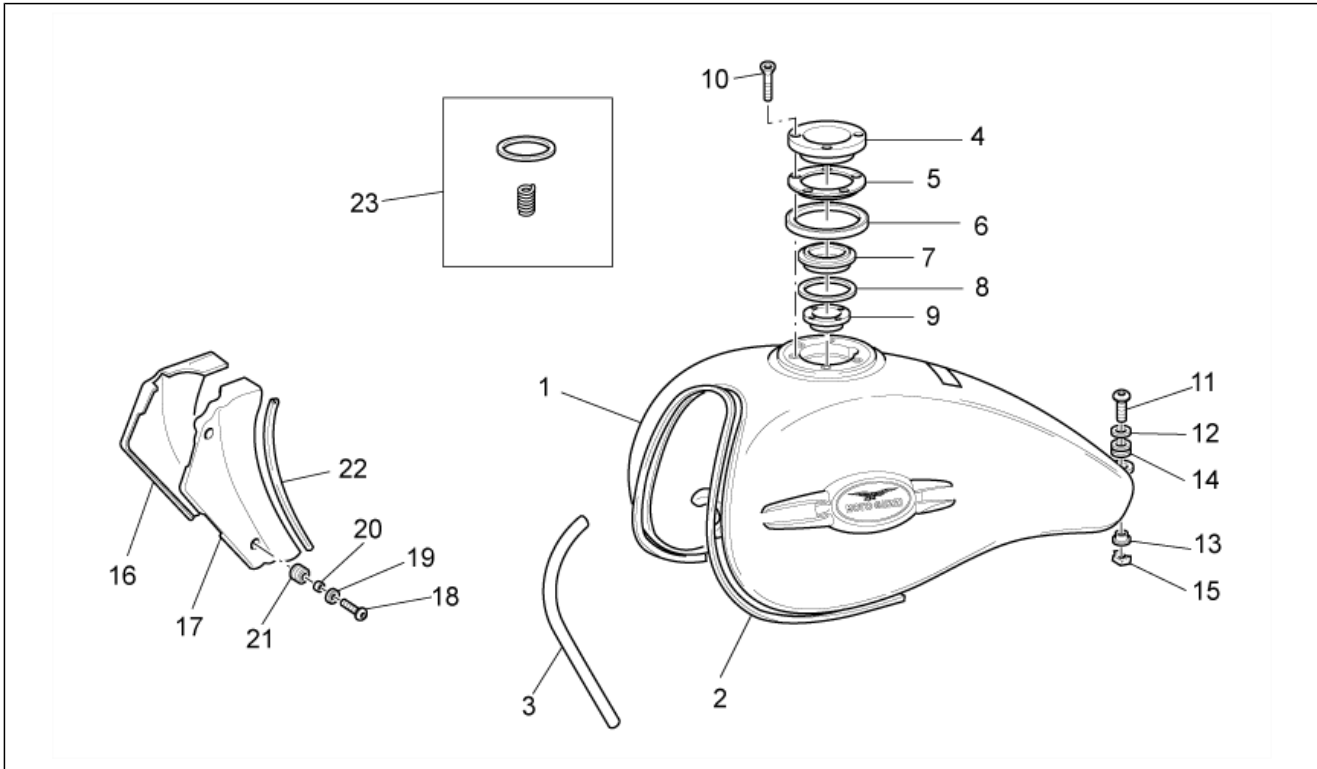
Pos.	Code	Beschreibung	Menge	Varianten
1	883114	Stoßdämpfer mm 287	1	Baujahr: 2008[8] Farbe: Grau/Weiß 2008[gr/wh] Rot/Weiß 2008[r/wh] Technische Spezifikation: "Version ""Luxury""[LUX]
1	883114	Stoßdämpfer mm 287	1	Baujahr: 2009[9] Farbe: Aquila Nera 2009[b.eagle]
1	977872	Stoßdämpfer	1	Baujahr: 2007[7] 2008[8] Farbe: Schwarz 2007-2008[black] Technische Spezifikation: "Version ""Base""[BASE]
2	AP8152398	TE Schr. m. Flansch M10x80	1	
3	GU05560330	Doppelte Pleuelstange	1	
4	AP8135924	Pleuelbolzen L40	1	
5	AP8110066	Nadellager	7	
6	AP8110068	Ölabstreifring D18x24x3	8	
7	GU05562030	Pleuelbolzen L47	2	
8	AP8135608	Pleuelbolzen L25	1	
9	AP8152397	TCEI Schraube M10x82	1	
10	AP8121155	T-Buchse *	1	
11	AP8152301	Selbstsperrende Mutter	3	
12	AP8152147	Sechskantschraube M10x47	1	
13	AP8150292	Gebogene Sprengscheibe *	1	
14	GU05562430	Einfache Pleuelstange	1	
15	AP8152482	TE Schr. m. Flansch M10x85	1	
16	AP8152396	TE Schr. m. Flansch M10x95	1	

Einheit	RAHMEN
Code	33.13
Beschreibung	Kraftstofftank
Inspektion	1



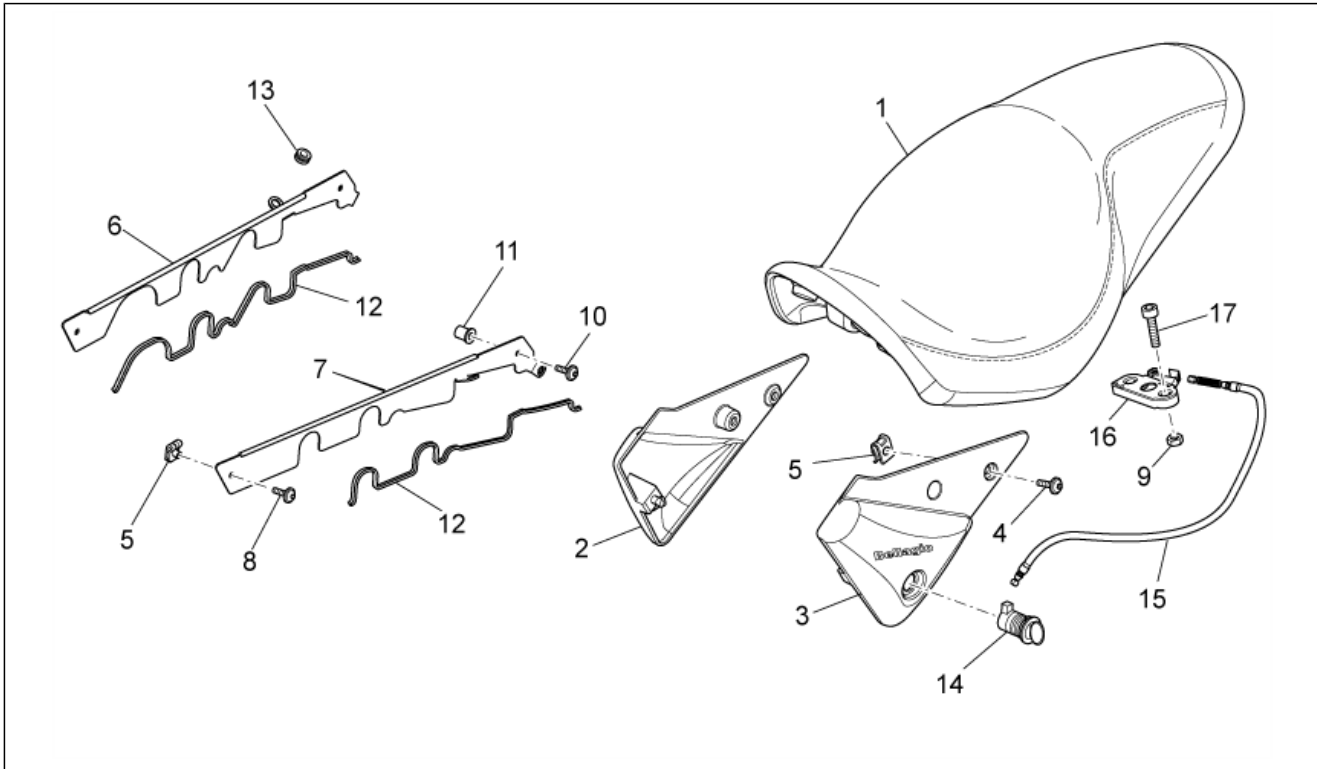
Pos.	Code	Beschreibung	Menge	Varianten
1	GU03100270	Kraftstoffbehälter hne farbe	1	Land:Australien[AUS] Europa[EU] Japan[J] Großbritannien[UK]
1	88615300NG	Kraftstofftank, schwarz	1	Baujahr:2009[9] Land:Australien[AUS] Europa[EU] Japan[J] Großbritannien[UK] Farbe:Aquila Nera 2009[b.eagle]
1	GU0310027000YR1	Kraftstofftank grau/rot	1	Baujahr:2008[8] Land:Australien[AUS] Europa[EU] Japan[J] Großbritannien[UK] Farbe:Rot/Weiß 2008[r/wh] Technische Spezifikation:"Version ""Luxury""[LUX]
1	GU03100270NG	Kraftstofftank, schwarz	1	Baujahr:2007[7] 2008[8] Land:Australien[AUS] Europa[EU] Japan[J] Großbritannien[UK] Farbe:Schwarz 2007-2008[black] Technische Spezifikation:"Version ""Base""[BASE]
1	GU0310027000EE	Kraftstoffbehälter grau/weiss	1	Baujahr:2008[8] Land:Australien[AUS] Europa[EU] Japan[J] Großbritannien[UK] Farbe:Grau/Weiß 2008[gr/wh] Technische Spezifikation:"Version ""Luxury""[LUX]
2	GU03106400	Dichtung	1	
3	GU00823944050	Leitung 5X9	1	
4	GU03101900	Flansch	1	
5	GU03103500	Ring	1	
6	GU03102400	Dichtung	1	
7	GU03102200	Nutmutter für Verschluss	1	
8	GU03101600	Dichtung	1	
9	GU03101720	Übersetzung 38 mm	1	
10	GU03103200	Schraube	5	
11	GU98350430	TBEI Schraube M8x30	1	
12	GU95100239	Ausgleichscheibe	1	

Einheit	RAHMEN
Code	33.13
Beschreibung	Kraftstofftank
Inspektion	1



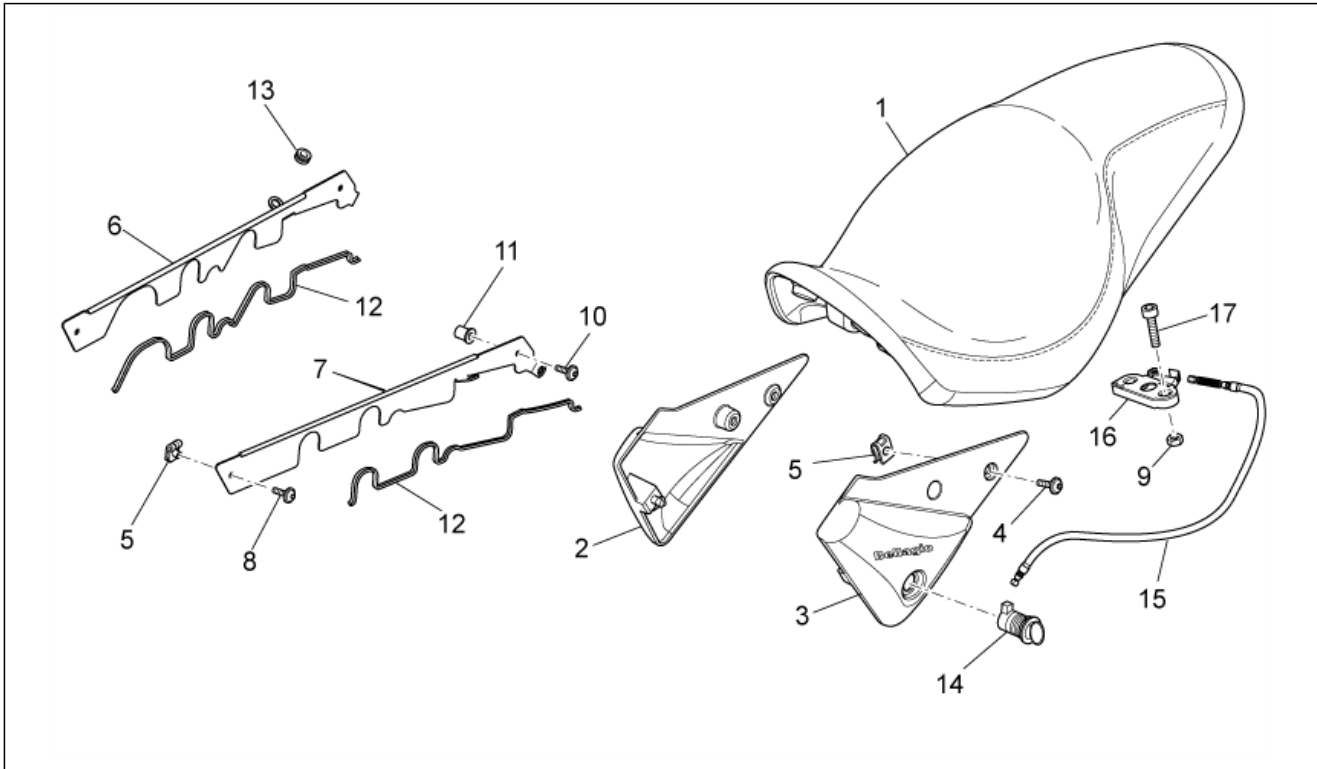
Pos.	Code	Beschreibung	Menge	Varianten
13	GU31103565	Distanzscheibe	1	
14	GU91551131	Gummi	1	
15	GU92660801	Käfigmutter	1	
16	883256	Abdeckung, vorder, R.schwarz	1	Baujahr: 2009[9] Farbe: Aquila Nera 2009[b.eagle]
16	GU03472460	Abdeckung, vorder, R.schwarz	1	Baujahr: 2007[7] 2008[8] Farbe: Schwarz 2007-2008[black] Technische Spezifikation: "Version ""Base""[BASE]
16	883256	Abdeckung, vorder, R.schwarz	1	Baujahr: 2008[8] Farbe: Grau/Weiß 2008[gr/wh] Rot/Weiß 2008[r/wh] Technische Spezifikation: "Version ""Luxury""[LUX]
17	883255	Abdeckung, vorder, L.schwarz	1	Baujahr: 2009[9] Farbe: Aquila Nera 2009[b.eagle]
17	883255	Abdeckung, vorder, L.schwarz	1	Baujahr: 2008[8] Farbe: Grau/Weiß 2008[gr/wh] Rot/Weiß 2008[r/wh] Technische Spezifikation: "Version ""Luxury""[LUX]
17	GU03472960	Abdeckung, vorder, L.schwarz	1	Baujahr: 2007[7] 2008[8] Farbe: Schwarz 2007-2008[black] Technische Spezifikation: "Version ""Base""[BASE]
18	GU98370619	TBEI Schraube	4	
19	GU03462801	Unterlegscheibe	4	
20	GU91180600	Distanzscheibe 6,25x8x5	4	
21	GU91551081	Gummi 8x15	4	
22	GU00823931055	Dichtung	1	
23	GU03104370	Kit mit Ring/Feder für Tankver	1	Land: Australien[AUS] Europa[EU] Japan[J] Großbritannien[UK]

Einheit	RAHMEN
Code	33.14
Beschreibung	Sitz-Mittlerer aufbau
Inspektion	1



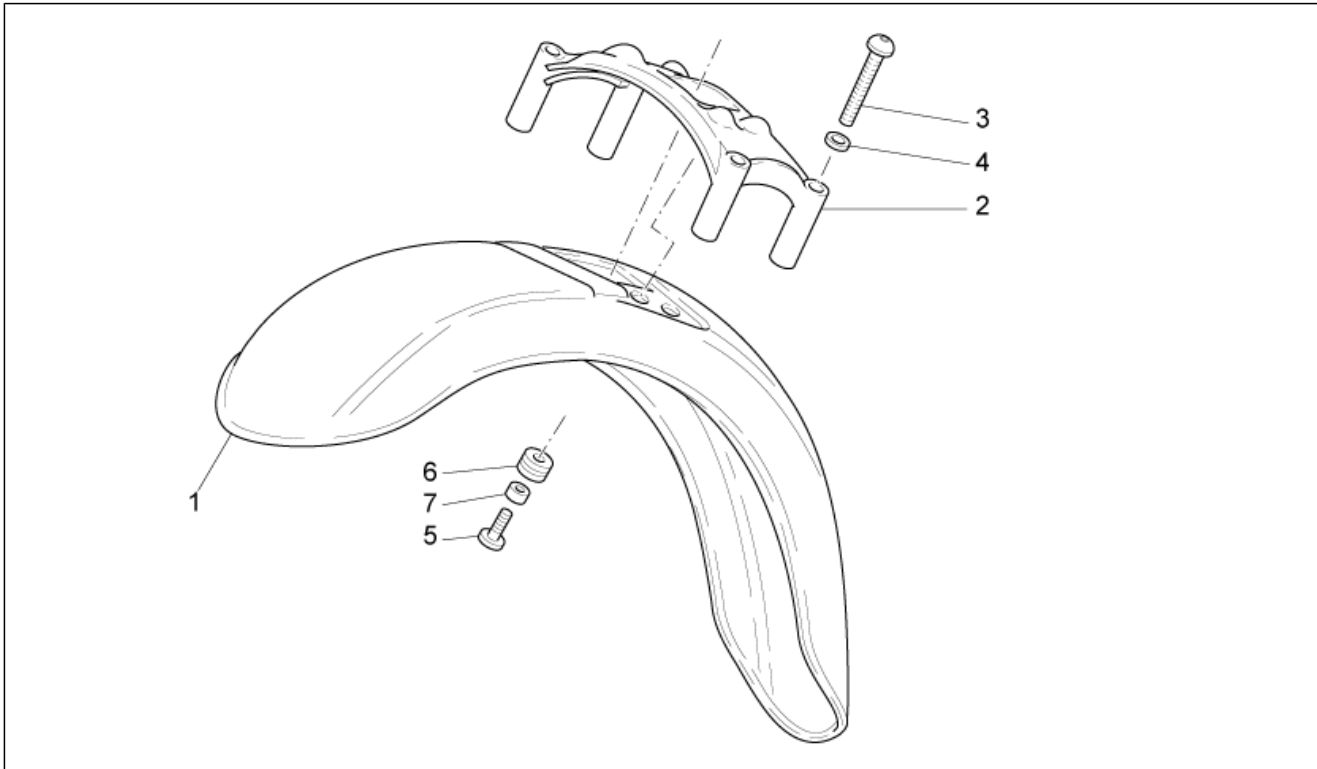
Pos.	Code	Beschreibung	Menge	Varianten
1	978295	Sitz	1	Baujahr:2007[7] 2008[8] Farbe:Schwarz 2007-2008[black] Technische Spezifikation:"Version ""Base""[BASE]
1	983036	Sitz	1	Baujahr:2008[8] Farbe:Grau/Weiß 2008[gr/wh] Rot/Weiß 2008[r/wh] Technische Spezifikation:"Version ""Luxury""[LUX]
1	983036	Sitz	1	Baujahr:2009[9] Farbe:Aquila Nera 2009[b.eagle]
2	978337NG	R. kl. Seitenteil, schw.	1	Baujahr:2009[9] Farbe:Aquila Nera 2009[b.eagle]
2	97833700EE	R. kl. Seitenteil, grau	1	Baujahr:2008[8] Farbe:Grau/Weiß 2008[gr/wh] Technische Spezifikation:"Version ""Luxury""[LUX]
2	978337	R. kl. Seitenteil, roh	1	
2	978337NG	R. kl. Seitenteil, schw.	1	Baujahr:2007[7] 2008[8] Farbe:Schwarz 2007-2008[black] Technische Spezifikation:"Version ""Base""[BASE]
2	97833700YR1	R. kl. Seitenteil, Rot	1	Baujahr:2008[8] Farbe:Rot/Weiß 2008[r/wh] Technische Spezifikation:"Version ""Luxury""[LUX]
3	978338	L. kl. Seitenteil, roh	1	
3	978338NG	L. kl. Seitenteil, schw.	1	Baujahr:2009[9] Farbe:Aquila Nera 2009[b.eagle]
3	97833800EE	Kl. li. Seitenteil grau	1	Baujahr:2008[8] Farbe:Grau/Weiß 2008[gr/wh] Technische Spezifikation:"Version ""Luxury""[LUX]
3	978338NG	L. kl. Seitenteil, schw.	1	Baujahr:2007[7] 2008[8] Farbe:Schwarz 2007-2008[black] Technische Spezifikation:"Version ""Base""[BASE]
3	97833800YR1	L. kl. Seitenteil, Rot	1	Baujahr:2008[8] Farbe:Rot/Weiß 2008[r/wh] Technische Spezifikation:"Version ""Luxury""[LUX]
4	AP8152339	TBEI Schraube m.Flansch M5x9	4	

Einheit	RAHMEN
Code	33.14
Beschreibung	Sitz-Mittlerer aufbau
Inspektion	1



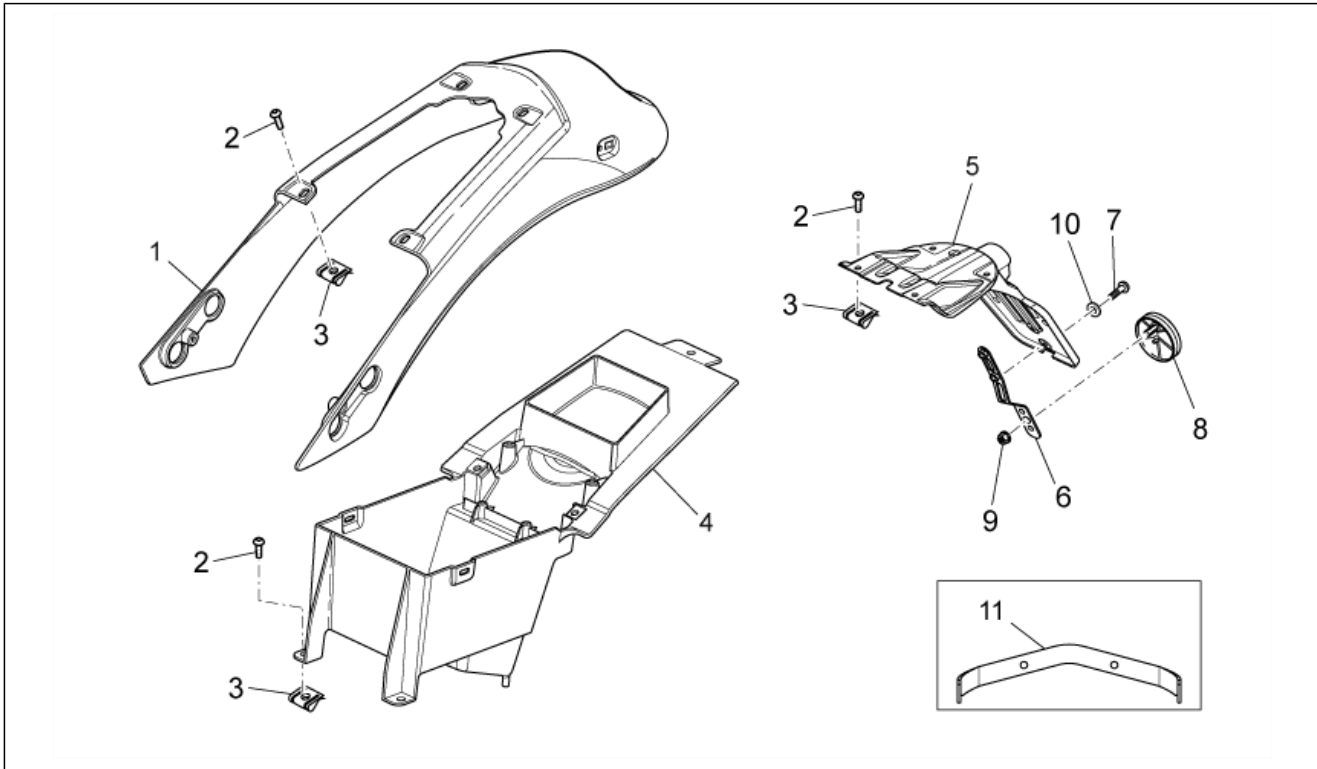
Pos.	Code	Beschreibung	Menge	Varianten
5	AP8102375	Klammer M5	6	
6	978250	Rechts Platte	1	
7	978251	Links Platte	1	
8	GU98230512	TBEI Schraube	2	
9	AP8152299	Selbstsperrende Mutter M6	2	
10	GU98370520	TBEI Schraube	2	
11	GU93232005	Gummi	2	
12	GU00823931070	Dichtung	1	
13	AP8120405	Gummi	2	
14	977527	Schloss komplett mit Schlüsseln	1	
15	AP8114487	Sitzöffnungskabel	1	
16	AP8102913	Fixierplatte Soziussitz	1	
17	GU98370625	TBEI Schraube M6x25	2	

Einheit	RAHMEN
Code	33.15
Beschreibung	Vorderes Schutzblech
Inspektion	1



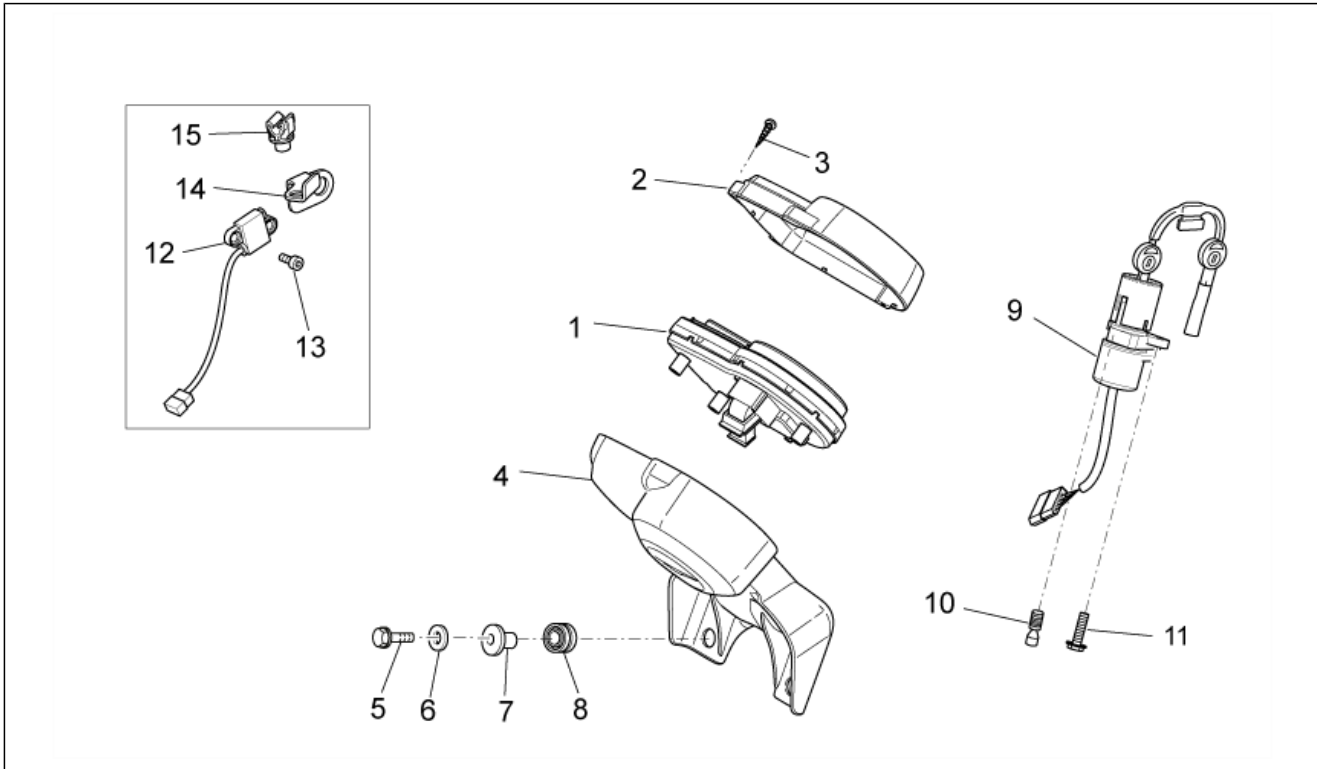
Pos.	Code	Beschreibung	Menge	Varianten
1	GU0343436500YR1	V. Schutzblech, rot	1	Baujahr: 2008[8] Farbe: Rot/Weiß 2008[r/wh] Technische Spezifikation: "Version ""Luxury""[LUX]
1	88615500NG	V. Schutzblech, schwarz	1	Baujahr: 2009[9] Farbe: Aquila Nera 2009[b.eagle]
1	GU0343436500EE	V. Schutzblech, grau	1	Baujahr: 2008[8] Farbe: Grau/Weiß 2008[gr/wh] Technische Spezifikation: "Version ""Luxury""[LUX]
1	GU03434365NG	V. Schutzblech, schwarz	1	Baujahr: 2007[7] 2008[8] Farbe: Schwarz 2007-2008[black] Technische Spezifikation: "Version ""Base""[BASE]
2	978309	Stabilisationsplatte	1	
3	GU98370835	Schraube	4	
4	GU95005308	Ausgleichscheibe 8,4x14,57x1,6	4	
5	GU98370622	TBEI Schraube	4	
6	GU91551010	Gummi 10X20X10	4	
7	GU91180709	Distanzscheibe	4	

Einheit	RAHMEN
Code	33.16
Beschreibung	R.Kar. - R.verkl.
Inspektion	1



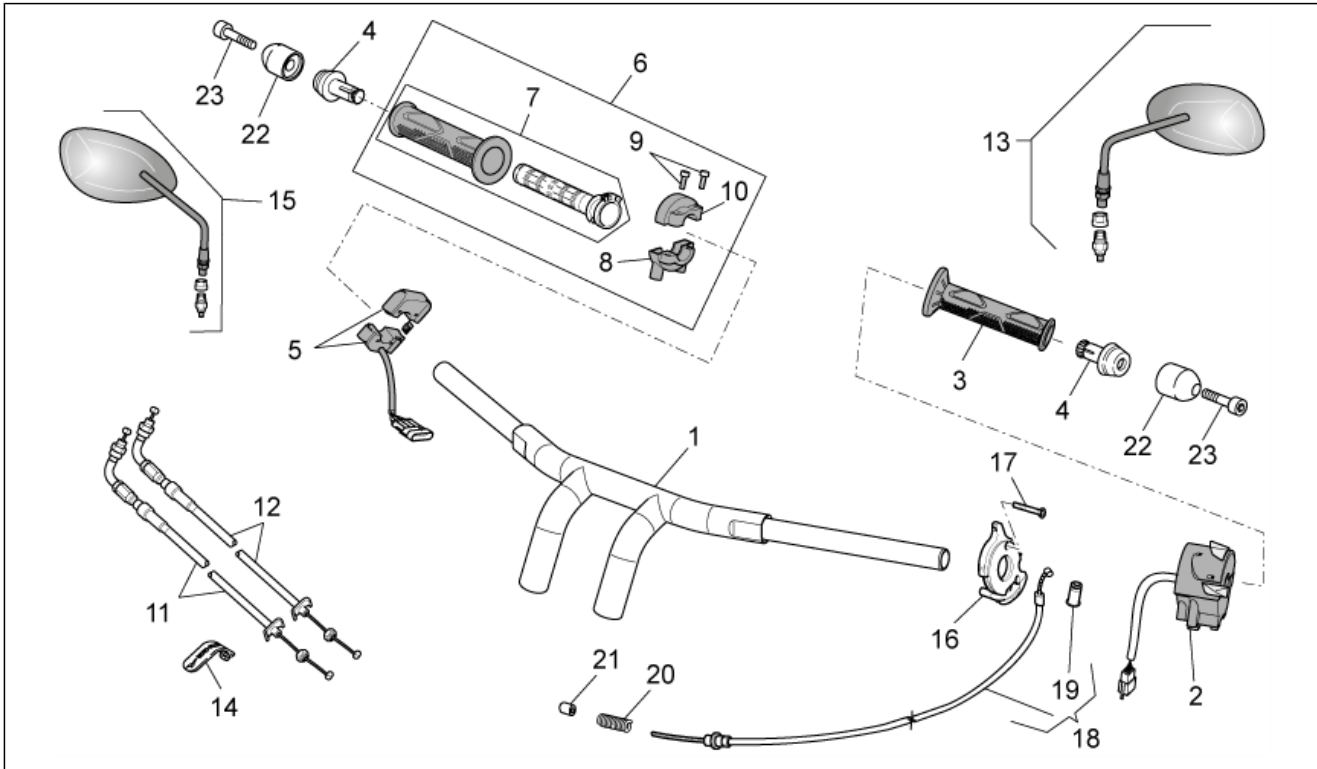
Pos.	Code	Beschreibung	Menge	Varianten
1	978340	Hintere Verkleidunghne farbe	1	
1	97834000EE	Heckteil hi.grau/weiss	1	Baujahr: 2008[8] Farbe: Grau/Weiß 2008[gr/wh] Technische Spezifikation: "Version ""Luxury""[LUX]
1	97834000YR1	Hint.Verkleid.rot/weiss	1	Baujahr: 2008[8] Farbe: Rot/Weiß 2008[r/wh] Technische Spezifikation: "Version ""Luxury""[LUX]
1	978340NG	Hint.Verkleid.schwarz	1	Baujahr: 2007[7] 2008[8] Farbe: Schwarz 2007-2008[black] Technische Spezifikation: "Version ""Base""[BASE]
1	978340NG	Hint.Verkleid.schwarz	1	Baujahr: 2009[9] Farbe: Aquila Nera 2009[b.eagle]
2	AP8152339	TBEI Schraube m.Flansch M5x9	12	
3	AP8102375	Klammer M5	8	
4	978336	Spritzschutz	1	
5	978335	Kennzeichenplatte	1	
6	AP8134448	Rückstrahler-Fixierung	1	
7	AP8152267	TBEI Spez.schr. M5x12	2	
8	AP8224164	Rückstrahler Rücklicht, rot	1	
9	AP8152306	Selbstsperrende Mutter M5	1	
10	AP8150248	Ausgleichscheibe 5,5x15x1,6	2	
11	978580	Verstärkung Platte	1	

Einheit	RAHMEN
Code	33.17
Beschreibung	Instrumententafel
Inspektion	1



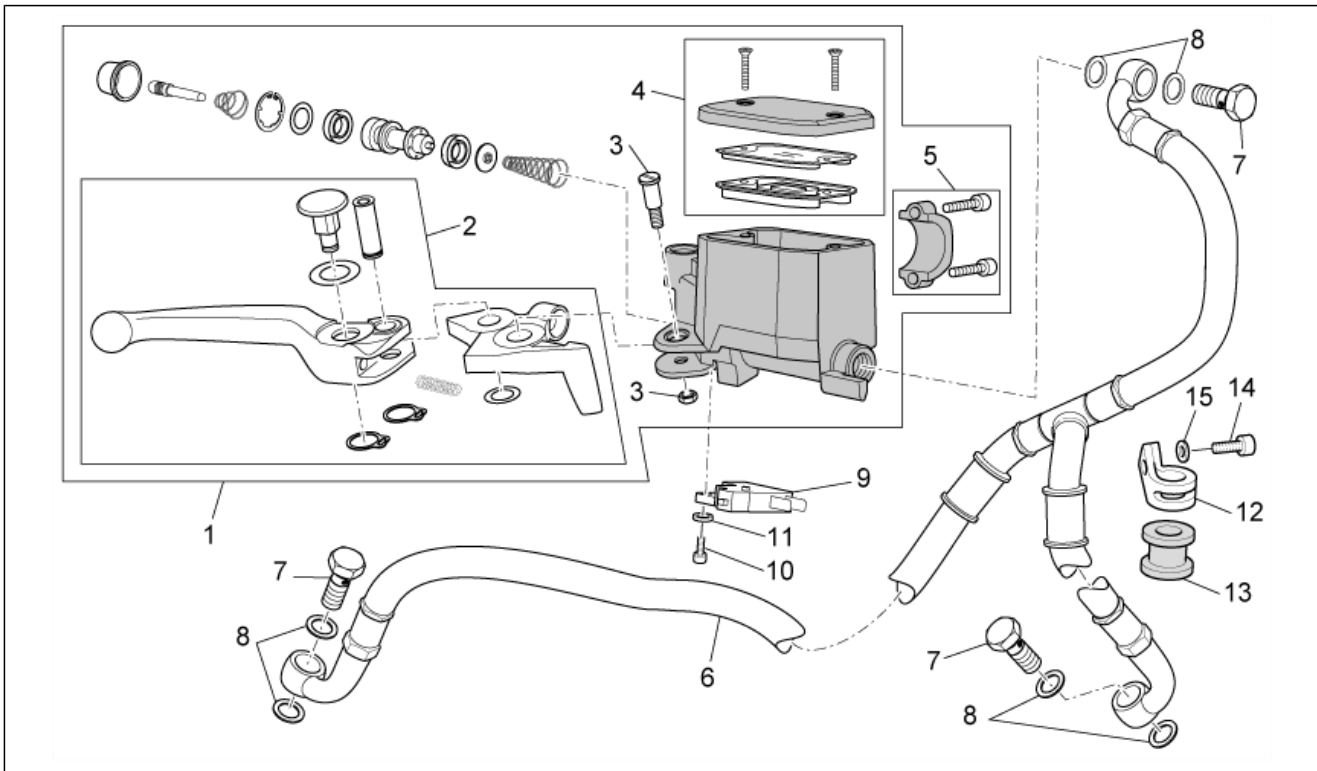
Pos.	Code	Beschreibung	Menge	Varianten
1	978324	Instrum.tafel kplt.	1	
2	978376	Chrom. Instrum.rahmen	1	
3	AP8221242	Gewindeschraube Spezial 3,5x20	4	
4	978377	Haltefassung	1	
5	AP8152279	TE Schr. m. Flansch M6x20	4	
6	GU14217901	Scheibe 6,4x10x0,7	8	
7	AP8221023	T-Buchse	4	
8	AP8120030	Gummi	2	
9	977528	Lenkschloß	1	
10	GU97260415	Spezialschraube M8x15	1	
11	GU98682416	TCEI Schraube M8x16	1	
12	GU06765400	Kilom.zählersens. kpl.	1	
13	AP8152043	TCEI Schraube M4x10	2	
14	GU06765500	Kabelführung	1	
15	AP8121882	Kabelführungs	1	

Einheit	RAHMEN
Code	33.18
Beschreibung	Lenkstange - Schaltungen
Inspektion	1



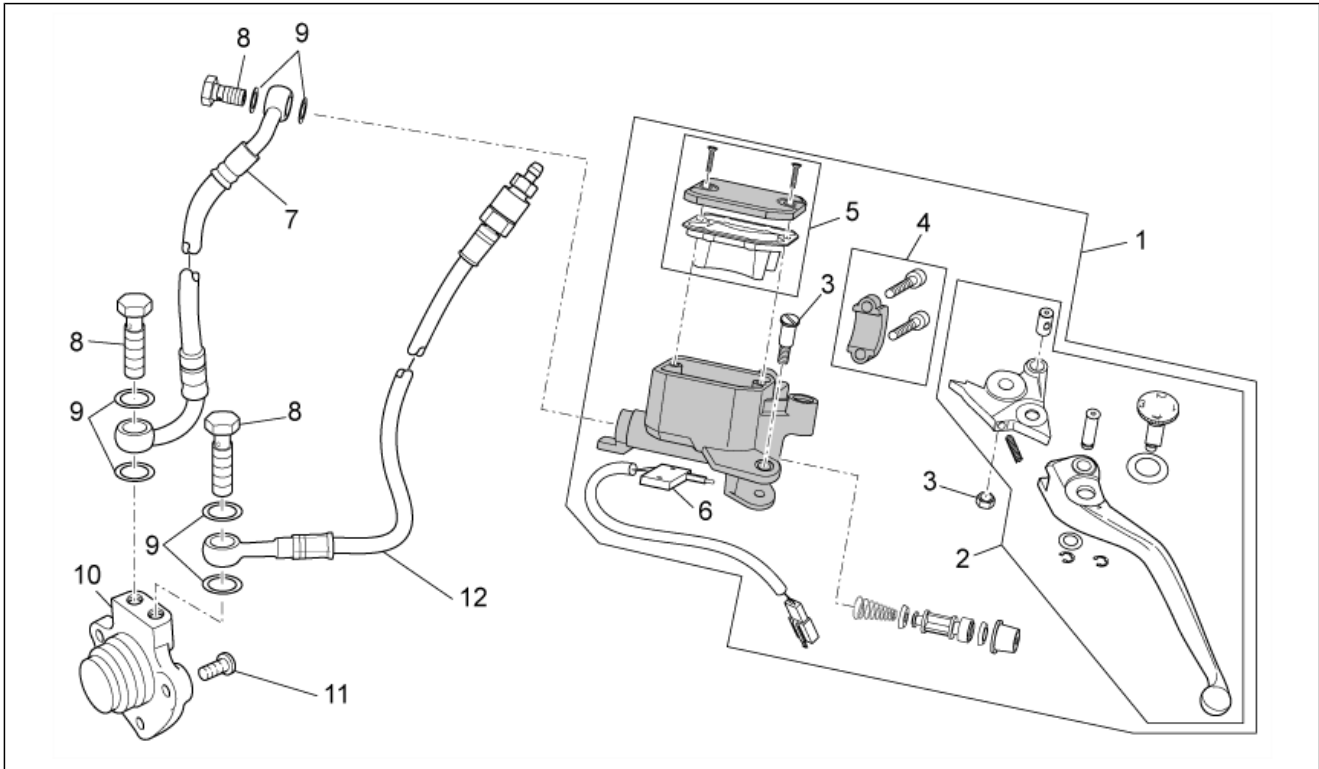
Pos.	Code	Beschreibung	Menge	Varianten
1	978310	Lenkstange	1	
2	AP8127703	Linker Lichtschalter	1	
3	AP8118579	Links griff	1	
4	GU03602760	Auswuchten	2	Technische Spezifikation:1. Serie[1A]
5	B045021	Rechter Lichtschalter	1	
6	GU05603331	Gasschaltung kpl	1	
7	GU01603480	Gasschaltung mit griff	1	
8	AP8118502	Gasschaltung V.Bügelbolzen	1	
9	AP8118492	Kappenschraube	2	
10	AP8118503	Gasschaltung H.Bügelbolzen	1	
11	978381	Gas trasmission delivery	1	
12	978382	Gas trasmission return	1	
13	883802	Rückspiegel rechts/links	1	Farbe:[]
13	GU32769860	Rückspiegel links	1	Farbe:[]
14	GU01609630	Schelle L46 mm	1	
14	GU03609600	Schelle L36 mm	4	
15	883802	Rückspiegel rechts/links	1	Farbe:[]
15	GU32769460	Rückspiegel rechts	1	Farbe:[]
16	GU01132330	Starterschaltung	1	
17	GU98257320	Schraube	2	
18	GU01132830	Starterzugkabel	1	
19	GU29132750	Gummi	1	
20	GU94321070	Feder	1	
21	GU39094200	Deckel	1	
22	GU32602860	Schwingschutzgewicht chr.	2	Technische Spezifikation:2. Serie[2A]
23	GU98690335	TCEI Schraube	2	Technische Spezifikation:2. Serie[2A]

Einheit	RAHMEN
Code	33.19
Beschreibung	Vorderradbremspumpe
Inspektion	1



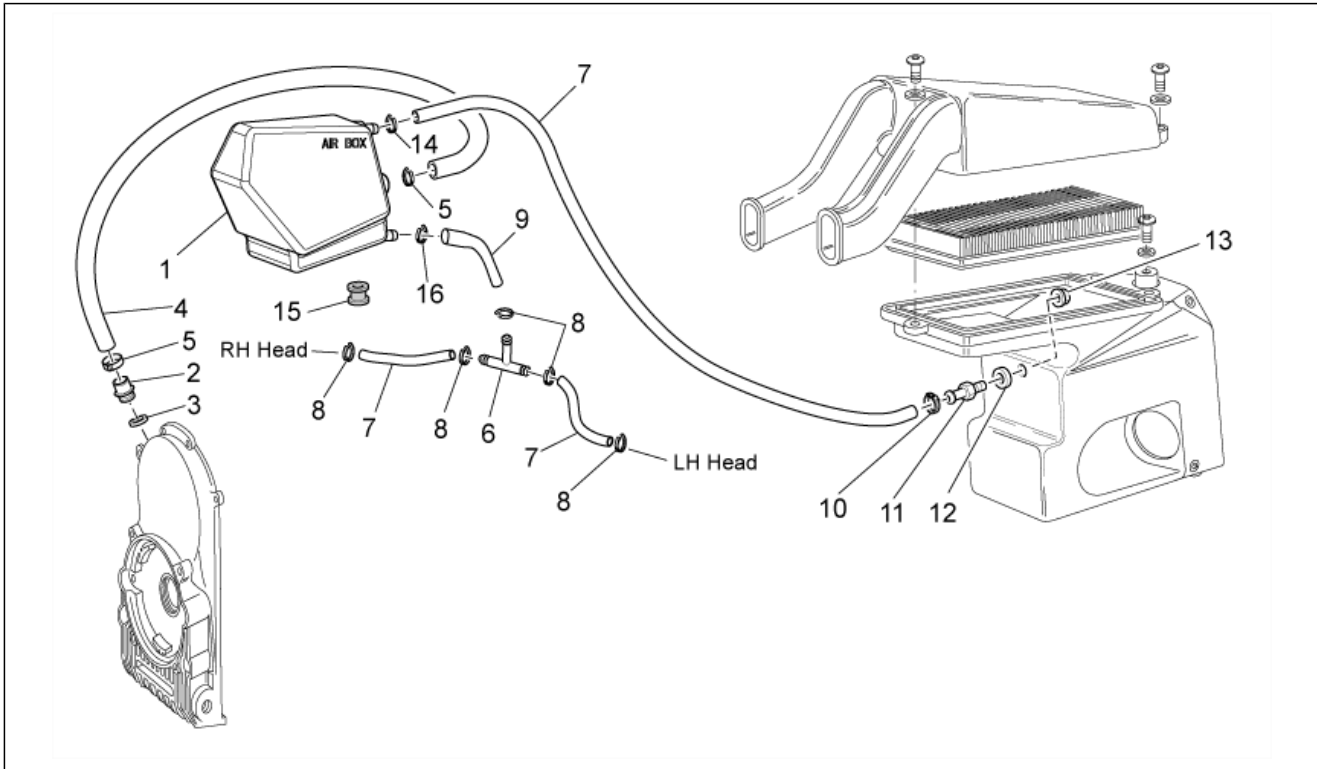
Pos.	Code	Beschreibung	Menge	Varianten
1	978606	Vorderradbremspumpe	1	
2	981050	Vorderradbremshebel	1	
3	AP8113995	Hebelbolzen	1	
4	GU05661130	Tankverschluß	1	
5	AP8113993	Bügelbolzen	1	
6	978362	Vorderradbremslleitung	1	
7	AP8133962	Fixierschraube Ölschlauch *	3	
8	AP8121915	Dichtung	6	
9	GU03749845	Bremslichtschalter	1	
10	GU98370412	TBEI Schraube M4x12	1	
11	GU95021104	Ausgleichscheibe 4,3x8x1,5	1	
12	GU03658430	Schelle	2	
13	GU03658201	Ring	2	
14	GU98370619	TBEI Schraube	2	
15	GU95005307	Ausgleichscheibe 6,4x11x0,8	2	

Einheit	RAHMEN
Code	33.20
Beschreibung	Kupplung schalt. kpl
Inspektion	1



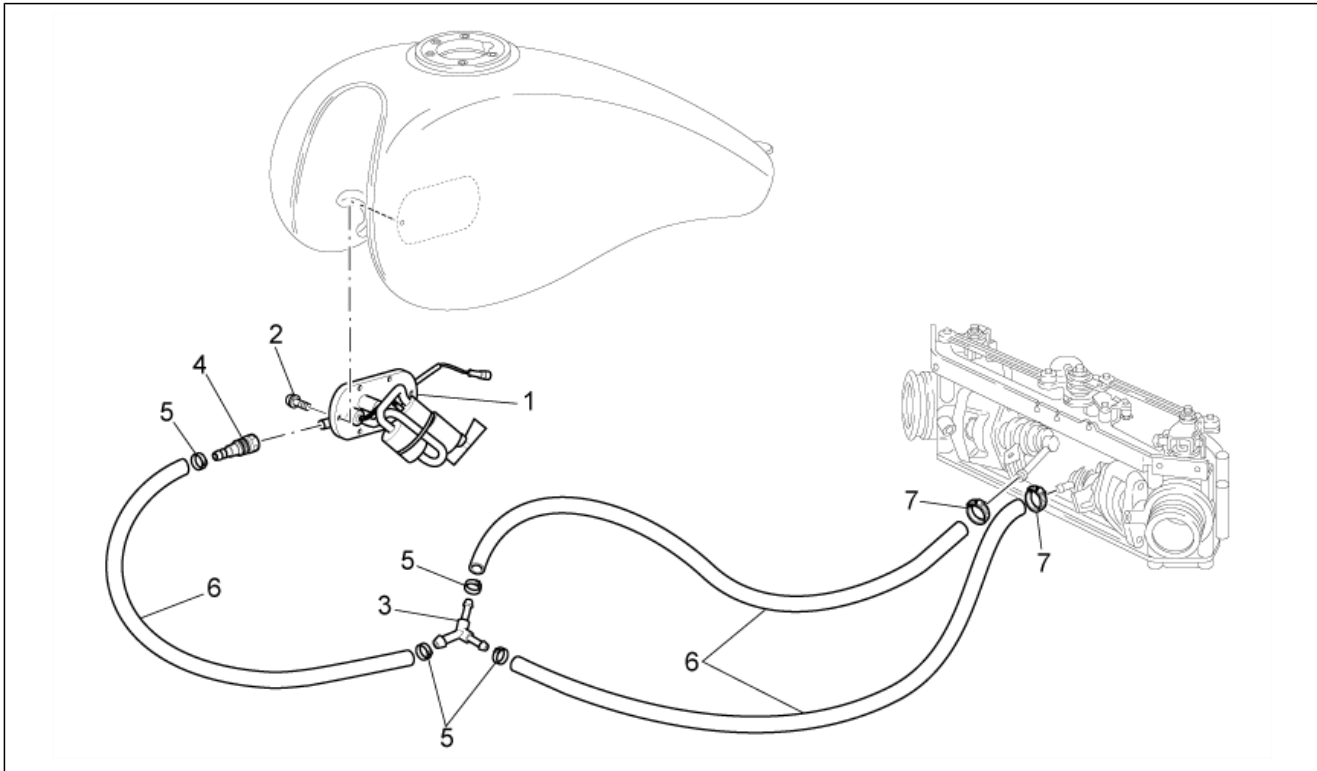
Pos.	Code	Beschreibung	Menge	Varianten
1	978607	Kupplungspumpe	1	
2	981046	Kupplungshebel	1	
3	GU03604845	Hebelbolzen	1	
4	AP8113993	Bügelbolzen	1	
5	AP8113997	Tankverschluss	1	
6	AP8113998	Mikroschalter	1	
7	GU05606530	Kupplungsschlauch	1	
8	AP8133594	Fixierschraube Ölschlauch	3	
9	AP8121915	Dichtung	6	
10	GU05086330	Kupplungszylinder	1	
11	AP8152278	TE Schr. m. Flansch M6x16	3	
12	GU05606630	Ablaßrohr kupplung	1	

Einheit	RAHMEN
Code	33.21
Beschreibung	Anlage Blow-by
Inspektion	1



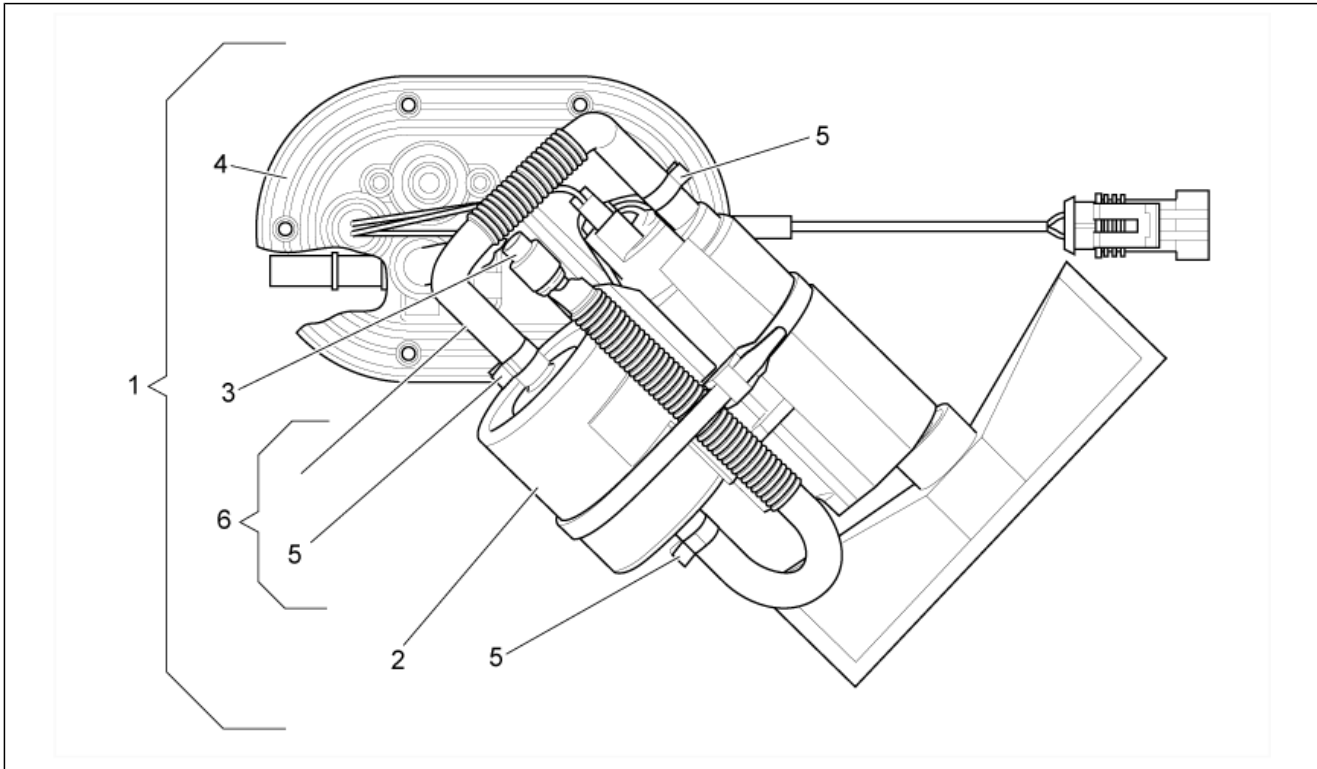
Pos.	Code	Beschreibung	Menge	Varianten
1	978320	Hause	1	
2	GU03007260	Anschluss	1	
3	GU18144350	Ausgleichscheibe 18,25x24x1	3	
4	978461	Entlüftungsschlauch Kühler	1	
5	GU93306018	Schelle 17X29X8	2	
6	GU95960609	3-Wegeanschluß	1	
7	GU00823956080	Gummischlauch 12,5X7,8 5/16"	3	
8	AP8201358	Schelle D 11,9	5	
9	978588	Entlüftungsschlauch Kühler	1	
10	GU14609650	Schelle 3,6x20,6	1	
11	GU29116960	Anschluss	1	
12	GU90714082	Dichtung	1	
13	GU92660208	Mutter	1	
14	GU93306017	Schelle	1	
15	GU91551010	Gummi 10X20X10	1	
16	AP8101586	Schlauchschele D.15,5x6,6	1	

Einheit	RAHMEN
Code	33.22
Beschreibung	Einspeisung
Inspektion	1



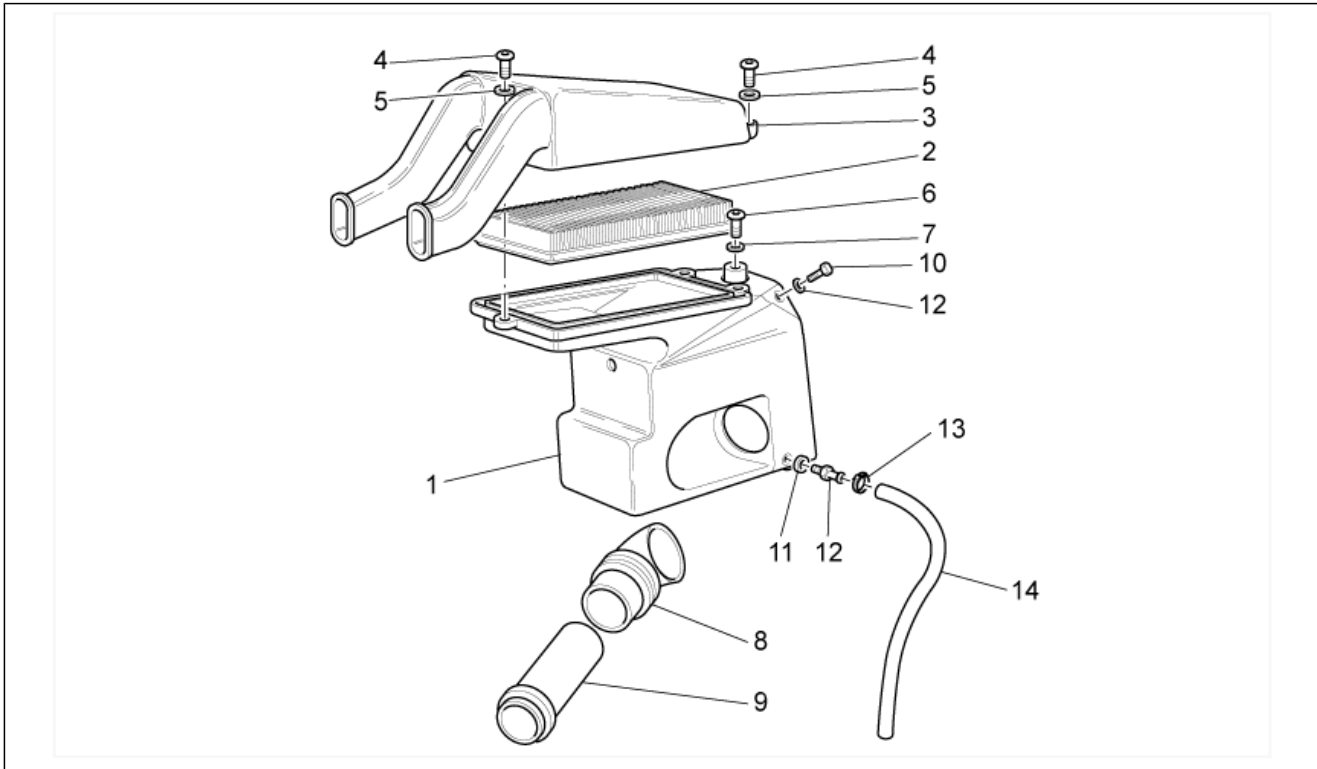
Pos.	Code	Beschreibung	Menge	Varianten
1	GU03107270	Kraftstoffpumpe kplt.	1	
2	AP8152273	Flanschschraube M5x15	6	
3	GU29106860	3-Wegeanschluß	1	
4	GU01106692	Anschluss	1	
5	GU28157950	Schlauchschelle 12,5x8	4	
6	GU00823952080	Kraftstoffleitung SAEJ30R9	1	
7	GU93306017	Schelle	2	

Einheit	RAHMEN
Code	33.23
Beschreibung	Benzinpumpe int.
Inspektion	1



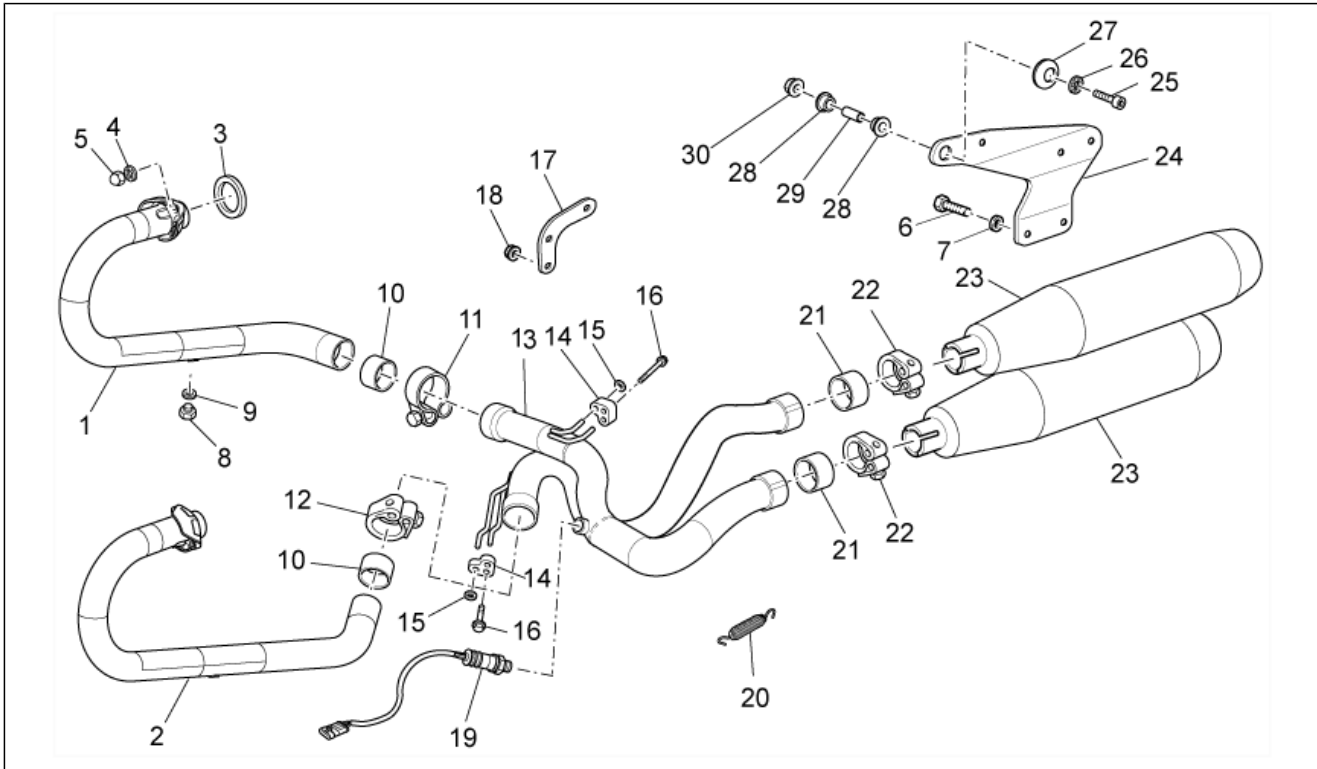
Pos.	Code	Beschreibung	Menge	Varianten
1	GU03107270	Kraftstoffpumpe kplt.	1	
2	GU01106090	Kraftstofffilter	1	
3	GU03103070	Thermistor	1	
4	GU01107490	Dichtung	1	
5	GU01108490	Schelle 11,3	4	
6	GU03106170	Kraftstoffleitung	1	

Einheit	RAHMEN
Code	33.24
Beschreibung	Filtergehäuse
Inspektion	1



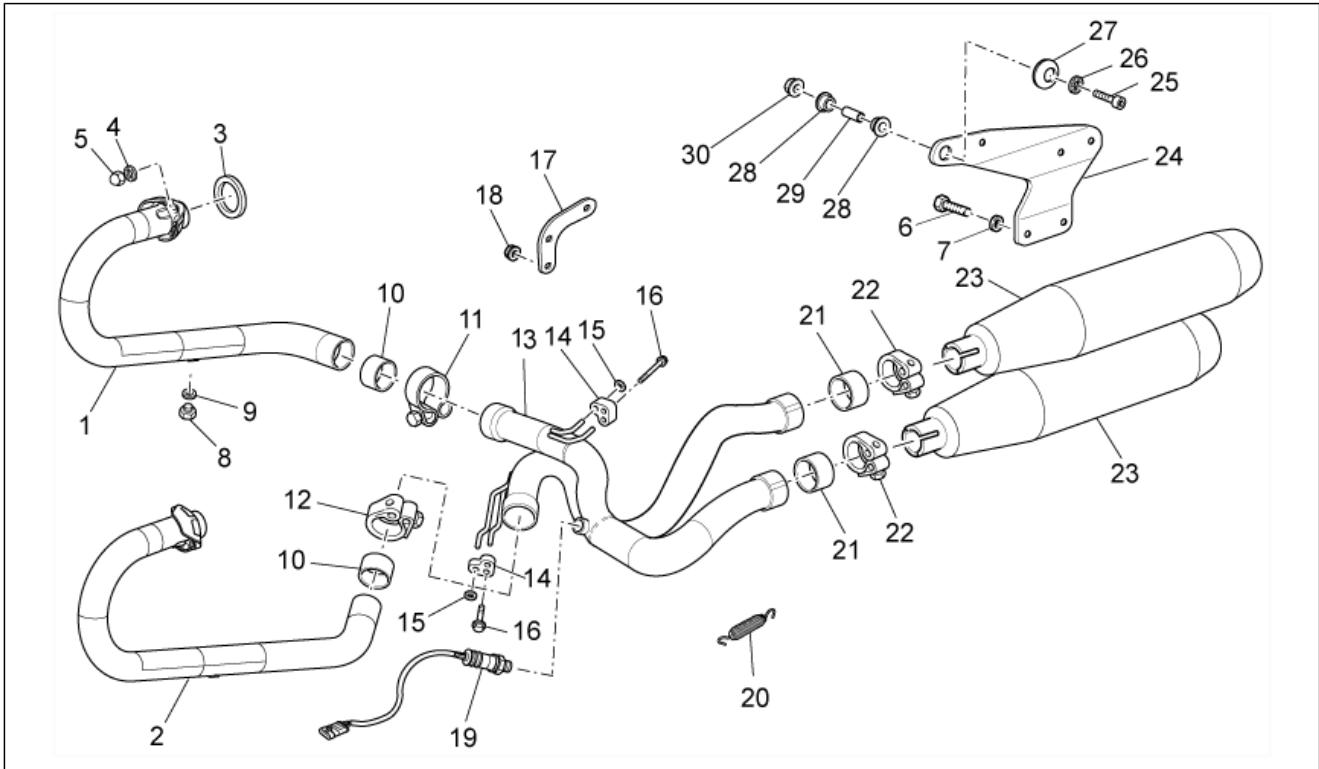
Pos.	Code	Beschreibung	Menge	Varianten
1	978312	Filtergehäuse	1	
2	GU30113600	Luftfilter	1	
3	GU30113460	Filterdeckel	1	
4	GU98680230	TCEI Schraube M5x30	3	
5	GU95100059	Ausgleichscheibe 5,25x14x1,5	3	
6	GU98350312	TBEI Schraube M6x12	1	
7	GU03013800	Ausgleichscheibe 6,4x12	2	
8	GU30114660	Anschluss	2	
9	GU30114560	Geräuscdämpfer	2	
10	GU98350210	TBEI Schraube	1	
11	GU90714053	Dichtung	2	
12	GU29115860	Anschluss	1	
13	GU28157950	Schlauchschelle 12,5x8	1	
14	GU00823944050	Leitung 5X9	1	

Einheit	RAHMEN
Code	33.25
Beschreibung	Auslassgruppe
Inspektion	1



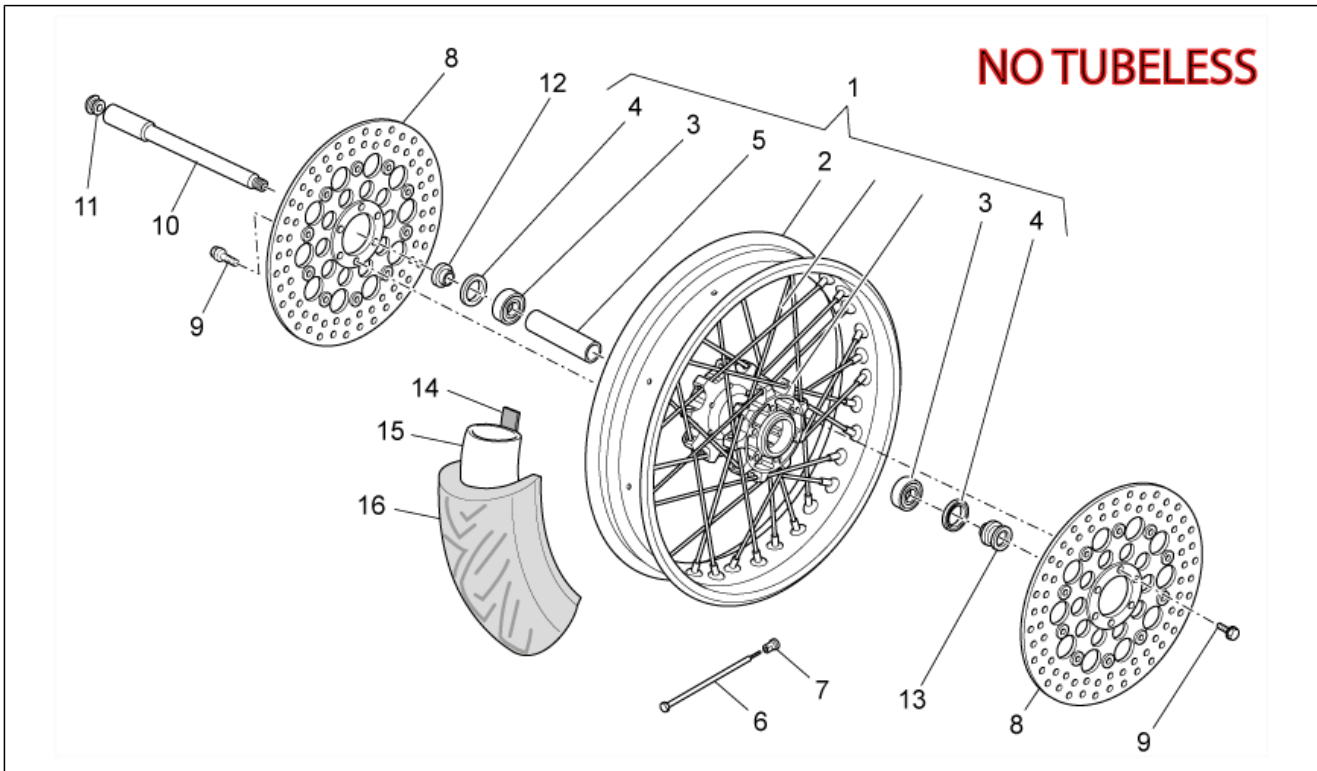
Pos.	Code	Beschreibung	Menge	Varianten
1	977662	R. Auspuffrohr	1	
2	977663	Linkes Auspuffrohr	1	
3	GU90718370	Dichtung	2	
4	GU14615901	Ausgleichscheibe 8,4X13X0,8	4	
5	GU92660021	Geflanschte Mutter M8	4	
6	GU98084425	Sechskantschraube M8x25	4	
7	GU03270300	Ausgleichscheibe 8,4x15	4	
8	GU98110007	Deckel	2	
9	GU30109330	Dichtung	2	
10	GU05121630	Dichtung	2	
11	976522	Schelle re.	1	
12	976523	Schelle li.	1	
13	978369	mitt. Auspuffrohr	1	
14	GU05124230	Gummi	2	
15	GU90274008	Wellenscheibe D8	4	
16	GU05124330	Schraube	2	
17	978540	Rechts Platte	1	
18	AP8152301	Selbstsperrende Mutter	1	
19	GU32727010	Lamdasonde	1	
20	AP8121170	Feder	1	
21	GU05121630	Dichtung	2	
22	976521	Schelle	2	
23	978370	Schalldämpfer	2	
24	978506	Schalldämpfer Halteplatte	1	
25	GU98680445	TCEI Schraube	1	
26	GU95005312	Ausgleichscheibe 8,5x24x2	1	
27	AP8134378	Fixierhülse Schalldämpfer	1	
28	AP8144071	Gummi auspuffrohr	2	

Einheit	RAHMEN
Code	33.25
Beschreibung	Auslassgruppe
Inspektion	1



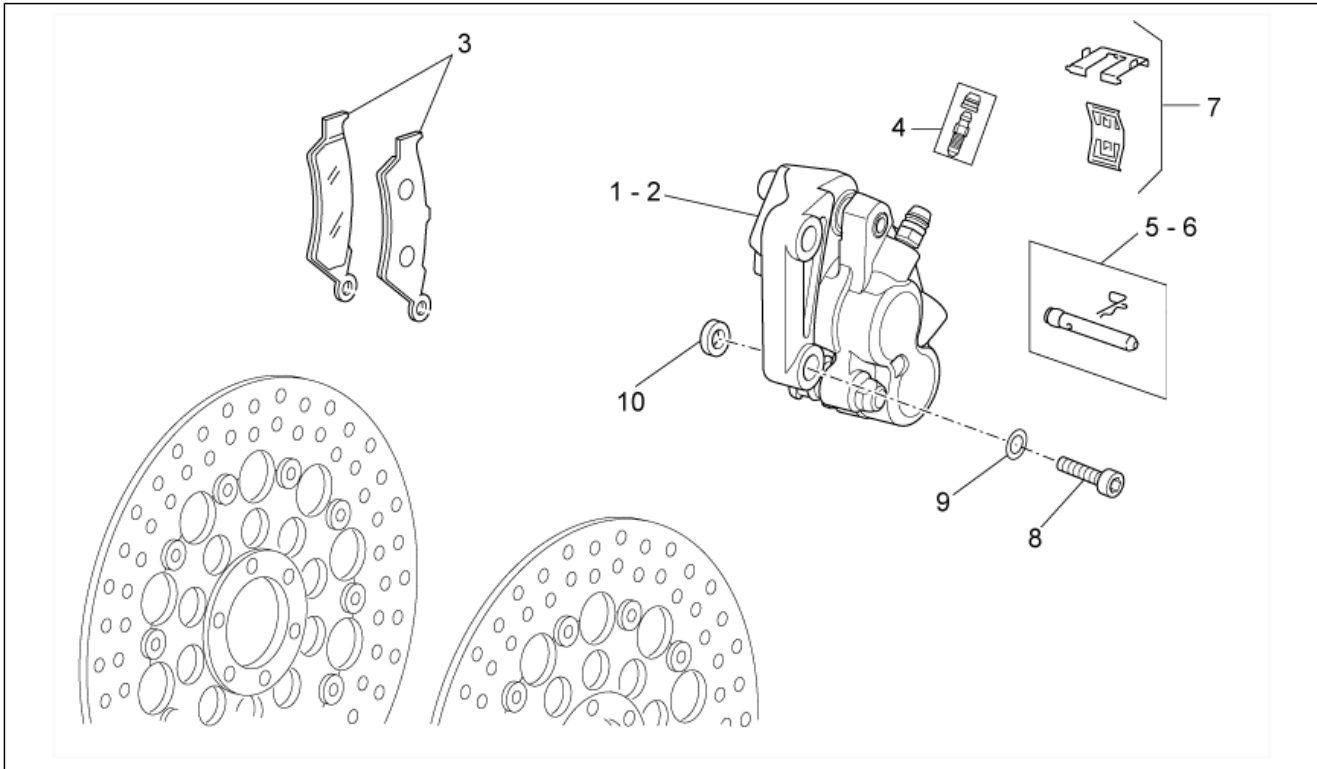
Pos.	Code	Beschreibung	Menge	Varianten
29	AP8121072	Distanzscheibe	1	
30	GU92650138	Mutter M8x1,25	1	

Einheit	RAHMEN
Code	33.26
Beschreibung	Vorderrad I
Inspektion	1



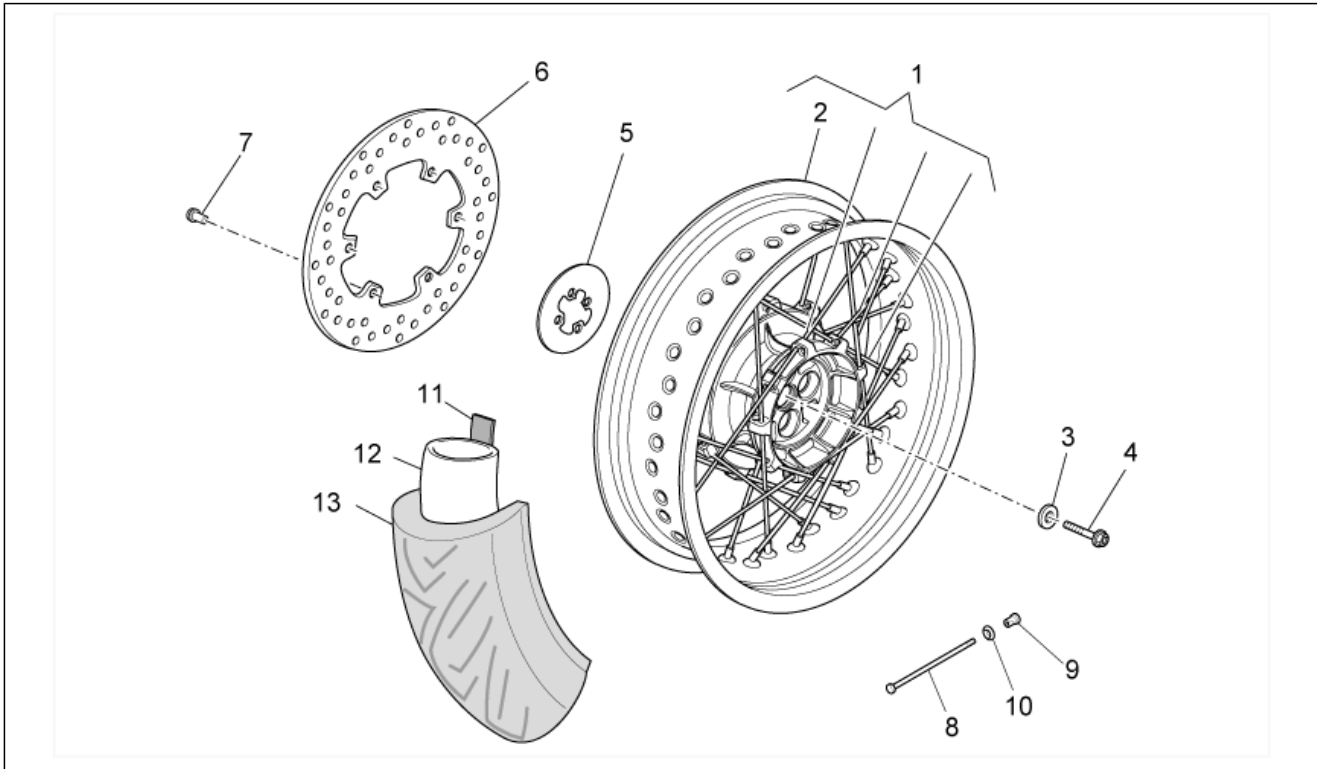
Pos.	Code	Beschreibung	Menge	Varianten
1	884081	Vorderrad 3,50x18"	0	Technische Spezifikation: Rad mit Speichen ZN[RZN]
1	978308	Vorderrad 3,50x18"	1	Technische Spezifikation: Rad mit Speichen CR[RCR]
2	978305	Vorderradfelgen 3,50x18"	1	
3	AP8125777	Kugellager 25x47x12	2	
4	GU90402549	Gasket ring	2	
5	978516	Distanzstück Lager	1	
6	887081	Speiche	36	Technische Spezifikation: Verzinkt[ZN]
6	978306	Speiche	36	Technische Spezifikation: Chrom Glänzend[CR]
7	978307	Nippel	36	
8	977024	Vorderradbremsscheibe	2	Technische Spezifikation: Marke Brembo[BR]
8	883688	Vorderradbremsscheibe 320	1	Technische Spezifikation: Marke Sunstar[SU]
9	AP8152286	TE Schr. m. Flansch M8x20	12	
10	GU03614101	Vorderradbolzen	1	
11	GU93180111	Deckel 15 mm	1	
12	978303	R. Distanzscheibe	1	
13	978304	L. Distanzscheibe	1	
14	0000000	Reifen	1	
15	0000000	Reifen	1	
16	0000000	Reifen	1	

Einheit	RAHMEN
Code	33.27
Beschreibung	Vorderradbremzange
Inspektion	1



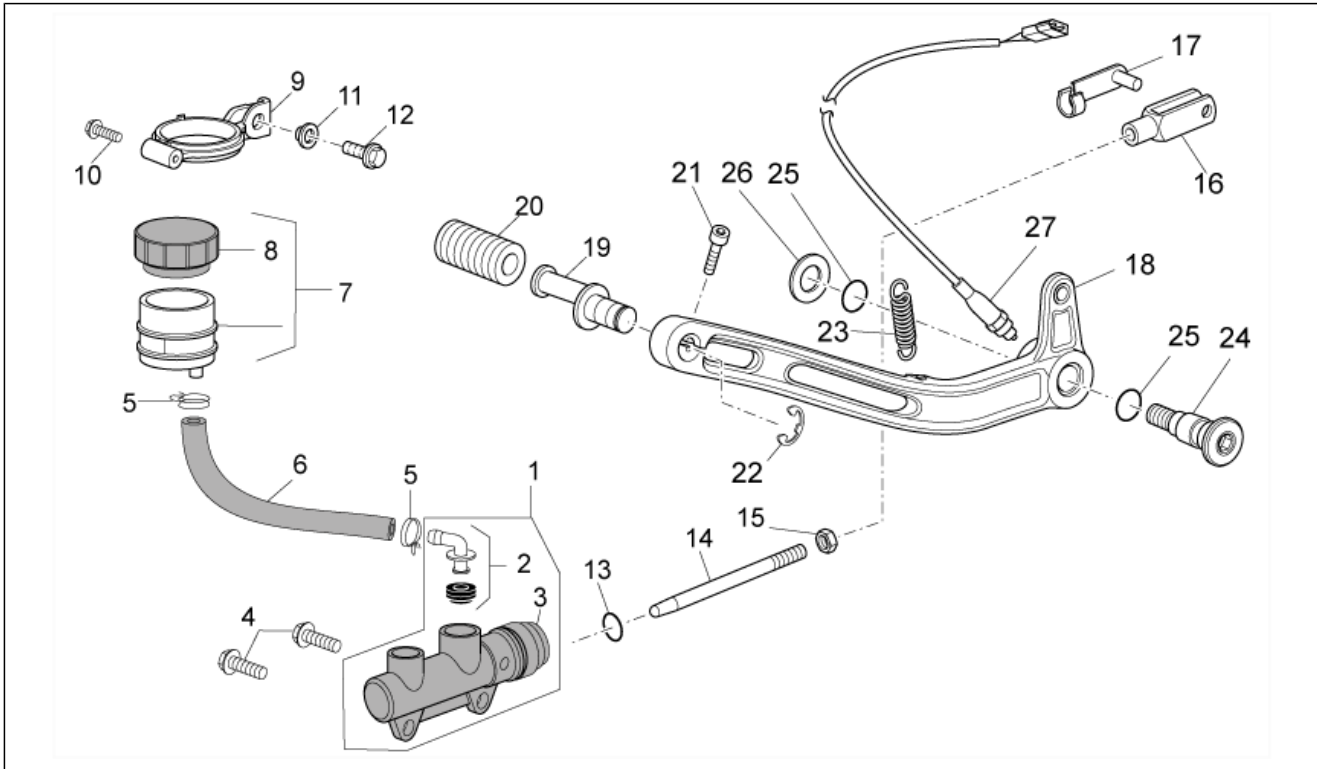
Pos.	Code	Beschreibung	Menge	Varianten
1	978360	Re. Vorderradbremzange, schwarz	1	
2	978361	Li. Vorderradbremzange, schwarz	1	
3	AP8113627	Beläge (Paar)	2	
4	AP8133502	Entlüftungsanschluß	2	
5	981004	Stift+Splint Bremse	2	
6	981003	Stift+Splint Bremse	2	
7	AP8133908	Feder pinza	2	
8	GU98683530	Schraube M10x30	4	
9	GU19149800	Ausgleichscheibe 10,5x16x1	4	
10	GU91181003	Distanzscheibe 10,25X20X4	4	

Einheit	RAHMEN
Code	33.28
Beschreibung	Hinterrad I
Inspektion	1



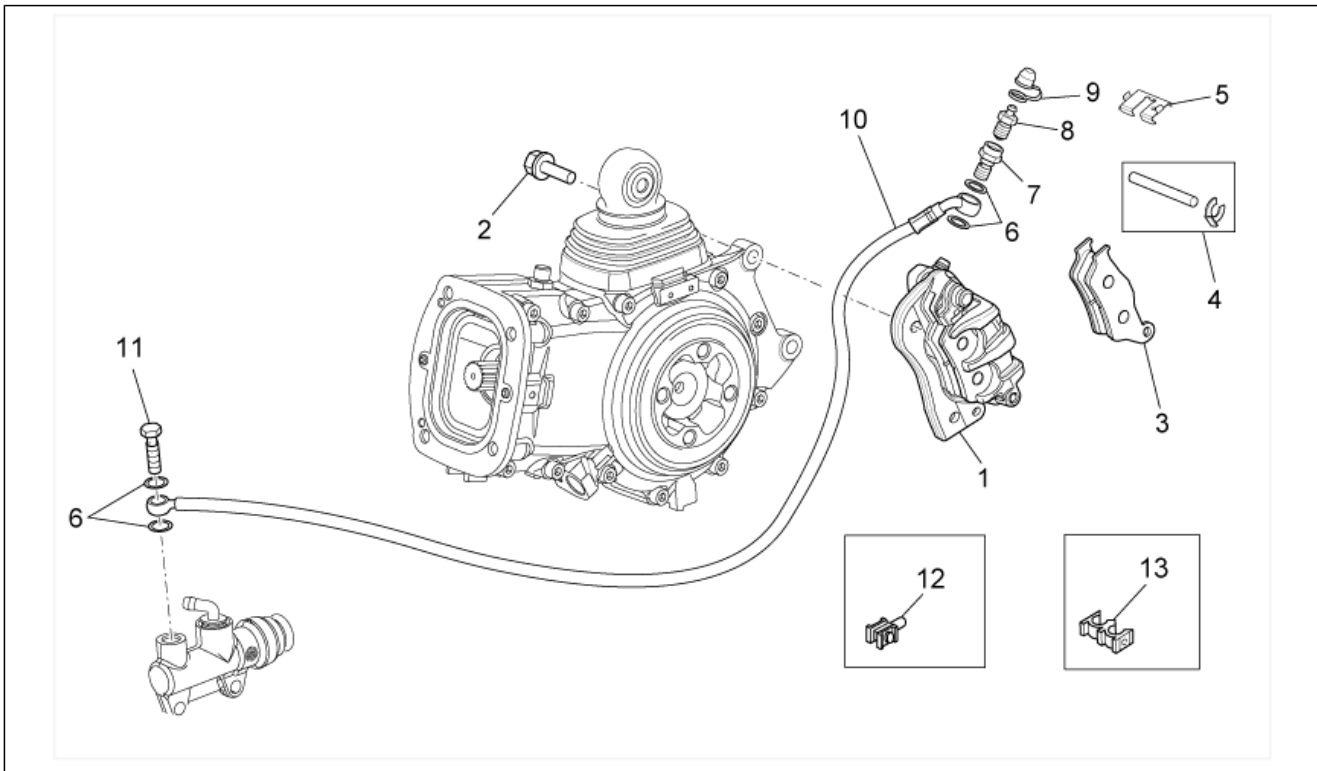
Pos.	Code	Beschreibung	Menge	Varianten
1	978609	Hinterrad ohne Scheibe 5,5x17"	1	
2	978610	H.Felge 5,5x17"	1	
3	GU05632730	Konischebuchse	4	
4	GU97202665	TE Schr. m. Flansch M12x65	4	
5	977056	Staubschutzring	1	
6	GU05635730	Vorderradbremsscheibe	1	
7	GU30611460	Schraube	6	
8	978611	Kurze Speike	36	
9	978356	Nippel	36	
10	978697	Spezial-U-scheibe	36	
11	978683	Hinterradband	2	
12	0000000	Reifen	1	
13	0000000	Reifen	1	

Einheit	RAHMEN
Code	33.29
Beschreibung	Hinterradbremspumpe
Inspektion	1



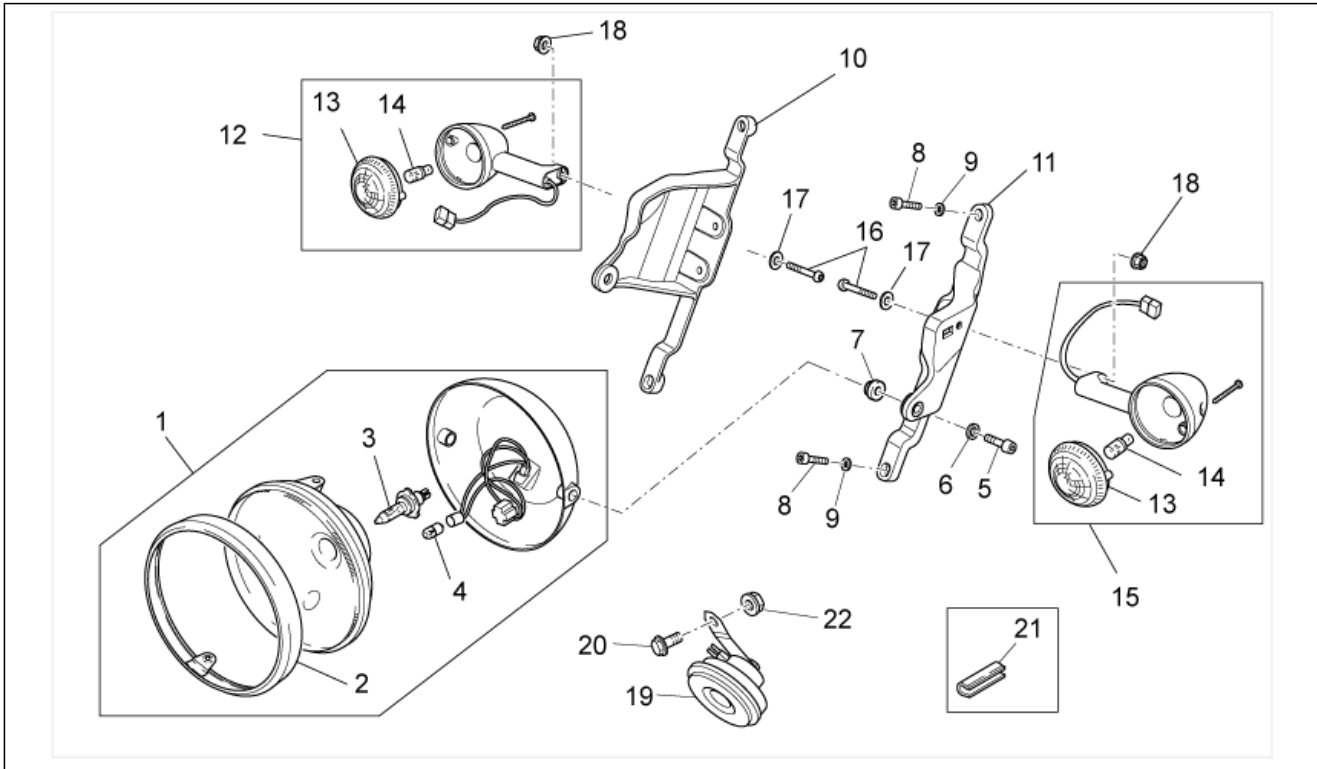
Pos.	Code	Beschreibung	Menge	Varianten
1	978434	Hinterradbremspumpe	1	
2	GU19659500	Revisionsgr.f.Pumpenstutzen	1	
3	AP8113288	Gummibalg	1	
4	AP8152279	TE Schr. m. Flansch M6x20	2	
5	AP8101595	Schelle D10,1	2	
6	978435	Hinterradbremseleitung	1	
7	GU05663530	Bremsöltank	1	
8	GU17661052	Tankverschluß	1	
9	GU05666030	Tankfixierung	1	
10	AP8152329	Kreuz.schl.flnschschr. M5x20	1	
11	AP8221145	T-Buchse *	1	
12	AP8152278	TE Schr. m. Flansch M6x16	1	
13	AP8120178	O-Ring OR112	1	
14	977041	Pumpenstange brems	1	
15	GU92606206	Mutter	1	
16	AP8113081	Schaltgabel	1	
17	AP8113082	Klemmen für Schaltgabel	1	
18	GU06677000	H.bremshebel	1	
19	AP8121221	Stift Bremshebel	1	
20	AP8120912	Gummi für Hebel	1	
21	GU98682316	TCEI Schraube M6x16	1	
22	AP8150462	Seegerring d9	1	
23	AP8121927	Feder Hinterradbremsh.	1	
24	884033	Hebelbolzen	1	
25	AP8144007	O-Ring 11,11x1,78	2	
26	GU95008310	Ausgleichscheibe 10,5x22x2,5	1	
27	AP8112996	Mikroschalter	1	

Einheit	RAHMEN
Code	33.30
Beschreibung	Hinterradbremzange
Inspektion	1



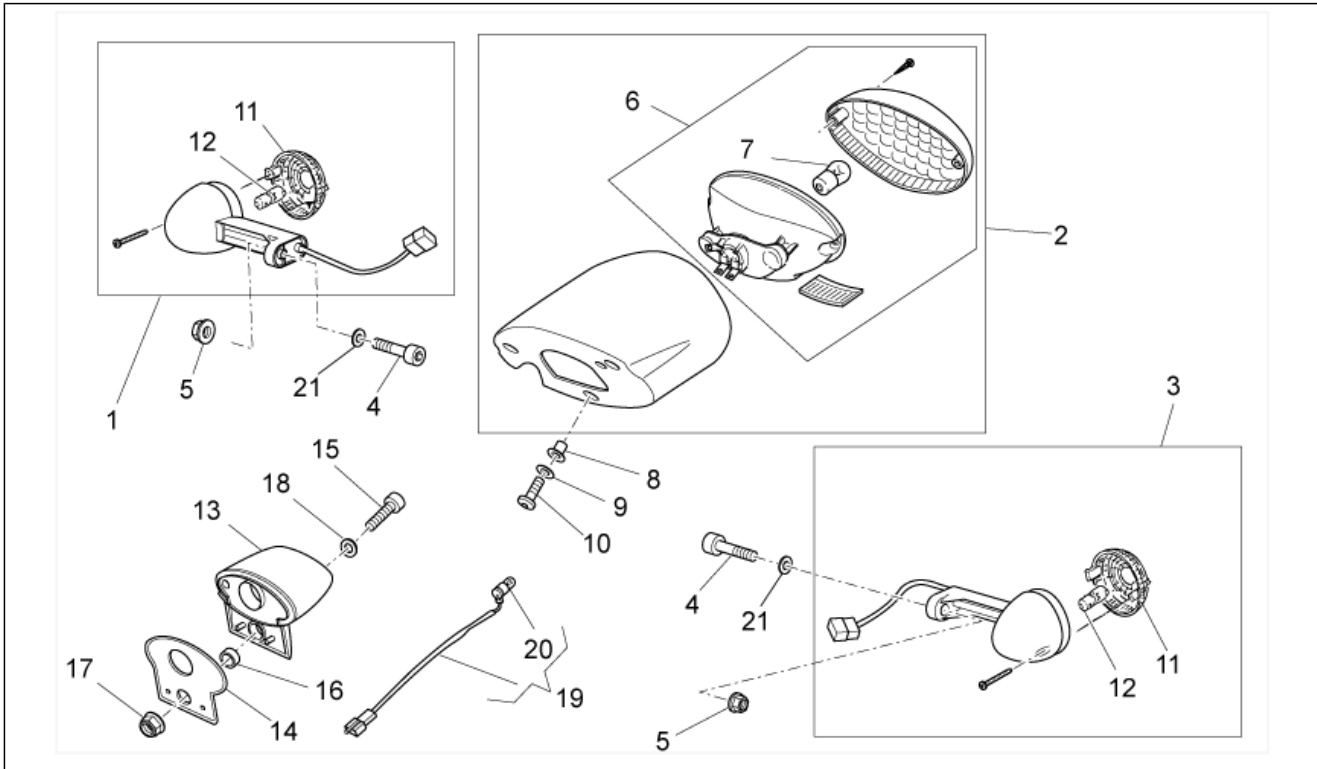
Pos.	Code	Beschreibung	Menge	Varianten
1	978414	Hinterradbremzange, schw.	1	
2	AP8152320	TE Schr. m. Flansch	2	
3	GU05654630	Beläge (Paar)	1	
4	GU05659130	Stift+Splint Bremse	1	
5	GU05659030	Feder	1	
6	AP8121915	Dichtung	4	
7	AP8133597	Schraube	1	
8	AP8133595	Entlüftungsanschluß	1	
9	AP8133596	Entlüftungskappe 20 st.	1	
10	978364	Hinterradbremseleitung	1	
11	AP8133962	Fixierschraube Ölschlauch *	1	
12	AP8202238	Kabelführungs Haken	4	
13	AP8201808	Kabelführungs D8	5	

Einheit	RAHMEN
Code	33.31
Beschreibung	Frontscheinwerfer/Hupe
Inspektion	1



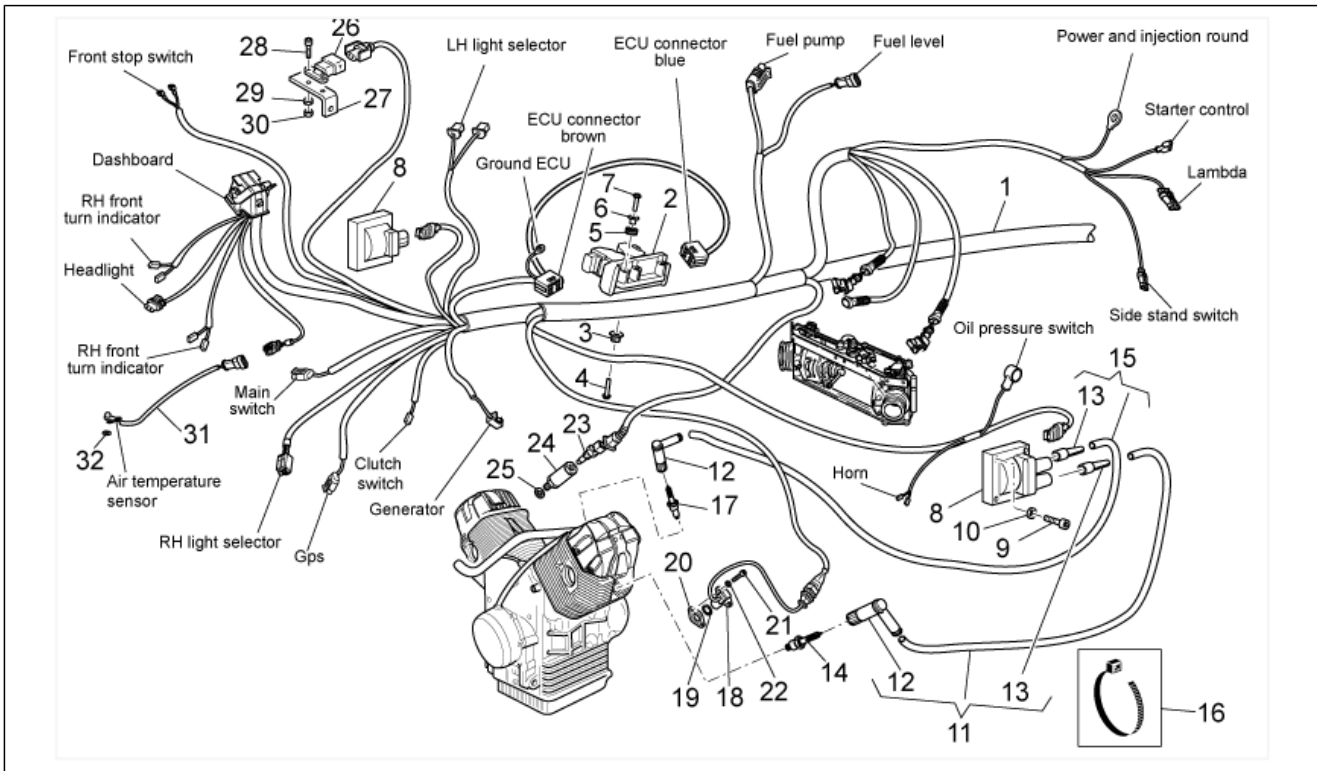
Pos.	Code	Beschreibung	Menge	Varianten
1	978311	Scheinwerfer	1	Land:Europa[EU]
1	978662	Vord.Scheinwerf.Kpl.L.Lenkung	1	Land:Australien[AUS] Japan[J] Großbritannien[UK] Indien[IN]
2	GU31740383	Verchromte Nutmutter	1	
3	GU93450232	Lampen 12V-55/60W	1	
4	GU93450105	Lampen	1	
5	GU98370831	TBEI Schraube M8x30	2	
6	GU95005308	Ausgleichscheibe 8,4x14,57x1,6	2	
7	GU14439800	Distanzscheibe	2	
8	GU98682318	TCEI Schraube	4	
9	GU14217901	Scheibe 6,4x10x0,7	4	
10	978373	Scheinwerferhalterung re.	1	
11	978374	Scheinwerferhalterung li.	1	
12	GU32750660	Vorderblinker rechts / Hinterblinker links	1	
12	887826	Vorderblinker rechts / Hinterblinker links	1	
13	GU32753760	Blinkerblende	2	
14	GU93450127	Lampen	2	
15	GU06751600	Vorderblinker links/ Hinterblinker rechts	1	
15	887827	Vorderblinker links/ Hinterblinker rechts	1	
16	GU98692318	TCEI Schraube	2	
17	GU95021206	Ausgleichscheibe	2	
18	GU92787006	Hutmutter M6x1	2	
19	GU01743791	Signal hupe L	1	
20	AP8152279	TE Schr. m. Flansch M6x20	1	
21	AP8144707	Dichtung	1	
22	AP8152299	Selbstsperrende Mutter M6	1	

Einheit	RAHMEN
Code	33.32
Beschreibung	Rücklicht
Inspektion	1



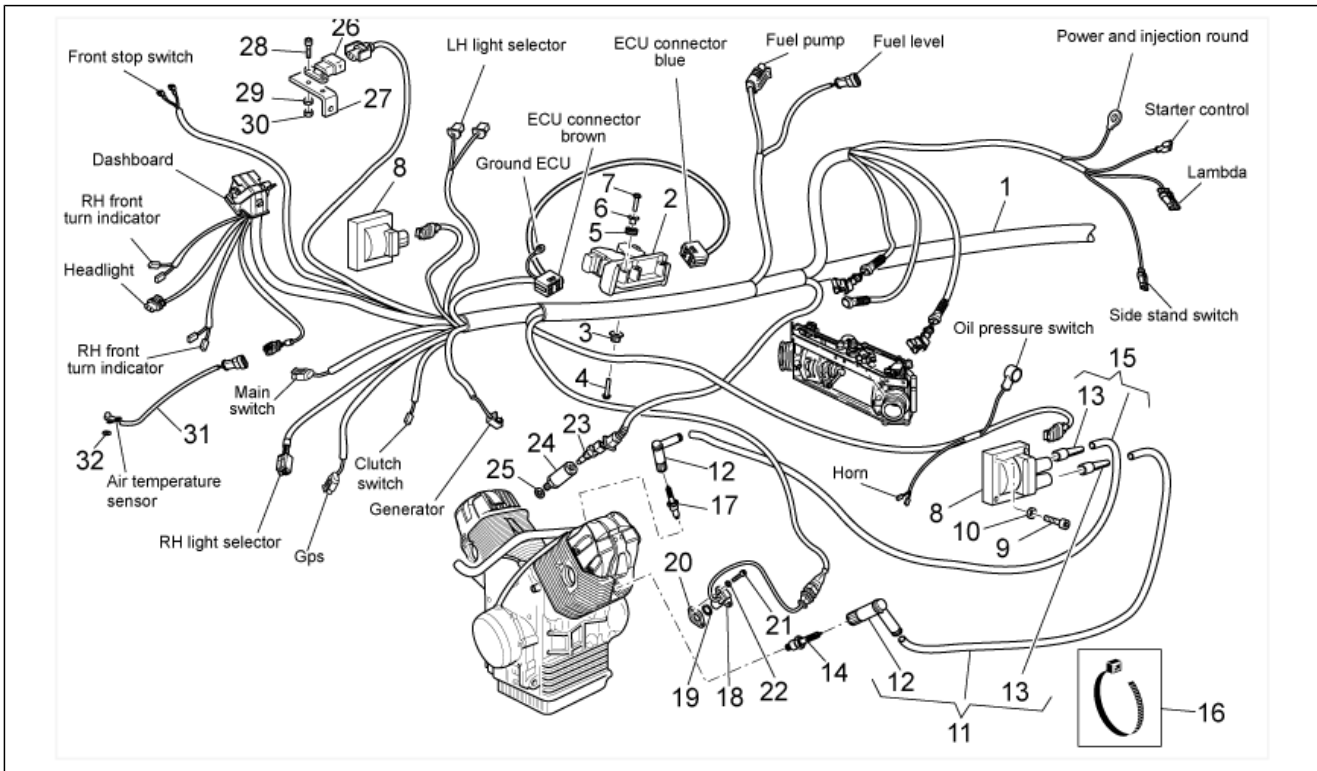
Pos.	Code	Beschreibung	Menge	Varianten
1	GU06751600	Vorderblinker links/ Hinterblinker rechts	1	Land:Australien[AUS] Europa[EU] Japan[J] Großbritannien[UK]
2	GU32740960	Rücklicht	1	
3	GU32750660	Vorderblinker rechts / Hinterblinker links	1	Land:Australien[AUS] Europa[EU] Japan[J] Großbritannien[UK]
4	GU98692318	TCEI Schraube	2	
5	GU92787006	Hutmutter M6x1	2	
6	GU03740930	Rücklicht	1	
7	GU93450224	Lampen	1	
8	GU93231605	Vibrirenfende Buchse	3	
9	GU95100064	Ausgleichscheibe	3	
10	GU98350218	TBEI Schraube	3	
11	GU32753760	Blinkerblende	2	Land:Australien[AUS] Europa[EU] Japan[J] Großbritannien[UK]
12	GU93450126	Lampen orange	2	Land:Australien[AUS] Europa[EU] Japan[J] Großbritannien[UK]
13	AP8127098	Kennzeichenleuchte	1	
14	GU32474710	Gummi für Haterung	1	
15	GU98680222	TCEI Schraube	1	
16	GU91120507	Buchse	1	
17	AP8152306	Selbstsperrende Mutter M5	1	
18	GU95008205	Ausgleichscheibe 5,3x10x0,8	1	
19	AP8124976	Kennzeich.leuch.Kabel	1	
20	GU93450105	Lampen	1	
21	GU95021206	Ausgleichscheibe	2	

Einheit	RAHMEN
Code	33.33
Beschreibung	Elektrische anlage I
Inspektion	1



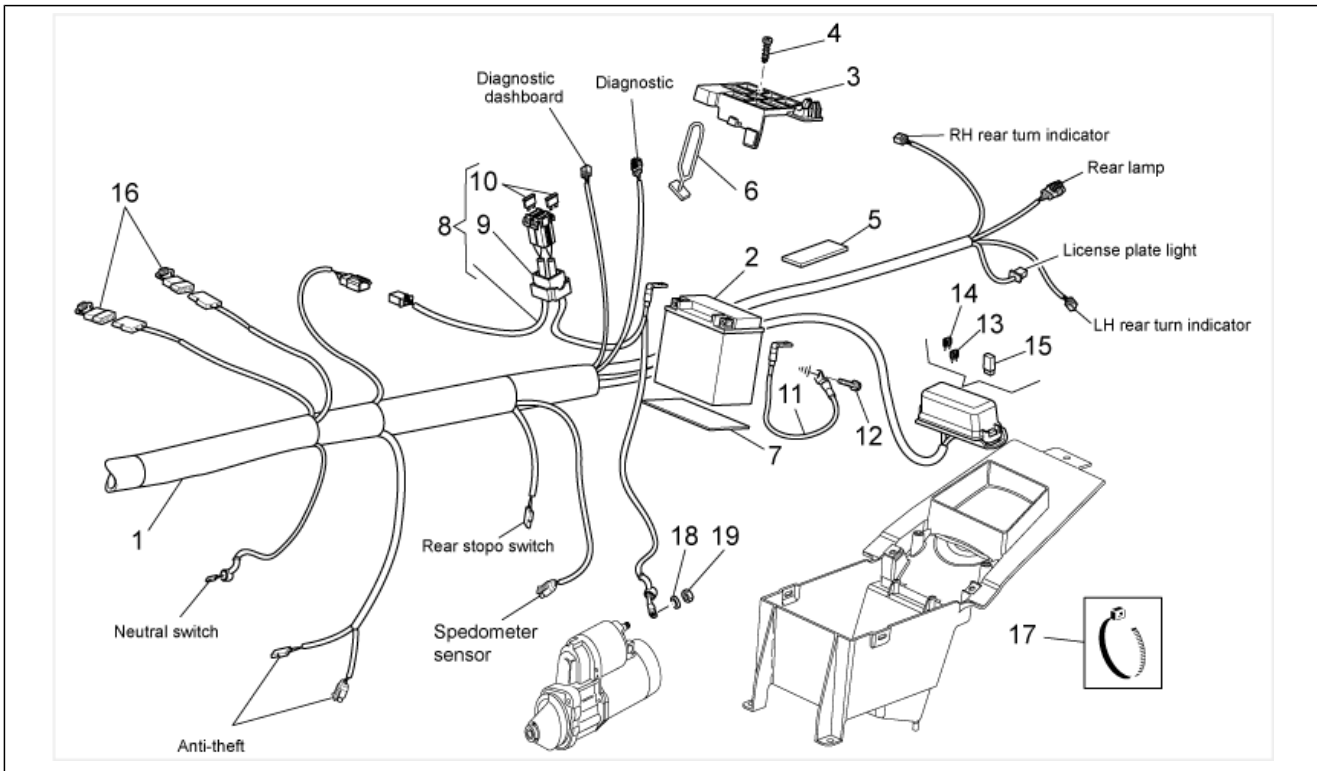
Pos.	Code	Beschreibung	Menge	Varianten
1	978366	Hauptverkabelung	1	
2	978368	Steuergerät	1	
3	GU05729230	Buchse	2	
4	AP8152279	TE Schr. m. Flansch M6x20	2	
5	AP8120030	Gummi	2	
6	AP8221023	T-Buchse	2	
7	AP8152282	TE Schr. m. Flansch M6x35	2	
8	GU05716530	Zuendtransform.cpl.	2	
9	GU98682125	TCEI Schraube	4	
10	GU95021204	Ausgleichscheibe	4	
11	978554	Zuendkabel	2	
12	GU06717400	Zündkerzenkappe	4	Technische Spezifikation: Für Zündkerze Durchmesser 10mm[C1]
12	GU03717450	Zündkerzenkappe	4	Technische Spezifikation: Für Zündkerze Durchmesser 12mm[C2]
13	GU14717600	Kappe	4	
14	GU30717061	Zündkerze NGK BPR6ES	2	
15	977388	Zuendkabel	2	
16	GU93304360	Schelle 7,6x380	2	
16	GU14609650	Schelle 3,6x20,6	23	
16	GU49609601	Schelle 2,4x92	5	
17	GU05717030	Zündkerze NGK PMR8B	2	
18	GU01721600	Phasen-und Umdrehungsfuhler	1	
19	GU90706141	O-Ring	1	
20	GU01722701	Dichtung 0,4 mm	1	
20	GU01722703	Dichtung	1	
20	GU01722700	Dichtung 0,3 mm	1	
20	GU01722704	Dichtung 1 mm	1	

Einheit	RAHMEN
Code	33.33
Beschreibung	Elektrische anlage I
Inspektion	1



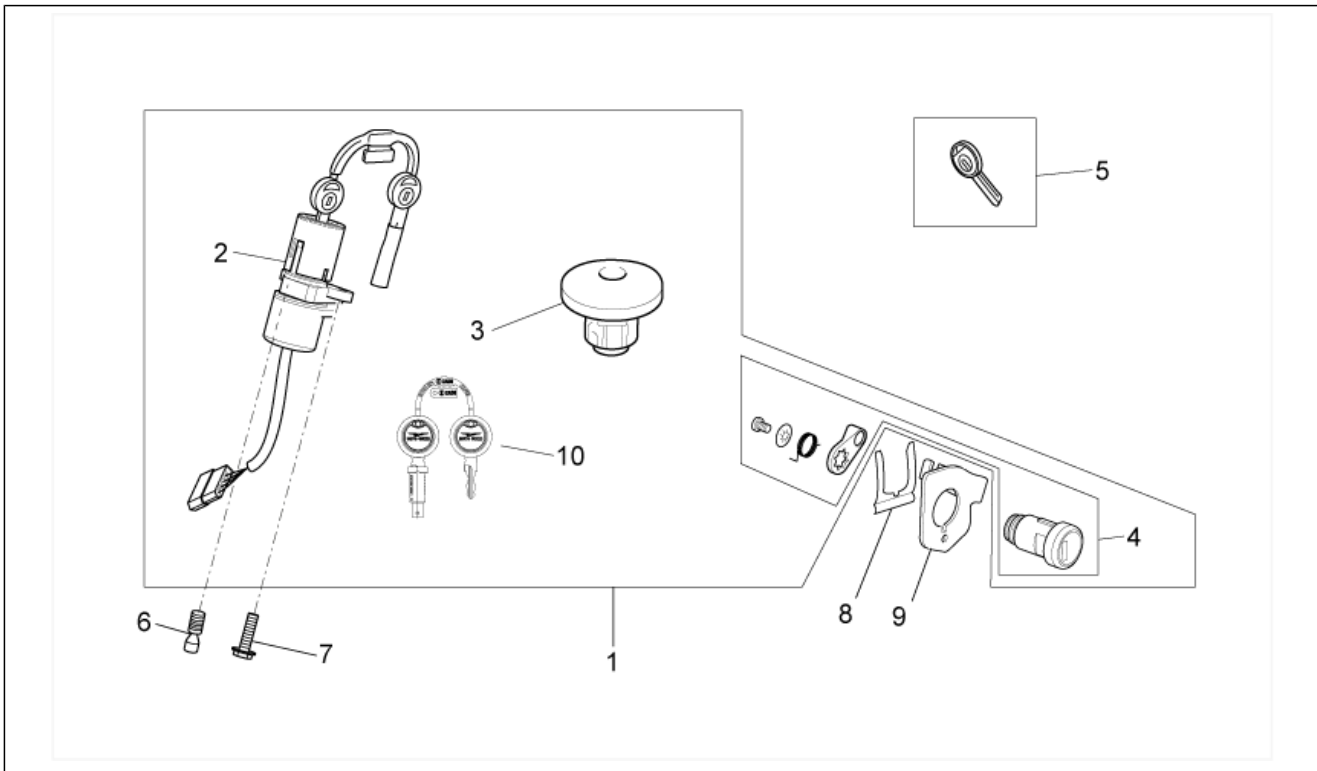
Pos.	Code	Beschreibung	Menge	Varianten
20	GU01722705	Dichtung 1,5 mm	1	
20	GU29722760	Dichtung 0,5 mm	1	
20	GU01722702	Dichtung 0,6 mm	1	
21	GU98682212	TCEI Schraube M5x12	2	
22	GU95008205	Ausgleichscheibe 5,3x10x0,8	2	
23	GU29729461	Sensor temperatur	1	
24	GU03163330	Sensor halter	1	
25	GU95008210	Ausgleichscheibe 10,2X18X2	1	
26	GU30729330	Lufttemperaturfühler	1	
27	GU30728230	Sensor halter	1	
28	GU98680110	TCEI Schraube M3x10	2	
29	GU95120033	Ausgleichscheibe 3,2x5,8x0,8	2	
30	GU92606003	Mutter M3	2	
31	AP8124936	Lufttemperaturfühler	1	
32	GU90274002	Wellenscheibe	2	

Einheit	RAHMEN
Code	33.34
Beschreibung	Elektrische anlage II
Inspektion	1



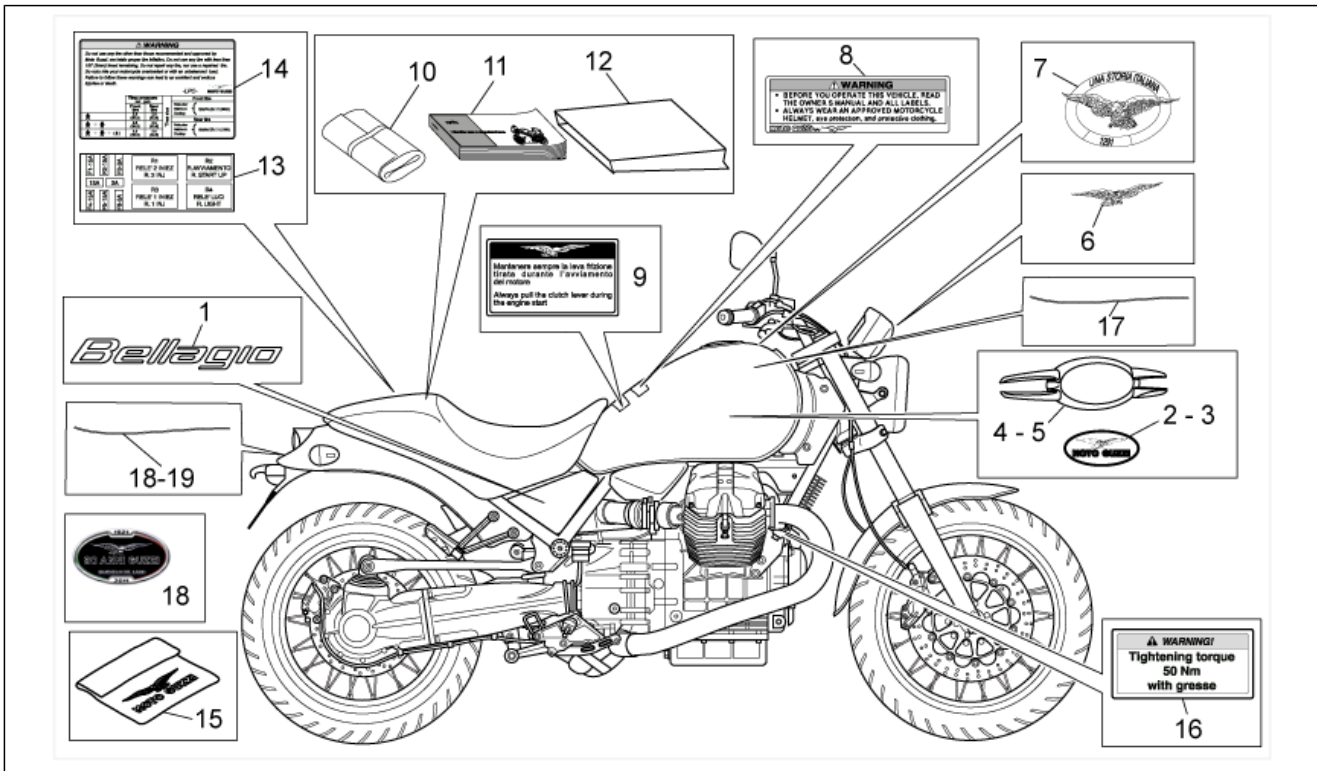
Pos.	Code	Beschreibung	Menge	Varianten
1	978366	Hauptverkabelung	1	
2	GU05704531	Batterie 12V-20Ah	1	
3	GU05704630	Batteriedeckel	1	
4	AP8152329	Kreuz.schl.flnschschr. M5x20	2	
5	AP8117200	Klebeschwamm	1	
6	AP8120177	Elastic	2	
7	AP8144553	Gummi für Haterung	2	
8	GU05747830	Verkabelung	1	
9	AP8112811	Sicherungsblockgummi	1	
10	GU28742562	Sicherung 30A	3	
11	978505	Masse-Batteriekabel	1	
12	AP8152277	TE Schr. m. Flansch M6x12	1	
13	977769	Sicherung 3A	3	
14	977772	Sicherung 15A	5	
15	GU01731760	Minirelais umsch.Si. A1001A403	4	
16	AP8212588	Sicherheitsdiode	2	
17	GU14609650	Schelle 3,6x20,6	23	
17	GU49609601	Schelle 2,4x92	5	
17	GU93304360	Schelle 7,6x380	2	
18	GU95129131	Scheibe 8,4x15x1,7	1	
19	GU92609408	Mutter M8x1,25	1	

Einheit	RAHMEN
Code	33.35
Beschreibung	Bausatz Schlösser
Inspektion	1



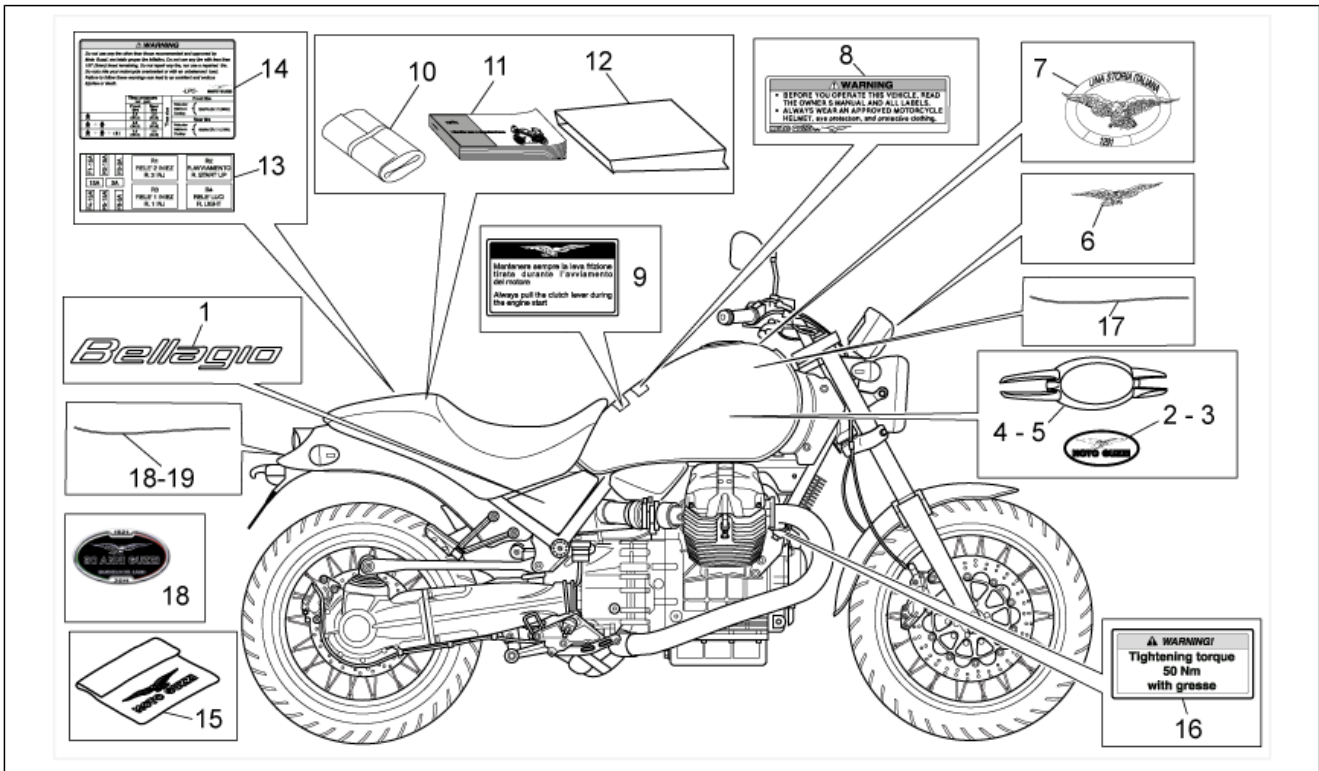
Pos.	Code	Beschreibung	Menge	Varianten
1	977389	Kit Schließvorrichtungen	1	
2	977528	Lenkschloß	1	
3	GU32103960	Tankverschluß	1	
4	977527	Schloss komplett mit Schlüsseln	1	
5	GU32735511	Schlüs.nicht gezackt roh-sch.cr	1	
5	GU32735510	Schlüs.nicht gezackt roh-sch.go	1	
6	GU97260415	Spezialschraube M8x15	1	
7	GU98682416	TCEI Schraube M8x16	1	
8	AP8121420	Gabelfeder	1	
9	978415	Kabelplatte	1	
10	2D000006	Schlosszylinder mit Schlüssel für Tankdeckel	1	

Einheit	RAHMEN
Code	33.36
Beschreibung	Aufkleber-Deko
Inspektion	1



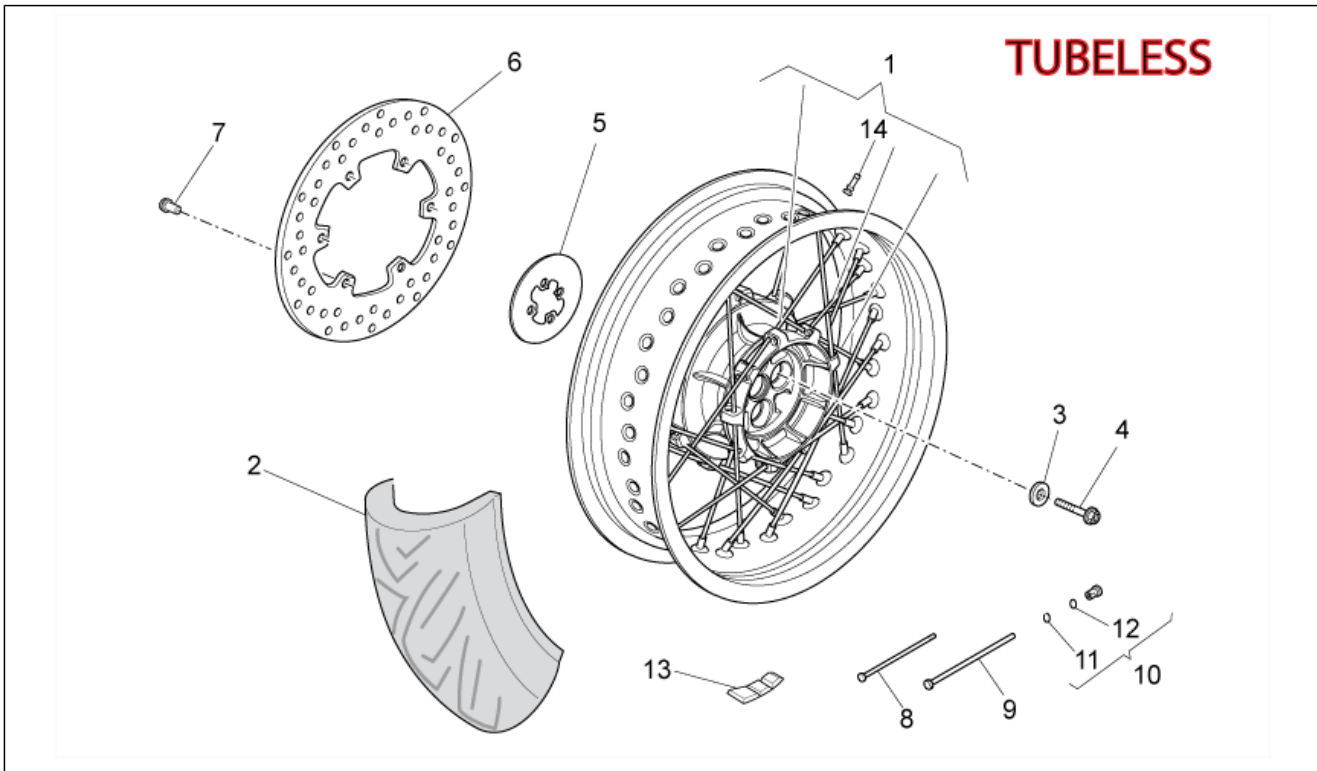
Pos.	Code	Beschreibung	Menge	Varianten
1	978552	Deko, schwarz Bellagio	2	
2	GU06917400	L.Schild rot/gold AL	1	Baujahr:2007[7] 2008[8]
3	GU06917300	R. Schild rot/gold AL	1	Baujahr:2007[7] 2008[8]
4	978508	Aufkleber R.	1	Baujahr:2007[7] 2008[8]
5	978509	Aufkleber L.	1	Baujahr:2007[7] 2008[8]
6	978551	Aufkleber "Adler"	1	
7	GU05917530	Deko "Italian Story"	1	
8	GU30944300	Deko "Attention"	1	
9	GU05944930	Deko Engine Start	1	
10	GU05909930	Werkzeugtasche	1	
11	978346	Gebrauchsanleitung I-F-D-NL	1	Land:Australien[AUS] Europa[EU] Japan[J] Großbritannien[UK]
12	GU05900130	Säckchen für Dokumente	1	
13	978520	Aufkleber "schema fusibili"	1	
14	GU05926030	Aufkleber Reifendruck	1	Land:Australien[AUS] Europa[EU] Japan[J] Großbritannien[UK]
15	GU30970200	Abdeckplane	1	
16	GU05944530	Deko Warning	1	
17	883269	Silver decal	2	Baujahr:2008[8] Farbe:Grau/Weiß 2008[gr/wh] Rot/Weiß 2008[r/wh] Technische Spezifikation:"Version ""Luxury""[LUX]
18	883272	Aufkleber L.silver	1	Baujahr:2008[8] Farbe:Grau/Weiß 2008[gr/wh] Rot/Weiß 2008[r/wh] Technische Spezifikation:"Version ""Luxury""[LUX]
19	883271	Aufkleber silver re	1	Baujahr:2008[8] Farbe:Grau/Weiß 2008[gr/wh] Rot/Weiß 2008[r/wh] Technische Spezifikation:"Version ""Luxury""[LUX]
20	886141	Deko "Aquila"	1	Baujahr:2009[9] Farbe:Aquila Nera 2009[b.eagle]
21	886142	Aufkleber R. "Aquila Nera"	1	Baujahr:2009[9] Farbe:Aquila Nera 2009[b.eagle]

Einheit	RAHMEN
Code	33.36
Beschreibung	Aufkleber-Deko
Inspektion	1



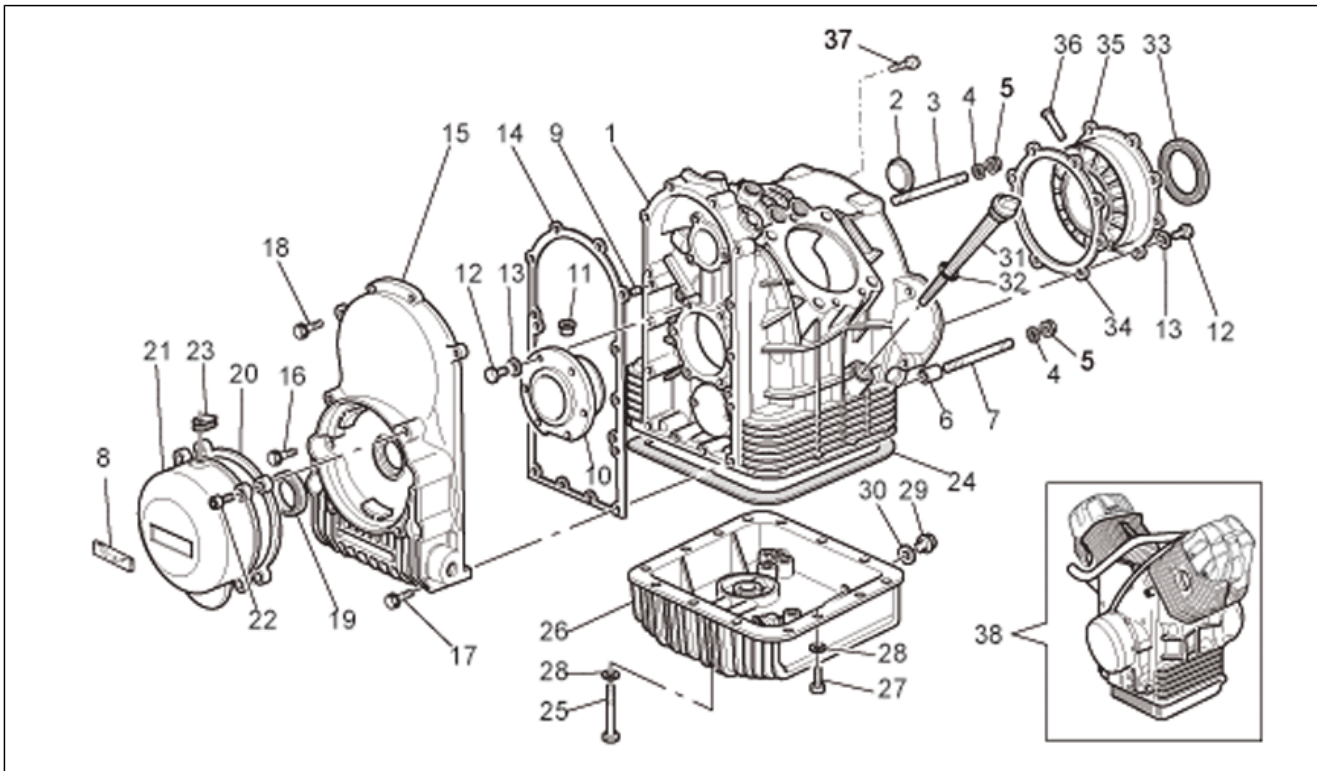
Pos.	Code	Beschreibung	Menge	Varianten
22	886143	Aufkleber L. "Aquila Nera"	1	Baujahr:2009[9] Farbe:Aquila Nera 2009[b.eagle]
23	886144	Deko, schwarz "Moto Guzzi"	2	Baujahr:2009[9] Farbe:Aquila Nera 2009[b.eagle]
24	886944	Deko "90 Anni Guzzi"	1	

Einheit	RAHMEN
Code	33.55
Beschreibung	Hinterrad II
Inspektion	1



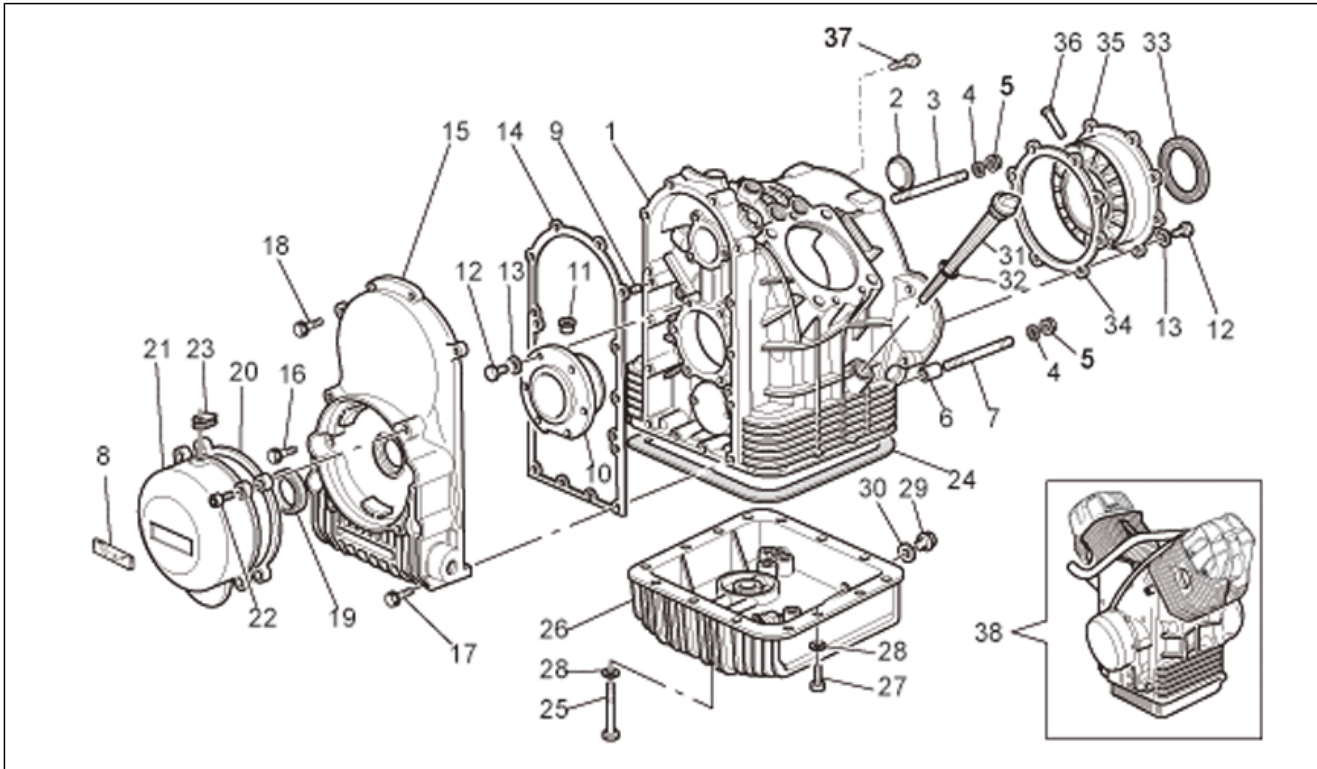
Pos.	Code	Beschreibung	Menge	Varianten
1	884082	Hinterradspeichen	1	Technische Spezifikation: Rad mit Speichen ZN[RZN] Schlauchlos[TB]
1	978818	Hinterrad ohne Scheibe 5,5X17"	1	Technische Spezifikation: Rad mit Speichen CR[RZR] Schlauchlos[TB]
2	0000000	Reifen	0	
3	GU05632730	Konischebuchse	4	
4	GU97202665	TE Schr. m. Flansch M12x65	4	
5	977056	Staubschutzring	1	
6	GU05635730	Vorderradbremsscheibe	1	
7	GU30611460	Schraube	6	
8	978815	Kurze Speike	18	Technische Spezifikation: Verzinkt[ZN]
8	887082	Kurze Speike L=147,4mm	18	Technische Spezifikation: Chrom Glänzend[CR]
9	978816	Lange Speike	18	Technische Spezifikation: Verzinkt[ZN]
9	887083	Lange Speike L=154,9mm	18	Technische Spezifikation: Chrom Glänzend[CR]
10	978810	Nippel L=34	36	
11	978811	Sprengring	36	
12	GU90706061	O-Ring OR2025	36	
13	GU14616150	Gegengewicht	1	
14	AP8101744	Schlauchloses Reifenventil	1	
14	978814	Schlauchloses Reifenventil	1	

Einheit	MOTOR
Code	34.37
Beschreibung	Gehäuse
Inspektion	1



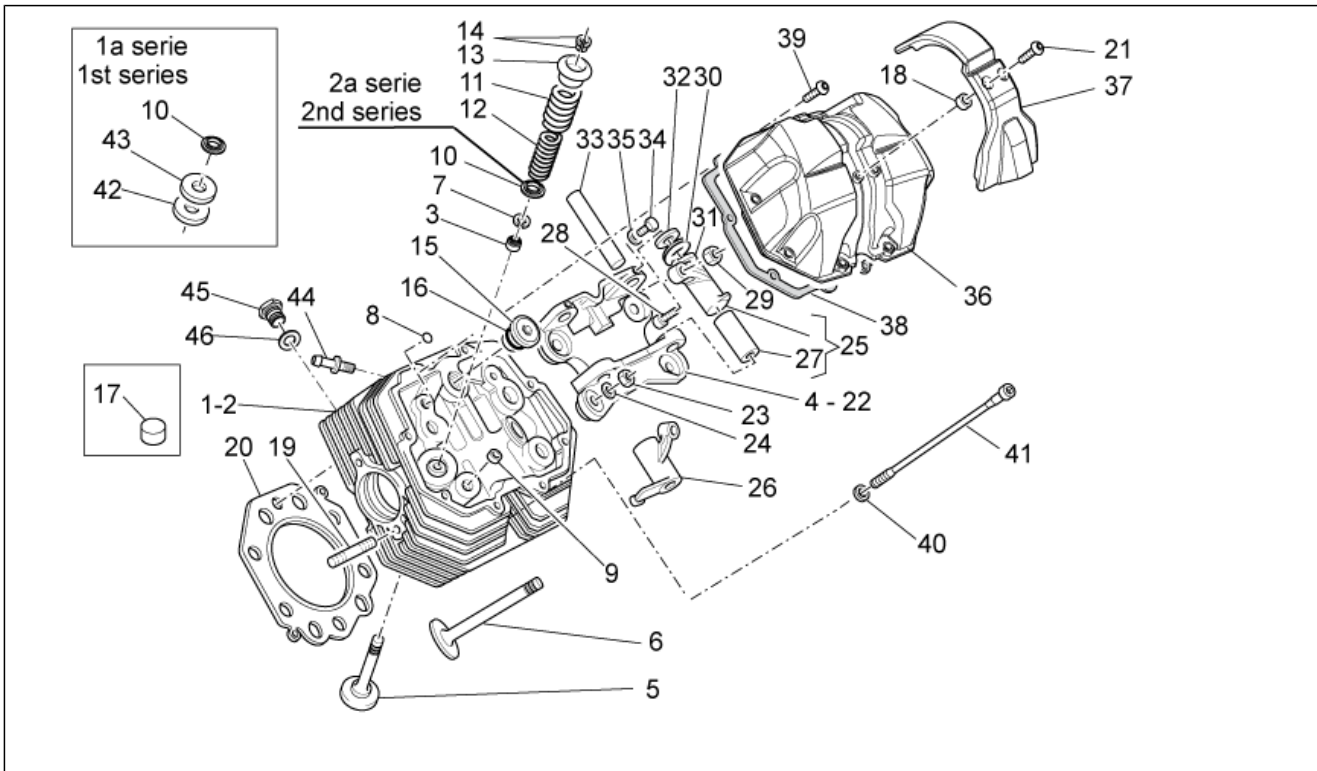
Pos.	Code	Beschreibung	Menge	Varianten
1	976449	Kurbelge schwarz	1	
2	GU12003900	Scheibe	1	
3	GU96508066	Stiftschraube M8x66	3	
4	GU14615901	Ausgleichscheibe 8,4X13X0,8	5	
5	GU92660021	Geflanschte Mutter M8	5	
6	GU12018900	Kupplungsbuchse	2	
7	GU96508075	Stiftschraube M8x75	2	
8	GU02517700	Klebeemarke	1	
9	GU95512081	Stift	2	
10	GU14011901	Flansch min.0,2 mm	1	
10	GU14011900	Flansch komplett	1	
11	GU12012200	Stift	1	
12	GU98084425	Sechskantschraube M8x25	14	
13	GU61270300	Sprengscheibe 8x15x0,3	14	
14	GU05001230	Deckeldichtung Kupplungsseite	1	
15	976450	Steuergehäusedeckel schwarz	1	
16	AP8152280	TE Schr. m. Flansch M6x25	4	
17	AP8152282	TE Schr. m. Flansch M6x35	6	
18	AP8152287	TE Schr. m. Flansch M8x25	4	
19	GU90402840	Gasket ring 28x38x7	1	
20	GU18001150	Flansch	1	
21	GU03001600	GeneratorsDeckel-poliert	1	
22	GU98310631	Schraube	4	
23	GU19007700	Gummi	1	
24	GU14003600	Wannedichtung	1	
25	GU98082390	Schraube	4	
26	976451	Ölwanne grau schwarz	1	
27	GU98682325	TCEI Schraube M6x25	14	

Einheit	MOTOR
Code	34.37
Beschreibung	Gehäuse
Inspektion	1



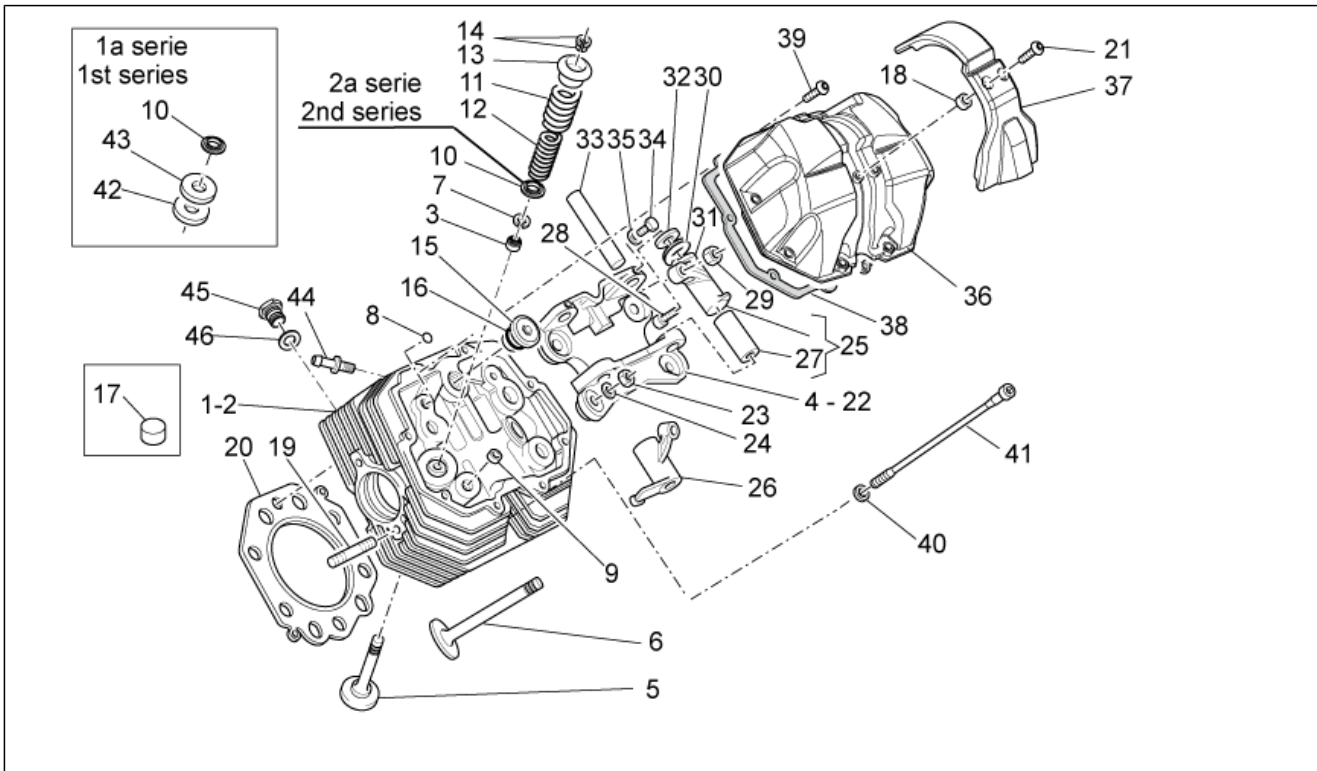
Pos.	Code	Beschreibung	Menge	Varianten
28	GU95008206	Ausgleichscheibe 6,15x11x0,8	18	
29	GU12003702	Ölablaßschraube	1	
30	GU95100709	Dichtung 20,1x28x2	1	
31	GU30004910	Ölschraube	1	
32	GU90706178	O-Ring 17,86X2,62	1	
33	GU90405367	Gasket ring	1	
34	GU05011830	Dichtung	1	
35	GU12011403	Flansch min.0,6 mm	1	
35	GU12011400	Flansch komplett	1	
35	GU12011401	Flansch min.0,2 mm	1	
35	GU12011402	Flansch min.0,4 mm	1	
36	GU12011700	Stift	1	
37	AP8152291	TE Schr. m. Flansch	1	
38	976923	Motor schwarz	1	

Einheit	MOTOR
Code	34.38
Beschreibung	Zylinderkopf und Ventile
Inspektion	1



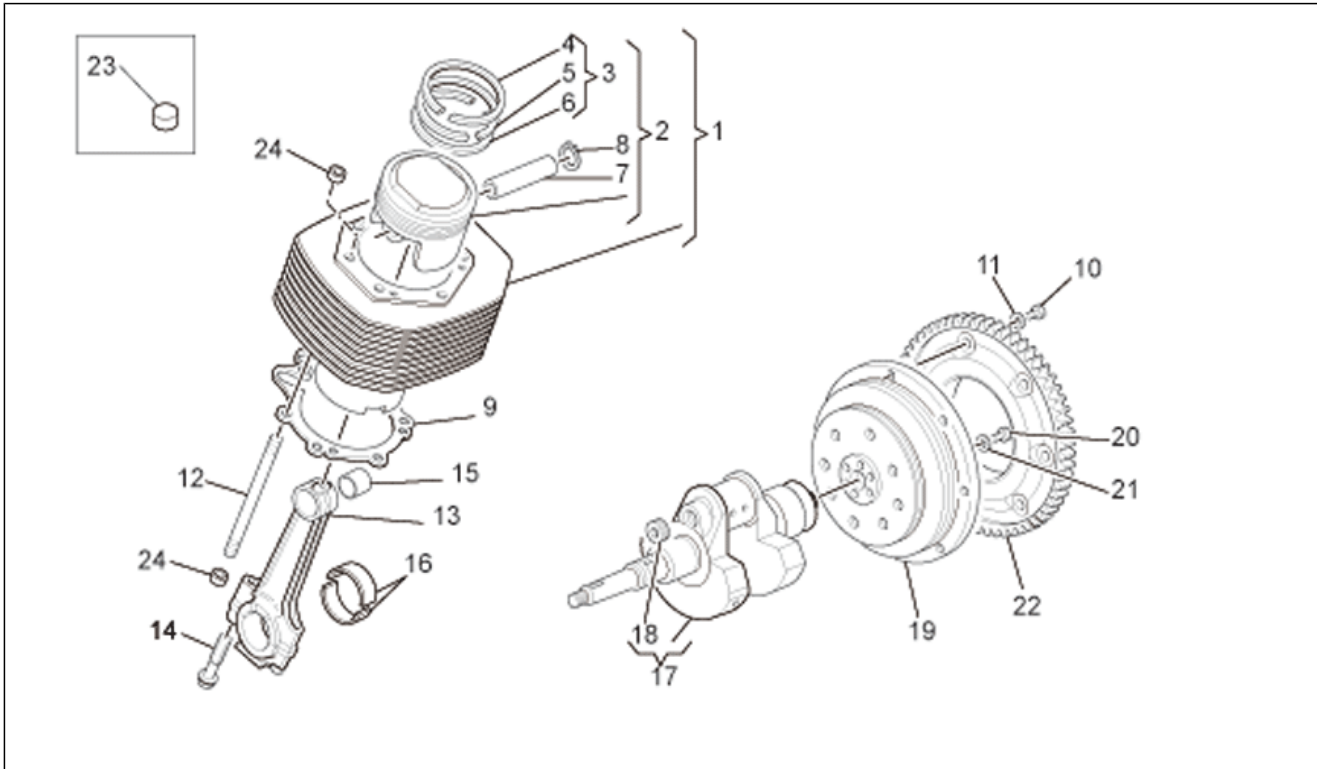
Pos.	Code	Beschreibung	Menge	Varianten
1	976079	R.Kopf kpl.Ventilführung.grau	1	
2	976080	L.Kopf kpl.Ventilführung.grau	1	
3	976107	Ölabstreifring Ventilführung D8	4	
4	976152	Kipphebellager re.	1	
5	GU05036131	Auslaßventil	2	
6	GU05036030	Einlaßventil	2	
7	GU90353016	Sprengring	4	
8	224202	O-Ring 8,73x1,78-viton	4	
9	825597	Stift 11,8X10	4	
10	976181	Untere Manschette 14,2x32x7	4	Technische Spezifikation:2. Serie[2A]
10	GU01037030	Untere Manschette 14,2x32x5	4	Technische Spezifikation:1. Serie[1A]
11	GU37037405	Außere Feder	4	
12	GU37037605	Innere Feder	4	
13	GU01038060	Obere Manschette	4	
14	GU01038160	Ventilhalbkegel	8	
15	GU12022600	Ölschraube	2	
16	GU90706203	O-Ring 20,24X2,62	2	
17	GU05025331	Gummi	18	
18	GU32116810	Buchse 6,8x8,8x9,8	4	
19	GU96508040	Stiftschraube	4	
20	976052	Dichtung	2	
21	AP8152298	TBEI Schraube m.Flansch M5x16	4	
22	976153	Kipphebellager li.	1	
23	GU92603010	Mutter M10X1,5	10	
24	GU14018400	Ausgleichscheibe 10,5X21X1	10	
25	GU14030201	Kipphebel, R.kpl.	2	
26	GU14030401	Kipphebel, L.kpl.	2	
27	GU91111511	Buchse 15x18x43	4	

Einheit	MOTOR
Code	34.38
Beschreibung	Zylinderkopf und Ventile
Inspektion	1



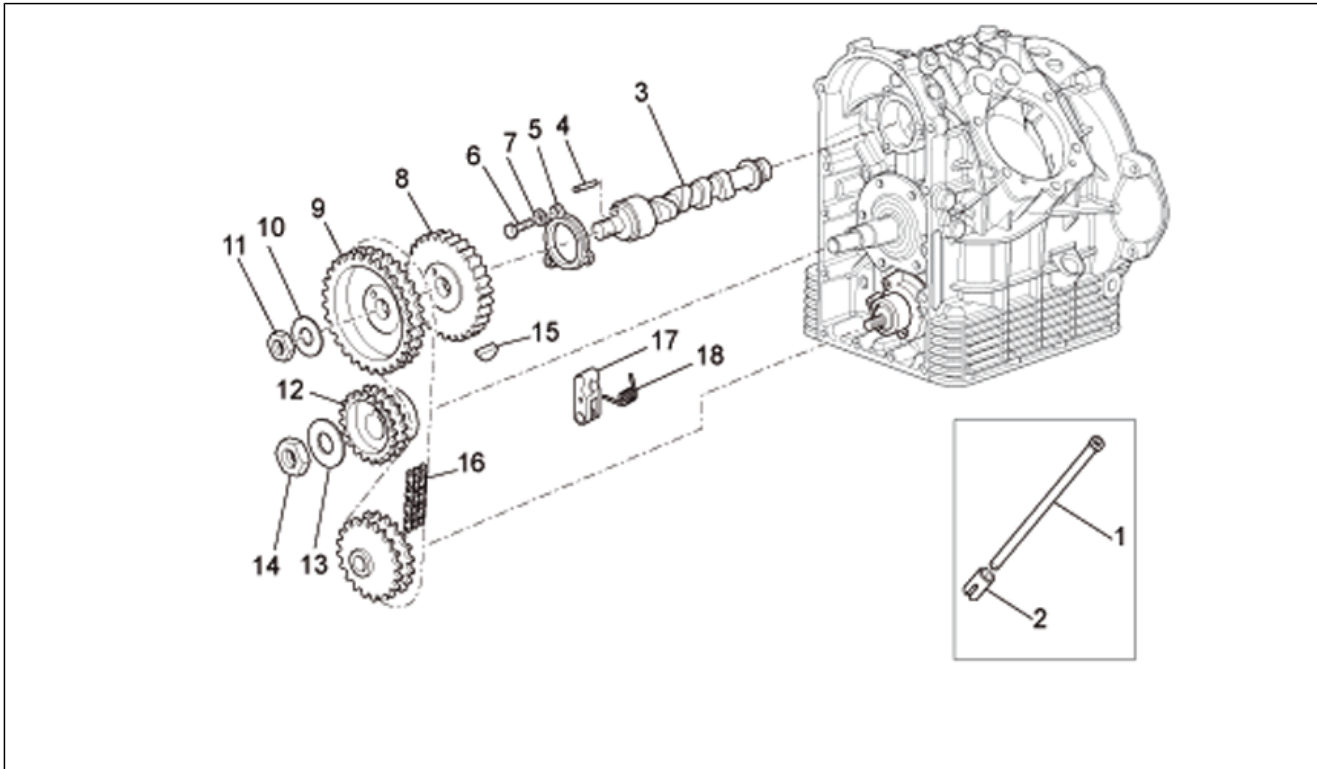
Pos.	Code	Beschreibung	Menge	Varianten
28	GU17034050	Regelschraube	4	
29	GU10034100	Mutter	4	
30	GU94322215	Feder	4	
31	GU90118152	Ausgleichscheibe 15,2x26x1	8	
32	GU10032700	Ausgleichscheibe 15,2x26x0,5	4	
33	GU12031800	Kippschraub-Federwelle	4	
34	GU98084316	Sechskantschraube	4	
35	GU95120065	Ausgleichscheibe 6,5x11x2	4	
36	976095	Re./Li.Kopfdeckel grau	2	
37	GU05023430	Einsatz	2	
38	976139	Deckeldichtung Kupplungsseite	2	
39	GU05025930	Schraube M6x25	16	
40	GU95129180	Ausgleichscheibe 10,5X18X0,8	4	
41	976144	Schraube	4	
42	GU13037200	Ausgleichscheibe 14,2x31x1	4	Technische Spezifikation:1. Serie[1A]
43	GU14037300	Ausgleichscheibe 14,2x31x0,3	10	Technische Spezifikation:1. Serie[1A]
44	GU32023910	Anschl. Luftabl. Zylk.	2	
45	976068	Deckel	2	
46	969973	Ausgleichscheibe	2	

Einheit	MOTOR
Code	34.39
Beschreibung	Kurbelwelle kpl.
Inspektion	1



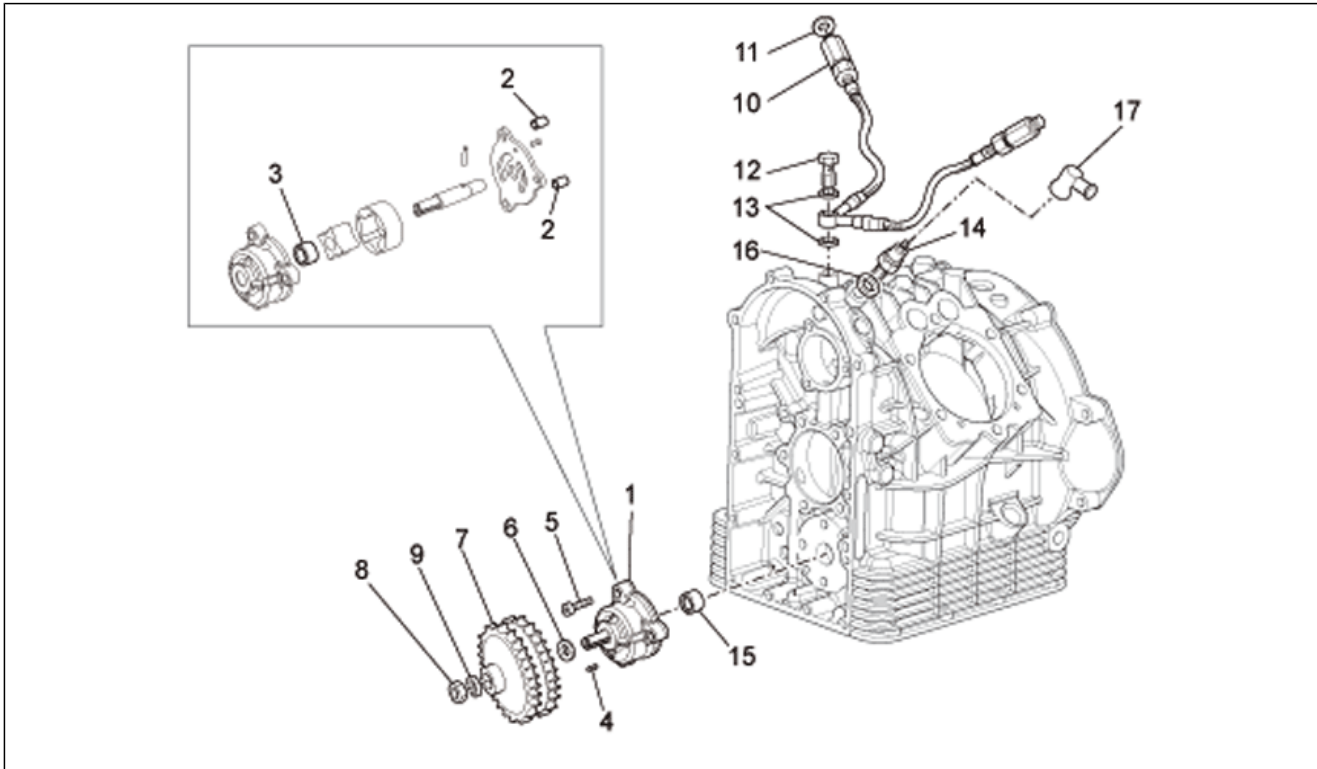
Pos.	Code	Beschreibung	Menge	Varianten
1	981002	Kolben mit Zylinder kpl.	2	
2	976371	Kolben kpl. D.95	2	
3	976183	Kolbenring-Satz	2	
4	976070	Kolbenring	2	
5	976071	Kolbenring	2	
6	976072	Kolbenring	2	
7	GU30061241	Bolzen	2	
8	GU90351039	Sperring	4	
9	976064	Dichtung	2	
10	GU37067705	Schraube	8	
11	GU14217901	Scheibe 6,4x10x0,7	8	
12	976031	Stiftschraube	8	
13	976006	Baugruppe Pleuelstange kplt.	2	
14	849131	Pleuelschraube	4	
16	976171	Halbsch. Bronzebchs. 1,539-1,544	4	Technische Spezifikation:Zeichen Blau[BS]
16	976172	Halbsch. Bronzebchs. 1,535-1,540	4	Technische Spezifikation:Zeichen rot[RS]
17	976425	Kurbelwelle kpl.	1	
18	976020	Deckel	1	
19	GU04067000	Schwungrad kpl.	1	
20	976481	TE Schr. m. Flansch M8x25	6	
21	976484	Konische Sprengscheibe 8,2X15	6	
22	GU01067930	Zahnkranz	1	
23	GU05025330	Gummi	54	
24	825597	Stift 11,8X10	6	

Einheit	MOTOR
Code	34.40
Beschreibung	Steuer
Inspektion	1



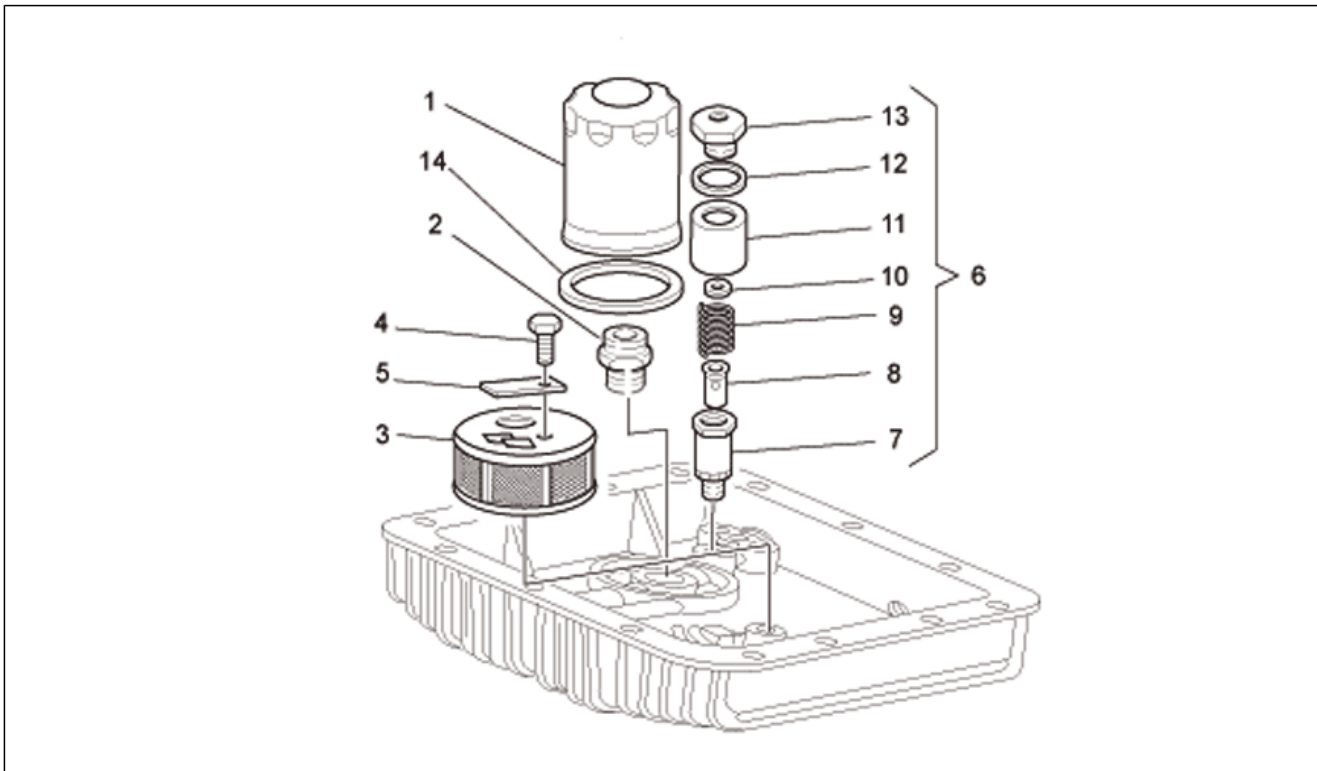
Pos.	Code	Beschreibung	Menge	Varianten
1	GU37045006	Kipphebelstange	4	
2	GU17045860	Ventilstassel	4	
3	GU05053331	Nockenwelle	1	
4	GU14234600	Stift	1	
5	GU01054001	Flansch	1	
6	GU98084320	Sechskantschraube M6x20	3	
7	GU95120065	Ausgleichscheibe 6,5x11x2	3	
8	GU01051730	Phonic wheel	1	
9	GU05054532	Zahnrad Ventilsteuerung	1	
10	GU14433400	Sprengscheibe 19x34x1,5	1	
11	GU92750180	Mutter M18	1	
12	GU14072001	Ritzel	1	
13	GU95100837	Ausgleichscheibe 25,5x35x2	1	
14	GU92602525	Mutter M25	1	
15	GU91702355	Keil	1	
16	GU05058030	Kette	1	
17	GU30058310	Kettengleitfuhrung	1	
18	GU30059211	Feder	1	

Einheit	MOTOR
Code	34.41
Beschreibung	Ölpumpe
Inspektion	1



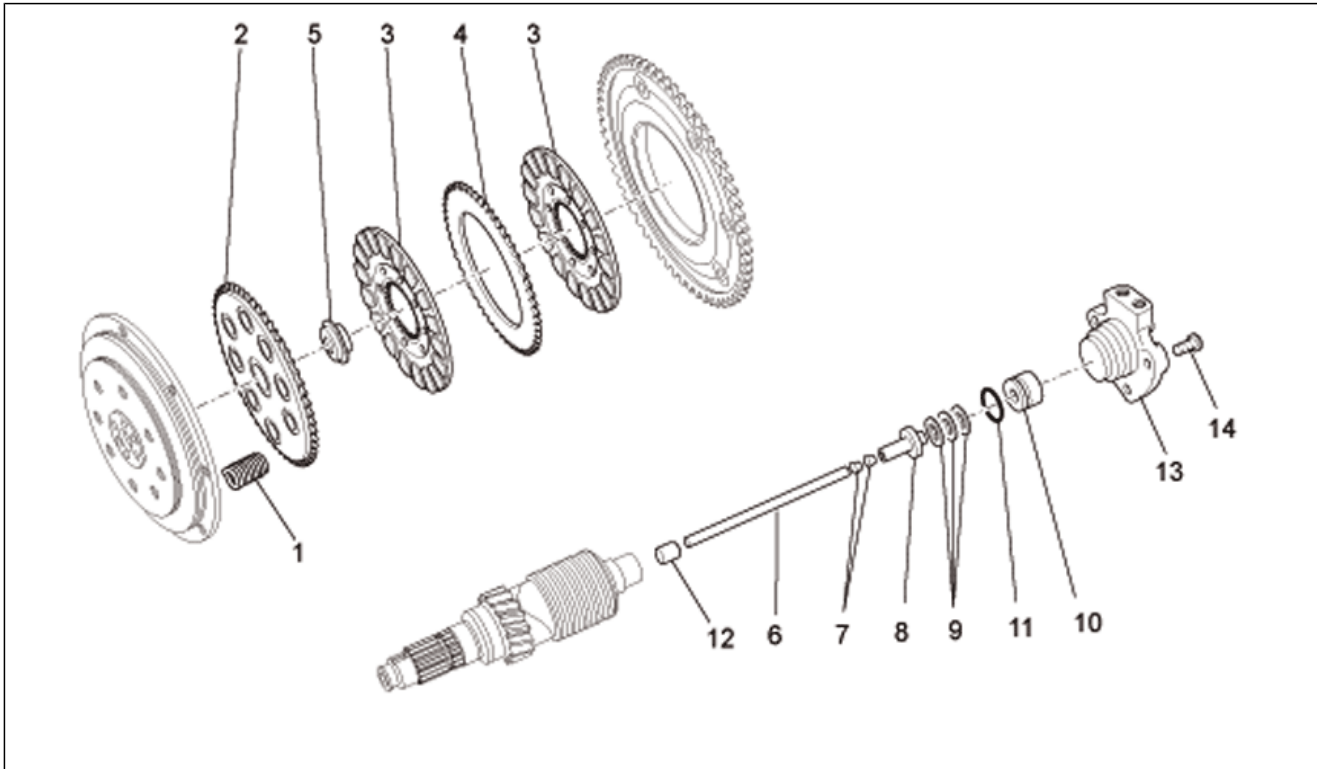
Pos.	Code	Beschreibung	Menge	Varianten
1	976134	Ölpumpe	1	
2	277916	Haltestein Ø7,5x12	2	
3	976165	Nadellager 12x18x12	1	
4	GU13148300	Keil	1	
5	GU98350330	TBEI Schraube M6x30	3	
6	976448	Anlaufscheibe	1	
7	GU30147700	Ölpumpen-Zahn.	1	
8	GU92602510	Mutter M10x1,25	1	
9	GU19149800	Ausgleichscheibe 10,5x16x1	1	
10	GU05153630	Rohr	1	
11	GU25656102	Dichtung	2	
12	GU95990037	Schraube	1	
13	GU12154200	Dichtung 8,25x15x1	2	
14	GU31768780	Druckfühler	1	
15	976168	Nadellager 10x14x12	1	
16	GU12006400	Dichtung 12,25	1	
17	976688	Pressure oil sensor cap	1	

Einheit	MOTOR
Code	34.42
Beschreibung	Ölfilter
Inspektion	1



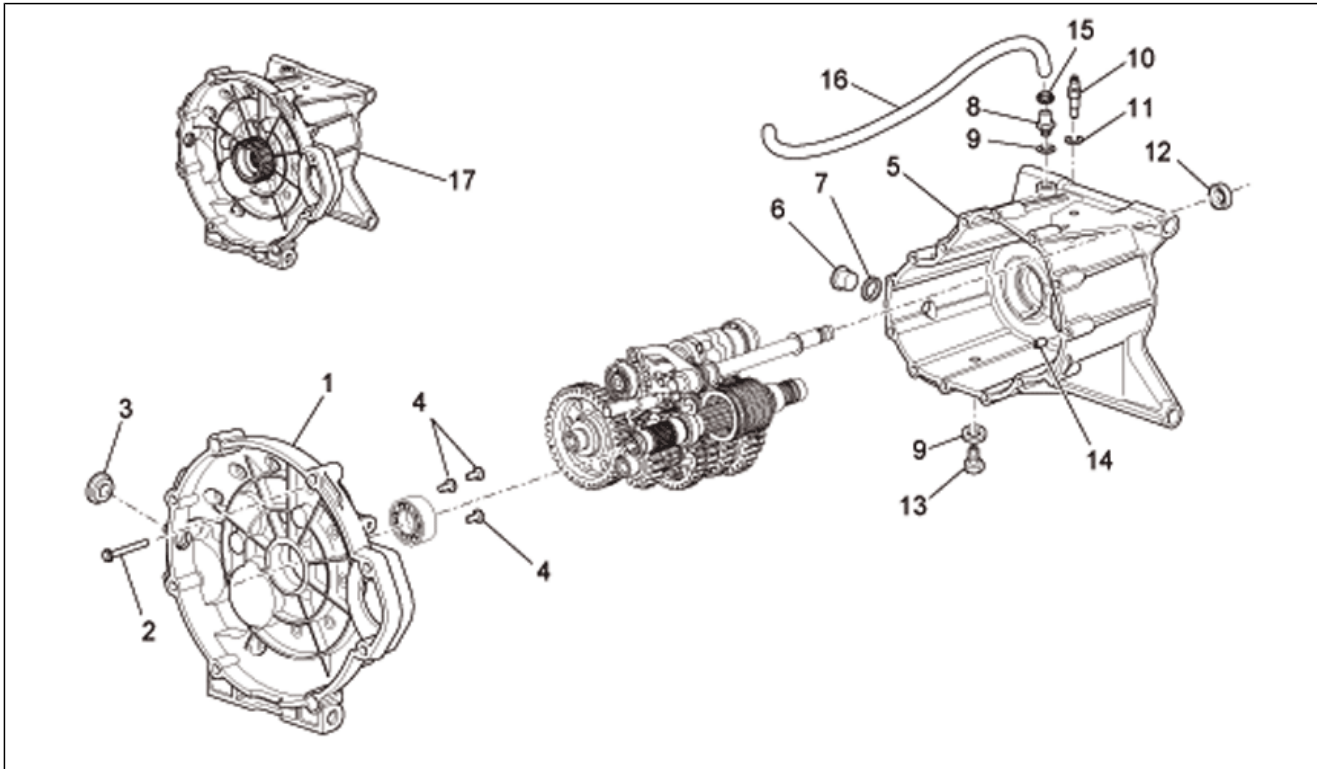
Pos.	Code	Beschreibung	Menge	Varianten
1	GU30153000	Ölfiltereinsatz	1	
2	GU30003800	Ölfilteranschluss	1	
3	GU14152200	Ölfiltereinsatz	1	
4	GU98084316	Sechskantschraube	1	
5	GU95187006	Platte	1	
6	GU03158200	Ölventil kompl.	1	
7	GU30158701	Schieberstangen	1	
8	GU30150900	Kolben	1	
9	GU94321079	Feder	1	
10	GU30158900	Ausgleichscheibe	1	
11	GU30158800	Becher	1	
12	GU18144350	Ausgleichscheibe 18,25x24x1	1	
13	GU30159000	Deckel	1	
14	981115	Dichtung	1	Technische Spezifikation: Vgl. Technische Mitteilung Nr... [CT1]

Einheit	MOTOR
Code	34.43
Beschreibung	Kupplung
Inspektion	1



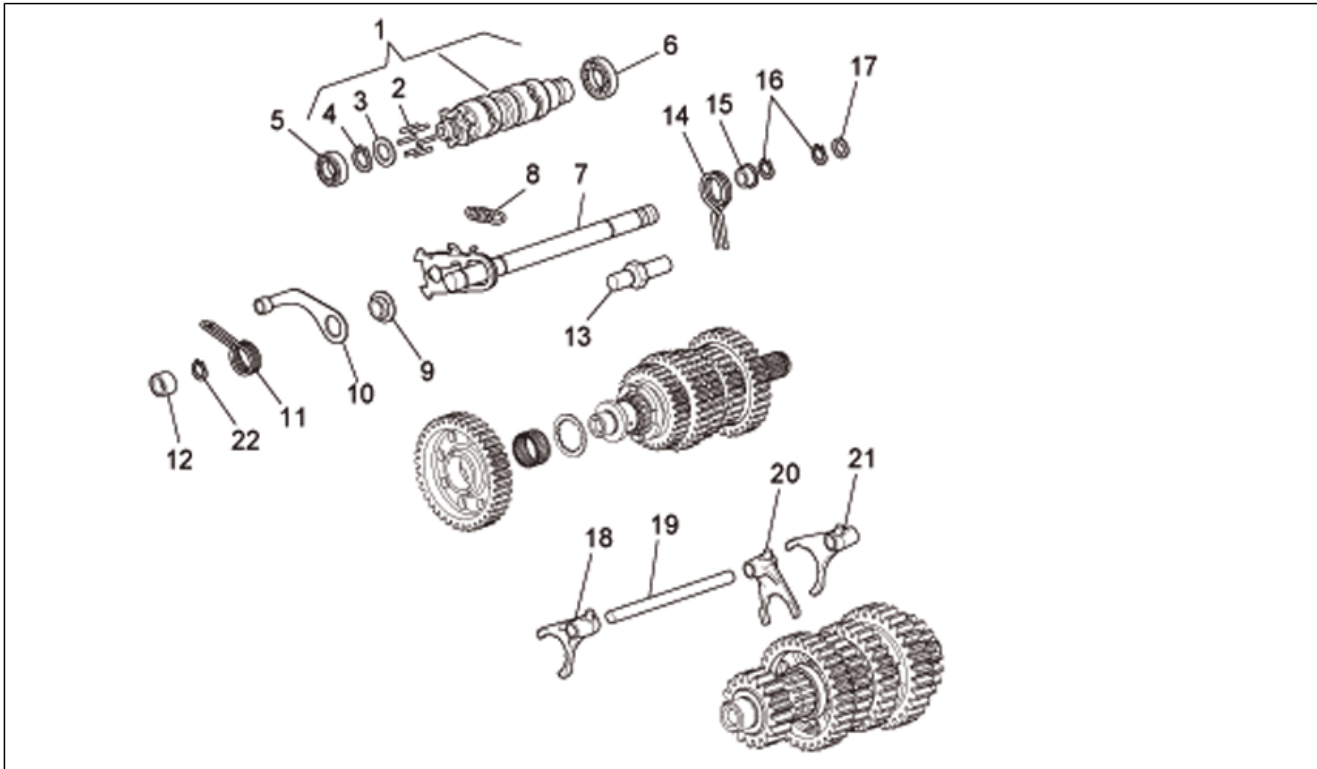
Pos.	Code	Beschreibung	Menge	Varianten
1	GU13084100	Kupplungsfeder	5	Technische Spezifikation: Zeichen rot[RS]
1	GU04084100	Kupplungsfeder	5	
2	GU30082900	Scheibe	1	
3	GU05084430	Kupplungsscheibe, kpl.	2	
4	GU12082300	Zwischenscheibe	1	
5	GU04082800	Becher	1	
6	GU05085730	Stange	1	
7	GU14085900	Buchse	2	
8	GU14086000	Innengehäuse	1	
9	GU12087001	Drucklager	1	
10	GU04086100	Kupplungssteuerungszylinder	1	
11	GU90706170	O-Ring 17,13x2,62	1	
12	GU05217630	Buchse	1	
13	GU05086330	Kupplungszylinder	1	
14	AP8152278	TE Schr. m. Flansch M6x16	3	

Einheit	MOTOR
Code	34.44
Beschreibung	Getriebegehäuse
Inspektion	1



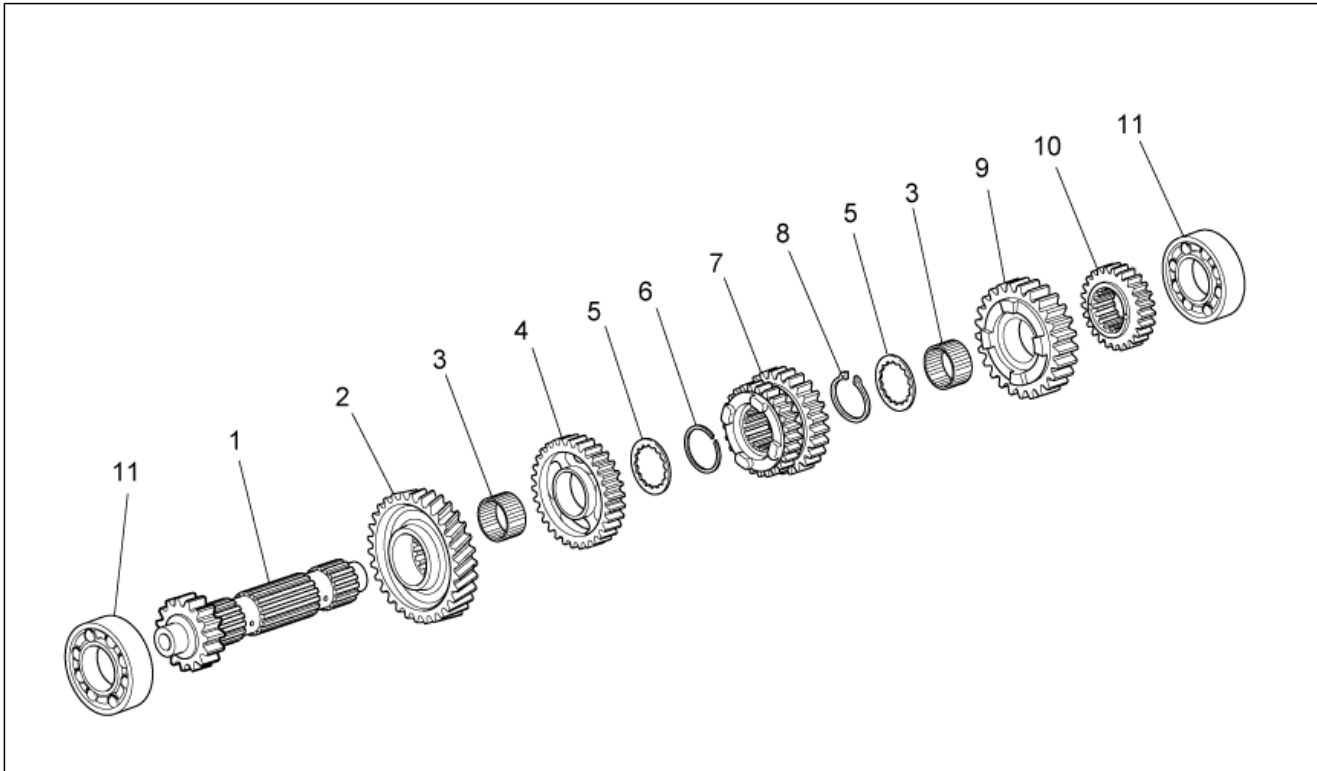
Pos.	Code	Beschreibung	Menge	Varianten
1	976453	Kupplungsglocke nero	1	
2	GU97202355	TE Schr. m. Flansch M6x55	14	
3	GU93180220	Deckel	1	
4	GU98370616	TBEI Schraube M6x16 inox	3	
5	976452	Getriebegehäuse schwarz	1	
6	GU95980319	Ölschraube M18x1,5	1	
7	GU18144350	Ausgleichscheibe 18,25x24x1	1	
8	GU05204930	Entlüftungsschraube	1	
9	GU01528930	Dichtung 10x18x1,5	2	
10	GU19207220	Sensor	1	
11	B063025	Dichtung 8,7x14,2x1,3	1	
12	GU90401424	Gasket ring 14x24x7	1	
13	GU31003766	Ölablaßschraube M10x1	1	
14	GU19002020	Buchse 6,6x9x13	2	
15	AP8101595	Schelle D10,1	1	
16	AP8120952	Kraftstoffleitung 5,5x10	1	
17	976926	Schaltgetriebe kpl.	1	

Einheit	MOTOR
Code	34.45
Beschreibung	Schaltgabel
Inspektion	1



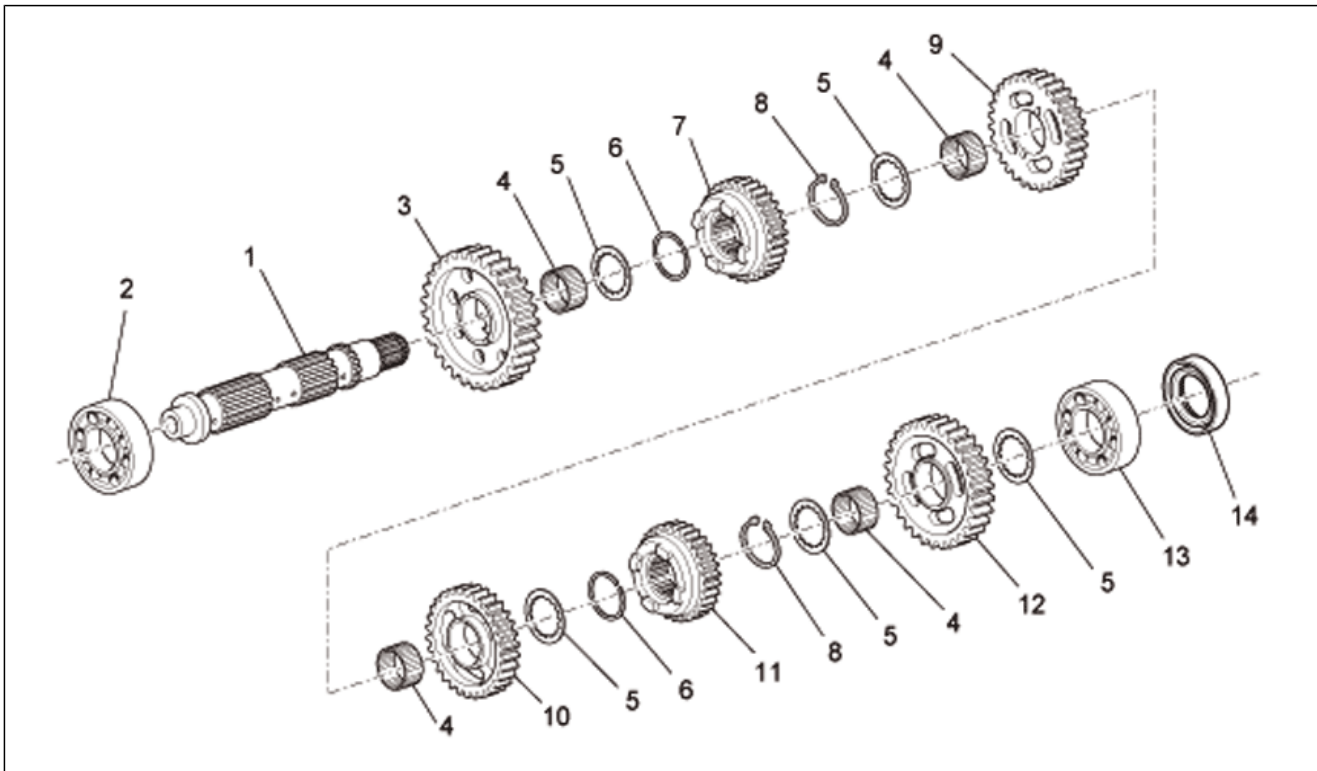
Pos.	Code	Beschreibung	Menge	Varianten
1	GU05234431	Verschiebenocken kplt.	1	
2	GU05234631	Stift	6	
3	GU05235531	Scheibe	1	
4	GU90271022	Seegerring	1	
5	GU92201117	Kugellager 17x35x10	1	
6	GU92201025	Kugellager 25x42x9	1	
7	GU05236231	Schaltautomat	1	
8	GU05238231	Feder	1	
9	GU05238431	Buchse	1	
10	GU05234731	Hebel Index	1	
11	GU05234130	Feder	1	
12	GU05234230	Distanzscheibe	1	
13	GU05234931	Befestigungsbolzen	1	
14	GU05238331	Feder	1	
15	GU05238131	Distanzscheibe	1	
16	GU90271014	Seegerring	2	
17	GU05239330	Anlaufscheibe	1	
18	GU05230531	Schaltgabel 1a-3a	1	
19	GU05232431	Schaltstange	1	
20	GU05232631	Schaltgabel 5a-6a	1	
21	GU05230831	Schaltgabel 2a-4a	1	
22	GU90353014	Seegerring	1	

Einheit	MOTOR
Code	34.46
Beschreibung	Hauptwelle
Inspektion	1



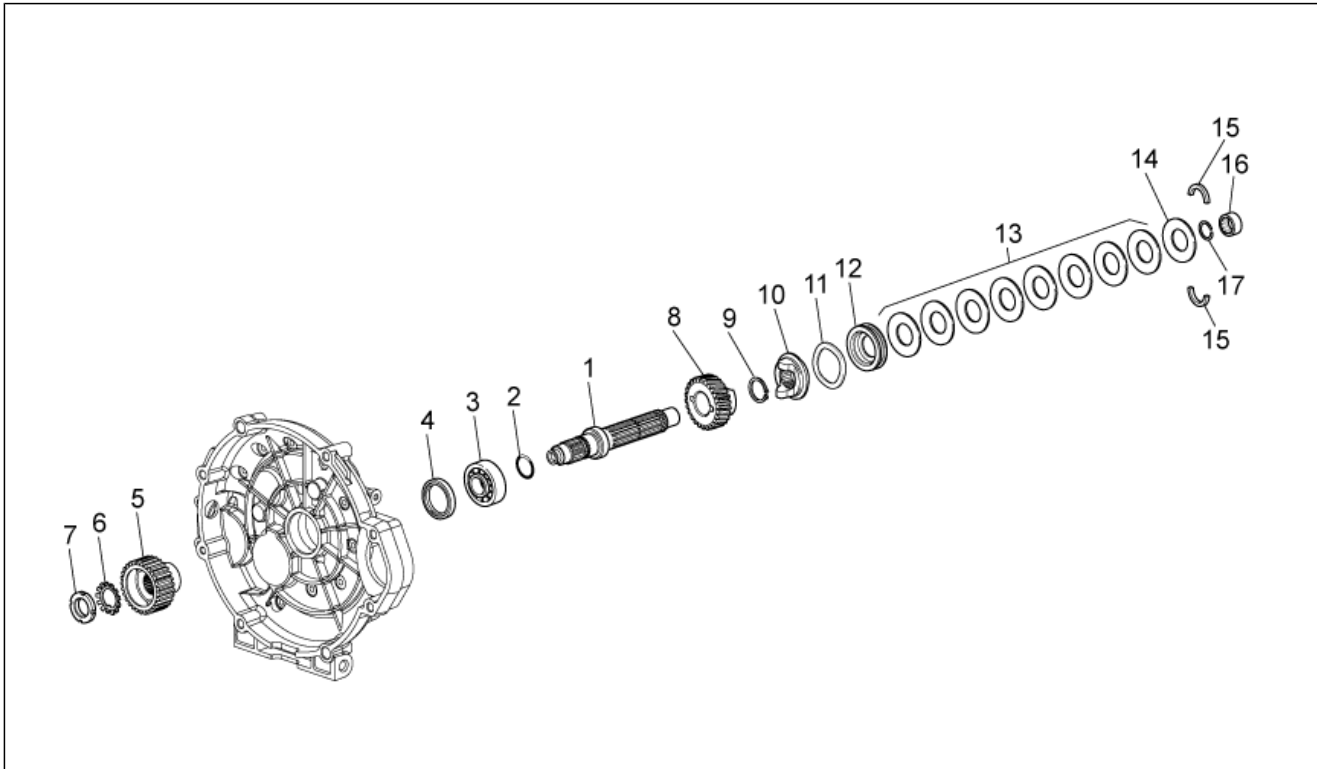
Pos.	Code	Beschreibung	Menge	Varianten
1	GU05210631	Vorgelegewelle Z=17	1	
2	GU06215600	Zahnwerk des Hauptantrieb Z=35	1	
3	GU92252029	Nadelkaefig 26x30x15,6	2	
4	GU05212031	Zahnrad 5a Z=31	1	
5	GU05214630	Bundscheibe	2	
6	GU90271230	Sprengtring 30x1,2SW	1	
7	GU05211431	Zahnrad 3a-4a Z=23-26	1	
8	GU90271030	Sprengtring 30x27,9	1	
9	GU05212631	Zahnrad 6a Z=29	1	
10	GU05211331	Zahnrad 2a Z=20	1	
11	GU92201822	Kugellager 20x52x15	2	

Einheit	MOTOR
Code	34.47
Beschreibung	Festrad
Inspektion	1



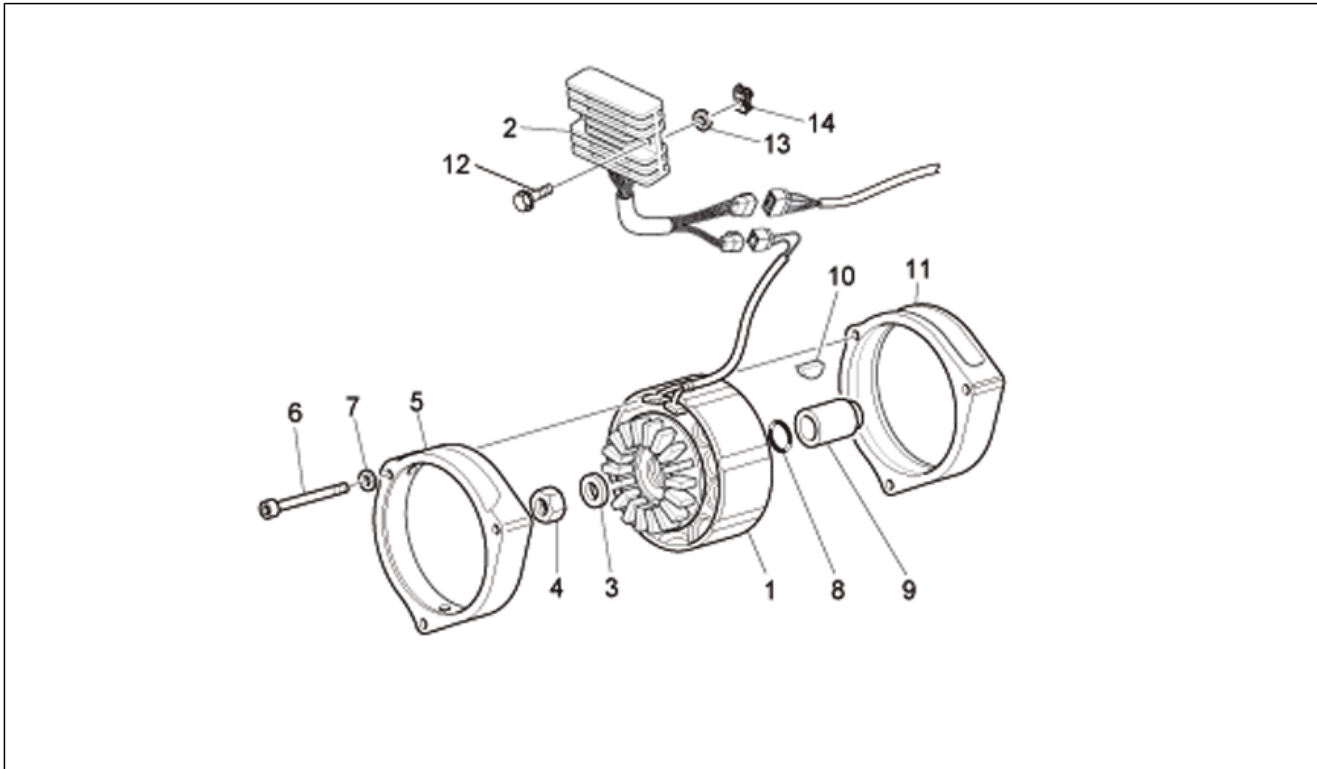
Pos.	Code	Beschreibung	Menge	Varianten
1	GU05213631	Festrad	1	
2	GU92201822	Kugellager 20x52x15	1	
3	GU05214231	Zahnrad 1a Z=38	1	
4	GU92252029	Nadelkaefig 26x30x15,6	4	
5	GU05214630	Bundscheibe	5	
6	GU90271230	Sprengring 30x1,2SW	2	
7	GU05214031	Zahnrad 5a Z=30	1	
8	GU90271030	Sprengring 30x27,9	2	
9	GU05214731	Zahnrad 3a Z=31	1	
10	GU05215031	Zahnrad 4a Z=29	1	
11	GU05220531	Zahnrad 6a Z=25	1	
12	GU05214431	Zahnrad 2a Z=34	1	
13	GU92201226	Kugellager 25x52x15	1	
14	GU90412541	Gasket ring 25X40X7	1	

Einheit	MOTOR
Code	34.48
Beschreibung	Kupplungswelle
Inspektion	1



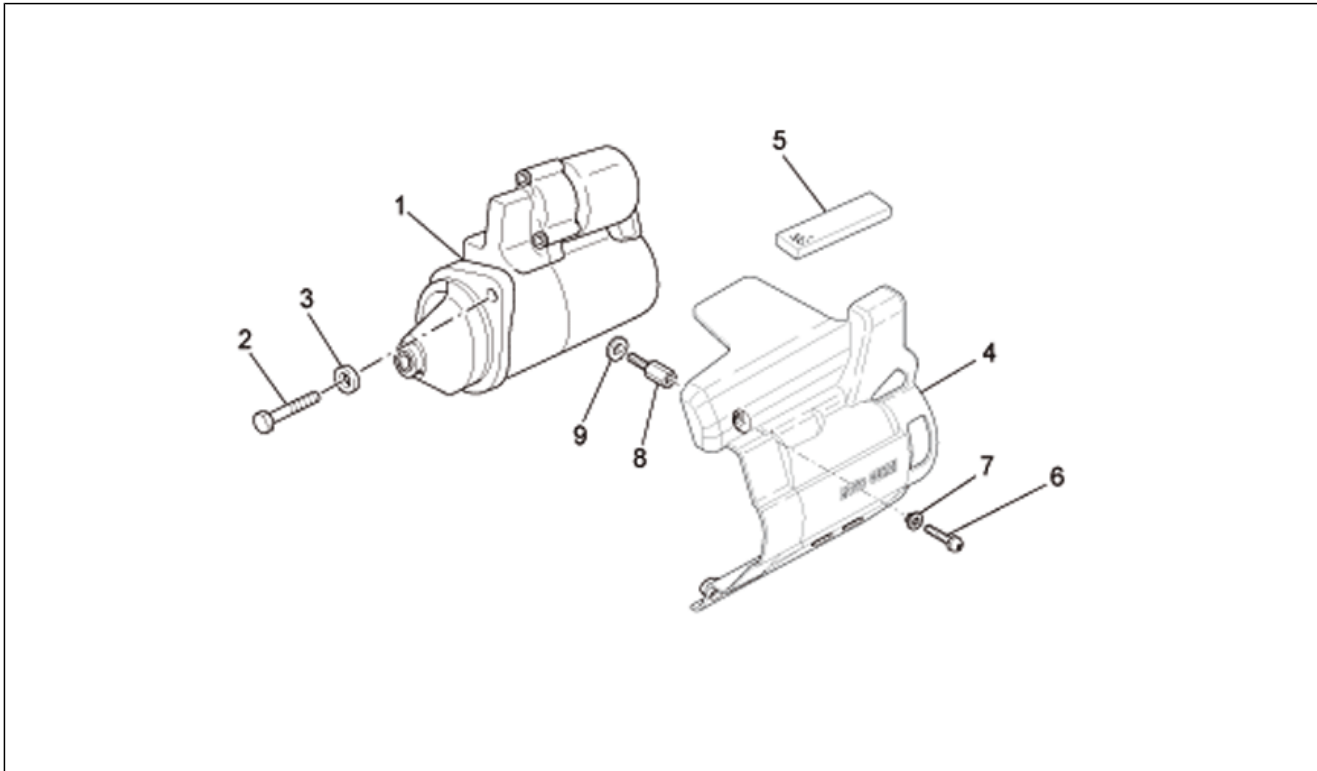
Pos.	Code	Beschreibung	Menge	Varianten
1	GU05210731	Kupplungswelle	1	
2	GU90706203	O-Ring 20,24X2,62	1	
3	GU92201226	Kugellager 25x52x15	1	
4	GU90403549	Gasket ring 35x47x7	1	
5	GU05081830	Kupplungswelle	1	
6	GU95028022	Ausgleichscheibe 22x20x3,9	1	
7	GU93601022	Nutmutter	1	
8	GU06211100	Wahnradvorgelege Z=24	1	
9	GU90271125	Sprengring 25x2	1	
10	GU05211231	Hülse	1	
11	GU95129340	Unterlegscheibe	3	
12	GU05211030	Scheibe	1	
13	GU05211530	Tellerfeder	8	
14	GU05211630	Scheibe	1	
15	GU12211700	Halbring	2	
16	GU92232028	Rollenlager 20x28x13	1	
17	GU90272028	Sprengring 28x30,1	1	

Einheit	MOTOR
Code	34.49
Beschreibung	Stromgenerator
Inspektion	1



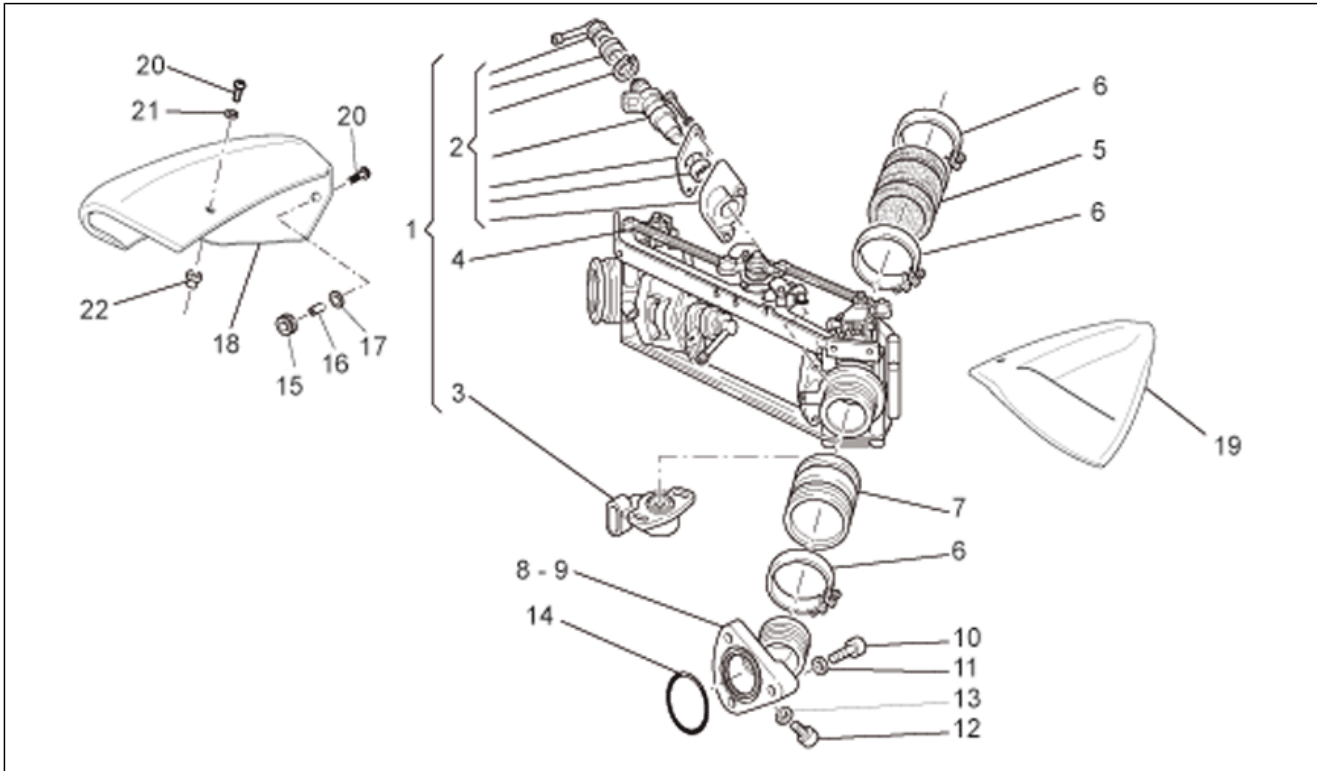
Pos.	Code	Beschreibung	Menge	Varianten
1	GU32712411	Ducati drehstromgenerator	1	
2	GU32703810	DUCATI Regler	1	
3	GU30714201	Ausgleichscheibe 16,25x24,5x5	1	
4	GU92606516	Mutter M16	1	
5	GU29711460	Vornkalotte	1	
6	GU98680265	TCEI Schraube	3	
7	GU29217960	Ausgleichscheibe 5,9X3X0,8	3	
8	GU90706178	O-Ring 17,86X2,62	1	
9	GU37712306	Distanzscheibe	1	
10	GU91600450	Keil	1	
11	GU29711960	Hintere Haube	1	
12	AP8152282	TE Schr. m. Flansch M6x35	2	
13	GU95100141	Ausgleichscheibe 6,4x12x1,2	2	
14	GU28576591	Klammer M6	2	

Einheit	MOTOR
Code	34.50
Beschreibung	Startermotor
Inspektion	1



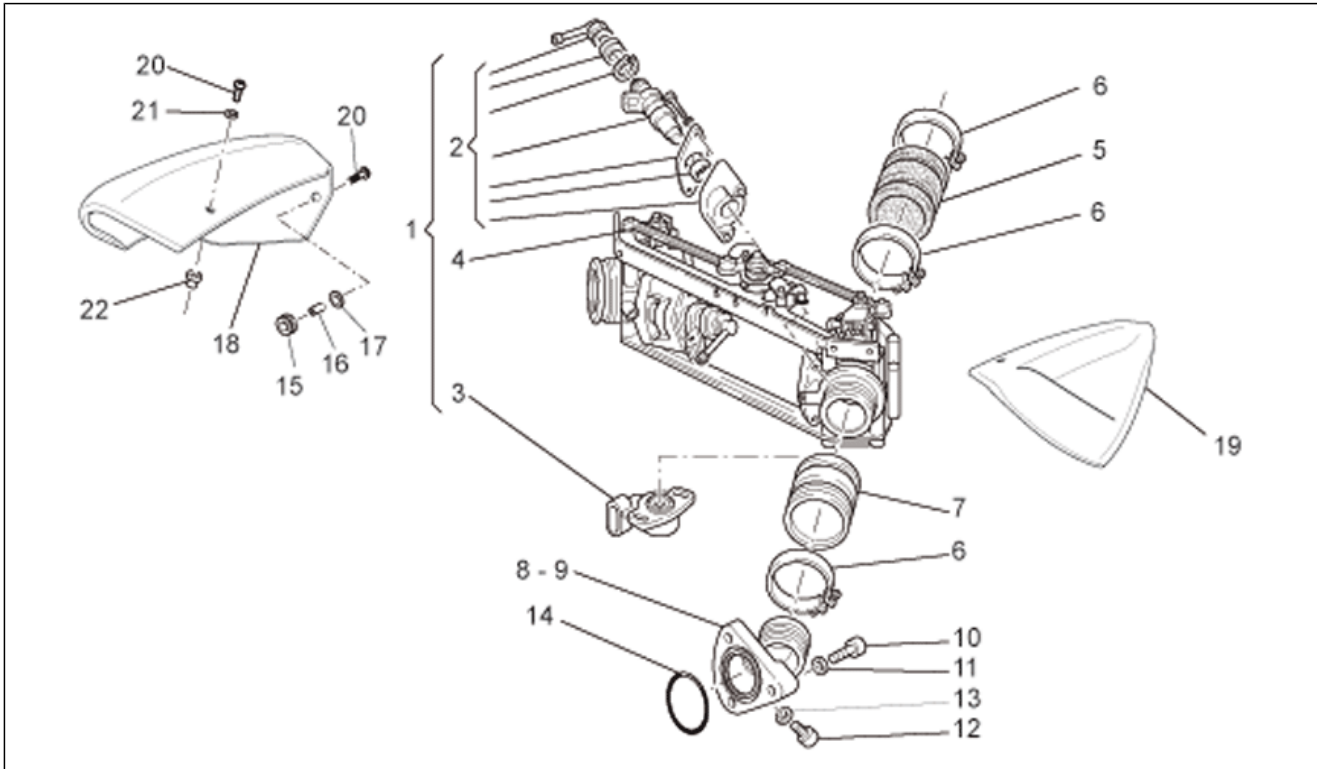
Pos.	Code	Beschreibung	Menge	Varianten
1	GU05730730	Startermotor Bosch	1	
2	GU98082475	Sechskantschraube M8x75	2	
3	GU95008208	Ausgleichscheibe 8,4X15X1,5	2	
4	GU05733330	Deckel chrom grau	1	
5	AP8117200	Klebeschwamm	1	
6	GU98370609	TBEI Schraube M6x10	2	
7	AP8121032	Buchse	2	
8	GU03469201	Stiftschraube	1	
9	GU03013800	Ausgleichscheibe 6,4x12	1	

Einheit	MOTOR
Code	34.51
Beschreibung	Klappenkörper
Inspektion	1



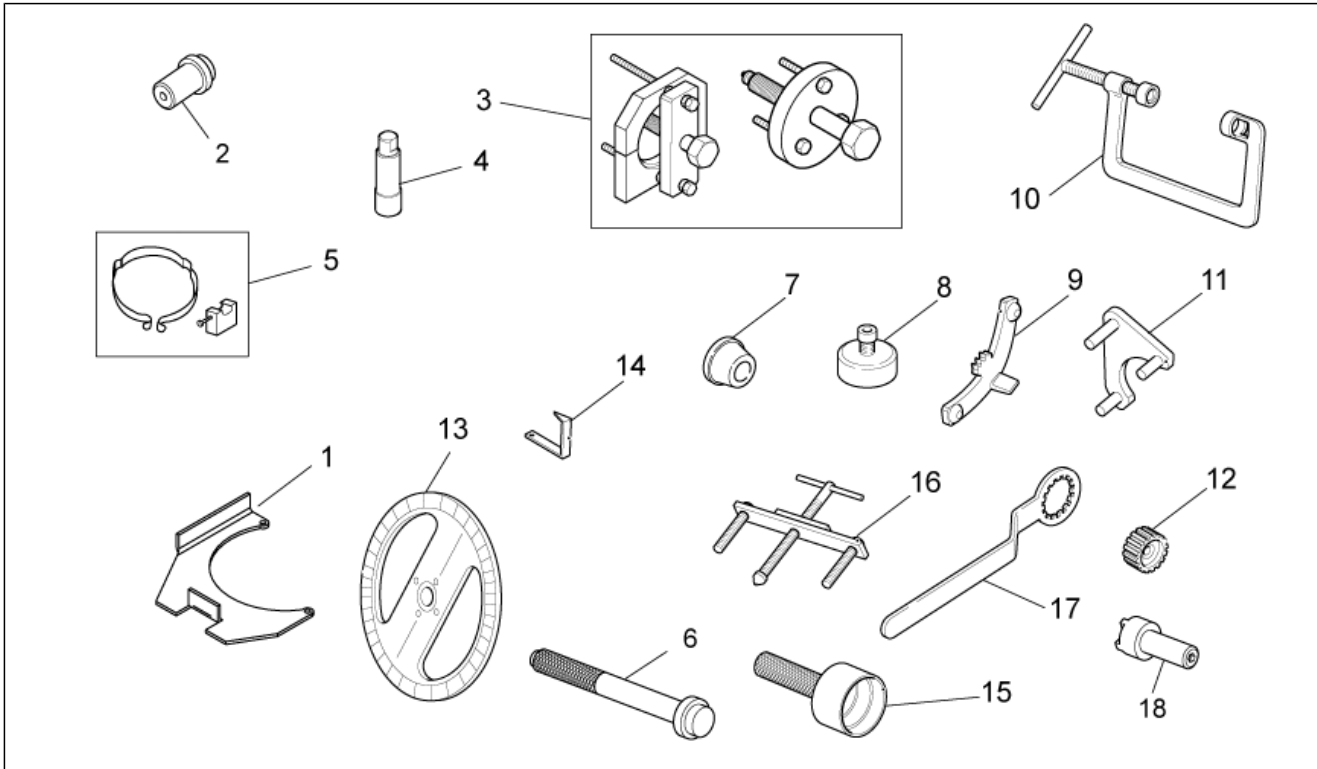
Pos.	Code	Beschreibung	Menge	Varianten
1	GU03112560	Körper mit Drossel, kpl.	1	
2	GU01530504	Kompl.Satz.f.Spritzdüsel	2	
3	GU01530500	Potentiometer	1	
4	GU29530562	Spannstange	2	
5	GU30114470	Hülse	2	
6	GU93305061	Schelle 61/65,5	8	
7	GU03114370	Hülse	2	
8	976026	Ansaugkrümmer rechts	1	
9	976049	Ansaugkrümmer links	1	
10	GU98682325	TCEI Schraube M6x25	6	
11	GU14217901	Scheibe 6,4x10x0,7	6	
12	GU98310609	Schraube M6x10	2	
13	GU95100116	Ausgleichscheibe 6,25x10x1,5	2	
14	GU90706461	O-Ring 46,04x3,53	2	
15	AP8120405	Gummi	2	
16	977476	Bolzen	2	
17	GU95129100	Sprengscheibe 5,3X10X0,5	2	
18	978390	Rechter Deckel schwarz	1	Baujahr: 2009[9] Farbe: Aquila Nera 2009[b.eagle]
18	978390	Rechter Deckel schwarz	1	Baujahr: 2007[7] 2008[8] Farbe: Schwarz 2007-2008[black] Technische Spezifikation: "Version ""Base""[BASE]
18	977180	Rechter Deckel yerchrome	1	Baujahr: 2008[8] Farbe: Grau/Weiß 2008[gr/wh] Rot/Weiß 2008[r/wh] Technische Spezifikation: "Version ""Luxury""[LUX]
19	978391	Deckel links schwarz	1	Baujahr: 2007[7] 2008[8] Farbe: Schwarz 2007-2008[black] Technische Spezifikation: "Version ""Base""[BASE]
19	977181	Deckel links yerchrome	1	Baujahr: 2008[8] Farbe: Grau/Weiß 2008[gr/wh] Rot/Weiß 2008[r/wh]

Einheit	MOTOR
Code	34.51
Beschreibung	Klappenkörper
Inspektion	1



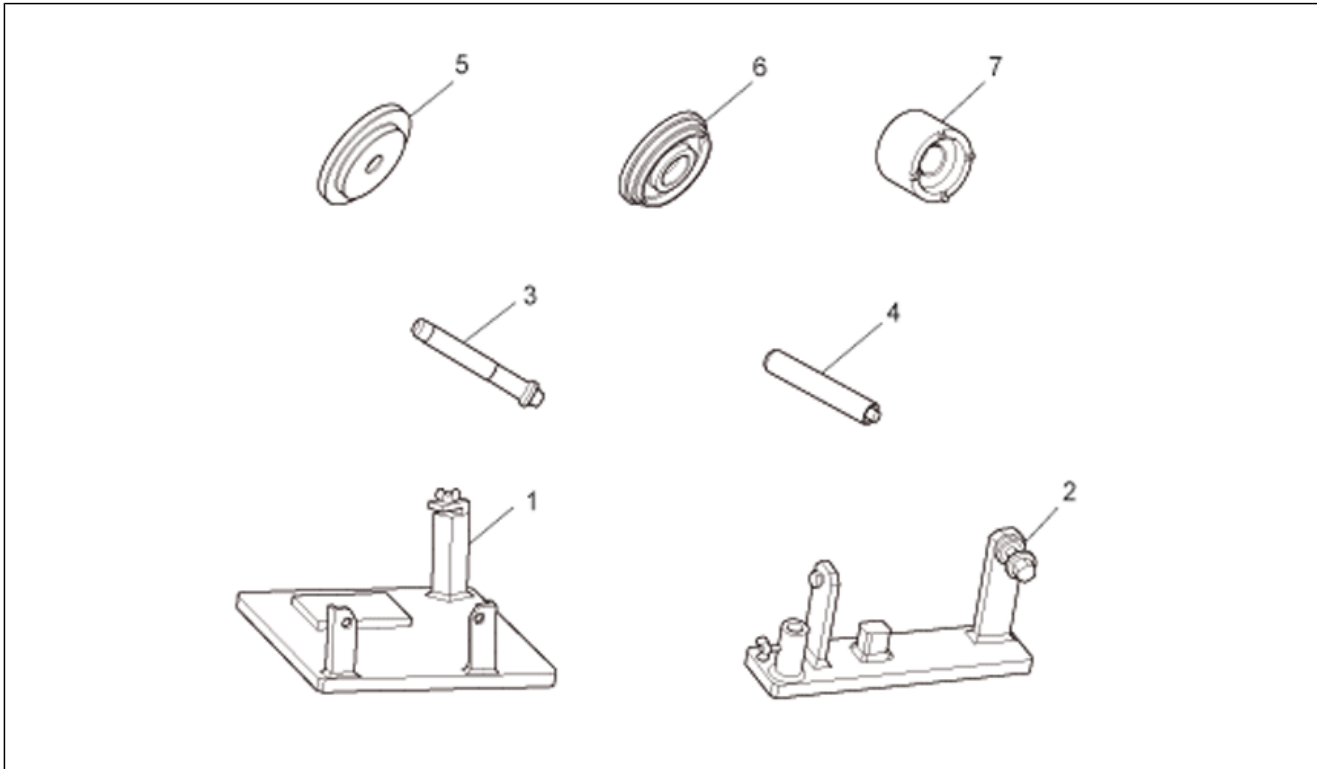
Pos.	Code	Beschreibung	Menge	Varianten
				Technische Spezifikation: "Version ""Luxury""[LUX]
19	978391	Deckel links schwarz	1	Baujahr: 2009[9] Farbe: Aquila Nera 2009[b.eagle]
20	GU98370520	TBEI Schraube	4	
21	GU30577800	U-scheibe Nylon 5,5X12X1	4	
22	GU93232005	Gummi	2	

Einheit	SPEZIALWERKZEUG
Code	36.52
Beschreibung	Specific tools I
Inspektion	1



Pos.	Code	Beschreibung	Menge	Varianten
1	GU05902530	Stütze für Getriebegehäuse	1	
2	GU14927200	SimmeringEinbau Steuerdeckel	1	
3	GU05912530	Öffnung des Getriebegehäuses	1	
4	GU05901930	Zündkerzenschlüssel	1	
5	GU05928030	Kolbenringspanner	1	
6	GU14929100	Treibdorn Einwirkung Gasketr	1	
7	GU12912000	SchwungradFl.Einbau m.Simmerin	1	
8	GU14927100	SimmeringEinbau SchwungradFl.	1	
9	GU12911801	Befestig.Schwungrad/Starter	1	
10	GU10907200	Werkz.zum Ventile Aus-Einbau	1	
11	GU14927300	Befestigung NockenwellenZahnrad	1	
12	GU30906510	Werkz.g zum Einbau derKupplung	1	
13	GU19929600	Scheibe für Phaseneinstellung	1	
14	GU17947560	Pfeil für Phaseneinstellung	1	
15	GU19927100	SimmeringEinbau Schwungradfl.	1	
16	GU12913600	Ausbau Flansch Schwungradseite	1	
17	GU30912810	Befestig.Kupplunginnengehäuse	1	
18	GU14912603	Schlüssel	1	

Einheit	SPEZIALWERKZEUG
Code	36.53
Beschreibung	Specific tools II
Inspektion	1



Pos.	Code	Beschreibung	Menge	Varianten
1	GU05902730	Hater f. Getriebegehäuse	1	
2	GU05902736	Halter für Kegelräderpaar	1	
3	GU05902732	Griff für Puffer	1	
4	GU05902733	Haltestopfen f. Kugelgelenk	1	
5	GU05902731	Öldicht.stopfen Getriebegeh. 85	1	
6	GU05902735	Öldicht.haltestopf.Ritzel 45x58	1	
7	GU05902734	Schlüssel Ritzelnutmutter	1	