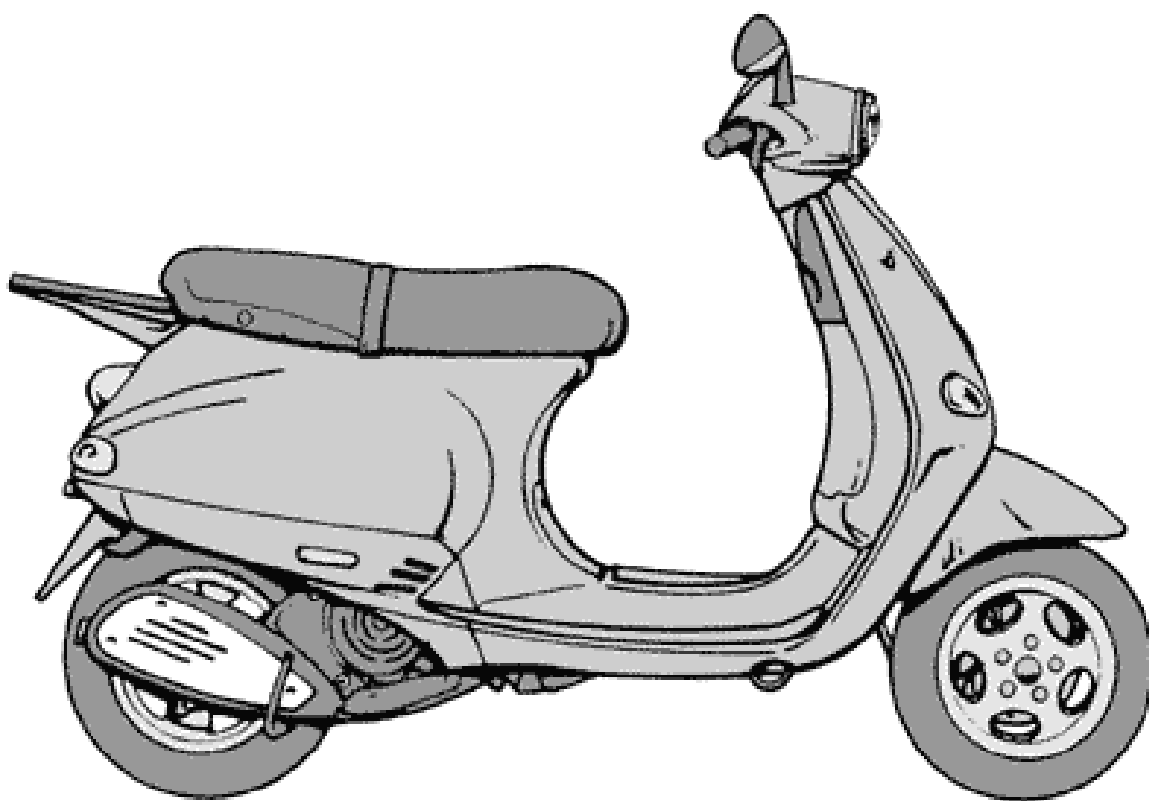


Vespa[®]

ERSATZTEILKATALOG



Vespa 50 4T

Vorsatzcode Fahrgestell: ZAPC26000

Vorsatzcode Motor:

Inhaltsverzeichnis

| | |
|---|----|
| Fertige Produkte..... | 4 |
| Alphanumerisches Verzeichnis..... | 5 |
| Elektrische Anlage..... | 9 |
| Tafel T37 - Scheinwerfer..... | 9 |
| Tafel T39 - Rückleuchte..... | 10 |
| Tafel T40 - Elektrische Ausrüstung..... | 11 |
| Tafel T41 - Elektrische Ausrüstung..... | 12 |
| Motor..... | 13 |
| Tafel T1 - Motor..... | 13 |
| Tafel T10 - Anlassermotor-Kickstarter..... | 14 |
| Tafel T11 - Einheit pumpe - Kurbelgehäuse öl..... | 15 |
| Tafel T12 - Kupplungsdeckel..... | 17 |
| Tafel T13 - Hinterradachse-Getriebe..... | 18 |
| Tafel T14 - Lichtmaschine..... | 19 |
| Tafel T15 - Hinterradbremse (Trommel)..... | 20 |
| Tafel T16 - Vergaser..... | 21 |
| Tafel T17 - Vergaser..... | 22 |
| Tafel T18 - Luftfilter..... | 23 |
| Tafel T19 - Auspufftopf..... | 24 |
| Tafel T2 - Kurbelwellengehäuse..... | 25 |
| Tafel T3 - Kurbelwelle..... | 26 |
| Tafel T4 - Gruppe zylinder-kolben-kolbenbolzen..... | 27 |
| Tafel T5 - Einheit kopf - Ventil..... | 28 |
| Tafel T6 - Kipphebel - Nochenwelle..... | 29 |
| Tafel T7 - Zylinderkopfabdeckung..... | 30 |
| Tafel T8 - Getriebene Riemenscheiben..... | 31 |
| Tafel T9 - Treibende Riemenscheibe..... | 32 |
| Lenker..... | 33 |
| Tafel T33 - Tachometer - Lenkerdeckel..... | 33 |
| Tafel T34 - Lenker Bauteile..... | 35 |
| Tafel T35 - Lenker Bauteile..... | 36 |
| Bowdenzüge..... | 37 |
| Tafel T36 - Bowdenzüge..... | 37 |
| Radaufhängungen..... | 38 |
| Tafel T28 - Lagerrungen Steuerrohr..... | 38 |
| Tafel T29 - Steuerrohr - Scheibenbremse..... | 39 |
| Tafel T30 - Bremszange - Bremscheibe..... | 40 |
| Tafel T31 - Vorderer Stoßdämpfer..... | 41 |
| Tafel T32 - Hinterer Stoßdämpfer..... | 42 |
| Tafel T42 - Vorderrad..... | 43 |
| Tafel T43 - Hinterrad..... | 44 |
| Fahrgestell..... | 45 |
| Tafel T20 - Kippständer - Vorderradschwinge..... | 45 |



| | |
|--|----|
| Tafel T21 - Rahmen..... | 46 |
| Tafel T22 - Fußblech - Fußmatte..... | 49 |
| Tafel T23 - Behälter vorn..... | 50 |
| Tafel T24 - Benzintank..... | 52 |
| Tafel T25 - Schutzhelmbehälter..... | 53 |
| Tafel T26 - Sitzbank..... | 54 |
| Tafel T27 - Vorderkotflügel-Hinterkotflügel..... | 55 |
| Tafel T38 - Hintere Schutz..... | 56 |
| Maintenance..... | 57 |
| Tafel 07.01 - Kit freni..... | 57 |



Fertige Produkte

| Code | Gültigkeit |
|------|------------|
|------|------------|

kein fertiges Produkt



| Code | Nr. der Tafel | Pos. | Code | Nr. der Tafel | Pos. | Code | Nr. der Tafel | Pos. |
|--------|---------------|------|----------|---------------|------|--------|---------------|------|
| 000000 | T28 | 3 | 031058 | T30 | 12 | 254485 | T18 | 2 |
| 000000 | T28 | 4 | 031089 | T11 | 4 | 254485 | T21 | 21 |
| 000267 | T14 | 7 | 031091 | T10 | 1 | 254485 | T22 | 5 |
| 000397 | T15 | 9 | 031091 | T16 | 1 | 254485 | T23 | 9 |
| 003056 | T27 | 11 | 031091 | T4 | 1 | 254485 | T24 | 15 |
| 003056 | T38 | 9 | 031091 | T7 | 12 | 254485 | T25 | 16 |
| 003058 | T30 | 17 | 031120 | T31 | 18 | 254485 | T26 | 9 |
| 003751 | T28 | 6 | 077023 | T28 | 4 | 254485 | T27 | 4 |
| 006416 | T10 | 8 | 077024 | T28 | 3 | 254485 | T31 | 12 |
| 006422 | T29 | 24 | 080341 | T41 | 17 | 257614 | T23 | 10 |
| 006624 | T8 | 3 | 097733 | T19 | 8 | 257617 | T23 | 11 |
| 006635 | T29 | 9 | 109960 | T25 | 4 | 258146 | T18 | 7 |
| 006647 | T13 | 9 | 109960 | T36 | 7 | 258146 | T33 | 1 |
| 006731 | T29 | 17 | 119219 | T29 | 18 | 258146 | T34 | 11 |
| 006965 | T14 | 2 | 122781 | T20 | 1 | 258160 | T24 | 17 |
| 006966 | T29 | 14 | 123394 | T35 | 17 | 258161 | T24 | 2 |
| 008080 | T21 | 27 | 127927 | T36 | 5 | 258249 | T23 | 17 |
| 008080 | T25 | 9 | 129953 | T39 | 5 | 258403 | T40 | 13 |
| 008080 | T27 | 12 | 145298 | T12 | 28 | 259151 | T14 | 18 |
| 008080 | T38 | 8 | 149104 | T31 | 9 | 259349 | T23 | 8 |
| 008108 | T21 | 20 | 174088 | T31 | 15 | 259349 | T25 | 12 |
| 008372 | T39 | 13 | 177408 | T29 | 21 | 259349 | T38 | 7 |
| 008432 | T21 | 10 | 177414 | T29 | 3 | 259372 | T25 | 15 |
| 008457 | T34 | 10 | 177436 | T30 | 5 | 259577 | T7 | 2 |
| 011109 | T28 | 5 | 177442 | T29 | 11 | 259830 | T25 | 6 |
| 012533 | T18 | 5 | 177443 | T29 | 12 | 259830 | T25 | 7 |
| 012533 | T27 | 5 | 177445 | T29 | 22 | 259830 | T26 | 13 |
| 012535 | T31 | 16 | 177451 | T29 | 19 | 259830 | T26 | 14 |
| 012543 | T35 | 11 | 177494 | T30 | 4 | 259830 | T26 | 4 |
| 012789 | T29 | 8 | 177521 | T29 | 23 | 259832 | T24 | 18 |
| 012789 | T43 | 6 | 177609 | T29 | 7 | 261319 | T20 | 17 |
| 013763 | T38 | 13 | 177610 | T29 | 10 | 265249 | T34 | 4 |
| 013769 | T33 | 9 | 178149 | T32 | 5 | 265300 | T9 | 20 |
| 013769 | T39 | 10 | 178150 | T32 | 11 | 265451 | T36 | 4 |
| 013880 | T24 | 3 | 178790 | T35 | 16 | 265809 | T38 | 6 |
| 015330 | T35 | 13 | 179640 | T36 | 9 | 266625 | T2 | 8 |
| 015585 | T14 | 12 | 181746 | T37 | 7 | 266724 | T15 | 8 |
| 015585 | T14 | 19 | 181746 | T39 | 2 | 266725 | T15 | 2 |
| 015715 | T26 | 3 | 182302 | T25 | 5 | 266841 | T30 | 13 |
| 015729 | T39 | 7 | 182546 | T29 | 6 | 267038 | T32 | 12 |
| 015759 | T24 | 6 | 182546 | T43 | 7 | 267115 | T37 | 5 |
| 015856 | T14 | 16 | 184142 | T23 | 7 | 267166 | T21 | 11 |
| 015900 | T27 | 9 | 184142 | T25 | 13 | 267166 | T39 | 6 |
| 015901 | T14 | 1 | 194423 | T43 | 5 | 267818 | T29 | 2 |
| 015911 | T21 | 26 | 196868 | T24 | 11 | 267819 | T30 | 15 |
| 015911 | T26 | 11 | 198513 | T29 | 16 | 267823 | T2 | 7 |
| 015996 | T39 | 11 | 199190 | T12 | 29 | 267948 | T34 | 3 |
| 016404 | T10 | 16 | 199190 | T21 | 4 | 267958 | T12 | 19 |
| 016404 | T38 | 14 | 1R000473 | 07.01 | 1 | 267958 | T12 | 26 |
| 016405 | T19 | 9 | 216209 | T31 | 13 | 267958 | T21 | 3 |
| 016405 | T30 | 11 | 2188235 | T41 | 2 | 268139 | T33 | 11 |
| 016406 | T24 | 5 | 219528 | T37 | 3 | 268158 | T32 | 8 |
| 016406 | T26 | 6 | 223605 | T35 | 1 | 268172 | T36 | 6 |
| 016408 | T31 | 10 | 231571 | T41 | 22 | 268596 | T23 | 14 |
| 016408 | T31 | 19 | 232108 | T20 | 10 | 269118 | T30 | 10 |
| 016408 | T32 | 13 | 232108 | T20 | 4 | 269145 | T35 | 7 |
| 016410 | T20 | 2 | 232108 | T32 | 9 | 269755 | T15 | 10 |
| 018591 | T38 | 12 | 239388 | T12 | 10 | 270310 | T36 | 10 |
| 018640 | T18 | 6 | 239388 | T13 | 15 | 270793 | T33 | 2 |
| 018644 | T10 | 17 | 239388 | T5 | 14 | 270793 | T7 | 7 |
| 020104 | T38 | 15 | 239397 | T5 | 13 | 270991 | T42 | 6 |
| 020108 | T31 | 20 | 250521 | T37 | 8 | 270991 | T43 | 8 |
| 021108 | T32 | 14 | 250521 | T39 | 12 | 271147 | T29 | 13 |
| 021114 | T29 | 5 | 250522 | T39 | 9 | 271710 | T21 | 28 |
| 021210 | T31 | 14 | 252420 | T23 | 13 | 271779 | T20 | 15 |
| 030034 | T34 | 12 | 253937 | T40 | 17 | 273099 | T43 | 3 |
| 030115 | T20 | 14 | 254485 | T12 | 18 | 273419 | T15 | 6 |



| Code | Nr. der Tafel | Pos. | Code | Nr. der Tafel | Pos. | Code | Nr. der Tafel | Pos. |
|------------|---------------|------|------------|---------------|------|------------|---------------|------|
| 2736235 | T15 | 1 | 29727400D1 | T23 | 4 | 434345 | T11 | 23 |
| 2737115 | T29 | 15 | 29727400G5 | T23 | 4 | 434442 | T11 | 19 |
| 273754 | T20 | 11 | 29727400V3 | T23 | 4 | 434447 | T11 | 15 |
| 273847 | T42 | 2 | 297275 | T23 | 5 | 434478 | T11 | 21 |
| 273849 | T43 | 1 | 297276 | T23 | 3 | 434541 | T11 | 35 |
| 274245 | T15 | 3 | 297277 | T23 | 2 | 434541 | T40 | 11 |
| 277330 | T27 | 8 | 297282000D | T21 | 17 | 434541 | T41 | 14 |
| 285536 | T14 | 9 | 297282000L | T21 | 17 | 434735 | T13 | 8 |
| 285846 | T5 | 1 | 2972820060 | T21 | 17 | 434943 | T6 | 15 |
| 286143 | T12 | 14 | 2972820090 | T21 | 17 | 435251 | T12 | 24 |
| 286209 | T12 | 11 | 29728200D1 | T21 | 17 | 436438 | T5 | 4 |
| 287913 | T11 | 14 | 29728200G5 | T21 | 17 | 436692 | T11 | 31 |
| 2879633 | T11 | 22 | 29728200V3 | T21 | 17 | 436695 | T11 | 8 |
| 288245 | T27 | 1 | 297283000D | T21 | 17 | 436695 | T6 | 16 |
| 288245 | T38 | 10 | 297283000L | T21 | 17 | 436751 | T11 | 17 |
| 288474 | T11 | 32 | 2972830034 | T21 | 17 | 436788 | T11 | 9 |
| 288474 | T14 | 6 | 2972830036 | T21 | 17 | 436788 | T41 | 4 |
| 288548 | T14 | 8 | 2972830060 | T21 | 17 | 436788 | T6 | 17 |
| 288639 | T13 | 7 | 2972830090 | T21 | 17 | 436810 | T11 | 10 |
| 289005 | T14 | 3 | 29728300D1 | T21 | 17 | 438027 | T7 | 16 |
| 289420 | T5 | 5 | 29728300G5 | T21 | 17 | 440785 | T34 | 13 |
| 289495 | T10 | 6 | 29728300V3 | T21 | 17 | 463195 | T21 | 23 |
| 289519 | T8 | 17 | 297582 | T19 | 5 | 4721005 | T21 | 25 |
| 289519 | T9 | 18 | 298241 | T22 | 2 | 4721005060 | T21 | 25 |
| 289731 | T12 | 8 | 298242 | T22 | 3 | 4721005066 | T21 | 25 |
| 289840 | T8 | 9 | 298243 | T22 | 1 | 4721005090 | T21 | 25 |
| 289931 | T9 | 7 | 298548 | T12 | 27 | 4721005095 | T21 | 25 |
| 289933 | T8 | 15 | 298581 | T40 | 15 | 47210050A7 | T21 | 25 |
| 289950 | T8 | 8 | 298604 | T21 | 29 | 47210050B2 | T21 | 25 |
| 289952 | T8 | 4 | 298838 | T40 | 4 | 47210050C1 | T21 | 25 |
| 289953 | T8 | 2 | 298903 | T40 | 16 | 47210050D1 | T21 | 25 |
| 289955 | T8 | 14 | 299047 | T25 | 10 | 47210050R7 | T21 | 25 |
| 290405 | T25 | 8 | 299250 | T21 | 15 | 47210050V6 | T21 | 25 |
| 292022 | T37 | 4 | 299557 | T21 | 13 | 4722005 | T21 | 2 |
| 292507 | T41 | 9 | 299558 | T21 | 12 | 4722005060 | T21 | 2 |
| 292893 | T41 | 10 | 299559 | T21 | 14 | 4722005066 | T21 | 2 |
| 293549 | T40 | 5 | 299570 | T24 | 1 | 4722005090 | T21 | 2 |
| 293550 | T40 | 3 | 299964 | T21 | 8 | 4722005095 | T21 | 2 |
| 293556 | T21 | 24 | 299965 | T21 | 9 | 47220050A7 | T21 | 2 |
| 293571 | T40 | 6 | 319242 | T5 | 9 | 47220050B2 | T21 | 2 |
| 293599 | T37 | 11 | 414834 | T13 | 16 | 47220050C1 | T21 | 2 |
| 293600 | T37 | 10 | 414837 | T10 | 13 | 47220050D1 | T21 | 2 |
| 293601 | T37 | 9 | 414837 | T11 | 13 | 47220050G5 | T21 | 2 |
| 293602 | T39 | 8 | 414837 | T12 | 13 | 47220050R7 | T21 | 2 |
| 293603 | T39 | 1 | 414838 | T12 | 17 | 47220050V3 | T21 | 2 |
| 293604 | T39 | 3 | 4272005 | T33 | 3 | 47220050V6 | T21 | 2 |
| 293673 | T40 | 9 | 4272005060 | T33 | 3 | 4722225 | T21 | 2 |
| 293880 | T37 | 1 | 4272005066 | T33 | 3 | 478028 | T8 | 11 |
| 293967 | T39 | 4 | 4272005090 | T33 | 3 | 478149 | T11 | 16 |
| 294067 | T23 | 6 | 4272005095 | T33 | 3 | 478197 | T13 | 18 |
| 294112 | T37 | 2 | 42720050A7 | T33 | 3 | 478247 | T11 | 1 |
| 294218000D | T38 | 1 | 42720050B2 | T33 | 3 | 4783245 | T11 | 24 |
| 294218000L | T38 | 1 | 42720050C1 | T33 | 3 | 478498 | T13 | 10 |
| 2942180060 | T38 | 4 | 42720050D1 | T33 | 3 | 478761 | T19 | 16 |
| 2942180090 | T38 | 1 | 42720050G5 | T33 | 3 | 478895 | T2 | 9 |
| 29421800D1 | T38 | 1 | 42720050R7 | T33 | 3 | 479132 | T18 | 8 |
| 29421800G5 | T38 | 1 | 42720050V3 | T33 | 3 | 479178 | T19 | 6 |
| 29421800V3 | T38 | 1 | 42720050V6 | T33 | 3 | 4795526 | T8 | 5 |
| 294723 | T40 | 2 | 4274185 | T33 | 4 | 479561 | T9 | 13 |
| 294877 | T40 | 1 | 430264 | T19 | 10 | 4795935 | T13 | 2 |
| 295528 | T23 | 12 | 430264 | T7 | 20 | 479866 | T9 | 17 |
| 296456 | T26 | 12 | 430350 | T11 | 33 | 479882 | T19 | 7 |
| 2972674 | T21 | 30 | 430535 | T11 | 20 | 479986 | T11 | 28 |
| 297274000D | T23 | 4 | 431242 | T14 | 10 | 479996 | T11 | 26 |
| 297274000L | T23 | 4 | 431860 | T10 | 18 | 480066 | T13 | 3 |
| 2972740060 | T23 | 4 | 433477 | T11 | 7 | 480076 | T12 | 23 |
| 2972740090 | T23 | 4 | 433987 | T10 | 9 | 4802185 | T13 | 6 |



| Code | Nr. der Tafel | Pos. | Code | Nr. der Tafel | Pos. | Code | Nr. der Tafel | Pos. |
|----------|---------------|------|------------|---------------|------|------------|---------------|------|
| 480227 | T9 | 8 | 56395R | 07.01 | 2 | 577545 | T26 | 5 |
| 480230 | T9 | 10 | 563984 | T20 | 23 | 577557 | T24 | 13 |
| 480410 | T9 | 16 | 564053 | T30 | 14 | 580075 | T41 | 11 |
| 480953 | T13 | 4 | 564217 | T36 | 11 | 5801244 | T38 | 11 |
| 482766 | T8 | 6 | 564497 | T12 | 12 | 5801254 | T38 | 11 |
| 483164 | T19 | 3 | 564629 | T12 | 16 | 58057R | T40 | 5 |
| 483443 | T8 | 10 | 564641 | T34 | 8 | 58058R | T40 | 3 |
| 483510 | T12 | 20 | 564642 | T34 | 6 | 580621 | T40 | 14 |
| 483537 | T9 | 19 | 564721 | T11 | 30 | 580953 | T34 | 7 |
| 484123 | T11 | 11 | 564721 | T12 | 9 | 580953 | T35 | 8 |
| 484123 | T11 | 25 | 5649775 | T29 | 20 | 580978000D | T33 | 4 |
| 484123 | T6 | 19 | 573000000D | T22 | 4 | 580978000L | T33 | 4 |
| 484654 | T6 | 7 | 573000000L | T22 | 4 | 5809780060 | T33 | 4 |
| 484819 | T6 | 6 | 5730000060 | T22 | 4 | 5809780090 | T33 | 4 |
| 486075 | T5 | 16 | 5730000090 | T22 | 4 | 58097800D1 | T33 | 4 |
| 486081 | T2 | 11 | 57300000D1 | T22 | 4 | 58097800G5 | T33 | 4 |
| 487401 | T18 | 3 | 57300000G5 | T22 | 4 | 58097800V3 | T33 | 4 |
| 4874010P | T18 | 3 | 57300000V3 | T22 | 4 | 581554 | T34 | 1 |
| 487402 | T18 | 4 | 573001 | T21 | 6 | 581555 | T35 | 14 |
| 4874805 | T13 | 17 | 573002 | T21 | 7 | 581693 | T36 | 1 |
| 4874855 | T13 | 11 | 573057 | T23 | 15 | 5817165 | T34 | 9 |
| 487935 | T8 | 12 | 573633 | T26 | 2 | 582060 | T20 | 13 |
| 494097 | T30 | 2 | 573868 | T25 | 2 | 582298 | T20 | 16 |
| 494511 | T26 | 8 | 573905 | T40 | 12 | 582375 | T43 | 2 |
| 494518 | T33 | 5 | 573960 | T40 | 8 | 582426 | T35 | 5 |
| 494519 | T33 | 7 | 574423 | T25 | 1 | 582504 | T20 | 12 |
| 494521 | T33 | 8 | 575079 | T27 | 3 | 582505 | T20 | 18 |
| 494634 | T26 | 10 | 575249 | T21 | 22 | 582954 | T41 | 1 |
| 494938 | T30 | 2 | 575249 | T22 | 6 | 583278 | T33 | 6 |
| 494948 | T35 | 3 | 575249 | T23 | 18 | 583279 | T33 | 6 |
| 497036 | T1 | 2 | 575249 | T27 | 6 | 583337 | T41 | 3 |
| 497037 | T1 | 3 | 575249 | T27 | 7 | 583496 | T16 | 8 |
| 497038 | T16 | 7 | 575249 | T31 | 8 | 584319 | T41 | 3 |
| 497039 | T35 | 3 | 575320 | T24 | 12 | 584810 | T41 | 2 |
| 498849 | T30 | 7 | 575424000L | T23 | 2 | 597150 | T30 | 18 |
| 498850 | T30 | 19 | 5754240060 | T23 | 2 | 597150 | T42 | 5 |
| 56002R | T28 | 1 | 57542400D6 | T23 | 2 | 598922 | T31 | 1 |
| 56003R | T28 | 2 | 57542400M1 | T23 | 2 | 600351 | T20 | 23 |
| 560045 | T20 | 3 | 57542400M2 | T23 | 2 | 635094 | T43 | 2 |
| 56008R | T35 | 2 | 575425000L | T23 | 3 | 666574 | 07.01 | 3 |
| 560284 | T29 | 1 | 5754250060 | T23 | 3 | 709037 | T20 | 5 |
| 5602865 | T30 | 6 | 57542500D6 | T23 | 3 | 709041 | T15 | 5 |
| 560565 | T20 | 21 | 57542500M1 | T23 | 3 | 709047 | T30 | 16 |
| 560580 | T34 | 5 | 57542500M2 | T23 | 3 | 709047 | T42 | 3 |
| 560582 | T35 | 4 | 576017 | T25 | 11 | 709532 | T16 | 3 |
| 560660 | T42 | 1 | 576267 | T12 | 25 | 709532 | T16 | 9 |
| 560661 | T43 | 9 | 57645501 | T21 | 1 | 812592 | T26 | 7 |
| 560671 | T33 | 10 | 5764556060 | T21 | 1 | 8217005 | T31 | 7 |
| 56072R | T31 | 1 | 5764556066 | T21 | 1 | 8217005060 | T31 | 7 |
| 56133R | T32 | 6 | 5764556090 | T21 | 1 | 8217005066 | T31 | 7 |
| 561433 | T29 | 4 | 5764556095 | T21 | 1 | 8217005090 | T31 | 7 |
| 561806 | T36 | 2 | 57645560A7 | T21 | 1 | 8217005095 | T31 | 7 |
| 562305 | T31 | 17 | 57645560B2 | T21 | 1 | 82170050A7 | T31 | 7 |
| 562310 | T20 | 22 | 57645560C1 | T21 | 1 | 82170050B2 | T31 | 7 |
| 562388 | T42 | 1 | 57645560D1 | T21 | 1 | 82170050C1 | T31 | 7 |
| 562389 | T43 | 9 | 57645560G5 | T21 | 1 | 82170050D1 | T31 | 7 |
| 562605 | T20 | 20 | 57645560R7 | T21 | 1 | 82170050G5 | T31 | 7 |
| 562887 | T42 | 1 | 57645560V3 | T21 | 1 | 82170050R7 | T31 | 7 |
| 562888 | T43 | 9 | 57645560V6 | T21 | 1 | 82170050V3 | T31 | 7 |
| 562919 | T27 | 10 | 576464 | T21 | 5 | 82170050V6 | T31 | 7 |
| 562923 | T35 | 10 | 576521 | T33 | 12 | 8249005 | T27 | 2 |
| 562960 | T32 | 6 | 576824 | T21 | 32 | 8249005060 | T27 | 2 |
| 563246 | T30 | 3 | 576855 | T21 | 31 | 8249005066 | T27 | 2 |
| 563321 | T20 | 7 | 576875 | T24 | 14 | 8249005090 | T27 | 2 |
| 563728 | T43 | 4 | 577081 | T21 | 19 | 8249005095 | T27 | 2 |
| 563872 | T36 | 19 | 577082 | T21 | 16 | 82490050A7 | T27 | 2 |
| 563886 | T36 | 3 | 577492 | T26 | 15 | 82490050B2 | T27 | 2 |

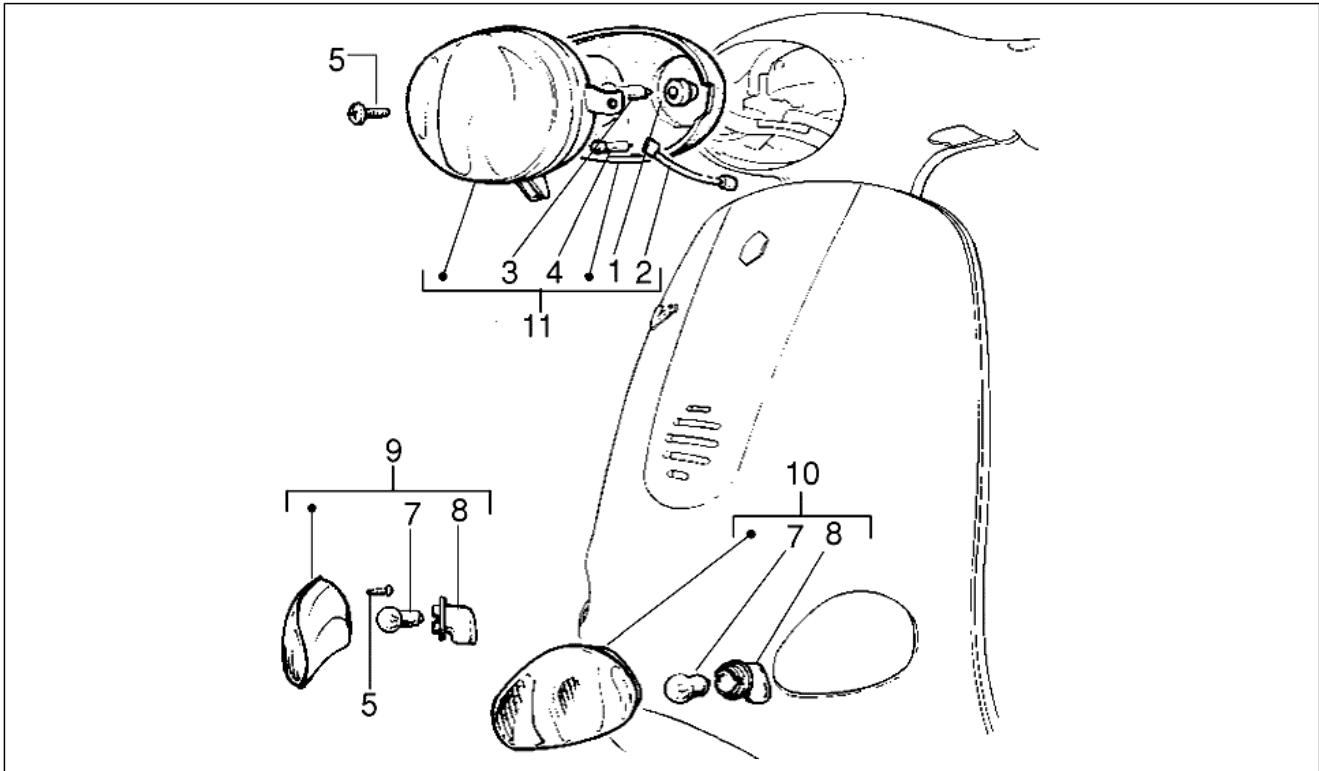


| Code | Nr. der Tafel | Pos. |
|------------|---------------|------|
| 82490050C1 | T27 | 2 |
| 82490050D1 | T27 | 2 |
| 82490050G5 | T27 | 2 |
| 82490050R7 | T27 | 2 |
| 82490050V3 | T27 | 2 |
| 82490050V6 | T27 | 2 |
| 825187 | T41 | 18 |
| 82521R | T12 | 15 |
| 82645R | T9 | 14 |
| 82650R | T11 | 34 |
| 82671R | T3 | 3 |
| 827085 | T14 | 14 |
| 827124 | T18 | 1 |
| 827893 | T8 | 7 |
| 82817R | T6 | 7 |
| 828339 | T41 | 21 |
| 828553 | T7 | 3 |
| 828560 | T11 | 3 |
| 828561 | T11 | 2 |
| 828820 | T17 | 11 |
| 828821 | T17 | 5 |
| 828822 | T17 | 19 |
| 828823 | T17 | 25 |
| 828824 | T17 | 12 |
| 828825 | T17 | 3 |
| 828826 | T17 | 4 |
| 828827 | T17 | 2 |
| 828828 | T17 | 24 |
| 828829 | T17 | 23 |
| 828830 | T17 | 22 |
| 828831 | T17 | 1 |
| 828832 | T17 | 8 |
| 828833 | T17 | 16 |
| 828834 | T17 | 9 |
| 828836 | T17 | 18 |
| 828837 | T17 | 17 |
| 828838 | T17 | 14 |
| 828839 | T17 | 13 |
| 828840 | T17 | 6 |
| 828841 | T17 | 7 |
| 828842 | T17 | 21 |
| 828843 | T17 | 20 |
| 828844 | T17 | 10 |
| 828863 | T15 | 4 |
| 829120 | T25 | 3 |
| 829510 | T14 | 17 |
| 830212 | T9 | 15 |
| 830286 | T14 | 13 |
| 831458 | T10 | 5 |
| 832130 | T14 | 15 |
| 832597 | T11 | 12 |
| 8326445 | T2 | 1 |
| 833428 | T15 | 7 |
| 833494 | T19 | 12 |
| 833693 | T5 | 8 |
| 833880 | T11 | 12 |
| 843684 | T7 | 15 |
| 845782 | T5 | 3 |
| 942135 | T13 | 5 |
| 9690065 | T2 | 1 |
| 969012 | T2 | 2 |
| 969028 | T3 | 2 |
| 969110 | T16 | 4 |
| 969132 | T11 | 36 |
| 969203 | T3 | 5 |
| 9692115 | T12 | 7 |
| 969213 | T4 | 3 |

| Code | Nr. der Tafel | Pos. |
|------------|---------------|------|
| 969214 | T4 | 5 |
| 969215 | T4 | 7 |
| 969216 | T4 | 8 |
| 969217 | T4 | 9 |
| 96921R | T10 | 3 |
| 969224 | T2 | 10 |
| 969226 | T7 | 15 |
| 969228 | T14 | 5 |
| 969229 | T4 | 2 |
| 96922R | T10 | 4 |
| 969230 | T4 | 2 |
| 969231 | T5 | 8 |
| 969233 | T5 | 8 |
| 969236 | T5 | 12 |
| 969238 | T5 | 6 |
| 969239 | T5 | 6 |
| 969243 | T14 | 4 |
| 9692475 | T6 | 10 |
| 96925R | T3 | 1 |
| 969265 | T6 | 14 |
| 969267 | T5 | 2 |
| 969268 | T6 | 13 |
| 9692695 | T6 | 8 |
| 96926R | T6 | 11 |
| 969272 | T5 | 3 |
| 969286 | T7 | 19 |
| 9692975 | T14 | 11 |
| 969315 | T6 | 18 |
| 969319 | T11 | 5 |
| 969327 | T16 | 5 |
| 969332 | T14 | 20 |
| 969334 | T6 | 20 |
| 969339 | T7 | 1 |
| 96933R | T11 | 18 |
| 969347 | T10 | 2 |
| 969348 | T41 | 19 |
| 969381 | T3 | 3 |
| 9693825 | T41 | 13 |
| 9693835 | T41 | 23 |
| 969393 | T5 | 7 |
| 969403 | T19 | 1 |
| 969405 | T16 | 2 |
| 969415 | T7 | 6 |
| 969421 | T10 | 7 |
| 9694255 | T1 | 1 |
| 969428 | T3 | 5 |
| 969603 | T4 | 4 |
| 9696045001 | T4 | 6 |
| 9696045002 | T4 | 6 |
| 9696045003 | T4 | 6 |
| 9696045004 | T4 | 6 |
| 969608 | T4 | 7 |
| 969609 | T4 | 8 |
| 969610 | T4 | 9 |
| 969611 | T4 | 7 |
| 969612 | T4 | 8 |
| 969613 | T4 | 9 |
| 969614 | T4 | 7 |
| 969615 | T4 | 8 |
| 969616 | T4 | 9 |
| 969617 | T4 | 6 |
| 969618 | T4 | 6 |
| 969619 | T4 | 6 |
| 969628 | T16 | 6 |
| 969747 | T11 | 19 |
| 969801 | T7 | 14 |
| 969894 | T7 | 21 |

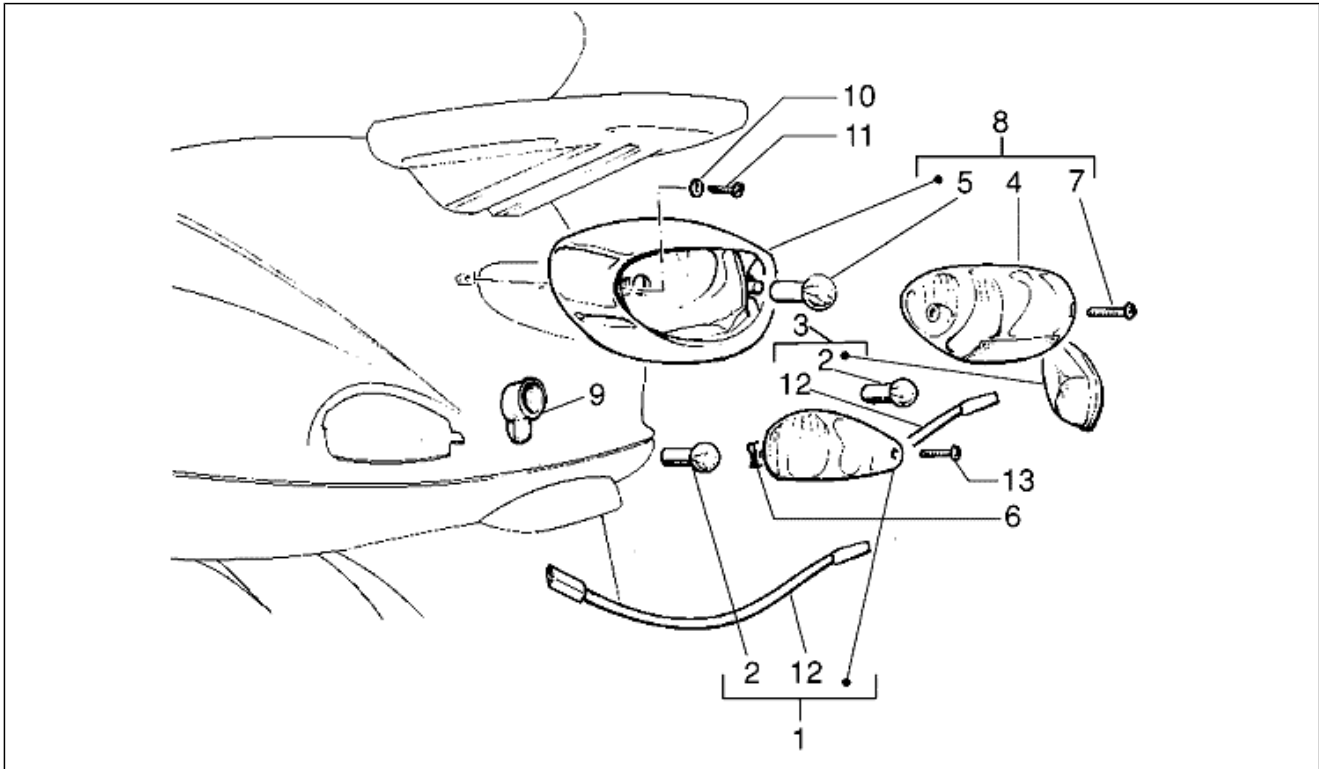
| Code | Nr. der Tafel | Pos. |
|--------------|---------------|------|
| 969918 | T7 | 4 |
| 969972 | T5 | 15 |
| CM0009010054 | T26 | 1 |
| CM0009010055 | T26 | 1 |
| CM0009010056 | T26 | 1 |
| CM0009010061 | T26 | 1 |
| CM0009020054 | T26 | 1 |
| CM0009020055 | T26 | 1 |
| CM0009020056 | T26 | 1 |
| CM0009020061 | T26 | 1 |
| CM001215 | T24 | 16 |
| CM001510 | T24 | 9 |
| CM002901 | T24 | 10 |
| CM002904 | T24 | 7 |
| CM002908 | T7 | 5 |
| CM003603000D | T23 | 1 |
| CM003603000L | T23 | 1 |
| CM0036030060 | T23 | 1 |
| CM0036030090 | T23 | 1 |
| CM00360300D1 | T23 | 1 |
| CM00360300G5 | T23 | 1 |
| CM00360300V3 | T23 | 1 |
| CM003802 | T25 | 14 |
| CM006102 | T24 | 8 |
| CM0195010054 | T26 | 1 |
| CM0195010056 | T26 | 1 |
| CM0195010061 | T26 | 1 |
| CM060925 | T35 | 6 |
| CM066101 | T30 | 1 |
| CM071802 | T40 | 9 |
| CM076101 | T30 | 1 |
| CM100107 | T8 | 16 |
| CM100202 | T8 | 13 |
| CM100604 | T9 | 12 |
| CM1102035 | T9 | 9 |
| CM110304 | T9 | 11 |
| CM141901 | T16 | 4 |
| CM151801 | T17 | 15 |

| | |
|---------------------|--------------------|
| Einheit | Elektrische Anlage |
| Code | T37 |
| Beschreibung | Scheinwerfer |
| Inspektion | 1 |



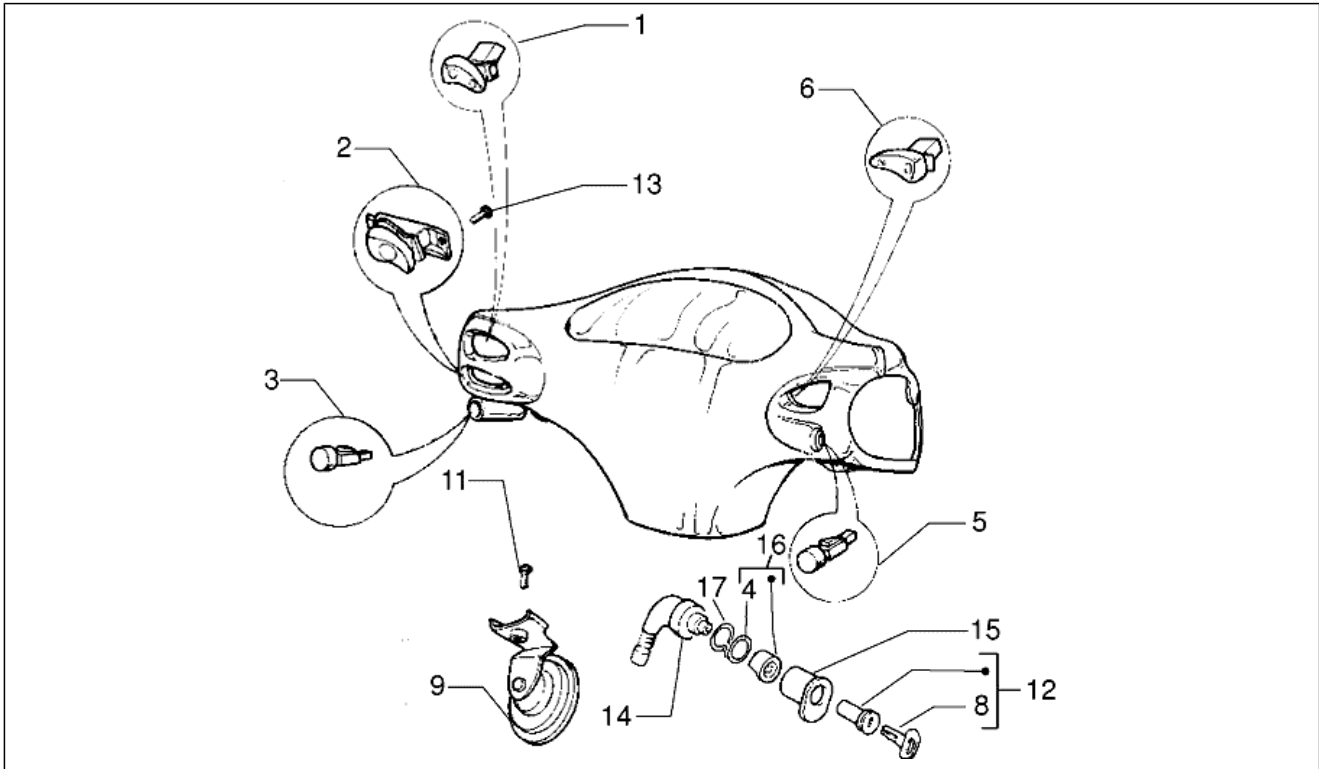
| Pos. | Code | Beschreibung | Menge | Varianten |
|------|--------|--------------------|-------|-----------|
| 1 | 293880 | Lampenhalter | 1 | |
| 2 | 294112 | Lampenhalter | 1 | |
| 3 | 219528 | Lampen 12V-35/35W | 1 | |
| 4 | 292022 | Lampen 12V-5W | 1 | |
| 5 | 267115 | Blechschaube M4x16 | 4 | |
| 7 | 181746 | Lampen 12V-10W | 2 | |
| 8 | 250521 | Lampenhalter | 2 | |
| 9 | 293601 | Blinkleuchte vorne | 1 | |
| 10 | 293600 | Blinkleuchte vorne | 1 | |
| 11 | 293599 | Scheinwerfer | 1 | |

| | |
|---------------------|--------------------|
| Einheit | Elektrische Anlage |
| Code | T39 |
| Beschreibung | Rückleuchte |
| Inspektion | 1 |



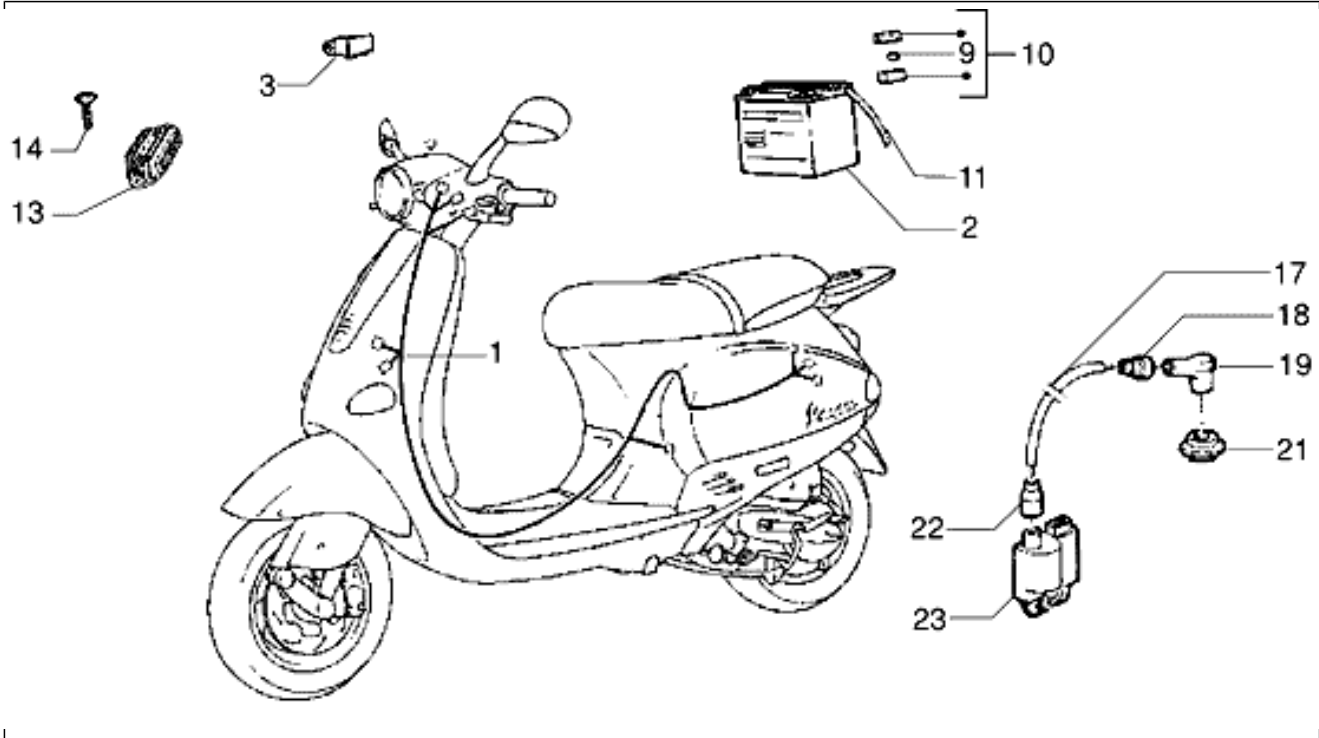
| Pos. | Code | Beschreibung | Menge | Varianten |
|------|--------|------------------|-------|-----------|
| 1 | 293603 | Blinkeleuchte | 1 | |
| 2 | 181746 | Lampen 12V-10W | 2 | |
| 3 | 293604 | Blinkeleuchte | 1 | |
| 4 | 293967 | Scheibe | 1 | |
| 5 | 129953 | Lampen 12V-21/5W | 1 | |
| 6 | 267166 | Platte | 2 | |
| 7 | 015729 | Schraube | 2 | |
| 8 | 293602 | Rücklicht | 1 | |
| 9 | 250522 | Kappe | 2 | |
| 10 | 013769 | Unterlegscheibe | 2 | |
| 11 | 015996 | Schraube M4x12 | 2 | |
| 12 | 250521 | Lampenhalter | 2 | |
| 13 | 008372 | Schraube d3,5x13 | 2 | |

| | |
|---------------------|------------------------|
| Einheit | Elektrische Anlage |
| Code | T40 |
| Beschreibung | Elektrische Ausrüstung |
| Inspektion | 1 |



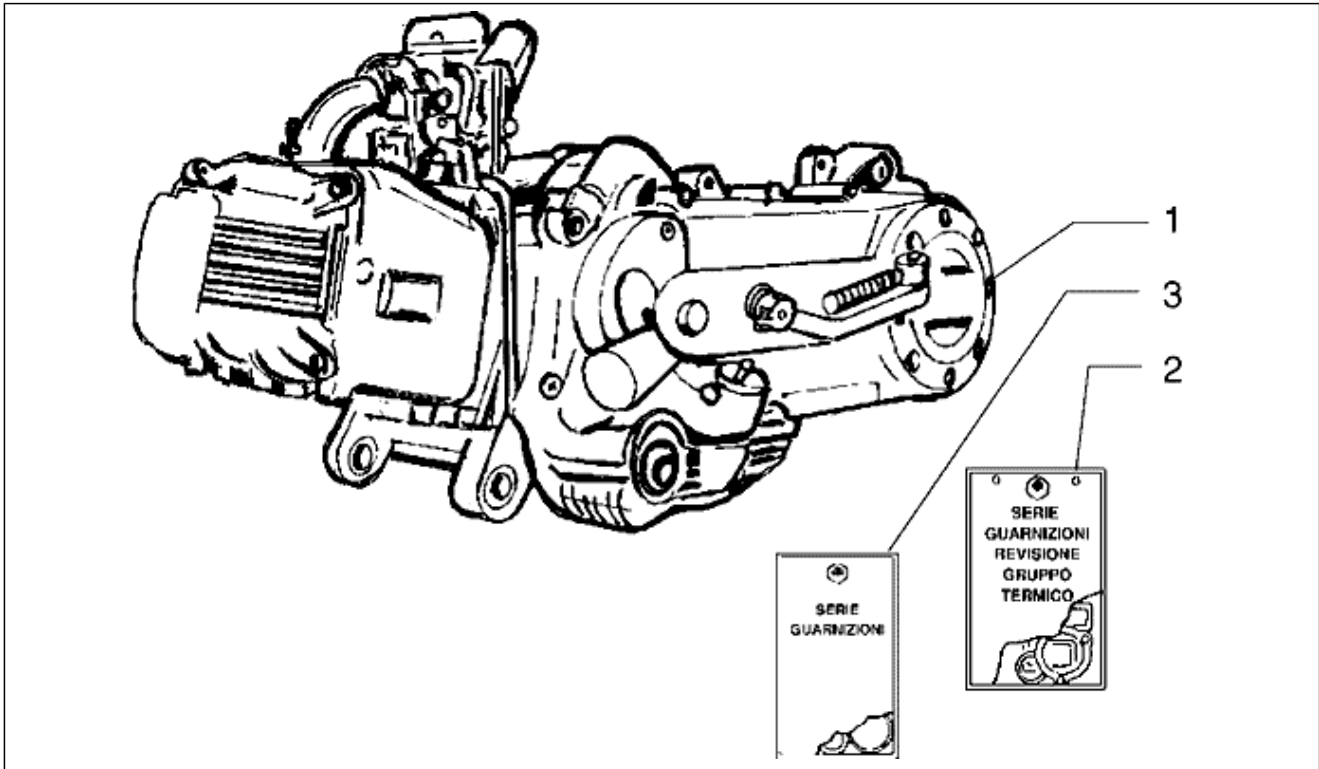
| Pos. | Code | Beschreibung | Menge | Varianten |
|------|----------|--------------------------------|-------|-----------|
| 1 | 294877 | Umschalter fernlicht/fahrlicht | 1 | |
| 2 | 294723 | Blinklichtschalter | 1 | |
| 3 | 293550 | Hupendruckknopf | 1 | |
| 3 | 58058R | Hupendruckknopf | 1 | |
| 4 | 298838 | Rückhaltefeder Bremszylinder | 1 | |
| 5 | 58057R | Startknopf | 1 | |
| 5 | 293549 | Startknopf | 1 | |
| 6 | 293571 | Lichtumschalter | 1 | |
| 8 | 573960 | Schlüsselrohling | 1 | |
| 9 | 293673 | Hupe | 1 | |
| 9 | CM071802 | Hupe | 1 | |
| 11 | 434541 | TE Schr. m. Flansch M6x16 | 1 | |
| 12 | 573905 | Bausatz Schließzylinder | 1 | |
| 13 | 258403 | Blehschraube 3,5x13 | 1 | |
| 14 | 580621 | Lichtschalter mit Schlüssel | 1 | |
| 15 | 298581 | Schlosszylinder | 1 | |
| 16 | 298903 | Schließzylinder komplett | 1 | |
| 17 | 253937 | Kleine Feder | 1 | |

| | |
|---------------------|------------------------|
| Einheit | Elektrische Anlage |
| Code | T41 |
| Beschreibung | Elektrische Ausrüstung |
| Inspektion | 1 |



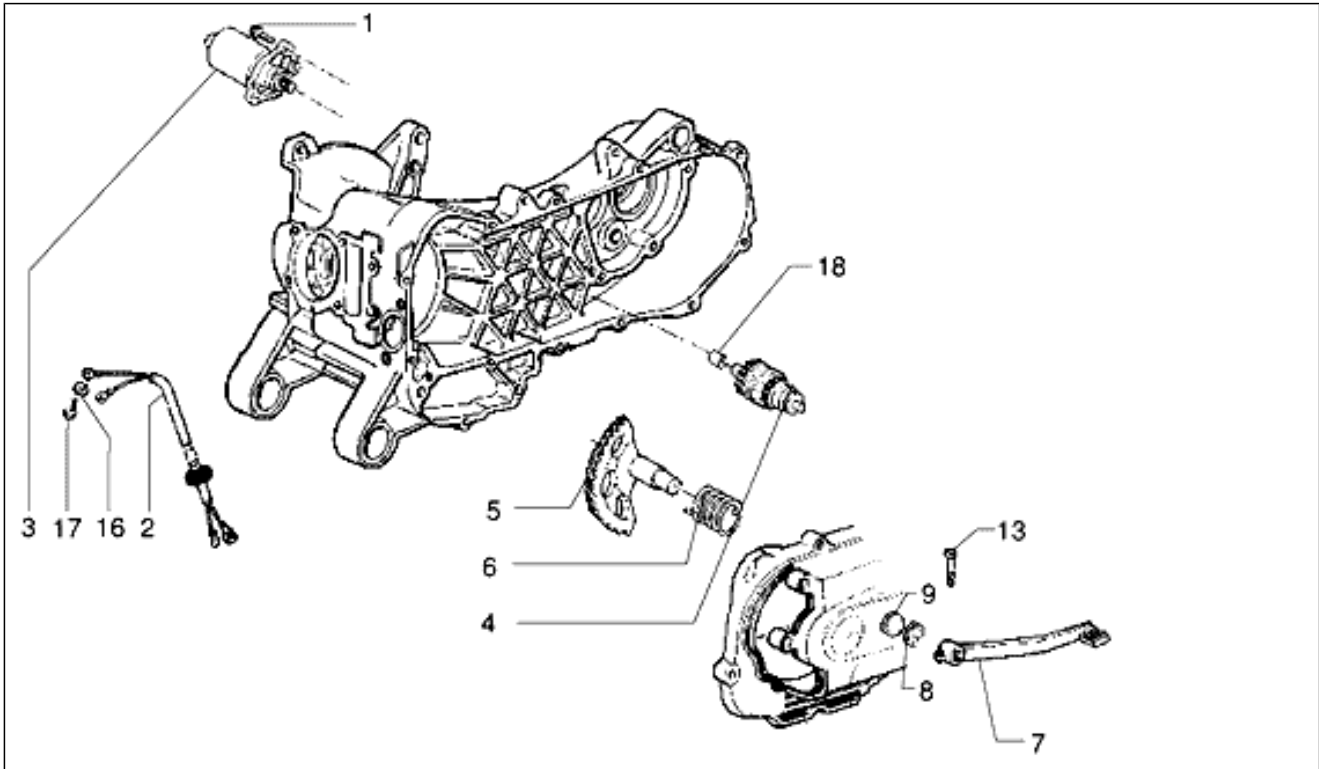
| Pos. | Code | Beschreibung | Menge | Varianten |
|------|---------|-----------------------------|-------|-----------|
| 1 | 582954 | Kabelbaum | 1 | |
| 2 | 2188235 | Batterie 12V-9Ah | 1 | |
| 2 | 584810 | Batterie 12V-9Ah | 1 | |
| 3 | 583337 | Fernschalter 80a | 1 | |
| 3 | 584319 | Fernrelais | 1 | |
| 4 | 436788 | TE Schr. m. Flansch | 1 | |
| 9 | 292507 | Lamellensicherung 10A | 1 | |
| 10 | 292893 | Sicherungshalter | 1 | |
| 11 | 580075 | Entlüftungsschlauch Kühler | 1 | |
| 13 | 9693825 | Spannungsregler (DUCATI) | 1 | |
| 14 | 434541 | TE Schr. m. Flansch M6x16 | 1 | |
| 17 | 080341 | Kabel Zündspulensockel | 1 | |
| 18 | 825187 | Zündkerzenstecker | 1 | |
| 19 | 969348 | Zündkerzenstecker | 1 | |
| 21 | 828339 | Zündkerze Schutzring | 1 | |
| 22 | 231571 | Isolierhaube | 1 | |
| 23 | 9693835 | Elektronische Steuereinheit | 1 | |

| | |
|---------------------|-------|
| Einheit | Motor |
| Code | T1 |
| Beschreibung | Motor |
| Inspektion | 1 |



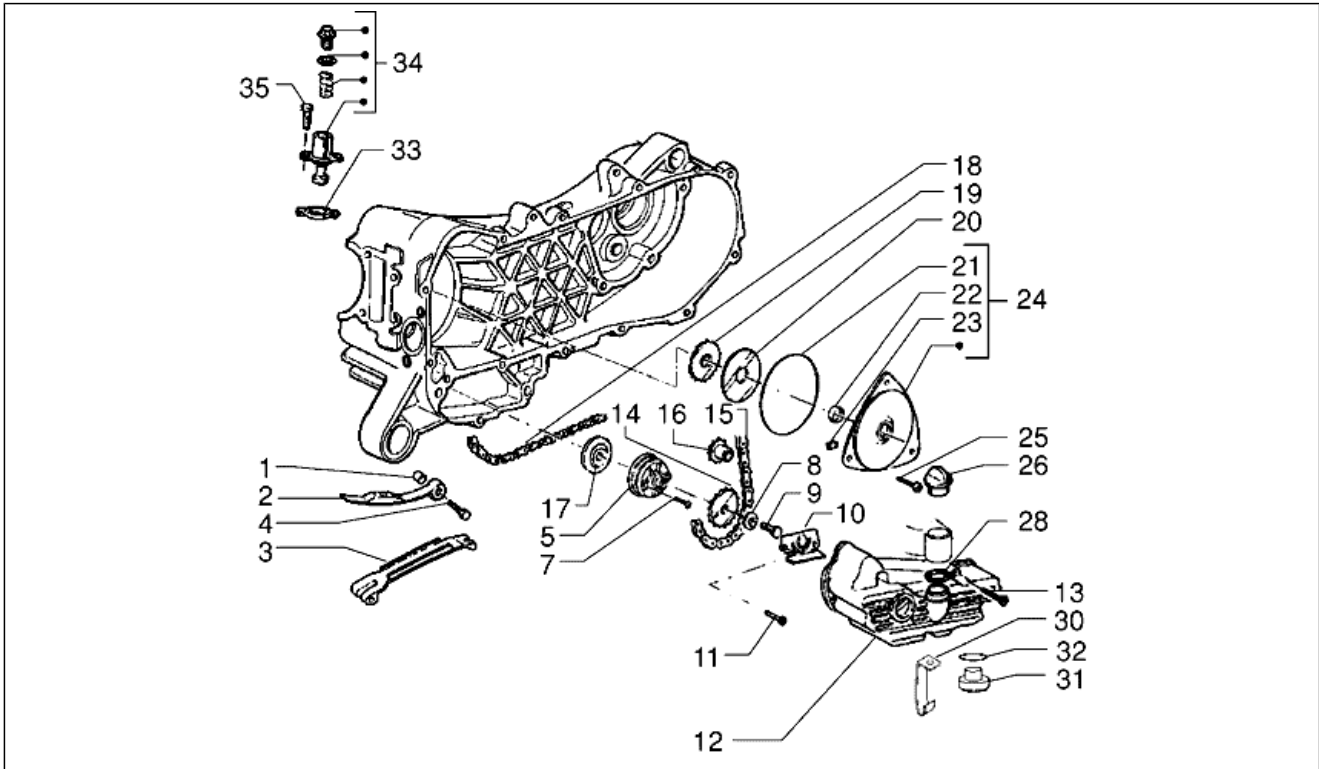
| Pos. | Code | Beschreibung | Menge | Varianten |
|------|---------|--------------------------|-------|-----------|
| 1 | 9694255 | Not available | 1 | |
| 2 | 497036 | Zylinder Dichtung Satz | 1 | |
| 3 | 497037 | Kit guarnizioni completo | 1 | |

| | |
|---------------------|---------------------------|
| Einheit | Motor |
| Code | T10 |
| Beschreibung | Anlassermotor-Kickstarter |
| Inspektion | 1 |



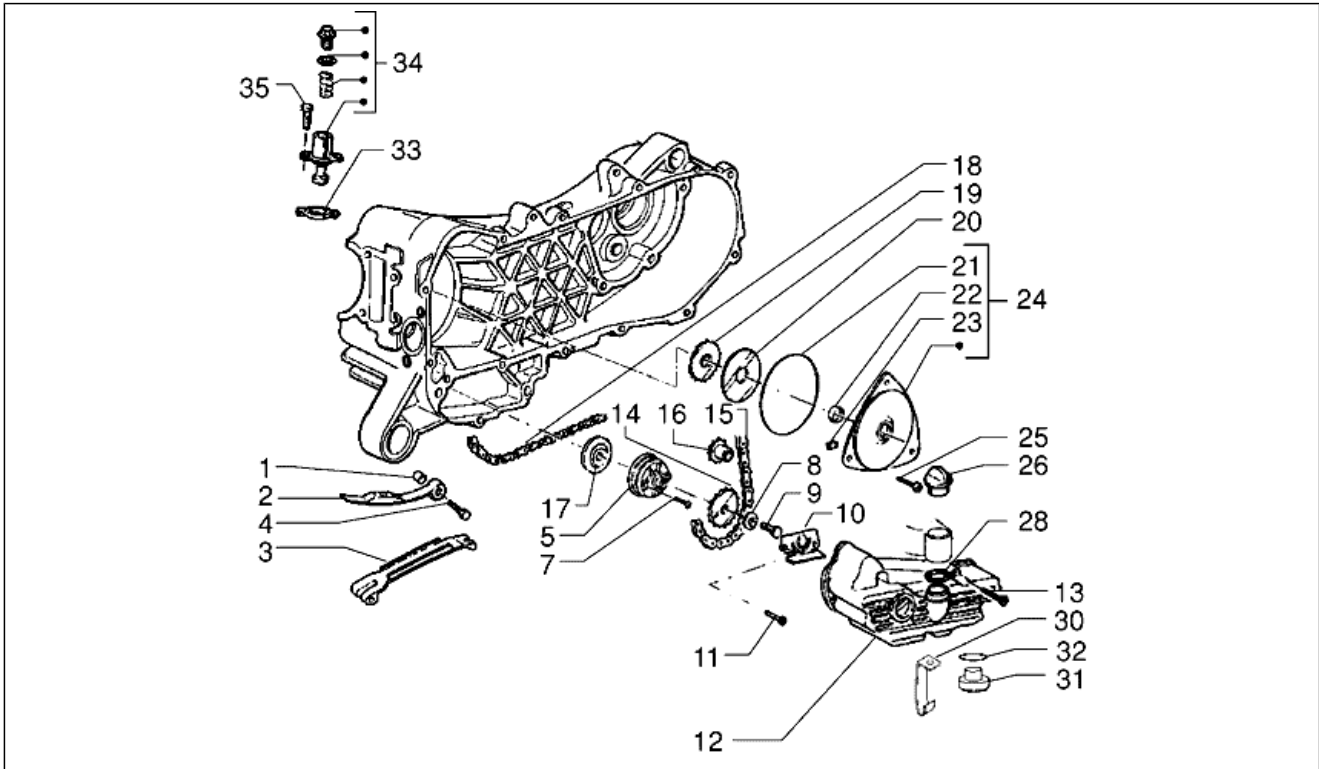
| Pos. | Code | Beschreibung | Menge | Varianten |
|------|--------|---|-------|-----------|
| 1 | 031091 | Sechskantschraube M6x22 | 2 | |
| 2 | 969347 | Kabel | 1 | |
| 3 | 96921R | Startermotor | 1 | |
| 4 | 96922R | ZSB Vorgelege komplett | 1 | |
| 5 | 831458 | Starterwelle | 1 | |
| 6 | 289495 | Rückholfeder Starterhebel | 1 | |
| 7 | 969421 | Kickstarterhebel | 1 | |
| 8 | 006416 | Seegerring | 1 | |
| 9 | 433987 | Ausgleichscheibe 16,3x23,8 | 1 | |
| 13 | 414837 | TE Schr. m. Flansch M6x25 | 1 | |
| 16 | 016404 | Flachscheibe 4,2x7,6x0,9 | 1 | |
| 17 | 018644 | Schraube | 1 | |
| 18 | 431860 | Buchse $\varnothing 8 \times \varnothing 12 \times 8$ | 1 | |

| | |
|---------------------|----------------------------------|
| Einheit | Motor |
| Code | T11 |
| Beschreibung | Einheit pompe - Kurbelgehäuse öl |
| Inspektion | 1 |



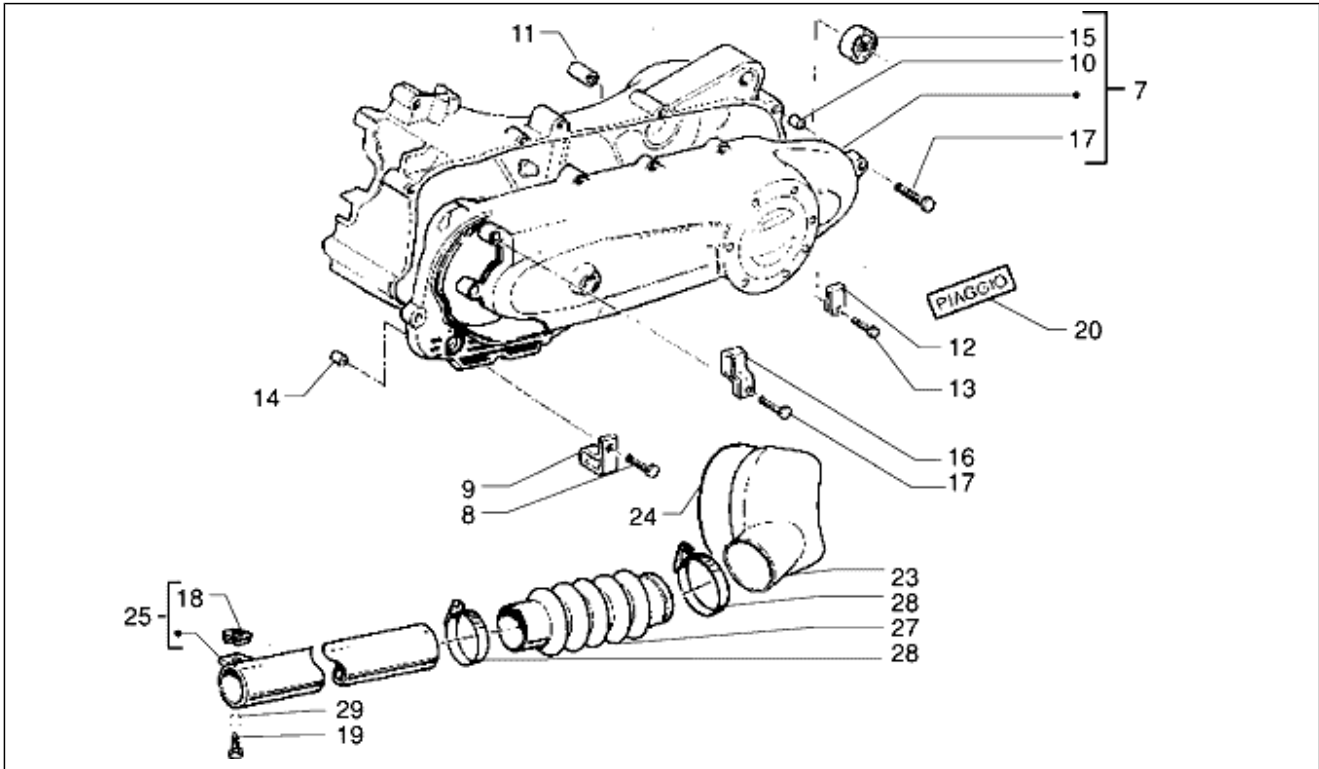
| Pos. | Code | Beschreibung | Menge | Varianten |
|------|---------|---------------------------|-------|-----------|
| 1 | 478247 | Distanzscheibe | 1 | |
| 2 | 828561 | Kettenspanner Stange | 1 | |
| 3 | 828560 | Gleitbacke | 1 | |
| 4 | 031089 | Sechskantschraube M6x18 | 1 | |
| 5 | 969319 | Ölpumpe | 1 | |
| 7 | 433477 | TE Schr. m. Flansch | 2 | |
| 8 | 436695 | Tellerfeder Ø6,4xØ20x2 | 1 | |
| 9 | 436788 | TE Schr. m. Flansch | 2 | |
| 10 | 436810 | Protection | 1 | |
| 11 | 484123 | TE Schr. m. Flansch | 2 | |
| 12 | 832597 | Pfropfen | 1 | |
| 12 | 833880 | Pfropfen | 1 | |
| 13 | 414837 | TE Schr. m. Flansch M6x25 | 6 | |
| 14 | 287913 | Zahnrad Ölpumpe | 1 | |
| 15 | 434447 | Ölpumpe Kette | 1 | |
| 16 | 478149 | Ölpumpe Steuerung Ritzel | 1 | |
| 17 | 436751 | Carter-Ölpumpe Dichtung | 1 | |
| 18 | 96933R | Steuerkette | 1 | |
| 19 | 434442 | Ritzel | 1 | |
| 19 | 969747 | Steuerkette Ritzel kpl. | 1 | |
| 20 | 430535 | Ausgleichscheibe | 1 | |
| 21 | 434478 | Gasket ring | 1 | |
| 22 | 2879633 | Gasket ring | 1 | |
| 23 | 434345 | Ölpumpekette Puffer | 1 | |
| 24 | 4783245 | Deckel | 1 | |
| 25 | 484123 | TE Schr. m. Flansch | 3 | |
| 26 | 479996 | Ölschraube | 1 | |
| 28 | 479986 | O-Ring | 1 | |

| | |
|---------------------|----------------------------------|
| Einheit | Motor |
| Code | T11 |
| Beschreibung | Einheit pompe - Kurbelgehäuse öl |
| Inspektion | 1 |



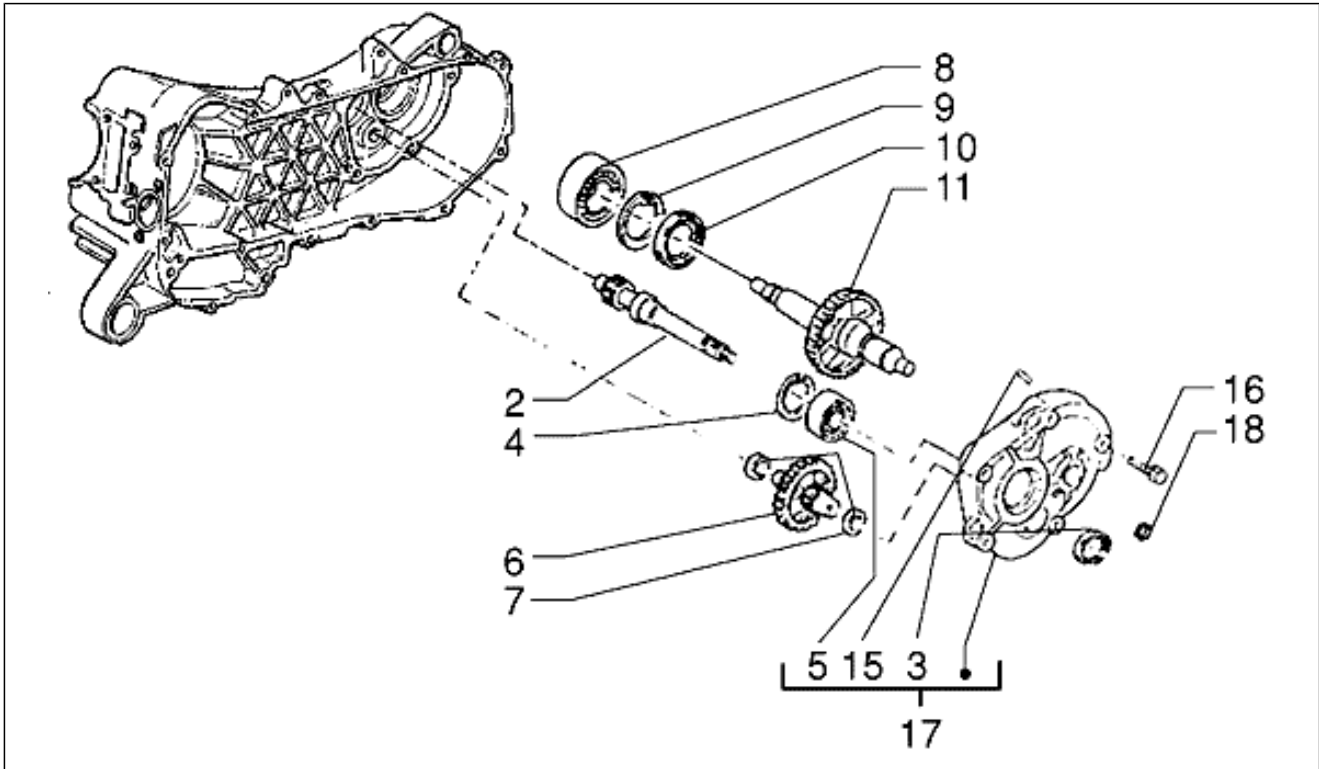
| Pos. | Code | Beschreibung | Menge | Varianten |
|------|--------|---------------------------|-------|-----------|
| 30 | 564721 | Schelle | 1 | |
| 31 | 436692 | Ölablaßschraube | 1 | |
| 32 | 288474 | O-Ring 20,35x1,78 | 1 | |
| 33 | 430350 | Dichtung | 1 | |
| 34 | 82650R | Kettenspanner komplett | 1 | |
| 35 | 434541 | TE Schr. m. Flansch M6x16 | 2 | |
| 36 | 969132 | Ölwannendichtung | 1 | |

| | |
|---------------------|-----------------|
| Einheit | Motor |
| Code | T12 |
| Beschreibung | Kupplungsdeckel |
| Inspektion | 1 |



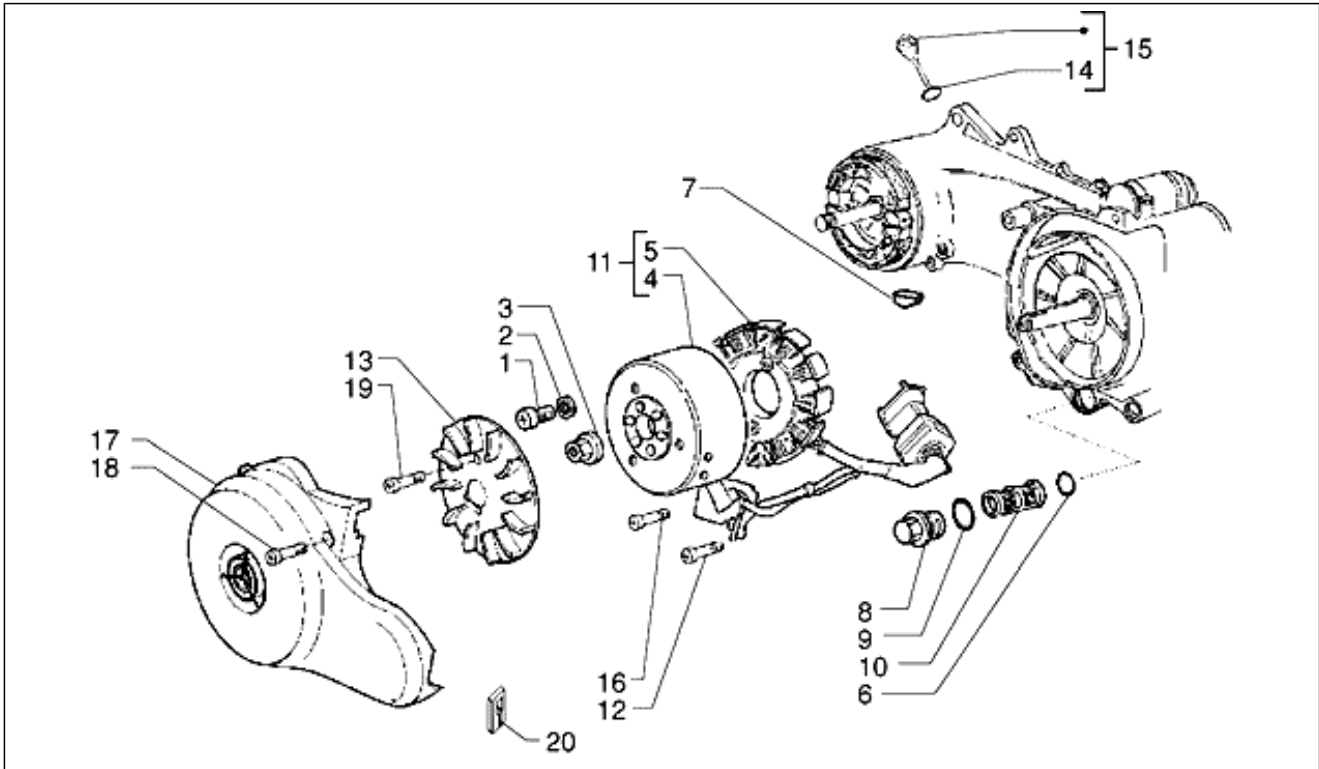
| Pos. | Code | Beschreibung | Menge | Varianten |
|------|---------|-----------------------------------|-------|-----------|
| 7 | 9692115 | Getriebedeckel mit inneren Teilen | 1 | |
| 8 | 289731 | Flanschschraube M6x30 | 11 | |
| 9 | 564721 | Schelle | 1 | |
| 10 | 239388 | Passhülse 6,5x9,5x15 | 2 | |
| 11 | 286209 | Buchse | 1 | |
| 12 | 564497 | Platte | 1 | |
| 13 | 414837 | TE Schr. m. Flansch M6x25 | 1 | |
| 14 | 286143 | Buchse | 1 | |
| 15 | 82521R | Lager | 1 | |
| 16 | 564629 | Schelle | 1 | |
| 17 | 414838 | Schraube M6x35 | 1 | |
| 18 | 254485 | Federplättchen M6 | 1 | |
| 19 | 267958 | Blechschaube L=20 mm | 1 | |
| 20 | 483510 | Schild | 1 | |
| 23 | 480076 | Kühldeckel | 1 | |
| 24 | 435251 | Dichtung | 1 | |
| 25 | 576267 | Kühlleitung | 1 | |
| 26 | 267958 | Blechschaube L=20 mm | 1 | |
| 27 | 298548 | Balg | 1 | |
| 28 | 145298 | Reißschelle L= 180 mm | 2 | |
| 29 | 199190 | Spreizdübel | 2 | |

| | |
|---------------------|-------------------------|
| Einheit | Motor |
| Code | T13 |
| Beschreibung | Hinterradachse-Getriebe |
| Inspektion | 1 |



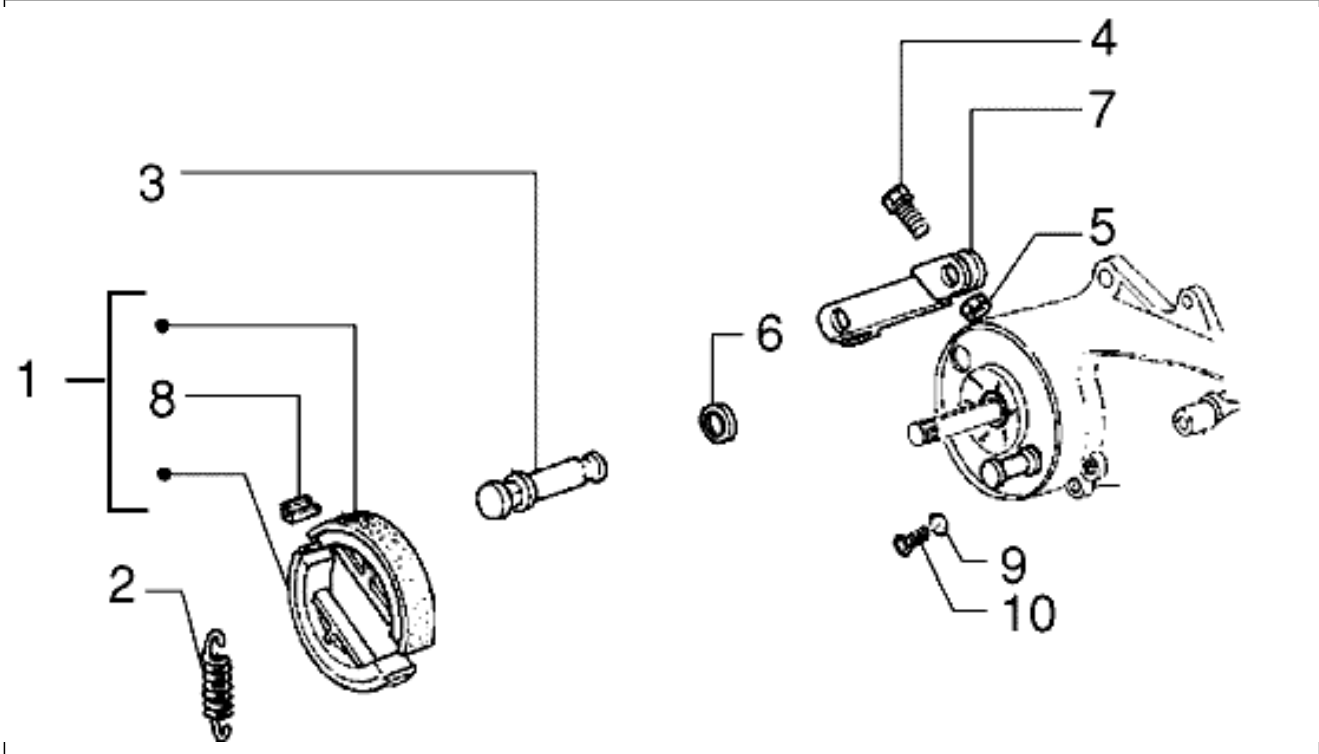
| Pos. | Code | Beschreibung | Menge | Varianten |
|------|---------|-----------------------------------|-------|-----------|
| 2 | 4795935 | Welle geführte Scheibe | 1 | |
| 3 | 480066 | Gasket ring | 1 | |
| 4 | 480953 | Sprengring | 1 | |
| 5 | 942135 | Lager | 1 | |
| 6 | 4802185 | Doppeltes Freilaufgrad | 1 | |
| 7 | 288639 | Abstreifscheibe | 2 | |
| 8 | 434735 | Lager 20x47x14 | 1 | |
| 9 | 006647 | Seegerring | 1 | |
| 10 | 478498 | Gasket ring | 1 | |
| 11 | 4874855 | Hinterradachse | 1 | |
| 15 | 239388 | Passhülse 6,5x9,5x15 | 1 | |
| 16 | 414834 | TE Schr. m. Flansch M6x40 | 5 | |
| 17 | 4874805 | Deckel Radnabe mit inneren Teilen | 1 | |
| 18 | 478197 | ***Distanzstück 5mm | 1 | |

| | |
|---------------------|---------------|
| Einheit | Motor |
| Code | T14 |
| Beschreibung | Lichtmaschine |
| Inspektion | 1 |



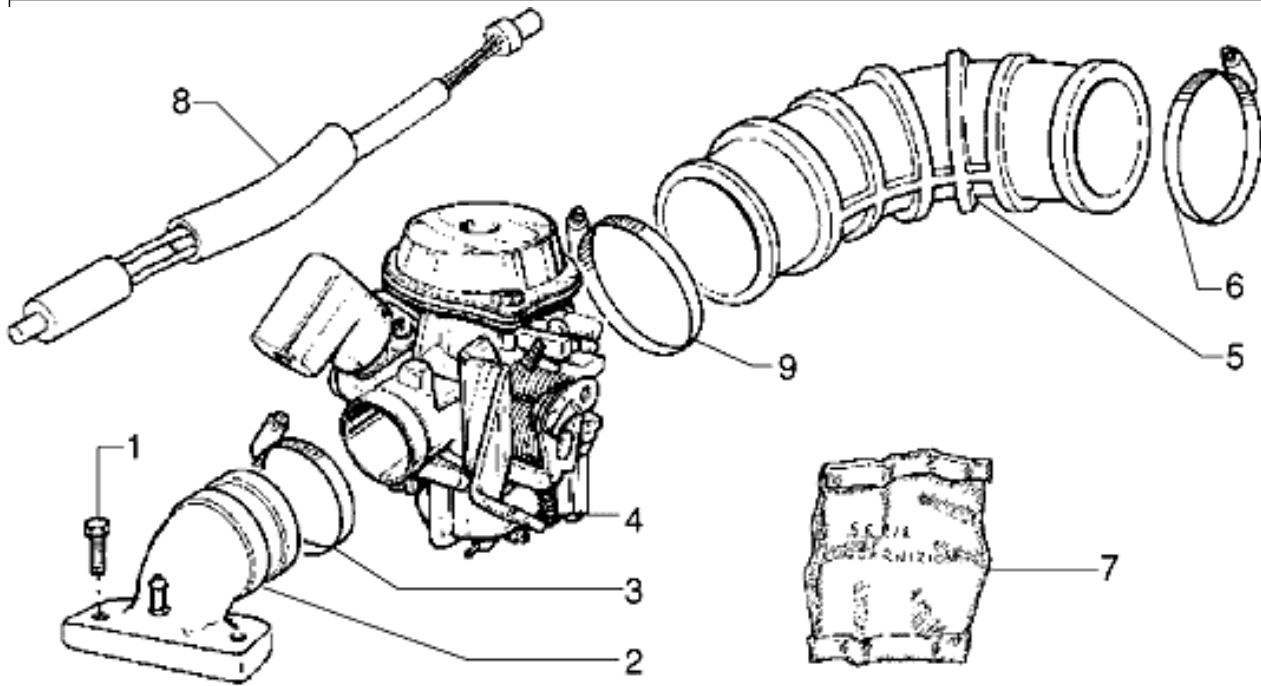
| Pos. | Code | Beschreibung | Menge | Varianten |
|------|---------|-----------------------------|-------|-----------|
| 1 | 015901 | Schraube m5x22 | 1 | |
| 2 | 006965 | Ausgleichscheibe 5.3x10x10 | 5 | |
| 3 | 289005 | Geflanschte Mutter | 1 | |
| 4 | 969243 | Rotor | 1 | |
| 5 | 969228 | Stator | 1 | |
| 6 | 288474 | O-Ring 20,35x1,78 | 1 | |
| 7 | 000267 | Keil | 1 | |
| 8 | 288548 | Ölfilter Verschluss | 1 | |
| 9 | 285536 | O-Ring 31,47x1,78 | 1 | |
| 10 | 431242 | Ölfiltereinsatz | 1 | |
| 11 | 9692975 | Schwungrad Mag. klp. | 1 | |
| 12 | 015585 | Gewindeschraube M5x12 | 3 | |
| 13 | 830286 | Lüfter | 1 | |
| 14 | 827085 | Gasket ring 14,43x9,19x2,62 | 1 | |
| 15 | 832130 | Ölmesstab komplett | 1 | |
| 16 | 015856 | Schraube M5x21 | 2 | |
| 17 | 829510 | Lüfterdeckel | 1 | |
| 18 | 259151 | Schraube M5x16 | 4 | |
| 19 | 015585 | Gewindeschraube M5x12 | 3 | |
| 20 | 969332 | Kabelführung | 1 | |

| | |
|---------------------|---------------------------|
| Einheit | Motor |
| Code | T15 |
| Beschreibung | Hinterradbremse (Trommel) |
| Inspektion | 1 |



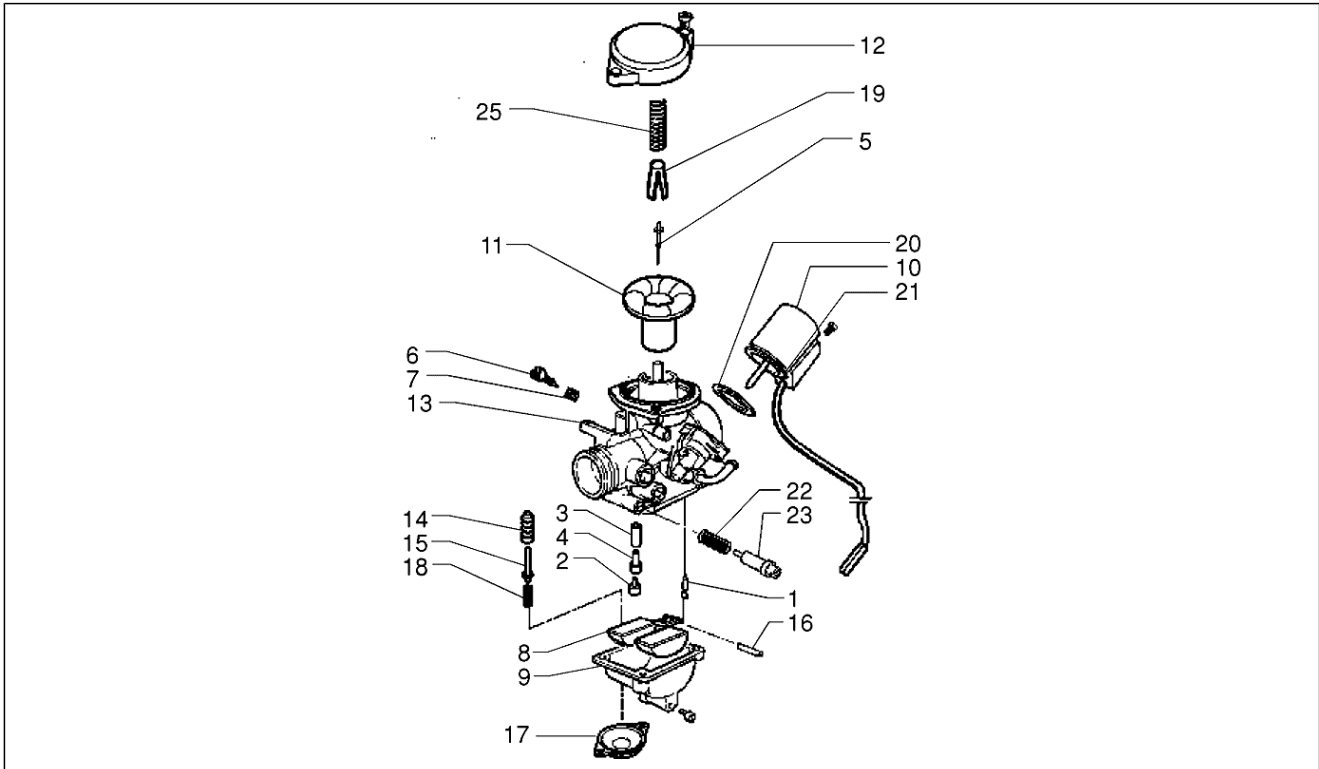
| Pos. | Code | Beschreibung | Menge | Varianten |
|------|---------|---------------------|-------|-----------|
| 1 | 2736235 | Bremsbackenpaar | 1 | |
| 2 | 266725 | Rückholfeder Zangen | 2 | |
| 3 | 274245 | Bremshebellachse | 1 | |
| 4 | 828863 | TE Schr. m. Flansch | 1 | |
| 5 | 709041 | Mutter | 1 | |
| 6 | 273419 | Gasket ring | 1 | |
| 7 | 833428 | H.bremshebel | 1 | |
| 8 | 266724 | Platte | 2 | |
| 9 | 000397 | Dichtung | 1 | |
| 10 | 269755 | TCEI Schraube M8x12 | 1 | |

| | |
|---------------------|----------|
| Einheit | Motor |
| Code | T16 |
| Beschreibung | Vergaser |
| Inspektion | 1 |



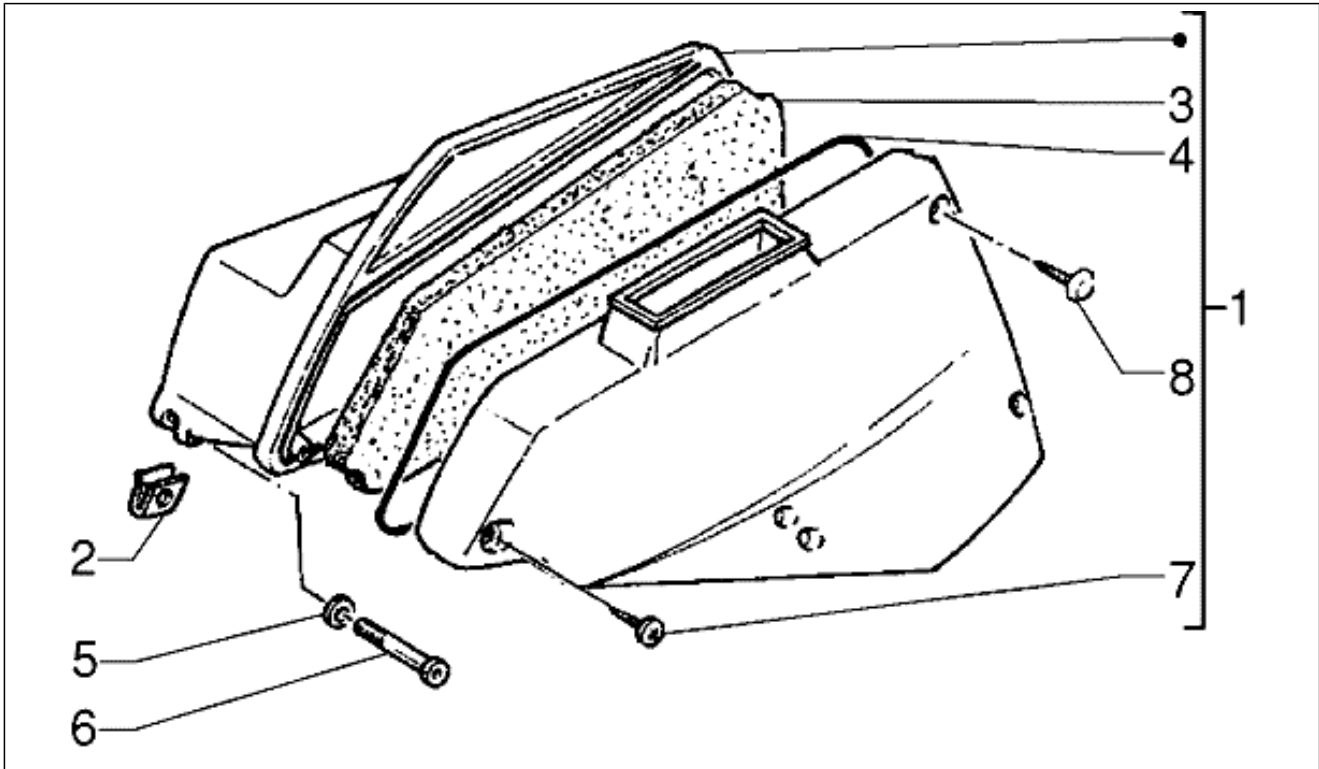
| Pos. | Code | Beschreibung | Menge | Varianten |
|------|----------|---------------------------------------|-------|-----------|
| 1 | 031091 | Sechskantschraube M6x22 | 2 | |
| 2 | 969405 | Ansaugkrümmer | 1 | |
| 3 | 709532 | Schlauchschelle | 1 | |
| 4 | CM141901 | Vergaser keihin | 1 | |
| 4 | 969110 | Vergaser | 1 | |
| 5 | 969327 | Hülse | 1 | |
| 6 | 969628 | Schelle | 1 | |
| 7 | 497038 | Dichtungssatz | 1 | |
| 8 | 583496 | Widerstandsmodul 10-polig, start stop | 1 | |
| 9 | 709532 | Schlauchschelle | 1 | |

| | |
|---------------------|----------|
| Einheit | Motor |
| Code | T17 |
| Beschreibung | Vergaser |
| Inspektion | 1 |



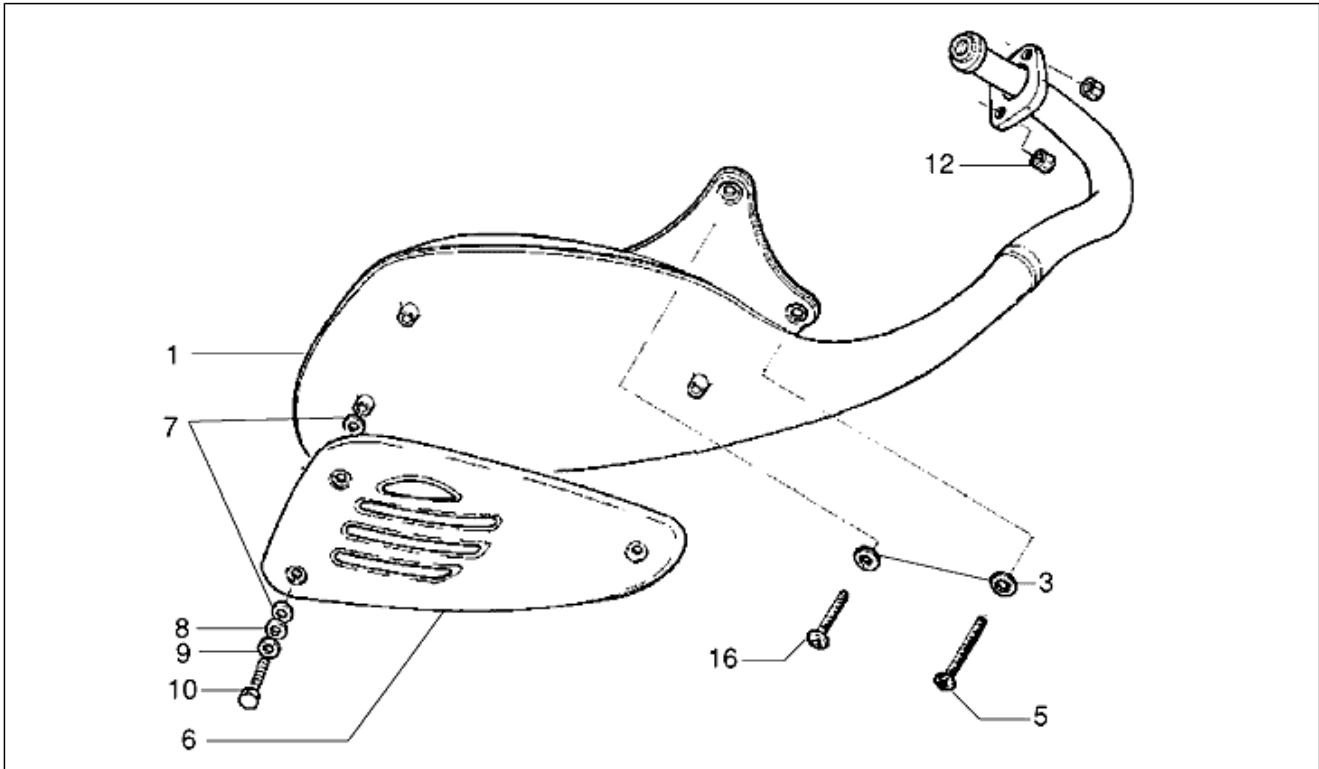
| Pos. | Code | Beschreibung | Menge | Varianten |
|------|----------|--------------------|-------|-----------|
| 1 | 828831 | Banzinnadel | 1 | |
| 2 | 828827 | Maximaldüse | 1 | |
| 3 | 828825 | Emulseur | 1 | |
| 4 | 828826 | Emulseur | 1 | |
| 5 | 828821 | Vergasernadel | 1 | |
| 6 | 828840 | Schraube | 1 | |
| 7 | 828841 | Feder | 1 | |
| 8 | 828832 | Schwimmer | 1 | |
| 9 | 828834 | Schwimmergehäuse | 1 | |
| 10 | 828844 | Kappe | 1 | |
| 11 | 828820 | Membran | 1 | |
| 12 | 828824 | Deckel | 1 | |
| 13 | 828839 | Bügel | 1 | |
| 14 | 828838 | Balg | 1 | |
| 15 | CM151801 | Pickuppumpe Stange | 1 | |
| 16 | 828833 | Schwimmerstift | 1 | |
| 17 | 828837 | Deckel | 1 | |
| 18 | 828836 | Feder | 1 | |
| 19 | 828822 | Becher | 1 | |
| 20 | 828843 | Platte | 1 | |
| 21 | 828842 | Startervorrichtung | 1 | |
| 22 | 828830 | Feder | 1 | |
| 23 | 828829 | Regelschraube | 1 | |
| 24 | 828828 | Leerlaufdu. | 1 | |
| 25 | 828823 | Feder | 1 | |

| | |
|---------------------|------------|
| Einheit | Motor |
| Code | T18 |
| Beschreibung | Luftfilter |
| Inspektion | 1 |



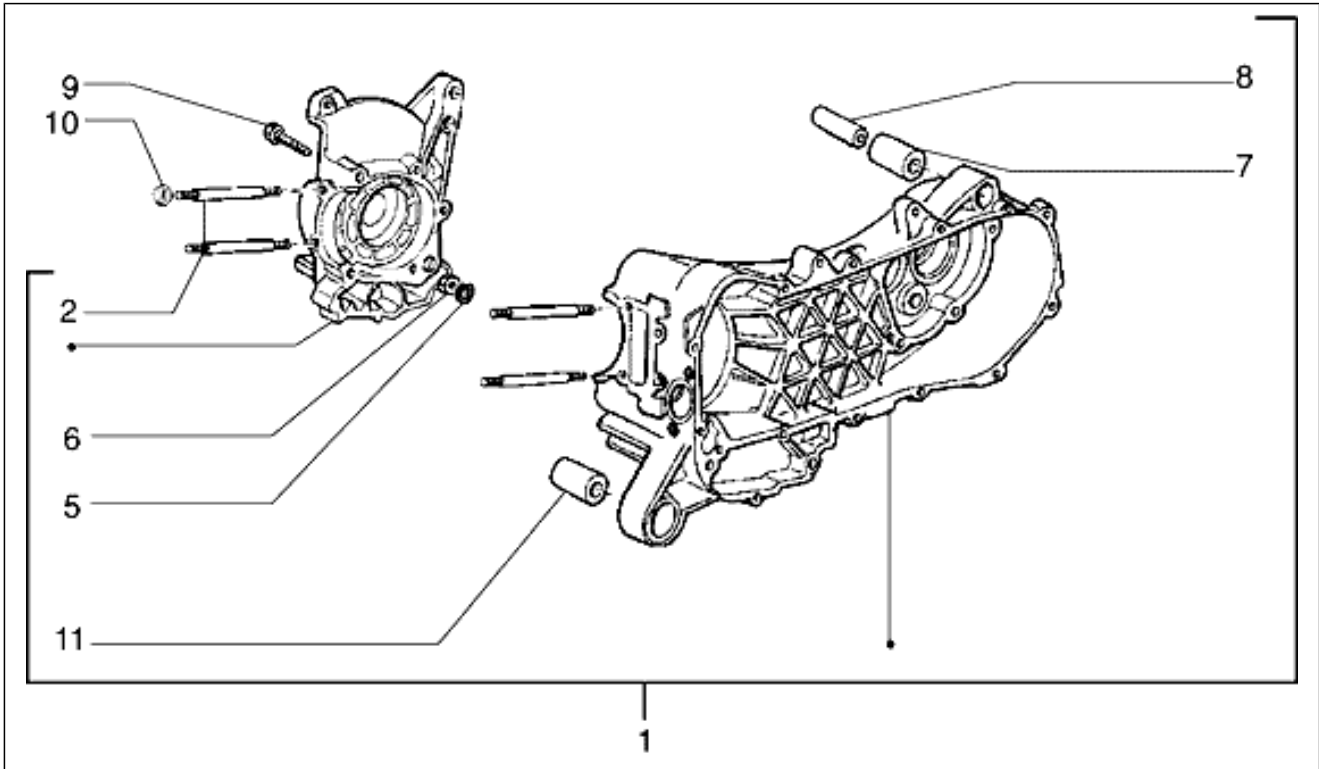
| Pos. | Code | Beschreibung | Menge | Varianten |
|------|----------|----------------------------|-------|-----------|
| 1 | 827124 | Luftfiltergehäuse | 1 | |
| 2 | 254485 | Federplättchen M6 | 2 | |
| 3 | 4874010P | Luftfilter PREMIUM | 1 | |
| 3 | 487401 | Luftfilter | 1 | |
| 4 | 487402 | Dichtung | 1 | |
| 5 | 012533 | Zahnscheibe 6,6x11x0 | 2 | |
| 6 | 018640 | TC Schraube M6x50 | 2 | |
| 7 | 258146 | Gew.schr. M3x20 | 6 | |
| 8 | 479132 | Verschlussknauf Luftfilter | 2 | |

| | |
|---------------------|-------------|
| Einheit | Motor |
| Code | T19 |
| Beschreibung | Auspufftopf |
| Inspektion | 1 |



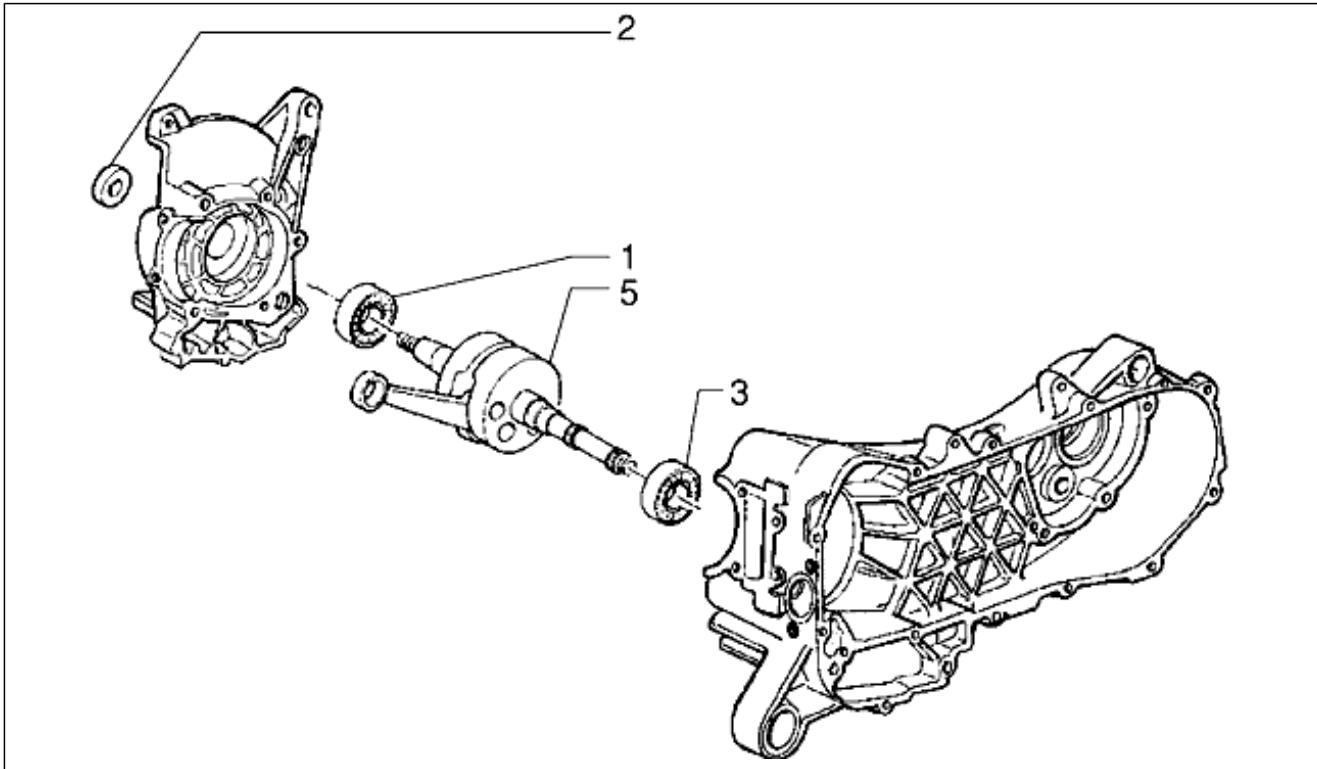
| Pos. | Code | Beschreibung | Menge | Varianten |
|------|--------|---|-------|-----------|
| 1 | 969403 | Auspuff | 1 | |
| 3 | 483164 | Flachscheibe | 2 | |
| 5 | 297582 | Schraube M8x90 | 1 | |
| 6 | 479178 | Schutz | 1 | |
| 7 | 479882 | Distanzscheibe | 6 | |
| 8 | 097733 | Flachscheibe $\varnothing 5,3 \times \varnothing 14 \times 1$ | 3 | |
| 9 | 016405 | Federring 8,5x5,1x1,5 | 3 | |
| 10 | 430264 | Gewindeschraube | 3 | |
| 12 | 833494 | Spezia mutter | 2 | |
| 16 | 478761 | TCEI Schraube | 1 | |

| | |
|---------------------|---------------------|
| Einheit | Motor |
| Code | T2 |
| Beschreibung | Kurbelwellengehäuse |
| Inspektion | 1 |



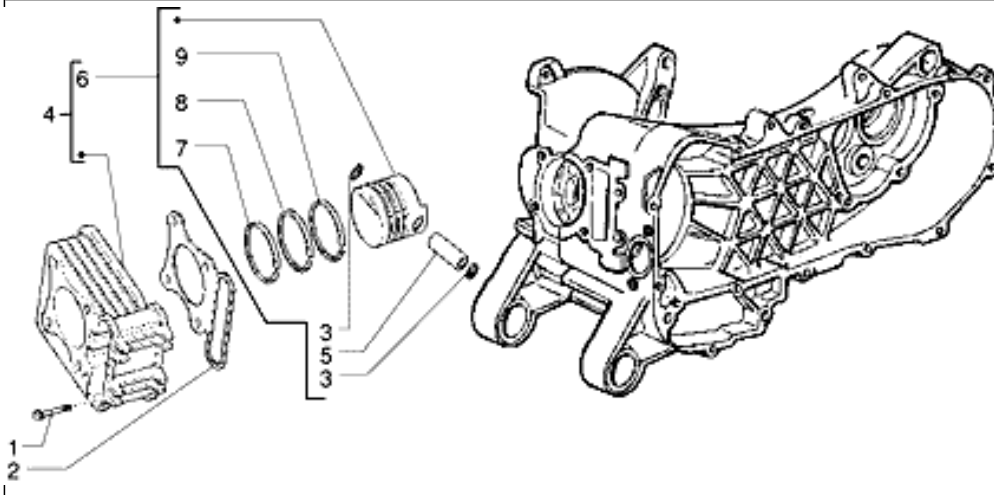
| Pos. | Code | Beschreibung | Menge | Varianten |
|------|---------|-----------------------------------|-------|-----------|
| 1 | 9690065 | Gehäuse | 1 | |
| 1 | 8326445 | Gehäuse | 1 | |
| 2 | 969012 | Stiftschraube | 4 | |
| 7 | 267823 | Silentblock Anschluss Stoßdämpfer | 1 | |
| 8 | 266625 | Distanzscheibe | 1 | |
| 9 | 478895 | TE Schr. m. Flansch | 2 | |
| 10 | 969224 | Mutter | 1 | |
| 11 | 486081 | Motor Silent-Block | 1 | |

| | |
|---------------------|-------------|
| Einheit | Motor |
| Code | T3 |
| Beschreibung | Kurbelwelle |
| Inspektion | 1 |



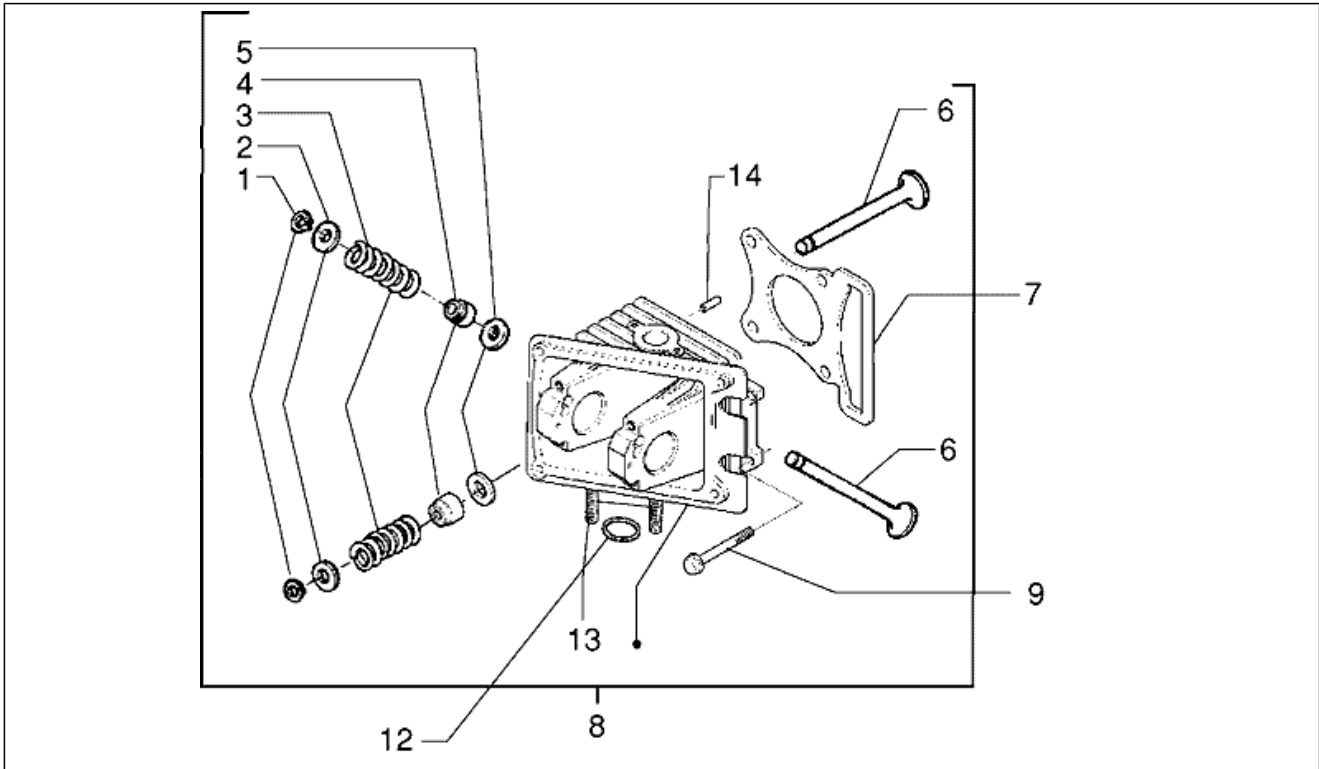
| Pos. | Code | Beschreibung | Menge | Varianten |
|------|--------|--------------------|-------|-----------|
| 1 | 96925R | Lager | 1 | |
| 2 | 969028 | Dichtring 17x28x07 | 1 | |
| 3 | 969381 | Lager | 1 | |
| 3 | 82671R | Lager | 1 | |
| 5 | 969203 | Kurbelwelle | 1 | |
| 5 | 969428 | Kurbelwelle kpl. | 1 | |

| | |
|---------------------|-------------------------------------|
| Einheit | Motor |
| Code | T4 |
| Beschreibung | Gruppe zylinder-kolben-kolbenbolzen |
| Inspektion | 1 |



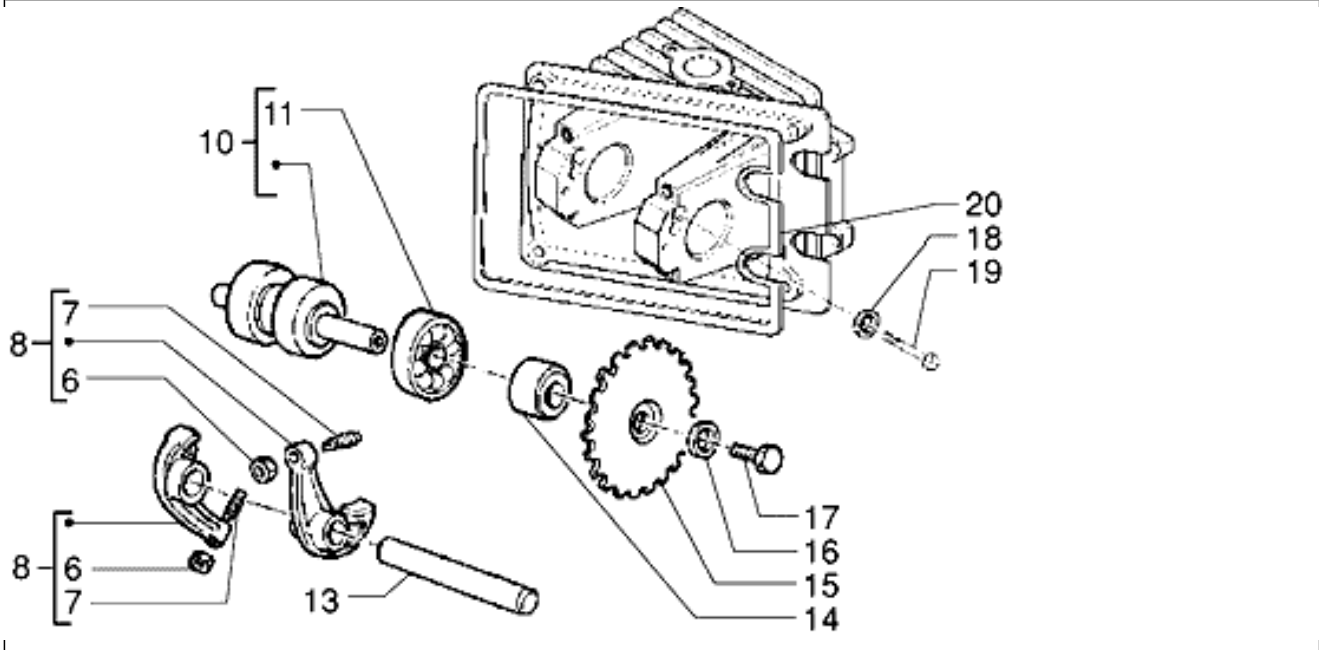
| Pos. | Code | Beschreibung | Menge | Varianten |
|------|------------|----------------------------------|-------|-----------|
| 1 | 031091 | Sechskantschraube M6x22 | 1 | |
| 2 | 969230 | ZYLINDERFUSSDICHTUNG dicke 0,5 | 2 | |
| 2 | 969229 | ZYLINDERFUSSDICHTUNG dicke 0,4 | 1 | |
| 3 | 969213 | Sprengring Kolbenbolzenhalterung | 2 | |
| 4 | 969603 | Kolben mit Zylinder kpl. | 1 | |
| 5 | 969214 | Bolzen | 1 | |
| 6 | 9696045001 | Kolben kpl. Cat.A | 2 | |
| 6 | 969618 | Kolben kpl. | 1 | |
| 6 | 9696045004 | Kolben kpl. Cat.D | 1 | |
| 6 | 969619 | Kolben kpl. | 1 | |
| 6 | 9696045002 | Kolben kpl. Cat.B | 1 | |
| 6 | 969617 | Kolben kpl. | 1 | |
| 6 | 9696045003 | Kolben kpl. Cat.C | 1 | |
| 7 | 969215 | Kolbenring | 1 | |
| 7 | 969608 | Dichtring | 1 | |
| 7 | 969611 | Dichtring | 1 | |
| 7 | 969614 | Dichtring | 1 | |
| 8 | 969216 | Kolbenring | 1 | |
| 8 | 969612 | Dichtring | 1 | |
| 8 | 969609 | Dichtring | 1 | |
| 8 | 969615 | Dichtring | 1 | |
| 9 | 969613 | ÷labstreifring | 1 | |
| 9 | 969610 | ÷labstreifring | 1 | |
| 9 | 969217 | Ölabstreifer | 1 | |
| 9 | 969616 | ÷labstreifring | 1 | |

| | |
|---------------------|-----------------------|
| Einheit | Motor |
| Code | T5 |
| Beschreibung | Einheit kopf - Ventil |
| Inspektion | 1 |



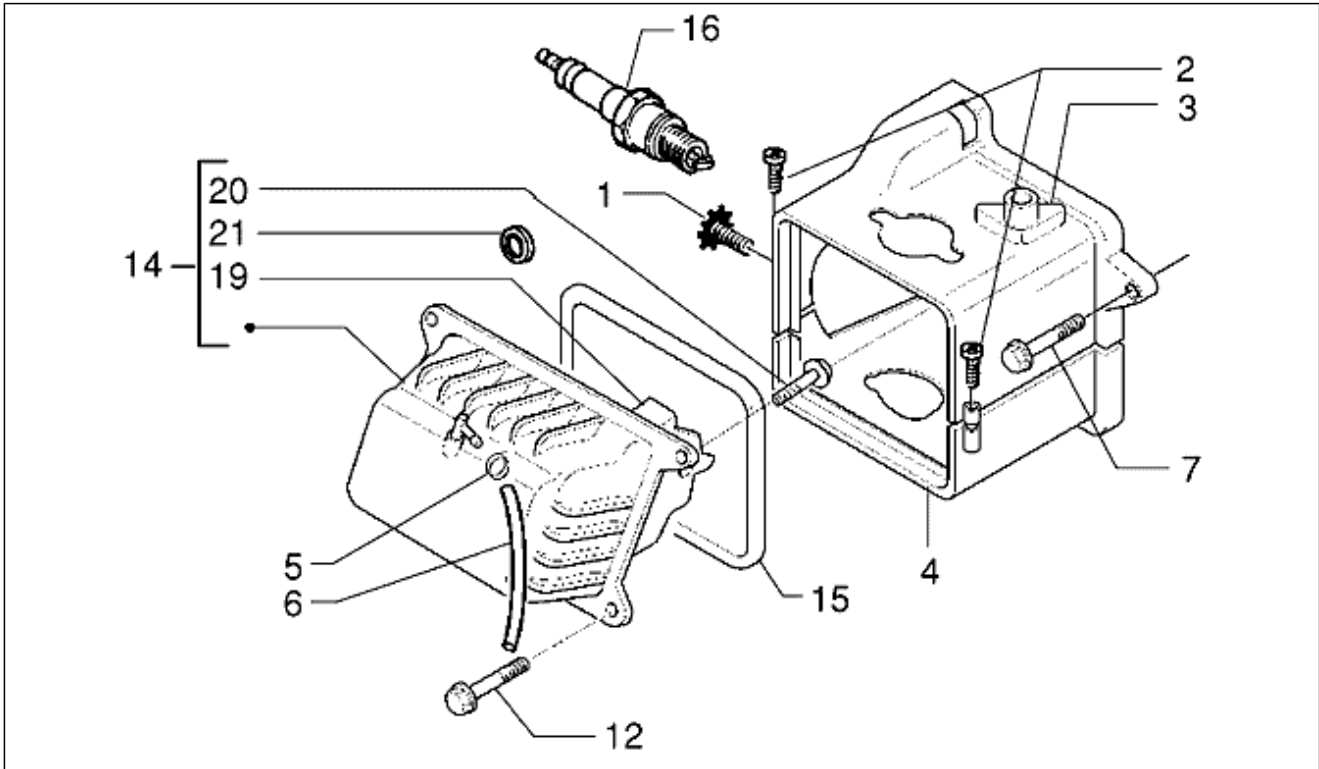
| Pos. | Code | Beschreibung | Menge | Varianten |
|------|--------|------------------------------|-------|-----------|
| 1 | 285846 | Ventilhalbkegel | 4 | |
| 2 | 969267 | Becher | 2 | |
| 3 | 845782 | Ventilfeder | 2 | |
| 3 | 969272 | Feder | 2 | |
| 4 | 436438 | Ventil Dichtring | 2 | |
| 5 | 289420 | Becher | 2 | |
| 6 | 969238 | Einlaßventil | 1 | |
| 6 | 969239 | Auslaßventil | 1 | |
| 7 | 969393 | Zylinderkopfdichtung | 1 | |
| 8 | 969231 | Zylinderkopf | 1 | |
| 8 | 833693 | Zylinderkopf | 1 | |
| 8 | 969233 | Zylinderkopf | 1 | |
| 9 | 319242 | TCEI Schraube | 2 | |
| 12 | 969236 | Dichtung Auspuffrohr | 1 | |
| 13 | 239397 | Stiftschraube M6 | 2 | |
| 14 | 239388 | Passhülse 6,5x9,5x15 | 1 | |
| 15 | 969972 | TCEI Schraube m10x1,5 | 1 | |
| 16 | 486075 | Ausgleichscheibe 10.5X16X2.5 | 1 | |

| | |
|---------------------|-------------------------|
| Einheit | Motor |
| Code | T6 |
| Beschreibung | Kipphebel - Nockenwelle |
| Inspektion | 1 |



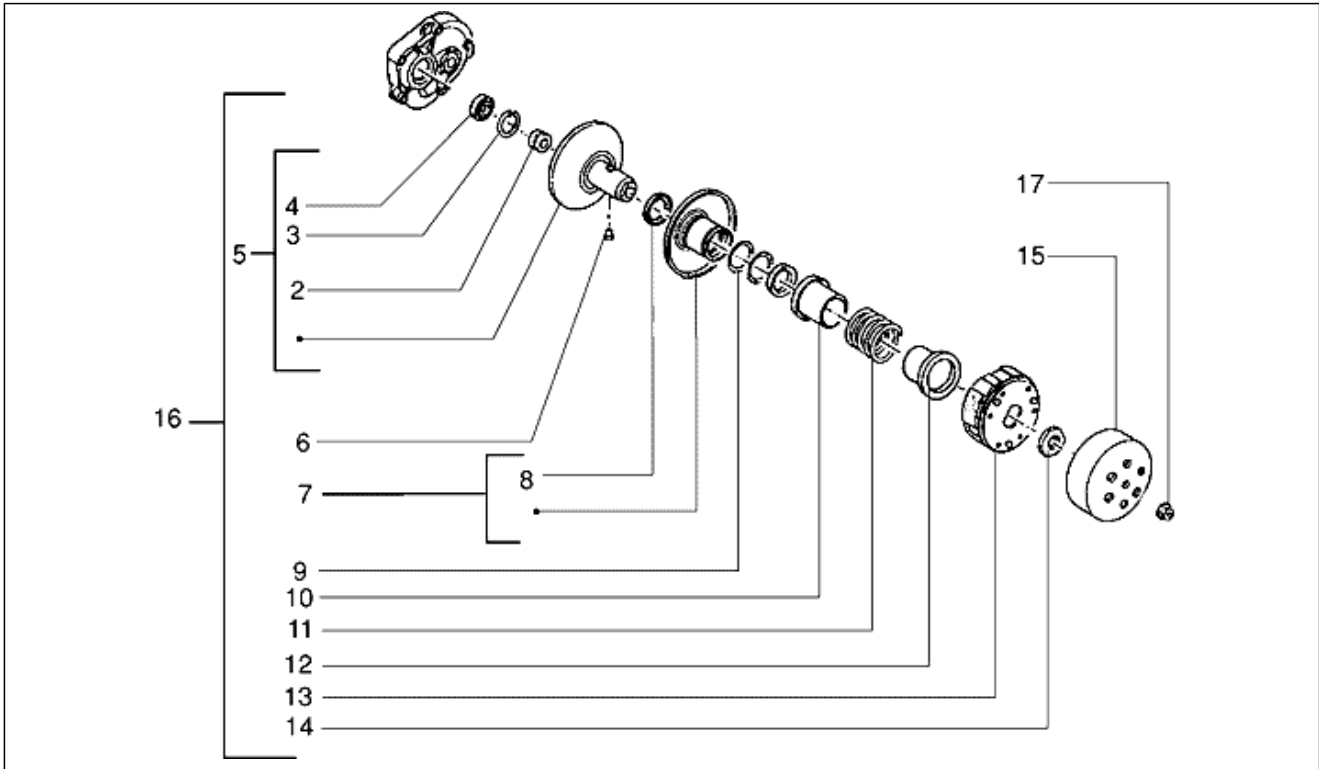
| Pos. | Code | Beschreibung | Menge | Varianten |
|------|---------|------------------------|-------|-----------|
| 6 | 484819 | Mutter | 4 | |
| 7 | 484654 | Schraube m6x14,6 | 1 | |
| 7 | 82817R | Regelschraube | 1 | |
| 8 | 9692695 | Kipphebel kpl. | 8 | |
| 10 | 9692475 | Nockenwelle | 1 | |
| 11 | 96926R | Lager 12x32x10 | 1 | |
| 13 | 969268 | Kipphebelachse | 1 | |
| 14 | 969265 | Distanzscheibe | 1 | |
| 15 | 434943 | Steuer Zahnkranz | 11 | |
| 16 | 436695 | Tellerfeder Ø6,4xØ20x2 | 1 | |
| 17 | 436788 | TE Schr. m. Flansch | 2 | |
| 18 | 969315 | Tellerfeder d.5,2x15 | 1 | |
| 19 | 484123 | TE Schr. m. Flansch | 1 | |
| 20 | 969334 | Dichtung | 1 | |

| | |
|---------------------|-----------------------|
| Einheit | Motor |
| Code | T7 |
| Beschreibung | Zylinderkopfabdeckung |
| Inspektion | 1 |



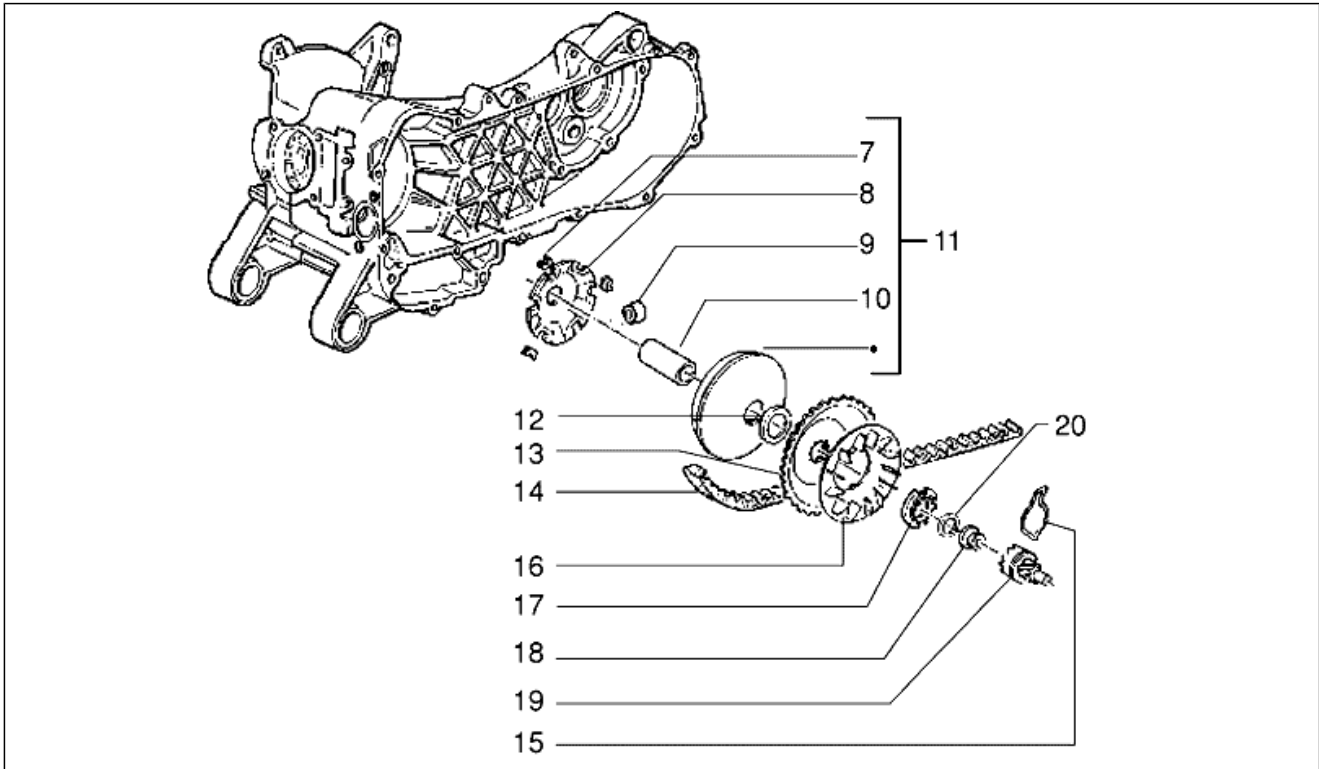
| Pos. | Code | Beschreibung | Menge | Varianten |
|------|----------|-------------------------|-------|-----------|
| 1 | 969339 | Daumenschraube | 1 | |
| 2 | 259577 | Schraube | 1 | |
| 3 | 828553 | H. Kühlhutze | 1 | |
| 4 | 969918 | Kühlhaube | 1 | |
| 5 | CM002908 | Schlauchschelle | 3 | |
| 6 | 969415 | Entlüftungsschlauch öl | 1 | |
| 7 | 270793 | Schraube TBCIC | 1 | |
| 12 | 031091 | Sechskantschraube M6x22 | 1 | |
| 14 | 969801 | Kopfdeckel | 1 | |
| 15 | 969226 | Dichtung | 1 | |
| 15 | 843684 | Kopf Deckel Dichtung | 1 | |
| 16 | 438027 | Zündkerze RG4HC | 1 | |
| 19 | 969286 | Platte | 1 | |
| 20 | 430264 | Gewindeschraube | 1 | |
| 21 | 969894 | Blow-by dichtung | 1 | |

| | |
|---------------------|---------------------------|
| Einheit | Motor |
| Code | T8 |
| Beschreibung | Getriebene Riemenscheiben |
| Inspektion | 1 |



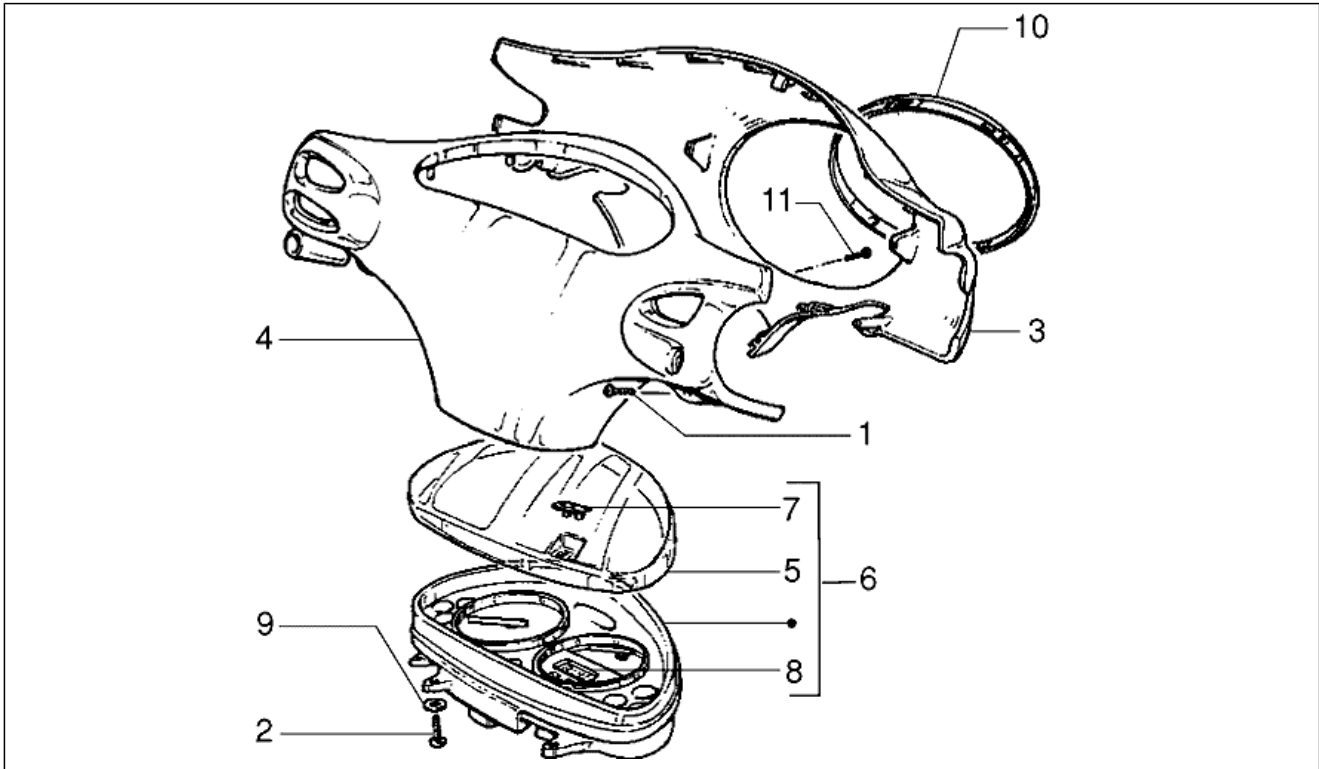
| Pos. | Code | Beschreibung | Menge | Varianten |
|------|----------|--|-------|-----------|
| 2 | 289953 | Lager | 1 | |
| 3 | 006624 | Ring | 1 | |
| 4 | 289952 | Nadelkaefig | 1 | |
| 5 | 4795526 | Feste Nebenriemenscheibe komplett | 3 | |
| 6 | 482766 | Bolzen | 1 | |
| 7 | 827893 | Bewegliche Nebenriemenscheibe komplett | 1 | |
| 8 | 289950 | Dichtring | 1 | |
| 9 | 289840 | Dichtung | 1 | |
| 10 | 483443 | Federteller Riemenscheibenseite | 1 | |
| 11 | 478028 | Feder Wandler | 1 | |
| 12 | 487935 | Federteller Kupplungsseite | 1 | |
| 13 | CM100202 | Kupplung kpl | 1 | |
| 14 | 289955 | Nutmutter | 1 | |
| 15 | 289933 | Kupplungsglocke | 1 | |
| 16 | CM100107 | Nebenriemenscheibe komplett | 1 | |
| 17 | 289519 | Geflanschte Mutter M10x1,25 | 1 | |

| | |
|---------------------|-------------------------|
| Einheit | Motor |
| Code | T9 |
| Beschreibung | Treibende Riemenscheibe |
| Inspektion | 1 |



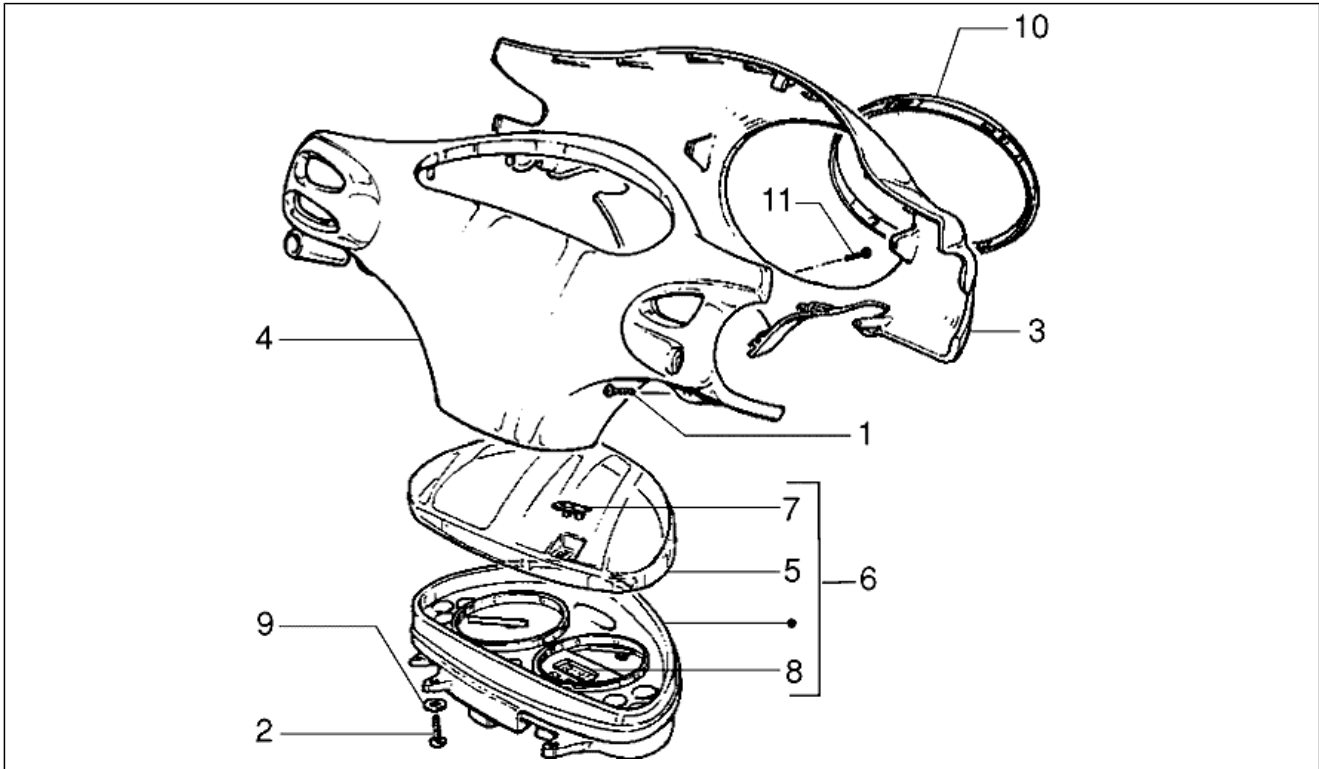
| Pos. | Code | Beschreibung | Menge | Varianten |
|------|-----------|-----------------------------|-------|-----------|
| 7 | 289931 | Gleitbacke | 3 | |
| 8 | 480227 | Rollen Kontraste | 1 | |
| 9 | CM1102035 | Bausatz rollen | 1 | |
| 10 | 480230 | Distanzscheibe | 1 | |
| 11 | CM110304 | Antriebshalbriemenscheibe | 1 | |
| 12 | CM100604 | Distanzscheibe | 1 | |
| 13 | 479561 | Riemenscheibenhälfte | 1 | |
| 14 | 82645R | Keilriemen | 1 | |
| 15 | 830212 | Sprungfeder | 1 | |
| 16 | 480410 | Scheibe | 1 | |
| 17 | 479866 | Buchse verzahnt | 1 | |
| 18 | 289519 | Geflanschte Mutter M10x1,25 | 1 | |
| 19 | 483537 | Kickstarterritzel | 1 | |
| 20 | 265300 | Ausgleichscheibe | 1 | |

| | |
|---------------------|---------------------------|
| Einheit | Lenker |
| Code | T33 |
| Beschreibung | Tachometer - Lenkerdeckel |
| Inspektion | 1 |



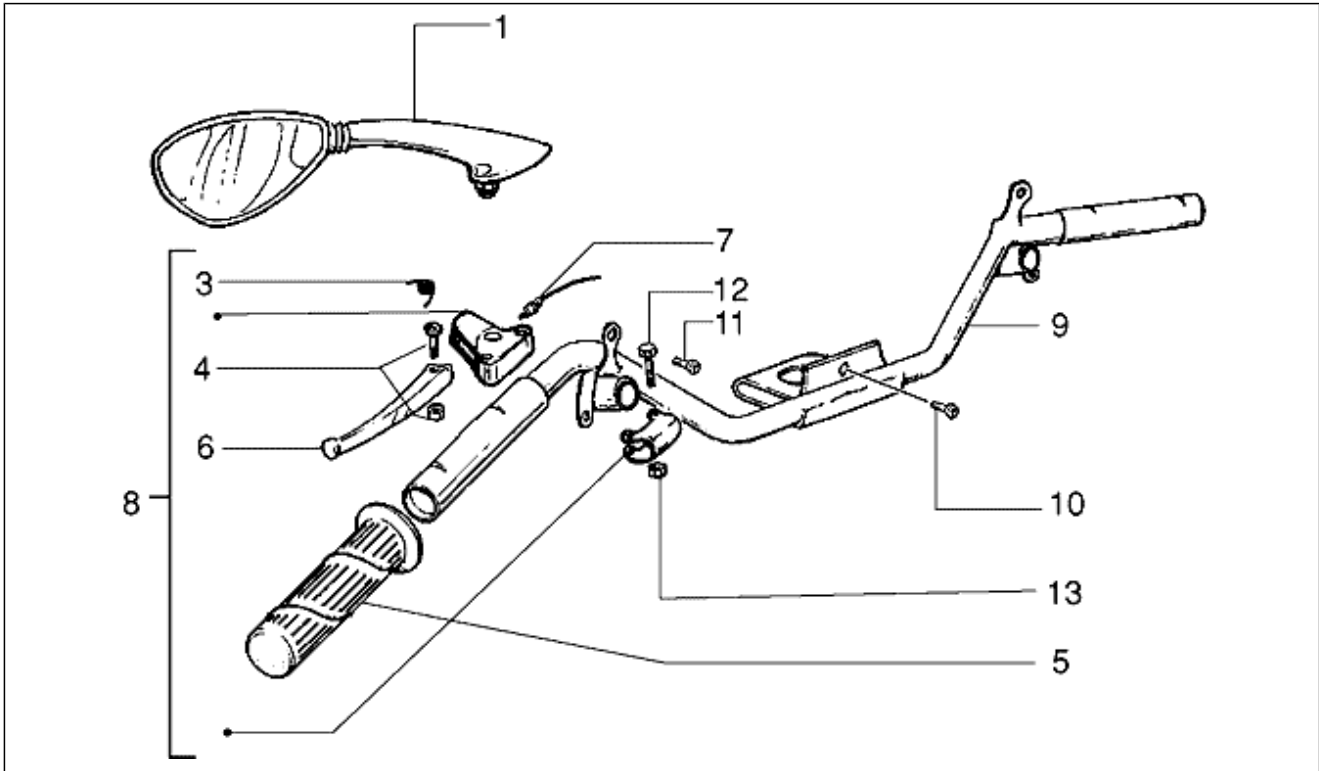
| Pos. | Code | Beschreibung | Menge | Varianten |
|------|------------|---------------------------|-------|-----------|
| 1 | 258146 | Gew.schr. M3x20 | 2 | |
| 2 | 270793 | Schraube TBCIC | 4 | |
| 3 | 4272005066 | Lenkerdeckel vorderer | 1 | |
| 3 | 4272005 | Lenkerdeckel vorderer | 1 | |
| 3 | 4272005060 | Lenkerdeckel vorderer | 1 | |
| 3 | 4272005090 | Lenkerdeckel vorderer | 1 | |
| 3 | 4272005095 | Lenkerdeckel vorderer | 1 | |
| 3 | 42720050A7 | Lenkerdeckel vorderer | 1 | |
| 3 | 42720050B2 | Lenkerdeckel vorderer | 1 | |
| 3 | 42720050C1 | Lenkstangenabdeckung | 1 | |
| 3 | 42720050D1 | Lenkerdeckel vorderer | 1 | |
| 3 | 42720050G5 | Lenkstangenabdeckung | 1 | |
| 3 | 42720050R7 | Lenkstangenabdeckung | 1 | |
| 3 | 42720050V3 | Lenkstangenabdeckung | 1 | |
| 3 | 42720050V6 | Lenkerdeckel vorderer | 1 | |
| 4 | 5809780060 | Hintere Lenkerverkleidung | 1 | |
| 4 | 4274185 | Lenkerdeckel hinterer | 1 | |
| 4 | 580978000D | Lenkerdeckel hinterer | 1 | |
| 4 | 580978000L | Lenkstangenabdeckung | 1 | |
| 4 | 5809780090 | Lenkstangenabdeckung | 1 | |
| 4 | 58097800D1 | Lenkstangenabdeckung | 1 | |
| 4 | 58097800G5 | Lenkstangenabdeckung | 1 | |
| 4 | 58097800V3 | Lenkstangenabdeckung | 1 | |
| 5 | 494518 | Tachoglas | 1 | |
| 6 | 583278 | Instrumenteneinheit | 1 | |
| 6 | 583279 | Not available | 1 | |
| 7 | 494519 | Knopf | 1 | |
| 8 | 494521 | Uhr | 1 | |

| | |
|---------------------|---------------------------|
| Einheit | Lenker |
| Code | T33 |
| Beschreibung | Tachometer - Lenkerdeckel |
| Inspektion | 1 |



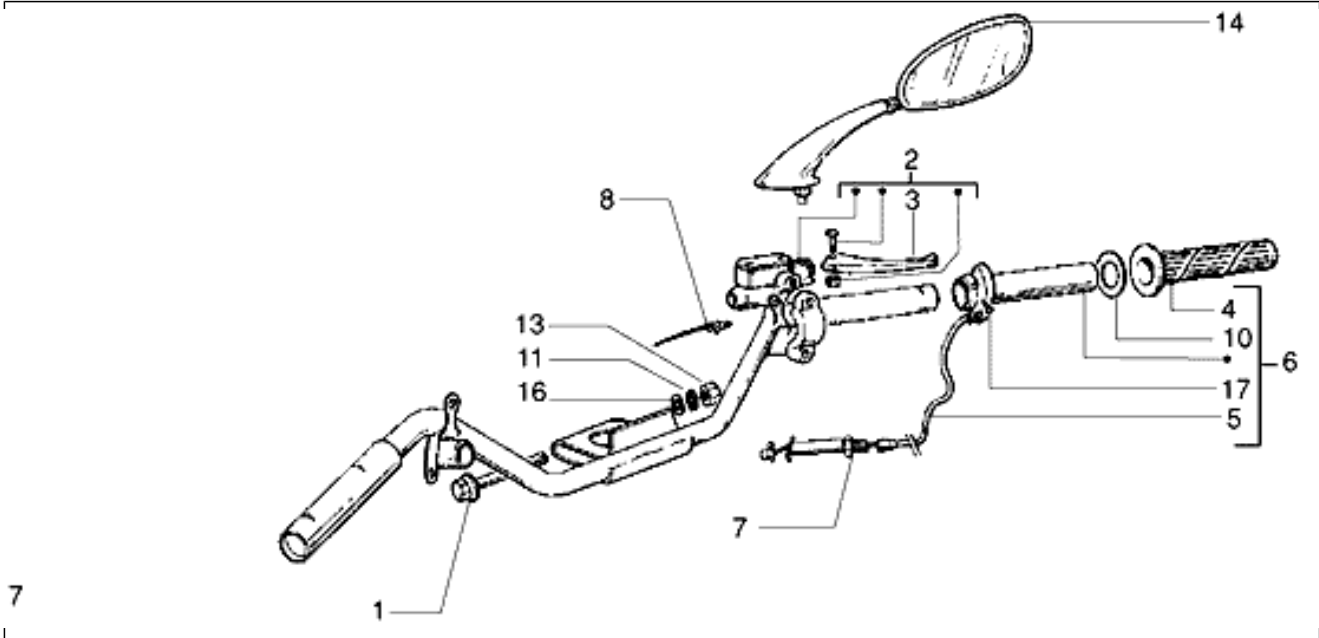
| Pos. | Code | Beschreibung | Menge | Varianten |
|------|--------|-----------------|-------|-----------|
| 9 | 013769 | Unterlegscheibe | 4 | |
| 10 | 560671 | Kranzgesims | 1 | |
| 11 | 268139 | Schraube | 1 | |
| 12 | 576521 | Piaggio-Emblem | 1 | |

| | |
|---------------------|-----------------|
| Einheit | Lenker |
| Code | T34 |
| Beschreibung | Lenker Bauteile |
| Inspektion | 1 |



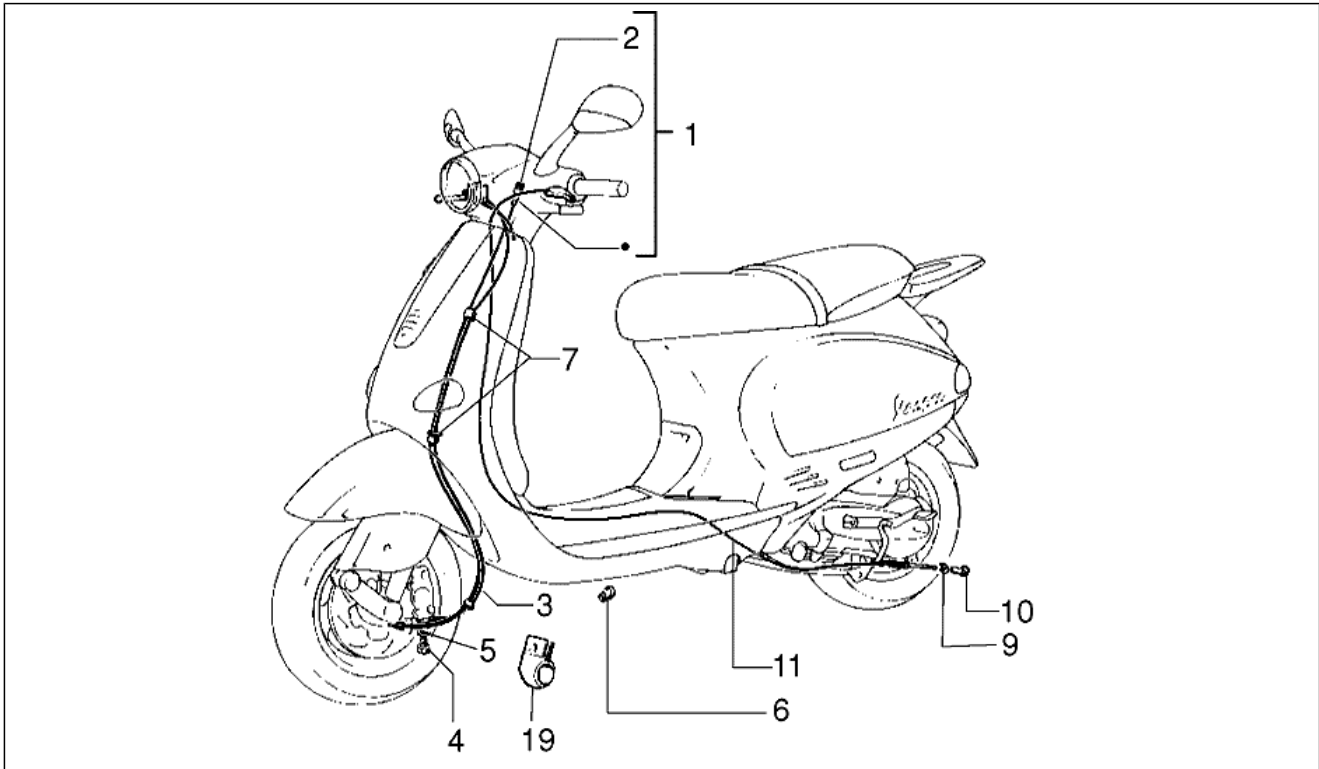
| Pos. | Code | Beschreibung | Menge | Varianten |
|------|---------|---------------------|-------|-----------|
| 1 | 581554 | Rückspiegel | 1 | |
| 3 | 267948 | Feder | 1 | |
| 4 | 265249 | Schraube mit Mutter | 1 | |
| 5 | 560580 | Griff | 1 | |
| 6 | 564642 | Hebel | 1 | |
| 7 | 580953 | Knopf stop | 1 | |
| 8 | 564641 | Hülse | 1 | |
| 9 | 5817165 | Lenkstange | 1 | |
| 10 | 008457 | Gew.schr. M4,2x19 | 1 | |
| 11 | 258146 | Gew.schr. M3x20 | 2 | |
| 12 | 030034 | Schraube | 2 | |
| 13 | 440785 | Mutter | 1 | |

| | |
|---------------------|-----------------|
| Einheit | Lenker |
| Code | T35 |
| Beschreibung | Lenker Bauteile |
| Inspektion | 1 |



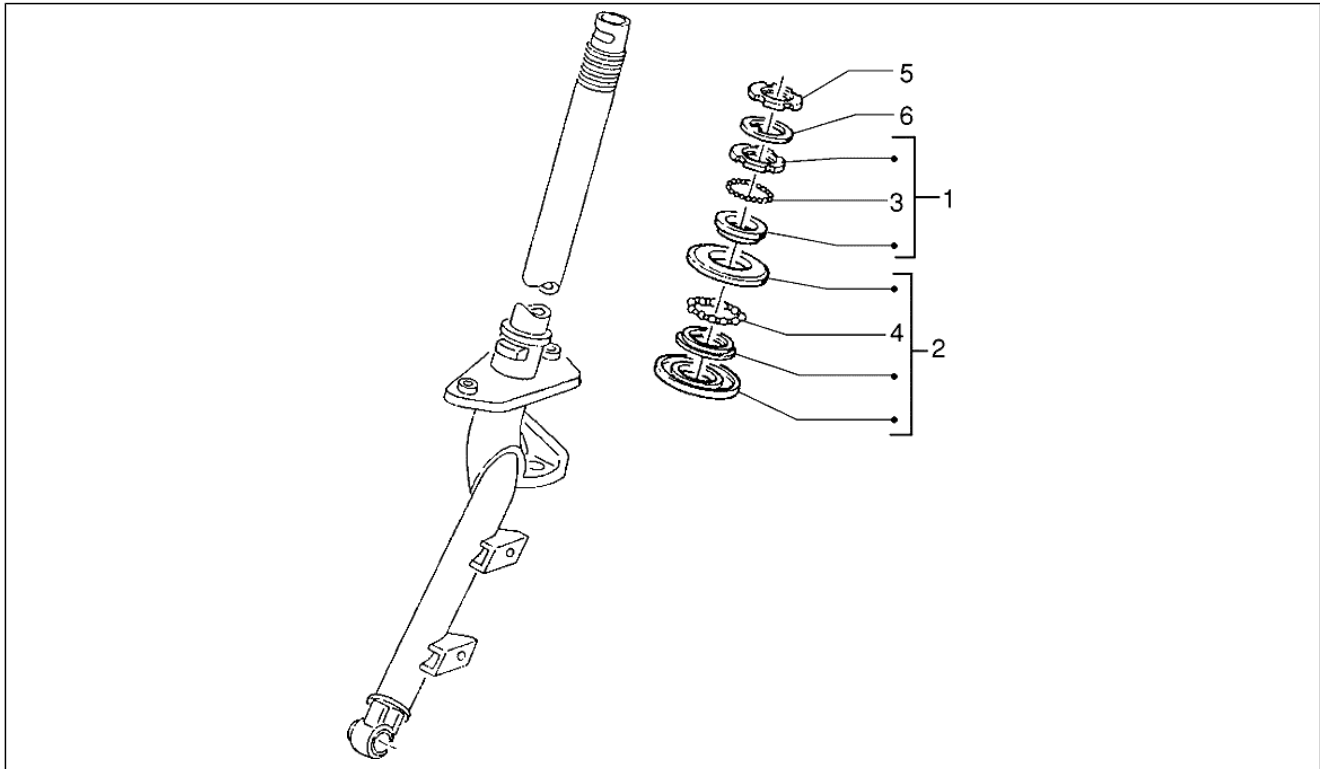
| Pos. | Code | Beschreibung | Menge | Varianten |
|------|----------|---|-------|-----------|
| 1 | 223605 | Schraube | 1 | |
| 2 | 56008R | Bremspumpe | 1 | |
| 3 | 497039 | Hebel | 1 | |
| 3 | 494948 | Bremshebel | 1 | |
| 4 | 560582 | Griff | 1 | |
| 5 | 582426 | Getriebe | 1 | |
| 6 | CM060925 | Hülse | 1 | |
| 7 | 269145 | Regelschraube | 1 | |
| 8 | 580953 | Knopf stop | 1 | |
| 10 | 562923 | Ring 38,3x27x1,2 | 1 | |
| 11 | 012543 | Flache Gummischeibe mit interner Verzahnung 17x10,3x2 | 1 | |
| 13 | 015330 | Mutter M10 | 1 | |
| 14 | 581555 | Rückspiegel | 1 | |
| 16 | 178790 | Flachscheibe | 1 | |
| 17 | 123394 | Schraube mit Buchse | 1 | |

| | |
|---------------------|------------|
| Einheit | Bowdenzüge |
| Code | T36 |
| Beschreibung | Bowdenzüge |
| Inspektion | 1 |



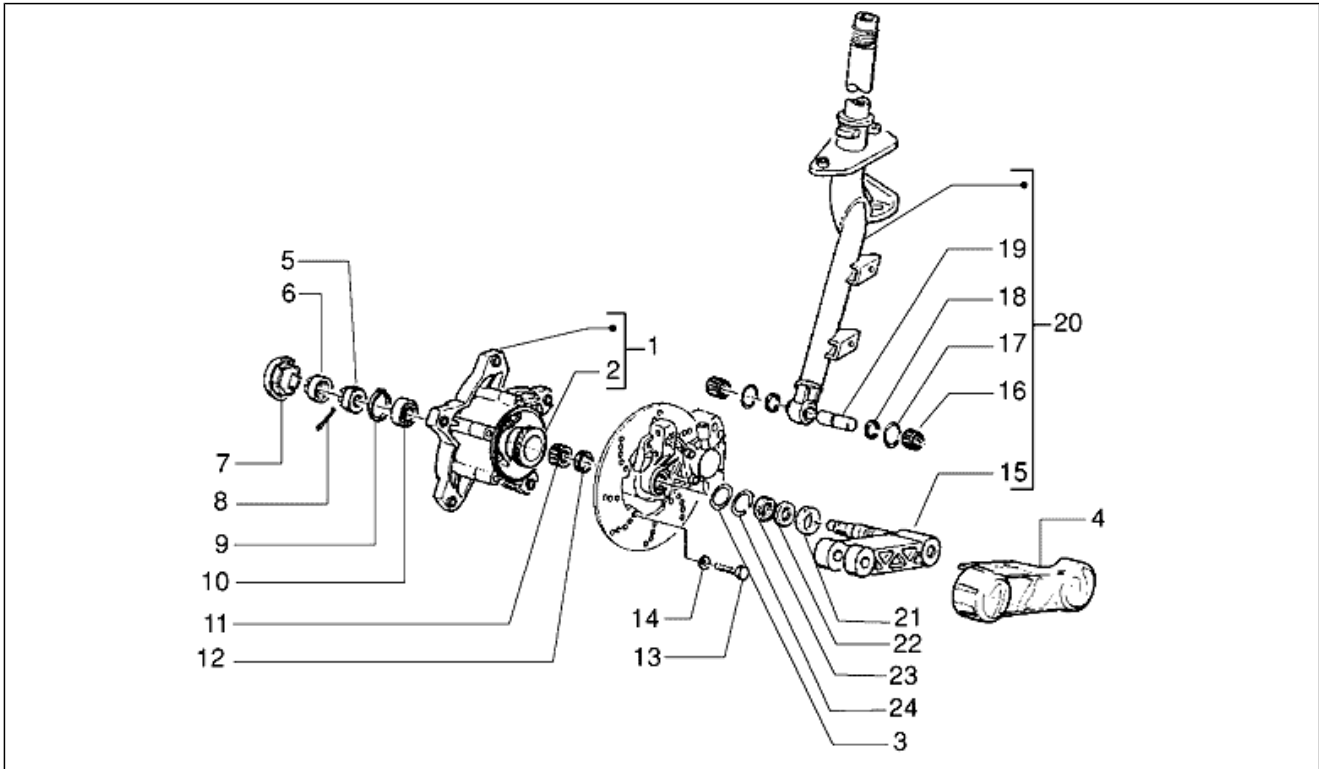
| Pos. | Code | Beschreibung | Menge | Varianten |
|------|--------|----------------------------------|-------|-----------|
| 1 | 581693 | Bowdenzug Tachometer | 1 | |
| 2 | 561806 | Kabel | 1 | |
| 3 | 563886 | Schlauch | 1 | |
| 4 | 265451 | Fixierschraube Ölschlauch M10x18 | 1 | |
| 5 | 127927 | Dichtung | 2 | |
| 6 | 268172 | Kleine Feder | 1 | |
| 7 | 109960 | Schelle | 2 | |
| 9 | 179640 | Stellzapfen | 1 | |
| 10 | 270310 | Bremsregister | 1 | |
| 11 | 564217 | Hinterrad-Bremsseil komplett | 1 | |
| 19 | 563872 | Bügel | 1 | |

| | |
|---------------------|------------------------|
| Einheit | Radaufhängungen |
| Code | T28 |
| Beschreibung | Lagerrungen Steuerrohr |
| Inspektion | 1 |



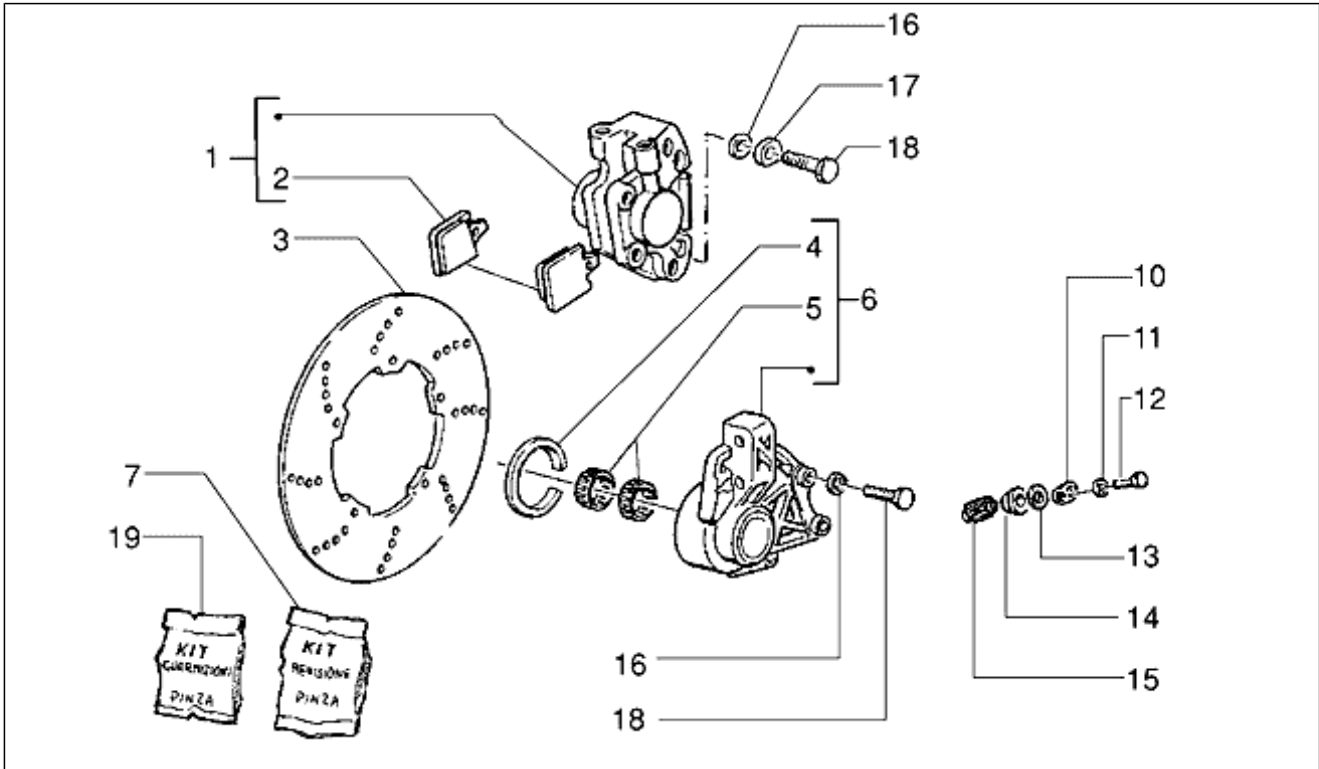
| Pos. | Code | Beschreibung | Menge | Varianten |
|------|--------|------------------------------|-------|-----------|
| 1 | 56002R | Steuersatz | 1 | |
| 2 | 56003R | Steuersatz | 1 | |
| 3 | 000000 | [...] | 1 | |
| 3 | 077024 | Ball cage | 1 | |
| 4 | 000000 | [...] | 1 | |
| 4 | 077023 | Ball cage | 1 | |
| 5 | 011109 | Gewinding Lenkrohr | 1 | |
| 6 | 003751 | Unterlegscheibe des Lenkrads | 1 | |

| | |
|---------------------|-----------------------------|
| Einheit | Radaufhängungen |
| Code | T29 |
| Beschreibung | Steuerrohr - Scheibenbremse |
| Inspektion | 1 |



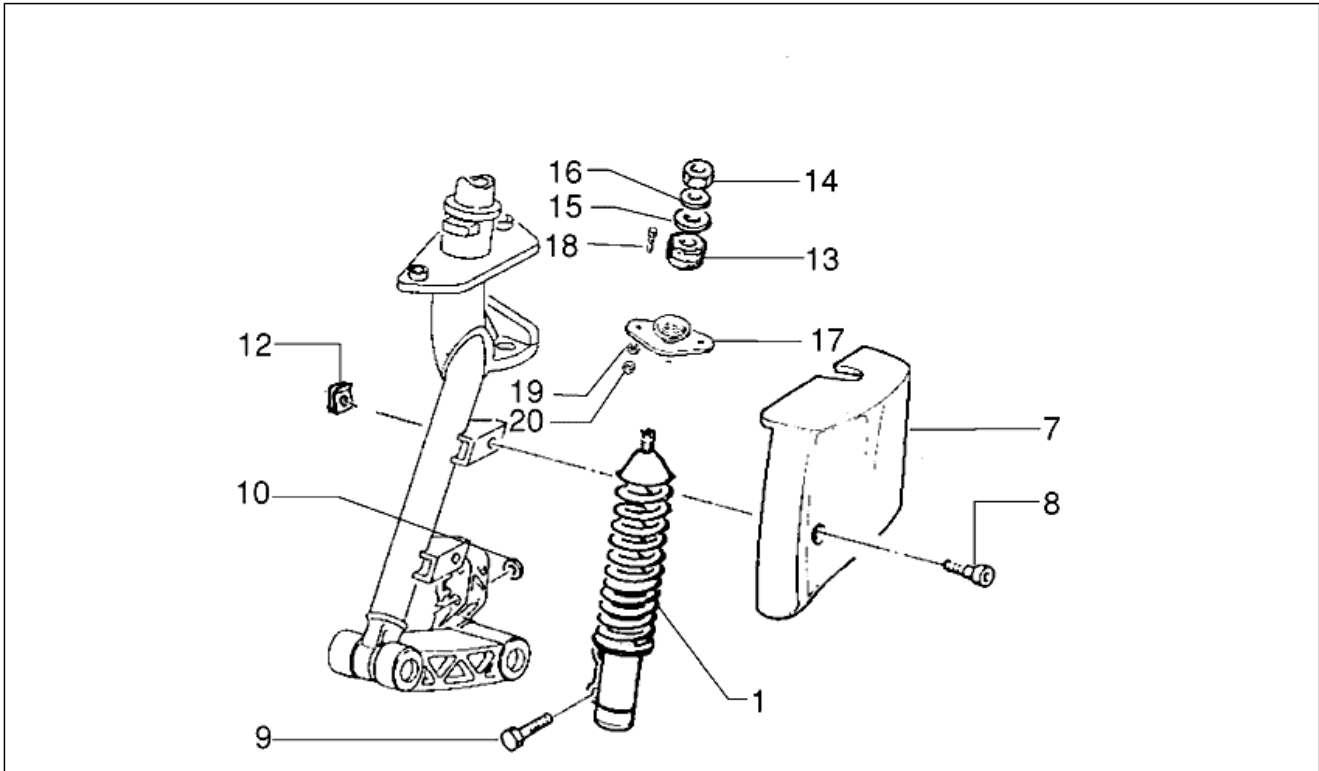
| Pos. | Code | Beschreibung | Menge | Varianten |
|------|---------|------------------------|-------|-----------|
| 1 | 560284 | Vorderradnabe | 1 | |
| 2 | 267818 | Zahnrad Griff zählt Km | 1 | |
| 3 | 177414 | Unterlegscheibe | 1 | |
| 4 | 561433 | Abdeckung Lenker vorne | 1 | |
| 5 | 021114 | Mutter | 1 | |
| 6 | 182546 | Deckel | 1 | |
| 7 | 177609 | Kappe | 1 | |
| 8 | 012789 | Splint | 1 | |
| 9 | 006635 | Sprengring | 1 | |
| 10 | 177610 | Lager | 1 | |
| 11 | 177442 | Nadelhülse | 1 | |
| 12 | 177443 | Gasket ring | 1 | |
| 13 | 271147 | TBEI Schraube M6x20 | 1 | |
| 14 | 006966 | Federring 6,4x11x0,5 | 1 | |
| 15 | 2737115 | Schwingarm | 1 | |
| 16 | 198513 | Rollenkäfig | 2 | |
| 17 | 006731 | Dichtung | 2 | |
| 18 | 119219 | Gasket ring | 2 | |
| 19 | 177451 | Bolzen | 1 | |
| 20 | 5649775 | Lenkrohr | 1 | |
| 21 | 177408 | O-Ring | 1 | |
| 22 | 177445 | Unterlegscheibe | 1 | |
| 23 | 177521 | Ring | 1 | |
| 24 | 006422 | Seegerring | 1 | |

| | |
|---------------------|--------------------------|
| Einheit | Radaufhängungen |
| Code | T30 |
| Beschreibung | Bremszange - Bremscheibe |
| Inspektion | 1 |



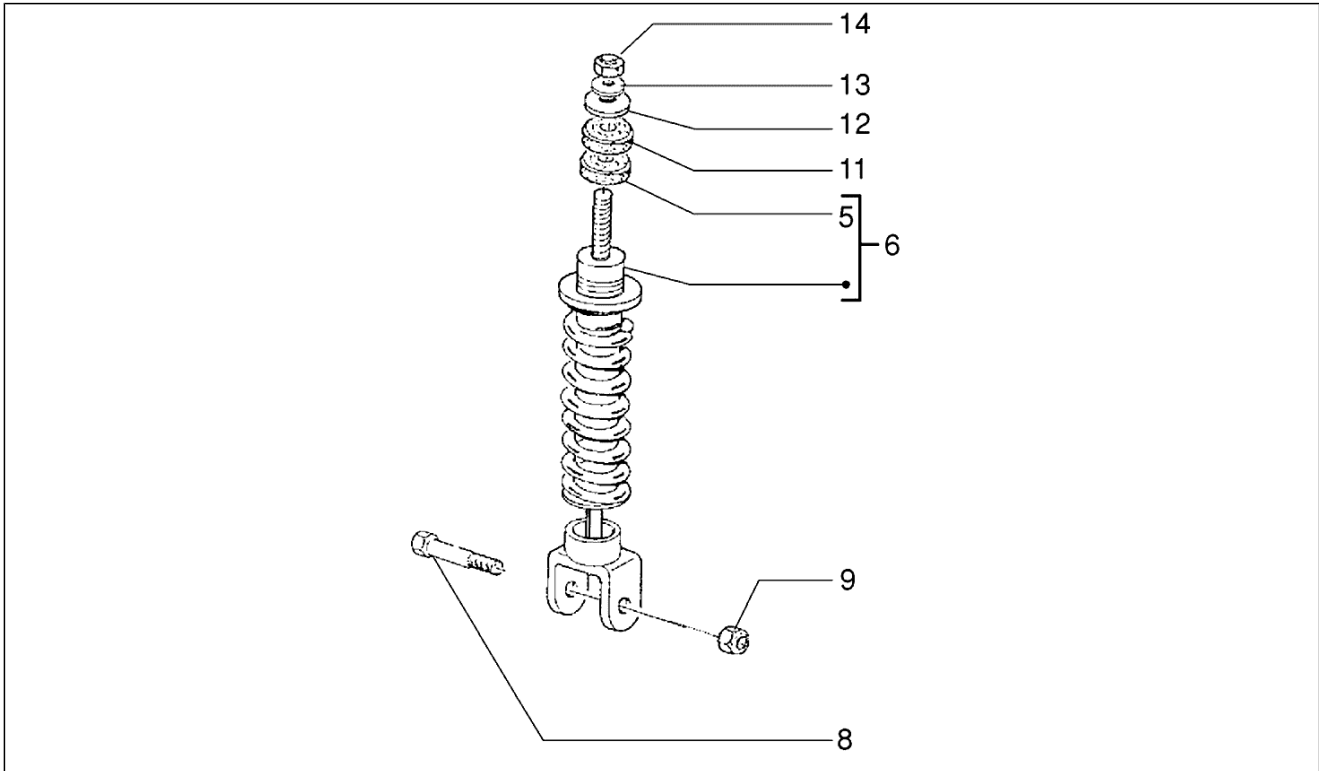
| Pos. | Code | Beschreibung | Menge | Varianten |
|------|----------|-------------------------------|-------|-----------|
| 1 | CM066101 | Bremszange | 1 | |
| 1 | CM076101 | Bremszange (Grimeca) | 1 | |
| 2 | 494938 | Bremsklötze | 1 | |
| 2 | 494097 | Bremsklötze | 1 | |
| 3 | 563246 | Bremsscheibe | 1 | |
| 4 | 177494 | Ring | 1 | |
| 5 | 177436 | Nadelhülse | 2 | |
| 6 | 5602865 | Not available | 1 | |
| 7 | 498849 | Bausatz Bremszangenüberholung | 1 | |
| 10 | 269118 | Platte | 1 | |
| 11 | 016405 | Federring 8,5x5,1x1,5 | 1 | |
| 12 | 031058 | Schraube M5x16 | 1 | |
| 13 | 266841 | Puffer | 1 | |
| 14 | 564053 | Halter | 1 | |
| 15 | 267819 | Ritzel | 1 | |
| 16 | 709047 | Federring | 2 | |
| 17 | 003058 | Flachscheibe 15x8,4x1,5 | 1 | |
| 18 | 597150 | Schraube | 2 | |
| 19 | 498850 | Reparatursatz bremszange | 1 | |

| | |
|---------------------|----------------------|
| Einheit | Radaufhängungen |
| Code | T31 |
| Beschreibung | Vorderer Stoßdämpfer |
| Inspektion | 1 |



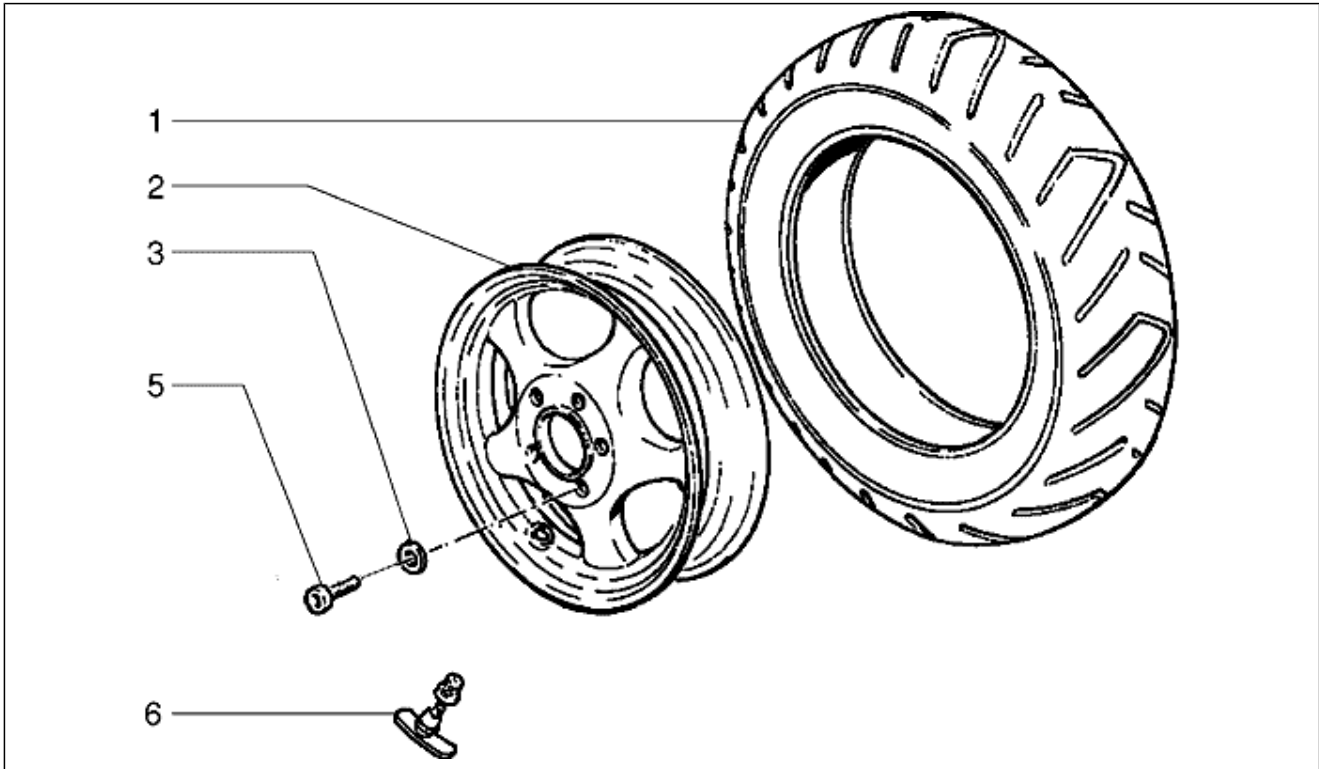
| Pos. | Code | Beschreibung | Menge | Varianten |
|------|------------|------------------------------|-------|-----------|
| 1 | 598922 | Stoßdämpfer | 1 | |
| 1 | 56072R | Stoßdämpfer | 1 | |
| 7 | 82170050C1 | Reifen | 1 | |
| 7 | 82170050V6 | Reifen | 1 | |
| 7 | 8217005095 | Reifen | 1 | |
| 7 | 82170050D1 | Reifen | 1 | |
| 7 | 82170050B2 | Reifen | 1 | |
| 7 | 82170050G5 | Reifen | 1 | |
| 7 | 8217005 | Reifen | 1 | |
| 7 | 8217005060 | Reifen | 1 | |
| 7 | 82170050A7 | Reifen | 1 | |
| 7 | 82170050V3 | Reifen | 1 | |
| 7 | 8217005066 | Reifen | 1 | |
| 7 | 82170050R7 | Reifen | 1 | |
| 7 | 8217005090 | Reifen | 1 | |
| 8 | 575249 | Metrische Schraube TBC | 1 | |
| 9 | 149104 | TCEI Schraube M8x40 | 2 | |
| 10 | 016408 | Sprengscheibe 13,75x8,15x4,5 | 2 | |
| 12 | 254485 | Federplättchen M6 | 1 | |
| 13 | 216209 | Puffer | 2 | |
| 14 | 021210 | Mutter | 1 | |
| 15 | 174088 | Unterlegscheibe | 1 | |
| 16 | 012535 | Unterlegscheibe | 1 | |
| 17 | 562305 | Anschlusskonsole Stoßdämpfer | 1 | |
| 18 | 031120 | Schraube | 2 | |
| 19 | 016408 | Sprengscheibe 13,75x8,15x4,5 | 2 | |
| 20 | 020108 | Mutter M8x6,5 | 2 | |

| | |
|---------------------|----------------------|
| Einheit | Radaufhängungen |
| Code | T32 |
| Beschreibung | Hinterer Stoßdämpfer |
| Inspektion | 1 |



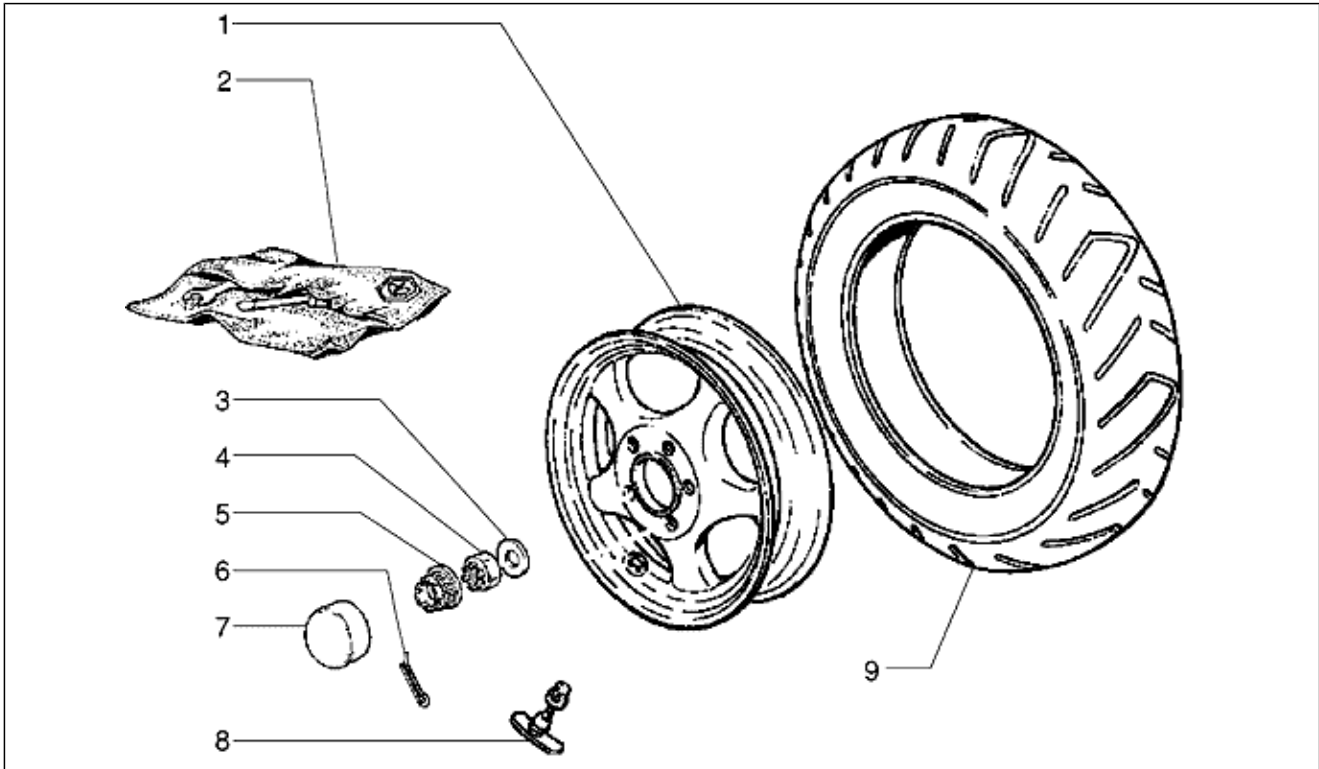
| Pos. | Code | Beschreibung | Menge | Varianten |
|------|--------|------------------------------|-------|-----------|
| 5 | 178149 | Puffer u. | 1 | |
| 6 | 562960 | Stoßdämpfer hinten | 1 | |
| 6 | 56133R | Stoßdämpfer | 1 | |
| 8 | 268158 | TE Schr. m. Flansch M10 | 1 | |
| 9 | 232108 | Mutter, selbstsichernd M10 | 1 | |
| 11 | 178150 | Puffer oben | 1 | |
| 12 | 267038 | Flachscheibe | 1 | |
| 13 | 016408 | Sprengscheibe 13,75x8,15x4,5 | 1 | |
| 14 | 021108 | Mutter M8 | 1 | |

| | |
|---------------------|-----------------|
| Einheit | Radaufhängungen |
| Code | T42 |
| Beschreibung | Vorderrad |
| Inspektion | 1 |



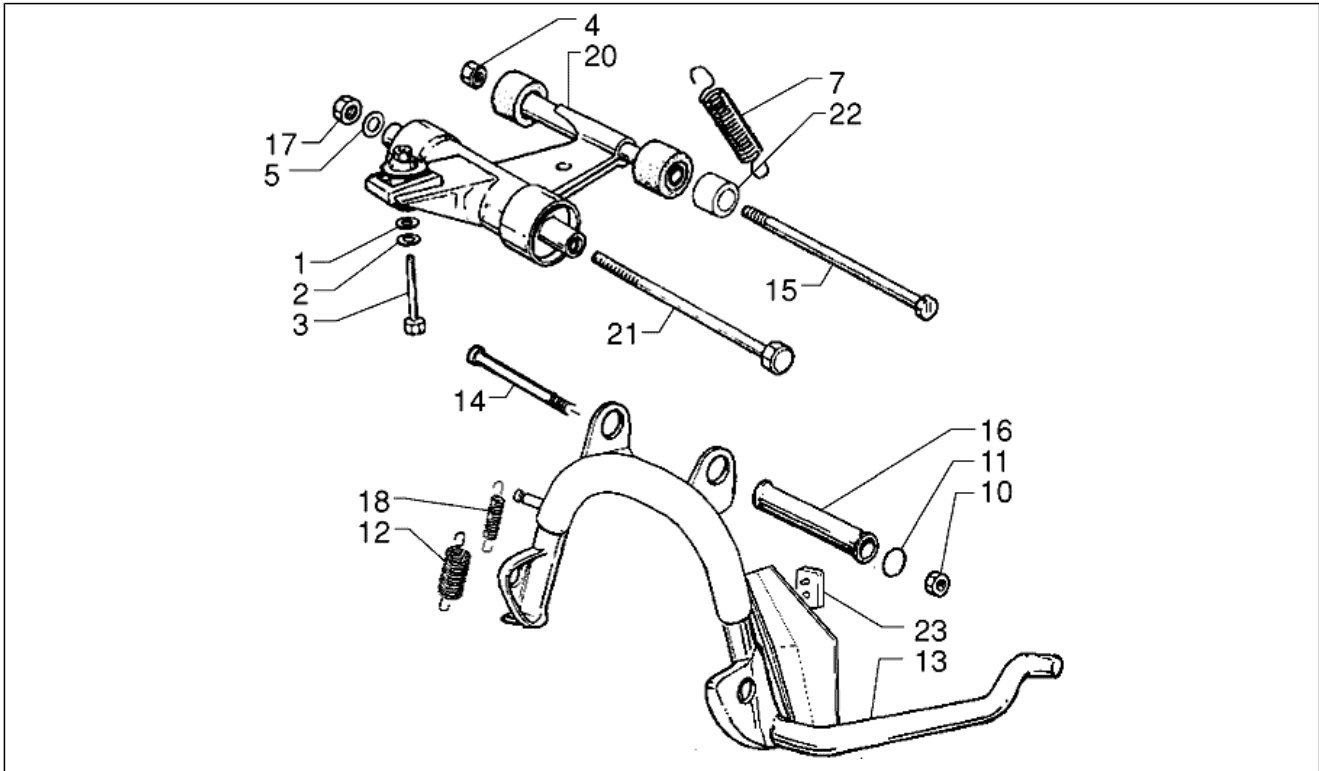
| Pos. | Code | Beschreibung | Menge | Varianten |
|------|--------|----------------------------|-------|-----------|
| 1 | 562887 | Reifen | 1 | |
| 1 | 562388 | Reifen | 1 | |
| 1 | 560660 | Reifen 100/80-10" Pirelli | 1 | |
| 2 | 273847 | Felge | 1 | |
| 3 | 709047 | Federring | 5 | |
| 5 | 597150 | Schraube | 5 | |
| 6 | 270991 | Schlauchloses Reifenventil | 1 | |

| | |
|---------------------|-----------------|
| Einheit | Radaufhängungen |
| Code | T43 |
| Beschreibung | Hinterrad |
| Inspektion | 1 |



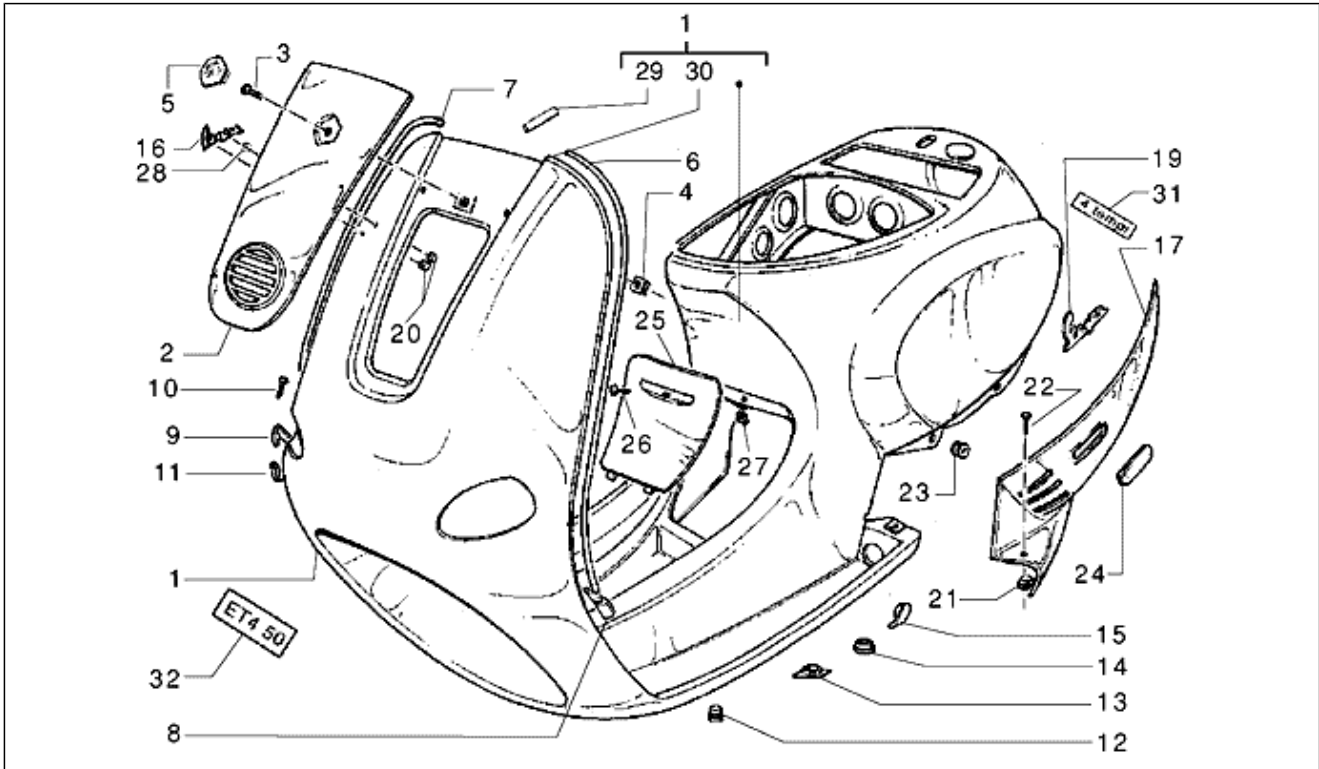
| Pos. | Code | Beschreibung | Menge | Varianten |
|------|--------|----------------------------|-------|-----------|
| 1 | 273849 | Felge | 1 | |
| 2 | 582375 | Werkzeugtasche | 1 | |
| 2 | 635094 | Werkzeugtasche | 1 | |
| 3 | 273099 | Flachscheibe 34,8x16,2x3 | 1 | |
| 4 | 563728 | Mutter M16x13 | 1 | |
| 5 | 194423 | Abschlusskappe Mutter | 1 | |
| 6 | 012789 | Splint | 1 | |
| 7 | 182546 | Deckel | 1 | |
| 8 | 270991 | Schlauchloses Reifenventil | 1 | |
| 9 | 562888 | Reifen | 1 | |
| 9 | 560661 | Reifen 120/70-10" Pirelli | 1 | |
| 9 | 562389 | Reifen | 1 | |

| | |
|---------------------|---------------------------------|
| Einheit | Fahrgestell |
| Code | T20 |
| Beschreibung | Kippständer - Vorderradschwinge |
| Inspektion | 1 |



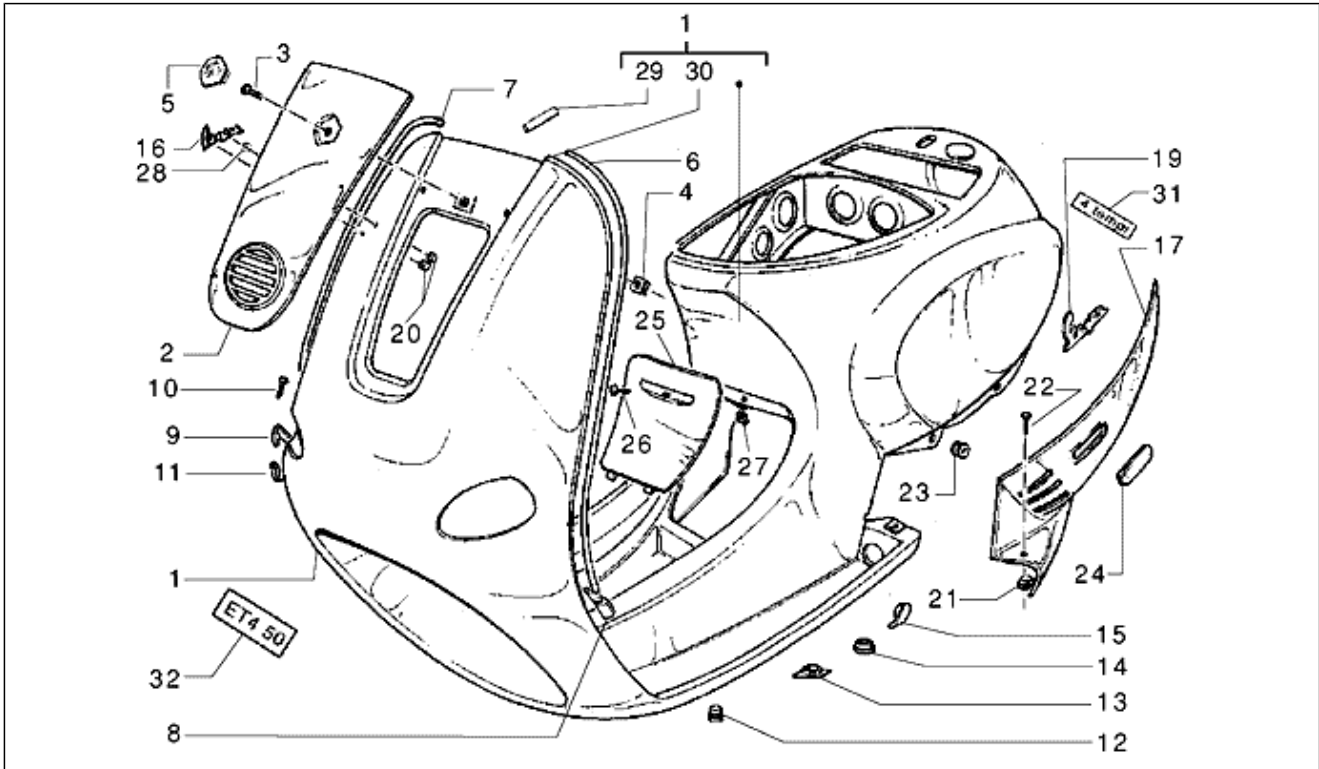
| Pos. | Code | Beschreibung | Menge | Varianten |
|------|--------|-----------------------------|-------|-----------|
| 1 | 122781 | Unterlegscheibe | 1 | |
| 2 | 016410 | Unterlegscheibe 17,6x11x2,5 | 1 | |
| 3 | 560045 | Sk-Schraube M10x80 | 1 | |
| 4 | 232108 | Mutter, selbstsichernd M10 | 1 | |
| 5 | 709037 | Flachscheibe 20x12,5x2 | 1 | |
| 7 | 563321 | Feder | 1 | |
| 10 | 232108 | Mutter, selbstsichernd M10 | 1 | |
| 11 | 273754 | O-Ring | 2 | |
| 12 | 582504 | Feder | 1 | |
| 13 | 582060 | Hauptständer | 1 | |
| 14 | 030115 | Sechskantschraube M10x130 | 1 | |
| 15 | 271779 | Sk-Schraube M10x215 | 1 | |
| 16 | 582298 | Distanzscheibe | 1 | |
| 17 | 261319 | Mutter m12x1,25 h=12,5 | 1 | |
| 18 | 582505 | Feder | 1 | |
| 20 | 562605 | Schwinge | 1 | |
| 21 | 560565 | Schraubbolzen | 1 | |
| 22 | 562310 | Distanzscheibe | 1 | |
| 23 | 563984 | Puffer | 1 | |
| 23 | 600351 | Anschlagstopfen Ständer | 1 | |

| | |
|---------------------|-------------|
| Einheit | Fahrgestell |
| Code | T21 |
| Beschreibung | Rahmen |
| Inspektion | 1 |



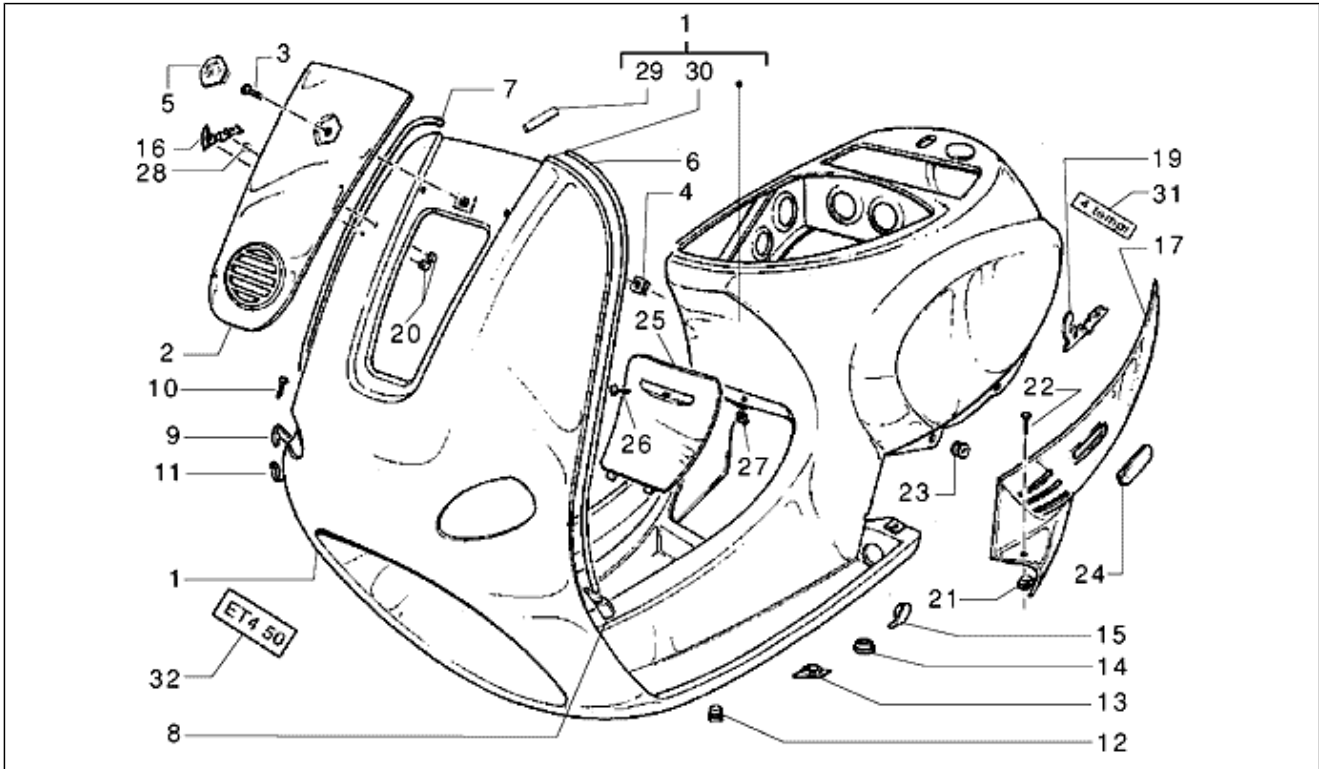
| Pos. | Code | Beschreibung | Menge | Varianten |
|------|------------|----------------------|-------|-----------|
| 1 | 57645560C1 | Karosserie | 1 | |
| 1 | 57645560D1 | Karosserie | 1 | |
| 1 | 57645560R7 | Karosserie | 1 | |
| 1 | 57645560G5 | Karosserie | 1 | |
| 1 | 5764556090 | Karosserie | 1 | |
| 1 | 57645501 | Karosserie | 1 | |
| 1 | 57645560V3 | Karosserie | 1 | |
| 1 | 5764556066 | Karosserie | 1 | |
| 1 | 5764556095 | Karosserie | 1 | |
| 1 | 5764556060 | Karosserie | 1 | |
| 1 | 57645560V6 | Karosserie | 1 | |
| 1 | 57645560A7 | Karosserie | 1 | |
| 1 | 57645560B2 | Karosserie | 1 | |
| 2 | 4722005 | Lenkerabdeckung | 1 | |
| 2 | 4722005090 | Lenkerabdeckung | 1 | |
| 2 | 47220050B2 | Lenkerabdeckung | 1 | |
| 2 | 47220050A7 | Lenkerabdeckung | 1 | |
| 2 | 47220050C1 | Lenkerabdeckung | 1 | |
| 2 | 4722225 | Lenkerabdeckung | 1 | |
| 2 | 47220050D1 | Lenkerabdeckung | 1 | |
| 2 | 47220050R7 | Lenkerabdeckung | 1 | |
| 2 | 4722005066 | Lenkerabdeckung | 1 | |
| 2 | 47220050V6 | Lenkerabdeckung | 1 | |
| 2 | 47220050V3 | Lenkerabdeckung | 1 | |
| 2 | 4722005095 | Lenkerabdeckung | 1 | |
| 2 | 47220050G5 | Lenkerabdeckung | 1 | |
| 2 | 4722005060 | Lenkerabdeckung | 1 | |
| 3 | 267958 | Blehschraube L=20 mm | 1 | |

| | |
|---------------------|-------------|
| Einheit | Fahrgestell |
| Code | T21 |
| Beschreibung | Rahmen |
| Inspektion | 1 |



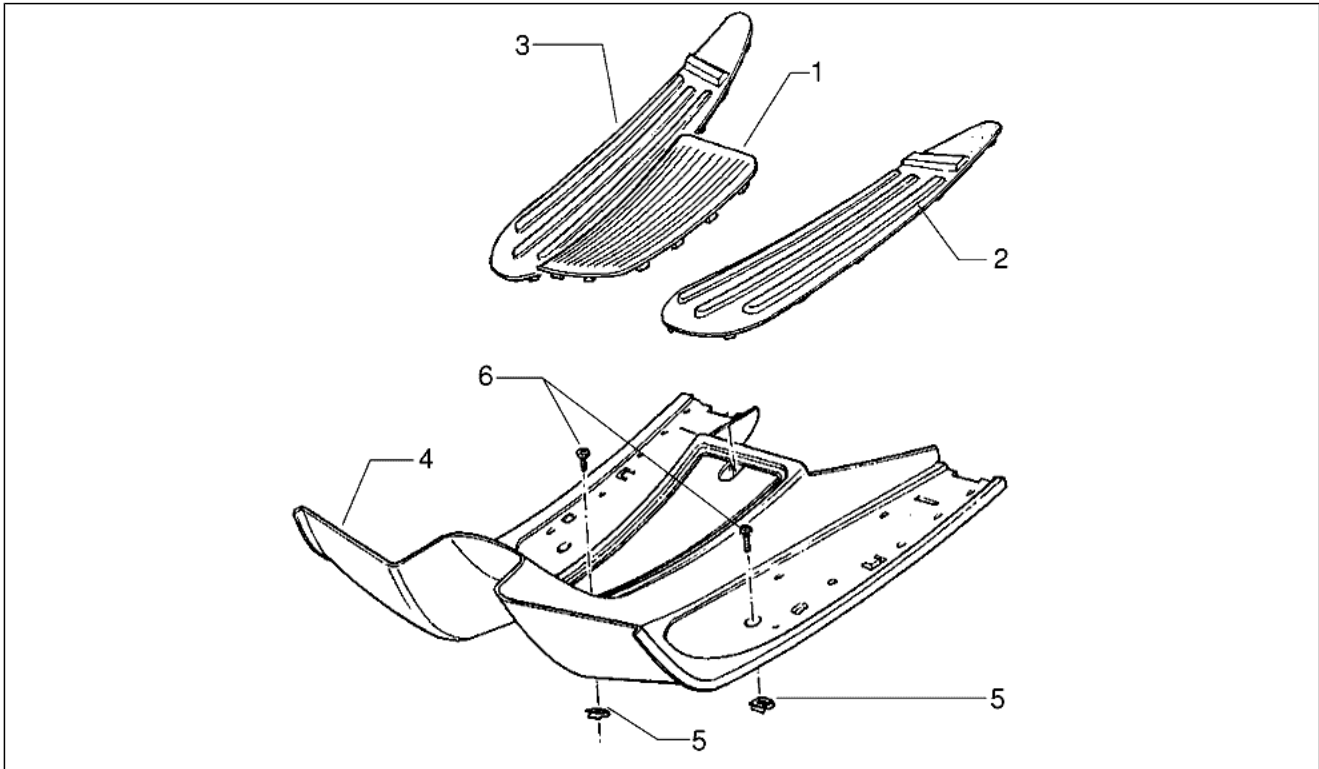
| Pos. | Code | Beschreibung | Menge | Varianten |
|------|------------|--------------------|-------|-----------|
| 4 | 199190 | Spreizdübel | 1 | |
| 5 | 576464 | Piaggio-Emblem | 1 | |
| 6 | 573001 | Schildrand | 1 | |
| 7 | 573002 | Schildrand | 1 | |
| 8 | 299964 | Federeinhangung SX | 1 | |
| 9 | 299965 | Federeinhangung DX | 1 | |
| 10 | 008432 | Schraube M3,5x9,5 | 2 | |
| 11 | 267166 | Platte | 2 | |
| 12 | 299558 | Deckel | 1 | |
| 13 | 299557 | Deckel | 2 | |
| 14 | 299559 | Deckel | 1 | |
| 15 | 299250 | Deckel | 2 | |
| 16 | 577082 | "Vespa" Plakette | 1 | |
| 17 | 29728300D1 | Seitenverkleidung | 1 | |
| 17 | 2972830034 | Seitenverkleidung | 1 | |
| 17 | 297283000L | Seitenverkleidung | 1 | |
| 17 | 29728300G5 | Seitenverkleidung | 1 | |
| 17 | 297282000L | Seitenverkleidung | 1 | |
| 17 | 2972820090 | Seitenverkleidung | 1 | |
| 17 | 29728300V3 | Seitenverkleidung | 1 | |
| 17 | 297283000D | Seitenverkleidung | 1 | |
| 17 | 2972830090 | Seitenverkleidung | 1 | |
| 17 | 29728200D1 | Seitenverkleidung | 1 | |
| 17 | 29728200G5 | Seitenverkleidung | 1 | |
| 17 | 2972830036 | Seitenverkleidung | 1 | |
| 17 | 2972820060 | Seitenverkleidung | 1 | |
| 17 | 297282000D | Seitenverkleidung | 1 | |
| 17 | 2972830060 | Seitenverkleidung | 1 | |

| | |
|---------------------|-------------|
| Einheit | Fahrgestell |
| Code | T21 |
| Beschreibung | Rahmen |
| Inspektion | 1 |



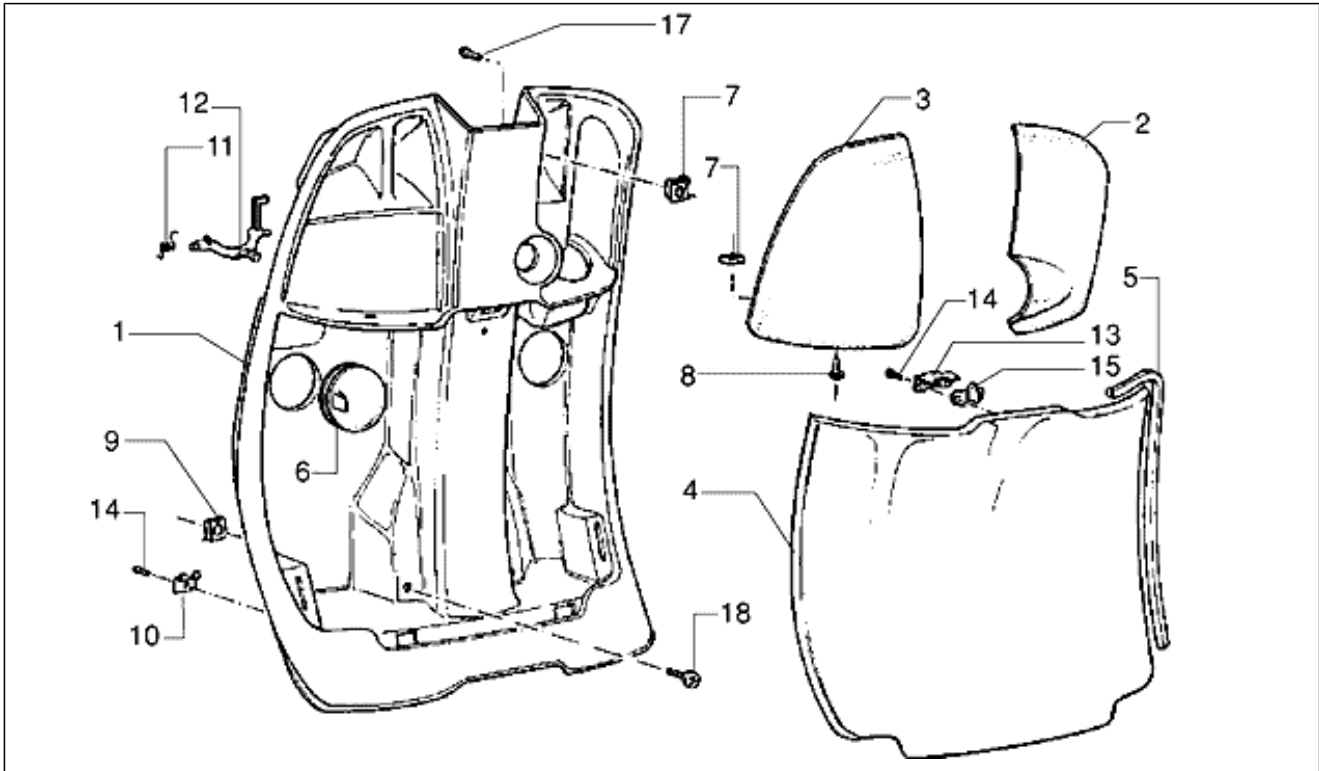
| Pos. | Code | Beschreibung | Menge | Varianten |
|------|------------|------------------------|-------|-----------|
| 17 | 29728200V3 | Seitenverkleidung | 1 | |
| 19 | 577081 | "Vespa" Plakette | 1 | |
| 20 | 008108 | Federplättchen | 2 | |
| 21 | 254485 | Federplättchen M6 | 2 | |
| 22 | 575249 | Metrische Schraube TBC | 2 | |
| 23 | 463195 | Elastischer Puffer | 6 | |
| 24 | 293556 | Rückstrahler seitlich | 2 | |
| 25 | 4721005090 | Klappe | 1 | |
| 25 | 4721005 | Klappe | 1 | |
| 25 | 4721005066 | Klappe | 1 | |
| 25 | 47210050V6 | Klappe | 1 | |
| 25 | 47210050R7 | Klappe | 1 | |
| 25 | 4721005095 | Klappe | 1 | |
| 25 | 47210050C1 | Klappe | 1 | |
| 25 | 47210050A7 | Klappe | 1 | |
| 25 | 4721005060 | Klappe | 1 | |
| 25 | 47210050D1 | Klappe | 1 | |
| 25 | 47210050B2 | Klappe | 1 | |
| 26 | 015911 | Blechschrabe 4,2x16 | 1 | |
| 27 | 008080 | Platte | 1 | |
| 28 | 271710 | Unterlegscheibe | 1 | |
| 29 | 298604 | Schlosshalterung | 1 | |
| 30 | 2972674 | Frontschild, vorne | 1 | |
| 31 | 576855 | Schild | 1 | |
| 32 | 576824 | Schild | 1 | |

| | |
|---------------------|---------------------|
| Einheit | Fahrgestell |
| Code | T22 |
| Beschreibung | Fußblech - Fußmatte |
| Inspektion | 1 |



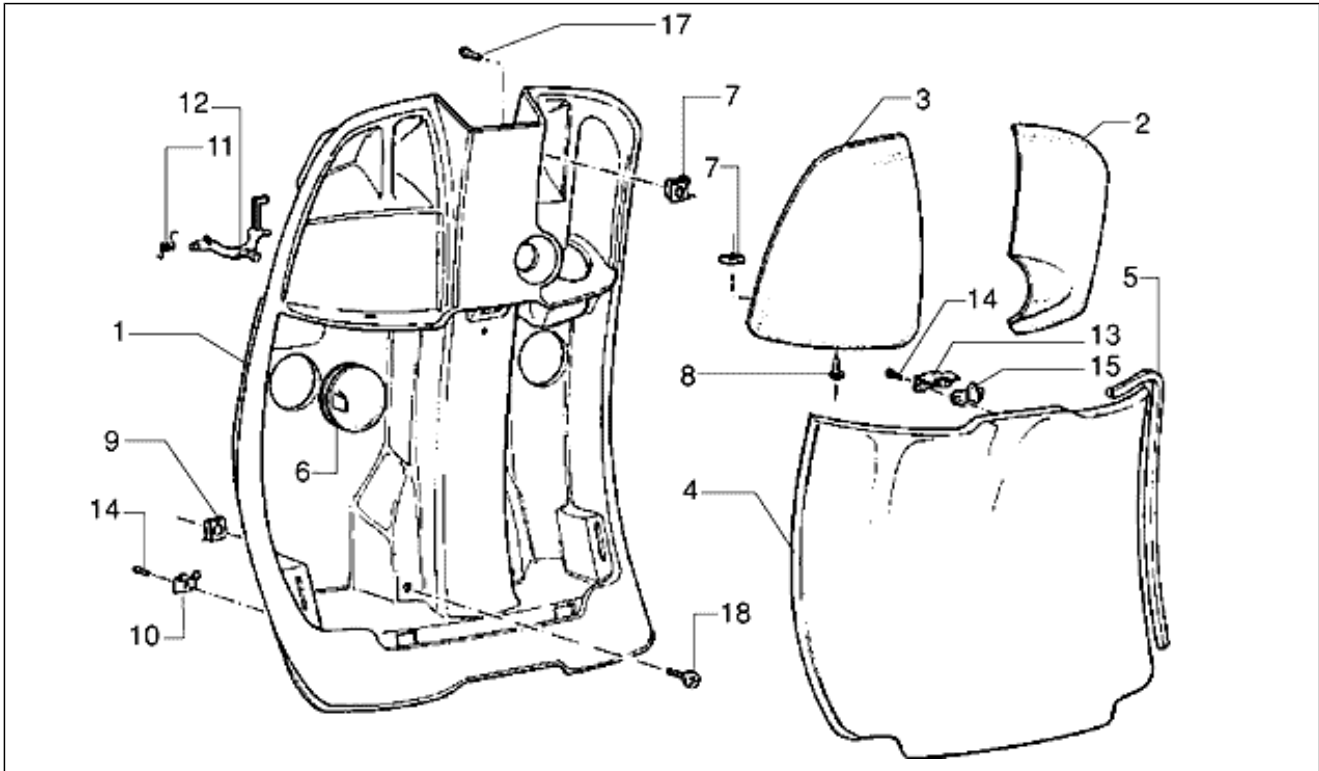
| Pos. | Code | Beschreibung | Menge | Varianten |
|------|------------|------------------------|-------|-----------|
| 1 | 298243 | Fußmatte | 1 | |
| 2 | 298241 | Fußmatte | 1 | |
| 3 | 298242 | Fußmatte | 1 | |
| 4 | 57300000D1 | Trittbrett | 1 | |
| 4 | 5730000090 | Trittbrett | 1 | |
| 4 | 5730000060 | Trittbrett | 1 | |
| 4 | 573000000L | Trittbrett | 1 | |
| 4 | 57300000G5 | Trittbrett | 1 | |
| 4 | 573000000D | Trittbrett | 1 | |
| 4 | 57300000V3 | Trittbrett | 1 | |
| 5 | 254485 | Federplättchen M6 | 6 | |
| 6 | 575249 | Metrische Schraube TBC | 6 | |

| | |
|---------------------|---------------|
| Einheit | Fahrgestell |
| Code | T23 |
| Beschreibung | Behälter vorn |
| Inspektion | 1 |



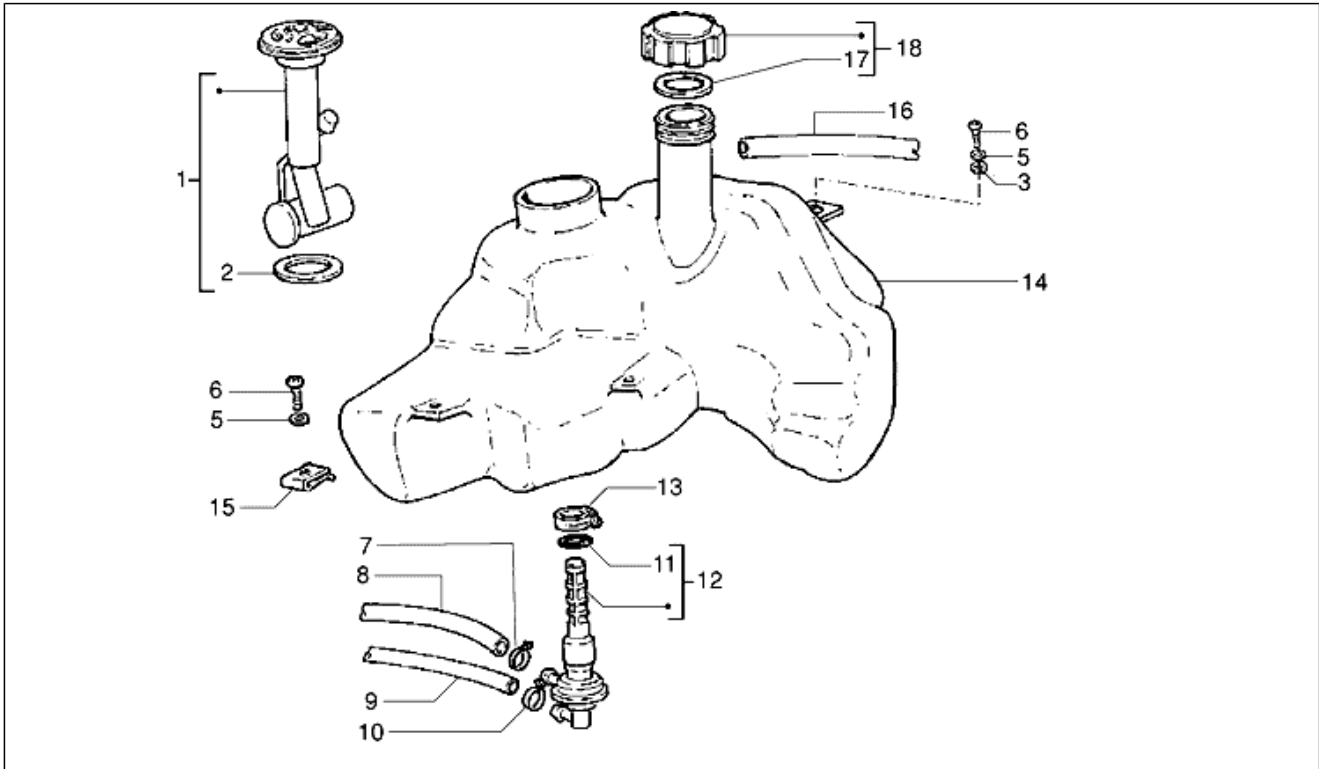
| Pos. | Code | Beschreibung | Menge | Varianten |
|------|--------------|---------------|-------|-----------|
| 1 | CM0036030090 | Not available | 1 | |
| 1 | CM0036030060 | Not available | 1 | |
| 1 | CM00360300V3 | Not available | 1 | |
| 1 | CM00360300D1 | Staukoffer | 1 | |
| 1 | CM003603000L | Staukoffer | 1 | |
| 1 | CM00360300G5 | Not available | 1 | |
| 1 | CM003603000D | Staukoffer | 1 | |
| 2 | 57542400D6 | Klappe | 1 | |
| 2 | 57542400M1 | Klappe | 1 | |
| 2 | 575424000L | Klappe | 1 | |
| 2 | 57542400M2 | Klappe | 1 | |
| 2 | 5754240060 | Klappe | 1 | |
| 2 | 297277 | Klappe | 1 | |
| 3 | 57542500D6 | Klappe | 1 | |
| 3 | 57542500M1 | Klappe | 1 | |
| 3 | 57542500M2 | Klappe | 1 | |
| 3 | 575425000L | Klappe | 1 | |
| 3 | 297276 | Klappe | 1 | |
| 3 | 5754250060 | Klappe | 1 | |
| 4 | 29727400V3 | Klappe | 1 | |
| 4 | 2972740060 | Klappe | 1 | |
| 4 | 297274000L | Klappe | 1 | |
| 4 | 2972740090 | Klappe | 1 | |
| 4 | 297274000D | Klappe | 1 | |
| 4 | 29727400D1 | Klappe | 1 | |
| 4 | 29727400G5 | Klappe | 1 | |
| 5 | 297275 | Dichtung | 1 | |
| 6 | 294067 | Deckel | 2 | |

| | |
|---------------------|---------------|
| Einheit | Fahrgestell |
| Code | T23 |
| Beschreibung | Behälter vorn |
| Inspektion | 1 |



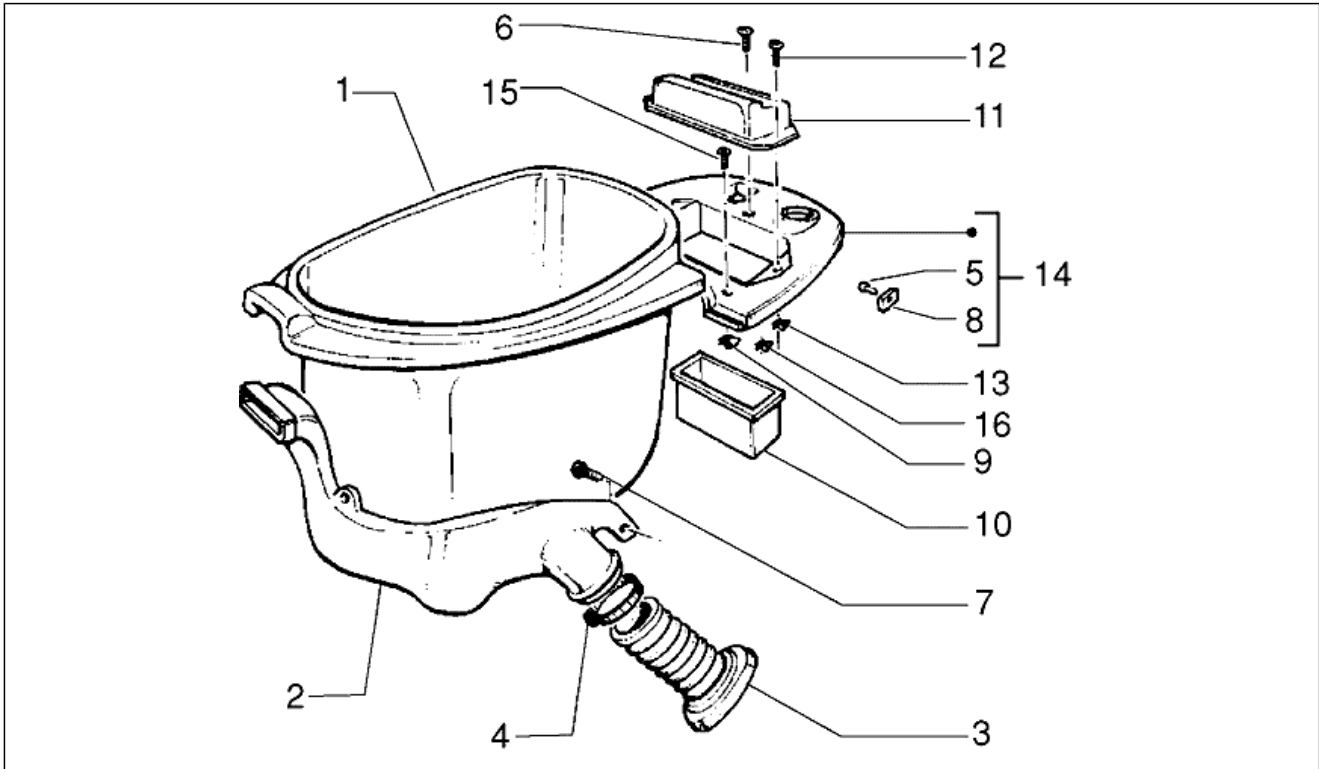
| Pos. | Code | Beschreibung | Menge | Varianten |
|------|--------|--------------------------|-------|-----------|
| 7 | 184142 | Federplättchen | 4 | |
| 8 | 259349 | Schraube M4,2x13 | 2 | |
| 9 | 254485 | Federplättchen M6 | 2 | |
| 10 | 257614 | Befestigungswink. Klappe | 1 | |
| 11 | 257617 | Feder | 1 | |
| 12 | 295528 | Haken | 1 | |
| 13 | 252420 | Winkel | 1 | |
| 14 | 268596 | Verschlussschraube | 4 | |
| 15 | 573057 | Verankerungsblech | 1 | |
| 17 | 258249 | Schraube 4,2x19 | 2 | |
| 18 | 575249 | Metrische Schraube TBC | 3 | |

| | |
|---------------------|-------------|
| Einheit | Fahrgestell |
| Code | T24 |
| Beschreibung | Benzintank |
| Inspektion | 1 |



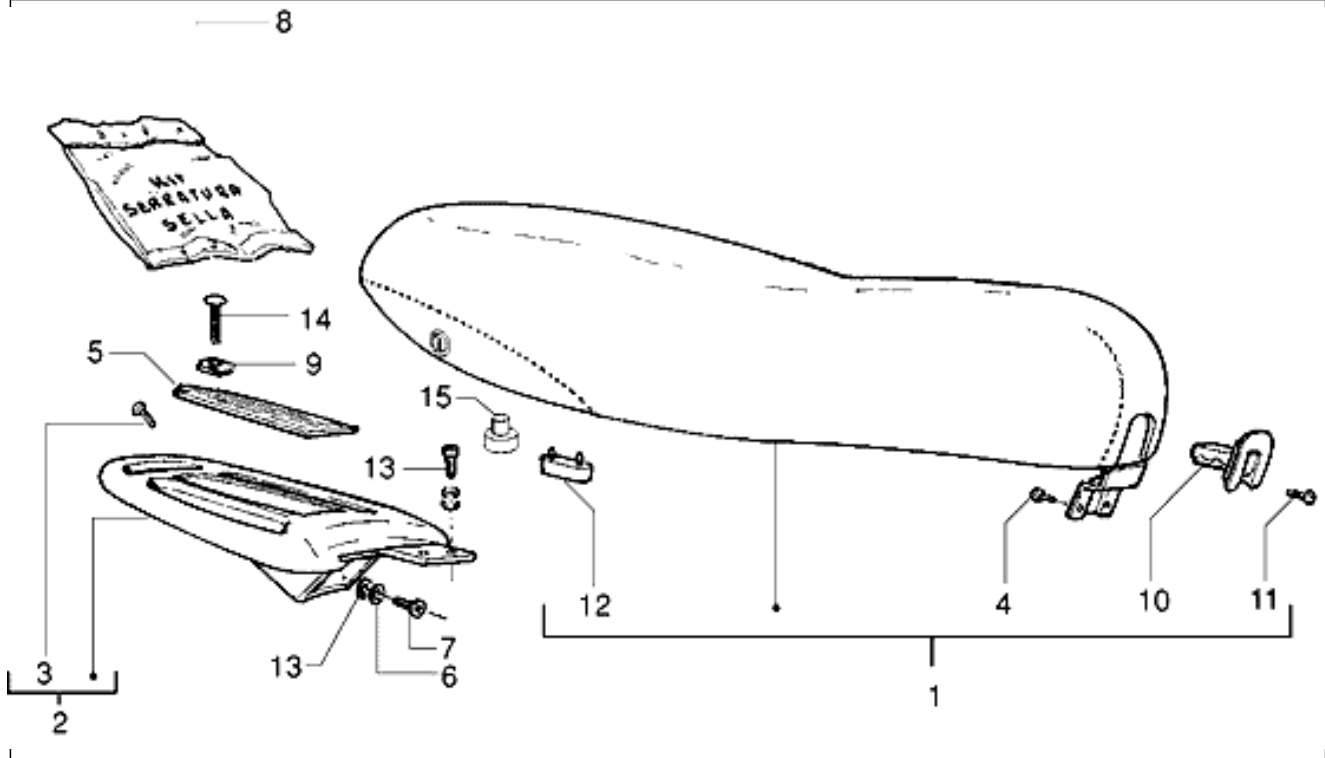
| Pos. | Code | Beschreibung | Menge | Varianten |
|------|----------|----------------------------|-------|-----------|
| 1 | 299570 | Kraftstoffanzeige | 1 | |
| 2 | 258161 | Dichtung | 1 | |
| 3 | 013880 | Flachscheibe 16x6,5x1,5 | 1 | |
| 5 | 016406 | Federring 6,4x11,8x1 | 2 | |
| 6 | 015759 | Schraube M6x20 | 2 | |
| 7 | CM002904 | Schlauchschelle | 1 | |
| 8 | CM006102 | Kraftstoffschlauch | 1 | |
| 9 | CM001510 | Entlüftungsschlauch Kühler | 1 | |
| 10 | CM002901 | Schlauchschelle | 1 | |
| 11 | 196868 | Dichtung | 1 | |
| 12 | 575320 | Hahn | 1 | |
| 13 | 577557 | Schelle | 1 | |
| 14 | 576875 | Tank | 1 | |
| 15 | 254485 | Federplättchen M6 | 3 | |
| 16 | CM001215 | Leitung | 1 | |
| 17 | 258160 | Dichtung Tankdeckel | 1 | |
| 18 | 259832 | Pfropfen | 1 | |

| | |
|---------------------|--------------------|
| Einheit | Fahrgestell |
| Code | T25 |
| Beschreibung | Schutzhelmbehälter |
| Inspektion | 1 |



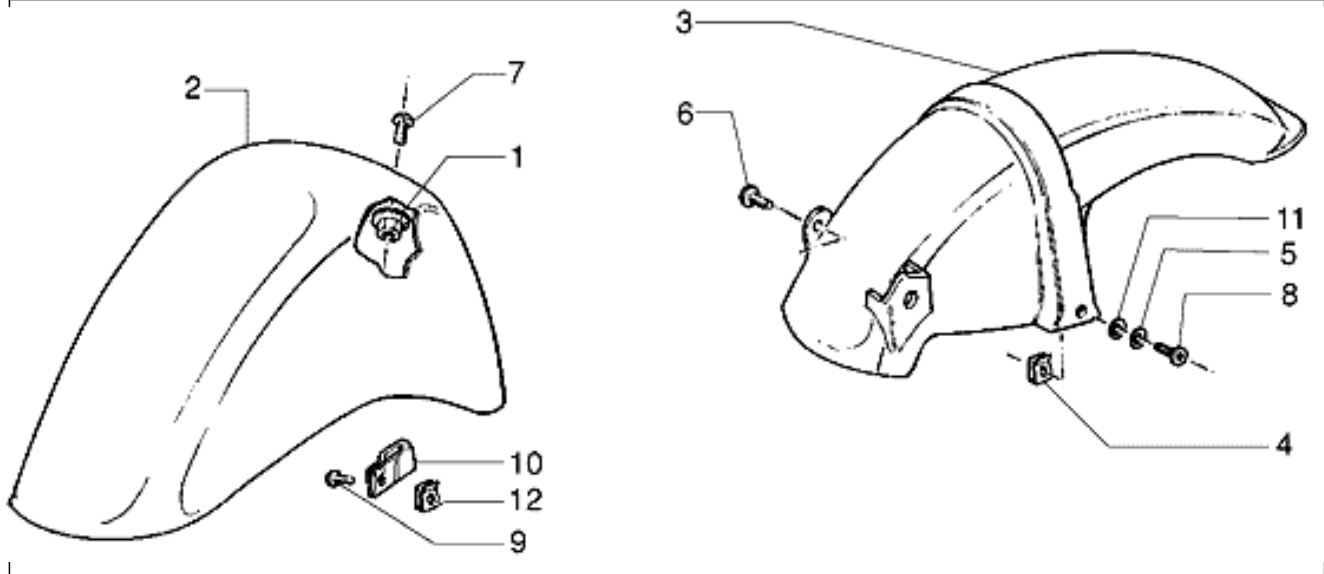
| Pos. | Code | Beschreibung | Menge | Varianten |
|------|----------|--------------------------|-------|-----------|
| 1 | 574423 | Schutzhelmfach | 1 | |
| 2 | 573868 | Ansaugleitung | 1 | |
| 3 | 829120 | Balg | 1 | |
| 4 | 109960 | Schelle | 1 | |
| 5 | 182302 | Kunststoffniet | 1 | |
| 6 | 259830 | Metrische Schraube M6x20 | 1 | |
| 7 | 259830 | Metrische Schraube M6x20 | 1 | |
| 8 | 290405 | Halter | 1 | |
| 9 | 008080 | Platte | 2 | |
| 10 | 299047 | Schwimmergehäuse | 1 | |
| 11 | 576017 | Batteriedeckel komplett | 1 | |
| 12 | 259349 | Schraube M4,2x13 | 1 | |
| 13 | 184142 | Federplättchen | 1 | |
| 14 | CM003802 | Reifen | 1 | |
| 15 | 259372 | Blechschaube M4,2x25 | 2 | |
| 16 | 254485 | Federplättchen M6 | 1 | |

| | |
|---------------------|-------------|
| Einheit | Fahrgestell |
| Code | T26 |
| Beschreibung | Sitzbank |
| Inspektion | 1 |



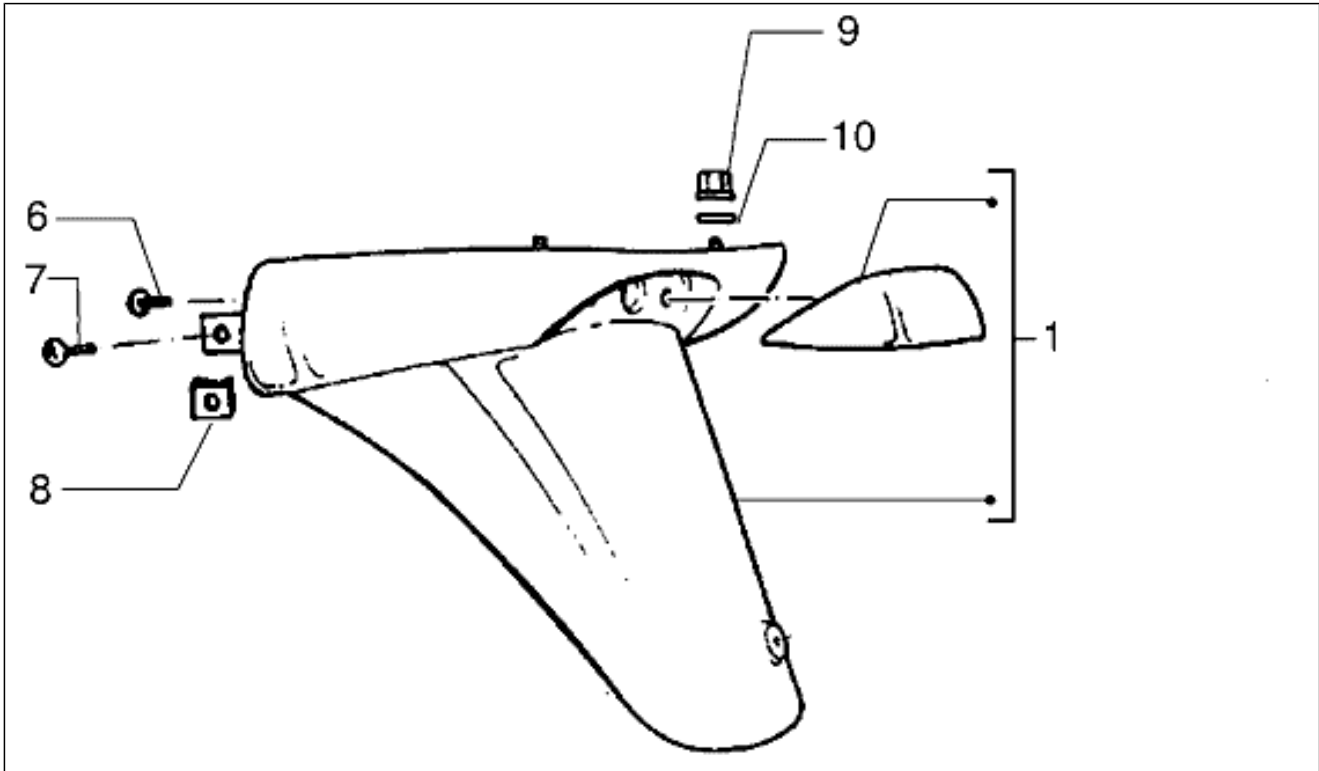
| Pos. | Code | Beschreibung | Menge | Varianten |
|------|--------------|--------------------------|-------|-----------|
| 1 | CM0009010055 | Sitz | 1 | |
| 1 | CM0009010054 | Sitz | 1 | |
| 1 | CM0009020056 | Sitz | 1 | |
| 1 | CM0009020055 | Sitz | 1 | |
| 1 | CM0009010056 | Sitz | 1 | |
| 1 | CM0195010061 | Sitz | 1 | |
| 1 | CM0195010056 | Sitz | 1 | |
| 1 | CM0009020054 | Sitz | 1 | |
| 1 | CM0195010054 | Sitz | 1 | |
| 1 | CM0009010061 | Sitz | 1 | |
| 1 | CM0009020061 | ***SITZBANK SCHWARZ | 1 | |
| 2 | 573633 | Gepäckträger | 1 | |
| 3 | 015715 | Schraube M5x16 | 2 | |
| 4 | 259830 | Metrische Schraube M6x20 | 2 | |
| 5 | 577545 | Deckel | 1 | |
| 6 | 016406 | Federring 6,4x11,8x1 | 2 | |
| 7 | 812592 | Schraube | 2 | |
| 8 | 494511 | Schloßsatz | 1 | |
| 9 | 254485 | Federplättchen M6 | 1 | |
| 10 | 494634 | Taschenhaken | 1 | |
| 11 | 015911 | Blechschaube 4,2x16 | 2 | |
| 12 | 296456 | Anschlagpuffer | 2 | |
| 13 | 259830 | Metrische Schraube M6x20 | 2 | |
| 14 | 259830 | Metrische Schraube M6x20 | 2 | |
| 15 | 577492 | Puffer | 2 | |

| | |
|---------------------|---------------------------------|
| Einheit | Fahrgestell |
| Code | T27 |
| Beschreibung | Vorderkotflügel-Hinterkotflügel |
| Inspektion | 1 |



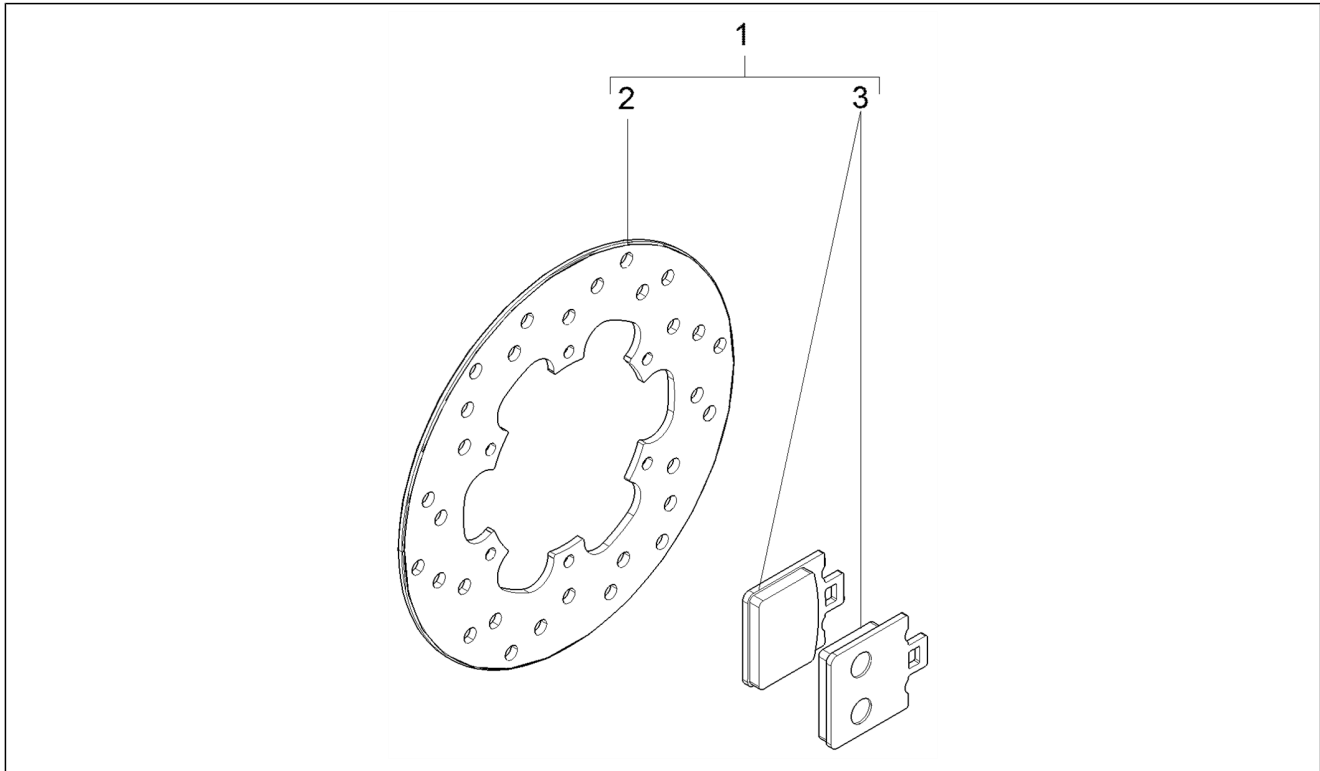
| Pos. | Code | Beschreibung | Menge | Varianten |
|------|------------|---------------------------|-------|-----------|
| 1 | 288245 | Mutter, selbstsichernd M6 | 1 | |
| 2 | 8249005060 | Kotflügel | 1 | |
| 2 | 82490050V6 | Kotflügel | 1 | |
| 2 | 82490050A7 | Kotflügel | 1 | |
| 2 | 8249005 | Kotflügel | 1 | |
| 2 | 82490050B2 | Kotflügel | 1 | |
| 2 | 82490050R7 | Kotflügel | 1 | |
| 2 | 82490050C1 | Kotflügel | 1 | |
| 2 | 82490050G5 | Kotflügel | 1 | |
| 2 | 8249005090 | Kotflügel | 1 | |
| 2 | 82490050D1 | Kotflügel | 1 | |
| 2 | 82490050V3 | Kotflügel | 1 | |
| 2 | 8249005095 | Kotflügel | 1 | |
| 2 | 8249005066 | Kotflügel | 1 | |
| 3 | 575079 | Hinteres Schutzblech | 1 | |
| 4 | 254485 | Federplättchen M6 | 2 | |
| 5 | 012533 | Zahnscheibe 6,6x11x0 | 2 | |
| 6 | 575249 | Metrische Schraube TBC | 1 | |
| 7 | 575249 | Metrische Schraube TBC | 3 | |
| 8 | 277330 | TCEI Schraube | 1 | |
| 9 | 015900 | Blechschrabe | 1 | |
| 10 | 562919 | Schelle | 1 | |
| 11 | 003056 | Flachscheibe 6,4x12x1 | 1 | |
| 12 | 008080 | Platte | 1 | |

| | |
|---------------------|----------------|
| Einheit | Fahrgestell |
| Code | T38 |
| Beschreibung | Hintere Schutz |
| Inspektion | 1 |



| Pos. | Code | Beschreibung | Menge | Varianten |
|------|------------|----------------------------|-------|-----------|
| 1 | 294218000L | Schutz hint. | 1 | |
| 1 | 29421800D1 | Schutz hint. | 1 | |
| 1 | 294218000D | Schutz hint. | 1 | |
| 1 | 2942180090 | Schutz hint. | 1 | |
| 1 | 29421800G5 | Schutz hint. | 1 | |
| 1 | 29421800V3 | Schutz hint. | 1 | |
| 4 | 2942180060 | Schutz hint. | 1 | |
| 6 | 265809 | Schraube | 2 | |
| 7 | 259349 | Schraube M4,2x13 | 2 | |
| 8 | 008080 | Platte | 2 | |
| 9 | 003056 | Flachscheibe 6,4x12x1 | 2 | |
| 10 | 288245 | Mutter, selbstsichernd M6 | 2 | |
| 11 | 5801244 | Kennzeichenplatte plastica | 1 | |
| 11 | 5801254 | Kennzeichenplatte | 1 | |
| 12 | 018591 | Schraube M4x14 | 3 | |
| 13 | 013763 | Flachscheibe 4,2x12x1 | 3 | |
| 14 | 016404 | Flachscheibe 4,2x7,6x0,9 | 3 | |
| 15 | 020104 | Mutter M4 | 3 | |

| | |
|---------------------|-------------|
| Einheit | Maintenance |
| Code | 07.01 |
| Beschreibung | Kit freni |
| Inspektion | 1 |



| Pos. | Code | Beschreibung | Menge | Varianten |
|------|----------|-------------------------------|-------|-----------|
| 1 | 1R000473 | Brake disc and brake pads kit | 1 | |
| 2 | 56395R | Bremsscheibe | 1 | |
| 3 | 666574 | Paar Bremsklötze Heng Tong | 1 | |