



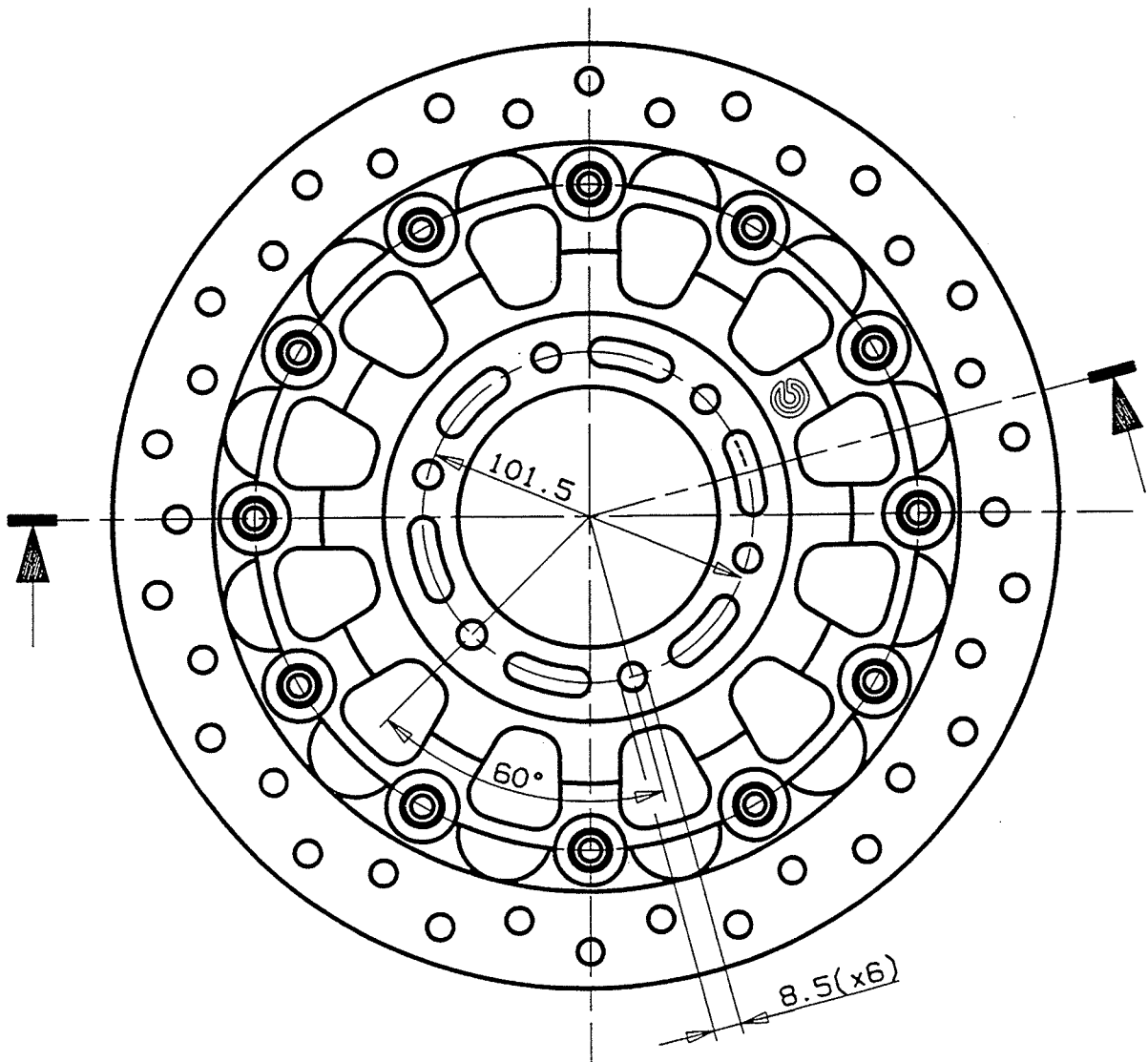
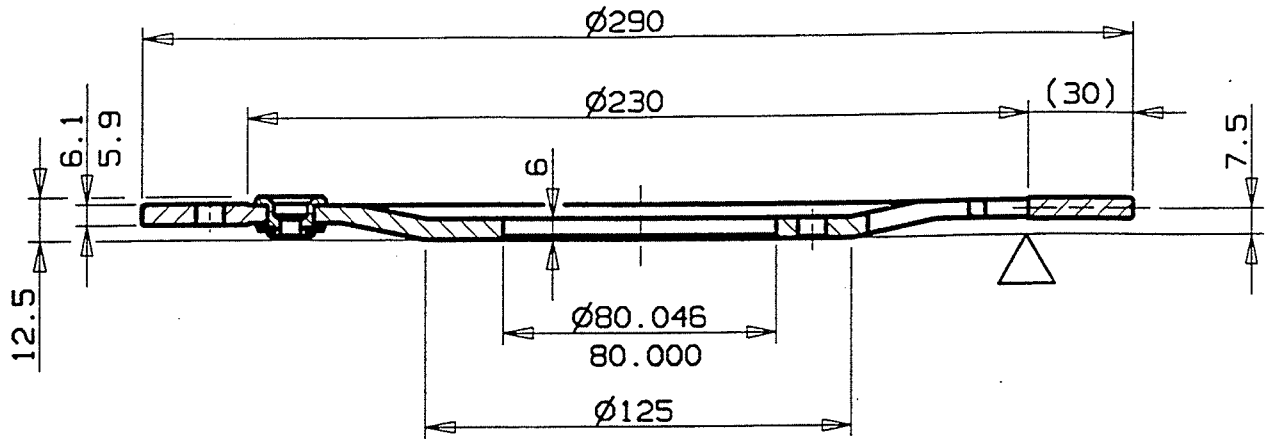
# BRAKE DISC

## DP290x6

R 08.6703.17

date 10.02.96

APPLICATIONS : DUCATI.



MATERIAL: Stainless steel

MIN TH : 5.5 mm



MOUNTING SURFACE

WEIGHT : ... Kg