



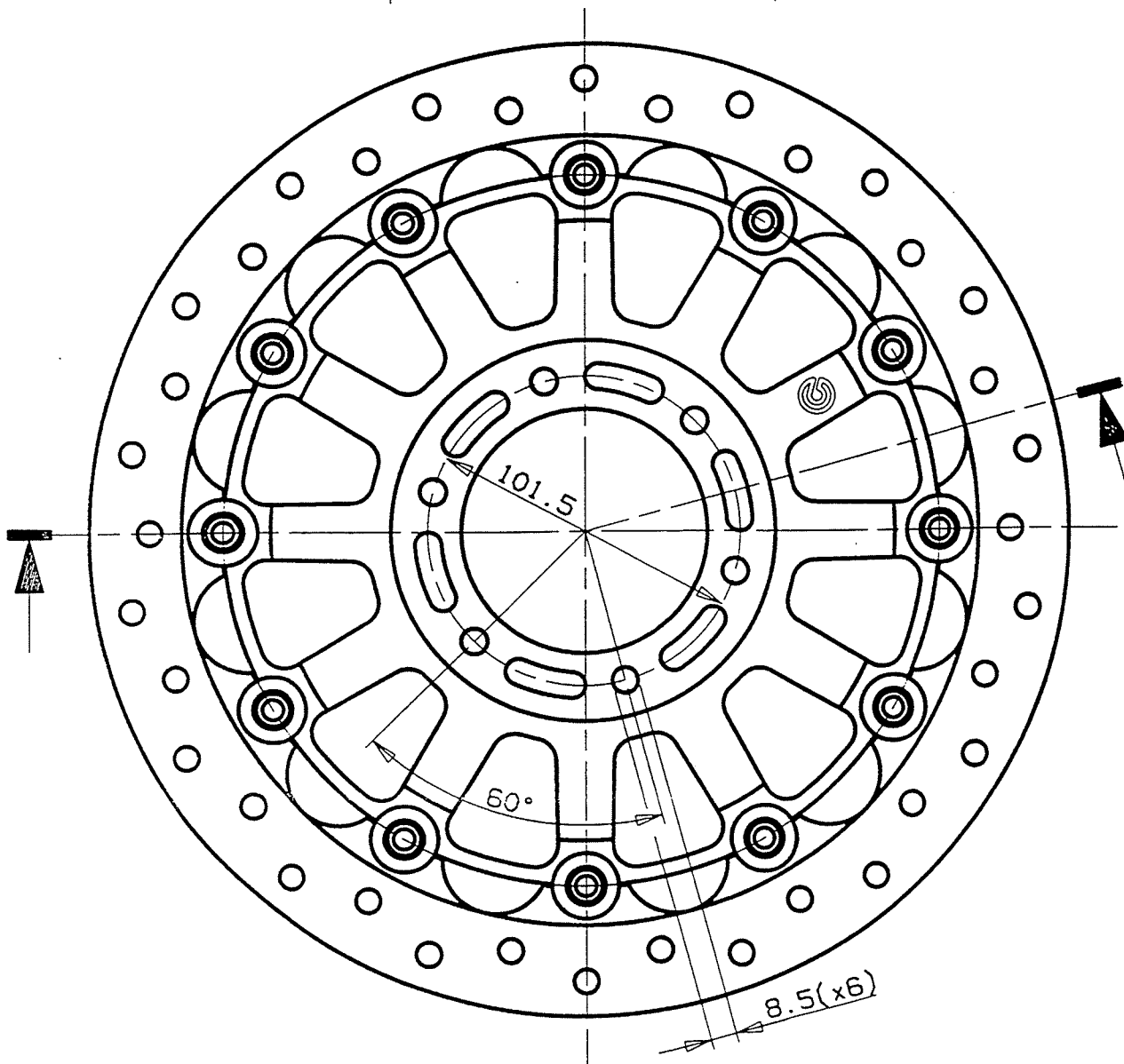
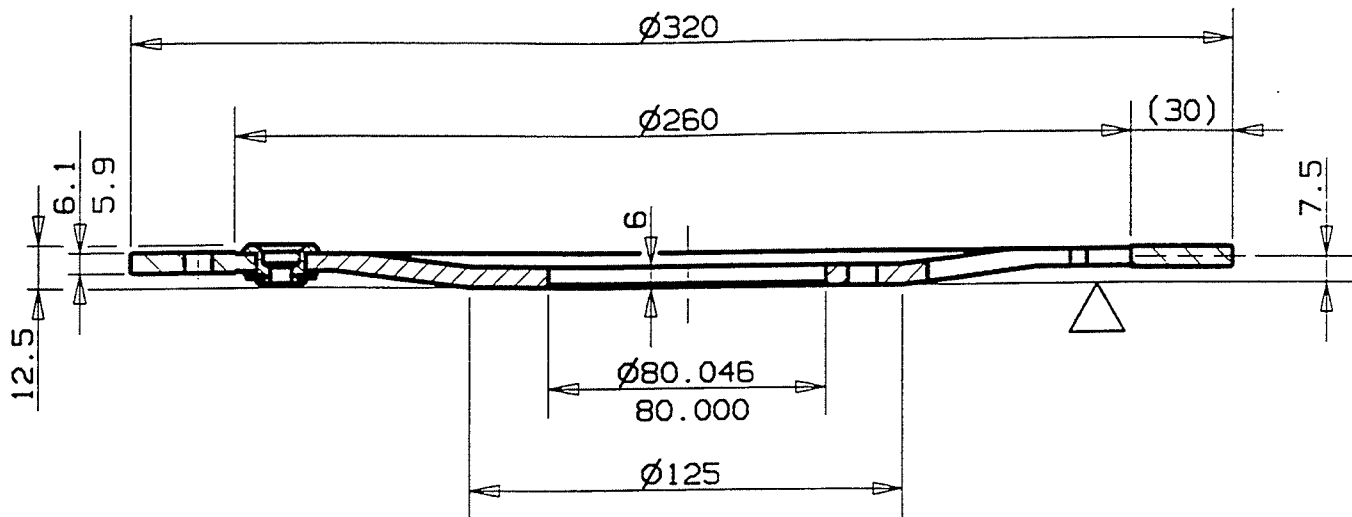
BRAKE DISC

DP320x6

R 08.6703.21

date 02.02.96

APPLICATIONS : DUCATI.



MATERIAL: Stainless steel

MIN TH : 5.5 mm



MOUNTING SURFACE

WEIGHT : 1.8 Kg