



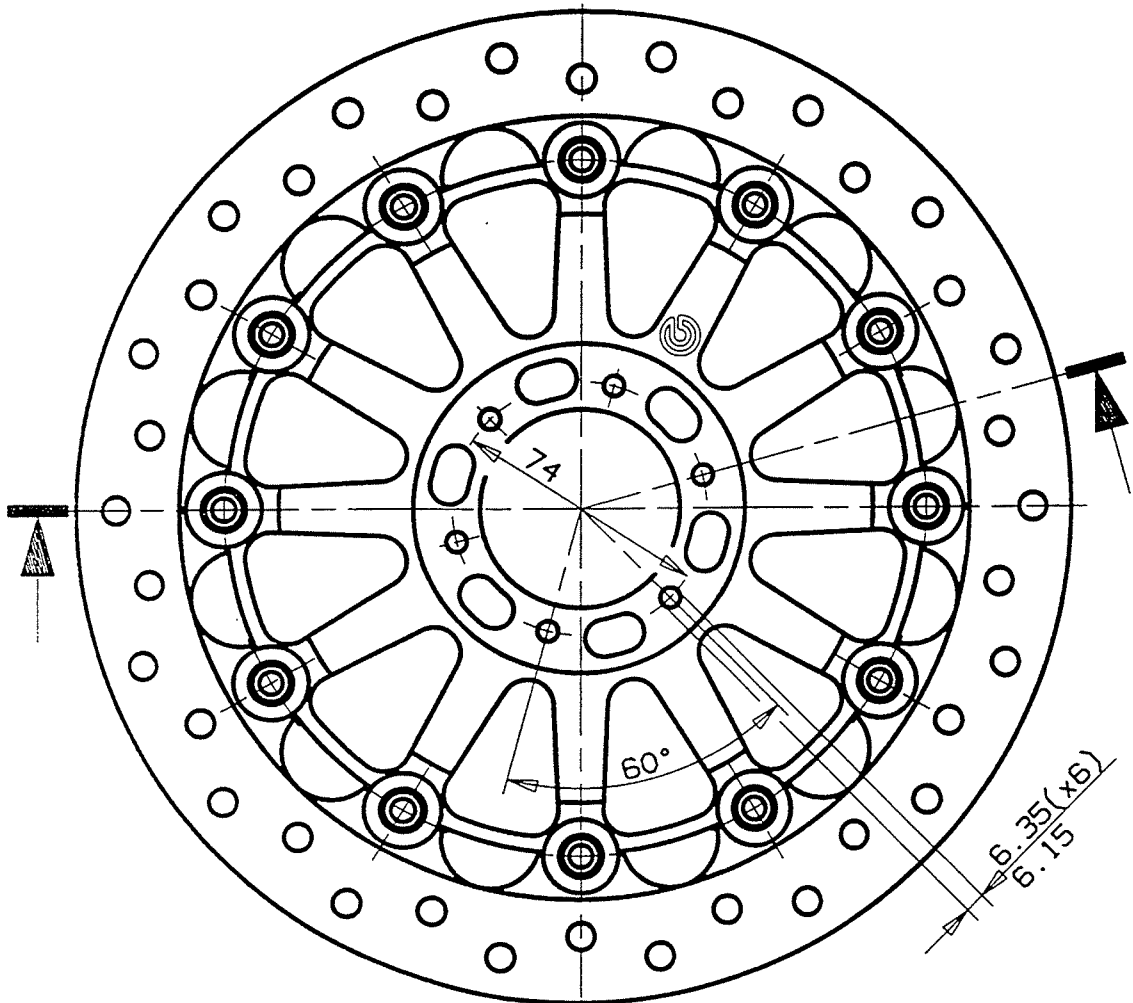
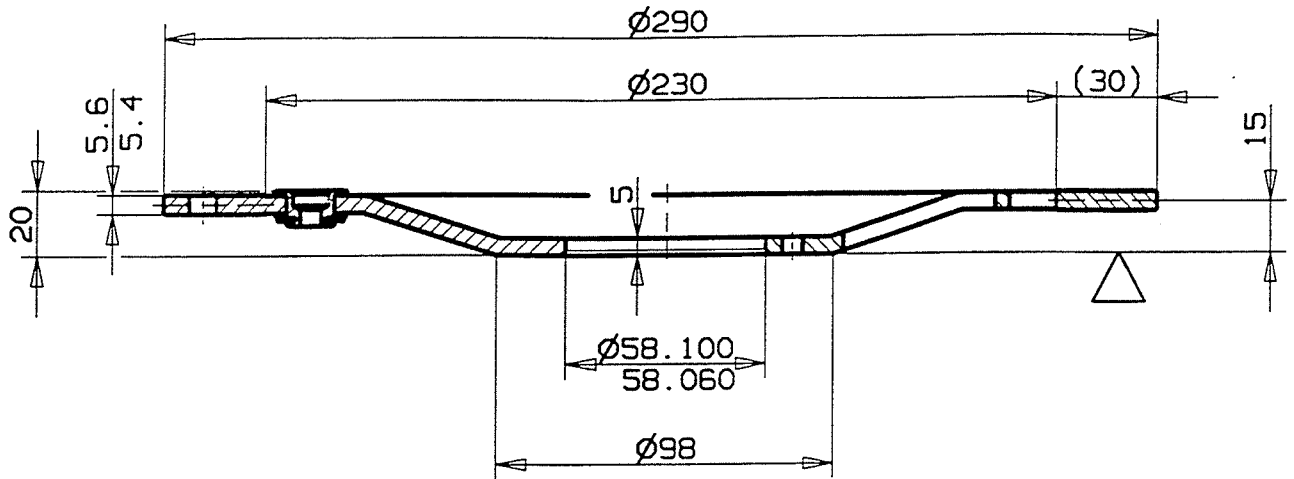
# BRAKE DISC

DP290x5.5

R 08.6703.43

date 28.11.97

APPLICATIONS: HONDA



MATERIAL: STEEL

MIN TH : 5 mm

 MOUNTING SURFACE

WEIGHT : 1.15 Kg