



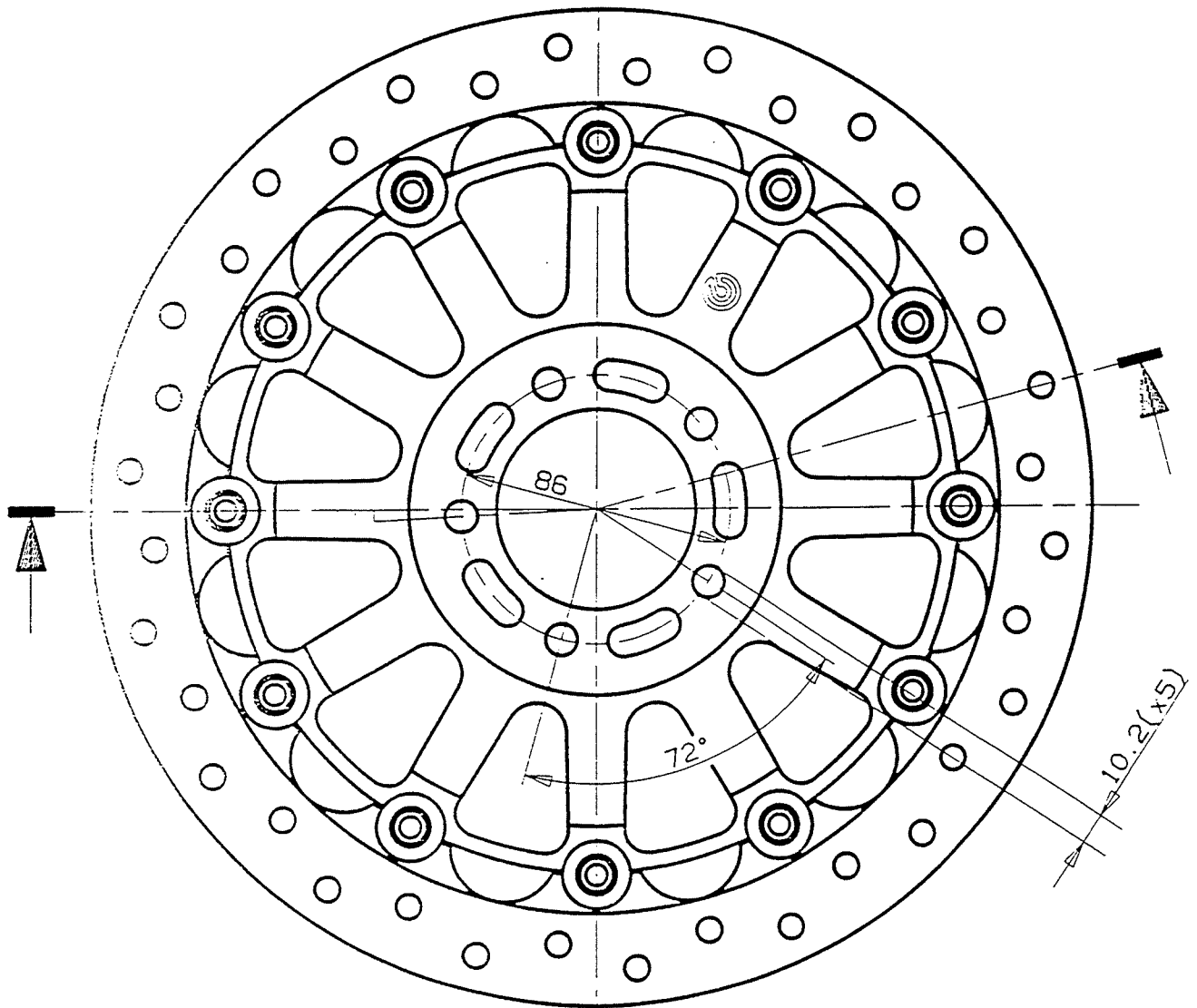
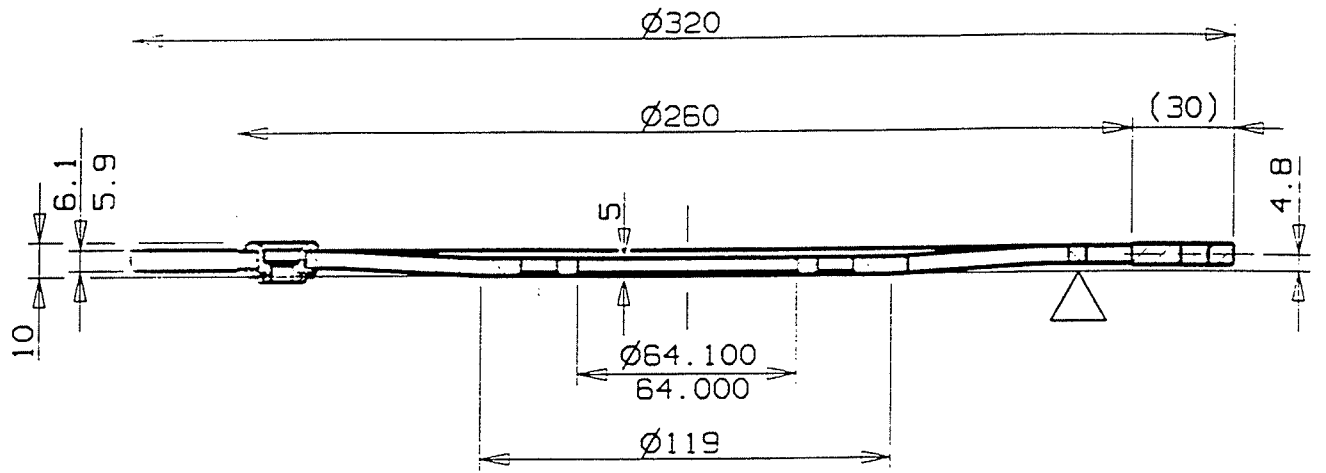
BRAKE DISC

DP320x6

R 08.6703.65

date 28.02.96

APPLICATIONS : SUZUKI.



MATERIAL: Stainless steel

MIN TH : 5.5 mm

 MOUNTING SURFACE

WEIGHT : ... Kg