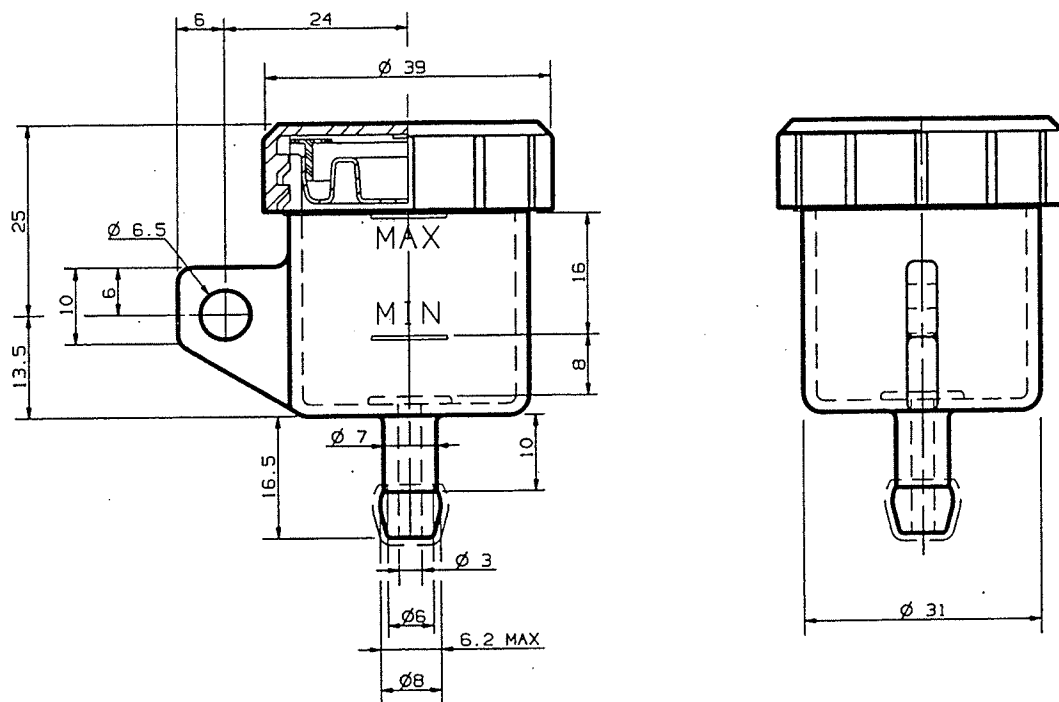




RESERVOIR

S 15

10.4446.40 C



DESCRIPTION

Reservoir for brake fluid.
 Construction Material: Injected Plastic.
 Utilization fluid: brake fluid DOT4.
 Thread protector.

RESERVOIR color: Transparent.

TECHNICAL CHARACTERISTICS

Weight: 0.010 Kg
 Reservoir volume: 15.0 cm³
 Reservoir volume difference between MAX and MIN level: 10.0 cm³

AVAILABLE SPARE PARTS

CODE RESERVOIR	SPARE PARTS	CAP
10.4446.40		1.10.4308.80