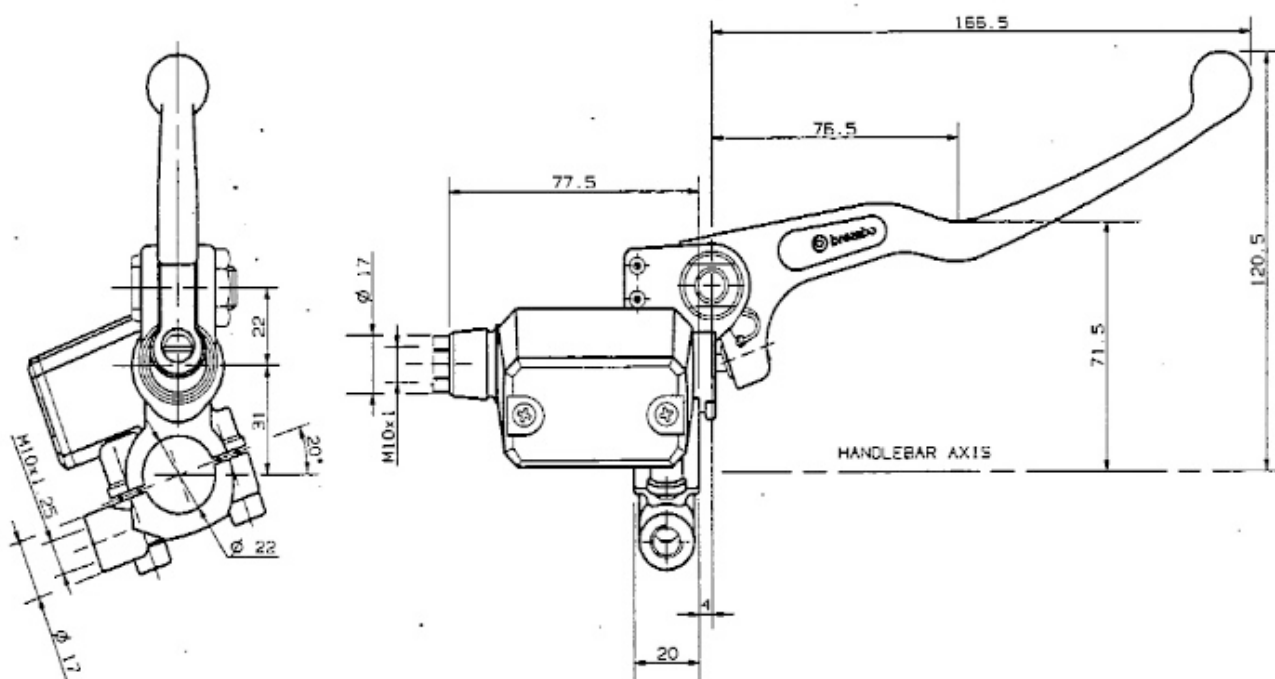




FRONT MASTER CYLINDER

PS 13

10.4620.24



DESCRIPTION

Front master cylinder with incorporated reservoir.

Construction Material: Aluminium Alloy.

Operating fluid: brake fluid DOT4.

Clamp with seal for rearview mirror (Right thread).

Master cylinder BODY color:

Black Anodic Oxidation.

Master cylinder LEVER color:

Polishing and Transparent Painting.

TECHNICAL CHARACTERISTICS

Piston diameter:	13.0 mm
Weight:	0.354 Kg
Reservoir volume:	19.5 cm ³
Reservoir volume difference between MAX and MIN level:	11.0 cm ³

AVAILABLE SPARE PARTS

SPARE PARTS CODE	LEVER	CLAMP	CAP	LEVER PIN	WINDOW	SCREW
10.4620.24	110.2706.53	110.4372.19	110.4308.12	110.2798.50	110.4533.10	105.4424.90

Indicating informations subject to modification.
For further specifications contact Technical Section.

LAST UPDATE: 30/08/1995