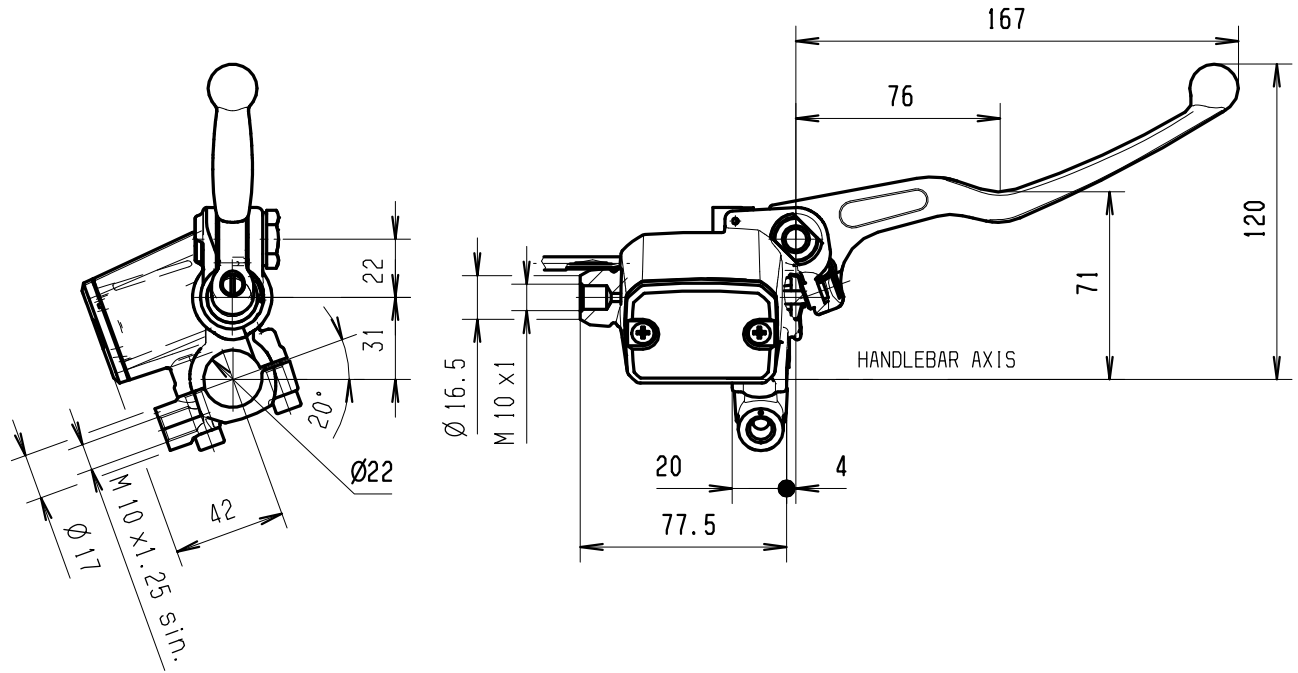




FRONT MASTER CYLINDER

PS 16/22

10.4620.47



DESCRIPTION

Front master cylinder with incorporated reservoir.
 Construction Material: Aluminium Alloy.
 Operating fluid: brake fluid DOT3 - DOT4.
 Clamp with seat for rearview mirror (left thread).

Master cylinder BODY color:
 Black Anodic Oxidation
 Master cylinder LEVER color:
 Black Painting

TECHNICAL CHARACTERISTICS

Piston diameter: 16 mm
 Weight: 0.400 kg
 Reservoir usable volume: 40.0 cm³
 Reservoir volume difference from MAX and MIN level: 26.0 cm³

AVAILABLE SPARE PARTS

SPARE PARTS CODE	LEVER	CLAMP	CAP	LEVER PIN	MICROSWITCH
10.4620.47	110.2706.50	110.4372.16	110.2704.43	110.2798.50	110.4418.26